



A TEREX BRAND



Parts Manual

Serial Number Range

S-40

from SN S4003-7001 to
S4015-21540

S-45

Part No. 89721

Rev J16

November 2018

Go to Discount-Equipment.com to order your parts

PARTS FINDER

**Search Website
by Part Number**



**Search Manual
Library For Parts
Manual & Lookup Part
Numbers – Purchase
or Request Quote**

Search Manuals

Enter your information to help us find the right parts manual for your machine.

* Brand:

* Model:

* Serial:

* Part Number:

SEARCH

**Can't Find Part or
Manual? Request Help
by Manufacturer,
Model & Description**

Parts Order Form

Please fill in the following information to help us find the right part for your machine.

Manufacturer:

Model:

Description:

Part Number:

Quantity:

Price:

Submit

Discount-Equipment.com is your online resource for quality parts & equipment.

Florida: **561-964-4949** Outside Florida TOLL FREE: **877-690-3101**

Need parts?

Click on this link: <http://www.discount-equipment.com/category/5443-parts/> and choose one of the options to help get the right parts and equipment you are looking for. Please have the machine model and serial number available in order to help us get you the correct parts. If you don't find the part on the website or on one of the online manuals, please fill out the request form and one of our experienced staff members will get back to you with a quote for the right part that your machine needs.

We sell worldwide for the brands: Genie, Terex, JLG, MultiQuip, Mikasa, Essick, Whiteman, Mayco, Toro Stone, Diamond Products, Generac Magnum, Airman, Haulotte, Barreto, Power Blanket, Nifty Lift, Atlas Copco, Chicago Pneumatic, Allmand, Miller Curber, Skyjack, Lull, Skytrak, Tsurumi, Husquvarna Target, Stow, Wacker, Sakai, Mi-T-M, Sullair, Basic, Dynapac, MBW, Weber, Bartell, Bennar Newman, Haulotte, Ditch Runner, Menegotti, Morrison, Contec, Buddy, Crown, Edco, Wyco, Bomag, Laymor, EZ Trench, Bil-Jax, F.S. Curtis, Gehl Pavers, Heli, Honda, ICS/PowerGrit, IHI, Partner, Imer, Clipper, MMD, Koshin, Rice, CH&E, General Equipment, Amida, Coleman, NAC, Gradall, Square Shooter, Kent, Stanley, Tamco, Toku, Hatz, Kohler, Robin, Wisconsin, Northrock, Oztec, Toker TK, Rol-Air, APT, Wylie, Ingersoll Rand / Doosan, Innovatech, Con X, Ammann, Mecalac, Makinex, Smith Surface Prep, Small Line, Wanco, Yanmar

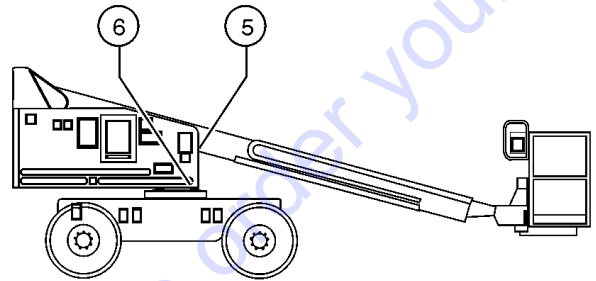
To August 31, 2016

Genie
A TEREX BRAND

Model:
Serial number: S4016H-12345
Manufacture date: 1/2/16 **Model year:** 2016
Electrical schematic number:
Machine unladen weight:
Rated work load (including occupants):
Maximum number of platform occupants:
Maximum allowable side force:
Maximum allowable inclination of the chassis:

S40 16 H - 12345

1 2 3 4



- 1 Model
- 2 Model year
- 3 Facility code

- 4 Serial label (located under cover)
- 5 Serial label (located under cover)
- 6 Serial number (stamped on chassis)

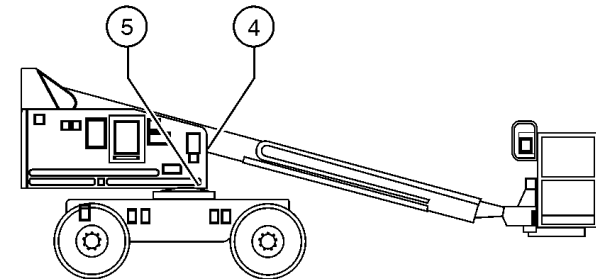
From September 1, 2016

Genie
A TEREX BRAND

Model:
Serial number: S40H-12345
Year of manufacture: 2016
Electrical schematic number:
Machine unladen weight:
Rated work load (including occupants):
Maximum number of platform occupants:
Maximum allowable side force:
Maximum allowable inclination of the chassis:

S40 H - 12345

1 2 3



- 1 Model
- 2 Facility code
- 3 Sequence number

- 4 Serial label (located under cover)
- 5 Serial number (stamped on chassis)

Table of Contents

This manual is updated frequently. For the most up-to-date parts information, visit www.discount-equipment.com

How to Read Your Serial Number.....	3
Parts Stocking List.....	9

Electronic Version

Click on any page number to view the figure.

001 Parts Stocking List

001.1 Parts Stocking List.....	12
--------------------------------	----

100 Decals

101.1 Decals with Words (to SN 18350).....	16
101.2 Decals with Words (from SN 18351).....	20
102.1 Decals with Symbols (to SN 18350).....	22
102.2 Decals with Symbols (from SN 18351).....	26
103.1 Decals with Words, Boom (from SN 18351).....	28
104.1 Decals with Words, Platform (from SN 18351).....	30
105.1 Decals with Symbols, Hydraulic Tank Side (from SN 18531).....	32
106.1 Decals with Symbol, Engine Side (from SN 18531).....	34
107.1 Decals with Symbol, Boom (from SN 18531).....	36
108.1 Decals with Symbol, Platform (from SN 18531).....	38

200 Drive Chassis Components

201.1 2WD Steer Axle Linkage, Oscillating Models.....	40
202.1 2WD Steer Axle Linkage, Non-oscillating Models.....	42
203.1 2WD Steer Axle, Wheels and Hubs.....	44
204.1 2WD Non-steer Axle (to SN 7568).....	48
204.2 2WD Non-steer Axle (from SN 7569).....	50
205.1 4WD Steer Axle Linkage.....	54
206.1 4WD Steer Axle - Wheels and Hubs.....	56
207.1 4WD Non-steer Axle (to SN 7568).....	60
207.2 4WD Non-steer Axle (from SN 7569).....	62
208.1 Oscillation Control Valve.....	66
209.1 Trax Option Steer End.....	68
210.1 Trax Option Non-Steer End.....	72
211.1 Trax Option Idler Assembly.....	74

300 Turntable Components

301.1 Hydraulic and Fuel Tanks - Gasoline/LPG.....	76
302.1 Hydraulic and Fuel Tanks - Diesel.....	80
302.2 Hydraulic and Fuel Tanks - Deutz D2.9L4.....	82
302.3 Hydraulic and Fuel Tanks - Perkins 404F-22.....	84
303.1 Function Manifold, Plug to Platform and Auxiliary Power Unit.....	86
304.1 Turntable Rotator and Hydraulic Rotary Coupler Installation.....	88
305.1 Turntable Rotation Drive Hub.....	90
306.1 Ground Control Box - View 1 (to SN 20504).....	92
306.2 Ground Control Box - View 2 (to SN 20504).....	96
306.3 Ground Control Box (from SN 20505).....	98
307.1 Ground Control Box - Deutz D2.9L4 (to SN 20504).....	102
307.2 Ground Control Box - Perkins 404F-22 (to SN 20504).....	106
307.3 Ground Control Box - Deutz D2.9L4 and Perkins 404F-22 (from SN 20505).....	110
308.1 Turntable Covers - View 1 (Tank Side).....	114
309.1 Turntable Covers - View 2 (Engine Side).....	116
310.1 Turntable Covers, S-40 - View 3.....	118
310.1 Turntable Covers, S-45 - View 3.....	120
311.1 Wire Harness and Power Cable Assemblies.....	122

400 Engine Components

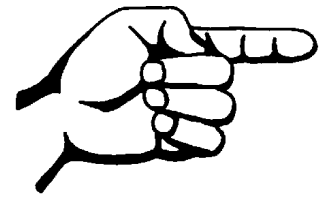
401.1 Perkins 704-30 Engine - View 1 (to SN 7471).....	126
402.1 Perkins 704-30 Engine - View 2 (to SN 7471).....	128
403.1 Perkins 704-30 Engine - View 3 (to SN 7471).....	130
404.1 Perkins 704-30 Engine - View 4 (to SN 7471).....	132
405.1 Perkins 404D-22 Engine - View 1 (from SN 7472).....	134
406.1 Perkins 404D-22 Engine - View 2 (from SN 7472).....	138
407.1 Perkins 404D-22 Engine - View 3 (from SN 7472).....	140
408.1 Deutz F3L 1011F Engine - View 1 (to SN 7543).....	142
409.1 Deutz F3L 1011F Engine - View 2 (to SN 7543).....	144
410.1 Deutz F3L 1011F Engine - View 3 (to SN 7543).....	146
411.1 Deutz F3L 2011/ D2011L03i Engine - View 1 (from SN 7544).....	148
412.1 Deutz F3L 2011/ D2011L03i Engine - View 2 (from SN 7544).....	150
413.1 Ford LRG-425 EFI Engine - View 1 (to SN 7596).....	154
414.1 Ford LRG-425 EFI Engine - View 2 (to SN 7596).....	156
415.1 Ford LRG-425 EFI Engine - View 3 (to SN 7596).....	158
416.1 Ford LRG-425 EFI Engine - View 1 (from SN 7597 to 11066).....	160
417.1 Ford LRG-425 EFI Engine - View 2 (from SN 7597 to 11066).....	162
418.1 Ford LRG-425 EFI Engine - View 3 (from SN 7597 to 11066).....	164

419.1 Ford DSG-423 EFI Engine - View 1 (from SN 11067 to 17231).....	166	701.2 Function Manifold (from SN 16791).....	242
420.1 Ford DSG-423 EFI Engine - View 2 (from SN 11067 to 17231).....	168	702.1 Traction Manifold (to SN 7568).....	246
421.1 Ford DSG-423 EFI Engine - View 3 (from SN 11067 to 17231).....	170	702.2 Traction Manifold (from SN 7569 to 15822).....	248
422.1 Ford DSG-423 EFI Engine - View 4 (from SN 11067 to 17231).....	174	702.3 Traction Manifold (from SN 15823).....	250
423.1 Ford MSG-425 EFI Engine - View 1 (from SN 17232).....	176	703.1 Two-Speed/Brake Manifold.....	252
424.1 Ford MSG-425 EFI Engine - View 2 (from SN 17232).....	178	704.1 Jib Select, Platform Rotate and Generator Manifolds.....	254
425.1 Ford MSG-425 EFI Engine - View 3 (from SN 17232).....	180	705.1 Oil Diverter Manifold (welder option).....	256
426.1 Ford MSG-425 EFI Engine - View 4 (from SN 17232).....	182	706.1 Hydraulic Pumps.....	258
427.1 Deutz D2.9L4 Engine, View 1 (from SN 18351).....	184	707.1 Hydraulic Hoses and Fittings - 2WD Drive and Steer System (to SN 7568).....	260
428.1 Deutz D2.9L4 Engine, View 2 (from SN 18351).....	186	707.2 Hydraulic Hoses and Fittings - 2WD Drive and Steer System (from SN 7569).....	262
429.1 Deutz D2.9L4 Engine, View 3 (from SN 18351).....	188	708.1 Hydraulic Hoses and Fittings - 4WD Drive and Steer System (to SN 7568).....	264
430.1 Deutz D2.9L4 Engine, View 4 (from SN 18351).....	190	708.2 Hydraulic Hoses and Fittings - 4WD Drive and Steer System (from SN 7569).....	266
431.1 Deutz D2.9L4 Engine, View 5 (from SN 18351).....	192	709.1 Hydraulic Hoses and Fittings - Oscillate System.....	268
432.1 Perkins 404F-22 Engine, View 1 (from SN 18583).....	194	710.1 Hydraulic Hoses and Fittings - Turntable.....	270
433.1 Perkins 404F-22 Engine, View 2 (from SN 18583).....	196	711.1 Hydraulic Hoses and Fittings - Boom Components.....	274
434.1 Perkins 404F-22 Engine, View 3 (from SN 18583).....	198	712.1 Hydraulic Hoses and Fittings - Boom Components.....	276
435.1 Perkins 404F-22 Engine, View 4 (from SN 18583).....	200		
436.1 Engine Tray, Battery and Filter Installation.....	202		
500 Boom Components		800 Accessories	
501.1 Boom Lift and Master Leveling Cylinder Installation.....	204	801.1 Alarm and Beacon Package, Drive Light Option.....	278
502.1 Boom Assembly, S-40.....	206	802.1 Platform Options.....	280
503.1 Boom Assembly, S-45.....	208	803.1 Ground and Platform Control Box Covers Options.....	284
504.1 Cable Track Installation (to SN 17958).....	210	804.1 Platform Overload - European Models.....	286
504.2 Cable Track Installation (from SN 17959).....	212	805.1 Platform Half-Mesh and Pipe Cradle.....	288
505.1 Slave Cylinder and Platform Rotator, S-40 model.....	214	806.1 Air Line to Platform.....	290
506.1 Jib Boom and Platform Rotator, S-45 model (to SN 14241).....	216	807.1 Cold Start Package (to SN 18186).....	292
506.2 Jib Boom and Platform Rotator, S-45 model (from SN 14242).....	218	807.2 Cold Start Package (from SN 18187).....	294
600 Platform Components		808.1 Hydraulic Generator Option - View 1 (to SN 16452).....	296
601.1 Platform Installation - View 1.....	220	809.1 Hydraulic Generator Option - View 2 (to SN 16452).....	298
602.1 Platform Installation - View 2.....	224	810.1 Hydraulic Generator Option (MTE) - View 1 (from SN 16453).....	300
603.1 Platform Control Box - View 1 (to SN 20504).....	228	811.1 Hydraulic Generator Option (MTE) - View 2 (from SN 16453).....	302
603.2 Platform Control Box - View 1 (from SN 20505).....	230	812.1 Welder Option, Chassis Components - View 1.....	304
604.1 Platform Control Box - View 2.....	232	813.1 Welder Option, Platform Components - View 2 (to SN 19293).....	306
605.1 Joysticks (to SN 12509).....	234	813.1 Welder Option, Platform Components - View 2 (to SN 19293).....	308
605.2 Joysticks (from SN 12510).....	236	813.2 Welder Option, Platform Components - View 2 (from SN 19294).....	310
700 Hydraulic Components		814.1 Hoses and Fittings - Welder.....	312
701.1 Function Manifold (to SN 16790).....	238	815.1 Hydraulic Oil Cooler Option.....	314
		816.1 Hostile Environment Package - View 1.....	316
		817.1 Hostile Environment Package - View 2.....	318
		818.1 Hostile Environment Package - View 3.....	320

Table of Contents (continued)

819.1 Hostile Environment Package - View 4.....	322
820.1 Hostile Environment Package - View 5.....	324
821.1 Gauge Option (to SN 20504).....	326
821.2 Gauge Option (from SN 20505).....	328
822.1 Panel Cradle Option.....	330
823.1 Second LPG Carrier Option.....	332
824.1 Tow Package.....	334
825.1 Aircraft Protection Package (from SN 15675 to 19214).....	336
825.2 Aircraft Protection Package (from SN 19215).....	338
826.1 Operator Protection Structure (from SN 7080).....	340
827.1 Operators Protection Alarm.....	342
828.1 Fall Arrest Bar.....	344
Indices	
Part Number Index.....	346
Part Description Index.....	358
Cross References	
Fittings Cross Reference.....	376

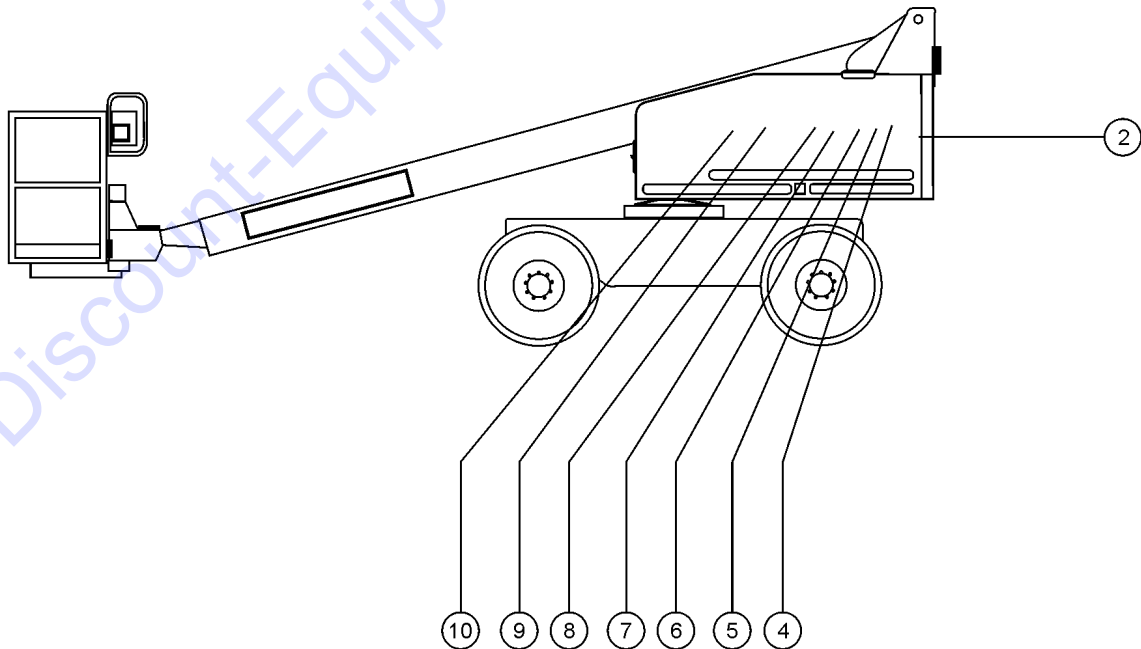
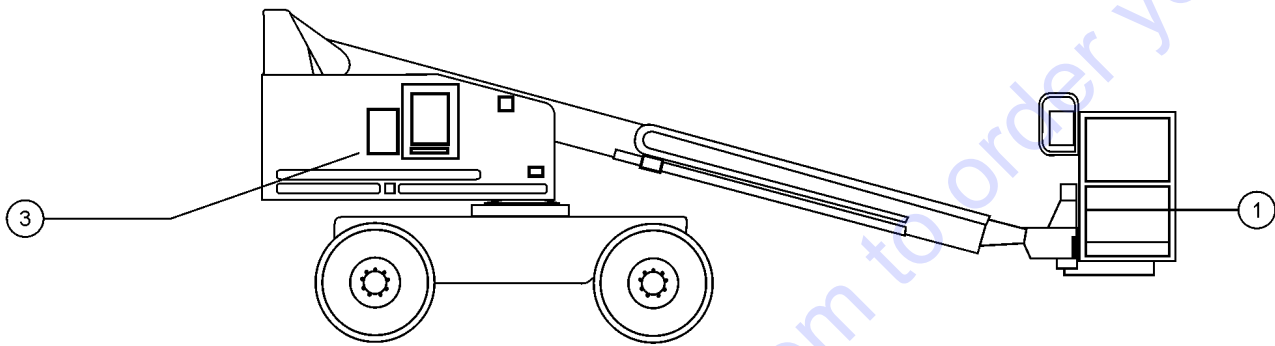
Please refer to section 001 for the Recommended
Spare Parts List.



This page intentionally left blank.

Go to Discount-Equipment.com to order your parts

001.1 Parts Stocking List



001.1 Parts Stocking List

Item	Part No.	Description	Qty.	Item	Part No.	Description	Qty.
A		— INSPECTION SERVICE KITS —		--	62422GT	FILTER,OIL,PERKINS 704-30 (BB) (refer to 402.1)	
--				--	62423GT	BELT,V KIT, PERKINS 704-30 (refer to 403.1)	
--	1278708GT	KIT,ENGINE SERVICE,250 HOUR,DEUTZ D2.9,,Z45/S40/S60/Z62/RT90 Deutz D2.9L4 Models, (includes 49924, 62420, 214228 and 236260)		--	65853GT	FILTER,FUEL/WATER SEPARATOR*** (refer to 402.1)	
--	1278709GT	KIT,ENGINE SERVICE,250 HOUR,FDMSG425,Z45/S40/S60/Z62/RT90 Ford MSG425 Models, (includes 77295, 119984, and 215292)		5		—Perkins 404D-22 Models— (from SN 7472)	
--	1278710GT	KIT,ANNUAL INSPECTION,S40/45 (includes 46014, 60857,and 89616)		--	62420GT	FILTER,AIR*** (refer to 406.1)	
B		— GENERAL SERVICE PARTS —		--	62421GT	FILTER,FUEL,PERKINS (refer to 406.1)	
B	1258567GT	PAINT, AEROSOL, TRAFFIC BLACK 12-ounce spray paint		--	62433GT	FILTER,ELEMENT,30 MIC,75020 (refer to 405.1)	
B	28750GT	O-RING KIT,FIELD SVC,ALL PROD* O-ring kit, SAE		--	89765GT	BELT, V (PERKINS 404) Perkins 404D-22 Models (from SN 7472) (refer to 407.1)	
B	32151GT	PAINT,WET,GENIE GRAY (1 GL)** 1-gallon		--	94762GT	OIL FILTER - PERKINS (refer to 405.1)	
B	66399GT	GREASE,DIELECTRIC 4 OZ**		6		—Perkins 404F-22 Models— (from SN 18583)	
B	93500GT	PARKER DIGITAL PRESSURE GAUGE		--	1262487GT	BELT,AIR PUMP,PERKINS 404F-22T (refer to 435.1)	
--				--	62420GT	FILTER,AIR*** (refer to 433.1)	
--	1257733GT	PAINT,WET,TRAFFIC BLACK (1 GL)** 1-gallon		--	62421GT	FILTER,FUEL,PERKINS (refer to 432.1)	
--	1268GT	PAINT,AEROSOL,GENIE GRAY*** 12-ounce spray paint		--	62433GT	FILTER,ELEMENT,30 MIC,75020 (refer to 433.1)	
--	1283776GT	SEAL MARKER,CROSS CHECK,BLUE,TUBE		--	89765GT	BELT, V (PERKINS 404) (refer to 435.1)	
--	32150GT	PAINT,WET,GENIE BLUE (1 GL)** 1-gallon		--	94762GT	OIL FILTER - PERKINS (refer to 432.1)	
--	33994GT	PLUG AND CAP KIT-SERVICE,37 ** Plug and cap kit, SAE		--	94889GT	FUEL FILTER ASSEMBLY (refer to 432.1)	
--	49612GT	O-RING KIT (ORFS FITTINGS) O-ring kit, Parker		7		—Deutz F3L-1011F Models— (to SN 7543)	
1		— MANUALS —		--	29560GT	FILTER,FUEL/WTR SEP, DTZ 1008 (refer to 410.1)	
--	27581GT	MANUAL,AEM SAFETY		--	32698GT	BELT,V, DEUTZ DIESEL ENGINE (refer to 412.1)	
--	31779GT	MANUAL,RESPON,A92.5 BOOM		--	49924GT	FILTER,OIL,DEUTZ F4L1011F (refer to 410.1)	
2		— HYD FILTERS —		--	62420GT	FILTER,AIR*** (refer to 410.1)	
--	60857GT	FILTER,ELEMENT,BETA(5)=1000 (refer to figure 436.1)		8		—Deutz F3L-2011/Deutz D2011L03i Models— (from SN 7544)	
3	89616GT	FILTER ELEMENT,3 MICRON*** (refer to figure 301.1)		--	29560GT	FILTER,FUEL/WTR SEP, DTZ 1008 (refer to 412.1)	
4		—Perkins 704-30 Models— (to SN 7471)		--	32698GT	BELT,V, DEUTZ DIESEL ENGINE (refer to 412.1)	
--	62420GT	FILTER,AIR*** (refer to 402.1)					
--	62421GT	FILTER,FUEL,PERKINS (refer to 402.1)					

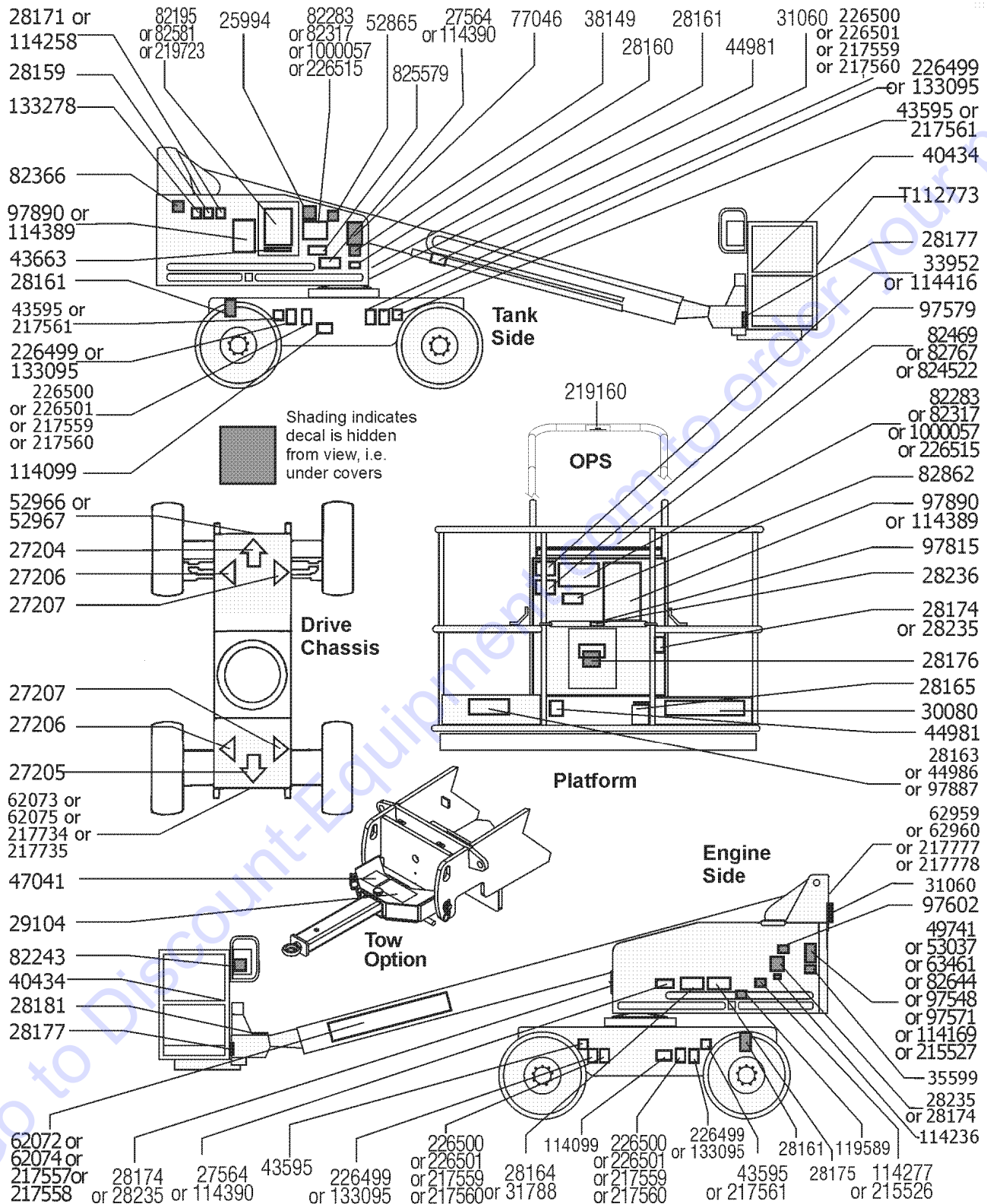
001.1 Parts Stocking List
(continued)

Item	Part No.	Description	Qty.
--	49924GT	FILTER,OIL,DEUTZ F4L1011F (refer to 412.1)	
--	62420GT	FILTER,AIR*** (refer to 412.1)	
--	70496GT	STRAINER,FUEL 40 MICRON (refer to 411.1)	
9		—Deutz D2.9L4 Models — (from SN 18351)	
--	1262487GT	BELT,AIR PUMP,PERKINS 404F-22T (refer to 430.1)	
--	1262866GT	FAN BELT, ALTERNATOR (refer to 430.1)	
--	214228GT	FILTER, DEUTZ 2.9, FUEL (refer to 431.1)	
--	236260GT	PRE-FILTER,FUEL,DEUTZ TCD3.6 (refer to 431.1)	
--	49924GT	FILTER,OIL,DEUTZ F4L1011F (refer to 428.1)	
--	62420GT	FILTER,AIR***	
10		—Ford LRG-425 Models— (to SN 7596)	
--	28647GT	SPARK PLUG,FORD (refer to 413.1)	
--	28656GT	FILTER,OIL,FORD (refer to 413.1)	
--	33957GT	VALVE,PCV-FORD LRG*** (refer to 413.1)	
--	52179GT	FILTER, FUEL LRG 425/423 EFI (refer to 301.1)	
--	52580GT	BELT,SERPENTINE,LRG425 EFI*** (refer to 413.1)	
--	58967GT	FUEL PRESSURE REG,425EFI*** (refer to 413.1)	
--	62420GT	FILTER,AIR*** (refer to 413.1)	
11		—Ford LRG-425 Models— (from SN 7597 to 11066)	
--	106490GT	SPARK PLUG, FORD LRG425 (refer to 418.1)	
--	28656GT	FILTER,OIL,FORD (refer to 418.1)	
--	33957GT	VALVE,PCV-FORD LRG*** (refer to 418.1)	
--	52179GT	FILTER, FUEL LRG 425/423 EFI (refer to 301.1)	
--	52580GT	BELT,SERPENTINE,LRG425 EFI*** (refer to 418.1)	
--	58967GT	FUEL PRESSURE REG,425EFI*** (refer to 417.1)	
--	77295GT	FILTER ELEMENT,AIR,NOLFF LPG (refer to 416.1)	

This Page Intentionally Left Blank

Go to Discount-Equipment.com to order your parts

101.1 Decals with Words (to SN 18350)



101.1 Decals with Words (to SN 18350)

Item	Part No.	Description	Qty.	Item	Part No.	Description	Qty.
--	89834GT	DECAL KIT,INSTR, GAS, 2003 <i>Gasoline/LPG models; includes items 2-7, 9, 10, 12-14, 16-19, 21-26, 29, 30, 44-47, 51 and 57; to SN 7181</i>		12	28164GT	DECAL,NOTICE,HAZARDOUS MAT'LS*.....1 <i>to SN 14677</i>	1
--	89835GT	DECAL KIT,INST.S40 DIESEL,2003 <i>Diesel models; includes items 2-6, 8, 10, 12-14, 16-19, 21-30, 44-47, 51 and 57; to SN 7181</i>		--	31788GT	DECAL,DANGER,BATTERY SAFETY*** <i>from SN 14678</i>	
--	102150GT	DECAL KIT,WORDS, S40/45 <i>includes items 1-5, 7-10, 12-14, 16-19, 21-30, 36, 43-49, and 51; from SN 7182 to SN 9752</i>		13	28165GT	DECAL,INSTRUCT,FOOTSWITCH OPER.....1	1
--	111322GT	DECAL KIT,WORDS, S40/45 <i>includes items 1-5, 7-10, 12-14, 16-19, 21-30, 36, 43-49, and 51; from SN 9753 to 14677</i>		14	28171GT	DECAL,DANGER,NO SMOKING ***.....1 <i>to SN 14677</i>	1
--	122886GT	DECAL KIT,WORDS, SERV, S40/45 <i>includes items 1-5, 7-10, 12-14, 16-19, 21-30, 32, 36, 43-48, 51 and 58; from SN 14678</i>		--	114258GT	DECAL,DANGER,NO SMOKING <i>from SN 14678</i>	
--	229352GT	KIT,WHEEL LOAD DECAL S40 2ND <i>Kit includes operator manual for units with SN 832 to 7189 and decal part 226500</i>		15	28174GT	DECAL, POWER TO PLATFORM 230V**.....2	2
--	228844GT	KIT,WHEEL LOAD DECAL S40 3RD <i>Kit includes operator manual for units with SN 7190 to 9752 and decal part 226500</i>		16	28175GT	DECAL,WARNING-COMPART ACCESS.....1	1
--	228846GT	KIT,WHEEL LOAD DECAL S40 4TH <i>Kit includes operator manual for units with SN 9753 to 14677 and decal part 226500</i>		17	28176GT	DECAL,LABEL,MANUAL NOT HERE.....1	1
--	228836GT	KIT,WHEEL LOAD DECAL S40 <i>Kit includes operator manual for units from SN 14678 and decal part 226500</i>		18	28177GT	DECAL,WARN,CRUSH HAZARD PLAT.....2	2
1	25994GT	DECAL,NOTICE,SHUTOFF VALVES.....1		19	28181GT	DECAL,WARN,FALL HAZARD.....1	1
2	27204GT	DECAL,ARROW BLUE.....1		20	28235GT	DECAL,POWER TO PLATFORM 115V...2	2
3	27205GT	DECAL,ARROW YELLOW LRG 9".....1		21	28236GT	DECAL,WARN,IMPROPER OPERATION.....1	1
4	27206GT	DECAL,TRIANGLE,BLUE.....2		22	30080GT	DECAL,NOTICE,MAX LOAD 500 LBS...1	1
5	27207GT	DECAL,TRIANGLE,YELLOW.....2		23	31060GT	DECAL,DANGER DO NOT ALTER SWTC.....3	3
6	27564GT	DECAL,DANGER,ELEC.HAZ.STAY CLR.....2 <i>to SN 14677</i>		24	97890GT	DECAL,DANGER,GEN SAFETY RULES.....2 <i>to SN 9752</i>	2
--	114390GT	DECAL,DANGER,ELECT HAZARD*** <i>from SN 14678</i>		--	114389GT	DECAL,DANGER,GENERAL SAFETY <i>from SN 14678</i>	
7	28158GT	DECAL,LABEL,UNLEADED GAS ONLY.....1		--	97890GT	DECAL,DANGER,GEN SAFETY RULES <i>from SN 9753 to SN 14677</i>	
8	28159GT	DECAL,DIESEL.....1		25	226499GT	DECAL,NOTICE,TIRE PRESSURE.....4	4
9	28160GT	DECAL,LABEL,LIQUID PROPANE.....2		26	33952GT	DECAL,DANGER,TILT ALARM.....1 <i>to SN 14677</i>	1
10	28161GT	DECAL,WARN,CRUSH HAZARD HAND.....3		--	114416GT	DECAL,DANGER,TIPOVER,TILT <i>from SN 14678</i>	
11	97887GT	DECAL,INSTR,MAX SIDE FRC,ANSI.....1 <i>to SN 9752</i>		27	35599GT	DECAL,NOTICE,AIR INLET***.....1	1
--	97887GT	DECAL,INSTR,MAX SIDE FRC,ANSI <i>from SN 9753</i>		28	38149GT	DECAL,LABEL,PATENTS.....1	1
				29	40434GT	DECAL,LANYARD ANCHORAGE POINT.....8	8
				30	43663GT	DECAL,NOTICE, FUNCTION ENABLE*.....1 <i>to SN 7180</i>	1
				31	44981GT	DECAL,LABEL, AIR LINE 110 PSI.....2	2
				32	49741GT	DECAL,NOTICE,FORD EFI ENG SPEC.....1 <i>to SN 7596</i>	1
				--	114169GT	DECAL,FORD ENGINE SPEC DSG423 <i>from SN 11067 to SN 17231</i>	

101.1 Decals with Words (to SN 18350)
(continued)

Item	Part No.	Description	Qty.	Item	Part No.	Description	Qty.
--	215527GT	DECAL,FORD ENGINE SPEC MSG425 <i>from 17232</i>		--	82767GT	DECAL,PLATFORM CONTROL PANEL** <i>from SN 7182</i>	
--	97571GT	DECAL,NOTICE,FORD ENG SPECS T2 <i>from SN 7597 to SN 11066</i>		--	89836GT	DECAL,PROTCTR,CLEAR,PLATE*	
33	44986GT	DECAL,INSTR,SIDE FRC/WIND,AUS.....1 <i>Australia Models; European models; to SN 9752</i>		52	114277GT	DECAL,LABEL,BELT ROUTING DSG.....1 <i>Ford models; to SN 17231</i>	
34	52966GT	DECAL,COSMETIC,4 X 2.....1		--	215526GT	DECAL,LABEL,BELT,MSG425 <i>from SN 17232</i>	
35	52967GT	DECAL,COSMETIC,4 X 4.....1		53	119589GT	Caution - 12V Electrical.....1 <i>Ford DSG-423 models; from SN 11067</i>	
36	53037GT	DECAL,NOTICE,DEUTZ ENG SPEC.....1 <i>to SN 7543</i>		54	114099GT	DECAL,LABEL,TRANSPORT DIAGRAM.....2	
--	133278GT	DECAL,LOW/ULTRA LOW SULFR FUEL <i>Deutz Models; from SN 15151</i>		55	82862GT	DECAL,FIRE EXTINGUISHER.....1	
--	33986GT	DECAL,NOTICE,DEUTZ ENG SPEC <i>to SN 7543</i>		56	97579GT	DECAL,DANGER,TIP-OVER,WELDER**.1	
--	822131GT	DECAL, ENGINE SPEC, D2.9 <i>Deutz D2.9L4; from SN 18351</i>		57	133095GT	DECAL,NOTICE,HI FLOAT TIRES.....4	
--	97548GT	DECAL,ENGINE SPEC,DEUTZ 2011 <i>Deutz Models; from SN 7544</i>		58	52865GT	DECAL,ANNUAL INSP*** <i>from SN 14678</i>	
38	62072GT	DECAL,COSMETIC,GENIE S-40***.....1		59	133095GT	DECAL,NOTICE,HI FLOAT TIRES.....4 <i>Australia Model</i>	
39	62073GT	DECAL,COSMETIC,S40.....1		60	226515GT	DECAL,INSTRUCTIONS S40/45 AUS.....2 <i>Australia Model</i>	
40	62074GT	DECAL,COSMETIC,GENIE S-45***		61	43595GT	DECAL,DANGER,TIP-OVER,TIRES***...1 <i>Australia Model</i>	
41	62959GT	DECAL,COSMETIC,S40,10".....1		62	T112773GT	TAPE, PROTECTIVE MASK.....2 <i>from SN 16055</i>	
43	63461GT	DECAL, ENGINE SPEC, PERKINS.....1 <i>to SN 7471</i>		63	28174GT	DECAL, POWER TO PLATFORM 230V** <i>(MTE) generator option; from SN 16453</i>	
--	133238GT	DECAL,ENGINE SPEC,PERKINS*** <i>from SN 15151</i>		64	28235GT	DECAL,POWER TO PLATFORM 115V <i>(MTE) generator option; from SN 16453</i>	
--	133278GT	DECAL,LOW/ULTRA LOW SULFR FUEL <i>Perkins Models; from SN 15151</i>		65	114236GT	DECAL,LABEL,CB SYMBOL <i>(MTE) generator option; from SN 16453</i>	
--	822004GT	DECAL, ENGINE SPEC, 404F-22 <i>Perkins 404F-22; from SN 18583</i>		66	29104GT	DECAL,TOWING INSTRUCTIONS <i>Tow option</i>	
--	82644GT	DECAL, ENGINE SPEC, PERKINS <i>from SN 7472 to SN 15150</i>		67	47041GT	DECAL,CAUTION,TOWING SPEED <i>Tow option</i>	
44	82243GT	DECAL FAULT CODE.....1		68	217561GT	DECAL, DANGER, TIP OVER, TRAX.....4 <i>Trax option</i>	
45	82317GT	DECAL,NOTICE,OPERATING INST.**.....2 <i>to SN 7181</i>		69A	217559GT	DECAL, MAX TRACK LOAD, S40, TR.....4 <i>Trax option</i>	
--	1000057GT	DECAL,NOTICE,OPER INST.IC <i>from SN 9753</i>		70	217734GT	DECAL, COSMETIC, DRIVE, S40 TR.....1 <i>Trax option</i>	
--	82283GT	DECAL,NOTICE,OPER INST.IC*** <i>from SN 7182 to SN 9752</i>		71	217777GT	DECAL, COSMETIC, SWING, S40 TR....1 <i>Trax option</i>	
46	82366GT	DECAL,CHEVRON RANDO HD.....1		72A	217557GT	DECAL, COSMETIC, BOOM, S40, TR....1 <i>Trax option</i>	
47	82195GT	DECAL,GROUND CONTROL PANEL.....1 <i>to SN 7181</i>		72B	217558GT	DECAL, COSMETIC, BOOM, S45, TR <i>(S-45 Trax)</i>	
--	82581GT	DECAL,GROUND CONTROL PANEL <i>from SN 7182</i>		73	219723GT	DECAL,GROUND BOX,TIER IV <i>models with Deutz D2.9L4 or Perkins 404F-22</i>	
48	226500GT	DECAL,LABEL,WHEEL LOAD S-40.....4		74	824522GT	DECAL, S40 TIER IV PBOX <i>models with Deutz D2.9L4 or Perkins 404F-22</i>	
50	77046GT	SERIAL # LABEL,MYLAR 4X8***.....1					
51	82469GT	DECAL,PLATFORM CONTROL PANEL <i>to SN 7181</i>					
--	82242GT	DECAL,LABEL,FUEL SELECT PATCH <i>Ford models</i>					

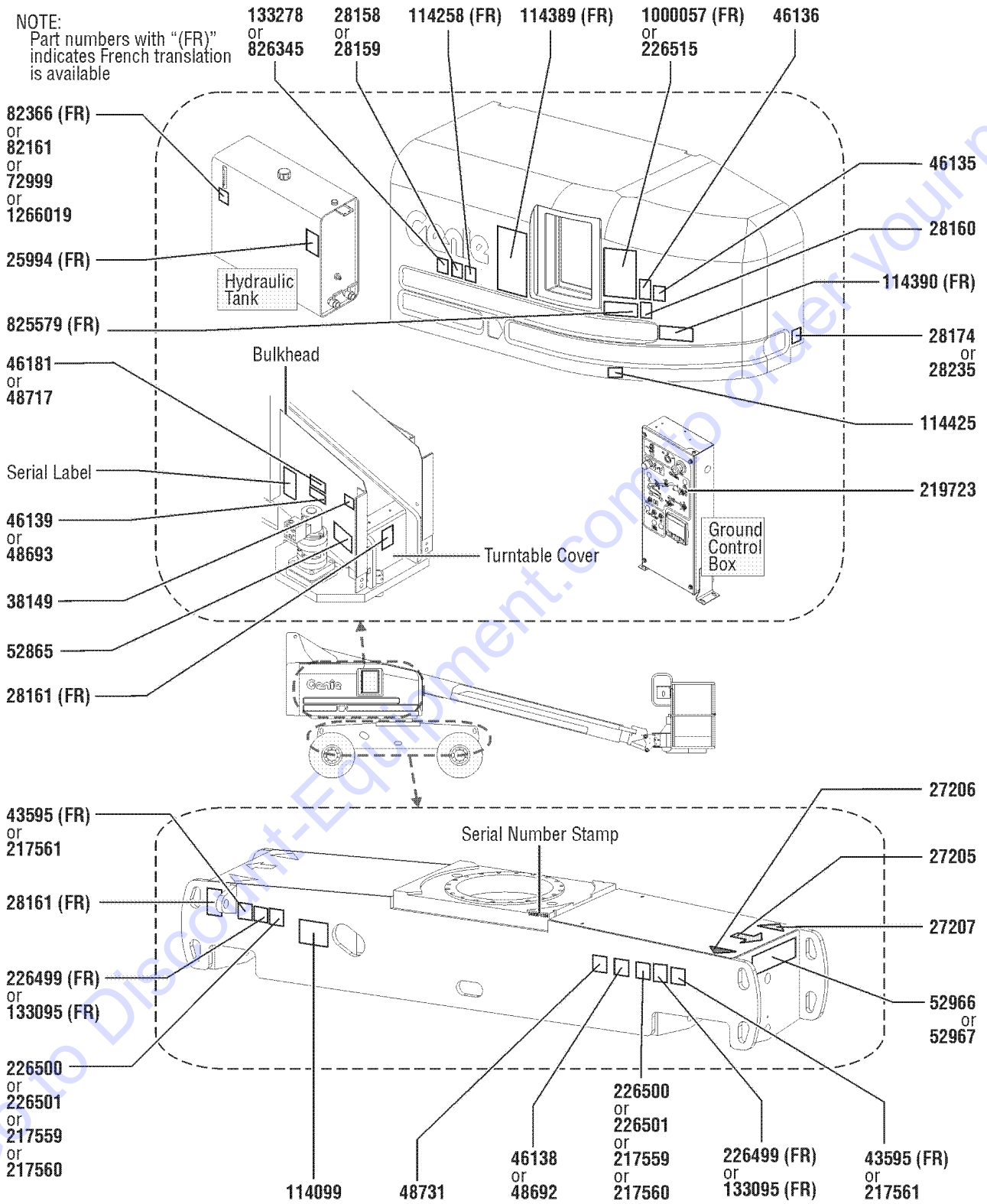
101.1 Decals with Words (to SN 18350)
(continued)

Item	Part No.	Description	Qty.
75	825579GT	DECAL, LCD, TIER 4 <i>models with Deutz D2.9L4 or Perkins 404F-22</i>	
76	219160GT	DECAL, INSTRUCTION, OPS.....1 <i>option</i>	
77	97815	DECAL,LABEL,LOWER MIDRAIL.....1	

Go to Discount-Equipment.com to order your parts

101.2 Decals with Words (from SN 18351)

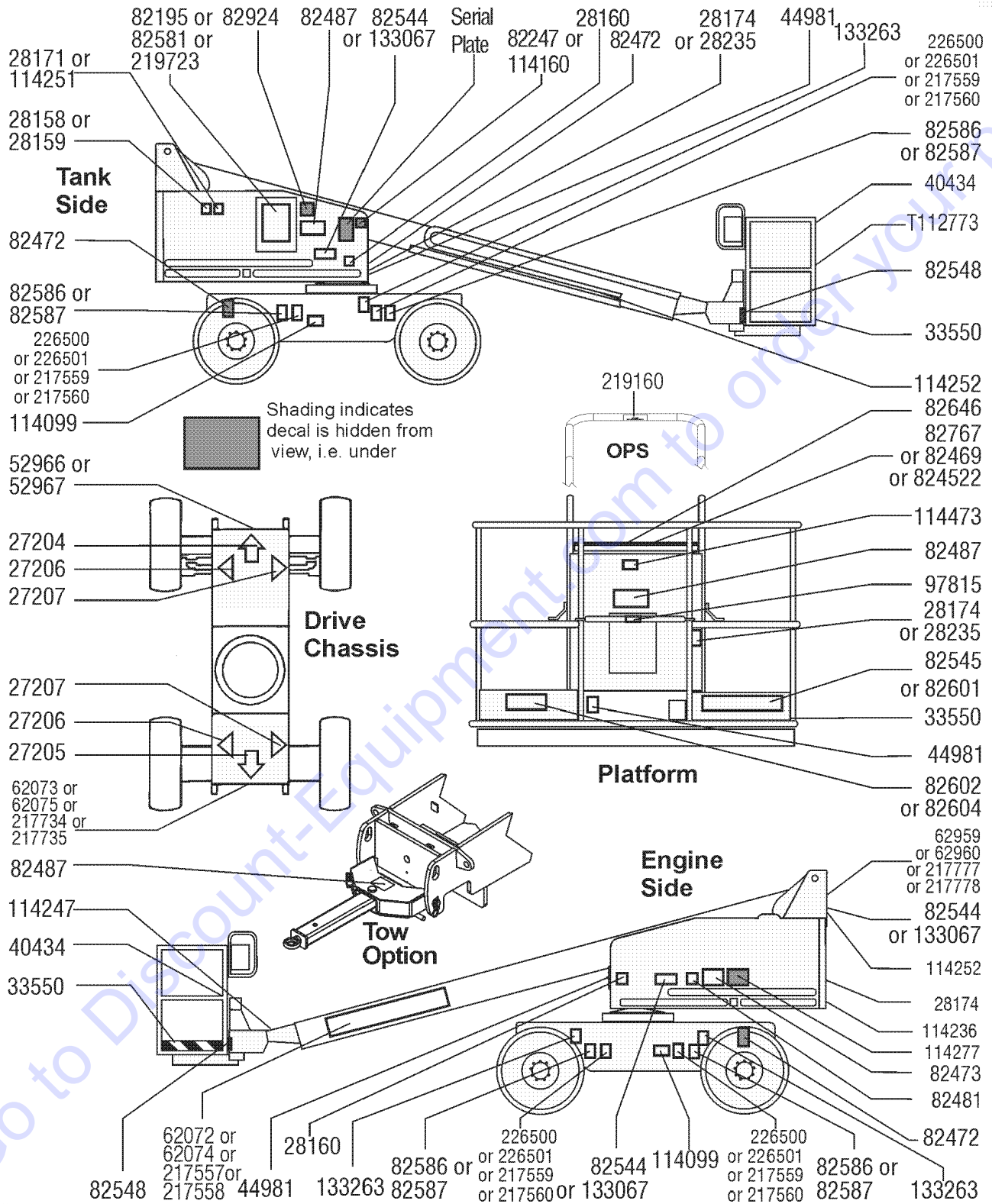
NOTE:
Part numbers with "(FR)" indicates French translation is available



101.2 Decals with Words (from SN 18351)

Item	Part No.	Description	Qty.	Item	Part No.	Description	Qty.
1	25994GT	DECAL,NOTICE,SHUTOFF VALVES.....1		28	114099GT	DECAL,LABEL,TRANSPORT DIAGRAM.....1	
2	27205GT	DECAL,ARROW YELLOW LRG 9".....1		29	114258GT	DECAL,DANGER,NO SMOKING.....1	
3	27206GT	DECAL,TRIANGLE,BLUE.....1		30	114389GT	DECAL,DANGER,GENERAL SAFETY....1	
4	27207GT	DECAL,TRIANGLE,YELLOW.....1		31	114390GT	DECAL,DANGER,ELECT HAZARD***....1	
5	28158GT	DECAL,LABEL,UNLEADED GAS ONLY.....1 <i>Option, fuel</i>		32	114425GT	DECAL,BATTERY DISCONNECT.....1 <i>Option, FMRC</i>	
6	28159GT	DECAL,DIESEL.....1 <i>Option, fuel</i>		33	133095GT	DECAL,NOTICE,HI FLOAT TIRES.....2 <i>(Hi-floatation)</i>	
7	28160GT	DECAL,LABEL,LIQUID PROPANE.....1 <i>Option, LPG</i>		34	133278GT	DECAL,LOW/ULTRA LOW SULFR FUEL.....1 <i>(Deutz D2011L03i and Perkins 404D-22)</i>	
8	28161GT	DECAL,WARN,CRUSH HAZARD HAND.....2		35	217559GT	DECAL, MAX TRACK LOAD, S40, TR.....2 <i>(S-40 Trax)</i>	
9	28174GT	DECAL, POWER TO PLATFORM 230V**.....1		36	217560GT	DECAL, MAX TRACK LOAD, S45, TR.....2 <i>(S-45 Trax)</i>	
10	28235GT	DECAL,POWER TO PLATFORM 115V...1		37	217561GT	DECAL, DANGER, TIP OVER, TRAX.....2 <i>S-40 Trax and S-45 Trax Only</i>	
11	38149GT	DECAL,LABEL,PATENTS.....1 <i>US Only</i>		38	219723GT	DECAL,GROUND BOX,TIER IV.....1	
12	43595GT	DECAL,DANGER,TIP-OVER,TIRES***...2 <i>(AUS Only)</i>		39	226499GT	DECAL,NOTICE,TIRE PRESSURE.....2 <i>(Air filled or foam filled)</i>	
13	46135GT	DECAL NOTICE,GASOLINE TANK.....1 <i>Option, FMRC</i>		40	226500GT	DECAL,LABEL,WHEEL LOAD S-40.....2 <i>(S-40)</i>	
14	46136GT	DECAL,WARNING,EXPLOSION HAZARD.....1 <i>Option, FMRC</i>		41	226501GT	DECAL,LABEL,WHEEL LOAD S-45.....2 <i>(S-45)</i>	
15	46138GT	DECAL,GS/LPS (4"X4").....1 <i>Option, FMRC</i>		42	226515GT	DECAL,INSTRUCTIONS S40/45 AUS....1 <i>(AUS)</i>	
16	46139GT	L,NAMEPLT,USE UNDERWRITE LAB...1 <i>Option, FMRC</i>		43	825579GT	DECAL, LCD, TIER 4.....1 <i>(Deutz D2.9 L4 and Perkins 404F-22)</i>	
17	46181GT	DECAL,FMRC APPROVAL,PLATE,LPS.....1 <i>Option, FMRC</i>		44	826345GT	DECAL,ULS DIESEL ONLY,TIER 4.....1 <i>(Deutz D2.9 L4 and Perkins 404F-22)</i>	
18	48692GT	DECAL,DS (4"X4").....1 <i>Option, FMRC</i>		45	1000057GT	DECAL,NOTICE,OPER INST.IC.....1 <i>(ANSI & CSA)</i>	
19	48693GT	DCL,NAMEPLT,USE UNDERWRITE LAB.....1 <i>Option, FMRC</i>		46	1266019GT	DECAL, LABEL, SHELL TELLUS.....1 <i>Option, hydraulic oil</i>	
20	48717GT	DECAL,FMRC APPROVAL, PLATE,DS.....1 <i>Option, FMRC</i>					
22	52865GT	DECAL,ANNUAL INSP***.....1 <i>US Only</i>					
23	52966GT	DECAL,COSMETIC,4 X 2.....1 <i>Option, drive</i>					
24	52967GT	DECAL,COSMETIC,4 X 4.....1 <i>Option, drive</i>					
25	72999GT	DECAL,LABEL,PETRO CANADA***.....1 <i>Option, hydraulic oil</i>					
26	82161GT	DECAL,LABEL,UCON HYDROLUBE.....1 <i>Option, hydraulic oil</i>					
27	82366GT	DECAL,CHEVRON RANDO HD.....1 <i>Option, hydraulic oil</i>					

102.1 Decals with Symbols (to SN 18350)



102.1 Decals with Symbols (to SN 18350)

Item	Part No.	Description	Qty.	Item	Part No.	Description	Qty.
--	102149GT	DECAL KIT,SYMBOLS,S40/45 <i>includes items 1-11, 24-30, 32 and 34-36; to SN 14677</i>		28	82544GT	DECAL,DANGER,ELEC.HAZ.STAY CLR.....3 <i>to SN 14677</i>	
--	122887GT	DECAL KIT,SYMBOLS,SERV, S40/45 <i>includes items 1-11, 24-30, 32 and 34-36; from SN 14678</i>		--	133067GT	DECAL,DANGER,ELEC.HAZ.STAY CLR <i>from SN 14678</i>	
1	27204GT	DECAL,ARROW BLUE.....1		29	82545GT	DECAL,DANGER,MAX LOAD 227 KG**.....1 <i>to SN 14677</i>	
2	27205GT	DECAL,ARROW YELLOW LRG 9".....1		--	82601GT	DECAL,LABEL,MAX CAPACITY*** <i>from SN 14678</i>	
3	27206GT	DECAL,TRIANGLE,BLUE.....2		30	82548GT	DECAL,WARN,CRUSH HAZARD PLAT.....2	
4	27207GT	DECAL,TRIANGLE,YELLOW.....2		31	82195GT	DECAL,GROUND CONTROL PANEL.....1 <i>to SN 7181</i>	
5	28158GT	DECAL,LABEL,UNLEADED GAS ONLY.....1		--	82581GT	DECAL,GROUND CONTROL PANEL <i>from SN 7182</i>	
6	28159GT	DECAL,DIESEL.....1		32	82586GT	DECAL,LABEL,TIRE PRESS,S40/45....4	
7	28160GT	DECAL,LABEL,LIQUID PROPANE.....1		33	82587GT	DECAL,HIFLOT TIRE PRESS,S40/45....4	
8	28171GT	DECAL,DANGER,NO SMOKING ***.....1		34A	226500GT	DECAL,LABEL,WHEEL LOAD S-40.....4 (S-40)	
--	114251GT	DECAL,LABEL,NO SMOKING,SYMB <i>from SN 14678</i>		34B	226501GT	DECAL,LABEL,WHEEL LOAD S-45 (S-45)	
9	28174GT	DECAL, POWER TO PLATFORM 230V**.....2		36	82646GT	DECAL,DRIVE ENABLE PATCH.....1	
10	28235GT	DECAL,POWER TO PLATFORM 115V...2		37	82924GT	DECAL,CAUTION,SHUTOFF VALVES**.....1 <i>to SN 14677</i>	
11	40434GT	DECAL,LANYARD ANCHORAGE POINT.....3		38	97815GT	DECAL,LABEL,LOWER MIDRAIL.....1	
12	44981GT	DECAL,LABEL, AIR LINE 110 PSI.....2		39	114099GT	DECAL,LABEL,TRANSPORT DIAGRAM.....2	
13	52966GT	DECAL,COSMETIC,4 X 2.....1		40	82247GT	DECAL,LABEL,107 DB***.....1 <i>to SN 15690</i>	
14	52967GT	DECAL,COSMETIC,4 X 4.....1		--	114160GT	DECAL,LABEL,DECIBEL 102*** <i>from SN 15691</i>	
15	62072GT	DECAL,COSMETIC,GENIE S-40***.....1		41	114277GT	DECAL,LABEL,BELT ROUTING DSG.....1 <i>Ford models</i>	
16	62073GT	DECAL,COSMETIC,S40.....1		42	114473GT	DECAL,DANGER,TIPOVER,TILT,SYM <i>from SN 14678</i>	
19	62959GT	DECAL,COSMETIC,S40,10".....1		43	114252GT	DECAL,LABEL,TIP OVER LMT SWTCH <i>from SN 14678</i>	
21	82602GT	DECAL,DANGER,MAX SIDE FRC,667N.....1 <i>USA / Canada models</i>		44	114247GT	DECAL,LABEL,FALL HAZARD*** <i>from SN 14678</i>	
22	82604GT	DECAL,DANGER,SIDE FRC 400N.....1 <i>European models</i>		45	82481GT	DECAL,SYMBOL-BATTERY SAFETY <i>from SN 14678</i>	
23	82469GT	DECAL,PLATFORM CONTROL PANEL.....1 <i>to SN 7181</i>		46	33550GT	TAPE,WARNING,BLK/YEL, 50***.....197-inches <i>European models; from SN 14109</i>	
--	82242GT	DECAL,LABEL,FUEL SELECT PATCH <i>Ford models</i>		47	T112773GT	TAPE, PROTECTIVE MASK <i>from SN 16055</i>	
--	89836GT	DECAL,PROTCTR,CLEAR,PLATE*		48	28174GT	DECAL, POWER TO PLATFORM 230V** (MTE) generator option; <i>from SN 16453</i>	
24	82767GT	DECAL,PLATFORM CONTROL PANEL**.....1 <i>from SN 7182</i>		49	114236GT	DECAL,LABEL,CB SYMBOL (MTE) generator option; <i>from SN 16453</i>	
--	89836GT	DECAL,PROTCTR,CLEAR,PLATE*					
25	82472GT	DECAL,WARNING,CRUSHING HAZARD.....3					
26	82473GT	DECAL,SYMBOL-COMP ACCESS.....1					
27	82487GT	DECAL, SYMBOL - READ THE MANUAL.....2					

102.1 Decals with Symbols (to SN 18350)
(continued)

Item	Part No.	Description	Qty.
50	82487GT	DECAL, SYMBOL - READ THE MANUAL <i>Tow option</i>	
51	133263GT	DECAL,LABEL, TIPOVER, TRAX, SYMB..4 <i>Trax option</i>	
52A	217559GT	DECAL, MAX TRACK LOAD, S40, TR.....4 <i>Trax option</i>	
53B	217734GT	DECAL, COSMETIC, DRIVE, S40 TR.....1 <i>Trax option</i>	
54A	21777GT	DECAL COSMETIC, S40 TRAX.....1 <i>Trax option</i>	
55A	217557GT	DECAL, COSMETIC, BOOM, S40, TR.....1 <i>Trax option</i>	
56	219723GT	DECAL,GROUND BOX,TIER IV <i>models with Deutz D2.9L4 or Perkins 404F-22</i>	
57	824522GT	DECAL, S40 TIER IV PBOX <i>models with Deutz D2.9L4 or Perkins 404F-22</i>	
58	219160GT	DECAL, INSTRUCTION, OPS.....1 <i>option</i>	

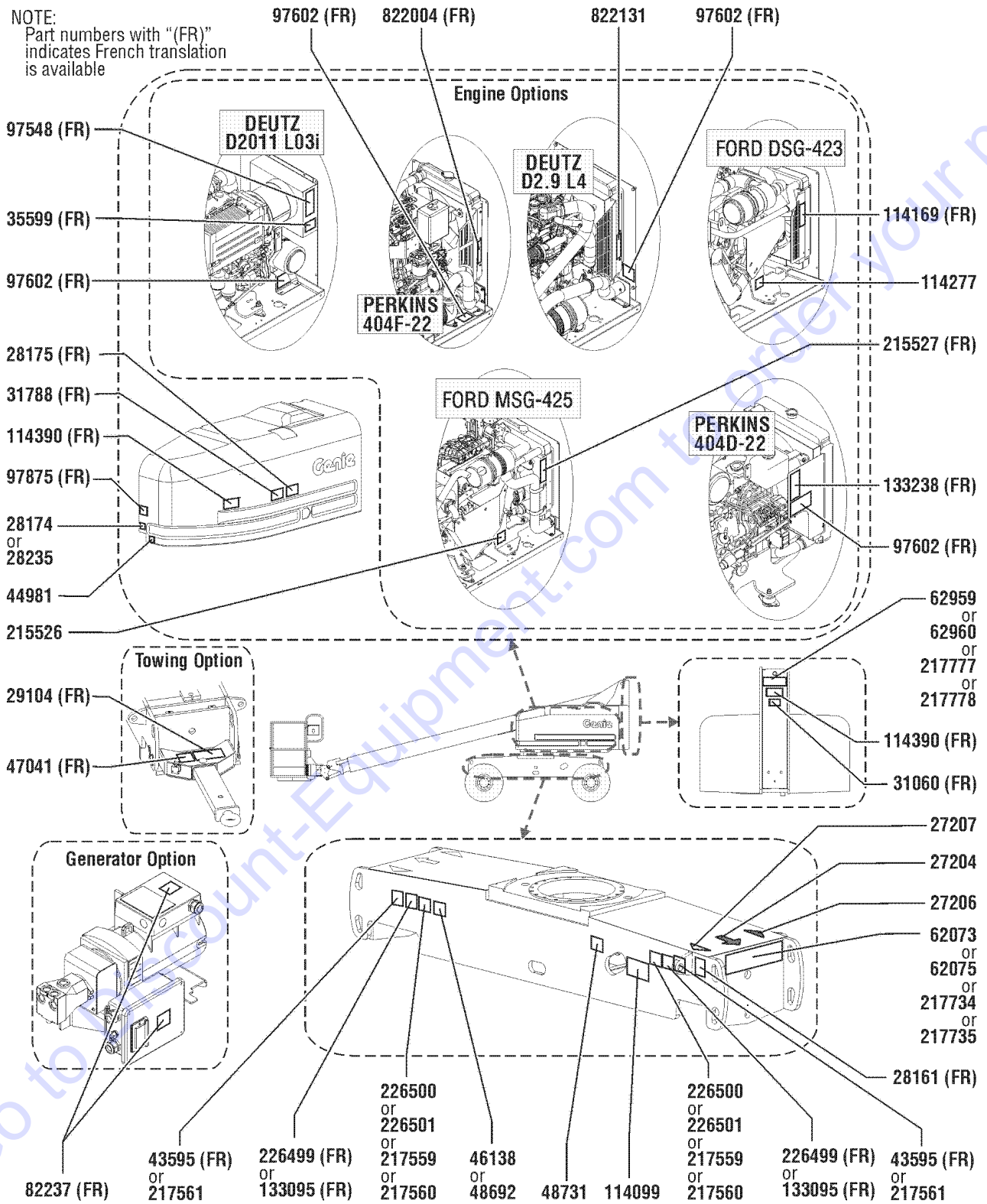
Go to Discount-Equipment.com to order your parts

This Page Intentionally Left Blank

Go to Discount-Equipment.com to order your parts

102.2 Decals with Symbols (from SN 18351)

NOTE:
Part numbers with "(FR)" indicates French translation is available

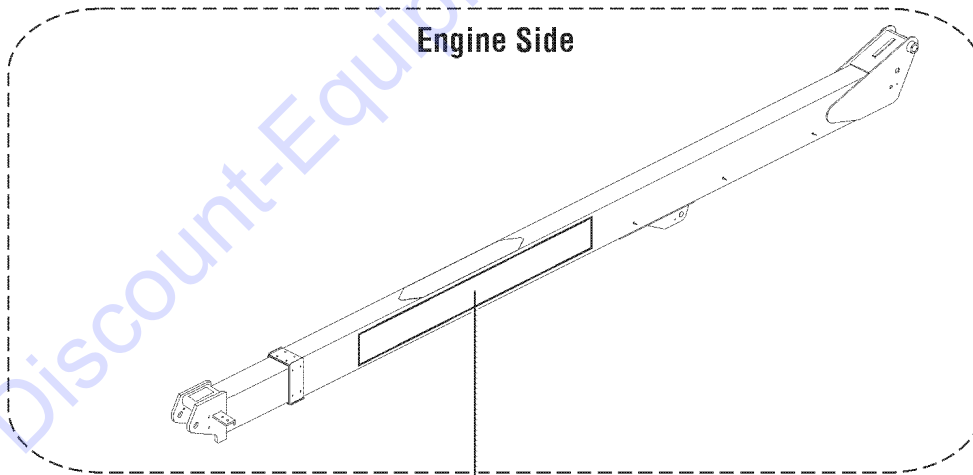
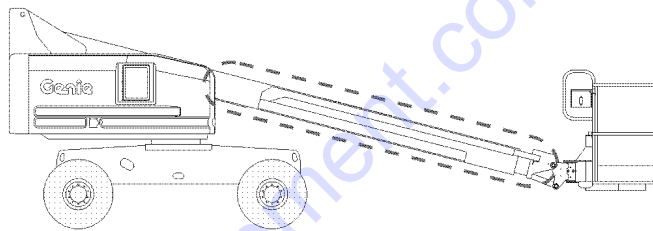
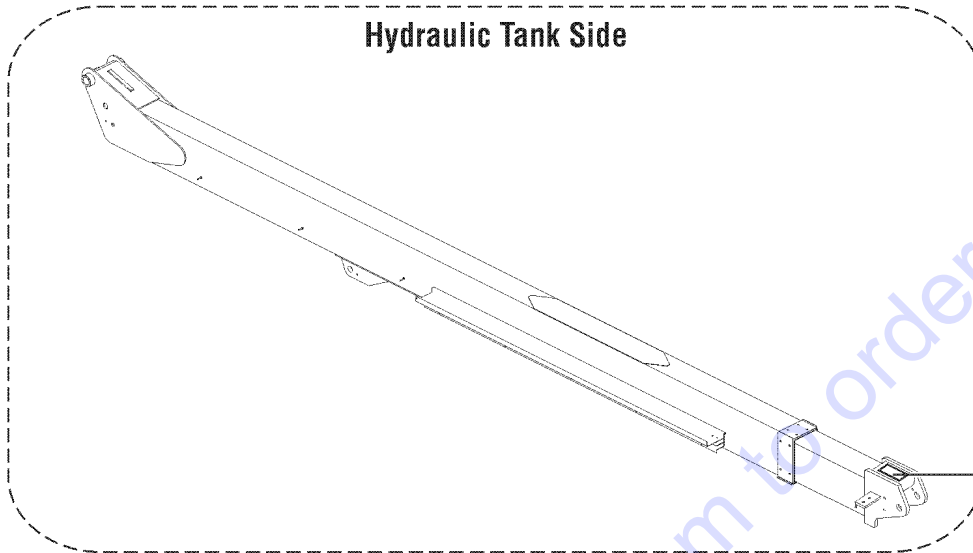


102.2 Decals with Symbols (from SN 18351)

Item	Part No.	Description	Qty.	Item	Part No.	Description	Qty.
1	27204GT	DECAL,ARROW BLUE.....	1	28	114277GT	DECAL,LABEL,BELT ROUTING DSG..... <i>Ford DSG-423 Only</i>	1
2	27206GT	DECAL,TRIANGLE,BLUE.....	1	29	114390GT	DECAL,DANGER,ELECT HAZARD***.....	2
3	27207GT	DECAL,TRIANGLE,YELLOW.....	1	30	133095GT	DECAL,NOTICE,HI FLOAT TIRES..... <i>(Hi-floatation)</i>	2
4	28161GT	DECAL,WARN,CRUSH HAZARD HAND.....	1	31	133238GT	DECAL,ENGINE SPEC,PERKINS***..... <i>Perkins 404D-22 Only</i>	1
5	28174GT	DECAL, POWER TO PLATFORM 230V**..... <i>Option, welder or generator</i>	1	32	215526GT	DECAL,LABEL,BELT,MSG425.....	1
6	28175GT	DECAL,WARNING-COMPART ACCESS.....	1	33	215527GT	DECAL,FORD ENGINE SPEC MSG425..... <i>Ford MSG-425 Only</i>	1
7	28235GT	DECAL,POWER TO PLATFORM 115V... <i>Option, welder or generator</i>	1	34	217559GT	DECAL, MAX TRACK LOAD, S40, TR..... <i>(S-40 Trax)</i>	2
8	29104GT	DECAL,TOWING INSTRUCTIONS..... <i>Option, tow package</i>	1	35	217560GT	DECAL, MAX TRACK LOAD, S45, TR..... <i>(S-45 Trax)</i>	2
9	31060GT	DECAL,DANGER DO NOT ALTER SWTC.....	1	36	217561GT	DECAL, DANGER, TIP OVER, TRAX..... <i>S-40 Trax and S-45 Trax Only</i>	2
10	31788GT	DECAL,DANGER,BATTERY SAFETY***.....	1	37	217734GT	DECAL, COSMETIC, DRIVE, S40 TR..... <i>(S-40 Trax)</i>	1
11	35599GT	DECAL,NOTICE,AIR INLET***..... <i>Deutz D2011L03i Only</i>	1	38	217735GT	DECAL, COSMETIC, DRIVE, S45 TR..... <i>(S-45 Trax)</i>	1
12	43595GT	DECAL,DANGER,TIP-OVER,TIRES***... <i>(AUS Only)</i>	2	39	217777GT	DECAL, COSMETIC, SWING, S40 TR.... <i>(S-40 Trax)</i>	1
13	44981GT	DECAL,LABEL, AIR LINE 110 PSI..... <i>Option, airline to platform</i>	1	40	217778GT	DECAL, COSMETIC, SWING, S45 TR.... <i>(S-45 Trax)</i>	1
14	46138GT	DECAL,GS/LPS (4"X4")..... <i>Option, FMRC</i>	1	41	226499GT	DECAL,NOTICE,TIRE PRESSURE..... <i>(Air filled or foam filled)</i>	2
15	47041GT	DECAL,CAUTION,TOWING SPEED..... <i>Option, tow package</i>	1	42	226500GT	DECAL,LABEL,WHEEL LOAD S-40..... <i>(S-40)</i>	2
16	48692GT	DECAL,DS (4"X4")..... <i>Option, FMRC</i>	1	43	226501GT	DECAL,LABEL,WHEEL LOAD S-45..... <i>(S-45)</i>	2
18	62073GT	DECAL,COSMETIC,S40.....	1	44	822004GT	DECAL, ENGINE SPEC, 404F-22..... <i>Perkins 404F-22 Only</i>	1
19	62075GT	DECAL,COSMETIC,S-45.....	1	45	822131GT	DECAL, ENGINE SPEC, D2.9..... <i>Deutz D2.9 L4 Only</i>	1
20	62959GT	DECAL,COSMETIC,S40,10".....	1				
21	62960GT	DECAL,COSMETIC,S45,10".....	1				
22	82237GT	DECAL,DANGER,HIGH VOLTAGE..... <i>Option, welder</i>	2				
23	97548GT	DECAL,ENGINE SPEC,DEUTZ 2011..... <i>Deutz D2011L03i Only</i>	1				
24	97602GT	DECAL,EXPLOSION HAZARD..... <i>Diesel engines Only</i>	1				
25	97875GT	DECAL,WARN.WELD LINE INST.WORD..... <i>Option, weld cable</i>	1				
26	114099GT	DECAL,LABEL,TRANSPORT DIAGRAM.....	1				
27	114169GT	DECAL,FORD ENGINE SPEC DSG423..... <i>Ford DSG-423 Only</i>	1				

103.1 Decals with Words, Boom (from SN 18351)

NOTE:
Part numbers with "(FR)"
indicates French translation
is available



62072
or
62074
or
217557
or
217558

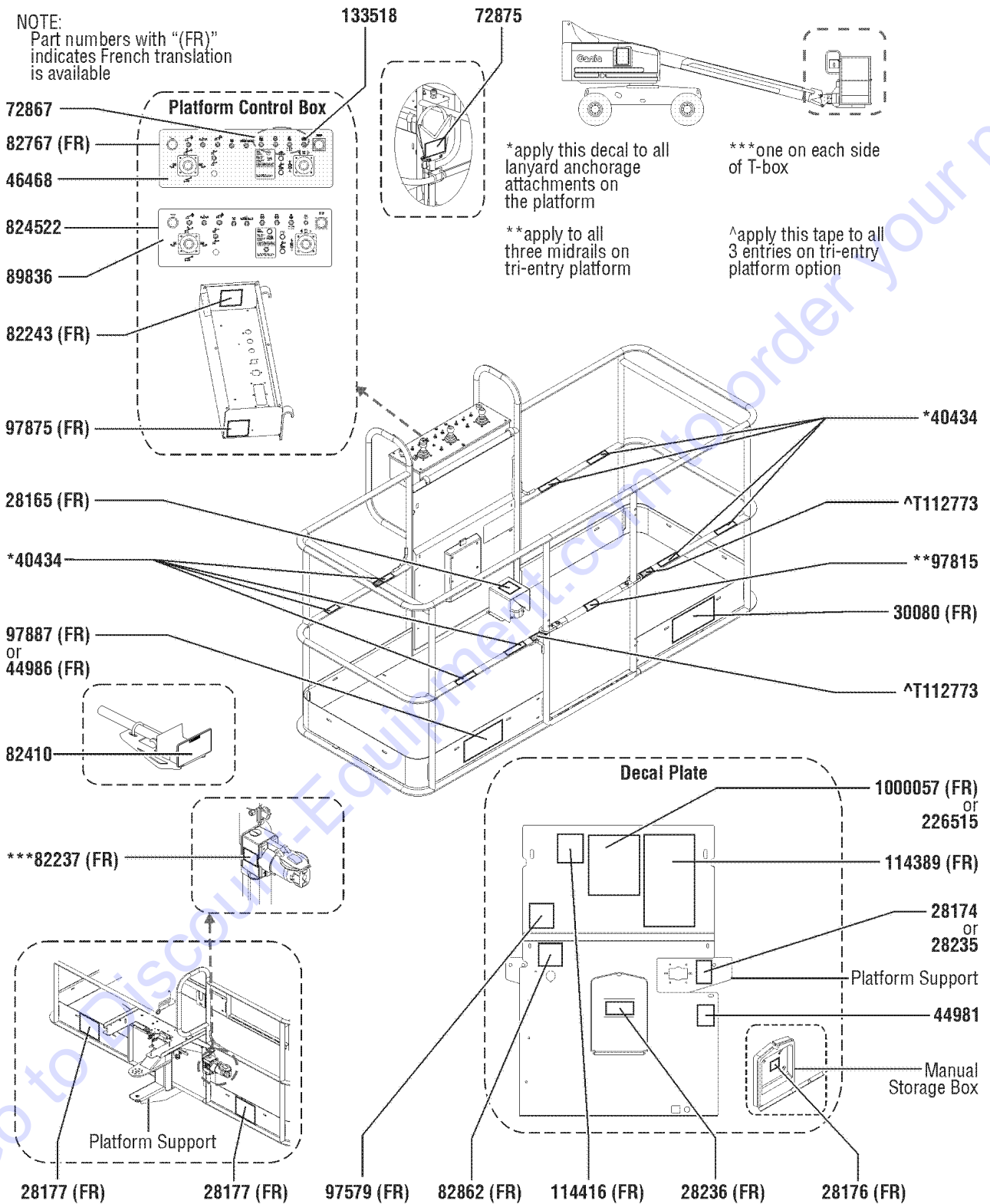
103.1 Decals with Words, Boom (from SN 18351)

Item	Part No.	Description	Qty.
1	28181GT	DECAL,WARN,FALL HAZARD.....1	
2	62072GT	DECAL,COSMETIC,GENIE S-40***.....1 (S-40)	
3	62074GT	DECAL,COSMETIC,GENIE S-45***.....1 (S-45)	
4	217557GT	DECAL, COSMETIC, BOOM, S40, TR....1 (S-40 Trax)	
5	217558GT	DECAL, COSMETIC, BOOM, S45, TR....1 (S-45 Trax)	

Go to Discount-Equipment.com to order your parts

104.1 Decals with Words, Platform (from SN 18351)

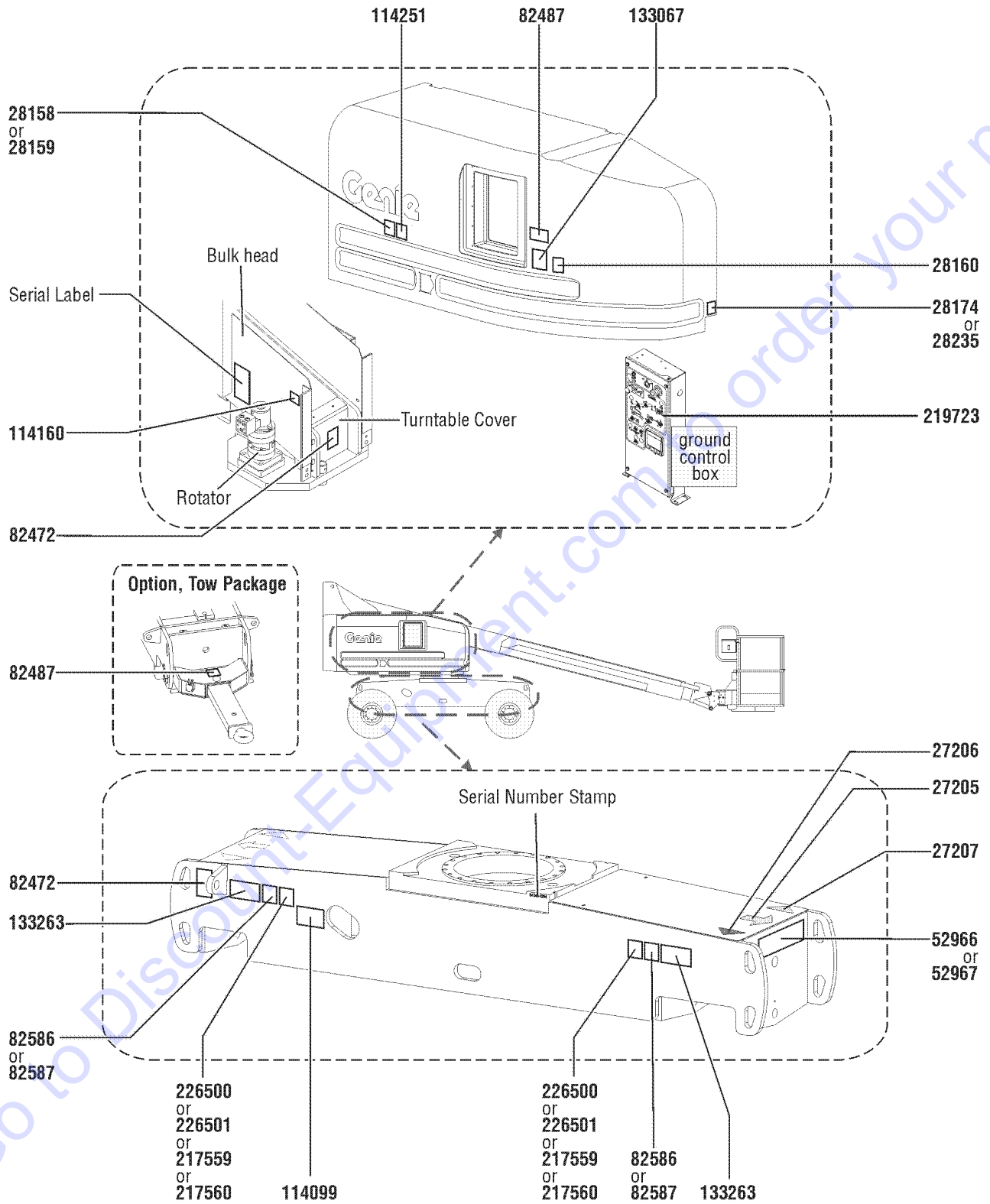
NOTE:
Part numbers with "(FR)" indicates French translation is available



104.1 Decals with Words, Platform (from SN 18351)

Item	Part No.	Description	Qty.	Item	Part No.	Description	Qty.
1	28165GT	DECAL,INSTRUCT,FOOTSWITCH OPER.....	1	29	1000057GT	DECAL,NOTICE,OPER INST.IC..... (ANSI & CSA)	1
2	28174GT	DECAL, POWER TO PLATFORM 230V**.....	1	30	T112773GT	TAPE, PROTECTIVE MASK.....	2
3	28176GT	DECAL,LABEL,MANUAL NOT HERE.....	1				
4	28177GT	DECAL,WARN,CRUSH HAZARD PLAT.....	2				
5	28235GT	DECAL,POWER TO PLATFORM 115V....	1				
6	28236GT	DECAL,WARN,IMPROPER OPERATION.....	1				
7	30080GT	DECAL,NOTICE,MAX LOAD 500 LBS....	1				
8	40434GT	DECAL,LANYARD ANCHORAGE POINT.....	8				
9	44981GT	DECAL,LABEL, AIR LINE 110 PSI..... <i>Option, airline to platform</i>	1				
10	44986GT	DECAL,INSTR,SIDE FRC/WIND,AUS..... (AUS)	1				
11	46468GT	DECAL,FUNCTION OVERRIDE..... <i>Option, aircraft protection</i>	1				
12	72867GT	DECAL,LABEL,LIGHTS***..... <i>Option, worklights</i>	1				
13	72875GT	DECAL,WARNING,PIPE CRADLE,BOOM..... <i>Option, pipe cradle</i>	2				
14	82237GT	DECAL,DANGER,HIGH VOLTAGE..... <i>Option, welder</i>	2				
15	82243GT	DECAL FAULT CODE.....	1				
16	82410GT	DECAL,WARNING,PANEL CRADLE..... <i>Option, panel cradle</i>	2				
17	82767GT	DECAL,PLATFORM CONTROL PANEL**..... (Deutz D2011L03i and Perkins 404D-22)	1				
18	82862GT	DECAL,FIRE EXTINGUISHER..... <i>Option, welder</i>	1				
19	89836GT	DECAL,PROTCTR,CLEAR,PLATE*.....	1				
20	97579GT	DECAL,DANGER,TIP-OVER,WELDER**..	1				
21	97815GT	DECAL,LABEL,LOWER MIDRAIL.....	1				
22	97875GT	DECAL,WARN.WELD LINE INST.WORD..... <i>Option, weld cable line</i>	1				
23	97887GT	DECAL,INSTR,MAX SIDE FRC,ANSI..... (ANSI or CSA)	1				
24	114389GT	DECAL,DANGER,GENERAL SAFETY....	1				
25	114416GT	DECAL,DANGER,TIPOVER,TILT.....	1				
26	133518GT	DECAL, PATCH, GEN,ALC-500..... <i>Option, generator or welder</i>	1				
27	226515GT	DECAL,INSTRUCTIONS S40/45 AUS..... (AUS)	1				
28	824522GT	DECAL, S40 TIER IV PBOX..... (Deutz D2.9 L4 and Perkins 404F-22)	1				

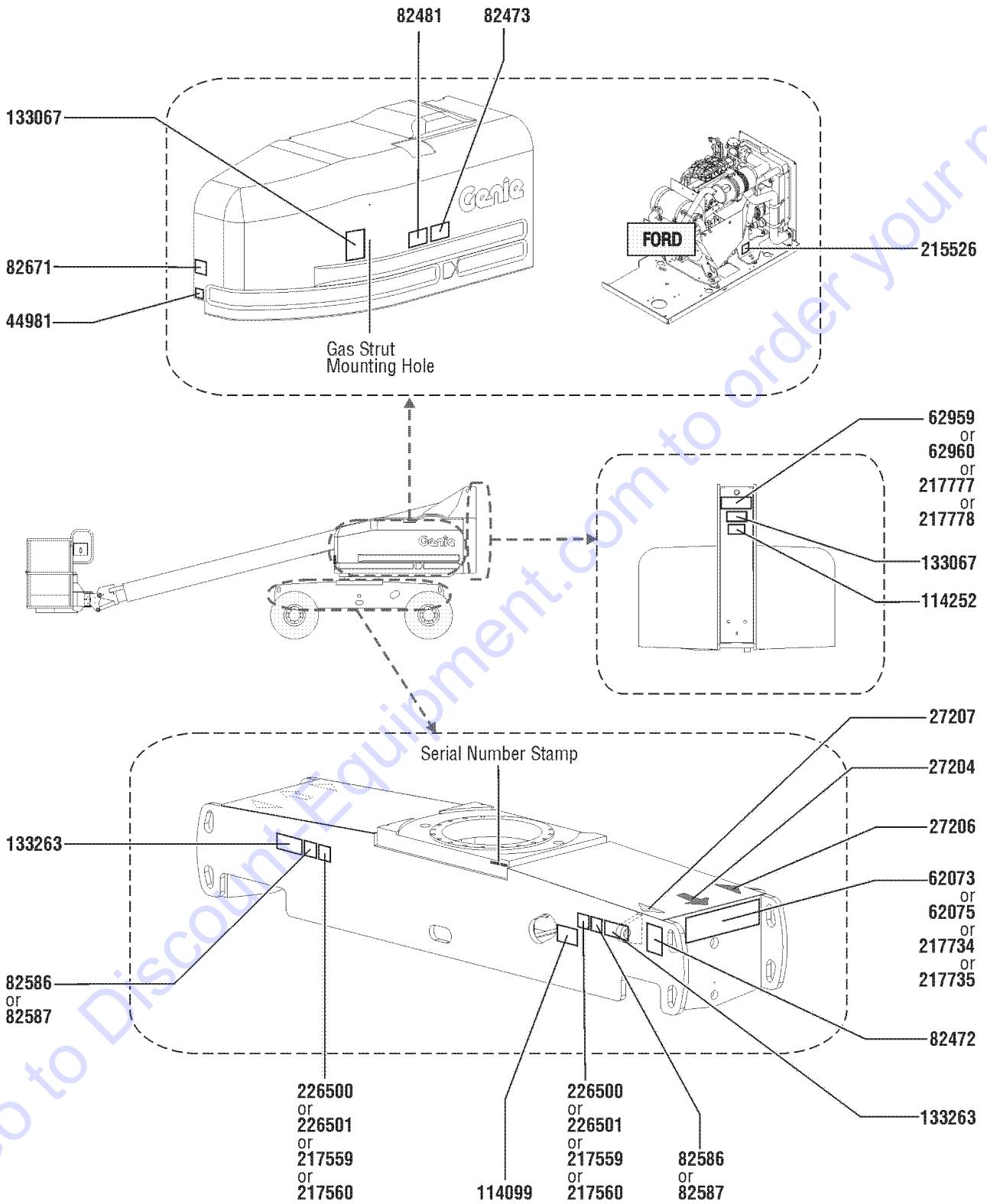
105.1 Decals with Symbols, Hydraulic Tank Side (from SN 18531)



105.1 Decals with Symbols, Hydraulic Tank Side (from SN 18531)

Item	Part No.	Description	Qty.
1	27205GT	DECAL,ARROW YELLOW LRG 9".....1	1
2	27206GT	DECAL,TRIANGLE,BLUE.....1	1
3	27207GT	DECAL,TRIANGLE,YELLOW.....1	1
4	28158GT	DECAL,LABEL,UNLEADED GAS ONLY.....1 <i>Option, fuel</i>	1
5	28159GT	DECAL,DIESEL.....1 <i>Option, fuel</i>	1
6	28160GT	DECAL,LABEL,LIQUID PROPANE.....1 <i>Option, LPG</i>	1
7	28174GT	DECAL, POWER TO PLATFORM 230V**.....1	1
8	28235GT	DECAL,POWER TO PLATFORM 115V...1	1
9	52966GT	DECAL,COSMETIC,4 X 2.....1 <i>Option, drive</i>	1
10	52967GT	DECAL,COSMETIC,4 X 4.....1 <i>Option, drive</i>	1
11	82472GT	DECAL,WARNING,CRUSHING HAZARD.....2	2
12	82487GT	DECAL, SYMBOL - READ THE MANUAL.....1	1
13	82586GT	DECAL,LABEL,TIRE PRESS,S40/45....2 <i>(Air filled or foam filled)</i>	2
14	82587GT	DECAL,HIFLOT TIRE PRESS,S40/45....2 <i>(Hi-floatation)</i>	2
15	114099GT	DECAL,LABEL,TRANSPORT DIAGRAM.....1	1
16	114160GT	DECAL,LABEL,DECIBEL 102***.....1 <i>(CE Only)</i>	1
17	114251GT	DECAL,LABEL,NO SMOKING,SYMB....1	1
18	133067GT	DECAL,DANGER,ELEC.HAZ.STAY CLR.....1	1
19	133263GT	DECAL,LABEL,TIPOVER,TRAX,SYMB..2 <i>(S-40 Trax and S-45 Trax)</i>	2
20	217559GT	DECAL, MAX TRACK LOAD, S40, TR....2 <i>(S-40 Trax)</i>	2
21	217560GT	DECAL, MAX TRACK LOAD, S45, TR....2 <i>(S-45 Trax)</i>	2
22	219723GT	DECAL,GROUND BOX,TIER IV.....1	1
23	226500GT	DECAL,LABEL,WHEEL LOAD S-40.....2 <i>(S-40)</i>	2
24	226501GT	DECAL,LABEL,WHEEL LOAD S-45.....2 <i>(S-45)</i>	2

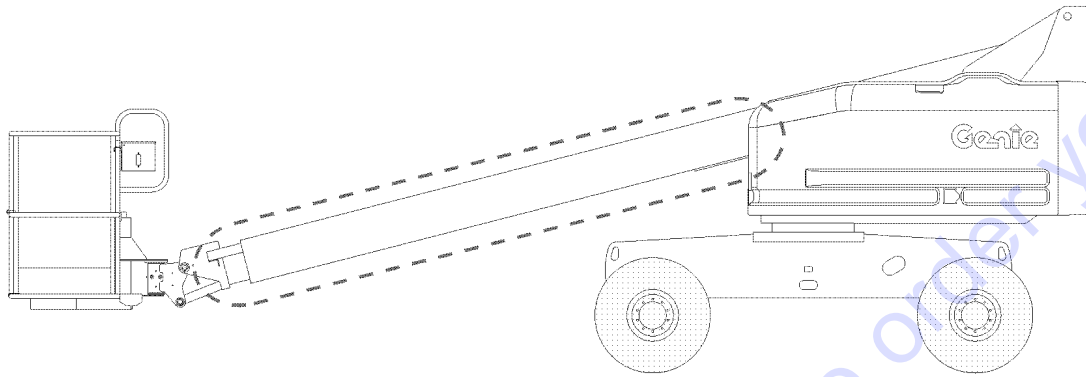
106.1 Decals with Symbol, Engine Side (from SN 18531)



106.1 Decals with Symbol, Engine Side (from SN 18531)

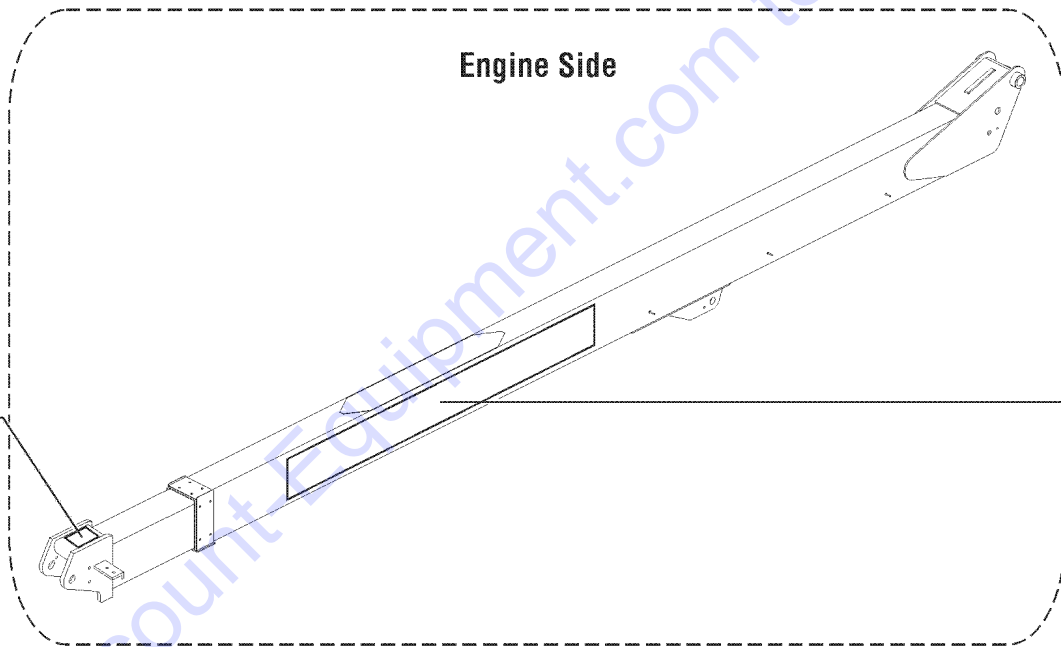
Item	Part No.	Description	Qty.
1	27204GT	DECAL,ARROW BLUE.....1	1
2	27206GT	DECAL,TRIANGLE,BLUE.....1	1
3	27207GT	DECAL,TRIANGLE,YELLOW.....1	1
4	44981GT	DECAL,LABEL, AIR LINE 110 PSI.....1 <i>Option, airline to platform</i>	1
5	62073GT	DECAL,COSMETIC,S40.....1 <i>(S-40)</i>	1
6	62075GT	DECAL,COSMETIC,S-45.....1 <i>(S-45)</i>	1
7	62959GT	DECAL,COSMETIC,S40,10".....1 <i>(S-40)</i>	1
8	62960GT	DECAL,COSMETIC,S45,10".....1 <i>(S-45)</i>	1
9	82472GT	DECAL,WARNING,CRUSHING HAZARD.....1	1
10	82473GT	DECAL,SYMBOL-COMP ACCESS.....1	1
11	82481GT	DECAL,SYMBOL-BATTERY SAFETY.....1	1
12	82586GT	DECAL,LABEL,TIRE PRESS,S40/45.....2 <i>(Air filled or foam filled)</i>	2
13	82587GT	DECAL,HIFLOT TIRE PRESS,S40/45.....2 <i>(Hi-floatation)</i>	2
14	82671GT	DECAL,LABEL,WELD LINE INST,SYM...1 <i>Option,Weld Cable</i>	1
15	114099GT	DECAL,LABEL,TRANSPORT DIAGRAM.....1	1
16	114252GT	DECAL,LABEL,TIP OVER LMT SWTCH.....1	1
17	133067GT	DECAL,DANGER,ELEC.HAZ.STAY CLR.....2	2
18	133263GT	DECAL,LABEL,TIPOVER,TRAX,SYMB.2 <i>(S-40 Trax and S-45 Trax Only)</i>	2
19	215526GT	DECAL,LABEL,BELT,MSG425.....1	1
20	217559GT	DECAL, MAX TRACK LOAD, S40, TR.....2 <i>(S-40 Trax)</i>	2
21	217560GT	DECAL, MAX TRACK LOAD, S45, TR.....2 <i>(S-45 Trax)</i>	2
22	217734GT	DECAL, COSMETIC, DRIVE, S40 TR.....1 <i>(S-40 Trax)</i>	1
23	217735GT	DECAL, COSMETIC, DRIVE, S45 TR.....1 <i>(S-45 Trax)</i>	1
24	217777GT	DECAL, COSMETIC, SWING, S40 TR....1 <i>(S-40 Trax)</i>	1
25	217778GT	DECAL, COSMETIC, SWING, S45 TR....1 <i>(S-45 Trax)</i>	1
26	226500GT	DECAL,LABEL,WHEEL LOAD S-40.....2 <i>(S-40)</i>	2
27	226501GT	DECAL,LABEL,WHEEL LOAD S-45.....2 <i>(S-45)</i>	2

107.1 Decals with Symbol, Boom (from SN 18531)



Engine Side

114247



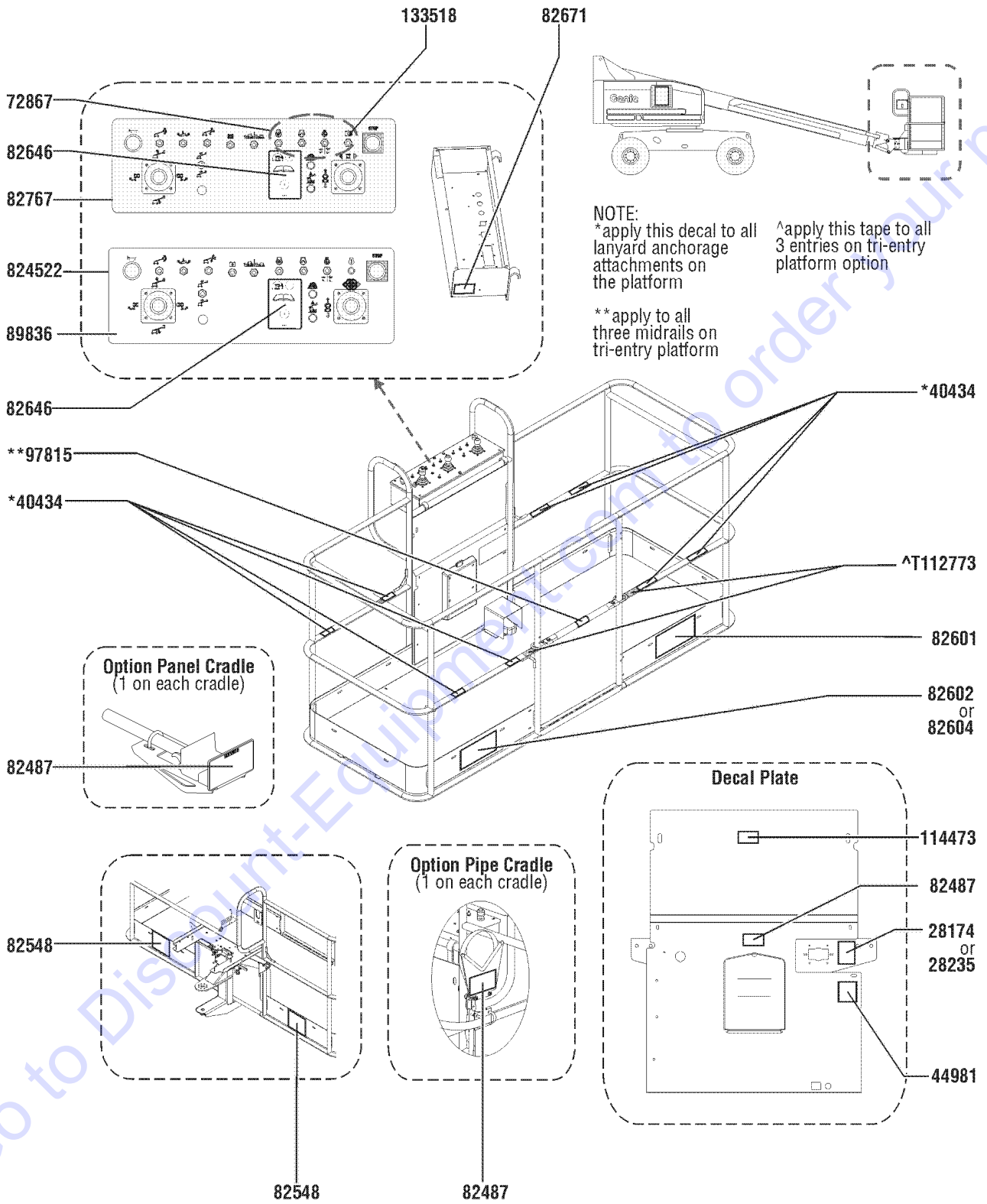
62072
or
62074
or
217557
or
217558

107.1 Decals with Symbol, Boom (from SN 18531)

Item	Part No.	Description	Qty.
1	62072GT	DECAL,COSMETIC,GENIE S-40***.....1 (S-40)	
2	62074GT	DECAL,COSMETIC,GENIE S-45***.....1 (S-45)	
3	114247GT	DECAL,LABEL,FALL HAZARD***.....1	
4	217557GT	DECAL, COSMETIC, BOOM, S40, TR....1 (S-40 Trax)	
5	217558GT	DECAL, COSMETIC, BOOM, S45, TR....1 (S-45 Trax)	

Go to Discount-Equipment.com to order your parts

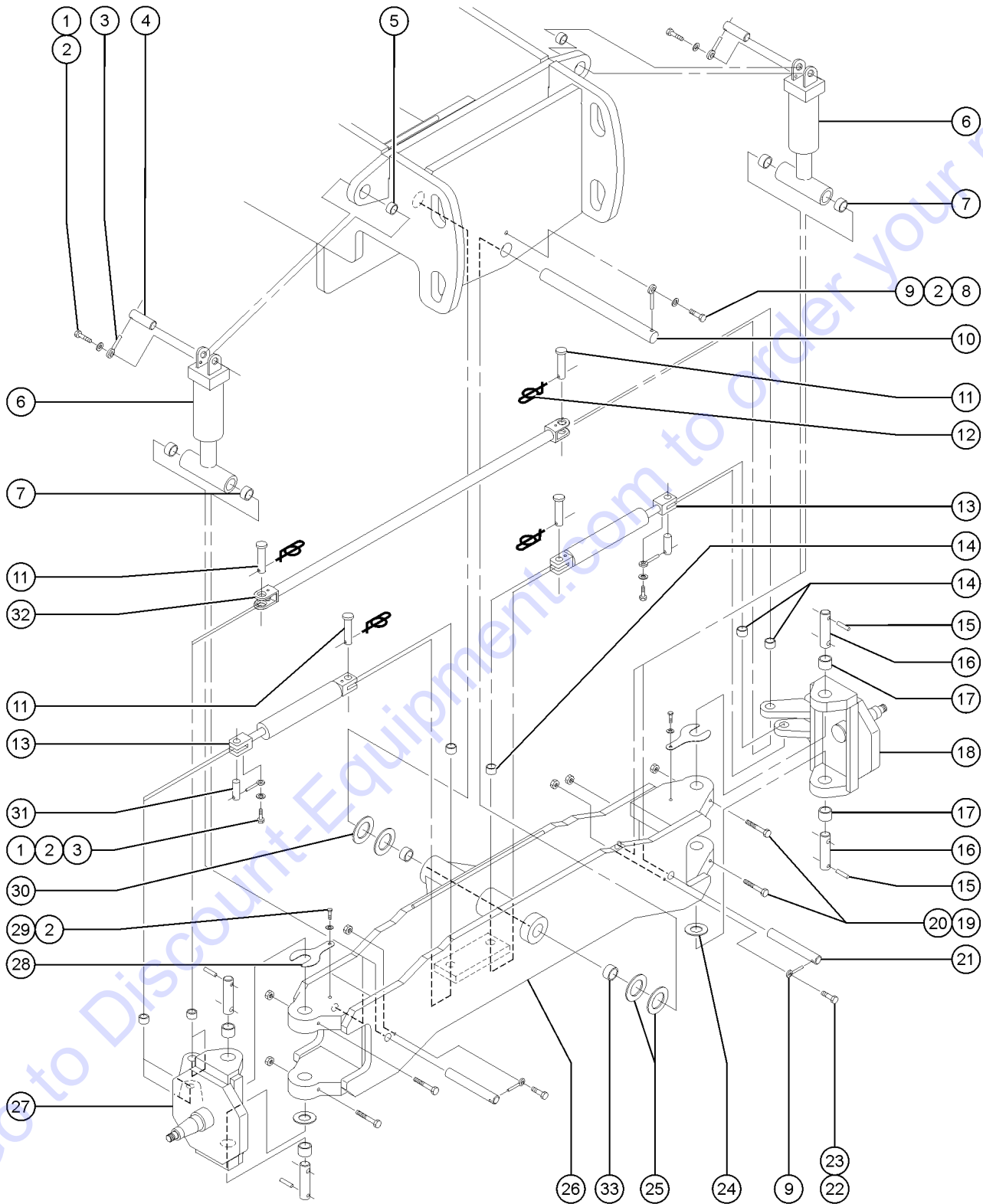
108.1 Decals with Symbol, Platform (from SN 18531)



108.1 Decals with Symbol, Platform (from SN 18531)

Item	Part No.	Description	Qty.
1	28174GT	DECAL, POWER TO PLATFORM 230V**.....	1
2	28235GT	DECAL,POWER TO PLATFORM 115V...1	1
3	40434GT	DECAL,LANYARD ANCHORAGE POINT.....	8
4	44981GT	DECAL,LABEL, AIR LINE 110 PSI.....1 <i>Option, airline to platform</i>	1
5	72867GT	DECAL,LABEL,LIGHTS***.....1 <i>Option, worklights</i>	1
6	82487GT	DECAL, SYMBOL - READ THE MANUAL.....	1
7	82548GT	DECAL,WARN,CRUSH HAZARD PLAT.....	2
8	82601GT	DECAL,LABEL,MAX CAPACITY***.....1	1
9	82602GT	DECAL,DANGER,MAX SIDE FRC,667N.....	1
10	82604GT	DECAL,DANGER,SIDE FRC 400N.....1 <i>(CE)</i>	1
11	82646GT	DECAL,DRIVE ENABLE PATCH.....1	1
12	82671GT	DECAL,LABEL,WELD LINE INST,SYM...1 <i>Option, weld cable</i>	1
13	82767GT	DECAL,PLATFORM CONTROL PANEL**.....	1
14	89836GT	DECAL,PROTCTR,CLEAR,PLATE*.....1	1
15	97815GT	DECAL,LABEL,LOWER MIDRAIL.....1	1
16	114473GT	DECAL,DANGER,TIPOVER,TILT,SYM...1	1
17	133518GT	DECAL, PATCH, GEN,ALC-500.....1 <i>Option, generator or welder</i>	1
18	824522GT	DECAL, S40 TIER IV PBOX.....1 <i>(tier 4)</i>	1
19	T112773GT	TAPE, PROTECTIVE MASK.....	2

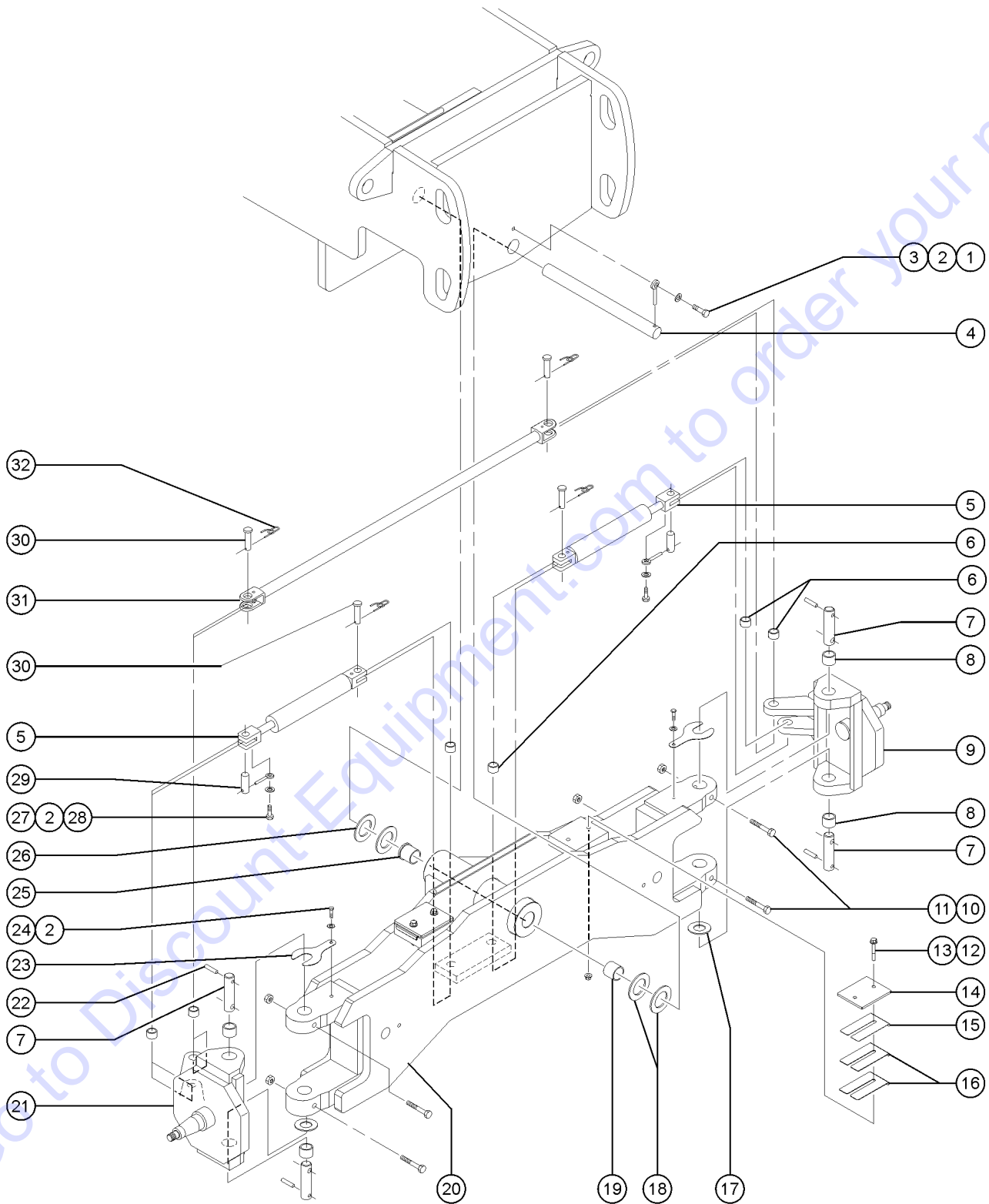
201.1 2WD Steer Axle Linkage, Oscillating Models



201.1 2WD Steer Axle Linkage, Oscillating Models

Item	Part No.	Description	Qty.	Item	Part No.	Description	Qty.
1	49857GT	SCREW,HHC,3/8-16 X .88,GRD 8.....	4	29	8255GT	SCREW,HHC,3/8-16 X .75	
2	6021GT	WASHER,LOCK,.375		30	36603GT	WASHER,FLAT,1.56 X 3.5 X .061	
3	1255452GT	ROD END,.375 X 2.25,ZAG.....	8	31	30734GT	PIN,1.00DIA X 2.88LG,1HOLE.....	2
4	30737GT	PIN,1.25DIA X 3.00LG,1HOLE.....	2	32	63155GT	WELDMENT,TIE ROD.....	1
5	30370GT	BEARING,1.25IDX1.5ODX1.00L.....	2	33	119619GT	BEARING,1.5IDX1.75ODX1.5L,PTFE.....	1
6	89099GT	CYLINDER,OSCILLATE S40/45..... <i>includes item 7</i>	2				
--	31106GT	VALVE,CNTERBAL,CBBB-LHN@3000**					
--	89100GT	SEAL KIT,OSC.CYL.					
7	59266GT	BEARING, POLYGON P2055 (59105)....	4				
8	6175GT	SCREW,HHC,3/8-16 X 1					
9	825019GT	ROD END,.375X3.69,ZAG.....	3				
10	30735GT	PIN, 1.50DIA X 17.50LG, CHAMFER.....	1				
11	19440GT	PIN,CLEVIS,1 X 2.5 LG.....	4				
12	74389GT	RUE RING,1.00.....	4				
13	89065GT	CYLINDER,STEER***.....	2				
--	89066GT	SEAL KIT,STEER CYL (89065)					
14	25817GT	BEARING,1.00IDX1.25ODX1.00L.....	6				
15	14815GT	PIN,ROLL,SST,.25 X 2.25.....	4				
16	53081GT	PIN,1.50DIA X 4.76LG,2HOLE.....	4				
17	119619GT	BEARING,1.5IDX1.75ODX1.5L,PTFE.....	4				
--	18396GT	BEARING,1.5IDX1.75ODX1.0L..... <i>use with item 89804 and 89805; from SN 10926</i>	4				
18	65515GT	YOKE ASSEMBLY 2WD S40 LEFT..... <i>includes items 14 and 17; to SN 10925</i>	1				
--	89804GT	YOKE ASSY, 4WD, L.S..... <i>includes items 14 and 17; from SN 10926</i>	1				
19	8220GT	SCREW,HHC,1/2-13 X 4					
20	6086GT	NUT,LP NYLOCK,1/2-13					
21	30190GT	PIN,1.25DIA X 7.25LG,1HOLE.....	2				
22	6708GT	SCREW,HHC,3/8-16 X 2.25					
23	4828GT	NUT,NYLOCK,3/8-16					
24	45074GT	WASHER,THRUST,1.5 X 3.5 X .187.....	2				
25	36603GT	WASHER,FLAT,1.56 X 3.5 X .061 <i>to SN 15676</i>					
--	122850GT	SHIM, AXLE, 1.56 X 4.75 <i>refer to 204.2 ; from SN 15677</i>					
26	102192-SGT	WELDMENT,FRT AXLE OSC,ASSY..... <i>includes items 14 and 17</i>	1				
27	65516GT	YOKE ASSEMBLY 2WD S40 RIGHT..... <i>includes items 14 and 17; to SN 10925</i>	1				
--	89805GT	YOKE ASSY,4WD,R.S. S40/45 <i>includes items 14 and 17; from SN 10926</i>					
28	36603GT	WASHER,FLAT,1.56 X 3.5 X .061 <i>to SN 15683</i>					
--	122850GT	SHIM, AXLE, 1.56 X 4.75 <i>from SN 15684</i>					

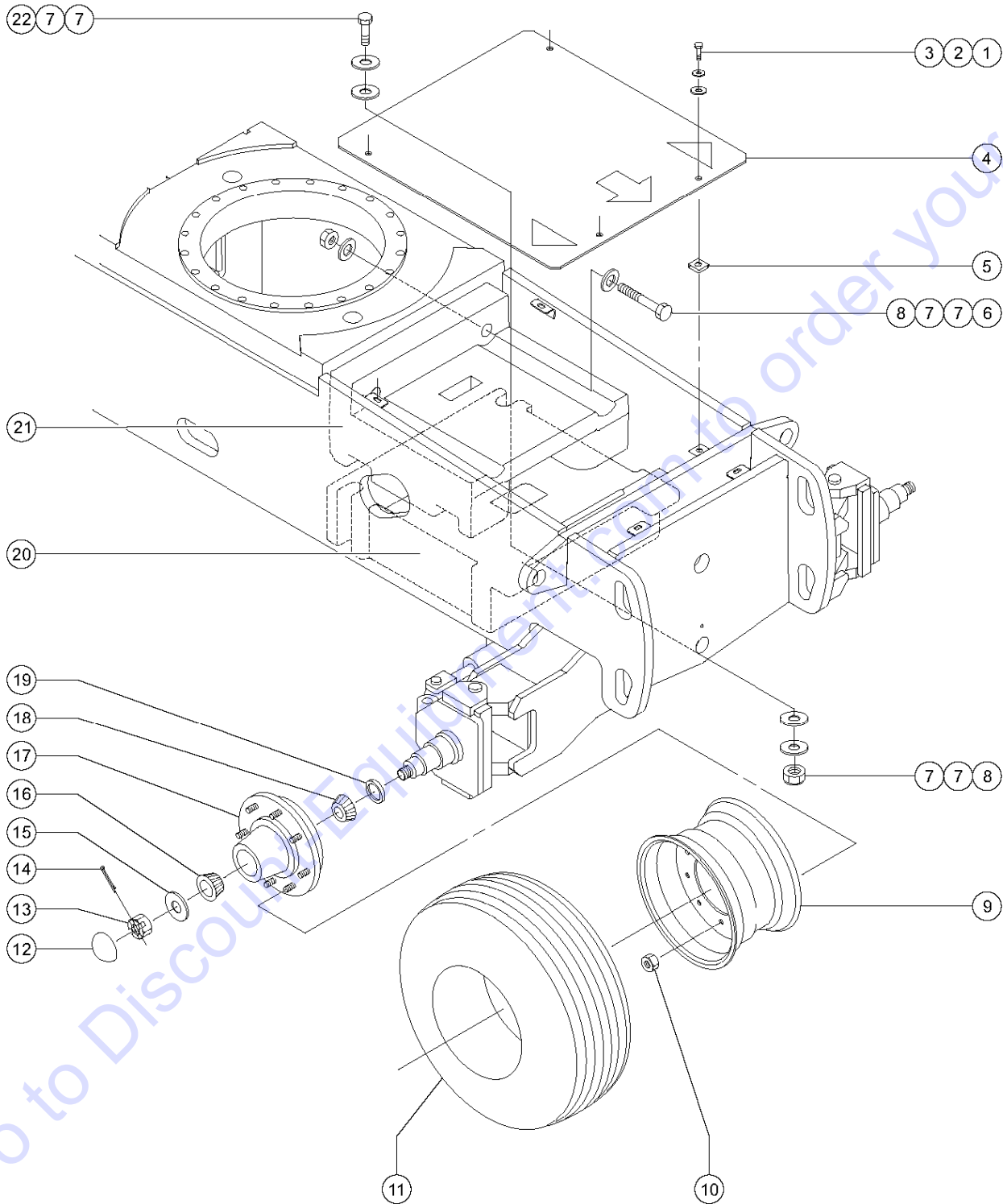
202.1 2WD Steer Axle Linkage, Non-oscillating Models



202.1 2WD Steer Axle Linkage, Non-oscillating Models

Item	Part No.	Description	Qty.	Item	Part No.	Description	Qty.
1	6175GT	SCREW,HHC,3/8-16 X 1		28	1255452GT	ROD END,.375 X 2.25,ZAG.....	2
2	6021GT	WASHER,LOCK,.375		29	30734GT	PIN,1.00DIA X 2.88LG,1HOLE.....	2
3	825019GT	ROD END,.375X3.69,ZAG.....	1	30	19440GT	PIN,CLEVIS,1 X 2.5 LG.....	2
4	30735GT	PIN, 1.50DIA X 1.75LG, CHAMFER.....	1	31	63155GT	WELDMENT,TIE ROD.....	1
5	89065GT	CYLINDER,STEER***.....	2	32	74389GT	RUE RING,1.00.....	4
--	89066GT	SEAL KIT,STEER CYL (89065)					
6	25817GT	BEARING,1.00IDX1.25ODX1.00L.....	6				
7	53081GT	PIN,1.50DIA X 4.76LG,2HOLE.....	4				
8	119619GT	BEARING,1.5IDX1.75ODX1.5L,PTFE....	4				
--	18396GT	BEARING,1.5IDX1.75ODX1.0L..... <i>use with item 89804 and 89805; from SN 10926</i>	4				
9	65515GT	YOKE ASSEMBLY 2WD S40 LEFT..... <i>includes items 6 and 8; to SN 10925</i>	1				
--	89804GT	YOKE ASSY, 4WD, L.S..... <i>includes items 6 and 8; from SN 10926</i>	1				
10	8220GT	SCREW,HHC,1/2-13 X 4					
11	6086GT	NUT,LP NYLOCK,1/2-13					
12	1256856GT	SCREW,HHF,3/8-16 X 2.5,8,ZAG					
13	824029GT	NUT,TL FLG,3/8-16,G,ZAG					
14	1258594GT	PLATE, SHIM COVER, NON-OSCILLAT.....	2				
15	1258592GT	SHIM, 22GA, 3WD X 5LNG.....	2				
16	34344GT	SHIM,SIDE PAD 16GA. 3 X 5					
17	45074GT	WASHER,THRUST,1.5 X 3.5 X .187.....	2				
18	36603GT	WASHER,FLAT,1.56 X 3.5 X .061 <i>to SN 15676</i>					
--	122850GT	SHIM, AXLE, 1.56 X 4.75 <i>refer to 204.2 ; from SN 15677</i>					
19	119619GT	BEARING,1.5IDX1.75ODX1.5L,PTFE.....	1				
20	102224-SGT	AXLE WELDMENT, NON-OSC. ASSY..... <i>includes items 19 and 25; to SN 19762</i>	1				
--	1258038GT	ASSY,S40/45,FRONT AXLE, NON-OSC <i>includes items 19 and 25; from SN 19763</i>					
21	65516GT	YOKE ASSEMBLY 2WD S40 RIGHT..... <i>includes items 6 and 8; to SN 10925</i>	1				
--	89805GT	YOKE ASSY,4WD,R.S. S40/45 <i>includes items 6 and 8; from SN 10926</i>					
22	14815GT	PIN,ROLL,SST,.25 X 2.25.....	2				
23	36603GT	WASHER,FLAT,1.56 X 3.5 X .061 <i>to SN 15683</i>					
--	122850GT	SHIM, AXLE, 1.56 X 4.75 <i>from SN 15684</i>					
24	8255GT	SCREW,HHC,3/8-16 X .75					
25	122316GT	BEARING,FL 1.5ID X 1.75OF X 1.7.....	1				
26	36603GT	WASHER,FLAT,1.56 X 3.5 X .061					
27	49857GT	SCREW,HHC,3/8-16 X .88,GRD 8.....	4				

203.1 2WD Steer Axle, Wheels and Hubs



203.1 2WD Steer Axle, Wheels and Hubs

Item	Part No.	Description	Qty.	Item	Part No.	Description	Qty.
1	6090GT	SCREW,HHC,1/4-20 X .75		11D	1271443GT	TIRE/WHEEL ASSY,RH,12-16.5/10PR,SEAL RT, Air-filled with sealant, right (includes item 9) (8 hole) to SN 10920	
2	6356GT	WASHER,LOCK,.25		--		ASSY,TIRE/WHEEL,IMP,W/SEALANT component no longer available	
3	6638GT	WASHER,FLAT,USS,1/4"Y		11E	1271440GT	TIRE/WHEEL ASSY,LH,12-16.5/10PR,FOAM.....2 RT, Foam-filled, left (9 hole)	
4	102278GT	CVR ASSY W/DECALS,DRV CHASS ST.....1		11E	1271441GT	TIRE/WHEEL ASSY,RH,12-16.5/10PR,FOAM.....2 RT, Foam-filled, right (9 hole)	
5	56912GT	SPRING CLIP,1/4-20,.025-.15X.54,ZAG		--	1271439GT	TIRE/WHEEL ASSY,RH,12-16.5/10PR,AIR.....1 RT, Air-filled, right (includes item 9, 11) (9 hole)	
6	34350GT	SCREW,HHC,1-8 X 6 GRD.5		11F	102088GT	TIRE/WHEEL,RH, 2WD NON-MARK RT, Non-marking, Air-filled, right (includes item 9) (8 hole) to SN 10920	
7	38859GT	WASHER,FLAT,USS,1",Y		11F	102089GT	TIRE/WHEEL,LH, 2WD NON-MARK RT, Non-marking, Air-filled, left (includes item 9) (8 hole) from 10921	
8	29764GT	NUT,NYLOCK,1-8		--	1271438GT	TIRE/WHEEL ASSY,LH,12-16.5/10PR,AIR.....1 RT, Air-filled, left (includes item 9, 11) (9 hole)	
9	73199GT	WHEEL, 16X10 to SN 10920 (8 hole) (for 73198, 111448)		--	73212GT	TIRE,12-16.5, 12PR,NON-MARKING for 102088, 102089	
9A	73268GT	WHEEL, 16.5X9.75 S40 to SN 10920 (8 hole) (for 102088, 102089)		11G	111453GT	ASSY,TIRE/WHEEL,RH,RT,NM,W/SEA RT, Non-marking, Air-filled with sealant, right (includes item 9) (9 hole) from SN 10921	
--	73268GT	WHEEL, 16.5X9.75 S40 (8 HOLES)		11G	111454GT	ASSY,TIRE/WHEEL,LH,RT,NM,W/SEA RT, Non-marking, Air-filled with sealant, left (includes item 9) (9 hole) from SN 10921	
9B	122348GT	WHEEL, 16.5 X 9.75 S40 from SN 10921 (9 hole) (for 81008, 81009)		--	1271443GT	TIRE/WHEEL ASSY,RH,12-16.5/10PR,SEAL RT, Air-filled with sealant, right (9 hole)	
--	122348GT	WHEEL, 16.5 X 9.75 S40 (9 HOLES)		11H	102804GT	TIRE/WHEEL ASSY RT, Non-marking, Foam-filled, right (includes item 9) (8 hole) to SN 10920	
10		Ref. Tire & Wheel assemblies (refer to 204.2)		11H	102805GT	TIRE/WHEEL ASSY RT, Non-marking, Foam-filled, left (includes item 9) (8 hole) to SN 10920	
11	73200GT	TIRE,IMPLEMENT,12.5-16SL,14PR.....2		--	1271442GT	TIRE/WHEEL ASSY,LH,12-16.5/10PR,SEAL RT, Air-filled with sealant, left (9 hole)	
11A	73198GT	TIRE & WHEEL ASSY (COMMENTS!)*..2 Industrial, Air-filled (includes item 9) (8 hole) to SN 10920		--	1271441GT	TIRE/WHEEL ASSY,RH,12-16.5/10PR,FOAM.....2 RT, Foam-filled, right (9 hole)	
--	73200GT	TIRE,IMPLEMENT,12.5-16SL,14PR for 73198		--	1271440GT	TIRE/WHEEL ASSY,LH,12-16.5/10PR,FOAM.....2 RT, Foam-filled, left (9 hole)	
--	73212GT	TIRE,12-16.5, 12PR,NON-MARKING					
11B		ASSY,TIRE/WHEEL,IMP,W/SEALANT component no longer available					
--	1271437GT	TIRE,12-16.5/10PR S40 HAULER					
11C	1271438GT	TIRE/WHEEL ASSY,LH,12-16.5/10PR,AIR.....1 RT, Air-filled, left (includes item 15) (9 hole)					
11C	1271439GT	TIRE/WHEEL ASSY,RH,12-16.5/10PR,AIR.....1 RT, Air-filled, right (includes item 15) (9 hole)					
--	122348GT	WHEEL, 16.5 X 9.75 S40 for 1271439, 1271438					
--	1271437GT	TIRE,12-16.5/10PR S40 HAULER for 1271439, 1271438					
--	73198GT	TIRE & WHEEL ASSY (COMMENTS!)*..2 (8 HOLES) shown					
11D	1271442GT	TIRE/WHEEL ASSY,LH,12-16.5/10PR,SEAL RT, Air-filled with sealant, left (includes item 9) (8 hole) to SN 10920					

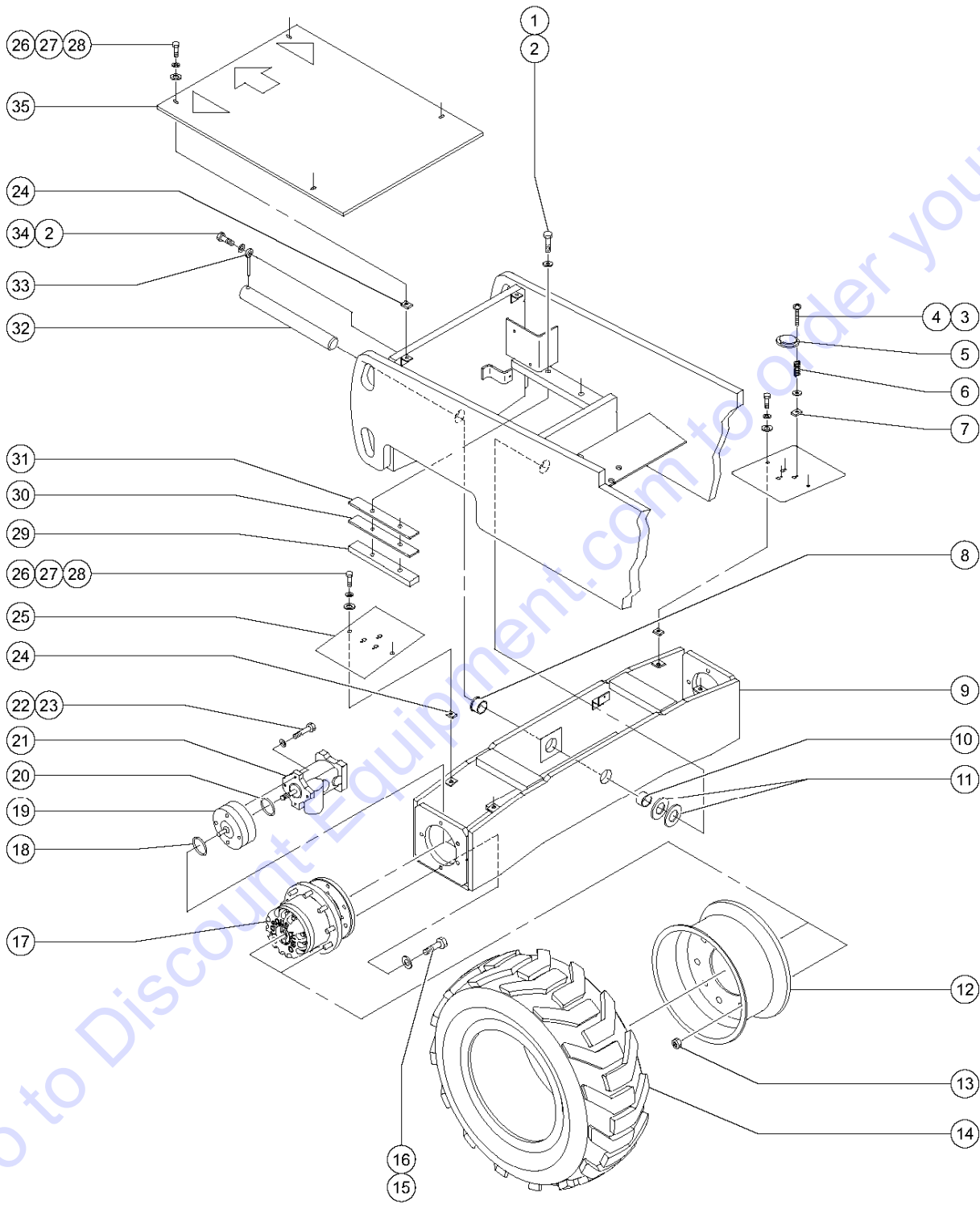
203.1 2WD Steer Axle, Wheels and Hubs
(continued)

Item	Part No.	Description	Qty.	Item	Part No.	Description	Qty.
--	102088GT	TIRE/WHEEL,RH, 2WD NON-MARK.....1		--	102126GT	SEAL KIT,DRIVE HUB (88887) <i>use with item 88883; from SN 10926</i>	
--	102089GT	TIRE/WHEEL,LH, 2WD NON-MARK		--	45873GT	SEAL/BEARING KIT (45043,54840) <i>use with item 45043; to SN 10925</i>	
--	111453GT	ASSY,TIRE/WHEEL,RH,RT,NM,W/SEA		20	46958GT	COUNTERWEIGHT,DRIVE CHASSIS **.....1 <i>for use with S40 only</i>	
--	111454GT	ASSY,TIRE/WHEEL,LH,RT,NM,W/SEA		21	146207GT	CNTWT,CAST,S40/45 2WD DRV CHAS <i>use with S-40 and S-45, from SN 15684</i>	
--	102804GT	TIRE/WHEEL ASSY		21	53415GT	COUNTERWEIGHT, S45 DRV CHASSIS.....1 <i>for use with S45 only; to SN 15683</i>	
--	102805GT	TIRE/WHEEL ASSY		--	146207GT	CNTWT,CAST,S40/45 2WD DRV CHAS <i>use with S-40 and S-45, from SN 15684</i>	
12	45111GT	CAP,DUST,45873 HUB KIT.....2 <i>use with item 45043; to SN 10925</i>		22	34079GT	SCREW,HHC,1-8 X 8.5 GRD.2	
--	94891GT	COVER,HUB (88883).....2 <i>use with item 88883; from SN 10926</i>					
13	45113GT	NUT,SPINDLE,1-14.....2					
14	45114GT	PIN,COTTER,,219 X 1.75.....2					
15	45112GT	WASHER,SPINDLE.....2 <i>use with item 45043; to SN 10925</i>					
--	94892GT	SHIM,HUB (88883).....2 <i>use with item 88883; from SN 10926</i>					
16	45108GT	OUTER CONE - MODEL 60-8.....2 <i>use with item 45043; to SN 10925; small bearing race not included</i>					
--	94893GT	BEARING,OUTER (88883) <i>use with item 88883; from SN 10926</i>					
16A	40146GT	BEARING RACE (SMALL) (45873).....2 <i>outer cone not included</i>					
16A	94893GT	BEARING,OUTER (88883) <i>use with item 88883; from SN 10926</i>					
17	45043GT	HUB ASSEMBLY MODEL#60-8***.....2 <i>includes items 12, 16, 18, 19 and races; to SN 10925</i>					
--	40145GT	BEARING RACE (LARGE) (45873) <i>use with item 45043; to SN 10925; inner cone not included</i>					
--	40146GT	BEARING RACE (SMALL) (45873) <i>use with item 45043; to SN 10925; outer cone not included</i>					
--	21166GT	LUG BOLT,5/8-18,WHEEL HUB*** <i>use with item 45043; to SN 10925</i>					
--	88883GT	HUB,2WD,FRONT*** <i>from SN 10926</i>					
--	227986GT	V-RING 100,RUBBER SEAL <i>from SN 10926</i>					
--	227987GT	RING,OIL SEAL, 95 X 120 X 12 <i>from SN 10926</i>					
--	102162GT	LUG,STUD/WHEEL (88887) <i>use with item 88883; from SN 10926</i>					
18	45107GT	INNER CONE - MODEL 60-8.....2 <i>use with item 45043; to SN 10925; large bearing race not included</i>					
--	94894GT	BEARING,INNER (88883) <i>use with item 88883; from SN 10926</i>					
19	45110GT	SEAL-GREASE,MODEL 60-8.....2 <i>use with item 45043; to SN 10925</i>					

This Page Intentionally Left Blank

Go to Discount-Equipment.com to order your parts

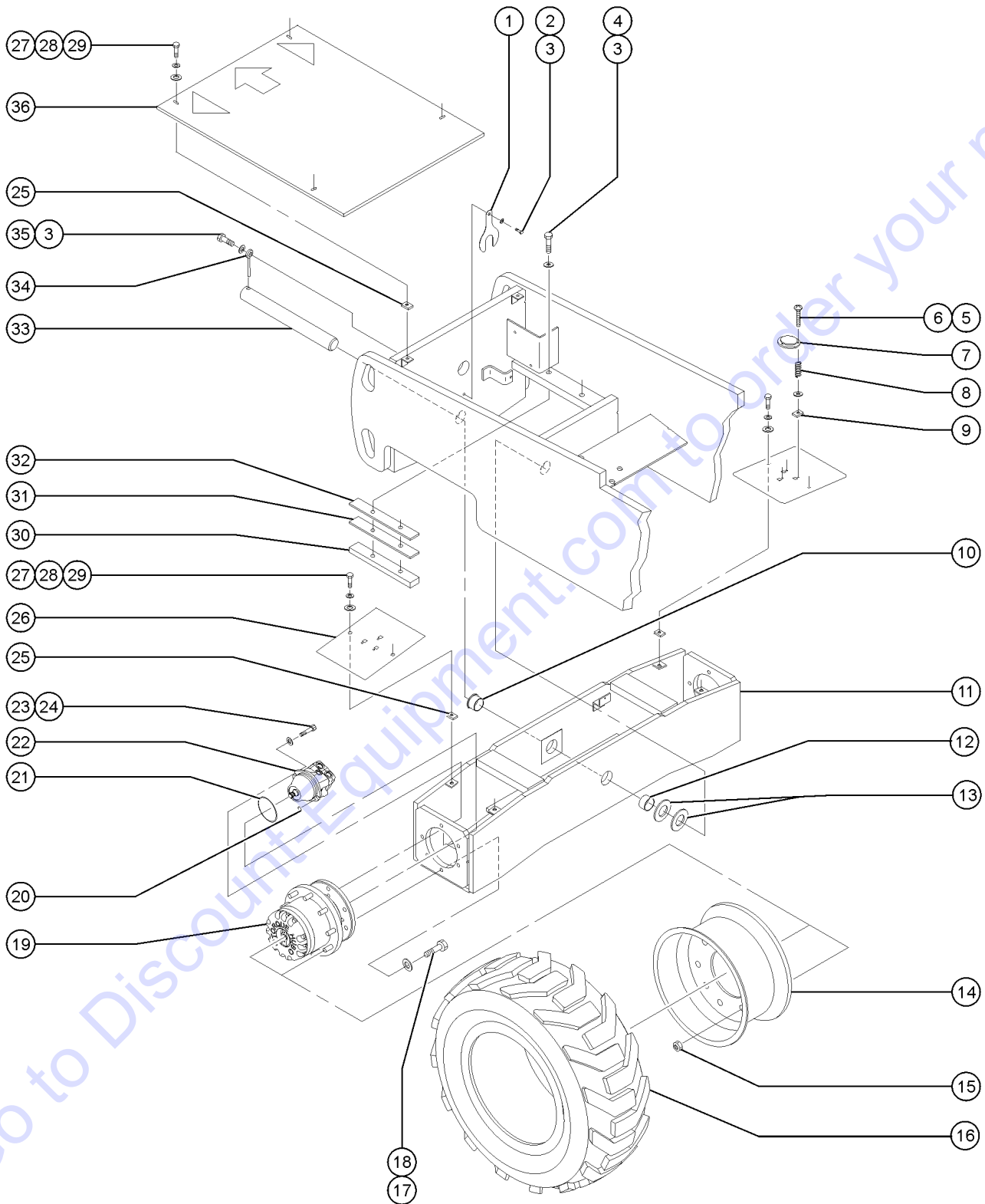
204.1 2WD Non-steer Axle (to SN 7568)



204.1 2WD Non-steer Axle (to SN 7568)

Item	Part No.	Description	Qty.	Item	Part No.	Description	Qty.
1	6096GT	SCREW,HHC,1/2-13 X 2 GR5		20	22811GT	O-RING,MOTOR TO BRAKE*** <i>measures approx 4" x 0.10"</i>	2
2	6033GT	WASHER,LOCK,0.5"		21	41398GT	MOTOR,HYDRAULIC,AXIAL PORTS*** <i>includes item 20</i>	2
3	73634GT	SCREW,PHIL,PHM,10-24X1.5 ZINC		--	32680GT	SEAL KIT,SUNSTRAND	
4	6146GT	WASHER,FLAT,MS,#10,Y		22	73858GT	SCREW,SHC,1/2-13X5.0 GR 5 ZINC	
5	77026GT	LEVEL,BUBBLE,2 DEGREE * <i>European models</i>	1	23	13066GT	WASHER,FLAT,.5 HARDENED	4
6	77027GT	SPRING,1X.31 ODX.040WIRE,SS	3	24	56912GT	SPRING CLIP,1/4-20,.025-.15X.54,ZAG	8
7	73575GT	SPRING CLIP,10-24,.025-.125X.468,ZAG	3	25	30802P-SGT	COVER,NON-STEER AXLE "BLUE"	2
8	119621GT	BEARING,FL,1.50IDX1.75ODX1.10L	1	26	6090GT	SCREW,HHC,1/4-20 X .75	
9	89802GT	NON-STEER AXLE ASSY <i>includes items 8 and 11</i>	1	27	6356GT	WASHER,LOCK,.25	
10	119619GT	BEARING,1.5IDX1.75ODX1.5L,PTFE	1	28	6638GT	WASHER,FLAT,USS,1/4"Y	
11	36603GT	WASHER,FLAT,1.56 X 3.5 X .061		29	30690GT	BAR,AXLE ROTATION STOP,OSC. ** <i>oscillating models</i>	2
12		Ref. Tire & Wheel assemblies (refer to 204.2)		--	30691GT	BAR,AXLE ROTATION STOP,NON-OSC <i>non-oscillating models</i>	
13		Ref. Tire & Wheel assemblies (refer to 204.2)		30	30808GT	SHIM,AXLE ROTATION STOP	
14		Ref. Tire & Wheel assemblies (refer to 204.2)		31	30809GT	SHIM,AXLE ROTATION STOP,22 GA.	
15	13004GT	SCREW,HHC,5/8-11 X 3 GRD.8	12	32	30735GT	PIN, 1.50DIA X 17.50LG, CHAMFER	1
16	56911GT	WASHER,FLAT,.688X1.160X.09	12	33	825019GT	ROD END,.375X3.69,ZAG	1
17	20193GT	TORQUE HUB,35:1***	2	34	6175GT	SCREW,HHC,3/8-16 X 1	
--	1286606GT	SEAL KIT,TORQUE HUB (20193) <i>for 20193</i>		35	89803GT	COVER, CHASSIS ASSY W/DECALS	1
--	1286607GT	BEARING KIT,TORQUE HUB (20193) <i>for 20193</i>					
--	21143GT	BEARING KIT (45553) TORQUE HUB <i>for 20193 (inventory limited to stock on hand as component is no longer available)</i>					
--	21144GT	CAP,DISENGAGE-45553 TORQUE HUB					
--	21145GT	DISCONNECT ROD-45553 TQ.HUB					
--	21146GT	COVER CAP,TORQUE HUB***					
--	21148GT	WASHER,THRUST,TORQUE HUB					
--	21149GT	LUG,WHEEL STUD,5/8-18,W1/4HB**					
--	37097GT	O-RING, TORQUE HUB <i>included in Seal Kit</i>					
--	58438GT	KIT,COVER,TORQUE HUB,45553***					
--	58589GT	THRUST CAP (20193)					
18	52087GT	O-RING,2-044 BUNA***	2				
19	41912GT	BRAKE,MICO,1200 IN/LB*** <i>includes item 18</i>	2				
--	65608GT	BEARING KIT, AUSCO***					
--	72319GT	SPRING (RED) MICO <i>For 41912; 8 required per brake</i>					
--	77239GT	LINING KIT,AUSCO BRAKE***					
--	77240GT	SEAL KIT, AUSCO BRAKE***					

204.2 2WD Non-steer Axle (from SN 7569)



204.2 2WD Non-steer Axle (from SN 7569)

Item	Part No.	Description	Qty.	Item	Part No.	Description	Qty.
1	36603GT	WASHER,FLAT,1.56 X 3.5 X .061 to SN 15676		16B	1271442GT	TIRE/WHEEL ASSY,LH,12-16.5/10PR,SEAL RT, Air-filled with sealant, left (9 hole)	
--	122850GT	SHIM, AXLE, 1.56 X 4.75 from SN 15677		16B	1271443GT	TIRE/WHEEL ASSY,RH,12-16.5/10PR,SEAL RT, Air-filled with sealant, right (9 hole)	
2	8255GT	SCREW,HHC,3/8-16 X .75 from SN 15677		16C	1271440GT	TIRE/WHEEL ASSY,LH,12-16.5/10PR,FOAM.....2 RT, Foam-filled, left (9 hole)	
3	6033GT	WASHER,LOCK,0.5"		16C	1271441GT	TIRE/WHEEL ASSY,RH,12-16.5/10PR,FOAM.....2 RT, Foam-filled, right (9 hole)	
4	6096GT	SCREW,HHC,1/2-13 X 2 GR5		16D	73204GT	TIRE & WHEEL ASSY,RH RT, Non-marking, Air-filled, right (includes item 14) (9 hole)	
5	73634GT	SCREW,PHIL,PHM,10-24X1.5 ZINC		16D	73205GT	TIRE & WHEEL ASSY,LH RT, Non-marking, Air-filled, left (includes item 14) (9 hole)	
6	6146GT	WASHER,FLAT,MS,#10,Y		--	73212GT	TIRE,12-16.5, 12PR,NON-MARKING for 73204, 73205	
7	77026GT	LEVEL,BUBBLE,2 DEGREE *1 European models		16E	111453GT	ASSY,TIRE/WHEEL,RH,RT,NM,W/SEA RT, Non-marking, Air-filled with sealant, right (9 hole)	
8	77027GT	SPRING,1X.31 ODX.040WIRE,SS.....3		16E	111454GT	ASSY,TIRE/WHEEL,LH,RT,NM,W/SEA RT, Non-marking, Air-filled with sealant, left (9 hole)	
9	73575GT	SPRING CLIP,10-24,.025-.125X.468,ZAG.....3		16F	102802GT	S40 NM RT TIRE,RH RT, Non-marking, Foam-filled, right (9 hole)	
10	119621GT	BEARING,FL,1.50IDX1.75ODX1.10L.....1		16F	102803GT	S40 NM RT TIRE,LH RT, Non-marking, Foam-filled, left (9 hole)	
11	89802GT	NON-STEER AXLE ASSY.....1 includes items 10 and 13		17	73455GT	SCREW,HHC,5/8-11 X 2.25 GR8.....12	
12	18396GT	BEARING,1.5IDX1.75ODX1.0L.....1		18	13064GT	WASHER,FLAT,625 HARDENED.....12	
13	36603GT	WASHER,FLAT,1.56 X 3.5 X .061		19A	139330GT	WHEEL DRIVE W/ BRAKE,57:1***2 Type: OMNI. Visually identify which hub before ordering parts. ID tag is on end cover cap. Hubs are not interchangeable, internal components are different for each type. All four hubs must be the same to avoid damage.	
14	122348GT	WHEEL, 16.5 X 9.75 S40.....2		--	139965GT	WHEEL STUD,5/8-18,OMNI*** from SN 15678 to 16493	
15	54627GT	NUT,LUG,5/8-18 X 90 DEGREE,Z45.....18 to SN 13953		--	139966GT	ROD,DISCONNECT,OMNI*** for 139330	
--	111368GT	LUGFL&RING ASSY KIT HI FLO S40.....1 lug nut replacement kit for HI FL tires, includes parts 122313P and 77674; from SN 13954		--	139967GT	CAP,DISENGAGE,OMNI*** for 139330	
--	111369GT	LUGFL&RING ASSY KIT,FM,AIR,S40.....1 lug nut replacement kit for air filled tires, includes parts 122313P and 77674; ; from SN 13954		--	139968GT	O-RING,END COVER,OMNI*** for 139330	
--	111370GT	LUGFL&RING ASSY KIT CE S40/Z60....1 lug nut replacement kit for CE and foam filled tires, includes parts 122313P and 77674; from SN 13954		--	139969GT	LINING KIT,BRAKE,OMNI*** for 139330	
--	122313PGT	WHEEL RING WASHER,PTD.....1 requires lug nut p/n 77674, from SN 13954		--	139970GT	SEAL KIT,BRAKE,OMNI*** for 139330	
--	77674GT	NUT,HEX,FLANGE 5/8-18,GRD 8 ZL.....9 from SN 13954		--	139971GT	BEARING KIT,OMNI*** for 139330	
16A	1271438GT	TIRE/WHEEL ASSY,LH,12-16.5/10PR,AIR.....1 RT, Air-filled, left (includes item 15) (9 hole)					
16A	1271439GT	TIRE/WHEEL ASSY,RH,12-16.5/10PR,AIR.....1 RT, Air-filled, right (includes item 15) (9 hole)					
--	122348GT	WHEEL, 16.5 X 9.75 S40 for 1271439, 1271438					
--	1271437GT	TIRE,12-16.5/10PR S40 HAULER for 1271439, 1271438					

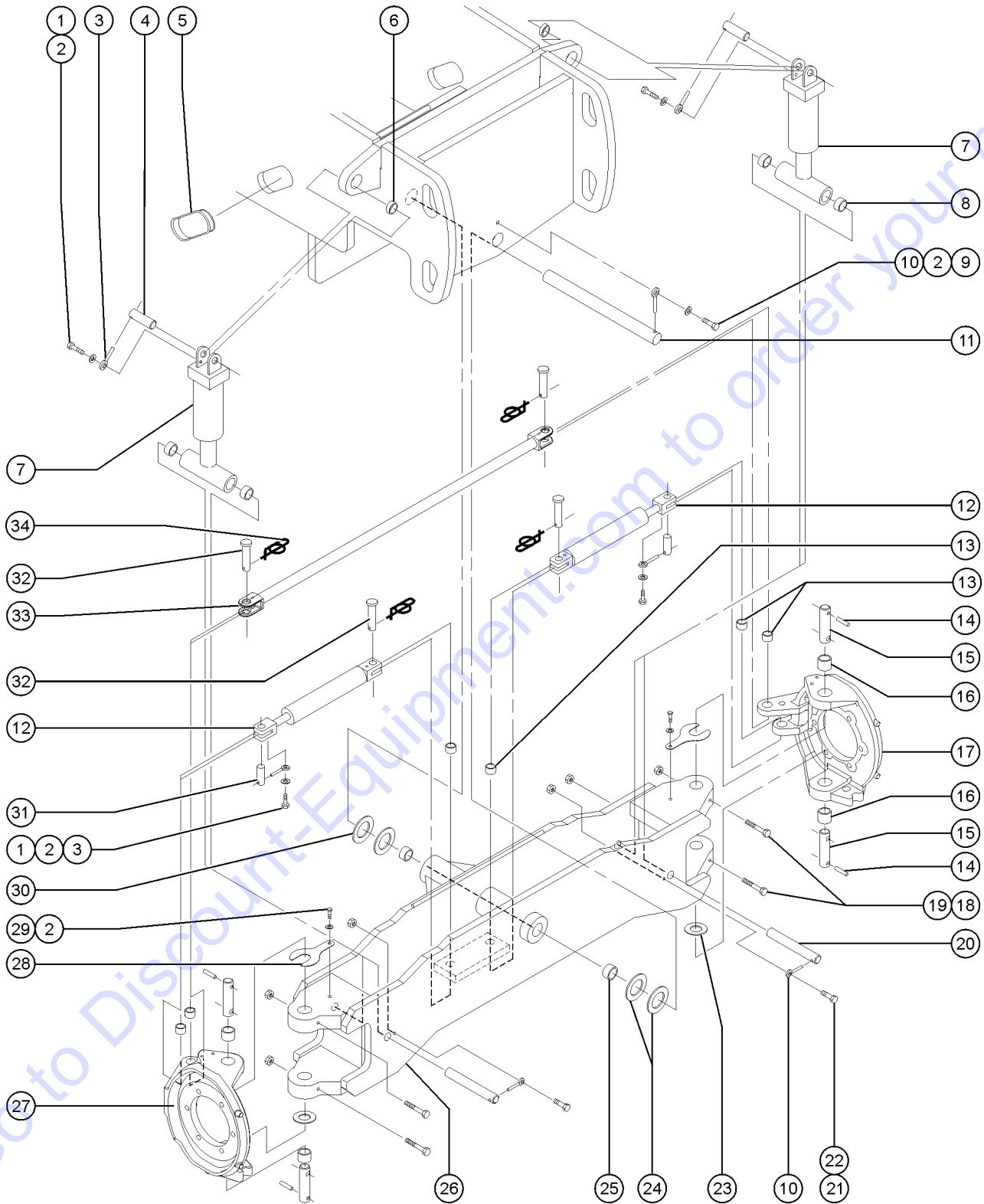
204.2 2WD Non-steer Axle (from SN 7569)
(continued)

Item	Part No.	Description	Qty.	Item	Part No.	Description	Qty.
--	139972GT	SEAL KIT,GEARBOX,OMNI*** for 139330		20	106117GT	O-RING,2-010,VITON.....2 (Mating O-ring for Brake Port)(Extremely small)	
--	147033GT	O-RING,PIPE PLUG KIT,OMNI*** for 139330		21	106118GT	O-RING,2-157,VITON***2 (Motor to Hub O-ring)	
--	147034GT	PIPE PLUG KIT,OMNI*** for 139330		22	101587GT	MOTOR,PISTON,LC30,10 DEG,13T.....2 includes items 20 and 21	
--	230849GT	WHEEL STUD,5/8-18X67MM from SN 16494		--	106098GT	SEAL KIT,MOTOR,LC/KC***	
--	9990184GT	RETAINING RING, INTERNAL, #180 (COMPONENT OF 139330GT) for 139330		23	88296GT	SCREW,HHC,7/16-14 X 1.25	
19B	101584GT	WHEEL DRIVE W/BRAKE 57:1.....2 Type: FAIRFIELD. Visually identify which hub before ordering parts. ID tag is on end cover cap. Hubs are not interchangeable, internal components are different for each type. All four hubs must be the same to avoid damage.		24	106134GT	WASHER,FLAT,HARDENED 7/16.....4	
19B	215777GT	INPUT CARRIER, SUB-ASSEMBLY for 101584		25	56912GT	SPRING CLIP,1/4-20,.025-.15X.54,ZAG.....8	
--	106117GT	O-RING,2-010,VITON for 101584 (Mating O-ring for Brake Port)(Extremely small)		26	30802P-SGT	COVER,NON-STEER AXLE "BLUE".....2	
--	106119GT	SEAL KIT, GEARBOX, 4HP for 101584		27	6090GT	SCREW,HHC,1/4-20 X .75	
--	106120GT	WHEEL STUD, 4HP, 5/8-18*** for 101584		28	6356GT	WASHER,LOCK,.25	
--	106121GT	ROD,DISCONNECT 4HP/4HB*** for 101584		29	6638GT	WASHER,FLAT,USS,1/4"Y	
--	106122GT	CAP,DISENGAGE,4HP/4HB*** for 101584		30	30690GT	BAR,AXLE ROTATION STOP,OSC. **.....2 oscillating models	
--	106123GT	O-RING,END COVER,4HP/4HB*** for 101584		--	30691GT	BAR,AXLE ROTATION STOP,NON-OSC non-oscillating models	
--	106124GT	LINING KIT, BRAKE, 4HP*** for 101584		31	30808GT	SHIM,AXLE ROTATION STOP	
--	106125GT	SEAL KIT, BRAKE, 4HP for 101584 (inventory limited to stock on hand as component is no longer available)		32	30809GT	SHIM,AXLE ROTATION STOP,22 GA.	
--	106126GT	BEARING KIT,4HP for 101584 (inventory limited to stock on hand as component is no longer available)		33	30735GT	PIN, 1.50DIAX17.50LG, CHAMFER.....1	
--	1286602GT	SEAL KIT,WHEEL DRIVE W/BRAKE (101584/101585) for 101584		34	825019GT	ROD END,.375X3.69,ZAG.....1	
--	1286603GT	BEARING KIT,WHEEL DRIVE W/BRAKE (101584/101585) for 101584		35	6175GT	SCREW,HHC,3/8-16 X 1	
--	146051GT	BEARING NUT*** for 101584		36	89803GT	COVER, CHASSIS ASSY W/DECALS....1	
--	146052GT	SET SCREW*** for 146051					
--	58320GT	KIT,TORQUE HUB COVER(101584)** for 101584					

This Page Intentionally Left Blank

Go to Discount-Equipment.com to order your parts

205.1 4WD Steer Axle Linkage



PARTS FINDER

**Search Website
by Part Number**



**Search Manual
Library For Parts
Manual & Lookup Part
Numbers – Purchase
or Request Quote**

Search Manuals

Enter your information to help us find the right parts manual for your machine.

* Brand:

* Model:

* Serial:

* Part Number:

SEARCH

**Can't Find Part or
Manual? Request Help
by Manufacturer,
Model & Description**

Parts Order Form

Please fill in the following information to help us find the right part for your machine.

Manufacturer:	<input type="text"/>
Model:	<input type="text"/>
Description:	<input type="text"/>
Part Number:	<input type="text"/>
Quantity:	<input type="text"/>
Notes:	<input type="text"/>

Submit

Discount-Equipment.com is your online resource for quality parts & equipment.

Florida: **561-964-4949** Outside Florida TOLL FREE: **877-690-3101**

Need parts?

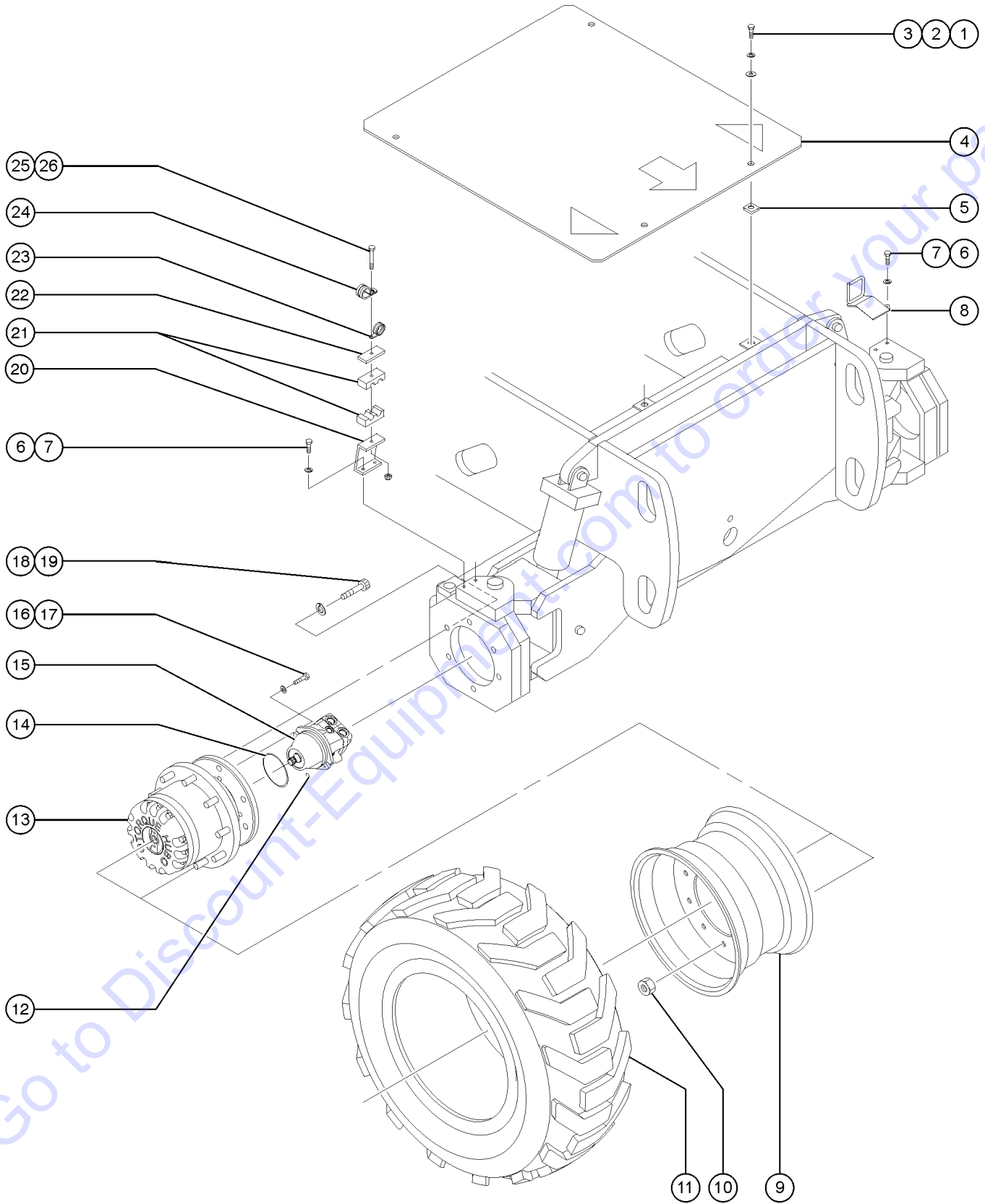
Click on this link: <http://www.discount-equipment.com/category/5443-parts/> and choose one of the options to help get the right parts and equipment you are looking for. Please have the machine model and serial number available in order to help us get you the correct parts. If you don't find the part on the website or on one of the online manuals, please fill out the request form and one of our experienced staff members will get back to you with a quote for the right part that your machine needs.

We sell worldwide for the brands: Genie, Terex, JLG, MultiQuip, Mikasa, Essick, Whiteman, Mayco, Toro Stone, Diamond Products, Generac Magnum, Airman, Haulotte, Barreto, Power Blanket, Nifty Lift, Atlas Copco, Chicago Pneumatic, Allmand, Miller Curber, Skyjack, Lull, Skytrak, Tsurumi, Husquvarna Target, Stow, Wacker, Sakai, Mi-T-M, Sullair, Basic, Dynapac, MBW, Weber, Bartell, Bennar Newman, Haulotte, Ditch Runner, Menegotti, Morrison, Contec, Buddy, Crown, Edco, Wyco, Bomag, Laymor, EZ Trench, Bil-Jax, F.S. Curtis, Gehl Pavers, Heli, Honda, ICS/PowerGrit, IHI, Partner, Imer, Clipper, MMD, Koshin, Rice, CH&E, General Equipment, Amida, Coleman, NAC, Gradall, Square Shooter, Kent, Stanley, Tamco, Toku, Hatz, Kohler, Robin, Wisconsin, Northrock, Oztec, Toker TK, Rol-Air, APT, Wylie, Ingersoll Rand / Doosan, Innovatech, Con X, Ammann, Mecalac, Makinex, Smith Surface Prep, Small Line, Wanco, Yanmar

205.1 4WD Steer Axle Linkage

Item	Part No.	Description	Qty.	Item	Part No.	Description	Qty.
1	49857GT	SCREW,HHC,3/8-16 X .88,GRD 8.....	4	34	74389GT	RUE RING,1.00.....	2
2	6021GT	WASHER,LOCK,.375					
3	1255452GT	ROD END,.375 X 2.25,ZAG.....	8				
4	30737GT	PIN,1.25DIAX3.00LG,1HOLE.....	2				
5	53386GT	GUARD, HOSE PROTECTOR.....	2				
6	30370GT	BEARING,1.25IDX1.5ODX1.00L.....	2				
7	89099GT	CYLINDER,OSCILLATE S40/45.....	2				
		<i>includes item 8</i>					
--	31106GT	VALVE,CNTERBAL,CBBB-LHN@3000**					
--	89100GT	SEAL KIT,OSC.CYL.					
8	59266GT	BEARING, POLYGON P2055 (59105)....	4				
9	6175GT	SCREW,HHC,3/8-16 X 1					
10	825019GT	ROD END,.375X3.69,ZAG.....	3				
11	30735GT	PIN, 1.50DIAX17.50LG, CHAMFER.....	1				
12	89065GT	CYLINDER,STEER***.....	2				
--	89066GT	SEAL KIT,STEER CYL (89065)					
13	25817GT	BEARING,1.00IDX1.25ODX1.00L.....	6				
14	14815GT	PIN,ROLL,SST,.25 X 2.25.....	4				
15	53081GT	PIN,1.50DIAX4.76LG,2HOLE.....	4				
16	119619GT	BEARING,1.5IDX1.75ODX1.5L,PTFE....	4				
17	89804GT	YOKE ASSY, 4WD, L.S.....	1				
		<i>includes items 13 and 16</i>					
18	8220GT	SCREW,HHC,1/2-13 X 4					
19	6086GT	NUT,LP NYLOCK,1/2-13					
20	30190GT	PIN,1.25DIAX7.25LG,1HOLE.....	2				
21	6708GT	SCREW,HHC,3/8-16 X 2.25					
22	4828GT	NUT,NYLOCK,3/8-16					
23	45074GT	WASHER,THRUST,1.5 X 3.5 X .187.....	2				
24	36603GT	WASHER,FLAT,1.56 X 3.5 X .061 <i>to SN 15676</i>					
--	122850GT	SHIM, AXLE, 1.56 X 4.75 <i>refer to 207.2 ; from SN 15677</i>					
25	119619GT	BEARING,1.5IDX1.75ODX1.5L,PTFE....	2				
26	102192-SGT	WELDMENT,FRT AXLE OSC,ASSY.....	1				
		<i>includes items 13 and 16</i>					
27	89805GT	YOKE ASSY,4WD,R.S. S40/45.....	1				
		<i>includes items 13 and 16</i>					
28	36603GT	WASHER,FLAT,1.56 X 3.5 X .061 <i>to SN 15683</i>					
--	122850GT	SHIM, AXLE, 1.56 X 4.75 <i>from SN 15684</i>					
29	8255GT	SCREW,HHC,3/8-16 X .75					
30	36603GT	WASHER,FLAT,1.56 X 3.5 X .061					
31	30734GT	PIN,1.00DIAX2.88LG,1HOLE.....	2				
32	19440GT	PIN,CLEVIS,1 X 2.5 LG.....	2				
33	63155GT	WELDMENT,TIE ROD.....	1				

206.1 4WD Steer Axle - Wheels and Hubs



206.1 4WD Steer Axle - Wheels and Hubs

Item	Part No.	Description	Qty.	Item	Part No.	Description	Qty.
1	6090GT	SCREW,HHC,1/4-20 X .75		13B	101584GT	WHEEL DRIVE W/BRAKE 57:1.....2 <i>Type: FAIRFIELD. Visually identify which hub before ordering parts. ID tag is on end cover cap. Hubs are not interchangeable, internal components are different for each type. All four hubs must be the same to avoid damage.</i>	
2	6356GT	WASHER,LOCK,.25		--	106117GT	O-RING,2-010,VITON <i>for 101584 (Mating O-ring for Brake Port)(Extremely small)</i>	
3	6638GT	WASHER,FLAT,USS,1/4"Y		--	106119GT	SEAL KIT, GEARBOX, 4HP <i>for 101584</i>	
4	102278GT	CVR ASSY W/DECALS,DRV CHASS ST.....1	1	--	106120GT	WHEEL STUD, 4HP, 5/8-18*** <i>for 101584</i>	
5	56912GT	SPRING CLIP,1/4-20,.025-.15X.54,ZAG		--	106121GT	ROD,DISCONNECT 4HP/4HB*** <i>for 101584</i>	
6	8255GT	SCREW,HHC,3/8-16 X .75		--	106122GT	CAP,DISENGAGE,4HP/4HB*** <i>for 101584</i>	
7	6021GT	WASHER,LOCK,.375		--	106123GT	O-RING,END COVER,4HP/4HB*** <i>for 101584</i>	
8	122281PGT	HOSE HANGER,DRIVE CHASSIS,PTD.....2 <i>from SN 14397</i>	2	--	106124GT	LINING KIT, BRAKE, 4HP*** <i>for 101584</i>	
9		Ref. Tire & Wheel assemblies (refer to 207.2)		--	106125GT	SEAL KIT, BRAKE, 4HP <i>for 101584 (inventory limited to stock on hand as component is no longer available)</i>	
10		Ref. Tire & Wheel assemblies (refer to 207.2)		--	106126GT	BEARING KIT,4HP <i>for 101584 (inventory limited to stock on hand as component is no longer available)</i>	
11		Ref. Tire & Wheel assemblies (refer to 207.2)		--	1286602GT	SEAL KIT,WHEEL DRIVE W/BRAKE (101584/101585) <i>for 101584</i>	
12	106117GT	O-RING,2-010,VITON.....2 <i>(Mating O-ring for Brake Port)(Extremely small)</i>	2	--	1286603GT	BEARING KIT,WHEEL DRIVE W/BRAKE (101584/101585) <i>for 101584</i>	
13A	139330GT	WHEEL DRIVE W/ BRAKE,57:1*** <i>not interchangeable, internal components are different for each type. All four hubs must be the same to avoid damage.</i>		--	146051GT	BEARING NUT*** <i>for 101584</i>	
--	139965GT	WHEEL STUD,5/8-18,OMNI*** <i>from SN 15678 to 16493</i>		--	146052GT	SET SCREW*** <i>for 146051</i>	
--	139966GT	ROD,DISCONNECT,OMNI*** <i>use with wheel drive 139330</i>		--	215777GT	INPUT CARRIER, SUB-ASSEMBLY <i>for 101584</i>	
--	139967GT	CAP,DISENGAGE,OMNI*** <i>use with wheel drive 139330</i>		--	58320GT	KIT,TORQUE HUB COVER(101584)** <i>for 101584</i>	
--	139968GT	O-RING,END COVER,OMNI*** <i>use with wheel drive 139330</i>		13C	45553GT	TORQUE HUB SERIES 1-18.25:1.....2 <i>to SN 7568</i>	
--	139969GT	LINING KIT,BRAKE,OMNI*** <i>use with wheel drive 139330</i>		--	1286606GT	SEAL KIT,TORQUE HUB (20193) <i>for 45553</i>	
--	139970GT	SEAL KIT,BRAKE,OMNI*** <i>use with wheel drive 139330</i>		--	21143GT	BEARING KIT (45553) TORQUE HUB <i>for 45553</i>	
--	139971GT	BEARING KIT,OMNI*** <i>use with wheel drive 139330</i>		--	21144GT	CAP,DISENGAGE-45553 TORQUE HUB <i>for 45553</i>	
--	139972GT	SEAL KIT,GEARBOX,OMNI*** <i>use with wheel drive 139330</i>		--	21145GT	DISCONNECT ROD-45553 TQ.HUB <i>for 45553</i>	
--	147033GT	O-RING,PIPE PLUG KIT,OMNI*** <i>use with wheel drive 139330</i>					
--	147034GT	PIPE PLUG KIT,OMNI*** <i>use with wheel drive 139330</i>					
--	230849GT	WHEEL STUD,5/8-18X67MM <i>from SN 16494</i>					
--	9990184GT	RETAINING RING, INTERNAL, #180 <i>(COMPONENT OF 139330GT) for 139330</i>					

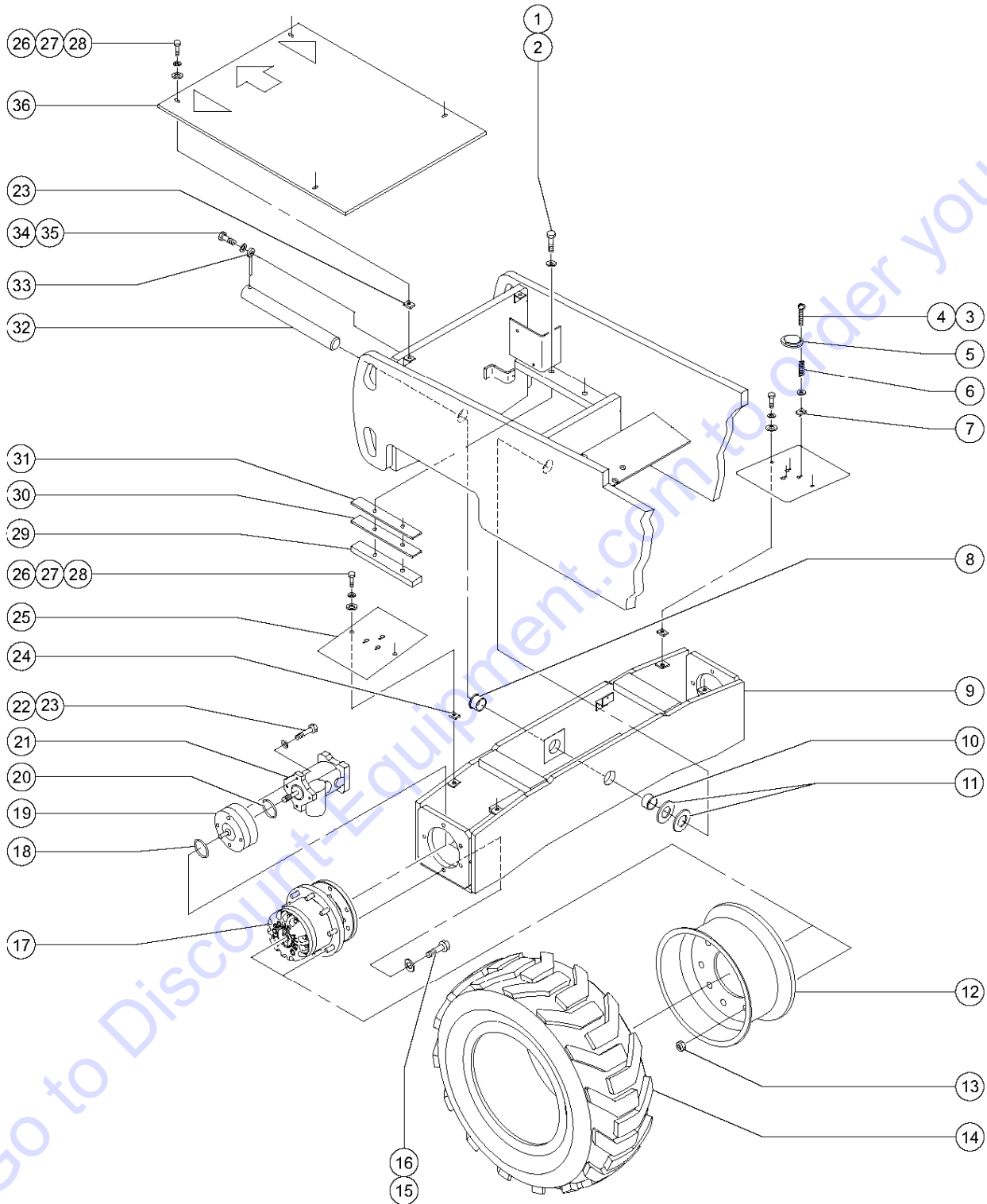
206.1 4WD Steer Axle - Wheels and Hubs
(continued)

Item	Part No.	Description	Qty.	Item	Part No.	Description	Qty.
--	21146GT	COVER CAP,TORQUE HUB*** for 45553		25	18505GT	5/16-18 X 2.25 LG.FLG.LCK.SCRW to SN 14396	
--	21148GT	WASHER,THRUST,TORQUE HUB for 45553		26	6002GT	NUT,LP NYLOCK,5/16-18 to SN 14396	
--	21149GT	LUG,WHEEL STUD,5/8-18,W1/4HB** for 45553					
--	37097GT	O-RING, TORQUE HUB for 45553					
--	58438GT	KIT,COVER,TORQUE HUB,45553*** for 45553					
--	58448GT	KIT,TORQUE HUB COVER (45553)** for 45553					
14	52087GT	O-RING,2-044 BUNA*** to SN 7568					
--	106118GT	O-RING,2-157,VITON*** from SN 7569 (Motor to Hub O-ring)					
15	33432GT	MOTOR,HYD,25CC FIXED***.....2 includes item 10; to SN 7568	2				
--	32675GT	SEAL KIT,SUNSTRAND to SN 7568					
15A	101586GT	MOTOR,PISTON,LC25,6.5 DEG,13T from SN 7569					
--	106098GT	SEAL KIT,MOTOR,LC/KC*** from SN 7569					
16	8177GT	SCREW,HHC,1/2-13 X 1.5 to SN 7568					
--	88296GT	SCREW,HHC,7/16-14 X 1.25 from SN 7569					
17	13066GT	WASHER,FLAT,.5 HARDENED.....4 to SN 7568	4				
--	106134GT	WASHER,FLAT,HARDENED 7/16 from SN 7569					
18	13004GT	SCREW,HHC,5/8-11 X 3 GRD.8 to SN 7568					
--	29883GT	SCREW,HHC,5/8-11 X 1.75 GRD.8 from SN 7569					
19	56911GT	WASHER,FLAT,.688X1.160X.09.....12 to SN 7568	12				
--	13064GT	WASHER,FLAT,.625 HARDENED from SN 7569					
20	122281PGT	HOSE HANGER,DRIVE CHASSIS,PTD.....2 to SN 14396	2				
21	36858GT	CLAMP PAIR,DUAL HOSE.....2 to SN 14396	2				
22	36859GT	TOP PLATE,CLAMP.....2 to SN 14396	2				
23	45454GT	CLAMP,RUB CUSH,0.75,#12 X 3/8*.....2 to SN 14396	2				
24	60838GT	CLAMP,1.00,#16 X 7/16,RUB CUSH.....2 to SN 14396	2				

This Page Intentionally Left Blank

Go to Discount-Equipment.com to order your parts

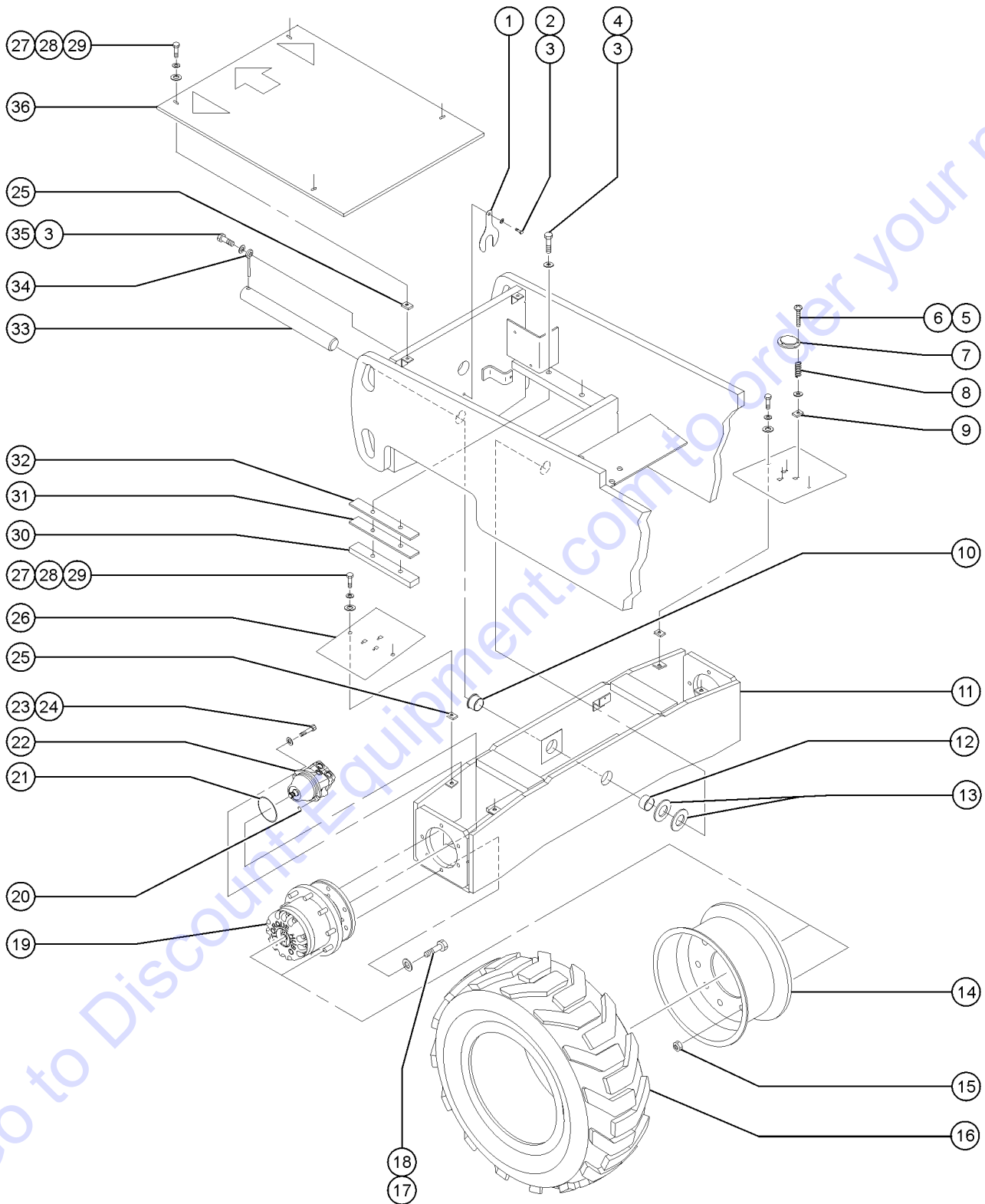
207.1 4WD Non-steer Axle (to SN 7568)



207.1 4WD Non-steer Axle (to SN 7568)

Item	Part No.	Description	Qty.	Item	Part No.	Description	Qty.
1	6096GT	SCREW,HHC,1/2-13 X 2 GR5		--	72319GT	SPRING (RED) MICO <i>For 41912; 8 required per brake</i>	
2	6021GT	WASHER,LOCK,.375		--	77239GT	LINING KIT,AUSCO BRAKE***	
3	73634GT	SCREW,PHIL,PHM,10-24X1.5 ZINC.....3		--	77240GT	SEAL KIT, AUSCO BRAKE***	
4	6146GT	WASHER,FLAT,MS,#10,Y		20	22811GT	O-RING,MOTOR TO BRAKE***.....2 <i>measures approx 4" x 0.10"</i>	
5	77026GT	LEVEL,BUBBLE,2 DEGREE *.....1 <i>European models</i>		21	41398GT	MOTOR,HYDRAULIC,AXIAL PORTS***.....2 <i>includes item 19</i>	
6	77027GT	SPRING,1X.31 ODX.040WIRE,SS.....3		--	32680GT	SEAL KIT,SUNSTRAND	
7	73575GT	SPRING CLIP,10-24,.025-.125X.468,ZAG.....3		22	73858GT	SCREW,SHC,1/2-13X5.0 GR 5 ZINC	
8	119621GT	BEARING,FL,1.50IDX1.75ODX1.10L.....1		23	13066GT	WASHER,FLAT,.5 HARDENED.....4	
9	89802GT	NON-STEER AXLE ASSY.....1 <i>includes items 10 and 36</i>		24	56912GT	SPRING CLIP,1/4-20,.025-.15X.54,ZAG.....8	
10	119619GT	BEARING,1.5IDX1.75ODX1.5L,PTFE.....1		25	30802P-SGT	COVER,NON-STEER AXLE "BLUE".....2	
11	36603GT	WASHER,FLAT,1.56 X 3.5 X .061		26	6090GT	SCREW,HHC,1/4-20 X .75	
12		Ref. Tire & Wheel assemblies (refer to 207.2)		27	6356GT	WASHER,LOCK,.25	
13		Ref. Tire & Wheel assemblies (refer to 207.2)		28	6638GT	WASHER,FLAT,USS,1/4"Y	
14		Ref. Tire & Wheel assemblies (refer to 207.2)		29	30690GT	BAR,AXLE ROTATION STOP,OSC. **.....2 <i>oscillating models</i>	
15	13004GT	SCREW,HHC,5/8-11 X 3 GRD.8.....12		--	30691GT	BAR,AXLE ROTATION STOP,NON-OSC <i>non-oscillating models</i>	
16	56911GT	WASHER,FLAT,.688X1.160X.09.....12		30	30808GT	SHIM,AXLE ROTATION STOP	
17	20451GT	TORQUE HUB,30/1***.....2		31	30809GT	SHIM,AXLE ROTATION STOP,22 GA.	
--	1286606GT	SEAL KIT,TORQUE HUB (20193) <i>for 20451</i>		32	30735GT	PIN, 1.50DIAX17.50LG, CHAMFER.....1	
--	21143GT	BEARING KIT (45553) TORQUE HUB <i>for 20451</i>		33	825019GT	ROD END,.375X3.69,ZAG.....1	
--	21144GT	CAP,DISENGAGE-45553 TORQUE HUB <i>for 20451</i>		34	6175GT	SCREW,HHC,3/8-16 X 1	
--	21145GT	DISCONNECT ROD-45553 TQ.HUB <i>for 20451</i>		35	6021GT	WASHER,LOCK,.375	
--	21146GT	COVER CAP,TORQUE HUB*** <i>for 20451</i>		36	89803GT	COVER, CHASSIS ASSY W/DECALS....1	
--	21148GT	WASHER,THRUST,TORQUE HUB <i>for 20451</i>					
--	21149GT	LUG,WHEEL STUD,5/8-18,W1/4HB** <i>for 20451</i>					
--	37097GT	O-RING, TORQUE HUB <i>included in seal kit part number 21142</i>					
--	58285GT	SPINDLE,TORQUE HUB <i>for 20451</i>					
--	58438GT	KIT,COVER,TORQUE HUB,45553*** <i>for 20451</i>					
--	58448GT	KIT,TORQUE HUB COVER (45553)** <i>for 20451</i>					
18	52087GT	O-RING,2-044 BUNA***.....2					
19	41912GT	BRAKE,MICO,1200 IN/LB***.....2 <i>includes item 18</i>					
--	65608GT	BEARING KIT, AUSCO***					

207.2 4WD Non-steer Axle (from SN 7569)



207.2 4WD Non-steer Axle (from SN 7569)

Item	Part No.	Description	Qty.	Item	Part No.	Description	Qty.
1	36603GT	WASHER,FLAT,1.56 X 3.5 X .061 to SN 15676		--	122348GT	WHEEL, 16.5 X 9.75 S40 for 1271439, 1271438	
--	122850GT	SHIM, AXLE, 1.56 X 4.75 from SN 15677		--	1271437GT	TIRE,12-16.5/10PR S40 HAULER for 1271439, 1271438	
2	8255GT	SCREW,HHC,3/8-16 X .75 from SN 15677		16B	1271442GT	TIRE/WHEEL ASSY,LH,12-16.5/10PR,SEAL RT, Air-filled with sealant, left (9 hole)	
3	6021GT	WASHER,LOCK,.375		16B	1271443GT	TIRE/WHEEL ASSY,RH,12-16.5/10PR,SEAL RT, Air-filled with sealant, right (9 hole)	
4	6096GT	SCREW,HHC,1/2-13 X 2 GR5		16C	1271440GT	TIRE/WHEEL ASSY,LH,12-16.5/10PR,FOAM.....2 RT, Foam-filled, left (9 hole)	
5	73634GT	SCREW,PHIL,PHM,10-24X1.5 ZINC		16C	1271441GT	TIRE/WHEEL ASSY,RH,12-16.5/10PR,FOAM.....2 RT, Foam-filled, right (9 hole)	
6	6146GT	WASHER,FLAT,MS,#10,Y		16D	73204GT	TIRE & WHEEL ASSY,RH RT, Non-marking, Air-filled, right (includes item 14) (9 hole)	
7	77026GT	LEVEL,BUBBLE,2 DEGREE *1 European models		16D	73205GT	TIRE & WHEEL ASSY,LH RT, Non-marking, Air-filled, left (includes item 14) (9 hole)	
8	77027GT	SPRING,1X.31 ODX.040WIRE,SS.....3		--	73212GT	TIRE,12-16.5, 12PR,NON-MARKING for 73204, 73205	
9	73575GT	SPRING CLIP,10-24,.025-.125X.468,ZAG.....3		16E	111453GT	ASSY,TIRE/WHEEL,RH,RT,NM,W/SEA RT, Non-marking, Air-filled with sealant, right (9 hole)	
10	119621GT	BEARING,FL,1.50IDX1.75ODX1.10L.....1		16E	111454GT	ASSY,TIRE/WHEEL,LH,RT,NM,W/SEA RT, Non-marking, Air-filled with sealant, left (9 hole)	
11	89802GT	NON-STEER AXLE ASSY.....1 includes items 8 and 17		16F	102802GT	S40 NM RT TIRE,RH RT, Non-marking, Foam-filled, right (9 hole)	
12	18396GT	BEARING,1.5IDX1.75ODX1.0L.....1		16F	102803GT	S40 NM RT TIRE,LH RT, Non-marking, Foam-filled, left (9 hole)	
13	36603GT	WASHER,FLAT,1.56 X 3.5 X .061		16G	73923GT	TIRE & WHEEL ASSY.,FLOTATION Flotation, Air-filled (9 hole)	
14	122348GT	WHEEL, 16.5 X 9.75 S40.....2 for 81008, 81009, 73204, 73205		--	73925GT	TIRE,33/16LL500,10PLY LITEFOOT for 73923	
14A	73924GT	WHEEL, 19.5X14.00 for 73923		16H	73490GT	TIRE & WHEEL ASSY.-RH Flotation, Foam-filled, right (9 hole)	
14B	122349GT	WHEEL, 15X13		16H	73491GT	TIRE & WHEEL ASSY.-LH Flotation, Foam-filled, left (9 hole)	
14C	122350GT	WHEEL, 19.5X14.00		16J	1271444GT	TIRE/WHEEL ASSY,LH,12-16.5/10PR,RNU RT, RNU Foam-filled, left (9 hole)	
15	54627GT	NUT,LUG,5/8-18 X 90 DEGREE,Z45.....18 from SN 7569 to 13953		16J	1271445GT	TIRE/WHEEL ASSY,RH,12-16.5/10PR,RNU RT, RNU Foam-filled, right (9 hole)	
--	111368GT	LUGFL&RING ASSY KIT HI FLO S40.....1 lug nut replacment kit for HI FL tires, includes parts 122313P and 77674; from SN 13954		16K	227802GT	TIRE & WHEEL ASSY,S40*** RT, Non-marking, RNU Foam-filled, right (9 hole)	
--	111369GT	LUGFL&RING ASSY KIT,FM,AIR,S40.....1 lug nut replacment kit for air filled tires, includes parts 122313P and 77674; ; from SN 13954		16K	227803GT	TIRE & WHEEL ASSY,S40*** RT, Non-marking, RNU Foam-filled, left (9 hole)	
--	111370GT	LUGFL&RING ASSY KIT CE S40/Z60.....1 lug nut replacment kit for CE and foam filled tires, includes parts 122313P and 77674; from SN 13954					
--	122313PGT	WHEEL RING WASHER,PTD.....1 requires lug nut p/n 77674, from SN 13954					
--	77674GT	NUT,HEX,FLANGE 5/8-18,GRD 8 ZI.....9 from SN 13954					
16A	1271438GT	TIRE/WHEEL ASSY,LH,12-16.5/10PR,AIR.....1 RT, Air-filled, left (includes item 14) (9 hole)					
16A	1271439GT	TIRE/WHEEL ASSY,RH,12-16.5/10PR,AIR.....1 RT, Air-filled, right (includes item 14) (9 hole)					

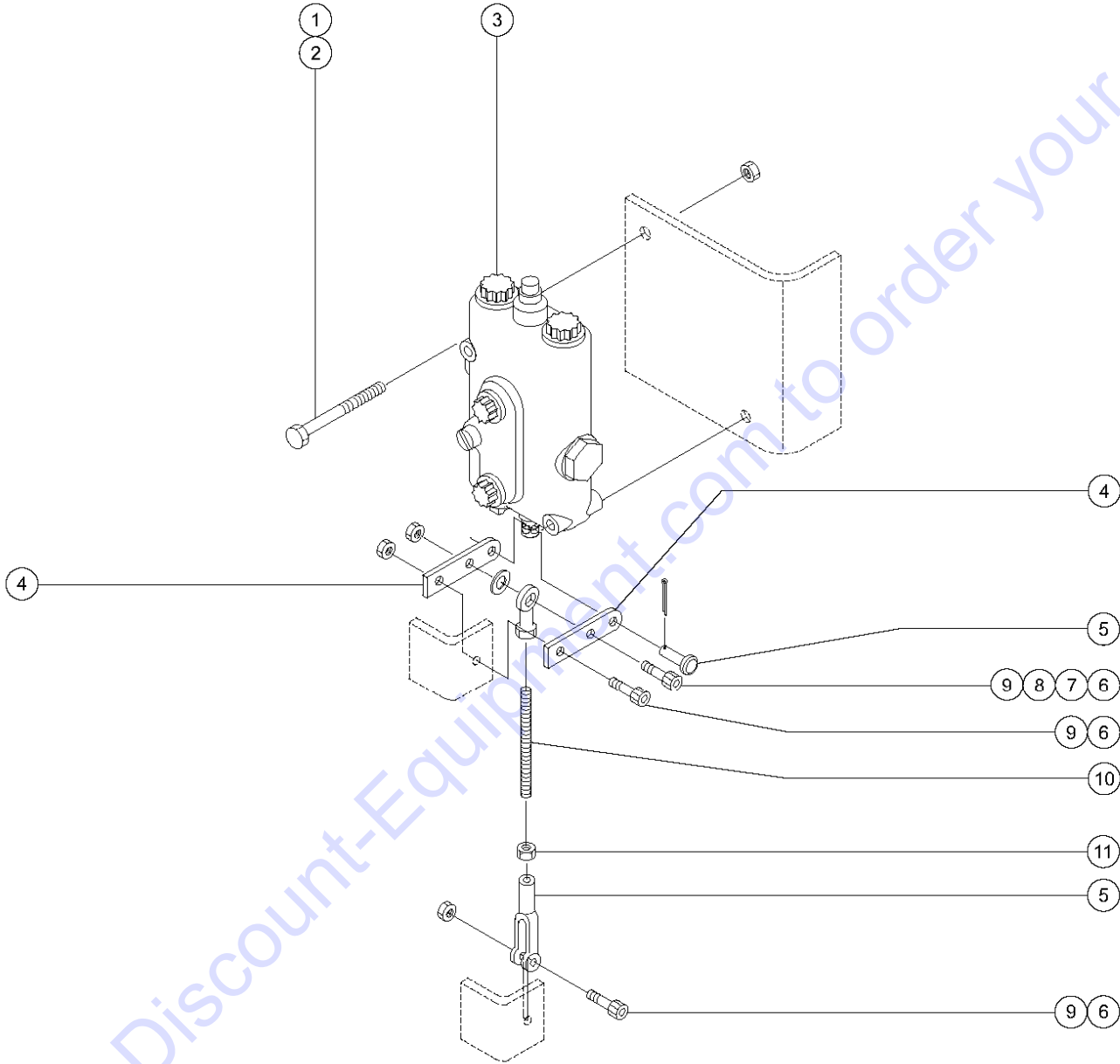
207.2 4WD Non-steer Axle (from SN 7569)
(continued)

Item	Part No.	Description	Qty.	Item	Part No.	Description	Qty.
17	73455GT	SCREW,HHC,5/8-11 X 2.25 GR8.....	12	--	106124GT	LINING KIT, BRAKE, 4HP*** for 101584	
18	13064GT	WASHER,FLAT,.625 HARDENED.....	12	--	106125GT	SEAL KIT, BRAKE, 4HP for 101584 (inventory limited to stock on hand as component is no longer available)	
19A	139330GT	WHEEL DRIVE W/ BRAKE,57:1*** Type: OMNI. Visually identify which hub before ordering parts. ID tag is on end cover cap. Hubs are not interchangeable, internal components are different for each type. All four hubs must be the same to avoid damage.		--	106126GT	BEARING KIT,4HP for 101584 (inventory limited to stock on hand as component is no longer available)	
--	139965GT	WHEEL STUD,5/8-18,OMNI*** from SN 15678 to 16493		--	1286602GT	SEAL KIT,WHEEL DRIVE W/BRAKE (101584/101585) for 101584	
--	139966GT	ROD,DISCONNECT,OMNI*** use with wheel drive 139330		--	1286603GT	BEARING KIT,WHEEL DRIVE W/BRAKE (101584/101585) for 101584	
--	139967GT	CAP,DISENGAGE,OMNI*** use with wheel drive 139330		--	146051GT	BEARING NUT*** for 101584	
--	139968GT	O-RING,END COVER,OMNI*** use with wheel drive 139330		--	146052GT	SET SCREW*** for 146051	
--	139969GT	LINING KIT,BRAKE,OMNI*** use with wheel drive 139330		--	215777GT	INPUT CARRIER, SUB-ASSEMBLY for 101584	
--	139970GT	SEAL KIT,BRAKE,OMNI*** use with wheel drive 139330		--	58320GT	KIT,TORQUE HUB COVER(101584)** for 101584	
--	139971GT	BEARING KIT,OMNI*** use with wheel drive 139330		20	106117GT	O-RING,2-010,VITON.....	2
--	139972GT	SEAL KIT,GEARBOX,OMNI*** use with wheel drive 139330				(Mating O-ring for Brake Port)(Extremely small)	
--	147033GT	O-RING,PIPE PLUG KIT,OMNI*** use with wheel drive 139330		21	106118GT	O-RING,2-157,VITON***.....	2
--	147034GT	PIPE PLUG KIT,OMNI*** use with wheel drive 139330				(Motor to Hub O-ring)	
--	230849GT	WHEEL STUD,5/8-18X67MM from SN 16494		22	101586GT	MOTOR,PISTON,LC25,6.5 DEG,13T.....	2
--	9990184GT	RETAINING RING, INTERNAL, #180 (COMPONENT OF 139330GT) for 139330		--	106098GT	SEAL KIT,MOTOR,LC/KC***	
19B	101584GT	WHEEL DRIVE W/BRAKE 57:1.....	2	23	88296GT	SCREW,HHC,7/16-14 X 1.25	
		Type: FAIRFIELD. Visually identify which hub before ordering parts. ID tag is on end cover cap. Hubs are not interchangeable, internal components are different for each type. All four hubs must be the same to avoid damage.		24	106134GT	WASHER,FLAT,HARDENED 7/16.....	4
--	106117GT	O-RING,2-010,VITON for 101584 (Mating O-ring for Brake Port)(Extremely small)		25	56912GT	SPRING CLIP,1/4-20,.025-.15X.54,ZAG.....	8
--	106119GT	SEAL KIT, GEARBOX, 4HP for 101584		26	30802P-SGT	COVER,NON-STEER AXLE "BLUE".....	2
--	106120GT	WHEEL STUD, 4HP, 5/8-18*** for 101584		27	6090GT	SCREW,HHC,1/4-20 X .75	
--	106121GT	ROD,DISCONNECT 4HP/4HB*** for 101584		28	6356GT	WASHER,LOCK,.25	
--	106122GT	CAP,DISENGAGE,4HP/4HB*** for 101584		29	6638GT	WASHER,FLAT,USS,1/4"Y	
--	106123GT	O-RING,END COVER,4HP/4HB*** for 101584		30	30690GT	BAR,AXLE ROTATION STOP,OSC. **.....	2
						oscillating models	
				--	30691GT	BAR,AXLE ROTATION STOP,NON-OSC non-oscillating models	
				31	30808GT	SHIM,AXLE ROTATION STOP	
				32	30809GT	SHIM,AXLE ROTATION STOP,22 GA.	
				33	30735GT	PIN, 1.50DIAX17.50LG, CHAMFER.....	1
				34	825019GT	ROD END,.375X3.69,ZAG.....	1
				35	6175GT	SCREW,HHC,3/8-16 X 1	
				36	89803GT	COVER, CHASSIS ASSY W/DECALS....	1

This Page Intentionally Left Blank

Go to Discount-Equipment.com to order your parts

208.1 Oscillation Control Valve



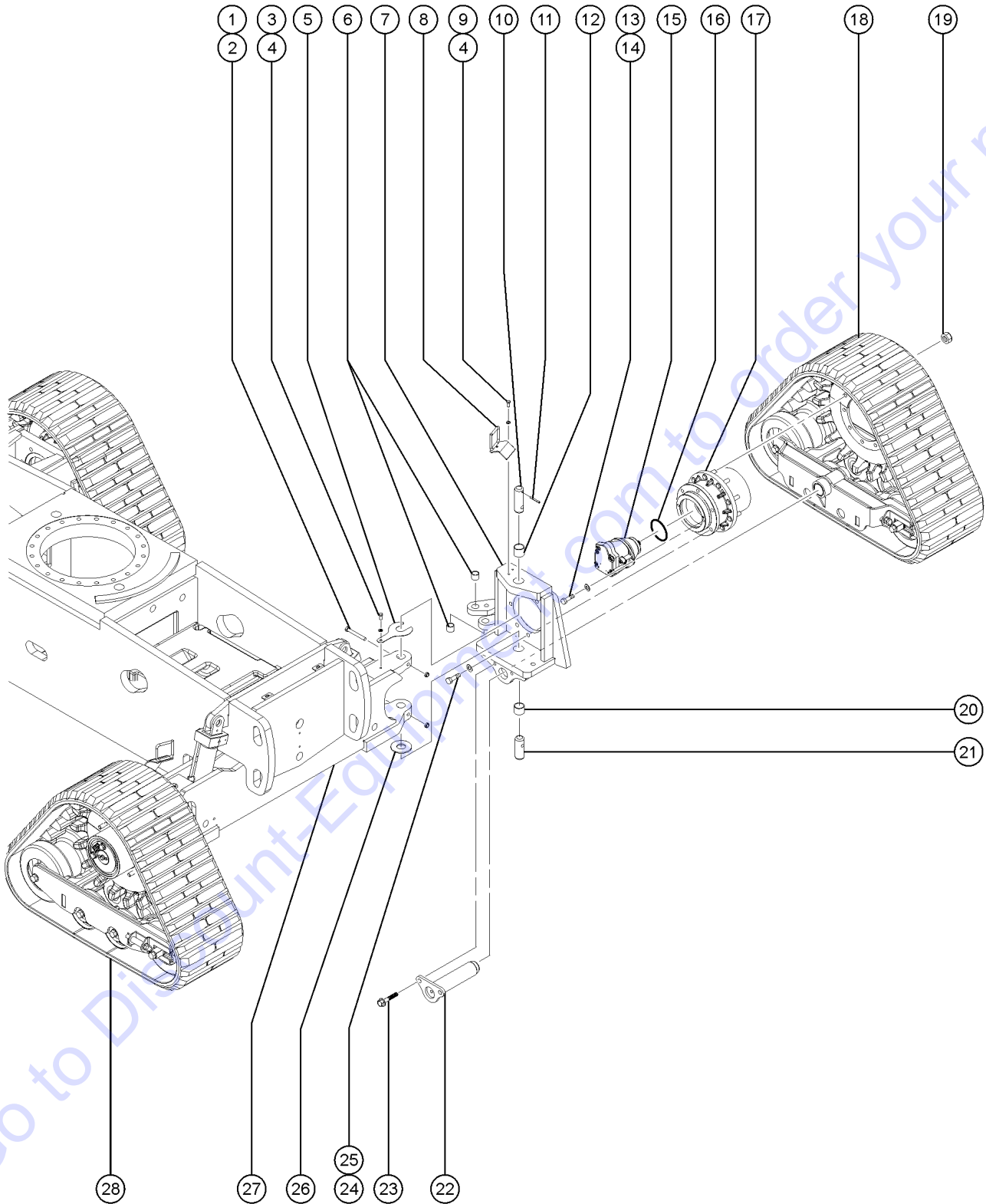
Go to Discount-Equipment.com to order your parts

208.1 Oscillation Control Valve

Item	Part No.	Description	Qty.
--	49613GT	PLUG AND CAP KIT-SERVICE,ORFS*	
--	49612GT	O-RING KIT (ORFS FITTINGS)	
1	4266GT	SCREW,HHC,1/4-20 X 2	
2	6091GT	NUT,NYLOCK,1/4-20	
3	81552GT	VALVE,MANUAL,W/RELIEF VALVE***.....1 <i>for 81552</i>	
--	32681GT	SEAL KIT,CONTROL VALVE	
4	30884GT	OSCILLATE VALVE LINKAGE.....2	
5	21130GT	CLEVIS YOKE-1/4-28,PLTD W/PIN.....1 <i>includes clevis pin and cotter pin</i>	
6	6584GT	SCREW,SHS,10-24 X .625	
7	81691GT	ROD END,BALL JOINT 1/4-28.....1	
8	20980GT	WASHER,NYLON,.434 X.263X.049	
9	6178GT	NUT,NYLOCK,10-32	
10	30785-275GT	THREADED ROD,1/4-28 X 2.75IN**.....1	
11	21496GT	NUT,HEX,1/4-28	

Go to Discount-Equipment.com to order your parts

209.1 Trax Option Steer End



209.1 Trax Option Steer End

Item	Part No.	Description	Qty.	Item	Part No.	Description	Qty.
1	8220GT	SCREW,HHC,1/2-13 X 4		17B	101584GT	WHEEL DRIVE W/BRAKE 57:1.....2 <i>Type: FAIRFIELD. Visually identify which hub before ordering parts. ID tag is on end cover cap. Hubs are not interchangeable, internal components are different for each type. All four hubs must be the same to avoid damage.</i>	2
2	6086GT	NUT,LP NYLOCK,1/2-13		--	106117GT	O-RING,2-010,VITON <i>for 101584 (Mating O-ring for Brake Port)(Extremely small)</i>	
3	8225GT	MOTOR COVER,PLASTIC-DPL**		--	106119GT	SEAL KIT, GEARBOX, 4HP <i>for 101584</i>	
4	6021GT	WASHER,LOCK,.375		--	106120GT	WHEEL STUD, 4HP, 5/8-18*** <i>for 101584</i>	
5	122850GT	SHIM, AXLE, 1.56 X 4.75.....2	2	--	106121GT	ROD,DISCONNECT 4HP/4HB*** <i>for 101584</i>	
6	25817GT	BEARING,1.00IDX1.25ODX1.00L.....4	4	--	106122GT	CAP,DISENGAGE,4HP/4HB*** <i>for 101584</i>	
7	T107851GT	ASSY, YOKE, LH, TRAX, W/BUSH.....1 <i>(shown)</i>	1	--	106123GT	O-RING,END COVER,4HP/4HB*** <i>for 101584</i>	
--	T107861GT	ASSY, YOKE, RH, TRAX, W/BUSH		--	106124GT	LINING KIT, BRAKE, 4HP*** <i>for 101584</i>	
8	122281PGT	HOSE HANGER,DRIVE CHASSIS,PTD.....2	2	--	106125GT	SEAL KIT, BRAKE, 4HP <i>for 101584 (inventory limited to stock on hand as component is no longer available)</i>	
9	49857GT	SCREW,HHC,3/8-16 X .88,GRD 8		--	106126GT	BEARING KIT,4HP <i>for 101584 (inventory limited to stock on hand as component is no longer available)</i>	
10	53081GT	PIN,1.50DIA X 4.76LG,2HOLE.....2	2	--	1286602GT	SEAL KIT,WHEEL DRIVE W/BRAKE (101584/101585) <i>for 101584</i>	
11	14815GT	PIN,ROLL,SST,.25 X 2.25.....2	2	--	1286603GT	BEARING KIT,WHEEL DRIVE W/BRAKE (101584/101585) <i>for 101584</i>	
12	119619GT	BEARING,1.5ID X 1.75OD X 1.5L,PTFE....2	2	--	146051GT	BEARING NUT*** <i>for 101584</i>	
13	88296GT	SCREW,HHC,7/16-14 X 1.25.....4	4	--	146052GT	SET SCREW*** <i>for 146051</i>	
14	106134GT	WASHER,FLAT,HARDENED 7/16.....4	4	--	215777GT	INPUT CARRIER, SUB-ASSEMBLY <i>for 101584</i>	
15	216277GT	MOTOR, LC30, 6.5 DEG, 13T.....4	4	--	58320GT	KIT,TORQUE HUB COVER(101584)** <i>for 101584</i>	
16	106118GT	O-RING,2-157,VITON***.....2	2	18	216201GT	ASSY, QTS TRAX, S40/45, LH.....1 <i>(refer to 211.1)</i>	1
17A	139330GT	WHEEL DRIVE W/ BRAKE,57:1***.....2 <i>Type: OMNI. Visually identify which hub before ordering parts. ID tag is on end cover cap. Hubs are not interchangeable, internal components are different for each type. All four hubs must be the same to avoid damage.</i>	2	19	77674GT	NUT,HEX,FLANGE 5/8-18,GRD 8 ZI.....18	18
--	139966GT	ROD,DISCONNECT,OMNI*** <i>use with wheel drive 139330</i>		20	110876GT	BEARING,1.5"ID X 1.75OD X 1.25L.....2	2
--	139967GT	CAP,DISENGAGE,OMNI*** <i>use with wheel drive 139330</i>		21	237478GT	PIN,1.50DIA X 4.125LG, 1HOLE.....2	2
--	139968GT	O-RING,END COVER,OMNI*** <i>use with wheel drive 139330</i>		22	237477GT	WELDMENT, PIVOT PIN, W/LOCK.....2	2
--	139969GT	LINING KIT,BRAKE,OMNI*** <i>use with wheel drive 139330</i>		23	6096GT	SCREW,HHC,1/2-13 X 2 GR5	
--	139970GT	SEAL KIT,BRAKE,OMNI*** <i>use with wheel drive 139330</i>		24	29883GT	SCREW,HHC,5/8-11 X 1.75 GRD.8.....12	12
--	139971GT	BEARING KIT,OMNI*** <i>use with wheel drive 139330</i>		25	13064GT	WASHER,FLAT,.625 HARDENED.....12	12
--	139972GT	SEAL KIT,GEARBOX,OMNI*** <i>use with wheel drive 139330</i>					
--	147033GT	O-RING,PIPE PLUG KIT,OMNI*** <i>use with wheel drive 139330</i>					
--	147034GT	PIPE PLUG KIT,OMNI*** <i>use with wheel drive 139330</i>					
--	230849GT	WHEEL STUD,5/8-18X67MM <i>use with wheel drive 139330</i>					
--	9990184GT	RETAINING RING, INTERNAL, #180 (COMPONENT OF 139330GT) <i>for 139330</i>					

209.1 Trax Option Steer End
(continued)

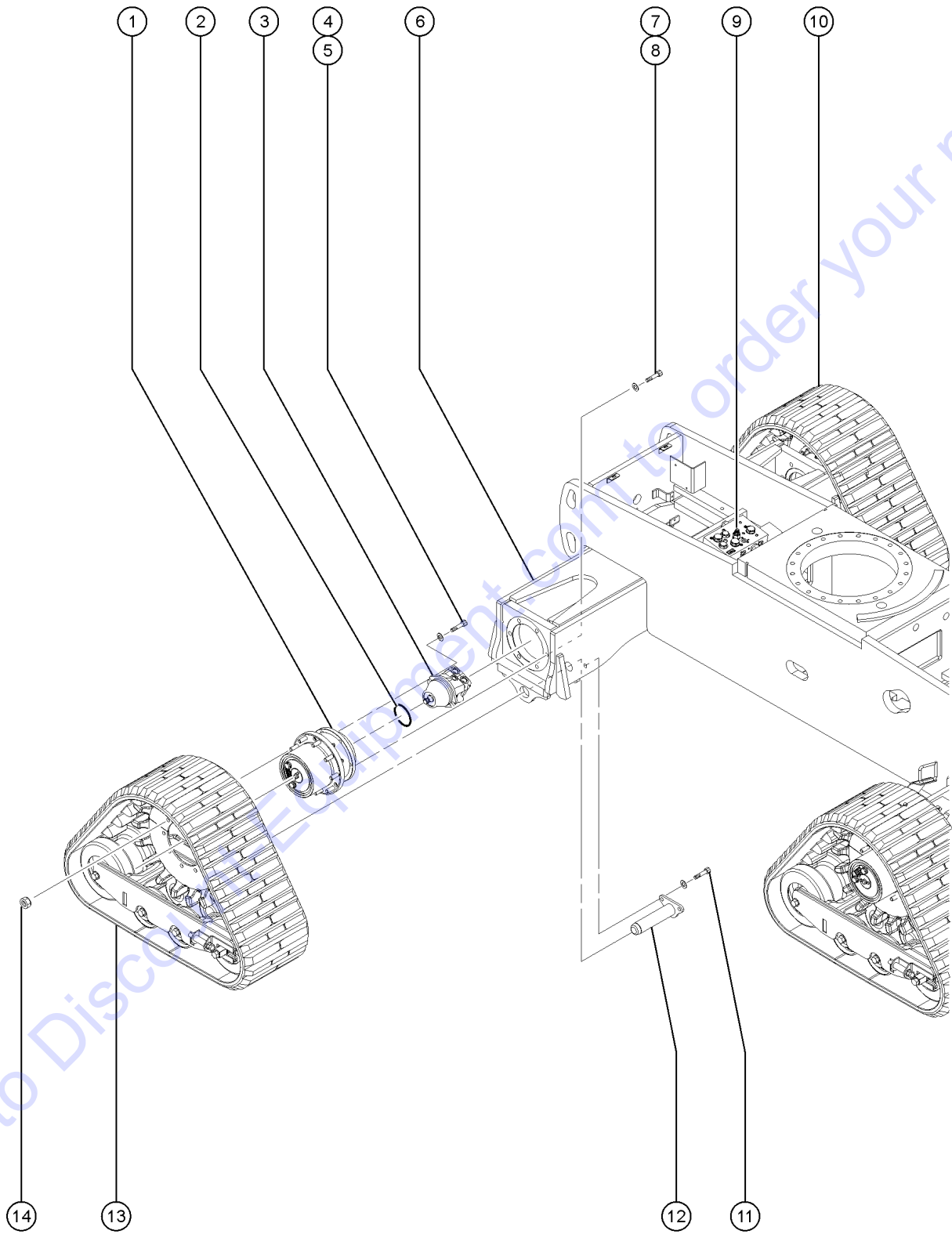
Item	Part No.	Description	Qty.
26	45074GT	WASHER,THRUST,1.5 X 3.5 X .187	
27	T107842GT	ASSY.,FRONT AXLE TRAX,W/BUSH.....1	
28	216202GT	ASSY, QTS TRAX, S40/45, RH.....1 <i>(refer to 211.1)</i>	

Go to Discount-Equipment.com to order your parts

This Page Intentionally Left Blank

Go to Discount-Equipment.com to order your parts

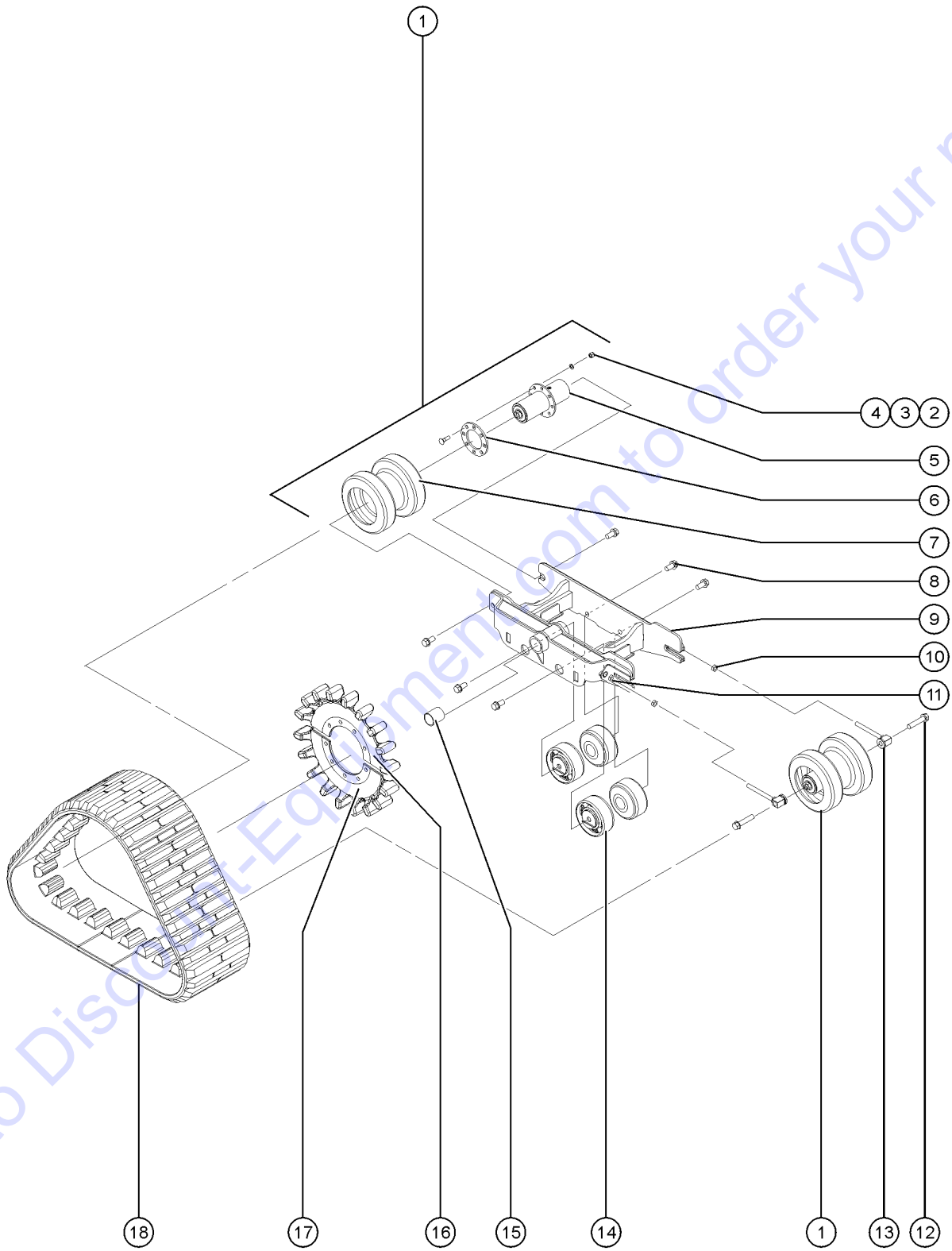
210.1 Trax Option Non-Steer End



210.1 Trax Option Non-Steer End

Item	Part No.	Description	Qty.	Item	Part No.	Description	Qty.
1A	139330GT	WHEEL DRIVE W/ BRAKE,57:1***2 <i>Type: OMNI. Visually identify which hub before ordering parts. ID tag is on end cover cap. Hubs are not interchangeable, internal components are different for each type. All four hubs must be the same to avoid damage.</i>		--	106125GT	SEAL KIT, BRAKE, 4HP <i>for 101584 (inventory limited to stock on hand as component is no longer available)</i>	
--	139966GT	ROD,DISCONNECT,OMNI*** <i>for 139330</i>		--	106126GT	BEARING KIT,4HP <i>for 101584 (inventory limited to stock on hand as component is no longer available)</i>	
--	139967GT	CAP,DISENGAGE,OMNI*** <i>for 139330</i>		--	1286602GT	SEAL KIT,WHEEL DRIVE W/BRAKE (101584/101585) <i>for 101584</i>	
--	139968GT	O-RING,END COVER,OMNI*** <i>for 139330</i>		--	1286603GT	BEARING KIT,WHEEL DRIVE W/BRAKE (101584/101585) <i>for 101584</i>	
--	139969GT	LINING KIT,BRAKE,OMNI*** <i>for 139330</i>		--	146051GT	BEARING NUT*** <i>for 101584</i>	
--	139970GT	SEAL KIT,BRAKE,OMNI*** <i>for 139330</i>		--	146052GT	SET SCREW*** <i>for 146051</i>	
--	139971GT	BEARING KIT,OMNI*** <i>for 139330</i>		--	215777GT	INPUT CARRIER, SUB-ASSEMBLY <i>for 101584</i>	
--	139972GT	SEAL KIT,GEARBOX,OMNI*** <i>for 139330</i>		--	58320GT	KIT,TORQUE HUB COVER(101584)** <i>for 101584</i>	
--	147033GT	O-RING,PIPE PLUG KIT,OMNI*** <i>for 139330</i>		2	106118GT	O-RING,2-157,VITON***2	
--	147034GT	PIPE PLUG KIT,OMNI*** <i>for 139330</i>		3	216277GT	MOTOR, LC30, 6.5 DEG, 13T2	
--	230849GT	WHEEL STUD,5/8-18X67MM <i>for 139330</i>		4	88296GT	SCREW,HHC,7/16-14 X 1.254	
--	9990184GT	RETAINING RING, INTERNAL, #180 (COMPONENT OF 139330GT) <i>for 139330</i>		5	106134GT	WASHER,FLAT,HARDENED 7/164	
1B	101584GT	WHEEL DRIVE W/BRAKE 57:12 <i>Type: FAIRFIELD. Visually identify which hub before ordering parts. ID tag is on end cover cap. Hubs are not interchangeable, internal components are different for each type. All four hubs must be the same to avoid damage.</i>		6	T107843GT	ASSY.,REAR AXLE TRAX,W/BUSH	
--	106117GT	O-RING,2-010,VITON <i>for 101584 (Mating O-ring for Brake Port)(Extremely small)</i>		7	29883GT	SCREW,HHC,5/8-11 X 1.75 GRD.812	
--	106119GT	SEAL KIT, GEARBOX, 4HP <i>for 101584</i>		8	13064GT	WASHER,FLAT,.625 HARDENED12	
--	106120GT	WHEEL STUD, 4HP, 5/8-18*** <i>for 101584</i>		9		Ref. MANIFOLD,TRACTION,4WD <i>(refer to 702.3)</i>	
--	106121GT	ROD,DISCONNECT 4HP/4HB*** <i>for 101584</i>		10	216201GT	ASSY, QTS TRAX, S40/45, LH1 <i>(refer to 211.1)</i>	
--	106122GT	CAP,DISENGAGE,4HP/4HB*** <i>for 101584</i>		11	6096GT	SCREW,HHC,1/2-13 X 2 GR5	
--	106123GT	O-RING,END COVER,4HP/4HB*** <i>for 101584</i>		12	237477GT	WELDMENT, PIVOT PIN, W/LOCK2	
--	106124GT	LINING KIT, BRAKE, 4HP*** <i>for 101584</i>		13	216202GT	ASSY, QTS TRAX, S40/45, RH1 <i>(refer to 211.1)</i>	
				14	77674GT	NUT,HEX,FLANGE 5/8-18,GRD 8 ZI18	

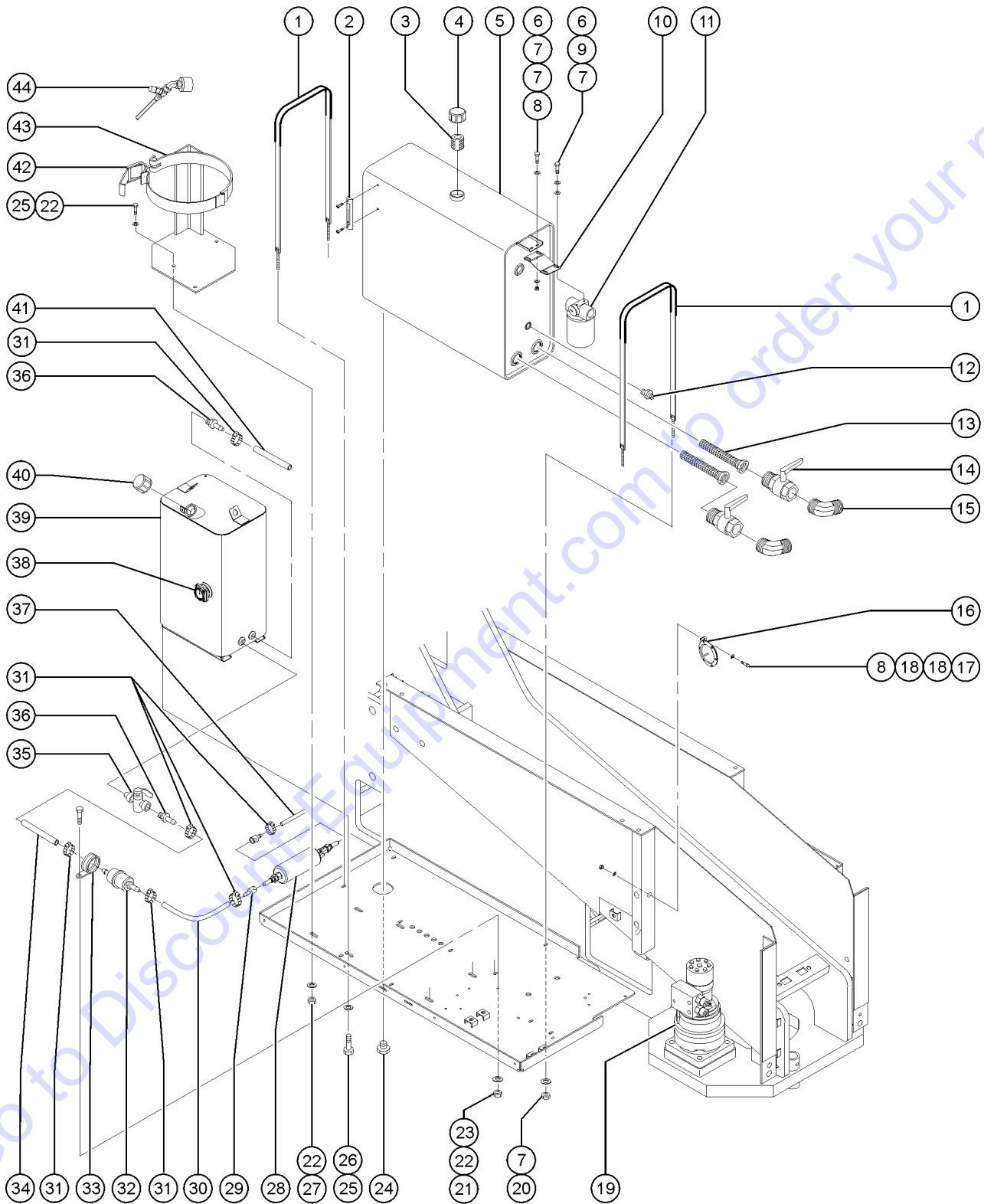
211.1 Trax Option Idler Assembly



211.1 Trax Option Idler Assembly

Item	Part No.	Description	Qty.
1	219981GT	ASSEMBLY IDLER W/HUB.....2 <i>(complete) includes items 2 to 7</i>	
2	220000GT	NUT,HEX,NYLOCK,1/2-13 UNC,ZN.....16	
3	219999GT	WASHER WROUGHT .531 x .886 x 0118 HARD ZN.....16	
4	219998GT	BOLT, CARRIAGE, 1/2-13 X 1.75.....16	
5	219995GT	Assembly, IDLER HUB.....2	
6	219997GT	Plate, Wheel.....2	
7	219996GT	IDLER, COMPLETE Ø10.3 OD MINI TELE.....2	
8	219983GT	ASTM Flange Bolt, 3/4"-10NC X 1.50", Gr. 8 Plated.....6	
9	219979GT	Weldment, S45 QTS Chassis L <i>(shown)</i>	
--	220005GT	Weldment, S45 QTS Chassis R	
10	219986GT	Jam Nut, 5/8" Plated.....2	
11	219987GT	ASTM Flange nut, 5/8"-11, Gr. 8 Plated...2	
12	1259683GT	SCEW,HHF,3/4-10X3.25,8,ZAG.....4	
13	219982GT	Weldment, Tensioner.....2	
14	219980GT	SPLIT BOGEY.....4	
15	219985GT	BUSHING, PWM 505860 Ø50 I.D. X Ø58 O.D. X 60 - FIL WND.....2 <i>one bushing at each end</i>	
16	219990GT	HALF SPROCKET, 9 TOOTH.....1	
17	219988GT	HALF SPROCKET, 10 TOOTH.....1	
18	219989GT	TRACK, 28 LINK MINI TELEHANDLER.....1	

301.1 Hydraulic and Fuel Tanks - Gasoline/LPG



301.1 Hydraulic and Fuel Tanks - Gasoline/LPG

Item	Part No.	Description	Qty.	Item	Part No.	Description	Qty.
--		<i>for models with Deutz D2.9L4 or Perkins 404F-22 refer to 302.2 or 302.3</i>		20	4828GT	NUT,NYLOCK,3/8-16	
1	31524GT	STRAP ASSY,TANK, 66 INCH.....	2	21	6002GT	NUT,LP NYLOCK,5/16-18	
--	31658-SGT	EXTRUSION,RUBBER BUMPER STRIP		22	6097GT	WASHER,FLAT,USS,3/8",Y	
2	21141GT	GAUGE-SIGHT,LHA-LGTB***.....	1	23	13002GT	SCREW,HHC,5/16-18 X 1 GR5	
		<i>includes mounting fasteners</i>		24	31507GT	PLUG,SQUARE HEAD,3/4 MPT.....	1
3	31506GT	STRAINER,FILLER NECK.....	1	--	94612GT	PLUG,MAGNETIC,SAE-6***	
4	53527GT	CAP,FILLER BREATHER,3 MICRON**.....	1			<i>from SN 12848</i>	
5	111424GT	HYDRAULIC TANK ASSY W/WORD DEC.....	1	25	6019GT	SCREW,HHC,3/8-16 X 1.25 GRD 5	
		<i>includes items 2-4, 13 and 24; to SN 12847</i>		26	6021GT	WASHER,LOCK, .375	
--	111425GT	HYDRAULIC TANK ASSY W/SYMB DEC		27	7713GT	NUT, LP NYLOCK, 3/8-16	
		<i>includes items 2-4, 13 and 24; to SN 12847</i>		28	77219GT	PUMP, FUEL, LRG425, WALBRO.....	1
--	122274GT	HYDRAULIC TANK ASSY W/WORD DEC.....	1	--	119168GT	FUEL PUMP,DSG-423 AND MSG-425....	1
		<i>includes items 2-4, 13 and 24; from SN 12848</i>				<i>from SN 13740</i>	
--	122275GT	HYDRAULIC TANK ASSY W/SYMB DEC		--	119487GT	CLAMP,FUEL PUMP	
		<i>includes items 2-4, 13 and 24; from SN 12848</i>		--	77181GT	CLAMP,1.63,#26 X 3/8,RUB CUSH	
6	10107GT	SCREW,HHC,5/16-18 X .75		29	65892GT	CONN. ASSY,7.9 TUBE X6.35 HOSE....	2
7	5397GT	WASHER,FLAT,USS,5/16",Y				<i>to SN 13739</i>	
8	6782GT	NUT,NYLOCK,5/16-18		30	27089GT	HOSE,5/16 FUEL,SAE 30R7.....	12
9	6886GT	WASHER,LOCK, .313		--	111817-725GT	HOSE ASSY,SAE J2260/J2044	
10	60936PGT	BRACKET,RETURN FILTER.....	1			<i>from SN 13740</i>	
11	60508GT	FILTER,RETURN,ASSY 10 MICRON....	1	31	21465GT	CLAMP,HOSE,.25" - .63" X .3125.....	6
--	52768GT	GAUGE,MED.PRESSUR FILTER,50530				<i>to SN 13739</i>	
--	61326GT	FILTER ELEMENT,10 MICRON,60508		32	52179GT	FILTER, FUEL LRG 425/423 EFI.....	1
		<i>option</i>				<i>to SN 13739</i>	
--	89616GT	FILTER ELEMENT,3 MICRON***		--	1272019GT	FILTER, FUEL	
		<i>standard</i>				<i>from SN 13740</i>	
12	48922GT	CONN,520102-6-6.....	1	33	45455GT	CLAMP,2.75,#44 X 1/4,RUB CUSH*.....	1
13	45161GT	STRAINER ASSEMBLY,1.5" NPT.....	2	34	111817-675GT	HOSE ASSY,SAE J2260/J2044	
		<i>to SN 12847</i>				<i>from SN 13740</i>	
--	147419GT	KIT,STRAINER REPLACEMENT		35	19487GT	VALVE, FUEL LOCK.....	1
		<i>from SN 12848</i>		36	53023GT	FITTING,1/4 MPT 5/16 BARB.....	2
14	48994GT	VALVE,BALL,16 MPT-16 FPT***.....	2			<i>to SN 13739</i>	
		<i>to SN 12847</i>		--	111818GT	FITTING,1/4 NPT X SAE J2044	
--	48996GT	VALVE,BALL,16 MSAE-16 FSAE***				<i>from SN 13740</i>	
		<i>from SN 12848</i>		37	71909GT	HOSE,FUEL,5/16 HIGH	
15	89403GT	ELBOW,45D,16MNPT X 16ORFS.....	2			<i>PRESSURE**.....</i>	53
		<i>to SN 12847</i>				<i>to SN 7596</i>	
--	48985GT	ELBOW,45D,520320-16		--	111817-2775GT	HOSE ASSY,SAE J2260/J2044	
		<i>from SN 12848</i>				<i>from SN 13740</i>	
16	81578GT	HORN,12VDC,SPADE TERMINALS***.....	1	--	71909GT	HOSE,FUEL,5/16 HIGH	
17	13002GT	SCREW,HHC,5/16-18 X 1 GR5				<i>PRESSURE**.....</i>	48
18	6638GT	WASHER,FLAT,USS,1/4"Y				<i>from SN 7597 to SN 13739</i>	
19		Ref. Turntable Rotator (refer to 304.1 and 305.1)		38	146413GT	GAUGE, FUEL LEVEL, 20/30 GAL	
						<i>part of fuel tank 146416, 214221 ; from SN 15763</i>	
				--	146550GT	GASKET, FUEL LEVEL GAUGE, GAS	

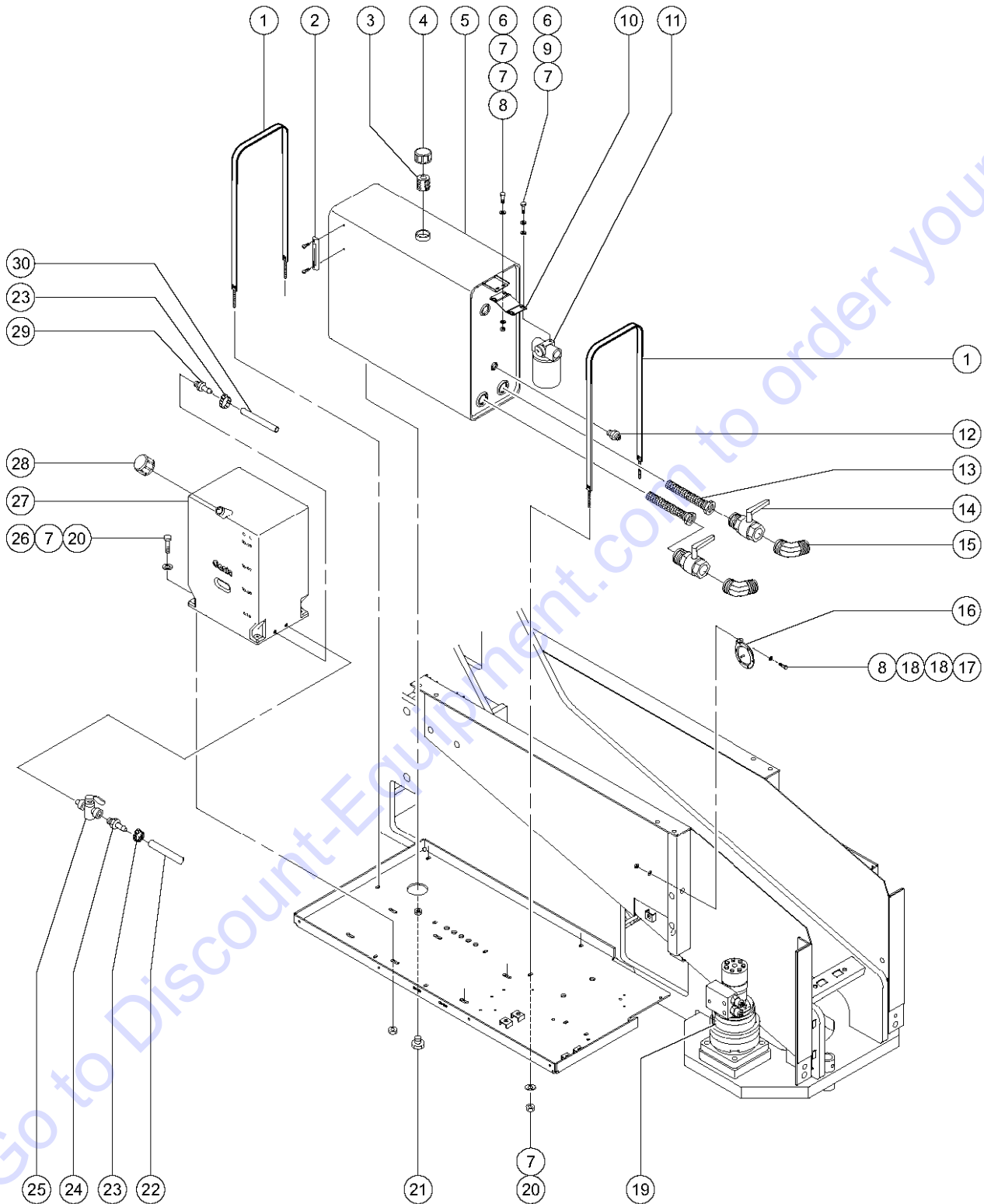
301.1 Hydraulic and Fuel Tanks - Gasoline/LPG (continued)

Item	Part No.	Description	Qty.
39	73593GT	FUEL TANK,H/D PLASTIC W/DECAL*....1 to SN 7400	
--	65610-SGT	FUEL TANK ASSY W/CAP, 20 GAL includes item 40; from SN 7401 to SN 13739	
--	122277GT	FUEL TANK ASSY W/CAP, 20 GAL (complete) required for for first time replacment. Includes items 25, 26, 37, 38, 40 and fuel tank part 146416; from SN 13740 to 15762	
--	214221GT	TANK ASSY, GAS, 20 GAL from SN 15763	
40	101727GT	CAP,FUEL,GAS,1/8"VENT(RED).....1 to SN 13739	
--	119918GT	CAP,FUEL,GASOLINE 3.5PSI from SN 13740	
41	27089GT	HOSE,5/16 FUEL,SAE 30R7.....80 to SN 7596	
--	1118174800GT	HOSE ASSY,SAE J2260/J2044 from SN 13740	
--	27089GT	HOSE,5/16 FUEL,SAE 30R7.....57 from SN 7597 to SN 13740	
42	49000GT	L.P.TANK LATCH.....1	
43	53120-SGT	LP.TANK BRACKET TALL W/LDMNT.....1 to SN 7400	
--	102342GT	WELDMNT,LP BOTTLE MOUNT from SN 7401	
44	25967GT	HOSE ASSEMBLY,LP GAS-86" LNG**....1 to SN 7400	
--	30275GT	HOSE ASSEMBLY,LP. 137" from SN 7401 to SN 11066	
--	64066GT	HOSE ASSEMBLY,LP GAS 174" LONG from SN 11067	

This Page Intentionally Left Blank

Go to Discount-Equipment.com to order your parts

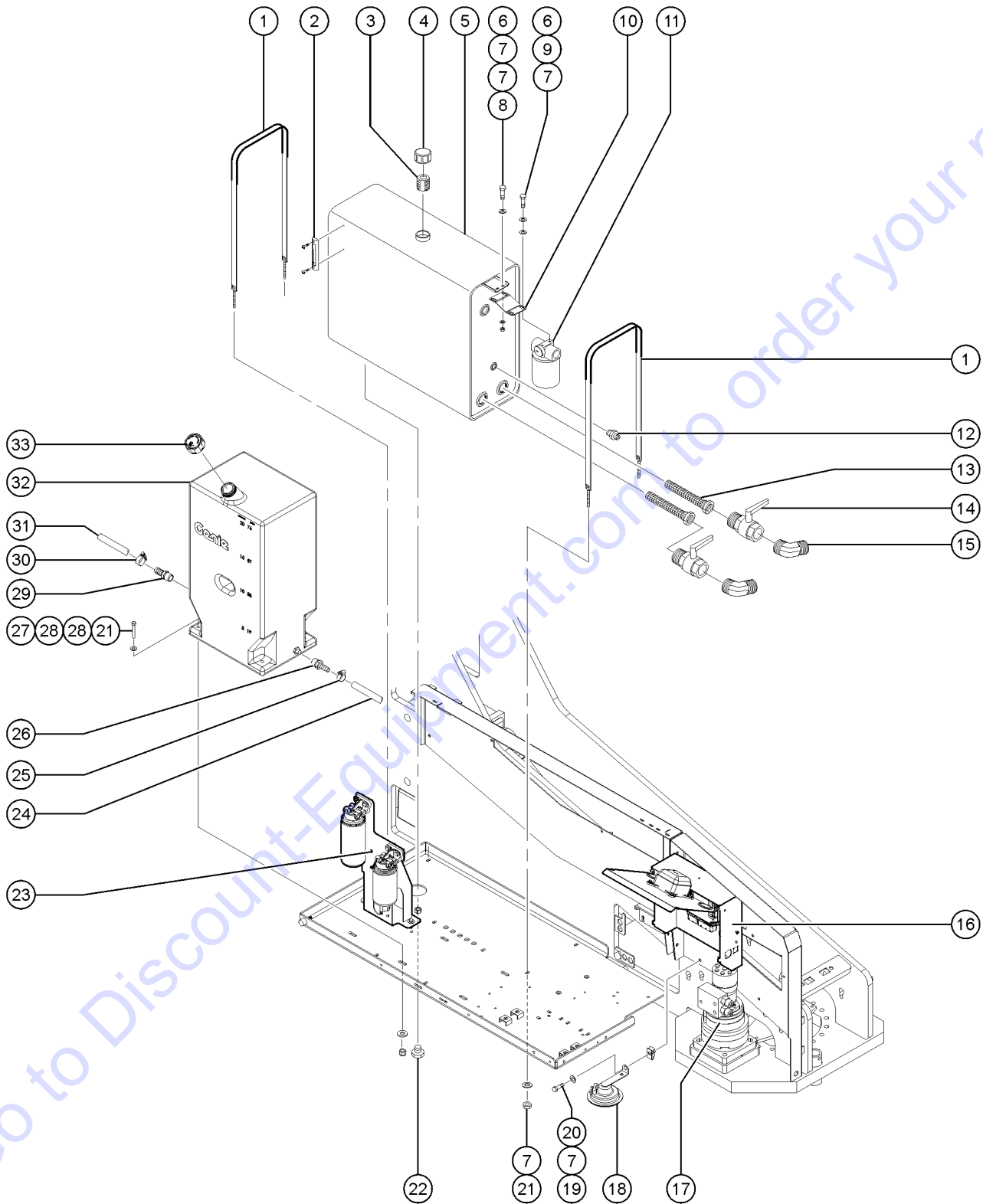
302.1 Hydraulic and Fuel Tanks - Diesel



302.1 Hydraulic and Fuel Tanks - Diesel

Item	Part No.	Description	Qty.	Item	Part No.	Description	Qty.
--		<i>for models with Deutz D2.9L4 or Perkins 404F-22 refer to 302.2 or 302.3</i>		21	31507GT	PLUG,SQUARE HEAD,3/4 MPT.....1 to SN 12847	1
1	31524GT	STRAP ASSY,TANK, 66 INCH.....2	2	--	94612GT	PLUG,MAGNETIC,SAE-6*** from SN 12848	
--	31658-SGT	EXTRUSION,RUBBER BUMPER STRIP		22	27089GT	HOSE,5/16 FUEL,SAE 30R7.....96-inches Perkins 704-30 and Deutz Models; to SN 7543	
2	21141GT	GAUGE-SIGHT,LHA-LGTB***.....1	1	--	27089GT	HOSE,5/16 FUEL,SAE 30R7.....81-inches Deutz Models; from SN 7544 to SN 10832	
3	31506GT	STRAINER,FILLER NECK.....1	1	23	21465GT	CLAMP,HOSE,.25" - .63" X .3125.....2	2
4	53527GT	CAP,FILLER BREATHER,3 MICRON**....1	1	24	53023GT	FITTING,1/4 MPT 5/16 BARB.....1	1
5	111424GT	HYDRAULIC TANK ASSY W/WORD DEC.....1 <i>includes items 2-4, 13 and 21; to SN 12847</i>	1	25	19487GT	VALVE, FUEL LOCK.....1	1
--	111425GT	HYDRAULIC TANK ASSY W/SYMB DEC <i>includes items 2-4, 13 and 21; to SN 12847</i>		26	8178GT	SCREW,HHC,3/8-16 X 2.5	
--	122274GT	HYDRAULIC TANK ASSY W/WORD DEC.....1 <i>includes items 2-4, 13 and 21; from SN 12848</i>	1	27	73593GT	FUEL TANK,H/D PLASTIC W/DECAL*....1 to SN 7400	1
--	122275GT	HYDRAULIC TANK ASSY W/SYMB DEC <i>includes items 2-4, 13 and 21; from SN 12848</i>		--	65611-SGT	FUEL TANK ASSY W/CAP, 20 GAL** <i>includes tank cap 101726; from SN 7401</i>	
6	10107GT	SCREW,HHC,5/16-18 X .75		28	101726GT	CAP,FUEL,DIESEL,1/8"VENT(GRN).....1	1
7	5397GT	WASHER,FLAT,USS,5/16",Y		29	29137GT	HOSE END,MALE.25 X .25 MPT***.....1	1
8	6782GT	NUT,NYLOCK,5/16-18		30	30490GT	HOSE,1/4 FUEL LINE,SAE 30R7.....97-inches Perkins 704-30 Models	
9	6886GT	WASHER,LOCK,.313		--	30490GT	HOSE,1/4 FUEL LINE,SAE 30R7.....53-inches Deutz Models; from SN 7544	
10	60936PGT	BRACKET,RETURN FILTER.....1	1	--	35418GT	HOSE,FUEL,3/16,SAE 30R7.....88-inches Perkins 404-22 Models	
11	60508GT	FILTER,RETURN,ASSY 10 MICRON.....1	1				
--	52768GT	GAUGE,MED.PRESSUR FILTER,50530					
--	61326GT	FILTER ELEMENT,10 MICRON,60508 <i>option</i>					
--	89616GT	FILTER ELEMENT,3 MICRON*** <i>standard</i>					
12	48922GT	CONN,520102-6-6.....1	1				
13	45161GT	STRAINER ASSEMBLY,1.5" NPT.....2 to SN 12847	2				
--	147419GT	KIT,STRAINER REPLACEMENT <i>from SN 12848</i>					
14	48994GT	VALVE,BALL,16 MPT-16 FPT***.....2 to SN 12847	2				
--	48996GT	VALVE,BALL,16 MSAE-16 FSAE*** <i>from SN 12848</i>					
15	89403GT	ELBOW,45D,16MNPT X 16ORFS.....2 to SN 12847	2				
--	48985GT	ELBOW,45D,520320-16 <i>from SN 12848</i>					
16	81578GT	HORN,12VDC,SPADE TERMINALS***....1	1				
17	13002GT	SCREW,HHC,5/16-18 X 1 GR5					
18	6638GT	WASHER,FLAT,USS,1/4"Y					
19		Ref. Turntable Rotator (refer to 304.1 and 305.1)					
20	4828GT	NUT,NYLOCK,3/8-16					

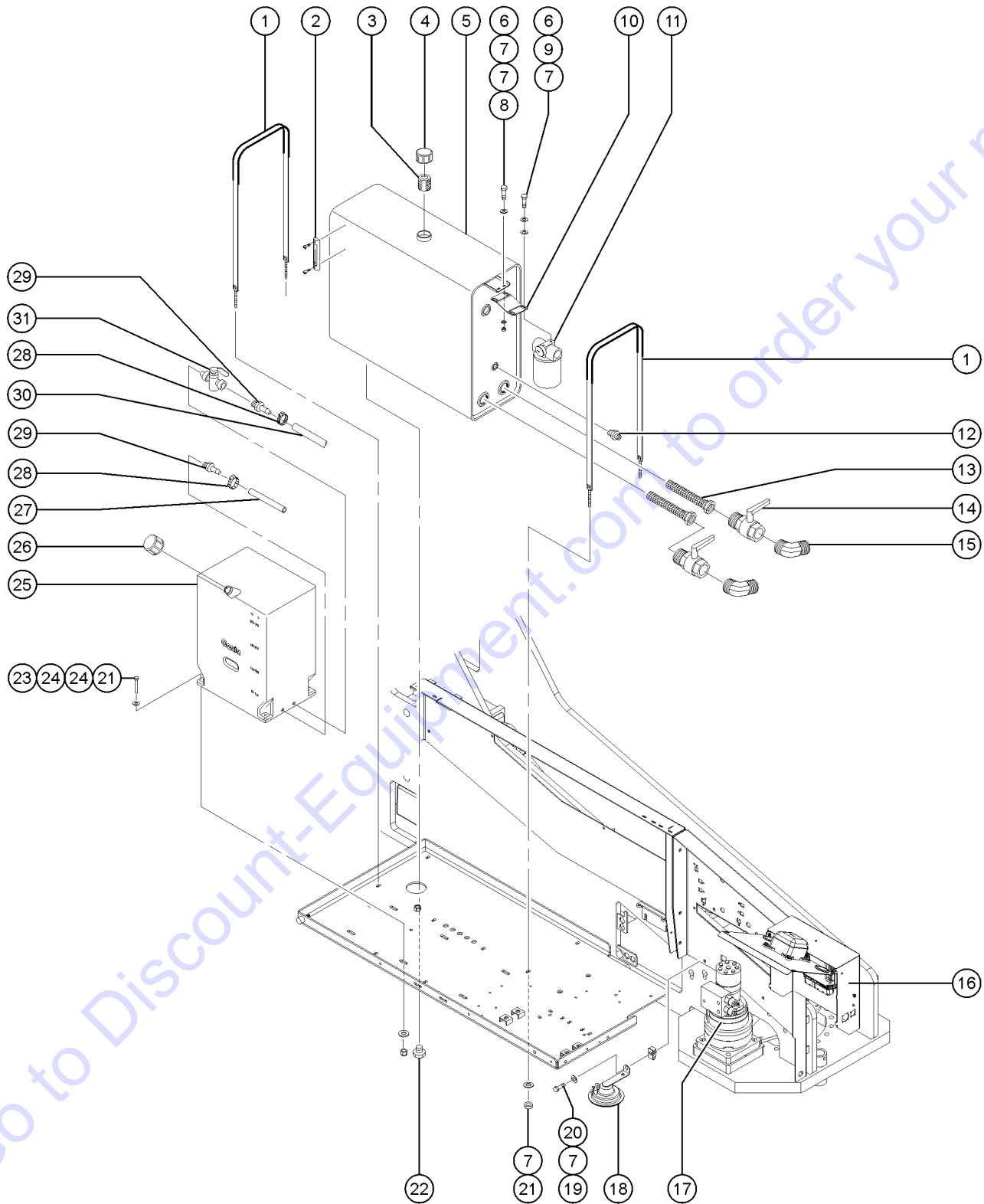
302.2 Hydraulic and Fuel Tanks - Deutz D2.9L4



302.2 Hydraulic and Fuel Tanks - Deutz D2.9L4

Item	Part No.	Description	Qty.	Item	Part No.	Description	Qty.
--		Verify Engine Make and Model Before Ordering		31	48511GT	HOSE, .50 ID,BULK,.....14-inches (from fuel tank to fuel lift pump)	
1	31524GT	STRAP ASSY,TANK, 66 INCH.....2		32	823725GT	FUEL TANK,PLASTIC, 20 GALLON.....1 does not include tank cap 101726	
--	31658-SGT	EXTRUSION,RUBBER BUMPER STRIP		33	101726GT	CAP,FUEL,DIESEL,1/8"VENT(GRN).....1	
2	21141GT	GAUGE-SIGHT,LHA-LGTB***.....1					
3	31506GT	STRAINER,FILLER NECK.....1					
4	53527GT	CAP,FILLER BREATHER,3 MICRON**....1					
5	122274GT	HYDRAULIC TANK ASSY W/WORD DEC.....1 includes items 2-4, 13 and 22					
--	122275GT	HYDRAULIC TANK ASSY W/SYMB DEC includes items 2-4, 13 and 22					
6	10107GT	SCREW,HHC,5/16-18 X .75					
7	5397GT	WASHER,FLAT,USS,5/16",Y					
8	6782GT	NUT,NYLOCK,5/16-18					
9	6886GT	WASHER,LOCK, .313					
10	60936PGT	BRACKET,RETURN FILTER.....1					
11	60508GT	FILTER,RETURN,ASSY 10 MICRON.....1					
--	52768GT	GAUGE,MED.PRESSUR FILTER,50530					
--	61326GT	FILTER ELEMENT,10 MICRON,60508 option					
--	89616GT	FILTER ELEMENT,3 MICRON*** standard					
12	48922GT	CONN,520102-6-6.....1					
13	147419GT	KIT,STRAINER REPLACEMENT					
14	48996GT	VALVE,BALL,16 MSAE-16 FSAE***					
15	48985GT	ELBOW,45D,520320-16					
16		Ref. FUSE MODULE AND ECM ASSEMBLY (refer to 431.1)					
17		Ref. Turntable Rotator (refer to 304.1 and 305.1)					
18	81578GT	HORN,12VDC,SPADE TERMINALS***1					
19	6175GT	SCREW,HHC,3/8-16 X 1					
20	29868GT	SPRING CLIP,3/8-16,.05-.20X.73,ZAG					
21	4828GT	NUT,NYLOCK,3/8-16					
22	94612GT	PLUG,MAGNETIC,SAE-6***					
23		Ref. FUEL FILTER AND MOUNT (refer to 431.1)					
24	42941GT	HOSE,3/8",FUEL,30R7.....70-inches (from fuel tank to engine)					
25	21465GT	CLAMP,HOSE,.25" - .63" X .3125					
26	219142GT	3/8 MALE NPT X 3/8 BARB.....1					
27	8178GT	SCREW,HHC,3/8-16 X 2.5					
28	6097GT	WASHER,FLAT,USS,3/8",Y					
29	824471GT	FITTING,3/8 NPT TO 1/2 BARB.....1					
30	46131GT	CLAMP,HOSE,.63" - 1.0" X .5".....1					

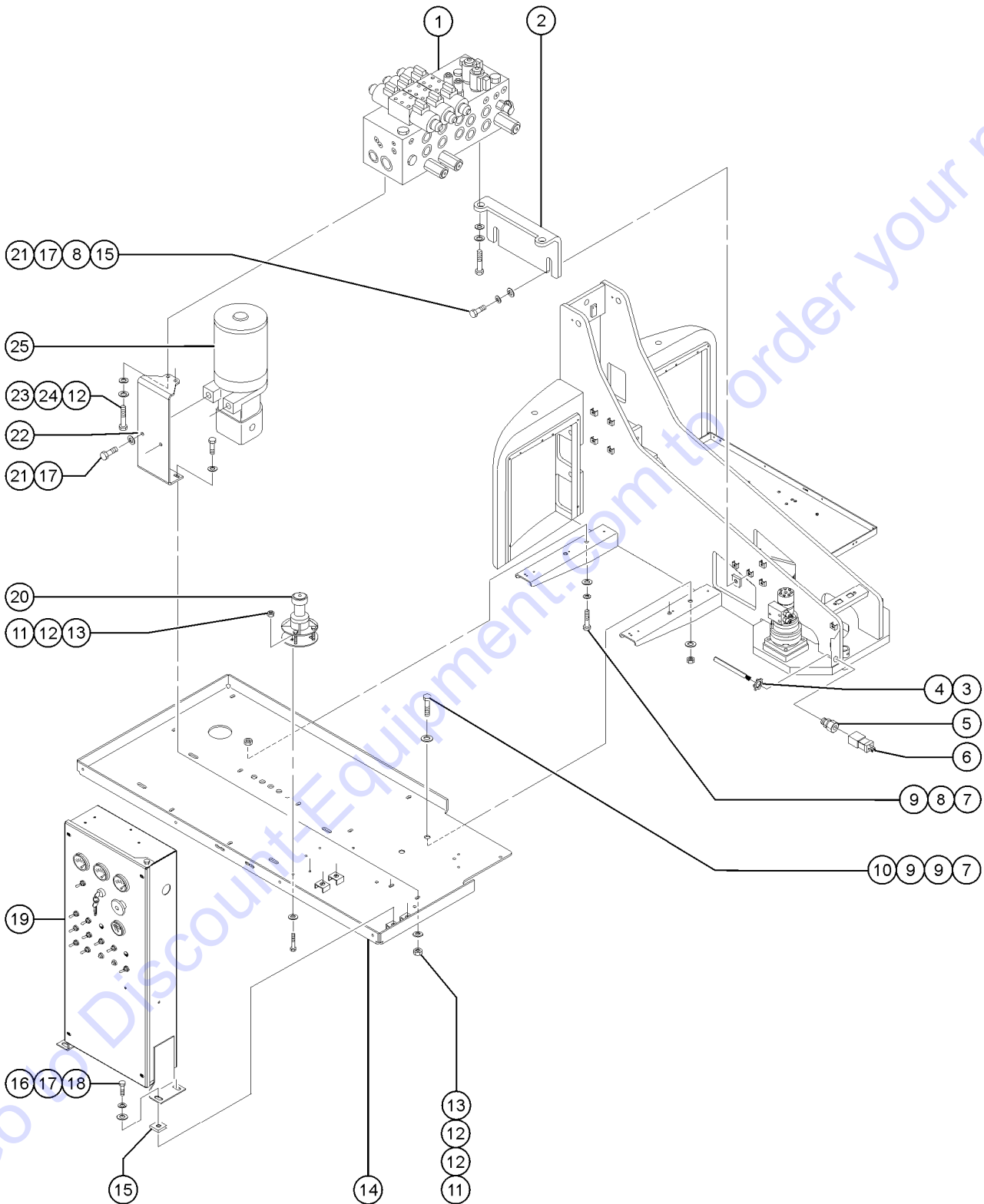
302.3 Hydraulic and Fuel Tanks - Perkins 404F-22



302.3 Hydraulic and Fuel Tanks - Perkins 404F-22

Item	Part No.	Description	Qty.	Item	Part No.	Description	Qty.
--		Verify Engine Make and Model Before Ordering		31	19487GT	VALVE, FUEL LOCK.....	1
1	31524GT	STRAP ASSY,TANK, 66 INCH.....	2				
--	31658-SGT	EXTRUSION,RUBBER BUMPER STRIP					
2	21141GT	GAUGE-SIGHT,LHA-LGTB***.....	1				
3	31506GT	STRAINER,FILLER NECK.....	1				
4	53527GT	CAP,FILLER BREATHER,3 MICRON**.....	1				
5	122274GT	HYDRAULIC TANK ASSY W/WORD DEC.....	1				
		<i>includes items 2-4, 13 and 22</i>					
--	122275GT	HYDRAULIC TANK ASSY W/SYMB DEC					
		<i>includes items 2-4, 13 and 22</i>					
6	10107GT	SCREW,HHC,5/16-18 X .75					
7	5397GT	WASHER,FLAT,USS,5/16",Y					
8	6782GT	NUT,NYLOCK,5/16-18					
9	6886GT	WASHER,LOCK, .313					
10	60936PGT	BRACKET,RETURN FILTER.....	1				
11	60508GT	FILTER,RETURN,ASSY 10 MICRON.....	1				
--	52768GT	GAUGE,MED.PRESSUR FILTER,50530					
--	61326GT	FILTER ELEMENT,10 MICRON,60508					
		<i>option</i>					
--	89616GT	FILTER ELEMENT,3 MICRON***					
		<i>standard</i>					
12	48922GT	CONN,520102-6-6.....	1				
13	147419GT	KIT,STRAINER REPLACEMENT					
14	48996GT	VALVE,BALL,16 MSAE-16 FSAE***					
15	48985GT	ELBOW,45D,520320-16					
16		Ref. FUSE MODULE AND ECM ASSEMBLY <i>(refer to 435.1)</i>					
17		Ref. Turntable Rotator <i>(refer to 304.1 and 305.1)</i>					
18	81578GT	HORN,12VDC,SPADE TERMINALS***.....	1				
19	6175GT	SCREW,HHC,3/8-16 X 1					
20	29868GT	SPRING CLIP,3/8-16,.05-.20X.73,ZAG					
21	4828GT	NUT,NYLOCK,3/8-16					
22	94612GT	PLUG,MAGNETIC,SAE-6***					
23	8178GT	SCREW,HHC,3/8-16 X 2.5					
24	6097GT	WASHER,FLAT,USS,3/8",Y					
25	65611-SGT	FUEL TANK ASSY W/CAP, 20 GAL**.....	1				
		<i>includes tank cap 101726</i>					
26	101726GT	CAP,FUEL,DIESEL,1/8"VENT(GRN).....	1				
27	826062GT	HOSE,.375",SAE 30R7,121" LG.....	1				
28	21465GT	CLAMP,HOSE,.25" - .63" X .3125.....	2				
29	60807GT	FITTING,1/4 NPT 3/8 BARB.....	2				
30	826061GT	HOSE,.375",SAE 30R7,71" LG.....	1				

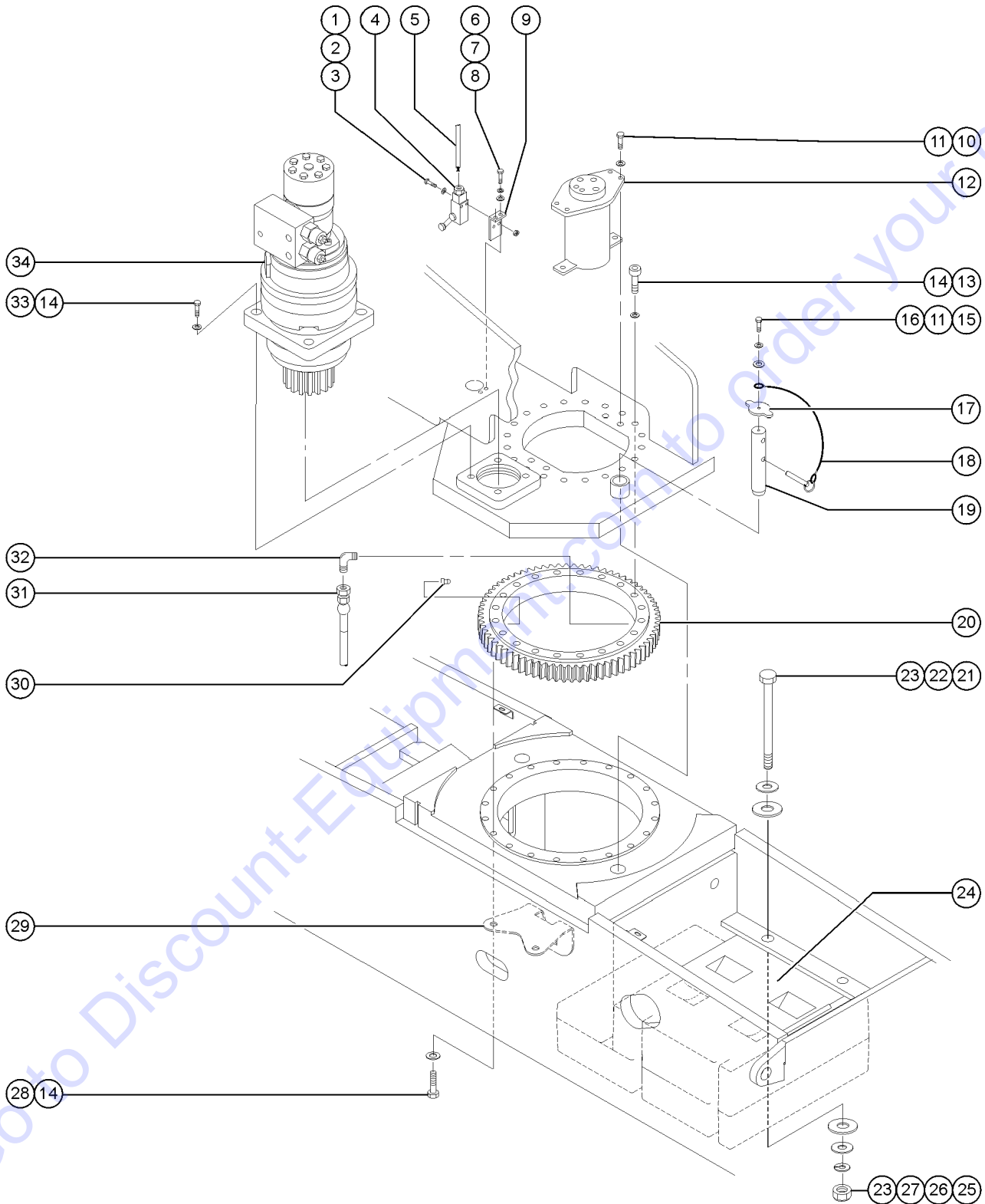
303.1 Function Manifold, Plug to Platform and Auxiliary Power Unit



303.1 Function Manifold, Plug to Platform and Auxiliary Power Unit

Item	Part No.	Description	Qty.	Item	Part No.	Description	Qty.
--		Verify Engine Make and Model Before Ordering		--	77071GT	SOLENOID,77066	
1		Ref. Function Manifold (refer to 701.1)					
2	89074PGT	FORMING,MANIFOLD MOUNT.....1					
3	6935GT	LOCKNUT,ELEC,1/2".....1					
4	43956GT	WIRE CABLE,14/3 CON.TPE JKT*.....720-inches					
5	7056GT	CONN,SQUEEZE,1/2NPT .38-.50,SM....1					
6	6595GT	PLUG,ELECTRICAL,DOMESTIC					
--		FUSE,13 AMP,220V PLUG (component no longer available) refer to BS1362 BUSS TDC180-13A					
--	1280665GT	PLUG, TYPE F, 230A, 50HZ, 16A, IP44					
--	144161GT	PLUG,PWR,UK,16AMP,3PIN,BLK					
--	25388GT	PLUG,FUSED,250V,13AMP,U.K.**					
7	29883GT	SCREW,HHC,5/8-11 X 1.75 GRD.8.....3					
8	6036GT	WASHER,LOCK,.625 PLTD					
9	13064GT	WASHER,FLAT,.625 HARDENED.....5					
10	6024GT	NUT,NYLOCK,5/8-11					
11	6091GT	NUT,NYLOCK,1/4-20					
12	6638GT	WASHER,FLAT,USS,1/4"Y					
13	6888GT	SCREW,HHC,1/4-20 X 1					
14	30677GT	WELDMENT,HYD TANK MODULE.....1					
15	29868GT	SPRING CLIP,3/8-16,.05-.20X.73,ZAG....8					
16	6175GT	SCREW,HHC,3/8-16 X 1					
17	6021GT	WASHER,LOCK,.375					
18	6097GT	WASHER,FLAT,USS,3/8",Y					
19		Ref. Ground Controls (refer to 306.1 to 307.2)					
20	94077GT	SENSOR,LEVEL,4.5 DEG.....1 USA/Canada/ Australia models					
--	110382GT	LEVEL SENSOR,LS60,YL,2.5X4.5 European models					
21	6019GT	SCREW,HHC,3/8-16 X 1.25 GRD 5					
22	89439PGT	FORMING,APU MOUNT,PAINTED.....1					
23	4266GT	SCREW,HHC,1/4-20 X 2					
24	6356GT	WASHER,LOCK,.25					
25	89617GT	POWER UNIT,AUX PUMP 12VDC.....1					
--		Ref. Wire Harness, Battery to APU Solenoid (refer to 311.1)					
--	1264969GT	MOTOR, 12VDC, I-TERMINAL from SN 21075					
--	147289GT	SEAL KIT, APU					
--	147290GT	SHAFT SEAL, APU					
--	58489GT	PUMP ASSY,AUX.POWER UNIT 89617					
--	77069GT	MOTOR,12VDC,77066 to SN 21074					

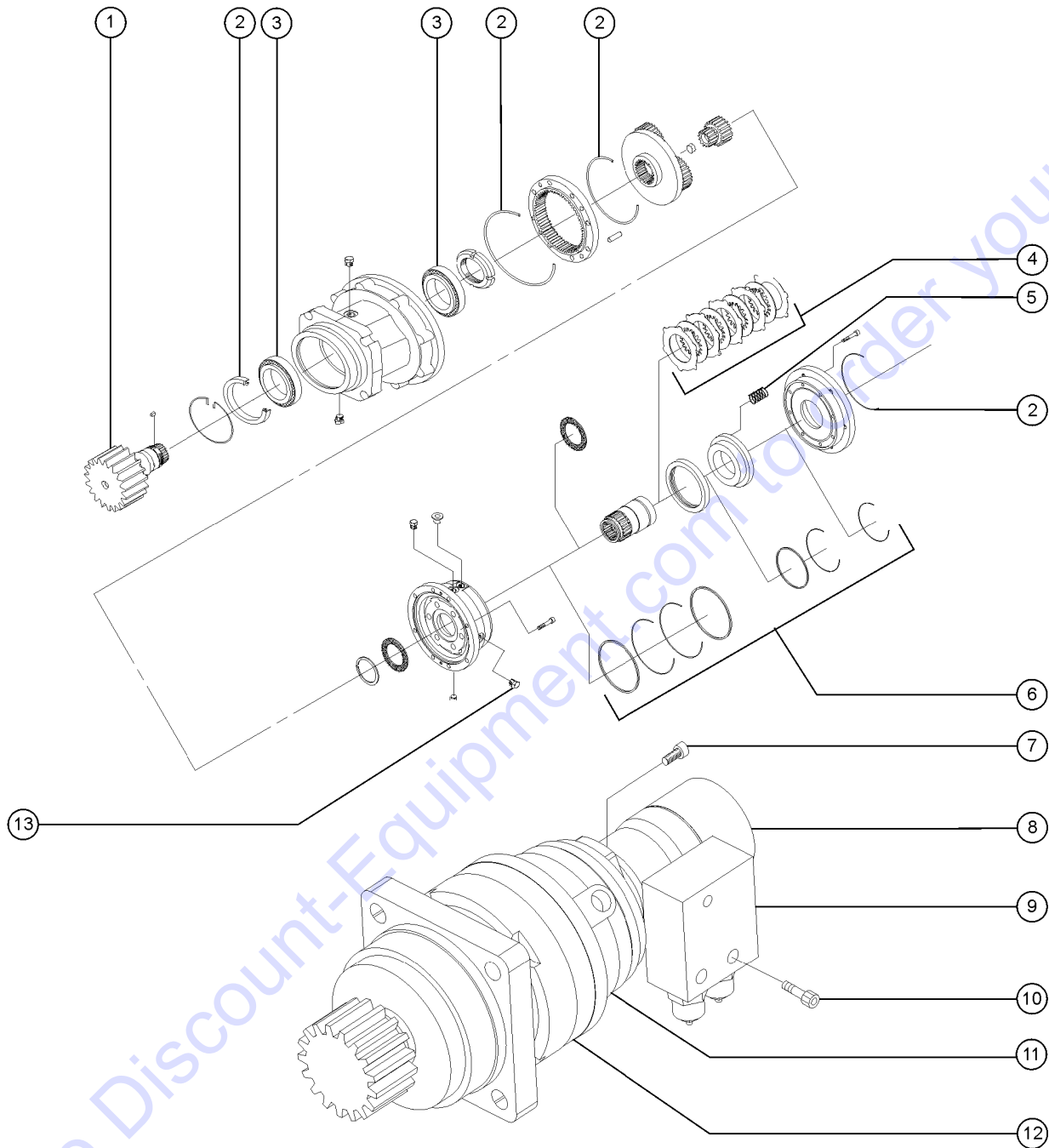
304.1 Turntable Rotator and Hydraulic Rotary Coupler Installation



304.1 Turntable Rotator and Hydraulic Rotary Coupler Installation

Item	Part No.	Description	Qty.	Item	Part No.	Description	Qty.
--		Ref. Harness, Drive Enable Switch (refer to 311.1) <i>includes item 4 and 5</i>		24	147367GT	KIT,S45 DRIVE CHASSIS CW.....2 <i>replacement kit, includes item 122491; to SN 15654</i>	2
--		Ref. Harness, Drive Enable Switch (refer to 311.1) <i>includes item 4 and 5</i>		--	122491GT	COUNTERWEIGHT, S45 DRV CHASSIS <i>from SN 15655</i>	
1	22541GT	SCREW,RHM,10-32 X 1.5		25	33265GT	NUT,HEX,1-8	
2	6607GT	WASHER,LOCK,#10 PLTD		26	29605GT	WASHER,LOCK,1"	
3	6178GT	NUT,NYLOCK,10-32		27	122079GT	WASHER,FLAT,1.000,HARDENED.....8	8
4	19491GT	CONTACTOR,LIMIT SWITCH		28	21175GT	SCREW,SHC,5/8-11 X 4,A574.....20 <i>to SN 14104</i>	20
4	88356 11205GT	SWITCH,LIMIT,W/RLLR ARM NO/NC.....1		--	20654GT	SCREW,SHC,5/8-11 X 3.50,A574.....20 <i>from SN 14105</i>	20
4	97128GT	ROLLER ARM,LIMIT SWITCH***		29	81137GT	BRACKET,SWIVEL STOP.....2	2
5	1505GT	WIRE CABLE,16/2 SJO,BULK...40-inches		30	28646GT	ZERK,GREASE,1/8 NPT.....1	1
6	6090GT	SCREW,HHC,1/4-20 X .75		31	49189 4638GT	HOSE ASSY,1/4",STR FEM,STR FEM....1	1
7	6356GT	WASHER,LOCK,.25		32	48887GT	ELBOW,90D, 070202-4.....1	1
8	6638GT	WASHER,FLAT,USS,1/4"Y		33	81110GT	SCREW,HHC,5/8-11 X 2 GRD.8.....4	4
9	30783PGT	LIMIT SWITCH BRKT,DRIVE,PAIN.....1		34		Ref. Turntable Rotation Drive Hub, Motor and Brake Assembly (refer to 305.1)	
10	6019GT	SCREW,HHC,3/8-16 X 1.25 GRD 5					
11	6021GT	WASHER,LOCK,.375					
12	89571GT	SWIVEL,HYD 8 PORT***1 <i>(complete)</i>	1				
--	94937GT	SEAL KIT,8-PORT SWIVEL					
--	T106954GT	SEAL, O-RING LIP					
--	T106955GT	SEAL, POLY, CHAMFER					
--	T106957GT	SEAL, CAP, NOTCHED					
--	T106961GT	SEAL, O-RING ENERGIZER					
--	T106962GT	SEAL, CAP, NOTCHED					
13	45495GT	SCREW,SHC,5/8-11 X 3.00,A574.....20 <i>to SN 14104</i>	20				
--	61250GT	SCREW,SHC,5/8-11 X 3.75,A574.....20 <i>from SN 14105</i>	20				
14	13064GT	WASHER,FLAT,.625 HARDENED.....44	44				
15	8255GT	SCREW,HHC,3/8-16 X .75					
16	6097GT	WASHER,FLAT,USS,3/8",Y					
17	89064GT	PLATE,PIN RETAINER.....1	1				
18	11637GT	PIN ASSY, RETAINER, SS I & II.....1	1				
19	32731GT	PIN ASSEMBLY,TURNTBLE ROTATION.....1 <i>includes items 11 and 15-18</i>	1				
20	111648GT	BEARING,SERIES 3000					
21	34355GT	SCREW,HHC,1-8 X 14 GRD.2.....8 <i>to SN 15654</i>	8				
--	73928GT	SCREW,HHC,1-8 X 11,GRD 5*** <i>from SN 15655</i>					
22	38859GT	WASHER,FLAT,USS,1",Y					
23	28476GT	WASHER,FLAT,USS,1-1/4",Y					

305.1 Turntable Rotation Drive Hub

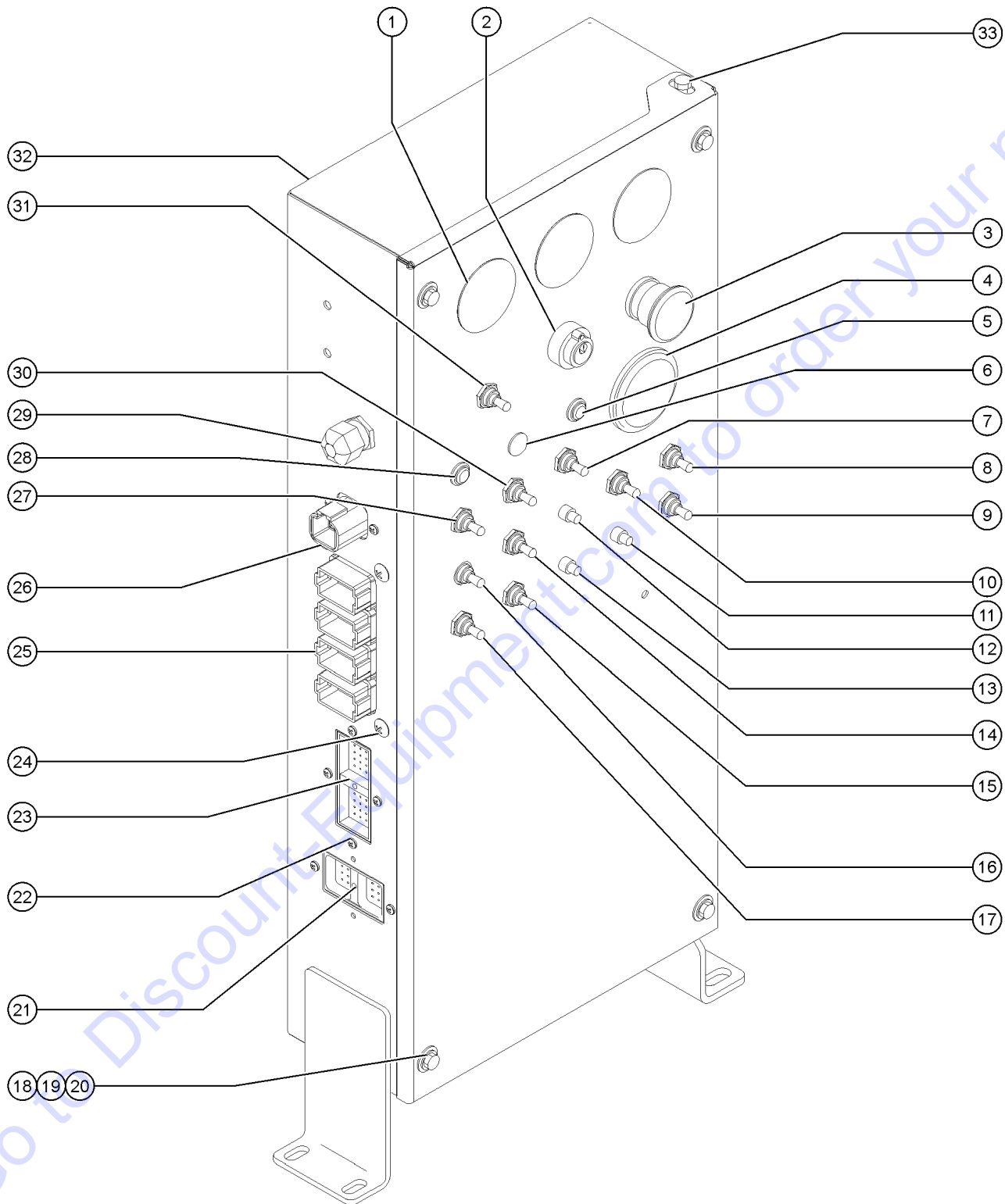


Go to Discount-Equipment.com to order your parts

305.1 Turntable Rotation Drive Hub

Item	Part No.	Description	Qty.
1	75677GT	SHAFT,OUTPUT,PINION,TURNTABLE...1	
2	75678GT	SEAL KIT,REDUCER DRIVE TURNTAB.....1	1
3	75681GT	BEARING KIT DRIVE TURN AND HUB.....2	2
4	75682GT	DISC KIT DRIVE TURNTABLE Z-60*....1	1
5	75683GT	SPRING,DRIVE TURNTABLE***.....12	12
6	62466GT	SEAL KIT,BRAKE,TURNTABLE ROT**...1	1
7	89985GT	WELDMENT,TUBE,PRE-CLEANR,DEUTZ.2	2
8	75684GT	MOTOR,TURNTABLE ROTATION***.....1	1
8	75685GT	SEAL KIT,MOTOR TURNTABLE***	
9	102680GT	MANIFOLD,TURNTABLE ROTATION***.....1 <i>to SN 7153</i>	1
--	75119GT	SEAL KIT,CB VALVE MANIFOLD***	
--	89800GT	MANIFOLD,TURNTABLE ROTATION***.....1 <i>from SN 7154</i>	1
10	41489GT	SCREW,SHC,5/16-18 X 2,PLATED	
11	75686GT	BRAKE ASSEMBLY,TURNTABLE ROT**	
12	89885GT	SWING DRIVE ASSEMBLY,S40/Z60*....1	1
13	146055GT	Sight glass (89885).....1 <i>comes with a washer</i>	1

306.1 Ground Control Box - View 1 (to SN 20504)



306.1 Ground Control Box - View 1 (to SN 20504)

Item	Part No.	Description	Qty.	Item	Part No.	Description	Qty.
--		<i>for models with Deutz D2.9L4 or Perkins 404F-22 refer to 307.1 - 307.3</i>		10	128200GT	SWITCH TOGGLE ASSY SPDT 3P MOM.....	1
--		<i>Verify Engine Make and Model Before Ordering</i>		11	147094GT	ASSY, CIRCUIT BREAKER 15A.....	1
--	89680-SGT	CONTROL BOX ASSY,GROUND,S40		12	147095GT	ASSY, CIRCUIT BREAKER 20A.....	1
--	27246GT	BOOT,TOGGLE SWITCH,SHORT*		--	42288GT	PLUG,NYLON .188 BLACK DOMED <i>USE IF THERE IS NO CIRCUIT BREAKER INSTALLED</i>	
--	54692GT	SPACER,NYLON,.718 X .526 X.219		13	147094GT	ASSY, CIRCUIT BREAKER 15A.....	1
--	121846GT	RELAY,TIME DELAY,2 SEC,10A <i>part of Load Sense (refer to 804.1)</i>		14	128200GT	SWITCH TOGGLE ASSY SPDT 3P MOM.....	1
1	81900GT	PLUG,NYLON 2.093 BLACK DOMED.....	3	15	128200GT	SWITCH TOGGLE ASSY SPDT 3P MOM.....	1
2	66811GT	KEYSWITCH,3POS.MNTND.DR WKEY**.....	1	16	128202GT	SWITCH TOGGLE ASSY DPDT 3P MOM.....	1
		<i>to SN 7189; includes keyswitch and two keys, not included: base or contacts.</i>		17	128202GT	SWITCH TOGGLE ASSY DPDT 3P MOM.....	1
--	21982GT	KEY,SINGLE*** <i>use with keyswitch 66811; to SN 7189</i>		18	6090GT	SCREW,HHC,1/4-20 X .75	
--	122512GT	KIT,KEYSWITCH SVC BB & SM BOOM <i>to SN 7189</i>		19	6356GT	WASHER,LOCK,.25	
--	122606GT	KIT,KEYSWITCH SVC BB&SM CE <i>to SN 7189</i>		20	6638GT	WASHER,FLAT,USS,1/4"Y	
--	96008-SGT	KEYSWITCH,3 POS. W/KEYS***.....	1	21	73753GT	CONN,RECEP 24 WAY,W/FLANGE.....	1
		<i>includes 1 pair of keys; from SN 7190</i>		22	49820GT	SCREW,PHILLIPS,PHM,6-32 X .5	
--	83093GT	KEY SINGLE*** <i>includes boot, use with keyswitch 96008-S</i>		--	12344GT	NUT,NYLOCK,6-32	
--	37947GT	KEYS,10 PACK*** <i>use with keyswitch 96008-S</i>		23	73754GT	CONN,RECEP 40 WAY,W/FLANGE.....	1
--	83131GT	KEYSWITCH,3 POS W/KEYS,LOCKING		24	73803GT	SCREW,SHM,PHP, #12 X .75	
--	66814GT	BASE,WITH 2 N.O. CONTACTS*** <i>includes 2 each N.O. contacts</i>		25	73736GT	CONN,RECEP 48 WAY,4 X 12.....	1
--	66816GT	CONTACT,N.O.***		26	73717GT	CONN,RECEP 4 WAY,12-14GA FL***.....	1
--	88827GT	GASKET,KEYSWITCH,PLASTIC***		--	60526GT	LOCK,RECEP 4 WAY,12-14GA	
3	66812GT	BUTTON,PUSH,RED MUSHROOM HEAD.....	1	--	73711GT	TERM,DEUTSCH, PIN #12-14	
--	146478GT	BOOT(BELLOWS),E-STOP,BLACK		27	128202GT	SWITCH TOGGLE ASSY DPDT 3P MOM.....	1
--	66818GT	CONTACT, N.C.		28	824879GT	LIGHT,LED IND. RED 12V NH.....	1
--	73805GT	BASE,W/2 NC CONTACTS*** <i>includes 2 each N.C. contacts</i>		--	824879GT	LIGHT,LED IND. RED 12V NH	
4	19506GT	HOUR METER,10-80 VOLTS***.....	1	29	7056GT	CONN,SQUEEZE,1/2NPT .38-.50,SM....	1
5	824882GT	LT.LAMP IND. AMBER 12V ENG.NH.....	1	--	6935GT	LOCKNUT,ELEC,1/2"	
		<i>Ford models</i>		30	128200GT	SWITCH TOGGLE ASSY SPDT 3P MOM.....	1
6	229567GT	PLUG,SANTOPRENE .5 BLACK DOME.....	1	31	128201GT	SWITCH TOGGLE ASSY DPDT 2P MOM.....	1
7	128204GT	SWITCH TOGGLE ASSY SPDT 2P MNT.....	1	32	122957GT	WELDMENT,CONTROL BOX,GROUND.....	1
		<i>Ford models</i>		--	121599GT	GASKET,GBOX,S80/85 2008	
8	128200GT	SWITCH TOGGLE ASSY SPDT 3P MOM.....	1	--	122959GT	WELDMENT,CONTROL LID,GROUND <i>use with control box item 122957, does not include decal item 82581</i>	
		<i>diesel models</i>		--	23404GT	NUTSERT,1/4-20,STEEL CAD PLTD	
9	128200GT	SWITCH TOGGLE ASSY SPDT 3P MOM.....	1	--	30997GT	CORROSION INHIBITOR,FOAM	
				--	82581GT	DECAL,GROUND CONTROL PANEL	

306.1 Ground Control Box - View 1 (to SN 20504)
(continued)

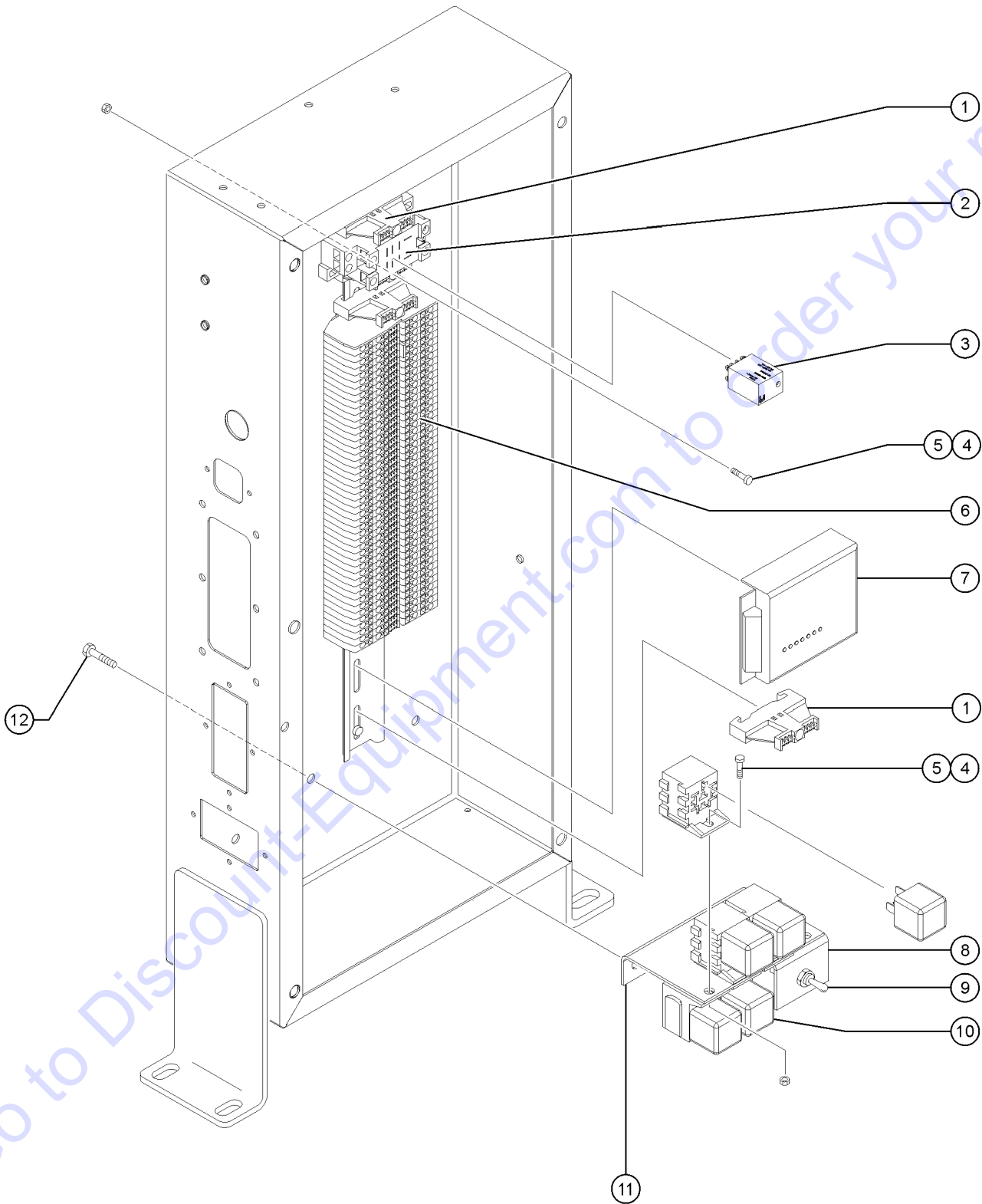
Item	Part No.	Description	Qty.
33	88315GT	SCREW,SHS,1/4-20 X .25 ZINC <i>use with control box item 122957</i>	

Go to Discount-Equipment.com to order your parts

This Page Intentionally Left Blank

Go to Discount-Equipment.com to order your parts

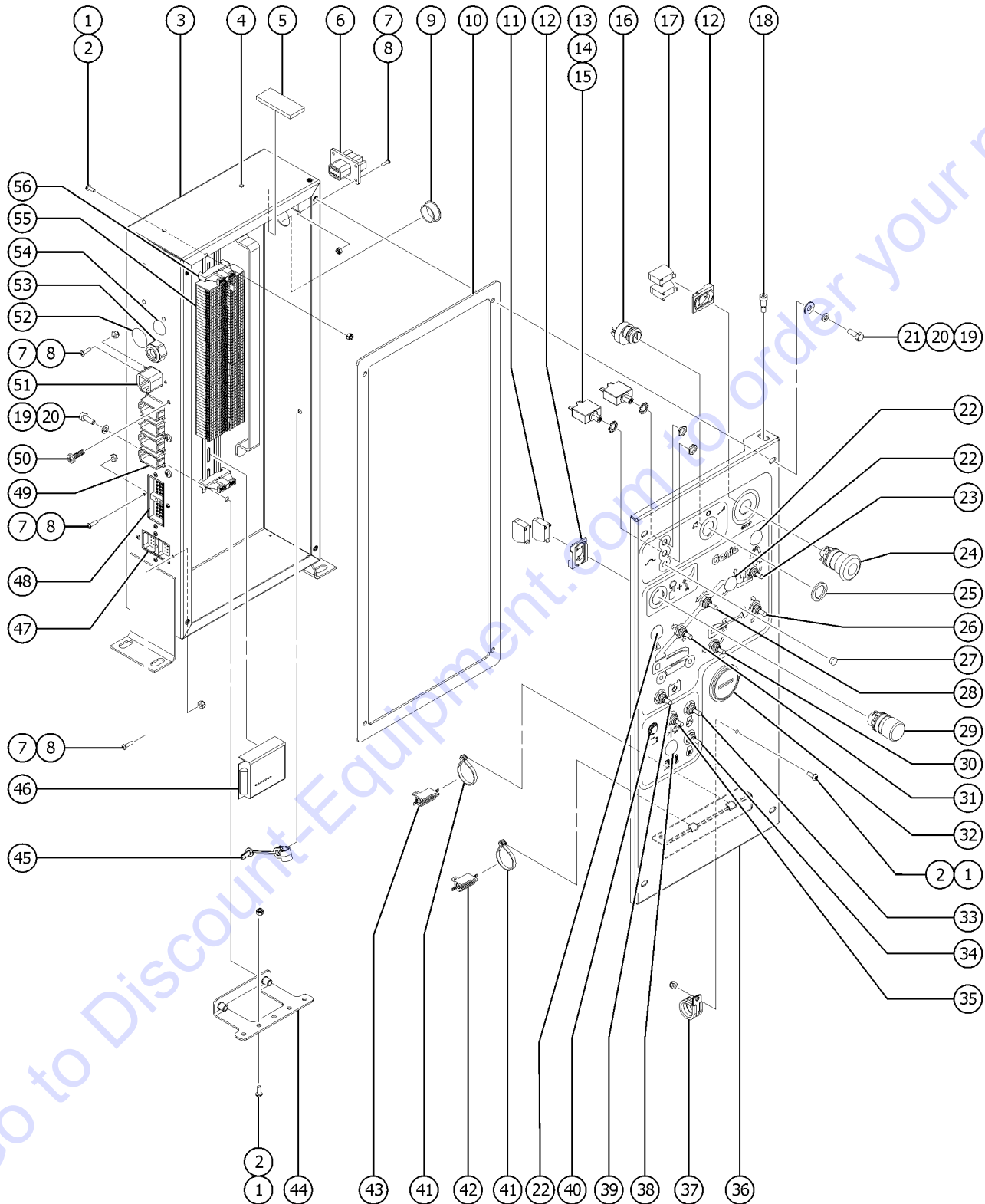
306.2 Ground Control Box - View 2 (to SN 20504)



306.2 Ground Control Box - View 2 (to SN 20504)

Item	Part No.	Description	Qty.
--		<i>for models with Deutz D2.9L4 or Perkins 404F-22 refer to 307.1 - 307.3</i>	
--		<i>Verify Engine Make and Model Before Ordering</i>	
--	88832GT	HARNES,PLUG,NON-LOAD WEIGHING	
--	27155GT	SOLENOID,12V CONTINUOUS*** <i>to SN 7543</i>	
--	106637GT	MODULE,TIME DELAY ON BREAK 4S <i>welder option</i>	
--	121846GT	RELAY,TIME DELAY,2 SEC,10A <i>part of Load Sense (refer to 804.1)</i>	
1	74913GT	END STOP, DIN RAIL,SCREW CLAMP	
2	33608GT	RELAY,SOCKET,OMRON	
3	33607GT	RELAY,OMRON,DPDT,12V	
4	54365GT	SCREW,PHIL,PHM,10-32 X .5,SSTL	
5	6178GT	NUT,NYLOCK,10-32	
6	217441GT	TERMINAL RAIL ASSEMBLY,GBOX.....1 <i>previous assembly 89172 is no longer available. Order this assembly in its place (includes item 1); from SN 17114</i>	
--	216791GT	TERMINAL BLOCK,WIELAND	
--	216793GT	TERMINAL BLOCK END PLATE	
--	33422GT	DIN RAIL,17"	
--	74920GT	MARKING TAGS,# 1-10,WIELAND	
--	74921GT	MARKING TAGS,# 11-20,WIELAND	
--	74922GT	MARKING TAGS,# 21-30,WIELAND	
--	74923GT	MARKING TAGS,# 31-40,WIELAND	
--	74924GT	MARKING TAGS,# 41-50,WIELAND**	
--	77430GT	CAPACITOR,3 MF,50VDC <i>Perkins and Deutz models</i>	
7	56057GT	MODULE,IGNITION/START,12/24V.....1	
8	49743GT	BRACKET,TOGGLE SWITCH.....1	
9	128203GT	SWITCH TOGGLE ASSY SPDT 2P MOM.....1 <i>Ford models</i>	
10	34052GT	RELAY,SPDT,12V(AUTO) PLUG IN**.....4 <i>Ford models; to SN 7596</i>	
--	34052GT	RELAY,SPDT,12V(AUTO) PLUG IN**.....6 <i>Deutz models</i>	
--	34053GT	ASSY,RELAY SOCKET, AUTO	
--	34054GT	TERM,RELAY N-INSULATED 10-12 G	
--	34055GT	TERM RELAY,N-INSULATE 14-16 GA	
--	34056GT	TERM,RELAY,N-INSULATE 18-20 GA	
11	54534GT	ANGLE,RELAY MNT,W/NUTSERTS,PNT.....1	
--	23404GT	NUTSERT,1/4-20,STEEL CAD PLTD	
12	6090GT	SCREW,HHC,1/4-20 X .75	

306.3 Ground Control Box (from SN 20505)



306.3 Ground Control Box (from SN 20505)

Item	Part No.	Description	Qty.	Item	Part No.	Description	Qty.
A	1256062GT	ASSY,GBOX,DEUTZ,T3,S40/45.....	1	--	146478GT	BOOT(BELLOWS),E-STOP,BLACK	
B	1256063GT	ASSY,GBOX,PERKINS,T3,S40/45.....	1	--	58627GT	NUT	
C	1256064GT	ASSY,GBOX,FORD,S40/45.....	1	--	73805GT	BASE,W/2 NC CONTACTS***	
D	1256065GT	ASSY,GBOX BASE,S40/45..... (includes items 3, 10, 18-21 and 36)	1	25	88827GT	GASKET,KEYSWITCH,PLASTIC***	1
E		Ref. HARNESS,GBOX,DEUTZ,S40/45.... (refer topic 311.1)	1	26	128202GT	SWITCH TOGGLE ASSY DPDT 3P MOM.....	1
F		Ref. HARNESS,GBOX,PERKINS,S40/45..... (refer topic 311.1)	1	27	21858GT	PLUG,NYLON .38 BLACK DOMED.....	1
G		Ref. HARNESS,GBOX,FORD,S40/45.... (refer topic 311.1)	1	28	128200GT	SWITCH TOGGLE ASSY SPDT 3P MOM.....	1
H	1256741GT	ASSEMBLY,TERMINAL RAIL,S40/45..... (includes items 55 and 56)	1	29	66813GT	BUTTON,PUSH,BLACK W/SEAL***	1
I	121846GT	RELAY,TIME DELAY,2 SEC,10A part of Load Sense (refer to 804.1)	1	--	146478GT	BOOT(BELLOWS),E-STOP,BLACK	
1	54365GT	SCREW,PHIL,PHM,10-32 X .5,SSTL.....	5	--	66814GT	BASE,WITH 2 N.O. CONTACTS***	
2	6178GT	NUT,NYLOCK,10-32.....	5	30	128202GT	SWITCH TOGGLE ASSY DPDT 3P MOM.....	1
3	1256056GT	WELDMENT,CONTROL BOX,GROUND.....	1	31	128202GT	SWITCH TOGGLE ASSY DPDT 3P MOM.....	1
4	42288GT	PLUG,NYLON .188 BLACK DOMED.....	5	32	19506GT	HOUR METER,10-80 VOLTS***	1
5	30997GT	CORROSION INHIBITOR,FOAM.....	1	33	128200GT	SWITCH TOGGLE ASSY SPDT 3P MOM.....	1
6	87755GT	CONN,RECEP 8 WAY 14-18GA,FL.....	1	34A	128200GT	SWITCH TOGGLE ASSY SPDT 3P MOM..... (deutz and perkins)	1
7	49820GT	SCREW,PHILLIPS,PHM,6-32 X .5.....	14	34B	229567GT	PLUG,SANTOPRENE .5 BLACK DOME..... (ford)	1
8	12344GT	NUT,NYLOCK,6-32.....	14	35	128204GT	SWITCH TOGGLE ASSY SPDT 2P MNT.....	1
9	45385GT	PLUG,NYLON 1.12 BLACK DOMED.....	1	36	1256066GT	WELDMENT,LID 2014,TIER III.....	1
10	121599GT	GASKET,GBOX,S80/85 2008.....	1	37	13268GT	CLAMP,0.75,#12 X 1/4,RUB CUSH.....	1
11	66816GT	CONTACT,N.O.***	2	38A	229567GT	PLUG,SANTOPRENE .5 BLACK DOME..... (deutz and perkins)	1
12	66821GT	BASE,WITHOUT CONTACTS.....	2	38B	128204GT	SWITCH TOGGLE ASSY SPDT 2P MNT..... (ford)	1
13	147090GT	CIRCUIT BREAKER, 15A.....	2	39	128201GT	SWITCH TOGGLE ASSY DPDT 2P MOM.....	1
14	6700GT	WASHER,STAR,EXTERNAL,,.375.....	2	40A	218165GT	LIGHT,INDICATOR,RED 12V H-BRI..... (deutz and perkins)	1
15	122994GT	NICKEL PLATED JAM NUT.....	2	40B	218167GT	LIGHT,INDICATOR,AMBER 12V ENGINE..... (ford)	1
16	96008-SGT	KEYSWITCH,3 POS. W/KEYS***	1	41	6578GT	CABLE TIE,7 3/8".....	2
--	83093GT	KEY SINGLE***		42	89575GT	RESISTOR,7.5 OHM,25 WATT,1PCNT....	1
--	85239GT	NUT,RETAINER (96008)		43	40614GT	RESISTOR,5 OHM,25W***	1
--	96010GT	SCREW,PHILLIPS,PHM,8-32 X.25**		44	1253409GT	ANGLE, RELAY MOUNTING.....	1
17	66818GT	CONTACT, N.C.....	2	45	219508GT	CLAMP,FIXED DIA, NYLON, 3/8".....	1
18	228463GT	SCREW,SHS,1/4-20 X .375 ZINC.....	2	46	56057GT	MODULE,IGNITION/START,12/24V..... (deutz and perkins only)	1
19	6090GT	SCREW,HHC,1/4-20 X .75.....	6				
20	6356GT	WASHER,LOCK,.25.....	6				
21	6638GT	WASHER,FLAT,USS,1/4"Y.....	4				
22	229567GT	PLUG,SANTOPRENE .5 BLACK DOME.....	3				
23	128202GT	SWITCH TOGGLE ASSY DPDT 3P MOM.....	1				
24	66812GT	BUTTON,PUSH,RED MUSHROOM HEAD.....	1				

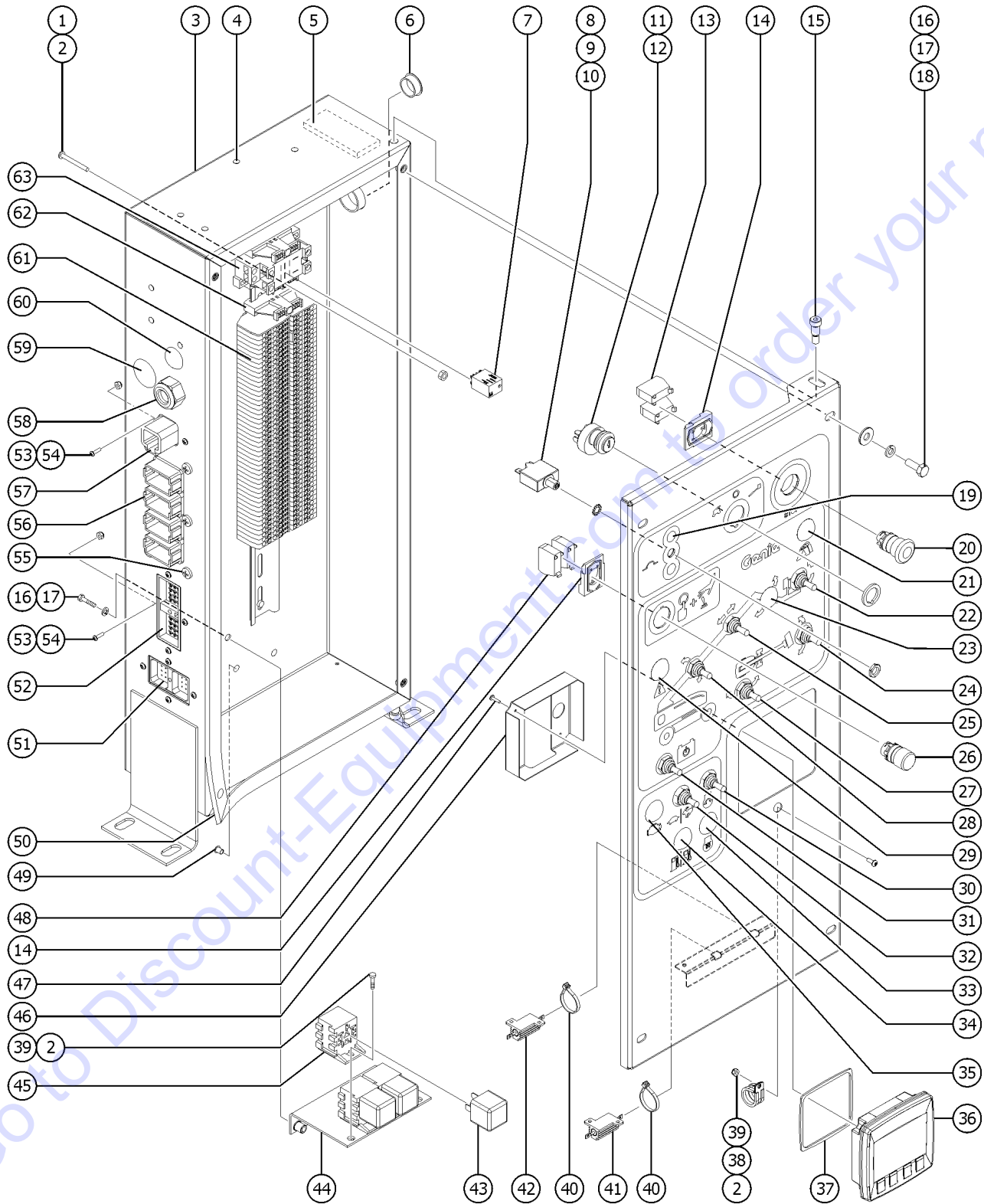
306.3 Ground Control Box (from SN 20505)
(continued)

Item	Part No.	Description	Qty.
47	73753GT	CONN,RECEP 24 WAY,W/FLANGE.....1	
48	73754GT	CONN,RECEP 40 WAY,W/FLANGE.....1	
49	73736GT	CONN,RECEP 48 WAY,4 X 12.....1	
50	73803GT	SCREW,SHM,PHP, #12 X .75.....1	
51	73717GT	CONN,RECEP 4 WAY,12-14GA FL***.....1	
52	15243GT	PLUG,NYLON .875 BLACK DOMED.....1	
53	7057GT	CONN. SQZ,1/2NPT .39-.56 MED.....1	
--	6935GT	LOCKNUT,ELEC,1/2"	
54A	229567GT	PLUG,SANTOPRENE .5 BLACK DOME.....1 <i>(deutz and perkins)</i>	
54B	128200GT	SWITCH TOGGLE ASSY SPDT 3P MOM.....1 <i>(ford)</i>	
55	216791GT	TERMINAL BLOCK,WIELAND.....1	
--	216793GT	TERMINAL BLOCK END PLATE	
--	33422GT	DIN RAIL,17"	
--	74920GT	MARKING TAGS,# 1-10,WIELAND	
--	74921GT	MARKING TAGS,# 11-20,WIELAND	
--	74922GT	MARKING TAGS,# 21-30,WIELAND	
--	74923GT	MARKING TAGS,# 31-40,WIELAND	
--	74924GT	MARKING TAGS,# 41-50,WIELAND**	
56	74913GT	END STOP, DIN RAIL,SCREW CLAMP.....2	

This Page Intentionally Left Blank

Go to Discount-Equipment.com to order your parts

307.1 Ground Control Box - Deutz D2.9L4 (to SN 20504)



307.1 Ground Control Box - Deutz D2.9L4 (to SN 20504)

Item	Part No.	Description	Qty.	Item	Part No.	Description	Qty.
--		"Verify Engine Make and Model Before Ordering"		23A	229567GT	PLUG,SANTOPRENE .5 BLACK DOME.....1 (S-40 models)	1
--	160382GT	ASSY, S40/45 GBOX, DEUTZ, TIER		23B	128200GT	SWITCH TOGGLE ASSY SPDT 3P MOM.....1 (S-45 models) Jib boom up/down	1
--	106637GT	MODULE,TIME DELAY ON BREAK 4S welder option		24	128202GT	SWITCH TOGGLE ASSY DPDT 3P MOM.....1 platform rotate switch	1
--		HARNESS, S40/45 GBOX,T4 DEUTZ refer to 311.1		25	128200GT	SWITCH TOGGLE ASSY SPDT 3P MOM.....1 Boom extend/retract switch	1
1	49775GT	SCREW,PHILLIPS,PHM,10-32X 1.75.....1	1	26	66813GT	BUTTON,PUSH,BLACK W/SEAL***.....1 Function enable button	1
2	6178GT	NUT,NYLOCK,10-32.....7	7	27	128202GT	SWITCH TOGGLE ASSY DPDT 3P MOM.....1 Turntable rotate switch	1
3	824684GT	WELDMENT,CONTROL BOX,GROUND.....1	1	28	128202GT	SWITCH TOGGLE ASSY DPDT 3P MOM.....1 Boom up/down switch	1
4	42288GT	PLUG,NYLON .188 BLACK DOMED.....7	7	29	229567GT	PLUG,SANTOPRENE .5 BLACK DOME.....1 Machine malfunction indicator light	1
5	30997GT	CORROSION INHIBITOR,FOAM.....1	1	30	128200GT	SWITCH TOGGLE ASSY SPDT 3P MOM.....1 Engine start switch	1
6	45385GT	PLUG,NYLON 1.12 BLACK DOMED		31	128201GT	SWITCH TOGGLE ASSY DPDT 2P MOM.....1 Emergency power switch	1
7	33607GT	RELAY,OMRON,DPDT,12V.....1	1	32	128204GT	SWITCH TOGGLE ASSY SPDT 2P MNT.....1 Function enable switch	1
8	147090GT	CIRCUIT BREAKER, 15A.....2	2	33	229567GT	PLUG,SANTOPRENE .5 BLACK DOME.....1	1
9	6700GT	WASHER,STAR,EXTERNAL,.375.....2	2	34	229567GT	PLUG,SANTOPRENE .5 BLACK DOME.....1 "Gasoline/LPG models - Fuel select switch"	1
10	122994GT	NICKEL PLATED JAM NUT.....1	1	35	229567GT	PLUG,SANTOPRENE .5 BLACK DOME.....1 Check engine light	1
11	96008-SGT	KEYSWITCH,3 POS. W/KEYS***.....1 includes 1 pair of keys	1	36	1251984GT	ASSY,DISPLAY,DP200 DEUTZ T4.....1 "including bracket part 219718, gasket part 1252685 and screws part 1252684"	1
--	37947GT	KEYS,10 PACK*** use with keyswitch 96008-S		37	1252685GT	GASKET,DP200 BLACK PANEL SEAL....1 part of assembly 1251985	1
--	66814GT	BASE,WITH 2 N.O. CONTACTS*** includes 2 each N.O. contacts		38	13268GT	CLAMP,0.75,#12 X 1/4,RUB CUSH.....2	2
--	66816GT	CONTACT,N.O.***		39	54365GT	SCREW,PHIL,PHM,10-32 X .5,SSTL.....2	2
--	83093GT	KEY SINGLE*** "includes boot, use with keyswitch 96008-S"		40	6578GT	CABLE TIE,7 3/8".....2	2
--	83131GT	KEYSWITCH,3 POS W/KEYS,LOCKING		41	89575GT	RESISTOR,7.5 OHM,25 WATT,1PCNT....1	1
12	88827GT	GASKET,KEYSWITCH,PLASTIC***.....1	1	42	40614GT	RESISTOR,5 OHM,25W***.....1	1
13	66818GT	CONTACT, N.C.....2	2	43	34052GT	RELAY,SPDT,12V(AUTO) PLUG IN**.....3	3
14	66821GT	BASE,WITHOUT CONTACTS.....2	2				
15	228463GT	SCREW,SHS,1/4-20 X .375 ZINC.....2	2				
16	6090GT	SCREW,HHC,1/4-20 X .75.....6	6				
17	6356GT	WASHER,LOCK,.25.....4	4				
18	6638GT	WASHER,FLAT,USS,1/4"Y.....4	4				
19	21858GT	PLUG,NYLON .38 BLACK DOMED.....2	2				
20	66812GT	BUTTON,PUSH,RED MUSHROOM HEAD.....1 Red emergency stop button	1				
--	146478GT	BOOT(BELLOWS),E-STOP,BLACK					
--	58627GT	NUT					
--	73805GT	BASE,W/2 NC CONTACTS*** includes 2 each N.C. contacts					
21	229567GT	PLUG,SANTOPRENE .5 BLACK DOME					
22	128200GT	SWITCH TOGGLE ASSY SPDT 3P MOM.....1 Platform level switch	1				

PARTS FINDER

**Search Website
by Part Number**



**Search Manual
Library For Parts
Manual & Lookup Part
Numbers – Purchase
or Request Quote**

Search Manuals

Enter your information to help us find the right parts manual for your machine.

* Brand:

* Model:

* Serial:

* Part Number:

SEARCH

**Can't Find Part or
Manual? Request Help
by Manufacturer,
Model & Description**

Parts Order Form

Please fill in the following information to help us find the right part for your machine.

Manufacturer:	<input type="text"/>
Model:	<input type="text"/>
Description:	<input type="text"/>
Part Number:	<input type="text"/>
Quantity:	<input type="text"/>
Notes:	<input type="text"/>

Submit

Discount-Equipment.com is your online resource for quality parts & equipment.

Florida: **561-964-4949** Outside Florida TOLL FREE: **877-690-3101**

Need parts?

Click on this link: <http://www.discount-equipment.com/category/5443-parts/> and choose one of the options to help get the right parts and equipment you are looking for. Please have the machine model and serial number available in order to help us get you the correct parts. If you don't find the part on the website or on one of the online manuals, please fill out the request form and one of our experienced staff members will get back to you with a quote for the right part that your machine needs.

We sell worldwide for the brands: Genie, Terex, JLG, MultiQuip, Mikasa, Essick, Whiteman, Mayco, Toro Stone, Diamond Products, Generac Magnum, Airman, Haulotte, Barreto, Power Blanket, Nifty Lift, Atlas Copco, Chicago Pneumatic, Allmand, Miller Curber, Skyjack, Lull, Skytrak, Tsurumi, Husquvarna Target, Stow, Wacker, Sakai, Mi-T-M, Sullair, Basic, Dynapac, MBW, Weber, Bartell, Bennar Newman, Haulotte, Ditch Runner, Menegotti, Morrison, Contec, Buddy, Crown, Edco, Wyco, Bomag, Laymor, EZ Trench, Bil-Jax, F.S. Curtis, Gehl Pavers, Heli, Honda, ICS/PowerGrit, IHI, Partner, Imer, Clipper, MMD, Koshin, Rice, CH&E, General Equipment, Amida, Coleman, NAC, Gradall, Square Shooter, Kent, Stanley, Tamco, Toku, Hatz, Kohler, Robin, Wisconsin, Northrock, Oztec, Toker TK, Rol-Air, APT, Wylie, Ingersoll Rand / Doosan, Innovatech, Con X, Ammann, Mecalac, Makinex, Smith Surface Prep, Small Line, Wanco, Yanmar

307.1 Ground Control Box - Deutz D2.9L4 (to SN 20504)
(continued)

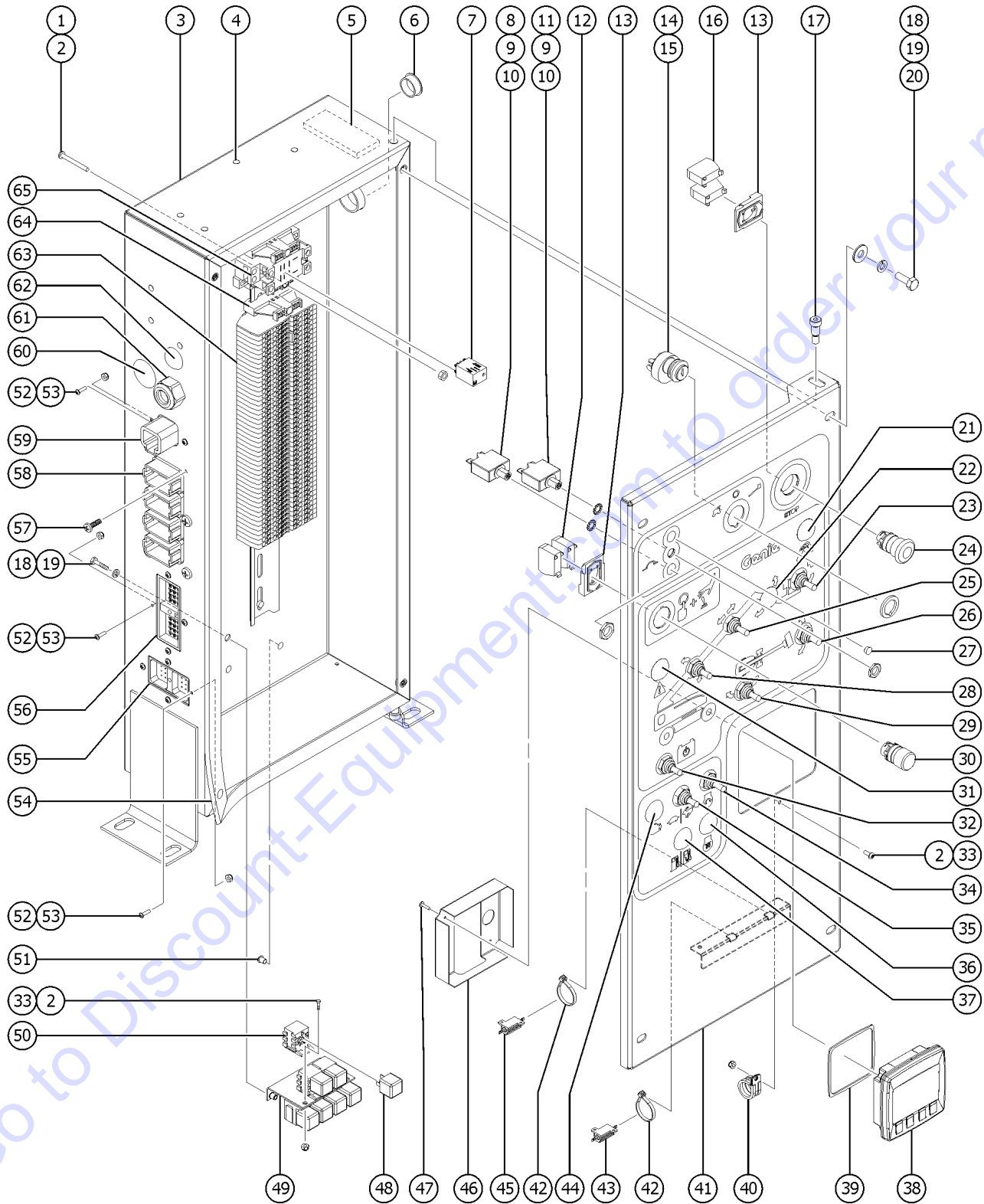
Item	Part No.	Description	Qty.
44	54534GT	ANGLE,RELAY MNT,W/NUTSERTS,PNT.....1	1
45	34053GT	ASSY,RELAY SOCKET, AUTO.....3	3
46	219718GT	BRACKET,DP200 PANEL MOUNT.....1 <i>part of assembly 1251985</i>	1
47	1252684GT	SCREW,DP200 M3X10 4PACK.....1 <i>part of assembly 1251985</i>	1
48	66816GT	CONTACT,N.O.***2	2
49	42781GT	PLUG, NYLON .250 BLACK DOMED.....2	2
50	121599GT	GASKET,GBOX,S80/85 2008.....1	1
51	73753GT	CONN,RECEP 24 WAY,W/FLANGE.....1	1
52	73754GT	CONN,RECEP 40 WAY,W/FLANGE.....1	1
53	49820GT	SCREW,PHILLIPS,PHM,6-32 X .5.....8	8
54	12344GT	NUT,NYLOCK,6-32.....8	8
55	73803GT	SCREW,SHM,PHP, #12 X .75.....6	6
56	73736GT	CONN,RECEP 48 WAY,4 X 12.....1	1
57	73717GT	CONN,RECEP 4 WAY,12-14GA FL***.....1	1
58	7057GT	CONN. SQZ,1/2NPT .39-.56 MED.....1	1
--	6935GT	LOCKNUT,ELEC,1/2"	
59	15243GT	PLUG,NYLON .875 BLACK DOMED.....1	1
60	229567GT	PLUG,SANTOPRENE .5 BLACK DOME.....1	1
61	216791GT	TERMINAL BLOCK,WIELAND.....1	1
--	216793GT	TERMINAL BLOCK END PLATE	
--	33422GT	DIN RAIL,17"	
--	74920GT	MARKING TAGS,# 1-10,WIELAND	
--	74921GT	MARKING TAGS,# 11-20,WIELAND	
--	74922GT	MARKING TAGS,# 21-30,WIELAND	
--	74923GT	MARKING TAGS,# 31-40,WIELAND	
--	74924GT	MARKING TAGS,# 41-50,WIELAND**	
62	74913GT	END STOP, DIN RAIL,SCREW CLAMP.....2	2
63	33608GT	RELAY,SOCKET,OMRON.....1	1

307.1 Ground Control Box - Deutz D2.9L4 (to SN 20504)
(continued)

This Page Intentionally Left Blank

Go to Discount-Equipment.com to order your parts

307.2 Ground Control Box - Perkins 404F-22 (to SN 20504)



307.2 Ground Control Box - Perkins 404F-22 (to SN 20504)

Item	Part No.	Description	Qty.	Item	Part No.	Description	Qty.
--		"Verify Engine Make and Model Before Ordering"		--	128200GT	SWITCH TOGGLE ASSY SPDT 3P MOM (S-45 models) Jib boom up/down	
--	825562GT	ASSY, GBOX, TIER IV, PERKINS.....1		23	128200GT	SWITCH TOGGLE ASSY SPDT 3P MOM.....1	
--	106637GT	MODULE, TIME DELAY ON BREAK 4S...1 <i>welder option</i>				<i>Platform level switch</i>	
--		REF. HARN, GBOX, T4 PERKINS, S40.....1 <i>refer to 311.1</i>		24	66812GT	BUTTON, PUSH, RED MUSHROOM HEAD.....1	
--	217441GT	TERMINAL RAIL ASSEMBLY, GBOX.....1		--	146478GT	BOOT (BELLOWS), E-STOP, BLACK	
--	160381GT	ASSY, GBOX TIER IV, S40.....1 <i>(includes items 3, 17-20, 41 and 54)</i>		--	58627GT	NUT	
1	49775GT	SCREW, PHILLIPS, PHM, 10-32 X 1.75.....1		--	73805GT	BASE, W/2 NC CONTACTS*** <i>includes 2 each N.C. contacts</i>	
2	6178GT	NUT, NYLOCK, 10-32.....7		25	128200GT	SWITCH TOGGLE ASSY SPDT 3P MOM.....1	
3	824684GT	WELDMENT, CONTROL BOX, GROUND.....1				<i>Boom extend/retract switch</i>	
4	42288GT	PLUG, NYLON .188 BLACK DOMED.....7		26	128202GT	SWITCH TOGGLE ASSY DPDT 3P MOM.....1	
5	30997GT	CORROSION INHIBITOR, FOAM.....1				<i>platform rotate switch</i>	
6	45385GT	PLUG, NYLON 1.12 BLACK DOMED.....1		27	21858GT	PLUG, NYLON .38 BLACK DOMED.....1	
7	33607GT	RELAY, OMRON, DPDT, 12V.....1		28	128202GT	SWITCH TOGGLE ASSY DPDT 3P MOM.....1	
8	147091GT	CIRCUIT BREAKER, 20A.....1				<i>Boom up/down switch</i>	
9	6700GT	WASHER, STAR, EXTERNAL, .375.....2		29	128202GT	SWITCH TOGGLE ASSY DPDT 3P MOM.....1	
10	122994GT	NICKEL PLATED JAM NUT.....2				<i>Turntable rotate switch</i>	
11	147090GT	CIRCUIT BREAKER, 15A.....1		30	66813GT	BUTTON, PUSH, BLACK W/SEAL***.....1	
12	66816GT	CONTACT, N.O.***.....2				<i>Function enable button</i>	
13	66821GT	BASE, WITHOUT CONTACTS.....2		31	229567GT	PLUG, SANTOPRENE .5 BLACK DOME.....1	
14	96008-SGT	KEYSWITCH, 3 POS. W/KEYS***.....1 <i>includes 1 pair of keys</i>				<i>Machine malfunction indicator light</i>	
--	37947GT	KEYS, 10 PACK*** <i>use with keyswitch 96008-S</i>		32	128201GT	SWITCH TOGGLE ASSY DPDT 2P MOM.....1	
--	66814GT	BASE, WITH 2 N.O. CONTACTS*** <i>includes 2 each N.O. contacts</i>				<i>Emergency power switch</i>	
--	66816GT	CONTACT, N.O.***		33	54365GT	SCREW, PHIL, PHM, 10-32 X .5, SSTL.....5	
--	83093GT	KEY SINGLE*** <i>"includes boot, use with keyswitch 96008-S"</i>		34	128200GT	SWITCH TOGGLE ASSY SPDT 3P MOM.....1	
--	83131GT	KEYSWITCH, 3 POS W/KEYS, LOCKING				<i>Engine start switch</i>	
--	96010GT	SCREW, PHILLIPS, PHM, 8-32 X .25**		35	128204GT	SWITCH TOGGLE ASSY SPDT 2P MNT.....1	
15	88827GT	GASKET, KEYSWITCH, PLASTIC***.....1				<i>Function enable switch</i>	
16	66818GT	CONTACT, N.C.....2		36	229567GT	PLUG, SANTOPRENE .5 BLACK DOME.....1	
17	228463GT	SCREW, SHS, 1/4-20 X .375 ZINC.....2					
18	6090GT	SCREW, HHC, 1/4-20 X .75.....7		37	229567GT	PLUG, SANTOPRENE .5 BLACK DOME.....1	
19	6356GT	WASHER, LOCK, .25.....6				<i>"Gasoline/LPG models - Fuel select switch"</i>	
20	6638GT	WASHER, FLAT, USS, 1/4"Y.....5		38	1251985GT	ASSY, DISPLAY, DP200 PERKINS T4.....1	
21	229567GT	PLUG, SANTOPRENE .5 BLACK DOME.....1				<i>"including bracket part 219718, gasket part 1252685 and screws part 1252684"</i>	
22	229567GT	PLUG, SANTOPRENE .5 BLACK DOME.....1		39	1252685GT	GASKET, DP200 BLACK PANEL SEAL.....1	
		<i>(S-40 models)</i>				<i>part of assembly 1251985</i>	
				40	13268GT	CLAMP, 0.75, #12 X 1/4, RUB CUSH.....2	
				41	160380GT	WELDMENT, S40 GBOX LID.....1	

307.2 Ground Control Box - Perkins 404F-22 (to SN 20504)
(continued)

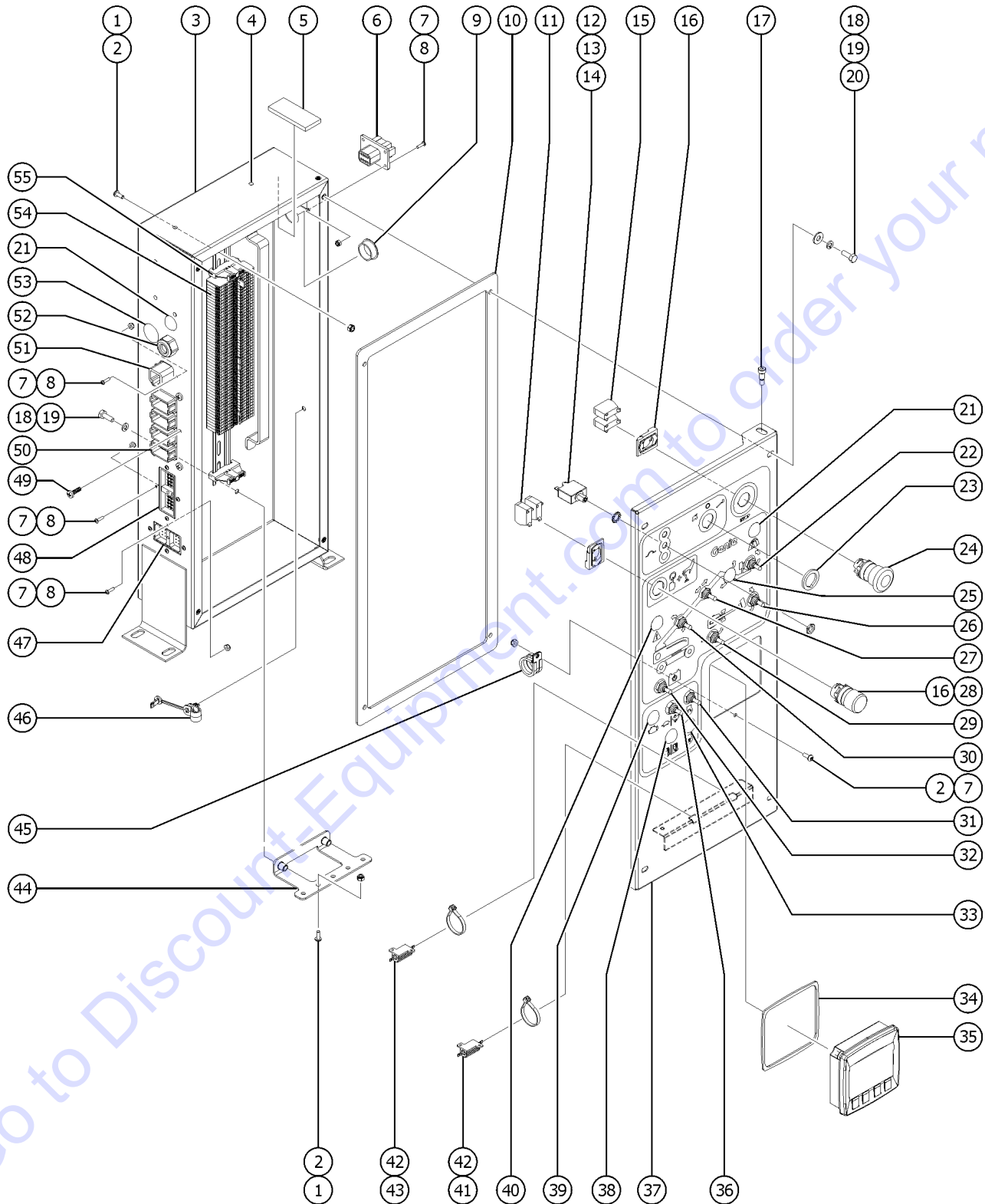
Item	Part No.	Description	Qty.
42	6578GT	CABLE TIE,7 3/8".....	2
43	89575GT	RESISTOR,7.5 OHM,25 WATT,1PCNT....	1
44	229567GT	PLUG,SANTOPRENE .5 BLACK DOME.....	1
		<i>Check engine light</i>	
45	40614GT	RESISTOR,5 OHM,25W***.....	1
46	219718GT	BRACKET,DP200 PANEL MOUNT.....	1
		<i>part of assembly 1251985</i>	
47	1252684GT	SCREW,DP200 M3X10 4PACK.....	1
		<i>part of assembly 1251985</i>	
48	34052GT	RELAY,SPDT,12V(AUTO) PLUG IN**	
49	54534GT	ANGLE,RELAY MNT,W/NUTSERTS,PNT.....	1
50	34053GT	ASSY,RELAY SOCKET, AUTO	
51	42781GT	PLUG, NYLON .250 BLACK DOMED....	2
52	49820GT	SCREW,PHILLIPS,PHM,6-32 X .5.....	10
53	12344GT	NUT,NYLOCK,6-32.....	10
54	121599GT	GASKET,GBOX,S80/85 2008.....	1
55	73753GT	CONN,RECEP 24 WAY,W/FLANGE.....	1
56	73754GT	CONN,RECEP 40 WAY,W/FLANGE.....	1
57	73803GT	SCREW,SHM,PHP, #12 X .75.....	6
58	73736GT	CONN,RECEP 48 WAY,4 X 12.....	1
59	73717GT	CONN,RECEP 4 WAY,12-14GA FL***.....	1
60	15243GT	PLUG,NYLON .875 BLACK DOMED.....	1
61	7057GT	CONN. SQZ,1/2NPT .39-.56 MED.....	1
--	6935GT	LOCKNUT,ELEC,1/2"	
62	229567GT	PLUG,SANTOPRENE .5 BLACK DOME.....	1
63	216791GT	TERMINAL BLOCK,WIELAND.....	1
--	216793GT	TERMINAL BLOCK END PLATE	
--	33422GT	DIN RAIL,17"	
--	74920GT	MARKING TAGS,# 1-10,WIELAND	
--	74921GT	MARKING TAGS,# 11-20,WIELAND	
--	74922GT	MARKING TAGS,# 21-30,WIELAND	
--	74923GT	MARKING TAGS,# 31-40,WIELAND	
--	74924GT	MARKING TAGS,# 41-50,WIELAND**	
64	74913GT	END STOP, DIN RAIL,SCREW CLAMP.....	2
65	33608GT	RELAY,SOCKET,OMRON	

307.2 Ground Control Box - Perkins 404F-22 (to SN 20504)
(continued)

This Page Intentionally Left Blank

Go to Discount-Equipment.com to order your parts

307.3 Ground Control Box - Deutz D2.9L4 and Perkins 404F-22 (from SN 20505)



307.3 Ground Control Box - Deutz D2.9L4 and Perkins 404F-22 (from SN 20505)

Item	Part No.	Description	Qty.	Item	Part No.	Description	Qty.
--	1256827GT	ASSY,GBOX,DEUTZ T4,S40/45		27	128200GT	SWITCH TOGGLE ASSY SPDT 3P MOM.....1	1
--	1256829GT	ASSY,GBOX,PERKINS T4,S40/45				<i>Boom extend/retract switch</i>	
--	121846GT	RELAY,TIME DELAY,2 SEC,10A <i>part of Load Sense (refer to 804.1)</i>		28	66813GT	BUTTON,PUSH,BLACK W/SEAL***	1
1	54365GT	SCREW,PHIL,PHM,10-32 X .5,SSTL.....4	4	29	128202GT	SWITCH TOGGLE ASSY DPDT 3P MOM.....1	1
2	6178GT	NUT,NYLOCK,10-32.....4	4			<i>Turntable rotate switch</i>	
3	1256056GT	WELDMENT,CONTROL BOX,GROUND.....1	1	30	128202GT	SWITCH TOGGLE ASSY DPDT 3P MOM.....1	1
4	42288GT	PLUG,NYLON .188 BLACK DOMED.....1	1			<i>Boom up/down switch</i>	
5	30997GT	CORROSION INHIBITOR,FOAM.....1	1	31	128200GT	SWITCH TOGGLE ASSY SPDT 3P MOM.....1	1
6	87755GT	CONN,RECEP 8 WAY 14-18GA,FL.....1	1			<i>Engine start switch</i>	
7	49820GT	SCREW,PHILLIPS,PHM,6-32 X .5.....14	14	32	128201GT	SWITCH TOGGLE ASSY DPDT 2P MOM.....1	1
8	12344GT	NUT,NYLOCK,6-32.....14	14			<i>Emergency power switch</i>	
9	45385GT	PLUG,NYLON 1.12 BLACK DOMED.....1	1	33	229567GT	PLUG,SANTOPRENE .5 BLACK DOME.....1	1
10	121599GT	GASKET,GBOX,S80/85 2008.....1	1	34	1252685GT	GASKET,DP200 BLACK PANEL SEAL....1 <i>part of assemblies 1251984 and 1251985</i>	1
11	66814GT	BASE,WITH 2 N.O. CONTACTS***.....2	2	35A	1251984GT	ASSY,DISPLAY,DP200 DEUTZ T4.....1 <i>"including bracket part 219718, gasket part 1252685 and screws part 1252684"</i>	1
12	147090GT	CIRCUIT BREAKER, 15A.....2	2	35B	1251985GT	ASSY,DISPLAY,DP200 PERKINS T4 <i>"including bracket part 219718, gasket part 1252685 and screws part 1252684"</i>	1
13	6700GT	WASHER,STAR,EXTERNAL,.375.....2	2	36	128204GT	SWITCH TOGGLE ASSY SPDT 2P MNT.....1	1
14	122994GT	NICKEL PLATED JAM NUT.....2	2			<i>Function enable switch</i>	
15	66818GT	CONTACT, N.C.....2	2	37	160379GT	FORMING, LID, GBOX,S40.....1	1
16	66821GT	BASE,WITHOUT CONTACTS.....2	2	38	229567GT	PLUG,SANTOPRENE .5 BLACK DOME.....1	1
17	228463GT	SCREW,SHS,1/4-20 X .375 ZINC.....1	1			<i>"Gasoline/LPG models - Fuel select switch"</i>	
18	6090GT	SCREW,HHC,1/4-20 X .75.....6	6	39	229567GT	PLUG,SANTOPRENE .5 BLACK DOME.....1	1
19	6356GT	WASHER,LOCK,.25.....6	6			<i>Check engine light</i>	
20	6638GT	WASHER,FLAT,USS,1/4"Y.....4	4	40	229567GT	PLUG,SANTOPRENE .5 BLACK DOME.....1	1
21	229567GT	PLUG,SANTOPRENE .5 BLACK DOME.....1	1			<i>Machine malfunction indicator light</i>	
22	128202GT	SWITCH TOGGLE ASSY DPDT 3P MOM.....1	1	41	89575GT	RESISTOR,7.5 OHM,25 WATT,1PCNT....1	1
		<i>Platform level switch</i>		42	6578GT	CABLE TIE,7 3/8".....2	2
23	88827GT	GASKET,KEYSWITCH,PLASTIC***.....1	1	43	40614GT	RESISTOR,5 OHM,25W***.....1	1
24	66812GT	BUTTON,PUSH,RED MUSHROOM HEAD.....1	1	44	1253409GT	ANGLE, RELAY MOUNTING.....1	1
		<i>Red emergency stop button</i>		45	13268GT	CLAMP,0.75,#12 X 1/4,RUB CUSH.....1	1
--	146478GT	BOOT(BELLOWS),E-STOP,BLACK		46	219508GT	CLAMP,FIXED DIA, NYLON, 3/8".....1	1
--	58627GT	NUT		47	73753GT	CONN,RECEP 24 WAY,W/FLANGE.....1	1
--	73805GT	BASE,W/2 NC CONTACTS*** <i>includes 2 each N.C. contacts</i>		48	73754GT	CONN,RECEP 40 WAY,W/FLANGE.....1	1
25A	229567GT	PLUG,SANTOPRENE .5 BLACK DOME.....1	1	49	73803GT	SCREW,SHM,PHP, #12 X .75.....6	6
		<i>(S-40 models)</i>		50	73736GT	CONN,RECEP 48 WAY,4 X 12.....1	1
25B	128200GT	SWITCH TOGGLE ASSY SPDT 3P MOM.....1	1	51	73717GT	CONN,RECEP 4 WAY,12-14GA FL***.....1	1
		<i>(S-45 models) Jib boom up/down</i>					
26	128202GT	SWITCH TOGGLE ASSY DPDT 3P MOM.....1	1				
		<i>Platform rotate switch</i>					

307.3 Ground Control Box - Deutz D2.9L4 and Perkins 404F-22 (from SN 20505)
 (continued)

Item	Part No.	Description	Qty.
52	7057GT	CONN. SQZ,1/2NPT .39-.56 MED.....1	
--	6935GT	LOCKNUT,ELEC,1/2"	
53	15243GT	PLUG,NYLON .875 BLACK DOMED.....1	
54	216791GT	TERMINAL BLOCK,WIELAND.....1	
--	216793GT	TERMINAL BLOCK END PLATE	
--	33422GT	DIN RAIL,17"	
--	74920GT	MARKING TAGS,# 1-10,WIELAND	
--	74921GT	MARKING TAGS,# 11-20,WIELAND	
--	74922GT	MARKING TAGS,# 21-30,WIELAND	
--	74923GT	MARKING TAGS,# 31-40,WIELAND	
--	74924GT	MARKING TAGS,# 41-50,WIELAND**	
55	74913GT	END STOP, DIN RAIL,SCREW CLAMP.....1	

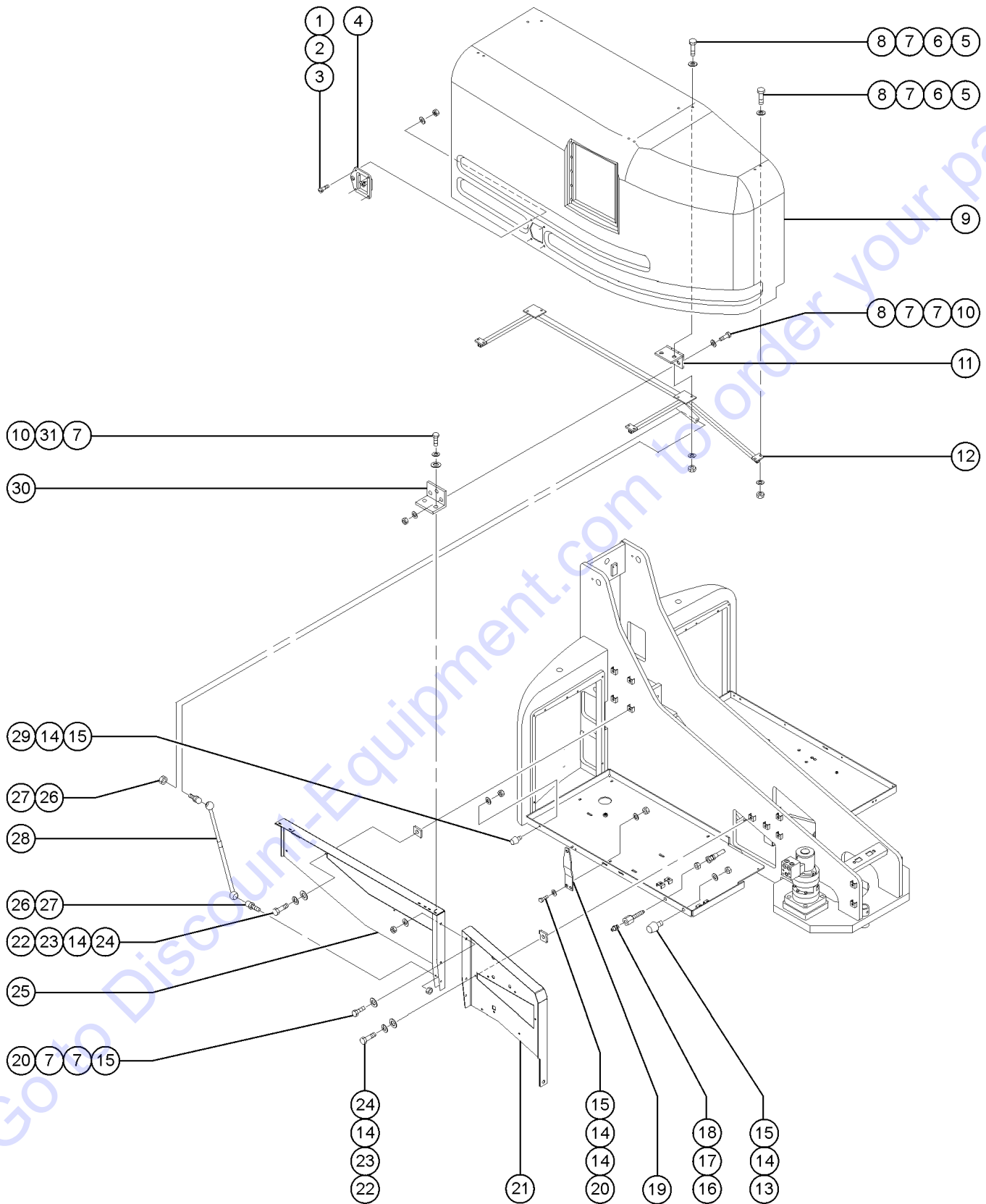
Go to Discount-Equipment.com to order your parts

307.3 Ground Control Box - Deutz D2.9L4 and Perkins 404F-22 (from SN 20505)
(continued)

This Page Intentionally Left Blank

Go to Discount-Equipment.com to order your parts

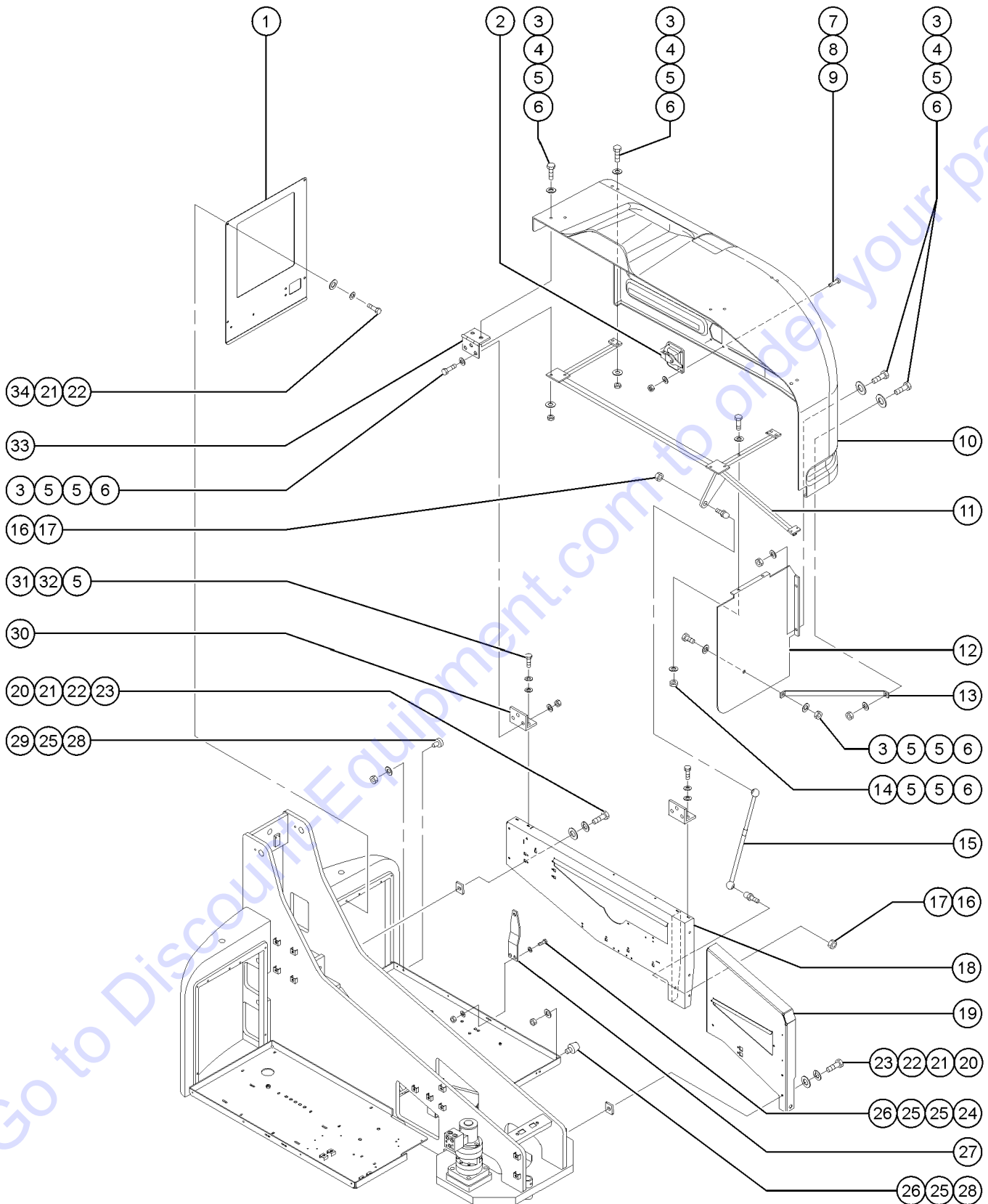
308.1 Turntable Covers - View 1 (Tank Side)



308.1 Turntable Covers - View 1 (Tank Side)

Item	Part No.	Description	Qty.	Item	Part No.	Description	Qty.
1	49816GT	SCREW,PHILLIPS,PHM,10-32 X .75		--	111663GT	BUMPER,RUB,1.00DX.75X31-18X1.2 <i>from SN 10974</i>	
2	6146GT	WASHER,FLAT,MS,#10,Y		30	74496PGT	FORMING,HINGE SUPPORT PAINTED.....	2
3	6178GT	NUT,NYLOCK,10-32		31	6356GT	WASHER,LOCK,.25	
4	53903GT	LATCH,T-HANDLE,5 SIDED W/KEYS*....1					
--	29314GT	KEY,LATCH, 1 PAIR (28125)					
5	8915GT	SCREW,HHC,1/4-20 X 1.25					
6	12906GT	WASHER,FENDER,.25 X 1.25 X.062					
7	6638GT	WASHER,FLAT,USS,1/4"Y					
8	6091GT	NUT,NYLOCK,1/4-20					
9	65477GT	COVER ASSY W/DECALS,L.H. BB.....1 <i>to SN 7189</i>					
--	102137GT	COVER TURNTABLE,W/WORD TANK SI <i>from SN 7190 to SN 9752</i>					
--	102138GT	COVER TURNTABLE W/SYMBOLS,TANK <i>from SN 7190 to 14677</i>					
--	111355GT	LH COVER W/WRD DECALS <i>from SN 9753 to 14677</i>					
--	122882GT	DECAL,SYM,LH,TT,COVER ASSY <i>from SN 14678</i>					
--	122884GT	DECAL,WORD,LH,TT,COVER ASSY <i>from SN 14678</i>					
10	6888GT	SCREW,HHC,1/4-20 X 1					
11	75073GT	HINGE,.375X.120THK.,SLOTTED.....2					
12	49532-SGT	COVER,SUPPORT WELDMENT,LH.....1					
13	30973GT	BUMPER,RUBBER-1 X 1.25.....1 <i>to SN 10973</i>					
--	111580GT	BUMPER,RUBBER,1.19DX1.5X.31-18 <i>from SN 10974</i>					
14	5397GT	WASHER,FLAT,USS,5/16",Y					
15	6782GT	NUT,NYLOCK,5/16-18					
16	28646GT	ZERK,GREASE,1/8 NPT.....1					
17	48885GT	CONNECTOR,BULKHEAD,FEMALE-4...1					
18	49189-4638GT	HOSE ASSY,1/4",STR FEM,STR FEM...1					
19	49535PGT	PLATE,LATCH,BLUE,PAINTED ***.....1					
20	13002GT	SCREW,HHC,5/16-18 X 1 GR5					
21	89411GT	WELDMENT,BULKHEAD,TANKSIDE,REA.1					
22	6019GT	SCREW,HHC,3/8-16 X 1.25 GRD 5					
23	6021GT	WASHER,LOCK,.375					
24	29868GT	SPRING CLIP,3/8-16,.05-.20X.73,ZAG...6					
25	89408GT	WELDMENT,BULKHEAD,TANKSIDE,FRN.1					
26	33555GT	BALL STUD**.....2					
27	6002GT	NUT,LP NYLOCK,5/16-18					
28	28301GT	GAS STRUT,250 LBS FORCE***.....1					
--	27377GT	RETAINER,GAS SPRING***					
29	36388GT	BUMPER,RUBBER,.75 X .50H,STUD.....1 <i>to SN 10973</i>					

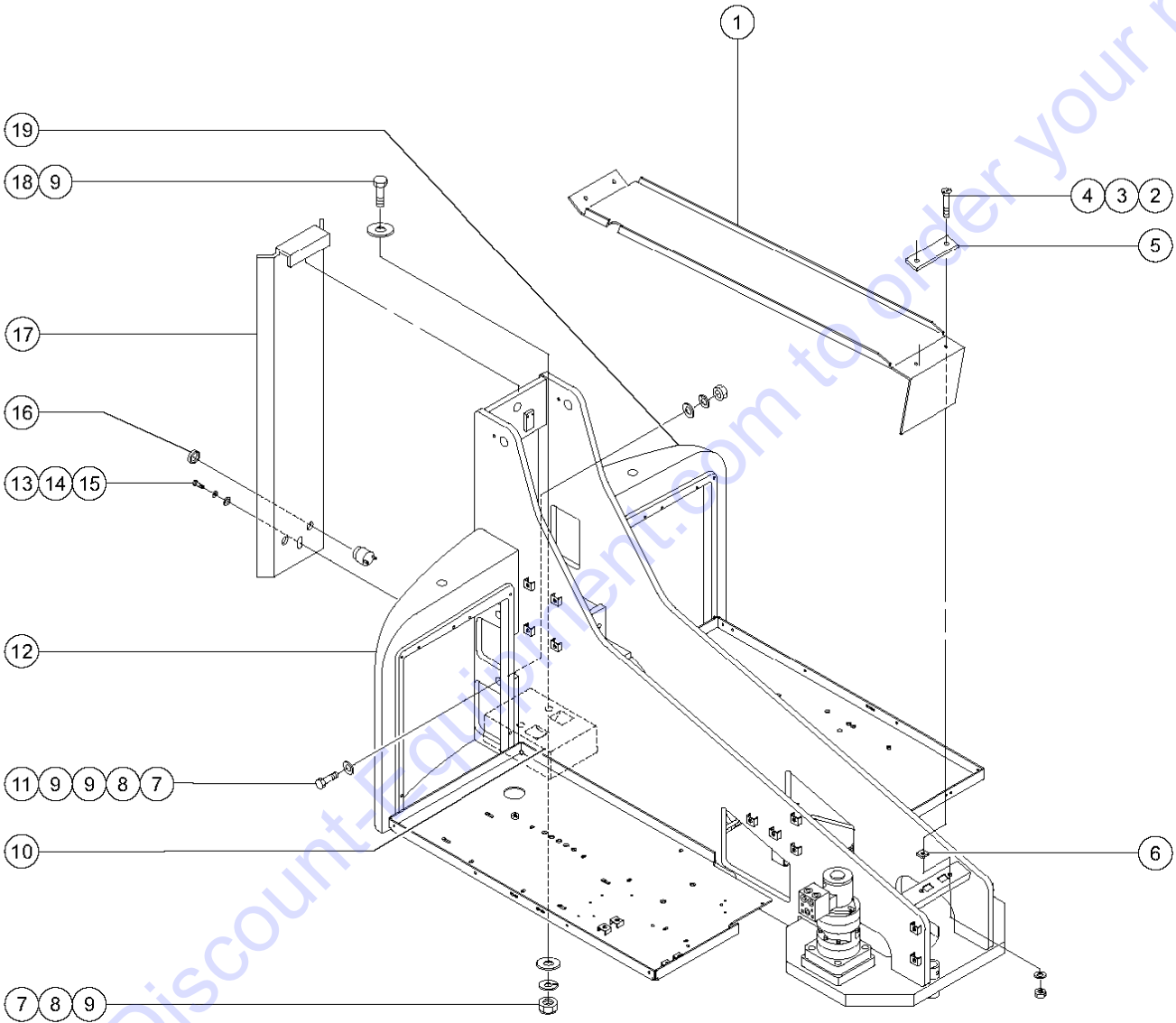
309.1 Turntable Covers - View 2 (Engine Side)



309.1 Turntable Covers - View 2 (Engine Side)

Item	Part No.	Description	Qty.	Item	Part No.	Description	Qty.
1	53078PGT	BAFFLE,AIR,FORD,PAINTED <i>Ford models; to SN 7596</i>		--	111750GT	WELDMENT,BULKHEAD,ENGINESIDE,F <i>from SN 11067</i>	
--	63400PGT	BAFFLE, PERKINS, S40, PAINTED* <i>Perkins models; to SN 7471</i>		19	89415GT	WELDMENT,BULKHEAD,ENGINESIDE,R.1	
--	216035GT	FORMING, S40 ENGINE, PERKINS <i>Perkins 404F-22 only; from SN 18583</i>		20	6019GT	SCREW,HHC,3/8-16 X 1.25 GRD 5	
--	53079PGT	BAFFLE,AIR,DEUTZ,PAINTED <i>Deutz models; to SN 7543</i>		21	6021GT	WASHER,LOCK,.375	
--	89912PGT	FORMING, ENGINE BAFFLE,PAINTED <i>Deutz models; from SN 7544</i>		22	6097GT	WASHER,FLAT,USS,3/8",Y	
--	215339GT	FORMING,ENGINE BAFFLE,DEUTZ <i>Deutz D2.6L4 only; from SN 18351</i>		23	29868GT	SPRING CLIP,3/8-16,.05-.20X.73,ZAG....6	
--	89913PGT	FORMING,ENGINE BAFFLE,FORD,PNT <i>Ford models; from SN 7597</i>		24	13002GT	SCREW,HHC,5/16-18 X 1 GR5	
--	89929PGT	FORMING,ENGINE BAFFLE,PERKINS <i>Perkins models; from SN 7472</i>		25	5397GT	WASHER,FLAT,USS,5/16",Y	
2	53903GT	LATCH,T-HANDLE,5 SIDED W/KEYS*....1		26	6782GT	NUT,NYLOCK,5/16-18	
--	29314GT	KEY,LATCH, 1 PAIR (28125)		27	49535PGT	PLATE,LATCH,BLUE,PAINTED ***1	
3	8915GT	SCREW,HHC,1/4-20 X 1.25		28	30973GT	BUMPER,RUBBER-1 X 1.25.....1 <i>to SN 10973</i>	
4	12906GT	WASHER,FENDER,.25 X 1.25 X.062		--	111580GT	BUMPER,RUBBER,1.19DX1.5X.31-18 <i>from SN 10974</i>	
5	6638GT	WASHER,FLAT,USS,1/4"Y		29	36388GT	BUMPER,RUBBER,.75 X .50H,STUD.....1 <i>to SN 10973</i>	
6	6091GT	NUT,NYLOCK,1/4-20		--	111663GT	BUMPER,RUB,1.00DX.75X31-18X1.2 <i>from SN 10974</i>	
7	49816GT	SCREW,PHILLIPS,PHM,10-32 X .75		30	74496PGT	FORMING,HINGE SUPPORT PAINTED.....2	
8	6146GT	WASHER,FLAT,MS,#10,Y		31	6888GT	SCREW,HHC,1/4-20 X 1	
9	6178GT	NUT,NYLOCK,10-32		32	6356GT	WASHER,LOCK,.25	
10	65478GT	COVER ASSY W/DECAL,WRD,RH BB...1 <i>to SN 14677</i>		33	75073GT	HINGE,.375X.120THK.,SLOTTED.....2	
--	102139GT	COVER ASSY,SYMBOLS,ENGINE SIDE.....1 <i>to SN 14677</i>		34	8255GT	SCREW,HHC,3/8-16 X .75	
--	122283GT	TT COVER ASSY RH,WORD DECAL <i>from SN 14678</i>					
--	122648GT	TT COVER ASSY RH,SYM DECAL <i>from SN 14678</i>					
11	53882GT	WELDMENT,TT COVER SUPPORT,RH.....1 <i>to SN 8315</i>					
--	102740GT	WELDMENT,TT COVER SUPPORT,RH <i>from SN 8316</i>					
12	49537PGT	SHROUD,LP TANK,PAINTED.....1 <i>Gasoline/LPG models</i>					
13	30894PGT	SHROUD SUPPORT,PAINTED.....1 <i>Gasoline/LPG models</i>					
14	6637GT	SCREW,HHC,1/4-20 X 1.75					
15	28301GT	GAS STRUT,250 LBS FORCE***1					
--	27377GT	RETAINER,GAS SPRING***					
16	6002GT	NUT,LP NYLOCK,5/16-18					
17	33555GT	BALL STUD**2					
18	111750GT	WELDMENT,BULKHEAD,ENGINESIDE,F.1 <i>to SN 11066</i>					

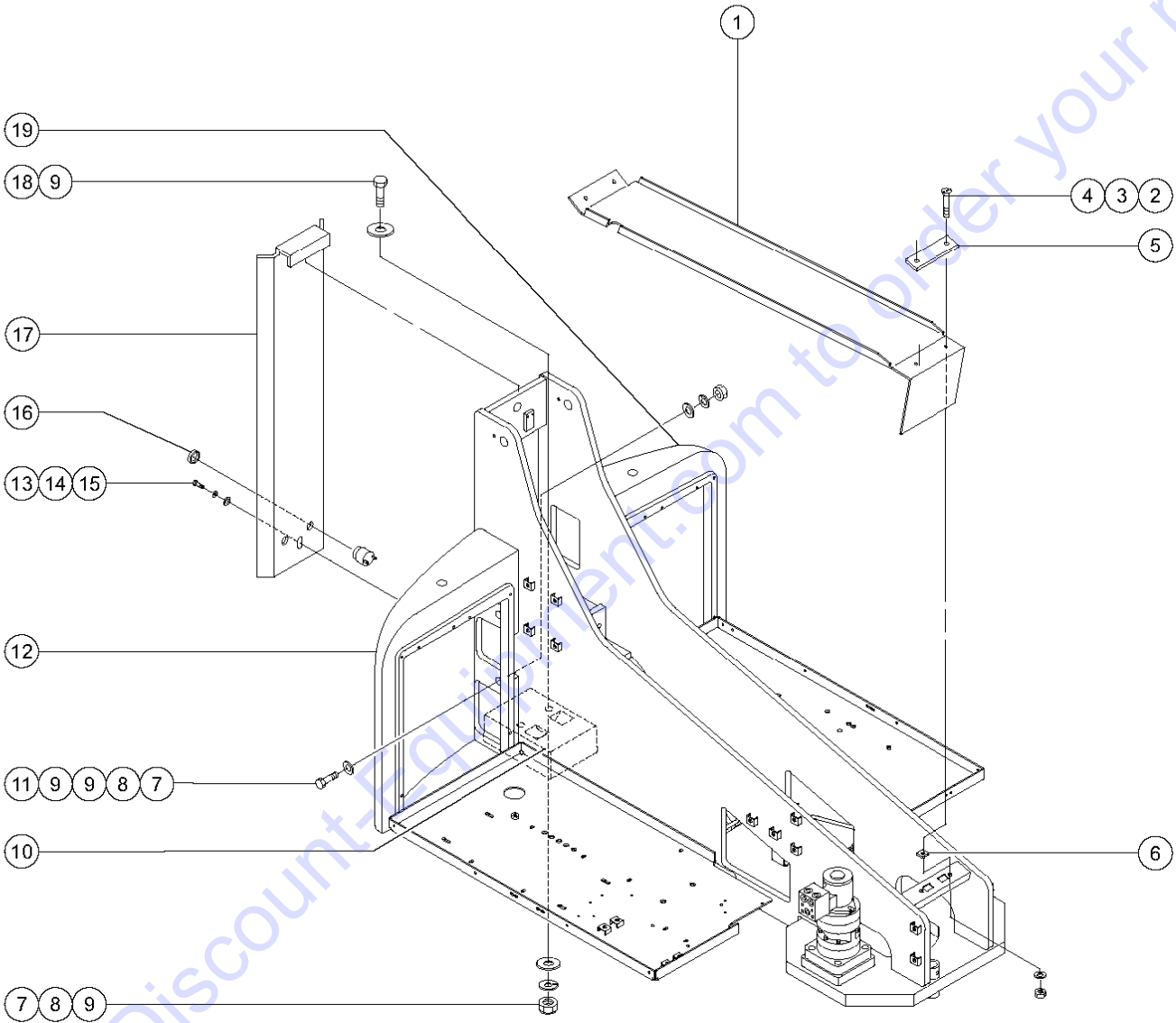
310.1 Turntable Covers, S-40 - View 3



310.1 Turntable Covers, S-40 - View 3

Item	Part No.	Description	Qty.
1	34358PGT	PLATE, SWING COVER, S40/S45 **.....1	
2	17712GT	SCREW,FHS,3/8-16 X 1.75	
3	5397GT	WASHER,FLAT,USS,5/16",Y to SN 11634	
4	4828GT	NUT,NYLOCK,3/8-16 to SN 11634	
5	34370GT	REST PAD,S40,BOOM REST.....1	
6	29868GT	SPRING CLIP,3/8-16,.05-.20X.73,ZAG....2 from SN 11635	
7	33265GT	NUT,HEX,1-8	
8	29605GT	WASHER,LOCK,1"	
9	122079GT	WASHER,FLAT,1.000,HARDENED	
10	53553GT	CNTWT,S40 SWING CHASSIS S-40; from SN 15684	
11	30798GT	SCREW,HHC,1-8 X 4.5 GRD.5	
12	46769GT	CTWT,CAST,400 LBS,LH.....1	
13	6175GT	SCREW,HHC,3/8-16 X 1	
14	6021GT	WASHER,LOCK,.375	
15	6097GT	WASHER,FLAT,USS,3/8",Y	
16	45462GT	ALARM,CHIME TONE 5-25VDC***1 from SN 12602	
--	72326GT	NUT - PLASTIC,RING FOR ALARMS	
17	102141GT	TT FRNT COVR ASSY,WRD DEC, S40.....1	
18	34079GT	SCREW,HHC,1-8 X 8.5 GRD.2	
19	46768GT	CTWT,CAST,400 LBS,RH.....1	

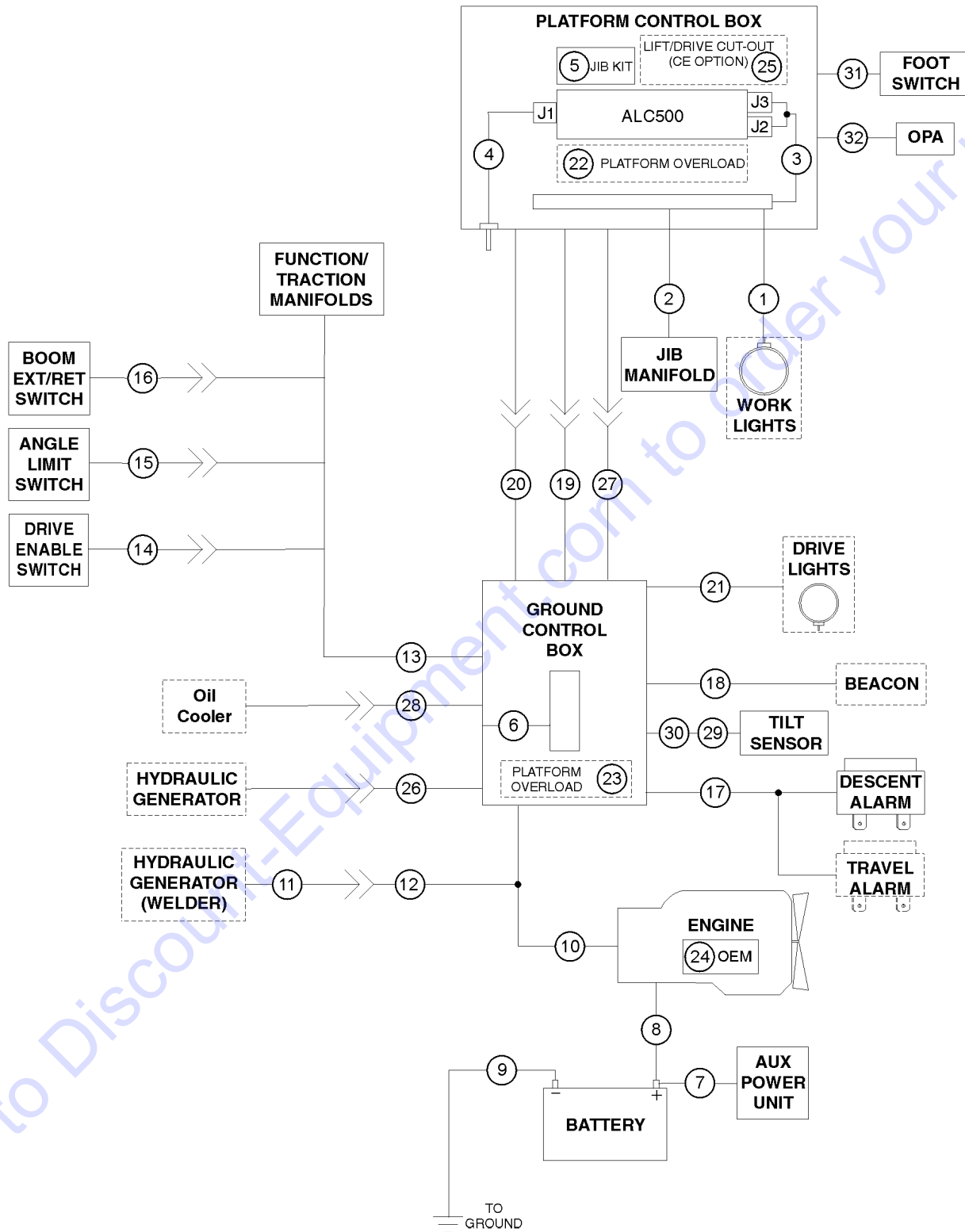
310.1 Turntable Covers, S-45 - View 3



310.1 Turntable Covers, S-45 - View 3

Item	Part No.	Description	Qty.
1	34358PGT	PLATE, SWING COVER, S40/S45 **.....1	
2	17712GT	SCREW,FHS,3/8-16 X 1.75	
3	5397GT	WASHER,FLAT,USS,5/16",Y to SN 11634	
4	4828GT	NUT,NYLOCK,3/8-16 to SN 11634	
5	34370GT	REST PAD,S40,BOOM REST.....1	
6	29868GT	SPRING CLIP,3/8-16,.05-.20X.73,ZAG....2 from SN 11635	
7	33265GT	NUT,HEX,1-8 S-45; to SN 15683	
--	29764GT	NUT,NYLOCK,1-8 S-45; from SN 15684	
8	29605GT	WASHER,LOCK,1"	
9	122079GT	WASHER,FLAT,1.000,HARDENED	
10	53553GT	CNTWT,S40 SWING CHASSIS.....1 S-45; to SN 15683	
--	146206GT	CNTWT,CAST,S45 SWING CHASSIS S-45; from SN 15684	
11	30798GT	SCREW,HHC,1-8 X 4.5 GRD.5	
12	46769GT	CTWT,CAST,400 LBS,LH.....1 S-45; to SN 15683	
--	146211GT	CTWT,CAST,515 LBS,LH S-45; from SN 15684	
13	6175GT	SCREW,HHC,3/8-16 X 1	
14	6021GT	WASHER,LOCK,.375	
15	6097GT	WASHER,FLAT,USS,3/8",Y	
16	45462GT	ALARM,CHIME TONE 5-25VDC***.....1 from SN 12602	
--	72326GT	NUT - PLASTIC,RING FOR ALARMS	
17	102142GT	TT FRNT COVR ASSY,WRD DEC, S45	
--	122654GT	TT FRNT COVR ASSY,SYM DEC, S45	
18	34079GT	SCREW,HHC,1-8 X 8.5 GRD.2.....1 S-45; to SN 15683	
--	228842GT	SCREW,HHC,1-8 X 16, GRD 2 S-45; from SN 15684	
19	46768GT	CTWT,CAST,400 LBS,RH S-45; to SN 15683	
--	146210GT	CTWT,CAST,515 LBS,RH S-45; from SN 15684	

311.1 Wire Harness and Power Cable Assemblies



311.1 Wire Harness and Power Cable Assemblies

Item	Part No.	Description	Qty.	Item	Part No.	Description	Qty.
B	1264822GT	KIT, TRC RETROFIT, STNDRD KIT, TRC RETROFIT, STNDRD		6A	89677GT	HARNESS,GBOX,S40/S45, 2003.....1 from SN 7001 to SN 15150	1
--	1264834GT	INSTRN, TRC RETROFIT, STNDRD INSTRN, TRC RETROFIT, STNDRD		6B	122711GT	HARNESS,GRND BOX,DEUTZ,S40/45.....1 Deutz models; from SN 15151 to SN 17372	1
1A	73480GT	HARNESS,WORKLIGHT ACC.....1 to SN 16419	1	6C	215874GT	HARNESS,GND BOX,DUETZ,S40/45.....1 excluding models with Deutz D2.9L4; from SN 17373	1
1B	T115760GT	HARNESS,12V WORK LIGHTS.....1 from SN 16420	1	6D	823796GT	HARNESS, S40/45 GBOX,T4 DEUTZ.....1 for models with Deutz D2.9L4; from SN 18351	1
1C	229348GT	HARNESS,12V WORK LIGHTS,S40.....1 (S-40); from SN 16420	1	6E	122712GT	HARNESS,GBOX,PERKINS,S40/45.....1 Perkins models; from SN 15151 to SN 17372	1
1D	229349GT	HARNESS,12V WORK LIGHTS,S45.....1 (S-45); from SN 16420	1	6F	215875GT	HARNESS,GBOX,PERKINS,S40/45.....1 excluding models with Perkins 404F- 22; from SN 17373	1
1E	1256739GT	HARNESS,WORK LIGHTS,S45.....1 from SN 20505	1	6G	823922GT	HARN, GBOX, T4 PERKINS, S40.....1 for models with Perkins 404F- 22; from SN 18583	1
2	102033GT	HARNESS,JIB BOOM.....1 (S-45)	1	6H	146072GT	HARNESS, GBOX, GAS/LP, S40/45.....1 from SN 15663 to SN 17372	1
3A	89673GT	HARNESS,PBOX,S40,S45,Z60***.....1 includes J2 and J3; to SN 17372	1	6I	215876GT	HARNESS,GBOX,GAS/LP,S40/45.....1 from SN 17373	1
3B	215870GT	HARNESS,PBOX,S40,S45,Z60.....1 from SN 17373	1	6J	1256826GT	HARNESS,GBOX,DEUTZ T4,S40/45.....1 from SN 20505	1
3C	823797GT	HARNESS, S40/45 PBOX, T4 DEUTZ....1 for models with Deutz D2.9L4; from SN 18351	1	6K	1256828GT	HARNESS,GBOX,PERKINS,S40/45.....1 from SN 20505	1
3D	825106GT	HARN, PBOX, T4 PERKINS, S40.....1 for models with Perkins 404F- 22; from SN 18583	1	6L	1256059GT	HARNESS,GBOX,DEUTZ,S40/45.....1 Deutz D2.9L4; from SN 20505	1
3E	122216GT	HARNESS,SERVICE,PBOX J2.....1	1	6M	1256060GT	HARNESS,GBOX,PERKINS,S40/45.....1 Perkins models; from SN 20505	1
3F	122217GT	HARNESS,SERVICE,PBOX J3.....1	1	6N	1256061GT	HARNESS,GBOX,FORD,S40/45.....1 Ford models; from SN 20505	1
3G	128125GT	SERVICE KIT JIB TIME DLY IC.....1 (S-45)	1	7	122754GT	CABLE,#4GA,POS.AUX,RED,108".....1	1
3H	119867GT	WIRING KIT,JIB TIME DELAY IC.....1 (S-45)	1	8A	122056GT	BATTERY CABLE,1/0 GA,RED 45".....1	1
3I	19274GT	RELAY,SPDT,12V(AUTO)**.....1 (S-45)	1	8B	823798GT	BATT CABLE, S40 T4 DEUTZ, RD.....1 for models with Deutz D2.9L4; from SN 18351	1
3J	43181GT	CAPACITOR,TIME DELAY.....1 (S-45)	1	9A	122057GT	BATTERY CABLE,1/0 GA,BLK 48".....1 Perkins models	1
3K	1256764GT	HARNESS,PBOX,S40/45.....1 from SN 20505	1	9B	122058GT	BATTERY CABLE,1/0 GA,BLK 30".....1 Ford models and Deutz models	1
4A	122215GT	HARNESS,SERVICE,PBOX J1.....1 requires qty 3 of adapter 122125 for units before SN 12510	1	10A	89662GT	HARNESS,FORD ENGINE,EFI.S40/45...1 Ford models; to SN 7596"	1
4B	122125GT	ADAPTER CABLE, JS100 JOYSTICK.....1 to SN 12509	1	10B	102107GT	HARNESS,FORD EFI 2004.....1 Ford models; from SN 7597 to 11066	1
4C	122124GT	SERVICE KIT,S80 PBOX J1 HARN.....1 required for first time replacement, contains PBOX J1 harness and qty 3 of adapter 122125; to SN 12509	1	10C	119472GT	HARNESS,ENGINE FORD DSG-423....1 Ford models, with relay block; from SN 11067	1
5A	89666GT	HARNESS,JIB KIT.....1 to SN 20504	1	10D	111616GT	WIRE HARNESS,FORD EFI TIER 3.....1 Ford models; from SN 11067 to 11784	1
5B	1259217GT	DECAL LABEL,ALC500-II, S80.....1 from SN 20505	1				

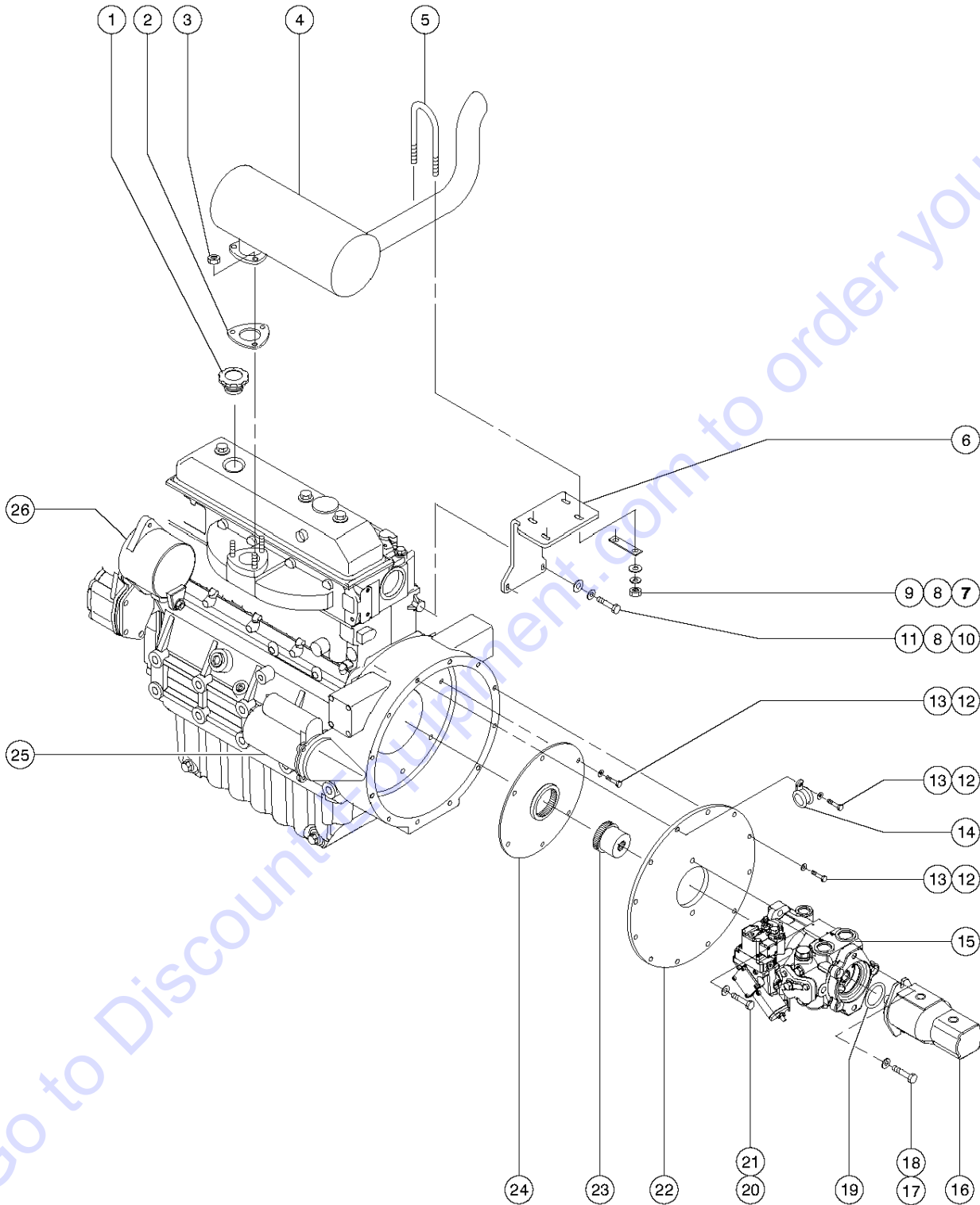
311.1 Wire Harness and Power Cable Assemblies
(continued)

Item	Part No.	Description	Qty.	Item	Part No.	Description	Qty.
10E	122049GT	HARNESS,ENGINE,FORD,EFI,TIER 3...1 <i>Ford models; from SN 11785 to 17372</i>		11	226503GT	HARNESS,WELD GEN ENCLOSURE....1	
10F	214915GT	HARNESS,ENGINE,FORD,EFI,TIER 3...1 <i>Ford models; from SN 17373</i>		12	226504GT	HARNESS,HYD GENERATOR.....1	
10G	119483GT	FUEL JUMPER HARNESS.....1 <i>Ford models; from SN 15151</i>		13	89674GT	HARNESS,GBOX,FUNCTN.MNFLD.S40.1	
10H	215294GT	ENGINE HARNESS, MSG425.....1 <i>Ford models; (part of the engine)</i>		14	89665GT	HARNESS,DRIVE ENABLE,S40/S45.....1	
10I	89661GT	HARNESS,PERKINS ENGINE,S40/S45.....1 <i>Perkins models; to SN 7471</i>		15A	89664GT	HARNESS,ANGLE LIMIT,S40/45.....1 <i>to SN 12841</i>	
10J	89942GT	HARNESS,ENGINE,PERKINS,404-22....1 <i>Perkins models; from SN 7472 to SN 9558</i>		15B	111495GT	HARNESS,ANGLE LIMIT,S40/S45.....1 <i>from SN 12842</i>	
10K	111026GT	HARNESS,ENG.PERKINS,404-22 ALT...1 <i>Perkins models; from SN 9559 to SN 17372</i>		16	89663GT	HARNESS,EXT/RET LIMIT,S40/S45.....1	
10L	214904GT	HARNESS,ENG,PERKINS,404-22 ALT...1 <i>from SN 17373</i>		17A	122228GT	HARNESS,BEACON,S80.....1 <i>to SN 12601</i>	
10M	61225GT	RELAY,12VDC,70AMP,SEALED.....1 <i>Perkins engine harness 111026 or 214904; from SN 9559</i>		17B	122087GT	HARNESS,ALARM,S40/45.....1	
10N	61226GT	RELAY SOCKET,70AMP.....1 <i>Perkins engine harness 111026 or 214904; from SN 9559</i>		18A	122228GT	HARNESS,BEACON,S80.....1 <i>to SN 12601</i>	
10O	823706GT	HARNESS, ENG T4 PERKINS,S40/45....1 <i>Perkins 404F- 22; from SN 18583"</i>		18B	122229GT	HARNESS,BEACON,S40.....1 <i>from SN 12602</i>	
10P	1253893GT	HARN, PERKINS 404F, 6WAY, S40.....1 <i>Perkins 404F- 22; from SN 18583"</i>		19A	89655GT	HARNESS,18/19,BOOM CABLE 1,S45..1 <i>(S-45)</i>	
10Q	826710GT	HARNESS, EXTENSION, 404F-22.....1 <i>Perkins 404F- 22; from SN 18583"</i>		19B	89658GT	HARNESS,18/19,BOOM CABLE 1,S40..1 <i>(S-40) (green / brown)</i>	
--	1271124GT	CONNECT BOX, PERK T4 EXT HARN <i>Perkins 404F- 22; from SN 18583"</i>		20A	89656GT	HARNESS,18/19,BOOM CABLE 2,S45..1 <i>(S-45) (grey / black)</i>	
10R	89660GT	HARNESS,DEUTZ ENGINE,S40/S45**..1 <i>Deutz models; to SN 7543"</i>		20B	89659GT	HARNESS,18/19,BOOM CABLE 2,S40..1 <i>(S-40)</i>	
10S	89999GT	HARNESS,DEUTZ ENGINE (F3L2011)..1 <i>from SN 7544 to SN 10202"</i>		21A	89692GT	HARNESS,DRIVE LIGHTS,S40/S45.....1 <i>to SN 20504</i>	
10T	111672GT	HARNESS,DEUTZ ENGINE (F3L2011)..1 <i>Deutz models; from SN 10203 to SN 17372"</i>		21B	1256735GT	HARNESS,DRIVE LIGHTS,S40/45.....1 <i>from SN 20505</i>	
10U	214902GT	HARNESS,DEUTZ ENGINE (F3L2011)..1 <i>Deutz models; from SN 17373</i>		22	89925GT	HARNESS,PBOX,LOAD SENSE.....1	
10V	88151GT	FUSE,70 AMP.....1 <i>Deutz F3L2011; from SN 10203</i>		23A	89927GT	HARNESS,GBOX,LOAD SENSE,S40/45.....1 <i>to SN 7181</i>	
10W	128365GT	HARNESS,SECOND GLOW PLUG.....1 <i>Deutz F3L2011 (option); from SN 14398</i>		23B	111152GT	HARNESS,LOAD SENSE OPT,Z60.....1 <i>from SN 7182</i>	
10X	823700GT	HARN, S40 DEUTZ TIER IV ENGINE....1 <i>Deutz D2.9L4; from SN 18351</i>		23C	1256737GT	HARNESS,LOAD SENSE REC,S40/45...1 <i>from SN 20505</i>	
10Y	1256069GT	HARNESS,ENG,FORD,S40/45.....1 <i>Ford models; from SN 20505</i>		24A	88448GT	HARNESS,FORD LRG 425 EFI*****.....1 <i>to SN 7596</i>	
10Z	1256067GT	HARNESS,ENG,DEUTZ,S40/45.....1 <i>Deutz models; from SN 20505</i>		24B	106605GT	HARNESS,ENGINE W/RELAY BOX T2.....1 <i>from SN 7597 to SN 11066</i>	
--	1256068GT	HARNESS,ENG,PERK,S40/45.....1 <i>Perkins models; from SN 20505</i>		24C	119472GT	HARNESS,ENGINE FORD DSG-423.....1 <i>from SN 11067</i>	
				24D	128903GT	JUMPER,THROTTLE BODY,FORD 2.5L.....1 <i>from SN 7001 to SN 11066</i>	
				25	122098GT	HARNESS,LIFT/DRIVE CUT-OUT.....1 <i>European models</i>	
				--	19274GT	RELAY,SPDT,12V(AUTO)**	
				25B	1259216GT	HARNESS,CE OPTION,S40/45.....1 <i>from SN 20505</i>	

311.1 Wire Harness and Power Cable Assemblies
(continued)

Item	Part No.	Description	Qty.
26	122236GT	HARNESS,HYD GEN.....1	
--	34052GT	RELAY,SPDT,12V(AUTO) PLUG IN**	
27A	89654GT	HARNESS,12/3,12V-PLAT,JIB,S45.....1 (S-45)	
27B	89657GT	HARNESS,12/3,12V-PLAT,NJ,S40.....1 (S-40)	
28A	122252GT	HARNESS,OIL COOLER,S40/45.....1 to SN 20504	
28B	1256270GT	HARNESS,OIL COOLER,S40/45.....1 from SN 20505	
29	1261449GT	ASSY,RECEP,12V,CSA TILT.....1 for CSA models only	
--	1258102GT	HARNESS,PLATFORM CUTOUT,S40/45 from SN 20505	
30	1260218GT	HARNESS,TILT ALARM,12V.....1 for CSA models only	
--	1285689GT	INSTRUCTIONS,INSTALL (LEVEL SENSOR ALARM) for kit 1285811	
--	1285811GT	KIT,TILT ALARM,IC MODELS from SN 20330	
31	228466GT	KIT, FOOTSWITCH, S40/S80.....1 Previous foot switch is no longer available. Order kit 228466 for first time replacement (kit includes foot switch 227516); to SN 16220	
--	227516GT	ASSEMBLY,FOOT SWITCH from SN 16221	
--	33576GT	CONN,SQZ,BLK,1/2NPT,.38-.50,SM	
32A	1255555GT	HARN,PBOX,OPA,HW,12V.....1	
32B	125530GT	PLUG,BLANKING	

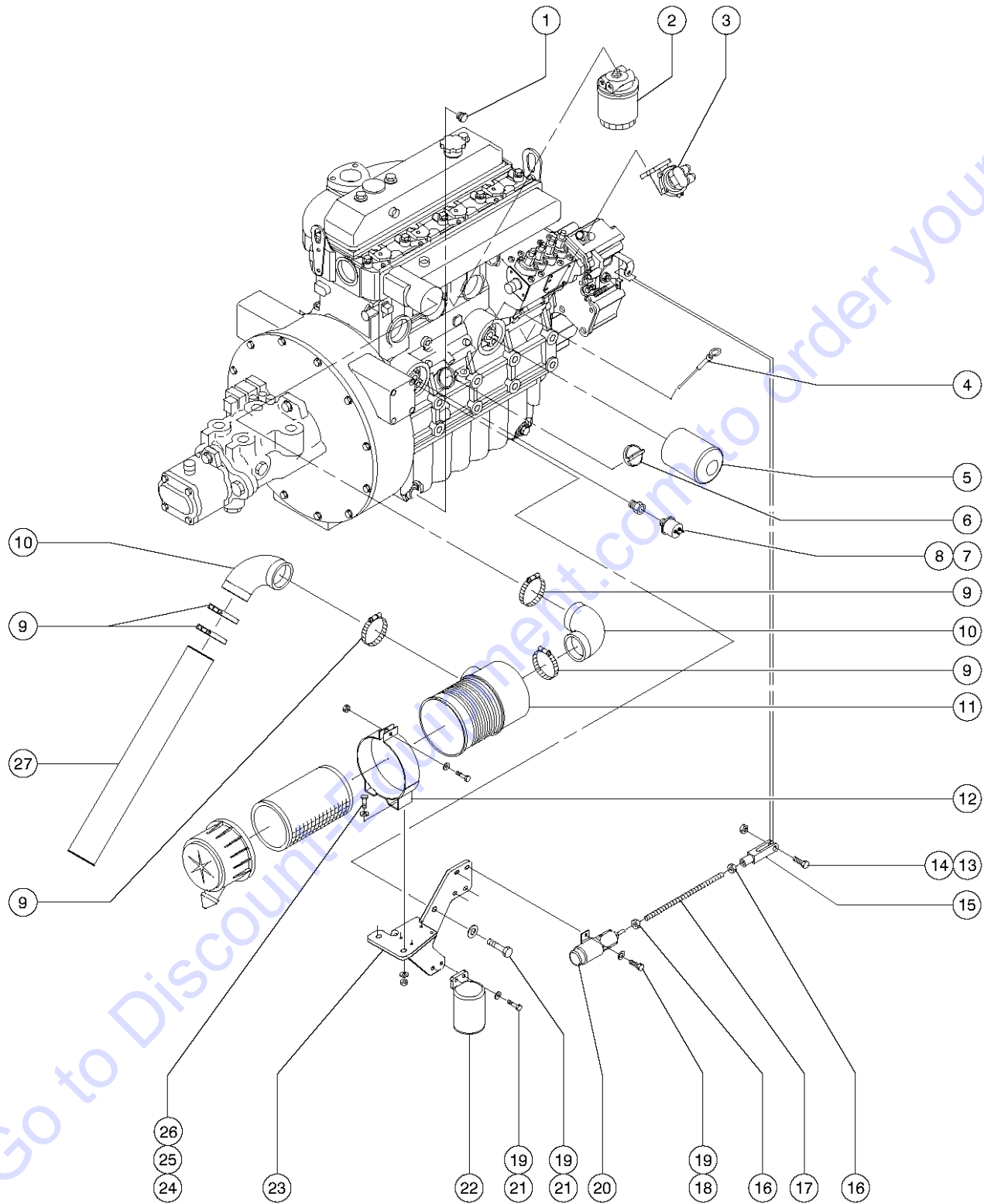
401.1 Perkins 704-30 Engine - View 1 (to SN 7471)



401.1 Perkins 704-30 Engine - View 1 (to SN 7471)

Item	Part No.	Description	Qty.
--		Ref. Engine Harness Assembly (refer to 311.1)	
1	65499GT	CAP, SIDE OIL FILL, PERKINS.....1	
2	65503GT	GASKET,MUFFLER PERKINS(53883)....1	
3	65504GT	NUT,MUFFLER PERKINS 10MM.....1	
4	63313GT	MUFFLER, PERKINS.....1	
5	16584GT	U-BOLT, KIT 5/16-18 X 2.5 ***.....1	
6	63326PGT	MUFFLER BRACKET, PAINTED.....1	
7	6037GT	NUT,HEX,5/16-18,GR5	
8	6886GT	WASHER,LOCK,.313	
9	5397GT	WASHER,FLAT,USS,5/16",Y	
10	23057GT	SCREW,HHC,M8 X 20MM	
11	6638GT	WASHER,FLAT,USS,1/4"Y	
12	44064GT	SCREW,HHC,M10 X 30MM,	
13	22700GT	WASHER,LOCK,M10	
14	45454GT	CLAMP,RUB CUSH,0.75,#12 X 3/8*.....1	
15		Ref. Drive Pump (refer to 706.1)	
16		Ref. Function Pump (refer to 706.1)	
17	6175GT	SCREW,HHC,3/8-16 X 1	
18	6097GT	WASHER,FLAT,USS,3/8",Y	
19		Ref. O-ring (refer to 706.1)	
20	8177GT	SCREW,HHC,1/2-13 X 1.5	
21	6033GT	WASHER,LOCK,0.5"	
22	63464PGT	PLATE, PUMP MOUNT, PAINTED***1	
23	37002GT	COUPLER,HUB,15 TOOTH 7/16BOLT*.....1	
24	33024GT	FLYWHEEL FLANGE,GREEN PLASTIC.....1	
25	65495GT	STARTER MOTOR, PERKINS (53883)...1	
26	65487GT	ALTERNATOR, PERKINS (53883).....1	

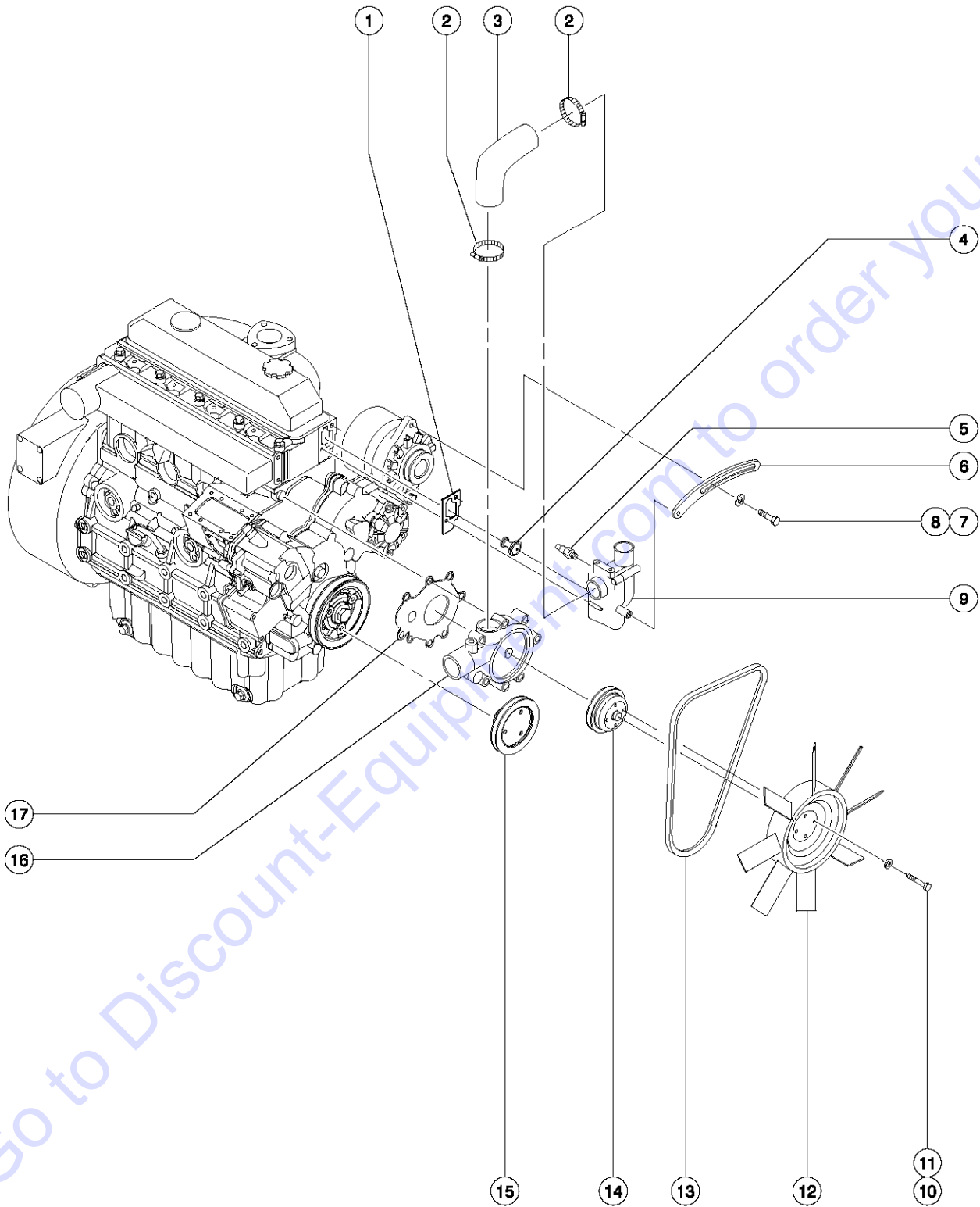
402.1 Perkins 704-30 Engine - View 2 (to SN 7471)



402.1 Perkins 704-30 Engine - View 2 (to SN 7471)

Item	Part No.	Description	Qty.
1	109802GT	PLUG,ORB #6.....	1
2	62421GT	FILTER,FUEL,PERKINS.....	1
3	65500GT	PUMP, LIFT INLET PORT (53883).....	1
--	53948GT	ADPTR,STR FEM INV 45D 1/4X1/4	
--	65501GT	FITTINGS, LIFT PUMP INLET PORT	
4	65497GT	DIPSTICK (53883).....	1
5	62422GT	FILTER,OIL,PERKINS 704-30 (BB).....	1
6	65498GT	CAP,OIL FILLER, PERKINS.....	1
7	30810GT	SENDING UNIT,OIL PRESSURE***..... <i>dual-terminal sender</i>	1
8	53951GT	ADPTR,ST. THR 3/4-16 FEM PIPE.....	1
9	53945GT	CLAMP,HOSE 2 5/16-3 1/4.....	5
10	34164GT	ELBOW,90 DEGR,RUBBER,2.5" I.D.*.....	1
11	63463GT	AIR CLEANER,NELSON***.....	1
--	52866GT	EVACUATOR VALVE-AIR CLEANER	
--	58415GT	CLIP,AIR CLEANER END CAP***	
--	62420GT	FILTER,AIR***	
--	65810GT	BAFFLE, AIR CLEANER (27915)**	
12	53952GT	BRKT,AIR CLEANER ORIENTATION**..... <i>includes mounting fasteners</i>	1
13	6584GT	SCREW,SHS,10-24 X .625	
14	5365GT	NUT,NYLOCK,10-24	
15	21130GT	CLEVIS YOKE-1/4-28,PLTD W/PIN.....	1
16	21496GT	NUT,HEX,1/4-28	
17	30785-1000GT	THREADED ROD,1/4-28 X 10 IN***.....	1
18	6888GT	SCREW,HHC,1/4-20 X 1	
19	6638GT	WASHER,FLAT,USS,1/4"Y	
20	29073GT	SOLENOID,THROTTLE,.....	1
21	6090GT	SCREW,HHC,1/4-20 X .75	
22	81199GT	SEPARATOR/FILTER,FUEL-D,30MIC.....	1
--	65853GT	FILTER,FUEL/WATER SEPARATOR***	
23	63399PGT	AIR CLEANER BRACKET, PAINTED.....	1
24	13002GT	SCREW,HHC,5/16-18 X 1 GR5	
25	5397GT	WASHER,FLAT,USS,5/16",Y	
26	6782GT	NUT,NYLOCK,5/16-18	
27	34162-3150GT	HOSE,AIR INTAKE 2.5" I.D.....	1

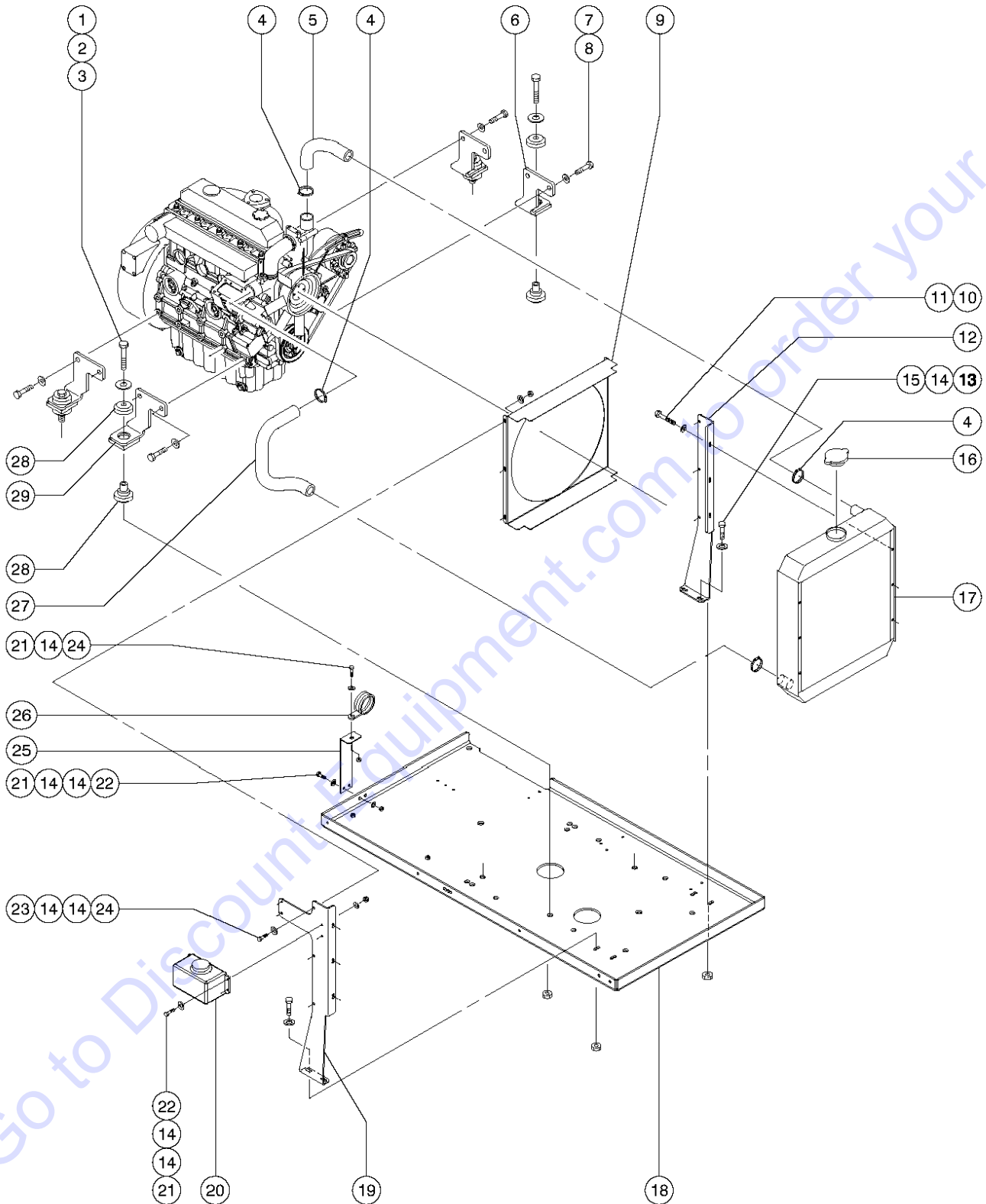
403.1 Perkins 704-30 Engine - View 3 (to SN 7471)



403.1 Perkins 704-30 Engine - View 3 (to SN 7471)

Item	Part No.	Description	Qty.
1	65505GT	GASKET, THERMOSTAT (53883).....	1
2	65506GT	CLAMP, HOSE (53883).....	2
3	65507GT	HOSE, WATER PUMP (53383).....	1
4	65493GT	THERMOSTAT, PERKINS (53883).....	1
5	34058GT	SENDING UNIT,TMP,FRD,GM,PRK704.....	1
6	65488GT	LEVER ALTERNATOR, (53883).....	1
7	49381GT	SCREW,HHC,M12 X 30	
8	65355GT	WASHER,LOCK,M12	
9	65494GT	HOUSING,THERMOSTAT (53883).....	1
10	67349GT	SCREW,HHC,M8 X 50	
11	49408GT	WASHER,LOCK,M8	
12	65490GT	FAN, PERKINS (53883).....	1
13	62423GT	BELT,V KIT, PERKINS 704-30.....	1
14	102683GT	PULLEY, WATER PUMP (704-30).....	1
15	65496GT	PULLEY,CRANKSHAFT (53883).....	1
16	65491GT	WATER PUMP, PERKINS (53883).....	1
17	65492GT	GASKET,TIMMING CASE COVER.....	1

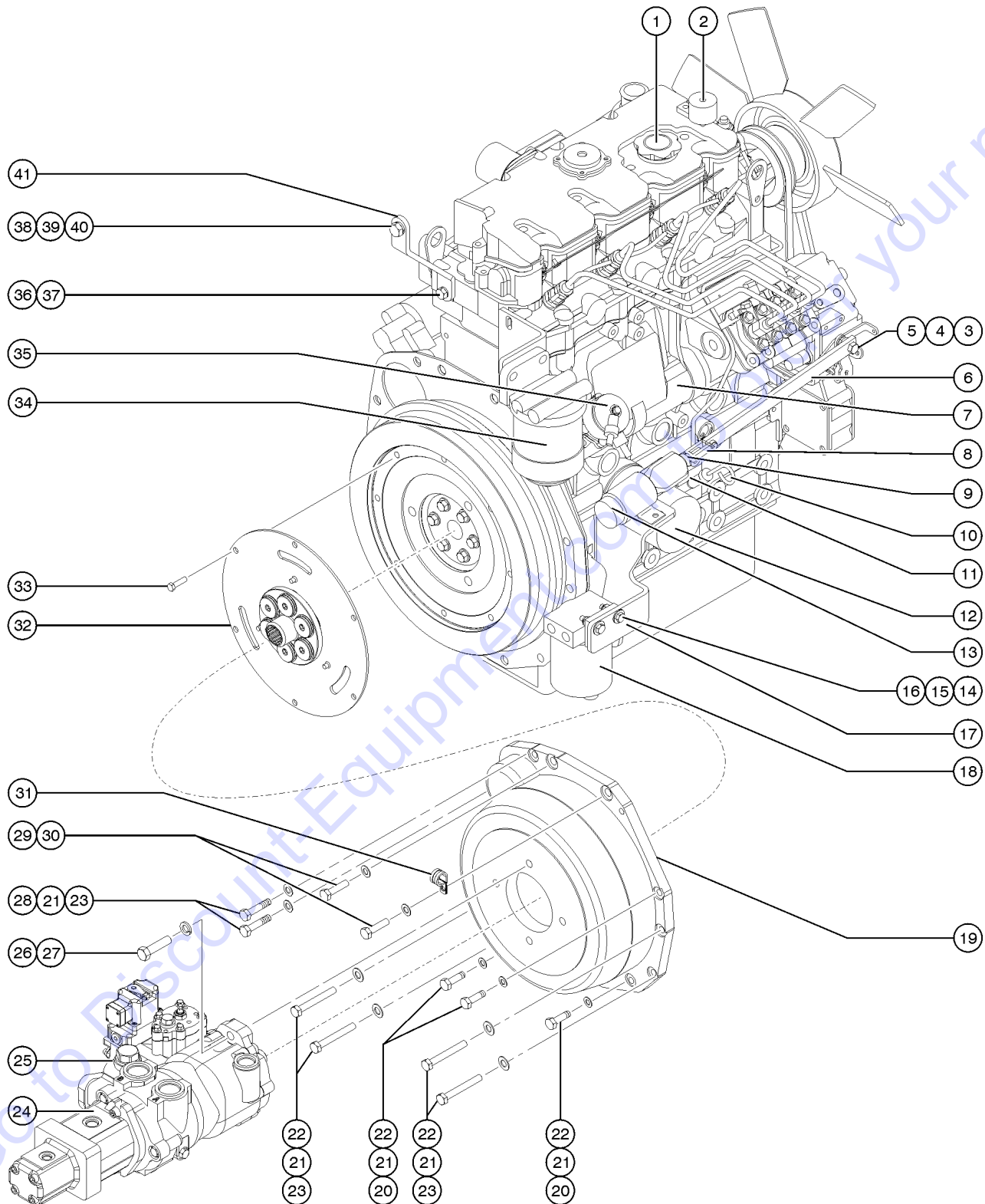
404.1 Perkins 704-30 Engine - View 4 (to SN 7471)



404.1 Perkins 704-30 Engine - View 4 (to SN 7471)

Item	Part No.	Description	Qty.
1	53909GT	SCREW,HHC,5/8-11 X 4.0 GR8.....	4
2	33418GT	WASHER,FLAT,.625 X 2.25 X.15	
3	6024GT	NUT,NYLOCK,5/8-11	
4	21465GT	CLAMP,HOSE,.25" - .63" X .3125.....	4
5	63413GT	RADIATOR HOSE, UPPER.....	1
6	63418GT	WELDMENT,ENGINE MOUNT,INBOARD.....	1
7	49384GT	SCREW,HHC,M14 X 30	
8	37505GT	WASHER,LOCK,M14	
9	63364PGT	FAN SHROUD, PAINTED.....	1
10	13002GT	SCREW,HHC,5/16-18 X 1 GR5	
11	5397GT	WASHER,FLAT,USS,5/16",Y	
12	63362PGT	RADIATOR MOUNT, LH, PAINTED.....	1
13	6175GT	SCREW,HHC,3/8-16 X 1	
14	6638GT	WASHER,FLAT,USS,1/4"Y	
15	7713GT	NUT, LP NYLOCK, 3/8-16	
16	65473GT	CAP,RADIATOR,PERKINS/FORD.....	1
17	63462GT	RADIATOR,PERKINS,GM.....	1
18		Ref. Engine Tray (refer to 436.1)	
19	63363PGT	RADIATOR MOUNT, RH PAINTED.....	1
20	1279268GT	BOTTLE, COOLANT RECOVERY, 2QT.....	1
--	72327GT	CAP, COOLANT RET SYS(54071)	
21	6090GT	SCREW,HHC,1/4-20 X .75	
22	6889GT	NUT,LP NYLOCK,1/4-20	
23	6888GT	SCREW,HHC,1/4-20 X 1	
24	6091GT	NUT,NYLOCK,1/4-20	
25	63457PGT	AIR INTAKE BRACKET, PAINTED.....	1
26	45455GT	CLAMP,2.75,#44 X 1/4,RUB CUSH*.....	1
27	63414GT	RADIATOR HOSE, LOWER.....	1
28	28076GT	ISOLATOR,VIBRATION,LG,RD&WH***...	4
29	63419GT	WELDMENT,ENGINE MOUNT,OUTBOARD.....	2

405.1 Perkins 404D-22 Engine - View 1 (from SN 7472)



405.1 Perkins 404D-22 Engine - View 1 (from SN 7472)

Item	Part No.	Description	Qty.	Item	Part No.	Description	Qty.
--	147348GT	SEAL-VALVE SYSTEM (A) to SN 15150		--	119809GT	SWITCH, OIL PRESSURE from SN 9559 (apprx. 2.5"; pin connector)	
--	147349GT	SEAL-VALVE SYSTEM (B) to SN 15150		12	94762GT	OIL FILTER - PERKINS.....	1
--	147350GT	GASKET-CYLINDER HEAD to SN 15150		13	77402GT	SOLENOID,THROTTLE ACTUATOR DSL.....	1
--	147351GT	SEAL-ROCKER BOX to SN 15150		14	8915GT	SCREW,HHC,1/4-20 X 1.25	
--	147355GT	GASKET-THERMOSTAT HSG to SN 15150		15	6638GT	WASHER,FLAT,USS,1/4"Y	
--	147352GT	SEAL-INJECTOR to SN 15150		16	6091GT	NUT,NYLOCK,1/4-20	
--	147353GT	SEAL-INJECTOR to SN 15150		17	94378PGT	FORMING,SOLENOID MOUNT PAINTED.....	1
--	77736GT	GLOW PLUG (PERKINS 404-22)				from SN 7472 to SN 15150	
--	94890GT	MANUAL,OPERATORS PERKINS 404		--	128588GT	FORMING,SOLENOID MOUNT from SN 15151	
--		Ref. Engine Harness (refer to 311.1)		18	75020GT	SEPRTR/FLTR,FUEL DSL,15GPH,,30....	1
--	128935GT	CIRCUIT BKR 10A TYPE 2 METAL from SN 15573		--	62433GT	FILTER,ELEMENT,30 MIC,75020	
--	139331GT	KIT CB 10A T2 RPM SOLENOID 2W includes item 128935; to SN 15572		19	89771GT	HOUSING,PUMP MOUNT (54573).....	IR
--	85155GT	PUMP,PRIMER,PERKINS***		20	85059GT	SCREW,HHC,M10 X 1.5 X 35.....	3
1	65636GT	CAP, OIL FILLER.....	1	21	22699GT	WASHER,FLAT,M10,ZINC PLTD.....	9
--	65638GT	SEAL, OIL FILLER CAP		22	22736GT	NUT,NYLOCK,M10X1.50.....	9
2	60585GT	ISOLATOR,VIBRATION,M8 MALE/FEM.....	1	23	85053GT	SCREW,HHC,M10 X 1.5 X70,GR 8.8....	4
3	13002GT	SCREW,HHC,5/16-18 X 1 GR5		24		Ref. Function Pump (refer to 706.1)	
4	5397GT	WASHER,FLAT,USS,5/16",Y		25		Ref. Drive Pump (refer to 706.1)	
5	6002GT	NUT,LP NYLOCK,5/16-18		26	6096GT	SCREW,HHC,1/2-13 X 2 GR5	
6	89953GT	FLATBAR,ALUM,THROTTLE LINKAGE.....	1	27	6033GT	WASHER,LOCK,0.5"	
7	236426GT	SOLENOID KIT,SHUT DN,PERKINS.....	1	28	128061GT	SCREW, HHC, M10 X 1.5 X 50.....	2
--	106663GT	SOLENOID,SHUT DOWN PERKIN40422 404D-22; from SN 15151		29	60868GT	SCREW,HHC,M12 X 45.....	2
--	97404GT	SOLENOID,SHUT DN,PERKNS403C-11 404C-22; from SN 9559 to SN 15150		30	49410GT	WASHER,FLAT,M12.....	2
8	21130GT	CLEVIS YOKE-1/4-28,PLTD W/PIN.....	1	31	61109GT	CLAMP,1.25,#20 X 7/16,RUB CSH.....	1
9	21496GT	NUT,HEX,1/4-28		32	54573GT	PUMP MOUNT KIT,PERKINS DSL (complete) includes kit 128022 and housing pump 89771	
10	89759GT	DIPSTICK, OIL (PERKINS 404).....	1	--	128022GT	KIT,FBA STYLE COUPLER,PERKINS includes 15-tooth coupler (128003), fastener kit (1263209) and grease	
--	128984GT	DIPSTICK, STRAIGHT SHORT 404D-22; from SN 15151		--	89773GT	KIT, HARDWARE (54573)	
--	128985GT	DIPSTICK TUBE, STRAIGHT SHORT 404D-22; from SN 15151		--	29749GT	COUPLER,SMALL METAL,15T,*** from SN 7472 to SN 13773	
--	97461GT	DIPSTICK TUBE,PERKINS(403C-11) 404C-22; to SN 15150		--	89772GT	FLEX PLATE (54573)*** from SN 7472 to SN 13773	
11	111027GT	SWITCH,OIL PRESS-PERKINS 404.....	1	--	128003GT	COUPLER,15 TOOTH,FBA,PERKINS** from SN 13774, includes grease	
		from SN 7472 to SN 9558 (apprx. 1.75"; spade connector)		33	128024GT	SCREW, HHC, M8 X 1.25 X 12 included in kit 128022	
				34	94889GT	FUEL FILTER ASSEMBLY.....	1
				--	62421GT	FILTER,FUEL,PERKINS	
				35	72348GT	PUMP,LIFT(FUEL) PERKINS(54555) 404D-22; replaced 128989 from SN 15151	

405.1 Perkins 404D-22 Engine - View 1 (from SN 7472)
 (continued)

Item	Part No.	Description	Qty.
--	77990GT	KIT,SEAL,3CC PUMP***	
36	23057GT	SCREW,HHC,M8 X 20MM	
37	49408GT	WASHER,LOCK,M8	
38	6019GT	SCREW,HHC,3/8-16 X 1.25 GRD 5	
39	6097GT	WASHER,FLAT,USS,3/8",Y	
40	4828GT	NUT,NYLOCK,3/8-16	
41	88992PGT	FORMING,MUFFLER SUPPORT PAINTE.....1	

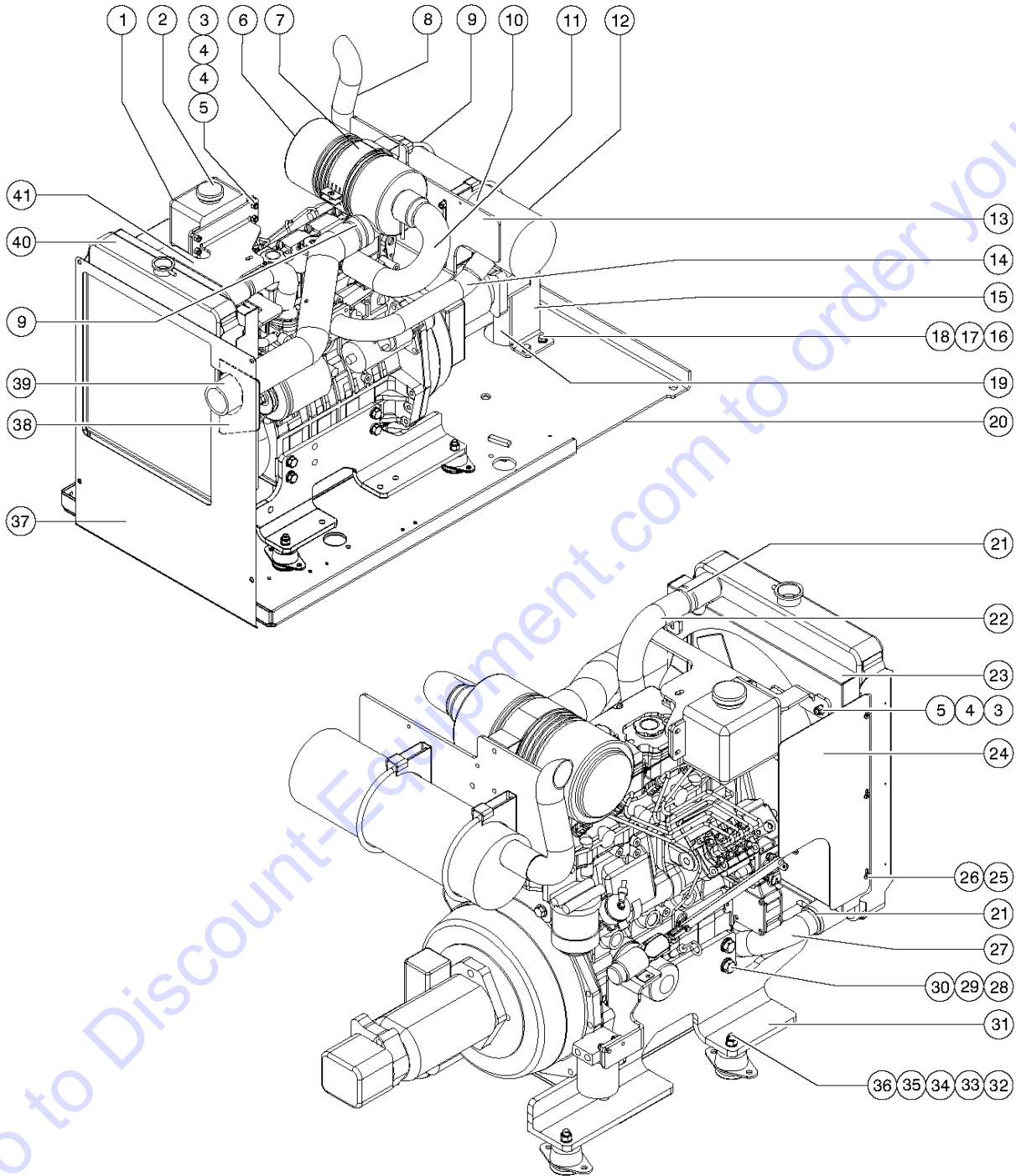
Go to Discount-Equipment.com to order your parts

405.1 Perkins 404D-22 Engine - View 1 (from SN 7472)
(continued)

This Page Intentionally Left Blank

Go to Discount-Equipment.com to order your parts

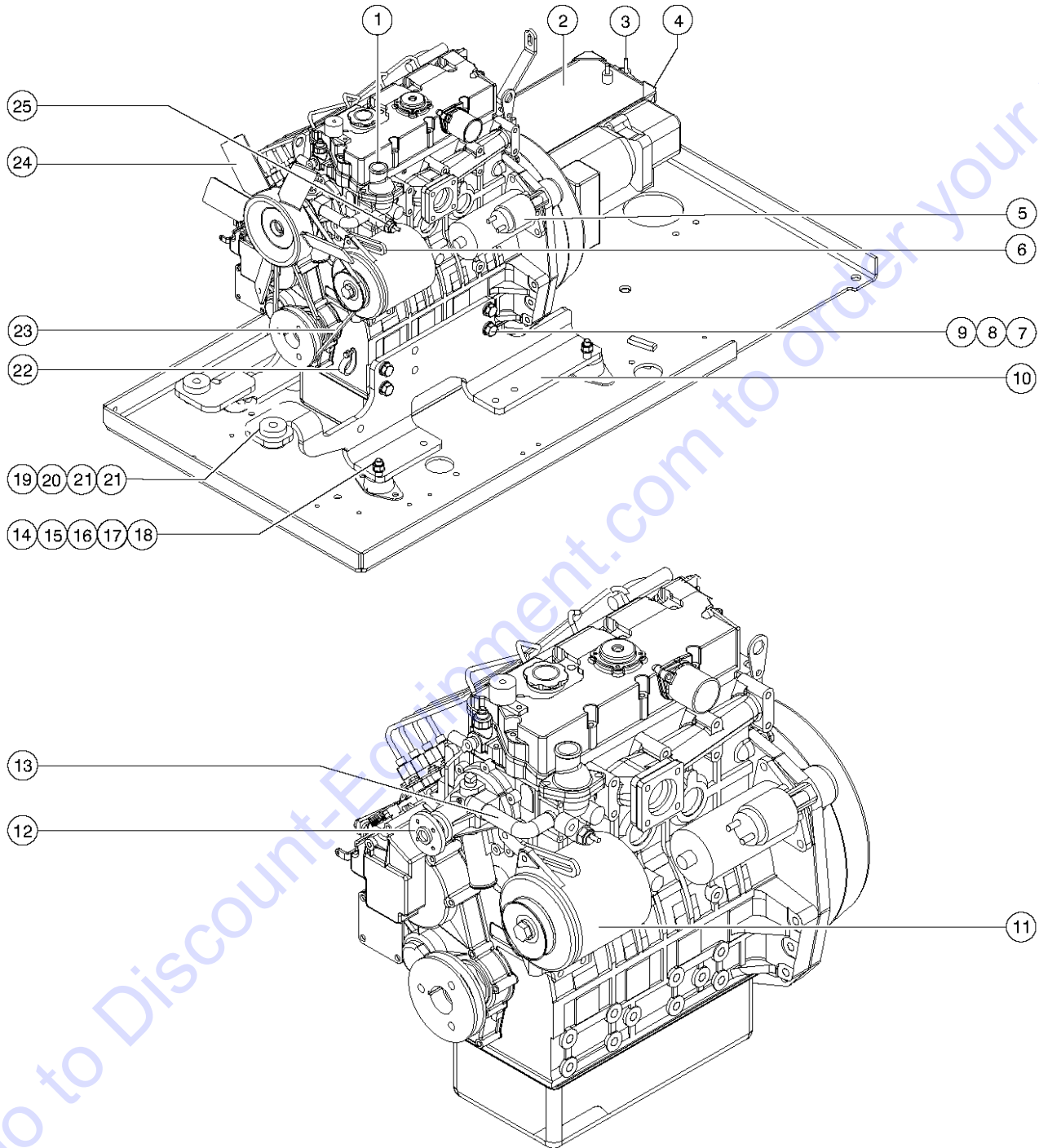
406.1 Perkins 404D-22 Engine - View 2 (from SN 7472)



406.1 Perkins 404D-22 Engine - View 2 (from SN 7472)

Item	Part No.	Description	Qty.	Item	Part No.	Description	Qty.
--	160551GT	KIT, 500 HR, PERKINS 404 <i>every 500 hr service kit</i>		22	54578GT	HOSE,UPPER RADIATOR,PERKINS.....1	1
1	1279268GT	BOTTLE, COOLANT RECOVERY, 2QT.....1	1	23	88990PGT	SHROUD,FAN PAINTED.....1	1
--	6833GT	CLAMP,0.50,#8 X 1/4,RUB CUSH		24	54487PGT	GUARD,FAN,FORD/PERKINS,PAINTED.1	1
2	72327GT	CAP, COOLANT RET SYS(54071).....1	1	25	21019GT	SCREW,PHIL,PHM,10-24 X.5,SEMS	
3	6888GT	SCREW,HHC,1/4-20 X 1		26	6146GT	WASHER,FLAT,MS,#10,Y	
4	6638GT	WASHER,FLAT,USS,1/4"Y		27	54579GT	HOSE,LOWER,RADIATOR,PERKINS.....1	1
5	6091GT	NUT,NYLOCK,1/4-20		28	54687GT	SCREW,HHC,M14 X 1.5X40MM,GR8.8	
6	63463GT	AIR CLEANER,NELSON***.....1	1	29	37505GT	WASHER,LOCK,M14	
--	52866GT	EVACUATOR VALVE-AIR CLEANER		30	49411GT	WASHER,FLAT,M14	
--	5397GT	WASHER,FLAT,USS,5/16",Y		31	102749GT	FORMING,ENGINE MOUNT,RH,PERK.....1	1
--	58415GT	CLIP,AIR CLEANER END CAP***		32	6198GT	NUT,NYLOCK,1/2-13	
--	62420GT	FILTER,AIR***		33	39479GT	SCREW,HHC,1/2-13 X 2.75	
--	65810GT	BAFFLE, AIR CLEANER (27915)**		34	70452GT	ISOLATOR,ENGINE VIBRATION***4	4
--	6782GT	NUT,NYLOCK,5/16-18		35	80150GT	WASHER-FLAT, 1/2" (80056)	
--	6888GT	SCREW,HHC,1/4-20 X 1		36	102066PGT	CASTING,WASHER,REBOUND,PAINTED	
7	53952GT	BRKT,AIR CLEANER ORIENTATION**.....1	1	37	89929PGT	FORMING,ENGINE BAFFLE,PERKINS.....1	1
8	89901GT	TAILPIPE,EXHAUST.....1	1	38	89900PGT	FORMING,INTAKE HOSE SUPPORT.....1	1
9	88993GT	CLAMP,MUFFLER.....2	2	--	21019GT	SCREW,PHIL,PHM,10-24 X.5,SEMS	
10	45435GT	CLAMP,HOSE,2.50"***.....3	3	--	6146GT	WASHER,FLAT,MS,#10,Y	
11	88847GT	HOSE,AIR CLEANER TO INTAKE.....1	1	--	6607GT	WASHER,LOCK,#10 PLTD	
12	88841GT	MUFFLER,6".....1	1	39	88846GT	HOSE,AIR INLET.....1	1
--	111418GT	SCRUBBER,SPARK ARRESTER,PERKIN		40	110304GT	RADIATOR,FORD/PERKINS***.....1	1
--	70385GT	CLAMP,EXHAUST,2.00 PLATED		--	65473GT	CAP,RADIATOR,PERKINS/FORD	
13	88991PGT	FORMING,MUFFLER MOUNT PAINTED.....1	1	41	88989PGT	FORMING,UPPER RAD SUPPORT PNTD.....1	1
14	111390GT	WELDMENT,EXHAUST PIPE.....1	1				
--	62845GT	NUT-FLANGE, 8MM (62849)					
--	72343GT	GASKET,EXH FLANGE-FORD/PERKINS					
--	72344GT	BOLT,EXHAUST,PERKINS(54555)**					
--	88844GT	FLANGE,EXHAUST PIPE					
--	94888GT	EXHAUST MANIFOLD					
15	89596PGT	FORMING,FILTER MOUNT,PAINTED.....1	1				
16	6019GT	SCREW,HHC,3/8-16 X 1.25 GRD 5					
17	5397GT	WASHER,FLAT,USS,5/16",Y					
18	4828GT	NUT,NYLOCK,3/8-16					
19		FILTER ASY,M PRESS,SAE8,WOIND* (77139).....1 <i>to SN 22376 (component no longer available)</i>	1				
--	60857GT	FILTER,ELEMENT,BETA(5)=1000 <i>to SN 22376; for 77139</i>					
20		Ref. Engine Tray (refer to 436.1)					
21	13014GT	CLAMP,HOSE,2.25" DIA.....3	3				

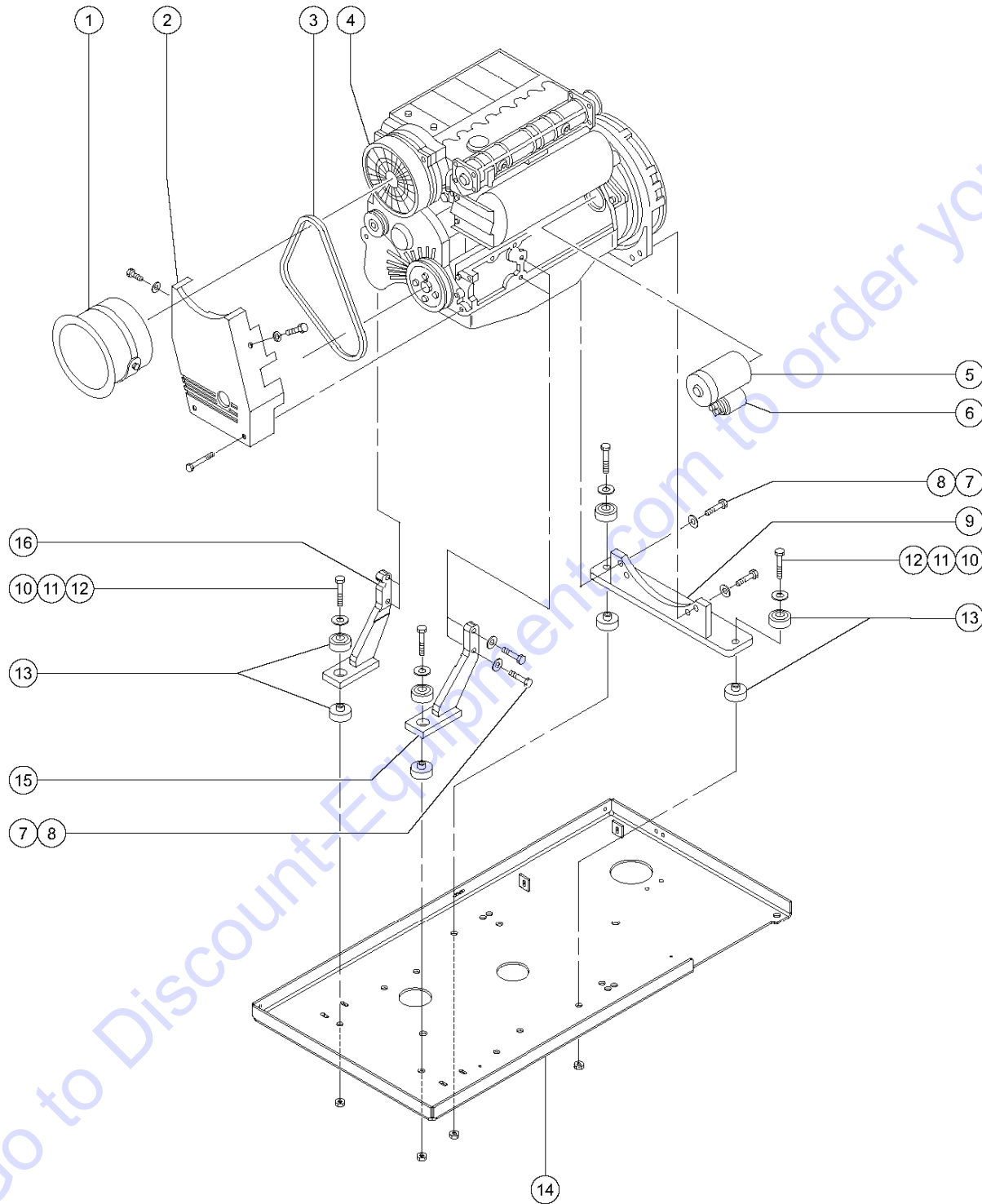
407.1 Perkins 404D-22 Engine - View 3 (from SN 7472)



407.1 Perkins 404D-22 Engine - View 3 (from SN 7472)

Item	Part No.	Description	Qty.	Item	Part No.	Description	Qty.
1	77478GT	THERMOSTAT (PERKINS 104-22).....1 404C-22; to SN 15150	1	25	111028GT	SWITCH,WATER TEMP,PRKNS,404***.....1 from SN 7472 to SN 9558	1
--	128986GT	WATER OUTLET, VERTICAL 404D-22; from SN 15151		--	97473GT	SENSOR,WATER TEMPERATURE from SN 9559	
--	128991GT	THERMOSTAT 404D-22; from SN 15151					
--	147355GT	GASKET-THERMOSTAT HSG for 128991					
--	77476GT	HOUSING,THERMOSTAT,PERKINS 104 404C-22; to SN 15150					
2		Ref. Battery (refer to 436.1)					
3	8170GT	NUT,WING,1/4-20.....2	2				
--	45708GT	HOOK,BATT HOLD DOWN,10"					
--	6638GT	WASHER,FLAT,USS,1/4"Y					
4	30144GT	BATTERY HOLD DOWN,GROUP 31.....1	1				
5	228457GT	STARTER, PERKINS, 404D.....1 (comes with integrated solenoid)	1				
6	89762GT	LEVER, ALTERNATOR (PERKINS 404.....1	1				
7	54687GT	SCREW,HHC,M14 X 1.5X40MM,GR8.8					
8	37505GT	WASHER,LOCK,M14					
9	49411GT	WASHER,FLAT,M14					
10	102748GT	FORMING,ENGINE MOUNT,LH,PERK...1	1				
11	72342GT	ALTERNATOR, PERKINS (54555).....1 from SN 7472 to SN 9558	1				
--	111029GT	ALTERNATOR,65 AMP,PERKINS 404 from SN 9559					
12	89763GT	PUMP WATER (PERKINS 404)***.....1 404C-22; to SN 15150	1				
--	128987GT	WATER PUMP 404D-22; from SN 15151					
--	58354GT	GASKET,WATER PUMP					
--	77482GT	PULLEY, WATER PUMP					
13	89764GT	HOSE, WATER PUMP (PERKINS 404)...1	1				
14	6198GT	NUT,NYLOCK,1/2-13					
15	39479GT	SCREW,HHC,1/2-13 X 2.75					
16	70452GT	ISOLATOR,ENGINE VIBRATION***.....4	4				
17	80150GT	WASHER-FLAT, 1/2" (80056)					
18	102066PGT	CASTING,WASHER,REBOUND,PAINTED					
19	6097GT	WASHER,FLAT,USS,3/8",Y					
20	4828GT	NUT,NYLOCK,3/8-16					
21	24038GT	SHOCK MOUNT,SMALL.....4	4				
22	6653GT	CLAMP,1.88,#30 X 1/4,RUB CUSH.....1	1				
23	89765GT	BELT, V (PERKINS 404).....1	1				
24	77483GT	FAN, ENGINE (104-22)(404-22)*.....1	1				
--	1252943GT	SPACER,FAN,PERKINS 404F					

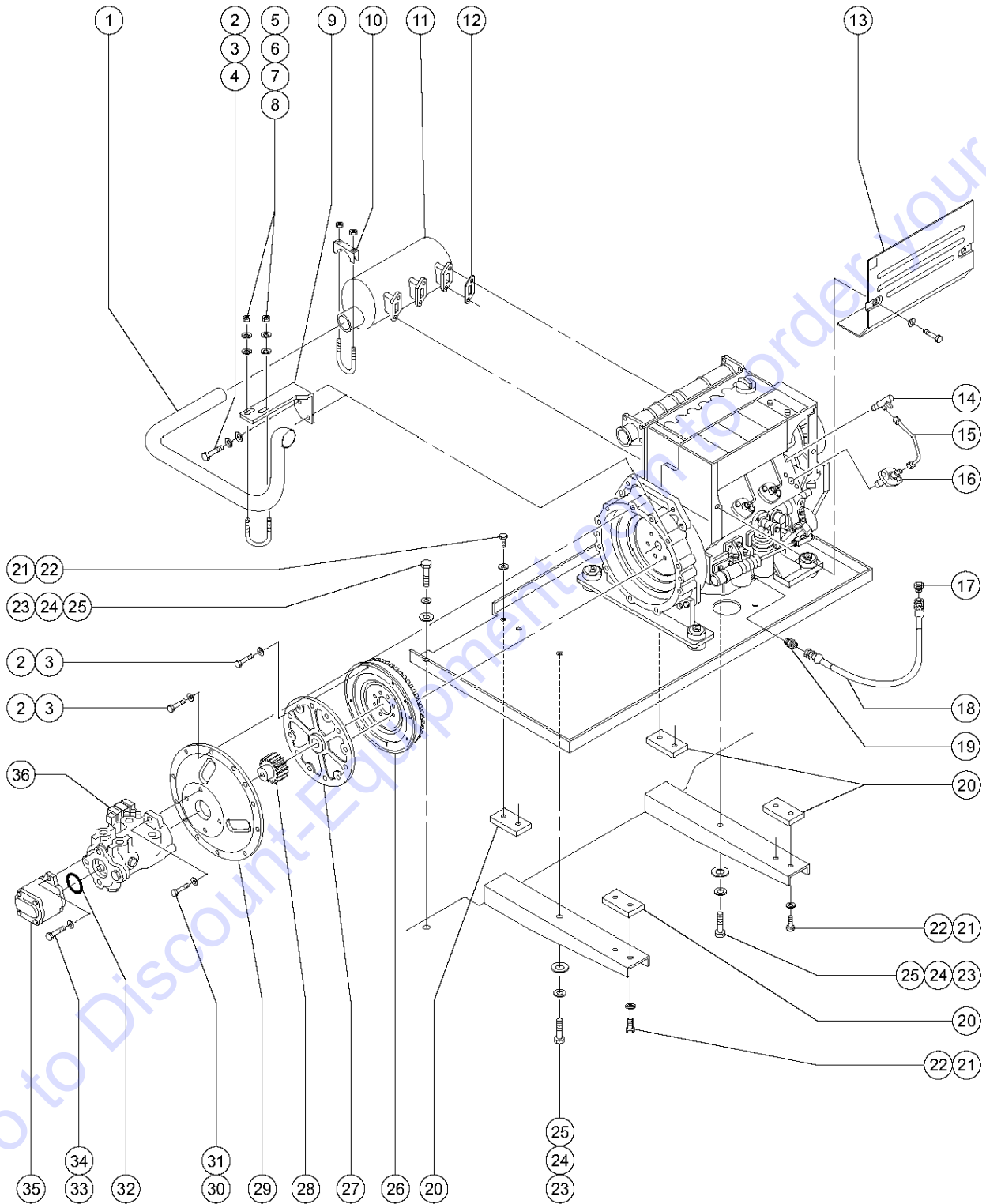
408.1 Deutz F3L 1011F Engine - View 1 (to SN 7543)



408.1 Deutz F3L 1011F Engine - View 1 (to SN 7543)

Item	Part No.	Description	Qty.
--		Ref. Engine Harness (refer to 311.1)	
1	111343GT	T1 DEUTZ FAN GUARD W/WORD DECA.....1	1
--	35498GT	GUIDE RING W/RUBBER LIP	
2	29555GT	COVER,FRONT DEUTZ ENGINE.....1	1
3	32698GT	BELT,V, DEUTZ DIESEL ENGINE.....1	1
4	35586GT	ALTERNATOR, DEUTZ F3L10/F4L10*....1	1
5	139709GT	STARTER, 12V <i>9 tooth; inspect old starter before ordering (includes item 6)</i>	
5	37950GT	STARTER,DEUTZ,F4L1011F/F3L1011...1 <i>11 tooth; inspect old starter before ordering (includes item 6)</i>	
6	49915GT	SOLENOID-STARTR DEUTZF4L1011F*.....1	1
7	89259GT	SCREW HHC, M14x50	
8	37505GT	WASHER,LOCK,M14	
9	89529GT	WELDMENT,DEUTZ ENGINE MOUNT...1	1
10	53909GT	SCREW,HHC,5/8-11 X 4.0 GR8.....4	4
11	33418GT	WASHER,FLAT,.625 X 2.25 X.15	
12	6024GT	NUT,NYLOCK,5/8-11	
13	28076GT	ISOLATOR,VIBRATION,LG,RD&WH***...8	8
14		Ref. Engine Tray (refer to 436.1)	
15	89527GT	WELDMENT,DEUTZ ENGINE MOUNT...1	1
16	89528GT	WELMENT,DEUTZ ENGINE MOUNT.....1	1

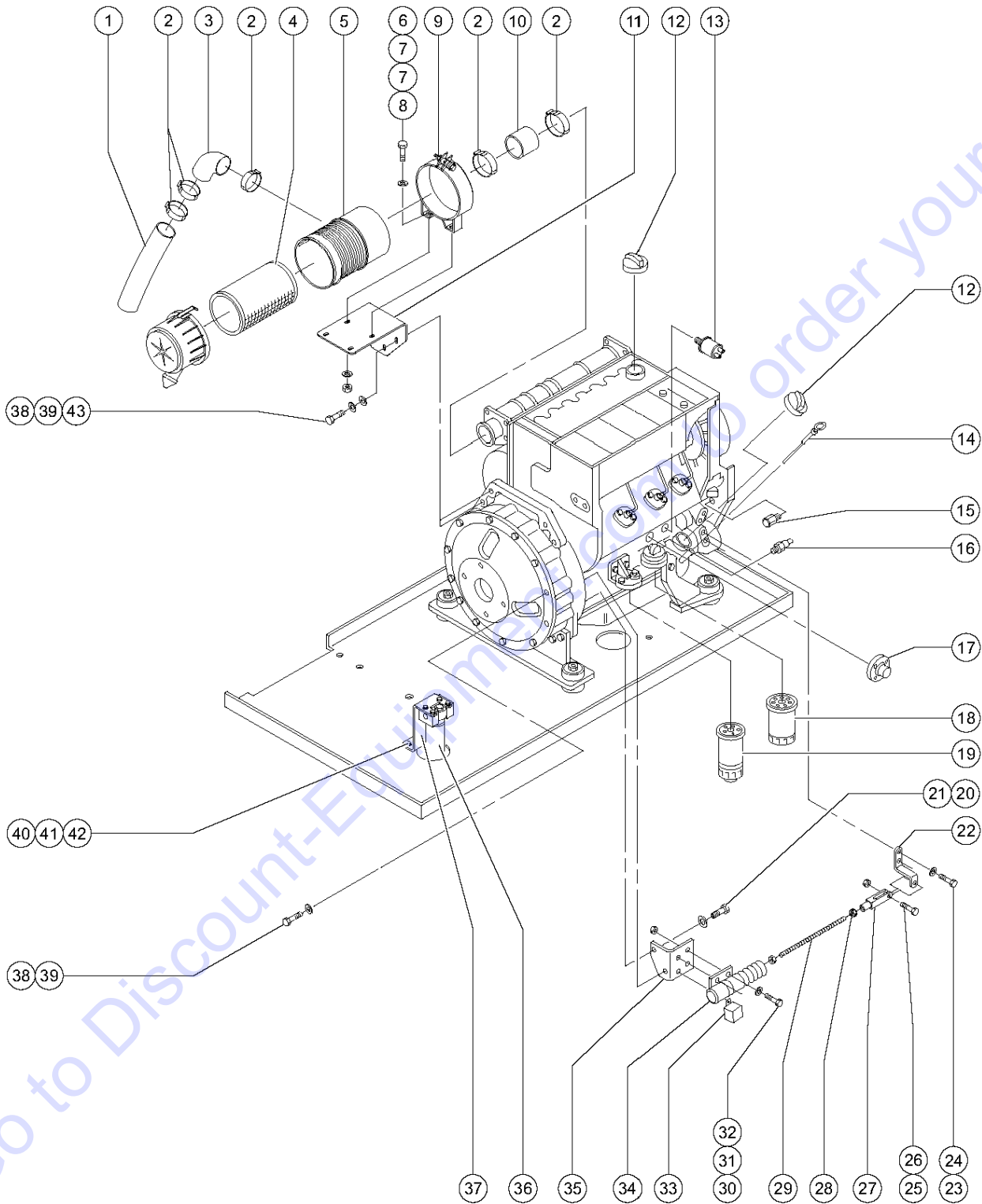
409.1 Deutz F3L 1011F Engine - View 2 (to SN 7543)



409.1 Deutz F3L 1011F Engine - View 2 (to SN 7543)

Item	Part No.	Description	Qty.	Item	Part No.	Description	Qty.
--				36		Ref. Drive Pump (refer to 706.1)	
1	34551GT	EXHAUST,TAILPIPE,DEUTZ.....	1				
2	44064GT	SCREW,HHC,M10 X 30MM,					
3	22700GT	WASHER,LOCK,M10					
4	6097GT	WASHER,FLAT,USS,3/8",Y					
5	6037GT	NUT,HEX,5/16-18,GR5					
6	6886GT	WASHER,LOCK,.313					
7	5397GT	WASHER,FLAT,USS,5/16",Y					
8	16584GT	U-BOLT, KIT 5/16-18 X 2.5 ***.....	1				
9	30674-SGT	WELDMENT,EXHAUST SUPPORT.....	1				
10	30438GT	CLAMP,MUFFLER,2 1/4" ID.....	1				
11	32695GT	MUFFLER,DEUTZ.....	1				
12	29559GT	GASKET,EXHAUST.....	3				
13	52353GT	COVER,ENGINE SIDE (F30-1011F).....	1				
14	49919GT	INJECTOR - DEUTZ F4L1011F.....	1				
15	49921GT	FUEL LINE INJ. DEUTZ F4L1011F.....	3				
16	49929GT	INJECTOR PUMP - DEUTZ F4L1011F...1					
17	109802GT	PLUG,ORB #6.....	1				
18	49135-339 SGT	HOSE ASSY 3/8".....	1				
19	48884GT	FITTING, M18 X 8, 52MO187.....	1				
20	45209GT	WEAR PAD,4X2X.5 W/INSERT***.....	4				
21	6090GT	SCREW,HHC,1/4-20 X .75					
22	6356GT	WASHER,LOCK,.25					
23	29883GT	SCREW,HHC,5/8-11 X 1.75 GRD.8.....	4				
24	6036GT	WASHER,LOCK,.625 PLTD					
25	13064GT	WASHER,FLAT,.625 HARDENED					
26	49917GT	RING GEAR,DEUTZ F3 & F4L1011F*....1 (please verify ring gear thickness) 0.46 inches					
--	33729GT	RING GEAR,DEUTZ F3 & F4L1011*.....1 (please verify ring gear thickness) 0.365 inches					
--	89785GT	RING GEAR,DEUTZ F3L2011F.....1 (please verify ring gear thickness) 0.6 inches					
27	33024GT	FLYWHEEL FLANGE,GREEN PLASTIC.....	1				
28	37003GT	COUPLER,HUB,15 TOOTH 7/16BOLT*.....	1				
29	30806GT	FLYWHEEL COVER,CASTING***.....	1				
30	6096GT	SCREW,HHC,1/2-13 X 2 GR5					
31	6033GT	WASHER,LOCK,0.5"					
32		Ref. O-ring (refer to 706.1)					
33	6175GT	SCREW,HHC,3/8-16 X 1					
34	6021GT	WASHER,LOCK,.375					
35		Ref. Function Pump (refer to 706.1)					

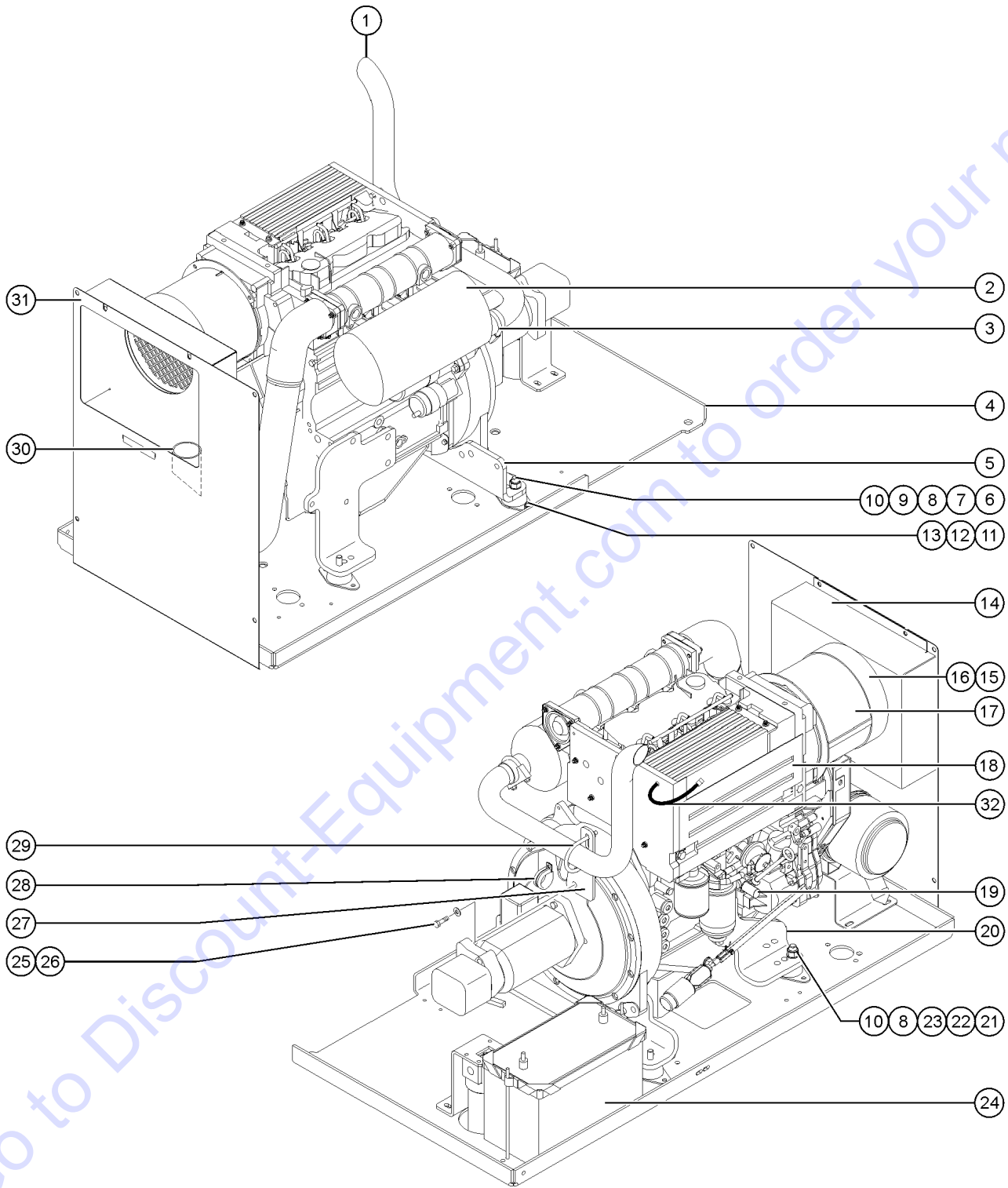
410.1 Deutz F3L 1011F Engine - View 3 (to SN 7543)



410.1 Deutz F3L 1011F Engine - View 3 (to SN 7543)

Item	Part No.	Description	Qty.	Item	Part No.	Description	Qty.
1	34162-3150GT	HOSE,AIR INTAKE 2.5" I.D.....	1	22	33240PGT	BRACKET,ACTUATOR ARM MTG,PTD.....	1
2	53945GT	CLAMP,HOSE 2 5/16-3 1/4.....	5	23	22578GT	SCREW,HHC,M6 X 20MM,GR8.8	
3	34164GT	ELBOW,90 DEGR,RUBBER,2.5" I.D.*	1	24	49407GT	WASHER,LOCK,M6	
4	62420GT	FILTER,AIR***	1	25	6584GT	SCREW,SHS,10-24 X .625	
5	63463GT	AIR CLEANER,NELSON***	1	26	5365GT	NUT,NYLOCK,10-24	
--	52866GT	EVACUATOR VALVE-AIR CLEANER		27	21130GT	CLEVIS YOKE-1/4-28,PLTD W/PIN.....	1
--	58415GT	CLIP,AIR CLEANER END CAP***		28	21496GT	NUT,HEX,1/4-28	
--	62420GT	FILTER,AIR***		29	30785-1000GT	THREADED ROD,1/4-28 X 10 IN***	1
--	65810GT	BAFFLE, AIR CLEANER (27915)**		30	6090GT	SCREW,HHC,1/4-20 X .75	
6	6175GT	SCREW,HHC,3/8-16 X 1		31	6638GT	WASHER,FLAT,USS,1/4"Y	
7	6097GT	WASHER,FLAT,USS,3/8",Y		32	6889GT	NUT,LP NYLOCK,1/4-20	
8	7713GT	NUT, LP NYLOCK, 3/8-16		33	60521GT	RELAY,SEALED 30/40 AMP.....	1
9	53952GT	BRKT,AIR CLEANER ORIENTATION**	1	--	73993GT	HARNESS,RPM SOLENOID RELAY***	
10	30967GT	HOSE,AIR INTAKE 2.75" I.D.***	1	34	29073GT	SOLENOID,THROTTLE,.....	1
11	30769PGT	BRCKET,AIR CLEANER MTG.PAINT**	1	--	52537GT	BOOT,SOLENOID,29073	
12	29557GT	CAP,OIL FILLER,DEUTZ,DIESEL ***	1	35	33241PGT	BRACKET,SOLENOID MTG,PAINTED....	1
13	139624GT	SWITCH, OIL PRESSURE 1.5 BAR.....	1	36		FILTER ASY,M PRESS,SAE8,WOIND* (77139).....	1
--	139666GT	KIT,OP SWITCH,DEUTZ <i>(oil pressure kit for models with ALC-500 control system. replaces 65765. includes item 139624 and instructions)</i>		--	61326GT	FILTER ELEMENT,10 MICRON,60508 for 77139	
14	52352GT	DIPSTICK-F3L1011F (DEUTZ).....	1	36A	1267807GT	ASSY, MED. PRESS. FILTER, SAE8	
15	T114678GT	SHUTDOWN SOLENOID,12V, DEUTZ....	1	--	1268229GT	ELEMENT-5 MIC, PAPER, W/ BYPASS for 1267807	
--	45782GT	DIODE,6 AMP,200 PIV,BULK		37	89596PGT	FORMING,FILTER MOUNT,PAINTED.....	1
--	58256GT	SOLENOID CABLE ASSY***		38	44064GT	SCREW,HHC,M10 X 30MM,	
--	72255GT	CONNECTOR, DEUTZ FUEL SHUTOFF* <i>(does not include diode, 45782)</i>		39	22700GT	WASHER,LOCK,M10	
16	102686GT	OIL TEMP SENSOR, DEUTZ F4L2011...1		40	6019GT	SCREW,HHC,3/8-16 X 1.25 GRD 5	
17	49923GT	PUMP, FUEL LIFT, F4L1011F.....	1	41	5397GT	WASHER,FLAT,USS,5/16",Y	
18	49924GT	FILTER,OIL,DEUTZ F4L1011F.....	1	42	4828GT	NUT,NYLOCK,3/8-16	
--	1255653GT	FILTER,OIL,DEUTZ,REPLACEMENT.....	1	43	6097GT	WASHER,FLAT,USS,3/8",Y	
		<i>Genie Genuine Part. See PN 1255653 for compatible aftermarket replacement.</i>					
		<i>Genie Aftermarket Part. Compatible with Genie Genuine Part 49924.</i>					
19	29560GT	FILTER,FUEL/WTR SEP, DTZ 1008.....	1				
--	1254826GT	FUEL FILTER W/SEP,DEUTZ,1008.....	1				
		<i>Genie Genuine Part. See PN 1254826 for compatible aftermarket replacement</i>					
		<i>Genie Aftermarket Part. Filter for Deutz F3L 1011F Engine.</i>					
20	23057GT	SCREW,HHC,M8 X 20MM					
21	49408GT	WASHER,LOCK,M8					

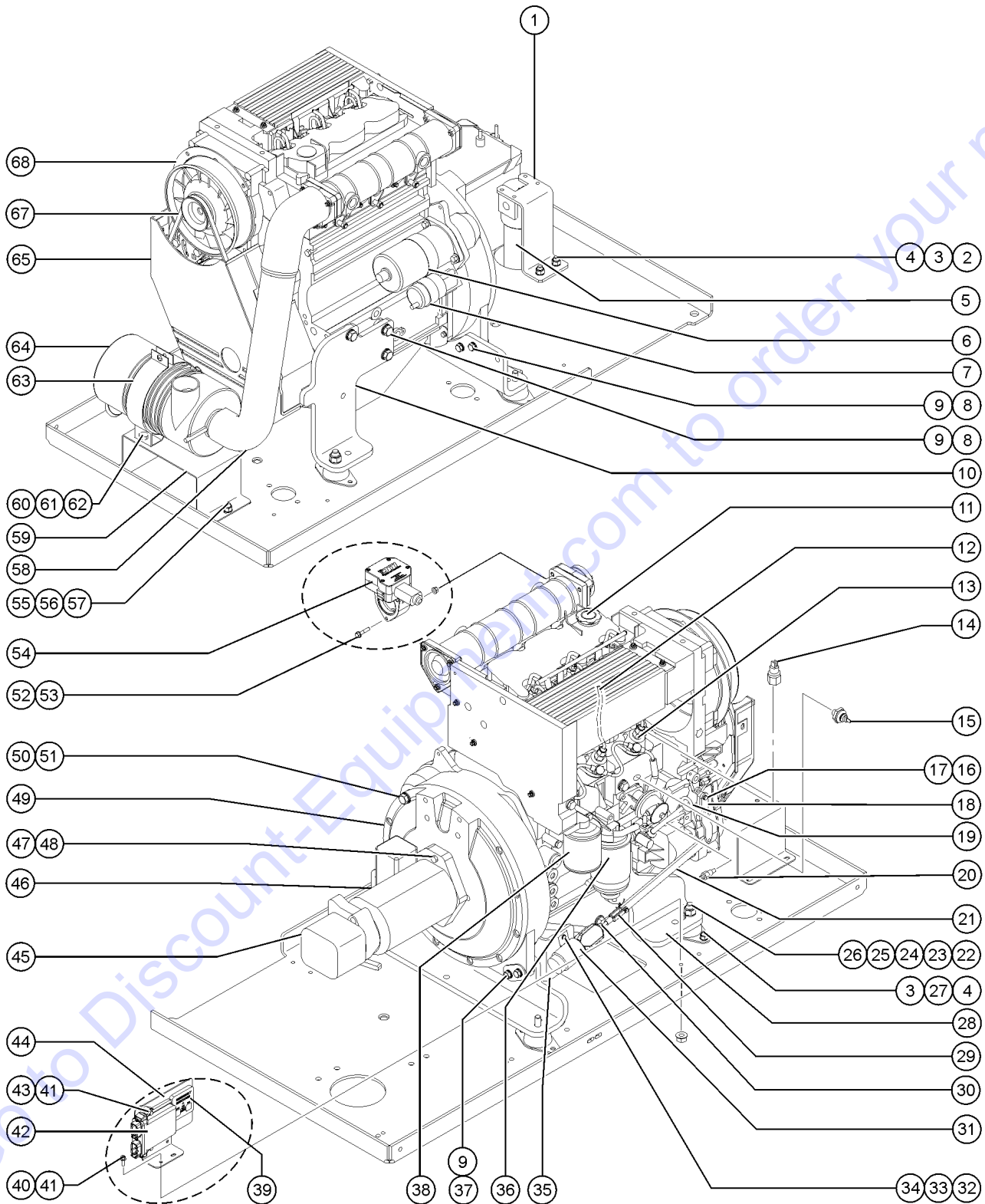
411.1 Deutz F3L 2011/ D2011L03i Engine - View 1 (from SN 7544)



411.1 Deutz F3L 2011/ D2011L03i Engine - View 1 (from SN 7544)

Item	Part No.	Description	Qty.	Item	Part No.	Description	Qty.
--		Ref. Engine Harness (refer to 311.1)		24		Ref. Battery (refer to 436.1)	
--	31408GT	GLOW PLUG,L1011		25	33987GT	SCREW,HHC,1/2-13 X 1, GR 5	
--	70496GT	STRAINER,FUEL 40 MICRON <i>from SN 7544 to SN 10832</i>		26	6033GT	WASHER,LOCK,0.5"	
--	119344GT	KIT,PRIMER BULB <i>from SN 7544 to SN 10832</i>		27	102091PGT	FORMING,EXHAUST PIPE MOUNT.....1	
--	128935GT	CIRCUIT BKR 10A TYPE 2 METAL <i>from SN 15573</i>		--	22700GT	WASHER,LOCK,M10	
--	139331GT	KIT CB 10A T2 RPM SOLENOID 2W <i>includes item 128935; to SN 15572</i>		--	85053GT	SCREW,HHC,M10 X 1.5 X70,GR 8.8	
--	70453GT	ENGINE,DEUTZ D2011L03i <i>F3L1011 AND F3L1011F Engines only</i>		28	61109GT	CLAMP,1.25,#20 X 7/16,RUB CSH.....2	
1	102092GT	EXHAUST PIPE,DEUTZ F3L2011.....1		29	16584GT	U-BOLT, KIT 5/16-18 X 2.5 ***.....2	
2A	32695GT	MUFFLER,DEUTZ.....1		30	34162-475GT	HOSE,AIR INTAKE 2.5" I.D.....1	
2B	119117GT	MUFFLER,CAT/SPARK,DEUTZ		31	89912PGT	FORMING, ENGINE BAFFLE,PAINTED.....1	
2C	29559GT	GASKET,EXHAUST.....3 <i>for 119117, 3 required</i>		32	147525GT	FITTING,BARBED,STRT,FUEL LINE	
3	89775GT	CLAMP, MUFFLER.....1		--	147526GT	FITTING,BARBED,TEE,FUEL LINE	
4		Ref. Engine Tray (refer to 436.1)					
5	70459PGT	FORMING,REAR ENGINE MOUNT PNT*.....1					
6	6198GT	NUT,NYLOCK,1/2-13					
7	39479GT	SCREW,HHC,1/2-13 X 2.75					
8	70452GT	ISOLATOR,ENGINE VIBRATION***.....4					
9	6095GT	WASHER,FLAT,USS,1/2",Y					
10	102066PGT	CASTING,WASHER,REBOUND,PAINTED					
11	4828GT	NUT,NYLOCK,3/8-16					
12	6175GT	SCREW,HHC,3/8-16 X 1					
13	5397GT	WASHER,FLAT,USS,5/16",Y					
14	89911PGT	FORMING,COLD AIR INTAKE,PAINTD.....1					
15	33239GT	SHEET,RUBBER,AIR INTAKE.....1					
16	31523GT	CLAMP,HOSE,8.50 DIA***.....1					
17	111344GT	T2 DEUTZ BAFFLE.....1					
--	50579PGT	WELDMENT,AIR INTAKE TUBE,PAINT					
18	89776GT	COVER, ENGINE, DEUTZ F3L 2011F....1 <i>includes mounting fasteners</i>					
19	111668GT	PUMP,FUEL 2011 DEUTZ ***					
--	111402GT	O-RING, FUEL LIFT PUMP					
20	70460PGT	FORMING,ENGINE MOUNT,FR PAINT*.....1					
--	22558GT	SCREW,HHC,M14 X 40MM,GR 8.8					
--	37505GT	WASHER,LOCK,M14					
21	6782GT	NUT,NYLOCK,5/16-18					
22	6019GT	SCREW,HHC,3/8-16 X 1.25 GRD 5					
23	6021GT	WASHER,LOCK,.,375					

412.1 Deutz F3L 2011/ D2011L03i Engine - View 2 (from SN 7544)



412.1 Deutz F3L 2011/ D2011L03i Engine - View 2 (from SN 7544)

Item	Part No.	Description	Qty.	Item	Part No.	Description	Qty.
1	89596PGT	FORMING,FILTER MOUNT,PAINTED.....1		21	94485GT	THROTTLE LINKAGE,DIESEL***.....1	
2	6019GT	SCREW,HHC,3/8-16 X 1.25 GRD 5		22	6198GT	NUT,NYLOCK,1/2-13	
3	5397GT	WASHER,FLAT,USS,5/16",Y		23	39479GT	SCREW,HHC,1/2-13 X 2.75	
4	4828GT	NUT,NYLOCK,3/8-16		24	70452GT	ISOLATOR,ENGINE VIBRATION***.....4	
5		FILTER ASY,M PRESS,SAE8,WIND* (77139).....1 <i>component no longer available</i>		25	80150GT	WASHER-FLAT, 1/2" (80056)	
--	60857GT	FILTER,ELEMENT,BETA(5)=1000 to SN 22376; for 77139		26	102066PGT	CASTING,WASHER,REBOUND,PAINTED	
6	139709GT	STARTER, 12V.....1		27	6175GT	SCREW,HHC,3/8-16 X 1	
--	139621GT	KIT, HEAT GUARD, DEUTZ STARTER		28	70460PGT	FORMING,ENGINE MOUNT,FR PAINT*.....1	
--	139622GT	HEAT SHIELD,DEUTZ STARTER (from sn 15725)		29	21130GT	CLEVIS YOKE-1/4-28,PLTD W/PIN.....1	
7	49915GT	SOLENOID-STARTR DEUTZF4L1011F*.....1		30	21496GT	NUT,HEX,1/4-28	
8	22558GT	SCREW,HHC,M14 X 40MM,GR 8.8.....3		31	77402GT	SOLENOID,THROTTLE ACTUATOR DSL.....1	
9	37505GT	WASHER,LOCK,M14		32	6888GT	SCREW,HHC,1/4-20 X 1	
10	70461PGT	FORMING,ENGINE MOUNT,FL PAINT*.....1		33	6638GT	WASHER,FLAT,USS,1/4"Y	
11	29557GT	CAP,OIL FILLER,DEUTZ,DIESEL***.....1		34	6091GT	NUT,NYLOCK,1/4-20	
12	89780GT	FUEL LINE, DEUTZ F3L 2011F,1 METER LG.....3		35	102067PGT	BRACKET,SOLENOID MOUNT,PAINTED.....1	
13	52352GT	DIPSTICK-F3L1011F (DEUTZ).....1 <i>verify letter code (A, B, C or D) before ordering</i>		36	29560GT	FILTER,FUEL/WTR SEP, DTZ 1008.....1 <i>Genie Genuine Part. See PN 1254826 for compatible aftermarket replacement.</i>	
--	1288561GT	O-RING,FUEL INJECTOR,DEUTZ (89792) for 89792		--	1254826GT	FUEL FILTER W/SEP,DEUTZ,1008.....1 <i>Genie Aftermarket Part. Filter for Deutz F3L 1011F Engine.</i>	
--	89792GT	INJECTOR, FUEL(DEUTZ F3L2011F)		37	89259GT	SCREW HHC, M14x50	
14	111445GT	SENDING UNIT,OIL TEMP SWCH,DTZ.....1		38	49924GT	FILTER,OIL,DEUTZ F4L1011F.....1 <i>Genie Genuine Part. See PN 1255653 for compatible aftermarket replacement.</i>	
15	139624GT	SWITCH, OIL PRESSURE 1.5 BAR.....1 <i>(replaced 65765)</i>		--	1255653GT	FILTER,OIL,DEUTZ,REPLACEMENT.....1 <i>Genie Aftermarket Part. Compatible with Genie Genuine Part 49924</i>	
--	139666GT	KIT,OP SWITCH,DEUTZ <i>(oil pressure kit for models with ALC-500 control system. replaces 65765. includes item 139624 and instructions)</i>		39	1264499GT	CONTROLLER, DASH, BASIC PLUS <i>(part of the Air Shutoff option for Deutz 2011L03i)</i>	
16	22578GT	SCREW,HHC,M6 X 20MM,GR8.8		40	824078GT	SCREW,HHF,1/4-20X.75,8,ZAG <i>(part of the Air Shutoff option for Deutz 2011L03i)</i>	
17	6356GT	WASHER,LOCK,.25		41	824027GT	NUT,TL FLG,1/4-20,G,ZAG <i>(part of the Air Shutoff option for Deutz 2011L03i)</i>	
18	50787-SGT	LEVER, GOVERNOR ACTUATOR.....1		42	1264498GT	CONTROLLER, VCU, DEUTZ L03I <i>(part of the Air Shutoff option for Deutz 2011L03i)</i>	
19	52352GT	DIPSTICK-F3L1011F (DEUTZ).....1 to SN 12815		43	824080GT	SCREW,HHF,1/4-20X1.25,8,ZAG <i>(part of the Air Shutoff option for Deutz 2011L03i)</i>	
--	147243GT	DIPSTICK, OIL, D2011 from SN 12816		44	1264229GT	BRACKET, POSITIVE AIR SHUTOFF <i>(part of the Air Shutoff option for Deutz 2011L03i)</i>	
20	T114678GT	SHUTDOWN SOLENOID,12V, DEUTZ....1 <i>(must order cable assembly, 58256, if replacing 32752)</i>		45		Ref. Function Pump (refer to 706.1)	
--	45782GT	DIODE,6 AMP,200 PIV,BULK					
--	58256GT	SOLENOID CABLE ASSY***					
--	72255GT	CONNECTOR, DEUTZ FUEL SHUTOFF* <i>(does not include diode, 45782)</i>					

412.1 Deutz F3L 2011/ D2011L03i Engine - View 2 (from SN 7544) (continued)

Item	Part No.	Description	Qty.	Item	Part No.	Description	Qty.
46		Ref. Drive Pump (refer to 706.1)		64	63463GT	AIR CLEANER,NELSON***	
47	6096GT	SCREW,HHC,1/2-13 X 2 GR5		--	52866GT	EVACUATOR VALVE-AIR CLEANER	
48	6033GT	WASHER,LOCK,0.5"		--	58415GT	CLIP,AIR CLEANER END CAP***	
49	70381GT	COVER,FLYWHEEL CASTING.....1		--	62420GT	FILTER,AIR***	
--	128004GT	COUPLER,15 TOOTH,FBA,SAE8*** <i>from SN 13725</i>		--	65810GT	BAFFLE, AIR CLEANER (27915)**	
--	128023GT	KIT,FBA STYLE COUPLER,SAE8		65	89786GT	COVER, PULLEY (DEUTZ F3L 2011).....1	
--	22700GT	WASHER,LOCK,M10		--	89787GT	SCREW,M8X20-8.8	
--	33024GT	FLYWHEEL FLANGE,GREEN PLASTIC <i>from SN 7544 to SN 13724</i>		--	89788GT	WASHER,9MM I.D.	
--	33729GT	RING GEAR,DEUTZ F3 & F4L1011* <i>(please verify ring gear thickness) 0.365 inches</i>		67	32698GT	BELT,V, DEUTZ DIESEL ENGINE.....1	
--	37003GT	COUPLER,HUB,15 TOOTH 7/16BOLT* <i>from SN 7544 to SN 13724</i>		68	35586GT	ALTERNATOR, DEUTZ F3L10/F4L10*....1	
--	44064GT	SCREW,HHC,M10 X 30MM,					
--	49917GT	RING GEAR,DEUTZ F3 & F4L1011F* <i>(please verify ring gear thickness) 0.46 inches</i>					
--	62476GT	SCREW,SHC,M10X1.5X20MM (75090) <i>from SN 7544 (use for part 128004)</i>					
--	89785GT	RING GEAR,DEUTZ F3L2011F <i>(please verify ring gear thickness) 0.6 inches</i>					
50	61110GT	SCREW,SHC,M10X1.5X30 GR 12.9.....10					
51	22700GT	WASHER,LOCK,M10					
52	1255763GT	SCREW,HHF,5/16-18X1.5,8,ZAG <i>(part of the Air Shutoff option for Deutz 2011L03i)</i>					
53	824028GT	NUT,TL FLG,5/16-18,G,ZAG <i>(part of the Air Shutoff option for Deutz 2011L03i)</i>					
54	1264497GT	VALVE, PAS, DEUTZ L03I <i>(part of the Air Shutoff option for Deutz 2011L03i)</i>					
--	128079GT	GASKET, DEUTZ 2011 INTAKE <i>(part of the Air Shutoff option for Deutz 2011L03i)</i>					
55	6888GT	SCREW,HHC,1/4-20 X 1					
56	6638GT	WASHER,FLAT,USS,1/4"Y					
57	6091GT	NUT,NYLOCK,1/4-20					
58	70375GT	HOSE,AIR CLEANER.....1					
--	30971GT	CLAMP,HOSE,3.00"					
59	70351PGT	FORMING,AIR CLEANER MOUNT PNTD.....1					
60	10107GT	SCREW,HHC,5/16-18 X .75					
61	5397GT	WASHER,FLAT,USS,5/16",Y					
62	6782GT	NUT,NYLOCK,5/16-18					
63	53952GT	BRKT,AIR CLEANER ORIENTATION**1					

PARTS FINDER

**Search Website
by Part Number**



**Search Manual
Library For Parts
Manual & Lookup Part
Numbers – Purchase
or Request Quote**

Search Manuals

Enter your information to help us find the right parts manual for your machine.

* Brand:

* Model:

* Serial:

* Part Number:

SEARCH

**Can't Find Part or
Manual? Request Help
by Manufacturer,
Model & Description**

Parts Order Form

Please fill in the following information to help us find the right part for your machine.

Manufacturer:	<input type="text"/>
Model:	<input type="text"/>
Description:	<input type="text"/>
Part Number:	<input type="text"/>
Quantity:	<input type="text"/>
Notes:	<input type="text"/>

Submit

Discount-Equipment.com is your online resource for quality parts & equipment.

Florida: **561-964-4949** Outside Florida TOLL FREE: **877-690-3101**

Need parts?

Click on this link: <http://www.discount-equipment.com/category/5443-parts/> and choose one of the options to help get the right parts and equipment you are looking for. Please have the machine model and serial number available in order to help us get you the correct parts. If you don't find the part on the website or on one of the online manuals, please fill out the request form and one of our experienced staff members will get back to you with a quote for the right part that your machine needs.

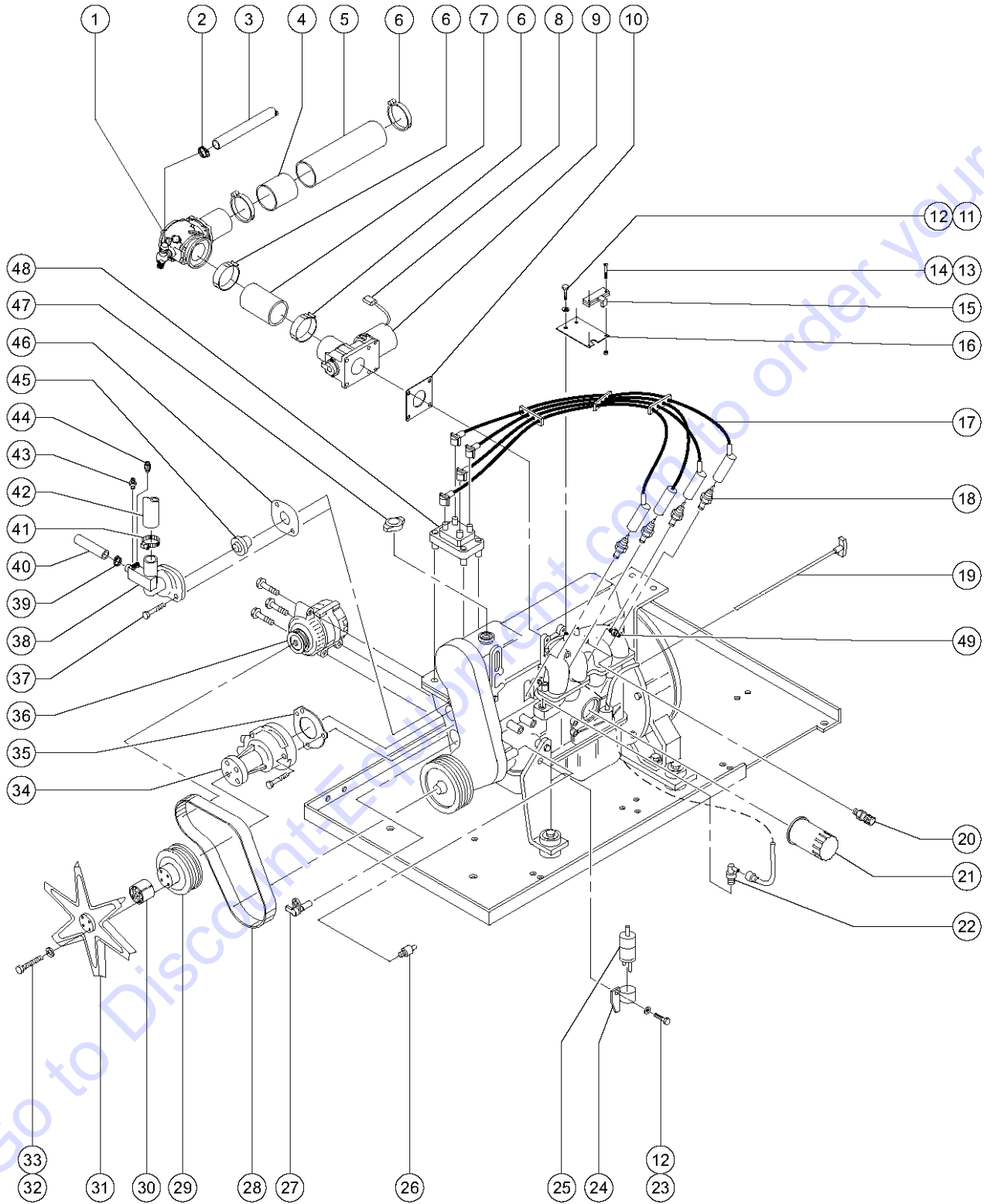
We sell worldwide for the brands: Genie, Terex, JLG, MultiQuip, Mikasa, Essick, Whiteman, Mayco, Toro Stone, Diamond Products, Generac Magnum, Airman, Haulotte, Barreto, Power Blanket, Nifty Lift, Atlas Copco, Chicago Pneumatic, Allmand, Miller Curber, Skyjack, Lull, Skytrak, Tsurumi, Husquvarna Target, Stow, Wacker, Sakai, Mi-T-M, Sullair, Basic, Dynapac, MBW, Weber, Bartell, Bennar Newman, Haulotte, Ditch Runner, Menegotti, Morrison, Contec, Buddy, Crown, Edco, Wyco, Bomag, Laymor, EZ Trench, Bil-Jax, F.S. Curtis, Gehl Pavers, Heli, Honda, ICS/PowerGrit, IHI, Partner, Imer, Clipper, MMD, Koshin, Rice, CH&E, General Equipment, Amida, Coleman, NAC, Gradall, Square Shooter, Kent, Stanley, Tamco, Toku, Hatz, Kohler, Robin, Wisconsin, Northrock, Oztec, Toker TK, Rol-Air, APT, Wylie, Ingersoll Rand / Doosan, Innovatech, Con X, Ammann, Mecalac, Makinex, Smith Surface Prep, Small Line, Wanco, Yanmar

412.1 Deutz F3L 2011/ D2011L03i Engine - View 2 (from SN 7544)
(continued)

This Page Intentionally Left Blank

Go to Discount-Equipment.com to order your parts

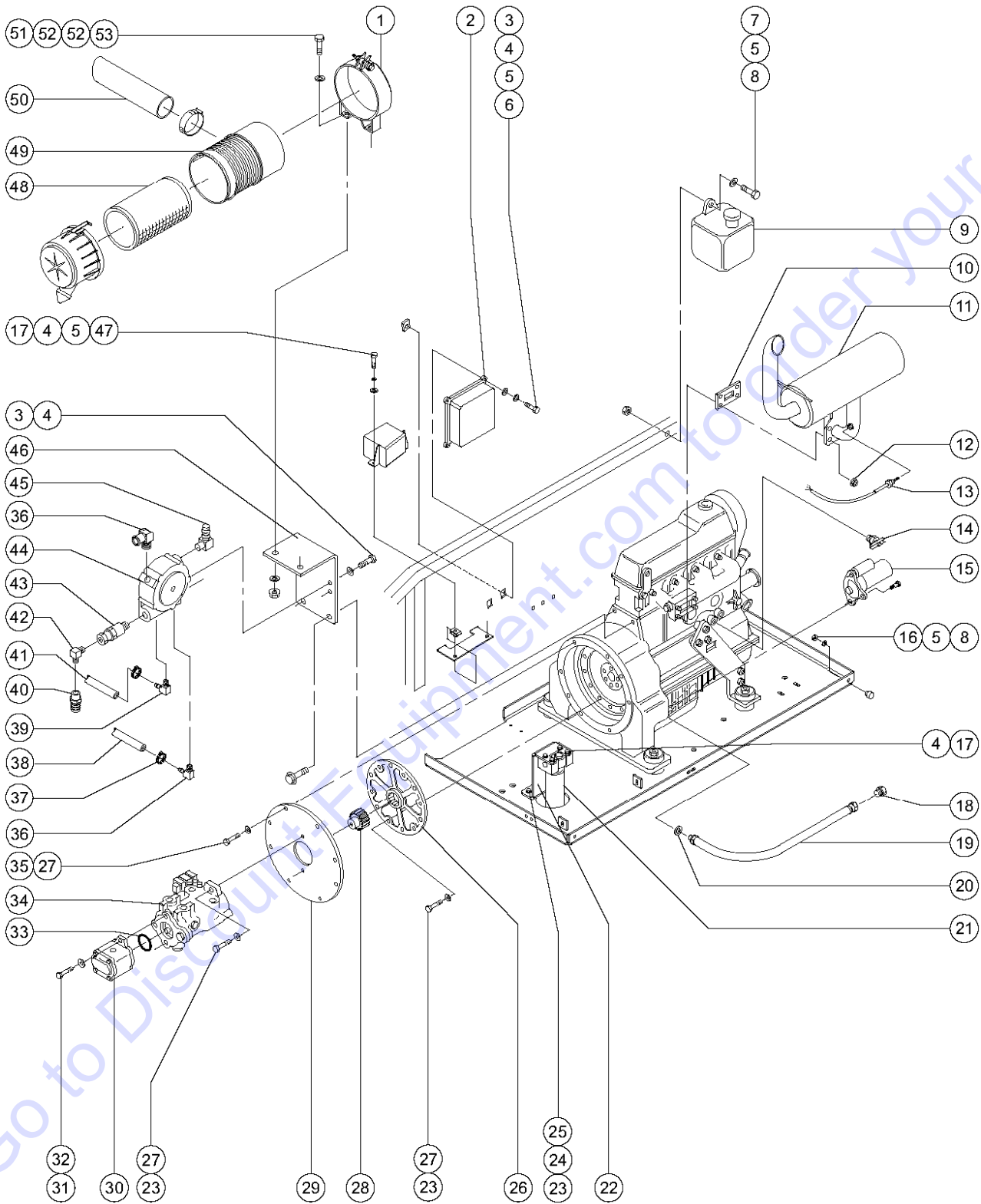
413.1 Ford LRG-425 EFI Engine - View 1 (to SN 7596)



413.1 Ford LRG-425 EFI Engine - View 1 (to SN 7596)

Item	Part No.	Description	Qty.	Item	Part No.	Description	Qty.
--	49735GT	ENGINE,FORD LRG 425,EFIZ45 (remanufactured long block only, does not include starter, alternator, radiator or fuel system)		25	58967GT	FUEL PRESSURE REG,425EFI***.....1	1
--	52695GT	MANUAL,WORKSHOP FORD LRG425EFI		26	58900GT	SENSOR,CAM,EFI***.....1	1
--	81629GT	AIR VALVE MIXER*** for units without E-controls; consult Discount-equipment prior to ordering		27	33968GT	SENSOR, CRANK POSITION.....1	1
--	94922GT	KIT,FORD EFI UPDATE,BASE***		28	52580GT	BELT,SERPENTINE,LRG425 EFI***.....1	1
--	48473P-SGT	BRACKET,AIR FILTER,FORD GAS PT Ref. Engine Wire Harness (refer to 311.1)		29	52078GT	PULLEY,FORD ENGINE,LRG-423***.....1	1
1	58598GT	AIR VALVE MIXER.....1 for units upgraded to E-controls; consult Discount-equipment prior to ordering	1	30	52077GT	SPACER,FAN TO WATERPUMP LRG423.....1	1
--	106144GT	AIR HORN,NOLFF MIXER,ALUMINUM*		31	52076GT	FAN, LSG423/LRG425.....1	1
--	119203GT	GASKET,NOLFF AIR HORN(106144)*		32	32309GT	SCREW,HHC,M8 X 60MM X 1.25	
--	58599GT	DIAPHRAGM,AIR VALVE MIXER for units upgraded to E-controls; consult Discount-equipment prior to ordering		33	49408GT	WASHER,LOCK,M8	
2	46131GT	CLAMP,HOSE,.63" - 1.0" X .5".....1	1	34	33963GT	PUMP, WATER, WITH GASKET.....1	1
3	81631GT	HOSE,VAPOR,LP SPECIFIC		35	33964GT	GASKET, WATER PUMP.....1	1
4	30966-0150GT	HOSE,AIR INTAKE,2.25" ID.....1	1	36	33960GT	ALTERNATOR,LRG-423 RE-BUILT*.....1	1
5	30966-0575GT	HOSE,AIR INTAKE,2.25"IDX5.75".....1	1	37	65454GT	BOLT-FLANGE,M6 X 22MM(52573)	
6	45435GT	CLAMP,HOSE,2.50"***.....4	4	38	52573GT	THERMOSTAT HOUSING, LRG425 EFI.....1	1
7	27211-0250GT	HOSE,AIR INTAKE,2.625"IDX2.50".....1	1	39	36208GT	CLAMP,HOSE,1.25***.....1	1
8	88455GT	ADAPTER,THROTTLE ACTUATOR***.....1	1	40	52762GT	HOSE,WATER INLET,LRG425 EFI.....1	1
9	94922GT	KIT,FORD EFI UPDATE,BASE***.....1	1	41	22672GT	CLAMP,HOSE,1.75.....1	1
--	48473P-SGT	BRACKET,AIR FILTER,FORD GAS PT		42	54862GT	HOSE,UPPER RADIATOR,Z45.....1	1
10	52579GT	GASKET,ADAPTER PLATE,425EFI***.....1	1	43	33972GT	SENSOR,COOLANT TEMP*.....1	1
11	23057GT	SCREW,HHC,M8 X 20MM		44	65456GT	SENDING UNIT-H20TMP LRG425EFI*...1	1
12	49408GT	WASHER,LOCK,M8		45	33966GT	THERMOSTAT, FORD LRG.....1	1
13	49817GT	SCREW,PHILLIPS,PHM,10-32 X1.25		46	52575GT	GASKET,THERM.HSNG O-RING.....1	1
14	6178GT	NUT,NYLOCK,10-32		47	49881GT	OIL FILLER CAP FOR LRG ENGINE.....1	1
15	49898GT	MAP SENSOR, EFI.....1	1	48	33970GT	COIL, ELECTRONIC IGN., FORD.....1	1
16	53821PGT	BRACKET,MAP SENSOR,PAINTED.....1	1	49	89812GT	SWITCH,OIL PRESSURE ASSY.....1	1
17	52570GT	SPARK PLUG WIRE SET, LRG425EFI....1	1				
18	28647GT	SPARK PLUG,FORD.....1	1				
--	52656GT	FUEL INJECTOR, LRG-425 EFI					
19	52566GT	DIPSTICK, OIL LEVEL,LRG425 EFI.....1	1				
20	52652GT	SENSOR,AIR TEMP,LRG-425 EFI***.....1	1				
21	28656GT	FILTER,OIL,FORD.....1 Genie genuine part	1				
--	1259054GT	FILTER, OIL, FORD Genie aftermarket					
22	33957GT	VALVE,PCV-FORD LRG***.....1	1				
23	25929GT	SCREW,HHC,M8 X 30MM,GRD 8.8					
24	65453GT	BRACKET-FUEL FILTER (52567).....1	1				

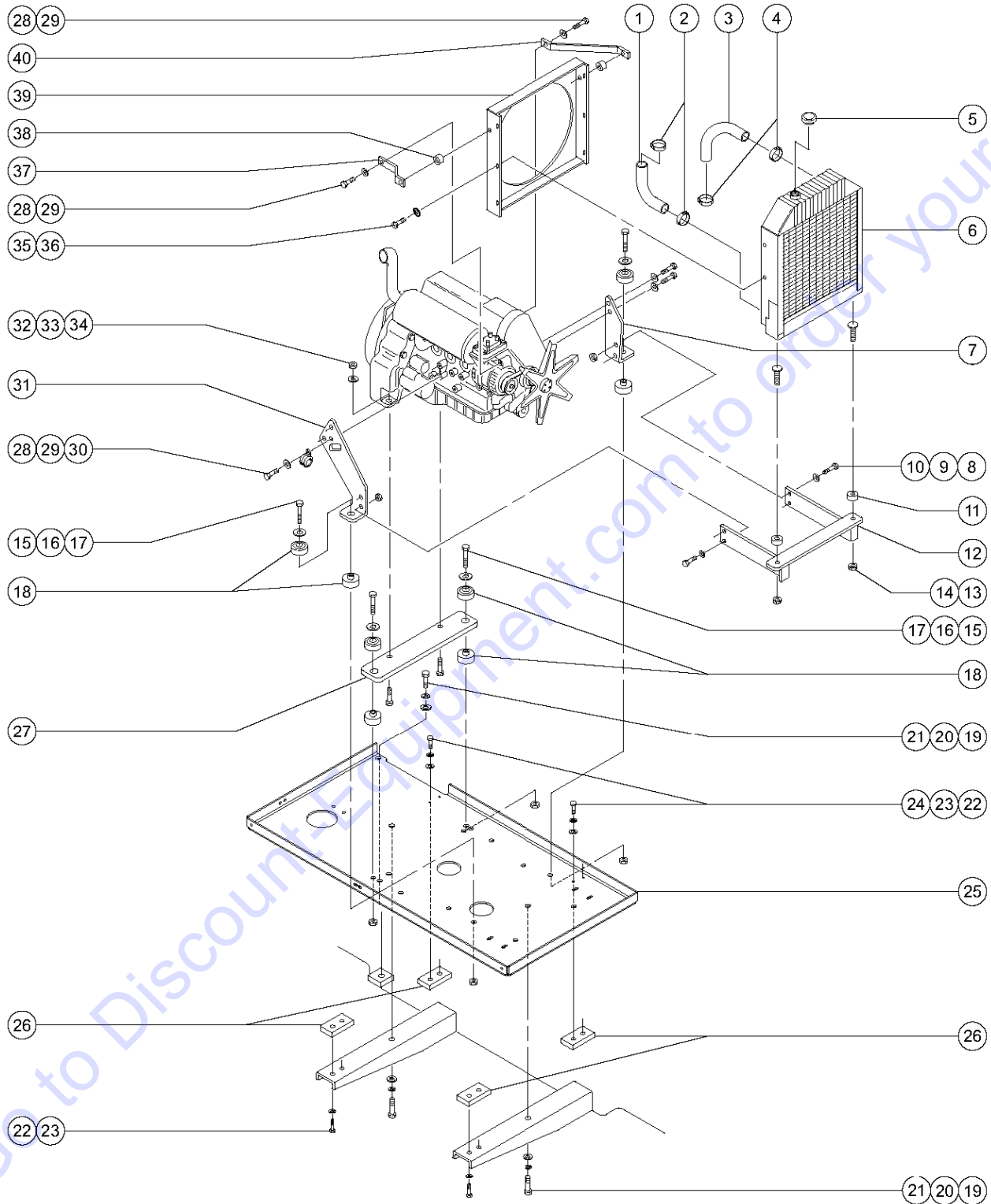
414.1 Ford LRG-425 EFI Engine - View 2 (to SN 7596)



414.1 Ford LRG-425 EFI Engine - View 2 (to SN 7596)

Item	Part No.	Description	Qty.	Item	Part No.	Description	Qty.
--	65770GT	BELT,TIMING,FORD LRG423/425EFI		29	25571P-SGT	PLATE,PUMP MOUNT,FORD,PAINTED.....	1
1	53952GT	BRKT,AIR CLEANER ORIENTATION**.....1 to SN 7596		30		Ref. Function Pump (refer to 706.1)	
2	88457GT	ENGINE PERFORMANCE MODULE T1**.....1		31	89806GT	SCREW,SHC,3/8-16 X 1.25 INCHES from SN 7319 to SN 7596	
3	6888GT	SCREW,HHC,1/4-20 X 1		32	89807GT	WASHER,FLAT 3/8 INCH from SN 7319 to SN 7596	
4	6356GT	WASHER,LOCK,.25		33		Ref. O-ring (refer to 706.1)	
5	6638GT	WASHER,FLAT,USS,1/4"Y		34		Ref. Drive Pump (refer to 706.1)	
6	56912GT	SPRING CLIP,1/4-20,.025-.15X.54,ZAG		35	6175GT	SCREW,HHC,3/8-16 X 1	
7	8915GT	SCREW,HHC,1/4-20 X 1.25		36	81632GT	BRASS WATER FITTING,5/8.....2	
8	6091GT	NUT,NYLOCK,1/4-20		37	36208GT	CLAMP,HOSE,1.25***.....2	
9	1279268GT	BOTTLE, COOLANT RECOVERY, 2QT.....1		38	52762GT	HOSE,WATER INLET,LRG425 EFI.....1	
--	72327GT	CAP, COOLANT RET SYS(54071)		39	81635GT	FITTING,1/4PIPEX3/8" TUBE,ELBOW.....1	
10	27142GT	GASKET,EXHAUST***.....1		40	81748GT	FITTING,3/8 NPTX3/4 HOSE BARB.....1	
11	77885GT	MUFFLER,FORD LRG S40-60-80***.....1		41	53832GT	HOSE,FIRE RES.,5/8 ID,BULK	
12	65460GT	NUT-FLANGE,7/16-14.....4		42	81749GT	FITTING,3/8 BRASS STREET ELBOW...1	
13	88450GT	SENSOR,OXYGEN LRG425EFI.....1		43	88757GT	VALVE,LP LOCKOUT W/CONN***.....1	
14	28717GT	VALVE,DRAIN,FORD,BLOCK,RAD.....1		44		REGULATOR,LP,MODEL J NOLFF.....1 81630GT no longer available from supplier	
15	29606GT	RING GEAR,FORD*** FITS LSG-LRG 423, AND LRG425		45	81634GT	FITTING,1/2NPT X 5/8HOSE,ELBOW....1	
15	29616GT	STARTER,ENGINE,FORD LSG/LRG***.....1		46	48473P-SGT	BRACKET,AIR FILTER,FORD GAS PT...1	
16	34619GT	BUMPER,RUBBER***.....1		47	56912GT	SPRING CLIP,1/4-20,.025-.15X.54,ZAG.....2	
17	6090GT	SCREW,HHC,1/4-20 X .75		48	77295GT	FILTER ELEMENT,AIR,NOLFF LPG.....1	
18	63426GT	PLUG,070109-8.....1		49	111634GT	AIR CLEANER,FORD,T3.....1 includes items 1 and 48; to SN 7596	
19	63427GT	HOSE ASSY,FORD OIL DRAIN 1/2"		--	102977GT	HOSE FITITNG,BRASS,AIR CLEANER	
20	53910GT	GASKET, FORD OIL DRAIN.....1		--	1277991GT	CLIP,AIR CLEANER COVER (58247) for 58247	
21		FILTER ASY,M PRESS,SAE8,WOIND* (77139).....1 component no longer available		--	227988GT	VACUATOR VALVE	
--	60857GT	FILTER,ELEMENT,BETA(5)=1000 for 77139		--	38922GT	ELBOW,90DEG.1/8MPT-5/16 BARB	
21A	1267807GT	ASSY, MED. PRESS. FILTER, SAE8		--	58247GT	AIR CLEANER CAP/ FORD/NOLFF***	
--	1268229GT	ELEMENT-5 MIC, PAPER, W/ BYPASS for 1267807		50	53124GT	HOSE,AIR INT.2.5 IDX12" W/450.....1	
22	89596PGT	FORMING,FILTER MOUNT,PAINTED.....1		51	6175GT	SCREW,HHC,3/8-16 X 1	
23	6019GT	SCREW,HHC,3/8-16 X 1.25 GRD 5		52	6097GT	WASHER,FLAT,USS,3/8",Y	
24	5397GT	WASHER,FLAT,USS,5/16",Y		53	7713GT	NUT, LP NYLOCK, 3/8-16	
25	4828GT	NUT,NYLOCK,3/8-16					
26	33024GT	FLYWHEEL FLANGE,GREEN PLASTIC.....1					
27	6021GT	WASHER,LOCK,.375					
28	37002GT	COUPLER,HUB,15 TOOTH 7/16BOLT*.....1					

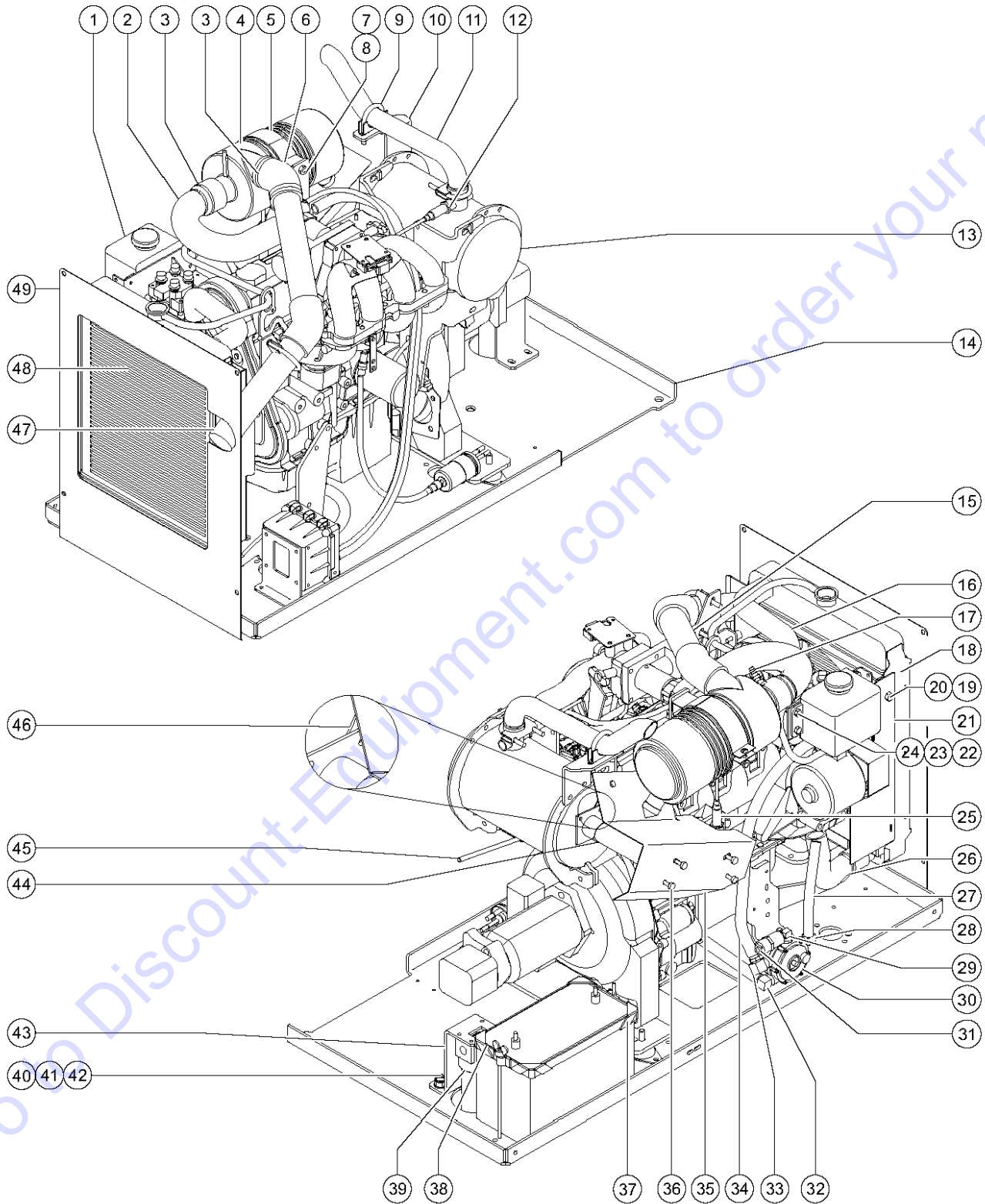
415.1 Ford LRG-425 EFI Engine - View 3 (to SN 7596)



415.1 Ford LRG-425 EFI Engine - View 3 (to SN 7596)

Item	Part No.	Description	Qty.
1	77170GT	HOSE,LOWER RADIATOR,Z45.....	1
2	13014GT	CLAMP,HOSE,2.25" DIA.....	2
3	54862GT	HOSE,UPPER RADIATOR,Z45.....	1
4	45171GT	CLAMP,HOSE,1.75,LINED.....	2
5	27943GT	CAP,RADIATOR,FORD***.....	1
6	33969GT	RADIATOR,FORD,LRG.....	1
--	28717GT	VALVE,DRAIN,FORD,BLOCK,RAD.	
7	53425-SGT	WELDMENT,RH,ENGINE MOUNT.....	1
8	8516GT	SCREW, HCC, 3/8-16 X 1.50	
9	6097GT	WASHER,FLAT,USS,3/8",Y	
10	4828GT	NUT,NYLOCK,3/8-16	
11	24038GT	SHOCK MOUNT,SMALL.....	2
12	34929GT	WELDMENT,RAD MNT LRG423.....	1
13	48425GT	NUT,FLG-LRG,3/8-16,YZ	
14	60790GT	BOLT, CARRIAGE, 3/8-16 X 1.50, G5	
15	53909GT	SCREW,HHC,5/8-11 X 4.0 GR8.....	4
16	6035GT	WASHER,FLAT,USS,5/8",Y	
17	6024GT	NUT,NYLOCK,5/8-11	
18	28076GT	ISOLATOR,VIBRATION,LG,RD&WH***...	3
19	29883GT	SCREW,HHC,5/8-11 X 1.75 GRD.8.....	3
20	6036GT	WASHER,LOCK, .625 PLTD	
21	13064GT	WASHER,FLAT, .625 HARDENED	
22	6090GT	SCREW,HHC,1/4-20 X .75	
23	6356GT	WASHER,LOCK, .25	
24	6638GT	WASHER,FLAT,USS,1/4"Y	
25		Ref. Engine Tray (refer to 436.1)	
26	45209GT	WEAR PAD,4X2X.5 W/INSERT***.....	4
27	28234P-SGT	PLATE,ENGINE MOUNT,PAINTED.....	1
28	27034GT	SCREW,HHC,M10 X 25MM,GR 8.8	
29	22700GT	WASHER,LOCK,M10	
30	32339GT	CLAMP,1.75,#28 X 3/8,RUB CUSH*.....	2
31	53290GT	WELDMENT,RH,ENGINE MOUNT.....	1
32	6198GT	NUT,NYLOCK,1/2-13	
33	6095GT	WASHER,FLAT,USS,1/2",Y	
34	10598GT	SCREW,HHC,1/2-13 X 3	
35	73612GT	SCREW,PHM,10-24X.50,SELF TAP	
36	73613GT	WASHER,STAR,#10,PLTD	
37	34942P-SGT	STRUT,RH,FORD RADIATOR,PAINT.....	2
38	219437GT	ISOLATOR, VIBRATION.....	2
39	34927P-SGT	SHROUD,RADIATOR LRG 423 BLUE**.....	1
40	34943P-SGT	MOUNT,RAD.SUPPT,LH,BLUE.....	1

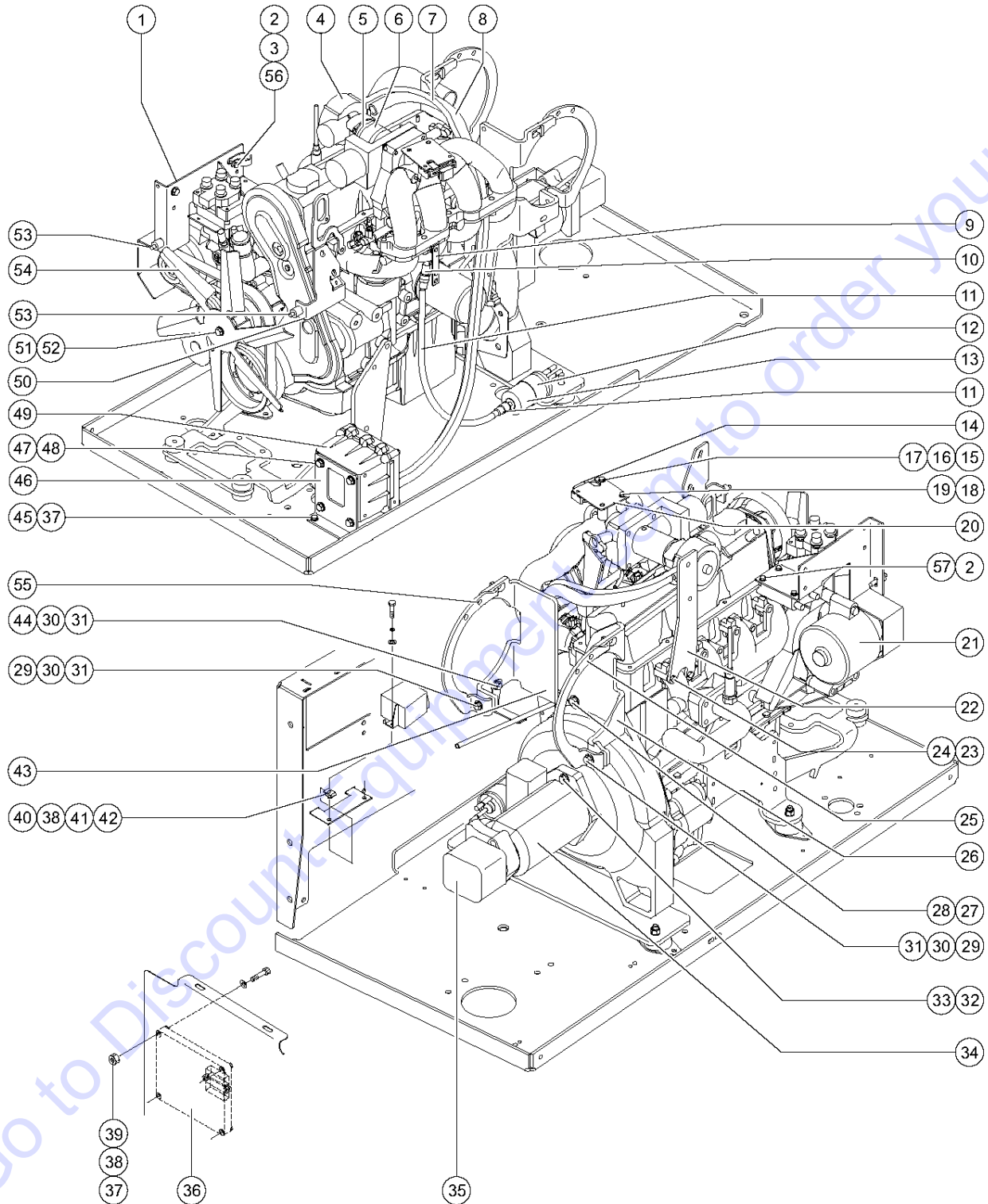
416.1 Ford LRG-425 EFI Engine - View 1 (from SN 7597 to 11066)



416.1 Ford LRG-425 EFI Engine - View 1 (from SN 7597 to 11066)

Item	Part No.	Description	Qty.	Item	Part No.	Description	Qty.
--		Ref. Engine Wire Harness (refer to 311.1)		29	19363GT	ELBOW,130239-4-4.....	1
--	52652GT	SENSOR,AIR TEMP,LRG-425 EFI***		30	70525GT	REGULATOR,LPG.....	1
1	1279268GT	BOTTLE, COOLANT RECOVERY, 2QT.....	1	31	19358GT	CONNECTOR,010102-6-4	
--	6833GT	CLAMP,0.50,#8 X 1/4,RUB CUSH		31	88757GT	VALVE,LP LOCKOUT W/CONN***	1
--	72327GT	CAP, COOLANT RET SYS(54071)		32	102098GT	ELBOW,90 DEG, 1/2 NPT X 3/4 HS.....	1
2	88847GT	HOSE,AIR CLEANER TO INTAKE.....	1	33	102073GT	ELBOW,90 DEG,3/8NPT X 1/2 FNPT.....	1
3	45435GT	CLAMP,HOSE,2.50"***	3	--	102072GT	FITTING, STR 1/2 NPT X 3/4 HS	
4	111634GT	AIR CLEANER,FORD,T3.....	1	34	823702GT	HOSE,3/4" COOLANT,44.00"LG.....	1
--	1277991GT	CLIP,AIR CLEANER COVER (58247) for 58247		35	102118GT	FORMING,HEAT SHIELD,FORD..... includes item 47	1
--	227988GT	VACUATOR VALVE		--	102072GT	FITTING, STR 1/2 NPT X 3/4 HS	
--	38922GT	ELBOW,90DEG.1/8MPT-5/16 BARB		36	32064GT	CLAMP,MUFFLER,1.75 INCH.....	2
--	58247GT	AIR CLEANER CAP/ FORD/NOLFF***		37	30144GT	BATTERY HOLD DOWN,GROUP 31.....	1
--	77295GT	FILTER ELEMENT,AIR,NOLFF LPG		38		Ref. Battery (refer to 436.1)	
5	53952GT	BRKT,AIR CLEANER ORIENTATION**	1	39		FILTER ASY,M PRESS,SAE8,WOIND* (77139).....	1
6	33361GT	ELBOW,45 DEGR,RUBBER,2.5" I.D.....	2	--	60857GT	FILTER,ELEMENT,BETA(5)=1000 for 77139	
7	10107GT	SCREW,HHC,5/16-18 X .75		39A	1267807GT	ASSY, MED. PRESS. FILTER, SAE8	
8	6782GT	NUT,NYLOCK,5/16-18		--	1268229GT	ELEMENT-5 MIC, PAPER, W/ BYPASS for 1267807	
9	102121GT	CLAMP,MUFFLER,1-7/8 IN.....	2	40	6019GT	SCREW,HHC,3/8-16 X 1.25 GRD 5	
10	102109PGT	FORMING,MUFFLER SUPPORT,PNTD.....	1	41	5397GT	WASHER,FLAT,USS,5/16",Y	
11	102009GT	TAILPIPE,FORD LRG 425, S40/S45.....	1	42	4828GT	NUT,NYLOCK,3/8-16	
12	106486GT	SENSOR,AIR,CAT MONITOR***	1	43	89596PGT	FORMING,FILTER MOUNT,PAINTED.....	1
13	106178GT	WELDMENT,MUFFLER,FORD TIER2.....	1	44	89973GT	EXHAUST PIPE ASSEMBLY, FORD.....	1
14		Ref. Engine Tray (refer to 436.1)		--	102134GT	GASKET,EXHAUST FORD TIER II	
15	102104GT	TUBE,INTAKE,2.50 OD X 15.63".....	1	45	70419GT	DIP STICK TUBE,FORD GAS.....	1
16	54862GT	HOSE,UPPER RADIATOR,Z45.....	1	--	52566GT	DIPSTICK, OIL LEVEL,LRG425 EFI	
--	22672GT	CLAMP,HOSE,1.75		46	102779PGT	FORMING,HEAT SHLD SUPPORT,PTD.....	1
17	102977GT	HOSE FITITNG,BRASS,AIR CLEANER		--	4828GT	NUT,NYLOCK,3/8-16	
18	54598PGT	SHROUD,RADIATOR,FORD LGR425,PA.....	1	--	6021GT	WASHER,LOCK,.375	
19	21019GT	SCREW,PHIL,PHM,10-24 X.5,SEMS		--	8255GT	SCREW,HHC,3/8-16 X .75	
20	6146GT	WASHER,FLAT,MS,#10,Y		47	102103GT	TUBE,INTAKE,2.50 OD X 13".....	1
21	102010PGT	FORMING,FAN GUARD,FORD,PAINTED.....	1	48	110304GT	RADIATOR,FORD/PERKINS***	1
22	6090GT	SCREW,HHC,1/4-20 X .75		--	65473GT	CAP,RADIATOR,PERKINS/FORD	
23	6638GT	WASHER,FLAT,USS,1/4"Y		49	89913PGT	FORMING,ENGINE BAFFLE,FORD,PNT.....	1
24	6091GT	NUT,NYLOCK,1/4-20		--	6021GT	WASHER,LOCK,.375	
25	52564GT	SENSOR,O2,LRG 425 EFI***	1	--	8255GT	SCREW,HHC,3/8-16 X .75	
26	77170GT	HOSE,LOWER RADIATOR,Z45.....	1				
--	13014GT	CLAMP,HOSE,2.25" DIA.					
27	1702GT	HOSE-HEATER,5/8 ID-BLACK					
28	102074GT	ELBOW,90DEG, .63 HS X.375 MPT.....	1				

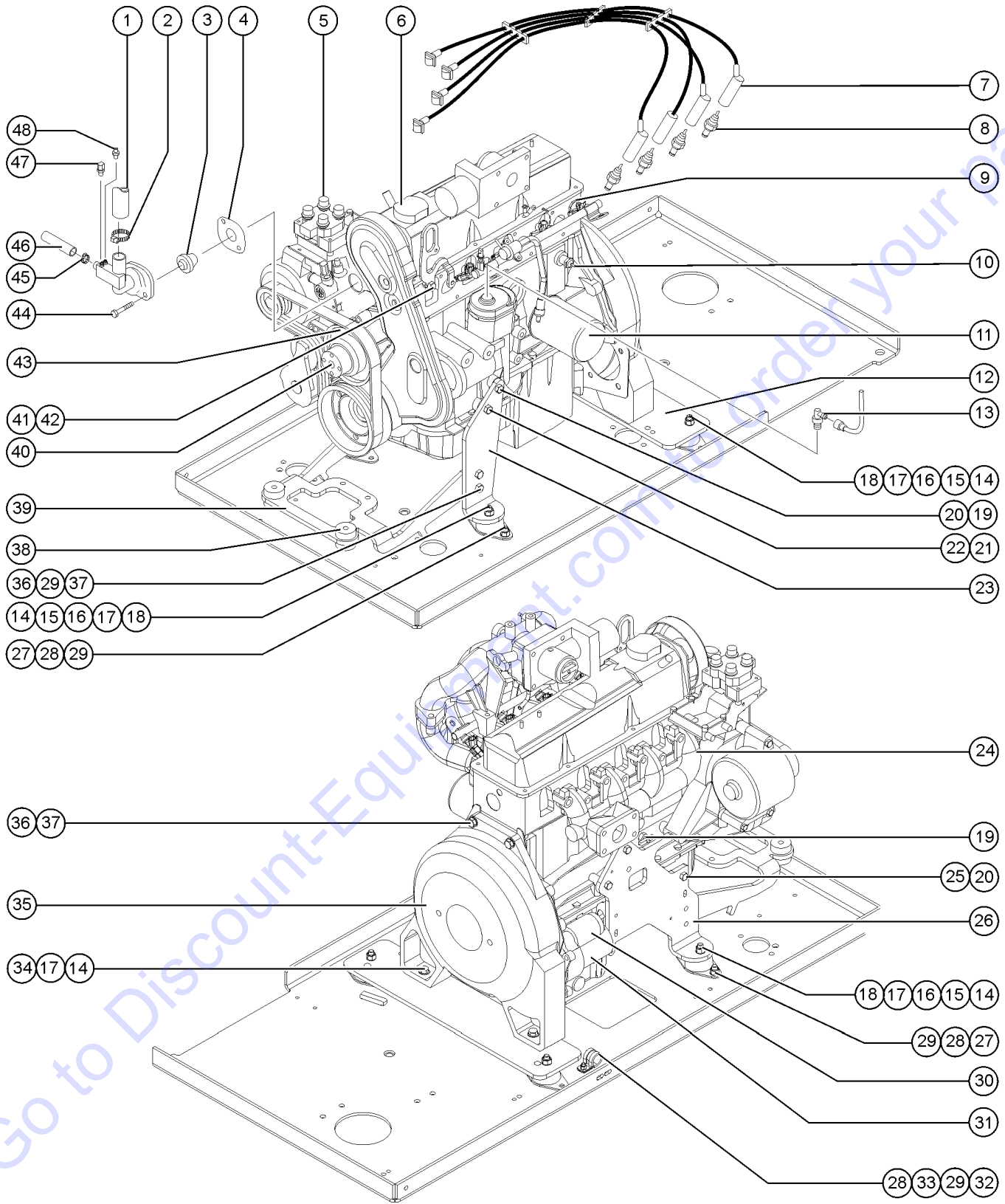
417.1 Ford LRG-425 EFI Engine - View 2 (from SN 7597 to 11066)



417.1 Ford LRG-425 EFI Engine - View 2 (from SN 7597 to 11066)

Item	Part No.	Description	Qty.	Item	Part No.	Description	Qty.
--	65770GT	BELT,TIMING,FORD LRG423/425EFI		39	6145GT	SCREW,HHC,1/4-20 X 1.5	
1	89921GT	WELDMENT,COOLANT BOTTLE MOUNT.....1	1	40	56912GT	SPRING CLIP,1/4-20,.025-.15X.54,ZAG.....2	2
2	67537GT	SCREW,HHC,M5 X 12MM		41	6356GT	WASHER,LOCK,.25	
3	49413GT	WASHER,FLAT, M5 YELLOW ZINC		42	6090GT	SCREW,HHC,1/4-20 X .75	
4	106485GT	MIXER,AIR VALVE,TIER II FORD**.....1	1	43	101127PGT	FORMING,LH MUFFLER SUPPORT PNT.....1	1
5	35434GT	CLAMP,HOSE,2.00***.....2	2	44	6019GT	SCREW,HHC,3/8-16 X 1.25 GRD 5	
6	102117GT	HOSE,2.0 ID X 2.0" LG.....1	1	45	6888GT	SCREW,HHC,1/4-20 X 1	
7	102128GT	HOSE,VAC 3/16 FORD TIER II.....1	1	46	102068PGT	FORMING,MEGAJECTOR MOUNT,PNTD.....1	1
8	102119GT	HOSE,3/4,LP.....8-inches from regulator to mixer		47	49375GT	SCREW,HHC,M6 X 16	
9	102065PGT	BAR,HARNESS CONNECTOR MOUNT.....1	1	48	49407GT	WASHER,LOCK,M6	
10	65892GT	CONN. ASSY,7.9 TUBE X6.35 HOSE.....1	1	49	70527GT	MEGAJECTOR,FUEL KIT.....1	1
11	71909GT	HOSE,FUEL,5/16 HIGH PRESSURE**		--	106491GT	HARNESS,JUMPER,MEGAJECTOR	
12	65453GT	BRACKET-FUEL FILTER (52567).....1	1	50	102013PGT	FORMING,RADIATOR SUPPORT,LH.....1	1
13	58967GT	FUEL PRESSURE REG,425EFI***.....1	1	51	75185GT	SCREW,HHC,M8X1.25X 70MM,GR8.8	
14	49898GT	MAP SENSOR, EFI.....1	1	52	49408GT	WASHER,LOCK,M8	
15	49817GT	SCREW,PHILLIPS,PHM,10-32 X1.25		53	219437GT	ISOLATOR, VIBRATION.....2	2
16	6146GT	WASHER,FLAT,MS,#10,Y		54	52076GT	FAN, LSG423/LRG425.....1	1
17	5365GT	NUT,NYLOCK,10-24		--	70489GT	SPACER,FAN TO WATERPUMP LRG425	
18	23057GT	SCREW,HHC,M8 X 20MM		55	101128PGT	FORMING,MUFFLER CLAMP, PAINTED.....1	1
19	49408GT	WASHER,LOCK,M8		56	6833GT	CLAMP,0.50,#8 X 1/4,RUB CUSH.....1	1
20	53821PGT	BRACKET,MAP SENSOR,PAINTED.....1	1	57	19872GT	WASHER,LOCK,M5,PLTD.	
21	33960GT	ALTERNATOR,LRG-423 RE-BUILT*.....1	1				
--	71910GT	TERMINAL KIT, FORD ALTERNATOR					
22	89917PGT	PLATE,AIR FILTER MOUNT,FORD.....1	1				
23	10107GT	SCREW,HHC,5/16-18 X .75					
24	6782GT	NUT,NYLOCK,5/16-18					
25	106271PGT	CLAMP,FORD MUFFLER,PAINTED.....1	1				
26	101126PGT	FORMING,RH MUFFLER SUP PAINTED.....1	1				
27	25548GT	SCREW,HHC,M10 X 40MM,GRD8					
28	22700GT	WASHER,LOCK,M10					
29	5224GT	SCREW,HHC,3/8-16 X 2					
30	6097GT	WASHER,FLAT,USS,3/8",Y					
31	4828GT	NUT,NYLOCK,3/8-16					
32	6096GT	SCREW,HHC,1/2-13 X 2 GR5					
33	6033GT	WASHER,LOCK,0.5"					
34		Ref. Drive Pump (refer to 706.1)					
35		Ref. Function Pump (refer to 706.1)					
36	106487GT	ENGINE PERFORMANCE MODULE T2**.....1	1				
37	6091GT	NUT,NYLOCK,1/4-20					
38	6638GT	WASHER,FLAT,USS,1/4"Y					

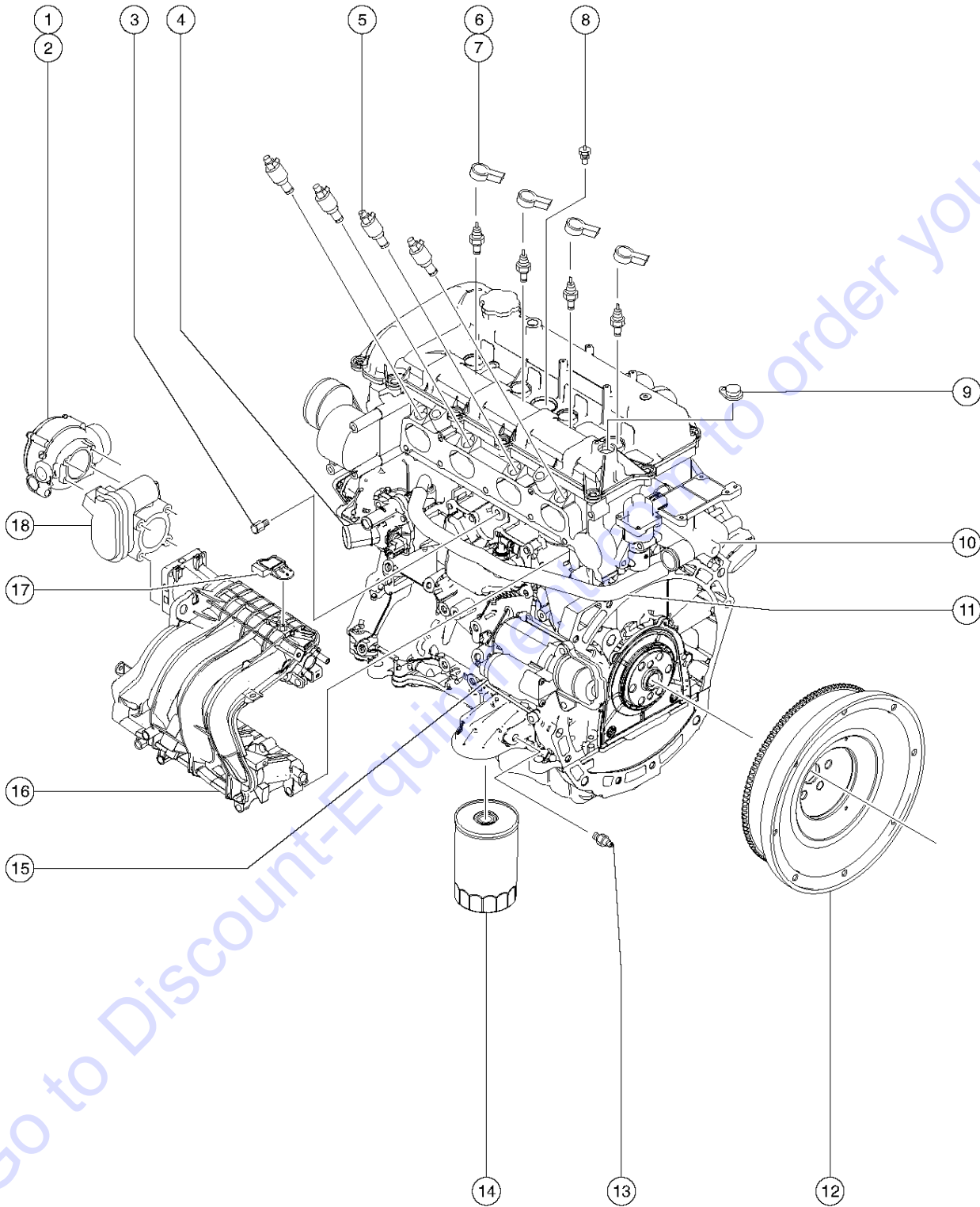
418.1 Ford LRG-425 EFI Engine - View 3 (from SN 7597 to 11066)



418.1 Ford LRG-425 EFI Engine - View 3 (from SN 7597 to 11066)

Item	Part No.	Description	Qty.	Item	Part No.	Description	Qty.
1		Ref. HOSE,UPPER RADIATOR,Z45.....1 <i>refer to 416.1</i>	1	35	64079GT	BELL HOUSING KIT, FORD 425EFI.....1 <i>kit includes; 89811 Pump Mount Housing, 89813 Flex Plate, 37003 15 tooth Hub Coupler, and 102136 Screws 7/16-14 X 1.25</i>	1
2	22672GT	CLAMP,HOSE,1.75.....1	1	--	25927GT	SCREW,HHC,M10 X 55MM,GRD 8.8	
3	33966GT	THERMOSTAT, FORD LRG.....1	1	--	37003GT	COUPLER,HUB,15 TOOTH 7/16BOLT*	
4	52575GT	GASKET,THERM.HSNG O-RING.....1	1	--	89811GT	HOUSING,PUMP MOUNT (64079)	
5	33970GT	COIL, ELECTRONIC IGN., FORD.....1	1	--	89813GT	FLEX PLATE,COUPLER (64079)	
6	49881GT	OIL FILLER CAP FOR LRG ENGINE.....1	1	36	25548GT	SCREW,HHC,M10 X 40MM,GRD8	
7	52570GT	SPARK PLUG WIRE SET, LRG425EFI....1	1	37	22700GT	WASHER,LOCK,M10	
8	106490GT	SPARK PLUG, FORD LRG425.....4	4	38	24038GT	SHOCK MOUNT,SMALL.....4	
9	89812GT	SWITCH,OIL PRESSURE ASSY.....1	1	--	15086GT	WASHER,FLAT,375 X 1.5 X .125	
10	34058GT	SENDING UNIT,TMP,FRD,GM,PRK704.....1	1	--	48425GT	NUT,FLG-LRG,3/8-16,YZ	
11	28656GT	FILTER,OIL,FORD.....1 <i>Genie genuine part</i>	1	39	101121PGT	FORMING,RADIATOR SUP PNTD.....1	
--	1259054GT	FILTER, OIL, FORD <i>Genie aftermarket</i>		40	33963GT	PUMP, WATER, WITH GASKET.....1	
12	70423PGT	REAR ENGINE MOUNT,PAINTED.....1	1	--	33964GT	GASKET, WATER PUMP	
13	33957GT	VALVE,PCV-FORD LRG***.....1	1	--	52078GT	PULLEY,FORD ENGINE,LRG-423***	
14	6198GT	NUT,NYLOCK,1/2-13		41	102794GT	SCREW,HHC,M8 X1.25X40,GRD10.9	
15	39479GT	SCREW,HHC,1/2-13 X 2.75		42	33277GT	WASHER,FLAT,M8,YELLOW ZINC	
16	70452GT	ISOLATOR,ENGINE VIBRATION***.....4	4	43	52580GT	BELT,SERPENTINE,LRG425 EFI***.....1	
17	6095GT	WASHER,FLAT,USS,1/2",Y		--	65770GT	BELT,TIMING,FORD LRG423/425EFI	
18	102066PGT	CASTING,WASHER,REBOUND,PAINTED.4	4	44	65454GT	BOLT-FLANGE,M6 X 22MM(52573)	
19	28717GT	VALVE,DRAIN,FORD,BLOCK,RAD.....1	1	45	13014GT	CLAMP,HOSE,2.25" DIA.....1	
20	44064GT	SCREW,HHC,M10 X 30MM,		46	72358GT	WATER INLET TUBE, FORD.....1	
21	25929GT	SCREW,HHC,M8 X 30MM,GRD 8.8		47	33972GT	SENSOR,COOLANT TEMP*.....1	
22	49408GT	WASHER,LOCK,M8		48	65456GT	SENDING UNIT-H20TMP LRG425EFI*...1	
23	101118PGT	ENGINE MOUNT FOOT,LH PNTD.....1	1				
24	58321GT	EXHAUST MANIFOLD,FORD TIER II.....1	1				
--	102134GT	GASKET,EXHAUST FORD TIER II					
25	22700GT	WASHER,LOCK,M10					
26	101119PGT	ENGINE MOUNT FOOT,RH PNTD.....1	1				
27	4828GT	NUT,NYLOCK,3/8-16					
28	6175GT	SCREW,HHC,3/8-16 X 1					
29	6097GT	WASHER,FLAT,USS,3/8",Y					
30	27920GT	RELAY, STARTER, Z45GP91.....1	1				
31	29606GT	RING GEAR,FORD*** <i>FITS LSG-LRG 423, AND LRG425</i>	1				
31	29616GT	STARTER,ENGINE,FORD LSG/LRG***.....1	1				
32	7713GT	NUT, LP NYLOCK, 3/8-16					
33	45454GT	CLAMP,RUB CUSH,0.75,#12 X 3/8*.....1	1				
34	22788GT	SCREW,HHC,1/2-13 X 1.75					

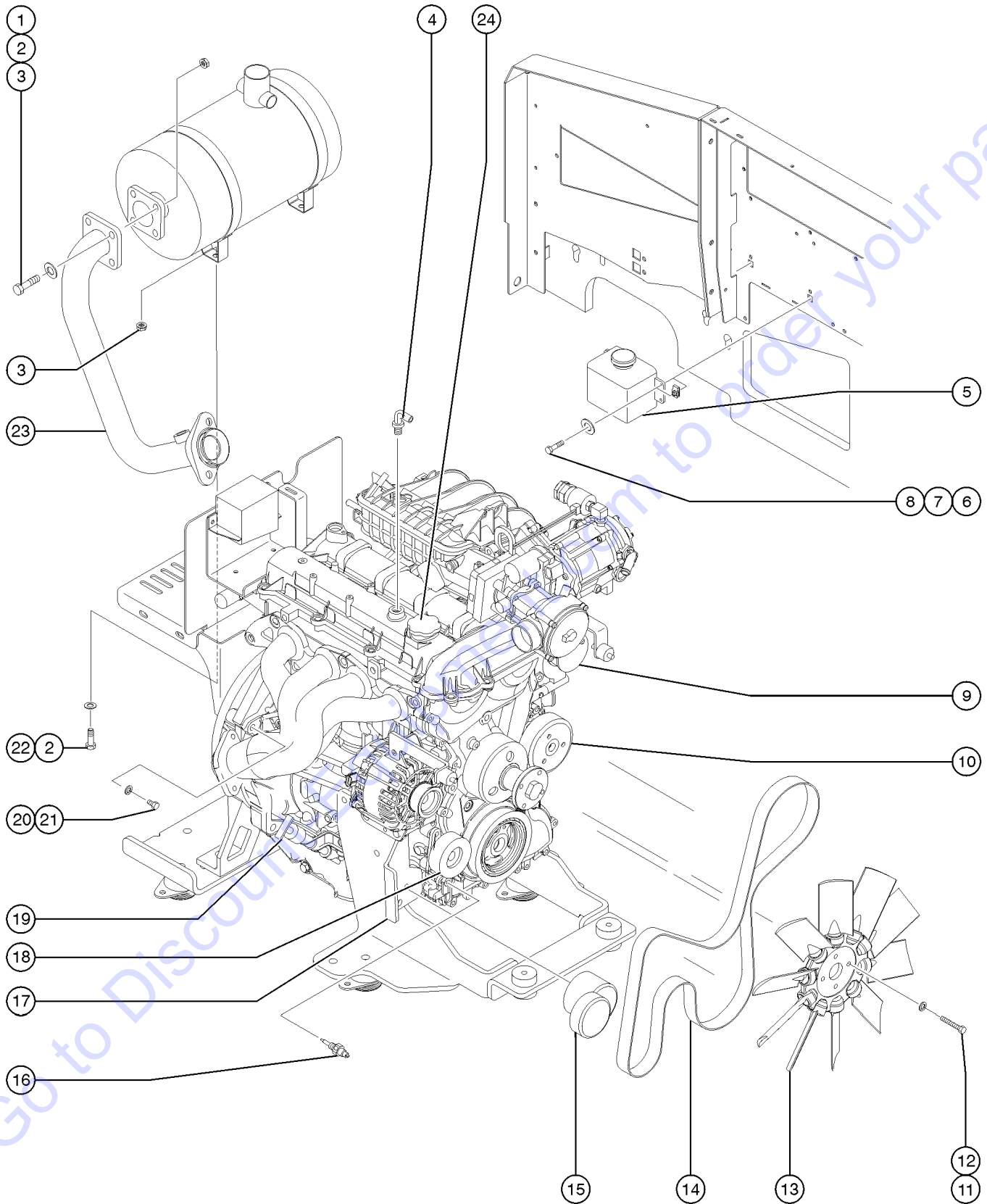
419.1 Ford DSG-423 EFI Engine - View 1 (from SN 11067 to 17231)



419.1 Ford DSG-423 EFI Engine - View 1 (from SN 11067 to 17231)

Item	Part No.	Description	Qty.	Item	Part No.	Description	Qty.
--	160548GT	KIT, 400 HR, FORD DSG-423 <i>every 400 hr service kit</i>		14	119139GT	OIL FILTER,DSG-423.....	1
1	119135GT	MIXER,LPG,DSG-423.....	1	15	119137GT	STARTER,DSG-423..... <i>Genie genuine part</i>	1
--	119500GT	GASKET,MIXER, FORD DSG423		--	1259057GT	STARTER, DSG-423RING <i>Genie aftermarket</i>	
--	119547GT	O-RING,MIXER,SMOOTHED,DSG-423		--	147428GT	HARNESS, FORD STARTER <i>from SN 15703</i>	
--	119548GT	O-RING,MIXER,RIBBED,DSG-423		16	119545GT	MANIFOLD,INTAKE FORD DSG-423.....	1
--	128165GT	RELAY,PWR/FUEL,FORD DSG423		--	119568GT	CLAMP,SPRING,1/2" <i>(for vac cap no 147016)</i>	
--	128166GT	RELAY,STARTER,FORD DSG/MSG		--	147015GT	CLAMP,SPRING,7/16"	
2	119142GT	ADAPTER,MIXER/THROTTLE BODY.....	1	--	147016GT	CAP,EPDM,5/16" <i>(for initial vacuum cap replacement order vacuum cap replacement kit no 147115)</i>	
--	119466GT	GASKET,ACTUATOR PLATE		--	147115GT	KIT, VAC CAP REPLC, DSG-423 <i>(includes clamps, caps and installation instructions)</i>	
3	119498GT	SENSOR,KNOCK DSG-423 FORD.....	1	17	119475GT	MAP SENSOR, DSG-423.....	1
4	119551GT	THERMOSTAT,FORD DSG423.....	1	18	88451GT	THROTTLE ACTUATOR*(BOSCH).....	1
5	119479GT	FUEL INJECTOR FORD DSG423,YL..... <i>yellow injector (use with control module 119169)</i>	4	--	88452GT	GASKET,THROTTLE ACTUATOR***	
--	233365GT	FUEL INJECTOR FORD DSG423, BK <i>black injector (use with control module T112018)</i>					
6	119478GT	COIL ASSEMBLY.....	4				
7	119495GT	SPARK PLUG, FORD DSG-423.....	4				
8	234005GT	SENSOR KIT, TEMPERATURE..... <i>Required for first time replacement of older temperature sensor part 119480 (kit includes sensor part 233437 and wire harness part 234006); to SN 15762</i>	1				
--	233437GT	SENSOR, FORD TEMPERATURE <i>from SN 15763</i>					
--	234006GT	WIRE HARNESS, SENSOR, TEMP <i>from SN 15763</i>					
9	119497GT	SENSOR,CAM POSITION DSG-423.....	1				
10	214803GT	KIT, DSG423 COOLANT OUTLET..... <i>Required for first time replacement of older adapter 119461 (kit includes water outlet 214796 and hose bypass 214798)</i>	1				
--	214796GT	WATER OUTLET, FORD DSG423..... <i>Previous adapter 119461 is no longer available. Order kit 214803 for first time replacement (kit includes water outlet 214796 and hose bypass 214798)</i>	1				
11	214803GT	KIT, DSG423 COOLANT OUTLET..... <i>Required for first time replacement of older hose 139780 (kit includes water outlet 214796 and hose bypass 214798)</i>	1				
--	214798GT	HOSE, COOLANT BYPASS, DSG423..... <i>Previous hose bypass 139870 is no longer available. Order kit 214803 for first time replacement (kit includes water outlet 214796 and hose bypass 214798)</i>	1				
12	119465GT	FLYWHEEL ASSEMBLY,DSG-423 FORD.....	1				
13	119481GT	SWITCH,OIL PRESSURE.....	1				

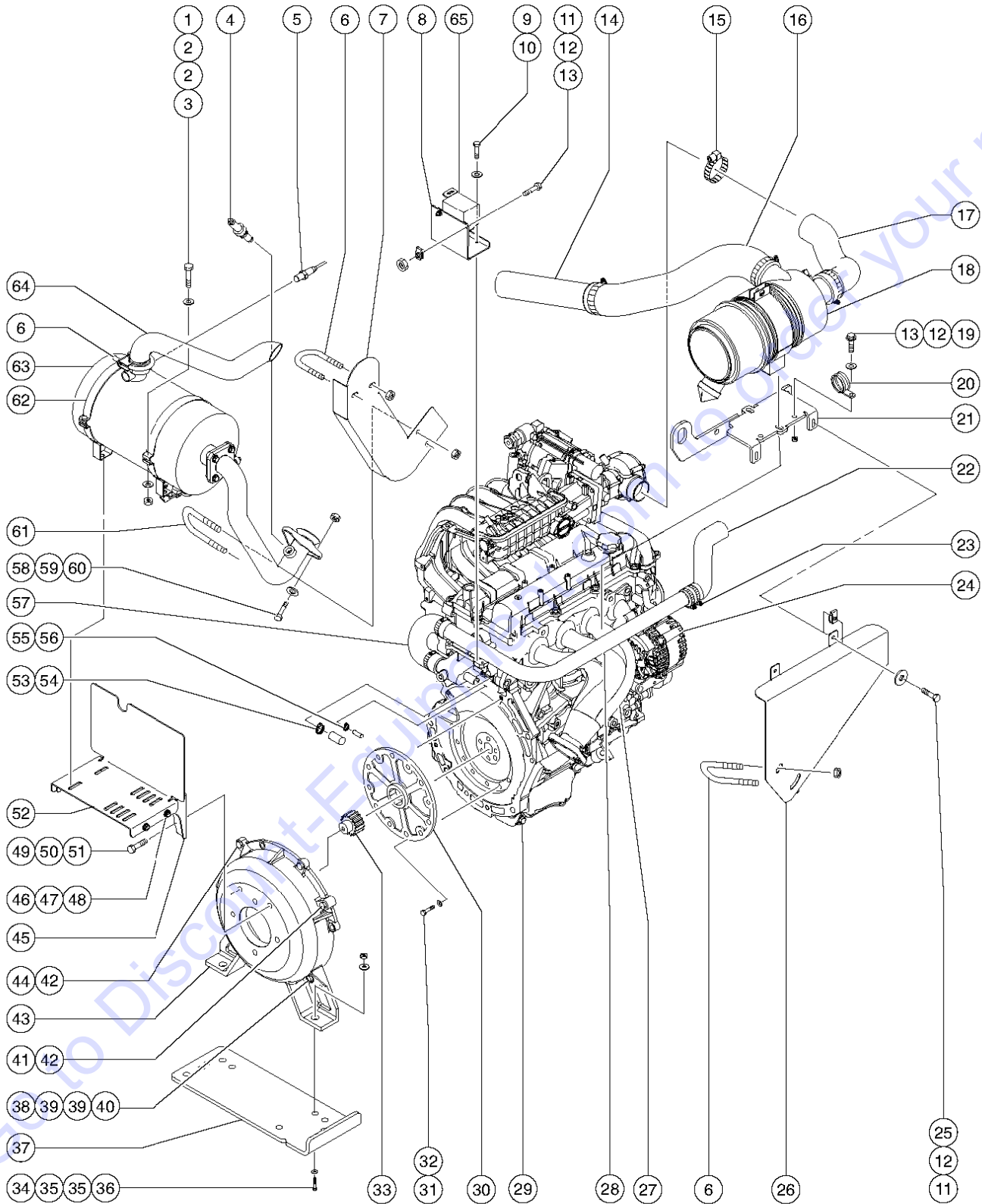
420.1 Ford DSG-423 EFI Engine - View 2 (from SN 11067 to 17231)



420.1 Ford DSG-423 EFI Engine - View 2 (from SN 11067 to 17231)

Item	Part No.	Description	Qty.
1	13000GT	SCREW,HHC,5/16-18 X 1.25	
2	5397GT	WASHER,FLAT,USS,5/16",Y	
3	18503GT	NUT,LOCKING-LG.FLANGE,5/16-18	
4	119474GT	VALVE,PCV FORD DSG-423.....1	
--	75631GT	HOSE,AIR 3/8	
5	1279268GT	BOTTLE, COOLANT RECOVERY, 2QT.....1	
--	21465GT	CLAMP,HOSE,.25" - .63" X .3125	
--	6833GT	CLAMP,0.50,#8 X 1/4,RUB CUSH	
--	72327GT	CAP, COOLANT RET SYS(54071)	
6	6145GT	SCREW,HHC,1/4-20 X 1.5	
7	6638GT	WASHER,FLAT,USS,1/4"Y	
8	56912GT	SPRING CLIP,1/4-20,.025-.15X.54,ZAG.....2	
9	215298GT	UPPER IDLER PULLEY, MSG425.....1	
--	119477GT	IDLER BRACKET	
10	119468GT	WATER PUMP W/GASKET.....1	
11	32309GT	SCREW,HHC,M8 X 60MM X 1.25	
12	49408GT	WASHER,LOCK,M8	
13	119153GT	FAN (FORD TIER 3).....1	
14	119138GT	BELT,SERPENTINE,DSG-423.....1	
15	119469GT	PULLEY AND TENSIONER,DSG423.....1	
16	119496GT	SENSOR,CRANK POSITION DSG-423.....1	
17	119471GT	BRACKET,TENSIONER.....1	
18	119544GT	LOWER IDLER FORD DSG-423.....1	
19	119473GT	DIPSTICK, FORD DSG 423.....1	
20	111744GT	Screw - SHC, M10 x 1.5 x 55 mm GR 8.8	
21	22699GT	WASHER,FLAT,M10,ZINC PLTD.	
22	13002GT	SCREW,HHC,5/16-18 X 1 GR5	
23	111608GT	WELDMENT,HEADER PIPE,FORD 2.3L.....1	
24	58632GT	CAP,OIL FILLER,FORD DSG 423	

421.1 Ford DSG-423 EFI Engine - View 3 (from SN 11067 to 17231)



421.1 Ford DSG-423 EFI Engine - View 3 (from SN 11067 to 17231)

Item	Part No.	Description	Qty.	Item	Part No.	Description	Qty.
1	14033GT	SCREW,HHC,3/8-16 X 2.75		--	119464GT	GASKET,MANIFOLD EXHAUST	
2	22692GT	WASHER,WAVE SPRG,1X.635X.015		28	112285GT	PIPE,COOLANT RETURN,FORD 2.3L...1 <i>from SN 11067 to SN 13739</i>	1
3	4828GT	NUT,NYLOCK,3/8-16		--	122221GT	PIPE,COOLANT RETURN,FORD 2.3L <i>from SN 13740</i>	
4	88450GT	SENSOR,OXYGEN LRG425EFI.....1	1	29		OIL DRAIN PLUG.....1	1
5	139610GT	SENSOR,AIR,CAT MONITOR.....1	1	30	89813GT	FLEX PLATE,COUPLER (64079).....1 <i>from SN 11067 to SN 13739</i>	1
6	32064GT	CLAMP,MUFFLER,1.75 INCH.....3	3	--	128021GT	KIT,FBA STYLE COUPLER,FORD	
7	111633GT	FORMING,HEAT SHIELD,EXH PIPE....1	1	31	55014GT	SCREW,SHC,M8 X 1.25 X 25.....6	6
8	111609PGT	BRACKET,RELAY BLOCK MOUNT,PTD.....1 <i>from SN 11067 to SN 13739</i>	1	--	49378GT	SCREW,HHC,M8 X 16	
9	67537GT	SCREW,HHC,M5 X 12MM <i>from SN 11067 to SN 13739</i>		32	33277GT	WASHER,FLAT,M8,YELLOW ZINC <i>from SN 11067 to SN 13739</i>	
10	49413GT	WASHER,FLAT, M5 YELLOW ZINC <i>from SN 11067 to SN 13739</i>		33	37003GT	COUPLER,HUB,15 TOOTH 7/16BOLT*.....1 <i>from SN 11067 to SN 13739</i>	1
11	6090GT	SCREW,HHC,1/4-20 X .75		--	128002GT	COUPLER,15 TOOTH,FBA,FORD*** <i>from SN 13740</i>	
12	6638GT	WASHER,FLAT,USS,1/4"Y		34	22788GT	SCREW,HHC,1/2-13 X 1.75	
13	6091GT	NUT,NYLOCK,1/4-20		35	6095GT	WASHER,FLAT,USS,1/2",Y	
14	94324-950GT	TUBE,RD,STL,ALUMIZD,2.5X.065.....1	1	36	6198GT	NUT,NYLOCK,1/2-13	
--	45435GT	CLAMP,HOSE,2.50****		37	110415PGT	PLATE,REAR ENGINE MOUNT,PNTD....1	1
15	45435GT	CLAMP,HOSE,2.50****.....2	2	38	128062GT	SCREW, SHC, M12 X 1.75 X 75	
16	111603GT	ASSEMBLY,HOSE,AIR INTAKE.....1	1	39	49410GT	WASHER,FLAT,M12	
--	45435GT	CLAMP,HOSE,2.50****		40	49366GT	NUT,NYLOCK,M12X1.75	
17	110422GT	HOSE,AIR,MIXER.....1	1	41	111748GT	SCREW,SHC,M10X1.5 X 60 GR8.8	
--	35434GT	CLAMP,HOSE,2.00***		42	22699GT	WASHER,FLAT,M10,ZINC PLTD.	
18	111634GT	AIR CLEANER,FORD,T3.....1	1	43	119052GT	PUMP MOUNT,FORD DSG423.....1	1
--	227988GT	VACUATOR VALVE		44	61110GT	SCREW,SHC,M10X1.5X30 GR 12.9.....3	3
--	38922GT	ELBOW,90DEG,1/8MPT-5/16 BARB		45	111611PGT	FORMING,CAT MUFFLER MNT,LOW PT.....1 <i>from SN 11067 to SN 13739</i>	1
--	53952GT	BRKT,AIR CLEANER ORIENTATION**		46	6175GT	SCREW,HHC,3/8-16 X 1	
--	77295GT	FILTER ELEMENT,AIR,NOLFF LPG		47	5397GT	WASHER,FLAT,USS,5/16",Y	
19	6888GT	SCREW,HHC,1/4-20 X 1		48	29868GT	SPRING CLIP,3/8-16,.05-.20X.73,ZAG....2	2
20	119394GT	CLAMP,1.38,#212X3/8,RUB CUSH.....3	3	49	10597GT	SCREW,HHC,1/2-13 X 1.25 GR5	
21	122077PGT	AIR CLEANER MOUNTING BRKT,PTD.....1	1	50	13066GT	WASHER,FLAT,5 HARDENED.....4	4
22	110758GT	HOSE,UPPER RADIATOR.....1	1	51	6033GT	WASHER,LOCK,0.5"	
23	45171GT	CLAMP,HOSE,1.75,LINED.....4	4	52	111604PGT	FORMING,CAT MUFFLER MOUNT,PTD.....1 <i>from SN 11067 to SN 13739</i>	1
24	119140GT	ALTERNATOR,FORD DSG423,MSG425.....1	1	--	122234PGT	WELDMENT,CAT MUFFLER SPPT,PTD <i>from SN 13740</i>	
--	227309GT	HEAT SHIELD,ALTERNATOR,FORD <i>from SN 15960</i>		53	119484GT	CAP,COOLANT 3/4.....1	1
25	56912GT	SPRING CLIP,1/4-20,.025-.15X.54,ZAG		54	46131GT	CLAMP,HOSE,.63" - 1.0" X .5".....1	1
26	111615GT	FORMING,HEAT SHLD,HEADER PIPE.....1 <i>from SN 11067 to SN 13739</i>	1	55	147016GT	CAP,EPDM,5/16".....1	1
--	122230GT	FORMING,HEAT SHIELD,HEADER <i>from SN 13740</i>		56	147015GT	CLAMP,SPRING,7/16".....1	1
27	119463GT	MANIFOLD,EXHAUST TURBO.....1	1				

421.1 Ford DSG-423 EFI Engine - View 3 (from SN 11067 to 17231)
 (continued)

Item	Part No.	Description	Qty.
57	110424GT	HOSE,RETURN,ENGINE.....	1
58	25548GT	SCREW,HHC,M10 X 40MM,GRD8	
59	22699GT	WASHER,FLAT,M10,ZINC PLTD.	
60	22700GT	WASHER,LOCK,M10	
61	102121GT	CLAMP,MUFFLER,1-7/8 IN.....	1
62	119051GT	MOUNTING BAND,MUFFLER,8.0".....	2
63	111666GT	WELDMENT,MUFFLER,DSG423.....	1
64	111697GT	TUBE,EXHAUST PIPE 2.3L FORD T3....	1
65	237856GT	FUSE BOX COVER	
--	237857GT	FUSE BOX RELAY STICKER	
--	237858GT	FUSE BOX MOUNTING,LEFT	
--	237859GT	FUSE BOX MOUNTING,RIGHT	

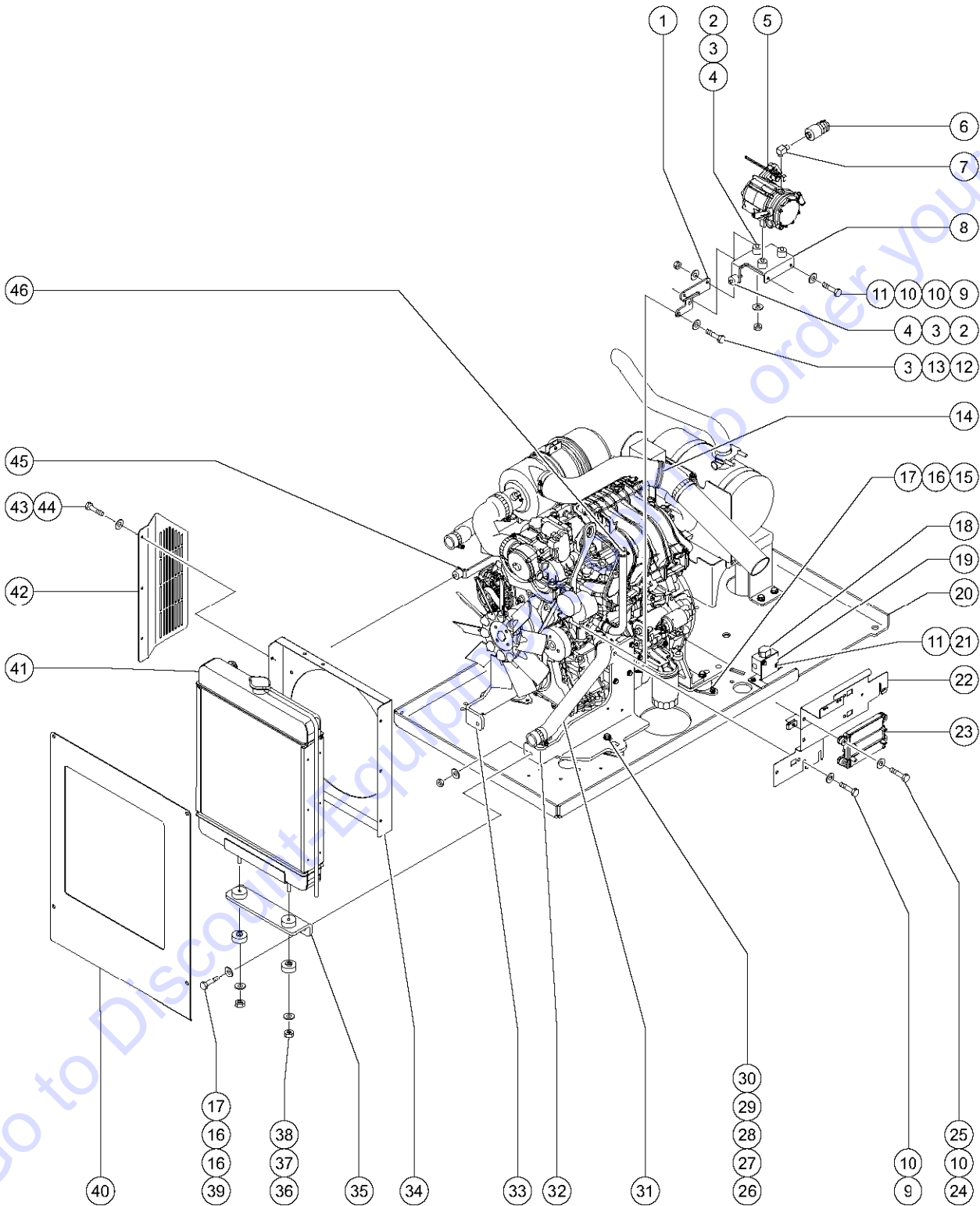
Go to Discount-Equipment.com to order your parts

421.1 Ford DSG-423 EFI Engine - View 3 (from SN 11067 to 17231)
(continued)

This Page Intentionally Left Blank

Go to Discount-Equipment.com to order your parts

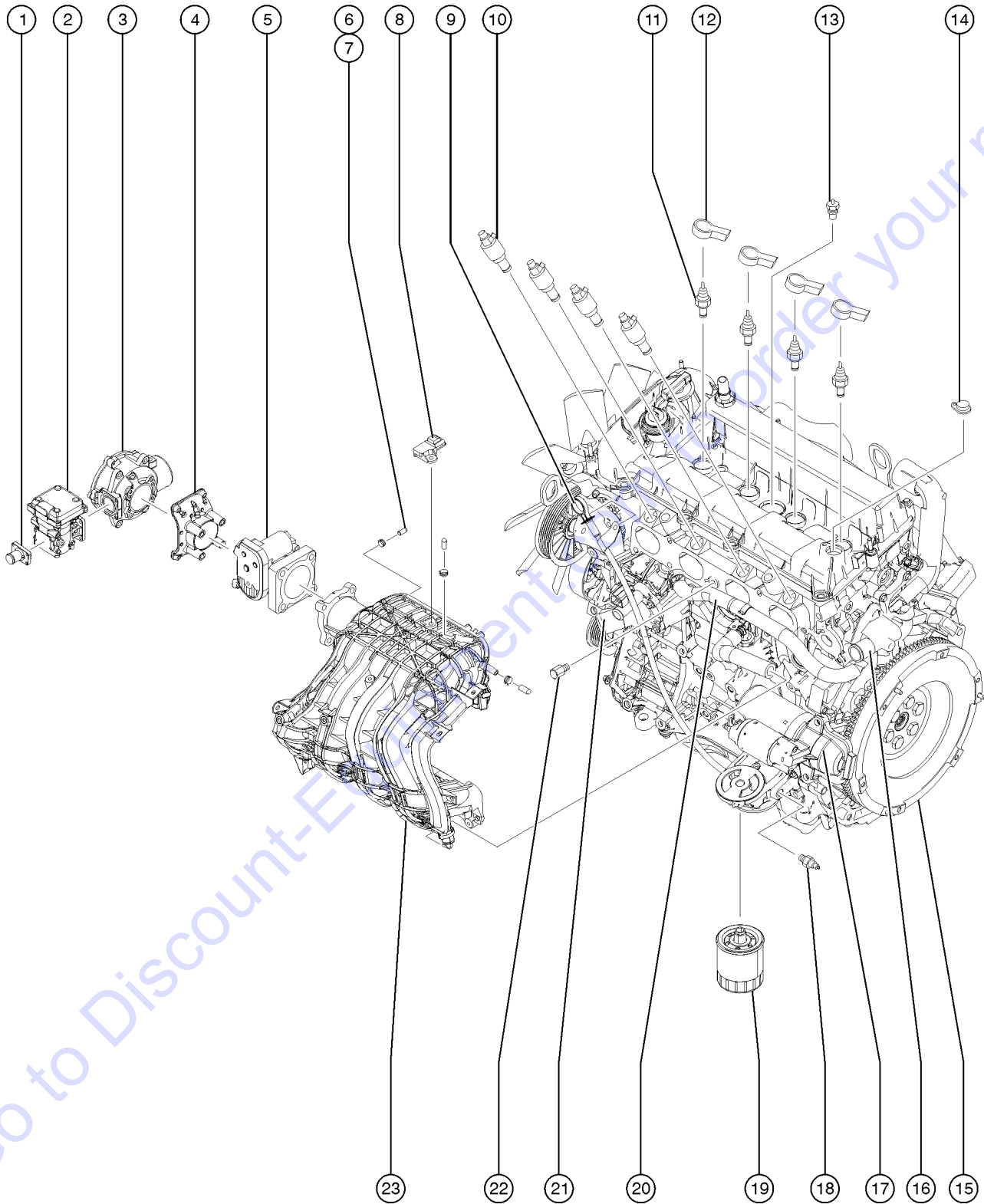
422.1 Ford DSG-423 EFI Engine - View 4 (from SN 11067 to 17231)



422.1 Ford DSG-423 EFI Engine - View 4 (from SN 11067 to 17231)

Item	Part No.	Description	Qty.	Item	Part No.	Description	Qty.
1	110892PGT	BRACKET,REGULATOR SUPPORT,PNTD.....	1	34	110413GT	FORMING,FAN SHROUD.....	1
2	110919GT	ISOLATOR,VIBRATION,M8 M/M.....	4	35	110417PGT	FORMING,RADIATOR SUPPORT,PNTD.....	1
3	33277GT	WASHER,FLAT,M8,YELLOW ZINC		36	48425GT	NUT,FLG-LRG,3/8-16,YZ	
4	25368GT	NUT,NYLOCK,M8X1.25		37	15086GT	WASHER,FLAT,375 X 1.5 X .125	
5	119826GT	REGULATOR,LPG,DSG-423.....	1	38	24038GT	SHOCK MOUNT,SMALL.....	4
--	102119GT	HOSE,3/4,LP <i>from regulator to mixer</i>		39	8516GT	SCREW, HCC, 3/8-16 X 1.50	
--	119546GT	KIT,FITTING,REGULATOR DSG-423		40	111632PGT	FORMING,RAD SHROUD,S40/45,PTD...1	
6	119232GT	LOCKOFF,LP,FORD DSG/MSG.....	1	41	110406GT	RADIATOR,FORD DSG423 & MSG425.....	1
7	119824GT	ELBOW,90DEG,5502-04-04-B.....	1	41B	131589GT	HOSE,OVERFLOW,RADIATOR	
8	110890PGT	FORMING,REGULATOR MOUNT,PTD...1		41C	65473GT	CAP,RADIATOR,PERKINS/FORD	
9	67349GT	SCREW,HHC,M8 X 50		42	111341GT	FORD TIII FAN GUARD W/DECALS.....1	
10	6638GT	WASHER,FLAT,USS,1/4"Y		--	122017PGT	FORMING, FAN GUARD, PTD	
11	6091GT	NUT,NYLOCK,1/4-20		43	21019GT	SCREW,PHIL,PHM,10-24 X.5,SEMS	
12	8255GT	SCREW,HHC,3/8-16 X .75		44	6146GT	WASHER,FLAT,MS,#10,Y	
13	49408GT	WASHER,LOCK,M8		45	110419PGT	FORMING,RADIATOR BRACE LFT,PTD.....	1
14	70257GT	CLAMP,3.0,#48 X 1/4,RUB CUSH.....	1	--	18503GT	NUT,LOCKING-LG.FLANGE,5/16-18	
15	6175GT	SCREW,HHC,3/8-16 X 1		--	219437GT	ISOLATOR, VIBRATION	
16	6097GT	WASHER,FLAT,USS,3/8",Y		46	119073GT	HOSE,COOLANT,REG INTAKE.....	1
17	4828GT	NUT,NYLOCK,3/8-16		--	119053GT	CLAMP,HOSE,1.50	
18	119170GT	FUEL SENSOR ASSY.....	1				
19	111699PGT	FORMING,FUEL PRES.REG MNT,PTD.....	1				
20		Ref. Engine Tray (refer to 436.1)					
21	4266GT	SCREW,HHC,1/4-20 X 2					
22	112283GT	FORMING,FORD GCP MOUNT.....	1				
23A	119169GT	CONTROL MODULE,DSG-423..... <i>to SN 15762 excluding SN 13787 (models with YELLOW fuel injectors)</i>	1				
23B	T112018GT	CONTROL MODULE,DSG-423 <i>from SN 15763 including SN 13787 (models with BLACK fuel injectors)</i>					
24	6145GT	SCREW,HHC,1/4-20 X 1.5					
25	56912GT	SPRING CLIP,1/4-20,.025-.15X.54,ZAG					
26	6198GT	NUT,NYLOCK,1/2-13					
27	39479GT	SCREW,HHC,1/2-13 X 2.75					
28	70452GT	ISOLATOR,ENGINE VIBRATION***	4				
29	6095GT	WASHER,FLAT,USS,1/2",Y					
30	102066PGT	CASTING,WASHER,REBOUND,PAINTED.2					
31	110423GT	HOSE,LOWER RADIATOR.....	1				
--	119053GT	CLAMP,HOSE,1.50					
32	110416PGT	FORMING,LEFT ENGN SUPPORT,PNTD.....	1				
33	111339GT	FORD T3 ENG MT.OUTBOARD W/DECA.....	1				

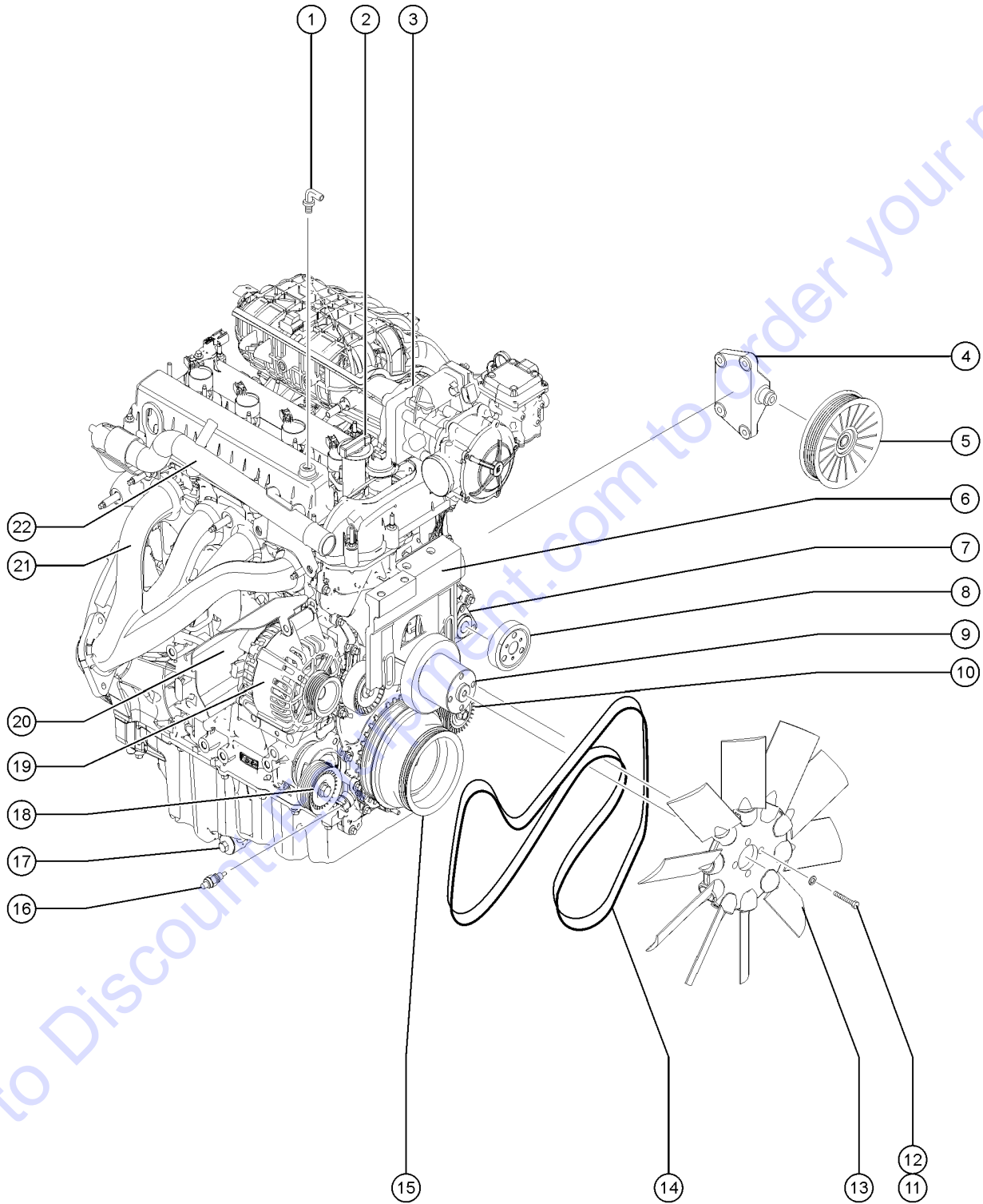
423.1 Ford MSG-425 EFI Engine - View 1 (from SN 17232)



423.1 Ford MSG-425 EFI Engine - View 1 (from SN 17232)

Item	Part No.	Description	Qty.	Item	Part No.	Description	Qty.
--	128165GT	RELAY,PWR/FUEL,FORD DSG423		--	217823GT	STARTER PLUG SEAL, MSG425	
--	128166GT	RELAY,STARTER,FORD DSG/MSG		18	215301GT	SWITCH, OIL PRES, MSG425.....1	1
1	215285GT	FITTING, DEPR LP, MSG425.....1 <i>(sold seperately) (for 215284)</i>	1	19	119139GT	OIL FILTER,DSG-423.....1	1
2	215284GT	REGULATOR,LP PRESSURE,MSG425.....1	1	19A	1277968GT	SEPERATOR ASSY,OIL,FORD MSG.....1	1
--	215286GT	FITTING, DEPR COOLANT, MSG425 <i>(sold seperately) (for 215284)</i>		20	215302GT	HOSE, COOLANT BYPASS, MSG425....1	1
3	215280GT	MIXER, MSG425.....1	1	21	215310GT	THERMOSTAT W/HOUSING, MSG425.....1	1
--	119546GT	KIT,FITTING,REGULATOR DSG-423 <i>for 215280</i>		22	215309GT	SENSOR, KNOCK, MSG425.....1	1
--	215281GT	O-RING, SMOOTH, MSG425		23	215305GT	INTAKE MANIFOLD, MSG425.....1	1
--	215282GT	O-RING, RIBBED, MSG425		23A	1277969GT	GASKET,INTAKE MANIFOLD,MSG 425.....1 <i>for 215305</i>	1
4	215283GT	ADAPTER, MIXER/THRO, MSG425.....1	1				
5	88451GT	THROTTLE ACTUATOR*(BOSCH).....1	1				
--	88452GT	GASKET,THROTTLE ACTUATOR***					
6	217820GT	CAP, INT. MFLD. VAC, MSG425.....2	2				
7	119568GT	CLAMP,SPRING,1/2".....3	3				
8	119475GT	MAP SENSOR, DSG-423.....1	1				
9		OIL INDICATOR, MSG425.....1 <i>Previous dipstick part 215297 is no longer available; customers before SN 17862 must order kit 220229 for first time replacement</i>	1				
--	220229GT	KIT, DIPSTICK, MSG425 <i>to SN 17861</i>					
--	220230GT	DIPSTICK, MSG425 <i>from SN 17862</i>					
--	220231GT	O-RING,DIPSTICK,MSG425 <i>(not shown, use with dipstck part 220230)</i>					
--	18506GT	SCREW 5/16-18 X .75 LG.FLG.LCK. <i>(not shown, use to mount dipstck part 220230)</i>					
--	6638GT	WASHER,FLAT,USS,1/4"Y <i>(not shown, use to mount dipstck part 220230)</i>					
--	6002GT	NUT,LP NYLOCK,5/16-18 <i>(not shown, use to mount dipstck part 220230)</i>					
10	215299GT	INJECTOR, FUEL, MSG425.....4	4				
11	215287GT	SPARK PLUG, MSG425.....4	4				
12	215314GT	COIL ASSY, MSG425.....4	4				
13	215300GT	SENSOR, CYL. HEAD TEMP, MSG425.....1	1				
14	215308GT	SENSOR, CAM POS, MSG425.....1	1				
15	215278GT	FLYWHEEL ASSY, MSG425.....1	1				
16	215275GT	ADAPTER, WATER CONN, MSG425....1	1				
17	1264894GT	KIT, HD STARTER INSTALL, MSG-4.....1	1				
--	128166GT	RELAY,STARTER,FORD DSG/MSG					

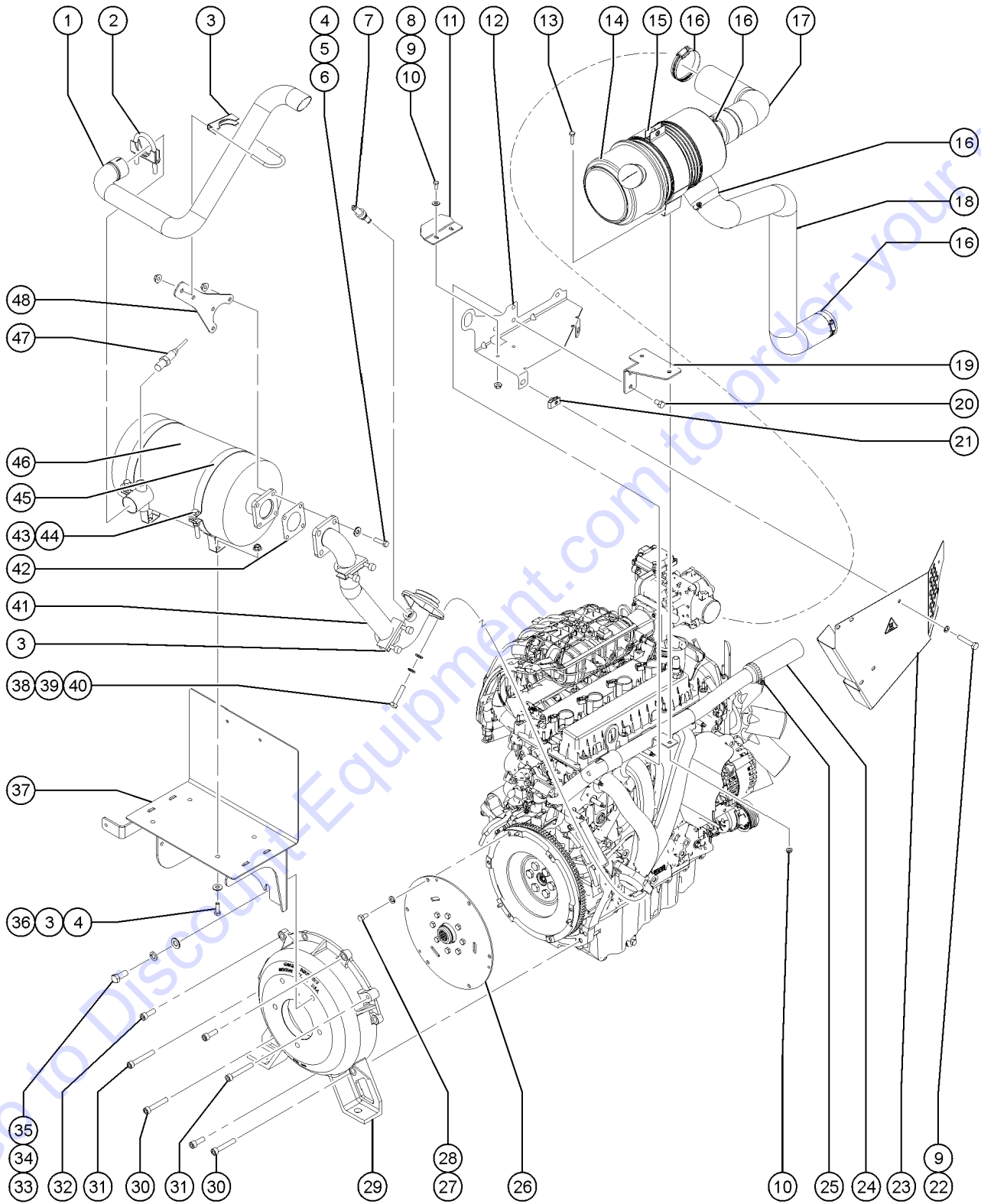
424.1 Ford MSG-425 EFI Engine - View 2 (from SN 17232)



424.1 Ford MSG-425 EFI Engine - View 2 (from SN 17232)

Item	Part No.	Description	Qty.
1	119474GT	VALVE,PCV FORD DSG-423.....	1
--	75631GT	HOSE,AIR 3/8	
2	58632GT	CAP,OIL FILLER,FORD DSG 423.....	1
3	215279GT	PLATE, INT. MFLD ADAP, MSG425	
4	119477GT	IDLER BRACKET.....	1
5	215298GT	UPPER IDLER PULLEY, MSG425.....	1
6	1283575GT	KIT,FAN SUPPORT RETRO,FORD MSG.....	1
		<i>For first time replacement</i>	
--	1283571GT	BRACKET,FAN,FORD MSG.....	1
		<i>included in kit 1283575GT</i>	
--	1283572GT	BRACKET,IDLER,FORD MSG.....	1
		<i>included in kit 1283575GT</i>	
--	1283573GT	BOLT, BRACKET, SUPPORT,FORD MSG.....	2
		<i>included in kit 1283575GT</i>	
--	1283574GT	SCREW,HHC,M8X1.25.80.....	1
		<i>included in kit 1283575GT</i>	
7	215288GT	WATER PUMP, MSG425.....	1
8	215289GT	WATER PUMP PULLEY, MSG425.....	1
9	215271GT	FAN PULLEY, MSG425.....	1
--	215270GT	FAN SPACER, MSG425	
10	215313GT	LOWER IDLER PULLEY, MSG425.....	1
11	32309GT	SCREW,HHC,M8 X 60MM X 1.25.....	1
12	49408GT	WASHER,LOCK,M8.....	1
13	215269GT	FAN, MSG425.....	1
14	215291GT	BELT, FEAD, MSG425.....	1
		<i>(shown)</i>	
--	215274GT	FAN DRIVE BELT, MSG425 <i>Fan belt (not shown)</i>	
15	215273GT	CRANK PULLEY, EXT, MSG425.....	1
16	215307GT	SENSOR, CRANK POS, MSG425.....	1
17	215311GT	PLUG, OIL DRAIN, MSG425.....	1
18	215290GT	PULLEY/TENSIONER, MSG425.....	1
19	119140GT	ALTERNATOR,FORD DSG423,MSG425.....	1
--	217824GT	CHARGE WIRE, MSG425	
20	227309GT	HEAT SHIELD,ALTERNATOR,FORD.....	1
21	215276GT	EXHAUST MANIFOLD, MSG425.....	1
		<i>to SN 18155</i>	
--	119463GT	MANIFOLD,EXHAUST TURBO <i>from SN 18156</i>	
--	215277GT	GASKET, MSG425	
--	217822GT	NUT, EXH. MANIFOLD, MSG425	
--	823816GT	GASKET,EXHAUST,FORD MSG	
22	236373GT	PIPE,COOLANT RETURN, MSG425	

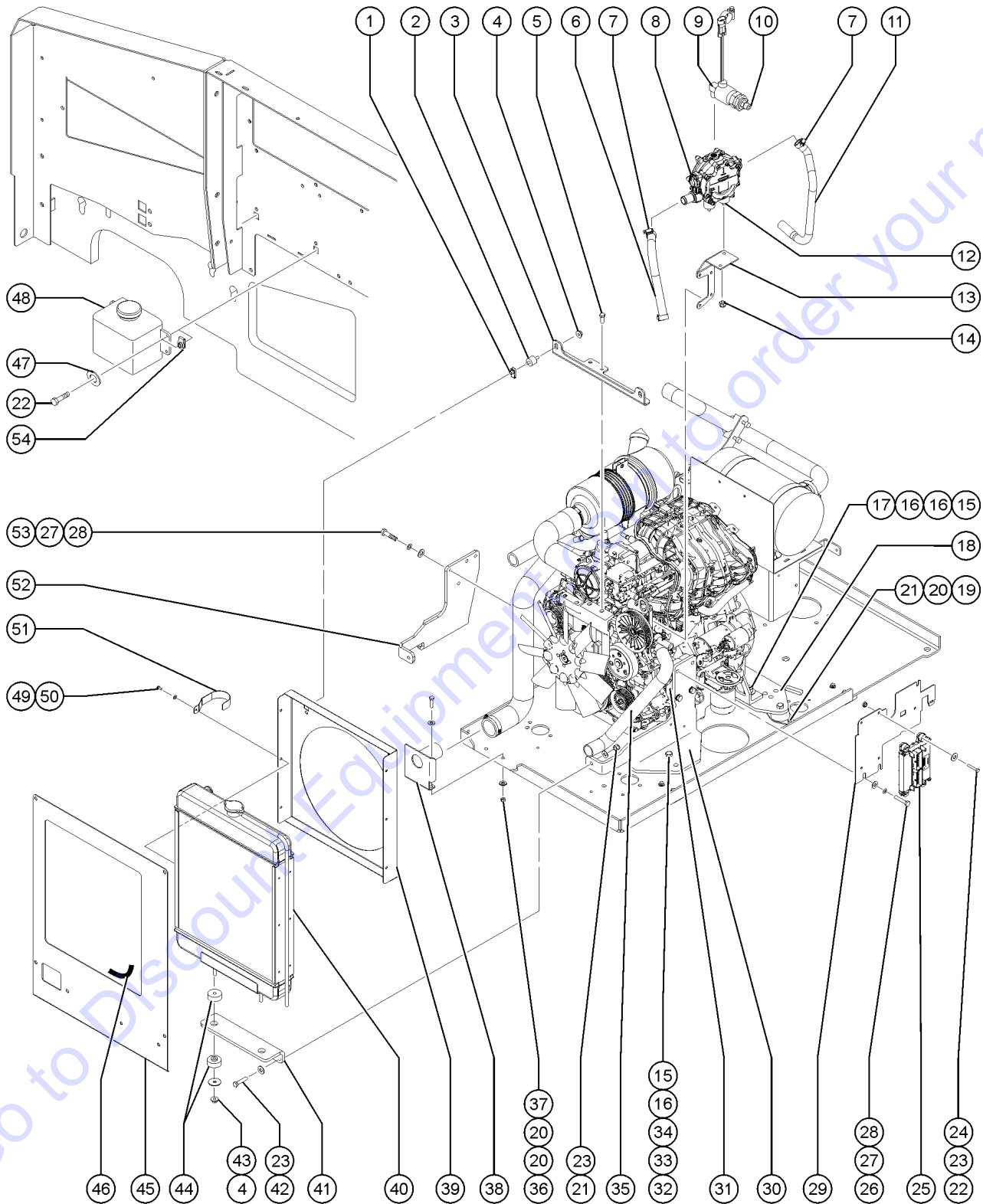
425.1 Ford MSG-425 EFI Engine - View 3 (from SN 17232)



425.1 Ford MSG-425 EFI Engine - View 3 (from SN 17232)

Item	Part No.	Description	Qty.	Item	Part No.	Description	Qty.
1	236811GT	EXHAUST PIPE, S40 MSG425		31	215544GT	SHCS, M10-1.5X70MM, CL12.9.....	2
2	102121GT	CLAMP,MUFFLER,1-7/8 IN.....	1	32	61110GT	SCREW,SHC,M10X1.5X30 GR 12.9.....	3
3	32064GT	CLAMP,MUFFLER,1.75 INCH.....	3	33	10597GT	SCREW,HHC,1/2-13 X 1.25 GR5	
4	18503GT	NUT,LOCKING-LG.FLANGE,5/16-18		34	6033GT	WASHER,LOCK,0.5"	
5	5397GT	WASHER,FLAT,USS,5/16",Y		35	13066GT	WASHER,FLAT,.5 HARDENED	
6	13000GT	SCREW,HHC,5/16-18 X 1.25		36	13002GT	SCREW,HHC,5/16-18 X 1 GR5	
7	215320GT	SENSOR, O2, MSG425.....	1	37	215709GT	WELDMENT,CAT MOUNT,MSG425.....	1
8	6099GT	CABLE ASSEMBLY SL 408"		38	128061GT	SCREW, HHC, M10 X 1.5 X 50	
9	6638GT	WASHER,FLAT,USS,1/4"Y		39	22700GT	WASHER,LOCK,M10	
10	18504GT	NUT,LOCKING-LG.FLANGE,1/4-20		40	22699GT	WASHER,FLAT,M10,ZINC PLTD.	
11	218742GT	FORMING,MFLD GUARD,MSG425 from SN 17959		41A	110407GT	WELDMENT,HEADER PIPE..... to SN 17958	1
12A	216368GT	FORMING,HEAT SHIELD MOUNT..... to SN 17958	1	41B	218576GT	WDMT,HEADER PIPE,MSG425..... from SN 17959	1
12B	218668GT	FORMING, HEAT SHIELD MOUNT..... from SN 17959	1	42	72343GT	GASKET,EXH FLANGE-FORD/PERKINS.....	1
13	6888GT	SCREW,HHC,1/4-20 X 1		43	14033GT	SCREW,HHC,3/8-16 X 2.75.....	2
14	111634GT	AIR CLEANER,FORD,T3.....	1	44	4828GT	NUT,NYLOCK,3/8-16	
--	111634GT	AIR CLEANER,FORD,T3		45	119051GT	MOUNTING BAND,MUFFLER,8.0".....	2
--	1277991GT	CLIP,AIR CLEANER COVER (58247) for 58247		46	215528GT	WDMT, CAT. MUFFLER, MSG425.....	1
--	227988GT	VACUATOR VALVE		47	139610GT	SENSOR,AIR,CAT MONITOR.....	1
--	38922GT	ELBOW,90DEG.1/8MPT-5/16 BARB		48	236832GT	TAILPIPE MOUNT , S40 MSG425.....	1
--	58247GT	AIR CLEANER CAP/ FORD/NOLFF***					
--	77295GT	FILTER ELEMENT,AIR,NOLFF LPG					
15	53952GT	BRKT,AIR CLEANER ORIENTATION**.....	1				
16	45435GT	CLAMP,HOSE,2.50"***.....	4				
17	237146GT	HOSE, CLEAN AIR, MSG425.....	1				
18	235659GT	HOSE, RAW AIR, MSG425.....	1				
19	216367GT	FORMING ,AIR CLEANER MOUNT.....	1				
20	33681GT	SCREW,HHC,3/8-16 X .625					
21	56912GT	SPRING CLIP,1/4-20,.025-.15X.54,ZAG					
22	7339GT	SCREW,HHC,1/4-20 X .5					
23A	236341GT	HEAT SHIELD, MSG425..... to SN 17958	1				
23B	160541GT	WDMT, HEAT SHIELD, MSG425..... from SN 17959	1				
24	236338GT	HOSE,UPPER RADIATOR,MSG425					
25	36208GT	CLAMP,HOSE,1.25***.....	2				
26	214446GT	COUPLER,15T,FBA,SAE 8,MSG425.....	1				
27	49378GT	SCREW,HHC,M8 X 16					
28	6021GT	WASHER,LOCK,.375					
29	119052GT	PUMP MOUNT,FORD DSG423.....	1				
30	111748GT	SCREW,SHC,M10X1.5 X 60 GR8.8.....	2				

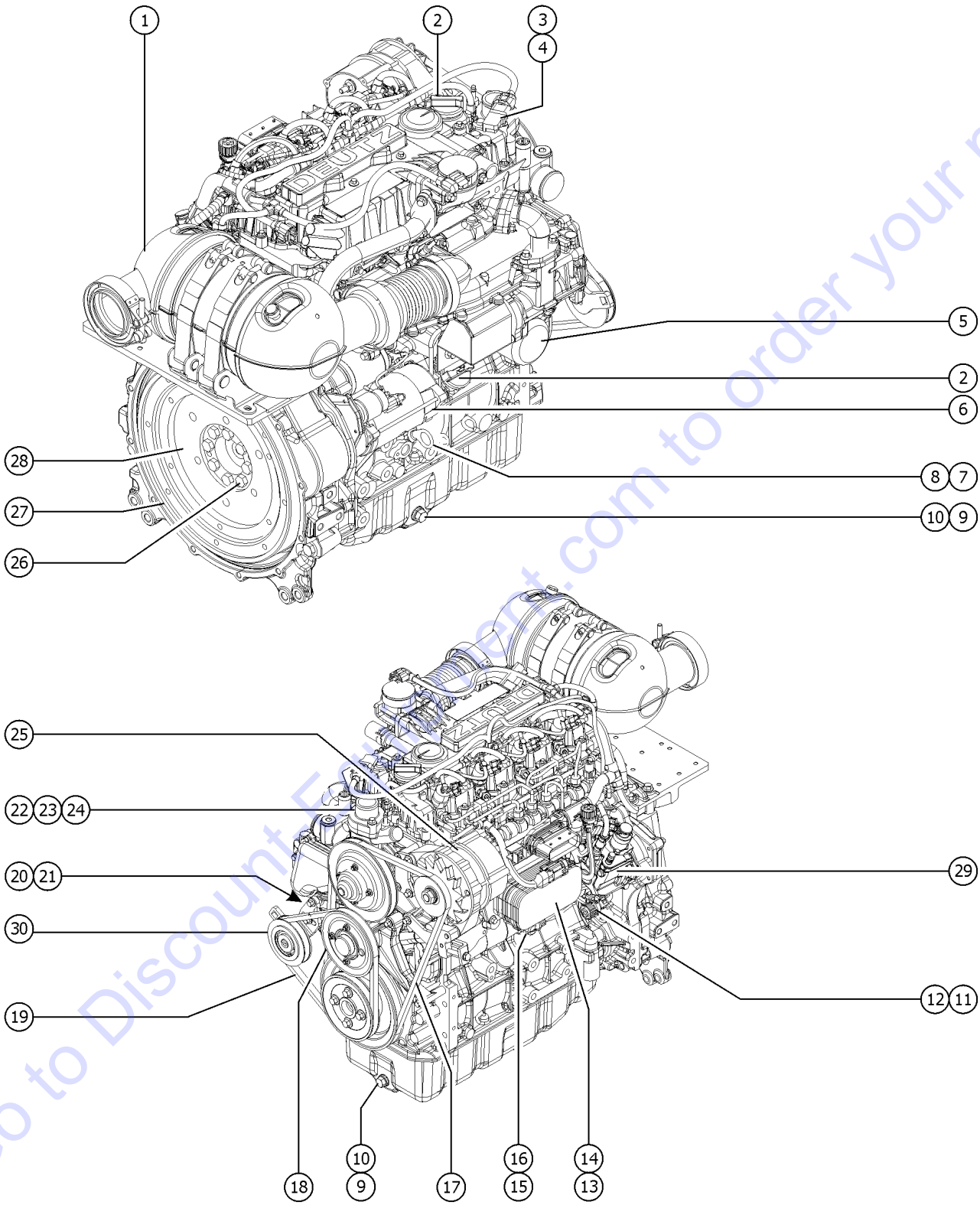
426.1 Ford MSG-425 EFI Engine - View 4 (from SN 17232)



426.1 Ford MSG-425 EFI Engine - View 4 (from SN 17232)

Item	Part No.	Description	Qty.	Item	Part No.	Description	Qty.
1	36456GT	SPRING CLIP,5/16-18,.025-.15X.....	2	41	110417PGT	FORMING,RADIATOR SUPPORT,PNTD.....	1
2	219437GT	ISOLATOR, VIBRATION.....	2	42	13918GT	SCREW,HHC,3/8-16 X 1.75,GRD.8	
3	237780GT	FORMING, RAD SUPPORT, MSG425....	1	43	15086GT	WASHER,FLAT,.375 X 1.5 X .125	
4	48425GT	NUT,FLG-LRG,3/8-16,YZ		44	24038GT	SHOCK MOUNT,SMALL.....	4
5	49381GT	SCREW,HHC,M12 X 30		45	237474GT	RADIATOR SHROUD, S40 MSG425.....	1
6	1702GT	HOSE-HEATER,5/8 ID-BLACK.....	1	46	119218GT	TRIM,EDGE,1/8X3/4 SIDE BULB.....	8-inches
7	46131GT	CLAMP,HOSE,.63" - 1.0" X .5".....	4	47	6638GT	WASHER,FLAT,USS,1/4"Y	
8	215316GT	REGULATOR, LP, MSG425.....	1	48	1279268GT	BOTTLE, COOLANT RECOVERY, 2QT.....	1
--	219477GT	ISOLATOR, DEPR		--	106226GT	TUBING,VINYL,1/2" CLEAR	
9	119232GT	LOCKOFF,LP,FORD DSG/MSG.....	1	--	21465GT	CLAMP,HOSE,.25" - .63" X .3125	
10	19358GT	CONNECTOR,010102-6-4.....	10	--	6833GT	CLAMP,0.50,#8 X 1/4,RUB CUSH	
11	236340GT	HOSE, COOLANT, VAP, MSG425.....	1	--	72327GT	CAP, COOLANT RET SYS(54071)	
12	219477GT	ISOLATOR, DEPR.....	12	49	21019GT	SCREW,PHIL,PHM,10-24 X.5,SEMS	
13	236423GT	FORMING, LP REG MOUNT, MSG425...1		50	6146GT	WASHER,FLAT,MS,#10,Y	
14	219478GT	FLANGE NUT, MSG425		51	237385GT	HOSE HANGER, MSG425.....	2
15	6198GT	NUT,NYLOCK,1/2-13		52	236421GT	ENGINE MOUNT, RIGHT, MSG425.....	1
16	6095GT	WASHER,FLAT,USS,1/2",Y		53	44064GT	SCREW,HHC,M10 X 30MM,.....	4
17	22788GT	SCREW,HHC,1/2-13 X 1.75		54	56912GT	SPRING CLIP,1/4-20,.025-.15X.54,ZAG	
18	236422GT	ENGINE MOUNT, REAR, MSG425					
19	6019GT	SCREW,HHC,3/8-16 X 1.25 GRD 5					
20	5397GT	WASHER,FLAT,USS,5/16",Y					
21	4828GT	NUT,NYLOCK,3/8-16					
22	6145GT	SCREW,HHC,1/4-20 X 1.5					
23	6097GT	WASHER,FLAT,USS,3/8",Y					
24	6091GT	NUT,NYLOCK,1/4-20					
25	215317GT	CONTROL MODULE, MSG425.....	1				
26	25927GT	SCREW,HHC,M10 X 55MM,GRD 8.8....	4				
27	22700GT	WASHER,LOCK,M10.....	8				
28	22699GT	WASHER,FLAT,M10,ZINC PLTD.....	8				
29	236425GT	FORMING, ECU MOUNT, MSG425.....	1				
30	236420GT	ENGINE MOUNT, LEFT, MSG425.....	1				
31	110477GT	PLATE,ENGINE SUPPORT SPACER....	1				
32	39479GT	SCREW,HHC,1/2-13 X 2.75					
33	70452GT	ISOLATOR,ENGINE VIBRATION***	4				
34	102066GT	CASTING,WASHER,REBOUND					
35	236339GT	HOSE, LOWER RADIATOR, MSG425....	1				
36	6782GT	NUT,NYLOCK,5/16-18					
37	13000GT	SCREW,HHC,5/16-18 X 1.25					
38	237793GT	TUBE, INTAKE ADAPTER, MSG425.....	1				
39	236364GT	FAN SHROUD, MSG425.....	1				
40A	110406GT	RADIATOR,FORD DSG423 & MSG425.....	1				
40B	119484GT	CAP,COOLANT 3/4					

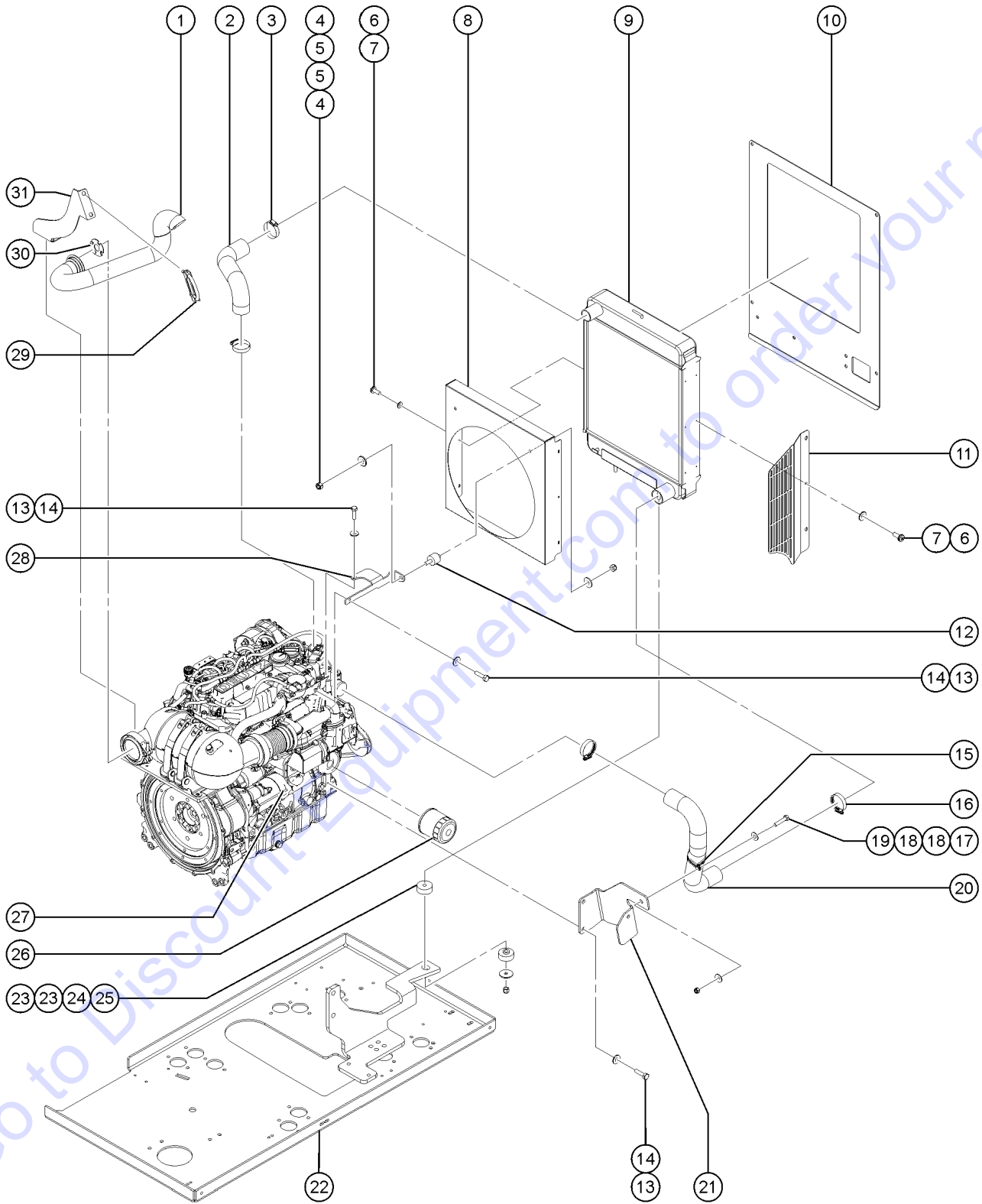
427.1 Deutz D2.9L4 Engine, View 1 (from SN 18351)



427.1 Deutz D2.9L4 Engine, View 1 (from SN 18351)

Item	Part No.	Description	Qty.	Item	Part No.	Description	Qty.
--		<i>Due to Tier 4 regulations, many engine replacement parts require engine serial number at time of order placement. When ordering engine parts please have both machine and engine serial numbers available. For internal engine parts, contact engine dealer.</i>		19	1262867GT	V-BELT, DEUTZ.....	1
--	237188GT	ENGINE KIT, DEUTZ D2.9L4		20	1262894GT	SENSOR,CAM/CRANKSHAFT POSITION..... <i>hidden from view (camshaft)</i>	1
--	1259717GT	MANUAL, DEUTZ D2.9 ENGINE.....	1	21	1262899GT	O-RING, CAMSHAFT POSITION SENSOR..... <i>hidden from view</i>	1
--	1262870GT	GLOW PLUG, DEUTZ.....	4	22	1262877GT	THERMOSTAT HOUSING.....	1
--	1262871GT	SEAL, FRONT ENGINE,DEUTZ.....	1	23	1262876GT	THERMOSTAT,DEUTZ.....	1
--	1262872GT	SEAL, REAR ENGINE,DEUTZ.....	1	24	1262878GT	GASKET, THERMOSTAT HOUSING.....	1
--	1272624GT	KIT,WATER PUMP 2.9 L4..... <i>includes fasteners and 1262874 pump</i>	1	25	236251GT	ALTERNATOR,95 AMP,DEUTZ.....	1
--	1262875GT	O-RING, WATER PUMP.....	1	26	1262873GT	BOLT, DEUTZ FLYWHEEL.....	8
--	1259654GT	INTAKE BREATHER.....	1	27	89785GT	RING GEAR,DEUTZ F3L2011F.....	1
--	1277974GT	PINS,CONNECTOR,INJ HARNESS,D2.9		28	1259660GT	FLYWHEEL, SAE 8/10..... <i>order with item #26, PN 1262873, qty 8</i>	1
--	1285110GT	KIT,HOSE ASSY RAD VENT		29	1279653GT	PUMP,FUEL,HI PRESS,DEUTZ TD2.9....	1
--	1285349GT	KIT,THERMOSTAT CONVERSION		30	1279631GT	PULLEY,BELT TENSIONER,D2.9L4.....	1
--	1285111GT	INSTRUCTIONS ORIFICE VENT ASSEMBLY <i>For kits 1285110 and 1285349</i>					
1	1262890GT	OXIDATION CATALYST,DEUTZ.....	1				
2	29557GT	CAP,OIL FILLER,DEUTZ,DIESEL***.....	2				
3	1262896GT	SENSOR,INTAKE AIR PRESSURE.....	1				
4	1262897GT	O-RING, INTAKE AIR PRESSURE SENSOR.....	1				
5	49924GT	FILTER,OIL,DEUTZ F4L1011F.....	1				
6	1254594GT	STARTER,3.2KW,DEUTZ D2.9.....	1				
--	1262868GT	BOLT, DEUTZ STARTER <i>not included sold seperately</i>					
7	825708GT	DIPSTICK,TD2.9.....	1				
8	1262881GT	ORING, OIL DIP STICK.....	1				
9	102587GT	PLUG,ENGINE OIL,DEUTZ F4L2011.....	2				
10	108538GT	RING / SEALING.....	2				
11	1262894GT	SENSOR,CAM/CRANKSHAFT POSITION..... <i>(crankshaft)</i>	1				
12	1262895GT	O-RING, CRANKSHAFT POSITION SENSOR.....	1				
13	1260357GT	OIL COOLER,TD2.9.....	1				
14	1262883GT	GASKET, OIL COOLER, DEUTZ.....	1				
15	824673GT	SENSOR,LOW PRESSURE,DEUTZ 2.9L.....	1				
16	1262893GT	O-RING, OIL PRESSURE SENSOR.....	1				
17	1262866GT	FAN BELT, ALTERNATOR.....	1				
18	236248GT	PULLEY ASSEMBLY,ALTERNATOR,TCD.....	1				

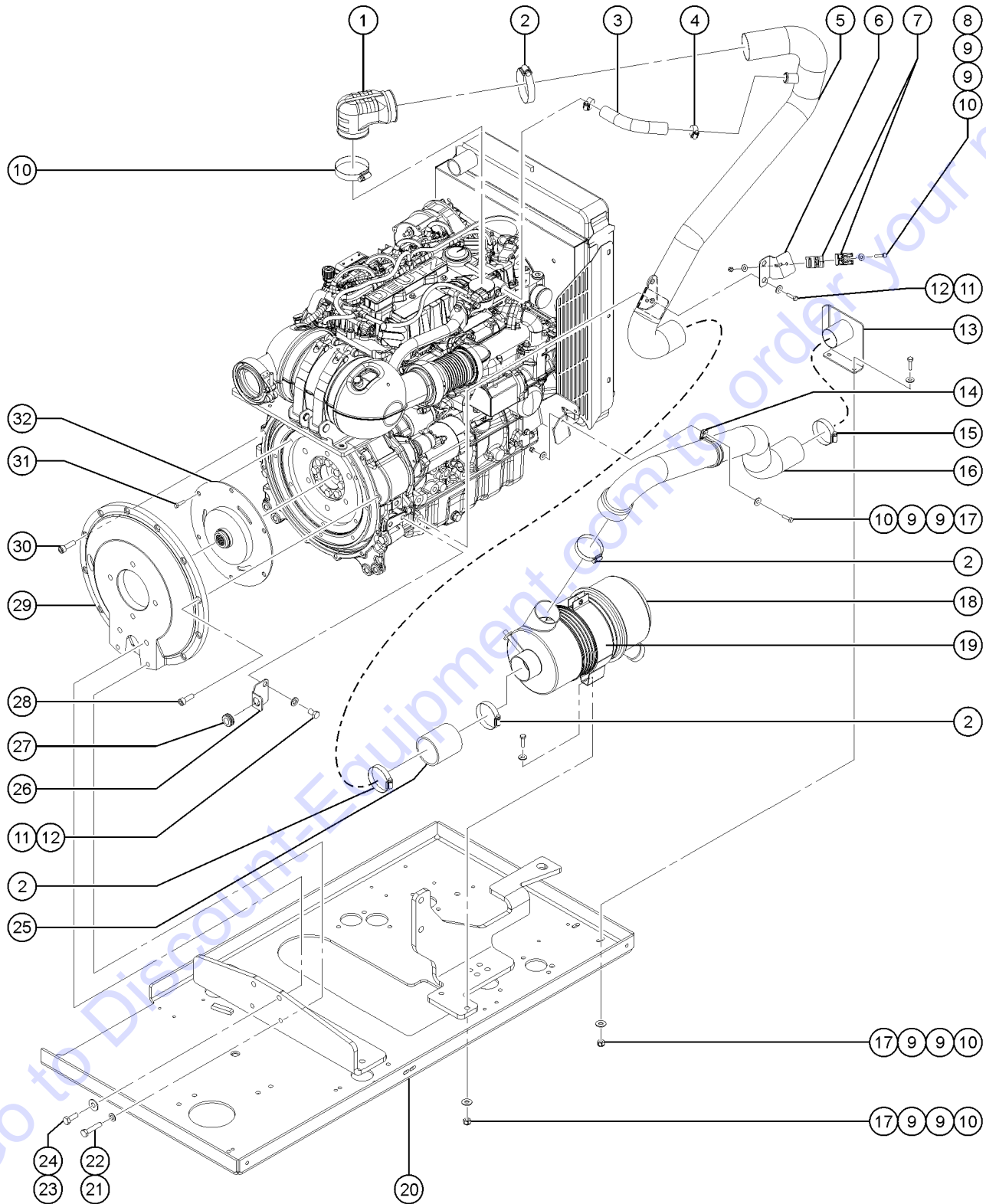
428.1 Deutz D2.9L4 Engine, View 2 (from SN 18351)



428.1 Deutz D2.9L4 Engine, View 2 (from SN 18351)

Item	Part No.	Description	Qty.	Item	Part No.	Description	Qty.
--		<i>Due to Tier 4 regulations, many engine replacement parts require engine serial number at time of order placement. When ordering engine parts please have both machine and engine serial numbers available. For internal engine parts, contact engine dealer.</i>		30	1260373GT	FORMING, EXHAUST RESTRICTOR, S.....1 <i>included in tail pipe kit 1263120</i>	1
--	1257838GT	HARNES,INJECTOR,DEUTZ D2.9		31	1260175GT	FORMING, EXHAUST SUPPORT, S40, DEUTZ.....1 <i>included in tail pipe kit 1263120 (refer to 430.1 for fasteners)</i>	1
1	1263120GT	KIT,TAILPIPE,DEUTZ D2.9L,S-40/45 <i>Includes tail pipe 1260208 and items 29-31</i>					
2	237193GT	HOSE,UPPER RADIATOR,DEUTZ D2.9.....1	1				
3	22672GT	CLAMP,HOSE,1.75.....2	2				
4	6782GT	NUT,NYLOCK,5/16-18					
5	5397GT	WASHER,FLAT,USS,5/16",Y					
6	21019GT	SCREW,PHIL,PHM,10-24 X.5,SEMS					
7	6146GT	WASHER,FLAT,MS,#10,Y					
8	237192GT	FAN SHROUD,DEUTZ D2.9.....1	1				
9	214685GT	RADIATOR, CAPLESS, DEUTZ D 2.9.....1	1				
10		Ref. BAFFLE, DEUTZ D2.9 ENGINE.....1 <i>(refer to 309.1)</i>	1				
11	215476GT	FORMING,FAN GUARD, DEUTZ D2.9.....1	1				
12	219437GT	ISOLATOR, VIBRATION.....1	1				
13	49378GT	SCREW,HHC,M8 X 16					
14	33277GT	WASHER,FLAT,M8,YELLOW ZINC					
15	87188GT	CLAMP,2.38,#38 X 3/8 RUB CUSH.....1	1				
16	35434GT	CLAMP,HOSE,2.00***.....2	2				
17	6888GT	SCREW,HHC,1/4-20 X 1					
18	6638GT	WASHER,FLAT,USS,1/4"Y					
19	6091GT	NUT,NYLOCK,1/4-20					
20	237194GT	HOSE,LOWER RADIATOR,DEUTZ D2.9.....1	1				
21	215442GT	FORMING,HOSE BRACKET.....1	1				
22		Ref. Engine Tray <i>(refer to 436.1)</i>					
23	24038GT	SHOCK MOUNT,SMALL.....2	2				
24	15086GT	WASHER,FLAT,.375 X 1.5 X .125.....2	2				
25	48425GT	NUT,FLG-LRG,3/8-16,YZ.....2	2				
26	49924GT	FILTER,OIL,DEUTZ F4L1011F.....1 <i>Genie Genuine Part. See PN 1255653 for compatible aftermarket replacement.</i>	1				
--	1255653GT	FILTER,OIL,DEUTZ,REPLACEMENT.....1 <i>Genie Aftermarket Part. Compatible with Genie Genuine Part 49924.</i>	1				
27	1254594GT	STARTER,3.2KW,DEUTZ D2.9.....1	1				
28	214237GT	FORMING,RAD BRACE,DEUTZ D2.9.....1	1				
29	71911GT	CLAMP,MUFFLER, 2.50 INCH.....1 <i>included in tail pipe kit 1263120</i>	1				

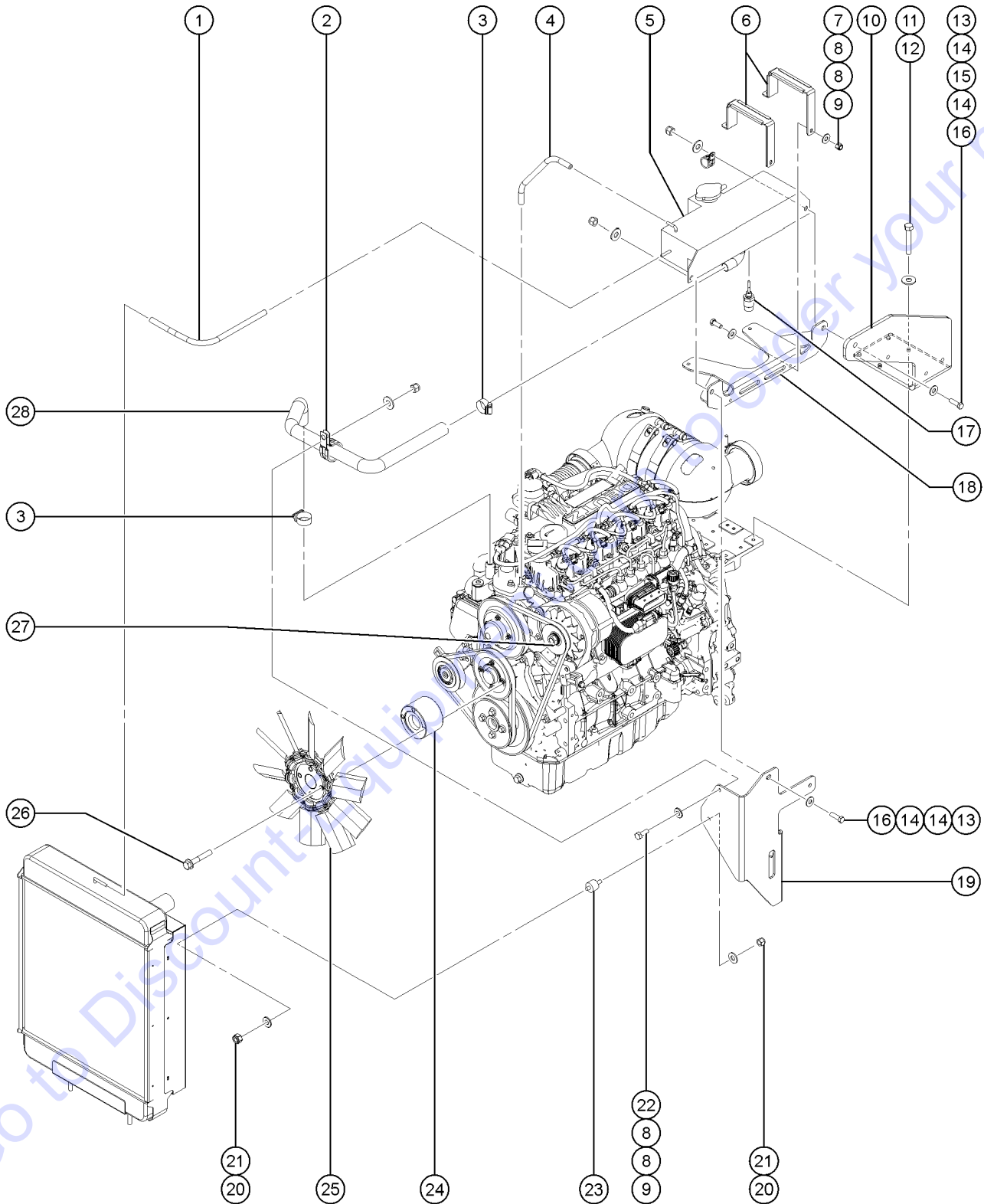
429.1 Deutz D2.9L4 Engine, View 3 (from SN 18351)



429.1 Deutz D2.9L4 Engine, View 3 (from SN 18351)

Item	Part No.	Description	Qty.
--		<i>Due to Tier 4 regulations, many engine replacement parts require engine serial number at time of order placement. When ordering engine parts please have both machine and engine serial numbers available. For internal engine parts, contact engine dealer.</i>	
1	214686GT	AIR INTAKE ELBOW,90 DEGREE.....	1
2	45435GT	CLAMP,HOSE,2.50"***	4
3	823525GT	HOSE,PCV,DEUTZ.....	1
4	30348GT	CLAMP,HOSE,1.00.....	2
5	214640GT	WELDMENT,AIR PIPE.....	1
6	825939GT	FORMING, CLAMP, BATTERY CABLE...1	
7	78736GT	CLAMP,2 HOSE,PLASTIC,5/8.....	2
8	6145GT	SCREW,HHC,1/4-20 X 1.5	
9	6638GT	WASHER,FLAT,USS,1/4*Y	
10	6091GT	NUT,NYLOCK,1/4-20	
11	27585GT	SCREW,HHC,M12 X 20MM	
12	49410GT	WASHER,FLAT,M12	
13	237794GT	WDMT, INTAKE ADAPTER, MSG425.....	1
14	101626GT	CLAMP,2.5,#40 X 1/4,RUB CUSH.....	1
15	35434GT	CLAMP,HOSE,2.00***	2
16	237195GT	HOSE, RAW AIR, DEUTZ D2.9.....	1
17	6888GT	SCREW,HHC,1/4-20 X 1	
18	63463GT	AIR CLEANER,NELSON***.....	1
--	52866GT	EVACUATOR VALVE-AIR CLEANER	
--	58415GT	CLIP,AIR CLEANER END CAP***	
--	62420GT	FILTER,AIR***	
--	65810GT	BAFFLE, AIR CLEANER (27915)**	
19	53952GT	BRKT,AIR CLEANER ORIENTATION**	1
20		Ref. Engine Tray (refer to 436.1)	
21	67631GT	SCREW,HHC,M10 X 80 GR 8.8.....	2
22	22699GT	WASHER,FLAT,M10,ZINC PLTD.....	2
23	54177GT	SCREW,HHC,1/2-13 X 1.5 GRD 8.....	2
24	6095GT	WASHER,FLAT,USS,1/2",Y	
25	34162-300GT	HOSE,AIR INTAKE 2.50" ID.....	1
26	824680GT	FORMING, BRACKET, BATTERY CABLE.....	1
27	60584GT	GROMMET,RUBBER .75 X .19 X 1**	
28	61110GT	SCREW,SHC,M10X1.5X30 GR 12.9.....	9
29	70381GT	COVER,FLYWHEEL CASTING.....	1
30	1251588GT	SCREW,SHC,M10X1.5X35 GR 12.9.....	1
31	49388GT	SCREW,HHC,M10 X 1.5 X 16.....	1
32	128004GT	COUPLER,15 TOOTH,FBA,SAE8***.....	1

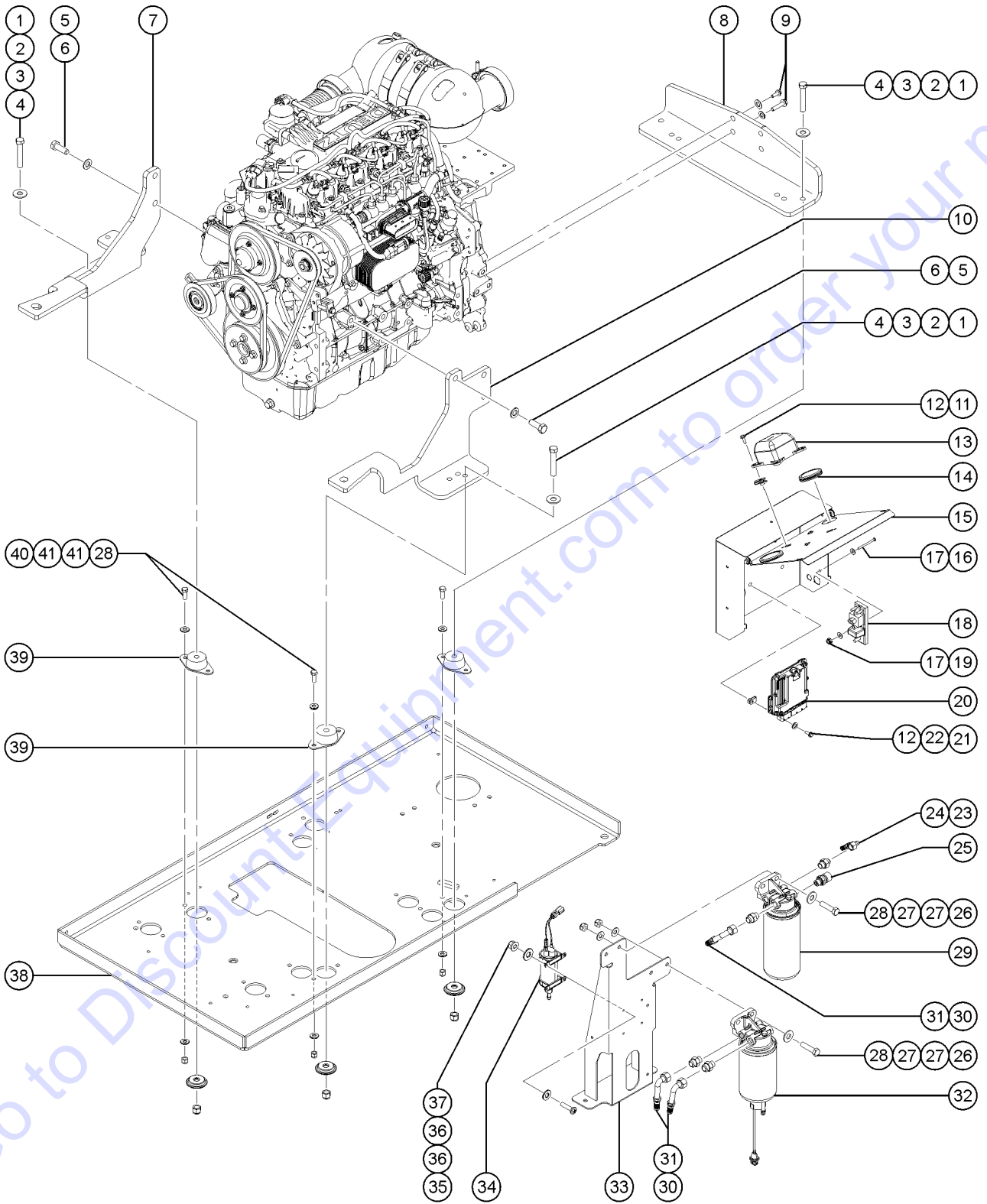
430.1 Deutz D2.9L4 Engine, View 4 (from SN 18351)



430.1 Deutz D2.9L4 Engine, View 4 (from SN 18351)

Item	Part No.	Description	Qty.	Item	Part No.	Description	Qty.
--		<i>Due to Tier 4 regulations, many engine replacement parts require engine serial number at time of order placement. When ordering engine parts please have both machine and engine serial numbers available. For internal engine parts, contact engine dealer.</i>		25	214682GT	FAN, 10 BLADE, 15".....	1
--	1254704GT	KIT, EXPANSION TANK SUPPORT%%*.....	1	26	1257231GT	SCREW,HHF,M8-1.25X50,DIN6921,10.9,ZAB.4	1
		<i>Expansion tank support kit (includes items 6, 10, 18 and fasteners); to SN 19882</i>		27	236251GT	ALTERNATOR,95 AMP,DEUTZ.....	1
--	1262487GT	BELT,AIR PUMP,PERKINS 404F-22T		28	1251731GT	HOSE,EXPANSION TANK,D2.9.....	1
--	1262866GT	FAN BELT, ALTERNATOR					
--	237188GT	ENGINE KIT, DEUTZ D2.9L4.....	1				
1	823523GT	HOSE,RADIATOR VENT,DEUTZ D2.9....	1				
2	119394GT	CLAMP,1.38,#212X3/8,RUB CUSH.....	1				
3	30348GT	CLAMP,HOSE,1.00.....	2				
4	823524GT	HOSE,ENGINE VENT,DEUTZ D2.9.....	1				
5	161938GT	EXPANSION TANK,METAL,D2.9.....	1				
5B	1274900GT	SIGHT GLASS <i>for 161938</i>					
5C	1254823GT	CAP,RADIATOR,PERKINS(94232) <i>for 161938</i>					
6	1253922GT	FORMING,EXP TANK BAND,D2.9.....	2				
		<i>from SN 19883 (included in kit 1254704)</i>					
--	1254452GT	EXTRUSION,RUBBER STRIP,LG,D2.9					
--	1254453GT	EXTRUSION,RUBBER STRIP,SM,D2.9					
7	6889GT	NUT,LP NYLOCK,1/4-20					
8	6638GT	WASHER,FLAT,USS,1/4"Y					
9	6090GT	SCREW,HHC,1/4-20 X .75					
10	1255692GT	FORMING,EXPANSION TANK SUPT.....	1				
		<i>(included in kit 1254704)</i>					
11	49378GT	SCREW,HHC,M8 X 16					
12	33277GT	WASHER,FLAT,M8,YELLOW ZINC					
13	8516GT	SCREW, HCC, 3/8-16 X 1.50					
14	6097GT	WASHER,FLAT,USS,3/8",Y					
15	112043GT	CLAMP,0.63,#10 X 3/8,RUB CUSH					
16	4828GT	NUT,NYLOCK,3/8-16					
17	218715GT	SENSOR,COOLANT LEVEL, DEUTZ.....	1				
		<i>(replaced 162210)</i>					
18	1254267GT	WDMT,EXPANSION TANK SUPT.....	1				
		<i>from SN 19883 (included in kit 1254704)</i>					
19	214934GT	FORMING,RAD EXPSN TANK SUPT.....	1				
20	6782GT	NUT,NYLOCK,5/16-18					
21	5397GT	WASHER,FLAT,USS,5/16",Y					
22	6091GT	NUT,NYLOCK,1/4-20					
23	219437GT	ISOLATOR, VIBRATION.....	1				
24	1256599GT	SPACER, FAN, DEUTZ, 29.5MM LNG....	1				

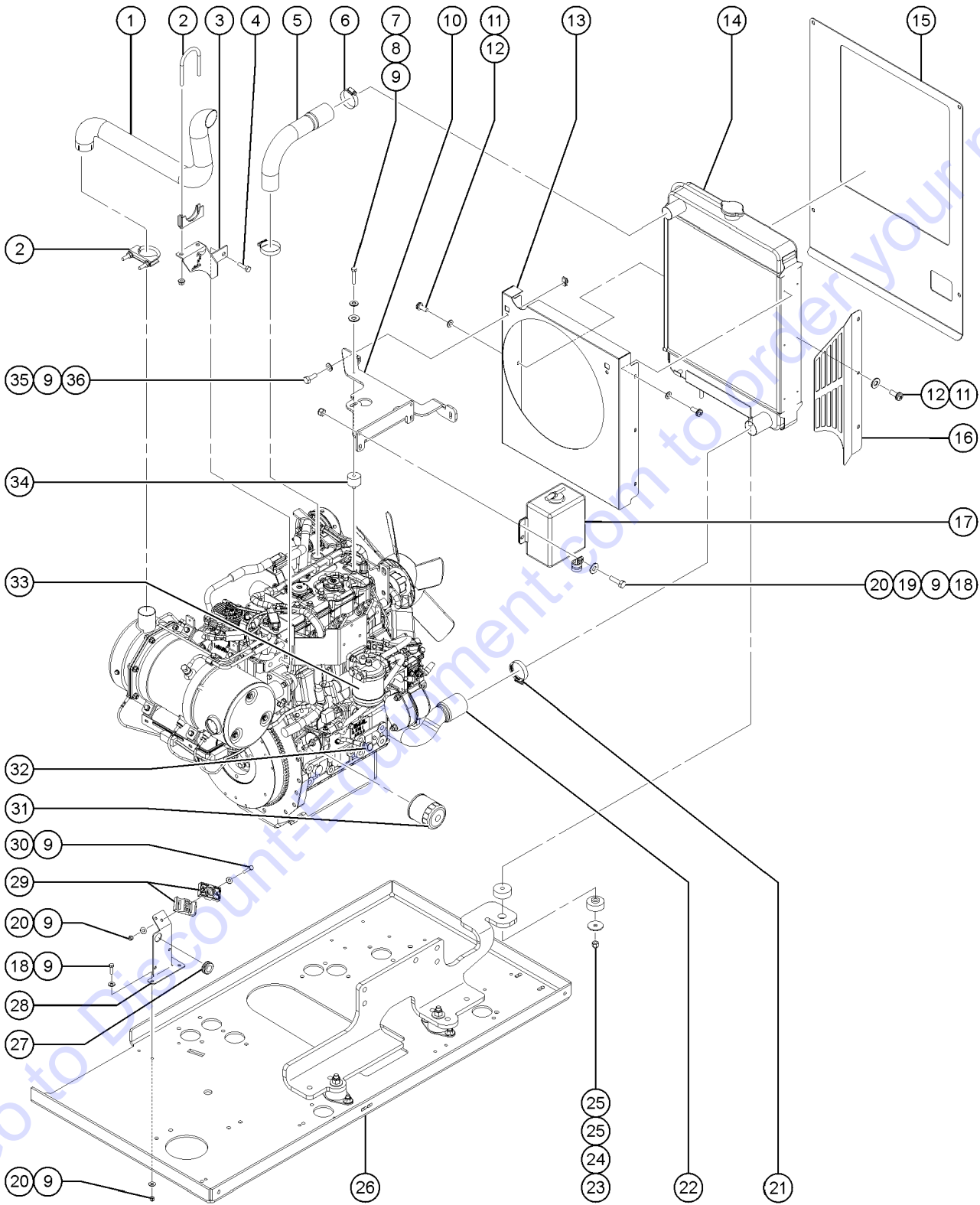
431.1 Deutz D2.9L4 Engine, View 5 (from SN 18351)



431.1 Deutz D2.9L4 Engine, View 5 (from SN 18351)

Item	Part No.	Description	Qty.	Item	Part No.	Description	Qty.
--		<i>Due to Tier 4 regulations, many engine replacement parts require engine serial number at time of order placement. When ordering engine parts please have both machine and engine serial numbers available. For internal engine parts, contact engine dealer.</i>		25	824673GT	SENSOR,LOW PRESSURE,DEUTZ 2.9L.....	1
1	10598GT	SCREW,HHC,1/2-13 X 3		26	8516GT	SCREW, HCC, 3/8-16 X 1.50	
2	6095GT	WASHER,FLAT,USS,1/2",Y		27	6097GT	WASHER,FLAT,USS,3/8",Y	
3	102066GT	CASTING,WASHER,REBOUND.....	4	28	4828GT	NUT,NYLOCK,3/8-16	
4	6198GT	NUT,NYLOCK,1/2-13		29	214228GT	FILTER, DEUTZ 2.9, FUEL.....	1
5	22558GT	SCREW,HHC,M14 X 40MM,GR 8.8.....	5	30	162207GT	FITTING,ELBOW,8GS-8FJX90S.....	3
6	49411GT	WASHER,FLAT,M14		31	162209GT	FITTING,CONN,16MM-8MJ.....	3
7	237190GT	FORMING, RIGHT ENGINE MOUNT.....	1	32	1261239GT	ASSY,FUEL PREFILTER,DEUTZ 2.9.....	1
8	237191GT	FORMING, REAR ENGINE MOUNT.....	1	--	074501.0291GT	SENSOR	
9		Ref. HHC SCREW AND WASHER (refer to 429.1)		--	236260GT	PRE-FILTER,FUEL,DEUTZ TCD3.6 (replaced 214229 for service parts)	
10	237189GT	FORMING, LEFT ENGINE MOUNT.....	1	33	824328GT	WELDMENT, FUEL FILTER MOUNT.....	1
11	121419GT	SCREW,HHF,1/4-20 X .75		34	236259GT	LIFT PUMP,FUEL,DEUTZ..... (replaced 214691)	2
12	56912GT	SPRING CLIP,1/4-20,.025-.15X.54,ZAG		35	6178GT	NUT,NYLOCK,10-32	
13	822781GT	MODULE,FUSE&RELAY,DEUTZ 2.9.....	1	36	6146GT	WASHER,FLAT,MS,#10,Y	
--	1251499GT	FUSE, ATM, 15AMP.....	1	37	49816GT	SCREW,PHILLIPS,PHM,10-32 X .75	
--	1251500GT	FUSE, ATM, 20AMP.....	1	38		Ref. Engine Tray..... (refer to 436.1)	1
--	1251501GT	FUSE, ATM, 30AMP.....	1	39	70452GT	ISOLATOR,ENGINE VIBRATION***	4
--	1251502GT	FUSE, ATM, 10AMP.....	1	40	6019GT	SCREW,HHC,3/8-16 X 1.25 GRD 5	
--	1251503GT	RELAY, 12V MICRO, 35AMP.....	6	41	6097GT	WASHER,FLAT,USS,3/8",Y	
--	1251504GT	DIODE, 6A 22903-6V.....	1				
--	1251505GT	TOOL, FUSE PULLER, ATM.....	1				
--	1251510GT	CIRCUIT BREAKER,20AMP MINI.....	1				
14	824588GT	GROMMET, 1.75ID X 1.9375 X .0625.....	2				
15	824331GT	ASSEMBLY, ECM COVER..... <i>includes grommet part 824588 and fasteners only</i>	1				
16	1251575GT	SCREW,PHILLIPS,RHM,10-32 X 2.25					
17	6146GT	WASHER,FLAT,MS,#10,Y					
18	824023GT	RELAY, POWER & FUSE MODULE.....	1				
19	14392GT	NUT,LP NYLOCK,10-32					
20		Ref. ECU..... <i>models with Deutz D2.9 engines (This part is serialized, contact Discount-equipment with full model and SN of both the unit and engine)</i>	1				
21	8915GT	SCREW,HHC,1/4-20 X 1.25					
22	6638GT	WASHER,FLAT,USS,1/4"Y					
23	162206GT	FITTING,ELBOW,6GS-6FJX90S.....	1				
24	162208GT	FITTING,CONN,16MM-6MJ.....	1				

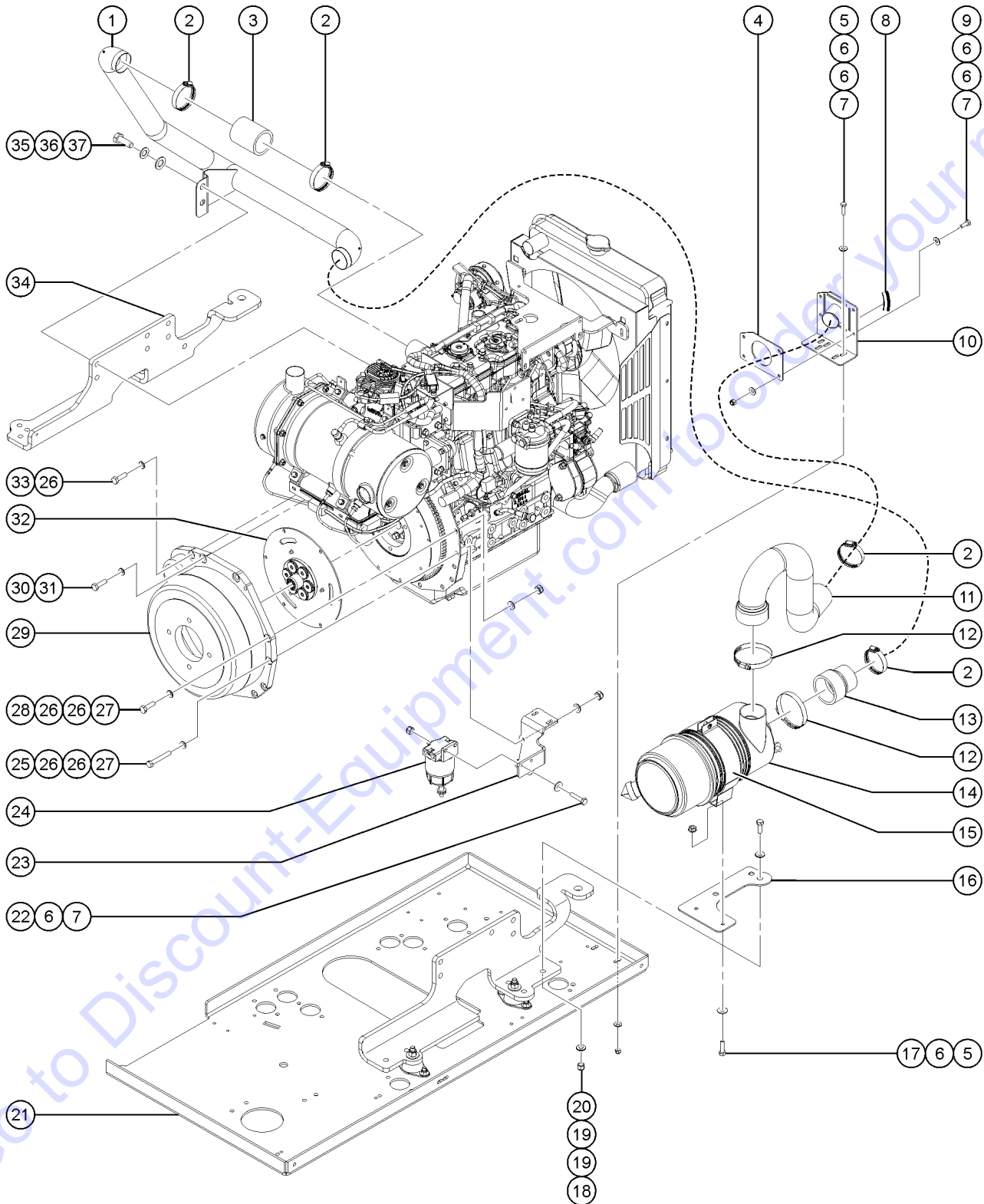
432.1 Perkins 404F-22 Engine, View 1 (from SN 18583)



432.1 Perkins 404F-22 Engine, View 1 (from SN 18583)

Item	Part No.	Description	Qty.	Item	Part No.	Description	Qty.
--		<i>Due to Tier 4 regulations, many engine replacement parts require engine serial number at time of order placement. When ordering engine parts please have both machine and engine serial numbers available. For internal engine parts, contact engine dealer.</i>		--	65636GT	CAP, OIL FILLER	
A	1257825GT	HARDWARE KIT,PERKINS 404F BELL		--	65638GT	SEAL, OIL FILLER CAP	
1	216751GT	TAIL PIPE,S40 404F-22.....1	1	32	128984GT	DIPSTICK, STRAIGHT SHORT.....1	1
2	70385GT	CLAMP,EXHAUST,2.00 PLATED.....2	2	--	128985GT	DIPSTICK TUBE, STRAIGHT SHORT....1	1
3	825907GT	WELDMNT, EXHAUST SUPPORT.....1	1	33	94889GT	FUEL FILTER ASSEMBLY.....1	1
4	6096GT	SCREW,HHC,1/2-13 X 2 GR5		--	62421GT	FILTER,FUEL,PERKINS.....1	1
5	54578GT	HOSE,UPPER RADIATOR,PERKINS....1	1	34	60585GT	ISOLATOR,VIBRATION,M8 MALE/FEM.....1	1
6	22672GT	CLAMP,HOSE,1.75.....2	2	35	6090GT	SCREW,HHC,1/4-20 X .75	
7	23057GT	SCREW,HHC,M8 X 20MM		36	56912GT	SPRING CLIP,1/4-20,.025-.15X.54,ZAG.....2 <i>replaced 73871</i>	2
8	6886GT	WASHER,LOCK,.313					
9	6638GT	WASHER,FLAT,USS,1/4"Y					
10	88989PGT	FORMING,UPPER RAD SUPPORT PNTD.....1	1				
11	21019GT	SCREW,PHIL,PHM,10-24 X.5,SEMS					
12	6146GT	WASHER,FLAT,MS,#10,Y					
13	88990PGT	SHROUD,FAN PAINTED.....1	1				
14	110304GT	RADIATOR,FORD/PERKINS***.....1	1				
--	65473GT	CAP,RADIATOR,PERKINS/FORD					
15		Ref. BAFFLE, Perkins 404F-22 Engine....1 <i>(refer to 309.1)</i>	1				
16	215917GT	FORMING, FAN GUARD,PERKINS 404.....1	1				
17	70367GT	BOTTLE,COOLANT RECOVERY,3.7***.....1	1				
--	115431GT	CAP ASSY, COOLANT BOTTLE					
17B	131581GT	HOSE,RAD.OVERFLOW,KD-1105,50"					
18	6888GT	SCREW,HHC,1/4-20 X 1					
19	6833GT	CLAMP,0.50,#8 X 1/4,RUB CUSH.....1	1				
20	6091GT	NUT,NYLOCK,1/4-20					
21	13014GT	CLAMP,HOSE,2.25" DIA.....2	2				
22	54579GT	HOSE,LOWER,RADIATOR,PERKINS....1	1				
23	48425GT	NUT,FLG-LRG,3/8-16,YZ					
24	15086GT	WASHER,FLAT,.375 X 1.5 X .125					
25	24038GT	SHOCK MOUNT,SMALL.....4	4				
26		Ref. Engine Tray <i>(refer to 436.1)</i>					
27	60584GT	GROMMET,RUBBER .75 X .19 X 1**.....1	1				
28	219284GT	FORMING,FUEL PRES,REG MNT.....1	1				
29	78736GT	CLAMP,2 HOSE,PLASTIC,5/8					
30	6145GT	SCREW,HHC,1/4-20 X 1.5					
31	94762GT	OIL FILTER - PERKINS.....1	1				

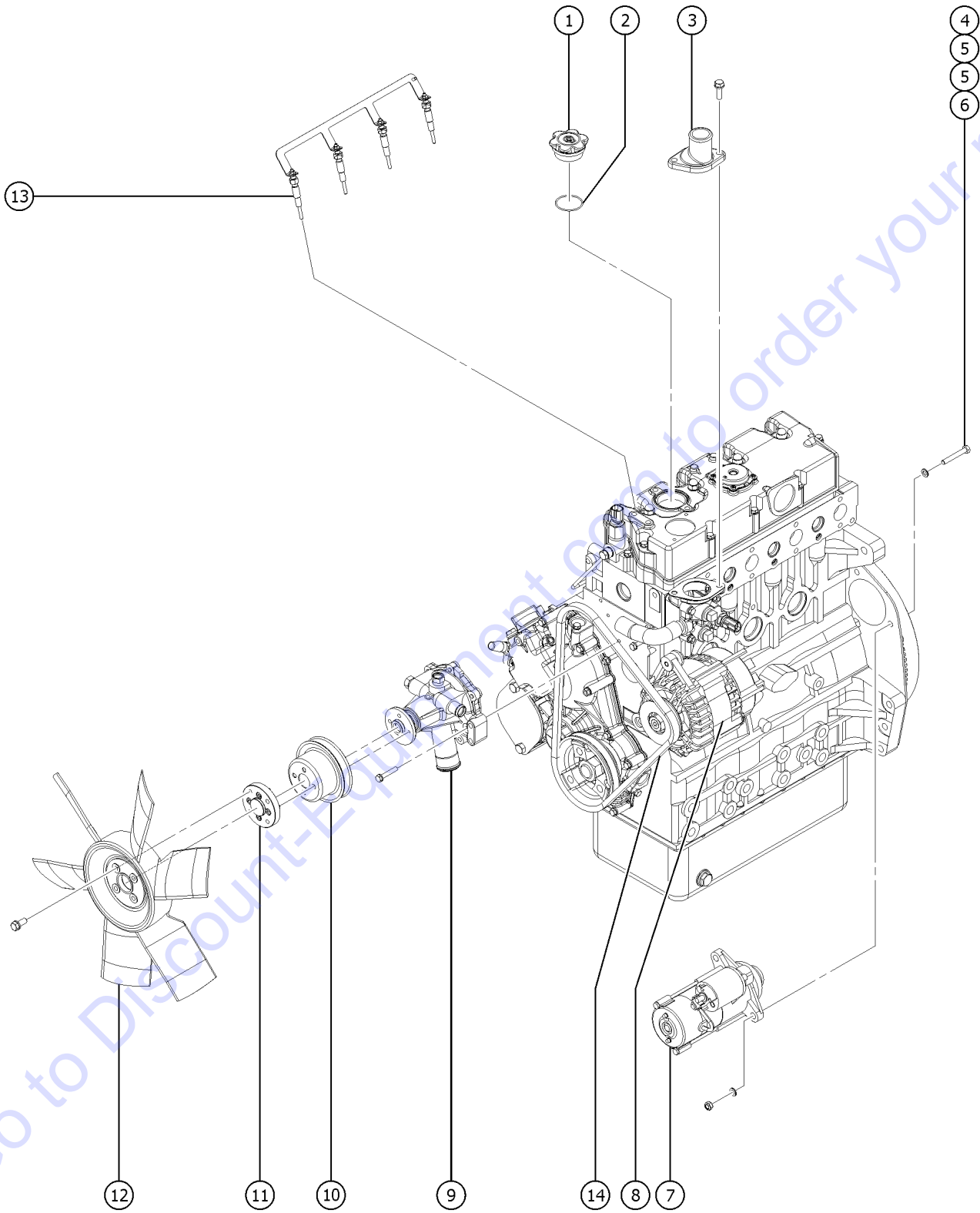
433.1 Perkins 404F-22 Engine, View 2 (from SN 18583)



433.1 Perkins 404F-22 Engine, View 2 (from SN 18583)

Item	Part No.	Description	Qty.	Item	Part No.	Description	Qty.
--		<i>Due to Tier 4 regulations, many engine replacement parts require engine serial number at time of order placement. When ordering engine parts please have both machine and engine serial numbers available. For internal engine parts, contact engine dealer.</i>		31	49410GT	WASHER,FLAT,M12.....	1
				32	128003GT	COUPLER,15 TOOTH,FBA,PERKINS** <i>includes grease</i>	
				33	128061GT	SCREW, HHC, M10 X 1.5 X 50.....	2
				34		Ref. FORMING, ENGINE MOUNT, LH <i>(refer to 435.1)</i>	
--	52866GT	EVACUATOR VALVE-AIR CLEANER		35	54687GT	SCREW,HHC,M14 X 1.5X40MM,GR8.8.....	2
1	217703GT	WDMT, PERKINS INTAKE AIR HOSE.....	4	36	37505GT	WASHER,LOCK,M14	
2	45435GT	CLAMP,HOSE,2.50"***.....	1	37	49411GT	WASHER,FLAT,M14	
3	217187GT	HOSE, INTAKE, 2"ID X 3".....	1				
4	1252528GT	SHEET,AIR SEAL BACKING.....	1				
5	6888GT	SCREW,HHC,1/4-20 X 1					
6	6638GT	WASHER,FLAT,USS,1/4"Y					
7	6091GT	NUT,NYLOCK,1/4-20					
8	119218GT	TRIM,EDGE,1/8X3/4 SIDE BULB.....	8-inches				
9	6090GT	SCREW,HHC,1/4-20 X .75.....	1				
10	1252527GT	WDMT, 20 DEG INTAKE ADAPTER.....	1				
11	215912GT	COLD AIR HOSE, PERK 404F-22.....	2				
12	30971GT	CLAMP,HOSE,3.00".....	1				
13	216150GT	ADAPTER,AIR HOSE,PERK 404F.....	1				
14	63463GT	AIR CLEANER,NELSON***.....	1				
--	58415GT	CLIP,AIR CLEANER END CAP***					
--	62420GT	FILTER,AIR*** <i>end cap not available separately</i>					
--	65810GT	BAFFLE, AIR CLEANER (27915)**					
15	53952GT	BRKT,AIR CLEANER ORIENTATION**.....	1				
16	826205GT	PLATE, AIR CLEANER, 404F-22					
17	18504GT	NUT,LOCKING-LG.FLANGE,1/4-20					
18	6198GT	NUT,NYLOCK,1/2-13					
19	6095GT	WASHER,FLAT,USS,1/2",Y					
20	8177GT	SCREW,HHC,1/2-13 X 1.5					
21		Ref. Engine Tray <i>(refer to 436.1)</i>					
22	8915GT	SCREW,HHC,1/4-20 X 1.25.....	1				
23	128588GT	FORMING,SOLENOID MOUNT.....	1				
24	75020GT	SEPRTR/FLTR,FUEL DSL,15GPH,.30....	1				
--	62433GT	FILTER,ELEMENT,30 MIC,75020					
25	85053GT	SCREW,HHC,M10 X 1.5 X70,GR 8.8					
26	22699GT	WASHER,FLAT,M10,ZINC PLTD.					
27	22736GT	NUT,NYLOCK,M10X1.50					
28	85059GT	SCREW,HHC,M10 X 1.5 X 35.....	1				
29	824507GT	PUMP MOUNT,PERKINS 404F-22					
30	27584GT	SCREW,HHC,M12 X 35MM					

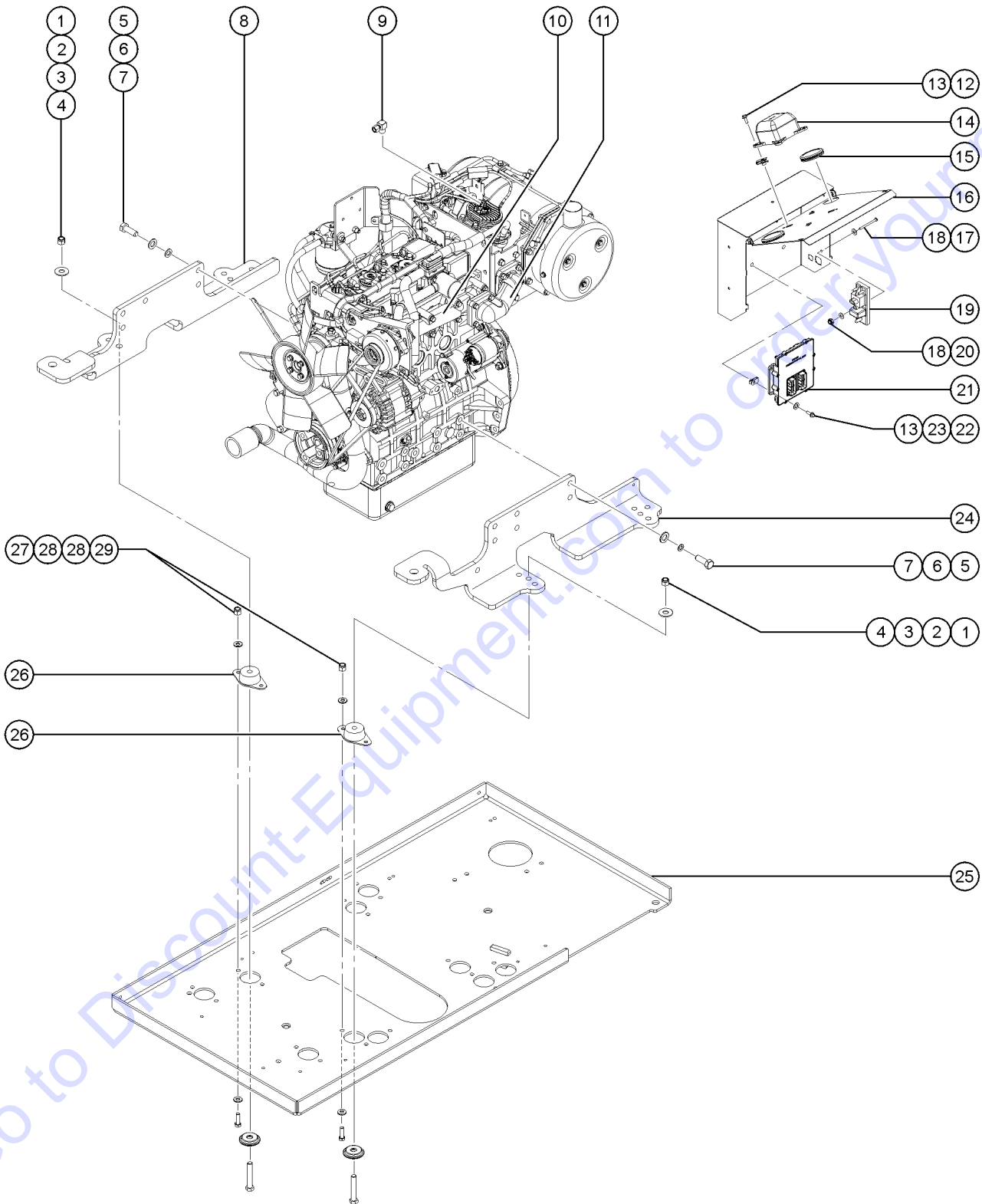
434.1 Perkins 404F-22 Engine, View 3 (from SN 18583)



434.1 Perkins 404F-22 Engine, View 3 (from SN 18583)

Item	Part No.	Description	Qty.
--		<i>Due to Tier 4 regulations, many engine replacement parts require engine serial number at time of order placement. When ordering engine parts please have both machine and engine serial numbers available. For internal engine parts, contact engine dealer.</i>	
--	1252941GT	SWITCH,OIL PRESS,PERKINS 404F	
--	97473GT	SENSOR,WATER TEMPERATURE	
--	85155GT	PUMP,PRIMER,PERKINS***	
--	128991GT	THERMOSTAT	
--	147355GT	GASKET-THERMOSTAT HSG for 128991	
--	1252944GT	PUMP,FUEL LIFT,PERKINS 404F	
1	65636GT	CAP, OIL FILLER.....	1
2	65638GT	SEAL, OIL FILLER CAP.....	1
3	128986GT	WATER OUTLET, VERTICAL.....	1
4	128061GT	SCREW, HHC, M10 X 1.5 X 50	
5	22699GT	WASHER,FLAT,M10,ZINC PLTD.	
6	22736GT	NUT,NYLOCK,M10X1.50	
7	1252940GT	STARTER,PERKINS 404F.....	1
8	1251814GT	ALTERNATOR - 85 AMP, INT REGULATED.....	1
9	1252942GT	PUMP,WATER,PERKINS 404F.....	1
10	77482GT	PULLEY, WATER PUMP.....	1
11	1252943GT	SPACER,FAN,PERKINS 404F.....	1
12	77483GT	FAN, ENGINE (104-22)(404-22)*.....	1
13	77736GT	GLOW PLUG (PERKINS 404-22).....	4
14	89765GT	BELT, V (PERKINS 404).....	1

435.1 Perkins 404F-22 Engine, View 4 (from SN 18583)



435.1 Perkins 404F-22 Engine, View 4 (from SN 18583)

Item	Part No.	Description	Qty.	Item	Part No.	Description	Qty.
--		<i>Due to Tier 4 regulations, many engine replacement parts require engine serial number at time of order placement. When ordering engine parts please have both machine and engine serial numbers available. For internal engine parts, contact engine dealer.</i>		21		Ref. ECU.....1 <i>Models with Perkins 404F-22 engines (This part is serialized, contact Discount-equipment with full model and SN of both the unit and engine)</i>	1
--	1262487GT	BELT,AIR PUMP,PERKINS 404F-22T		22	8915GT	SCREW,HHC,1/4-20 X 1.25	
--	89765GT	BELT, V (PERKINS 404)		23	6638GT	WASHER,FLAT,USS,1/4"Y	
1	6198GT	NUT,NYLOCK,1/2-13		24	102749GT	FORMING,ENGINE MOUNT,RH,PERK	
2	6095GT	WASHER,FLAT,USS,1/2",Y		25		Ref. Engine Tray.....1 <i>(refer to 436.1)</i>	1
3	102066GT	CASTING,WASHER,REBOUND		26	70452GT	ISOLATOR,ENGINE VIBRATION***4	4
4	10598GT	SCREW,HHC,1/2-13 X 3		27	4828GT	NUT,NYLOCK,3/8-16	
5	54687GT	SCREW,HHC,M14 X 1.5X40MM,GR8.8		28	6097GT	WASHER,FLAT,USS,3/8",Y	
6	37505GT	WASHER,LOCK,M14		29	6019GT	SCREW,HHC,3/8-16 X 1.25 GRD 5	
7	49411GT	WASHER,FLAT,M14					
8	102749GT	FORMING,ENGINE MOUNT,RH,PERK.....1	1				
9	826856GT	FITTING, 90 DEG, #4FJX-#4FP					
10	1251815GT	MANIFOLD,EXHAUST,PERKINS 404F...1	1				
--	1251819GT	GASKET,EXHAUST MANIFOLD,PERK					
--	1251995GT	STUD,EXHAUST,PERKINS 404F					
--	1251996GT	NUT,EXHAUST,PERKINS 404F					
11	1251816GT	FLANGE,EXHAUST,PERKINS 404F.....1	1				
--	1251818GT	GASKET,EXHAUST ELBOW,PERKINS					
12	121419GT	SCREW,HHF,1/4-20 X .75					
13	56912GT	SPRING CLIP,1/4-20,.025-.15X.54,ZAG					
14	822793GT	MODULE,FUSE&RELAY,PERKINS 404F.....1	1				
--	1251499GT	FUSE, ATM, 15AMP.....4	4				
--	1251500GT	FUSE, ATM, 20AMP.....2	2				
--	1251502GT	FUSE, ATM, 10AMP.....1	1				
--	1251503GT	RELAY, 12V MICRO, 35AMP.....6	6				
--	1251504GT	DIODE, 6A 22903-6V.....1	1				
--	1251505GT	TOOL, FUSE PULLER, ATM.....1	1				
--	1251506GT	FUSE, ATM, 5AMP.....1	1				
--	1251507GT	FUSE, ATM, 7.5AMP.....2	2				
15	824588GT	GROMMET, 1.75ID X 1.9375 X .0625.....2	2				
16	824331GT	ASSEMBLY, ECM COVER.....1 <i>includes grommet part 824588 and fasteners only</i>	1				
17	1251575GT	SCREW,PHILLIPS,RHM,10-32 X 2.25					
18	6146GT	WASHER,FLAT,MS,#10,Y					
19	824023GT	RELAY, POWER & FUSE MODULE.....1	1				
20	14392GT	NUT,LP NYLOCK,10-32					

PARTS FINDER

**Search Website
by Part Number**



**Search Manual
Library For Parts
Manual & Lookup Part
Numbers – Purchase
or Request Quote**

Search Manuals

Enter your information to help us find the right parts manual for your machine.

* Brand:

* Model:

* Serial:

* Part Number:

SEARCH

**Can't Find Part or
Manual? Request Help
by Manufacturer,
Model & Description**

Parts Order Form

Please fill in the following information to help us find the right part for your machine.

Manufacturer:	<input type="text"/>
Model:	<input type="text"/>
Description:	<input type="text"/>
Part Number:	<input type="text"/>
Quantity:	<input type="text"/>
Notes:	<input type="text"/>

Submit

Discount-Equipment.com is your online resource for quality parts & equipment.

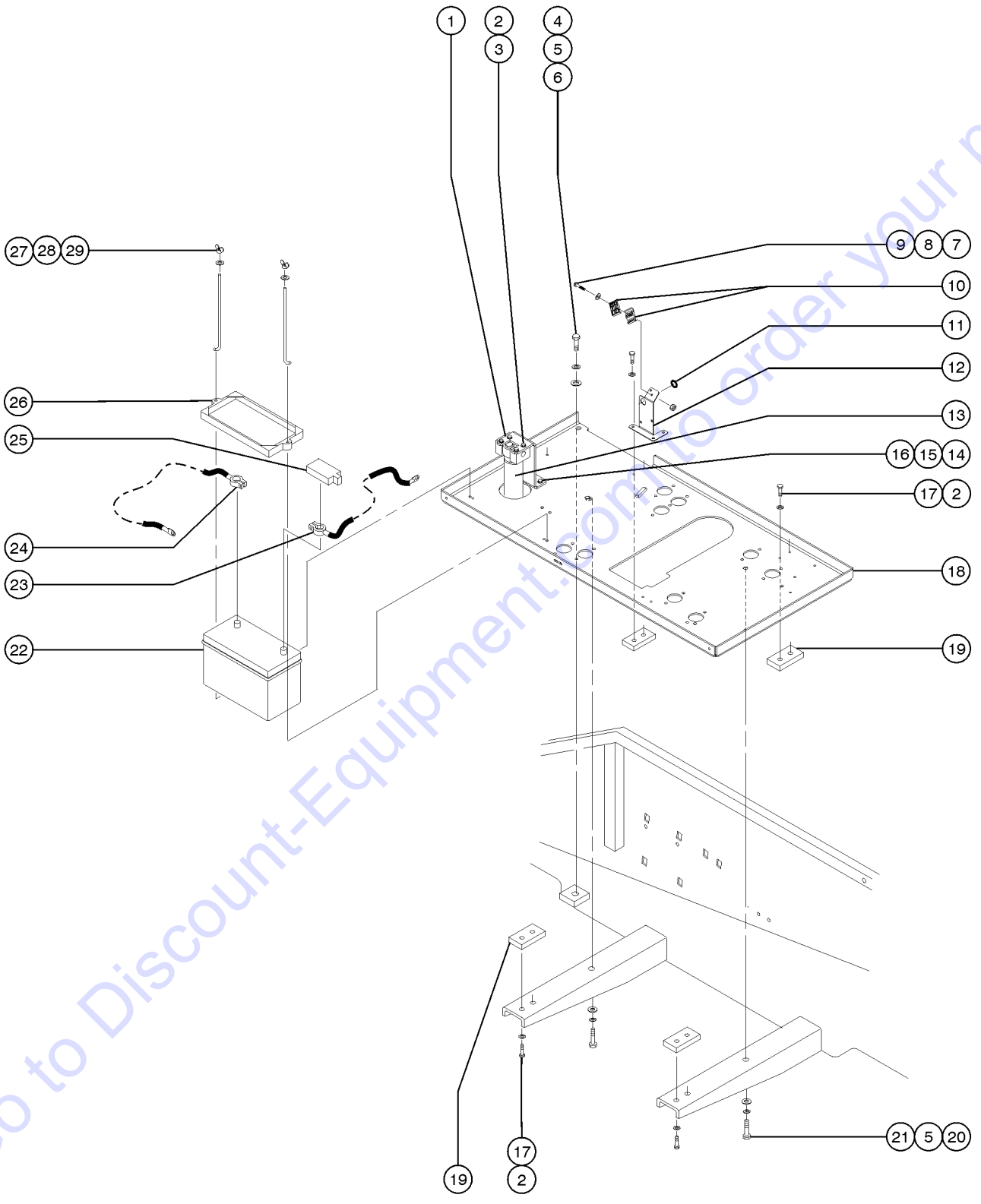
Florida: **561-964-4949** Outside Florida TOLL FREE: **877-690-3101**

Need parts?

Click on this link: <http://www.discount-equipment.com/category/5443-parts/> and choose one of the options to help get the right parts and equipment you are looking for. Please have the machine model and serial number available in order to help us get you the correct parts. If you don't find the part on the website or on one of the online manuals, please fill out the request form and one of our experienced staff members will get back to you with a quote for the right part that your machine needs.

We sell worldwide for the brands: Genie, Terex, JLG, MultiQuip, Mikasa, Essick, Whiteman, Mayco, Toro Stone, Diamond Products, Generac Magnum, Airman, Haulotte, Barreto, Power Blanket, Nifty Lift, Atlas Copco, Chicago Pneumatic, Allmand, Miller Curber, Skyjack, Lull, Skytrak, Tsurumi, Husquvarna Target, Stow, Wacker, Sakai, Mi-T-M, Sullair, Basic, Dynapac, MBW, Weber, Bartell, Bennar Newman, Haulotte, Ditch Runner, Menegotti, Morrison, Contec, Buddy, Crown, Edco, Wyco, Bomag, Laymor, EZ Trench, Bil-Jax, F.S. Curtis, Gehl Pavers, Heli, Honda, ICS/PowerGrit, IHI, Partner, Imer, Clipper, MMD, Koshin, Rice, CH&E, General Equipment, Amida, Coleman, NAC, Gradall, Square Shooter, Kent, Stanley, Tamco, Toku, Hatz, Kohler, Robin, Wisconsin, Northrock, Oztec, Toker TK, Rol-Air, APT, Wylie, Ingersoll Rand / Doosan, Innovatech, Con X, Ammann, Mecalac, Makinex, Smith Surface Prep, Small Line, Wanco, Yanmar

436.1 Engine Tray, Battery and Filter Installation

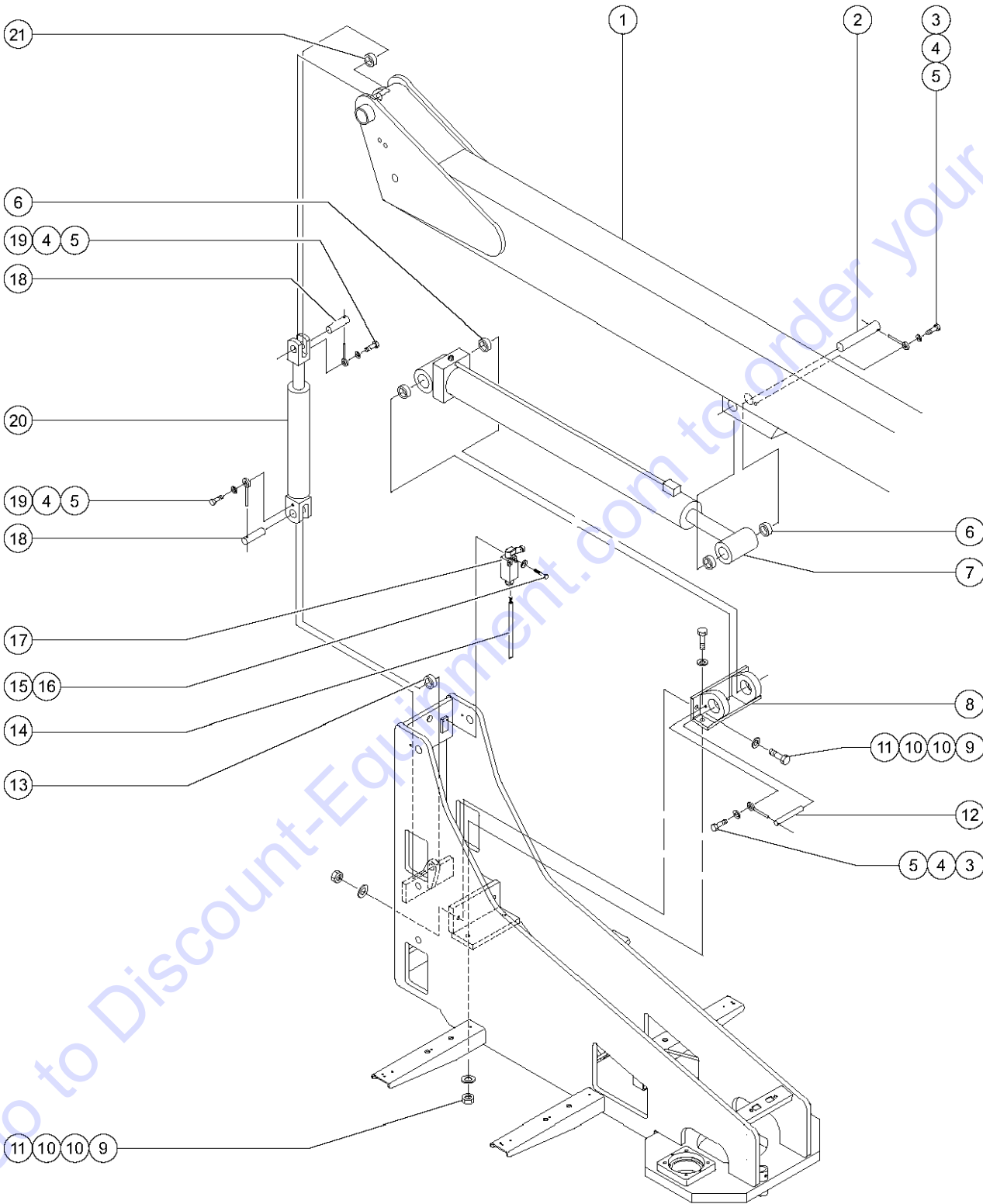


Go to Discount-Equipment.com to order your parts

436.1 Engine Tray, Battery and Filter Installation

Item	Part No.	Description	Qty.
1	89596PGT	FORMING,FILTER MOUNT,PAINTED.....1	
2	6090GT	SCREW,HHC,1/4-20 X .75	
3	6356GT	WASHER,LOCK,.25	
4	29883GT	SCREW,HHC,5/8-11 X 1.75 GRD.8.....1	
5	6036GT	WASHER,LOCK,.625 PLTD	
6	13064GT	WASHER,FLAT,.625 HARDENED	
7	6145GT	SCREW,HHC,1/4-20 X 1.5 <i>from SN 17310</i>	
8	6638GT	WASHER,FLAT,USS,1/4"Y <i>from SN 17310</i>	
9	6091GT	NUT,NYLOCK,1/4-20 <i>from SN 17310</i>	
10	78736GT	CLAMP,2 HOSE,PLASTIC,5/8.....2 <i>from SN 17310</i>	
11	60584GT	GROMMET,RUBBER .75 X .19 X 1**.....1 <i>from SN 17310</i>	
12	219284GT	FORMING,FUEL PRES,REG MNT.....1 <i>from SN 17310</i>	
13	1267807GT	ASSY, MED. PRESS. FILTER, SAE8.....1 <i>to SN 22376</i>	
--	60857GT	FILTER,ELEMENT,BETA(5)=1000 <i>to SN 22376; for 77139</i>	
14	6019GT	SCREW,HHC,3/8-16 X 1.25 GRD 5	
15	5397GT	WASHER,FLAT,USS,5/16",Y	
16	4828GT	NUT,NYLOCK,3/8-16	
17	6356GT	WASHER,LOCK,.25	
18	89597GT	WELDMENT,ENGINE TRAY,S40.....1 <i>Perkins models; to SN 7471</i>	
--	102062GT	WELDMENT,ENGINE TRAY <i>shown; Perkins models; from SN 7472</i>	
--	89597GT	WELDMENT,ENGINE TRAY,S40.....1 <i>Ford models; to SN 7596</i>	
19	45209GT	WEAR PAD,4X2X.5 W/INSERT***.....4	
--	81851GT	SHIM,PAD 2.0 X 4.0 X .06 THK	
20	21175GT	SCREW,SHC,5/8-11 X 4,A574	
21	33418GT	WASHER,FLAT,.625 X 2.25 X.15	
22	30143GT	BATTERY,12V,1000 CCA GRP 31.....1	
--	49869GT	CORROSION INHIBITOR COATING	
23		Ref. Positive Battery Cable (refer to 311.1)	
24		Ref. Negative Battery Cable (refer to 311.1)	
25	57162GT	BATTERY TERMINAL PROTECTORS....2	
26	30144GT	BATTERY HOLD DOWN,GROUP 31.....1	
27	8170GT	NUT,WING,1/4-20.....2	
28	6638GT	WASHER,FLAT,USS,1/4"Y	
29	45708GT	HOOK,BATT HOLD DOWN,10".....2	

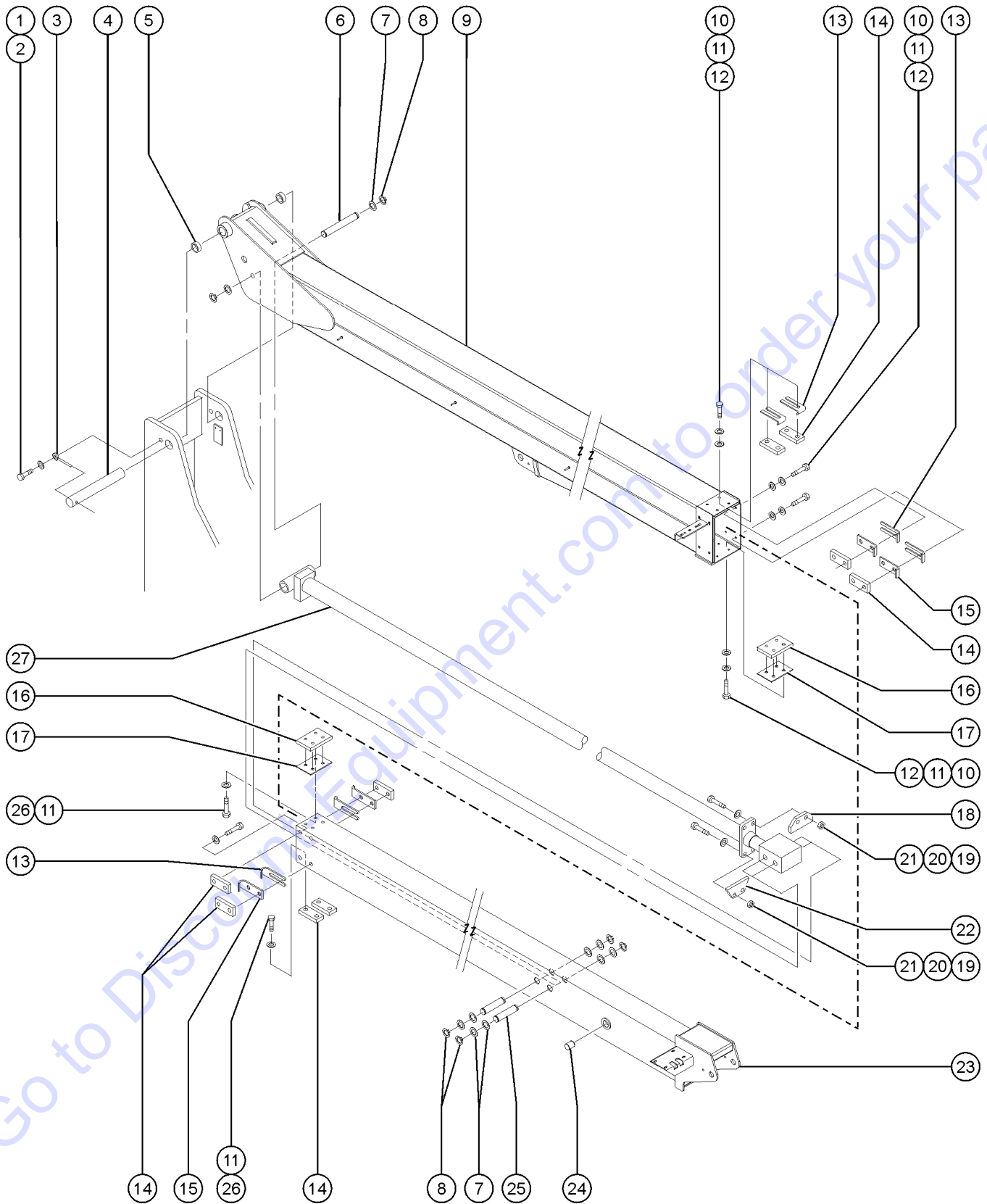
501.1 Boom Lift and Master Leveling Cylinder Installation



501.1 Boom Lift and Master Leveling Cylinder Installation

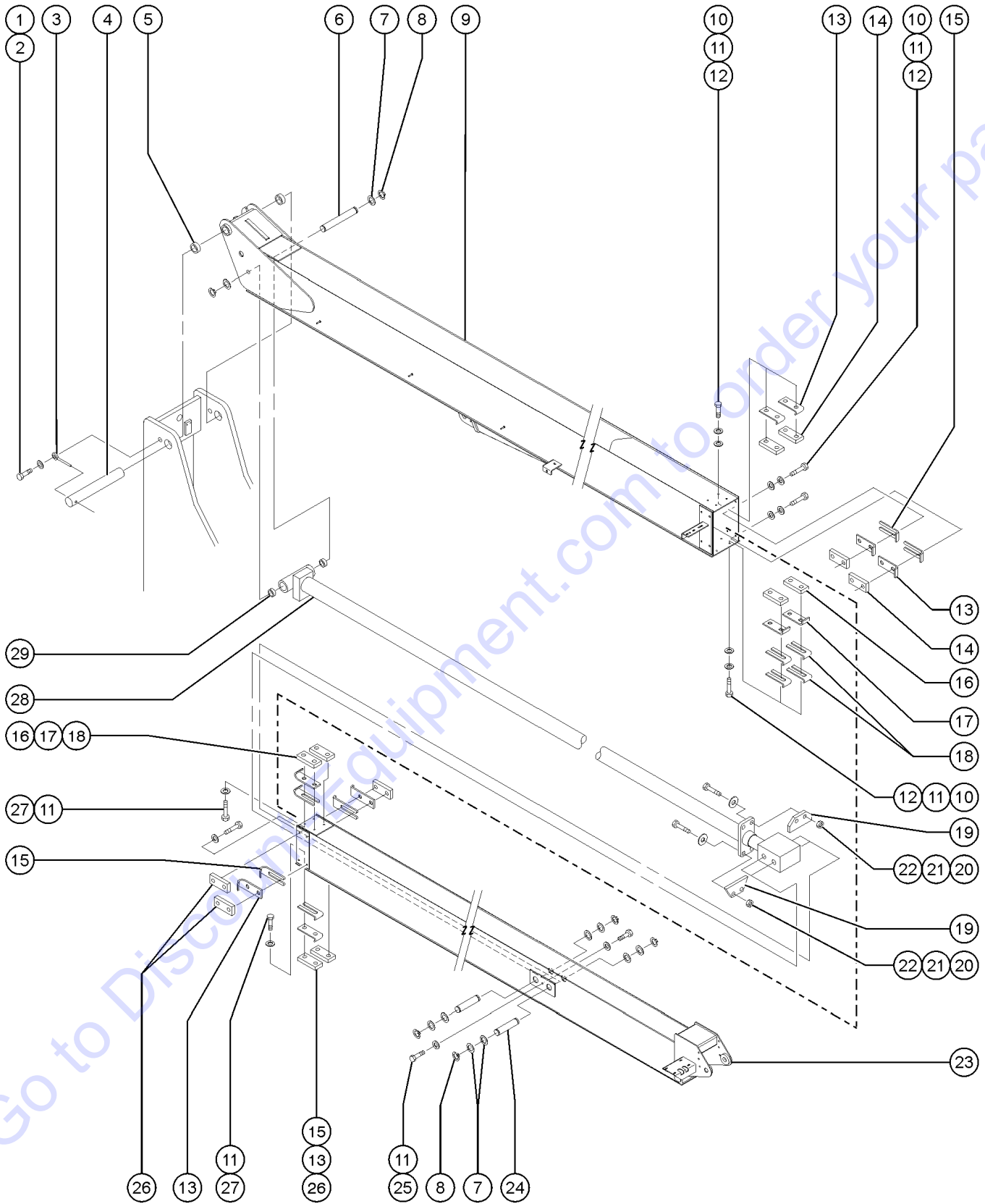
Item	Part No.	Description	Qty.	Item	Part No.	Description	Qty.
--		Ref. Harness, Angle Limit Switch (refer to 311.1)		21	30370GT	BEARING,1.25IDX1.5ODX1.00L.....1 S-45	1
1		Ref. Primary Boom Tube Assembly (refer to 502.1 or 503.1)		--	53452GT	BEARING,1.00IDX1.50ODX1.00L S-40; from SN 15684	
2	30732GT	PIN,1.50DIA X 6.38LG,1HOLE.....1 to SN 15683	1				
--	5-2041-8GT	PIN,1.50 DIA X 5.63 LG,1 HOLE from SN 15684					
3	6708GT	SCREW,HHC,3/8-16 X 2.25 to SN 15683					
--	13918GT	SCREW,HHC,3/8-16 X 1.75,GRD.8 from SN 15684					
4	6097GT	WASHER,FLAT,USS,3/8",Y					
5	825019GT	ROD END,.375X3.69,ZAG.....4	4				
6	1262634GT	BUSHING,POLYGON,BM5121.....4	4				
7	63206GT	CYLINDER,LIFT,S40.....1 includes item 6	1				
--	63346GT	SEAL KIT CYL,S40 (63206)					
--	73806GT	VALVE,CNTERBALANCE-SUN@3000**					
8	30662-SGT	WELDMENT, CYLINDER MOUNTING....1	1				
9	13004GT	SCREW,HHC,5/8-11 X 3 GRD.8.....4	4				
10	13064GT	WASHER,FLAT,.625 HARDENED					
11	6024GT	NUT,NYLOCK,5/8-11					
12	30733GT	PIN,1.50DIA X 7.75LG,1HOLE.....1	1				
13	30370GT	BEARING,1.25IDX1.5ODX1.00L.....1 S-45	1				
13	53452GT	BEARING,1.00IDX1.50ODX1.00L.....1 S-40	1				
14	1505GT	WIRE CABLE,16/2 SJO,BULK.....108-inches					
15	22541GT	SCREW,RHM,10-32 X 1.5					
16	6607GT	WASHER,LOCK,#10 PLTD					
17	88356-146R5GT	SWITCH,LIMIT,W/ROLLER HEAD***.....1 to SN 12841	1				
--	19491GT	CONTACTOR,LIMIT SWITCH					
--	88356-12145GT	SWITCH,LIMIT,W/ROLLER from SN 12842					
--	97128GT	ROLLER ARM,LIMIT SWITCH*** from SN 12842					
18	30734GT	PIN,1.00DIA X 2.88LG,1HOLE.....2	2				
18	34276GT	PIN,1.25DIA X 3.37LG,1HOLE					
19	8255GT	SCREW,HHC,3/8-16 X .75					
20	81692GT	CYLINDER,MASTER,S40***.....1	1				
20	81694GT	CYLINDER,MASTER.....1	1				
--	75468GT	SEAL KIT,CYL,S40 MASTER(81692)					
--	75470GT	SEAL KIT,CYL,S45 MASTER(81694)					
21	25817GT	BEARING,1.00IDX1.25ODX1.00L.....1 S-40; to SN 15683	1				

502.1 Boom Assembly, S-40



Item	Part No.	Description	Qty.
1	10597GT	SCREW,HHC,1/2-13 X 1.25 GR5	
2	6033GT	WASHER,LOCK,0.5"	
3	1256267GT	ROD END,.5 X 3.75,ZAG.....1	1
4	30731GT	PIN,PRIM.Boom,16.0 X 1.5 INCH.....1	1
5	30738GT	BEARING,1.50IDX2.00ODX1.50LG.....2	2
6	30730GT	PIN,1.00DIAx9.46LG,2RING.....1	1
7	30748GT	WASHER,SHIM,1.01 X 1.63 X.062	
8	1253843GT	SNAP RING,EXTERNAL,1.00,ZAG.....6	6
9	102143GT	PRIMARY BOOM ASSY,S40.....1 <i>includes item 5; to SN 12841</i>	1
--	111422GT	PRIMARY BOOM ASSY, S40 <i>includes item 5; from SN 12842 to 17958</i>	
--	1252508GT	PRIMARY BOOM ASSY,S40*** <i>from SN 17959</i>	
10	6175GT	SCREW,HHC,3/8-16 X 1	
11	6021GT	WASHER,LOCK,.375	
12	6097GT	WASHER,FLAT,USS,3/8",Y	
13	29080GT	SHIM,WEAR PAD,5X 1.5 16GA	
14	30138GT	WEAR PAD,5 X 1.5 X .625 W/NUTS.....12	12
15	38620GT	SHIM,WEAR PAD,5 X 1.5,14GA	
16	30741GT	WEAR PAD,6.5 X 5 X .75 W/NUTS.....2	2
17	30472GT	SHIM,PRIMARY BOOM,.064 THK.	
18	30581GT	PAD,EXTENSION CYLINDER, TOP.....1	1
19	6091GT	NUT,NYLOCK,1/4-20	
20	6638GT	WASHER,FLAT,USS,1/4"Y	
21	6637GT	SCREW,HHC,1/4-20 X 1.75	
22	30582GT	PAD,EXTENSION CYLINDER,BOTTOM.....1	1
23	111521GT	EXTENSION BOOM TUBE ASSY,S-40 <i>USA/Canada/Australia; to SN 17958</i>	
--	111544GT	EXT BOOM TUBE ASSY,S-40,SYMBL <i>Europe/Asia/South America; to SN 17958</i>	
--	1252510GT	EXTENSION BOOM TUBE ASSY,S-40* <i>USA/Canada/Australia;from SN 17959</i>	
--	1252511GT	EXT BOOM TUBE ASSY,S-40,SYMBL <i>Europe/Asia/South America;from SN 17959</i>	
24	30220GT	BEARING,1.25ID X 1.5OD X 0.69L.....2	2
25	30729GT	PIN,1.00DIAx6.67LG,2RING.....2	2
26	8255GT	SCREW,HHC,3/8-16 X .75	
27	63202GT	CYLINDER,EXT.2.5" X 163.5".....1	1
--	1274506GT	GLAND NUT ASSEMBLY	
--	33428GT	VALVE,COUNTERBALANCE <i>(extend)</i>	
--	63342GT	SEAL KIT,CYL,S40 (63202)	
--	89872GT	VALVE,COUNTERBALANCE*** <i>(retract)</i>	

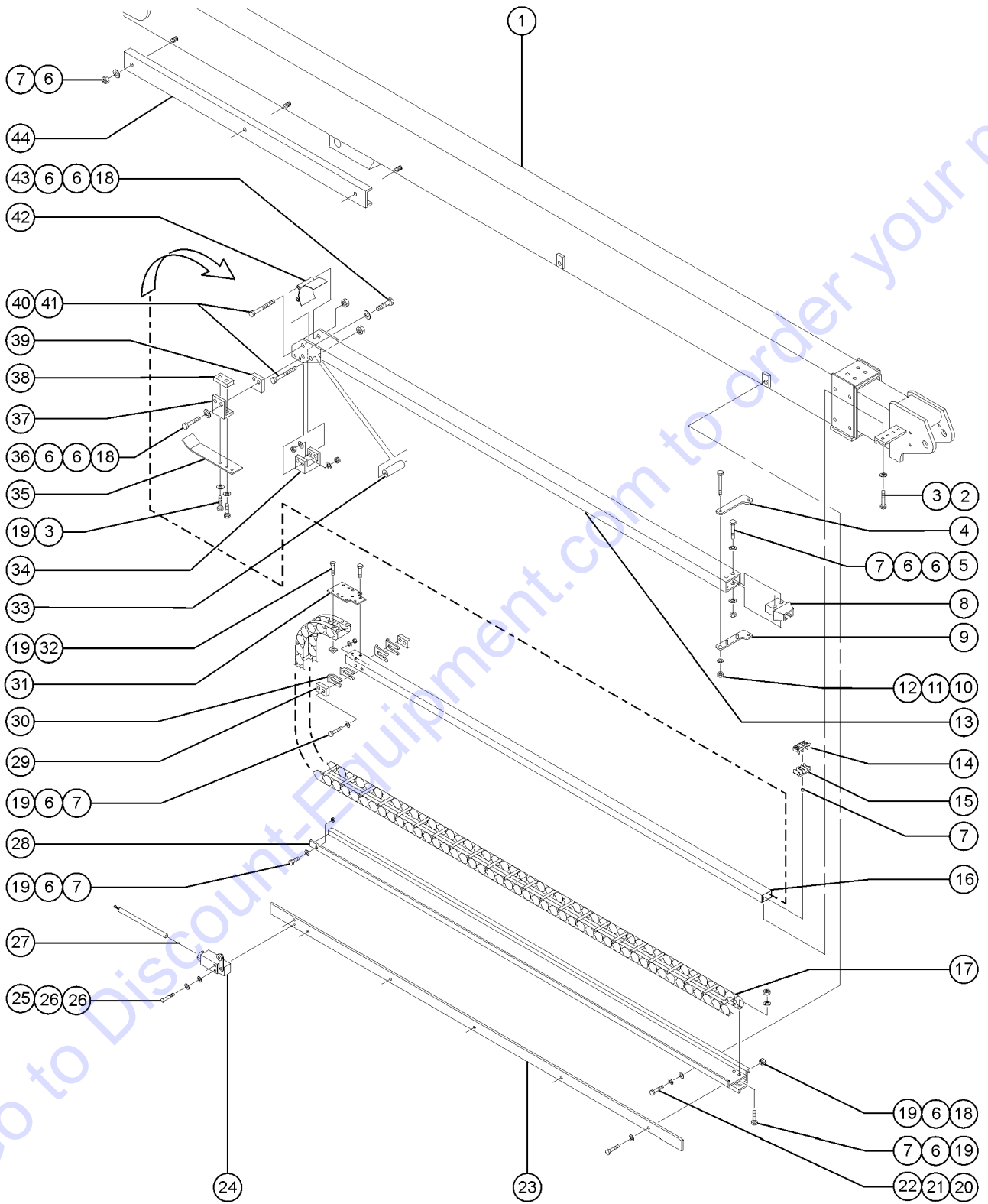
503.1 Boom Assembly, S-45



503.1 Boom Assembly, S-45

Item	Part No.	Description	Qty.	Item	Part No.	Description	Qty.
1	10597GT	SCREW,HHC,1/2-13 X 1.25 GR5		--	1255363GT	EXT BOOM TUBE ASSY,S-45,SYMBL <i>Europe/Asia/South America; from SN 15687 to SN 17958</i>	
2	6033GT	WASHER,LOCK,0.5"		24	53200GT	PIN,1.00DIA X 8.38LG,2RING.....	2
3	1256267GT	ROD END,.5 X 3.75,ZAG.....	1	25	53354GT	SCREW,HHC,3/8-16 X 1.25 FULL THR	
4	30731GT	PIN,PRIM.BOOM,16.0 X 1.5 INCH.....	1	26	30138GT	WEAR PAD,5 X 1.5 X .625 W/NUTS.....	6
5	30738GT	BEARING,1.50IDX2.00ODX1.50LG.....	2	27	8255GT	SCREW,HHC,3/8-16 X .75	
6	53219GT	PIN,1.00DIA X 11.05LG,2RING.....	1	28	63202GT	CYLINDER,EXT.2.5" X 163.5".....	1
7	30748GT	WASHER,SHIM,1.01 X 1.63 X .062		--	1274506GT	GLAND NUT ASSEMBLY	
8	1253843GT	SNAP RING,EXTERNAL,1.00,ZAG.....	6	--	33428GT	VALVE,COUNTERBALANCE <i>(extend)</i>	
9	102144GT	PRIMARY BOOM ASSY, S45.....	1	--	63342GT	SEAL KIT,CYL,S40 (63202)	
--	111423GT	PRIMARY BOOM ASSY, S45 <i>includes item 5; from SN 12842 to 17958</i>		--	89872GT	VALVE,COUNTERBALANCE*** <i>(retract)</i>	
--	1252509GT	PRIMARY BOOM ASSY,S45*** <i>from SN 17959</i>		29	53421GT	SPACER, EXT. CYL.....	2
10	6175GT	SCREW,HHC,3/8-16 X 1					
11	6021GT	WASHER,LOCK,.375					
12	6097GT	WASHER,FLAT,USS,3/8",Y					
13	38620GT	SHIM,WEAR PAD,5 X 1.5,14GA					
14	34125GT	WEAR PAD,5 X 1.5 X .75 W/NUTS.....	6				
15	29080GT	SHIM,WEAR PAD,5X 1.5 16GA					
16	34124GT	WEAR PAD,5 X 3 X .625 W/NUTS.....	4				
--	88648GT	WEAR PAD,7X3X.625 W/NUTS <i>from SN 15684</i>					
17	38621GT	SHIM,PAD,5 X 3 <i>to SN 15683</i>					
--	60304GT	SHIM,WEAR PAD,7 X 3,12GA <i>from SN 15684</i>					
18	34344GT	SHIM,SIDE PAD 16GA. 3 X 5 <i>to SN 15683</i>					
--	60840GT	SHIM,WEAR PAD,7 X 3,16GA <i>from SN 15684</i>					
19	53197GT	WEAR PAD,EXTENSION CYLINDER.....	2				
20	6091GT	NUT,NYLOCK,1/4-20					
21	12906GT	WASHER,FENDER,.25 X 1.25 X .062					
22	6637GT	SCREW,HHC,1/4-20 X 1.75					
23	52882GT	EXTENSION BOOM TUBE ASSY. S-45.....	1				
--	111408GT	EXT BOOM TUBE ASSY,S-45,SYMBL <i>Europe/Asia/South America; to SN 15686</i>					
--	1252512GT	EXTENSION BOOM TUBE ASSY,S-45* <i>USA/Canada/Australia; from SN 17959</i>					
--	1252513GT	EXT BOOM TUBE ASSY,S-45,SYMBL <i>Europe/Asia/South America; from SN 17959</i>					
--	1255362GT	EXTENSION BOOM TUBE ASSY,S-45 <i>USA/Canada/Australia; from SN 15687 to SN 17958</i>					

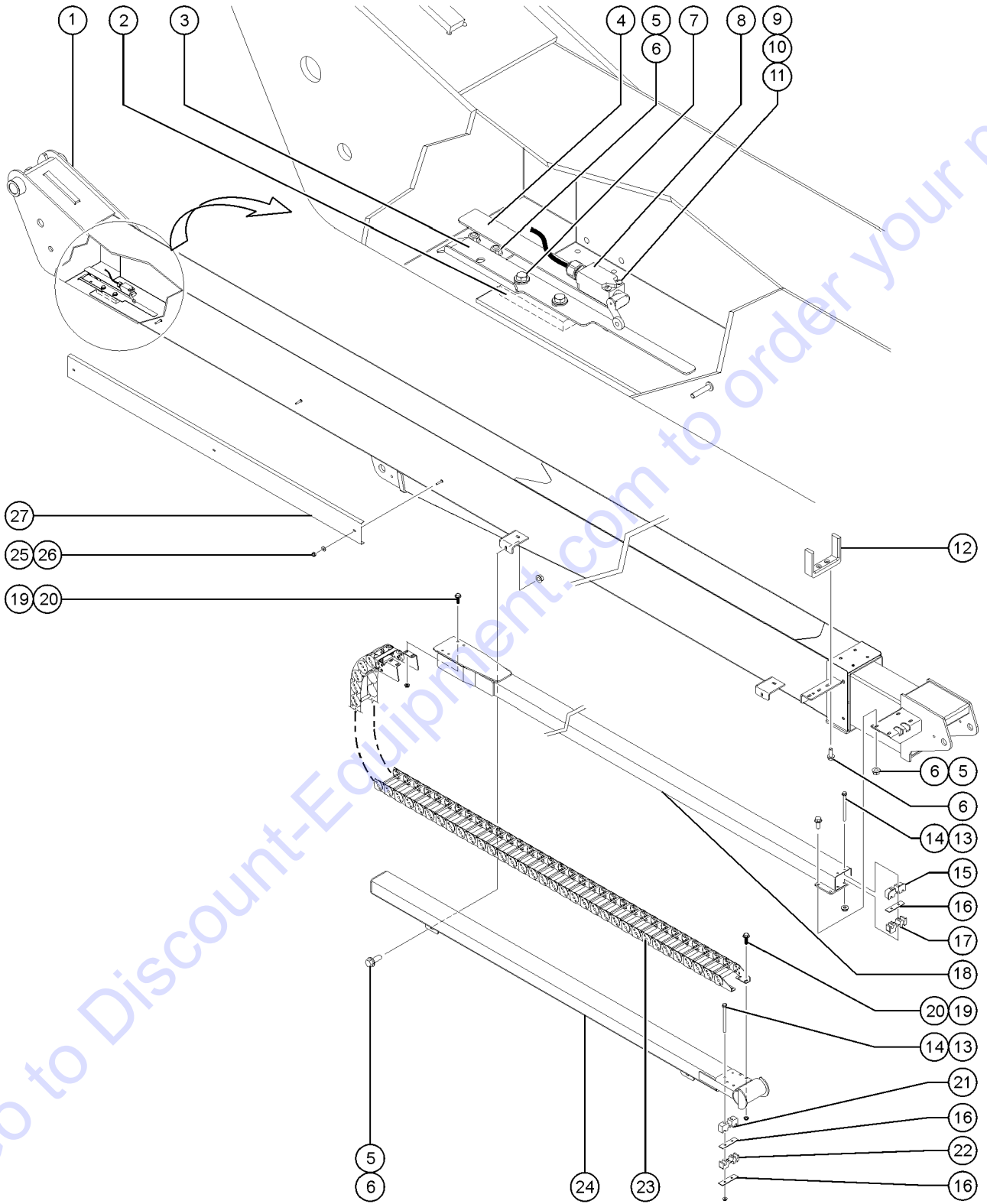
504.1 Cable Track Installation (to SN 17958)



504.1 Cable Track Installation (to SN 17958)

Item	Part No.	Description	Qty.	Item	Part No.	Description	Qty.
--		Ref. Wire Harness, Extend/Retract Limit Switch (refer to 311.1)		31	43191P-SGT	PLATE,CABLE TRACK,PAINTED.....	1
1		Ref. Boom Assembly (refer to 502.1 or 503.1)		32	56912GT	SPRING CLIP,1/4-20,.025-.15X.54,ZAG.....	4
2	8914GT	SCREW,HHC,1/4-20 X .625		33	40653GT	ROLLER,UHMW.....	1
3	6356GT	WASHER,LOCK,.25		34	43128GT	SLIDER BAR.....	1
4	102961GT	PLATE,CLAMP..... <i>Required for some of the options</i>	1	35	36204P-SGT	BRACKET,LIMIT SWITCH EXT,BLUE*....	1
5	6115GT	SCREW,HHC,1/4-20 X 3.5		36	8179GT	SCREW,HHC,1/4-20 X 2.25	
6	6638GT	WASHER,FLAT,USS,1/4"Y		37	41031P-SGT	ANGLE,CABLE TRACK TUBE,PAINTED.....	1
7	6889GT	NUT,LP NYLOCK,1/4-20		38	41029GT	WEAR PAD,3 X 2 X .5 W/INSERT.....	1
8	41750GT	COW CATCHER,PLASTIC.....	1	39	41030GT	WEAR PAD,2.25 X 2.50 X .5.....	1
9	102958GT	CLAMP,PULL TUBE..... <i>Required for some of the options</i>	1	40	22832GT	SCREW,HHC,3/8-16 X 6	
10	6091GT	NUT,NYLOCK,1/4-20 <i>Required for some of the options</i>		41	7713GT	NUT, LP NYLOCK, 3/8-16	
11	6638GT	WASHER,FLAT,USS,1/4"Y <i>Required for some of the options</i>		42	36593-SGT	WELDMENT,CABLE TRACK GUIDE**....	1
12	6115GT	SCREW,HHC,1/4-20 X 3.5 <i>Required for some of the options</i>		43	6145GT	SCREW,HHC,1/4-20 X 1.5	
13	30671-SGT	WLDMT.CABLE TRACK TUBE S40.....	1	44	25072P-SGT	HOSE COVER,LWR CABLE TRK,BLUE.....	1
14	63433GT	CLAMP,HOSE,TOP,MOLDED.....	1				
15	63432GT	CLAMP,HOSE,BOTTOM,MOLDED.....	1				
16	30670-SGT	WLDMT.CABLE TRACK SUPP.TUBE***..... <i>(for plastic cable track)</i>	1				
--	52654GT	TUBE-CABLE TRACK W/TRIM S-40** <i>(for metal cable track)</i>					
17	73994GT	CABLETRACK,PLATED, 41 LINK.....	1				
--	72268GT	END SET,STEEL43482,43483,43484					
--	81007GT	REPAIR LINK, 4 LINKS PLATED					
18	6091GT	NUT,NYLOCK,1/4-20					
19	6090GT	SCREW,HHC,1/4-20 X .75					
20	8255GT	SCREW,HHC,3/8-16 X .75					
21	6021GT	WASHER,LOCK,.375					
22	6097GT	WASHER,FLAT,USS,3/8",Y					
23	44081-SGT	COVER,CABLE TRACK.....	1				
24	88356-11165GT	SWITCH,LIMIT,W/RLLR ARM,NO/NC*....	1				
--	19491GT	CONTACTOR,LIMIT SWITCH					
--	97128GT	ROLLER ARM,LIMIT SWITCH***					
25	6179GT	SCREW,RHM,10-32 X 1.25					
26	6607GT	WASHER,LOCK,#10 PLTD					
27	1505GT	WIRE CABLE,16/2 SJO,BULK.....	.236-inches				
28	52653GT	CABLE TRACK TRAY ASSY W/TRIM.....	1				
29	31411GT	WEAR PAD,CABLE TRACK.....	2				
30	34954GT	SHIM,SIDE PAD 16GA.1.5 X 3.5					

504.2 Cable Track Installation (from SN 17959)

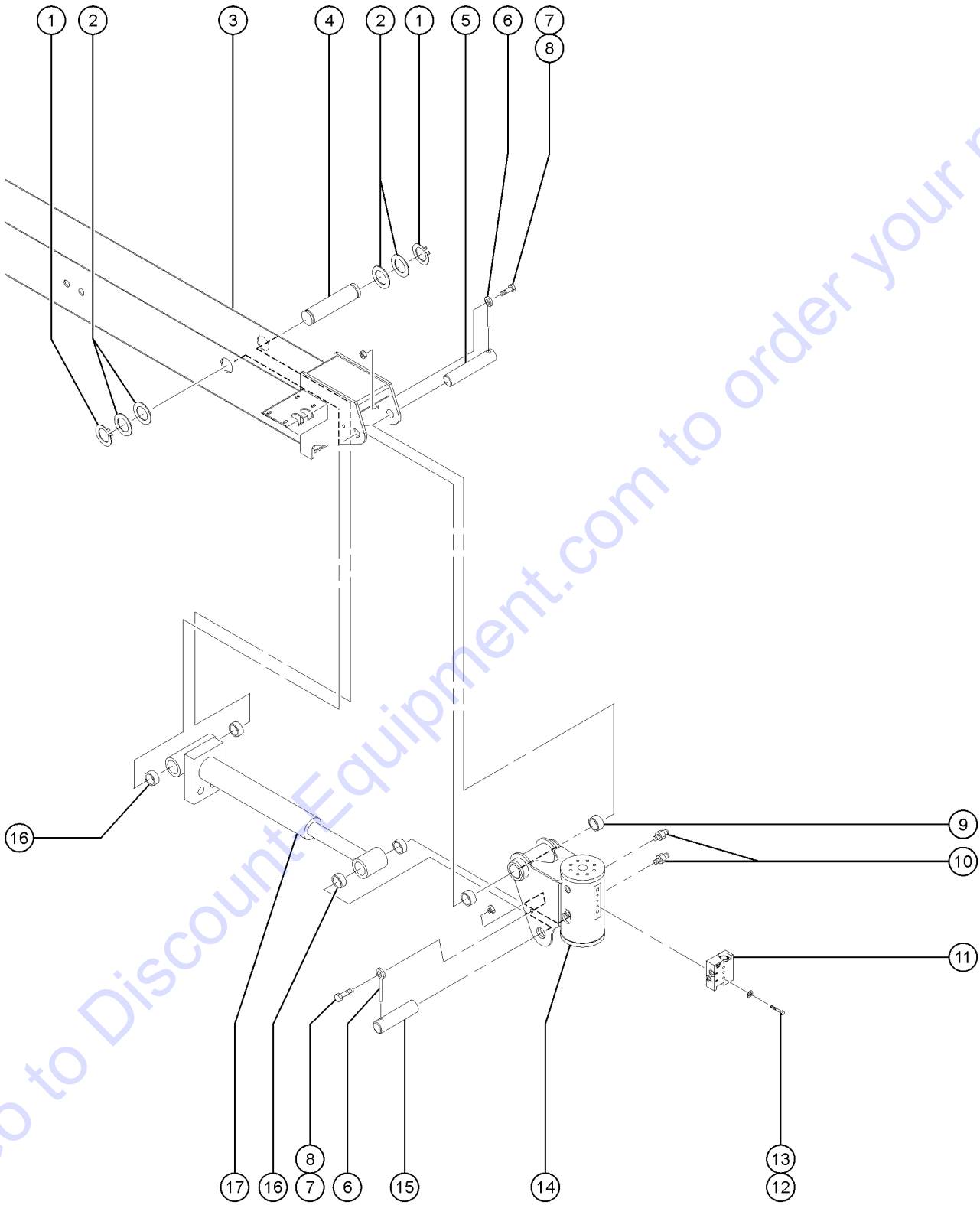


Go to Discount-Equipment.com to order your parts

504.2 Cable Track Installation (from SN 17959)

Item	Part No.	Description	Qty.
1		Ref. Boom Assembly (Refer to 502.1 or 503.1)	
2		Ref. WEAR PAD,5 X 1.5 X .625 W/NUTS.....1 (Refer to 502.1 or 503.1)	1
3	227809GT	FORMING LIMIT SWITCH RAIL.....1	1
4	227808GT	LIMIT SWITCH BRACKET S40/45.....1	1
5	121422GT	NUT,HEX,FLG,3/8-16	
6	121066GT	SCREW,HHC,FLG,3/8-16 X 1 GR8	
7		Ref. SCREW,HHC,3/8-16 X 1 (Refer to 502.1 or 503.1)	
8	161880GT	HARNESS,EXT/RET LIMIT,S40/S45.....1	1
--	119065GT	CONN,RECEP 2 WAY ENDCAP DT	
--	88356-12 12105GT	SWITCH,LIMIT,W/RLLR ARM,NO/NC*	
9	16487GT	SCREW,RHM,10-32 X 1.5	
10	6607GT	WASHER,LOCK,#10 PLTD	
11	6178GT	NUT,NYLOCK,10-32	
12	228813GT	WEAR PAD ASSEMBLY,CABLE TRACK.....1	1
13	228862GT	1/4-20 3.5 ZNC SER FLANGE BOLT	
14	228861GT	1/4"-20 ZINC SER FLANGE NUT	
15	228854GT	CLMP,PLSTC,CBLE TRCK S40/45T.....1	1
16	228856GT	CLAMP PLATE S40/45.....3	3
17	228855GT	CLMP,PLSTC,CBLE TRCK S40/45B.....1	1
18	228807GT	WELDMENT, LNG GUID TUBE S40/45.....1	1
19	228859GT	SCREW, FLANGE, 5/16"-18 x 1"	
20	228858GT	NUT, FLANGE, 5/16"-18	
21	216000GT	CLMP,PLSTC,CBLE TRAY S40/45T.....1	1
22	216001GT	CLMP,PLSTC,CBLE TRAY S40/45B.....1	1
23A	228860GT	CABLE TRACK S40/45.....1 to SN 23650	1
--	1259461GT	KIT, 4 LINK REPAIR SECTION for 228860	
--	1259462GT	KIT, REPAIR, FIXED END for 228860	
--	1259463GT	KIT, REPAIR, MOVING END for 228860	
--	1282959GT	ROLLER KIT, POLY for 228860	
24	228843GT	WELDMENT,CABLE TRACK TRAY.....1	1
25	6889GT	NUT,LP NYLOCK,1/4-20	
26	6638GT	WASHER,FLAT,USS,1/4"Y	
27	25072P-SGT	HOSE COVER,LWR CABLE TRK,BLUE.....1	1

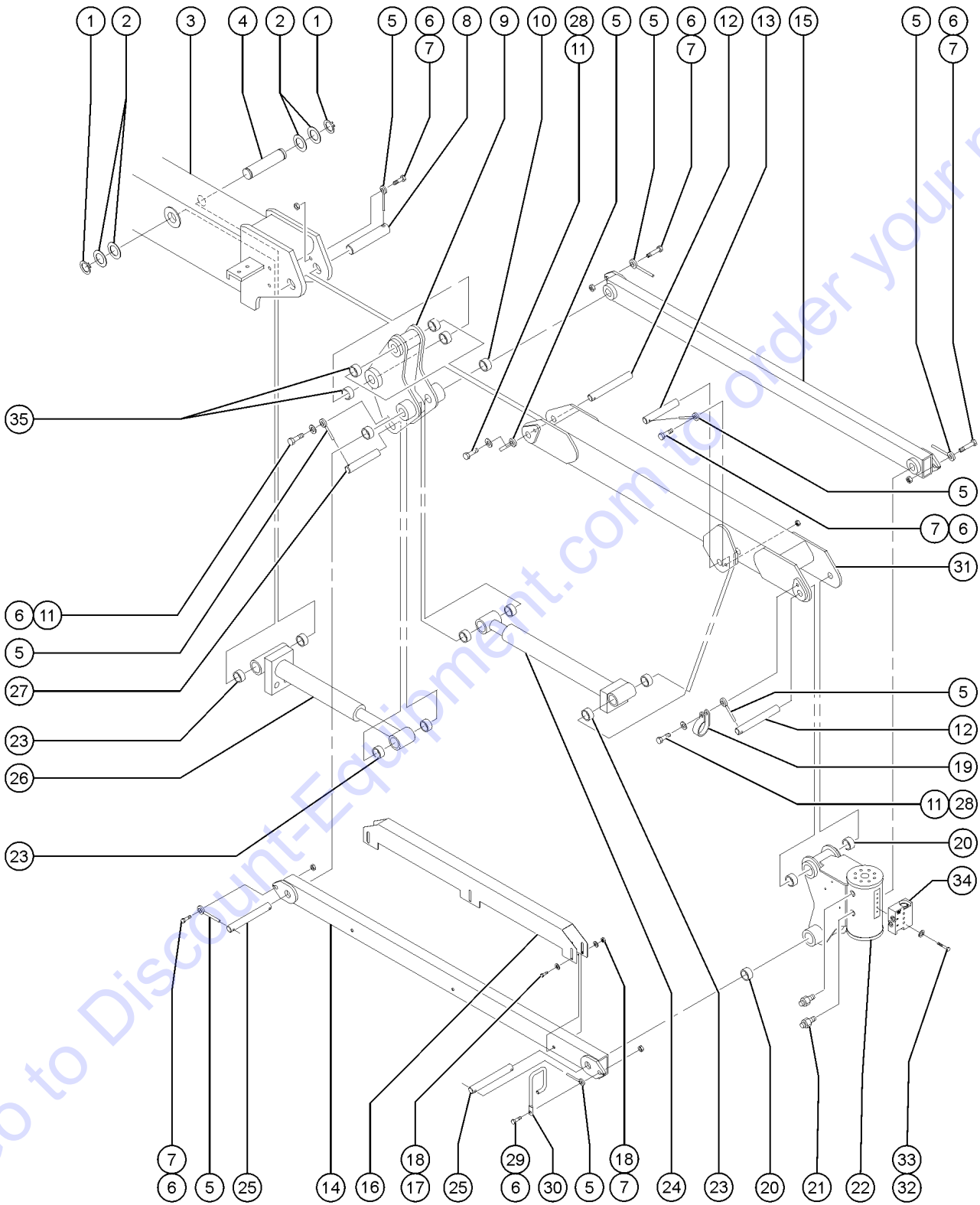
505.1 Slave Cylinder and Platform Rotator, S-40 model



505.1 Slave Cylinder and Platform Rotator, S-40 model

Item	Part No.	Description	Qty.
1	824164GT	SNAP RING,EXTERNAL,1.25,ZAG.....2	
2	30255GT	WASHER,SHIM,1.27 X 2.13 X .062	
3		Ref. Boom Assembly (refer to 502.1)	
4	30728GT	PIN,1.25DIAX7.17LG,2RING.....1	
5	T108076GT	PIN,1.25DIAX7.88LG,1HOLE.....1	
6	825019GT	ROD END,.375X3.69,ZAG.....2	
7	8516GT	SCREW, HCC, 3/8-16 X 1.50	
8	4828GT	NUT,NYLOCK,3/8-16	
9	75395GT	BEARING KIT,PLAT ROTATOR,SUPER.....2 <i>for rotator 73917; to SN 8125</i>	
--	30370GT	BEARING,1.25IDX1.5ODX1.00L <i>for rotator 94398; from SN 8126</i>	
10	13852GT	VALVE ASSY,BLEED***.....2 <i>for rotator 73917; to SN 8125</i>	
--	88516GT	SCREW,BLEEDER,M5X0.8 <i>for rotator 94398; from SN 8126</i>	
11		Ref. Rotator Manifold (refer to 704.1)	
12	6145GT	SCREW,HHC,1/4-20 X 1.5	
13	6638GT	WASHER,FLAT,USS,1/4"Y	
14	94398GT	ROTATOR,PLAT,NON-JIB.....1 <i>includes items 9 and 10</i>	
--	106421GT	SEAL KIT,ARCTIC,ROTATOR 8.2K** <i>for rotator 73917; to SN 8125</i>	
--	122944GT	SEAL KIT,8K ROTATOR*** <i>for rotator 94398; from SN 8126</i>	
--	62417GT	SEAL KIT,PLAT ROTATE*** <i>for rotator 73917; to SN 8125</i>	
--	75395GT	BEARING KIT,PLAT ROTATOR,SUPER <i>for rotator 73917; to SN 8125</i>	
15	T108075GT	PIN,1.25DIAX5.25LG,1HOLE.....1	
16	25683GT	BEARING,POLYGON,20DU12.....4	
17	81693GT	CYLINDER,SLAVE,S40/45.....1 <i>includes item 16</i>	
--	75469GT	SEAL KIT,CYL,S40 SLAVE (81693)	
--	77303GT	VALVE, CNTRBAL 3500 PSI, ATM VEN	

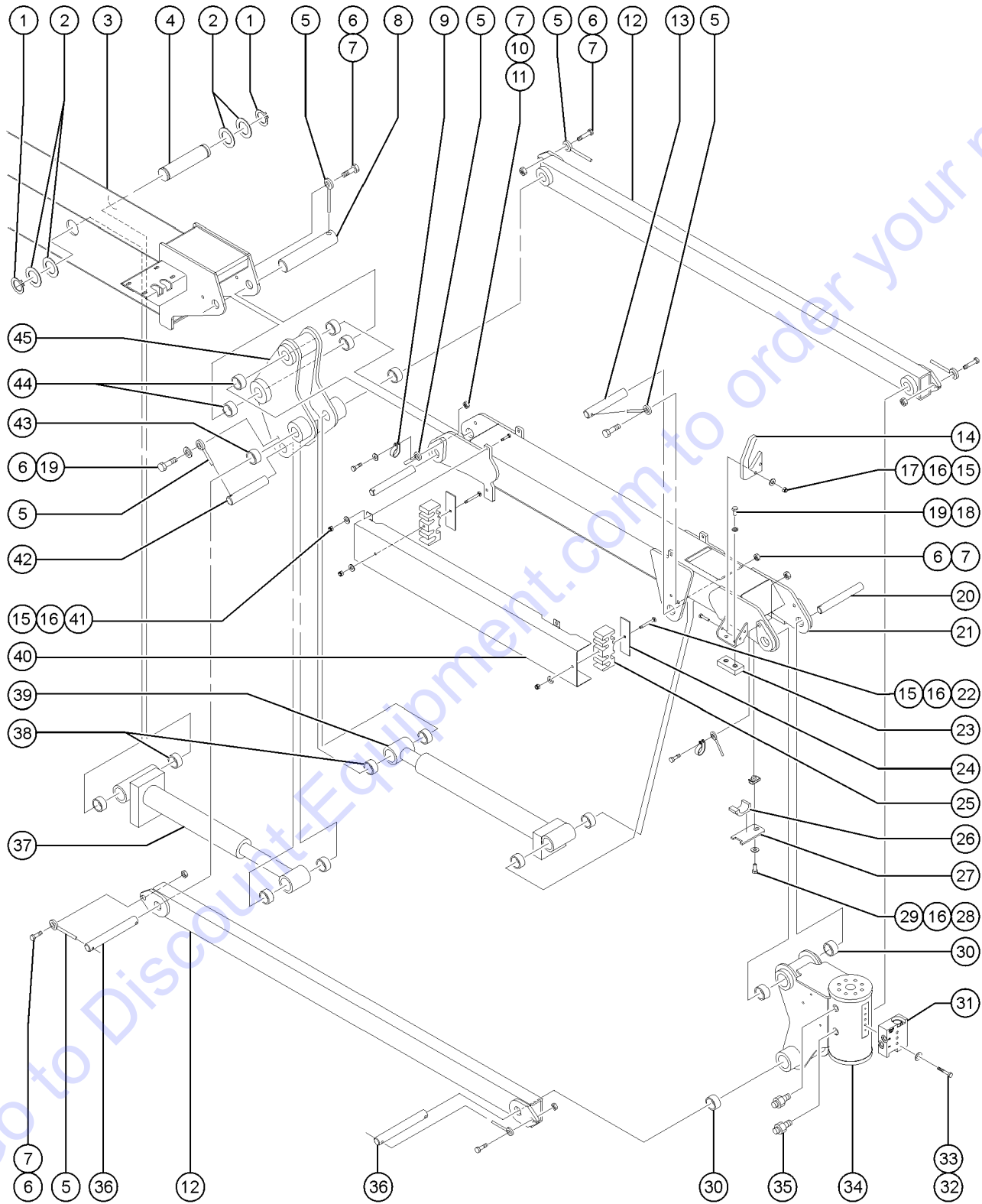
506.1 Jib Boom and Platform Rotator, S-45 model (to SN 14241)



506.1 Jib Boom and Platform Rotator, S-45 model (to SN 14241)

Item	Part No.	Description	Qty.	Item	Part No.	Description	Qty.
--	128172GT	KIT,SLAVE CYL PIN <i>includes item 1 and 4</i>		--	63353GT	SEAL KIT,CYL,S65 (63213)	
1	824164GT	SNAP RING,EXTERNAL,1.25,ZAG.....2		25	81175GT	PIN,1.25DIAX14.45LG,2HOLE.....2	
2	30255GT	WASHER,SHIM,1.27 X 2.13 X .062		26	63210GT	CYLINDER,SLAVE,3 X 11.38***.....1 <i>includes item 23</i>	
3		Ref. Boom Assembly (refer to 502.1 or 503.1)		--	63350GT	SEAL KIT,CYL (63210)	
4	T108079GT	PIN,1.25DIAX8.30LG,2RING.....1		--	77303GT	VALVE, CNTRBAL 3500 PSI, ATM VEN	
5	825019GT	ROD END,.375X3.69,ZAG.....9		27	T108075GT	PIN,1.25DIAX5.25LG,1HOLE.....1	
6	8516GT	SCREW, HCC, 3/8-16 X 1.50		28	5224GT	SCREW,HHC,3/8-16 X 2	
7	4828GT	NUT,NYLOCK,3/8-16		29	7713GT	NUT, LP NYLOCK, 3/8-16	
8	T108078GT	PIN,1.25DIAX9.50LG,1HOLE.....1		30	75016-SGT	GUARD,JIB HOSE.....1	
9	89801GT	BELLCRANK ASSY W/BEARINGS.....1 <i>includes item 10</i>		31	128513GT	SERVICE KIT,5FT JIB.....1 <i>required for first time replacement (includes part number 128534); refer to section 506.2 for jib detail</i>	
10	35675GT	BEARING,FL,1.25IDX1.5ODX1.25L.....2 <i>to SN 14120</i>		--	128515GT	SERVICE KIT, 5FT JIB, ARCTIC <i>required for first time replacement (includes part number 128534)</i>	
--	128268GT	BEARING,FL, 1.25X1.5X2.13 <i>from 14121</i>		--	128534GT	JIB BOOM ASSY W/WORD DECAL.....1 <i>use ONLY if service kits 128513 or 128515 have been installed on the machine; refer to section 506.2 for jib detail</i>	
11	6021GT	WASHER,LOCK,.375		32	6145GT	SCREW,HHC,1/4-20 X 1.5	
12	T108076GT	PIN,1.25DIAX7.88LG,1HOLE.....2		33	6638GT	WASHER,FLAT,USS,5/16"Y	
13	T108077GT	PIN,1.25DIAX7.00LG,1HOLE.....1		34		Ref. Rotator Manifold (refer to 704.1)	
14	60789-SGT	COMPR. LINK,MACHINED,ENG SD***.....1		35	35675GT	BEARING,FL,1.25IDX1.5ODX1.25L.....4 <i>to SN 14120</i>	
15	61306-SGT	COMPR.LINK,MACHINED,GND CONTR*.....1		--	75627GT	BEARING,1.25 X 1.5 X 2 <i>from SN 14121</i>	
16	89642PGT	Hose Cover.....1					
17	6326GT	SCREW,HHC,3/8-16 X 3					
18	5397GT	WASHER,FLAT,USS,5/16",Y					
19	32339GT	CLAMP,1.75,#28 X 3/8,RUB CUSH*.....1					
20	30370GT	BEARING,1.25IDX1.5ODX1.00L.....4					
21	13852GT	VALVE ASSY,BLEED***.....2 <i>from 7001 to SN 8182</i>					
--	88516GT	SCREW,BLEEDER,M5X0.8 <i>from SN 8183 to 14241</i>					
22	94397GT	ROTATOR,PLAT JIB,160 DEG***.....1 <i>includes item 23</i>					
--	106421GT	SEAL KIT,ARCTIC,ROTATOR 8.2K** <i>from 7001 to SN 8125</i>					
--	122944GT	SEAL KIT,8K ROTATOR*** <i>from SN 8126 to 14241</i>					
--	62417GT	SEAL KIT,PLAT ROTATE*** <i>from 7001 to SN 8182</i>					
--	75395GT	BEARING KIT,PLAT ROTATOR,SUPER <i>to SN 8125</i>					
23	1262634GT	BUSHING,POLYGON,BM5121.....8 <i>includes item 23</i>					
24	63213GT	CYLINDER,JIB (STICK BOOMS).....1					
--	33428GT	VALVE,COUNTERBALANCE					
--	43018GT	SEAL KIT (39345)					

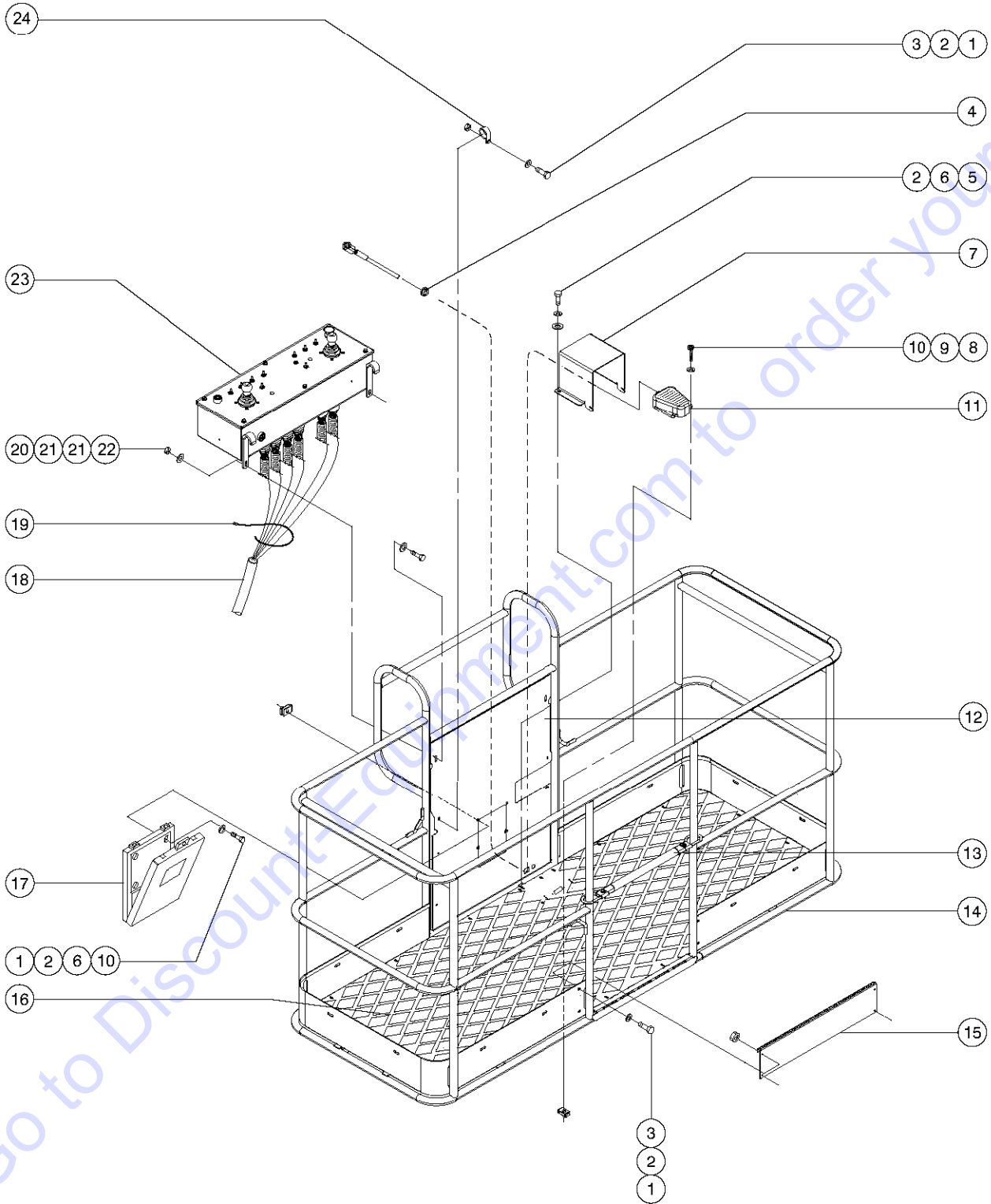
506.2 Jib Boom and Platform Rotator, S-45 model (from SN 14242)



506.2 Jib Boom and Platform Rotator, S-45 model (from SN 14242)

Item	Part No.	Description	Qty.	Item	Part No.	Description	Qty.
--	128172GT	KIT,SLAVE CYL PIN <i>includes item 1 and 4</i>		--	122944GT	SEAL KIT,8K ROTATOR***	
1	824164GT	SNAP RING,EXTERNAL,1.25,ZAG.....2		35	88516GT	SCREW,BLEEDER,M5X0.8.....2	
2	30255GT	WASHER,SHIM,1.27 X 2.13 X .062		36	81175GT	PIN,1.25DIAX14.45LG,2HOLE.....2	
3		Ref. Boom Assembly <i>(refer to 502.1 or 503.1)</i>		37	63210GT	CYLINDER,SLAVE,3 X 11.38***.....1 <i>includes item 38</i>	
4	T108079GT	PIN,1.25DIAX8.30LG,2RING.....1		--	63350GT	SEAL KIT,CYL (63210)	
5	825019GT	ROD END,.375X3.69,ZAG.....9		--	77303GT	VALVE, CNTRBAL 3500 PSI, ATM VEN	
6	8516GT	SCREW, HCC, 3/8-16 X 1.50		38	1262634GT	BUSHING,POLYGON,BM5121.....8	
7	4828GT	NUT,NYLOCK,3/8-16		39	63213GT	CYLINDER,JIB (STICK BOOMS).....1 <i>includes item 38</i>	
8	T108078GT	PIN,1.25DIAX9.50LG,1HOLE.....1		--	33428GT	VALVE,COUNTERBALANCE	
9	77181GT	CLAMP,1.63,#26 X 3/8,RUB CUSH.....2		--	43018GT	SEAL KIT (39345)	
10	5397GT	WASHER,FLAT,USS,5/16",Y <i>use only with clamp #26</i>		--	63353GT	SEAL KIT,CYL,S65 (63213)	
11	5224GT	SCREW,HHC,3/8-16 X 2		40	128454PGT	COVER, JIB HOSES/CABLES.....1	
12	61306-SGT	COMPR.LINK,MACHINED,GND CONTR*.....2		41	79456GT	BOLT,CARRIAGE,1/4-20 X 1.00,G2	
13	T108077GT	PIN,1.25DIAX7.00LG,1HOLE.....1		42	T108075GT	PIN,1.25DIAX5.25LG,1HOLE.....1	
14	128482GT	HOSE GUIDE, JIB.....1		43	128268GT	BEARING,FL, 1.25X1.5X2.13.....2	
15	6091GT	NUT,NYLOCK,1/4-20		44	75627GT	BEARING,1.25 X 1.5 X 2.....4	
16	6638GT	WASHER,FLAT,USS,1/4"Y		45	89801GT	BELLCRANK ASSY W/BEARINGS.....1 <i>includes item 43 and 44</i>	
17	8915GT	SCREW,HHC,1/4-20 X 1.25					
18	8255GT	SCREW,HHC,3/8-16 X .75					
19	6021GT	WASHER,LOCK,.375					
20	T108076GT	PIN,1.25DIAX7.88LG,1HOLE.....2					
21	128534GT	JIB BOOM ASSY W/WORD DECAL					
22	128724GT	BOLT,CARRIAGE,1/4-20 X 2.75,G2					
23	81640GT	WEAR PAD,3 X 1.5 X.625 W/NUTS.....2					
24	128483GT	BACKING PLATE, HOSE BLOCK, JIB....2					
25	128501GT	CLAMP,JIB HOSE/CABLE.....2					
--	128519GT	CLAMP,JIB HOSE/CABLE,ARCTIC.....2 <i>(part of the Arctic hose option)</i>					
26	119542GT	CLAMP,TWO HOSE.....1					
27	119536PGT	BRACKET,HOSE CLAMP,PAINTED.....1					
28	6090GT	SCREW,HHC,1/4-20 X .75					
29	56912GT	SPRING CLIP,1/4-20,.025-.15X.54,ZAG.....1					
30	30370GT	BEARING,1.25IDX1.5ODX1.00L.....4 <i>to SN 15679</i>					
--	30222GT	BEARING,FL,1.25IDX1.41ODX1.50L <i>from SN 15680</i>					
31		Ref. Rotator Manifold <i>(refer to 704.1)</i>					
32	6145GT	SCREW,HHC,1/4-20 X 1.5					
33	6638GT	WASHER,FLAT,USS,1/4"Y					
34	94397GT	ROTATOR,PLAT JIB,160 DEG***.....1 <i>include item 30 and 35</i>					

601.1 Platform Installation - View 1



601.1 Platform Installation - View 1

Item	Part No.	Description	Qty.	Item	Part No.	Description	Qty.
A		Platform Assemblies with Decals =====		--	89750GT	PLATFORM ASSY 4FT W/DECAL A/SO	
--		{USA and Canadian models, to SN 9752} =====		--	89751GT	PLATFORM ASSY 5FT W/DECALS ASA	
--	89335GT	PLATFORM ASSY 6FT W/DECALS ANS to SN 9752		--	89752GT	PLATFORM ASSY 6FT W/DECALS ASA	
--	89337GT	PLATFORM ASSY 8FT W/DECALS ANS to SN 9752		--	89753GT	PLATFORM ASSY 8FT W/DECALS ASA	
--	89742GT	PLATFORM ASSY 4FT W/DECALS ANS to SN 9752		1	6090GT	SCREW,HHC,1/4-20 X .75	
--	89743GT	PLATFORM ASSY 5FT W/DECALS ANS to SN 9752		2	6638GT	WASHER,FLAT,USS,1/4"Y	
B		{Australian models, to SN 9752} =====		3	6091GT	NUT,NYLOCK,1/4-20	
--	89746GT	PLATFORM ASSY 4FT W/DECALS AUS to SN 9752		4	229768GT	GROMMET,RUBBER,1.0X0.094X1.375..2	
--	89747GT	PLATFORM ASSY 5FT W/DECALS AUS to SN 9752		5	8915GT	SCREW,HHC,1/4-20 X 1.25	
--	89748GT	PLATFORM ASSY 6FT W/DECALS AUS to SN 9752		6	6356GT	WASHER,LOCK,.25	
--	89749GT	PLATFORM ASSY 8FT W/DECALS AUS to SN 9752		7	73931GT	GUARD,FOOTSWITCH,W/DECAL ALUM.....1 USA, Canada, Australia, to SN 15681	
C		{USA and Canadian models, from SN 9753} =====		--	147221GT	GUARD,FOOTSWITCH,W/DECAL ALUM USA, Canada, Australia, from 15682	
--	111234GT	PLATFORM ASSY 4FT W/DECALS ANS from SN 9753		--	63766GT	COVER,FOOT SWITCH Europe, Asia, South America, to SN 15681	
--	111235GT	PLATFORM ASSY 5FT W/DECALS ANS from SN 9753		--	147121GT	COVER, FOOT SWITCH, LARGE Europe, Asia, South America, from SN 15682	
--	111236GT	PLATFORM ASSY 6FT W/DECALS ANS from SN 9753		8	73587GT	SCREW,PHIL,10-24 X .75	
--	111237GT	PLATFORM ASSY 8FT W/DECALS ANS from SN 9753		9	6607GT	WASHER,LOCK,#10 PLTD	
D		{Australian models, from SN 9753} =====		10	73575GT	SPRING CLIP,10-24,.025-.125X.468,ZAG	
--	111238GT	PLATFORM ASSY 4FT W/DECALS AUS from SN 9753		11		Ref. ASSEMBLY,FOOT SWITCH.....1 (refer to 311.1)	
--	111239GT	PLATFORM ASSY 5FT W/DECALS AUS from SN 9753		12		Ref. Decal Plate (refer to 602.1)	
--	111240GT	PLATFORM ASSY 6FT W/DECALS AUS from SN 9753		13	102992GT	SLIDING MIDRAIL KIT,PTD.....1	
--	111241GT	PLATFORM ASSY 8FT W/DECALS AUS from SN 9753		--	12443GT	MIDRAIL GUIDE (HOOK)	
E		{European models} =====		--	139451GT	TUBE,SLIDING MIDRAIL,PAINTED	
--	89336GT	PLATFORM ASSY 6FT W/DECALS EUR		--	20973GT	WIRE LOOM,3/8 POLY SLIT	
--	89338GT	PLATFORM ASSY 8FT W/DECALS EUR		--	21121GT	CABLE TIE,4" BLK,HEAT RESISTNT	
--	89744GT	PLATFORM ASSY 4FT W/DECALS EUR		14	73610PGT	STEP PLATFORM ENTRY PAINTED***1	
--	89745GT	PLATFORM ASSY 5FT W/DECALS EUR		15	94745PGT	TOEBOARD,ENTRY EUROPEAN PNTD**1	
F		{Asian and South American models} =====		16		Ref. Platform Flooring (refer to 602.1)	
				17A	44743GT	MANUAL BOX W/DECALS***1 USA/Canada/Australia	
				17B	24514GT	BOX,INSTRUCTION STORAGE Europe/Asia/South America (decals required; refer to Section100)	
				18	79138GT	SLEEVE,NYLON,2.38 ID,BULK 100' (order this part by the inch)	
				19	28443GT	CABLE TIE,11.5" BLACK.....3	
				20	4828GT	NUT,NYLOCK,3/8-16	
				21	5397GT	WASHER,FLAT,USS,5/16",Y	

601.1 Platform Installation - View 1
(continued)

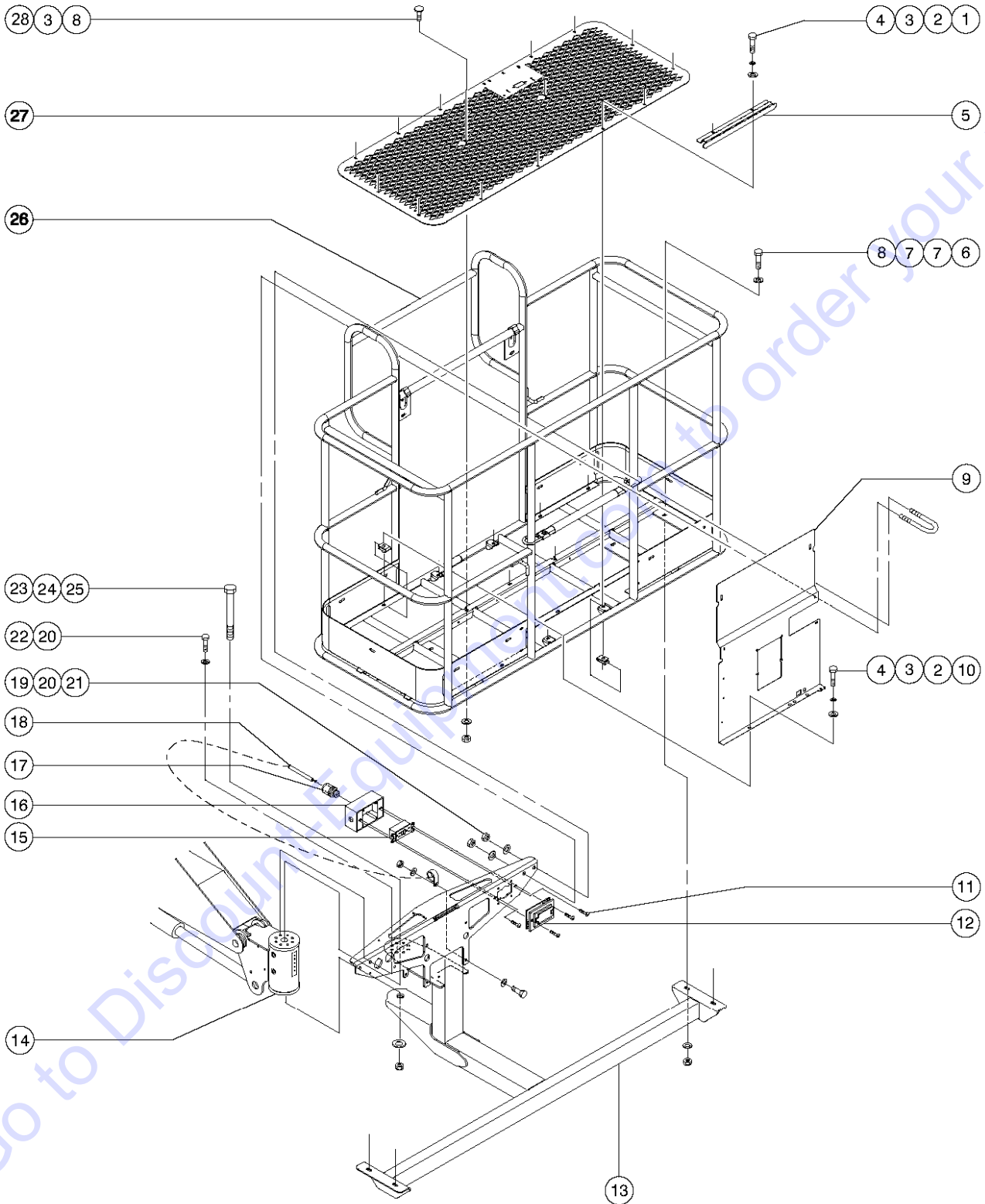
Item	Part No.	Description	Qty.
22	6019GT	SCREW,HHC,3/8-16 X 1.25 GRD 5	
23		Ref. Platform Control Box Assembly (refer to 603.1 and 604.1)	
24	56424GT	CLAMP,1.25X.5 RUBBER-CUSHION.....1	

Go to Discount-Equipment.com to order your parts

This Page Intentionally Left Blank

Go to Discount-Equipment.com to order your parts

602.1 Platform Installation - View 2



602.1 Platform Installation - View 2

Item	Part No.	Description	Qty.	Item	Part No.	Description	Qty.
1	6888GT	SCREW,HHC,1/4-20 X 1		21	122755GT	UBOLT,FLATTENED,1.5DIA X 3/8 UNC....	2
2	6356GT	WASHER,LOCK,.25		22	6175GT	SCREW,HHC,3/8-16 X 1.....	8
3	6638GT	WASHER,FLAT,USS,1/4"Y		--	49857GT	SCREW,HHC,3/8-16 X .88,GRD 8 from SN 7054 to 21458	
4	56912GT	SPRING CLIP,1/4-20,.025-.15X.54,ZAG		--	826791GT	SCREW,HHC,3/8-16X.875,8,ZAG from SN 21459	
5	73610PGT	STEP PLATFORM ENTRY PAINTED***.....	1	23	73928GT	SCREW,HHC,1-8 X 11,GRD 5*** to SN 21458	
6	6019GT	SCREW,HHC,3/8-16 X 1.25 GRD 5		--	826792GT	SCREW,HHC,1-8X11,5,ZAG from SN 21459	
7	6097GT	WASHER,FLAT,USS,3/8",Y		24	122079GT	WASHER,FLAT,1.000,HARDENED.....	1
8	4828GT	NUT,NYLOCK,3/8-16		--	824116GT	WASHER, FLAT, F436, 1.0, ZAG from SN 21459	
9	89334GT	DECAL PLATE ASSEMBLY W/DECALS.....	1	25	29764GT	NUT,NYLOCK,1-8 to SN 21458	
--	102145GT	DECAL PLATE,W/WORD DECALS USA, Canada, Australia; from SN 7182 to SN 9752		--	826794GT	NUT,TL,1-8,C,ZAG from SN 21459	
--	102146GT	DECAL PLATE W/SYMBOL DECALS Europe, Asia, South America; from SN 7182		26		Railing Assemblies with Decals =====	
--	111275GT	DECAL PLATE,W/WORD DECALS S40 USA, Canada, Australia; from SN 9753		26A		{USA and Canadian models, to SN 9752} =====	
10	6090GT	SCREW,HHC,1/4-20 X .75		26A	73900GT	WELDMNT,6 FT PLATFORM to SN 9752 ; no decals	
11	75067GT	SCREW,6-32 X 7/8 PPMS ZINC		26A	73976GT	PLATFORM RAIL ASSY, 8FT, ANSI to SN 9752	
12	74006GT	COVER,GFCI,HORIZONTAL,WEATHER.1 includes mounting fasteners		26A	77840GT	WELDMENT W/DECALS,5FT,500LB AN to SN 9752	
13	94390-SGT	OPTION,PLAT SUPPORT,STD,LRG BM.....	1	26B		{USA and Canadian models, from SN 9753} =====	
--		Ref. WELDMNT,PLATFORM SUPPORT,CE CE models (refer to 804.1)		--	111250GT	PLAT RAILW/DECALS,4FT,500LB AN.....	1
--	102679GT	OPTION,PLAT SUPPORT,4/5FT SRV		--	111251GT	PLAT RAILW/DECALS,5FT,500LB AN from SN 9753	
14		Ref. Platform Rotator (refer to 505.1 or 506.1)		--	111252GT	PLAT RAILW/DECALS 6FT 500LB AN from SN 9753	
15	13585GT	OUTLET, 110V.....	1	--	111253GT	PLAT RAILW/DECALS 8FT 500 ANSI from SN 9753	
--	33629GT	PLATE,UK POWER TO PLATFORM		26C		{Australian models} =====	
--	33724GT	KIT,GASKET,UK POWER TO PLAT.		--	101377GT	PLAT ASSEMBLY,5FT,AUSTRALIA***	
--	T112563GT	SVC KIT,UK RECEPT.REPLACEMENT		--	101383GT	PLAT RAIL ASSY,8FT,AUSTRALIA**	
16	10775GT	T-BOX,2.75 X 4.5 X 2.0.....	1	--	60042-S PLATFORM	PLATFORM WELDMNT,4 FT.....	1
17	7056GT	CONN,SQUEEZE,1/2NPT .38-.50,SM....	1	--	60042-SGT	PLATFORM WELDMNT,4 FT.....	1
18	43956GT	WIRE CABLE,14/3 CON.TPE JKT*.....	828-inches (S-40)	--	73900GT	WELDMNT,6 FT PLATFORM no decals	
--	43956GT	WIRE CABLE,14/3 CON.TPE JKT*.....	888-inches (S-45)	26D		{European models} =====	
19	4828GT	NUT,NYLOCK,3/8-16					
20	57201GT	WASHER,FLAT,313, HARDENED.....	8				
--	826793GT	WASHER,FLAT,3/8,SAE,HRD,ZAG from SN 21459					

602.1 Platform Installation - View 2
(continued)

Item	Part No.	Description	Qty.
--	101373GT	PLATFORM ASSEMBLY,4FT,CE/UK.....1	
--	101376GT	PLATFORM ASSEMBLY,5FT,CE/UK	
--	101379GT	PLATFORM RAIL ASSY,6FT,CE/UK	
--	101382GT	PLATFORM RAIL ASSY,8FT,CE/UK	
26E		{Asian and South American models} =====	
--	101375GT	PLAT ASSEMBLY,4FT,ASIA/S AM.....1	
--	101378GT	PLAT ASSEMBLY,5FT,ASIA/S AM	
--	101381GT	PLAT ASSEMBLY,6FT,ASIA/S AM	
--	101384GT	PLAT ASSEMBLY,8FT,ASIA/S AM	
27	60160PGT	FLOORING,4 FT PLATFORM,PAINTED.....1	
--	54247-SGT	PLAT. FLOOR, 5FT, PAINTED	
--	73477PGT	FLOORING, 6'FT PLATFORM	
--	73478PGT	FLOORING,8 FT PLATFORM**	
28	54274GT	SCREW,STEP BOLT,1/4-20 X .75	

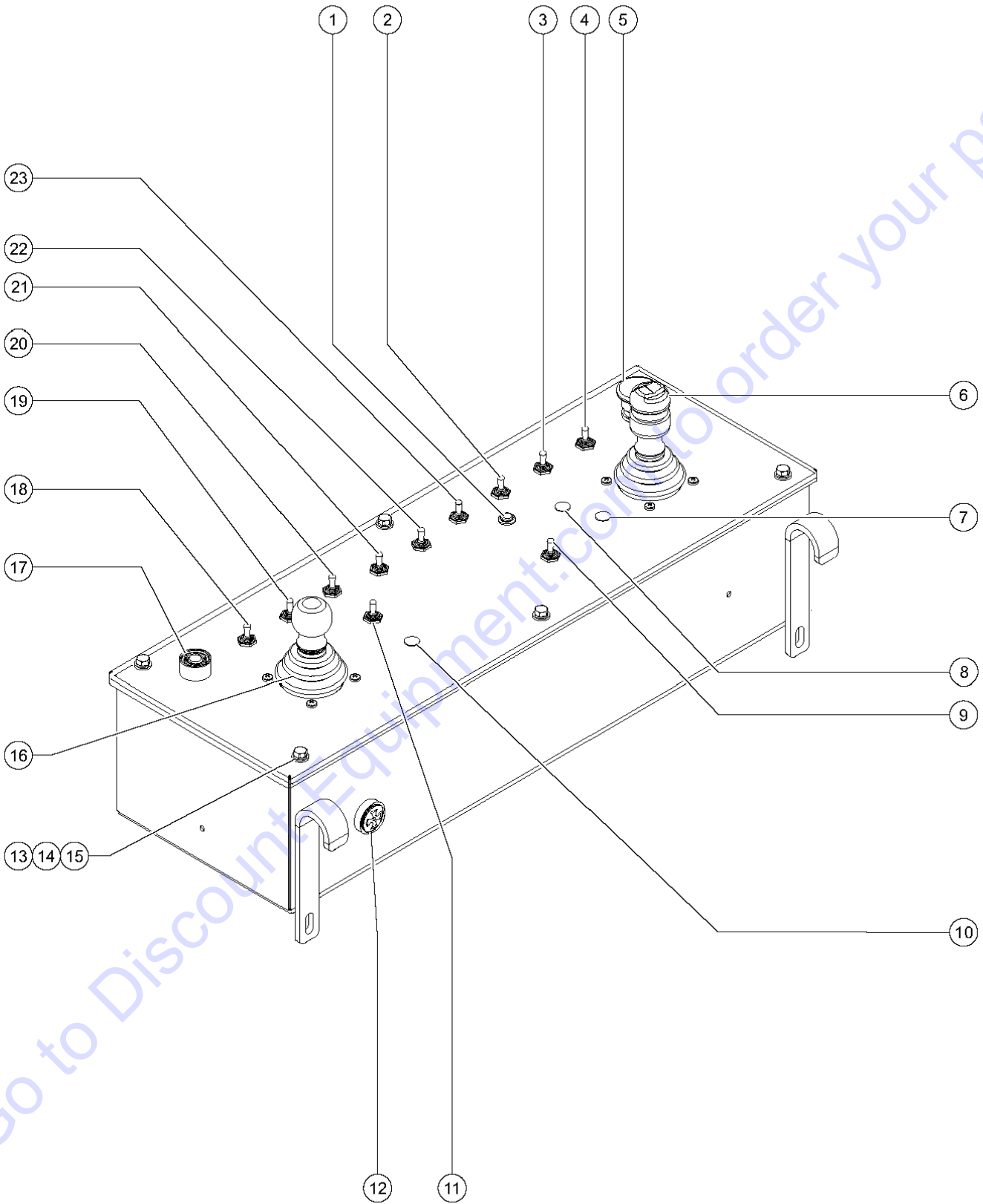
Go to Discount-Equipment.com to order your parts



This Page Intentionally Left Blank

Go to Discount-Equipment.com to order your parts

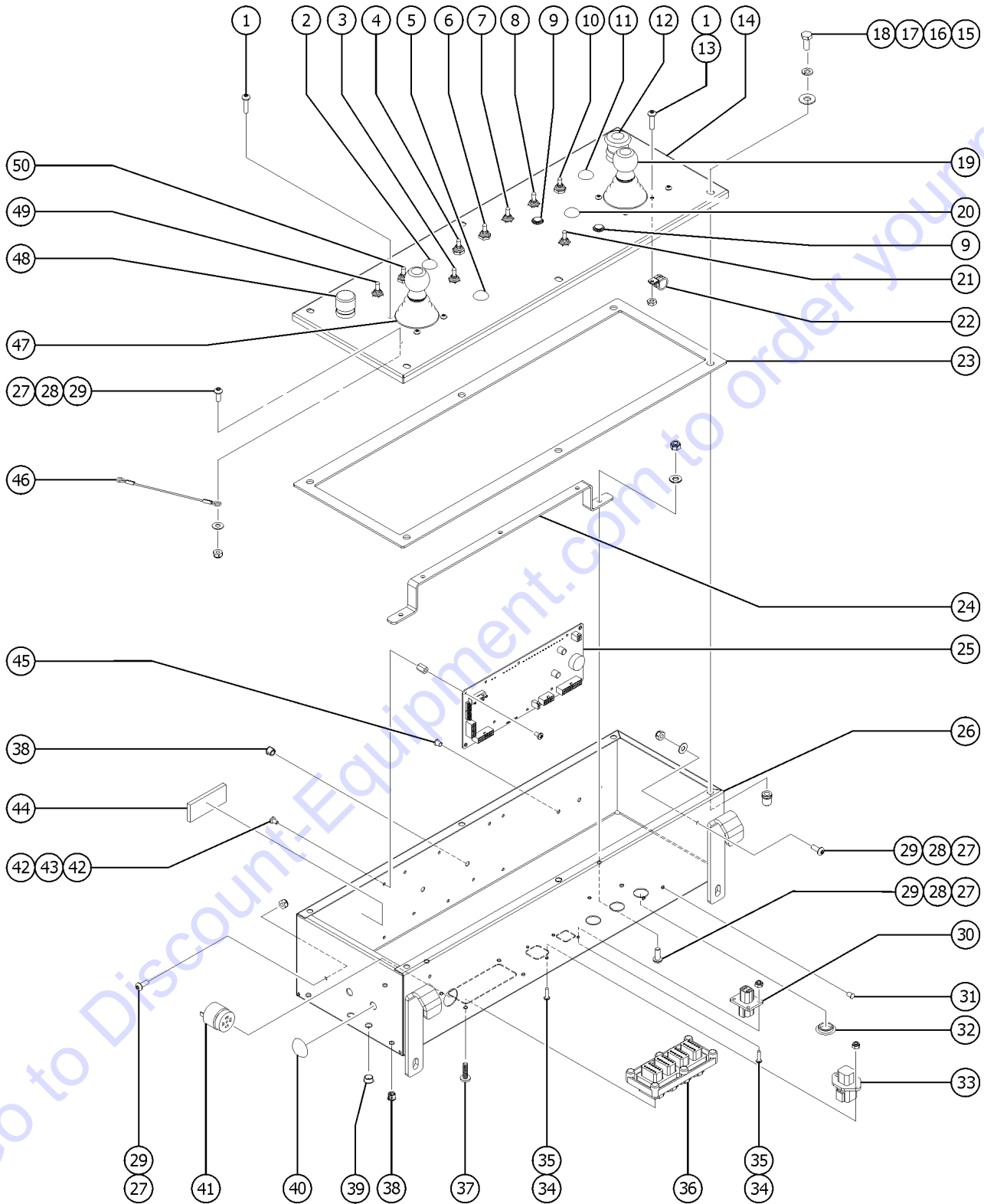
603.1 Platform Control Box - View 1 (to SN 20504)



603.1 Platform Control Box - View 1 (to SN 20504)

Item	Part No.	Description	Qty.	Item	Part No.	Description	Qty.
--	89844GT	PLAT.CNTRL.BOX W/DECAL to SN 7180		--	229567GT	PLUG,SANTOPRENE .5 BLACK DOME Deutz D2.9L4 and Perkins 404F-22 models	
--	102147GT	PLAT.CNTRL.BOX ASSEMBLY from SN 7181		12	45383GT	ALARM,WARBLE TONE 5-30 VDC***1 Does not include 72326 nut	
--	89652PGT	PLATFORM CONTROL BOX LID,S40 for 102147		--	72326GT	NUT - PLASTIC,RING FOR ALARMS	
--	824524GT	ASSY, S40/45 T4 DEUTZ PBOX Deutz D2.9L4 models		13	8914GT	SCREW,HHC,1/4-20 X .625	
--	825563GT	ASSY, PBOX, TIER IV PERKINS Perkins 404F-22 models		14	6356GT	WASHER,LOCK,.25	
--	111420GT	OPTION,ROCKER STEER		15	6638GT	WASHER,FLAT,USS,1/4"Y	
--	111414GT	JOYSTICK CONNECTOR ASSEM,AMP to SN 12509		16		JOYSTICK.....1 refer to 605.1 or 605.2	
--	111413GT	JOYSTICK CONNECTOR ASSEM,DEUT from SN 12510		17	66813GT	BUTTON,PUSH,BLACK W/SEAL***1	
--		Ref. Platform Control Box Harness Assembly (refer to 311.1)		--	146478GT	BOOT(BELLOWS),E-STOP,BLACK	
1	824879GT	LIGHT,LED IND. RED 12V NH.....1 Deutz D2.9L4 and Perkins 404F-22 models		--	66815GT	BASE, W/1 N.O. CONTACTS*** includes N.O. contact	
2	128200GT	SWITCH TOGGLE ASSY SPDT 3P MOM.....1		--	66816GT	CONTACT,N.O.***	
3	128204GT	SWITCH TOGGLE ASSY SPDT 2P MNT.....1		18	128200GT	SWITCH TOGGLE ASSY SPDT 3P MOM.....1	
4	128204GT	SWITCH TOGGLE ASSY SPDT 2P MNT.....1		19	128202GT	SWITCH TOGGLE ASSY DPDT 3P MOM.....1	
--	229567GT	PLUG,SANTOPRENE .5 BLACK DOME Deutz D2.9L4 models		20	128200GT	SWITCH TOGGLE ASSY SPDT 3P MOM.....1	
--	824879GT	LIGHT,LED IND. RED 12V NH Perkins 404F-22 models		--	229567GT	PLUG,SANTOPRENE .5 BLACK DOME Deutz D2.9L4 and Perkins 404F-22 models	
5	66812GT	BUTTON,PUSH,RED MUSHROOM HEAD.....1		21	128203GT	SWITCH TOGGLE ASSY SPDT 2P MOM.....1	
--	146478GT	BOOT(BELLOWS),E-STOP,BLACK		--	128201GT	SWITCH TOGGLE ASSY DPDT 2P MOM Deutz D2.9L4 and Perkins 404F-22 models	
--	66818GT	CONTACT, N.C.		22	128204GT	SWITCH TOGGLE ASSY SPDT 2P MNT.....1	
--	94506GT	BASE,W/3 NC CONTACTS includes N.C. contacts		23	128200GT	SWITCH TOGGLE ASSY SPDT 3P MOM.....1	
6		JOYSTICK.....1 refer to 605.1 or 605.2		--	1254804GT	LT.LAMP IND.AMBER 12V NH Deutz D2.9L4 and Perkins 404F-22 models	
7	229567GT	PLUG,SANTOPRENE .5 BLACK DOME.....1					
--	824879GT	LIGHT,LED IND. RED 12V NH					
8	229567GT	PLUG,SANTOPRENE .5 BLACK DOME.....1					
--	824879GT	LIGHT,LED IND. RED 12V NH					
9	128200GT	SWITCH TOGGLE ASSY SPDT 3P MOM.....1					
10	229567GT	PLUG,SANTOPRENE .5 BLACK DOME.....1					
--	128205GT	SWITCH TOGGLE ASSY DPDT 2P MNT					
11	128200GT	SWITCH TOGGLE ASSY SPDT 3P MOM.....1					

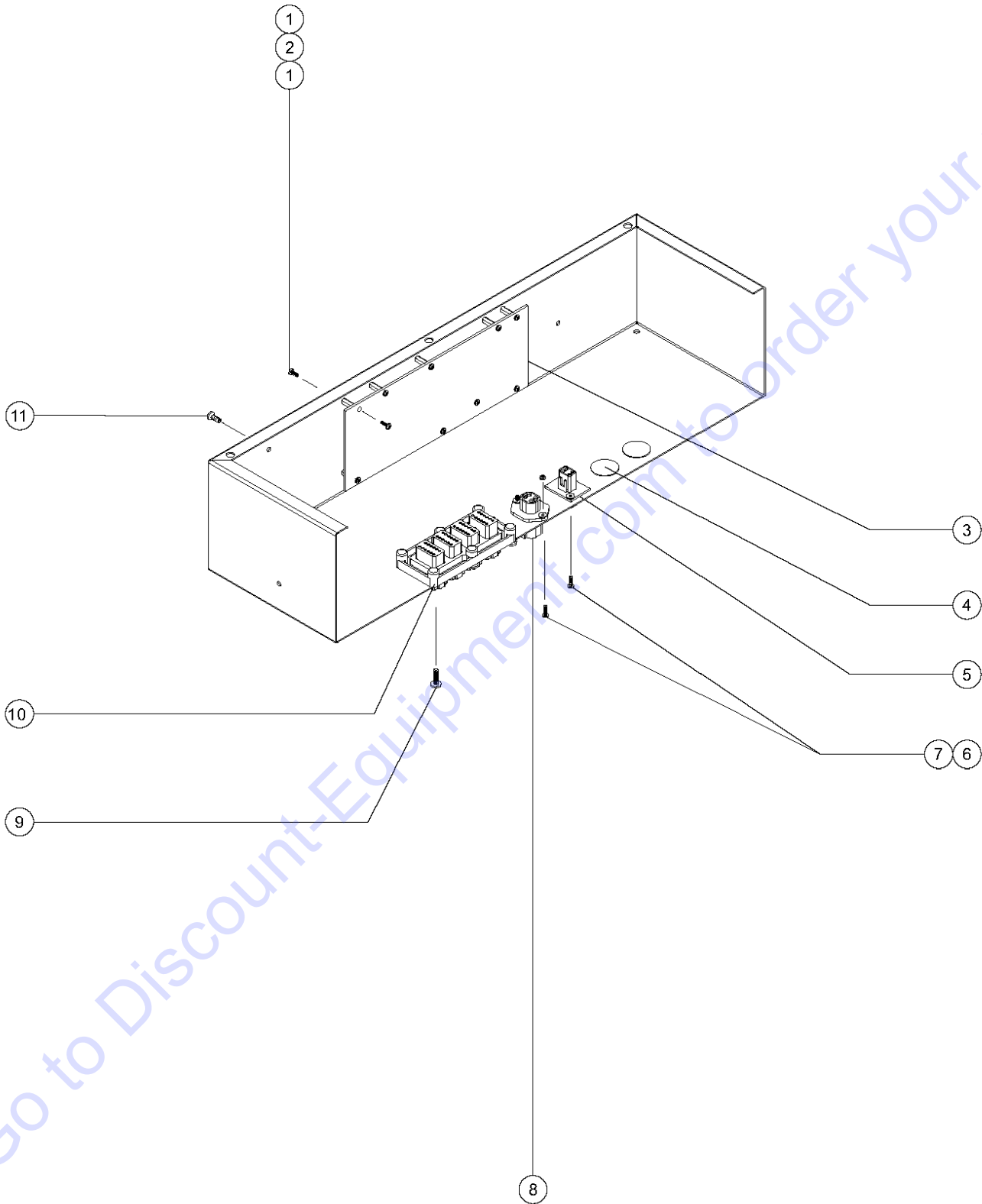
603.2 Platform Control Box - View 1 (from SN 20505)



603.2 Platform Control Box - View 1 (from SN 20505)

Item	Part No.	Description	Qty.	Item	Part No.	Description	Qty.
--		Ref. HARNESS,PBOX,S40/4 <i>refer to 311.1</i>		26	824891GT	WELDMENT, PLATFORM CONTROL BOX.....	1
--	122020GT	HARNESS,PBOX,JOYSTICKS		27	54365GT	SCREW,PHIL,PHM,10-32 X .5,SSTL.....	7
1	139338GT	SCREW PH M5-0.8X20 DIN 7500CE.....	8	28	6146GT	WASHER,FLAT,MS,#10,Y.....	8
2	229567GT	PLUG,SANTOPRENE .5 BLACK DOME.....	1	29	6178GT	NUT,NYLOCK,10-32.....	7
3	128200GT	SWITCH TOGGLE ASSY SPDT 3P MOM.....	1	30	73723GT	CONN RECEP,FLANGED.....	1
4	128201GT	SWITCH TOGGLE ASSY DPDT 2P MOM.....	1	--	60443GT	LOCK,RECEP 4 WAY,14-18GA	
5	229567GT	PLUG,SANTOPRENE .5 BLACK DOME.....	1	31	42288GT	PLUG,NYLON .188 BLACK DOMED.....	3
6	128204GT	SWITCH TOGGLE ASSY SPDT 2P MNT.....	1	32	15243GT	PLUG,NYLON .875 BLACK DOMED.....	3
7	128200GT	SWITCH TOGGLE ASSY SPDT 3P MOM.....	1	33	73717GT	CONN,RECEP 4 WAY,12-14GA FL***.....	1
8	128200GT	SWITCH TOGGLE ASSY SPDT 3P MOM.....	1	--	60526GT	LOCK,RECEP 4 WAY,12-14GA	
9	218165GT	LIGHT,INDICATOR,RED 12V H-BRI.....	2	--	73711GT	TERM,DEUTSCH, PIN #12-14	
10	128204GT	SWITCH TOGGLE ASSY SPDT 2P MNT.....	1	34	49820GT	SCREW,PHILLIPS,PHM,6-32 X .5.....	4
11	229567GT	PLUG,SANTOPRENE .5 BLACK DOME.....	1	35	12344GT	NUT,NYLOCK,6-32.....	4
12	66812GT	BUTTON,PUSH,RED MUSHROOM HEAD.....	1	36	73736GT	CONN,RECEP 48 WAY,4 X 12.....	4
--	146478GT	BOOT(BELLOWS),E-STOP,BLACK		--	54255GT	LOCK,RECEP 12 WAY, 14-18GA	
--	66818GT	CONTACT, N.C.		--	73713GT	TERM,NI PIN,S&F,16-18GA,REEL	
--	94506GT	BASE,W/3 NC CONTACTS <i>includes N.C. contacts</i>		37	73803GT	SCREW,SHM,PHP, #12 X .75.....	4
13	104030GT	NUT HEX M5-0.8 CLASS 8 ZINC.....	3	38	30996GT	PLUG,NYLON .313 BLACK DOMED.....	5
14	824892GT	PLATFORM CONTROL B.....	1	39	21858GT	PLUG,NYLON .38 BLACK DOMED.....	2
15	8914GT	SCREW,HHC,1/4-20 X .625.....	6	40	229567GT	PLUG,SANTOPRENE .5 BLACK DOME.....	1
16	6356GT	WASHER,LOCK,.25.....	6	41	45383GT	ALARM,WARBLE TONE 5-30 VDC***.....	1
17	6638GT	WASHER,FLAT,USS,1/4"Y.....	6	42	81551GT	SCREW,PHIL,PHM,6-32 X 1/4 SS.....	20
18	23404GT	NUTSERT,1/4-20,STEEL CAD PLTD.....	6	43	81550GT	STANDOFF,6-32 X 3/8L X 1/4 HEX.....	10
19		Ref. JOYSTICK..... <i>refer to 605.1 or 605.2</i>	2	44	30997GT	CORROSION INHIBITOR,FOAM.....	1
20	229567GT	PLUG,SANTOPRENE .5 BLACK DOME.....	1	45	42781GT	PLUG, NYLON .250 BLACK DOMED.....	4
21	128200GT	SWITCH TOGGLE ASSY SPDT 3P MOM.....	1	46	77351GT	LANYARD,PLATFORM CONTROL BOX.....	2
22	18666GT	CLAMP,1.00,#16 X 1/4,RUB CUSH.....	1	47		Ref. JOYSTICK..... <i>refer to 605.1 or 605.2</i>	2
23	81488GT	GASKET,PLATFORM CONTROL BOX....	1	48	66813GT	BUTTON,PUSH,BLACK W/SEAL***.....	1
24	119644GT	BRACKET,PBOX WIRE SUPPORT.....	1	--	66815GT	BASE, W/1 N.O. CONTACTS***.....	1
25	1260209GT	ASSY,PCB,ALC500-II,S40..... <i>Machine model and serial number required when ordering. Please contact Discount- equipment for assistance</i>	1	49	128200GT	SWITCH TOGGLE ASSY SPDT 3P MOM.....	1
				50	128202GT	SWITCH TOGGLE ASSY DPDT 3P MOM.....	1

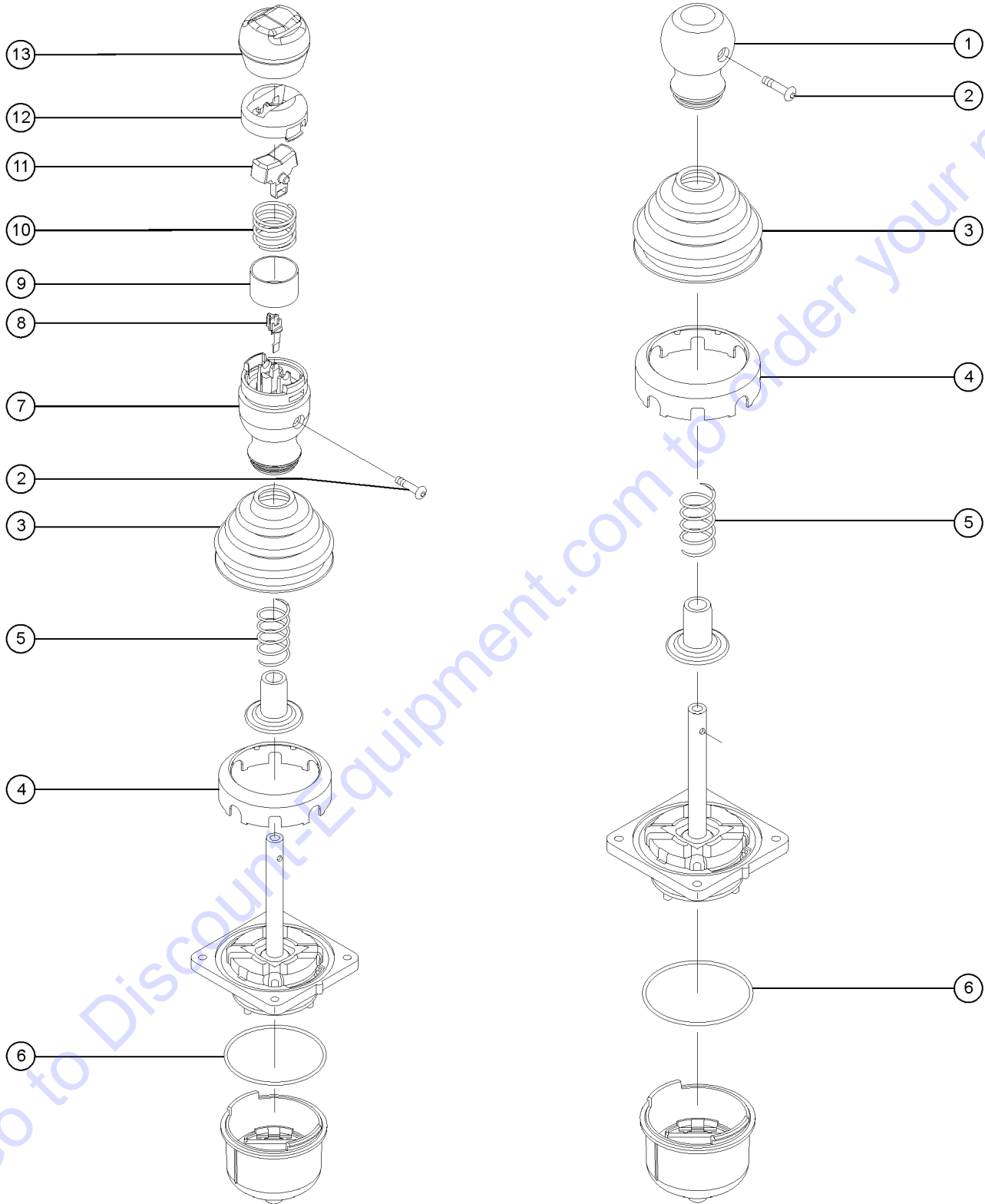
604.1 Platform Control Box - View 2



604.1 Platform Control Box - View 2

Item	Part No.	Description	Qty.
1	81551GT	SCREW,PHIL,PHM,6-32 X 1/4 SS	
2	81550GT	STANDOFF,6-32 X 3/8L X 1/4 HEX.....10	
3A	235321GT	ASSY,PCB,ALC500-2 S40 LEG V204.....1 <i>Machine model and serial number required when ordering. Please contact Discount-equipment for assistance to SN 20504</i>	
--		"Ref. Wire Harness and Power Cable Assemblies" <i>refer to 311.1</i>	
--	119250GT	BRACKET,PLATFORM HEATER OPT	
--	119534GT	STANDOFF,1/4X1/4 M-F 6-32 S/S	
--	119560GT	WIRING KIT,CONTROL BOX HEATER	
--	119641GT	SWITCH,THERMOSTAT 85F OPEN	
--	119662GT	ACCESS PBOX HEATER ALC500/1000 <i>option</i>	
--	1260216GT	DECAL, LABEL ALC500 S40 <i>from SN 20505</i>	
--	128204GT	SWITCH TOGGLE ASSY SPDT 2P MNT	
--	235327GT	DECAL, LABEL ALC500 S40 V204 <i>to SN 20504</i>	
--	27287GT	RESISTOR,10 OHM,25 WATT <i>for 119560</i>	
--	T115352GT	DECAL,OPTION CONTROL BOX HEATR	
3B	1260209GT	ASSY,PCB,ALC500-II,S40.....1 <i>from SN 20505</i>	
4	45385GT	PLUG,NYLON 1.12 BLACK DOMED.....2	
--	6935GT	LOCKNUT,ELEC,1/2"	
--	7056GT	CONN,SQUEEZE,1/2NPT .38-.50,SM	
5	73723GT	CONN RECEP,FLANGED.....1	
--	60443GT	LOCK,RECEP 4 WAY,14-18GA	
6	49820GT	SCREW,PHILLIPS,PHM,6-32 X .5	
7	12344GT	NUT,NYLOCK,6-32	
8	73717GT	CONN,RECEP 4 WAY,12-14GA FL***.....1	
--	60526GT	LOCK,RECEP 4 WAY,12-14GA	
--	73711GT	TERM,DEUTSCH, PIN #12-14	
9	73803GT	SCREW,SHM,PHP, #12 X .75	
10	73736GT	CONN,RECEP 48 WAY,4 X 12.....1	
--	54255GT	LOCK,RECEP 12 WAY, 14-18GA	
--	73713GT	TERM,NI PIN,S&F,16-18GA,REEL	
11	30996GT	PLUG,NYLON .313 BLACK DOMED.....1	

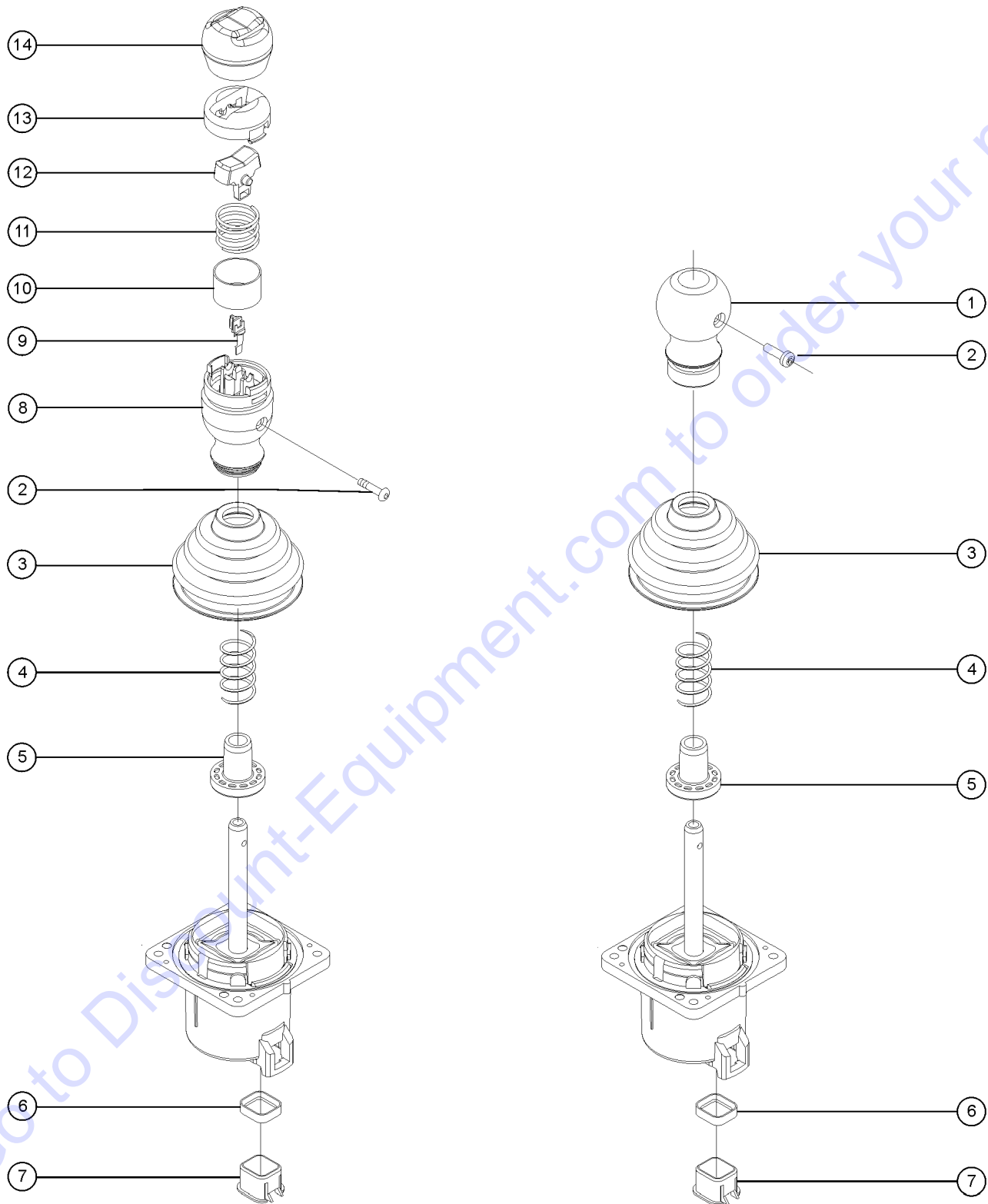
605.1 Joysticks (to SN 12509)



605.1 Joysticks (to SN 12509)

Item	Part No.	Description	Qty.
--	111417GT	JOYSTICK W/HARN ADPTR, 2 AXIS <i>this kit converts joystick to Deutsch style connection (OEM joystick); after first time replacement, refer to section 605.2</i>	
--	111415GT	JOYSTICK W/HARN ADPTR, 1 AXIS <i>this kit converts joystick to Deutsch style connection (OEM joystick); after first time replacement, refer to section 605.2</i>	
--	111416GT	JOYSTICK W/HARN ADPTR KIT RCKR <i>this kit converts joystick to Deutsch style connection (OEM joystick); after first time replacement, refer to section 605.2</i>	
--	83098GT	TERM,AMP MTE,SOC,22-26 GA BULK	
--	119613GT	HARN JOYSTICK ADAPTOR JS100 <i>for first time replacement only</i>	
Z	1269500GT	KIT, ISOLATION, 2 JOYSTICK	
1	62392GT	KNOB,JOYSTICK, 62390/62391.....1	
2	T112626GT	SCREW, PHM, #6-32 X .625 ZINC.....1	
3	139598GT	BOOT,JOYSTICK.....1	
4	75143GT	BOOT GUARD, JOYSTICK 62390/91.....1	
5		SPRING,JOYSTK CENTR,62390/91.....1 <i>no longer available from supplier</i>	
6		O-RING,JOYSTICK, 62390/62391.....1 <i>no longer available from supplier</i>	
7	75449GT	KNOB,ROCKER JOYSTICK 75565.....1	
8	75448GT	SUPPORT,SENSOR,JOYSTICK.....1	
9	75447GT	SWITCH SHIELD,ROCK JOYSTK75565.....1	
10	75446GT	SPRING,SWITCH CENTERING,75565...1	
11	75445GT	ROCKER ASSY.,MAGNETIC 75565.....1	
12	75444GT	ROCKER,RETAINER, 75565.....1	
13	75443GT	BOOT, ROCKER JOYSTICK 75565.....1	

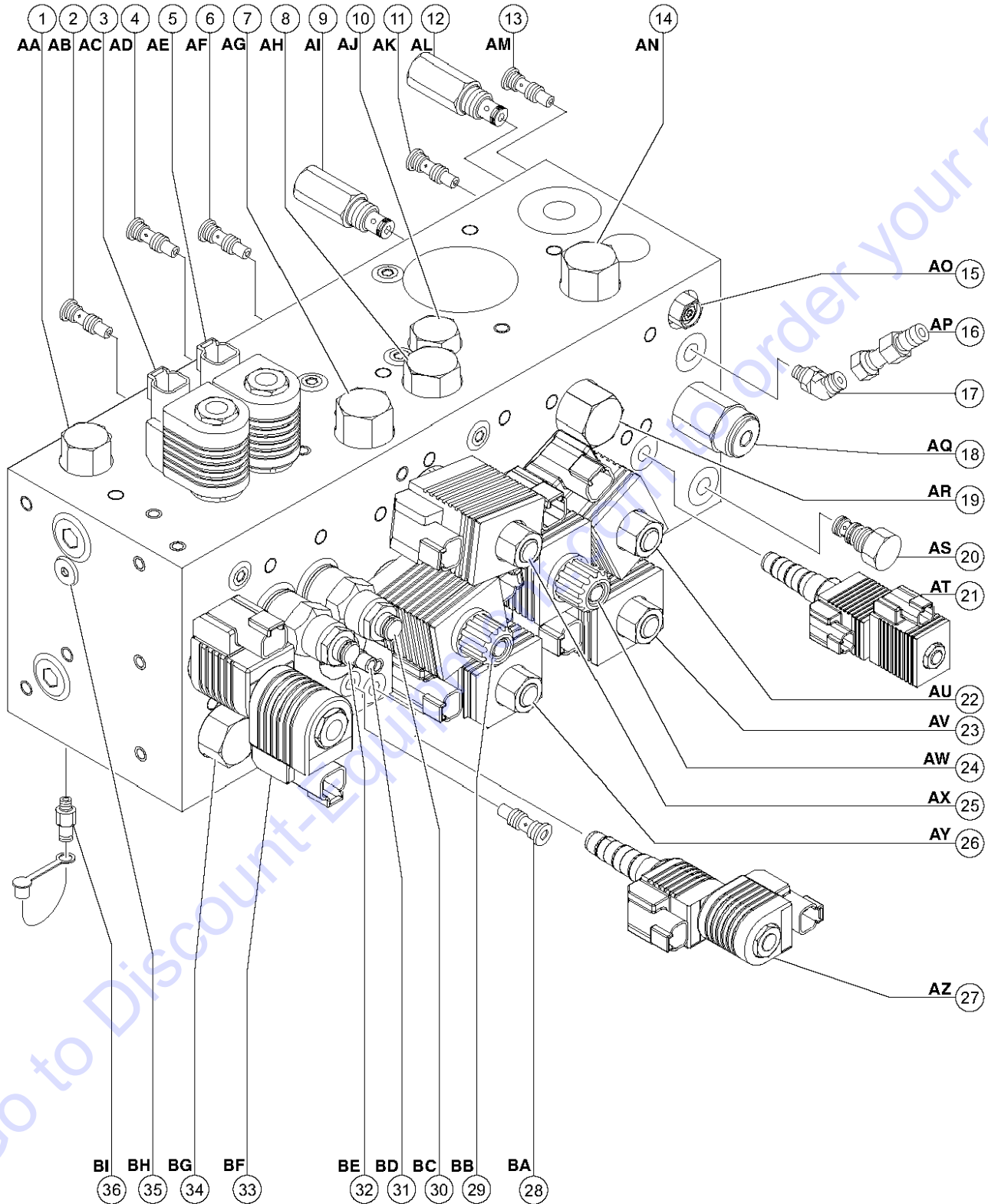
605.2 Joysticks (from SN 12510)



605.2 Joysticks (from SN 12510)

Item	Part No.	Description	Qty.
--	101174GT	JOYSTICK,2 AXIS,DEUTSCH <i>OEM joystick (calibration required after replacement)</i>	
--	101174HGT	JOYSTICK,DUAL AXIS W/KNOB <i>aftermarket joystick (calibration required after replacement)</i>	
--	101175GT	JOYSTICK,1 AXIS,DEUTSCH <i>OEM joystick (calibration required after replacement)</i>	
--	101175HGT	JOYSTICK,SINGLE AXIS W/KNOB <i>aftermarket joystick (calibration required after replacement)</i>	
--	101005GT	JOYSTICK,1 AXIS ROCKER,DEUTSCH <i>OEM joystick (calibration required after replacement)</i>	
--	101005HGT	JOYSTICK,SINGLE AXIS W/STEER <i>aftermarket joystick (calibration required after replacement)</i>	
--	83098GT	TERM,AMP MTE,SOC,22-26 GA BULK	
--	119613GT	HARN JOYSTICK ADAPTOR JS100 <i>Used only on units prior to SN 12510 (6-pin to 7-pin adapter)</i>	
Z	1269500GT	KIT, ISOLATION, 2 JOYSTICK	
1	62392GT	KNOB,JOYSTICK, 62390/62391.....	1
2	T112626GT	SCREW, PHM, #6-32 X .625 ZINC.....	1
3	139598GT	BOOT,JOYSTICK.....	1
4		SPRING,JOYSTK CENTR,62390/91..... <i>no longer available from supplier</i>	1
5	119915GT	COLLAR,JOYSTICK,CENTER.....	1
6	128000GT	SEAL, CONNECTOR (DT JOYSTICKS).....	1
7	128001GT	SLEEVE,CONNECTOR,DT JOYSTICKS.....	1
8	75449GT	KNOB,ROCKER JOYSTICK 75565.....	1
9	75448GT	SUPPORT,SENSOR,JOYSTICK.....	1
10	75447GT	SWITCH SHIELD,ROCK JOYSTK75565.....	1
11	75446GT	SPRING,SWITCH CENTERING,75565...1	
12	75445GT	ROCKER ASSY.,MAGNETIC 75565.....1	
13	75444GT	ROCKER,RETAINER, 75565.....1	
14	75443GT	BOOT, ROCKER JOYSTICK 75565.....1	

701.1 Function Manifold (to SN 16790)



701.1 Function Manifold (to SN 16790)

Item	Part No.	Description	Qty.	Item	Part No.	Description	Qty.
--		MANIFOLD,MULTI-FUNCTION, S40 <i>S-40 previous manifold part 111700 is no longer available. For complete replacement order manifold 230972, and the updated manifold harness part 89674 for units before SN 16773.</i>		--	110196GT	SEAL KIT, VALVE, #10	
--		MANIFOLD,MULTI-FUNCTION, S45 <i>S-45 previous manifold part 111701 is no longer available. For complete replacement order manifold 230973, and the updated manifold harness part 89674 for units before SN 16773.</i>		9	102615GT	VALVE,RELIEF 2200 PSI <i>AI, Boom down relief</i>	
--	28750GT	O-RING KIT,FIELD SVC,ALL PROD*		--	74902GT	SEAL KIT	
--	49612GT	O-RING KIT (ORFS FITTINGS)		10	32975GT	VALVE,FLOW REGULATOR 0.1 GPM <i>AJ, Bleeds off differential sensing valves to tank</i>	
--	33994GT	PLUG AND CAP KIT-SERVICE,37 **		--	74902GT	SEAL KIT	
--	49613GT	PLUG AND CAP KIT-SERVICE,ORFS*		11	27807GT	VALVE,CHECK*** <i>AK, Differential sensing circuit, Boom up / down</i>	
--		Ref. Harness, Gearbox, Function Manifold <i>(refer to 311.1)</i>		--	110200GT	SEAL KIT, VALVE, #4	
1A	31100GT	VALVE,FLOW REGULATOR 0.6GPM <i>AA, Platform rotate, (S-40)</i>		12	102614GT	VALVE,RELIEF,1950 PSI <i>AL, Extend cylinder relief</i>	
--	74902GT	SEAL KIT		--	74902GT	SEAL KIT	
1B	52598GT	VALVE,FLOW REGULATOR .8 GPM <i>AA, Platform rotate and jib boom, (S-45)</i>		13	27807GT	VALVE,CHECK*** <i>AM, Differential sensing circuit, boom extend / retract</i>	
--	74902GT	SEAL KIT		--	110200GT	SEAL KIT, VALVE, #4	
2	27807GT	VALVE,CHECK*** <i>AB, Differential sensing circuit, Platform rotate right and jib boom down, (S-45)</i>		14	111704GT	VALVE,FLOW REGULATOR 2.0 GPM <i>AN, Steer left / right circuit</i>	
--	110200GT	SEAL KIT, VALVE, #4		--	110202GT	SEAL KIT, VALVE, #10	
3	62263GT	VALVE,SOLENOID, 2 POS, 3 WAY <i>AC, Platform level up/down</i>		15	89851GT	VALVE,CHECK <i>AO, Platform level up</i>	
--	52943GT	NUT,SOLENOID VALVE COIL		--	110205GT	SEAL KIT, VALVE, COMATROL	
--	62273GT	COIL,GREEN W/ 2 PIN CONNECTOR*		16	49207GT	NIPPLE,DIAGNOSTIC,ORFS,FM,SWIV <i>AP, Testing</i>	
--	72043GT	SEAL KIT,SOLENOID VALVE		--	20224GT	DIAGNOSTIC FEMALE Q-DSCNT	
4	27807GT	VALVE,CHECK*** <i>AD, Differential sensing circuit, Platform level up</i>		--	48880GT	CAP,DIAGNOSTIC NIPPLE	
--	110200GT	SEAL KIT, VALVE, #4		17	48907GT	ELBOW,45D,520320-4	
5	62263GT	VALVE,SOLENOID, 2 POS, 3 WAY <i>AE, Platform level up / down</i>		18A	102617GT	VALVE,RELIEF 2600 PSI <i>AQ, System relief, (S-40)</i>	
--	52943GT	NUT,SOLENOID VALVE COIL		--	110194GT	SEAL KIT, VALVE, #10	
--	62273GT	COIL,GREEN W/ 2 PIN CONNECTOR*		18B	102616GT	VALVE,RELIEF 2900 PSI <i>AQ, System relief, (S-45)</i>	
--	72043GT	SEAL KIT,SOLENOID VALVE		--	110194GT	SEAL KIT, VALVE, #10	
6	27807GT	VALVE,CHECK*** <i>AF, Differential sensing circuit, Boom up / down</i>		19	27764GT	VALVE,FLOW REGULATOR <i>AR, Bleeds off differential sensing valves to tank</i>	
7	27802GT	VALVE,DIFFERENTIAL SENSING*** <i>AG, Turntable rotate circuit</i>		--	110194GT	SEAL KIT, VALVE, #10	
--	110196GT	SEAL KIT, VALVE, #10		20	27836GT	VALVE,CHECK,5 PSI <i>AS, Blocks flow from auxiliary pump to function pump</i>	
8	27802GT	VALVE,DIFFERENTIAL SENSING*** <i>AH, Boom up / down circuit</i>		--	110194GT	SEAL KIT, VALVE, #10	
				21	111703GT	VALVE,SOLENOID 3 POS,4 WAY*** <i>AT, Steer left / right</i>	
				21	52943GT	NUT,SOLENOID VALVE COIL	
				--	110196GT	SEAL KIT, VALVE, #10	
				--	111778GT	COIL,10V DC(D10,26 WATT)	

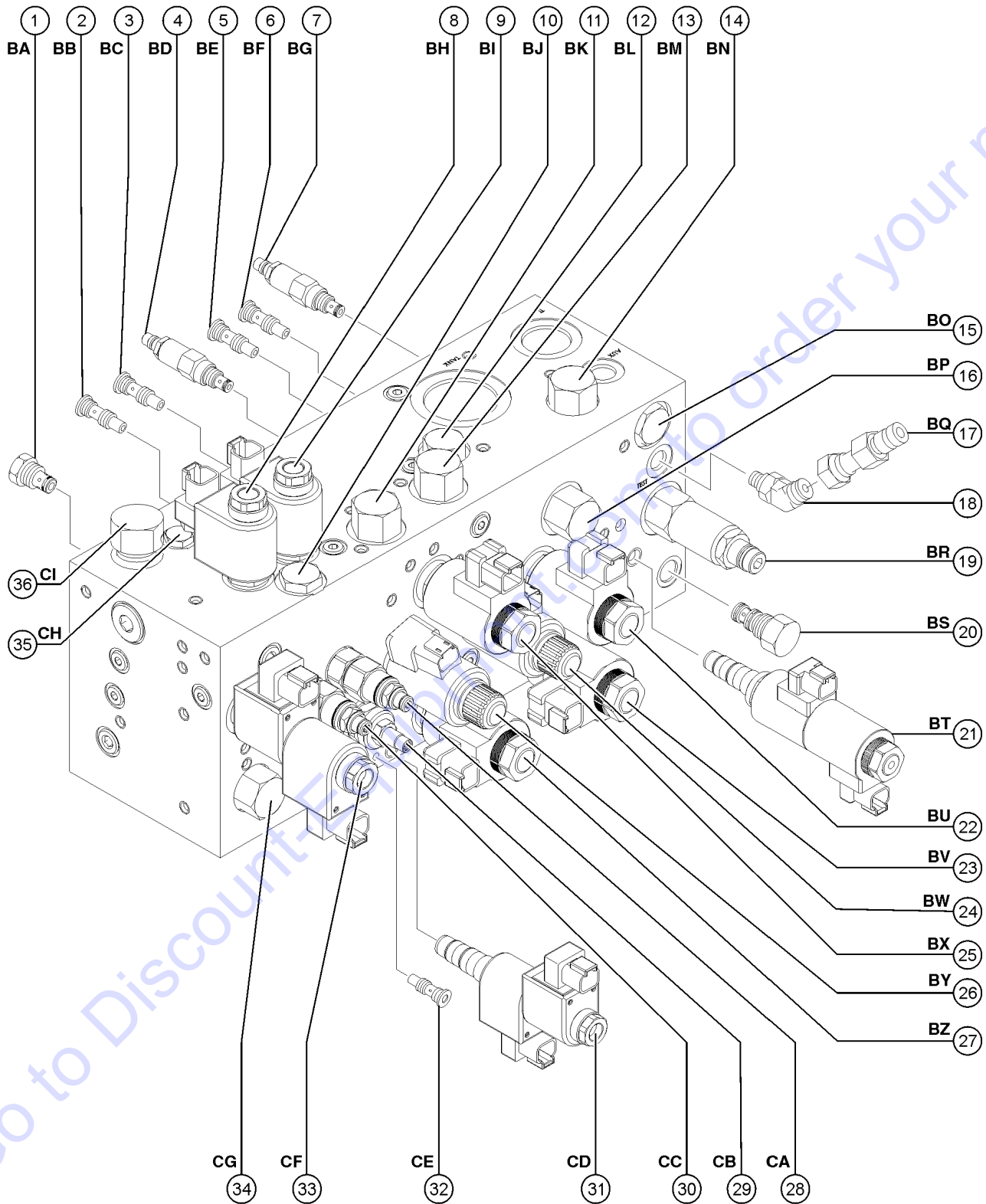
701.1 Function Manifold (to SN 16790)
(continued)

Item	Part No.	Description	Qty.	Item	Part No.	Description	Qty.
--	111779GT	SEAL KIT, VALVE, #10		32	62256GT	VALVE, CB 3:1 3500 PSI <i>BE, Platform level down</i>	
--	89854GT	SPACER, SOLENOID VALVE COIL		--	110202GT	SEAL KIT, VALVE, #10	
--	89861GT	COIL, 10V DC (D10, 20 WATT)		33	89307GT	VALVE, SOLENOID 3POS 4WAY* <i>BF, Platform rotate and jib boom up / down</i>	
22	89309GT	VALVE - SOLENOID 2POSITION 3WA <i>AU, Boom extend</i>		--	52943GT	NUT, SOLENOID VALVE COIL	
--	45912GT	NUT, SOLENOID VALVE 2P3W		--	62273GT	COIL, GREEN W/ 2 PIN CONNECTOR*	
--	62275GT	COIL, 10V		--	72047GT	SEAL KIT, SOLENOID VALVE	
--	89310GT	SEAL KIT, SOLENOID VALVE		--	89311GT	SPACER, DUAL COIL SIZE #8	
23	89309GT	VALVE - SOLENOID 2POSITION 3WA <i>AV, Boom retract</i>		34	27804GT	VALVE, DIFFERENTIAL SENSING*** <i>BG, Differential sensing circuit, meters flow to functions</i>	
--	45912GT	NUT, SOLENOID VALVE 2P3W		--	110201GT	SEAL KIT, VALVE, #10	
--	62275GT	COIL, 10V		35	27807GT	VALVE, CHECK*** <i>BH, Differential sensing circuit, platform rotate left and jib boom up</i>	
--	89310GT	SEAL KIT, SOLENOID VALVE		--	110200GT	SEAL KIT, VALVE, #4	
24	62255GT	VALVE, PROPORTIONAL*** <i>AW, Boom up / down circuit</i>		36	48997GT	NIPPLE, DIAGNOSTIC, #4 <i>BI, Testing</i>	
--	62274GT	COIL, 12V		--	20224GT	DIAGNOSTIC FEMALE Q-DSCNT	
--	62276GT	NUT, SOLENOID VALVE COIL		--	48880GT	CAP, DIAGNOSTIC NIPPLE	
--	89312GT	SEAL KIT, SOLENOID VALVE					
25	89309GT	VALVE - SOLENOID 2POSITION 3WA <i>AX, Boom up</i>					
--	45912GT	NUT, SOLENOID VALVE 2P3W					
--	62275GT	COIL, 10V					
--	89310GT	SEAL KIT, SOLENOID VALVE					
26	89309GT	VALVE - SOLENOID 2POSITION 3WA <i>AY, Boom down</i>					
--	45912GT	NUT, SOLENOID VALVE 2P3W					
--	62275GT	COIL, 10V					
--	89310GT	SEAL KIT, SOLENOID VALVE					
27	89307GT	VALVE, SOLENOID 3POS 4WAY* <i>AZ, Turntable rotate left / right</i>					
--	52943GT	NUT, SOLENOID VALVE COIL					
--	62273GT	COIL, GREEN W/ 2 PIN CONNECTOR*					
--	89311GT	SPACER, DUAL COIL SIZE #8					
28	27807GT	VALVE, CHECK*** <i>BA, Platform level down</i>					
--	110200GT	SEAL KIT, VALVE, #4					
29	62255GT	VALVE, PROPORTIONAL*** <i>BB, Turntable rotate left / right</i>					
--	62274GT	COIL, 12V					
--	62276GT	NUT, SOLENOID VALVE COIL					
--	89312GT	SEAL KIT, SOLENOID VALVE					
30	62256GT	VALVE, CB 3:1 3500 PSI <i>BC, Platform level up</i>					
--	110202GT	SEAL KIT, VALVE, #10					
31	89678GT	VALVE, NEEDLE W/REV.FREE FLOW <i>BD, Platform level circuit</i>					
--	74902GT	SEAL KIT					

This Page Intentionally Left Blank

Go to Discount-Equipment.com to order your parts

701.2 Function Manifold (from SN 16791)



701.2 Function Manifold (from SN 16791)

Item	Part No.	Description	Qty.	Item	Part No.	Description	Qty.
--	230972GT	MANIFOLD,MULTI-FUNCTION,S40 <i>(complete)</i>		--	74902GT	SEAL KIT	
--	230973GT	MANIFOLD,MULTI-FUNCTION,S45 <i>(complete)</i>		11	27802GT	VALVE,DIFFERENTIAL SENSING*** <i>BK, Turntable rotate circuit</i>	
--	28750GT	O-RING KIT,FIELD SVC,ALL PROD*		--	110196GT	SEAL KIT, VALVE, #10	
--	49612GT	O-RING KIT (ORFS FITTINGS)		12	32975GT	VALVE,FLOW REGULATOR 0.1 GPM <i>BL, Bleeds off differential sensing valves to tank</i>	
--	33994GT	PLUG AND CAP KIT-SERVICE,37 **		--	74902GT	SEAL KIT	
--	49613GT	PLUG AND CAP KIT-SERVICE,ORFS*		13	27802GT	VALVE,DIFFERENTIAL SENSING*** <i>BM, Boom up / down circuit</i>	
--		Ref. Harness, Gearbox, Function Manifold <i>(refer to 311.1)</i>		--	110196GT	SEAL KIT, VALVE, #10	
1	231038GT	CHECK VALVE,BALL TYPE,NORMAL <i>BA, Platform rotate circuit prevents hydraulic fluid from draining back to tank</i>		14	111704GT	VALVE,FLOW REGULATOR 2.0 GPM <i>BN, Steer left / right circuit</i>	
--	74902GT	SEAL KIT		--	110202GT	SEAL KIT, VALVE, #10	
2	27807GT	VALVE,CHECK*** <i>BB, Differential sensing circuit, Platform rotate right and jib boom down, (S-45)</i>		15	231037GT	CHECK VALVE,BALL TYPE,NORMAL <i>BO, Platform level up</i>	
--	110200GT	SEAL KIT, VALVE, #4		--	74902GT	SEAL KIT	
3	27807GT	VALVE,CHECK*** <i>BC, Differential sensing circuit, Platform level up</i>		16	27764GT	VALVE,FLOW REGULATOR <i>BP, Bleeds off differential sensing valves to tank</i>	
--	110200GT	SEAL KIT, VALVE, #4		--	110194GT	SEAL KIT, VALVE, #10	
4	102615GT	VALVE,RELIEF 2200 PSI <i>BD, Boom down relief</i>		17	49207GT	NIPPLE,DIAGNOSTIC,ORFS,FM,SWIV <i>BQ, Testing</i>	
--	74902GT	SEAL KIT		--	20224GT	DIAGNOSTIC FEMALE Q-DSCNT	
5	27807GT	VALVE,CHECK*** <i>BE, Differential sensing circuit, Boom up / down</i>		--	48880GT	CAP,DIAGNOSTIC NIPPLE	
--	110200GT	SEAL KIT, VALVE, #4		18	48907GT	ELBOW,45D,520320-4	
6	27807GT	VALVE,CHECK*** <i>BF, Differential sensing circuit, boom extend / retract</i>		19A	102617GT	VALVE,RELIEF 2600 PSI <i>BR, System relief, (S-40)</i>	
--	110200GT	SEAL KIT, VALVE, #4		--	110194GT	SEAL KIT, VALVE, #10	
7	102614GT	VALVE,RELIEF,1950 PSI <i>BG, Extend cylinder relief</i>		19B	102616GT	VALVE,RELIEF 2900 PSI <i>BR, System relief, (S-45)</i>	
--	74902GT	SEAL KIT		--	110194GT	SEAL KIT, VALVE, #10	
8	231036GT	SOLENOID VALVE,3-WAY,2-POS <i>BH, Platform level up/down</i>		20	27836GT	VALVE,CHECK,5 PSI <i>BS, Blocks flow from auxiliary pump to function pump</i>	
--	237235GT	NUT KIT W/COIL ORINGS		--	110194GT	SEAL KIT, VALVE, #10	
--	237236GT	SEAL KIT,VALVE		21	111703GT	VALVE,SOLENOID 3 POS,4 WAY*** <i>BT, Steer left / right</i>	
--	89733GT	COIL,SOLENOID VALVE***		--	110196GT	SEAL KIT, VALVE, #10	
9	231036GT	SOLENOID VALVE,3-WAY,2-POS <i>BI, Platform level up/down</i>		--	111778GT	COIL,10V DC(D10,26 WATT)	
--	237235GT	NUT KIT W/COIL ORINGS		--	111779GT	SEAL KIT,VALVE,#10	
--	237236GT	SEAL KIT,VALVE		--	52943GT	NUT,SOLENOID VALVE COIL	
--	89733GT	COIL,SOLENOID VALVE***		--	89854GT	SPACER,SOLENOID VALVE COIL	
10	231038GT	CHECK VALVE,BALL TYPE,NORMAL <i>BJ, Platform rotate circuit prevents hydraulic fluid from draining back to tank</i>		--	89861GT	COIL, 10V DC (D10, 20 WATT)	
				22	231034GT	SOLENOID VALVE,3-WAY,2-POS <i>BU, Boom extend</i>	
				--	111778GT	COIL,10V DC(D10,26 WATT)	
				--	119116GT	NUT,COIL (107745)	

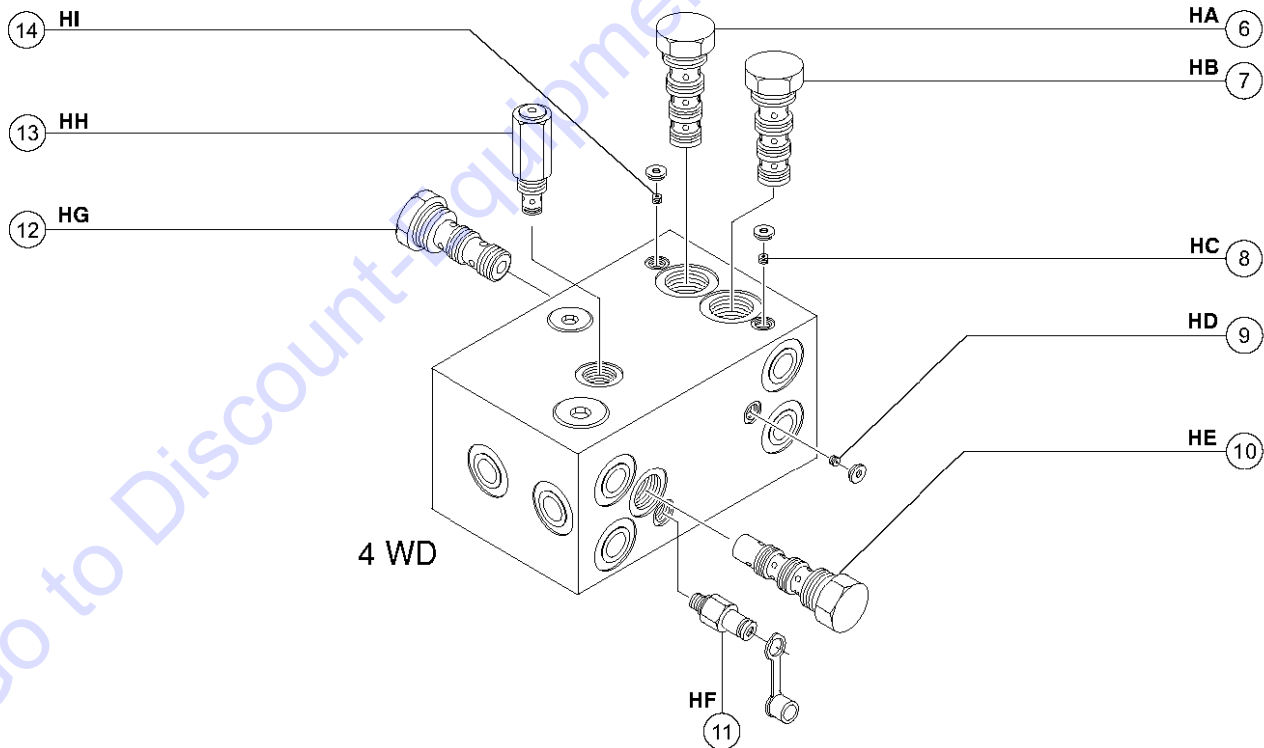
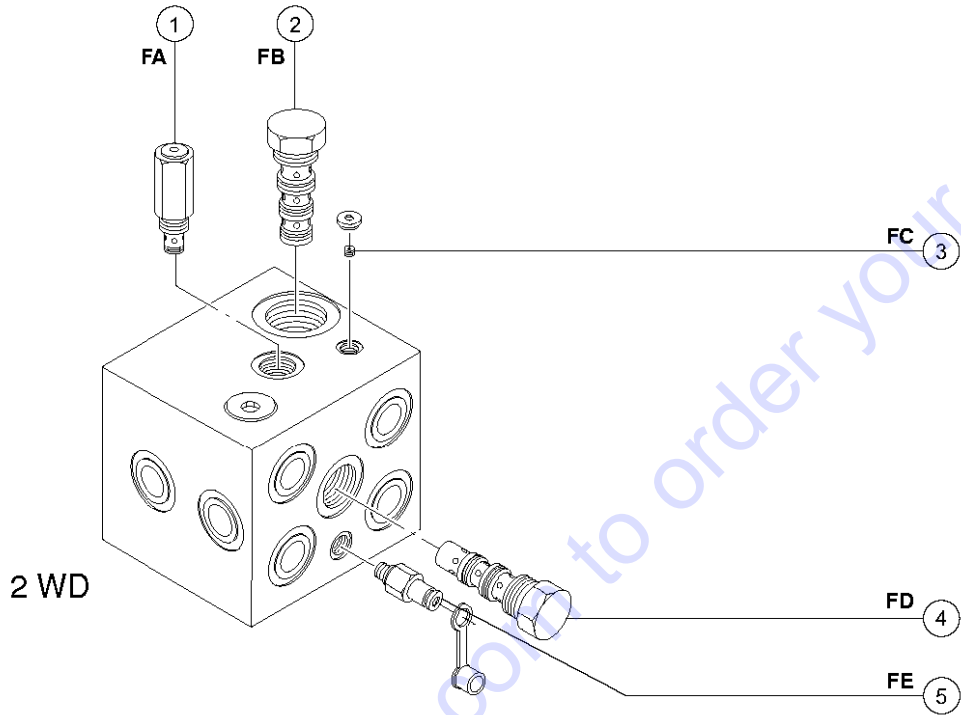
701.2 Function Manifold (from SN 16791)
(continued)

Item	Part No.	Description	Qty.	Item	Part No.	Description	Qty.
--	237234GT	SEAL KIT,VALVE		--	102940GT	NUT,SOLENOID VALVE	
23	231034GT	SOLENOID VALVE,3-WAY,2-POS <i>BV, Boom retract</i>		--	122120GT	SEAL KIT,SOLENOID VALVE	
--	111778GT	COIL,10V DC(D10,26 WATT)		--	89733GT	COIL,SOLENOID VALVE***	
--	119116GT	NUT,COIL (107745)		34	27804GT	VALVE,DIFFERENTIAL SENSING*** <i>CG, Differential sensing circuit, meters flow to functions</i>	
--	237234GT	SEAL KIT,VALVE		--	110201GT	SEAL KIT, VALVE, #10	
24	102527GT	VALVE,PROPORTIONAL <i>BW, Boom up / down circuit</i>		35	231038GT	CHECK VALVE,BALL TYPE,NORMAL <i>CH, Platform rotate circuit prevents hydraulic fluid from draining back to tank</i>	
--	102526GT	O-RING, PROPORTIONAL VALVE		--	74902GT	SEAL KIT	
--	89312GT	SEAL KIT, SOLENOID VALVE		36A	231035GT	FLOW CONTROL,ADJUSTABLE <i>CI, Platform rotate, (S-40)</i>	
--	89737GT	COIL,PROPORTIONAL VALVE***		--	74902GT	SEAL KIT	
--	89738GT	NUT, PROPORTIONAL VALVE		36B	31100GT	VALVE,FLOW REGULATOR 0.6GPM <i>CJ, Platform rotate and jib boom, (S-45)</i>	
25	231034GT	SOLENOID VALVE,3-WAY,2-POS <i>BX, Boom up</i>		--	74902GT	SEAL KIT	
--	111778GT	COIL,10V DC(D10,26 WATT)					
--	119116GT	NUT,COIL (107745)					
--	237234GT	SEAL KIT,VALVE					
26	102527GT	VALVE,PROPORTIONAL <i>BY, Turntable rotate left / right</i>					
--	102526GT	O-RING, PROPORTIONAL VALVE					
--	89312GT	SEAL KIT, SOLENOID VALVE					
--	89737GT	COIL,PROPORTIONAL VALVE***					
--	89738GT	NUT, PROPORTIONAL VALVE					
27	231034GT	SOLENOID VALVE,3-WAY,2-POS <i>BZ, Boom down</i>					
--	111778GT	COIL,10V DC(D10,26 WATT)					
--	119116GT	NUT,COIL (107745)					
--	237234GT	SEAL KIT,VALVE					
28	54839GT	VALVE,COUNTERBALANCE,3500 PSI <i>CA, Platform level up</i>					
--	43018GT	SEAL KIT (39345)					
29	231039GT	REGULATOR,PRESSURE-COMP. <i>CB, Platform level circuit</i>					
--	110199GT	SEAL KIT, VALVE, #10					
30	54839GT	VALVE,COUNTERBALANCE,3500 PSI <i>CC, Platform level down</i>					
--	43018GT	SEAL KIT (39345)					
31	122645GT	SOLENOID VALVE,SPOOL TYPE <i>CD, Turntable rotate left / right</i>					
--	102940GT	NUT,SOLENOID VALVE					
--	122120GT	SEAL KIT,SOLENOID VALVE					
--	89733GT	COIL,SOLENOID VALVE***					
32	27807GT	VALVE,CHECK*** <i>CE, Platform level down</i>					
--	110200GT	SEAL KIT, VALVE, #4					
33	122645GT	SOLENOID VALVE,SPOOL TYPE <i>CF, Platform rotate and jib boom up / down</i>					

This Page Intentionally Left Blank

Go to Discount-Equipment.com to order your parts

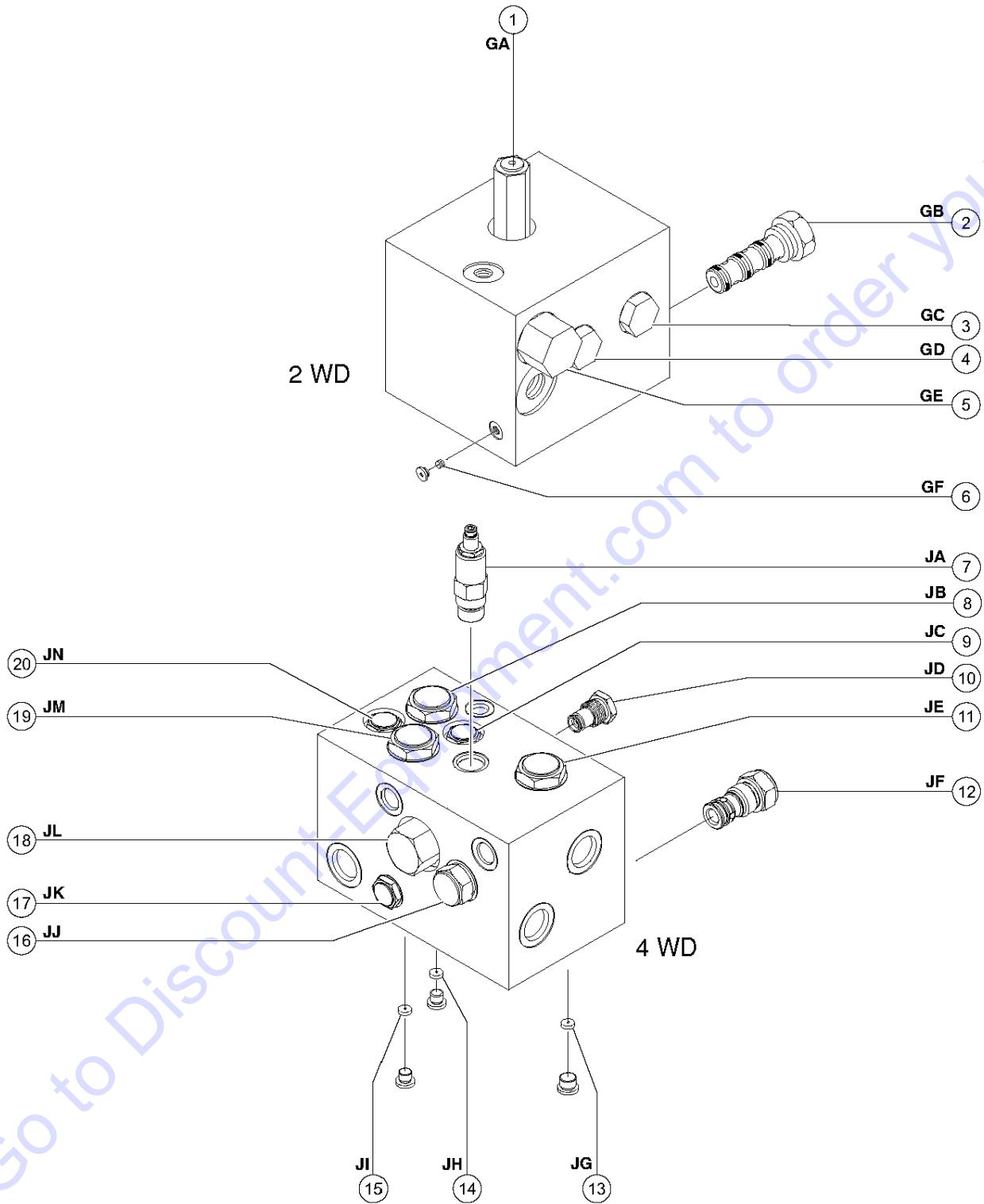
702.1 Traction Manifold (to SN 7568)



702.1 Traction Manifold (to SN 7568)

Item	Part No.	Description	Qty.
--	34448GT	TRACTION MANIFOLD,2WD*** <i>Complete</i>	
--	34447GT	MANIFOLD,TRACTN,4WD,(S)SERIES* <i>Complete</i>	
--	28750GT	O-RING KIT,FIELD SVC,ALL PROD*	
--	49612GT	O-RING KIT (ORFS FITTINGS)	
--	33994GT	PLUG AND CAP KIT-SERVICE,37 **	
--	49613GT	PLUG AND CAP KIT-SERVICE,ORFS*	
1	43597GT	VALVE,RELIEF,210 PSI <i>FA, Charge pressure circuit</i>	
2	52726GT	VALVE,FLOW DIVIDER/COMBINER <i>FB, Controls flow to drive motors in forward and reverse</i>	
3	33520GT	PLUG,ORIFICE,0.070 <i>FC, Equalizes flow across flow divider / combiner valve (FB)</i>	
4	27761GT	VALVE,SHUTTLE <i>FD, Charge pressure, hot oil shuttle</i>	
5	48997GT	NIPPLE,DIAGNOSTIC,#4 <i>FE, Testing</i>	
--	20224GT	DIAGNOSTIC FEMALE Q-DSCNT	
--	48880GT	CAP,DIAGNOSTIC NIPPLE	
6	52726GT	VALVE,FLOW DIVIDER/COMBINER <i>HA, Controls flow to steer end drive motors in forward and reverse</i>	
7	52726GT	VALVE,FLOW DIVIDER/COMBINER <i>HB, Controls flow to non-steer end drive motors in forward and reverse</i>	
8	33520GT	PLUG,ORIFICE,0.070 <i>HC, Rear drive motor circuit</i>	
9	33520GT	PLUG,ORIFICE,0.070 <i>HD, Equalizes pressure on both sides of flow divider/combiner valve 12 (HG)</i>	
10	27761GT	VALVE,SHUTTLE <i>HE, Charge pressure, hot oil shuttle</i>	
11	48997GT	NIPPLE,DIAGNOSTIC,#4 <i>HF, Testing</i>	
--	20224GT	DIAGNOSTIC FEMALE Q-DSCNT	
--	48880GT	CAP,DIAGNOSTIC NIPPLE	
12	33521GT	VALVE,FLOW DIVIDER/COMBINER <i>HG, Controls flow to flow divider/ combiner valves 6 and 7 (HA and HB)</i>	
13	43597GT	VALVE,RELIEF,210 PSI <i>HH, Charge pressure circuit</i>	
14	29737GT	PLUG,ORIFICE,0.052 INCH <i>HI, Front drive motor circuit</i>	

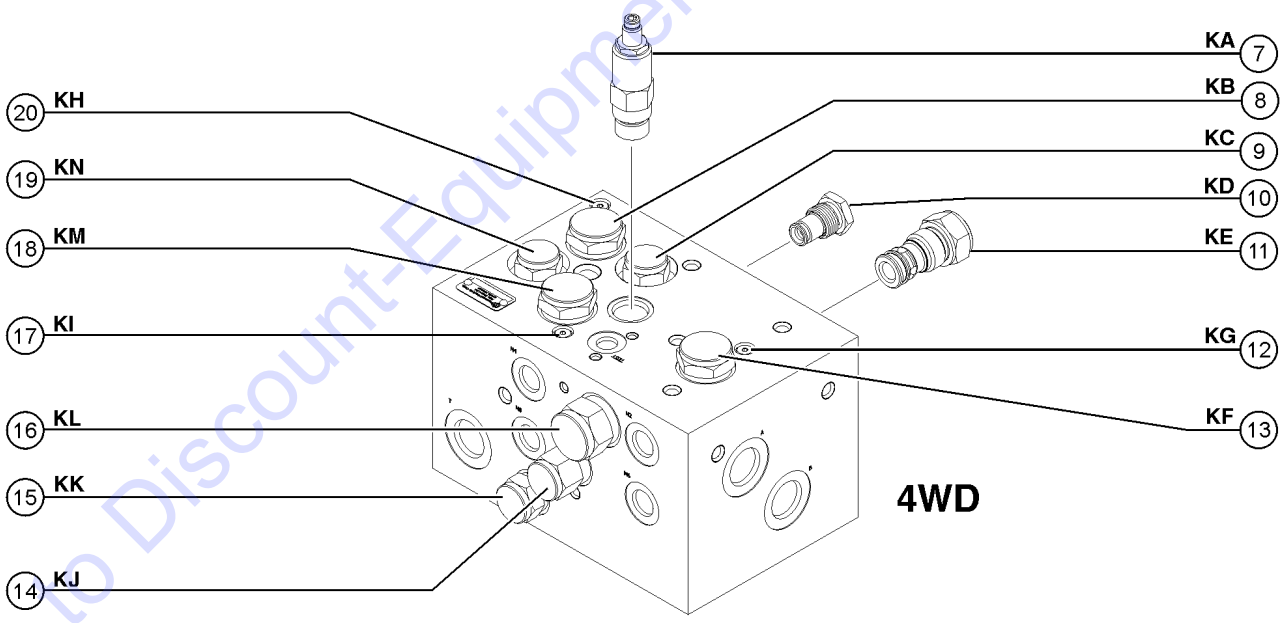
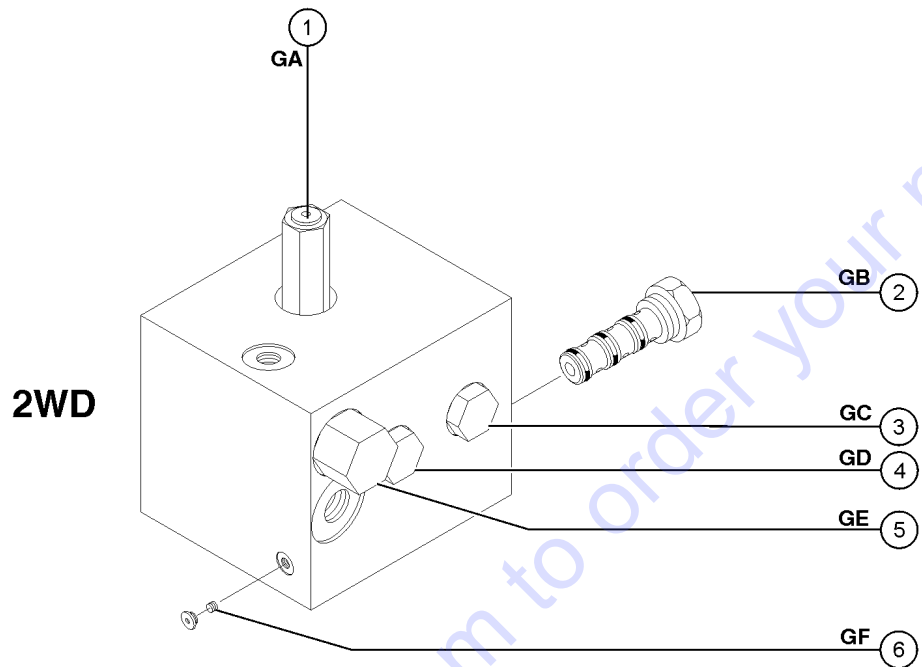
702.2 Traction Manifold (from SN 7569 to 15822)



702.2 Traction Manifold (from SN 7569 to 15822)

Item	Part No.	Description	Qty.	Item	Part No.	Description	Qty.
--	88783GT	MANIFOLD,TRACTION,2WD <i>Complete</i>		13	94751GT	ORIFICE,0.040" <i>JG, Equalizes pressure on both sides of flow divider/combiner valve 11</i>	
--		Ref. 4WD traction manifold part 88784 is no longer available; for its complete replacement customer must order part 139712 <i>(refer to 702.3)</i>		14	94751GT	ORIFICE,0.040" <i>JH, Equalizes pressure on both sides of flow divider/combiner valve 8</i>	
--	28750GT	O-RING KIT,FIELD SVC,ALL PROD*		15	94751GT	ORIFICE,0.040" <i>JI, Equalizes pressure on both sides of flow divider/combiner valve 19</i>	
--	49612GT	O-RING KIT (ORFS FITTINGS)		16	94756GT	VALVE,CHECK, 2.5 PSI <i>JJ, Steer end drive motor circuit</i>	
--	33994GT	PLUG AND CAP KIT-SERVICE,37 **		--	128418GT	SEAL KIT	
--	49613GT	PLUG AND CAP KIT-SERVICE,ORFS*		17	94757GT	VALVE,CHECK,3 PSI*** <i>JK, Steer end drive motor circuit</i>	
1	94758GT	VALVE,RELIEF,280PSI <i>GA, Charge pressure circuit</i>		--	128418GT	SEAL KIT	
--	110194GT	SEAL KIT, VALVE, #10		18	94753GT	VALVE,SHUTTLE,40 PSI <i>JL, Charge pressure circuit that directs hot oil out of low pressure side of drive pump</i>	
2	52726GT	VALVE,FLOW DIVIDER/COMBINER <i>GB, Controls flow to drive motors in</i>		--	128417GT	SEAL KIT	
--	84135GT	SEAL KIT, VALVE		19	94752GT	VALVE FLOW DIVIDER/COMBINER <i>JM, Controls flow to steer end drive motors in forward and reverse</i>	
3	27836GT	VALVE,CHECK,5 PSI <i>GC, Drive circuit</i>		--	128417GT	SEAL KIT	
--	110194GT	SEAL KIT, VALVE, #10		20	94757GT	VALVE,CHECK,3 PSI*** <i>JN, Non-steer end drive motor circuit</i>	
4	27836GT	VALVE,CHECK,5 PSI <i>GD, Drive circuit</i>		--	128416GT	SEAL KIT	
--	110194GT	SEAL KIT, VALVE, #10					
5	27761GT	VALVE,SHUTTLE <i>GE, Controls flow to drive motors in</i>					
--	84134GT	SEAL KIT, VALVE					
6	101440GT	ORIFICE PLUG, 0.070" <i>GE, Equalizes flow across flow divider combiner valve 2</i>					
7	101446GT	VALVE,RELIEF 280 PSI <i>JA, Charge pressure circuit</i>					
--	128416GT	SEAL KIT					
8	94752GT	VALVE FLOW DIVIDER/COMBINER <i>JB, Controls flow to non-steer end drive motors in forward and reverse</i>					
--	128417GT	SEAL KIT					
9	94757GT	VALVE,CHECK,3 PSI*** <i>JC, Steer end drive motor circuit</i>					
--	128416GT	SEAL KIT					
10	94757GT	VALVE,CHECK,3 PSI*** <i>JD, Non-steer end drive motor circuit</i>					
--	128416GT	SEAL KIT					
11	94754GT	VALVE,FLOW DIVIDER/COMBINER <i>JE, Controls flow to flow divider / combiner valves 8 and 19</i>					
--	128417GT	SEAL KIT					
12	94756GT	VALVE,CHECK, 2.5 PSI <i>JF, Non-steer end drive motor circuit</i>					
--	128418GT	SEAL KIT					

702.3 Traction Manifold (from SN 15823)



PARTS FINDER

**Search Website
by Part Number**



**Search Manual
Library For Parts
Manual & Lookup Part
Numbers – Purchase
or Request Quote**

Search Manuals

Enter your information to help us find the right parts manual for your equipment.

* Brand:

* Model:

* Serial:

* Part Number:

SEARCH

**Can't Find Part or
Manual? Request Help
by Manufacturer,
Model & Description**

Parts Order Form

Please fill in the following information to help us find the right part for your equipment.

Manufacturer:	<input type="text"/>
Model:	<input type="text"/>
Description:	<input type="text"/>
Part Number:	<input type="text"/>
Quantity:	<input type="text"/>
Notes:	<input type="text"/>

Submit

Discount-Equipment.com is your online resource for quality parts & equipment.

Florida: **561-964-4949** Outside Florida TOLL FREE: **877-690-3101**

Need parts?

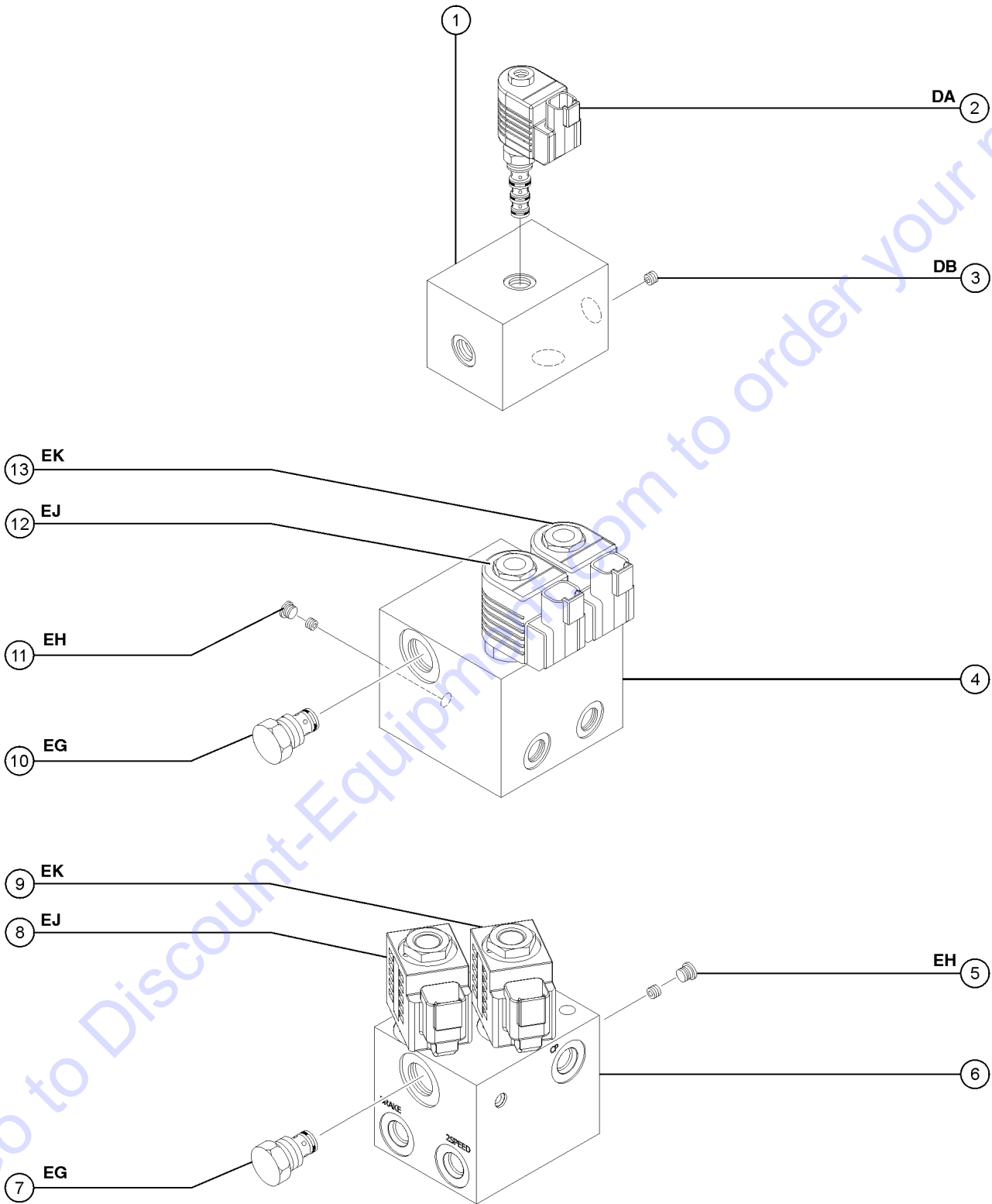
Click on this link: <http://www.discount-equipment.com/category/5443-parts/> and choose one of the options to help get the right parts and equipment you are looking for. Please have the machine model and serial number available in order to help us get you the correct parts. If you don't find the part on the website or on one of the online manuals, please fill out the request form and one of our experienced staff members will get back to you with a quote for the right part that your machine needs.

We sell worldwide for the brands: Genie, Terex, JLG, MultiQuip, Mikasa, Essick, Whiteman, Mayco, Toro Stone, Diamond Products, Generac Magnum, Airman, Haulotte, Barreto, Power Blanket, Nifty Lift, Atlas Copco, Chicago Pneumatic, Allmand, Miller Curber, Skyjack, Lull, Skytrak, Tsurumi, Husquvarna Target, Stow, Wacker, Sakai, Mi-T-M, Sullair, Basic, Dynapac, MBW, Weber, Bartell, Bennar Newman, Haulotte, Ditch Runner, Menegotti, Morrison, Contec, Buddy, Crown, Edco, Wyco, Bomag, Laymor, EZ Trench, Bil-Jax, F.S. Curtis, Gehl Pavers, Heli, Honda, ICS/PowerGrit, IHI, Partner, Imer, Clipper, MMD, Koshin, Rice, CH&E, General Equipment, Amida, Coleman, NAC, Gradall, Square Shooter, Kent, Stanley, Tamco, Toku, Hatz, Kohler, Robin, Wisconsin, Northrock, Oztec, Toker TK, Rol-Air, APT, Wylie, Ingersoll Rand / Doosan, Innovatech, Con X, Ammann, Mecalac, Makinex, Smith Surface Prep, Small Line, Wanco, Yanmar

702.3 Traction Manifold (from SN 15823)

Item	Part No.	Description	Qty.	Item	Part No.	Description	Qty.
--	88783GT	MANIFOLD,TRACTION,2WD <i>(complete)</i>		13	139508GT	VALVE, FLOW DIVIDE/COMBINE 1:1 <i>KF, Controls flow to flow divider/combiner valves 8 and 18</i>	
--	139712GT	MANIFOLD,TRACTION,4WD*** <i>(complete)</i>		--	139512GT	SEAL KIT, VALVE	
--	28750GT	O-RING KIT,FIELD SVC,ALL PROD*		14	139715GT	VALVE, SHUTTLE, FIXED <i>KJ, Steer end drive motor circuit</i>	
--	49612GT	O-RING KIT (ORFS FITTINGS)		--	139512GT	SEAL KIT, VALVE	
--	33994GT	PLUG AND CAP KIT-SERVICE,37 **		15	139527GT	VALVE, CHECK, 5PSI <i>KK, Steer end drive motor circuit</i>	
--	49613GT	PLUG AND CAP KIT-SERVICE,ORFS*		--	139528GT	SEAL KIT, VALVE	
1	94758GT	VALVE,RELIEF,280PSI <i>GA, Charge pressure circuit</i>		16	139716GT	VALVE, CHECK <i>KL, Charge pressure circuit that directs hot oil out of low pressure side of drive pump</i>	
--	110194GT	SEAL KIT, VALVE, #10		--	139727GT	SEAL KIT, VALVE	
2	52726GT	VALVE,FLOW DIVIDER/COMBINER <i>GB, Controls flow to drive motors in forward and reverse</i>		17	139719GT	ORIFICE, 0.040" <i>KI, Equalizes pressure on both sides of flow divider/combiner valve 18</i>	
--	84135GT	SEAL KIT, VALVE		--	1287434GT	PLUG,SAE #03 (139712)	
3	27836GT	VALVE,CHECK,5 PSI <i>GC, Drive circuit</i>		18	139717GT	VALVE, FLOW DIVIDE/COMB,24GPM <i>KM, Controls flow to steer end drive motors in forward and reverse</i>	
--	110194GT	SEAL KIT, VALVE, #10		--	139512GT	SEAL KIT, VALVE	
4	27836GT	VALVE,CHECK,5 PSI <i>GD, Drive circuit</i>		19	139527GT	VALVE, CHECK, 5PSI <i>KN, Non-steer end drive motor circuit</i>	
--	110194GT	SEAL KIT, VALVE, #10		--	139528GT	SEAL KIT, VALVE	
5	27761GT	VALVE,SHUTTLE <i>GE, Controls flow to drive motors in forward and reverse</i>		20	139719GT	ORIFICE, 0.040" <i>KH, Equalizes pressure on both sides of flow divider/combiner valve 8</i>	
--	84134GT	SEAL KIT, VALVE					
6	101440GT	ORIFICE PLUG, 0.070" <i>GE, Equalizes flow across flow divider combiner valve 2</i>					
7	139718GT	VALVE, RELIEF, 280PSI <i>KA, Charge pressure circuit</i>					
--	139512GT	SEAL KIT, VALVE					
8	139717GT	VALVE, FLOW DIVIDE/COMB,24GPM <i>KB, Controls flow to non-steer end drive motors in forward and reverse</i>					
--	139512GT	SEAL KIT, VALVE					
9	139527GT	VALVE, CHECK, 5PSI <i>KC, Steer end drive motor circuit</i>					
--	139528GT	SEAL KIT, VALVE					
10	139527GT	VALVE, CHECK, 5PSI <i>KD, Non-steer end drive motor circuit</i>					
--	139528GT	SEAL KIT, VALVE					
11	139716GT	VALVE, CHECK <i>KE, Non-steer end drive motor circuit</i>					
--	139727GT	SEAL KIT, VALVE					
12	139719GT	ORIFICE, 0.040" <i>KG, Equalizes pressure on both sides of flow divider/combiner valve 13</i>					
--	1287434GT	PLUG,SAE #03 (139712)					

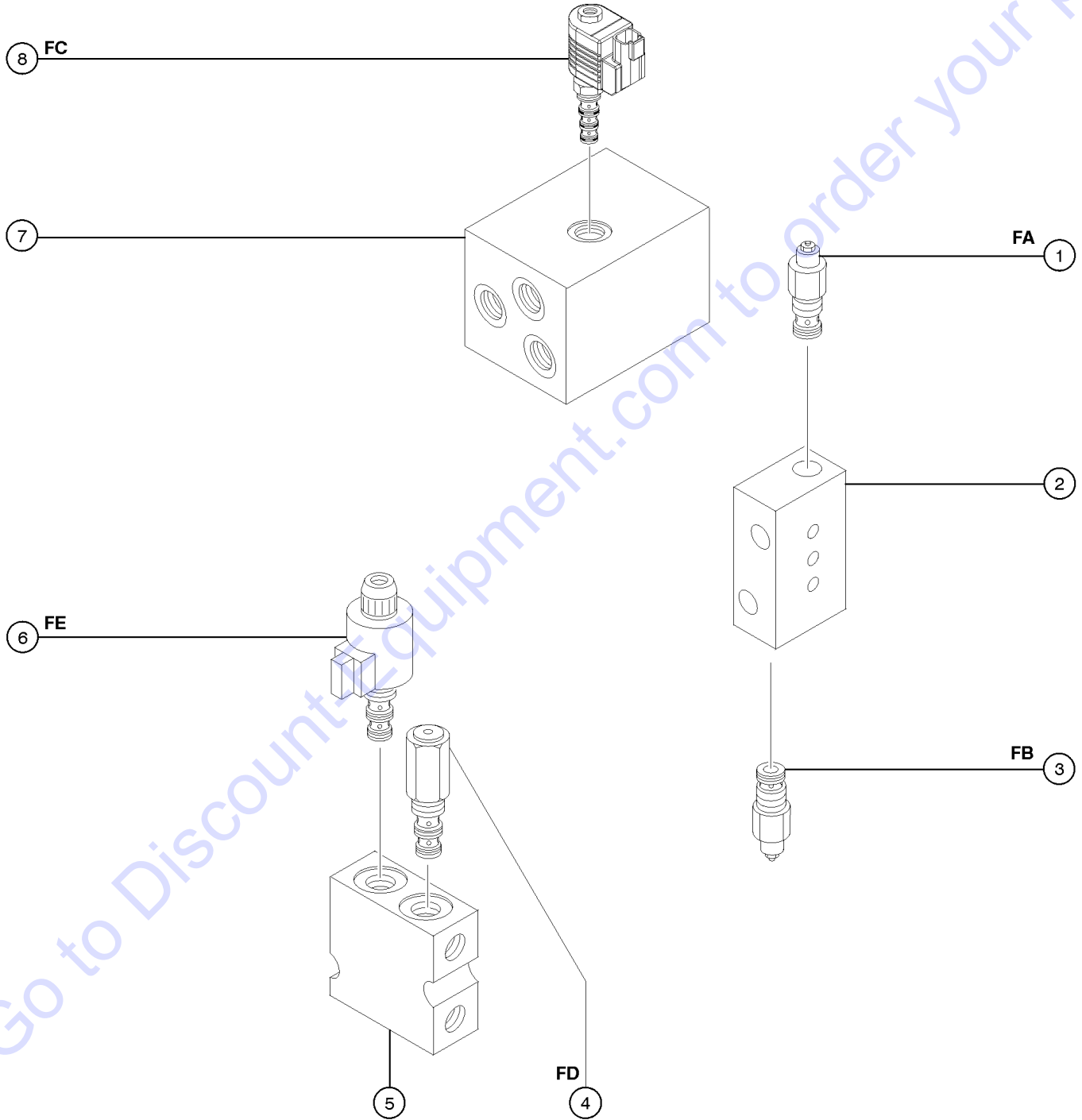
703.1 Two-Speed/Brake Manifold



703.1 Two-Speed/Brake Manifold

Item	Part No.	Description	Qty.
1	89572GT	MANIFOLD,BRAKE VALVE,S40/S45** <i>to SN 7568</i>	
--	28750GT	O-RING KIT,FIELD SVC,ALL PROD*	
--	33994GT	PLUG AND CAP KIT-SERVICE,37 **	
--	49612GT	O-RING KIT (ORFS FITTINGS)	
--	49613GT	PLUG AND CAP KIT-SERVICE,ORFS*	
2	89857GT	VALVE,SOLENOID, 2 POS, 3 WAY <i>DA, Brake release</i>	
--	45912GT	NUT,SOLENOID VALVE 2P3W	
--	62273GT	COIL,GREEN W/ 2 PIN CONNECTOR*	
3	74404GT	ORIFICE PLUG,M6X1,0.025 <i>DB, Turntable rotation brake release</i>	
4	88785GT	MANIFOLD,BRAKE/2 SPD W/QD PLG* <i>from SN 7569 to 17719</i>	
5	219245GT	ORIFICE PLUG .025 DIA. <i>EH, Turntable rotaton brake release</i>	
6	216602GT	MANIFOLD,BRAKE,2-SPEED <i>from SN 17720</i>	
7	35726GT	VALVE,HYDRAULIC CHECK <i>EG, Brake release circuit</i>	
--	161145GT	SEAL KIT,CHECK VALVE 219246	
8	219243GT	COIL, SOLENOID VALVE, 10V <i>EJ, Brake release</i>	
--	161144GT	SEAL KIT,SOLENOID VALVE 219247	
--	219247GT	VALVE, SOLENOID	
--	94759GT	NUT,SOLENOID	
9	219243GT	COIL, SOLENOID VALVE, 10V <i>EK, Two speed motor shift</i>	
--	161144GT	SEAL KIT,SOLENOID VALVE 219247	
--	219247GT	VALVE, SOLENOID	
--	94759GT	NUT,SOLENOID	
10	94761GT	VALVE,CHECK <i>EG, Brake release circuit</i>	
--	128420GT	SEAL KIT	
11	94764GT	ORIFICE,0.025" <i>EH, Turntable rotaton brake release</i>	
12	94760GT	VALVE,SOLENOID,10V,W/OUT COIL* <i>EJ, Brake release</i>	
--	128419GT	SEAL KIT	
--	94759GT	NUT,SOLENOID	
--	94765GT	COIL-10V DC***	
13	94760GT	VALVE,SOLENOID,10V,W/OUT COIL* <i>EK, Two speed motor shift</i>	
--	128419GT	SEAL KIT	
--	94759GT	NUT,SOLENOID	
--	94765GT	COIL-10V DC***	

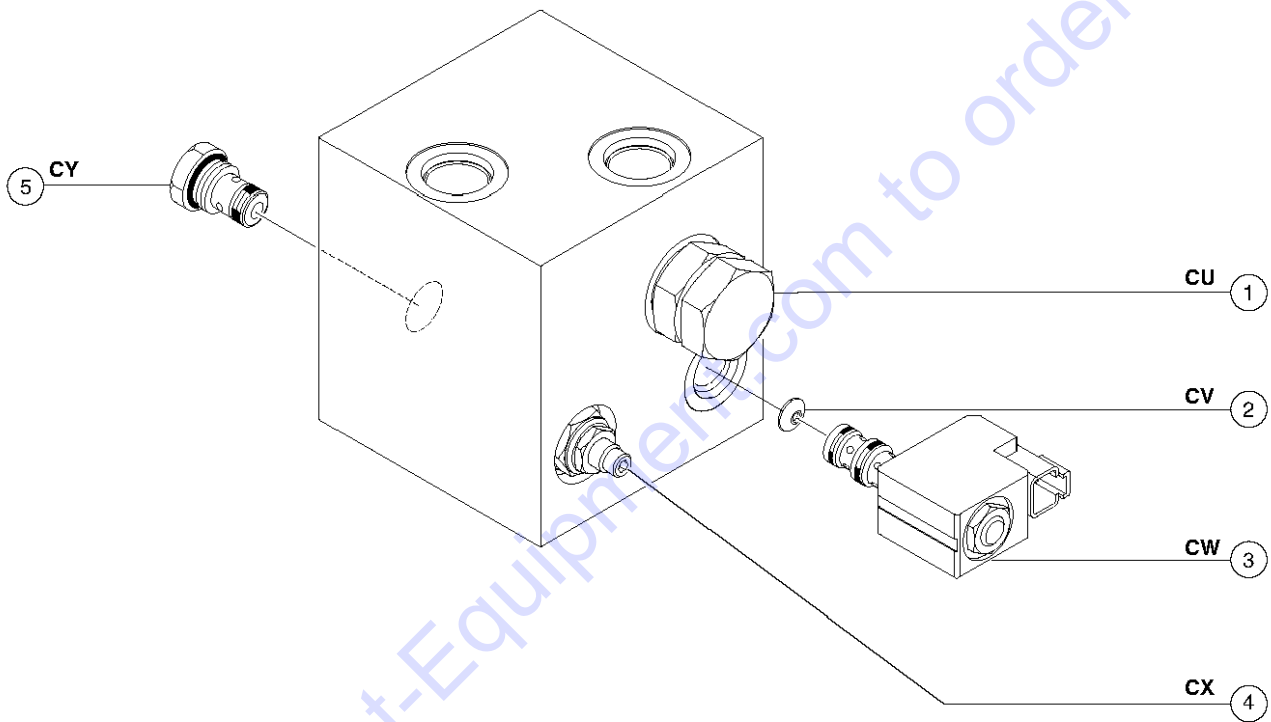
704.1 Jib Select, Platform Rotate and Generator Manifolds



704.1 Jib Select, Platform Rotate and Generator Manifolds

Item	Part No.	Description	Qty.
1	62506GT	VALVE - COUNTERBALANCE** <i>FA, Platform rotate right</i>	
--	43018GT	SEAL KIT (39345)	
2	73807GT	MANIFOLD,ROTATOR,CB***	
--	62507GT	O-RING, ROTATOR MANIFOLD	
3	62506GT	VALVE - COUNTERBALANCE** <i>FB, Platform rotate left</i>	
--	43018GT	SEAL KIT (39345)	
4	31529GT	VALVE,RELIEF 2400 PSI*** <i>FD, Generator overload relief</i>	
5	53976GT	MANIFOLD,GENERATOR	
6	19969GT	VALVE,SOLENOID (18660)*** <i>FE, Controls generator on / off</i>	
--	110198GT	SEAL KIT, VALVE, #12	
--	27535GT	COIL,12V.DO1 VALVE	
--	33568GT	NUT, CP521-1 VALVE	
--	45782GT	DIODE,6 AMP,200 PIV,BULK	
--	45914GT	O-RING, DO1 VALVE	
7		Ref. MANIFOLD,JIB SELECT W/QD PLUG* <i>Previous jib manifold 88786 is no longer available. For complete replacement order jib manifold 1256670</i>	
--	1256670GT	MANIFOLD,JIB SELECT W/QD PLUG <i>Can also be used to replace previous jib manifold from SN 10957</i>	
8A	52897GT	VALVE,SOLENOID, 2POS/3WAY*** <i>FC, Platform rotate / jib boom select (used only on jib manifold 1256670)</i>	
--	52371GT	SEAL KIT, VALVE <i>Used with valve part 52897</i>	
8B	89862GT	VALVE-SOLENOID,2POS 3WAY,JIB** <i>FC, Platform rotate / jib boom select (used only on previous jib manifold 88786)</i>	
--	89864GT	SEAL KIT,SOLENOID VALVE, SV07 <i>Used with valve part 89862</i>	
--	104759GT	COIL,12VDC #8 DTSCH IP69 ECOIL	
--	44174GT	NUT-COIL SHORT	

705.1 Oil Diverter Manifold (welder option)

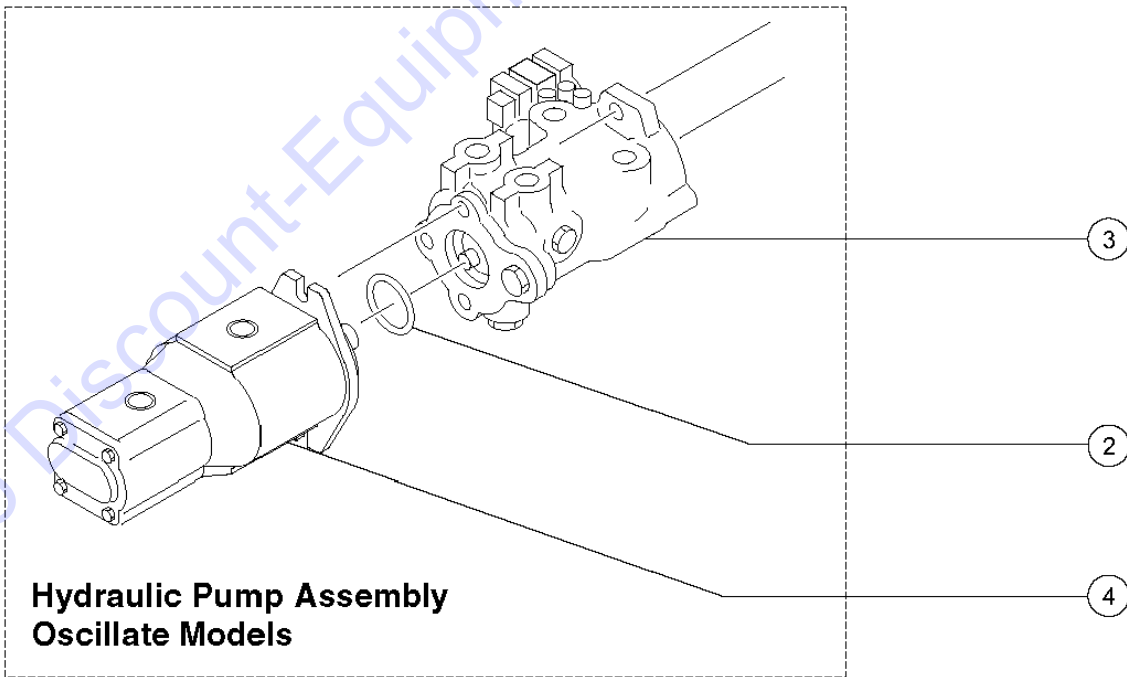
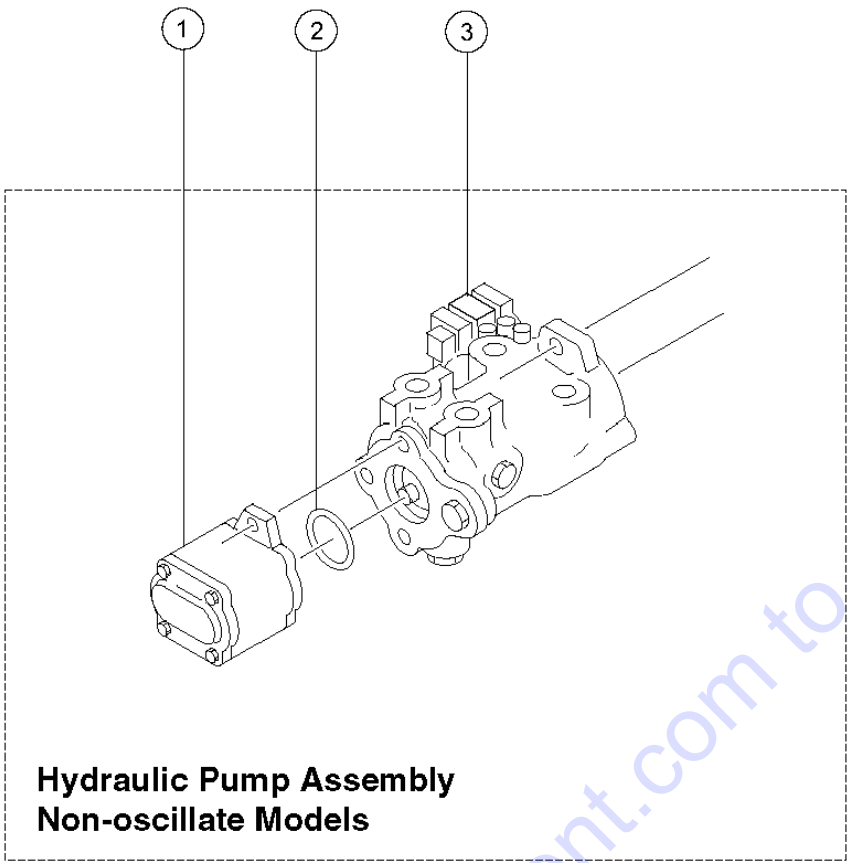


705.1 Oil Diverter Manifold (welder option)

Item	Part No.	Description	Qty.
--	101516GT	MANIFOLD,DRIVE OIL DIVERTER	
1	102746GT	VALVE,PILOT OPER DIRECTIONAL <i>CU, Diverter valve</i>	
2	106394GT	ORIFICE DISC,.030,CONE <i>CV, Delays shift to drive</i>	
3	94760GT	VALVE,SOLENOID,10V,W/OUT COIL* <i>CW, Pilot valve to diverter</i>	
--	128419GT	SEAL KIT	
--	94759GT	NUT,SOLENOID	
--	94765GT	COIL-10V DC***	
4	122302GT	RELIEF,VALVE 270 PSI <i>CX, Charge pressure circuit</i>	
--	128416GT	SEAL KIT	
5	94757GT	VALVE,CHECK,3 PSI*** <i>CY, Prevents oil flow to generator</i>	
--	128416GT	SEAL KIT	

Go to Discount-Equipment.com to order your parts

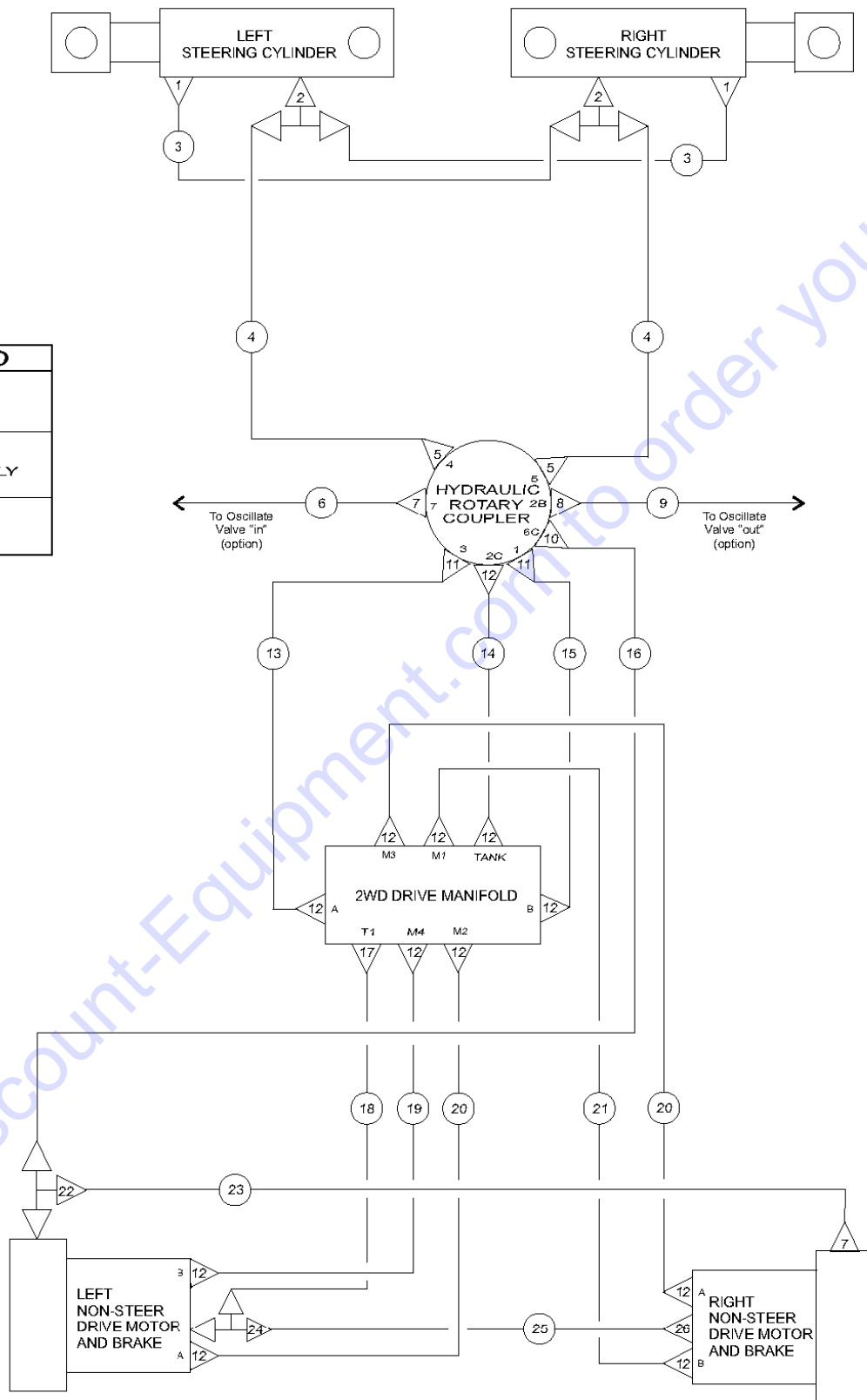
706.1 Hydraulic Pumps



Item	Part No.	Description	Qty.
--	89933GT	PUMP ASSY,M46 + 17CC*** <i>Non-oscillate models (includes items 1 to 3) from SN 7319. Models before SN 7319 must order this assembly for first time complete assy replacement.</i>	
--	89932GT	PUMP ASSY,M46+17CC+6CC <i>Oscillate models (includes items 2 to 4) from SN 7319. Models before SN 7319 must order this assembly for first time complete assy replacement.</i>	
1	53961GT	PUMP,LIFT 1.025 C.I.***.....1	
--	77990GT	KIT,SEAL,3CC PUMP***	
2	29436GT	O-RING***.....1 <i>to SN 7318</i>	
--	83141GT	O-RING,.103X3.237,NBR/NTRL,90D <i>from SN 7319</i>	
3	88048GT	PUMP M46 VAR.PISTON 2.8 C.I.U.....1 <i>to SN 7318</i>	
--	29739GT	SEAL KIT,SAUER-DANFOSS M46*** <i>Used with part 88048 and 89934</i>	
--	49897GT	GASKET,TURTLE,DRV MTR,EDC <i>Used with part 88048, to SN 7318</i>	
--	89934GT	PUMP M46 VAR PISTON 2.8 CIU***.....1 <i>from SN 7319</i>	
--	77819GT	EDC ASSY,SAUER M46*** <i>Used with part 89934, from SN 7319</i>	
--	128164GT	KIT,PUMP SHIM,SAUER M46 <i>from SN 7319</i>	
4	89858GT	FUNCTION GEAR PUMP,OSCILLATE**.....1	
--	89859GT	SEAL KIT,GEAR PUMP (89858)	

707.1 Hydraulic Hoses and Fittings - 2WD Drive and Steer System (to SN 7568)


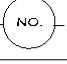
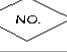
LEGEND	
	FITTING
	HOSE ASSEMBLY
	UNION

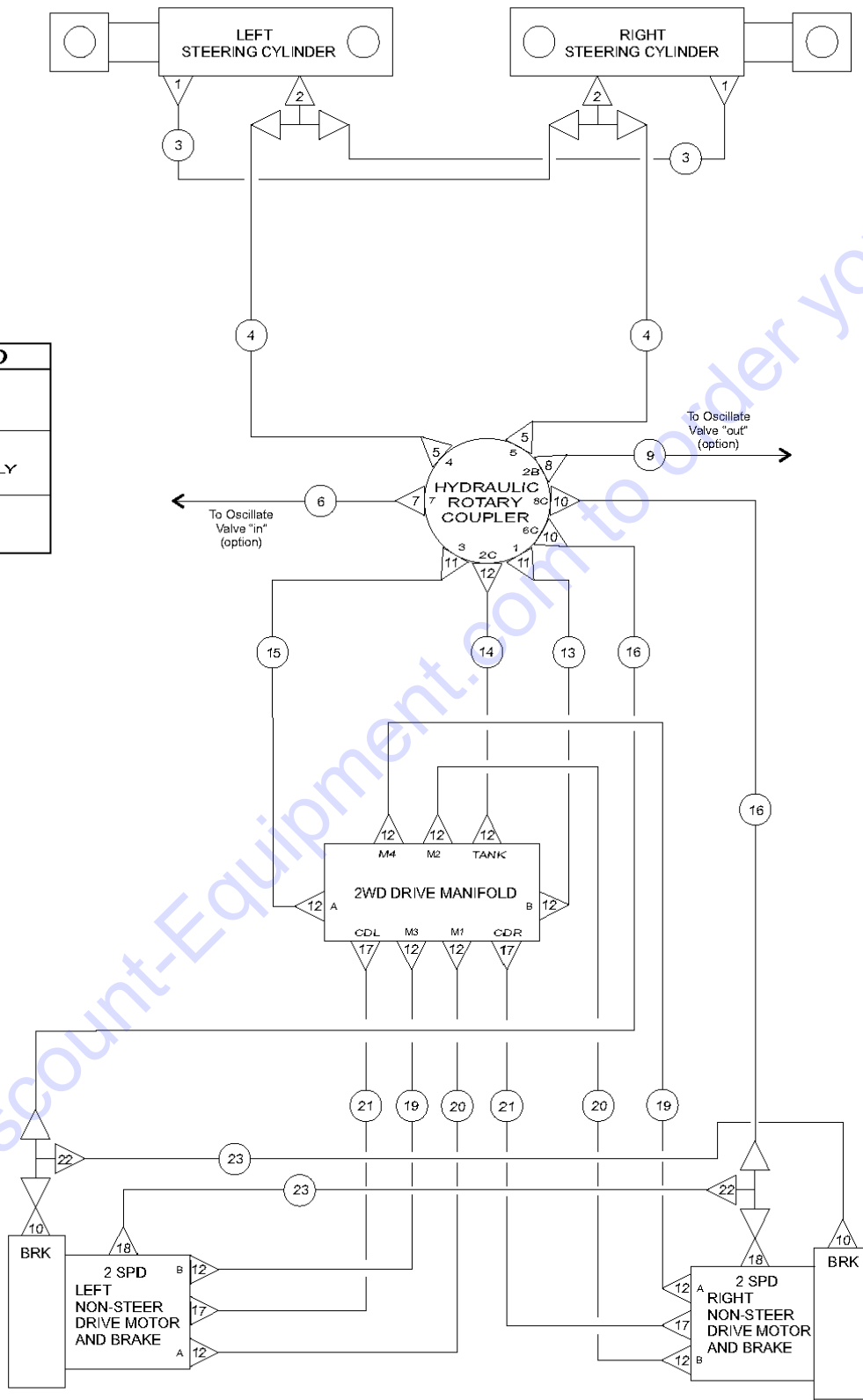


707.1 Hydraulic Hoses and Fittings - 2WD Drive and Steer System (to SN 7568)

Item	Part No.	Description	Qty.
1	48915GT	ELBOW,90D,520220-6.....	2
2	48919GT	TEE,BRANCH,520429-6.....	2
3	49130-2132GT	HOSE ASSEMBLY,3/8".....	2
4	49128-5909GT	HOSE ASSEMBLY,3/8".....	2
5	48920GT	ELBOW,45D,520320-6.....	2
6	49117-5191GT	HOSE ASSY,1/4,90 FEM,STR FEM**.....	1
7	48904GT	ELBOW,90D,520220-4-4.....	2
8	48937GT	ELBOW,45D,520320-8.....	1
9	49143-4629GT	HOSE ASSY,1/2,90 FEM,STR FEMM.....	1
10	48905GT	CONN,520120-4***.....	1
11	48963GT	FITTING,ELBOW,45D,520320-12***.....	2
12	48960GT	FITTING,CONN,520120-12***.....	12
13	94374-2380GT	HOSE ASSY,3/4,90 FEM,STR FEM.....	1
14	49149-2126GT	HOSE ASSY,3/4,45 FEM,STR FEM.....	1
15	94374-2530GT	HOSE ASSY,3/4,90 FEM,STR FEM.....	1
16	49117-7641GT	HOSE ASSY,1/4,90 FEM,STR FEM.....	1
17	48933GT	CONN,520120-8***.....	1
18	49172-4238GT	HOSE ASSEMBLY,1/2",90 FEM,STR.....	1
19	89871-3348GT	HOSE ASSEMBLY,3/4" STR-STR.....	1
20	89871-3848GT	HOSE ASSEMBLY,3/4" STR-STR***.....	2
21	89871-3948GT	HOSE ASSEMBLY,3/4" STR-STR.....	1
22	48906GT	TEE,RUN,520428-4.....	1
23	49117-6091GT	HOSE ASSY,1/4,90 FEM,STR FEM**.....	1
24	48953GT	TEE,RUN,520428-10.....	1
25	49139-4368GT	HOSE ASSY,1/2",45 FEM,STR FEM.....	1
26	48946GT	CONN,520120-8-10.....	1

707.2 Hydraulic Hoses and Fittings - 2WD Drive and Steer System (from SN 7569)

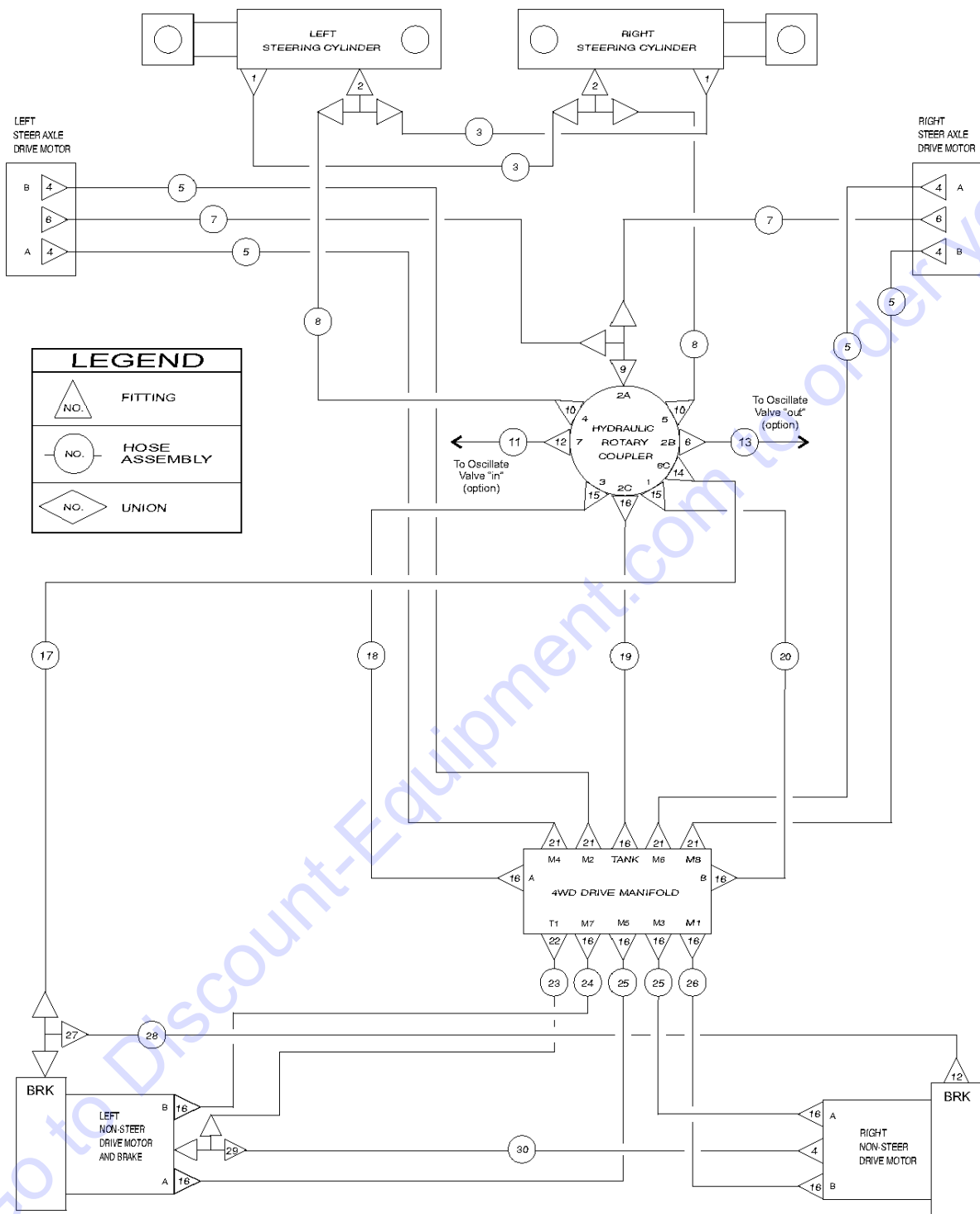
LEGEND	
	FITTING
	HOSE ASSEMBLY
	UNION



707.2 Hydraulic Hoses and Fittings - 2WD Drive and Steer System (from SN 7569)

Item	Part No.	Description	Qty.
1	48915GT	ELBOW,90D,520220-6.....	2
2	48919GT	TEE,BRANCH,520429-6.....	2
3	49130-2132GT	HOSE ASSEMBLY,3/8".....	2
4	49128-5909GT	HOSE ASSEMBLY,3/8".....	2
5	48920GT	ELBOW,45D,520320-6.....	2
6	49117-5191GT	HOSE ASSY,1/4,90 FEM,STR FEM**.....	1
7	48904GT	ELBOW,90D,520220-4-4.....	2
8	48937GT	ELBOW,45D,520320-8.....	1
9	49143-4629GT	HOSE ASSY,1/2,90 FEM,STR FEMM.....	1
10	48905GT	CONN,520120-4***.....	4
11	48963GT	FITTING,ELBOW,45D,520320-12***.....	2
12	48960GT	FITTING,CONN,520120-12***.....	12
13	94374-2380GT	HOSE ASSY,3/4,90 FEM,STR FEM.....	1
14	49149-2126GT	HOSE ASSY,3/4,45 FEM,STR FEM.....	1
15	94374-2530GT	HOSE ASSY,3/4,90 FEM,STR FEM.....	1
16	49117-7641GT	HOSE ASSY,1/4,90 FEM,STR FEM.....	2
17	48933GT	CONN,520120-8***.....	4
18	48911GT	ELBOW,90D,520220-4-6***.....	2
19	94374-4230GT	HOSE ASSY,3/4,90 FEM,STR FEM.....	2
20	94374-3930GT	HOSE ASSY,3/4,90 FEM,STR FEM.....	2
21	49143-4229GT	HOSE ASSY,1/2,90 FEM,STR FEM.....	2
22	48908GT	FITTING,TEE,RUN,SWIVEL520432-4.....	2
23	49117-5591GT	HOSE ASSY,1/4,90 FEM,STR FEM**.....	2

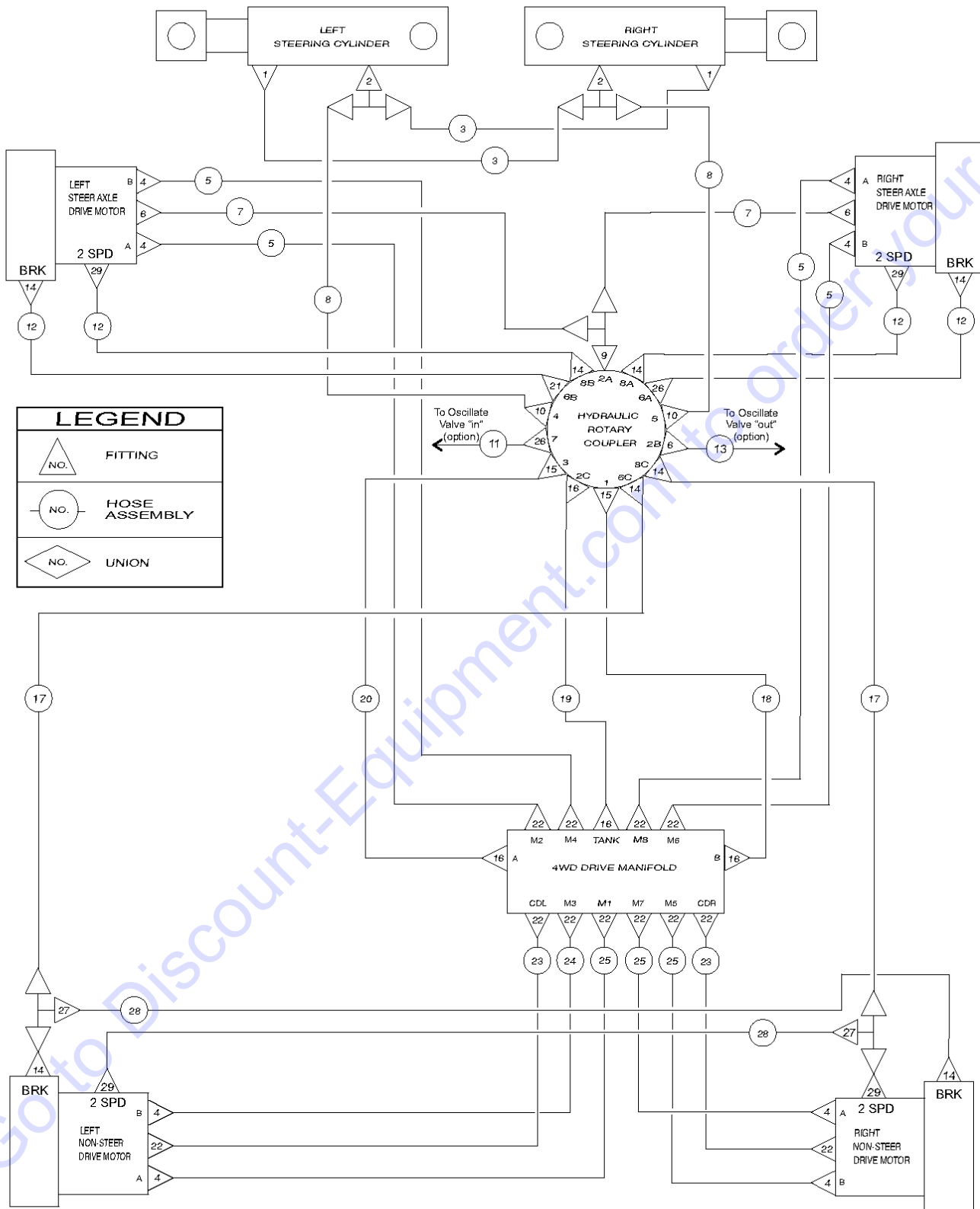
708.1 Hydraulic Hoses and Fittings - 4WD Drive and Steer System (to SN 7568)



708.1 Hydraulic Hoses and Fittings - 4WD Drive and Steer System (to SN 7568)

Item	Part No.	Description	Qty.
1	48915GT	ELBOW,90D,520220-6.....	2
2	48919GT	TEE,BRANCH,520429-6.....	2
3	49130-2132GT	HOSE ASSEMBLY,3/8".....	2
4	48946GT	CONN,520120-8-10.....	4
5	49107-10213GT	HOSE ASSEMBLY,1/2".....	4
6	48937GT	ELBOW,45D,520320-8.....	3
7	49141-7813GT	HOSE ASSY,1/2,45 FEM,STR FEM.....	2
8	49128-5909GT	HOSE ASSEMBLY,3/8".....	2
9	48935GT	TEE,RUN,520428-8.....	1
10	48920GT	ELBOW,45D,520320-6.....	2
11	49117-5191GT	HOSE ASSY,1/4,90 FEM,STR FEM**.....	1
12	48904GT	ELBOW,90D,520220-4-4.....	2
13	49143-4629GT	HOSE ASSY,1/2,90 FEM,STR FEMM.....	1
14	48905GT	CONN,520120-4***.....	1
15	48963GT	FITTING,ELBOW,45D,520320-12***.....	2
16	48960GT	FITTING,CONN,520120-12***.....	10
17	49117-7641GT	HOSE ASSY,1/4,90 FEM,STR FEM.....	1
18	94374-2380GT	HOSE ASSY,3/4,90 FEM,STR FEM.....	1
19	49149-2126GT	HOSE ASSY,3/4,45 FEM,STR FEM.....	1
20	94374-2530GT	HOSE ASSY,3/4,90 FEM,STR FEM.....	1
21	48948GT	CONN,520120-8-12.....	4
22	48933GT	CONN,520120-8***.....	1
23	49172-4238GT	HOSE ASSEMBLY,1/2",90 FEM,STR.....	1
24	89871-3348GT	HOSE ASSEMBLY,3/4" STR-STR.....	1
25	89871-3848GT	HOSE ASSEMBLY,3/4" STR-STR***.....	2
26	89871-3948GT	HOSE ASSEMBLY,3/4" STR-STR.....	1
27	48906GT	TEE,RUN,520428-4.....	1
28	49117-6091GT	HOSE ASSY,1/4,90 FEM,STR FEM**.....	1
29	48953GT	TEE,RUN,520428-10.....	1
30	49139-4368GT	HOSE ASSY,1/2",45 FEM,STR FEM.....	1

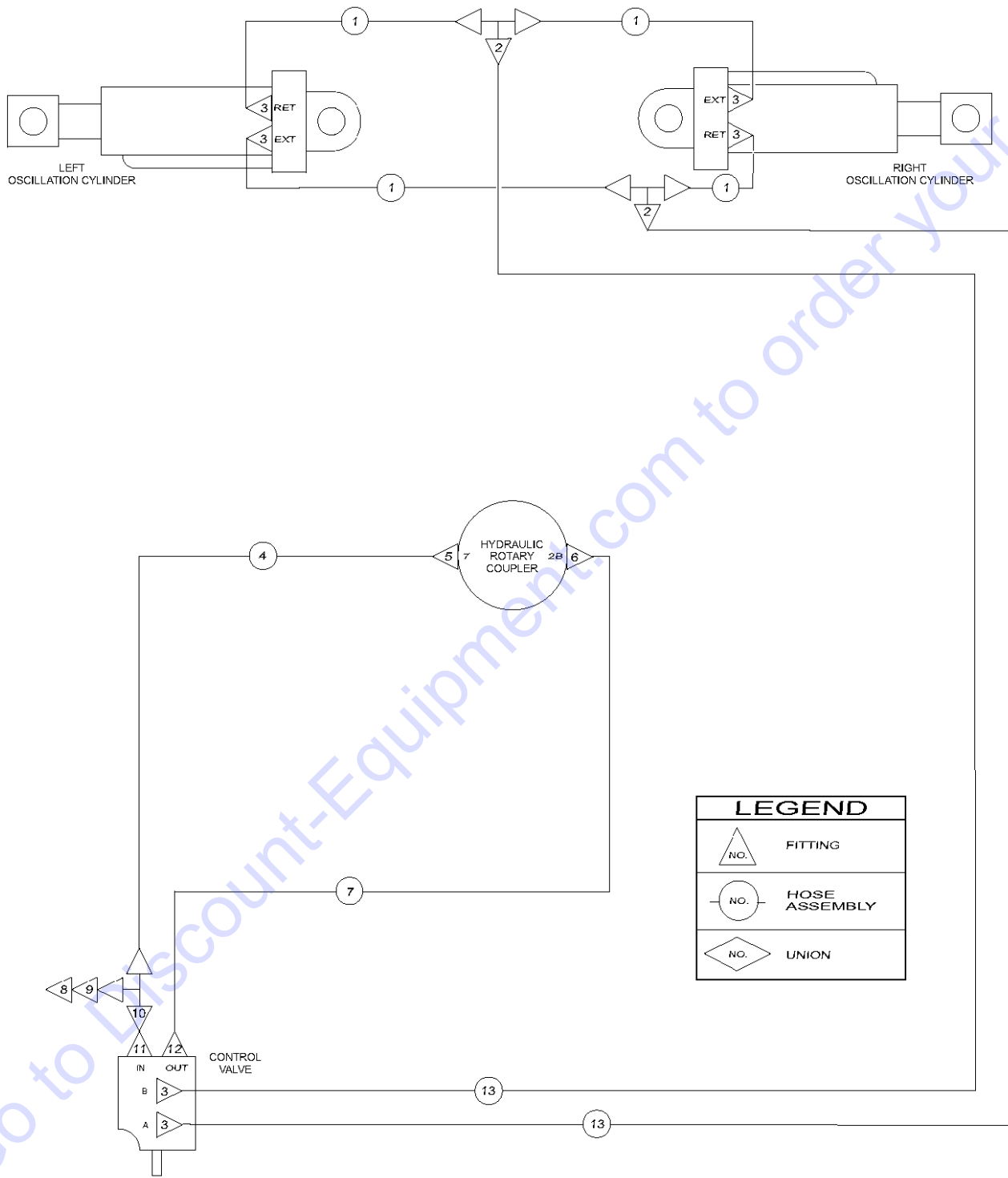
708.2 Hydraulic Hoses and Fittings - 4WD Drive and Steer System (from SN 7569)



708.2 Hydraulic Hoses and Fittings - 4WD Drive and Steer System (from SN 7569)

Item	Part No.	Description	Qty.
1	48915GT	ELBOW,90D,520220-6.....	2
2	48919GT	TEE,BRANCH,520429-6.....	2
3	49130-2132GT	HOSE ASSEMBLY,3/8".....	2
4	48948GT	CONN,520120-8-12.....	8
5	49107-10213GT	HOSE ASSEMBLY,1/2".....	4
6	48937GT	ELBOW,45D,520320-8.....	3
7	49141-7513GT	HOSE ASSY,1/2,45 FEM,STR FEM..... <i>Components: Genie part numbers 48822, 48826 and 48756 @ 72.5 inches</i>	2
8	49128-5909GT	HOSE ASSEMBLY,3/8".....	2
9	48935GT	TEE,RUN,520428-8.....	1
10	48920GT	ELBOW,45D,520320-6.....	2
11	49117-5191GT	HOSE ASSY,1/4,90 FEM,STR FEM**.....	1
12	49117-8491GT	HOSE ASSY,1/4,90 FEM,STR FEM.....	4
13	49143-4629GT	HOSE ASSY,1/2,90 FEM,STR FEMM.....	1
14	48905GT	CONN,520120-4***.....	9
15	48963GT	FITTING,ELBOW,45D,520320-12***.....	2
16	48960GT	FITTING,CONN,520120-12***.....	4
17	49117-7641GT	HOSE ASSY,1/4,90 FEM,STR FEM.....	2
18	94374-2380GT	HOSE ASSY,3/4,90 FEM,STR FEM.....	1
19	49149-2126GT	HOSE ASSY,3/4,45 FEM,STR FEM.....	1
20	94374-2530GT	HOSE ASSY,3/4,90 FEM,STR FEM.....	1
21	48907GT	ELBOW,45D,520320-4.....	1
22	48933GT	CONN,520120-8***.....	12
23	49143-4229GT	HOSE ASSY,1/2,90 FEM,STR FEM.....	2
24	49109-4729GT	HOSE ASSY,1/2,90 FEM,STR FEM.....	1
25	49109-4229GT	HOSE ASSY,1/2,90 FEM,STR FEM**.....	3
26	48904GT	ELBOW,90D,520220-4-4.....	1
27	48908GT	FITTING,TEE,RUN,SWIVEL520432-4.....	2
28	49117-5591GT	HOSE ASSY,1/4,90 FEM,STR FEM**.....	2
29	48911GT	ELBOW,90D,520220-4-6***.....	4

709.1 Hydraulic Hoses and Fittings - Oscillate System

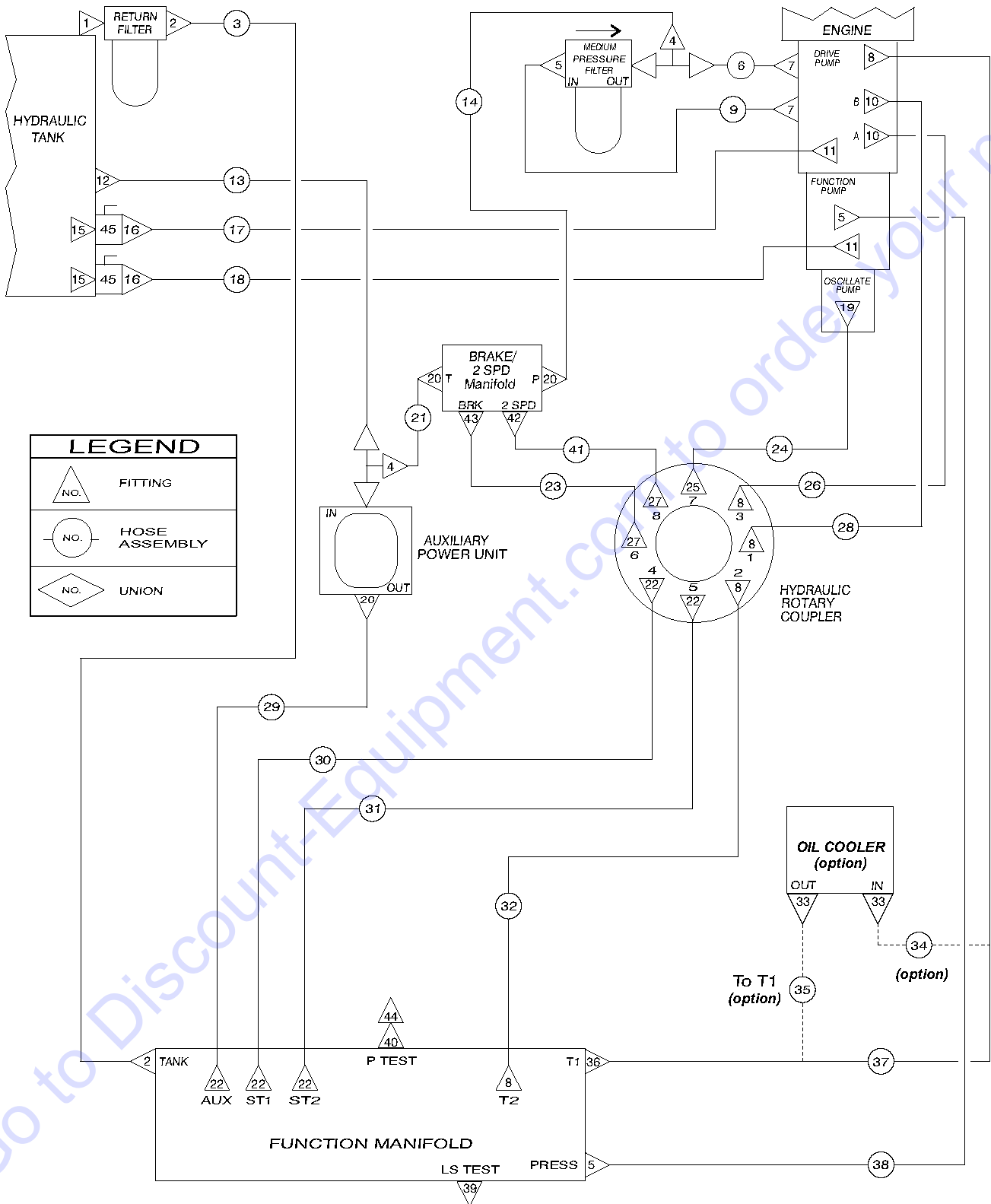


709.1 Hydraulic Hoses and Fittings - Oscillate System

Item	Part No.	Description	Qty.
1	49130-2432GT	HOSE ASSY,3/8 FEM-FEM.....	4
2	48896GT	CONN,TEE,UNION,520401-6,ORFS.....	2
3	48916GT	CONN, 520120-6.....	6
4	49117-5191GT	HOSE ASSY,1/4,90 FEM,STR FEM**.....	1
5	48904GT	ELBOW,90D,520220-4-4.....	1
6	48937GT	ELBOW,45D,520320-8.....	1
7	49143-4629GT	HOSE ASSY,1/2,90 FEM,STR FEMM.....	1
8	48880GT	CAP,DIAGNOSTIC NIPPLE.....	1
9	20224GT	DIAGNOSTIC FEMALE Q-DSCNT	
9	49207GT	NIPPLE,DIAGNOSTIC,ORFS,FM,SWIV..	1
10	48891GT	FITTING,TEE,BRANCH,520433-4.....	1
11	48914GT	CONN,520120-4-8.....	1
12	48933GT	CONN,520120-8***.....	1
13	49128-10809GT	HOSE ASSY,3/8,90 FEM,STR FEM/8.....	2

Go to Discount-Equipment.com to order your parts

710.1 Hydraulic Hoses and Fittings - Turntable



710.1 Hydraulic Hoses and Fittings - Turntable

Item	Part No.	Description	Qty.	Item	Part No.	Description	Qty.
A	78736GT	CLAMP,2 HOSE,PLASTIC,5/8.....	4	--	49164-5643GT	HOSE ASSY,1/4",90 F,STR FEM*** from SN 7569	
1	61263GT	UNION,STR.THREAD 20.....	1	22	48916GT	CONN, 520120-6.....	5
2	89593GT	ELBOW,90D,520220-20.....	2	23	49130-4282GT	HOSE ASSY,3/8"STR FEM,STR FEM*...1 to SN 7568	
3	88441-1090GT	HOSE ASSY,1 1/4"STR FEM,STR FE.....	1	--	49119-4378GT	HOSE ASSY,1/4",STR FEM,STR FEM from SN 7569	
4	48935GT	TEE,RUN,520428-8.....	2	24	49117-4891GT	HOSE ASSY,1/4,90 FEM,STR FEM.....	1
5	48933GT	CONN,520120-8***.....	3	25	48904GT	ELBOW,90D,520220-4-4.....	1
6	49143-2029GT	HOSE ASSY,1/2,90 FEM,STR FEMM*....1 Ford models, Perkins 704-30, Deutz F4L 1011F		26	94374-5530GT	HOSE ASSY,3/4,90 FEM,STR FEM**.....1 Ford models, Perkins 704-30, Deutz F4L 1011F	
--	49143-2229GT	HOSE ASSY,1/2,90 FEM,STR FEM**		--	94374-5930GT	HOSE ASSY,3/4,90 FEM,STR FEM**	
7	48946GT	CONN,520120-8-10.....	2	27	48926GT	FITTING,ELBOW,90D,520220-6-4.....	1
8	48960GT	FITTING,CONN,520120-12***.....	5	--	48904GT	ELBOW,90D,520220-4-4.....	2
9	49143-2529GT	HOSE ASSY,1/2,90 FEM,STR FEM**.....1 to SN 7543		--	48904GT	ELBOW,90D,520220-4-4.....	2
--	49143-2229GT	HOSE ASSY,1/2,90 FEM,STR FEM** from SN 7544		28	94374-5230GT	HOSE ASSY,3/4,90 FEM,STR FEM**.....1 Ford models, Perkins 704-30, Deutz F4L 1011F	
10	48977GT	CONN,520120-12-16.....	2	--	94374-5530GT	HOSE ASSY,3/4,90 FEM,STR FEM**	
11	48984GT	CONN,520120-16.....	2	29	49124-2228GT	HOSE ASSY,3/8,90,FEMLG,STR FEM...1	
12	48922GT	CONN,520102-6-6.....	1	30	49130-4482GT	HOSE ASSY,3/8"STR FEM, STR FEM....1	
13	49133-1990GT	HOSE ASSY,3/8,45? FEM,STR FEM.....1		31	49130-4282GT	HOSE ASSY,3/8"STR FEM,STR FEM*...1	
14	49129-3025GT	HOSE ASSY 3/8,90 FEM,STR FEM.....1 to SN 7568		32	49151-4148GT	HOSE ASSY,3/4,STR FEM,STR FEM.....1	
--	49164-3043GT	HOSE ASSY,1/4,90 FEM,STR FEM** from SN 7569		33	48963GT	FITTING,ELBOW,45D,520320-12***.....2 to SN 7994	
15	45161GT	STRAINER ASSEMBLY,1.5" NPT.....	2	--	48959GT	FITTING,ELBOW,90D,520220-12 from SN 7995	
--	147419GT	KIT,STRAINER REPLACEMENT from SN 12848		34	49152-6369GT	HOSE ASSEMBLY,3/4".....	1
16	89403GT	ELBOW,45D,16MNPT X 16ORFS.....	2	--	49152-4869GT	HOSE ASSY,3/4 100R1 from SN 7995	
--	48985GT	ELBOW,45D,520320-16 from SN 12848		35	49151-7748GT	HOSE ASSY,3/4,STR FEM,STR FEM.....1 to SN 7994	
17	49159-3643GT	HOSE ASSEMBLY, 1"***.....	1	--	49151-9248GT	HOSE ASSY,3/4 STR FEM from SN 7995	
--	49159-4043GT	HOSE ASSEMBLY, 1"***		36	48959GT	FITTING,ELBOW,90D,520220-12.....	1
--	49159-4268GT	HOSE ASSEMBLY,1"***		37	49150-5630GT	HOSE ASSY,3/4,90 FEM,STR FEM.....1 to SN 7543	
18	49159-4043GT	HOSE ASSEMBLY, 1"***.....	1	--	49150-5230GT	HOSE ASSY,3/4,90 FEM,STR FEM** from SN 7544	
--	49159-4268GT	HOSE ASSEMBLY,1"***		38	49109-4129GT	HOSE ASSY,1/2,90 FEM,STR FEM** from SN 7001	
--	49159-4618GT	HOSE ASSEMBLY, 1"		39	48997GT	NIPPLE,DIAGNOSTIC,#4.....	1
19	48912GT	CONN,520120-4-6***.....	1	40	48907GT	ELBOW,45D,520320-4.....	1
20	48915GT	ELBOW,90D,520220-6.....	2	41	49119-4778GT	HOSE ASSY,1/4,STR FEM,STR FEM....1 from SN 7569	
--	48904GT	ELBOW,90D,520220-4-4 from SN 7569		42	48905GT	CONN,520120-4***.....	1
21	49129-5425GT	HOSE ASSY 3/8,90 FEM,STR FEM**.....1 to SN 7568					

710.1 Hydraulic Hoses and Fittings - Turntable
(continued)

Item	Part No.	Description	Qty.
43	48916GT	CONN, 520120-6..... to SN 7568	1
--	48905GT	CONN,520120-4*** from SN 7569	
44	49207GT	NIPPLE,DIAGNOSTIC,ORFS,FM,SWIV..	1
45	48994GT	VALVE,BALL,16 MPT-16 FPT*** to SN 12847	2
45	48996GT	VALVE,BALL,16 MSAE-16 FSAE*** from SN 12848	

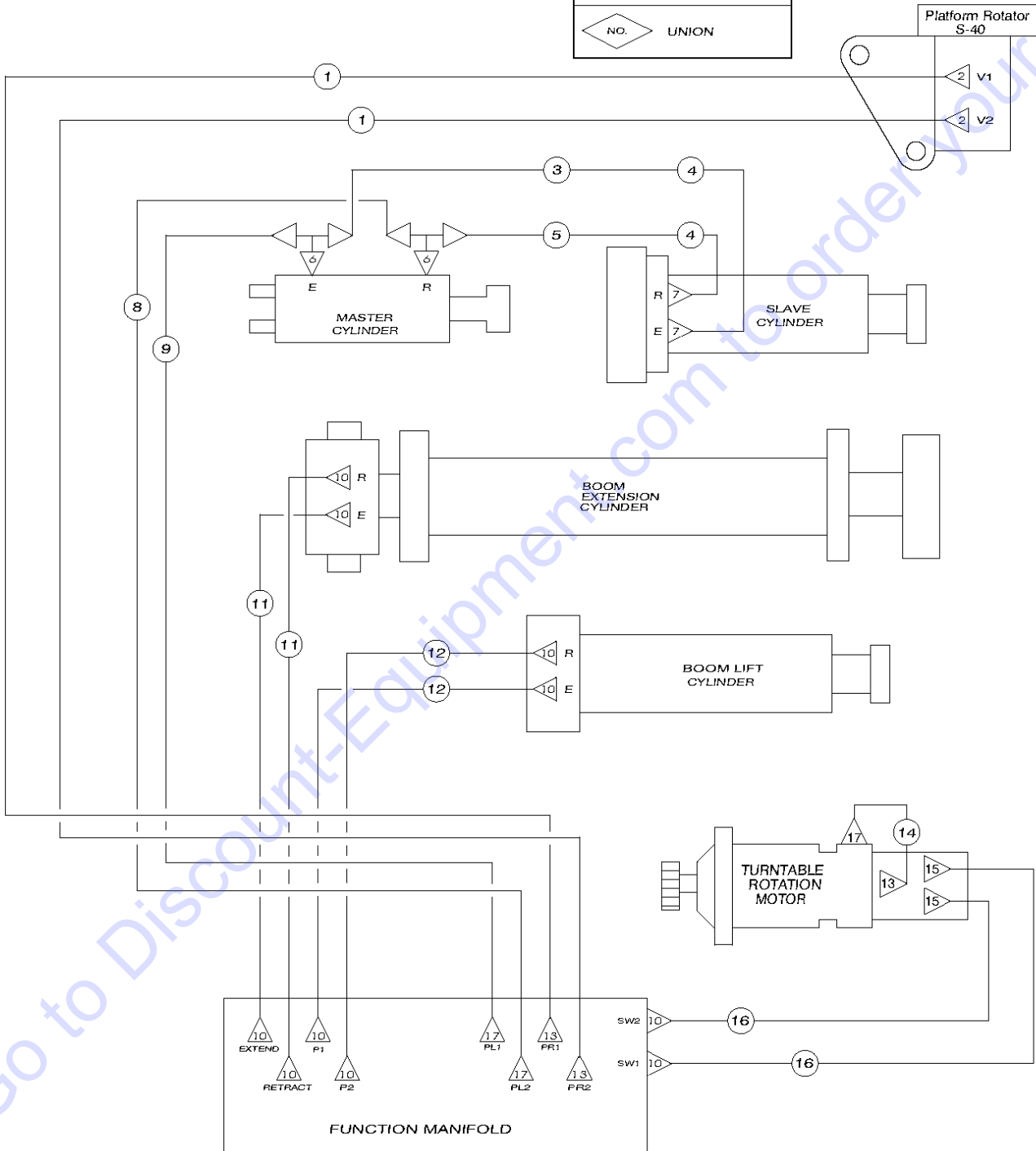
Go to Discount-Equipment.com to order your parts

This Page Intentionally Left Blank

Go to Discount-Equipment.com to order your parts

711.1 Hydraulic Hoses and Fittings - Boom Components

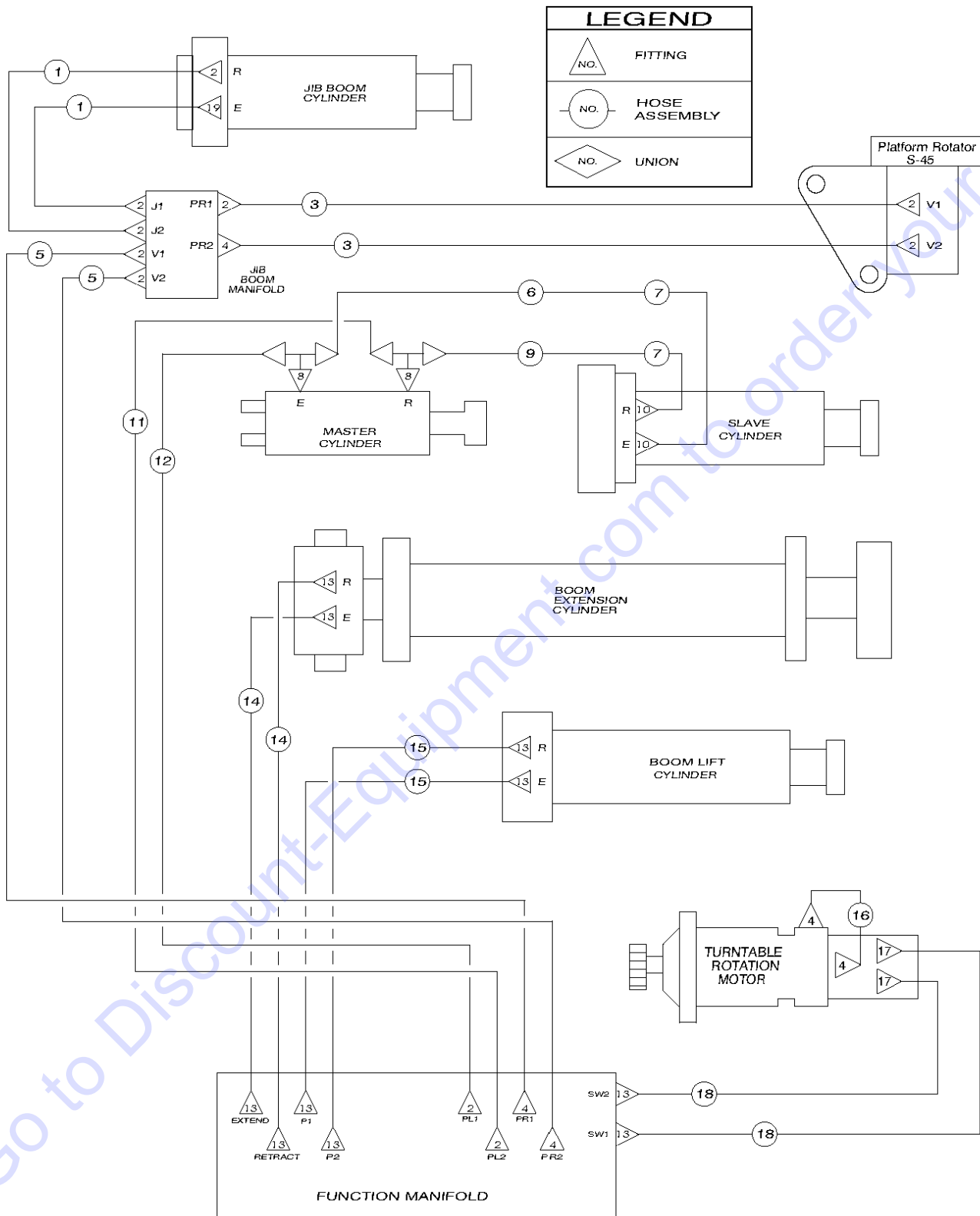
LEGEND	
	FITTING
	HOSE ASSEMBLY
	UNION



711.1 Hydraulic Hoses and Fittings - Boom Components

Item	Part No.	Description	Qty.
1	49119-58678GT	HOSE ASSY,1/4,STR FEM,STR FEM.....2	
2	48907GT	ELBOW,45D,520320-4.....2	
3	49120-49781GT	HOSE ASSY,1/4" STR FEM STR FEM....1	
4	49121-4313GT	HOSE ASSEMBLY,1/4".....2	
5	49120-50781GT	HOSE ASSY,1/4" STR FEM STR FEM....1	
6	48919GT	TEE,BRANCH,520429-6.....2	
7	48912GT	CONN,520120-4-6***.....2	
8	49181-10440GT	HOSE ASSY.1/4",45,FEM STR FEM.....1	
9	49181-9240GT	HOSE ASSY.1/4",45,FEM STR FEM.....1	
--	102267-9240GT	HOSE ASSY,1/4,45 FEM,STR FEM	
10	48916GT	CONN, 520120-6.....10	
11	49126-11233GT	HOSE ASSY,3/8,45 FEM,STR FEM.....2	
12	49128-10509GT	HOSE ASSY,3/8,90 FEM,STR FEMM....2	
13	48904GT	ELBOW,90D,520220-4-4.....4	
14	49117-1191GT	HOSE ASSY,1/4,90 FEM,STR FEMM....1	
15	48915GT	ELBOW,90D,520220-6.....2	
16	49130-1982GT	HOSE ASSY,3/8"STR FEM, STR FEM....2	
17	48905GT	CONN,520120-4***.....2	

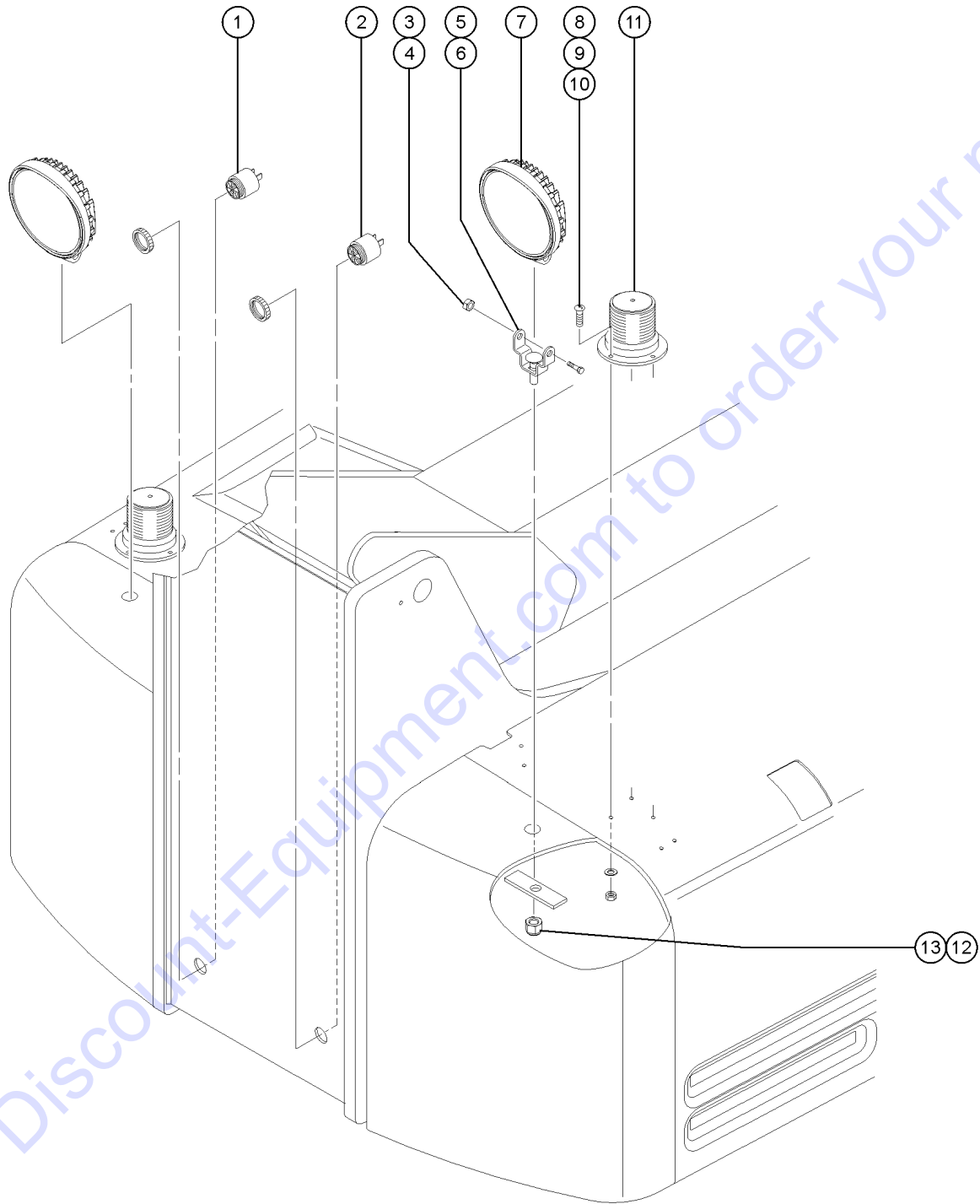
712.1 Hydraulic Hoses and Fittings - Boom Components



712.1 Hydraulic Hoses and Fittings - Boom Components

Item	Part No.	Description	Qty.
1	49117-5791GT	HOSE ASSY,1/4,90 FEM,STR FEMM.....2	
2	48905GT	CONN,520120-4***.....10	
3	49119-3278GT	HOSE ASSY,1/4,STR FEM,STR FEM.....2	
4	48904GT	ELBOW,90D,520220-4-4.....5	
5	49119-68278GT	HOSE ASSY,1/4,STR FEM,STR FEM.....2	
6	49120-49781GT	HOSE ASSY,1/4" STR FEM STR FEM....1	
7	49184-3001GT	HOSE ASSEMBLY,1/4".....2	
8	48919GT	TEE,BRANCH,520429-6.....2	
9	49120-50781GT	HOSE ASSY,1/4" STR FEM STR FEM....1	
10	48912GT	CONN,520120-4-6***.....2	
11	49181-10440GT	HOSE ASSY.1/4",45,FEM STR FEM.....1	
12	49181-9240GT	HOSE ASSY.1/4",45,FEM STR FEM.....1	
13	48916GT	CONN, 520120-6.....10	
14	49126-11233GT	HOSE ASSY,3/8,45 FEM,STR FEM.....2	
15	49128-10509GT	HOSE ASSY,3/8,90 FEM,STR FEMM.....2	
16	49117-1191GT	HOSE ASSY,1/4,90 FEM,STR FEMM.....1	
17	48915GT	ELBOW,90D,520220-6.....2	
18	49130-1982GT	HOSE ASSY,3/8"STR FEM, STR FEM....2	
19	48913GT	CONN, 520120-4-6 0.030 ORIFICE.....1 to SN 16790	
--	48905GT	CONN,520120-4*** from SN 16791	

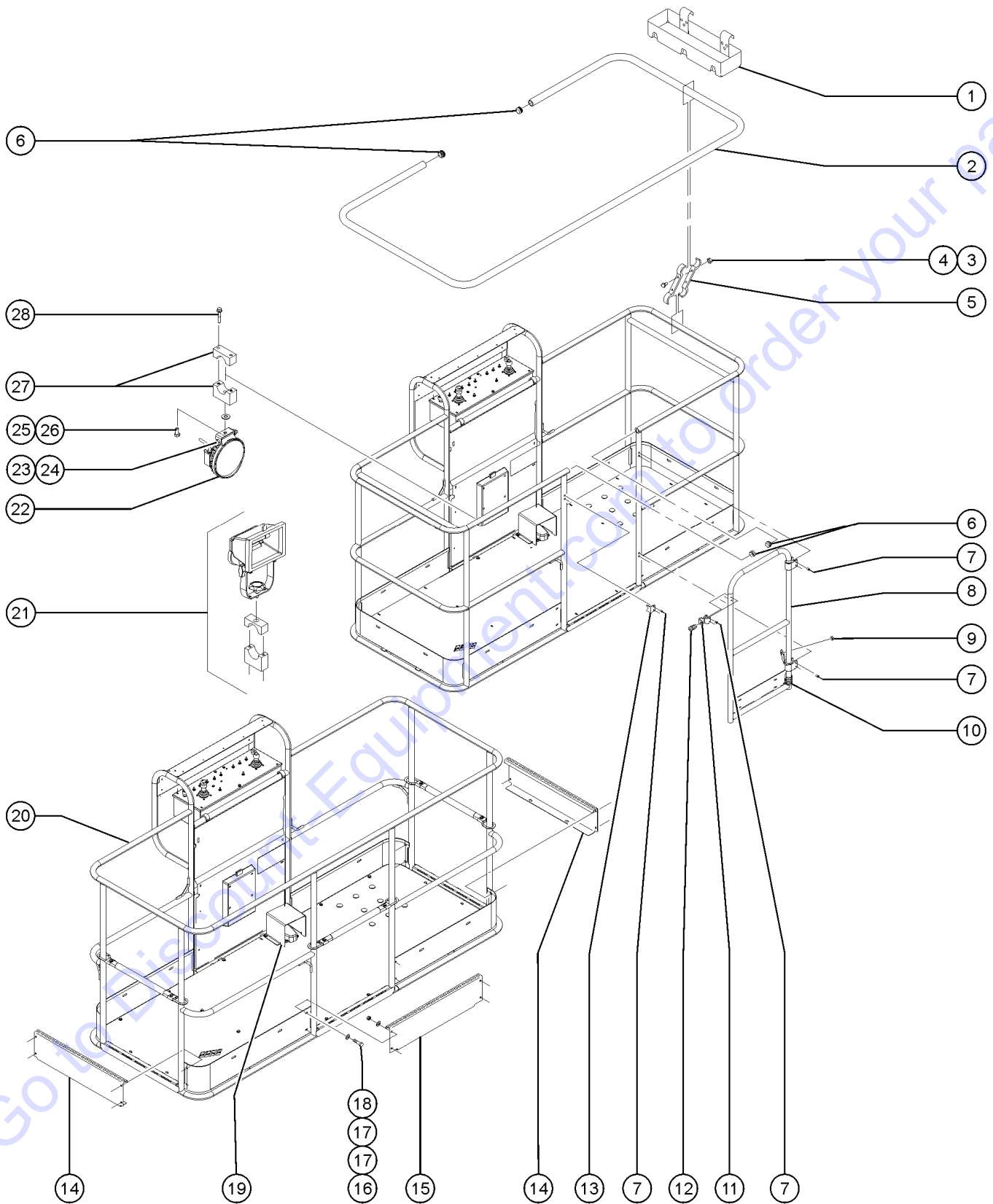
801.1 Alarm and Beacon Package, Drive Light Option



801.1 Alarm and Beacon Package, Drive Light Option

Item	Part No.	Description	Qty.
--	46985GT	ALARM PKG,S-40*** to SN 12601	
--	122276GT	BEACON TRAVEL ALARM /SRV S4045 from SN 12602	
--		Ref. Alarm and Beacon Package Harnesses (refer to 311.1)	
--	89691GT	OPTION,DRIVE LIGHTS includes item 2	
--	72867GT	DECAL,LABEL,LIGHTS*** to SN 16419	
--		Ref. Drive Lights Harness (refer to 311.1)	
1	45462GT	ALARM,CHIME TONE 5-25VDC***1 to SN 12601 (does not include 72326 nut)	
--		Ref. Alarm - Chime Tone (descent) (refer to 310.1) from SN 12602	
--	72326GT	NUT - PLASTIC,RING FOR ALARMS.....1	
2	18963GT	ALARM,INTERMITTENT TONE 6-30V*...1 Does not include 72326 nut	
--	72326GT	NUT - PLASTIC,RING FOR ALARMS.....1	
3	1260688GT	NUT,NYLOCK,M8-1.25,DIN985,A270	
4		Ref. bolt included with led light assy	
5	1260632GT	BRACKET,MOUNT,LIGHT OPT,S40.....2	
6	1260706GT	BOLT,CARRIAGE,3/8-16X1.5,18-8	
7	107858GT	WORKLIGHT,48 VOLT.....2 to SN 20869	
--	35960GT	BULB,WORKLIGHT,12V 35W to SN 20869	
--	215481GT	LIGHT, LED WHITE 12V from SN 20870	
8	6147GT	SCREW,RHM,10-32 X 1	
9	6146GT	WASHER,FLAT,MS,#10,Y	
10	6178GT	NUT,NYLOCK,10-32	
11	56704GT	STROBE,FIREBOLT,12-80VDC,AMB**...2 (replaced 20189)	
--	122019GT	FLASHTUBE,U SHAPED,360DEG,BULB from SN 11297	
--	226393GT	FLASHTUBE,STRAIGHT,360DEG,BULB	
--	72282GT	LENS,AMBER,STROBE,FIREBOLT	
12	1260707GT	NUT,NYLOCK,3/8-16,18-8	
13	1260708GT	WASHER,RECTANGLE,5/8X2.5,3/8	

802.1 Platform Options



802.1 Platform Options

Item	Part No.	Description	Qty.	Item	Part No.	Description	Qty.
--	53808-SGT	AUX TOP RAIL,6'(1.25")SERVICE		--	122231GT	SCREW,BHSC,1/4-20 X 1 <i>from SN 13864</i>	
--	122278GT	AUX TOP RAIL,6',SWG GT, SRV		5	139958GT	KIT, AUX TOP RAIL SUPPORT.....10 <i>to SN 13863</i>	
--	53807-SGT	AUX TOP RAIL,8'(1.25")SERVICE		--	122073GT	SUPPORT, RAILING.....20 <i>from SN 13864</i>	
--	122279GT	AUX TOP RAIL,8',SWG GT, SRV		6	55753GT	BUMPER, PLASTIC, 1.25 O.D.....2	
--	102721PGT	TOEBOARD,8'TRI ENTRY <i>includes items 14-18</i>		7	7265GT	RIVET,STEEL,P. .25 X .375.....14	
--	102433GT	6' TRI-ENT ASSY W/DECALS ANSI <i>USA and Canada models; to SN 9752</i>		8	119950GT	KIT,FIELD INSTALL,SWING GATE <i>(complete) includes 128368, 1487, 1488, and 33674</i>	
--	102437GT	8' TRI-ENT ASSY W/DECALS ANSI <i>USA and Canada models; to SN 9752</i>		--	128368GT	KIT,SWING GATE W/SPRING.....1 <i>Swing gate and hinge only</i>	
--	111302GT	8' TRI-ENT ASSY W/DECALS ANSI <i>USA and Canada models; from SN 9753</i>		--	9596GT	HINGE CASTING <i>Special welding requirements for installation of this component. Strongly suggest ordering 128368 OR contact Discount-equipment for welding requirements.</i>	
--	102439GT	8' TRI-ENT ASSY W/DECALS CE <i>European models</i>		9	43392GT	BUMPER,BATTERY BOX & RAILS.....1	
--	102434GT	6' TRI-ENT ASSY W/DECALS AUSTR <i>Australian models; to SN 9752</i>		10	42104GT	SPRING,SHORT PLATFORM GATE	
--	102438GT	8' TRI-ENT ASSY W/DECALS AUSTR <i>Australian models; to SN 9752</i>		11	1487GT	GATE LATCH CASTING--DRILLED.....1	
--	111304GT	6' TRI-ENT ASSY W/DECALS AUSTR <i>Australian models; from SN 9753</i>		12	33674GT	PIN,LOCK,SHORT***.....1	
--	111305GT	8' TRI-ENT ASSY W/DECALS AUSTR <i>Australian models; from SN 9753</i>		13	1488GT	RAILING CATCH CASTING--DRILLED...1	
--	102436GT	6' TRI-ENT ASSY W/DECALS A/SOA <i>Asia and South American models</i>		14	102721PGT	TOEBOARD,8'TRI ENTRY.....2	
--	102440GT	8' TRI-ENT ASSY W/DECALS A/SOA <i>Asia and South American models</i>		--	139438GT	TOEBOARD, TRI ENTRY 6', EURO	
--	34321-SGT	OPTION,WORKLIGHT,12 VOLT <i>to SN 16419</i>		15	94745PGT	TOEBOARD,ENTRY EUROPEAN PNTD**1	
--	228874GT	OPTION,12V WORK LIGHTS,S40 <i>from SN 16420</i>		16	6090GT	SCREW,HHC,1/4-20 X .75	
--	217152GT	TWIN WELD LEAD TO PLAT, S40		17	6638GT	WASHER,FLAT,USS,1/4"Y	
--	228875GT	OPTION,12V WORK LIGHTS,S45 <i>from SN 16420</i>		18	6091GT	NUT,NYLOCK,1/4-20	
--		Ref. Work Light Wire Harness (refer to 311.1)		19	128429GT	LARGE FOOT SWITCH COVER <i>part of the Arctic hose option; from SN 14397</i>	
--	217153GT	TWIN WELD LEAD TO PLAT, S45		20	107704GT	6' TRI-ENT RAIL W/DECALS ANSI <i>USA and Canada models; to SN 9752</i>	
1	9599-SGT	TOOL TRAY ACCESSORY***.....1		--	107705GT	8' TRI-ENT RAIL W/DECALS ANSI <i>USA and Canada models; to SN 9752</i>	
2	1259704GT	PINCH GUARD RAIL,6' PLATFORM.....1 <i>includes 55753 bumpers</i>		--	107706GT	8' TRI-ENT RAIL W/DECALS CE/UK <i>European models</i>	
--	111485PGT	AUX TOP RAIL,6FT,PTD.....2 <i>for use with swing gate</i>		--	107707GT	6' TRI-ENT RAIL W/DECALS AUSTR <i>Australian models</i>	
--	111486PGT	AUX TOP RAIL,8FT,PTD.....2 <i>for use with swing gate</i>		--	107708GT	8' TRI-ENT RAIL W/DECALS AUSTR <i>Australian models</i>	
--	52661GT	PINCH GUARD RAIL,8' PLATFORM**....1		--	107709GT	6' TRI-ENT RAIL W/DECALS A/SOA <i>Asia and South American models</i>	
3	6091GT	NUT,NYLOCK,1/4-20 <i>to SN 13863</i>		--	107710GT	8' TRI-ENT RAIL W/DECALS A/SOA <i>Asia and South American models</i>	
--	6889GT	NUT,LP NYLOCK,1/4-20 <i>from SN 13864</i>		--	111319GT	6' TRI-ENT RAIL W/DECALS ANSI <i>USA and Canada models; from SN 9753</i>	
4	4266GT	SCREW,HHC,1/4-20 X 2 <i>to SN 13863</i>					

802.1 Platform Options
(continued)

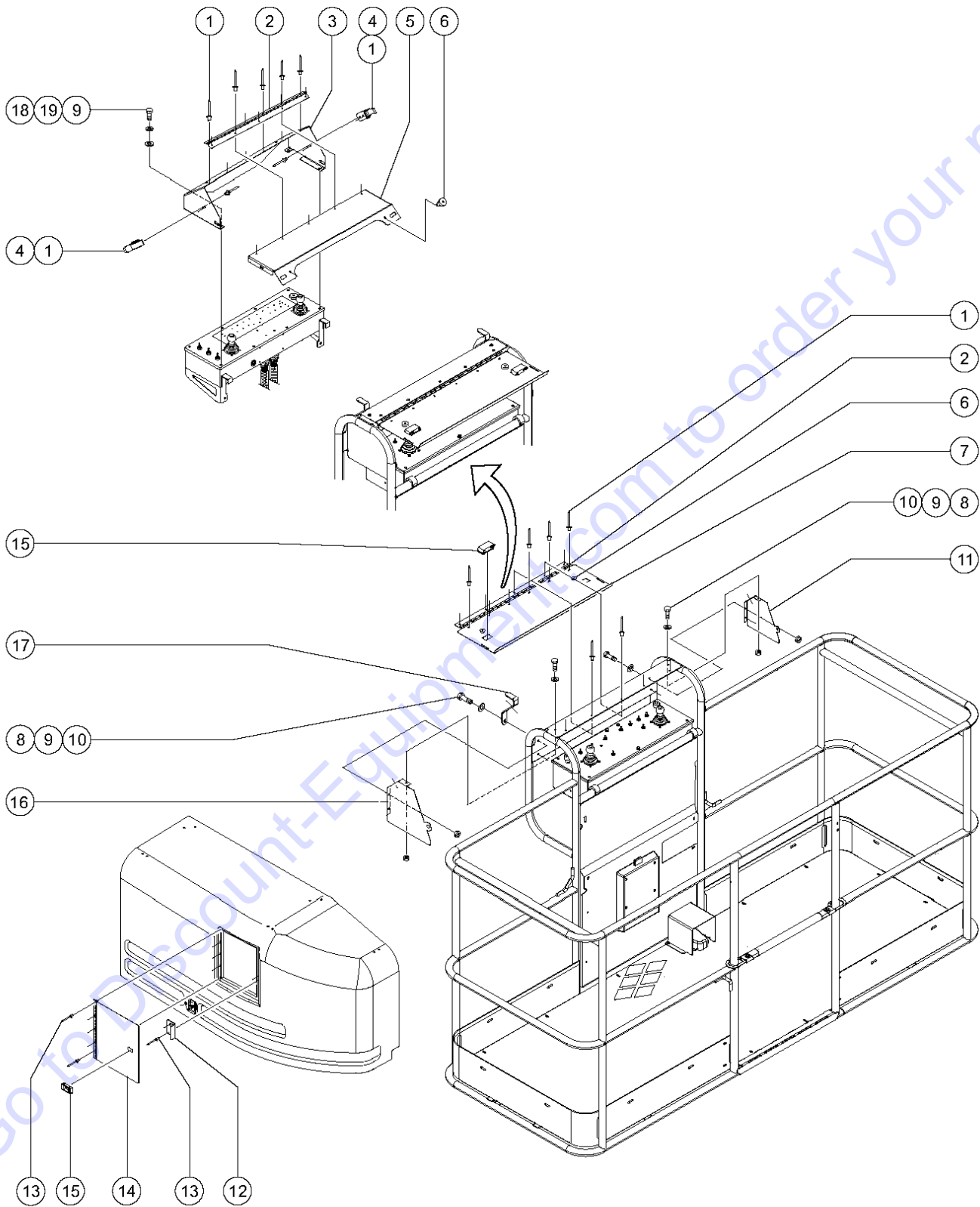
Item	Part No.	Description	Qty.
--	111320GT	8' TRI-ENT RAIL W/DECALS ANSI <i>USA and Canada models; from SN 9753</i>	
21	1284764GT	WORKLIGHT,110V,250WATT,HALOGEN.2	
--	75519GT	CLAMP,WORKLIGHT	
22A	107858GT	WORKLIGHT,48 VOLT.....2 <i>to SN 16419</i>	
22B	35960GT	BULB,WORKLIGHT,12V 35W <i>to SN 16419</i>	
22C	71498GT	WORKLIGHT, 12V, DEUTSCH RECEIPT <i>from SN 16420 to 20869</i>	
22D	1282993GT	ASSY,WORK LIGHT,12V LED <i>from SN 20870</i>	
23	75185GT	SCREW,HHC,M8X1.25X 70MM,GR8.8	
24	1260688GT	NUT,NYLOCK,M8-1.25,DIN985,A270	
25	1256464GT	SCREW,HHC,5/16-18X.75,8,ZAG	
26	825358GT	WASHER,FLAT,5/16,USS,ZAG	
27	35956GT	BRACKET,WORK LIGHT MOUNT 5/16".....2	
28	824081GT	SCREW,HHF,1/4-20X1.5,8,ZAG	

Go to Discount-Equipment.com to order your parts

This Page Intentionally Left Blank

Go to Discount-Equipment.com to order your parts

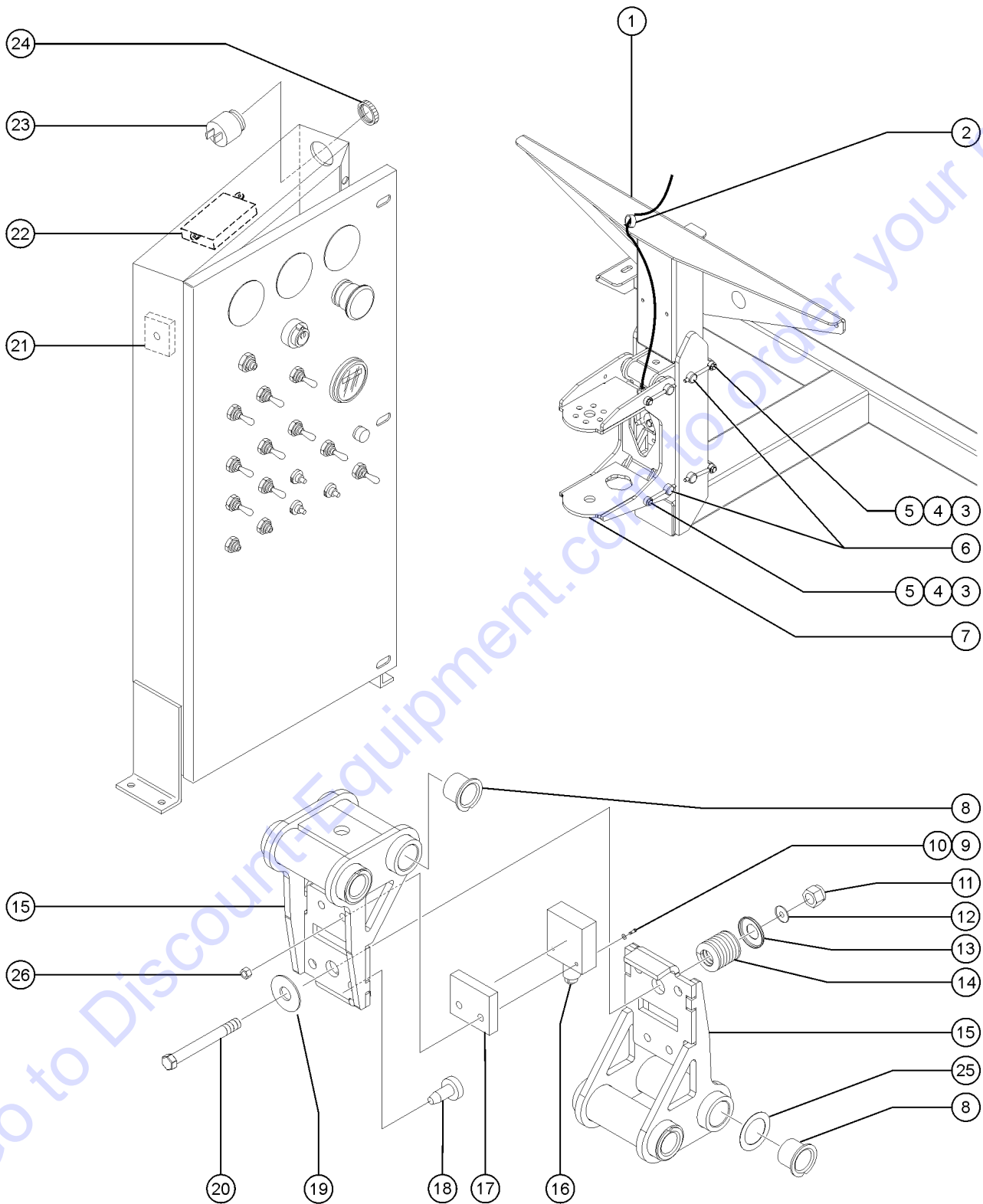
803.1 Ground and Platform Control Box Covers Options



803.1 Ground and Platform Control Box Covers Options

Item	Part No.	Description	Qty.
--	88603-SGT	BASE & PLAT CONTROL COVERS <i>to SN 18301</i>	
--	825277GT	BASE & PLAT CONTROL COVERS <i>from SN 18302</i>	
--	119795GT	KIT,CONTROL BOX COVER <i>(cover assembly without latch) (includes 7A, 11A, 16 A and fasteners)</i>	
--	T109328GT	ACC,PLAT CONTROL COVER, SERV <i>(cover assembly with latch) (includes items 7B, 11B, 16B and fasteners)</i>	
1	54486GT	RIVET,ALUM,ALUM,3/16BUTTONHEAD.15	
2	111526GT	HINGE,PLAT CONTROL BOX COVER...1	
3	60467-SGT	PLAT.CONTROL BOX GUARD,FORMING.....1	
4	61625GT	LATCH,DRAW.....2	
5	60468-SGT	FORMING,PLAT.CONTROL BOX COVER.....1	
6	43392GT	BUMPER,BATTERY BOX & RAILS.....2	
7A	89915PGT	COVER,CONTROL BOX LID.....1 <i>(without latch)</i>	
7B	102676GT	LID ASSY,CONTROL BOX COVER PLT <i>(lid assembly with latch) (includes items 1, 6, 15 and 17)</i>	
8	6888GT	SCREW,HHC,1/4-20 X 1	
9	6638GT	WASHER,FLAT,USS,1/4"Y	
10	6889GT	NUT,LP NYLOCK,1/4-20	
11A	119797PGT	CONTROL BOX COVER,RT SIDE,PTD.....1 <i>(without latch)</i>	
11B	88606PGT	COVER,CONTROL BOX RIGHT SIDE**.....1 <i>(with latch)</i>	
12	49534GT	DOOR LATCH,BASE CONTROL BOX...1	
13	53189GT	RIVET,ALUM,ALUM,P,.25X.375.....8	
14	102148GT	BASE CONTROL BOX COVER ASSY...1 <i>includes items 12, 13 and 15; to SN 18301</i>	
--	825162GT	ASSY, GBOX COVERING <i>from SN 18302</i>	
15	30468GT	LATCH,SLIDE, FLUSH MOUNT STYLE.....3	
16A	119796PGT	CONTROL BOX COVER,LFT SIDE,PTD.....1 <i>(without latch)</i>	
16B	88607PGT	COVER,CONTROL BOX LEFT SIDE***.....1 <i>(with latch)</i>	
17	102786PGT	FORMING,LATCH,CTRL BOX LID PTD.....2	
18	8914GT	SCREW,HHC,1/4-20 X .625	
19	6356GT	WASHER,LOCK,.25	

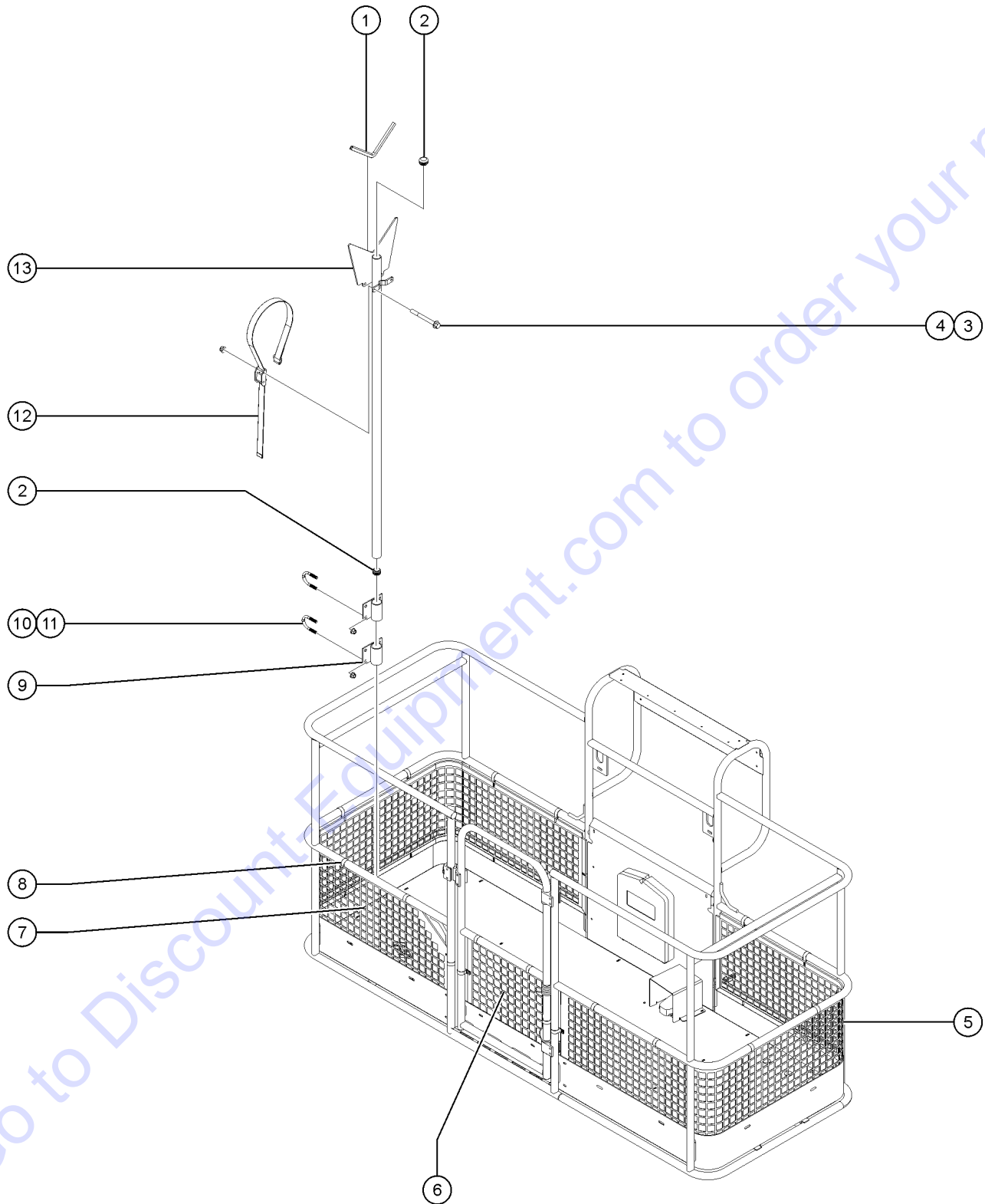
804.1 Platform Overload - European Models



804.1 Platform Overload - European Models

Item	Part No.	Description	Qty.	Item	Part No.	Description	Qty.
--	102069GT	KIT,LOADSENSE,UPGRD,S40/S45 to SN 7181		18	34619GT	BUMPER,RUBBER***.....	2
--	146033GT	OPT,PLAT LOAD SENSE,S40/45008 from SN 7182		19	80605GT	WASHER,FLAT,3/8X1.5X.06 to SN 21458	
--	121847GT	RELAY,TIME DELAY,2 SEC,30A (platform control box / Part of Load Sense with Recovery option); from SN 15663		20	21604GT	SCREW,HHC,3/8-16 X 3.25	
1	61997GT	WELDMENT,PLATFORM SUPPORT,CE.....	1	21	121846GT	RELAY,TIME DELAY,2 SEC,10A (Part of Load Sense with Recovery option); from SN 15663	
2	45470GT	CLAMP,0.31,#5 X 1/4,RUB CUSH.....	1	22	128045GT	MODULE,LOAD SENSE 2007.....	1
--	824027GT	NUT,TL FLG,1/4-20,G,ZAG		23	45383GT	ALARM,WARBLE TONE 5-30 VDC***.....	1
--	824078GT	SCREW,HHC,1/4-20X.75,8,ZAG		24	72326GT	NUT - PLASTIC,RING FOR ALARMS.....	1
3	6888GT	SCREW,HHC,1/4-20 X 1 to SN 21458		25	110789GT	WASHER,SHIM .0151 THK.....	16
--	824061GT	SCREW,HHC,1/4-20X1.25,8,ZAG from SN 21459		26	5365GT	NUT,NYLOCK,10-24 to SN 21458	
4	45748GT	ROD END,.250 X 2.75 LG.....	4	--	824032GT	NUT,TL FLG,10-32,F,ZAG from SN 21459	
--	825020GT	ROD END,.25 X 2.75, ZAG from SN 21459					
5	6091GT	NUT,NYLOCK,1/4-20 to SN 21458					
--	824027GT	NUT,TL FLG,1/4-20,G,ZAG from SN 21459					
6	61726GT	PIN,0.75DIAX5.75LG,CHAMFER.....	4				
--	28646GT	ZERK,GREASE,1/8 NPT					
7	61804GT	WELDMENT,ROTATOR SUPPORT.....	1				
8	25685GT	BEARING,GARLOCK,12FDU12.....	8				
9	51063GT	SCREW,PHILLIPS,RHM,10-32 X 1.5 to SN 21458					
--	1257264GT	SCREW,BHC,10-32X1.5,F835,ZAG from SN 21459					
10	6146GT	WASHER,FLAT,MS,#10,Y					
11	4828GT	NUT,NYLOCK,3/8-16 to SN 21458					
--	824029GT	NUT,TL FLG,3/8-16,G,ZAG from SN 21459					
12	6097GT	WASHER,FLAT,USS,3/8",Y					
13	61975GT	RETAINER,SPRING,1.21 X .375.....	1				
14	61974GT	SPRING,COMP,1" OD,232 LB/IN.....	1				
15	89755GT	LOAD SUPPORT W/BEARINGS.....	2				
--	110789GT	WASHER,SHIM .0151 THK.					
16	94549GT	SWITCH,LOAD LIMIT.....	1				
--	121848GT	ASSY,LS,LOAD SENSE,38.5 IN from SN 15663					
17	61972GT	MOUNT,SWITCH.....	1				

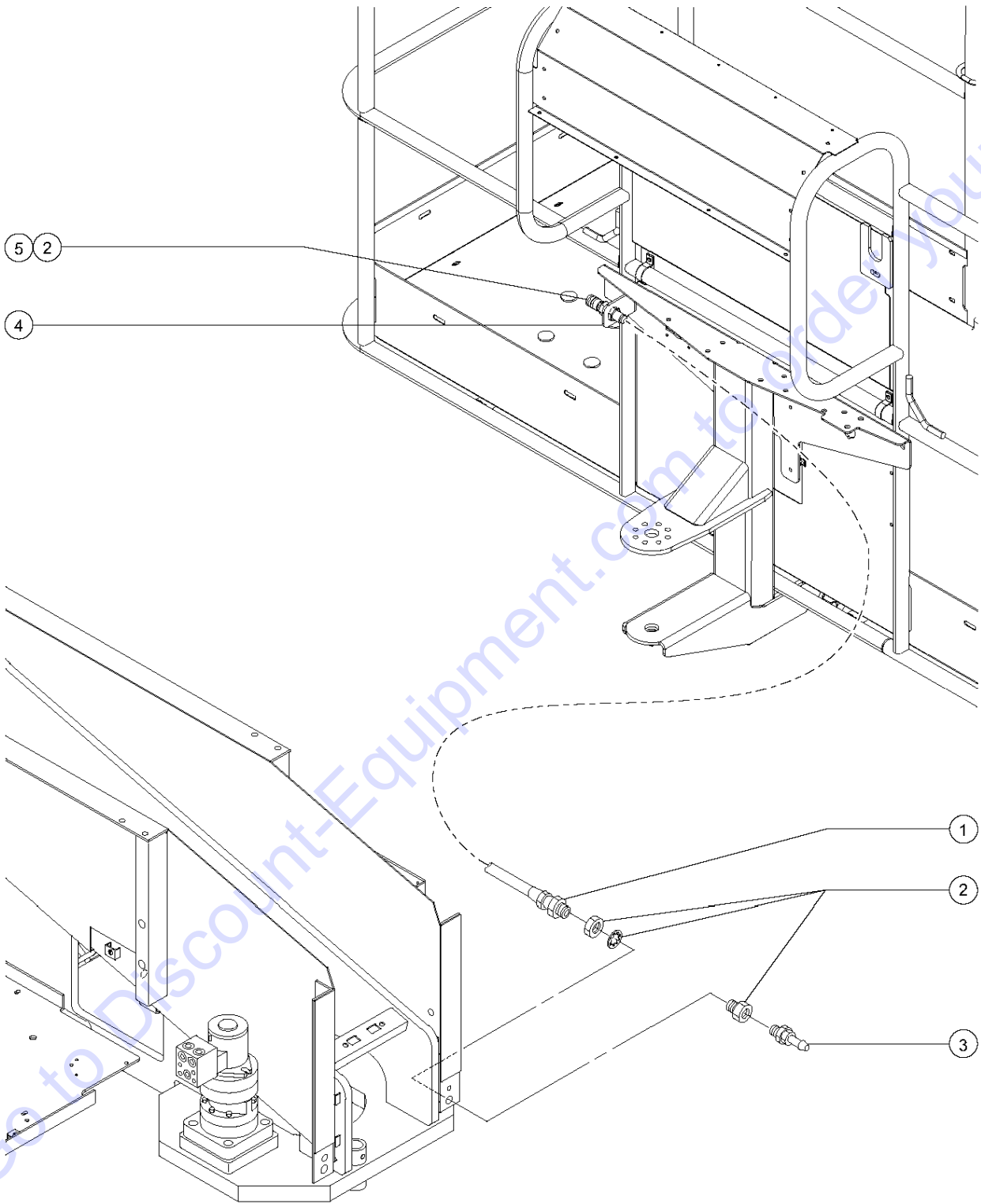
805.1 Platform Half-Mesh and Pipe Cradle



805.1 Platform Half-Mesh and Pipe Cradle

Item	Part No.	Description	Qty.
--	85300GT	PIPE CRADLE ASSY. SERV (ONE)** (ANSI & CE only) (This is a single assembly. Qty 2 of 85300GT required to complete a set)	
--	65630GT	INSTRUCTIONS-PIPE CRADLE,BOOMS	
--	72875GT	DECAL,WARNING,PIPE CRADLE,BOOM	
--		Ref. Swing Gate Option, Complete (refer to 802.1)	
1	19018-1100GT	TRIMLOCK,BLACK,5/32".....	2
2	55753GT	BUMPER, PLASTIC, 1.25 O.D.....	4
3	824083GT	SCREW,HHF,1/4-20X2.5,8,ZAG.....	4
4	1277924GT	NUT,NYLOCK FLG,1/4-20,F,ZAG.....	4
5	73500GT	HALF MESH,8'PLATFORM,RH***.....	1
--	54465GT	MESH,HALF,RH,6'PLATFORM	
6	54457GT	MESH,HALF,SWING GATE***.....	1
7	73501GT	HALF MESH,8'PLATFORM,LH.....	1
--	54458GT	MESH,HALF,LH,6'PLATFORM	
8	56424GT	CLAMP,1.25X.5 RUBBER-CUSHION....	14
--	6090GT	SCREW,HHC,1/4-20 X .75	
--	6091GT	NUT,NYLOCK,1/4-20	
--	6638GT	WASHER,FLAT,USS,1/4"Y	
9	81368GT	WELDMENT,PIPE CRADLE MOUNT....	4
10	1251600GT	U-BOLT, FLATTENED, 1.5 X 3/8 UNC,ZAG.....	8
11	1274322GT	NUT,NYLOCK FLG,3/8-16,F,ZAG.....	16
12	56570GT	STRAP, CONDUIT HOLDER 60****.....	2
13	56525GT	WELDMENT, PIPE CRADLE.....	2

806.1 Air Line to Platform



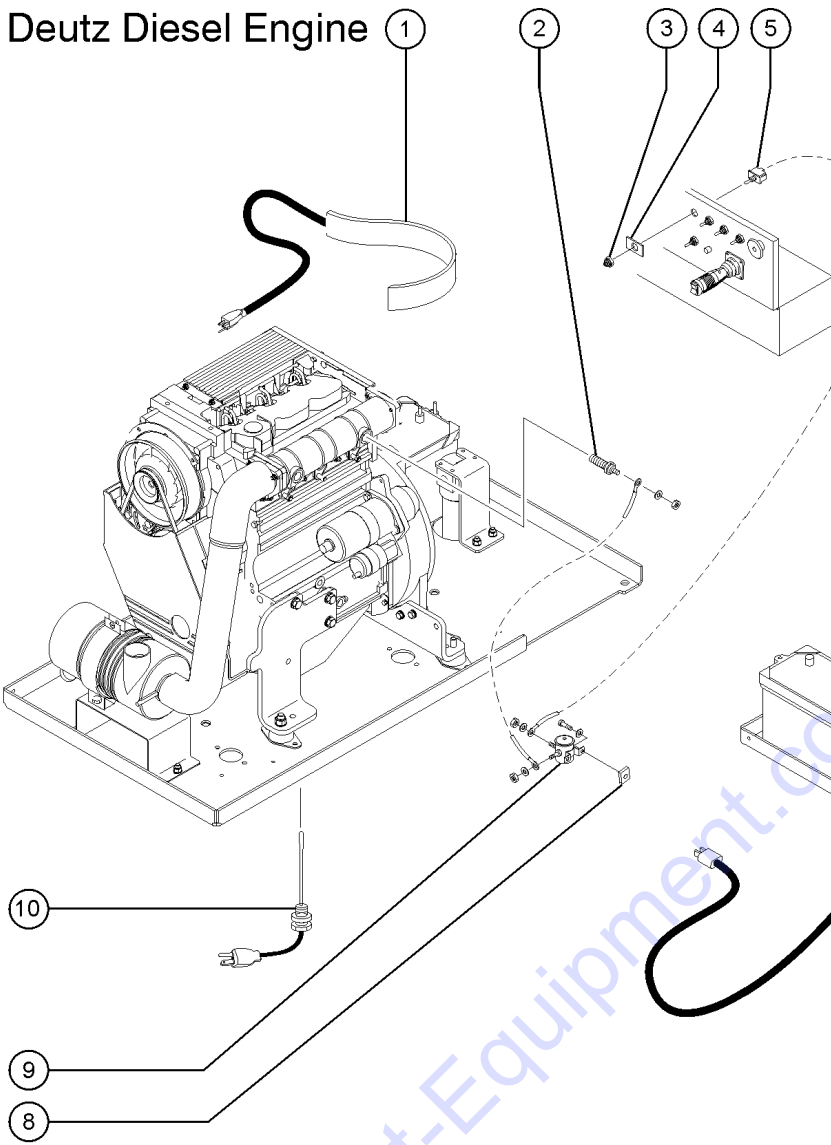
806.1 Air Line to Platform

Item	Part No.	Description	Qty.
--	30620-SGT	S40 AIRLINE TO PLATFORM	
--	44981GT	DECAL,LABEL, AIR LINE 110 PSI	
1	49177-71294GT	HOSE ASSEMBLY,1/2".....1	
2	49212GT	FEMALE BULKHEAD CONNECTOR-8...2	
3	49214GT	MALE PIPE THD,1/4" SER,3/8"X18.....1	
4	60886PGT	BRACKET,AIRLINE TO PLATFORM.....1	
5	49215GT	MPT,CPLR,1/4"SER,3/8"X18.....1	

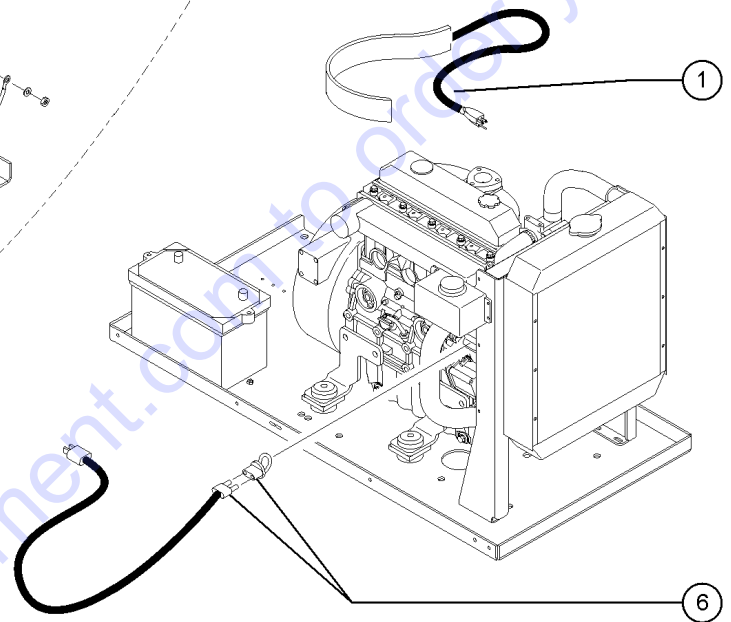
Go to Discount-Equipment.com to order your parts

807.1 Cold Start Package (to SN 18186)

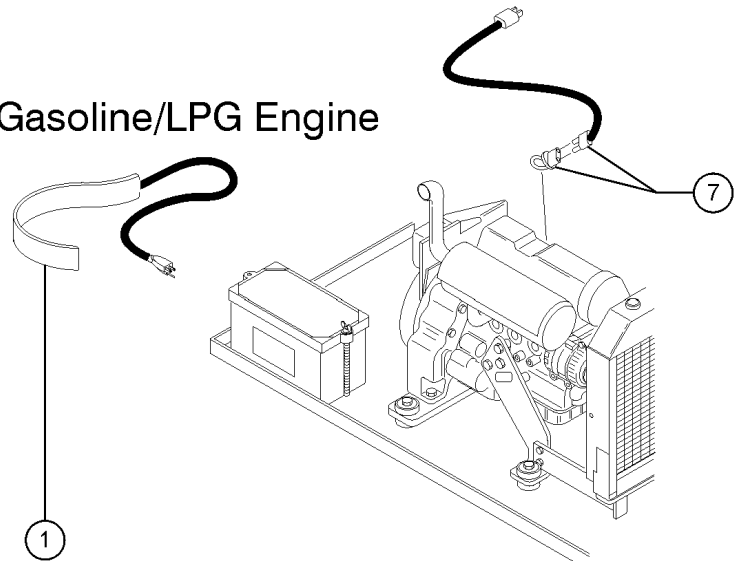
Deutz Diesel Engine ①



Perkins Diesel Engine



Ford Gasoline/LPG Engine

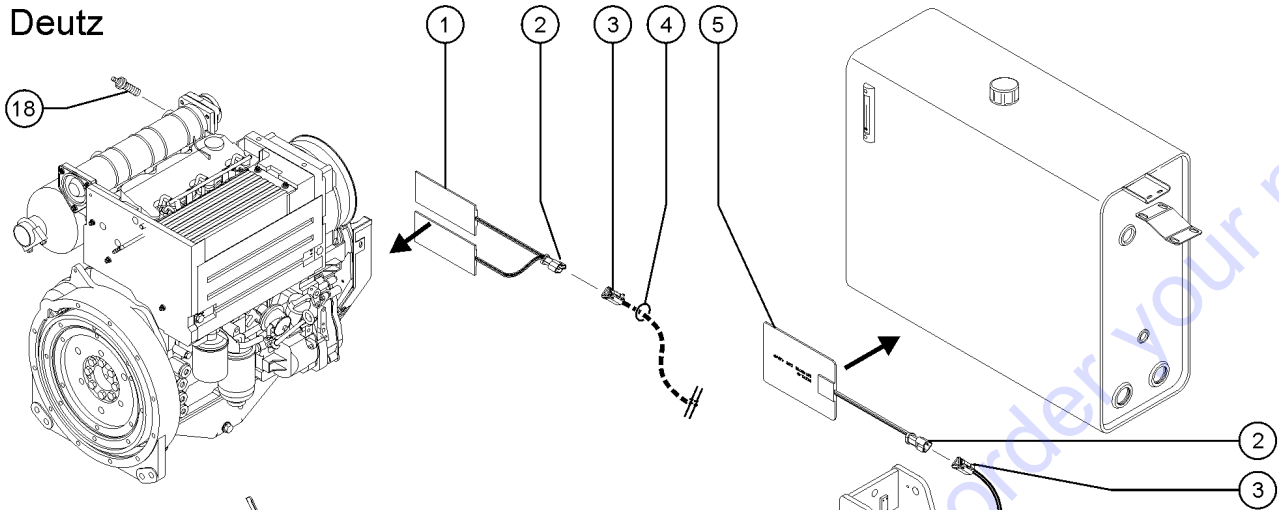


807.1 Cold Start Package (to SN 18186)

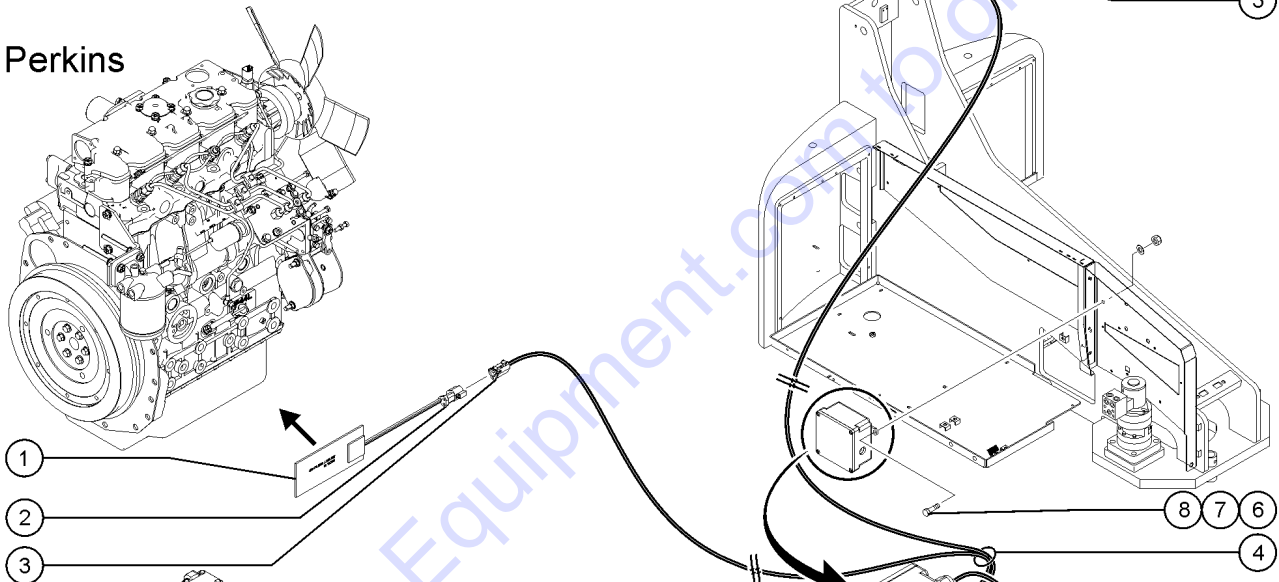
Item	Part No.	Description	Qty.
--	53156GT	COLD START,FORD, BIG BOOM <i>Ford models; includes items 1 and 7; to SN 11066</i>	
--	128432GT	COLD ACCESSORIES, FORD <i>Ford models; includes items 1 and 7; from SN 11067</i>	
--	53982GT	COLD START PKG,PERKINS,BB <i>Perkins 704-30 models; includes items 1 and 6; to SN 7471</i>	
--	146611GT	COLD ACCESS,PERKINS,SERVICE <i>Perkins 404-22 models; includes items 1 and 6; from SN 7472</i>	
--	53159-SGT	COLD START PKG,DEUTZ,BIG BOOM <i>Deutz models; includes items 1-5, 8 and 9; to SN 7543</i>	
--	70360GT	COLD START PKG,DEUTZ F3L 2011 <i>Deutz models; includes item 1; from SN 7544</i>	
1	28853GT	BLANKET,BATTERY.....	3
2	31408GT	GLOW PLUG,L1011..... <i>Deutz models</i>	1
--	128365GT	HARNESS,SECOND GLOW PLUG <i>Deutz models; from SN 14397</i>	
3	27246GT	BOOT,TOGGLE SWITCH,SHORT*..... <i>Deutz models; to SN 7543</i>	1
4	32726GT	DECAL,OPTION GLOW PLUGS***..... <i>Deutz models; to SN 7543</i>	1
5	128200GT	SWITCH TOGGLE ASSY SPDT 3P MOM..... <i>includes mounting fasteners; Deutz models; to SN 7543</i>	1
6	70552GT	FREEZE PLUG HTR,50MM,120V..... <i>Perkins models; to SN 7471</i>	1
--	77382GT	HEATER,FREEZE PLUG,PRKINS40422 <i>Perkins models; from SN 7472</i>	
7	35610GT	HEATER,FREEZE PLUG,FORD LRG423..... <i>Gasoline/LPG models; to SN 11066</i>	1
--	119231GT	BLOCK HEATER,FORD DSG-423 <i>Gasoline/LPG models; from SN 11067</i>	
8	56912GT	SPRING CLIP,1/4-20,.025-.15X.54,ZAG..... <i>Deutz models; to SN 7543</i>	2
9	27155GT	SOLENOID,12V CONTINUOUS***..... <i>Deutz models; to SN 7543</i>	1
10	128274GT	OIL PAN HEATER,DEUTZ,120V,150W....	1

807.2 Cold Start Package (from SN 18187)

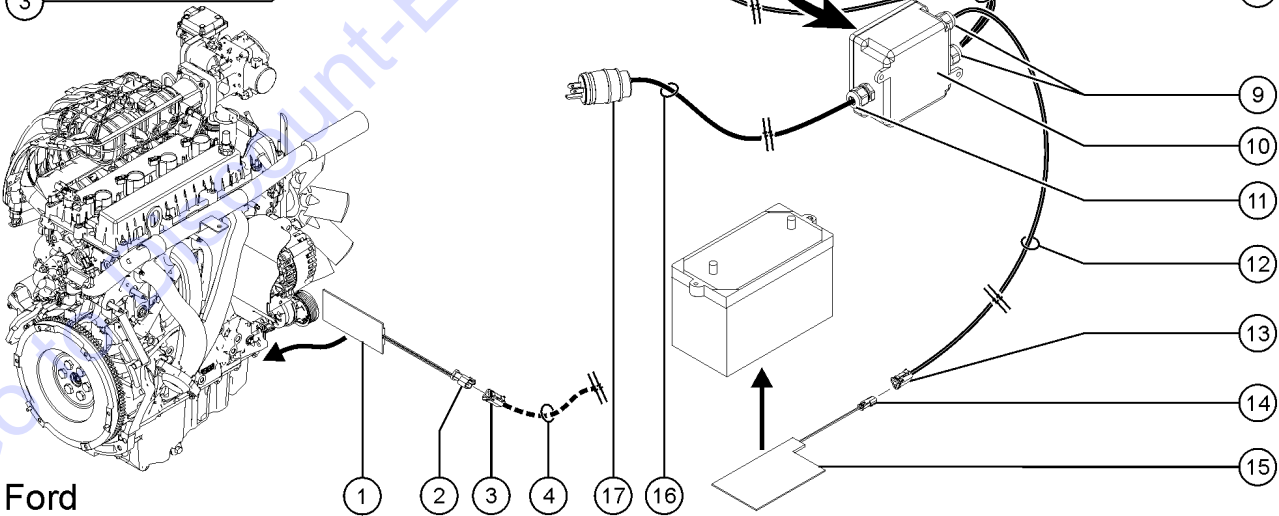
Deutz



Perkins



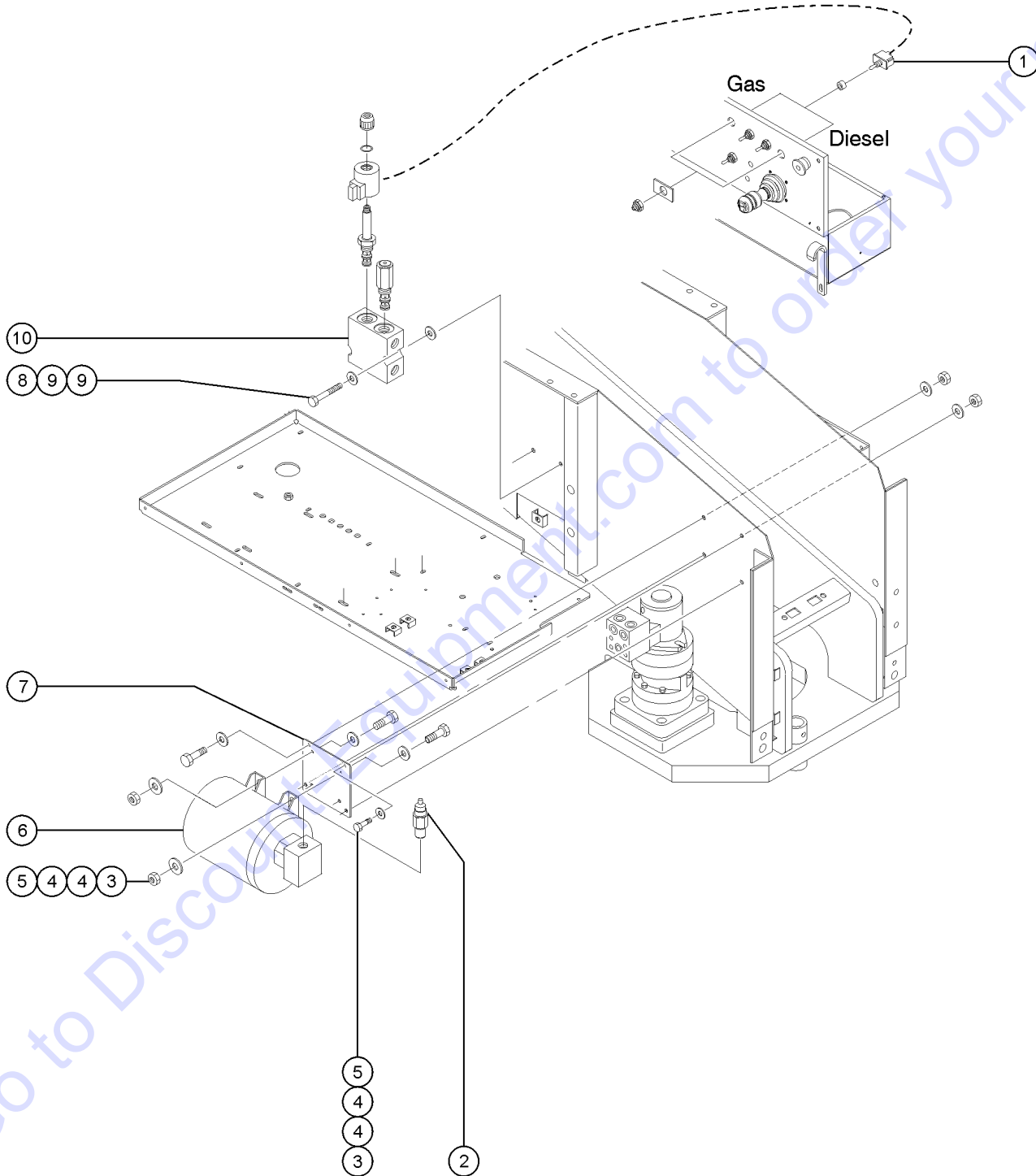
Ford



807.2 Cold Start Package (from SN 18187)

Item	Part No.	Description	Qty.	Item	Part No.	Description	Qty.
1A	1259661GT	ASSY,ENGINE HEATER,120V.....1 (120V) Deutz TD 2.9L4 models require two adhesive pads; use only one pad for other engines	1	17	119403GT	CONN,PLUG 120 AC/15A DOMESTIC...1 Part of wire harness	1
--	216615GT	ASSY HEATER, MODEL 18, 120V.....1 (120V)	1	18	31408GT	GLOW PLUG,L1011.....1	1
--	1259708GT	ASSY,ENGINE HEATER,240V.....1 (240V) Deutz TD 2.9L4 models require two adhesive pads; use only one pad for other engines	1	--	128365GT	HARNES,SECOND GLOW PLUG.....1	1
--	216616GT	ASSY HEATER,MODEL 18,240V.....1 (240V)	1				
2	119066GT	CONN,RECEP 3 WAY ENDCAP DT.....2 Part of heater assembly	2				
3	119057GT	CONN PLUG 3 WAY ENDCAP DT.....2 Part of wire harness	2				
4	216662GT	HARNES,ENG/HYD HEATER,120V.....1 (120V)	1				
--	216683GT	HARNES,ENG/HYD HEATER,240V (240V)	1				
5	216612GT	ASSY,120V HEATER, HYD TANK.....1 (120V)	1				
--	216611GT	ASSY,240V HEATER, HYD TANK (240V)	1				
6	14392GT	NUT,LP NYLOCK,10-32.....1	1				
7	6146GT	WASHER,FLAT,MS,#10,Y.....1	1				
8	75041GT	SCREW,PHILLIPS,PHM,10-32 X 1.....1	1				
9	99778GT	SQUEEZE CONNECTOR, 4 WIRE.....2 Part of wire harness	2				
--	238123GT	HUBBLE NUT, PG11	1				
10	214249GT	COLD WEATHER 120V J BOX ASSY.....1 (120V)	1				
--	237711GT	COLD WEATHER 240V J BOX ASSY (240V)	1				
11	214536GT	SQUEEZE CONN W/NUT, 2WIRE, 4MM.....1 Part of wire harness	1				
12	216657GT	HARNES, 120V BATT CABLE, 98".....1 (120V)	1				
--	216678GT	HARNES, 240V BATT CABLE, 98" (240V)	1				
13	119056GT	CONN,PLUG 2 WAY,14-18GA.....1	1				
14	119065GT	CONN,RECEP 2 WAY ENDCAP DT.....1	1				
15	216617GT	ASSY, BATTERY HEATER, 120V.....1 (120V)	1				
--	216618GT	ASSY BATTERY HEATER,240V (240V)	1				
16	216606GT	HARNES, 120V POWER CORD, 24"....1 (120V) includes items 11 and 17	1				
--	216607GT	HARNES, 240V POWER CORD, 24" (240V) includes item 11 only	1				

808.1 Hydraulic Generator Option - View 1 (to SN 16452)

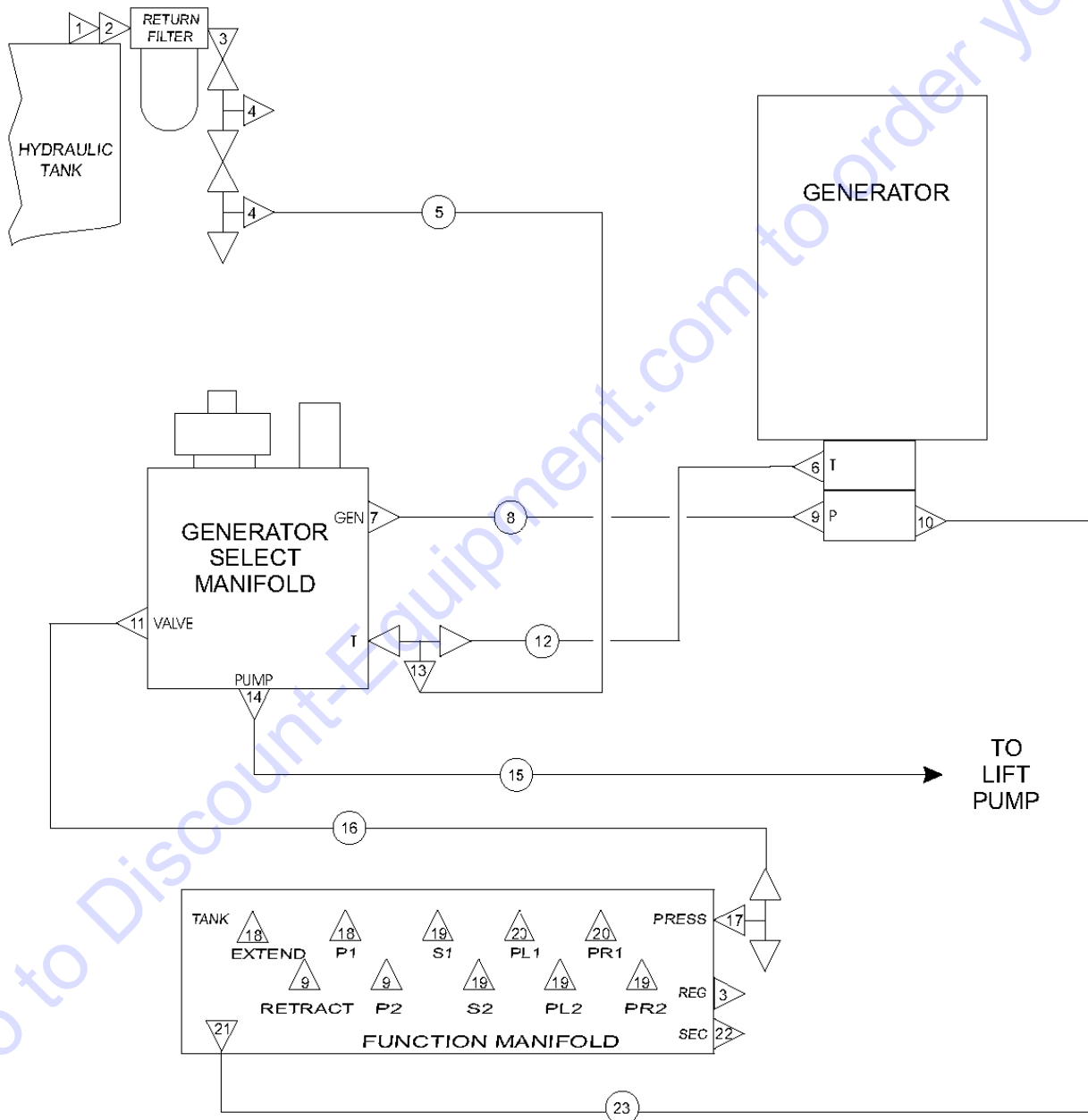


808.1 Hydraulic Generator Option - View 1 (to SN 16452)

Item	Part No.	Description	Qty.	Item	Part No.	Description	Qty.
1	128205GT	SWITCH TOGGLE ASSY DPDT 2P MNT.....1	1	--	58944GT	BRUSH 3/8 X 1/4 X 15/16(36928)	
--	133518GT	DECAL, PATCH, GEN,ALC-500		--	58954GT	O-RING,SPACER #115*** for pump.....1	1
2	32735GT	VALVE,PRI. FLOW REG 4.3.....1 for 2000W & 2500W generators	1	--	T111608GT	SEAL,RETAINING RING.....1 for pump	1
--	65841GT	PRIORITY FLOW CONTROL VALVE*** for 3000W generators		--	T111609GT	SEAL,SHAFT.....1 for pump	1
3	13918GT	SCREW,HHC,3/8-16 X 1.75,GRD.8.....8	8	--	T111610GT	SPACER.....1 for pump	1
4	5397GT	WASHER,FLAT,USS,5/16",Y		--	T111611GT	BEARING,MOTOR.....1 for pump	1
5	4828GT	NUT,NYLOCK,3/8-16		--	T111612GT	RETAINING RING.....1 for pump	1
6A	36928GT	GENERATOR,2500W HYD.220/50HZ.....1 includes item 2	1	--	T111613GT	SHAFT,MOTOR.....1 for pump	1
--	147836GT	SEAL, GASKET, .00075" *GOLD* for pump		7	89434PGT	PLATE,GENERATOR MOUNTING,PAINT.....1	1
--	147837GT	SEAL, GASKET, .0005" *SILVER* for pump		8	4266GT	SCREW,HHC,1/4-20 X 2	
--	147838GT	SEAL, GASKET, .0010" for pump		9	6638GT	WASHER,FLAT,USS,1/4"Y	
--	32732GT	RECTIFIER ASSEMBLY		10		Ref. Generator Manifold (refer to 704.1)	
--	52086-RGT	MOTOR -HYD.2500W GENER REFURB.					
--	58402GT	BRIDGE,50A FULL WAVE**					
--	58954GT	O-RING,SPACER #115*** for pump					
--	89719GT	BRUSH ENDBELL ASSEMBLY (89719)					
--	T111608GT	SEAL,RETAINING RING for pump					
--	T111609GT	SEAL,SHAFT for pump					
--	T111610GT	SPACER for pump					
--	T111611GT	BEARING,MOTOR for pump					
--	T111612GT	RETAINING RING for pump					
--	T111613GT	SHAFT,MOTOR for pump					
6B	111381GT	GEN,HYD,3000W,110V,60HZ.....1 includes item 2	1				
--	147836GT	SEAL, GASKET, .00075" *GOLD*.....1 for pump	1				
--	147837GT	SEAL, GASKET, .0005" *SILVER*.....1 for pump	1				
--	147838GT	SEAL, GASKET, .0010".....1 for pump	1				
--	147839GT	ASSM, GEN. ONLY, 110V, 60HZ					
--	32732GT	RECTIFIER ASSEMBLY					
--	52000GT	BRUSH ASSEMBLY					
--	52001GT	HYDRAULIC MOTOR 3000W GENER					
--	58402GT	BRIDGE,50A FULL WAVE**					

809.1 Hydraulic Generator Option - View 2 (to SN 16452)

LEGEND	
	FITTING
	HOSE ASSEMBLY
	UNION



809.1 Hydraulic Generator Option - View 2 (to SN 16452)

Item	Part No.	Description	Qty.
--	49613GT	PLUG AND CAP KIT-SERVICE,ORFS*	
--	49612GT	O-RING KIT (ORFS FITTINGS)	
1	48986GT	CONN,520102-16.....	1
2	49512GT	ELBOW,90DEG,FEM,1"NPT.....	1
3	49515GT	ELBOW,90D,520202-12-16.....	2
4	48964GT	FITTING,TEE,RUN,SWIVEL52043212....	2
5	49142-2562GT	HOSE ASSEMBLY,1/2,90FEM,STR FEM.....	1
6	49203GT	ELBOW,45D,520320-10-8.....	1
7	48946GT	CONN,520120-8-10.....	3
8	49143-2029GT	HOSE ASSY,1/2,90 FEM,STR FEMM*....	1
9	48937GT	ELBOW,45D,520320-8.....	3
10	48905GT	CONN,520120-4***.....	1
11	48946GT	CONN,520120-8-10.....	1
12	49143-1829GT	HOSE ASSY,1/2,90 FEM,STR FEM.....	1
13	48935GT	TEE,RUN,520428-8.....	1
14	48947GT	ELBOW,90D,520220-8-12.....	1
15	49109-4129GT	HOSE ASSY,1/2,90 FEM,STR FEM**.....	1
16	49109-1929GT	HOSE ASSY,1/2,90 FEM,STR FEM.....	1
17	48954GT	TEE,BRANCH,520429-10.....	1
18	48934GT	CONN,LONG,520122-8.....	2
19	48916GT	CONN, 520120-6.....	4
20	48917GT	CONN,LONG,520122-6.....	2
21	48912GT	CONN,520120-4-6***.....	1
22	48930GT	CONN,520120-6-8.....	1
23	49109-4129GT	HOSE ASSY,1/2,90 FEM,STR FEM**.....	1

PARTS FINDER

**Search Website
by Part Number**



**Search Manual
Library For Parts
Manual & Lookup Part
Numbers – Purchase
or Request Quote**

Search Manuals

Enter your information to help us find the right parts manual for your machine.

* Brand:

* Model:

* Serial:

* Part Number:

SEARCH

**Can't Find Part or
Manual? Request Help
by Manufacturer,
Model & Description**

Parts Order Form

Please fill in the following information to help us find the right part for your machine.

Manufacturer:	<input type="text"/>
Model:	<input type="text"/>
Description:	<input type="text"/>
Part Number:	<input type="text"/>
Quantity:	<input type="text"/>
Notes:	<input type="text"/>

Submit

Discount-Equipment.com is your online resource for quality parts & equipment.

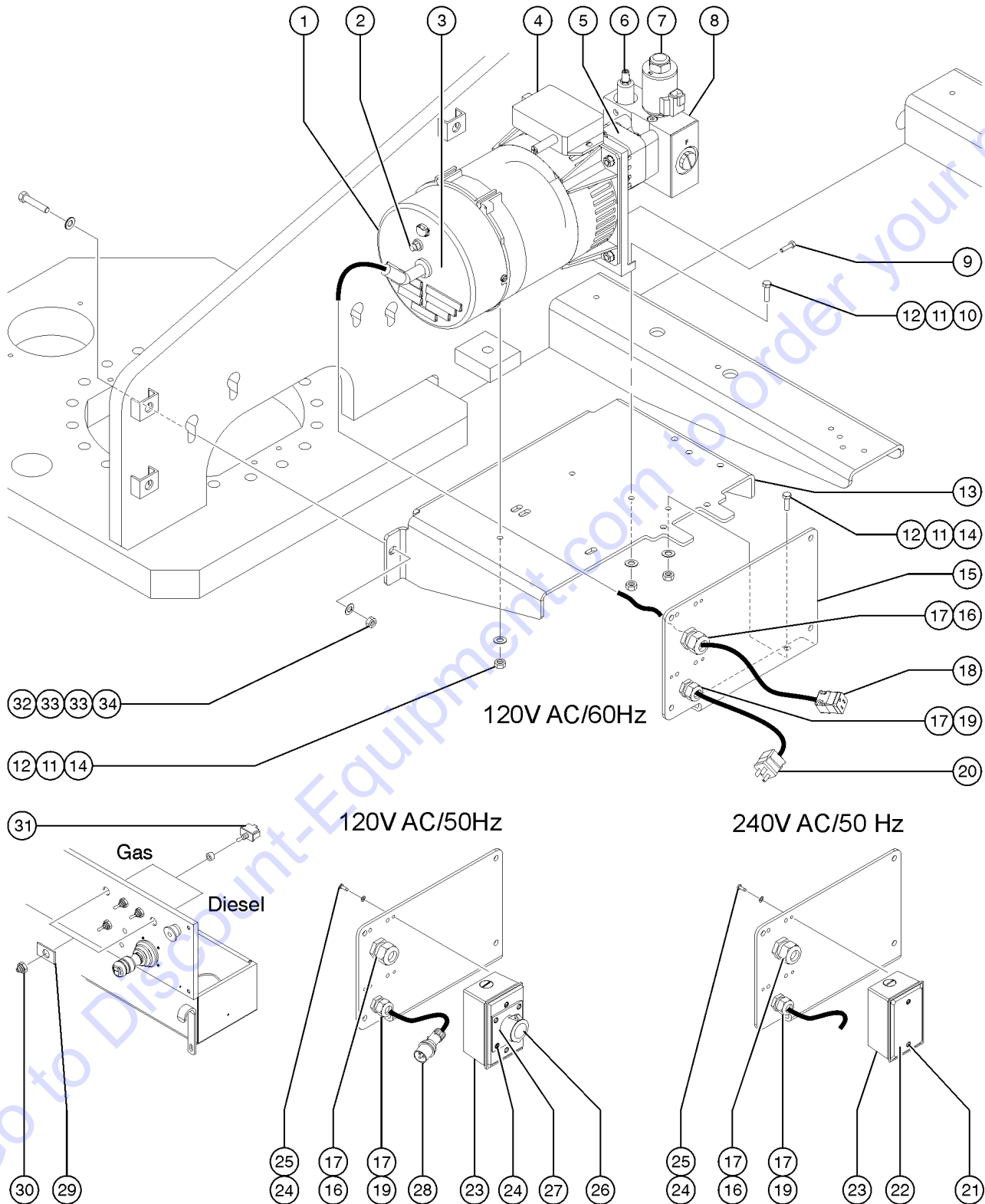
Florida: **561-964-4949** Outside Florida TOLL FREE: **877-690-3101**

Need parts?

Click on this link: <http://www.discount-equipment.com/category/5443-parts/> and choose one of the options to help get the right parts and equipment you are looking for. Please have the machine model and serial number available in order to help us get you the correct parts. If you don't find the part on the website or on one of the online manuals, please fill out the request form and one of our experienced staff members will get back to you with a quote for the right part that your machine needs.

We sell worldwide for the brands: Genie, Terex, JLG, MultiQuip, Mikasa, Essick, Whiteman, Mayco, Toro Stone, Diamond Products, Generac Magnum, Airman, Haulotte, Barreto, Power Blanket, Nifty Lift, Atlas Copco, Chicago Pneumatic, Allmand, Miller Curber, Skyjack, Lull, Skytrak, Tsurumi, Husquvarna Target, Stow, Wacker, Sakai, Mi-T-M, Sullair, Basic, Dynapac, MBW, Weber, Bartell, Bennar Newman, Haulotte, Ditch Runner, Menegotti, Morrison, Contec, Buddy, Crown, Edco, Wyco, Bomag, Laymor, EZ Trench, Bil-Jax, F.S. Curtis, Gehl Pavers, Heli, Honda, ICS/PowerGrit, IHI, Partner, Imer, Clipper, MMD, Koshin, Rice, CH&E, General Equipment, Amida, Coleman, NAC, Gradall, Square Shooter, Kent, Stanley, Tamco, Toku, Hatz, Kohler, Robin, Wisconsin, Northrock, Oztec, Toker TK, Rol-Air, APT, Wylie, Ingersoll Rand / Doosan, Innovatech, Con X, Ammann, Mecalac, Makinex, Smith Surface Prep, Small Line, Wanco, Yanmar

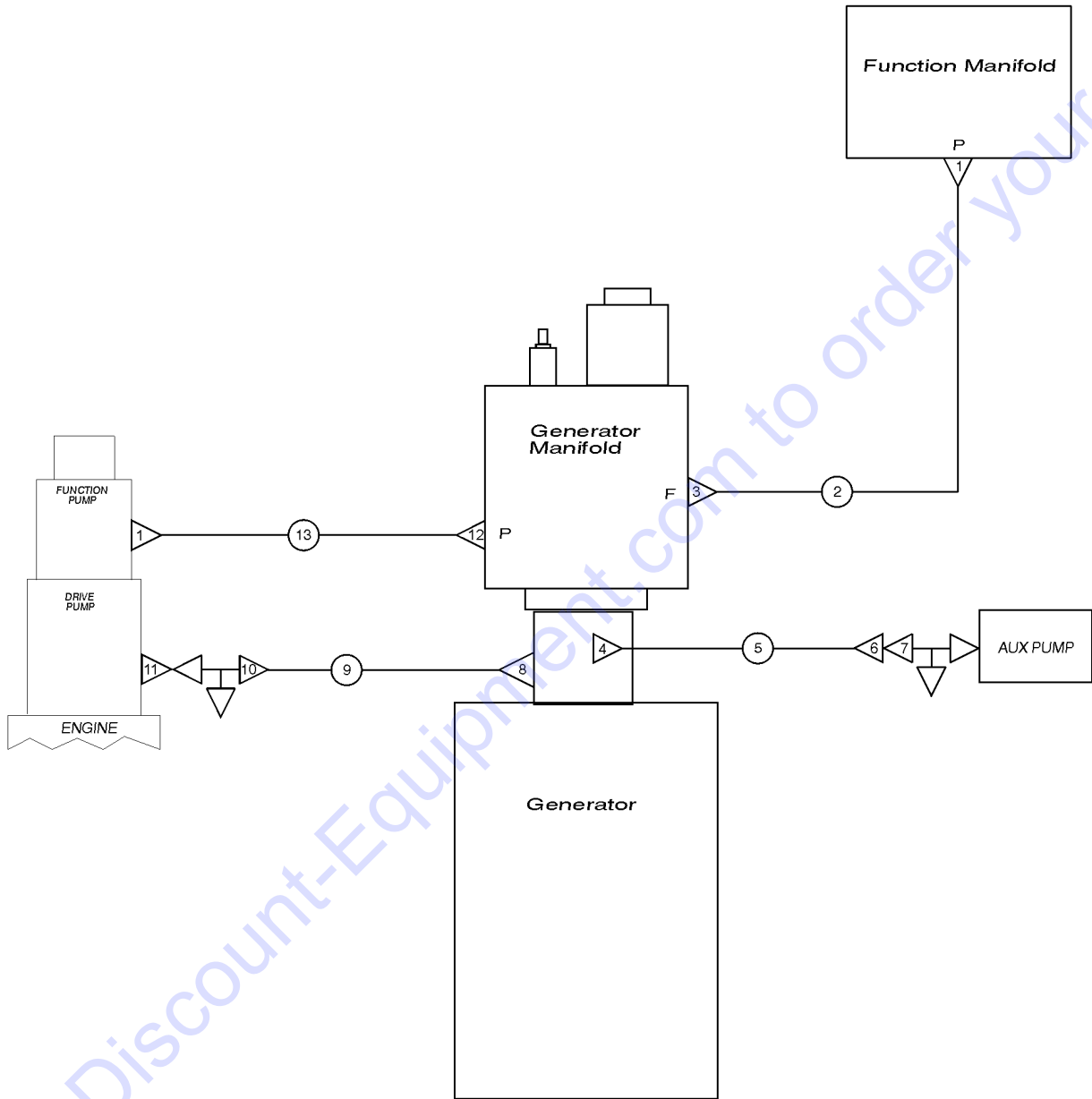
810.1 Hydraulic Generator Option (MTE) - View 1 (from SN 16453)



810.1 Hydraulic Generator Option (MTE) - View 1 (from SN 16453)

Item	Part No.	Description	Qty.	Item	Part No.	Description	Qty.
--	226476GT	S40/45 MTE GEN JUMPER HARNESS		17	6935GT	LOCKNUT,ELEC,1/2".....	2
--	147240GT	CAPACITOR 16 F, GEN		18	6595GT	PLUG,ELECTRICAL,DOMESTIC.....	1
1A	139952GT	GENERATOR,3kW,120V/50Hz.....1 <i>(complete) includes items 2-9</i>		19	7056GT	CONN,SQUEEZE,1/2NPT .38-.50,SM....	1
1B	139953GT	GENERATOR, 3kW, 120V/60Hz <i>(complete) includes items 2-9</i>		20	19020GT	CONNECTOR,FEMALE,RECPTCLE,110V.1	
--	119067GT	CONN,RECEP 4 WAY ENDCAP DT		21	75067GT	SCREW,6-32 X 7/8 PPMS ZINC	
--	147228GT	CONTROLLER BOX, 120/240V, 60H		22	10777GT	COVER,BLANK.....	1
--	147229GT	MANIFOLD ASSEMBLY, GEN		23	10775GT	T-BOX,2.75 X 4.5 X 2.0	
--	147230GT	207 HYD MOTOR ASSY, GEN		--	74052GT	GASKET,COVER,GFCI,WEATHERPROOF	
--	147231GT	SEAL KIT, HYD MOTOR, GEN		24	57075GT	SCREW,PHIL,8-32X.50,SELF TAP	
--	147232GT	12VDC PROPORTIONAL VALVE		25	35461GT	WASHER,FLAT,MS,#8,Y	
--	147233GT	VALVE, RELIEF, GEN, 3.0kW		26	T112560GT	RECEPTACLE,UK,110V.....	1
--	147239GT	BREAKER, 25 AMP, GEN 60hz		27	T112561GT	PLATE,UK,POWER TO PLAT.....	1
--	147240GT	CAPACITOR 16 F, GEN		28	144161GT	PLUG,PWR,UK,16AMP,3PIN,BLK.....	1
--	147241GT	COVER, END, GEN, 120V		29	133518GT	DECAL, PATCH, GEN,ALC-500	
1C	139954GT	GENERATOR,3kW,240V/50Hz <i>(complete) includes items 2-9</i>		30	27246GT	BOOT,TOGGLE SWITCH,SHORT*	
--	147258GT	BREAKER,15 AMP,GEN 50hz		31	128205GT	SWITCH TOGGLE ASSY DPDT 2P MNT	
2	147239GT	BREAKER, 25 AMP, GEN.....1 <i>part of generators 139952 and 139953</i>		32	6198GT	NUT,NYLOCK,1/2-13	
--	147258GT	BREAKER,15 AMP,GEN <i>part of generator 139954</i>		33	13066GT	WASHER,FLAT,5 HARDENED	
3	147241GT	COVER, END, GEN, 120V.....1 <i>part of generators 139952 and 139953</i>		34	9145GT	SCREW,HHC,1/2-13 X 2.5,GR5	
--	147262GT	COVER, END, GENERATOR, 240V <i>part of generator 139954</i>					
4	1269693GT	CONTROL BOX,2KW,120/240V,50HZ.....1 <i>part of generators 139952 and 139954</i>					
--	147228GT	CONTROLLER BOX, 120/240V, 60H <i>part of generator 139953</i>					
5	147230GT	207 HYD MOTOR ASSY, GEN.....1					
--	147231GT	SEAL KIT, HYD MOTOR, GEN					
6	147233GT	VALVE, RELIEF, GEN, 3.0kW.....1					
7	147232GT	12VDC PROPORTIONAL VALVE.....1					
8	147229GT	MANIFOLD ASSEMBLY, GEN.....1 <i>(complete) includes items 6 and 7</i>					
9	147242GT	SCREW, GEN ROTOR.....4					
10	13000GT	SCREW,HHC,5/16-18 X 1.25					
11	5397GT	WASHER,FLAT,USS,5/16",Y					
12	6782GT	NUT,NYLOCK,5/16-18					
13	102340GT	BRACKET,GENERATOR,12KW,PAINTED.1					
14	13002GT	SCREW,HHC,5/16-18 X 1 GR5					
15	111576GT	FORMING,CONTROLBOX MT,WELD GEN					
16	7057GT	CONN. SQZ,1/2NPT .39-.56 MED.....1					

811.1 Hydraulic Generator Option (MTE) - View 2 (from SN 16453)



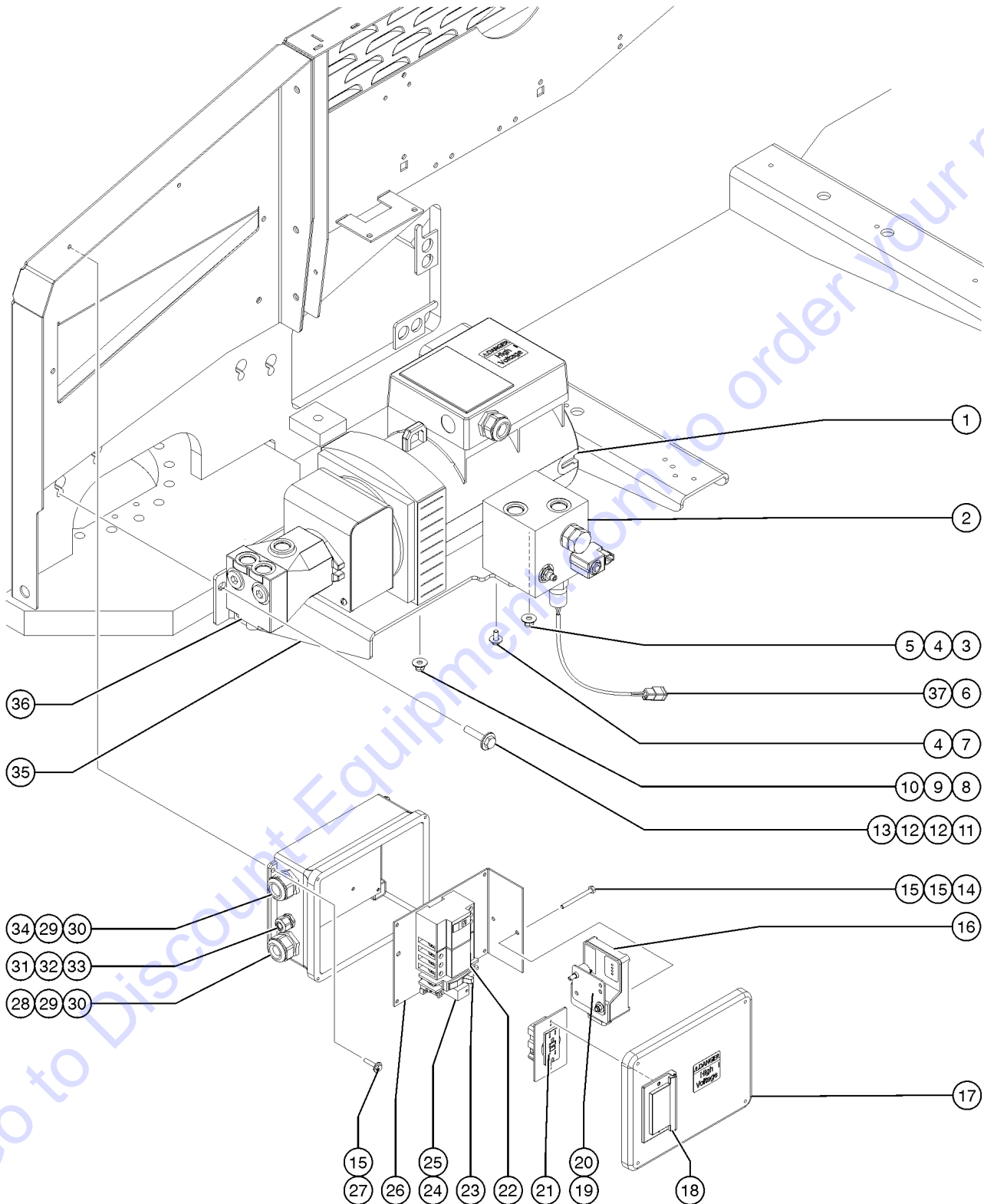
LEGEND	
	ADAPTER
	HOSE ASSEMBLY
	UNION

811.1 Hydraulic Generator Option (MTE) - View 2 (from SN 16453)

Item	Part No.	Description	Qty.
1	48933GT	CONN,520120-8***	
2	49109-4129GT	HOSE ASSY,1/2,90 FEM,STR FEM**	
3	48948GT	CONN,520120-8-12	
4	49861GT	CONN,LONG,520122-4	
5	49117-4491GT	HOSE ASSY,1/4,90 FEM,STR FEM	
6	48941GT	REDUCER,520123-8-4	
7	48938GT	FITTING,TEE,RUN,SWIVEL520432-8	
8	48934GT	CONN,LONG,520122-8	
9	61070-3200GT	HOSE ASSY, 1/2", 90 FEM, STR F	
10	48964GT	FITTING,TEE,RUN,SWIVEL52043212	
11	48959GT	FITTING,ELBOW,90D,520220-12	
12	48947GT	ELBOW,90D,520220-8-12	
13	49141-2163SGT	HOSE ASSY,1/2,45 FEM,STR FEM	

Go to Discount-Equipment.com to order your parts

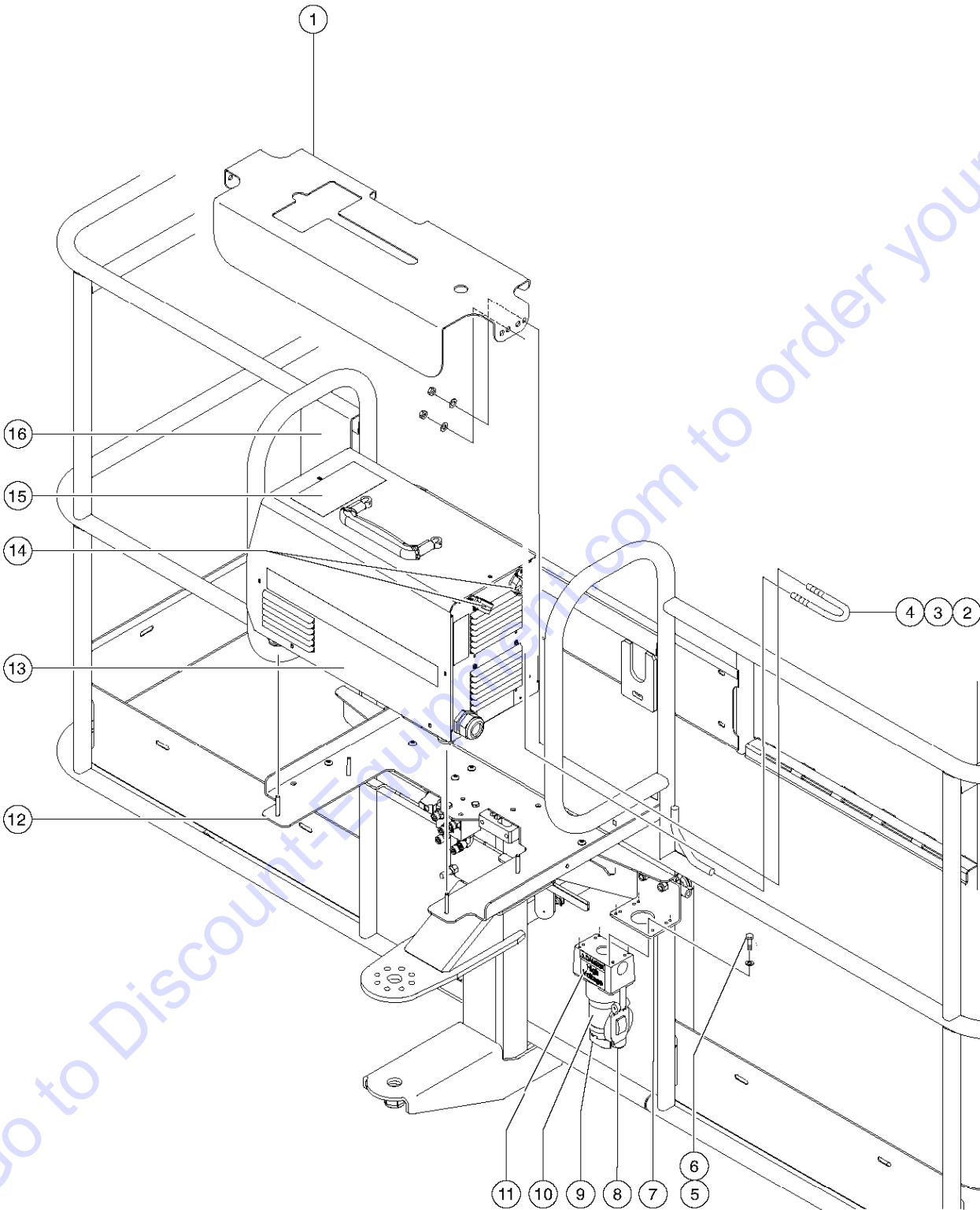
812.1 Welder Option, Chassis Components - View 1



812.1 Welder Option, Chassis Components - View 1

Item	Part No.	Description	Qty.	Item	Part No.	Description	Qty.
--	106115GT	WIRE CABLE 8/4 CON.SO		11	9145GT	SCREW,HHC,1/2-13 X 2.5,GR5	
--	226503GT	HARNESS,WELD GEN ENCLOSURE		12	13066GT	WASHER,FLAT,.5 HARDENED.....2	
--	82237GT	DECAL,DANGER,HIGH VOLTAGE		13	6198GT	NUT,NYLOCK,1/2-13	
--	122300GT	COVER,WELDER GENERATOR		14	36294GT	SCREW,HHC,1/4-20 X 2.75	
1A	106113GT	GENERATOR,HYDRO-12KEP-21-3.....1 <i>"includes item 36, to SN 11165, from SN 14674 to SN 15167, and from SN 17196"</i>		15	6889GT	NUT,LP NYLOCK,1/4-20	
--	106184GT	MOTOR,HYD 12.5KW GEN,21CC*** <i>part of gen. 106113</i>		16	106658GT	MODULE,SX CONTROLLER,LOW AMP.....1	
--	106274GT	GENERATOR,12.5 KW,W/O MOTOR*** <i>part of gen. 106113</i>		17	229346GT	ASSY,ENCLOSURE,WELDER,GEN.....1 <i>includes items 13-16, 18-26 and 29-35</i>	
--	110344GT	BRUSH BOX,ASSY,GEN*** <i>part of gen. 106113</i>		18	74006GT	COVER,GFCI,HORIZONTAL,WEATHER.1 <i>includes mounting hardware</i>	
--	162006GT	SEAL KIT,HYD MOTOR(106184) <i>part for motor 106184</i>		19	106140PGT	BRACKET,1K OHM 10-TURN POT,PNT.....1	
--	T113655GT	COUPLING, 28MM (106113) <i>part of gen. 106113</i>		20	102357GT	POTENTIOMETER ASSY, WELDER.....1	
--	T114022GT	SPIDER (106113) <i>part of gen. 106113</i>		21	80543GT	RECEPTACLE, 120VAC, 20A, GFCI.....1	
--	T114023GT	COUPLING (106113) <i>part of gen. 106113</i>		22	106477GT	GFI/CIRCUIT BREAKER ASSEMBLY.....1	
1B	106274GT	GENERATOR,12.5 KW,W/O MOTOR*** <i>"from SN 11166 to SN 14673, and from SN 16444 to SN 17195"</i>		--	106375GT	GFCI,50A, 3PH.....1	
--	T111766GT	MOTOR MOUNT COUPLER (106274)		--	227425GT	CIRCUIT BREAKER, 35A 3PH.....1	
1C	122783GT	GENERATOR ASSY,ALT,12.5KW <i>"includes item 36, from SN 15168 to SN 16443"</i>		23	106073GT	CIRCUIT BREAKER,20A,SINGLE PH.....1	
--	122630GT	GENERATOR COVER,ALT 12.5 KW <i>part of gen. assembly 122783</i>		24	33607GT	RELAY,OMRON,DPDT,12V.....1	
--	122631GT	BRUSH BOX ASSY,ALT GEN <i>part of gen. assembly 122783</i>		25	33608GT	RELAY,SOCKET,OMRON.....1	
--	122781GT	GENERATOR,12.5 KW,ALT,GEN ONLY <i>part of gen. assembly 122783</i>		26	102314GT	PANEL, ENCLOSURE, LINCO WELDER.....1	
2		Ref. Oil Diverter Manifold <i>"(refer to 705.1)"</i>		27	6090GT	SCREW,HHC,1/4-20 X .75	
3	6782GT	NUT,NYLOCK,5/16-18		28	106077GT	CABLE SQUEEZE CONN .63-.75.....1	
4	5397GT	WASHER,FLAT,USS,5/16",Y		29	18665GT	LOCKNUT,ELECTRIC,1" NPT.....2	
5	13002GT	SCREW,HHC,5/16-18 X 1 GR5		30	106104GT	O-RING,SEAL RING,1" NPT (PKG OF 10).....2	
6A	146284GT	SWITCH,PRESS,#4NPT,200PSIF.....1 <i>for first time replacement, order service kit 1271398GT.</i>		31	7056GT	CONN,SQUEEZE,1/2NPT .38-.50,SM....1	
6B	1271398GT	KIT,GEN. PRESSURE SWITCH <i>includes pressure switch, hose, fittings and installation instructions</i>		32	6935GT	LOCKNUT,ELEC,1/2".....1	
7	10107GT	SCREW,HHC,5/16-18 X .75		33	56237GT	O-RING,ORFS,-12.....1	
8	4828GT	NUT,NYLOCK,3/8-16		34	20776GT	CABLE SQUEEZE CONN.....1	
9	6097GT	WASHER,FLAT,USS,3/8",Y		35	102340GT	BRACKET,GENERATOR,12KW,PAINTED.1	
10	8516GT	SCREW, HCC, 3/8-16 X 1.50		36	106184GT	MOTOR,HYD 12.5KW GEN,21CC***1 <i>part of gen. 106113</i>	
				--	162006GT	SEAL KIT,HYD MOTOR(106184) <i>for 106184</i>	
				--	32675GT	SEAL KIT,SUNSTRAND <i>for 33432</i>	
				--	33432GT	MOTOR,HYD,25CC FIXED*** <i>part of gen. 122783 and 106274</i>	
				37	146285GT	CONN, SAE#4-1/4" NPT.....1	

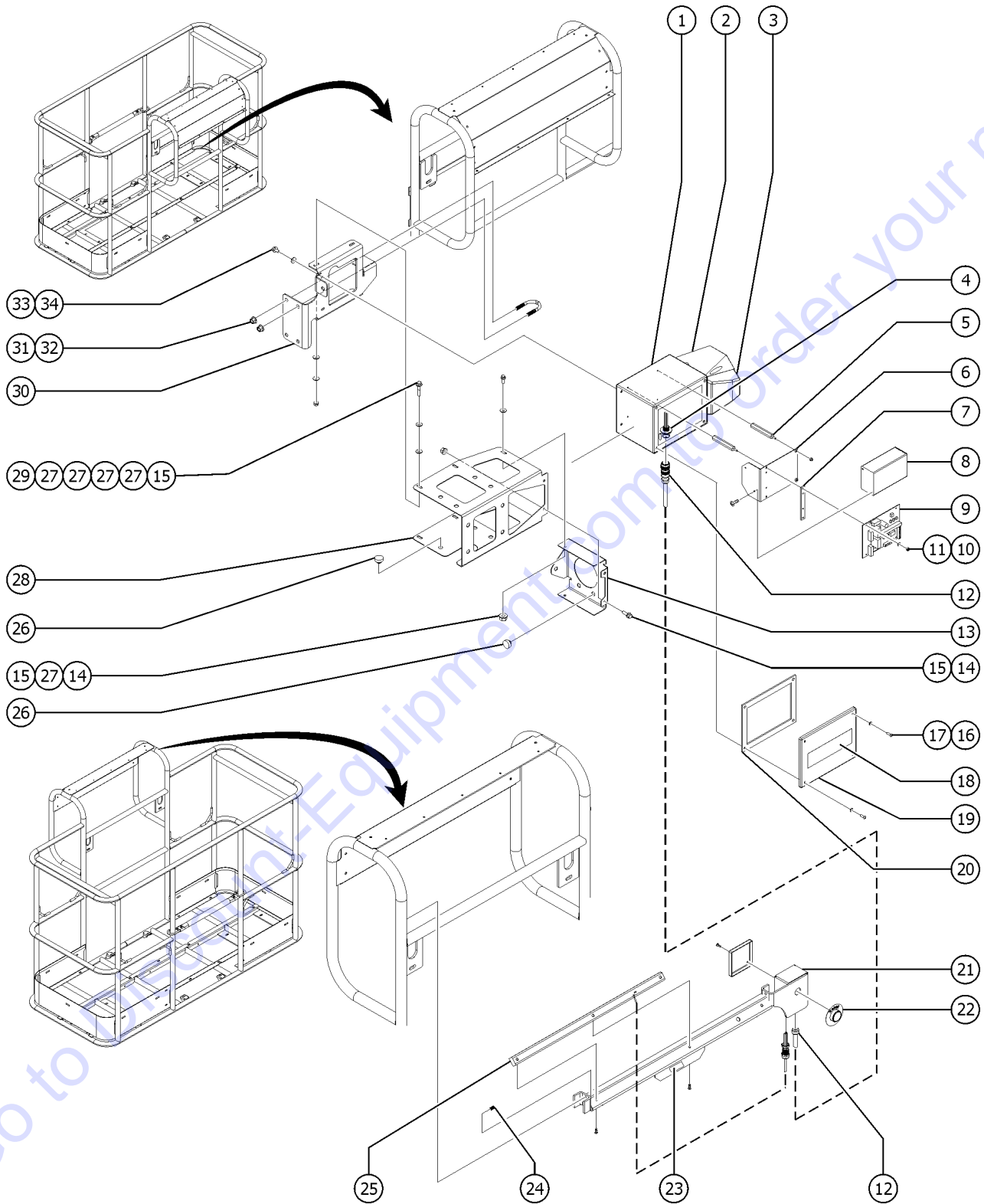
813.1 Welder Option, Platform Components - View 2 (to SN 19293)



813.1 Welder Option, Platform Components - View 2 (to SN 19293)

Item	Part No.	Description	Qty.	Item	Part No.	Description	Qty.
--	28443GT	CABLE TIE,11.5" BLACK		--	106044GT	U-BOLT,3/8-16X4X4.63X3.00	
--	88406GT	FIRE EXTINGUISHER		--	4828GT	NUT,NYLOCK,3/8-16	
--	82862GT	DECAL,FIRE EXTINGUISHER		--	5397GT	WASHER,FLAT,USS,5/16",Y	
--	97579GT	DECAL,DANGER,TIP-OVER,WELDER**		--	6782GT	NUT,NYLOCK,5/16-18	
--	133518GT	DECAL, PATCH, GEN,ALC-500		13	101525GT	WELDER,INVERTEC V275-S.....1	
--	82264GT	DECAL,WARNING,WELD SAFETY/INS*		--	106141GT	SCREW,SECURITY,1/4-20 X 1.75LG	
--	82265GT	DECAL,LABEL,WELD ON/OFF***		--	106183GT	FUSE,.6AMP,250V,WELDER,V275S	
--	110276-1600GT	FIRE SLEEVE, 1.25".....2 (S-45)		--	106275GT	KIT,WELD LEADS ASSY,V275S <i>includes both cables</i>	
--	110276-2200GT	FIRE SLEEVE, 1.25" (S-40)		14	18666GT	CLAMP,1.00,#16 X 1/4,RUB CUSH.....2	
--	110276-2300GT	FIRE SLEEVE, 1.25".....1 (S-45)		15	110220GT	DECAL,WARNING,WELDER SAFETY...1	
--	110276-3200GT	FIRE SLEEVE, 1.25".....1 (S-45)		16	106204PGT	BRACKET,V275S WELD LEADS.....1	
--	110276-4700GT	FIRE SLEEVE, 1.25".....1 (S-45)					
--	110276-5000GT	FIRE SLEEVE, 1.25".....1 (S-45)					
--	1257216GT	HARNESS,WELD GEN GBOX,S40/45....1					
1	101547PGT	BRACKET,WELDER SUPPORT,PNT.....1					
2A	122755GT	UBOLT,FLATTENED,1.5DIA X 3/8 UNC....2 <i>to SN 17468</i>					
2B	217366GT	BRACKET,WELDER TOP.....2 <i>from SN 17469</i>					
--	106043GT	SCREW,SECURITY,5/16-18X1.00 <i>from SN 17469</i>					
3	5397GT	WASHER,FLAT,USS,5/16",Y					
4A	4828GT	NUT,NYLOCK,3/8-16 <i>to SN 17468</i>					
4B	6782GT	NUT,NYLOCK,5/16-18 <i>from SN 17469</i>					
5	47363GT	SCREW,RHM,8-32 X .50					
6	35461GT	WASHER,FLAT,MS,#8,Y					
7	101731PGT	BRACKET,POWER TO PLAT TBOX,PNT.....1					
--	4828GT	NUT,NYLOCK,3/8-16					
--	5397GT	WASHER,FLAT,USS,5/16",Y					
--	6550GT	U-BOLT,3/8 X 1 YZ					
8	101732GT	COVER,WEATHERPROOF 3-PHASE.....1					
9	106112GT	PLUG,4-WIRE,3-PHASE,50A,MALE.....1					
10	106110GT	T-BOX,2.75X4.5X2.63,3PH.....1					
--	106111GT	RECEPTCL,LOCK 3-PH,50A,4 WIRE					
11	82237GT	DECAL,DANGER,HIGH VOLTAGE.....2					
12	102408PGT	BRACKET,LINCOLN WELDER,PNTD.....1					
--	102409PGT	BRACKET,WELDER MNT SUPPORT,PNT					
--	106043GT	SCREW,SECURITY,5/16-18X1.00					

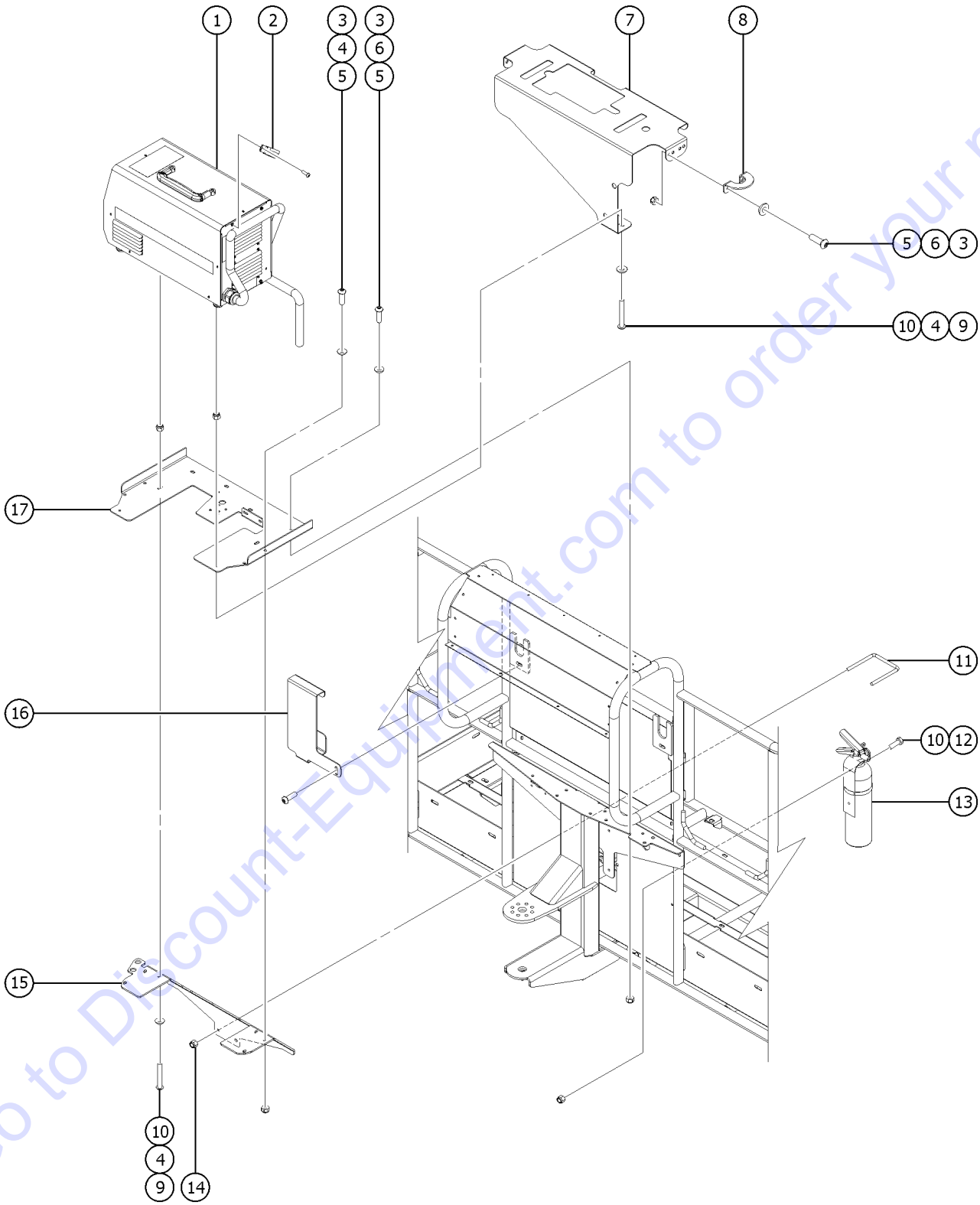
813.1 Welder Option, Platform Components - View 2 (to SN 19293)



813.1 Welder Option, Platform Components - View 2 (to SN 19293)

Item	Part No.	Description	Qty.	Item	Part No.	Description	Qty.
--	28443GT	CABLE TIE,11.5" BLACK		--	106044GT	U-BOLT,3/8-16X4X4.63X3.00	
--	88406GT	FIRE EXTINGUISHER		--	4828GT	NUT,NYLOCK,3/8-16	
--	82862GT	DECAL,FIRE EXTINGUISHER		--	5397GT	WASHER,FLAT,USS,5/16",Y	
--	97579GT	DECAL,DANGER,TIP-OVER,WELDER**		--	6782GT	NUT,NYLOCK,5/16-18	
--	133518GT	DECAL, PATCH, GEN,ALC-500		13	101525GT	WELDER,INVERTEC V275-S.....1	
--	82264GT	DECAL,WARNING,WELD SAFETY/INS*		--	106141GT	SCREW,SECURITY,1/4-20 X 1.75LG	
--	82265GT	DECAL,LABEL,WELD ON/OFF***		--	106183GT	FUSE,.6AMP,250V,WELDER,V275S	
--	110276-1600GT	FIRE SLEEVE, 1.25".....2 (S-45)		--	106275GT	KIT,WELD LEADS ASSY,V275S <i>includes both cables</i>	
--	110276-2200GT	FIRE SLEEVE, 1.25" (S-40)		14	18666GT	CLAMP,1.00,#16 X 1/4,RUB CUSH.....2	
--	110276-2300GT	FIRE SLEEVE, 1.25".....1 (S-45)		15	110220GT	DECAL,WARNING,WELDER SAFETY...1	
--	110276-3200GT	FIRE SLEEVE, 1.25".....1 (S-45)		16	106204PGT	BRACKET,V275S WELD LEADS.....1	
--	110276-4700GT	FIRE SLEEVE, 1.25".....1 (S-45)					
--	110276-5000GT	FIRE SLEEVE, 1.25".....1 (S-45)					
--	1257216GT	HARNESS,WELD GEN GBOX,S40/45....1					
1	101547PGT	BRACKET,WELDER SUPPORT,PNT.....1					
2A	122755GT	UBOLT,FLATTENED,1.5DIA X 3/8 UNC....2 <i>to SN 17468</i>					
2B	217366GT	BRACKET,WELDER TOP.....2 <i>from SN 17469</i>					
--	106043GT	SCREW,SECURITY,5/16-18X1.00 <i>from SN 17469</i>					
3	5397GT	WASHER,FLAT,USS,5/16",Y					
4A	4828GT	NUT,NYLOCK,3/8-16 <i>to SN 17468</i>					
4B	6782GT	NUT,NYLOCK,5/16-18 <i>from SN 17469</i>					
5	47363GT	SCREW,RHM,8-32 X .50					
6	35461GT	WASHER,FLAT,MS,#8,Y					
7	101731PGT	BRACKET,POWER TO PLAT TBOX,PNT.....1					
--	4828GT	NUT,NYLOCK,3/8-16					
--	5397GT	WASHER,FLAT,USS,5/16",Y					
--	6550GT	U-BOLT,3/8 X 1 YZ					
8	101732GT	COVER,WEATHERPROOF 3-PHASE.....1					
9	106112GT	PLUG,4-WIRE,3-PHASE,50A,MALE.....1					
10	106110GT	T-BOX,2.75X4.5X2.63,3PH.....1					
--	106111GT	RECEPTCL,LOCK 3-PH,50A,4 WIRE					
11	82237GT	DECAL,DANGER,HIGH VOLTAGE.....2					
12	102408PGT	BRACKET,LINCOLN WELDER,PNTD.....1					
--	102409PGT	BRACKET,WELDER MNT SUPPORT,PNT					
--	106043GT	SCREW,SECURITY,5/16-18X1.00					

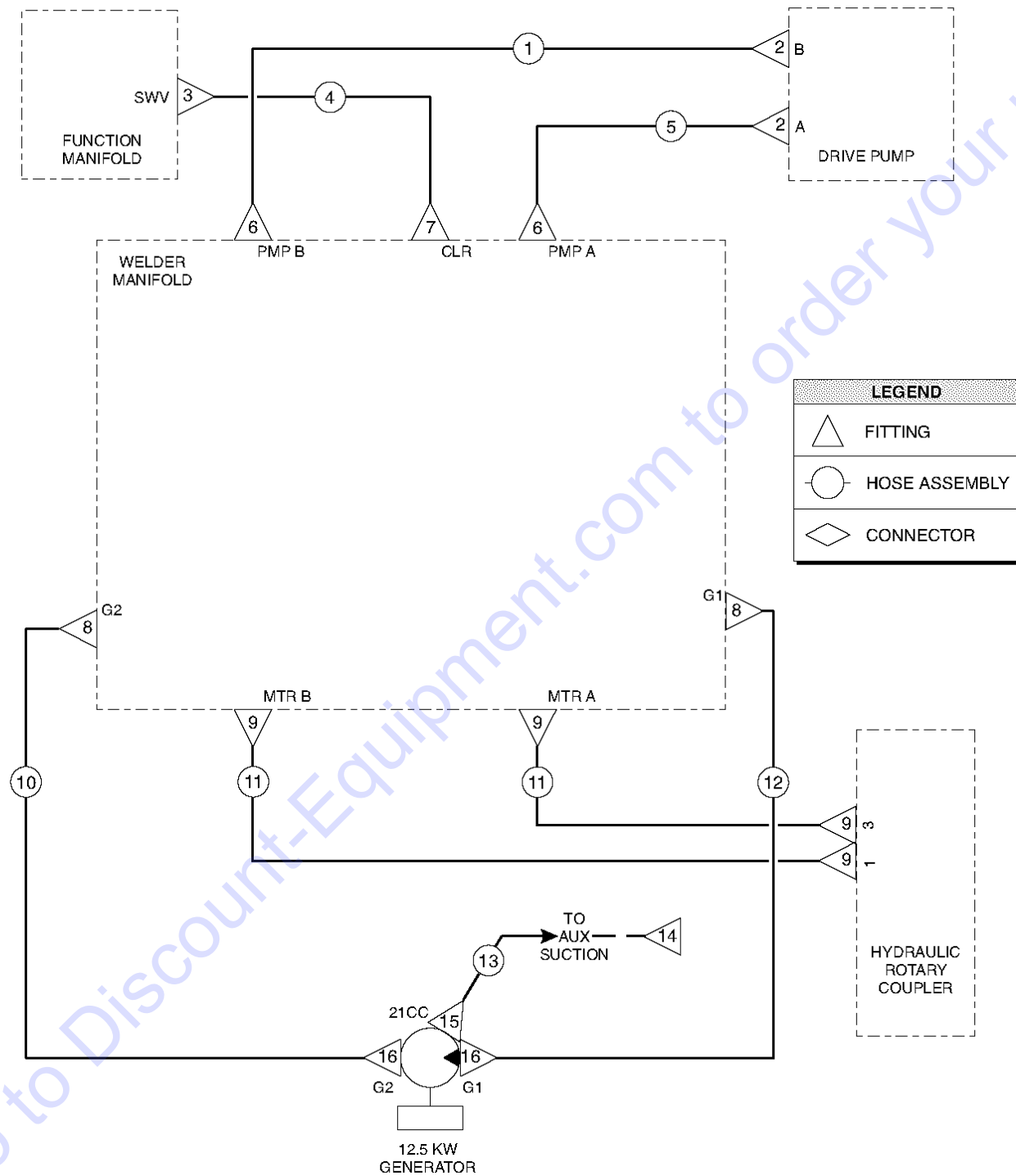
813.2 Welder Option, Platform Components - View 2 (from SN 19294)



813.2 Welder Option, Platform Components - View 2 (from SN 19294)

Item	Part No.	Description	Qty.
--	28443GT	CABLE TIE,11.5" BLACK	
--	110276-1600GT	FIRE SLEEVE, 1.25" (S-45)	
--	110276-2200GT	FIRE SLEEVE, 1.25" (S-40)	
--	110276-2300GT	FIRE SLEEVE, 1.25" (S-45)	
--	110276-3200GT	FIRE SLEEVE, 1.25" (S-45)	
--	110276-5000GT	FIRE SLEEVE, 1.25" (S-45)	
--	214620GT	SOCKET,3P,30A,4 WIRE, FEM	
--	214621GT	SOCKET, BOOT, 3P, 30A, 4 WIRE	
--	214622GT	PLUG, BOOT, 3P, 30A, 4 WIRE	
--	1257216GT	HARNESS,WELD GEN GBOX,S40/45	
--	106183GT	FUSE,.6AMP,250V,WELDER,V275S	
--	106275GT	KIT,WELD LEADS ASSY,V275S	
--	214623GT	PLUG, 3P,30A, 4 WIRE, MALE,	
1A	101525GT	WELDER,INVERTEC V275-S.....	1
1B	214619GT	WELDER, MILLER, CST 280.....	1
--	18666GT	CLAMP,1.00,#16 X 1/4,RUB CUSH	
2	18666GT	CLAMP,1.00,#16 X 1/4,RUB CUSH.....	2
3	106043GT	SCREW,SECURITY,5/16-18X1.00.....	10
4	6638GT	WASHER,FLAT,USS,1/4"Y.....	5
5	6782GT	NUT,NYLOCK,5/16-18.....	10
6	5397GT	WASHER,FLAT,USS,5/16",Y.....	9
7	101547PGT	BRACKET,WELDER SUPPORT,PNT.....	1
8	217366GT	BRACKET,WELDER TOP.....	2
9	106141GT	SCREW,SECURITY,1/4-20 X 1.75LG....	4
10	6091GT	NUT,NYLOCK,1/4-20.....	6
11	106044GT	U-BOLT,3/8-16X4X4.63X3.00.....	1
12	6090GT	SCREW,HHC,1/4-20 X .75.....	2
13	88406GT	FIRE EXTINGUISHER..... <i>includes mounting strap</i>	1
14	4828GT	NUT,NYLOCK,3/8-16.....	2
15	102409PGT	BRACKET,WELDER MNT SUPPORT,PNT.....	1
16	106204PGT	BRACKET,V275S WELD LEADS.....	1
17	102408PGT	BRACKET,LINCOLN WELDER,PNTD.....	1

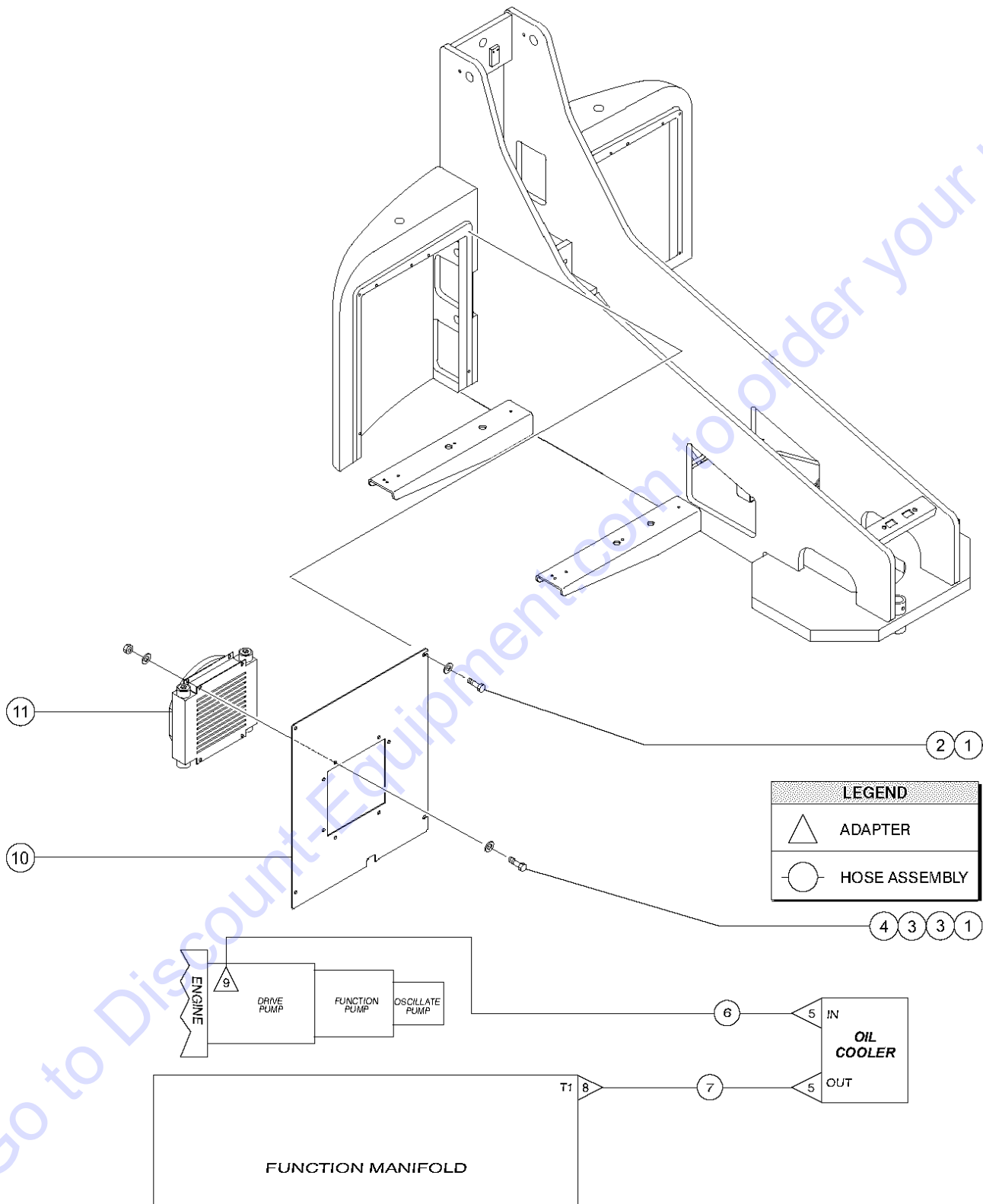
814.1 Hoses and Fittings - Welder



814.1 Hoses and Fittings - Welder

Item	Part No.	Description	Qty.
1	102313-2726GT	HOSE ASSY,3/4',45F,STR F.....	1
2	48977GT	CONN,520120-12-16.....	2
3	67371GT	TEE,BRANCH,520433-12.....	1
4	61070-3750GT	HOSE ASSY,1/2,90 FEM,STR FEM.....	1
5	102313-2926GT	HOSE ASSY,3/4',45F,STR F.....	1
6	48959GT	FITTING,ELBOW,90D,520220-12.....	2
7	48933GT	CONN,520120-8***.....	1
8	48963GT	FITTING,ELBOW,45D,520320-12***.....	2
9	48960GT	FITTING,CONN,520120-12***.....	4
10	102312-2088GT	HOSE ASSEMBLY,3/4",-10-12 90F,.....	1
11	94374-5130GT	HOSE ASSY,3/4",90F,STR F.....	2
12	102312-2388GT	HOSE ASSY,3/4",10-12 90 F,ST F.....	1
13	49143-7529GT	HOSE ASSY,1/2",90F,STR F.....	1
14	48938GT	FITTING,TEE,RUN,SWIVEL520432-8.....	1
15	48948GT	CONN,520120-8-12..... <i>to SN 11165, from SN 14674 to SN 15167, and from SN 17196</i>	1
--	48943GT	CONN, 520120-8-6 <i>from SN 11166 to SN 14673, and from SN 15168 to SN 17195</i>	
16	48958GT	CONN,520120-10-12..... <i>to SN 11165, from SN 14674 to SN 15167, and from SN 17196</i>	2
--	48952GT	FITTING,CONN,520120-10 <i>from SN 11166 to SN 14673, and from SN 15168 to SN 17195</i>	

815.1 Hydraulic Oil Cooler Option

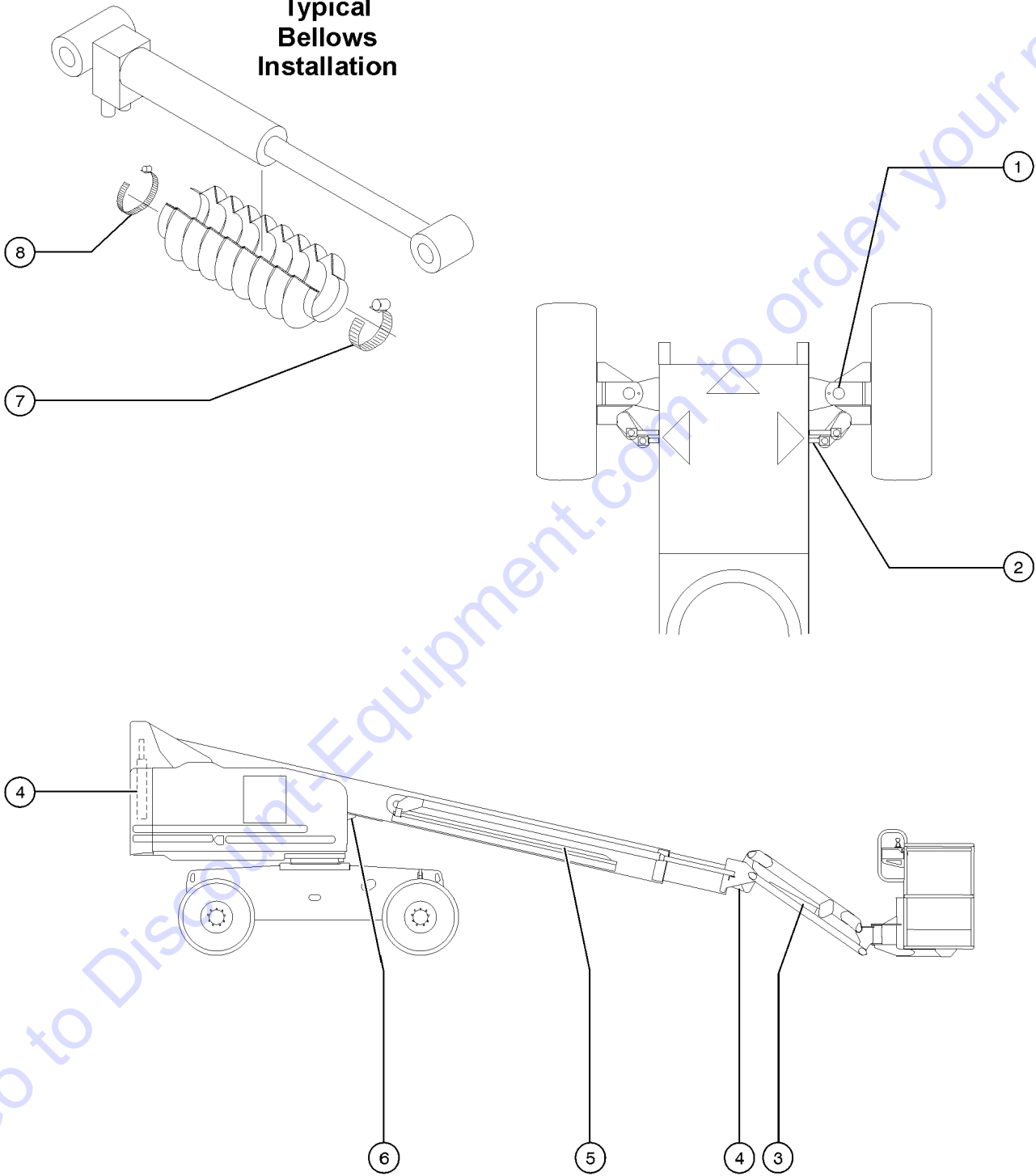


815.1 Hydraulic Oil Cooler Option

Item	Part No.	Description	Qty.
--	111351GT	OPTION,OIL COOLER SERV	
1	6175GT	SCREW,HHC,3/8-16 X 1	
2	6021GT	WASHER,LOCK,.375	
3	6097GT	WASHER,FLAT,USS,3/8",Y	
4	4828GT	NUT,NYLOCK,3/8-16	
5	48963GT	FITTING,ELBOW,45D,520320-12***.....2 to SN 7994	
--	48959GT	FITTING,ELBOW,90D,520220-12 from SN 7995	
6	49152-6369GT	HOSE ASSEMBLY,3/4".....1 to SN 7994	
--	49152-4869GT	HOSE ASSY,3/4 100R1 from SN 7995	
7	49151-7748GT	HOSE ASSY,3/4,STR FEM,STR FEM.....1 to SN 7994	
--	49151-9248GT	HOSE ASSY,3/4 STR FEM from SN 7995	
8	48959GT	FITTING,ELBOW,90D,520220-12.....1	
9	48960GT	FITTING,CONN,520120-12***1	
10	89533GT	PLATE,BULKHEAD,S40 OIL COOLER....1	
11	71259GT	OIL COOLER W/FAN, 12VDC.....1	
--	75854GT	FAN - VENTED	
--	75855GT	THERMOSTAT -OIL COOLER (71259)	

816.1 Hostile Environment Package - View 1

Typical
Bellows
Installation

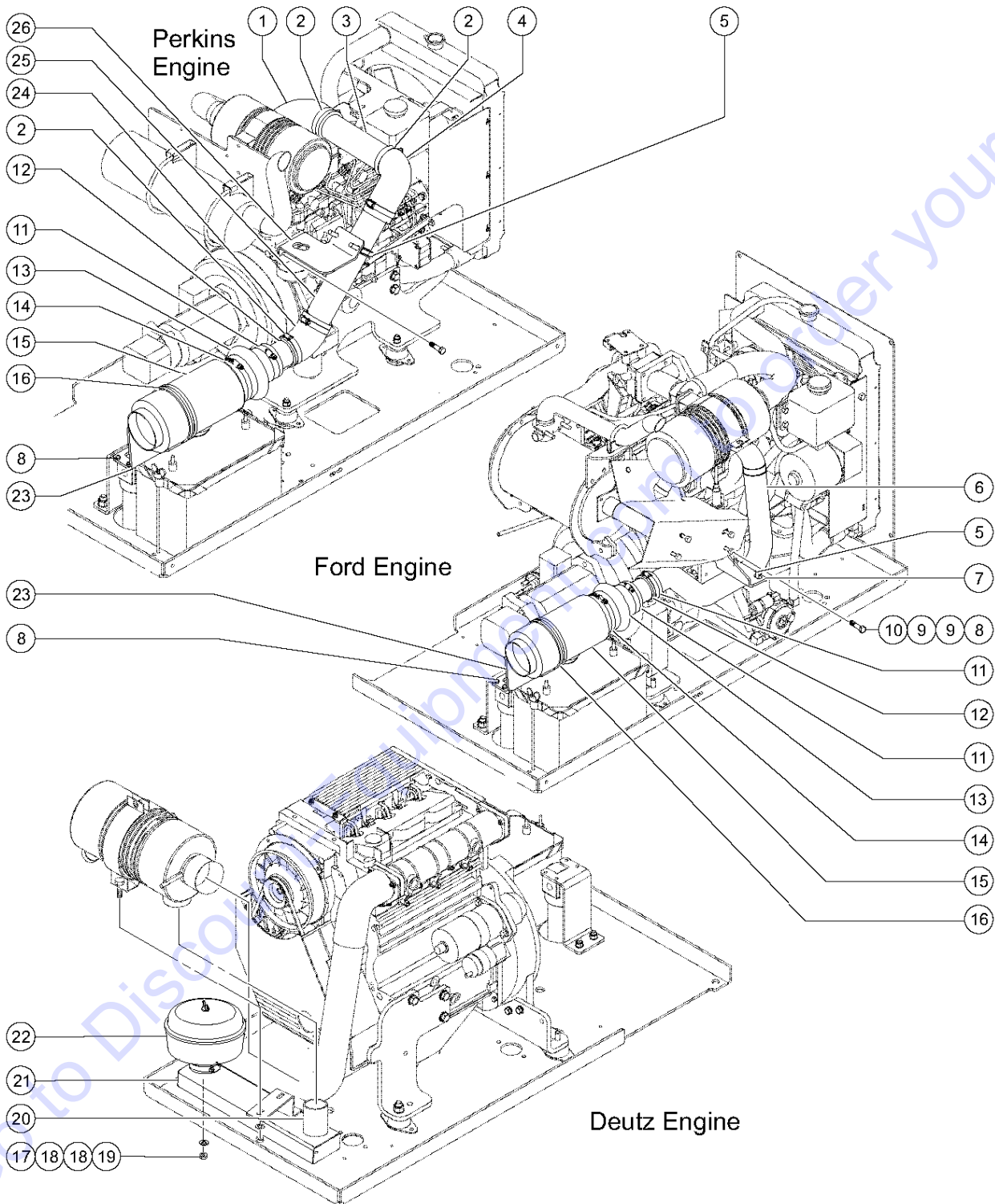


816.1 Hostile Environment Package - View 1

Item	Part No.	Description	Qty.
1	73842GT	COVER,PROTECTIVE,STEER CYLINDR.....	2
2	30580GT	COVER,PROTECTIVE,OSCILLATE CYL..... <i>includes items 6 and 7</i>	2
3	34505GT	COVER,PROTECTIVE,JIB CYLINDER... <i>includes items 6 and 7</i>	1
4	34503GT	COVER,PROTECTIVE,SLAVE W/JIB <i>includes items 6 and 7</i>	
5	216296GT	COVER, HOSE & CABLE, HOSTILE <i>from SN 18196</i>	
6	34506GT	COVER,PROTECTIVE,LIFT CYLINDR*..... <i>includes items 6 and 7</i>	1
7	36208GT	CLAMP,HOSE,1.25***.....	1
--	19273GT	CLAMP,HOSE,.75 **	
--	45435GT	CLAMP,HOSE,2.50****	
8	30971GT	CLAMP,HOSE,3.00".....	1
--	34955GT	CLAMP,HOSE,5.00	
--	45435GT	CLAMP,HOSE,2.50****	

Go to Discount-Equipment.com to order your parts

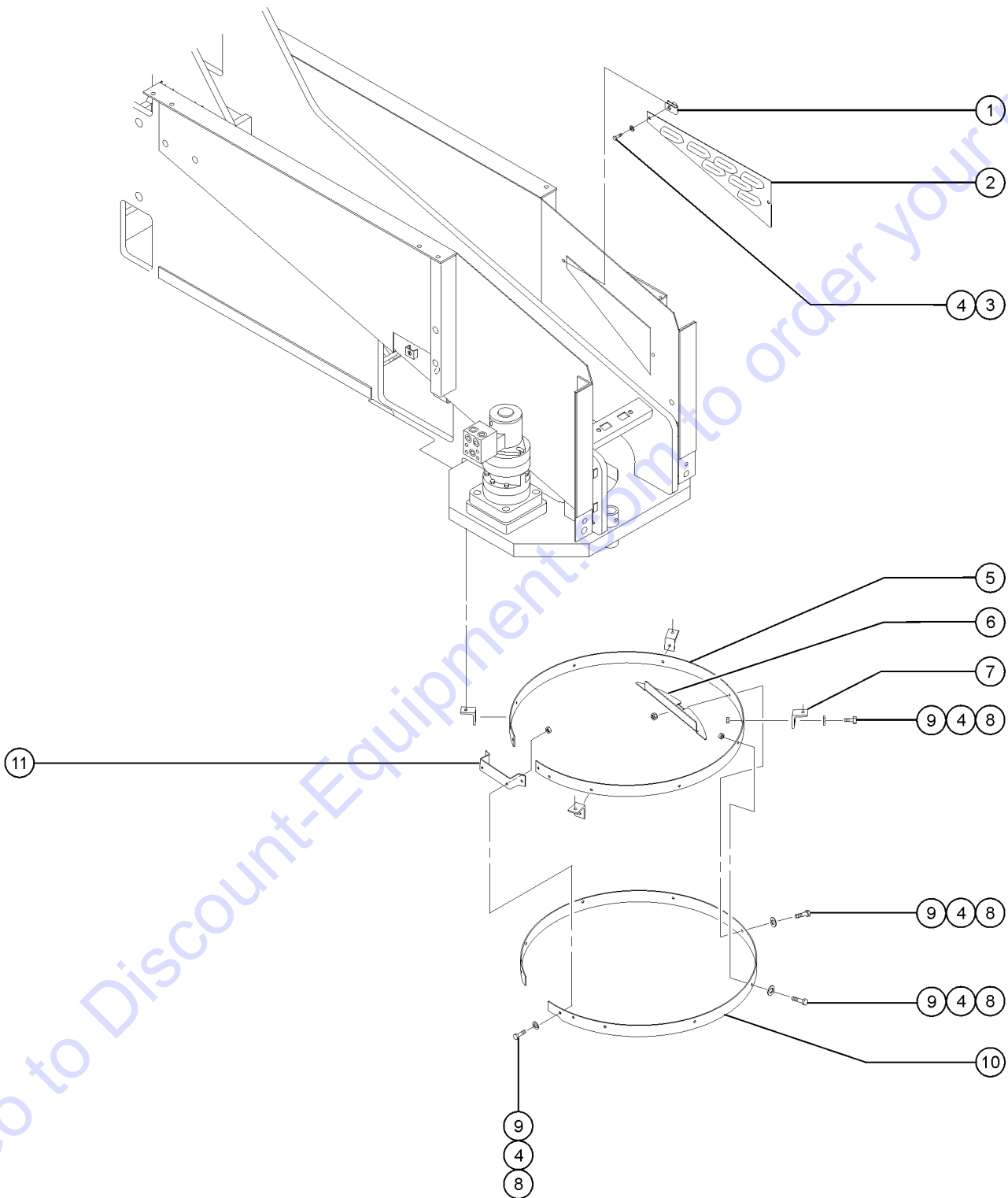
817.1 Hostile Environment Package - View 2



817.1 Hostile Environment Package - View 2

Item	Part No.	Description	Qty.
--	102007GT	OPT,PRECLEANER,PERKINS,S40 to SN 7471	
--	102007GT	OPT,PRECLEANER,PERKINS,S40 from SN 7472	
--	89991GT	OPT,PRECLEANER,DEUTZ,S40 to SN 7543	
--	89991GT	OPT,PRECLEANER,DEUTZ,S40 from SN 7544	
--	102003PGT	FORMING,BAFFLE PLATE COVER Perkins and Ford models	
--	102003PGT	FORMING,BAFFLE PLATE COVER Ford models	
--	89989PGT	PLATE,PRE-CLEANER,PAINTED Deutz models	
1	34163GT	ELBOW,90 DEGR,RUBBER,MODIFIED*.....	1
2	45435GT	CLAMP,HOSE,2.50"***	
3	94324-950GT	TUBE,RD,STL,ALUMIZD,2.5X.065.....	1
4	50941GT	HOSE,90DEG 2.5" AIR INTAKE.....	1
5	71911GT	CLAMP,MUFFLER, 2.50 INCH	
6	102372GT	TUBE,INTAKE,PRECLEANER,FORD.....	1
7	102373PGT	FORMING,INTAKE TUBE SUPPORT,PT.....	1
8	6888GT	SCREW,HHC,1/4-20 X 1	
9	6638GT	WASHER,FLAT,USS,1/4"Y	
10	6091GT	NUT,NYLOCK,1/4-20	
11	30971GT	CLAMP,HOSE,3.00"	
12	101640GT	REDUCER,RUBBER 3.0 - 2.5.....	1
13	88492GT	HOSE,HUMP 3" TO 4".....	1
14	34955GT	CLAMP,HOSE,5.00	
15	88493GT	PRECLEANER,AIR INTAKE.....	1
16	101639GT	CLAMP,5.38,#86 X 3/8,RUB CUSH	
17	4828GT	NUT,NYLOCK,3/8-16	
18	6097GT	WASHER,FLAT,USS,3/8",Y	
19	6175GT	SCREW,HHC,3/8-16 X 1	
20	34162-350GT	HOSE,AIR INTAKE 2.5" I.D.....	1
21	89985GT	WELDMENT,TUBE,PRE-CLEANR,DEUTZ.1	
22	34959GT	PRECLEANER,AIR INTAKE***.....	1
23	102374PGT	FORMING,PRECLEANER MOUNT,PTD.....	1
24	33361GT	ELBOW,45 DEGR,RUBBER,2.5" I.D.....	1
25	94324-1400GT	TUBE,RD,STL,ALUMIZD,2.5 X .065.....	1
26	102005PGT	FORMING,MOUNT,PRECLEANER TUBE.....	1

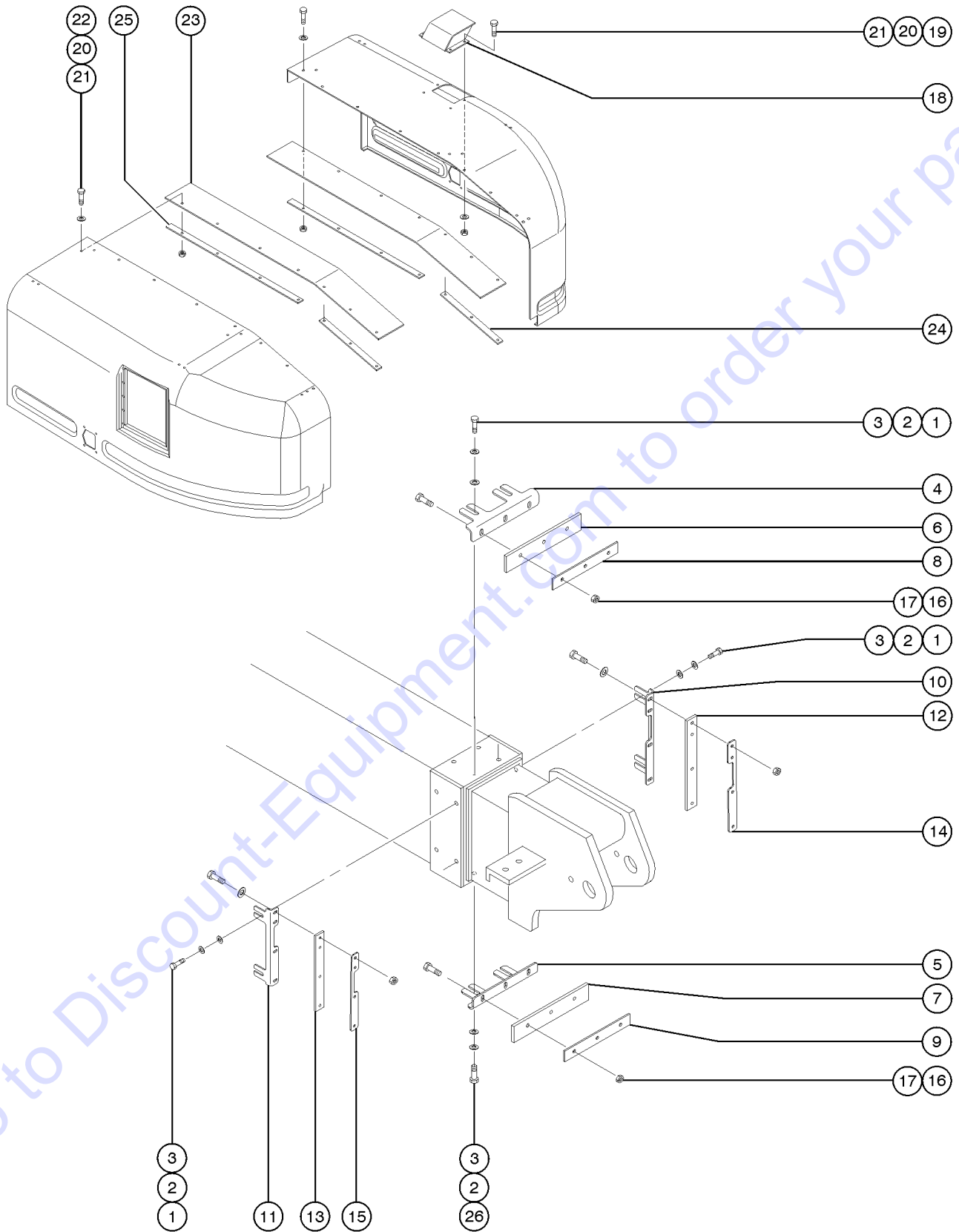
818.1 Hostile Environment Package - View 3



818.1 Hostile Environment Package - View 3

Item	Part No.	Description	Qty.
1	56912GT	SPRING CLIP,1/4-20,.025-.15X.54,ZAG	
2	89647GT	PANEL,LOUVER,REAR,RIGHT.....1	
--	102747PGT	PANEL,LOUVER,FRONT,RIGHT,PTD <i>Perkins models</i>	
--	102784PGT	LOUVER PNL BK RT,PERKINS,PTD <i>Perkins models</i>	
--	89644GT	PANEL,LOUVER,FRONT,LEFT	
--	89645GT	PANEL,LOUVER,REAR,LEFT	
--	89646GT	PANEL,LOUVER,FRONT,RIGHT*** <i>Ford models</i>	
--	89992PGT	PANEL,LOUVER,FRONT,RIGHT,TIER2 <i>Deutz models</i>	
3	6090GT	SCREW,HHC,1/4-20 X .75	
4	6638GT	WASHER,FLAT,USS,1/4"Y	
5	34949GT	BRACKET,RING GEAR S40/45.....1	
6	146368GT	FORMING,HOSTILE RING BRACKET....1	
7	81062GT	ANGLE, RING GUARD.....4	
8	6888GT	SCREW,HHC,1/4-20 X 1	
9	6889GT	NUT,LP NYLOCK,1/4-20	
10	34952GT	WIPER,RING GEAR S40/45.....1	
11	34855GT	BRACKET,PIN GER GUARD S40/45.....1	

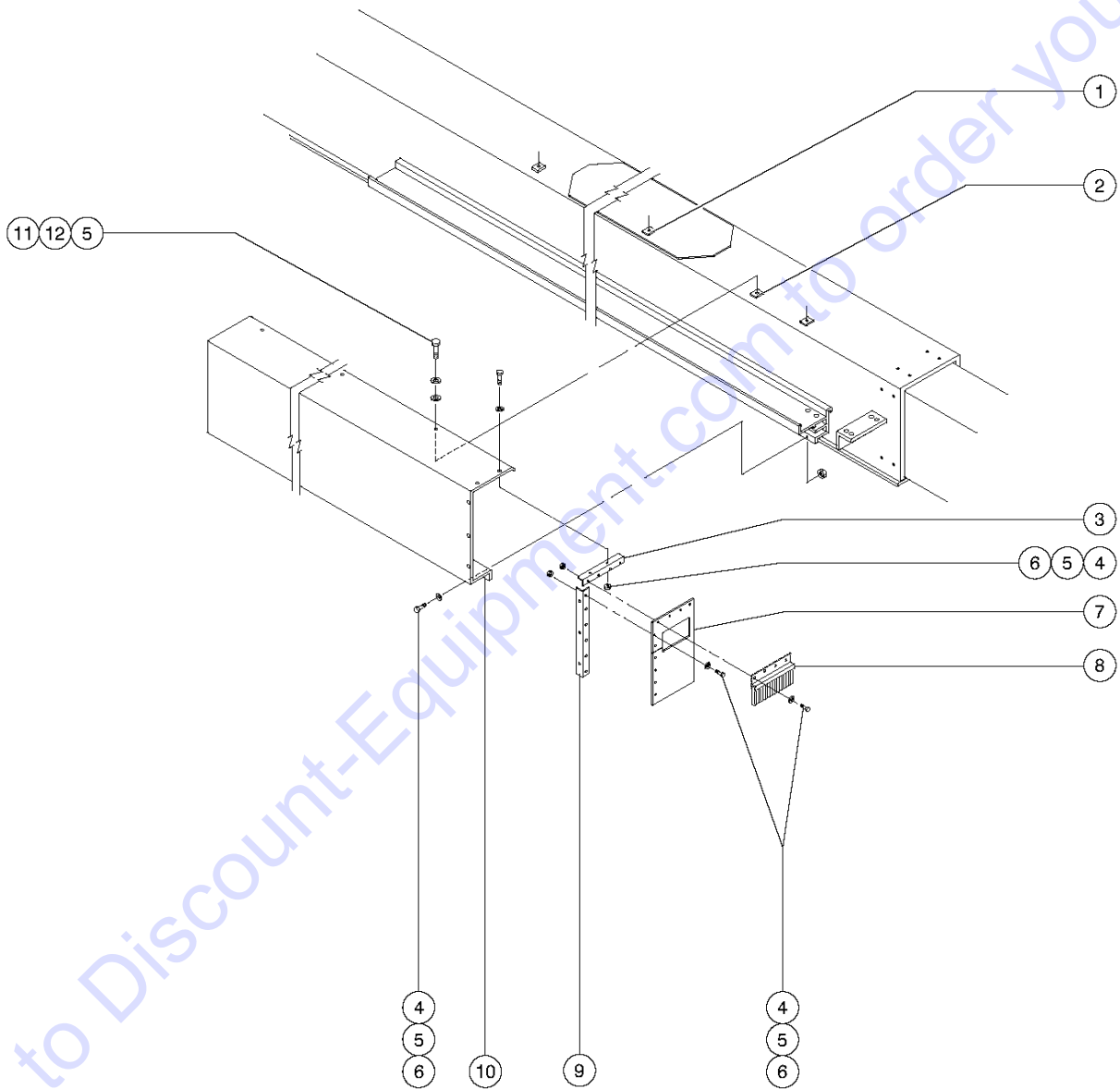
819.1 Hostile Environment Package - View 4



819.1 Hostile Environment Package - View 4

Item	Part No.	Description	Qty.	Item	Part No.	Description	Qty.
1	6019GT	SCREW,HHC,3/8-16 X 1.25 GRD 5		16	6889GT	NUT,LP NYLOCK,1/4-20	
2	6021GT	WASHER,LOCK,.375		17	6878GT	BOLT,CARRIAGE,1/4-20 X .75,G2	
3	5397GT	WASHER,FLAT,USS,5/16",Y		18	73060PGT	EXHAUST HOOD, TOP *PAINTED.....1	
4	63135PGT	WIPER BRACKET, PNTD S-45		--	73058PGT	EXHAUST HOOD, RH *PAINTED	
4	63145PGT	WIPER BRACKET, PAINTED.....1 S-40		--	73059PGT	EXHAUST HOOD, LH *PAINTED	
5	63145PGT	WIPER BRACKET, PAINTED.....1 S-40		19	6090GT	SCREW,HHC,1/4-20 X .75	
5	63177PGT	WIPER BRACKET, PNTD S-45		20	6638GT	WASHER,FLAT,USS,1/4"Y	
6	63146GT	WIPER.....1 S-40		21	6091GT	NUT,NYLOCK,1/4-20	
6	63174GT	WIPER S-45		22	6888GT	SCREW,HHC,1/4-20 X 1	
7	63136GT	WIPER S-45		23	34381GT	FLAP,SWING CHASSIS COVER.....2	
7	63146GT	WIPER.....1 S-40		24	34389PGT	BAR,FLAP REINFORCING 23" BLUE....2	
8	63163PGT	BACKING PLATE, PAINTED.....1 S-40		25	34388PGT	BAR,FLAP REINFORCING 37.5 BLUE...2	
8	63168PGT	BACKING PLATE, PAINTED S-45		26	8516GT	SCREW, HCC, 3/8-16 X 1.50.....2	
9	63163PGT	BACKING PLATE, PAINTED.....1 S-40		--	8516GT	SCREW, HCC, 3/8-16 X 1.50.....2	
9	63175PGT	BACKING PLATE, PNTD S-45					
10	63137PGT	WIPER BRACKET, PNTD S-45					
10	81905PGT	RIGHT MAST WIPER MOUNT,S40.....1 S-40					
11	63176PGT	WIPER BRACKET, PNTD S-45					
11	81904PGT	LEFT MAST WIPER MOUNT,S40.....1 S-40					
12	63138GT	WIPER S-45					
12	63142GT	WIPER.....1 S-40					
13	63138GT	WIPER S-45					
13	63142GT	WIPER.....1 S-40					
14	63164PGT	BACKING PLATE, PAINTED.....1 S-40					
14	63167PGT	BACKING PLATE, PNTD S-45					
15	63164PGT	BACKING PLATE, PAINTED.....1 S-40					
15	63167PGT	BACKING PLATE, PNTD S-45					

820.1 Hostile Environment Package - View 5



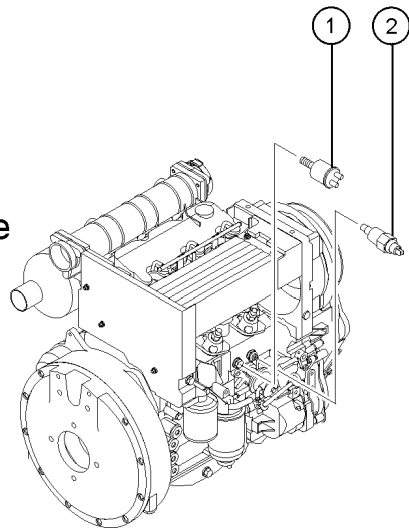
820.1 Hostile Environment Package - View 5

Item	Part No.	Description	Qty.
1	49626GT	BOLT PAD,CBL.TRK.CVR.,.50**.....	1
2	49625GT	BOLT PAD,CBL.TRK.CVR.,.75**.....	2
3	53460GT	BRKT.,CBL.TRK.GASKET.....	1
4	6889GT	NUT,LP NYLOCK,1/4-20	
5	6638GT	WASHER,FLAT,USS,1/4"Y	
6	6090GT	SCREW,HHC,1/4-20 X .75	
7	53459GT	GASKET, CABLE TRACK.....	1
		S-45	
7	53626GT	GASKET, CABLE TRACK	
		S-45	
8	53458GT	BRUSH,CABLE TRK. CVR.,6.75".....	1
		S-45	
8	53629GT	BRUSH, CABLE TRACK COVER,6.75"	
		S-45	
9	53143GT	BRACKET, CABLE TRACK GASKET.....	1
10	53457GT	CABLE TRACK COVER 100.00".....	1
		S-45	
10	53623GT	CABLE TRACK COVER	
		S-45	
11	8914GT	SCREW,HHC,1/4-20 X .625	
12	6356GT	WASHER,LOCK,.25	

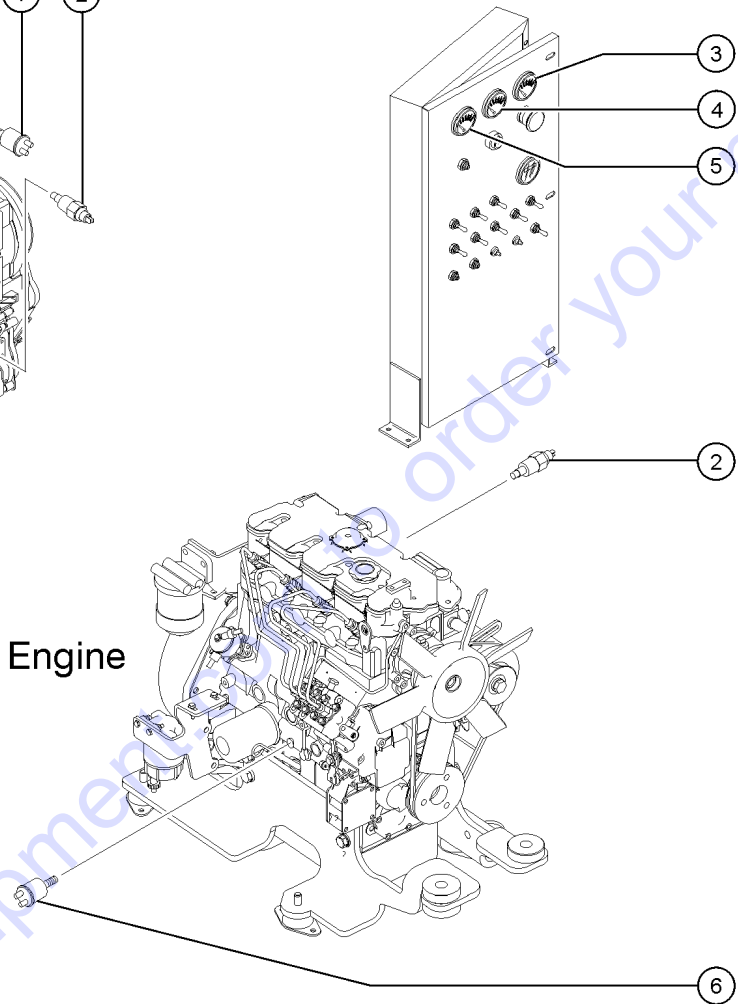
Go to Discount-Equipment.com to order your parts

821.1 Gauge Option (to SN 20504)

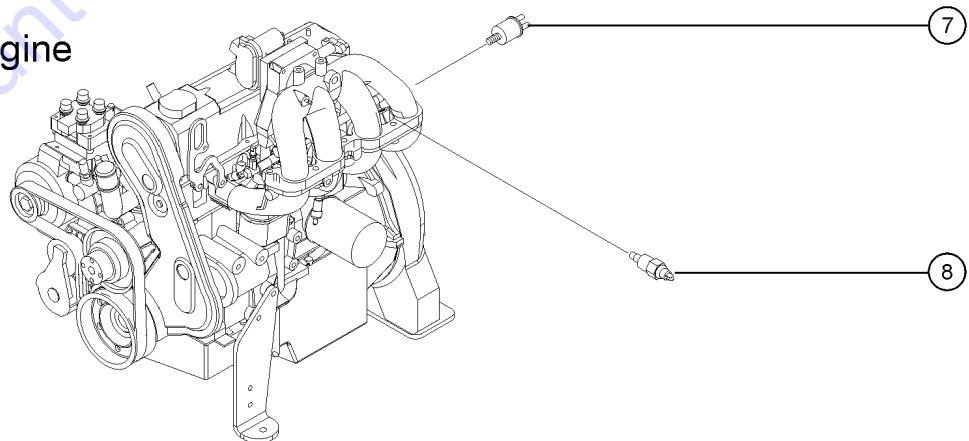
Deutz Engine



Perkins Engine



Ford Engine

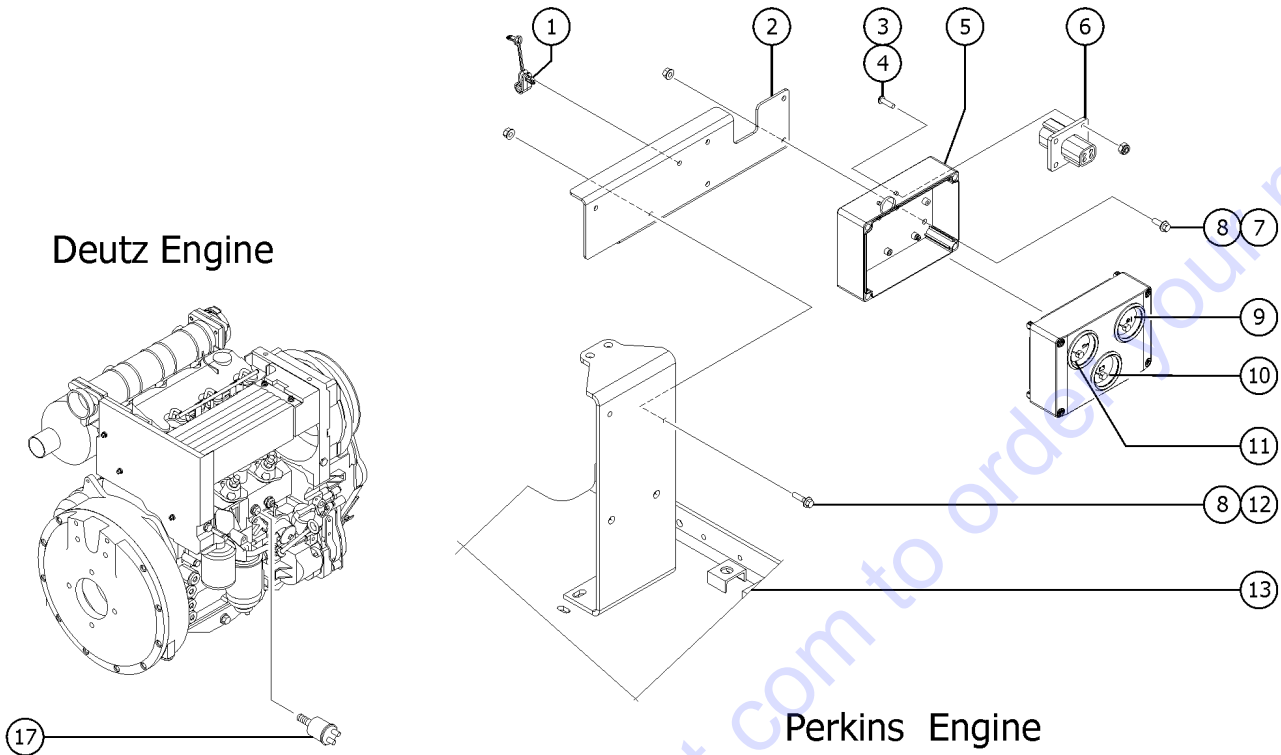


821.1 Gauge Option (to SN 20504)

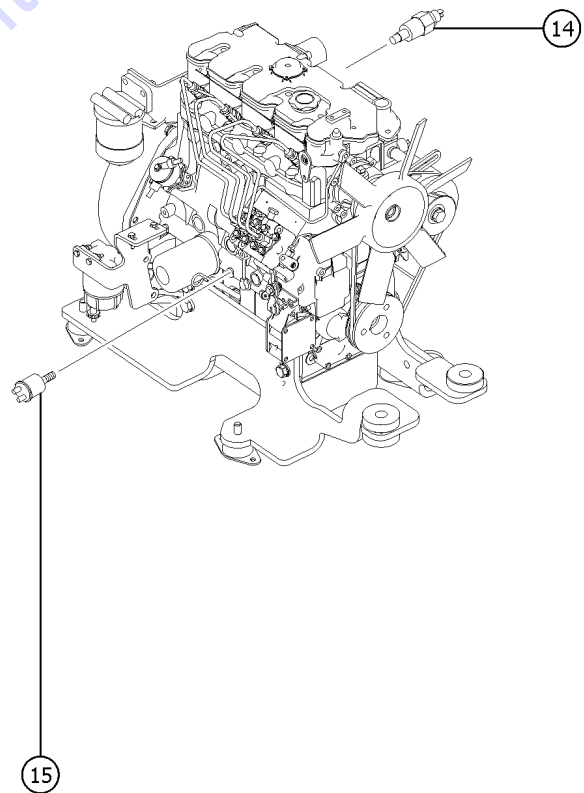
Item	Part No.	Description	Qty.	Item	Part No.	Description	Qty.
--	89404-SGT	OPTION,FULL GAUGE,FORD to SN 7596		8	65456GT	SENDING UNIT-H20TMP LRG425EFI*...1 Ford models; to SN 7471	
--	102326-SGT	OPTION,GAUGE,FORD TIER II from SN 7597 to SN 11066		--	28607GT	ADAPTER,140139-8-6	
--	111591-SGT	OPITON,GAGE,FORD 2007,Z60 SVC from SN 11067		--	33972GT	SENSOR,COOLANT TEMP*	
--	89405-SGT	OPTION,FULL GAUGE,DEUTZ to SN 7543					
--	102324-SGT	OPTION,GAUGE,DEUTZ F3L 2011 from SN 7544					
--	89406-SGT	OPTION,FULL GAUGE,PERKINS to SN 7471					
--	102275-SGT	OPTION,FULL GAUGE,PERKINS404 from SN 7472					
1	37033GT	SENDING UNIT,OIL PRESS.,DEUTZ*...1 Deutz models; single-terminal sender; to SN 7543					
--	30810GT	SENDING UNIT,OIL PRESSURE*** Deutz models; dual-terminal sender; from SN 7544					
2	34058GT	SENDING UNIT,TMP,FRD,GM,PRK704.....1					
--	28607GT	ADAPTER,140139-8-6					
3	53761-SGT	GAUGE,VOLTAGE.....1 includes mounting bracket and fasteners					
4	53758-SGT	GAUGE,OIL PRESSURE W/O SENDER.....1 includes mounting bracket and fasteners					
5	53759-SGT	GAUGE,WATER TEMP.....1 includes mounting bracket and fasteners; Ford models					
--	53760-SGT	GAUGE,OIL TEMP includes mounting bracket and fasteners; Deutz models					
6	75344GT	SENSOR,OIL PRESSUR,PERKIN,1004.....1 Perkins models; to SN 7471					
--	102348GT	SENDING UNIT,OIL PRESS PERKINS Perkins models; from SN 7472					
--	53950GT	ADAPTER, 010103					
7	37033GT	SENDING UNIT,OIL PRESS.,DEUTZ*...1 Ford models; single-terminal sender; to SN 7596					
--	119418GT	ADAPTER,140130-4-4 Ford models; from SN 7597					
--	19360GT	NIPPLE,HEX,130137-4-4 Ford models; from SN 7597					
--	30810GT	SENDING UNIT,OIL PRESSURE*** Ford models; dual-terminal sender; from SN 7597					
--	70486GT	TEE,UNION,1/4" Ford models; from SN 7597					

821.2 Gauge Option (from SN 20505)

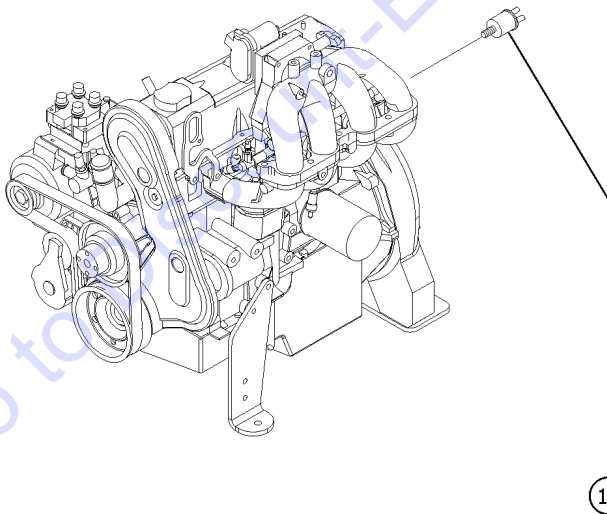
Deutz Engine



Perkins Engine



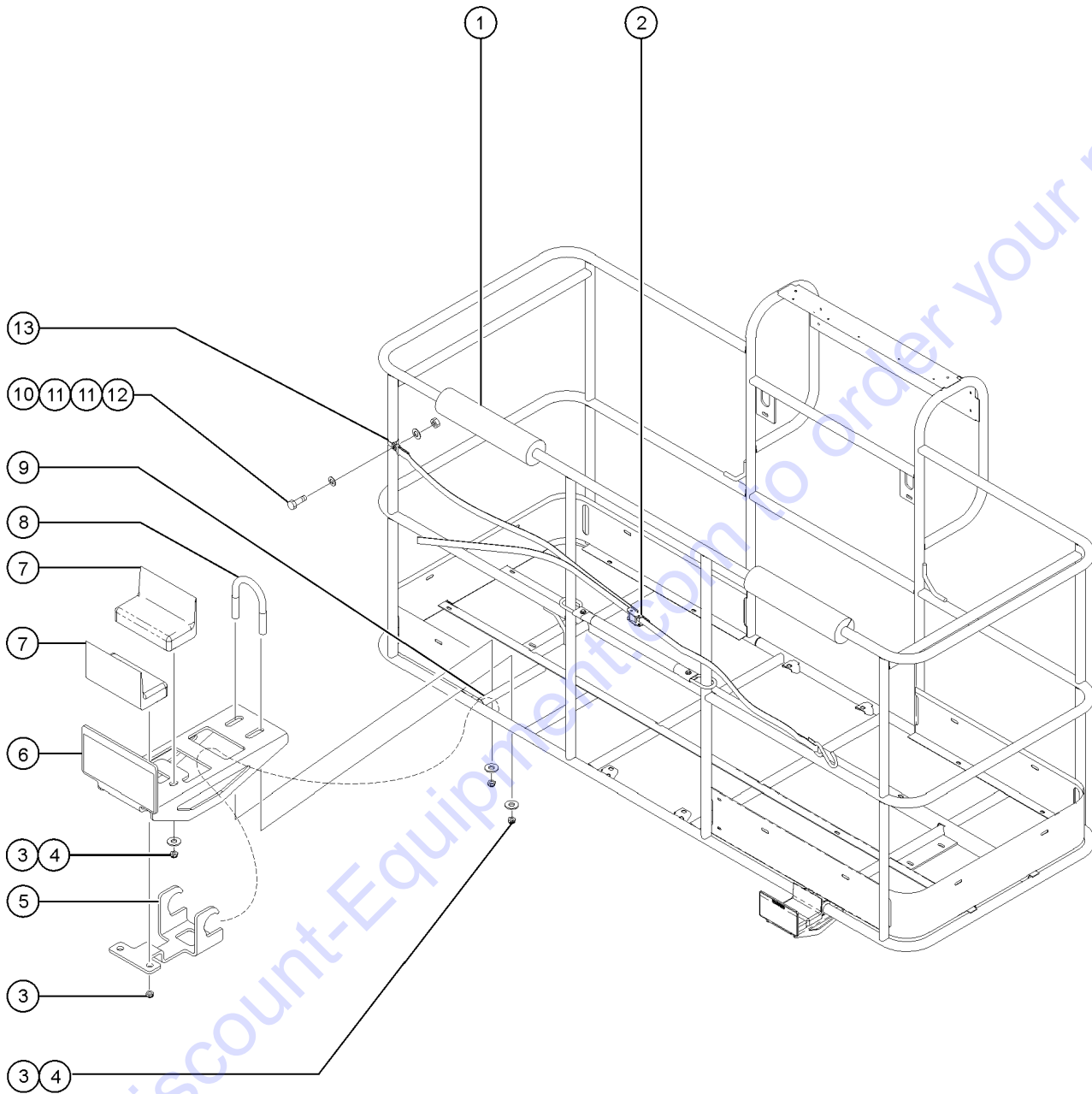
Ford Engine



821.2 Gauge Option (from SN 20505)

Item	Part No.	Description	Qty.
A	1257798GT	OPTION,FULL GAUGE,PERKINS404	
B	1257799GT	OPTION,GAUGE,DEUTZ FULL	
C	1257800GT	OPTION,GAUGE,FORD,DSG423	
D	121482GT	ASSY,GAUGE OPT. OIL COOLED <i>for Deutz models (includes items 3-11)</i>	
E	121490GT	ASSY,GAUGE OPT.WATER COOLED <i>for Perkins and Ford models (includes items 3-11)</i>	
F	121492GT	HARNESS,GAUGE OPT. S80/85	
1	219508GT	CLAMP,FIXED DIA, NYLON, 3/8".....1	
2	1257773GT	FORMING,GAUGE PACKAGE, S40/45...1	
3	49820GT	SCREW,PHILLIPS,PHM,6-32 X .5.....4	
4	12344GT	NUT,NYLOCK,6-32.....4	
5	121491GT	ENCLOSURE BOX, GAUGE OPT.....1	
6	73723GT	CONN RECEPT,FLANGED.....1	
7	824078GT	SCREW,HHF,1/4-20X.75,8,ZAG.....4	
8	824027GT	NUT,TL FLG,1/4-20,G,ZAG.....6	
9A	53759GT	GAUGE,WATER TEMP***1 <i>for Perkins and Ford models</i>	
9B	53760GT	GAUGE, OIL TEMP.....1 <i>for Deutz models</i>	
10	53761GT	GAUGE,VOLTAGE***1	
11	53758-SGT	GAUGE,OIL PRESSURE W/O SENDER.....1	
12	824079GT	SCREW,HHF,1/4-20X1,8,ZAG.....2	
13		Ref. WELDMENT,HYD TANK <i>refer to 303.1</i>	
14	34058GT	SENDING UNIT,TMP,FRD,GM,PRK704.....1 <i>for Perkins models</i>	
--	28607GT	ADAPTER,140139-8-6	
15	30810GT	SENDING UNIT,OIL PRESSURE***1 <i>for Perkins models</i>	
--	71038GT	ADAPTER, 1/8 X 1/4 F3H6-S	
16	30810GT	SENDING UNIT,OIL PRESSURE***1 <i>for Ford models</i>	
--	119418GT	ADAPTER,140130-4-4	
--	19360GT	NIPPLE,HEX,130137-4-4	
--	70486GT	TEE,UNION,1/4"	
17	37033GT	SENDING UNIT,OIL PRESS.,DEUTZ*....1 <i>for Deutz models</i>	

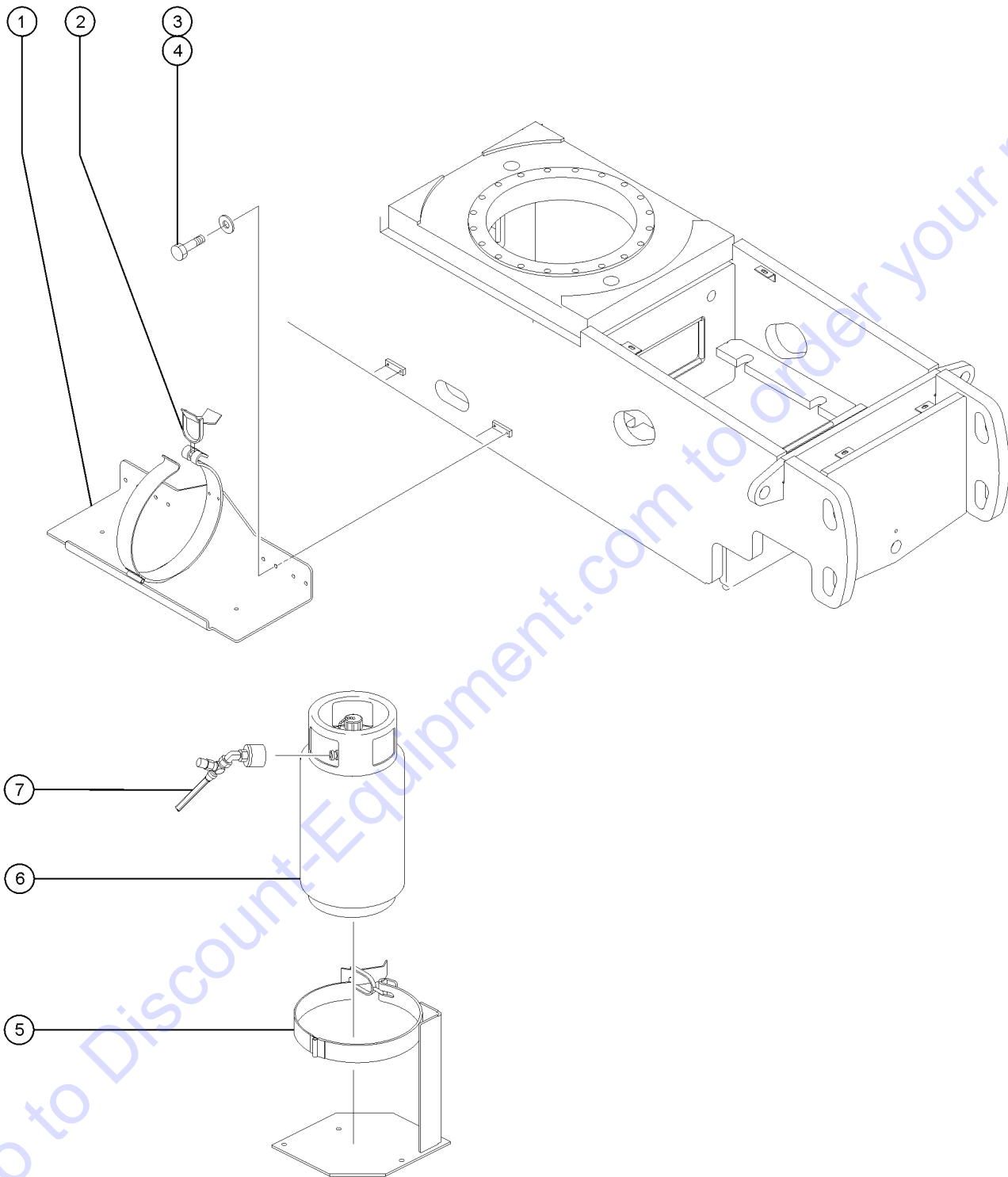
822.1 Panel Cradle Option



822.1 Panel Cradle Option

Item	Part No.	Description	Qty.
--	77683GT	ACCESSORY,PANEL CRADLE,ANSI (ANSI/CSA models)	
--	94493-SGT	KIT,PANEL CRADLE,CE (CE/AUS models)	
1	88377-1400GT	FOAM PAD, 3" OD X 1.25" ID X 14 IN.....2	
2	77664GT	ADJUSTABLE STRAP ASSY.....1	
3	1274322GT	NUT,NYLOCK FLG,3/8-16,F,ZAG.....8	
4	5397GT	WASHER,FLAT,USS,5/16",Y for machines before 2010	
5	228849GT	FORMING,SECONDARY SUPPORT.....2 77576P is no longer available. For machines before 2010, must install Qty 2 service kit 233992 (ANSI) or 233993 (CE) for initial replacement.	
6	228848GT	FORMING PANEL CRADLE.....2 89724 is no longer available. For machines before 2010, must install Qty 2 service kit 233992 (ANSI) or 233993 (CE) for initial replacement.	
--	233992GT	KIT,PANEL CRADLE BRACKET,WORD.....1 (ANSI/CSA models) (includes hook, panel support bracket and installation instructions)	
--	233993GT	KIT,PANEL CRADLE BRACKET,SYMBL.....1 (CE/AUS models) (includes hook, panel support bracket and installation instructions)	
7	56934GT	PAD,REST,1"THICK,FLANGED.....4	
7A	824038GT	NUT, TL JAM, 3/8-16, A, ZAG.....4 for 56934	
8	1251600GT	U-BOLT, FLATTENED, 1.5 X 3/8 UNC,ZAG.....2	
9	73463-1175GT	TUBE, RD, ALUM, 1.25 X .083 X 11.75...2	
10	1256855GT	SCREW,HHF,1/4-20X.625,8,ZAG.....1	
11	6638GT	WASHER,FLAT,USS,1/4"Y for machines before 2010	
12	1277924GT	NUT,NYLOCK FLG,1/4-20,F,ZAG.....1	
13	56424GT	CLAMP,1.25X.5 RUBBER-CUSHION.....1	

823.1 Second LPG Carrier Option

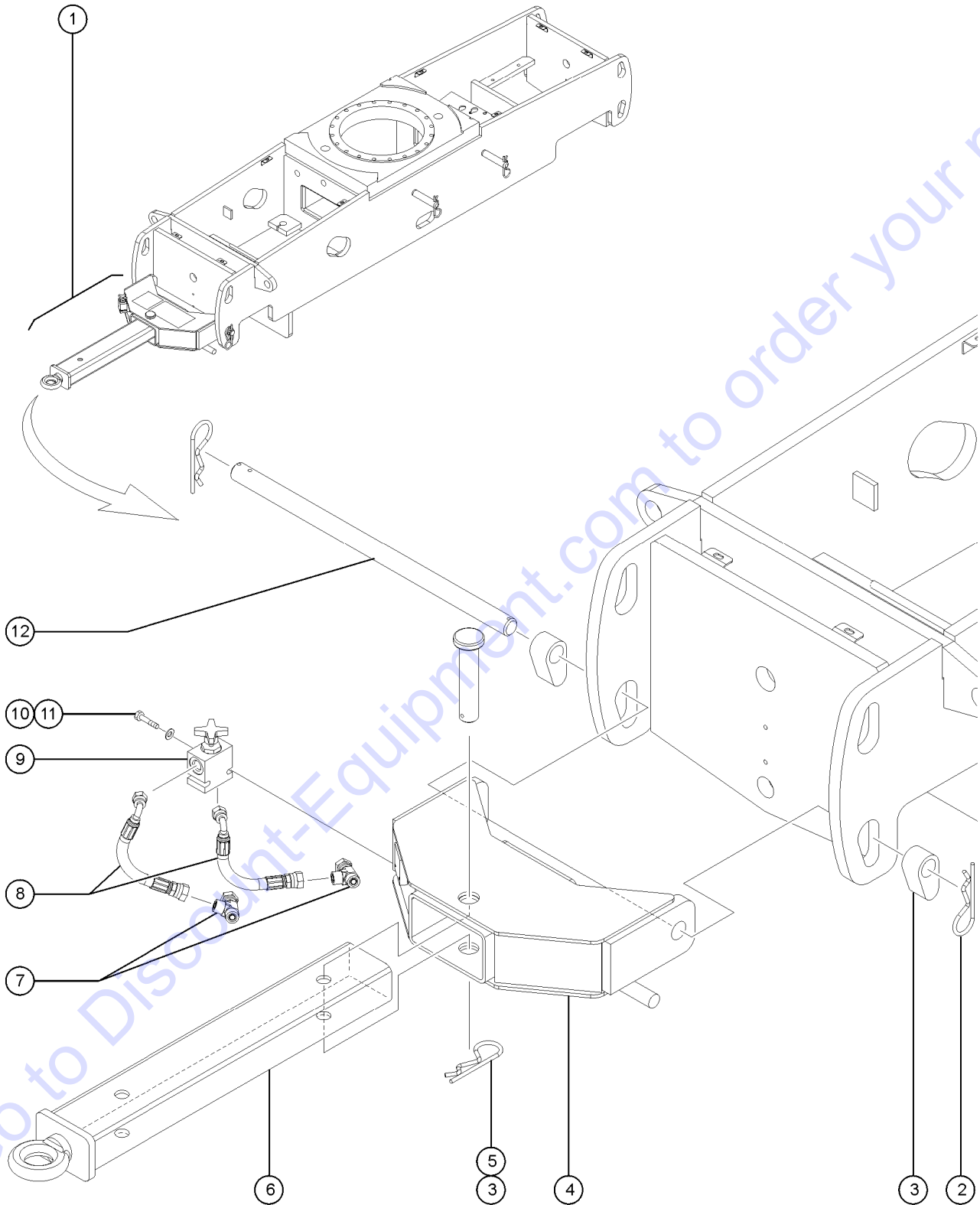


823.1 Second LPG Carrier Option

Item	Part No.	Description	Qty.
--	73963GT	LPG TANK,OPTION	
--	102347GT	2ND LP CARRIER W/TANK,S40 <i>includes item 6; to SN 7400</i>	
--	102347GT	2ND LP CARRIER W/TANK,S40 <i>includes item 6; from SN 7401</i>	
1	89531-SGT	WELDMENT,LP TANK MOUNT.....1 <i>to SN 7400</i>	
--	60143-SGT	WELD, LPG TANK MOUNT <i>from SN 7401</i>	
2	49000GT	L.P.TANK LATCH.....1	
3	8255GT	SCREW,HHC,3/8-16 X .75	
4	6021GT	WASHER,LOCK,.375	
5		Ref. LPG Tank Mount <i>(refer to 301.1)</i>	
6	53605GT	TANK, 7 GAL/33.5 POUND, LP.....1	
7		Ref. LPG Hose Assembly <i>(refer to 301.1)</i>	

Go to Discount-Equipment.com to order your parts

824.1 Tow Package

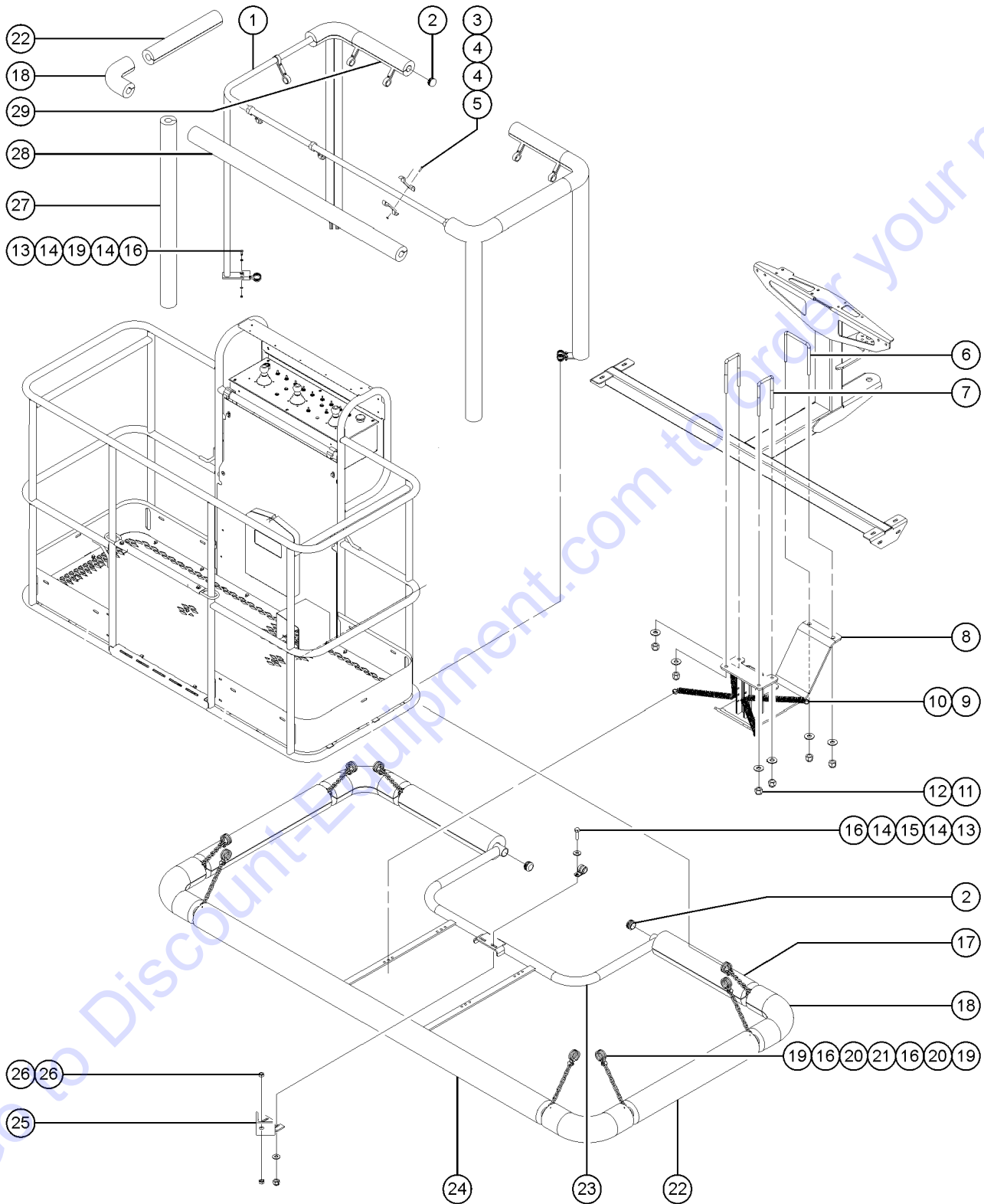


Go to Discount-Equipment.com to order your parts

Item	Part No.	Description	Qty.
1	89975GT	S40 TOW PACKAGE OPTION*** (complete)	
2	42111GT	CLIP,HAIR PIN .243 X 5.25.....	3
3	81975GT	PLATE,CHASSIS ATTACHMENT.....	2
4	47022GT	WELDMENT,TOW BAR ATTACHMENT.....	1
5	42112GT	PIN,CLEVIS,1.25 X 6.0,ZINC.....	1
6	47023GT	WELDMENT,TOW BAR.....	1
7	48875GT	TEE,RUN,SWIVEL,520432-6.....	2
8	49128-8309GT	HOSE ASSEMBLY, 3/8"..... components: 48812, 48816and 48753 @ 81 ches	2
9	25282GT	VALVE,NEEDLE,BRAKE RELEASE.....	1
10	6637GT	SCREW,HHC,1/4-20 X 1.75	
11	6638GT	WASHER,FLAT,USS,1/4"Y	
12	47024GT	PIN,TOW PACKAGE.....	1

Go to Discount-Equipment.com to order your parts

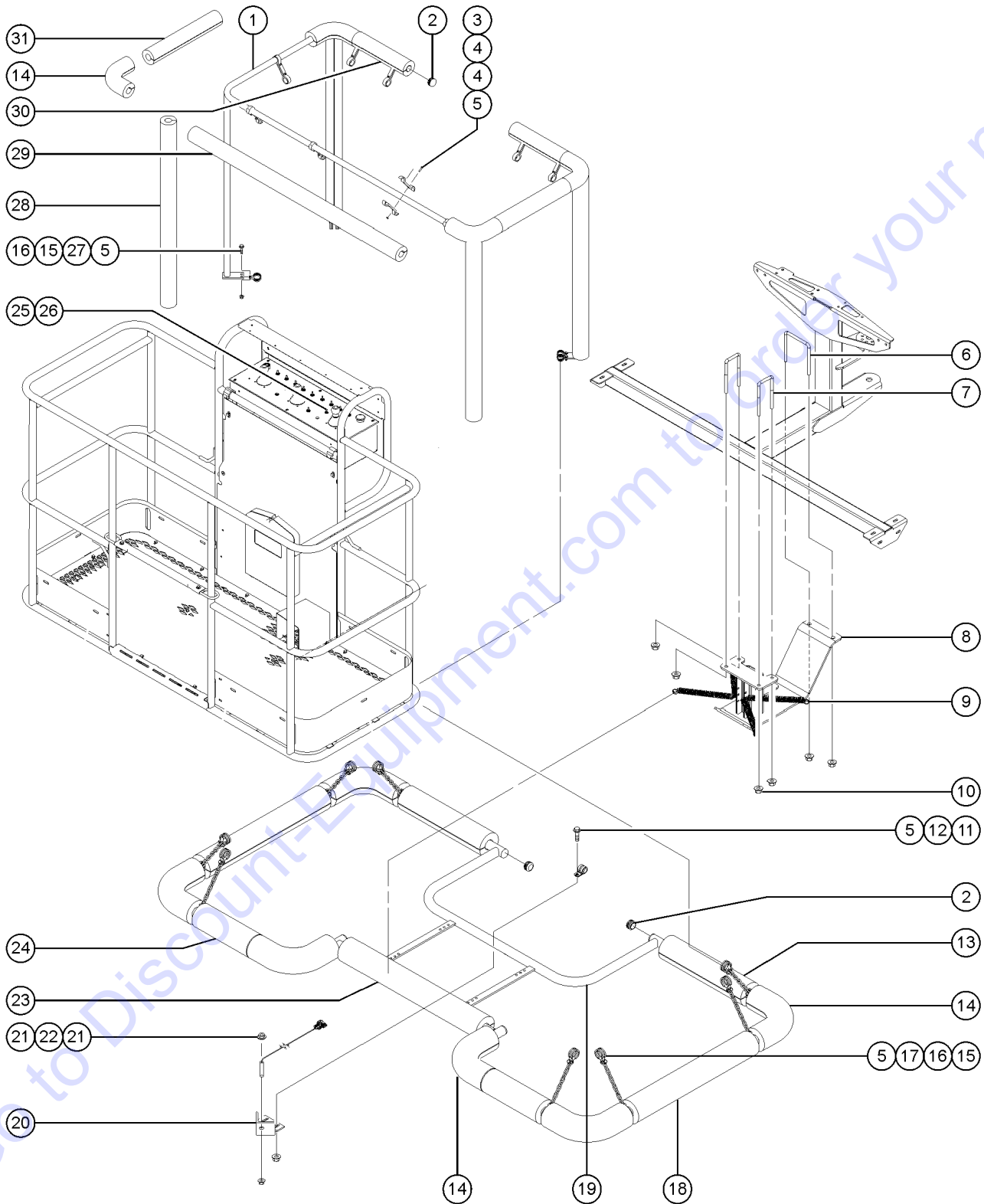
825.1 Aircraft Protection Package (from SN 15675 to 19214)



825.1 Aircraft Protection Package (from SN 15675 to 19214)

Item	Part No.	Description	Qty.
1	46188GT	WELDMENT, AIRCRAFT TOP BUMPER.....	1
2	55753GT	BUMPER, PLASTIC, 1.25 O.D.....	4
3	122231GT	SCREW,BHSC,1/4-20 X 1	
4	122073GT	SUPPORT, RAILING.....	20
5	6889GT	NUT,LP NYLOCK,1/4-20	
6	106044GT	U-BOLT,3/8-16X4X4.63X3.00.....	1
7	66472GT	U-BOLT, SQR, 3/8-16X2X5, PLTD.....	2
8	139904GT	WELDMENT, SKIDPLATE**.....	1
9	88384GT	SPRING, SS, 3/4-EO750-69-4500.....	4
10	88385GT	SPRING, SS, 1/2-EO500-49-4500.....	4
11	4828GT	NUT,NYLOCK,3/8-16	
12	5397GT	WASHER,FLAT,USS,5/16",Y	
13	6888GT	SCREW,HHC,1/4-20 X 1	
14	6638GT	WASHER,FLAT,USS,1/4"Y	
15	6833GT	CLAMP,0.50,#8 X 1/4,RUB CUSH.....	1
16	6091GT	NUT,NYLOCK,1/4-20	
17	75617-1675GT	PADDING,FOAM 3.5"OD X 1.50"ID.....	2
18	75636GT	PADDING,FOAM,3.0"X1.50ID 90DEG.....	8
19	21618GT	CLAMP,1.13,#18 X 1/4,RUB CUSH.....	16
20	6090GT	SCREW,HHC,1/4-20 X .75	
21	56426-700GT	CHAIN,NO.2 (11 LINKS).....	8
22	75617-2275GT	PADDING,FOAM 3.5"OD X 1.50"ID.....	4
23	139181GT	WELDMENT,AIRCRAFT SENSOR BUMPR.....	1
24	75617-6475GT	PADDING,FOAM 3.5"OD X 1.50"ID.....	1
25	77797GT	WELDMENT, SENSOR MOUNT.....	1
26	88390GT	NUT,HEX,M8,PLASTIC	
27	75617-4788GT	PADDING,FOAM 3.5"OD X 1.50"ID.....	4
28	75617-6275GT	PADDING,FOAM 3.5"OD X 1.50"ID.....	1
29	75617-1538GT	PADDING,FOAM 3.5"OD X 1.50"ID.....	2

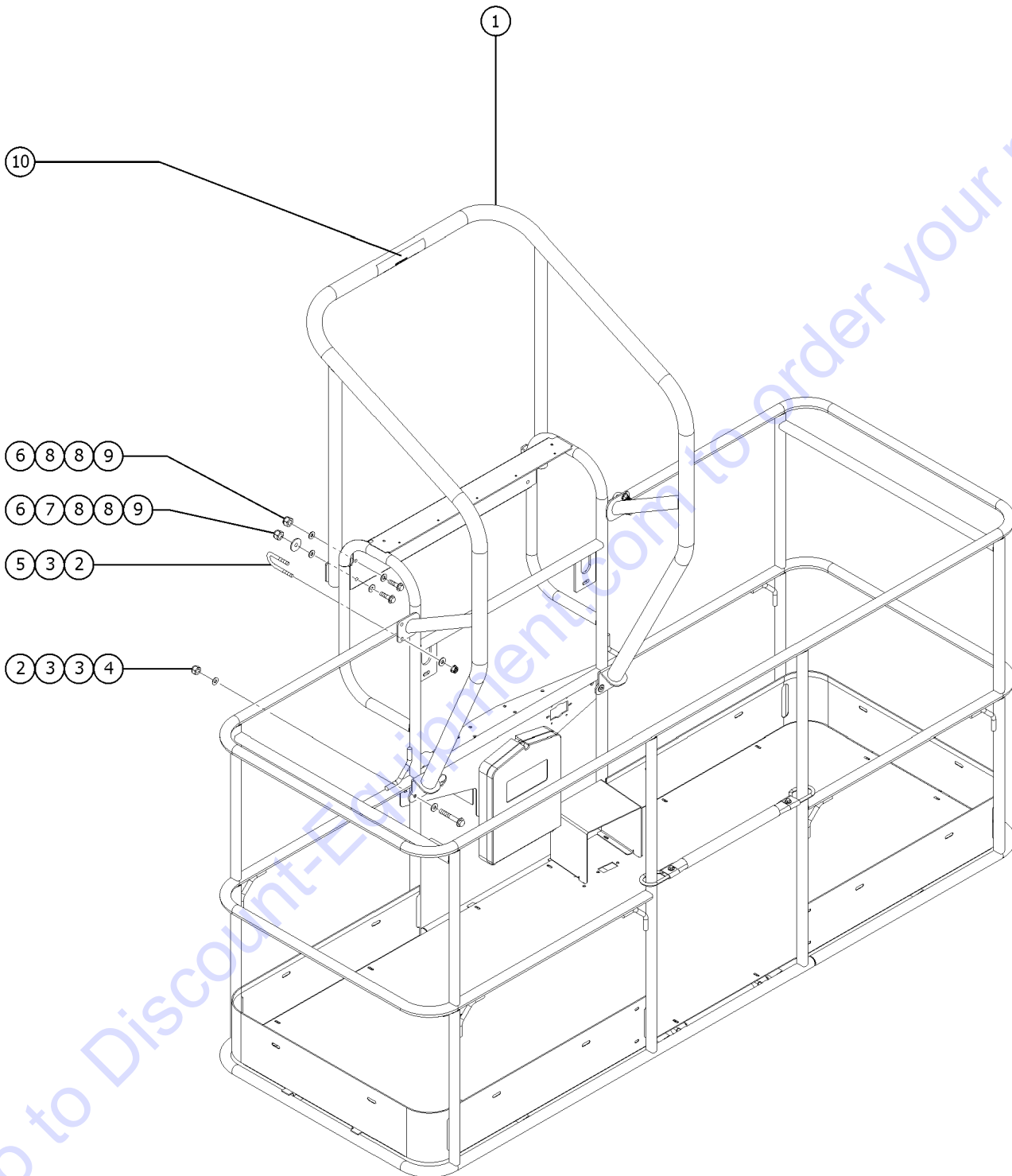
825.2 Aircraft Protection Package (from SN 19215)



825.2 Aircraft Protection Package (from SN 19215)

Item	Part No.	Description	Qty.
1	46188GT	WELDMENT, AIRCRAFT TOP BUMPER.....	1
2	55753GT	BUMPER, PLASTIC, 1.25 O.D.	
3	824227GT	SCREW, BHC, 1/4-20 X 1, ZAG	
4	122073GT	SUPPORT, RAILING.....	20
5	824027GT	NUT, TL FLG, 1/4-20, G, ZAG	
6	106044GT	U-BOLT, 3/8-16X4X4.63X3.00.....	1
7	66472GT	U-BOLT, SQR, 3/8-16X2X5, PLTD.....	2
8	822764GT	WDMT, SKID PLATE.....	1
9	822769GT	SPRING, EXTENSION, 1.92LB/IN.....	4
10	824029GT	NUT, TL FLG, 3/8-16, G, ZAG	
11	824079GT	SCREW, HHF, 1/4-20X1, 8, ZAG	
12	6833GT	CLAMP, 0.50, #8 X 1/4, RUB CUSH.....	1
13	75617-1550GT	PADDING, FOAM 3.5"OD X 1.50"ID.....	2
14	75636GT	PADDING, FOAM, 3.0"X1.50ID 90DEG.....	10
15	21618GT	CLAMP, 1.13, #18 X 1/4, RUB CUSH.....	24
16	824078GT	SCREW, HHF, 1/4-20X.75, 8, ZAG	
17	56426-700GT	CHAIN, NO.2 (11 LINKS).....	8
18	75617-2275GT	PADDING, FOAM 3.5"OD X 1.50"ID.....	2
19	822759GT	WDMT, AIRCRAFT SENSOR BUMPER.....	1
20	77797GT	WELDMENT, SENSOR MOUNT.....	1
21	88390GT	NUT, HEX, M8, PLASTIC	
22	81532GT	HARNES, PROX. KILL..... <i>includes 27391 proximity sensor</i>	1
--	27391GT	PROXIMITY SENSOR***.....	1
23	822768GT	FOAM, AIRCRAFT PROTECTION.....	1
24	75617-1025GT	PADDING, FOAM 3.5"OD X 1.50"ID.....	2
25	128203GT	SWITCH TOGGLE ASSY SPDT 2P MOM.....	1
--	27246GT	BOOT, TOGGLE SWITCH, SHORT*.....	1
26	139882GT	HARN, AC PROTECTION BYPASS.....	1
27	81802GT	PLATE, AIRCRAFT PROTECTION OPT.....	4
28	1259329GT	PADDING, FOAM, 46.5".....	4
29	75617-6275GT	PADDING, FOAM 3.5"OD X 1.50"ID.....	1
30	1259328GT	PADDING, FOAM, 15.5".....	2
31	75617-2075GT	PADDING, FOAM 3.5"OD X 1.50"ID.....	2

826.1 Operator Protection Structure (from SN 7080)

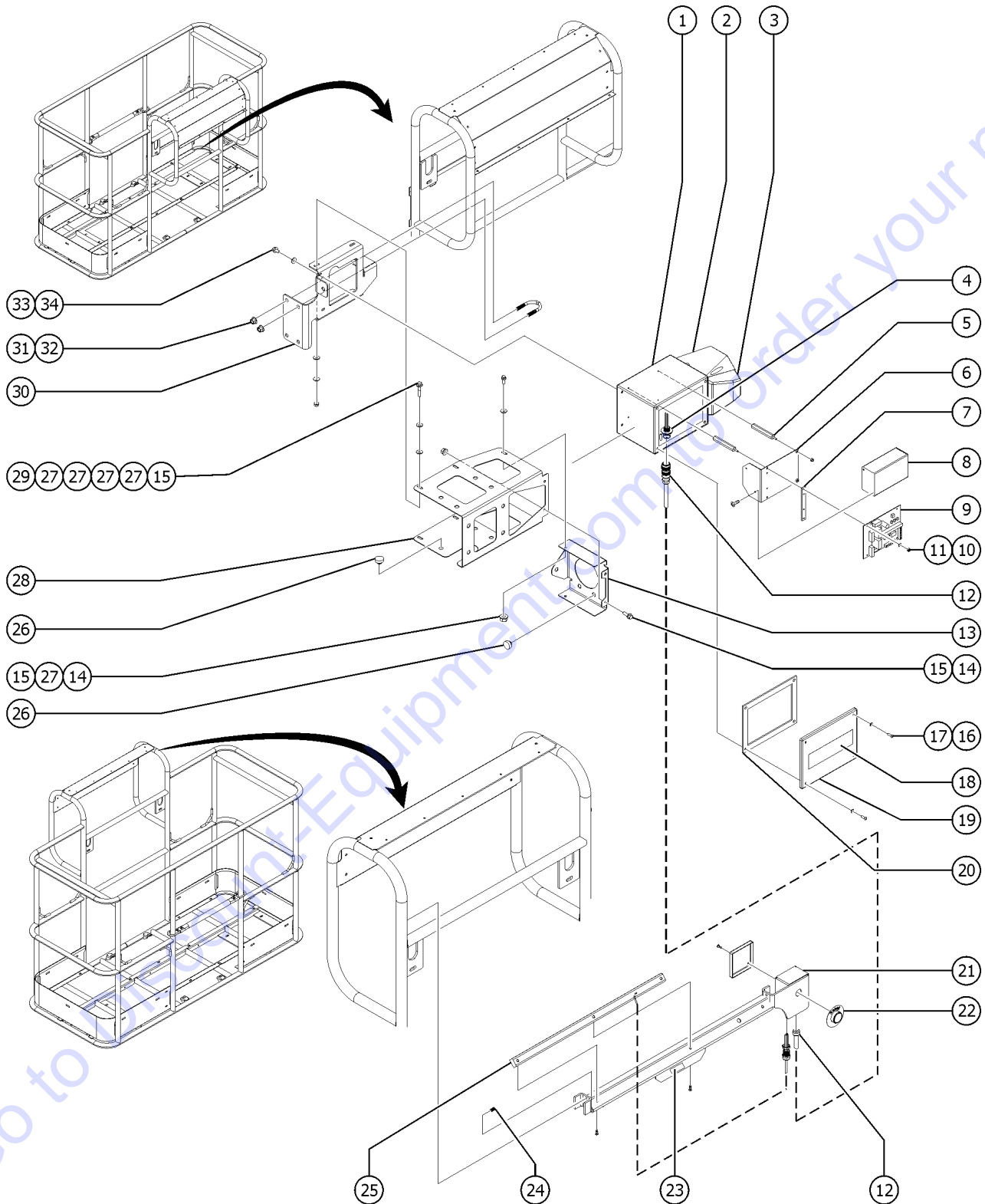


826.1 Operator Protection Structure (from SN 7080)

Item	Part No.	Description	Qty.
--		<i>Fits all 6' and 8' Booms</i>	
1	219158GT	ACCESSORY,OPERATOR PROT STRUCT.....1 <i>(Complete) includes all fasteners</i>	1
2	1256468GT	NUT,3/8-16,8,ZAG.....8	8
3	1255758GT	WASHER,FLAT,3/8,USS,ZAG.....12	12
4	824069GT	SCREW,HHC,3/8-16X2.5,8,ZAG.....4	4
5	1251600GT	U-BOLT, FLATTENED, 1.5 X 3/8 UNC,ZAG.....4	4
6	1261184GT	NUT,1/4-20,8,ZAG.....4	4
7	824120GT	WASHER,FLAT,.375X1.50X.125,ZAG.....2 <i>Use only with the platform control box cover option</i>	2
8	824113GT	WASHER,FLAT,USS,1/4,ZAG.....6	6
9	824060GT	SCREW,HHC,1/4-20X1,8,ZAG.....4	4
10		Ref. DECAL, INSTRUCTION, OPS.....1 <i>refer to Section 1</i>	1

Go to Discount-Equipment.com to order your parts

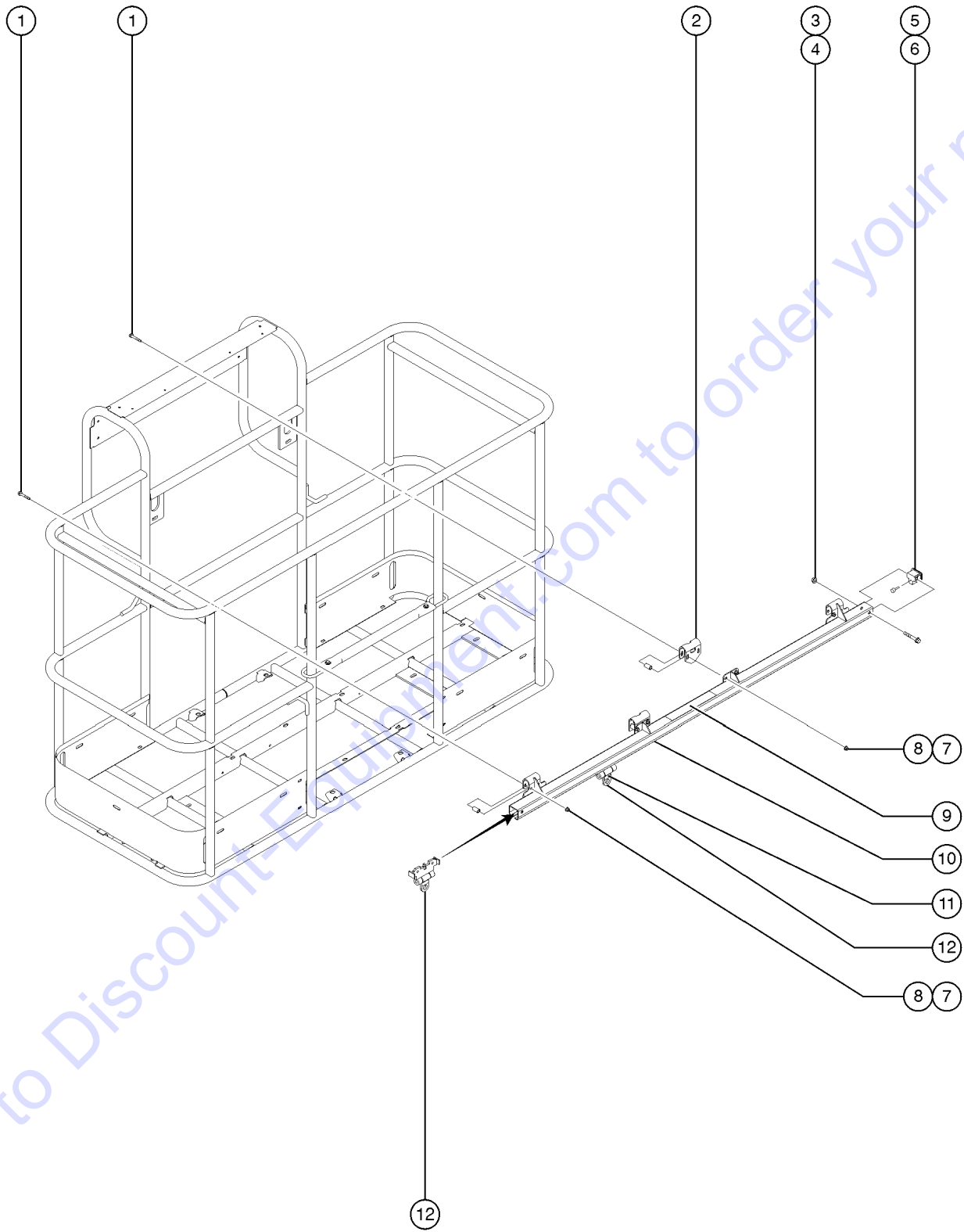
827.1 Operators Protection Alarm



827.1 Operators Protection Alarm

Item	Part No.	Description	Qty.	Item	Part No.	Description	Qty.
A	1255034GT	ASSEMBLY,MAIN CABLE,OPA.....	1	32	1251600GT	U-BOLT, FLATTENED, 1.5 X 3/8 UNC,ZAG.....	2
B	1275537GT	ASSEMBLY, OPA PROTECTION CAGE.....	1	33	237238GT	SCREW,HHF,M6-1.0X12,DIN6921,10.....	2
1	1255018GT	BASE ENCLOSURE,RED,OPA.....	1	34	1257389GT	WASHER, FLAT, M6X18X1.6,DIN9021,ZAB.....	2
2	1255021GT	SOUNDER,MIDI,OPA.....	1				
3A	1255037GT	SOUNDER LENS, OPA, BLUE..... <i>(standard lens fitted to OPA)</i>	1				
3B	1270116GT	SOUNDER LENS, OPA, RED.....	1				
3C	1270117GT	SOUNDER LENS, OPA, AMBER.....	1				
3D	1270118GT	SOUNDER LENS, OPA, CLEAR.....	1				
4	1255033GT	HARN,PIGTAIL,TAPESWITCH,OPA.....	1				
5	1255028GT	STAND OFF,CONTROL UNIT.....	4				
6	1255024GT	BRACKET,CONTROL UNIT.....	1				
7	1255025GT	SPACER,HEAT SINK.....	1				
8	1255023GT	ASSY,MODULE,CONTROL UNIT,OPA....	1				
9	1255022GT	MODULE,CONTROL UNIT,PCB,OPA....	1				
10	1255067GT	NUT,M4 NYLOCK.....	4				
11	1255066GT	WASHER,M4 NYLON.....	4				
12	1255035GT	ASSEMBLY,CABLE,TAPESWITCH.....	1				
13	1275539GT	FORMING, OPA CAP.....	1				
14	824078GT	SCREW,HHF,1/4-20X.75,8,ZAG.....	5				
15	824027GT	NUT,TL FLG,1/4-20,G,ZAG.....	9				
16	1255038GT	SCREW,M5X16 BHD.....	4				
17	1255027GT	WASHER,M5 NYLON.....	4				
18	1255890GT	DECAL,COSMETIC,GENIE.....	1				
19	1255020GT	LID ENCLOSURE,RED,OPA.....	1				
20	1255019GT	GASKET,ENCLOSURE.....	1				
21	1255029GT	ASSEMBLY,TAPESWITCH..... <i>"(6/8' platforms) (includes j-box and fasteners)"</i>	1				
22	1255036GT	ASSEMBLY RESET SWITCH.....	1				
23	1255889GT	DECAL,SYMBOL-READ THE MANUAL.....	1				
24	1255068GT	SCREW,M6X8.....	2				
25	1255047GT	SENSOR,RUBBER EDGE..... <i>(6/8' platforms)</i>	1				
26	43392GT	BUMPER,BATTERY BOX & RAILS.....	17				
27	824113GT	WASHER,FLAT,USS,1/4,ZAG.....	19				
28	1275538GT	FORMING, OPA CAGE.....	1				
29	824080GT	SCREW,HHF,1/4-20X1.25,8,ZAG.....	4				
30	1275540GT	FORMING, OPA, BRACKET.....	1				
--	1271945GT	KIT, OPA WELDER BRACKET <i>Complete assembly bracket with fasteners and U-Bolt 1251600; from SN 22368</i>					
31	824029GT	NUT,TL FLG,3/8-16,G,ZAG.....	4				

828.1 Fall Arrest Bar



Go to DiscountEquipment.com to order your parts

Item	Part No.	Description	Qty.
1	1256856GT	SCREW,HHF,3/8-16X2.5,8,ZAG.....	4
2	1256389GT	FORMING,INNER HANGER.....	2
3	1251997GT	NUT,TL FLG,1/2-13,G,ZAG.....	2
4	1256851GT	SCREW,HHF,1/2-13X3.5,8,ZAG.....	2
5	1260892GT	END STOP,TRACK,FALL ARREST BAR.....	2
6	36388GT	BUMPER,RUBBER,.75 X .50H,STUD....	2
7	1274322GT	NUT,NYLOCK FLG,3/8-16,F,ZAG.....	8
8	1256481GT	SPACER, HANGER BRACKET.....	8
9A	1256400GT	DECAL,TRACK,FALL ARREST BAR,WORD.....	1
9B	1260910GT	DECAL,TRACK,FALL ARREST BAR,SYMBOL.....	1
9C	1256400FRGT	DECAL,TRACK,FALL ARREST BAR,WORD FR.....	1
10A	1256377GT	ACC,FALL ARREST BAR,8FT WORD....	1
--	1256379GT	ASSY,TRACK,FALL ARREST BAR,8FT WORD <i>includes decals</i>	
10B	1261022GT	ACC,FALL ARREST BAR,8FT SYM.....	1
--	1261024GT	ASSY,TRACK,FALL ARREST BAR,8FT SYM <i>includes decals</i>	
10C	1261018GT	ACC,FALL ARREST BAR,8FT FR.....	1
--	1261020GT	ASSY,TRACK,FALL ARREST BAR,8FT FR <i>includes decals</i>	
10D	1256378GT	ACC,FALL ARREST BAR,6FT WORD....	1
--	1256380GT	ASSY,TRACK,FALL ARREST BAR,6FT WORD <i>includes decals</i>	
10E	1261023GT	ACC,FALL ARREST BAR,6FT SYM.....	1
--	1261025GT	ASSY,TRACK,FALL ARREST BAR,6FT SYM <i>includes decals</i>	
10F	1261019GT	ACC,FALL ARREST BAR,6FT FR.....	1
--	1261021GT	ASSY,TRACK,FALL ARREST BAR,6FT FR <i>includes decals</i>	
11	40434GT	DECAL,LANYARD ANCHORAGE POINT.....	1
12	1256439GT	TROLLEY, TRACK, FALL ARREST BAR.....	1

Part Number Index

The Part Number Index is a numeric index of all part numbers included in this manual. The index shows what page(s) the part is used on.

Part Number	Page	Part Number	Page	Part Number	Page	Part Number	Page
07.4501.0291GT	193	102126GT	46	102805GT	45-46	107709GT	281-282
1000057GT	18-19, 21, 31	102128GT	163	102940GT	244	107710GT	281-282
101005GT	237	102134GT	161, 165	102958GT	211	107755GT	225-226, 301
101005HGT	237	102137GT	115	102961GT	211	107777GT	301
10107GT	77-78, 81, 83, 85, 152, 161, 163, 305	102138GT	115	102977GT	157, 161	107858GT	279, 282
101118PGT	165	102139GT	117	102992GT	221-222	108538GT	185
101119PGT	165	102141GT	119	104030GT	231	109802GT	129, 145
101121PGT	165	102142GT	121	104759GT	255	110194GT	239-240, 243- 244, 249, 251
101126PGT	163	102143GT	207	10597GT	171-172, 181, 207, 209	110196GT	239-240, 243- 244
101127PGT	163	102144GT	209	10598GT	159, 193, 201	110198GT	255
101128PGT	163	102145GT	225-226	106043GT	307, 309, 311	110199GT	244
101174GT	237	102146GT	225-226	106044GT	307, 309, 311, 337, 339	110200GT	239-240, 243- 244
101174HGT	237	102147GT	229	106073GT	305	110201GT	240, 244
101175GT	237	102148GT	285	106077GT	305	110202GT	239-240, 243- 244
101175HGT	237	102149GT	23-24	106098GT	52, 58, 64	110205GT	239-240
101373GT	226	102150GT	17-19	106104GT	305	110220GT	307, 309
101375GT	226	102162GT	46	106110GT	307, 309	110226-1600GT	307, 309, 311
101376GT	226	102192-SGT	41, 55	106111GT	307, 309	110276-2200GT	307, 309, 311
101377GT	225-226	102224-SGT	43	106112GT	307, 309	110276-2300GT	307, 309, 311
101378GT	226	102267-9240GT	275	106113GT	305	110276-3200GT	307, 309, 311
101379GT	226	102275-SGT	327	106115GT	305	110276-4700GT	307, 309
101381GT	226	102278GT	45-46, 57-58	106117GT	52, 57-58, 64, 69-70, 73	110276-5000GT	307, 309, 311
101382GT	226	102312-2088GT	313	106118GT	52, 58, 64, 69- 70, 73	110304GT	139, 161, 195
101383GT	225-226	102312-2388GT	313	106119GT	52, 57-58, 64, 69-70, 73	110344GT	305
101384GT	226	102313-2726GT	313	106120GT	52, 57-58, 64, 69-70, 73	110382GT	87
101440GT	249, 251	102313-2926GT	313	106121GT	52, 57-58, 64, 69-70, 73	110406GT	175, 183
101446GT	249	102313-2926GT	313	106122GT	52, 57-58, 64, 69-70, 73	110407GT	181
101516GT	257	102314GT	305	106123GT	52, 57-58, 64, 69-70, 73	110413GT	175
101525GT	307, 309, 311	102324-SGT	327	106124GT	52, 57-58, 64, 69-70, 73	110415PGT	171-172
101547PGT	307, 309, 311	102340GT	301, 305	106125GT	52, 57-58, 64, 69-70, 73	110416PGT	175
101584GT	52, 57-58, 64, 69-70, 73	102342GT	78	106126GT	52, 57-58, 64, 69-70, 73	110417PGT	175, 183
101586GT	58, 64	102347GT	333	106123GT	52, 57-58, 64, 69-70, 73	110419PGT	175
101587GT	52	102348GT	327	106124GT	52, 57-58, 64, 69-70, 73	110422GT	171-172
101626GT	189	102357GT	305	106125GT	52, 57-58, 64, 69-70, 73	110423GT	175
101639GT	319	102372GT	319	106126GT	52, 57-58, 64, 69-70, 73	110424GT	172
101640GT	319	102373PGT	319	106134GT	52, 58, 64, 69- 70, 73	110477GT	183
101726GT	81, 83, 85	102374PGT	319	106183GT	307, 309, 311	110758GT	171-172
101727GT	78	102408PGT	307, 309, 311	106184GT	305	110789GT	287
101731PGT	307, 309	102409PGT	307, 309, 311	106204PGT	307, 309, 311	110876GT	69-70
101732GT	307, 309	102433GT	281-282	106226GT	183	110890PGT	175
102003PGT	319	102434GT	281-282	106271PGT	163	110892PGT	175
102005PGT	319	102436GT	281-282	106274GT	305	110919GT	175
102007GT	319	102437GT	281-282	106275GT	307, 309, 311	111026GT	124-125
102009GT	161	102438GT	281-282	106375GT	305	111027GT	135-136
102010PGT	161	102439GT	281-282	106394GT	257	111028GT	141
102013PGT	163	102440GT	281-282	106421GT	215, 217	111029GT	141
102033GT	123-125	102526GT	244	106477GT	305	111152GT	124-125
102062GT	203	102527GT	244	106485GT	163	111234GT	221-222
102065PGT	163	102587GT	185	106486GT	161	111235GT	221-222
102066GT	183, 193, 201	102614GT	239-240, 243- 244	106487GT	163	111236GT	221-222
102066PGT	139, 141, 149, 151-152, 165, 175	102615GT	239-240, 243- 244	106490GT	14, 165	111237GT	221-222
102067PGT	151-152	102616GT	239-240, 243- 244	106491GT	163	111238GT	221-222
102068PGT	163	102617GT	239-240, 243- 244	106605GT	124-125	111239GT	221-222
102069GT	287	102676GT	285	106637GT	97, 103-104, 107-108	111240GT	221-222
102072GT	161	102679GT	225-226	106658GT	305	111241GT	221-222
102073GT	161	102680GT	91	106663GT	135-136	111250GT	225-226
102074GT	161	102683GT	131	107704GT	281-282	111251GT	225-226
102088GT	45-46	102686GT	147	107705GT	281-282	111252GT	225-226
102089GT	45-46	102721PGT	281-282	107706GT	281-282	111253GT	225-226
102091PGT	149	102740GT	117	107707GT	281-282	111275GT	225-226
102092GT	149	102746GT	257	107708GT	281-282	111302GT	281-282
102098GT	161	102747PGT	321	106658GT	305	111304GT	281-282
102103GT	161	102748GT	141	106663GT	135-136	111305GT	281-282
102104GT	161	102749GT	139, 201	107704GT	281-282	111319GT	281-282
102107GT	123-125	102779PGT	161	107705GT	281-282	111320GT	282
102109PGT	161	102784PGT	321	107706GT	281-282	111322GT	17-19
102117GT	163	102786PGT	285	107707GT	281-282	111339GT	175
102118GT	161	102794GT	165	107708GT	281-282	111341GT	175
102119GT	163, 175	102802GT	51-52, 63-64	106658GT	305	111343GT	143
102121GT	161, 172, 181	102803GT	51-52, 63-64	106663GT	135-136	111344GT	149
		102804GT	45-46	107704GT	281-282	111351GT	315

Part Number	Page	Part Number	Page	Part Number	Page	Part Number	Page
111355GT	115	114252GT	23-24, 35	119619GT	41, 43, 49, 55,	122491GT	89
111368GT	51-52, 63-64	114258GT	17-19, 21		61, 69-70	122512GT	93-94
111369GT	51-52, 63-64	114277GT	18-19, 23-24, 27	119621GT	49, 51-52, 61,	122606GT	93-94
111370GT	51-52, 63-64	114389GT	17-19, 21, 31		63-64	122630GT	305
111381GT	297	114390GT	17-19, 21, 27	119641GT	233	122631GT	305
111390GT	139	114416GT	17-19, 31	119644GT	231	122645GT	244
111402GT	149	114425GT	21	119662GT	233	122648GT	117
111408GT	209	114473GT	23-24, 39	119795GT	285	122654GT	121
111413GT	229	115431GT	195	119796PGT	285	122711GT	123-125
111414GT	229	11637GT	89	119797PGT	285	122712GT	123-125
111415GT	235	119051GT	172, 181	119809GT	135-136	122754GT	123-125
111416GT	235	119052GT	171-172, 181	119824GT	175	122755GT	225-226, 307,
111417GT	235	119053GT	175	119826GT	175		309
111418GT	139	119056GT	295	119867GT	123-125	122781GT	305
111420GT	229	119057GT	295	119915GT	237	122783GT	305
111422GT	207	119065GT	213, 295	119918GT	78	122850GT	41, 43, 51-52,
111423GT	209	119066GT	295	119950GT	281-282		55, 63-64, 69-70
111424GT	77-78, 81	119067GT	301	121066GT	213	122882GT	115
111425GT	77-78, 81	119073GT	175	121419GT	193, 201	122884GT	115
111445GT	151-152	119116GT	243-244	121422GT	213	122886GT	17-19
111453GT	45-46, 51-52,	119117GT	149	121482GT	329	122887GT	23-24
	63-64	119135GT	167	121490GT	329	122944GT	215, 217, 219
111454GT	45-46, 51-52,	119137GT	167	121491GT	329	122957GT	93-94
	63-64	119138GT	169	121492GT	329	122959GT	93-94
111485PGT	281-282	119139GT	167, 177	121599GT	93-94, 99-100,	122994GT	99-100, 103-
111486PGT	281-282	119140GT	171-172, 179		104, 108, 111-		104, 107-108,
111495GT	124-125	119142GT	167		112		111-112
111521GT	207	119153GT	169	121846GT	93-94, 97, 99-	12344GT	93-94, 99-100,
111526GT	285	119168GT	77-78		100, 111-112,		104, 108, 111-
111544GT	207	119169GT	175		287		112, 231, 233,
111576GT	301	119170GT	175	121847GT	287		329
111580GT	115, 117	119203GT	155	121848GT	287	12443GT	221-222
111591-SGT	327	119218GT	183, 197	122017PGT	175	1251499GT	193, 201
111603GT	171-172	119231GT	293	122019GT	279	1251500GT	193, 201
111604PGT	171-172	119232GT	175, 183	122020GT	231	1251501GT	193
111608GT	169	119250GT	233	122049GT	124-125	1251502GT	193, 201
111609PGT	171-172	119344GT	149	122056GT	123-125	1251503GT	193, 201
111611PGT	171-172	119394GT	171-172, 191	122057GT	123-125	1251504GT	193, 201
111615GT	171-172	119403GT	295	122058GT	123-125	1251505GT	193, 201
111616GT	123-125	119418GT	327, 329	122073GT	281-282, 337,	1251506GT	201
111632PGT	175	119463GT	171-172, 179		339	1251507GT	201
111633GT	171-172	119464GT	171-172	122077PGT	171-172	1251510GT	193
111634GT	157, 161, 171-	119465GT	167	122079GT	89, 119, 121,	1251575GT	193, 201
	172, 181	119466GT	167		225-226	1251588GT	189
111648GT	89	119468GT	169	122087GT	124-125	1251600GT	289, 331, 341,
111663GT	115, 117	119469GT	169	122098GT	124-125		343
111666GT	172	119471GT	169	122120GT	244	1251731GT	191
111668GT	149	119472GT	123-125	122124GT	123-125	1251814GT	199
111672GT	124-125	119473GT	169	122125GT	123-125	1251815GT	201
111697GT	172	119474GT	169, 179	122215GT	123-125	1251816GT	201
111699PGT	175	119475GT	167, 177	122216GT	123-125	1251818GT	201
111703GT	239-240, 243-	119477GT	169, 179	122217GT	123-125	1251819GT	201
	244	119478GT	167	122221GT	171-172	1251984GT	103-104, 111-
111704GT	239-240, 243-	119479GT	167	122228GT	124-125		112
	244	119481GT	167	122229GT	124-125	1251985GT	107-108, 111-
111744GT	169	119483GT	124-125	122230GT	171-172		112
111748GT	171-172, 181	119484GT	171-172, 183	122231GT	281-282, 337	1251995GT	201
111750GT	117	119487GT	77-78	122234PGT	171-172	1251996GT	201
111778GT	239-240, 243-	119495GT	167	122236GT	125	1251997GT	345
	244	119496GT	169	122252GT	125	1252508GT	207
111779GT	240, 243-244	119497GT	167	122274GT	77-78, 81, 83, 85	1252509GT	209
111817-2775GT	77-78	119498GT	167	122275GT	77-78, 81, 83, 85	1252510GT	207
111817-4800GT	78	119500GT	167	122276GT	279	1252511GT	207
111817-675GT	77-78	119534GT	233	122277GT	78	1252512GT	209
111817-725GT	77-78	119536PGT	219	122278GT	281-282	1252513GT	209
111818GT	77-78	119542GT	219	122279GT	281-282	1252527GT	197
112043GT	191	119544GT	169	122281PGT	57-58, 69-70	1252528GT	197
112283GT	175	119545GT	167	122283GT	117	1252684GT	104, 108
112285GT	171-172	119546GT	175, 177	122300GT	305	1252685GT	103-104, 107-
114099GT	18-19, 21, 23-	119547GT	167	122302GT	257		108, 111-112
	24, 27, 33, 35	119548GT	167	122313PGT	51-52, 63-64	1252940GT	199
114160GT	23-24, 33	119551GT	167	122316GT	43	1252941GT	199
114169GT	17-19, 27	119560GT	233	122348GT	45-46, 51-52,	1252942GT	199
114236GT	18-19, 23-24	119568GT	167, 177		63-64	1252943GT	141, 199
114247GT	23-24, 37	119589GT	18-19	122349GT	63-64	1252944GT	199
114251GT	23-24, 33	119613GT	235, 237	122350GT	63-64	1253409GT	99-100, 111-112

Part Number Index (continued)

Part Number	Page	Part Number	Page	Part Number	Page	Part Number	Page
1253843GT	207, 209	1256826GT	123-125	1262881GT	185	128024GT	135-136
1253893GT	124-125	1256827GT	111-112	1262883GT	185	128045GT	287
1253922GT	191	1256828GT	123-125	1262890GT	185	128061GT	135-136, 181, 197, 199
1254267GT	191	1256829GT	111-112	1262893GT	185	128062GT	171-172
1254452GT	191	1256851GT	345	1262894GT	185	1280665GT	87
1254453GT	191	1256855GT	331	1262895GT	185	128079GT	152
1254594GT	185, 187	1256856GT	43, 345	1262896GT	185	128125GT	123-125
1254704GT	191	1257216GT	307, 309, 311	1262897GT	185	128164GT	259
1254804GT	229	1257231GT	191	1262899GT	185	128165GT	167, 177
1254823GT	191	1257264GT	287	1263120GT	187	128166GT	167, 177
1254826GT	147, 151-152	1257389GT	343	1264229GT	151-152	128172GT	217, 219
1255018GT	343	1257733GT	13-14	1264497GT	152	128200GT	93-94, 99-100, 103-104, 107-108, 111-112, 229, 231, 293
1255019GT	343	1257773GT	329	1264498GT	151-152	128201GT	93-94, 99-100, 103-104, 107-108, 111-112, 229, 231
1255020GT	343	1257798GT	329	1264499GT	151-152	128202GT	93-94, 99-100, 103-104, 107-108, 111-112, 229, 231
1255021GT	343	1257799GT	329	1264822GT	123-125	128203GT	97, 229, 339
1255022GT	343	1257800GT	329	1264834GT	123-125	128204GT	93-94, 99-100, 103-104, 107-108, 111-112, 229, 231, 233
1255023GT	343	1257825GT	195	1264894GT	177	128205GT	229, 297, 301
1255024GT	343	1257838GT	187	1264969GT	87	128268GT	217, 219
1255025GT	343	1258038GT	43	1266019GT	21	128274GT	293
1255027GT	343	1258102GT	125	1267807GT	147, 157, 161, 203	1282959GT	213
1255028GT	343	1258567GT	13-14	1268229GT	147, 157, 161	1282993GT	282
1255029GT	343	1258592GT	43	1268GT	13-14	1283571GT	179
1255033GT	343	1258594GT	43	1269500GT	235, 237	1283572GT	179
1255034GT	343	1259054GT	155, 165	1269693GT	301	1283573GT	179
1255035GT	343	1259057GT	167	1270116GT	343	1283574GT	179
1255036GT	343	1259216GT	124-125	1270117GT	343	1283575GT	179
1255037GT	343	1259217GT	123-125	1270118GT	343	128365GT	124-125, 293, 295
1255038GT	343	1259328GT	339	1271124GT	124-125	128368GT	281-282
1255047GT	343	1259329GT	339	1271398GT	305	1283776GT	13-14
1255066GT	343	1259461GT	213	1271437GT	45-46, 51-52, 63-64	128416GT	249, 257
1255067GT	343	1259462GT	213	1271438GT	45-46, 51-52, 63-64	128417GT	249
1255068GT	343	1259463GT	213	1271439GT	45-46, 51-52, 63-64	128418GT	249
125530GT	125	1259654GT	185	1271440GT	45-46, 51-52, 63-64	128419GT	253, 257
1255362GT	209	1259660GT	185	1271441GT	45-46, 51-52, 63-64	128420GT	253
1255363GT	209	1259661GT	295	1271442GT	45-46, 51-52, 63-64	128429GT	281-282
1255452GT	41, 43, 55	1259683GT	75	1271443GT	45-46, 51-52, 63-64	128432GT	293
1255555GT	125	1259704GT	281-282	1271444GT	63-64	128454PGT	219
1255653GT	147, 151-152, 187	1259708GT	295	1271445GT	63-64	1284764GT	282
1255692GT	191	1259717GT	185	1271446GT	63-64	128482GT	219
1255758GT	341	1260175GT	187	1271447GT	63-64	128483GT	219
1255763GT	152	1260209GT	231, 233	1271448GT	63-64	128501GT	219
1255889GT	343	1260216GT	233	1271449GT	63-64	1285110GT	185
1255890GT	343	1260218GT	125	1271450GT	63-64	1285111GT	185
1256056GT	99-100, 111-112	1260357GT	185	1271451GT	63-64	128513GT	217
1256059GT	123-125	1260373GT	187	1271452GT	63-64	128515GT	217
1256060GT	123-125	1260632GT	279	1271453GT	63-64	128519GT	219
1256061GT	123-125	1260688GT	279, 282	1272019GT	77-78	1285349GT	185
1256062GT	99-100	1260706GT	279	1272624GT	185	128534GT	217, 219
1256063GT	99-100	1260707GT	279	1274322GT	289, 331, 345	1285689GT	125
1256064GT	99-100	1260708GT	279	1274506GT	207, 209	1285811GT	125
1256065GT	99-100	1260892GT	345	1274900GT	191	128588GT	135-136, 197
1256066GT	99-100	1260910GT	345	1275537GT	343	1286602GT	52, 57-58, 64, 69-70, 73
1256067GT	124-125	1261018GT	345	1275538GT	343	1286603GT	52, 57-58, 64, 69-70, 73
1256068GT	124-125	1261019GT	345	1275539GT	343	1286606GT	49, 57-58, 61
1256069GT	124-125	1261020GT	345	1275540GT	343	1286607GT	49
1256267GT	207, 209	1261021GT	345	1277924GT	289, 331	128724GT	219
1256270GT	125	1261022GT	345	1277968GT	177	1287434GT	251
1256377GT	345	1261023GT	345	1277969GT	177	1288561GT	151-152
1256378GT	345	1261024GT	345	1277974GT	185	128903GT	124-125
1256379GT	345	1261025GT	345	1277991GT	157, 161, 181	128935GT	135-136, 149
1256380GT	345	1261184GT	341	1278708GT	13-14		
1256389GT	345	1261239GT	193	1278709GT	13-14		
1256400FRGT	345	1261449GT	125	1278710GT	13-14		
1256400GT	345	1262487GT	13-14, 191, 201	1279268GT	133, 139, 157, 161, 169, 183		
1256439GT	345	1262634GT	205, 217, 219	1279631GT	185		
1256464GT	282	1262866GT	14, 185, 191	1279653GT	185		
1256468GT	341	1262867GT	185	128000GT	237		
1256481GT	345	1262868GT	185	128001GT	237		
1256599GT	191	1262870GT	185	128002GT	171-172		
1256670GT	255	1262871GT	185	128003GT	135-136, 197		
1256735GT	124-125	1262872GT	185	128004GT	152, 189		
1256737GT	124-125	1262873GT	185	128021GT	171-172		
1256739GT	123-125	1262875GT	185	128022GT	135-136		
1256741GT	99-100	1262876GT	185	128023GT	152		
1256764GT	123-125	1262877GT	185				
		1262878GT	185				

PARTS FINDER

**Search Website
by Part Number**



**Search Manual
Library For Parts
Manual & Lookup Part
Numbers – Purchase
or Request Quote**

Search Manuals

Enter your information to help us find the right parts manual for your machine.

* Brand:

* Model:

* Serial:

* Part Number:

SEARCH

**Can't Find Part or
Manual? Request Help
by Manufacturer,
Model & Description**

Parts Order Form

Please fill in the following information to help us find the right part for your machine.

MANUFACTURER:

MODEL:

DESCRIPTION:

SEARCH

Discount-Equipment.com is your online resource for quality parts & equipment.

Florida: **561-964-4949** Outside Florida TOLL FREE: **877-690-3101**

Need parts?

Click on this link: <http://www.discount-equipment.com/category/5443-parts/> and choose one of the options to help get the right parts and equipment you are looking for. Please have the machine model and serial number available in order to help us get you the correct parts. If you don't find the part on the website or on one of the online manuals, please fill out the request form and one of our experienced staff members will get back to you with a quote for the right part that your machine needs.

We sell worldwide for the brands: Genie, Terex, JLG, MultiQuip, Mikasa, Essick, Whiteman, Mayco, Toro Stone, Diamond Products, Generac Magnum, Airman, Haulotte, Barreto, Power Blanket, Nifty Lift, Atlas Copco, Chicago Pneumatic, Allmand, Miller Curber, Skyjack, Lull, Skytrak, Tsurumi, Husquvarna Target, Stow, Wacker, Sakai, Mi-T-M, Sullair, Basic, Dynapac, MBW, Weber, Bartell, Bennar Newman, Haulotte, Ditch Runner, Menegotti, Morrison, Contec, Buddy, Crown, Edco, Wyco, Bomag, Laymor, EZ Trench, Bil-Jax, F.S. Curtis, Gehl Pavers, Heli, Honda, ICS/PowerGrit, IHI, Partner, Imer, Clipper, MMD, Koshin, Rice, CH&E, General Equipment, Amida, Coleman, NAC, Gradall, Square Shooter, Kent, Stanley, Tamco, Toku, Hatz, Kohler, Robin, Wisconsin, Northrock, Oztec, Toker TK, Rol-Air, APT, Wylie, Ingersoll Rand / Doosan, Innovatech, Con X, Ammann, Mecalac, Makinex, Smith Surface Prep, Small Line, Wanco, Yanmar

Part Number	Page	Part Number	Page	Part Number	Page	Part Number	Page
128984GT	135-136, 195	139969GT	51-52, 57-58, 64, 69-70, 73	147836GT	297	21166GT	46
128985GT	135-136, 195	139970GT	51-52, 57-58, 64, 69-70, 73	147837GT	297	21175GT	89, 203
128986GT	141, 199	139971GT	51-52, 57-58, 64, 69-70, 73	147838GT	297	214221GT	78
128987GT	141	139972GT	52, 57-58, 64, 69-70, 73	147839GT	297	214228GT	14, 193
128991GT	141, 199	14033GT	171-172, 181	14815GT	41, 43, 55, 69-70	214237GT	187
12906GT	115, 117, 209	14392GT	193, 201, 295	1487GT	281-282	214249GT	295
13000GT	169, 181, 183, 301	144161GT	87, 301	1488GT	281-282	214446GT	181
13002GT	77-78, 81, 115, 117, 129, 133, 135-136, 169, 181, 301, 305	146033GT	287	1505GT	89, 205, 211	214536GT	295
13004GT	49, 58, 61, 205	146051GT	52, 57-58, 64, 69-70, 73	15086GT	165, 175, 183, 187, 195	214619GT	311
13014GT	139, 159, 161, 165, 195	146052GT	52, 57-58, 64, 69-70, 73	15243GT	100, 104, 108, 112, 231	214620GT	311
13064GT	51-52, 58, 64, 69-70, 73, 87, 89, 145, 159, 203, 205	146055GT	91	160379GT	111-112	214621GT	311
13066GT	49, 58, 61, 171-172, 181, 301, 305	146072GT	123-125	160380GT	107-108	214622GT	311
131581GT	195	146206GT	121	160381GT	107-108	214623GT	311
131589GT	175	146207GT	46	160382GT	103-104	214640GT	189
13268GT	99-100, 103-104, 107-108, 111-112	146210GT	121	160541GT	181	21465GT	77-78, 81, 83, 85, 133, 169, 183
133067GT	23-24, 33, 35	146211GT	121	160548GT	167	214682GT	191
133095GT	18-19, 21, 27	146284GT	305	160551GT	139	214685GT	187
133238GT	18-19, 27	146285GT	305	161144GT	253	214686GT	189
133263GT	24, 33, 35	146368GT	321	161145GT	253	214796GT	167
133278GT	18-19, 21	146413GT	77-78	161880GT	213	214798GT	167
133518GT	31, 39, 297, 301, 307, 309	146478GT	93-94, 99-100, 103-104, 107-108, 111-112, 229, 231	161938GT	191	214803GT	167
13585GT	225-226	146550GT	77-78	162006GT	305	214902GT	124-125
13852GT	215, 217	146611GT	293	162206GT	193	214904GT	124-125
139181GT	337	147015GT	167, 171-172	162207GT	193	214915GT	124-125
13918GT	183, 205, 297	147016GT	167, 171-172	162208GT	193	214934GT	191
139330GT	51-52, 57-58, 64, 69-70, 73	147033GT	52, 57-58, 64, 69-70, 73	162209GT	193	21496GT	67, 129, 135-136, 147, 151-152
139331GT	135-136, 149	147034GT	52, 57-58, 64, 69-70, 73	16487GT	213	215269GT	179
139338GT	231	147090GT	99-100, 103-104, 107-108, 111-112	16584GT	127, 145, 149	215270GT	179
139438GT	281-282	147091GT	107-108	1702GT	161, 183	215271GT	179
139451GT	221-222	147094GT	93-94	17712GT	119, 121	215273GT	179
139508GT	251	147095GT	93-94	18396GT	41, 43, 51-52, 63-64	215274GT	179
139512GT	251	147115GT	167	18503GT	169, 175, 181	215275GT	177
139527GT	251	147121GT	221-222	18504GT	181, 197	215276GT	179
139528GT	251	147221GT	221-222	18505GT	58	215277GT	179
139598GT	235, 237	147228GT	301	18506GT	177	215278GT	177
139610GT	171-172, 181	147229GT	301	18665GT	305	215279GT	179
139621GT	151-152	147230GT	301	18666GT	231, 307, 309, 311	215280GT	177
139622GT	151-152	147231GT	301	18963GT	279	215281GT	177
139624GT	147, 151-152	147232GT	301	19018-1100GT	289	215282GT	177
139666GT	147, 151-152	147233GT	301	19020GT	301	215283GT	177
139709GT	143, 151-152	147239GT	301	19273GT	317	215284GT	177
139712GT	251	147240GT	301	19274GT	123-125	215285GT	177
139715GT	251	147241GT	301	19275GT	161, 183	215286GT	177
139716GT	251	147242GT	301	19358GT	161, 183	215287GT	177
139717GT	251	147243GT	151-152	19360GT	327, 329	215288GT	179
139718GT	251	147258GT	301	19363GT	161	215289GT	179
139719GT	251	147262GT	301	19440GT	41, 43, 55	215290GT	179
139727GT	251	147289GT	87	19487GT	77-78, 81, 85	215291GT	179
139882GT	339	147290GT	87	19491GT	89, 205, 211	215294GT	124-125
139904GT	337	147348GT	135-136	19506GT	93-94, 99-100	215298GT	169, 179
139952GT	301	147349GT	135-136	19872GT	163	215299GT	177
139953GT	301	147350GT	135-136	19969GT	255	215300GT	177
139954GT	301	147351GT	135-136	20193GT	49	215301GT	177
139958GT	281-282	147352GT	135-136	20224GT	239-240, 243-244, 247, 269	215302GT	177
139965GT	51-52, 57-58, 64	147353GT	135-136	20451GT	61	215305GT	177
139966GT	51-52, 57-58, 64, 69-70, 73	147355GT	135-136, 141, 199	20654GT	89	215307GT	179
139967GT	51-52, 57-58, 64, 69-70, 73	147367GT	89	20776GT	305	215308GT	177
139968GT	51-52, 57-58, 64, 69-70, 73	147419GT	77-78, 81, 83, 85, 271-272	20973GT	221-222	215309GT	177
		147428GT	167	20980GT	67	215310GT	177
		147525GT	149	21019GT	139, 161, 175, 183, 187, 195	215311GT	179
		147526GT	149	21121GT	221-222	215313GT	179
				21130GT	67, 129, 135-136, 147, 151-152	215314GT	177
					152	215316GT	183
						215317GT	183
						215320GT	181
						215339GT	117
						215442GT	187
						215476GT	187
						215481GT	279
						215526GT	18-19, 27, 35
						215527GT	18-19, 27
						215528GT	181
						215544GT	181

Part Number Index (continued)

Part Number	Page	Part Number	Page	Part Number	Page	Part Number	Page
215709GT	181	219437GT	159, 163, 175,	228466GT	125	237194GT	187
215777GT	52, 57-58, 64,		183, 187, 191	228807GT	213	237195GT	189
	69-70, 73	219477GT	183	228813GT	213	237234GT	244
215870GT	123-125	219478GT	183	228836GT	17-19	237235GT	243-244
215874GT	123-125	219508GT	99-100, 111-	228842GT	121	237236GT	243-244
215875GT	123-125		112, 329	228843GT	213	237238GT	343
215876GT	123-125	219718GT	104, 108	228844GT	17-19	237385GT	183
215912GT	197	219723GT	18-19, 21, 24, 33	228846GT	17-19	237474GT	183
215917GT	195	21982GT	93-94	228848GT	331	237477GT	69-70, 73
216000GT	213	219979GT	75	228849GT	331	237478GT	69-70
216001GT	213	219980GT	75	228854GT	213	237711GT	295
216035GT	117	219981GT	75	228855GT	213	237793GT	183
21604GT	287	219982GT	75	228856GT	213	237794GT	189
216150GT	197	219983GT	75	228858GT	213	237856GT	172
21618GT	337, 339	219985GT	75	228859GT	213	237857GT	172
216201GT	69-70, 73	219986GT	75	228860GT	213	237858GT	172
216202GT	70, 73	219987GT	75	228861GT	213	237859GT	172
216277GT	69-70, 73	219988GT	75	228862GT	213	238123GT	295
216296GT	317	219989GT	75	228874GT	281-282	24038GT	141, 159, 165,
216367GT	181	219990GT	75	228875GT	281-282		175, 183, 187,
216368GT	181	219995GT	75	229346GT	305		195
216602GT	253	219996GT	75	229348GT	123-125	24514GT	221-222
216606GT	295	219997GT	75	229349GT	123-125	25072P-SGT	211, 213
216607GT	295	219998GT	75	229352GT	17-19	25282GT	335
216611GT	295	219999GT	75	229567GT	93-94, 99-100,	25368GT	175
216612GT	295	220000GT	75		103-104, 107-	25388GT	87
216615GT	295	220005GT	75		108, 111-112,	25548GT	163, 165, 172
216616GT	295	220229GT	177		229, 231	25571P-SGT	157
216617GT	295	220230GT	177	229768GT	221-222	25683GT	215
216618GT	295	220231GT	177	23057GT	127, 136, 147,	25685GT	287
216657GT	295	22541GT	89, 205		155, 163, 195	25817GT	41, 43, 55, 69-
216662GT	295	22558GT	149, 151-152,	230849GT	52, 57-58, 64,		70, 205
216678GT	295		193		69-70, 73	25927GT	165, 183
216683GT	295	22578GT	147, 151-152	230972GT	243-244	25929GT	155, 165
216751GT	195	226393GT	279	230973GT	243-244	25967GT	78
216791GT	97, 100, 104,	226476GT	301	231034GT	243-244	25994GT	17-19, 21
	108, 112	226499GT	17-19, 21, 27	231035GT	244	27034GT	159
216793GT	97, 100, 104,	226500GT	18-19, 21, 23-	231036GT	243-244	27089GT	77-78, 81
	108, 112		24, 27, 33, 35	231037GT	243-244	27142GT	157
217152GT	281-282	226501GT	21, 23-24, 27,	231038GT	243-244	27155GT	97, 293
217153GT	281-282		33, 35	231039GT	244	27204GT	17-19, 23-24,
217187GT	197	226503GT	124-125, 305	233365GT	167		27, 35
217366GT	307, 309, 311	226504GT	124-125	233437GT	167	27205GT	17-19, 21, 23-
217441GT	97, 107-108	226515GT	18-19, 21, 31	233992GT	331		24, 33
217557GT	18-19, 24, 29, 37	22672GT	155, 161, 165,	233993GT	331	27206GT	17-19, 21, 23-
217558GT	18-19, 29, 37		187, 195	234005GT	167		24, 27, 33, 35
217559GT	18-19, 21, 24,	22692GT	171-172	234006GT	167	27207GT	17-19, 21, 23-
	27, 33, 35	22699GT	135-136, 169,	23404GT	93-94, 97, 231		24, 27, 33, 35
217560GT	21, 27, 33, 35		171-172, 181,	235321GT	233	27211-0250GT	155
217561GT	18-19, 21, 27		183, 189, 197,	235327GT	233	27246GT	93-94, 293, 301,
217703GT	197	22700GT	127, 145, 147,	235659GT	181		339
217734GT	18-19, 24, 27, 35		149, 152, 159,	236248GT	185	27287GT	233
217735GT	27, 35		163, 165, 172,	236251GT	185, 191	27377GT	115, 117
217777GT	18-19, 27, 35		181, 183	236259GT	193	27391GT	339
217778GT	27, 35	227309GT	171-172, 179	236260GT	14, 193	27535GT	255
21777GT	24	22736GT	135-136, 197,	236338GT	181	27564GT	17-19
217820GT	177		199	236339GT	183	27581GT	13-14
217822GT	179		199	236340GT	183	27584GT	197
217823GT	177	227425GT	305	236341GT	181	27585GT	189
217824GT	179	227516GT	125	236364GT	183	27761GT	247, 249, 251
218165GT	99-100, 231	227802GT	63-64	236373GT	179	27764GT	239-240, 243-
218167GT	99-100	227803GT	63-64	236420GT	183		244
218576GT	181	227808GT	213	236421GT	183	27802GT	239-240, 243-
21858GT	99-100, 103-	227809GT	213	236422GT	183		244
	104, 107-108,	22788GT	165, 171-172,	236423GT	183	27804GT	240, 244
	231		183	236425GT	183	27807GT	239-240, 243-
218668GT	181	227986GT	46	236426GT	135-136		244
218715GT	191	227987GT	46	236811GT	181	27836GT	239-240, 243-
218742GT	181	227988GT	157, 161, 171-	236832GT	181		244, 249, 251
219142GT	83		172, 181	237146GT	181	27920GT	165
219158GT	341	22811GT	49, 61	237188GT	185, 191	27943GT	159
219160GT	19, 24	22832GT	211	237189GT	193	28076GT	133, 143, 159
219243GT	253	228457GT	141	237190GT	193	28158GT	17-19, 21, 23-
219245GT	253	228463GT	99-100, 103-	237191GT	193		24, 33
219247GT	253		104, 107-108,	237192GT	187		
219284GT	195, 203		111-112	237193GT	187		

Part Number	Page	Part Number	Page	Part Number	Page	Part Number	Page
28159GT	17-19, 21, 23-24, 33	30662-SGT	205	33240PGT	147	34927P-SGT	159
28160GT	17-19, 21, 23-24, 33	30670-SGT	211	33241PGT	147	34929GT	159
28161GT	17-19, 21, 27	30671-SGT	211	33265GT	89, 119, 121	34942P-SGT	159
28164GT	17-19	30674-SGT	145	33277GT	165, 171-172, 175, 187, 191	34943P-SGT	159
28165GT	17-19, 31	30677GT	87	33361GT	161, 319	34949GT	321
28171GT	17-19, 23-24	30690GT	49, 52, 61, 64	33418GT	133, 143, 203	34952GT	321
28174GT	17-19, 21, 23-24, 27, 31, 33, 39	30691GT	49, 52, 61, 64	33422GT	97, 100, 104, 108, 112	34954GT	211
28175GT	17-19, 27	30728GT	215	33428GT	207, 209, 217, 219	34955GT	317, 319
28176GT	17-19, 31	30729GT	207	33432GT	58, 305	34959GT	319
28177GT	17-19, 31	30730GT	207	33520GT	247	35418GT	81
28181GT	17-19, 29	30731GT	207, 209	33521GT	247	35434GT	163, 171-172, 187, 189
28234P-SGT	159	30732GT	205	33550GT	23-24	35461GT	301, 307, 309
28235GT	17-19, 21, 23-24, 27, 31, 33, 39	30733GT	205	33555GT	115, 117	35498GT	143
28236GT	17-19, 31	30734GT	41, 43, 55, 205	33568GT	255	35586GT	143, 152
28301GT	115, 117	30735GT	41, 43, 49, 52, 55, 61, 64	33576GT	125	35599GT	17-19, 27
28443GT	221-222, 307, 309, 311	30737GT	41, 55	33607GT	97, 103-104, 107-108, 305	35610GT	293
28476GT	89	30738GT	207, 209	33608GT	97, 104, 108, 305	35675GT	217
28607GT	327, 329	30741GT	207	33629GT	225-226	35726GT	253
28646GT	89, 115, 287	30748GT	207, 209	33674GT	281-282	35956GT	282
28647GT	14, 155	30783PGT	89	33681GT	181	35960GT	279, 282
28656GT	14, 155, 165	30785-1000GT	129, 147	33724GT	225-226	36204P-SGT	211
28717GT	157, 159, 165	30785-275GT	67	33729GT	145, 152	36208GT	155, 157, 181, 317
28750GT	13-14, 239-240, 243-244, 247, 249, 251, 253	30798GT	119, 121	33952GT	17-19	36294GT	305
28853GT	293	30802P-SGT	49, 52, 61, 64	33957GT	14, 155, 165	36388GT	115, 117, 345
29073GT	129, 147	30806GT	145	33960GT	155, 163	36456GT	183
29080GT	207, 209	30808GT	49, 52, 61, 64	33963GT	155, 165	36593-SGT	211
29104GT	18-19, 27	30809GT	49, 52, 61, 64	33964GT	155, 165	36603GT	41, 43, 49, 51-52, 55, 61, 63-64
29137GT	81	30810GT	129, 327, 329	33966GT	155, 165	36858GT	58
29314GT	115, 117	30884GT	67	33968GT	155	36859GT	58
29436GT	259	30894PGT	117	33969GT	159	36928GT	297
29555GT	143	30966-0150GT	155	33970GT	155, 165	37002GT	127, 157
29557GT	147, 151-152, 185	30966-0575GT	155	33972GT	155, 165, 327	37003GT	145, 152, 165, 171-172
29559GT	145, 149	30967GT	147	33986GT	18-19	37033GT	327, 329
29560GT	13-14, 147, 151-152	30971GT	152, 197, 317, 319	33987GT	149	37097GT	49, 58, 61
29605GT	89, 119, 121	30973GT	115, 117	33994GT	13-14, 239-240, 243-244, 247, 249, 251, 253	37505GT	133, 139, 141, 143, 149, 151-152, 197, 201
29606GT	157, 165	30996GT	231, 233	34052GT	97, 103-104, 108, 125	37947GT	93-94, 103-104, 107-108
29616GT	157, 165	30997GT	93-94, 99-100, 103-104, 107-231	34053GT	97, 104, 108	37950GT	143
29737GT	247	31060GT	17-19, 27	34054GT	97	38149GT	17-19, 21
29739GT	259	31100GT	239-240, 244	34055GT	97	38620GT	207, 209
29749GT	135-136	31106GT	41, 55	34056GT	97	38621GT	209
29764GT	45-46, 121, 225-226	31408GT	149, 293, 295	34058GT	131, 165, 327, 329	38859GT	45-46, 89
29868GT	83, 85, 87, 115, 117, 119, 121, 171-172	31411GT	211	34079GT	46, 119, 121	38922GT	157, 161, 171-172, 181
29883GT	58, 69-70, 73, 87, 145, 159, 203	31506GT	77-78, 81, 83, 85	34124GT	209	39479GT	139, 141, 149, 151-152, 165, 175, 183
30080GT	17-19, 31	31507GT	77-78, 81	34125GT	209	40145GT	46
30138GT	207, 209	31523GT	149	34162-300GT	189	40146GT	46
30143GT	203	31524GT	77-78, 81, 83, 85	34162-3150GT	129, 147	40434GT	17-19, 23-24, 31, 39, 345
30144GT	141, 161, 203	31529GT	255	34162-350GT	319	40614GT	99-100, 103-112
30190GT	41, 55	31658-SGT	77-78, 81, 83, 85	34162-475GT	149	40653GT	211
30220GT	207	31779GT	13-14	34163GT	319	41029GT	211
30222GT	219	31788GT	17-19, 27	34164GT	129, 147	41030GT	211
30255GT	215, 217, 219	32064GT	161, 171-172, 181	34276GT	205	41031P-SGT	211
30275GT	78	32150GT	13-14	34321-SGT	281-282	41398GT	49, 61
30348GT	189, 191	32151GT	13-14	34344GT	43, 209	41489GT	91
30370GT	41, 55, 205, 215, 217, 219	32309GT	155, 169, 179	34350GT	45-46	41750GT	211
30438GT	145	32339GT	159, 217	34355GT	89	41912GT	49, 61
30468GT	285	32675GT	58, 305	34358PGT	119, 121	42104GT	281-282
30472GT	207	32680GT	49, 61	34370GT	119, 121	42111GT	335
30490GT	81	32681GT	67	34381GT	323	42112GT	335
30580GT	317	32695GT	145, 149	34388PGT	323	42288GT	93-94, 99-100, 103-104, 107-108, 111-112, 231
30581GT	207	32698GT	13-14, 143, 152	34389PGT	323		
30582GT	207	32726GT	293	34447GT	247		
30620-SGT	291	32731GT	89	34448GT	247		
		32732GT	297	34503GT	317		
		32735GT	297	34505GT	317		
		32975GT	239-240, 243-244	34506GT	317		
		33024GT	127, 145, 152, 157	34551GT	145		
		33239GT	149	34619GT	157, 287		
				34855GT	321		

Part Number Index (continued)

Part Number	Page	Part Number	Page	Part Number	Page	Part Number	Page
4266GT	67, 87, 175, 281-282, 297	4828GT	41, 55, 77-78, 81, 83, 85, 119, 121, 136, 139, 141, 147, 149, 151-152, 157, 159, 161, 163, 165, 171-172, 175, 181, 183, 191, 193, 201, 203, 215, 217, 219, 221-222, 225-226, 287, 297, 305, 307, 309, 311, 315, 319, 337	48952GT	313	49143-4629GT	261, 263, 265, 267, 269
42781GT	104, 108, 231			48953GT	261, 265	49143-7529GT	313
42941GT	83			48954GT	299	49149-2126GT	261, 263, 265, 267
43018GT	217, 219, 244, 255			48958GT	313		
43128GT	211			48959GT	271-272, 303, 313, 315	49150-5230GT	271-272
43181GT	123-125			48960GT	261, 263, 265, 267, 271-272, 313, 315	49150-5630GT	271-272
43191P-SGT	211			48963GT	261, 263, 265, 267, 271-272, 313, 315	49151-4148GT	271-272
43392GT	281-282, 285, 343			48964GT	299, 303	49151-7748GT	271-272, 315
43595GT	18-19, 21, 27			48977GT	271-272, 313	49151-9248GT	271-272, 315
43597GT	247			48984GT	271-272	49152-4869GT	271-272, 315
43663GT	17-19			48985GT	77-78, 81, 83, 85, 271-272	49152-6369GT	271-272, 315
43956GT	87, 225-226			48986GT	299	49159-3643GT	271-272
44064GT	127, 145, 147, 152, 165, 183	48425GT	159, 165, 175, 183, 187, 195	48994GT	77-78, 81, 272	49159-4043GT	271-272
44081-SGT	211	48473P-SGT	155, 157	48996GT	77-78, 81, 83, 85, 272	49159-4268GT	271-272
44174GT	255	48511GT	83	48997GT	240, 247, 271-272	49159-4618GT	271-272
44743GT	221-222	48692GT	21, 27	49000GT	78, 333	49164-3043GT	271-272
44981GT	17-19, 23-24, 27, 31, 35, 39, 291	48693GT	21	49107-10213GT	265, 267	49172-4238GT	261, 265
44986GT	18-19, 31	48717GT	21	49109-1929GT	299	49177-71294GT	291
45043GT	46	48875GT	335	49109-4129GT	271-272, 299, 303	49181-10440GT	275, 277
45074GT	41, 43, 55, 70	48880GT	239-240, 243-244, 247, 269	49109-4229GT	267	49181-9240GT	275, 277
45107GT	46	48884GT	145	49109-4729GT	267	49184-3001GT	277
45108GT	46	48885GT	115	49117-1191GT	275, 277	49189-4638GT	89, 115
45110GT	46	48887GT	89	49117-4491GT	303	49203GT	299
45111GT	46	48891GT	269	49117-4891GT	271-272	49207GT	239-240, 243-244, 269, 272
45112GT	46	48896GT	269	49117-5191GT	261, 263, 265, 267, 269	49212GT	291
45113GT	46	48904GT	261, 263, 265, 267, 269, 271-272, 275, 277	49117-5591GT	263, 267	49214GT	291
45114GT	46	48905GT	261, 263, 265, 267, 271-272, 275, 277, 299	49117-5791GT	277	49215GT	291
45161GT	77-78, 81, 271-272	48906GT	261, 265	49117-6091GT	261, 265	49366GT	171-172
45171GT	159, 171-172	48907GT	239-240, 243-244, 267, 271-272, 275, 277	49117-7641GT	261, 263, 265, 267	49375GT	163
45209GT	145, 159, 203	48908GT	263, 267	49117-8491GT	267	49378GT	171-172, 181, 187, 191
45383GT	229, 231, 287	48911GT	263, 267	49119-3278GT	277	49381GT	131, 183
45385GT	99-100, 103-104, 107-108, 111-112, 233	48912GT	271-272, 275, 277, 299	49119-4378GT	271-272	49384GT	133
45435GT	139, 155, 161, 171-172, 181, 189, 197, 317, 319	48913GT	277	49119-4778GT	271-272	49388GT	189
45454GT	58, 127, 165	48914GT	269	49119-58678GT	275	49407GT	147, 163
45455GT	77-78, 133	48915GT	261, 263, 265, 267, 271-272, 275, 277	49119-68278GT	277	49408GT	131, 136, 147, 155, 163, 165, 169, 175, 179
45462GT	119, 121, 279	48916GT	269, 271-272, 275, 277, 299	49120-49781GT	275, 277	49410GT	135-136, 171-172, 189, 197
45470GT	287	48917GT	299	49120-50781GT	275, 277	49411GT	139, 141, 193, 197, 201
45495GT	89	48919GT	261, 263, 265, 267, 275, 277	49121-4313GT	275	49413GT	163, 171-172
45553GT	57-58	48920GT	261, 263, 265, 267	49124-2228GT	271-272	49512GT	299
45708GT	141, 203	48922GT	77-78, 81, 83, 85, 271-272	49126-11233GT	275, 277	49515GT	299
45748GT	287	48926GT	271-272	49128-10509GT	275, 277	49532-SGT	115
45782GT	147, 151-152, 255	48930GT	299	49128-10809GT	269	49534GT	285
45873GT	46	48933GT	261, 263, 265, 267, 269, 271-272, 303, 313	49128-5909GT	261, 263, 265, 267	49535PGT	115, 117
45912GT	240, 253	48934GT	299, 303	49128-8309GT	335	49537PGT	117
45914GT	255	48935GT	265, 267, 271-272, 299	49129-3025GT	271-272	49612GT	13-14, 67, 239-240, 243-244, 247, 249, 251, 253, 299
46131GT	83, 155, 171-172, 183	48937GT	261, 263, 265, 267, 269, 299	49129-5425GT	271-272	49613GT	67, 239-240, 243-244, 247, 249, 251, 253, 299
46135GT	21	48938GT	303, 313	49130-1982GT	275, 277	49625GT	325
46136GT	21	48939GT	261, 263, 265, 267, 269, 299	49130-2132GT	261, 263, 265, 267	49626GT	325
46138GT	21, 27	48940GT	303	49130-2432GT	269	49735GT	155
46139GT	21	48941GT	303	49130-4282GT	271-272	49741GT	17-19
46181GT	21	48943GT	313	49130-4482GT	271-272	49743GT	97
46188GT	337, 339	48946GT	261, 265, 271-272, 299	49133-1990GT	271-272	49775GT	103-104, 107-108
46468GT	31	48947GT	299, 303	49135-3389-SGT	145		
46768GT	119, 121	48948GT	265, 267, 303, 313	49139-4368GT	261, 265	49816GT	115, 117, 193
46769GT	119, 121			49141-2163-SGT	303	49817GT	155, 163
46958GT	46			49141-7513GT	267	49820GT	93-94, 99-100, 104, 108, 111-112, 231, 233, 329
46985GT	279			49141-7813GT	265		
47022GT	335			49142-2562GT	299		
47023GT	335			49143-1829GT	299		
47024GT	335			49143-2029GT	271-272, 299		
47041GT	18-19, 27			49143-2229GT	271-272	49857GT	41, 43, 55, 69-70, 225-226
47363GT	307, 309			49143-2529GT	271-272	49861GT	303
				49143-4229GT	263, 267		

Part Number Index (continued)

Part Number	Page	Part Number	Page	Part Number	Page	Part Number	Page
	211, 225–226, 287, 305, 315, 319	62421GT	13–14, 129, 135– 136, 195	65453GT	155, 163		297, 311, 319, 321, 323, 325, 331, 335, 337
6099GT	181	62422GT	13–14, 129	65456GT	155, 165, 327	66399GT	13–14
61070-3200GT	303	62423GT	13–14, 131	65460GT	157	66472GT	337, 339
61070-3750GT	313	62433GT	13–14, 135–136, 197	65473GT	133, 139, 161, 175, 195	6653GT	141
61109GT	135–136, 149	62466GT	91	65477GT	115	66811GT	93–94
61110GT	152, 171–172, 181, 189	62476GT	152	65478GT	117	66812GT	93–94, 99–100, 103–104, 107– 108, 111–112, 229, 231
6115GT	211	62506GT	255	65487GT	127		
61225GT	124–125	62507GT	255	65488GT	131		
61226GT	124–125	62845GT	139	65490GT	131		
61250GT	89	62959GT	18–19, 23–24, 27, 35	65491GT	131	66813GT	99–100, 103– 104, 107–108, 111–112, 229, 231
61263GT	271–272	62960GT	27, 35	65492GT	131		
61306-SGT	217, 219	63135PGT	323	65493GT	131		
61326GT	77–78, 81, 83, 85, 147	63136GT	323	65494GT	131	66814GT	93–94, 99–100, 103–104, 107– 108, 111–112
6145GT	163, 169, 175, 183, 189, 195, 203, 211, 215, 217, 219	63137PGT	323	65495GT	127		
		63138GT	323	65496GT	131		
		63142GT	323	65497GT	129	66815GT	229, 231
		63145PGT	323	65498GT	129	66816GT	93–94, 99–100, 103–104, 107– 108, 229
6146GT	49, 51–52, 61, 63–64, 115, 117, 139, 161, 163, 175, 183, 187, 193, 195, 201, 231, 279, 287, 295	63146GT	323	65499GT	127		
		63155GT	41, 43, 55	65500GT	129	66818GT	93–94, 99–100, 103–104, 107– 108, 111–112, 229, 231
		63163PGT	323	65501GT	129		
		63164PGT	323	65503GT	127		
		63167PGT	323	65504GT	127		
		63168PGT	323	65505GT	131		
		63174GT	323	65506GT	131	66821GT	99–100, 103– 104, 107–108, 111–112
		63175PGT	323	65507GT	131		
6147GT	279	63176PGT	323	6550GT	307, 309		
61625GT	285	63177PGT	323	65515GT	41, 43	6700GT	99–100, 103– 104, 107–108, 111–112
61726GT	287	63202GT	207, 209	65516GT	41, 43		
6175GT	41, 43, 49, 52, 55, 61, 64, 83, 85, 87, 119, 121, 127, 133, 145, 147, 149, 151– 152, 157, 165, 171–172, 175, 207, 209, 225– 226, 315, 319	63206GT	205	65608GT	49, 61		
		63210GT	217, 219	65610-SGT	78		
		63213GT	217, 219	65611-SGT	81, 85	6708GT	41, 55, 205
		6326GT	217	65630GT	289	67349GT	131, 175
		63313GT	127	65636GT	135–136, 195, 199	67371GT	313
		63326PGT	127	65638GT	135–136, 195, 199	67537GT	163, 171–172
		63342GT	207, 209	65770GT	157, 163, 165	67631GT	189
		63346GT	205	6578GT	99–100, 103– 104, 108, 111– 112	6782GT	77–78, 81, 83, 85, 115, 117, 129, 139, 149, 152, 161, 163, 183, 187, 191, 301, 305, 307, 309, 311
		63350GT	217, 219	65810GT	129, 139, 147, 152, 189, 197		
6178GT	67, 89, 97, 99– 100, 103–104, 107–108, 111– 112, 115, 117, 155, 193, 213, 231, 279	63353GT	217, 219	65841GT	297	6833GT	139, 161, 163, 169, 183, 195, 337, 339
		63362PGT	133	6584GT	67, 129, 147	6878GT	323
		63363PGT	133	65853GT	13–14, 129	6886GT	77–78, 81, 83, 85, 127, 145, 195
		63364PGT	133	65892GT	77–78, 163	6888GT	87, 115, 117, 129, 133, 139, 151–152, 157, 163, 171–172, 181, 187, 189, 195, 197, 225– 226, 285, 287, 319, 321, 323, 337
		63399PGT	129	6595GT	87, 301		
		63400PGT	117	6607GT	89, 139, 205, 211, 213, 221– 222		
6179GT	211	63413GT	133			6889GT	133, 147, 191, 211, 213, 281– 282, 285, 305, 321, 323, 325, 337
61804GT	287	63414GT	133	6637GT	117, 207, 209, 335		
61972GT	287	63418GT	133	6638GT	45–46, 49, 52, 57–58, 61, 64, 77–78, 81, 87, 89, 93–94, 99– 100, 103–104, 107–108, 111– 112, 115, 117, 127, 129, 133, 135–136, 139, 141, 147, 151– 152, 157, 159, 161, 163, 169, 171–172, 175, 177, 181, 183, 187, 189, 191, 193, 195, 197, 201, 203, 207, 211, 213, 215, 217, 219, 221– 222, 225–226, 229, 231, 281– 282, 285, 289,		
61974GT	287	63419GT	133			6935GT	87, 93–94, 100, 104, 108, 112, 233, 301, 305
61975GT	287	63426GT	157			70257GT	175
6198GT	139, 141, 149, 151–152, 159, 165, 171–172, 175, 183, 193, 197, 201, 301, 305	63427GT	157			70351PGT	152
		63432GT	211			70360GT	293
		63433GT	211			70367GT	195
		63457PGT	133			70375GT	152
		63461GT	18–19			70381GT	152, 189
		63462GT	133			70385GT	139, 195
61997GT	287	63463GT	129, 139, 147, 152, 189, 197			70419GT	161
62072GT	18–19, 23–24, 29, 37	63464PGT	127			70423PGT	165
62073GT	18–19, 23–24, 27, 35	6356GT	45–46, 49, 52, 57–58, 61, 64, 87, 89, 93–94, 99–100, 103– 104, 107–108, 111–112, 115, 117, 145, 151– 152, 157, 159, 163, 203, 211, 221–222, 225– 226, 229, 231, 285, 325				
62074GT	18–19, 29, 37						
62075GT	27, 35						
62255GT	240						
62256GT	240						
62263GT	239–240						
62273GT	239–240, 253						
62274GT	240						
62275GT	240						
62276GT	240						
62392GT	235, 237						
62417GT	215, 217	63766GT	221–222				
62420GT	13–14, 129, 139, 147, 152, 189, 197	64066GT	78				
		64079GT	165				
		65355GT	131				

Part Number Index (continued)

Part Number	Page	Part Number	Page	Part Number	Page	Part Number	Page
70452GT	139, 141, 149, 151-152, 165, 175, 183, 193, 201	73713GT	231, 233	75617-2075GT	339	81629GT	155
70453GT	149	73717GT	93-94, 100, 104, 108, 111-112, 231, 233	75617-2275GT	337, 339	81631GT	155
70459PGT	149	73723GT	231, 233, 329	75617-4788GT	337	81632GT	157
70460PGT	149, 151-152	73736GT	93-94, 100, 104, 108, 111-112, 231, 233	75617-6275GT	337, 339	81634GT	157
70461PGT	151-152	73753GT	93-94, 100, 104, 108, 111-112	75617-6475GT	337	81635GT	157
70486GT	327, 329	73754GT	93-94, 100, 104, 108, 111-112	75627GT	217, 219	81640GT	219
70489GT	163	73803GT	93-94, 100, 104, 108, 111-112, 231, 233	75631GT	169, 179	81691GT	67
70496GT	14, 149	73805GT	93-94, 99-100, 103-104, 107-108, 111-112	75636GT	337, 339	81692GT	205
70525GT	161	73806GT	205	75677GT	91	81693GT	215
70527GT	163	73807GT	255	75678GT	91	81694GT	205
70552GT	293	73842GT	317	75681GT	91	8170GT	141, 203
7056GT	87, 93-94, 225-226, 233, 301, 305	73858GT	49, 61	75682GT	91	81748GT	157
7057GT	100, 104, 108, 112, 301	73900GT	225-226	75683GT	91	81749GT	157
71038GT	329	73923GT	63-64	75684GT	91	8177GT	58, 127, 197
71259GT	315	73924GT	63-64	75685GT	91	8178GT	81, 83, 85
71498GT	282	73925GT	63-64	75686GT	91	8179GT	211
71909GT	77-78, 163	73928GT	89, 225-226	75854GT	315	81802GT	339
71910GT	163	73931GT	221-222	75855GT	315	81851GT	203
71911GT	187, 319	73963GT	333	77026GT	49, 51-52, 61, 63-64	81900GT	93-94
72043GT	239-240	73976GT	225-226	77027GT	49, 51-52, 61, 63-64	81904PGT	323
72047GT	240	73993GT	147	77046GT	18-19	81905PGT	323
72255GT	147, 151-152	73994GT	211	77069GT	87	81975GT	335
72268GT	211	74006GT	225-226, 305	77071GT	87	82161GT	21
72282GT	279	74052GT	301	7713GT	77-78, 133, 147, 157, 165, 211, 217	82195GT	18-19, 23-24
72319GT	49, 61	74389GT	41, 43, 55	77170GT	159, 161	822004GT	18-19, 27
72326GT	119, 121, 229, 279, 287	74404GT	253	77181GT	77-78, 219	8220GT	41, 43, 55, 69-70
72327GT	133, 139, 157, 161, 169, 183	74496PGT	115, 117	77219GT	77-78	822131GT	18-19, 27
72342GT	141	74902GT	239-240, 243-244	77239GT	49, 61	82237GT	27, 31, 305, 307, 309
72343GT	139, 181	74913GT	97, 100, 104, 108, 112	77240GT	49, 61	82242GT	18-19, 23-24
72344GT	139	74920GT	97, 100, 104, 108, 112	77295GT	14, 157, 161, 171-172, 181	82243GT	18-19, 31
72348GT	135-136	74921GT	97, 100, 104, 108, 112	77303GT	215, 217, 219	82247GT	23-24
72358GT	165	74922GT	97, 100, 104, 108, 112	77351GT	231	8225GT	69-70
7265GT	281-282	74923GT	97, 100, 104, 108, 112	77382GT	293	82264GT	307, 309
72867GT	31, 39, 279	74924GT	97, 100, 104, 108, 112	77402GT	135-136, 151-152	82265GT	307, 309
72875GT	31, 289	75016-SGT	217	77430GT	97	822759GT	339
72999GT	21	75020GT	135-136, 197	77476GT	141	822764GT	339
73058PGT	323	75041GT	295	77478GT	141	822768GT	339
73059PGT	323	75067GT	225-226, 301	77482GT	141, 199	822769GT	339
73060PGT	323	75073GT	115, 117	77483GT	141, 199	822781GT	193
73198GT	45-46	75119GT	91	77664GT	331	822793GT	201
73199GT	45-46	75143GT	235	77674GT	51-52, 63-64, 69-70, 73	82283GT	18-19
73200GT	45-46	75185GT	163, 282	77683GT	331	82317GT	18-19
73204GT	51-52, 63-64	75344GT	327	77736GT	135-136, 199	823523GT	191
73205GT	51-52, 63-64	75395GT	215, 217	77797GT	337, 339	823524GT	191
73212GT	45-46, 51-52, 63-64	75443GT	235, 237	77819GT	259	823525GT	189
73268GT	45-46	75444GT	235, 237	77840GT	225-226	82366GT	18-19, 21
7339GT	181	75445GT	235, 237	77885GT	157	823700GT	124-125
73455GT	51-52, 64	75446GT	235, 237	77990GT	136, 259	823702GT	161
73463-1175GT	331	75447GT	235, 237	78736GT	189, 195, 203, 271-272	823706GT	124-125
73477PGT	226	75448GT	235, 237	79138GT	221-222	823725GT	83
73478PGT	226	75449GT	235, 237	79456GT	219	823796GT	123-125
73480GT	123-125	75468GT	205	80150GT	139, 141, 151-152	823797GT	123-125
73490GT	63-64	75469GT	215	80543GT	305	823798GT	123-125
73491GT	63-64	75470GT	205	80605GT	287	823816GT	179
73500GT	289	75519GT	282	81007GT	211	823922GT	123-125
73501GT	289	75617-1025GT	339	81062GT	321	824023GT	193, 201
73575GT	49, 51-52, 61, 63-64, 221-222	75617-1538GT	337	81110GT	89	824027GT	151-152, 287, 329, 339, 343
73587GT	221-222	75617-1550GT	339	81137GT	89	824028GT	152
73593GT	78, 81	75617-1675GT	337	81175GT	217, 219	824029GT	43, 287, 339, 343
73610PGT	221-222, 225-226			81199GT	129	824032GT	287
73612GT	159			81368GT	289	824038GT	331
73613GT	159			81488GT	231	824060GT	341
73634GT	49, 51-52, 61, 63-64			81532GT	339	824061GT	287
73711GT	93-94, 231, 233			81550GT	231, 233	824069GT	341
				81551GT	231, 233	824078GT	151-152, 287, 329, 339, 343
				81552GT	67	824080GT	151-152, 343
				81578GT	77-78, 81, 83, 85	824081GT	282
						824083GT	289
						82410GT	31
						824113GT	341, 343
						824116GT	225-226
						824120GT	341

Part Number Index (continued)

Part Number	Page	Part Number	Page	Part Number	Page	Part Number	Page
824164GT	215, 217, 219	83141GT	259	89311GT	240	89753GT	221-222
824227GT	339	84134GT	249, 251	89312GT	240, 244	89755GT	287
824328GT	193	84135GT	249, 251	89334GT	225-226	89759GT	135-136
824331GT	193, 201	85053GT	135-136, 149,	89335GT	221-222	89762GT	141
824471GT	83		197	89336GT	221-222	89763GT	141
824507GT	197	85059GT	135-136, 197	89337GT	221-222	89764GT	141
824522GT	18-19, 24, 31, 39	85155GT	135-136, 199	89338GT	221-222	89765GT	13-14, 141, 199,
824524GT	229	8516GT	159, 175, 191,	89403GT	77-78, 81, 271-		201
824588GT	193, 201		193, 215, 217,		272	89771GT	135-136
824673GT	185, 193		219, 305, 323	89404-SGT	327	89772GT	135-136
824680GT	189	85239GT	99-100	89405-SGT	327	89773GT	135-136
824684GT	103-104, 107-	85300GT	289	89406-SGT	327	89775GT	149
	108	87188GT	187	89408GT	115	89776GT	149
82469GT	18-19, 23-24	87755GT	99-100, 111-112	89411GT	115	89780GT	151-152
82472GT	23-24, 33, 35	88048GT	259	89415GT	117	89785GT	145, 152, 185
82473GT	23-24, 35	88151GT	124-125	89434PGT	297	89786GT	152
82481GT	23-24, 35	88296GT	52, 58, 64, 69-	89439PGT	87	89787GT	152
824879GT	93-94, 229		70, 73	89527GT	143	89788GT	152
82487GT	23-24, 33, 39	88315GT	94	89528GT	143	89792GT	151-152
824882GT	93-94	88356-11165GT	211	89529GT	143	89800GT	91
824891GT	231	88356-11205GT	89	89531-SGT	333	89801GT	217, 219
824892GT	231	88356-12145GT	205	89533GT	315	89802GT	49, 51-52, 61,
825019GT	41, 43, 49, 52,	88356-12BJ5GT	213	89571GT	89		63-64
	55, 61, 64, 205,	88356-146R5GT	205	89572GT	253	89803GT	49, 52, 61, 64
	215, 217, 219	88377-1400GT	331	89575GT	99-100, 103-	89804GT	41, 43, 55
825020GT	287	88384GT	337		104, 108, 111-	89805GT	41, 43, 55
825106GT	123-125	88385GT	337		112	89806GT	157
825162GT	285	88390GT	337, 339	89593GT	271-272	89807GT	157
825277GT	285	88406GT	307, 309, 311	89596PGT	139, 147, 151-	89811GT	165
825358GT	282	88441-1090GT	271-272		152, 157, 161,	89812GT	155, 165
82544GT	23-24	88448GT	124-125		203	89813GT	165, 171-172
82545GT	23-24	88450GT	157, 171-172	89597GT	203	89834GT	17-19
82548GT	23-24, 39	88451GT	167, 177	89616GT	13-14, 77-78,	89835GT	17-19
825562GT	107-108	88452GT	167, 177		81, 83, 85	89836GT	18-19, 23-24,
825563GT	229	88455GT	155	89617GT	87		31, 39
825579GT	19, 21	88457GT	157	89642PGT	217	89844GT	229
8255GT	41, 43, 51-52,	88492GT	319	89644GT	321	89851GT	239-240
	55, 57-58, 63-	88493GT	319	89645GT	321	89854GT	240, 243-244
	64, 89, 117, 161,	88516GT	215, 217, 219	89646GT	321	89857GT	253
	175, 205, 207,	88603-SGT	285	89647GT	321	89858GT	259
	209, 211, 219,	88606PGT	285	89652PGT	229	89859GT	259
	333	88607PGT	285	89654GT	125	89861GT	240, 243-244
825708GT	185	88648GT	209	89655GT	124-125	89862GT	255
82581GT	18-19, 23-24,	88757GT	157, 161	89656GT	124-125	89864GT	255
	93-94	88783GT	249, 251	89657GT	125	89871-3348GT	261, 265
82586GT	23-24, 33, 35	88785GT	253	89658GT	124-125	89871-3848GT	261, 265
82587GT	23-24, 33, 35	88827GT	93-94, 99-100,	89659GT	124-125	89871-3948GT	261, 265
825907GT	195		103-104, 107-	89660GT	124-125	89872GT	207, 209
825939GT	189		108, 111-112	89661GT	124-125	89885GT	91
82601GT	23-24, 39	88832GT	97	89662GT	123-125	89900PGT	139
82602GT	23-24, 39	88841GT	139	89663GT	124-125	89901GT	139
82604GT	23-24, 39	88844GT	139	89664GT	124-125	89911PGT	149
826061GT	85	88846GT	139	89665GT	124-125	89912PGT	117, 149
826062GT	85	88847GT	139, 161	89666GT	123-125	89913PGT	117, 161
826205GT	197	88883GT	46	89673GT	123-125	89915PGT	285
826345GT	21	88989PGT	139, 195	89674GT	124-125	89917PGT	163
82644GT	18-19	88990PGT	139, 195	89677GT	123-125	89921GT	163
82646GT	23-24, 39	88991PGT	139	89678GT	240	89925GT	124-125
826710GT	124-125	88992PGT	136	89680-SGT	93-94	89927GT	124-125
826711GT	35, 39	88993GT	139	89691GT	279	89929PGT	117, 139
826791GT	225-226	89064GT	89	89692GT	124-125	89932GT	259
826792GT	225-226	89065GT	41, 43, 55	89719GT	297	89933GT	259
826793GT	225-226	89066GT	41, 43, 55	89733GT	243-244	89934GT	259
826794GT	225-226	89074PGT	87	89737GT	244	89942GT	124-125
826856GT	201	89099GT	41, 55	89738GT	244	89953GT	135-136
82767GT	18-19, 23-24,	89100GT	41, 55	89742GT	221-222	89973GT	161
	31, 39	8914GT	211, 229, 231,	89743GT	221-222	89975GT	335
82862GT	18-19, 31, 307,		285, 325	89744GT	221-222	89985GT	91, 319
	309	8915GT	115, 117, 135-	89745GT	221-222	89989PGT	319
82924GT	23-24		136, 157, 193,	89746GT	221-222	89991GT	319
83093GT	93-94, 99-100,		197, 201, 219,	89747GT	221-222	89992PGT	321
	103-104, 107-		221-222	89748GT	221-222	89999GT	124-125
	108	89259GT	143, 151-152	89749GT	221-222	9145GT	301, 305
83098GT	235, 237	89307GT	240	89750GT	221-222	93500GT	13-14
83131GT	93-94, 103-104,	89309GT	240	89751GT	221-222	94077GT	87
	107-108	89310GT	240	89752GT	221-222	94324-1400GT	319

Part Number	Page	Part Number	Page
94324-950GT	171-172, 319	T107851GT	69-70
94374-2380GT	261, 263, 265, 267	T107861GT	69-70
94374-2530GT	261, 263, 265, 267	T108075GT	215, 217, 219
94374-3930GT	263	T108076GT	215, 217, 219
94374-4230GT	263	T108077GT	217, 219
94374-5130GT	313	T108078GT	217, 219
94374-5230GT	271-272	T108079GT	217, 219
94374-5530GT	271-272	T109328GT	285
94374-5930GT	271-272	T111608GT	297
94378PGT	135-136	T111609GT	297
94390-SGT	225-226	T111610GT	297
94397GT	217, 219	T111611GT	297
94398GT	215	T111612GT	297
94485GT	151-152	T111613GT	297
94493-SGT	331	T111766GT	305
94506GT	229, 231	T112018GT	175
94549GT	287	T112560GT	301
94612GT	77-78, 81, 83, 85	T112561GT	301
94745PGT	221-222, 281-282	T112563GT	225-226
94751GT	249	T112626GT	235, 237
94752GT	249	T112773GT	18-19, 23-24, 31, 39
94753GT	249	T113655GT	305
94754GT	249	T114022GT	305
94756GT	249	T114023GT	305
94757GT	249, 257	T114678GT	147, 151-152
94758GT	249, 251	T115352GT	233
94759GT	253, 257	T115760GT	123-125
94760GT	253, 257		
94761GT	253		
94762GT	13-14, 135-136, 195		
94764GT	253		
94765GT	253, 257		
94888GT	139		
94889GT	13-14, 135-136, 195		
94890GT	135-136		
94891GT	46		
94892GT	46		
94893GT	46		
94894GT	46		
94922GT	155		
94937GT	89		
9596GT	281-282		
9599-SGT	281-282		
96008-SGT	93-94, 99-100, 103-104, 107-108		
96010GT	99-100, 107-108		
97128GT	89, 205, 211		
97404GT	135-136		
97461GT	135-136		
97473GT	141, 199		
97548GT	18-19, 27		
97571GT	18-19		
97579GT	18-19, 31, 307, 309		
97602GT	27		
97815	19		
97815GT	23-24, 31, 39		
97875GT	27, 31		
97887GT	17-19, 31		
97890GT	17-19		
99778GT	295		
9990184GT	52, 57-58, 64, 69-70, 73		
T106954GT	89		
T106955GT	89		
T106957GT	89		
T106961GT	89		
T106962GT	89		
T107842GT	70		
T107843GT	73		

Part Description Index

The Part Description Index is an alphabetical index of all part descriptions included in this manual. The index shows what page(s) the part is used on.

- "Ref. Wire Harness and Power Cable Assemblies".....233
 "Verify Engine Make and Model Before Ordering".....103-104, 107-108
- 1**
 1/4"-20 ZINC SER FLANGE NUT.....213
 1/4-20 3.5 ZNC SER FLANGE BOLT.....213
 12VDC PROPORTIONAL VALVE.....301
- 2**
 207 HYD MOTOR ASSY, GEN.....301
 2ND LP CARRIER W/TANK,S40.....333
- 3**
 3/8 MALE NPT X 3/8 BARB.....83
- 5**
 5/16-18 X 2.25 LG.FLG.LCK.SCRW.....58
- 6**
 6' TRI-ENT ASSY W/DECALS A/SOA.....281-282
 6' TRI-ENT ASSY W/DECALS ANSI.....281-282
 6' TRI-ENT ASSY W/DECALS AUSTR.....281-282
 6' TRI-ENT RAIL W/DECALS A/SOA.....281-282
 6' TRI-ENT RAIL W/DECALS ANSI.....281-282
 6' TRI-ENT RAIL W/DECALS AUSTR.....281-282
- 8**
 8' TRI-ENT ASSY W/DECALS A/SOA.....281-282
 8' TRI-ENT ASSY W/DECALS ANSI.....281-282
 8' TRI-ENT ASSY W/DECALS AUSTR.....281-282
 8' TRI-ENT ASSY W/DECALS CE.....281-282
 8' TRI-ENT RAIL W/DECALS A/SOA.....281-282
 8' TRI-ENT RAIL W/DECALS ANSI.....281-282
 8' TRI-ENT RAIL W/DECALS AUSTR.....281-282
 8' TRI-ENT RAIL W/DECALS CE/UK.....281-282
- A**
 ACC,FALL ARREST BAR,6FT FR.....345
 ACC,FALL ARREST BAR,6FT SYM.....345
 ACC,FALL ARREST BAR,6FT WORD.....345
 ACC,FALL ARREST BAR,8FT FR.....345
 ACC,FALL ARREST BAR,8FT SYM.....345
 ACC,FALL ARREST BAR,8FT WORD.....345
 ACC,PLAT CONTROL COVER, SERV.....285
 ACCESS PBOX HEATER ALC500/1000.....233
 ACCESSORY,OPERATOR PROT STRUCT.....341
 ACCESSORY,PANEL CRADLE,ANSI.....331
 ADAPTER CABLE, JS100 JOYSTICK.....123-125
 ADAPTER, 010103.....327
 ADAPTER, 1/8 X 1/4 F3H6-S.....329
 ADAPTER, MIXER/THRO, MSG425.....177
 ADAPTER, WATER CONN, MSG425.....177
 ADAPTER,140130-4-4.....327, 329
 ADAPTER,140139-8-6.....327, 329
 ADAPTER,AIR HOSE,PERK 404F.....197
 ADAPTER,MIXER/THROTTLE BODY.....167
 ADAPTER,THROTTLE ACTUATOR***.....155
 ADJUSTABLE STRAP ASSY.....331
 ADPTR,ST. THR 3/4-16 FEM PIPE.....129
 ADPTR,STR FEM INV 45D 1/4X1/4.....129
 AIR CLEANER BRACKET, PAINTED.....129
 AIR CLEANER CAP/ FORD/NOLFF***.....157, 161, 181
 AIR CLEANER MOUNTING BRKT,PTD.....171-172
 AIR CLEANER,FORD,T3...157, 161, 171-172, 181
 AIR CLEANER,NELSON***.....129, 139, 147, 152, 189, 197
 AIR HORN,NOLFF MIXER,ALUMINUM*.....155
 AIR INTAKE BRACKET, PAINTED.....133
 AIR INTAKE ELBOW,90 DEGREE.....189
 AIR VALVE MIXER.....155
 AIR VALVE MIXER***.....155
 ALARM PKG,S-40***.....279
 ALARM,CHIME TONE 5-25VDC***.....119, 121, 279
 ALARM,INTERMITTENT TONE 6-30V*.....279
 ALARM,WARBLE TONE 5-30 VDC***.....229, 231, 287
 ALTERNATOR - 85 AMP, INT REGULATED.....199
 ALTERNATOR, DEUTZ F3L10/F4L10*.....143, 152
 ALTERNATOR, PERKINS (53883).....127
 ALTERNATOR, PERKINS (54555).....141
 ALTERNATOR,65 AMP,PERKINS 404.....141
 ALTERNATOR,95 AMP,DEUTZ.....185, 191
 A L T E R N A T O R , F O R D DSG423,MSG425.....171-172, 179
 ALTERNATOR,LRG-423 RE-BUILT*.....155, 163
 ANGLE, RELAY MOUNTING.....99-100, 111-112
 ANGLE, RING GUARD.....321
 ANGLE,CABLE TRACK TUBE,PAINTED.....211
 ANGLE,RELAY MNT,W/NUTSERTS,PNT...97, 104, 108
 ASSEMBLY IDLER W/HUB.....75
 ASSEMBLY RESET SWITCH.....343
 ASSEMBLY, ECM COVER.....193, 201
 Assembly, IDLER HUB.....75
 ASSEMBLY, OPA PROTECTION CAGE.....343
 ASSEMBLY,CABLE,TAPESWITCH.....343
 ASSEMBLY,FOOT SWITCH.....125
 ASSEMBLY,HOSE,AIR INTAKE.....171-172
 ASSEMBLY,MAIN CABLE,OPA.....343
 ASSEMBLY,TAPESWITCH.....343
 ASSEMBLY,TERMINAL RAIL,S40/45.....99-100
 ASSM, GEN. ONLY, 110V, 60HZ.....297
 ASSY BATTERY HEATER,240V.....295
 ASSY HEATER, MODEL 18, 120V.....295
 ASSY HEATER,MODEL 18,240V.....295
 ASSY, GBOX COVERING.....285
 ASSY, BATTERY HEATER, 120V.....295
 ASSY, CIRCUIT BREAKER 15A.....93-94
 ASSY, CIRCUIT BREAKER 20A.....93-94
 ASSY, GBOX TIER IV, S40.....107-108
 ASSY, GBOX, TIER IV, PERKINS.....107-108
 ASSY, MED. PRESS. FILTER, SAE8.....147, 157, 161, 203
 ASSY, PBOX, TIER IV PERKINS.....229
 ASSY, QTS TRAX, S40/45, LH.....69-70, 73
 ASSY, QTS TRAX, S40/45, RH.....70, 73
 ASSY, S40/45 GBOX, DEUTZ, TIER.....103-104
 ASSY, S40/45 T4 DEUTZ PBOX.....229
 ASSY, YOKE, LH, TRAX, W/BUSH.....69-70
 ASSY, YOKE, RH, TRAX, W/BUSH.....69-70
 ASSY,120V HEATER, HYD TANK.....295
 ASSY,240V HEATER, HYD TANK.....295
 ASSY,DISPLAY,DP200 DEUTZ T4.....103-104, 111-112
 ASSY,DISPLAY,DP200 PERKINS T4.....107-108, 111-112
 ASSY,ENCLOSURE,WELDER,GEN.....305
 ASSY,ENGINE HEATER,120V.....295
 ASSY,ENGINE HEATER,240V.....295
 ASSY,FUEL PREFILTER,DEUTZ 2.9.....193
 ASSY,GAUGE OPT. OIL COOLED.....329
 ASSY,GAUGE OPT.WATER COOLED.....329
 ASSY,GBOX BASE,S40/45.....99-100
 ASSY,GBOX,DEUTZ T4,S40/45.....111-112
 ASSY,GBOX,DEUTZ,T3,S40/45.....99-100
 ASSY,GBOX,FORD,S40/45.....99-100
 ASSY,GBOX,PERKINS T4,S40/45.....111-112
 ASSY,GBOX,PERKINS,T3,S40/45.....99-100
 ASSY,LS,LOAD SENSE,38.5 IN.....287
 ASSY,MODULE,CONTROL UNIT,OPA.....343
 ASSY,PCB,ALC500-2 S40 LEG V204.....233
 ASSY,PCB,ALC500-II,S40.....231, 233
 ASSY,RECEP,12V,CSA TILT.....125
 ASSY,RELAY SOCKET, AUTO.....97, 104, 108
 ASSY,S40/45,FRONT AXLE,NON-OSC.....43
 ASSY,TIRE/WHEEL,IMP,W/SEALANT.....45-46
 ASSY,TIRE/WHEEL,LH,RT,NM,W/SEA.....45-46, 51-52, 63-64
 ASSY,TIRE/WHEEL,RH,RT,NM,W/SEA.....45-46, 51-52, 63-64
 ASSY,TRACK,FALL ARREST BAR,6FT FR.....345
 ASSY,TRACK,FALL ARREST BAR,6FT SYM.....345
 ASSY,TRACK,FALL ARREST BAR,6FT WORD.....345
 ASSY,TRACK,FALL ARREST BAR,8FT FR.....345
 ASSY,TRACK,FALL ARREST BAR,8FT SYM.....345
 ASSY,TRACK,FALL ARREST BAR,8FT WORD.....345
 ASSY,WORK LIGHT,12V LED.....282
 ASSY,,FRONT AXLE TRAX,W/BUSH.....70
 ASSY,,REAR AXLE TRAX,W/BUSH.....73
 ASTM Flange Bolt, 3/4"-10NC X 1.50", Gr. 8 Plated.....75
 ASTM Flange nut, 5/8"-11, Gr. 8 Plated.....75
 AUX TOP RAIL,6"(1.25")SERVICE.....281-282
 AUX TOP RAIL,6",SWG GT, SRV.....281-282
 AUX TOP RAIL,6FT,PTD.....281-282
 AUX TOP RAIL,8"(1.25")SERVICE.....281-282

AUX TOP RAIL,8',SWG GT, SRV.....281-282
 AUX TOP RAIL,8FT,PTD.....281-282
 AXLE WELDMENT,NON-OSC, ASSY.....43

B

BACKING PLATE, HOSE BLOCK, JIB.....219
 BACKING PLATE, PAINTED.....323
 BACKING PLATE, PNTD.....323
 BAFFLE, AIR CLEANER (27915)**...129, 139,
 147, 152, 189, 197
 BAFFLE, PERKINS, S40, PAINTED*.....117
 BAFFLE,AIR,DEUTZ,PAINTED.....117
 BAFFLE,AIR,FORD,PAINTED.....117
 BALL STUD*.....115, 117
 BAR,AXLE ROTATION STOP,NON-OSC.....49,
 52, 61, 64
 BAR,AXLE ROTATION STOP,OSC. **.....49,
 52, 61, 64
 BAR,FLAP REINFORCING 23" BLUE.....323
 BAR,FLAP REINFORCING 37.5 BLUE.....323
 BAR,HARNESS CONNECTOR MOUNT.....163
 BASE & PLAT CONTROL COVERS.....285
 BASE CONTROL BOX COVER ASSY.....285
 BASE ENCLOSURE,RED,OPA.....343
 BASE, W/1 N.O. CONTACTS***.....229, 231
 BASE,W/2 NC CONTACTS***.....93-94, 99-
 100, 103-104, 107-108, 111-112
 BASE,W/3 NC CONTACTS.....229, 231
 BASE,WITH 2 N.O. CONTACTS***.....93-94,
 99-100, 103-104, 107-108, 111-112
 BASE,WITHOUT CONTACTS.....99-100, 103-
 104, 107-108, 111-112
 BATT CABLE, S40 T4 DEUTZ, RD.....123-125
 BATTERY CABLE,1/0 GA,BLK 30".....123-125
 BATTERY CABLE,1/0 GA,BLK 48".....123-125
 BATTERY CABLE,1/0 GA,RED 45".....123-125
 BATTERY HOLD DOWN,GROUP 31.....141,
 161, 203
 BATTERY TERMINAL PROTECTORS.....203
 BATTERY,12V,1000 CCA GRP 31.....203
 BEACON TRAVEL ALARM /SRV S4045.....279
 BEARING KIT (45553) TORQUE HUB.....49,
 57-58, 61
 BEARING KIT DRIVE TURN AND HUB.....91
 BEARING KIT, AUSCO***.....49, 61
 BEARING KIT,4HP.....52, 57-58, 64, 69-70, 73
 BEARING KIT,OMNI***.....51-52, 57-58, 64,
 69-70, 73
 BEARING KIT,PLAT ROTATOR,SUPER.....215,
 217
 BEARING KIT,TORQUE HUB (20193).....49
 BEARING KIT,WHEEL DRIVE W/BRAKE
 (101584/101585).....52, 57-58, 64, 69-70, 73
 BEARING NUT***.....52, 57-58, 64, 69-70, 73
 BEARING RACE (LARGE) (45873).....46
 BEARING RACE (SMALL) (45873).....46
 BEARING, POLYGON P2055 (59105).....41, 55
 BEARING,1.00IDX1.25ODX1.00L.....41, 43, 55,
 69-70, 205
 BEARING,1.00IDX1.50ODX1.00L.....205
 BEARING,1.25 X 1.5 X 2.....217, 219
 BEARING,1.25ID X 1.5OD X 0.69L.....207
 BEARING,1.25IDX1.5ODX1.00L.....41, 55, 205,
 215, 217, 219
 BEARING,1.5"ID X 1.75OD X1.25L.....69-70
 BEARING,1.50IDX2.00ODX1.50LG.....207, 209
 BEARING,1.5IDX1.75ODX1.0L.....41, 43, 51-
 52, 63-64

BEARING,1.5IDX1.75ODX1.5L,PTFE...41, 43,
 49, 55, 61, 69-70
 BEARING,FL 1.5ID X 1.75OF X1.7.....43
 BEARING,FL, 1.25X1.5X2.13.....217, 219
 BEARING,FL,1.25IDX1.41ODX1.50L.....219
 BEARING,FL,1.25IDX1.5ODX1.25L.....217
 BEARING,FL,1.50IDX1.75ODX1.10L.....49, 51-
 52, 61, 63-64
 BEARING,GARLOCK,12FDU12.....287
 BEARING,INNER (88883).....46
 BEARING,MOTOR.....297
 BEARING,OUTER (88883).....46
 BEARING,POLYGON,20DU12.....215
 BEARING,SERIES 3000.....89
 BELL HOUSING KIT, FORD 425EFI.....165
 BELL CRANK ASSY W/BEARINGS.....217, 219
 BELT, FEAD, MSG425.....179
 BELT, V (PERKINS 404).....13-14, 141, 199,
 201
 BELT,AIR PUMP,PERKINS 404F-22T.....13-
 14, 191, 201
 BELT,SERPENTINE,DSG-423.....169
 BELT,SERPENTINE,LRG425 EFI***.....14, 155,
 165
 BELT,TIMING,FORD LRG423/425EFI.....157,
 163, 165
 BELT,V KIT, PERKINS 704-30.....13-14, 131
 BELT,V, DEUTZ DIESEL ENGINE.....13-14,
 143, 152
 BLANKET,BATTERY.....293
 BLOCK HEATER,FORD DSG-423.....293
 BOLT PAD,CBL.TRK.CVR.,50**.....325
 BOLT PAD,CBL.TRK.CVR.,75**.....325
 BOLT, BRACKET, SUPPORT,FORD
 MSG.....179
 BOLT, CARRIAGE, 1/2-13 X 1.75.....75
 BOLT, CARRIAGE, 3/8-16 X 1.50, G5.....159
 BOLT, DEUTZ FLYWHEEL.....185
 BOLT, DEUTZ STARTER.....185
 BOLT,CARRIAGE,1/4-20 X .75,G2.....323
 BOLT,CARRIAGE,1/4-20 X 1.00,G2.....219
 BOLT,CARRIAGE,1/4-20 X 2.75,G2.....219
 BOLT,CARRIAGE,3/8-16X1.5,18-8.....279
 BOLT,EXHAUST,PERKINS(54555)**.....139
 BOLT-FLANGE,M6 X 22MM(52573).....155, 165
 BOOT GUARD, JOYSTICK 62390/91.....235
 BOOT(BELLOWS),E-STOP,BLACK.....93-94,
 99-100, 103-104, 107-108, 111-112, 229,
 231
 BOOT, ROCKER JOYSTICK 75565.....235, 237
 BOOT,JOYSTICK.....235, 237
 BOOT,SOLENOID,29073.....147
 BOOT,TOGGLE SWITCH,SHORT*.....93-94,
 293, 301, 339
 BOTTLE, COOLANT RECOVERY, 2QT.....133,
 139, 157, 161, 169, 183
 BOTTLE,COOLANT RECOVERY,3.7***.....195
 BOX,INSTRUCTION STORAGE.....221-222
 BRACKET, CABLE TRACK GASKET.....325
 BRACKET, POSITIVE AIR SHUTOFF.....151-
 152
 BRACKET,1K OHM 10-TURN POT,PNT.....305
 BRACKET,ACTUATOR ARM MTG,PTD.....147
 BRACKET,AIR FILTER,FORD GAS PT.....155,
 157
 BRACKET,AIRLINE TO PLATFORM.....291
 BRACKET,CONTROL UNIT.....343
 BRACKET,DP200 PANEL MOUNT.....104, 108
 BRACKET,FAN,FORD MSG.....179

BRACKET,GENERATOR,12KW,PAINTED.301,
 305
 BRACKET,HOSE CLAMP,PAINTED.....219
 BRACKET,IDLER,FORD MSG.....179
 BRACKET,LIMIT SWITCH EXT,BLUE*.....211
 BRACKET,LINCOLN WELDER,PNTD.....307,
 309, 311
 BRACKET,MAP SENSOR,PAINTED.....155,
 163
 BRACKET,MOUNT,LIGHT OPT,S40.....279
 BRACKET,PBOX WIRE SUPPORT.....231
 BRACKET,PIN GER GUARD S40/45.....321
 BRACKET,PLATFORM HEATER OPT.....233
 BRACKET,POWER TO PLAT
 TBOX,PNT.....307, 309
 B R A C K E T , R E G U L A T O R
 SUPPORT,PNTD.....175
 B R A C K E T , R E L A Y B L O C K
 MOUNT,PTD.....171-172
 BRACKET,RETURN FILTER.....77-78, 81, 83,
 85
 BRACKET,RING GEAR S40/45.....321
 B R A C K E T , S O L E N O I D
 MOUNT,PAINTED.....151-152
 BRACKET,SOLENOID MTG,PAINTED.....147
 BRACKET,SWIVEL STOP.....89
 BRACKET,TENSIONER.....169
 BRACKET,TOGGLE SWITCH.....97
 BRACKET,V275S WELD LEADS.....307, 309,
 311
 B R A C K E T , W E L D E R M N T
 SUPPORT,PNT.....307, 309, 311
 BRACKET,WELDER SUPPORT,PNT.....307,
 309, 311
 BRACKET,WELDER TOP.....307, 309, 311
 BRACKET,WORK LIGHT MOUNT 5/16".....282
 BRACKET-FUEL FILTER (52567).....155, 163
 BRAKE ASSEMBLY,TURNTABLE ROT**.....91
 BRAKE,MICO,1200 IN/LB***.....49, 61
 BRASS WATER FITTING,5/8.....157
 BRCKET,AIR CLEANER MTG.PAINT**.....147
 BREAKER, 25 AMP, GEN.....301
 BREAKER,15 AMP,GEN.....301
 BRIDGE,50A FULL WAVE**.....297
 BRKT,AIR CLEANER ORIENTATION**.....129,
 139, 147, 152, 157, 161, 171-172, 181, 189,
 197
 BRKT.,CBL.TRK.GASKET.....325
 BRUSH 3/8 X 1/4 X 15/16(36928).....297
 BRUSH ASSEMBLY.....297
 BRUSH BOX ASSY,ALT GEN.....305
 BRUSH BOX,ASSY,GEN***.....305
 BRUSH ENDBELL ASSEMBLY (89719).....297
 BRUSH, CABLE TRACK COVER,6.75".....325
 BRUSH,CABLE TRK. CVR.,6.75".....325
 BULB,WORKLIGHT,12V 35W.....279, 282
 BUMPER, PLASTIC, 1.25 O.D.....281-282,
 289, 337, 339
 BUMPER,BATTERY BOX & RAILS...281-282,
 285, 343
 BUMPER,RUB,1.00DX.75X31-18X1.2.....115,
 117
 BUMPER,RUBBER***.....157, 287
 BUMPER,RUBBER,.75 X .50H,STUD.....115,
 117, 345
 BUMPER,RUBBER,1.19DX1.5X.31-18.....115,
 117
 BUMPER,RUBBER-1 X 1.25.....115, 117

Part Description Index (continued)

- BUSHING, PWM 505860 Ø50 I.D. X Ø58 O.D. X 60 - FIL WND.....75
 BUSHING,POLYGON,BM5121.....205, 217, 219
 BUTTON,PUSH,BLACK W/SEAL***.....99-100, 103-104, 107-108, 111-112, 229, 231
 BUTTON,PUSH,RED MUSHROOM HEAD.....93-94, 99-100, 103-104, 107-108, 111-112, 229, 231
- C**
- CABLE ASSEMBLY SL 408".....181
 CABLE SQUEEZE CONN .63-.75.....305
 CABLE SQUEEZE CONN.....305
 CABLE TIE,11.5" BLACK...221-222, 307, 309, 311
 CABLE TIE,4" BLK,HEAT RESISTNT.....221-222
 CABLE TIE,7 3/8".....99-100, 103-104, 108, 111-112
 CABLE TRACK COVER.....325
 CABLE TRACK COVER 100.00".....325
 CABLE TRACK S40/45.....213
 CABLE TRACK TRAY ASSY W/TRIM.....211
 CABLE,#4GA,POS.AUX,RED,108".....123-125
 CABLETRACK,PLATED, 41 LINK.....211
 CAP ASSY, COOLANT BOTTLE.....195
 CAP, COOLANT RET SYS(54071).....133, 139, 157, 161, 169, 183
 CAP, INT. MFLD. VAC, MSG425.....177
 CAP, OIL FILLER.....135-136, 195, 199
 CAP, SIDE OIL FILL, PERKINS.....127
 CAP,COOLANT 3/4.....171-172, 183
 CAP,DIAGNOSTIC NIPPLE.....239-240, 243-244, 247, 269
 CAP,DISENGAGE,4HP/4HB***.....52, 57-58, 64, 69-70, 73
 CAP,DISENGAGE,OMNI***.....51-52, 57-58, 64, 69-70, 73
 CAP,DISENGAGE-45553 TORQUE HUB....49, 57-58, 61
 CAP,DUST,45873 HUB KIT.....46
 CAP,EPDM,5/16".....167, 171-172
 CAP,FILLER BREATHER,3 MICRON**.....77-78, 81, 83, 85
 CAP,FUEL,DIESEL,1/8"VENT(GRN).....81, 83, 85
 CAP,FUEL,GAS,1/8"VENT(RED).....78
 CAP,FUEL,GASOLINE 3.5PSI.....78
 CAP,OIL FILLER, PERKINS.....129
 CAP,OIL FILLER,DEUTZ,DIESEL***.....147, 151-152, 185
 CAP,OIL FILLER,FORD DSG 423.....169, 179
 CAP,RADIATOR,FORD***.....159
 CAP,RADIATOR,PERKINS(94232).....191
 CAP,RADIATOR,PERKINS/FORD.....133, 139, 161, 175, 195
 CAPACITOR 16 F, GEN.....301
 CAPACITOR,3 MF,50VDC.....97
 CAPACITOR,TIME DELAY.....123-125
 CASTING,WASHER,REBOUND.....183, 193, 201
 CASTING,WASHER,REBOUND,PAINTED.139, 141, 149, 151-152, 165, 175
 Caution - 12V Electrical.....18-19
 CHAIN,NO.2 (11 LINKS).....337, 339
 CHARGE WIRE, MSG425.....179
 CHECK VALVE,BALL TYPE,NORMAL.....243-244
- CIRCUIT BKR 10A TYPE 2 METAL...135-136, 149
 CIRCUIT BREAKER, 15A...99-100, 103-104, 107-108, 111-112
 CIRCUIT BREAKER, 20A.....107-108
 CIRCUIT BREAKER, 35A 3PH.....305
 CIRCUIT BREAKER,20A,SINGLE PH.....305
 CIRCUIT BREAKER,20AMP MINI.....193
 CLAMP PAIR,DUAL HOSE.....58
 CLAMP PLATE S40/45.....213
 CLAMP, HOSE (53883).....131
 CLAMP, MUFFLER.....149
 CLAMP,0.31,#5 X 1/4,RUB CUSH.....287
 CLAMP,0.50,#8 X 1/4,RUB CUSH.....139, 161, 163, 169, 183, 195, 337, 339
 CLAMP,0.63,#10 X 3/8,RUB CUSH.....191
 CLAMP,0.75,#12 X 1/4,RUB CUSH.....99-100, 103-104, 107-108, 111-112
 CLAMP,1.00,#16 X 1/4,RUB CUSH...231, 307, 309, 311
 CLAMP,1.00,#16 X 7/16,RUB CUSH.....58
 CLAMP,1.13,#18 X 1/4,RUB CUSH.....337, 339
 CLAMP,1.25,#20 X 7/16,RUB CSH.....135-136, 149
 CLAMP,1.25X.5 RUBBER-CUSHION.....222, 289, 331
 CLAMP,1.38,#212X3/8,RUB CUSH...171-172, 191
 CLAMP,1.63,#26 X 3/8,RUB CUSH.....77-78, 219
 CLAMP,1.75,#28 X 3/8,RUB CUSH*.....159, 217
 CLAMP,1.88,#30 X 1/4,RUB CUSH.....141
 CLAMP,2 HOSE,PLASTIC,5/8...189, 195, 203, 271-272
 CLAMP,2.38,#38 X 3/8 RUB CUSH.....187
 CLAMP,2.5,#40 X 1/4,RUB CUSH.....189
 CLAMP,2.75,#44 X 1/4,RUB CUSH*.....77-78, 133
 CLAMP,3.0,#48 X 1/4,RUB CUSH.....175
 CLAMP,5.38,#86 X 3/8,RUB CUSH.....319
 CLAMP,EXHAUST,2.00 PLATED.....139, 195
 CLAMP,FIXED DIA, NYLON, 3/8".....99-100, 111-112, 329
 CLAMP,FORD MUFFLER,PAINTED.....163
 CLAMP,FUEL PUMP.....77-78
 CLAMP,HOSE 2 5/16-3 1/4.....129, 147
 CLAMP,HOSE,.25" - .63" X .3125.....77-78, 81, 83, 85, 133, 169, 183
 CLAMP,HOSE,.63" - 1.0" X .5".....83, 155, 171-172, 183
 CLAMP,HOSE,.75 **.....317
 CLAMP,HOSE,1.00.....189, 191
 CLAMP,HOSE,1.25***.....155, 157, 181, 317
 CLAMP,HOSE,1.50.....175
 CLAMP,HOSE,1.75.....155, 161, 165, 187, 195
 CLAMP,HOSE,1.75,LINED.....159, 171-172
 CLAMP,HOSE,2.00***.....163, 171-172, 187, 189
 CLAMP,HOSE,2.25" DIA....139, 159, 161, 165, 195
 CLAMP,HOSE,2.50****.....139, 155, 161, 171-172, 181, 189, 197, 317, 319
 CLAMP,HOSE,3.00".....152, 197, 317, 319
 CLAMP,HOSE,5.00.....317, 319
 CLAMP,HOSE,8.50 DIA***.....149
 CLAMP,HOSE,BOTTOM,MOLDED.....211
 CLAMP,HOSE, TOP,MOLDED.....211
 CLAMP,JIB HOSE/CABLE.....219
 CLAMP,JIB HOSE/CABLE,ARCTIC.....219
- CLAMP,MUFFLER.....139
 CLAMP,MUFFLER, 2.50 INCH.....187, 319
 CLAMP,MUFFLER,1-7/8 IN.....161, 172, 181
 CLAMP,MUFFLER,1.75 INCH...161, 171-172, 181
 CLAMP,MUFFLER,2 1/4" ID.....145
 CLAMP,PULL TUBE.....211
 CLAMP,RUB CUSH,0.75,#12 X 3/8*.....58, 127, 165
 CLAMP,SPRING,1/2".....167, 177
 CLAMP,SPRING,7/16".....167, 171-172
 CLAMP,TWO HOSE.....219
 CLAMP,WORKLIGHT.....282
 CLEVIS YOKE-1/4-28,PLTD W/PIN.....67, 129, 135-136, 147, 151-152
 CLIP,AIR CLEANER COVER (58247).....157, 161, 181
 CLIP,AIR CLEANER END CAP***.....129, 139, 147, 152, 189, 197
 CLIP,HAIR PIN .243 X 5.25.....335
 CLMP,PLSTC,CBLE TRAY S40/45B.....213
 CLMP,PLSTC,CBLE TRAY S40/45T.....213
 CLMP,PLSTC,CBLE TRCK S40/45B.....213
 CLMP,PLSTC,CBLE TRCK S40/45T.....213
 CNTWT,CAST,S40/45 2WD DRV CHAS.....46
 CNTWT,CAST,S45 SWING CHASSIS.....121
 CNTWT,S40 SWING CHASSIS.....119, 121
 COIL ASSEMBLY.....167
 COIL ASSY, MSG425.....177
 COIL, 10V DC (D10, 20 WATT)...240, 243-244
 COIL, ELECTRONIC IGN., FORD.....155, 165
 COIL, SOLENOID VALVE, 10V.....253
 COIL,10V.....240
 COIL,10V DC(D10,26 WATT).....239-240, 243-244
 COIL,12V.....240
 COIL,12V.DO1 VALVE.....255
 COIL,12VDC #8 DTSCH IP69 ECOIL.....255
 COIL, GREEN W/ 2 PIN CONNECTOR*.....239-240, 253
 COIL,PROPORTIONAL VALVE***.....244
 COIL,SOLENOID VALVE***.....243-244
 COIL-10V DC***.....253, 257
 COLD ACCESS,PERKINS,SERVICE.....293
 COLD ACCESSORIES, FORD.....293
 COLD AIR HOSE, PERK 404F-22.....197
 COLD START PKG,DEUTZ F3L 2011.....293
 COLD START PKG,DEUTZ,BIG BOOM.....293
 COLD START PKG,PERKINS,BB.....293
 COLD START,FORD, BIG BOOM.....293
 COLD WEATHER 120V J BOX ASSY.....295
 COLD WEATHER 240V J BOX ASSY.....295
 COLLAR,JOYSTICK,CENTER.....237
 COMPR. LINK,MACHINED,ENG SD***.....217
 C O M P R . L I N K , M A C H I N E D , G N D
 CONTR*.....217, 219
 CONN PLUG 3 WAY ENDCAP DT.....295
 CONN RECEPT,FLANGED.....231, 233, 329
 CONN, 520120-4-6 0.030 ORIFICE.....277
 CONN, 520120-6.....269, 271-272, 275, 277, 299
 CONN, 520120-8-6.....313
 CONN, SAE#4-1/4" NPT.....305
 CONN,520102-16.....299
 CONN,520102-6-6.....77-78, 81, 83, 85, 271-272
 CONN,520120-10-12.....313
 CONN,520120-12-16.....271-272, 313
 CONN,520120-16.....271-272

- CONN,520120-4***.....261, 263, 265, 267, 271-272, 275, 277, 299
 CONN,520120-4-6***.....271-272, 275, 277, 299
 CONN,520120-4-8.....269
 CONN,520120-6-8.....299
 CONN,520120-8***.....261, 263, 265, 267, 269, 271-272, 303, 313
 CONN,520120-8-10.....261, 265, 271-272, 299
 CONN,520120-8-12.....265, 267, 303, 313
 CONN, LONG,520122-4.....303
 CONN, LONG,520122-6.....299
 CONN, LONG,520122-8.....299, 303
 CONN, PLUG 120 AC/15A DOMESTIC.....295
 CONN, PLUG 2 WAY, 14-18GA.....295
 CONN, RECEP 2 WAY ENDCAP DT.....213, 295
 CONN, RECEP 24 WAY, W/FLANGE.....93-94, 100, 104, 108, 111-112
 CONN, RECEP 3 WAY ENDCAP DT.....295
 CONN, RECEP 4 WAY ENDCAP DT.....301
 CONN, RECEP 4 WAY, 12-14GA FL***.....93-94, 100, 104, 108, 111-112, 231, 233
 CONN, RECEP 40 WAY, W/FLANGE.....93-94, 100, 104, 108, 111-112
 CONN, RECEP 48 WAY, 4 X 12.....93-94, 100, 104, 108, 111-112, 231, 233
 CONN, RECEP 8 WAY 14-18GA, FL.....99-100, 111-112
 CONN, SQUEEZE, 1/2NPT .38-.50, SM.....87, 93-94, 225-226, 233, 301, 305
 CONN, SQZ, BLK, 1/2NPT, .38-.50, SM.....125
 CONN, TEE, UNION, 520401-6, ORFS.....269
 CONN. ASSY, 7.9 TUBE X6.35 HOSE.....77-78, 163
 CONN. SQZ, 1/2NPT .39-.56 MED.....100, 104, 108, 112, 301
 CONNECT BOX, PERK T4 EXT HARN.....124-125
 CONNECTOR, DEUTZ FUEL SHUTOFF*.....147, 151-152
 CONNECTOR, 010102-6-4.....161, 183
 CONNECTOR, BULKHEAD, FEMALE-4.....115
 CONNECTOR, FEMALE, RECPTCLE, 110V.301
 CONTACT, N.C.....93-94, 99-100, 103-104, 107-108, 111-112, 229, 231
 CONTACT, N.O.***.....93-94, 99-100, 103-104, 107-108, 229
 CONTACTOR, LIMIT SWITCH.....89, 205, 211
 CONTROL BOX ASSY, GROUND, S40.....93-94
 CONTROL BOX COVER, LFT SIDE, PTD.....285
 CONTROL BOX COVER, RT SIDE, PTD.....285
 CONTROL BOX, 2KW, 120/240V, 50HZ.....301
 CONTROL MODULE, MSG425.....183
 CONTROL MODULE, DSG-423.....175
 CONTROLLER BOX, 120/240V, 60H.....301
 CONTROLLER, DASH, BASIC PLUS.....151-152
 CONTROLLER, VCU, DEUTZ L031.....151-152
 CORROSION INHIBITOR COATING.....203
 CORROSION INHIBITOR, FOAM.....93-94, 99-100, 103-104, 107-108, 111-112, 231
 COUNTERWEIGHT, S45 DRV CHASSIS.....46, 89
 COUNTERWEIGHT, DRIVE CHASSIS **.....46
 COUPLER, 15 TOOTH, FBA, FORD***.....171-172
 COUPLER, 15 TOOTH, FBA, PERKINS**.....135-136, 197
 COUPLER, 15 TOOTH, FBA, SAE8***.....152, 189
 COUPLER, 15T, FBA, SAE 8, MSG425.....181
 COUPLER, HUB, 15 TOOTH 7/16BOLT*.....127, 145, 152, 157, 165, 171-172
 COUPLER, SMALL METAL, 15T,***.....135-136
 COUPLING (106113).....305
 COUPLING, 28MM (106113).....305
 COVER ASSY W/DECAL, WRD, RH BB.....117
 COVER ASSY W/DECALS, L.H. BB.....115
 COVER ASSY, SYMBOLS, ENGINE SIDE.....117
 COVER CAP, TORQUE HUB***.....49, 58, 61
 C O V E R T U R N T A B L E W/SYMBOLS, TANK.....115
 COVER TURNTABLE, W/WORD TANK SI...115
 COVER, CHASSIS ASSY W/DECALS.....49, 52, 61, 64
 COVER, END, GEN, 120V.....301
 COVER, END, GENERATOR, 240V.....301
 COVER, ENGINE, DEUTZ F3L 2011F.....149
 COVER, FOOT SWITCH, LARGE.....221-222
 COVER, HOSE & CABLE, HOSTILE.....317
 COVER, JIB HOSES/CABLES.....219
 COVER, PULLEY (DEUTZ F3L 2011).....152
 COVER, BLANK.....301
 COVER, CABLE TRACK.....211
 COVER, CONTROL BOX LEFT SIDE***.....285
 COVER, CONTROL BOX LID.....285
 COVER, CONTROL BOX RIGHT SIDE**.....285
 COVER, ENGINE SIDE (F30-1011F).....145
 COVER, FLYWHEEL CASTING.....152, 189
 COVER, FOOT SWITCH.....221-222
 COVER, FRONT DEUTZ ENGINE.....143
 COVER, GFCI, HORIZONTAL, WEATHER.....225-226, 305
 COVER, HUB (88883).....46
 COVER, NON-STEER AXLE "BLUE".....49, 52, 61, 64
 COVER, PROTECTIVE, JIB CYLINDER.....317
 COVER, PROTECTIVE, LIFT CYLINDR*.....317
 COVER, PROTECTIVE, OSCILLATE CYL.....317
 COVER, PROTECTIVE, SLAVE W/JIB.....317
 COVER, PROTECTIVE, STEER CYLINDR...317
 COVER, SUPPORT WELDMENT, LH.....115
 COVER, WEATHERPROOF 3-PHASE.....307, 309
 COVER, WELDER GENERATOR.....305
 COW CATCHER, PLASTIC.....211
 CRANK PULLEY, EXT, MSG425.....179
 CTWT, CAST, 400 LBS, LH.....119, 121
 CTWT, CAST, 400 LBS, RH.....119, 121
 CTWT, CAST, 515 LBS, LH.....121
 CTWT, CAST, 515 LBS, RH.....121
 CVR ASSY W/DECALS, DRV CHASS ST....45-46, 57-58
 CYLINDER, EXT. 2.5" X 163.5".....207, 209
 CYLINDER, JIB (STICK BOOMS).....217, 219
 CYLINDER, LIFT, S40.....205
 CYLINDER, MASTER.....205
 CYLINDER, MASTER, S40***.....205
 CYLINDER, OSCILLATE S40/45.....41, 55
 CYLINDER, SLAVE, 3 X 11.38***.....217, 219
 CYLINDER, SLAVE, S40/45.....215
 CYLINDER, STEER***.....41, 43, 55
- D**
- DCL, NAMEPLT, USE UNDERWRITE LAB.....21
 DECAL COSMETIC, S40 TRAX.....24
 DECAL FAULT CODE.....18-19, 31
 DECAL KIT, INST. S40 DIESEL, 2003.....17-19
 DECAL KIT, INSTR, GAS, 2003.....17-19
 DECAL KIT, SYMBOLS, S40/45.....23-24
 DECAL KIT, SYMBOLS, SERV, S40/45.....23-24
 DECAL KIT, WORDS, S40/45.....17-19
 DECAL KIT, WORDS, SERV, S40/45.....17-19
 DECAL LABEL, ALC500-II, S80.....123-125
 DECAL NOTICE, GASOLINE TANK.....21
 DECAL PLATE ASSEMBLY W/DECALS.....225-226
 DECAL PLATE W/SYMBOL DECALS.....225-226
 DECAL PLATE, W/WORD DECALS.....225-226
 DECAL PLATE, W/WORD DECALS S40.....225-226
 DECAL, COSMETIC, BOOM, S40, TR.....18-19, 24, 29, 37
 DECAL, COSMETIC, BOOM, S45, TR.....18-19, 29, 37
 DECAL, COSMETIC, DRIVE, S40 TR...18-19, 24, 27, 35
 DECAL, COSMETIC, DRIVE, S45 TR.....27, 35
 DECAL, COSMETIC, SWING, S40 TR.....18-19, 27, 35
 DECAL, COSMETIC, SWING, S45 TR.....27, 35
 DECAL, DANGER, TIP OVER, TRAX.....18-19, 21, 27
 DECAL, ENGINE SPEC, 404F-22.....18-19, 27
 DECAL, ENGINE SPEC, D2.9.....18-19, 27
 DECAL, ENGINE SPEC, PERKINS.....18-19
 DECAL, INSTRUCTION, OPS.....19, 24
 DECAL, LABEL ALC500 S40.....233
 DECAL, LABEL ALC500 S40 V204.....233
 DECAL, LABEL, SHELL TELLUS.....21
 DECAL, LCD, TIER 4.....19, 21
 DECAL, MAX TRACK LOAD, S40, TR.....18-19, 21, 24, 27, 33, 35
 DECAL, MAX TRACK LOAD, S45, TR.....21, 27, 33, 35
 DECAL, PATCH, GEN, ALC-500.....31, 39, 297, 301, 307, 309
 DECAL, POWER TO PLATFORM 230V**...17-19, 21, 23-24, 27, 31, 33, 39
 DECAL, S40 TIER IV PBOX.....18-19, 24, 31, 39
 DECAL, SYMBOL - READ THE MANUAL...23-24, 33, 39
 DECAL, ANNUAL INSP***.....18-19, 21
 DECAL, ARROW BLUE.....17-19, 23-24, 27, 35
 DECAL, ARROW YELLOW LRG 9".....17-19, 21, 23-24, 33
 DECAL, BATTERY DISCONNECT.....21
 DECAL, CAUTION, SHUTOFF VALVES**.....23-24
 DECAL, CAUTION, TOWING SPEED.....18-19, 27
 DECAL, CHEVRON RANDO HD.....18-19, 21
 DECAL, COSMETIC, 4 X 2.....18-19, 21, 23-24, 33
 DECAL, COSMETIC, 4 X 4.....18-19, 21, 23-24, 33
 DECAL, COSMETIC, GENIE.....343
 DECAL, COSMETIC, GENIE S-40***.....18-19, 23-24, 29, 37
 DECAL, COSMETIC, GENIE S-45***.....18-19, 29, 37
 DECAL, COSMETIC, S-45.....27, 35
 DECAL, COSMETIC, S40.....18-19, 23-24, 27, 35

Part Description Index (continued)

DECAL,COSMETIC,S40,10".....18-19, 23-24, 27, 35	DECAL,LABEL,BELT ROUTING DSG.....18-19, 23-24, 27	DECAL,OPTION GLOW PLUGS***.....293
DECAL,COSMETIC,S45,10".....27, 35	DECAL,LABEL,BELT,MSG425.....18-19, 27, 35	DECAL,PLATFORM CONTROL PANEL.....18-19, 23-24
DECAL,DANGER DO NOT ALTER SWTC.....17-19, 27	DECAL,LABEL,CB SYMBOL.....18-19, 23-24	DECAL,PLATFORM CONTROL PANEL**...18-19, 23-24, 31, 39
DECAL,DANGER,BATTERY SAFETY***.....17-19, 27	DECAL,LABEL,DECIBEL 102***.....23-24, 33	DECAL,POWER TO PLATFORM 115V.....17-19, 21, 23-24, 27, 31, 33, 39
DECAL,DANGER,ELEC.HAZ.STAY CLR.....17-19, 23-24, 33, 35	DECAL,LABEL,FALL HAZARD***.....23-24, 37	DECAL,PROTCTR,CLEAR,PLATE*.....18-19, 23-24, 31, 39
DECAL,DANGER,ELECT HAZARD***.....17-19, 21, 27	DECAL,LABEL,FUEL SELECT PATCH.....18-19, 23-24	DECAL,SYM,LH,TT,COVER ASSY.....115
DECAL,DANGER,GEN SAFETY RULES.....17-19	DECAL,LABEL,LIGHTS***.....31, 39, 279	DECAL,SYMBOL-BATTERY SAFETY.....23-24, 35
DECAL,DANGER,GENERAL SAFETY.....17-19, 21, 31	DECAL,LABEL,LIQUID PROPANE.....17-19, 21, 23-24, 33	DECAL,SYMBOL-COMP ACCESS.....23-24, 35
DECAL,DANGER,HIGH VOLTAGE.....27, 31, 305, 307, 309	DECAL,LABEL,LOWER MIDRAIL...19, 23-24, 31, 39	DECAL,SYMBOL-READ THE MANUAL.....343
DECAL,DANGER,MAX LOAD 227 KG**.....23-24	DECAL,LABEL,MANUAL NOT HERE...17-19, 31	DECAL,TOWING INSTRUCTIONS.....18-19, 27
DECAL,DANGER,MAX SIDE FRC,667N.....23-24, 39	DECAL,LABEL,MAX CAPACITY***.....23-24, 39	DECAL,TRACK,FALL ARREST BAR,SYMBOL.....345
DECAL,DANGER,NO SMOKING.....17-19, 21	DECAL,LABEL,NO SMOKING,SYMB...23-24, 33	DECAL,TRACK,FALL ARREST BAR,WORD.....345
DECAL,DANGER,NO SMOKING ***.....17-19, 23-24	DECAL,LABEL,PATENTS.....17-19, 21	DECAL,TRACK,FALL ARREST BAR,WORD FR.....345
DECAL,DANGER,SIDE FRC 400N.....23-24, 39	DECAL,LABEL,PETRO CANADA***.....21	DECAL,TRIANGLE,BLUE...17-19, 21, 23-24, 27, 33, 35
DECAL,DANGER,TILT ALARM.....17-19	DECAL,LABEL,TIP OVER LMT SWTCH.....23-24, 35	DECAL,TRIANGLE,YELLOW...17-19, 21, 23-24, 27, 33, 35
DECAL,DANGER,TIP-OVER,TIRES***.....18-19, 21, 27	DECAL,LABEL,TIPOVER,TRAX,SYMB.....24, 33, 35	DECAL,ULS DIESEL ONLY,TIER 4.....21
DECAL,DANGER,TIP-OVER,WELDER**.....18-19, 31, 307, 309	DECAL,LABEL,TIRE PRESS,S40/45.....23-24, 33, 35	DECAL,WARN,CRUSH HAZARD HAND....17-19, 21, 27
DECAL,DANGER,TIPOVER,TILT.....17-19, 31	DECAL,LABEL,TRANSPORT DIAGRAM.....18-19, 21, 23-24, 27, 33, 35	DECAL,WARN,CRUSH HAZARD PLAT....17-19, 23-24, 31, 39
DECAL,DANGER,TIPOVER,TILT,SYM.....23-24, 39	DECAL,LABEL,UCON HYDROLUBE.....21	DECAL,WARN,FALL HAZARD.....17-19, 29
DECAL,DIESEL.....17-19, 21, 23-24, 33	DECAL,LABEL,UNLEADED GAS ONLY.....17-19, 21, 23-24, 33	DECAL,WARN,IMPROPER OPERATION...17-19, 31
DECAL,DRIVE ENABLE PATCH.....23-24, 39	DECAL,LABEL,WELD LINE INST,SYM.....35, 39	DECAL,WARN.WELD LINE INST.WORD....27, 31
DECAL,DS (4"X4").....21, 27	DECAL,LABEL,WELD ON/OFF***.....307, 309	DECAL,WARNING,CRUSHING HAZARD...23-24, 33, 35
DECAL,ENGINE SPEC,DEUTZ 2011...18-19, 27	DECAL,LABEL,WHEEL LOAD S-40.....18-19, 21, 23-24, 27, 33, 35	DECAL,WARNING,EXPLOSION HAZARD...21
DECAL,ENGINE SPEC,PERKINS***.....18-19, 27	DECAL,LABEL,WHEEL LOAD S-45.....21, 23-24, 27, 33, 35	DECAL,WARNING,PANEL CRADLE.....31
DECAL,EXPLOSION HAZARD.....27	DECAL,LANYARD ANCHORAGE POINT...17-19, 23-24, 31, 39, 345	D E C A L , W A R N I N G , P I P E CRADLE,BOOM.....31, 289
DECAL,FIRE EXTINGUISHER.....18-19, 31, 307, 309	DECAL,LOW/ULTRA LOW SULFR FUEL...18-19, 21	D E C A L , W A R N I N G , W E L D SAFETY/INS*.....307, 309
DECAL,FMRC APPROVAL, PLATE,DS.....21	DECAL,NOTICE, FUNCTION ENABLE*.....17-19	DECAL,WARNING,WELDER SAFETY.....307, 309
DECAL,FMRC APPROVAL,PLATE,LPS.....21	DECAL,NOTICE,AIR INLET***.....17-19, 27	DECAL,WARNING-COMPART ACCESS....17-19, 27
DECAL,FORD ENGINE SPEC DSG423.....17-19, 27	DECAL,NOTICE,DEUTZ ENG SPEC.....18-19	DECAL,WORD,LH,TT,COVER ASSY.....115
DECAL,FORD ENGINE SPEC MSG425.....18-19, 27	DECAL,NOTICE,FORD EFI ENG SPEC.....17-19	DIAGNOSTIC FEMALE Q-DSCNT.....239-240, 243-244, 247, 269
DECAL,FUNCTION OVERRIDE.....31	DECAL,NOTICE,FORD ENG SPECS T2....18-19	DIAPHRAGM,AIR VALVE MIXER.....155
DECAL,GROUND BOX,TIER IV.....18-19, 21, 24, 33	DECAL,NOTICE,HAZARDOUS MAT'LS*....17-19	DIN RAIL,17".....97, 100, 104, 108, 112
DECAL,GROUND CONTROL PANEL.....18-19, 23-24, 93-94	DECAL,NOTICE,HI FLOAT TIRES.....18-19, 21, 27	DIODE, 6A 22903-6V.....193, 201
DECAL,GS/LPS (4"X4").....21, 27	DECAL,NOTICE,MAX LOAD 500 LBS.....17-19, 31	DIODE,6 AMP,200 PIV,BULK.....147, 151-152, 255
DECAL,HIFLOT TIRE PRESS,S40/45.....23-24, 33, 35	DECAL,NOTICE,OPER INST.IC.....18-19, 21, 31	DIP STICK TUBE,FORD GAS.....161
DECAL,INSTR,MAX SIDE FRC,ANSI...17-19, 31	DECAL,NOTICE,OPER INST.IC***.....18-19	DIPSTICK (53883).....129
DECAL,INSTR,SIDE FRC/WIND,AUS.....18-19, 31	DECAL,NOTICE,OPERATING INST.**.....18-19	DIPSTICK TUBE, STRAIGHT SHORT.....135-136, 195
DECAL,INSTRUCT,FOOTSWITCH OPER.....17-19, 31	DECAL,NOTICE,SHUTOFF VALVES.....17-19, 21	DIPSTICK TUBE,PERKINS(403C-11).....135-136
DECAL,INSTRUCTIONS S40/45 AUS.....18-19, 21, 31	DECAL,NOTICE,TIRE PRESSURE.....17-19, 21, 27	DIPSTICK, FORD DSG 423.....169
DECAL,LABEL, AIR LINE 110 PSI.....17-19, 23-24, 27, 31, 35, 39, 291	DECAL,OPTION CONTROL BOX HEATR.....233	DIPSTICK, MSG425.....177
DECAL,LABEL,107 DB***.....23-24		DIPSTICK, OIL (PERKINS 404).....135-136
		DIPSTICK, OIL LEVEL,LRG425 EFI...155, 161
		DIPSTICK, OIL, D2011.....151-152

DIPSTICK, STRAIGHT SHORT.....135-136, 195	EXHAUST MANIFOLD,FORD TIER II.....165	FITTING, 90 DEG, #4FJX-#4FP.....201
DIPSTICK,TD2.9.....185	EXHAUST PIPE ASSEMBLY, FORD.....161	FITTING, DEPR COOLANT, MSG425.....177
DIPSTICK-F3L1011F (DEUTZ)...147, 151-152	EXHAUST PIPE, S40 MSG425.....181	FITTING, DEPR LP, MSG425.....177
DISC KIT DRIVE TURNABLE Z-60*.....91	EXHAUST PIPE,DEUTZ F3L2011.....149	FITTING, M18 X 8, 52MO187.....145
DISCONNECT ROD-45553 TQ.HUB.....49, 57-58, 61	EXHAUST, TAILPIPE, DEUTZ.....145	FITTING, STR 1/2 NPT X 3/4 HS.....161
DOOR LATCH,BASE CONTROL BOX.....285	EXPANSION TANK,METAL,D2.9.....191	FITTING, 1/2NPT X 5/8HOSE, ELBOW.....157
E		
EDC ASSY,SAUER M46***259	EXT BOOM TUBE ASSY,S-40,SYMBL.....207	FITTING, 1/4 MPT 5/16 BARB.....77-78, 81
ELBOW,130239-4-4.....161	EXT BOOM TUBE ASSY,S-45,SYMBL.....209	FITTING, 1/4 NPT X SAE J2044.....77-78
ELBOW,45 DEGR,RUBBER,2.5" I.D....161, 319	EXTENSION BOOM TUBE ASSY,S-40*.....207	FITTING, 1/4PIPEX3/8" TUBE, ELBOW.....157
ELBOW,45D,16MNPT X 16ORFS...77-78, 81, 271-272	EXTENSION BOOM TUBE ASSY,S-45.....209	FITTING, 3/8 BRASS STREET ELBOW.....157
ELBOW,45D,520320-10-8.....299	EXTENSION BOOM TUBE ASSY,S-45*.....209	FITTING, 3/8 NPT TO 1/2 BARB.....83
ELBOW,45D,520320-16.....77-78, 81, 83, 85, 271-272	EXTENSION BOOM TUBE ASSY, S-45.....209	FITTING, 3/8 NPTX3/4 HOSE BARB.....157
ELBOW,45D,520320-4.....239-240, 243-244, 267, 271-272, 275	EXTRUSION,RUBBER BUMPER STRIP....77-78, 81, 83, 85	FITTING, BARBED, STRT, FUEL LINE.....149
ELBOW,45D,520320-6.....261, 263, 265, 267	EXTRUSION,RUBBER STRIP,LG,D2.9.....191	FITTING, BARBED, TEE, FUEL LINE.....149
ELBOW,45D,520320-8.....261, 263, 265, 267, 269, 299	EXTRUSION,RUBBER STRIP,SM,D2.9.....191	FITTING, CONN, 16MM-6MJ.....193
ELBOW,90 DEG, 1/2 NPT X 3/4 HS.....161	F	
ELBOW,90 DEG,3/8NPT X 1/2 FNPT.....161	FAN (FORD TIER 3).....169	FITTING, CONN, 16MM-8MJ.....193
ELBOW,90 DEGR,RUBBER,2.5" I.D.*.....129, 147	FAN - VENTED.....315	FITTING, CONN, 520120-10.....313
ELBOW,90 DEGR,RUBBER,MODIFIED*.....319	FAN BELT, ALTERNATOR.....14, 185, 191	FITTING, CONN, 520120-12***...261, 263, 265, 267, 271-272, 313, 315
ELBOW,90D, 070202-4.....89	FAN DRIVE BELT, MSG425.....179	FITTING, ELBOW,45D,520320-12***.....261, 263, 265, 267, 271-272, 313, 315
ELBOW,90D,520202-12-16.....299	FAN PULLEY, MSG425.....179	FITTING, ELBOW,6GS-6FJX90S.....193
ELBOW,90D,520220-20.....271-272	FAN SHROUD, MSG425.....183	FITTING, ELBOW,8GS-8FJX90S.....193
ELBOW,90D,520220-4-4.....261, 263, 265, 267, 269, 271-272, 275, 277	FAN SHROUD, PAINTED.....133	FITTING, ELBOW,90D,520220-12.....271-272, 303, 313, 315
ELBOW,90D,520220-4-6***263, 267	FAN SHROUD,DEUTZ D2.9.....187	FITTING, ELBOW,90D,520220-6-4.....271-272
ELBOW,90D,520220-6.....261, 263, 265, 267, 271-272, 275, 277	FAN SPACER, MSG425.....179	FITTING, TEE, BRANCH, 520433-4.....269
ELBOW,90D,520220-8-12.....299, 303	FAN, 10 BLADE, 15".....191	FITTING, TEE, RUN, SWIVEL520432-4.....263, 267
ELBOW,90DEG, .63 HS X.375 MPT.....161	FAN, ENGINE (104-22)(404-22)*.....141, 199	FITTING, TEE, RUN, SWIVEL520432-8.....303, 313
ELBOW,90DEG,5502-04-04-B.....175	FAN, LSG423/LRG425.....155, 163	FITTING, TEE, RUN, SWIVEL52043212.....299, 303
ELBOW,90DEG,FEM,1"NPT.....299	FAN, MSG425.....179	FITTINGS, LIFT PUMP INLET PORT.....129
ELBOW,90DEG,1/8MPT-5/16 BARB.....157, 161, 171-172, 181	FAN, PERKINS (53883).....131	FLANGE NUT, MSG425.....183
ELEMENT-5 MIC, PAPER, W/ BYPASS.....147, 157, 161	FEMALE BULKHEAD CONNECTOR-8.....291	FLANGE, EXHAUST PIPE.....139
ENCLOSURE BOX, GAUGE OPT.....329	FILTER ASY,M PRESS,SAE8,WOIND* (77139).....139, 147, 151-152, 157, 161	FLANGE, EXHAUST, PERKINS 404F.....201
END SET,STEEL43482,43483,43484.....211	FILTER ELEMENT,10 MICRON,60508.....77-78, 81, 83, 85, 147	FLAP, SWING CHASSIS COVER.....323
END STOP, DIN RAIL, SCREW CLAMP.....97, 100, 104, 108, 112	FILTER ELEMENT,3 MICRON***.....13-14, 77-78, 81, 83, 85	FLASHTUBE, STRAIGHT, 360DEG, BULB...279
END STOP, TRACK, FALL ARREST BAR.....345	FILTER ELEMENT,AIR,NOLFF LPG...14, 157, 161, 171-172, 181	FLASHTUBE, U SHAPED, 360DEG, BULB...279
ENGINE HARNESS, MSG425.....124-125	FILTER, DEUTZ 2.9, FUEL.....14, 193	FLATBAR, ALUM, THROTTLE LINKAGE.....135-136
ENGINE KIT, DEUTZ D2.9L4.....185, 191	FILTER, FUEL.....77-78	FLEX PLATE (54573)***.....135-136
ENGINE MOUNT FOOT,LH PNTD.....165	FILTER, FUEL LRG 425/423 EFl.....14, 77-78	FLEX PLATE, COUPLER (64079).....165, 171-172
ENGINE MOUNT FOOT,RH PNTD.....165	FILTER, OIL, FORD.....155, 165	FLOORING, 6'FT PLATFORM.....226
ENGINE MOUNT, LEFT, MSG425.....183	FILTER, AIR***.....13-14, 129, 139, 147, 152, 189, 197	FLOORING, 4 FT PLATFORM, PAINTED.....226
ENGINE MOUNT, REAR, MSG425.....183	FILTER, ELEMENT,30 MIC,75020.....13-14, 135-136, 197	FLOORING, 8 FT PLATFORM**.....226
ENGINE MOUNT, RIGHT, MSG425.....183	FILTER, ELEMENT,BETA(5)=1000.....13-14, 139, 151-152, 157, 161, 203	FLOW CONTROL, ADJUSTABLE.....244
ENGINE PERFORMANCE MODULE T1**.....157	FILTER, FUEL, PERKINS.....13-14, 129, 135-136, 195	FLYWHEEL ASSEMBLY, DSG-423 FORD...167
ENGINE PERFORMANCE MODULE T2**.....163	FILTER, FUEL/WATER SEPARATOR***.....13-14, 129	FLYWHEEL ASSY, MSG425.....177
ENGINE, DEUTZ D2011L031.....149	FILTER, FUEL/WTR SEP, DTZ 1008.....13-14, 147, 151-152	FLYWHEEL COVER, CASTING***.....145
ENGINE, FORD LRG 425, EFIZ45.....155	FILTER, OIL, DEUTZ F4L1011F.....13-14, 147, 151-152, 185, 187	FLYWHEEL FLANGE, GREEN PLASTIC...127, 145, 152, 157
EVACUATOR VALVE-AIR CLEANER.....129, 139, 147, 152, 189, 197	FILTER, OIL, DEUTZ, REPLACEMENT.....147, 151-152, 187	FLYWHEEL, SAE 8/10.....185
EXHAUST HOOD, LH *PAINTED.....323	FILTER, OIL, FORD.....14, 155, 165	FOAM PAD, 3" OD X 1.25" ID X 14 IN.....331
EXHAUST HOOD, RH *PAINTED.....323	FILTER, OIL, PERKINS 704-30 (BB).....13-14, 129	FOAM, AIRCRAFT PROTECTION.....339
EXHAUST HOOD, TOP *PAINTED.....323	FILTER, RETURN, ASSY 10 MICRON.....77-78, 81, 83, 85	FORD T3 ENG MT.OUTBOARD W/DECA.....175
EXHAUST MANIFOLD.....139	FIRE EXTINGUISHER.....307, 309, 311	FORD TIII FAN GUARD W/DECALS.....175
EXHAUST MANIFOLD, MSG425.....179	FIRE SLEEVE, 1.25".....307, 309, 311	FORMING ,AIR CLEANER MOUNT.....181

Part Description Index (continued)

FORMING, ENGINE BAFFLE,PAINTED...117, 149	FORMING, LEFT SUPPORT,PNTD.....175	ENGINE FUSE,.6AMP,250V,WELDER,V275S.....307, 309, 311
FORMING, EXHAUST RESTRICTOR, S....187	FORMING,LH MUFFLER SUPPORT PNT.....163	FUSE,13 AMP,220V PLUG.....87
FORMING, EXHAUST SUPPORT, S40, DEUTZ.....187	FORMING,MANIFOLD MOUNT.....87	FUSE,70 AMP.....124-125
FORMING, FAN GUARD, PTD.....175	FORMING,MEG AJECTOR MOUNT,PNTD.....163	G
FORMING, FAN GUARD,PERKINS 404.....195	FORMING,MFLD GUARD,MSG425.....181	GAS STRUT,250 LBS FORCE***.....115, 117
FORMING, HEAT SHIELD MOUNT.....181	FORMING, MOUNT, PRECLEANER TUBE.....319	GASKET, CABLE TRACK.....325
FORMING, LEFT ENGINE MOUNT.....193	FORMING,MUFFLER CLAMP, PAINTED.....163	GASKET, DEUTZ 2011 INTAKE.....152
FORMING, LID, GBOX,S40.....111-112	FORMING,MUFFLER MOUNT PAINTED.....139	GASKET, FORD OIL DRAIN.....157
FORMING, LP REG MOUNT, MSG425.....183	FORMING,MUFFLER SUPPORT PAINTE.....136	GASKET, FUEL LEVEL GAUGE, GAS.....77-78
FORMING, OPA CAGE.....343	FORMING,MUFFLER SUPPORT,PNTD.....161	GASKET, MSG425.....179
FORMING, OPA CAP.....343	FORMING,PLAT.CONTROL BOX COVER.....285	GASKET, OIL COOLER, DEUTZ.....185
FORMING, OPA, BRACKET.....343	FORMING,PRECLEANER MOUNT,PTD.....319	GASKET, THERMOSTAT (53883).....131
FORMING, RAD SUPPORT, MSG425.....183	FORMING,RAD BRACE,DEUTZ D2.9.....187	GASKET, THERMOSTAT HOUSING.....185
FORMING, REAR ENGINE MOUNT.....193	FORMING,RAD EXPSN TANK SUPT.....191	GASKET, WATER PUMP.....155, 165
FORMING, RIGHT ENGINE MOUNT.....193	FORMING,RAD SHROUD,S40/45,PTD.....175	GASKET,ACTUATOR PLATE.....167
FORMING, S40 ENGINE, PERKINS.....117	FORMING,RADIATOR BRACE LFT,PTD.....175	GASKET,ADAPTER PLATE,425EFI***.....155
FORMING,AIR CLEANER MOUNT PNTD..152	FORMING,RADIATOR SUP PNTD.....165	GASKET,COVER,GFCI,WEATHERPROOF.301
FORMING,APU MOUNT,PAINTED.....87	FORMING,RADIATOR SUPPORT,LH.....163	GASKET,DP200 BLACK PANEL SEAL.....103-104, 107-108, 111-112
FORMING,BAFFLE PLATE COVER.....319	FORMING, RADIATOR SUPPORT,PNTD.....175, 183	GASKET,ENCLOSURE.....343
FORMING,CAT MUFFLER MNT,LOW PT.....171-172	FORMING, REAR ENGINE MOUNT PNT*..149	GASKET, EXHAUST.....145, 149
FORMING, CAT MUFFLER MOUNT,PTD.....171-172	FORMING,REGULATOR MOUNT,PTD.....175	GASKET,EXHAUST ELBOW,PERKINS.....201
FORMING,COLD AIR INTAKE,PAINTD.....149	FORMING,RH MUFFLER SUP PAINTED...163	GASKET,EXHAUST FORD TIER II.....161, 165
FORMING,CONTROLBOX MT,WELD GEN.....301	FORMING,SECONDARY SUPPORT.....331	GASKET,EXHAUST MANIFOLD,PERK.....201
FORMING,ENGINE BAFFLE,DEUTZ.....117	FORMING,SOLENOID MOUNT.....135-136, 197	GASKET,EXHAUST***.....157
FORMING, ENGINE BAFFLE,PERKINS.....117, 139	FORMING,SOLENOID MOUNT PAINTED.....135-136	GASKET,EXHAUST,FORD MSG.....179
FORMING,ENGINE MOUNT,FL PAINT*....151-152	FORMING,UPPER RAD SUPPORT PNTD.....139, 195	GASKET,GBOX,S80/85 2008.....93-94, 99-100, 104, 108, 111-112
FORMING,ENGINE MOUNT,FR PAINT*....149, 151-152	FREEZE PLUG HTR,50MM,120V.....293	GASKET,INTAKE MANIFOLD,MSG 425.....177
FORMING,ENGINE MOUNT,LH,PERK.....141	FUEL FILTER ASSEMBLY.....13-14, 135-136, 195	GASKET,KEYSWITCH,PLASTIC***.....93-94, 99-100, 103-104, 107-108, 111-112
FORMING,ENGINE MOUNT,RH,PERK.....139, 201	FUEL FILTER W/SEP,DEUTZ,1008.....147, 151-152	GASKET,MANIFOLD EXHAUST.....171-172
FORMING,EXHAUST PIPE MOUNT.....149	FUEL INJECTOR FORD DSG423, BK.....167	GASKET,MIXER, FORD DSG423.....167
FORMING,EXP TANK BAND,D2.9.....191	FUEL INJECTOR FORD DSG423,YL.....167	GASKET,MUFFLER PERKINS(53883).....127
FORMING,EXPANSION TANK SUPT.....191	FUEL INJECTOR, LRG-425 EFI.....155	GASKET,NOLFF AIR HORN(106144)*.....155
FORMING,FAN GUARD, DEUTZ D2.9.....187	FUEL JUMPER HARNESS.....124-125	GASKET,PLATFORM CONTROL BOX.....231
FORMING,FAN GUARD,FORD,PAINTED...161	FUEL LINE INJ. DEUTZ F4L1011F.....145	GASKET,THERM.HSNG O-RING.....155, 165
FORMING,FAN SHROUD.....175	FUEL LINE, DEUTZ F3L 2011F,1 METER LG.....151-152	GASKET,THROTTLE ACTUATOR***.....167, 177
FORMING,FILTER MOUNT,PAINTED.....139, 147, 151-152, 157, 161, 203	FUEL PRESSURE REG,425EFI***.....14, 155, 163	GASKET,TIMMING CASE COVER.....131
FORMING,FORD GCP MOUNT.....175	FUEL PUMP,DSG-423 AND MSG-425.....77-78	GASKET,TURTLE,DRV MTR,EDC.....259
FORMING,FUEL PRES,REG MNT.....195, 203	FUEL SENSOR ASSY.....175	GASKET,WATER PUMP.....141
FORMING,FUEL PRES.REG MNT,PTD.....175	FUEL TANK ASSY W/CAP, 20 GAL.....78	GASKET-CYLINDER HEAD.....135-136
FORMING,GAUGE PACKAGE, S40/45.....329	FUEL TANK ASSY W/CAP, 20 GAL**.....81, 85	GASKET-THERMOSTAT HSG.....135-136, 141, 199
FORMING,HEAT SHIELD MOUNT.....181	FUEL TANK,H/D PLASTIC W/DECAL*.....78, 81	GATE LATCH CASTING--DRILLED.....281-282
FORMING,HEAT SHIELD,EXH PIPE.....171-172	FUEL TANK,PLASTIC, 20 GALLON.....83	GAUGE, FUEL LEVEL, 20/30 GAL.....77-78
FORMING,HEAT SHIELD,FORD.....161	FUNCTION GEAR PUMP,OSCILLATE**.....259	GAUGE, OIL TEMP.....329
FORMING,HEAT SHIELD,HEADER.....171-172	FUSE BOX COVER.....172	GAUGE,MED.PRESSUR FILTER,50530.....77-78, 81, 83, 85
FORMING,HEAT SHLD SUPPORT,PTD.....161	FUSE BOX MOUNTING,LEFT.....172	GAUGE,OIL PRESSURE W/O SENDER..327, 329
FORMING,HEAT SHLD,HEADER PIPE....171-172	FUSE BOX MOUNTING,RIGHT.....172	GAUGE,OIL TEMP.....327
FORMING,HINGE SUPPORT PAINTED...115, 117	FUSE BOX RELAY STICKER.....172	GAUGE,VOLTAGE.....327
FORMING,HOSE BRACKET.....187	FUSE, ATM, 10AMP.....193, 201	GAUGE,VOLTAGE***.....329
FORMING,HOSTILE RING BRACKET.....321	FUSE, ATM, 15AMP.....193, 201	GAUGE,WATER TEMP.....327
FORMING,INNER HANGER.....345	FUSE, ATM, 20AMP.....193, 201	GAUGE,WATER TEMP***.....329
FORMING,INTAKE HOSE SUPPORT.....139	FUSE, ATM, 30AMP.....193	GAUGE-SIGHT,LHA-LGTB***...77-78, 81, 83, 85
FORMING,INTAKE TUBE SUPPORT,PT...319	FUSE, ATM, 5AMP.....201	GEN,HYD,3000W,110V,60HZ.....297
FORMING,LATCH,CTRL BOX LID PTD.....285	FUSE, ATM, 7.5AMP.....201	GENERATOR ASSY,ALT,12.5KW.....305

GENERATOR,12.5 KW,W/O MOTOR***.....305	HARNESS,18/19,BOOM CABLE 2,S45....124-125	HARNESS,PBOX,S40,S45,Z60***.....123-125
GENERATOR,2500W HYD.220/50HZ.....297	HARNESS,ALARM,S40/45.....124-125	HARNESS,PBOX,S40/45.....123-125
GENERATOR,3kW,120V/50Hz.....301	HARNESS,ANGLE LIMIT,S40/45.....124-125	HARNESS,PERKINS ENGINE,S40/S45...124-125
GENERATOR,3kW,240V/50Hz.....301	HARNESS,ANGLE LIMIT,S40/S45.....124-125	HARNESS,PLATFORM CUTOFF,S40/45...125
GENERATOR,HYDRO-12KEP-21-3.....305	HARNESS,BEACON,S40.....124-125	HARNESS,PLUG,NON-LOAD WEIGHING...97
GFCI,50A, 3PH.....305	HARNESS,BEACON,S80.....124-125	HARNESS,PROX.KILL.....339
GFI/CIRCUIT BREAKER ASSEMBLY.....305	HARNESS,CE OPTION,S40/45.....124-125	HARNESS,RPM SOLENOID RELAY***.....147
GLAND NUT ASSEMBLY.....207, 209	HARNESS,DEUTZ ENGINE (F3L2011)....124-125	HARNESS,SECOND GLOW PLUG..124-125, 293, 295
GLOW PLUG (PERKINS 404-22).....135-136, 199	HARNESS,DEUTZ ENGINE,S40/S45**....124-125	HARNESS,SERVICE,PBOX J1.....123-125
GLOW PLUG, DEUTZ.....185	HARNESS,DRIVE ENABLE,S40/S45.....124-125	HARNESS,SERVICE,PBOX J2.....123-125
GLOW PLUG,L1011.....149, 293, 295	HARNESS,DRIVE LIGHTS,S40/45.....124-125	HARNESS,SERVICE,PBOX J3.....123-125
GREASE,DIELECTRIC 4 OZ**.....13-14	HARNESS,DRIVE LIGHTS,S40/S45...124-125	HARNESS,TILT ALARM,12V.....125
GROMMET, 1.75ID X 1.9375 X .0625.....193, 201	HARNESS,ENG,DEUTZ,S40/45.....124-125	HARNESS,WELD GEN ENCLOSURE.....124-125, 305
GROMMET,RUBBER .75 X .19 X 1**.....189, 195, 203	HARNESS,ENG,FORD,S40/45.....124-125	HARNESS,WELD GEN GBOX,S40/45.....307, 309, 311
GROMMET,RUBBER,1.0X0.094X1.375....221-222	HARNESS,ENG,PERK,S40/45.....124-125	HARNESS,WORK LIGHTS,S45.....123-125
GUARD, HOSE PROTECTOR.....55	HARNESS,ENG,PERKINS,404-22 ALT.....124-125	HARNESS,WORKLIGHT ACC.....123-125
GUARD,FAN,FORD/PERKINS,PAINTED....139	HARNESS,ENG,PERKINS,404-22 ALT.....124-125	HEAT SHIELD,MSG425.....181
GUARD, FOOTSWITCH, W/D E C A L ALUM.....221-222	HARNESS,ENG/HYD HEATER,120V.....295	HEAT SHIELD,ALTERNATOR,FORD.....171-172, 179
GUARD,JIB HOSE.....217	HARNESS,ENG/HYD HEATER,240V.....295	HEAT SHIELD,DEUTZ STARTER.....151-152
GUIDE RING W/RUBBER LIP.....143	HARNESS,ENGINE FORD DSG-423.....123-125	HEATER,FREEZE PLUG,FORD LRG423...293
	HARNESS,ENGINE PERKINS,404-22.....124-125	HEATER,FREEZE PLUG,PRKINS40422....293
	HARNESS,ENGINE W/RELAY BOX T2.....124-125	HINGE CASTING.....281-282
	HARNESS,ENGINE,FORD,EFI,TIER 3.....124-125	HINGE,.375X.120THK.,SLOTTED.....115, 117
	HARNESS,ENGINE,PERKINS,404-22.....124-125	HINGE,PLAT CONTROL BOX COVER.....285
	HARNESS,EXT/RET LIMIT,S40/S45.....124-125, 213	HOOK,BATT HOLD DOWN,10".....141, 203
	HARNESS,FORD EFI 2004.....123-125	HORN,12VDC,SPADE TERMINALS***.....77-78, 81, 83, 85
	HARNESS,FORD ENGINE,EFI.S40/45.....123-125	HOSE ASSEMBLY, 1".....271-272
	HARNESS,FORD LRG 425 EFI*****124-125	HOSE ASSEMBLY, 1"***.....271-272
	HARNESS,GAUGE OPT. S80/85.....329	HOSE ASSEMBLY, 3/8".....335
	HARNESS,GBOX,DEUTZ T4,S40/45.....123-125	HOSE ASSEMBLY,1"***.....271-272
	HARNESS,GBOX,DEUTZ,S40/45.....123-125	HOSE ASSEMBLY,1/2".....265, 267, 291
	HARNESS,GBOX,FORD,S40/45.....123-125	HOSE ASSEMBLY,1/2",90 FEM,STR.....261, 265
	HARNESS,GBOX,FUNCTN.MNFLD.S40..124-125	HOSE ASSEMBLY,1/4".....275, 277
	HARNESS,GBOX,GAS/LP,S40/45.....123-125	HOSE ASSEMBLY,3/4".....271-272, 315
	HARNESS,GBOX,PERKINS,S40/45.....123-125	HOSE ASSEMBLY,3/4" STR-STR.....261, 265
	HARNESS,GBOX,S40/S45, 2003.....123-125	HOSE ASSEMBLY,3/4" STR-STR***.....261, 265
	HARNESS,GND BOX,DUETZ,S40/45.....123-125	HOSE ASSEMBLY,3/4",-10-12 90F.....313
	HARNESS,GRND BOX,DEUTZ,S40/45....123-125	HOSE ASSEMBLY,3/8".....261, 263, 265, 267
	HARNESS,HYD GEN.....125	HOSE ASSEMBLY,LP GAS 174" LONG.....78
	HARNESS,HYD GENERATOR.....124-125	HOSE ASSEMBLY,LP GAS-86" LNG**.....78
	HARNESS,INJECTOR,DEUTZ D2.9.....187	HOSE ASSEMBLY,LP 137".....78
	HARNESS,JIB BOOM.....123-125	HOSE ASSEMBLY,1/2,90FEM,STR FEM.....299
	HARNESS,JIB KIT.....123-125	HOSE ASSY 3/8".....145
	HARNESS,JUMPER,MEGAJECTOR.....163	HOSE ASSY 3/8,90 FEM,STR FEM...271-272
	HARNESS,LIFT/DRIVE CUT-OUT.....124-125	HOSE ASSY 3/8,90 FEM,STR FEM**.....271-272
	HARNESS,LOAD SENSE OPT,Z60....124-125	HOSE ASSY, 1/2", 90 FEM, STR F.....303
	HARNESS,LOAD SENSE REC,S40/45.....124-125	HOSE ASSY,1 1/4"STR FEM,STR FE.....271-272
	HARNESS,OIL COOLER,S40/45.....125	HOSE ASSY,1/2",45 FEM,STR FEM.....261, 265
	HARNESS,PBOX,JOYSTICKS.....231	HOSE ASSY,1/2",90F,STR F.....313
	HARNESS,PBOX,LOAD SENSE.....124-125	HOSE ASSY,1/2,45 FEM,STR FEM.....265, 267, 303
	HARNESS,PBOX,S40,S45,Z60.....123-125	HOSE ASSY,1/2,90 FEM,STR FEM.....263, 267, 299, 313
		HOSE ASSY,1/2,90 FEM,STR FEM**.....267, 271-272, 299, 303
		HOSE ASSY,1/2,90 FEM,STR FEMM.....261, 263, 265, 267, 269

H

HALF MESH,8'PLATFORM,LH.....289		
HALF MESH,8'PLATFORM,RH***.....289		
HALF SPROCKET, 10 TOOTH.....75		
HALF SPROCKET, 9 TOOTH.....75		
HARDWARE KIT,PERKINS 404F BELL.....195		
HARN JOYSTICK ADAPTOR JS100.....235, 237		
HARN, AC PROTECTION BYPASS.....339		
HARN, GBOX, T4 PERKINS, S40.....123-125		
HARN, PBOX, T4 PERKINS, S40.....123-125		
HARN, PERKINS 404F, 6WAY, S40.....124-125		
HARN, S40 DEUTZ TIER IV ENGINE.....124-125		
HARN,PBOX,OPA,HW,12V.....125		
HARN,PIGTAIL,TAPESWITCH,OPA.....343		
HARNESS, 120V BATT CABLE, 98".....295		
HARNESS, 120V POWER CORD, 24".....295		
HARNESS, 240V BATT CABLE, 98".....295		
HARNESS, 240V POWER CORD, 24".....295		
HARNESS, ENG T4 PERKINS,S40/45.....124-125		
HARNESS, EXTENSION, 404F-22.....124-125		
HARNESS, FORD STARTER.....167		
HARNESS, GBOX, GAS/LP, S40/45.....123-125		
HARNESS, S40/45 GBOX,T4 DEUTZ.....103-104, 123-125		
HARNESS, S40/45 PBOX, T4 DEUTZ.....123-125		
HARNESS,12/3,12V-PLAT,JIB,S45.....125		
HARNESS,12/3,12V-PLAT,NJ,S40.....125		
HARNESS,12V WORK LIGHTS.....123-125		
HARNESS,12V WORK LIGHTS,S40.....123-125		
HARNESS,12V WORK LIGHTS,S45.....123-125		
HARNESS,18/19,BOOM CABLE 1,S40.....124-125		
HARNESS,18/19,BOOM CABLE 1,S45.....124-125		
HARNESS,18/19,BOOM CABLE 2,S40.....124-125		

Part Description Index (continued)

- HOSE ASSY,1/2,90 FEM,STR FEMM*.....271-272, 299
HOSE ASSY,1/4" STR FEM STR FEM.....275, 277
HOSE ASSY,1/4",90 F,STR FEM***.....271-272
HOSE ASSY,1/4",STR FEM,STR FEM.....89, 115, 271-272
HOSE ASSY,1/4,45 FEM,STR FEM.....275
HOSE ASSY,1/4,90 FEM,STR FEM.....261, 263, 265, 267, 271-272, 303
HOSE ASSY,1/4,90 FEM,STR FEM**.....261, 263, 265, 267, 269, 271-272
HOSE ASSY,1/4,90 FEM,STR FEMM.....275, 277
HOSE ASSY,1/4,STR FEM,STR FEM.....271-272, 275, 277
HOSE ASSY,3/4 100R1.....271-272, 315
HOSE ASSY,3/4 STR FEM.....271-272, 315
HOSE ASSY,3/4",10-12 90 F,ST F.....313
HOSE ASSY,3/4",90F,STR F.....313
HOSE ASSY,3/4,45F,STR F.....313
HOSE ASSY,3/4,45 FEM,STR FEM.....261, 263, 265, 267
HOSE ASSY,3/4,90 FEM,STR FEM.....261, 263, 265, 267, 271-272
HOSE ASSY,3/4,90 FEM,STR FEM**.....271-272
HOSE ASSY,3/4,STR FEM,STR FEM.....271-272, 315
HOSE ASSY,3/8 FEM-FEM.....269
HOSE ASSY,3/8"STR FEM, STR FEM.....271-272, 275, 277
HOSE ASSY,3/8"STR FEM,STR FEM*.....271-272
HOSE ASSY,3/8,45 FEM,STR FEM.....275, 277
HOSE ASSY,3/8,45? FEM,STR FEM.....271-272
HOSE ASSY,3/8,90 FEM,STR FEM/8.....269
HOSE ASSY,3/8,90 FEM,STR FEMM.....275, 277
HOSE ASSY,3/8,90,FEMLG,STR FEM.....271-272
HOSE ASSY,FORD OIL DRAIN 1/2".....157
HOSE ASSY,SAE J2260/J2044.....77-78
HOSE ASSY,1/4",45,FEM STR FEM.....275, 277
Hose Cover.....217
HOSE COVER,LWR CABLE TRK,BLUE...211, 213
HOSE END,MALE .25 X .25 MPT***.....81
HOSE FITITNG,BRASS,AIR CLEANER.....157, 161
HOSE GUIDE, JIB.....219
HOSE HANGER, MSG425.....183
HOSE HANGER,DRIVE CHASSIS,PTD.....57-58, 69-70
HOSE, .50 ID,BULK,.....83
HOSE, CLEAN AIR, MSG425.....181
HOSE, COOLANT BYPASS, DSG423.....167
HOSE, COOLANT BYPASS, MSG425.....177
HOSE, COOLANT, VAP, MSG425.....183
HOSE, INTAKE, 2"ID X 3".....197
HOSE, LOWER RADIATOR, MSG425.....183
HOSE, RAW AIR, DEUTZ D2.9.....189
HOSE, RAW AIR, MSG425.....181
HOSE, WATER PUMP (53383).....131
HOSE, WATER PUMP (PERKINS 404).....141
HOSE,.375",SAE 30R7,121" LG.....85
HOSE,.375",SAE 30R7,71" LG.....85
HOSE,1/4 FUEL LINE,SAE 30R7.....81
HOSE,2.0 ID X 2.0" LG.....163
HOSE,3/4" COOLANT,44.00"LG.....161
HOSE,3/4,LP.....163, 175
HOSE,3/8",FUEL,30R7.....83
HOSE,5/16 FUEL,SAE 30R7.....77-78, 81
HOSE,90DEG 2.5" AIR INTAKE.....319
HOSE,AIR 3/8.....169, 179
HOSE,AIR CLEANER.....152
HOSE,AIR CLEANER TO INTAKE.....139, 161
HOSE,AIR INLET.....139
HOSE,AIR INT.2.5 IDX12" W/450.....157
HOSE,AIR INTAKE 2.5" I.D.....129, 147, 149, 319
HOSE,AIR INTAKE 2.50" ID.....189
HOSE,AIR INTAKE 2.75" I.D.***.....147
HOSE,AIR INTAKE,2.25" ID.....155
HOSE,AIR INTAKE,2.25"IDX5.75".....155
HOSE,AIR INTAKE,2.625"IDX2.50".....155
HOSE,AIR,MIXER.....171-172
HOSE,COOLANT,REG INTAKE.....175
HOSE,ENGINE VENT,DEUTZ D2.9.....191
HOSE,EXPANSION TANK,D2.9.....191
HOSE,FIRE RES.,5/8 ID,BULK.....157
HOSE,FUEL,3/16,SAE 30R7.....81
HOSE,FUEL,5/16 HIGH PRESSURE**.....77-78, 163
HOSE,HUMP 3" TO 4".....319
HOSE,LOWER RADIATOR.....175
HOSE,LOWER RADIATOR,DEUTZ D2.9.....187
HOSE,LOWER RADIATOR,Z45.....159, 161
HOSE,LOWER,RADIATOR,PERKINS.....139, 195
HOSE,OVERFLOW,RADIATOR.....175
HOSE,PCV,DEUTZ.....189
HOSE,RAD.OVERFLOW,KD-1105,50".....195
HOSE,RADIATOR VENT,DEUTZ D2.9.....191
HOSE,RETURN,ENGINE.....172
HOSE,UPPER RADIATOR.....171-172
HOSE,UPPER RADIATOR,DEUTZ D2.9.....187
HOSE,UPPER RADIATOR,MSG425.....181
HOSE,UPPER RADIATOR,PERKINS.....139, 195
HOSE,UPPER RADIATOR,Z45.....155, 159, 161
HOSE,VAC 3/16 FORD TIER II.....163
HOSE,VAPOR,LP SPECIFIC.....155
HOSE,WATER INLET,LRG425 EFI.....155, 157
HOSE-HEATER,5/8 ID-BLACK.....161, 183
HOUR METER,10-80 VOLTS***.....93-94, 99-100
HOUSING,PUMP MOUNT (54573).....135-136
HOUSING,PUMP MOUNT (64079).....165
HOUSING,THERMOSTAT (53883).....131
HOUSING,THERMOSTAT,PERKINS 104.....141
HUB ASSEMBLY MODEL#60-8***.....46
HUB,2WD,FRONT***.....46
HUBBLE NUT, PG11.....295
HYDRAULIC MOTOR 3000W GENER.....297
HYDRAULIC TANK ASSY W/SYMB DEC.....77-78, 81, 83, 85
HYDRAULIC TANK ASSY W/WORD DEC.....77-78, 81, 83, 85
- I**
- IDLER BRACKET.....169, 179
IDLER, COMPLETE Ø10.3 OD MINI TELE...75
INJECTOR - DEUTZ F4L1011F.....145
INJECTOR PUMP - DEUTZ F4L1011F.....145
INJECTOR, FUEL(DEUTZ F3L2011F).....151-152
INJECTOR, FUEL, MSG425.....177
INNER CONE - MODEL 60-8.....46
INPUT CARRIER, SUB-ASSEMBLY.....52, 57-58, 64, 69-70, 73
INSTRN, TRC RETROFIT, STNDRD.....123-125
INSTRUCTIONS ORIFICE VENT ASSEMBLY.....185
INSTRUCTIONS,INSTALL (LEVEL SENSOR ALARM).....125
INSTRUCTIONS-PIPE CRADLE,BOOMS...289
INTAKE BREATHER.....185
INTAKE MANIFOLD, MSG425.....177
ISOLATOR, DEPR.....183
ISOLATOR, VIBRATION.....159, 163, 175, 183, 187, 191
ISOLATOR,ENGINE VIBRATION***.....139, 141, 149, 151-152, 165, 175, 183, 193, 201
ISOLATOR,VIBRATION,LG,RD&WH***.....133, 143, 159
ISOLATOR,VIBRATION,M8 M/M.....175
ISOLATOR,VIBRATION,M8 MALE/FEM.....135-136, 195
- J**
- Jam Nut, 5/8" Plated.....75
JIB BOOM ASSY W/WORD DECAL...217, 219
JOYSTICK.....229
JOYSTICK CONNECTOR ASSEM,AMP.....229
JOYSTICK CONNECTOR ASSEM,DEUT...229
JOYSTICK W/HARN ADPTR KIT RCKR.....235
JOYSTICK W/HARN ADPTR, 1 AXIS.....235
JOYSTICK W/HARN ADPTR, 2 AXIS.....235
JOYSTICK,1 AXIS ROCKER,DEUTSCH.....237
JOYSTICK,1 AXIS,DEUTSCH.....237
JOYSTICK,2 AXIS,DEUTSCH.....237
JOYSTICK,DUAL AXIS W/KNOB.....237
JOYSTICK,SINGLE AXIS W/KNOB.....237
JOYSTICK,SINGLE AXIS W/STEER.....237
JUMPER,THROTTLE BODY,FORD 2.5L.....124-125
- K**
- KEY SINGLE***.....93-94, 99-100, 103-104, 107-108
KEY,LATCH, 1 PAIR (28125).....115, 117
KEY,SINGLE***.....93-94
KEYS,10 PACK***.....93-94, 103-104, 107-108
KEYSWITCH,3 POS W/KEYS,LOCKING....93-94, 103-104, 107-108
KEYSWITCH,3 POS. W/KEYS***.....93-94, 99-100, 103-104, 107-108
KEYSWITCH,3POS.MNTND.DR WKEY**...93-94
KIT CB 10A T2 RPM SOLENOID 2W.....135-136, 149
KIT, 4 LINK REPAIR SECTION.....213
KIT, 400 HR, FORD DSG-423.....167
KIT, 500 HR, PERKINS 404.....139
KIT, AUX TOP RAIL SUPPORT.....281-282
KIT, DIPSTICK, MSG425.....177
KIT, DSG423 COOLANT OUTLET.....167
KIT, EXPANSION TANK SUPPORT%*.....191
KIT, FOOTSWITCH, S40/S80.....125
KIT, HARDWARE (54573).....135-136
KIT, HD STARTER INSTALL, MSG-4.....177

- KIT, HEAT GUARD, DEUTZ STARTER.....151-152
- KIT, ISOLATION, 2 JOYSTICK.....235, 237
- KIT, OPA WELDER BRACKET.....343
- KIT, REPAIR, FIXED END.....213
- KIT, REPAIR, MOVING END.....213
- KIT, TRC RETROFIT, STNDRD.....123-125
- KIT, VAC CAP REPLC, DSG-423.....167
- KIT, ANNUAL INSPECTION, S40/45.....13-14
- KIT, CONTROL BOX COVER.....285
- KIT, COVER, TORQUE HUB, 45553***.....49, 58, 61
- KIT, ENGINE SERVICE, 250 HOUR, DEUTZ D2.9, Z45/S40/S60/Z62/RT90.....13-14
- KIT, ENGINE SERVICE, 250 HOUR, FDMG425, Z45/S40/S60/Z62/RT90.13-14
- KIT, FAN SUPPORT RETRO, FORD MSG....179
- KIT, FBA STYLE COUPLER, FORD.....171-172
- KIT, FBA STYLE COUPLER, PERKINS.....135-136
- KIT, FBA STYLE COUPLER, SAE8.....152
- KIT, FIELD INSTALL, SWING GATE.....281-282
- KIT, FITTING, REGULATOR DSG-423.....175, 177
- KIT, FORD EFI UPDATE, BASE***.....155
- KIT, GASKET, UK POWER TO PLAT.....225-226
- KIT, GEN. PRESSURE SWITCH.....305
- KIT, HOSE ASSY RAD VENT.....185
- KIT, KEYSWITCH SVC BB & SM BOOM.....93-94
- KIT, KEYSWITCH SVC BB&SM CE.....93-94
- KIT, LOADSENSE, UPGRD, S40/S45.....287
- KIT, OP SWITCH, DEUTZ.....147, 151-152
- KIT, PANEL CRADLE BRACKET, SYMBL.....331
- KIT, PANEL CRADLE BRACKET, WORD.....331
- KIT, PANEL CRADLE, CE.....331
- KIT, PRIMER BULB.....149
- KIT, PUMP SHIM, SAUER M46.....259
- KIT, S45 DRIVE CHASSIS CW.....89
- KIT, SEAL, 3CC PUMP***.....136, 259
- KIT, SLAVE CYL PIN.....217, 219
- KIT, STRAINER REPLACEMENT.....77-78, 81, 83, 85, 271-272
- KIT, SWING GATE W/SPRING.....281-282
- KIT, TAILPIPE, DEUTZ D2.9L, S-40/45.....187
- KIT, THERMOSTAT CONVERSION.....185
- KIT, TILT ALARM, IC MODELS.....125
- KIT, TORQUE HUB COVER (45553)**.....58, 61
- KIT, TORQUE HUB COVER (101584)**.....52, 57-58, 64, 69-70, 73
- KIT, WATER PUMP 2.9 L4.....185
- KIT, WELD LEADS ASSY, V275S.....307, 309, 311
- KIT, WHEEL LOAD DECAL S40.....17-19
- KIT, WHEEL LOAD DECAL S40 2ND.....17-19
- KIT, WHEEL LOAD DECAL S40 3RD.....17-19
- KIT, WHEEL LOAD DECAL S40 4TH.....17-19
- KNOB, JOYSTICK, 62390/62391.....235, 237
- KNOB, ROCKER JOYSTICK 75565.....235, 237
- L**
- L, NAMEPLT, USE UNDERWRITE LAB.....21
- L.P.TANK LATCH.....78, 333
- LANYARD, PLATFORM CONTROL BOX.....231
- LARGE FOOT SWITCH COVER.....281-282
- LATCH, DRAW.....285
- LATCH, SLIDE, FLUSH MOUNT STYLE.....285
- LATCH, T-HANDLE, 5 SIDED W/KEYS*.....115, 117
- LEFT MAST WIPER MOUNT, S40.....323
- LENS, AMBER, STROBE, FIREBOLT.....279
- LEVEL SENSOR, LS60, YL, 2.5X4.5.....87
- LEVEL, BUBBLE, 2 DEGREE *...49, 51-52, 61, 63-64
- LEVER ALTERNATOR, (53883).....131
- LEVER, ALTERNATOR (PERKINS 404).....141
- LEVER, GOVERNOR ACTUATOR.....151-152
- LH COVER W/WRD DECALS.....115
- LID ASSY, CONTROL BOX COVER PLT.....285
- LID ENCLOSURE, RED, OPA.....343
- LIFT PUMP, FUEL, DEUTZ.....193
- LIGHT, LED WHITE 12V.....279
- LIGHT, INDICATOR, AMBER 12V ENGINE.....99-100
- LIGHT, INDICATOR, RED 12V H-BRI...99-100, 231
- LIGHT, LED IND. RED 12V NH.....93-94, 229
- LIMIT SWITCH BRACKET S40/45.....213
- LIMIT SWITCH BRKT, DRIVE, PAIN.....89
- LINING KIT, BRAKE, 4HP***.....52, 57-58, 64, 69-70, 73
- LINING KIT, AUSCO BRAKE***.....49, 61
- LINING KIT, BRAKE, OMNI***.....51-52, 57-58, 64, 69-70, 73
- LOAD SUPPORT W/BEARINGS.....287
- LOCK, RECEP 12 WAY, 14-18GA.....231, 233
- LOCK, RECEP 4 WAY, 12-14GA.....93-94, 231, 233
- LOCK, RECEP 4 WAY, 14-18GA.....231, 233
- LOCKNUT, ELEC, 1/2".....87, 93-94, 100, 104, 108, 112, 233, 301, 305
- LOCKNUT, ELECTRIC, 1" NPT.....305
- LOCKOFF, LP, FORD DSG/MSG.....175, 183
- LOUVER PNL BK RT, PERKINS, PTD.....321
- LOWER IDLER FORD DSG-423.....169
- LOWER IDLER PULLEY, MSG425.....179
- L.P.TANK BRACKET TALL W/LDMNT.....78
- LPG TANK, OPTION.....333
- LT.LAMP IND. AMBER 12V ENG.NH.....93-94
- LT.LAMP IND.AMBER 12V NH.....229
- LUG BOLT, 5/8-18, WHEEL HUB***.....46
- LUG, STUD/WHEEL (88887).....46
- LUG, WHEEL STUD, 5/8-18, W1/4HB***.....49, 58, 61
- LUGFL&RING ASSY KIT CE S40/Z60.....51-52, 63-64
- LUGFL&RING ASSY KIT HI FLO S40...51-52, 63-64
- LUGFL&RING ASSY KIT, FM, AIR, S40.....51-52, 63-64
- M**
- MALE PIPE THD, 1/4" SER, 3/8"X18.....291
- MANIFOLD ASSEMBLY, GEN.....301
- MANIFOLD, BRAKE VALVE, S40/S45***.....253
- MANIFOLD, BRAKE, 2-SPEED.....253
- MANIFOLD, BRAKE/2 SPD W/QD PLG*.....253
- MANIFOLD, DRIVE OIL DIVERTER.....257
- MANIFOLD, EXHAUST TURBO...171-172, 179
- MANIFOLD, EXHAUST, PERKINS 404F.....201
- MANIFOLD, GENERATOR.....255
- MANIFOLD, INTAKE FORD DSG-423.....167
- MANIFOLD, JIB SELECT W/QD PLUG.....255
- MANIFOLD, MULTI-FUNCTION, S40.....239-240
- MANIFOLD, MULTI-FUNCTION, S45.....239-240
- MANIFOLD, MULTI-FUNCTION, S40....243-244
- MANIFOLD, MULTI-FUNCTION, S45....243-244
- MANIFOLD, ROTATOR, CB***.....255
- MANIFOLD, TRACTION, 2WD.....249, 251
- MANIFOLD, TRACTION, 4WD***.....251
- MANIFOLD, TRACTN, 4WD, (S)SERIES*.....247
- MANIFOLD, TURNABLE ROTATION***.....91
- MANUAL BOX W/DECALS***.....221-222
- MANUAL, DEUTZ D2.9 ENGINE.....185
- MANUAL, AEM SAFETY.....13-14
- MANUAL, OPERATORS PERKINS 404.....135-136
- MANUAL, RESPON, A92.5 BOOM.....13-14
- MANUAL, WORKSHOP FORD LRG425EFI.....155
- MAP SENSOR, DSG-423.....167, 177
- MAP SENSOR, EFI.....155, 163
- MARKING TAGS, # 1-10, WIELAND.....97, 100, 104, 108, 112
- MARKING TAGS, # 11-20, WIELAND...97, 100, 104, 108, 112
- MARKING TAGS, # 21-30, WIELAND...97, 100, 104, 108, 112
- MARKING TAGS, # 31-40, WIELAND...97, 100, 104, 108, 112
- MARKING TAGS, # 41-50, WIELAND**.....97, 100, 104, 108, 112
- MEGAJECTOR, FUEL KIT.....163
- MESH, HALF, LH, 6' PLATFORM.....289
- MESH, HALF, RH, 6' PLATFORM.....289
- MESH, HALF, SWING GATE***.....289
- MIDRAIL GUIDE (HOOK).....221-222
- MIXER, MSG425.....177
- MIXER, AIR VALVE, TIER II FORD**.....163
- MIXER, LPG, DSG-423.....167
- MODULE, CONTROL UNIT, PCB, OPA.....343
- MODULE, FUSE&RELAY, DEUTZ 2.9.....193
- MODULE, FUSE&RELAY, PERKINS 404F.....201
- MODULE, IGNITION/START, 12/24V.....97, 99-100
- MODULE, LOAD SENSE 2007.....287
- MODULE, SX CONTROLLER, LOW AMP....305
- MODULE, TIME DELAY ON BREAK 4S.....97, 103-104, 107-108
- MOTOR -HYD.2500W GENER REFURB....297
- MOTOR COVER, PLASTIC-DPL**.....69-70
- MOTOR MOUNT COUPLER (106274).....305
- MOTOR, 12VDC, I-TERMINAL.....87
- MOTOR, LC30, 6.5 DEG, 13T.....69-70, 73
- MOTOR, 12VDC, 77066.....87
- MOTOR, HYD 12.5KW GEN, 21CC***.....305
- MOTOR, HYD, 25CC FIXED***.....58, 305
- MOTOR, HYDRAULIC, AXIAL PORTS***.....49, 61
- MOTOR, PISTON, LC25, 6.5 DEG, 13T.....58, 64
- MOTOR, PISTON, LC30, 10 DEG, 13T.....52
- MOTOR, TURNABLE ROTATION***.....91
- MOUNT, RAD, SUPPT, LH, BLUE.....159
- MOUNT, SWITCH.....287
- MOUNTING BAND, MUFFLER, 8.0".....172, 181
- MPT, CPLR, 1/4"SER, 3/8"X18.....291
- MUFFLER BRACKET, PAINTED.....127
- MUFFLER, PERKINS.....127
- MUFFLER, 6".....139
- MUFFLER, CAT/SPARK, DEUTZ.....149
- MUFFLER, DEUTZ.....145, 149
- MUFFLER, FORD LRG S40-60-80***.....157

Part Description Index (continued)

N

- NICKEL PLATED JAM NUT.....99-100, 103-104, 107-108, 111-112
 NIPPLE,DIAGNOSTIC,#4.....240, 247, 271-272
 NIPPLE,DIAGNOSTIC,ORFS,FM,SWIV.....239-240, 243-244, 269, 272
 NIPPLE,HEX,130137-4-4.....327, 329
 NON-STEER AXLE ASSY...49, 51-52, 61, 63-64
 NUT.....99-100, 103-104, 107-108, 111-112
 NUT - PLASTIC,RING FOR ALARMS.....119, 121, 229, 279, 287
 NUT HEX M5-0.8 CLASS 8 ZINC.....231
 NUT KIT W/COIL ORINGS.....243-244
 NUT, CP521-1 VALVE.....255
 NUT, EXH. MANIFOLD, MSG425.....179
 NUT, FLANGE, 5/16"-18.....213
 NUT, LP NYLOCK, 3/8-16.....77-78, 133, 147, 157, 165, 211, 217
 NUT, PROPORTIONAL VALVE.....244
 NUT, SOLENOID VALVE COIL.....240
 NUT, TL JAM, 3/8-16, A, ZAG.....331
 NUT,1/4-20,8,ZAG.....341
 NUT,3/8-16,8,ZAG.....341
 NUT,COIL (107745).....243-244
 NUT,EXHAUST,PERKINS 404F.....201
 NUT,FLG-LRG,3/8-16,YZ...159, 165, 175, 183, 187, 195
 NUT,HEX,1-8.....89, 119, 121
 NUT,HEX,1/4-28..67, 129, 135-136, 147, 151-152
 NUT,HEX,5/16-18,GR5.....127, 145
 NUT,HEX,FLANGE 5/8-18,GRD 8 ZI.....51-52, 63-64, 69-70, 73
 NUT,HEX,FLG,3/8-16.....213
 NUT,HEX,M8,PLASTIC.....337, 339
 NUT,HEX,NYLOCK,1/2-13 UNC,ZN.....75
 NUT,LOCKING-LG.FLANGE,1/4-20....181, 197
 NUT,LOCKING-LG.FLANGE,5/16-18.....169, 175, 181
 NUT,LP NYLOCK,1/2-13.....41, 43, 55, 69-70
 NUT,LP NYLOCK,1/4-20....133, 147, 191, 211, 213, 281-282, 285, 305, 321, 323, 325, 337
 NUT,LP NYLOCK,10-32.....193, 201, 295
 NUT,LP NYLOCK,5/16-18.....58, 77-78, 115, 117, 135-136, 177
 NUT,LUG,5/8-18 X 90 DEGREE,Z45.....51-52, 63-64
 NUT,M4 NYLOCK.....343
 NUT,MUFFLER PERKINS 10MM.....127
 NUT,NYLOCK FLG,1/4-20,F,ZAG.....289, 331
 NUT,NYLOCK FLG,3/8-16,F,ZAG.....289, 331, 345
 NUT,NYLOCK,1-8.....45-46, 121, 225-226
 NUT,NYLOCK,1/2-13.....139, 141, 149, 151-152, 159, 165, 171-172, 175, 183, 193, 197, 201, 301, 305
 NUT,NYLOCK,1/4-20.....67, 87, 115, 117, 133, 135-136, 139, 151-152, 157, 161, 163, 171-172, 175, 183, 187, 189, 191, 195, 197, 203, 207, 209, 211, 219, 221-222, 281-282, 287, 289, 311, 319, 323, 337
 NUT,NYLOCK,10-24.....129, 147, 163, 287
 NUT,NYLOCK,10-32.....67, 89, 97, 99-100, 103-104, 107-108, 111-112, 115, 117, 155, 193, 213, 231, 279
 NUT,NYLOCK,3/8-16.....41, 55, 77-78, 81, 83, 85, 119, 121, 136, 139, 141, 147, 149, 151-152, 157, 159, 161, 163, 165, 171-172, 175, 181, 183, 191, 193, 201, 203, 215, 217, 219, 221-222, 225-226, 287, 297, 305, 307, 309, 311, 315, 319, 337
 NUT,NYLOCK,3/8-16,18-8.....279
 NUT,NYLOCK,5/16-18.....77-78, 81, 83, 85, 115, 117, 129, 139, 149, 152, 161, 163, 183, 187, 191, 301, 305, 307, 309, 311
 NUT,NYLOCK,5/8-11.....87, 133, 143, 159, 205
 NUT,NYLOCK,6-32.....93-94, 99-100, 104, 108, 111-112, 231, 233, 329
 NUT,NYLOCK,M10X1.50.....135-136, 197, 199
 NUT,NYLOCK,M12X1.75.....171-172
 NUT,NYLOCK,M8-1.25,DIN985,A270.....279, 282
 NUT,NYLOCK,M8X1.25.....175
 NUT,RETAINER (96008).....99-100
 NUT,SOLENOID.....253, 257
 NUT,SOLENOID VALVE.....244
 NUT,SOLENOID VALVE 2P3W.....240, 253
 NUT,SOLENOID VALVE COIL...239-240, 243-244
 NUT,SPINDLE,1-14.....46
 NUT,TL FLG,1/2-13,G,ZAG.....345
 NUT,TL FLG,1/4-20,G,ZAG.....151-152, 287, 329, 339, 343
 NUT,TL FLG,10-32,F,ZAG.....287
 NUT,TL FLG,3/8-16,G,ZAG...43, 287, 339, 343
 NUT,TL FLG,5/16-18,G,ZAG.....152
 NUT,TL,1-8,C,ZAG.....225-226
 NUT,WING,1/4-20.....141, 203
 NUT-COIL SHORT.....255
 NUT-FLANGE, 8MM (62849).....139
 NUT-FLANGE,7/16-14.....157
 NUTSERT,1/4-20,STEEL CAD PLTD....93-94, 97, 231
- O
- O-RING KIT (ORFS FITTINGS).....13-14, 67, 239-240, 243-244, 247, 249, 251, 253, 299
 O-RING KIT,FIELD SVC,ALL PROD*....13-14, 239-240, 243-244, 247, 249, 251, 253
 O-RING***.....259
 O-RING, CAMSHAFT POSITION SENSOR.....185
 O-RING, CRANKSHAFT POSITION SENSOR.....185
 O-RING, DO1 VALVE.....255
 O-RING, FUEL LIFT PUMP.....149
 O-RING, INTAKE AIR PRESSURE SENSOR.....185
 O-RING, OIL PRESSURE SENSOR.....185
 O-RING, PROPORTIONAL VALVE.....244
 O-RING, RIBBED, MSG425.....177
 O-RING, ROTATOR MANIFOLD.....255
 O-RING, SMOOTH, MSG425.....177
 O-RING, TORQUE HUB.....49, 58, 61
 O-RING, WATER PUMP.....185
 O-RING,.103X3.237,NBR/NTRL,90D.....259
 O-RING,2-010,VITON.....52, 57-58, 64, 69-70, 73
 O-RING,2-044 BUNA***.....49, 58, 61
 O-RING,2-157,VITON***.....52, 58, 64, 69-70, 73
 O-RING,DIPSTICK,MSG425.....177
 O-RING,END COVER,4HP/4HB***.....52, 57-58, 64, 69-70, 73
 O-RING,END COVER,OMNI***.....51-52, 57-58, 64, 69-70, 73
 O-RING,FUEL INJECTOR,DEUTZ (89792).....151-152
 O-RING,JOYSTICK, 62390/62391.....235
 O-RING,MIXER,RIBBED,DSG-423.....167
 O-RING,MIXER,SMOOTHED,DSG-423.....167
 O-RING,MOTOR TO BRAKE***.....49, 61
 O-RING,ORFS,-12.....305
 O-RING,PIPE PLUG KIT,OMNI***...52, 57-58, 64, 69-70, 73
 O-RING,SEAL RING,1" NPT (PKG OF 10).....305
 O-RING,SPACER #115***.....297
 OIL COOLER W/FAN, 12VDC.....315
 OIL COOLER,TD2.9.....185
 OIL DRAIN PLUG.....171-172
 OIL FILLER CAP FOR LRG ENGINE.....155, 165
 OIL FILTER - PERKINS...13-14, 135-136, 195
 OIL FILTER,DSG-423.....167, 177
 OIL INDICATOR, MSG425.....177
 OIL PAN HEATER,DEUTZ,120V,150W.....293
 OIL TEMP SENSOR, DEUTZ F4L2011.....147
 OPITON,GAGE,FORD 2007,Z60 SVC.....327
 OPT,PLAT LOAD SENSE,S40/45008.....287
 OPT,PRECLEANER,DEUTZ,S40.....319
 OPT,PRECLEANER,PERKINS,S40.....319
 OPTION,12V WORK LIGHTS,S40.....281-282
 OPTION,12V WORK LIGHTS,S45.....281-282
 OPTION,DRIVE LIGHTS.....279
 OPTION,FULL GAUGE,DEUTZ.....327
 OPTION,FULL GAUGE,FORD.....327
 OPTION,FULL GAUGE,PERKINS.....327
 OPTION,FULL GAUGE,PERKINS404.....327, 329
 OPTION,GAUGE,DEUTZ F3L 2011.....327
 OPTION,GAUGE,DEUTZ FULL.....329
 OPTION,GAUGE,FORD TIER II.....327
 OPTION,GAUGE,FORD,DSG423.....329
 OPTION,OIL COOLER SERV.....315
 OPTION,PLAT SUPPORT,4/5FT SRV.....225-226
 OPTION,PLAT SUPPORT,STD,LRG BM.....225-226
 OPTION,ROCKER STEER.....229
 OPTION,WORKLIGHT,12 VOLT.....281-282
 ORIFICE DISC,.030,CONE.....257
 ORIFICE PLUG .025 DIA.....253
 ORIFICE PLUG, 0.070".....249, 251
 ORIFICE PLUG,M6X1,0.025.....253
 ORIFICE, 0.040".....251
 ORIFICE,0.025".....253
 ORIFICE,0.040".....249
 ORING, OIL DIP STICK.....185
 OSCILLATE VALVE LINKAGE.....67
 OUTER CONE - MODEL 60-8.....46
 OUTLET, 110V.....225-226
 OXIDATION CATALYST,DEUTZ.....185
- P
- PAD,EXTENSION CYLINDER,BOTTOM.....207
 PAD,EXTENSION CYLINDER,TOP.....207
 PAD,REST,1"THICK,FLANGED.....331
 PADDING, FOAM, 15.5".....339
 PADDING, FOAM, 46.5".....339
 PADDING,FOAM 3.5"OD X 1.50"ID.....337, 339
 PADDING,FOAM,3.0"X1.50ID 90DEG.....337, 339
 PAINT, AEROSOL, TRAFFIC BLACK.....13-14
 PAINT,AEROSOL,GENIE GRAY***.....13-14

PAINT,WET,GENIE BLUE (1 GL)**.....13-14	PLAT RAILW/DECALS,4FT,500LB AN.....225-226	PLATFORM ASSY 8FT W/DECALS EUR.....221-222
PAINT,WET,GENIE GRAY (1 GL)**.....13-14	PLAT RAILW/DECALS,5FT,500LB AN.....225-226	PLATFORM CONTROL B.....231
PAINT,WET,TRAFFIC BLACK (1 GL)**.....13-14	PLAT. FLOOR, 5FT, PAINTED.....226	PLATFORM CONTROL BOX LID,S40.....229
PANEL, ENCLOSURE, LINCO WELDER.....305	PLAT.CNTRL.BOX ASSEMBLY.....229	PLATFORM RAIL ASSY, 8FT, ANSL.....225-226
PANEL, LOUVER, FRONT, LEFT.....321	PLAT.CNTRL.BOX W/DECAL.....229	PLATFORM RAIL ASSY,6FT,CE/UK.....226
PANEL, LOUVER, FRONT, RIGHT***.....321	P L A T . C O N T R O L B O X	PLATFORM RAIL ASSY,8FT,CE/UK.....226
PANEL, LOUVER, FRONT, RIGHT, PTD.....321	GUARD, FORMING.....285	PLATFORM WELDMENT, 4 FT.....225-226
PANEL, LOUVER, FRONT, RIGHT, TIER2.....321	PLATE, AIR CLEANER, 404F-22.....197	PLUG AND CAP KIT-SERVICE, 37 **.....13-14, 239-240, 243-244, 247, 249, 251, 253
PANEL, LOUVER, REAR, LEFT.....321	PLATE, AIRCRAFT PROTECTION OPT.....339	PLUG AND CAP KIT-SERVICE, ORFS*.....67, 239-240, 243-244, 247, 249, 251, 253, 299
PANEL, LOUVER, REAR, RIGHT.....321	PLATE, INT. MFLD ADAP, MSG425.....179	PLUG, 3P, 30A, 4 WIRE, MALE.....311
PARKER DIGITAL PRESSURE GAUGE.....13-14	PLATE, PUMP MOUNT, PAINTED***.....127	PLUG, BOOT, 3P, 30A, 4 WIRE.....311
PIN ASSEMBLY, TURNTBLE ROTATION.....89	PLATE, SHIM COVER, NON-OSCILLAT.....43	PLUG, NYLON .250 BLACK DOMED.....104, 108, 231
PIN ASSY, RETAINER, SS I & II.....89	PLATE, SWING COVER, S40/S45 **.....119, 121	PLUG, OIL DRAIN, MSG425.....179
PIN, 1.50DIA X 17.50LG, CHAMFER.....41, 43, 49, 52, 55, 61, 64	Plate, Wheel.....75	PLUG, TYPE F, 230A, 50HZ, 16A, IP44.....87
PIN, 0.75DIA X 5.75LG, CHAMFER.....287	PLATE, AIR FILTER MOUNT, FORD.....163	PLUG, 070109-8.....157
PIN, 1.00DIA X 11.05LG, 2RING.....209	PLATE, BULKHEAD, S40 OIL COOLER.....315	PLUG, 4-WIRE, 3-PHASE, 50A, MALE...307, 309
PIN, 1.00DIA X 2.88LG, 1HOLE.....41, 43, 55, 205	PLATE, CABLE TRACK, PAINTED.....211	PLUG, BLANKING.....125
PIN, 1.00DIA X 6.67LG, 2RING.....207	PLATE, CHASSIS ATTACHMENT.....335	PLUG, ELECTRICAL, DOMESTIC.....87, 301
PIN, 1.00DIA X 8.38LG, 2RING.....209	PLATE, CLAMP.....211	PLUG, ENGINE OIL, DEUTZ F4L2011.....185
PIN, 1.00DIA X 9.46LG, 2RING.....207	PLATE, ENGINE MOUNT, PAINTED.....159	PLUG, FUSED, 250V, 13AMP, U.K.**.....87
PIN, 1.25DIA X 14.45LG, 2HOLE.....217, 219	PLATE, ENGINE SUPPORT SPACER.....183	PLUG, MAGNETIC, SAE-6***.....77-78, 81, 83, 85
PIN, 1.25DIA X 3.00LG, 1HOLE.....41, 55	P L A T E , G E N E R A T O R	PLUG, NYLON .188 BLACK DOMED.....93-94, 99-100, 103-104, 107-108, 111-112, 231
PIN, 1.25DIA X 3.37LG, 1HOLE.....205	MOUNTING, PAINT.....297	PLUG, NYLON .313 BLACK DOMED.....231, 233
PIN, 1.25DIA X 5.25LG, 1HOLE.....215, 217, 219	PLATE, LATCH, BLUE, PAINTED ***.....115, 117	PLUG, NYLON .38 BLACK DOMED.....99-100, 103-104, 107-108, 231
PIN, 1.25DIA X 7.00LG, 1HOLE.....217, 219	PLATE, PIN RETAINER.....89	PLUG, NYLON .875 BLACK DOMED.....100, 104, 108, 112, 231
PIN, 1.25DIA X 7.17LG, 2RING.....215	PLATE, PRE-CLEANER, PAINTED.....319	PLUG, NYLON 1.12 BLACK DOMED...99-100, 103-104, 107-108, 111-112, 233
PIN, 1.25DIA X 7.25LG, 1HOLE.....41, 55	PLATE, PUMP MOUNT, FORD, PAINTED.....157	PLUG, NYLON 2.093 BLACK DOMED.....93-94
PIN, 1.25DIA X 7.88LG, 1HOLE.....215, 217, 219	PLATE, REAR ENGINE MOUNT, PNTD.....171-172	PLUG, ORB #6.....129, 145
PIN, 1.25DIA X 8.30LG, 2RING.....217, 219	PLATE, UK POWER TO PLATFORM.....225-226	PLUG, ORIFICE, 0.052 INCH.....247
PIN, 1.25DIA X 9.50LG, 1HOLE.....217, 219	PLATE, UK, POWER TO PLAT.....301	PLUG, ORIFICE, 0.070.....247
PIN, 1.50 DIA X 5.63 LG, 1 HOLE.....205	Platform Assemblies with Decals	PLUG, PWR, UK, 16AMP, 3PIN, BLK.....87, 301
PIN, 1.50DIA X 4.125LG, 1HOLE.....69-70	=====	PLUG, SAE #03 (139712).....251
PIN, 1.50DIA X 4.76LG, 2HOLE.....41, 43, 55, 69-70	=====	PLUG, SANTOPRENE .5 BLACK DOME.....93-94, 99-100, 103-104, 107-108, 111-112, 229, 231
PIN, 1.50DIA X 6.38LG, 1HOLE.....205	PLATFORM ASSEMBLY, 4FT, CE/UK.....226	PLUG, SQUARE HEAD, 3/4 MPT.....77-78, 81
PIN, 1.50DIA X 7.75LG, 1HOLE.....205	PLATFORM ASSEMBLY, 5FT, CE/UK.....226	POTENTIOMETER ASSY, WELDER.....305
PIN, CLEVIS, 1 X 2.5 LG.....41, 43, 55	PLATFORM ASSY 4FT W/DECAL A/SO...221-222	POWER UNIT, AUX PUMP 12VDC.....87
PIN, CLEVIS, 1.25 X 6.0, ZINC.....335	PLATFORM ASSY 4FT W/DECALS	PRE-FILTER, FUEL, DEUTZ TCD3.6.....14, 193
PIN, COTTER, .219 X 1.75.....46	ANS.....221-222	PRECLEANER, AIR INTAKE.....319
PIN, LOCK, SHORT***.....281-282	PLATFORM ASSY 4FT W/DECALS	PRECLEANER, AIR INTAKE***.....319
PIN, PRIM. BOOM, 16.0 X 1.5 INCH.....207, 209	AUS.....221-222	PRIMARY BOOM ASSY, S40.....207
PIN, ROLL, SST, 25 X 2.25.....41, 43, 55, 69-70	PLATFORM ASSY 4FT W/DECALS	PRIMARY BOOM ASSY, S45.....209
PIN, TOW PACKAGE.....335	EUR.....221-222	PRIMARY BOOM ASSY, S40.....207
PINCH GUARD RAIL, 6' PLATFORM.....281-282	PLATFORM ASSY 5FT W/DECALS	PRIMARY BOOM ASSY, S40***.....207
PINCH GUARD RAIL, 8' PLATFORM**.....281-282	ANS.....221-222	PRIMARY BOOM ASSY, S45***.....209
PINS, CONNECTOR, INJ HARNESS, D2.9...185	PLATFORM ASSY 5FT W/DECALS	PRIORITY FLOW CONTROL VALVE***.....297
PIPE CRADLE ASSY. SERV (ONE)**.....289	ASA.....221-222	PROXIMITY SENSOR***.....339
PIPE PLUG KIT, OMNI***.....52, 57-58, 64, 69-70, 73	PLATFORM ASSY 5FT W/DECALS	PULLEY AND TENSIONER, DSG423.....169
PIPE, COOLANT RETURN, MSG425.....179	AUS.....221-222	P U L L E Y
PIPE, COOLANT RETURN, FORD 2.3L.....171-172	PLATFORM ASSY 6FT W/DECALS	ASSEMBLY, ALTERNATOR, TCD.....185
PLAT ASSEMBLY, 4FT, ASIA/S AM.....226	ANS.....221-222	PULLEY, WATER PUMP.....141, 199
PLAT ASSEMBLY, 5FT, ASIA/S AM.....226	PLATFORM ASSY 6FT W/DECALS	PULLEY, WATER PUMP (704-30).....131
PLAT ASSEMBLY, 5FT, AUSTRALIA***.....225-226	ASA.....221-222	PULLEY, BELT TENSIONER, D2.9L4.....185
PLAT ASSEMBLY, 6FT, ASIA/S AM.....226	PLATFORM ASSY 6FT W/DECALS	PULLEY, CRANKSHAFT (53883).....131
PLAT ASSEMBLY, 8FT, ASIA/S AM.....226	AUS.....221-222	PULLEY, FORD ENGINE, LRG-423***.....155, 165
PLAT RAIL ASSY, 8FT, AUSTRALIA**.....225-226	PLATFORM ASSY 8FT W/DECALS	PULLEY/TENSIONER, MSG425.....179
PLAT RAILW/DECALS 6FT 500LB AN.....225-226	ANS.....221-222	PUMP ASSY, AUX. POWER UNIT 89617.....87
PLAT RAILW/DECALS 8FT 500 ANSI.....225-226	PLATFORM ASSY 8FT W/DECALS	
	ASA.....221-222	
	PLATFORM ASSY 8FT W/DECALS	
	AUS.....221-222	

Part Description Index (continued)

- PUMP ASSY,M46 + 17CC***.....259
PUMP ASSY,M46+17CC+6CC.....259
PUMP M46 VAR PISTON 2.8 CIU***.....259
PUMP M46 VAR.PISTON 2.8 C.I.U.....259
PUMP MOUNT KIT,PERKINS DSL.....135-136
PUMP MOUNT,FORD DSG423.....171-172, 181
PUMP MOUNT,PERKINS 404F-22.....197
PUMP WATER (PERKINS 404)***.....141
PUMP, FUEL LIFT, F4L1011F.....147
PUMP, FUEL, LRG425, WALBRO.....77-78
PUMP, LIFT INLET PORT (53883).....129
PUMP, WATER, WITH GASKET.....155, 165
PUMP,FUEL 2011 DEUTZ ***149
PUMP,FUEL LIFT,PERKINS 404F.....199
PUMP,FUEL,HI PRESS,DEUTZ TD2.9.....185
PUMP,LIFT 1.025 C.I.***.....259
PUMP,LIFT(FUEL) PERKINS(54555).....135-136
PUMP,PRIMER,PERKINS***.....135-136, 199
PUMP,WATER,PERKINS 404F.....199
- R**
- RADIATOR HOSE, LOWER.....133
RADIATOR HOSE, UPPER.....133
RADIATOR MOUNT, LH, PAINTED.....133
RADIATOR MOUNT, RH PAINTED.....133
RADIATOR SHROUD, S40 MSG425.....183
RADIATOR, CAPLESS, DEUTZ D 2.9.....187
RADIATOR,FORD DSG423 & MSG425.....175, 183
RADIATOR,FORD,LRG.....159
RADIATOR,FORD/PERKINS***.....139, 161, 195
RADIATOR,PERKINS,GM.....133
Railing Assemblies with Decals
=====225-226
RAILING CATCH CASTING--DRILLED.....281-282
REAR ENGINE MOUNT,PAINTED.....165
RECEPTACLE, 120VAC, 20A, GFCI.....305
RECEPTACLE,UK,110V.....301
RECEPTCL,LOCK 3-PH,50A,4 WIRE.....307, 309
RECTIFIER ASSEMBLY.....297
REDUCER,520123-8-4.....303
REDUCER,RUBBER 3.0 - 2.5.....319
REF. HARN, GBOX, T4 PERKINS, S40.....107-108
REGULATOR, LP, MSG425.....183
REGULATOR,LP PRESSURE,MSG425.....177
REGULATOR,LP,MODEL J NOLFF.....157
REGULATOR,LPG.....161
REGULATOR,LPG,DSG-423.....175
REGULATOR,PRESSURE-COMP.....244
RELAY SOCKET,70AMP.....124-125
RELAY, 12V MICRO, 35AMP.....193, 201
RELAY, POWER & FUSE MODULE.....193, 201
RELAY, STARTER, Z45GP91.....165
RELAY,12VDC,70AMP,SEALED.....124-125
RELAY,OMRON,DPDT,12V.....97, 103-104, 107-108, 305
RELAY,PWR/FUEL,FORD DSG423....167, 177
RELAY,SEALED 30/40 AMP.....147
RELAY,SOCKET,OMRON.....97, 104, 108, 305
RELAY,SPDT,12V(AUTO) PLUG IN**.....97, 103-104, 108, 125
RELAY,SPDT,12V(AUTO)**.....123-125
- RELAY,STARTER,FORD DSG/MSG.....167, 177
RELAY,TIME DELAY,2 SEC,10A.....93-94, 97, 99-100, 111-112, 287
RELAY,TIME DELAY,2 SEC,30A.....287
RELIEF,VALVE 270 PSI.....257
REPAIR LINK, 4 LINKS PLATED.....211
RESISTOR,10 OHM,25 WATT.....233
RESISTOR,5 OHM,25W***.....99-100, 103-104, 108, 111-112
RESISTOR,7.5 OHM,25 WATT,1PCNT.....99-100, 103-104, 108, 111-112
REST PAD,S40,BOOM REST.....119, 121
RETAINER,GAS SPRING***.....115, 117
RETAINER,SPRING,1.21 X .375.....287
RETAINING RING.....297
RETAINING RING, INTERNAL, #180 (COMPONENT OF 139330GT).....52, 57-58, 64, 69-70, 73
RIGHT MAST WIPER MOUNT,S40.....323
RING / SEALING.....185
RING GEAR,DEUTZ F3 & F4L1011*.....145, 152
RING GEAR,DEUTZ F3 & F4L1011F*.....145, 152
RING GEAR,DEUTZ F3L2011F.....145, 152, 185
RING GEAR,FORD***.....157, 165
RING,OIL SEAL, 95 X 120 X 12.....46
RIVET,ALUM,ALUM,3/16BUTTONHEAD.....285
RIVET,ALUM,ALUM,P,.25X.375.....285
RIVET,STEEL,P,.25 X .375.....281-282
ROCKER ASSY.,MAGNETIC 75565.....235, 237
ROCKER,RETAINER, 75565.....235, 237
ROD END, .25 X 2.75, ZAG.....287
ROD END,.250 X 2.75 LG.....287
ROD END,.375 X 2.25,ZAG.....41, 43, 55
ROD END,.375X3.69,ZAG.....41, 43, 49, 52, 55, 61, 64, 205, 215, 217, 219
ROD END,.5 X 3.75,ZAG.....207, 209
ROD END,BALL JOINT 1/4-28.....67
ROD,DISCONNECT 4HP/4HB***.....52, 57-58, 64, 69-70, 73
ROD,DISCONNECT,OMNI***.....51-52, 57-58, 64, 69-70, 73
ROLLER ARM,LIMIT SWITCH***.....89, 205, 211
ROLLER KIT, POLY.....213
ROLLER,UHMW.....211
ROTATOR,PLAT JIB,160 DEG***.....217, 219
ROTATOR,PLAT,NON-JIB.....215
RUE RING,1.00.....41, 43, 55
- S**
- S40 AIRLINE TO PLATFORM.....291
S40 NM RT TIRE,LH.....51-52, 63-64
S40 NM RT TIRE,RH.....51-52, 63-64
S40 TOW PACKAGE OPTION***.....335
S40/45 MTE GEN JUMPER HARNESS.....301
SCEW,HHF,3/4-10X3.25,8,ZAG.....75
Screw - SHC, M10 x 1.5 x 55 mm GR 8.8.....169
SCREW 5/16-18 X .75 LG.FLG.LCK.....177
SCREW HHC, M14x50.....143, 151-152
SCREW PH M5-0.8X20 DIN 7500CE.....231
SCREW, BHC, 1/4-20 X 1, ZAG.....339
SCREW, FLANGE, 5/16"-18 x 1".....213
SCREW, GEN ROTOR.....301
SCREW, HCC, 3/8-16 X 1.50.....159, 175, 191, 193, 215, 217, 219, 305, 323
- SCREW, HHC, M10 X 1.5 X 50.....135-136, 181, 197, 199
SCREW, HHC, M8 X 1.25 X 12.....135-136
SCREW, PHM, #6-32 X .625 ZINC.....235, 237
SCREW, SHC, M12 X 1.75 X 75.....171-172
SCREW,6-32 X 7/8 PPMS ZINC.....225-226, 301
SCREW,BHC,10-32X1.5,F835,ZAG.....287
SCREW,BHSC,1/4-20 X 1.....281-282, 337
SCREW,BLEEDER,M5X0.8.....215, 217, 219
SCREW,DP200 M3X10 4PACK.....104, 108
SCREW,FHS,3/8-16 X 1.75.....119, 121
SCREW,HHC,1-8 X 11,GRD 5***.....89, 225-226
SCREW,HHC,1-8 X 14 GRD.2.....89
SCREW,HHC,1-8 X 16, GRD 2.....121
SCREW,HHC,1-8 X 4.5 GRD.5.....119, 121
SCREW,HHC,1-8 X 6 GRD.5.....45-46
SCREW,HHC,1-8 X 8.5 GRD.2.....46, 119, 121
SCREW,HHC,1-8X11.5,ZAG.....225-226
SCREW,HHC,1/2-13 X 1, GR 5.....149
SCREW,HHC,1/2-13 X 1.25 GR5.....171-172, 181, 207, 209
SCREW,HHC,1/2-13 X 1.5.....58, 127, 197
SCREW,HHC,1/2-13 X 1.5 GRD 8.....189
SCREW,HHC,1/2-13 X 1.75.....165, 171-172, 183
SCREW,HHC,1/2-13 X 2 GR5...49, 51-52, 61, 63-64, 69-70, 73, 135-136, 145, 152, 163, 195
SCREW,HHC,1/2-13 X 2.5,GR5.....301, 305
SCREW,HHC,1/2-13 X 2.75.....139, 141, 149, 151-152, 165, 175, 183
SCREW,HHC,1/2-13 X 3.....159, 193, 201
SCREW,HHC,1/2-13 X 4.....41, 43, 55, 69-70
SCREW,HHC,1/4-20 X .5.....181
SCREW,HHC,1/4-20 X .625.....211, 229, 231, 285, 325
SCREW,HHC,1/4-20 X .75.....45-46, 49, 52, 57-58, 61, 64, 89, 93-94, 97, 99-100, 103-104, 107-108, 111-112, 129, 133, 145, 147, 157, 159, 161, 163, 171-172, 191, 195, 197, 203, 211, 219, 221-222, 225-226, 281-282, 289, 305, 311, 321, 323, 325, 337
SCREW,HHC,1/4-20 X 1.....87, 115, 117, 129, 133, 139, 151-152, 157, 163, 171-172, 181, 187, 189, 195, 197, 225-226, 285, 287, 319, 321, 323, 337
SCREW,HHC,1/4-20 X 1.25.....115, 117, 135-136, 157, 193, 197, 201, 219, 221-222
SCREW,HHC,1/4-20 X 1.5.....163, 169, 175, 183, 189, 195, 203, 211, 215, 217, 219
SCREW,HHC,1/4-20 X 1.75.....117, 207, 209, 335
SCREW,HHC,1/4-20 X 2.....67, 87, 175, 281-282, 297
SCREW,HHC,1/4-20 X 2.25.....211
SCREW,HHC,1/4-20 X 2.75.....305
SCREW,HHC,1/4-20 X 3.5.....211
SCREW,HHC,1/4-20X1.8,ZAG.....341
SCREW,HHC,1/4-20X1.25,8,ZAG.....287
SCREW,HHC,3/8-16 X .625.....181
SCREW,HHC,3/8-16 X .75.....41, 43, 51-52, 55, 57-58, 63-64, 89, 117, 161, 175, 205, 207, 209, 211, 219, 333
SCREW,HHC,3/8-16 X .88,GRD 8.....41, 43, 55, 69-70, 225-226
SCREW,HHC,3/8-16 X 1.....41, 43, 49, 52, 55, 61, 64, 83, 85, 87, 119, 121, 127, 133, 145,

147, 149, 151–152, 157, 165, 171–172, 175, 207, 209, 225–226, 315, 319	SCREW,HHC,M8 X 60MM X 1.25.....155, 169, 179	SCREW,SHM,PHP,#12 X .75.....93–94, 100, 104, 108, 111–112, 231, 233
SCREW,HHC,3/8-16 X 1.25 GRD 5.....77–78, 87, 89, 115, 117, 136, 139, 147, 149, 151–152, 157, 161, 163, 183, 193, 201, 203, 222, 225–226, 323	SCREW,HHC,M8 X1.25X40,GRD10.9.....165	SCREW,SHS,1/4-20 X .25 ZINC.....94
SCREW,HHC,3/8-16 X 1.75,GRD.8...183, 205, 297	SCREW,HHC,M8X1.25.80.....179	SCREW,SHS,1/4-20 X .375 ZINC.....99–100, 103–104, 107–108, 111–112
SCREW,HHC,3/8-16 X 2.....163, 217, 219	SCREW,HHF,1/2-13X3.5,8,ZAG.....345	SCREW,SHS,10-24 X .625.....67, 129, 147
SCREW,HHC,3/8-16 X 2.25.....41, 55, 205	SCREW,HHF,1/4-20 X .75.....193, 201	SCREW,STEP BOLT,1/4-20 X .75.....226
SCREW,HHC,3/8-16 X 2.5.....81, 83, 85	SCREW,HHF,1/4-20X.625,8,ZAG.....331	S C R U B B E R , S P A R K
SCREW,HHC,3/8-16 X 2.75.....171–172, 181	SCREW,HHF,1/4-20X.75,8,ZAG.....151–152, 287, 329, 339, 343	ARRESTER,PERKIN.....139
SCREW,HHC,3/8-16 X 3.....217	SCREW,HHF,1/4-20X1,8,ZAG.....329, 339	SEAL KIT.....239–240, 243–244, 249, 253, 257
SCREW,HHC,3/8-16 X 3.25.....287	SCREW,HHF,1/4-20X1.25,8,ZAG.....151–152, 343	SEAL KIT (39345).....217, 219, 244, 255
SCREW,HHC,3/8-16 X 6.....211	SCREW,HHF,1/4-20X1.5,8,ZAG.....282	SEAL KIT CYL,S40 (63206).....205
SCREW,HHC,3/8-16 X1.25FULL THR.....209	SCREW,HHF,1/4-20X2.5,8,ZAG.....289	SEAL KIT, APU.....87
SCREW,HHC,3/8-16X.875,8,ZAG.....225–226	SCREW,HHF,3/8-16X2.5,8,ZAG.....43, 345	SEAL KIT, AUSCO BRAKE***.....49, 61
SCREW,HHC,3/8-16X2.5,8,ZAG.....341	SCREW,HHF,5/16-18X1.5,8,ZAG.....152	SEAL KIT, BRAKE, 4HP.....52, 57–58, 64, 69–70, 73
SCREW,HHC,5/16-18 X .75.....77–78, 81, 83, 85, 152, 161, 163, 305	SCREW,HHF,M6-1.0X12,DIN6921,10.....343	SEAL KIT, GEARBOX, 4HP.....52, 57–58, 64, 69–70, 73
SCREW,HHC,5/16-18 X 1 GR5.....77–78, 81, 115, 117, 129, 133, 135–136, 169, 181, 301, 305	SCREW,HHF,M8-1.25X50,DIN6921,10.9,ZAB.191	SEAL KIT, HYD MOTOR, GEN.....301
SCREW,HHC,5/16-18 X 1.25.....169, 181, 183, 301	SCREW,M5X16 BHD.....343	SEAL KIT, SOLENOID VALVE.....240, 244
SCREW,HHC,5/16-18X.75,8,ZAG.....282	SCREW,M6X8.....343	SEAL KIT, VALVE.....249, 251, 255
SCREW,HHC,5/8-11 X 1.75 GRD.8.....58, 69–70, 73, 87, 145, 159, 203	SCREW,M8X20-8.8.....152	SEAL KIT, VALVE, #10.....239–240, 243–244, 249, 251
SCREW,HHC,5/8-11 X 2 GRD.8.....89	SCREW,PHIL,10-24 X .75.....221–222	SEAL KIT, VALVE, #12.....255
SCREW,HHC,5/8-11 X 2.25 GR8.....51–52, 64	SCREW,PHIL,8-32X.50,SELF TAP.....301	SEAL KIT, VALVE, #4.....239–240, 243–244
SCREW,HHC,5/8-11 X 3 GRD.8.....49, 58, 61, 205	SCREW,PHIL,PHM,10-24 X.5,SEMS.....139, 161, 175, 183, 187, 195	SEAL KIT, VALVE, COMATROL.....239–240
SCREW,HHC,5/8-11 X 4.0 GR8.....133, 143, 159	SCREW,PHIL,PHM,10-24X1.5 ZINC.....49, 51–52, 61, 63–64	SEAL KIT,8-PORT SWIVEL.....89
SCREW,HHC,7/16-14 X 1.25.....52, 58, 64, 69–70, 73	SCREW,PHIL,PHM,10-32 X .5,SSTL.....97, 99–100, 103–104, 107–108, 111–112, 231	SEAL KIT,8K ROTATOR***.....215, 217, 219
SCREW,HHC,FLG,3/8-16 X 1 GR8.....213	SCREW,PHIL,PHM,6-32 X 1/4 SS.....231, 233	SEAL KIT,ARCTIC,ROTATOR 8.2K**.....215, 217
SCREW,HHC,M10 X 1.5 X 16.....189	SCREW,PHILLIPS,PHM,10-32 X 1.....295	SEAL KIT,BRAKE,OMNI***.....51–52, 57–58, 64, 69–70, 73
SCREW,HHC,M10 X 1.5 X 35.....135–136, 197	SCREW,PHILLIPS,PHM,10-32 X1.25.....155, 163	SEAL KIT,BRAKE,TURNTABLE ROT**.....91
SCREW,HHC,M10 X 1.5 X70,GR 8.8.....135–136, 149, 197	SCREW,PHILLIPS,PHM,10-32X 1.75.....103–104, 107–108	SEAL KIT,CB VALVE MANIFOLD***.....91
SCREW,HHC,M10 X 25MM,GR 8.8.....159	SCREW,PHILLIPS,PHM,6-32 X .5.....93–94, 99–100, 104, 108, 111–112, 231, 233, 329	SEAL KIT,CHECK VALVE 219246.....253
SCREW,HHC,M10 X 30MM.....127, 145, 147, 152, 165, 183	SCREW,PHILLIPS,PHM,8-32 X.25**.....99–100, 107–108	SEAL KIT,CONTROL VALVE.....67
SCREW,HHC,M10 X 40MM,GRD8.....163, 165, 172	SCREW,PHILLIPS,RHM,10-32 X 1.5.....287	SEAL KIT,CYL (63210).....217, 219
SCREW,HHC,M10 X 55MM,GRD 8.8.....165, 183	SCREW,PHILLIPS,RHM,10-32 X 2.25.....193, 201	SEAL KIT,CYL,S40 (63202).....207, 209
SCREW,HHC,M10 X 80 GR 8.8.....189	SCREW,PHM,10-24X.50,SELF TAP.....159	SEAL KIT,CYL,S40 MASTER(81692).....205
SCREW,HHC,M12 X 20MM.....189	SCREW,RHM,10-32 X 1.....279	SEAL KIT,CYL,S40 SLAVE (81693).....215
SCREW,HHC,M12 X 30.....131, 183	SCREW,RHM,10-32 X 1.5.....89, 205, 213	SEAL KIT,CYL,S45 MASTER(81694).....205
SCREW,HHC,M12 X 35MM.....197	SCREW,RHM,8-32 X .50.....307, 309	SEAL KIT,CYL,S65 (63213).....217, 219
SCREW,HHC,M12 X 45.....135–136	SCREW,SECURITY,1/4-20 X 1.75LG.....307, 309, 311	SEAL KIT,DRIVE HUB (88887).....46
SCREW,HHC,M14 X 1.5X40MM,GR8.8.....139, 141, 197, 201	SCREW,SECURITY,5/16-18X1.00...307, 309, 311	SEAL KIT,GEAR PUMP (89858).....259
SCREW,HHC,M14 X 30.....133	SCREW,SHC,1/2-13X5.0 GR 5 ZINC.....49, 61	SEAL KIT,GEARBOX,OMNI***.....52, 57–58, 64, 69–70, 73
SCREW,HHC,M14 X 40MM,GR 8.8..149, 151–152, 193	SCREW,SHC,3/8-16 X 1.25 INCHES.....157	SEAL KIT,HYD MOTOR(106184).....305
SCREW,HHC,M5 X 12MM.....163, 171–172	SCREW,SHC,5/16-18 X 2,PLATED.....91	SEAL KIT,MOTOR TURNTABLE****.....91
SCREW,HHC,M6 X 16.....163	SCREW,SHC,5/8-11 X 3.00,A574.....89	SEAL KIT,MOTOR,LC/KC***.....52, 58, 64
SCREW,HHC,M6 X 20MM,GR8.8.....147, 151–152	SCREW,SHC,5/8-11 X 3.50,A574.....89	SEAL KIT,OSC.CYL.....41, 55
SCREW,HHC,M8 X 16.....171–172, 181, 187, 191	SCREW,SHC,5/8-11 X 3.75,A574.....89	SEAL KIT,PLAT ROTATE***.....215, 217
SCREW,HHC,M8 X 20MM.....127, 136, 147, 155, 163, 195	SCREW,SHC,5/8-11 X 4,A574.....89, 203	SEAL KIT,REDUCER DRIVE TURNTAB.....91
SCREW,HHC,M8 X 30MM,GRD 8.8....155, 165	SCREW,SHC,M10X1.5 X 60 GR8.8.....171–172, 181	SEAL KIT,SAUER-DANFOSS M46***.....259
SCREW,HHC,M8 X 50.....131, 175	SCREW,SHC,M10X1.5X20MM (75090).....152	SEAL KIT,SOLENOID VALVE.....239–240, 244
	SCREW,SHC,M10X1.5X30 GR 12.9.....152, 171–172, 181, 189	SEAL KIT,SOLENOID VALVE 219247.....253
	SCREW,SHC,M10X1.5X35 GR 12.9.....189	SEAL KIT,SOLENOID VALVE, SV07.....255
	SCREW,SHC,M8 X 1.25 X 25.....171–172	SEAL KIT,STEER CYL (89065).....41, 43, 55
		SEAL KIT,SUNSTRAND.....49, 58, 61, 305
		SEAL KIT,TORQUE HUB (20193)...49, 57–58, 61
		SEAL KIT,VALVE.....243–244
		SEAL KIT,VALVE,#10.....240, 243–244
		SEAL KIT,WHEEL DRIVE W/BRAKE (101584/101585).....52, 57–58, 64, 69–70, 73
		S E A L M A R K E R , C R O S S
		CHECK,BLUE,TUBE.....13–14
		SEAL, CAP, NOTCHED.....89
		SEAL, CONNECTOR (DT JOYSTICKS).....237
		SEAL, FRONT ENGINE,DEUTZ.....185

Part Description Index (continued)

SEAL, GASKET, .0005" *SILVER*.....297	SHAFT,MOTOR.....297	SPACER,FAN TO WATERPUMP
SEAL, GASKET, .00075" *GOLD*.....297	SHAFT,OUTPUT,PINION,TURNTABLE.....91	LRG423.....155
SEAL, GASKET, .0010".....297	SHCS, M10-1.5X70MM, CL12.9.....181	SPACER,FAN TO WATERPUMP
SEAL, O-RING ENERGIZER.....89	SHEET,AIR SEAL BACKING.....197	LRG425.....163
SEAL, O-RING LIP.....89	SHEET,RUBBER,AIR INTAKE.....149	SPACER,FAN,PERKINS 404F.....141, 199
SEAL, OIL FILLER CAP.....135-136, 195, 199	SHIM, 22GA, 3WD X 5LNG.....43	SPACER,HEAT SINK.....343
SEAL, POLY, CHAMFER.....89	SHIM, AXLE, 1.56 X 4.75.....41, 43, 51-52, 55, 63-64, 69-70	SPACER,NYLON,718 X .526 X.219.....93-94
SEAL, REAR ENGINE,DEUTZ.....185	SHIM,AXLE ROTATION STOP.....49, 52, 61, 64	SPACER,SOLENOID VALVE COIL.....240, 243-244
SEAL,RETAINING RING.....297	SHIM,AXLE ROTATION STOP,22 GA.....49, 52, 61, 64	SPARK PLUG WIRE SET, LRG425EFI.....155, 165
SEAL,SHAFT.....297	SHIM,HUB (88883).....46	SPARK PLUG, FORD DSG-423.....167
SEAL-GREASE,MODEL 60-8.....46	SHIM,PAD 2.0 X 4.0 X .06 THK.....203	SPARK PLUG, FORD LRG425.....14, 165
SEAL-INJECTOR.....135-136	SHIM,PAD,5 X 3.....209	SPARK PLUG,MSG425.....177
SEAL-ROCKER BOX.....135-136	SHIM,PRIMARY BOOM,.064 THK.....207	SPARK PLUG,FORD.....14, 155
SEAL-VALVE SYSTEM (A).....135-136	SHIM,SIDE PAD 16GA. 3 X 5.....43, 209	SPIDER (106113).....305
SEAL-VALVE SYSTEM (B).....135-136	SHIM,SIDE PAD 16GA.1.5 X 3.5.....211	SPINDLE,TORQUE HUB.....61
SEAL/BEARING KIT (45043,54840).....46	SHIM,WEAR PAD,5 X 1.5,14GA.....207, 209	SPLIT BOGEY.....75
SENDING UNIT,OIL PRESS PERKINS.....327	SHIM,WEAR PAD,5X 1.5 16GA.....207, 209	SPRING (RED) MICO.....49, 61
SENDING UNIT,OIL PRESS.,DEUTZ*.....327, 329	SHIM,WEAR PAD,7 X 3,12GA.....209	SPRING CLIP,1/4-20,.025-.15X.54,ZAG.....45-46, 49, 52, 57-58, 61, 64, 157, 163, 169, 171-172, 175, 181, 183, 193, 195, 201, 211, 219, 225-226, 293, 321
SENDING UNIT,OIL PRESSURE***.....129, 327, 329	SHIM,WEAR PAD,7 X 3,16GA.....209	SPRING CLIP,10-24,.025-.125X.468,ZAG...49, 51-52, 61, 63-64, 221-222
SENDING UNIT,OIL TEMP SWCH,DTZ....151-152	SHOCK MOUNT,SMALL.....141, 159, 165, 175, 183, 187, 195	SPRING CLIP,3/8-16,.05-.20X.73,ZAG.....83, 85, 87, 115, 117, 119, 121, 171-172
SENDING UNIT,TMP,FRD,GM,PRK704....131, 165, 327, 329	SHROUD SUPPORT,PAINTED.....117	SPRING CLIP,5/16-18,.025-.15X.....183
SENDING UNIT-H20TMP LRG425EFI*.....155, 165, 327	SHROUD,FAN PAINTED.....139, 195	SPRING, SS, 1/2-EO500-49-4500.....337
SENSOR.....193	SHROUD,LP TANK,PAINTED.....117	SPRING, SS, 3/4-EO750-69-4500.....337
SENSOR KIT, TEMPERATURE.....167	SHROUD,RADIATOR LRG 423 BLUE**.....159	SPRING,1X.31 ODX.040WIRE,SS.....49, 51-52, 61, 63-64
SENSOR, CAM POS, MSG425.....177	SHROUD,RADIATOR,FORD LGR425,PA.....161	SPRING,COMP,1" OD,232 LB/IN.....287
SENSOR, CRANK POS, MSG425.....179	SHUTDOWN SOLENOID,12V, DEUTZ.....147, 151-152	SPRING,DRIVE TURNTABLE***.....91
SENSOR, CRANK POSITION.....155	SIGHT GLASS.....191	SPRING,EXTENSION,1.92LB/IN.....339
SENSOR, CYL. HEAD TEMP, MSG425.....177	Sight glass (89885).....91	SPRING,JOYSTK CENTR,62390/91...235, 237
SENSOR, FORD TEMPERATURE.....167	SLEEVE,CONNECTOR,DT JOYSTICKS.....237	SPRING,SHORT PLATFORM GATE.....281-282
SENSOR, KNOCK, MSG425.....177	SLEEVE,NYLON,2.38 ID,BULK 100'.....221-222	SPRING,SWITCH CENTERING,75565.....235, 237
SENSOR, O2, MSG425.....181	SLIDER BAR.....211	SQUEEZE CONN W/NUT, 2WIRE, 4MM.....295
SENSOR,OIL PRESSUR,PERKIN,1004.....327	SLIDING MIDRAIL KIT,PTD.....221-222	SQUEEZE CONNECTOR, 4 WIRE.....295
SENSOR,AIR TEMP,LRG-425 EFI***.....155, 161	SNAP RING,EXTERNAL,1.00,ZAG.....207, 209	STAND OFF,CONTROL UNIT.....343
SENSOR,AIR,CAT MONITOR.....171-172, 181	SNAP RING,EXTERNAL,1.25,ZAG...215, 217, 219	STANDOFF,1/4X1/4 M-F 6-32 S/S.....233
SENSOR,AIR,CAT MONITOR***.....161	SOCKET, BOOT, 3P, 30A, 4 WIRE.....311	STANDOFF,6-32 X 3/8L X 1/4 HEX.....231, 233
SENSOR,CAM POSITION DSG-423.....167	SOCKET,3P,30A,4 WIRE, FEM.....311	STARTER MOTOR, PERKINS (53883).....127
SENSOR,CAM,EFI***.....155	SOLENOID CABLE ASSY***.....147, 151-152	STARTER PLUG SEAL, MSG425.....177
SENSOR,COOLANT LEVEL, DEUTZ.....191	SOLENOID KIT,SHUT DN,PERKINS.....135-136	STARTER, 12V.....143, 151-152
SENSOR,COOLANT TEMP*.....155, 165, 327	SOLENOID VALVE,3-WAY,2-POS.....243-244	STARTER, DSG-423RING.....167
SENSOR,CRANK POSITION DSG-423.....169	SOLENOID VALVE,SPOOL TYPE.....244	STARTER, PERKINS, 404D.....141
SENSOR,INTAKE AIR PRESSURE.....185	SOLENOID,12V CONTINUOUS***.....97, 293	STARTER,3.2KW,DEUTZ D2.9.....185, 187
SENSOR,KNOCK DSG-423 FORD.....167	SOLENOID,77066.....87	STARTER,DEUTZ,F4L1011F/F3L1011.....143
SENSOR,LEVEL,4.5 DEG.....87	S O L E N O I D , S H U T D N,PERKNS403C-11.....135-136	STARTER,DSG-423.....167
SENSOR,LOW PRESSURE,DEUTZ 2.9L.....185, 193	S O L E N O I D , S H U T D O W N PERKIN40422.....135-136	STARTER,ENGINE,FORD LSG/LRG***.....157, 165
SENSOR,O2,LRG 425 EFI***.....161	SOLENOID,SHUT DOWN ACTUATOR DSL.....135-136, 151-152	STARTER,PERKINS 404F.....199
SENSOR,OXYGEN LRG425EFI.....157, 171-172	SOLENOID,THROTTLE.....129, 147	STEP PLATFORM ENTRY PAINTED***.....221-222, 225-226
SENSOR,RUBBER EDGE.....343	SOLENOID,THROTTLE.....129, 147	STRAINER ASSEMBLY,1.5" NPT.....77-78, 81, 271-272
SENSOR,WATER TEMPERATURE.....141, 199	SOLENOID-STARTR DEUTZF4L1011F*.143, 151-152	STRAINER,FILLER NECK.....77-78, 81, 83, 85
SEPARATOR/FILTER,FUEL-D,30MIC.....129	SOUNDER LENS, OPA, AMBER.....343	STRAINER,FUEL 40 MICRON.....14, 149
SEPERATOR ASSY,OIL,FORD MSG.....177	SOUNDER LENS, OPA, BLUE.....343	STRAP ASSY,TANK, 66 INCH.....77-78, 81, 83, 85
SEPRTR/FLTR,FUEL DSL,15GPH,.30.....135-136, 197	SOUNDER LENS, OPA, CLEAR.....343	STRAP, CONDUIT HOLDER 60****.....289
SERIAL # LABEL,MYLAR 4X8***.....18-19	SOUNDER LENS, OPA, RED.....343	STROBE,FIREBOLT,12-80VDC,AMB**.....279
SERVICE KIT JIB TIME DLY IC.....123-125	SOUNDER,MIDI,OPA.....343	STRUT,RH,FORD RADIATOR,PAINT.....159
SERVICE KIT, 5FT JIB, ARCTIC.....217	SPACER.....297	STUD,EXHAUST,PERKINS 404F.....201
SERVICE KIT,5FT JIB.....217	SPACER, DUAL COIL SIZE #8.....240	SUPPORT, RAILING.....281-282, 337, 339
SERVICE KIT,S80 PBOX J1 HARN.....123-125	SPACER, EXT. CYL.....209	
SET SCREW***.....52, 57-58, 64, 69-70, 73	SPACER, FAN, DEUTZ, 29.5MM LNG.....191	
SHAFT SEAL, APU.....87	SPACER, HANGER BRACKET.....345	

- SUPPORT,SENSOR,JOYSTICK.....235, 237
 SVC KIT,UK RECEPT.REPLACEMENT.....225-226
 SWING DRIVE ASSEMBLY,S40/Z60**.....91
 SWITCH SHIELD,ROCK JOYSTK75565...235, 237
 SWITCH TOGGLE ASSY DPDT 2P MNT.....229, 297, 301
 SWITCH TOGGLE ASSY DPDT 2P MOM...93-94, 99-100, 103-104, 107-108, 111-112, 229, 231
 SWITCH TOGGLE ASSY DPDT 3P MOM...93-94, 99-100, 103-104, 107-108, 111-112, 229, 231
 SWITCH TOGGLE ASSY SPDT 2P MNT...93-94, 99-100, 103-104, 107-108, 111-112, 229, 231, 233
 SWITCH TOGGLE ASSY SPDT 2P MOM...97, 229, 339
 SWITCH TOGGLE ASSY SPDT 3P MOM...93-94, 99-100, 103-104, 107-108, 111-112, 229, 231, 293
 SWITCH, OIL PRES, MSG425.....177
 SWITCH, OIL PRESSURE.....135-136
 SWITCH, OIL PRESSURE 1.5 BAR.....147, 151-152
 SWITCH,LIMIT,W/RLLR ARM NO/NC.....89
 SWITCH,LIMIT,W/RLLR ARM,NO/NC*.....211, 213
 SWITCH,LIMIT,W/ROLLER.....205
 SWITCH,LIMIT,W/ROLLER HEAD***.....205
 SWITCH,LOAD LIMIT.....287
 SWITCH,OIL PRESS,PERKINS 404F.....199
 SWITCH,OIL PRESS-PERKINS 404...135-136
 SWITCH,OIL PRESSURE.....167
 SWITCH,OIL PRESSURE ASSY.....155, 165
 SWITCH,PRESS,#4NPT,200PSIF.....305
 SWITCH,THERMOSTAT 85F OPEN.....233
 SWITCH,WATER TEMP,PRKNS,404***.....141
 SWIVEL,HYD 8 PORT***.....89
- T**
- T-BOX,2.75 X 4.5 X 2.0.....225-226, 301
 T-BOX,2.75X4.5X2.63,3PH.....307, 309
 T1 DEUTZ FAN GUARD W/WORD DECA.....143
 T2 DEUTZ BAFFLE.....149
 TAIL PIPE,S40 404F-22.....195
 TAILPIPE MOUNT , S40 MSG425.....181
 TAILPIPE,EXHAUST.....139
 TAILPIPE,FORD LRG 425, S40/S45.....161
 TANK ASSY, GAS, 20 GAL.....78
 TANK, 7 GAL/33.5 POUND, LP.....333
 TAPE, PROTECTIVE MASK.....18-19, 23-24, 31, 39
 TAPE,WARNING,BLK/YEL, 50***.....23-24
 TEE,BRANCH,520429-10.....299
 TEE,BRANCH,520429-6...261, 263, 265, 267, 275, 277
 TEE,BRANCH,520433-12.....313
 TEE,RUN,520428-10.....261, 265
 TEE,RUN,520428-4.....261, 265
 TEE,RUN,520428-8.....265, 267, 271-272, 299
 TEE,RUN,SWIVEL,520432-6.....335
 TEE,UNION,1/4".....327, 329
 TERM RELAY,N-INSULATE 14-16 GA.....97
 TERM,AMP MTE,SOC,22-26 GA BULK.....235, 237
- TERM,DEUTSCH, PIN #12-14.....93-94, 231, 233
 TERM,NI PIN,S&F,16-18GA,REEL.....231, 233
 TERM,RELAY N-INSULATED 10-12 G.....97
 TERM,RELAY,N-INSULATE 18-20 GA.....97
 TERMINAL BLOCK END PLATE.....97, 100, 104, 108, 112
 TERMINAL BLOCK,WIELAND.....97, 100, 104, 108, 112
 TERMINAL KIT, FORD ALTERNATOR.....163
 TERMINAL RAIL ASSEMBLY,GBOX...97, 107-108
 THERMOSTAT.....141, 199
 THERMOSTAT (PERKINS 104-22).....141
 THERMOSTAT -OIL COOLER (71259).....315
 THERMOSTAT HOUSING.....185
 THERMOSTAT HOUSING, LRG425 EFI.....155
 THERMOSTAT W/HOUSING, MSG425.....177
 THERMOSTAT, FORD LRG.....155, 165
 THERMOSTAT, PERKINS (53883).....131
 THERMOSTAT,DEUTZ.....185
 THERMOSTAT,FORD DSG423.....167
 THREADED ROD,1/4-28 X 10 IN***.....129, 147
 THREADED ROD,1/4-28 X 2.75IN***.....67
 THROTTLE ACTUATOR*(BOSCH).....167, 177
 THROTTLE LINKAGE,DIESEL***.....151-152
 THRUST CAP (20193).....49
 TIRE & WHEEL ASSY (COMMENTS)!*.....45-46
 TIRE & WHEEL ASSY,LH.....51-52, 63-64
 TIRE & WHEEL ASSY,RH.....51-52, 63-64
 TIRE & WHEEL ASSY,S40***.....63-64
 TIRE & WHEEL ASSY,FLOTATION.....63-64
 TIRE & WHEEL ASSY-LH.....63-64
 TIRE & WHEEL ASSY-RH.....63-64
 TIRE,12-16.5, 12PR,NON-MARKING...45-46, 51-52, 63-64
 TIRE,12-16.5/10PR S40 HAULER.....45-46, 51-52, 63-64
 TIRE,33/16LL50,10PLY LITEFOOT.....63-64
 TIRE,IMPLEMENT,12.5-16SL,14PR.....45-46
 TIRE/WHEEL ASSY.....45-46
- T I R E / W H E E L**
 ASSY,LH,12-16.5/10PR,AIR...45-46, 51-52, 63-64
- T I R E / W H E E L**
 ASSY,LH,12-16.5/10PR,FOAM.....45-46, 51-52, 63-64
- T I R E / W H E E L**
 ASSY,LH,12-16.5/10PR,RNU.....63-64
- T I R E / W H E E L**
 ASSY,LH,12-16.5/10PR,SEAL.....45-46, 51-52, 63-64
- T I R E / W H E E L**
 ASSY,RH,12-16.5/10PR,AIR...45-46, 51-52, 63-64
- T I R E / W H E E L**
 ASSY,RH,12-16.5/10PR,FOAM.....45-46, 51-52, 63-64
- T I R E / W H E E L**
 ASSY,RH,12-16.5/10PR,RNU.....63-64
- T I R E / W H E E L**
 ASSY,RH,12-16.5/10PR,SEAL.....45-46, 51-52, 63-64
- TIRE/WHEEL,LH, 2WD NON-MARK.....45-46
 TIRE/WHEEL,RH, 2WD NON-MARK.....45-46
 TOEBOARD, TRI ENTRY 6', EURO.....281-282
 TOEBOARD,8'TRI ENTRY.....281-282
- TOEBOARD,ENTRY EUROPEAN PNTD**.....221-222, 281-282
 TOOL TRAY ACCESSORY***.....281-282
 TOOL, FUSE PULLER, ATM.....193, 201
 TOP PLATE,CLAMP.....58
 TORQUE HUB SERIES 1-18.25:1.....57-58
 TORQUE HUB,30/1***.....61
 TORQUE HUB,35:1***.....49
 TRACK, 28 LINK MINI TELEHANDLER.....75
 TRACTION MANIFOLD,2WD***.....247
 TRIM,EDGE,1/8X3/4 SIDE BULB.....183, 197
 TRIMLOCK,BLACK,5/32".....289
 TROLLEY,TRACK, FALL ARREST BAR.....345
 TT COVER ASSY RH,SYM DECAL.....117
 TT COVER ASSY RH,WORD DECAL.....117
 TT FRNT COVR ASSY,SYM DEC, S45.....121
 TT FRNT COVR ASSY,WRD DEC, S40.....119
 TT FRNT COVR ASSY,WRD DEC, S45.....121
 TUBE, INTAKE ADAPTER, MSG425.....183
 TUBE, RD, ALUM, 1.25 X .083 X 11.75.....331
 TUBE,EXHAUST PIPE 2.3L FORD T3.....172
 TUBE,INTAKE,2.50 OD X 13".....161
 TUBE,INTAKE,2.50 OD X 15.63".....161
 TUBE,INTAKE,PRECLEANER,FORD.....319
 TUBE,RD,STL,ALUMIZD,2.5 X .065.....319
 TUBE,RD,STL,ALUMIZD,2.5X.065.....171-172, 319
 TUBE,SLIDING MIDRAIL,PAINTED....221-222
 TUBE-CABLE TRACK W/TRIM S-40**.....211
 TUBING,VINYL,1/2" CLEAR.....183
 TWIN WELD LEAD TO PLAT, S40.....281-282
 TWIN WELD LEAD TO PLAT, S45.....281-282
- U**
- U-BOLT, FLATTENED, 1.5 X 3/8 UNC,ZAG.....289, 331, 341, 343
 U-BOLT, KIT 5/16-18 X 2.5 ***.....127, 145, 149
 U-BOLT, SQR, 3/8-16X2X5, PLTD.....337, 339
 U-BOLT,3/8 X 1 YZ.....307, 309
 U-BOLT,3/8-16X4X4.63X3.00...307, 309, 311, 337, 339
 UBOLT,FLATTENED,1.5DIAX3/8 UNC.....225-226, 307, 309
 UNION,STR.THREAD 20.....271-272
 UPPER IDLER PULLEY, MSG425.....169, 179
- V**
- V-BELT, DEUTZ.....185
 V-RING 100,RUBBER SEAL.....46
 VACUATOR VALVE.....157, 161, 171-172, 181
 VALVE - COUNTERBALANCE**.....255
 VALVE - SOLENOID 2POSITION 3WA.....240
 VALVE ASSY,BLEED***.....215, 217
 VALVE FLOW DIVIDER/COMBINER.....249
 VALVE, CHECK.....251
 VALVE, CHECK, 5PSI.....251
 VALVE, CNTRBAL 3500 PSI, ATM VEN.....215, 217, 219
 VALVE, FLOW DIVIDE/COMB,24GPM.....251
 VALVE, FLOW DIVIDE/COMBINE 1:1.....251
 VALVE, FUEL LOCK.....77-78, 81, 85
 VALVE, PAS, DEUTZ L03I.....152
 VALVE, RELIEF, 280PSI.....251
 VALVE, RELIEF, GEN, 3.0kW.....301
 VALVE, SHUTTLE, FIXED.....251
 VALVE, SOLENOID.....253
 VALVE,BALL,16 MPT-16 FPT***.....77-78, 81, 272

Part Description Index (continued)

VALVE,BALL,16 MSAE-16 FSAE***.....77-78, 81, 83, 85, 272	WASHER, FLAT, F436, 1.0, ZAG.....225-226	WASHER,LOCK,,25.....45-46, 49, 52, 57-58, 61, 64, 87, 89, 93-94, 99-100, 103-104, 107- 108, 111-112, 115, 117, 145, 151-152, 157, 159, 163, 203, 211, 221-222, 225-226, 229, 231, 285, 325
VALVE,CB 3:1 3500 PSI.....240	W A S H E R , F L A T , M6X18X1.6,DIN9021,ZAB.....343	WASHER,LOCK,,313..77-78, 81, 83, 85, 127, 145, 195
VALVE,CHECK.....239-240, 253	WASHER,9MM I.D.....152	WASHER,LOCK,,375....41, 43, 55, 57-58, 61, 63-64, 69-70, 77-78, 87, 89, 115, 117, 119, 121, 145, 149, 157, 161, 181, 207, 209, 211, 217, 219, 315, 323, 333
VALVE,CHECK***.....239-240, 243-244	WASHER,FENDER,,25 X 1.25 X.062.....115, 117, 209	WASHER,LOCK,,625 PLTD.....87, 145, 159, 203
VALVE,CHECK, 2.5 PSI.....249	WASHER,FLAT, 3/8 INCH.....157	WASHER,LOCK,0.5".....49, 51-52, 127, 135- 136, 145, 149, 152, 163, 171-172, 181, 207, 209
VALVE,CHECK,3 PSI***.....249, 257	WASHER,FLAT, M5 YELLOW ZINC.....163, 171-172	WASHER,LOCK,1".....89, 119, 121
VALVE,CHECK,5 PSI.....239-240, 243-244, 249, 251	WASHER,FLAT,,375 X 1.5 X .125.....165, 175, 183, 187, 195	WASHER,LOCK,M10.....127, 145, 147, 149, 152, 159, 163, 165, 172, 181, 183
VALVE,CNTERBAL,CBBB-LHN@3000**.....41, 55	WASHER,FLAT,,375 X 1.5 X .125.....165, 175, 183, 187, 195	WASHER,LOCK,M12.....131
VALVE,CNTERBALANCE-SUN@3000**.....205	WASHER,FLAT,,375X1.50X.125,ZAG.....341	WASHER,LOCK,M14.....133, 139, 141, 143, 149, 151-152, 197, 201
VALVE,COUNTERBALANCE.....207, 209, 217, 219	WASHER,FLAT,.5 HARDENED.....49, 58, 61, 171-172, 181, 301, 305	WASHER,LOCK,M5,PLTD.....163
VALVE,COUNTERBALANCE***.....207, 209	WASHER,FLAT,.625 HARDENED.....51-52, 58, 64, 69-70, 73, 87, 89, 145, 159, 203, 205	WASHER,LOCK,M6.....147, 163
VALVE,COUNTERBALANCE,3500 PSI.....244	WASHER,FLAT,.625 X 2.25 X.15.....133, 143, 203	WASHER,LOCK,M8.....131, 136, 147, 155, 163, 165, 169, 175, 179
VALVE,DIFFERENTIAL SENSING***.....239- 240, 243-244	WASHER,FLAT,.688X1.160X.09.....49, 58, 61	WASHER,M4 NYLON.....343
VALVE,DRAIN,FORD,BLOCK,RAD.....157, 159, 165	WASHER,FLAT,1.000,HARDENED.....89, 119, 121, 225-226	WASHER,M5 NYLON.....343
VALVE,FLOW DIVIDER/COMBINER.....247, 249, 251	WASHER,FLAT,1.56 X 3.5 X .061.....41, 43, 49, 51-52, 55, 61, 63-64	WASHER,NYLON,434 X.263X.049.....67
VALVE,FLOW REGULATOR.....239-240, 243- 244	WASHER,FLAT,3/8,SAE,HRD,ZAG.....225-226	WASHER,RECTANGLE,5/8X2.5,3/8.....279
VALVE,FLOW REGULATOR .8 GPM.....239- 240	WASHER,FLAT,3/8,USS,ZAG.....341	WASHER,SHIM .0151 THK.....287
VALVE,FLOW REGULATOR 0.1 GPM.....239- 240, 243-244	WASHER,FLAT,3/8X1.5X.06.....287	WASHER,SHIM,1.01 X 1.63 X.062.....207, 209
VALVE,FLOW REGULATOR 0.6GPM.....239- 240, 244	WASHER,FLAT,313, HARDENED.....225-226	WASHER,SHIM,1.27 X 2.13 X .062..215, 217, 219
VALVE,FLOW REGULATOR 2.0 GPM.....239- 240, 243-244	WASHER,FLAT,5/16,USS,ZAG.....282	WASHER,SPINDLE.....46
VALVE,HYDRAULIC CHECK.....253	WASHER,FLAT,HARDENED 7/16.....52, 58, 64, 69-70, 73	WASHER,STAR,#10,PLTD.....159
VALVE,LP LOCKOUT W/CONN***.....157, 161	WASHER,FLAT,M10,ZINC PLTD.....135-136, 169, 171-172, 181, 183, 189, 197, 199	WASHER,STAR,EXTERNAL,,375.....99-100, 103-104, 107-108, 111-112
VALVE,MANUAL,W/RELIEF VALVE***.....67	WASHER,FLAT,M12.....135-136, 171-172, 189, 197	WASHER,THRUST,1.5 X 3.5 X .187.....41, 43, 55, 70
VALVE,NEEDLE W/REV.FREE FLOW.....240	WASHER,FLAT,M14....139, 141, 193, 197, 201	WASHER,THRUST,TORQUE HUB.....49, 58, 61
VALVE,NEEDLE,BRAKE RELEASE.....335	WASHER,FLAT,M8,YELLOW ZINC...165, 171- 172, 175, 187, 191	WASHER,WAVE SPRG,1X.635X.015.....171- 172
VALVE,PCV FORD DSG-423.....169, 179	WASHER,FLAT,MS,#10,Y.....49, 51-52, 61, 63-64, 115, 117, 139, 161, 163, 175, 183, 187, 193, 195, 201, 231, 279, 287, 295	WASHER-FLAT, 1/2" (80056)....139, 141, 151- 152
VALVE,PCV-FORD LRG***.....14, 155, 165	WASHER,FLAT,MS,#8,Y.....301, 307, 309	WATER INLET TUBE, FORD.....165
VALVE,PILOT OPER DIRECTIONAL.....257	WASHER,FLAT,USS,1",Y.....45-46, 89	WATER OUTLET, FORD DSG423.....167
VALVE,PRI. FLOW REG 4.3.....297	WASHER,FLAT,USS,1-1/4",Y.....89	WATER OUTLET, VERTICAL.....141, 199
VALVE,PROPORTIONAL.....244	WASHER,FLAT,USS,1-1/2",Y.....149, 159, 165, 171-172, 175, 183, 189, 193, 197, 201	WATER PUMP.....141
VALVE,PROPORTIONAL***.....240	WASHER,FLAT,USS,1/4"Y.....45-46, 49, 52, 57-58, 61, 64, 77-78, 81, 87, 89, 93-94, 99- 100, 103-104, 107-108, 111-112, 115, 117, 127, 129, 133, 135-136, 139, 141, 147, 151- 152, 157, 159, 161, 163, 169, 171-172, 175, 177, 181, 183, 187, 189, 191, 193, 195, 197, 201, 203, 207, 211, 213, 215, 217, 219, 221- 222, 225-226, 229, 231, 281-282, 285, 289, 297, 311, 319, 321, 323, 325, 331, 335, 337	WATER PUMP PULLEY, MSG425.....179
VALVE,RELIEF 2200 PSI.....239-240, 243-244	WASHER,FLAT,USS,1/4,ZAG.....341, 343	WATER PUMP W/GASKET.....169
VALVE,RELIEF 2400 PSI***.....255	WASHER,FLAT,USS,3/8",Y.....77-78, 83, 85, 87, 89, 117, 119, 121, 127, 136, 141, 145, 147, 157, 159, 163, 165, 175, 183, 191, 193, 201, 205, 207, 209, 211, 225-226, 287, 305, 315, 319	WATER PUMP, MSG425.....179
VALVE,RELIEF 2600 PSI.....239-240, 243-244	WASHER,FLAT,USS,5/16",Y.....77-78, 81, 83, 85, 115, 117, 119, 121, 127, 129, 133, 135- 136, 139, 145, 147, 149, 151-152, 157, 161, 169, 171-172, 181, 183, 187, 191, 203, 217, 219, 221-222, 297, 301, 305, 307, 309, 311, 323, 331, 337	WATER PUMP, PERKINS (53883).....131
VALVE,RELIEF 280 PSI.....249	WASHER,FLAT,USS,5/8",Y.....159	WDMT, 20 DEG INTAKE ADAPTER.....197
VALVE,RELIEF 2900 PSI.....239-240, 243-244	WASHER,LOCK,#10 PLTD.....89, 139, 205, 211, 213, 221-222	WDMT, CAT. MUFFLER, MSG425.....181
VALVE,RELIEF,1950 PSI.....239-240, 243-244		WDMT, HEAT SHIELD, MSG425.....181
VALVE,RELIEF,210 PSI.....247		WDMT, INTAKE ADAPTER, MSG425.....189
VALVE,RELIEF,210 PSI.....247		WDMT, PERKINS INTAKE AIR HOSE.....197
VALVE,RELIEF,280PSI.....249, 251		WDMT,AIRCRAFT SENSOR BUMPER.....339
VALVE,SHUTTLE.....247, 249, 251		WDMT,EXPANSION TANK SUPT.....191
VALVE,SHUTTLE,40 PSI.....249		WDMT,HEADER PIPE,MSG425.....181
VALVE,SOLENOID (18660)***.....255		WDMT,SKID PLATE.....339
VALVE,SOLENOID 3 POS,4 WAY***.....239- 240, 243-244		WEAR PAD ASSEMBLY,CABLE TRACK.....213
VALVE,SOLENOID 3POS 4WAY*.....240		WEAR PAD,2.25 X 2.50 X .5.....211
VALVE,SOLENOID, 2 POS, 3 WAY.....239-240, 253		WEAR PAD,3 X 1.5 X.625 W/NUTS.....219
VALVE,SOLENOID, 2POS/3WAY***.....255		WEAR PAD,3 X 2 X .5 W/INSERT.....211
VALVE,SOLENOID,10V,W/OUT COIL*.....253, 257		WEAR PAD,4X2X.5 W/INSERT***.....145, 159, 203
VALVE-SOLENOID,2POS 3WAY,JIB**.....255		
Verify Engine Make and Model Before Ordering.....83, 85, 87		

W

WASHER WROUGHT .531 x .886 x 0118 HARD
ZN.....75

WEAR PAD,5 X 1.5 X .625 W/NUTS...207, 209	WELDMNT,ROTATOR SUPPORT.....287	{USA and Canadian models, from SN 9753}
WEAR PAD,5 X 1.5 X .75 W/NUTS.....209	WELDMNT,TIE ROD.....41, 43, 55	=====221-222,
WEAR PAD,5 X 3 X .625 W/NUTS.....209	WELDMNT,TOW BAR.....335	225-226
WEAR PAD,6.5 X 5 X .75 W/NUTS.....207	WELDMNT,TOW BAR ATTACHMENT.....335	{USA and Canadian models, to SN 9752}
WEAR PAD,7X3X.625 W/NUTS.....209	WELDMNT,TT COVER SUPPORT,RH.....117	=====221-222,
WEAR PAD,CABLE TRACK.....211	WELDMNT,TUBE,PRE-CLEANR,DEUTZ.91,	225-226
WEAR PAD,EXTENSION CYLINDER.....209	319	
WELD, LPG TANK MOUNT.....333	WELDMNT,6 FT PLATFORM.....225-226	
WELDER, MILLER, CST 280.....311	WELMNT,DEUTZ ENGINE MOUNT.....143	
WELDER,INVERTEC V275-S.....307, 309, 311	WHEEL DRIVE W/ BRAKE,57:1***.....51-52,	— GENERAL SERVICE PARTS13-14
WELDMNT W/DECALS,5FT,500LB	57-58, 64, 69-70, 73	— HYD FILTERS13-14
AN.....225-226	WHEEL DRIVE W/BRAKE 57:1.....52, 57-58,	— INSPECTION SERVICE KITS13-14
WELDMNT, AIRCRAFT TOP	64, 69-70, 73	— MANUALS13-14
BUMPER.....337, 339	WHEEL RING WASHER,PTD.....51-52, 63-64	—Deutz D2.9L4 Models14
WELDMNT,CYLINDER MOUNTING.....205	WHEEL STUD, 4HP, 5/8-18***.....52, 57-58,	—Deutz F3L-1011F Models.....13-14
WELDMNT, EXHAUST SUPPORT.....195	64, 69-70, 73	—Deutz F3L-2011/Deutz D2011L03i
WELDMNT, FUEL FILTER MOUNT.....193	WHEEL STUD,5/8-18,OMNI***.....51-52, 57-	Models.....13-14
WELDMNT, LNG GUID TUBE S40/45.....213	58, 64	—Ford LRG-425 Models.....14
WELDMNT, PIPE CRADLE.....289	WHEEL STUD,5/8-18X67MM.....52, 57-58, 64,	—Perkins 404D-22 Models.....13-14
WELDMNT, PIVOT PIN, W/LOCK.....69-70,	69-70, 73	—Perkins 404F-22 Models.....13-14
73	WHEEL, 15X13.....63-64	—Perkins 704-30 Models.....13-14
WELDMNT, PLATFORM CONTROL	WHEEL, 16.5 X 9.75 S40.....45-46, 51-52, 63-	
BOX.....231	64	
WELDMNT, S40 GBOX LID.....107-108	WHEEL, 16.5X9.75 S40.....45-46	
Weldment, S45 QTS Chassis L.....75	WHEEL, 16X10.....45-46	
Weldment, S45 QTS Chassis R.....75	WHEEL, 19.5X14.00.....63-64	
WELDMNT, SENSOR MOUNT.....337, 339	WIPER.....323	
WELDMNT, SKIDPLATE**.....337	WIPER BRACKET, PAINTED.....323	
Weldment, Tensioner.....75	WIPER BRACKET, PNTD.....323	
WELDMNT,AIR INTAKE TUBE,PAINT.....149	WIPER,RING GEAR S40/45.....321	
WELDMNT,AIR PIPE.....189	WIRE CABLE 8/4 CON.SO.....305	
WELDMNT,AIRCRAFT SENSOR	WIRE CABLE,14/3 CON.TPE JKT*.....87, 225-	
BUMPR.....337	226	
WELDMNT,BULKHEAD,ENGINESIDE,F..117	WIRE CABLE,16/2 SJO,BULK.....89, 205, 211	
WELDMNT,BULKHEAD,ENGINESIDE,R..117	WIRE HARNESS, SENSOR, TEMP.....167	
WELDMNT,BULKHEAD,TANKSIDE,FRN..115	WIRE HARNESS,FORD EFI TIER 3...123-125	
WELDMNT,BULKHEAD,TANKSIDE,REA..115	WIRE LOOM,3/8 POLY SLIT.....221-222	
WELDMNT,CABLE TRACK GUIDE**.....211	WIRING KIT,CONTROL BOX HEATER.....233	
WELDMNT,CABLE TRACK TRAY.....213	WIRING KIT,JIB TIME DELAY IC.....123-125	
WELDMNT,CAT MOUNT,MSG425.....181	WLDMT.CABLE TRACK SUPP.TUBE***.....211	
WELDMNT, CAT MUFFLER	WLDMT.CABLE TRACK TUBE S40.....211	
SPPT,PTD.....171-172	WORKLIGHT, 12V, DEUTSCH RECEPT.....282	
WELDMNT,CONTROL BOX,GROUND.....93-	WORKLIGHT,110V,250WATT,HALOGEN.....282	
94, 99-100, 103-104, 107-108, 111-112	WORKLIGHT,48 VOLT.....279, 282	
WELDMNT,CONTROL LID,GROUND.....93-		
94		
WELDMNT,COOLANT BOTTLE		
MOUNT.....163		
WELDMNT,DEUTZ ENGINE MOUNT.....143		
WELDMNT,ENGINE MOUNT,INBOARD...133		
W E L D M E N T , E N G I N E		
MOUNT,OUTBOARD.....133		
WELDMNT,ENGINE TRAY.....203		
WELDMNT,ENGINE TRAY,S40.....203		
WELDMNT,EXHAUST PIPE.....139		
WELDMNT,EXHAUST SUPPORT.....145		
WELDMNT,FRT AXLE OSC,ASSY.....41, 55		
WELDMNT,HEADER PIPE.....181		
WELDMNT,HEADER PIPE,FORD 2.3L...169		
WELDMNT,HYD TANK MODULE.....87		
WELDMNT,LID 2014,TIER III.....99-100		
WELDMNT,LP BOTTLE MOUNT.....78		
WELDMNT,LP TANK MOUNT.....333		
WELDMNT,MUFFLER,DSG423.....172		
WELDMNT,MUFFLER,FORD TIER2.....161		
WELDMNT,PIPE CRADLE MOUNT.....289		
WELDMNT,PLATFORM SUPPORT,CE.....287		
WELDMNT,RAD MNT LRG423.....159		
WELDMNT,RH,ENGINE MOUNT.....159		
	Y	
	YOKE ASSEMBLY 2WD S40 LEFT.....41, 43	
	YOKE ASSEMBLY 2WD S40 RIGHT.....41, 43	
	YOKE ASSY, 4WD, L.S.....41, 43, 55	
	YOKE ASSY,4WD,R.S. S40/45.....41, 43, 55	
	Z	
	ZERK,GREASE,1/8 NPT.....89, 115, 287	
	{	
	{Asian and South American models}	
	=====221-222,	
	226	
	{Australian models, from SN 9753}	
	=====221-222	
	{Australian models, to SN 9752}	
	=====221-222	
	{ Australian models }	
	=====225-226	
	{ European models }	
	=====221-222,	
	225-226	

Fitting Cross References

Genie PN	Parker PN	Description	Genie PN	Parker PN	Description
12342	6-4 F5OX-S	CONNECTOR,STRAIGHT THREAD TO FLARE TUBE	42794	1 CR-S	ELBOW,90°,MALE PIPE
13757	4 R6X-S	RUN TEE,SWIVEL NUT,ORFS	42795	BV-0839	BALL VALVE
19685	12-10 C5OX-S	ELBOW,90°,STRAIGHT THREAD TO FLARE TUBE	42796	BV-0838	BALL VALVE
22664	12-10 C5OX	ELBOW,90°,STRAIGHT THREAD TO FLARE TUBE	42874	6-8 CLO-S	ELBOW,90°,MALE PIPE TO ORFS
27431	8-12 F5OX-S	CONNECTOR,STRAIGHT THREAD TO FLARE TUBE	42912	13943-6-4	HOSE END,90° FEMALE SWIVEL,JIC
28678	AS-B-33	SLEEVE,NYLON,1.81" ID	42920	BV-0840	BALL VALVE,90°
39871	6 WETX-WLN-S	UNION,90° BULKHEAD W/NUT,FLARE TUBE	42932	AS-B-17	SLEEVE,NYLON,1.22" ID
39872	4 R5OX-S	RUN TEE,STRAIGHT THREAD	42936	10243-2-4	HOSE END,FEMALE PIPE
39873	6 C5OX-S	ELBOW,90°,STRAIGHT THREAD TO FLARE TUBE	42953	1/2 DD-S	ELBOW,90°,FEMALE PIPE
39874	8-6 C5OX-S	ELBOW,90°,STRAIGHT THREAD TO FLARE TUBE	42956	6 WELO-WLNL-S	UNION,90° BULKHEAD W/NUT,ORFS
39875	4-6 C5OX-S	ELBOW,90°,STRAIGHT THREAD TO FLARE TUBE	45349	8 V5OX-S	ELBOW,45°,STRAIGHT THREAD TO FLARE TUBE
39876	6-8 C5OX-S	ELBOW,90°,STRAIGHT THREAD TO FLARE TUBE	45351	4 V5OX-S	ELBOW,45°,STRAIGHT THREAD TO FLARE TUBE
39877	4 F5OX-S	CONNECTOR,STRAIGHT THREAD TO FLARE TUBE	47223	10343-6-6	HOSE END,MALE,JIC
39878	6 F5OX-S	CONNECTOR,STRAIGHT THREAD TO FLARE TUBE	47419	PS690503-6-6	SWIVEL,90°,STRAIGHT THREAD TO 37° FLARE
39879	4-8 F5OX-S	CONNECTOR,STRAIGHT THREAD TO FLARE TUBE	48750	421-4	HOSE,1/4 INCH ID
39880	6-10 F5OX-S	CONNECTOR,STRAIGHT THREAD TO FLARE TUBE	48751	481TC-4	HOSE,1/4 INCH ID
39881	4-6 F5OX-S	CONNECTOR,STRAIGHT THREAD TO FLARE TUBE	48752	482TC-4	HOSE,1/4 INCH ID
39882	4-HP5ON-S	PLUG,STRAIGHT THREAD	48753	451TC-6	HOSE,3/8 INCH ID
39883	8-8 FTX-S	CONNECTOR,MALE PIPE TO FLARE TUBE	48754	482TC-6	HOSE,3/8 INCH ID
39885	269HB 12-12	ELBOW,90°,BEADED HOSE BARB TO MALE PIPE	48755	381-6	HOSE,3/8 INCH ID
39886	431-6	HOSE,3/8 INCH ID	48756	451TC-8	HOSE,1/2 INCH ID
39887	540N-2	HOSE,1/8 INCH ID	48757	482TC-8	HOSE,1/2 INCH ID
39888	801-8	HOSE,1/2 INCH ID	48758	381-8	HOSE,1/2 INCH ID
39889	801-12	HOSE,3/4 INCH ID	48759	381-10	HOSE,5/8 INCH ID
39890	10643-6-6	HOSE END,FEMALE SWIVEL,JIC	48760	451TC-10	HOSE,5/8 INCH ID
39891	13943-6-6	HOSE END,90° FEMALE SWIVEL,JIC	48761	482TC-12	HOSE,3/4 INCH ID
39892	13743-6-6	HOSE END,45° FEMALE SWIVEL,JIC	48762	451TC-12	HOSE,3/4 INCH ID
39894	30682-8-8	HOSE END,FEMALE SWIVEL,JIC	48763	772-12	HOSE,3/4 INCH ID
39895	30682-10-12	HOSE END,FEMALE SWIVEL,JIC	48764	881-16	HOSE,1 INCH ID
42286	8-8 CTX-S	ELBOW,90°,MALE PIPE TO FLARE TUBE	48765	772-16	HOSE,1 INCH ID
42756	8-12 CLO-S	ELBOW,90,MALE PIPE TO ORFS	48766	AS-B-15	SLEEVE,NYLON,1.06" ID
42757	8-12 FLO-S	CONNECTOR,MALE PIPE TO ORFS	48767	AS-B-22	SLEEVE,NYLON,1.42" ID
42758	4 JLO-S	UNION TEE,ORFS	48770	881-8	HOSE,1/2 INCH ID
42759	4-4 FLO-S	CONNECTOR,MALE PIPE TO ORFS			
42760	6-8 FLO-S	CONNECTOR,MALE PIPE TO ORFS			
42761	1J143-6-4	HOSE END,90° FEMALE SWIVEL,SEAL LOK			
42762	1J743-6-4	HOSE END,45° FEMALE SWIVEL,SEAL LOK			
42768	1JO43-4-4	HOSE END,MALE,SEAL LOK			
42776	801-8	HOSE,1/2 INCH ID			
42777	1J743-16-16	HOSE END,45° FEMALE SWIVEL,SEAL LOK			
42786	16 CLO-S	ELBOW,90°,MALE PIPE TO ORFS			
42787	16 R8LO-S	RUN TEE,SWIVEL NUT,ORFS			
42788	16-8 TRLO-BL-S	REDUCER,TUBE END TO SWIVEL,ORFS			
42789	6-6 CLO-S	ELBOW,90°,MALE PIPE TO ORFS			
42790	8-10 V5OLO-S	ELBOW,45°,STRAIGHT THREAD TO ORFS			
42791	3/4 CD-S	ELBOW,90°,MALE TO FEMALE PIPE			
42792	3/4 X 1/2 PTR-S	REDUCER,MALE TO FEMALE PIPE			
42793	1/2 CR-S	ELBOW,90°,MALE PIPE			

Fitting Cross References (Continued)

Genie PN	Parker PN	Description	Genie PN	Parker PN	Description
48771	881-10	HOSE,5/8 INCH ID	48847	13943-12-12	HOSE END,90° FEMALE SWIVEL,JIC
48772	381-4	HOSE,1/4 INCH ID	48848	10543-12-12	HOSE END,MALE,STRAIGHT THREAD
48773	AS-B-13	SLEEVE,NYLON,.86" ID	48849	1JC71-12-12	HOSE END,FEMALE SWIVEL,SEAL LOK
48800	1JC43-4-4	HOSE END,FEMALE SWIVEL,SEAL LOK	48850	1JS71-12-12	HOSE END,FEMALE SWIVEL,SEAL LOK
48801	1J743-4-4	HOSE END,45° FEMALE SWIVEL,SEAL LOK	48851	1J171-12-12	HOSE END,90° FEMALE SWIVEL,SEAL LOK
48802	1J943-4-4	HOSE END,90° FEMALE SWIVEL,SEAL LOK	48852	1J771-12-12	HOSE END,45° FEMALE SWIVEL,SEAL LOK
48804	1JM43-4-4	HOSE END,MALE,SEAL LOK, NO O-RING	48853	1J971-12-12	HOSE END,90° FEMALE SWIVEL,SEAL LOK
48805	10643-4-4	HOSE END,FEMALE SWIVEL,JIC	48854	1JC43-16-16	HOSE END,FEMALE SWIVEL,SEAL LOK
48806	13943-4-4	HOSE END,90° FEMALE SWIVEL,JIC	48855	1J943-16-16	HOSE END,90° FEMALE SWIVEL,SEAL LOK
48807	1JS43-4-4	HOSE END,FEMALE SWIVEL,SEAL LOK	48856	1J171-16-16	HOSE END,90° FEMALE SWIVEL,SEAL LOK
48808	3JC82-8-8	HOSE END,FEMALE SWIVEL,SEAL LOK	48857	1J971-16-16	HOSE END,90° FEMALE SWIVEL,SEAL LOK
48809	3JC82-12-12	HOSE END,FEMALE SWIVEL,SEAL LOK	48859	1JS43-8-4	HOSE END,FEMALE SWIVEL,SEAL LOK
48810	1JC43-6-4	HOSE END,FEMALE SWIVEL,SEAL LOK	48867	PD36BTL	DIAGNOSTIC NIPPLE,SEAL-LOK SWIVEL
48811	1J943-6-4	HOSE END,90° FEMALE SWIVEL,SEAL LOK	48873	6 PNLO-S	PLUG,TUBE END,ORFS
48812	1JC43-6-6	HOSE END,FEMALE SWIVEL,SEAL LOK	48874	6 PNTX-S	PLUG,FLARE TUBE
48813	1J143-6-6	HOSE END,90° FEMALE SWIVEL,SEAL LOK	48875	6 R6LO-S	RUN TEE,SWIVEL NUT,ORFS
48814	1J543-6-6	HOSE END,90° FEMALE SWIVEL,SEAL LOK	48877	4 F5OLO-SW/.025	CONNECTOR,STRAIGHT THREAD TO ORFS, W/.025 ORI
48815	1J743-6-6	HOSE END,45° FEMALE SWIVEL,SEAL LOK	48878	16-12 C5OLO-S	ELBOW,90°,STRAIGHT THREAD TO ORFS
48816	1J943-6-6	HOSE END,90° FEMALE SWIVEL,SEAL LOK	48879	8 C8LO-S	ELBOW,90°,SWIVEL NUT ORFS
48817	1JS43-6-8	HOSE END,FEMALE SWIVEL,SEAL LOK	48880	PD6-285	CAP,DIAGNOSTIC NIPPLE
48818	1J943-8-4	HOSE END,90° FEMALE SWIVEL,SEAL LOK	48881	6 HLO-S	UNION,ORFS
48819	1JC43-8-6	HOSE END,FEMALE SWIVEL,SEAL LOK	48883	8 P5ON-S	PLUG,STRAIGHT THREAD
48820	1J743-8-6	HOSE END,45° FEMALE SWIVEL,SEAL LOK	48884	8M18F87OMLO-S	CONNECTOR,METRIC,STRAIGHT THREAD TO ORFS
48821	1J943-8-6	HOSE END,90° FEMALE SWIVEL,SEAL LOK	48885	4 WGTX-WLN-S	CONNECTOR,BULKHEAD,FEMALE PIPE TO FLARE TUBE
48822	1JC43-8-8	HOSE END,FEMALE SWIVEL,SEAL LOK	48886	4 F5OLO-SW/2MM	CONNECTOR,MACHINED STRAIGHT THREAD TO ORFS
48823	1JS43-8-8	HOSE END,FEMALE SWIVEL,SEAL LOK	48887	4 CTX-S	ELBOW,90°,MALE PIPE TO FLARE TUBE
48824	1J143-8-8	HOSE END,90° FEMALE SWIVEL,SEAL LOK	48888	10-12 V5OLO-S	ELBOW,45°,STRAIGHT THREAD TO ORFS
48825	1J543-8-8	HOSE END,90° FEMALE SWIVEL,SEAL LOK	48890	4 S5OLO-S	BRANCH TEE,STRAIGHT THREAD TO ORFS
48826	1J743-8-8	HOSE END,45° FEMALE SWIVEL,SEAL LOK	48891	4 S6LO-S	BRANCH TEE,SWIVEL NUT TO ORFS
48827	1J943-8-8	HOSE END,90° FEMALE SWIVEL,SEAL LOK			
48828	1JC43-10-8	HOSE END,FEMALE SWIVEL,SEAL LOK			
48829	1JS43-10-8	HOSE END,FEMALE SWIVEL,SEAL LOK			
48830	1J743-10-8	HOSE END,45° FEMALE SWIVEL,SEAL LOK			
48831	1J943-10-8	HOSE END,90° FEMALE SWIVEL,SEAL LOK			
48833	1JC43-10-10	HOSE END,FEMALE SWIVEL,SEAL LOK			
48834	1J943-10-10	HOSE END,90° FEMALE SWIVEL,SEAL LOK			
48835	1JS43-10-12	HOSE END,FEMALE SWIVEL,SEAL LOK			
48836	1JC43-12-8	HOSE END,FEMALE SWIVEL,SEAL LOK			
48837	1JS43-12-8	HOSE END,FEMALE SWIVEL,SEAL LOK			
48838	1J743-12-8	HOSE END,45° FEMALE SWIVEL,SEAL LOK			
48839	1J943-12-8	HOSE END,90° FEMALE SWIVEL,SEAL LOK			
48840	1J943-12-10	HOSE END,90° FEMALE SWIVEL,SEAL LOK			
48841	1JC43-12-12	HOSE END,FEMALE SWIVEL,SEAL LOK			
48842	1JO43-12-12	HOSE END,MALE,SEAL LOK			
48843	1J143-12-12	HOSE END,90° FEMALE SWIVEL,SEAL LOK			
48844	1J543-12-12	HOSE END,90° FEMALE SWIVEL,SEAL LOK			
48845	1J743-12-12	HOSE END,45° FEMALE SWIVEL,SEAL LOK			
48846	1J943-12-12	HOSE END,90° FEMALE SWIVEL,SEAL LOK			

Fitting Cross References (Continued)

Genie PN	Parker PN	Description	Genie PN	Parker PN	Description
48892	6 C6LO-S	ELBOW,90°,SWIVEL NUT ORFS	48938	8 R6LO-S	RUN TEE,SWIVEL NUT,ORFS
48893	6 F5OHAO-S	UNION,STRAIGHT THREAD	48939	8 S6LO-S	BRANCH TEE,SWIVEL NUT TO ORFS
48894	8 WLO-WLNL-S	UNION,BULKHEAD,ORFS	48940	8 WJLO-WLNL-S	RUN TEE, BULKHEAD,ORFS
48895	DT-370-MSMO-5	VALVE,CHECK	48941	8-4 TRLO-S	REDUCER,TUBE END TO SWIVEL,ORFS
48896	6 JLO-S	UNION,TEE,ORFS	48942	8-6 C5OLO-S	ELBOW,90°,STRAIGHT THREAD TO ORFS
48897	DT-750-MSMS-5	VALVE,CHECK	48943	8-6 F5OLO-S	CONNECTOR,STRAIGHT THREAD TO ORFS
48898	DT-750-MOMS-5	VALVE,CHECK	48944	8-8 FLO-S	CONNECTOR,MALE PIPE TO ORFS
48899	DT-620-MOMS-5	VALVE,CHECK	48945	8 FTX-S	CONNECTOR,MALE PIPE TO FLARE TUBE
48900	4-6 F5OLO-SW/.035	CONNECTOR,STRAIGHT THREAD TO ORFS, W/.035 ORI	48946	8-10 F5OLO-S	CONNECTOR,STRAIGHT THREAD TO ORFS
48902	16-1 AOE4G-S	ELBOW,90° LONG,FEMALE PIPE TO STRAIGHT THREAD	48947	8-12 C5OLO-S	ELBOW,90°,STRAIGHT THREAD TO ORFS
48903	1 FF-S	NIPPLE,PIPE	48948	8-12 F5OLO-S	CONNECTOR,STRAIGHT THREAD TO ORFS
48904	4 C5OLO-S	ELBOW,90°,STRAIGHT THREAD TO ORFS	48949	8-16 F5OLO-S	CONNECTOR,STRAIGHT THREAD TO ORFS
48905	4 F5OLO-S	CONNECTOR,STRAIGHT THREAD TO ORFS	48950	10 C5OLO-S	ELBOW,90°,STRAIGHT THREAD TO ORFS
48906	4 R5OLO-S	RUN TEE,STRAIGHT THREAD	48951	10 CC5OLO-S	ELBOW,90° LONG,STRAIGHT THREAD TO ORFS
48907	4 V5OLO-S	ELBOW,45°,STRAIGHT THREAD TO ORFS	48952	10 F5OLO-S	CONNECTOR,STRAIGHT THREAD TO ORFS
48908	4 R6LO-S	RUN TEE,SWIVEL NUT,ORFS	48953	10 R5OLO-S	RUN TEE,STRAIGHT THREAD
48909	4 WJLO-WLNL-S	RUN TEE, BULKHEAD,ORFS	48954	10 S5OLO-S	BRANCH TEE,STRAIGHT THREAD TO ORFS
48910	4 GTX-S W/.030	CONNECTOR,FEMALE PIPE TO FLARE TUBE	48955	10 R6LO-S	RUN TEE,SWIVEL NUT,ORFS
48911	4-6 C5OLO-S	ELBOW,90°,STRAIGHT THREAD TO ORFS	48956	10-4 TRLO-BL-S	REDUCER,TUBE END TO SWIVEL,ORFS
48912	4-6 F5OLO-S	CONNECTOR,STRAIGHT THREAD TO ORFS	48957	10-6 TRLO-BL-S	REDUCER,TUBE END TO SWIVEL,ORFS
48913	4-6 F5OLO-SW/.030	CONNECTOR,STRAIGHT THREAD TO ORFS, W/.030 ORI	48958	10-12 F5OLO-S	CONNECTOR,STRAIGHT THREAD TO ORFS
48914	4-8 F5OLO-S	CONNECTOR,STRAIGHT THREAD TO ORFS	48959	12 C5OLO-S	ELBOW,90°,STRAIGHT THREAD TO ORFS
48915	6 C5OLO-S	ELBOW,90°,STRAIGHT THREAD TO ORFS	48960	12 F5OLO-S	CONNECTOR,STRAIGHT THREAD TO ORFS
48916	6 F5OLO-S	CONNECTOR,STRAIGHT THREAD TO ORFS	48961	12 R5OLO-S	RUN TEE,STRAIGHT THREAD
48917	6 FF5OLO-S	CONNECTOR,LONG,STRAIGHT THREAD TO ORFS	48962	12 S5OLO-S	BRANCH TEE,STRAIGHT THREAD TO ORFS
48918	6 R5OLO-S	RUN TEE,STRAIGHT THREAD	48963	12 V5OLO-S	ELBOW,45°,STRAIGHT THREAD TO ORFS
48919	6 S5OLO-S	BRANCH TEE,STRAIGHT THREAD TO ORFS	48964	12 R6LO-S	RUN TEE,SWIVEL NUT,ORFS
48920	6 V5OLO-S	ELBOW,45°,STRAIGHT THREAD TO ORFS	48965	12 CLO-S	ELBOW,90°,MALE PIPE TO ORFS
48921	6 FLO-S	CONNECTOR,MALE PIPE TO ORFS	48966	12 FLO-S	CONNECTOR,MALE PIPE TO ORFS
48922	6-6 FLO-S	CONNECTOR,MALE PIPE TO ORFS	48967	12 JLO-S	UNION TEE,ORFS
48923	6 P5ON-S	PLUG,STRAIGHT THREAD	48968	12 WLO-WLNL-S	UNION,BULKHEAD,ORFS
48925	6 WELO-S	UNION,90° BULKHEAD,ORFS	48969	12 WJLO-WLNL-S	RUN TEE, BULKHEAD,ORFS
48926	6-4 C5OLO-S	ELBOW,90°,STRAIGHT THREAD TO ORFS	48970	12 WELO-WLNL-S	UNION,90° BULKHEAD W/NUT,ORFS
48927	6-4 F5OLO-S	CONNECTOR,STRAIGHT THREAD TO ORFS			
48928	6-4 V5OLO-S	ELBOW,45°,STRAIGHT THREAD TO ORFS			
48929	6-8 C5OLO-S	ELBOW,90°,STRAIGHT THREAD TO ORFS			
48930	6-8 F5OLO-S	CONNECTOR,STRAIGHT THREAD TO ORFS			
48931	6-10 F5OLO-S	CONNECTOR,STRAIGHT THREAD TO ORFS			
48932	8 C5OLO-S	ELBOW,90°,STRAIGHT THREAD TO ORFS			
48933	8 F5OLO-S	CONNECTOR,STRAIGHT THREAD TO ORFS			
48934	8 FF5OLO-S	CONNECTOR,LONG,STRAIGHT THREAD TO ORFS			
48935	8 R5OLO-S	RUN TEE,STRAIGHT THREAD			
48936	8 S5OLO-S	BRANCH TEE,STRAIGHT THREAD TO ORFS			
48937	8 V5OLO-S	ELBOW,45°,STRAIGHT THREAD TO ORFS			

Fitting Cross References (Continued)

Genie PN	Parker PN	Description	Genie PN	Parker PN	Description
48971	12 G5G5JG5-S	TEE,FEMALE STRAIGHT THREAD	49612	PKT02586	O-RING KIT (ORFS FITTINGS)
48972	12 XHL6-S	ADAPTER, 37° MALE TO SWIVEL ORFS	49613	PKT06276	PLUG AND CAP KIT-SERVICE,ORFS
48973	12-1/2 F5OG-S	ADAPTER,FEMALE PIPE TO STRAIGHT THREAD	49728	10143-12-12	HOSE END, MALE PIPE
48974	12-10 C5OLO-S	ELBOW,90°,STRAIGHT THREAD TO ORFS	49729	16-1 F5OG-S	ADAPTER,FEMALE PIPE TO STRAIGHT THREAD
48975	12-10 F5OLO-S	CONNECTOR,STRAIGHT THREAD TO ORFS	49814	12-8 FLO-S	CONNECTOR,MALE PIPE TO ORFS
48976	12-16 C5OLO-S	ELBOW,90°,STRAIGHT THREAD TO ORFS	49829	DT-500-MOMF-5	VALVE,CHECK
48977	12-16 F5OLO-S	CONNECTOR,STRAIGHT THREAD TO ORFS	49831	881-12	HOSE,3/4 INCH ID
48978	12-16 V5OLO-S	ELBOW,45°,STRAIGHT THREAD TO ORFS	49834	16 JLO-S	UNION TEE,ORFS
48980	12-16 FLO-S	CONNECTOR,MALE PIPE TO ORFS	49838	12-8 TRLO-BL-S	REDUCER,TUBE END TO SWIVEL,ORFS
48983	16 C5OLO-S	ELBOW,90°,STRAIGHT THREAD TO ORFS	49840	8 JLO-S	UNION TEE,ORFS
48984	16 F5OLO-S	CONNECTOR,STRAIGHT THREAD TO ORFS	49844	10-8 TRLO-BL-S	REDUCER,TUBE END TO SWIVEL,ORFS
48985	16 V5OLO-S	ELBOW,45°,STRAIGHT THREAD TO ORFS	49854	8 P5ON-S	PLUG,STRAIGHT THREAD
48986	16 FLO-S	CONNECTOR,MALE PIPE TO ORFS	49855	1JC43-16-12	HOSE END,FEMALE SWIVEL,SEAL LOK
48988	16 CD45-S	ELBOW,45°,MALE TO FEMALE PIPE	49859	4 P5ON-S	PLUG,STRAIGHT THREAD
48989	12 CD45-S	ELBOW,45°,MALE TO FEMALE PIPE	49861	4 FF5OLO-S	CONNECTOR, LONG, STRAIGHT THREAD TO ORFS
48990	8 CD45-S	ELBOW,45°,MALE TO FEMALE PIPE	49867	12-3/4 F5OG-S	ADAPTER, FEMALE PIPE TO STRAIGHT THREAD
48991	16-12 FLO-S	CONNECTOR,MALE PIPE TO ORFS	51152	6 R6X-S	RUN TEE,SWIVEL NUT,ORFS
48992	16-12 V5OLO-S	ELBOW,45°,STRAIGHT THREAD TO ORFS	51153	6-4 TRTX-S	REDUCER,TUBE END TO SWIVEL,ORFS
48993	XV501-12	BALL VALVE	51154	4-4 GTX	CONNECTOR,FEMALE PIPE TO FLARE TUBE
48994	XV501-16	BALL VALVE	51264	881-12	HOSE,3/4 INCH ID
48995	XV510P-12	BALL VALVE	51265	8 JLO-S	UNION TEE,ORFS
48996	XV510P-16	BALL VALVE	51508	6 BTX-S	NUT,FLARE TUBE
48997	PD341	DIAGNOSTIC NIPPLE, STRAIGHT THREAD	51580	12-8 TRLO-BL-S	TUBE END REDUCER,ORFS
48998	PD 361	DIAGNOSTIC NIPPLE, STRAIGHT THREAD	51628	6 R6X-S	RUN TEE,SWIVEL NUT,ORFS
48999	DT-500-MOMS-5	VALVE,CHECK	51735	3/8 HHP	PLUG,PIPE THREAD
49201	10 V5OLO-S	ELBOW,45°,STRAIGHT THREAD TO ORFS	51803	1J943-6-8	HOSE END,90° FEMALE SWIVEL,SEAL LOK
49202	1JC43-12-10	HOSE END,FEMALE SWIVEL,SEAL LOK	53023	125HBL-5-4	FITTING,HOSE BARB TO MALE PIPE
49203	10-8 V5OLO-S	ELBOW,45°,STRAIGHT THREAD TO ORFS	53497	PKT02585	O-RING KIT
49205	6 F5OHAO-S	UNION,STRAIGHT THREAD	53499	1JC71-16-16	HOSE END,FEMALE SWIVEL,SEAL LOK
49207	PD34BTL	DIAGNOSTIC NIPPLE,SEAL-LOK SWIVEL	53500	3-904	O-RING,STRAIGHT THREAD,-4
49209	8M18F870MX-S	CONNECTOR,METRIC,STRAIGHT THREAD TO FLARE TUBE	53501	3-906	O-RING,STRAIGHT THREAD,-6
49212	8 WGTX-WLN-S	CONNECTOR,BULKHEAD,FEMALE PIPE TO FLARE TUBE	53502	3-908	O-RING,STRAIGHT THREAD,-8
49213	30682-8-8	HOSE END,FEMALE SWIVEL,JIC	53503	3-910	O-RING,STRAIGHT THREAD,-10
49216	831-8	HOSE,1/2 INCH ID			
49217	33982-8-8	HOSE END,90° FEMALE SWIVEL,JIC			
49219	PS-B-35	SLEEVE,NYLON,2.19" ID			
49418	4-6 V5OLO-S	ELBOW,45°,STRAIGHT THREAD TO ORFS			
49511	DT370-MOMS-5	VALVE,CHECK			
49512	1 DD-S	ELBOW,90°,FEMALE PIPE			
49513	1 FF-S	NIPPLE,PIPE			
49514	10 HP5ON-S	PLUG,STRAIGHT THREAD			
49515	12-16 CLO-S	ELBOW,90°,MALE PIPE TO ORFS			
49517	6 HP5ON-S	PLUG,STRAIGHT THREAD			
49519	16-12 F5OLO-S	CONNECTOR,STRAIGHT THREAD TO ORFS			
49520	4 VTX-S	ELBOW,45°,MALE PIPE TO FLARE TUBE			
49530	16 C6LO-S	ELBOW,90°,SWIVEL NUT ORFS			

Fitting Cross References (Continued)

Genie PN	Parker PN	Description	Genie PN	Parker PN	Description
53535	3-912	O-RING,STRAIGHT THREAD,-12	61083	24 F5OLO-S	CONNECTOR,STRAIGHT THREAD TO ORFS
53536	4-PNLO-S	PLUG,TUBE END,ORFS	61086	20 R5OLO-S	RUN TEE,STRAIGHT THREAD
53537	6 PNLO-S	PLUG,TUBE END,ORFS	61090	24-20 F5OLO-S	CONNECTOR,STRAIGHT THREAD TO ORFS
53538	8 PNLO-S	PLUG,TUBE END,ORFS	61091	1J943 24-24	HOSE END,90° FEMALE SWIVEL,SEAL LOK
53539	10 PNLO-S	PLUG,TUBE END,ORFS	61093	1J978-12-12	HOSE END,90° FEMALE SWIVEL,JIC
53540	12 PNLO-S	PLUG,TUBE END,ORFS	61095	1JS43-20-16	HOSE END,FEMALE SWIVEL,SEAL LOK
53946	129HB-5-4	FITTING,90° HOSE BARB TO MALE PIPE	61100	811-24	HOSE,11/2 INCH ID
53951	8-1/4F50G-S	ADAPTER,FEMALE PIPE TO STRAIGHT THREAD	61130	1JS43-24-24	HOSE END,FEMALE SWIVEL,SEAL LOK
53980	6 S6LO-S	BRANCH TEE,SWIVEL NUT TO ORFS	61131	1JS78 12-12	HOSE END,FEMALE SWIVEL,SEAL LOK
54132	4 C6LO-S	ELBOW,90°,SWIVEL NUT ORFS	61132	1J778-12-12	HOSE END,45° FEMALE SWIVEL,JIC
54135	11343-16-16	HOSE END,MALE SWIVEL,PIPE	61152	139HB-6-4	ELBOW,45°,BARB TO MALE PIPE
54283	8-10 C5OLO-S	ELBOW,90°,STRAIGHT THREAD TO ORFS	61251	BV-0750	BALL VALVE
54428	8M18C870MLO-S	ELBOW, 90° METRIC, STRAIGHT THREAD TO ORFS	61259	4 CC5OLO-S	ELBOW,90° LONG,STRAIGHT THREAD TO ORFS
54803	FS-F-16-10	SLEEVE,FIRE, .96" ID	61260	20-12 TRLO-BL	REDUCER,TUBE END TO SWIVEL,ORFS
54954	10143-2-4	HOSE END, MALE PIPE	61262	12 C6LO-S	ELBOW,90°,SWIVEL NUT ORFS
55190	3/8 HP-S	PLUG,PIPE THREAD	61263	20 F5OHAO-S	UNION,STRAIGHT THREAD
55448	8 HLO-S	UNION,ORFS	61264	6-10 C5OLO-S	ELBOW,90°,STRAIGHT THREAD TO ORFS
55839	6 F65OX-S	CONNECTOR,STRAIGHT THREAD TO 37° SWIVEL	61265	6 WNLO-WLNL-S	UNION,BULKHEAD 45°,ORFS
55968	10 C5OX-S	ELBOW,90°,STRAIGHT THREAD TO FLARE TUBE	61268	4 WNLO-WLNL-S	UNION,BULKHEAD 45°,ORFS
56003	6 CC5OLO-S	ELBOW,90° LONG,STRAIGHT THREAD TO ORFS	61269	4 WLO-WLNL-S	UNION,BULKHEAD,ORFS
56166	BV-0837	BALL VALVE,90°	61272	12 AOEL6	ELBOW,90°,STRAIGHT THREAD TO ORFS SWIVEL
56188	10143-8-6	HOSE END, MALE PIPE	61316	482TC-16	HOSE,1 INCH ID
56233	2-011	O-RING,ORFS,-4	61321	6 JLO-S	UNION TEE,ORFS
56234	2-012	O-RING,ORFS,-6	61327	782-12	HOSE,3/4 INCH ID
56235	2-014	O-RING,ORFS,-8	61328	881-24	HOSE,11/2 INCH ID
56236	2-016	O-RING,ORFS,-10	61336	11943-20-24	HOSE END,90° FLANGE HEAD
56237	2-018	O-RING,ORFS,-12	61345	12 WJLO-WLNL-S	RUN TEE, BULKHEAD,ORFS
56238	2-021	O-RING,ORFS,-16	61346	8 WNLO-WLNL-S 4	UNION,BULKHEAD 45°,ORFS
56352	6 WLNL-S	LOCKNUT,BULKHEAD	61569	33782-8-8	HOSE END,45° FEMALE SWIVEL,JIC
56353	3J782-12-12	HOSE END,45° FEMALE SWIVEL,SEAL LOK	61610	12 FF5OLO-S	CONNECTOR,LONG,STRAIGHT THREAD TO ORFS
56354	3J982-12-12	HOSE END,90° FEMALE SWIVEL,SEAL LOK	61742	1/8 X 1.5 FFF	NIPPLE,PIPE
56604	10-8 F5OLO-S	CONNECTOR,STRAIGHT THREAD TO ORFS	63426	8 PNTX-S	PLUG,FLARE TUBE
56639	3JC82-10-10	HOSE END,FEMALE SWIVEL,SEAL LOK			
56640	3J982-10-10	HOSE END,90° FEMALE SWIVEL,SEAL LOK			
56655	3JC82-8-10	HOSE END,FEMALE SWIVEL,SEAL LOK			
56676	10-8 C5OLO-S	ELBOW,90°,STRAIGHT THREAD TO ORFS			
56776	471TC-6	HOSE,3/8 INCH ID			
56777	471TC-8	HOSE,1/2 INCH ID			
56789	811-16	HOSE,1 INCH ID			
57884	3/8 FF	NIPPLE,PIPE			
59335	6 FNL-S	CAP, TUBE END			
59342	4 FNL-S	CAP, TUBE END			
59371	8 HP50N-S	PLUG,STRAIGHT THREAD			
60653	BV-0751	BALL VALVE			
60806	125HB-3-4	FITTING,HOSE BARB TO MALE PIPE			
61064	5-1/4 F50G-S	ADAPTER,FEMALE PIPE TO STRAIGHT THREAD			
61079	4 WELO-WLNL-S	UNION,90° BULKHEAD W/NUT,ORFS			
61080	6 WLO-WLNL-S	UNION,BULKHEAD,ORFS			

Fitting Cross References (Continued)

Genie PN	Parker PN	Description	Genie PN	Parker PN	Description
64271	4 WLO-WLNL-S	UNION,BULKHEAD,ORFS	75631	801-6	HOSE,3/8 INCH ID
64272	6 WLO-WLNL-S	UNION,BULKHEAD,ORFS	75654	20 F5OLO-S	CONNECTOR,STRAIGHT THREAD TO ORFS
65776	8 F65OL-S	CONNECTOR,STRAIGHT THREAD TO ORFS SWIVEL	75655	1J943-20-20	HOSE END,90° FEMALE SWIVEL,SEAL LOK
65880	6001012	O-RING KIT	75656	881-20	HOSE,1-1/4 INCH ID
66154	6 WTX-WLNS	UNION,BULKHEAD,FLARE TUBE	75971	8 F5OHAO-S	UNION,STRAIGHT THREAD
66155	6 WETX-S	UNION,BULKHEAD 90°,FLARE TUBE	77307	1JB43-8-8	HOSE END,BULKHEAD,SEAL LOK
66156	6 WLNL-S	BULKHEAD LOCKNUT	77309	8 WLNL-S	BULKHEAD LOCKNUT
66389	6-8 F5OX-S	CONNECTOR,STRAIGHT THREAD TO FLARE TUBE	77379	8M18C87OMX-S	ELBOW,90° METRIC,STRAIGHT THREAD TO FLARE TUBE
66392	6 R5OX-S	RUN TEE,STRAIGHT THREAD	77703	3J982-8-8	HOSE END,90° FEMALE SWIVEL,SEAL LOK
66396	811-12	HOSE,3/4 INCH ID	77711	801-10	HOSE,5/8 INCH ID
66829	H3174PP	CLAMP,TUBE	77758	12 WNLO-WLNL-S	UNION,BULKHEAD 45°,ORFS
67217	4 KLO-S	UNION,CROSS,ORFS	78091	6 C6X-S	ELBOW,90°,SWIVEL NUT TO FLARE TUBE
67339	10-6 F5OX-S	CONNECTOR,STRAIGHT THREAD TO FLARE TUBE	78684	30582-8-8B	HOSE END,PUSH LOK,MALE
67357	13943-8-6	HOSE END,90° FEMALE SWIVEL,JIC	78852	549-2	HOSE,1/8 INCH ID
67358	10 HP5ON-S	PLUG,STRAIGHT THREAD	78855	10657-4-2	HOSE END,FEMALE SWIVEL,JIC
67371	12 S6LO-S	BRANCH TEE,SWIVEL NUT TO ORFS	79138	PS-B-37	SLEEVE,NYLON,2.38" ID
67498	4 FNL-S	CAP, TUBE END	79476	1JS43-6-8	HOSE END,FEMALE SWIVEL,SEAL LOK
67906	DC-370-F0F0-5	VALVE,CHECK	79847	12-3/4 A0EG-S	ELBOW,90°,STRAIGHT THREAD TO FEMALE PIPE
69316	8 FLO-S	CONNECTOR,MALE PIPE TO ORFS	80044	8 CLO-S	ELBOW,90°,MALE PIPE TO ORFS
69333	H3174PP	CLAMP,HYDRAULIC HOSE	80502	8 F5OX-S	CONNECTOR,STRAIGHT THREAD TO FLARE TUBE
69503	4 F65OX-S	CONNECTOR,STRAIGHT THREAD TO 37° SWIVEL	80503	8 C5OX-S	ELBOW,90°,STRAIGHT THREAD TO FLARE TUBE
69775	8 FNL-S	CAP, TUBE END	81010	AS-B-27	SLEEVE,NYLON,1.63" ID
71038	1/4X1/4F3HG-S	ADAPTER,CONVERSION	83052	821-6	HOSE,3/8 INCH ID
71196	12-8 F5OLO-S	CONNECTOR,STRAIGHT THREAD TO ORFS	83053	821-8	HOSE,1/2 INCH ID
71383	1/4 CD45-S	ELBOW,45°,MALE TO FEMALE PIPE	83054	821-12	HOSE,3/4 INCH ID
72270	12FNL-S	CAP, TUBE END	83055	30682-6-6	HOSE END,FEMALE SWIVEL,JIC
73436	60C-4	SLEEVE,COMPRESSION	83056	30682-12-12	HOSE END,FEMALE SWIVEL,JIC
73437	61C-4	NUT,COMPRESSION	83057	33782-6-6	HOSE END,45° FEMALE SWIVEL,JIC
73438	33482-4-4B	HOSE END,PUSH LOK,MALE	83058	33982-6-6	HOSE END,90° FEMALE SWIVEL,JIC
73767	1CD-S	ELBOW,90°,MALE TO FEMALE PIPE	83060	33982-12-12	HOSE END,90° FEMALE SWIVEL,JIC
73768	20-16-F5OG5-S	ADAPTER,FEMALE PIPE TO STRAIGHT THREAD	83063	13743-4-4	HOSE END,45° FEMALE SWIVEL,JIC
73769	16-20 F5OLO-S	CONNECTOR,STRAIGHT THREAD TO ORFS			
74660	6-8 F42EDMLO-S	CONNECTOR,MALE BSPP TO ORFS			
74661	8-8 F42EDMLO-S	CONNECTOR,MALE BSPP TO ORFS			
75007	4 FLO-S	CONNECTOR,MALE PIPE TO ORFS			
75008	1/8 HP-S	PLUG,PIPE THREAD			
75014	1/2 HP-S	PLUG,PIPE THREAD			
75042	8 WELO-WLNL-S	UNION,90° BULKHEAD W/NUT,ORFS			
75043	3/4 FF-S	NIPPLE,PIPE			
75254	24 F5OHAO-S	UNION,STRAIGHT THREAD			
75255	12 F5OHAO-S	UNION,STRAIGHT THREAD			
75256	XV506P-24	BALL VALVE			
75574	4 WLNL-S	BULKHEAD LOCKNUT			
75612	8 WJLO-WLNL-S	RUN TEE, BULKHEAD,ORFS			
75613	12-8 F5OG5-S	ADAPTER,FEMALE PIPE TO STRAIGHT THREAD			
75614	8 CC5OLO-S	ELBOW,90° LONG,STRAIGHT THREAD TO ORFS			
75628	1JB43-4-4	HOSE END,BULKHEAD,SEAL LOK			

Fitting Cross References (Continued)

Genie PN	Parker PN	Description	Genie PN	Parker PN	Description
83064	13743-8-8	HOSE END,45° FEMALE SWIVEL,JIC	89449	6 WJLO-WLNL-S	RUN TEE, BULKHEAD,ORFS
83065	13743-12-12	HOSE END,45° FEMALE SWIVEL,JIC	89489	4 WJMLO-S	BRANCH TEE,BULKHEAD,ORFS
83066	13943-8-8	HOSE END,90° FEMALE SWIVEL,JIC	89551	1JB43-6-6	HOSE END,BULKHEAD,SEAL LOK
83067	14143-6-6	HOSE END,90° FEMALE SWIVEL,JIC	89552	1JB43-8-8	HOSE END,BULKHEAD,SEAL LOK
83068	14143-8-8	HOSE END,90° FEMALE SWIVEL,JIC	89593	20 C5OLO-S	ELBOW,90°,STRAIGHT THREAD TO ORFS
83069	14143-12-12	HOSE END,90° FEMALE SWIVEL,JIC	94161	8-8 CLO-S	ELBOW,90°,MALE PIPE TO ORFS
83070	772-8	HOSE,1/2 INCH ID	94358	351TC-12	HOSE,3/4 INCH ID
83071	10671-8-8	HOSE END,FEMALE SWIVEL,JIC	94418	20 FLO-S	CONNECTOR,MALE PIPE TO ORFS
83072	10671-12-12	HOSE END,FEMALE SWIVEL,JIC	96358	12 TX-S	SLEEVE,FLARE TUBE
83073	13771-8-8	HOSE END,45° FEMALE SWIVEL,JIC	96359	12 BTX-S	NUT,FLARE TUBE
83074	13771-12-12	HOSE END,45° FEMALE SWIVEL,JIC	96397	8 F5OX-S	CONNECTOR,STRAIGHT THREAD TO FLARE TUBE
83075	13971-8-8	HOSE END,90° FEMALE SWIVEL,JIC	96398	12-8 F5OX-S	CONNECTOR,STRAIGHT THREAD TO FLARE TUBE
83076	13971-12-12	HOSE END,90° FEMALE SWIVEL,JIC	96402	10343-6-6	HOSE END,MALE,JIC
83077	14171-8-8	HOSE END,90° FEMALE SWIVEL,JIC	96407	30382-6-6B	HOSE END,MALE,JIC
83078	14171-12-12	HOSE END,90° FEMALE SWIVEL,JIC			
83080	13943-16-16	HOSE END,90° FEMALE SWIVEL,JIC			
83103	10671-16-12	HOSE END,FEMALE SWIVEL,JIC			
83104	10671-10-12	HOSE END,FEMALE SWIVEL,JIC			
83112	1JC71-8-8	HOSE END,FEMALE SWIVEL,SEAL LOK			
83113	1JS71-16-12	HOSE END,FEMALE SWIVEL,SEAL LOK			
83114	1JS71-10-12	HOSE END,FEMALE SWIVEL,SEAL LOK			
83115	1J971-8-8	HOSE END,90° FEMALE SWIVEL,SEAL LOK			
83116	1J171-8-8	HOSE END,90° FEMALE SWIVEL,SEAL LOK			
83117	1J771-8-8	HOSE END,45° FEMALE SWIVEL,SEAL LOK			
83127	1J543-6-8	HOSE END,90° FEMALE SWIVEL,JIC			
83128	1JC43-6-8	HOSE END,FEMALE SWIVEL,SEAL LOK			
87033	12-6 TRLO-S	REDUCER,TUBE END TO SWIVEL,ORFS			
87034	3J782-8-8	HOSE END,45° FEMALE SWIVEL,SEAL LOK			
87172	12 HP5ON-S	PLUG,STRAIGHT THREAD			
87185	8 WNLO-WLNL-S	UNION,BULKHEAD 45°,ORFS			
87246	4 C6X-S	ELBOW,90°,SWIVEL NUT TO FLARE TUBE			
87679	6 LHP-S	FLANGE SEAL FITTING, MALE			
87681	6PLS N0702	BONDED SEAL			
88100	SR88100	ADAPTER,OIL DRAIN,GM 3.0L			
88311	1JS43-20-20	HOSE END,FEMALE SWIVEL,SEAL LOK			
88353	20 V5OLO-S	ELBOW,45°,STRAIGHT THREAD TO ORFS			
88474	10081-20	Crimp Shell, 1.25"			
88475	1988-20-24	HOSE END,90° FLANGE HEAD			
88476	JS88-24-24	HOSE END,FEMALE SWIVEL,SEAL LOK			
88477	1JC88-20-20	HOSE END,FEMALE SWIVEL,SEAL LOK			
88478	811-20	HOSE,11/4 INCH ID			
88936	20-16 F5OLO-S	CONNECTOR,STRAIGHT THREAD TO ORFS			
88937	20-16 FLO-S	CONNECTOR,MALE PIPE TO ORFS			
88938	1JC88-16-16	HOSE END,FEMALE SWIVEL,SEAL LOK			
88939	1J988-16-16	HOSE END,90° FEMALE SWIVEL,ORFS			
88940	811-16	HOSE,1 INCH ID			
88944	1J988-20-20	HOSE END,90° FEMALE SWIVEL,ORFS			
89403	16 VLO-S	ELBOW,45°,MALE PIPE TO ORFS			

California Proposition 65



Operating, servicing and maintaining this equipment can expose you to chemicals including engine exhaust, carbon monoxide, phthalates, and lead, which are known to the State of California to cause cancer and birth defects or other reproductive harm. These chemicals can be emitted from or contained in other various parts and systems, fluids and some component wear by-products. To minimize exposure, avoid breathing exhaust, do not idle the engine except as necessary, service your equipment and vehicle in a well-ventilated area and wear gloves or wash your hands frequently when servicing your equipment or vehicle and after operation. For more information go to www.P65Warnings.ca.gov/passenger-vehicle.

Breathing diesel engine exhaust exposes you to chemicals known to the State of California to cause cancer and birth defects or other reproductive harm.

- Always start and operate the engine in a well-ventilated area.
- If in an enclosed area, vent the exhaust to the outside.
- Do not modify or tamper with the exhaust system.
- Do not idle the engine except as necessary.

For more information go to www.P65warnings.ca.gov/diesel.

Distributed By:

www.Steak-Equipment.com to order your parts

PARTS FINDER

**Search Website
by Part Number**



**Search Manual
Library For Parts
Manual & Lookup Part
Numbers – Purchase
or Request Quote**

Search Manuals

Enter your information to help us find the right parts manual for your machine.

* Brand:

* Model:

* Serial:

* Part Number:

SEARCH

**Can't Find Part or
Manual? Request Help
by Manufacturer,
Model & Description**

Parts Order Form

Please fill in the following information to help us find the right part for your machine.

Manufacturer:	<input type="text"/>
Model:	<input type="text"/>
Description:	<input type="text"/>
Part Number:	<input type="text"/>
Quantity:	<input type="text"/>
Notes:	<input type="text"/>

Submit

Discount-Equipment.com is your online resource for quality parts & equipment.

Florida: **561-964-4949** Outside Florida TOLL FREE: **877-690-3101**

Need parts?

Click on this link: <http://www.discount-equipment.com/category/5443-parts/> and choose one of the options to help get the right parts and equipment you are looking for. Please have the machine model and serial number available in order to help us get you the correct parts. If you don't find the part on the website or on one of the online manuals, please fill out the request form and one of our experienced staff members will get back to you with a quote for the right part that your machine needs.

We sell worldwide for the brands: Genie, Terex, JLG, MultiQuip, Mikasa, Essick, Whiteman, Mayco, Toro Stone, Diamond Products, Generac Magnum, Airman, Haulotte, Barreto, Power Blanket, Nifty Lift, Atlas Copco, Chicago Pneumatic, Allmand, Miller Curber, Skyjack, Lull, Skytrak, Tsurumi, Husquvarna Target, Stow, Wacker, Sakai, Mi-T-M, Sullair, Basic, Dynapac, MBW, Weber, Bartell, Bennar Newman, Haulotte, Ditch Runner, Menegotti, Morrison, Contec, Buddy, Crown, Edco, Wyco, Bomag, Laymor, EZ Trench, Bil-Jax, F.S. Curtis, Gehl Pavers, Heli, Honda, ICS/PowerGrit, IHI, Partner, Imer, Clipper, MMD, Koshin, Rice, CH&E, General Equipment, Amida, Coleman, NAC, Gradall, Square Shooter, Kent, Stanley, Tamco, Toku, Hatz, Kohler, Robin, Wisconsin, Northrock, Oztec, Toker TK, Rol-Air, APT, Wylie, Ingersoll Rand / Doosan, Innovatech, Con X, Ammann, Mecalac, Makinex, Smith Surface Prep, Small Line, Wanco, Yanmar