



A TEREX BRAND



Parts Manual

Serial Number Range

TZ-34/20

from SN TZ3403-001

to TZ3416-1573

from SN TZ3416J-1574

to TZ3416J-3099

from SN TZ34J-3100

Part No. 84566
Rev: E4
January 2020

PARTS FINDER

**Search Website
by Part Number**



**Search Manual
Library For Parts
Manual & Lookup Part
Numbers – Purchase
or Request Quote**

Search Manuals

Enter your information to help us find the right parts manual for your machine.

* Brand:

* Model:

* Serial:

* Part Number:

SEARCH

**Can't Find Part or
Manual? Request Help
by Manufacturer,
Model & Description**

Parts Order Form

Please fill in the following information to help us find the right part for your machine.

Manufacturer:	<input type="text"/>
Model:	<input type="text"/>
Description:	<input type="text"/>
Part Number:	<input type="text"/>
Quantity:	<input type="text"/>
Notes:	<input type="text"/>

Submit

Discount-Equipment.com is your online resource for quality parts & equipment.

Florida: **561-964-4949** Outside Florida TOLL FREE: **877-690-3101**

Need parts?

Click on this link: <http://www.discount-equipment.com/category/5443-parts/> and choose one of the options to help get the right parts and equipment you are looking for. Please have the machine model and serial number available in order to help us get you the correct parts. If you don't find the part on the website or on one of the online manuals, please fill out the request form and one of our experienced staff members will get back to you with a quote for the right part that your machine needs.

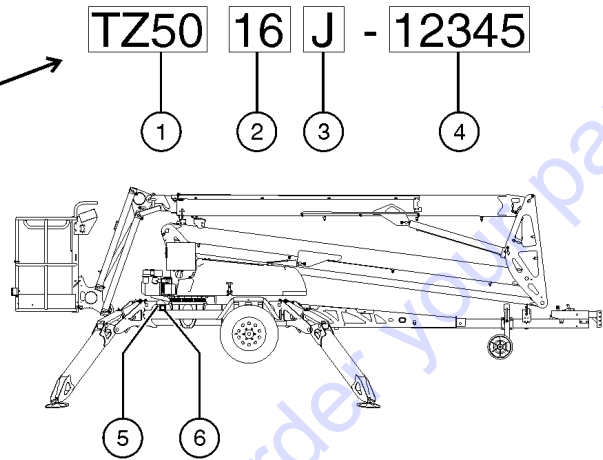
We sell worldwide for the brands: Genie, Terex, JLG, MultiQuip, Mikasa, Essick, Whiteman, Mayco, Toro Stone, Diamond Products, Generac Magnum, Airman, Haulotte, Barreto, Power Blanket, Nifty Lift, Atlas Copco, Chicago Pneumatic, Allmand, Miller Curber, Skyjack, Lull, Skytrak, Tsurumi, Husquvarna Target, Stow, Wacker, Sakai, Mi-T-M, Sullair, Basic, Dynapac, MBW, Weber, Bartell, Bennar Newman, Haulotte, Ditch Runner, Menegotti, Morrison, Contec, Buddy, Crown, Edco, Wyco, Bomag, Laymor, EZ Trench, Bil-Jax, F.S. Curtis, Gehl Pavers, Heli, Honda, ICS/PowerGrit, IHI, Partner, Imer, Clipper, MMD, Koshin, Rice, CH&E, General Equipment, Amida, Coleman, NAC, Gradall, Square Shooter, Kent, Stanley, Tamco, Toku, Hatz, Kohler, Robin, Wisconsin, Northrock, Oztec, Toker TK, Rol-Air, APT, Wylie, Ingersoll Rand / Doosan, Innovatech, Con X, Ammann, Mecalac, Makinex, Smith Surface Prep, Small Line, Wanco, Yanmar

To August 31, 2016

Genie
A TEREX BRAND

Model:
Serial number: TZ5016J-12345
Manufacture date: 1/2/16
Electrical schematic number:
Machine unladen weight:
Rated work load (including occupants):
Maximum number of platform occupants:
Maximum allowable side force:
Maximum allowable inclination of the chassis:

Model year: 2016



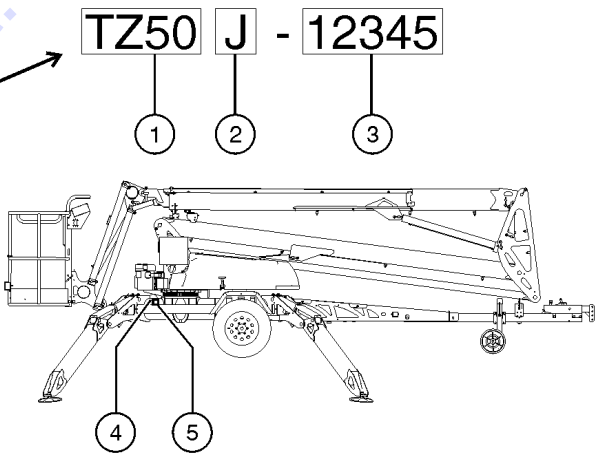
- 1 Model
- 2 Model year
- 3 Facility code

- 4 Sequence number
- 5 Serial number (stamped on chassis)
- 6 Serial label

From September 1, 2016

Genie
A TEREX BRAND

Model:
Serial number: TZ50J-12345
Year of manufacture: 2016
Electrical schematic number:
Machine unladen weight:
Rated work load (including occupants):
Maximum number of platform occupants:
Maximum allowable side force:
Maximum allowable inclination of the chassis:



- 1 Model
- 2 Facility code
- 3 Sequence number

- 4 Serial number (stamped on chassis)
- 5 Serial label

Required Parts

The following parts are required to perform maintenance procedures as outlined in the Genie TZ-34/20 Service Manual.

Recommended Parts

Description	Part No.
Genie Gray Paint, 12 Ounce Aerosol	1268
Genie Blue Paint, 12 Ounce Aerosol.....	1484
Genie Blue Paint, 1 Gallon.....	32150
Genie Gray Paint, 1 Gallon	32151
Plug and Cap Kit (for ORFS Fittings)	49613

Manuals

Genie Industries offers the following support documents for these models:

Title	Part No.
EMI Safety Manual	27581
Manual of Responsibilities ANSI A92.6-1990	97616
Dexter Axle Operation, Maintenance and Service Manual	84376

Go to Discount-Equipment.com to order your parts

Description	Page
001 Parts Stocking List	12
001.1 Parts Stocking List	12
100 Decals	14
101.1 Decals with Words (to SN TZ3405-171)	14
101.2 Decals with Words (to SN TZ3405-171)	18
101.3 Decals with Words (to SN TZ3405-171)	22
101.4 Decals with Words (from SN TZ3405-172 to TZ3407-520)	26
101.5 Decals with Words (from SN TZ3408-101)	30
101.6 Decals with Words (from SN TZ3414-982)	34
102.1 Decals with Symbols (to SN TZ3405-171)	38
102.2 Decals with Symbols (to SN TZ3405-171)	42
102.3 Decals with Symbols (to SN TZ3405-171)	46
102.4 Decals with Symbols (from SN TZ3405-172)	50
102.5 Decals with Symbols (from SN TZ3414-982)	54
200 Chassis Components	58
201.1 Parking Brake Assembly - ANSI and CSA Models	58
201.2 Parking Brake Assembly - ANSI and CSA Models	62
201.3 Parking Brake Assembly - ANSI and CSA Models	66
202.1 Parking Brake Assembly - CE Models (to SN TZ3411-388)	70
202.2 Parking Brake Assembly - CE Models (to SN TZ3411-388)	74
202.3 Parking Brake Assembly - CE Models (to SN TZ3411-388)	78
202.4 Parking Brake Assembly - CE Models (to SN TZ3411-388)	82
202.5 Parking Brake Assembly - CE Models (to SN TZ3411-388)	86
202.6 Parking Brake Assembly - CE Models (from SN TZ3411-389)	90
203.1 Hitch Assembly - ANSI and CSA Models	94
203.2 Hitch Assembly - ANSI and CSA Models	98
203.3 Hitch Assembly - ANSI and CSA Models	102
204.1 Hitch Assembly - CE Models	106
204.2 Hitch Assembly - CE Models	110
204.3 Hitch Assembly - CE Models	114
205.1 Hitch Options - ANSI and CSA Models	118
206.1 Chassis Components	122
206.2 Chassis Components	128
206.3 Chassis Components	134
206.4 Chassis Components	140
206.5 Chassis Components	146
206.6 Chassis Components	152
206.7 Chassis Components	158
206.8 Chassis Components	164

Table of Contents

Description	Page
206.9 Chassis Components	170
206.10 Chassis Components (from SN TZ3414-982)	178
207.1 Battery Charger	186
208.1 Hydraulic Brake and Axle - ANSI and CSA Models	188
208.2 Hydraulic Brake and Axle - ANSI and CSA Models	192
208.3 Hydraulic Brake and Axle - ANSI and CSA Models	196
209.1 Mechanical Brake and Axle - CE Models	200
209.2 Mechanical Brake and Axle - CE Models	202
209.3 Mechanical Brake and Axle - CE Models	204
210.1 Outrigger Components	206
210.2 Outrigger Components	210
210.3 Outrigger Components	214
211.1 Battery Box	218
211.2 Battery Box	220
211.3 Battery Box	222
212.1 Power Cables	224
212.2 Power Cables	226
212.3 Power Cables	228
213.1 Electrical Wiring	230
213.2 Electrical Wiring	232
213.3 Electrical Wiring	234
213.4 Electrical Wiring	236
213.5 Electrical Wiring	238
213.6 Electrical Wiring	240
213.7 Electrical Wiring	242
213.8 Electrical Wiring	244
300 Turntable Components	246
301.1 Turntable Components - View 1	246
301.2 Turntable Components - View 1	250
301.3 Turntable Components - View 1	254
301.4 Turntable Components - View 1	258
301.5 Turntable Components - View 1	262
301.6 Turntable Components - View 1	266
301.7 Turntable Components - View 1 (from SN TZ3414-982)	270
302.1 Turntable Components - View 2	274
302.2 Turntable Components - View 2	278
302.3 Turntable Components - View 2	282
302.4 Turntable Components - View 2	286
302.5 Turntable Components - View 2 (from SN TZ3414-982)	290
303.1 Ground Control Box (to SN TZ3404-217)	294
303.2 Ground Control Box (from SN TZ3404-218 to TZ3413-344)	300

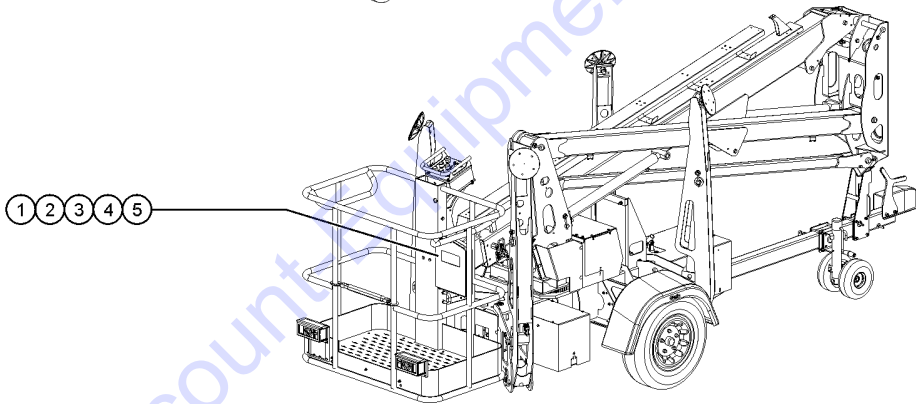
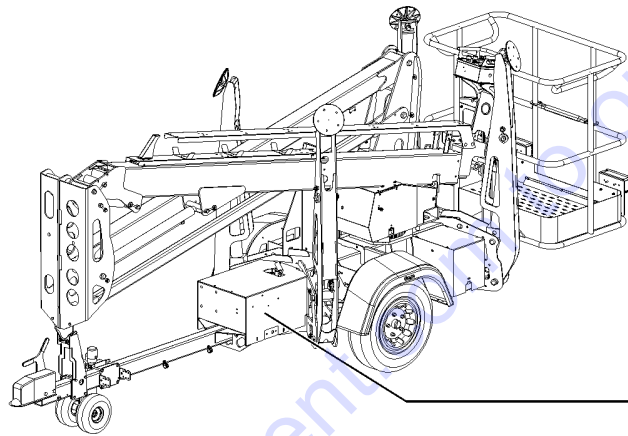
Description	Page
303.3 Ground Control Box (from SN TZ3404-218 to TZ3413-344)	308
303.4 Ground Control Box (from SN TZ3404-218 to TZ3413-344)	316
303.5 Ground Control Box (from SN TZ3404-218 to TZ3413-344)	324
303.6 Ground Control Box (from SN TZ3413-345)	332
303.7 Ground Control Box (from SN TZ3414-982)	340
303.8 Ground Control Box - ANSI, CSA and CE Models with no Load Sense	348
303.9 Ground Control Box - ANSI, CSA and CE Models with Load Sense	352
303.10 Ground Control Box - Australia Models	356
400 Lift Components	360
401.1 Lift Structure (from SN TZ3403-001 to TZ3407-582)	360
401.2 Lift Structure (from SN TZ3403-001 to TZ3407-582)	366
401.3 Lift Structure (from SN TZ3403-001 to TZ3407-582)	372
401.4 Lift Structure, View 1 (from SN TZ3408-101 to TZ3408-634)	378
401.5 Lift Structure, View 1 (from SN TZ3409-101)	384
402.1 Lift Structure, View 2 (from SN TZ3408-101)	390
500 Platform Components	392
508.1 Platform Components - CE Models	392
501.1 Platform Installation - ANSI and CSA Models without Platform Overload Option	394
501.2 Platform Installation - ANSI and CSA Models without Platform Overload Option	398
501.3 Platform Installation - ANSI and CSA Models without Platform Overload Option	402
502.1 Platform Installation - ANSI, CSA, CE and Australia Models with Platform Overload Option	406
503.1 Platform Rotate Installation - ANSI and CSA Models without Platform Overload Option	410
504.1 Platform Rotate Installation - ANSI, CSA, CE and Australia Models with Platform Overload Option	414
505.1 Gear Box Components	418
506.1 Platform Control Box	422
506.2 Platform Control Box	428
506.3 Platform Control Box	434
506.4 Platform Control Box	440
506.5 Platform Control Box - ANSI, CSA and CE Models with no Load Sense	446
506.6 Platform Control Box - ANSI, CSA and CE Models with Load Sense	450
506.7 Platform Control Box - Australia Models	454
507.1 Platform Components - ANSI and CSA Models	458
507.2 Platform Components - ANSI and CSA Models	460
507.3 Platform Components - ANSI and CSA Models	462
508.2 Platform Components - CE Models	464
508.3 Platform Components - CE Models	466
600 Hydraulic Components	468
601.1 Hydraulic Power Unit (2003 through 2006)	468
601.2 Hydraulic Power Unit (2007)	472

Table of Contents

Description	Page
601.3 Hydraulic Power Unit (2008 through 2011)	476
601.4 Hydraulic Power Unit (2012)	480
601.5 Hydraulic Power Unit (from 2013)	484
602.1 Function Manifold (to SN TZ3403-248)	488
602.2 Function Manifold (from SN TZ3403-249 to SN TZ3405-171)	492
602.3 Function Manifold (from SN TZ3403-249 to SN TZ3405-171)	496
602.4 Function Manifold (from SN TZ3403-249 to SN TZ3405-171)	500
602.5 Function Manifold (from SN TZ3405-172)	504
602.6 Function Manifold (from SN TZ3405-172)	508
602.7 Function Manifold (from SN TZ3405-172)	512
602.8 Function Manifold (from SN TZ3405-172)	516
602.9 Function Manifold (from SN TZ3405-172)	520
603.1 Dual Counterbalance Assembly, Outriggers (from SN TZ3412-299)	524
603.2 Manifold/Solenoid Assembly, Rotate Brake (from SN TZ3414-982)	526
604.1 Hydraulic Cylinders	528
604.2 Hydraulic Cylinders	534
604.3 Hydraulic Cylinders	538
605.1 Hydraulic Hoses and Fittings - Outrigger System (to SN TZ3404-061)	544
605.2 Hydraulic Hoses and Fittings - Outrigger System (from SN TZ3404-062 to TZ3412-298)	546
605.3 Hydraulic Hoses and Fittings - Outrigger System (from SN TZ3412-299)	548
606.1 Hydraulic Hoses and Fittings - Boom System (to SN TZ3408-634)	550
606.2 Hydraulic Hoses and Fittings - Boom System (to SN TZ3408-634)	554
606.3 Hydraulic Hoses and Fittings - Boom System (from SN TZ3409-001)	556
606.4 Hydraulic Hoses and Fittings - Boom System (from SN TZ3414-982)	558
700 Accessories	562
701.1 Accessories	562
701.2 Accessories	566
701.3 Accessories	570
Part Number Index	574

Go to DiscountEquipment.com to order your parts

001.1 Parts Stocking List

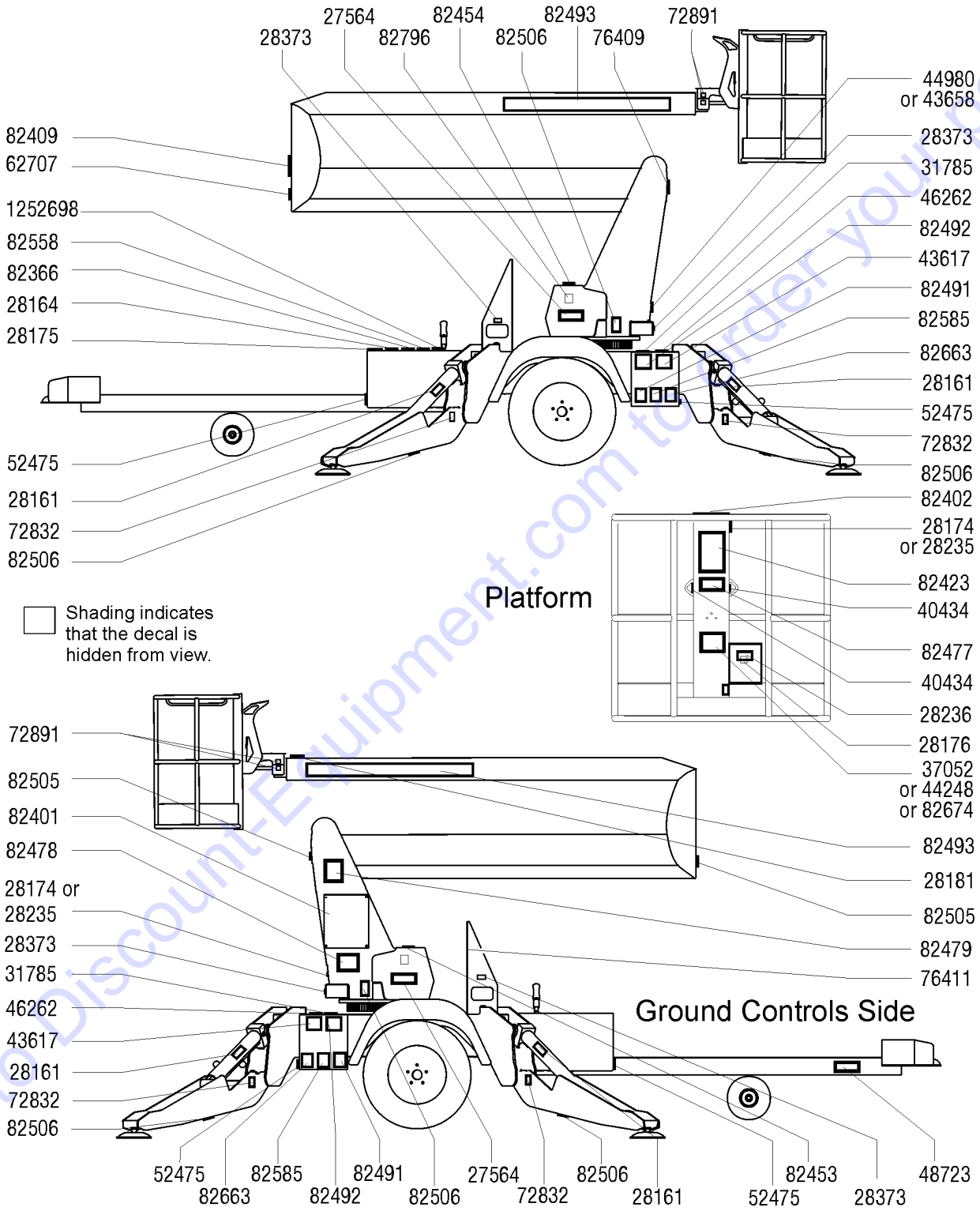


Go to DiscountEquipment.com to order your parts

Item	Part No.	Description	Qty.
A		— GENERAL SERVICE PARTS —	
A-	1484GT	PAINT,AEROSOL,BRIGHT BLUE*** 12-ounce spray paint	
A-	1268GT	PAINT,AEROSOL,GENIE GRAY*** 12-ounce spray paint	
A-	1258567GT	PAINT, AEROSOL, TRAFFIC BLACK 12-ounce spray paint	
A-	32150GT	PAINT,WET,GENIE BLUE (1 GL)** 1-gallon	
A-	32151GT	PAINT,WET,GENIE GRAY (1 GL)** 1-gallon	
A-	66399GT	GREASE,DIELECTRIC 4 OZ**	
A-	1283776GT	SEAL MARKER,CROSS CHECK,BLUE,TUBE	
A-	93500GT	PARKER DIGITAL PRESSURE GAUGE	
A-	49612GT	O-RING KIT (ORFS FITTINGS) O-ring kit, ORFS	
A-	49613GT	PLUG AND CAP KIT-SERVICE,ORFS* Plug and cap kit, ORFS	
A-	28750GT	O-RING KIT,FIELD SVC,ALL PROD* O-ring kit, SAE	
A-	33994GT	PLUG AND CAP KIT-SERVICE,37 ** Plug and cap kit, SAE	
		— MANUALS —	
1	27581GT	MANUAL,AEM SAFETY	
2-	31779GT	MANUAL,RESPON,A92.5 BOOM	
3-	84592GT	MANUAL,OWNER,DEMCO 91 HITCH	
4-	84376GT	MANUAL,DEXTER AXLE AND BRAKE	
5-	84443GT	KNOTT AXLE,SERVICE MANUAL	
		— FILTERS —	
6	84356GT	FILTER ELEMENT,TZ34	



101.1 Decals with Words (to SN TZ3405-171)

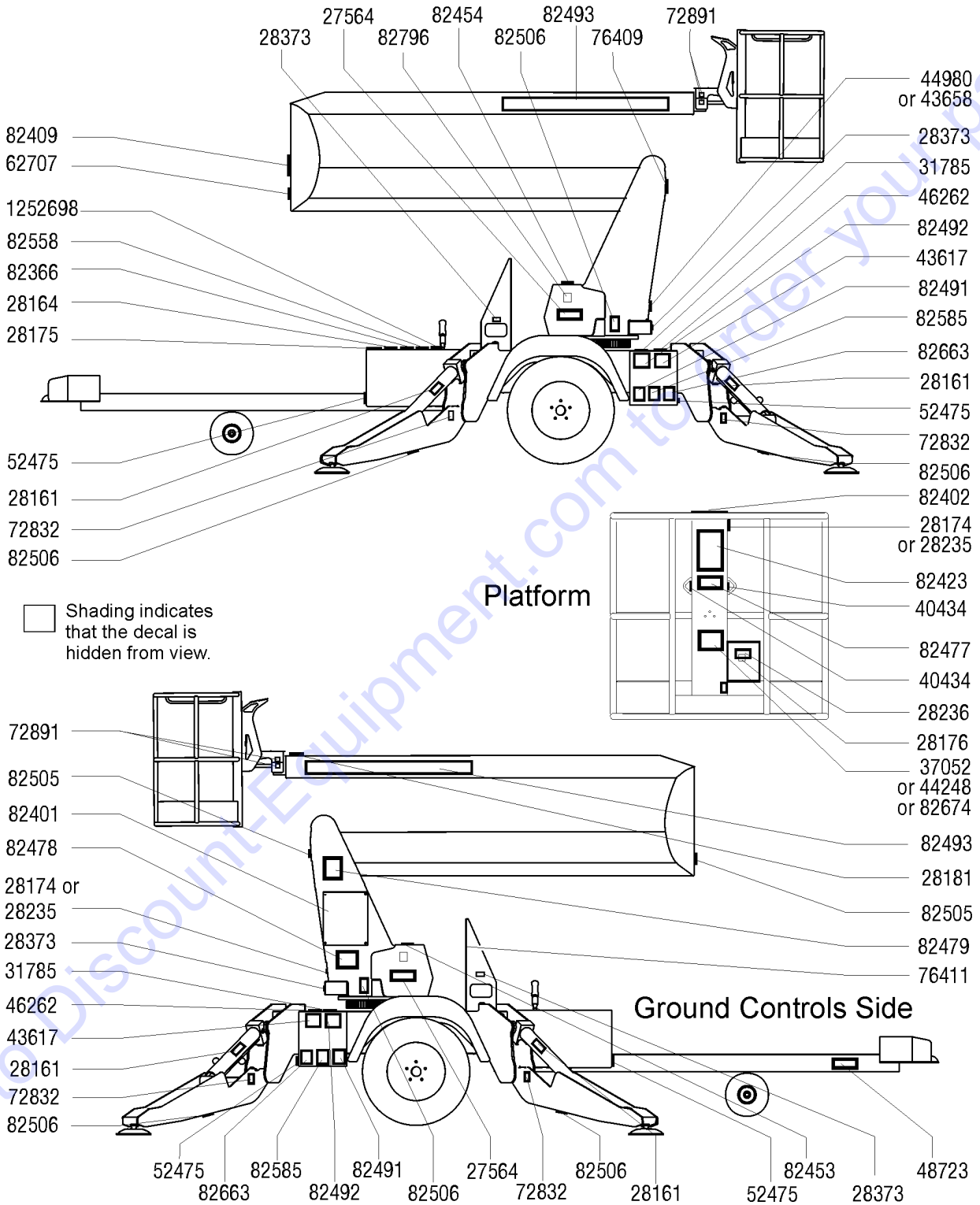


101.1 Decals with Words (to SN TZ3405-171)

Item	Part No.	Description	Qty.
1	27564GT	DECAL,DANGER,ELEC.HAZ.STAY CLR	2
2	28161GT	DECAL,WARN,CRUSH HAZARD HAND	4
3	28164GT	DECAL,NOTICE,HAZARDOUS MAT'LS*	1
4	28174GT	DECAL, POWER TO PLATFORM 230V**	2
5	28175GT	DECAL,WARNING-COMPART ACCESS	1
6	28176GT	DECAL,LABEL,MANUAL NOT HERE	1
7	28181GT	DECAL,WARN,FALL HAZARD	1
8	28235GT	DECAL,POWER TO PLATFORM 115V	2
9	28236GT	DECAL,WARN,IMPROPER OPERATION	1
10	28373GT	DECAL,FORK LIFT POCKET	4
11	31785GT	DECAL,NOTICE,CHARGER INSTRUC	2
11	31785JAGT	DECAL,NOTICE,CHARGER INSTRUC (japanese)	
12	37052GT	DECAL,NOTICE,MAX LOAD 500 LBS	1
13	40434GT	DECAL,LANYARD ANCHORAGE POINT	2
14	44248GT	DECAL,NOTICE,MAX CAP 440 LBS	1
15	43617GT	DECAL,DANGER,TIP-OVER,BATTERY	2
16	43658GT	DECAL,LABEL,PWR TO CHARGR 230V	1
17	44980GT	DECAL,LABEL,PWR TO CHARGR 115V	1
18	46262GT	DECAL,DANGER,BATTERY SAFETY	2
19	48723GT	DECAL,LABEL,PARKING BRAKE,ANSI	1
20	52475GT	DECAL,LABEL,TRANSPORT TIEDOWN*	4
21	62707GT	DECAL,WARNING,MAX TOWING SPEED	1
22	72832GT	DECAL,DANGER,DO NOT ALTER SWTC	4
23	72891GT	DECAL,LABEL,BLUE ARROW	4
24	76409GT	SERIAL # LABEL, TMZ 34**	1
25	76411GT	NHTSA LABEL, TMZ 34***	1
26	82366GT	DECAL,CHEVRON RANDO HD	1
27A	82401GT	DECAL,GROUND CONTL PANEL,TZ34 (to SN TZ3404-145)	1



101.1 Decals with Words (to SN TZ3405-171)

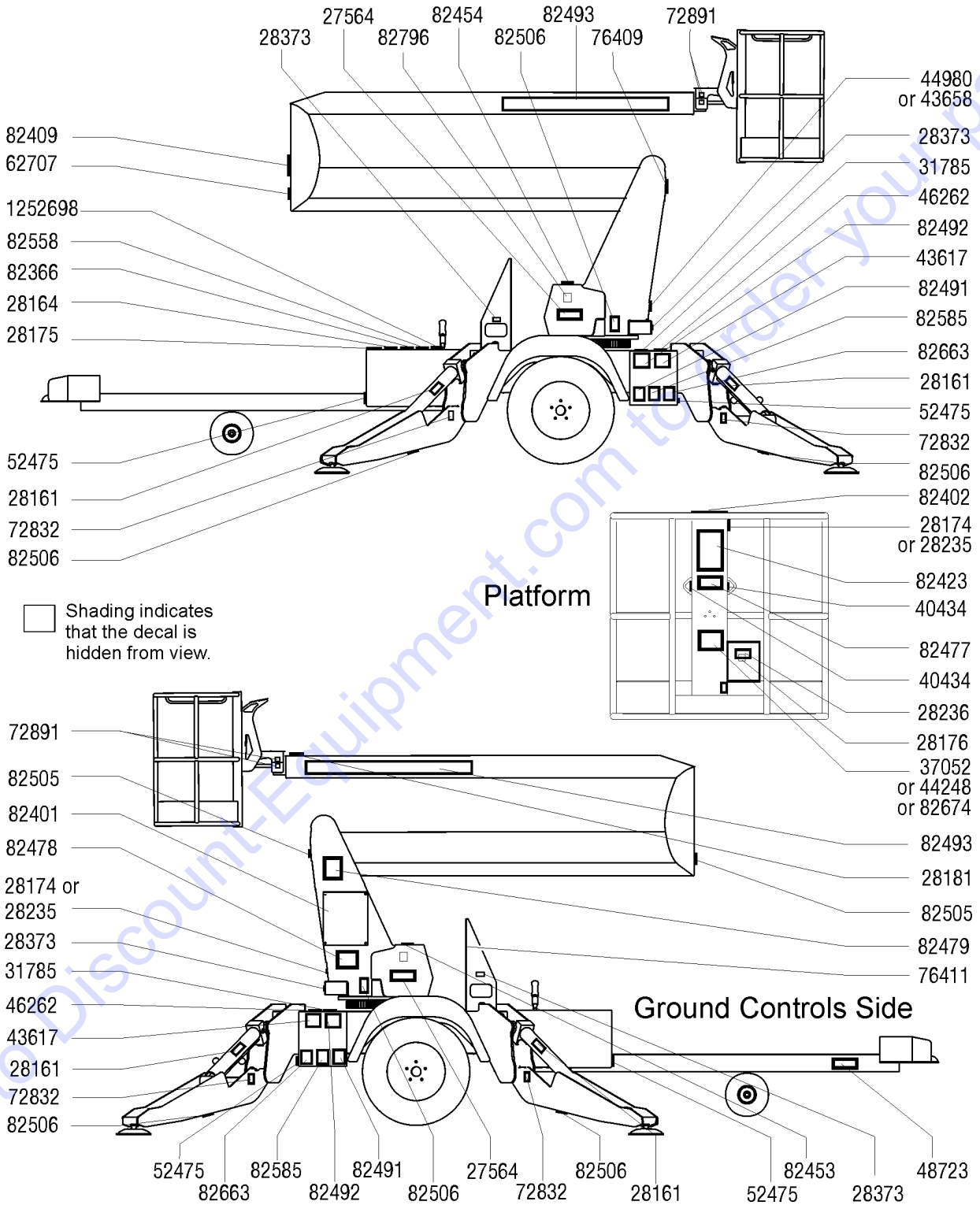


101.1 Decals with Words (to SN TZ3405-171)

Item	Part No.	Description	Qty.
28A	82402GT	DECAL,PLAT CNTRL PANEL,TZ34 (to SN TZ3404-145)	1
29	82409GT	DECAL,WARNING,TRANSPORT INST	1
30	82423GT	DECAL,DANGER,GEN SAFE,TZ34,50	1
31	82477GT	DECAL,NOTICE,OP INST,PLATFORM	1
32	82453GT	DECAL,LABEL,MANUAL VALVES,TZ	
33	82454GT	DECAL,LABEL,MANUAL VALVES,TZ	
34	82478GT	DECAL,NOTICE,OP INSTR,GROUND	1
35	82479GT	DECAL,DANGER,GENERAL SAFETY	1
36	82491GT	DECAL,NOTICE,TIRE SPECS,TZ34	2
37	82492GT	DECAL,LABEL,BATTERY CONNECTION	2
38	82493GT	DECAL,COSMETIC,TZ34/20	2
39	82505GT	DECAL,DANGER,CRUSHING HAZARD	2
40	82506GT	DECAL,WARNING-FOOT CRUSHING	6
41	82558GT	DECAL,WARN,SKIN INJECTION HAZ*	1
42	82585GT	DECAL,LABEL,OUTRIGGER LOAD	2
43	82663GT	DECAL,LABEL,WHEEL LOAD	2
44	82674GT	DECAL,NOTICE,MAX CAP 460 LBS	1
45	82795GT	DECAL,LABEL,MANUAL VALVES,TZ	1
46	82796GT	DECAL,LABEL,MANUAL VALVES,TZ	1
47	1252698GT	DECAL, HAND PUMP	1

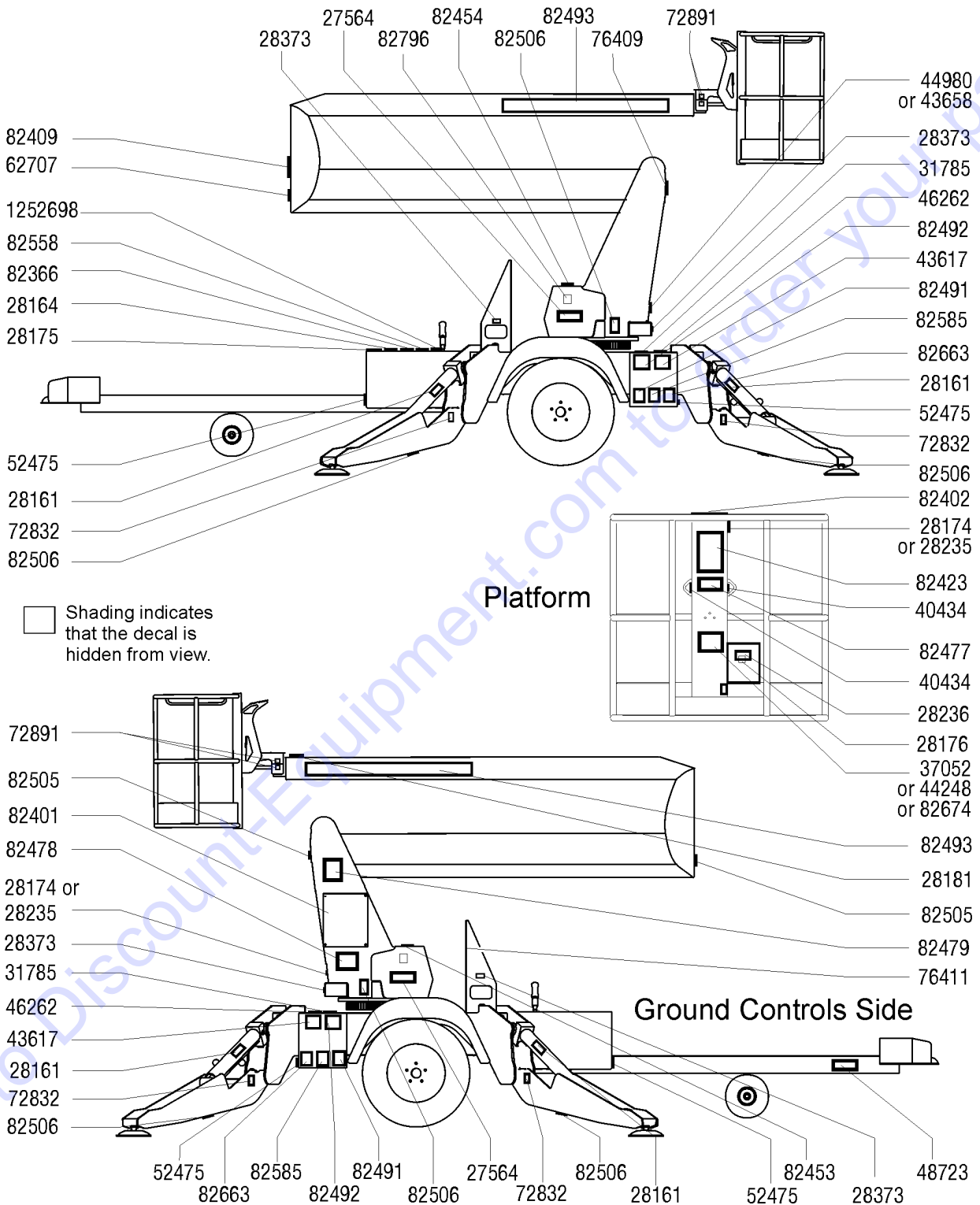


101.2 Decals with Words (to SN TZ3405-171)



Item	Part No.	Description	Qty.
	82507GT	DECAL KIT,TZ34/20,WORDS includes items 1, 2, 5-7, 9-11, 13, 15, 18, 20-22, 26-30, 32-36, 39-42, 44 and 45; to SN TZ3404-145
	97565GT	DECAL KIT,TZ34/20,WORDS includes items 1, 2, 5-7, 9-11, 13, 15, 18, 20-22, 26-30, 32-36, 39-42, 44 and 45; from SN TZ3404-146	.
1	27564GT	DECAL,DANGER,ELEC.HAZ.STAY CLR	2
2	28161GT	DECAL,WARN,CRUSH HAZARD HAND	4
3	28164GT	DECAL,NOTICE,HAZARDOUS MAT'LS*	1
4	28174GT	DECAL, POWER TO PLATFORM 230V**	2
5	28175GT	DECAL,WARNING-COMPART ACCESS	1
6	28176GT	DECAL,LABEL,MANUAL NOT HERE	1
7	28181GT	DECAL,WARN,FALL HAZARD	1
8	28235GT	DECAL,POWER TO PLATFORM 115V	2
9	28236GT	DECAL,WARN,IMPROPER OPERATION	1
10	28373GT	DECAL,FORK LIFT POCKET	4
11	31785GT	DECAL,NOTICE,CHARGER INSTRUC	2
11	31785JAGT	DECAL,NOTICE,CHARGER INSTRUC (japanese)
12	37052GT	DECAL,NOTICE,MAX LOAD 500 LBS	1
13	40434GT	DECAL,LANYARD ANCHORAGE POINT	2
15	43617GT	DECAL,DANGER,TIP-OVER,BATTERY	2
16	43658GT	DECAL,LABEL,PWR TO CHARGR 230V	1
17	44980GT	DECAL,LABEL,PWR TO CHARGR 115V	1
18	46262GT	DECAL,DANGER,BATTERY SAFETY	2
19	48723GT	DECAL,LABEL,PARKING BRAKE,ANSI	1
20	52475GT	DECAL,LABEL,TRANSPORT TIEDOWN*	4
21	62707GT	DECAL,WARNING,MAX TOWING SPEED	1
22	72832GT	DECAL,DANGER,DO NOT ALTER SWTC	4
23	72891GT	DECAL,LABEL,BLUE ARROW	4
24	76409GT	SERIAL # LABEL, TMZ 34**	1
25	76411GT	NHTSA LABEL,TMZ 34***	1

101.2 Decals with Words (to SN TZ3405-171)

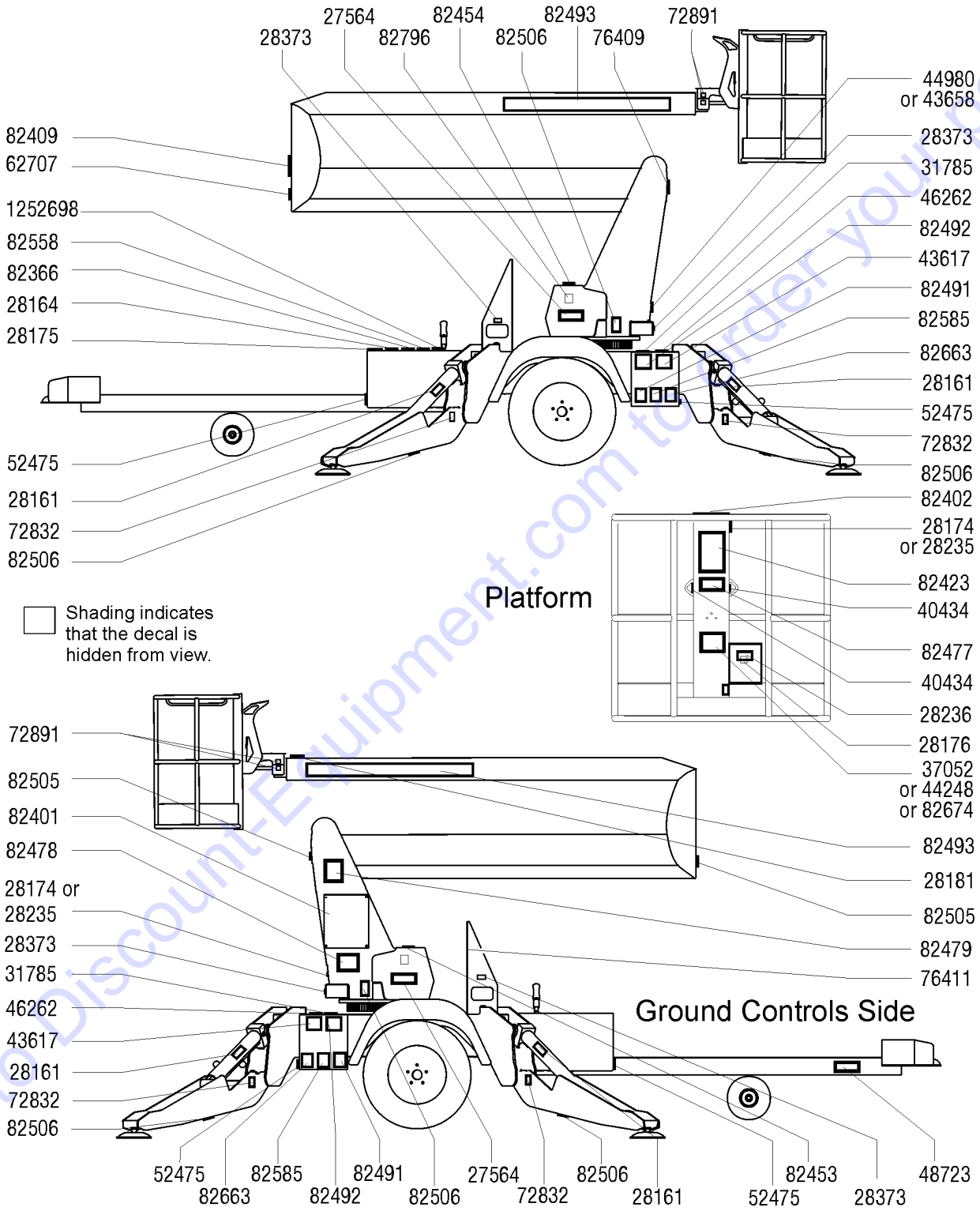


101.2 Decals with Words (to SN TZ3405-171)

Item	Part No.	Description	Qty.
26	82366GT	DECAL,CHEVRON RANDO HD	1
27A	82401GT	DECAL,GROUND CONTL PANEL,TZ34 (to SN TZ3404-145)	1
27B	97557GT	DECAL,GROUND CONTL PANEL,TZ34* (from SN TZ3404-146)	1
28A	82402GT	DECAL,PLAT CNTRL PANEL,TZ34 (to SN TZ3404-145)	1
28B	97558GT	DECAL,PLAT CNTRL PANEL,TZ34*** (from SN TZ3404-146)	1
29	82409GT	DECAL,WARNING,TRANSPORT INST	1
30	82423GT	DECAL,DANGER,GEN SAFE,TZ34,50	1
31	82477GT	DECAL,NOTICE,OP INST,PLATFORM	1
32	82453GT	DECAL,LABEL,MANUAL VALVES,TZ	
33	82454GT	DECAL,LABEL,MANUAL VALVES,TZ	
34	82478GT	DECAL,NOTICE,OP INSTR,GROUND	1
35	82479GT	DECAL,DANGER,GENERAL SAFETY	1
36	82491GT	DECAL,NOTICE,TIRE SPECS,TZ34	2
37	82492GT	DECAL,LABEL,BATTERY CONNECTION	2
38	82493GT	DECAL,COSMETIC,TZ34/20 sold separately (not part of the kit 82507 or 97565)	2
39	82505GT	DECAL,DANGER,CRUSHING HAZARD	2
40	82506GT	DECAL,WARNING-FOOT CRUSHING	6
41	82558GT	DECAL,WARN,SKIN INJECTION HAZ*	1
42	82585GT	DECAL,LABEL,OUTRIGGER LOAD	2
43	82663GT	DECAL,LABEL,WHEEL LOAD	2
44	82674GT	DECAL,NOTICE,MAX CAP 460 LBS	1
45	82795GT	DECAL,LABEL,MANUAL VALVES,TZ	1
46	82796GT	DECAL,LABEL,MANUAL VALVES,TZ	1
47	1252698GT	DECAL, HAND PUMP	1



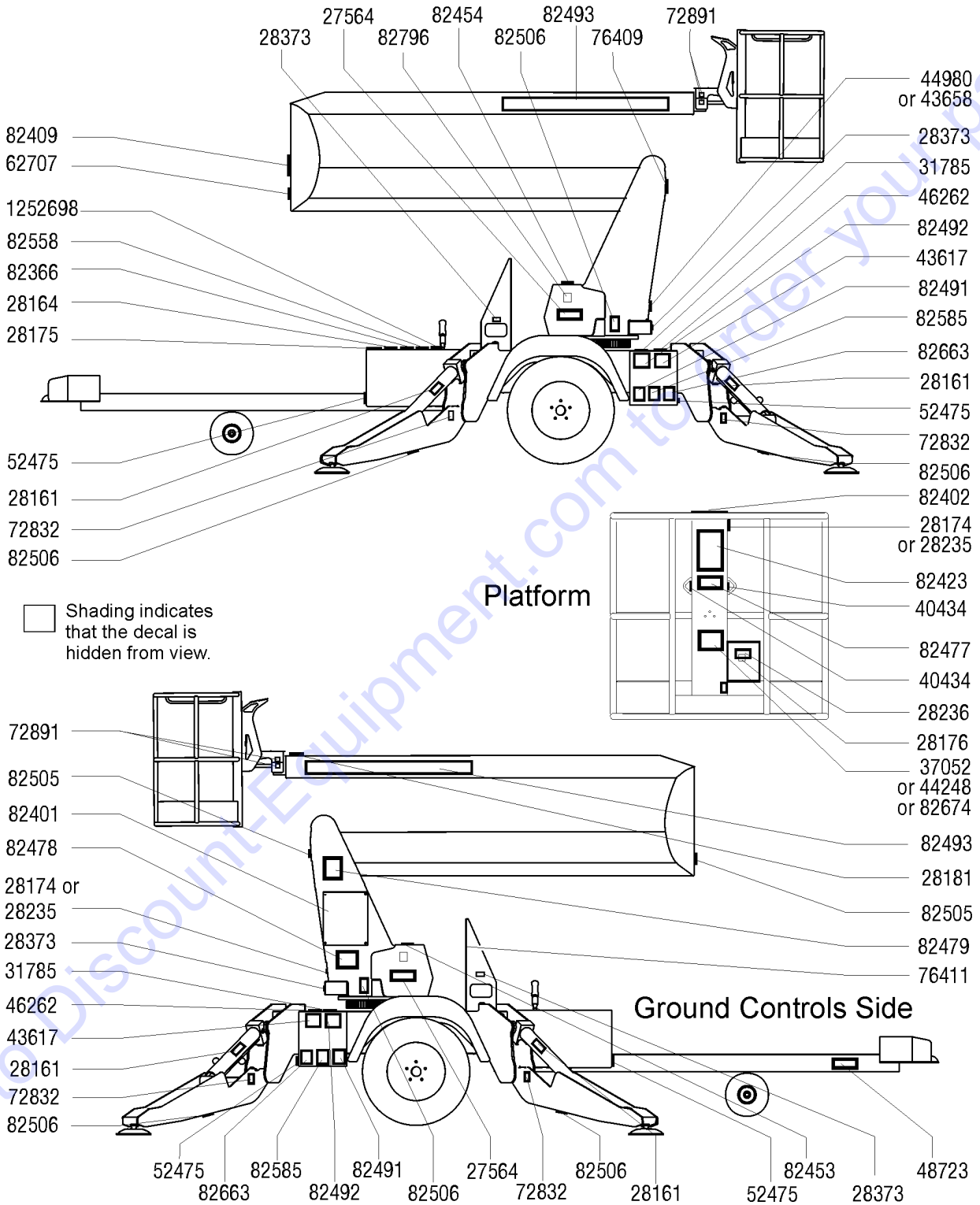
101.3 Decals with Words (to SN TZ3405-171)



Item	Part No.	Description	Qty.
	97565GT	DECAL KIT,TZ34/20,WORDS includes items 1, 2, 5-7, 9-11, 13, 15, 18, 20-22, 26-30, 32-36, 39-42, 44 and 45; from SN TZ3404-146	
1	27564GT	DECAL,DANGER,ELEC.HAZ.STAY CLR	2
2	28161GT	DECAL,WARN,CRUSH HAZARD HAND	4
3	28164GT	DECAL,NOTICE,HAZARDOUS MAT'LS*	1
4	28174GT	DECAL, POWER TO PLATFORM 230V**	2
5	28175GT	DECAL,WARNING-COMPART ACCESS	1
6	28176GT	DECAL,LABEL,MANUAL NOT HERE	1
7	28181GT	DECAL,WARN,FALL HAZARD	1
8	28235GT	DECAL,POWER TO PLATFORM 115V	2
9	28236GT	DECAL,WARN,IMPROPER OPERATION	1
10	28373GT	DECAL,FORK LIFT POCKET	4
11	31785GT	DECAL,NOTICE,CHARGER INSTRUC	2
11	31785JAGT	DECAL,NOTICE,CHARGER INSTRUC (japanese)	
12	37052GT	DECAL,NOTICE,MAX LOAD 500 LBS	1
13	40434GT	DECAL,LANYARD ANCHORAGE POINT	2
15	43617GT	DECAL,DANGER,TIP-OVER,BATTERY	2
16	43658GT	DECAL,LABEL,PWR TO CHARGR 230V	1
17	44980GT	DECAL,LABEL,PWR TO CHARGR 115V	1
18	46262GT	DECAL,DANGER,BATTERY SAFETY	2
19	48723GT	DECAL,LABEL,PARKING BRAKE,ANSI	1
20	52475GT	DECAL,LABEL,TRANSPORT TIEDOWN*	4
21	62707GT	DECAL,WARNING,MAX TOWING SPEED	1
22	72832GT	DECAL,DANGER,DO NOT ALTER SWTC	4
23	72891GT	DECAL,LABEL,BLUE ARROW	4
24	76409GT	SERIAL # LABEL, TMZ 34**	1
25	76411GT	NHTSA LABEL, TMZ 34***	1
26	82366GT	DECAL,CHEVRON RANDO HD	1
27	97557GT	DECAL,GROUND CONTL PANEL,TZ34*	



101.3 Decals with Words (to SN TZ3405-171)

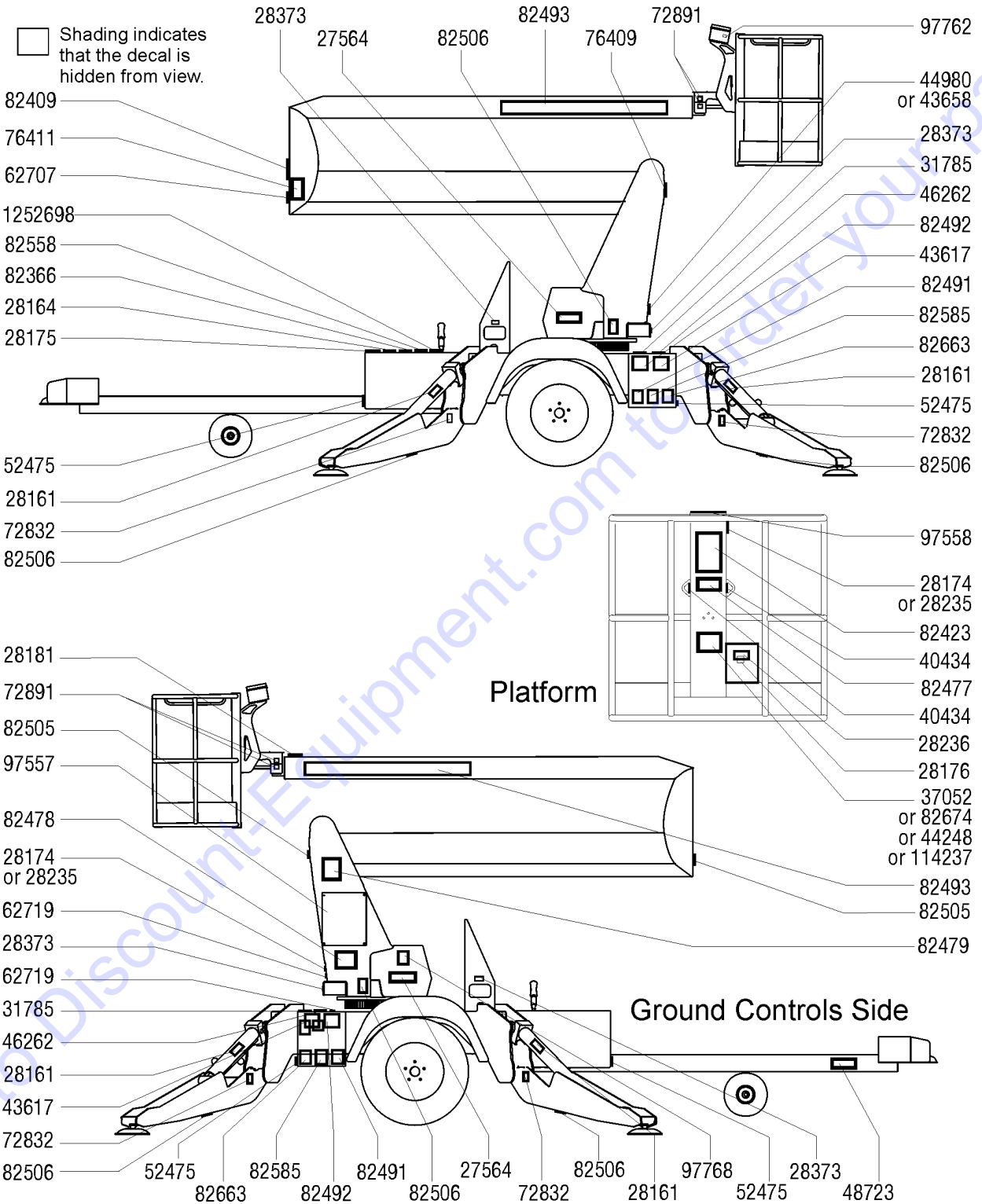


101.3 Decals with Words (to SN TZ3405-171)

Item	Part No.	Description	Qty.
28	97558GT	DECAL,PLAT CNTRL PANEL,TZ34***	
29	82409GT	DECAL,WARNING,TRANSPORT INST	1
30	82423GT	DECAL,DANGER,GEN SAFE,TZ34,50	1
31	82477GT	DECAL,NOTICE,OP INST,PLATFORM	1
32	82453GT	DECAL,LABEL,MANUAL VALVES,TZ	
33	82454GT	DECAL,LABEL,MANUAL VALVES,TZ	
34	82478GT	DECAL,NOTICE,OP INSTR,GROUND	1
35	82479GT	DECAL,DANGER,GENERAL SAFETY	1
36	82491GT	DECAL,NOTICE,TIRE SPECS,TZ34	2
37	82492GT	DECAL,LABEL,BATTERY CONNECTION	2
38	82493GT	DECAL,COSMETIC,TZ34/20 sold separately (not part of the kit 82507 or 97565)	2
39	82505GT	DECAL,DANGER,CRUSHING HAZARD	2
40	82506GT	DECAL,WARNING-FOOT CRUSHING	6
41	82558GT	DECAL,WARN,SKIN INJECTION HAZ*	1
42	82585GT	DECAL,LABEL,OUTRIGGER LOAD	2
43	82663GT	DECAL,LABEL,WHEEL LOAD	2
44	82674GT	DECAL,NOTICE,MAX CAP 460 LBS	1
45	82795GT	DECAL,LABEL,MANUAL VALVES,TZ	1
46	82796GT	DECAL,LABEL,MANUAL VALVES,TZ	1
47	1252698GT	DECAL, HAND PUMP	1



101.4 Decals with Words (from SN TZ3405-172 to TZ3407-520)

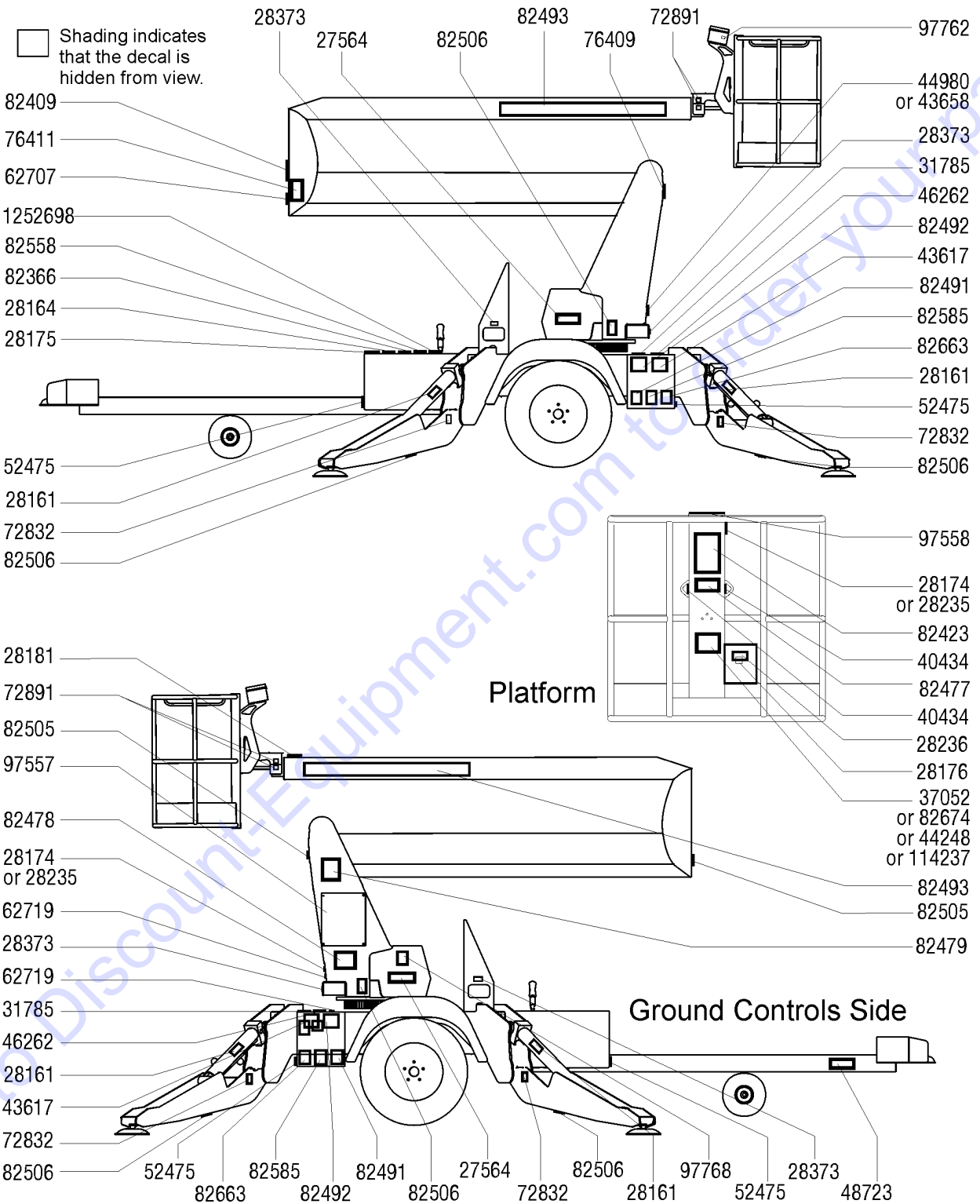


101.4 Decals with Words (from SN TZ3405-172 to TZ3407-520)

Item	Part No.	Description	Qty.
	97808GT	DECAL KIT,TZ34/20,WORDS includes items 1-3, 5-7, 9-11, 13, 14, 17-20, 22, 26-33, 35-39, 41, 42 and 44; from SN TZ3405-172
1	27564GT	DECAL,DANGER,ELEC.HAZ.STAY CLR	2
2	28161GT	DECAL,WARN,CRUSH HAZARD HAND	4
3	28164GT	DECAL,NOTICE,HAZARDOUS MAT'LS*	1
4	28174GT	DECAL, POWER TO PLATFORM 230V**	2
5	28175GT	DECAL,WARNING-COMPART ACCESS	1
6	28176GT	DECAL,LABEL,MANUAL NOT HERE	1
7	28181GT	DECAL,WARN,FALL HAZARD	1
8	28235GT	DECAL,POWER TO PLATFORM 115V	2
9	28236GT	DECAL,WARN,IMPROPER OPERATION	1
10	28373GT	DECAL,FORK LIFT POCKET	4
11	31785GT	DECAL,NOTICE,CHARGER INSTRUC	2
11	31785JAGT	DECAL,NOTICE,CHARGER INSTRUC (japanese)
12	37052GT	DECAL,NOTICE,MAX LOAD 500 LBS	1
13	40434GT	DECAL,LANYARD ANCHORAGE POINT	2
14	43617GT	DECAL,DANGER,TIP-OVER,BATTERY	2
15	43658GT	DECAL,LABEL,PWR TO CHARGR 230V	1
16	44980GT	DECAL,LABEL,PWR TO CHARGR 115V	1
17	46262GT	DECAL,DANGER,BATTERY SAFETY	2
18	48723GT	DECAL,LABEL,PARKING BRAKE,ANSI	1
19	52475GT	DECAL,LABEL,TRANSPORT TIEDOWN*	4
20	62707GT	DECAL,WARNING,MAX TOWING SPEED	1
21	62719GT	DECAL,LABEL,ARROW	2
22	72832GT	DECAL,DANGER,DO NOT ALTER SWTC	4
23	72891GT	DECAL,LABEL,BLUE ARROW	4
24	76409GT	SERIAL # LABEL, TMZ 34**	1
25	76411GT	NHTSA LABEL, TMZ 34***	1
26	82366GT	DECAL,CHEVRON RANDO HD	1



101.4 Decals with Words (from SN TZ3405-172 to TZ3407-520)



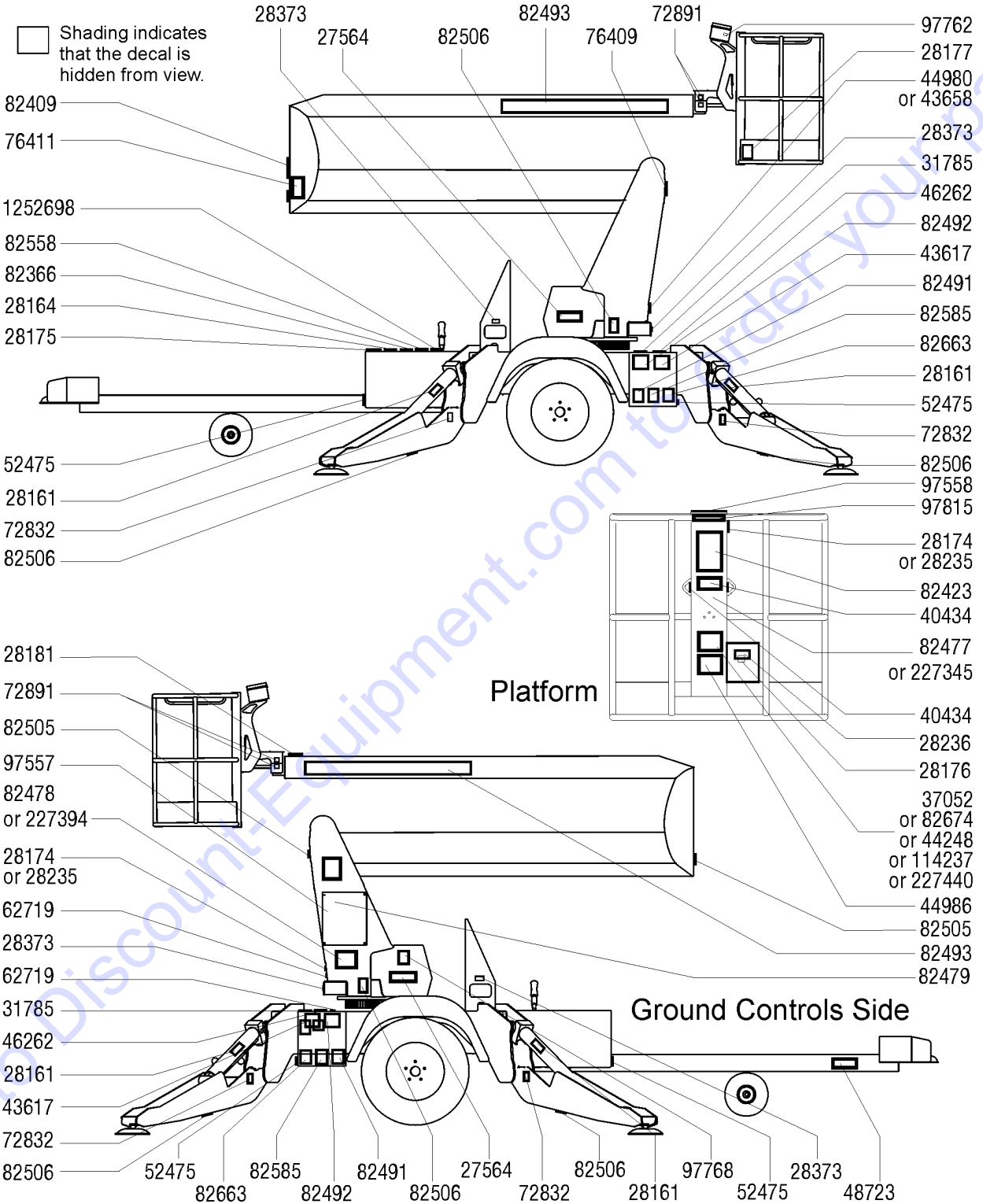
101.4 Decals with Words (from SN TZ3405-172 to TZ3407-520)

Item	Part No.	Description	Qty.
27	82409GT	DECAL,WARNING,TRANSPORT INST	1
28	82423GT	DECAL,DANGER,GEN SAFE,TZ34,50	1
29	82477GT	DECAL,NOTICE,OP INST,PLATFORM	1
30	82478GT	DECAL,NOTICE,OP INSTR,GROUND	1
31	82479GT	DECAL,DANGER,GENERAL SAFETY	1
32	82491GT	DECAL,NOTICE,TIRE SPECS,TZ34	2
33	82492GT	DECAL,LABEL,BATTERY CONNECTION	2
34	82493GT	DECAL,COSMETIC,TZ34/20	2
35	82505GT	DECAL,DANGER,CRUSHING HAZARD	2
36	82506GT	DECAL,WARNING-FOOT CRUSHING	6
37	82558GT	DECAL,WARN,SKIN INJECTION HAZ*	1
38	82585GT	DECAL,LABEL,OUTRIGGER LOAD	2
39	82663GT	DECAL,LABEL,WHEEL LOAD	2
40	82674GT	DECAL,NOTICE,MAX CAP 460 LBS	1
41	97557GT	DECAL,GROUND CONTL PANEL,TZ34*	1
42	97558GT	DECAL,PLAT CNTRL PANEL,TZ34***	1
43	97762GT	DECAL, HORN SYMBOL	1
44	97768GT	DECAL,LABEL,MANUAL VALVES,TZ**	1
45	44248GT	DECAL,NOTICE,MAX CAP 440 LBS	1
		Australia	
46	114237GT	DECAL,NOTICE MAX CAP 400 LBS	1
		Australia	
47	1252698GT	DECAL, HAND PUMP	1

Go to DiscountEquipment.com to order your parts

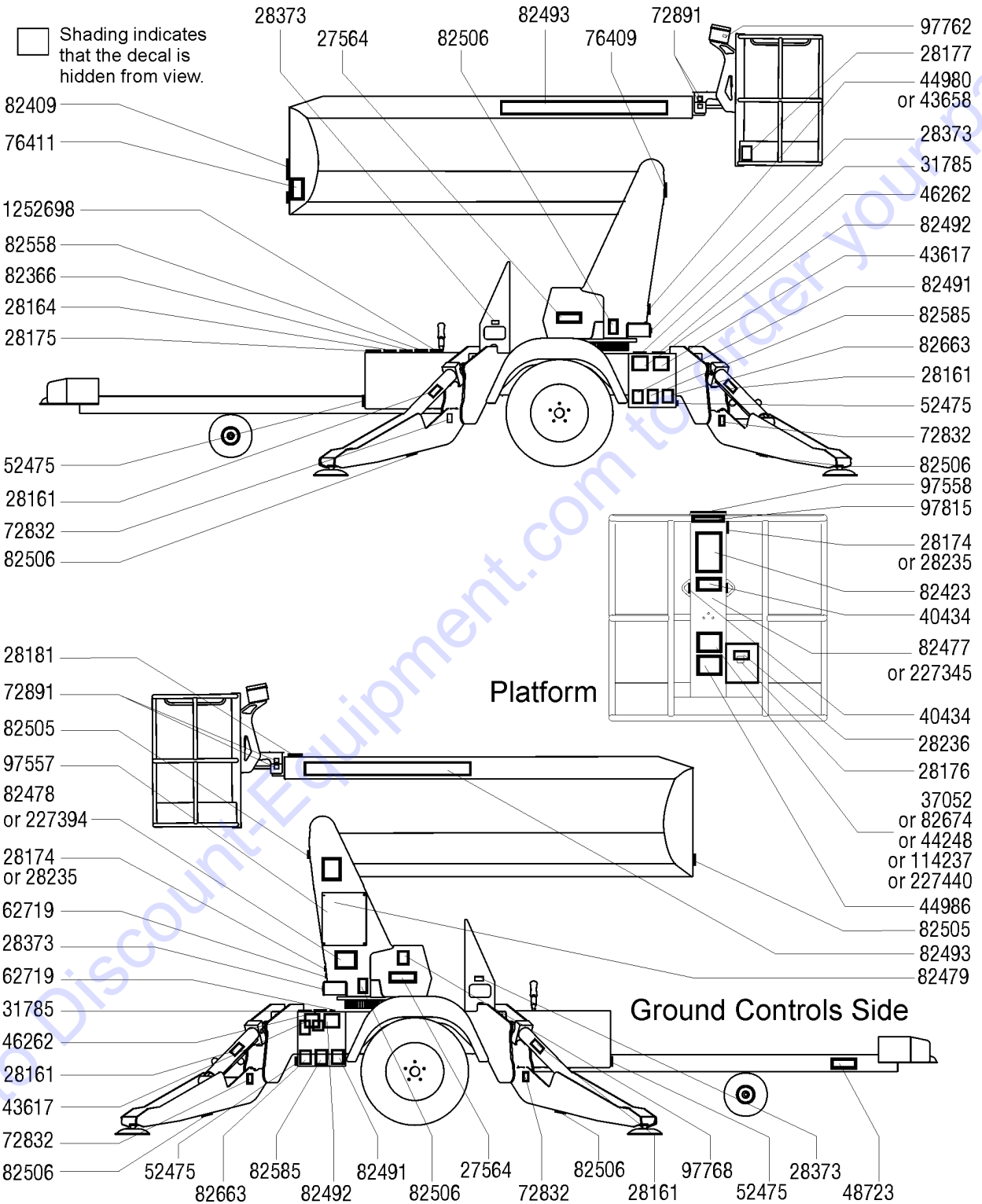


101.5 Decals with Words (from SN TZ3408-101)



Item	Part No.	Description	Qty.
	97808GT	DECAL KIT,TZ34/20,WORDS includes items 1-3, 5-7, 9-11, 13, 14, 17-20, 22, 26-33, 35,36,38,39, 41, 42 and 44; from SN TZ3405-172	
1	27564GT	DECAL,DANGER,ELEC.HAZ.STAY CLR	2
2	28161GT	DECAL,WARN,CRUSH HAZARD HAND	4
3	28164GT	DECAL,NOTICE,HAZARDOUS MAT'LS*	1
4	28174GT	DECAL, POWER TO PLATFORM 230V**	2
5	28175GT	DECAL,WARNING-COMPART ACCESS	1
6	28176GT	DECAL,LABEL,MANUAL NOT HERE	1
7	28177GT	DECAL,WARN,CRUSH HAZARD PLAT	2
8	28181GT	DECAL,WARN,FALL HAZARD	1
9	28235GT	DECAL,POWER TO PLATFORM 115V	2
10	28236GT	DECAL,WARN,IMPROPER OPERATION	1
11	28373GT	DECAL,FORK LIFT POCKET	4
12	31785GT	DECAL,NOTICE,CHARGER INSTRUC	2
13	37052GT	DECAL,NOTICE,MAX LOAD 500 LBS	1
14	40434GT	DECAL,LANYARD ANCHORAGE POINT	2
15	43617GT	DECAL,DANGER,TIP-OVER,BATTERY	2
16	43658GT	DECAL,LABEL,PWR TO CHARGR 230V	1
17	44248GT	DECAL,NOTICE,MAX CAP 440 LBS (Australia) (to SN TZ3411-182)	1
18	44980GT	DECAL,LABEL,PWR TO CHARGR 115V	1
19	44986GT	DECAL,INSTR,SIDE FRC/WIND,AUS (Australia)	1
20	46262GT	DECAL,DANGER,BATTERY SAFETY	2
21	48723GT	DECAL,LABEL,PARKING BRAKE,ANSI	1
22	52475GT	DECAL,LABEL,TRANSPORT TIEDOWN*	4
23	62707GT	DECAL,WARNING,MAX TOWING SPEED	1
24	62719GT	DECAL,LABEL,ARROW	2
25	72832GT	DECAL,DANGER,DO NOT ALTER SWTC	4
26	72891GT	DECAL,LABEL,BLUE ARROW	4
27	76409GT	SERIAL # LABEL, TMZ 34**	1

101.5 Decals with Words (from SN TZ3408-101)

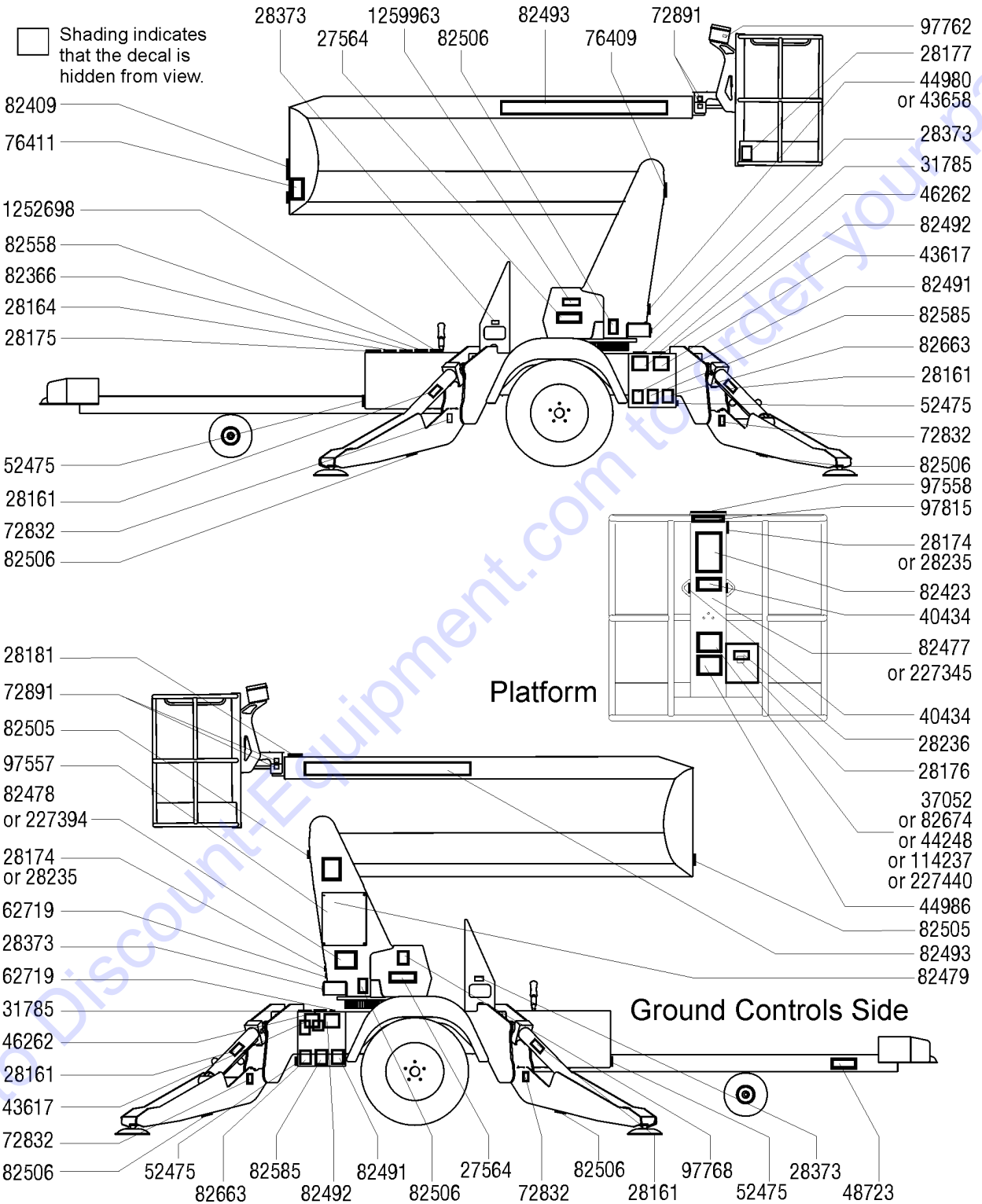


101.5 Decals with Words (from SN TZ3408-101)

Item	Part No.	Description	Qty.
28	76411GT	NHTSA LABEL,TMZ 34***	1
29	82366GT	DECAL,CHEVRON RANDO HD	1
30	82409GT	DECAL,WARNING,TRANSPORT INST	1
31	82423GT	DECAL,DANGER,GEN SAFE,TZ34,50	1
32	82477GT	DECAL,NOTICE,OP INST,PLATFORM (to SN TZ3411-182)	1
33	82478GT	DECAL,NOTICE,OP INSTR,GROUND (to SN TZ3411-182)	1
34	82479GT	DECAL,DANGER,GENERAL SAFETY	1
35	82491GT	DECAL,NOTICE,TIRE SPECS,TZ34	2
36	82492GT	DECAL,LABEL,BATTERY CONNECTION	2
37	82493GT	DECAL,COSMETIC,TZ34/20 sold separately (not part of the kit 97808)	2
38	82505GT	DECAL,DANGER,CRUSHING HAZARD	2
39	82506GT	DECAL,WARNING-FOOT CRUSHING	6
40	82558GT	DECAL,WARN,SKIN INJECTION HAZ*	1
41	82585GT	DECAL,LABEL,OUTRIGGER LOAD	2
42	82663GT	DECAL,LABEL,WHEEL LOAD	2
43	82674GT	DECAL,NOTICE,MAX CAP 460 LBS	1
44	97557GT	DECAL,GROUND CNTRL PANEL,TZ34*	1
45	97558GT	DECAL,PLAT CNTRL PANEL,TZ34***	1
46	97762GT	DECAL, HORN SYMBOL	1
47	97768GT	DECAL,LABEL,MANUAL VALVES,TZ**	1
48	97815GT	DECAL,LABEL,LOWER MIDRAIL	1
49	114237GT	DECAL,NOTICE MAX CAP 400 LBS	1
50	227345GT	DCL,NOTICE,OP INS,PLT,TZ34,AUS (Australia) (from SN TZ3411-183)	1
51	227394GT	DCL,NOTICE,OP INS,GND,TZ34,AUS (Australia) (from SN TZ3411-183)	1
52	227440GT	DECAL,MAX CAP,400LBS /181KG (Australia) (from SN TZ3411-183)	1
53	1252698GT	DECAL, HAND PUMP	1

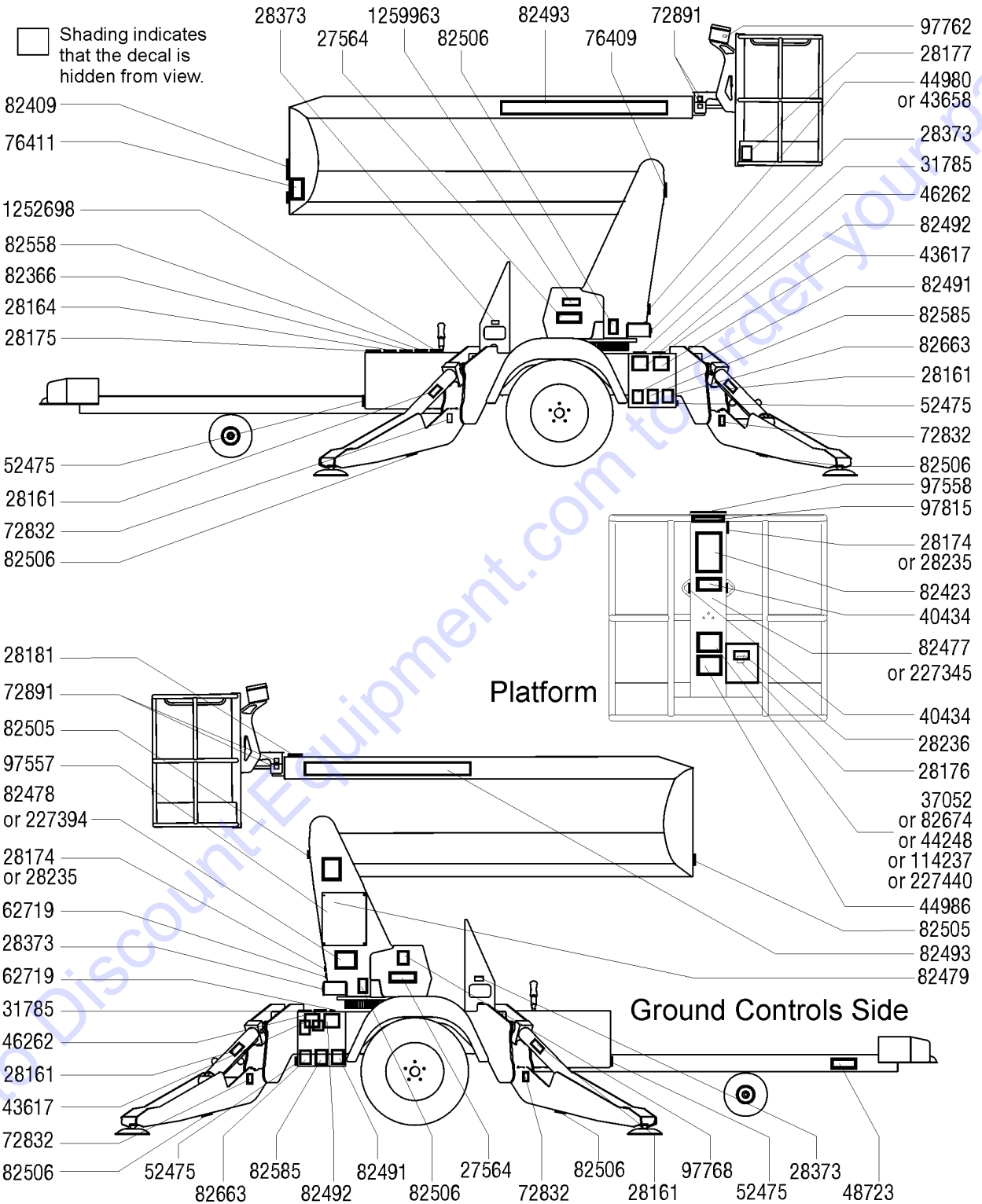


101.6 Decals with Words (from SN TZ3414-982)



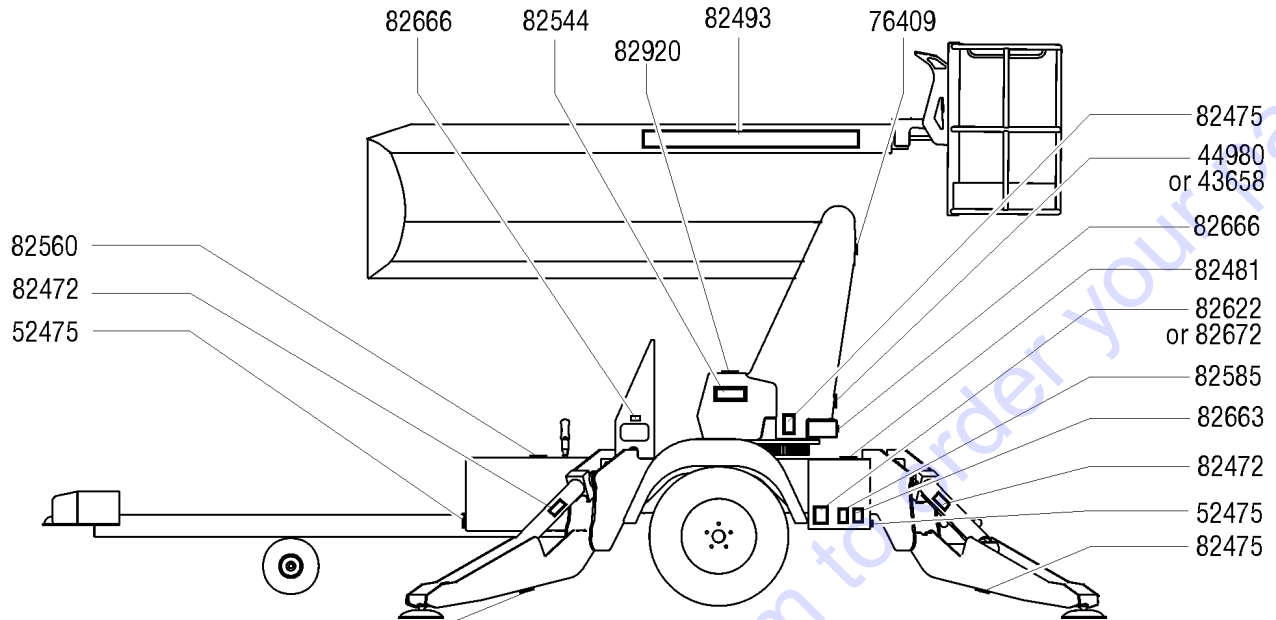
Item	Part No.	Description	Qty.
	97808GT	DECAL KIT,TZ34/20,WORDS includes items 1-3, 5-7, 9-11, 13, 14, 17-20, 22, 26-33, 35,36,38,39, 41, 42 and 44; from SN TZ3405-172	
1	27564GT	DECAL,DANGER,ELEC.HAZ.STAY CLR	2
2	28161GT	DECAL,WARN,CRUSH HAZARD HAND	4
3	28164GT	DECAL,NOTICE,HAZARDOUS MAT'LS*	1
4	28174GT	DECAL, POWER TO PLATFORM 230V**	2
5	28175GT	DECAL,WARNING-COMPART ACCESS	1
6	28176GT	DECAL,LABEL,MANUAL NOT HERE	1
7	28177GT	DECAL,WARN,CRUSH HAZARD PLAT	2
8	28181GT	DECAL,WARN,FALL HAZARD	1
9	28235GT	DECAL,POWER TO PLATFORM 115V	2
10	28236GT	DECAL,WARN,IMPROPER OPERATION	1
11	28373GT	DECAL,FORK LIFT POCKET	4
12	31785GT	DECAL,NOTICE,CHARGER INSTRUC	2
12	31785JAGT	DECAL,NOTICE,CHARGER INSTRUC (japanese)	
13	37052GT	DECAL,NOTICE,MAX LOAD 500 LBS	1
14	40434GT	DECAL,LANYARD ANCHORAGE POINT	2
15	43617GT	DECAL,DANGER,TIP-OVER,BATTERY	2
16	43658GT	DECAL,LABEL,PWR TO CHARGR 230V	1
17	44248GT	DECAL,NOTICE,MAX CAP 440 LBS (Australia) (to SN TZ3411-182)	1
18	44980GT	DECAL,LABEL,PWR TO CHARGR 115V	1
19	44986GT	DECAL,INSTR,SIDE FRC/WIND,AUS (Australia)	1
20	46262GT	DECAL,DANGER,BATTERY SAFETY	2
21	48723GT	DECAL,LABEL,PARKING BRAKE,ANSI	1
22	52475GT	DECAL,LABEL,TRANSPORT TIEDOWN*	4
23	62707GT	DECAL,WARNING,MAX TOWING SPEED	1
24	62719GT	DECAL,LABEL,ARROW	2
25	72832GT	DECAL,DANGER,DO NOT ALTER SWTC	4
26	72891GT	DECAL,LABEL,BLUE ARROW	4

101.6 Decals with Words (from SN TZ3414-982)

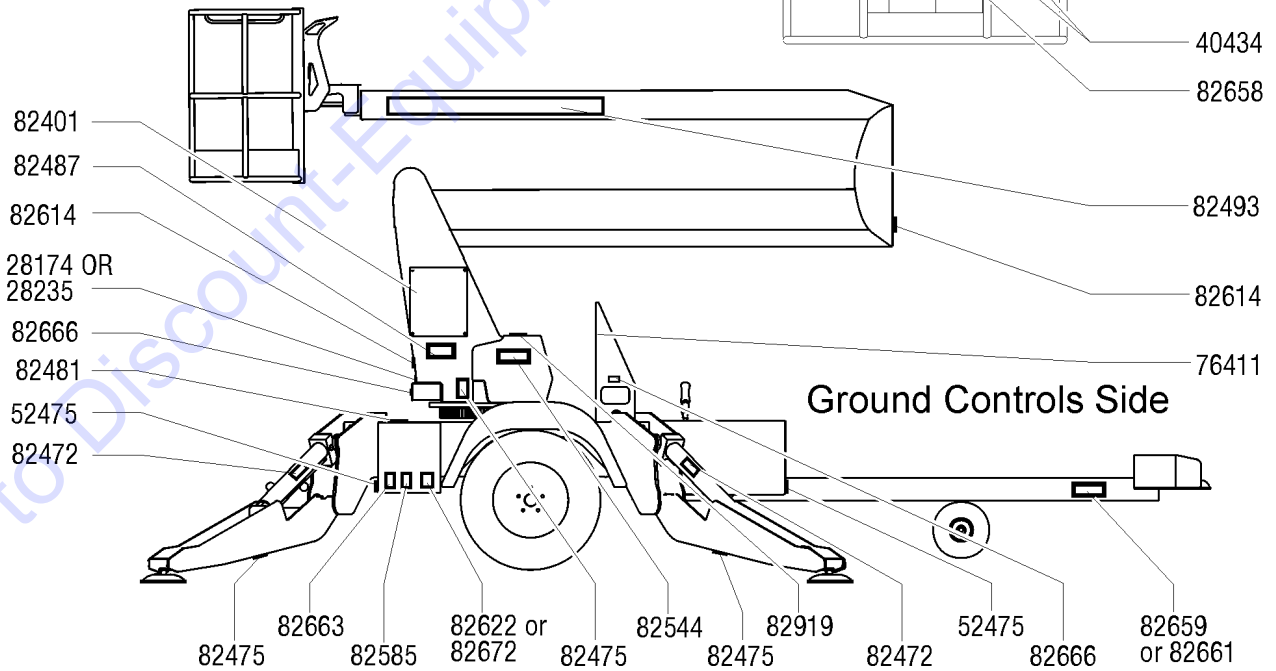


Item	Part No.	Description	Qty.
27	76409GT	SERIAL # LABEL, TMZ 34**	1
28	76411GT	NHTSA LABEL, TMZ 34***	1
29	82366GT	DECAL, CHEVRON RANDO HD	1
30	82409GT	DECAL, WARNING, TRANSPORT INST	1
31	82423GT	DECAL, DANGER, GEN SAFE, TZ34, 50	1
32	82477GT	DECAL, NOTICE, OP INST, PLATFORM (to SN TZ3411-182)	1
33	82478GT	DECAL, NOTICE, OP INSTR, GROUND (to SN TZ3411-182)	1
34	82479GT	DECAL, DANGER, GENERAL SAFETY	1
35	82491GT	DECAL, NOTICE, TIRE SPECS, TZ34	2
36	82492GT	DECAL, LABEL, BATTERY CONNECTION	2
37	82493GT	DECAL, COSMETIC, TZ34/20	2
38	82505GT	DECAL, DANGER, CRUSHING HAZARD	2
39	82506GT	DECAL, WARNING-FOOT CRUSHING	6
40	82558GT	DECAL, WARN, SKIN INJECTION HAZ*	1
41	82585GT	DECAL, LABEL, OUTRIGGER LOAD	2
42	82663GT	DECAL, LABEL, WHEEL LOAD	2
43	82674GT	DECAL, NOTICE, MAX CAP 460 LBS	1
44	97557GT	DECAL, GROUND CONTL PANEL, TZ34*	1
45	97558GT	DECAL, PLAT CNTRL PANEL, TZ34***	1
46	97762GT	DECAL, HORN SYMBOL	1
47	97768GT	DECAL, LABEL, MANUAL VALVES, TZ**	1
48	97815GT	DECAL, LABEL, LOWER MIDRAIL	1
49	114237GT	DECAL, NOTICE MAX CAP 400 LBS	1
50	227345GT	DCL, NOTICE, OP INS, PLT, TZ34, AUS (Australia) (from SN TZ3411-183)	1
51	227394GT	DCL, NOTICE, OP INS, GND, TZ34, AUS (Australia) (from SN TZ3411-183)	1
52	227440GT	DECAL, MAX CAP, 400LBS /181KG (Australia) (from SN TZ3411-183)	1
53	1252698GT	DECAL, HAND PUMP	1
54	1259963GT	DECAL, LABEL, MNL SWING, WRD, TZ	1

102.1 Decals with Symbols (to SN TZ3405-171)



☐ Shading indicates that the decal is hidden from view.

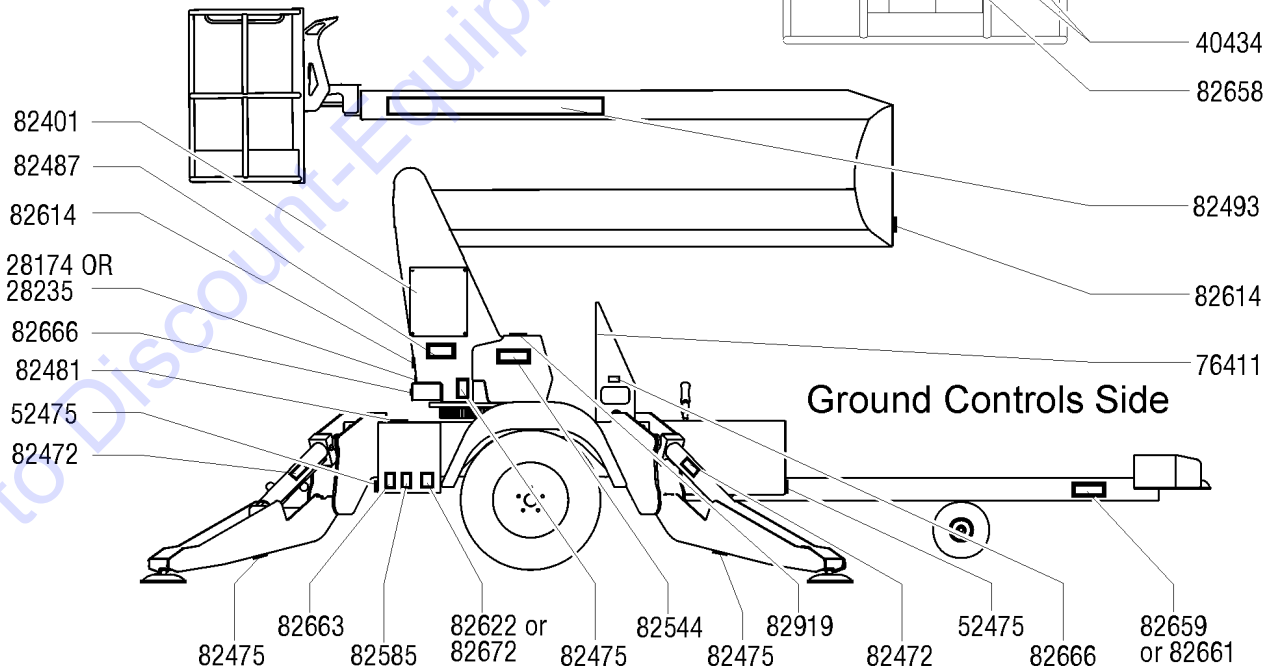
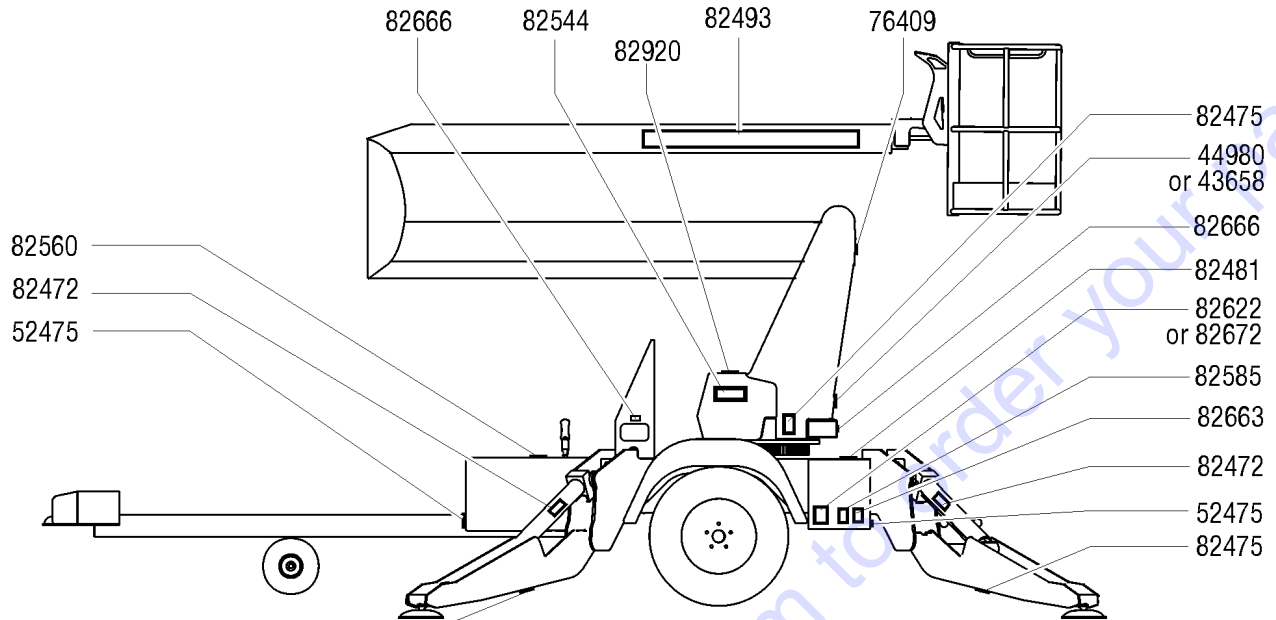


102.1 Decals with Symbols (to SN TZ3405-171)

Item	Part No.	Description	Qty.
	82683GT	DECAL KIT,TZ34/20,SYMBOLS*** includes items 3, 6, 9-13, 15-18, 20, 25, 26, 31 and 32; from SN 146 to SN 171	
1	28174GT	DECAL, POWER TO PLATFORM 230V**	2
2	28235GT	DECAL,POWER TO PLATFORM 115V	2
3	40434GT	DECAL,LANYARD ANCHORAGE POINT	2
4	43658GT	DECAL,LABEL,PWR TO CHARGR 230V	1
5	44980GT	DECAL,LABEL,PWR TO CHARGR 115V	1
6	52475GT	DECAL,LABEL,TRANSPORT TIEDOWN*	4
7	76409GT	SERIAL # LABEL, TMZ 34**	1
8	76411GT	NHTSA LABEL,TMZ 34***	1
9	82401GT	DECAL,GROUND CONTL PANEL,TZ34	
10	82402GT	DECAL,PLAT CNTRL PANEL,TZ34	
11	82472GT	DECAL,WARNING,CRUSHING HAZARD	4
12	82475GT	DECAL,SYMBOL-FOOT CRUSHING	4
13	82481GT	DECAL,SYMBOL-BATTERY SAFETY	2
14	82493GT	DECAL,COSMETIC,TZ34/20 sold separately	2
15	82487GT	DECAL,SYMBOL-READ THE MANUAL	2
16	82544GT	DECAL,DANGER,ELEC.HAZ.STAY CLR	3
17	82560GT	DECAL,SYMBOL-SKIN INJECT HAZRD	1
18	82585GT	DECAL,LABEL,OUTRIGGER LOAD	2
19	82612GT	DECAL,DANGER,MAX CAP,200KG ANSI & CSA models	1
20	82614GT	DECAL,DANGER,COLLISION HAZARD	2
21	82622GT	DECAL,LABEL,TIRE PRESSURE,ANSI ANSI and CSA models	2
22	82658GT	DECAL,DANGER,MANUAL FORCE,400N CE models	1
23	82659GT	DECAL,LABEL,PARKING BRAKE,CE CE models	1
24	82661GT	DECAL,LABEL,PARKING BRAKE,ANSI ANSI models	1
25	82663GT	DECAL,LABEL,WHEEL LOAD	2
26	82666GT	DECAL,LABEL,FORKLIFT POCKET	4
27	82667GT	DECAL,DANGER,MAX CAP,227KG ANSI and CSA models	1



102.1 Decals with Symbols (to SN TZ3405-171)



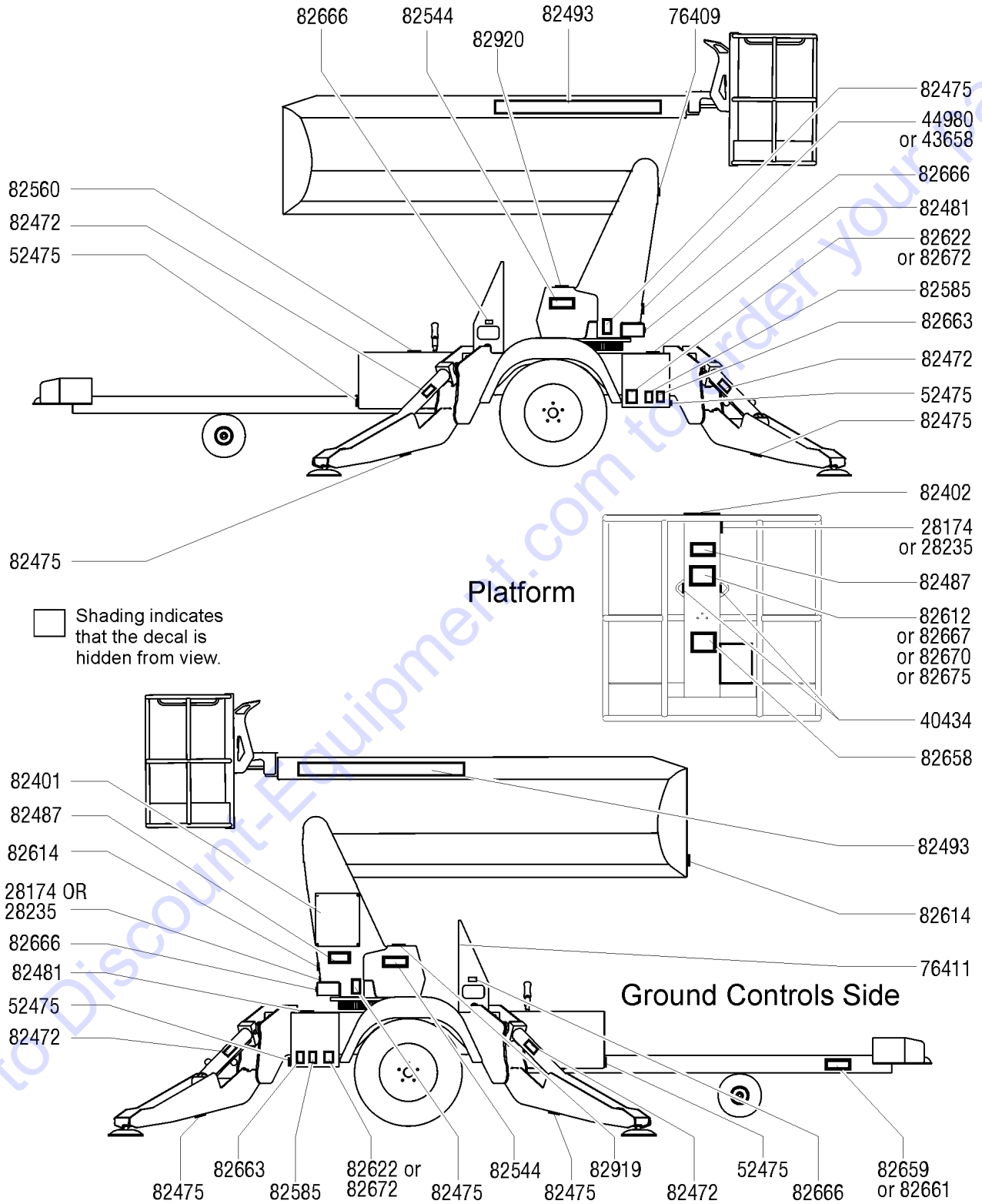
102.1 Decals with Symbols (to SN TZ3405-171)

<i>Item</i>	<i>Part No.</i>	<i>Description</i>	<i>Qty.</i>
28	82670GT	DECAL,DANGER,MAX CAP,181KG CE models	1
29	82672GT	DECAL,LABEL,TIRE PRESSURE,CE CE models	4
30	82675GT	DECAL,DANGER,MAX CAP,209KG CE models	1
31	82919GT	DECAL,LABEL,MANUAL VALVES,TZ	1
32	82920GT	DECAL,LABEL,MANUAL VALVES,TZ	1

Go to Discount-Equipment.com to order your parts



102.2 Decals with Symbols (to SN TZ3405-171)

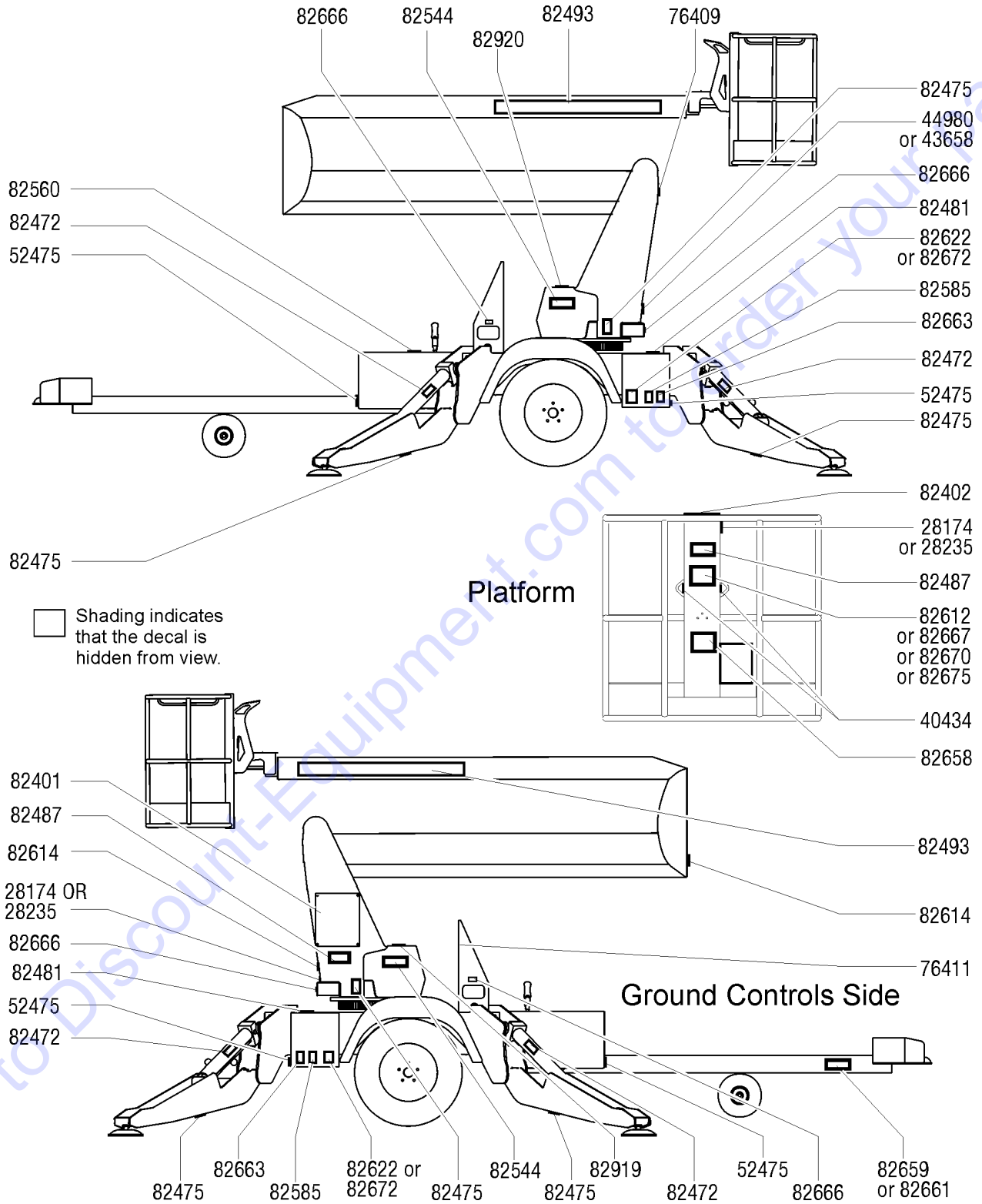


102.2 Decals with Symbols (to SN TZ3405-171)

Item	Part No.	Description	Qty.
	82683GT	DECAL KIT,TZ34/20,SYMBOLS*** includes intems 3, 6, 9-13, 15-18, 20, 25, 26, 31 and 32; from SN 146 to SN 171
	97566GT	DECAL KIT,TZ34/20,SYMBOLS includes intems 3, 6, 9-13, 15-18, 20, 25, 26, 31 and 32; from SN 146 to SN 171
1	28174GT	DECAL, POWER TO PLATFORM 230V**	2
2	28235GT	DECAL,POWER TO PLATFORM 115V	2
3	40434GT	DECAL,LANYARD ANCHORAGE POINT	2
4	43658GT	DECAL,LABEL,PWR TO CHARGR 230V	1
5	44980GT	DECAL,LABEL,PWR TO CHARGR 115V	1
6	52475GT	DECAL,LABEL,TRANSPORT TIEDOWN*	4
7	76409GT	SERIAL # LABEL, TMZ 34**	1
8	76411GT	NHTSA LABEL,TMZ 34***	1
9	82401GT	DECAL,GROUND CONTL PANEL,TZ34
9	97557GT	DECAL,GROUND CONTL PANEL,TZ34*
10	82402GT	DECAL,PLAT CNTRL PANEL,TZ34
10	97558GT	DECAL,PLAT CNTRL PANEL,TZ34***
11	82472GT	DECAL,WARNING,CRUSHING HAZARD	4
12	82475GT	DECAL,SYMBOL-FOOT CRUSHING	4
13	82481GT	DECAL,SYMBOL-BATTERY SAFETY	2
14	82493GT	DECAL,COSMETIC,TZ34/20	2
15	82487GT	DECAL,SYMBOL-READ THE MANUAL	2
16	82544GT	DECAL,DANGER,ELEC.HAZ.STAY CLR	3
17	82560GT	DECAL,SYMBOL-SKIN INJECT HAZRD	1
18	82585GT	DECAL,LABEL,OUTRIGGER LOAD	2
19	82612GT	DECAL,DANGER,MAX CAP,200KG ANSI & CSA models	1
20	82614GT	DECAL,DANGER,COLLISION HAZARD	2
21	82622GT	DECAL,LABEL,TIRE PRESSURE,ANSI ANSI and CSA models	2
22	82658GT	DECAL,DANGER,MANUAL FORCE,400N CE models	1
23	82659GT	DECAL,LABEL,PARKING BRAKE,CE CE models	1
24	82661GT	DECAL,LABEL,PARKING BRAKE,ANSI ANSI models	1



102.2 Decals with Symbols (to SN TZ3405-171)



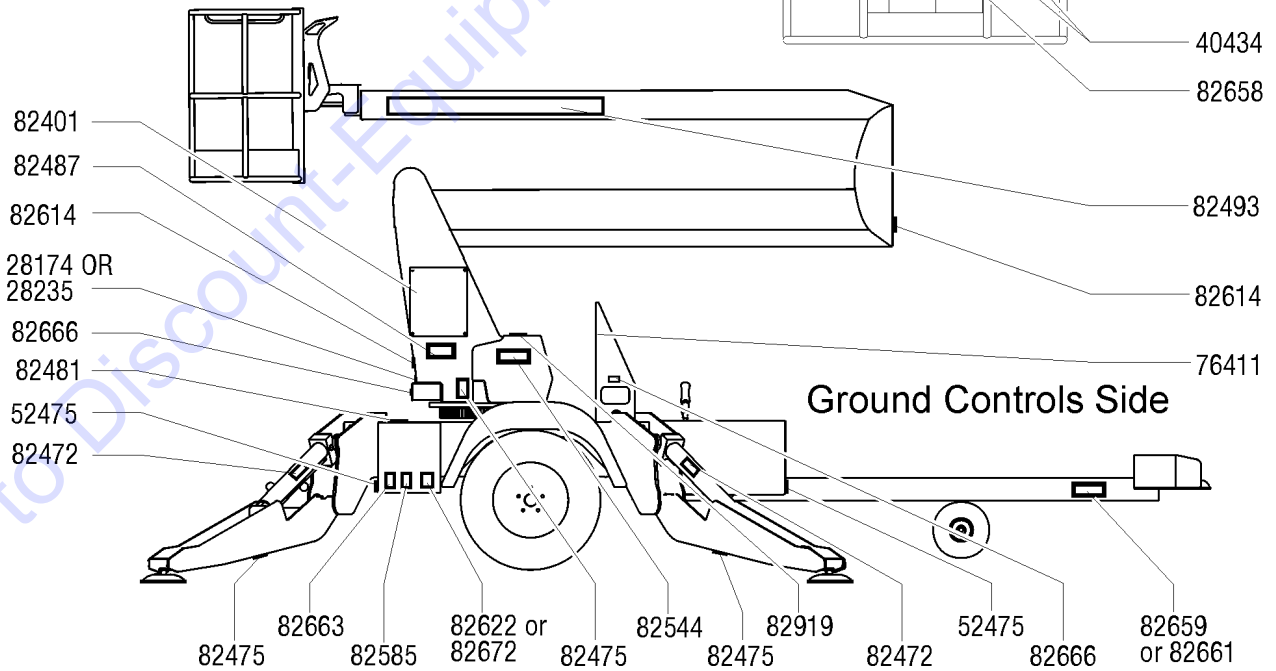
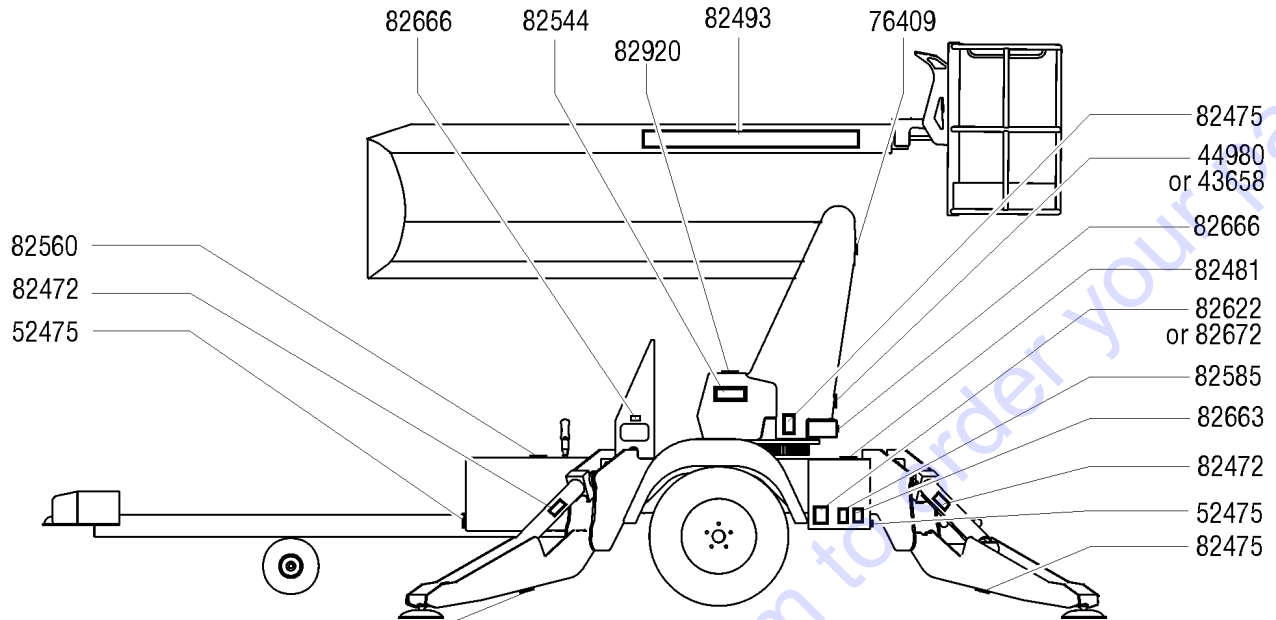
102.2 Decals with Symbols (to SN TZ3405-171)

Item	Part No.	Description	Qty.
25	82663GT	DECAL,LABEL,WHEEL LOAD	2
26	82666GT	DECAL,LABEL,FORKLIFT POCKET	4
27	82667GT	DECAL,DANGER,MAX CAP,227KG	1
		ANSI and CSA models	
28	82670GT	DECAL,DANGER,MAX CAP,181KG	1
		CE models	
29	82672GT	DECAL,LABEL,TIRE PRESSURE,CE	4
		CE models	
30	82675GT	DECAL,DANGER,MAX CAP,209KG	1
		CE models	
31	82919GT	DECAL,LABEL,MANUAL VALVES,TZ	1
32	82920GT	DECAL,LABEL,MANUAL VALVES,TZ	1

Go to Discount-Equipment.com to order your parts



102.3 Decals with Symbols (to SN TZ3405-171)

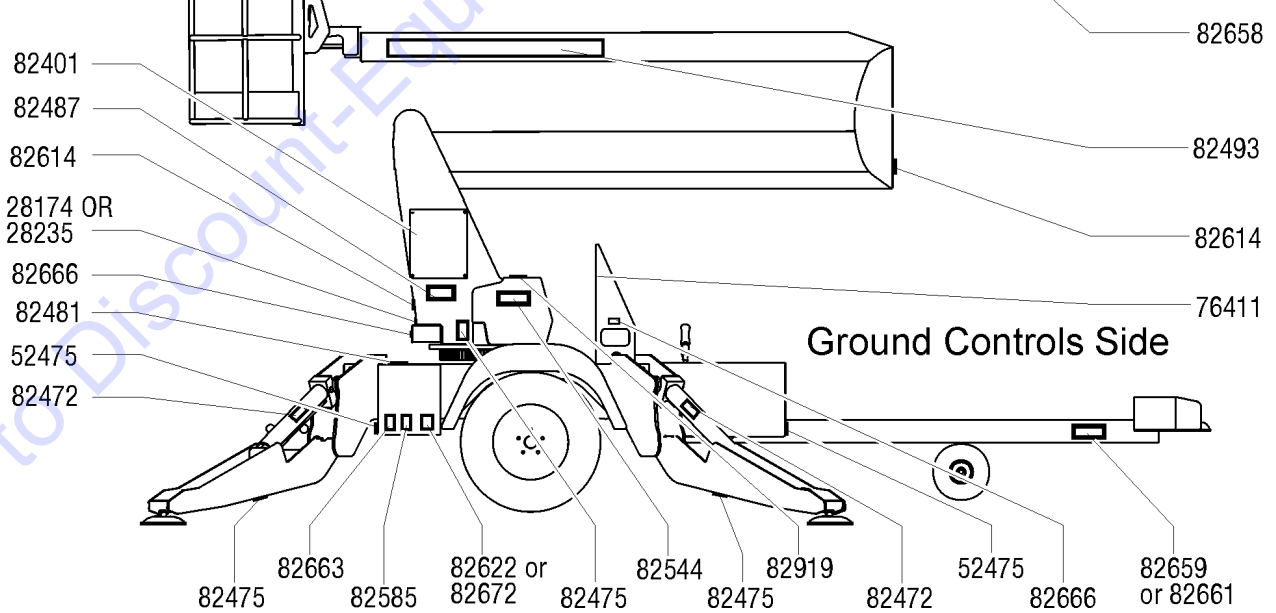
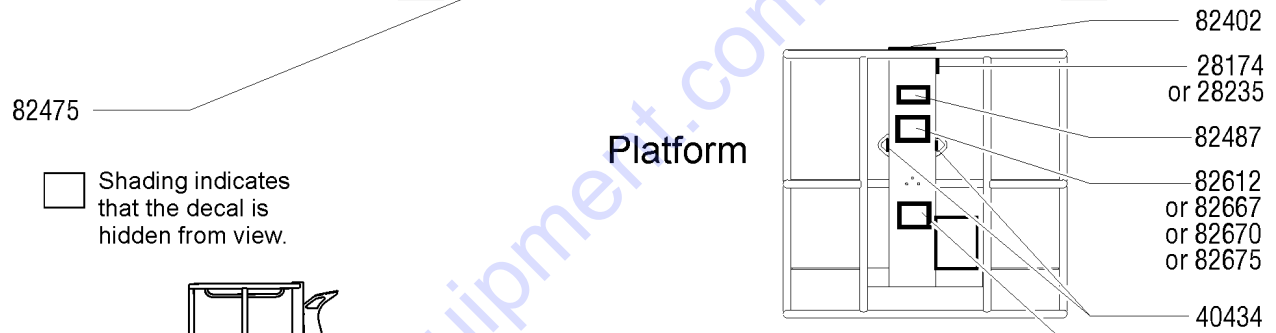
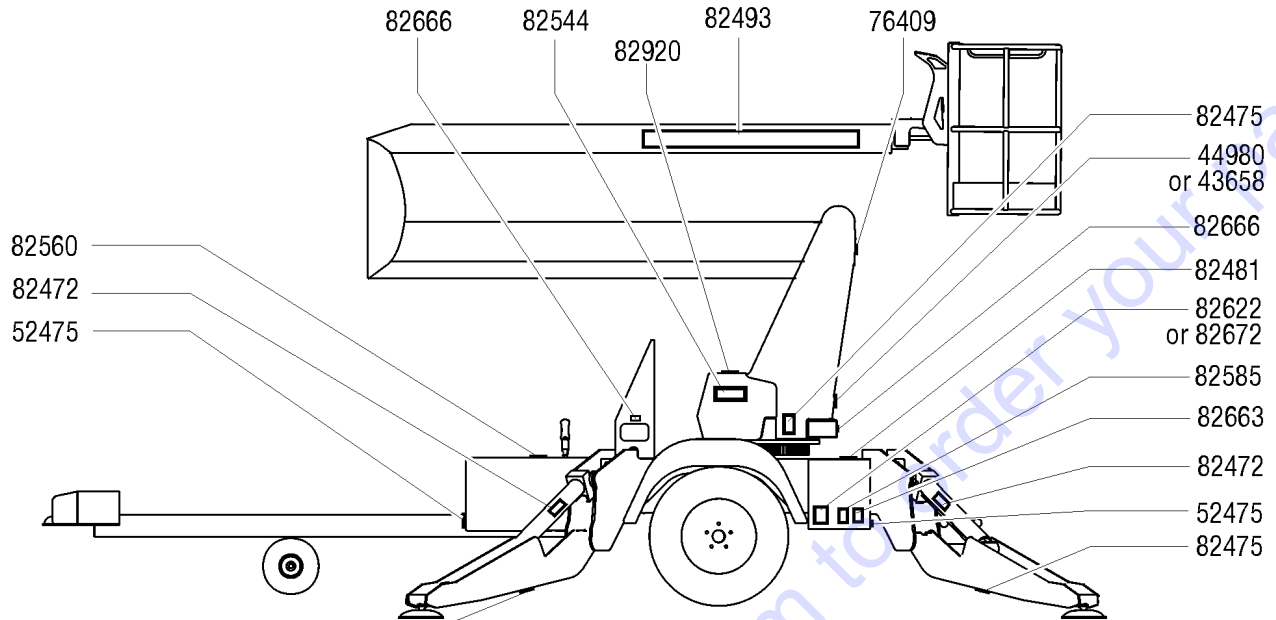


102.3 Decals with Symbols (to SN TZ3405-171)

Item	Part No.	Description	Qty.
	97566GT	DECAL KIT,TZ34/20,SYMBOLS includes items 3, 6, 9-13, 15-18, 20, 25, 26, 31 and 32	
1	28174GT	DECAL, POWER TO PLATFORM 230V**	2
2	28235GT	DECAL,POWER TO PLATFORM 115V	2
3	40434GT	DECAL,LANYARD ANCHORAGE POINT	2
4	43658GT	DECAL,LABEL,PWR TO CHARGR 230V	1
5	44980GT	DECAL,LABEL,PWR TO CHARGR 115V	1
6	52475GT	DECAL,LABEL,TRANSPORT TIEDOWN*	4
7	76409GT	SERIAL # LABEL, TMZ 34**	1
8	76411GT	NHTSA LABEL,TMZ 34***	1
9	97557GT	DECAL,GROUND CONTL PANEL,TZ34*	
10	97558GT	DECAL,PLAT CNTRL PANEL,TZ34***	
11	82472GT	DECAL,WARNING,CRUSHING HAZARD	4
12	82475GT	DECAL,SYMBOL-FOOT CRUSHING	4
13	82481GT	DECAL,SYMBOL-BATTERY SAFETY	2
14	82493GT	DECAL,COSMETIC,TZ34/20	2
15	82487GT	DECAL,SYMBOL-READ THE MANUAL	2
16	82544GT	DECAL,DANGER,ELEC.HAZ.STAY CLR	3
17	82560GT	DECAL,SYMBOL-SKIN INJECT HAZRD	1
18	82585GT	DECAL,LABEL,OUTRIGGER LOAD	2
19	82612GT	DECAL,DANGER,MAX CAP,200KG ANSI & CSA models	1
20	82614GT	DECAL,DANGER,COLLISION HAZARD	2
21	82622GT	DECAL,LABEL,TIRE PRESSURE,ANSI ANSI and CSA models	2
22	82658GT	DECAL,DANGER,MANUAL FORCE,400N CE models	1
23	82659GT	DECAL,LABEL,PARKING BRAKE,CE CE models	1
24	82661GT	DECAL,LABEL,PARKING BRAKE,ANSI ANSI models	1
25	82663GT	DECAL,LABEL,WHEEL LOAD	2
26	82666GT	DECAL,LABEL,FORKLIFT POCKET	4
27	82667GT	DECAL,DANGER,MAX CAP,227KG ANSI and CSA models	1



102.3 Decals with Symbols (to SN TZ3405-171)



☐ Shading indicates that the decal is hidden from view.

102.3 Decals with Symbols (to SN TZ3405-171)

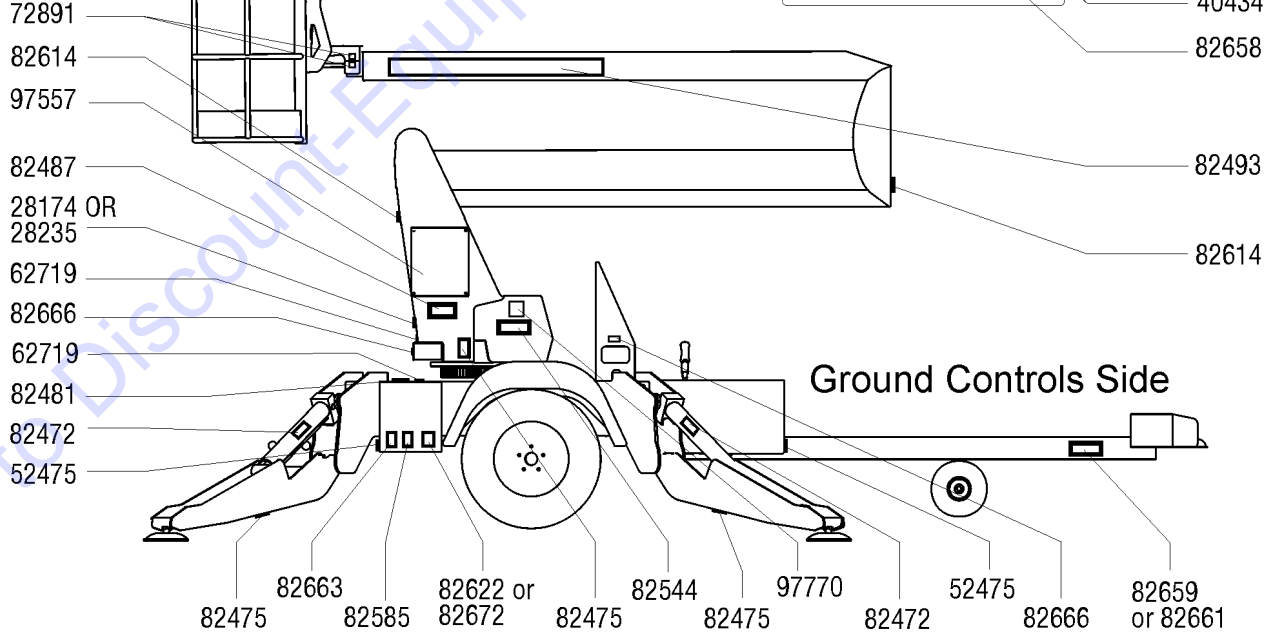
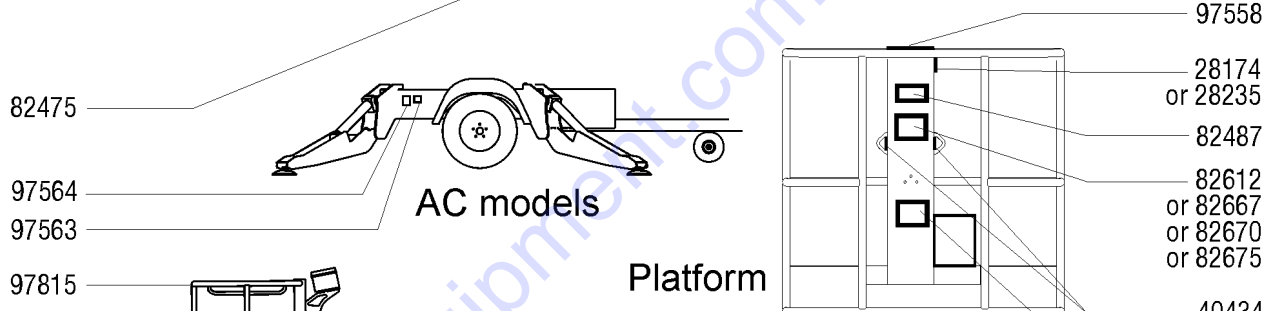
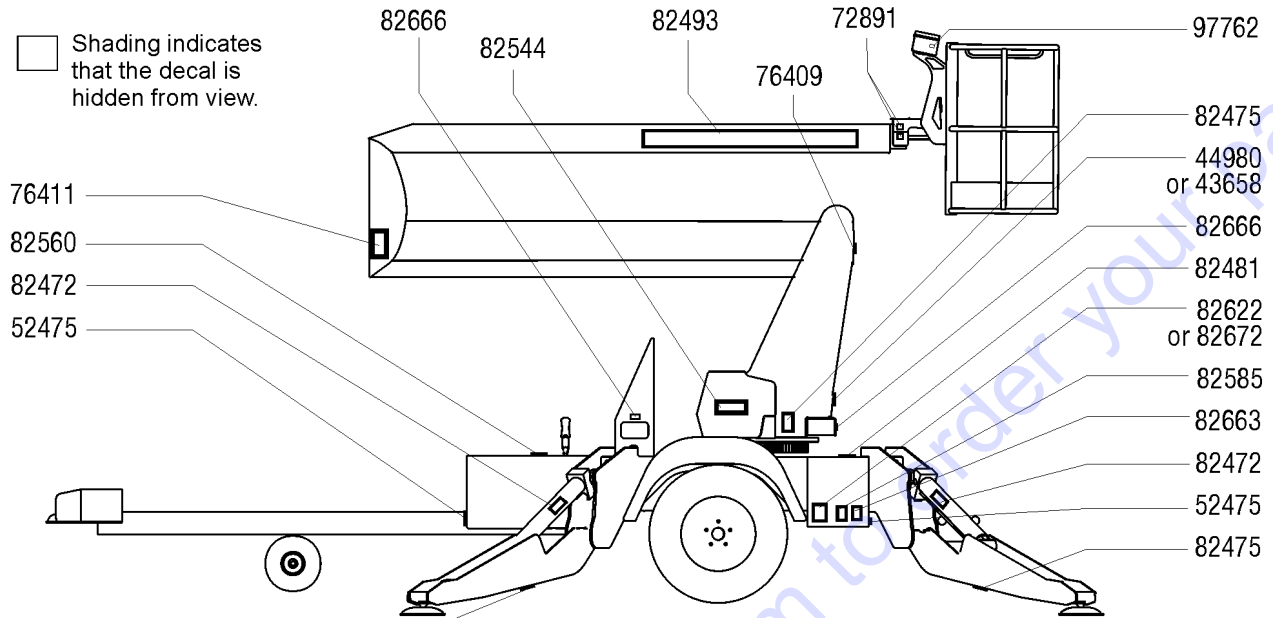
<i>Item</i>	<i>Part No.</i>	<i>Description</i>	<i>Qty.</i>
28	82670GT	DECAL,DANGER,MAX CAP,181KG CE models	1
29	82672GT	DECAL,LABEL,TIRE PRESSURE,CE CE models	4
30	82675GT	DECAL,DANGER,MAX CAP,209KG CE models	1
31	82919GT	DECAL,LABEL,MANUAL VALVES,TZ	1
32	82920GT	DECAL,LABEL,MANUAL VALVES,TZ	1

Go to Discount-Equipment.com to order your parts



102.4 Decals with Symbols (from SN TZ3405-172)

☐ Shading indicates that the decal is hidden from view.



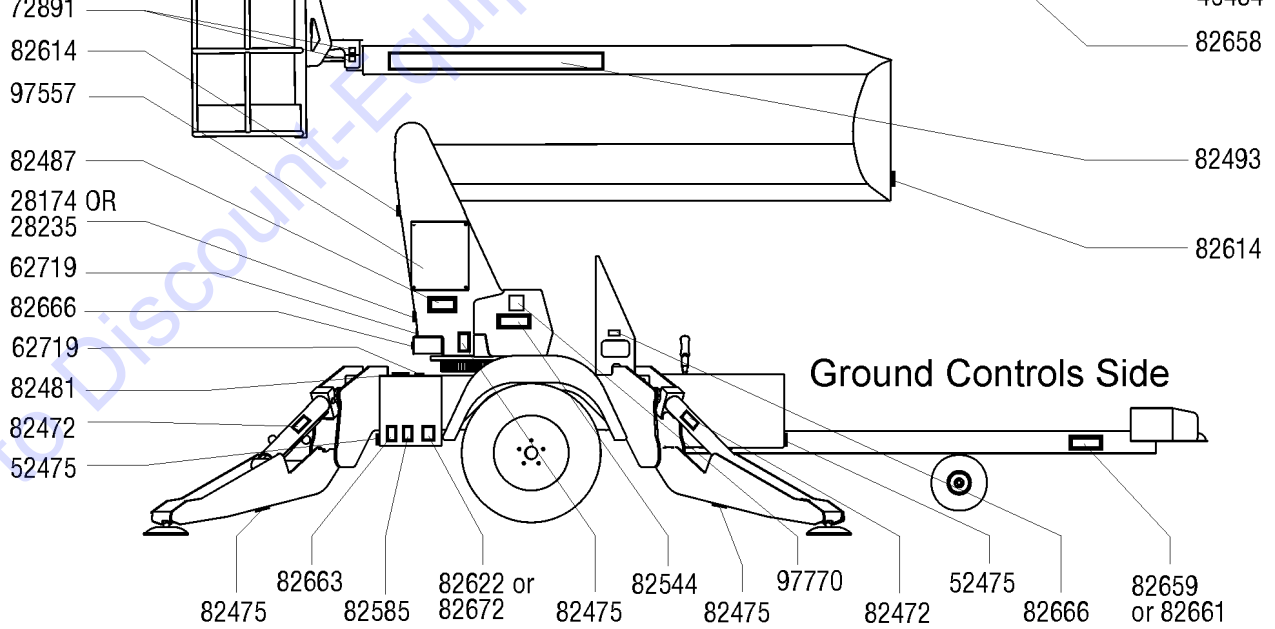
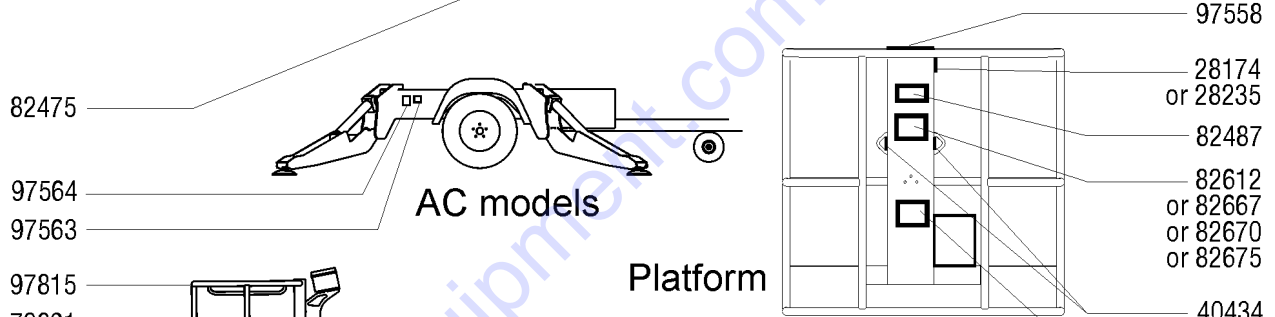
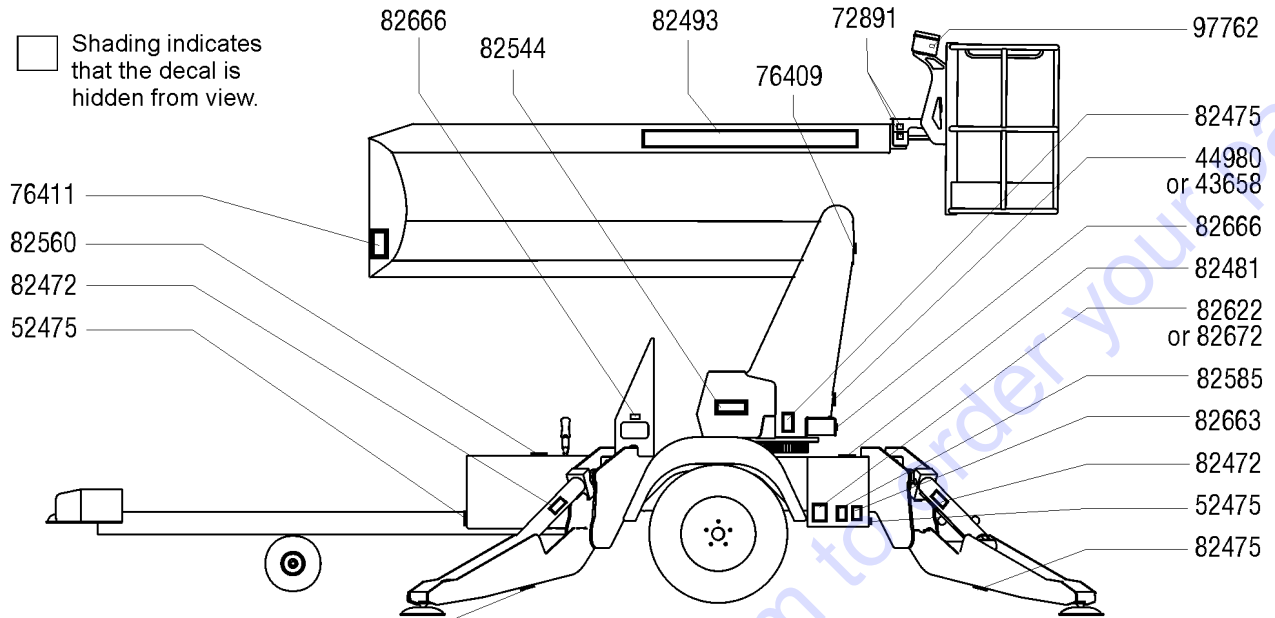
102.4 Decals with Symbols (from SN TZ3405-172)

Item	Part No.	Description	Qty.
	97809GT	DECAL KIT,TZ34/20,SYMBOLS includes items 3, 7, 12-14, 17-19, 21, 26, 27, 32, 33 and 37; from SN 172	
1	28174GT	DECAL, POWER TO PLATFORM 230V**	2
2	28235GT	DECAL,POWER TO PLATFORM 115V	2
3	40434GT	DECAL,LANYARD ANCHORAGE POINT	2
4	43658GT	DECAL,LABEL,PWR TO CHARGR 230V	1
5	44980GT	DECAL,LABEL,PWR TO CHARGR 115V	1
6	52475GT	DECAL,LABEL,TRANSPORT TIEDOWN*	4
7	62719GT	DECAL,LABEL,ARROW	2
8	72891GT	DECAL,LABEL,BLUE ARROW	4
9	76409GT	SERIAL # LABEL, TMZ 34**	1
10	76411GT	NHTSA LABEL,TMZ 34***	1
11	82472GT	DECAL,WARNING,CRUSHING HAZARD	4
12	82475GT	DECAL,SYMBOL-FOOT CRUSHING	4
13	82481GT	DECAL,SYMBOL-BATTERY SAFETY DC	2
14	82487GT	DECAL,SYMBOL-READ THE MANUAL	2
15	82493GT	DECAL,COSMETIC,TZ34/20	2
16	82544GT	DECAL,DANGER,ELEC.HAZ.STAY CLR	3
17	82560GT	DECAL,SYMBOL-SKIN INJECT HAZRD	1
18	82585GT	DECAL,LABEL,OUTRIGGER LOAD	2
19	82612GT	DECAL,DANGER,MAX CAP,200KG ANSI and CSA	1
20	82614GT	DECAL,DANGER,COLLISION HAZARD	2
21	82622GT	DECAL,LABEL,TIRE PRESSURE,ANSI ANSI and CSA models	2
22	82658GT	DECAL,DANGER,MANUAL FORCE,400N CE	1
23	82659GT	DECAL,LABEL,PARKING BRAKE,CE CE	1
24	82661GT	DECAL,LABEL,PARKING BRAKE,ANSI ANSI	1
25	82663GT	DECAL,LABEL,WHEEL LOAD	2
26	82666GT	DECAL,LABEL,FORKLIFT POCKET	4
27	82667GT	DECAL,DANGER,MAX CAP,227KG ANSI and CSA models	1



102.4 Decals with Symbols (from SN TZ3405-172)

☐ Shading indicates that the decal is hidden from view.



102.4 Decals with Symbols (from SN TZ3405-172)

Item	Part No.	Description	Qty.
28	82670GT	DECAL,DANGER,MAX CAP,181KG CE	1
29	82672GT	DECAL,LABEL,TIRE PRESSURE,CE CE	4
30	82675GT	DECAL,DANGER,MAX CAP,209KG CE	1
31	97557GT	DECAL,GROUND CONTL PANEL,TZ34*	1
32	97558GT	DECAL,PLAT CNTRL PANEL,TZ34***	1
33	97563GT	DECAL,LABEL,CIRCUIT BREAKER,AC AC Models	1
34	97564GT	DECAL,LABEL,AC POWER CORD AC Models	1
35	97762GT	DECAL, HORN SYMBOL	1
36	97770GT	DECAL,LBL,MAN VALVES,TZ,SYM	1
37	97815GT	DECAL,LABEL,LOWER MIDRAIL	1

Go to Discount-Equipment.com to order your parts



PARTS FINDER

**Search Website
by Part Number**



**Search Manual
Library For Parts
Manual & Lookup Part
Numbers – Purchase
or Request Quote**

Search Manuals

Enter your information to help us find the right parts manual for your machine.

* Brand:

* Model:

* Serial:

* Part Number:

SEARCH

**Can't Find Part or
Manual? Request Help
by Manufacturer,
Model & Description**

Parts Order Form

Please fill in the following information to help us find the right part for your machine.

MANUFACTURER:

MODEL:

DESCRIPTION:

SEARCH

Discount-Equipment.com is your online resource for quality parts & equipment.

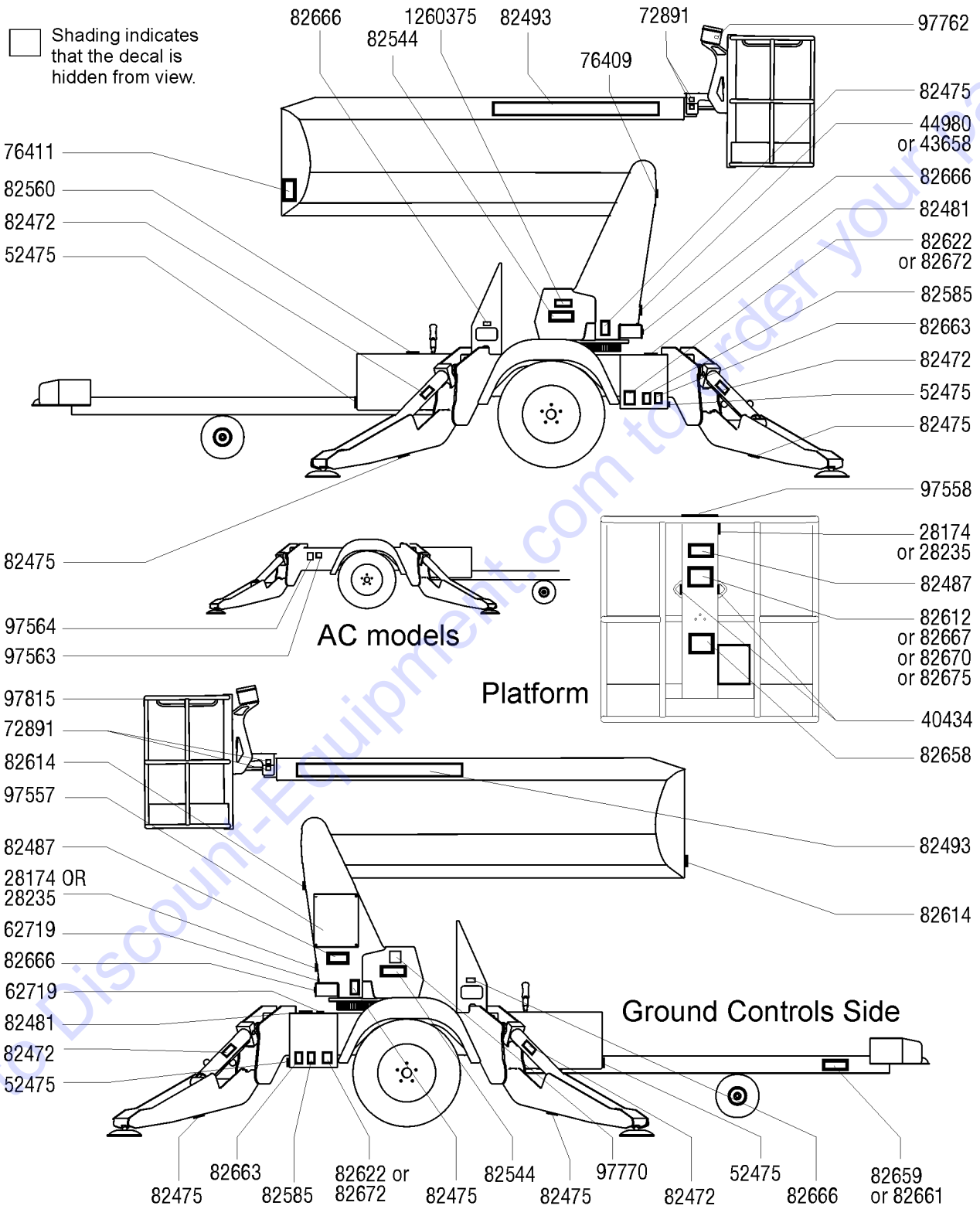
Florida: **561-964-4949** Outside Florida TOLL FREE: **877-690-3101**

Need parts?

Click on this link: <http://www.discount-equipment.com/category/5443-parts/> and choose one of the options to help get the right parts and equipment you are looking for. Please have the machine model and serial number available in order to help us get you the correct parts. If you don't find the part on the website or on one of the online manuals, please fill out the request form and one of our experienced staff members will get back to you with a quote for the right part that your machine needs.

We sell worldwide for the brands: Genie, Terex, JLG, MultiQuip, Mikasa, Essick, Whiteman, Mayco, Toro Stone, Diamond Products, Generac Magnum, Airman, Haulotte, Barreto, Power Blanket, Nifty Lift, Atlas Copco, Chicago Pneumatic, Allmand, Miller Curber, Skyjack, Lull, Skytrak, Tsurumi, Husquvarna Target, Stow, Wacker, Sakai, Mi-T-M, Sullair, Basic, Dynapac, MBW, Weber, Bartell, Bennar Newman, Haulotte, Ditch Runner, Menegotti, Morrison, Contec, Buddy, Crown, Edco, Wyco, Bomag, Laymor, EZ Trench, Bil-Jax, F.S. Curtis, Gehl Pavers, Heli, Honda, ICS/PowerGrit, IHI, Partner, Imer, Clipper, MMD, Koshin, Rice, CH&E, General Equipment, Amida, Coleman, NAC, Gradall, Square Shooter, Kent, Stanley, Tamco, Toku, Hatz, Kohler, Robin, Wisconsin, Northrock, Oztec, Toker TK, Rol-Air, APT, Wylie, Ingersoll Rand / Doosan, Innovatech, Con X, Ammann, Mecalac, Makinex, Smith Surface Prep, Small Line, Wanco, Yanmar

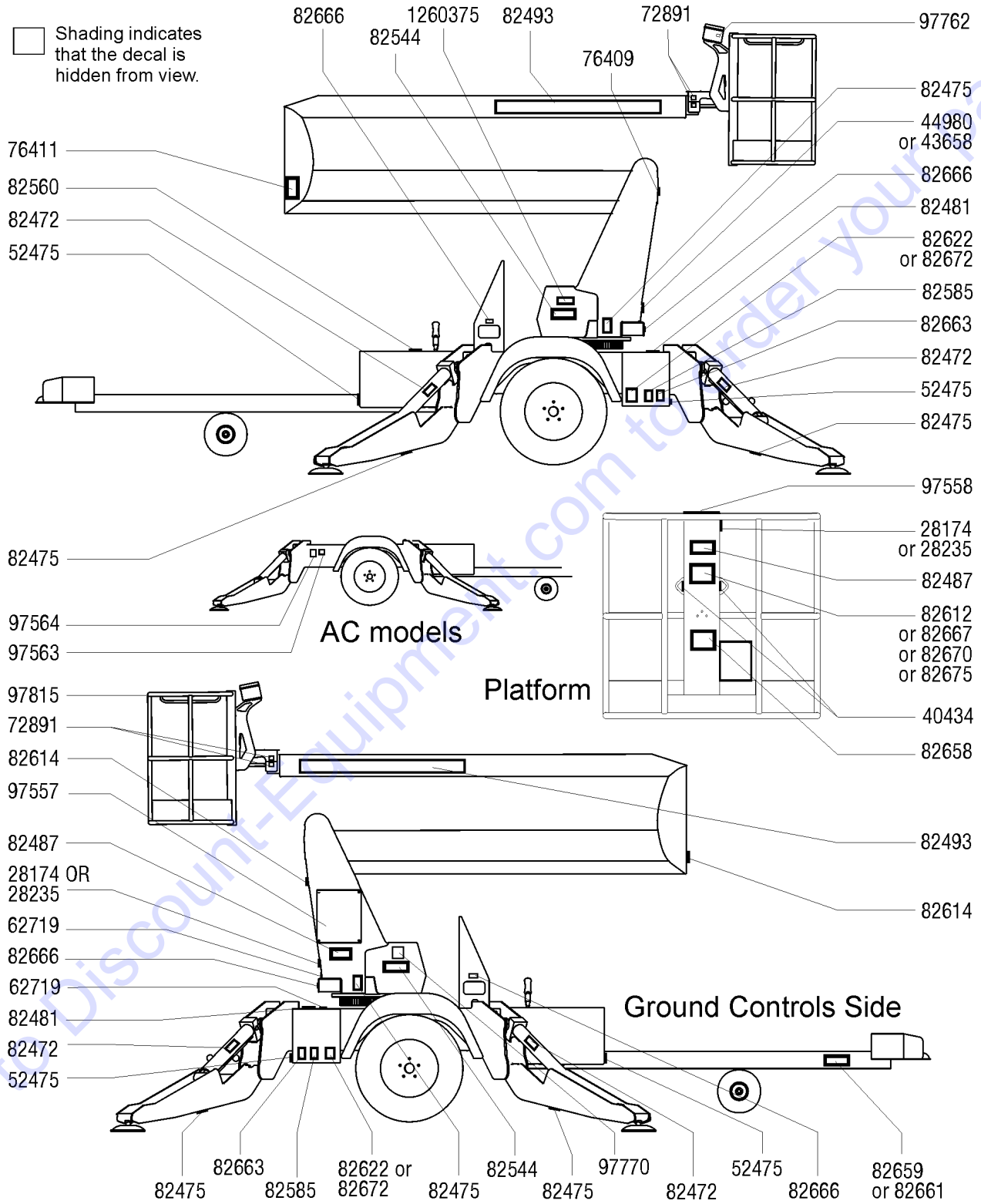
102.5 Decals with Symbols (from SN TZ3414-982)



Item	Part No.	Description	Qty.
	97809GT	DECAL KIT,TZ34/20,SYMBOLS includes items 3, 7, 12-14, 17-19, 21, 26, 27, 32, 33 and 37; from SN 172	
1	28174GT	DECAL, POWER TO PLATFORM 230V**	2
2	28235GT	DECAL,POWER TO PLATFORM 115V	2
3	40434GT	DECAL,LANYARD ANCHORAGE POINT	2
4	43658GT	DECAL,LABEL,PWR TO CHARGR 230V	1
5	44980GT	DECAL,LABEL,PWR TO CHARGR 115V	1
6	52475GT	DECAL,LABEL,TRANSPORT TIEDOWN*	4
7	62719GT	DECAL,LABEL,ARROW	2
8	72891GT	DECAL,LABEL,BLUE ARROW	4
9	76409GT	SERIAL # LABEL, TMZ 34**	1
10	76411GT	NHTSA LABEL, TMZ 34***	1
11	82472GT	DECAL,WARNING,CRUSHING HAZARD	4
12	82475GT	DECAL,SYMBOL-FOOT CRUSHING	4
13	82481GT	DECAL,SYMBOL-BATTERY SAFETY DC	2
14	82487GT	DECAL,SYMBOL-READ THE MANUAL	2
15	82493GT	DECAL,COSMETIC,TZ34/20 sold separately (not part of the kit 97809)	2
16	82544GT	DECAL,DANGER,ELEC.HAZ.STAY CLR	3
17	82560GT	DECAL,SYMBOL-SKIN INJECT HAZRD	1
18	82585GT	DECAL,LABEL,OUTRIGGER LOAD	2
19	82612GT	DECAL,DANGER,MAX CAP,200KG ANSI and CSA	1
20	82614GT	DECAL,DANGER,COLLISION HAZARD	2
21	82622GT	DECAL,LABEL,TIRE PRESSURE,ANSI ANSI and CSA models	2
22	82658GT	DECAL,DANGER,MANUAL FORCE,400N CE	1
23	82659GT	DECAL,LABEL,PARKING BRAKE,CE CE	1
24	82661GT	DECAL,LABEL,PARKING BRAKE,ANSI ANSI	1
25	82663GT	DECAL,LABEL,WHEEL LOAD	2
26	82666GT	DECAL,LABEL,FORKLIFT POCKET	4
27	82667GT	DECAL,DANGER,MAX CAP,227KG ANSI and CSA models	1

102.5 Decals with Symbols (from SN TZ3414-982)

☐ Shading indicates that the decal is hidden from view.



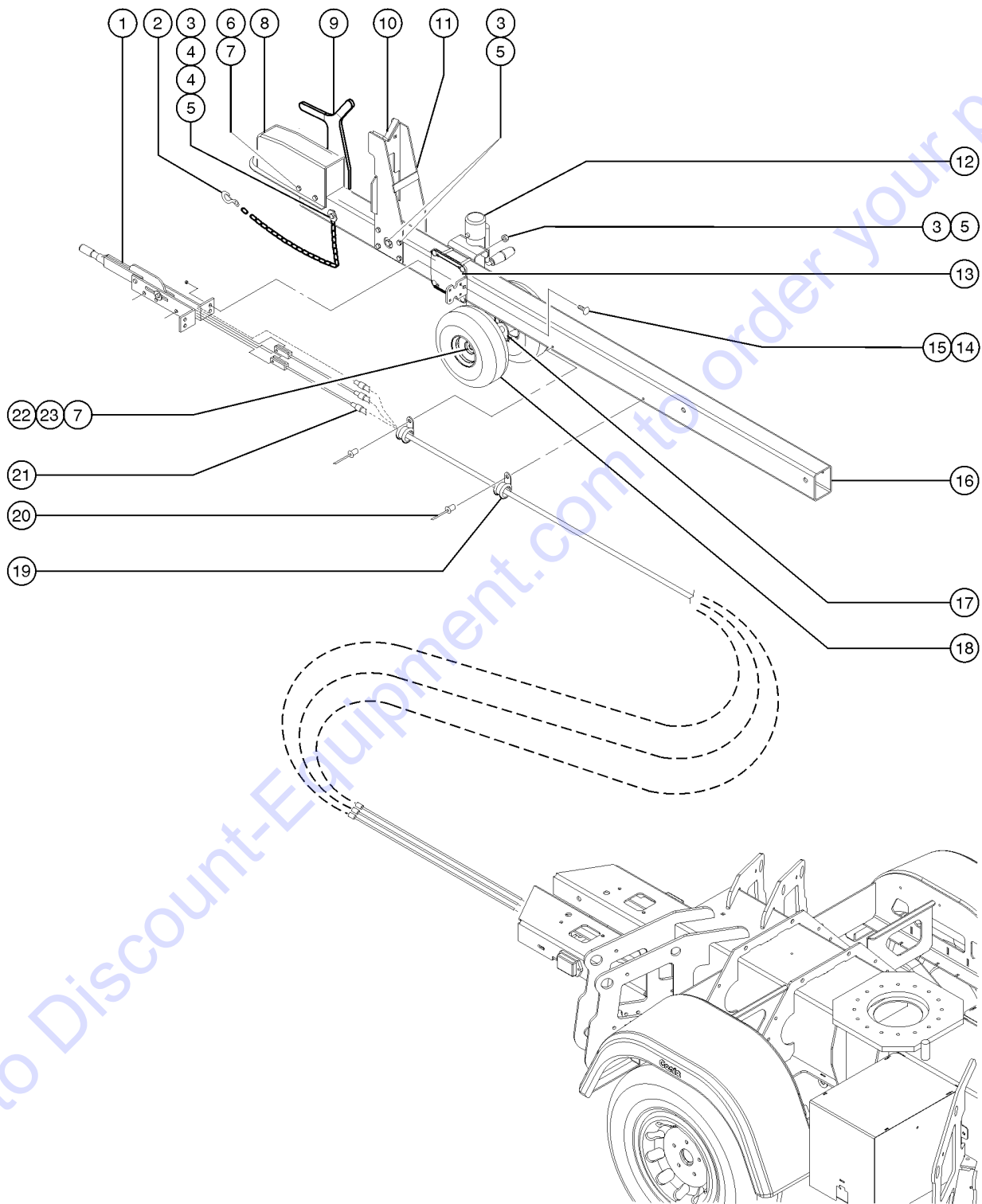
102.5 Decals with Symbols (from SN TZ3414-982)

Item	Part No.	Description	Qty.
28	82670GT	DECAL,DANGER,MAX CAP,181KG CE	1
29	82672GT	DECAL,LABEL,TIRE PRESSURE,CE CE	4
30	82675GT	DECAL,DANGER,MAX CAP,209KG CE	1
31	97557GT	DECAL,GROUND CONTL PANEL,TZ34*	1
32	97558GT	DECAL,PLAT CNTRL PANEL,TZ34***	1
33	97563GT	DECAL,LABEL,CIRCUIT BREAKER,AC AC Models	1
34	97564GT	DECAL,LABEL,AC POWER CORD AC Models	1
35	97762GT	DECAL, HORN SYMBOL	1
36	97770GT	DECAL,LBL,MAN VALVES,TZ,SYM	1
37	97815GT	DECAL,LABEL,LOWER MIDRAIL	1
38	1260375GT	DECAL,LABEL,MNL SWING,SYM,TZ	1

Go to Discount-Equipment.com to order your parts



201.1 Parking Brake Assembly - ANSI and CSA Models

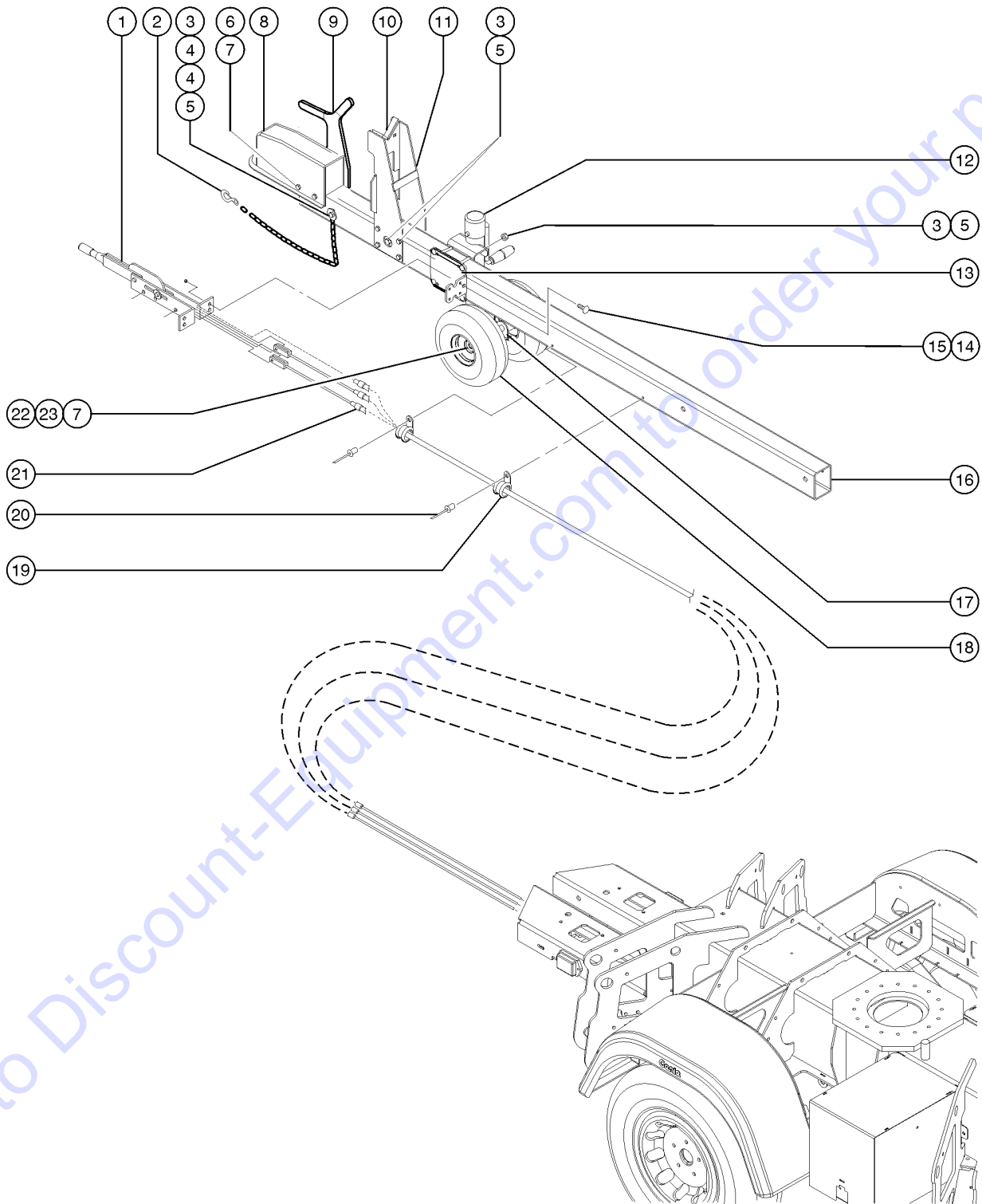


201.1 Parking Brake Assembly - ANSI and CSA Models

Item	Part No.	Description	Qty.
A-	104331GT	KIT,TZ34 MAST CRADLE,ANSI*** from SN TZ3403-101 to 161; includes items 5 and 9	
B-		Ref. Wire Harness Assembly - Trailer Lighting, Tongue End (refer to 212.1)	
C-	84441GT	TONGUE JACK ASSY,TZ34,ANSI&CSA Assembly, Tongue Jack with Pneumatic Tires (shown) (includes items 7, 12, 17, 18, 22 and 23)	
1	87474GT	PARKING BRAKE LEVER, TZ-34	1
2	162160GT	CHAIN, SAFETY, SNAP HOOK	2
3	12981GT	SCREW,HHC,3/8-16 X 4.5	
4	67722GT	WASHER,FLAT,M12 HARDENED	
5	4828GT	NUT,NYLOCK,3/8-16	
6	13854GT	SCREW,HHC,1/2-13 X 4.5,GRD.8	2
7	6198GT	NUT,NYLOCK,1/2-13	
8		Ref. Hitch Assembly (refer to 203.1 or 205.1)	
9A	67736GT	TMZ34/2000 HANDLE, TONGUE	1
9B	44733GT	HANDLE COVER,PLASTIC order separately	
10	104148GT	WEARPAD,MIDPIVOT CRADLE includes item 5	1
10-	32645GT	SCREW,HHC,3/8-16 X 5 GRD 5 ZNC	
10-	5397GT	WASHER,FLAT,USS,5/16",Y	
11	104128GT	WELDMENT,FRONT CRADLE TZ-34	1
11-	104147GT	PLATE,CRADLE SPACER	
12A	67894GT	SCREW JACK,TONGUE*** Tongue Jack (models with Dual Pneumatic Tires) (shown) (tires not included; order separately)	1
13	87780GT	FORMING,TONGUE JACK MOUNT	1
14	6878GT	BOLT,CARRIAGE,1/4-20 X .75,G2	
15	6091GT	NUT,NYLOCK,1/4-20	
16	87408PGT	TUBE,TONGUE,HYD BRAKE	1
17A	44653GT	WELDMENT,CSTR,TNGUE JACK,TMZ** for Pneumatic tongue jack	1
18	40624GT	WHEEL,PNEUM 10",3/4" HUB*** for Pnuematic tongue jack	2
18	52133GT	TIRE WITH TUBE,TMZ34***** for Pnuematic tongue jack	
19	18666GT	CLAMP,1.00,#16 X 1/4,RUB CUSH	2



201.1 Parking Brake Assembly - ANSI and CSA Models



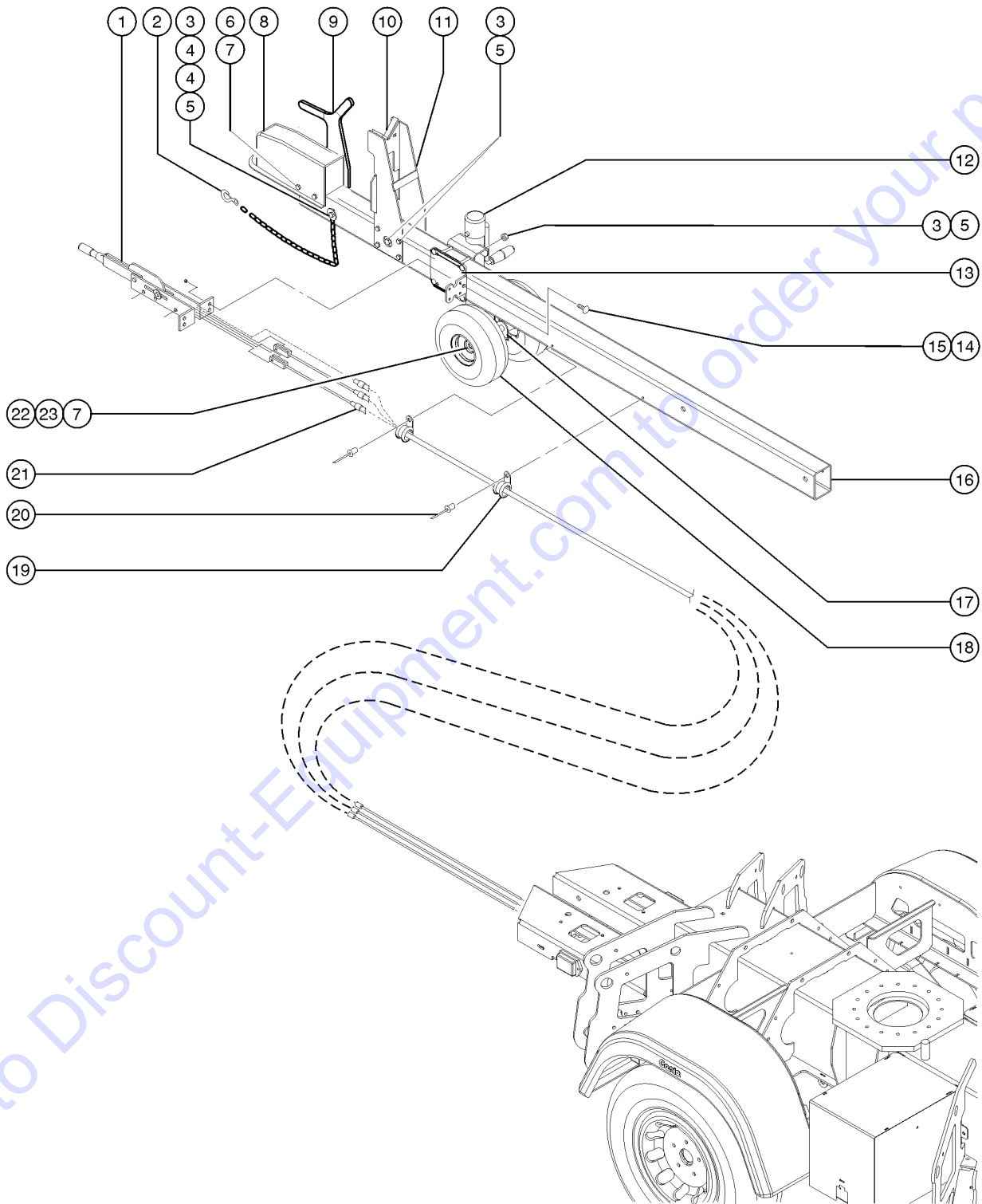
201.1 Parking Brake Assembly - ANSI and CSA Models

<i>Item</i>	<i>Part No.</i>	<i>Description</i>	<i>Qty.</i>
20	39579GT	RIVET,STL,STL,.188 X .45	
21	87475GT	CABLE,PARKING BRAKE LEFT	1
21	87763GT	CABLE,PARKING BRAKE RIGHT	
22	16977GT	SCREW,HHC,1/2-13 X 8.5	1
		for Pnuematic tongue jack	
23	6095GT	WASHER,FLAT,USS,1/2",Y	1
		for Pnuematic tongue jack	

Go to Discount-Equipment.com to order your parts



201.2 Parking Brake Assembly - ANSI and CSA Models

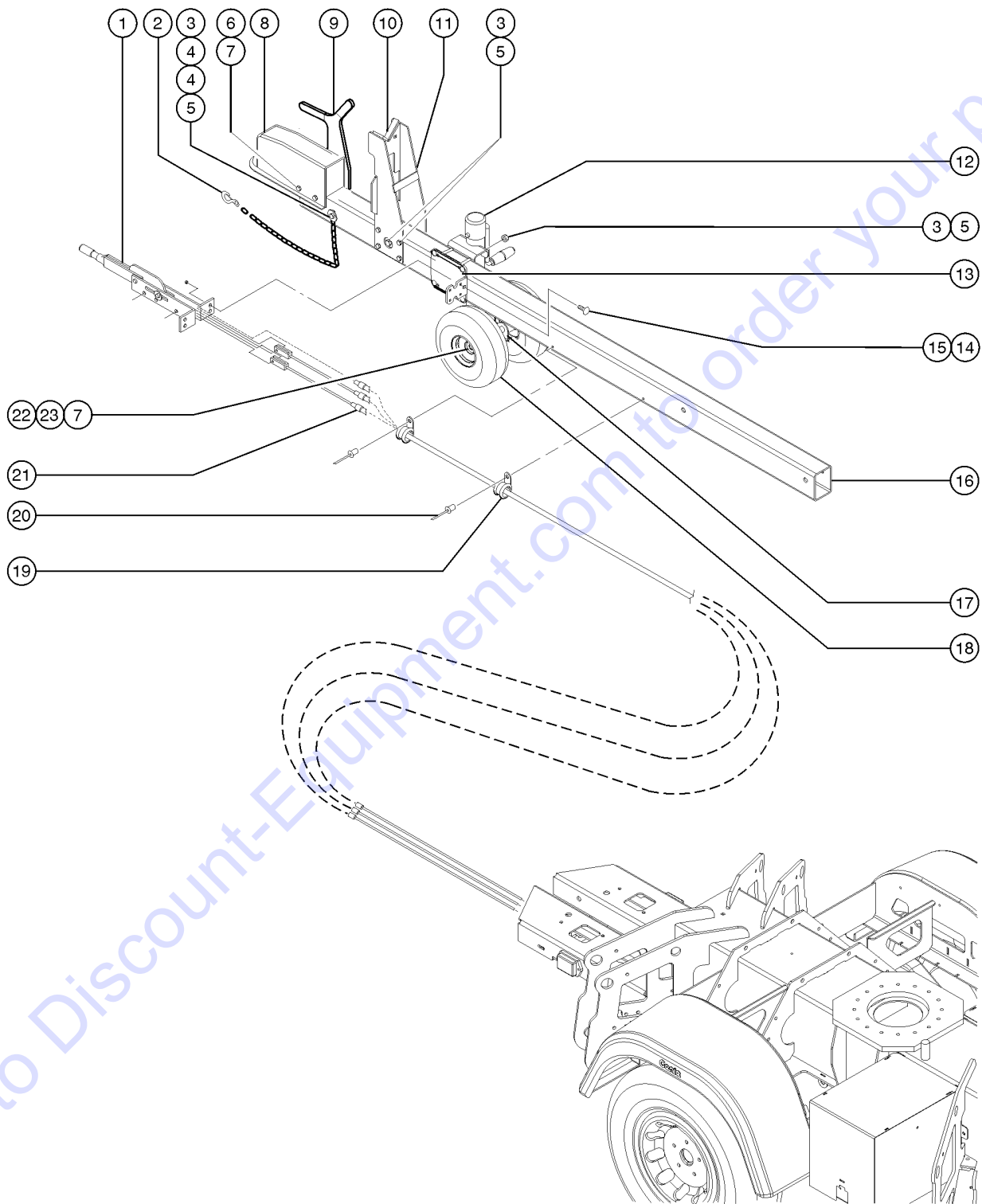


201.2 Parking Brake Assembly - ANSI and CSA Models

Item	Part No.	Description	Qty.
B-		Ref. Wire Harness Assembly - Trailer Lighting, Tongue End (refer to 212.1)	
C-	84441GT	TONGUE JACK ASSY, TZ34, ANSI&CSA Assembly, Tongue Jack with Pneumatic Tires (shown) (includes items 7, 12, 17, 18, 22 and 23)	
1	87474GT	PARKING BRAKE LEVER, TZ-34	1
2	162160GT	CHAIN, SAFETY, SNAP HOOK	2
3	12981GT	SCREW, HHC, 3/8-16 X 4.5	
4	67722GT	WASHER, FLAT, M12 HARDENED	
5	4828GT	NUT, NYLOCK, 3/8-16	
6	13854GT	SCREW, HHC, 1/2-13 X 4.5, GRD.8	2
7	6198GT	NUT, NYLOCK, 1/2-13	
8		Ref. Hitch Assembly (refer to 203.1 or 205.1)	
9A	67736GT	TMZ34/2000 HANDLE, TONGUE	1
9B	44733GT	HANDLE COVER, PLASTIC order separately	
10	104148GT	WEARPAD, MIDPIVOT CRADLE includes item 5	1
10-	32645GT	SCREW, HHC, 3/8-16 X 5 GRD 5 ZNC	
10-	5397GT	WASHER, FLAT, USS, 5/16", Y	
11	104128GT	WELDMENT, FRONT CRADLE TZ-34	1
11-	104147GT	PLATE, CRADLE SPACER	
12A	67894GT	SCREW JACK, TONGUE*** Tongue Jack (models with Dual Pneumatic Tires) (shown) (tires not included; order separately)	1
13	87780GT	FORMING, TONGUE JACK MOUNT	1
14	6878GT	BOLT, CARRIAGE, 1/4-20 X .75, G2	
15	6091GT	NUT, NYLOCK, 1/4-20	
16	87408PGT	TUBE, TONGUE, HYD BRAKE	1
17A	44653GT	WELDMENT, CSTR, TNGUE JACK, TMZ** for Pneumatic tongue jack	1
18	40624GT	WHEEL, PNEUM 10", 3/4" HUB*** for Pneumatic tongue jack	2
18	52133GT	TIRE WITH TUBE, TMZ34***** for Pneumatic tongue jack	
19	18666GT	CLAMP, 1.00, #16 X 1/4, RUB CUSH	2
20	39579GT	RIVET, STL, STL, .188 X .45	



201.2 Parking Brake Assembly - ANSI and CSA Models



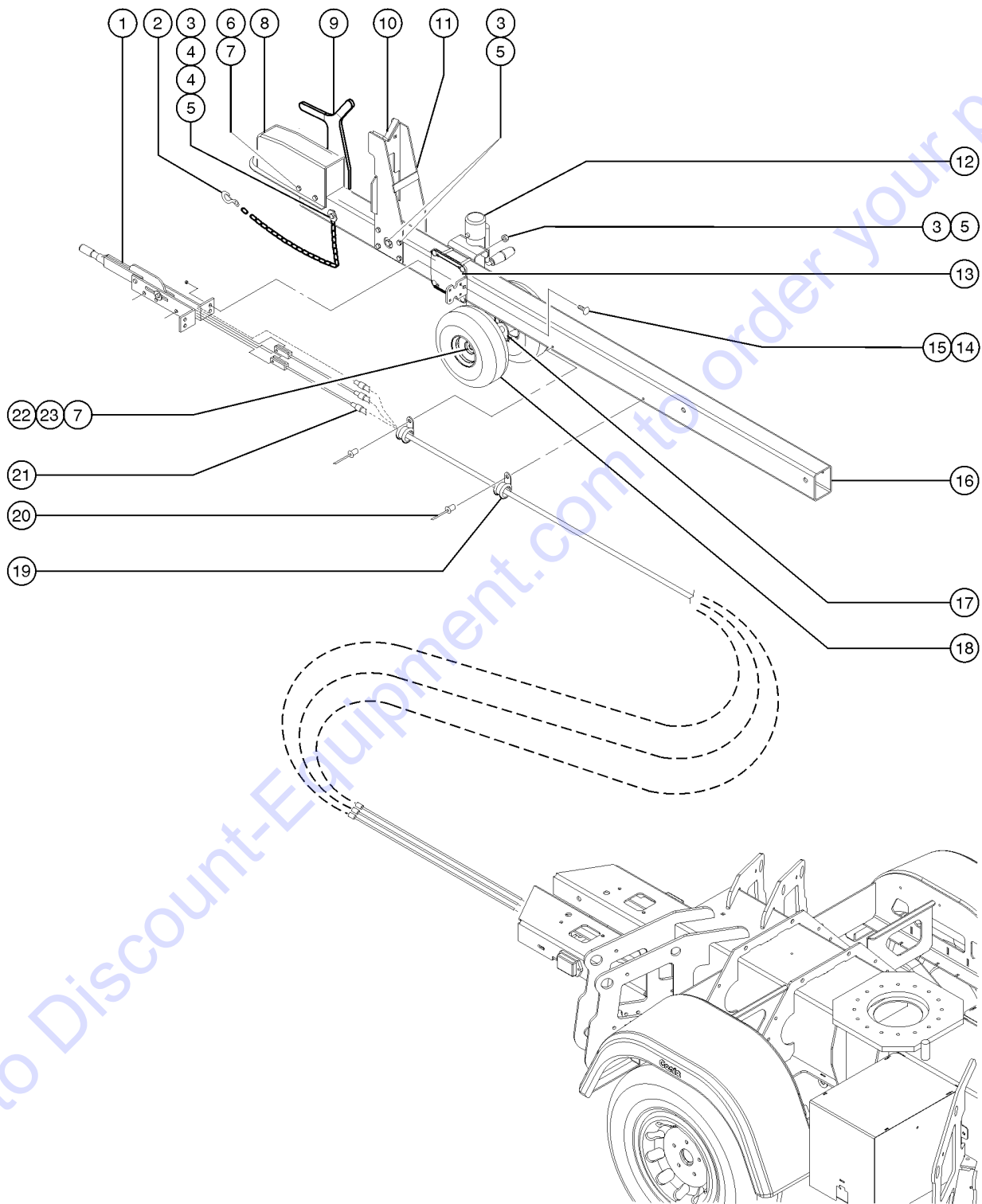
201.2 Parking Brake Assembly - ANSI and CSA Models

Item	Part No.	Description	Qty.
21	87475GT	CABLE,PARKING BRAKE LEFT	1
21	87763GT	CABLE,PARKING BRAKE RIGHT	
22	16977GT	SCREW,HHC,1/2-13 X 8.5 for Pneumatic tongue jack	1
23	6095GT	WASHER,FLAT,USS,1/2",Y for Pneumatic tongue jack	1

Go to Discount-Equipment.com to order your parts



201.3 Parking Brake Assembly - ANSI and CSA Models

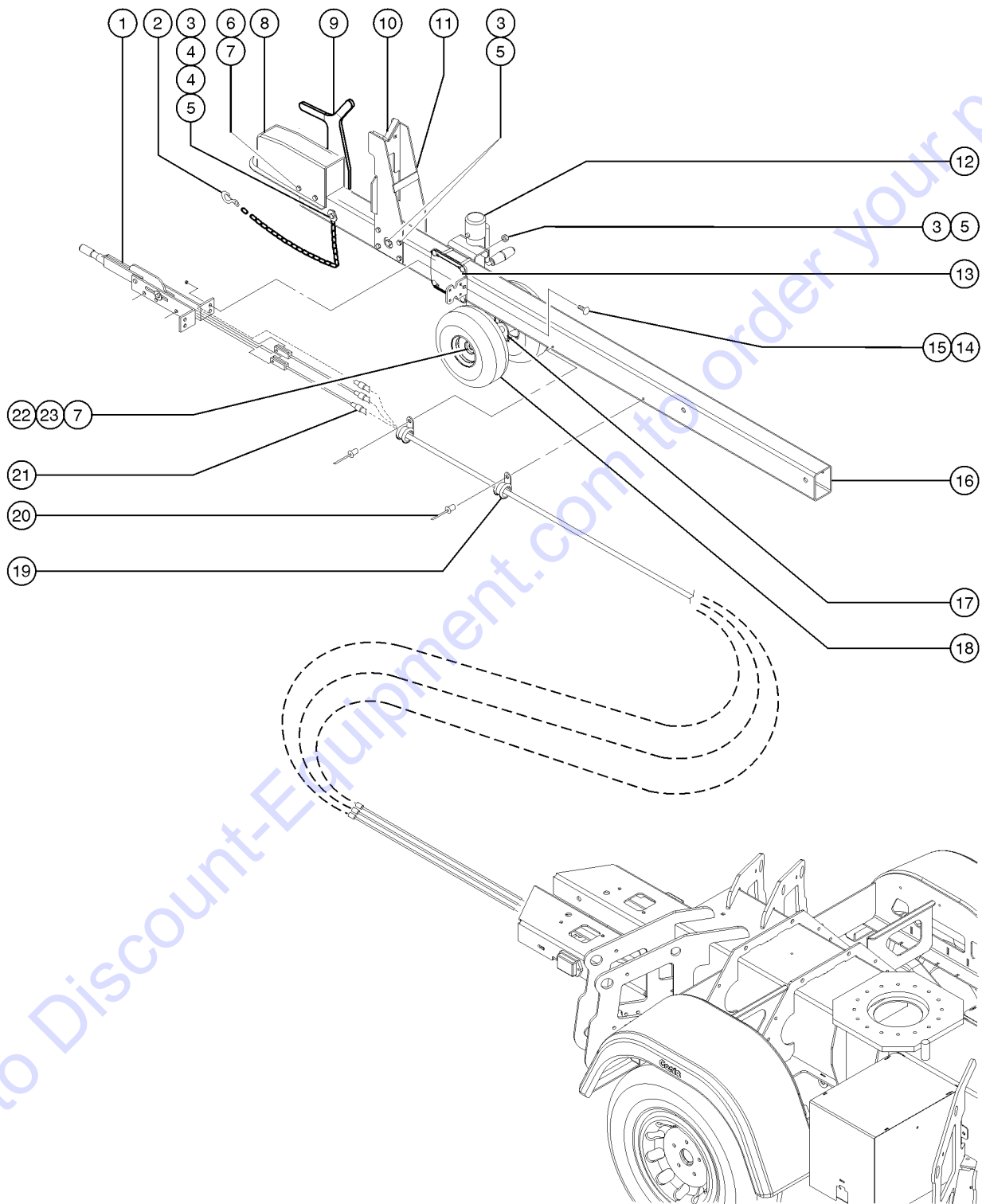


201.3 Parking Brake Assembly - ANSI and CSA Models

Item	Part No.	Description	Qty.
B-		Ref. Wire Harness Assembly - Trailer Lighting, Tongue End (refer to 212.1)	
C-	84441GT	TONGUE JACK ASSY, TZ34, ANSI&CSA Assembly, Tongue Jack with Pneumatic Tires (shown) (includes items 7, 12, 17, 18, 22 and 23)	
D-	230507GT	KIT, JACK, TZ34, ANSI Assembly, Tongue Jack with Single Solid Wheel (includes items 3, 5 and 12)	
1	87474GT	PARKING BRAKE LEVER, TZ-34	1
2	162160GT	CHAIN, SAFETY, SNAP HOOK	2
3	12981GT	SCREW, HHC, 3/8-16 X 4.5	
4	67722GT	WASHER, FLAT, M12 HARDENED	
5	4828GT	NUT, NYLOCK, 3/8-16	
6	13854GT	SCREW, HHC, 1/2-13 X 4.5, GRD.8	2
7	6198GT	NUT, NYLOCK, 1/2-13	
8		Ref. Hitch Assembly (refer to 203.1 or 205.1)	
9A	67736GT	TMZ34/2000 HANDLE, TONGUE	1
9B	44733GT	HANDLE COVER, PLASTIC order separately	
10	104148GT	WEARPAD, MIDPIVOT CRADLE includes item 5	1
10-	32645GT	SCREW, HHC, 3/8-16 X 5 GRD 5 ZNC	
10-	5397GT	WASHER, FLAT, USS, 5/16", Y	
11	104128GT	WELDMENT, FRONT CRADLE TZ-34	1
11-	104147GT	PLATE, CRADLE SPACER	
12A	67894GT	SCREW JACK, TONGUE*** Tongue Jack (models with Dual Pneumatic Tires) (shown) (tires not included; order separately)	1
12B	230375GT	SCREW JACK, TONGUE, W/WHEEL Tongue Jack (models with Single Solid Wheel assy) (wheel assy included)	
13	87780GT	FORMING, TONGUE JACK MOUNT	1
14	6878GT	BOLT, CARRIAGE, 1/4-20 X .75, G2	
15	824024GT	NUT, TL, 1/4-20, C, ZAG	
16	87408PGT	TUBE, TONGUE, HYD BRAKE	1
17A	44653GT	WELDMENT, CSTR, TNGUE JACK, TMZ** for Pneumatic tongue jack	1
18	40624GT	WHEEL, PNEUM 10", 3/4" HUB*** for Pneumatic tongue jack	2
18	52133GT	TIRE WITH TUBE, TMZ34***** for Pneumatic tongue jack	



201.3 Parking Brake Assembly - ANSI and CSA Models



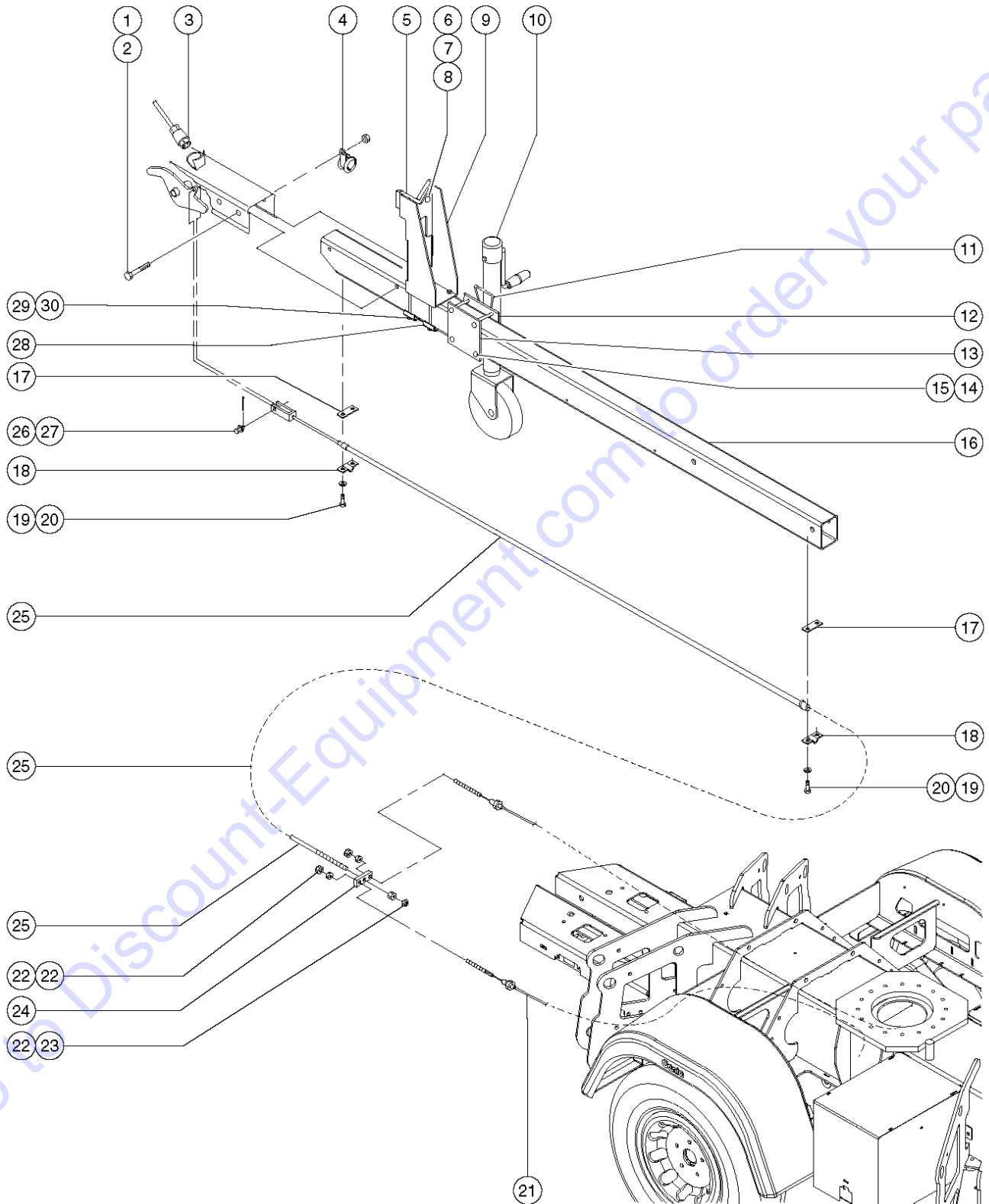
201.3 Parking Brake Assembly - ANSI and CSA Models

Item	Part No.	Description	Qty.
19	18666GT	CLAMP,1.00,#16 X 1/4,RUB CUSH	2
20	39579GT	RIVET,STL,STL,.188 X .45	
21	87475GT	CABLE,PARKING BRAKE LEFT	1
21	87763GT	CABLE,PARKING BRAKE RIGHT	
22	16977GT	SCREW,HHC,1/2-13 X 8.5 for Pneumatic tongue jack	1
23	6095GT	WASHER,FLAT,USS,1/2",Y for Pneumatic tongue jack	1

Go to Discount-Equipment.com to order your parts



202.1 Parking Brake Assembly - CE Models (to SN TZ3411-388)

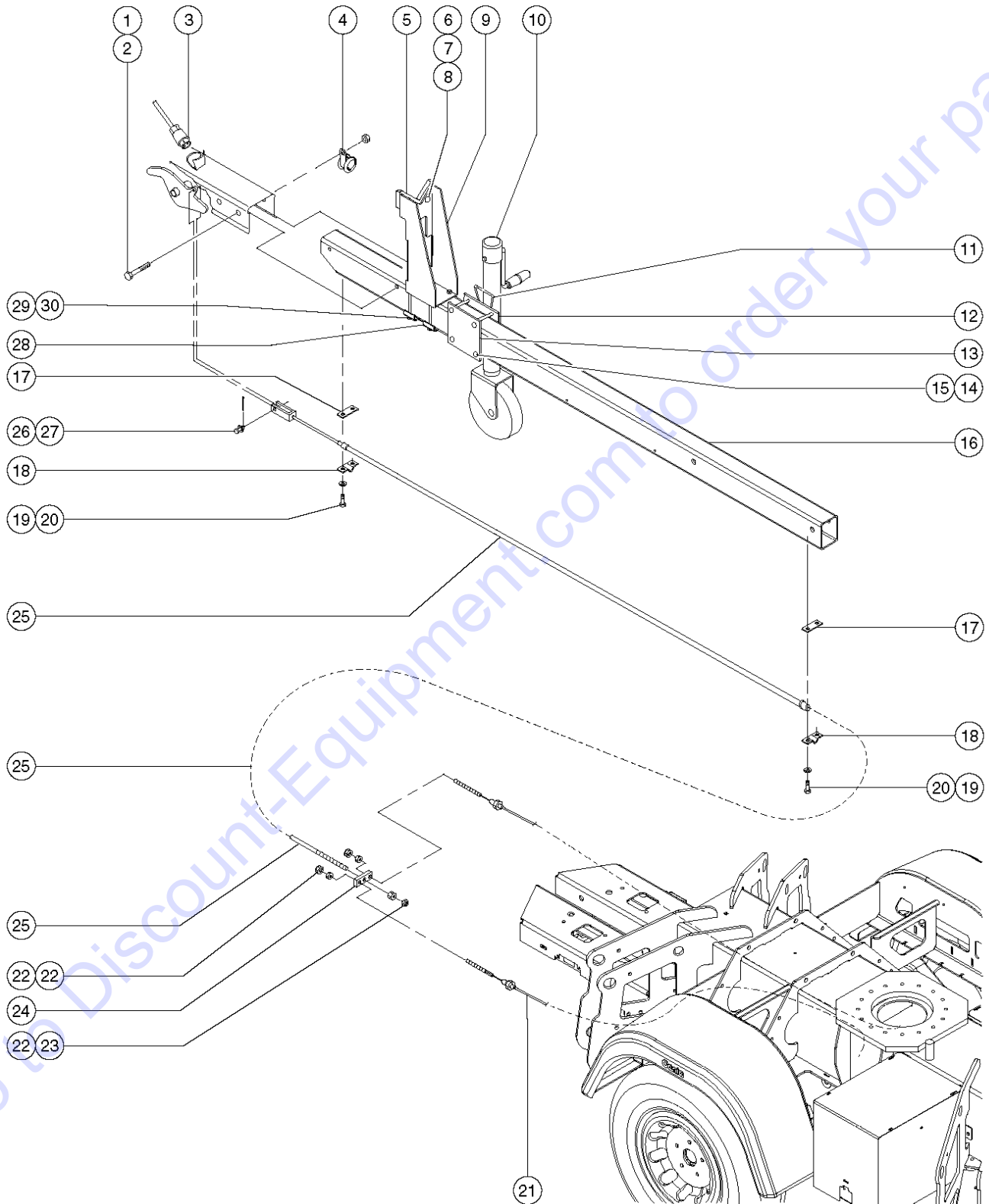


202.1 Parking Brake Assembly - CE Models (to SN TZ3411-388)

Item	Part No.	Description	Qty.
	104332GT	KIT, TZ34 MAST CRADLE, CE*** includes items 5 and 9	
1	47279GT	SCREW, HHC, 1/2-13 X 3.75	
2	6198GT	NUT, NYLOCK, 1/2-13	
3		Ref. Wire Harness Assembly - Taillight Tongue refer to 212.1	
4	67902GT	CLAMP, 0.75, #12 X 5/8, RUB CUSH	1
5	104148GT	WEARPAD, MIDPIVOT CRADLE	1
6	87564GT	BOLT, CARRIAGE, 3/8-16 X 2.00, G2	
7	6097GT	WASHER, FLAT, USS, 3/8", Y	
8	4828GT	NUT, NYLOCK, 3/8-16	
9	104239GT	WELDMENT, FRONT CRADLE, CE	1
10	99212GT	SCREW JACK, TONGUE, W/WHEEL	1
11	99246GT	PIN, LOCK, .625 W/LANYARD	1
12	99213GT	WELDMENT, JACK MOUNT	1
13	87780GT	FORMING, TONGUE JACK MOUNT	1
14	87530GT	BOLT, CARRIAGE, 3/8-16 X 4.00, G2	
15	4828GT	NUT, NYLOCK, 3/8-16	
16	87435GT	DRAWBAR, MECH BRK TZ34	1
16	99278GT	DRAWBAR, MECH BRK TZ34***	
17	52185GT	LINK SPACER, PARKING BRAKE, TMZ	2
18	52186GT	CABLE CLAMP, PARKING BRAKE, TMZ	2
19	6175GT	SCREW, HHC, 3/8-16 X 1	
20	6021GT	WASHER, LOCK, .375	
21	55109GT	BRAKE CABLE, MECH EURO, TMZ34***	2
22	22571GT	NUT, HEX, M8 X 1.25	
23	67784GT	NUT, ACORN, OPEN M8 X 1.25	
24	67755GT	PLATE, STABILIZER, EURO BRAKE	1
25	99085GT	CABLE, BRAKE, MECHANICAL	1
26	99211GT	PIN, CLEVIS, .375 X 1.00 ZINC PL	1



202.1 Parking Brake Assembly - CE Models (to SN TZ3411-388)



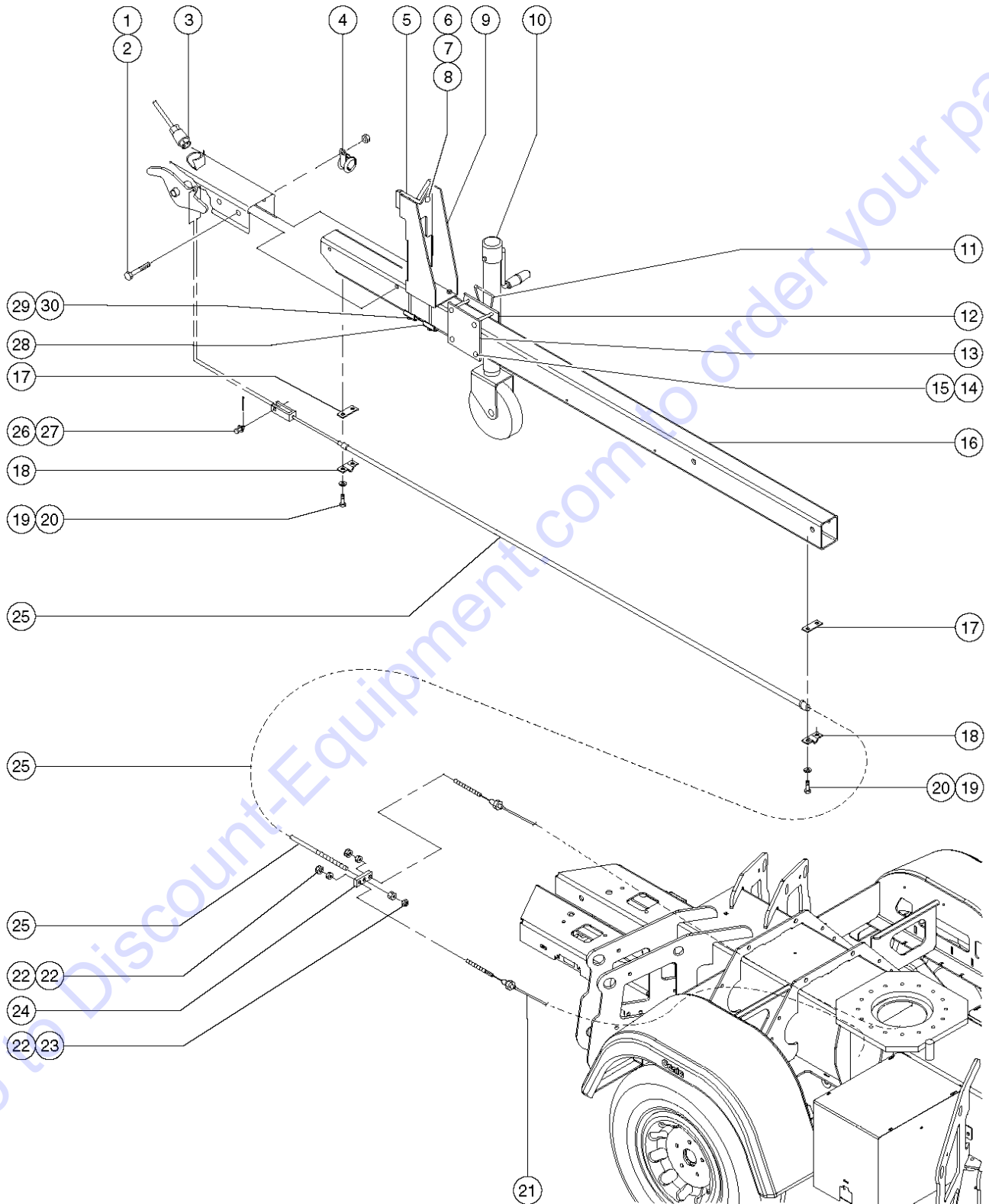
202.1 Parking Brake Assembly - CE Models (to SN TZ3411-388)

<i>Item</i>	<i>Part No.</i>	<i>Description</i>	<i>Qty.</i>
27	6094GT	PIN,COTTER,.125 X 1	1
28	104321GT	FORMING,CRADLE MOUNT,CE	1
29	73465GT	BOLT,CARRIAGE,3/8-16 X 5.50,G2	
30	4828GT	NUT,NYLOCK,3/8-16	

Go to Discount-Equipment.com to order your parts



202.2 Parking Brake Assembly - CE Models (to SN TZ3411-388)

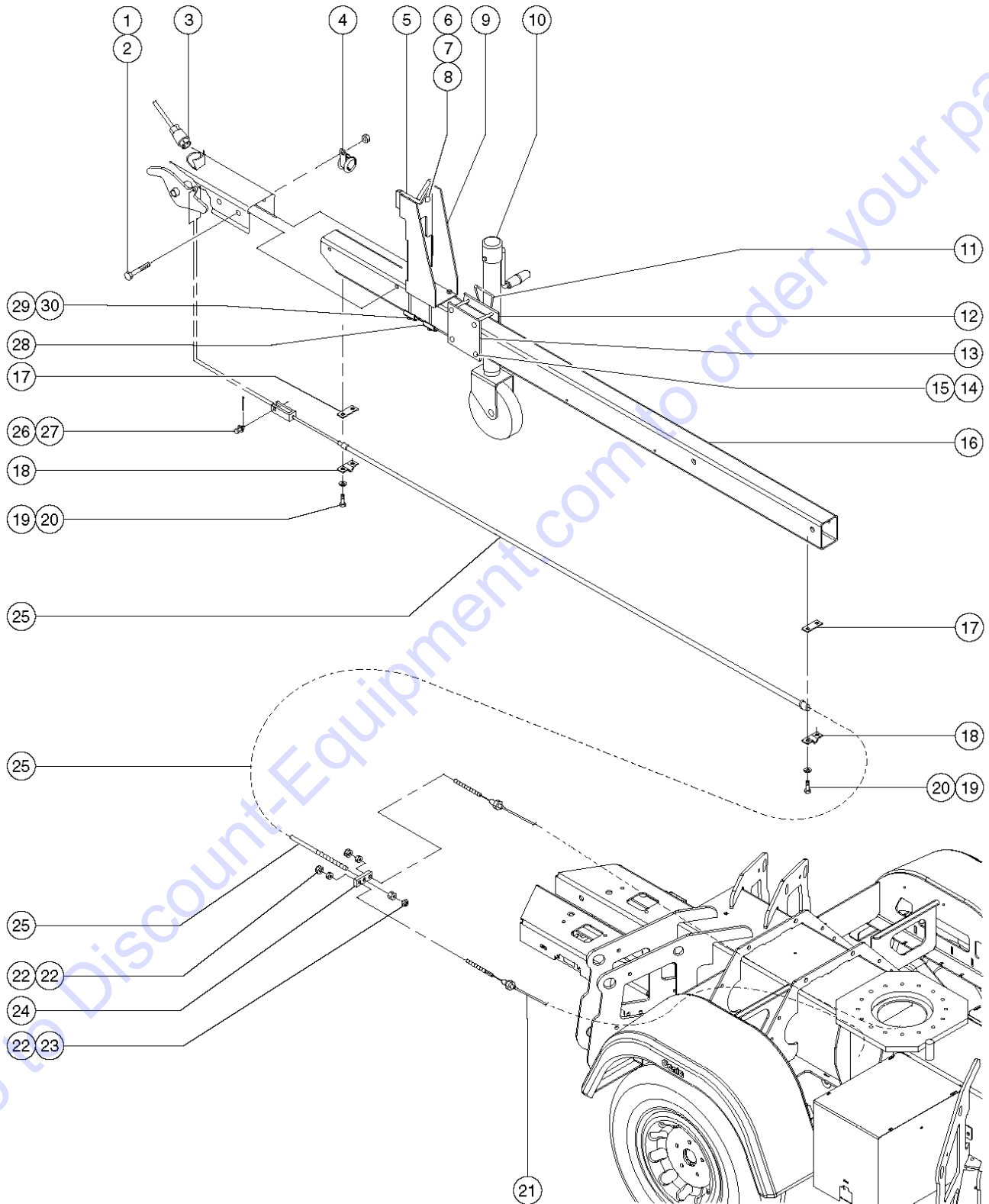


202.2 Parking Brake Assembly - CE Models (to SN TZ3411-388)

Item	Part No.	Description	Qty.
	104332GT	KIT, TZ34 MAST CRADLE, CE*** includes items 5 and 9	
1	47279GT	SCREW, HHC, 1/2-13 X 3.75	
2	6198GT	NUT, NYLOCK, 1/2-13	
3		Ref. Wire Harness Assembly - Taillight Tongue (refer to 212.1)	
4	67902GT	CLAMP, 0.75, #12 X 5/8, RUB CUSH	1
5	104148GT	WEARPAD, MIDPIVOT CRADLE	1
6	87564GT	BOLT, CARRIAGE, 3/8-16 X 2.00, G2	
7	6097GT	WASHER, FLAT, USS, 3/8", Y	
8	4828GT	NUT, NYLOCK, 3/8-16	
9	104239GT	WELDMENT, FRONT CRADLE, CE	1
10	99212GT	SCREW JACK, TONGUE, W/WHEEL	1
11	99246GT	PIN, LOCK, .625 W/LANYARD	1
12	99213GT	WELDMENT, JACK MOUNT	1
13	87780GT	FORMING, TONGUE JACK MOUNT	1
14	87530GT	BOLT, CARRIAGE, 3/8-16 X 4.00, G2	
15	4828GT	NUT, NYLOCK, 3/8-16	
16	99278GT	DRAWBAR, MECH BRK TZ34***	1
17	52185GT	LINK SPACER, PARKING BRAKE, TMZ	2
18	52186GT	CABLE CLAMP, PARKING BRAKE, TMZ	2
19	6175GT	SCREW, HHC, 3/8-16 X 1	
20	6021GT	WASHER, LOCK, .375	
21	55109GT	BRAKE CABLE, MECH EURO, TMZ34***	2
22	22571GT	NUT, HEX, M8 X 1.25	
23	67784GT	NUT, ACORN, OPEN M8 X 1.25	
24	67755GT	PLATE, STABILIZER, EURO BRAKE	1
25	99085GT	CABLE, BRAKE, MECHANICAL	1
26	99211GT	PIN, CLEVIS, .375 X 1.00 ZINC PL	1
27	6094GT	PIN, COTTER, .125 X 1	1



202.2 Parking Brake Assembly - CE Models (to SN TZ3411-388)

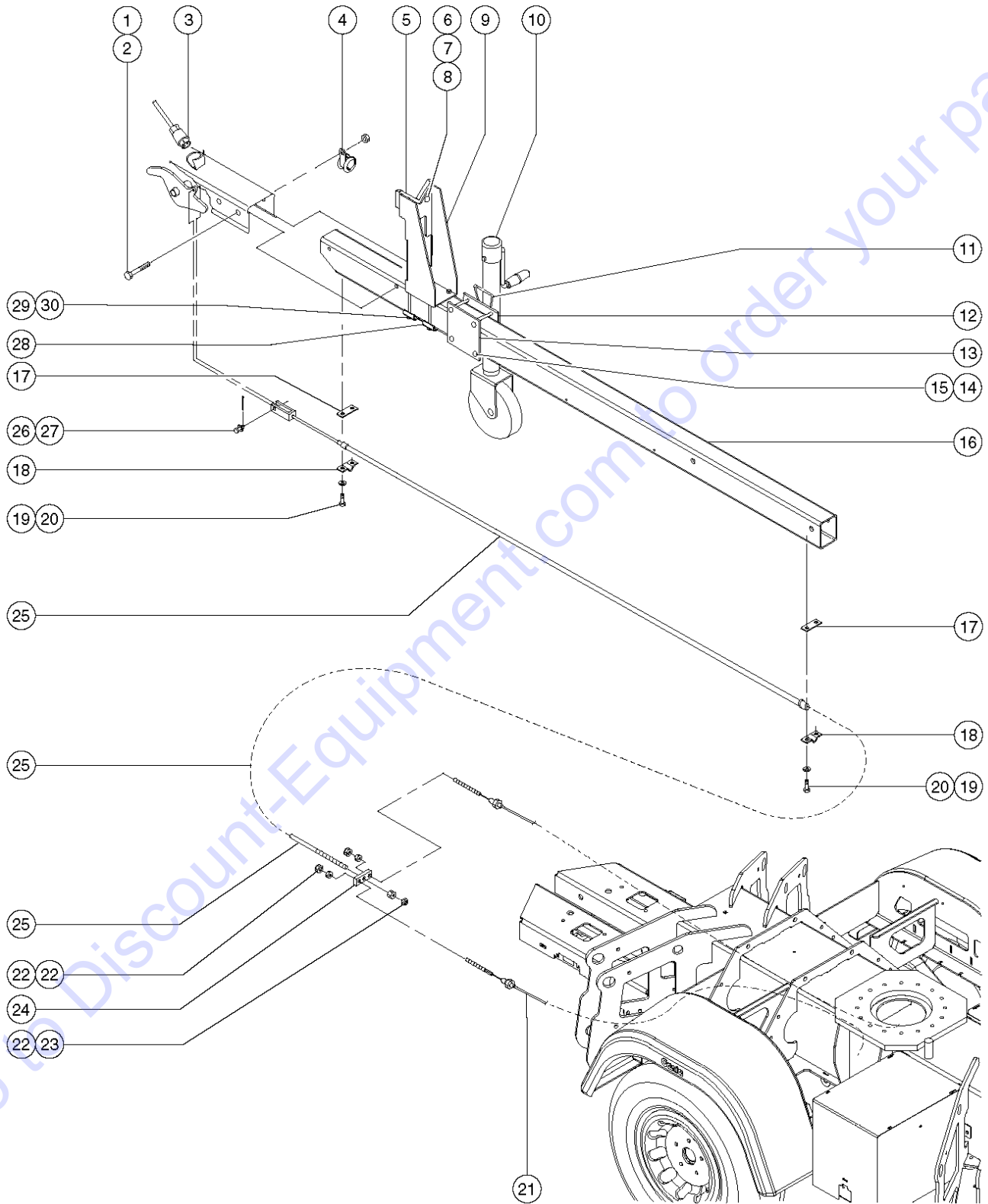


202.2 Parking Brake Assembly - CE Models (to SN TZ3411-388)

<i>Item</i>	<i>Part No.</i>	<i>Description</i>	<i>Qty.</i>
28	104321GT	FORMING,CRADLE MOUNT,CE	1
29	73465GT	BOLT,CARRIAGE,3/8-16 X 5.50,G2	
30	4828GT	NUT,NYLOCK,3/8-16	

Go to Discount-Equipment.com to order your parts

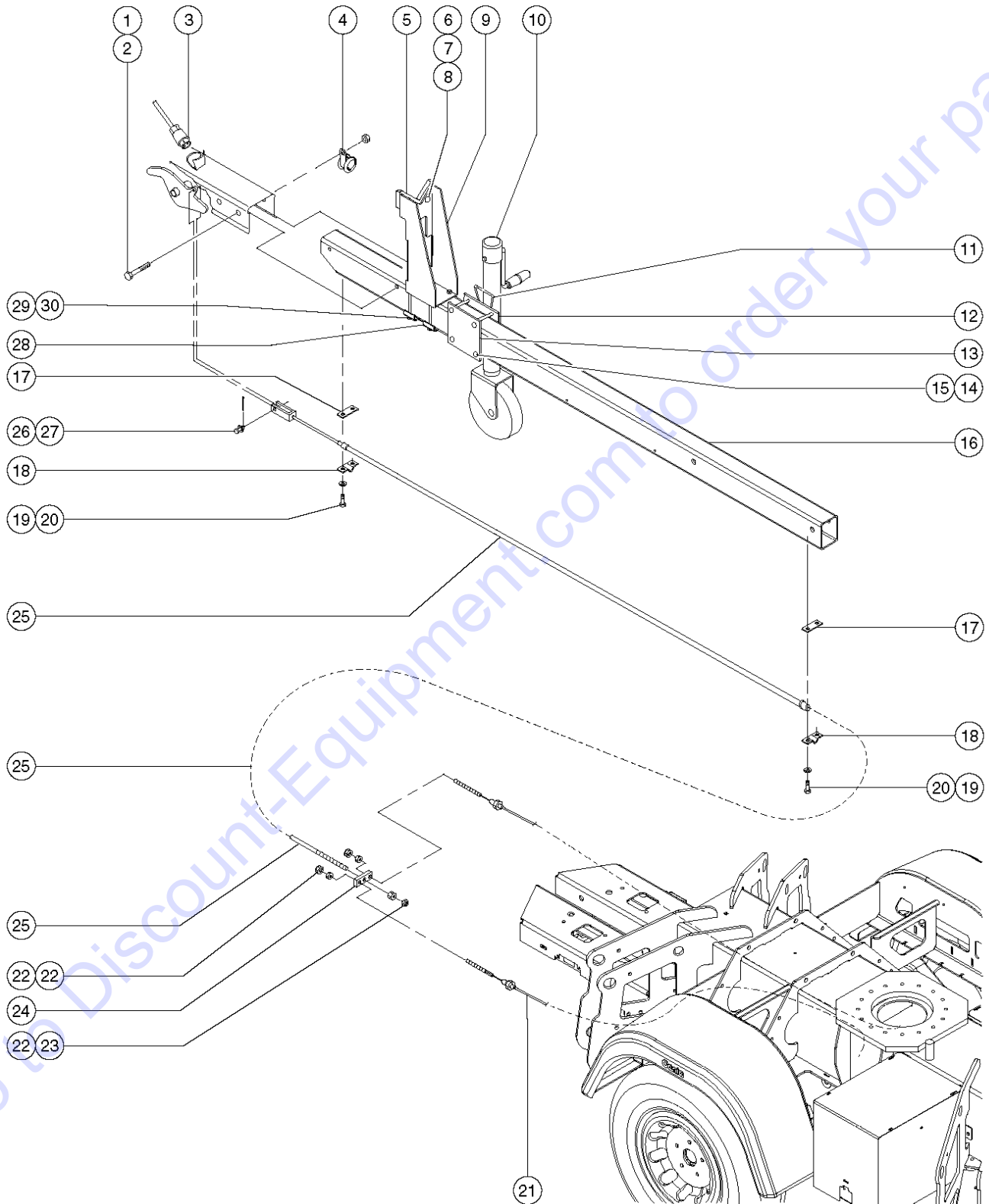
202.3 Parking Brake Assembly - CE Models (to SN TZ3411-388)



202.3 Parking Brake Assembly - CE Models (to SN TZ3411-388)

Item	Part No.	Description	Qty.
1	47279GT	SCREW,HHC,1/2-13 X 3.75	
2	6198GT	NUT,NYLOCK,1/2-13	
3		Ref. Wire Harness Assembly - Taillight Tongue	
		(refer to 212.1)	
4	67902GT	CLAMP,0.75,#12 X 5/8,RUB CUSH	1
5	104148GT	WEARPAD,MIDPIVOT CRADLE	1
6	87564GT	BOLT,CARRIAGE,3/8-16 X 2.00,G2	
7	6097GT	WASHER,FLAT,USS,3/8",Y	
8	4828GT	NUT,NYLOCK,3/8-16	
9	104239GT	WELDMENT,FRONT CRADLE,CE	1
10	99212GT	SCREW JACK,TONGUE,W/WHEEL	1
11	99246GT	PIN,LOCK,.625 W/LANYARD	1
12	99213GT	WELDMENT,JACK MOUNT	1
13	87780GT	FORMING,TONGUE JACK MOUNT	1
14	87530GT	BOLT,CARRIAGE,3/8-16 X 4.00,G2	
15	4828GT	NUT,NYLOCK,3/8-16	
16	99278GT	DRAWBAR,MECH BRK TZ34***	
17	52185GT	LINK SPACER, PARKING BRAKE, TMZ	2
16	99278GT	DRAWBAR,MECH BRK TZ34***	
18	52186GT	CABLE CLAMP,PARKING BRAKE, TMZ	2
19	6175GT	SCREW,HHC,3/8-16 X 1	
20	6021GT	WASHER,LOCK,.375	
21	55109GT	BRAKE CABLE,MECH EURO,TMZ34***	2
22	22571GT	NUT,HEX,M8 X 1.25	
23	67784GT	NUT,ACORN,OPEN M8 X 1.25	
24	67755GT	PLATE, STABILIZER, EURO BRAKE	1
25	99085GT	CABLE,BRAKE,MECHANICAL	1
26	99211GT	PIN,CLEVIS,.375 X 1.00 ZINC PL	1
27	6094GT	PIN,COTTER,.125 X 1	1

202.3 Parking Brake Assembly - CE Models (to SN TZ3411-388)



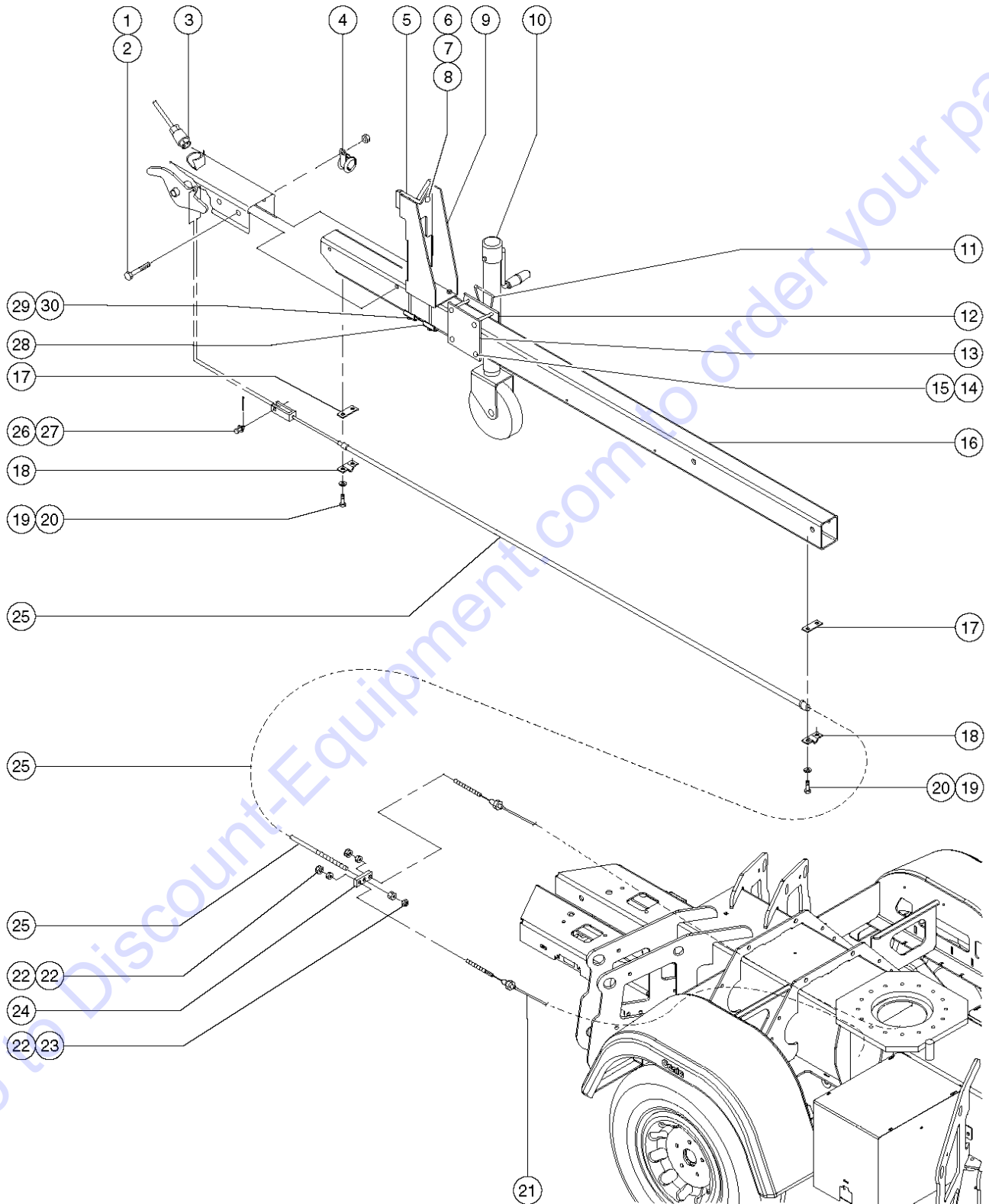
202.3 Parking Brake Assembly - CE Models (to SN TZ3411-388)

<i>Item</i>	<i>Part No.</i>	<i>Description</i>	<i>Qty.</i>
28	104321GT	FORMING,CRADLE MOUNT,CE	1
29	73465GT	BOLT,CARRIAGE,3/8-16 X 5.50,G2	
30	4828GT	NUT,NYLOCK,3/8-16	

Go to Discount-Equipment.com to order your parts



202.4 Parking Brake Assembly - CE Models (to SN TZ3411-388)

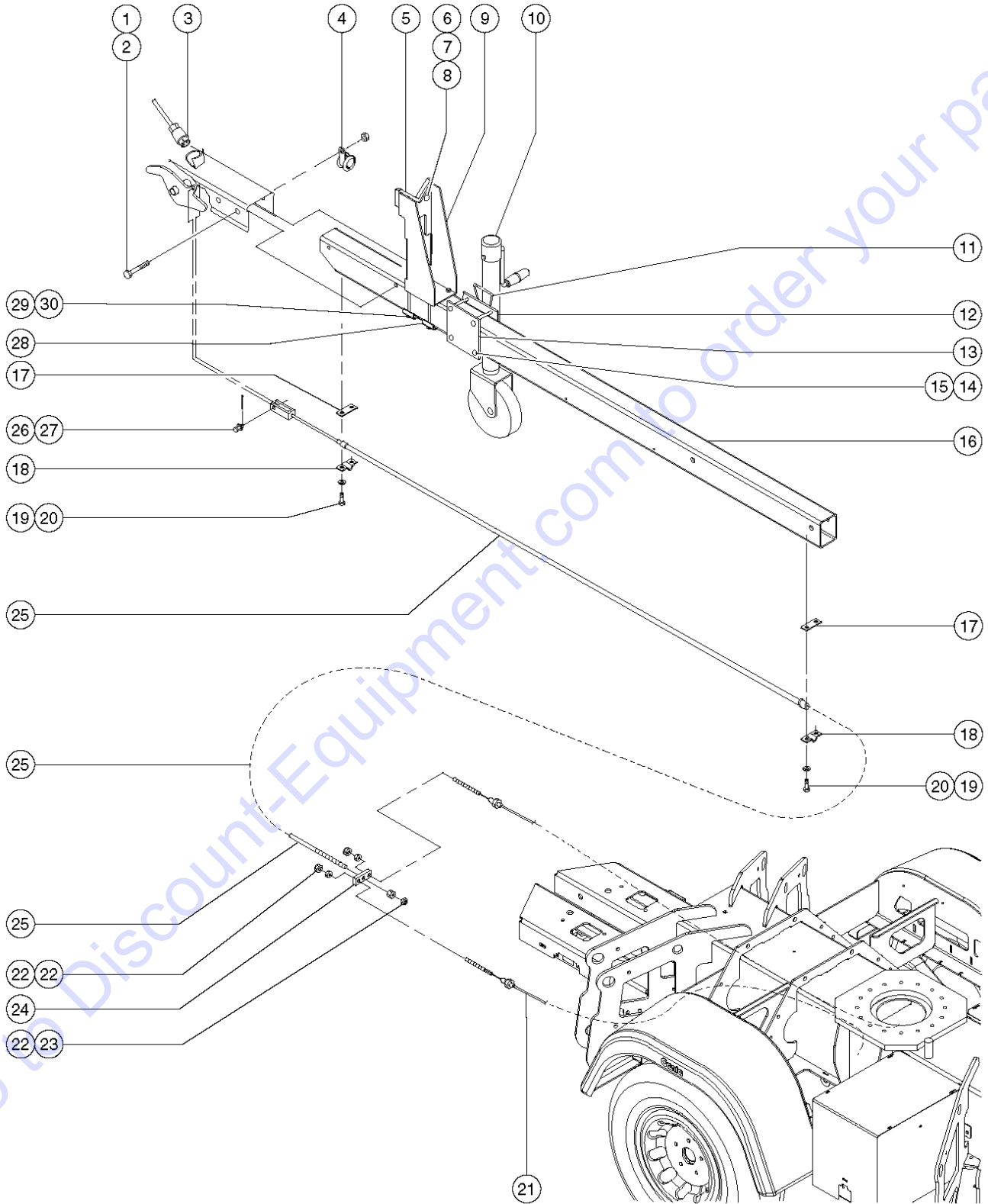


202.4 Parking Brake Assembly - CE Models (to SN TZ3411-388)

Item	Part No.	Description	Qty.
1	47279GT	SCREW,HHC,1/2-13 X 3.75	
2	6198GT	NUT,NYLOCK,1/2-13	
3		Ref. Wire Harness Assembly - Taillight Tongue (refer to 212.1)	
4	67902GT	CLAMP,0.75,#12 X 5/8,RUB CUSH	1
5	104148GT	WEARPAD,MIDPIVOT CRADLE	1
6	87564GT	BOLT,CARRIAGE,3/8-16 X 2.00,G2	
7	6097GT	WASHER,FLAT,USS,3/8",Y	
8	4828GT	NUT,NYLOCK,3/8-16	
9	104239GT	WELDMENT,FRONT CRADLE,CE	1
10	99212GT	SCREW JACK,TONGUE,W/WHEEL	1
11	99246GT	PIN,LOCK,.625 W/LANYARD	1
12	99213GT	WELDMENT,JACK MOUNT	1
13	87780GT	FORMING,TONGUE JACK MOUNT	1
14	87530GT	BOLT,CARRIAGE,3/8-16 X 4.00,G2	
15	4828GT	NUT,NYLOCK,3/8-16	
16	99278GT	DRAWBAR,MECH BRK TZ34***	
17	52185GT	LINK SPACER, PARKING BRAKE, TMZ	2
16	99278GT	DRAWBAR,MECH BRK TZ34***	
18	52186GT	CABLE CLAMP,PARKING BRAKE, TMZ	2
19	6175GT	SCREW,HHC,3/8-16 X 1	
20	6021GT	WASHER,LOCK,.375	
21	55109GT	BRAKE CABLE,MECH EURO,TMZ34***	2
22	22571GT	NUT,HEX,M8 X 1.25	
23	67784GT	NUT,ACORN,OPEN M8 X 1.25	
24	67755GT	PLATE, STABILIZER, EURO BRAKE	1
25	99085GT	CABLE,BRAKE,MECHANICAL	1
26	99211GT	PIN,CLEVIS,.375 X 1.00 ZINC PL	1
27	6094GT	PIN,COTTER,.125 X 1	1



202.4 Parking Brake Assembly - CE Models (to SN TZ3411-388)



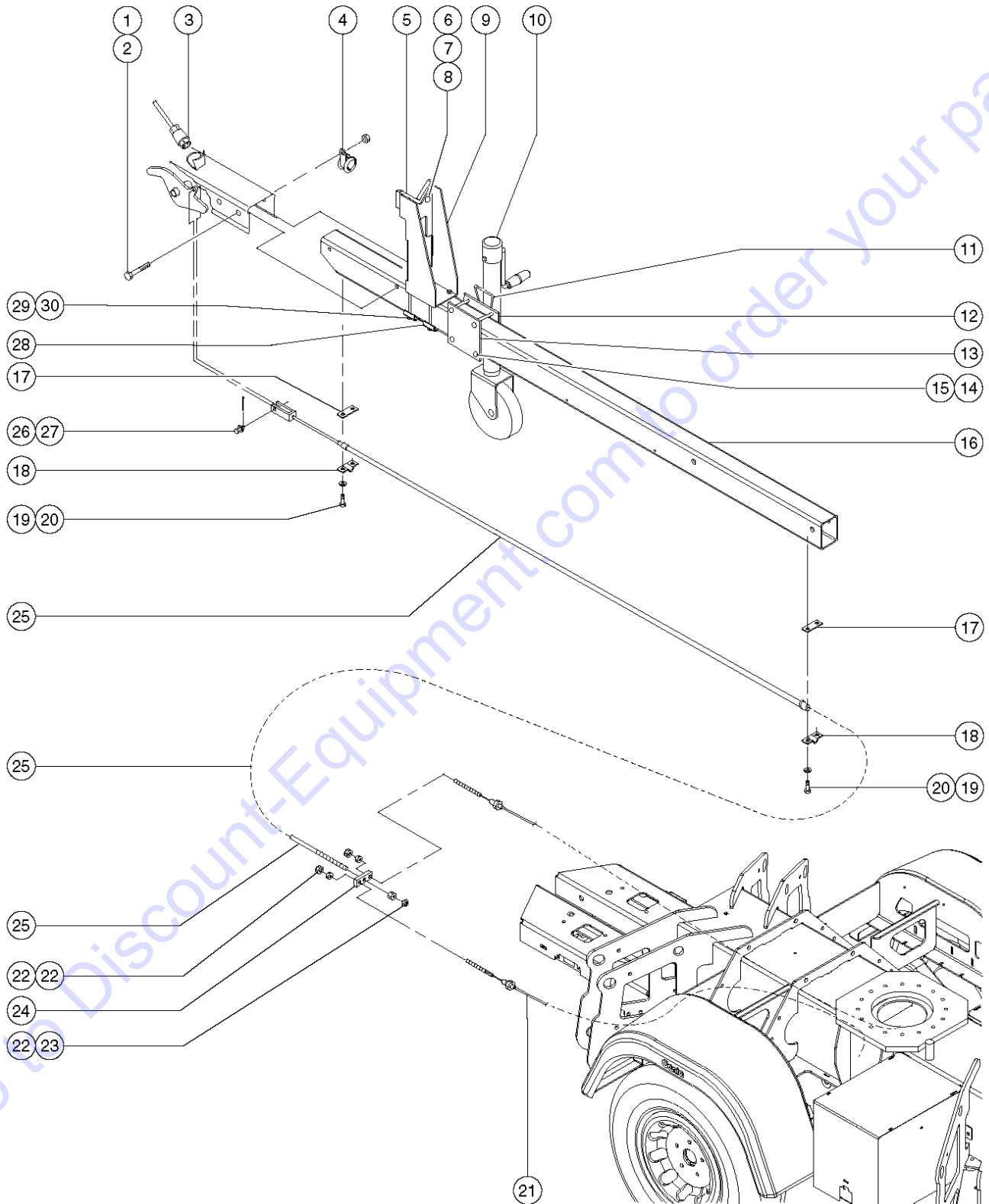
202.4 Parking Brake Assembly - CE Models (to SN TZ3411-388)

<i>Item</i>	<i>Part No.</i>	<i>Description</i>	<i>Qty.</i>
28	104321GT	FORMING,CRADLE MOUNT,CE	1
29	73465GT	BOLT,CARRIAGE,3/8-16 X 5.50,G2	
30	4828GT	NUT,NYLOCK,3/8-16	

Go to Discount-Equipment.com to order your parts



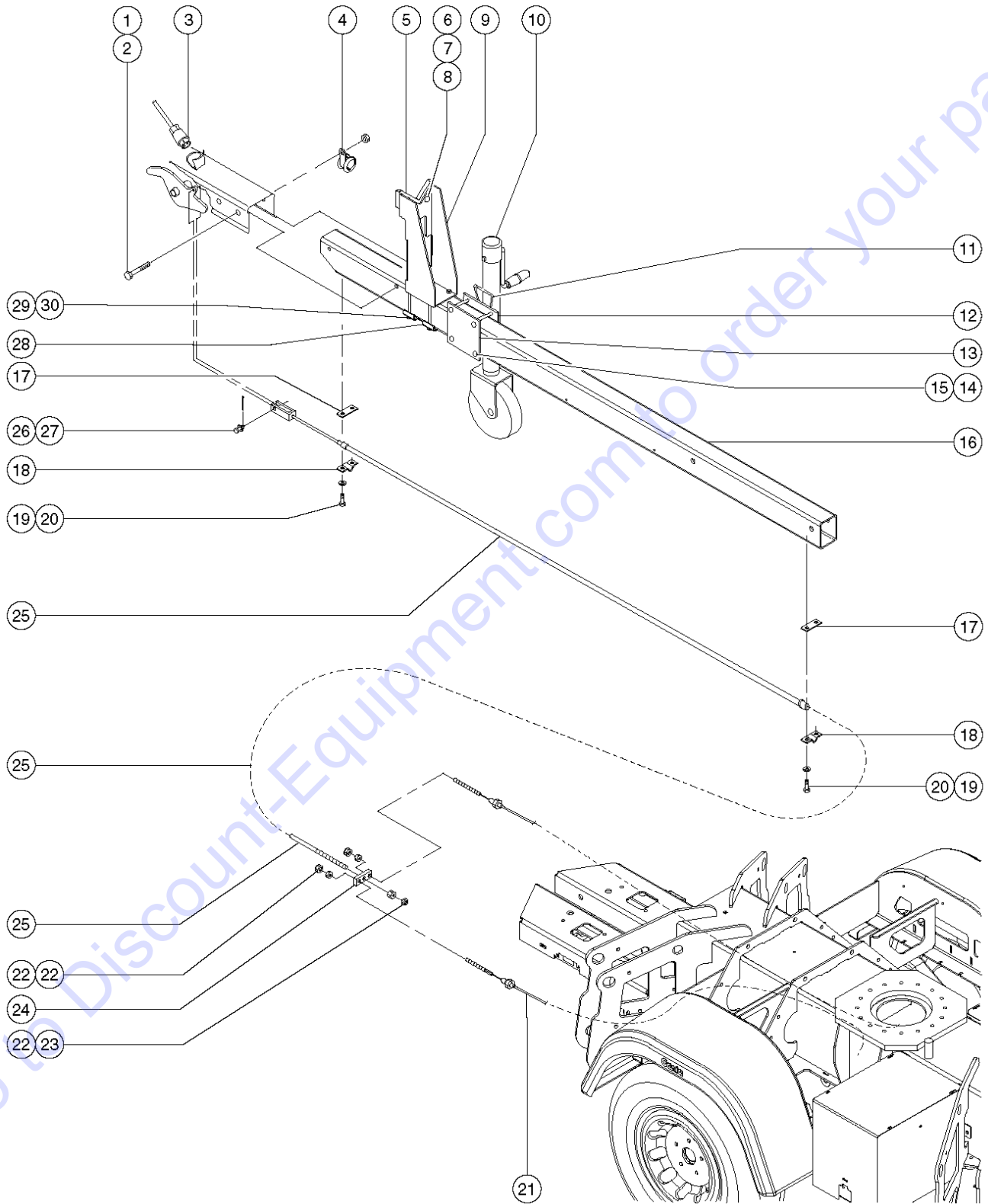
202.5 Parking Brake Assembly - CE Models (to SN TZ3411-388)



202.5 Parking Brake Assembly - CE Models (to SN TZ3411-388)

Item	Part No.	Description	Qty.
1	47279GT	SCREW,HHC,1/2-13 X 3.75	
2	6198GT	NUT,NYLOCK,1/2-13	
3		Ref. Wire Harness Assembly - Taillight Tongue	
		(refer to 212.1)	
4	67902GT	CLAMP,0.75,#12 X 5/8,RUB CUSH	1
5	104148GT	WEARPAD,MIDPIVOT CRADLE	1
6	87564GT	BOLT,CARRIAGE,3/8-16 X 2.00,G2	
7	6097GT	WASHER,FLAT,USS,3/8",Y	
8	4828GT	NUT,NYLOCK,3/8-16	
9	104239GT	WELDMENT,FRONT CRADLE,CE	1
10	99212GT	SCREW JACK,TONGUE,W/WHEEL	1
11	99246GT	PIN,LOCK,.625 W/LANYARD	1
12	99213GT	WELDMENT,JACK MOUNT	1
13	99214GT	PLATE,JACK SUPPORT	1
14	87530GT	BOLT,CARRIAGE,3/8-16 X 4.00,G2	
15	4828GT	NUT,NYLOCK,3/8-16	
16	99278GT	DRAWBAR,MECH BRK TZ34***	1
		after TZ3403-304	
17	52185GT	LINK SPACER, PARKING BRAKE, TMZ	2
18	52186GT	CABLE CLAMP,PARKING BRAKE, TMZ	2
19	6175GT	SCREW,HHC,3/8-16 X 1	
20	6021GT	WASHER,LOCK,.375	
21	55109GT	BRAKE CABLE,MECH EURO,TMZ34***	2
22	22571GT	NUT,HEX,M8 X 1.25	
23	67784GT	NUT,ACORN,OPEN M8 X 1.25	
24	67755GT	PLATE, STABILIZER, EURO BRAKE	1
25	99085GT	CABLE,BRAKE,MECHANICAL	1
26	99211GT	PIN,CLEVIS,.375 X 1.00 ZINC PL	1
27	6094GT	PIN,COTTER,.125 X 1	1
28	104321GT	FORMING,CRADLE MOUNT,CE	1

202.5 Parking Brake Assembly - CE Models (to SN TZ3411-388)



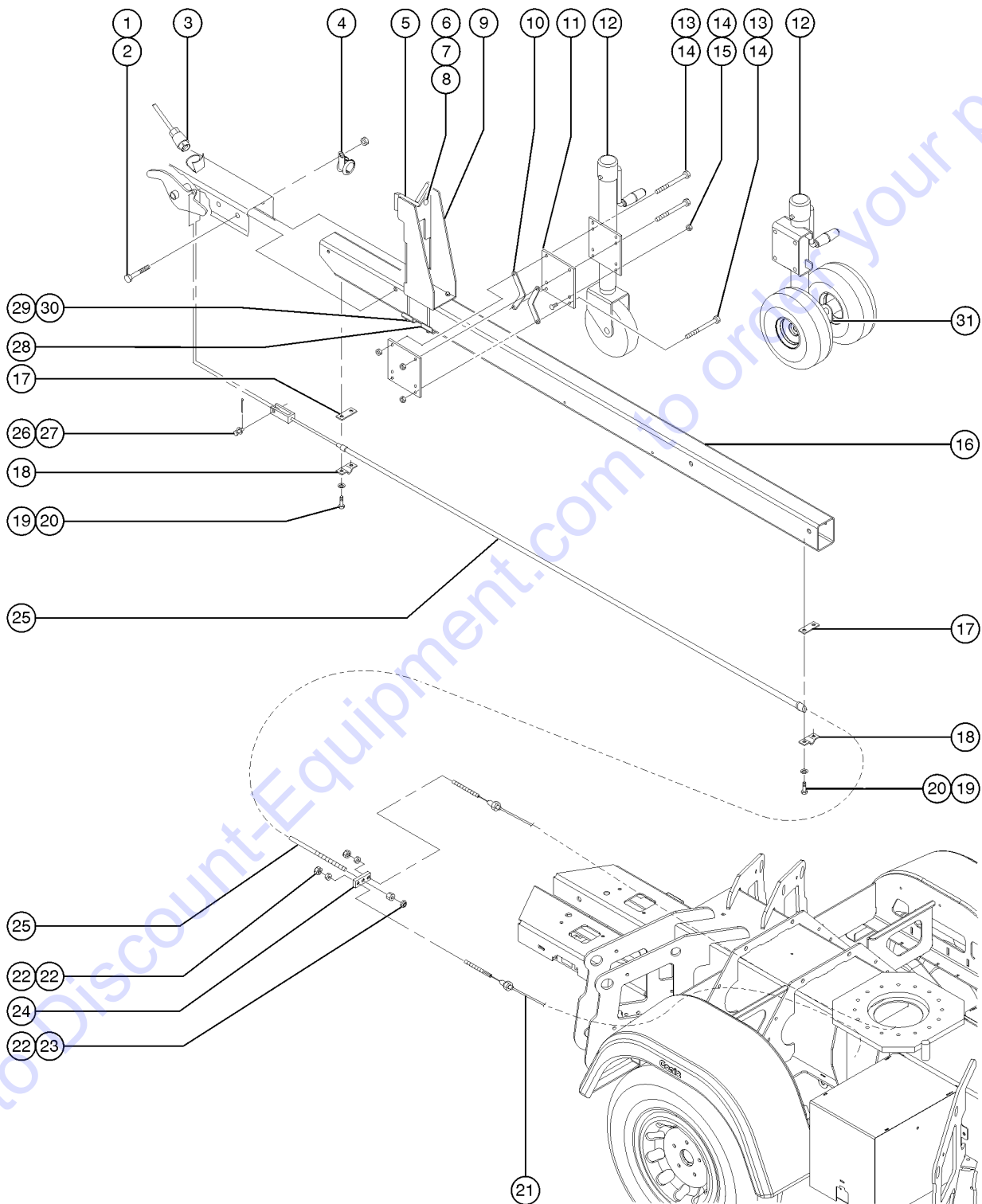
202.5 Parking Brake Assembly - CE Models (to SN TZ3411-388)

<i>Item</i>	<i>Part No.</i>	<i>Description</i>	<i>Qty.</i>
29	73465GT	BOLT,CARRIAGE,3/8-16 X 5.50,G2	
30	4828GT	NUT,NYLOCK,3/8-16	

Go to Discount-Equipment.com to order your parts



202.6 Parking Brake Assembly - CE Models (from SN TZ3411-389)

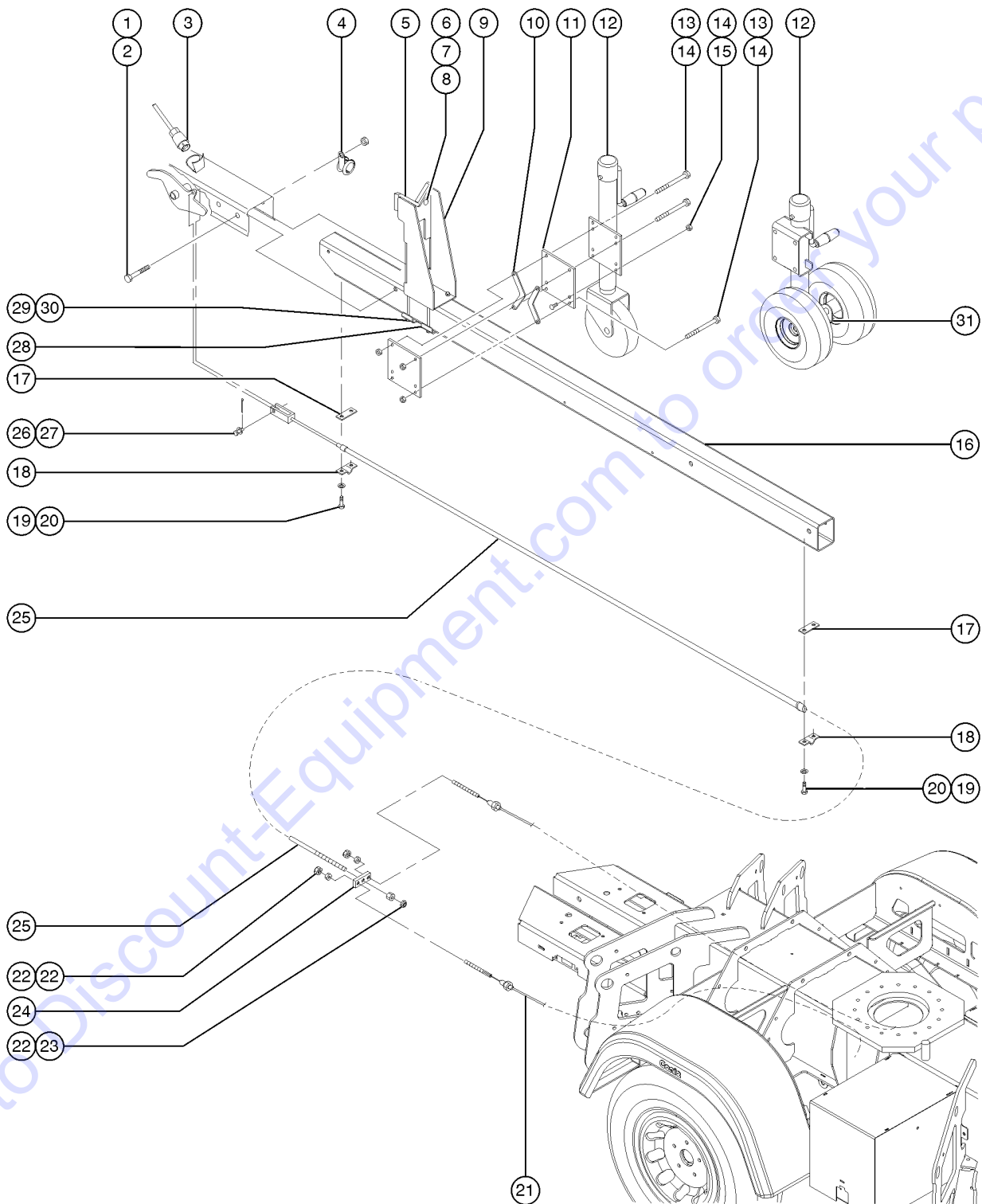


202.6 Parking Brake Assembly - CE Models (from SN TZ3411-389)

Item	Part No.	Description	Qty.
1	47279GT	SCREW,HHC,1/2-13 X 3.75	
2	6198GT	NUT,NYLOCK,1/2-13	
3		Ref. Wire Harness Assembly - Taillight Tongue (refer to 212.1)	
4	67902GT	CLAMP,0.75,#12 X 5/8,RUB CUSH	1
5	104148GT	WEARPAD,MIDPIVOT CRADLE	1
6	87564GT	BOLT,CARRIAGE,3/8-16 X 2.00,G2	
7	6097GT	WASHER,FLAT,USS,3/8",Y	
8	4828GT	NUT,NYLOCK,3/8-16	
9	104239GT	WELDMENT,FRONT CRADLE,CE	1
10	230374GT	SPACER,JACK,TONGUE,TZ34	2
11	230373GT	PLATE,MTG,JACK,TONGUE,TZ34	2
12A	230375GT	SCREW JACK,TONGUE, W/WHEEL	1
12B	67894GT	SCREW JACK,TONGUE*** Tongue Jack (models with Dual Pneumatic Tires) (shown) (tires not included; order separately)	
12B-	40624GT	WHEEL,PNEUM 10",3/4" HUB*** for 67894	
12B-	52133GT	TIRE WITH TUBE, TMZ34***** for 67894	
12B-	16977GT	SCREW,HHC,1/2-13 X 8.5 axle	1
12B-	6095GT	WASHER,FLAT,USS,1/2",Y for 16977	
12B-	6198GT	NUT,NYLOCK,1/2-13 for 16977	
13	6605GT	SCREW,HHC,3/8-16 X 3.5,GR5	4
14	4828GT	NUT,NYLOCK,3/8-16	6
15	64154GT	BOLT,CARRIAGE,3/8-16 X1.00,G5	2
16	99278GT	DRAWBAR,MECH BRK TZ34***	1
17	52185GT	LINK SPACER, PARKING BRAKE, TMZ	2
18	52186GT	CABLE CLAMP,PARKING BRAKE, TMZ	2
19	6175GT	SCREW,HHC,3/8-16 X 1	
20	6021GT	WASHER,LOCK,.375	
21	55109GT	BRAKE CABLE,MECH EURO, TMZ34***	2



202.6 Parking Brake Assembly - CE Models (from SN TZ3411-389)



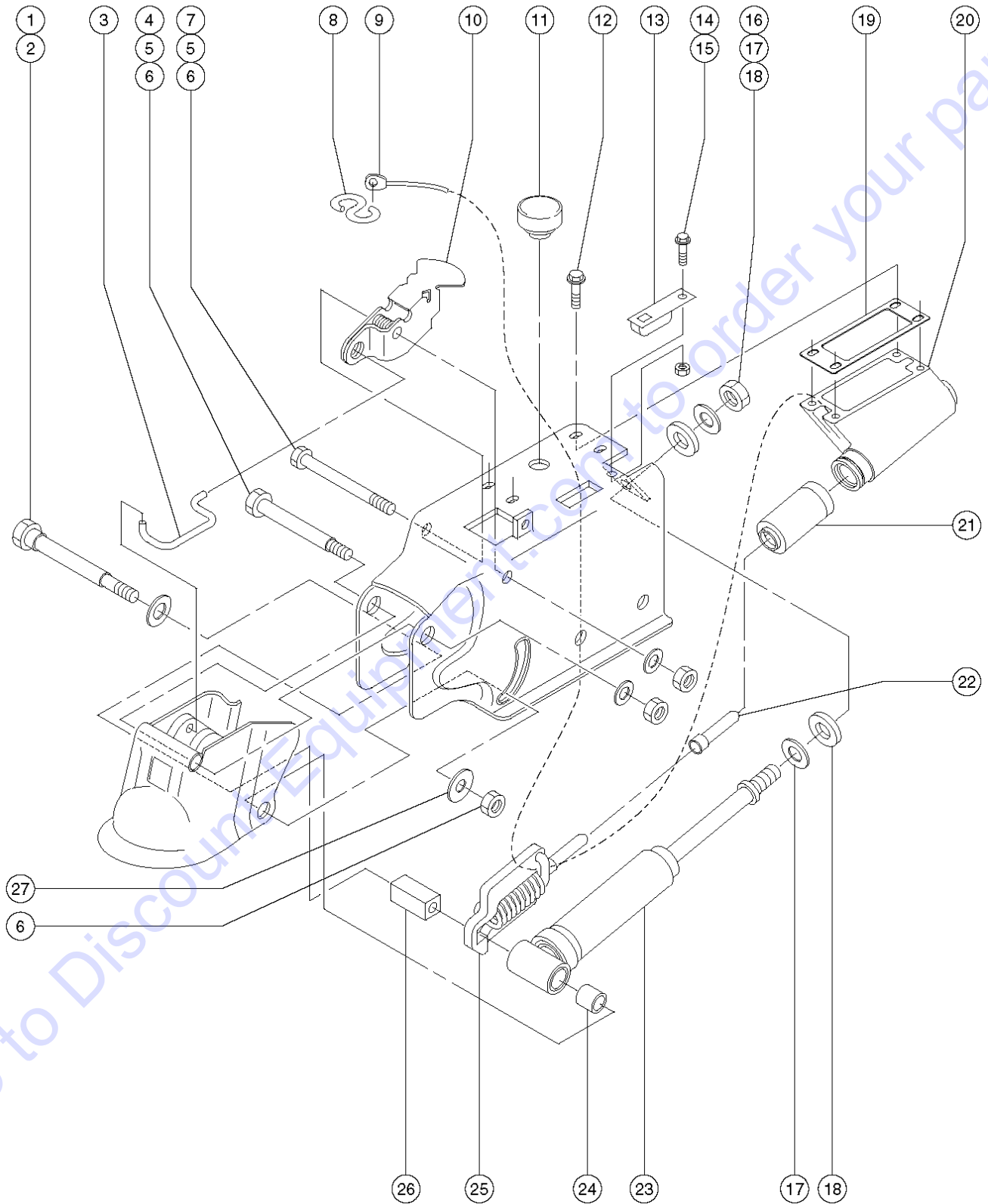
202.6 Parking Brake Assembly - CE Models (from SN TZ3411-389)

Item	Part No.	Description	Qty.
22	22571GT	NUT,HEX,M8 X 1.25	
23	67784GT	NUT,ACORN,OPEN M8 X 1.25	
24	67755GT	PLATE, STABILIZER, EURO BRAKE	1
25	99085GT	CABLE,BRAKE,MECHANICAL	1
26	99211GT	PIN,CLEVIS,.375 X 1.00 ZINC PL	1
27	6094GT	PIN,COTTER,.125 X 1	1
28	104321GT	FORMING,CRADLE MOUNT,CE	1
29	73465GT	BOLT,CARRIAGE,3/8-16 X 5.50,G2	
30	4828GT	NUT,NYLOCK,3/8-16	
31	44653GT	WELDMENT,CSTR,TNGUE JACK,TMZ**	1
31A	6732GT	SCREW,HHC,1/2-13 X 3.25	
		for 44653	
31A	6095GT	WASHER,FLAT,USS,1/2",Y	
		for 6732	
31A	6086GT	NUT,LP NYLOCK,1/2-13	
		for 6732	

Go to Discount-Equipment.com to order your parts



203.1 Hitch Assembly - ANSI and CSA Models

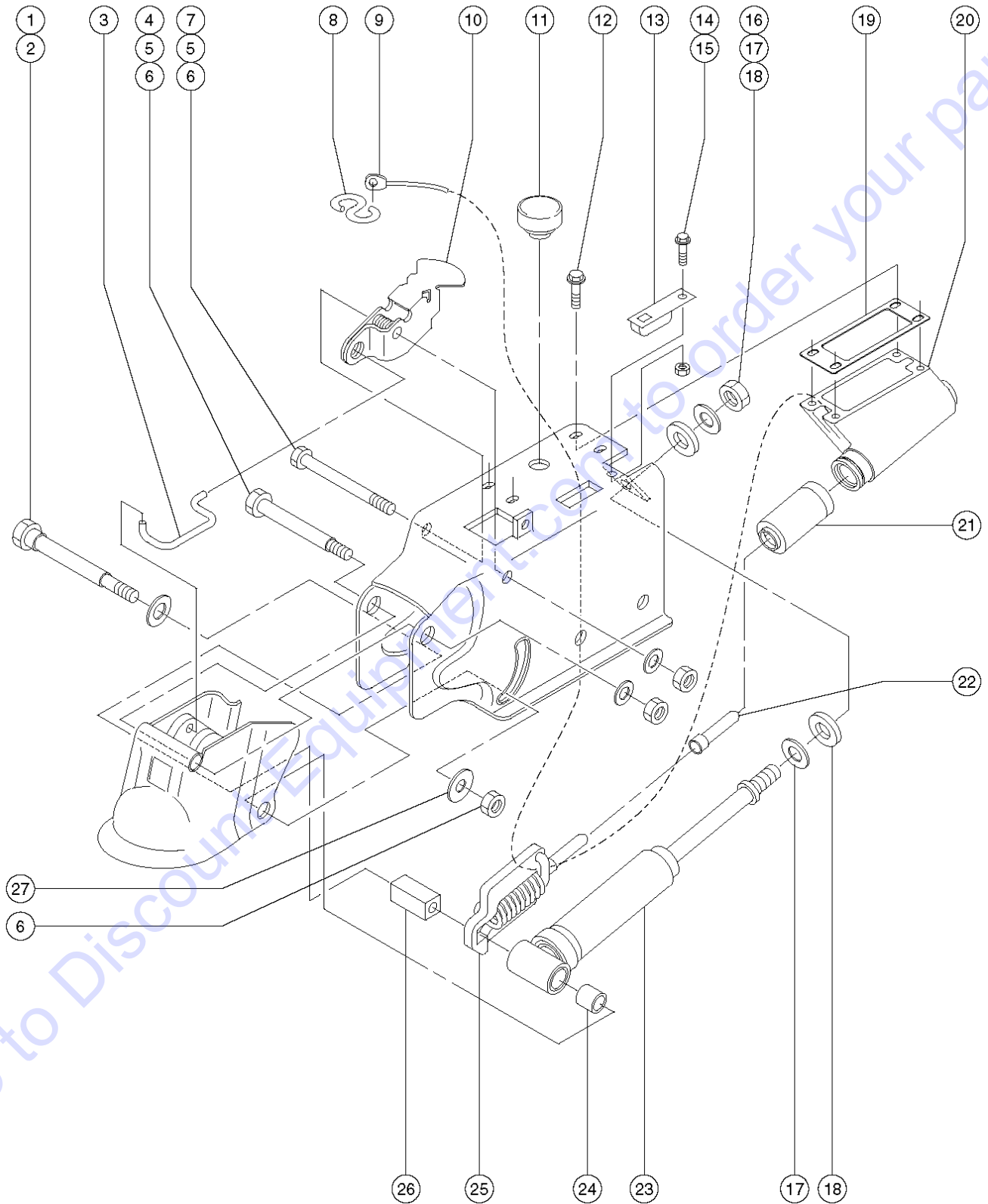


Go to DiscountEquipment.com to order your parts

Item	Part No.	Description	Qty.
		The components for this hitch are not available individually. They are available by purchasing any of the kits listed below. Please use the list to identify the components that are included in each kit.	
		HITCH, ACTUATOR TZ34 component no longer available	
	52143GT	SHOCK REPLACE. KIT, HITCH, TMZ includes items 6, 16, 17, 18, 23	
	52144GT	MASTER CYL. PUSH ROD KIT, TMZ includes items 6, 8, 9, 12, 19, 20, 21, 22, 25	
	52145GT	CAP - HITCH, TMZ-34/19 includes item 11	
	52146GT	MASTER CYL. REPLACE. KIT, TMZ includes items 12, 19, 20	
	52147GT	SHOULDER BOLT REPLACE. KIT TMZ includes items 1, 2, 4, 6, 7, 24, 26, 27	
	52148GT	RELEASE HANDLE REPLACE. KIT TMZ includes items 3, 5, 6, 10	
	52149GT	STOP & SPRING REPLACE. KIT TMZ includes items 13, 14, 15, 16, 17, 18	
	52150GT	PUSH ROD ASSY. REPLACE. KIT TMZ includes items 6, 8, 9, 12, 19, 22, 25	
	52151GT	BOOT REPLACE. KIT, HITCH, TMZ includes items 21	
1		Shoulder Bolt	
2		Washer	
3		Release Handle Clip	
4		Shoulder Bolt	
5		Washer	
6		Nut	
7		Shoulder Bolt	
8		Hook	
9		Cable	
10		Latch	
11		Cap	
12		Screw	
13		Stop	
14		Screw	
15		Nut	
16		Nut	



203.1 Hitch Assembly - ANSI and CSA Models



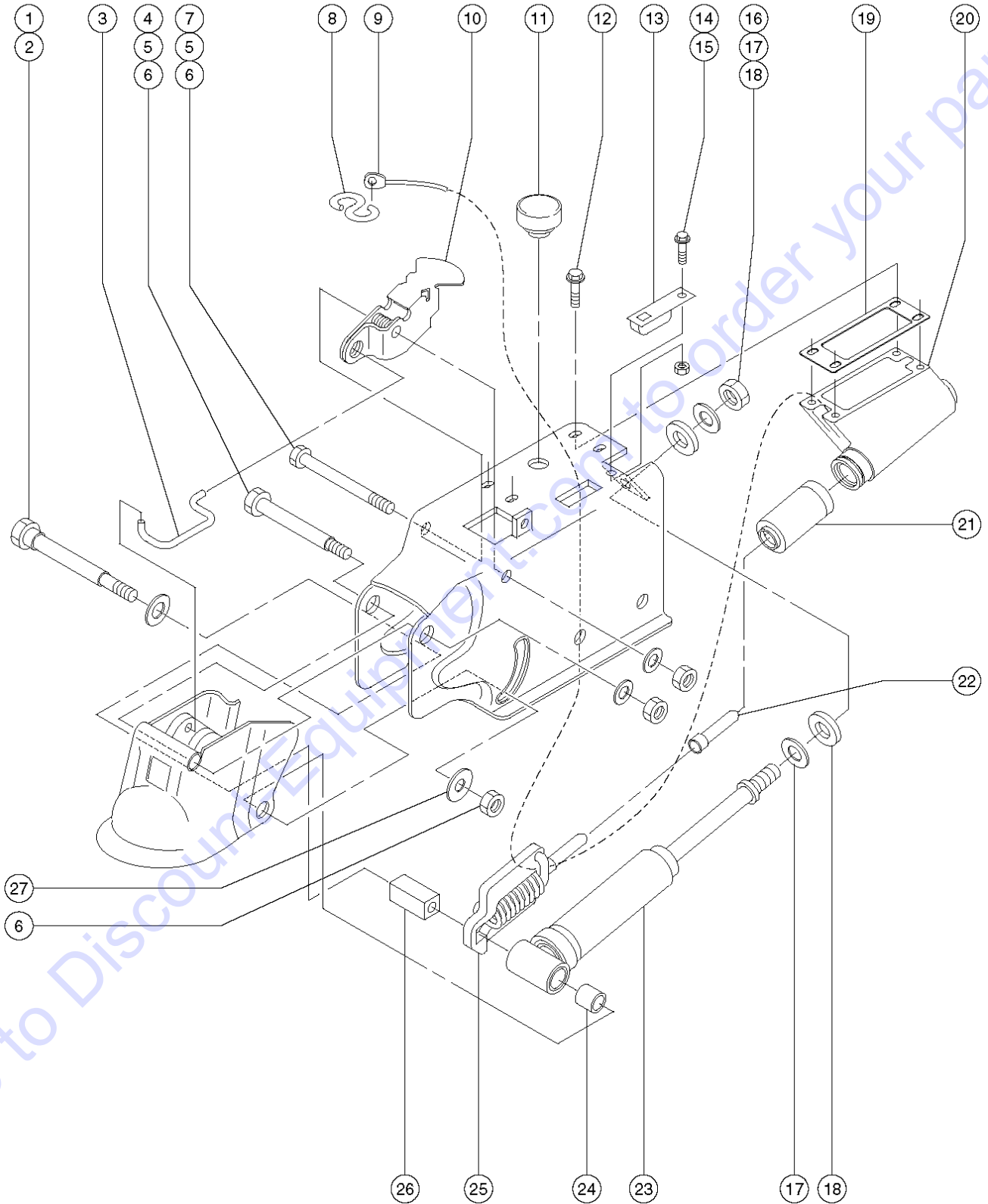
Go to DiscountEquipment.com to order your parts

203.1 Hitch Assembly - ANSI and CSA Models

<i>Item</i>	<i>Part No.</i>	<i>Description</i>	<i>Qty.</i>
17		Washer	
18		Spacer	
19		Gasket	
20		Reservoir	
21		Boot	
22		Rod Sleeve	
23		Shock Absorber	
24		Bushing	
25		Push Rod	
26		Spacer	
27		Washer	

Go to Discount-Equipment.com to order your parts

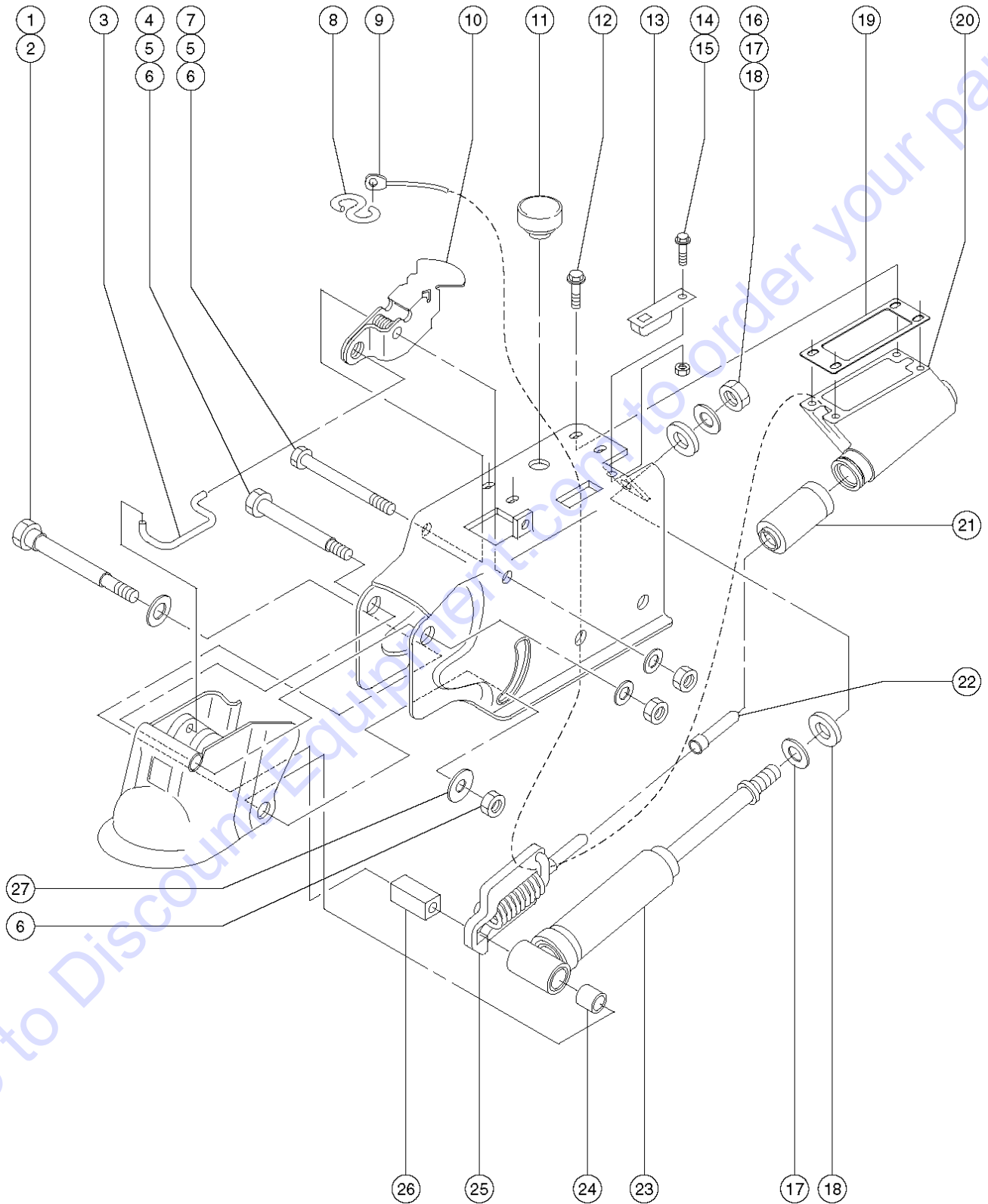
203.2 Hitch Assembly - ANSI and CSA Models



Item	Part No.	Description	Qty.
		The components for this hitch are not available individually. They are available by purchasing any of the kits listed below. Please use the list to identify the components that are included in each kit.	
		HITCH, ACTUATOR TZ34 component no longer available	
	52143GT	SHOCK REPLACE. KIT, HITCH, TMZ includes items 6, 16, 17, 18, 23	
	52144GT	MASTER CYL. PUSH ROD KIT, TMZ includes items 6, 8, 9, 12, 19, 20, 21, 22, 25	
	52145GT	CAP - HITCH, TMZ-34/19 includes item 11	
	52146GT	MASTER CYL. REPLACE. KIT, TMZ includes items 12, 19, 20	
	52147GT	SHOULDER BOLT REPLACE. KIT TMZ includes items 1, 2, 4, 6, 7, 24, 26, 27	
	52148GT	RELEASE HANDLE REPLACE. KIT TMZ includes items 3, 5, 6, 10	
	52149GT	STOP & SPRING REPLACE. KIT TMZ includes items 13, 14, 15, 16, 17, 18	
	52150GT	PUSH ROD ASSY. REPLACE. KIT TMZ includes items 6, 8, 9, 12, 19, 22, 25	
	52151GT	BOOT REPLACE. KIT, HITCH, TMZ includes items 21	
1		Shoulder Bolt	
2		Washer	
3		Release Handle Clip	
4		Shoulder Bolt	
5		Washer	
6		Nut	
7		Shoulder Bolt	
8		Hook	
9		Cable	
10		Latch	
11		Cap	
12		Screw	
13		Stop	
14		Screw	
15		Nut	
16		Nut	



203.2 Hitch Assembly - ANSI and CSA Models



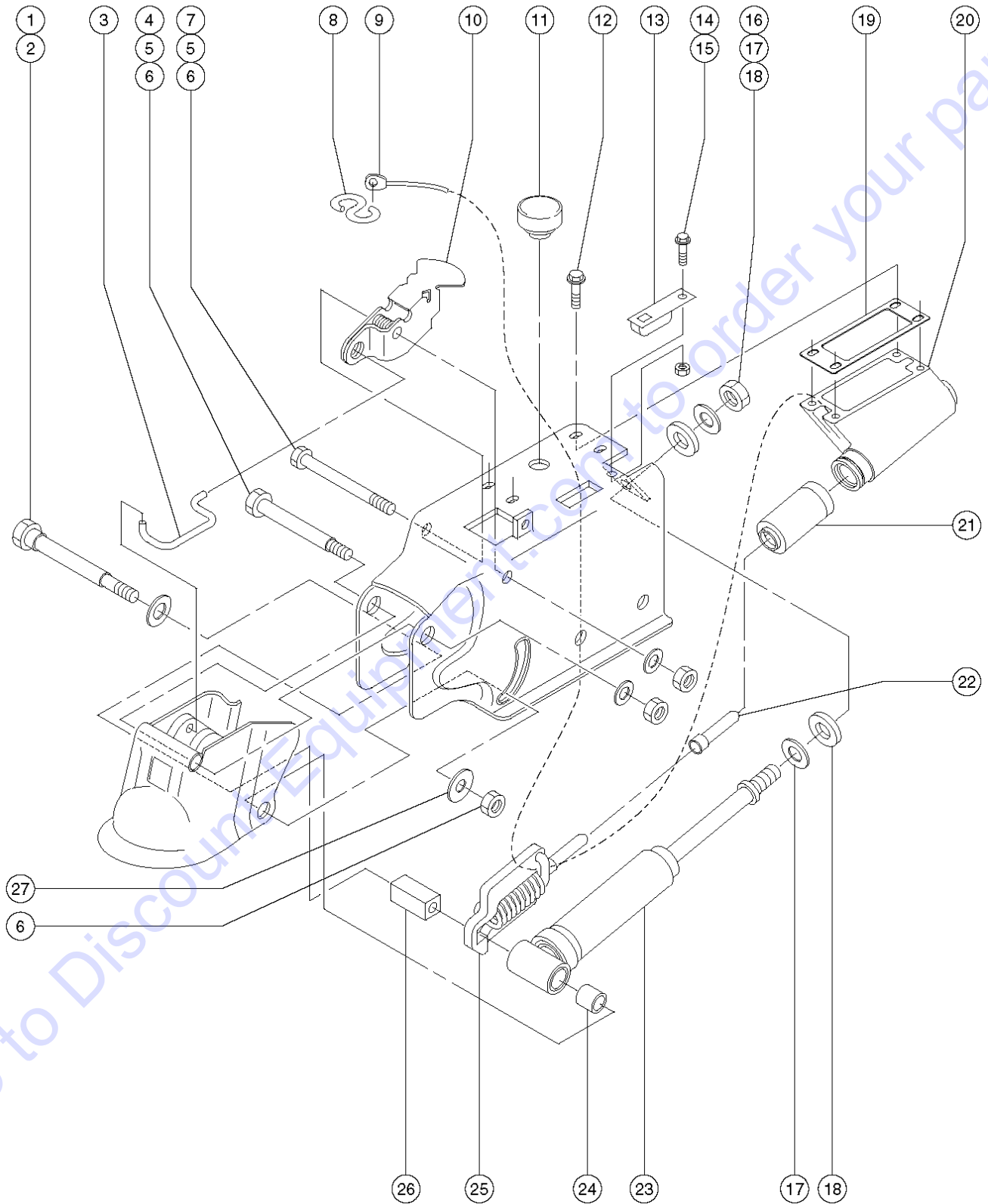
Go to DiscountEquipment.com to order your parts

203.2 Hitch Assembly - ANSI and CSA Models

Item	Part No.	Description	Qty.
17		Washer	
18		Spacer	
19		Gasket	
20		Reservoir	
21		Boot	
22		Rod Sleeve	
23		Shock Absorber	
24		Bushing	
25		Push Rod	
26		Spacer	
27		Washer	

Go to Discount-Equipment.com to order your parts

203.3 Hitch Assembly - ANSI and CSA Models



Go to DiscountEquipment.com to order your parts

PARTS FINDER

**Search Website
by Part Number**



**Search Manual
Library For Parts
Manual & Lookup Part
Numbers – Purchase
or Request Quote**

Search Manuals

Enter your information to help us find the right parts manual for your machine.

* Brand:

* Model:

* Serial:

* Part Number:

SEARCH

**Can't Find Part or
Manual? Request Help
by Manufacturer,
Model & Description**

Parts Order Form

Please fill in the following information to help us find the right part for your machine.

Manufacturer:	<input type="text"/>
Model:	<input type="text"/>
Description:	<input type="text"/>
Part Number:	<input type="text"/>
Quantity:	<input type="text"/>
Notes:	<input type="text"/>

Submit

Discount-Equipment.com is your online resource for quality parts & equipment.

Florida: **561-964-4949** Outside Florida TOLL FREE: **877-690-3101**

Need parts?

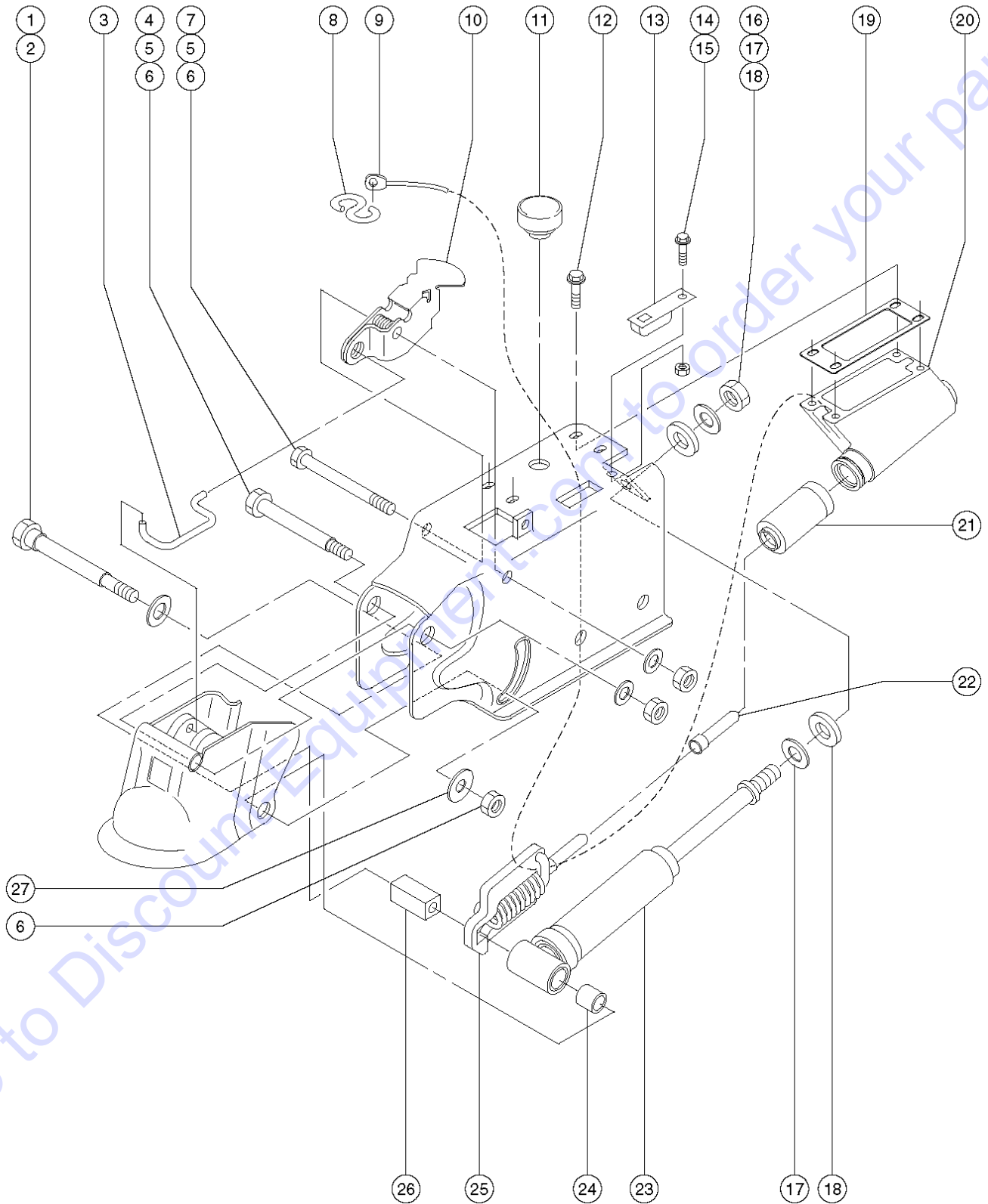
Click on this link: <http://www.discount-equipment.com/category/5443-parts/> and choose one of the options to help get the right parts and equipment you are looking for. Please have the machine model and serial number available in order to help us get you the correct parts. If you don't find the part on the website or on one of the online manuals, please fill out the request form and one of our experienced staff members will get back to you with a quote for the right part that your machine needs.

We sell worldwide for the brands: Genie, Terex, JLG, MultiQuip, Mikasa, Essick, Whiteman, Mayco, Toro Stone, Diamond Products, Generac Magnum, Airman, Haulotte, Barreto, Power Blanket, Nifty Lift, Atlas Copco, Chicago Pneumatic, Allmand, Miller Curber, Skyjack, Lull, Skytrak, Tsurumi, Husquvarna Target, Stow, Wacker, Sakai, Mi-T-M, Sullair, Basic, Dynapac, MBW, Weber, Bartell, Bennar Newman, Haulotte, Ditch Runner, Menegotti, Morrison, Contec, Buddy, Crown, Edco, Wyco, Bomag, Laymor, EZ Trench, Bil-Jax, F.S. Curtis, Gehl Pavers, Heli, Honda, ICS/PowerGrit, IHI, Partner, Imer, Clipper, MMD, Koshin, Rice, CH&E, General Equipment, Amida, Coleman, NAC, Gradall, Square Shooter, Kent, Stanley, Tamco, Toku, Hatz, Kohler, Robin, Wisconsin, Northrock, Oztec, Toker TK, Rol-Air, APT, Wylie, Ingersoll Rand / Doosan, Innovatech, Con X, Ammann, Mecalac, Makinex, Smith Surface Prep, Small Line, Wanco, Yanmar

Item	Part No.	Description	Qty.
		The components for this hitch are not available individually. They are available by purchasing any of the kits listed below. Please use the list to identify the components that are included in each kit.	
		HITCH, ACTUATOR TZ34 component no longer available	
	1256289GT	KIT, ACTUATOR, COUPLER & HITCH includes part nummbers 59582, 67535, 6024, 47186	
	59582GT	HITCH ACTUATOR, COMBO TMZ	
	67535GT	COUPLER 2" BALL LEVER LOCK	
	6024GT	NUT,NYLOCK,5/8-11	
	47186GT	SCREW,HHC,5/8-11 X 4.5	
	52143GT	SHOCK REPLACE. KIT,HITCH, TMZ includes items 6, 16, 17, 18, 23	
	52144GT	MASTER CYL. PUSH ROD KIT, TMZ includes items 6, 8, 9, 12, 19, 20, 21, 22, 25	
	52145GT	CAP - HITCH, TMZ-34/19 includes item 11	
	52146GT	MASTER CYL. REPLACE. KIT, TMZ includes items 12, 19, 20	
	52147GT	SHOULDER BOLT REPLACE. KIT TMZ includes items 1, 2, 4, 6, 7, 24, 26, 27	
	52148GT	RELEASE HANDLE REPLACE.KIT TMZ includes items 3, 5, 6, 10	
	52149GT	STOP&SPRING REPLACE.KIT TMZ includes items 13, 14, 15, 16, 17, 18	
	52150GT	PUSH ROD ASSY.REPLACE.KIT TMZ includes items 6, 8, 9, 12, 19, 22, 25	
	52151GT	BOOT REPLACE. KIT, HITCH, TMZ includes items 21	
1		Shoulder Bolt	
2		Washer	
3		Release Handle Clip	
4		Shoulder Bolt	
5		Washer	
6		Nut	
7		Shoulder Bolt	
8		Hook	
9		Cable	
10		Latch	
11		Cap	



203.3 Hitch Assembly - ANSI and CSA Models

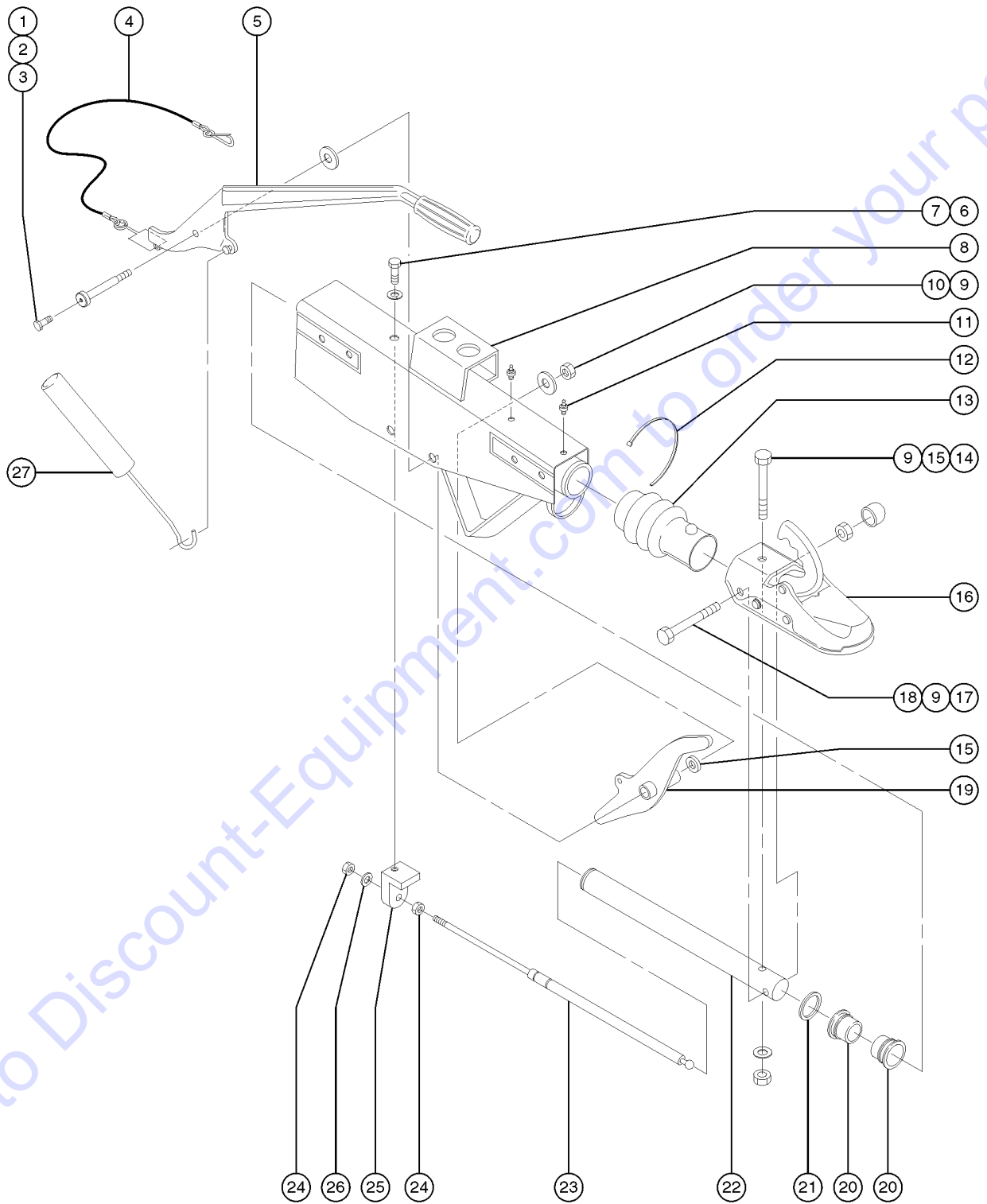


203.3 Hitch Assembly - ANSI and CSA Models

Item	Part No.	Description	Qty.
12		Screw	
13		Stop	
14		Screw	
15		Nut	
16		Nut	
17		Washer	
18		Spacer	
19		Gasket	
20		Reservoir	
21		Boot	
22		Rod Sleeve	
23		Shock Absorber	
24		Bushing	
25		Push Rod	
26		Spacer	
27		Washer	

Go to Discount-Equipment.com to order your parts

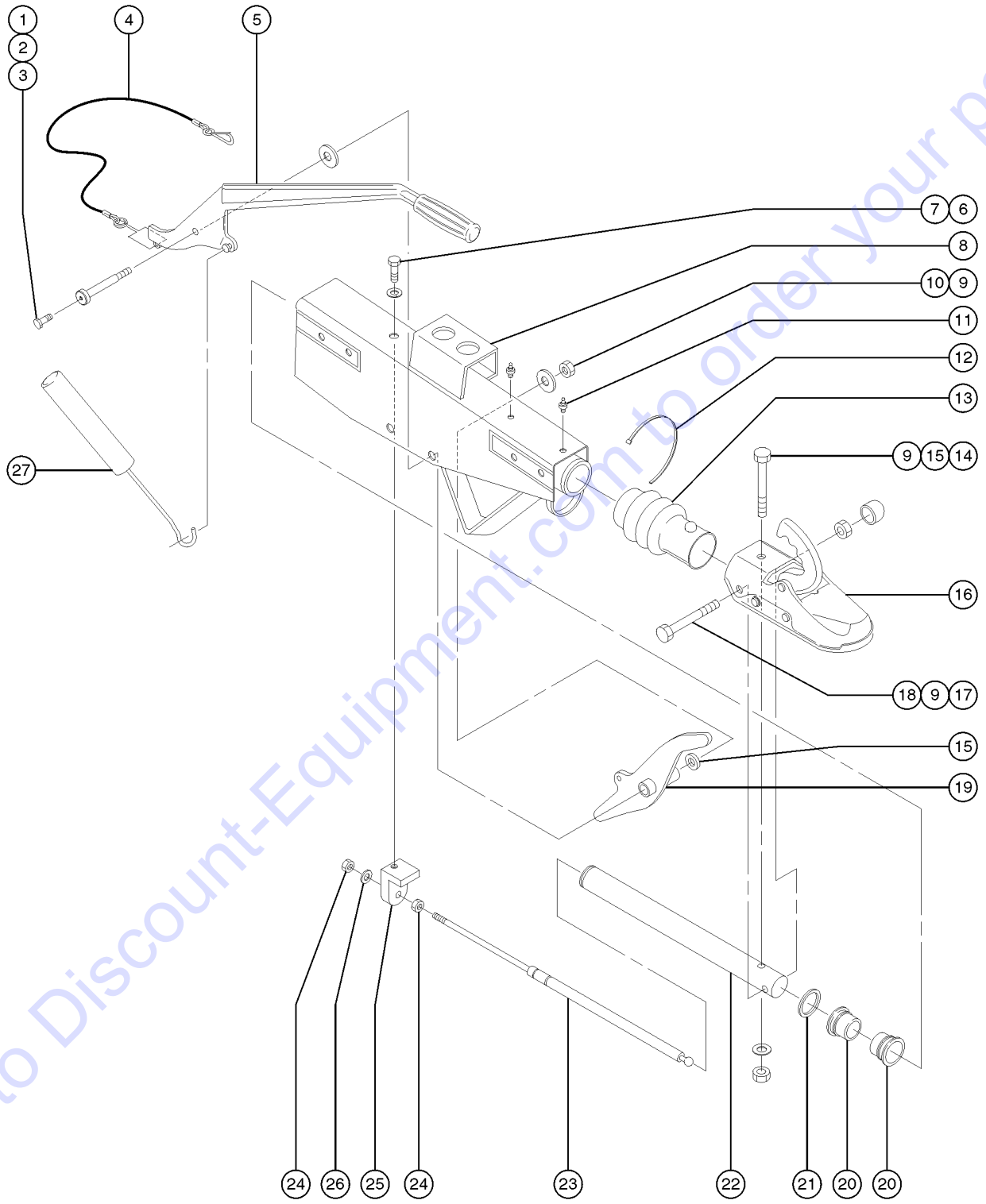
204.1 Hitch Assembly - CE Models



Go to Discount-Equipment.com to order your parts

Item	Part No.	Description	Qty.
	55053GT	HITCH W/MECH. BRAKE EURO TMZ34 (to SN TZ3403-304)	
	99279GT	HITCH,MECH BRK TZ34*** (from SN TZ3403-305)	
1	49393GT	SCREW,HHC,M10X20,GR5,YEL ZINC	
2	65350GT	SCREW W/ THREADED PIN,M12X1.75	
3	65352GT	WASHER,FLAT,M12	
4	84873GT	BRAKE LEVER ASSEMBLY (for 55053) includes eye and snap ring	1
5	84873GT	BRAKE LEVER ASSEMBLY (to SN TZ3403-304) (for 55053) includes item 4	1
6	65351GT	SCREW,HHC,M12 X 1.75 X 25	
7	65355GT	WASHER,LOCK,M12	
8		Ref., Housing component not available separately	1
9	65401GT	NUT,BEVELED,M12X1.75 TMZ	
10	65354GT	WASHER,DISK M12	
11	65344GT	ZERK,GREASE (55053) (to SN TZ3403-304) (for 55053)	2
12	28443GT	CABLE TIE,11.5" BLACK	1
13	65339GT	BELLOWS,MECH HITCH ASSY (55053) (to SN TZ3403-304) (for 55053)	1
14	49382GT	SCREW,HHC,M12 X 70	
15	65355GT	WASHER,LOCK,M12	
16	55053GT	HITCH W/MECH. BRAKE EURO TMZ34 (to SN TZ3403-304) (for 55053)	1
17	59971GT	SCREW,HHC,M12 X 80	
18	65346GT	COVER,HITCH BOLT ASSY(55053) (to SN TZ3403-304) (for 55053)	1
19	65342GT	LEVER,INTERNL,MECH HITCH T34 includes clevis pin and cotter pin	1
20A	65343GT	BEARING,MECH HITCH ASSY (55053) (to SN TZ3403-304) (for 55053)	2
20B	84879GT	SHAFT BEARING (from SN TZ3403-305) (for 99279)	
21	65345GT	STOP RING (55053) TMZ34	1
22	65336GT	SHAFT,MECH HITCH ASSY (55053) (to SN TZ3403-304) (for 55053)	1
23	65337GT	SHOCK ABSORBER,HITCH (55053) (to SN TZ3403-304) (for 55053)	1
24	59680GT	NUT,HEX M10-1.5	
25	65347GT	BRACKET,SHOCK ABSORBER (55053) (to SN TZ3403-304) (for 55053)	1

204.1 Hitch Assembly - CE Models



Go to Discount-Equipment.com to order your parts

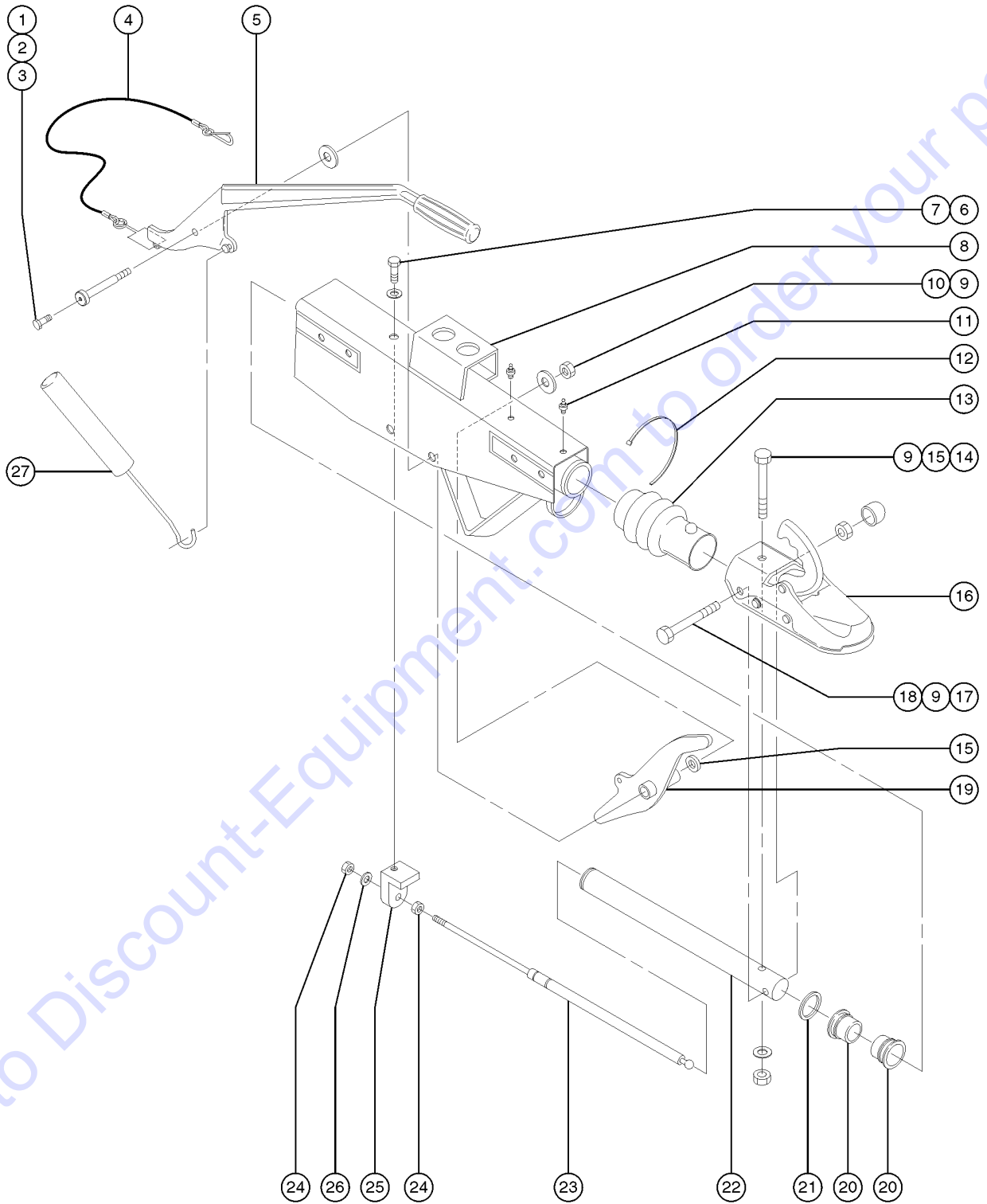
204.1 Hitch Assembly - CE Models

<i>Item</i>	<i>Part No.</i>	<i>Description</i>	<i>Qty.</i>
26	65403GT	WASHER,LOCK,WAVY, M10 TMZ	
27	65348GT	SPRING SLEEVE,HITCH ASSY(55053 (to SN TZ3403-304) (for 55053)	1

Go to Discount-Equipment.com to order your parts



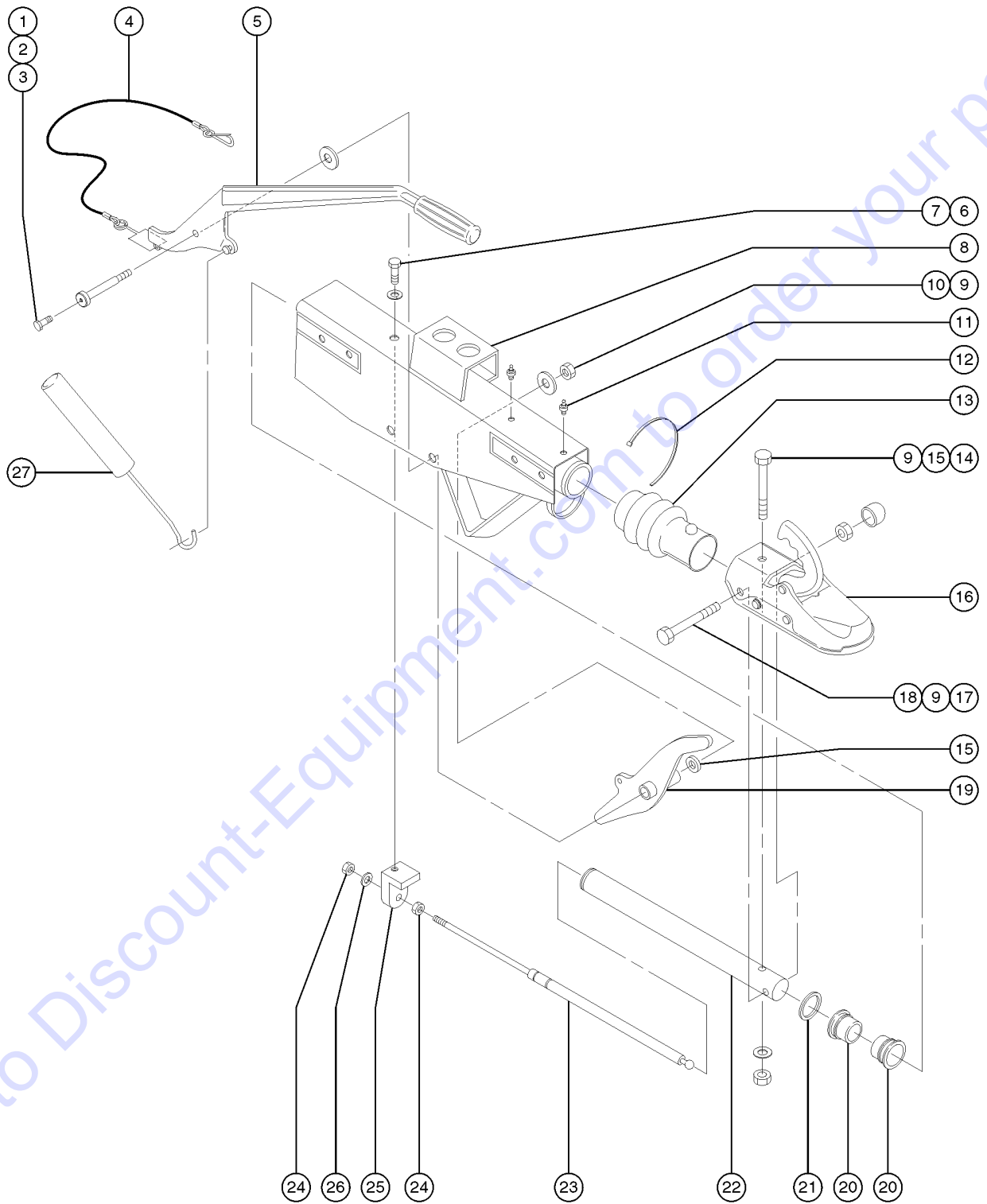
204.2 Hitch Assembly - CE Models



Go to Discount-Equipment.com to order your parts

Item	Part No.	Description	Qty.
	55053GT	HITCH W/MECH. BRAKE EURO TMZ34 (to SN TZ3403-304)	
	99279GT	HITCH,MECH BRK TZ34*** (from SN TZ3403-305)	
1	49393GT	SCREW,HHC,M10X20,GR5,YEL ZINC	
2	65350GT	SCREW W/ THREADED PIN,M12X1.75	
3	65352GT	WASHER,FLAT,M12	
4	84873GT	BRAKE LEVER ASSEMBLY (for 55053) includes eye and snap ring	1
5	84873GT	BRAKE LEVER ASSEMBLY (to SN TZ3403-304) (for 55053) includes item 4	1
6	65351GT	SCREW,HHC,M12 X 1.75 X 25	
7	65355GT	WASHER,LOCK,M12	
8		Ref., Housing component not available separately	1
9	65401GT	NUT,BEVELED,M12X1.75 TMZ	
10	65354GT	WASHER,DISK M12	
11	65344GT	ZERK,GREASE (55053) (to SN TZ3403-304) (for 55053)	2
12	28443GT	CABLE TIE,11.5" BLACK	1
13	65339GT	BELLOWS,MECH HITCH ASSY (55053) (to SN TZ3403-304) (for 55053)	1
14	49382GT	SCREW,HHC,M12 X 70	
15	65355GT	WASHER,LOCK,M12	
16	55053GT	HITCH W/MECH. BRAKE EURO TMZ34 (to SN TZ3403-304) (for 55053)	1
17	59971GT	SCREW,HHC,M12 X 80	
18	65346GT	COVER,HITCH BOLT ASSY(55053) (to SN TZ3403-304) (for 55053)	1
19	65342GT	LEVER,INTERNL,MECH HITCH T34 includes clevis pin and cotter pin	1
20A	65343GT	BEARING,MECH HITCH ASSY (55053) (to SN TZ3403-304) (for 55053)	2
20B	84879GT	SHAFT BEARING (from SN TZ3403-305) (for 99279)	
21	65345GT	STOP RING (55053) TMZ34	1
22	65336GT	SHAFT,MECH HITCH ASSY (55053) (to SN TZ3403-304) (for 55053)	1
23	65337GT	SHOCK ABSORBER,HITCH (55053) (to SN TZ3403-304) (for 55053)	1
24	59680GT	NUT,HEX M10-1.5	
25	65347GT	BRACKET,SHOCK ABSORBER (55053)	1

204.2 Hitch Assembly - CE Models



Go to Discount-Equipment.com to order your parts

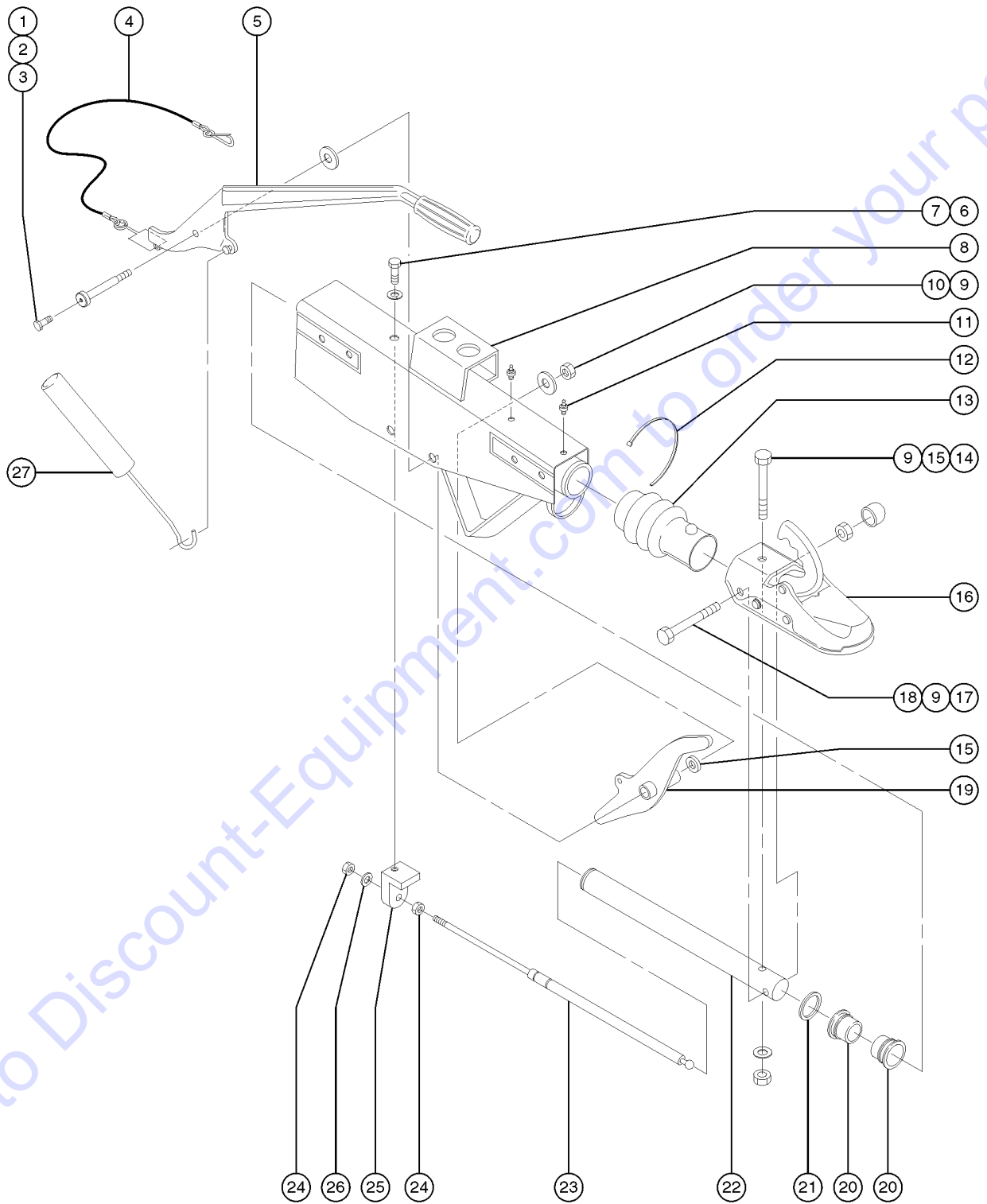
204.2 Hitch Assembly - CE Models

<i>Item</i>	<i>Part No.</i>	<i>Description</i>	<i>Qty.</i>
26	65403GT	WASHER,LOCK,WAVY, M10 TMZ	
27	65348GT	SPRING SLEEVE,HITCH ASSY(55053 (to SN TZ3403-304)	1

Go to Discount-Equipment.com to order your parts



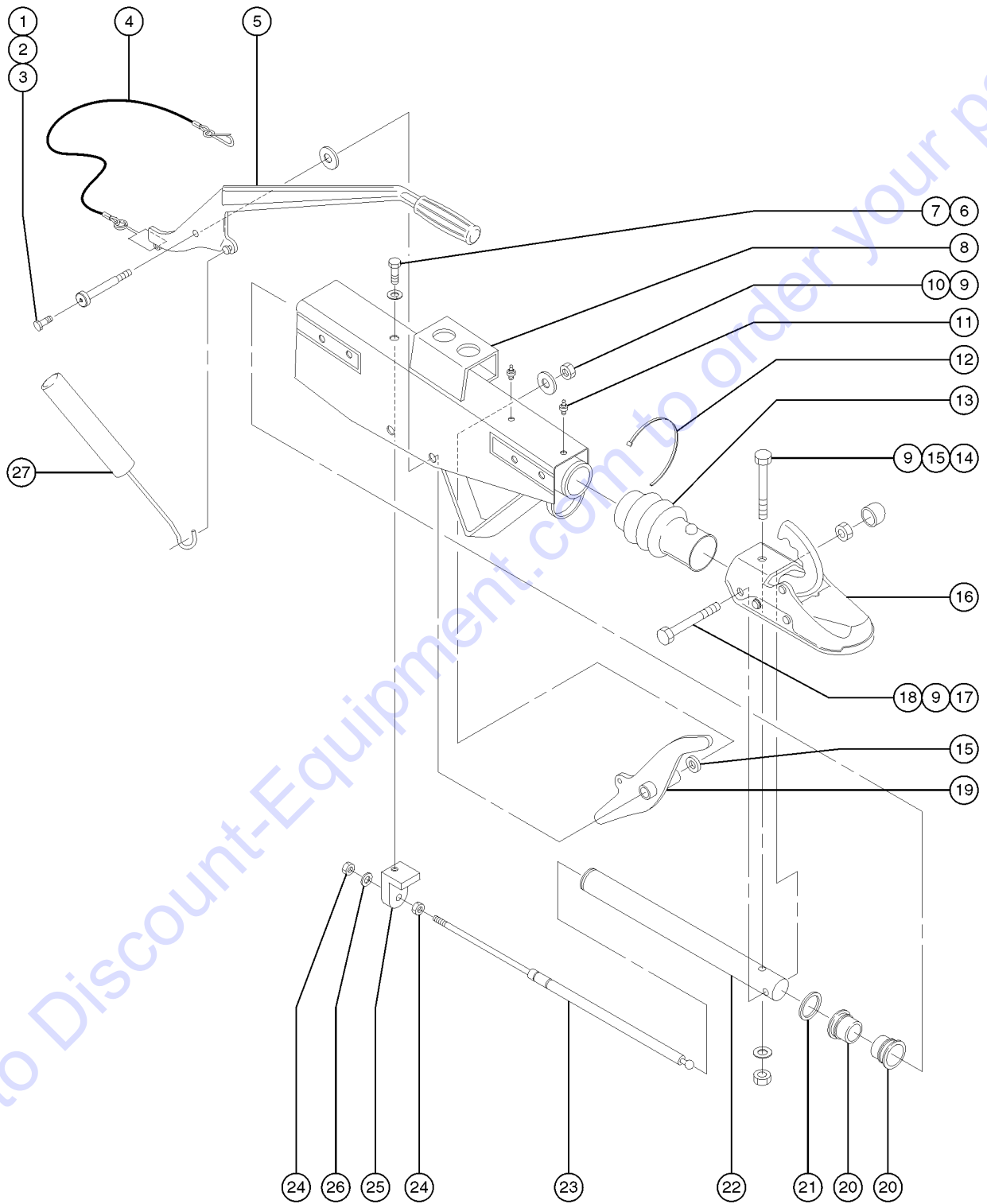
204.3 Hitch Assembly - CE Models



Go to Discount-Equipment.com to order your parts

Item	Part No.	Description	Qty.
	99279GT	HITCH,MECH BRK TZ34*** (to SN TZ3403-304)	
1	49393GT	SCREW,HHC,M10X20,GR5,YEL ZINC (from SN TZ3403-305) (for 99279)	
2	65350GT	SCREW W/ THREADED PIN,M12X1.75	
3	65352GT	WASHER,FLAT,M12	
4	84873GT	BRAKE LEVER ASSEMBLY (for 55053) includes eye and snap ring	1
5	84873GT	BRAKE LEVER ASSEMBLY (to SN TZ3403-304) (for 55053) includes item 4	1
6	65351GT	SCREW,HHC,M12 X 1.75 X 25	
7	65355GT	WASHER,LOCK,M12	
8		Ref., Housing component not available separately	1
9	65401GT	NUT,BEVELED,M12X1.75 TMZ	
10	65354GT	WASHER,DISK M12	
11	65344GT	ZERK,GREASE (55053) (to SN TZ3403-304) (for 55053)	2
12	28443GT	CABLE TIE,11.5" BLACK	1
13	65339GT	BELLOWS,MECH HITCH ASSY (55053) (to SN TZ3403-304) (for 55053)	1
14	49382GT	SCREW,HHC,M12 X 70	
15	65355GT	WASHER,LOCK,M12	
16	55053GT	HITCH W/MECH. BRAKE EURO TMZ34 (to SN TZ3403-304) (for 55053)	1
17	59971GT	SCREW,HHC,M12 X 80	
18	65346GT	COVER,HITCH BOLT ASSY(55053) (to SN TZ3403-304) (for 55053)	1
19	65342GT	LEVER,INTERNAL,MECH HITCH T34 includes clevis pin and cotter pin	1
20A	65343GT	BEARING,MECH HITCH ASSY (55053) (to SN TZ3403-304) (for 55053)	2
20B	84879GT	SHAFT BEARING (from SN TZ3403-305) (for 99279)	
21	65345GT	STOP RING (55053) TMZ34	1
22	65336GT	SHAFT,MECH HITCH ASSY (55053) (to SN TZ3403-304) (for 55053)	1
23	65337GT	SHOCK ABSORBER,HITCH (55053) (to SN TZ3403-304) (for 55053)	1
24	59680GT	NUT,HEX M10-1.5	
25	65347GT	BRACKET,SHOCK ABSORBER (55053) (to SN TZ3403-304) (for 55053)	1
26	65403GT	WASHER,LOCK,WAVY, M10 TMZ	

204.3 Hitch Assembly - CE Models



Go to Discount-Equipment.com to order your parts

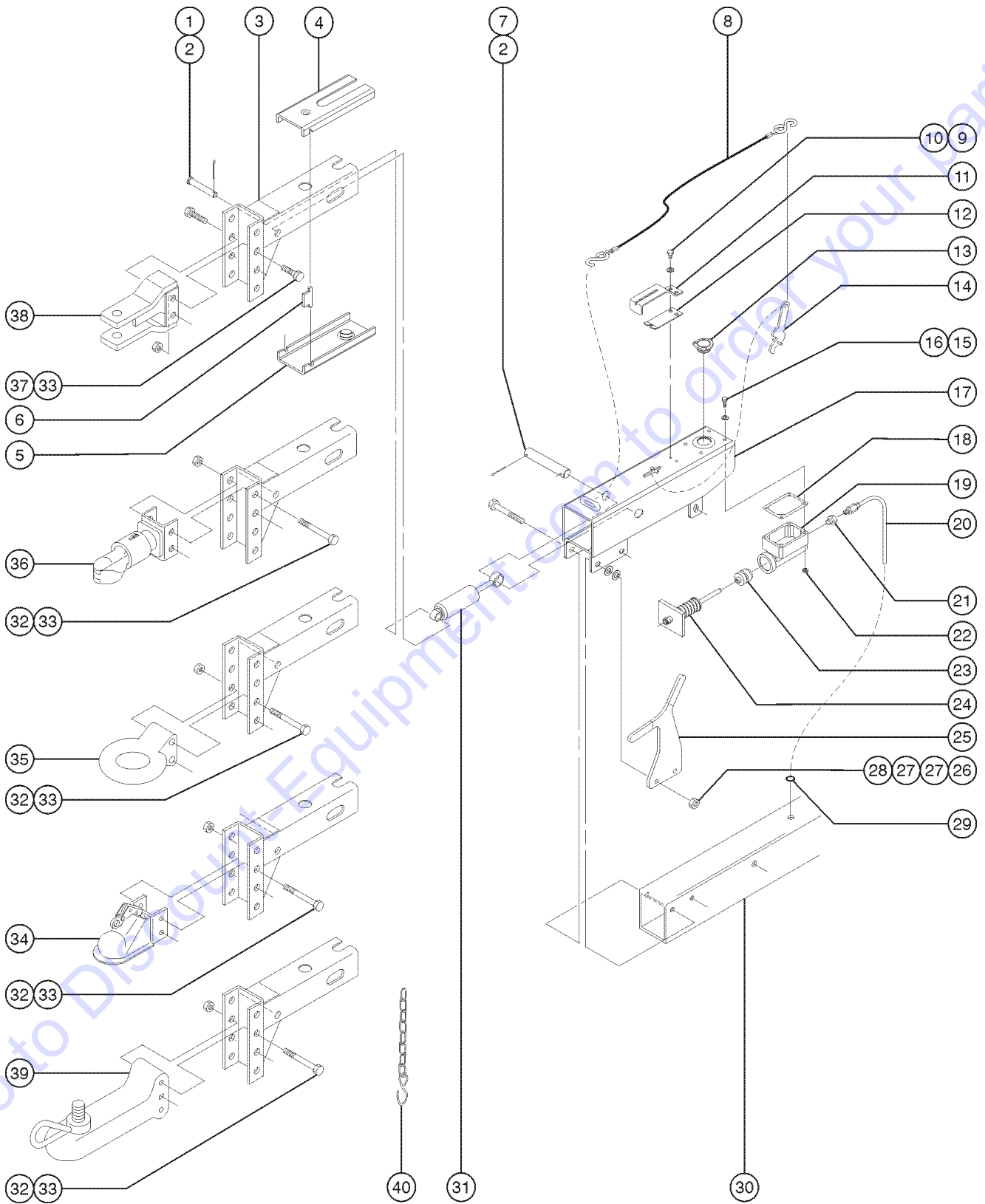
204.3 Hitch Assembly - CE Models

<i>Item</i>	<i>Part No.</i>	<i>Description</i>	<i>Qty.</i>
27	65348GT	SPRING SLEEVE,HITCH ASSY(55053 (to SN TZ3403-304) (for 55053)	1

Go to Discount-Equipment.com to order your parts



205.1 Hitch Options - ANSI and CSA Models

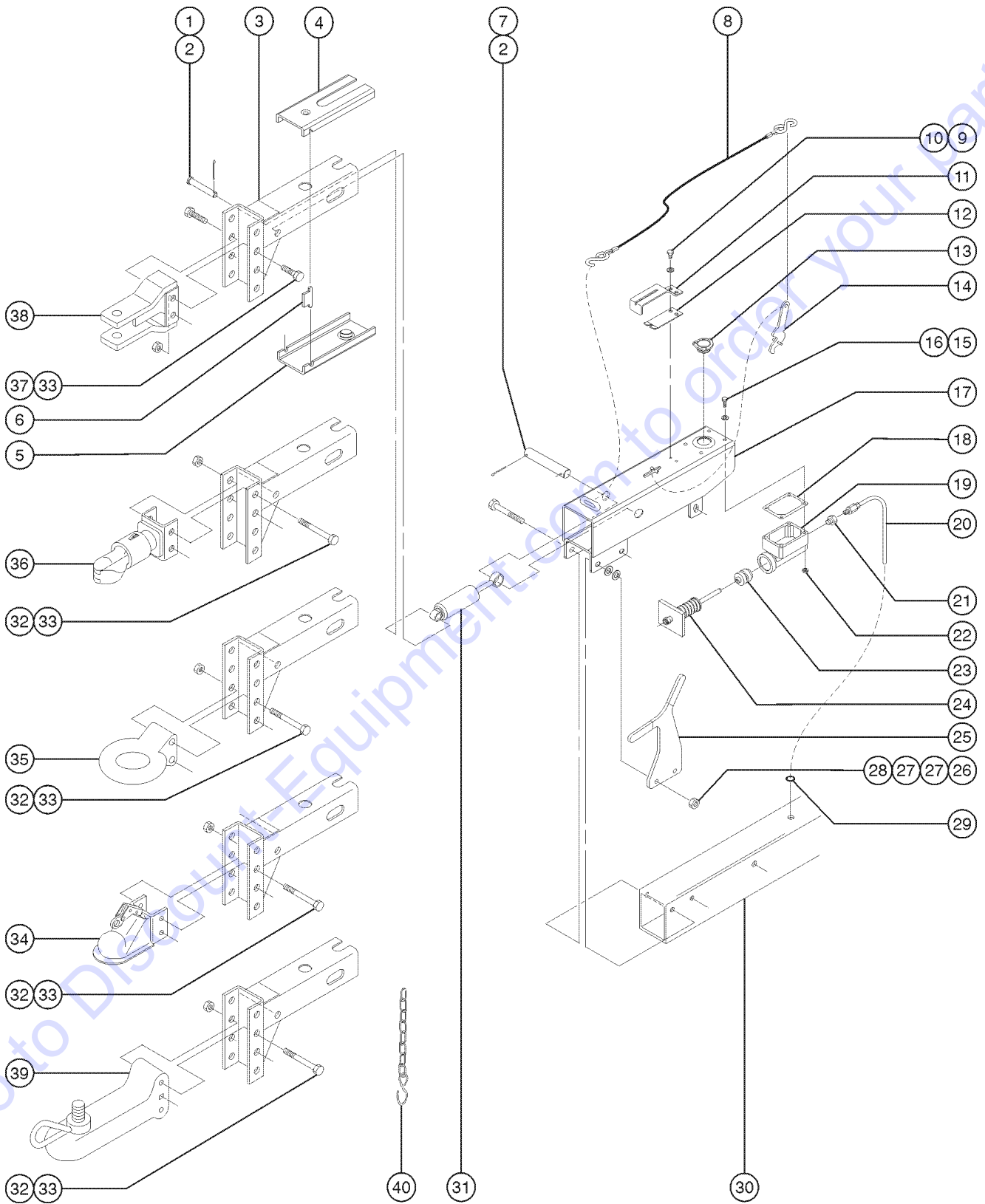


205.1 Hitch Options - ANSI and CSA Models

Item	Part No.	Description	Qty.
	59582GT	HITCH ACTUATOR, COMBO TMZ includes items 1 through 19, 21 through 24, and 31	
	62769GT	KIT, LEVER REPLACEMENT TMZ includes items 8, 12 and 14	
	62770GT	KIT, MASTER CYLINDER REPAIR TMZ	
	62771GT	KIT, COUPLER REPAIR (59582) TMZ	
	1264803GT	KIT, SURGE BRAKE LOCKOUT, DEMCO #5939 DEMCO DA91 LOCKOUT SERVICE KIT ; will replace items 1 and 2	
1	62765GT	PIN, FRONT SHOCK, HITCH ASSY TMZ	1
2	62866GT	PIN, COTTER, 0.156 X 1.5 TMZ50	
3	62766GT	CHANNEL, CLEVIS, HITCH ASSY TMZ	1
4	97455GT	SLIDER, UPPER	1
5	97456GT	SLIDER, LOWER	1
6	97457GT	SPACER, SIDE	2
7	75866GT	PIN, CONNECTING	1
8	62870GT	CABLE ASSY, HITCH, W/HOOKS 3/32 includes hooks	1
8	62772GT	HOOKS, CABLE ASSY TMZ50	
9	62871GT	SCREW, HHC, 5/16-18 X 5/8, GR5	
10	62864GT	WASHER, LOCK, EXTRNL TOOTH, 5/16	
11	62872GT	GUIDE, ACTUATOR LEVER	1
12	62873GT	EMERGENCY LEVER SPRING TMZ50	1
13	62874GT	CAP, MASTER CYLINDER TMZ50 **	1
13-	62773GT	O-RING, MASTR CYLNDR(62768)TMZ	
14	62877GT	LEVER, EMERGENCY, HITCH ASSY T50	1
15	75868GT	SCREW, HHC, 1/4-20 X 2	
16	75869GT	WASHER, LOCK, 1/4 INCH	
17	97458GT	ACTUATOR CASE, 3 BOLT MOUNT	1
18	75871GT	GASKET, MASTER CYLINDER (75873)	1
19	75873GT	CYLINDER, MASTER includes item 18	1
20	67304GT	BRAKE LINE, LONG 149.5" TMZ50	1
21	62761GT	CONNECTOR, ORIFICE, .018 TMZ	1



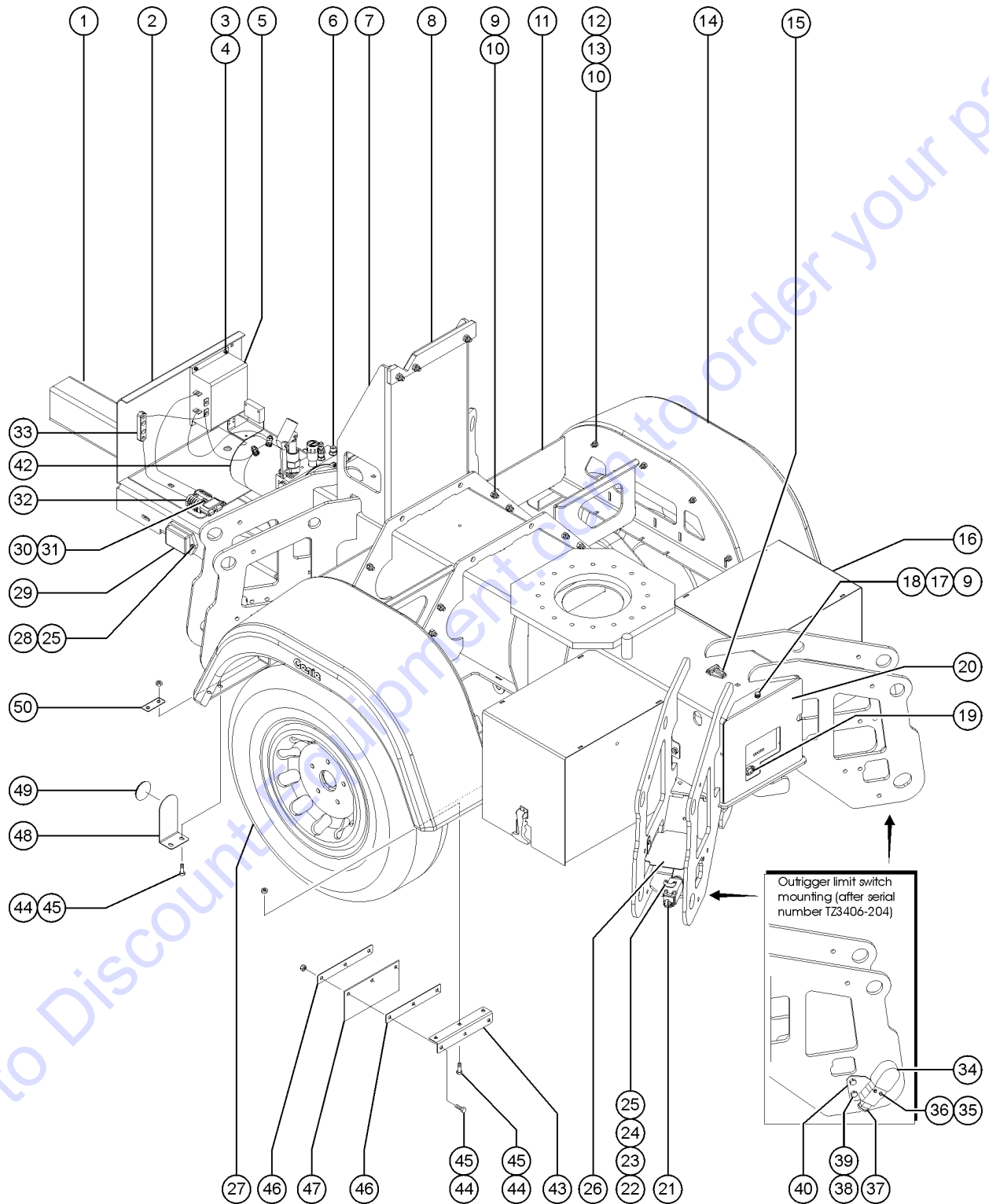
205.1 Hitch Options - ANSI and CSA Models



205.1 Hitch Options - ANSI and CSA Models

Item	Part No.	Description	Qty.
22	75872GT	NUT,HEX,1/4-20	
23	75874GT	BOOT,CYLINDER MASTER	
24	62879GT	PUSH ROD ASSEMBLY TMZ50	1
25	72032-SGT	TONGUE HANDLE ASSY T3400	1
		includes plastic covers	
26	6198GT	NUT,NYLOCK,1/2-13	
27	67722GT	WASHER,FLAT,M12 HARDENED	
28	13854GT	SCREW,HHC,1/2-13 X 4.5,GRD.8	3
29	24647GT	GROMMET,RUBBER .38 X .13 X .63	1
30		Ref. Tongue Assembly (refer to 201.1)	
31	62764GT	DAMPER,SHOCK, HITCH ASSY TMZ	1
32	47186GT	SCREW,HHC,5/8-11 X 4.5	
33	6024GT	NUT,NYLOCK,5/8-11	
34	59752-SGT	COUPLER 2-5/16" BALL	1
34-	67229GT	COUPLER,BALL,2"(50MM) TWST LK*	
		twist lock	
34-	67535GT	COUPLER 2" BALL LEVER LOCK	
		lever lock	
35	59720GT	COUPLER, PINTLE RING	1
36	67230GT	COUPLER 2" BALL BULLDOG TMZ	1
36-	67231GT	COUPLER 2-5/16" BALL BULLDOG T	
37	106669GT	SCREW,HHC,5/8-11 X 1.5 GRD.8	4
38	59753GT	COUPLER CLEVIS, TMZ	1
39	67229GT	COUPLER,BALL,2"(50MM) TWST LK*	1
40	162160GT	CHAIN, SAFETY, SNAP HOOK	2

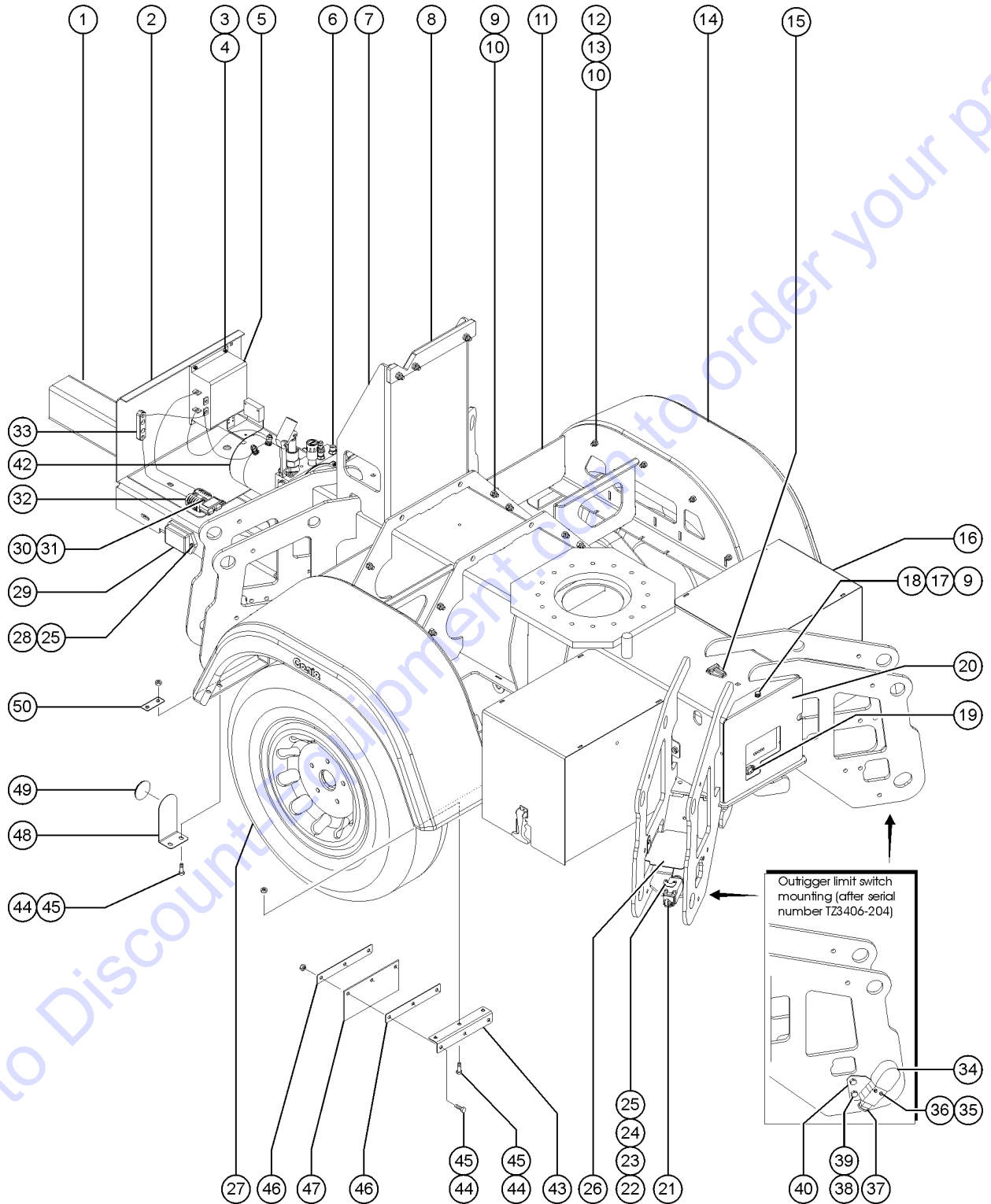
206.1 Chassis Components



Item	Part No.	Description	Qty.
A	1289561GT	BRACKET, TELEMATICS	
A	1289520GT	MODULE, TELEMATICS, ZTR, M7, NORTH AMERICA	
B	76712GT	KIT, TZ34 O/R L/S UPDATE	
		(to SN TZ3406-204)	
1		Ref. TONGUE ASSEMBLY	
		(refer to 201.1 or 202.1)	
2A	87443GT	FORMING POWER UNIT MOUNT***	1
		(to SN TZ3404-61)	
3	6878GT	BOLT,CARRIAGE,1/4-20 X .75,G2	
4	6091GT	NUT,NYLOCK,1/4-20	
5A	823408GT	MOTOR CONTROLLER, DC,24V,300A	1
		motor controllers sold separately only in cases where upgrade kits are N/A or an upgrade kit has been previously installed	
5B	1261671GT	KIT,MTR CONTRLR REPLACEMENT TZ	
		(Includes controller and wire harnesses)	
5B-	161969GT	KIT, AUX JUMP WIRE ASSY, TZ34	
		(required to install 1261671 on units to SN TZ3406-204)	
6A		Ref. HYDRAULIC POWER UNIT	
		(refer to 601.1)	
6B		Ref. COVER, HYDRAULIC POWER UNIT	
		(refer to 210.1)	
7A	115027GT	MAST CRADLE ASSY W/DECAL ANSI	1
		(Word) (to SN TZ3403-364)	
7A-	54177GT	SCREW,HHC,1/2-13 X 1.5 GRD 8	
7A-	6198GT	NUT,NYLOCK,1/2-13	
7B	97357GT	MAST CRADLE ASSEMBLY	1
		(ANSI, CSA, Word) (from SN TZ3403-365)	
7B-	54177GT	SCREW,HHC,1/2-13 X 1.5 GRD 8	
7B-	6198GT	NUT,NYLOCK,1/2-13	
7C	115028GT	MAST CRADLE ASSY W/DECAL CE	1
		(Symbol) (to SN TZ3403-364)	
7C-	54177GT	SCREW,HHC,1/2-13 X 1.5 GRD 8	
7C-	6198GT	NUT,NYLOCK,1/2-13	
7D	115029GT	MAST CRADLE ASSY W/DECAL CE	1
		(Symbol) (from SN TZ3403-365)	
7D-	54177GT	SCREW,HHC,1/2-13 X 1.5 GRD 8	
7D-	6198GT	NUT,NYLOCK,1/2-13	
8	87735GT	WEARPAD,MAST CRADLE	1
8-	4828GT	NUT,NYLOCK,3/8-16	
8-	60790GT	BOLT, CARRIAGE, 3/8-16 X 1.50, G5	
8-	5397GT	WASHER,FLAT,USS,5/16",Y	



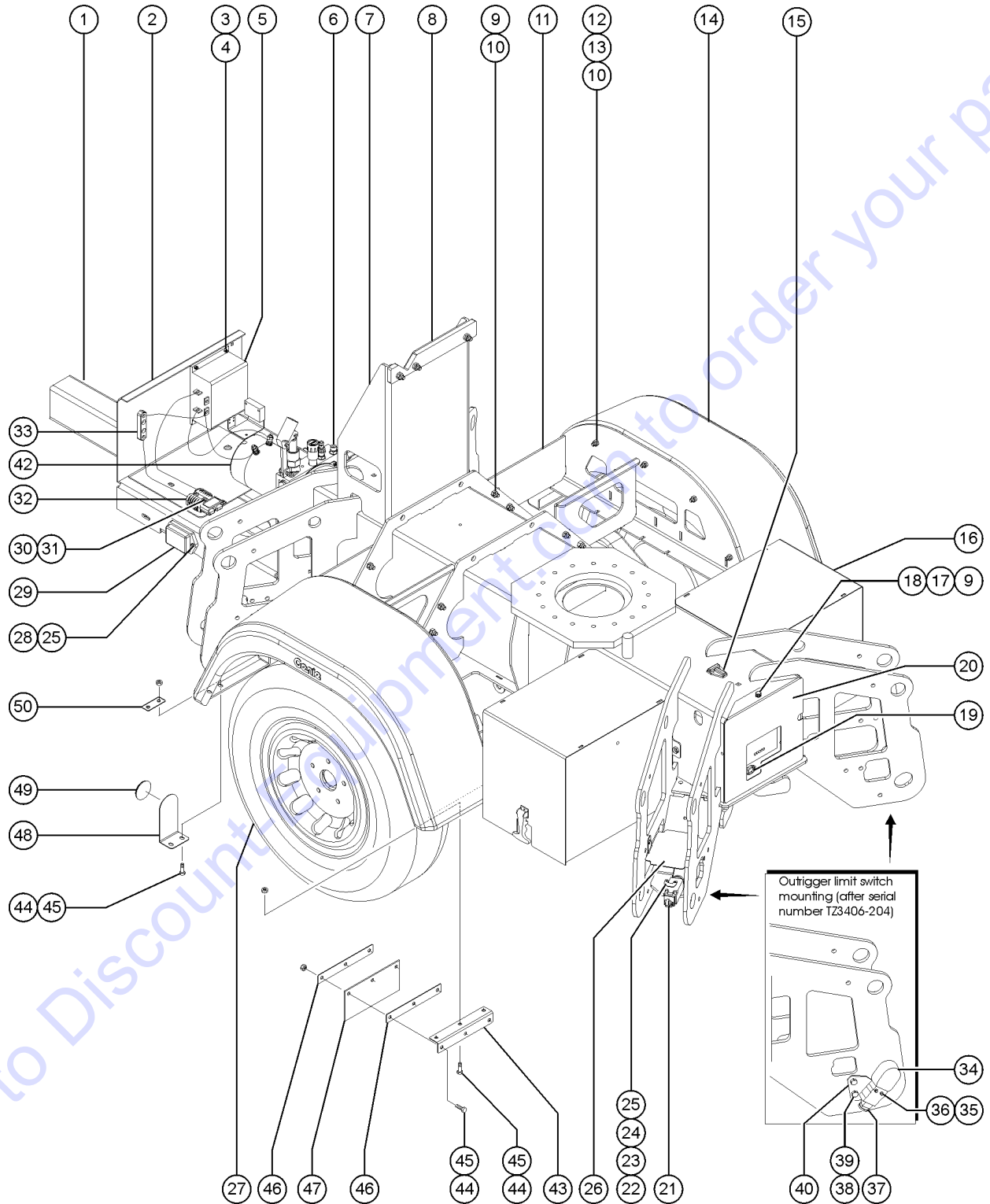
206.1 Chassis Components



Item	Part No.	Description	Qty.
9	6175GT	SCREW,HHC,3/8-16 X 1	
10	4828GT	NUT,NYLOCK,3/8-16	
11A	87739GT	WELDMENT,FENDER MOUNT LFT HYD	1
11A-	87759GT	WELDMENT,FENDER MOUNT RT HYD	
11B	87756GT	WELDMENT,FENDER MOUNT LFT MECH	
11B-	87760GT	WELDMENT,FENDER MOUNT RT MECH	
12	6888GT	SCREW,HHC,1/4-20 X 1	
13	12906GT	WASHER,FENDER,.25 X 1.25 X.062	
14	57710GT	FENDER, PLASTIC, TML	2
15	99024GT	LEVEL,BUBBLE,T	1
16		Ref. BATTERY BOX ASSEMBLY (refer to 211.1)	
17	6021GT	WASHER,LOCK,.375	
18	29868GT	SPRING CLIP,3/8-16,.05-.20X.73,ZAG	
19		Ref. BATTERY CHARGER (refer to 207.1)	
20A	84615GT	CHARGER COVER ASSY, CE	1
20B	84616GT	CHARGER COVER ASSY, DOMESTIC	
21	88356-246R1GT	SWITCH,LIMIT,TABULATED,BLUE (to SN TZ3406-204)	
21-	19491GT	CONTACTOR,LIMIT SWITCH	
21-	89757GT	ROLLER HD,LIMIT SWITCH(89676**	
22	99286GT	PLATE,OTRG LIMIT SWITCH COVER (to SN TZ3406-204)	
23	99421GT	SPACER,PLASTIC,#10X 5/16 X 1/8 (to SN TZ3406-204)	
24	51063GT	SCREW,PHILLIPS,RHM,10-32 X 1.5 (to SN TZ3406-204)	
25	6178GT	NUT, NYLOCK, 10-32	
26	99284GT	FORMING,OTRGR LIMIT SW GUARD (to SN TZ3406-204)	4
27A	87379GT	TIRE/WHEEL ASSY,DOMESTIC,TZ34	2
27A-	80270GT	WHEEL,14 INCHES***	
27A-	58251GT	TIRE/DOMESTIC,TZ34****	
27A-	46717GT	NUT,1/2-20,ACORN,TMZ34 (ANSI and CSA Models)	10

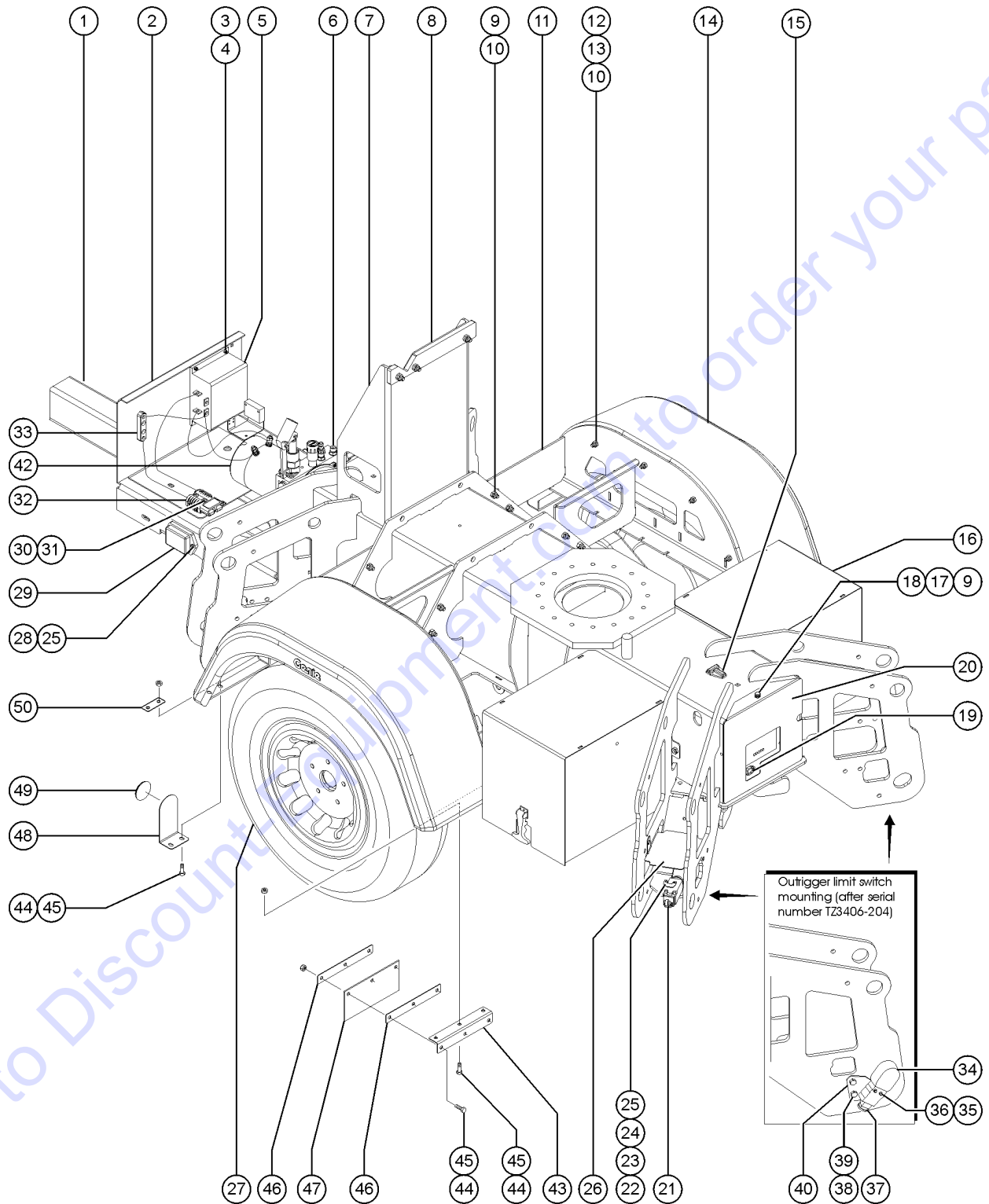


206.1 Chassis Components



Item	Part No.	Description	Qty.
27B	87380GT	TIRE/WHEEL ASSY,EURO,TZ34	
27B-	55140GT	LUG BOLT M12 X 1.5	10
		(CE Models)	
28	6606GT	SCREW,RHM,10-32 X .75	
29A	76710GT	KIT, SIDE MARKER LIGHT W/ CONN	
		(to SN TZ3405-532)	
29C	76010GT	REFLECTOR,RECT,AMBER,EURO	
30	66081GT	SCREW,RHM,1/4-20 X 1.50	
31	66094GT	NUT-THIN HEAVY HEX, 1/4-20	
32	66397GT	QUICK DISCONNECT CASING,BATT**	
33A	40833GT	FUSE,275 AMP,VERY FAST ACTING	
33A-	66717GT	FUSE BLOCK, ANN & ANL FUSE	
37-	60442GT	CONN,RECEP 4 WAY, 14-18GA	
37-	60443GT	LOCK,RECEP 4 WAY,14-18GA	
37-	73713GT	TERM,NI PIN,S&F,16-18GA,REEL	
42		Ref. HYDRAULIC POWER UNIT	
		(refer to 601.1)	
43	219947GT	BRKT,MOUNT, RIAN FLAP, TZ-34	
		(CE models)	
44	13002GT	SCREW,HHC,5/16-18 X 1 GR5	
		(CE models)	
45	6782GT	NUT,NYLOCK,5/16-18	
		(CE models)	
46	219946GT	PLATE, RAIN FLAP, TZ-34	
		(CE models)	
47	219948GT	RAIN FLAP, TZ-34	
		(CE models)	
48	219946GT	PLATE, RAIN FLAP, TZ-34	
		(CE models)	
49	67959GT	REFLECTOR,ROUND,WHITE,EURO	
		(CE models)	
50	219944GT	PLATE, REFLECTOR, TZ-34	
		(CE models)	

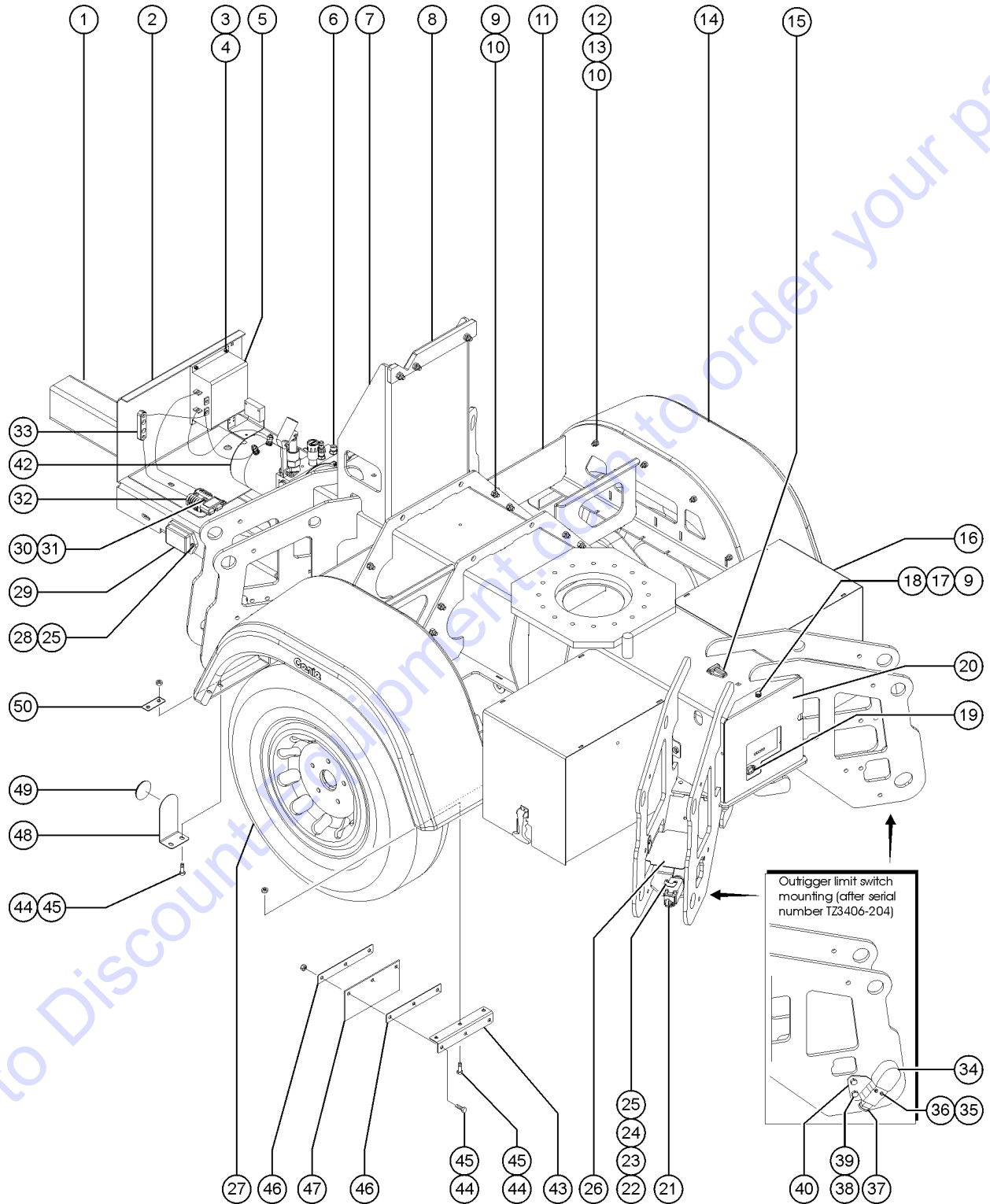
206.2 Chassis Components



Item	Part No.	Description	Qty.
A	1289561GT	BRACKET, TELEMATICS	
A	1289520GT	MODULE, TELEMATICS, ZTR, M7, NORTH AMERICA	
B	76712GT	KIT, TZ34 O/R L/S UPDATE (to SN TZ3406-204)	
1		Ref. TONGUE ASSEMBLY (refer to 201.1 or 202.1)	
2A	87443GT	FORMING, POWER UNIT MOUNT*** (to SN TZ3404-61)	1
2B	104022GT	FORMING, CONTROLLER MOUNT TZ-34 (from SN TZ3404-62)	1
3	6878GT	BOLT, CARRIAGE, 1/4-20 X .75, G2	
4	6091GT	NUT, NYLOCK, 1/4-20	
5A	823408GT	MOTOR CONTROLLER, DC, 24V, 300A motor controllers sold separately only in cases where upgrade kits are N/A or an upgrade kit has been previously installed	1
5B	1261671GT	KIT, MTR CONTRLR REPLACEMENT TZ (Includes controller and wire harnesses)	
5B-	161969GT	KIT, AUX JUMP WIRE ASSY, TZ34 (required to install 1261671 on units to SN TZ3406-204)	
6A		Ref. HYDRAULIC POWER UNIT (refer to 601.1)	
6B		Ref. COVER, HYDRAULIC POWER UNIT (refer to 210.1)	
7B	97357GT	MAST CRADLE ASSEMBLY (ANSI, CSA, Word) (from SN TZ3403-365)	1
7B-	54177GT	SCREW, HHC, 1/2-13 X 1.5 GRD 8	
7B-	6198GT	NUT, NYLOCK, 1/2-13	
7D	115029GT	MAST CRADLE ASSY W/DECAL CE (Symbol) (from SN TZ3403-365)	1
7D-	54177GT	SCREW, HHC, 1/2-13 X 1.5 GRD 8	
7D-	6198GT	NUT, NYLOCK, 1/2-13	
8	87735GT	WEARPAD, MAST CRADLE	1
8-	4828GT	NUT, NYLOCK, 3/8-16	
8-	60790GT	BOLT, CARRIAGE, 3/8-16 X 1.50, G5	
8-	5397GT	WASHER, FLAT, USS, 5/16", Y	
9	6175GT	SCREW, HHC, 3/8-16 X 1	
10	4828GT	NUT, NYLOCK, 3/8-16	
11A	87739GT	WELDMENT, FENDER MOUNT LFT HYD	1
11A-	87759GT	WELDMENT, FENDER MOUNT RT HYD	
11B	87756GT	WELDMENT, FENDER MOUNT LFT MECH	



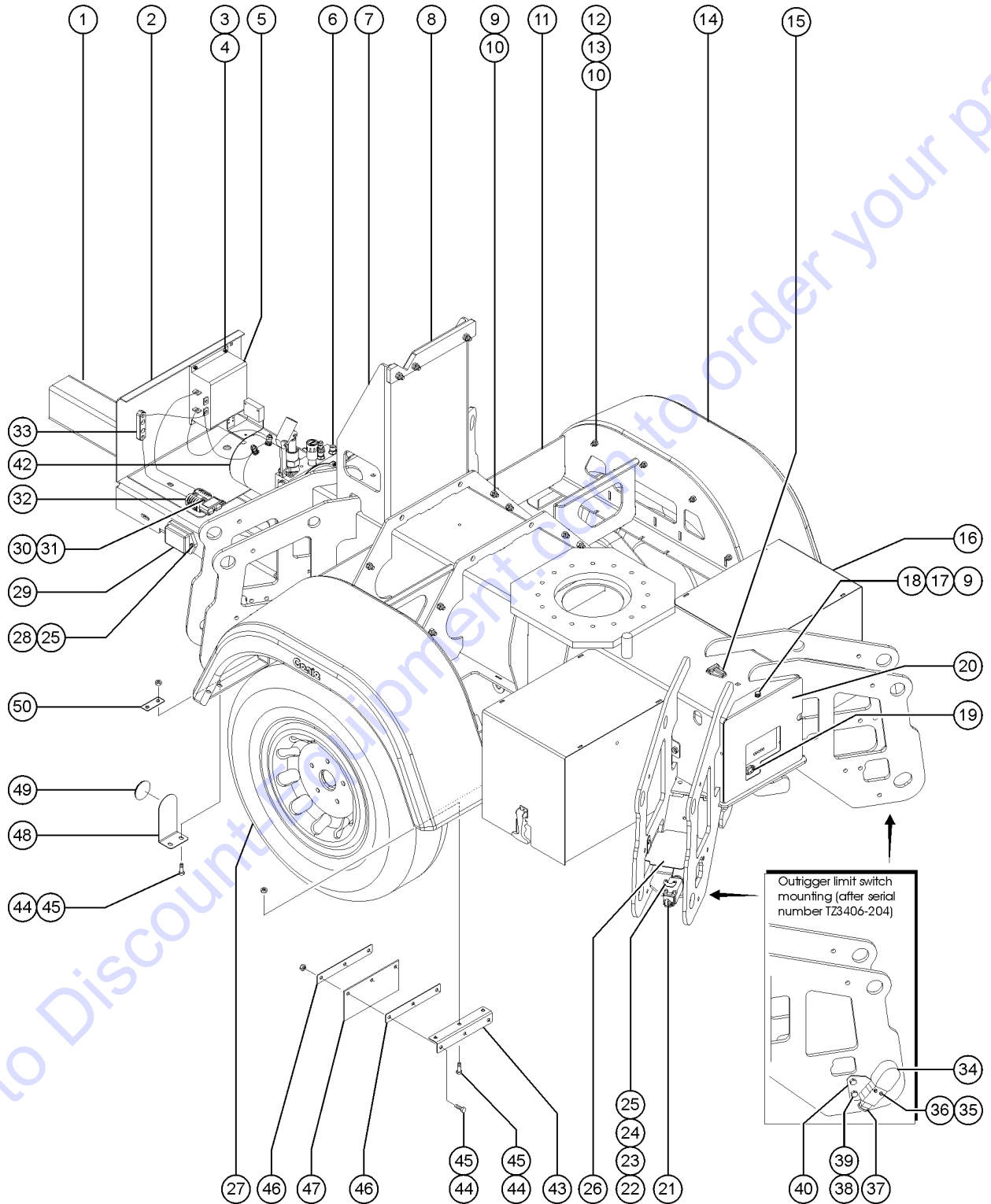
206.2 Chassis Components



Item	Part No.	Description	Qty.
11B-	87760GT	WELDMENT,FENDER MOUNT RT MECH	
12	6888GT	SCREW,HHC,1/4-20 X 1	
13	12906GT	WASHER,FENDER,.25 X 1.25 X.062	
14	57710GT	FENDER, PLASTIC, TML	2
15	99024GT	LEVEL,BUBBLE,T	1
16		Ref. BATTERY BOX ASSEMBLY	
		(refer to 211.1)	
17	6021GT	WASHER,LOCK,.375	
18	29868GT	SPRING CLIP,3/8-16,.05-.20X.73,ZAG	
19		Ref. BATTERY CHARGER	
		(refer to 207.1)	
20A	84615GT	CHARGER COVER ASSY, CE	1
20B	84616GT	CHARGER COVER ASSY, DOMESTIC	
21	88356-246R1GT	SWITCH,LIMIT,TABULATED,BLUE	
		(to SN TZ3406-204)	
21-	19491GT	CONTACTOR,LIMIT SWITCH	
21-	89757GT	ROLLER HD,LIMIT SWITCH(89676**	
22	99286GT	PLATE,OTRG LIMIT SWITCH COVER	
		(to SN TZ3406-204)	
23	99421GT	SPACER,PLASTIC,#10X 5/16 X 1/8	
		(to SN TZ3406-204)	
24	51063GT	SCREW,PHILLIPS,RHM,10-32 X 1.5	
		(to SN TZ3406-204)	
25	6178GT	NUT, NYLOCK, 10-32	
		(to SN TZ3406-204)	
26	99284GT	FORMING,OTRGR LIMIT SW GUARD	4
		(to SN TZ3406-204)	
27A	87379GT	TIRE/WHEEL ASSY,DOMESTIC,TZ34	2
27A-	80270GT	WHEEL,14 INCHES***	
27A-	58251GT	TIRE/DOMESTIC,TZ34****	
27A-	46717GT	NUT,1/2-20,ACORN,TMZ34	10
		(ANSI and CSA Models)	
27B	87380GT	TIRE/WHEEL ASSY,EURO,TZ34	
27B-	55140GT	LUG BOLT M12 X 1.5	10
		(CE Models)	
28	6606GT	SCREW,RHM,10-32 X .75	
29A	76710GT	KIT, SIDE MARKER LIGHT W/ CONN	
		(to SN TZ3405-532)	
29C	76010GT	REFLECTOR,RECT,AMBER,EURO	



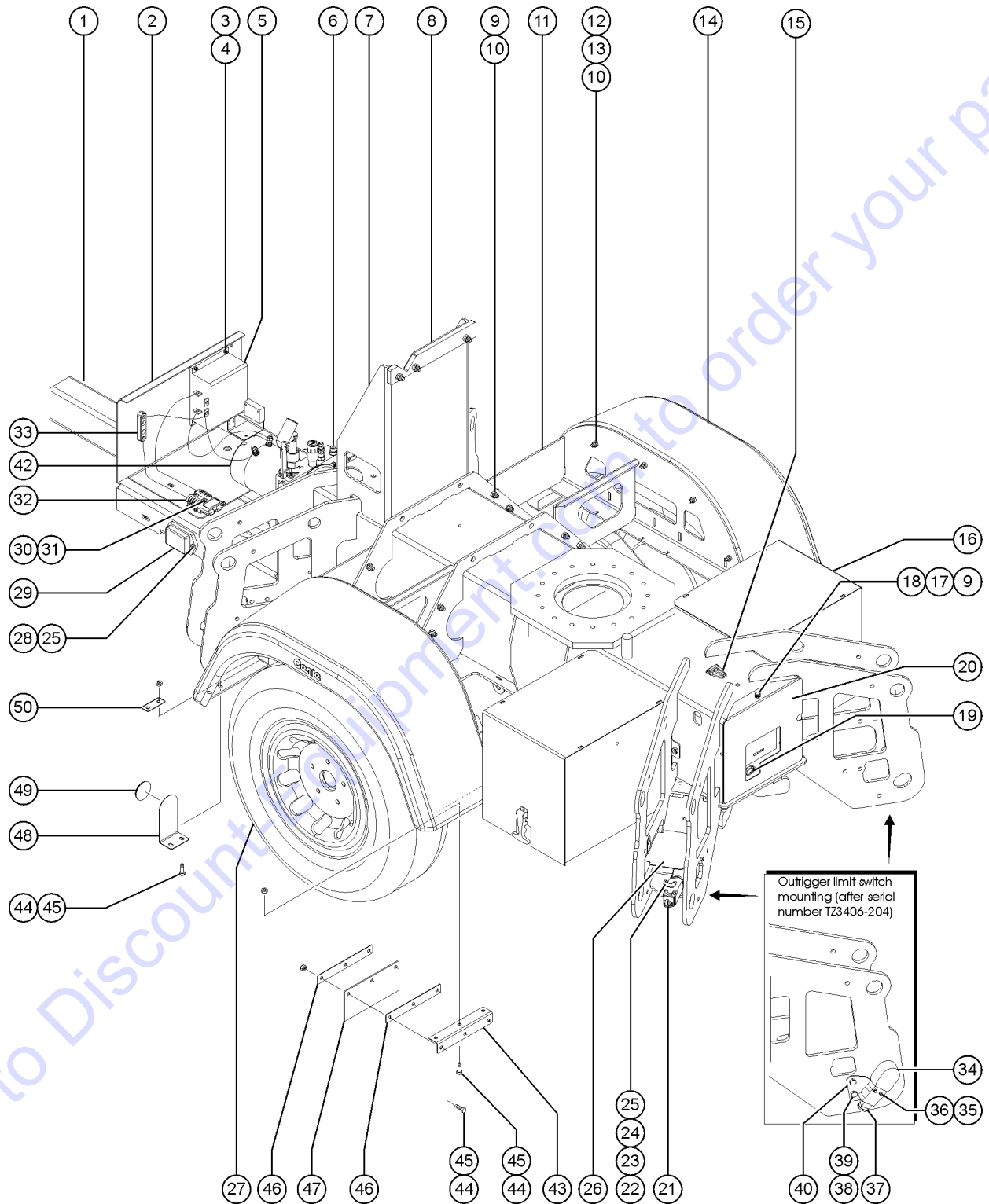
206.2 Chassis Components



Item	Part No.	Description	Qty.
30	66081GT	SCREW,RHM,1/4-20 X 1.50	
31	66094GT	NUT-THIN HEAVY HEX, 1/4-20	
32	66397GT	QUICK DISCONNECT CASING,BATT**	
33A	40833GT	FUSE,275 AMP,VERY FAST ACTING	
33A-	66717GT	FUSE BLOCK, ANN & ANL FUSE	
37-	60442GT	CONN,RECEP 4 WAY, 14-18GA	
37-	60443GT	LOCK,RECEP 4 WAY,14-18GA	
37-	73713GT	TERM,NI PIN,S&F,16-18GA,REEL	
42		Ref. HYDRAULIC POWER UNIT	
		(refer to 601.1)	
43	219947GT	BRKT,MOUNT, RIAN FLAP, TZ-34	
		(CE models)	
44	13002GT	SCREW,HHC,5/16-18 X 1 GR5	
		(CE models)	
45	6782GT	NUT,NYLOCK,5/16-18	
		(CE models)	
46	219946GT	PLATE, RAIN FLAP, TZ-34	
		(CE models)	
47	219948GT	RAIN FLAP, TZ-34	
		(CE models)	
48	219946GT	PLATE, RAIN FLAP, TZ-34	
		(CE models)	
49	67959GT	REFLECTOR,ROUND,WHITE,EURO	
		(CE models)	
50	219944GT	PLATE, REFLECTOR, TZ-34	
		(CE models)	

Go to Discount-Equipment.com to order your parts

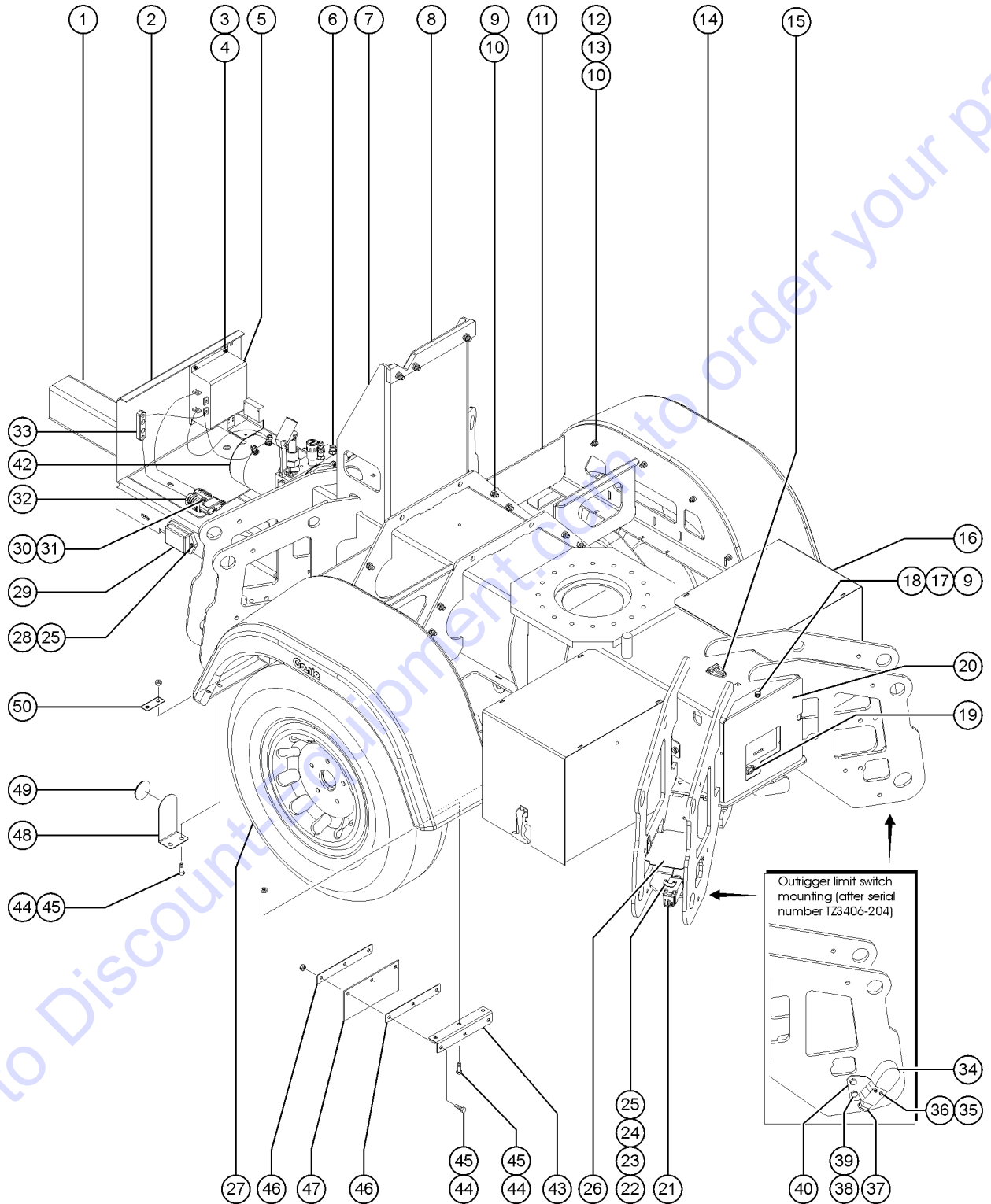
206.3 Chassis Components



Item	Part No.	Description	Qty.
A	1289561GT	BRACKET, TELEMATICS	
A	1289520GT	MODULE, TELEMATICS, ZTR, M7, NORTH AMERICA	
B	76712GT	KIT, TZ34 O/R L/S UPDATE (to SN TZ3406-204)	
1		Ref. TONGUE ASSEMBLY (refer to 201.1 or 202.1)	
2B	104022GT	FORMING CONTROLLER MOUNT TZ-34 (from SN TZ3404-62)	1
3	6878GT	BOLT, CARRIAGE, 1/4-20 X .75, G2	
4	6091GT	NUT, NYLOCK, 1/4-20	
5A	823408GT	MOTOR CONTROLLER, DC, 24V, 300A motor controllers sold separately only in cases where upgrade kits are N/A or an upgrade kit has been previously installed	1
5B	1261671GT	KIT, MTR CONTRLR REPLACEMENT TZ (Includes controller and wire harnesses)	
5D-		Ref. DUAL COUNTERBALANCE VALVE ASSY (refer to 603.1)	
6B		Ref. COVER, HYDRAULIC POWER UNIT (refer to 210.1)	
7B	97357GT	MAST CRADLE ASSEMBLY (ANSI, CSA, Word) (from SN TZ3403-365)	1
7B-	54177GT	SCREW, HHC, 1/2-13 X 1.5 GRD 8	
7B-	6198GT	NUT, NYLOCK, 1/2-13	
7D	115029GT	MAST CRADLE ASSY W/DECAL CE (Symbol) (from SN TZ3403-365)	1
7D-	54177GT	SCREW, HHC, 1/2-13 X 1.5 GRD 8	
7D-	6198GT	NUT, NYLOCK, 1/2-13	
8	87735GT	WEARPAD, MAST CRADLE	1
8-	4828GT	NUT, NYLOCK, 3/8-16	
8-	60790GT	BOLT, CARRIAGE, 3/8-16 X 1.50, G5	
8-	5397GT	WASHER, FLAT, USS, 5/16", Y	
9	6175GT	SCREW, HHC, 3/8-16 X 1	
10	4828GT	NUT, NYLOCK, 3/8-16	
11A	87739GT	WELDMENT, FENDER MOUNT LFT HYD	1
11A-	87759GT	WELDMENT, FENDER MOUNT RT HYD	
11B	87756GT	WELDMENT, FENDER MOUNT LFT MECH	
11B-	87760GT	WELDMENT, FENDER MOUNT RT MECH	
12	6888GT	SCREW, HHC, 1/4-20 X 1	

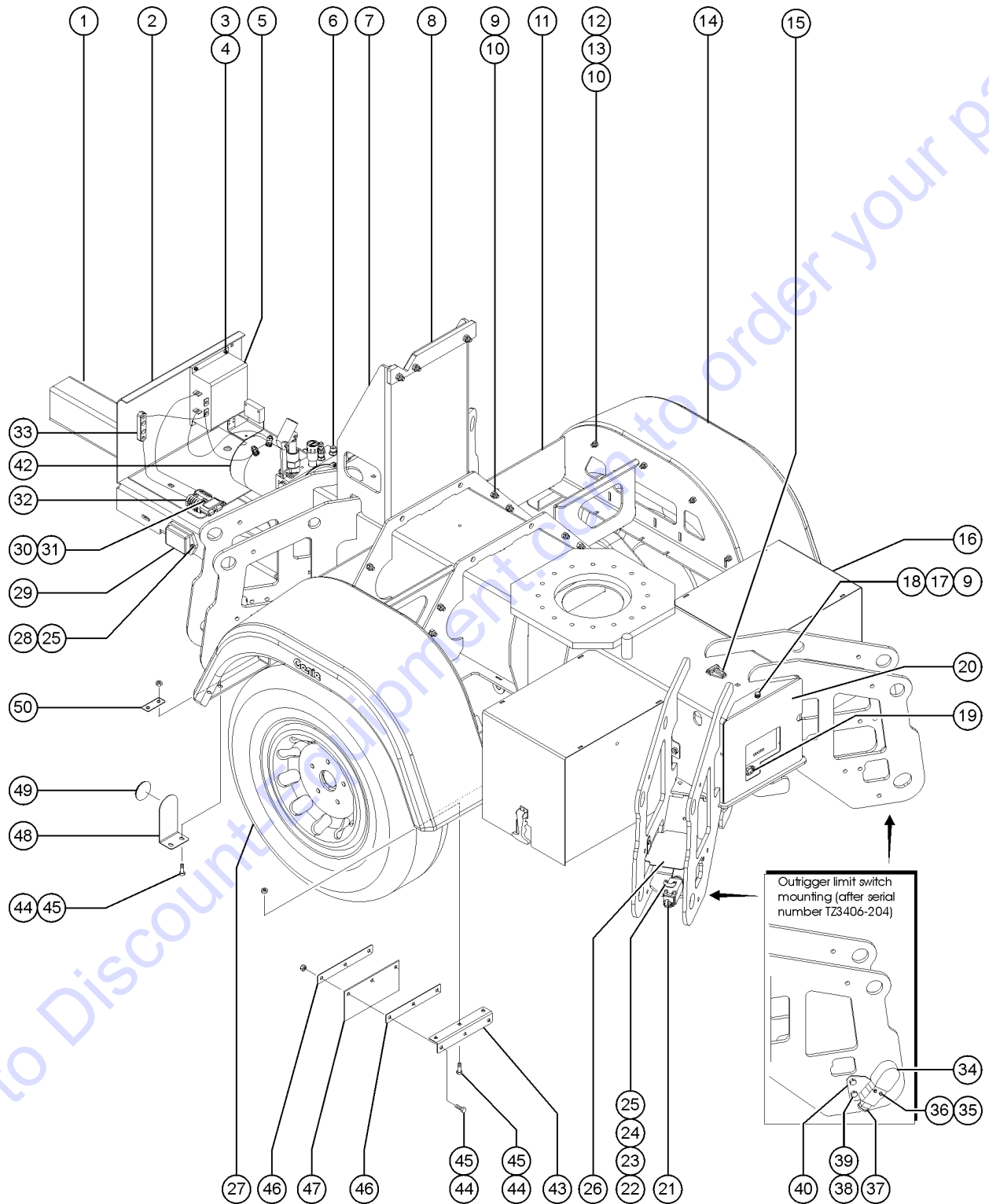


206.3 Chassis Components



Item	Part No.	Description	Qty.
13	12906GT	WASHER,FENDER,.25 X 1.25 X.062	
14	57710GT	FENDER, PLASTIC, TML	2
15	99024GT	LEVEL,BUBBLE,T	1
16		Ref. BATTERY BOX ASSEMBLY	
		(refer to 211.1)	
17	6021GT	WASHER,LOCK,.375	
18	29868GT	SPRING CLIP,3/8-16,.05-.20X.73,ZAG	
19		Ref. BATTERY CHARGER	
		(refer to 207.1)	
20A	84615GT	CHARGER COVER ASSY, CE	1
20B	84616GT	CHARGER COVER ASSY, DOMESTIC	
21	88356-246R1GT	SWITCH,LIMIT,TABULATED,BLUE	
		(to SN TZ3406-204)	
21-	19491GT	CONTACTOR,LIMIT SWITCH	
21-	89757GT	ROLLER HD,LIMIT SWITCH(89676**	
22	99286GT	PLATE,OTRG LIMIT SWITCH COVER	
		(to SN TZ3406-204)	
23	99421GT	SPACER,PLASTIC,#10X 5/16 X 1/8	
		(to SN TZ3406-204)	
24	51063GT	SCREW,PHILLIPS,RHM,10-32 X 1.5	
		(to SN TZ3406-204)	
25	6178GT	NUT, NYLOCK, 10-32	
		(to SN TZ3406-204)	
26	99284GT	FORMING,OTRGR LIMIT SW GUARD	4
		(to SN TZ3406-204)	
27A	87379GT	TIRE/WHEEL ASSY,DOMESTIC,TZ34	2
27A-	80270GT	WHEEL,14 INCHES***	
27A-	58251GT	TIRE/DOMESTIC,TZ34****	
27A-	46717GT	NUT,1/2-20,ACORN,TMZ34	10
		(ANSI and CSA Models)	
27B	87380GT	TIRE/WHEEL ASSY,EURO,TZ34	
27B-	55140GT	LUG BOLT M12 X 1.5	10
		(CE Models)	
28	6606GT	SCREW,RHM,10-32 X .75	
29A	76710GT	KIT, SIDE MARKER LIGHT W/ CONN	
		(to SN TZ3405-532)	
29B	52135GT	SIDE LIGHT ASSY W/BULB***	
		(from SN TZ3405-533)	
29C	76010GT	REFLECTOR,RECT,AMBER,EURO	
30	66081GT	SCREW,RHM,1/4-20 X 1.50	

206.3 Chassis Components

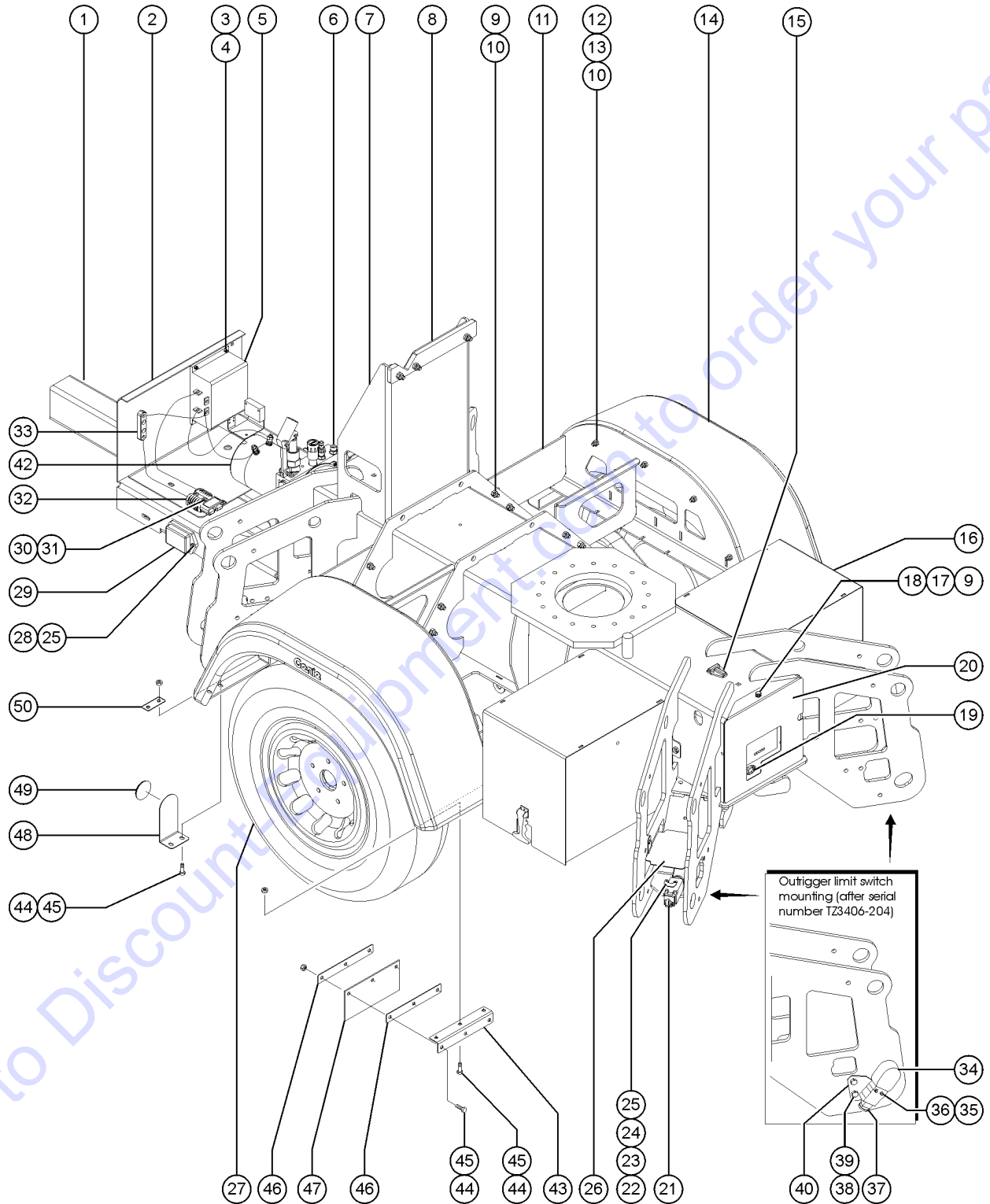


Item	Part No.	Description	Qty.
31	66094GT	NUT-THIN HEAVY HEX, 1/4-20	
32	66397GT	QUICK DISCONNECT CASING,BATT**	
33A	40833GT	FUSE,275 AMP,VERY FAST ACTING	
33A-	66717GT	FUSE BLOCK, ANN & ANL FUSE	
37-	60442GT	CONN,RECEP 4 WAY, 14-18GA	
37-	60443GT	LOCK,RECEP 4 WAY,14-18GA	
37-	73713GT	TERM,NI PIN,S&F,16-18GA,REEL	
42		Ref. HYDRAULIC POWER UNIT	
		(refer to 601.1)	
43	219947GT	BRKT,MOUNT, RIAN FLAP, TZ-34	
		(CE models)	
44	13002GT	SCREW,HHC,5/16-18 X 1 GR5	
		(CE models)	
45	6782GT	NUT,NYLOCK,5/16-18	
		(CE models)	
46	219946GT	PLATE, RAIN FLAP, TZ-34	
		(CE models)	
47	219948GT	RAIN FLAP, TZ-34	
		(CE models)	
48	219946GT	PLATE, RAIN FLAP, TZ-34	
		(CE models)	
49	67959GT	REFLECTOR,ROUND,WHITE,EURO	
		(CE models)	
50	219944GT	PLATE, REFLECTOR, TZ-34	
		(CE models)	

Go to Discount-Equipment.com to order your parts



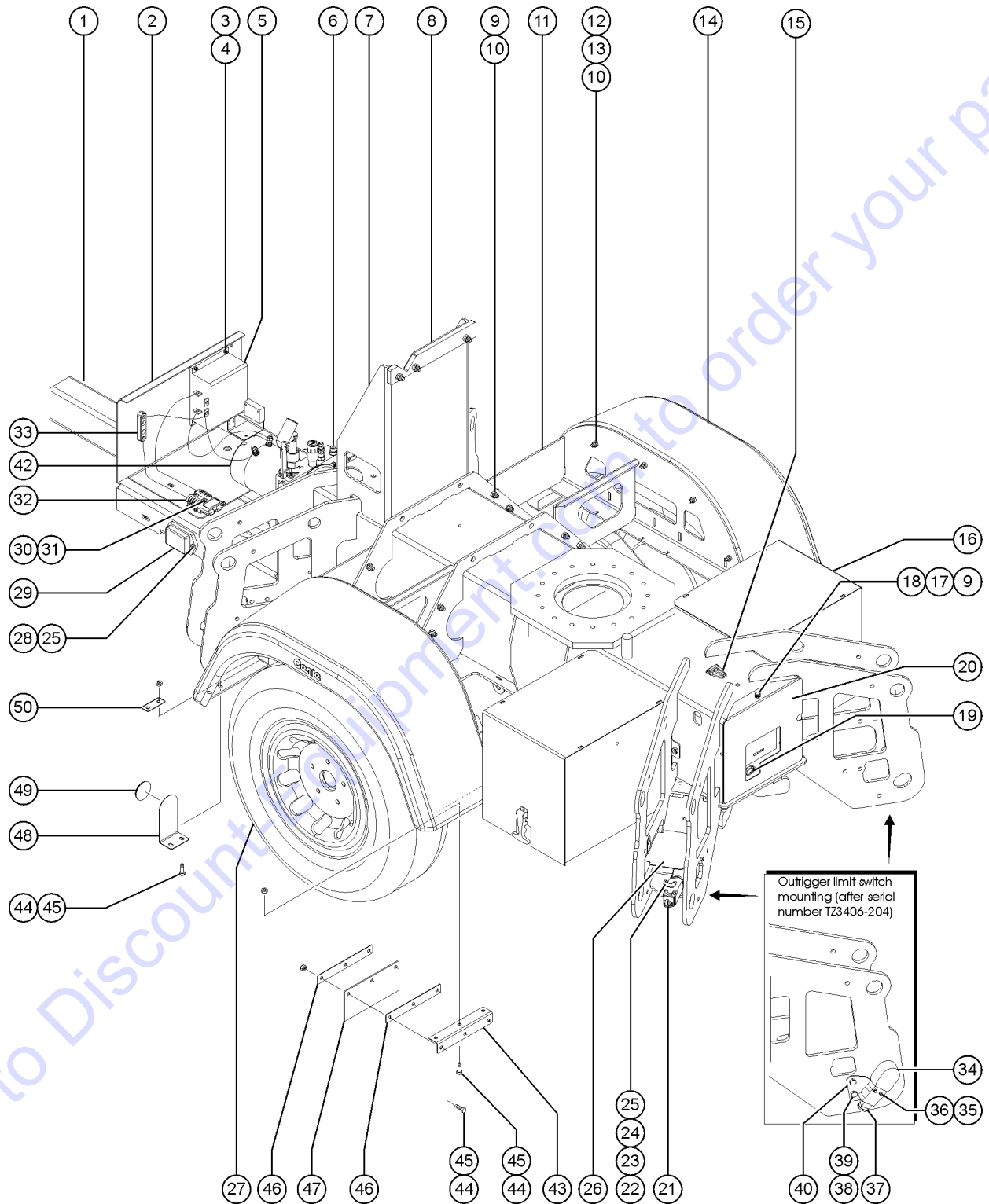
206.4 Chassis Components



Item	Part No.	Description	Qty.
A	1289561GT	BRACKET, TELEMATICS	
A	1289520GT	MODULE, TELEMATICS, ZTR, M7, NORTH AMERICA	
B	76712GT	KIT, TZ34 O/R L/S UPDATE (to SN TZ3406-204)	
1		Ref. TONGUE ASSEMBLY (refer to 201.1 or 202.1)	
2B	104022GT	FORMING CONTROLLER MOUNT TZ-34 (from SN TZ3404-62)	1
3	6878GT	BOLT, CARRIAGE, 1/4-20 X .75, G2	
4	6091GT	NUT, NYLOCK, 1/4-20	
5A	823408GT	MOTOR CONTROLLER, DC, 24V, 300A motor controllers sold separately only in cases where upgrade kits are N/A or an upgrade kit has been previously installed	1
5B	1261671GT	KIT, MTR CONTRLR REPLACEMENT TZ (Includes controller and wire harnesses)	
5B-	161969GT	KIT, AUX JUMP WIRE ASSY, TZ34 (required to install 1261671 on units to SN TZ3406-204)	
6A		Ref. HYDRAULIC POWER UNIT (refer to 601.1)	
6B		Ref. COVER, HYDRAULIC POWER UNIT (refer to 210.1)	
7B	97357GT	MAST CRADLE ASSEMBLY (ANSI, CSA, Word) (from SN TZ3403-365)	1
7B-	54177GT	SCREW, HHC, 1/2-13 X 1.5 GRD 8	
7B-	6198GT	NUT, NYLOCK, 1/2-13	
7D	115029GT	MAST CRADLE ASSY W/DECAL CE (Symbol) (from SN TZ3403-365)	1
7D-	54177GT	SCREW, HHC, 1/2-13 X 1.5 GRD 8	
7D-	6198GT	NUT, NYLOCK, 1/2-13	
8	87735GT	WEARPAD, MAST CRADLE	1
8-	4828GT	NUT, NYLOCK, 3/8-16	
8-	60790GT	BOLT, CARRIAGE, 3/8-16 X 1.50, G5	
8-	5397GT	WASHER, FLAT, USS, 5/16", Y	
9	6175GT	SCREW, HHC, 3/8-16 X 1	
10	4828GT	NUT, NYLOCK, 3/8-16	
11A	87739GT	WELDMENT, FENDER MOUNT LFT HYD	1
11A-	87759GT	WELDMENT, FENDER MOUNT RT HYD	
11B	87756GT	WELDMENT, FENDER MOUNT LFT MECH	
11B-	87760GT	WELDMENT, FENDER MOUNT RT MECH	

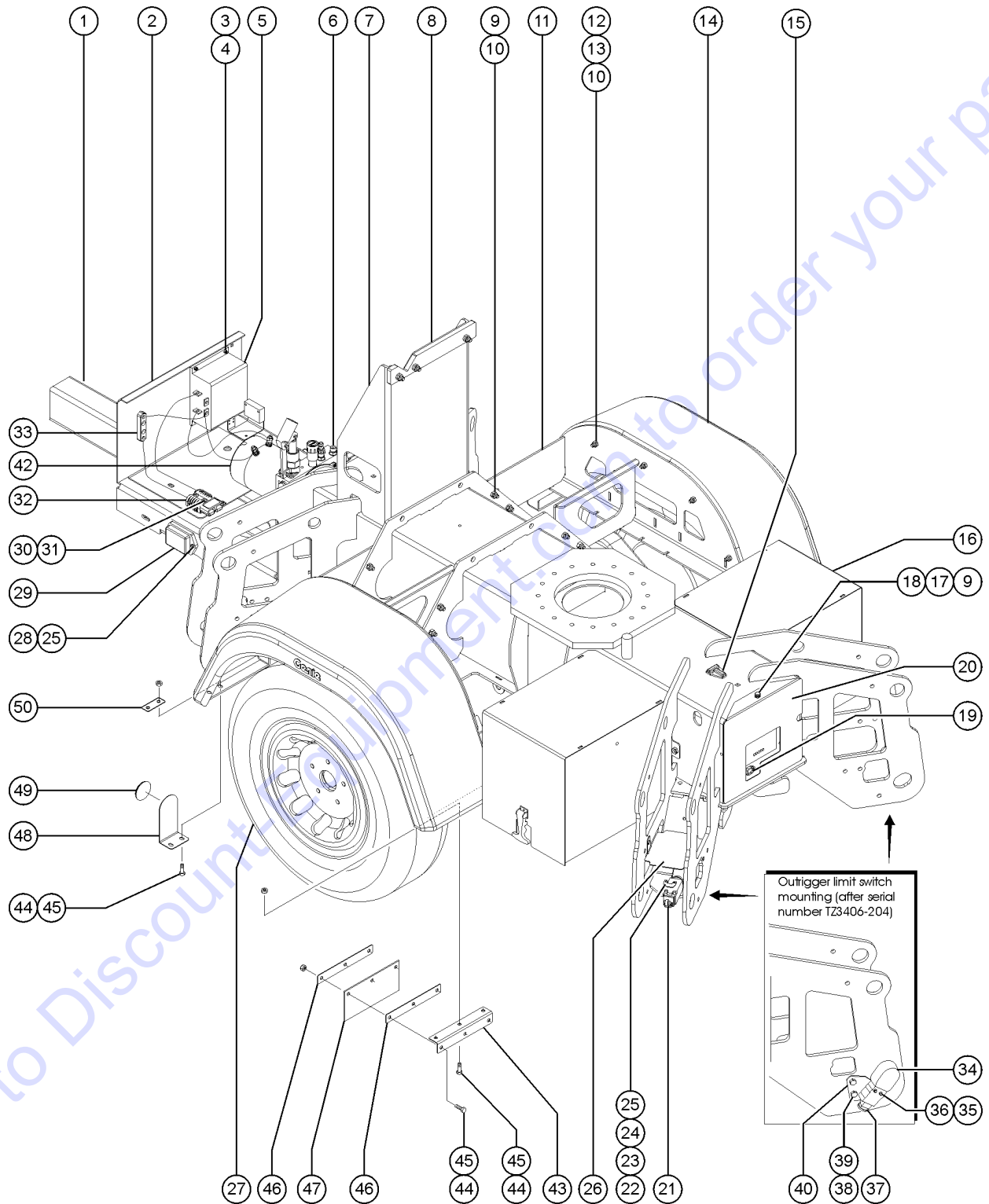


206.4 Chassis Components



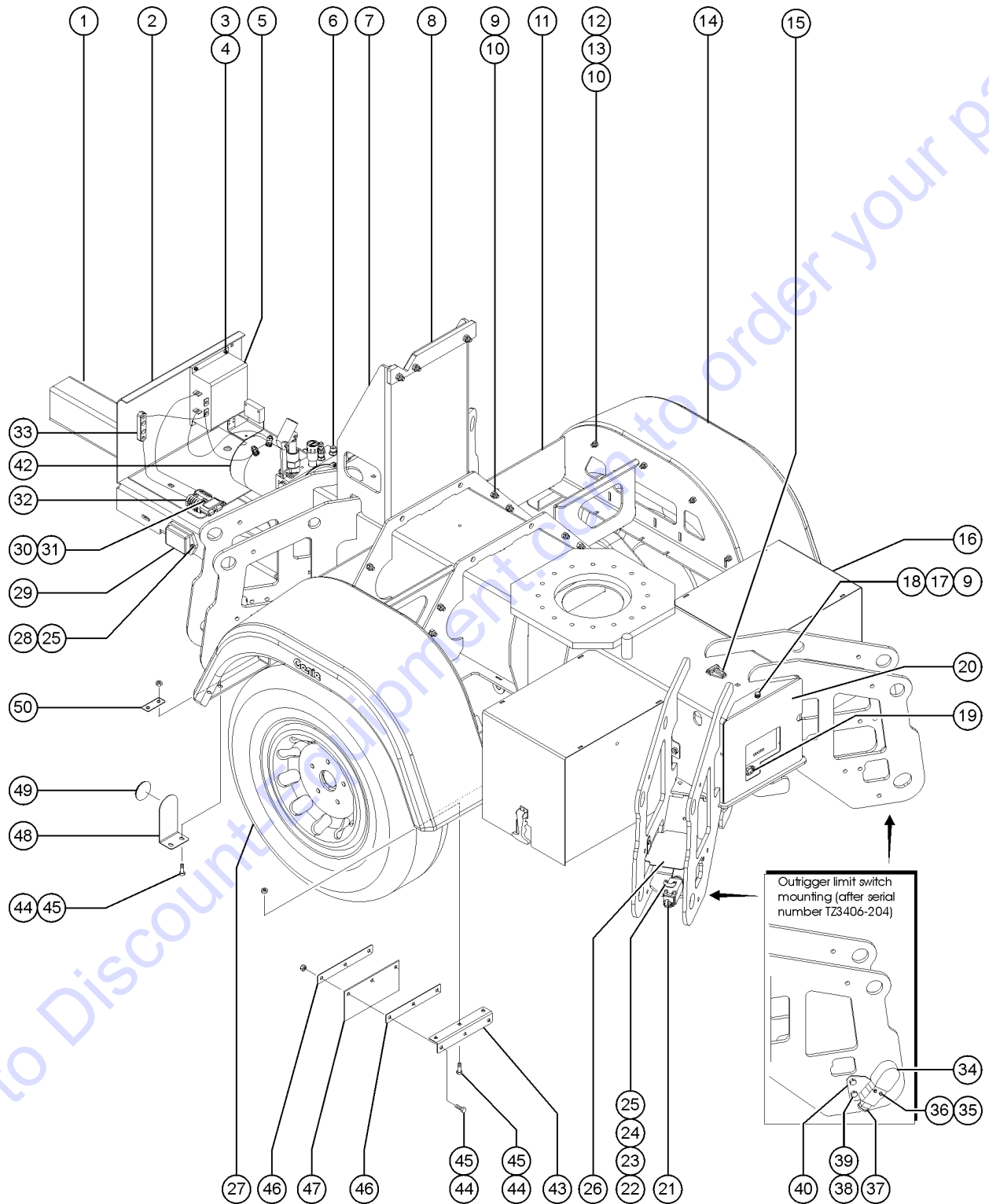
Item	Part No.	Description	Qty.
12	6888GT	SCREW,HHC,1/4-20 X 1	
13	12906GT	WASHER,FENDER,.25 X 1.25 X.062	
14	57710GT	FENDER, PLASTIC, TML	2
15	99024GT	LEVEL,BUBBLE,T	1
16		Ref. BATTERY BOX ASSEMBLY (refer to 211.1)	
17	6021GT	WASHER,LOCK,.375	
18	29868GT	SPRING CLIP,3/8-16,.05-.20X.73,ZAG	
19		Ref. BATTERY CHARGER (refer to 207.1)	
20A	84615GT	CHARGER COVER ASSY, CE	1
20B	84616GT	CHARGER COVER ASSY, DOMESTIC	
21	88356-246R1GT	SWITCH,LIMIT,TABULATED,BLUE (to SN TZ3406-204)	
21-	19491GT	CONTACTOR,LIMIT SWITCH	
21-	89757GT	ROLLER HD,LIMIT SWITCH(89676**	
22	99286GT	PLATE,OTRG LIMIT SWITCH COVER (to SN TZ3406-204)	
23	99421GT	SPACER,PLASTIC,#10X 5/16 X 1/8 (to SN TZ3406-204)	
24	51063GT	SCREW,PHILLIPS,RHM,10-32 X 1.5 (to SN TZ3406-204)	
25	6178GT	NUT, NYLOCK, 10-32	
26	99284GT	FORMING,OTRGR LIMIT SW GUARD (to SN TZ3406-204)	4
27A	87379GT	TIRE/WHEEL ASSY,DOMESTIC,TZ34	2
27A-	80270GT	WHEEL,14 INCHES***	
27A-	58251GT	TIRE/DOMESTIC,TZ34****	
27A-	46717GT	NUT, 1/2-20,ACORN,TMZ34 (ANSI and CSA Models)	10
27B	87380GT	TIRE/WHEEL ASSY,EURO,TZ34	
27B-	55140GT	LUG BOLT M12 X 1.5 (CE Models)	10
28	6606GT	SCREW,RHM,10-32 X .75	
29B	52135GT	SIDE LIGHT ASSY W/BULB*** (from SN TZ3405-533)	
29C	76010GT	REFLECTOR,RECT,AMBER,EURO	
30	66081GT	SCREW,RHM,1/4-20 X 1.50	

206.4 Chassis Components



Item	Part No.	Description	Qty.
31	66094GT	NUT-THIN HEAVY HEX, 1/4-20	
32	66397GT	QUICK DISCONNECT CASING,BATT**	
33A	40833GT	FUSE,275 AMP,VERY FAST ACTING	
33A-	66717GT	FUSE BLOCK, ANN & ANL FUSE	
34	76682GT	COVER, LIMIT SWITCH (from TZ3406-205)	
35	18605GT	NUT,NYLOCK,8-32 (from TZ3406-205)	
36	35461GT	WASHER,FLAT,MS,#8,Y (from TZ3406-205)	
37	76700GT	LIMIT SWITCH ASSY, W/CONNECTOR (from TZ3406-205)	
37-	60442GT	CONN,RECEP 4 WAY, 14-18GA	
37-	60443GT	LOCK,RECEP 4 WAY,14-18GA	
37-	73713GT	TERM,NI PIN,S&F,16-18GA,REEL	
38	6175GT	SCREW,HHC,3/8-16 X 1 (from TZ3406-160)	
39	4828GT	NUT,NYLOCK,3/8-16 (from TZ3406-205)	
40A	76705GT	ASSY,TZ34 L/S MTG PLATE TYPE A (right side front and left side rear) (from TZ3406-205)	
40B	76706GT	ASSY,TZ34 L/S MTG PLATE TYPE B (left side front and right side rear) (from TZ3406-205)	
42		Ref. HYDRAULIC POWER UNIT (refer to 601.1)	
43	219947GT	BRKT,MOUNT, RIAN FLAP, TZ-34 (CE models)	
44	13002GT	SCREW,HHC,5/16-18 X 1 GR5 (CE models)	
45	6782GT	NUT,NYLOCK,5/16-18 (CE models)	
46	219946GT	PLATE, RAIN FLAP, TZ-34 (CE models)	
47	219948GT	RAIN FLAP, TZ-34 (CE models)	
48	219946GT	PLATE, RAIN FLAP, TZ-34 (CE models)	
49	67959GT	REFLECTOR,ROUND,WHITE,EURO (CE models)	
50	219944GT	PLATE, REFLECTOR, TZ-34 (CE models)	

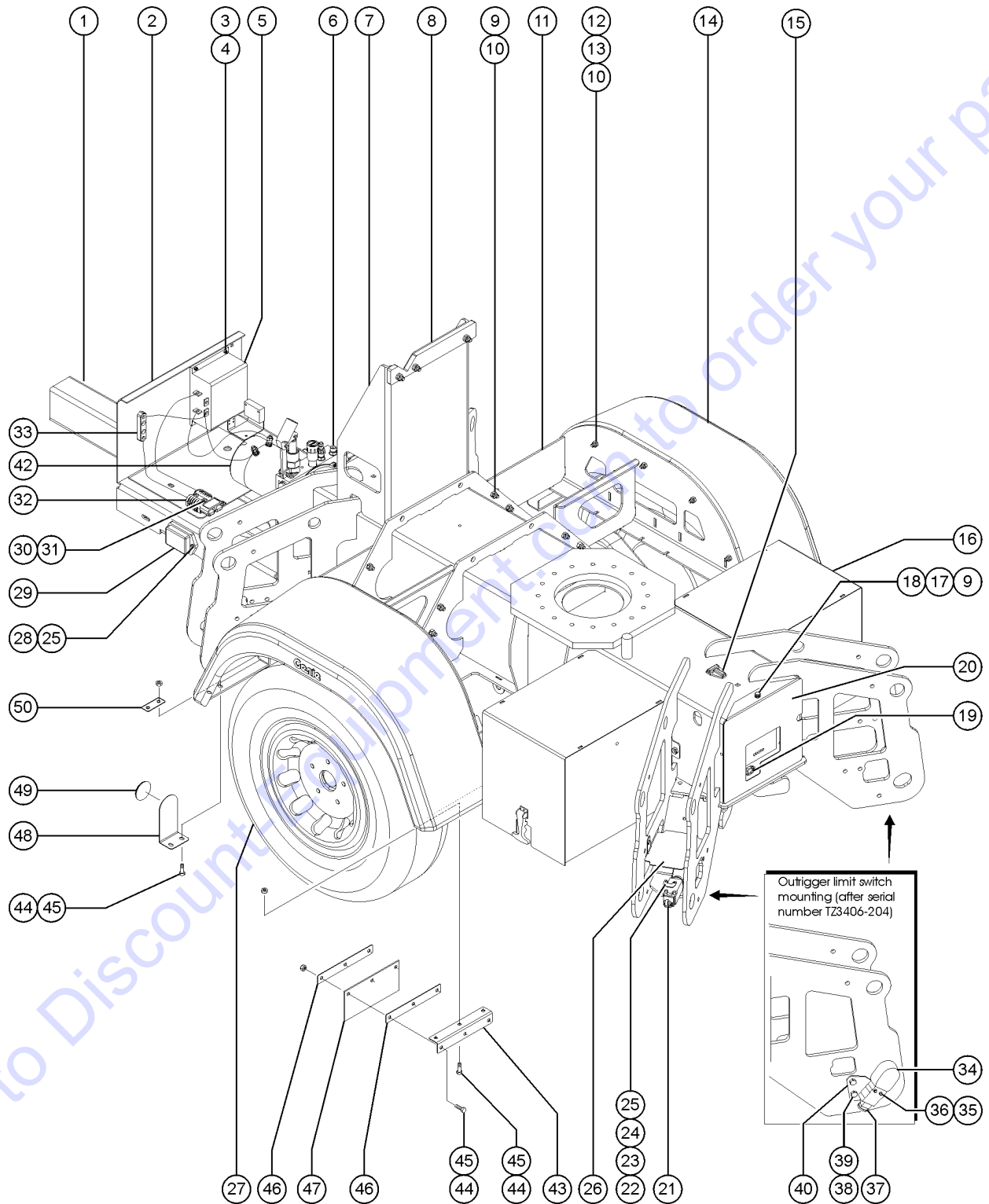
206.5 Chassis Components



Item	Part No.	Description	Qty.
A	1289561GT	BRACKET, TELEMATICS	
A	1289520GT	MODULE, TELEMATICS, ZTR, M7, NORTH AMERICA	
1		Ref. TONGUE ASSEMBLY (refer to 201.1 or 202.1)	
2B	104022GT	FORMING,CONTROLLER MOUNT TZ-34 (from SN TZ3404-62)	1
3	6878GT	BOLT,CARRIAGE,1/4-20 X .75,G2	
4	6091GT	NUT,NYLOCK,1/4-20	
5A	823408GT	MOTOR CONTROLLER, DC,24V,300A motor controllers sold separately only in cases where upgrade kits are N/A or an upgrade kit has been previously installed	1
5B	1261671GT	KIT,MTR CONTRLR REPLACEMENT TZ (Includes controller and wire harnesses)	
6A		Ref. HYDRAULIC POWER UNIT (refer to 601.1)	
6B		Ref. COVER, HYDRAULIC POWER UNIT (refer to 210.1)	
7B	97357GT	MAST CRADLE ASSEMBLY (ANSI, CSA, Word) (from SN TZ3403-365)	1
7B-	54177GT	SCREW,HHC,1/2-13 X 1.5 GRD 8	
7B-	6198GT	NUT,NYLOCK,1/2-13	
7D	115029GT	MAST CRADLE ASSY W/DECAL CE (Symbol) (from SN TZ3403-365)	1
7D-	54177GT	SCREW,HHC,1/2-13 X 1.5 GRD 8	
7D-	6198GT	NUT,NYLOCK,1/2-13	
8	87735GT	WEARPAD,MAST CRADLE	1
8-	4828GT	NUT,NYLOCK,3/8-16	
8-	60790GT	BOLT, CARRIAGE, 3/8-16 X 1.50, G5	
8-	5397GT	WASHER,FLAT,USS,5/16",Y	
9	6175GT	SCREW,HHC,3/8-16 X 1	
10	4828GT	NUT,NYLOCK,3/8-16	
11A	87739GT	WELDMENT,FENDER MOUNT LFT HYD	1
11A-	87759GT	WELDMENT,FENDER MOUNT RT HYD	
11B	87756GT	WELDMENT,FENDER MOUNT LFT MECH	
11B-	87760GT	WELDMENT,FENDER MOUNT RT MECH	
12	6888GT	SCREW,HHC,1/4-20 X 1	
13	12906GT	WASHER,FENDER,.25 X 1.25 X.062	



206.5 Chassis Components

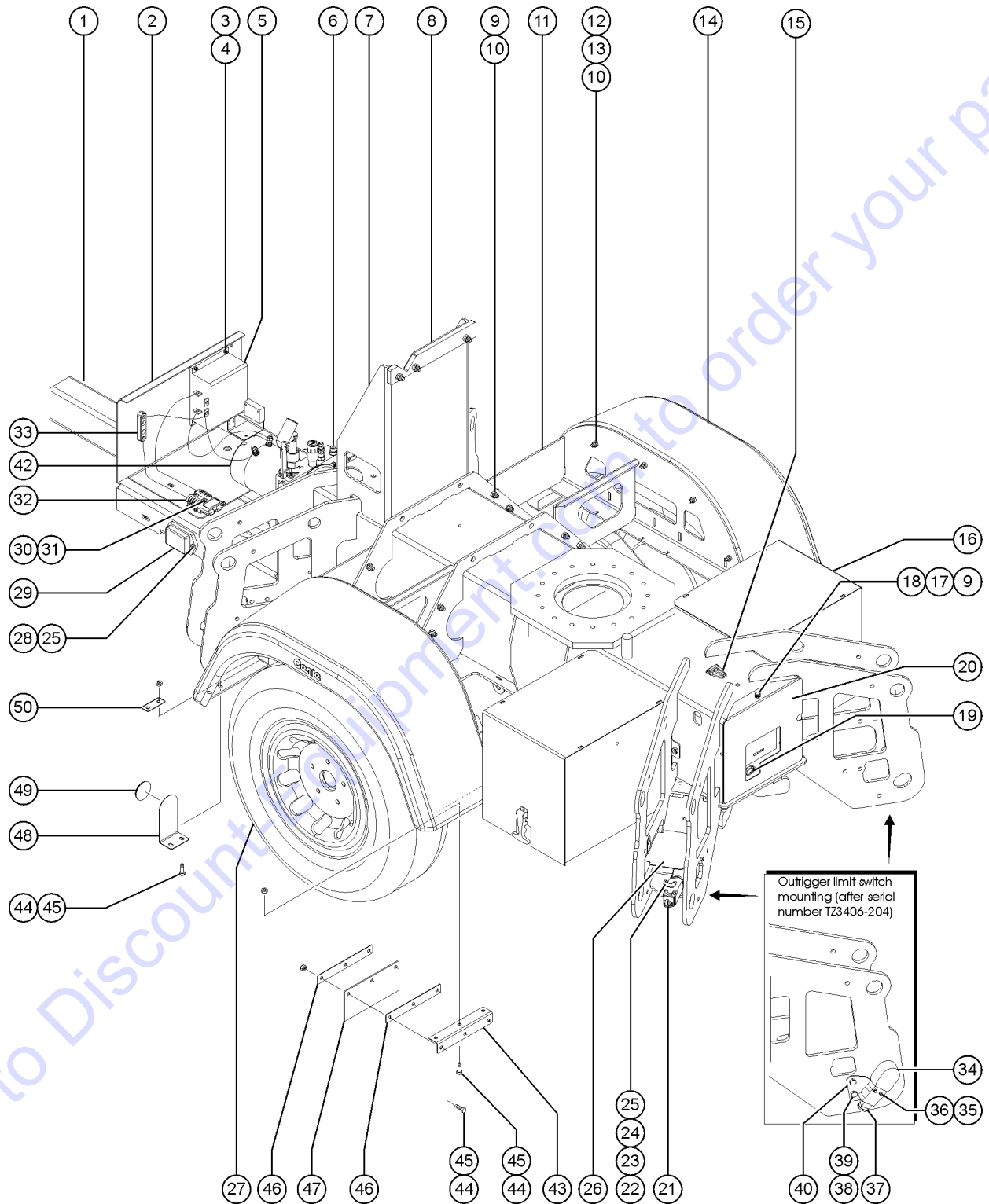


206.5 Chassis Components

Item	Part No.	Description	Qty.
14	57710GT	FENDER, PLASTIC, TML	2
15	99024GT	LEVEL,BUBBLE,T	1
16		Ref. BATTERY BOX ASSEMBLY (refer to 211.1)	
17	6021GT	WASHER,LOCK,.375	
18	29868GT	SPRING CLIP,3/8-16,.05-.20X.73,ZAG	
19		Ref. BATTERY CHARGER (refer to 207.1)	
20A	84615GT	CHARGER COVER ASSY, CE	1
20B	84616GT	CHARGER COVER ASSY, DOMESTIC	
27A	87379GT	TIRE/WHEEL ASSY,DOMESTIC,TZ34	2
27A-	80270GT	WHEEL,14 INCHES***	
27A-	58251GT	TIRE/DOMESTIC,TZ34****	
27A-	46717GT	NUT,1/2-20,ACORN,TMZ34 (ANSI and CSA Models)	10
27B	87380GT	TIRE/WHEEL ASSY,EURO,TZ34	
27B-	55140GT	LUG BOLT M12 X 1.5 (CE Models)	10
28	6606GT	SCREW,RHM,10-32 X .75	
29B	52135GT	SIDE LIGHT ASSY W/BULB*** (from SN TZ3405-533)	
29C	76010GT	REFLECTOR,RECT,AMBER,EURO	
30	66081GT	SCREW,RHM,1/4-20 X 1.50	
31	66094GT	NUT-THIN HEAVY HEX, 1/4-20	
32	66397GT	QUICK DISCONNECT CASING,BATT**	
33A	40833GT	FUSE,275 AMP,VERY FAST ACTING	
33A-	66717GT	FUSE BLOCK, ANN & ANL FUSE	
34	76682GT	COVER, LIMIT SWITCH (from TZ3406-205)	
35	18605GT	NUT,NYLOCK,8-32 (from TZ3406-205)	
36	35461GT	WASHER,FLAT,MS,#8,Y (from TZ3406-205)	
37	76700GT	LIMIT SWITCH ASSY, W/CONNECTOR (from TZ3406-205)	
37-	60442GT	CONN,RECEP 4 WAY, 14-18GA	
37-	60443GT	LOCK,RECEP 4 WAY,14-18GA	



206.5 Chassis Components



Item	Part No.	Description	Qty.
37-	73713GT	TERM,NI PIN,S&F,16-18GA,REEL	
38	6175GT	SCREW,HHC,3/8-16 X 1	
		(from TZ3406-160)	
39	4828GT	NUT,NYLOCK,3/8-16	
		(from TZ3406-205)	
40A	76705GT	ASSY,TZ34 L/S MTG PLATE TYPE A	
		(right side front and left side rear) (from TZ3406-205)	
40B	76706GT	ASSY,TZ34 L/S MTG PLATE TYPE B	
		(left side front and right side rear) (from TZ3406-205)	
42		Ref. HYDRAULIC POWER UNIT	
		(refer to 601.1)	
43	219947GT	BRKT,MOUNT, RIAN FLAP, TZ-34	
		(CE models)	
44	13002GT	SCREW,HHC,5/16-18 X 1 GR5	
		(CE models)	
45	6782GT	NUT,NYLOCK,5/16-18	
		(CE models)	
46	219946GT	PLATE, RAIN FLAP, TZ-34	
		(CE models)	
47	219948GT	RAIN FLAP, TZ-34	
		(CE models)	
48	219946GT	PLATE, RAIN FLAP, TZ-34	
		(CE models)	
49	67959GT	REFLECTOR,ROUND,WHITE,EURO	
		(CE models)	
50	219944GT	PLATE, REFLECTOR, TZ-34	
		(CE models)	

Go to Discount-Equipment.com to order your parts



PARTS FINDER

**Search Website
by Part Number**



**Search Manual
Library For Parts
Manual & Lookup Part
Numbers – Purchase
or Request Quote**

Search Manuals

Enter your information to help us find the right parts manual for your machine.

* Brand:

* Model:

* Serial:

* Part Number:

SEARCH

**Can't Find Part or
Manual? Request Help
by Manufacturer,
Model & Description**

Parts Order Form

Please fill in the following information to help us find the right part for your machine.

Manufacturer:	<input type="text"/>
Model:	<input type="text"/>
Description:	<input type="text"/>
Part Number:	<input type="text"/>
Quantity:	<input type="text"/>
Notes:	<input type="text"/>

Discount-Equipment.com is your online resource for quality parts & equipment.

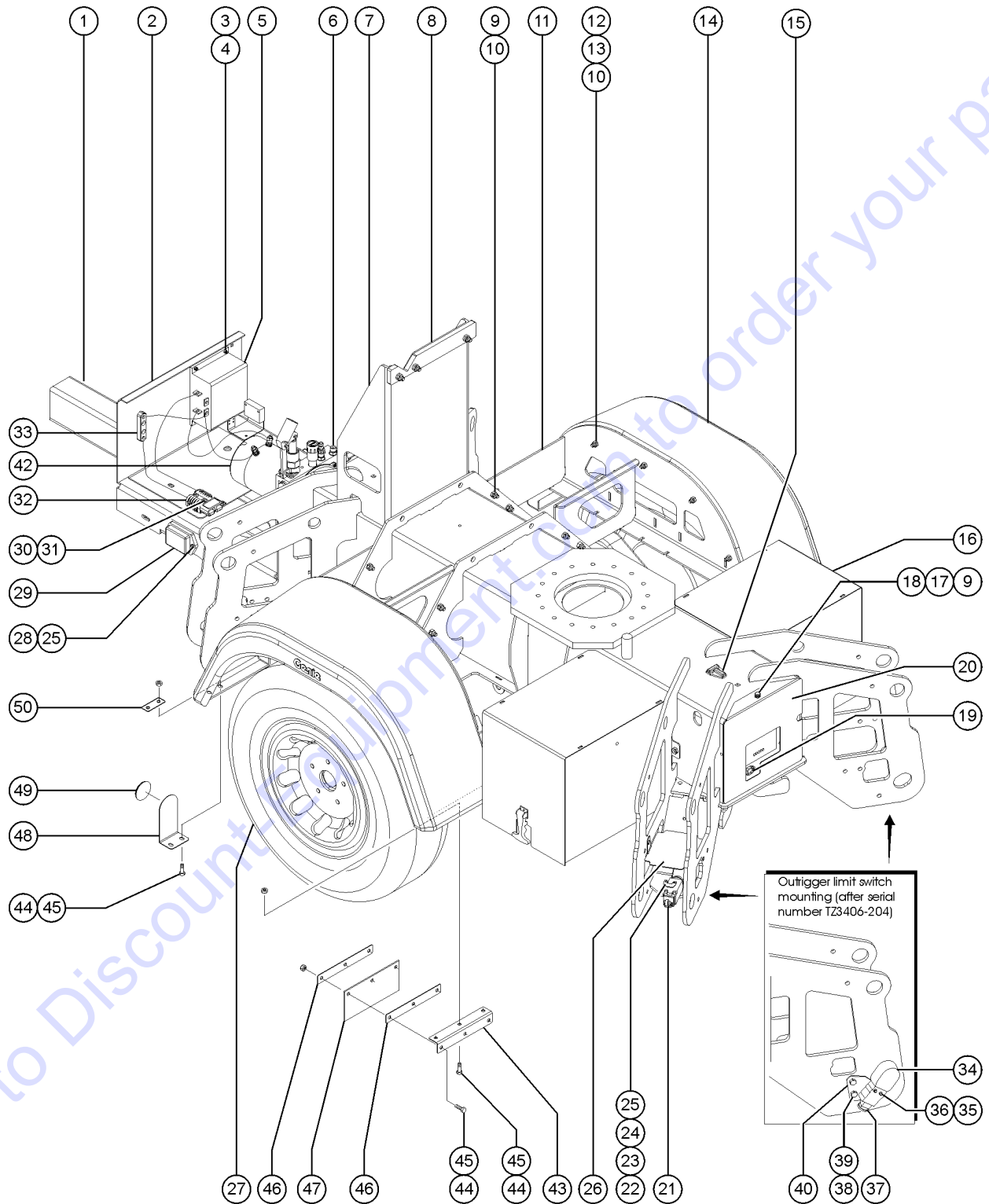
Florida: **561-964-4949** Outside Florida TOLL FREE: **877-690-3101**

Need parts?

Click on this link: <http://www.discount-equipment.com/category/5443-parts/> and choose one of the options to help get the right parts and equipment you are looking for. Please have the machine model and serial number available in order to help us get you the correct parts. If you don't find the part on the website or on one of the online manuals, please fill out the request form and one of our experienced staff members will get back to you with a quote for the right part that your machine needs.

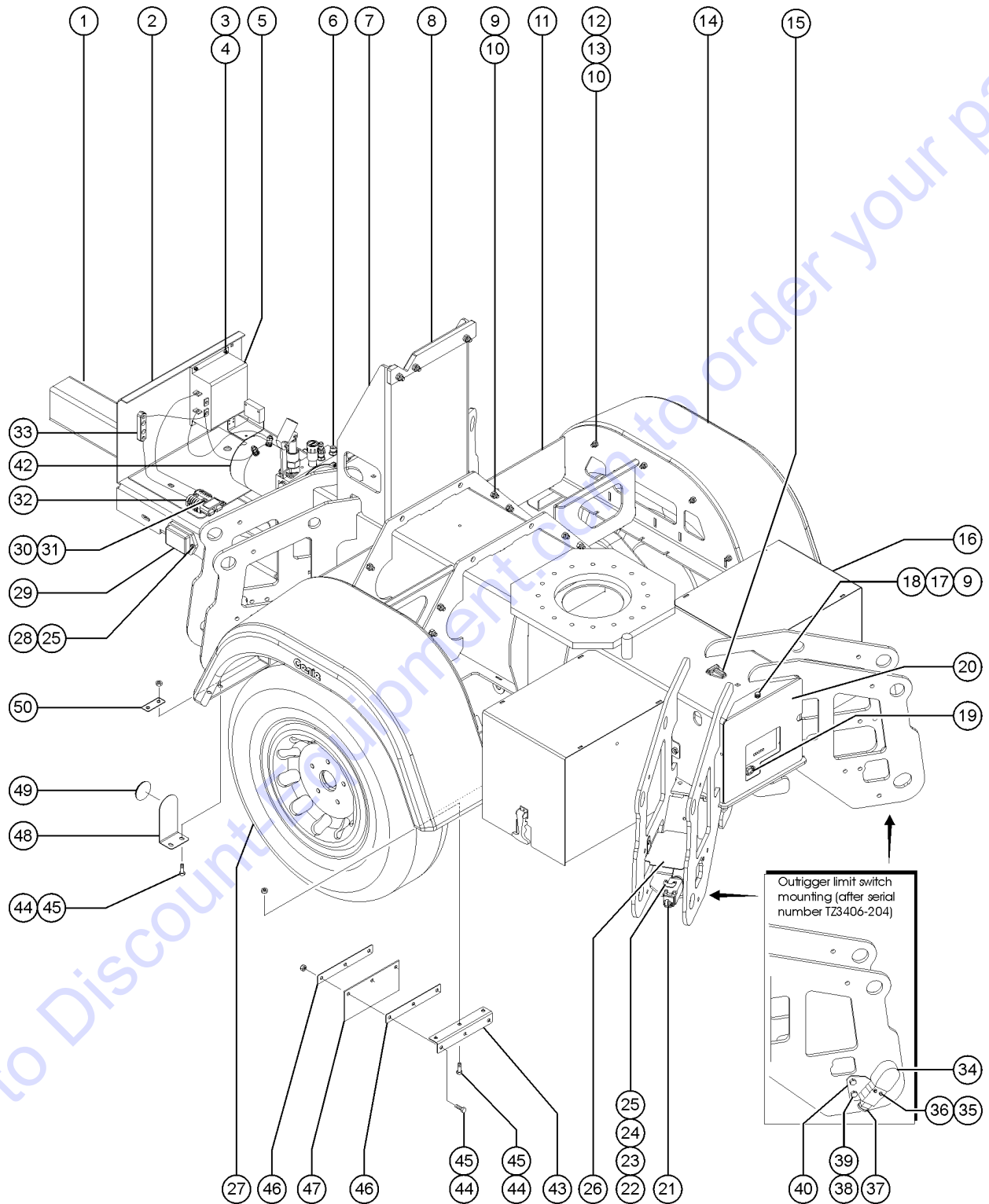
We sell worldwide for the brands: Genie, Terex, JLG, MultiQuip, Mikasa, Essick, Whiteman, Mayco, Toro Stone, Diamond Products, Generac Magnum, Airman, Haulotte, Barreto, Power Blanket, Nifty Lift, Atlas Copco, Chicago Pneumatic, Allmand, Miller Curber, Skyjack, Lull, Skytrak, Tsurumi, Husquvarna Target, Stow, Wacker, Sakai, Mi-T-M, Sullair, Basic, Dynapac, MBW, Weber, Bartell, Bennar Newman, Haulotte, Ditch Runner, Menegotti, Morrison, Contec, Buddy, Crown, Edco, Wyco, Bomag, Laymor, EZ Trench, Bil-Jax, F.S. Curtis, Gehl Pavers, Heli, Honda, ICS/PowerGrit, IHI, Partner, Imer, Clipper, MMD, Koshin, Rice, CH&E, General Equipment, Amida, Coleman, NAC, Gradall, Square Shooter, Kent, Stanley, Tamco, Toku, Hatz, Kohler, Robin, Wisconsin, Northrock, Oztec, Toker TK, Rol-Air, APT, Wylie, Ingersoll Rand / Doosan, Innovatech, Con X, Ammann, Mecalac, Makinex, Smith Surface Prep, Small Line, Wanco, Yanmar

206.6 Chassis Components



Item	Part No.	Description	Qty.
A	1289561GT	BRACKET, TELEMATICS	
A	1289520GT	MODULE, TELEMATICS, ZTR, M7, NORTH AMERICA	
1		Ref. TONGUE ASSEMBLY (refer to 201.1 or 202.1)	
2B	104022GT	FORMING,CONTROLLER MOUNT TZ-34 (from SN TZ3404-62)	1
3	6878GT	BOLT,CARRIAGE,1/4-20 X .75,G2	
4	6091GT	NUT,NYLOCK,1/4-20	
5A	823408GT	MOTOR CONTROLLER, DC,24V,300A motor controllers sold separately only in cases where upgrade kits are N/A or an upgrade kit has been previously installed	1
5B	1261671GT	KIT,MTR CONTRLR REPLACEMENT TZ (Includes controller and wire harnesses)	
6A		Ref. HYDRAULIC POWER UNIT (refer to 601.1)	
6B		Ref. COVER, HYDRAULIC POWER UNIT (refer to 210.1)	
7B	97357GT	MAST CRADLE ASSEMBLY (ANSI, CSA, Word) (from SN TZ3403-365)	1
7B-	54177GT	SCREW,HHC,1/2-13 X 1.5 GRD 8	
7B-	6198GT	NUT,NYLOCK,1/2-13	
7D	115029GT	MAST CRADLE ASSY W/DECAL CE (Symbol) (from SN TZ3403-365)	1
7D-	54177GT	SCREW,HHC,1/2-13 X 1.5 GRD 8	
7D-	6198GT	NUT,NYLOCK,1/2-13	
8	87735GT	WEARPAD,MAST CRADLE	1
8-	4828GT	NUT,NYLOCK,3/8-16	
8-	60790GT	BOLT, CARRIAGE, 3/8-16 X 1.50, G5	
8-	5397GT	WASHER,FLAT,USS,5/16",Y	
9	6175GT	SCREW,HHC,3/8-16 X 1	
10	4828GT	NUT,NYLOCK,3/8-16	
11A	87739GT	WELDMENT,FENDER MOUNT LFT HYD	1
11A-	87759GT	WELDMENT,FENDER MOUNT RT HYD	
11B	87756GT	WELDMENT,FENDER MOUNT LFT MECH	
11B-	87760GT	WELDMENT,FENDER MOUNT RT MECH	
12	6888GT	SCREW,HHC,1/4-20 X 1	
13	12906GT	WASHER,FENDER,.25 X 1.25 X.062	

206.6 Chassis Components

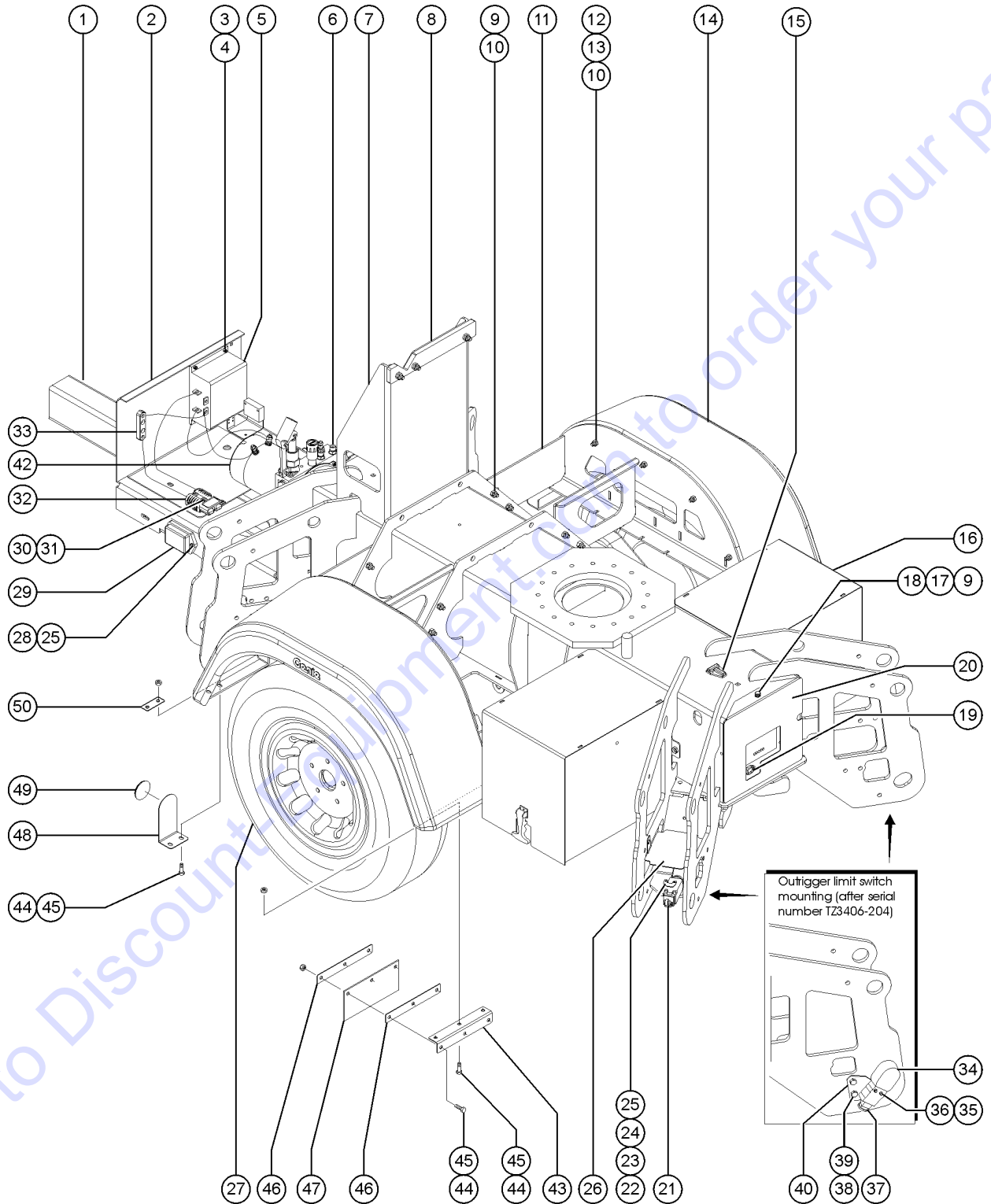


206.6 Chassis Components

Item	Part No.	Description	Qty.
14	57710GT	FENDER, PLASTIC, TML	2
15	99024GT	LEVEL,BUBBLE,T	1
16		Ref. BATTERY BOX ASSEMBLY (refer to 211.1)	
17	6021GT	WASHER,LOCK,.375	
18	29868GT	SPRING CLIP,3/8-16,.05-.20X.73,ZAG	
19		Ref. BATTERY CHARGER (refer to 207.1)	
20A	84615GT	CHARGER COVER ASSY, CE	1
20B	84616GT	CHARGER COVER ASSY, DOMESTIC	
21	88356-246R1GT	SWITCH,LIMIT,TABULATED,BLUE (to SN TZ3406-204)	
21-	19491GT	CONTACTOR,LIMIT SWITCH	
21-	89757GT	ROLLER HD,LIMIT SWITCH(89676**	
27A	87379GT	TIRE/WHEEL ASSY,DOMESTIC,TZ34	2
27A-	80270GT	WHEEL,14 INCHES***	
27A-	58251GT	TIRE/DOMESTIC,TZ34****	
27A-	46717GT	NUT,1/2-20,ACORN,TMZ34 (ANSI and CSA Models)	10
27B	87380GT	TIRE/WHEEL ASSY,EURO,TZ34	
27B-	55140GT	LUG BOLT M12 X 1.5 (CE Models)	10
28	6606GT	SCREW,RHM,10-32 X .75	
29B	52135GT	SIDE LIGHT ASSY W/BULB*** (from SN TZ3405-533)	
29C	76010GT	REFLECTOR,RECT,AMBER,EURO	
30	66081GT	SCREW,RHM,1/4-20 X 1.50	
31	66094GT	NUT-THIN HEAVY HEX, 1/4-20	
32	66397GT	QUICK DISCONNECT CASING,BATT**	
33A	40833GT	FUSE,275 AMP,VERY FAST ACTING	
33A-	66717GT	FUSE BLOCK, ANN & ANL FUSE	
34	76682GT	COVER, LIMIT SWITCH (from TZ3406-205)	
35	18605GT	NUT,NYLOCK,8-32 (from TZ3406-205)	
36	35461GT	WASHER,FLAT,MS,#8,Y (from TZ3406-205)	



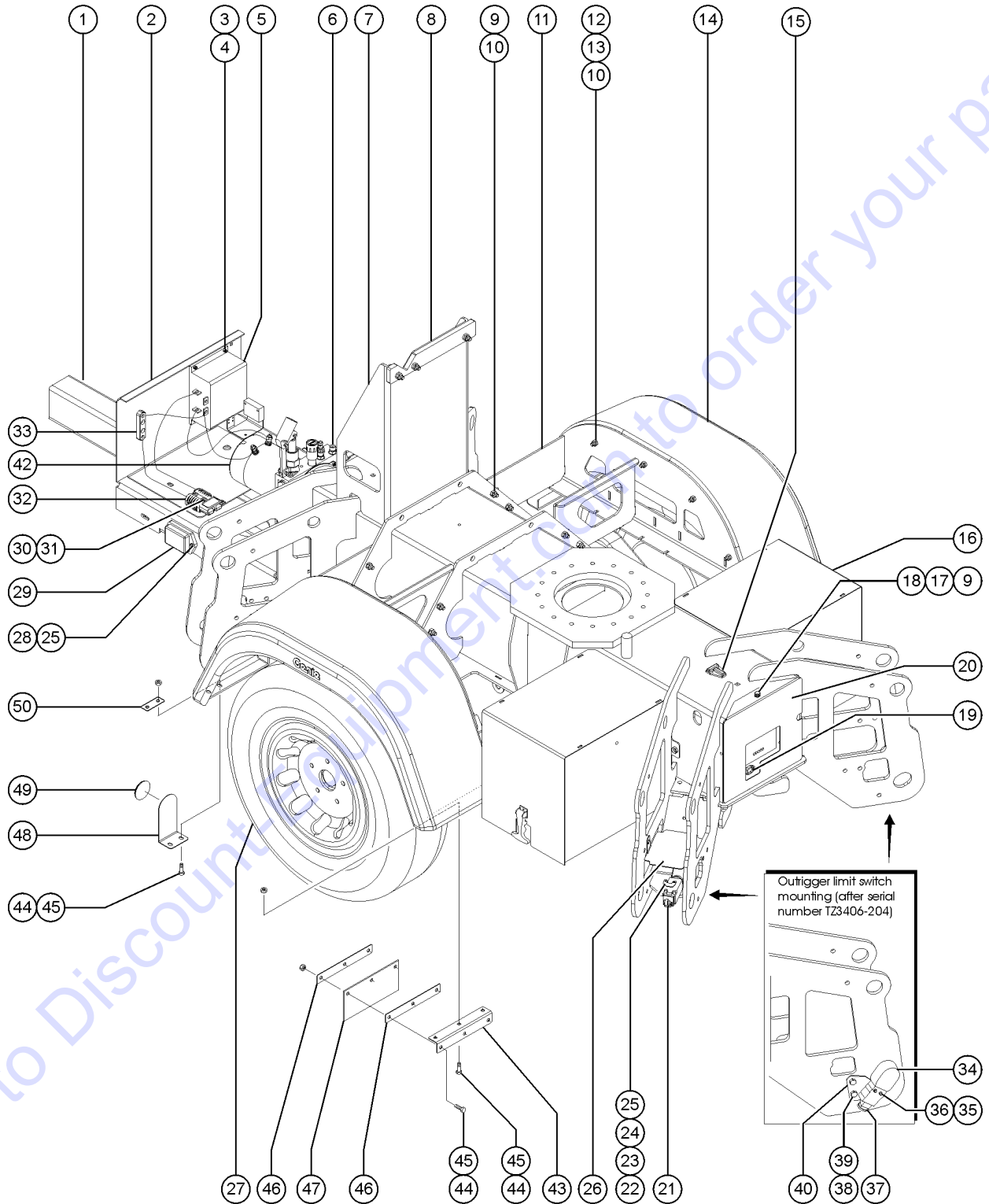
206.6 Chassis Components



Item	Part No.	Description	Qty.
37	76700GT	LIMIT SWITCH ASSY, W/CONNECTOR (from TZ3406-205)	
37-	60442GT	CONN,RECEP 4 WAY, 14-18GA	
37-	60443GT	LOCK,RECEP 4 WAY,14-18GA	
37-	73713GT	TERM,NI PIN,S&F,16-18GA,REEL	
38	6175GT	SCREW,HHC,3/8-16 X 1	
		(from TZ3406-160)	
39	4828GT	NUT,NYLOCK,3/8-16	
		(from TZ3406-205)	
40A	76705GT	ASSY,TZ34 L/S MTG PLATE TYPE A	
		(right side front and left side rear) (from TZ3406-205)	
40B	76706GT	ASSY,TZ34 L/S MTG PLATE TYPE B	
		(left side front and right side rear) (from TZ3406-205)	
42		Ref. HYDRAULIC POWER UNIT	
		(refer to 601.1)	
43	219947GT	BRKT,MOUNT, RIAN FLAP, TZ-34	
		(CE models)	
44	13002GT	SCREW,HHC,5/16-18 X 1 GR5	
		(CE models)	
45	6782GT	NUT,NYLOCK,5/16-18	
		(CE models)	
46	219946GT	PLATE, RAIN FLAP, TZ-34	
		(CE models)	
47	219948GT	RAIN FLAP, TZ-34	
		(CE models)	
48	219946GT	PLATE, RAIN FLAP, TZ-34	
		(CE models)	
49	67959GT	REFLECTOR,ROUND,WHITE,EURO	
		(CE models)	
50	219944GT	PLATE, REFLECTOR, TZ-34	
		(CE models)	

Go to Discount-Equipment.com to order your parts

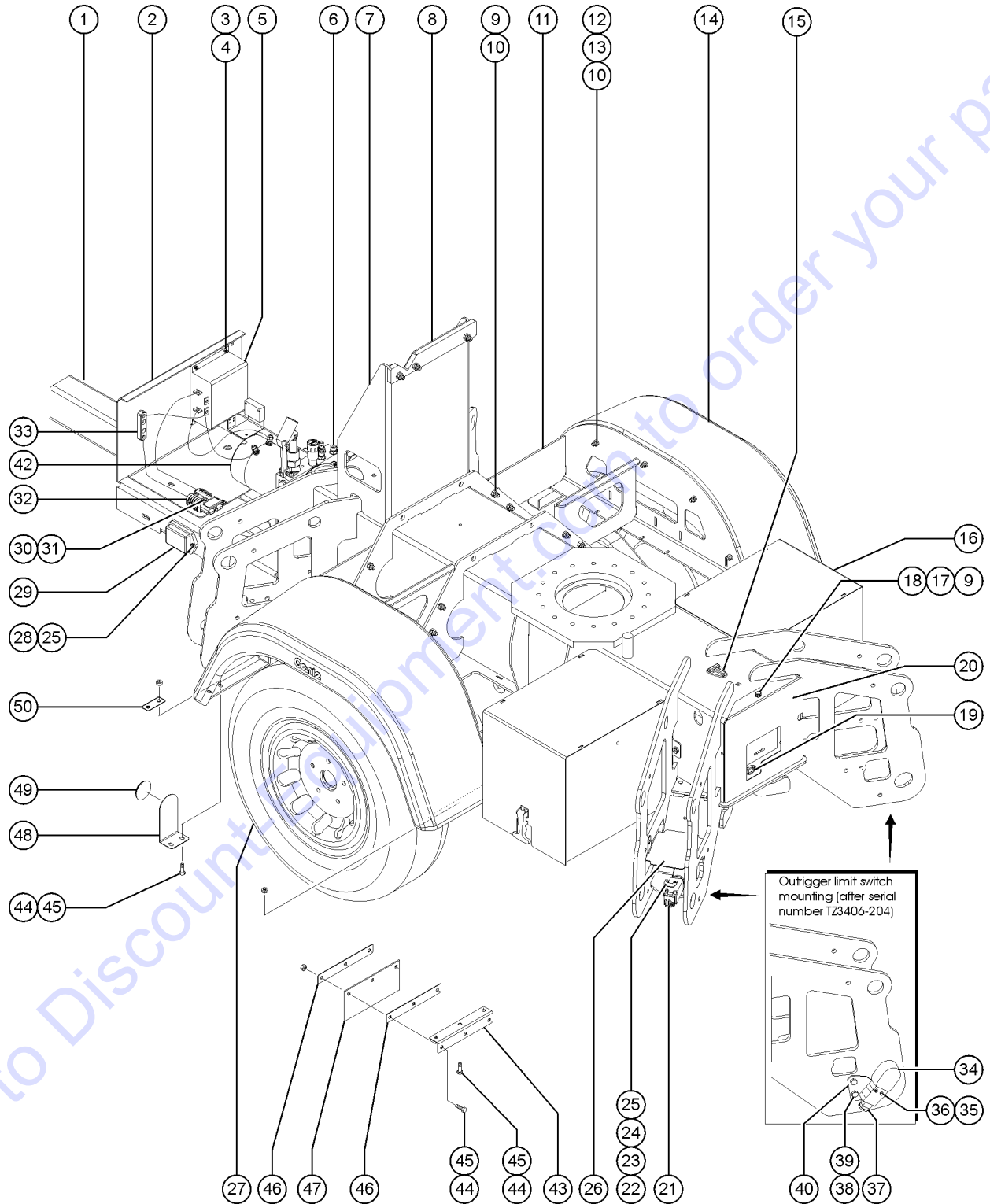
206.7 Chassis Components



Item	Part No.	Description	Qty.
A	1289561GT	BRACKET, TELEMATICS	
A	1289520GT	MODULE, TELEMATICS, ZTR, M7, NORTH AMERICA	
1		Ref. TONGUE ASSEMBLY (refer to 201.1 or 202.1)	
2B	104022GT	FORMING,CONTROLLER MOUNT TZ-34 (from SN TZ3404-62)	1
3	6878GT	BOLT,CARRIAGE,1/4-20 X .75,G2	
4	6091GT	NUT,NYLOCK,1/4-20	
5A	823408GT	MOTOR CONTROLLER, DC,24V,300A motor controllers sold separately only in cases where upgrade kits are N/A or an upgrade kit has been previously installed	1
5B	1261671GT	KIT,MTR CONTRLR REPLACEMENT TZ (Includes controller and wire harnesses)	
5C	74267GT	CONTACTOR,DRIVE,24V,180A*** (from SN3411-307)	
5C-	47124GT	INDUCTOR,47 MH,2.5AMP,.034OHM (for 74267)	
6A		Ref. HYDRAULIC POWER UNIT (refer to 601.1)	
6B		Ref. COVER, HYDRAULIC POWER UNIT (refer to 210.1)	
7B	97357GT	MAST CRADLE ASSEMBLY (ANSI, CSA, Word) (from SN TZ3403-365)	1
7B-	54177GT	SCREW,HHC,1/2-13 X 1.5 GRD 8	
7B-	6198GT	NUT,NYLOCK,1/2-13	
7D	115029GT	MAST CRADLE ASSY W/DECAL CE (Symbol) (from SN TZ3403-365)	1
7D-	54177GT	SCREW,HHC,1/2-13 X 1.5 GRD 8	
7D-	6198GT	NUT,NYLOCK,1/2-13	
8	87735GT	WEARPAD,MAST CRADLE	1
8-	4828GT	NUT,NYLOCK,3/8-16	
8-	60790GT	BOLT, CARRIAGE, 3/8-16 X 1.50, G5	
8-	5397GT	WASHER,FLAT,USS,5/16",Y	
9	6175GT	SCREW,HHC,3/8-16 X 1	
10	4828GT	NUT,NYLOCK,3/8-16	
11A	87739GT	WELDMENT,FENDER MOUNT LFT HYD	1
11A-	87759GT	WELDMENT,FENDER MOUNT RT HYD	
11B	87756GT	WELDMENT,FENDER MOUNT LFT MECH	
11B-	87760GT	WELDMENT,FENDER MOUNT RT MECH	

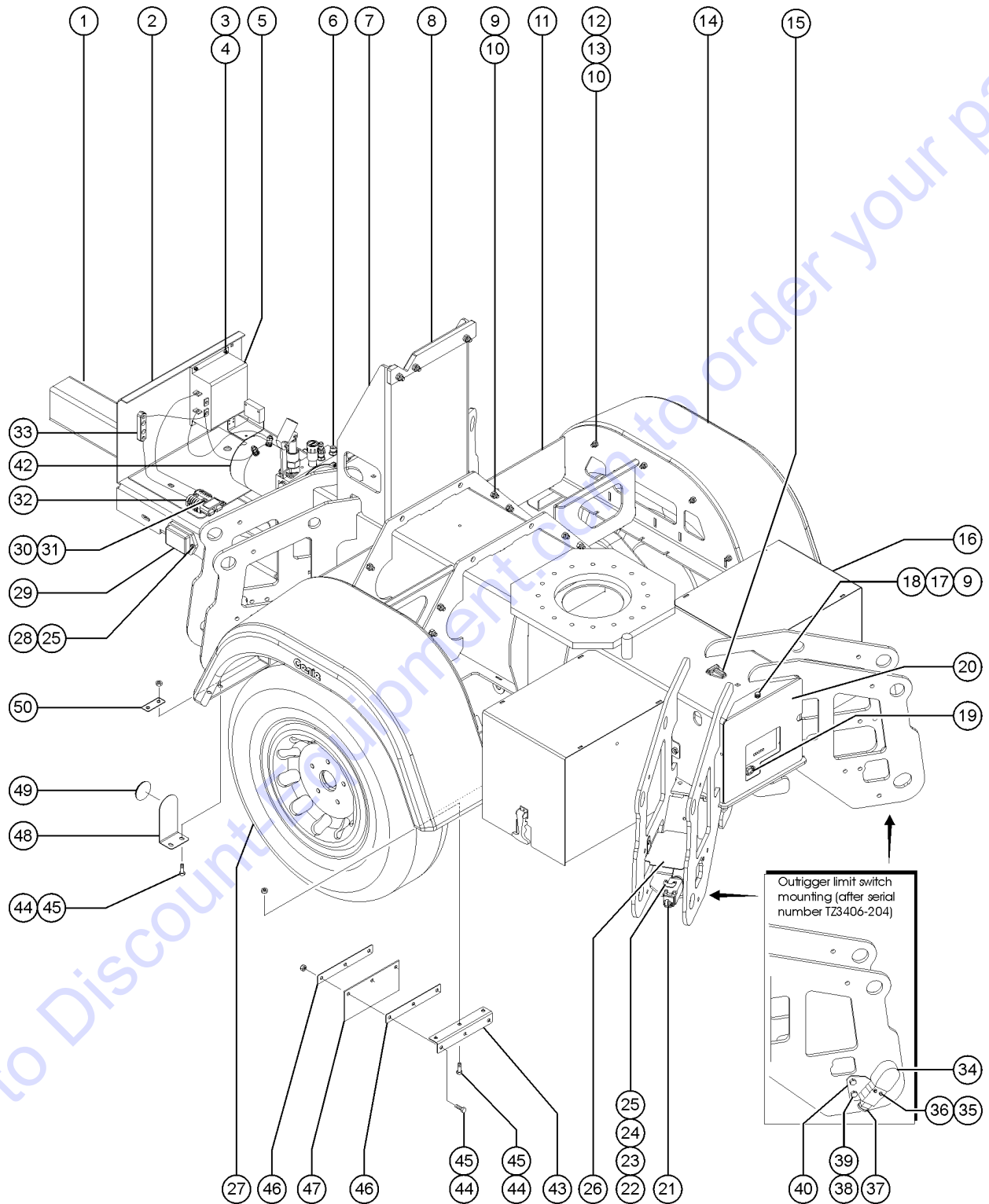


206.7 Chassis Components



Item	Part No.	Description	Qty.
12	6888GT	SCREW,HHC,1/4-20 X 1	
13	12906GT	WASHER,FENDER,.25 X 1.25 X.062	
14	57710GT	FENDER, PLASTIC, TML	2
15	99024GT	LEVEL,BUBBLE,T	1
16		Ref. BATTERY BOX ASSEMBLY (refer to 211.1)	
17	6021GT	WASHER,LOCK,.375	
18	29868GT	SPRING CLIP,3/8-16,.05-.20X.73,ZAG	
19		Ref. BATTERY CHARGER (refer to 207.1)	
20A	84615GT	CHARGER COVER ASSY, CE	1
20B	84616GT	CHARGER COVER ASSY, DOMESTIC	
27A	87379GT	TIRE/WHEEL ASSY,DOMESTIC,TZ34	2
27A-	80270GT	WHEEL,14 INCHES***	
27A-	58251GT	TIRE/DOMESTIC,TZ34****	
27A-	46717GT	NUT,1/2-20,ACORN,TMZ34 (ANSI and CSA Models)	10
27B	87380GT	TIRE/WHEEL ASSY,EURO,TZ34	
27B-	55140GT	LUG BOLT M12 X 1.5 (CE Models)	10
28	6606GT	SCREW,RHM,10-32 X .75	
29B	52135GT	SIDE LIGHT ASSY W/BULB*** (from SN TZ3405-533)	
29C	76010GT	REFLECTOR,RECT,AMBER,EURO	
30	66081GT	SCREW,RHM,1/4-20 X 1.50	
31	66094GT	NUT-THIN HEAVY HEX, 1/4-20	
32	66397GT	QUICK DISCONNECT CASING,BATT**	
33A	40833GT	FUSE,275 AMP,VERY FAST ACTING	
33A-	66717GT	FUSE BLOCK, ANN & ANL FUSE	
34	76682GT	COVER, LIMIT SWITCH (from TZ3406-205)	
35	18605GT	NUT,NYLOCK,8-32 (from TZ3406-205)	
36	35461GT	WASHER,FLAT,MS,#8,Y (from TZ3406-205)	
37	76700GT	LIMIT SWITCH ASSY, W/CONNECTOR (from TZ3406-205)	

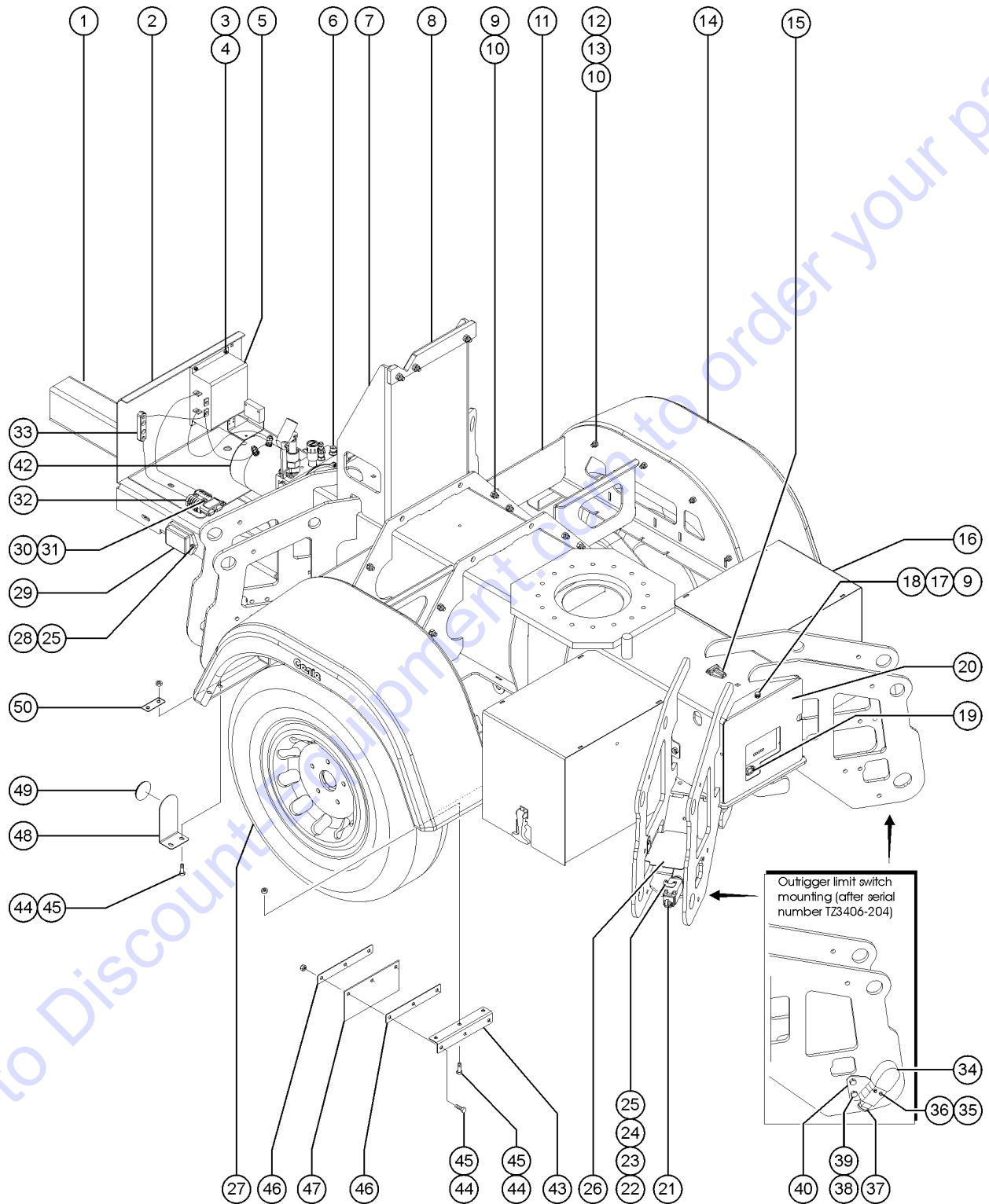
206.7 Chassis Components



Item	Part No.	Description	Qty.
37-	60442GT	CONN,RECEP 4 WAY, 14-18GA	
37-	60443GT	LOCK,RECEP 4 WAY,14-18GA	
37-	73713GT	TERM,NI PIN,S&F,16-18GA,REEL	
38	6175GT	SCREW,HHC,3/8-16 X 1	
		(from TZ3406-160)	
39	4828GT	NUT,NYLOCK,3/8-16	
		(from TZ3406-205)	
40A	76705GT	ASSY,TZ34 L/S MTG PLATE TYPE A	
		(right side front and left side rear) (from TZ3406-205)	
40B	76706GT	ASSY,TZ34 L/S MTG PLATE TYPE B	
		(left side front and right side rear) (from TZ3406-205)	
42		Ref. HYDRAULIC POWER UNIT	
		(refer to 601.1)	
43	219947GT	BRKT,MOUNT, RIAN FLAP, TZ-34	
		(CE models)	
44	13002GT	SCREW,HHC,5/16-18 X 1 GR5	
		(CE models)	
45	6782GT	NUT,NYLOCK,5/16-18	
		(CE models)	
46	219946GT	PLATE, RAIN FLAP, TZ-34	
		(CE models)	
47	219948GT	RAIN FLAP, TZ-34	
		(CE models)	
48	219946GT	PLATE, RAIN FLAP, TZ-34	
		(CE models)	
49	67959GT	REFLECTOR,ROUND,WHITE,EURO	
		(CE models)	
50	219944GT	PLATE, REFLECTOR, TZ-34	
		(CE models)	

Go to Discount-Equipment.com to order your parts

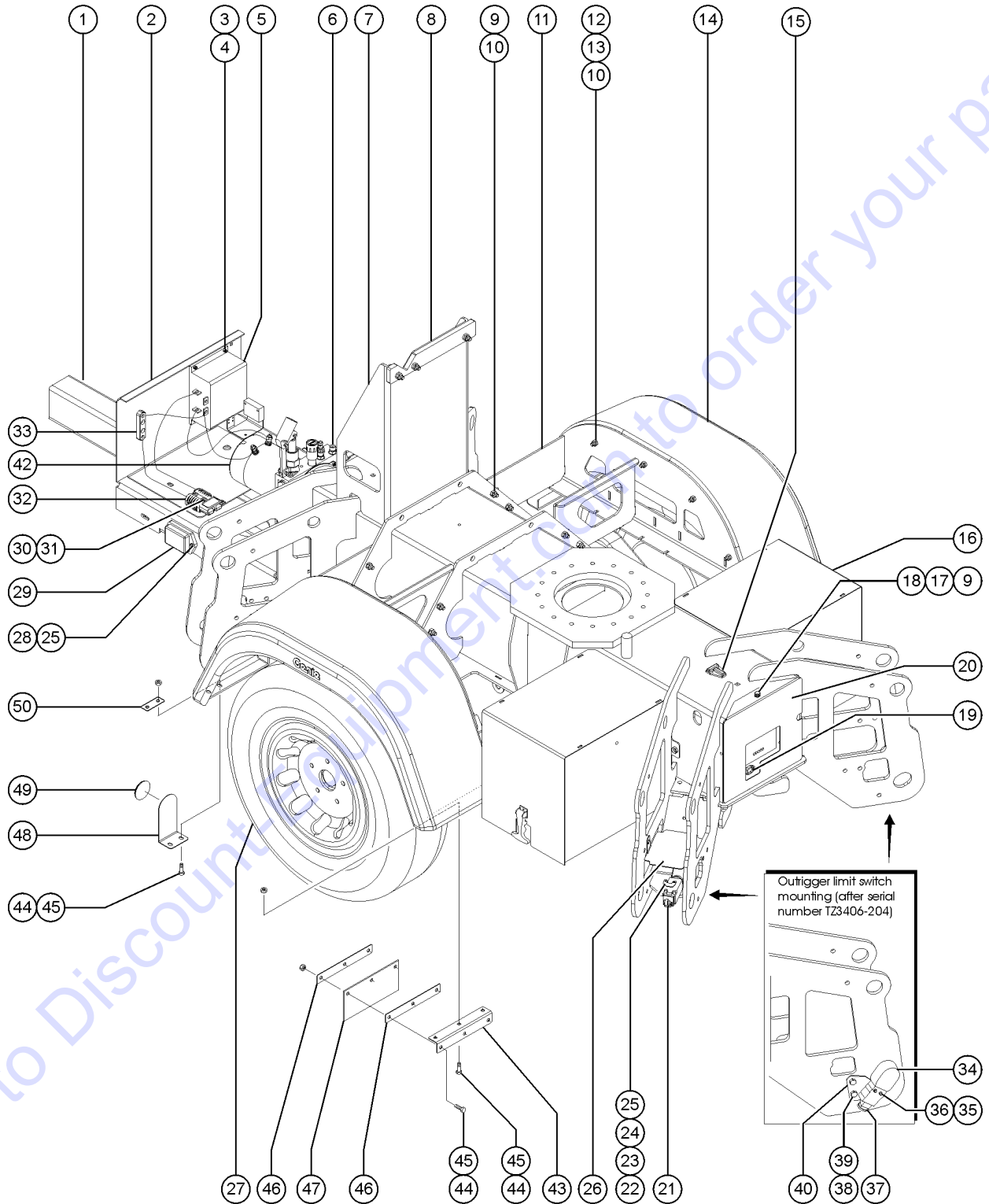
206.8 Chassis Components



Item	Part No.	Description	Qty.
A	1289561GT	BRACKET, TELEMATICS	
A	1289520GT	MODULE, TELEMATICS, ZTR, M7, NORTH AMERICA	
1		Ref. TONGUE ASSEMBLY (refer to 201.1 or 202.1)	
2B	104022GT	FORMING,CONTROLLER MOUNT TZ-34 (from SN TZ3404-62)	1
3	6878GT	BOLT,CARRIAGE,1/4-20 X .75,G2	
4	6091GT	NUT,NYLOCK,1/4-20	
5A	823408GT	MOTOR CONTROLLER, DC,24V,300A motor controllers sold separately only in cases where upgrade kits are N/A or an upgrade kit has been previously installed	1
5B	1261671GT	KIT,MTR CONTRLR REPLACEMENT TZ (Includes controller and wire harnesses)	
5C	74267GT	CONTACTOR,DRIVE,24V,180A*** (from SN3411-307)	
5C-	49818GT	SCREW,PHILLIPS,PHM,10-32 X .38	
5C-	6146GT	WASHER,FLAT,MS,#10,Y	
5C-	6607GT	WASHER,LOCK,#10 PLTD	
5C-	232529GT	BRACKET, CONTACTOR MOUNT (from SN3411-307 to TZ3412-298)	1
5C-	4828GT	NUT,NYLOCK,3/8-16 (for 232529)	
5C-	6175GT	SCREW,HHC,3/8-16 X 1 (for 232529)	
5C-	6607GT	WASHER,LOCK,#10 PLTD (for 232529)	
5C-	47124GT	INDUCTOR,47 MH,2.5AMP,.034OHM (for 74267)	
6A		Ref. HYDRAULIC POWER UNIT (refer to 601.1)	
6D	232568GT	KIT, TZ34 CONTACTOR (from SN TZ3411-307 to TZ3411-389)	
6B		Ref. COVER, HYDRAULIC POWER UNIT (refer to 210.1)	
7B	97357GT	MAST CRADLE ASSEMBLY (ANSI, CSA, Word) (from SN TZ3403-365)	1
7B-	54177GT	SCREW,HHC,1/2-13 X 1.5 GRD 8	
7B-	6198GT	NUT,NYLOCK,1/2-13	
7D	115029GT	MAST CRADLE ASSY W/DECAL CE (Symbol) (from SN TZ3403-365)	1
7D-	54177GT	SCREW,HHC,1/2-13 X 1.5 GRD 8	
7D-	6198GT	NUT,NYLOCK,1/2-13	
8	87735GT	WEARPAD,MAST CRADLE	1
8-	4828GT	NUT,NYLOCK,3/8-16	

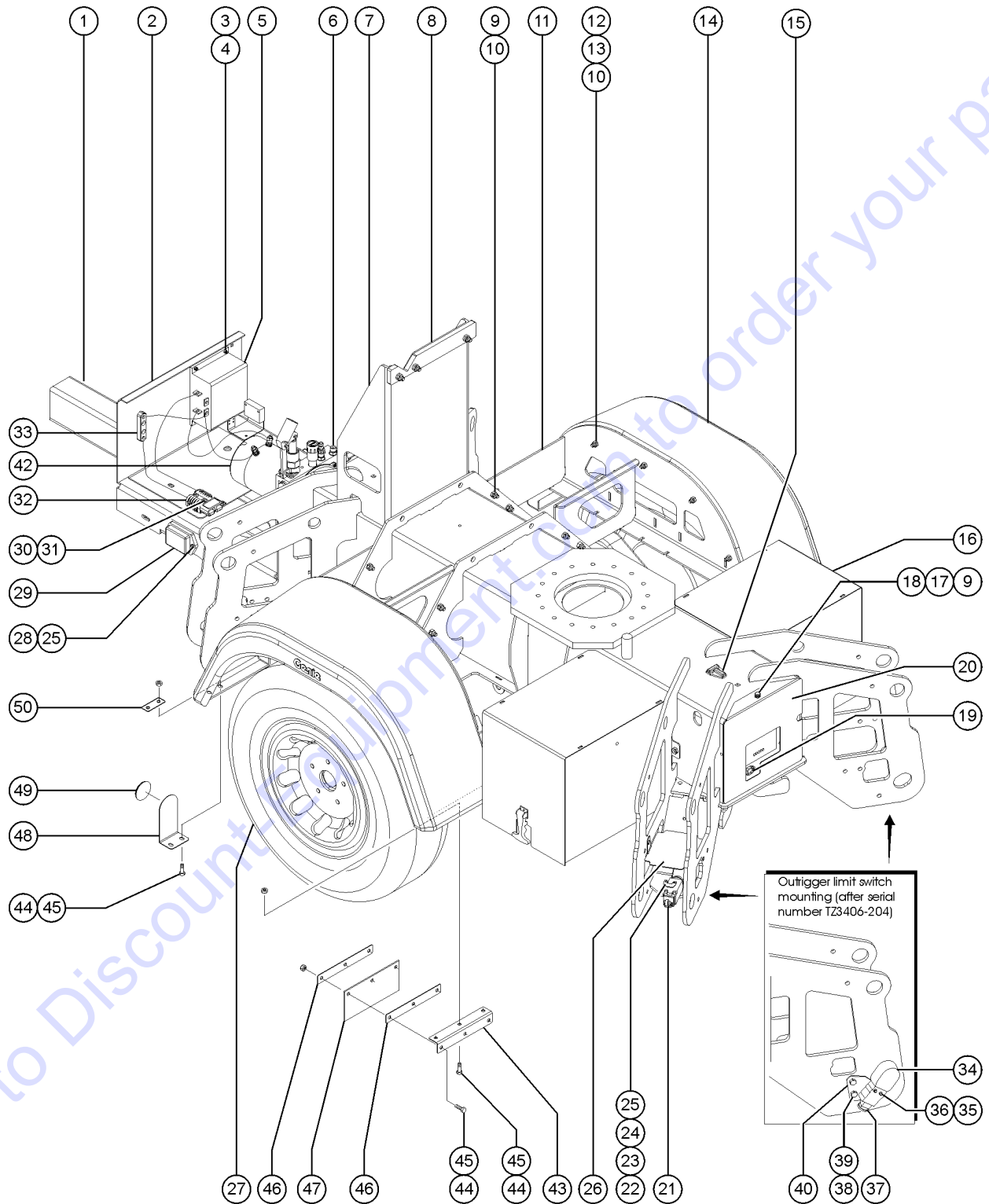


206.8 Chassis Components



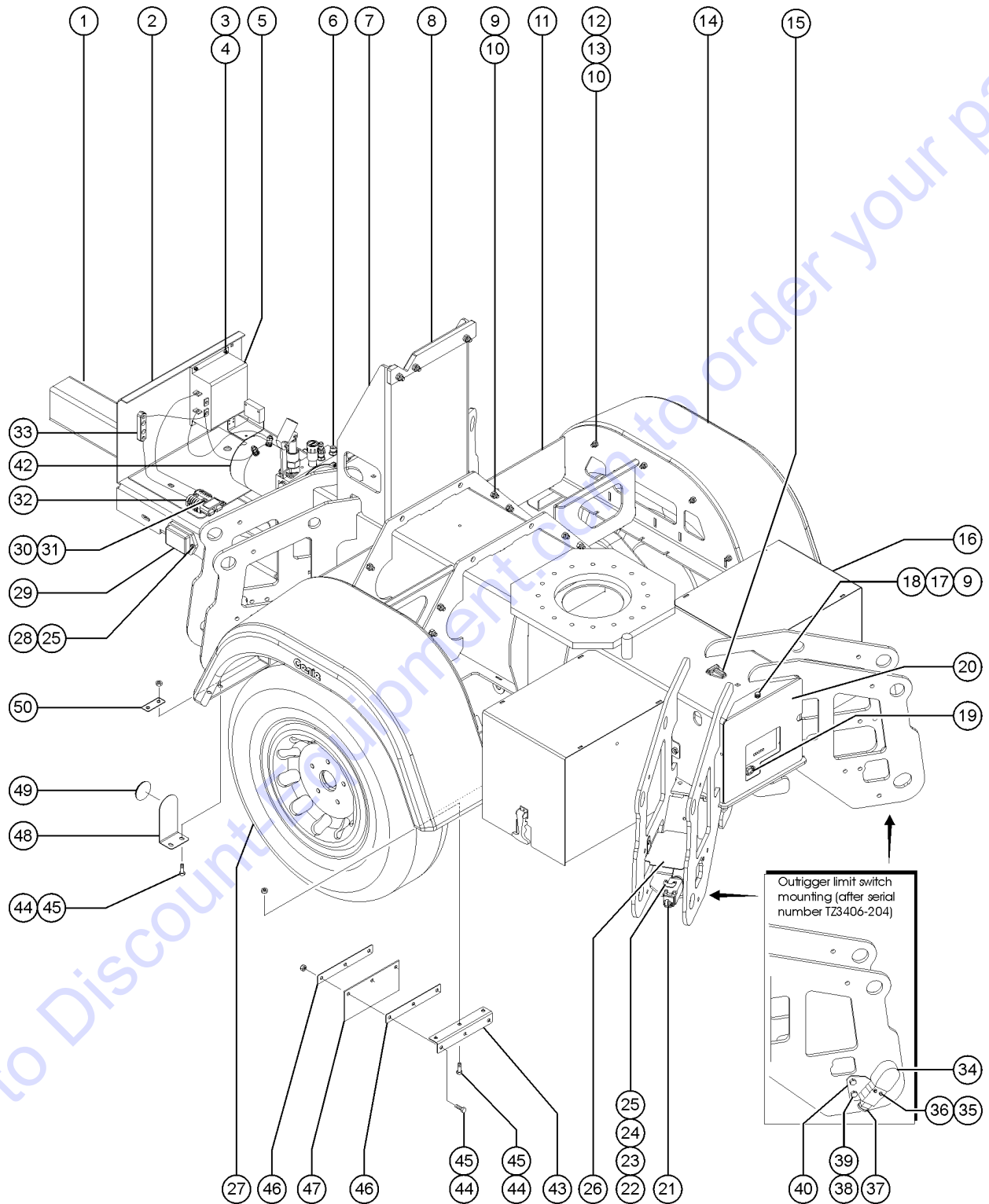
Item	Part No.	Description	Qty.
8-	60790GT	BOLT, CARRIAGE, 3/8-16 X 1.50, G5	
8-	5397GT	WASHER,FLAT,USS,5/16",Y	
9	6175GT	SCREW,HHC,3/8-16 X 1	
10	4828GT	NUT,NYLOCK,3/8-16	
11A	87739GT	WELDMENT,FENDER MOUNT LFT HYD	1
11A-	87759GT	WELDMENT,FENDER MOUNT RT HYD	
11B	87756GT	WELDMENT,FENDER MOUNT LFT MECH	
11B-	87760GT	WELDMENT,FENDER MOUNT RT MECH	
12	6888GT	SCREW,HHC,1/4-20 X 1	
13	12906GT	WASHER,FENDER,.25 X 1.25 X.062	
14	57710GT	FENDER, PLASTIC, TML	2
15	99024GT	LEVEL,BUBBLE,T	1
16		Ref. BATTERY BOX ASSEMBLY (refer to 211.1)	
17	6021GT	WASHER,LOCK,.375	
18	29868GT	SPRING CLIP,3/8-16,.05-.20X.73,ZAG	
19		Ref. BATTERY CHARGER (refer to 207.1)	
20A	84615GT	CHARGER COVER ASSY, CE	1
20B	84616GT	CHARGER COVER ASSY, DOMESTIC	
27A	87379GT	TIRE/WHEEL ASSY,DOMESTIC,TZ34	2
27A-	80270GT	WHEEL,14 INCHES***	
27A-	58251GT	TIRE/DOMESTIC,TZ34****	
27A-	46717GT	NUT, 1/2-20,ACORN,TMZ34 (ANSI and CSA Models)	10
27B	87380GT	TIRE/WHEEL ASSY,EURO,TZ34	
27B-	55140GT	LUG BOLT M12 X 1.5 (CE Models)	10
28	6606GT	SCREW,RHM,10-32 X .75	
29B	52135GT	SIDE LIGHT ASSY W/BULB*** (from SN TZ3405-533)	
29C	76010GT	REFLECTOR,RECT,AMBER,EURO	
30	66081GT	SCREW,RHM,1/4-20 X 1.50	

206.8 Chassis Components



Item	Part No.	Description	Qty.
31	66094GT	NUT-THIN HEAVY HEX, 1/4-20	
32	66397GT	QUICK DISCONNECT CASING,BATT**	
33A	40833GT	FUSE,275 AMP,VERY FAST ACTING	
33A-	66717GT	FUSE BLOCK, ANN & ANL FUSE	
34	76682GT	COVER, LIMIT SWITCH (from TZ3406-205)	
35	18605GT	NUT,NYLOCK,8-32 (from TZ3406-205)	
36	35461GT	WASHER,FLAT,MS,#8,Y (from TZ3406-205)	
37	76700GT	LIMIT SWITCH ASSY, W/CONNECTOR (from TZ3406-205)	
37-	60442GT	CONN,RECEP 4 WAY, 14-18GA	
37-	60443GT	LOCK,RECEP 4 WAY,14-18GA	
37-	73713GT	TERM,NI PIN,S&F,16-18GA,REEL	
38	6175GT	SCREW,HHC,3/8-16 X 1 (from TZ3406-160)	
39	4828GT	NUT,NYLOCK,3/8-16 (from TZ3406-205)	
40A	76705GT	ASSY,TZ34 L/S MTG PLATE TYPE A (right side front and left side rear) (from TZ3406-205)	
40B	76706GT	ASSY,TZ34 L/S MTG PLATE TYPE B (left side front and right side rear) (from TZ3406-205)	
43	219947GT	BRKT,MOUNT, RIAN FLAP, TZ-34 (CE models)	
44	13002GT	SCREW,HHC,5/16-18 X 1 GR5 (CE models)	
45	6782GT	NUT,NYLOCK,5/16-18 (CE models)	
42		Ref. HYDRAULIC POWER UNIT (refer to 601.1)	
46	219946GT	PLATE, RAIN FLAP, TZ-34 (CE models)	
47	219948GT	RAIN FLAP, TZ-34 (CE models)	
48	219946GT	PLATE, RAIN FLAP, TZ-34 (CE models)	
49	67959GT	REFLECTOR,ROUND,WHITE,EURO (CE models)	
50	219944GT	PLATE, REFLECTOR, TZ-34 (CE models)	

206.9 Chassis Components

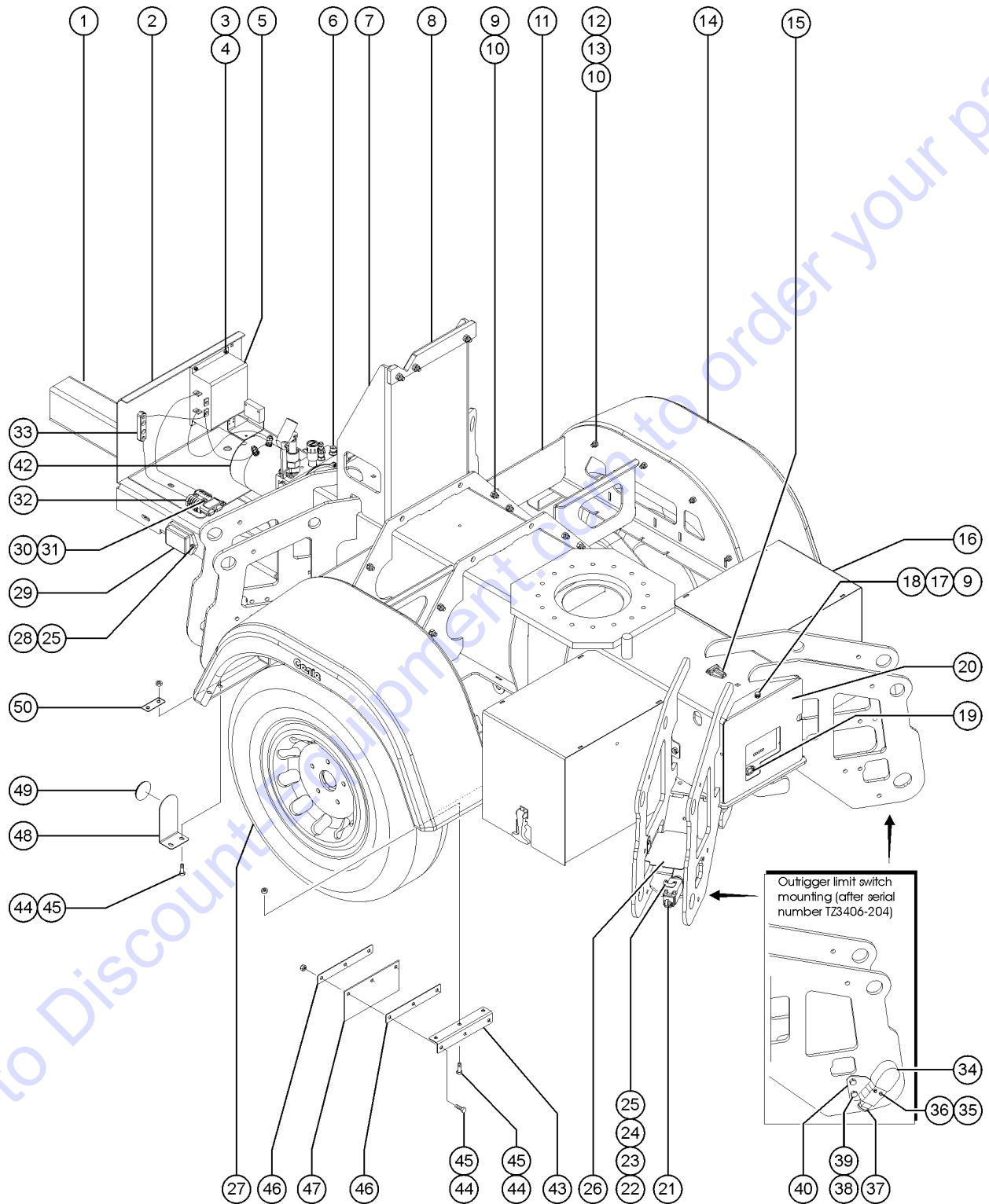


Go to Discount Equipment to order your parts

Item	Part No.	Description	Qty.
A	1289561GT	BRACKET, TELEMATICS	
A	1289520GT	MODULE, TELEMATICS, ZTR, M7, NORTH AMERICA	
1		Ref. TONGUE ASSEMBLY (refer to 201.1 or 202.1)	
2B	104022GT	FORMING,CONTROLLER MOUNT TZ-34 (from SN TZ3404-62)	1
3	6878GT	BOLT,CARRIAGE,1/4-20 X .75,G2	
4	6091GT	NUT,NYLOCK,1/4-20	
5A	823408GT	MOTOR CONTROLLER, DC,24V,300A motor controllers sold separately only in cases where upgrade kits are N/A or an upgrade kit has been previously installed	1
5B	1261671GT	KIT,MTR CONTRLR REPLACEMENT TZ (Includes controller and wire harnesses)	
5C	74267GT	CONTACTOR,DRIVE,24V,180A*** (from SN3411-307)	
5C-	49818GT	SCREW,PHILLIPS,PHM,10-32 X .38	
5C-	6146GT	WASHER,FLAT,MS,#10,Y	
5C-	6607GT	WASHER,LOCK,#10 PLTD	
5C-	232529GT	BRACKET, CONTACTOR MOUNT (from SN3411-307 to TZ3412-298)	1
5C-	4828GT	NUT,NYLOCK,3/8-16 (for 232529)	
5C-	6175GT	SCREW,HHC,3/8-16 X 1 (for 232529)	
5C-	6607GT	WASHER,LOCK,#10 PLTD (for 232529)	
5C-	47124GT	INDUCTOR,47 MH,2.5AMP,.034OHM (for 74267)	
6A		Ref. HYDRAULIC POWER UNIT (refer to 601.1)	
6B		Ref. COVER, HYDRAULIC POWER UNIT (refer to 210.1)	
7B	97357GT	MAST CRADLE ASSEMBLY (ANSI, CSA, Word) (from SN TZ3403-365)	1
7B-	54177GT	SCREW,HHC,1/2-13 X 1.5 GRD 8	
7B-	6198GT	NUT,NYLOCK,1/2-13	
7D	115029GT	MAST CRADLE ASSY W/DECAL CE (Symbol) (from SN TZ3403-365)	1
7D-	54177GT	SCREW,HHC,1/2-13 X 1.5 GRD 8	
7D-	6198GT	NUT,NYLOCK,1/2-13	
8	87735GT	WEARPAD,MAST CRADLE	1
8-	4828GT	NUT,NYLOCK,3/8-16	
8-	60790GT	BOLT, CARRIAGE, 3/8-16 X 1.50, G5	



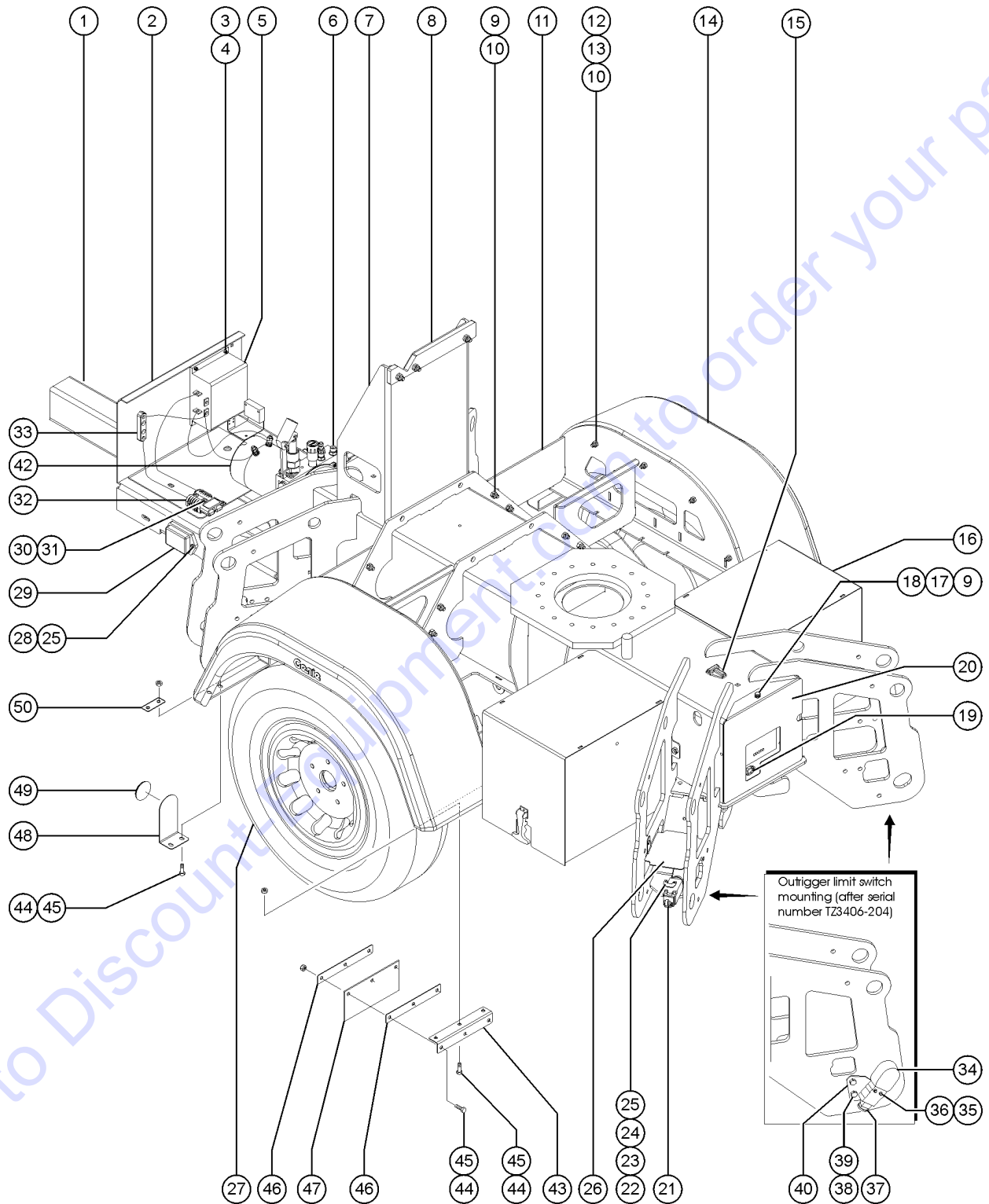
206.9 Chassis Components



Item	Part No.	Description	Qty.
8-	5397GT	WASHER,FLAT,USS,5/16",Y	
9	6175GT	SCREW,HHC,3/8-16 X 1	
10	4828GT	NUT,NYLOCK,3/8-16	
11A	87739GT	WELDMENT,FENDER MOUNT LFT HYD	1
11A-	87759GT	WELDMENT,FENDER MOUNT RT HYD	
11B	87756GT	WELDMENT,FENDER MOUNT LFT MECH	
11B-	87760GT	WELDMENT,FENDER MOUNT RT MECH	
12	6888GT	SCREW,HHC,1/4-20 X 1	
13	12906GT	WASHER,FENDER,.25 X 1.25 X.062	
14	57710GT	FENDER, PLASTIC, TML	2
15	99024GT	LEVEL,BUBBLE,T	1
16		Ref. BATTERY BOX ASSEMBLY	
		(refer to 211.1)	
17	6021GT	WASHER,LOCK,.375	
18	29868GT	SPRING CLIP,3/8-16,.05-.20X.73,ZAG	
19		Ref. BATTERY CHARGER	
		(refer to 207.1)	
20A	84615GT	CHARGER COVER ASSY, CE	1
20B	84616GT	CHARGER COVER ASSY, DOMESTIC	
27A	87379GT	TIRE/WHEEL ASSY,DOMESTIC,TZ34	2
27A-	80270GT	WHEEL,14 INCHES***	
27A-	58251GT	TIRE/DOMESTIC,TZ34****	
27A-	46717GT	NUT,1/2-20,ACORN,TMZ34	10
		(ANSI and CSA Models)	
27B	87380GT	TIRE/WHEEL ASSY,EURO,TZ34	
27B-	55140GT	LUG BOLT M12 X 1.5	10
		(CE Models)	
28	6606GT	SCREW,RHM,10-32 X .75	
29B	52135GT	SIDE LIGHT ASSY W/BULB***	
		(from SN TZ3405-533)	
29C	76010GT	REFLECTOR,RECT,AMBER,EURO	
30	66081GT	SCREW,RHM,1/4-20 X 1.50	
31	66094GT	NUT-THIN HEAVY HEX, 1/4-20	

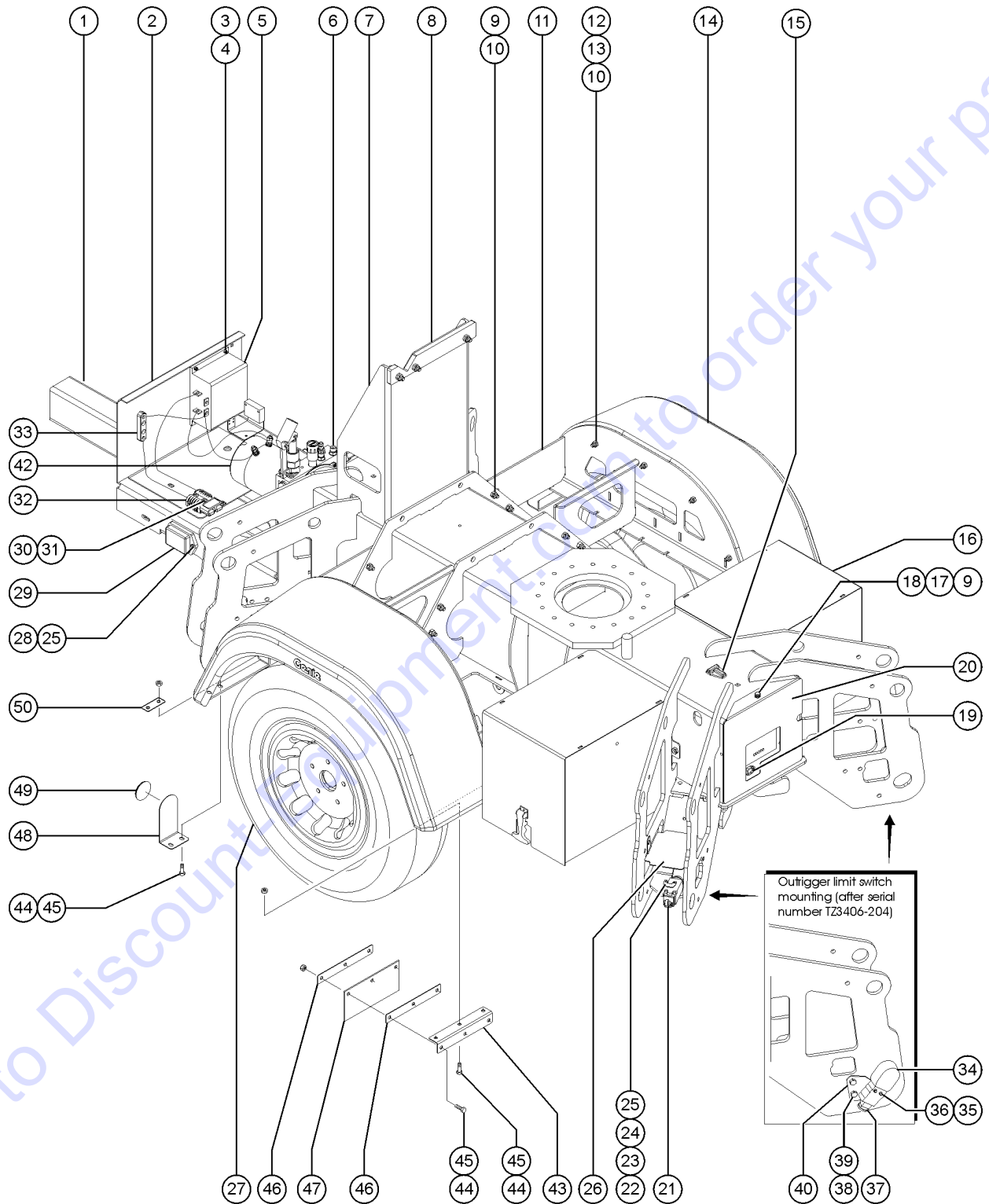


206.9 Chassis Components



Item	Part No.	Description	Qty.
32	66397GT	QUICK DISCONNECT CASING,BATT**	
33A	40833GT	FUSE,275 AMP,VERY FAST ACTING	
33A-	66717GT	FUSE BLOCK, ANN & ANL FUSE	
34	76682GT	COVER, LIMIT SWITCH (from TZ3406-205)	
35	18605GT	NUT,NYLOCK,8-32 (from TZ3406-205)	
36	35461GT	WASHER,FLAT,MS,#8,Y (from TZ3406-205)	
37	76700GT	LIMIT SWITCH ASSY, W/CONNECTOR (from TZ3406-205)	
37-	60442GT	CONN,RECEP 4 WAY, 14-18GA	
37-	60443GT	LOCK,RECEP 4 WAY,14-18GA	
37-	73713GT	TERM,NI PIN,S&F,16-18GA,REEL	
38	6175GT	SCREW,HHC,3/8-16 X 1 (from TZ3406-160)	
39	4828GT	NUT,NYLOCK,3/8-16 (from TZ3406-205)	
40A	76705GT	ASSY,TZ34 L/S MTG PLATE TYPE A (right side front and left side rear) (from TZ3406-205)	
40B	76706GT	ASSY,TZ34 L/S MTG PLATE TYPE B (left side front and right side rear) (from TZ3406-205)	
41A	217314GT	BRKT,DUAL CB VALVE & CONTACTOR (from SN TZ3412-299) (for 76061)	
41A-	4828GT	NUT,NYLOCK,3/8-16 (from SN TZ3412-299)	
41A-	8516GT	SCREW, HCC, 3/8-16 X 1.50 (from SN TZ3412-299)	
41A-	6097GT	WASHER,FLAT,USS,3/8",Y (from SN TZ3412-299)	
41A-	6782GT	NUT,NYLOCK,5/16-18 (from SN TZ3412-299)	
41A-	5397GT	WASHER,FLAT,USS,5/16",Y (from SN TZ3412-299)	
41A-	50793GT	SCREW,HHC,5/16-18 X 2 (from SN TZ3412-299)	
41A-		Ref. DUAL COUNTERBALANCE VALVE ASSY (refer to 603.1)	
42		Ref. HYDRAULIC POWER UNIT (refer to 601.1)	
43	219947GT	BRKT,MOUNT, RIAN FLAP, TZ-34 (CE models)	
44	13002GT	SCREW,HHC,5/16-18 X 1 GR5 (CE models)	
45	6782GT	NUT,NYLOCK,5/16-18 (CE models)	
46	219946GT	PLATE, RAIN FLAP, TZ-34 (CE models)	
47	219948GT	RAIN FLAP, TZ-34 (CE models)	

206.9 Chassis Components

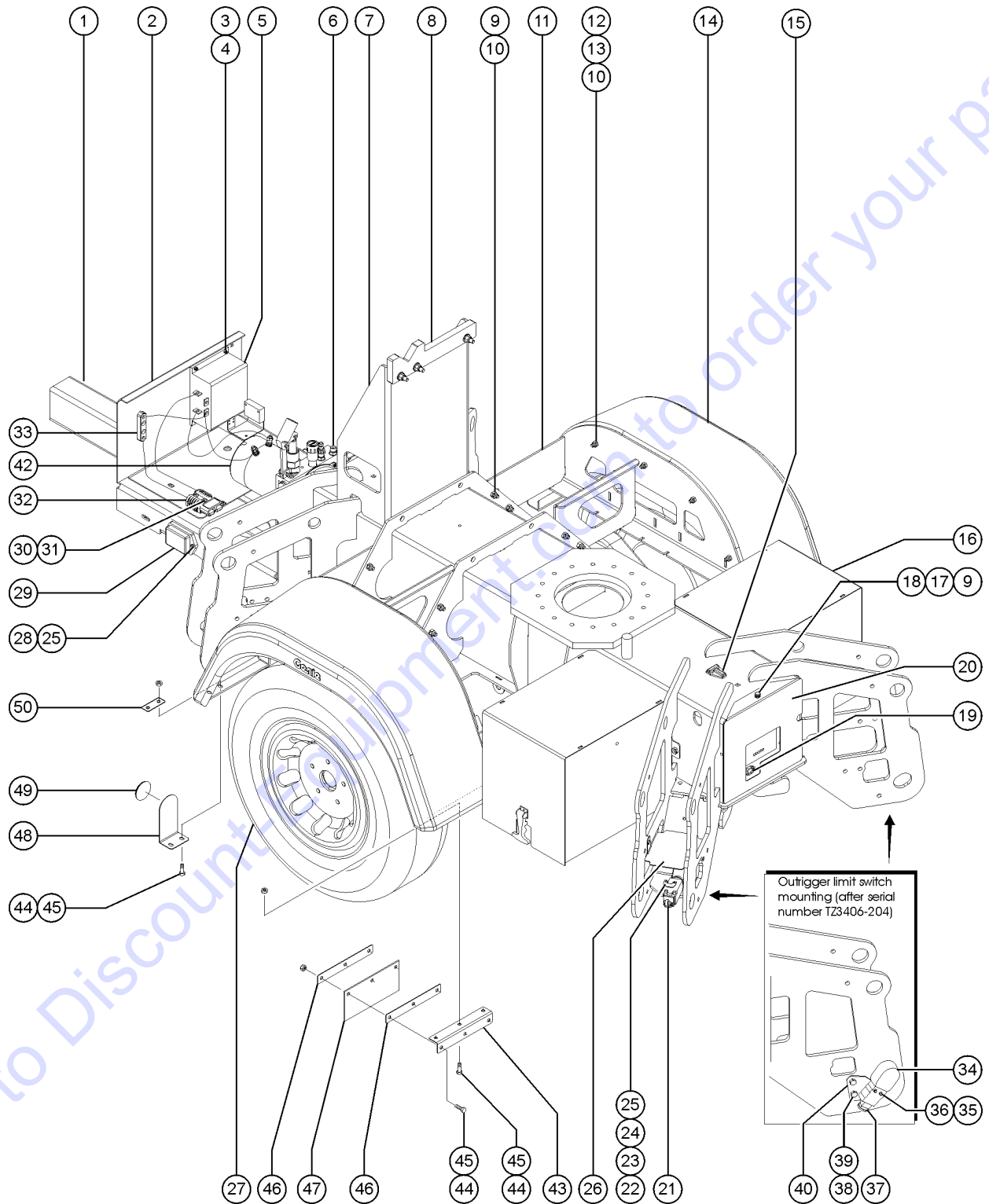


<i>Item</i>	<i>Part No.</i>	<i>Description</i>	<i>Qty.</i>
48	219946GT	PLATE, RAIN FLAP, TZ-34 (CE models)	
49	67959GT	REFLECTOR,ROUND,WHITE,EURO (CE models)	
50	219944GT	PLATE, REFLECTOR, TZ-34 (CE models)	

Go to Discount-Equipment.com to order your parts



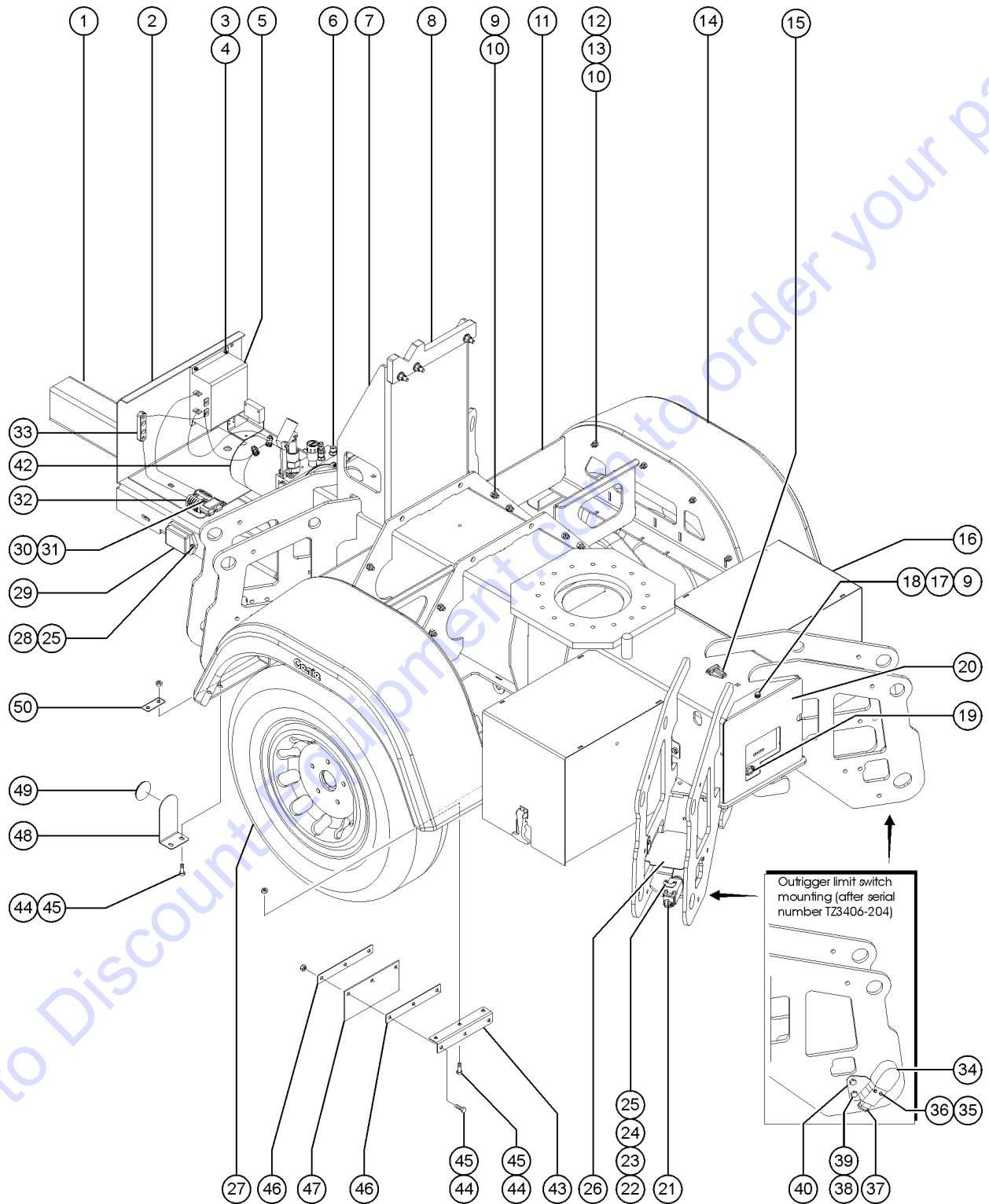
206.10 Chassis Components (from SN TZ3414-982)



Item	Part No.	Description	Qty.
A	1289561GT	BRACKET, TELEMATICS	
A	1289520GT	MODULE, TELEMATICS, ZTR, M7, NORTH AMERICA	
1		Ref. TONGUE ASSEMBLY	
		(refer to 201.1 or 202.1)	
2B	104022GT	FORMING,CONTROLLER MOUNT TZ-34	1
		(from SN TZ3404-62)	
3	6878GT	BOLT,CARRIAGE,1/4-20 X .75,G2	
4	824024GT	NUT,TL,1/4-20,C,ZAG	
5A	823408GT	MOTOR CONTROLLER, DC,24V,300A	1
		motor controllers sold separately only in cases where upgrade kits are N/A or an upgrade kit has been previously installed	
5B	1261671GT	KIT,MTR CONTRLR REPLACEMENT TZ	
		(Includes controller and wire harnesses)	
5C	823408GT	MOTOR CONTROLLER, DC,24V,300A	1
		(from TZ3414-1080)	
5D	1261671GT	KIT,MTR CONTRLR REPLACEMENT TZ	
		(Includes controller and wire harnesses) (from TZ3414-1080)	
5E	1270456GT	CONTACTOR,DRIVE,24V,180A	
		(from SN3411-307)	
5E-	49818GT	SCREW,PHILLIPS,PHM,10-32 X .38	
5E-	6146GT	WASHER,FLAT,MS,#10,Y	
5E-	6607GT	WASHER,LOCK,#10 PLTD	
5E-	232529GT	BRACKET, CONTACTOR MOUNT	1
		(from SN3411-307 to TZ3412-298)	
5E-	4828GT	NUT,NYLOCK,3/8-16	
		(for 232529)	
5E-	6175GT	SCREW,HHC,3/8-16 X 1	
		(for 232529)	
5E-	6607GT	WASHER,LOCK,#10 PLTD	
		(for 232529)	
5E-	47124GT	INDUCTOR,47 MH,2.5AMP,.034OHM	
		(for 74267)	
6A		Ref. HYDRAULIC POWER UNIT	
		(refer to 601.1)	
6B		Ref. COVER, HYDRAULIC POWER UNIT	
		(refer to 210.1)	
7B	97357GT	MAST CRADLE ASSEMBLY	1
		(ANSI, CSA, Word) (from SN TZ3403-365)	
7B-	54177GT	SCREW,HHC,1/2-13 X 1.5 GRD 8	
7B-	6198GT	NUT,NYLOCK,1/2-13	
7D	115029GT	MAST CRADLE ASSY W/DECAL CE	1
		(Symbol) (from SN TZ3403-365)	
7D-	54177GT	SCREW,HHC,1/2-13 X 1.5 GRD 8	
7D-	6198GT	NUT,NYLOCK,1/2-13	
8	218055GT	WEARPAD,MAST CRADLE	1



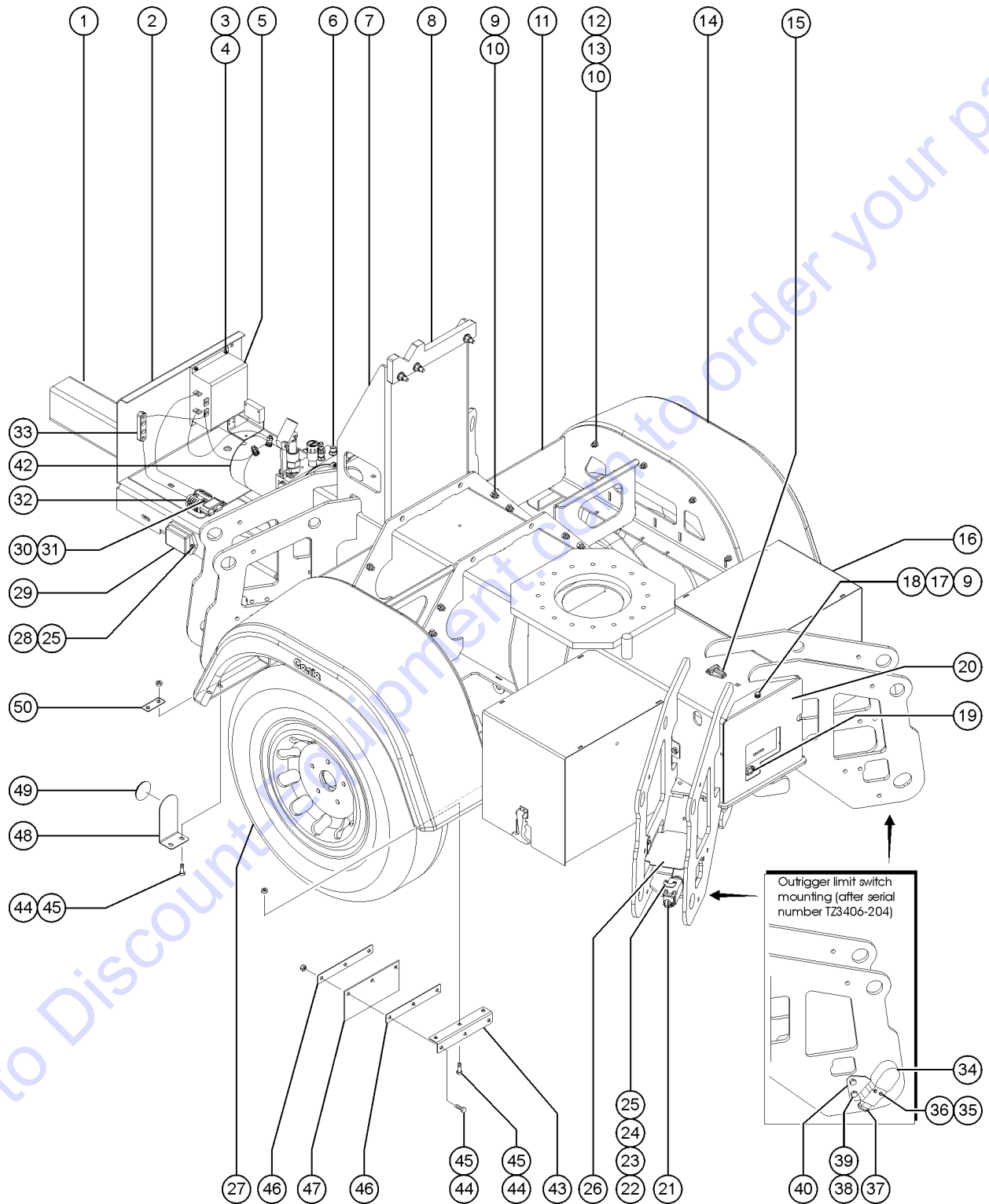
206.10 Chassis Components (from SN TZ3414-982)



Item	Part No.	Description	Qty.
8-	4828GT	NUT,NYLOCK,3/8-16	
8-	87564GT	BOLT,CARRIAGE,3/8-16 X 2.00,G2	
8-	5397GT	WASHER,FLAT,USS,5/16",Y	
9	6175GT	SCREW,HHC,3/8-16 X 1	
10	4828GT	NUT,NYLOCK,3/8-16	
11A	87739GT	WELDMENT,FENDER MOUNT LFT HYD	1
11A-	87759GT	WELDMENT,FENDER MOUNT RT HYD	
11B	87756GT	WELDMENT,FENDER MOUNT LFT MECH	
11B-	87760GT	WELDMENT,FENDER MOUNT RT MECH	
12	824060GT	SCREW, HHC, 1/4-20 X 1, 8, ZAG	
13	12906GT	WASHER,FENDER,.25 X 1.25 X.062	
14	57710GT	FENDER, PLASTIC, TML	2
15	99024GT	LEVEL,BUBBLE,T	1
16		Ref. BATTERY BOX ASSEMBLY	
		(refer to 211.1)	
17	6021GT	WASHER,LOCK,.375	
18	29868GT	SPRING CLIP,3/8-16,.05-.20X.73,ZAG	
19		Ref. BATTERY CHARGER	
		(refer to 207.1)	
20A	84615GT	CHARGER COVER ASSY, CE	1
20B	84616GT	CHARGER COVER ASSY, DOMESTIC	
27A	87379GT	TIRE/WHEEL ASSY,DOMESTIC,TZ34	2
27A-	80270GT	WHEEL,14 INCHES***	
27A-	58251GT	TIRE/DOMESTIC,TZ34****	
27A-	46717GT	NUT,1/2-20,ACORN,TMZ34	10
		(ANSI and CSA Models)	
27B	87380GT	TIRE/WHEEL ASSY,EURO,TZ34	
27B-	55140GT	LUG BOLT M12 X 1.5	10
		(CE Models)	
28	6606GT	SCREW,RHM,10-32 X .75	
29B	52135GT	SIDE LIGHT ASSY W/BULB***	
		(from SN TZ3405-533)	
29C	76010GT	REFLECTOR,RECT,AMBER,EURO	

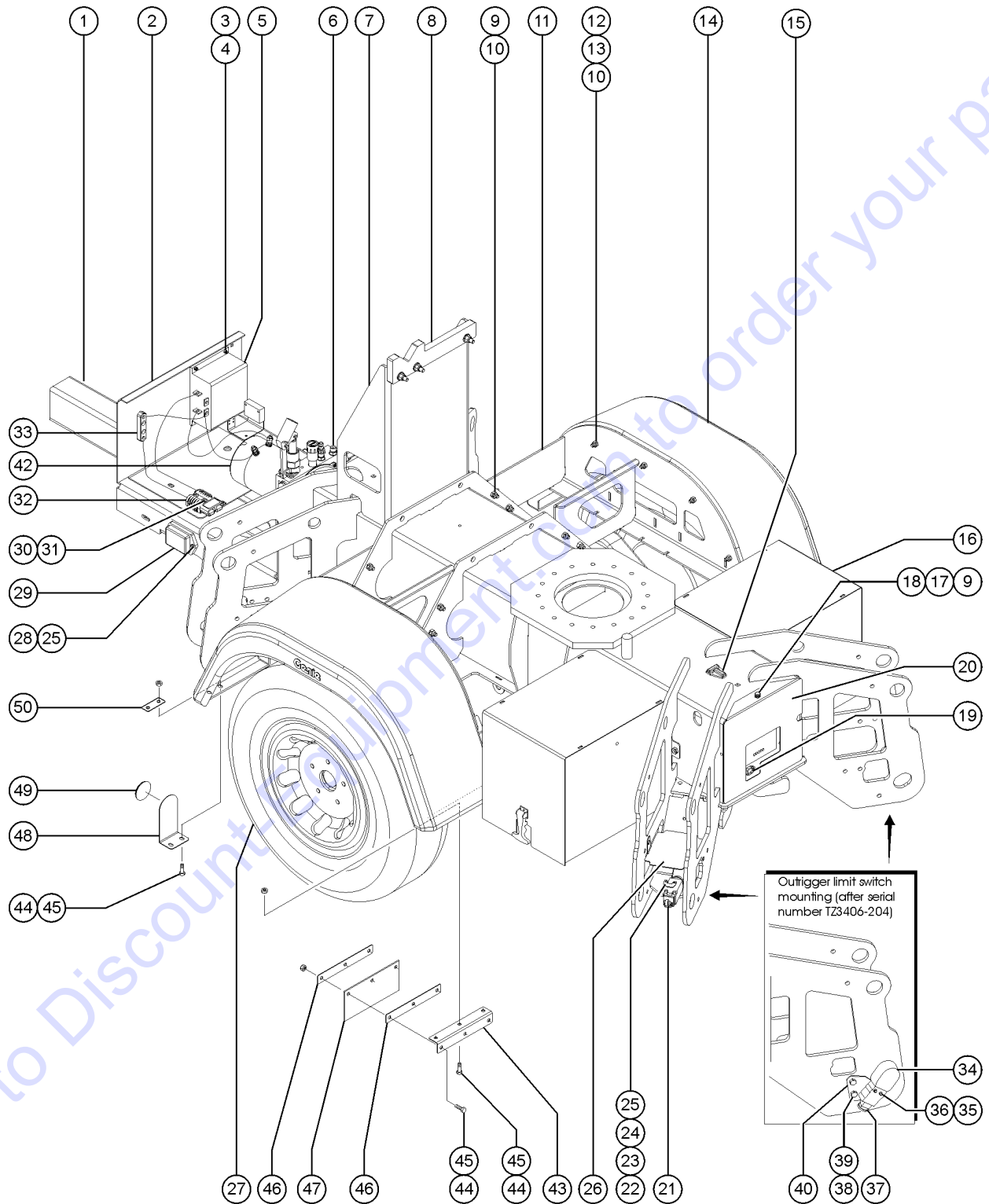


206.10 Chassis Components (from SN TZ3414-982)



Item	Part No.	Description	Qty.
30	66081GT	SCREW,RHM,1/4-20 X 1.50	
31	66094GT	NUT-THIN HEAVY HEX, 1/4-20	
32	66397GT	QUICK DISCONNECT CASING,BATT**	
33A	40833GT	FUSE,275 AMP,VERY FAST ACTING	
33A-	66717GT	FUSE BLOCK, ANN & ANL FUSE	
34	76682GT	COVER, LIMIT SWITCH	
		(from TZ3406-205)	
35	18605GT	NUT,NYLOCK,8-32	
		(from TZ3406-205)	
36	35461GT	WASHER,FLAT,MS,#8,Y	
		(from TZ3406-205)	
37	76700GT	LIMIT SWITCH ASSY, W/CONNECTOR	
		(from TZ3406-205)	
37-	60442GT	CONN,RECEP 4 WAY, 14-18GA	
37-	60443GT	LOCK,RECEP 4 WAY,14-18GA	
37-	73713GT	TERM,NI PIN,S&F,16-18GA,REEL	
38	6175GT	SCREW,HHC,3/8-16 X 1	
		(from TZ3406-160)	
39	4828GT	NUT,NYLOCK,3/8-16	
		(from TZ3406-205)	
40A	76705GT	ASSY,TZ34 L/S MTG PLATE TYPE A	
		(right side front and left side rear) (from TZ3406-205)	
40B	76706GT	ASSY,TZ34 L/S MTG PLATE TYPE B	
		(left side front and right side rear) (from TZ3406-205)	
41A	217314GT	BRKT,DUAL CB VALVE & CONTACTOR	
		(from SN TZ3412-299) (for 76061)	
41A-	4828GT	NUT,NYLOCK,3/8-16	
		(from SN TZ3412-299)	
41A-	8516GT	SCREW, HCC, 3/8-16 X 1.50	
		(from SN TZ3412-299)	
41A-	6097GT	WASHER,FLAT,USS,3/8",Y	
		(from SN TZ3412-299)	
41A-	6782GT	NUT,NYLOCK,5/16-18	
		(from SN TZ3412-299)	
41A-	5397GT	WASHER,FLAT,USS,5/16",Y	
		(from SN TZ3412-299)	
41A-	50793GT	SCREW,HHC,5/16-18 X 2	
		(from SN TZ3412-299)	
41A-		Ref. DUAL COUNTERBALANCE VALVE ASSY	
		(refer to 603.1)	
42		Ref. HYDRAULIC POWER UNIT	
		(refer to 601.1)	
43	219947GT	BRKT,MOUNT, RIAN FLAP, TZ-34	
		(CE models)	
44	13002GT	SCREW,HHC,5/16-18 X 1 GR5	
		(CE models)	
45	6782GT	NUT,NYLOCK,5/16-18	
		(CE models)	

206.10 Chassis Components (from SN TZ3414-982)

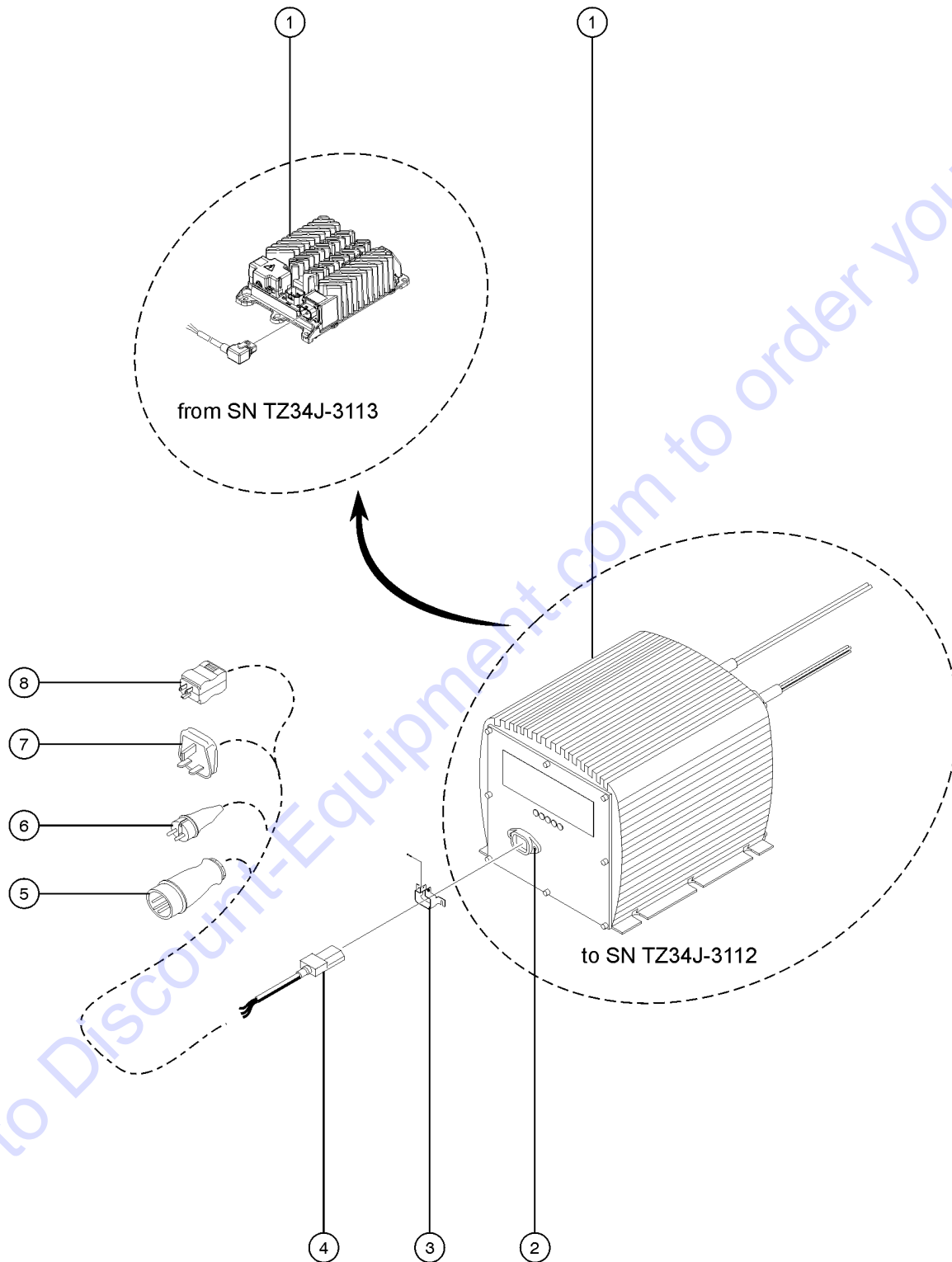


Item	Part No.	Description	Qty.
46	219946GT	PLATE, RAIN FLAP, TZ-34 (CE models)	
47	219948GT	RAIN FLAP, TZ-34 (CE models)	
48	219946GT	PLATE, RAIN FLAP, TZ-34 (CE models)	
49	67959GT	REFLECTOR,ROUND,WHITE,EURO (CE models)	
50	219944GT	PLATE, REFLECTOR, TZ-34 (CE models)	

Go to Discount-Equipment.com to order your parts



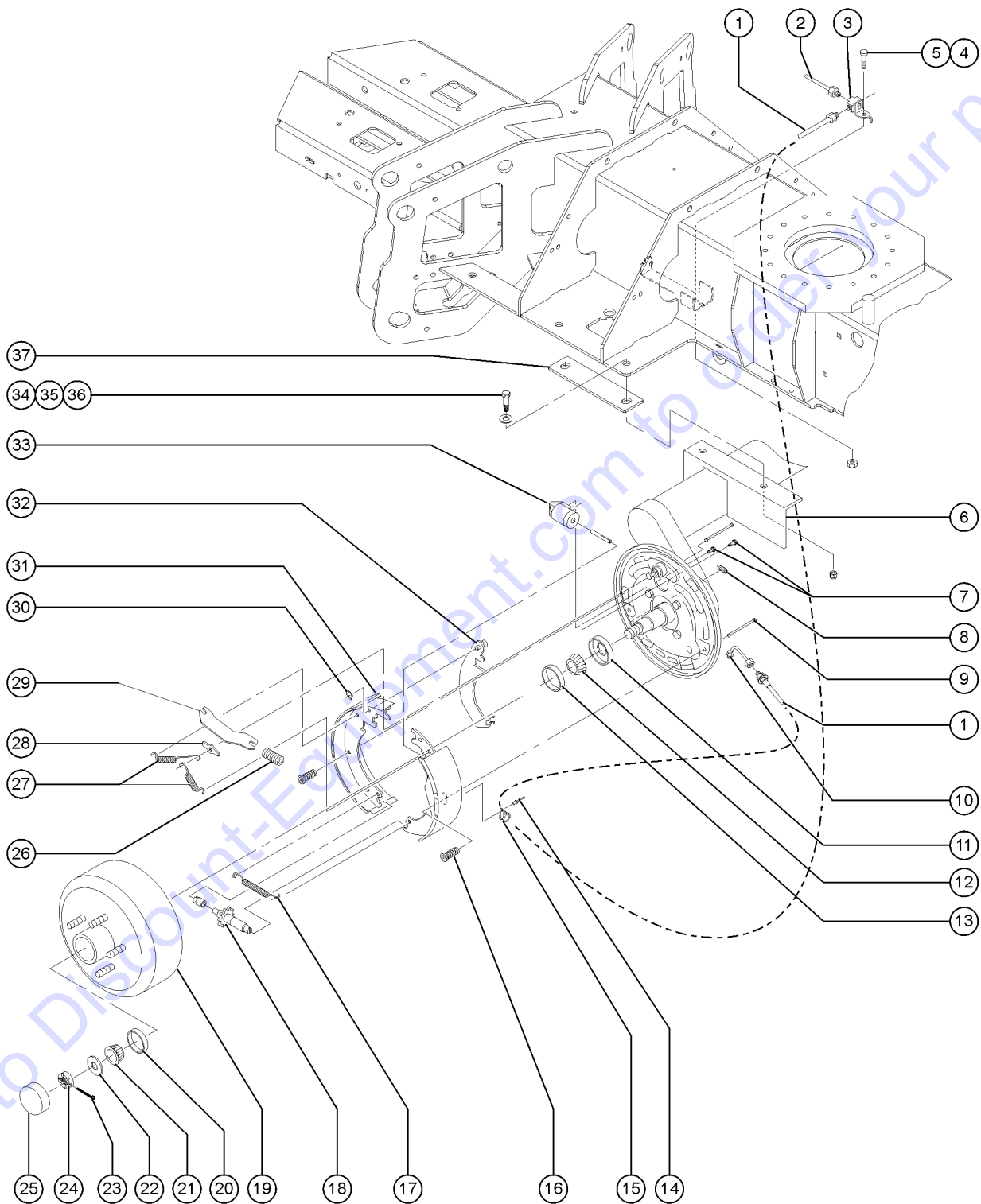
207.1 Battery Charger



207.1 Battery Charger

Item	Part No.	Description	Qty.
-	97059GT	FUSE,BATTERY CHARGER*** for 5-LED battery charger	
-	105334GT	CONNECTOR, IEC CHARGER CORD for 5-LED battery charger	
1A	1264372GT	CHARGER,24V,650W,USB from SN TZ34J-3113	
1B	1277780GT	KIT,CHARGER,BATTERY,DELTA-Q,TZ-34	
1C	105739GT	CHARGER,BAT,24VDC,H/LO GEN2 to SN TZ34J-3112	1
1C-	105334GT	CONNECTOR, IEC CHARGER CORD	1
1C-	144180GT	MANUAL,OWNERS,CHARGER,105739	
2	46440GT	CONNECTOR,IEC 320 INLET for 5-LED battery charger	
2-	46441GT	PIN,CONNECTOR,IEC320 for 5-LED battery charger	
3	55010GT	LOCK, CONNECTOR includes fasteners	2
4	105277GT	POWER CORD,21 IN***	1
5	69475GT	POWER CORD,CHARGER,110VAC,UK includes item 4	1
6	85377GT	POWER CORD,CHARGER,220 EU*** includes item 4	1
7	85376GT	POWER CORD,CHARGER,220,UK/AUS* includes item 4	1
8	85375GT	POWER CORD,CHARGER,110 US*** includes item 4	1

208.1 Hydraulic Brake and Axle - ANSI and CSA Models

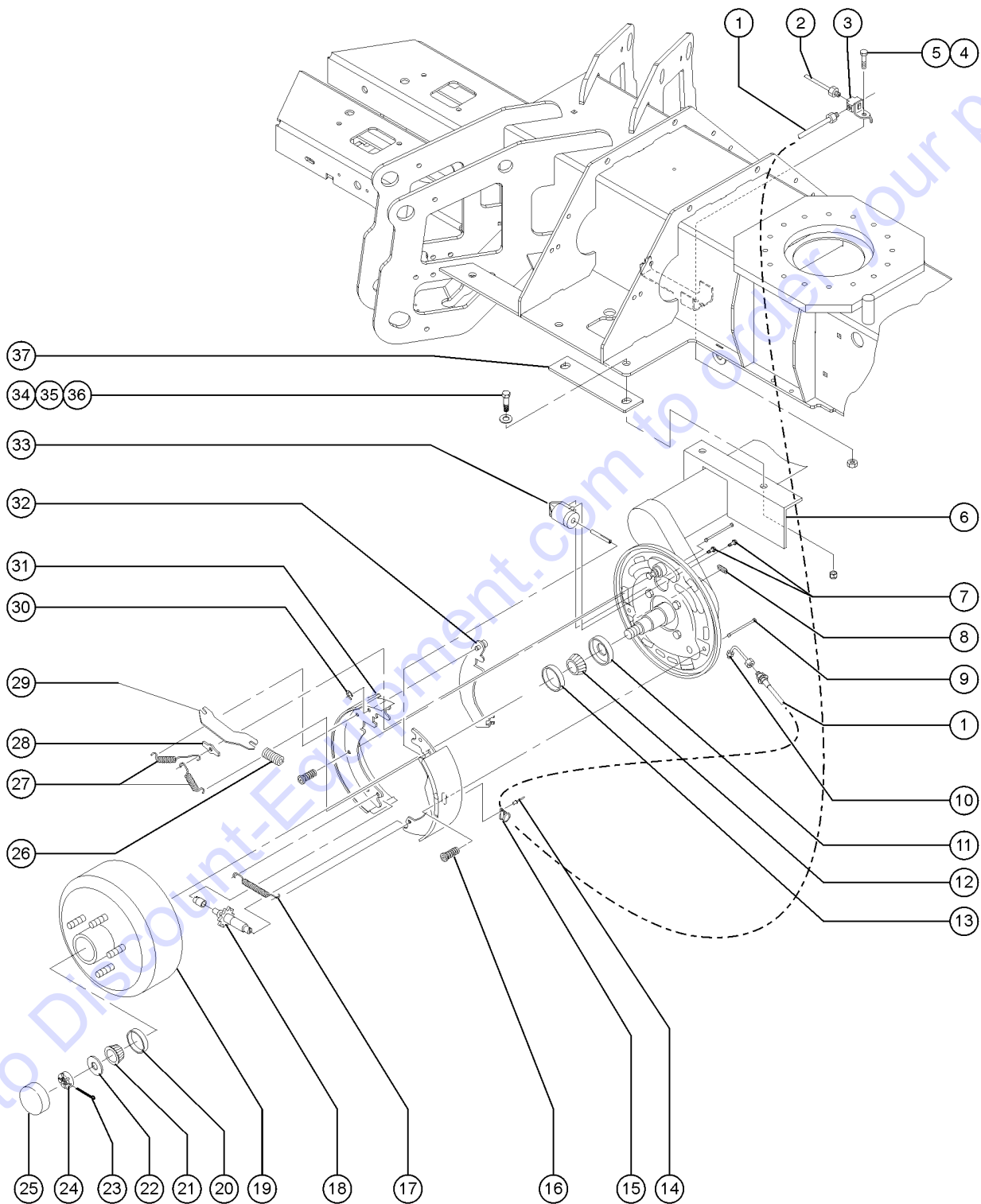


208.1 Hydraulic Brake and Axle - ANSI and CSA Models

Item	Part No.	Description	Qty.
-	99030GT	KIT, HYDRAULIC BRAKE LINES, TZ34 includes items 1, 2 and 3	
-	T106329GT	ASSEMBLY, LH BRAKE, TZ includes items 7, 9, 16-18 and 26-33	
-	T106330GT	ASSEMBLY, RH BRAKE, TZ includes items 7, 9, 16-18 and 26-33	
1	125650GT	BRAKELINE, FLEXIBLE, 18"	2
2	99031GT	HARDLINE, BRAKE, LONG	1
3	48309GT	FITTING, TEE, BRAKE LINE	1
3	48308GT	CLIP, BRAKE HOSE (for 48309)	
4	6175GT	SCREW, HHC, 3/8-16 X 1	
5	4828GT	NUT, NYLOCK, 3/8-16	
6	87377GT	AXLE ASSY, HYD. BRAKE	1
7	75816GT	SCREW, HEX STAR WASHER GT10	1
8	75817GT	COVER, HOLE RUBBER GT10	1
9	89293GT	PIN, SHOE HOLD DOWN SECONDARY	1
10	99032GT	HARDLINE, BRAKE, SHORT	2
11	52265GT	SEAL, GREASE (SL173)	1
12	52264GT	INNER BEARING CONE (L68149)	1
13	52263GT	INNER BEARING CUP (L68111)	1
14	7265GT	RIVET, STEEL, P, .25 X .375	
15	16073GT	CLAMP, 0.63, #10 X 1/4, RUB CUSH	1
16	75815GT	SPRING, SHOE HOLD DOWN GT10	2
17	80254GT	SPRING, ADJUSTING SCREW***	1
18	80257GT	ADJUSTING SCREW ASSY(80234, 35)	1
19	52255GT	HUB, 10X2.25", STUDDED 1/4-20, TMZ	1
19-	44649GT	BOLT, LUG, SPARE TIRE, TMZ34	
20	52256GT	OUTER BEARING CUP (L44610)	1
21	52257GT	OUTER BEARING CONE (L44649)	1
22	52258GT	WASHER - SPINDLE	
23	84707GT	COTTER PIN	1



208.1 Hydraulic Brake and Axle - ANSI and CSA Models



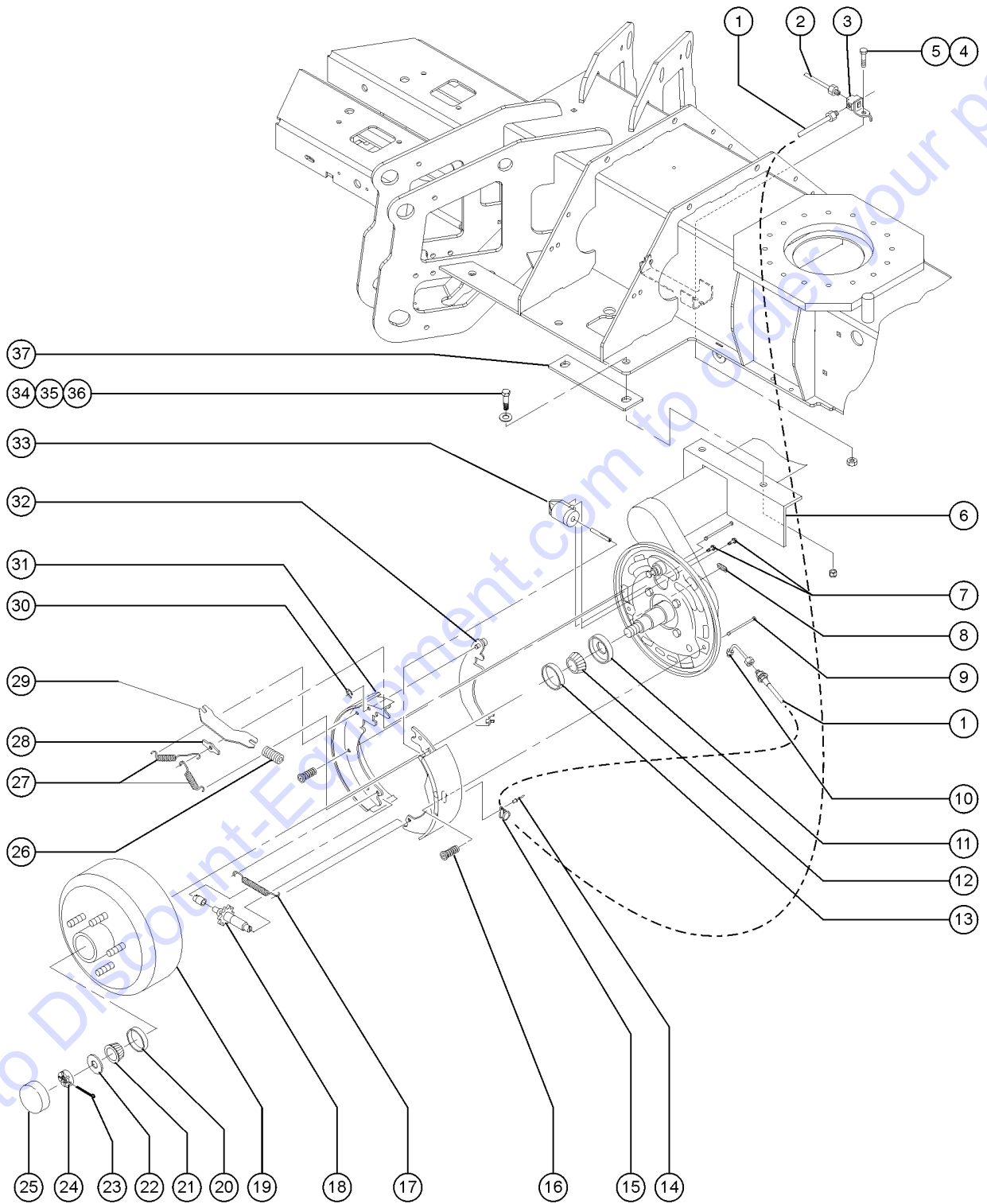
208.1 Hydraulic Brake and Axle - ANSI and CSA Models

Item	Part No.	Description	Qty.
24	52259GT	NUT, SPINDLE, 6-11/16**	1
25	52260GT	CAP - GREASE	1
26	84709GT	PARKING STRUT SPRING	1
27	80259GT	SPRING,REAR BRAKE SHOE(80234,5	2
28	62147GT	PAD-ANCHOR POST,HYD BRK-59944*	1
29	84710GT	PARKING STRUT	1
30	84711GT	RETAINER	1
31	1279831GT	BRAKE KIT,DEXTER,TZ34 includes four brake shoes to service both sides of axle	1
32A	84714GT	PARKING LEVER & PIN ASSY, LEFT	1
32B	84715GT	PARKING LEVER & PIN ASSY, RIGH	
33A	80237GT	WHEEL CYLINDER,LH (80235) (replaced 75843) (push rod required; order separately)	1
33B	80236GT	WHEEL CYLINDER,RH (80234) (replaced 75844) push rod required; order separately	1
33C	80238GT	PUSH ROD,WHEEL CYL(80234,80235 for 80236, 80237	2
34	29883GT	SCREW,HHC,5/8-11 X 1.75 GRD.8 (to SN)	4
35	13064GT	WASHER,FLAT,.625 HARDENED	
36	6024GT	NUT,NYLOCK,5/8-11	
37	160741GT	KIT, AXLE SPACERS, TZ-34 (includes instructions and items 34, 35, 36 and 160426)	2
37-	160426GT	SPACER,AXLE, TZ-34	

Go to Discount-Equipment.com to order your parts



208.2 Hydraulic Brake and Axle - ANSI and CSA Models

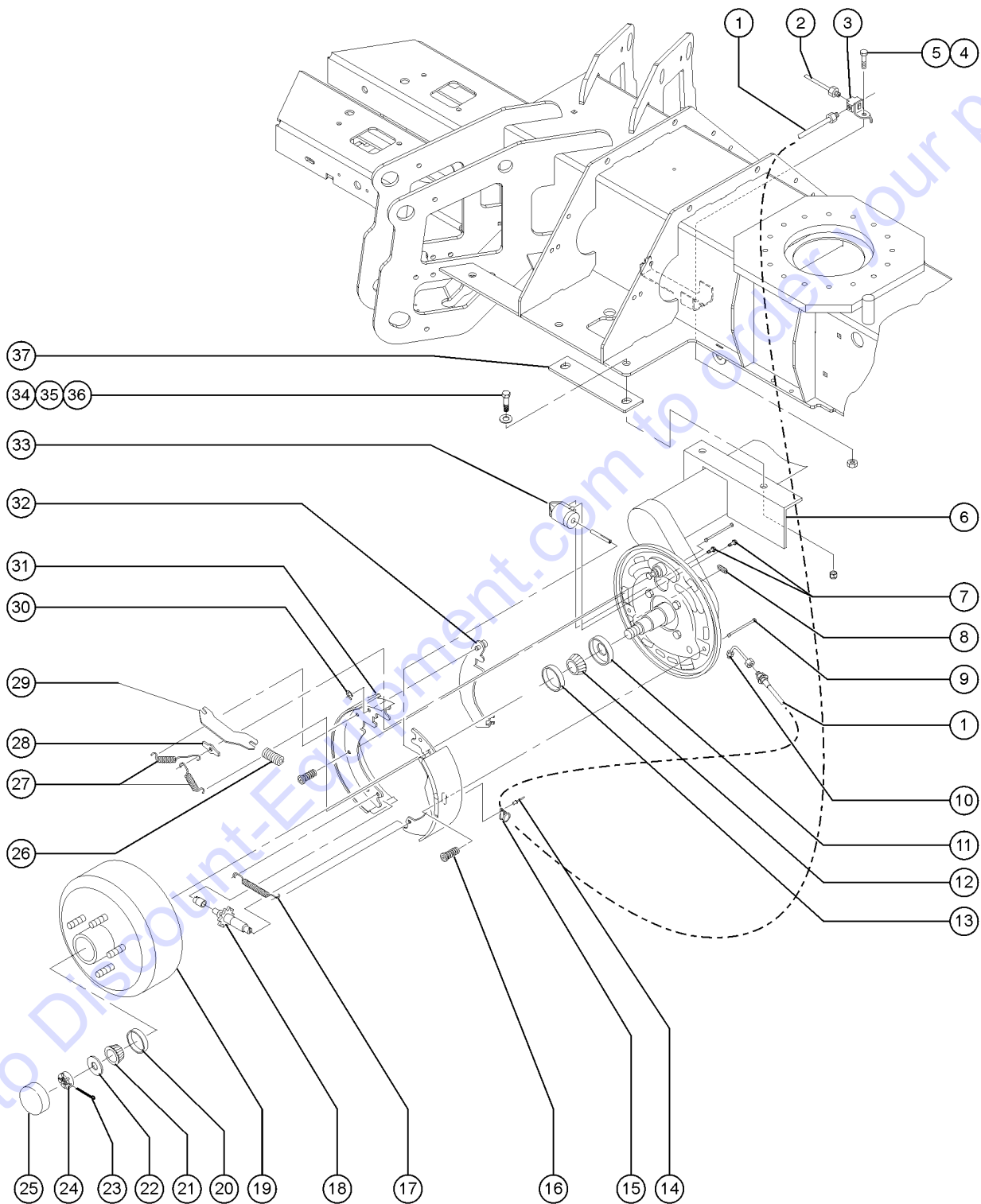


208.2 Hydraulic Brake and Axle - ANSI and CSA Models

Item	Part No.	Description	Qty.
-	99030GT	KIT, HYDRAULIC BRAKE LINES, TZ34 includes items 1, 2 and 3	
-	T106329GT	ASSEMBLY, LH BRAKE, TZ includes items 7, 9, 16-18 and 26-33	
-	T106330GT	ASSEMBLY, RH BRAKE, TZ includes items 7, 9, 16-18 and 26-33	
1	125650GT	BRAKELINE, FLEXIBLE, 18"	2
2	99031GT	HARDLINE, BRAKE, LONG	1
3	48309GT	FITTING, TEE, BRAKE LINE	1
3	48308GT	CLIP, BRAKE HOSE (for 48309)	
4	6175GT	SCREW, HHC, 3/8-16 X 1	
5	4828GT	NUT, NYLOCK, 3/8-16	
6	87377GT	AXLE ASSY, HYD. BRAKE	1
7	75816GT	SCREW, HEX STAR WASHER GT10	1
8	75817GT	COVER, HOLE RUBBER GT10	1
9	89293GT	PIN, SHOE HOLD DOWN SECONDARY	1
10	99032GT	HARDLINE, BRAKE, SHORT	2
11	52265GT	SEAL, GREASE (SL173)	1
12	52264GT	INNER BEARING CONE (L68149)	1
13	52263GT	INNER BEARING CUP (L68111)	1
14	7265GT	RIVET, STEEL, P, .25 X .375	
15	16073GT	CLAMP, 0.63, #10 X 1/4, RUB CUSH	1
16	75815GT	SPRING, SHOE HOLD DOWN GT10	2
17	80254GT	SPRING, ADJUSTING SCREW***	1
18	80257GT	ADJUSTING SCREW ASSY(80234, 35)	1
19	52255GT	HUB, 10X2.25", STUDDED 1/4-20, TMZ	1
19-	44649GT	BOLT, LUG, SPARE TIRE, TMZ34	
20	52256GT	OUTER BEARING CUP (L44610)	1
21	52257GT	OUTER BEARING CONE (L44649)	1
22	52258GT	WASHER - SPINDLE	
23	84707GT	COTTER PIN	1



208.2 Hydraulic Brake and Axle - ANSI and CSA Models



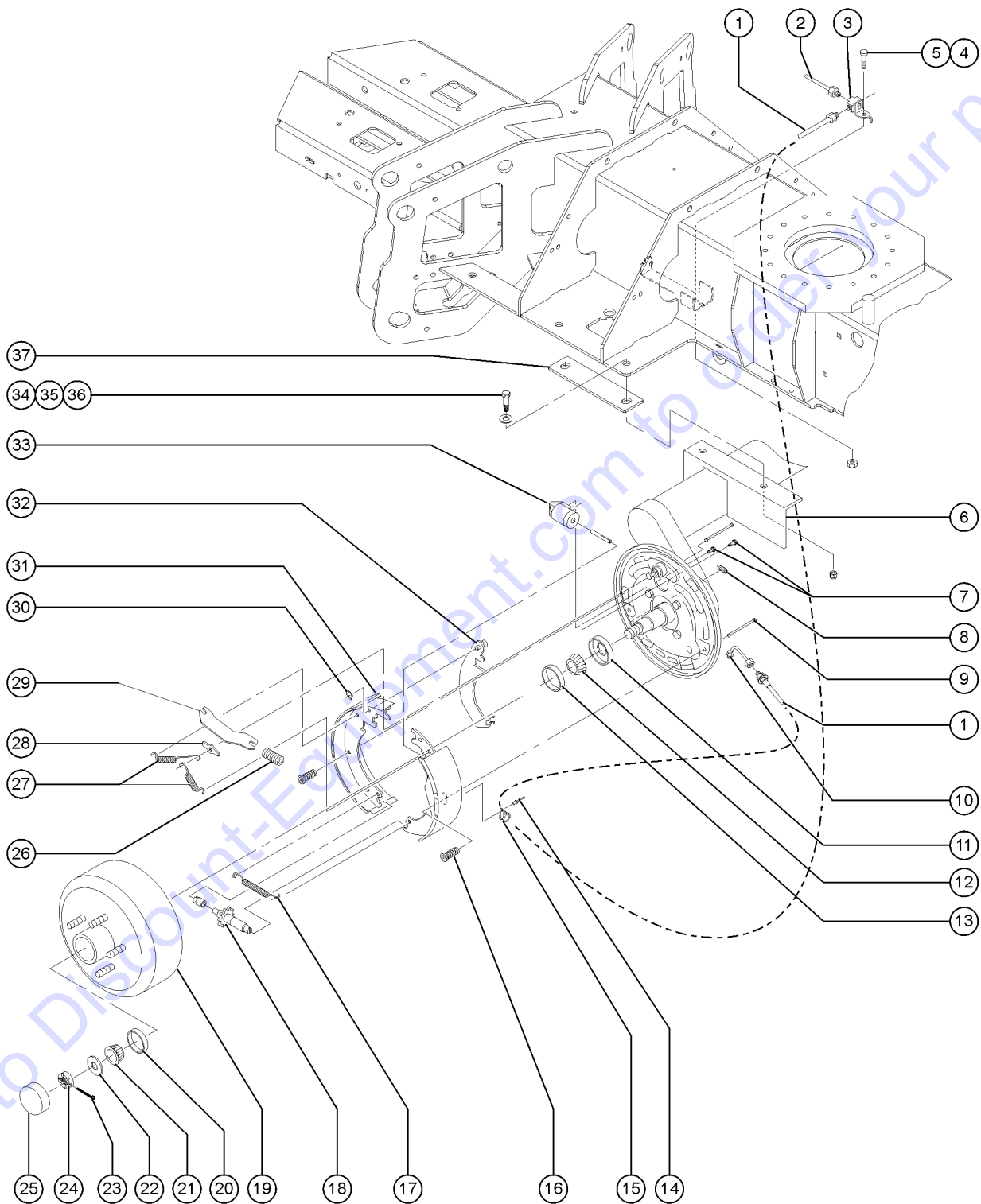
208.2 Hydraulic Brake and Axle - ANSI and CSA Models

Item	Part No.	Description	Qty.
24	52259GT	NUT, SPINDLE, 6-11/16**	1
25	52260GT	CAP - GREASE	1
26	84709GT	PARKING STRUT SPRING	1
27	80259GT	SPRING,REAR BRAKE SHOE(80234,5	2
28	62147GT	PAD-ANCHOR POST,HYD BRK-59944*	1
29	84710GT	PARKING STRUT	1
30	84711GT	RETAINER	1
31	1279831GT	BRAKE KIT,DEXTER,TZ34 includes four brake shoes to service both sides of axle	1
32A	84714GT	PARKING LEVER & PIN ASSY, LEFT	1
32B	84715GT	PARKING LEVER & PIN ASSY, RIGH	
33A	80237GT	WHEEL CYLINDER,LH (80235) (replaced 75843) (push rod required; order separately)	1
33B	80236GT	WHEEL CYLINDER,RH (80234) (replaced 75844) push rod required; order separately	1
33C	80238GT	PUSH ROD,WHEEL CYL(80234,80235 for 80236, 80237	2
34	29883GT	SCREW,HHC,5/8-11 X 1.75 GRD.8	4
35	13064GT	WASHER,FLAT,.625 HARDENED	
36	6024GT	NUT,NYLOCK,5/8-11	
37	160741GT	KIT, AXLE SPACERS, TZ-34 (includes instructions and items 34, 35, 36 and 160426)	2
37-	160426GT	SPACER,AXLE, TZ-34	

Go to Discount-Equipment.com to order your parts



208.3 Hydraulic Brake and Axle - ANSI and CSA Models

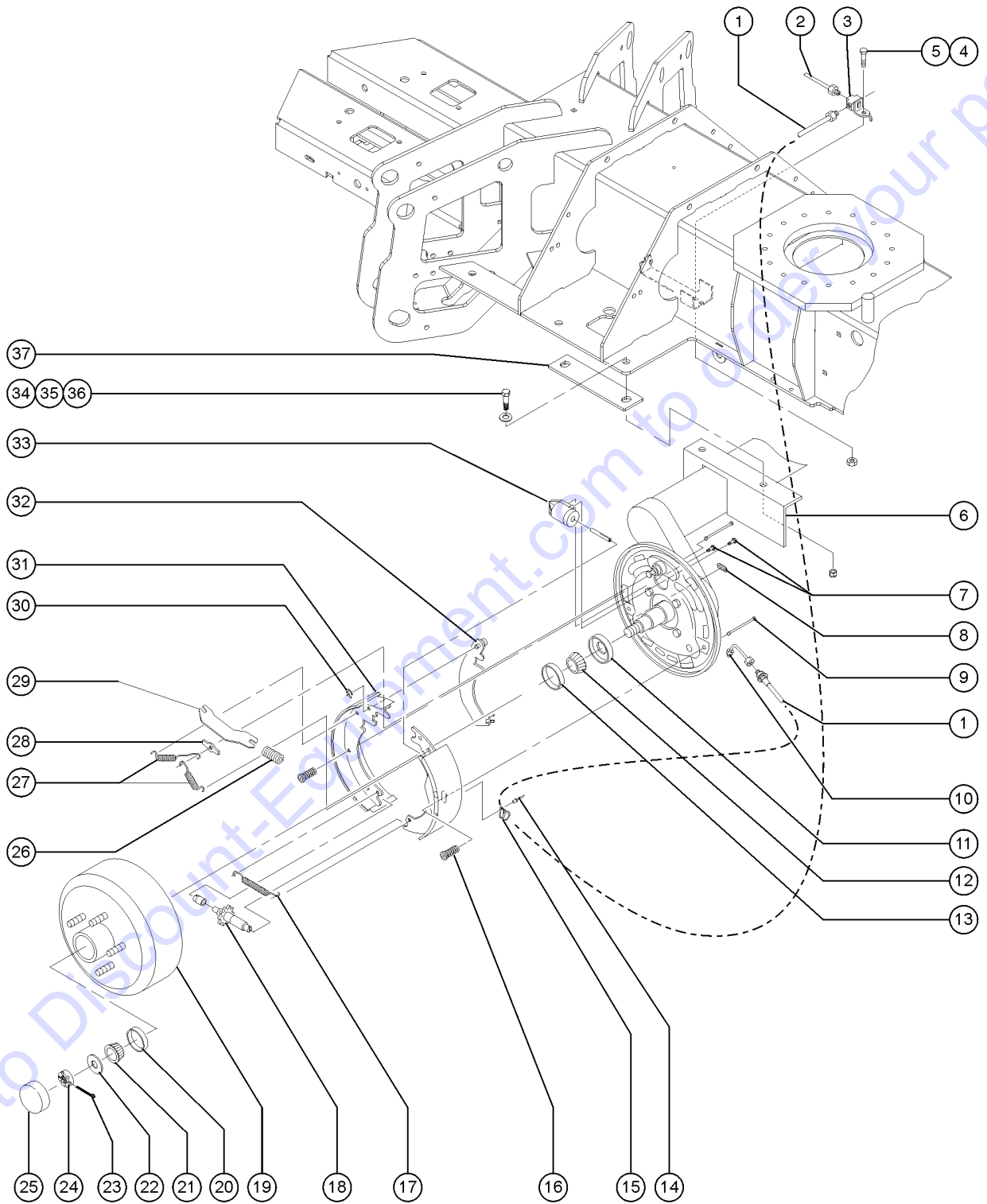


208.3 Hydraulic Brake and Axle - ANSI and CSA Models

Item	Part No.	Description	Qty.
-	99030GT	KIT, HYDRAULIC BRAKE LINES, TZ34 includes items 1, 2 and 3	
-	T106329GT	ASSEMBLY, LH BRAKE, TZ includes items 7, 9, 16-18 and 26-33	
-	T106330GT	ASSEMBLY, RH BRAKE, TZ includes items 7, 9, 16-18 and 26-33	
1	125650GT	BRAKELINE, FLEXIBLE, 18"	2
2	99031GT	HARDLINE, BRAKE, LONG	1
3	48309GT	FITTING, TEE, BRAKE LINE	1
3	48308GT	CLIP, BRAKE HOSE (for 48309)	
4	6175GT	SCREW, HHC, 3/8-16 X 1	
5	4828GT	NUT, NYLOCK, 3/8-16	
6	87377GT	AXLE ASSY, HYD. BRAKE	1
7	75816GT	SCREW, HEX STAR WASHER GT10	1
8	75817GT	COVER, HOLE RUBBER GT10	1
9	89293GT	PIN, SHOE HOLD DOWN SECONDARY	1
10	99032GT	HARDLINE, BRAKE, SHORT	2
11	52265GT	SEAL, GREASE (SL173)	1
12	52264GT	INNER BEARING CONE (L68149)	1
13	52263GT	INNER BEARING CUP (L68111)	1
14	7265GT	RIVET, STEEL, P, .25 X .375	
15	16073GT	CLAMP, 0.63, #10 X 1/4, RUB CUSH	1
16	75815GT	SPRING, SHOE HOLD DOWN GT10	2
17	80254GT	SPRING, ADJUSTING SCREW***	1
18	80257GT	ADJUSTING SCREW ASSY(80234, 35)	1
19	52255GT	HUB, 10X2.25", STUDDED 1/4-20, TMZ	1
19-	44649GT	BOLT, LUG, SPARE TIRE, TMZ34	
20	52256GT	OUTER BEARING CUP (L44610)	1
21	52257GT	OUTER BEARING CONE (L44649)	1
22	52258GT	WASHER - SPINDLE	
23	84707GT	COTTER PIN	1



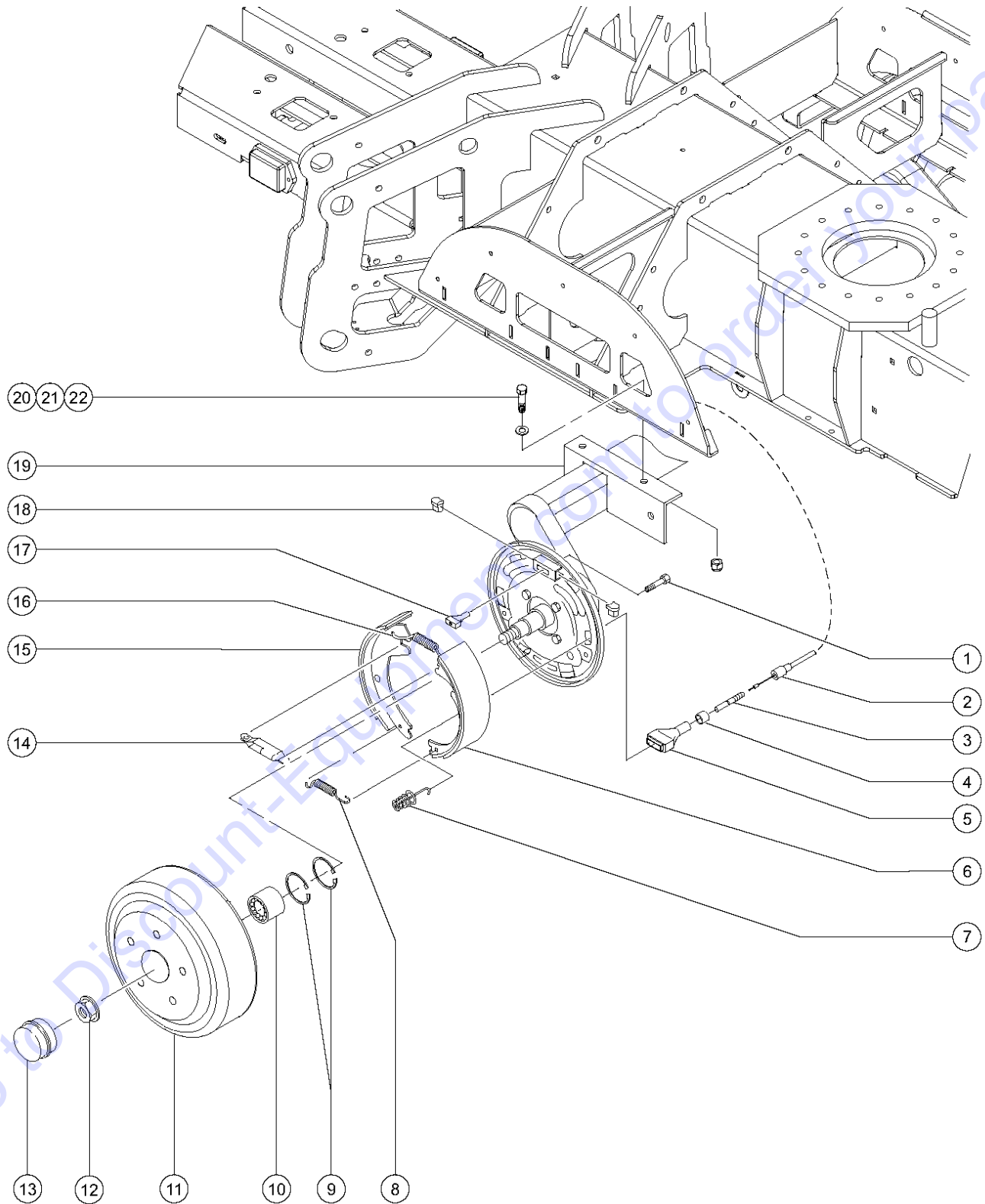
208.3 Hydraulic Brake and Axle - ANSI and CSA Models



208.3 Hydraulic Brake and Axle - ANSI and CSA Models

Item	Part No.	Description	Qty.
24	52259GT	NUT, SPINDLE, 6-11/16**	1
25	52260GT	CAP - GREASE	1
26	84709GT	PARKING STRUT SPRING	1
27	80259GT	SPRING, REAR BRAKE SHOE(80234,5	2
28	62147GT	PAD-ANCHOR POST, HYD BRK-59944*	1
29	84710GT	PARKING STRUT	1
30	84711GT	RETAINER	1
31	1279831GT	BRAKE KIT, DEXTER, TZ34 includes four brake shoes to service both sides of axle	1
32A	84714GT	PARKING LEVER & PIN ASSY, LEFT	1
32B	84715GT	PARKING LEVER & PIN ASSY, RIGHT	
33A	80237GT	WHEEL CYLINDER, LH (80235) (replaced 75843) (push rod required; order separately)	1
33B	80236GT	WHEEL CYLINDER, RH (80234) (replaced 75844) push rod required; order separately	1
33C	80238GT	PUSH ROD, WHEEL CYL(80234, 80235 for 80236, 80237	2
34	29883GT	SCREW, HHC, 5/8-11 X 1.75 GRD.8	4
35	13064GT	WASHER, FLAT, .625 HARDENED	
36	6024GT	NUT, NYLOCK, 5/8-11	
37	160741GT	KIT, AXLE SPACERS, TZ-34 (includes instructions and items 34, 35, 36 and 160426)	2
37-	160426GT	SPACER, AXLE, TZ-34	

209.1 Mechanical Brake and Axle - CE Models



PARTS FINDER

**Search Website
by Part Number**



**Search Manual
Library For Parts
Manual & Lookup Part
Numbers – Purchase
or Request Quote**

Search Manuals

Enter your information to help us find the right parts manual for your machine.

* Brand:

* Model:

* Serial:

* Part Number:

SEARCH

**Can't Find Part or
Manual? Request Help
by Manufacturer,
Model & Description**

Parts Order Form

Please fill in the following information to help us find the right part for your machine.

Manufacturer:	<input type="text"/>
Model:	<input type="text"/>
Description:	<input type="text"/>
Part Number:	<input type="text"/>
Quantity:	<input type="text"/>
Notes:	<input type="text"/>

Submit

Discount-Equipment.com is your online resource for quality parts & equipment.

Florida: **561-964-4949** Outside Florida TOLL FREE: **877-690-3101**

Need parts?

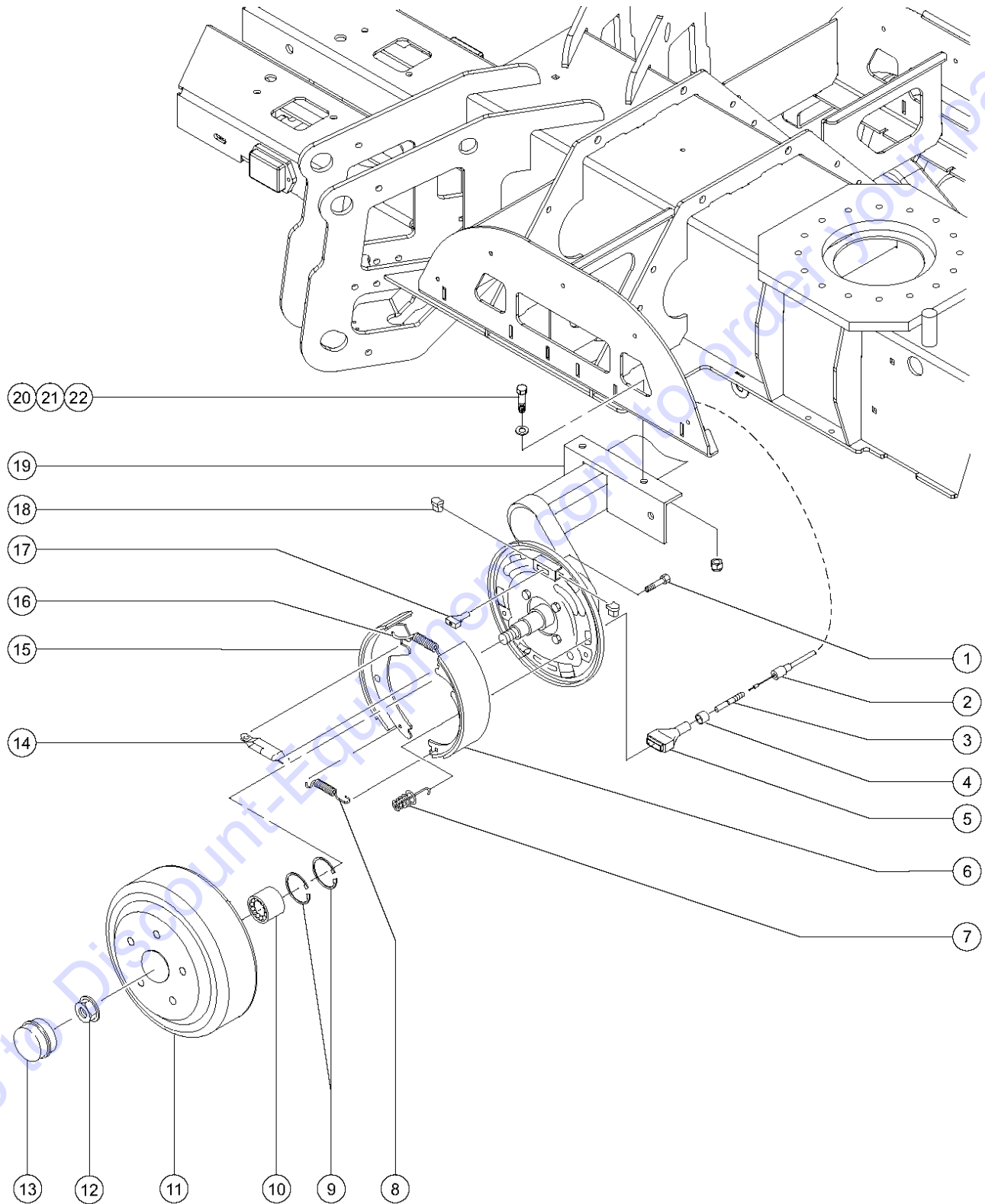
Click on this link: <http://www.discount-equipment.com/category/5443-parts/> and choose one of the options to help get the right parts and equipment you are looking for. Please have the machine model and serial number available in order to help us get you the correct parts. If you don't find the part on the website or on one of the online manuals, please fill out the request form and one of our experienced staff members will get back to you with a quote for the right part that your machine needs.

We sell worldwide for the brands: Genie, Terex, JLG, MultiQuip, Mikasa, Essick, Whiteman, Mayco, Toro Stone, Diamond Products, Generac Magnum, Airman, Haulotte, Barreto, Power Blanket, Nifty Lift, Atlas Copco, Chicago Pneumatic, Allmand, Miller Curber, Skyjack, Lull, Skytrak, Tsurumi, Husquvarna Target, Stow, Wacker, Sakai, Mi-T-M, Sullair, Basic, Dynapac, MBW, Weber, Bartell, Bennar Newman, Haulotte, Ditch Runner, Menegotti, Morrison, Contec, Buddy, Crown, Edco, Wyco, Bomag, Laymor, EZ Trench, Bil-Jax, F.S. Curtis, Gehl Pavers, Heli, Honda, ICS/PowerGrit, IHI, Partner, Imer, Clipper, MMD, Koshin, Rice, CH&E, General Equipment, Amida, Coleman, NAC, Gradall, Square Shooter, Kent, Stanley, Tamco, Toku, Hatz, Kohler, Robin, Wisconsin, Northrock, Oztec, Toker TK, Rol-Air, APT, Wylie, Ingersoll Rand / Doosan, Innovatech, Con X, Ammann, Mecalac, Makinex, Smith Surface Prep, Small Line, Wanco, Yanmar

209.1 Mechanical Brake and Axle - CE Models

Item	Part No.	Description	Qty.
1	65385GT	SCREW,HHC,M10 X 1.5 X 34	
2	55109GT	BRAKE CABLE,MECH EURO,TMZ34***	1
3	65191GT	ROD,ACTUATR LEVER,MECH BRAKE**	1
4	65382GT	SLEEVE,PROTEC,BEARING (55054)	1
5	65383GT	SHELL,BOWDEN CABLE (55054)	1
6	65370GT	BRAKE SHOES,FIXED	1
7	65378GT	SPRING,HOLD DOWN,BRAKE (55054)	1
8	65376GT	SPRING,RETURN,LOWER(55054)T34	1
9	84717GT	SNAP RING	2
10	84718GT	ANGULAR BALL BEARING	1
11	84719GT	BRAKE DRUM HUB	1
12	65373GT	NUT,FLANGED (55054) TMZ	1
13	65372GT	CAP - GREASE (55054) TMZ	1
14	65191GT	ROD,ACTUATR LEVER,MECH BRAKE**	1
15	65371GT	BRAKE SHOES,FIXED (55054)TMZ34	1
16	65377GT	SPRING,RETURN,UPPER(55054)T34	1
17	65384GT	NUT,WEDGE,KNOTT BRAKE (55054)	1
18	65386GT	WEDGE (55054) TMZ34	2
19	87378GT	AXLE ASSY,MECH.BRAKE	1
20	29883GT	SCREW,HHC,5/8-11 X 1.75 GRD.8	4
21	13064GT	WASHER,FLAT,.625 HARDENED	
22	6024GT	NUT,NYLOCK,5/8-11	

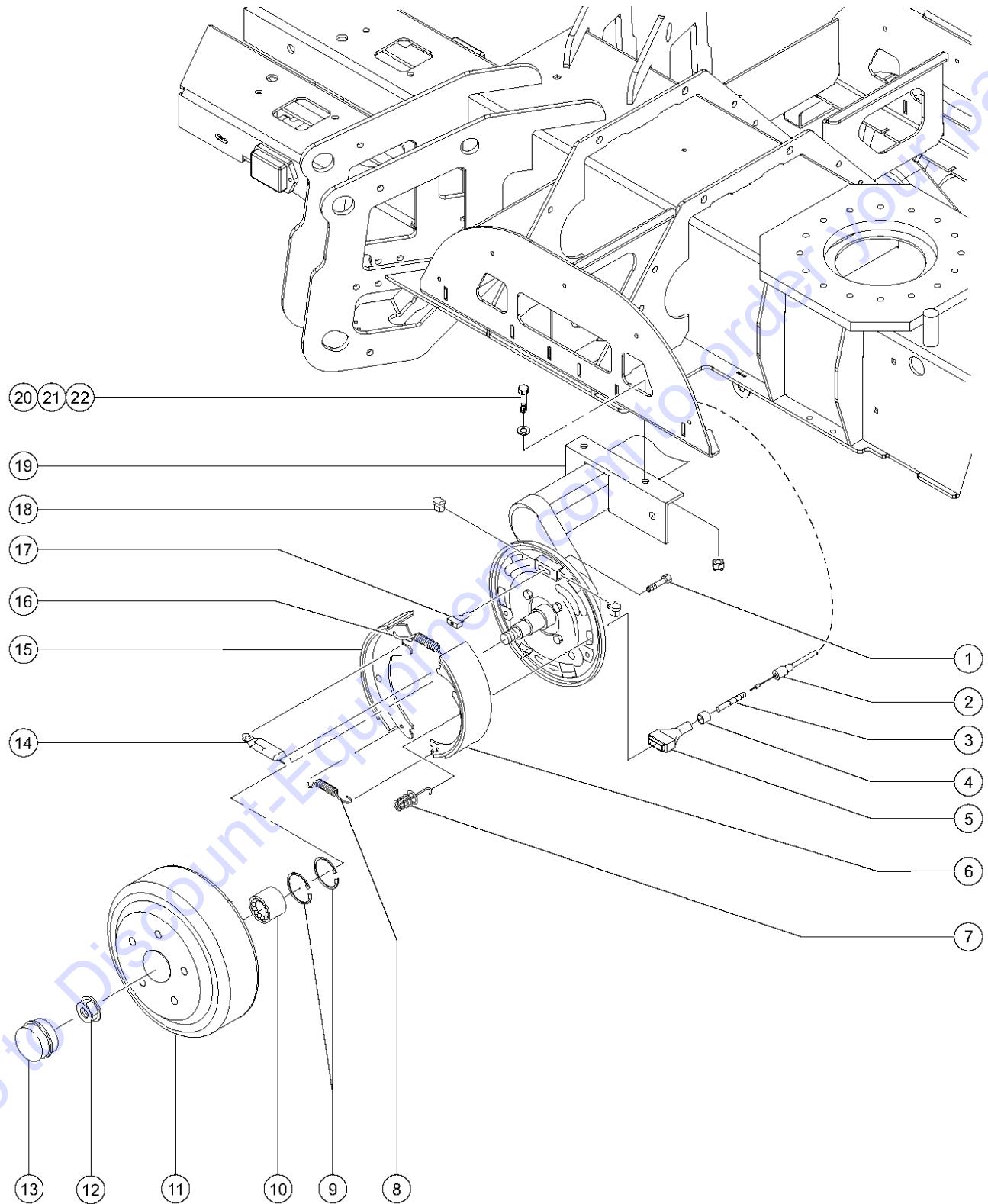
209.2 Mechanical Brake and Axle - CE Models



209.2 Mechanical Brake and Axle - CE Models

Item	Part No.	Description	Qty.
1	65385GT	SCREW,HHC,M10 X 1.5 X 34	
2	55109GT	BRAKE CABLE,MECH EURO,TMZ34***	1
3	65191GT	ROD,ACTUATR LEVER,MECH BRAKE**	1
4	65382GT	SLEEVE,PROTEC,BEARING (55054)	1
5	65383GT	SHELL,BOWDEN CABLE (55054)	1
6	65370GT	BRAKE SHOES,FIXED	1
7	65378GT	SPRING,HOLD DOWN,BRAKE (55054)	1
8	65376GT	SPRING,RETURN,LOWER(55054)T34	1
9	84717GT	SNAP RING	2
10	84718GT	ANGULAR BALL BEARING	1
11	84719GT	BRAKE DRUM HUB	1
12	65373GT	NUT,FLANGED (55054) TMZ	1
13	65372GT	CAP - GREASE (55054) TMZ	1
14	65191GT	ROD,ACTUATR LEVER,MECH BRAKE**	1
15	65371GT	BRAKE SHOES,FIXED (55054)TMZ34	1
16	65377GT	SPRING,RETURN,UPPER(55054)T34	1
17	65384GT	NUT,WEDGE,KNOTT BRAKE (55054)	1
18	65386GT	WEDGE (55054) TMZ34	2
19	87378GT	AXLE ASSY,MECH.BRAKE	1
20	29883GT	SCREW,HHC,5/8-11 X 1.75 GRD.8	4
21	13064GT	WASHER,FLAT,.625 HARDENED	
22	6024GT	NUT,NYLOCK,5/8-11	

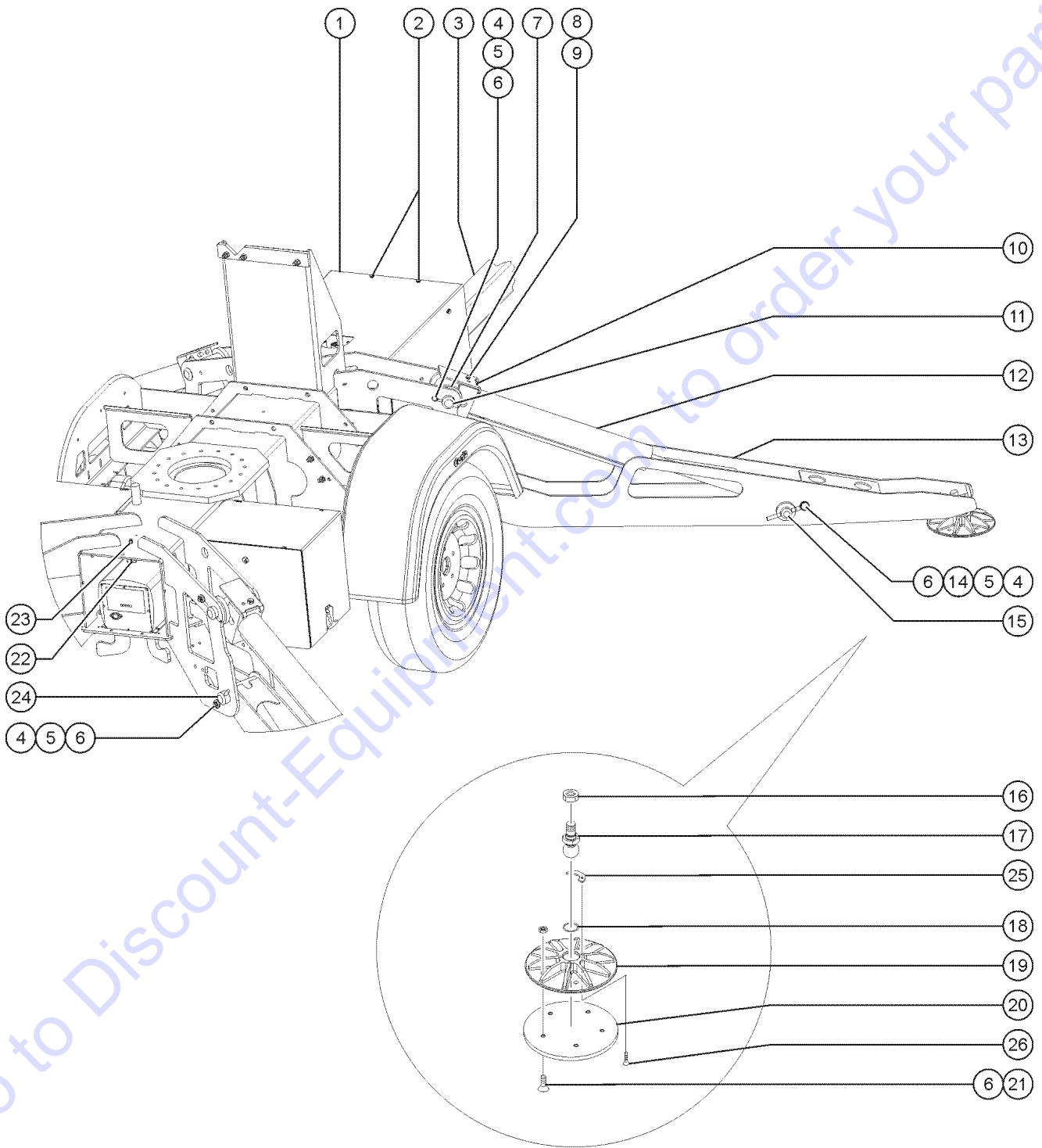
209.3 Mechanical Brake and Axle - CE Models



209.3 Mechanical Brake and Axle - CE Models

Item	Part No.	Description	Qty.
1	65385GT	SCREW,HHC,M10 X 1.5 X 34	
2	55109GT	BRAKE CABLE,MECH EURO,TMZ34***	1
3	65191GT	ROD,ACTUATR LEVER,MECH BRAKE**	1
4	65382GT	SLEEVE,PROTEC,BEARING (55054)	1
5	65383GT	SHELL,BOWDEN CABLE (55054)	1
6	65370GT	BRAKE SHOES,FIXED	1
7	65378GT	SPRING,HOLD DOWN,BRAKE (55054)	1
8	65376GT	SPRING,RETURN,LOWER(55054)T34	1
9	84717GT	SNAP RING	2
10	84718GT	ANGULAR BALL BEARING	1
11	84719GT	BRAKE DRUM HUB	1
12	65373GT	NUT,FLANGED (55054) TMZ	1
13	65372GT	CAP - GREASE (55054) TMZ	1
14	65191GT	ROD,ACTUATR LEVER,MECH BRAKE**	1
15	65371GT	BRAKE SHOES,FIXED (55054)TMZ34	1
16	65377GT	SPRING,RETURN,UPPER(55054)T34	1
17	65384GT	NUT,WEDGE,KNOTT BRAKE (55054)	1
18	65386GT	WEDGE (55054) TMZ34	2
19	87378GT	AXLE ASSY,MECH.BRAKE	1
20	29883GT	SCREW,HHC,5/8-11 X 1.75 GRD.8	4
21	13064GT	WASHER,FLAT,.625 HARDENED	
22	6024GT	NUT,NYLOCK,5/8-11	

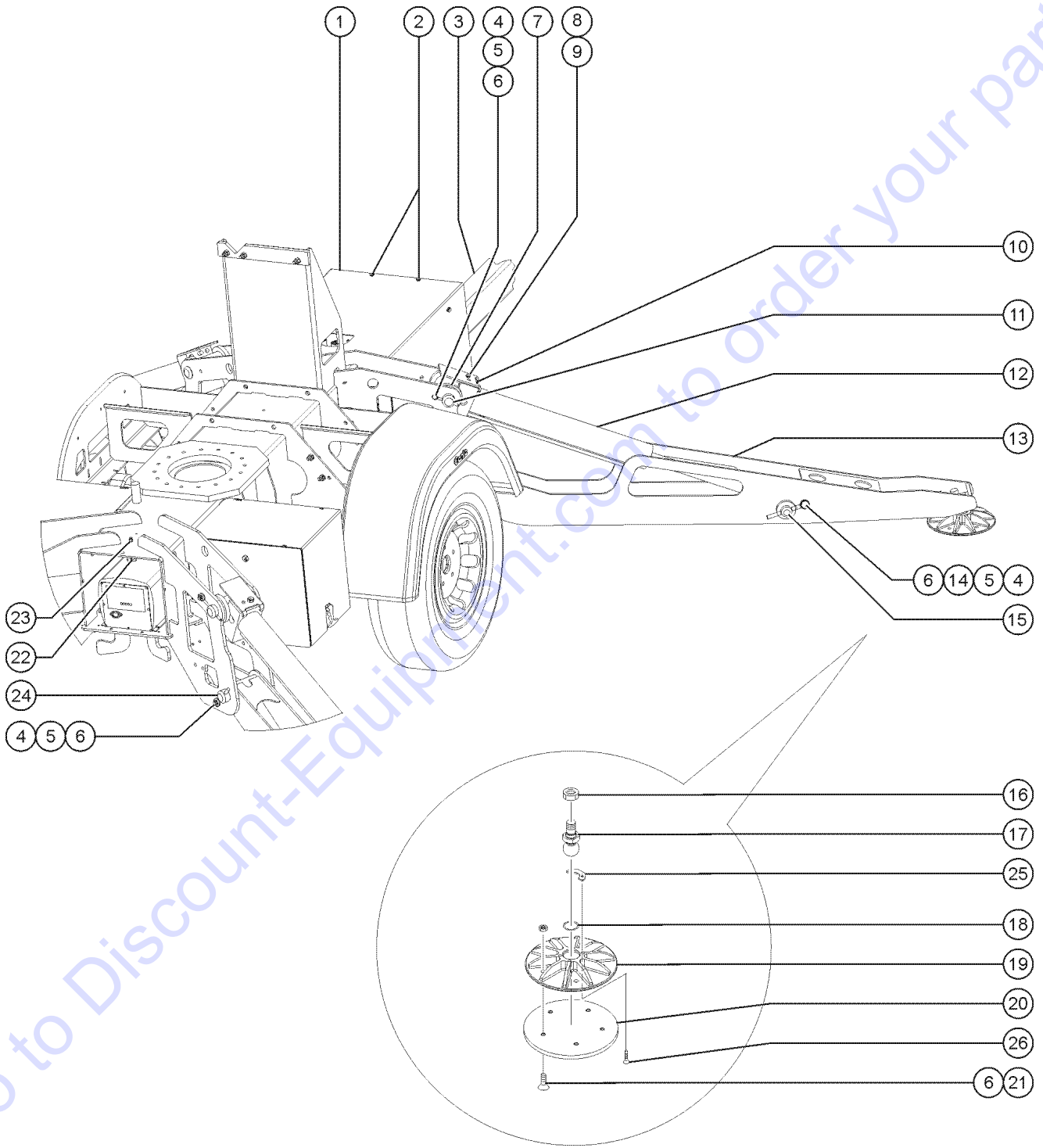
210.1 Outrigger Components



210.1 Outrigger Components

Item	Part No.	Description	Qty.
	99255GT	KIT,TZ34 NON-MARKING FOOTPAD (four complete footpads including items 6, 18-21 and 25-26)	
1A	84721GT	HYD UNIT COVER ASSY, WORD DECA (fasteners not included)	1
1A-	4828GT	NUT,NYLOCK,3/8-16 (cover mounting fasteners)	
1A-	5397GT	WASHER,FLAT,USS,5/16",Y (cover mounting fasteners)	
1A-	6019GT	SCREW,HHC,3/8-16 X 1.25 GRD 5 (cover mounting fasteners)	
1B	84722GT	HYD UNIT COVER ASSY, SYMBOL (fasteners not included)	
1B-	4828GT	NUT,NYLOCK,3/8-16 (cover mounting fasteners)	
1B-	5397GT	WASHER,FLAT,USS,5/16",Y (cover mounting fasteners)	
1B-	6019GT	SCREW,HHC,3/8-16 X 1.25 GRD 5 (cover mounting fasteners)	
2	46716GT	BUMPER, SNAP-IN	4
3		Ref. Tongue Assembly (refer to 201.1 or 202.1)	
4	8516GT	SCREW, HCC, 3/8-16 X 1.50	
5	825019GT	ROD END,.375X3.69,ZAG	12
6	4828GT	NUT,NYLOCK,3/8-16	
7	87446GT	WEARPAD,OUTRIGGER	8
8	6175GT	SCREW,HHC,3/8-16 X 1	
9	6021GT	WASHER,LOCK,.375	
10	99072GT	FORMING,OUTRIGGER HOSE GUARD	4
11	87453GT	PIN,CHASSIS/OUTRIGGER	8
12		Ref. Outrigger Cylinder (refer to 604.1)	
13A	84444GT	OUTRIGGER ASSY W/WORD DECALS (models with word decals)	1
13A-	18396GT	BEARING,1.5IDX1.75ODX1.0L	4
13B	84445GT	OUTRIGGER ASSY W/SYMB DECALS (models with symbol decals)	
13B-	18396GT	BEARING,1.5IDX1.75ODX1.0L	4
14	44723GT	SPACER,OUTRIGGER PIN***	4
15	87452GT	PIN,OUTRIGGER CYLINDER	4
16	87722GT	NUT,NYLOCK,7/8-9	
17	87451GT	POST,FOOTPAD	4

210.1 Outrigger Components



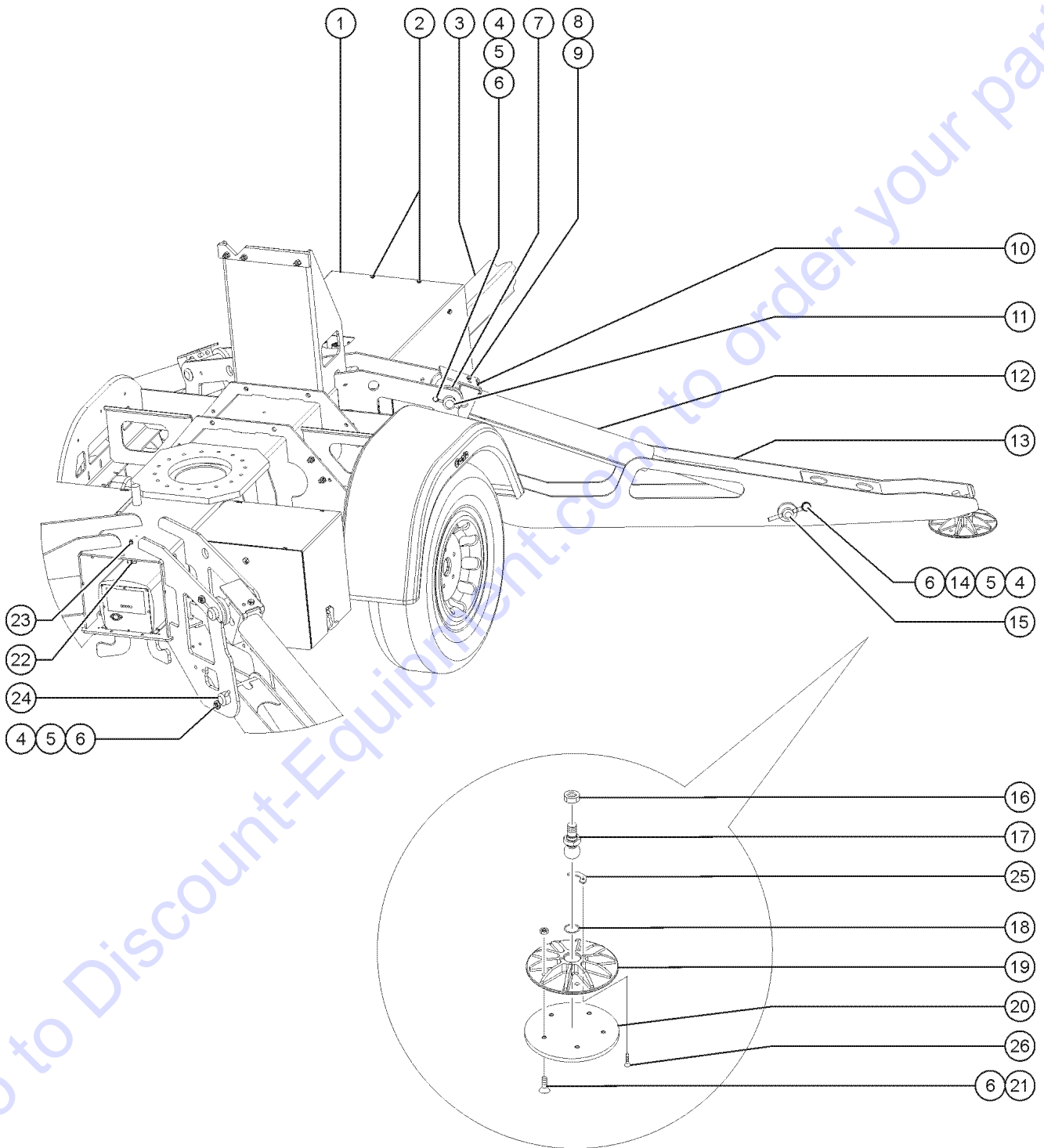
210.1 Outrigger Components

Item	Part No.	Description	Qty.
18A	43394GT	O-STYLE RETAINING RING (to SN TZ3407-308)	4
19A	109888GT	KIT,FOOTPAD,RETROFIT (to SN TZ3407-308) (includes items 18B, 19B, 25 and 26)	4
20A	67586GT	FOOTPAD, UHMW COVER NONMARKING	4
20B	104113GT	TZ34 NON-MARKING FOOTPAD KIT (includes four 67586 footpads, and items 6 and 21)	
21	16439GT	SCREW,FHS,3/8-16 X 1	
22	99430GT	FORMING,TEE CLAMP TZ-34	1
22	99431GT	PLATE,TEE CLAMP TZ-34	
22	9116GT	BOLT, CARRIAGE, 1/4-20 X 1.25, G2	
22	6091GT	NUT,NYLOCK,1/4-20	
23	64154GT	BOLT,CARRIAGE,3/8-16 X1.00,G5	
23	5397GT	WASHER,FLAT,USS,5/16",Y	
23	4828GT	NUT,NYLOCK,3/8-16	
24	76696GT	PIN,1.50 DIA X 7.00"LG,1HOLE	4
25	109860GT	PLATE,FOOT RETAINER	
26	109931GT	SCREW,FHS,1/4-20X1.38,NP	

Go to Discount-Equipment.com to order your parts



210.2 Outrigger Components

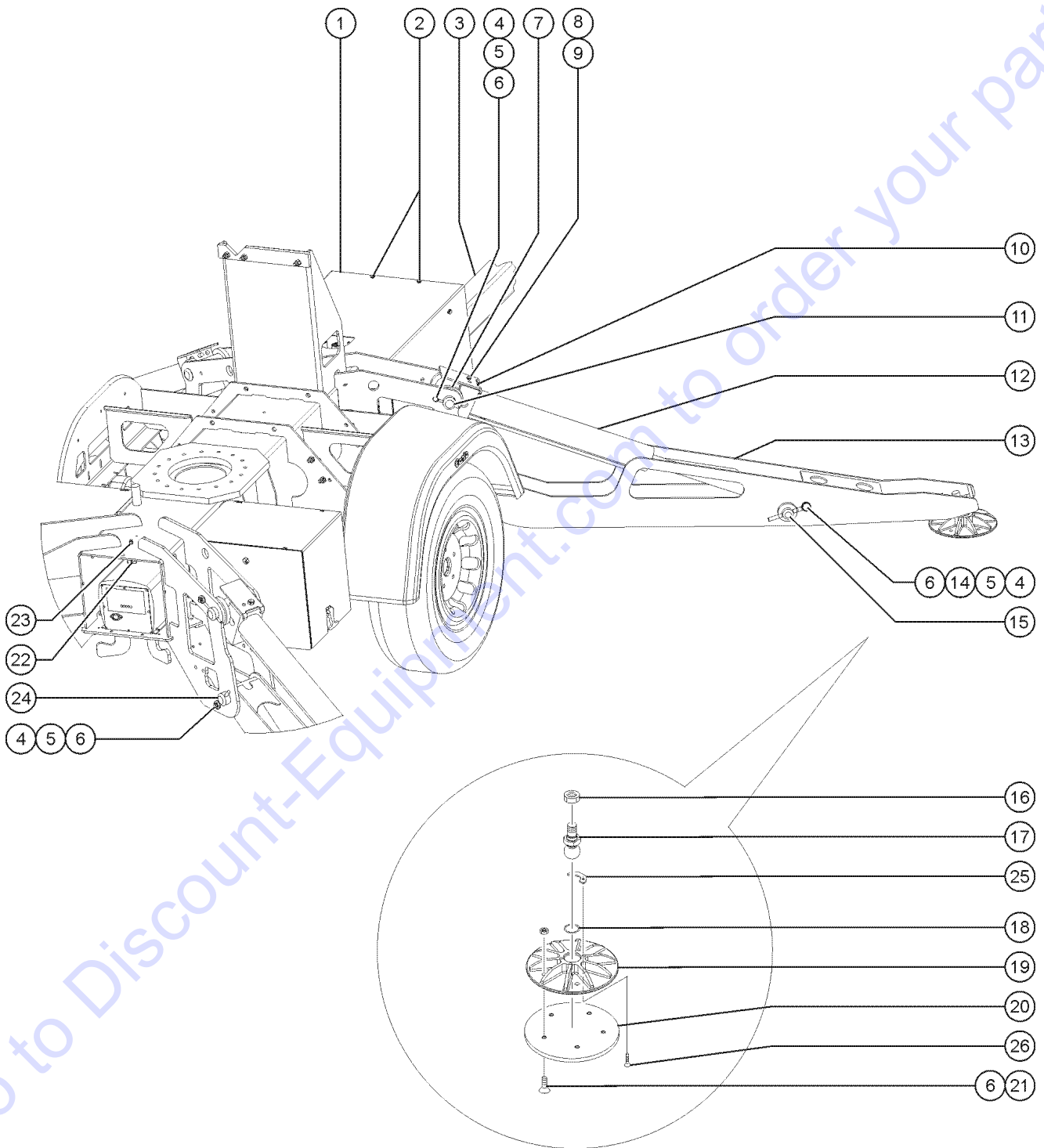


Go to Discount-Equipment.com to order your parts

210.2 Outrigger Components

Item	Part No.	Description	Qty.
	99255GT	KIT,TZ34 NON-MARKING FOOTPAD (four complete footpads including items 6, 18-21 and 25-26)	
1A	84721GT	HYD UNIT COVER ASSY, WORD DECA (fasteners not included)	1
1A-	4828GT	NUT,NYLOCK,3/8-16 (cover mounting fasteners)	
1A-	5397GT	WASHER,FLAT,USS,5/16",Y (cover mounting fasteners)	
1A-	6019GT	SCREW,HHC,3/8-16 X 1.25 GRD 5 (cover mounting fasteners)	
1B	84722GT	HYD UNIT COVER ASSY, SYMBOL (fasteners not included)	
1B-	4828GT	NUT,NYLOCK,3/8-16 (cover mounting fasteners)	
1B-	5397GT	WASHER,FLAT,USS,5/16",Y (cover mounting fasteners)	
1B-	6019GT	SCREW,HHC,3/8-16 X 1.25 GRD 5 (cover mounting fasteners)	
2	46716GT	BUMPER, SNAP-IN	4
3		Ref. Tongue Assembly (refer to 201.1 or 202.1)	
4	8516GT	SCREW, HCC, 3/8-16 X 1.50	
5	825019GT	ROD END,.375X3.69,ZAG	12
6	4828GT	NUT,NYLOCK,3/8-16	
7	87446GT	WEARPAD,OUTRIGGER	8
8	6175GT	SCREW,HHC,3/8-16 X 1	
9	6021GT	WASHER,LOCK,.375	
10	99072GT	FORMING,OUTRIGGER HOSE GUARD	4
11	87453GT	PIN,CHASSIS/OUTRIGGER	8
12		Ref. Outrigger Cylinder (refer to 604.1)	
13A	84444GT	OUTRIGGER ASSY W/WORD DECALS models with word decals	1
13A-	18396GT	BEARING,1.5IDX1.75ODX1.0L	4
13B	84445GT	OUTRIGGER ASSY W/SYMB DECALS models with symbol decals	
13B-	18396GT	BEARING,1.5IDX1.75ODX1.0L	4
14	44723GT	SPACER,OUTRIGGER PIN***	4
15	87452GT	PIN,OUTRIGGER CYLINDER	4
16	87722GT	NUT,NYLOCK,7/8-9	
17	87451GT	POST,FOOTPAD	4

210.2 Outrigger Components



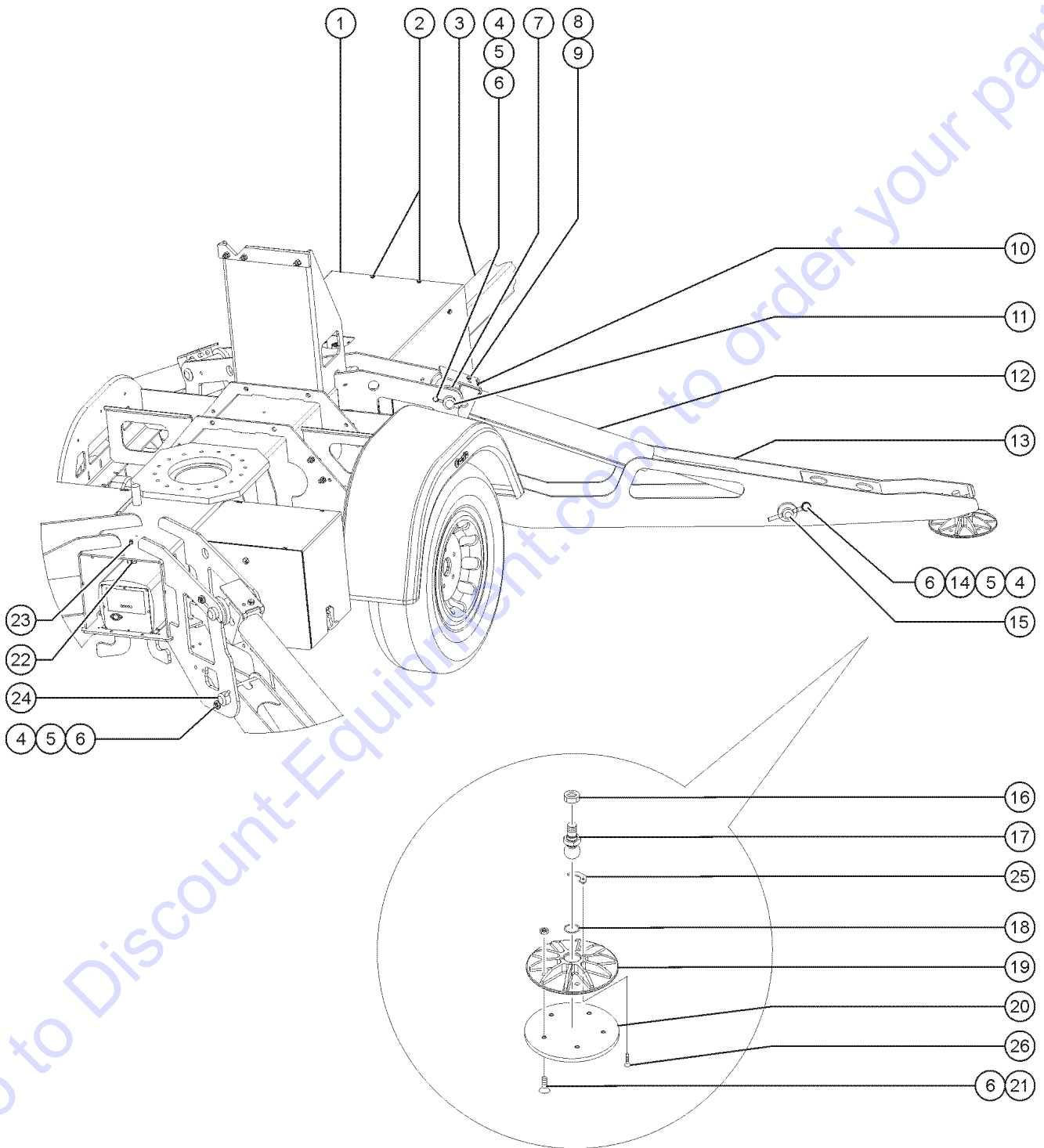
210.2 Outrigger Components

Item	Part No.	Description	Qty.
18A	43394GT	O-STYLE RETAINING RING (to SN TZ3407-308)	4
18B	109898GT	O-RING, 0.094 X 1.31 X 1.5 (from SN TZ3407-309 OR models with footpad upgrade kit 109888)	
19A	109888GT	KIT,FOOTPAD,RETROFIT (to SN TZ3407-308) (includes items 18B, 19B, 25 and 26)	4
19B	109859GT	FOOTPAD,CASTING,OUTRIGGER*** (from SN TZ3407-309 OR models with footpad upgrade kit 109888)	
20A	67586GT	FOOTPAD, UHMW COVER NONMARKING	4
20B	104113GT	TZ34 NON-MARKING FOOTPAD KIT (includes four 67586 footpads, and items 6 and 21)	
21	16439GT	SCREW,FHS,3/8-16 X 1	
22	99430GT	FORMING,TEE CLAMP TZ-34	1
22	99431GT	PLATE,TEE CLAMP TZ-34	
22	9116GT	BOLT, CARRIAGE, 1/4-20 X 1.25, G2	
22	6091GT	NUT,NYLOCK,1/4-20	
23	64154GT	BOLT,CARRIAGE,3/8-16 X1.00,G5	
23	5397GT	WASHER,FLAT,USS,5/16",Y	
23	4828GT	NUT,NYLOCK,3/8-16	
24	76696GT	PIN,1.50 DIA X 7.00"LG,1HOLE	4
25	109860GT	PLATE,FOOT RETAINER	
26	109931GT	SCREW,FHS,1/4-20X1.38,NP	

Go to Discount-Equipment.com to order your parts



210.3 Outrigger Components

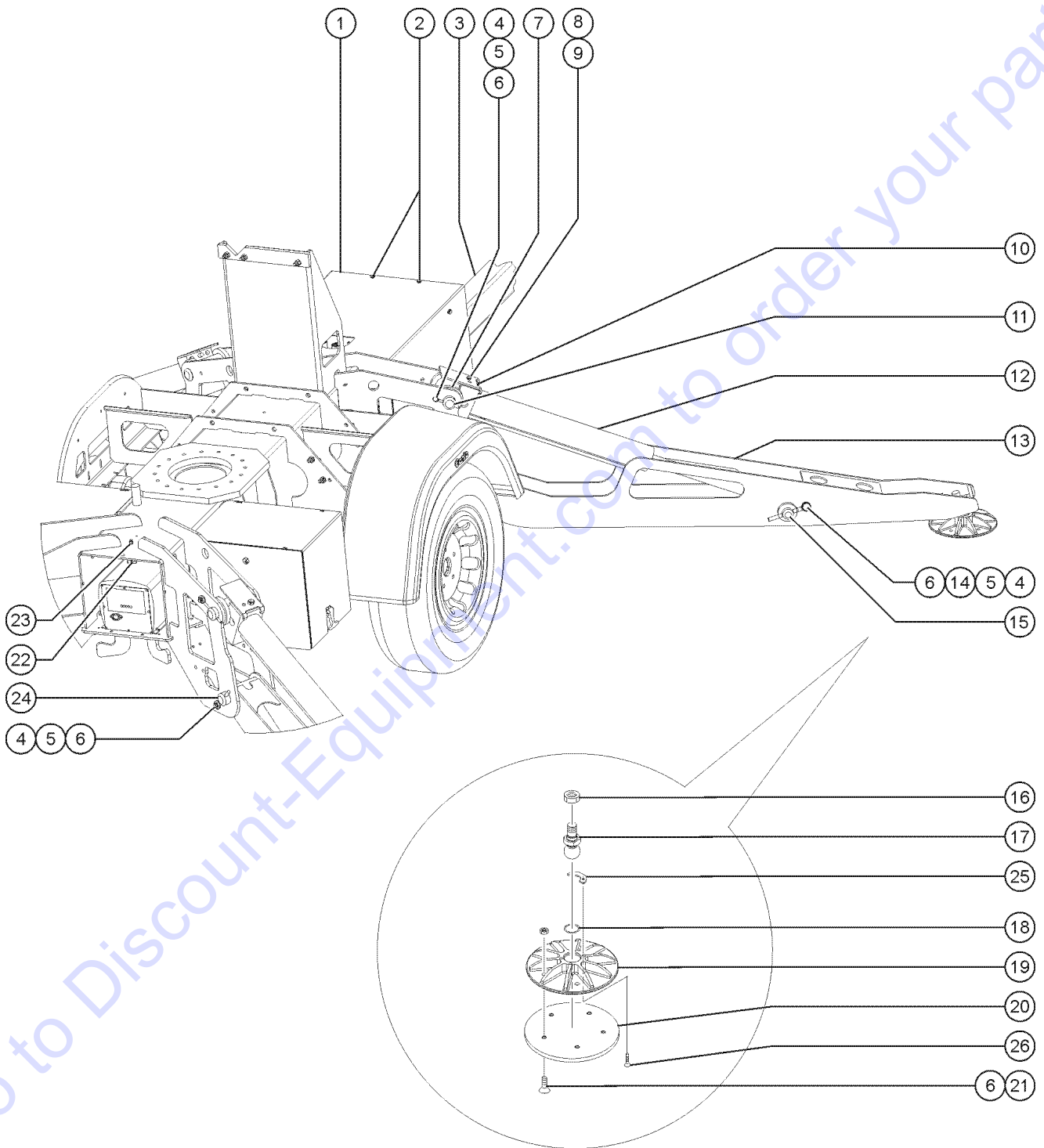


Go to Discount-Equipment.com to order your parts

210.3 Outrigger Components

Item	Part No.	Description	Qty.
	99255GT	KIT,TZ34 NON-MARKING FOOTPAD (four complete footpads including items 6, 18-21 and 25-26)	
1A	84721GT	HYD UNIT COVER ASSY, WORD DECA (fasteners not included)	1
1A-	4828GT	NUT,NYLOCK,3/8-16 (cover mounting fasteners)	
1A-	5397GT	WASHER,FLAT,USS,5/16",Y (cover mounting fasteners)	
1A-	6019GT	SCREW,HHC,3/8-16 X 1.25 GRD 5 (cover mounting fasteners)	
1B	84722GT	HYD UNIT COVER ASSY, SYMBOL (fasteners not included)	
1B-	4828GT	NUT,NYLOCK,3/8-16 (cover mounting fasteners)	
1B-	5397GT	WASHER,FLAT,USS,5/16",Y (cover mounting fasteners)	
1B-	6019GT	SCREW,HHC,3/8-16 X 1.25 GRD 5 (cover mounting fasteners)	
2	46716GT	BUMPER, SNAP-IN	4
3		Ref. Tongue Assembly (refer to 201.1 or 202.1)	
4	8516GT	SCREW, HCC, 3/8-16 X 1.50	
5	825019GT	ROD END,.375X3.69,ZAG	12
6	4828GT	NUT,NYLOCK,3/8-16	
7	87446GT	WEARPAD,OUTRIGGER	8
8	6175GT	SCREW,HHC,3/8-16 X 1	
9	6021GT	WASHER,LOCK,.375	
10	99072GT	FORMING,OUTRIGGER HOSE GUARD	4
11	87453GT	PIN,CHASSIS/OUTRIGGER	8
12		Ref. Outrigger Cylinder (refer to 604.1)	
13A	84444GT	OUTRIGGER ASSY W/WORD DECALS (models with word decals)	1
13A-	18396GT	BEARING,1.5IDX1.75ODX1.0L	4
13B	84445GT	OUTRIGGER ASSY W/SYMB DECALS (models with symbol decals)	
13B-	18396GT	BEARING,1.5IDX1.75ODX1.0L	4
14	44723GT	SPACER,OUTRIGGER PIN***	4
15	87452GT	PIN,OUTRIGGER CYLINDER	4
16	87722GT	NUT,NYLOCK,7/8-9	
17	87451GT	POST,FOOTPAD	4

210.3 Outrigger Components



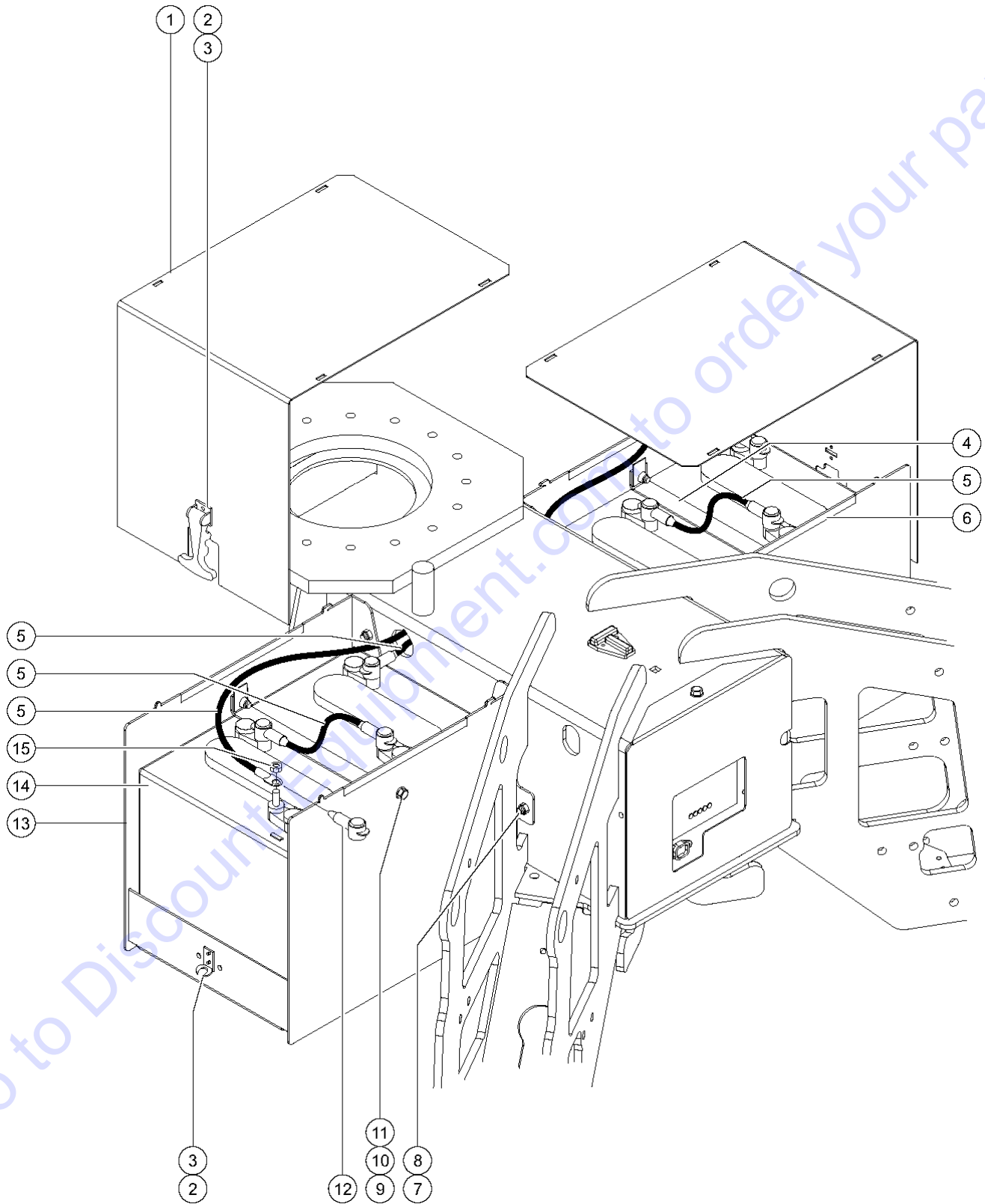
210.3 Outrigger Components

Item	Part No.	Description	Qty.
18B	109898GT	O-RING, 0.094 X 1.31 X 1.5 (from SN TZ3407-309 OR models with footpad upgrade kit 109888)	
19B	109859GT	FOOTPAD,CASTING,OUTRIGGER*** (from SN TZ3407-309 OR models with footpad upgrade kit 109888)	
20A	67586GT	FOOTPAD, UHMW COVER NONMARKING	4
20B	104113GT	TZ34 NON-MARKING FOOTPAD KIT (includes four 67586 footpads, and items 6 and 21)	
21	16439GT	SCREW,FHS,3/8-16 X 1	
22	99430GT	FORMING,TEE CLAMP TZ-34	1
22	99431GT	PLATE,TEE CLAMP TZ-34	
22	9116GT	BOLT, CARRIAGE, 1/4-20 X 1.25, G2	
22	824024GT	NUT,TL,1/4-20,C,ZAG	
23	64154GT	BOLT,CARRIAGE,3/8-16 X1.00,G5	
23	5397GT	WASHER,FLAT,USS,5/16",Y	
23	4828GT	NUT,NYLOCK,3/8-16	
24	76696GT	PIN,1.50 DIA X 7.00"LG,1HOLE	4
25	109860GT	PLATE,FOOT RETAINER (two are required for each footpad)	2
26	109931GT	SCREW,FHS,1/4-20X1.38,NP (two are required for each footpad)	2

Go to Discount-Equipment.com to order your parts



211.1 Battery Box



Go to DiscountFurniture.com to order your parts

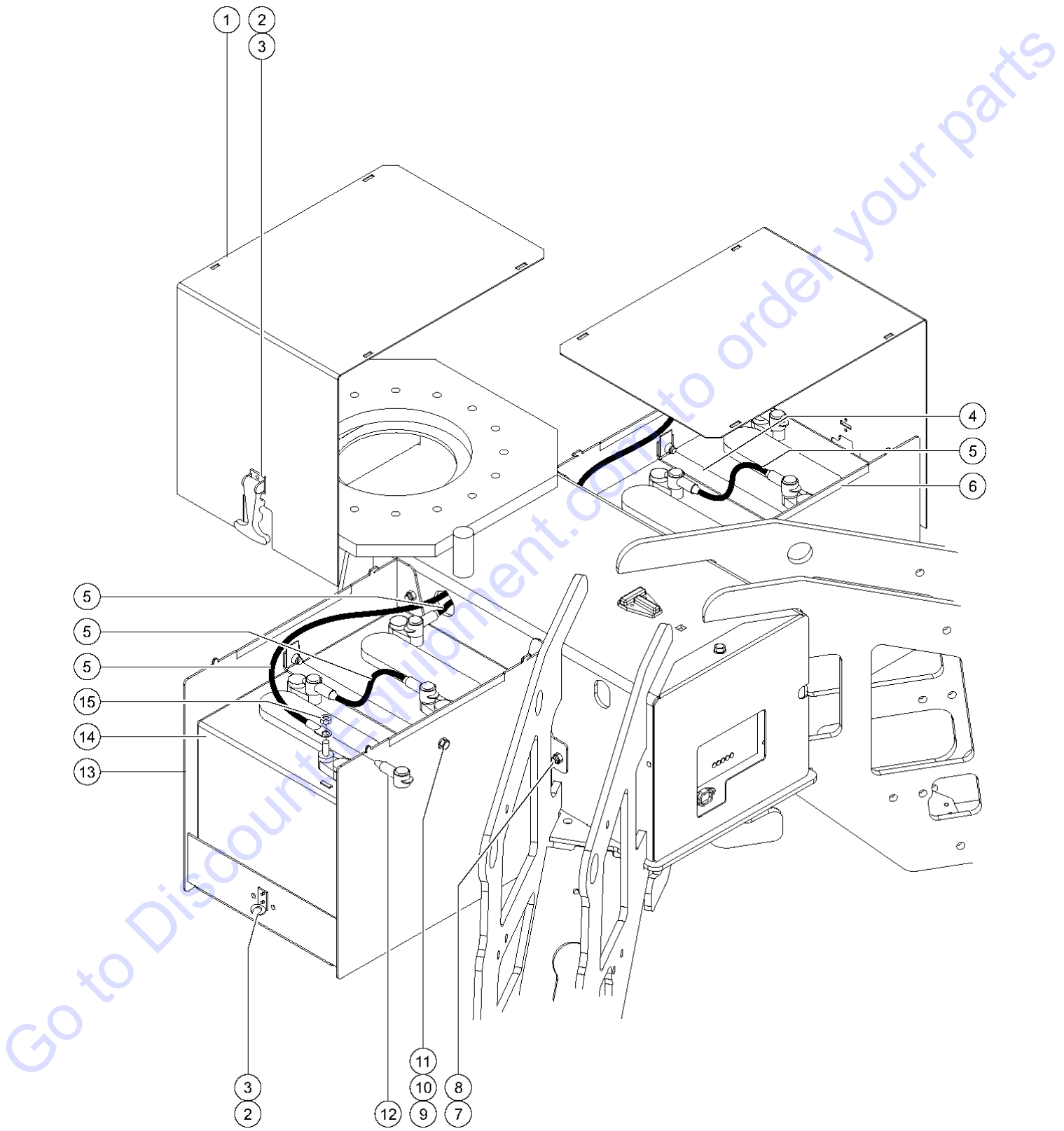
211.1 Battery Box

Item	Part No.	Description	Qty.
1A	84661GT	BATT COVER ASSY, WORD DECALS models with word decals	2
1B	84703GT	BATT COVER, SYMBOL DECALS models with symbol decals	
2	57881GT	LATCH, RUBBER, 3-13/32 X 1-7/8	2
3	7264GT	RIVET,STL,STL,P,.125 X .5	
4	87468GT	BRACKET,BATTERY HOLD DOWN	2
5		Ref. Battery Cable Assembly (refer to 212.1)	
6	76414GT	TRIMLOCK,BLACK,1/4"	72
7	4828GT	NUT,NYLOCK,3/8-16	
8	64154GT	BOLT,CARRIAGE,3/8-16 X1.00,G5	
9	6090GT	SCREW,HHC,1/4-20 X .75	
10	6356GT	WASHER,LOCK,.25	
11	25969GT	CLIP,SPRING,1/4-20 BLACK	4
12	8910GT	BOOT,CABLE TERM,MED.RED,4/0	8
13	87439GT	WELDMENT,BATTERY BOX	2
14	76502GT	BATTERY,T105 W/LPT,3 CAP,DRY**	4
15	18503GT	NUT,LOCKING-LG.FLANGE,5/16-18	

Go to Discount-Equipment.com to order your parts



211.2 Battery Box



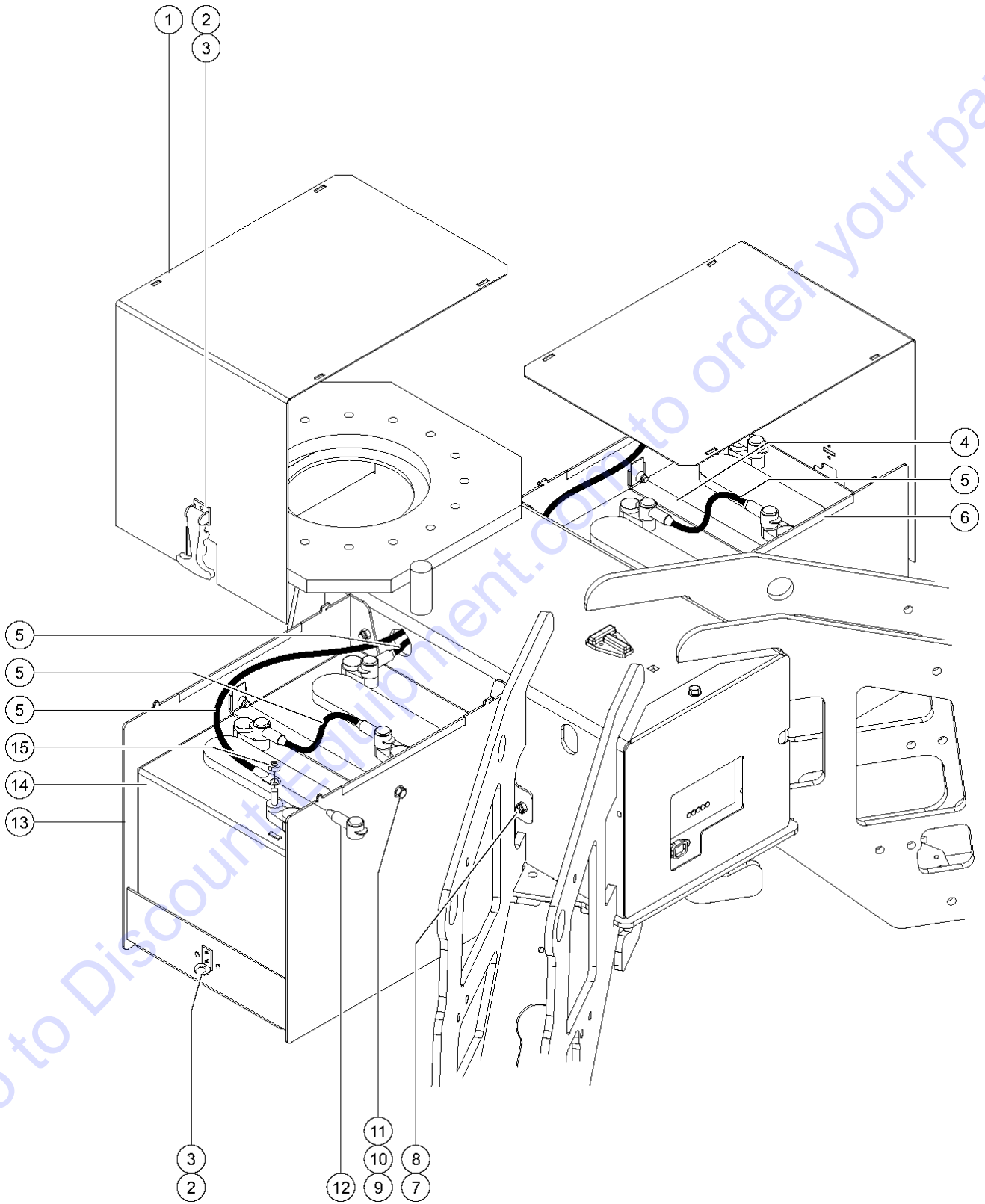
211.2 Battery Box

Item	Part No.	Description	Qty.
1A	84661GT	BATT COVER ASSY, WORD DECALS models with word decals	2
1B	84703GT	BATT COVER, SYMBOL DECALS models with symbol decals	
2	57881GT	LATCH, RUBBER, 3-13/32 X 1-7/8	2
3	7264GT	RIVET,STL,STL,P,.125 X .5	
4	87468GT	BRACKET,BATTERY HOLD DOWN	2
5		Ref. Battery Cable Assembly (refer to 212.1)	
6	76414GT	TRIMLOCK,BLACK,1/4"	4
7	4828GT	NUT,NYLOCK,3/8-16	
8	64154GT	BOLT,CARRIAGE,3/8-16 X1.00,G5	
9	6090GT	SCREW,HHC,1/4-20 X .75	
10	6356GT	WASHER,LOCK,.25	
11	25969GT	CLIP,SPRING,1/4-20 BLACK	4
12	8910GT	BOOT,CABLE TERM,MED.RED,4/0	8
13	87439GT	WELDMENT,BATTERY BOX	2
14	76502GT	BATTERY,T105 W/LPT,3 CAP,DRY**	4
15	18503GT	NUT,LOCKING-LG.FLANGE,5/16-18	

Go to Discount-Equipment.com to order your parts



211.3 Battery Box



Go to DiscountFurniture.com to order your parts

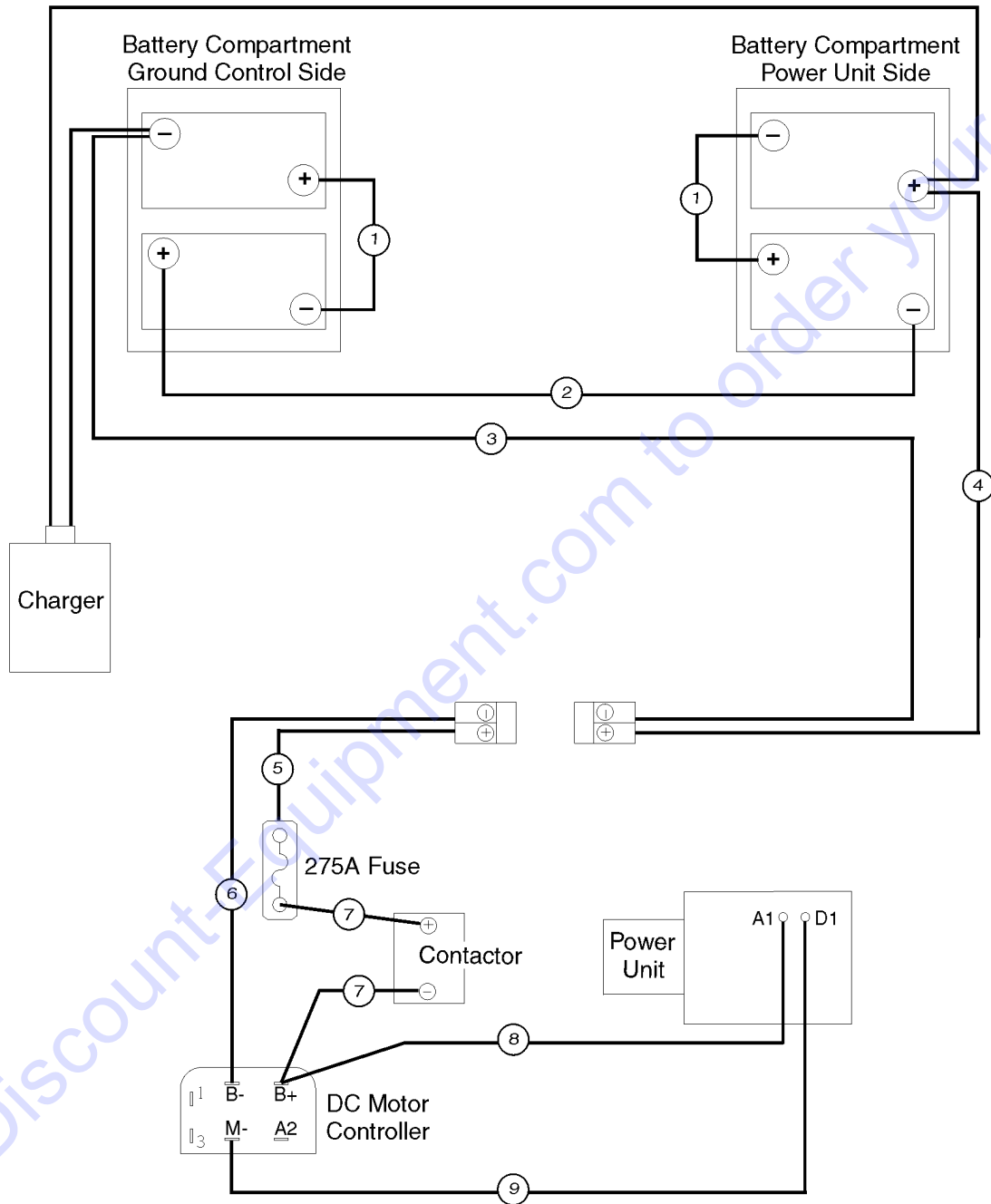
211.3 Battery Box

Item	Part No.	Description	Qty.
1A	84661GT	BATT COVER ASSY, WORD DECALS models with word decals	2
1B	84703GT	BATT COVER, SYMBOL DECALS models with symbol decals	
2	57881GT	LATCH, RUBBER, 3-13/32 X 1-7/8	2
3	7264GT	RIVET,STL,STL,P,.125 X .5	
4	87468GT	BRACKET,BATTERY HOLD DOWN	2
5		Ref. Battery Cable Assembly (refer to 212.1)	
6	76414GT	TRIMLOCK,BLACK,1/4"	72
7	4828GT	NUT,NYLOCK,3/8-16	
8	64154GT	BOLT,CARRIAGE,3/8-16 X1.00,G5	
9	824059GT	SCREW,HHC,1/4-20X.75,8,ZAG	
10	6356GT	WASHER,LOCK,.25	
11	25969GT	CLIP,SPRING,1/4-20 BLACK	4
12	8910GT	BOOT,CABLE TERM,MED.RED,4/0	8
13	87439GT	WELDMENT,BATTERY BOX	2
14	76502GT	BATTERY,T105 W/LPT,3 CAP,DRY**	4
15	18503GT	NUT,LOCKING-LG.FLANGE,5/16-18	

Go to Discount-Equipment.com to order your parts



212.1 Power Cables

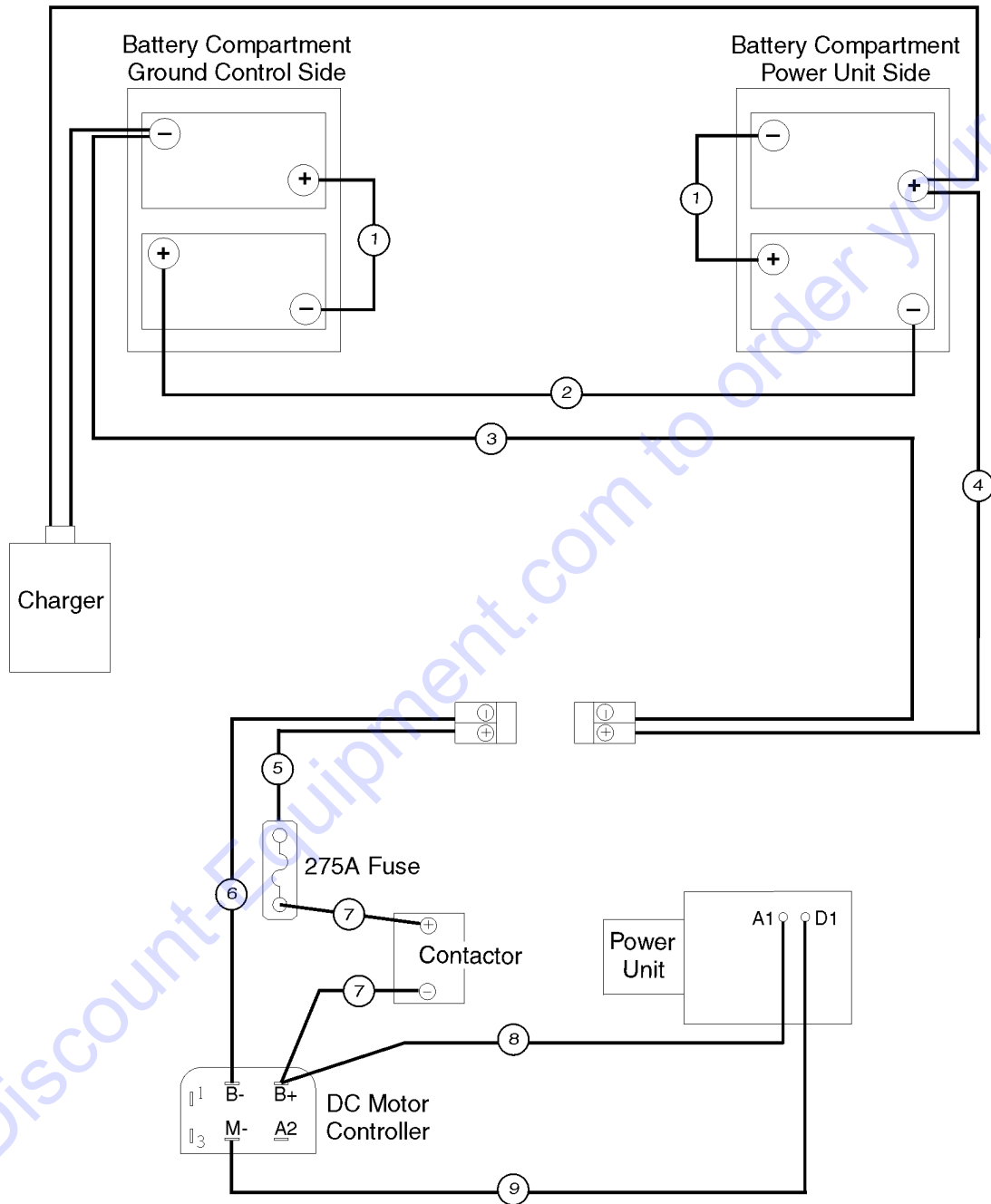


Item	Part No.	Description	Qty.
		Ref. Fuse, 275A (refer to 206.1)	
1	84313GT	CABLE ASSY,RED@4.25"-TZ34	2
2	84314GT	CABLE ASSY,RED@ 35"-TZ34	2
3	84315GT	CABLE ASSY,BLACK @ 59"-TZ34	1
4	84316GT	CABLE ASSY,RED @ 74"-TZ34	1
5	84317GT	CABLE ASSY,RED@13"-TZ34	1
6	84318GT	CABLE ASSY,BLACK @ 21"-TZ34	1
7	232526GT	CABLE ASSY, #2 X 13.5 LG	2
7-	8910GT	BOOT,CABLE TERM,MED.RED,4/0	2
8	84320GT	CABLE ASSY,RED @ 16"-TZ34	1
9	84321GT	CABLE ASSY,BLACK @ 16"-TZ34	1

Go to Discount-Equipment.com to order your parts



212.2 Power Cables

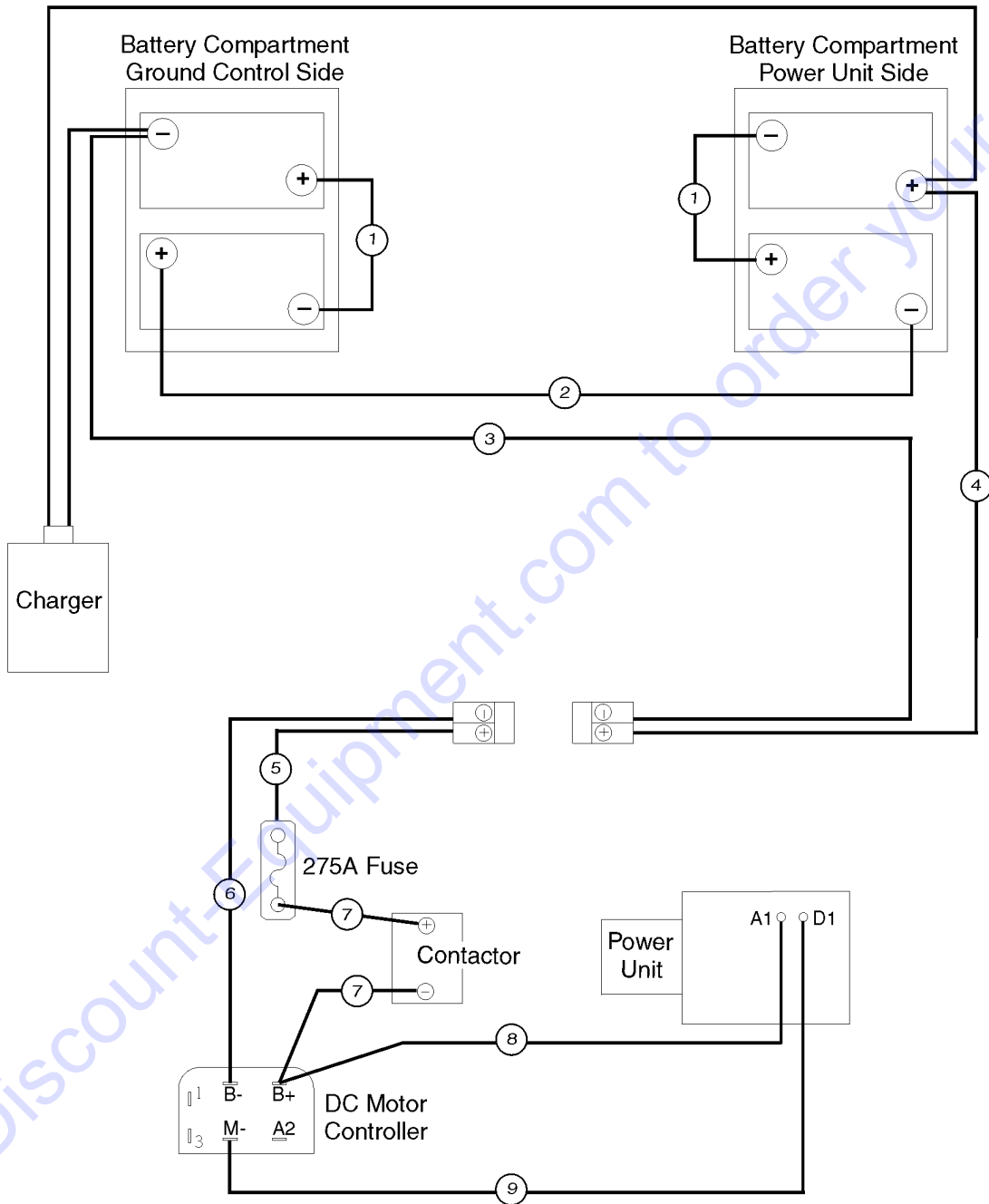


Item	Part No.	Description	Qty.
		Ref. Fuse, 275A (refer to 206.1)	
1	84313GT	CABLE ASSY,RED@4.25"-TZ34	2
2	84314GT	CABLE ASSY,RED@ 35"-TZ34	2
3	84315GT	CABLE ASSY,BLACK @ 59"-TZ34	1
4	84316GT	CABLE ASSY,RED @ 74"-TZ34	1
5	84317GT	CABLE ASSY,RED@13"-TZ34	1
6	84318GT	CABLE ASSY,BLACK @ 21"-TZ34	1
7	232526GT	CABLE ASSY, #2 X 13.5 LG	2
7-	8910GT	BOOT,CABLE TERM,MED.RED,4/0	2
8	84320GT	CABLE ASSY,RED @ 16"-TZ34	1
9	84321GT	CABLE ASSY,BLACK @ 16"-TZ34	1

Go to Discount-Equipment.com to order your parts



212.3 Power Cables

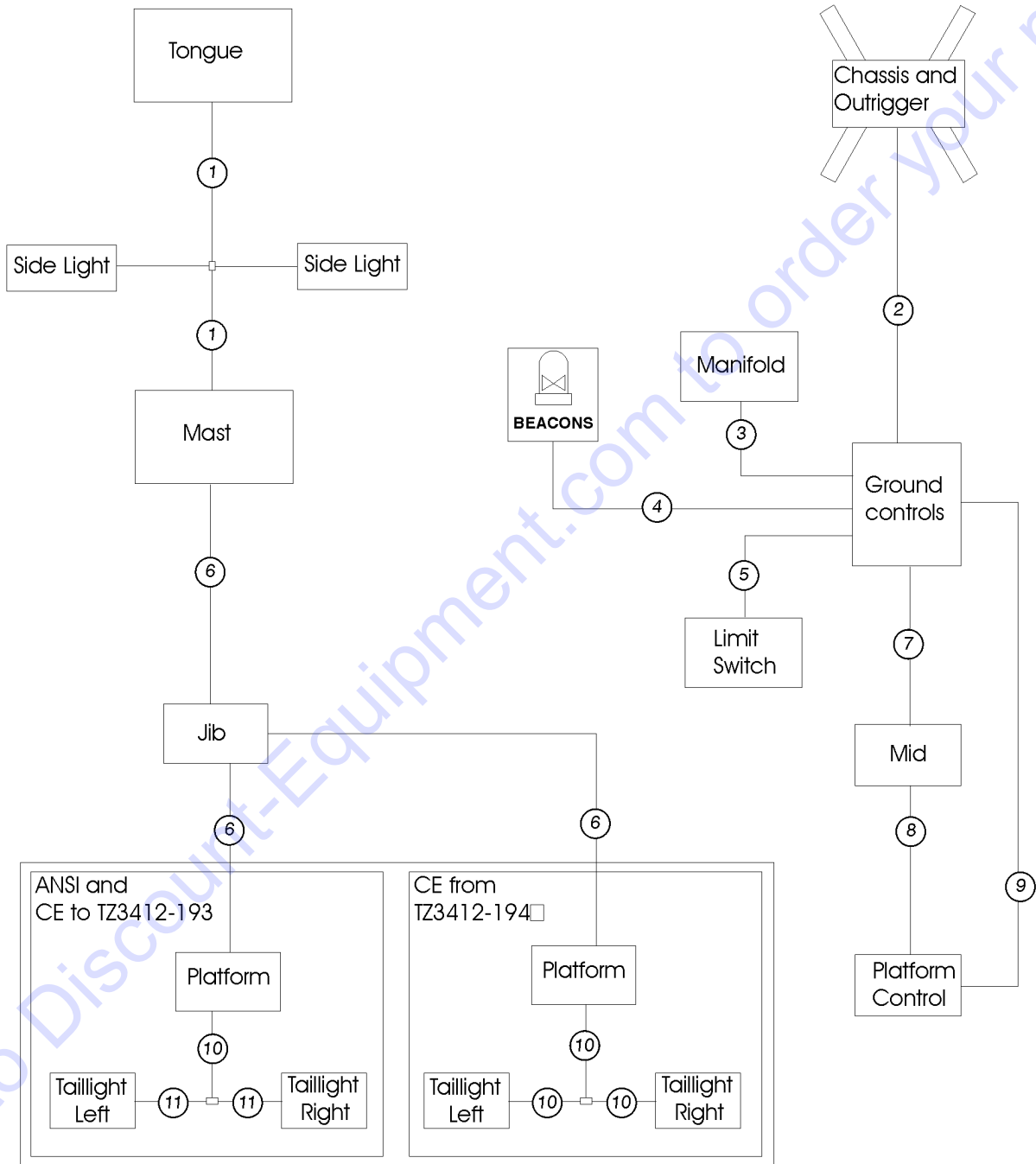


Item	Part No.	Description	Qty.
		Ref. Fuse, 275A (refer to 206.1)	
1	84313GT	CABLE ASSY,RED@4.25"-TZ34	2
2	84314GT	CABLE ASSY,RED@ 35"-TZ34	2
3	84315GT	CABLE ASSY,BLACK @ 59"-TZ34	1
4	84316GT	CABLE ASSY,RED @ 74"-TZ34	1
5	84317GT	CABLE ASSY,RED@13"-TZ34	1
6	84318GT	CABLE ASSY,BLACK @ 21"-TZ34	1
7	232526GT	CABLE ASSY, #2 X 13.5 LG	2
7-	8910GT	BOOT,CABLE TERM,MED.RED,4/0	2
8	84320GT	CABLE ASSY,RED @ 16"-TZ34	1
9	84321GT	CABLE ASSY,BLACK @ 16"-TZ34	1

Go to Discount-Equipment.com to order your parts

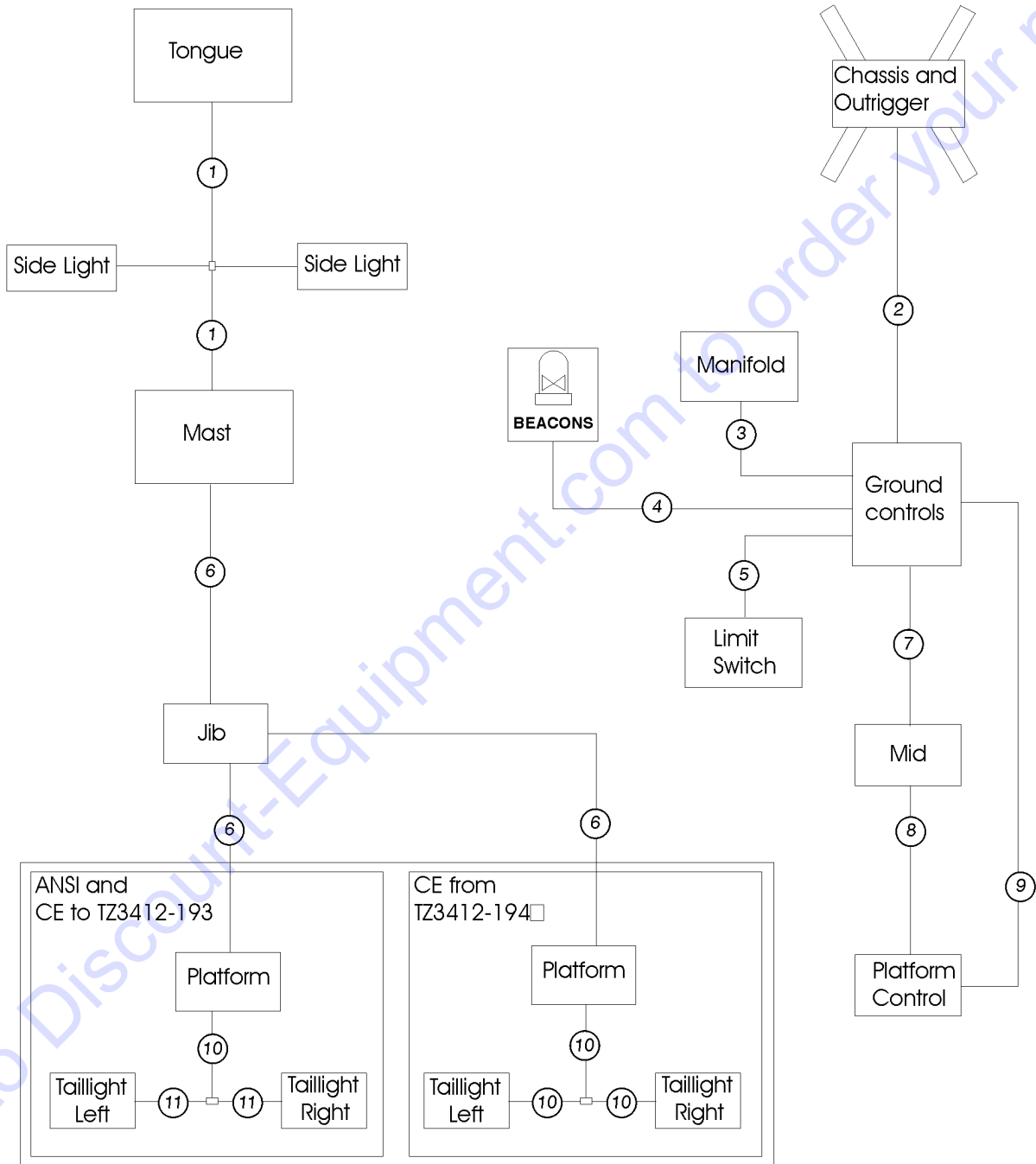


213.1 Electrical Wiring



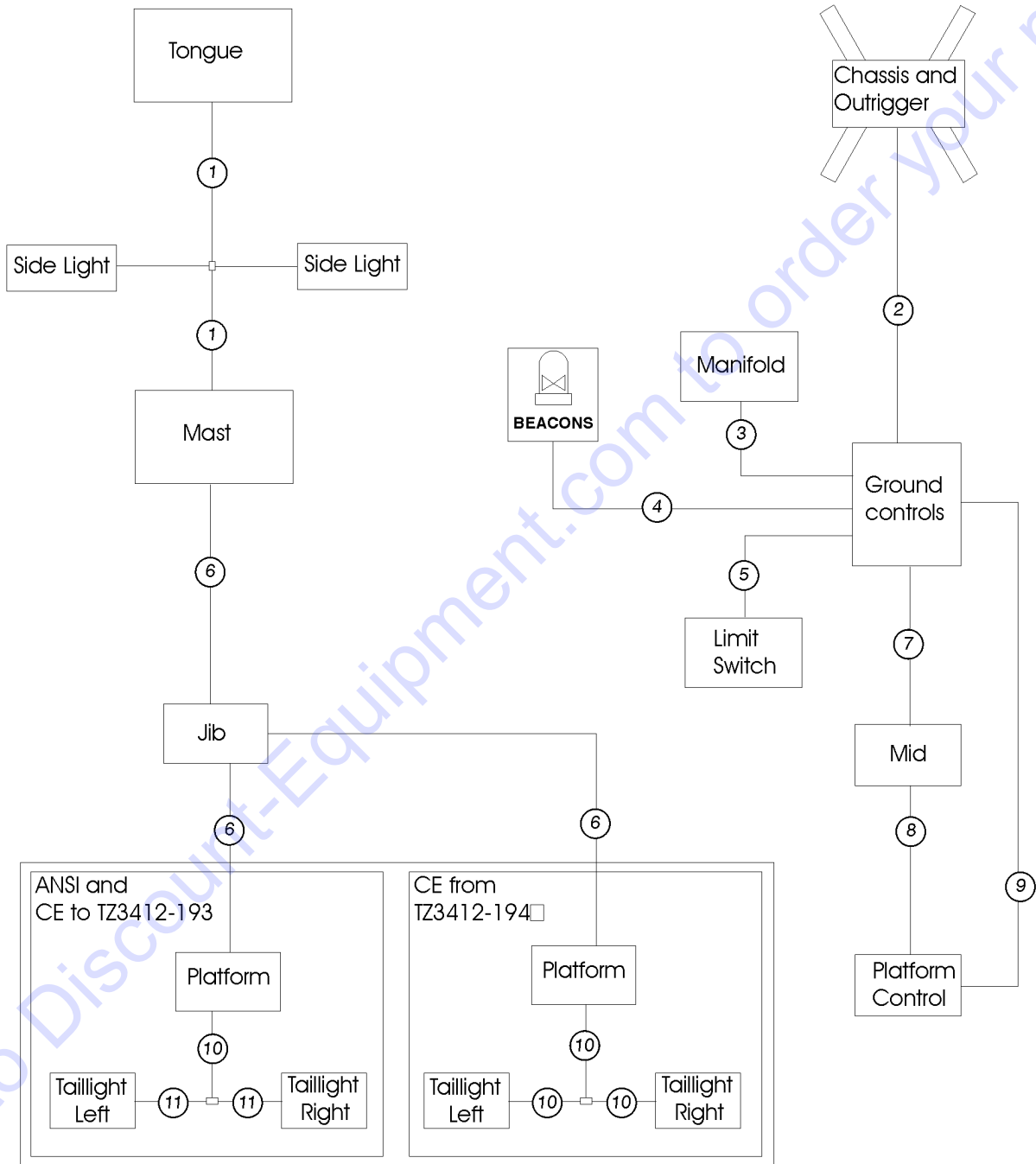
Item	Part No.	Description	Qty.
	87764GT	LIMIT SWITCH WITH CONNECTION** (to SN TZ3406-159)	
1A	99235GT	HARNESS, TAILLIGHT, TONGUE, ANSI (to SN TZ3405-532)	
1C	99236GT	HARNESS, TAILLIGHT, TONGUE, CE (to SN TZ3412-193)	
2A	87726GT	HARNESS, BASE CTRL TO CHASSIS** (to SN TZ3406-204)	
2D	99089GT	CAPACITOR, 4700MFD 25V (to SN TZ3405-186)	
3A	87725GT	HARNESS, BASE CTRL TO MANIFOLD* (to SN TZ3405-171)	
4	105472GT	BEACON HARNESS, TZ34	1
5A	87727GT	LIMITSWITCH, WITH HARNESS (to SN TZ3403-248)	1
5B	99285GT	LIMIT SWITCH, DUAL W/HARNESS (from SN TZ3403-249)	
6A	99081GT	HARNESS, TAILLIGHT MAST TZ-34 ANSI models (to SN TZ3407-267)	1
7	87724GT	HARNESS, MID TO BASE CONTROL (to SN TZ3403-248)	1
8	87723GT	HARNESS, PLAT CONTROL TO MID (to SN TZ3403-248)	1
9A	99090GT	HARNESS, BASE CTRL TO PLAT S (from SN TZ3403-249 to TZ3413-344)	1
10A	99082GT	HARNESS, TAILLIGHT PLATFORM ANSI models (to SN TZ3407-267)	1
11A	76699GT	HARNESS, LIGHT ANSI TZ34 ANSI models (to SN TZ3407-267)	1
11C	99272GT	HARNESS, TAILLIGHT, CE, RIGHT CE models (to SN TZ3412-193)	1
11D	99263GT	HARNESS, TAILLIGHT, CE, LEFT CE models (to SN TZ3412-193)	

213.2 Electrical Wiring



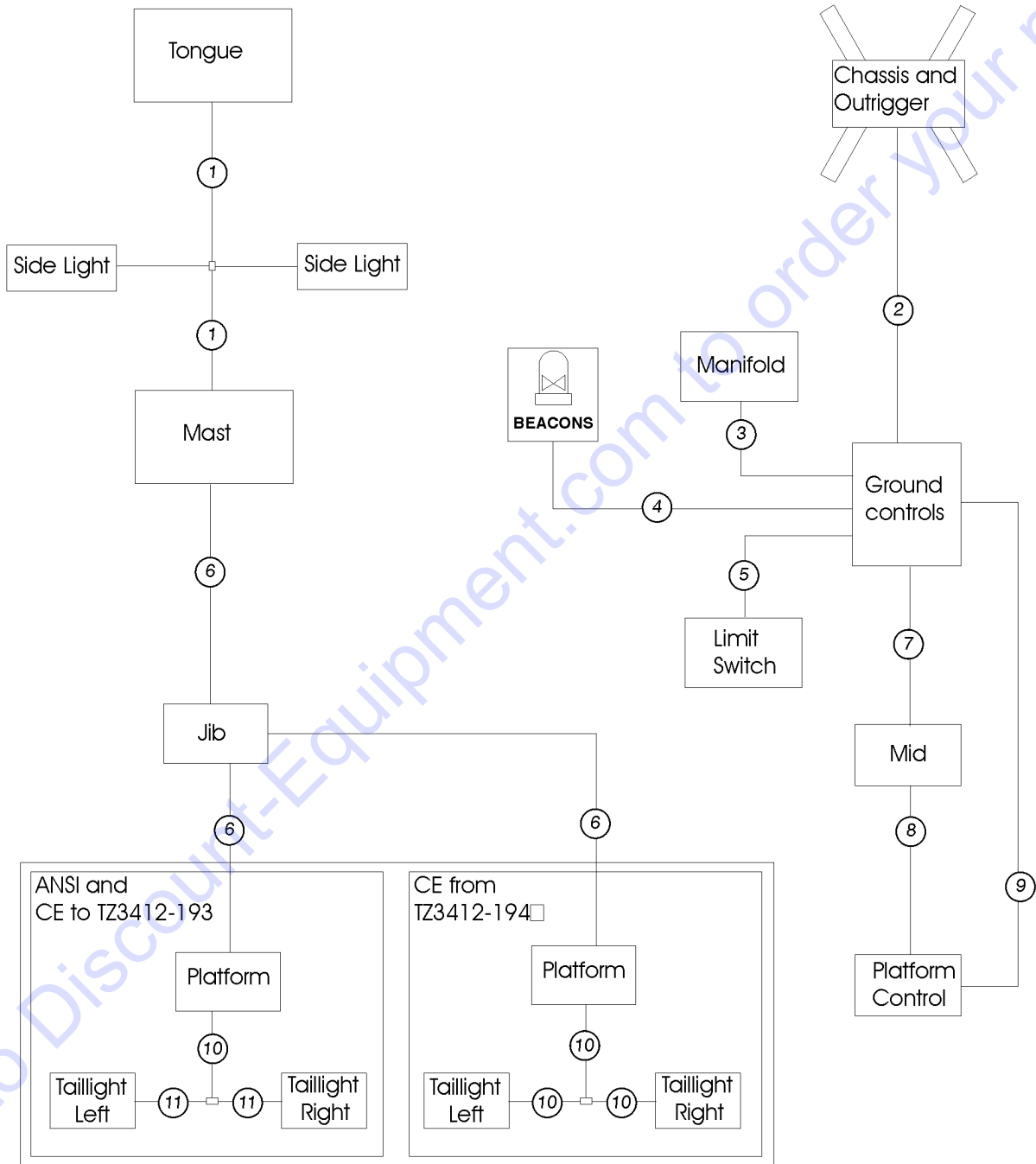
Item	Part No.	Description	Qty.
	87764GT	LIMIT SWITCH WITH CONNECTION** (to SN TZ3406-159)	
1A	99235GT	HARNESS, TAILLIGHT, TONGUE, ANSI (to SN TZ3405-532)	
1C	99236GT	HARNESS, TAILLIGHT, TONGUE, CE (to SN TZ3412-193)	
2A	87726GT	HARNESS, BASE CTRL TO CHASSIS** AC (to SN TZ3406-204)	
2C	104353GT	HARNESS, CONTROLS TO CHASSIS, AC	
2D	99089GT	CAPACITOR, 4700MFD 25V (to SN TZ3405-186)	
3A	87725GT	HARNESS, BASE CTRL TO MANIFOLD* (to SN TZ3405-171)	
4	105472GT	BEACON HARNESS, TZ34	1
5B	99285GT	LIMIT SWITCH, DUAL W/HARNESS (from SN TZ3403-249)	
6A	99081GT	HARNESS, TAILLIGHT MAST TZ-34 ANSI models (to SN TZ3407-267)	1
6C	105637GT	HRNS, TZ34 CE CHASSIS (to SN TZ3412-193)	
9A	99090GT	HARNESS, BASE CTRL TO PLAT S (from SN TZ3403-249)	1
10A	99082GT	HARNESS, TAILLIGHT PLATFORM ANSI models (to SN TZ3407-267)	1
11A	76699GT	HARNESS, LIGHT ANSI TZ34 ANSI models (to SN TZ3407-267)	1
11C	99272GT	HARNESS, TAILLIGHT, CE, RIGHT CE models (to SN TZ3412-193)	1
11D	99263GT	HARNESS, TAILLIGHT, CE, LEFT CE models (to SN TZ3412-193)	

213.3 Electrical Wiring



Item	Part No.	Description	Qty.
	87764GT	LIMIT SWITCH WITH CONNECTION** (to SN TZ3406-159)	
1A	99235GT	HARNESS, TAILLIGHT, TONGUE, ANSI (to SN TZ3405-532)	1
1B	99236GT	HARNESS, TAILLIGHT, TONGUE, CE ANSI models (from SN TZ3405-533)	
1C	99236GT	HARNESS, TAILLIGHT, TONGUE, CE (to SN TZ3412-193)	
2A	87726GT	HARNESS, BASE CTRL TO CHASSIS**	
2D	99089GT	CAPACITOR, 4700MFD 25V (to SN TZ3405-186)	
3A	87725GT	HARNESS, BASE CTRL TO MANIFOLD* (to SN TZ3405-171)	1
3B	104791GT	HARNESS, BASE CTRL TO MANIFOLD* (from SN TZ3405-172)	
4	105472GT	BEACON HARNESS, TZ34	1
5B	99285GT	LIMIT SWITCH, DUAL W/HARNESS (from SN TZ3403-249)	
6A	99081GT	HARNESS, TAILLIGHT MAST TZ-34 ANSI models (to SN TZ3407-267)	1
6C	105637GT	HRNS, TZ34 CE CHASSIS CE models (to SN TZ3412-193)	
9A	99090GT	HARNESS, BASE CTRL TO PLAT S (from SN TZ3403-249 to TZ3413-344)	
10A	99082GT	HARNESS, TAILLIGHT PLATFORM ANSI models (to SN TZ3407-267)	1
11A	76699GT	HARNESS, LIGHT ANSI TZ34 (to SN TZ3407-267)	1
11C	99272GT	HARNESS, TAILLIGHT, CE, RIGHT CE models (to SN TZ3412-193)	1
11D	99263GT	HARNESS, TAILLIGHT, CE, LEFT CE models (to SN TZ3412-193)	

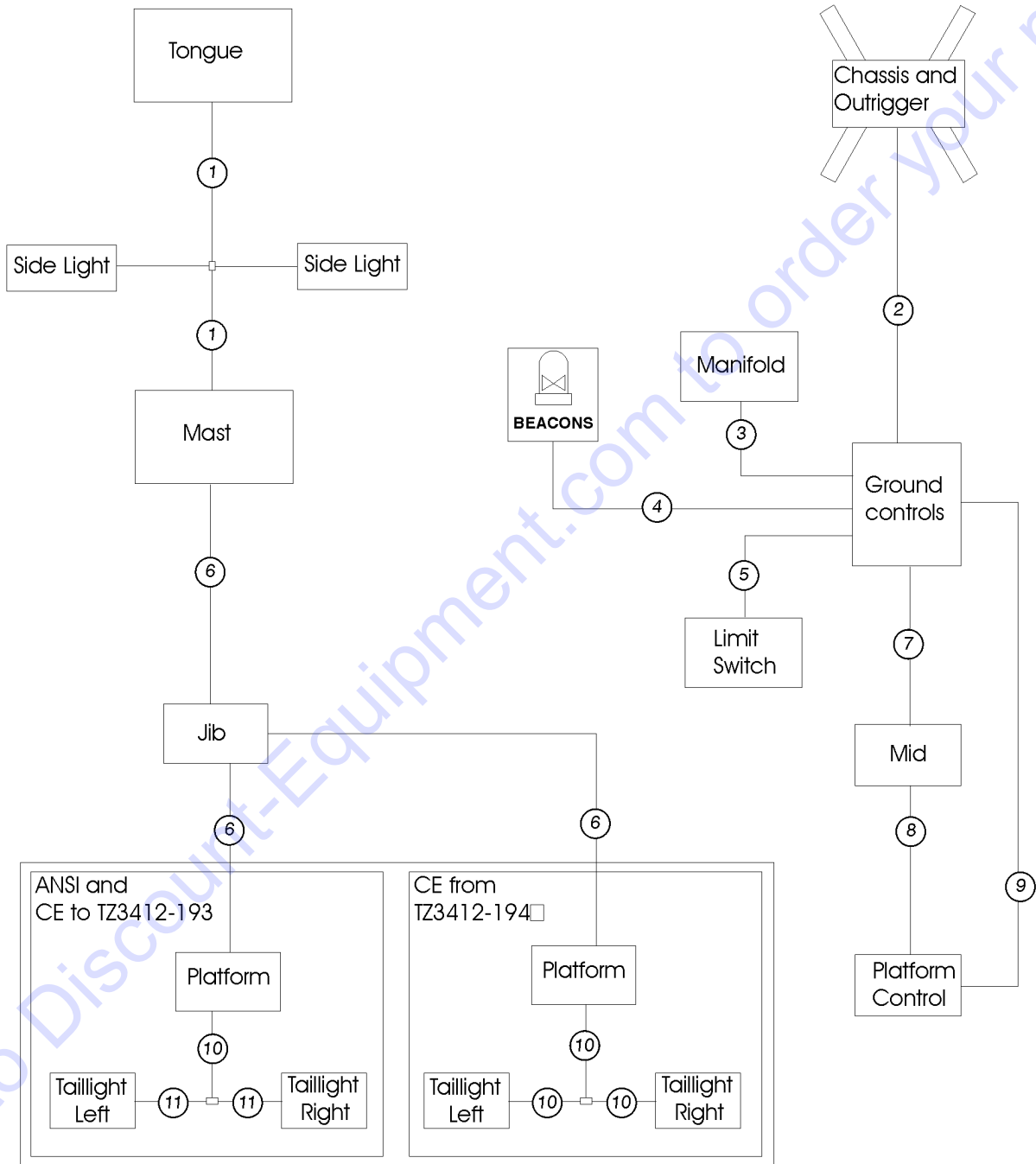
213.4 Electrical Wiring



Item	Part No.	Description	Qty.
	87764GT	LIMIT SWITCH WITH CONNECTION** (to SN TZ3406-159)	
	76700GT	LIMIT SWITCH ASSY, W/CONNECTOR (from SN TZ3406-160)	
1B	99236GT	HARNESS, TAILLIGHT, TONGUE, CE ANSI models (from SN TZ3405-533)	
1C	99236GT	HARNESS, TAILLIGHT, TONGUE, CE (to SN TZ3412-193)	
2A	87726GT	HARNESS, BASE CTRL TO CHASSIS** (to SN TZ3406-204)	1
2B	105311GT	HARNESS, BASE CTRL TO CHASSIS (from SN TZ3406-205)	
2C	104353GT	HARNESS, CONTROLS TO CHASSIS, AC DC	
3B	104791GT	HARNESS, BASE CTRL TO MANIFOLD* (from SN TZ3405-172)	
4	105472GT	BEACON HARNESS, TZ34	1
5B	99285GT	LIMIT SWITCH, DUAL W/HARNESS (from SN TZ3403-249)	
6A	99081GT	HARNESS, TAILLIGHT MAST TZ-34 ANSI models (to SN TZ3407-267)	1
6C	105637GT	HRNS, TZ34 CE CHASSIS CE models (to SN TZ3412-193)	
9A	99090GT	HARNESS, BASE CTRL TO PLAT S (from SN TZ3403-249 to TZ3413-344)	
10A	99082GT	HARNESS, TAILLIGHT PLATFORM ANSI models (to SN TZ3407-267)	1
11A	76699GT	HARNESS, LIGHT ANSI TZ34 ANSI models (to SN TZ3407-267)	1
11C	99272GT	HARNESS, TAILLIGHT, CE, RIGHT CE models (to SN TZ3412-193)	1
11D	99263GT	HARNESS, TAILLIGHT, CE, LEFT CE models (to SN TZ3412-193)	

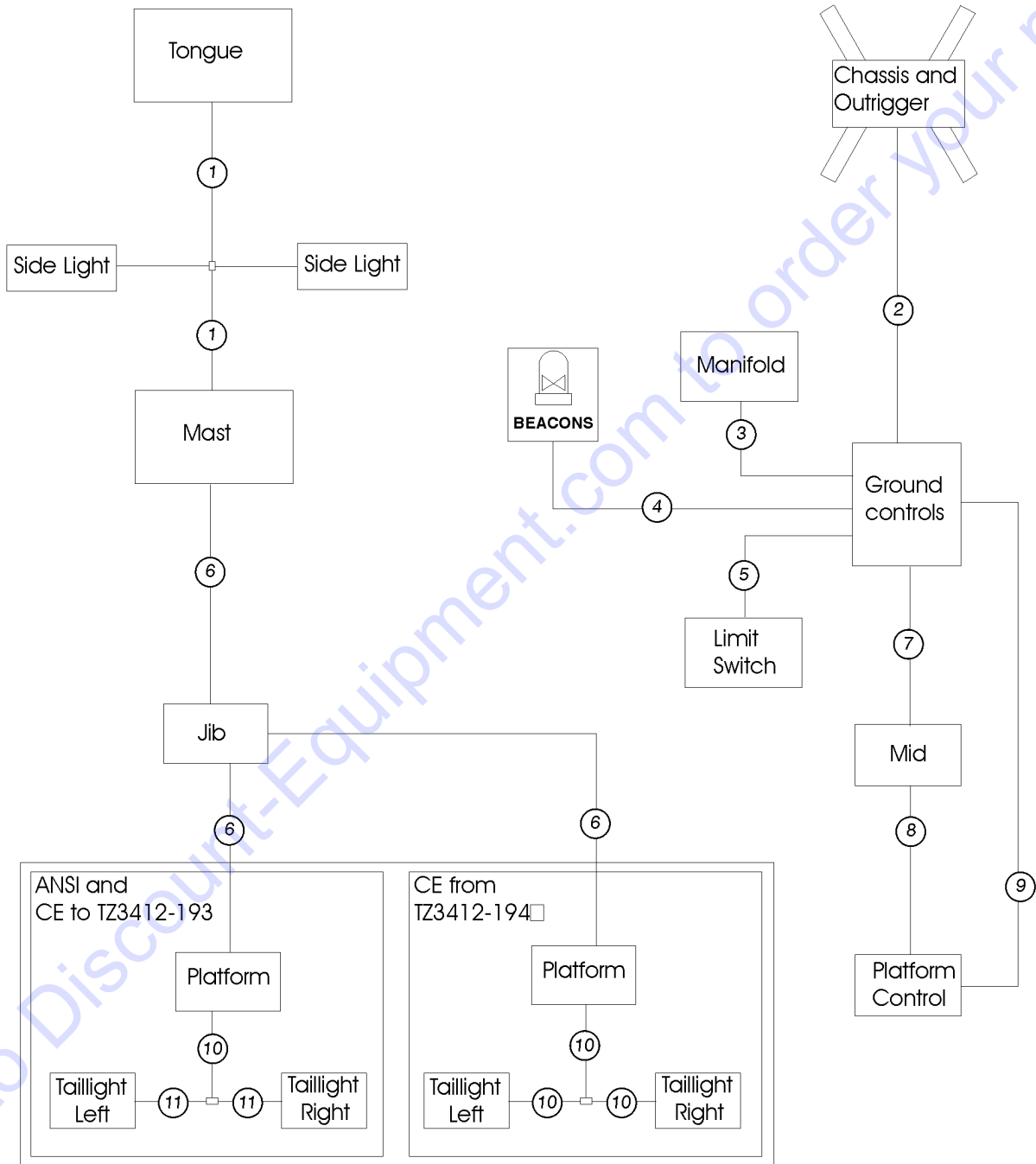


213.5 Electrical Wiring



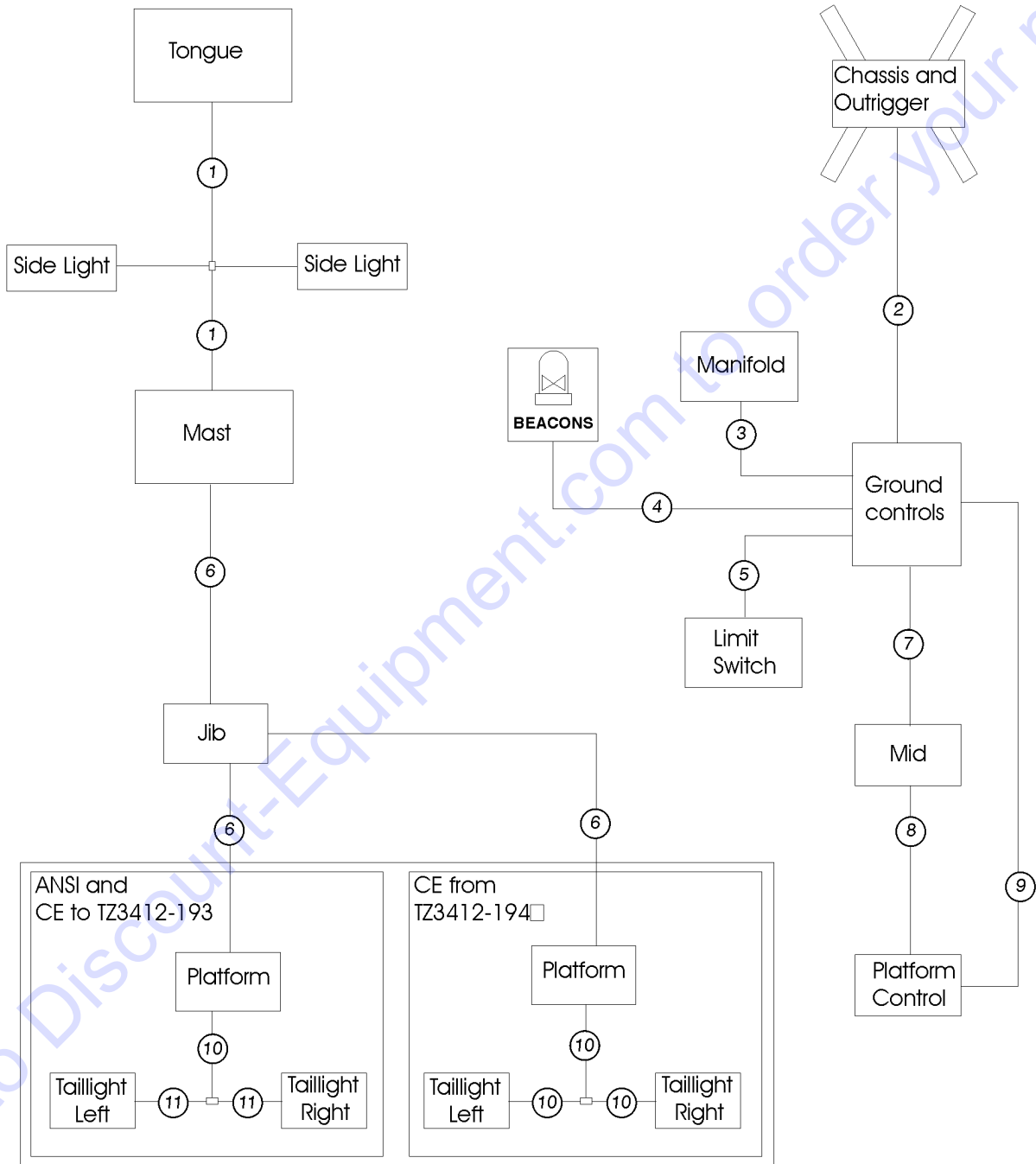
Item	Part No.	Description	Qty.
	76700GT	LIMIT SWITCH ASSY, W/CONNECTOR (from SN TZ3406-160)	
1B	99236GT	HARNESS, TAILLIGHT, TONGUE, CE ANSI models (from SN TZ3405-533)	
1C	99236GT	HARNESS, TAILLIGHT, TONGUE, CE (to SN TZ3412-193)	
2B	105311GT	HARNESS, BASE CTRL TO CHASSIS (from SN TZ3406-205)	
2C	104353GT	HARNESS, CONTROLS TO CHASSIS, AC DC	
3B	104791GT	HARNESS, BASE CTRL TO MANIFOLD* (from SN TZ3405-172)	
4	105472GT	BEACON HARNESS, TZ34 1	
5B	99285GT	LIMIT SWITCH, DUAL W/HARNESS (from SN TZ3403-249)	
6A	99081GT	HARNESS, TAILLIGHT MAST TZ-34 1 ANSI models (to TZ3407-267)	
6B	105436GT	HARNESS, TAIL LIGHT MAST TZ34 ANSI models (from TZ3407-268)	
6C	105637GT	HRNS, TZ34 CE CHASSIS CE models (to SN TZ3412-193)	
9A	99090GT	HARNESS, BASE CTRL TO PLAT S (from SN TZ3403-249 to TZ3413-344)	
10A	99082GT	HARNESS, TAILLIGHT PLATFORM 1 ANSI models (to SN TZ3407-267)	
10B	105437GT	HARNESS, TAIL LIGHT PLAT TZ34 ANSI models (from SN TZ3407-268)	
10C	105638GT	HRNS, TZ34 CE PLAT CE models (to SN TZ3412-193)	
11A	76699GT	HARNESS, LIGHT ANSI TZ34 1 ANSI models (to SN TZ3407-266)	
11B	105435GT	HARNESS, LIGHT ANSI TZ34 ANSI models (from TZ3407-268)	
11C	99272GT	HARNESS, TAILLIGHT, CE, RIGHT 1 CE models (to SN TZ3412-193)	
11D	99263GT	HARNESS, TAILLIGHT, CE, LEFT CE models (to SN TZ3412-193)	

213.6 Electrical Wiring



Item	Part No.	Description	Qty.
	76700GT	LIMIT SWITCH ASSY, W/CONNECTOR (from SN TZ3406-160)	
1B	99236GT	HARNESS, TAILLIGHT, TONGUE, CE ANSI models (from SN TZ3405-533)	
1C	99236GT	HARNESS, TAILLIGHT, TONGUE, CE (to SN TZ3412-193)	
2B	236709GT	HARNESS, BASE CTRL TO CHASSIS (from SN TZ3411-101)	
2C	104353GT	HARNESS, CONTROLS TO CHASSIS, AC DC	
3B	104791GT	HARNESS, BASE CTRL TO MANIFOLD* (from SN TZ3405-172)	
4	105472GT	BEACON HARNESS, TZ34	1
5B	99285GT	LIMIT SWITCH, DUAL W/HARNESS (from SN TZ3403-249)	
6B	105436GT	HARNESS, TAIL LIGHT MAST TZ34 ANSI models (from TZ3407-268)	
6C	105637GT	HRNS, TZ34 CE CHASSIS CE models (to SN TZ3412-193)	
9A	99090GT	HARNESS, BASE CTRL TO PLAT S (from SN TZ3403-249 to TZ3413-344)	
10B	105437GT	HARNESS, TAIL LIGHT PLAT TZ34 ANSI models (from SN TZ3407-268)	
10C	105638GT	HRNS, TZ34 CE PLAT CE models (to SN TZ3412-193)	
11A	76699GT	HARNESS, LIGHT ANSI TZ34 ANSI models (from SN TZ3407-268)	
11B	105435GT	HARNESS, LIGHT ANSI TZ34 ANSI models (from TZ3407-268)	
11C	99272GT	HARNESS, TAILLIGHT, CE, RIGHT CE models (to SN TZ3412-193)	1
11D	99263GT	HARNESS, TAILLIGHT, CE, LEFT CE models (to SN TZ3412-193)	

213.7 Electrical Wiring

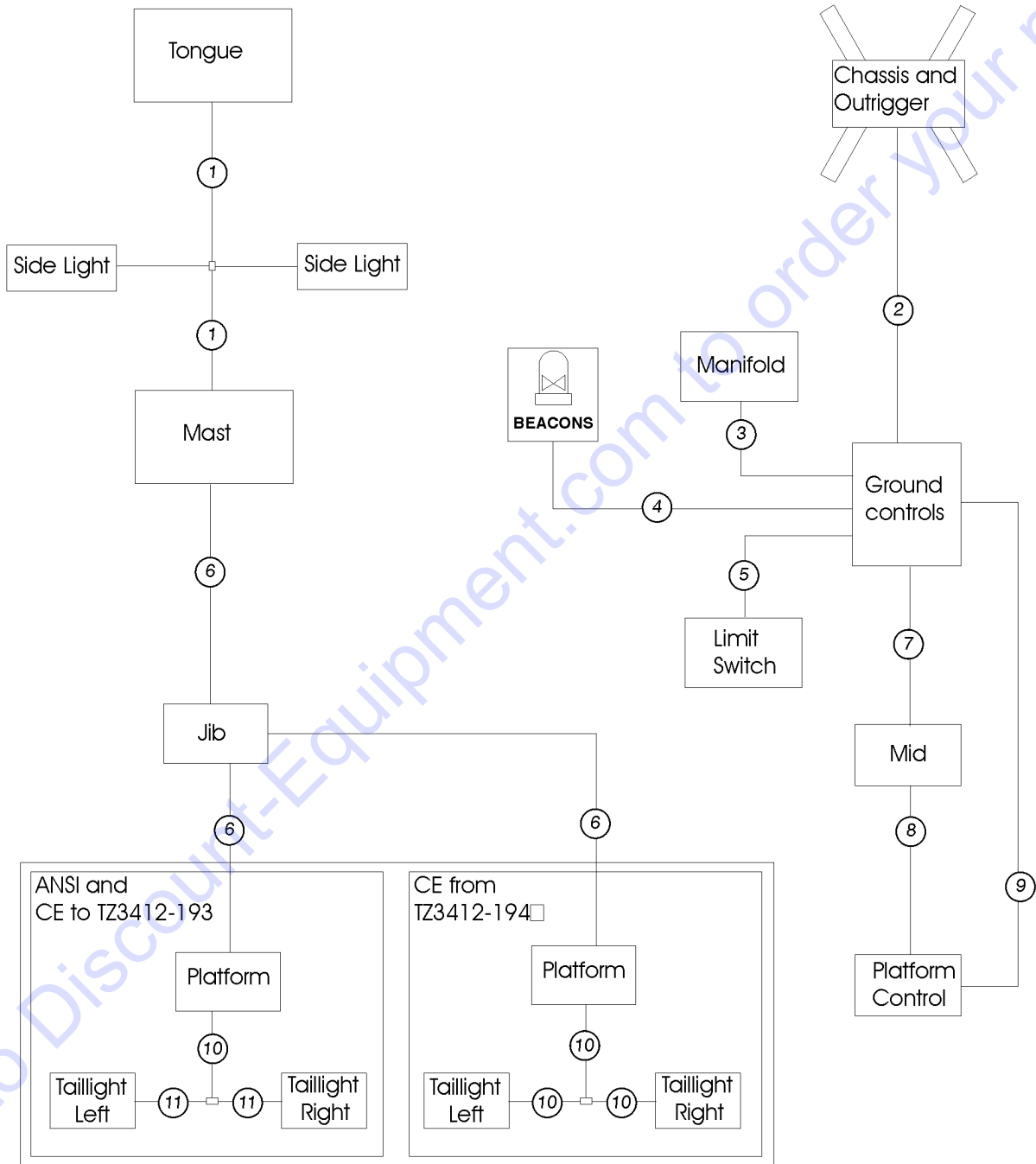


Item	Part No.	Description	Qty.
	76700GT	LIMIT SWITCH ASSY, W/CONNECTOR (from SN TZ3406-160)	
1B	99236GT	HARNESS, TAILLIGHT, TONGUE, CE ANSI models (from SN TZ3405-533)	
1C	99236GT	HARNESS, TAILLIGHT, TONGUE, CE (to SN TZ3412-193)	
1D	229060GT	HARNESS, TZ34 CE CHASSIS CE models (from SN TZ3412-194)	
2B	236709GT	HARNESS, BASE CTRL TO CHASSIS (from SN TZ3406-205)	
2C	104353GT	HARNESS, CONTROLS TO CHASSIS, AC DC	
3B	104791GT	HARNESS, BASE CTRL TO MANIFOLD* (from SN TZ3405-172)	
4	105472GT	BEACON HARNESS, TZ34	1
5B	99285GT	LIMIT SWITCH, DUAL W/HARNESS (from SN TZ3403-249)	
6B	105436GT	HARNESS, TAIL LIGHT MAST TZ34 ANSI models (from TZ3407-268)	
6C	105637GT	HRNS, TZ34 CE CHASSIS CE models (to SN TZ3412-193)	
6D	229059GT	HARNESS, TZ34 CE MAST CE models (from SN TZ3412-194)	
9A	99090GT	HARNESS, BASE CTRL TO PLAT S (from SN TZ3403-249 to TZ3413-344)	
10B	105437GT	HARNESS, TAIL LIGHT PLAT TZ34 ANSI models (from SN TZ3407-268)	
10C	105638GT	HRNS, TZ34 CE PLAT CE models (to SN TZ3412-193)	
10D	229058GT	HARNESS, TZ34 CE PLATFORM CE models (from SN TZ3412-194)	
10D-	229056GT	HARNESS, TAIL LIGHT CE RIGHT CE models (from SN TZ3412-194)	
10D-	229057GT	HARNESS, TAIL LIGHT CE LEFT CE models (from SN TZ3412-194)	
11B	105435GT	HARNESS, LIGHT ANSI TZ34 ANSI models (from TZ3407-268)	
11C	99272GT	HARNESS, TAILLIGHT, CE, RIGHT CE models (to SN TZ3412-193)	
11D	99263GT	HARNESS, TAILLIGHT, CE, LEFT CE models (to SN TZ3412-193)	

Go to DiscoverGenie.com to order your parts



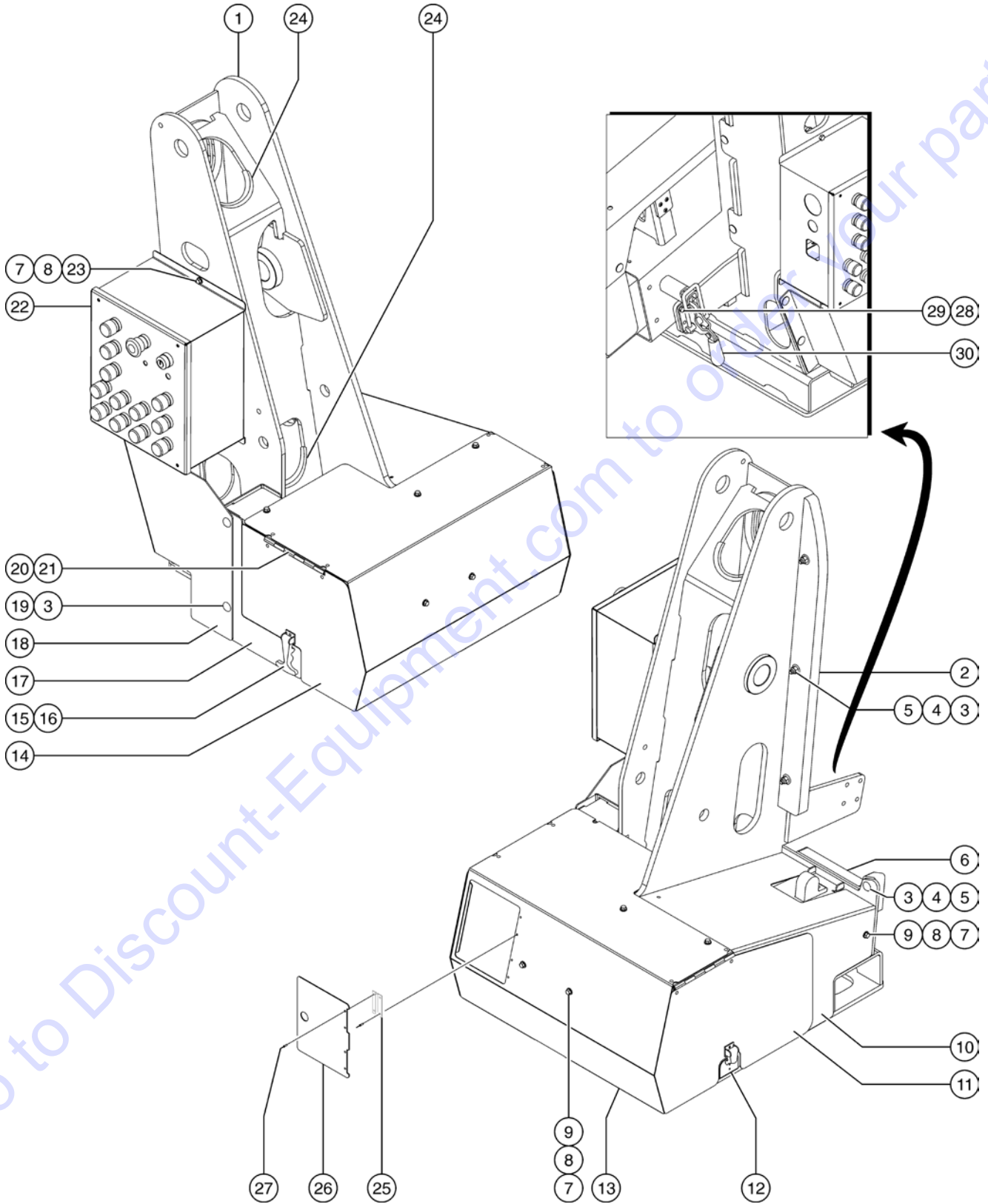
213.8 Electrical Wiring



Item	Part No.	Description	Qty.
	76700GT	LIMIT SWITCH ASSY, W/CONNECTOR (from SN TZ3406-160)	
1B	99236GT	HARNESS, TAILLIGHT, TONGUE, CE ANSI models (from SN TZ3405-533)	
1D	229060GT	HARNESS, TZ34 CE CHASSIS CE models (from SN TZ3412-194)	
2B	236709GT	HARNESS, BASE CTRL TO CHASSIS (from SN TZ3406-205)	
2C	104353GT	HARNESS, CONTROLS TO CHASSIS, AC DC	
3B	104791GT	HARNESS, BASE CTRL TO MANIFOLD* (from SN TZ3405-172)	
4	105472GT	BEACON HARNESS, TZ34 1	
5B	99285GT	LIMIT SWITCH, DUAL W/HARNESS (from SN TZ3403-249)	
6B	105436GT	HARNESS, TAIL LIGHT MAST TZ34 ANSI models (from TZ3407-268)	
6D	229059GT	HARNESS, TZ34 CE MAST CE models (from SN TZ3412-194)	
9A	99090GT	HARNESS, BASE CTRL TO PLAT S (from SN TZ3403-249 to TZ3413-344)	
9B	215243GT	HARNESS, BASE CONTROL BOX TO P (from SN TZ3413-345)	
10B	105437GT	HARNESS, TAIL LIGHT PLAT TZ34 ANSI models (from SN TZ3407-268)	
10D	229058GT	HARNESS, TZ34 CE PLATFORM CE models (from SN TZ3412-194)	
10D-	229056GT	HARNESS, TAIL LIGHT CE RIGHT CE models (from SN TZ3412-194)	
10D-	229057GT	HARNESS, TAIL LIGHT CE LEFT CE models (from SN TZ3412-194)	
11B	105435GT	HARNESS, LIGHT ANSI TZ34 ANSI models (from TZ3407-268)	



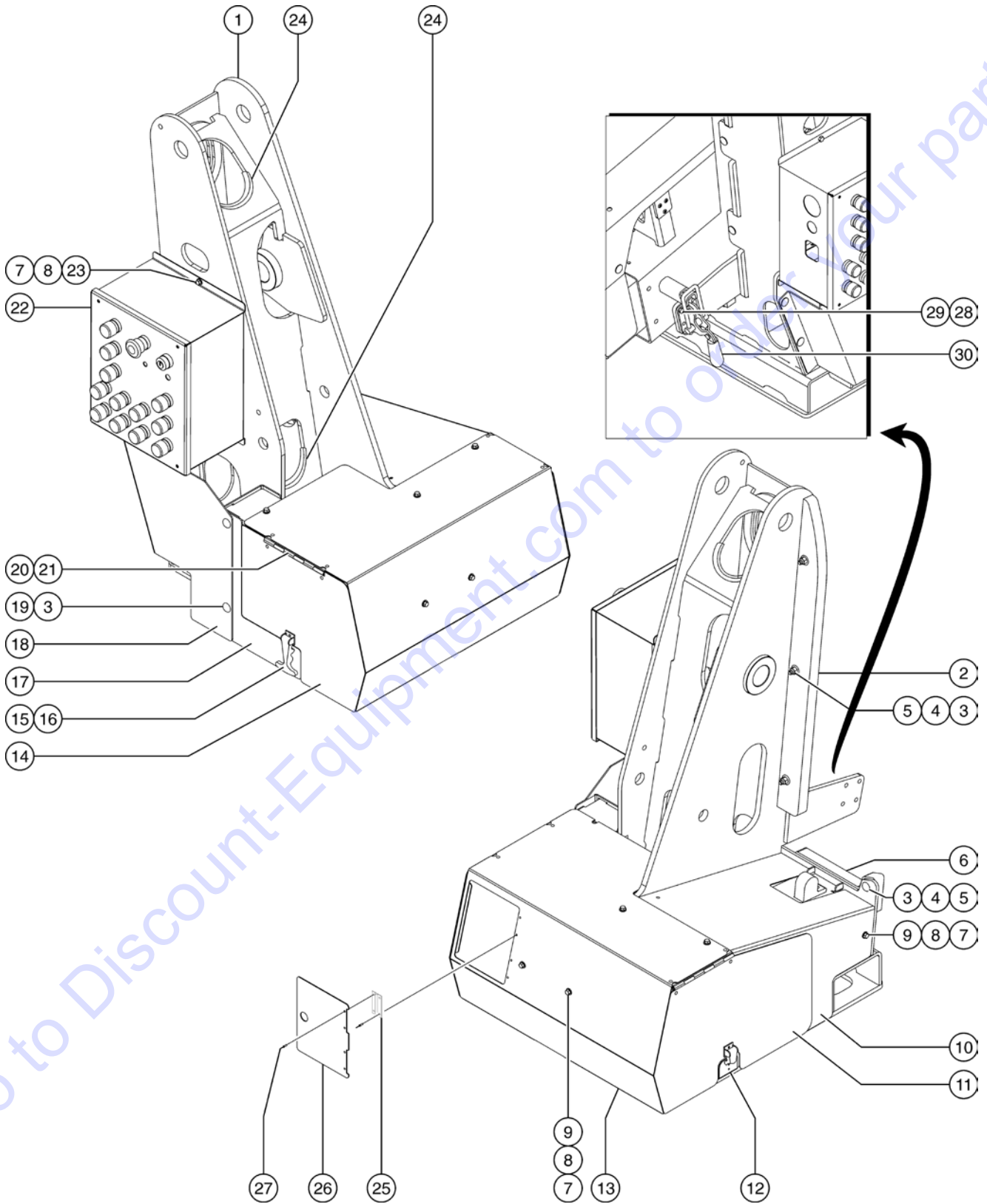
301.1 Turntable Components - View 1



Go to Discount-Equipment.com to order your parts

Item	Part No.	Description	Qty.
1		Ref. Turntable Assembly (refer to 401.1)	
2	79544GT	WEARPAD,BOOM LOWERING,SIDE	1
3	4828GT	NUT,NYLOCK,3/8-16	
4	44714GT	WASHER,,.375X1.25X.100	
5	87564GT	BOLT,CARRIAGE,3/8-16 X 2.00,G2	
6	79545GT	WEARPAD,BOOM LOWERING,BOTTOM	1
7	6090GT	SCREW,HHC,1/4-20 X .75	
8	6638GT	WASHER,FLAT,USS,1/4"Y	
9	25969GT	CLIP,SPRING,1/4-20 BLACK	
10A	84723GT	REAR COVER ASSY, WORD DECALS (models with word decals)	1
10B	84724GT	REAR COVER ASSY, SYMBOL DECALS (models with symbol decals)	1
11A	84725GT	DOOR ASSY W/DECALS,WORD,LEFT (models with word decals) (to SN TZ3405-171)	1
11C	84726GT	DOOR ASSY W/DECALS,SYMBOL,LEFT (models with symbol decals) (to SN TZ3405-171)	1
12		Ref. Turntable Latch Mount (refer to 302.1)	
13A	104195GT	KIT,TZ34 HINGED SWING COVER (to SN TZ3404-154) (includes items 7-21, decals, and instructions) (replaced 79614, 79617, 79622, 87667)	1
14A	84727GT	DOOR ASSY W/DECALS,WORD,RIGHT (models with word decals) (to SN TZ3405-171)	1
14C	84728GT	DOOR ASSY W/DECAL,SYMBOL,RIGHT (models with word decals) (to SN TZ3405-171)	1
15	57881GT	LATCH, RUBBER, 3-13/32 X 1-7/8	2
16	7264GT	RIVET,STL,STL,P,.125 X .5	
17		Ref. Turntable Frame (refer to 302.1)	
18A	84729GT	CABLE COVER ASSY, WORD DECALS (models with word decals)	1
18B	84730GT	CABLE COVER ASSY, SYMBOL DECAL (models with symbol decals)	1
19	64154GT	BOLT,CARRIAGE,3/8-16 X1.00,G5	
20A		KIT,TZ34 HINGED SWING COVER*** (to SN TZ3404-154) (refer to item 13A)	
21	7265GT	RIVET,STEEL,P, .25 X .375	
22		Ref. Ground Control Box (refer to 303.1 or 304.1)	
23	6091GT	NUT,NYLOCK,1/4-20	
24	1698GT	TRIMLOCK,BLACK,3/8	16

301.1 Turntable Components - View 1



<i>Item</i>	<i>Part No.</i>	<i>Description</i>	<i>Qty.</i>
25	69510GT	HINGE, BATTERY MOUNT	2
26	105604GT	PLATE, HYD ACCESS DOOR	1
27	55096GT	RIVET, ALUM, ALUM, P., 125 X .337	
28	13002GT	SCREW, HHC, 5/16-18 X 1 GR5	
29	6782GT	NUT, NYLOCK, 5/16-18	
30	43456GT	CLAMP, TOGGLE, MAST HOLD DOWN	1

Go to Discount-Equipment.com to order your parts

PARTS FINDER

**Search Website
by Part Number**



**Search Manual
Library For Parts
Manual & Lookup Part
Numbers – Purchase
or Request Quote**

Search Manuals

Enter your information to help us find the right parts manual for your machine.

* Brand:

* Model:

* Serial:

* Part Number:

SEARCH

**Can't Find Part or
Manual? Request Help
by Manufacturer,
Model & Description**

Parts Order Form

Please fill in the following information to help us find the right part for your machine.

Manufacturer:	<input type="text"/>
Model:	<input type="text"/>
Description:	<input type="text"/>
Part Number:	<input type="text"/>
Quantity:	<input type="text"/>
Notes:	<input type="text"/>

Submit

Discount-Equipment.com is your online resource for quality parts & equipment.

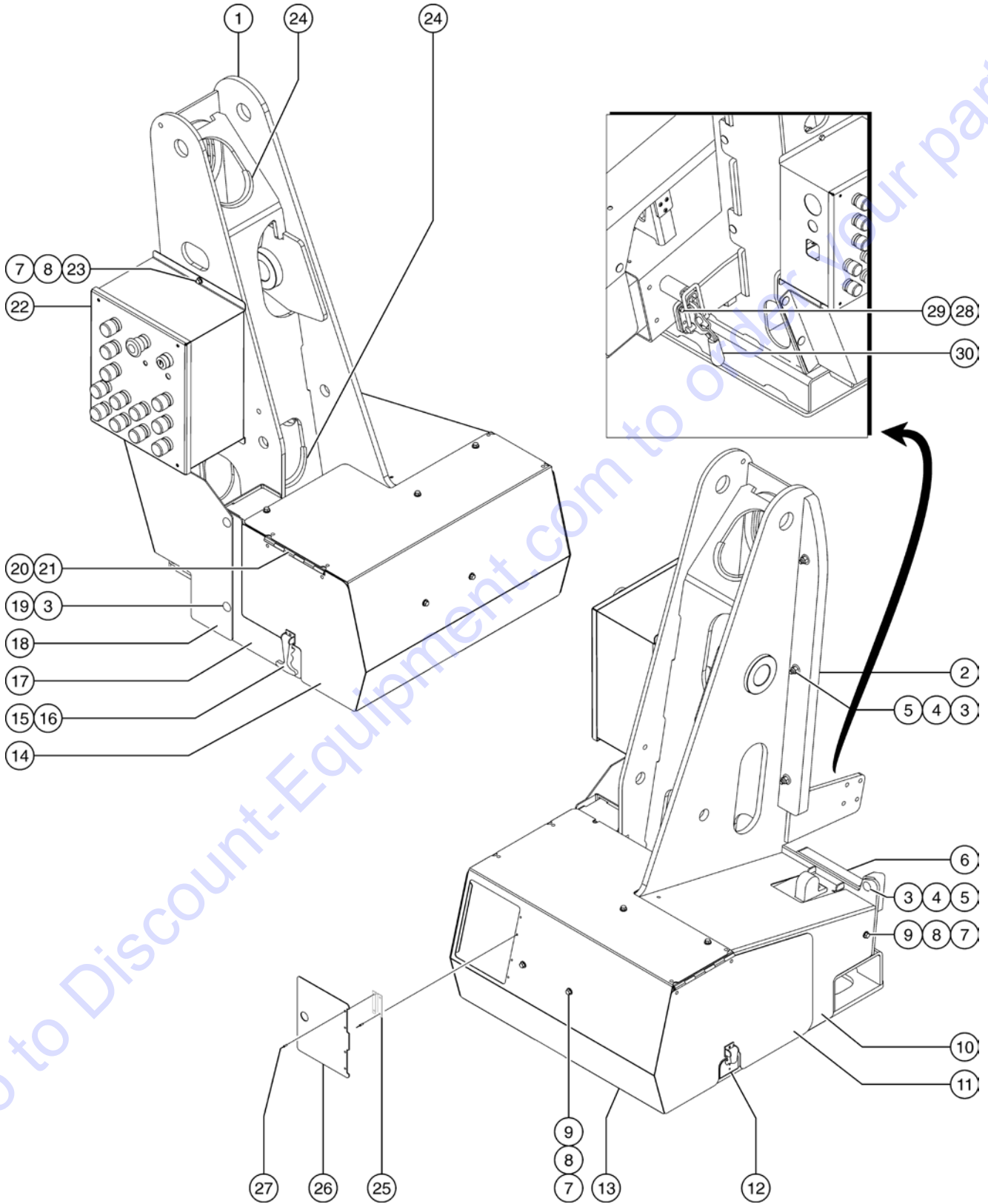
Florida: **561-964-4949** Outside Florida TOLL FREE: **877-690-3101**

Need parts?

Click on this link: <http://www.discount-equipment.com/category/5443-parts/> and choose one of the options to help get the right parts and equipment you are looking for. Please have the machine model and serial number available in order to help us get you the correct parts. If you don't find the part on the website or on one of the online manuals, please fill out the request form and one of our experienced staff members will get back to you with a quote for the right part that your machine needs.

We sell worldwide for the brands: Genie, Terex, JLG, MultiQuip, Mikasa, Essick, Whiteman, Mayco, Toro Stone, Diamond Products, Generac Magnum, Airman, Haulotte, Barreto, Power Blanket, Nifty Lift, Atlas Copco, Chicago Pneumatic, Allmand, Miller Curber, Skyjack, Lull, Skytrak, Tsurumi, Husquvarna Target, Stow, Wacker, Sakai, Mi-T-M, Sullair, Basic, Dynapac, MBW, Weber, Bartell, Bennar Newman, Haulotte, Ditch Runner, Menegotti, Morrison, Contec, Buddy, Crown, Edco, Wyco, Bomag, Laymor, EZ Trench, Bil-Jax, F.S. Curtis, Gehl Pavers, Heli, Honda, ICS/PowerGrit, IHI, Partner, Imer, Clipper, MMD, Koshin, Rice, CH&E, General Equipment, Amida, Coleman, NAC, Gradall, Square Shooter, Kent, Stanley, Tamco, Toku, Hatz, Kohler, Robin, Wisconsin, Northrock, Oztec, Toker TK, Rol-Air, APT, Wylie, Ingersoll Rand / Doosan, Innovatech, Con X, Ammann, Mecalac, Makinex, Smith Surface Prep, Small Line, Wanco, Yanmar

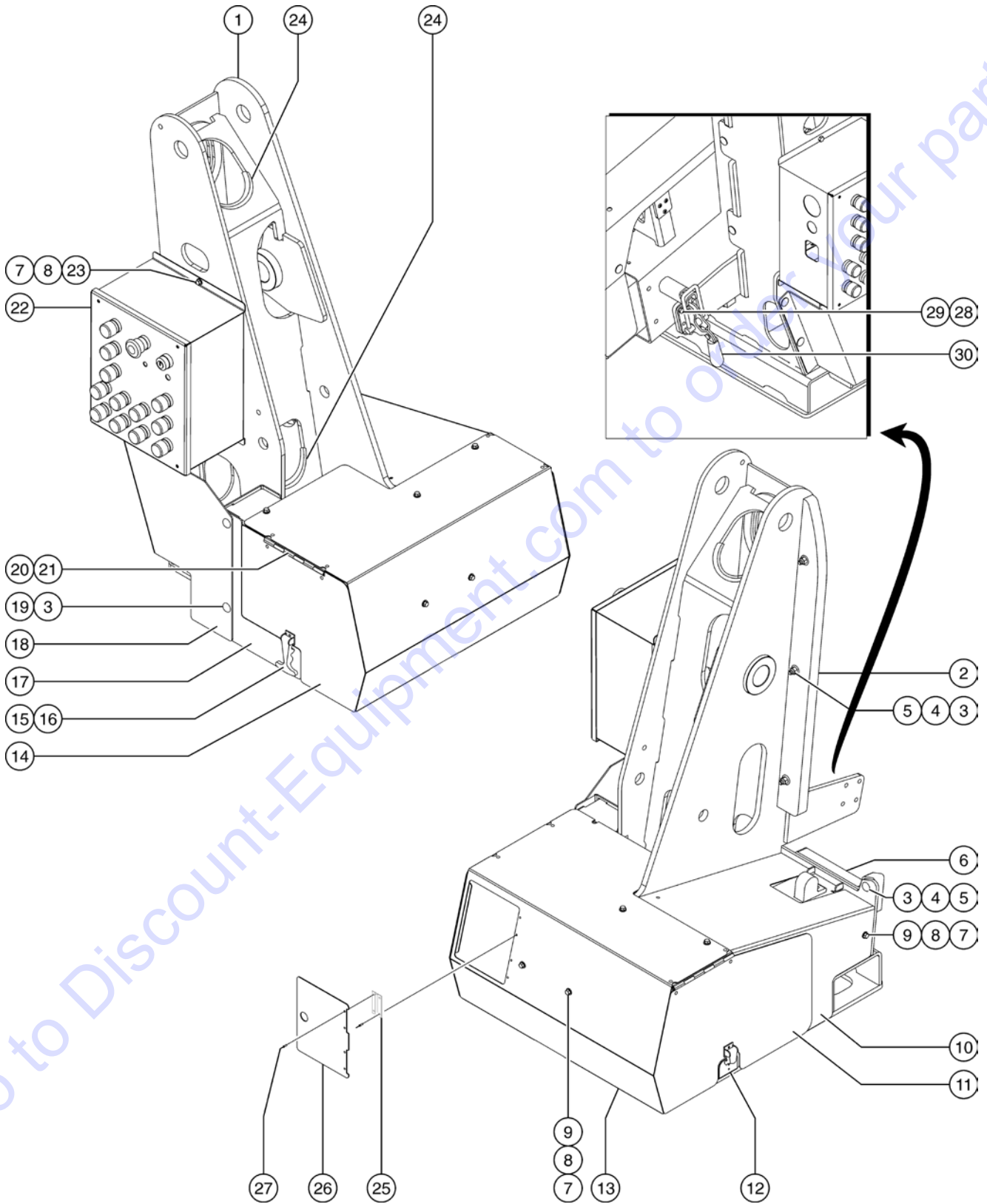
301.2 Turntable Components - View 1



Item	Part No.	Description	Qty.
1		Ref. Turntable Assembly (refer to 401.1)	
2	79544GT	WEARPAD,BOOM LOWERING,SIDE	1
3	4828GT	NUT,NYLOCK,3/8-16	
4	44714GT	WASHER,,.375X1.25X.100	
5	87564GT	BOLT,CARRIAGE,3/8-16 X 2.00,G2	
6	79545GT	WEARPAD,BOOM LOWERING,BOTTOM	1
7	6090GT	SCREW,HHC,1/4-20 X .75	
8	6638GT	WASHER,FLAT,USS,1/4"Y	
9	25969GT	CLIP,SPRING,1/4-20 BLACK	
10A	84723GT	REAR COVER ASSY, WORD DECALS (models with word decals)	1
10B	84724GT	REAR COVER ASSY, SYMBOL DECALS (models with symbol decals)	1
11A	84725GT	DOOR ASSY W/DECALS,WORD,LEFT (models with word decals) (to SN TZ3405-171)	1
11C	84726GT	DOOR ASSY W/DECALS,SYMBOL,LEFT (models with symbol decals) (to SN TZ3405-171)	1
12		Ref. Turntable Latch Mount (refer to 302.1)	
13A	104195GT	KIT,TZ34 HINGED SWING COVER (to SN TZ3404-154) (includes items 7-21, decals, and instructions) (replaced 79614, 79617, 79622, 87667)	1
13B	124099GT	KIT,TZ34 TURNTBL COVER,FRONT (from SN TZ3404-155 to TZ3407-307) (replaced 104001)	1
14A	84727GT	DOOR ASSY W/DECALS,WORD,RIGHT (models with word decals) (to SN TZ3405-171)	1
14C	84728GT	DOOR ASSY W/DECAL,SYMBOL,RIGHT (models with word decals) (to SN TZ3405-171)	1
15	57881GT	LATCH, RUBBER, 3-13/32 X 1-7/8	2
16	7264GT	RIVET,STL,STL,P,.125 X .5	
17		Ref. Turntable Frame (refer to 302.1)	
18A	84729GT	CABLE COVER ASSY, WORD DECALS (models with word decals)	1
18B	84730GT	CABLE COVER ASSY, SYMBOL DECAL (models with symbol decals)	1
19	64154GT	BOLT,CARRIAGE,3/8-16 X1.00,G5	
20A		KIT,TZ34 HINGED SWING COVER*** (to SN TZ3404-154) (refer to item 13A)	
20B	69735GT	HINGE, OFFSET, COVER, CTRLS (from SN TZ3404-155)	2
21	7265GT	RIVET,STEEL,P,.25 X .375	
22		Ref. Ground Control Box (refer to 303.1 or 304.1)	



301.2 Turntable Components - View 1

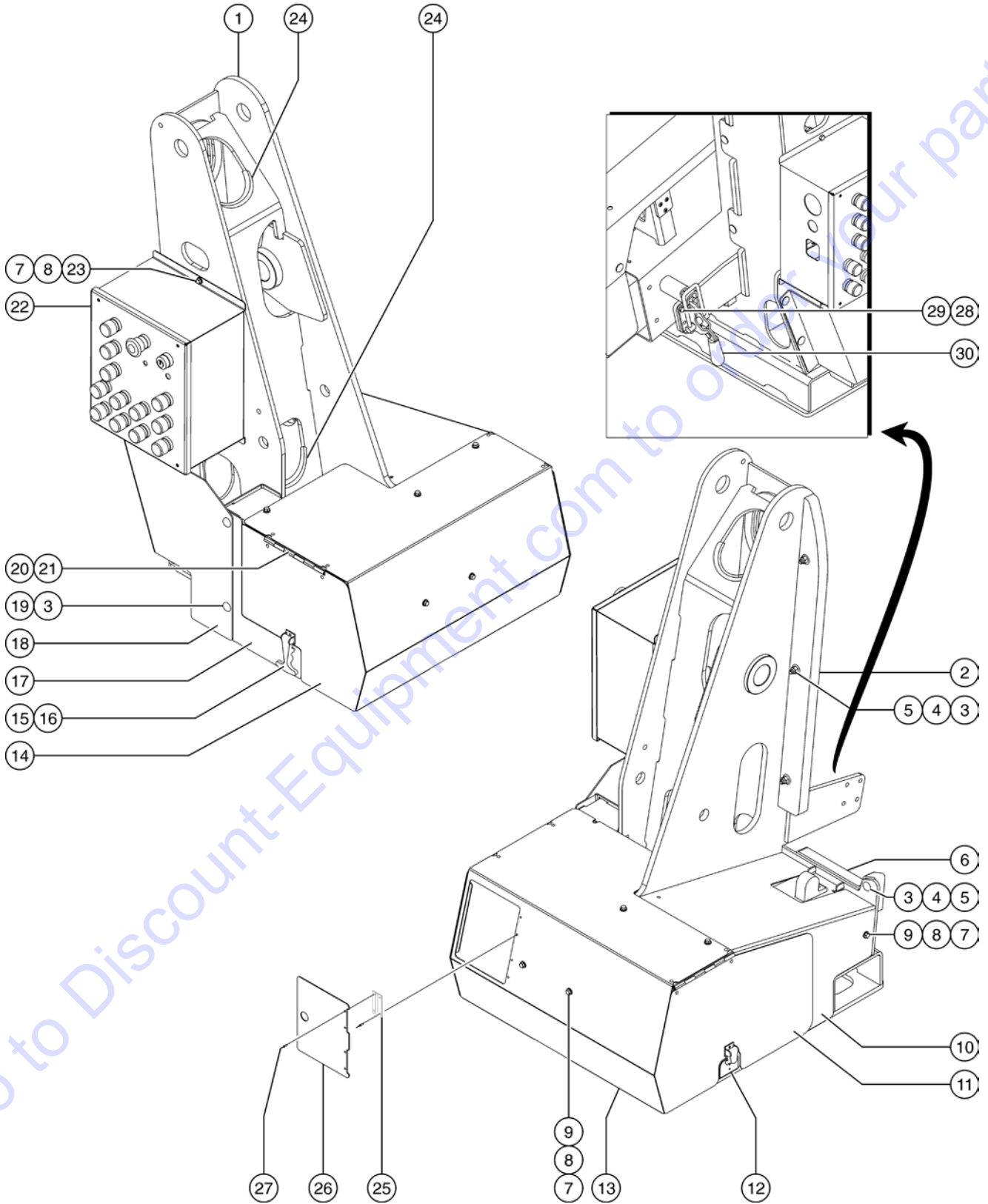


<i>Item</i>	<i>Part No.</i>	<i>Description</i>	<i>Qty.</i>
23	6091GT	NUT,NYLOCK,1/4-20	
24	1698GT	TRIMLOCK,BLACK,3/8	16
25	69510GT	HINGE, BATTERY MOUNT	2
26	105604GT	PLATE,HYD ACCESS DOOR	1
27	55096GT	RIVET,ALUM,ALUM,P,.125 X .337	
28	13002GT	SCREW,HHC,5/16-18 X 1 GR5	
29	6782GT	NUT,NYLOCK,5/16-18	
30	43456GT	CLAMP,TOGGLE,MAST HOLD DOWN	1

Go to Discount-Equipment.com to order your parts



301.3 Turntable Components - View 1

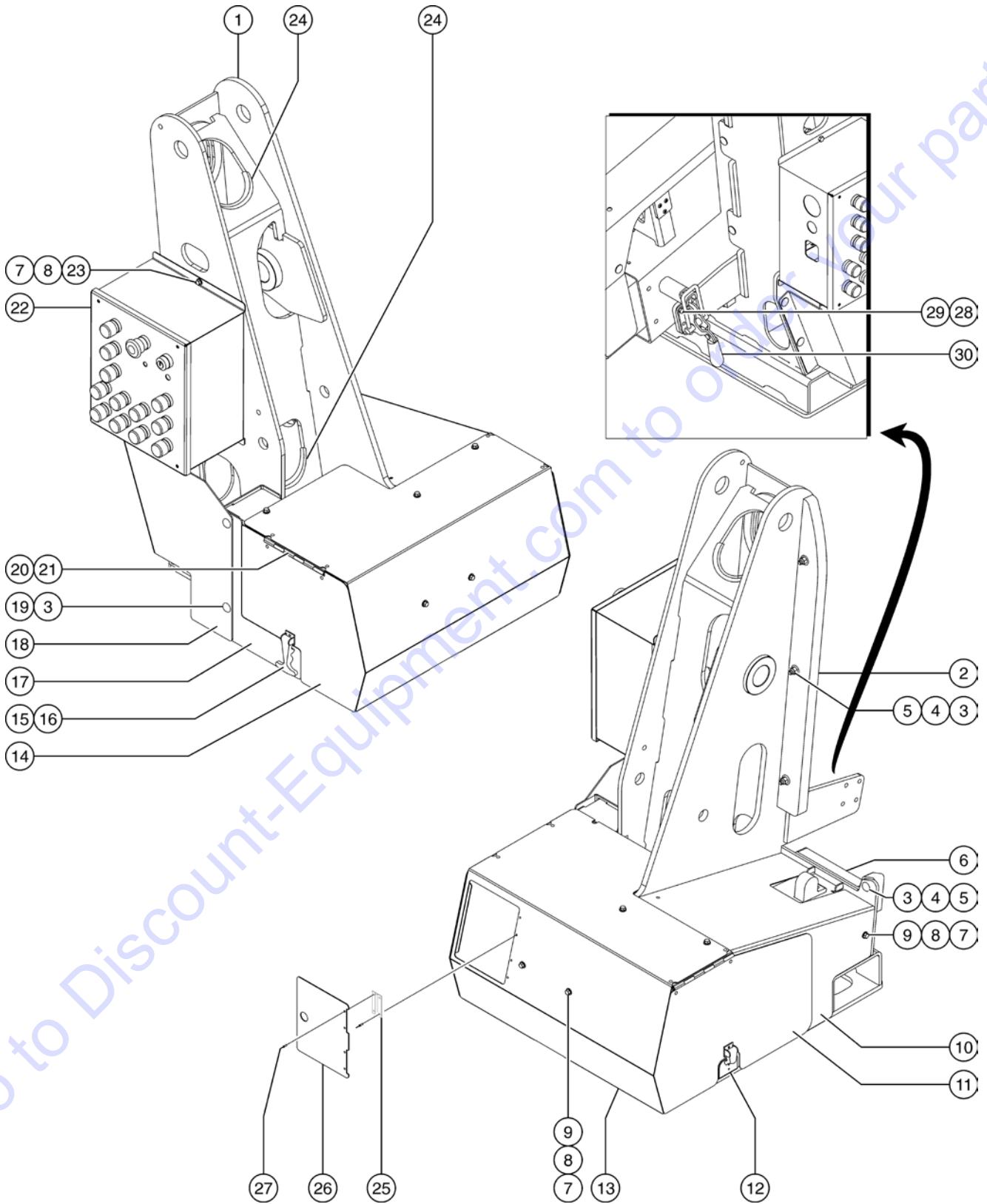


Go to Discount-Equipment.com to order your parts

Item	Part No.	Description	Qty.
1		Ref. Turntable Assembly (refer to 401.1)	
2	79544GT	WEARPAD,BOOM LOWERING,SIDE	1
3	4828GT	NUT,NYLOCK,3/8-16	
4	44714GT	WASHER,,.375X1.25X.100	
5	87564GT	BOLT,CARRIAGE,3/8-16 X 2.00,G2	
6	79545GT	WEARPAD,BOOM LOWERING,BOTTOM	1
7	6090GT	SCREW,HHC,1/4-20 X .75	
8	6638GT	WASHER,FLAT,USS,1/4"Y	
9	25969GT	CLIP,SPRING,1/4-20 BLACK	
10A	84723GT	REAR COVER ASSY, WORD DECALS (models with word decals)	1
10B	84724GT	REAR COVER ASSY, SYMBOL DECALS (models with symbol decals)	1
11A	84725GT	DOOR ASSY W/DECALS,WORD,LEFT (models with word decals) (to SN TZ3405-171)	1
11B	104796GT	DOOR ASSY, WORD DECALS, LEFT (models with word decals) (from SN TZ3405-172)	1
11C	84726GT	DOOR ASSY W/DECALS,SYMBOL,LEFT (models with symbol decals) (to SN TZ3405-171)	1
11D	104797GT	DOOR ASSY, SYMB DECALS, LEFT (models with symbol decals) (from SN TZ3405-172)	1
12		Ref. Turntable Latch Mount (refer to 302.1)	
13B	124099GT	KIT,TZ34 TURNTBL COVER,FRONT (from SN TZ3404-155 to TZ3407-307) (replaced 104001)	1
14A	84727GT	DOOR ASSY W/DECALS,WORD,RIGHT (models with word decals) (to SN TZ3405-171)	1
14B	104794GT	DOOR ASSY, WORD DECALS, RIGHT (models with word decals) (from SN TZ3405-172)	1
14C	84728GT	DOOR ASSY W/DECAL,SYMBOL,RIGHT (models with word decals) (to SN TZ3405-171)	1
14D	104795GT	DOOR ASSY,SYMB DECALS, RIGHT (models with symbol decals) (from SN TZ3405-172)	1
15	57881GT	LATCH, RUBBER, 3-13/32 X 1-7/8	2
16	7264GT	RIVET,STL,STL,P,.125 X .5	
17		Ref. Turntable Frame (refer to 302.1)	
18A	84729GT	CABLE COVER ASSY, WORD DECALS (models with word decals)	1
18B	84730GT	CABLE COVER ASSY, SYMBOL DECAL (models with symbol decals)	1
19	64154GT	BOLT,CARRIAGE,3/8-16 X1.00,G5	
20B	69735GT	HINGE, OFFSET, COVER, CTRLS (from SN TZ3404-155)	2



301.3 Turntable Components - View 1

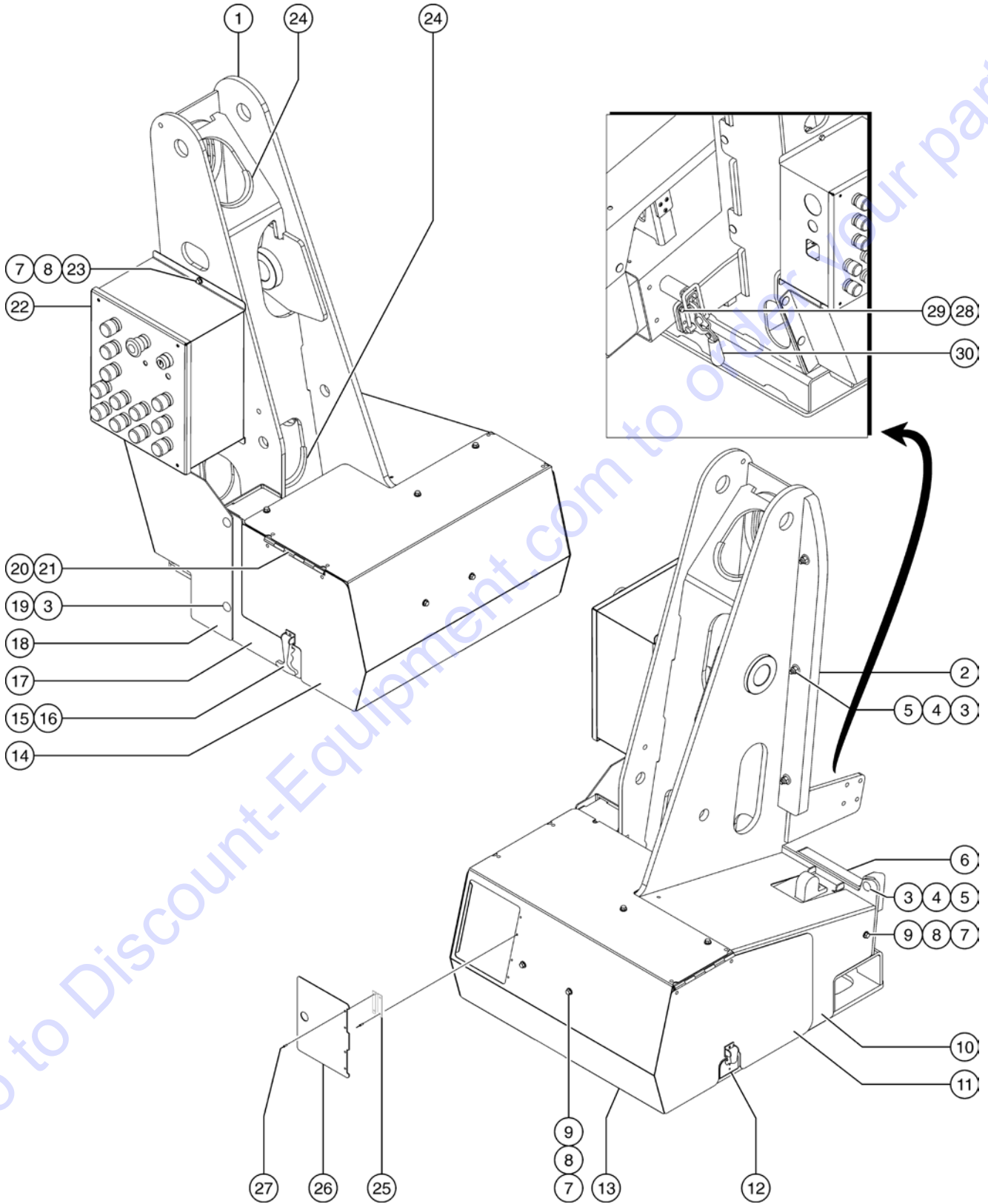


<i>Item</i>	<i>Part No.</i>	<i>Description</i>	<i>Qty.</i>
21	7265GT	RIVET,STEEL,P, .25 X .375	
22		Ref. Ground Control Box	
		(refer to 303.1 or 304.1)	
23	6091GT	NUT,NYLOCK,1/4-20	
24	1698GT	TRIMLOCK,BLACK,3/8	16
25	69510GT	HINGE, BATTERY MOUNT	2
26	105604GT	PLATE,HYD ACCESS DOOR	1
27	55096GT	RIVET,ALUM,ALUM,P,.125 X .337	
28	13002GT	SCREW,HHC,5/16-18 X 1 GR5	
29	6782GT	NUT,NYLOCK,5/16-18	
30	43456GT	CLAMP,TOGGLE,MAST HOLD DOWN	1

Go to Discount-Equipment.com to order your parts



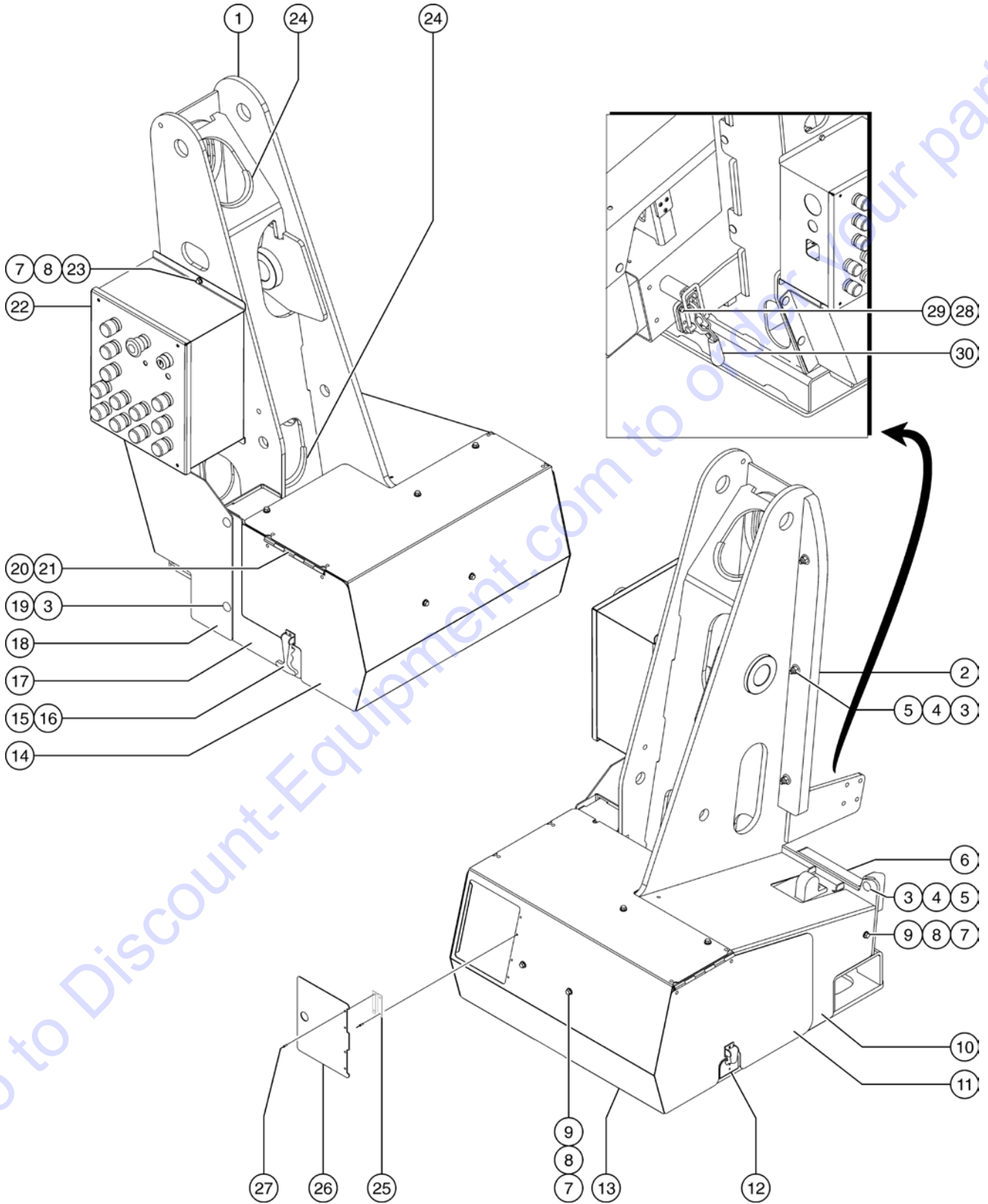
301.4 Turntable Components - View 1



Go to Discount-Equipment.com to order your parts

Item	Part No.	Description	Qty.
1		Ref. Turntable Assembly (refer to 401.1)	
2	79544GT	WEARPAD,BOOM LOWERING,SIDE	1
3	4828GT	NUT,NYLOCK,3/8-16	
4	44714GT	WASHER,,.375X1.25X.100	
5	87564GT	BOLT,CARRIAGE,3/8-16 X 2.00,G2	
6	79545GT	WEARPAD,BOOM LOWERING,BOTTOM	1
7	6090GT	SCREW,HHC,1/4-20 X .75	
8	6638GT	WASHER,FLAT,USS,1/4"Y	
9	25969GT	CLIP,SPRING,1/4-20 BLACK	
10A	84723GT	REAR COVER ASSY, WORD DECALS (models with word decals)	1
10B	84724GT	REAR COVER ASSY, SYMBOL DECALS (models with symbol decals)	1
11B	104796GT	DOOR ASSY, WORD DECALS, LEFT (models with word decals) (from SN TZ3405-172)	1
11D	104797GT	DOOR ASSY, SYMB DECALS, LEFT (models with symbol decals) (from SN TZ3405-172)	1
12		Ref. Turntable Latch Mount (refer to 302.1)	
13B	124099GT	KIT,TZ34 TURNTBL COVER,FRONT (from SN TZ3404-155 to TZ3407-307) (replaced 104001)	1
14B	104794GT	DOOR ASSY, WORD DECALS, RIGHT (models with word decals) (from SN TZ3405-172)	1
14D	104795GT	DOOR ASSY,SYMB DECALS, RIGHT models with symbol decals) (from SN TZ3405-172)	1
15	57881GT	LATCH, RUBBER, 3-13/32 X 1-7/8	2
16	7264GT	RIVET,STL,STL,P,.125 X .5	
17		Ref. Turntable Frame (refer to 302.1)	
18A	84729GT	CABLE COVER ASSY, WORD DECALS (models with word decals)	1
18B	84730GT	CABLE COVER ASSY, SYMBOL DECAL (models with symbol decals)	1
19	64154GT	BOLT,CARRIAGE,3/8-16 X1.00,G5	
20B	69735GT	HINGE, OFFSET, COVER, CTRLS (from SN TZ3404-155)	2
21	7265GT	RIVET,STEEL,P,.25 X .375	
22		Ref. Ground Control Box (refer to 303.1 or 304.1)	
23	6091GT	NUT,NYLOCK,1/4-20	
24	1698GT	TRIMLOCK,BLACK,3/8	16

301.4 Turntable Components - View 1

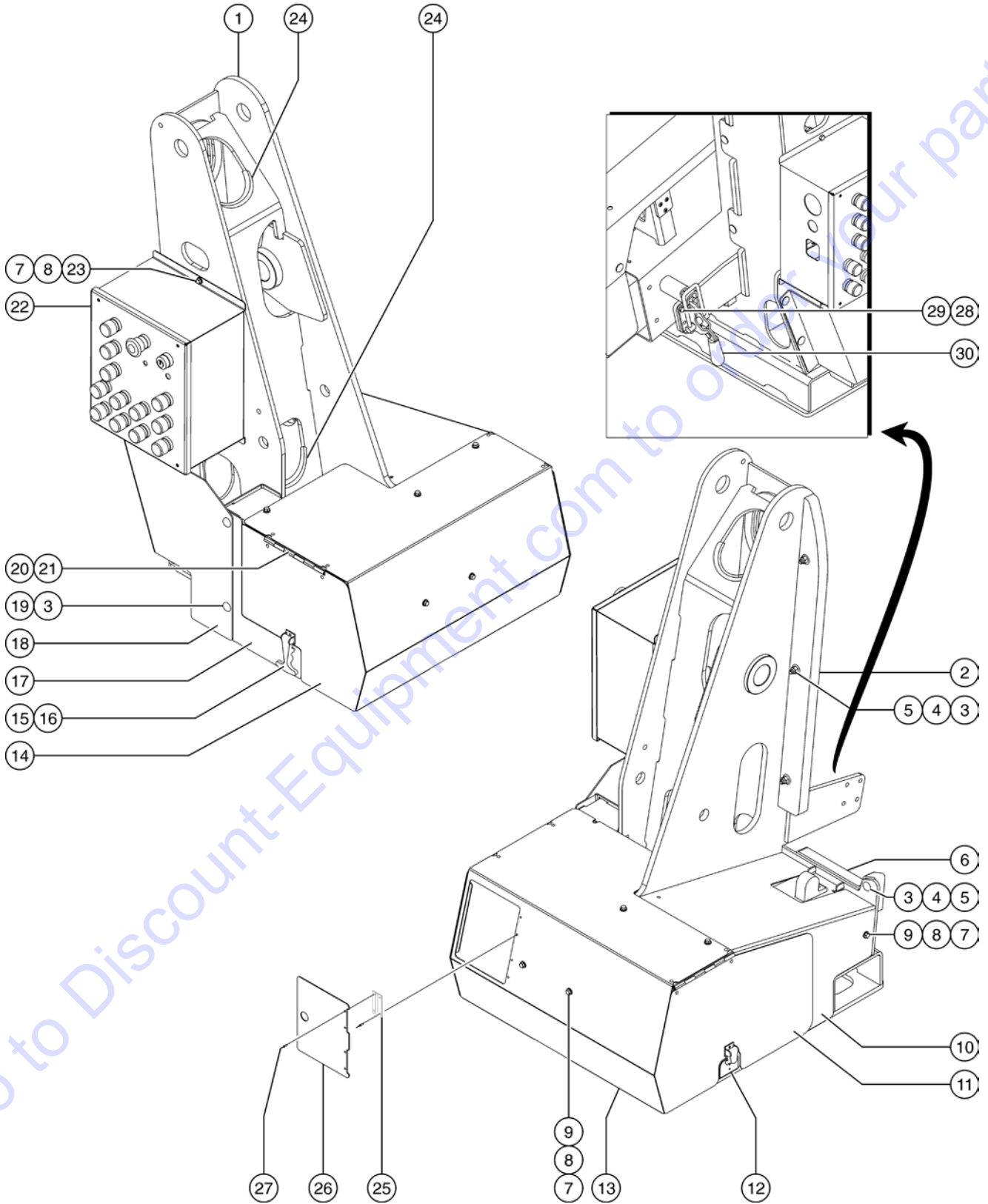


<i>Item</i>	<i>Part No.</i>	<i>Description</i>	<i>Qty.</i>
25	69510GT	HINGE, BATTERY MOUNT	2
26	105604GT	PLATE, HYD ACCESS DOOR	1
27	55096GT	RIVET, ALUM, ALUM, P., 125 X .337	
28	13002GT	SCREW, HHC, 5/16-18 X 1 GR5	
29	6782GT	NUT, NYLOCK, 5/16-18	
30	43456GT	CLAMP, TOGGLE, MAST HOLD DOWN	1

Go to Discount-Equipment.com to order your parts



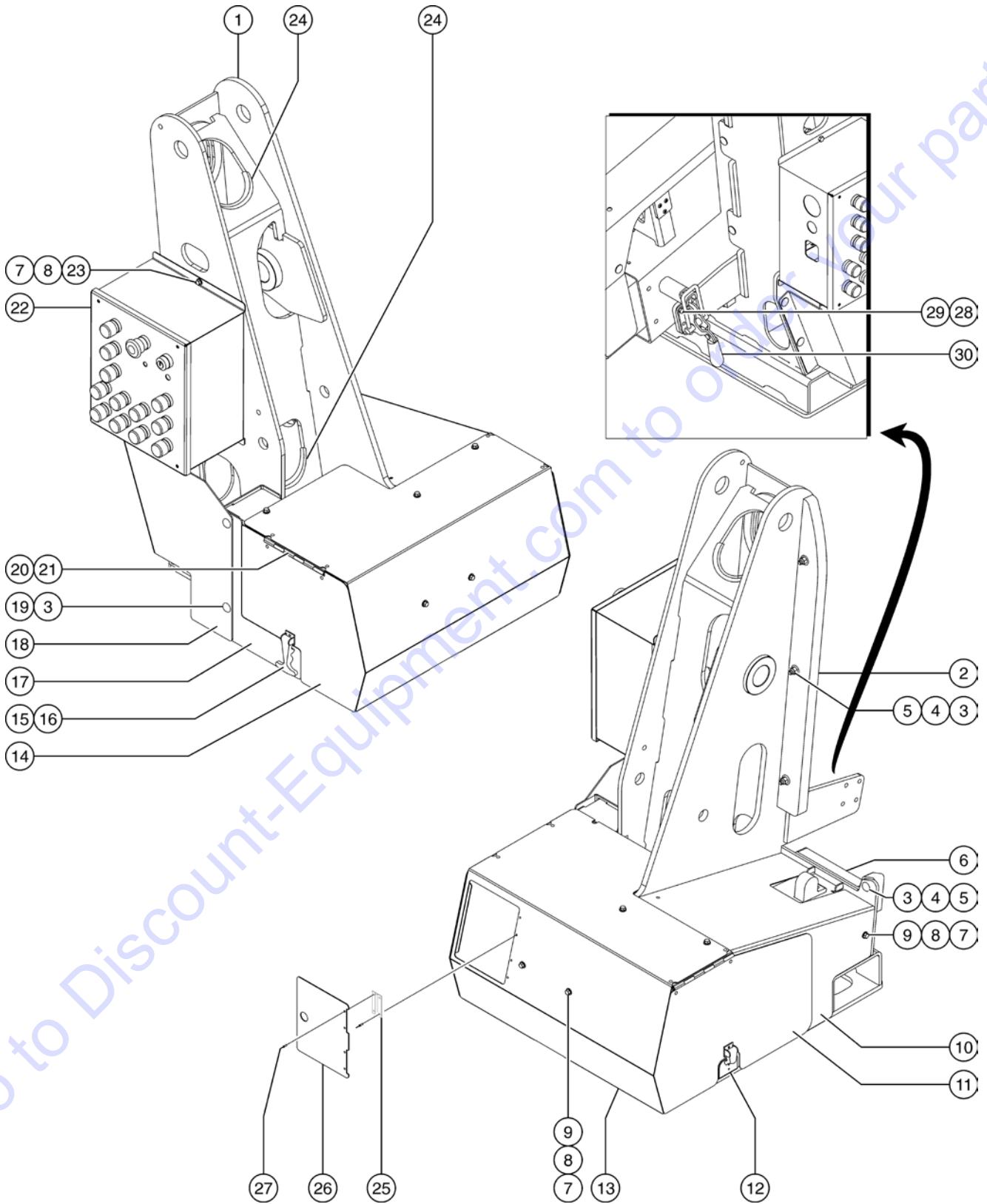
301.5 Turntable Components - View 1



Go to Discount-Equipment.com to order your parts

Item	Part No.	Description	Qty.
1		Ref. Turntable Assembly (refer to 401.1)	
2	79544GT	WEARPAD,BOOM LOWERING,SIDE	1
3	4828GT	NUT,NYLOCK,3/8-16	
4	44714GT	WASHER,,.375X1.25X.100	
5	87564GT	BOLT,CARRIAGE,3/8-16 X 2.00,G2	
6	79545GT	WEARPAD,BOOM LOWERING,BOTTOM	1
7	6090GT	SCREW,HHC,1/4-20 X .75	
8	6638GT	WASHER,FLAT,USS,1/4"Y	
9	25969GT	CLIP,SPRING,1/4-20 BLACK	
10A	84723GT	REAR COVER ASSY, WORD DECALS (models with word decals)	1
10B	84724GT	REAR COVER ASSY, SYMBOL DECALS (models with symbol decals)	1
11B	104796GT	DOOR ASSY, WORD DECALS, LEFT (models with word decals) (from SN TZ3405-172)	1
11D	104797GT	DOOR ASSY, SYMB DECALS, LEFT (models with symbol decals) (from SN TZ3405-172)	1
12		Ref. Turntable Latch Mount (refer to 302.1)	
13B	124099GT	KIT,TZ34 TURNTBL COVER,FRONT (from SN TZ3404-155 to TZ3407-307) (replaced 104001)	1
13C	105668GT	WLDMNT, TRNTBL COVER, FRONT (from SN TZ3407-308)	1
14B	104794GT	DOOR ASSY, WORD DECALS, RIGHT (models with word decals) (from SN TZ3405-172)	1
14D	104795GT	DOOR ASSY,SYMB DECALS, RIGHT models with symbol decals) (from SN TZ3405-172)	1
15	57881GT	LATCH, RUBBER, 3-13/32 X 1-7/8	2
16	7264GT	RIVET,STL,STL,P,.125 X .5	
17		Ref. Turntable Frame (refer to 302.1)	
18A	84729GT	CABLE COVER ASSY, WORD DECALS (models with word decals)	1
18B	84730GT	CABLE COVER ASSY, SYMBOL DECAL (models with symbol decals)	1
19	64154GT	BOLT,CARRIAGE,3/8-16 X1.00,G5	
20B	69735GT	HINGE, OFFSET, COVER, CTRLS (from SN TZ3404-155)	2
21	7265GT	RIVET,STEEL,P, .25 X .375	
22		Ref. Ground Control Box (refer to 303.1 or 304.1)	
23	6091GT	NUT,NYLOCK,1/4-20	

301.5 Turntable Components - View 1



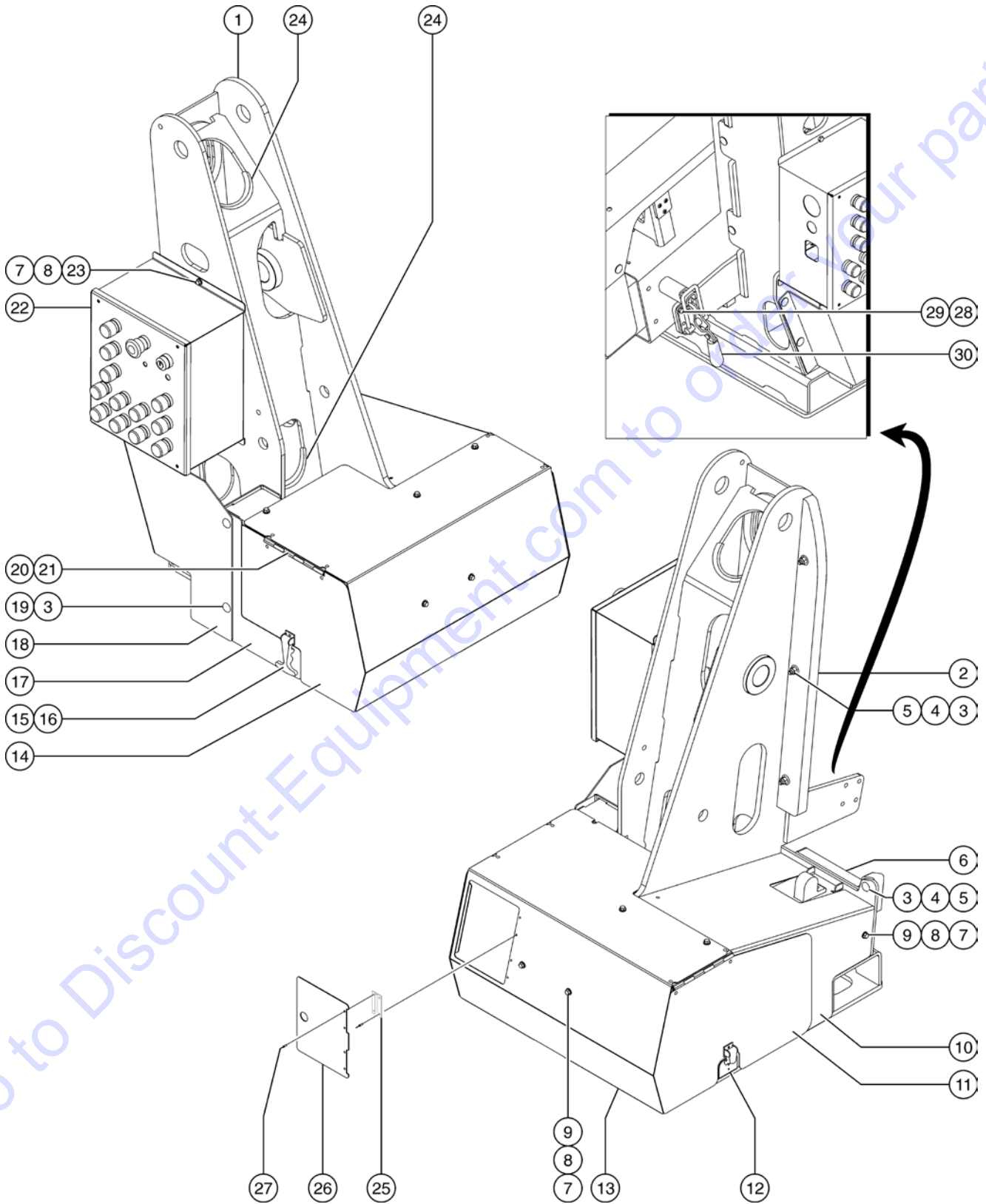
Go to Discount-Equipment.com to order your parts

<i>Item</i>	<i>Part No.</i>	<i>Description</i>	<i>Qty.</i>
24	1698GT	TRIMLOCK,BLACK,3/8	16
25	69510GT	HINGE, BATTERY MOUNT	2
26	105604GT	PLATE,HYD ACCESS DOOR	1
27	55096GT	RIVET,ALUM,ALUM,P,.125 X .337	
28	13002GT	SCREW,HHC,5/16-18 X 1 GR5	
29	6782GT	NUT,NYLOCK,5/16-18	
30	43456GT	CLAMP,TOGGLE,MAST HOLD DOWN	1

Go to Discount-Equipment.com to order your parts



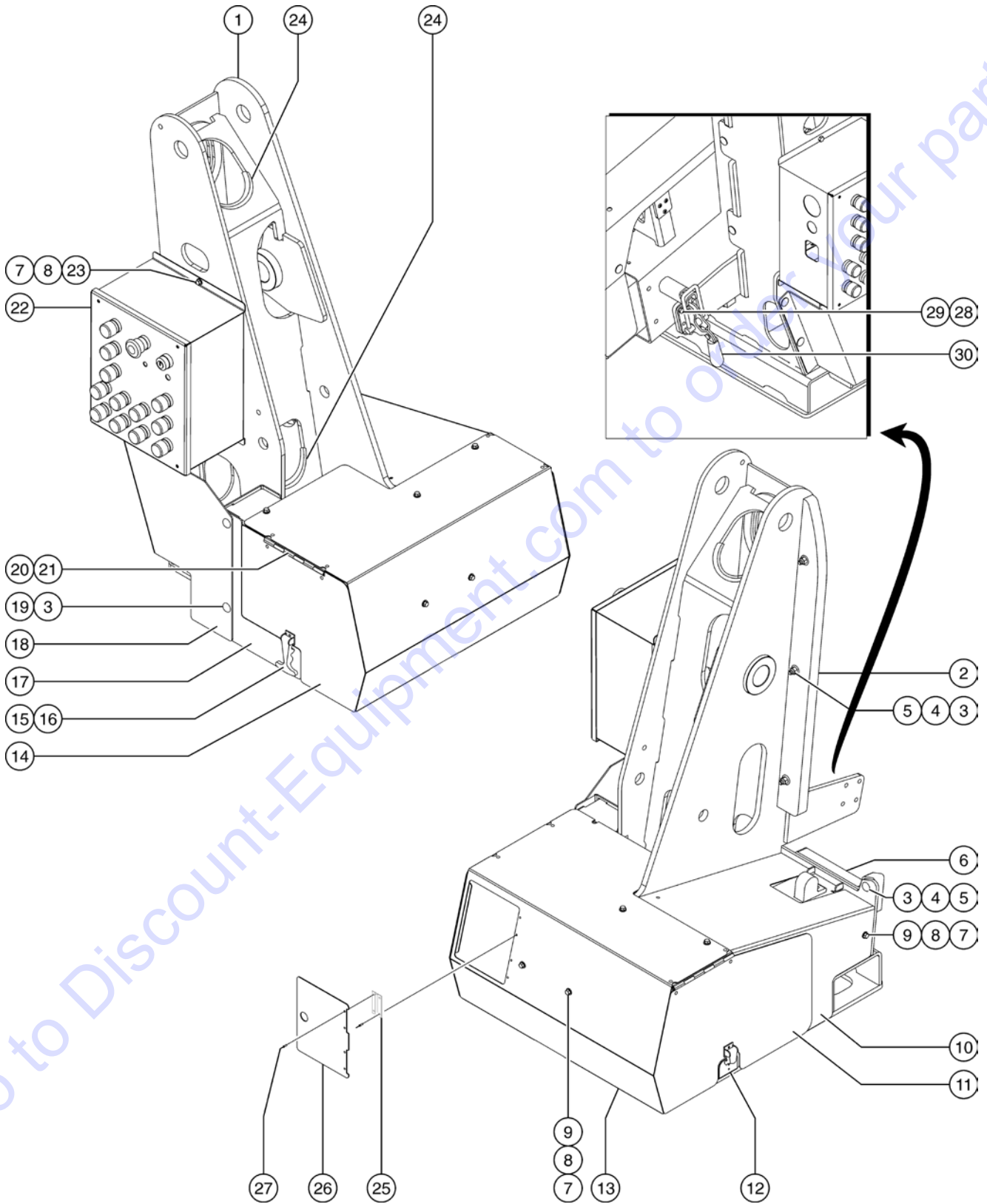
301.6 Turntable Components - View 1



Go to Discount-Equipment.com to order your parts

Item	Part No.	Description	Qty.
1		Ref. Turntable Assembly (refer to 401.1)	
2	79544GT	WEARPAD,BOOM LOWERING,SIDE	1
3	4828GT	NUT,NYLOCK,3/8-16	
4	44714GT	WASHER,,.375X1.25X.100	
5	87564GT	BOLT,CARRIAGE,3/8-16 X 2.00,G2	
6	79545GT	WEARPAD,BOOM LOWERING,BOTTOM	1
7	6090GT	SCREW,HHC,1/4-20 X .75	
8	6638GT	WASHER,FLAT,USS,1/4"Y	
9	25969GT	CLIP,SPRING,1/4-20 BLACK	
10A	84723GT	REAR COVER ASSY, WORD DECALS (models with word decals)	1
10B	84724GT	REAR COVER ASSY, SYMBOL DECALS (models with symbol decals)	1
11B	104796GT	DOOR ASSY, WORD DECALS, LEFT (models with word decals) (from SN TZ3405-172)	1
11D	104797GT	DOOR ASSY, SYMB DECALS, LEFT (models with symbol decals) (from SN TZ3405-172)	1
12		Ref. Turntable Latch Mount (refer to 302.1)	
13C	105668GT	WLDMNT, TRNTBL COVER, FRONT (from SN TZ3407-308)	1
14B	104794GT	DOOR ASSY, WORD DECALS, RIGHT (models with word decals) (from SN TZ3405-172)	1
14D	104795GT	DOOR ASSY,SYMB DECALS, RIGHT models with symbol decals) (from SN TZ3405-172)	1
15	57881GT	LATCH, RUBBER, 3-13/32 X 1-7/8	2
16	7264GT	RIVET,STL,STL,P,.125 X .5	
17		Ref. Turntable Frame (refer to 302.1)	
18A	84729GT	CABLE COVER ASSY, WORD DECALS (models with word decals)	1
18B	84730GT	CABLE COVER ASSY, SYMBOL DECAL (models with symbol decals)	1
19	64154GT	BOLT,CARRIAGE,3/8-16 X1.00,G5	
20B	69735GT	HINGE, OFFSET, COVER, CTRLS (from SN TZ3404-155)	2
21	7265GT	RIVET,STEEL,P, .25 X .375	
22		Ref. Ground Control Box (refer to 303.1 or 304.1)	
23	6091GT	NUT,NYLOCK,1/4-20	
24	1698GT	TRIMLOCK,BLACK,3/8	16

301.6 Turntable Components - View 1



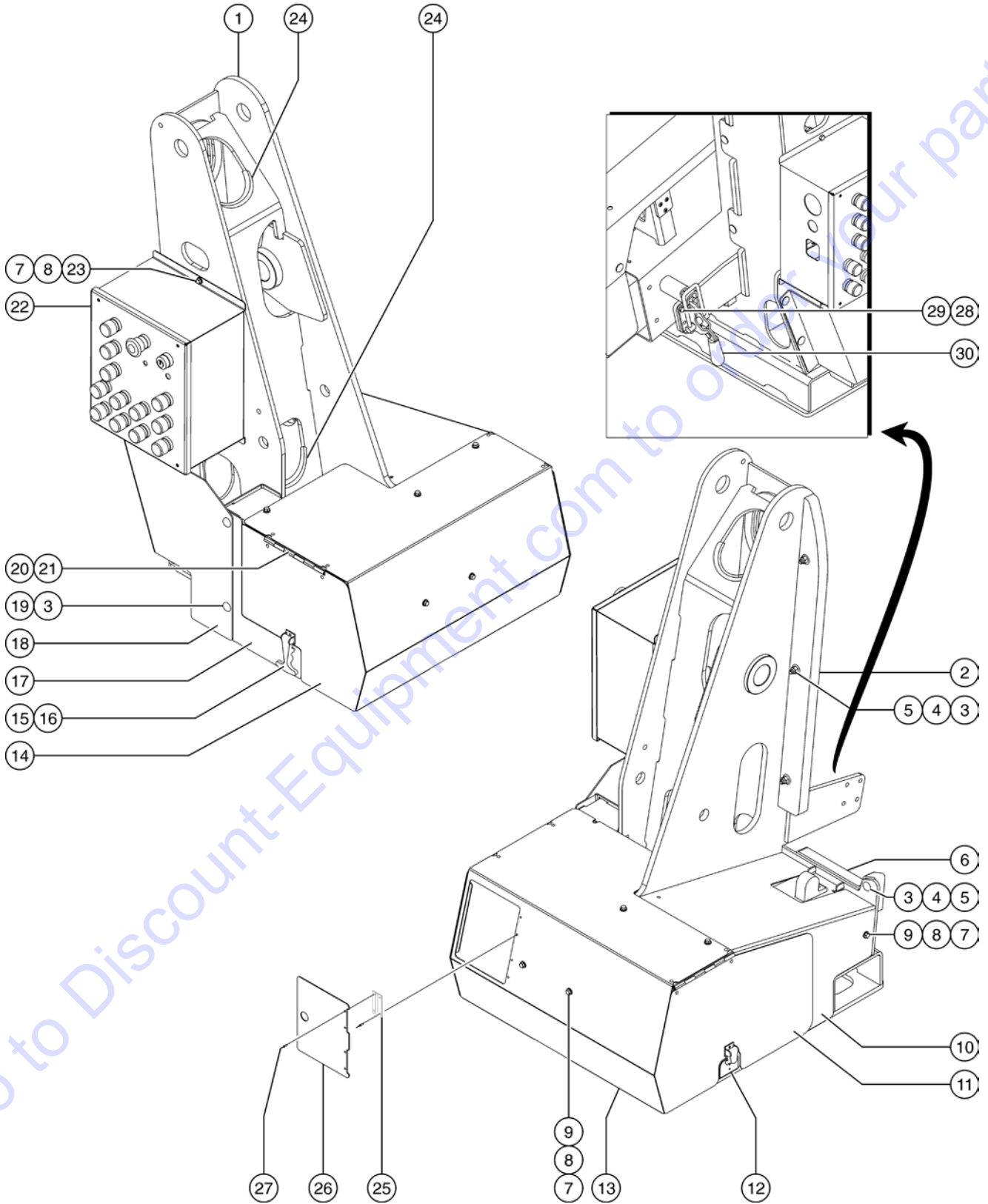
Go to Discount-Equipment.com to order your parts

<i>Item</i>	<i>Part No.</i>	<i>Description</i>	<i>Qty.</i>
25	69510GT	HINGE, BATTERY MOUNT	2
26	105604GT	PLATE, HYD ACCESS DOOR	1
27	55096GT	RIVET, ALUM, ALUM, P., 125 X .337	
28	13002GT	SCREW, HHC, 5/16-18 X 1 GR5	
29	6782GT	NUT, NYLOCK, 5/16-18	
30	43456GT	CLAMP, TOGGLE, MAST HOLD DOWN	1

Go to Discount-Equipment.com to order your parts

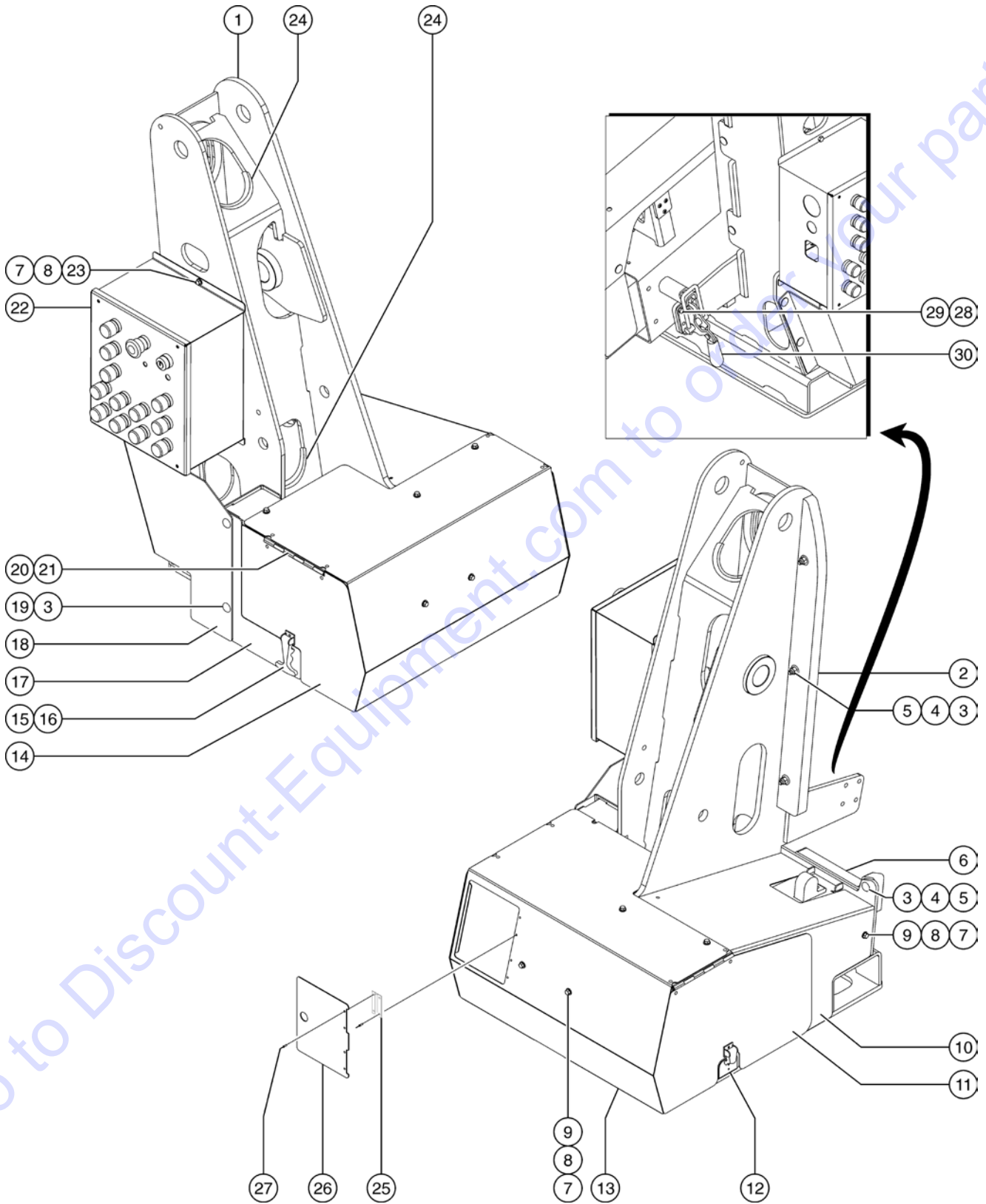


301.7 Turntable Components - View 1 (from SN TZ3414-982)



Item	Part No.	Description	Qty.
1		Ref. Turntable Assembly (refer to 401.1)	
2	79544GT	WEARPAD,BOOM LOWERING,SIDE	1
3	4828GT	NUT,NYLOCK,3/8-16	
4	44714GT	WASHER,,.375X1.25X.100	
5	87564GT	BOLT,CARRIAGE,3/8-16 X 2.00,G2	
6	218057GT	WEARPAD,BOOM LOWERING,BOTTOM	1
7	824059GT	SCREW,HHC,1/4-20X.75,8,ZAG	
8	6638GT	WASHER,FLAT,USS,1/4"Y	
9	25969GT	CLIP,SPRING,1/4-20 BLACK	
10C	1254673GT	REAR COVER ASSY, WORD DECALS (models with word decals) (from SN TZ3414-982)	1
10D	1254674GT	REAR COVER ASSY, SYMBOL DECALS (models with symbol decals) (from SN TZ3414-982)	1
11E	1254659GT	DOOR ASSY, WORD DECALS, LEFT (models with word decals) (from SN TZ3414-982)	1
11F	1254657GT	DOOR ASSY, SYMB DECALS, LEFT (models with symbol decals) (from SN TZ3414-982)	1
12		Ref. Turntable Latch Mount (refer to 302.1)	
13D	1251921GT	WLDMNT, TRNTBL COVER, FRONT (from SN TZ3414-982)	1
14E	1260908GT	DOOR ASSY, WORD DECALS, RIGHT (models with word decals) (from SN TZ3414-982)	1
14F	1260909GT	DOOR ASSY,SYMB DECALS, RIGHT (models with symbol decals) (from SN TZ3414-982)	1
15	57881GT	LATCH, RUBBER, 3-13/32 X 1-7/8	2
16	7264GT	RIVET,STL,STL,P,.125 X .5	
17		Ref. Turntable Frame (refer to 302.1)	
18A	84729GT	CABLE COVER ASSY, WORD DECALS (models with word decals)	1
18B	84730GT	CABLE COVER ASSY, SYMBOL DECAL (models with symbol decals)	1
19	64154GT	BOLT,CARRIAGE,3/8-16 X1.00,G5	
20B	69735GT	HINGE, OFFSET, COVER, CTRLS (from SN TZ3404-155)	2
21	7265GT	RIVET,STEEL,P,.25 X .375	
22		Ref. Ground Control Box (refer to 303.4)	
23	824024GT	NUT,TL,1/4-20,C,ZAG	
24	1698GT	TRIMLOCK,BLACK,3/8	16

301.7 Turntable Components - View 1 (from SN TZ3414-982)



Go to Discount-Equipment.com to order your parts

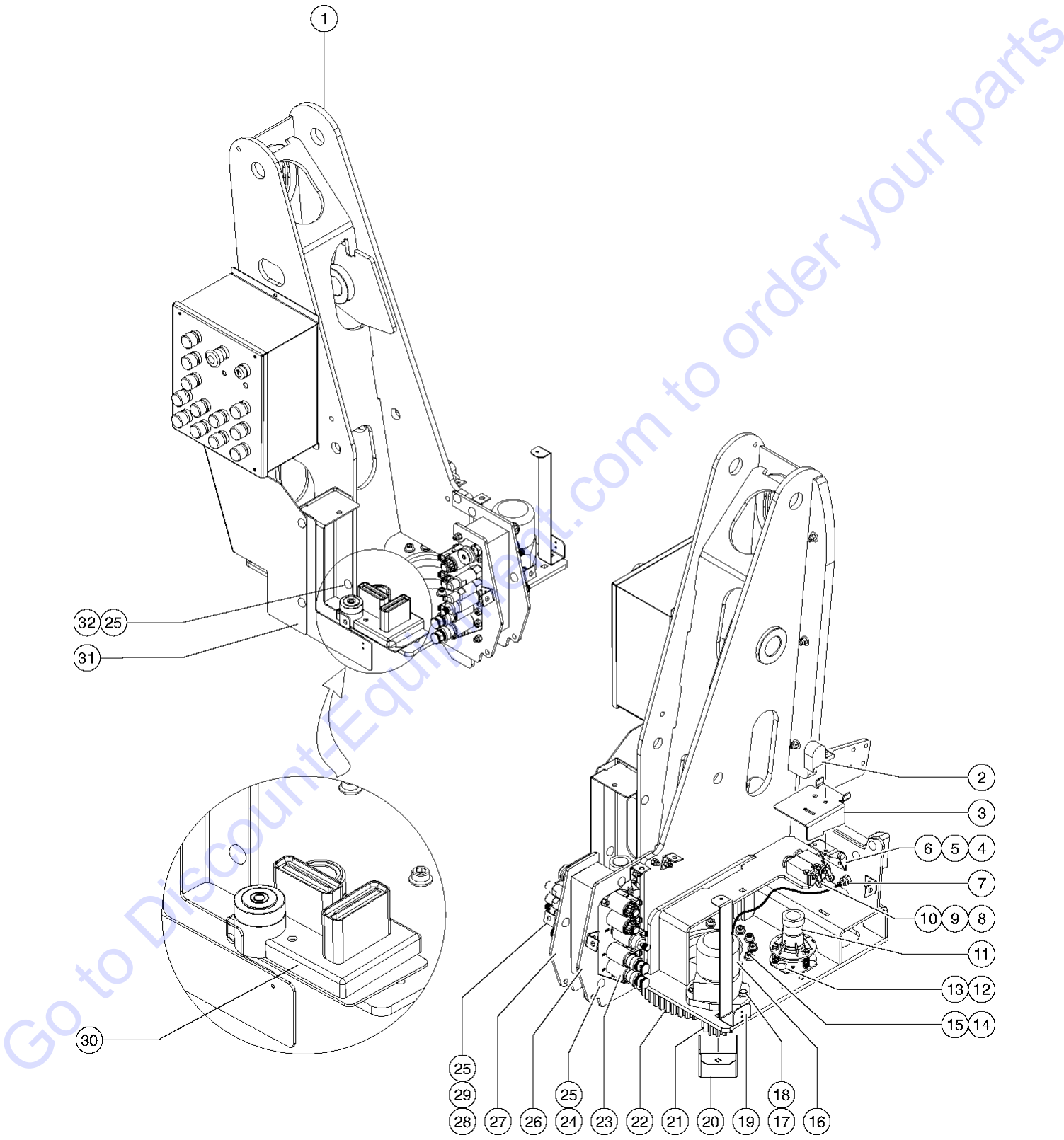
301.7 Turntable Components - View 1 (from SN TZ3414-982)

<i>Item</i>	<i>Part No.</i>	<i>Description</i>	<i>Qty.</i>
25	69510GT	HINGE, BATTERY MOUNT	2
26	105604GT	PLATE, HYD ACCESS DOOR	1
27	55096GT	RIVET, ALUM, ALUM, P., 125 X .337	
28	13002GT	SCREW, HHC, 5/16-18 X 1 GR5	
29	6782GT	NUT, NYLOCK, 5/16-18	
30	43456GT	CLAMP, TOGGLE, MAST HOLD DOWN	1

Go to Discount-Equipment.com to order your parts

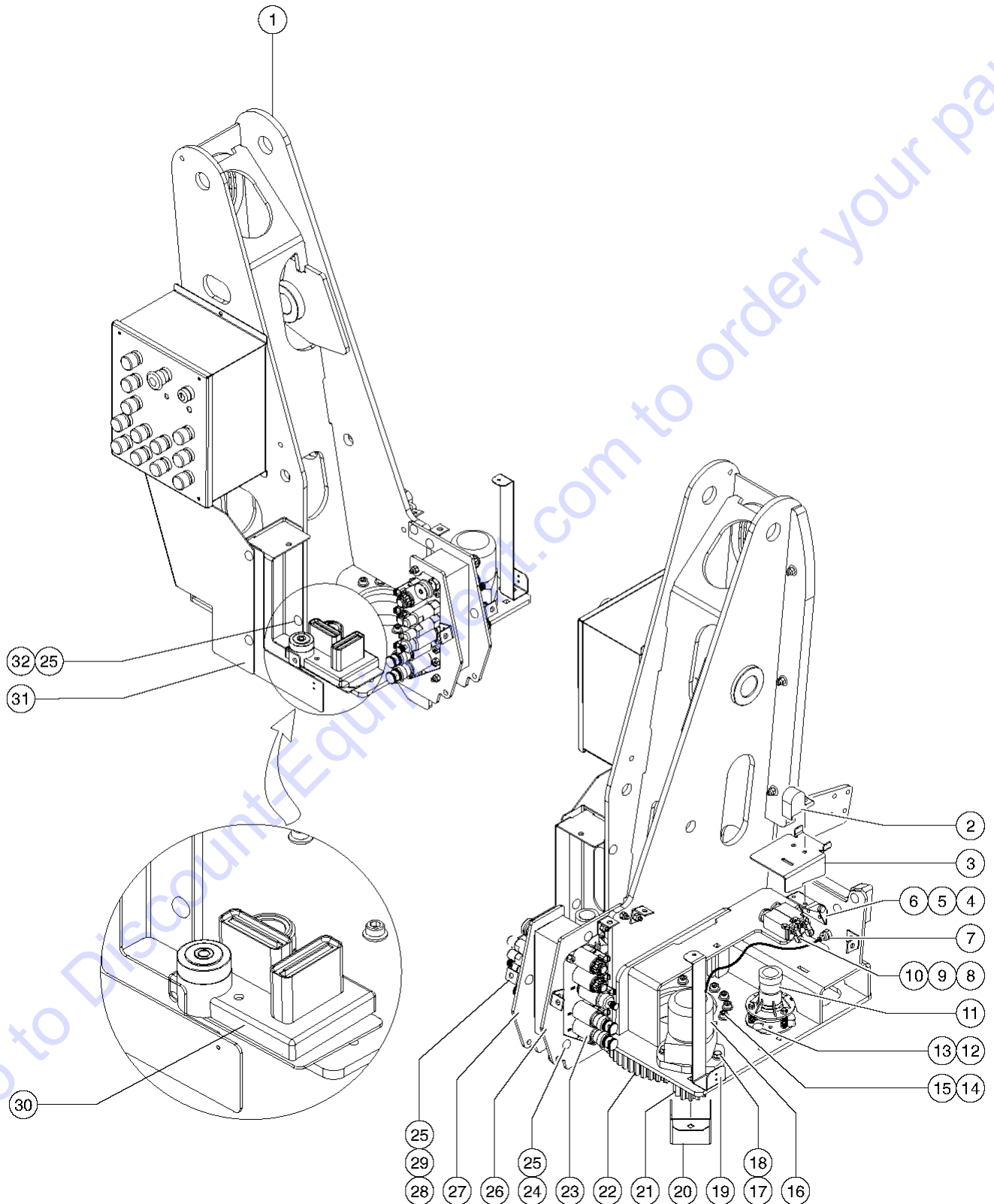


302.1 Turntable Components - View 2



Item	Part No.	Description	Qty.
1		Ref. Turntable Assembly (refer to 401.1)	
2	99247GT	WEARPAD, LIMIT SWITCH DOOR	1
3	105533GT	FORMING,LIMIT SWITCH DOOR	1
4	104804GT	HINGE, SPRING, LONG LEG	1
5	13002GT	SCREW,HHC,5/16-18 X 1 GR5	
6	6782GT	NUT,NYLOCK,5/16-18	
7	104735GT	GREASE HOSE ASSEMBLY	1
7	28646GT	ZERK,GREASE,1/8 NPT	
7	30886GT	HOSE ASSEMBLY,19"	
7	48885GT	CONNECTOR,BULKHEAD,FEMALE-4	
7	49520GT	FITTING,070302-4	
8	99285GT	LIMIT SWITCH,DUAL W/HARNESS	1
8-	88356-146R1GT	SWITCH,LIMIT,TABULATED,BLUE**	
8-	19491GT	CONTACTOR,LIMIT SWITCH	
9	51063GT	SCREW,PHILLIPS,RHM,10-32 X 1.5	
10	6178GT	NUT, NYLOCK, 10-32	
11	87445GT	SENSOR,LEVEL,2.5 DEGREE	1
12	79456GT	BOLT,CARRIAGE,1/4-20 X 1.00,G2	
13	6091GT	NUT,NYLOCK,1/4-20	
14A	74712GT	SCREW,SHC,5/8-11 X 2.75,A574 bearing-to-turntable	15
14B	42695GT	SCREW,SHC,1/2-13 X 2 bearing-to-chassis	16
15	13064GT	WASHER,FLAT,.625 HARDENED foruse with 74712	15
16	87473GT	MOTOR,HYD. T34	1
16-	84312GT	SEAL KIT,ROTATE MOTOR	
17	6096GT	SCREW,HHC,1/2-13 X 2 GR5	
18	1274320GT	NUT,NYLOCK,1/2-13,C,ZAG	
19A	104195GT	KIT,TZ34 HINGED SWING COVER (to SN TZ3404-154)	
20	99232GT	FORMING,PINION GUARD	1

302.1 Turntable Components - View 2

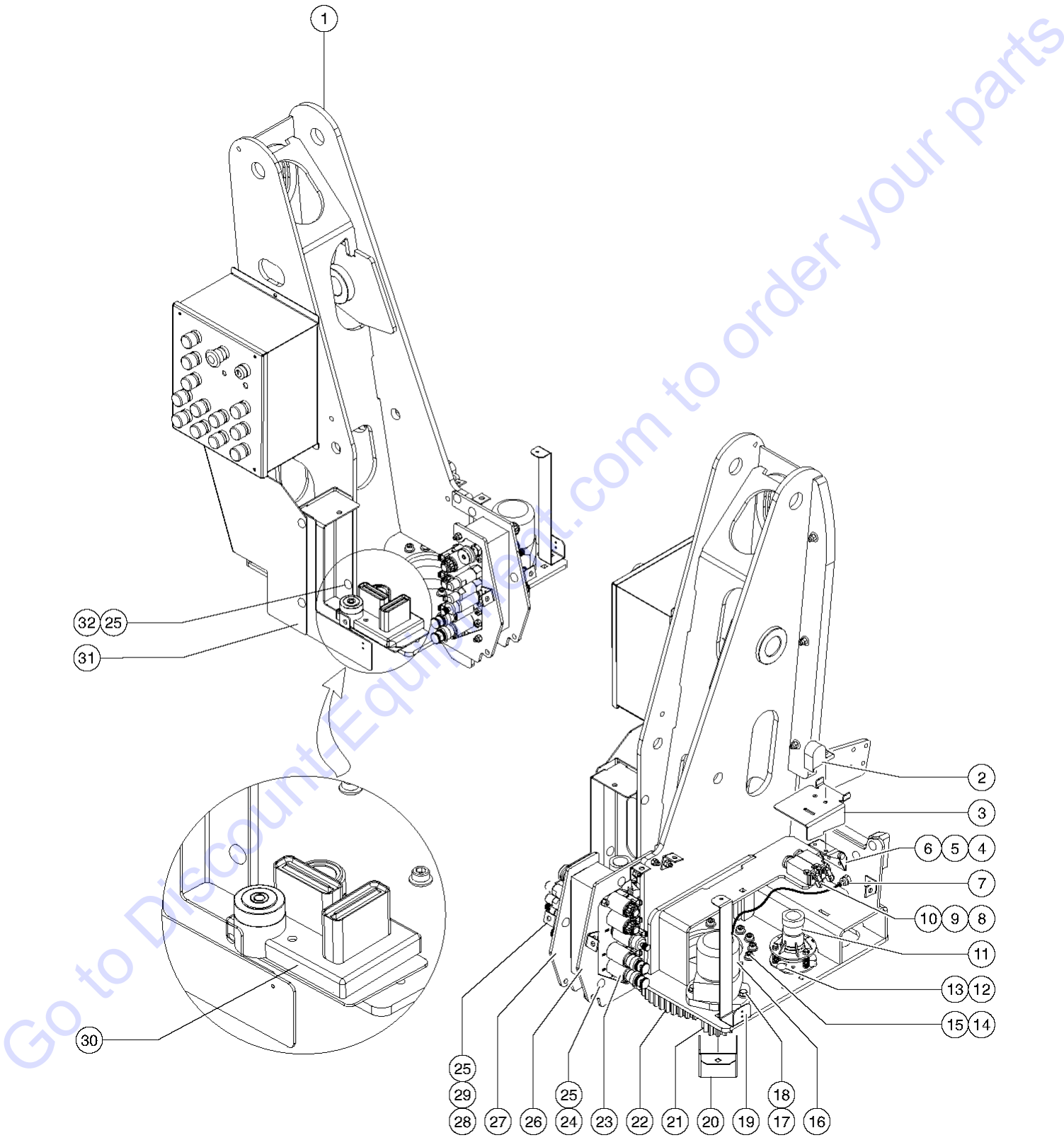


Item	Part No.	Description	Qty.
21	87721GT	GEAR,PINION 5/7 D.P	1
22	87410GT	BEARING,ROTATION	1
23		Ref. Function Manifold (refer to 602.1 or 603.1)	
24	87530GT	BOLT,CARRIAGE,3/8-16 X 4.00,G2	
25	4828GT	NUT,NYLOCK,3/8-16	
26	79625GT	PLATE,LIFT MANIFOLD SUPPORT,LT	1
27	79624GT	PLATE,LIFT MANIFOLD SUPPORT,RT	1
28	79569GT	BRACKET,COVER MOUNT	6
29	64154GT	BOLT,CARRIAGE,3/8-16 X1.00,G5	
30B	104739GT	KIT,TZ34 AUTOLEVEL REPLACEMNT (to SN TZ3405-189)	1
31A		Ref. SWING COVER (refer to 301.1)	
31C	104195GT	KIT,TZ34 HINGED SWING COVER (to SN TZ3404-154)	

Go to Discount-Equipment.com to order your parts

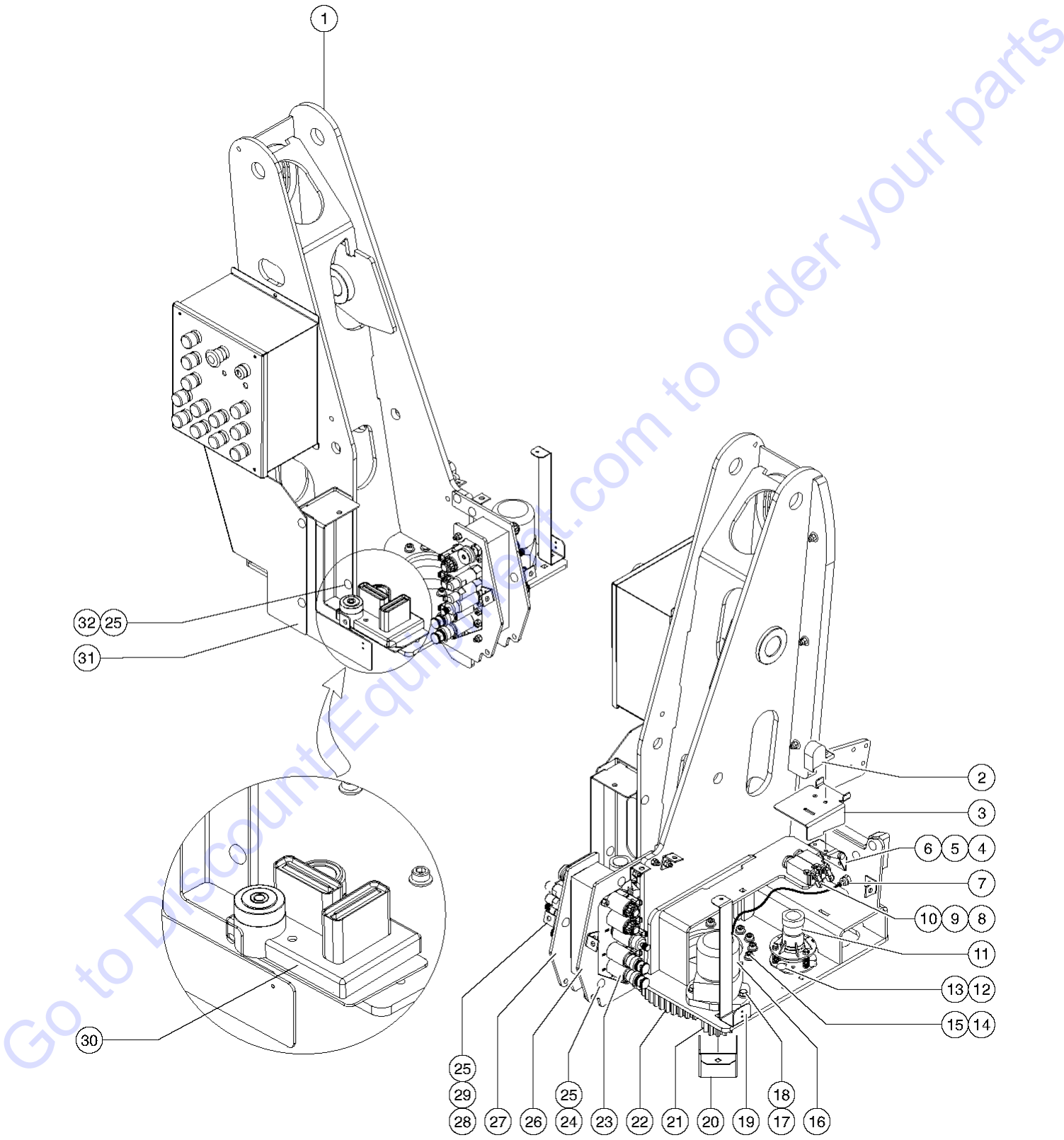


302.2 Turntable Components - View 2



Item	Part No.	Description	Qty.
1		Ref. Turntable Assembly (refer to 401.1)	
2	99247GT	WEARPAD, LIMIT SWITCH DOOR	1
4	104804GT	HINGE, SPRING, LONG LEG	1
5	13002GT	SCREW,HHC,5/16-18 X 1 GR5	
6	6782GT	NUT,NYLOCK,5/16-18	
7	104735GT	GREASE HOSE ASSEMBLY	1
7	28646GT	ZERK,GREASE,1/8 NPT	
7	30886GT	HOSE ASSEMBLY,19"	
7	48885GT	CONNECTOR,BULKHEAD,FEMALE-4	
7	49520GT	FITTING,070302-4	
8	99285GT	LIMIT SWITCH,DUAL W/HARNESS	1
8-	88356-146R1GT	SWITCH,LIMIT,TABULATED,BLUE**	
8-	19491GT	CONTACTOR,LIMIT SWITCH	
9	51063GT	SCREW,PHILLIPS,RHM,10-32 X 1.5	
10	6178GT	NUT, NYLOCK, 10-32	
11	87445GT	SENSOR,LEVEL,2.5 DEGREE	1
12	79456GT	BOLT,CARRIAGE,1/4-20 X 1.00,G2	
13	6091GT	NUT,NYLOCK,1/4-20	
14A	74712GT	SCREW,SHC,5/8-11 X 2.75,A574	15
		bearing-to-turntable	
14B	42695GT	SCREW,SHC,1/2-13 X 2	16
		bearing-to-chassis	
15	13064GT	WASHER,FLAT,.625 HARDENED	15
		for use with 74712	
16	87473GT	MOTOR,HYD. T34	1
16-	84312GT	SEAL KIT,ROTATE MOTOR	
17	6096GT	SCREW,HHC,1/2-13 X 2 GR5	
18	1274320GT	NUT,NYLOCK,1/2-13,C,ZAG	
19A	104195GT	KIT,TZ34 HINGED SWING COVER	1
		(to SN TZ3404-154)	
19B	104009GT	FORMING,TURNTABLE LATCH MOUNT	
		(from SN TZ3404-155)	
20	99232GT	FORMING,PINION GUARD	1

302.2 Turntable Components - View 2

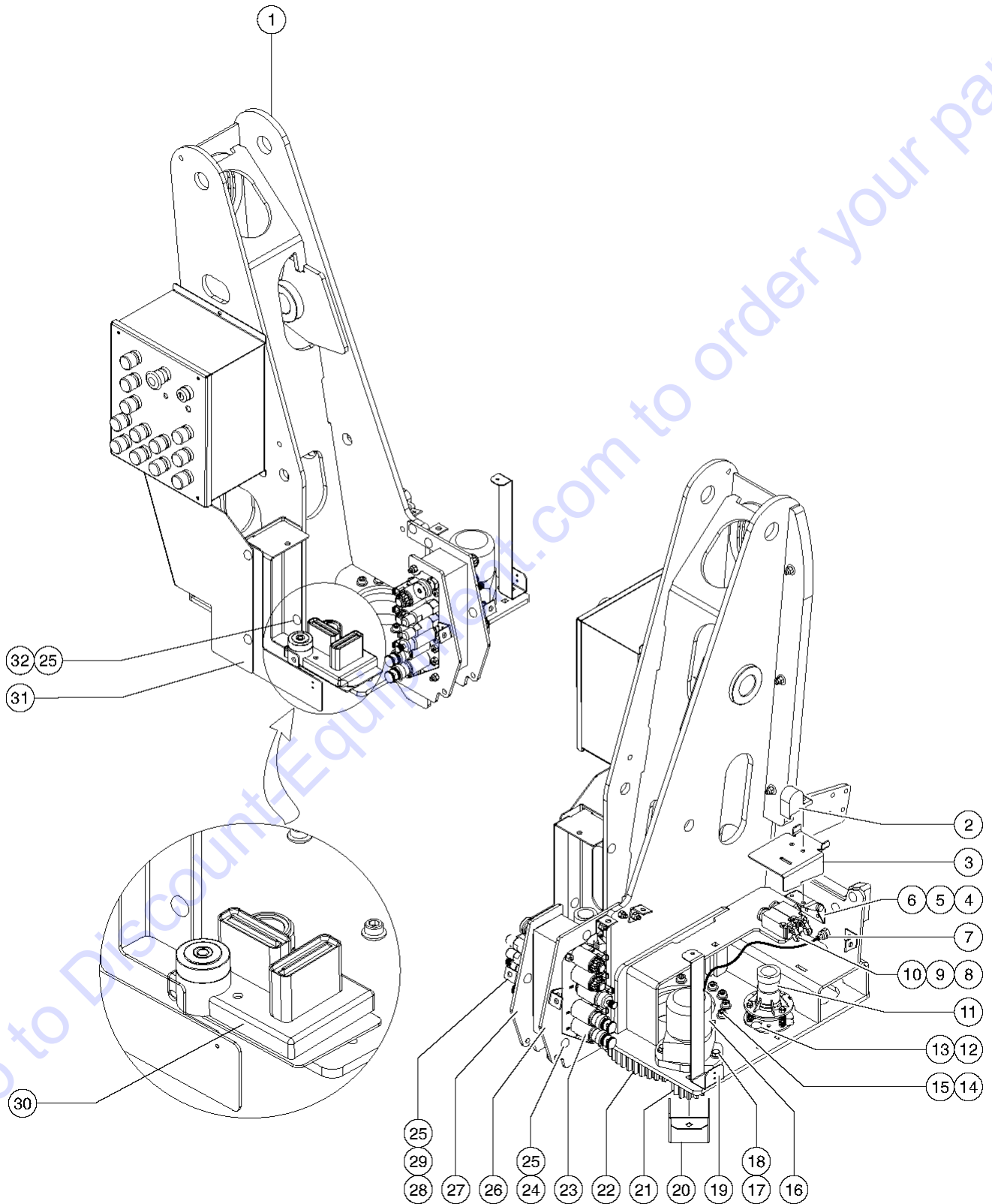


Item	Part No.	Description	Qty.
21	87721GT	GEAR,PINION 5/7 D.P	1
22	87410GT	BEARING,ROTATION	1
23		Ref. Function Manifold	
		(refer to 602.1 or 603.1)	
24	87530GT	BOLT,CARRIAGE,3/8-16 X 4.00,G2	
25	4828GT	NUT,NYLOCK,3/8-16	
26	79625GT	PLATE,LIFT MANIFOLD SUPPORT,LT	1
27	79624GT	PLATE,LIFT MANIFOLD SUPPORT,RT	1
28	79569GT	BRACKET,COVER MOUNT	6
29	64154GT	BOLT,CARRIAGE,3/8-16 X1.00,G5	
30B	104739GT	KIT,TZ34 AUTOLEVEL REPLACEMNT	
		(to SN TZ3405-189)	
31B	104006GT	FORMING,TURNTABLE COVER REST	1
		(from SN TZ3404-155)	
32	60790GT	BOLT, CARRIAGE, 3/8-16 X 1.50, G5	

Go to Discount-Equipment.com to order your parts



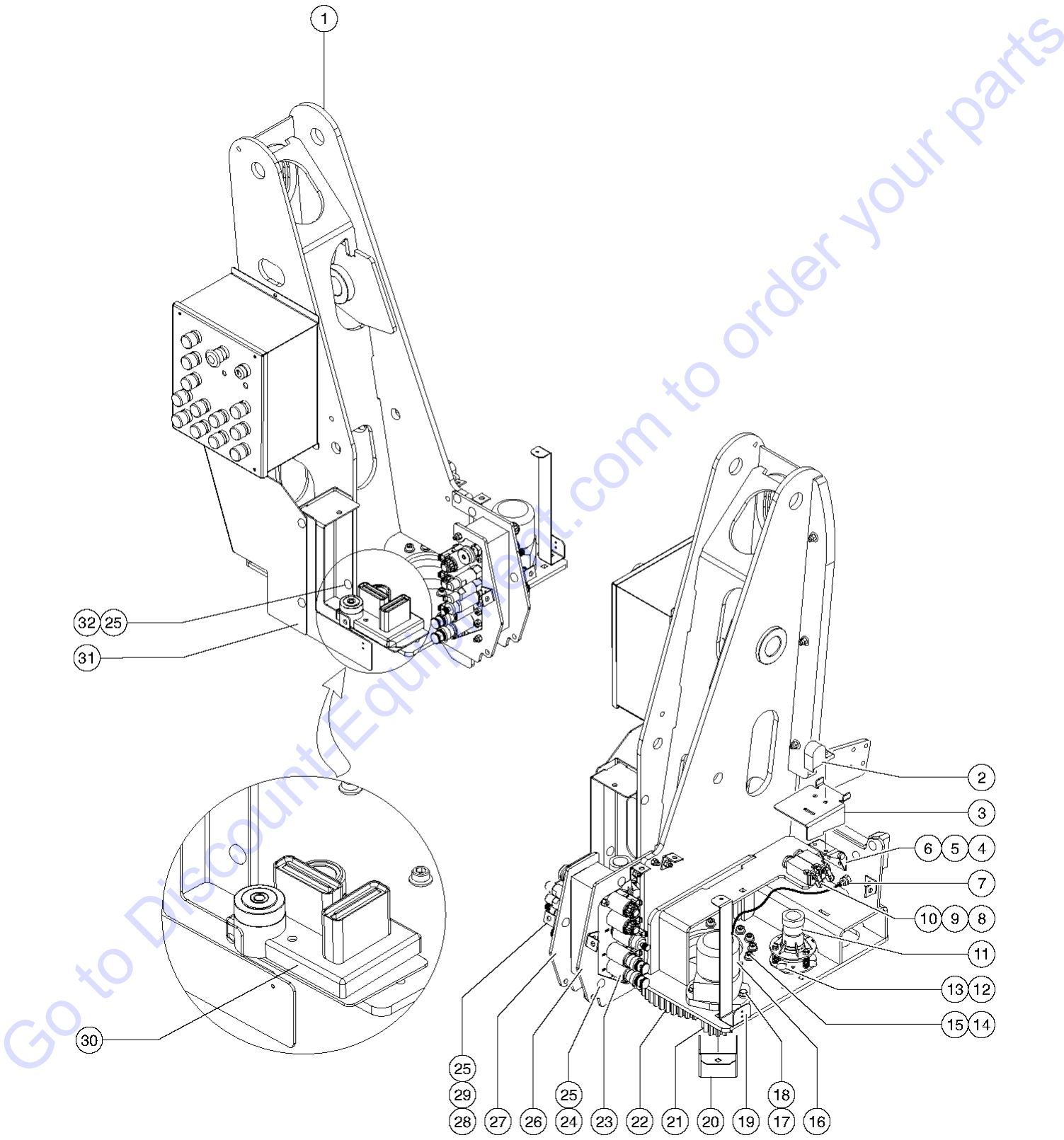
302.3 Turntable Components - View 2



Item	Part No.	Description	Qty.
1		Ref. Turntable Assembly (refer to 401.1)	
2	99247GT	WEARPAD, LIMIT SWITCH DOOR	1
3	105533GT	FORMING,LIMIT SWITCH DOOR	1
4	104804GT	HINGE, SPRING, LONG LEG	1
5	13002GT	SCREW,HHC,5/16-18 X 1 GR5	
6	6782GT	NUT,NYLOCK,5/16-18	
7	104735GT	GREASE HOSE ASSEMBLY	1
7	28646GT	ZERK,GREASE,1/8 NPT	
7	30886GT	HOSE ASSEMBLY,19"	
7	48885GT	CONNECTOR,BULKHEAD,FEMALE-4	
7	49520GT	FITTING,070302-4	
8	99285GT	LIMIT SWITCH,DUAL W/HARNESS	1
8-	88356-146R1GT	SWITCH,LIMIT,TABULATED,BLUE**	
8-	19491GT	CONTACTOR,LIMIT SWITCH	
9	51063GT	SCREW,PHILLIPS,RHM,10-32 X 1.5	
10	6178GT	NUT, NYLOCK, 10-32	
11	87445GT	SENSOR,LEVEL,2.5 DEGREE	1
12	79456GT	BOLT,CARRIAGE,1/4-20 X 1.00,G2	
13	6091GT	NUT,NYLOCK,1/4-20	
14A	74712GT	SCREW,SHC,5/8-11 X 2.75,A574	15
		bearing-to-turntable	
14B	42695GT	SCREW,SHC,1/2-13 X 2	16
		bearing-to-chassis	
15	13064GT	WASHER,FLAT,625 HARDENED	15
		for use with 74712	
16	87473GT	MOTOR,HYD. T34	1
16-	84312GT	SEAL KIT,ROTATE MOTOR	
17	6096GT	SCREW,HHC,1/2-13 X 2 GR5	
18	1274320GT	NUT,NYLOCK,1/2-13,C,ZAG	
19B	104009GT	FORMING,TURNTABLE LATCH MOUNT	
		(from SN TZ3404-155)	
20	99232GT	FORMING,PINION GUARD	1



302.3 Turntable Components - View 2

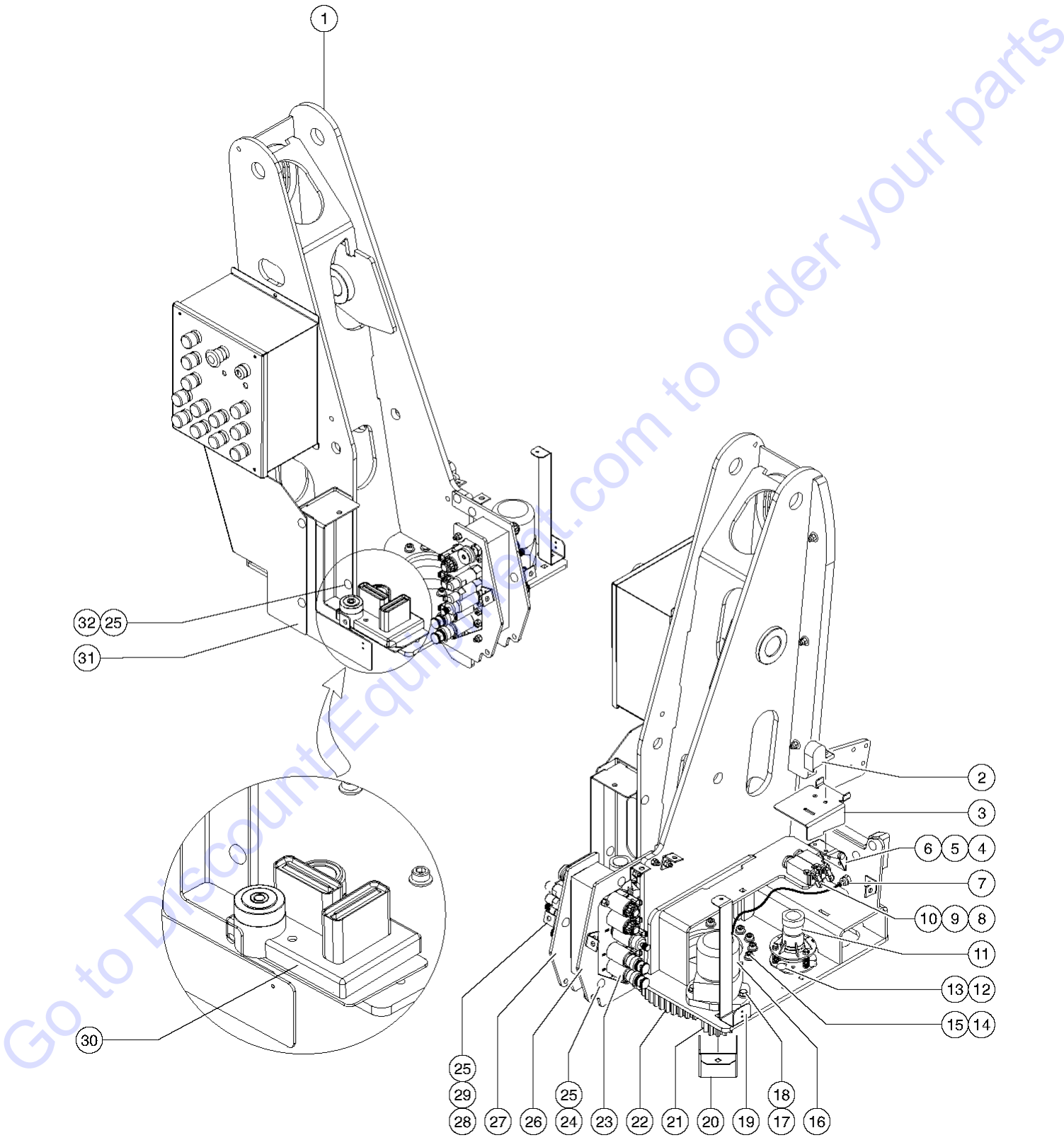


Item	Part No.	Description	Qty.
21	87721GT	GEAR,PINION 5/7 D.P	1
22	87410GT	BEARING,ROTATION	1
23		Ref. Function Manifold (refer to 602.1 or 603.1)	
24	87530GT	BOLT,CARRIAGE,3/8-16 X 4.00,G2	
25	4828GT	NUT,NYLOCK,3/8-16	
26	79625GT	PLATE,LIFT MANIFOLD SUPPORT,LT	1
27	79624GT	PLATE,LIFT MANIFOLD SUPPORT,RT	1
28	79569GT	BRACKET,COVER MOUNT	6
29	64154GT	BOLT,CARRIAGE,3/8-16 X1.00,G5	
30A	104653GT	CONTROL MODULE,AUTOLEVEL (from SN TZ3405-190)	1
30B	104739GT	KIT,TZ34 AUTOLEVEL REPLACEMNT (to SN TZ3405-189)	
31A		Ref. SWING COVER (refer to 301.1)	
31B	104006GT	FORMING,TURNTABLE COVER REST (from SN TZ3404-155)	
32	60790GT	BOLT, CARRIAGE, 3/8-16 X 1.50, G5	

Go to Discount-Equipment.com to order your parts

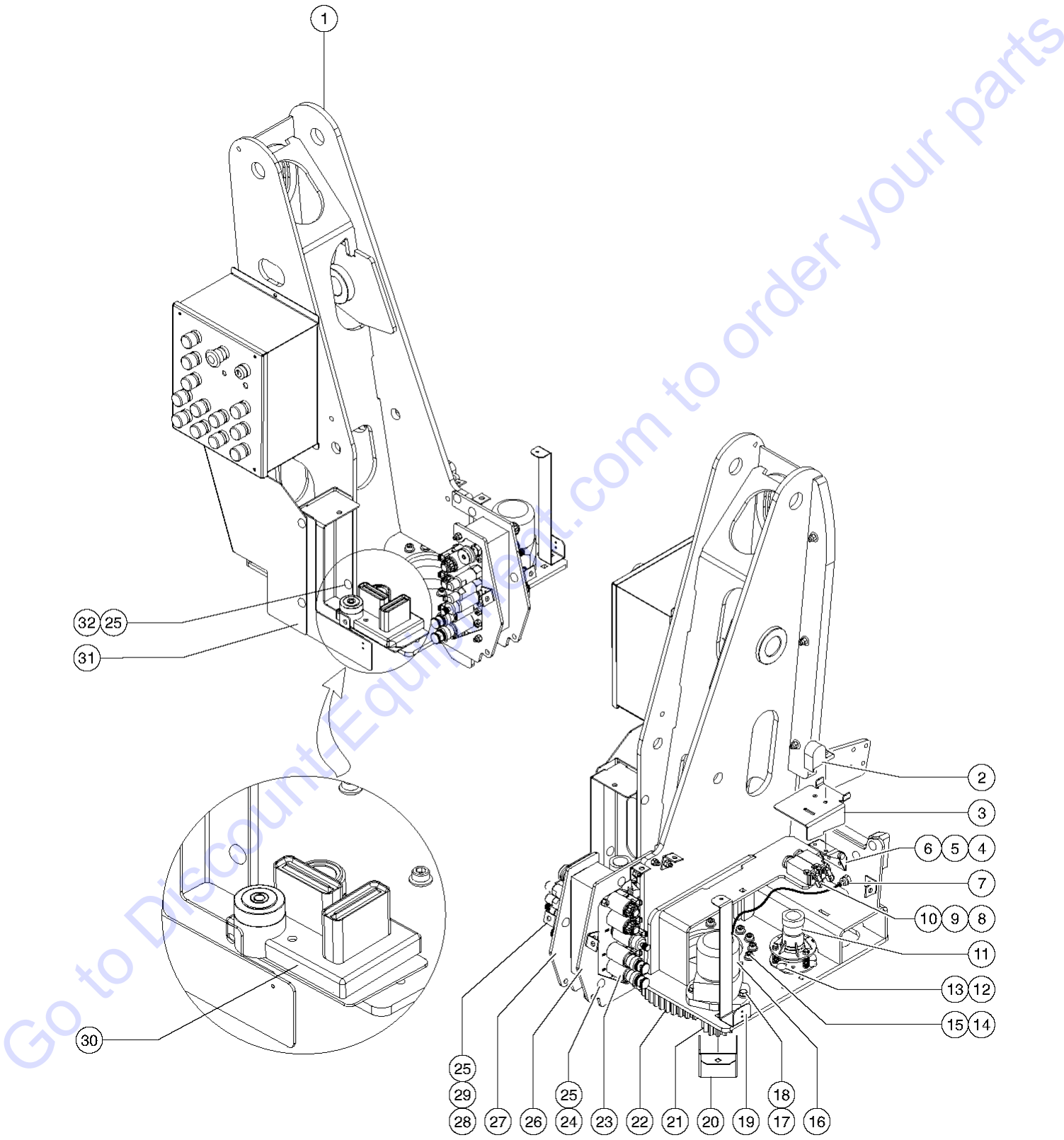


302.4 Turntable Components - View 2



Item	Part No.	Description	Qty.
1		Ref. Turntable Assembly (refer to 401.1)	
2	99247GT	WEARPAD, LIMIT SWITCH DOOR	1
3	105533GT	FORMING,LIMIT SWITCH DOOR	
4	104804GT	HINGE, SPRING, LONG LEG	1
5	13002GT	SCREW,HHC,5/16-18 X 1 GR5	
6	6782GT	NUT,NYLOCK,5/16-18	
7	104735GT	GREASE HOSE ASSEMBLY	1
7	28646GT	ZERK,GREASE,1/8 NPT	
7	30886GT	HOSE ASSEMBLY,19"	
7	48885GT	CONNECTOR,BULKHEAD,FEMALE-4	
7	49520GT	FITTING,070302-4	
8	99285GT	LIMIT SWITCH,DUAL W/HARNESS	1
8-	88356-146R1GT	SWITCH,LIMIT,TABULATED,BLUE**	
8-	19491GT	CONTACTOR,LIMIT SWITCH	
9	51063GT	SCREW,PHILLIPS,RHM,10-32 X 1.5	
10	6178GT	NUT, NYLOCK, 10-32	
11	87445GT	SENSOR,LEVEL,2.5 DEGREE	1
12	79456GT	BOLT,CARRIAGE,1/4-20 X 1.00,G2	
13	6091GT	NUT,NYLOCK,1/4-20	
14A	74712GT	SCREW,SHC,5/8-11 X 2.75,A574	15
		bearing-to-turntable	
14B	42695GT	SCREW,SHC,1/2-13 X 2	16
		bearing-to-chassis	
15	13064GT	WASHER,FLAT,625 HARDENED	15
		for use with 74712	
16	87473GT	MOTOR,HYD. T34	1
16-	84312GT	SEAL KIT,ROTATE MOTOR	
17	6096GT	SCREW,HHC,1/2-13 X 2 GR5	
18	1274320GT	NUT,NYLOCK,1/2-13,C,ZAG	
19B	104009GT	FORMING,TURNTABLE LATCH MOUNT	
		(from SN TZ3404-155)	
20	99232GT	FORMING,PINION GUARD	1

302.4 Turntable Components - View 2

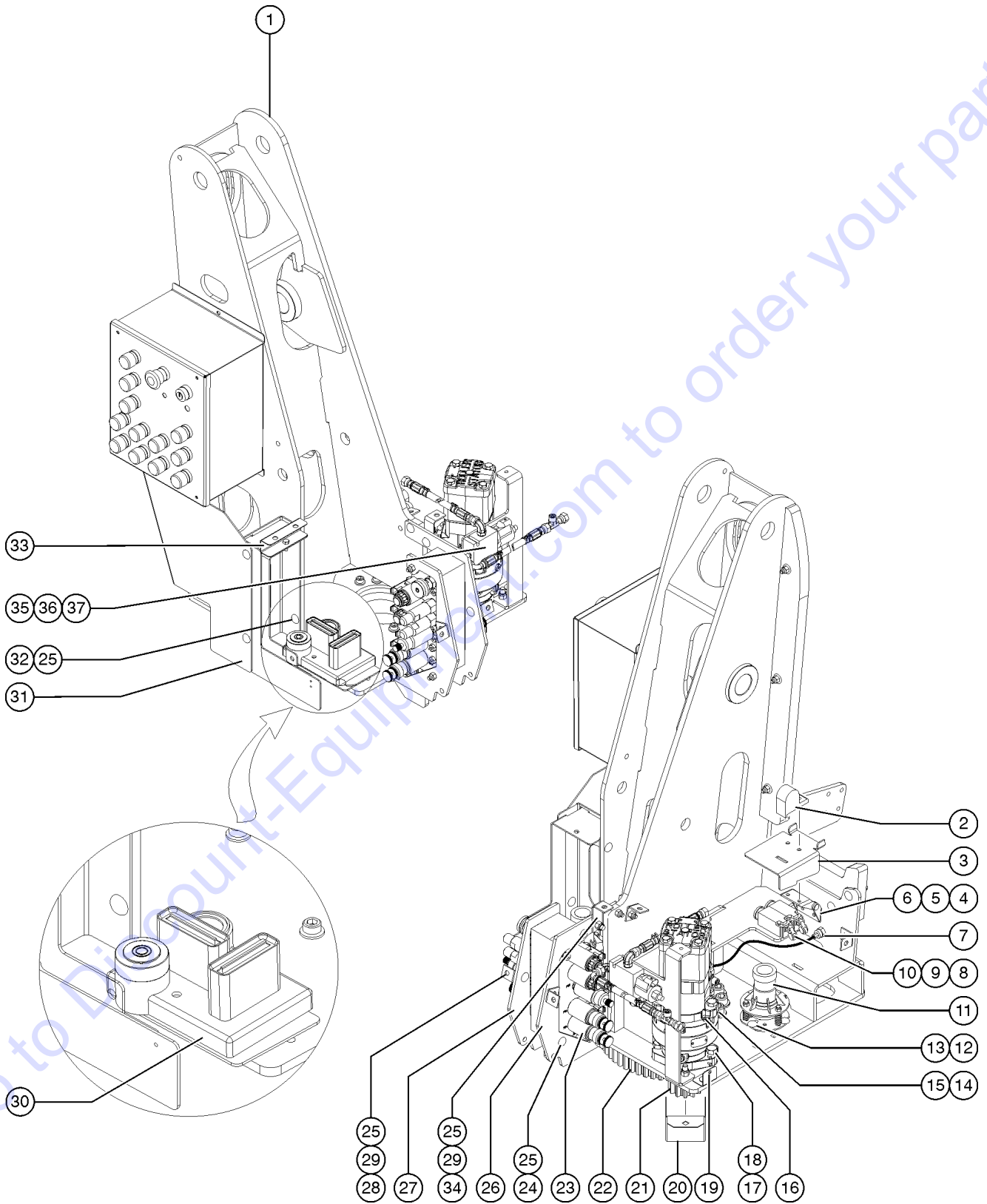


Item	Part No.	Description	Qty.
21	87721GT	GEAR,PINION 5/7 D.P	1
22	87410GT	BEARING,ROTATION	1
23		Ref. Function Manifold	
		(refer to 602.1 or 603.1)	
24	87530GT	BOLT,CARRIAGE,3/8-16 X 4.00,G2	
25	4828GT	NUT,NYLOCK,3/8-16	
26	79625GT	PLATE,LIFT MANIFOLD SUPPORT,LT	1
27	79624GT	PLATE,LIFT MANIFOLD SUPPORT,RT	1
28	79569GT	BRACKET,COVER MOUNT	6
29	64154GT	BOLT,CARRIAGE,3/8-16 X1.00,G5	
30A	104653GT	CONTROL MODULE,AUTOLEVEL	
		(from SN TZ3405-190)	
31A		Ref. SWING COVER	
		(refer to 301.1)	
31B	104006GT	FORMING,TURNTABLE COVER REST	
		(from SN TZ3404-155)	
32	60790GT	BOLT, CARRIAGE, 3/8-16 X 1.50, G5	

Go to Discount-Equipment.com to order your parts



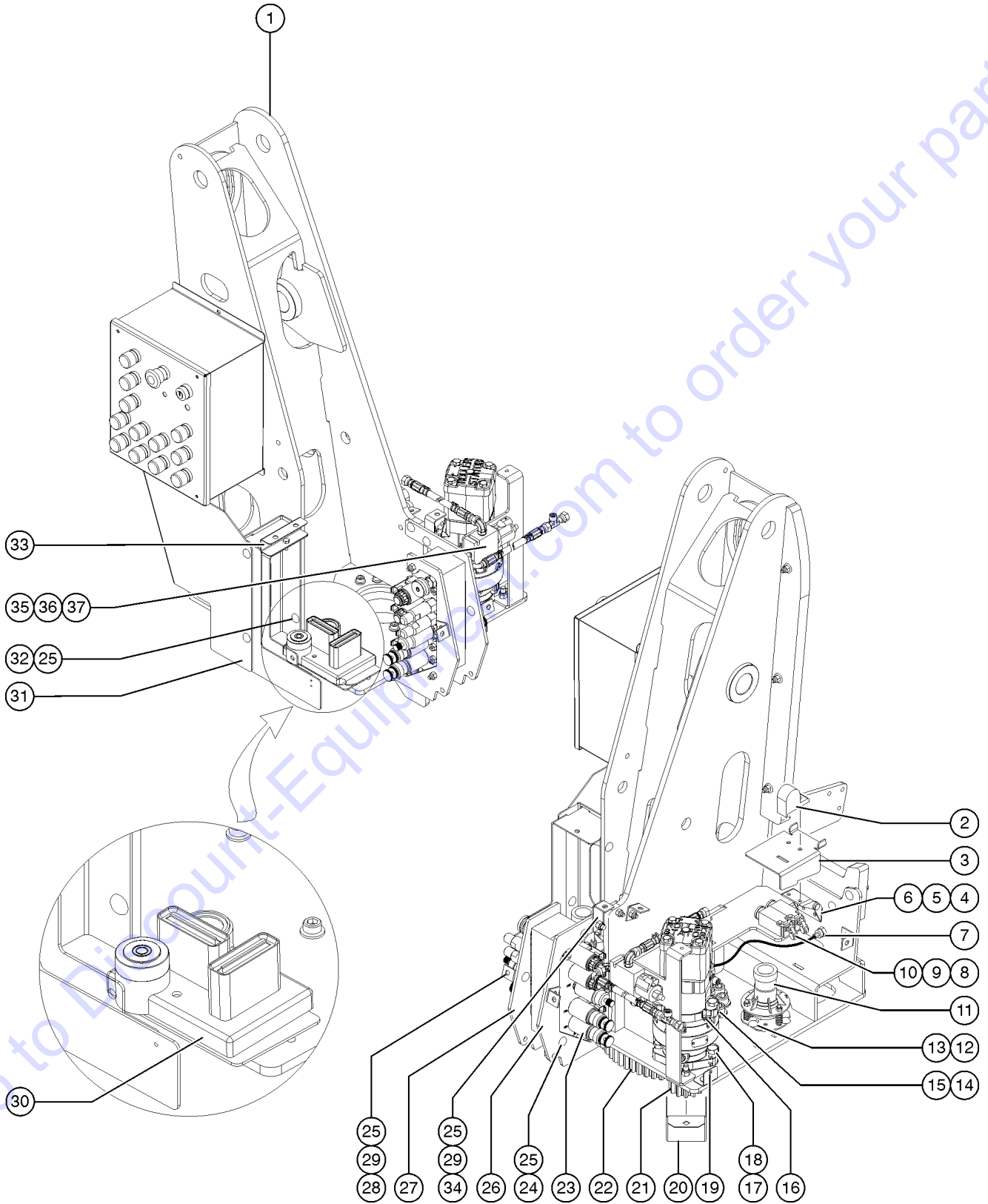
302.5 Turntable Components - View 2 (from SN TZ3414-982)



Item	Part No.	Description	Qty.
1		Ref. Turntable Assembly (refer to 401.1)	
2B	218056GT	WEARPAD, LIMIT SWITCH DOOR	1
3	105533GT	FORMING,LIMIT SWITCH DOOR	
4	104804GT	HINGE, SPRING, LONG LEG	1
5	13002GT	SCREW,HHC,5/16-18 X 1 GR5	
6	6782GT	NUT,NYLOCK,5/16-18	
7	104735GT	GREASE HOSE ASSEMBLY	1
7	28646GT	ZERK,GREASE,1/8 NPT	
7	30886GT	HOSE ASSEMBLY,19"	
7	48885GT	CONNECTOR,BULKHEAD,FEMALE-4	
7	49520GT	FITTING,070302-4	
8	99285GT	LIMIT SWITCH,DUAL W/HARNESS	1
8-	88356-146R1GT	SWITCH,LIMIT,TABULATED,BLUE**	
8-	19491GT	CONTACTOR,LIMIT SWITCH	
9	51063GT	SCREW,PHILLIPS,RHM,10-32 X 1.5	
10	6178GT	NUT, NYLOCK, 10-32	
11	87445GT	SENSOR,LEVEL,2.5 DEGREE	1
12	79456GT	BOLT,CARRIAGE,1/4-20 X 1.00,G2	
13	824024GT	NUT,TL,1/4-20,C,ZAG	
14A	74712GT	SCREW,SHC,5/8-11 X 2.75,A574	15
		bearing-to-turntable	
14B	42695GT	SCREW,SHC,1/2-13 X 2	16
		bearing-to-chassis	
15	13064GT	WASHER,FLAT,625 HARDENED	15
		for use with 74712	
16B	1254250GT	MOTOR,HYD. T34	1
		(from SN TZ3414-982)	
16-	84312GT	SEAL KIT,ROTATE MOTOR	
17	6096GT	SCREW,HHC,1/2-13 X 2 GR5	
18	1274320GT	NUT,NYLOCK,1/2-13,C,ZAG	
19C	825186GT	TURNTABLE COVER, SUPPORT BRACK	
		(from SN TZ3414-982)	
19D-	60790GT	BOLT, CARRIAGE, 3/8-16 X 1.50, G5	
		(from SN TZ3414-982)	

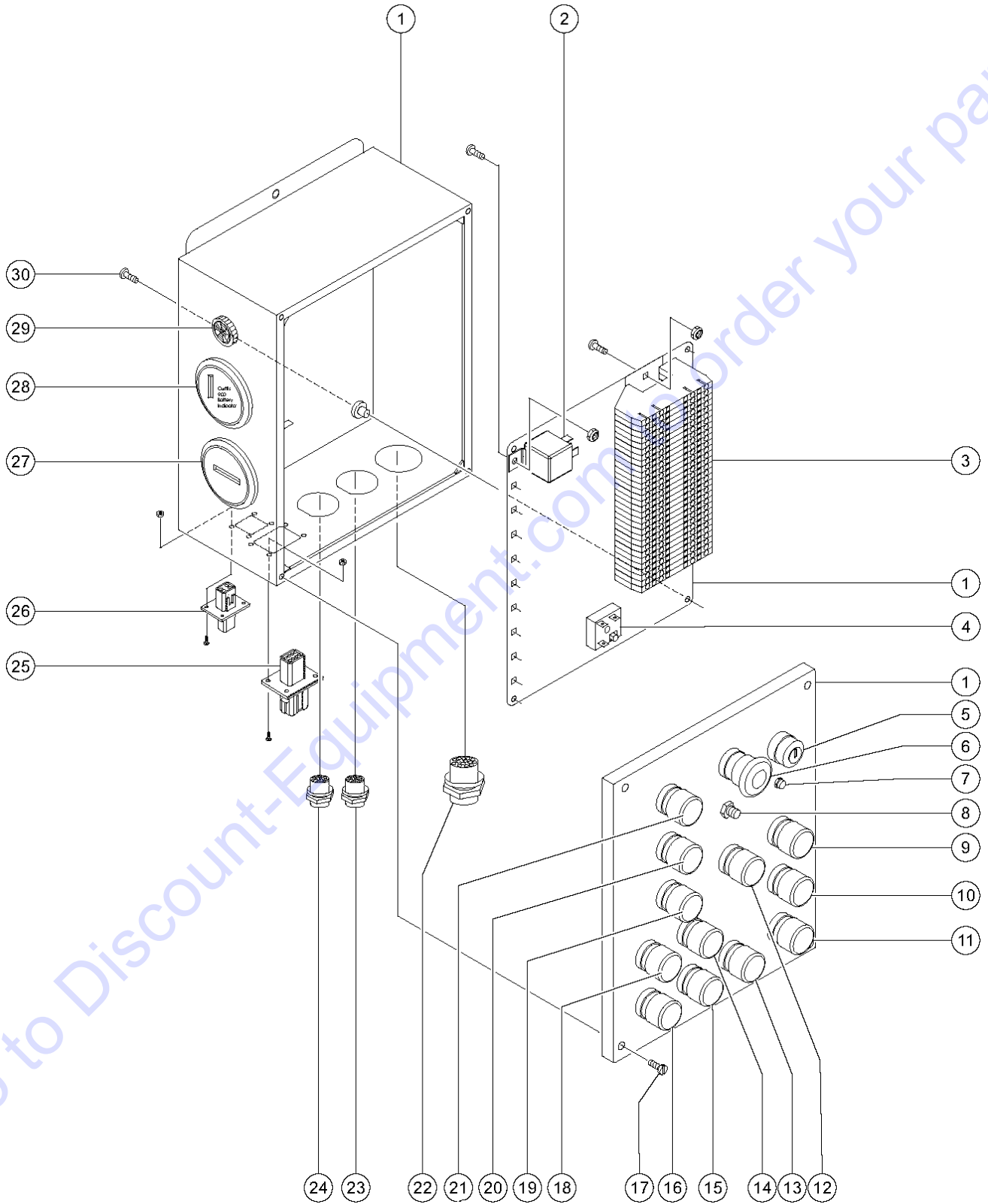


302.5 Turntable Components - View 2 (from SN TZ3414-982)



Item	Part No.	Description	Qty.
19E-	4828GT	NUT,NYLOCK,3/8-16 (from SN TZ3414-982)	
20	99232GT	FORMING,PINION GUARD	1
21	87721GT	GEAR,PINION 5/7 D.P	1
22	87410GT	BEARING,ROTATION	1
23		Ref. Function Manifold (refer to 602.1 or 603.1)	
24	87530GT	BOLT,CARRIAGE,3/8-16 X 4.00,G2	
25	4828GT	NUT,NYLOCK,3/8-16	
26	79625GT	PLATE,LIFT MANIFOLD SUPPORT,LT	1
27	79624GT	PLATE,LIFT MANIFOLD SUPPORT,RT	1
28	79569GT	BRACKET,COVER MOUNT	6
29	64154GT	BOLT,CARRIAGE,3/8-16 X1.00,G5	
30A	104653GT	CONTROL MODULE,AUTOLEVEL (from SN TZ3405-190)	
31A		Ref. SWING COVER (refer to 301.1)	
31B	104006GT	FORMING,TURNTABLE COVER REST (from SN TZ3404-155)	
32	60790GT	BOLT, CARRIAGE, 3/8-16 X 1.50, G5	
33	1252006GT	BRACKET, SPACER (from SN TZ3414-982)	1
34	1251922GT	BRACKET, COVER MOUNT (from SN TZ3414-982)	1
35	1255049GT	ASSEMBLY, MANIFOLD AND SOLENOI (from SN TZ3414-982)	1
35-	1300210GT	VALVE (1255049) for 1255049	
35-	1300211GT	COIL (1255049) for 1255049	
35-	1300212GT	SEAL KIT (1255049) for 1255049	
36	62817GT	VALVE-SOLENOID, 2 POS 3 WAY*** (from SN TZ3414-982)	1
37	1254257GT	MANIFOLD, 3-WAY (from SN TZ3414-982)	1

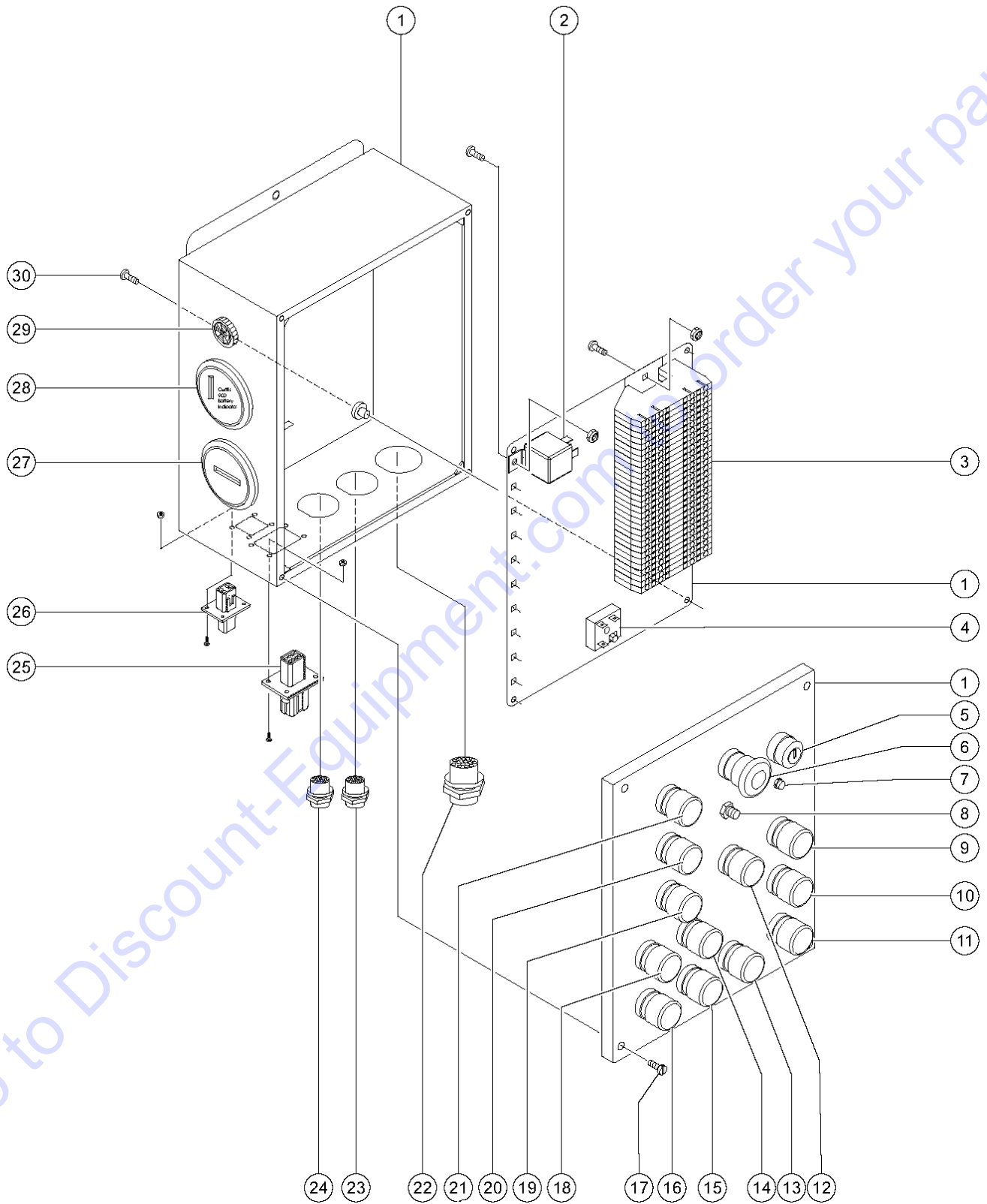
303.1 Ground Control Box (to SN TZ3404-217)



303.1 Ground Control Box (to SN TZ3404-217)

Item	Part No.	Description	Qty.
-		CONTROL BOX ASSY,LOWER TZ-34 (to SN TZ3404-304); Previous Control Box 87777GT is no longer available. For appropriate replacement (refer to 303.8, 303.9 and 303.10)	
-		CONTROL BOX ASSY,LOWER TZ34 (from SN TZ3404-305 to TZ3406-205); Previous Control Box 104544GT is no longer available. For appropriate replacement (refer to 303.8, 303.9 and 303.10)	
1	104302GT	KIT,TZ34 CONTROL BOX LOWER***	1
2	78098GT	RELAY,24VDC,40/30A,SLD W/BRKT* models with load sense	
2	71874GT	BOLT,CARRIAGE,#10-24X.50,G2	
2	5365GT	NUT,NYLOCK,10-24	
3	87738GT	TERMINAL RAIL,TZ34	1
3	71874GT	BOLT,CARRIAGE,#10-24X.50,G2	
3	5365GT	NUT,NYLOCK,10-24	
3	74913GT	END STOP, DIN RAIL,SCREW CLAMP	
3	216793GT	TERMINAL BLOCK END PLATE	
3	74911GT	TERMINAL BLOCK, WIELAND***	
3	74917GT	JUMPER COMB, 2-WAY,WIELAND	
3	74918GT	JUMPER COMB, 3-WAY,WIELAND	
4	99084GT	MODULE, TIME DELAY	1
5A	66811GT	KEYSWITCH,3POS.MNTND.DR WKEY** includes keyswitch and two keys, not included: base or contacts.	1
5A-	21982GT	KEY,SINGLE***	
5A-	66814GT	BASE,WITH 2 N.O. CONTACTS*** includes 2 each N.O. contacts	
5A-	66816GT	CONTACT,N.O	
5B	37947GT	KEYS,10 PACK***	
6	226322GT	ASM, E-STOP & BOOT	1
6-	66817GT	BASE WITH 1 NC CONTACT, E-STOP	
6-	66818GT	CONTACT,NC	
7A	99088GT	LED,RED 24V FLASHING platform overload indicator, CE Models	
7B	45384GT	PLUG,NYLON .50 BLACK DOMED ANSI models	
8	1277226GT	ASSEMBLY,CIRCUIT BREAKER,15AMP	
9	226320GT	ASM, BUTTON & BOOT, BLK primary boom extend/retract	1

303.1 Ground Control Box (to SN TZ3404-217)

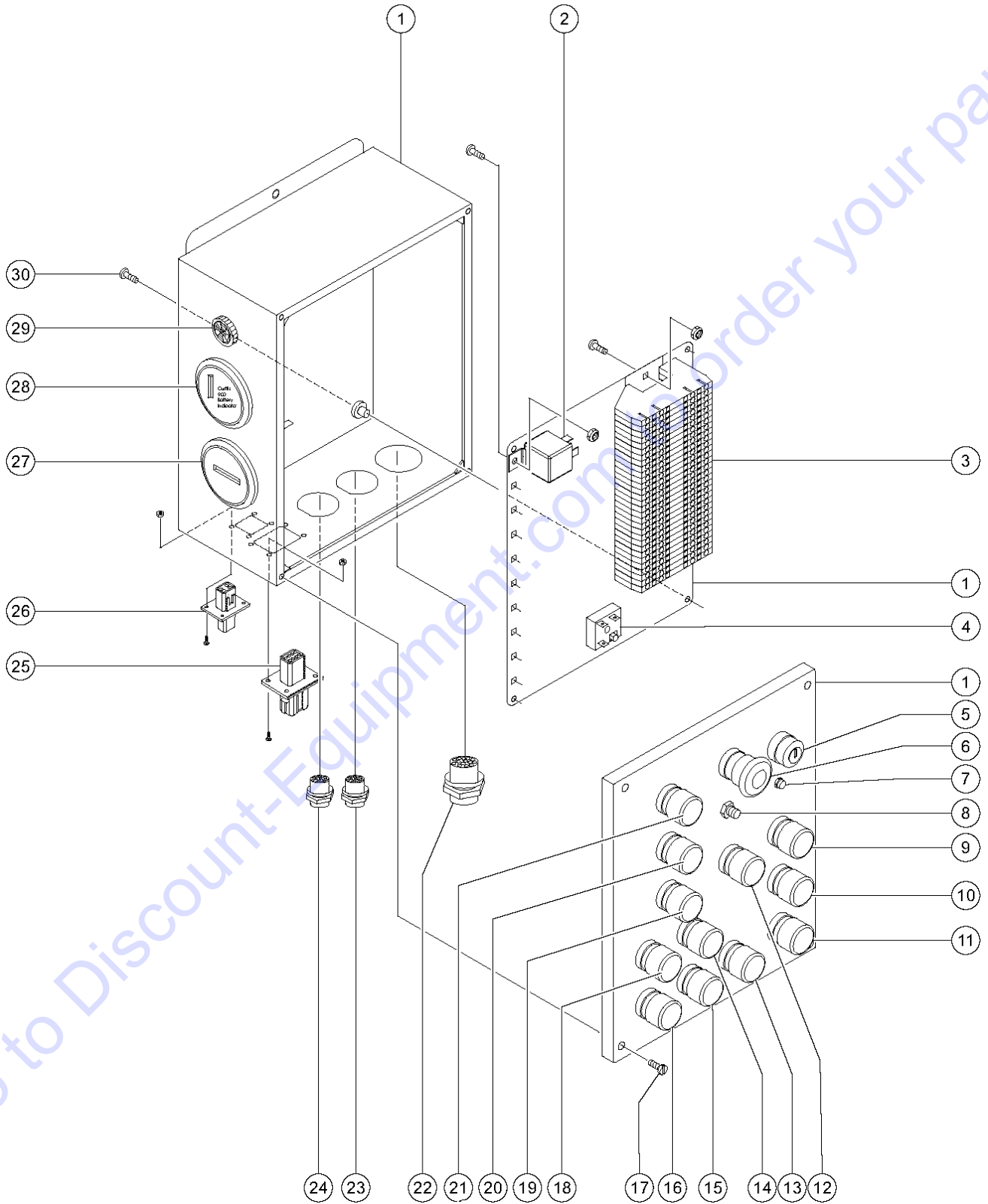


Go to Discount-Equipment.com to order your parts

303.1 Ground Control Box (to SN TZ3404-217)

Item	Part No.	Description	Qty.
9-	66815GT	BASE, W/1 N.O. CONTACTS*** (sold seperately)	
9-	66816GT	CONTACT,N.O (sold seperately)	
10	226320GT	ASM, BUTTON & BOOT, BLK primary boom up / down	1
10-	66815GT	BASE, W/1 N.O. CONTACTS*** (sold seperately)	
10-	66816GT	CONTACT,N.O (sold seperately)	
11	226320GT	ASM, BUTTON & BOOT, BLK secondary boom up / down	1
11-	66815GT	BASE, W/1 N.O. CONTACTS*** (sold seperately)	
11-	66816GT	CONTACT,N.O (sold seperately)	
12	226320GT	ASM, BUTTON & BOOT, BLK platform level	1
12-	66815GT	BASE, W/1 N.O. CONTACTS*** (sold seperately)	
12-	66816GT	CONTACT,N.O (sold seperately)	
13	226320GT	ASM, BUTTON & BOOT, BLK turntable rotate	1
13-	66815GT	BASE, W/1 N.O. CONTACTS*** (sold seperately)	
13-	66816GT	CONTACT,N.O (sold seperately)	
14	226320GT	ASM, BUTTON & BOOT, BLK outrigger, raise / lower	1
14-	66815GT	BASE, W/1 N.O. CONTACTS*** (sold seperately)	
14-	66816GT	CONTACT,N.O (sold seperately)	
15	226320GT	ASM, BUTTON & BOOT, BLK outrigger, raise / lower	1
15-	66815GT	BASE, W/1 N.O. CONTACTS*** (sold seperately)	
15-	66816GT	CONTACT,N.O (sold seperately)	
16	226320GT	ASM, BUTTON & BOOT, BLK outrigger, raise / lower	1
16-	66815GT	BASE, W/1 N.O. CONTACTS*** (sold seperately)	
16-	66816GT	CONTACT,N.O (sold seperately)	
17	49819GT	SCREW,PHILLIPS,PHM,10-32 X .5	
18	226320GT	ASM, BUTTON & BOOT, BLK outrigger, raise / lower	1
18-	66815GT	BASE, W/1 N.O. CONTACTS*** (sold seperately)	
18-	66816GT	CONTACT,N.O (sold seperately)	
19	226320GT	ASM, BUTTON & BOOT, BLK outrigger, raise / lower	1

303.1 Ground Control Box (to SN TZ3404-217)



PARTS FINDER

**Search Website
by Part Number**



**Search Manual
Library For Parts
Manual & Lookup Part
Numbers – Purchase
or Request Quote**

Search Manuals

Enter your information to help us find the right parts manual for your equipment.

* Brand:

* Model:

* Serial:

* Part Number:

SEARCH

**Can't Find Part or
Manual? Request Help
by Manufacturer,
Model & Description**

Parts Order Form

Please fill in the following information to help us find the right part for your equipment.

Manufacturer:	<input type="text"/>
Model:	<input type="text"/>
Description:	<input type="text"/>
Part Number:	<input type="text"/>
Quantity:	<input type="text"/>
Notes:	<input type="text"/>

Submit

Discount-Equipment.com is your online resource for quality parts & equipment.

Florida: **561-964-4949** Outside Florida TOLL FREE: **877-690-3101**

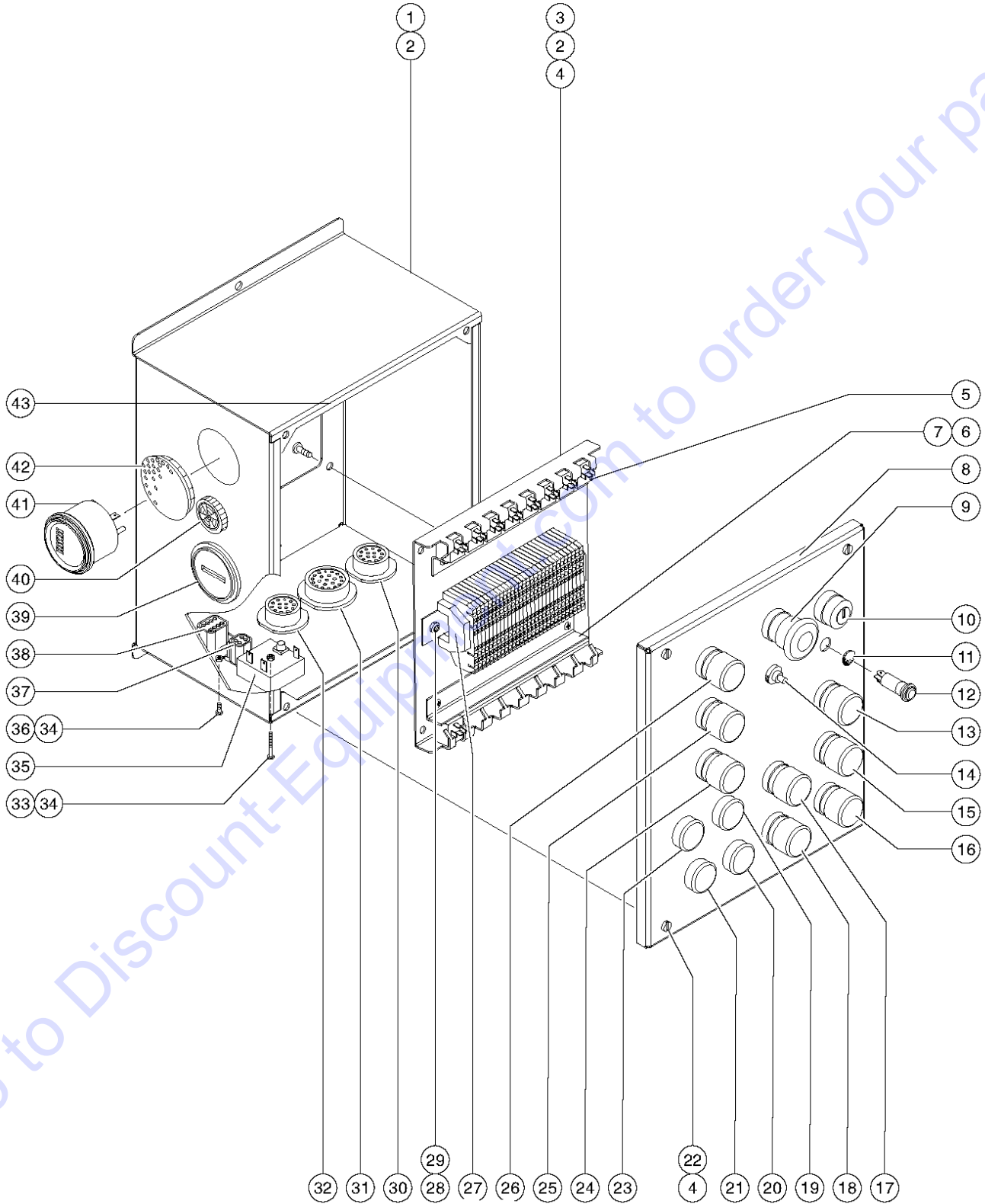
Need parts?

Click on this link: <http://www.discount-equipment.com/category/5443-parts/> and choose one of the options to help get the right parts and equipment you are looking for. Please have the machine model and serial number available in order to help us get you the correct parts. If you don't find the part on the website or on one of the online manuals, please fill out the request form and one of our experienced staff members will get back to you with a quote for the right part that your machine needs.

We sell worldwide for the brands: Genie, Terex, JLG, MultiQuip, Mikasa, Essick, Whiteman, Mayco, Toro Stone, Diamond Products, Generac Magnum, Airman, Haulotte, Barreto, Power Blanket, Nifty Lift, Atlas Copco, Chicago Pneumatic, Allmand, Miller Curber, Skyjack, Lull, Skytrak, Tsurumi, Husquvarna Target, Stow, Wacker, Sakai, Mi-T-M, Sullair, Basic, Dynapac, MBW, Weber, Bartell, Bennar Newman, Haulotte, Ditch Runner, Menegotti, Morrison, Contec, Buddy, Crown, Edco, Wyco, Bomag, Laymor, EZ Trench, Bil-Jax, F.S. Curtis, Gehl Pavers, Heli, Honda, ICS/PowerGrit, IHI, Partner, Imer, Clipper, MMD, Koshin, Rice, CH&E, General Equipment, Amida, Coleman, NAC, Gradall, Square Shooter, Kent, Stanley, Tamco, Toku, Hatz, Kohler, Robin, Wisconsin, Northrock, Oztec, Toker TK, Rol-Air, APT, Wylie, Ingersoll Rand / Doosan, Innovatech, Con X, Ammann, Mecalac, Makinex, Smith Surface Prep, Small Line, Wanco, Yanmar

Item	Part No.	Description	Qty.
19-	66814GT	BASE,WITH 2 N.O. CONTACTS*** (sold seperately)	
19-	66816GT	CONTACT,N.O (sold seperately)	
20	226320GT	ASM, BUTTON & BOOT, BLK function enable	1
20-	66815GT	BASE, W/1 N.O. CONTACTS*** (sold seperately)	
20-	66816GT	CONTACT,N.O (sold seperately)	
21	226320GT	ASM, BUTTON & BOOT, BLK function enable	1
21-	66814GT	BASE,WITH 2 N.O. CONTACTS*** (sold seperately)	
21-	66816GT	CONTACT,N.O (sold seperately)	
22	87752GT	CONN,RECEP 19 WAY	1
23	87749GT	CONN,RECEP 14 WAY-REV	1
24	87748GT	CONN,RECEP 14 WAY	1
25	87755GT	CONN,RECEP 8 WAY 14-18GA,FL (does not include fasteners)	1
25-	49820GT	SCREW,PHILLIPS,PHM,6-32 X .5 (for 87755)	
25-	12344GT	NUT,NYLOCK,6-32 (for 87755)	
26	73723GT	CONN RECEPT,FLANGED	1
27	19506GT	HOUR METER,10-80 VOLTS*** includes mounting bracket	1
28A	19427GT	BATTERY CHARGE INDICT.OPT-22V option	1
28B	45840GT	PLUG,NYLON 2.00 BLACK DOMED models without battery charge indicator	
29	45383GT	ALARM,WARBLE TONE 5-30 VDC*** Does not include 72326 nut	1
29-	72326GT	NUT - PLASTIC, RING FOR ALARMS	
30	31182GT	SCREW,PHIL,PHM,10-32 X.38,SEMS	

303.2 Ground Control Box (from SN TZ3404-218 to TZ3413-344)

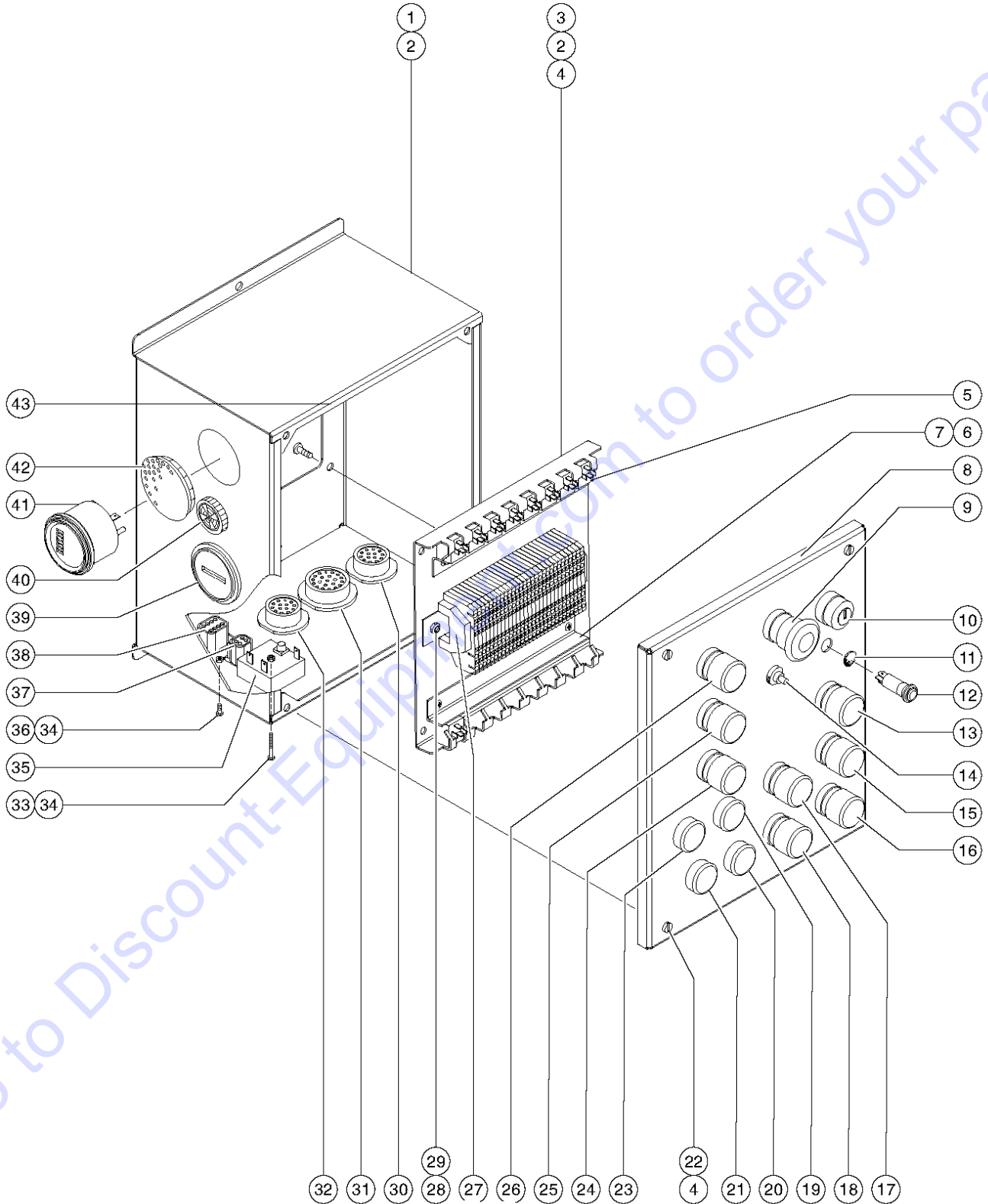


Go to Discount-Equipment.com to order your parts

303.2 Ground Control Box (from SN TZ3404-218 to TZ3413-344)

Item	Part No.	Description	Qty.
-		CONTROL BOX ASSY,LOWER TZ-34 Complete (to SN TZ3404-304); Previous Control Box 87777GT is no longer available. For appropriate replacement (refer to 303.8, 303.9 and 303.10)	
-		CONTROL BOX ASSY,LOWER TZ34 Complete (from TZ3404-305 to TZ3406-205); Previous Control Box 104544GT is no longer available. For appropriate replacement (refer to 303.8, 303.9 and 303.10)	
1	104302GT	KIT,TZ34 CONTROL BOX LOWER*** (includes items 2-4, 6-8, 22 and 43)	1
2	23405GT	NUTSERT,10-32 STEEL CAD PLTD	
3	104705GT	FORMING, RELAY MOUNT TZ34 LWR	
4	49819GT	SCREW,PHILLIPS,PHM,10-32 X .5	
5	56302GT	RELAY,24VDC,40/30A,SEALED*** model with load sense	15
6	104489GT	FORMING,RELAY HOLDER TZ34 LWR	2
7	49818GT	SCREW,PHILLIPS,PHM,10-32 X .38	
8	115031GT	LID ASSY, GRND COUNT W/DECALS	1
9	226322GT	ASM, E-STOP & BOOT	1
9-	66817GT	BASE WITH 1 NC CONTACT, E-STOP	
9-	66818GT	CONTACT,NC	
10	96008-SGT	KEYSWITCH,3 POS. W/KEYS***	1
10-	83093GT	KEY SINGLE***	
10-	85239GT	NUT,RETAINER (96008)	
10-	88827GT	GASKET,KEYSWITCH,PLASTIC***	
11	45384GT	PLUG,NYLON .50 BLACK DOMED ANSI models	1
12	36373GT	LED,RED 24V CE models	1
13	226320GT	ASM, BUTTON & BOOT, BLK primary boom, extend/retract	1
13-	66815GT	BASE, W/1 N.O. CONTACTS***	
13-	66816GT	CONTACT,N.O	
14	1277226GT	ASSEMBLY,CIRCUIT BREAKER,15AMP	
15	226320GT	ASM, BUTTON & BOOT, BLK primary boom, up/down	1
15-	66815GT	BASE, W/1 N.O. CONTACTS***	
15-	66816GT	CONTACT,N.O	
16	226320GT	ASM, BUTTON & BOOT, BLK secondary boom, up/down	1

303.2 Ground Control Box (from SN TZ3404-218 to TZ3413-344)



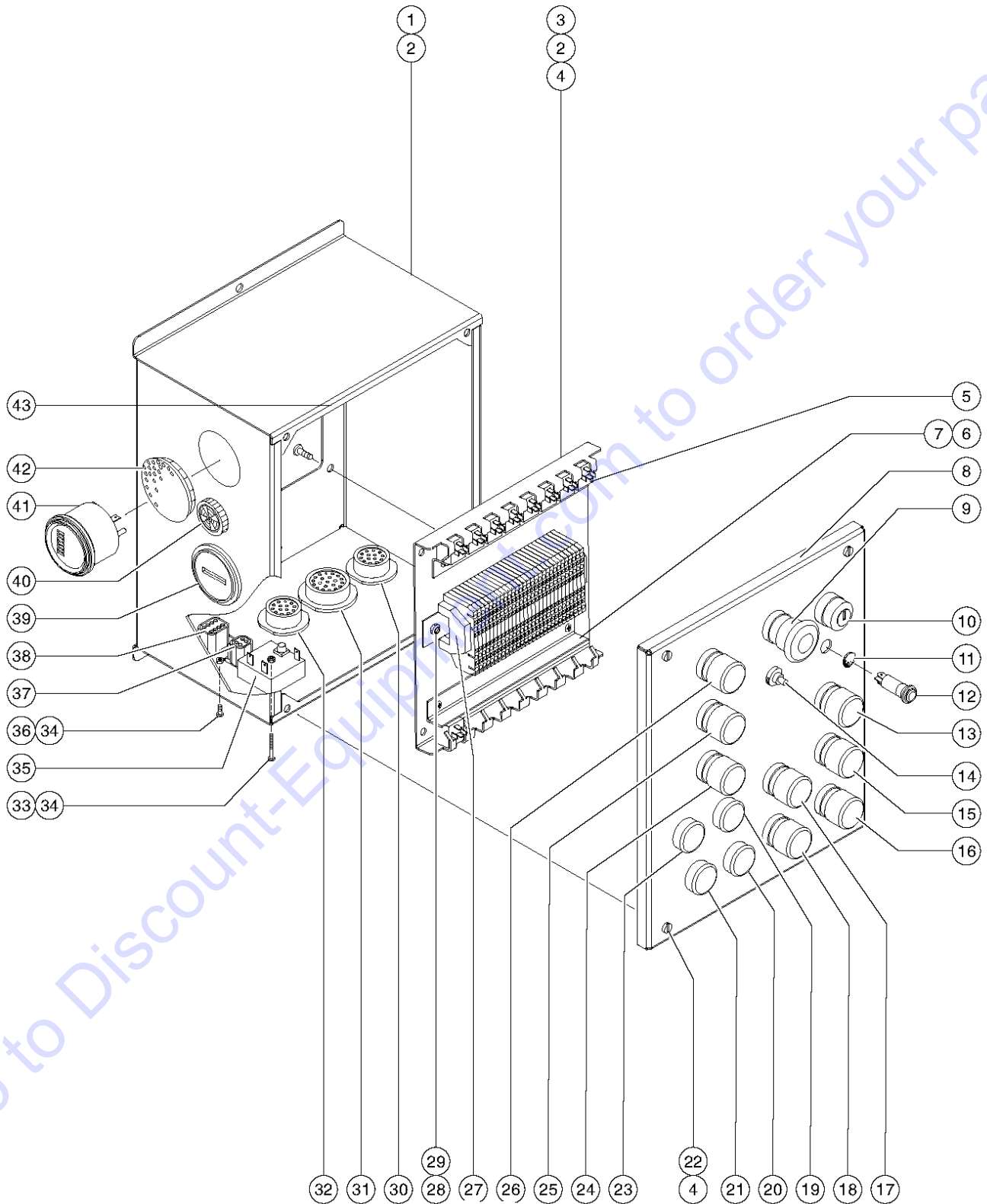
Go to Discount-Equipment.com to order your parts

303.2 Ground Control Box (from SN TZ3404-218 to TZ3413-344)

Item	Part No.	Description	Qty.
16-	66815GT	BASE, W/1 N.O. CONTACTS***	
16-	66816GT	CONTACT,N.O	
17	226320GT	ASM, BUTTON & BOOT, BLK platform level	1
17-	66815GT	BASE, W/1 N.O. CONTACTS***	
17-	66816GT	CONTACT,N.O	
18	226320GT	ASM, BUTTON & BOOT, BLK turntable rotate	1
18-	66815GT	BASE, W/1 N.O. CONTACTS***	
18-	66816GT	CONTACT,N.O	
19A	226320GT	ASM, BUTTON & BOOT, BLK function enable (to SN TZ3406-392)	1
19A-	66815GT	BASE, W/1 N.O. CONTACTS*** (to SN TZ3406-392)	
19A-	66816GT	CONTACT,N.O (to SN TZ3406-392)	
20A	226320GT	ASM, BUTTON & BOOT, BLK function enable (to SN TZ3406-392)	1
20A-	66815GT	BASE, W/1 N.O. CONTACTS*** (to SN TZ3406-392)	
20A-	66816GT	CONTACT,N.O (to SN TZ3406-392)	
20A-	104091GT	BUTTON,PUSH,GREEN (to SN TZ3406-392)	
20A-	109803GT	COVER,PUSH BUTTON (to SN TZ3406-392)	
21A	226320GT	ASM, BUTTON & BOOT, BLK function enable (to SN TZ3406-392)	1
21A-	66815GT	BASE, W/1 N.O. CONTACTS*** (to SN TZ3406-392)	
21A-	66816GT	CONTACT,N.O (to SN TZ3406-392)	
22	99207GT	WASHER,STAR,INTERNAL,#10	
23A	226320GT	ASM, BUTTON & BOOT, BLK function enable (to SN TZ3406-392)	1
23A-	66815GT	BASE, W/1 N.O. CONTACTS*** (to SN TZ3406-392)	
23A-	66816GT	CONTACT,N.O (to SN TZ3406-392)	
24	226320GT	ASM, BUTTON & BOOT, BLK outrigger autolevel	1
24-	66814GT	BASE,WITH 2 N.O. CONTACTS***	
24-	66816GT	CONTACT,N.O	
25	226320GT	ASM, BUTTON & BOOT, BLK function enable	1
25-	66815GT	BASE, W/1 N.O. CONTACTS***	



303.2 Ground Control Box (from SN TZ3404-218 to TZ3413-344)



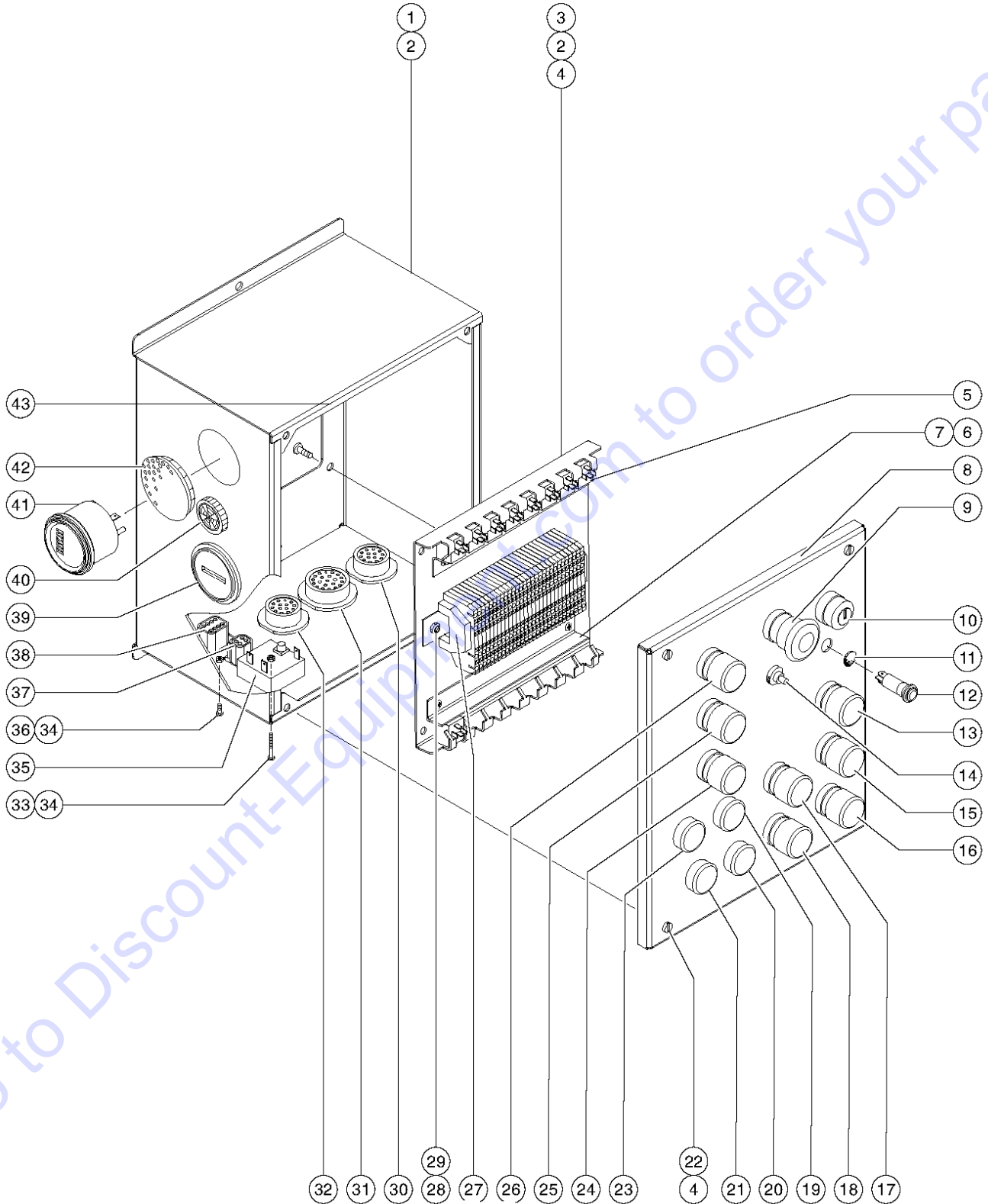
Go to Discount-Equipment.com to order your parts

303.2 Ground Control Box (from SN TZ3404-218 to TZ3413-344)

Item	Part No.	Description	Qty.
25-	66816GT	CONTACT,N.O	
26	226320GT	ASM, BUTTON & BOOT, BLK function enable	1
26-	66814GT	BASE,WITH 2 N.O. CONTACTS***	
26-	66816GT	CONTACT,N.O	
27	87738GT	TERMINAL RAIL,TZ34	1
27	74911GT	TERMINAL BLOCK, WIELAND***	
27	216793GT	TERMINAL BLOCK END PLATE	1
27	74913GT	END STOP, DIN RAIL,SCREW CLAMP	
27	74917GT	JUMPER COMB, 2-WAY,WIELAND	
27	74918GT	JUMPER COMB, 3-WAY,WIELAND	
28	71874GT	BOLT,CARRIAGE,#10-24X.50,G2	
29	5365GT	NUT,NYLOCK,10-24	
30	87749GT	CONN,RECEP 14 WAY-REV	1
30-	87750GT	NUT,PANEL,SIZE 18 PLASTIC	
30-	87751GT	PANEL WASHER SHELL SIZE 18	
31	87752GT	CONN,RECEP 19 WAY	1
31-	87753GT	NUT,PANEL,SIZE 24 PLASTIC	
31-	87754GT	PANEL WASHER SHELL SIZE 24	
32	87748GT	CONN,RECEP 14 WAY	1
32-	87750GT	NUT,PANEL,SIZE 18 PLASTIC	
32-	87751GT	PANEL WASHER SHELL SIZE 18	
33	11803GT	SCREW,RHM,6-32 X 1	
34	12344GT	NUT,NYLOCK,6-32	
35	99084GT	MODULE, TIME DELAY	1
36	49820GT	SCREW,PHILLIPS,PHM,6-32 X .5	
37	73723GT	CONN RECEPT,FLANGED	1
38	87755GT	CONN,RECEP 8 WAY 14-18GA,FL	1
39	19506GT	HOUR METER,10-80 VOLTS*** includes mounting bracket	1



303.2 Ground Control Box (from SN TZ3404-218 to TZ3413-344)



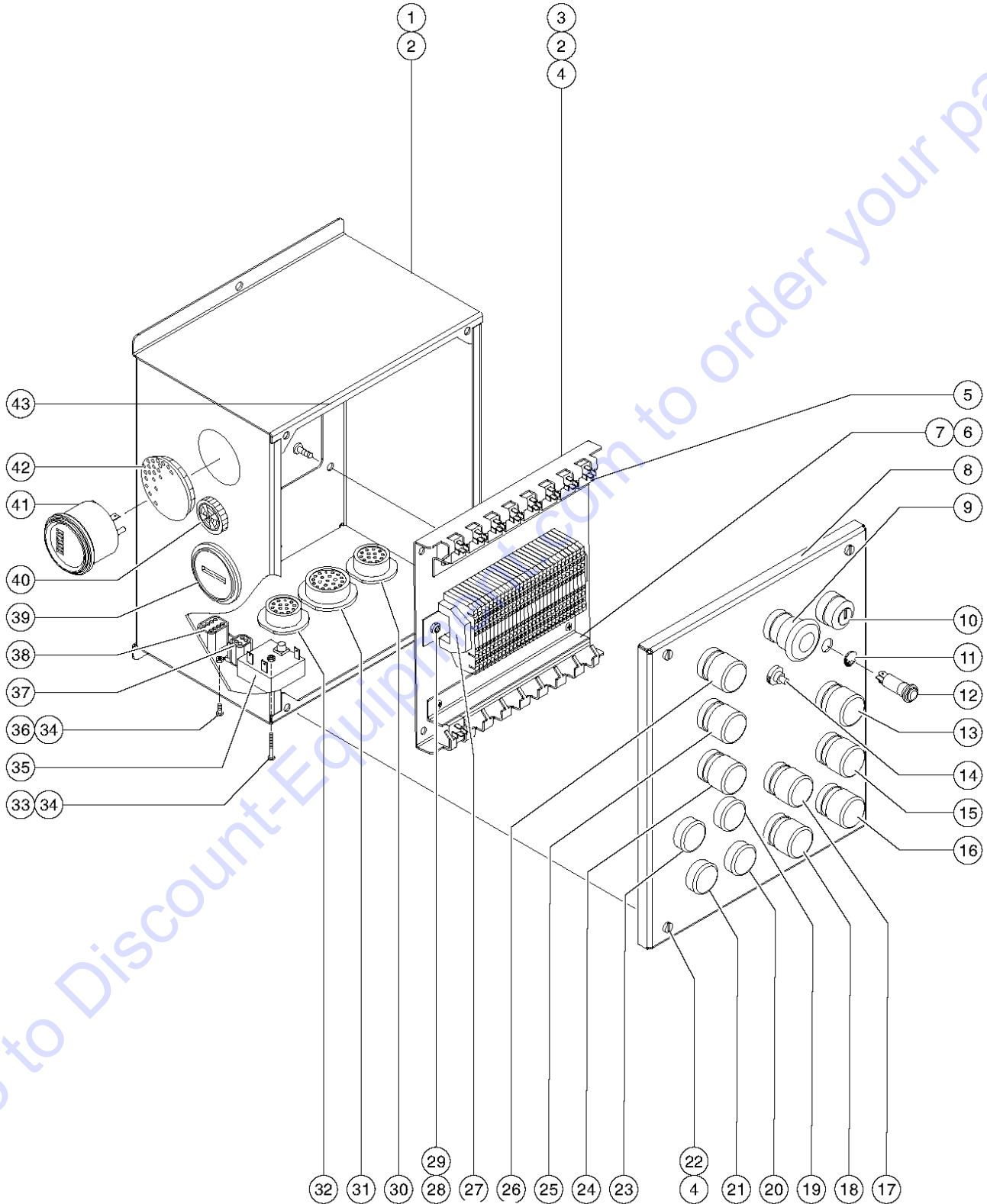
303.2 Ground Control Box (from SN TZ3404-218 to TZ3413-344)

Item	Part No.	Description	Qty.
40	45383GT	ALARM,WARBLE TONE 5-30 VDC*** Does not include 72326 nut	1
40-	72326GT	NUT - PLASTIC, RING FOR ALARMS	
41	76647GT	INDICATOR, BATTERY DISCHARGE optional	1
42	45840GT	PLUG,NYLON 2.00 BLACK DOMED models without battery charge indicator	1
43	69773GT	SEAL,RIBBED FOAM,3/8X1/8 PSA**	18

Go to Discount-Equipment.com to order your parts



303.3 Ground Control Box (from SN TZ3404-218 to TZ3413-344)



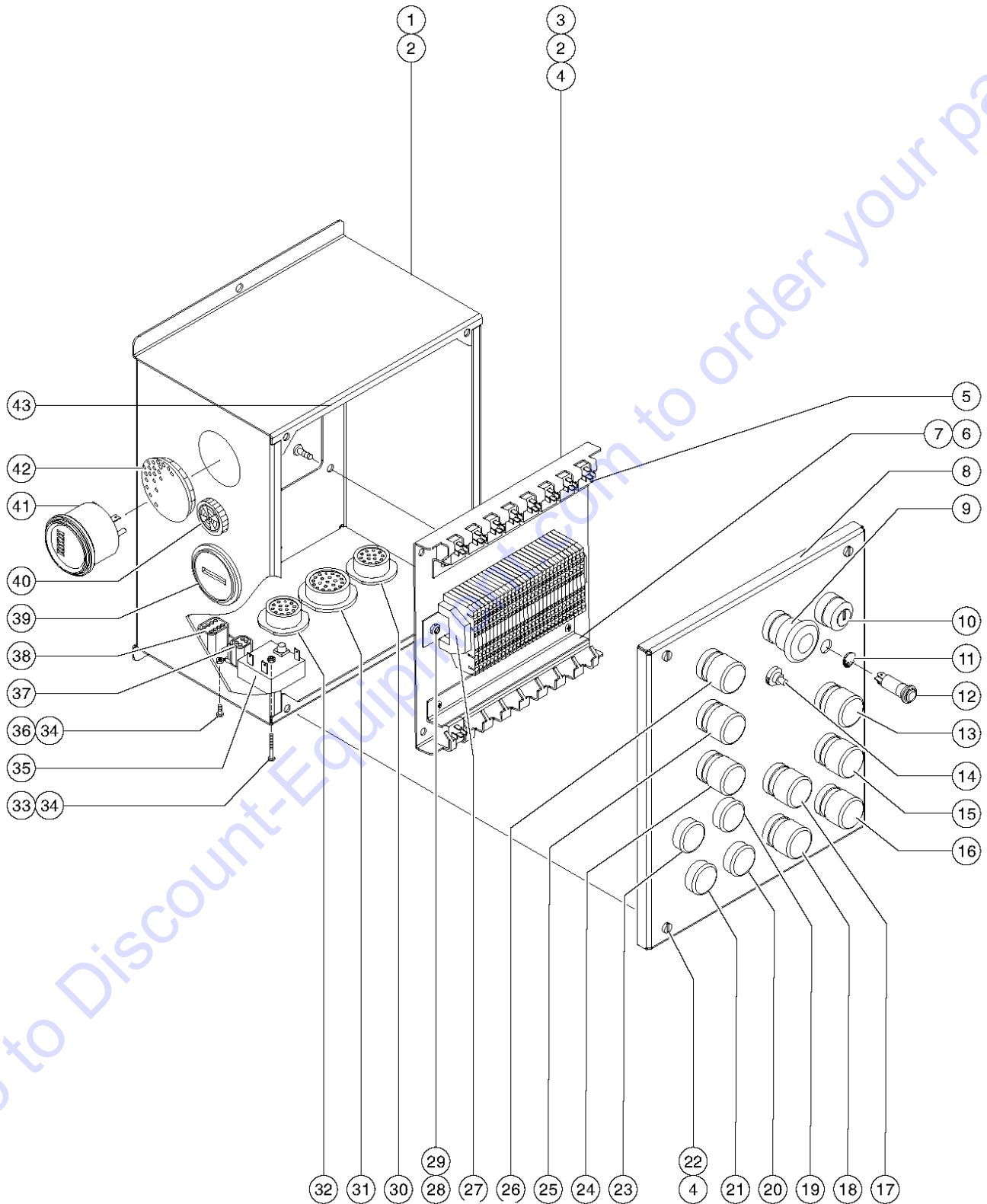
Go to Discount-Equipment.com to order your parts

303.3 Ground Control Box (from SN TZ3404-218 to TZ3413-344)

Item	Part No.	Description	Qty.
-		CONTROL BOX ASSY,LOWER TZ34 Complete (from TZ3404-305 to TZ3406-205); Previous Control Box 104544GT is no longer available. For appropriate replacement (refer to 303.8, 303.9 and 303.10)	
1	104302GT	KIT,TZ34 CONTROL BOX LOWER*** (includes items 2-4, 6-8, 22 and 43)	1
2	23405GT	NUTSERT,10-32 STEEL CAD PLTD	
3	104705GT	FORMING, RELAY MOUNT TZ34 LWR	
4	49819GT	SCREW,PHILLIPS,PHM,10-32 X .5	
5	56302GT	RELAY,24VDC,40/30A,SEALED*** model with load sense	15
6	104489GT	FORMING,RELAY HOLDER TZ34 LWR	2
7	49818GT	SCREW,PHILLIPS,PHM,10-32 X .38	
8	115031GT	LID ASSY, GRND COUNT W/DECALS	1
9	226322GT	ASM, E-STOP & BOOT	1
9-	66817GT	BASE WITH 1 NC CONTACT, E-STOP	
9-	66818GT	CONTACT,NC	
10	96008-SGT	KEYSWITCH,3 POS. W/KEYS***	1
10-	83093GT	KEY SINGLE***	
10-	85239GT	NUT,RETAINER (96008)	
10-	88827GT	GASKET,KEYSWITCH,PLASTIC***	
11	45384GT	PLUG,NYLON .50 BLACK DOMED ANSI models	1
12	36373GT	LED,RED 24V CE models	1
13	226320GT	ASM, BUTTON & BOOT, BLK primary boom, extend/retract	1
13-	66815GT	BASE, W/1 N.O. CONTACTS*** (sold seperately)	
13-	66816GT	CONTACT,N.O (sold seperately)	
14	1277226GT	ASSEMBLY,CIRCUIT BREAKER,15AMP	
15	226320GT	ASM, BUTTON & BOOT, BLK primary boom, up/down	1
15-	66815GT	BASE, W/1 N.O. CONTACTS*** (sold seperately)	
15-	66816GT	CONTACT,N.O (sold seperately)	
16	226320GT	ASM, BUTTON & BOOT, BLK secondary boom, up/down	1
16-	66815GT	BASE, W/1 N.O. CONTACTS*** (sold seperately)	
16-	66816GT	CONTACT,N.O (sold seperately)	



303.3 Ground Control Box (from SN TZ3404-218 to TZ3413-344)

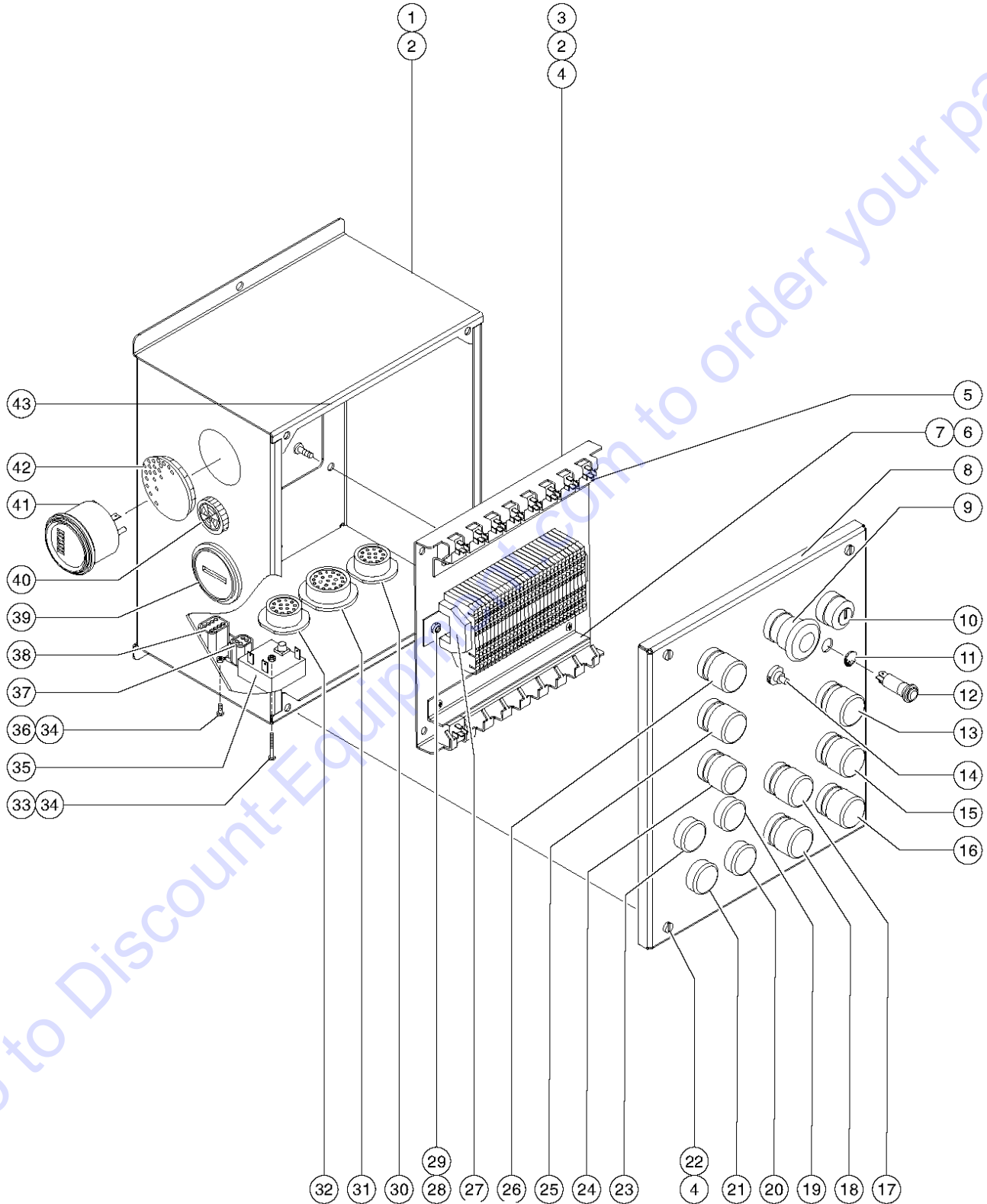


303.3 Ground Control Box (from SN TZ3404-218 to TZ3413-344)

Item	Part No.	Description	Qty.
17	226320GT	ASM, BUTTON & BOOT, BLK platform level	1
17-	66815GT	BASE, W/1 N.O. CONTACTS*** (sold seperately)	
17-	66816GT	CONTACT,N.O (sold seperately)	
18	226320GT	ASM, BUTTON & BOOT, BLK turntable rotate	1
18-	66815GT	BASE, W/1 N.O. CONTACTS*** (sold seperately)	
18-	66816GT	CONTACT,N.O (sold seperately)	
19A	226320GT	ASM, BUTTON & BOOT, BLK function enable (to SN TZ3406-392)	1
19A-	66815GT	BASE, W/1 N.O. CONTACTS*** (to SN TZ3406-392) (sold seperately)	
19A-	66816GT	CONTACT,N.O (to SN TZ3406-392) (sold seperately)	
20A	226320GT	ASM, BUTTON & BOOT, BLK function enable (to SN TZ3406-392)	1
20A-	66815GT	BASE, W/1 N.O. CONTACTS*** (to SN TZ3406-392) (sold seperately)	
20A-	66816GT	CONTACT,N.O (to SN TZ3406-392) (sold seperately)	
20A-	104091GT	BUTTON,PUSH,GREEN (to SN TZ3406-392)	
20A-	109803GT	COVER,PUSH BUTTON (to SN TZ3406-392)	
21A	226320GT	ASM, BUTTON & BOOT, BLK function enable (to SN TZ3406-392)	1
21A-	66815GT	BASE, W/1 N.O. CONTACTS*** (to SN TZ3406-392) (sold seperately)	
21A-	66816GT	CONTACT,N.O (to SN TZ3406-392) (sold seperately)	
22	99207GT	WASHER,STAR,INTERNAL,#10	
23A	226320GT	ASM, BUTTON & BOOT, BLK function enable (to SN TZ3406-392)	1
23A-	66815GT	BASE, W/1 N.O. CONTACTS*** (to SN TZ3406-392) (sold seperately)	
23A-	66816GT	CONTACT,N.O (to SN TZ3406-392) (sold seperately)	
24	226320GT	ASM, BUTTON & BOOT, BLK outrigger autolevel	1
24-	66814GT	BASE,WITH 2 N.O. CONTACTS*** (sold seperately)	
24-	66816GT	CONTACT,N.O (sold seperately)	
25	226320GT	ASM, BUTTON & BOOT, BLK function enable	1
25-	66815GT	BASE, W/1 N.O. CONTACTS*** (sold seperately)	
25-	66816GT	CONTACT,N.O (sold seperately)	
26	226320GT	ASM, BUTTON & BOOT, BLK function enable	1



303.3 Ground Control Box (from SN TZ3404-218 to TZ3413-344)

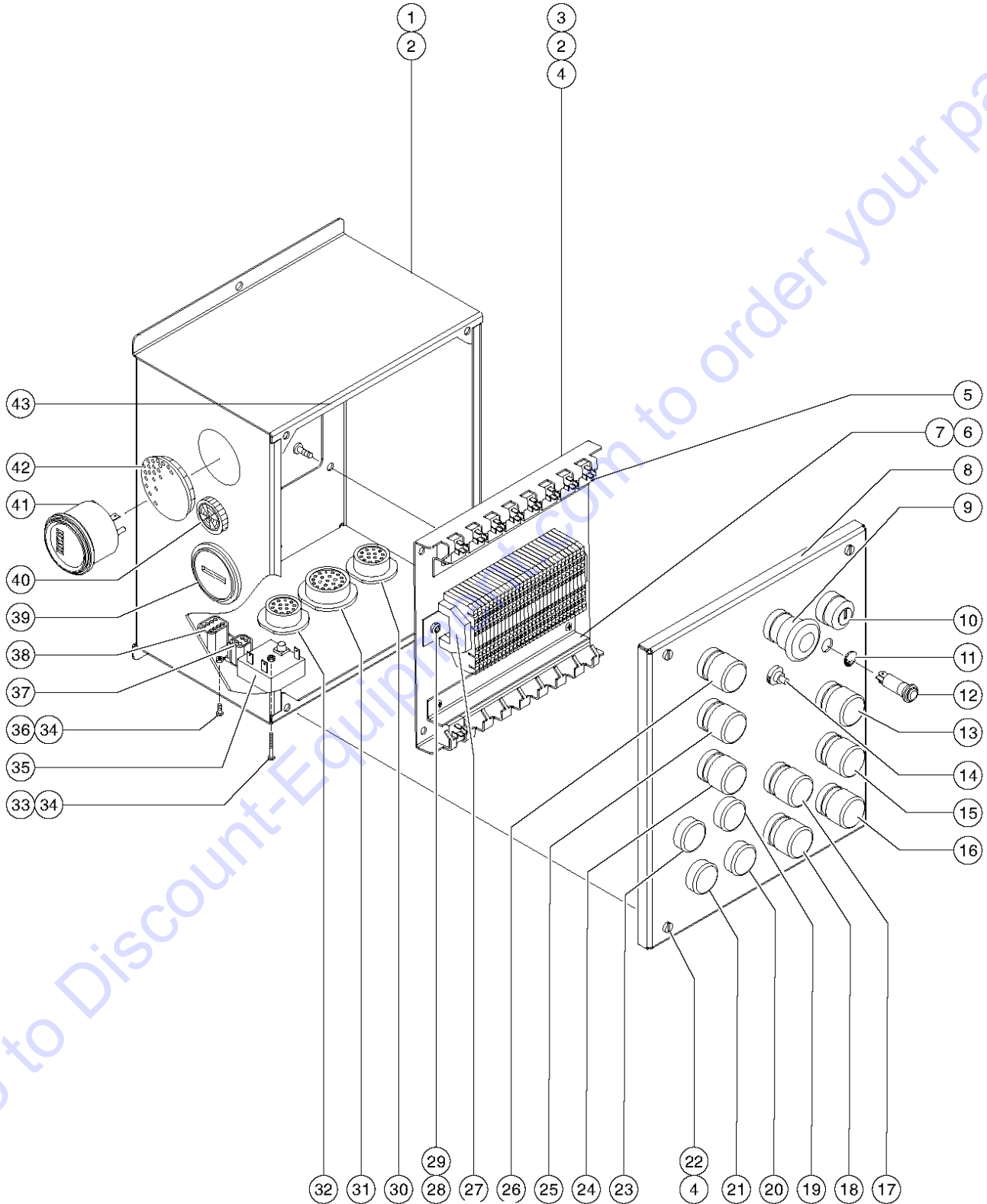


303.3 Ground Control Box (from SN TZ3404-218 to TZ3413-344)

Item	Part No.	Description	Qty.
26-	66814GT	BASE,WITH 2 N.O. CONTACTS*** (sold seperately)	
26-	66816GT	CONTACT,N.O	
27	87738GT	TERMINAL RAIL,TZ34	1
27	74911GT	TERMINAL BLOCK, WIELAND***	
27	216793GT	TERMINAL BLOCK END PLATE	
27	74913GT	END STOP, DIN RAIL,SCREW CLAMP	
27	74917GT	JUMPER COMB, 2-WAY,WIELAND	
27	74918GT	JUMPER COMB, 3-WAY,WIELAND	
28	71874GT	BOLT,CARRIAGE,#10-24X.50,G2	
29	5365GT	NUT,NYLOCK,10-24	
30	87749GT	CONN,RECEP 14 WAY-REV	1
30-	87750GT	NUT,PANEL,SIZE 18 PLASTIC	
30-	87751GT	PANEL WASHER SHELL SIZE 18	
31	87752GT	CONN,RECEP 19 WAY	1
31-	87753GT	NUT,PANEL,SIZE 24 PLASTIC	
31-	87754GT	PANEL WASHER SHELL SIZE 24	
32	87748GT	CONN,RECEP 14 WAY	1
32-	87750GT	NUT,PANEL,SIZE 18 PLASTIC	
32-	87751GT	PANEL WASHER SHELL SIZE 18	
33	11803GT	SCREW,RHM,6-32 X 1	
34	12344GT	NUT,NYLOCK,6-32	
35	99084GT	MODULE, TIME DELAY	1
36	49820GT	SCREW,PHILLIPS,PHM,6-32 X .5	
37	73723GT	CONN RECEPT,FLANGED	1
38	87755GT	CONN,RECEP 8 WAY 14-18GA,FL	1
39	19506GT	HOUR METER,10-80 VOLTS*** includes mounting bracket	1
40	45383GT	ALARM,WARBLE TONE 5-30 VDC*** Does not include 72326 nut	1
40-	72326GT	NUT - PLASTIC, RING FOR ALARMS	



303.3 Ground Control Box (from SN TZ3404-218 to TZ3413-344)



Go to Discount-Equipment.com to order your parts

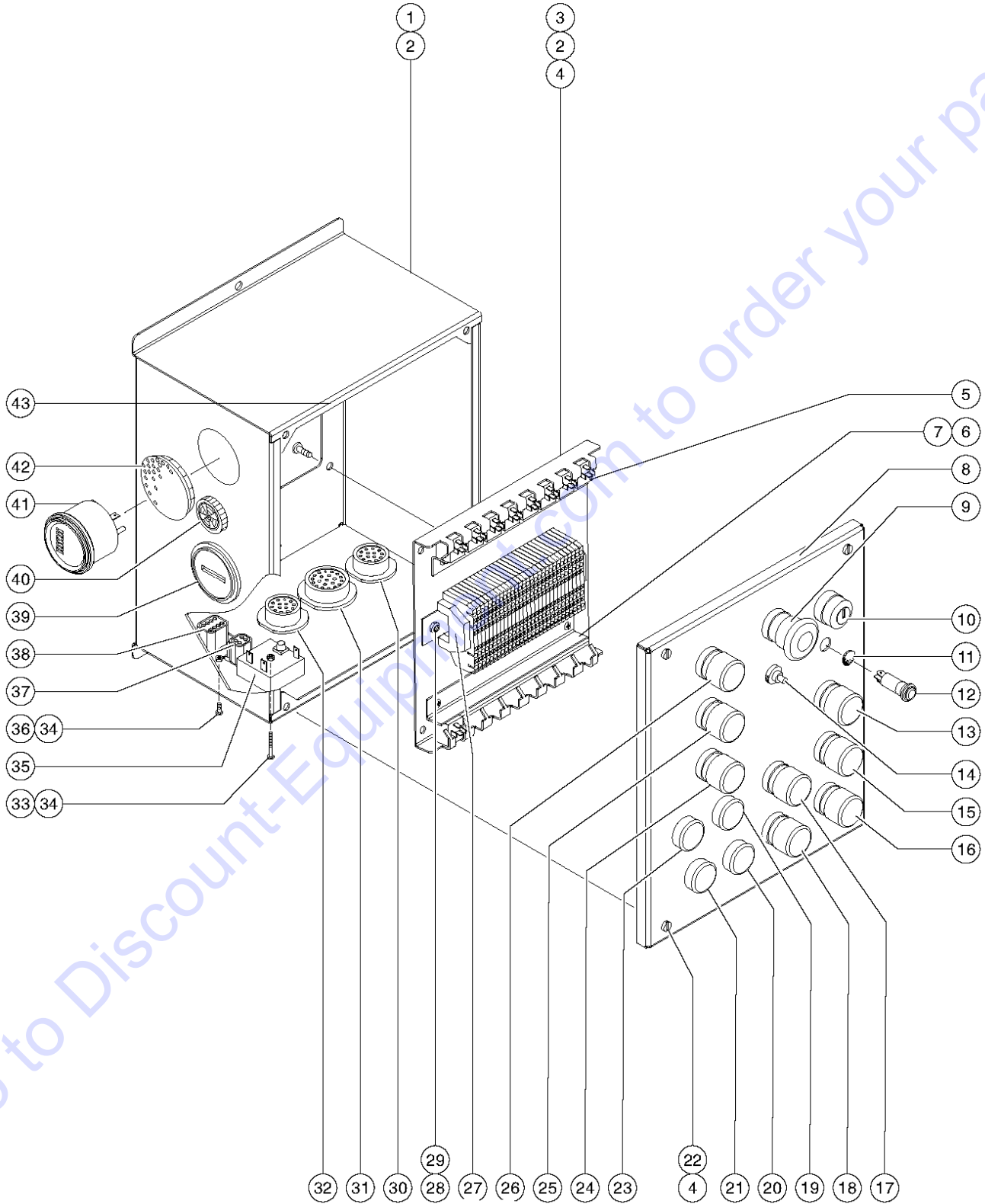
303.3 Ground Control Box (from SN TZ3404-218 to TZ3413-344)

<i>Item</i>	<i>Part No.</i>	<i>Description</i>	<i>Qty.</i>
41	76647GT	INDICATOR, BATTERY DISCHARGE optional	1
42	45840GT	PLUG,NYLON 2.00 BLACK DOMED models without battery charge indicator	1
43	69773GT	SEAL,RIBBED FOAM,3/8X1/8 PSA**	18

Go to Discount-Equipment.com to order your parts



303.4 Ground Control Box (from SN TZ3404-218 to TZ3413-344)

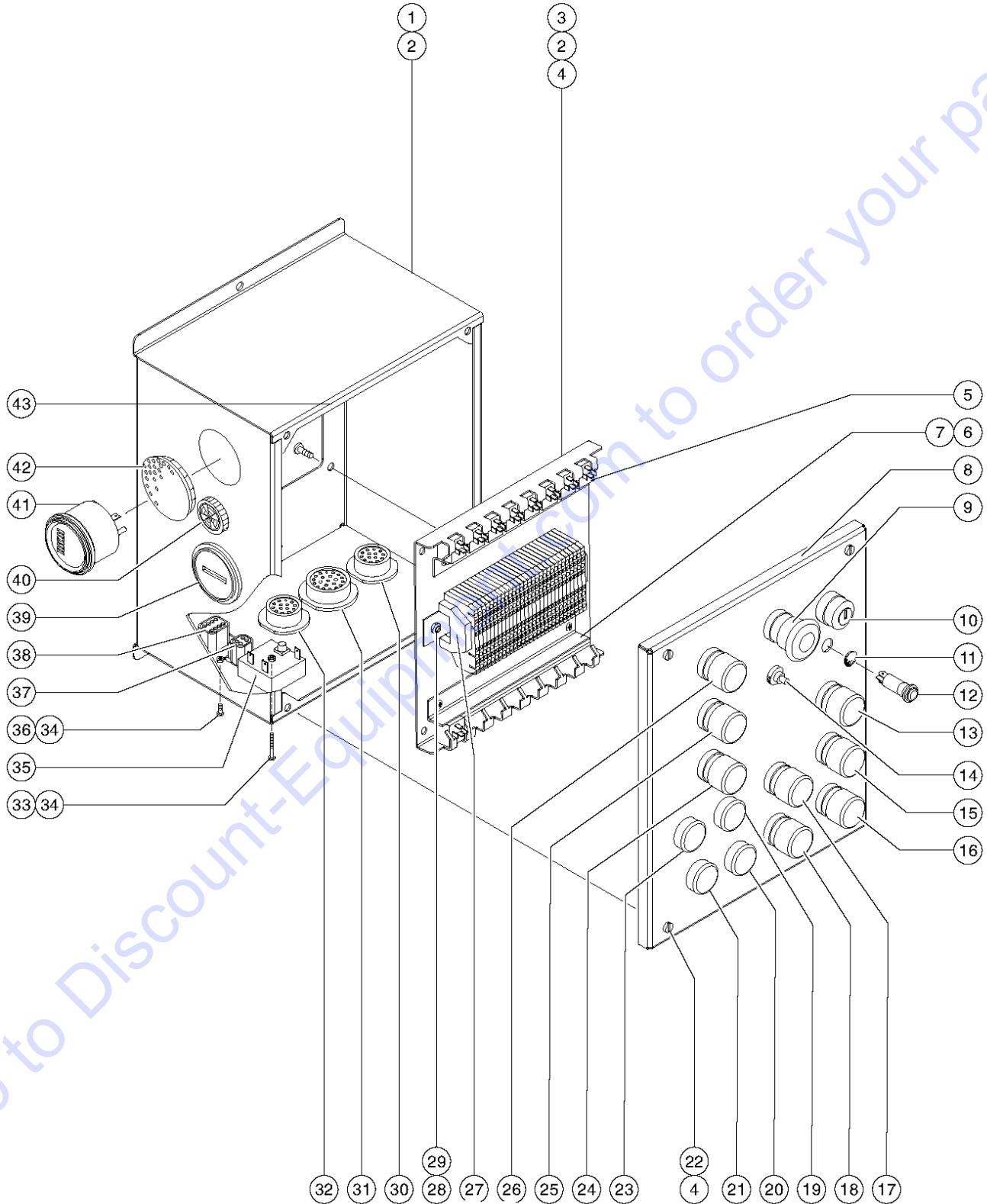


303.4 Ground Control Box (from SN TZ3404-218 to TZ3413-344)

Item	Part No.	Description	Qty.
-		CONTROL BOX ASSY,LOWER TZ34 Complete (from TZ3404-305 to TZ3406-205); Previous Control Box 104544GT is no longer available. For appropriate replacement (refer to 303.8, 303.9 and 303.10)	
-		CONTROL BOX ASSY,LOWER TZ34*** Complete (from TZ3406-206 to TZ3413-344); Previous Control Box 105313GT is no longer available. For appropriate replacement (refer to 303.8, 303.9 and 303.10)	
1	104302GT	KIT,TZ34 CONTROL BOX LOWER*** (includes items 2-4, 6-8, 22 and 43)	
2	23405GT	NUTSERT,10-32 STEEL CAD PLTD	
3	104705GT	FORMING, RELAY MOUNT TZ34 LWR	
4	49819GT	SCREW,PHILLIPS,PHM,10-32 X .5	
5	56302GT	RELAY,24VDC,40/30A,SEALED*** model with load sense	15
6	104489GT	FORMING,RELAY HOLDER TZ34 LWR	2
7	49818GT	SCREW,PHILLIPS,PHM,10-32 X .38	
8	115031GT	LID ASSY, GRND COUNT W/DECALS	1
9	226322GT	ASM, E-STOP & BOOT	1
9-	66817GT	BASE WITH 1 NC CONTACT, E-STOP	
9-	66818GT	CONTACT,NC	
10	96008-SGT	KEYSWITCH,3 POS. W/KEYS***	1
10-	83093GT	KEY SINGLE***	
10-	85239GT	NUT,RETAINER (96008)	
10-	88827GT	GASKET,KEYSWITCH,PLASTIC***	
11	45384GT	PLUG,NYLON .50 BLACK DOMED ANSI models	1
12	36373GT	LED,RED 24V CE models	1
13	226320GT	ASM, BUTTON & BOOT, BLK primary boom, extend/retract	1
13-	66815GT	BASE, W/1 N.O. CONTACTS*** (sold seperately)	
13-	66816GT	CONTACT,N.O (sold seperately)	
14	1277226GT	ASSEMBLY,CIRCUIT BREAKER,15AMP	
15	226320GT	ASM, BUTTON & BOOT, BLK primary boom, up/down	1
15-	66815GT	BASE, W/1 N.O. CONTACTS*** (sold seperately)	
15-	66816GT	CONTACT,N.O (sold seperately)	
16	226320GT	ASM, BUTTON & BOOT, BLK secondary boom, up/down	1



303.4 Ground Control Box (from SN TZ3404-218 to TZ3413-344)



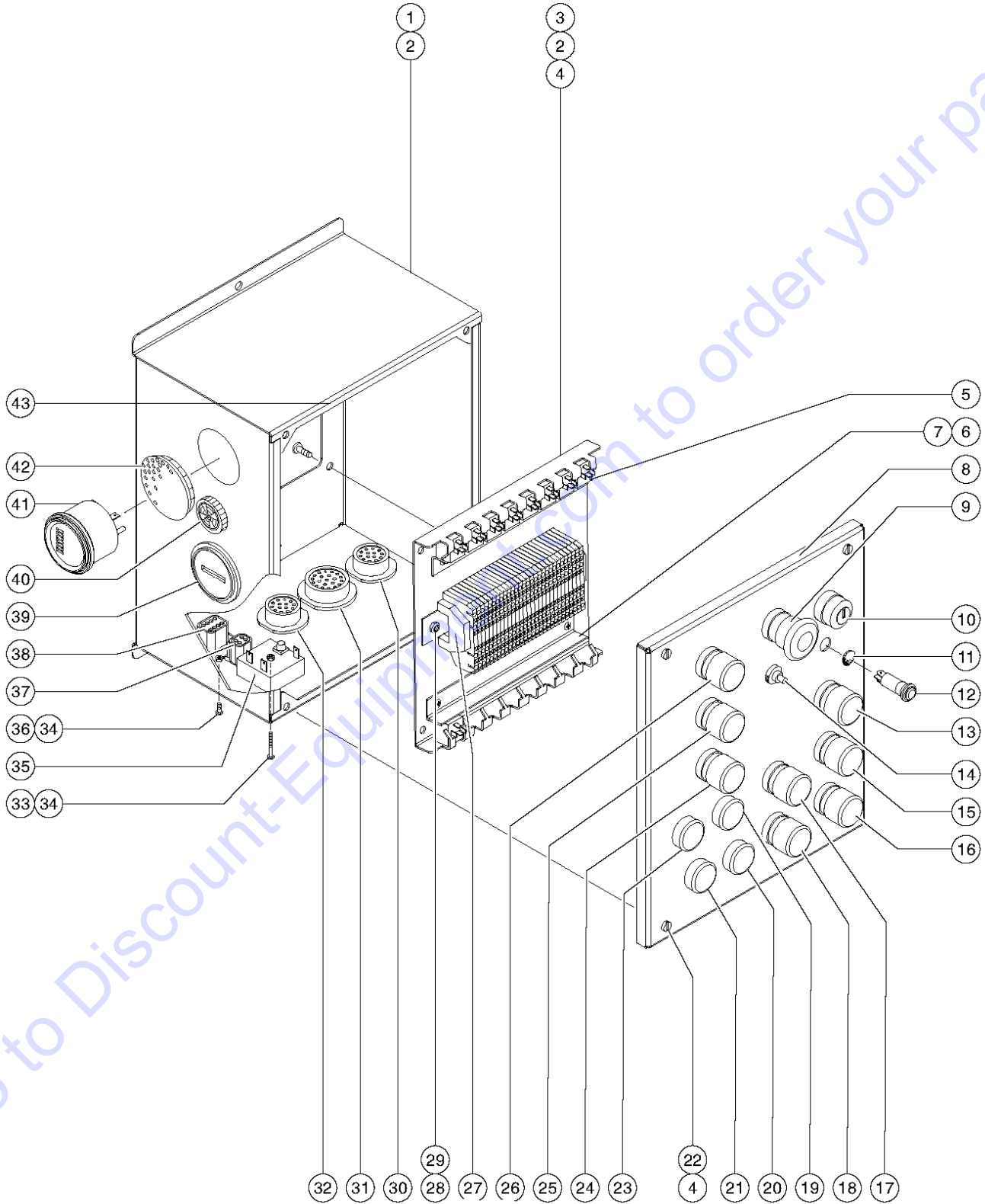
Go to Discount-Equipment.com to order your parts

303.4 Ground Control Box (from SN TZ3404-218 to TZ3413-344)

Item	Part No.	Description	Qty.
16-	66815GT	BASE, W/1 N.O. CONTACTS*** (sold seperately)	
16-	66816GT	CONTACT,N.O (sold seperately)	
17	226320GT	ASM, BUTTON & BOOT, BLK platform level	1
17-	66815GT	BASE, W/1 N.O. CONTACTS*** (sold seperately)	
17-	66816GT	CONTACT,N.O (sold seperately)	
18	226320GT	ASM, BUTTON & BOOT, BLK turntable rotate	1
18-	66815GT	BASE, W/1 N.O. CONTACTS*** (sold seperately)	
18-	66816GT	CONTACT,N.O (sold seperately)	
19A	226320GT	ASM, BUTTON & BOOT, BLK function enable (to SN TZ3406-392)	1
19A-	66815GT	BASE, W/1 N.O. CONTACTS*** (to SN TZ3406-392) (sold seperately)	
19A-	66816GT	CONTACT,N.O (to SN TZ3406-392) (sold seperately)	
19B	109804GT	BUTTON,PUSH, GREEN,ASSEMBLY*** (from SN TZ3406-393) part numbers 104091GT, 104092GT and 109803GT must be purchased along with 109804GT	
19B-	104091GT	BUTTON,PUSH, GREEN (from SN TZ3406-393)	
19B-	104092GT	BASE,W/1N.O.,W/GREEN LED (from SN TZ3406-393)	
19B-	109803GT	COVER,PUSH BUTTON (from SN TZ3406-393)	
20A	226320GT	ASM, BUTTON & BOOT, BLK function enable (to SN TZ3406-392)	1
20A-	66815GT	BASE, W/1 N.O. CONTACTS*** (to SN TZ3406-392) (sold seperately)	
20A-	66816GT	CONTACT,N.O (to SN TZ3406-392) (sold seperately)	
20A-	104091GT	BUTTON,PUSH, GREEN (to SN TZ3406-392)	
20A-	109803GT	COVER,PUSH BUTTON (to SN TZ3406-392)	
20B	109804GT	BUTTON,PUSH, GREEN,ASSEMBLY*** function enable (from SN TZ3406-393) part numbers 104091GT, 104092GT and 109803GT must be purchased along with 109804GT	1
20B-	104091GT	BUTTON,PUSH, GREEN (from SN TZ3406-393)	
20B-	104092GT	BASE,W/1N.O.,W/GREEN LED (from SN TZ3406-393)	
20B-	109803GT	COVER,PUSH BUTTON (from SN TZ3406-393)	
21A	226320GT	ASM, BUTTON & BOOT, BLK function enable (to SN TZ3406-392)	1
21A-	66815GT	BASE, W/1 N.O. CONTACTS*** (to SN TZ3406-392) (sold seperately)	
21A-	66816GT	CONTACT,N.O (to SN TZ3406-392) (sold seperately)	



303.4 Ground Control Box (from SN TZ3404-218 to TZ3413-344)

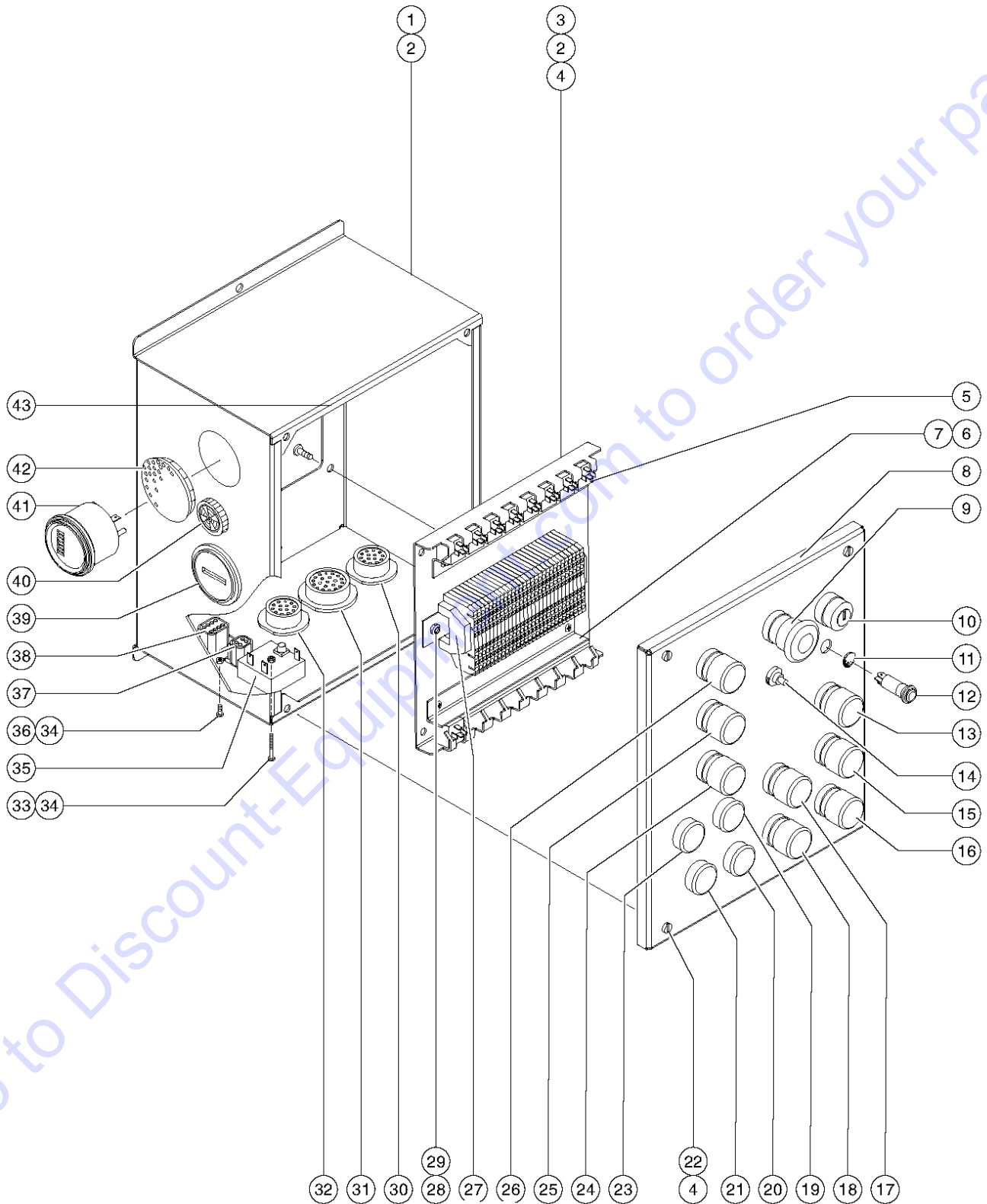


Go to Discount-Equipment.com to order your parts

303.4 Ground Control Box (from SN TZ3404-218 to TZ3413-344)

Item	Part No.	Description	Qty.
21B	109804GT	BUTTON,PUSH,GREEN,ASSEMBLY*** function enable (from SN TZ3406-393) part numbers 104091GT, 104092GT and 109803GT must be purchased along with 109804GT	1
21B-	104091GT	BUTTON,PUSH,GREEN (from SN TZ3406-393)	
21B-	104092GT	BASE,W/1N.O.,W/GREEN LED (from SN TZ3406-393)	
21B-	109803GT	COVER,PUSH BUTTON (from SN TZ3406-393)	
22	99207GT	WASHER,STAR,INTERNAL,#10	
23A	226320GT	ASM, BUTTON & BOOT, BLK function enable (to SN TZ3406-392)	1
23A-	66815GT	BASE, W/1 N.O. CONTACTS*** (to SN TZ3406-392) (sold seperately)	
23A-	66816GT	CONTACT,N.O (to SN TZ3406-392) (sold seperately)	
23B	109804GT	BUTTON,PUSH,GREEN,ASSEMBLY*** (from SN TZ3406-393) part numbers 104091GT, 104092GT and 109803GT must be purchased along with 109804GT	
23B-	104091GT	BUTTON,PUSH,GREEN (from SN TZ3406-393)	
23B-	104092GT	BASE,W/1N.O.,W/GREEN LED (from SN TZ3406-393)	
23B-	109803GT	COVER,PUSH BUTTON (from SN TZ3406-393)	
24	226320GT	ASM, BUTTON & BOOT, BLK outrigger autolevel	1
24-	66814GT	BASE WITH 2 N.O. CONTACTS*** (to SN TZ3406-392) (sold seperately)	
24-	66816GT	CONTACT,N.O (to SN TZ3406-392) (sold seperately)	
25	226320GT	ASM, BUTTON & BOOT, BLK function enable	1
25-	66815GT	BASE, W/1 N.O. CONTACTS*** (sold seperately)	
25-	66816GT	CONTACT,N.O (sold seperately)	
26	226320GT	ASM, BUTTON & BOOT, BLK function enable	1
26-	66814GT	BASE WITH 2 N.O. CONTACTS*** (sold seperately)	
26-	66816GT	CONTACT,N.O (sold seperately)	
27	87738GT	TERMINAL RAIL,TZ34	1
27	74911GT	TERMINAL BLOCK, WIELAND***	
27	216793GT	TERMINAL BLOCK END PLATE	1
27	74913GT	END STOP, DIN RAIL,SCREW CLAMP	
27	74917GT	JUMPER COMB, 2-WAY,WIELAND	
27	74918GT	JUMPER COMB, 3-WAY,WIELAND	

303.4 Ground Control Box (from SN TZ3404-218 to TZ3413-344)



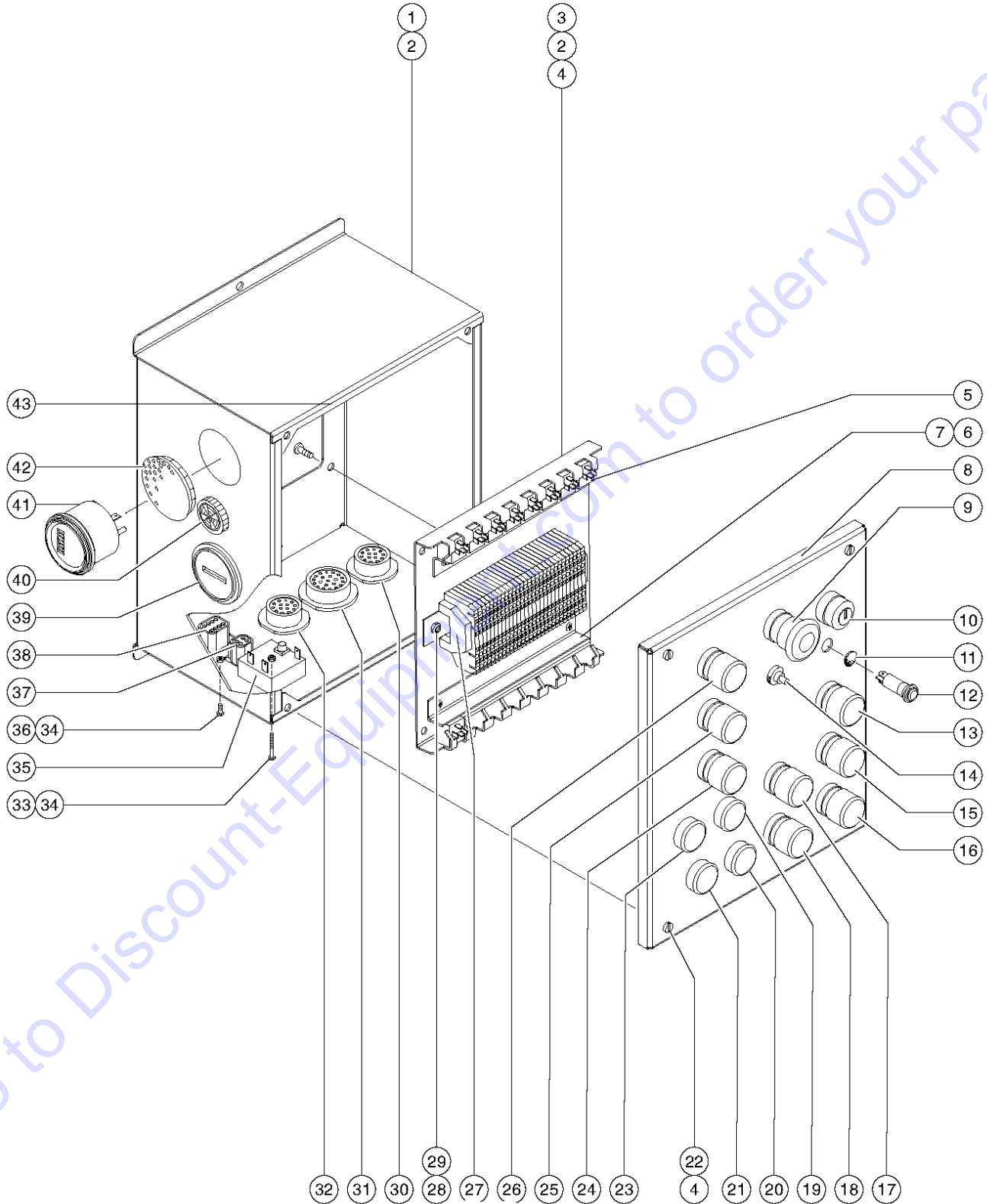
Go to Discount-Equipment.com to order your parts

303.4 Ground Control Box (from SN TZ3404-218 to TZ3413-344)

Item	Part No.	Description	Qty.
28	71874GT	BOLT,CARRIAGE,#10-24X.50,G2	
29	5365GT	NUT,NYLOCK,10-24	
30	87749GT	CONN,RECEP 14 WAY-REV	1
30-	87750GT	NUT,PANEL,SIZE 18 PLASTIC	
30-	87751GT	PANEL WASHER SHELL SIZE 18	
31	87752GT	CONN,RECEP 19 WAY	1
31-	87753GT	NUT,PANEL,SIZE 24 PLASTIC	
31-	87754GT	PANEL WASHER SHELL SIZE 24	
32	87748GT	CONN,RECEP 14 WAY	1
32-	87750GT	NUT,PANEL,SIZE 18 PLASTIC	
32-	87751GT	PANEL WASHER SHELL SIZE 18	
33	11803GT	SCREW,RHM,6-32 X 1	
34	12344GT	NUT,NYLOCK,6-32	
35	99084GT	MODULE, TIME DELAY	1
36	49820GT	SCREW,PHILLIPS,PHM,6-32 X .5	
37	73723GT	CONN RECEPT,FLANGED	1
38	87755GT	CONN,RECEP 8 WAY 14-18GA,FL	1
39	19506GT	HOUR METER,10-80 VOLTS*** includes mounting bracket	1
40	45383GT	ALARM,WARBLE TONE 5-30 VDC*** Does not include 72326 nut	1
40-	72326GT	NUT - PLASTIC, RING FOR ALARMS	
41	76647GT	INDICATOR, BATTERY DISCHARGE optional	1
42	45840GT	PLUG,NYLON 2.00 BLACK DOMED models without battery charge indicator	1
43	69773GT	SEAL,RIBBED FOAM,3/8X1/8 PSA**	18



303.5 Ground Control Box (from SN TZ3404-218 to TZ3413-344)



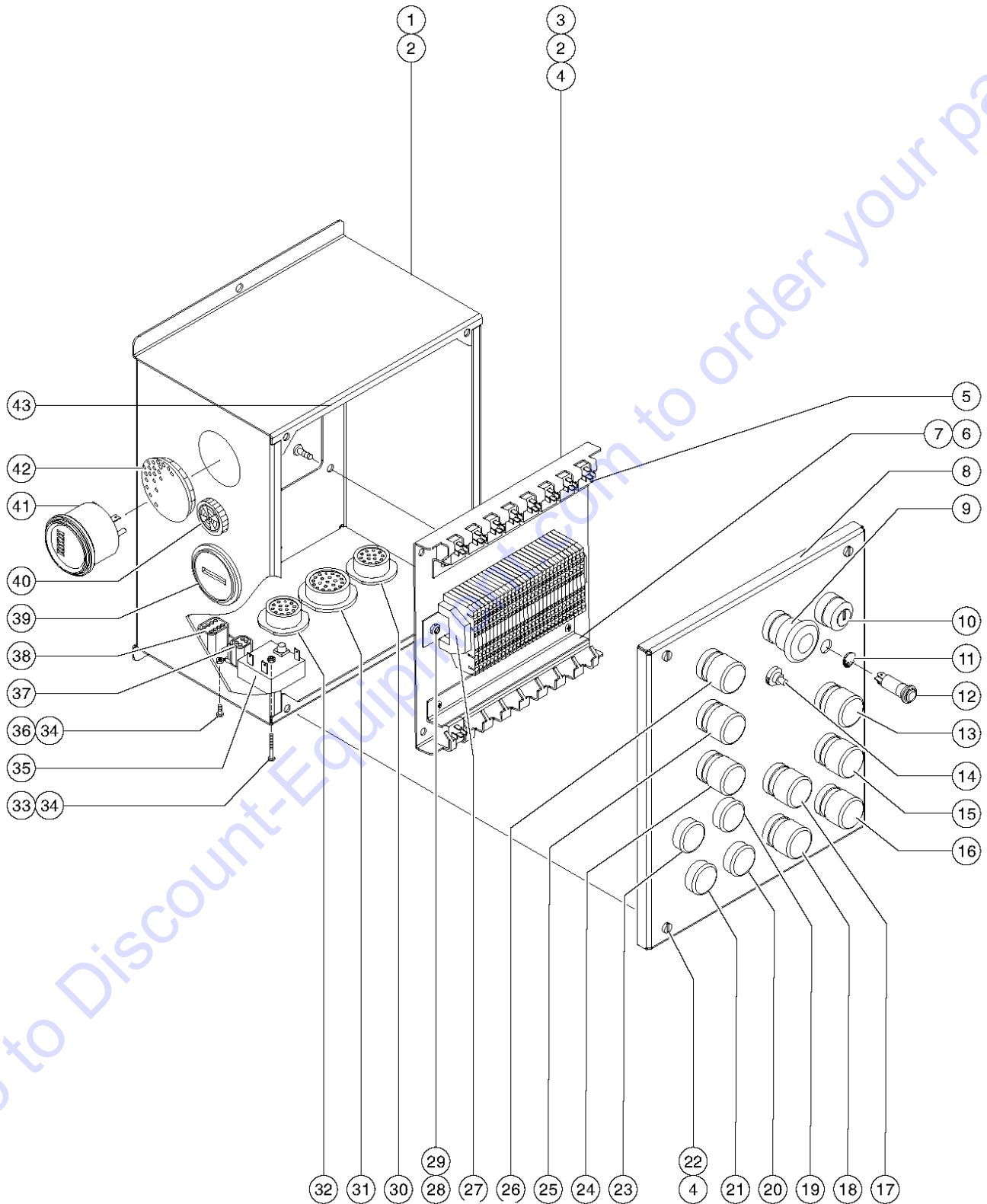
Go to Discount-Equipment.com to order your parts

303.5 Ground Control Box (from SN TZ3404-218 to TZ3413-344)

Item	Part No.	Description	Qty.
-		CONTROL BOX ASSY,LOWER TZ34*** Complete (from TZ3406-206 to TZ3413-344); Previous Control Box 105313GT is no longer available. For appropriate replacement (refer to 303.8, 303.9 and 303.10)	
1	104302GT	KIT, TZ34 CONTROL BOX LOWER*** (includes items 2-4, 6-8, 22 and 43)	
2	23405GT	NUTSERT,10-32 STEEL CAD PLTD	
3	104705GT	FORMING, RELAY MOUNT TZ34 LWR	
4	49819GT	SCREW,PHILLIPS,PHM,10-32 X .5	
5	56302GT	RELAY,24VDC,40/30A,SEALED*** model with load sense	15
6	104489GT	FORMING,RELAY HOLDER TZ34 LWR	2
7	49818GT	SCREW,PHILLIPS,PHM,10-32 X .38	
8	115031GT	LID ASSY, GRND COUNT W/DECALS	1
9	226322GT	ASM, E-STOP & BOOT	1
9-	66817GT	BASE WITH 1 NC CONTACT, E-STOP	
9-	66818GT	CONTACT,NC	
10	96008-SGT	KEYSWITCH,3 POS. W/KEYS***	1
10-	83093GT	KEY SINGLE***	
10-	85239GT	NUT,RETAINER (96008)	
10-	88827GT	GASKET,KEYSWITCH,PLASTIC***	
11	45384GT	PLUG,NYLON .50 BLACK DOMED ANSI models	1
12	36373GT	LED,RED 24V CE models	1
13	226320GT	ASM, BUTTON & BOOT, BLK primary boom, extend/retract	1
13-	66815GT	BASE, W/1 N.O. CONTACTS***	
13-	66816GT	CONTACT,N.O	
14	1277226GT	ASSEMBLY,CIRCUIT BREAKER,15AMP	
15	226320GT	ASM, BUTTON & BOOT, BLK primary boom, up/down	1
15-	66815GT	BASE, W/1 N.O. CONTACTS***	
15-	66816GT	CONTACT,N.O	
16	226320GT	ASM, BUTTON & BOOT, BLK secondary boom, up/down	1
16-	66815GT	BASE, W/1 N.O. CONTACTS***	
16-	66816GT	CONTACT,N.O	



303.5 Ground Control Box (from SN TZ3404-218 to TZ3413-344)



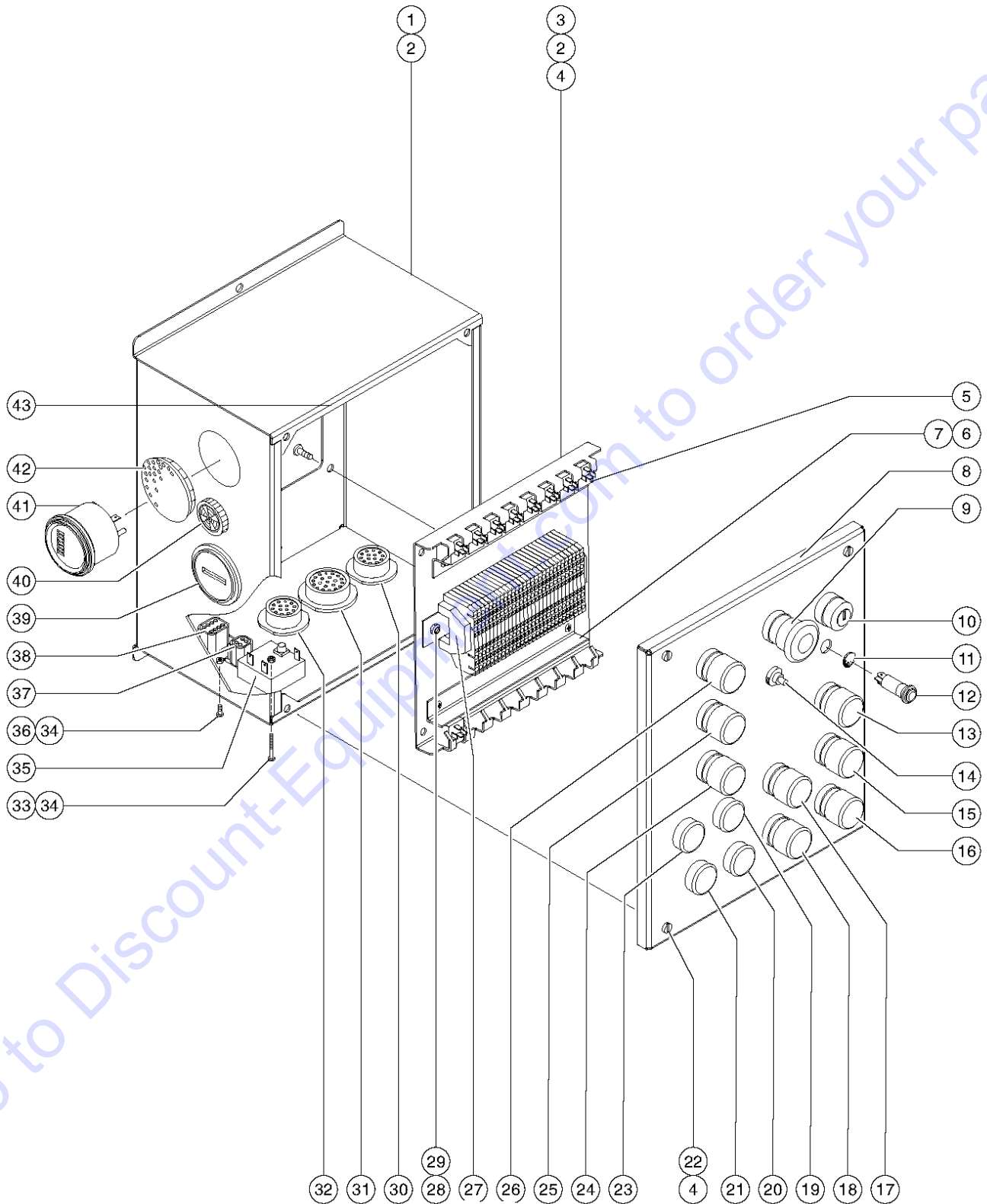
Go to Discount-Equipment.com to order your parts

303.5 Ground Control Box (from SN TZ3404-218 to TZ3413-344)

Item	Part No.	Description	Qty.
17	226320GT	ASM, BUTTON & BOOT, BLK platform level	1
17-	66815GT	BASE, W/1 N.O. CONTACTS***	
17-	66816GT	CONTACT,N.O	
18	226320GT	ASM, BUTTON & BOOT, BLK turntable rotate	1
18-	66815GT	BASE, W/1 N.O. CONTACTS***	
18-	66816GT	CONTACT,N.O	
19B	109804GT	BUTTON,PUSH, GREEN,ASSEMBLY*** (from SN TZ3406-393) part numbers 104091GT, 104092GT and 109803GT must be purchased along with 109804GT	1
19B-	104091GT	BUTTON,PUSH, GREEN (from SN TZ3406-393)	
19B-	104092GT	BASE,W/1N.O.,W/GREEN LED (from SN TZ3406-393)	
19B-	104091GT	BUTTON,PUSH, GREEN (from SN TZ3406-393)	
19B-	109803GT	COVER,PUSH BUTTON (from SN TZ3406-393)	
20B	109804GT	BUTTON,PUSH, GREEN,ASSEMBLY*** function enable (from SN TZ3406-393) part numbers 104091GT, 104092GT and 109803GT must be purchased along with 109804GT	1
20B-	104091GT	BUTTON,PUSH, GREEN (from SN TZ3406-393)	
20B-	104092GT	BASE,W/1N.O.,W/GREEN LED (from SN TZ3406-393)	
20B-	109803GT	COVER,PUSH BUTTON (from SN TZ3406-393)	
21B	109804GT	BUTTON,PUSH, GREEN,ASSEMBLY*** function enable (from SN TZ3406-393) part numbers 104091GT, 104092GT and 109803GT must be purchased along with 109804GT	1
21B-	104091GT	BUTTON,PUSH, GREEN (from SN TZ3406-393)	
21B-	104092GT	BASE,W/1N.O.,W/GREEN LED (from SN TZ3406-393)	
21B-	109803GT	COVER,PUSH BUTTON (from SN TZ3406-393)	
22	99207GT	WASHER,STAR,INTERNAL,#10	
23B	109804GT	BUTTON,PUSH, GREEN,ASSEMBLY*** (from SN TZ3406-393) part numbers 104091GT, 104092GT and 109803GT must be purchased along with 109804GT	1
23B-	104091GT	BUTTON,PUSH, GREEN (from SN TZ3406-393)	
23B-	104092GT	BASE,W/1N.O.,W/GREEN LED (from SN TZ3406-393)	
23B-	109803GT	COVER,PUSH BUTTON (from SN TZ3406-393)	
24	226320GT	ASM, BUTTON & BOOT, BLK outrigger autolevel	1
24-	66814GT	BASE,WITH 2 N.O. CONTACTS***	
24-	66816GT	CONTACT,N.O	



303.5 Ground Control Box (from SN TZ3404-218 to TZ3413-344)



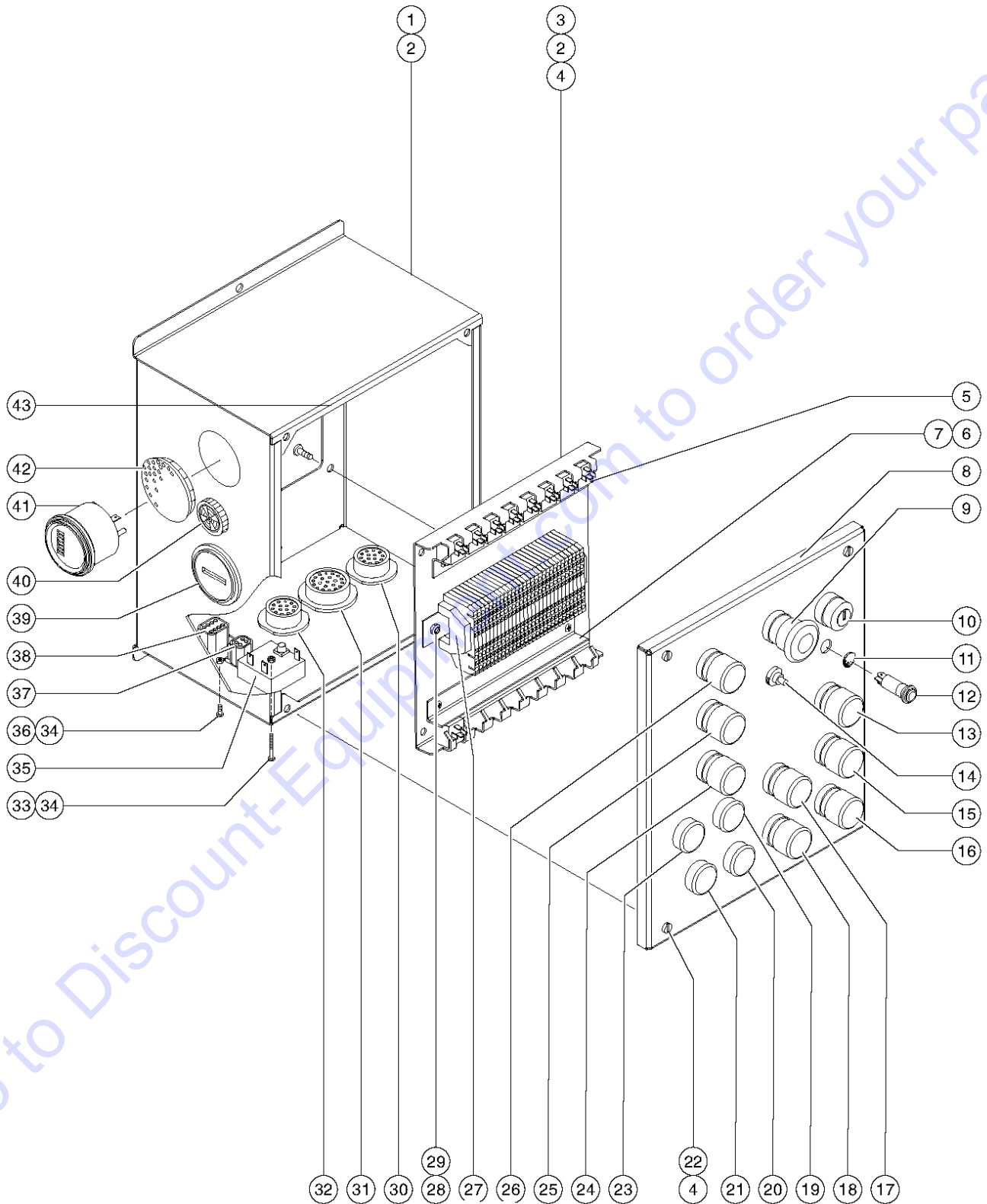
Go to Discount-Equipment.com to order your parts

303.5 Ground Control Box (from SN TZ3404-218 to TZ3413-344)

Item	Part No.	Description	Qty.
25	226320GT	ASM, BUTTON & BOOT, BLK function enable	1
25-	66815GT	BASE, W/1 N.O. CONTACTS***	
25-	66816GT	CONTACT,N.O	
26	226320GT	ASM, BUTTON & BOOT, BLK function enable	1
26-	66814GT	BASE,WITH 2 N.O. CONTACTS***	
26-	66816GT	CONTACT,N.O	
27	87738GT	TERMINAL RAIL,TZ34	1
27	74911GT	TERMINAL BLOCK, WIELAND***	
27	216793GT	TERMINAL BLOCK END PLATE	1
27	74913GT	END STOP, DIN RAIL,SCREW CLAMP	
27	74917GT	JUMPER COMB, 2-WAY,WIELAND	
27	74918GT	JUMPER COMB, 3-WAY,WIELAND	
28	71874GT	BOLT,CARRIAGE,#10-24X.50,G2	
29	5365GT	NUT,NYLOCK,10-24	
30	87749GT	CONN,RECEP 14 WAY-REV	1
30-	87750GT	NUT,PANEL,SIZE 18 PLASTIC	
30-	87751GT	PANEL WASHER SHELL SIZE 18	
31	87752GT	CONN,RECEP 19 WAY	1
31-	87753GT	NUT,PANEL,SIZE 24 PLASTIC	
31-	87754GT	PANEL WASHER SHELL SIZE 24	
32	87748GT	CONN,RECEP 14 WAY	1
32-	87750GT	NUT,PANEL,SIZE 18 PLASTIC	
32-	87751GT	PANEL WASHER SHELL SIZE 18	
33	11803GT	SCREW,RHM,6-32 X 1	
34	12344GT	NUT,NYLOCK,6-32	
35	99084GT	MODULE, TIME DELAY	1
36	49820GT	SCREW,PHILLIPS,PHM,6-32 X .5	
37	73723GT	CONN RECEPT,FLANGED	1



303.5 Ground Control Box (from SN TZ3404-218 to TZ3413-344)



Go to Discount-Equipment.com to order your parts

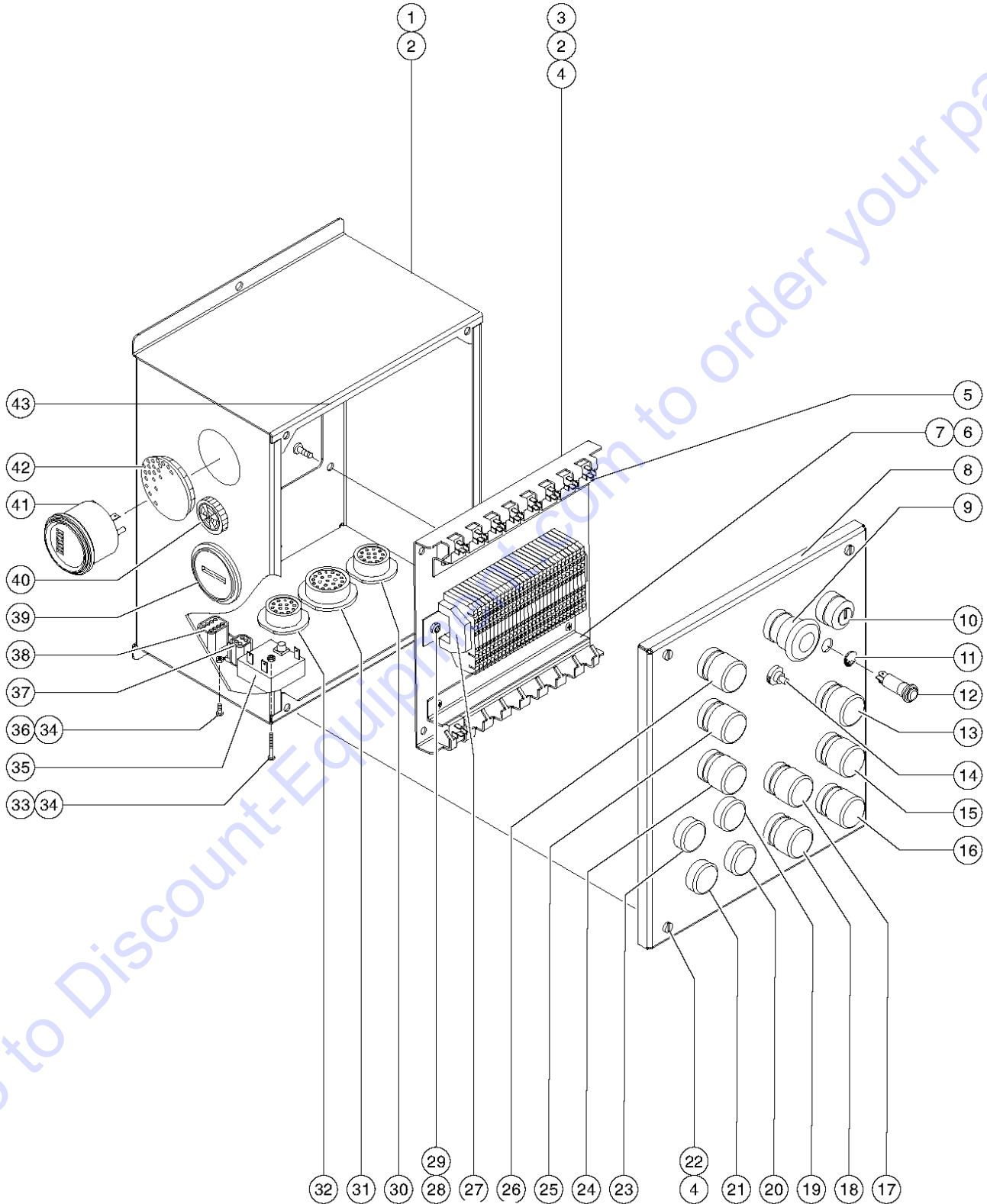
303.5 Ground Control Box (from SN TZ3404-218 to TZ3413-344)

Item	Part No.	Description	Qty.
38	87755GT	CONN,RECEP 8 WAY 14-18GA,FL	1
39	19506GT	HOUR METER,10-80 VOLTS*** includes mounting bracket	1
40	45383GT	ALARM,WARBLE TONE 5-30 VDC*** Does not include 72326 nut	1
40-	72326GT	NUT - PLASTIC, RING FOR ALARMS	
41	76647GT	INDICATOR, BATTERY DISCHARGE optional	1
42	45840GT	PLUG,NYLON 2.00 BLACK DOMED models without battery charge indicator	1
43	69773GT	SEAL,RIBBED FOAM,3/8X1/8 PSA**	18

Go to Discount-Equipment.com to order your parts



303.6 Ground Control Box (from SN TZ3413-345)

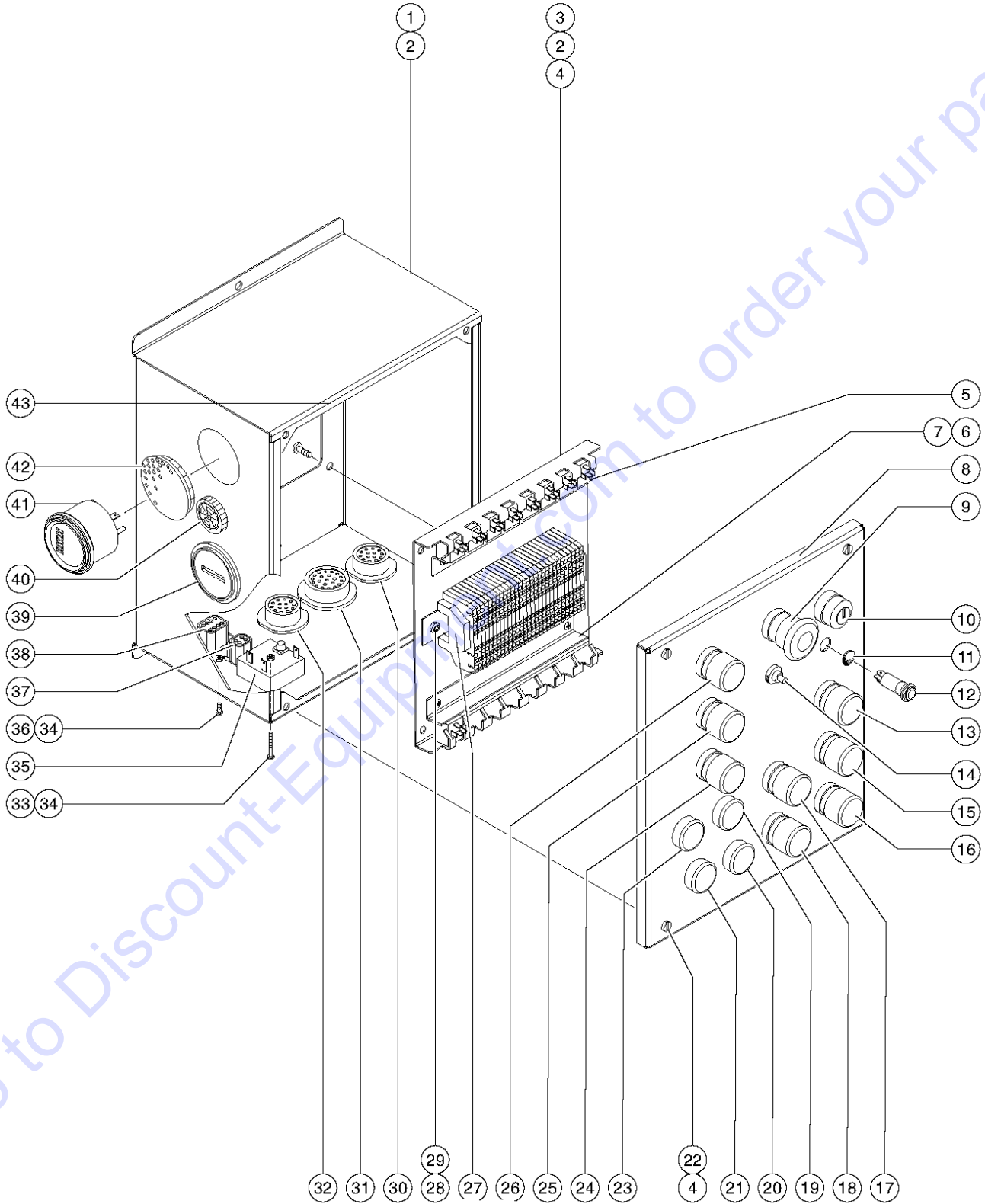


Go to Discount-Equipment.com to order your parts

303.6 Ground Control Box (from SN TZ3413-345)

Item	Part No.	Description	Qty.
-		CONTROL BOX ASSEMBLY, LOWER, (complete, from SN TZ3413-345); Previous Control Box 216766GT is no longer available. For appropriate replacement (refer to 303.8, 303.9 and 303.10)	
-	215265GT	WELDMNT, CONTROL BOX, LOWER, (from SN TZ3413-345)	
1	104302GT	KIT, TZ34 CONTROL BOX LOWER*** (includes items 2-4, 6-8, 22 and 43)	
2	23405GT	NUTSERT, 10-32 STEEL CAD PLTD	
3	104705GT	FORMING, RELAY MOUNT TZ34 LWR	
4	49819GT	SCREW, PHILLIPS, PHM, 10-32 X .5	
5	56302GT	RELAY, 24VDC, 40/30A, SEALED*** model with load sense	15
6	104489GT	FORMING, RELAY HOLDER TZ34 LWR	2
7	49818GT	SCREW, PHILLIPS, PHM, 10-32 X .38	
8	115031GT	LID ASSY, GRND COUNT W/DECALS	1
9	226322GT	ASM, E-STOP & BOOT	1
9-	66817GT	BASE WITH 1 NC CONTACT, E-STOP	
9-	66818GT	CONTACT, NC	
10	96008-SGT	KEYSWITCH, 3 POS. W/KEYS***	1
10-	83093GT	KEY SINGLE***	
10-	85239GT	NUT, RETAINER (96008)	
10-	88827GT	GASKET, KEYSWITCH, PLASTIC***	
11	45384GT	PLUG, NYLON .50 BLACK DOMED ANSI models	1
12	36373GT	LED, RED 24V CE models	1
13	226320GT	ASM, BUTTON & BOOT, BLK primary boom, extend/retract	1
13-	66815GT	BASE, W/1 N.O. CONTACTS***	
13-	66816GT	CONTACT, N.O.	
14	1277226GT	ASSEMBLY, CIRCUIT BREAKER, 15AMP	
15	226320GT	ASM, BUTTON & BOOT, BLK primary boom, up/down	1
15-	66815GT	BASE, W/1 N.O. CONTACTS***	
15-	66816GT	CONTACT, N.O.	
16	226320GT	ASM, BUTTON & BOOT, BLK secondary boom, up/down	1
16-	66815GT	BASE, W/1 N.O. CONTACTS***	

303.6 Ground Control Box (from SN TZ3413-345)

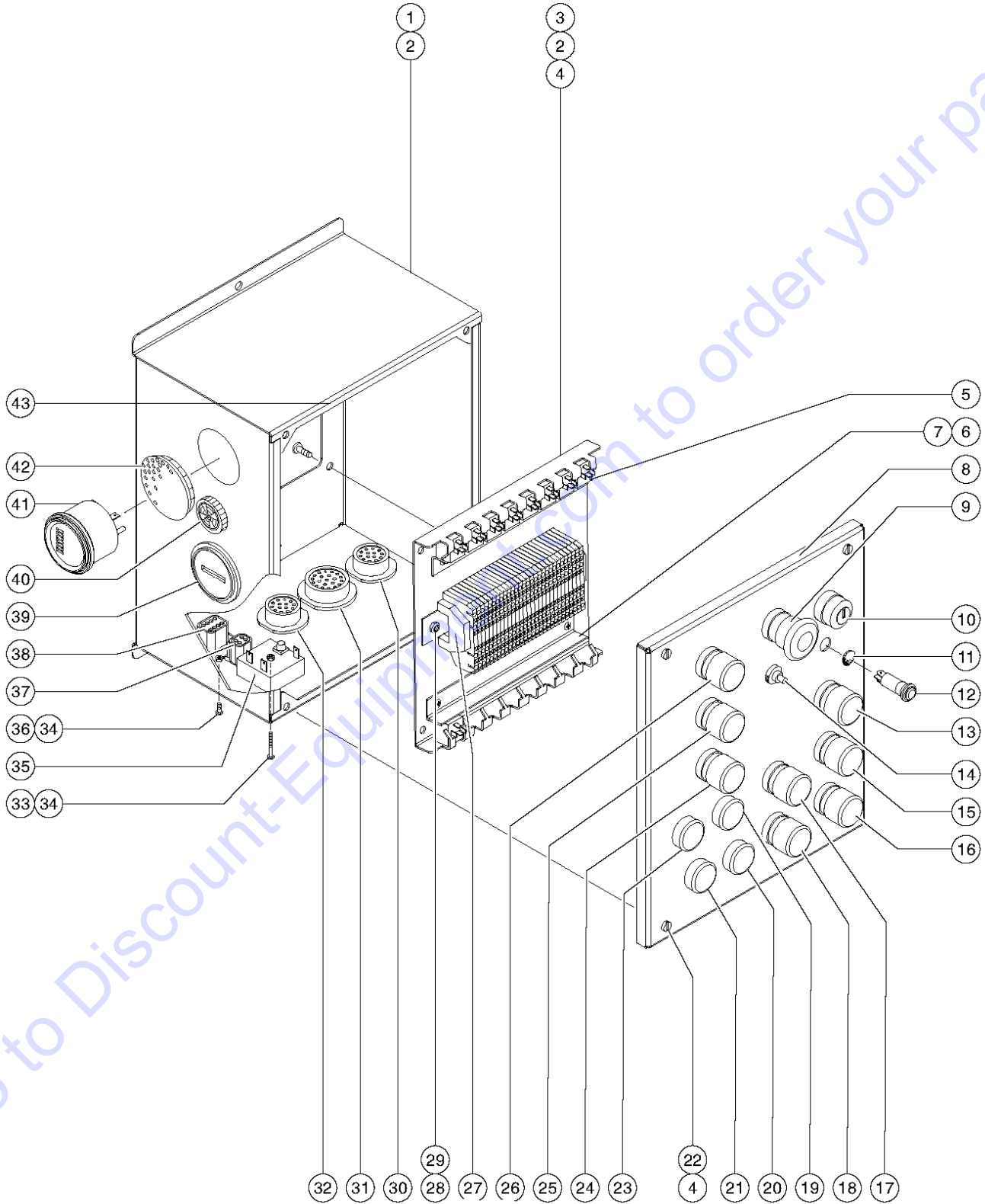


Go to Discount-Equipment.com to order your parts

Item	Part No.	Description	Qty.
16-	66816GT	CONTACT,N.O	
17	226320GT	ASM, BUTTON & BOOT, BLK platform level	1
17-	66815GT	BASE, W/1 N.O. CONTACTS***	
17-	66816GT	CONTACT,N.O	
18	226320GT	ASM, BUTTON & BOOT, BLK turntable rotate	1
18-	66815GT	BASE, W/1 N.O. CONTACTS***	
18-	66816GT	CONTACT,N.O	
19B	109804GT	BUTTON,PUSH,GREEN,ASSEMBLY*** (from SN TZ3406-393) part numbers 104091GT, 104092GT and 109803GT must be purchased along with 109804GT	
19B-	104091GT	BUTTON,PUSH,GREEN (from SN TZ3406-393)	
19B-	104092GT	BASE,W/1N.O.,W/GREEN LED (from SN TZ3406-393)	
19B-	109803GT	COVER,PUSH BUTTON (from SN TZ3406-393)	
20B	109804GT	BUTTON,PUSH,GREEN,ASSEMBLY*** function enable (from SN TZ3406-393) part numbers 104091GT, 104092GT and 109803GT must be purchased along with 109804GT	1
20B-	104091GT	BUTTON,PUSH,GREEN (from SN TZ3406-393)	
20B-	104092GT	BASE,W/1N.O.,W/GREEN LED (from SN TZ3406-393)	
20B-	109803GT	COVER,PUSH BUTTON (from SN TZ3406-393)	
21B	109804GT	BUTTON,PUSH,GREEN,ASSEMBLY*** function enable (from SN TZ3406-393) part numbers 104091GT, 104092GT and 109803GT must be purchased along with 109804GT	1
21B-	104091GT	BUTTON,PUSH,GREEN (from SN TZ3406-393)	
21B-	104092GT	BASE,W/1N.O.,W/GREEN LED (from SN TZ3406-393)	
21B-	109803GT	COVER,PUSH BUTTON (from SN TZ3406-393)	
22	99207GT	WASHER,STAR,INTERNAL,#10	
23B	109804GT	BUTTON,PUSH,GREEN,ASSEMBLY*** (from SN TZ3406-393) part numbers 104091GT, 104092GT and 109803GT must be purchased along with 109804GT	
23B-	104091GT	BUTTON,PUSH,GREEN (from SN TZ3406-393)	
23B-	104092GT	BASE,W/1N.O.,W/GREEN LED (from SN TZ3406-393)	
23B-	109803GT	COVER,PUSH BUTTON (from SN TZ3406-393)	
24	226320GT	ASM, BUTTON & BOOT, BLK outrigger autolevel	1
24-	66814GT	BASE,WITH 2 N.O. CONTACTS***	
24-	66816GT	CONTACT,N.O	

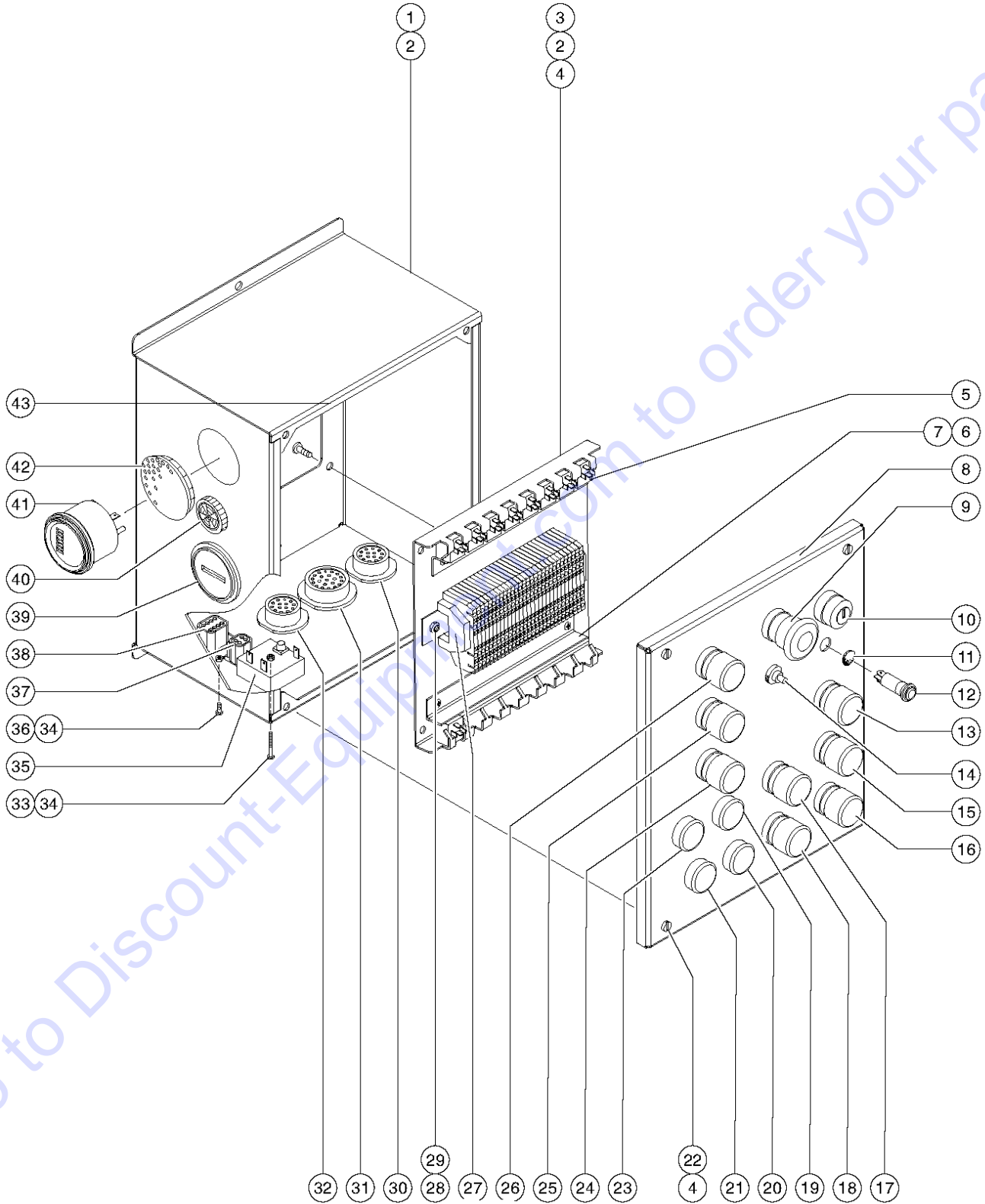


303.6 Ground Control Box (from SN TZ3413-345)



Item	Part No.	Description	Qty.
25	226320GT	ASM, BUTTON & BOOT, BLK function enable	1
25-	66815GT	BASE, W/1 N.O. CONTACTS***	
25-	66816GT	CONTACT,N.O	
26	226320GT	ASM, BUTTON & BOOT, BLK function enable	1
26-	66814GT	BASE,WITH 2 N.O. CONTACTS***	
26-	66816GT	CONTACT,N.O	
27	87738GT	TERMINAL RAIL,TZ34	1
27	74911GT	TERMINAL BLOCK, WIELAND***	
27	216793GT	TERMINAL BLOCK END PLATE	
27	74913GT	END STOP, DIN RAIL,SCREW CLAMP	
27	74917GT	JUMPER COMB, 2-WAY,WIELAND	
27	74918GT	JUMPER COMB, 3-WAY,WIELAND	
28	71874GT	BOLT,CARRIAGE,#10-24X.50,G2	
29	5365GT	NUT,NYLOCK,10-24	
30	87752GT	CONN,RECEP 19 WAY	
30-	87753GT	NUT,PANEL,SIZE 24 PLASTIC	
30-	87754GT	PANEL WASHER SHELL SIZE 24	
31	218696GT	CONNECTOR, RECEPTACLE, 23 WAY,	1
31-	87753GT	NUT,PANEL,SIZE 24 PLASTIC	
31-	87754GT	PANEL WASHER SHELL SIZE 24	
32	87749GT	CONN,RECEP 14 WAY-REV	1
32-	87750GT	NUT,PANEL,SIZE 18 PLASTIC	
32-	87751GT	PANEL WASHER SHELL SIZE 18	
33	11803GT	SCREW,RHM,6-32 X 1	
34	12344GT	NUT,NYLOCK,6-32	
35	99084GT	MODULE, TIME DELAY	1
36	49820GT	SCREW,PHILLIPS,PHM,6-32 X .5	
37	73723GT	CONN RECEPT,FLANGED	1

303.6 Ground Control Box (from SN TZ3413-345)



Go to Discount-Equipment.com to order your parts

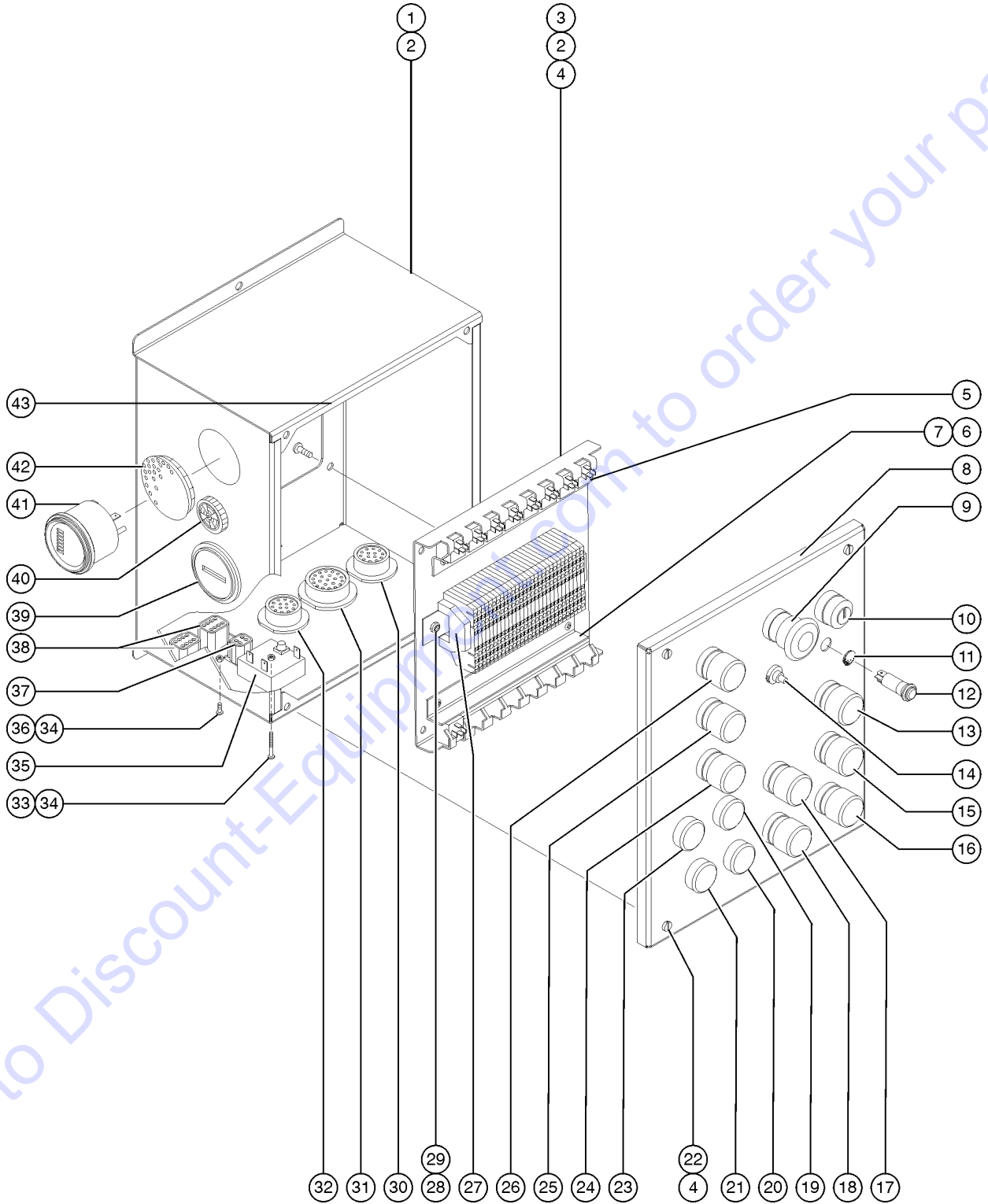
303.6 Ground Control Box (from SN TZ3413-345)

Item	Part No.	Description	Qty.
38	87755GT	CONN,RECEP 8 WAY 14-18GA,FL	1
39	19506GT	HOUR METER,10-80 VOLTS*** includes mounting bracket	1
40	45383GT	ALARM,WARBLE TONE 5-30 VDC*** Does not include 72326 nut	1
40-	72326GT	NUT - PLASTIC, RING FOR ALARMS	
41	76647GT	INDICATOR, BATTERY DISCHARGE optional	1
42	45840GT	PLUG,NYLON 2.00 BLACK DOMED models without battery charge indicator	1
43	69773GT	SEAL,RIBBED FOAM,3/8X1/8 PSA**	18

Go to Discount-Equipment.com to order your parts

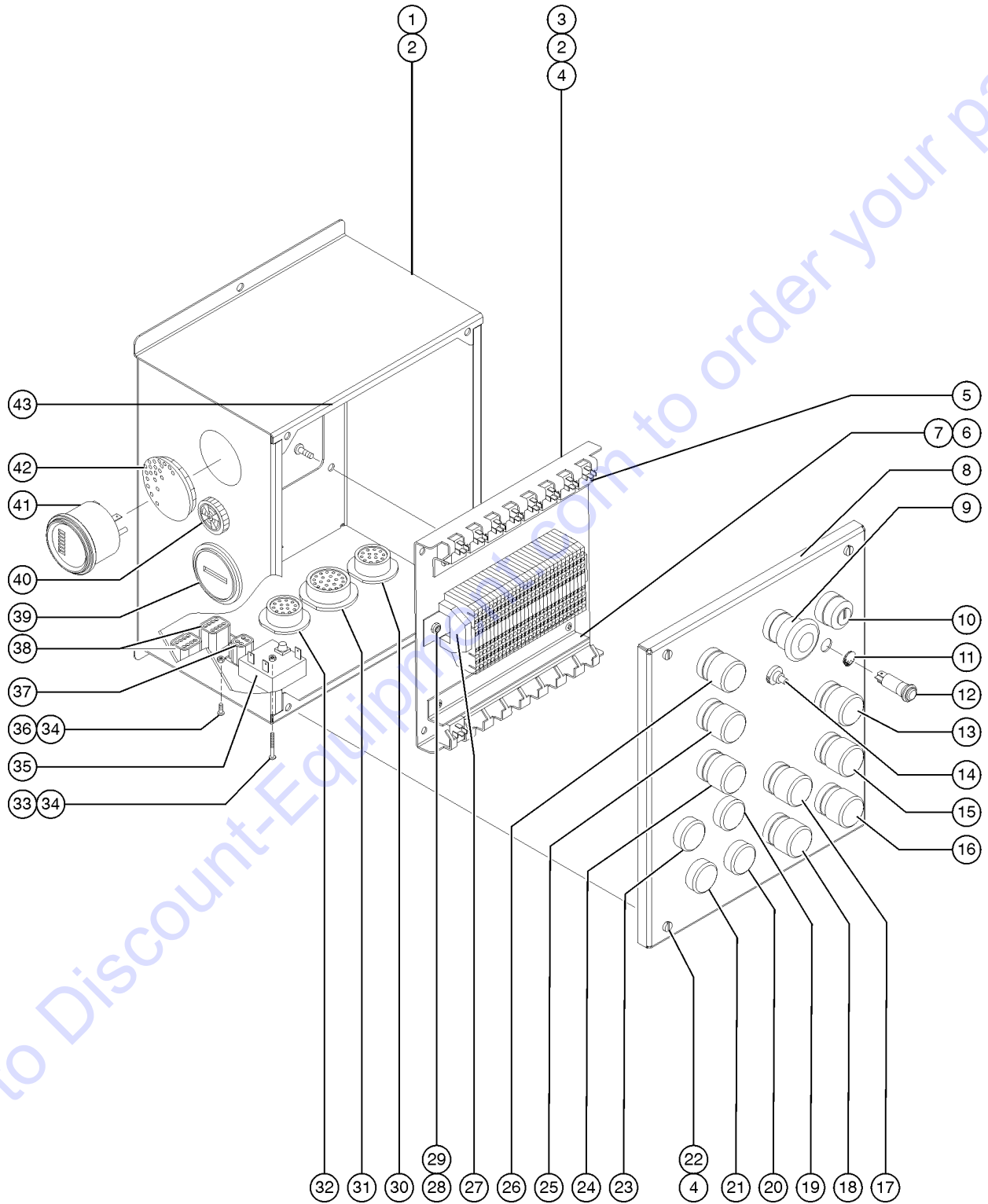


303.7 Ground Control Box (from SN TZ3414-982)



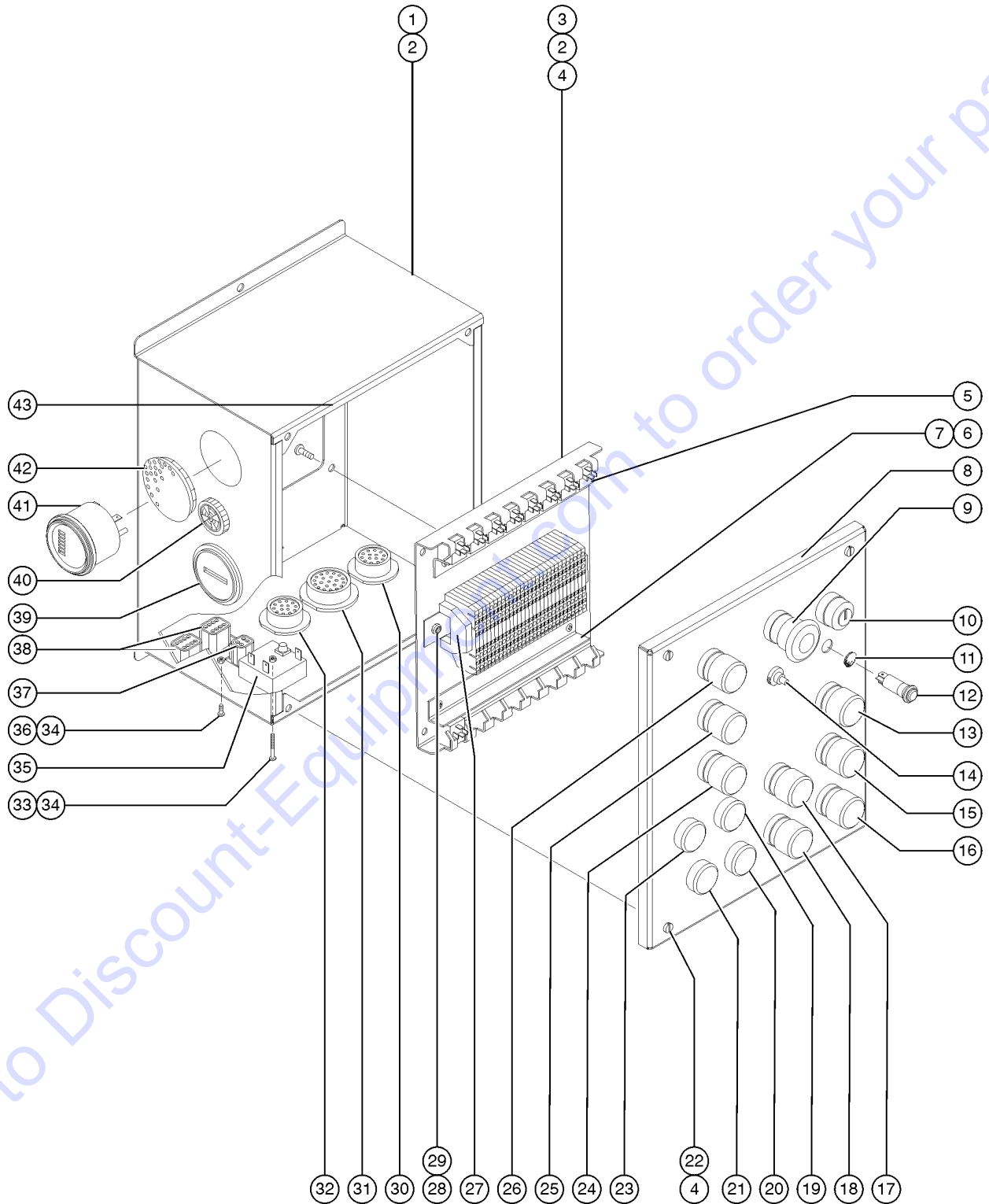
Item	Part No.	Description	Qty.
-		CONTROL BOX ASSEMBLY, LOWER, (complete, from SN TZ3413-345); Previous Control Box 216766GT is no longer available. For appropriate replacement (refer to 303.8, 303.9 and 303.10)	
-	215265GT	WELDMNT, CONTROL BOX, LOWER, (from SN TZ3413-345)	
1	104302GT	KIT, TZ34 CONTROL BOX LOWER*** (includes items 2-4, 6-8, 22 and 43)	
2	23405GT	NUTSERT, 10-32 STEEL CAD PLTD	
3	104705GT	FORMING, RELAY MOUNT TZ34 LWR	
4	49819GT	SCREW, PHILLIPS, PHM, 10-32 X .5	
5	56302GT	RELAY, 24VDC, 40/30A, SEALED*** model with load sense	15
6	104489GT	FORMING, RELAY HOLDER TZ34 LWR	2
7	49818GT	SCREW, PHILLIPS, PHM, 10-32 X .38	
8	115031GT	LID ASSY, GRND COUNT W/DECALS	1
9	226322GT	ASM, E-STOP & BOOT	1
9-	66817GT	BASE WITH 1 NC CONTACT, E-STOP	
9-	66818GT	CONTACT, NC	
10	96008-SGT	KEYSWITCH, 3 POS. W/KEYS***	1
10-	83093GT	KEY SINGLE***	
10-	85239GT	NUT, RETAINER (96008)	
10-	88827GT	GASKET, KEYSWITCH, PLASTIC***	
11	45384GT	PLUG, NYLON .50 BLACK DOMED ANSI models	1
12	36373GT	LED, RED 24V CE models	1
13	226320GT	ASM, BUTTON & BOOT, BLK primary boom, extend/retract	1
13-	66815GT	BASE, W/1 N.O. CONTACTS***	
13-	66816GT	CONTACT, N.O.	
14	1277226GT	ASSEMBLY, CIRCUIT BREAKER, 15AMP	
15	226320GT	ASM, BUTTON & BOOT, BLK primary boom, up/down	1
15-	66815GT	BASE, W/1 N.O. CONTACTS***	
15-	66816GT	CONTACT, N.O.	
16	226320GT	ASM, BUTTON & BOOT, BLK secondary boom, up/down	1
16-	66815GT	BASE, W/1 N.O. CONTACTS***	

303.7 Ground Control Box (from SN TZ3414-982)



Item	Part No.	Description	Qty.
16-	66816GT	CONTACT,N.O	
17	226320GT	ASM, BUTTON & BOOT, BLK platform level	1
17-	66815GT	BASE, W/1 N.O. CONTACTS***	
17-	66816GT	CONTACT,N.O	
18	226320GT	ASM, BUTTON & BOOT, BLK turntable rotate	1
18-	66815GT	BASE, W/1 N.O. CONTACTS***	
18-	66816GT	CONTACT,N.O	
19B	109804GT	BUTTON,PUSH,GREEN,ASSEMBLY*** (from SN TZ3406-393) part numbers 104091GT, 104092GT and 109803GT must be purchased along with 109804GT	
19B-	104091GT	BUTTON,PUSH,GREEN (from SN TZ3406-393)	
19B-	104092GT	BASE,W/1N.O.,W/GREEN LED (from SN TZ3406-393)	
19B-	109803GT	COVER,PUSH BUTTON (from SN TZ3406-393)	
20B	109804GT	BUTTON,PUSH,GREEN,ASSEMBLY*** function enable (from SN TZ3406-393) part numbers 104091GT, 104092GT and 109803GT must be purchased along with 109804GT	1
20B-	104091GT	BUTTON,PUSH,GREEN (from SN TZ3406-393)	
20B-	104092GT	BASE,W/1N.O.,W/GREEN LED (from SN TZ3406-393)	
20B-	109803GT	COVER,PUSH BUTTON (from SN TZ3406-393)	
21B	109804GT	BUTTON,PUSH,GREEN,ASSEMBLY*** function enable (from SN TZ3406-393) part numbers 104091GT, 104092GT and 109803GT must be purchased along with 109804GT	1
21B-	104091GT	BUTTON,PUSH,GREEN (from SN TZ3406-393)	
21B-	104092GT	BASE,W/1N.O.,W/GREEN LED (from SN TZ3406-393)	
21B-	109803GT	COVER,PUSH BUTTON (from SN TZ3406-393)	
22	99207GT	WASHER,STAR,INTERNAL,#10	
23B	109804GT	BUTTON,PUSH,GREEN,ASSEMBLY*** (from SN TZ3406-393) part numbers 104091GT, 104092GT and 109803GT must be purchased along with 109804GT	
23B-	104091GT	BUTTON,PUSH,GREEN (from SN TZ3406-393)	
23B-	104092GT	BASE,W/1N.O.,W/GREEN LED (from SN TZ3406-393)	
23B-	109803GT	COVER,PUSH BUTTON (from SN TZ3406-393)	
24	226320GT	ASM, BUTTON & BOOT, BLK outrigger autolevel	1
24-	66814GT	BASE,WITH 2 N.O. CONTACTS***	
24-	66816GT	CONTACT,N.O	

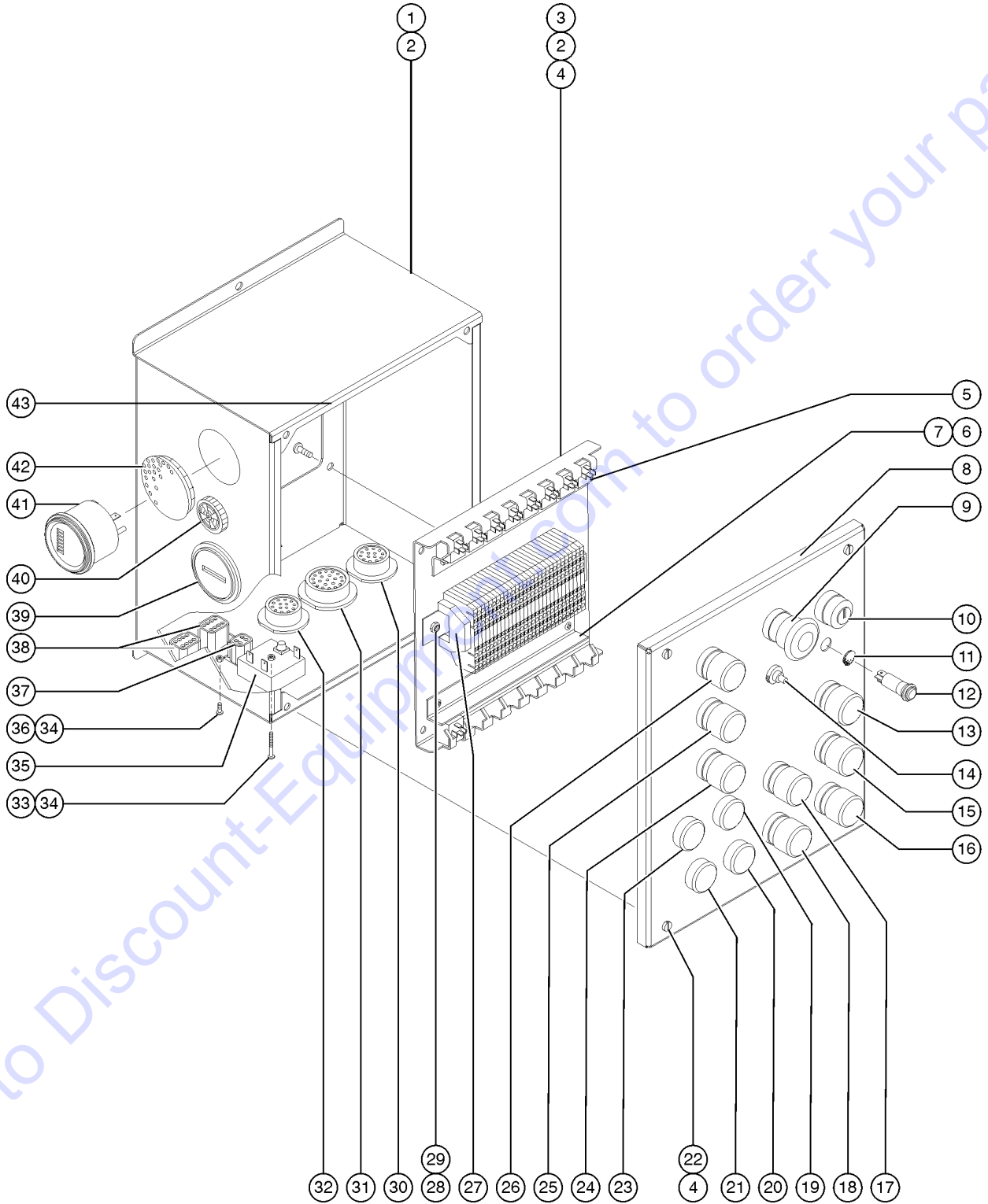
303.7 Ground Control Box (from SN TZ3414-982)



Go to Discount-Equipment.com to order your parts

Item	Part No.	Description	Qty.
25	226320GT	ASM, BUTTON & BOOT, BLK function enable	1
25-	66815GT	BASE, W/1 N.O. CONTACTS***	
25-	66816GT	CONTACT,N.O	
26	226320GT	ASM, BUTTON & BOOT, BLK function enable	1
26-	66814GT	BASE,WITH 2 N.O. CONTACTS***	
26-	66816GT	CONTACT,N.O	
27	87738GT	TERMINAL RAIL,TZ34	1
27	74911GT	TERMINAL BLOCK, WIELAND***	
27	216793GT	TERMINAL BLOCK END PLATE	1
27	74913GT	END STOP, DIN RAIL,SCREW CLAMP	
27	74917GT	JUMPER COMB, 2-WAY,WIELAND	
27	74918GT	JUMPER COMB, 3-WAY,WIELAND	
28	71874GT	BOLT,CARRIAGE,#10-24X.50,G2	
29	5365GT	NUT,NYLOCK,10-24	
30	87752GT	CONN,RECEP 19 WAY	
30-	87753GT	NUT,PANEL,SIZE 24 PLASTIC	
30-	87754GT	PANEL WASHER SHELL SIZE 24	
31	218696GT	CONNECTOR, RECEPTACLE, 23 WAY,	1
31-	87753GT	NUT,PANEL,SIZE 24 PLASTIC	
31-	87754GT	PANEL WASHER SHELL SIZE 24	
32	87749GT	CONN,RECEP 14 WAY-REV	1
32-	87750GT	NUT,PANEL,SIZE 18 PLASTIC	
32-	87751GT	PANEL WASHER SHELL SIZE 18	
33	11803GT	SCREW,RHM,6-32 X 1	
34	12344GT	NUT,NYLOCK,6-32	
35	99084GT	MODULE, TIME DELAY	1
36	49820GT	SCREW,PHILLIPS,PHM,6-32 X .5	
37	73723GT	CONN RECEPT,FLANGED	1

303.7 Ground Control Box (from SN TZ3414-982)



Go to Discount-Equipment.com to order your parts

303.7 Ground Control Box (from SN TZ3414-982)

Item	Part No.	Description	Qty.
38	87755GT	CONN,RECEP 8 WAY 14-18GA,FL	2
39	19506GT	HOUR METER,10-80 VOLTS*** includes mounting bracket	1
40	45383GT	ALARM,WARBLE TONE 5-30 VDC*** Does not include 72326 nut	1
40-	72326GT	NUT - PLASTIC, RING FOR ALARMS	
41	76647GT	INDICATOR, BATTERY DISCHARGE optional	1
42	45840GT	PLUG,NYLON 2.00 BLACK DOMED models without battery charge indicator	1
43	69773GT	SEAL,RIBBED FOAM,3/8X1/8 PSA**	18

Go to Discount-Equipment.com to order your parts



PARTS FINDER

**Search Website
by Part Number**



**Search Manual
Library For Parts
Manual & Lookup Part
Numbers – Purchase
or Request Quote**

Search Manuals

Enter your information to help us find the right parts manual for your machine.

* Brand:

* Model:

* Serial:

* Part Number:

SEARCH

**Can't Find Part or
Manual? Request Help
by Manufacturer,
Model & Description**

Parts Order Form

Please fill in the following information to help us find the right part for your machine.

MANUFACTURER:

MODEL:

DESCRIPTION:

SEARCH

Discount-Equipment.com is your online resource for quality parts & equipment.

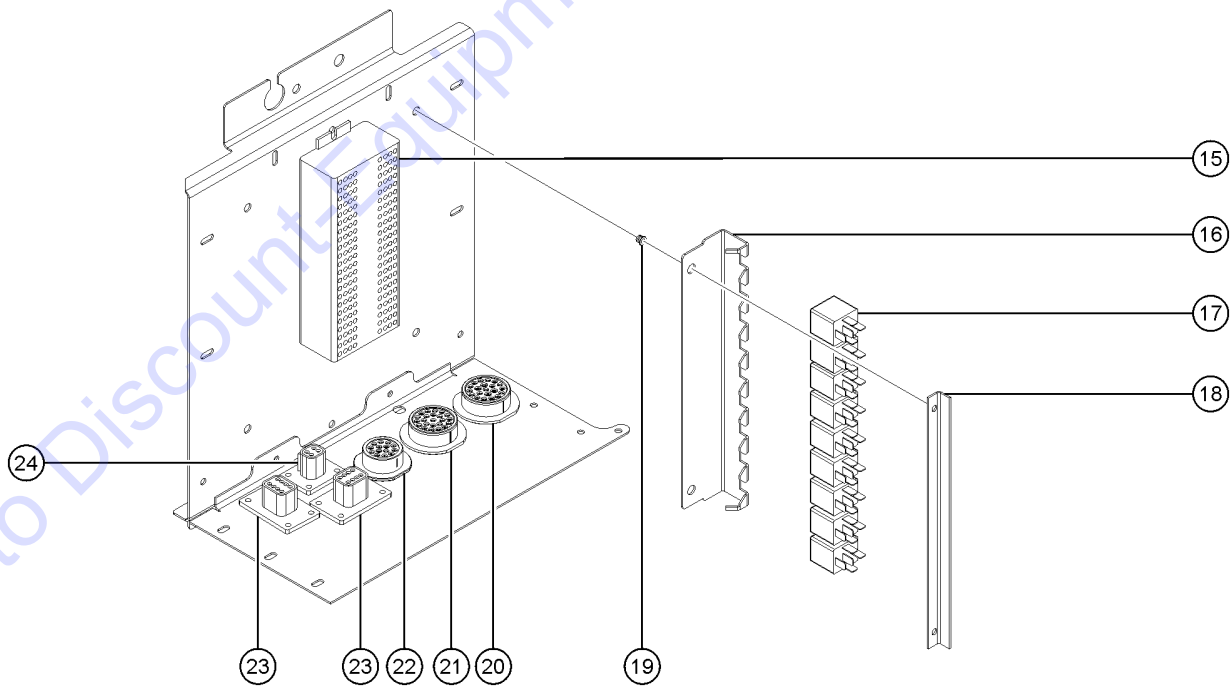
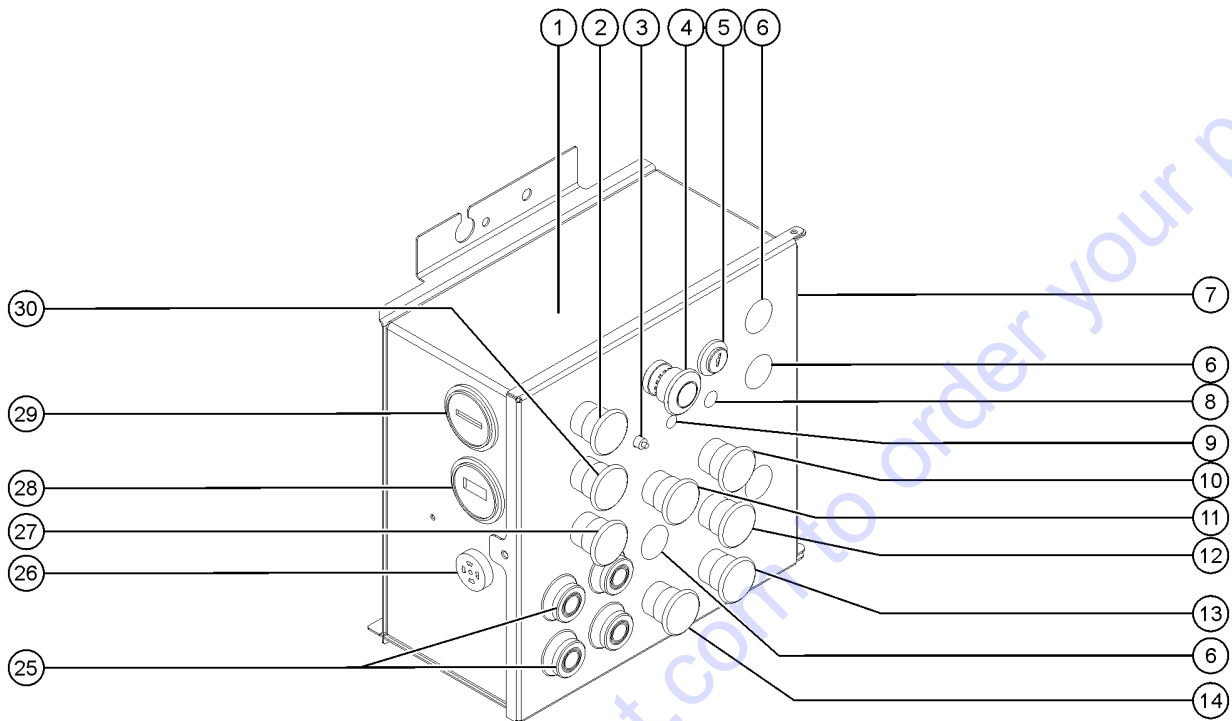
Florida: **561-964-4949** Outside Florida TOLL FREE: **877-690-3101**

Need parts?

Click on this link: <http://www.discount-equipment.com/category/5443-parts/> and choose one of the options to help get the right parts and equipment you are looking for. Please have the machine model and serial number available in order to help us get you the correct parts. If you don't find the part on the website or on one of the online manuals, please fill out the request form and one of our experienced staff members will get back to you with a quote for the right part that your machine needs.

We sell worldwide for the brands: Genie, Terex, JLG, MultiQuip, Mikasa, Essick, Whiteman, Mayco, Toro Stone, Diamond Products, Generac Magnum, Airman, Haulotte, Barreto, Power Blanket, Nifty Lift, Atlas Copco, Chicago Pneumatic, Allmand, Miller Curber, Skyjack, Lull, Skytrak, Tsurumi, Husquvarna Target, Stow, Wacker, Sakai, Mi-T-M, Sullair, Basic, Dynapac, MBW, Weber, Bartell, Bennar Newman, Haulotte, Ditch Runner, Menegotti, Morrison, Contec, Buddy, Crown, Edco, Wyco, Bomag, Laymor, EZ Trench, Bil-Jax, F.S. Curtis, Gehl Pavers, Heli, Honda, ICS/PowerGrit, IHI, Partner, Imer, Clipper, MMD, Koshin, Rice, CH&E, General Equipment, Amida, Coleman, NAC, Gradall, Square Shooter, Kent, Stanley, Tamco, Toku, Hatz, Kohler, Robin, Wisconsin, Northrock, Oztec, Toker TK, Rol-Air, APT, Wylie, Ingersoll Rand / Doosan, Innovatech, Con X, Ammann, Mecalac, Makinex, Smith Surface Prep, Small Line, Wanco, Yanmar

303.8 Ground Control Box - ANSI, CSA and CE Models with no Load Sense

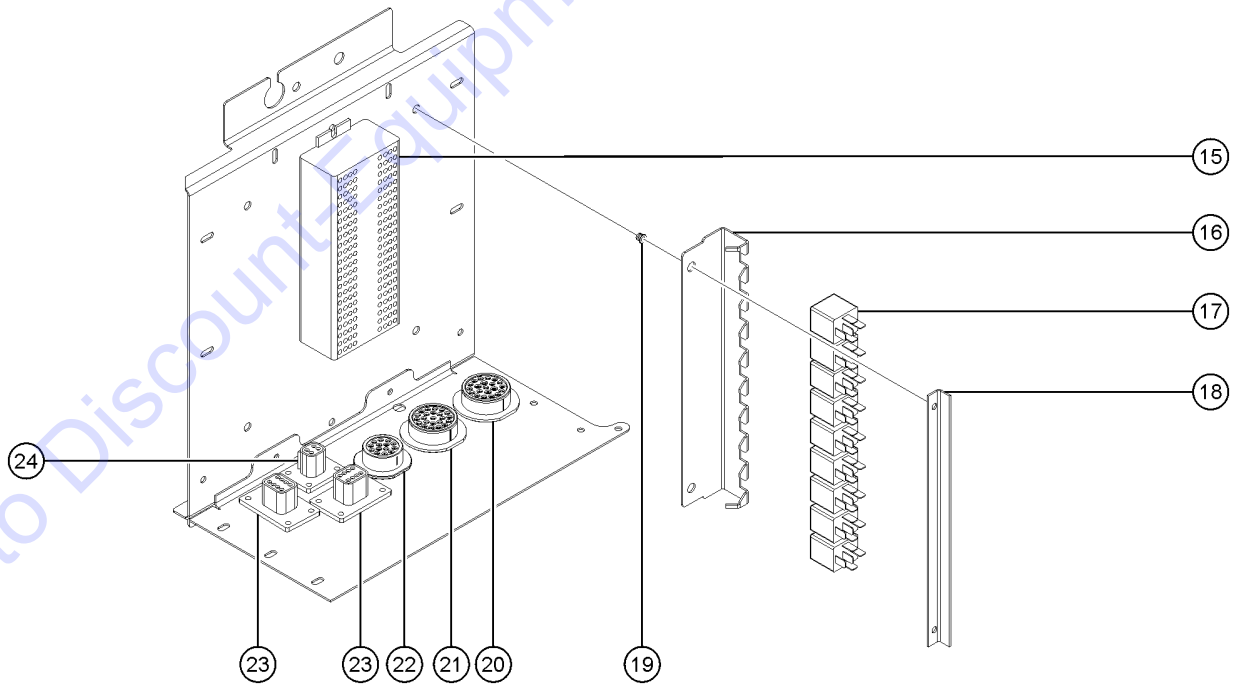
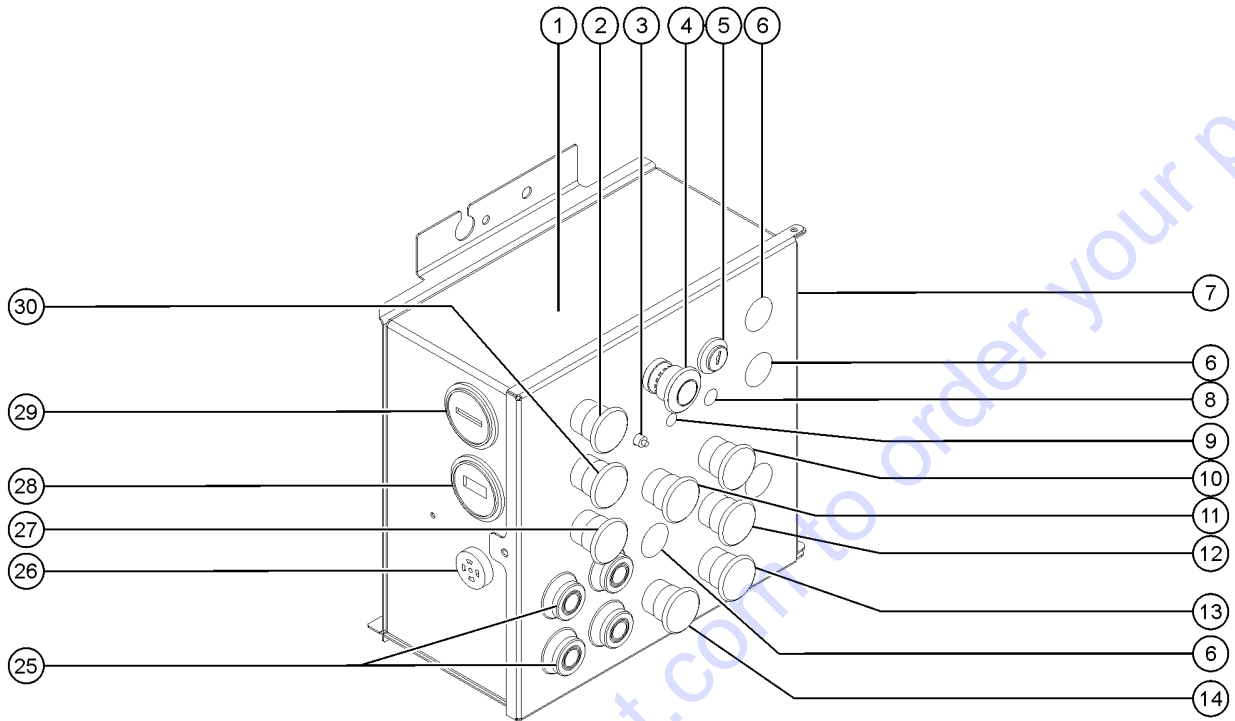


303.8 Ground Control Box - ANSI, CSA and CE Models with no Load Sense

Item	Part No.	Description	Qty.
-	1287093GT	CONTROL BOX, TZ34,LOWER,NO LOADSENSE (complete)	
-	1287144GT	HARNESS, ADAPTER, TZ34,BOOM Required if replacing older Control Box Assy 87777GT or 104544GT or 105313	
-	1287143GT	HARNESS, ADAPTER, TZ34,CHASSIS Required if replacing older Control Box Assy 87777GT or 104544GT	
1	1289867GT	CONTROL BOX,LOWER,METALTZ34 (includes items 7, 16, 18 and 19)	1
2	226320GT	ASM, BUTTON & BOOT, BLK	1
3	38020GT	CIRCUIT BREAKER, 15 AMP	1
4	226322GT	ASM, E-STOP & BOOT	1
5	96008GT	KEYSWITCH,3 POS. W/KEYS***	1
6	15243GT	PLUG,NYLON .875 BLACK DOMED	4
7	1271707GT	PLATE, FORMED, CONTROL BOX, LID (part of item 1)	1
7B	824059GT	SCREW,HHC,1/4-20X.75,8,ZAG to secure the lid closed	1
7B	824109GT	WASHER,LOCK,1/4,ZAG for 824059	1
7B	824113GT	WASHER,FLAT,1/4,USS,ZAG for 824059	1
7B	56912GT	SPRING CLIP,1/4-20,.025-.15X.5 for 824059	1
8	45384GT	PLUG,NYLON .50 BLACK DOMED	1
9	21858GT	PLUG,NYLON .38 BLACK DOMED	1
10	226320GT	ASM, BUTTON & BOOT, BLK	1
11	226320GT	ASM, BUTTON & BOOT, BLK	1
12	226320GT	ASM, BUTTON & BOOT, BLK	1
13	226320GT	ASM, BUTTON & BOOT, BLK	1
14	226320GT	ASM, BUTTON & BOOT, BLK	1
15	87738GT	TERMINAL RAIL, TZ34	1
16	1274353GT	MOUNT,RELAY, TZ CTRL BOX, LOWER (part of item 1)	2
17	56302GT	RELAY,24VDC,40/30A,SEALED***	18
18	1275647GT	FORMING,RELAY HOLDER,SLOTTED,TZ50,LWR (part of item 1)	2
19	23405GT	NUTSERT,10-32 STEEL CAD PLTD (part of item 1)	4
20	104101GT	CONNECTOR,PLUG 21 WAY	1
21	218696GT	CONNECTOR, RECEPTACLE, 23 WAY,	1



303.8 Ground Control Box - ANSI, CSA and CE Models with no Load Sense



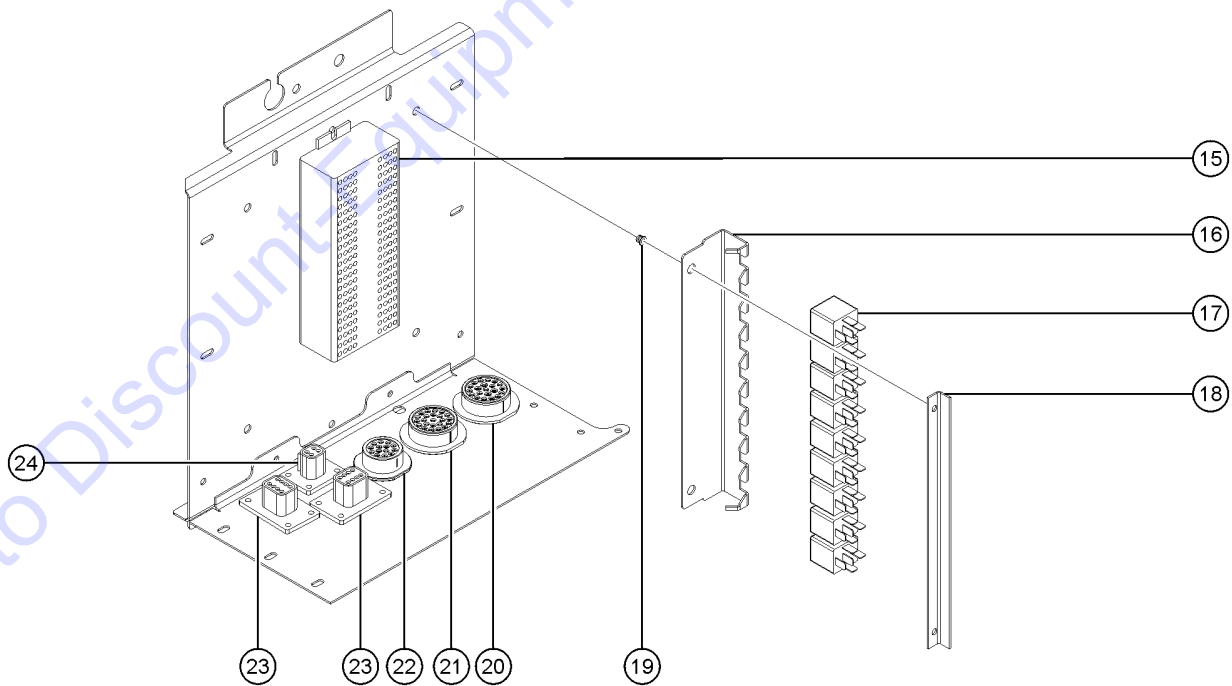
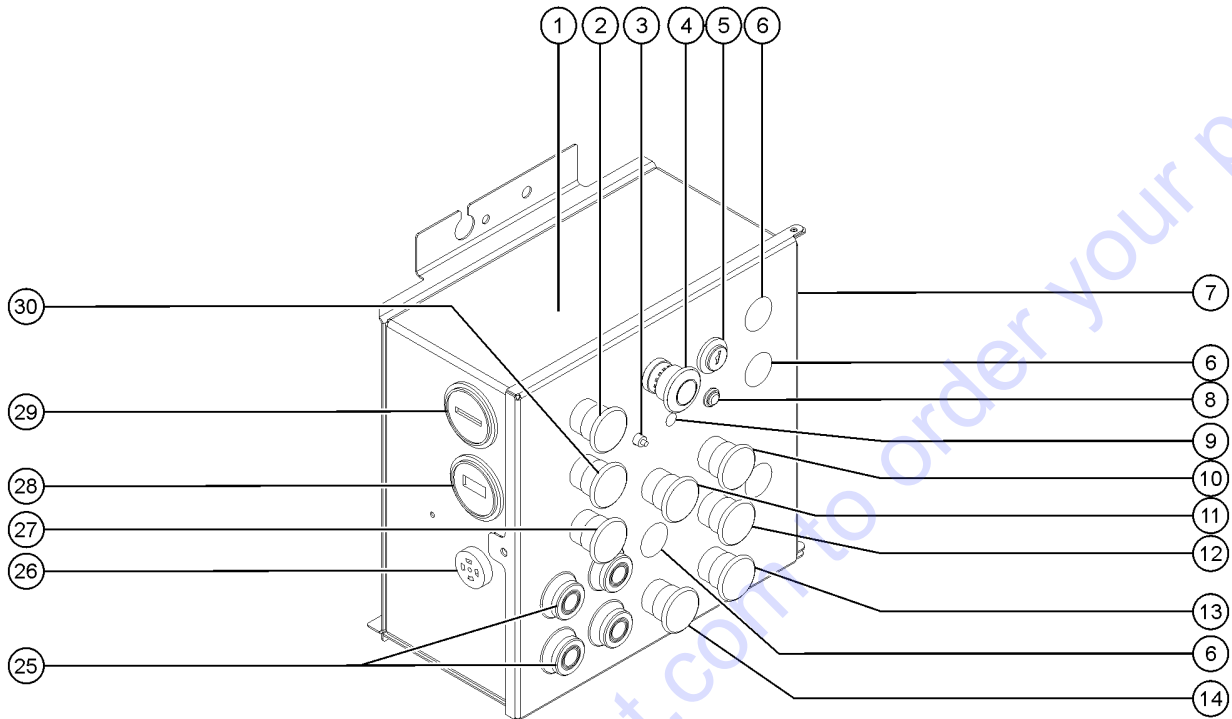
303.8 Ground Control Box - ANSI, CSA and CE Models with no Load Sense

Item	Part No.	Description	Qty.
22	87749GT	CONN,RECEP 14 WAY-REV	1
23	87755GT	CONN,RECEP 8 WAY 14-18GA,FL	2
24	73723GT	CONN RECEPT,FLANGED	1
25	109804GT	BUTTON,PUSH,GREEN,ASSEMBLY***	4
26	45383GT	ALARM,WARBLE TONE 5-30 VDC***	1
27	226320GT	ASM, BUTTON & BOOT, BLK	1
28	76647GT	INDICATOR, BATTERY DISCHARGE	1
28B	45840GT	PLUG,NYLON 2.00 BLACK DOMED	1
29	19506GT	HOUR METER,10-80 VOLTS***	1
30	226320GT	ASM, BUTTON & BOOT, BLK	1

Go to Discount-Equipment.com to order your parts



303.9 Ground Control Box - ANSI, CSA and CE Models with Load Sense

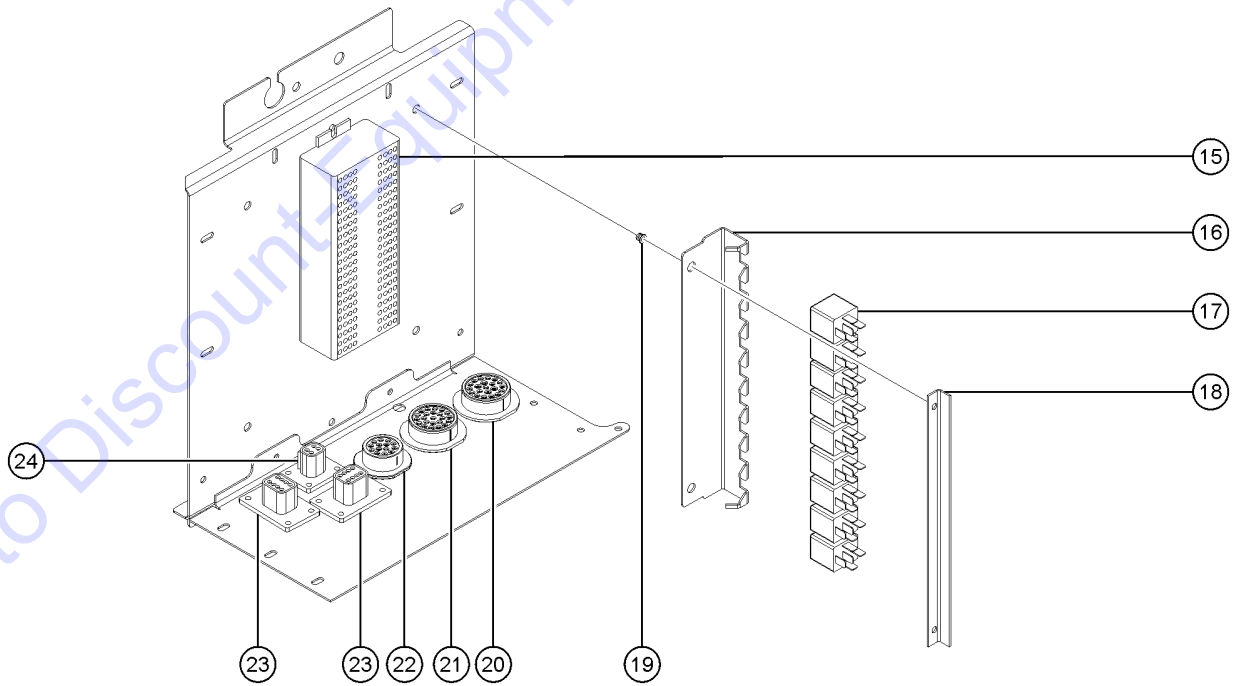
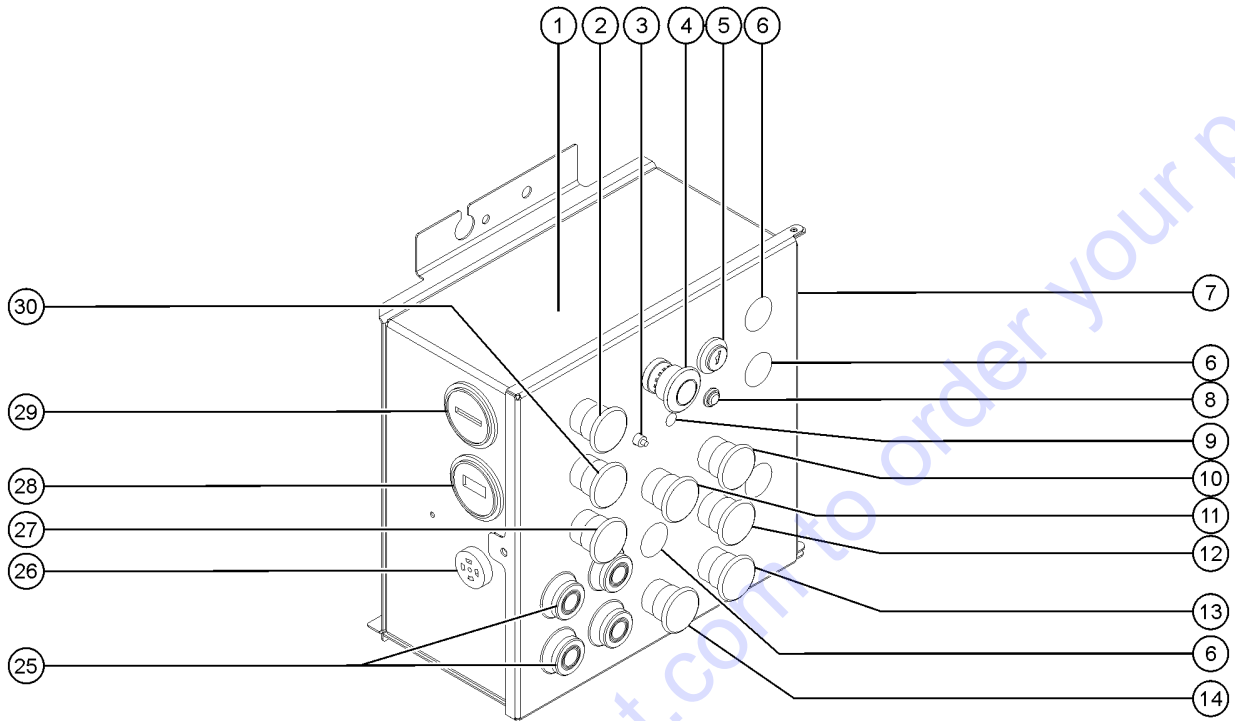


303.9 Ground Control Box - ANSI, CSA and CE Models with Load Sense

Item	Part No.	Description	Qty.
-	1287094GT	CONTROL BOX, TZ34,LOWER,LOADSENSE (complete)	
-	1287144GT	HARNESS, ADAPTER, TZ34,BOOM Required if replacing older Control Box Assy 87777GT or 104544GT or 105313	
-	1287143GT	HARNESS, ADAPTER, TZ34,CHASSIS Required if replacing older Control Box Assy 87777GT or 104544GT	
1	1289867GT	CONTROL BOX,LOWER,METALTZ34 (includes items 7, 16, 18 and 19)	1
2	226320GT	ASM, BUTTON & BOOT, BLK	1
3	38020GT	CIRCUIT BREAKER, 15 AMP	1
4	226322GT	ASM, E-STOP & BOOT	1
5	96008GT	KEYSWITCH,3 POS. W/KEYS***	1
6	15243GT	PLUG,NYLON .875 BLACK DOMED	4
7	1271707GT	PLATE, FORMED, CONTROL BOX, LID (part of item 1)	1
7B	824059GT	SCREW,HHC,1/4-20X.75,8,ZAG to secure the lid closed	1
7B	824109GT	WASHER,LOCK,1/4,ZAG for 824059	1
7B	824113GT	WASHER,FLAT,1/4,USS,ZAG for 824059	1
7B	56912GT	SPRING CLIP,1/4-20,.025-.15X.5 for 824059	1
8	99088GT	LED,RED 24V FLASHING	1
8B	45384GT	PLUG,NYLON .50 BLACK DOMED	1
9	21858GT	PLUG,NYLON .38 BLACK DOMED	1
10	226320GT	ASM, BUTTON & BOOT, BLK	1
11	226320GT	ASM, BUTTON & BOOT, BLK	1
12	226320GT	ASM, BUTTON & BOOT, BLK	1
13	226320GT	ASM, BUTTON & BOOT, BLK	1
14	226320GT	ASM, BUTTON & BOOT, BLK	1
15	87738GT	TERMINAL RAIL, TZ34	1
16	1274353GT	MOUNT,RELAY,TZ CTRL BOX, LOWER (part of item 1)	2
17	56302GT	RELAY,24VDC,40/30A,SEALED***	18
18	1275647GT	FORMING,RELAY HOLDER,SLOTTED,TZ50,LWR (part of item 1)	2
19	23405GT	NUTSERT,10-32 STEEL CAD PLTD	4
20	104101GT	CONNECTOR,PLUG 21 WAY	1



303.9 Ground Control Box - ANSI, CSA and CE Models with Load Sense



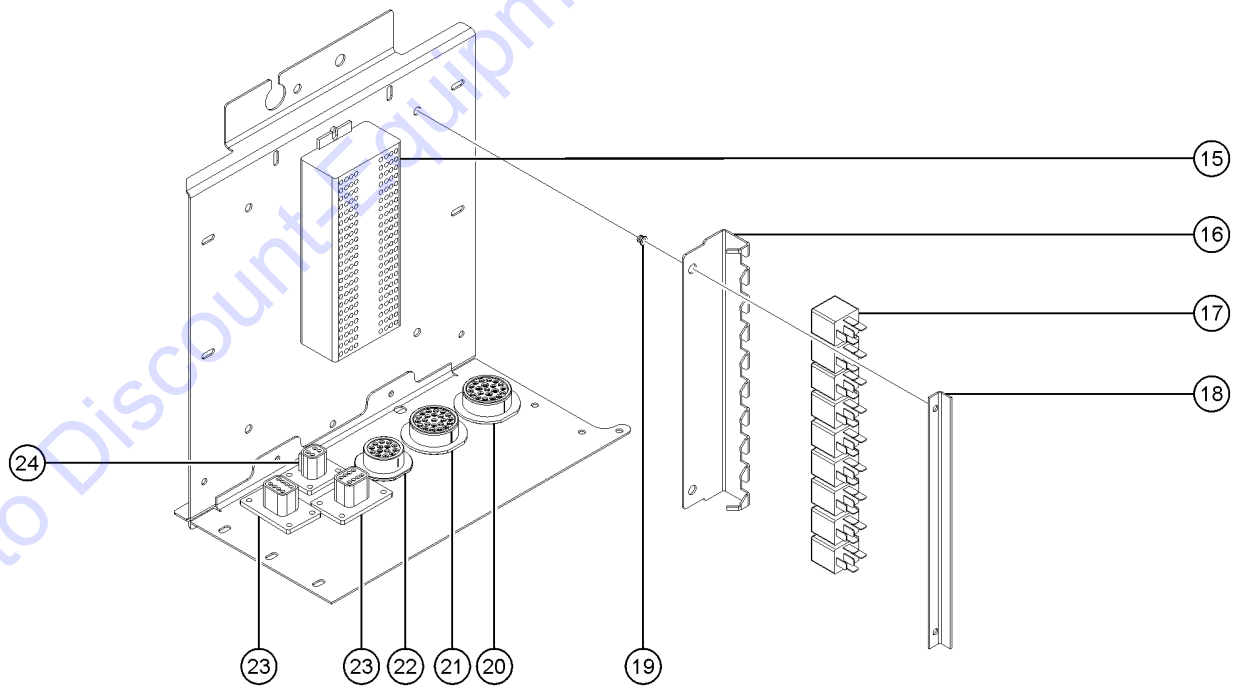
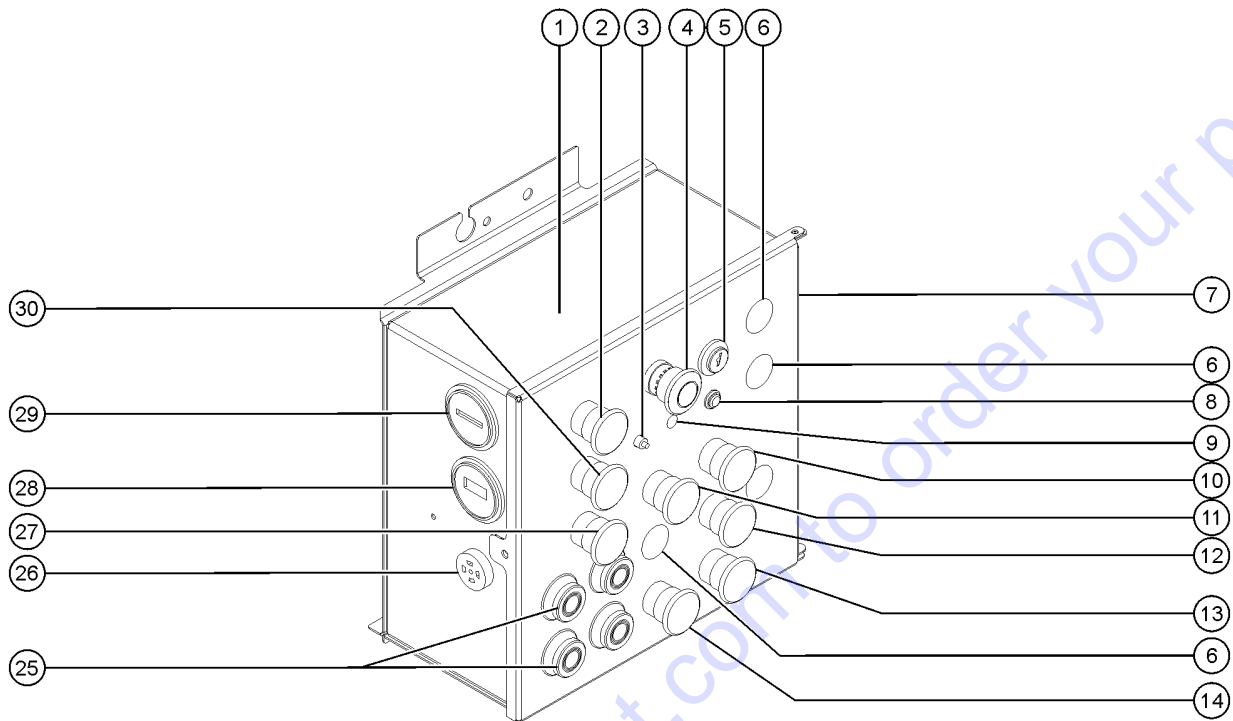
303.9 Ground Control Box - ANSI, CSA and CE Models with Load Sense

Item	Part No.	Description	Qty.
21	218696GT	CONNECTOR, RECEPTACLE, 23 WAY,	1
22	87749GT	CONN,RECEP 14 WAY-REV	1
23	87755GT	CONN,RECEP 8 WAY 14-18GA,FL	2
24	73723GT	CONN RECEPT,FLANGED	1
25	109804GT	BUTTON,PUSH,GREEN,ASSEMBLY***	4
26	45383GT	ALARM,WARBLE TONE 5-30 VDC***	1
27	226320GT	ASM, BUTTON & BOOT, BLK	1
28	76647GT	INDICATOR, BATTERY DISCHARGE	1
28B	45840GT	PLUG,NYLON 2.00 BLACK DOMED	1
29	19506GT	HOUR METER,10-80 VOLTS***	1
30	226320GT	ASM, BUTTON & BOOT, BLK	1

Go to Discount-Equipment.com to order your parts

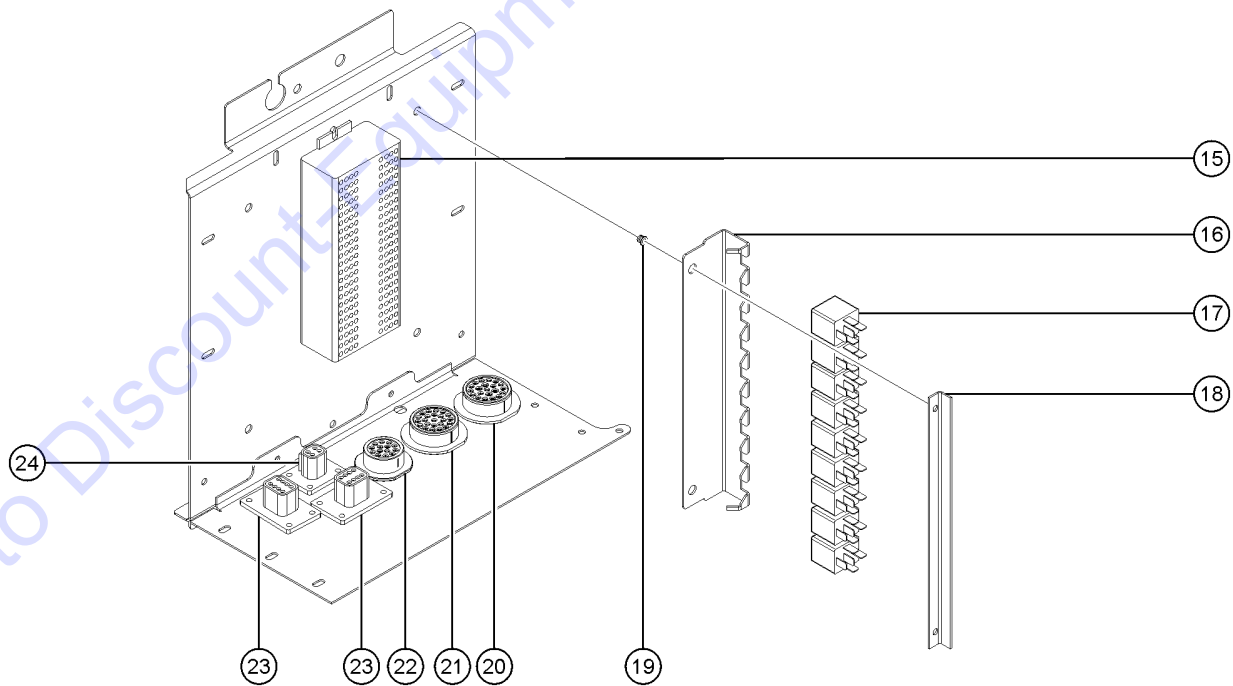
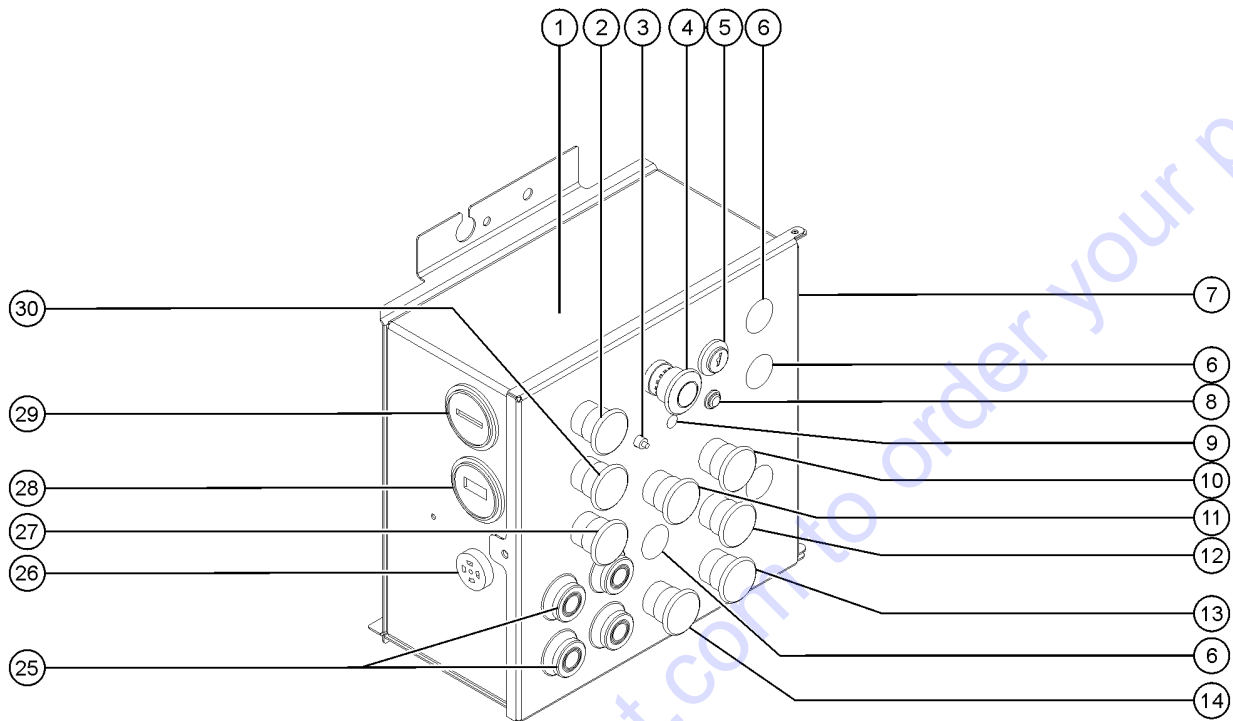


303.10 Ground Control Box - Australia Models



Item	Part No.	Description	Qty.
-	1290563GT	CONTROL BOX, TZ34,LOWER,LOAD RECOVER (complete)	
-	1287144GT	HARNESS, ADAPTER, TZ34,BOOM Required if replacing older Control Box Assy 87777GT or 104544GT or 105313	
-	1287143GT	HARNESS, ADAPTER, TZ34,CHASSIS Required if replacing older Control Box Assy 87777GT or 104544GT	
1	1289867GT	CONTROL BOX,LOWER,METALTZ34 (includes items 7, 16, 18 and 19)	1
2	226320GT	ASM, BUTTON & BOOT, BLK	1
3	38020GT	CIRCUIT BREAKER, 15 AMP	1
4	226322GT	ASM, E-STOP & BOOT	1
5	96008GT	KEYSWITCH,3 POS. W/KEYS***	1
6	15243GT	PLUG,NYLON .875 BLACK DOMED	4
7	1271707GT	PLATE, FORMED, CONTROL BOX, LID (part of item 1)	1
7B	824059GT	SCREW,HHC,1/4-20X.75,8,ZAG to secure the lid closed	1
7B	824109GT	WASHER,LOCK,1/4,ZAG for 824059	
7B	824113GT	WASHER,FLAT,1/4,USS,ZAG for 824059	
7B	56912GT	SPRING CLIP,1/4-20,.025-.15X.5 for 824059	
8	99088GT	LED,RED 24V FLASHING	1
8B	45384GT	PLUG,NYLON .50 BLACK DOMED	1
9	21858GT	PLUG,NYLON .38 BLACK DOMED	1
10	226320GT	ASM, BUTTON & BOOT, BLK	1
11	226320GT	ASM, BUTTON & BOOT, BLK	1
12	226320GT	ASM, BUTTON & BOOT, BLK	1
13	226320GT	ASM, BUTTON & BOOT, BLK	1
14	226320GT	ASM, BUTTON & BOOT, BLK	1
15	87738GT	TERMINAL RAIL, TZ34	1
16	1274353GT	MOUNT,RELAY,TZ CTRL BOX, LOWER (part of item 1)	2
17	56302GT	RELAY,24VDC,40/30A,SEALED***	18
18	1275647GT	FORMING,RELAY HOLDER,SLOTTED,TZ50,LWR (part of item 1)	2
19	23405GT	NUTSERT,10-32 STEEL CAD PLTD (part of item 1)	4
20	104101GT	CONNECTOR,PLUG 21 WAY	1

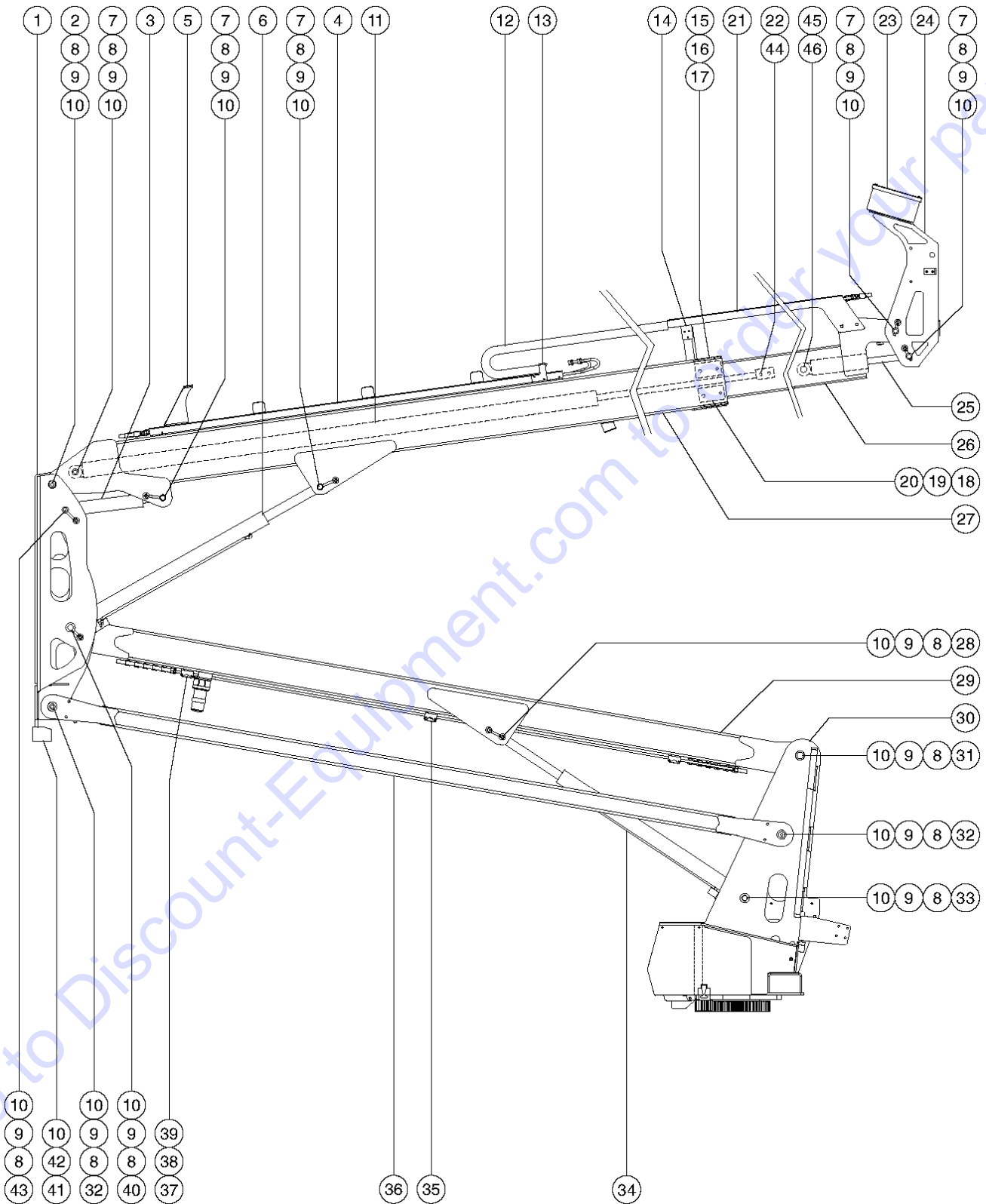
303.10 Ground Control Box - Australia Models



<i>Item</i>	<i>Part No.</i>	<i>Description</i>	<i>Qty.</i>
21	218696GT	CONNECTOR, RECEPTACLE, 23 WAY,	1
22	87749GT	CONN,RECEP 14 WAY-REV	1
23	87755GT	CONN,RECEP 8 WAY 14-18GA,FL	2
24	73723GT	CONN RECEPT,FLANGED	1
25	109804GT	BUTTON,PUSH,GREEN,ASSEMBLY***	4
26	45383GT	ALARM,WARBLE TONE 5-30 VDC***	1
27	226320GT	ASM, BUTTON & BOOT, BLK	1
28	76647GT	INDICATOR, BATTERY DISCHARGE	1
28B	45840GT	PLUG,NYLON 2.00 BLACK DOMED	1
29	19506GT	HOUR METER,10-80 VOLTS***	1
30	226320GT	ASM, BUTTON & BOOT, BLK	1

Go to Discount-Equipment.com to order your parts

401.1 Lift Structure (from SN TZ3403-001 to TZ3407-582)

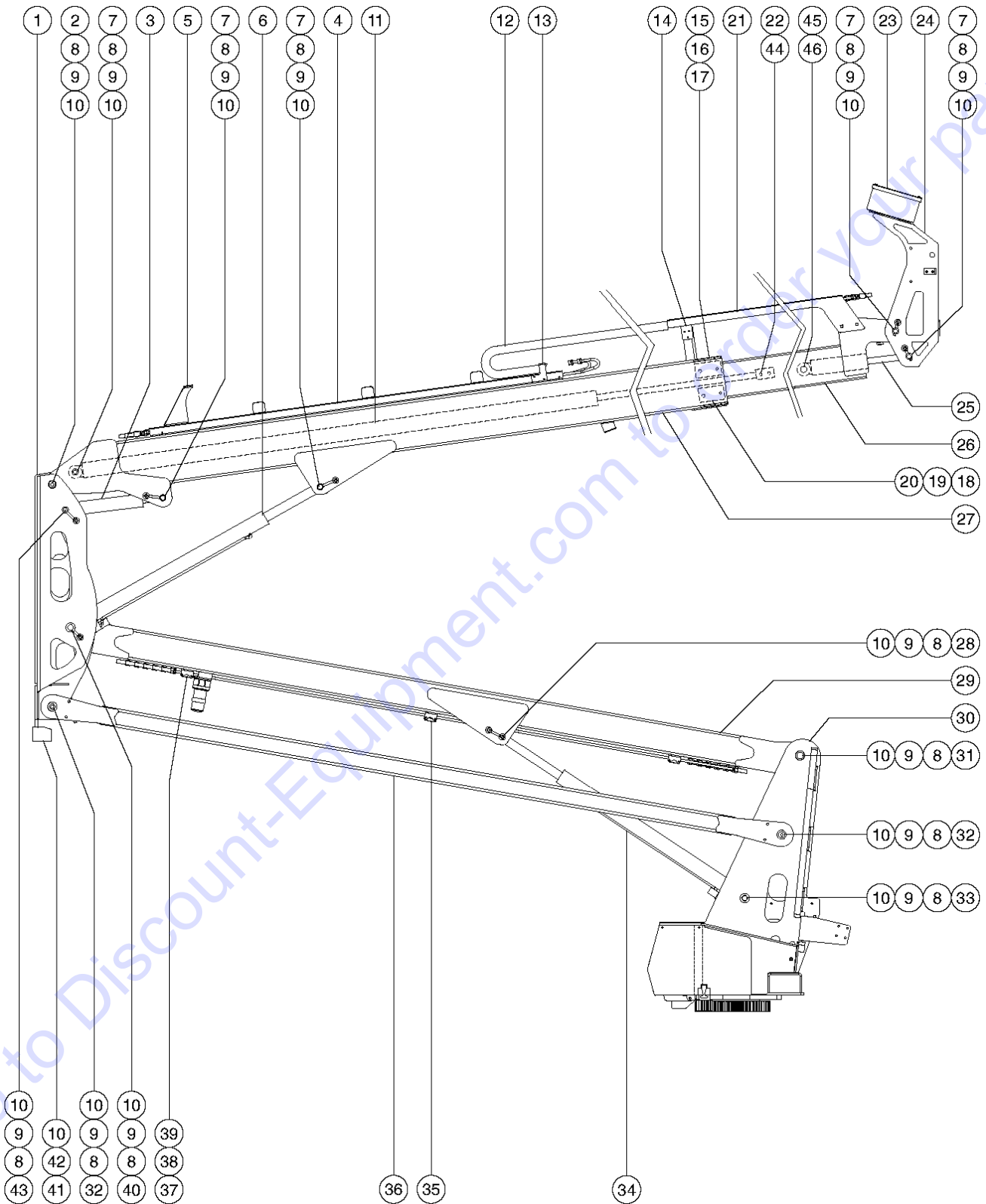


401.1 Lift Structure (from SN TZ3403-001 to TZ3407-582)

Item	Part No.	Description	Qty.
-	56361GT	CABLE TIE,BUTTON,BLACK,14.75LG	8
1A	84731GT	PIVOT ASSY, WORD DECALS USA, Canada and Australia; includes items 2, 9, 10, 39, 40, 41 and 42	1
1A-	45071GT	BEARING,1.5IDX1.75ODX1.5L	
1A-	87073GT	GROMMET,RUBBER 3 X .25 X 3.5	
1A-	18666GT	CLAMP,1.00,#16 X 1/4,RUB CUSH	
1B	84732GT	PIVOT ASSY, SYMBOL DECALS Asia, South America and Europe; includes items 2, 9, 10, 39, 40, 41 and 42	
1B-	45071GT	BEARING,1.5IDX1.75ODX1.5L	
1B-	87073GT	GROMMET,RUBBER 3 X .25 X 3.5	
1B-	18666GT	CLAMP,1.00,#16 X 1/4,RUB CUSH	
2	79588GT	PIN,1.25DIAX18.00LG,CHAMFER	1
3		Ref. Platform Leveling Master Cylinder (refer to 604.1)	
4A	822923GT	FRMG,UPPER BOOM TRAY,PTD.BLUE	1
4B	99051GT	FORMING,CABLE TRACK GUARD OLD secured to top of tray	3
4C	39579GT	RIVET,STL,STL,,188 X .45	
		2 req'd per guard	
5A	99056-SGT	CABLE TRACK RETAINER,RIGHT OLD	1
5B	99057-SGT	CABLE TRACK RETAINER,LEFT OLD	
5C	41695GT	RIVET,STL,STL,,188 X .50	
		2 req'd per retainer	
6		Ref. Primary Cylinder (refer to 604.1)	
7	41861GT	PIN,1.00DIAX8.07LG,1HOLE	5
8	8516GT	SCREW, HCC, 3/8-16 X 1.50	
9	825019GT	ROD END,.375X3.69,ZAG	13
10	4828GT	NUT,NYLOCK,3/8-16	
11		Ref. Extension Cylinder (refer to 604.1)	
12	79633GT	CABLE TRACK 35 LINKS***	1
12-	58980GT	REPAIR,7 LINKS,3"IDX3.5"OD for 79633	
12-	84448GT	HINGE BAR,CABLE TRACK (79633)* 'C' shaped; for 79633	
12-	62862GT	REPAIR LINK,END SET (48182)* for 79633	
13	79646PGT	FORMING, CBL TRCK INTRFACE OLD	1



401.1 Lift Structure (from SN TZ3403-001 to TZ3407-582)

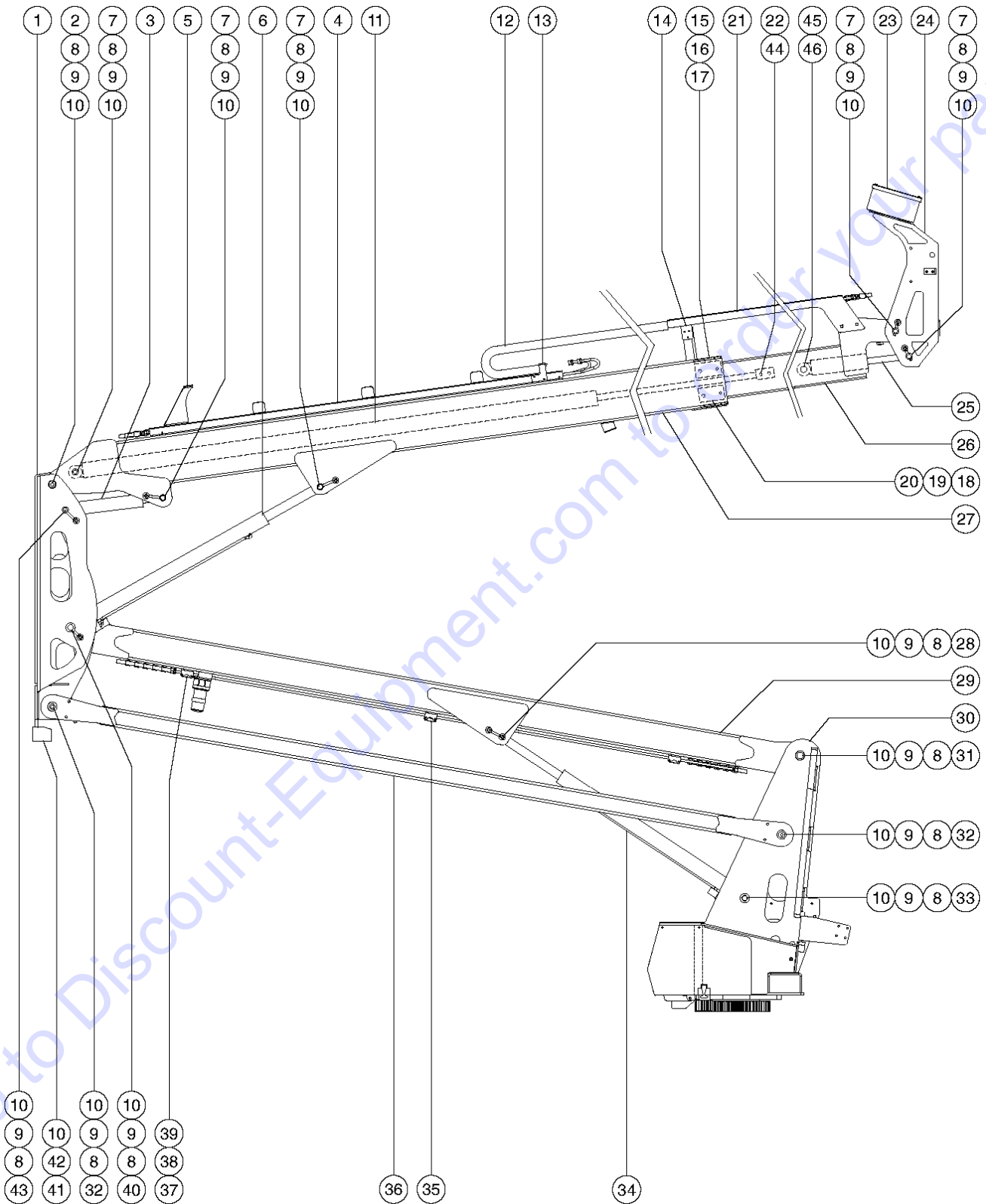


401.1 Lift Structure (from SN TZ3403-001 to TZ3407-582)

Item	Part No.	Description	Qty.
13-	6878GT	BOLT,CARRIAGE,1/4-20 X .75,G2	
13-	6091GT	NUT,NYLOCK,1/4-20	
13-	41695GT	RIVET,STL,STL,.188 X .50	
14A	79599GT	GLIDE PAD,CBL TRACK TZ34 OLD rectangular-shaped; 3 rivets req'd	2
14B	109850GT	WEAR PAD, TZ34 CABLE BRIDGE T-shaped; 2 rivets req'd	
14C	41695GT	RIVET,STL,STL,.188 X .50	6
15A	79642GT	WEAR PAD,OUTER TUBE SIDES	4
15B	229630GT	SHIM,SHORT,.03 THK	
15C	229631GT	SHIM,SHORT,.06 THK	
16	6175GT	SCREW,HHC,3/8-16 X 1	
17	6021GT	WASHER,LOCK,.375	
18A	79647GT	WEAR PAD,3.75 X 1.5 X .75	2
18B	42621GT	WEAR PAD,4 X 4 X .75 W/NUTS	
18C	87868GT	SHIM,TOP&BOT,SHORT,.03 THK	
18D	87869GT	SHIM,TOP&BOT,SHORT,.06 THK	
19	6090GT	SCREW,HHC,1/4-20 X .75	
20	6356GT	WASHER,LOCK,.25	
21A	79539PGT	FORMING, CABLE TRACK TRAY*** covers cable track	1
21B	79568GT	CABLE TRACK HARDLINE CLAMP	4
22	79585GT	PIN,0.75DIA X 4.51LG,2RING	2
23		Ref. Platform Control Box (refer to 506.1)	
24		Ref. Platform Pivot Assembly (refer to 501.1 or 502.1)	
25		Ref. Platform Leveling Slave Cylinder (refer to 604.1)	
26	84734GT	EXTENSION BOOM ASSEMBLY	1
26-	36245GT	BEARING,FL,1.00ID X 1.25OD X 0.84L	2
27	84735GT	PRIMARY BOOM ASSEMBLY	1
27-	74728GT	BEARING,FL,1.25ID X 1.50DX 2.50	2
28	41862GT	PIN,1.00DIA X 6.82LG,1HOLE	1



401.1 Lift Structure (from SN TZ3403-001 to TZ3407-582)

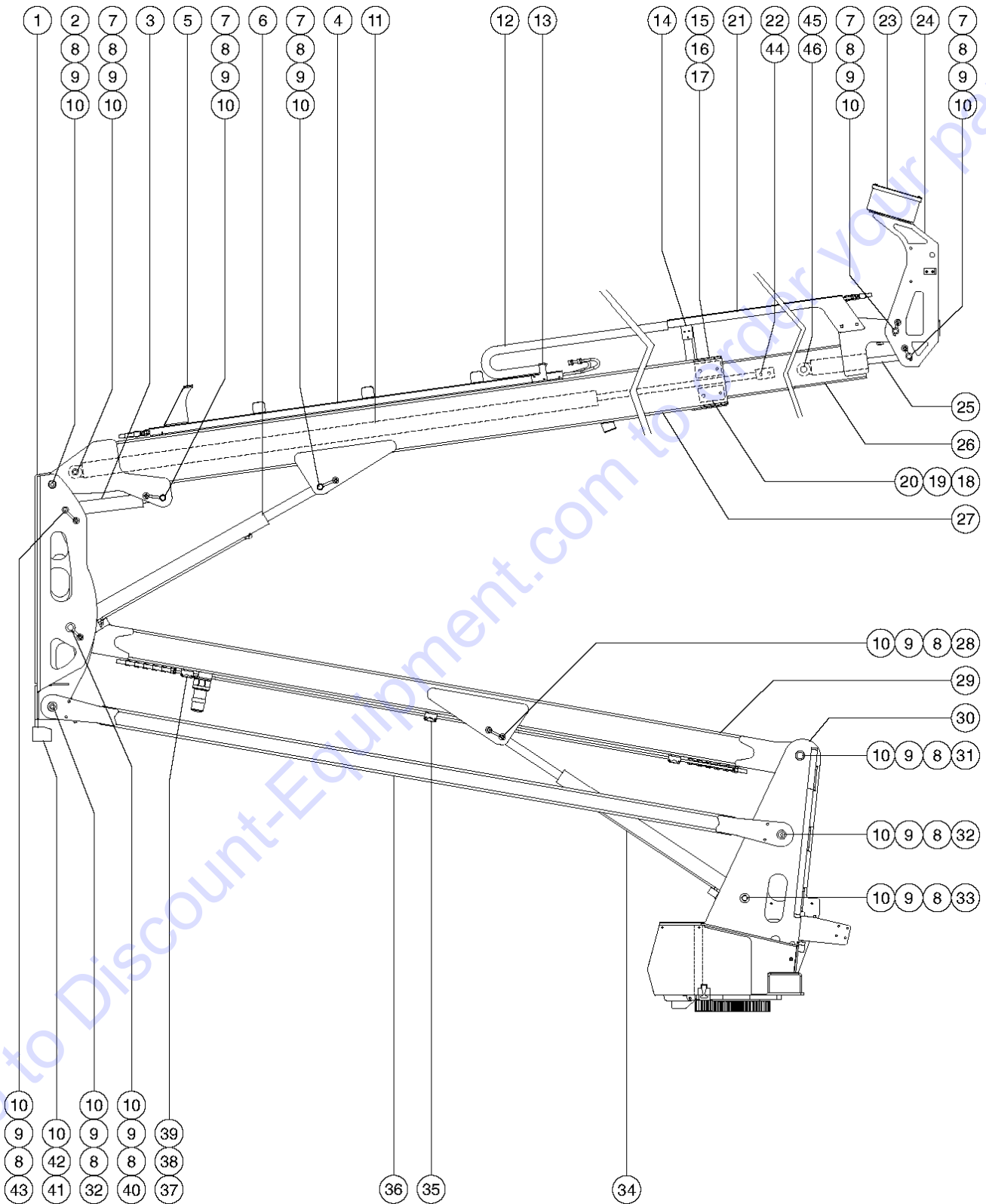


401.1 Lift Structure (from SN TZ3403-001 to TZ3407-582)

Item	Part No.	Description	Qty.
29	84736GT	SECONDARY BOOM ASSEMBLY	1
29-	54156GT	BEARING,FL,1.5IDX1.75ODX1.10LG	4
30A	84805GT	TZ34 TURNTABLE ASSY./BEARING	
		to SN TZ3405-189	
30A-	45071GT	BEARING,1.5IDX1.75ODX1.5L	
31	76695GT	PIN,1.50 DIA X 8.75"LG,1HOLE	1
32	81599GT	PIN, 1.5DIA X 4.38LG,1HOLE	2
33	87816GT	PIN,1 X 8.5	1
34		Ref. Secondary Cylinder	
		(refer to 604.1)	
35	79635GT	FORMING, HYDRAULIC TUBE BRCKET	3
36	79540GT	WELDMENT,LINKAGE	1
37A	79637GT	PLATE, TAP, HYD TUBE CLAMP	3
37B	79638GT	SPACER, HYDRAULIC TUBE MOUNT	
37C	39579GT	RIVET,STL,STL,.188 X .45	
38	9116GT	BOLT, CARRIAGE, 1/4-20 X 1.25, G2	
39	6091GT	NUT,NYLOCK,1/4-20	
40	79589GT	PIN,1.50DIAX18.13LG,CHAMFER	1
41	104144GT	WELDMENT,MIDPIVOT CRADLE	1
42	6019GT	SCREW,HHC,3/8-16 X 1.25 GRD 5	
43	79586GT	PIN, 1.00 X 11.00	1
44	10262GT	SNAP RING,EXTERNAL,.75 DIA.	4
45	79579GT	PIN,1.00DIAX4.51LG,2RING	1
46	44662GT	SNAP RING,EXTERNAL,1.00 DIA.	2



401.2 Lift Structure (from SN TZ3403-001 to TZ3407-582)



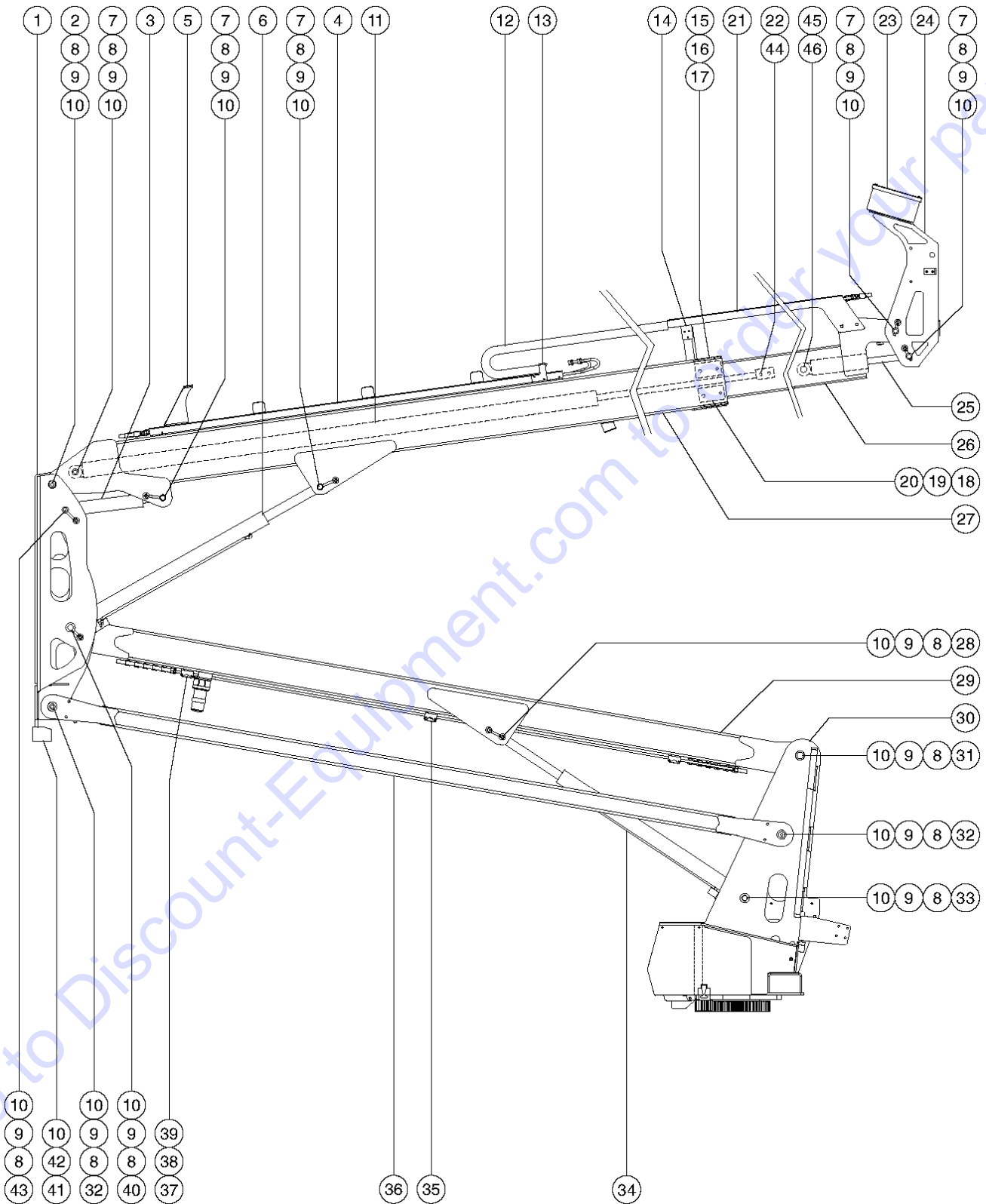
Go to Discount-Equipment.com to order your parts

401.2 Lift Structure (from SN TZ3403-001 to TZ3407-582)

Item	Part No.	Description	Qty.
-	56361GT	CABLE TIE,BUTTON,BLACK,14.75LG	8
1A	84731GT	PIVOT ASSY, WORD DECALS USA, Canada and Australia; includes items 2, 9, 10, 39, 40, 41 and 42	1
1A-	45071GT	BEARING,1.5IDX1.75ODX1.5L	
1A-	87073GT	GROMMET,RUBBER 3 X .25 X 3.5	
1A-	18666GT	CLAMP,1.00,#16 X 1/4,RUB CUSH	
1B	84732GT	PIVOT ASSY, SYMBOL DECALS Asia, South America and Europe; includes items 2, 9, 10, 39, 40, 41 and 42	
1B-	45071GT	BEARING,1.5IDX1.75ODX1.5L	
1B-	87073GT	GROMMET,RUBBER 3 X .25 X 3.5	
1B-	18666GT	CLAMP,1.00,#16 X 1/4,RUB CUSH	
2	79588GT	PIN,1.25DIAX18.00LG,CHAMFER	1
3		Ref. Platform Leveling Master Cylinder (refer to 604.1)	
4A	822923GT	FRMG,UPPER BOOM TRAY,PTD.BLUE	1
4B	99051GT	FORMING,CABLE TRACK GUARD OLD secured to top of tray	3
4C	39579GT	RIVET,STL,STL,.188 X .45	
		2 req'd per guard	
5A	99056-SGT	CABLE TRACK RETAINER,RIGHT OLD	1
5B	99057-SGT	CABLE TRACK RETAINER,LEFT OLD	
5C	41695GT	RIVET,STL,STL,.188 X .50	
		2 req'd per retainer	
6		Ref. Primary Cylinder (refer to 604.1)	
7	41861GT	PIN,1.00DIAX8.07LG,1HOLE	5
8	8516GT	SCREW, HCC, 3/8-16 X 1.50	
9	825019GT	ROD END,.375X3.69,ZAG	13
10	4828GT	NUT,NYLOCK,3/8-16	
11		Ref. Extension Cylinder (refer to 604.1)	
12	79633GT	CABLE TRACK 35 LINKS***	1
12-	58980GT	REPAIR,7 LINKS,3"IDX3.5"OD for 79633	
12-	84448GT	HINGE BAR,CABLE TRACK (79633)* 'C' shaped; for 79633	
12-	62862GT	REPAIR LINK,END SET (48182)* for 79633	
13	79646PGT	FORMING, CBL TRCK INTRFACE OLD	1



401.2 Lift Structure (from SN TZ3403-001 to TZ3407-582)



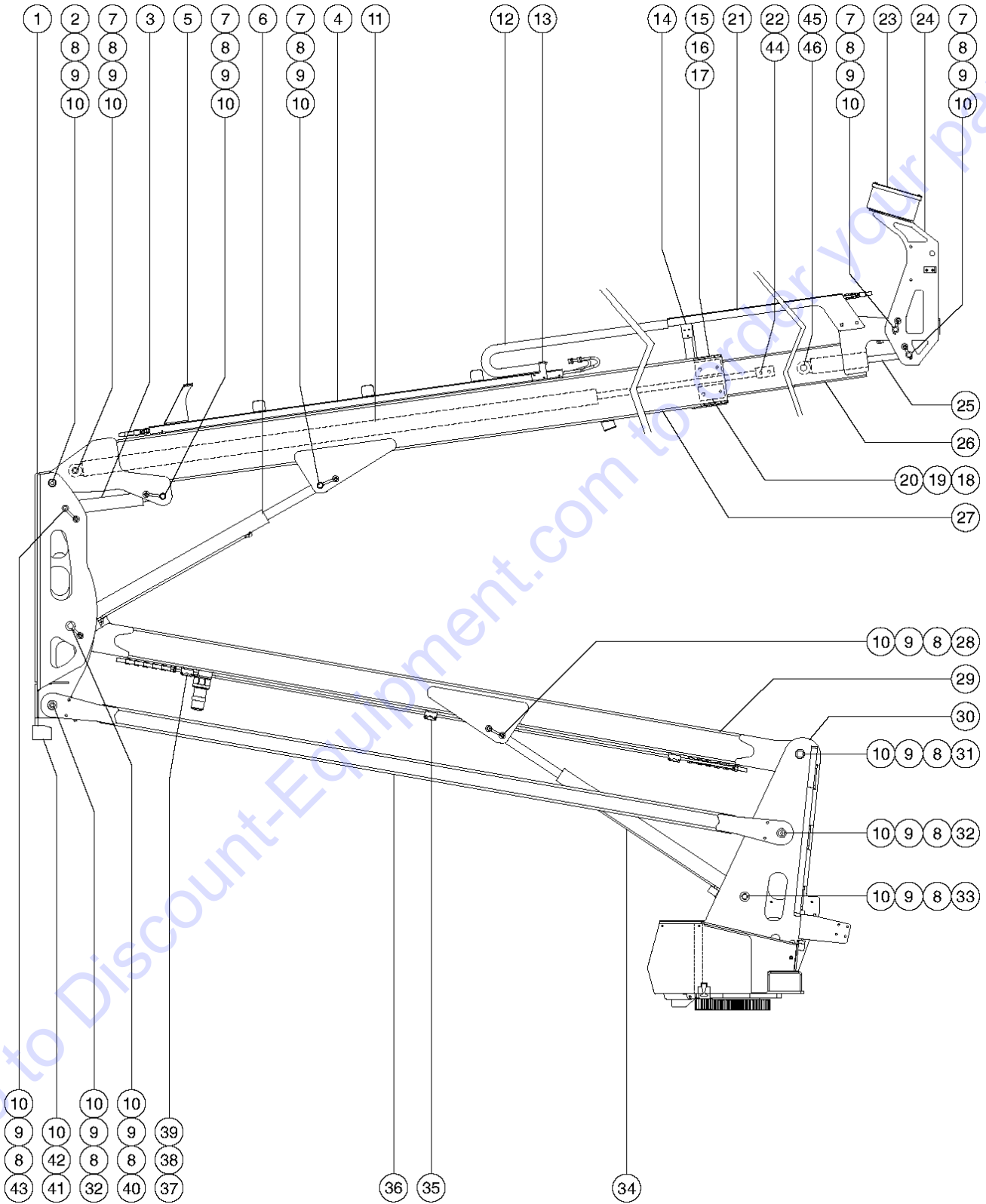
Go to Discount-Equipment.com to order your parts

401.2 Lift Structure (from SN TZ3403-001 to TZ3407-582)

Item	Part No.	Description	Qty.
13-	6878GT	BOLT,CARRIAGE,1/4-20 X .75,G2	
13-	6091GT	NUT,NYLOCK,1/4-20	
13-	41695GT	RIVET,STL,STL,.188 X .50	
14A	79599GT	GLIDE PAD,CBL TRACK TZ34 OLD rectangular-shaped; 3 rivets req'd	2
14B	109850GT	WEAR PAD, TZ34 CABLE BRIDGE T-shaped; 2 rivets req'd	
14C	41695GT	RIVET,STL,STL,.188 X .50	6
15A	79642GT	WEAR PAD,OUTER TUBE SIDES	4
15B	229630GT	SHIM,SHORT,.03 THK	
15C	229631GT	SHIM,SHORT,.06 THK	
16	6175GT	SCREW,HHC,3/8-16 X 1	
17	6021GT	WASHER,LOCK,.375	
18A	79647GT	WEAR PAD,3.75 X 1.5 X .75	2
18B	42621GT	WEAR PAD,4 X 4 X .75 W/NUTS	
18C	87868GT	SHIM,TOP&BOT,SHORT,.03 THK	
18D	87869GT	SHIM,TOP&BOT,SHORT,.06 THK	
19	6090GT	SCREW,HHC,1/4-20 X .75	
20	6356GT	WASHER,LOCK,.25	
21A	79539PGT	FORMING, CABLE TRACK TRAY*** covers cable track	1
21B	79568GT	CABLE TRACK HARDLINE CLAMP	4
22	79585GT	PIN,0.75DIA X 4.51LG,2RING	2
23		Ref. Platform Control Box (refer to 506.1)	
24		Ref. Platform Pivot Assembly (refer to 501.1 or 502.1)	
25		Ref. Platform Leveling Slave Cylinder (refer to 604.1)	
26	84734GT	EXTENSION BOOM ASSEMBLY	1
26-	36245GT	BEARING,FL,1.00ID X 1.25OD X 0.84L	2
27	84735GT	PRIMARY BOOM ASSEMBLY	1
27-	74728GT	BEARING,FL,1.25ID X 1.50DX 2.50	2
28	41862GT	PIN,1.00DIA X 6.82LG,1HOLE	1



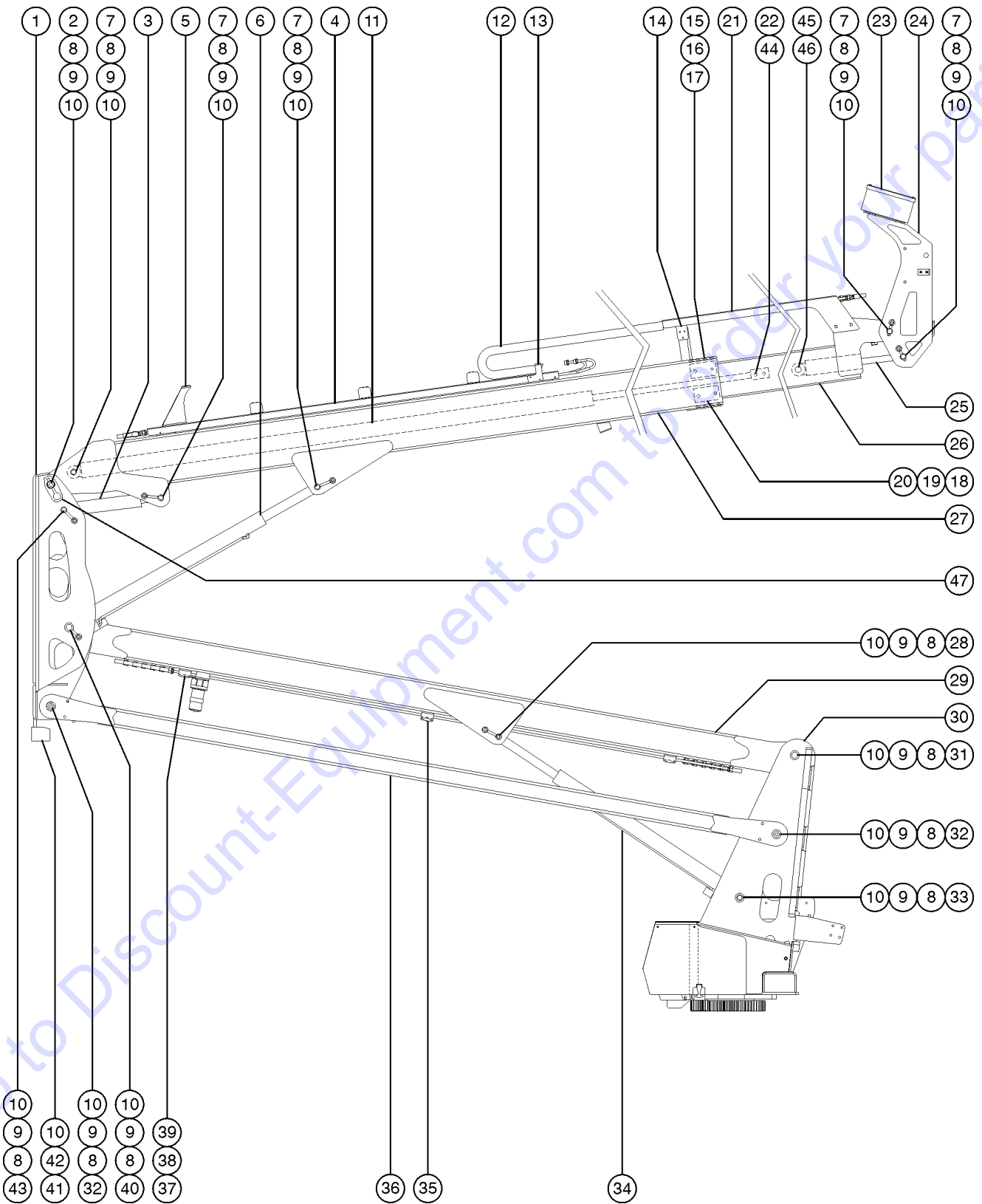
401.2 Lift Structure (from SN TZ3403-001 to TZ3407-582)



401.2 Lift Structure (from SN TZ3403-001 to TZ3407-582)

Item	Part No.	Description	Qty.
29	84736GT	SECONDARY BOOM ASSEMBLY	1
29-	54156GT	BEARING,FL,1.5IDX1.75ODX1.10LG	4
30A	84805GT	TZ34 TURNTABLE ASSY./BEARING	
		to SN TZ3405-189	
30A-	45071GT	BEARING,1.5IDX1.75ODX1.5L	
30B	115030GT	TZ34 TURNTABLE ASSY./BEARING	
		from SN TZ3405-190	
30B-	45071GT	BEARING,1.5IDX1.75ODX1.5L	
31	76695GT	PIN,1.50 DIA X 8.75"LG,1HOLE	1
32	81599GT	PIN, 1.5DIA X 4.38LG,1HOLE	2
33	87816GT	PIN,1 X 8.5	1
34		Ref. Secondary Cylinder	
		(refer to 604.1)	
35	79635GT	FORMING, HYDRAULIC TUBE BRCKET	3
36	79540GT	WELDMENT,LINKAGE	1
37A	79637GT	PLATE, TAP, HYD TUBE CLAMP	3
37B	79638GT	SPACER, HYDRAULIC TUBE MOUNT	
37C	39579GT	RIVET,STL,STL,,188 X .45	
38	9116GT	BOLT, CARRIAGE, 1/4-20 X 1.25, G2	
39	6091GT	NUT,NYLOCK,1/4-20	
40	79589GT	PIN,1.50DIA X 18.13LG,CHAMFER	1
41	104144GT	WELDMENT,MIDPIVOT CRADLE	1
42	6019GT	SCREW,HHC,3/8-16 X 1.25 GRD 5	
43	79586GT	PIN, 1.00 X 11.00	1
44	10262GT	SNAP RING,EXTERNAL,,.75 DIA.	4
45	79579GT	PIN,1.00DIA X 4.51LG,2RING	1
46	44662GT	SNAP RING,EXTERNAL,1.00 DIA.	2

401.3 Lift Structure (from SN TZ3403-001 to TZ3407-582)

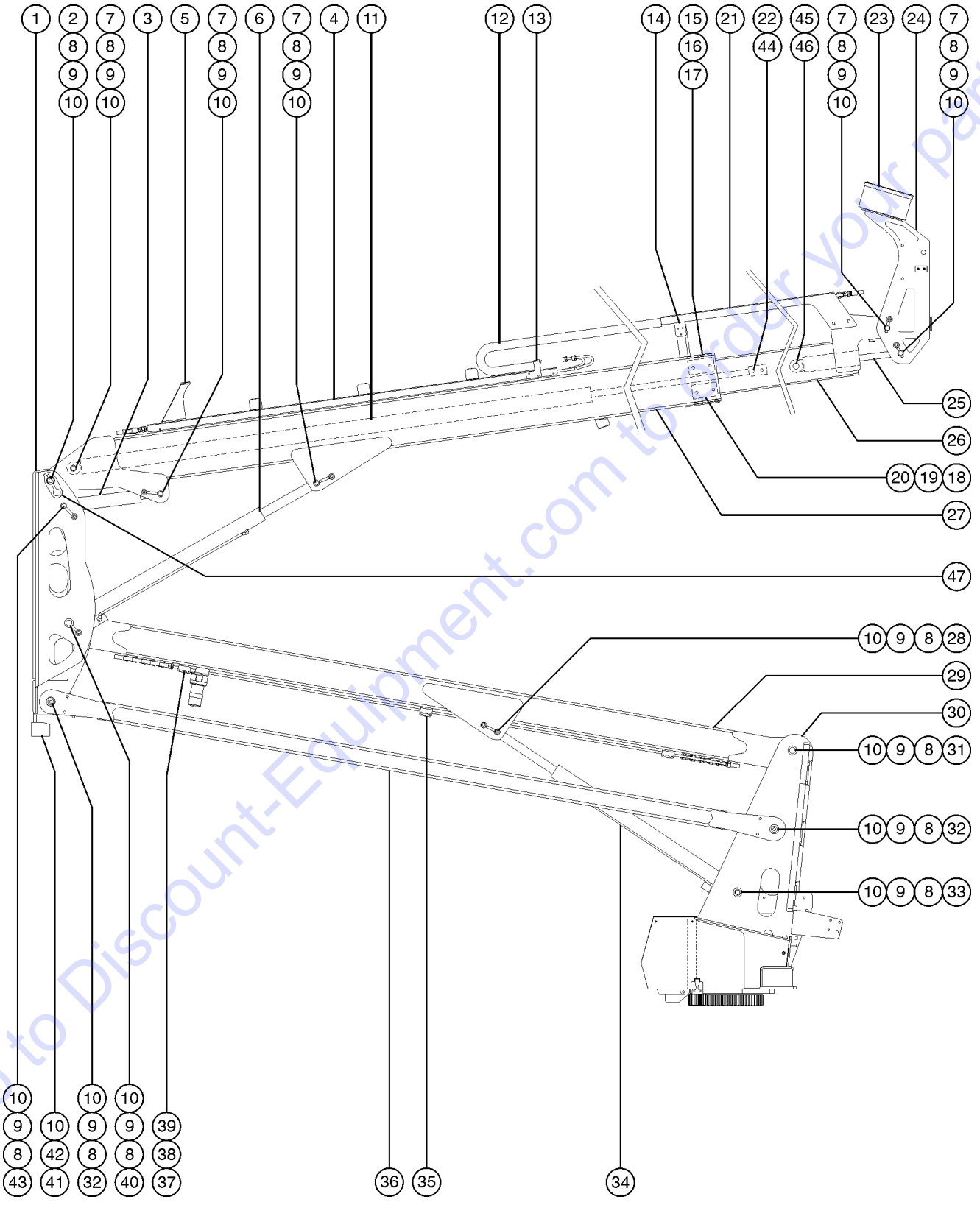


401.3 Lift Structure (from SN TZ3403-001 to TZ3407-582)

Item	Part No.	Description	Qty.
-	56361GT	CABLE TIE,BUTTON,BLACK,14.75LG	8
1A	84731GT	PIVOT ASSY, WORD DECALS USA, Canada and Australia; includes items 2, 9, 10, 39, 40, 41 and 42	1
1A-	45071GT	BEARING,1.5IDX1.75ODX1.5L	
1A-	87073GT	GROMMET,RUBBER 3 X .25 X 3.5	
1A-	18666GT	CLAMP,1.00,#16 X 1/4,RUB CUSH	
1B	84732GT	PIVOT ASSY, SYMBOL DECALS Asia, South America and Europe; includes items 2, 9, 10, 39, 40, 41 and 42	
1B-	87073GT	GROMMET,RUBBER 3 X .25 X 3.5	
1B-	18666GT	CLAMP,1.00,#16 X 1/4,RUB CUSH	
1B-	84732GT	PIVOT ASSY, SYMBOL DECALS	
2	79588GT	PIN,1.25DIAX18.00LG,CHAMFER	1
3		Ref. Platform Leveling Master Cylinder (refer to 604.1)	
4A	822923GT	FRMG,UPPER BOOM TRAY,PTD.BLUE	1
4B	99051GT	FORMING,CABLE TRACK GUARD OLD secured to top of tray	3
4C	39579GT	RIVET,STL,STL,,188 X .45	
		2 req'd per guard	
5A	99056-SGT	CABLE TRACK RETAINER,RIGHT OLD	1
5B	99057-SGT	CABLE TRACK RETAINER,LEFT OLD	
5C	41695GT	RIVET,STL,STL,,188 X .50	
		2 req'd per retainer	
6		Ref. Primary Cylinder (refer to 604.1)	
7	41861GT	PIN,1.00DIAX8.07LG,1HOLE	5
8	8516GT	SCREW, HCC, 3/8-16 X 1.50	
9	825019GT	ROD END,.375X3.69,ZAG	13
10	4828GT	NUT,NYLOCK,3/8-16	
11		Ref. Extension Cylinder (refer to 604.1)	
12	79633GT	CABLE TRACK 35 LINKS***	1
12-	58980GT	REPAIR,7 LINKS,3"IDX3.5"OD for 79633	
12-	84448GT	HINGE BAR,CABLE TRACK (79633)* 'C' shaped; for 79633	
12-	62862GT	REPAIR LINK,END SET (48182)* for 79633	
13	79646PGT	FORMING, CBL TRCK INTRFACE OLD	1



401.3 Lift Structure (from SN TZ3403-001 to TZ3407-582)

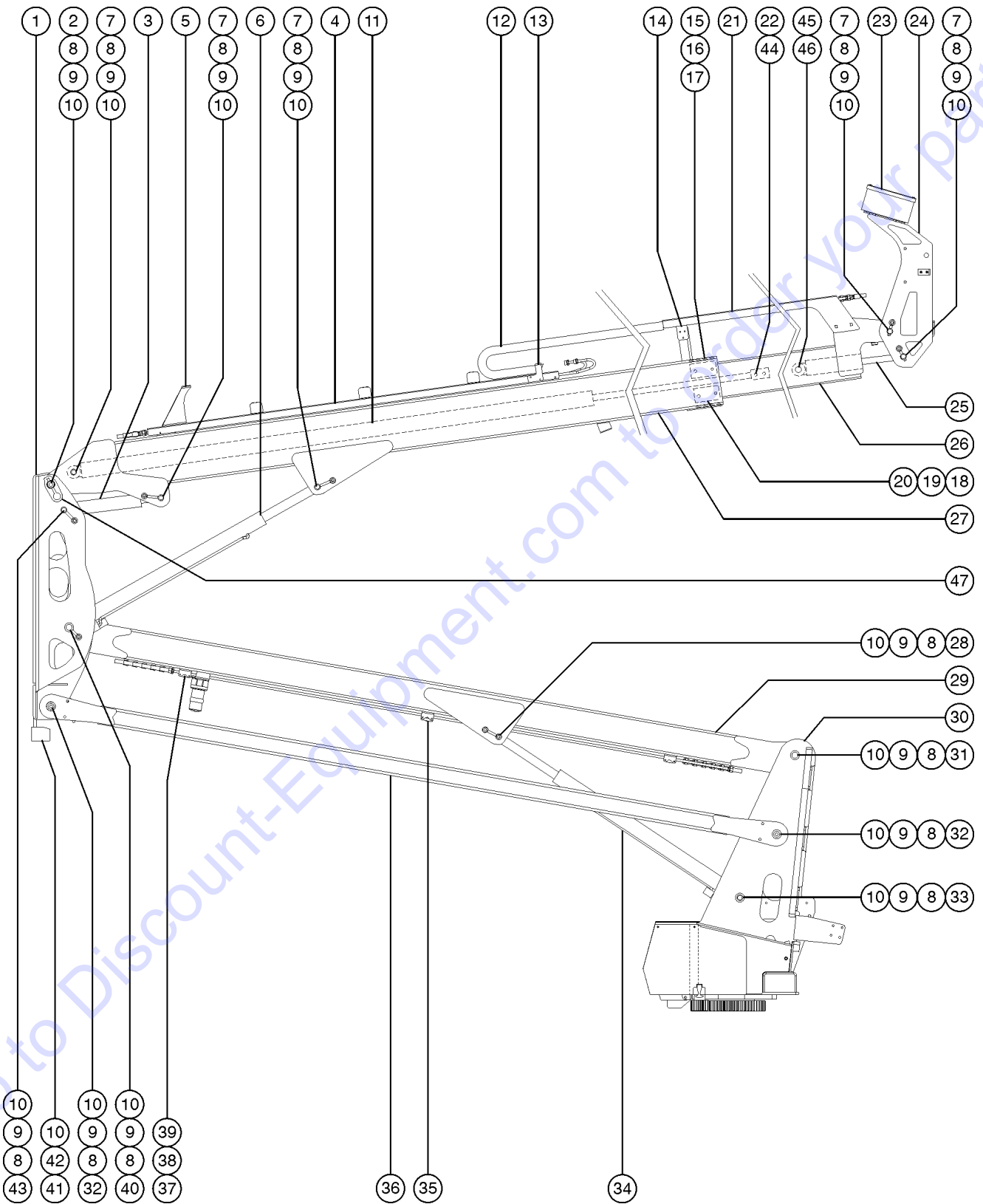


401.3 Lift Structure (from SN TZ3403-001 to TZ3407-582)

Item	Part No.	Description	Qty.
13-	6878GT	BOLT,CARRIAGE,1/4-20 X .75,G2	
13-	6091GT	NUT,NYLOCK,1/4-20	
13-	41695GT	RIVET,STL,STL,.188 X .50	
14A	79599GT	GLIDE PAD,CBL TRACK TZ34 OLD rectangular-shaped; 3 rivets req'd	2
14B	109850GT	WEAR PAD, TZ34 CABLE BRIDGE T-shaped; 2 rivets req'd	
14C	41695GT	RIVET,STL,STL,.188 X .50	6
15A	79642GT	WEAR PAD,OUTER TUBE SIDES	4
15B	229630GT	SHIM,SHORT,.03 THK	
15C	229631GT	SHIM,SHORT,.06 THK	
16	6175GT	SCREW,HHC,3/8-16 X 1	
17	6021GT	WASHER,LOCK,.375	
18A	79647GT	WEAR PAD,3.75 X 1.5 X .75	2
18B	42621GT	WEAR PAD,4 X 4 X .75 W/NUTS	
18C	87868GT	SHIM,TOP&BOT,SHORT,.03 THK	
18D	87869GT	SHIM,TOP&BOT,SHORT,.06 THK	
19	6090GT	SCREW,HHC,1/4-20 X .75	
20	6356GT	WASHER,LOCK,.25	
21A	79539PGT	FORMING, CABLE TRACK TRAY*** covers cable track	1
21B	79568GT	CABLE TRACK HARDLINE CLAMP	4
22	79585GT	PIN,0.75DIAX4.51LG,2RING	2
23		Ref. Platform Control Box (refer to 506.1)	
24		Ref. Platform Pivot Assembly (refer to 501.1 or 502.1)	
25		Ref. Platform Leveling Slave Cylinder (refer to 604.1)	
26	84734GT	EXTENSION BOOM ASSEMBLY	1
26-	36245GT	BEARING,FL,1.00IDX1.25ODX0.84L	2
27	84735GT	PRIMARY BOOM ASSEMBLY	1
27-	74728GT	BEARING,FL,1.25IDX1.50DX2.50	2
28	41862GT	PIN,1.00DIAX6.82LG,1HOLE	1



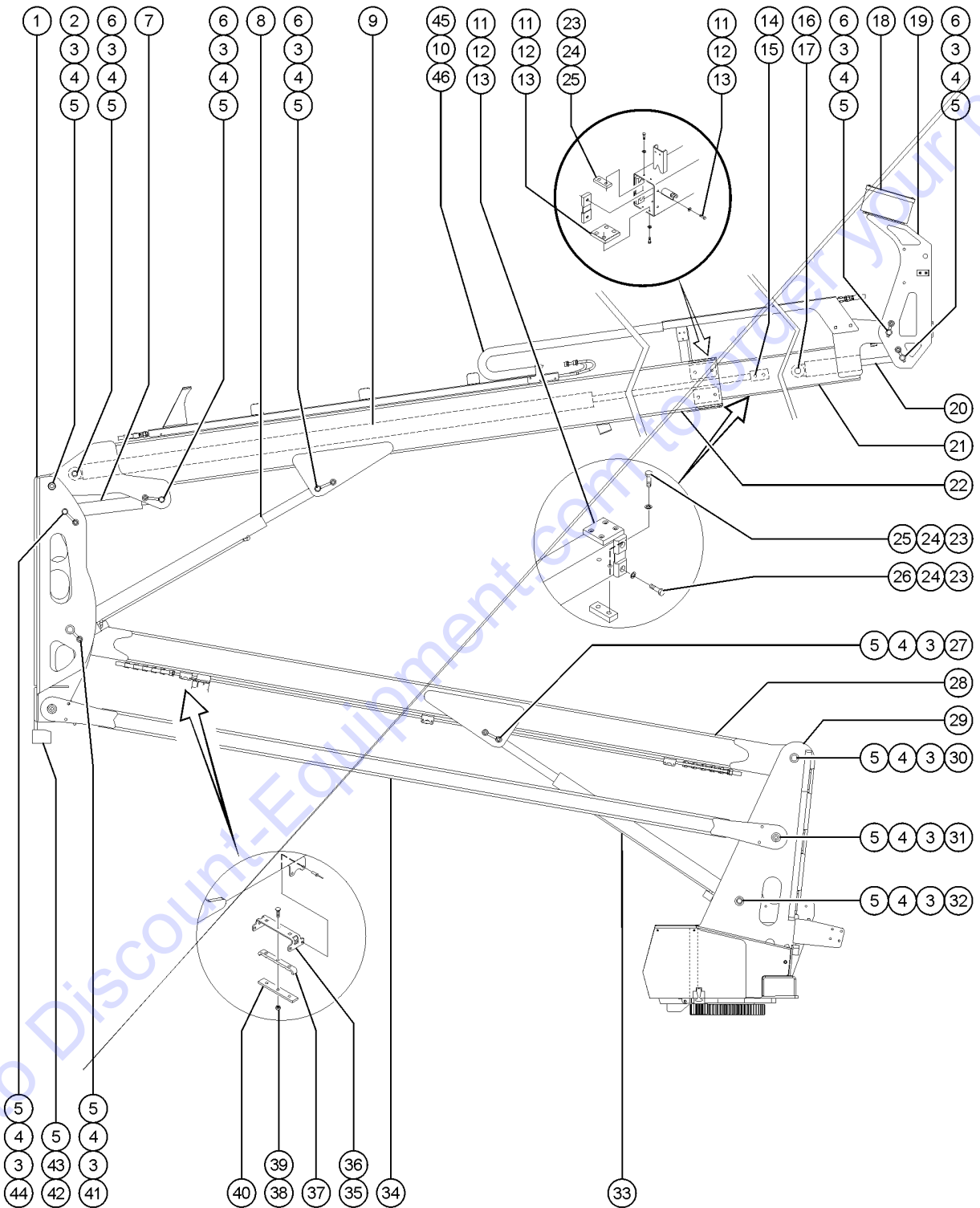
401.3 Lift Structure (from SN TZ3403-001 to TZ3407-582)



401.3 Lift Structure (from SN TZ3403-001 to TZ3407-582)

Item	Part No.	Description	Qty.
29	84736GT	SECONDARY BOOM ASSEMBLY	1
29-	54156GT	BEARING,FL,1.5IDX1.75ODX1.10LG	4
30B	115030GT	TZ34 TURNTABLE ASSY./BEARING	
		from SN TZ3405-190	
30B-	45071GT	BEARING,1.5IDX1.75ODX1.5L	
31	76695GT	PIN,1.50 DIA X 8.75"LG,1HOLE	1
32	81599GT	PIN, 1.5DIA X 4.38LG,1HOLE	2
33	87816GT	PIN,1 X 8.5	1
34		Ref. Secondary Cylinder	
		(refer to 604.1)	
35	79635GT	FORMING, HYDRAULIC TUBE BRCKET	3
36	79540GT	WELDMENT,LINKAGE	1
37A	79637GT	PLATE, TAP, HYD TUBE CLAMP	3
37B	79638GT	SPACER, HYDRAULIC TUBE MOUNT	
37C	39579GT	RIVET,STL,STL,.188 X .45	
38	9116GT	BOLT, CARRIAGE, 1/4-20 X 1.25, G2	
39	6091GT	NUT,NYLOCK,1/4-20	
40	79589GT	PIN,1.50DIA X 18.13LG,CHAMFER	1
41	104144GT	WELDMENT,MIDPIVOT CRADLE	1
42	6019GT	SCREW,HHC,3/8-16 X 1.25 GRD 5	
43	79586GT	PIN, 1.00 X 11.00	1
44	10262GT	SNAP RING,EXTERNAL,.75 DIA.	4
45	79579GT	PIN,1.00DIA X 4.51LG,2RING	1
46	44662GT	SNAP RING,EXTERNAL,1.00 DIA.	2
47	58502GT	PLATE, 1.5" PIN SUPPORT	2

401.4 Lift Structure, View 1 (from SN TZ3408-101 to TZ3408-634)

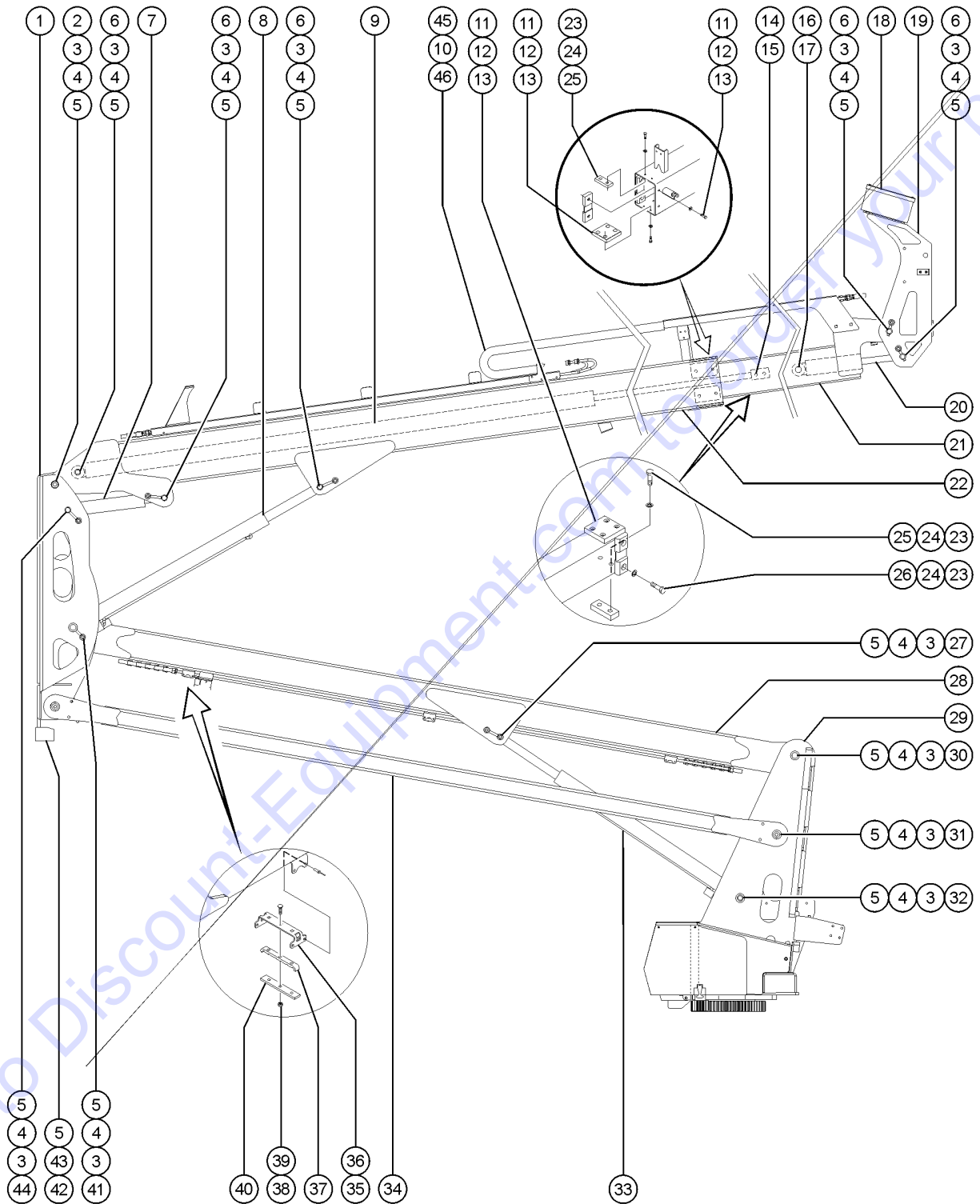


401.4 Lift Structure, View 1 (from SN TZ3408-101 to TZ3408-634)

Item	Part No.	Description	Qty.
-	56361GT	CABLE TIE,BUTTON,BLACK,14.75LG	8
1A	84731GT	PIVOT ASSY, WORD DECALS USA, Canada and Australia; includes items 2, 9, 10, 39, 40, 41 and 42	1
1B	84732GT	PIVOT ASSY, SYMBOL DECALS Asia, South America and Europe; includes items 2, 9, 10, 39, 40, 41 and 42	1
1C	18666GT	CLAMP,1.00,#16 X 1/4,RUB CUSH	1
1D	45071GT	BEARING,1.5IDX1.75ODX1.5L	1
1E	87073GT	GROMMET,RUBBER 3 X .25 X 3.5	1
2	79588GT	PIN,1.25DIAX18.00LG,CHAMFER	1
3	8516GT	SCREW, HCC, 3/8-16 X 1.50	1
4	825019GT	ROD END,.375X3.69,ZAG	13
5	4828GT	NUT,NYLOCK,3/8-16	1
6	41861GT	PIN,1.00DIAX8.07LG,1HOLE	5
7		Ref. Platform Leveling Master Cylinder	
		(refer to 604.1)	
8		Ref. Primary Cylinder	
		(refer to 604.1)	
9		Ref. Extension Cylinder	
		(refer to 604.1)	
10A	79633GT	CABLE TRACK 35 LINKS***	1
10B	58980GT	REPAIR,7 LINKS,3"IDX3.5"OD	
		for 79633	
10C	62862GT	REPAIR LINK,END SET (48182)*	
		for 79633	
10D	79568GT	CABLE TRACK HARDLINE CLAMP	4
		for 79633	
10E	84448GT	HINGE BAR,CABLE TRACK (79633)*	1
		for 79633	
11A	129100GT	WEAR PAD,4X4X.75 W/INSERT	2
11B	87868GT	SHIM, TOP&BOT, SHORT, .03 THK	1
11C	87869GT	SHIM, TOP&BOT, SHORT, .06 THK	1
12	6175GT	SCREW,HHC,3/8-16 X 1	1
13	6021GT	WASHER,LOCK,.375	1
14	79585GT	PIN,0.75DIAX4.51LG,2RING	2
15	10262GT	SNAP RING,EXTERNAL,.75 DIA.	4
16	79579GT	PIN,1.00DIAX4.51LG,2RING	1
17	44662GT	SNAP RING,EXTERNAL,1.00 DIA.	1



401.4 Lift Structure, View 1 (from SN TZ3408-101 to TZ3408-634)



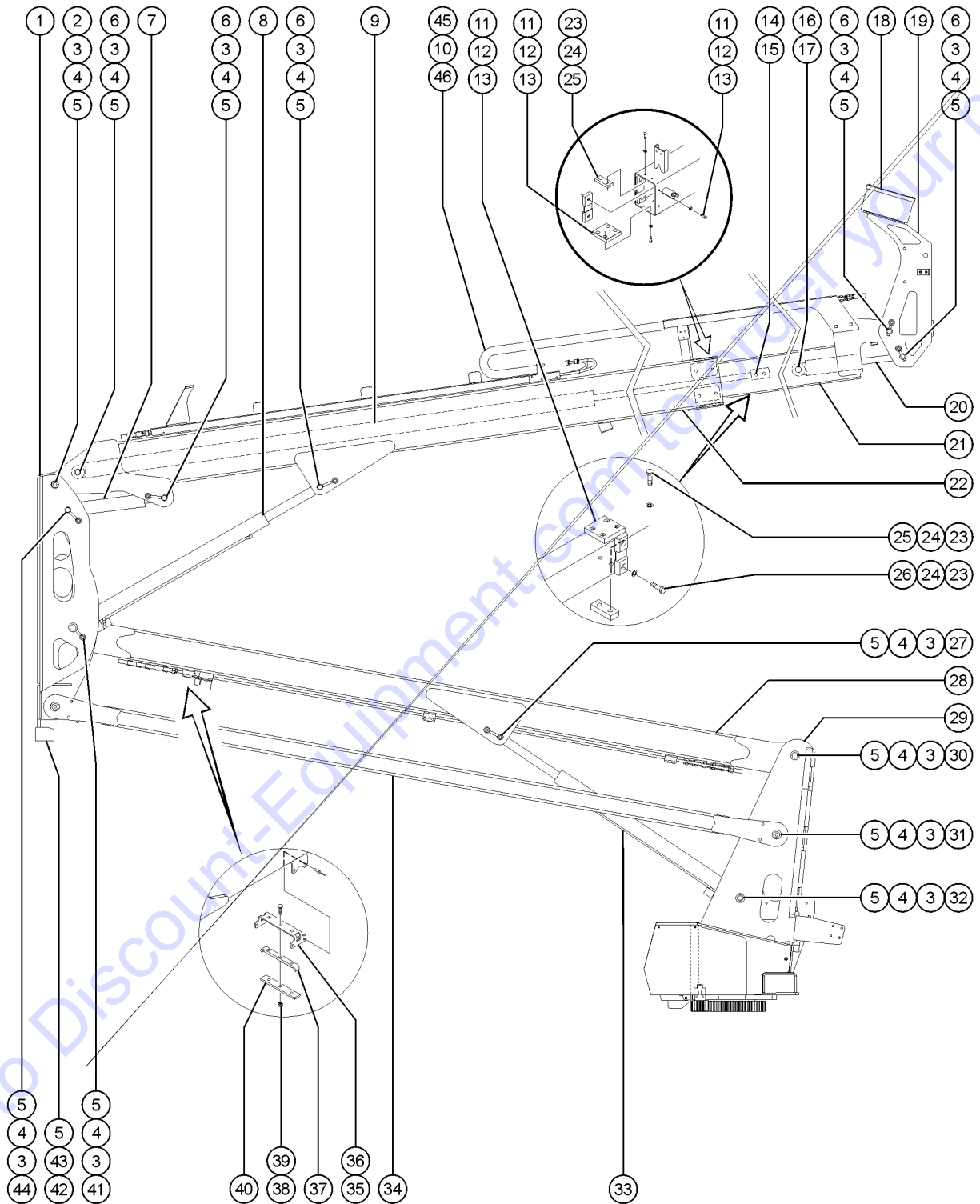
Go to Discount-Equipment.com to get your parts

401.4 Lift Structure, View 1 (from SN TZ3408-101 to TZ3408-634)

Item	Part No.	Description	Qty.
18		Ref. Platform Control Box (refer to 506.1)	
19		Ref. Platform Pivot Assembly (refer to 501.1 or 502.1)	
20		Ref. Platform Leveling Slave Cylinder (refer to 604.1)	
21	84734GT	EXTENSION BOOM ASSEMBLY	1
21-	36245GT	BEARING,FL,1.00IDX1.25ODX0.84L	2
22	124042GT	PRIMARY BOOM ASSEMBLY	1
22-	74728GT	BEARING,FL,1.25IDX1.50DX2.50	2
23	6090GT	SCREW,HHC,1/4-20 X .75	
24	6356GT	WASHER,LOCK,.25	
25A	104741GT	WEAR PAD,3.75 X 1.50 X .63	2
25B	87868GT	SHIM, TOP&BOT, SHORT,.03 THK	
25C	87869GT	SHIM, TOP&BOT, SHORT,.06 THK	
26A	79642GT	WEAR PAD, OUTER TUBE SIDES	4
26B	229630GT	SHIM, SHORT,.03 THK	
26C	229631GT	SHIM, SHORT,.06 THK	
27	41862GT	PIN, 1.00DIA X 6.82LG, 1HOLE	1
28	84736GT	SECONDARY BOOM ASSEMBLY	1
28-	54156GT	BEARING,FL,1.5IDX1.75ODX1.10LG	4
29A	115030GT	TZ34 TURNTABLE ASSY./BEARING	1
29A-	45071GT	BEARING,1.5IDX1.75ODX1.5L	
30	76695GT	PIN, 1.50 DIA X 8.75"LG, 1HOLE	1
31	81599GT	PIN, 1.5DIA X 4.38LG, 1HOLE	2
32	87816GT	PIN, 1 X 8.5	1
33		Ref. Secondary Cylinder (refer to 604.1)	
34	79540GT	WELDMENT, LINKAGE	1
35	79635GT	FORMING, HYDRAULIC TUBE BRACKET	3
36	39579GT	RIVET, STL, STL,.188 X .45	
37	79638GT	SPACER, HYDRAULIC TUBE MOUNT	



401.4 Lift Structure, View 1 (from SN TZ3408-101 to TZ3408-634)



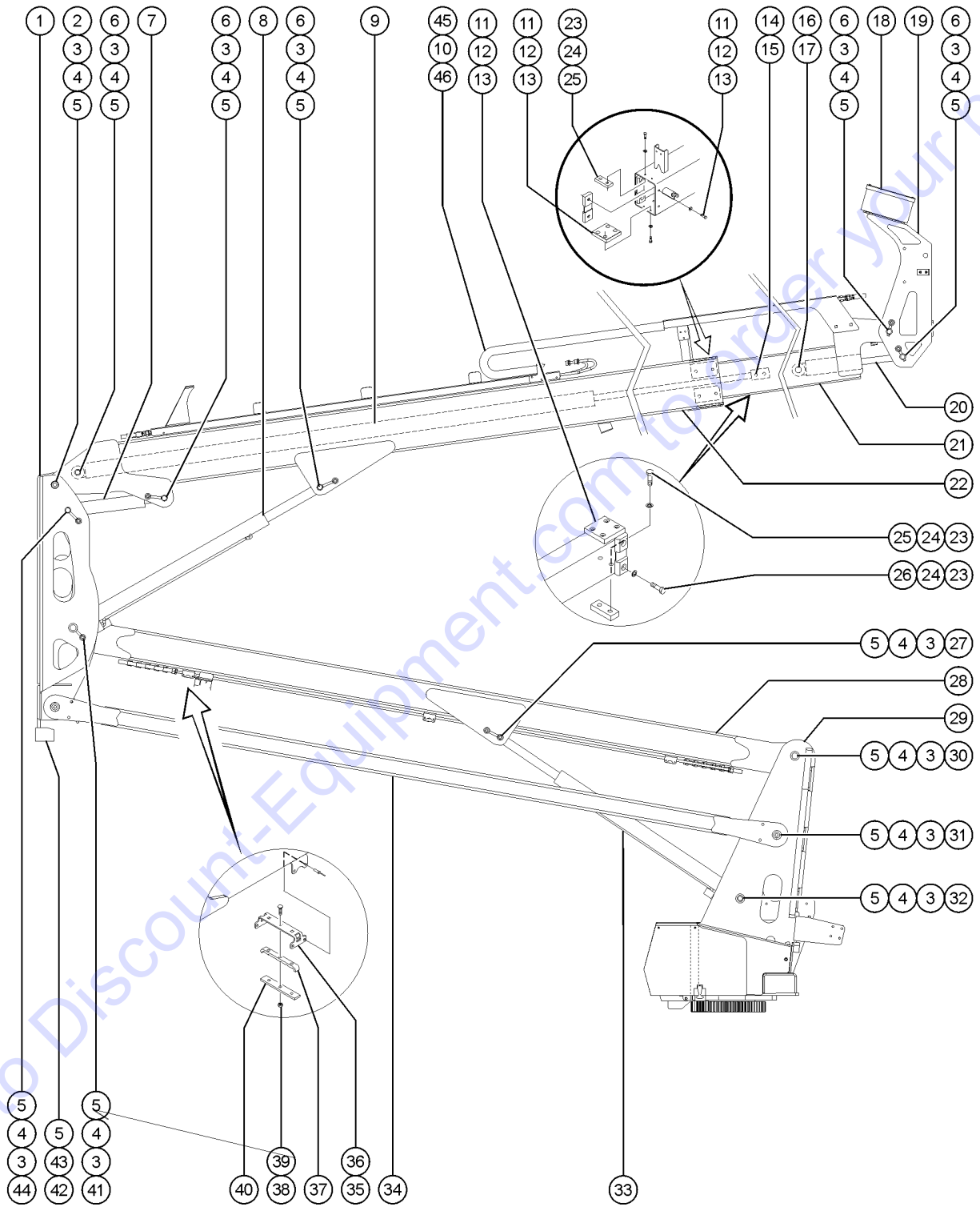
401.4 Lift Structure, View 1 (from SN TZ3408-101 to TZ3408-634)

Item	Part No.	Description	Qty.
38	9116GT	BOLT, CARRIAGE, 1/4-20 X 1.25, G2	
39	6091GT	NUT,NYLOCK,1/4-20	
40	79637GT	PLATE, TAP, HYD TUBE CLAMP	3
41	79589GT	PIN,1.50DIAX18.13LG,CHAMFER	1
42	6019GT	SCREW,HHC,3/8-16 X 1.25 GRD 5	
43	104144GT	WELDMENT,MIDPIVOT CRADLE	1
44	79586GT	PIN, 1.00 X 11.00	1
45	6878GT	BOLT,CARRIAGE,1/4-20 X .75,G2	
46	6091GT	NUT,NYLOCK,1/4-20	
47	43456GT	CLAMP,TOGGLE,MAST HOLD DOWN	1

Go to Discount-Equipment.com to order your parts

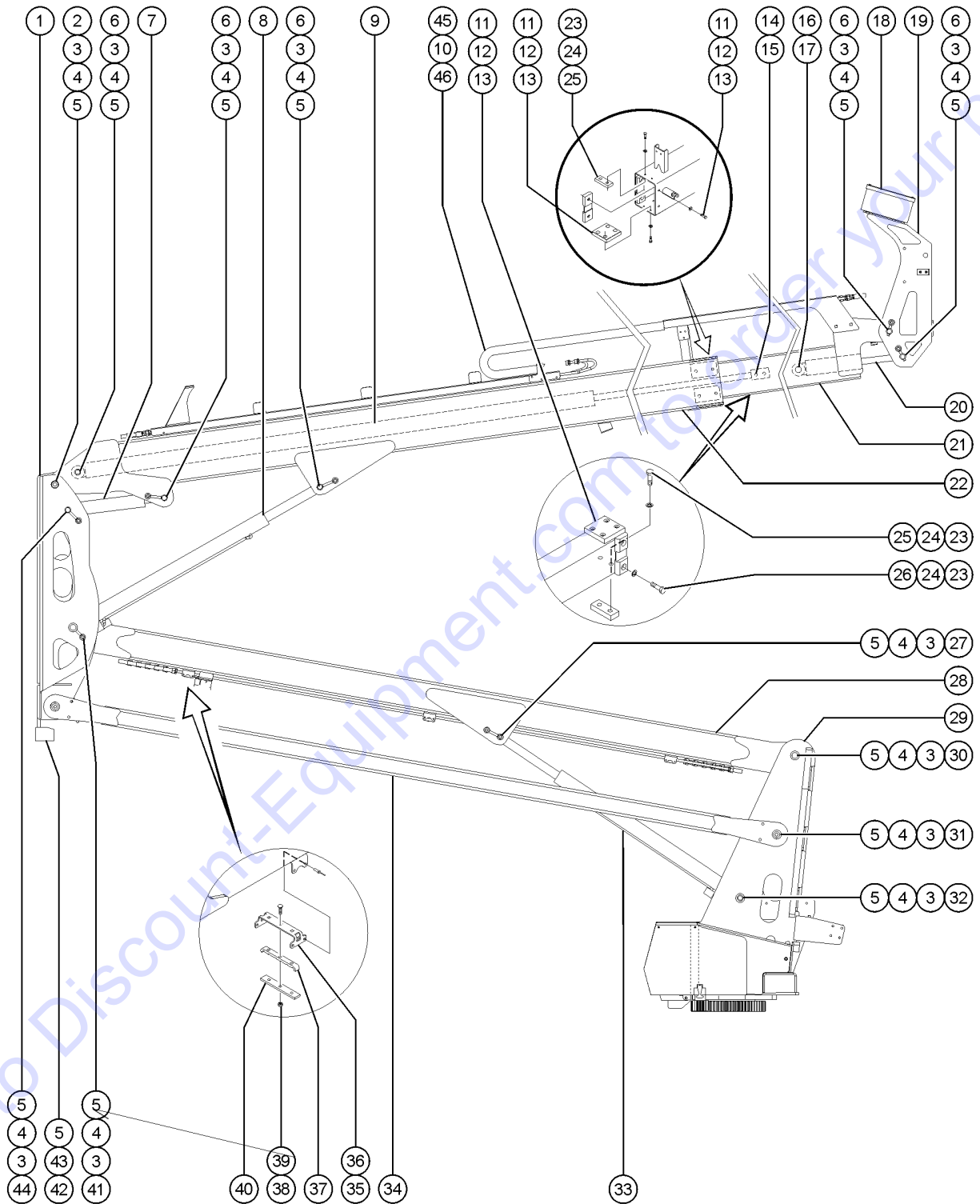


401.5 Lift Structure, View 1 (from SN TZ3409-101)



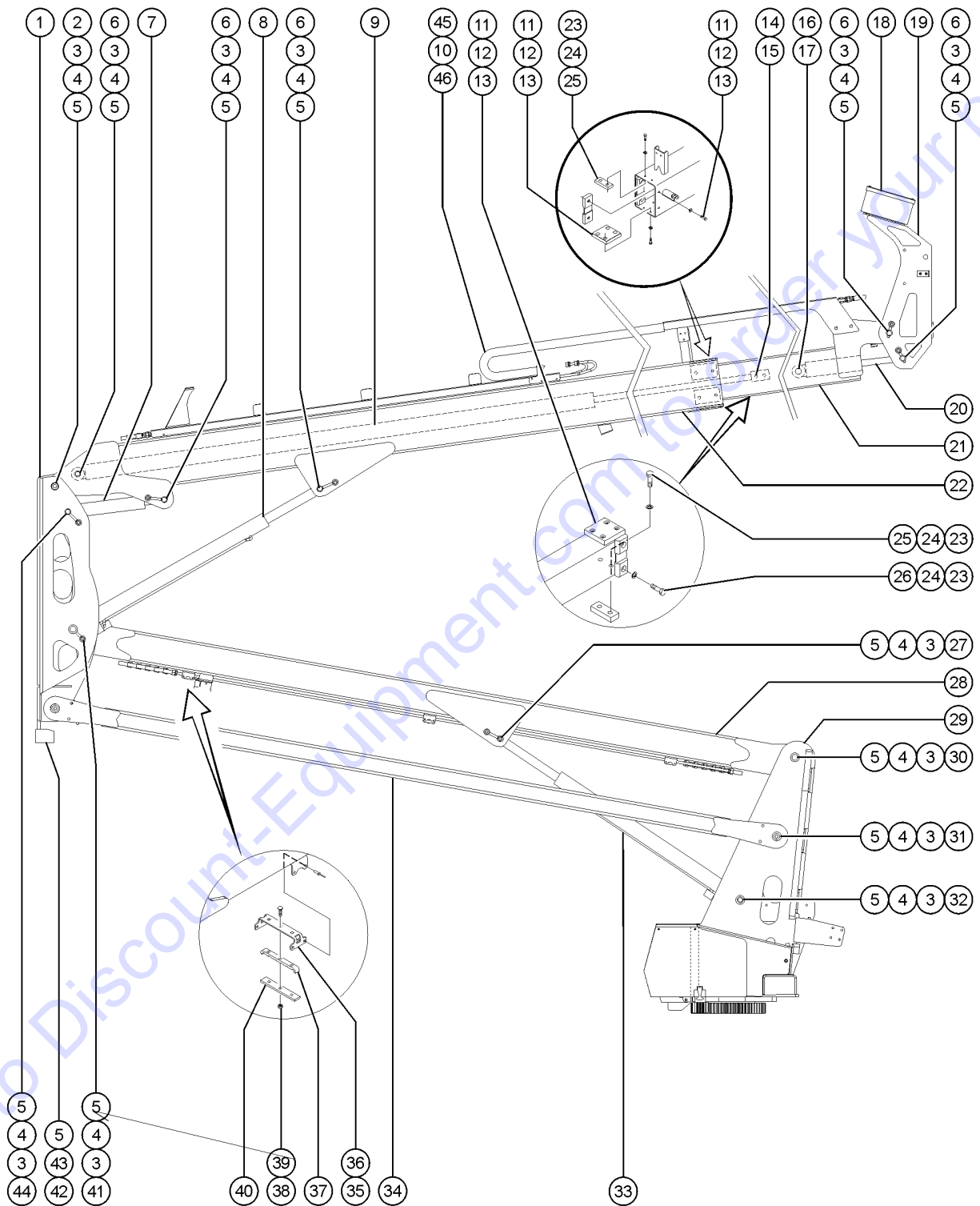
Item	Part No.	Description	Qty.
1	84731GT	PIVOT ASSY, WORD DECALS USA, Canada and Australia; Includes items 2, 3, 41 and 42	1
1-	84732GT	PIVOT ASSY, SYMBOL DECALS Asia, South America and Europe; includes items 2, 3, 41 and 42	
1-	45071GT	BEARING,1.5IDX1.75ODX1.5L	
1-	87073GT	GROMMET,RUBBER 3 X .25 X 3.5	
1-	18666GT	CLAMP,1.00,#16 X 1/4,RUB CUSH	
2	79588GT	PIN,1.25DIAX18.00LG,CHAMFER	1
3	8516GT	SCREW, HCC, 3/8-16 X 1.50	
4	825019GT	ROD END,.375X3.69,ZAG	13
5	4828GT	NUT,NYLOCK,3/8-16	
6	41861GT	PIN,1.00DIAX8.07LG,1HOLE	5
7		Ref. Platform Leveling Master Cylinder (refer to 604.1)	
8		Ref. Primary Cylinder (refer to 604.1)	
9		Ref. Extension Cylinder (refer to 604.1)	
10	79518GT	CABLE TRACK SUB-ASSY	1
10-	58980GT	REPAIR,7 LINKS,3"IDX3.5"OD	
10-	84448GT	HINGE BAR,CABLE TRACK (79633)*	1
10-	62862GT	REPAIR LINK,END SET (48182)*	
10-	79568GT	CABLE TRACK HARDLINE CLAMP	4
11	129100GT	WEAR PAD,4X4X.75 W/INSERT	2
11-	87868GT	SHIM,TOP&BOT,SHORT,.03 THK	
11-	87869GT	SHIM,TOP&BOT,SHORT,.06 THK	
12	6175GT	SCREW,HHC,3/8-16 X 1	
13	6021GT	WASHER,LOCK,.375	
14	79585GT	PIN,0.75DIAX4.51LG,2RING	2
15	10262GT	SNAP RING,EXTERNAL,.75 DIA.	4
16	79579GT	PIN,1.00DIAX4.51LG,2RING	1
17	44662GT	SNAP RING,EXTERNAL,1.00 DIA.	1
18		Ref. Platform Control Box (refer to 506.1)	

401.5 Lift Structure, View 1 (from SN TZ3409-101)



Item	Part No.	Description	Qty.
19		Ref. Platform Pivot Assembly (refer to 501.1 or 502.1)	
20		Ref. Platform Leveling Slave Cylinder (refer to 604.1)	
21	84734GT	EXTENSION BOOM ASSEMBLY	1
21-	36245GT	BEARING,FL,1.00IDX1.25ODX0.84L	2
22	124042GT	PRIMARY BOOM ASSEMBLY	1
22-	74728GT	BEARING,FL,1.25IDX1.5ODX2.50	2
23	824059GT	SCREW,HHC,1/4-20X.75,8,ZAG	
24	6356GT	WASHER,LOCK,.25	
25	104741GT	WEAR PAD,3.75 X 1.50 X .63	2
25-	87868GT	SHIM, TOP&BOT, SHORT, .03 THK	
25-	87869GT	SHIM, TOP&BOT, SHORT, .06 THK	
26	79642GT	WEAR PAD, OUTER TUBE SIDES	4
26-	229630GT	SHIM, SHORT, .03 THK	
26-	229631GT	SHIM, SHORT, .06 THK	
27	41862GT	PIN, 1.00DIA X 6.82LG, 1HOLE	1
28	84736GT	SECONDARY BOOM ASSEMBLY	1
28-	54156GT	BEARING, FL, 1.5IDX1.75ODX1.10LG	4
29	84805GT	TZ34 TURNTABLE ASSY./BEARING	1
29-	45071GT	BEARING, 1.5IDX1.75ODX1.5L	
30	76695GT	PIN, 1.50 DIA X 8.75"LG, 1HOLE	1
31	81599GT	PIN, 1.5DIA X 4.38LG, 1HOLE	2
32	87816GT	PIN, 1 X 8.5	1
33		Ref. Secondary Cylinder (refer to 604.1)	
34	79540GT	WELDMENT, LINKAGE	1
35	79635GT	FORMING, HYDRAULIC TUBE BRACKET	3
36	39579GT	RIVET, STL, STL, .188 X .45	
37	79638GT	SPACER, HYDRAULIC TUBE MOUNT	
38	9116GT	BOLT, CARRIAGE, 1/4-20 X 1.25, G2	

401.5 Lift Structure, View 1 (from SN TZ3409-101)

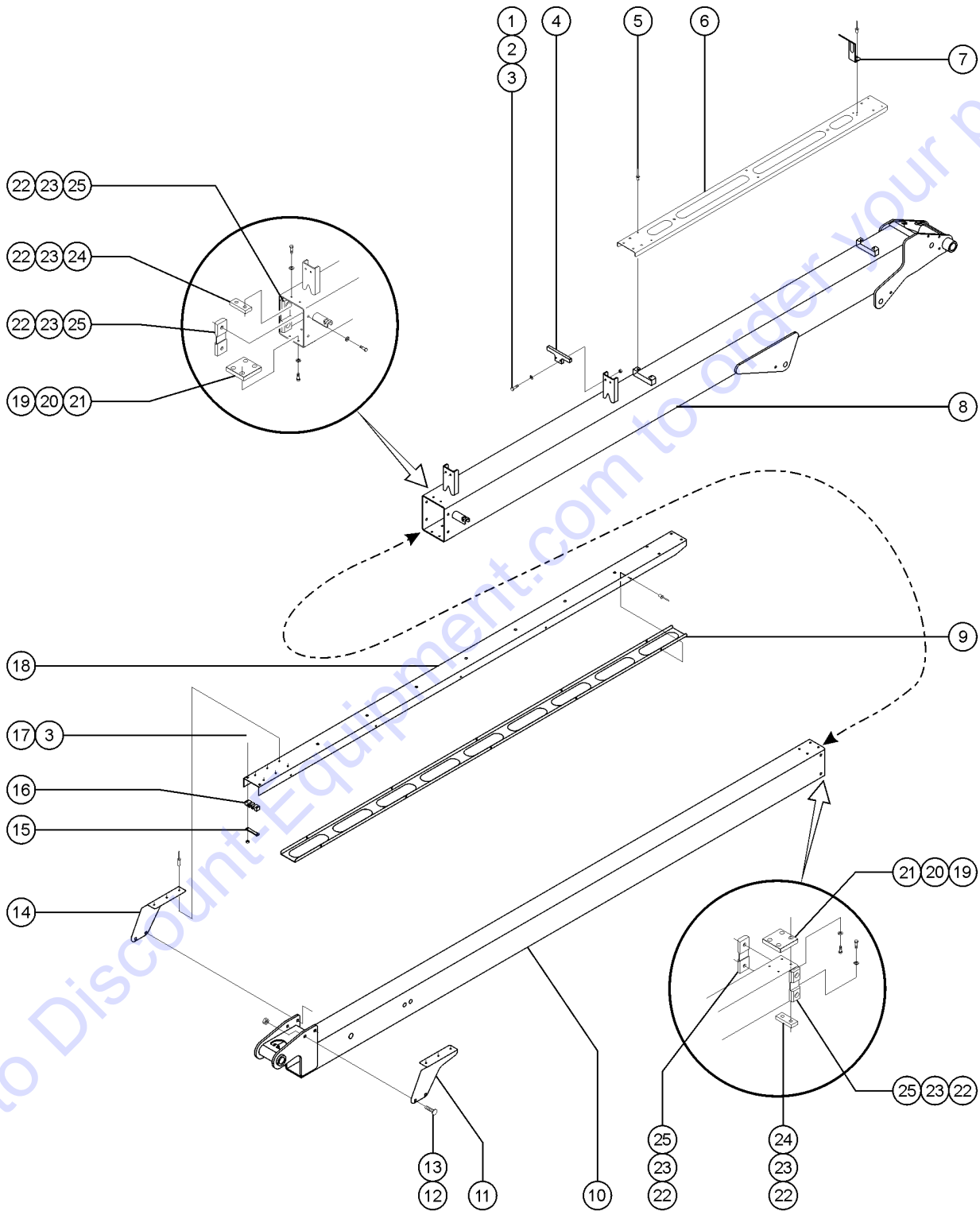


Item	Part No.	Description	Qty.
39	824024GT	NUT,TL,1/4-20,C,ZAG	
40	79637GT	PLATE, TAP, HYD TUBE CLAMP	3
41	79589GT	PIN,1.50DIAX18.13LG,CHAMFER	1
42	6019GT	SCREW,HHC,3/8-16 X 1.25 GRD 5	
43	104144GT	WELDMENT,MIDPIVOT CRADLE	1
44	79586GT	PIN, 1.00 X 11.00	1
45	6878GT	BOLT,CARRIAGE,1/4-20 X .75,G2	
46	6091GT	NUT,NYLOCK,1/4-20	
47	43456GT	CLAMP,TOGGLE,MAST HOLD DOWN	1

Go to Discount-Equipment.com to order your parts

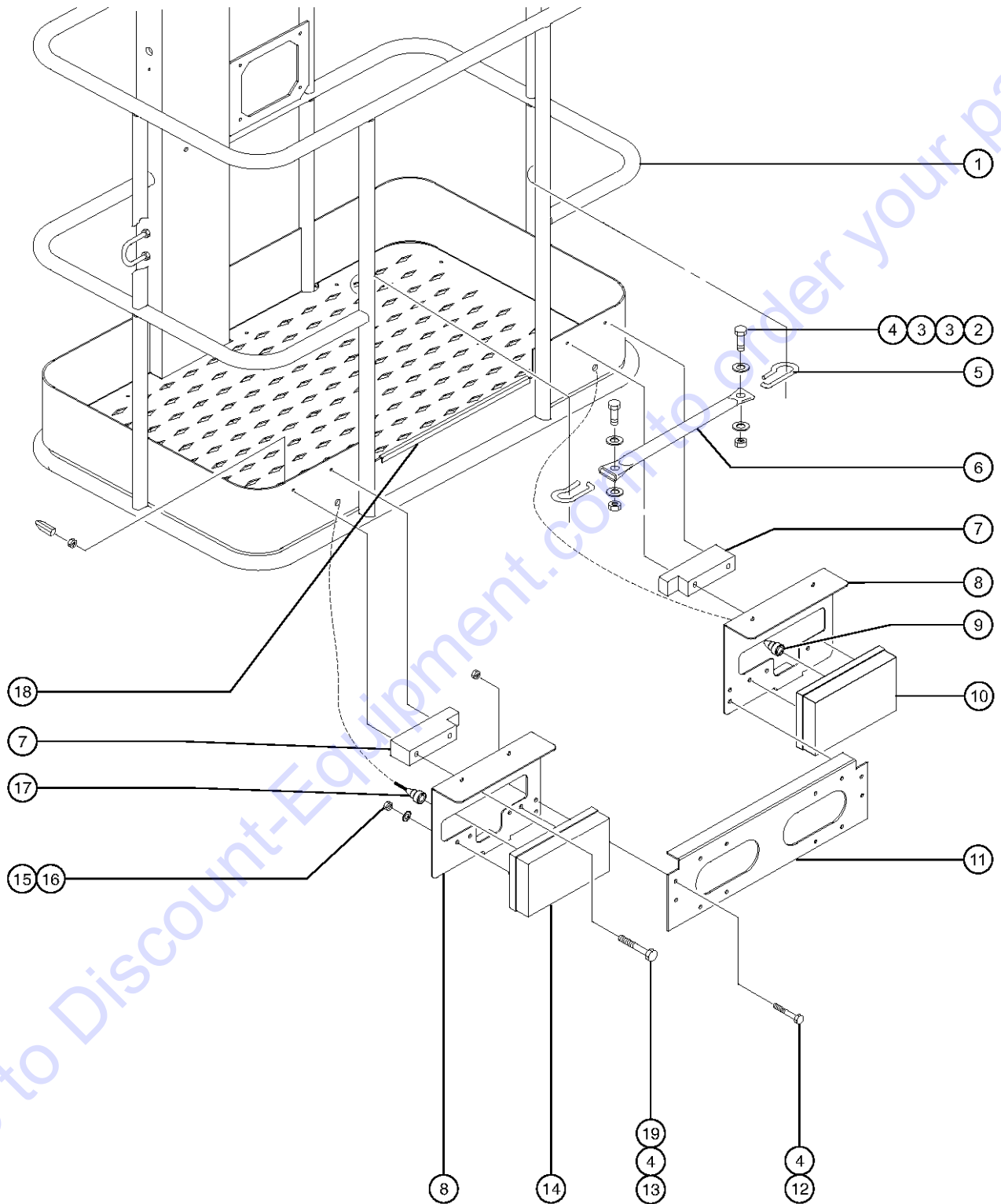


402.1 Lift Structure, View 2 (from SN TZ3408-101)



Item	Part No.	Description	Qty.
-	124006GT	KIT,CABLE BRIDGE,TZ34 kit includes item numbers 1, 2, 3, 4, 5, 9, 11, 12, 13, 14, 15, 17 and 18	1
1	8915GT	SCREW,HHC,1/4-20 X 1.25	
2	6638GT	WASHER,FLAT,USS,1/4"Y	
3	824024GT	NUT,TL,1/4-20,C,ZAG	
4	109850GT	WEAR PAD, TZ34 CABLE BRIDGE	2
5	39579GT	RIVET,STL,STL,.188 X .45	
6	124074GT	FORMING,CABLE TRACK CHANNEL	1
7	109844GT	FORMING, CABLE RACK RETAINER	1
8		Ref. Primary Boom Assembly (refer to 401.3)	
9	109846GT	FORMING, CABLE BRIDGE BOTTOM	1
10		Ref. Extension Boom Assembly (refer to 401.3)	
11	109847GT	FORMING, BRIDGE MOUNT, RIGHT	1
12	64154GT	BOLT,CARRIAGE,3/8-16 X1.00,G5	
13	4828GT	NUT,NYLOCK,3/8-16	
14	109848GT	FORMING, BRIDGE MOUNT, LEFT	1
15	109686GT	PLATE, CABLE AND HOSE CLAMP	2
16	109851GT	HOSE AND CABLE CLAMP	2
17	73464GT	BOLT,CARRIAGE,1/4-20 X 1.75,G2	
18	109845GT	FORMING, CABLE BRIDGE TOP	1
19	129100GT	WEAR PAD,4X4X.75 W/INSERT	2
19-	87868GT	SHIM, TOP&BOT, SHORT, .03 THK	
19-	87869GT	SHIM, TOP&BOT, SHORT, .06 THK	
20	6175GT	SCREW,HHC,3/8-16 X 1	
21	6021GT	WASHER,LOCK,.375	
22	824059GT	SCREW,HHC,1/4-20X.75,8,ZAG	
23	6356GT	WASHER,LOCK,.25	
24	104741GT	WEAR PAD,3.75 X 1.50 X .63	2
25	79642GT	WEAR PAD, OUTER TUBE SIDES	4

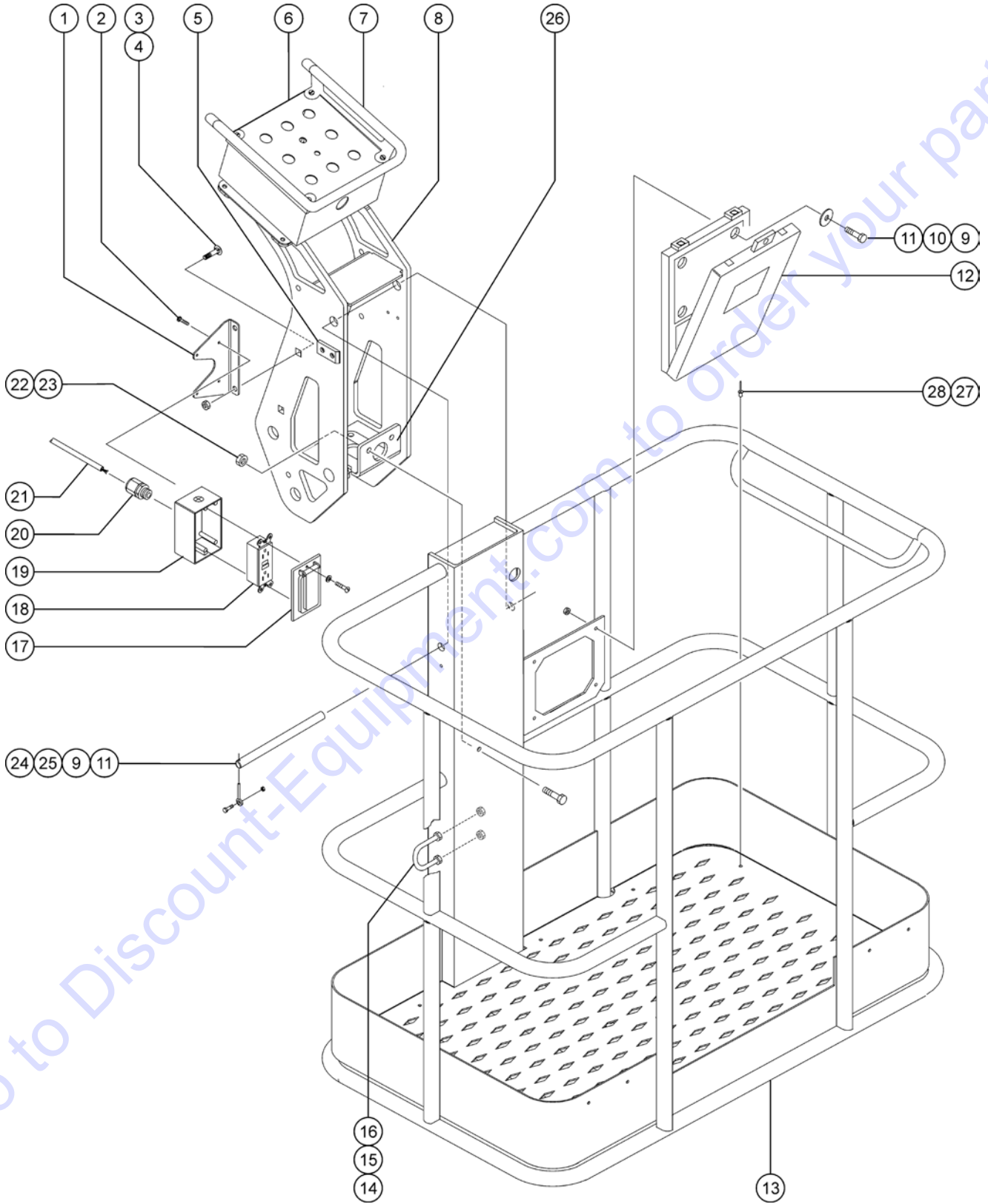
508.1 Platform Components - CE Models



Go to Discount-Equipment.com to order your parts

Item	Part No.	Description	Qty.
1		Ref. Platform Assembly (refer to 501.1, 502.1, 503.1 or 504.1)	
2	6090GT	SCREW,HHC,1/4-20 X .75	
3	6638GT	WASHER,FLAT,USS,1/4"Y	
4	6091GT	NUT,NYLOCK,1/4-20	
5	41292GT	MID-RAIL GUIDE WITH LOOM	2
6	40712GT	TUBE,STD.SLIDING MIDRAIL-16.75	1
7	99432GT	SPACER,CE TAIL LIGHT***	2
8	99147GT	BRACKET,CE TAIL LIGHT	2
9		Ref. Wire Harness Assembly (refer to 212.1)	
10	229165GT	LIGHT, COMBO, RIGHT, CE (replaced 67956)	1
10-	76055GT	LENS,TAILLIGHT RIGHT	
10-	65397GT	BULB,TAILLIGHT,(55083,55090)	
10-	76056GT	BULB,TAILLIGHT,STOP/RUN	
11	129071GT	FORMING,BRACKET,CE LICENSE (replaced 99149)	1
12	7339GT	SCREW,HHC,1/4-20 X .5	
13	36294GT	SCREW,HHC,1/4-20 X 2.75	
14	229166GT	LIGHT, COMBO, LEFT, CE (replaced 67957)	1
14-	76054GT	LENS,TAILLIGHT LEFT	
14-	65397GT	BULB,TAILLIGHT,(55083,55090)	
14-	76056GT	BULB,TAILLIGHT,STOP/RUN	
15	55017GT	NUT,HEX, M6	
16	49407GT	WASHER,LOCK,M6	
17		Ref. Wire Harness Assembly (refer to 212.1)	
18	76414GT	TRIMLOCK,BLACK,1/4"	24
19	76744GT	CAP,VINYL .224ID X .5	4

501.1 Platform Installation - ANSI and CSA Models without Platform Overload Option



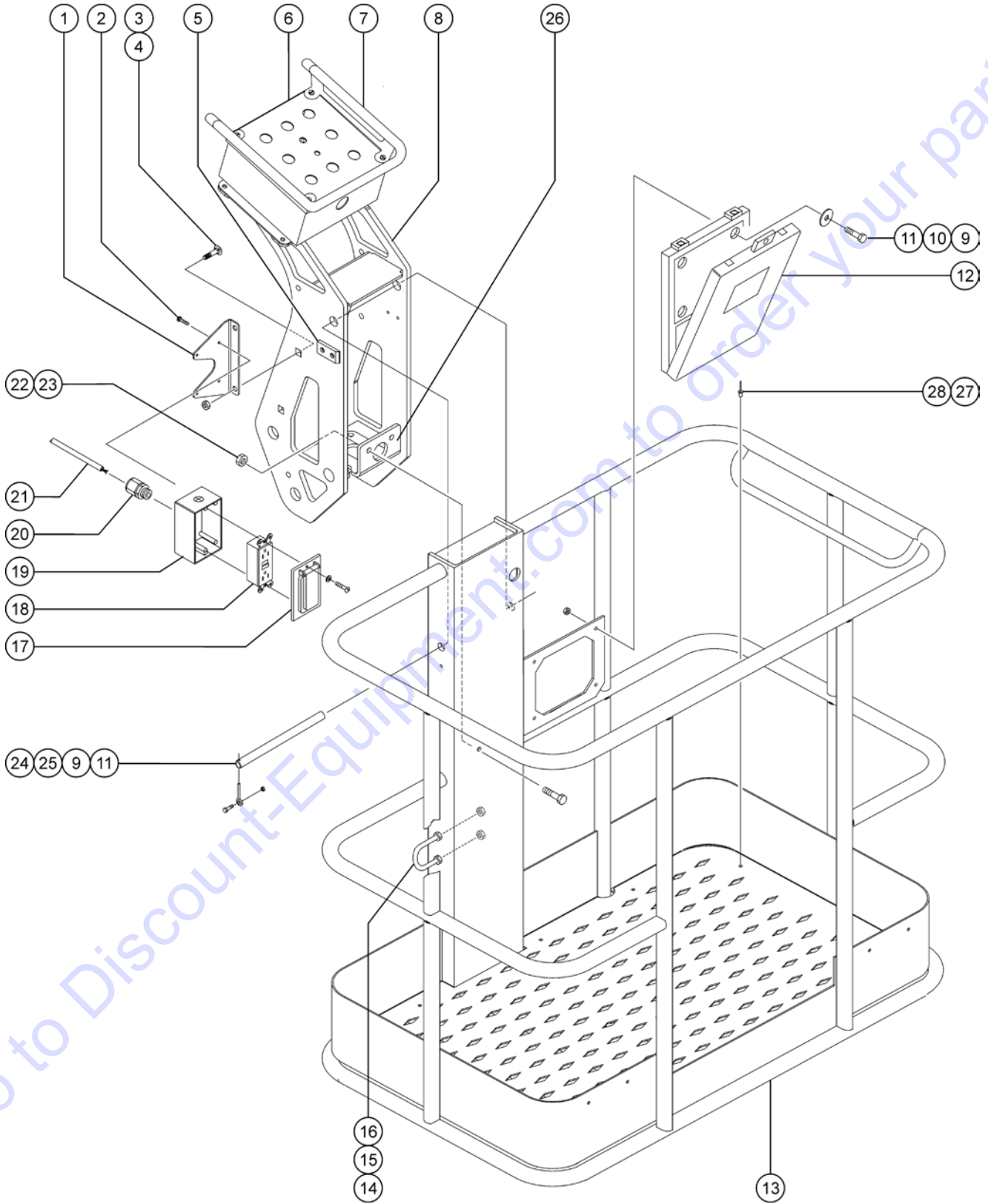
Go to Discount-Equipment.com to order your parts

501.1 Platform Installation - ANSI and CSA Models without Platform
Overload Option
Qty.

Item	Part No.	Description	Qty.
1	99295GT	FORMING,T-BOX MOUNT	1
2	57075GT	SCREW,PHIL,8-32X.50,SELF TAP	
3	6175GT	SCREW,HHC,3/8-16 X 1	
4	4828GT	NUT,NYLOCK,3/8-16	
5	39474GT	WEAR PAD, PLATFORM	2
6		Ref. Platform Control Box (refer to 506.1)	
7		Ref. Platform Control Box Guard Assembly (refer to 506.1)	
8	79580GT	WELDMENT, PLAT PIVOT, ANSI	1
		ANSI models	
8-	46436GT	GROMMET,RUBBER 2.5 X .25 X2.75	
9	6090GT	SCREW,HHC,1/4-20 X .75	
10	6638GT	WASHER,FLAT,USS,1/4"Y	
11	6091GT	NUT,NYLOCK,1/4-20	
12A	44743GT	MANUAL BOX W/DECALS***	1
		USA/Canada/Australia	
12B	24514GT	BOX,INSTRUCTION STORAGE	
		Europe/Asia/South America (decals required; refer to Section100)	
13A	84409GT	PLAT ASSY,WRD,TZ34,ANSI,STAND	1
		Standard platform assembly with flooring and word decals.	
13A-	99016GT	FLOORING,45V27,DIAMOND PLATE	
		(for all platforms)	
13A-	71315GT	RIVET,DRIVE, .25 X .25	
		(for all platforms)	
13B	84414GT	PLAT ASSY,SYM,TZ34,ANSI,STAND	1
		Standard platform assembly with flooring and symbol decals.	
13B-	99016GT	FLOORING,45V27,DIAMOND PLATE	
		(for all platforms)	
13B-	71315GT	RIVET,DRIVE, .25 X .25	
		(for all platforms)	
14	66778GT	U-BOLT,SQ BEND, 1/2-13	
15	6034GT	NUT,HEX,JAM,1/2-13	
16	6198GT	NUT,NYLOCK,1/2-13	
17	45437GT	COVER,GFCI,WEATHERPROOF	1
		includes gasket and mounting fasteners	
17-	10777GT	COVER,BLANK	
18A	13585GT	OUTLET, 110V	1
		ANSI models	
18-	66353GT	RECEPTACLE, DIN, 220V 50A	
18B	T112563GT	SVC KIT,UK RECEPT.REPLACEMENT	
		(to SN TZ5011-347)	



501.1 Platform Installation - ANSI and CSA Models without Platform Overload Option



Go to Discount-Equipment.com to order your parts

PARTS FINDER

**Search Website
by Part Number**



**Search Manual
Library For Parts
Manual & Lookup Part
Numbers – Purchase
or Request Quote**

Search Manuals

Enter your information to search for a parts manual or lookup a part number.

* Brand:

* Model:

* Serial:

* Part Number:

SEARCH

**Can't Find Part or
Manual? Request Help
by Manufacturer,
Model & Description**

Parts Order Form

Please fill in the following information to request help finding a part or manual.

Manufacturer:

Model:

Description:

Quantity:

Part Number:

Part Name:

Part Description:

Part Category:

Part Location:

Part Status:

Part Condition:

Part Material:

Part Color:

Part Weight:

Part Dimensions:

Part Notes:

Submit

Discount-Equipment.com is your online resource for quality parts & equipment.

Florida: **561-964-4949** Outside Florida TOLL FREE: **877-690-3101**

Need parts?

Click on this link: <http://www.discount-equipment.com/category/5443-parts/> and choose one of the options to help get the right parts and equipment you are looking for. Please have the machine model and serial number available in order to help us get you the correct parts. If you don't find the part on the website or on one of the online manuals, please fill out the request form and one of our experienced staff members will get back to you with a quote for the right part that your machine needs.

We sell worldwide for the brands: Genie, Terex, JLG, MultiQuip, Mikasa, Essick, Whiteman, Mayco, Toro Stone, Diamond Products, Generac Magnum, Airman, Haulotte, Barreto, Power Blanket, Nifty Lift, Atlas Copco, Chicago Pneumatic, Allmand, Miller Curber, Skyjack, Lull, Skytrak, Tsurumi, Husquvarna Target, Stow, Wacker, Sakai, Mi-T-M, Sullair, Basic, Dynapac, MBW, Weber, Bartell, Bennar Newman, Haulotte, Ditch Runner, Menegotti, Morrison, Contec, Buddy, Crown, Edco, Wyco, Bomag, Laymor, EZ Trench, Bil-Jax, F.S. Curtis, Gehl Pavers, Heli, Honda, ICS/PowerGrit, IHI, Partner, Imer, Clipper, MMD, Koshin, Rice, CH&E, General Equipment, Amida, Coleman, NAC, Gradall, Square Shooter, Kent, Stanley, Tamco, Toku, Hatz, Kohler, Robin, Wisconsin, Northrock, Oztec, Toker TK, Rol-Air, APT, Wylie, Ingersoll Rand / Doosan, Innovatech, Con X, Ammann, Mecalac, Makinex, Smith Surface Prep, Small Line, Wanco, Yanmar

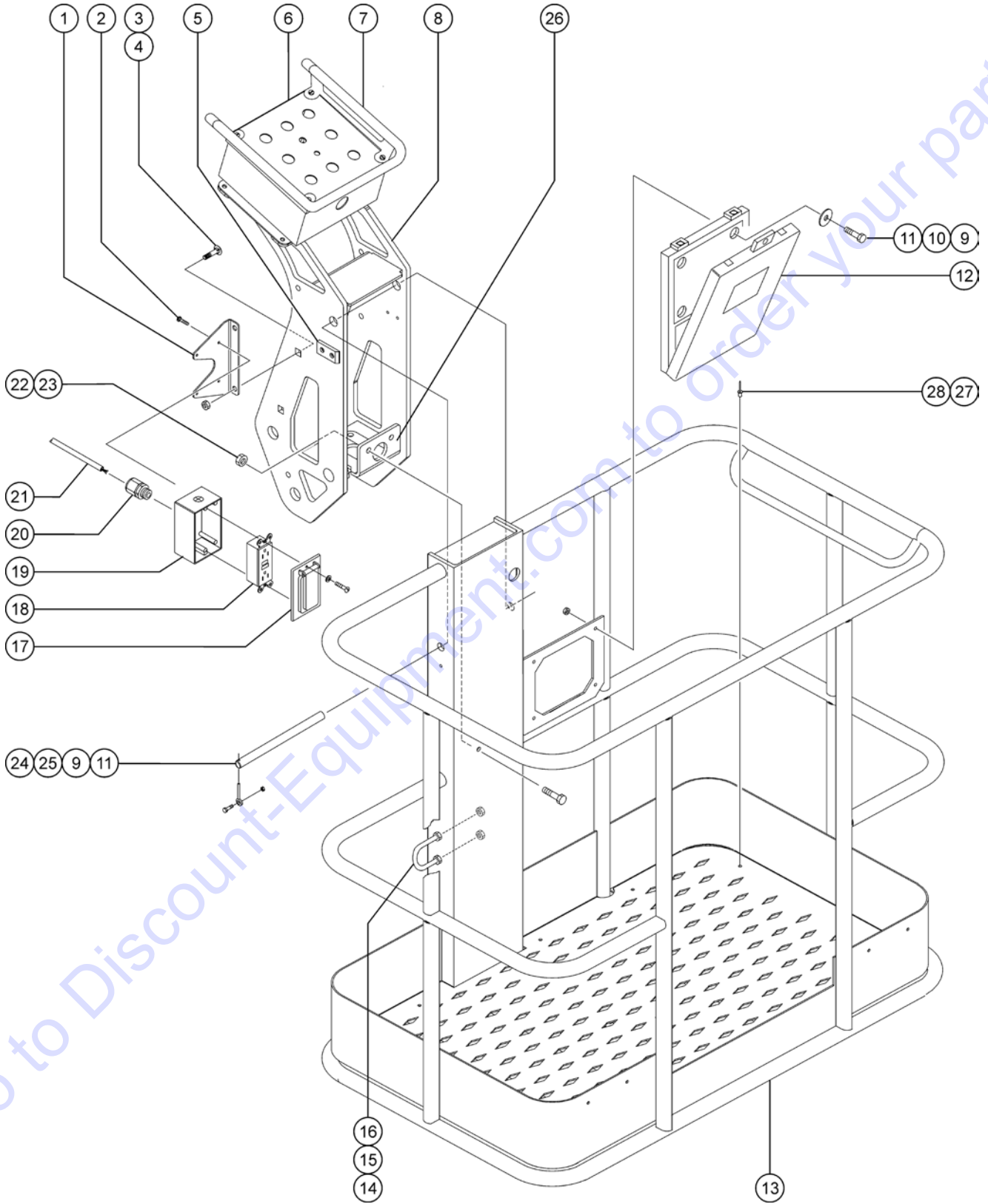
501.1 Platform Installation - ANSI and CSA Models without Platform
Overload Option
Qty.

Item	Part No.	Description	Qty.
19	10775GT	T-BOX,2.75 X 4.5 X 2.0 includes mounting fasteners	1
20	7056GT	CONN,SQUEEZE,1/2NPT .38-.50,SM	1
21	43956GT	WIRE CABLE,14/3 CON.TPE JKT*	460
22	4828GT	NUT,NYLOCK,3/8-16	
23	6175GT	SCREW,HHC,3/8-16 X 1	
24	78976GT	PIN,.75 DIA X 8.75 LG,GES 1380	1
25	45748GT	ROD END,.250 X 2.75 LG	1
26	99146GT	FORMING,PLAT MOUNT TZ-34	1
27	99016GT	FLOORING,45V27,DIAMOND PLATE	1
28	71315GT	RIVET,DRIVE, .25 X .25	

Go to Discount-Equipment.com to order your parts



501.2 Platform Installation - ANSI and CSA Models without Platform Overload Option



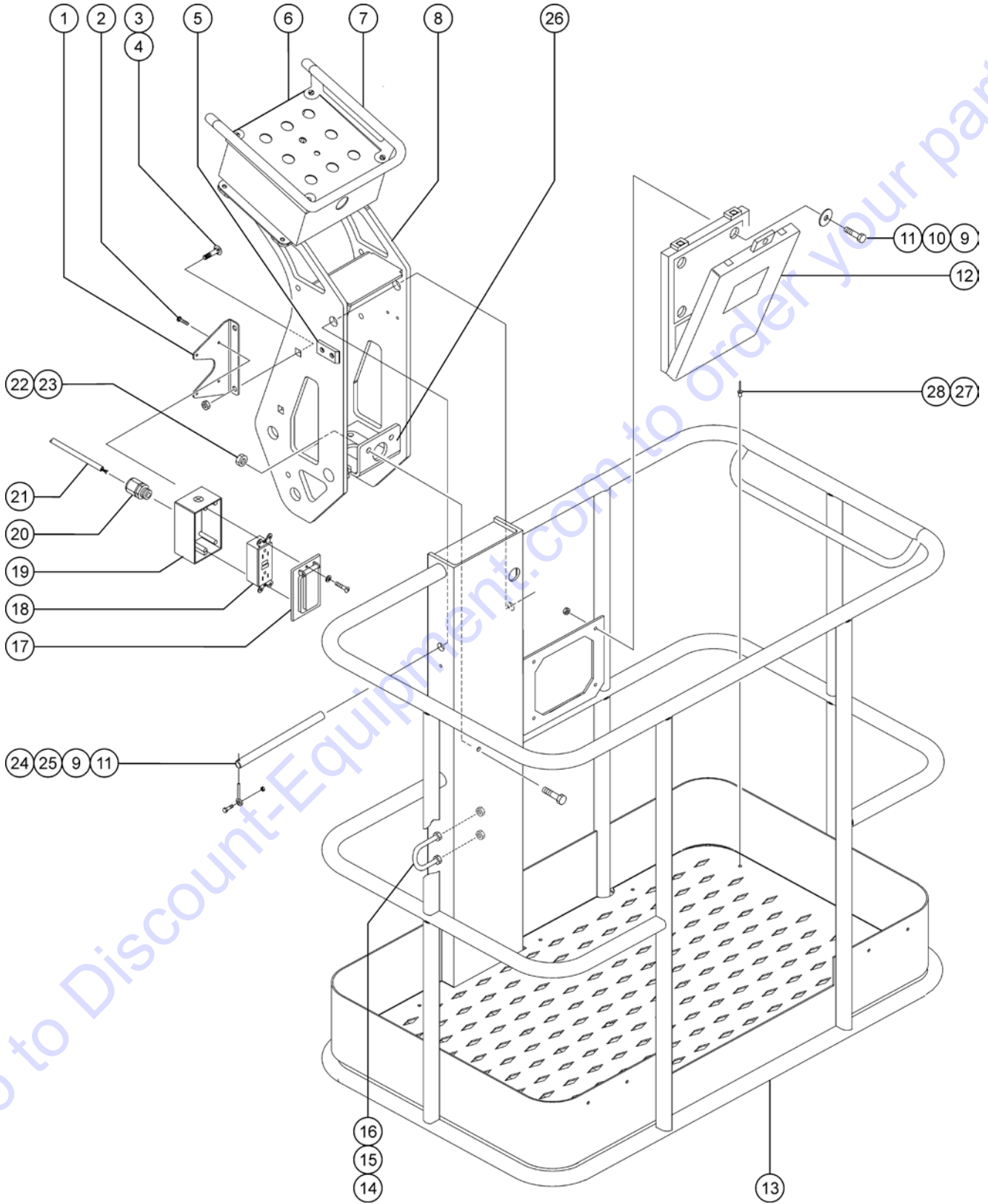
Go to Discount-Equipment.com to order your parts

501.2 Platform Installation - ANSI and CSA Models without Platform
Overload Option
Qty.

Item	Part No.	Description	Qty.
1	99295GT	FORMING,T-BOX MOUNT	1
2	57075GT	SCREW,PHIL,8-32X.50,SELF TAP	
3	6175GT	SCREW,HHC,3/8-16 X 1	
4	4828GT	NUT,NYLOCK,3/8-16	
5	39474GT	WEAR PAD, PLATFORM	2
6		Ref. Platform Control Box (refer to 506.1)	
7		Ref. Platform Control Box Guard Assembly (refer to 506.1)	
8	79580GT	WELDMENT, PLAT PIVOT, ANSI	1
		ANSI models	
8-	46436GT	GROMMET,RUBBER 2.5 X .25 X2.75	
9	6090GT	SCREW,HHC,1/4-20 X .75	
10	6638GT	WASHER,FLAT,USS,1/4"Y	
11	6091GT	NUT,NYLOCK,1/4-20	
12A	44743GT	MANUAL BOX W/DECALS***	1
		USA/Canada/Australia	
12B	24514GT	BOX,INSTRUCTION STORAGE	
		Europe/Asia/South America (decals required; refer to Section100)	
13A	84409GT	PLAT ASSY,WRD,TZ34,ANSI,STAND	1
		Standard platform assembly with flooring and word decals.	
13A-	99016GT	FLOORING,45V27,DIAMOND PLATE	
		(for all platforms)	
13A-	71315GT	RIVET,DRIVE, .25 X .25	
		(for all platforms)	
13B	84414GT	PLAT ASSY,SYM,TZ34,ANSI,STAND	1
		Standard platform assembly with flooring and symbol decals.	
13B-	99016GT	FLOORING,45V27,DIAMOND PLATE	
		(for all platforms)	
13B-	71315GT	RIVET,DRIVE, .25 X .25	
		(for all platforms)	
14	66778GT	U-BOLT,SQ BEND, 1/2-13	
15	6034GT	NUT,HEX,JAM,1/2-13	
16	6198GT	NUT,NYLOCK,1/2-13	
17	45437GT	COVER,GFCI,WEATHERPROOF	1
		includes gasket and mounting fasteners	
17-	10777GT	COVER,BLANK	
18A	13585GT	OUTLET, 110V	1
		ANSI models	
18-	66353GT	RECEPTACLE, DIN, 220V 50A	
18B	T112563GT	SVC KIT,UK RECEPT.REPLACEMENT	
		(to SN TZ5011-347)	



501.2 Platform Installation - ANSI and CSA Models without Platform Overload Option



Go to Discount-Equipment.com to order your parts

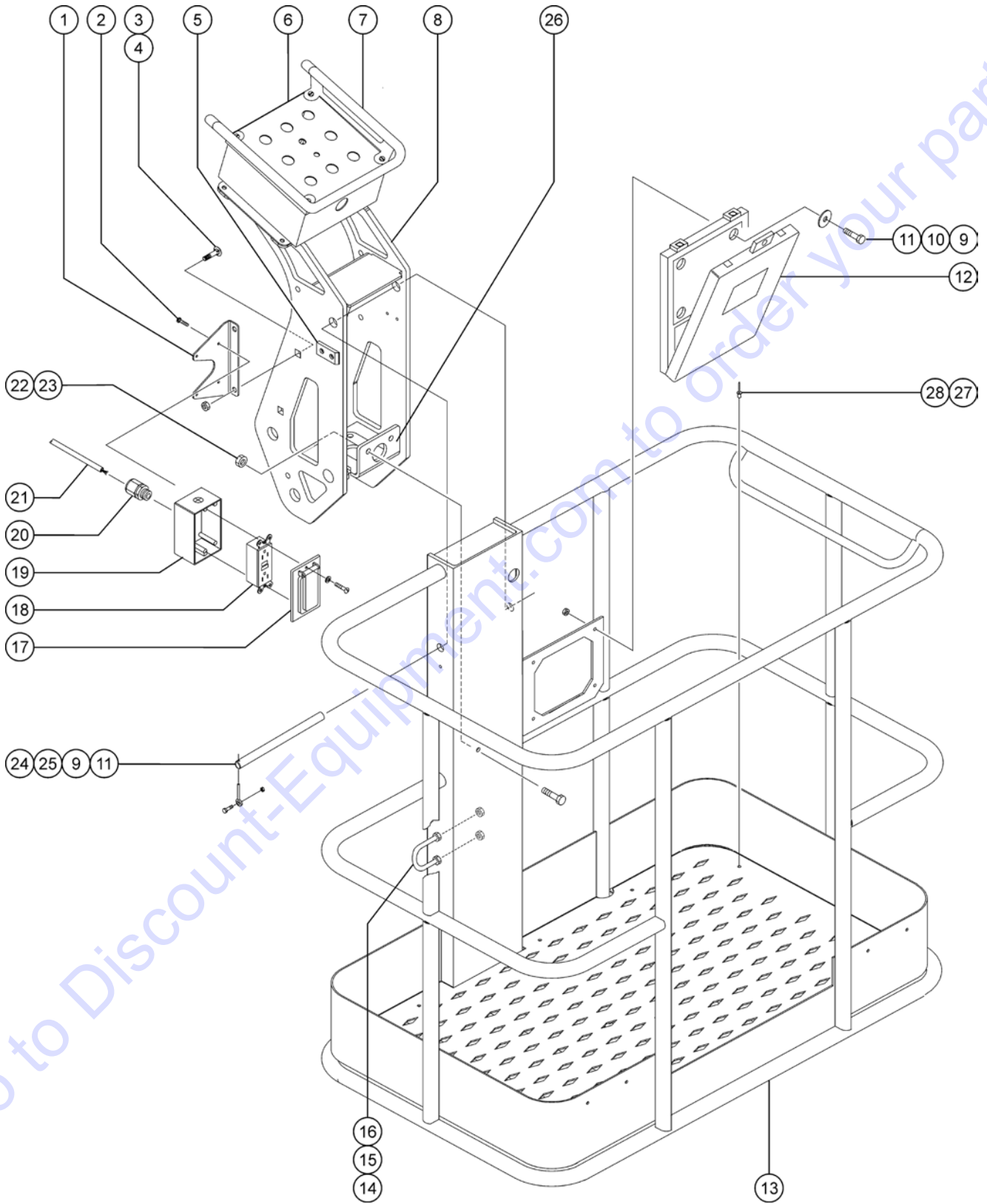
501.2 Platform Installation - ANSI and CSA Models without Platform
Overload Option
Qty.

Item	Part No.	Description	Qty.
18C	T112560GT	RECEPTACLE,UK,110V (from SN TZ5011-348)	
18C-	T112561GT	PLATE,UK,POWER TO PLAT (from SN TZ5011-348)	
18C-	66355GT	GASKET, UK & DIN PWR. TO PLAT (from SN TZ5011-348)	
19	10775GT	T-BOX,2.75 X 4.5 X 2.0 includes mounting fasteners	1
20	7056GT	CONN,SQUEEZE,1/2NPT .38-.50,SM	1
21	43956GT	WIRE CABLE,14/3 CON.TPE JKT*	460
22	4828GT	NUT,NYLOCK,3/8-16	
23	6175GT	SCREW,HHC,3/8-16 X 1	
24	78976GT	PIN,.75 DIA X 8.75 LG,GES 1380	1
25	45748GT	ROD END,.250 X 2.75 LG	1
26	99146GT	FORMING,PLAT MOUNT TZ-34	1
27	99016GT	FLOORING,45V27,DIAMOND PLATE	1
28	71315GT	RIVET,DRIVE, .25 X .25	

Go to Discount-Equipment.com to order your parts



501.3 Platform Installation - ANSI and CSA Models without Platform Overload Option



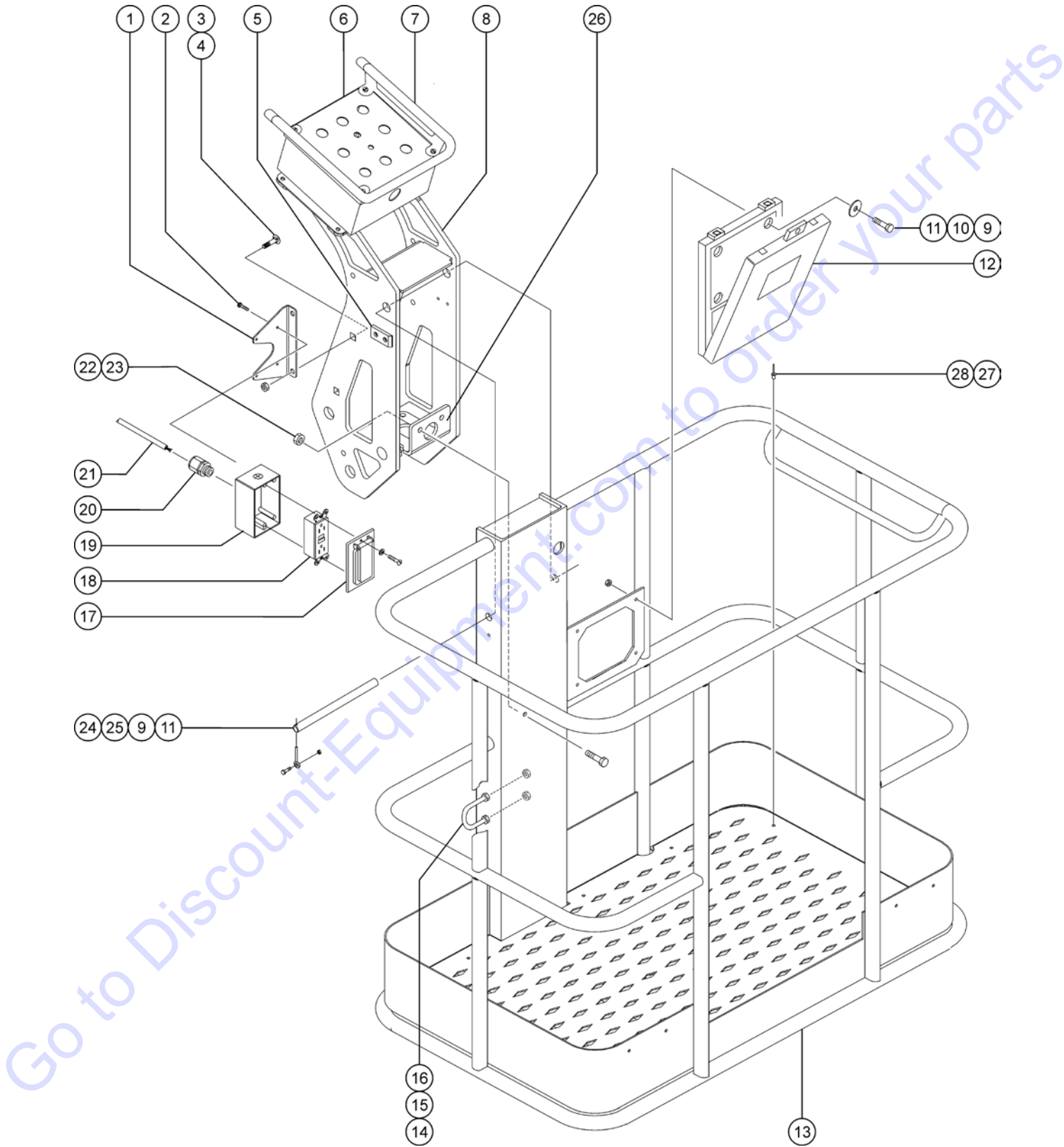
Go to Discount-Equipment.com to order your parts

501.3 Platform Installation - ANSI and CSA Models without Platform
Overload Option
Qty.

Item	Part No.	Description	Qty.
1	99295GT	FORMING,T-BOX MOUNT	1
2	57075GT	SCREW,PHIL,8-32X.50,SELF TAP	
3	6175GT	SCREW,HHC,3/8-16 X 1	
4	4828GT	NUT,NYLOCK,3/8-16	
5	39474GT	WEAR PAD, PLATFORM	2
6		Ref. Platform Control Box (refer to 506.1)	
7		Ref. Platform Control Box Guard Assembly (refer to 506.1)	
8	79580GT	WELDMENT, PLAT PIVOT, ANSI	1
		ANSI models	
8-	46436GT	GROMMET,RUBBER 2.5 X .25 X2.75	
9	824059GT	SCREW,HHC,1/4-20X.75,8,ZAG	
10	6638GT	WASHER,FLAT,USS,1/4"Y	
11	824024GT	NUT,TL,1/4-20,C,ZAG	
12A	44743GT	MANUAL BOX W/DECALS***	1
		USA/Canada/Australia	
12B	24514GT	BOX,INSTRUCTION STORAGE	
		Europe/Asia/South America (decals required; refer to Section100)	
13A	84409GT	PLAT ASSY,WRD,TZ34,ANSI,STAND	1
		Standard platform assembly with flooring and word decals.	
13A-	99016GT	FLOORING,45V27,DIAMOND PLATE	
		(for all platforms)	
13A-	71315GT	RIVET,DRIVE, .25 X .25	
		(for all platforms)	
13B	84414GT	PLAT ASSY,SYM,TZ34,ANSI,STAND	1
		Standard platform assembly with flooring and symbol decals.	
13B-	99016GT	FLOORING,45V27,DIAMOND PLATE	
		(for all platforms)	
13B-	71315GT	RIVET,DRIVE, .25 X .25	
		(for all platforms)	
14	66778GT	U-BOLT,SQ BEND, 1/2-13	
15	6034GT	NUT,HEX,JAM,1/2-13	
16	6198GT	NUT,NYLOCK,1/2-13	
17	45437GT	COVER,GFCI,WEATHERPROOF	1
		includes gasket and mounting fasteners	
17-	10777GT	COVER,BLANK	
18A	13585GT	OUTLET, 110V	1
		ANSI models	
18-	66353GT	RECEPTACLE, DIN, 220V 50A	
18C	T112560GT	RECEPTACLE,UK,110V	
		(from SN TZ5011-348)	



501.3 Platform Installation - ANSI and CSA Models without Platform Overload Option



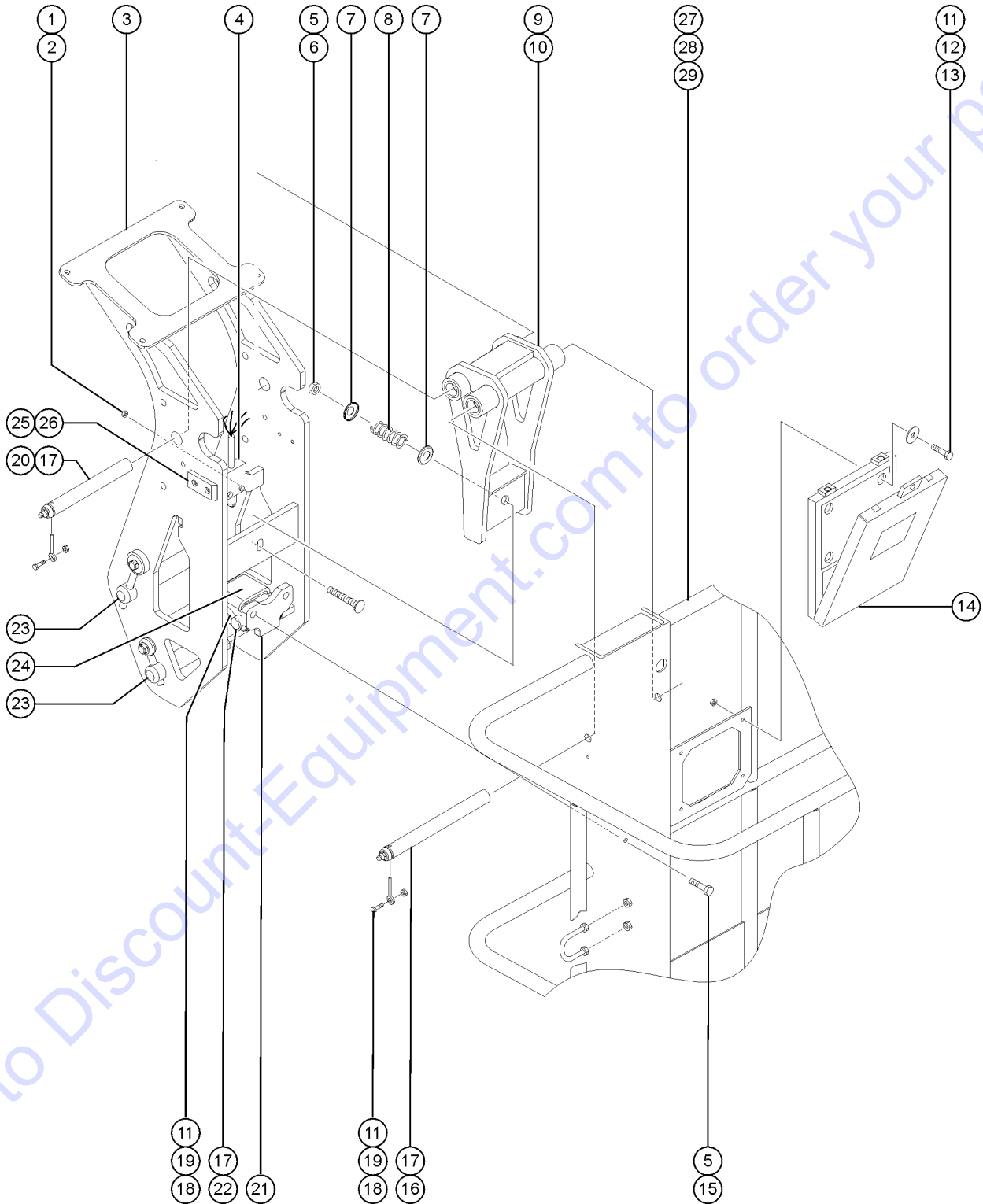
501.3 Platform Installation - ANSI and CSA Models without Platform
Overload Option
Qty.

Item	Part No.	Description	Qty.
18C-	T112561GT	PLATE,UK,POWER TO PLAT (from SN TZ5011-348)	
18C-	66355GT	GASKET, UK & DIN PWR. TO PLAT (from SN TZ5011-348)	
19	10775GT	T-BOX,2.75 X 4.5 X 2.0 includes mounting fasteners	1
20	7056GT	CONN,SQUEEZE,1/2NPT .38-.50,SM	1
21	43956GT	WIRE CABLE,14/3 CON.TPE JKT*	460
22	4828GT	NUT,NYLOCK,3/8-16	
23	6175GT	SCREW,HHC,3/8-16 X 1	
24	78976GT	PIN,.75 DIA X 8.75 LG,GES 1380	1
25	45748GT	ROD END,.250 X 2.75 LG	1
26	99146GT	FORMING,PLAT MOUNT TZ-34	1
27	99016GT	FLOORING,45V27,DIAMOND PLATE	1
28	71315GT	RIVET,DRIVE, .25 X .25	

Go to Discount-Equipment.com to order your parts



502.1 Platform Installation - ANSI, CSA, CE and Australia Models with Platform
Overload Option

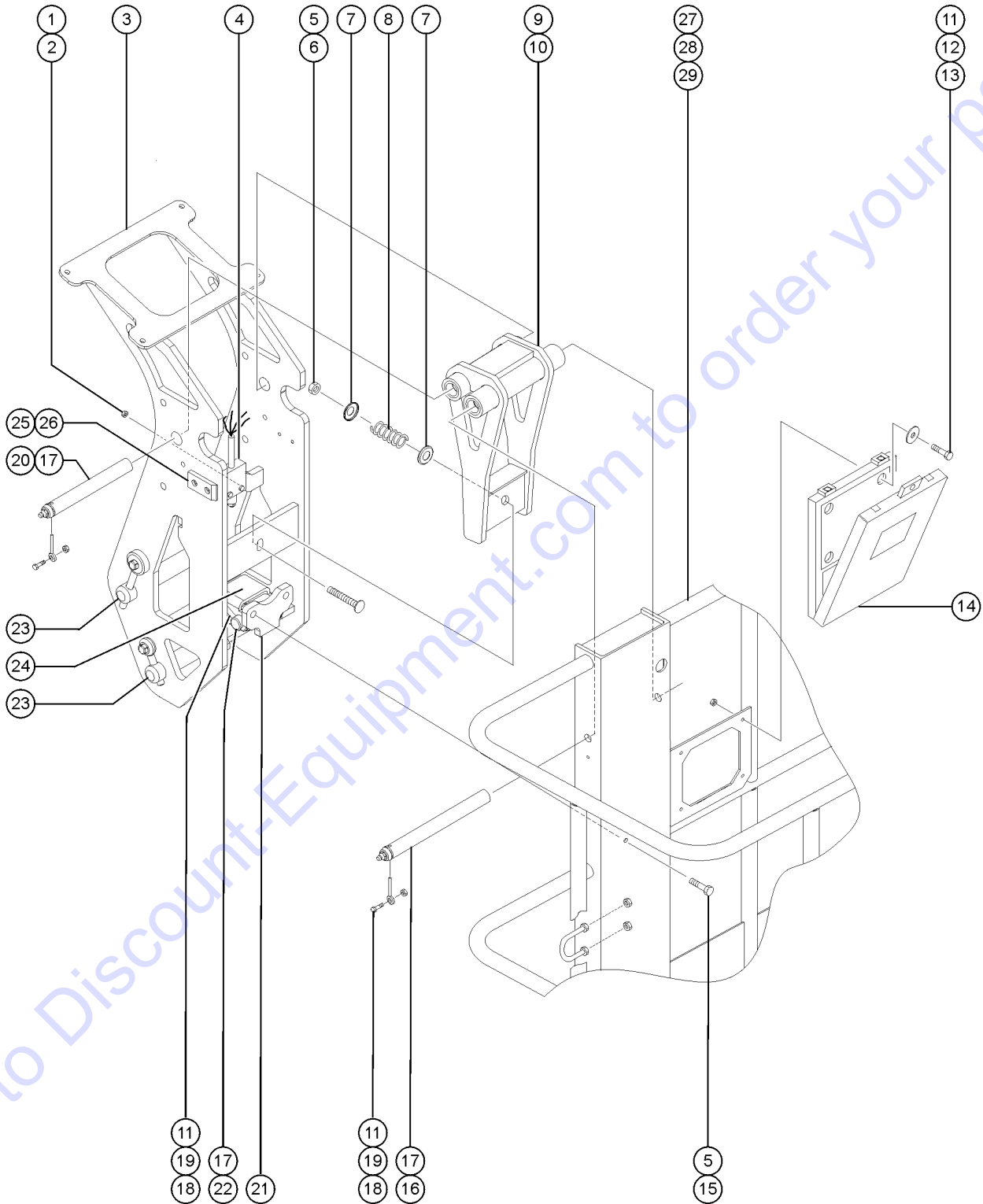


502.1 Platform Installation - ANSI, CSA, CE and Australia Models with Platform Overload Option

Item	Part No.	Description	Qty.
1	6179GT	SCREW,RHM,10-32 X 1.25	
2	6178GT	NUT, NYLOCK, 10-32	
3	87926GT	WELDMENT, PLATFORM PIVOT, CE	1
4	99194GT	SWITCH,LIMIT W/CONNECTOR	1
4-	99183GT	SWITCH, ROLLER PLUNGER LIMIT	
4-	60428GT	CONN,PLUG 4 WAY,14-18GA	
4-	73713GT	TERM,NI PIN,S&F,16-18GA,REEL	
5	4828GT	NUT,NYLOCK,3/8-16	
6	87530GT	BOLT,CARRIAGE,3/8-16 X 4.00,G2	
7	61975GT	RETAINER,SPRING,1.21 X .375	
8	61974GT	SPRING,COMP,1" OD,232 LB/IN	1
9	78974GT	WELDMENT, PIVOT LINK, TOP	1
10	39581GT	BEARING,0.75IDX1.00ODX0.50L	8
11	824024GT	NUT,TL,1/4-20,C,ZAG	
12	6638GT	WASHER,FLAT,USS,1/4"Y	
13	824059GT	SCREW,HHC,1/4-20X.75,8,ZAG	
14A	44743GT	MANUAL BOX W/DECALS*** USA/Canada/Australia	1
14B	24514GT	BOX,INSTRUCTION STORAGE Europe/Asia/South America (decals required; refer to Section100)	
15	6175GT	SCREW,HHC,3/8-16 X 1	
16	99174GT	PIN,0.75DIAx8.75LG,CHAMFER	1
17	94643GT	ZERK,GREASE,5/16-24,STRAIT	4
18	824060GT	SCREW, HHC, 1/4-20 X 1, 8, ZAG	
19	45748GT	ROD END,.250 X 2.75 LG	2
20	99182GT	PIN,0.75DIAx7.38LG,CHAMFER	1
21	99181GT	WELDMENT,CE LOWER PIVOT LINK	2
22	99173GT	PIN,0.75DIAx2.88LG,CHAMFER	2
23		Ref. Pin, 1 x 8.07 inches (refer to 401.1)	
24	99413GT	WELDMENT,LOWER LINK PIVOT TZ34	1



502.1 Platform Installation - ANSI, CSA, CE and Australia Models with Platform
Overload Option



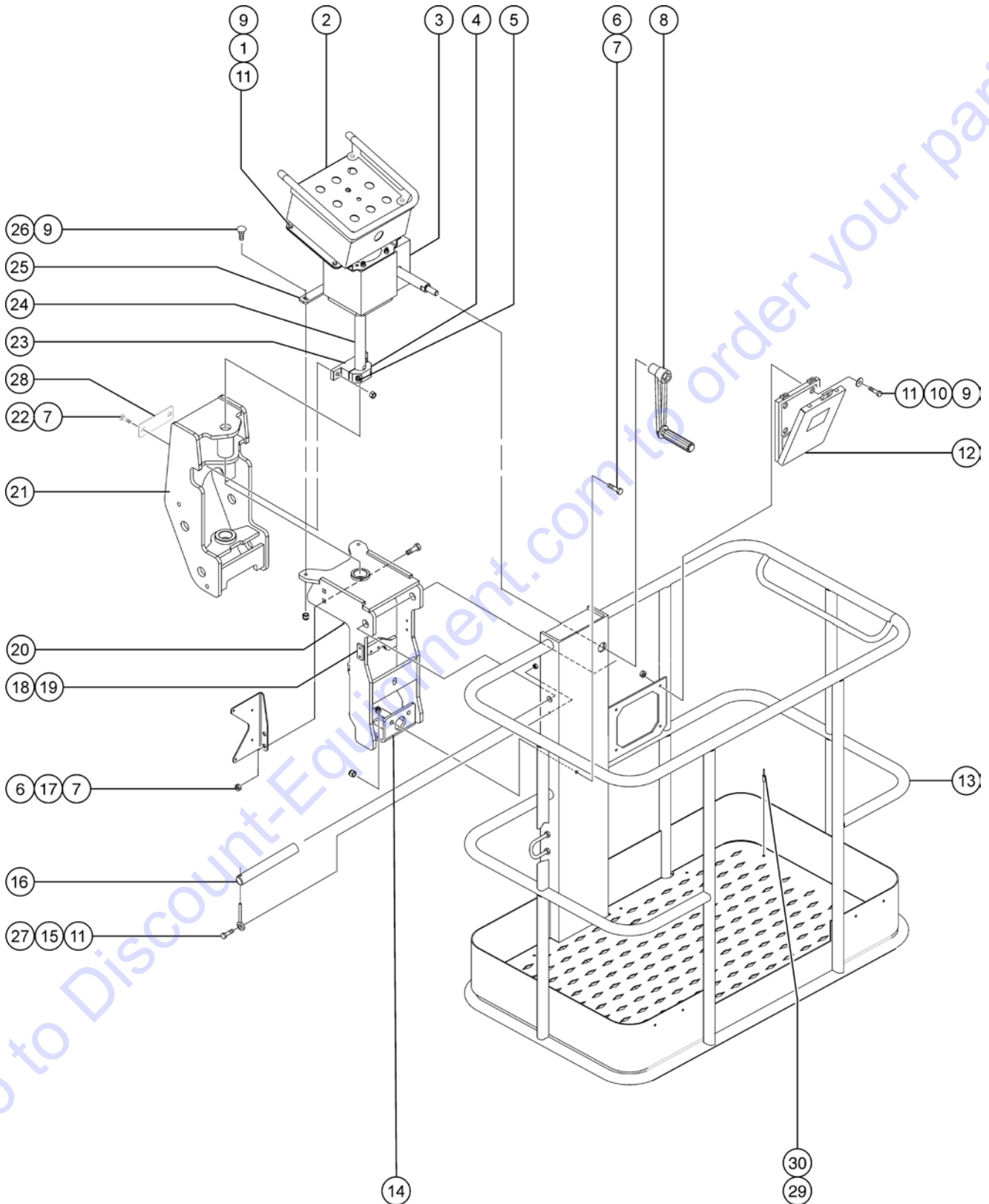
502.1 Platform Installation - ANSI, CSA, CE and Australia Models with Platform Overload Option

Item	Part No.	Description	Qty.
25	39474GT	WEAR PAD, PLATFORM	2
26	19843GT	RIVET,ALUM,ALUM,P, .188 X .50	
27	71315GT	RIVET,DRIVE, .25 X .25	
28	99016GT	FLOORING,45V27,DIAMOND PLATE	1
29A	84413GT	PLAT ASSY,SYM,TZ34,CE,ST,W/LDS (CE models with load sense)	
29B	227292GT	PLT ASM,WRD,ST,LS TZ34, AUS (Australia models with load sense)	

Go to Discount-Equipment.com to order your parts



503.1 Platform Rotate Installation - ANSI and CSA Models without Platform
Overload Option



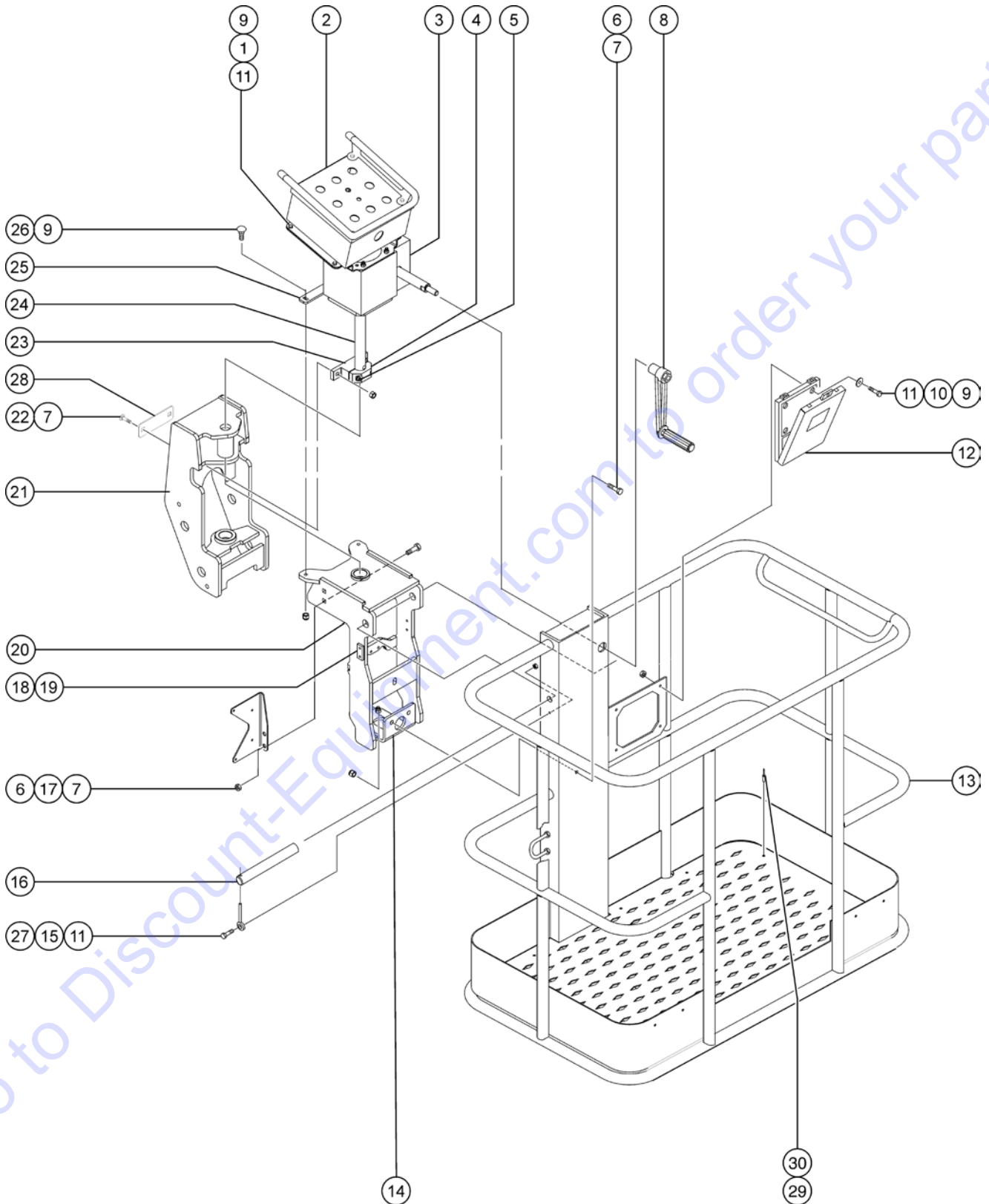
Go to Discount-Equipment.com to order your parts

503.1 Platform Rotate Installation - ANSI and CSA Models without Platform Overload Option

Item	Part No.	Description	Qty.
1	99155GT	FORMING,CNTRL BOX MOUNT includes items 9 and 11	1
2		Ref. Platform Control Box (refer to 506.1)	
3		Ref. Gear Box Assembly (refer to 505.1)	
4	99145GT	BLOCK,ROT PIN CLAMP	1
5	22383GT	SCREW,SHC,3/8-16 X 1.25	
6	6175GT	SCREW,HHC,3/8-16 X 1	
7	4828GT	NUT,NYLOCK,3/8-16	
8		Ref. Handle Assembly (refer to 505.1)	
9	824059GT	SCREW,HHC,1/4-20X.75,8,ZAG	
10	6638GT	WASHER,FLAT,USS,1/4"Y	
11	824024GT	NUT,TL,1/4-20,C,ZAG	
12A	44743GT	MANUAL BOX W/DECALS*** USA/Canada/Australia	1
12B	24514GT	BOX,INSTRUCTION STORAGE Europe/Asia/South America (decals required; refer to Section100)	
13A	84411GT	PLAT ASSY,WRD,TZ34,ANSI,ROTATE Platform with rotate option, word decals	1
13A-	99016GT	FLOORING,45V27,DIAMOND PLATE (for all platforms)	
13A-	71315GT	RIVET,DRIVE, .25 X .25 (for all platforms)	
13B	84416GT	PLAT ASSY,SYM,TZ34,ANSI,ROTATE Platform with rotate option, symbol decals	1
13B-	99016GT	FLOORING,45V27,DIAMOND PLATE (for all platforms)	
13B-	71315GT	RIVET,DRIVE, .25 X .25 (for all platforms)	
14	99146GT	FORMING,PLAT MOUNT TZ-34	1
15	45748GT	ROD END,.250 X 2.75 LG	1
16	78976GT	PIN,.75 DIA X 8.75 LG,GES 1380	1
17	99150GT	FORMING,T-BOX MOUNT,ROTATE includes item 7	1
18	39474GT	WEAR PAD, PLATFORM	2
19	19843GT	RIVET,ALUM,ALUM,P,.188 X .50	
20	87838GT	WELDMENT, PLAT ROTATE, ANSI	1
20-	51474GT	BEARING,1.00IDX1.25ODX0.75L	2
21	87820GT	WELDMENT, PLAT ROTATE (FIXED)	1



503.1 Platform Rotate Installation - ANSI and CSA Models without Platform
Overload Option



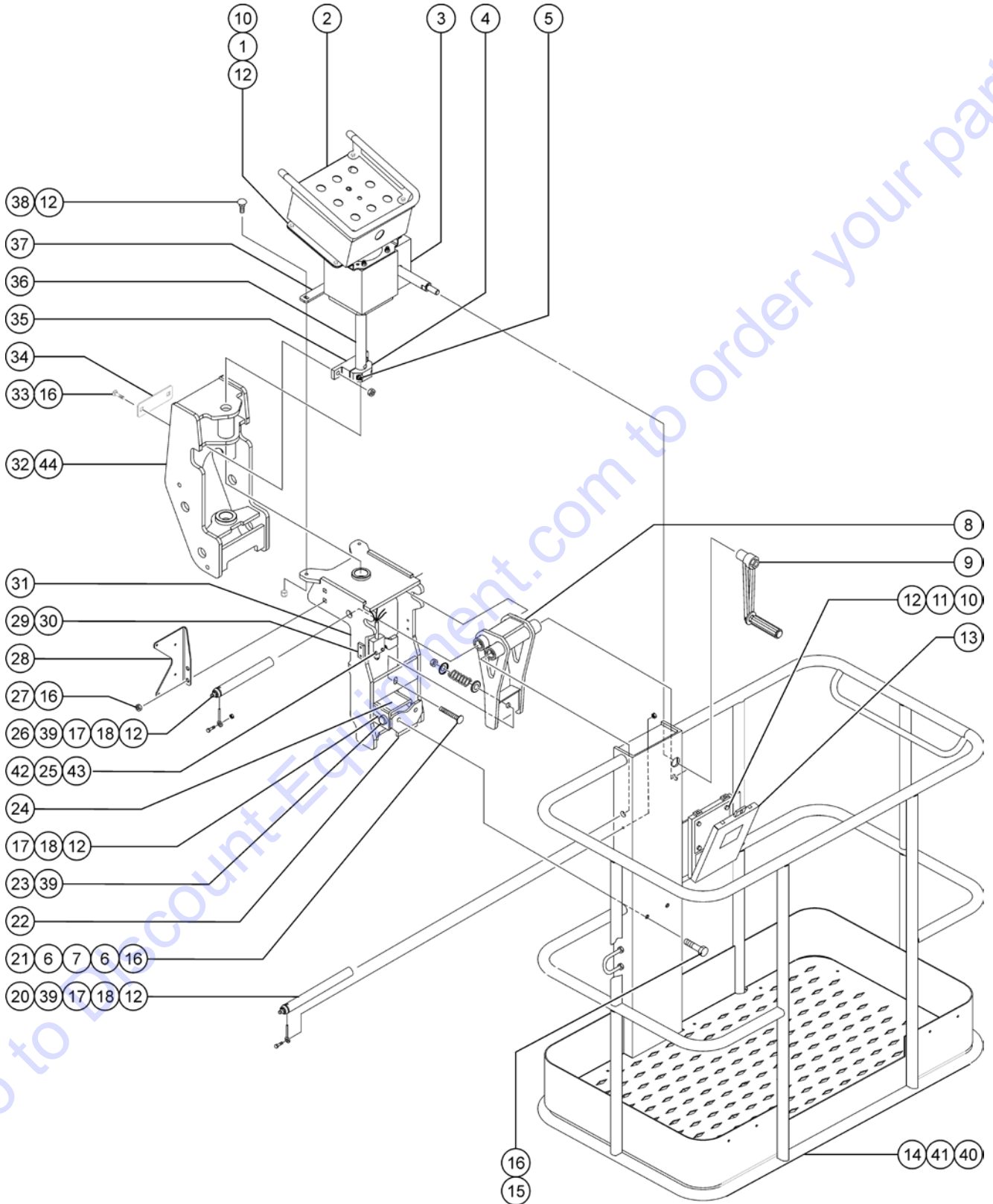
503.1 Platform Rotate Installation - ANSI and CSA Models without Platform Overload Option

Item	Part No.	Description	Qty.
21-	51474GT	BEARING,1.00IDX1.25ODX0.75L	1
22	5387GT	SCREW,HHC,3/8-16 X 4	
23	99144GT	BLOCK,PIN MOUNT BACKING	1
24		Ref. Platform Rotator Shaft	
		(refer to 505.1)	
25	99128GT	FORMING,PLATFORM ROT LINK	1
26	9116GT	BOLT, CARRIAGE, 1/4-20 X 1.25, G2	
27	824060GT	SCREW, HHC, 1/4-20 X 1, 8, ZAG	
28	99129GT	PLATE,PIN MOUNT BACKING	1
29	71315GT	RIVET,DRIVE, .25 X .25	
30	99016GT	FLOORING,45V27,DIAMOND PLATE	1

Go to Discount-Equipment.com to order your parts



504.1 Platform Rotate Installation - ANSI, CSA, CE and Australia Models with Platform Overload Option



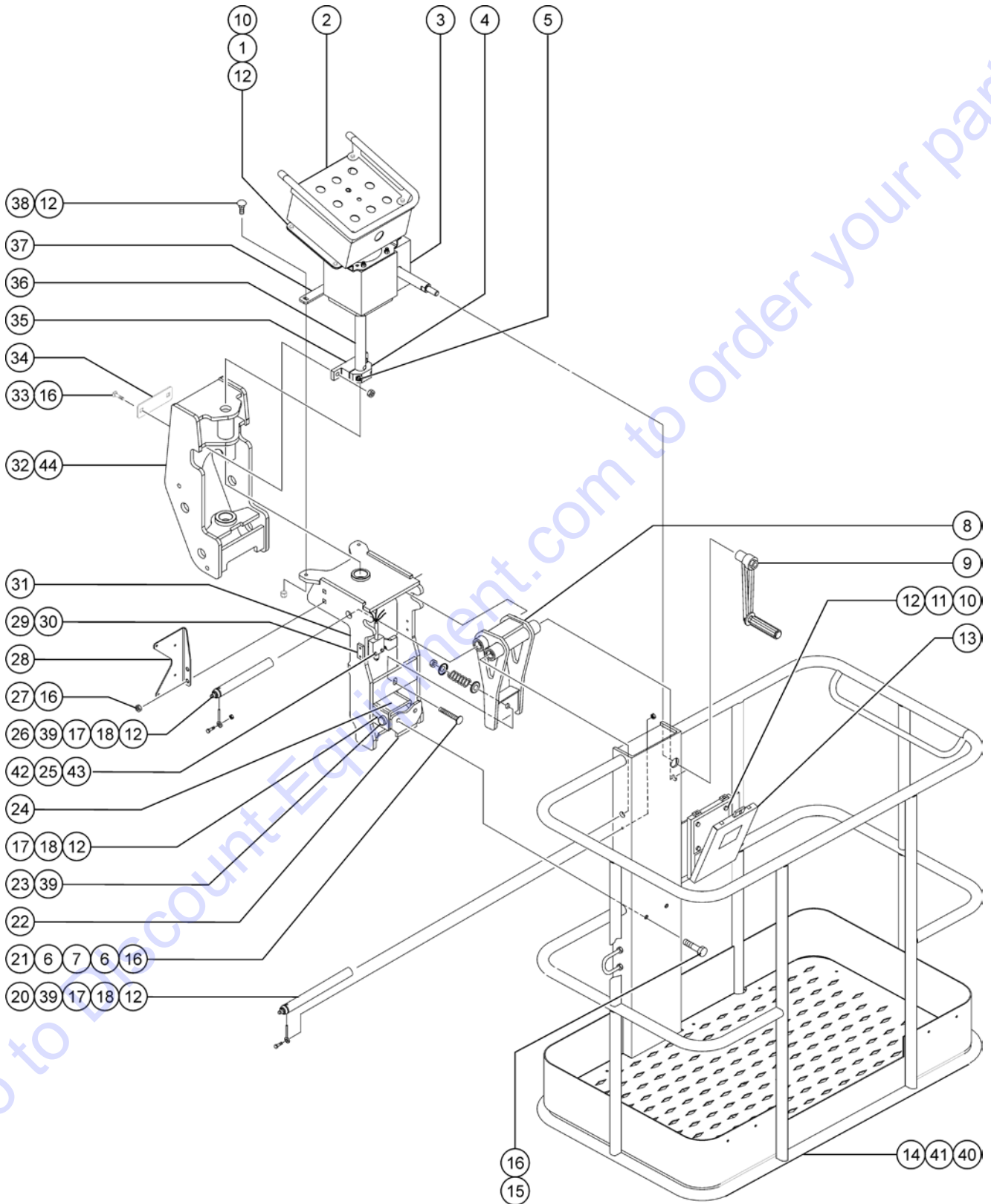
Go to www.genie-equipment.com to order your parts

504.1 Platform Rotate Installation - ANSI, CSA, CE and Australia Models
with Platform Overload Option

Item	Part No.	Description	Qty.
1	99155GT	FORMING,CNTRL BOX MOUNT includes items 10 and 12	1
2		Ref. Platform Control Box (refer to 506.1)	
3		Ref. Gear Box Assembly (refer to 505.1)	
4	99145GT	BLOCK,ROT PIN CLAMP	1
5	22383GT	SCREW,SHC,3/8-16 X 1.25	
6	61975GT	RETAINER,SPRING,1.21 X .375	2
7	61974GT	SPRING,COMP,1" OD,232 LB/IN	1
8	78974GT	WELDMENT, PIVOT LINK, TOP	1
8-	39581GT	BEARING,0.75IDX1.00ODX0.50L	4
9		Ref. Handle Assembly (refer to 505.1)	
10	824059GT	SCREW,HHC,1/4-20X.75,8,ZAG	
11	6638GT	WASHER,FLAT,USS,1/4"Y	
12	824024GT	NUT,TL,1/4-20,C,ZAG	
13A	44743GT	MANUAL BOX W/DECALS*** USA/Canada/Australia	1
13B	24514GT	BOX,INSTRUCTION STORAGE Europe/Asia/South America (decals required; refer to Section100)	
14A	99049-SGT	TZ34 PLATFORM,ROTATE,LOAD SENS Rotate platform with load sense/overload, ANSI	1
14B	84415GT	PLAT ASSY,SYM,TZ34,CE,ROTW/LDS Rotate platform with load sense/overload, CE	1
14C	227293GT	PLT ASM,WRD,ROT,LS TZ34, AUS Rotate platform with load sense/overload, AUS	1
15	6175GT	SCREW,HHC,3/8-16 X 1	
16	4828GT	NUT,NYLOCK,3/8-16	
17	45748GT	ROD END,.250 X 2.75 LG	4
18	824060GT	SCREW, HHC, 1/4-20 X 1, 8, ZAG	
19	6356GT	WASHER,LOCK,.25	
20	99174GT	PIN,0.75DIAX8.75LG,CHAMFER	1
21	87530GT	BOLT,CARRIAGE,3/8-16 X 4.00,G2	
22	99181GT	WELDMENT,CE LOWER PIVOT LINK	2
23	99173GT	PIN,0.75DIAX2.88LG,CHAMFER	2
24	99413GT	WELDMENT,LOWER LINK PIVOT TZ34	1



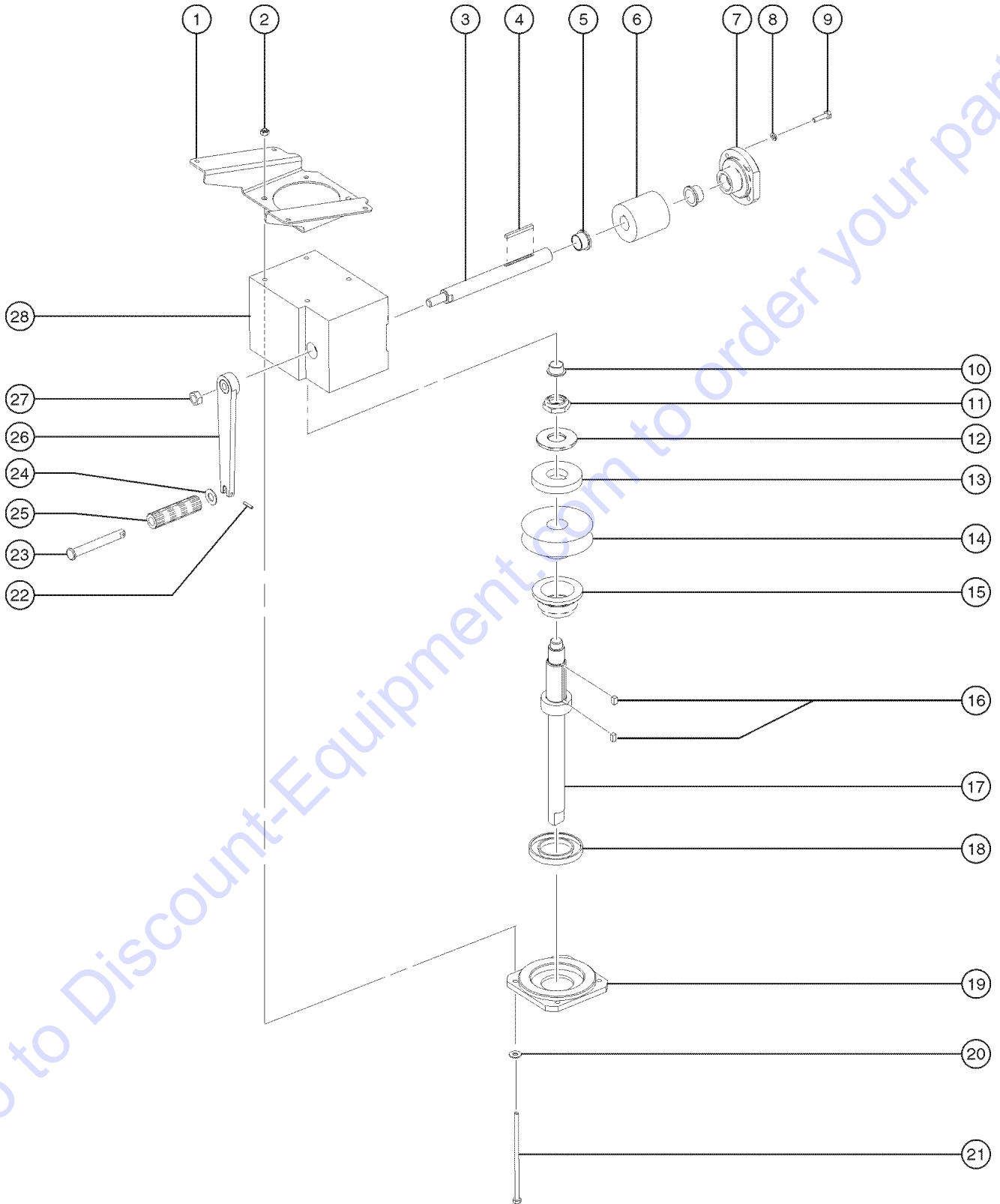
504.1 Platform Rotate Installation - ANSI, CSA, CE and Australia Models with Platform Overload Option



504.1 Platform Rotate Installation - ANSI, CSA, CE and Australia Models
with Platform Overload Option

Item	Part No.	Description	Qty.
25	99194GT	SWITCH,LIMIT W/CONNECTOR	1
25-	99183GT	SWITCH, ROLLER PLUNGER LIMIT	
25-	60428GT	CONN,PLUG 4 WAY,14-18GA	
25-	73713GT	TERM,NI PIN,S&F,16-18GA,REEL	
26	99182GT	PIN,0.75DIA X 7.38LG,CHAMFER	1
27	6019GT	SCREW,HHC,3/8-16 X 1.25 GRD 5	
28	99150GT	FORMING,T-BOX MOUNT,ROTATE	1
29	39474GT	WEAR PAD, PLATFORM	2
30	19843GT	RIVET,ALUM,ALUM,P.,188 X .50	
31	87830GT	WELDMENT, PLAT ROTATE, CE	1
32	87820GT	WELDMENT, PLAT ROTATE (FIXED)	1
33	5387GT	SCREW,HHC,3/8-16 X 4	
34	99129GT	PLATE,PIN MOUNT BACKING	1
35	99144GT	BLOCK,PIN MOUNT BACKING	1
36		Ref. Platform Rotator Shaft	
		(refer to 505.1)	
37	99128GT	FORMING,PLATFORM ROT LINK	1
38	9116GT	BOLT, CARRIAGE, 1/4-20 X 1.25, G2	
39	94643GT	ZERK,GREASE,5/16-24,STRAIT	4
40	71315GT	RIVET,DRIVE, .25 X .25	
41	99016GT	FLOORING,45V27,DIAMOND PLATE	1
42	6179GT	SCREW,RHM,10-32 X 1.25	
43	6178GT	NUT, NYLOCK, 10-32	
44	46436GT	GROMMET,RUBBER 2.5 X .25 X 2.75	1

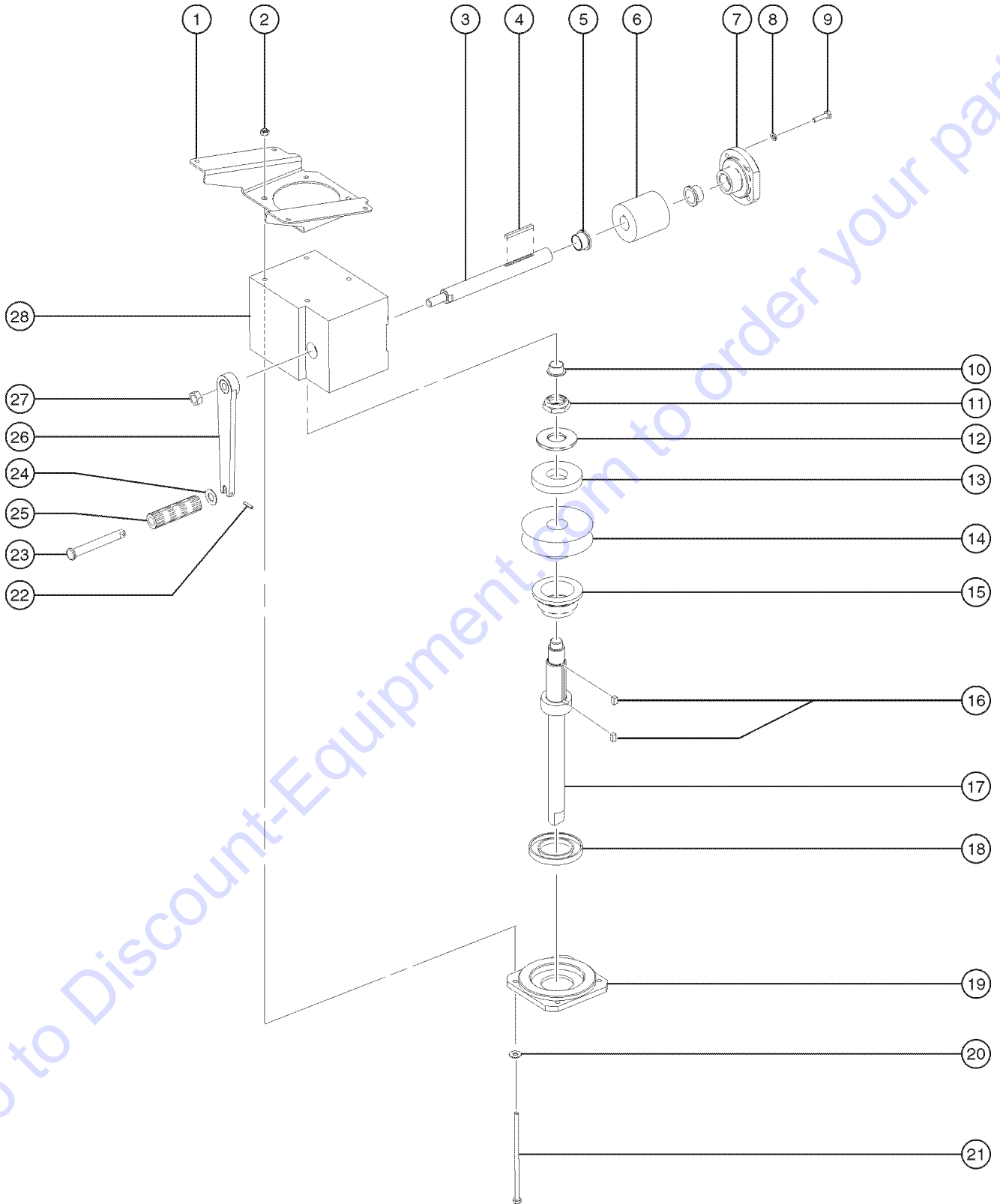
505.1 Gear Box Components



Go to Discount-Equipment.com to order your parts

Item	Part No.	Description	Qty.
	99159GT	ASSEMBLY,PLAT ROTATE GEARBOX	
	87994GT	WORM & HANDLE ASSEMBLY	
		includes items 3, 4, 6 and 22-27	
	87995GT	WORM GEAR TRAIN ASSEMBLY	
		includes items 11-17	
1	99155GT	FORMING,CNTRL BOX MOUNT	1
2	824024GT	NUT,TL,1/4-20,C,ZAG	
3	87818GT	SHAFT, WORM	1
4	28986-200GT	KEYSTOCK,STL .188 X 2" LG	2
5	13612GT	BUSHING,FLANGE .875 X 1 X .625	2
6	35831GT	WORM & WORM SHAFT ASSY-SERV***	1
7	87849GT	FLANGE, WORM BEARING	1
8	6356GT	WASHER,LOCK,.25	
9	824060GT	SCREW, HHC, 1/4-20 X 1, 8, ZAG	
10	76355GT	BUSHING, FLANGE,3/4X7/8X1/2	1
11	19331GT	NUT,LP NYLOCK,1-12	
12	22036GT	DISC SPRING-2.50 X 1.063	1
13	87862GT	COLLAR,WORM GEAR CLUTCH	1
14	13610GT	WORM GEAR,R.H.PER GENIE DWG	1
15	99130GT	CUP,WORM GEAR CUTCH	1
16	23927-044GT	KEYSTOCK,STL,.25 X .44" LG	2
17	87819GT	SHAFT, PLATFORM ROTATE	1
18	13614GT	SEAL, OIL,470094 PLAT.GEARBOX	1
19	99126GT	COVER,PLAT ROT GEARING	1
20	6638GT	WASHER,FLAT,USS,1/4"Y	
21	99160GT	SCREW,HHC,1/4-20 X 6	
22	11420GT	PIN,GROOVED,.156 X .75	1
23	11276GT	HANDLE SWIVEL EXTENSION	1
24	67722GT	WASHER,FLAT,M12 HARDENED	
25	69167GT	WINCH HANDLE GRIP	

505.1 Gear Box Components



Go to Discount-Equipment.com to order your parts



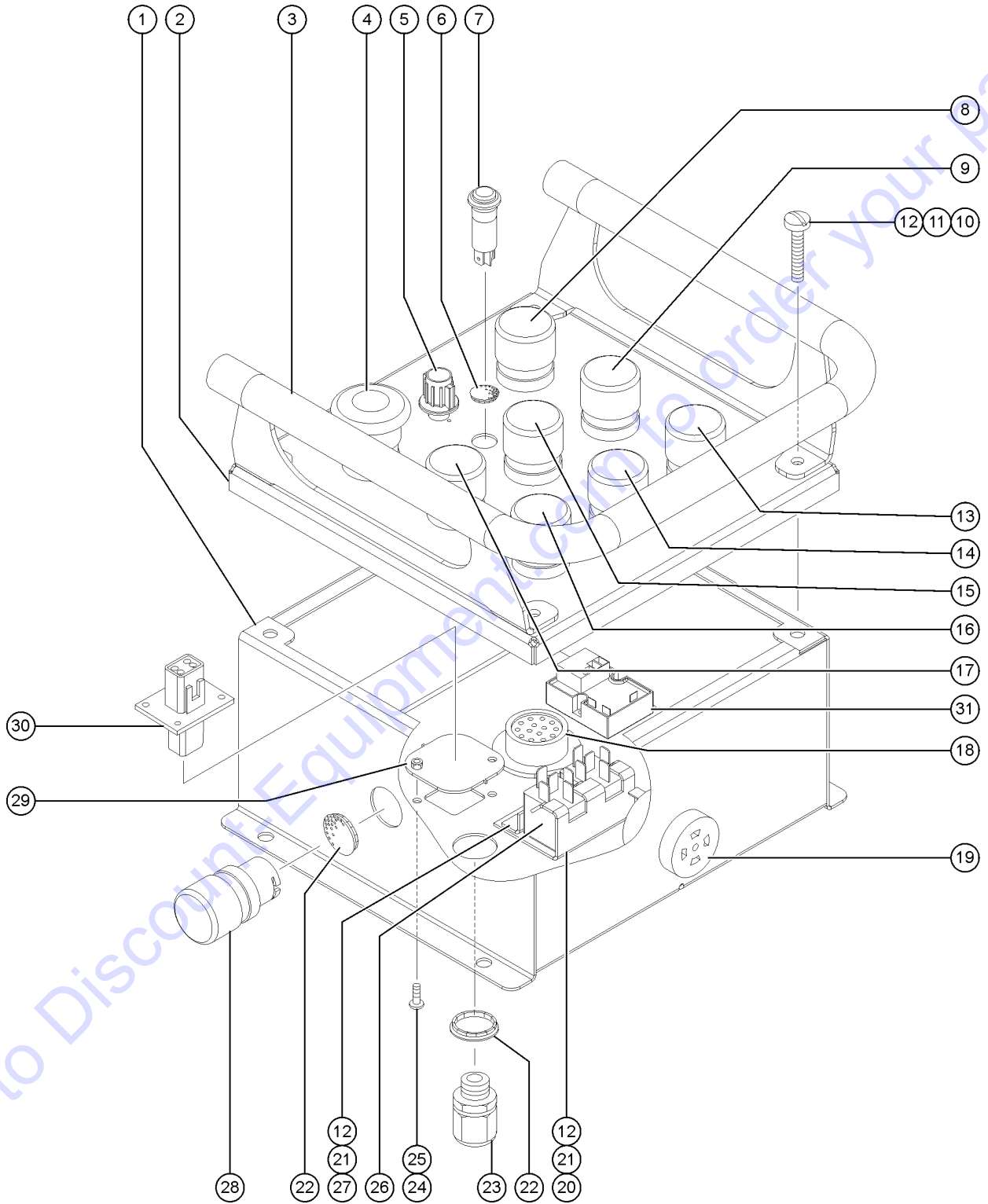
505.1 Gear Box Components

<i>Item</i>	<i>Part No.</i>	<i>Description</i>	<i>Qty.</i>
26	17884GT	HANDLE CASTING, PLAT. ROTATE	1
27	6086GT	NUT,LP NYLOCK,1/2-13	
28	99125GT	HOUSING,PLAT ROT GEARING***	1

Go to Discount-Equipment.com to order your parts

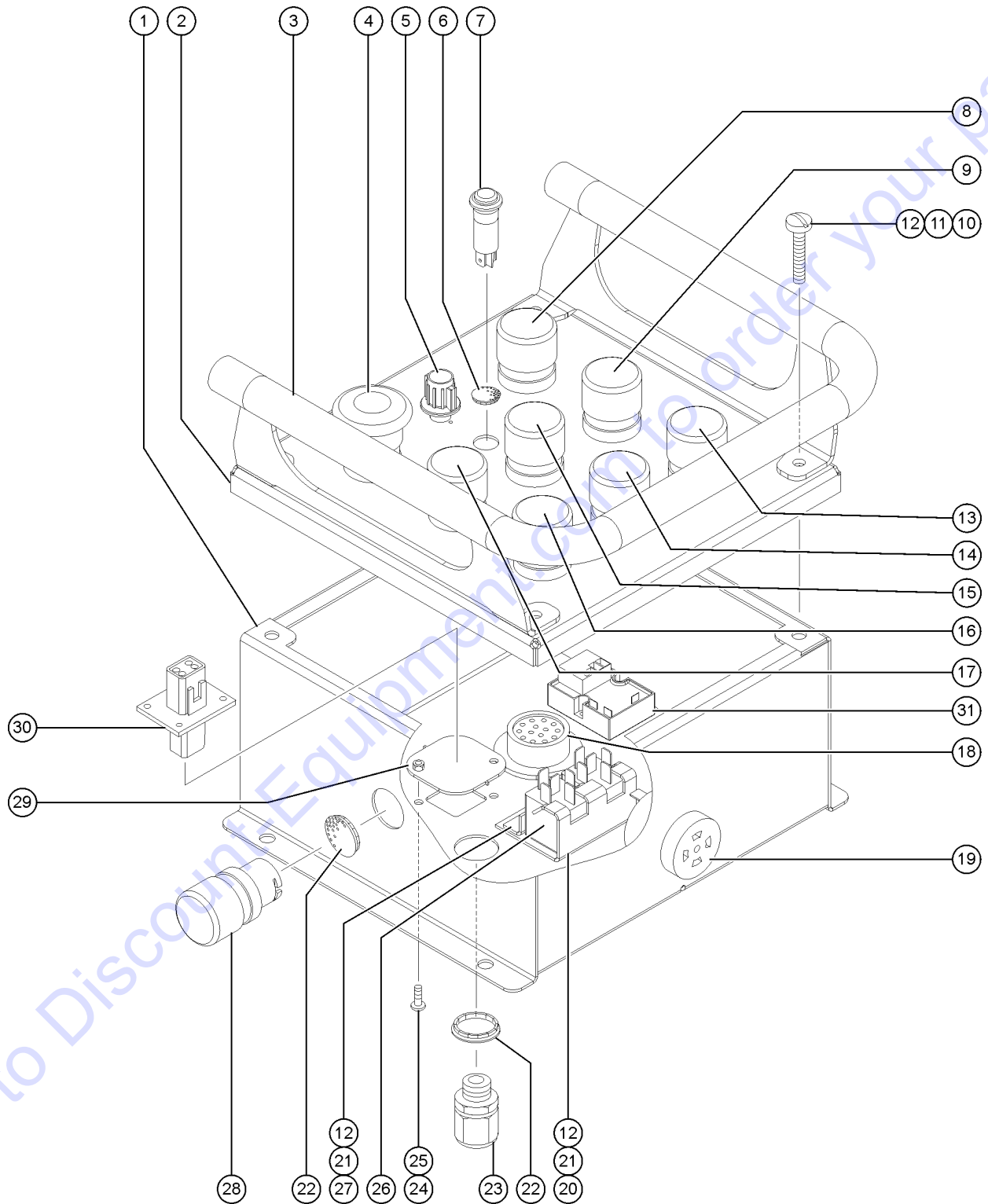


506.1 Platform Control Box



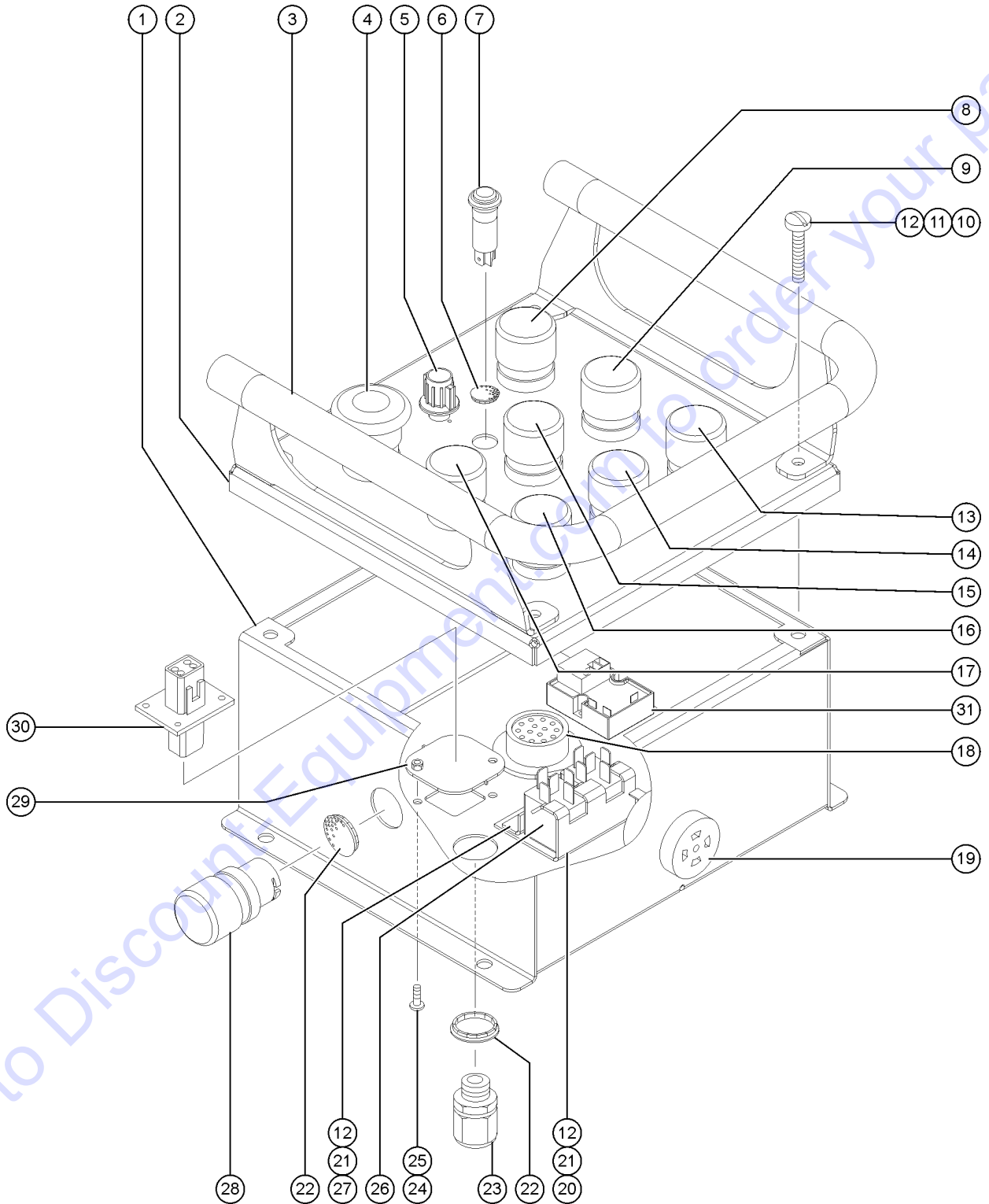
Item	Part No.	Description	Qty.
A-		KIT,TZ34 CONTROL BOX ASSY,UPR Complete (to SN TZ3403-249); Previous Control Box 104475GT is no longer available. For appropriate replacement (refer to 506.5, 506.3 and 506.7)	
B-		CONTROL BOX ASSY,UPPER TZ 34** Complete (from SN TZ3403-250 to TZ3412-344); Previous Control Box 87778GT is no longer available. For appropriate replacement (refer to 506.5, 506.3 and 506.7)	
D-	104303GT	KIT,TZ34 CONTROL BOX,UPPER* (includes items 1B, 1C, 2, 10-12, 20B, 21, and 27)	
E-	45782GT	DIODE,6 AMP,200 PIV,BULK (215405, 87778, 104475)	
F-	104335GT	DIODE,ZEENER 5.1V 1 WATT (215405, 87778, 104475)	
G-	13083GT	DIODE, 3 AMP (215405, 87778, 104475)	
1A	104124GT	WELDMENT,CONTROL BOX,UPPER** (to SN TZ3412-344)	
1C	69773GT	SEAL,RIBBED FOAM,3/8X1/8 PSA**	35
2	104110GT	FORMING,UPPER CONTROL PANEL	
3	84733GT	PLAT CONTROL BOX GUARD ASSY	1
3-	104167GT	CAP,PLASTIC,0.75 X 0.5	
4	226322GT	ASM, E-STOP & BOOT E stop	1
4-	66817GT	BASE WITH 1 NC CONTACT, E-STOP	
4-	66818GT	CONTACT,NC	
5A	42427GT	POTENTIOMETER ASSEMBLY, 0-20K* (87778, 104475) (to SN TZ3404-301) boom speed controller	
5A-	44992GT	KNOB,POTENTIOMETER, 42427 (87778, 104475) (to SN TZ3404-301) boom speed controller	
5E	56701GT	RESISTOR 2K OHM 2 WATT (87778, 104475) (to SN TZ3412-344)	
5G	42428GT	RESISTOR,10K OHM, 1WATT (215405, 87778, 104475)	
5H	99195GT	RESISTOR,5.6K OHM 2 WATT *** (215405, 87778, 104475)	
6	45384GT	PLUG,NYLON .50 BLACK DOMED ANSI models	1
7	99088GT	LED,RED 24V FLASHING CE models	1
8	226320GT	ASM, BUTTON & BOOT, BLK primary boom, extend / retract	1
8-	66815GT	BASE, W/1 N.O. CONTACTS***	
8-	66816GT	CONTACT,N.O	
9	226320GT	ASM, BUTTON & BOOT, BLK primary boom, up / down	1
9-	66815GT	BASE, W/1 N.O. CONTACTS***	
9-	66816GT	CONTACT,N.O	

506.1 Platform Control Box



Item	Part No.	Description	Qty.
10	49819GT	SCREW,PHILLIPS,PHM,10-32 X .5	
11	99207GT	WASHER,STAR,INTERNAL,#10	
12	23405GT	NUTSERT,10-32 STEEL CAD PLTD	
13	226320GT	ASM, BUTTON & BOOT, BLK secondary boom, up/down	1
13-	66815GT	BASE, W/1 N.O. CONTACTS***	
13-	66816GT	CONTACT,N.O	
14	226320GT	ASM, BUTTON & BOOT, BLK turntable rotate	1
14-	66815GT	BASE, W/1 N.O. CONTACTS***	
14-	66816GT	CONTACT,N.O	
15A	226320GT	ASM, BUTTON & BOOT, BLK platform level; ANSI and CSA models	1
15A-	66815GT	BASE, W/1 N.O. CONTACTS***	
15A-	66816GT	CONTACT,N.O	
15B	15243GT	PLUG,NYLON .875 BLACK DOMED CE models	
16	226320GT	ASM, BUTTON & BOOT, BLK function enable	1
16-	66814GT	BASE,WITH 2 N.O. CONTACTS***	
16-	66816GT	CONTACT,N.O	
17	226320GT	ASM, BUTTON & BOOT, BLK function enable	1
17-	66814GT	BASE,WITH 2 N.O. CONTACTS***	
17-	66816GT	CONTACT,N.O	
18A	87748GT	CONN,RECEP 14 WAY (to SN TZ3412-344)	1
18A-	87750GT	NUT,PANEL,SIZE 18 PLASTIC (to SN TZ3412-344)	
18A-	87751GT	PANEL WASHER SHELL SIZE 18 (to SN TZ3412-344)	
19	45383GT	ALARM,WARBLE TONE 5-30 VDC*** order 72326 retainer nut separately	1
19-	72326GT	NUT - PLASTIC, RING FOR ALARMS	
20B	104706GT	FORMING, RELAY MOUNT TZ34 UPR (to SN TZ3404-217) (for tab style relay)	
21	49818GT	SCREW,PHILLIPS,PHM,10-32 X .38	
22	15243GT	PLUG,NYLON .875 BLACK DOMED	2
23	6935GT	LOCKNUT,ELEC,1/2"	1

506.1 Platform Control Box

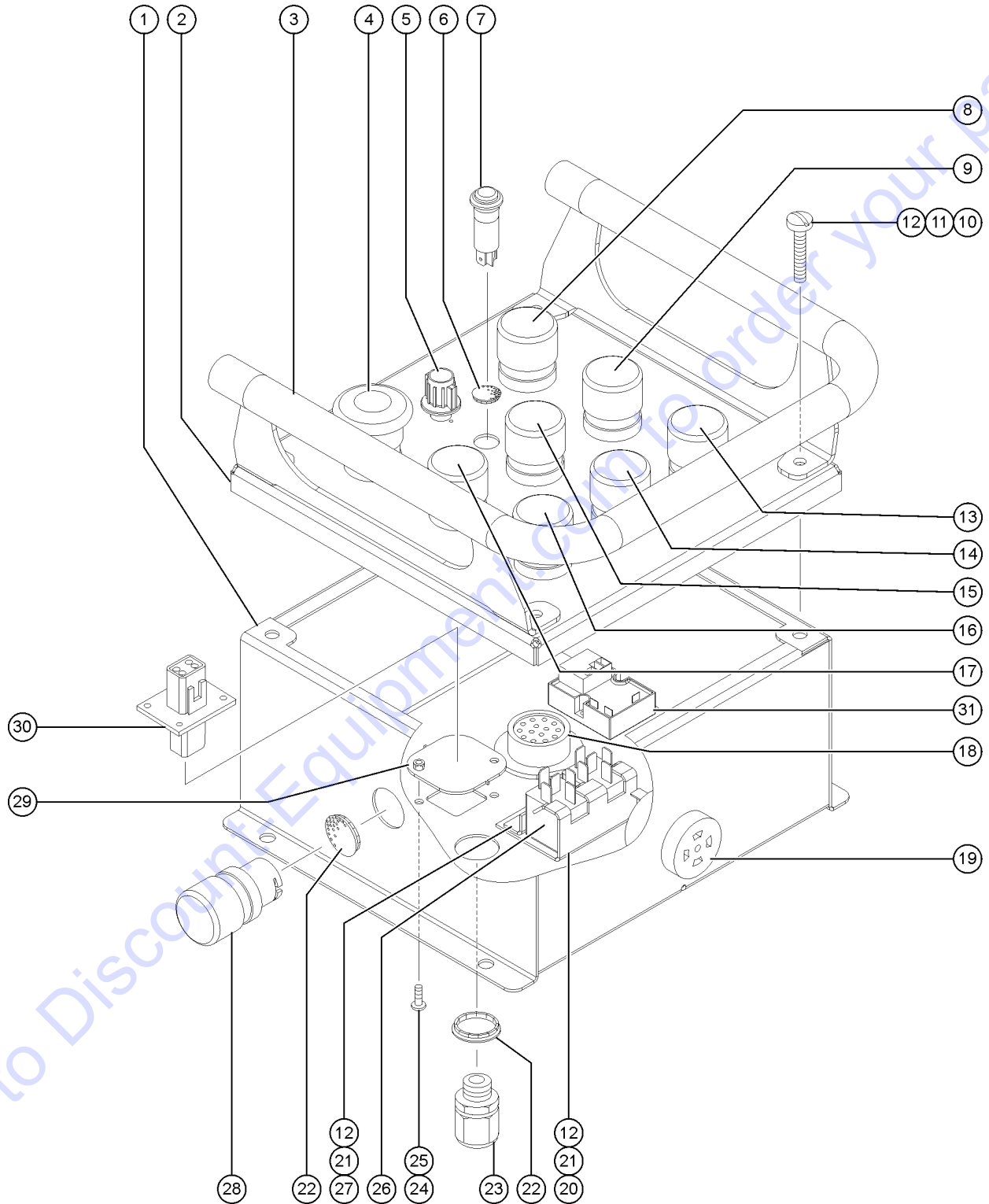


Item	Part No.	Description	Qty.
24	49820GT	SCREW,PHILLIPS,PHM,6-32 X .5	
25	12344GT	NUT,NYLOCK,6-32	
26A	78098GT	RELAY,24VDC,40/30A,SLD W/BRKT*	1
		(to SN TZ3404-217)	
27	104493GT	FORMING,RELAY HOLDER TZ34 LWR	1
28	226320GT	ASM, BUTTON & BOOT, BLK	1
		horn option	
28-	66815GT	BASE, W/1 N.O. CONTACTS***	
28-	66816GT	CONTACT,N.O	
29	99885GT	PLATE, PLUG COVER, 4 WAY	1
30	60443GT	LOCK,RECEP 4 WAY,14-18GA	1
		load sense option	
30-	73723GT	CONN RECEPT,FLANGED	
31	147253GT	TIME DELAY RELAY,2 SEC,24VDC	1
		CE models	
31B	232573GT	RESISTOR, 200 OHM 10 WATT	
		for 147253	

Go to Discount-Equipment.com to order your parts



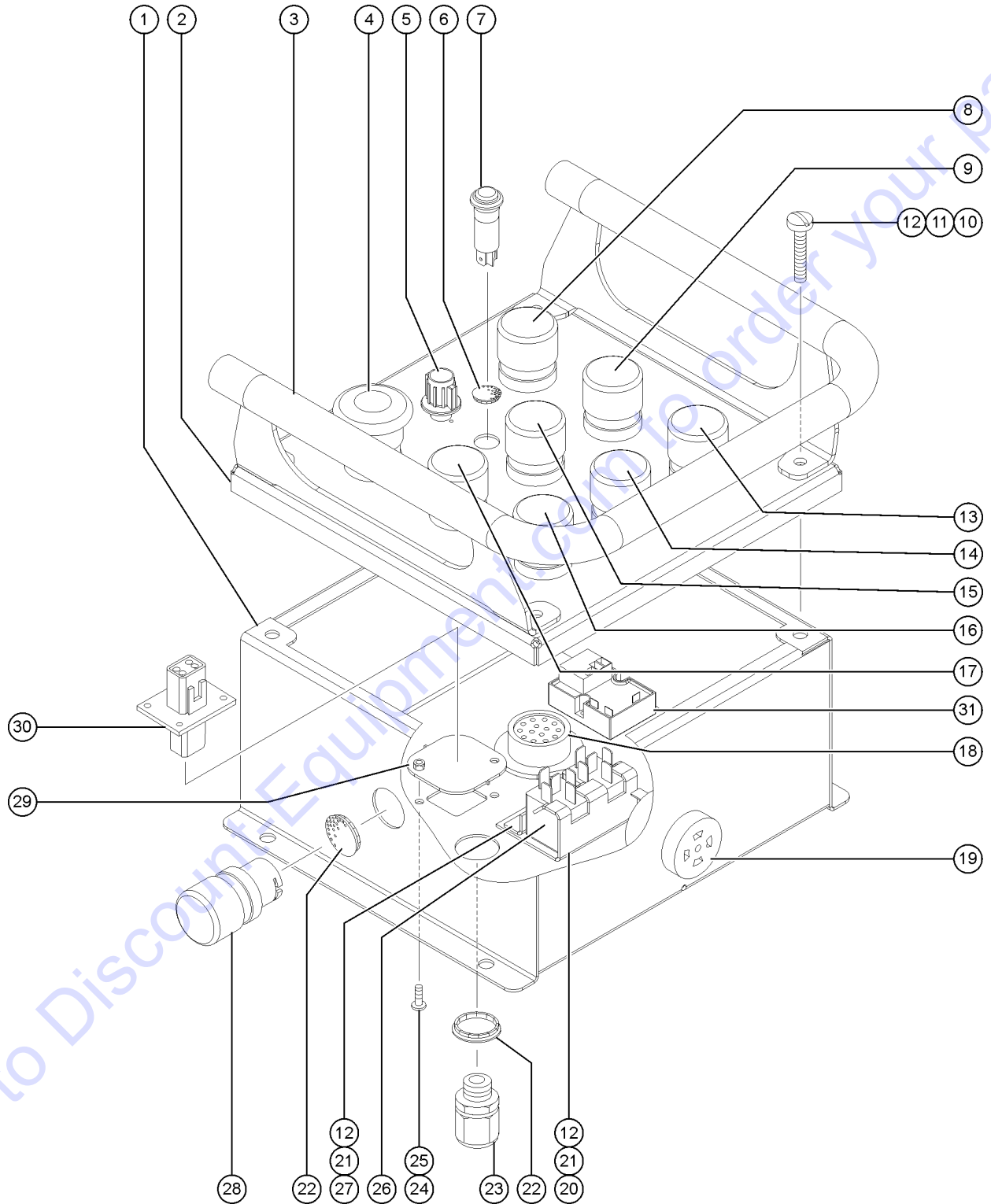
506.2 Platform Control Box



Item	Part No.	Description	Qty.
B-		CONTROL BOX ASSY,UPPER TZ 34** Complete (from SN TZ3403-250 to TZ3413-344); Previous Control Box 87778GT is no longer available. For appropriate replacement (refer to 506.5, 506.3 and 506.7)
D-	104303GT	KIT,TZ34 CONTROL BOX,UPPER* (includes items 1B, 1C, 2, 10-12, 20B, 21, and 27)
E-	45782GT	DIODE,6 AMP,200 PIV,BULK (215405, 87778, 104475)
F-	104335GT	DIODE,ZEENER 5.1V 1 WATT (215405, 87778, 104475)
G-	13083GT	DIODE, 3 AMP (215405, 87778, 104475)
1A	104124GT	WELDMENT,CONTROL BOX,UPPER** (to SN TZ3412-344)
1C	69773GT	SEAL,RIBBED FOAM,3/8X1/8 PSA**	35
2	104110GT	FORMING,UPPER CONTROL PANEL
3	84733GT	PLAT CONTROL BOX GUARD ASSY	1
3-	104167GT	CAP,PLASTIC,0.75 X 0.5
4	226322GT	ASM, E-STOP & BOOT E stop	1
4-	66817GT	BASE WITH 1 NC CONTACT, E-STOP
4-	66818GT	CONTACT,NC
5A	42427GT	POTENTIOMETER ASSEMBLY, 0-20K* (87778, 104475) (to SN TZ3404-301) boom speed controller
5A-	44992GT	KNOB,POTENTIOMETER, 42427 (87778, 104475) (to SN TZ3404-301) boom speed controller
5B	104327GT	POTENTIOMETER ASSY 1-10K (215405) (from SN TZ3404-302)
5B-	44992GT	KNOB,POTENTIOMETER, 42427 for 104327
5E	56701GT	RESISTOR 2K OHM 2 WATT (87778, 104475) (to SN TZ3412-344)
5G	42428GT	RESISTOR,10K OHM, 1WATT (215405, 87778, 104475)
5H	99195GT	RESISTOR,5.6K OHM 2 WATT *** (215405, 87778, 104475)
6	45384GT	PLUG,NYLON .50 BLACK DOMED ANSI models	1
7	99088GT	LED,RED 24V FLASHING CE models	1
8	226320GT	ASM, BUTTON & BOOT, BLK primary boom, extend / retract	1
8-	66815GT	BASE, W/1 N.O. CONTACTS***
8-	66816GT	CONTACT,N.O
9	226320GT	ASM, BUTTON & BOOT, BLK primary boom, up / down	1
9-	66815GT	BASE, W/1 N.O. CONTACTS***
9-	66816GT	CONTACT,N.O



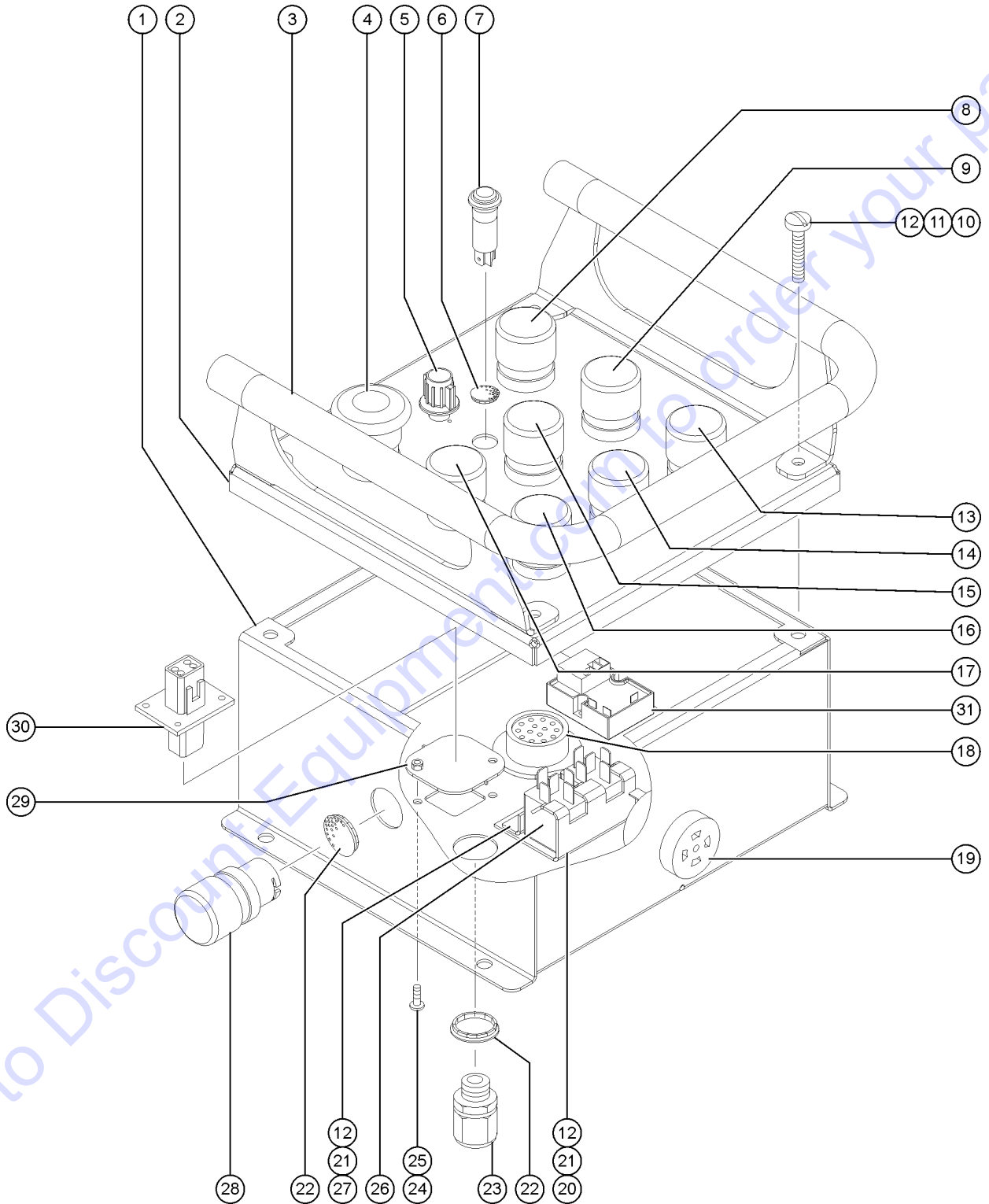
506.2 Platform Control Box



Item	Part No.	Description	Qty.
10	49819GT	SCREW,PHILLIPS,PHM,10-32 X .5	
11	99207GT	WASHER,STAR,INTERNAL,#10	
12	23405GT	NUTSERT,10-32 STEEL CAD PLTD	
13	226320GT	ASM, BUTTON & BOOT, BLK secondary boom, up/down	1
13-	66815GT	BASE, W/1 N.O. CONTACTS***	
13-	66816GT	CONTACT,N.O	
14	226320GT	ASM, BUTTON & BOOT, BLK turntable rotate	1
14-	66815GT	BASE, W/1 N.O. CONTACTS***	
14-	66816GT	CONTACT,N.O	
15A	226320GT	ASM, BUTTON & BOOT, BLK platform level; ANSI and CSA models	1
15A-	66815GT	BASE, W/1 N.O. CONTACTS***	
15A-	66816GT	CONTACT,N.O	
15B	15243GT	PLUG,NYLON .875 BLACK DOMED CE models	
16	226320GT	ASM, BUTTON & BOOT, BLK function enable	1
16-	66814GT	BASE,WITH 2 N.O. CONTACTS***	
16-	66816GT	CONTACT,N.O	
17	226320GT	ASM, BUTTON & BOOT, BLK function enable	1
17-	66814GT	BASE,WITH 2 N.O. CONTACTS***	
17-	66816GT	CONTACT,N.O	
18A	87748GT	CONN,RECEP 14 WAY (to SN TZ3412-344)	1
18A-	87750GT	NUT,PANEL,SIZE 18 PLASTIC (to SN TZ3412-344)	
18A-	87751GT	PANEL WASHER SHELL SIZE 18 (to SN TZ3412-344)	
19	45383GT	ALARM,WARBLE TONE 5-30 VDC*** order 72326 retainer nut separately	1
19-	72326GT	NUT - PLASTIC, RING FOR ALARMS	
20B	104706GT	FORMING, RELAY MOUNT TZ34 UPR (to SN TZ3404-217) (for tab style relay)	
20A	104492GT	FORMING,RELAY MOUNT TZ34 UPR (from SN TZ3404-218) (for non-tab style relay)	
21	49818GT	SCREW,PHILLIPS,PHM,10-32 X .38	
22	15243GT	PLUG,NYLON .875 BLACK DOMED	2



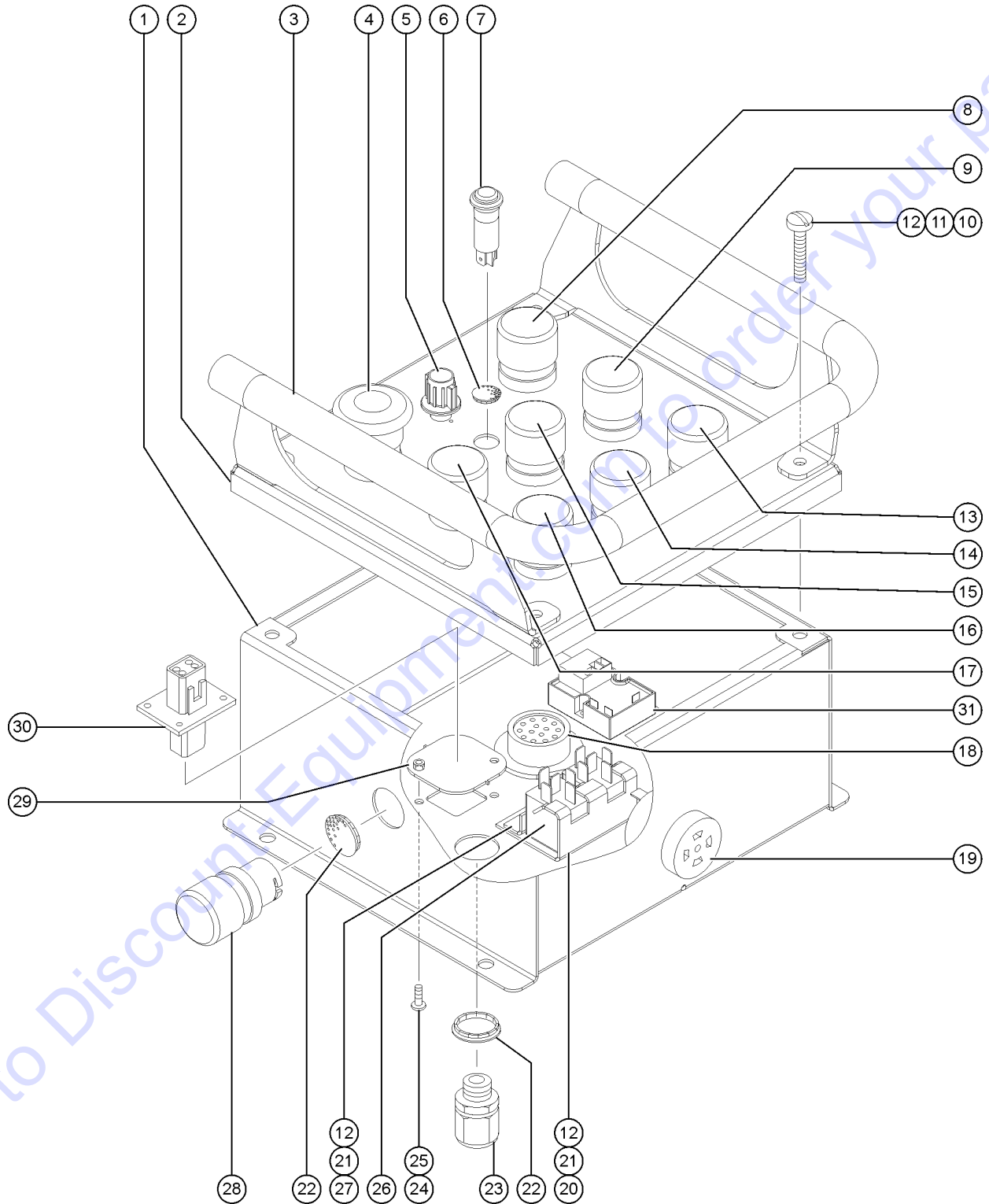
506.2 Platform Control Box



Item	Part No.	Description	Qty.
23	6935GT	LOCKNUT,ELEC,1/2"	1
24	49820GT	SCREW,PHILLIPS,PHM,6-32 X .5	
25	12344GT	NUT,NYLOCK,6-32	
26A	78098GT	RELAY,24VDC,40/30A,SLD W/BRKT* (to SN TZ3404-217)	1
26B	56302GT	RELAY,24VDC,40/30A,SEALED*** (from SN TZ3404-218)	2
27	104493GT	FORMING,RELAY HOLDER TZ34 LWR	1
28	226320GT	ASM, BUTTON & BOOT, BLK horn option	1
28-	66815GT	BASE, W/1 N.O. CONTACTS***	
28-	66816GT	CONTACT,N.O	
29	99885GT	PLATE, PLUG COVER, 4 WAY	1
30	60443GT	LOCK,RECEP 4 WAY,14-18GA load sense option	1
30-	73723GT	CONN RECEP,FLANGED	
31	147253GT	TIME DELAY RELAY,2 SEC,24VDC CE models	1
31B	232573GT	RESISTOR, 200 OHM 10 WATT for 147253	

Go to Discount-Equipment.com to order your parts

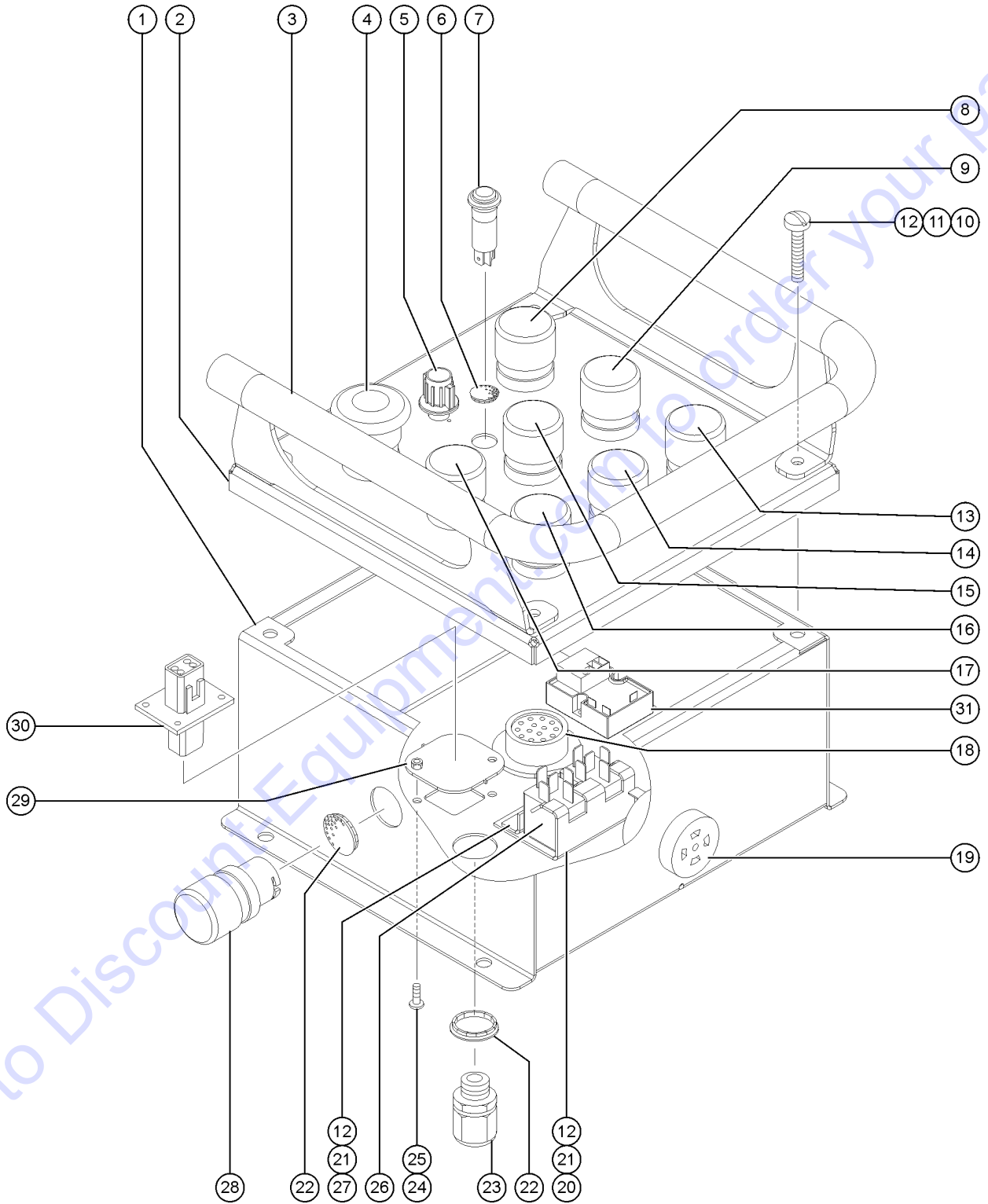
506.3 Platform Control Box



Item	Part No.	Description	Qty.
B-		CONTROL BOX ASSY,UPPER TZ 34** Complete (from SN TZ3403-250 to TZ3413-344); Previous Control Box 87778GT is no longer available. For appropriate replacement (refer to 506.5, 506.3 and 506.7)
D-	104303GT	KIT,TZ34 CONTROL BOX,UPPER* (includes items 1B, 1C, 2, 10-12, 20B, 21, and 27)
E-	45782GT	DIODE,6 AMP,200 PIV,BULK (215405, 87778, 104475)
F-	104335GT	DIODE,ZEENER 5.1V 1 WATT (215405, 87778, 104475)
G-	13083GT	DIODE, 3 AMP (215405, 87778, 104475)
1A	104124GT	WELDMENT,CONTROL BOX,UPPER** (to SN TZ3412-344)
1C	69773GT	SEAL,RIBBED FOAM,3/8X1/8 PSA**	35
2	104110GT	FORMING,UPPER CONTROL PANEL
3	84733GT	PLAT CONTROL BOX GUARD ASSY	1
3-	104167GT	CAP,PLASTIC,0.75 X 0.5
4	226322GT	ASM, E-STOP & BOOT E stop	1
4-	66817GT	BASE WITH 1 NC CONTACT, E-STOP
4-	66818GT	CONTACT,NC
5	104327GT	POTENTIOMETER ASSY 1-10K (215405) (from SN TZ3404-302)
5B-	44992GT	KNOB,POTENTIOMETER, 42427 for 104327
5C	1284782GT	KIT,UPPER BOX,44.2K RESISTOR,TZ34 (from 2012 to February 2017)
5D	1285358GT	KIT,UPPER BOX,44.2K RESISTOR ONLY,TZ34 (from February 2017 to August 2017)
5E	56701GT	RESISTOR 2K OHM 2 WATT (87778, 104475) (to SN TZ3412-344)
5G	42428GT	RESISTOR,10K OHM, 1WATT (215405, 87778, 104475)
5H	99195GT	RESISTOR,5.6K OHM 2 WATT *** (215405, 87778, 104475)
6	45384GT	PLUG,NYLON .50 BLACK DOMED ANSI models	1
7	99088GT	LED,RED 24V FLASHING CE models	1
8	226320GT	ASM, BUTTON & BOOT, BLK primary boom, extend / retract	1
8-	66815GT	BASE, W/1 N.O. CONTACTS***
8-	66816GT	CONTACT,N.O
9	226320GT	ASM, BUTTON & BOOT, BLK primary boom, up / down	1
9-	66815GT	BASE, W/1 N.O. CONTACTS***
9-	66816GT	CONTACT,N.O

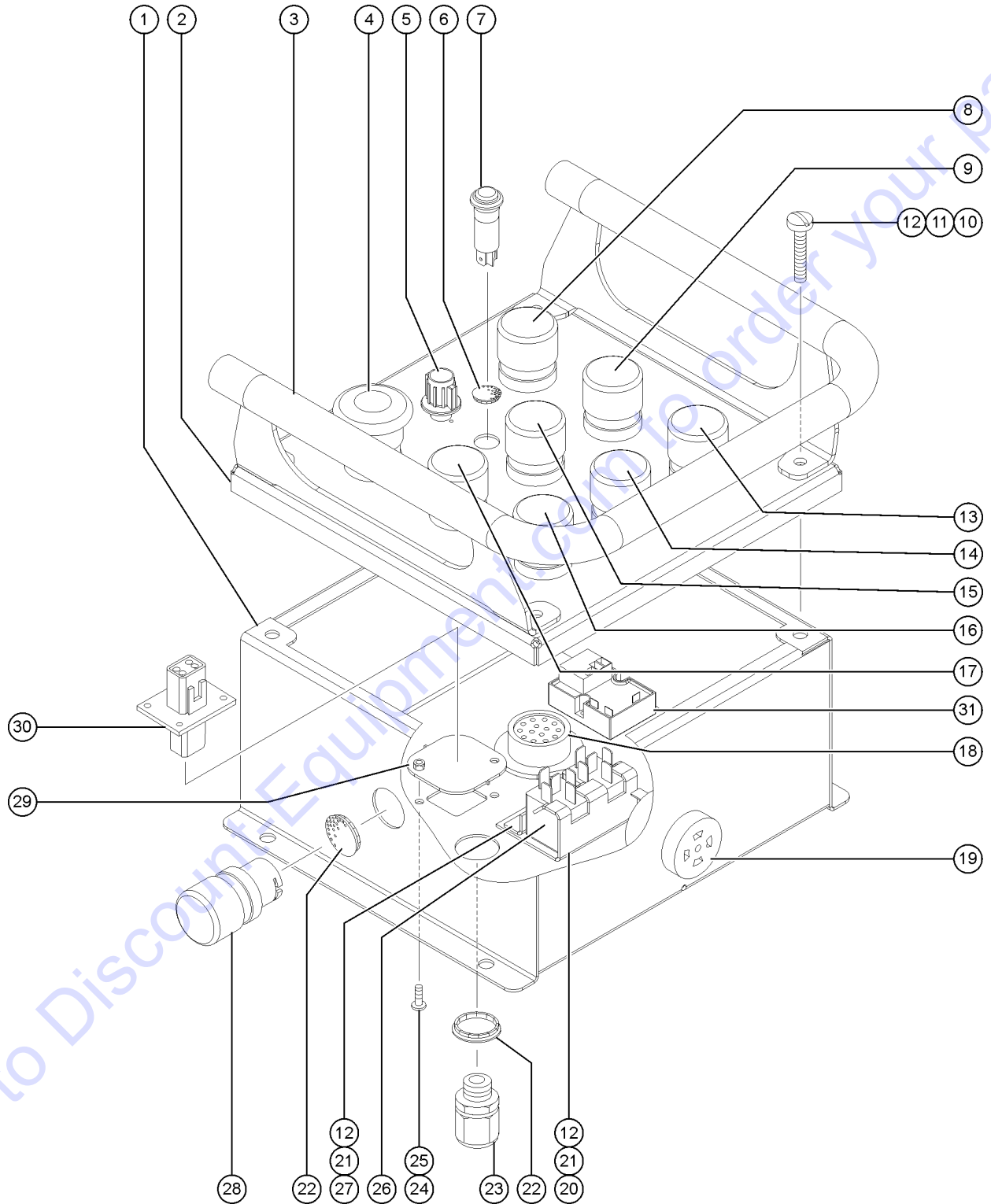


506.3 Platform Control Box



Item	Part No.	Description	Qty.
10	49819GT	SCREW,PHILLIPS,PHM,10-32 X .5	
11	99207GT	WASHER,STAR,INTERNAL,#10	
12	23405GT	NUTSERT,10-32 STEEL CAD PLTD	
13	226320GT	ASM, BUTTON & BOOT, BLK secondary boom, up/down	1
13-	66815GT	BASE, W/1 N.O. CONTACTS***	
13-	66816GT	CONTACT,N.O	
14	226320GT	ASM, BUTTON & BOOT, BLK turntable rotate	1
14-	66815GT	BASE, W/1 N.O. CONTACTS***	
14-	66816GT	CONTACT,N.O	
15A	226320GT	ASM, BUTTON & BOOT, BLK platform level; ANSI and CSA models	1
15A-	66815GT	BASE, W/1 N.O. CONTACTS***	
15A-	66816GT	CONTACT,N.O	
15B	15243GT	PLUG,NYLON .875 BLACK DOMED CE models	
16	226320GT	ASM, BUTTON & BOOT, BLK function enable	1
16-	66814GT	BASE,WITH 2 N.O. CONTACTS***	
16-	66816GT	CONTACT,N.O	
17	226320GT	ASM, BUTTON & BOOT, BLK function enable	1
17-	66814GT	BASE,WITH 2 N.O. CONTACTS***	
17-	66816GT	CONTACT,N.O	
18A	87748GT	CONN,RECEP 14 WAY (to SN TZ3412-344)	1
18A-	87750GT	NUT,PANEL,SIZE 18 PLASTIC (to SN TZ3412-344)	
18A-	87751GT	PANEL WASHER SHELL SIZE 18 (to SN TZ3412-344)	
19	45383GT	ALARM,WARBLE TONE 5-30 VDC*** order 72326 retainer nut separately	1
19-	72326GT	NUT - PLASTIC, RING FOR ALARMS	
20A	104492GT	FORMING,RELAY MOUNT TZ34 UPR (from SN TZ3404-218) (for non-tab style relay)	
21	49818GT	SCREW,PHILLIPS,PHM,10-32 X .38	
22	15243GT	PLUG,NYLON .875 BLACK DOMED	2
23	6935GT	LOCKNUT,ELEC,1/2"	1

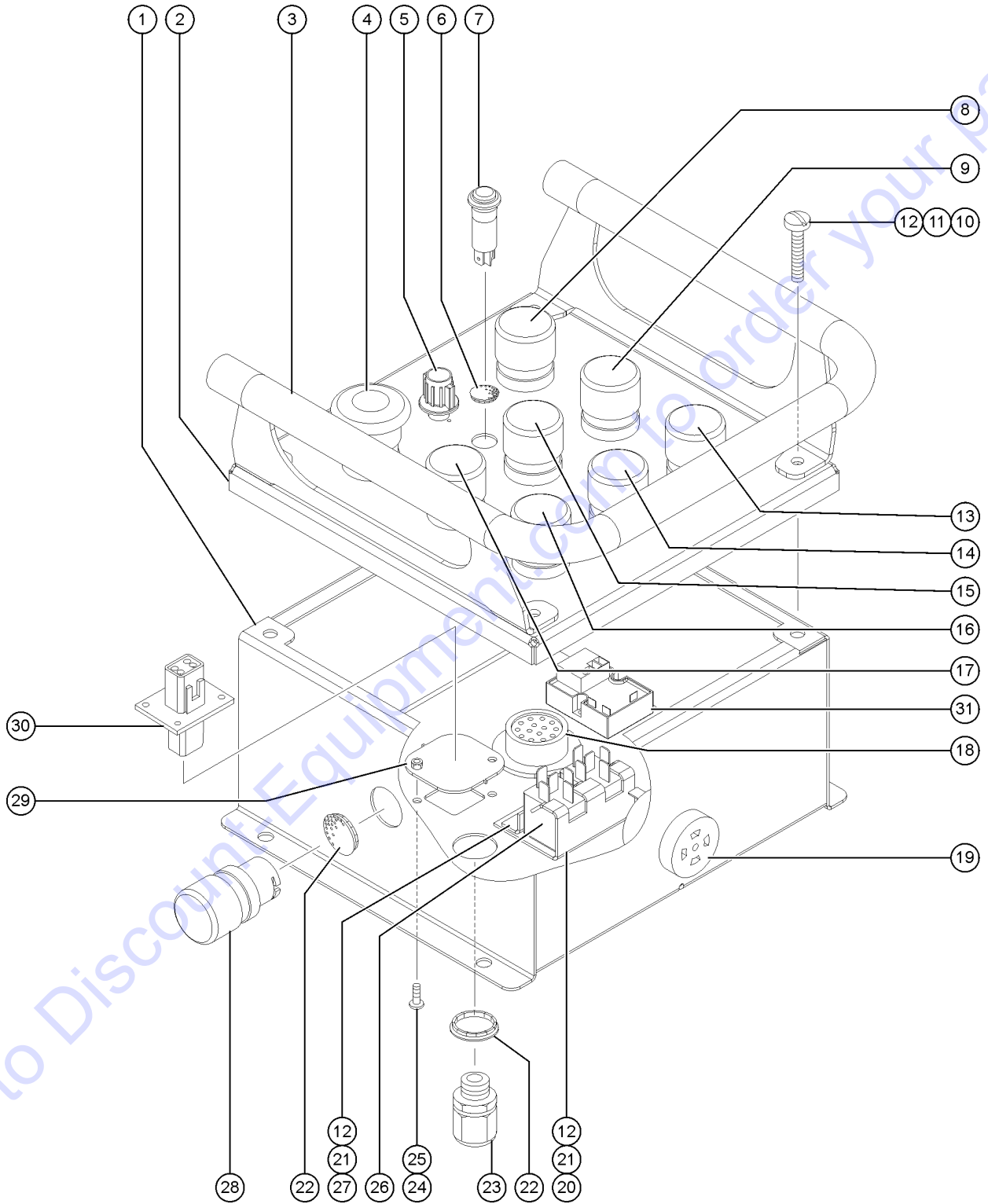
506.3 Platform Control Box



Item	Part No.	Description	Qty.
24	49820GT	SCREW,PHILLIPS,PHM,6-32 X .5	
25	12344GT	NUT,NYLOCK,6-32	
26B	56302GT	RELAY,24VDC,40/30A,SEALED*** (from SN TZ3404-218)	2
27	104493GT	FORMING,RELAY HOLDER TZ34 LWR	1
28	226320GT	ASM, BUTTON & BOOT, BLK horn option	1
28-	66815GT	BASE, W/1 N.O. CONTACTS***	
28-	66816GT	CONTACT,N.O	
29	99885GT	PLATE, PLUG COVER, 4 WAY	1
30	60443GT	LOCK,RECEP 4 WAY,14-18GA load sense option	1
30-	73723GT	CONN RECEPT,FLANGED	
31	147253GT	TIME DELAY RELAY,2 SEC,24VDC CE models	1
31B	232573GT	RESISTOR, 200 OHM 10 WATT for 147253	

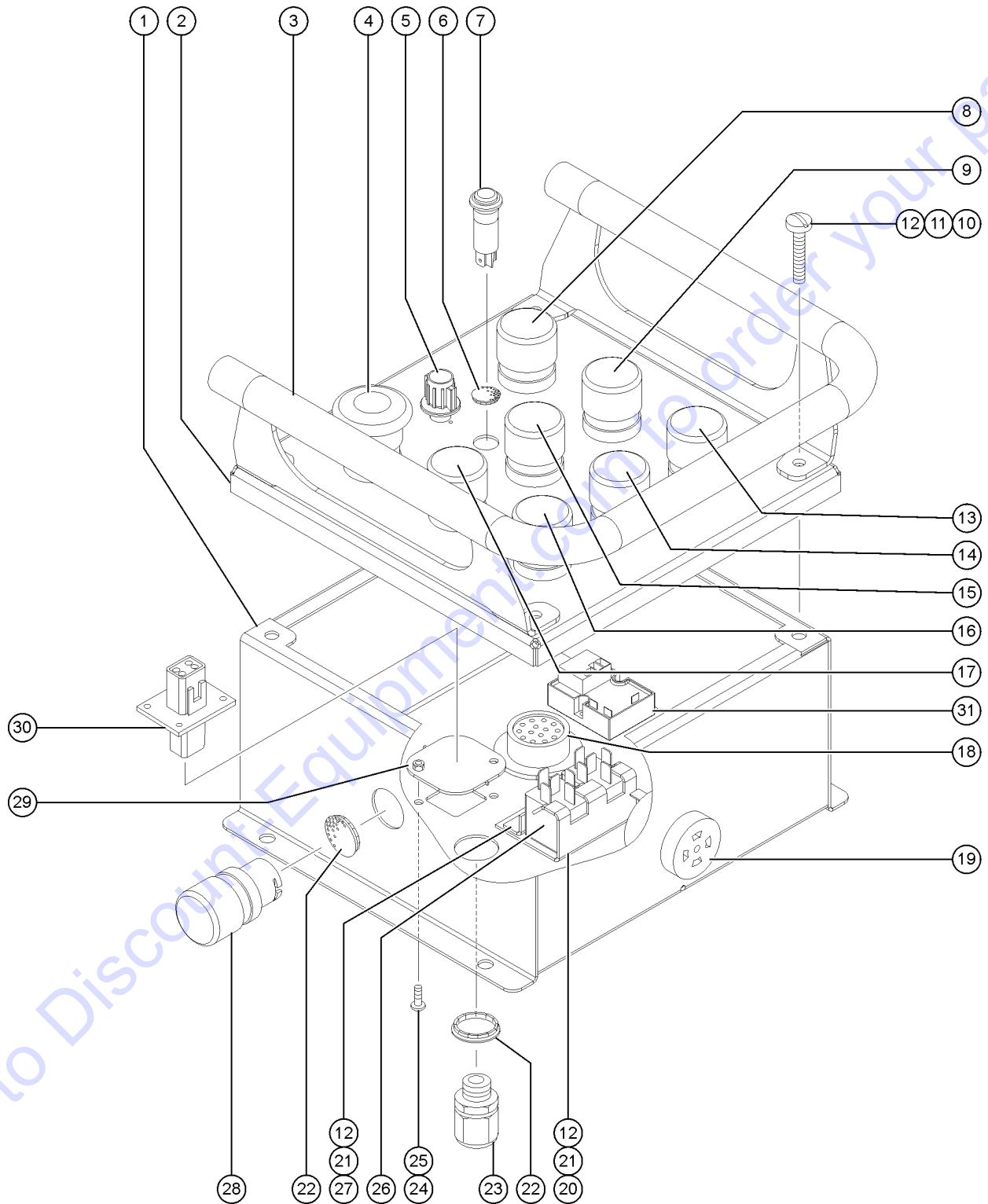
Go to Discount-Equipment.com to order your parts

506.4 Platform Control Box



Item	Part No.	Description	Qty.
C-		CONTROL BOX, TZ-34, UPPER, COM Complete (from SN TZ3413-345); Previous Control Box 215405GT is no longer available. For appropriate replacement (refer to 506.5, 506.3 and 506.7)	
D-	104303GT	KIT, TZ34 CONTROL BOX, UPPER* (includes items 1B, 1C, 2, 10-12, 20B, 21, and 27)	
E-	45782GT	DIODE, 6 AMP, 200 PIV, BULK (215405, 87778, 104475)	
F-	104335GT	DIODE, ZEENER 5.1V 1 WATT (215405, 87778, 104475)	
G-	13083GT	DIODE, 3 AMP (215405, 87778, 104475)	
1B	215261GT	WELDMENT, CONTROL BOX, UPPER, (from SN TZ3413-345)	
1C	69773GT	SEAL, RIBBED FOAM, 3/8X1/8 PSA**	35
2	104110GT	FORMING, UPPER CONTROL PANEL	
3	84733GT	PLAT CONTROL BOX GUARD ASSY	1
3-	104167GT	CAP, PLASTIC, 0.75 X 0.5	
4	226322GT	ASM, E-STOP & BOOT E stop	1
4-	66817GT	BASE WITH 1 NC CONTACT, E-STOP	
4-	66818GT	CONTACT, NC	
5	104327GT	POTENTIOMETER ASSY 1-10K (215405) (from SN TZ3404-302)	
5B-	44992GT	KNOB, POTENTIOMETER, 42427 (215405) (from SN TZ3404-302)	
5C	1284782GT	KIT, UPPER BOX, 44.2K RESISTOR, TZ34 (from 2012 to February 2017)	
5G	42428GT	RESISTOR, 10K OHM, 1WATT (215405, 87778, 104475)	
5F	104333GT	RESISTOR, 1K OHM 2 WATT (215405) (from SN TZ3404-302)	
5H	99195GT	RESISTOR, 5.6K OHM 2 WATT *** (215405, 87778, 104475)	
6	45384GT	PLUG, NYLON .50 BLACK DOMED ANSI models	1
7	99088GT	LED, RED 24V FLASHING CE models	1
8	226320GT	ASM, BUTTON & BOOT, BLK primary boom, extend / retract	1
8-	66815GT	BASE, W/1 N.O. CONTACTS***	
8-	66816GT	CONTACT, N.O.	
9	226320GT	ASM, BUTTON & BOOT, BLK primary boom, up / down	1
9-	66815GT	BASE, W/1 N.O. CONTACTS***	
9-	66816GT	CONTACT, N.O.	
10	49819GT	SCREW, PHILLIPS, PHM, 10-32 X .5	

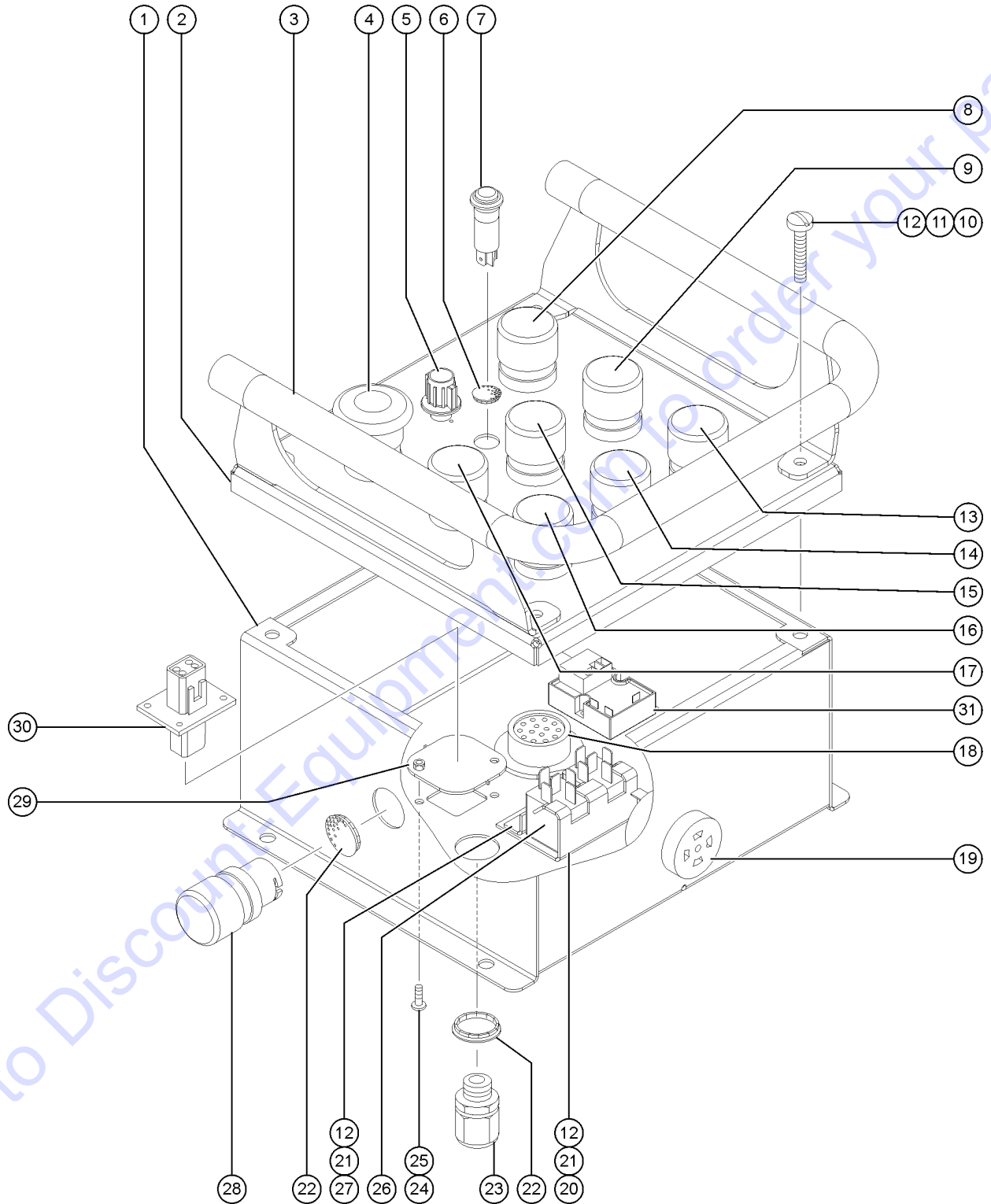
506.4 Platform Control Box



Item	Part No.	Description	Qty.
11	99207GT	WASHER,STAR,INTERNAL,#10	
12	23405GT	NUTSERT,10-32 STEEL CAD PLTD	
13	226320GT	ASM, BUTTON & BOOT, BLK	1
		secondary boom, up/down	
13-	66815GT	BASE, W/1 N.O. CONTACTS***	
13-	66816GT	CONTACT,N.O	
14	226320GT	ASM, BUTTON & BOOT, BLK	1
		turntable rotate	
14-	66815GT	BASE, W/1 N.O. CONTACTS***	
14-	66816GT	CONTACT,N.O	
15	226320GT	ASM, BUTTON & BOOT, BLK	1
		platform level; ANSI and CSA models	
15A-	66815GT	BASE, W/1 N.O. CONTACTS***	
15A-	66816GT	CONTACT,N.O	
15B	15243GT	PLUG,NYLON .875 BLACK DOMED	
		CE models	
16	226320GT	ASM, BUTTON & BOOT, BLK	1
		function enable	
16-	66814GT	BASE,WITH 2 N.O. CONTACTS***	
16-	66816GT	CONTACT,N.O	
17	226320GT	ASM, BUTTON & BOOT, BLK	1
		function enable	
17-	66814GT	BASE,WITH 2 N.O. CONTACTS***	
17-	66816GT	CONTACT,N.O	
18A	87748GT	CONN,RECEP 14 WAY	1
		(to SN TZ3412-344)	
18A-	87750GT	NUT,PANEL,SIZE 18 PLASTIC	
		(to SN TZ3412-344)	
18A-	87751GT	PANEL WASHER SHELL SIZE 18	
		(to SN TZ3412-344)	
18B	218696GT	CONNECTOR, RECEPTACLE, 23 WAY,	
		(from SN TZ3413-345)	
18B-	87753GT	NUT,PANEL,SIZE 24 PLASTIC	
		(from SN TZ3413-345)	
18B-	87754GT	PANEL WASHER SHELL SIZE 24	
		(from SN TZ3413-345)	
19	45383GT	ALARM,WARBLE TONE 5-30 VDC***	1
		order 72326 retainer nut separately	
19-	72326GT	NUT - PLASTIC, RING FOR ALARMS	
20A	104492GT	FORMING,RELAY MOUNT TZ34 UPR	
		(from SN TZ3404-218) (for non-tab style relay)	
21	49818GT	SCREW,PHILLIPS,PHM,10-32 X .38	



506.4 Platform Control Box



506.4 Platform Control Box

Item	Part No.	Description	Qty.
22	15243GT	PLUG,NYLON .875 BLACK DOMED	2
23	6935GT	LOCKNUT,ELEC,1/2"	1
24	49820GT	SCREW,PHILLIPS,PHM,6-32 X .5	
25	12344GT	NUT,NYLOCK,6-32	
26B	56302GT	RELAY,24VDC,40/30A,SEALED*** (from SN TZ3404-218)	2
27	104493GT	FORMING,RELAY HOLDER TZ34 LWR	1
28	226320GT	ASM, BUTTON & BOOT, BLK	1
		horn option	
28-	66815GT	BASE, W/1 N.O. CONTACTS***	
28-	66816GT	CONTACT,N.O	
29	99885GT	PLATE, PLUG COVER, 4 WAY	1
30	60443GT	LOCK,RECEP 4 WAY,14-18GA	1
		load sense option	
30-	73723GT	CONN RECEP,FLANGED	
31	147253GT	TIME DELAY RELAY,2 SEC,24VDC	1
		CE models	
31B	232573GT	RESISTOR, 200 OHM 10 WATT	
		for 147253	

Go to Discount-Equipment.com to order your parts



PARTS FINDER

**Search Website
by Part Number**



**Search Manual
Library For Parts
Manual & Lookup Part
Numbers – Purchase
or Request Quote**

Search Manuals

Enter your information to help us find the right parts manual for your machine.

* Brand:

* Model:

* Serial:

* Part Number:

SEARCH

**Can't Find Part or
Manual? Request Help
by Manufacturer,
Model & Description**

Parts Order Form

Please fill in the following information to help us find the right part for your machine.

Manufacturer:	<input type="text"/>
Model:	<input type="text"/>
Description:	<input type="text"/>
Part Number:	<input type="text"/>
Quantity:	<input type="text"/>
Notes:	<input type="text"/>

Discount-Equipment.com is your online resource for quality parts & equipment.

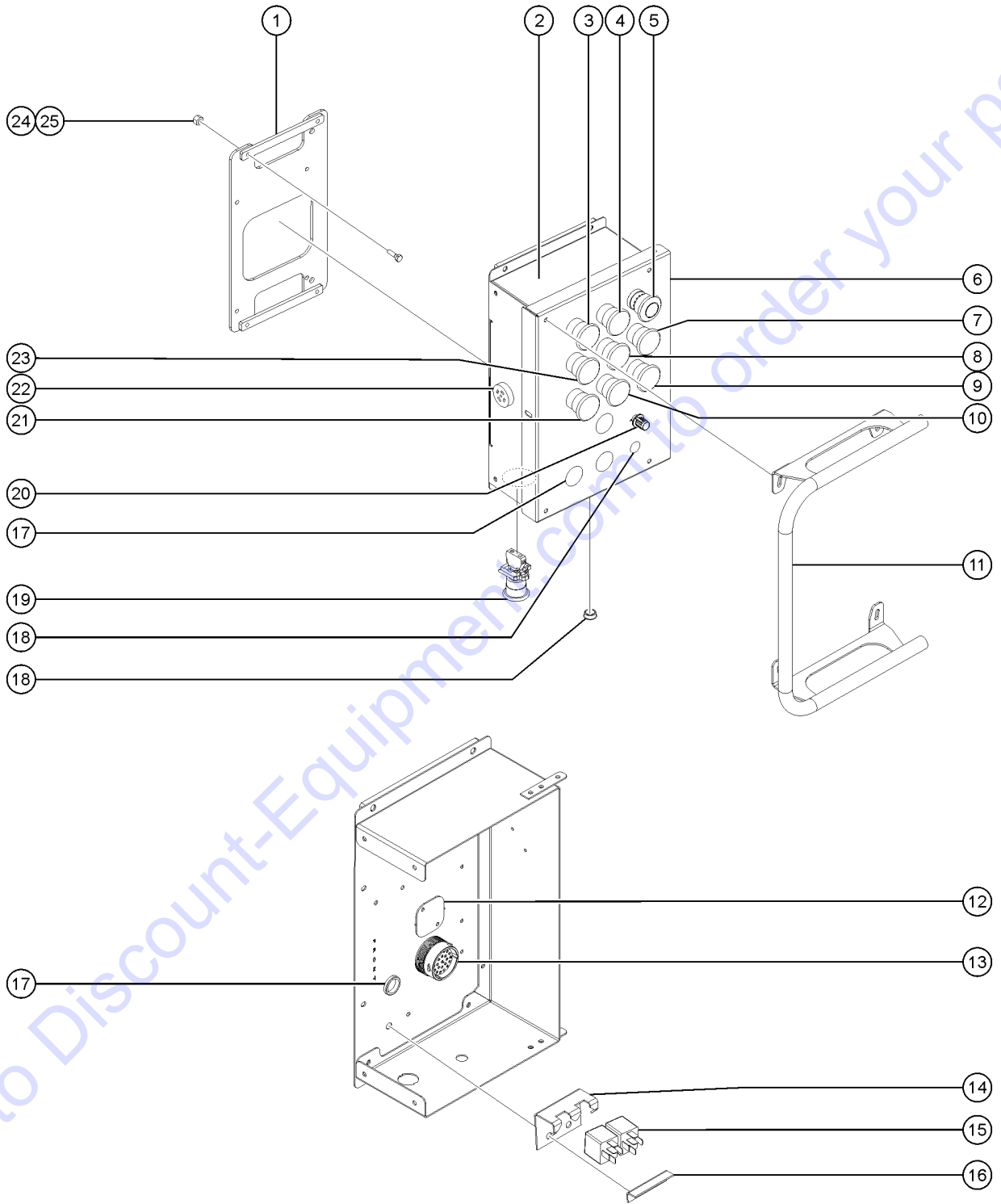
Florida: **561-964-4949** Outside Florida TOLL FREE: **877-690-3101**

Need parts?

Click on this link: <http://www.discount-equipment.com/category/5443-parts/> and choose one of the options to help get the right parts and equipment you are looking for. Please have the machine model and serial number available in order to help us get you the correct parts. If you don't find the part on the website or on one of the online manuals, please fill out the request form and one of our experienced staff members will get back to you with a quote for the right part that your machine needs.

We sell worldwide for the brands: Genie, Terex, JLG, MultiQuip, Mikasa, Essick, Whiteman, Mayco, Toro Stone, Diamond Products, Generac Magnum, Airman, Haulotte, Barreto, Power Blanket, Nifty Lift, Atlas Copco, Chicago Pneumatic, Allmand, Miller Curber, Skyjack, Lull, Skytrak, Tsurumi, Husquvarna Target, Stow, Wacker, Sakai, Mi-T-M, Sullair, Basic, Dynapac, MBW, Weber, Bartell, Bennar Newman, Haulotte, Ditch Runner, Menegotti, Morrison, Contec, Buddy, Crown, Edco, Wyco, Bomag, Laymor, EZ Trench, Bil-Jax, F.S. Curtis, Gehl Pavers, Heli, Honda, ICS/PowerGrit, IHI, Partner, Imer, Clipper, MMD, Koshin, Rice, CH&E, General Equipment, Amida, Coleman, NAC, Gradall, Square Shooter, Kent, Stanley, Tamco, Toku, Hatz, Kohler, Robin, Wisconsin, Northrock, Oztec, Toker TK, Rol-Air, APT, Wylie, Ingersoll Rand / Doosan, Innovatech, Con X, Ammann, Mecalac, Makinex, Smith Surface Prep, Small Line, Wanco, Yanmar

506.5 Platform Control Box - ANSI, CSA and CE Models with no Load Sense



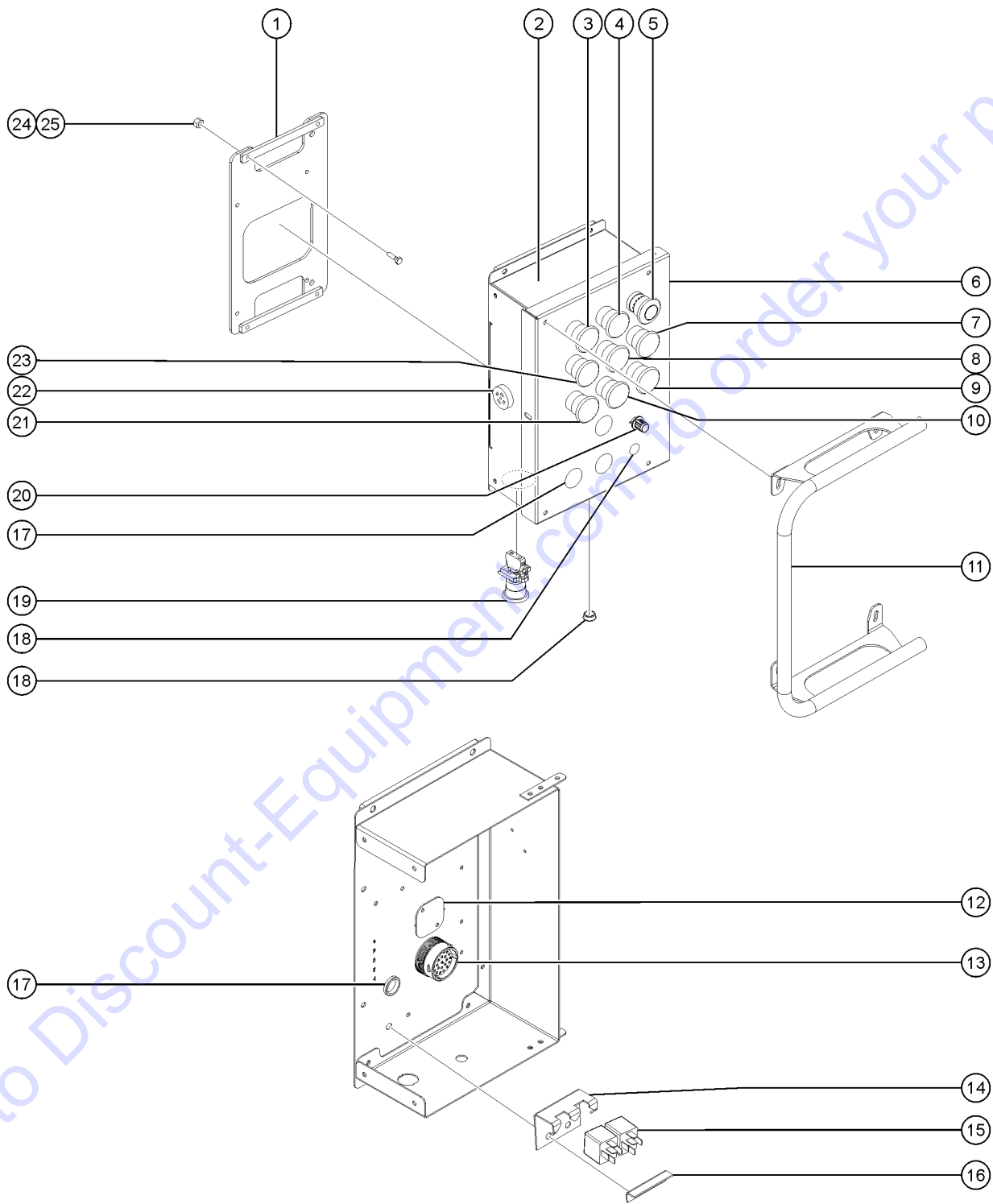
Go to Discount-Equipment.com to order your parts

506.5 Platform Control Box - ANSI, CSA and CE Models with no Load Sense

Item	Part No.	Description	Qty.
-	1287090GT	CONTROL BOX, TZ34,UPPER,NO LOADSENSE (complete)	
-	1287144GT	HARNES, ADAPTER, TZ34,BOOM Required if replacing older Control Box Assy 104475GT or 87778GT	
1	1289557GT	KIT, TZ34 CONTROL BOX MOUNT ADAPTER (includes items 24 and 25)	1
2	1289869GT	CONTROL BOX,UPPER,METALTZ34 (includes items 6, 11, 14 and 16)	1
3	226320GT	ASM, BUTTON & BOOT, BLK	1
4	226320GT	ASM, BUTTON & BOOT, BLK	1
5	226322GT	ASM, E-STOP & BOOT	1
6	1274938GT	FORMING, TZ,UPR,CTRL,LID (part of item 2)	1
7	226320GT	ASM, BUTTON & BOOT, BLK	1
8	226320GT	ASM, BUTTON & BOOT, BLK	1
9	226320GT	ASM, BUTTON & BOOT, BLK	1
10	226320GT	ASM, BUTTON & BOOT, BLK	1
11	1275924GT	WELDMENT, UPPER CTRL BOX GUARD, TZ34 (part of item 2)	1
12	99885GT	PLATE, PLUG COVER, 4 WAY	1
13	218696GT	CONNECTOR, RECEPTACLE, 23 WAY,	1
14	104706GT	FORMING, RELAY MOUNT TZ34 UPR (part of item 2)	1
15	56302GT	RELAY, 24VDC, 40/30A, SEALED***	2
16	104493GT	FORMING, RELAY HOLDER TZ34 LWR (part of item 2)	1
17	15243GT	PLUG, NYLON .875 BLACK DOMED	4
18	45384GT	PLUG, NYLON .50 BLACK DOMED	2
19	226320GT	ASM, BUTTON & BOOT, BLK	1
19A-	66815GT	BASE, W/1 N.O. CONTACTS***	
19B	15243GT	PLUG, NYLON .875 BLACK DOMED	
20	104327GT	POTENTIOMETER ASSY 1-10K	1
21	226320GT	ASM, BUTTON & BOOT, BLK	1
22	45383GT	ALARM, WARBLE TONE 5-30 VDC***	1
23	226320GT	ASM, BUTTON & BOOT, BLK	1
24	1274165GT	NUT, NYLOCK, 1/4-20, C, ZAG	8



506.5 Platform Control Box - ANSI, CSA and CE Models with no Load Sense



Go to Discount-Equipment.com to order your parts

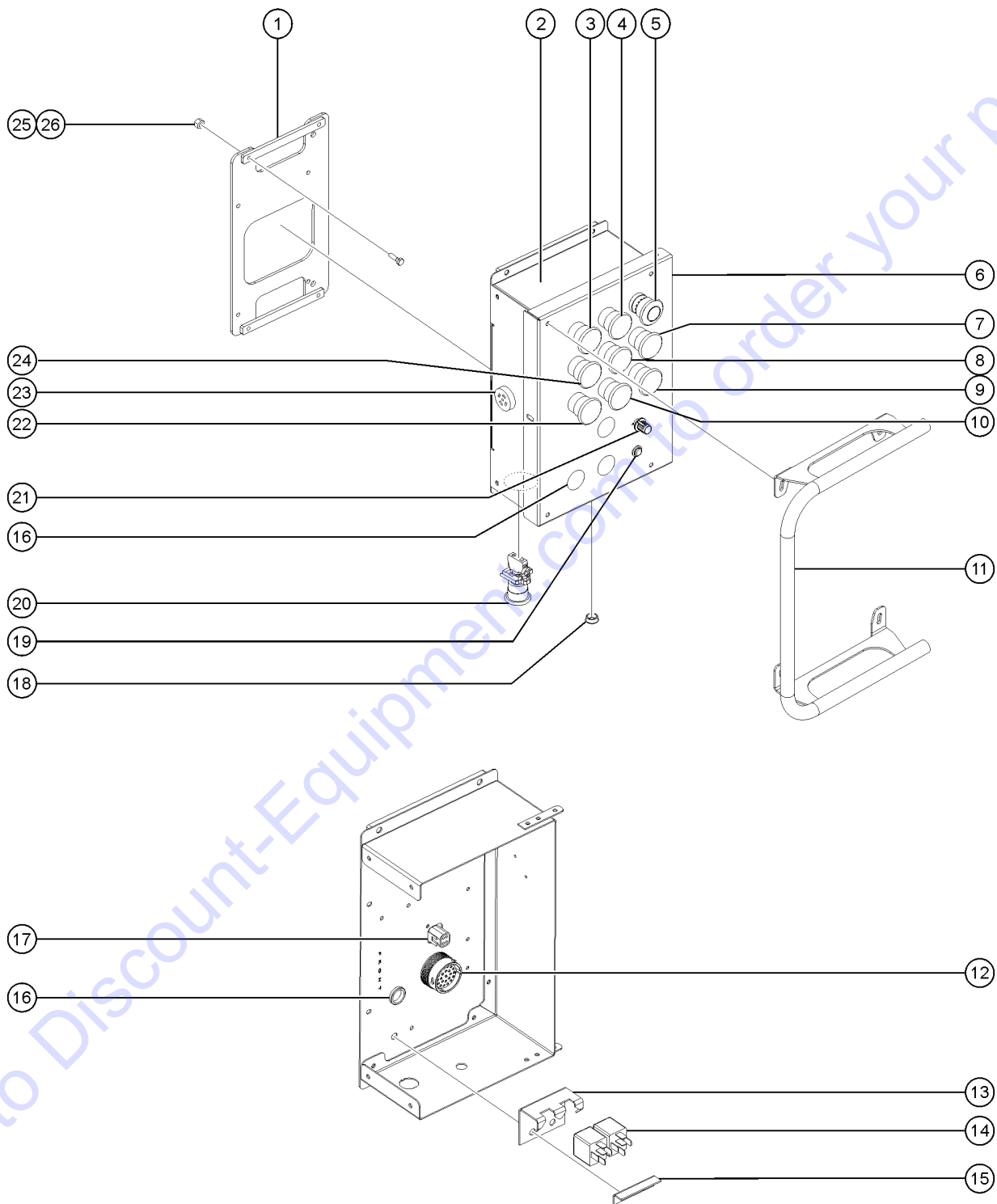
506.5 Platform Control Box - ANSI, CSA and CE Models with no Load Sense

<i>Item</i>	<i>Part No.</i>	<i>Description</i>	<i>Qty.</i>
25	824060GT	SCREW, HHC, 1/4-20 X 1, 8, ZAG	8

Go to Discount-Equipment.com to order your parts



506.6 Platform Control Box - ANSI, CSA and CE Models with Load Sense



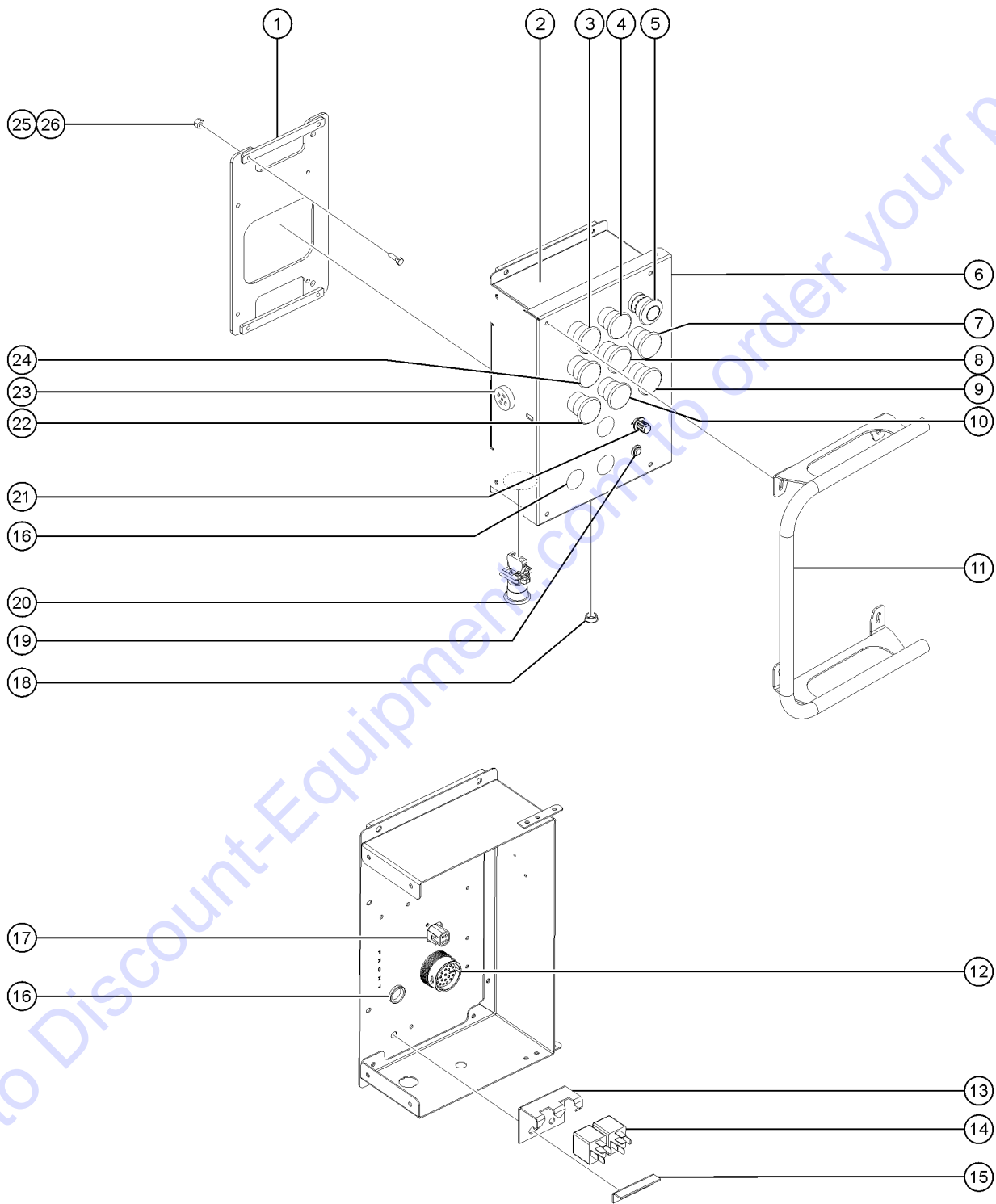
Go to Discount-Equipment.com to order your parts

506.6 Platform Control Box - ANSI, CSA and CE Models with Load Sense

Item	Part No.	Description	Qty.
-	1287091GT	CONTROL BOX, TZ34,UPPER,LOADSENSE (complete)	
-	1286186GT	CONTROL, LOAD SENSE (includes item 17A and 19A)	1
-	1287144GT	HARNESS, ADAPTER,TZ34,BOOM Required if replacing older Control Box Assy 104475GT or 87778GT	
1	1289557GT	KIT,TZ34 CONTROL BOX MOUNT ADAPTER (includes items 25 and 26)	1
2	1289869GT	CONTROL BOX,UPPER,METALTZ34 (includes items 6, 11, 13 and 15)	1
3	226320GT	ASM, BUTTON & BOOT, BLK	1
4	226320GT	ASM, BUTTON & BOOT, BLK	1
5	226322GT	ASM, E-STOP & BOOT	1
6	1274938GT	FORMING,TZ,UPR,CTRL,LID (part of item 2)	1
7	226320GT	ASM, BUTTON & BOOT, BLK	1
8	226320GT	ASM, BUTTON & BOOT, BLK	1
9	226320GT	ASM, BUTTON & BOOT, BLK	1
10	226320GT	ASM, BUTTON & BOOT, BLK	1
11	1275924GT	WELDMENT, UPPER CTRL BOX GUARD, TZ34 (part of item 2)	1
12	218696GT	CONNECTOR, RECEPTACLE, 23 WAY,	1
13	104706GT	FORMING, RELAY MOUNT TZ34 UPR (part of item 2)	1
14	56302GT	RELAY,24VDC,40/30A,SEALED***	2
15	104493GT	FORMING,RELAY HOLDER TZ34 LWR (part of item 2)	1
16	15243GT	PLUG,NYLON .875 BLACK DOMED	4
17	73723GT	CONN RECEPT,FLANGED	1
17B	99885GT	PLATE, PLUG COVER, 4 WAY	1
18	45384GT	PLUG,NYLON .50 BLACK DOMED	1
19	99088GT	LED,RED 24V FLASHING	1
19B	45384GT	PLUG,NYLON .50 BLACK DOMED	1
20	226320GT	ASM, BUTTON & BOOT, BLK	1
20A-	66815GT	BASE, W/1 N.O. CONTACTS***	
20B	15243GT	PLUG,NYLON .875 BLACK DOMED	1
21	104327GT	POTENTIOMETER ASSY 1-10K	1



506.6 Platform Control Box - ANSI, CSA and CE Models with Load Sense



Go to Discount-Equipment.com to order your parts

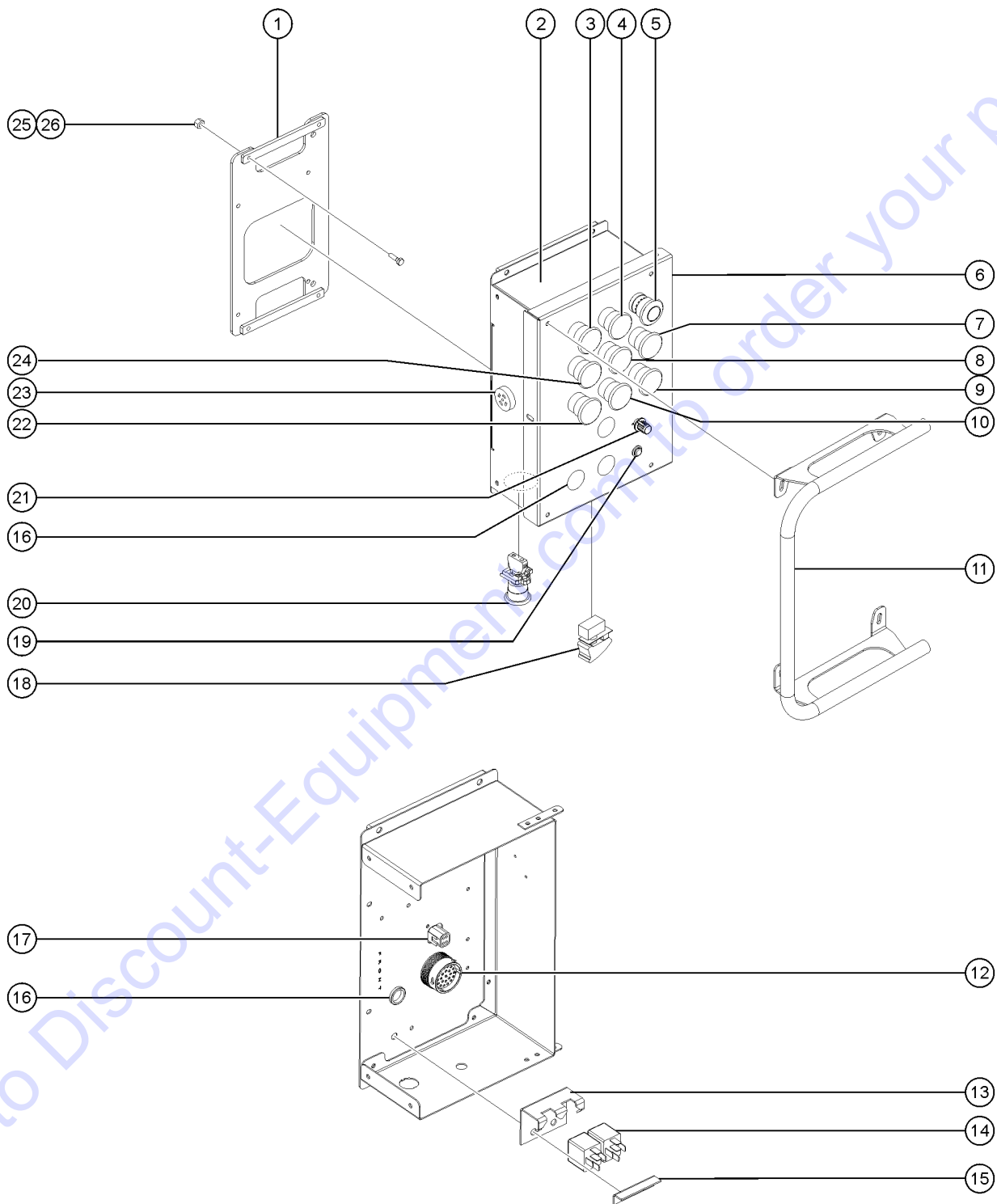
506.6 Platform Control Box - ANSI, CSA and CE Models with Load Sense

<i>Item</i>	<i>Part No.</i>	<i>Description</i>	<i>Qty.</i>
22	226320GT	ASM, BUTTON & BOOT, BLK	1
23	45383GT	ALARM,WARBLE TONE 5-30 VDC***	1
24	226320GT	ASM, BUTTON & BOOT, BLK	1
25	1274165GT	NUT,NYLOCK,1/4-20,C,ZAG	8
26	824060GT	SCREW, HHC, 1/4-20 X 1, 8, ZAG	8

Go to Discount-Equipment.com to order your parts



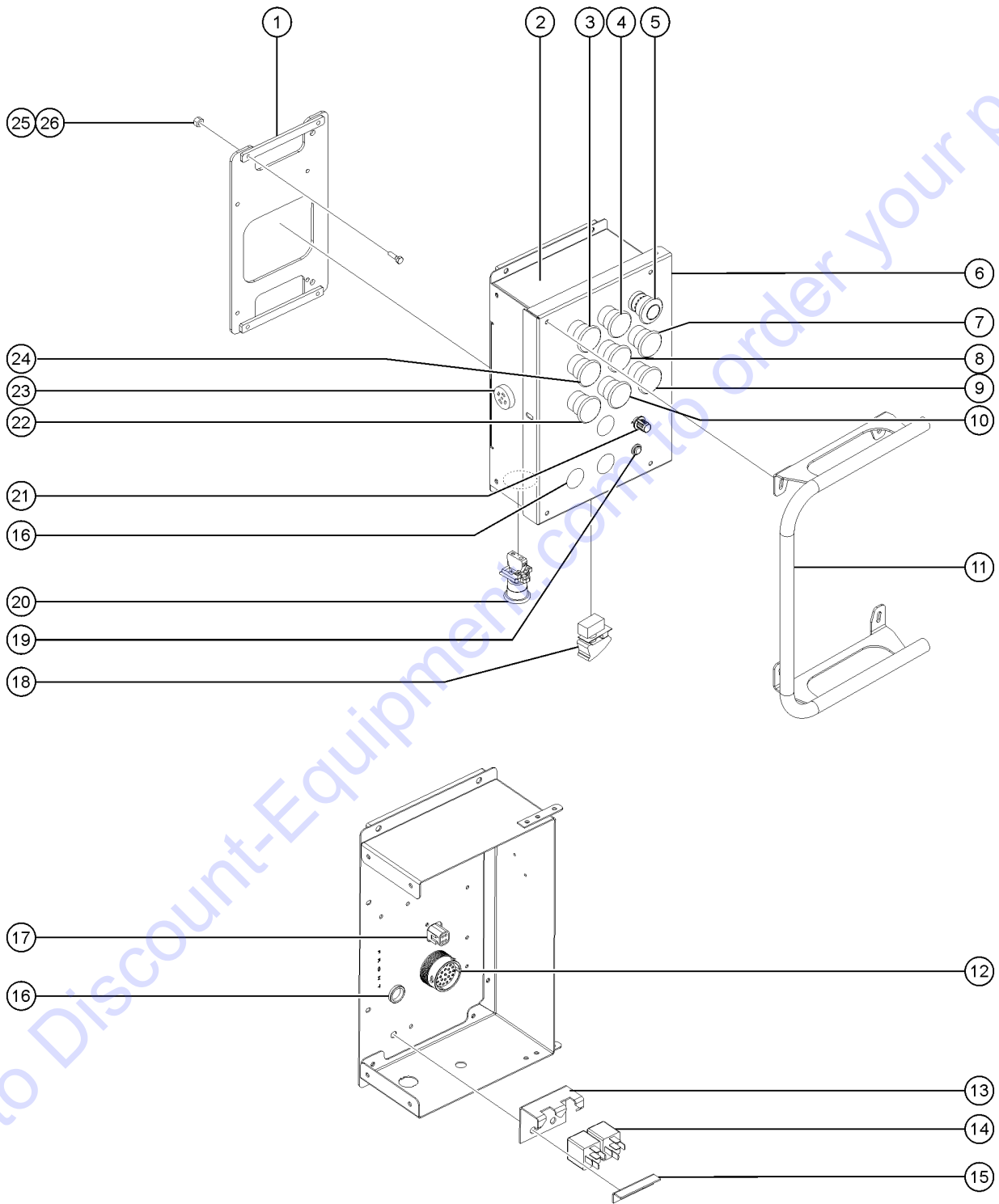
506.7 Platform Control Box - Australia Models



Go to Discount-Equipment.com.au to order your parts

Item	Part No.	Description	Qty.
-	1287092GT	CONTROL BOX, TZ34,UPPER,LOAD RECOVER (complete)	
-	1287144GT	HARNESS, ADAPTER, TZ34,BOOM Required if replacing older Control Box Assy 104475GT or 87778GT	
-	1286186GT	CONTROL, LOAD SENSE (includes item 17A and 19A)	1
1	1289557GT	KIT, TZ34 CONTROL BOX MOUNT ADAPTER (includes items 25 and 26)	1
2	1289869GT	CONTROL BOX,UPPER,METALTZ34 (includes items 6, 11, 13 and 15)	1
3	226320GT	ASM, BUTTON & BOOT, BLK	1
4	226320GT	ASM, BUTTON & BOOT, BLK	1
5	226322GT	ASM, E-STOP & BOOT	1
6	1274938GT	FORMING,TZ,UPR,CTRL,LID (part of item 2)	1
7	226320GT	ASM, BUTTON & BOOT, BLK	1
8	226320GT	ASM, BUTTON & BOOT, BLK	1
9	226320GT	ASM, BUTTON & BOOT, BLK	1
10	226320GT	ASM, BUTTON & BOOT, BLK	1
11	1275924GT	WELDMENT, UPPER CTRL BOX GUARD, TZ34 (part of item 2)	1
12	218696GT	CONNECTOR, RECEPTACLE, 23 WAY,	1
13	104706GT	FORMING, RELAY MOUNT TZ34 UPR (part of item 2)	1
14	56302GT	RELAY,24VDC,40/30A,SEALED***	2
15	104493GT	FORMING,RELAY HOLDER TZ34 LWR (part of item 2)	1
16	15243GT	PLUG,NYLON .875 BLACK DOMED	4
17	73723GT	CONN RECEPT,FLANGED	1
17B	99885GT	PLATE, PLUG COVER, 4 WAY	1
18	1278692GT	CONTROL,BUMP LOAD RECOVERY	1
19	99088GT	LED,RED 24V FLASHING	1
19B	45384GT	PLUG,NYLON .50 BLACK DOMED	1
20	226320GT	ASM, BUTTON & BOOT, BLK	1
20-	66815GT	BASE, W/1 N.O. CONTACTS***	
21	104327GT	POTENTIOMETER ASSY 1-10K	1
22	226320GT	ASM, BUTTON & BOOT, BLK	1

506.7 Platform Control Box - Australia Models



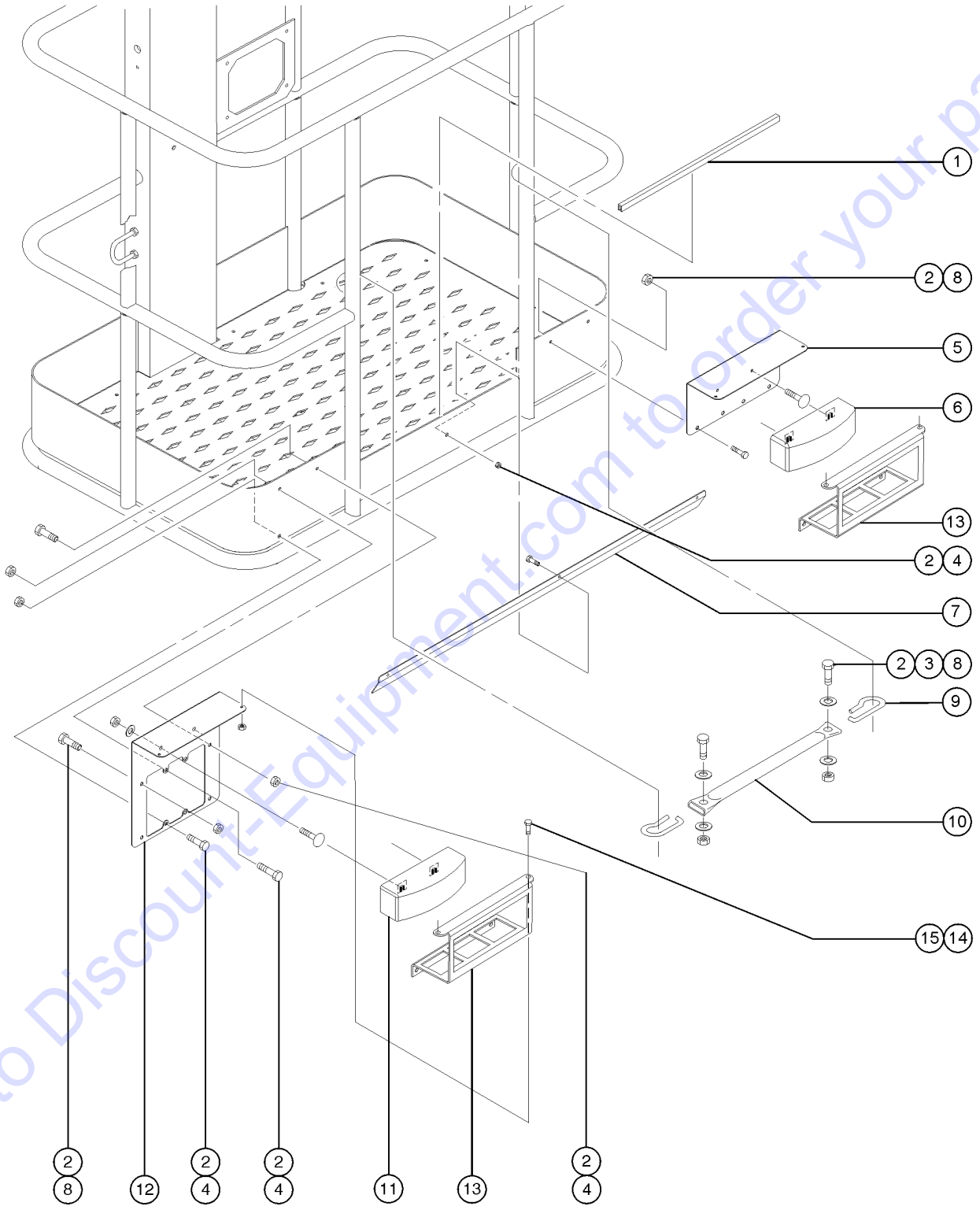
506.7 Platform Control Box - Australia Models

<i>Item</i>	<i>Part No.</i>	<i>Description</i>	<i>Qty.</i>
23	45383GT	ALARM,WARBLE TONE 5-30 VDC***	1
24	226320GT	ASM, BUTTON & BOOT, BLK	1
25	1274165GT	NUT,NYLOCK,1/4-20,C,ZAG	8
26	824060GT	SCREW, HHC, 1/4-20 X 1, 8, ZAG	8

Go to Discount-Equipment.com to order your parts



507.1 Platform Components - ANSI and CSA Models



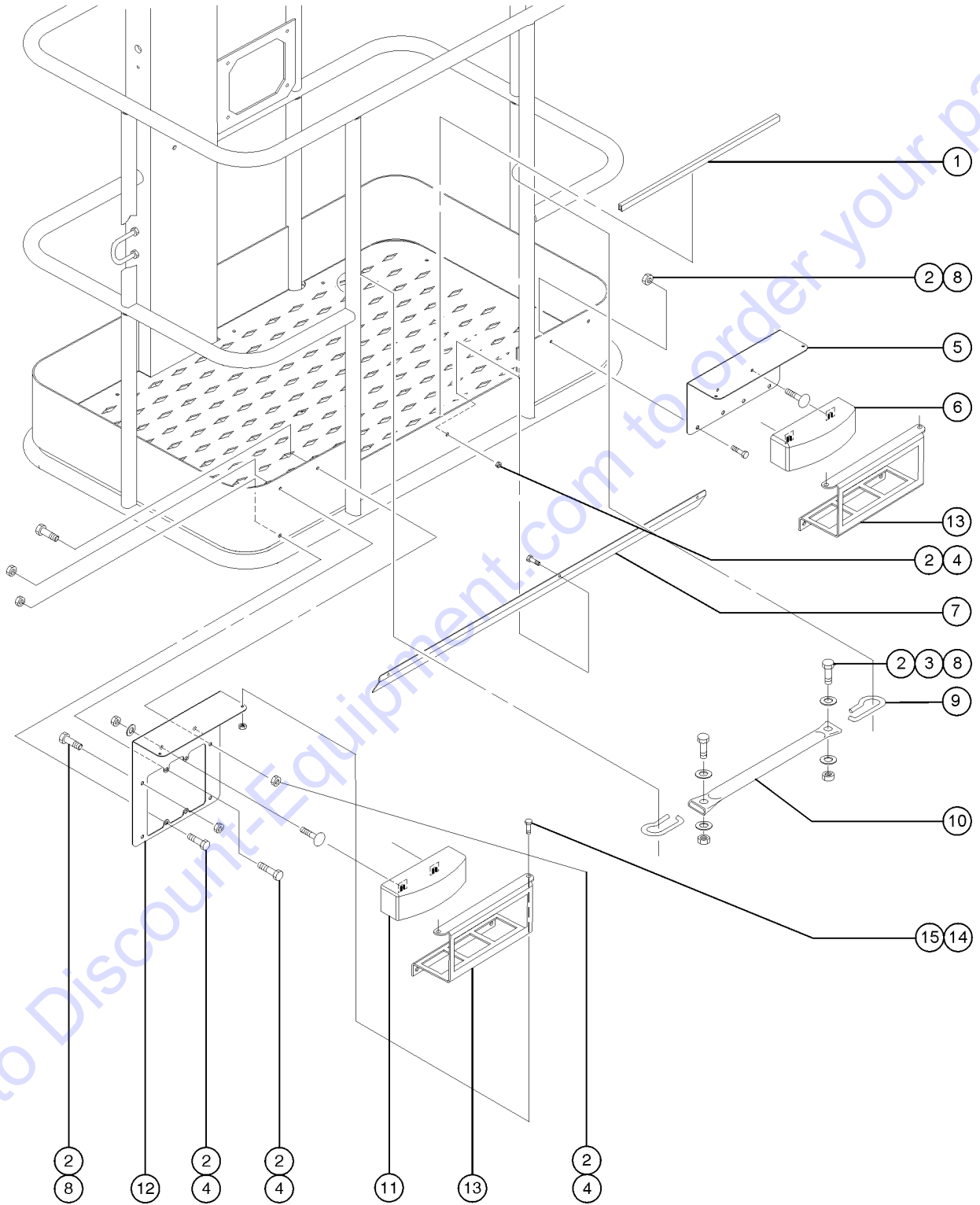
507.1 Platform Components - ANSI and CSA Models

Item	Part No.	Description	Qty.
1	76414GT	TRIMLOCK,BLACK,1/4"	24
2	6091GT	NUT,NYLOCK,1/4-20	
3	6638GT	WASHER,FLAT,USS,1/4"Y	
4	6090GT	SCREW,HHC,1/4-20 X .75	
5	104348GT	FORMING,TAIL LIGHT,RT***	1
6	105307GT	TAILLIGHT,RIGHT W/HARDWARE*** includes hardware	1
7	87969GT	FORMING,LIGHT CABLE COVER	1
8	6888GT	SCREW,HHC,1/4-20 X 1	
9	41292GT	MID-RAIL GUIDE WITH LOOM	1
10	40712GT	TUBE,STD.SLIDING MIDRAIL-16.75	1
11	105306GT	TAILLIGHT,LEFT W/HARDWARE*** includes hardware	1
12	104347GT	FORMING,TAIL LIGHT,LT***	1
13A	105287GT	FORMING, TAIL LIGHT COVER	2
13B	105300GT	KIT, TAIL LIGHT COVER (contains 105287, instructions and 4 rivets)	
14	49819GT	SCREW,PHILLIPS,PHM,10-32 X .5	2
15	6178GT	NUT, NYLOCK, 10-32	2

Go to Discount-Equipment.com to order your parts



507.2 Platform Components - ANSI and CSA Models



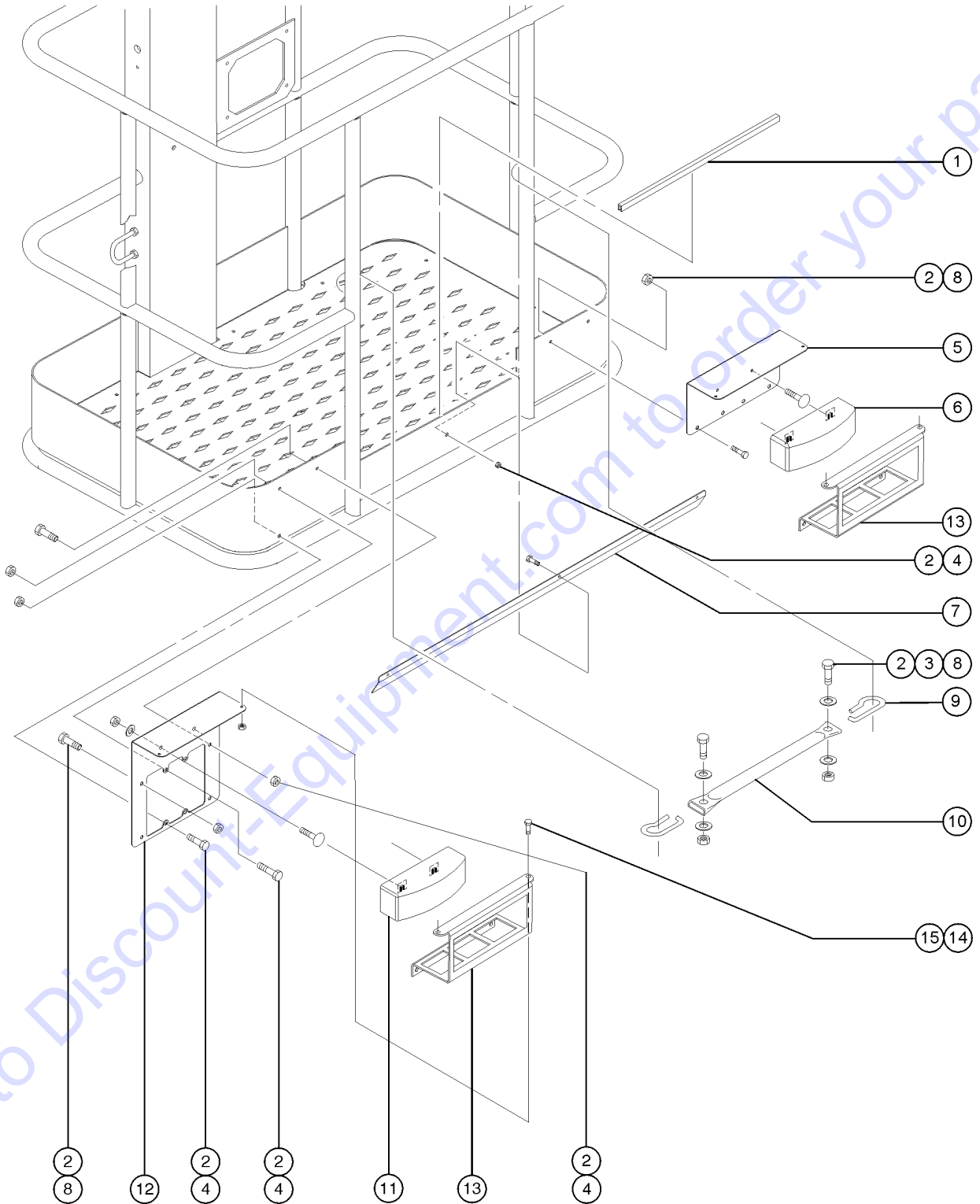
507.2 Platform Components - ANSI and CSA Models

Item	Part No.	Description	Qty.
1	76414GT	TRIMLOCK,BLACK,1/4"	24
2	6091GT	NUT,NYLOCK,1/4-20	
3	6638GT	WASHER,FLAT,USS,1/4"Y	
4	6090GT	SCREW,HHC,1/4-20 X .75	
5	104348GT	FORMING,TAIL LIGHT,RT***	1
6	105307GT	TAILLIGHT,RIGHT W/HARDWARE*** includes hardware	1
7	87969GT	FORMING,LIGHT CABLE COVER	1
8	6888GT	SCREW,HHC,1/4-20 X 1	
9	41292GT	MID-RAIL GUIDE WITH LOOM	1
10	40712GT	TUBE,STD.SLIDING MIDRAIL-16.75	1
11	105306GT	TAILLIGHT,LEFT W/HARDWARE*** includes hardware	1
12	104347GT	FORMING,TAIL LIGHT,LT***	1
13A	105287GT	FORMING, TAIL LIGHT COVER	2
14	49819GT	SCREW,PHILLIPS,PHM,10-32 X .5	2
15	6178GT	NUT, NYLOCK, 10-32	2

Go to Discount-Equipment.com to order your parts



507.3 Platform Components - ANSI and CSA Models



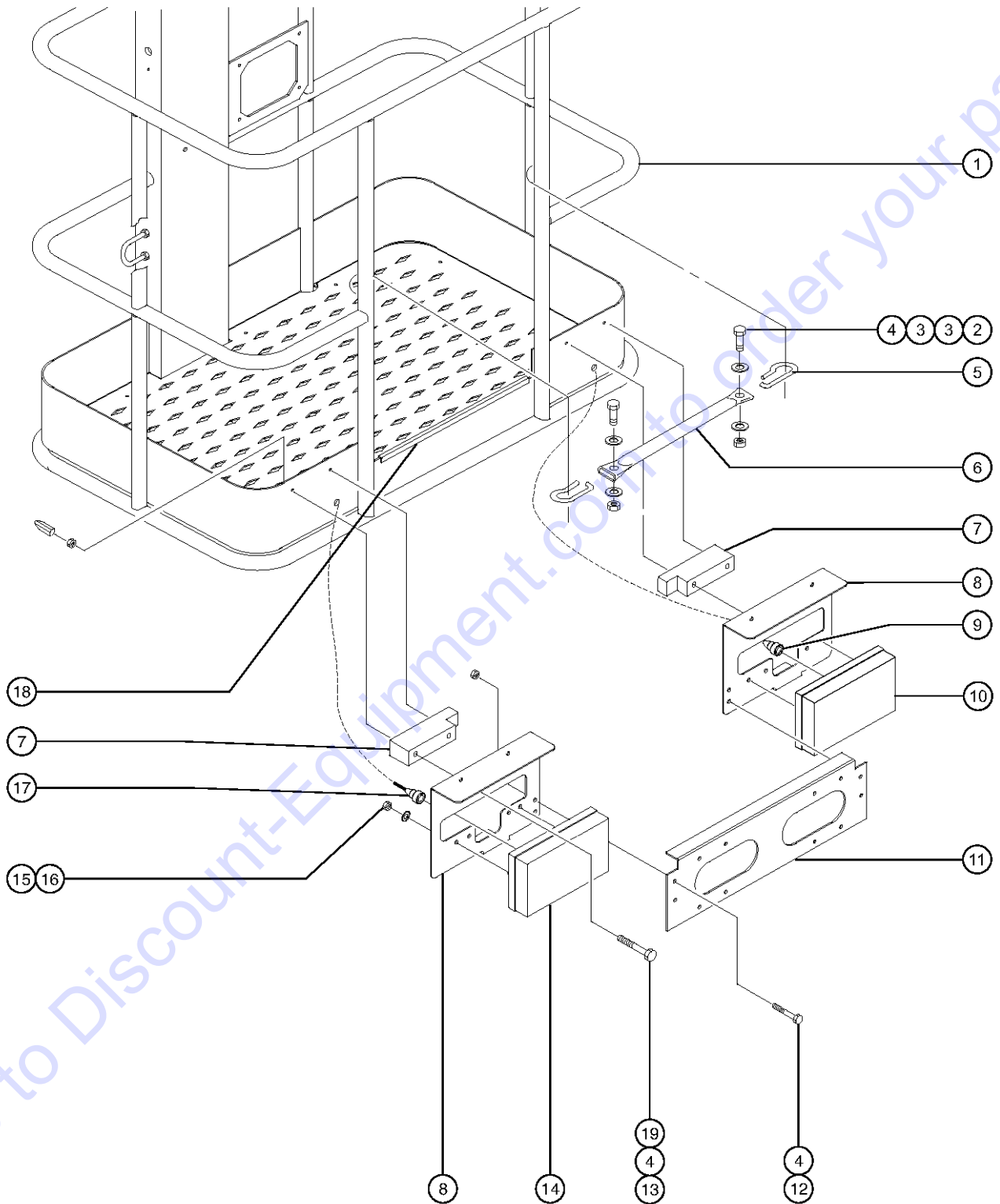
507.3 Platform Components - ANSI and CSA Models

Item	Part No.	Description	Qty.
1	76414GT	TRIMLOCK,BLACK,1/4"	24
2	824024GT	NUT,TL,1/4-20,C,ZAG	
3	6638GT	WASHER,FLAT,USS,1/4"Y	
4	824059GT	SCREW,HHC,1/4-20X.75,8,ZAG	
5	104348GT	FORMING,TAIL LIGHT,RT***	1
6A	105307GT	TAILLIGHT,RIGHT W/HARDWARE*** to SN TZ3415-1258	1
6B	129083GT	TAILLIGHT,LED, RIGHT W/HARDWARE*** from SN TZ3415-1259	1
7	87969GT	FORMING,LIGHT CABLE COVER	1
8	824060GT	SCREW, HHC, 1/4-20 X 1, 8, ZAG	
9	41292GT	MID-RAIL GUIDE WITH LOOM	1
10	40712GT	TUBE,STD.SLIDING MIDRAIL-16.75	1
11A	105306GT	TAILLIGHT,LEFT W/HARDWARE*** to SN TZ3415-1258	1
11B	129082GT	TAILLIGHT,LED, LEFT W/HARDWARE*** from SN TZ3415-1259	1
12	104347GT	FORMING,TAIL LIGHT,LT***	1
13A	105287GT	FORMING, TAIL LIGHT COVER	2
14	49819GT	SCREW,PHILLIPS,PHM,10-32 X .5	2
15	6178GT	NUT, NYLOCK, 10-32	2

Go to Discount-Equipment.com to order your parts



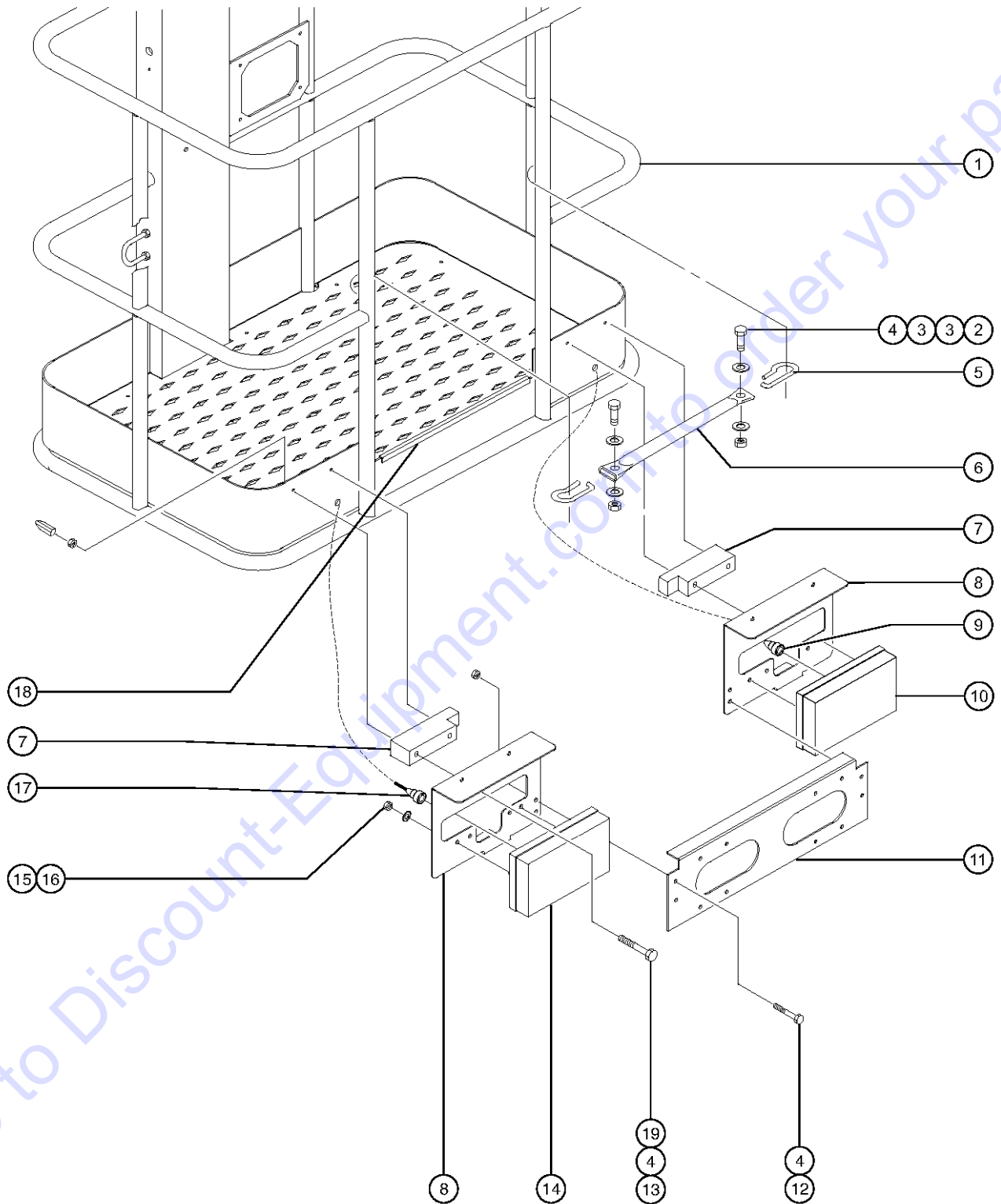
508.2 Platform Components - CE Models



Go to Discount-Equipment.com to order your parts

Item	Part No.	Description	Qty.
1		Ref. Platform Assembly (refer to 501.1, 502.1, 503.1 or 504.1)	
2	6090GT	SCREW,HHC,1/4-20 X .75	
3	6638GT	WASHER,FLAT,USS,1/4"Y	
4	6091GT	NUT,NYLOCK,1/4-20	
5	41292GT	MID-RAIL GUIDE WITH LOOM	2
6	40712GT	TUBE,STD.SLIDING MIDRAIL-16.75	1
7	99432GT	SPACER,CE TAIL LIGHT***	2
8	99147GT	BRACKET,CE TAIL LIGHT	2
9		Ref. Wire Harness Assembly (refer to 212.1)	
10	229165GT	LIGHT, COMBO, RIGHT, CE	1
10-	76055GT	LENS,TAILLIGHT RIGHT	
10-	65397GT	BULB,TAILLIGHT,(55083,55090)	
10-	76056GT	BULB,TAILLIGHT,STOP/RUN	
11	129071GT	FORMING,BRACKET,CE LICENSE (replaced 99149)	1
12	7339GT	SCREW,HHC,1/4-20 X .5	
13	36294GT	SCREW,HHC,1/4-20 X 2.75	
14	229166GT	LIGHT, COMBO, LEFT, CE	1
14-	76054GT	LENS,TAILLIGHT LEFT	
14-	65397GT	BULB,TAILLIGHT,(55083,55090)	
14-	76056GT	BULB,TAILLIGHT,STOP/RUN	
15	55017GT	NUT,HEX, M6	
16	49407GT	WASHER,LOCK,M6	
17		Ref. Wire Harness Assembly (refer to 212.1)	
18	76414GT	TRIMLOCK,BLACK,1/4"	24
19	76744GT	CAP,VINYL .224ID X .5	4

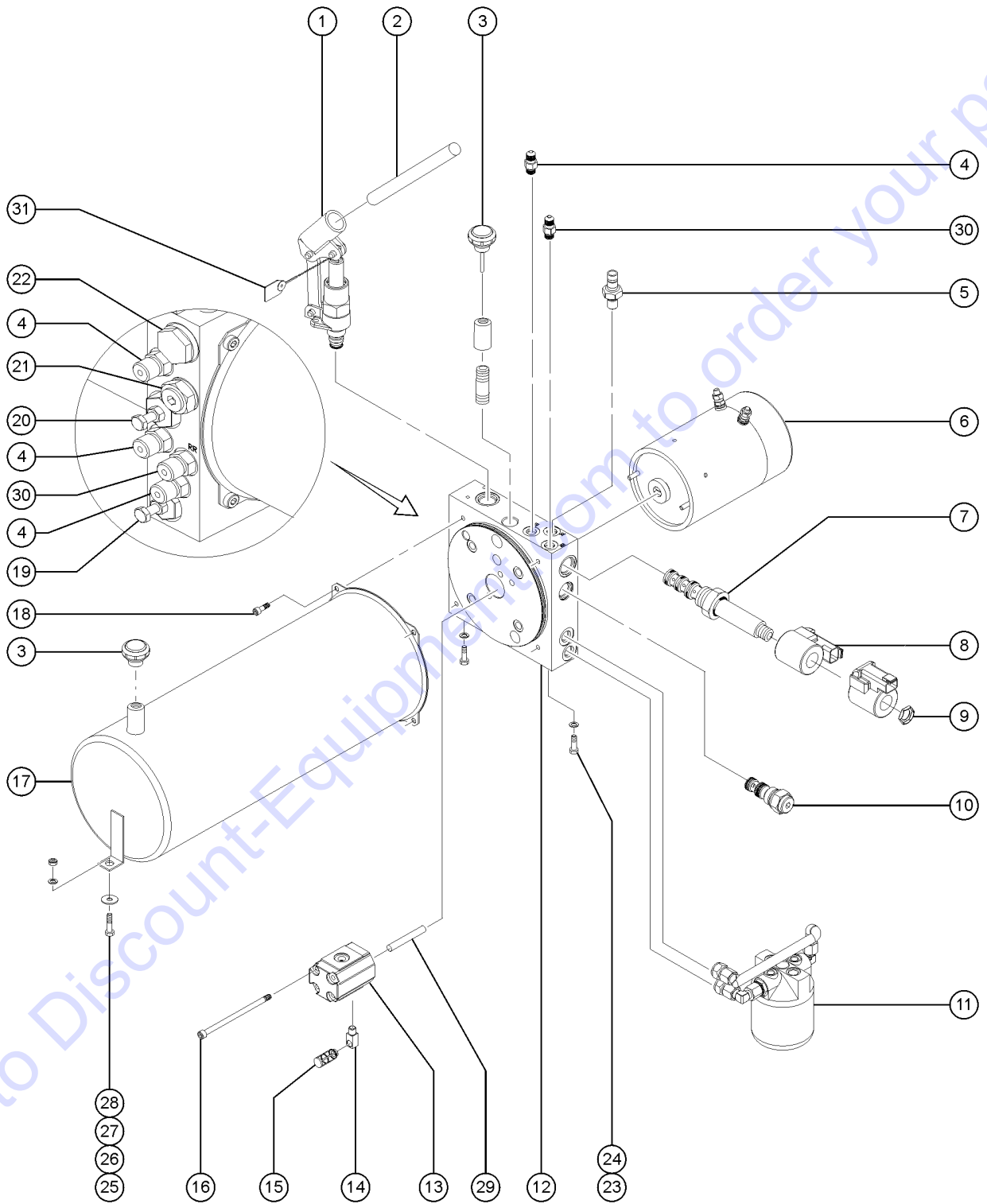
508.3 Platform Components - CE Models



Go to Discount-Equipment.com to order your parts

Item	Part No.	Description	Qty.
1		Ref. Platform Assembly (refer to 501.1, 502.1, 503.1 or 504.1)	
2	824059GT	SCREW,HHC,1/4-20X.75,8,ZAG	
3	6638GT	WASHER,FLAT,USS,1/4"Y	
4	6091GT	NUT,NYLOCK,1/4-20	
5	41292GT	MID-RAIL GUIDE WITH LOOM	2
6	40712GT	TUBE,STD.SLIDING MIDRAIL-16.75	1
7	99432GT	SPACER,CE TAIL LIGHT***	2
8	99147GT	BRACKET,CE TAIL LIGHT	2
9		Ref. Wire Harness Assembly (refer to 212.1)	
10	229165GT	LIGHT, COMBO, RIGHT, CE (replaced 67956)	1
10-	76055GT	LENS,TAILLIGHT RIGHT	
10-	65397GT	BULB,TAILLIGHT,(55083,55090)	
10-	76056GT	BULB,TAILLIGHT,STOP/RUN	
11	129071GT	FORMING,BRACKET,CE LICENSE (replaced 99149)	1
12	7339GT	SCREW,HHC,1/4-20 X .5	
13	36294GT	SCREW,HHC,1/4-20 X 2.75	
14	229166GT	LIGHT, COMBO, LEFT, CE (replaced 67957)	1
14-	76054GT	LENS,TAILLIGHT LEFT	
14-	65397GT	BULB,TAILLIGHT,(55083,55090)	
14-	76056GT	BULB,TAILLIGHT,STOP/RUN	
15	55017GT	NUT,HEX, M6	
16	49407GT	WASHER,LOCK,M6	
17		Ref. Wire Harness Assembly (refer to 212.1)	
18	76414GT	TRIMLOCK,BLACK,1/4"	24
19	76744GT	CAP,VINYL .224ID X .5	4

601.1 Hydraulic Power Unit (2003 through 2006)

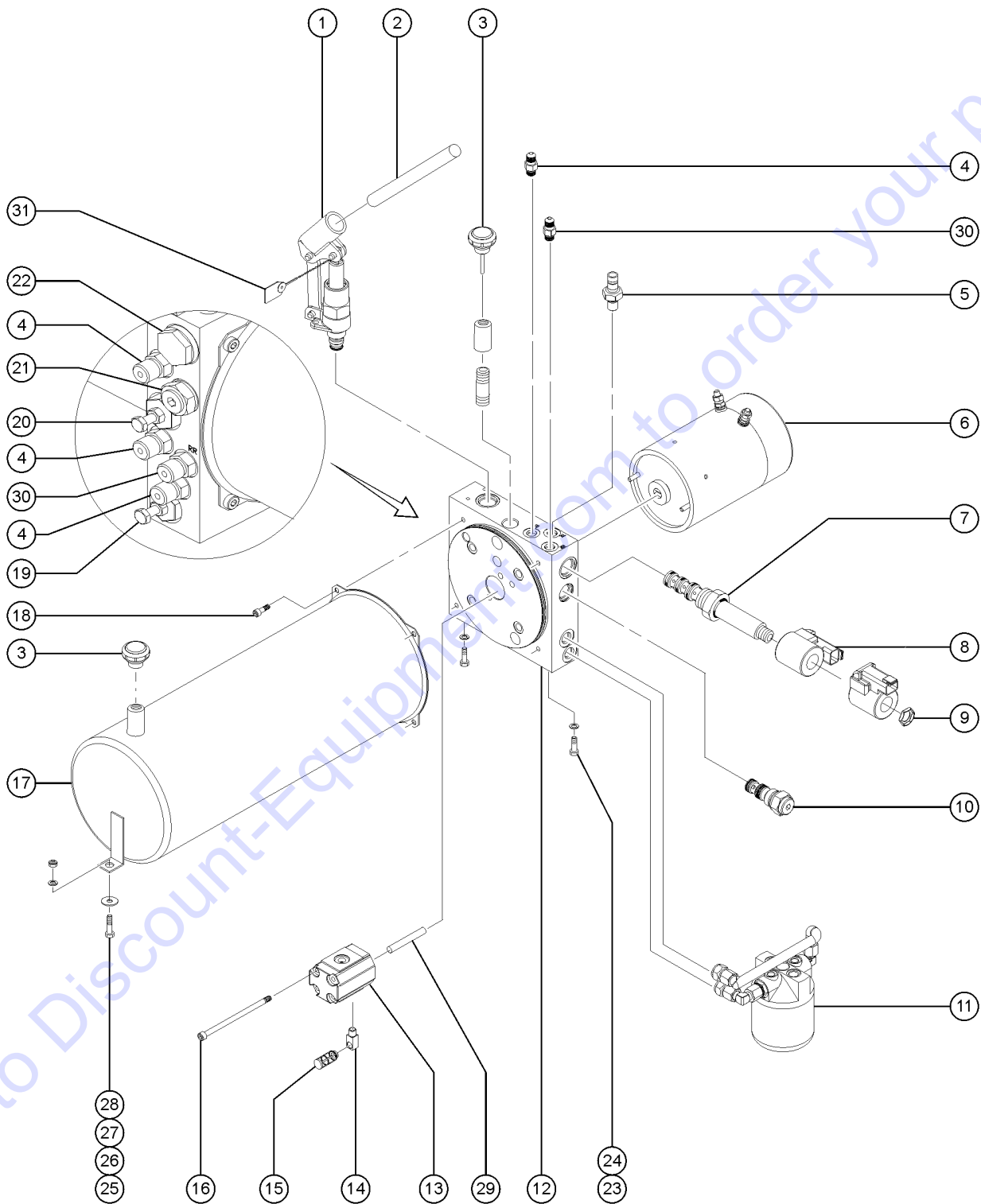


Go to Discount-Equipment.com to order your parts

601.1 Hydraulic Power Unit (2003 through 2006)

Item	Part No.	Description	Qty.
	124089GT	SVC KIT, TZ34 POWER UNIT (to SN TZ3407-483) (requires counterbalance valve kit 826887)	1
1	84337GT	HAND PUMP, TZ-34	1
2	105412GT	TUBE, RD, STL, .840 X .10 X 23.0	1
3	84349GT	BREATHER CAPW/CHECK VALVE, TZ34	2
4	84345GT	ADAPTER, SAE4XSAE4MFS, TZ34	4
5	84350GT	NIPPLE, DIAGNOSTIC, TZ34	1
6	84338GT	DC MOTOR, 3KW-TZ34	1
7A	84339GT	SOLENOID VALVE, 4WAY, TZ34 (to SN TZ3412-288)	1
7A-	84427GT	SEAL KIT, SOLENOID VALVE, 4 POS*	
8	87456GT	COIL, 24VDC, DEUTZ CONN, SOLE	2
9	84341GT	COIL, NUT M18-1.5, TZ34	1
10	84351GT	VALVE, CHECK RP08A-01-C-N-15-3	1
10-	84428GT	SEAL KIT, HYDAC VALVES(84351)	
11	84342GT	FILTER HEAD, TZ34 ***	1
11-	84356GT	FILTER ELEMENT, TZ34	
11-	84357GT	FILTER TUBE ASSY KIT, (84342)	
12	84344GT	FLANGE, POWER UNIT, TZ34 empty manifold block only, valves and seals ordered separately	1
12-	84358GT	O-RING (FLANGE 84344), TZ34	
13A	124089GT	SVC KIT, TZ34 POWER UNIT to SN TZ3407-483; service kit required for pump replacement	1
14	84353GT	SUCTION LINE, POWER UNIT, TZ34	1
15	84354GT	SUCTION FILTER, POWER UNIT, TZ34	1
16	84355GT	PUMP FASTENERS, POWER UNIT, TZ34	2
17	124084GT	RESERVIOR, 630LX160RD	1
18	84343GT	RESERVOIR FASTENERS	4
19	84346GT	RELIEF VALVE, DB4, TZ-34***	1
19-	84431GT	O-RING, RELIEF VALVE (84326)*	
20	84346GT	RELIEF VALVE, DB4, TZ-34***	1
20-	84431GT	O-RING, RELIEF VALVE (84326)*	

601.1 Hydraulic Power Unit (2003 through 2006)



Go to Discount-Equipment.com to order your parts

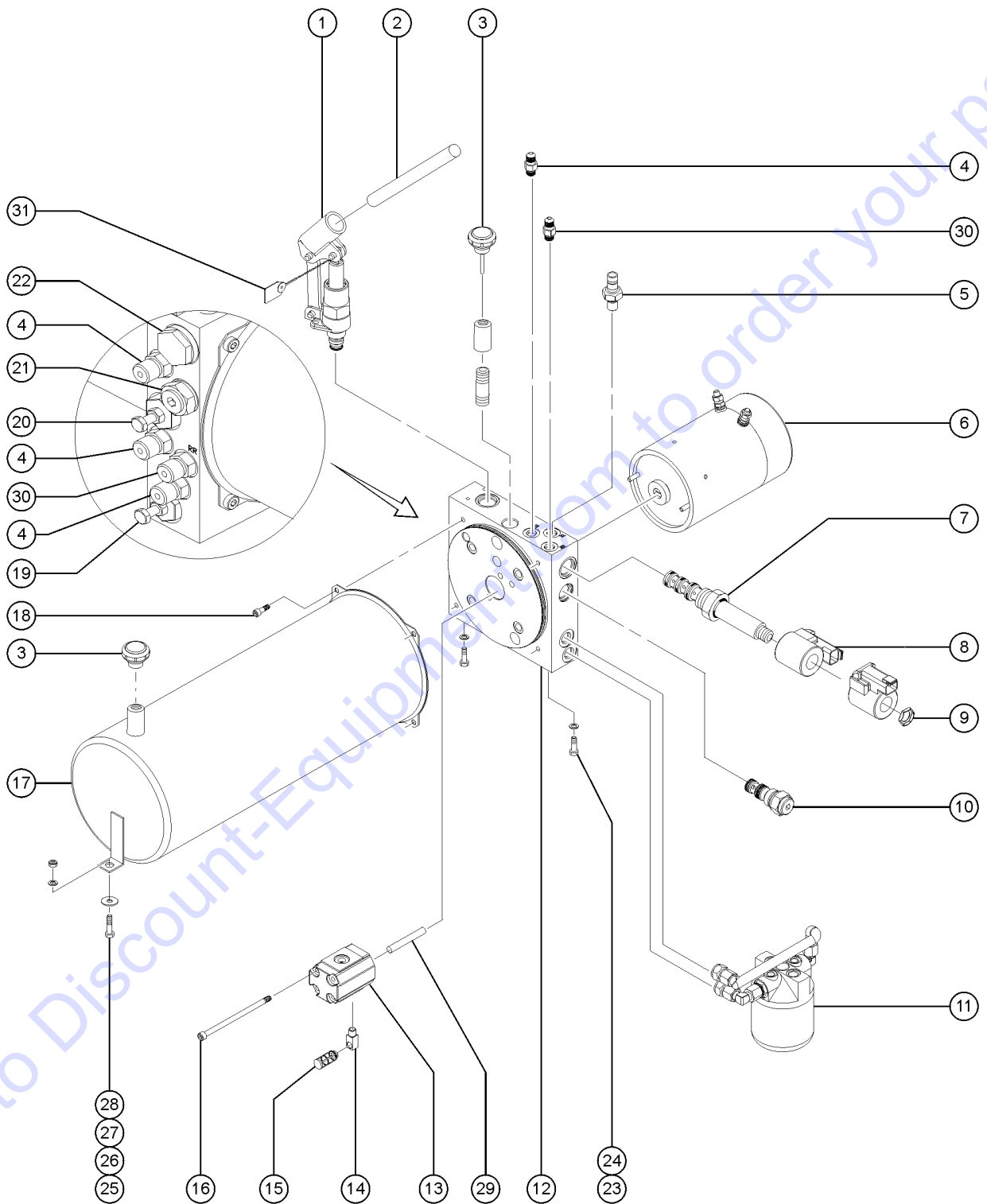
601.1 Hydraulic Power Unit (2003 through 2006)

Item	Part No.	Description	Qty.
21	84347GT	VALVE,CHECK,RV08A-01-C-N-05	5
21-	84436GT	SEAL KIT,CHECK VALVE (84347)	
22	84348GT	SIGHT GLAS, POWER UNIT,TZ34	1
23	10107GT	SCREW,HHC,5/16-18 X .75	1
24	49408GT	WASHER,LOCK,M8	1
25	6888GT	SCREW,HHC,1/4-20 X 1	1
26	228725GT	WASHER	1
27	6356GT	WASHER,LOCK,.25	1
28	6091GT	NUT,NYLOCK,1/4-20	1
29	58430GT	SHAFT,TZ34/20	1
		for 124100	
30A	84345GT	ADAPTER,SAE4XSAE4MFS,TZ34	
		(to SN TZ3412-298)	

Go to Discount-Equipment.com to order your parts



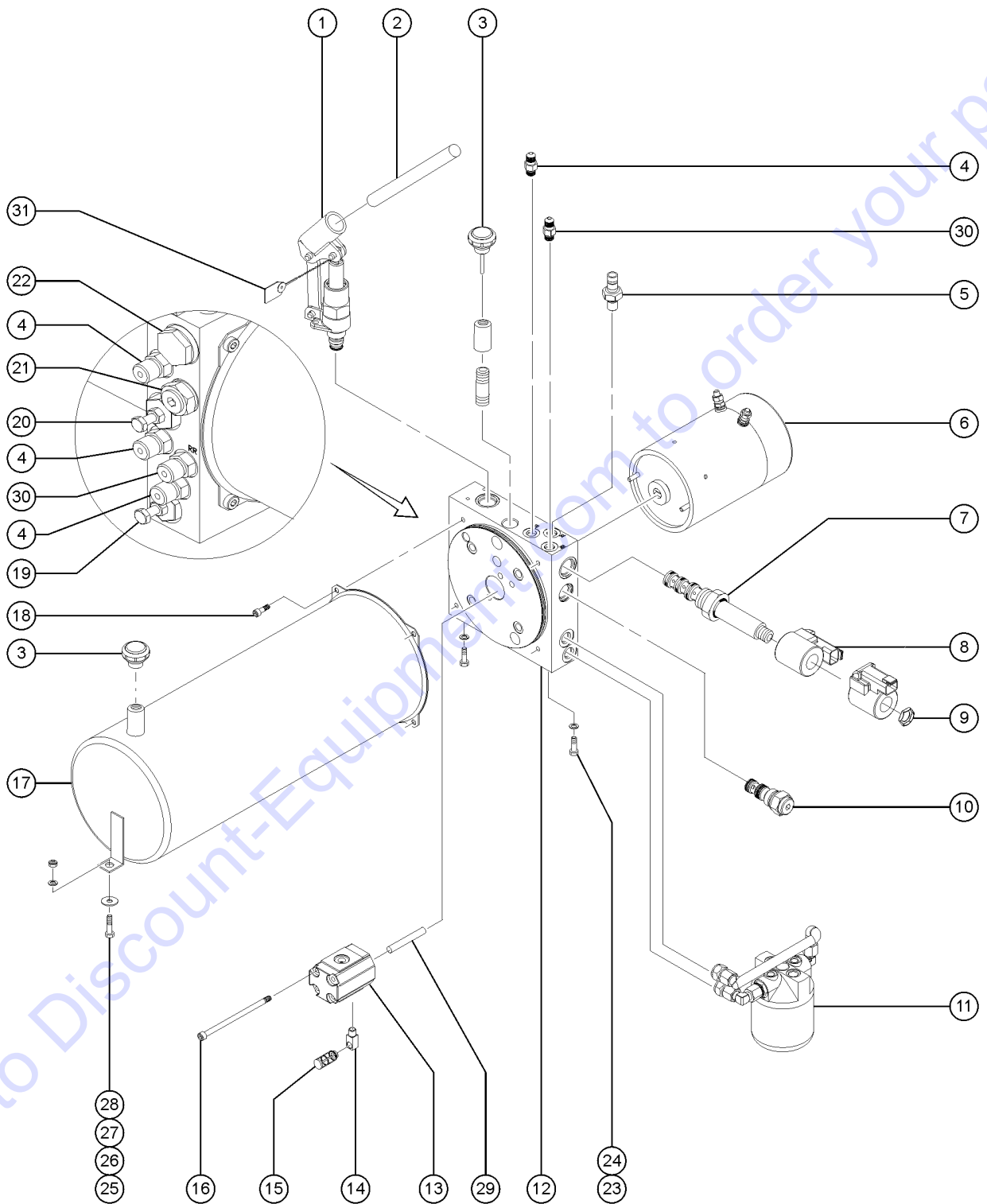
601.2 Hydraulic Power Unit (2007)



Go to Discount-Equipment.com to order your parts

Item	Part No.	Description	Qty.
	124089GT	SVC KIT, TZ34 POWER UNIT (to SN TZ3407-483) (requires counterbalance valve kit 826887)	
	219216GT	POWER UNIT, 24 VDC (from SN TZ3407-484) (replaced 124083, requires dual counterbalance valve kit 826887)	
1	84337GT	HAND PUMP,TZ-34	1
2	105412GT	TUBE,RD,STL,.840 X .10 X 23.0	1
3	84349GT	BREATHER CAPW/CHECK VALVE,TZ34	2
4	84345GT	ADAPTER,SAE4XSAE4MFS,TZ34	4
5	84350GT	NIPPLE,DIAGNOSTIC,TZ34	1
6	84338GT	DC MOTOR, 3KW-TZ34	1
7A	84339GT	SOLENOID VALVE,4WAY,TZ34 (to SN TZ3412-288)	1
7A-	84427GT	SEAL KIT,SOLENOID VALVE,4 POS*	
8	87456GT	COIL,24VDC, DEUTZ CONN,SOLE	2
9	84341GT	COIL,NUT M18-1.5,TZ34	1
10	84351GT	VALVE, CHECK RP08A-01-C-N-15-3	1
10-	84428GT	SEAL KIT,HYDAC VALVES(84351)	
11	84342GT	FILTER HEAD, TZ34 ***	1
11-	84356GT	FILTER ELEMENT,TZ34	
11-	84357GT	FILTER TUBE ASSY KIT,(84342)	
12	84344GT	FLANGE,POWER UNIT,TZ34 empty manifold block only, valves and seals ordered separately	1
12-	84358GT	O-RING (FLANGE 84344),TZ34	
13A	124089GT	SVC KIT, TZ34 POWER UNIT to SN TZ3407-483; service kit required for pump replacement	
13B	124100GT	PUMP,1.66CC,HYDAC from SN TZ3407-484	1
14	84353GT	SUCTION LINE,POWER UNIT,TZ34	1
15	84354GT	SUCTION FILTER,POWER UNIT,TZ34	1
16	84355GT	PUMP FASTENERS,POWER UNIT,TZ34	2
17	124084GT	RESERVIOR, 630LX160RD	1
18	84343GT	RESERVOIR FASTENERS	4
19	84346GT	RELIEF VALVE,DB4,TZ-34***	1
19-	84431GT	O-RING,RELIEF VALVE (84326)*	

601.2 Hydraulic Power Unit (2007)



Go to Discount-Equipment.com to order your parts

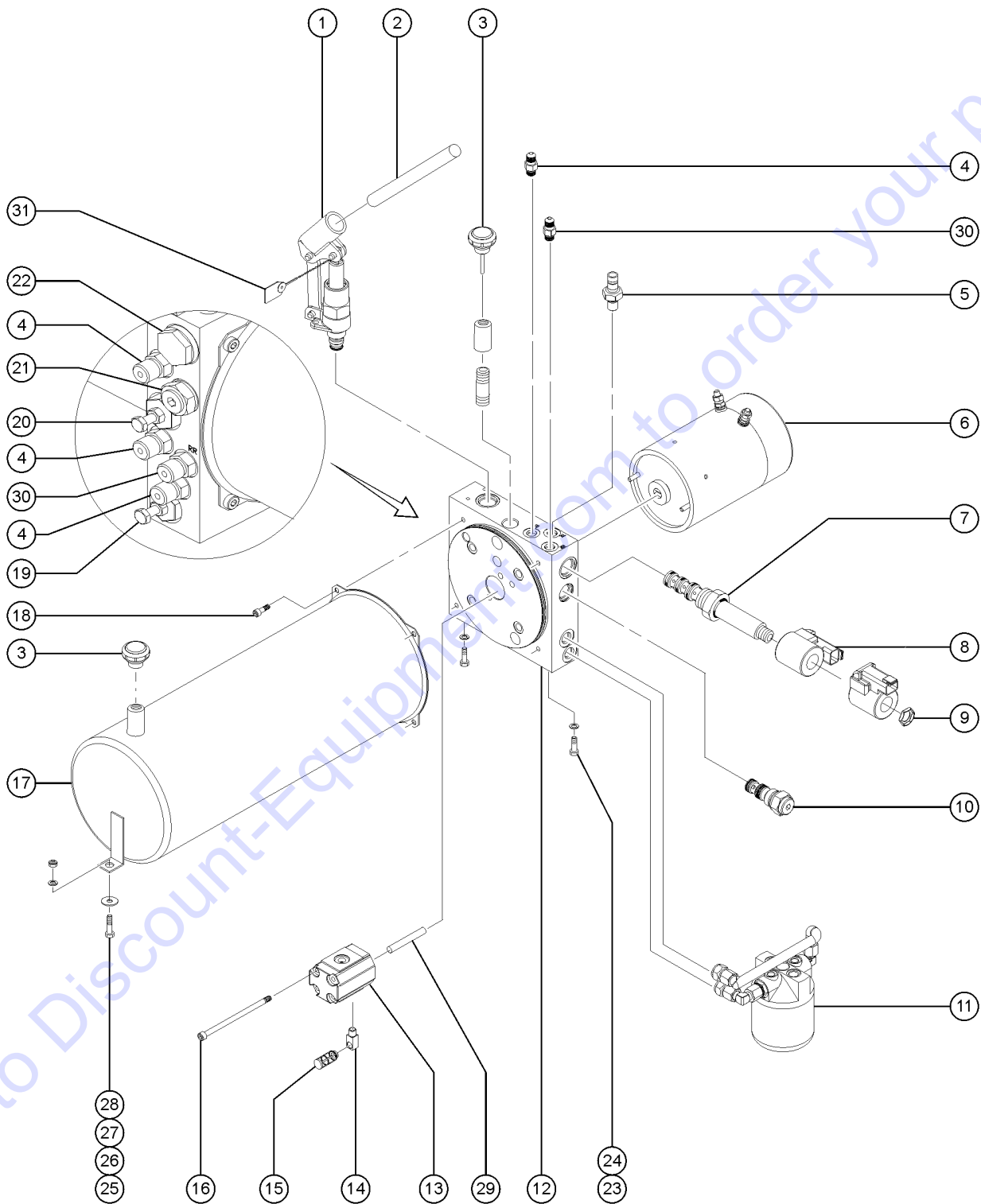
Item	Part No.	Description	Qty.
20	84346GT	RELIEF VALVE,DB4,TZ-34***	1
20-	84431GT	O-RING,RELIEF VALVE (84326)*	
21	84347GT	VALVE,CHECK,RV08A-01-C-N-05	5
21-	84436GT	SEAL KIT,CHECK VALVE (84347)	
22	84348GT	SIGHT GLAS, POWER UNIT,TZ34	1
23	10107GT	SCREW,HHC,5/16-18 X .75	1
24	49408GT	WASHER,LOCK,M8	1
25	6888GT	SCREW,HHC,1/4-20 X 1	1
26	228725GT	WASHER	1
27	6356GT	WASHER,LOCK,.25	1
28	6091GT	NUT,NYLOCK,1/4-20	1
29	58430GT	SHAFT,TZ34/20 for 124100	1
30A	84345GT	ADAPTER,SAE4XSAE4MFS,TZ34 (to SN TZ3412-298)	

Go to Discount-Equipment.com to order your parts

601.3 Hydraulic Power Unit (2008 through 2011)

Item	Part No.	Description	Qty.
	219216GT	POWER UNIT, 24 VDC (from SN TZ3407-484) (replaced 124083, requires dual counterbalance valve kit 826887)	
1	84337GT	HAND PUMP, TZ-34	1
2	105412GT	TUBE, RD, STL, .840 X .10 X 23.0	1
3	84349GT	BREATHER CAPW/CHECK VALVE, TZ34	2
4	84345GT	ADAPTER, SAE4XSAE4MFS, TZ34	4
5	84350GT	NIPPLE, DIAGNOSTIC, TZ34	1
6	84338GT	DC MOTOR, 3KW-TZ34	1
7A	84339GT	SOLENOID VALVE, 4WAY, TZ34 (to SN TZ3412-288)	1
7A-	84427GT	SEAL KIT, SOLENOID VALVE, 4 POS*	
8	87456GT	COIL, 24VDC, DEUTZ CONN, SOLE	2
9	84341GT	COIL, NUT M18-1.5, TZ34	1
10	84351GT	VALVE, CHECK RP08A-01-C-N-15-3	1
10-	84428GT	SEAL KIT, HYDAC VALVES(84351)	
11	84342GT	FILTER HEAD, TZ34 ***	1
11-	84356GT	FILTER ELEMENT, TZ34	
11-	84357GT	FILTER TUBE ASSY KIT, (84342)	
12	84344GT	FLANGE, POWER UNIT, TZ34 empty manifold block only, valves and seals ordered separately	1
12-	84358GT	O-RING (FLANGE 84344), TZ34	
13	124100GT	PUMP, 1.66CC, HYDAC	1
14	84353GT	SUCTION LINE, POWER UNIT, TZ34	1
15	84354GT	SUCTION FILTER, POWER UNIT, TZ34	1
16	84355GT	PUMP FASTENERS, POWER UNIT, TZ34	2
17	124084GT	RESERVIOR, 630LX160RD	1
18	84343GT	RESERVOIR FASTENERS	4
19	84346GT	RELIEF VALVE, DB4, TZ-34***	1
19-	84435GT	SEAL KIT, RELIEF VALVE (84346)*	
20	84346GT	RELIEF VALVE, DB4, TZ-34***	1
20-	84431GT	O-RING, RELIEF VALVE (84326)*	

601.3 Hydraulic Power Unit (2008 through 2011)



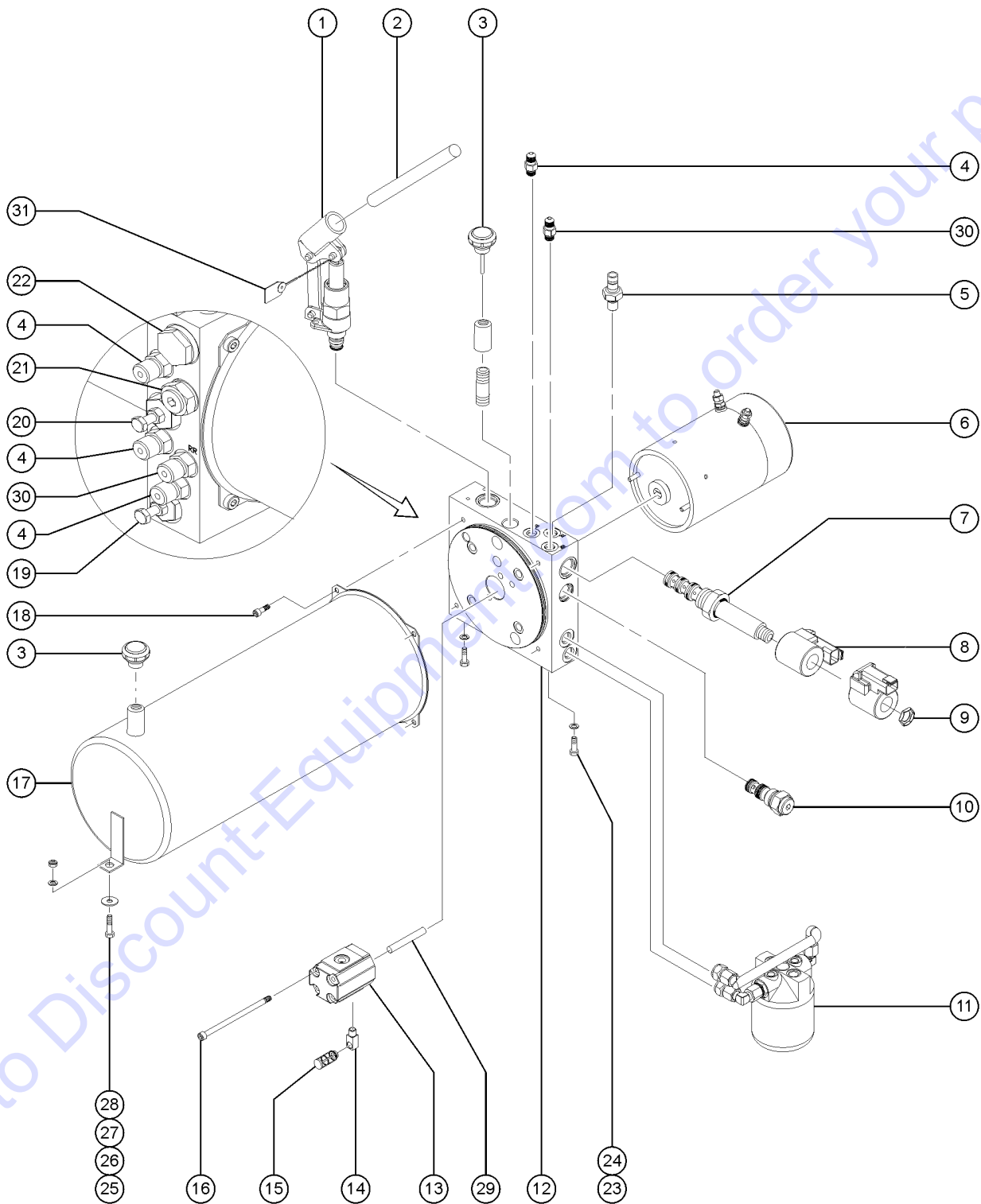
601.3 Hydraulic Power Unit (2008 through 2011)

Item	Part No.	Description	Qty.
21	84347GT	VALVE,CHECK,RV08A-01-C-N-05	5
21-	84436GT	SEAL KIT,CHECK VALVE (84347)	
22	84348GT	SIGHT GLAS, POWER UNIT,TZ34	1
23	10107GT	SCREW,HHC,5/16-18 X .75	1
24	49408GT	WASHER,LOCK,M8	1
25	6888GT	SCREW,HHC,1/4-20 X 1	1
26	228725GT	WASHER	1
27	6356GT	WASHER,LOCK,.25	1
28	6091GT	NUT,NYLOCK,1/4-20	1
29	58430GT	SHAFT,TZ34/20	1
		for 124100	
30A	84345GT	ADAPTER,SAE4XSAE4MFS,TZ34	
		(to SN TZ3412-298)	

Go to Discount-Equipment.com to order your parts



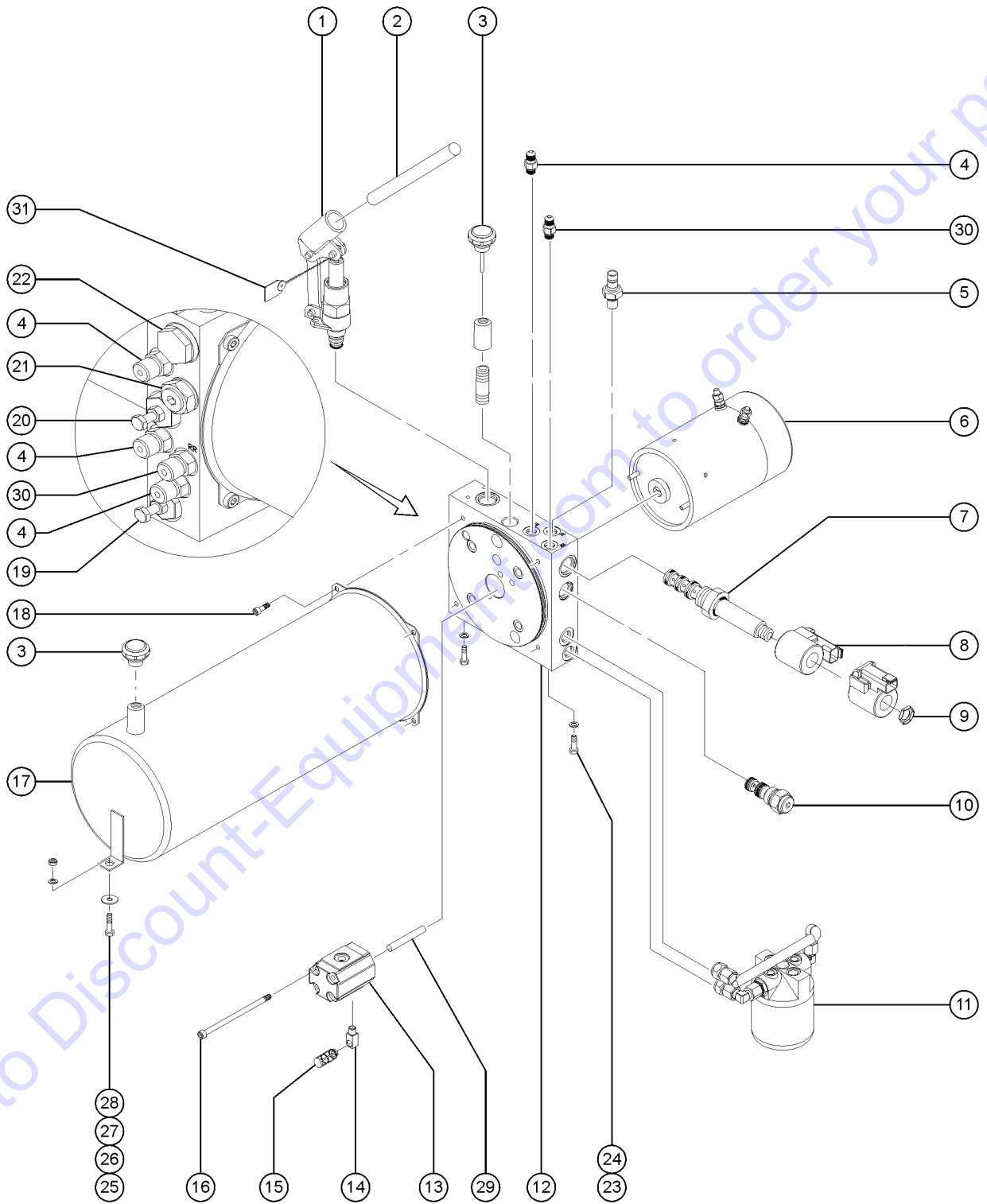
601.4 Hydraulic Power Unit (2012)



Go to Discount-Equipment.com to order your parts

Item	Part No.	Description	Qty.
	219216GT	POWER UNIT, 24 VDC (from SN TZ3407-484) (replaced 124083, requires dual counterbalance valve kit 826887)	
1	84337GT	HAND PUMP, TZ-34	1
2	105412GT	TUBE, RD, STL, .840 X .10 X 23.0	1
3	84349GT	BREATHER CAPW/CHECK VALVE, TZ34	2
4	84345GT	ADAPTER, SAE4XSAE4MFS, TZ34	4
5	84350GT	NIPPLE, DIAGNOSTIC, TZ34	1
6	84338GT	DC MOTOR, 3KW-TZ34	1
7B	104801GT	VALVE, SOLENOID 3POS 4WAY TZ34 (from SN TZ3412-299)	1
7B-	84427GT	SEAL KIT, SOLENOID VALVE, 4 POS*	
8	87456GT	COIL, 24VDC, DEUTZ CONN, SOLE	2
9	84341GT	COIL, NUT M18-1.5, TZ34	1
10	84351GT	VALVE, CHECK RP08A-01-C-N-15-3	1
10-	84428GT	SEAL KIT, HYDAC VALVES(84351)	
11	84342GT	FILTER HEAD, TZ34 ***	1
11-	84356GT	FILTER ELEMENT, TZ34	
11-	84357GT	FILTER TUBE ASSY KIT, (84342)	
12	84344GT	FLANGE, POWER UNIT, TZ34 empty manifold block only, valves and seals ordered separately	1
12-	84358GT	O-RING (FLANGE 84344), TZ34	
13	124100GT	PUMP, 1.66CC, HYDAC	1
14	84353GT	SUCTION LINE, POWER UNIT, TZ34	1
15	84354GT	SUCTION FILTER, POWER UNIT, TZ34	1
16	84355GT	PUMP FASTENERS, POWER UNIT, TZ34	2
17	124084GT	RESERVIOR, 630LX160RD	1
18	84343GT	RESERVOIR FASTENERS	4
19	84346GT	RELIEF VALVE, DB4, TZ-34***	1
19-	84435GT	SEAL KIT, RELIEF VALVE (84346)*	
20	84346GT	RELIEF VALVE, DB4, TZ-34***	1
20-	84431GT	O-RING, RELIEF VALVE (84326)*	

601.4 Hydraulic Power Unit (2012)

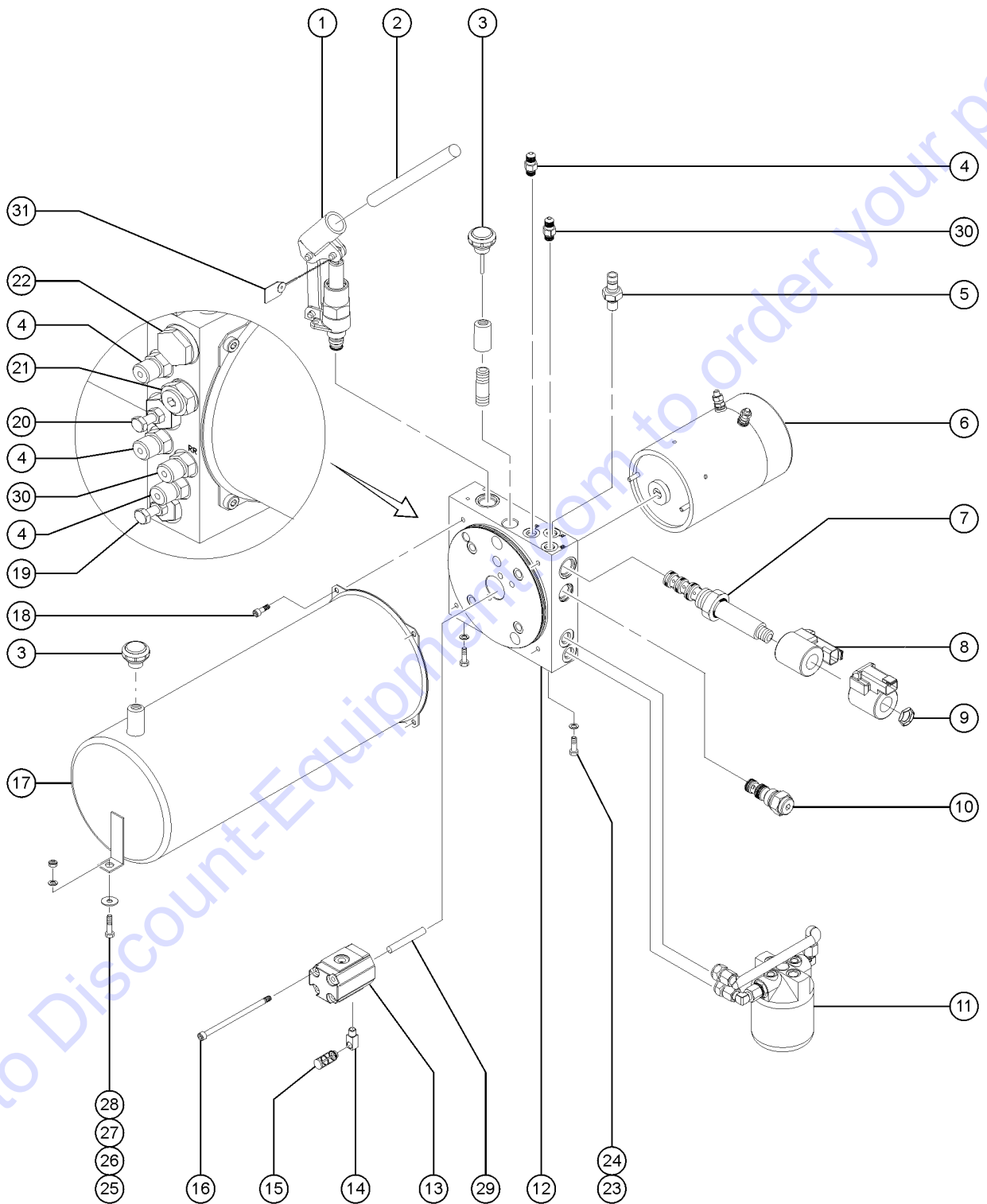


Go to Discount-Equipment.com to order your parts

Item	Part No.	Description	Qty.
21	84347GT	VALVE,CHECK,RV08A-01-C-N-05	5
21-	84436GT	SEAL KIT,CHECK VALVE (84347)	
22	84348GT	SIGHT GLAS, POWER UNIT,TZ34	1
23	10107GT	SCREW,HHC,5/16-18 X .75	1
24	49408GT	WASHER,LOCK,M8	1
25	6888GT	SCREW,HHC,1/4-20 X 1	1
26	228725GT	WASHER	1
27	6356GT	WASHER,LOCK,.25	1
28	6091GT	NUT,NYLOCK,1/4-20	1
29	58430GT	SHAFT,TZ34/20	1
		for 124100	
30A	84345GT	ADAPTER,SAE4XSAE4MFS,TZ34	
		(to SN TZ3412-298)	
30B	39882GT	PLUG,HEX SOCKET,090109B-4	2
		(from SN TZ3412-299)	

Go to Discount-Equipment.com to order your parts

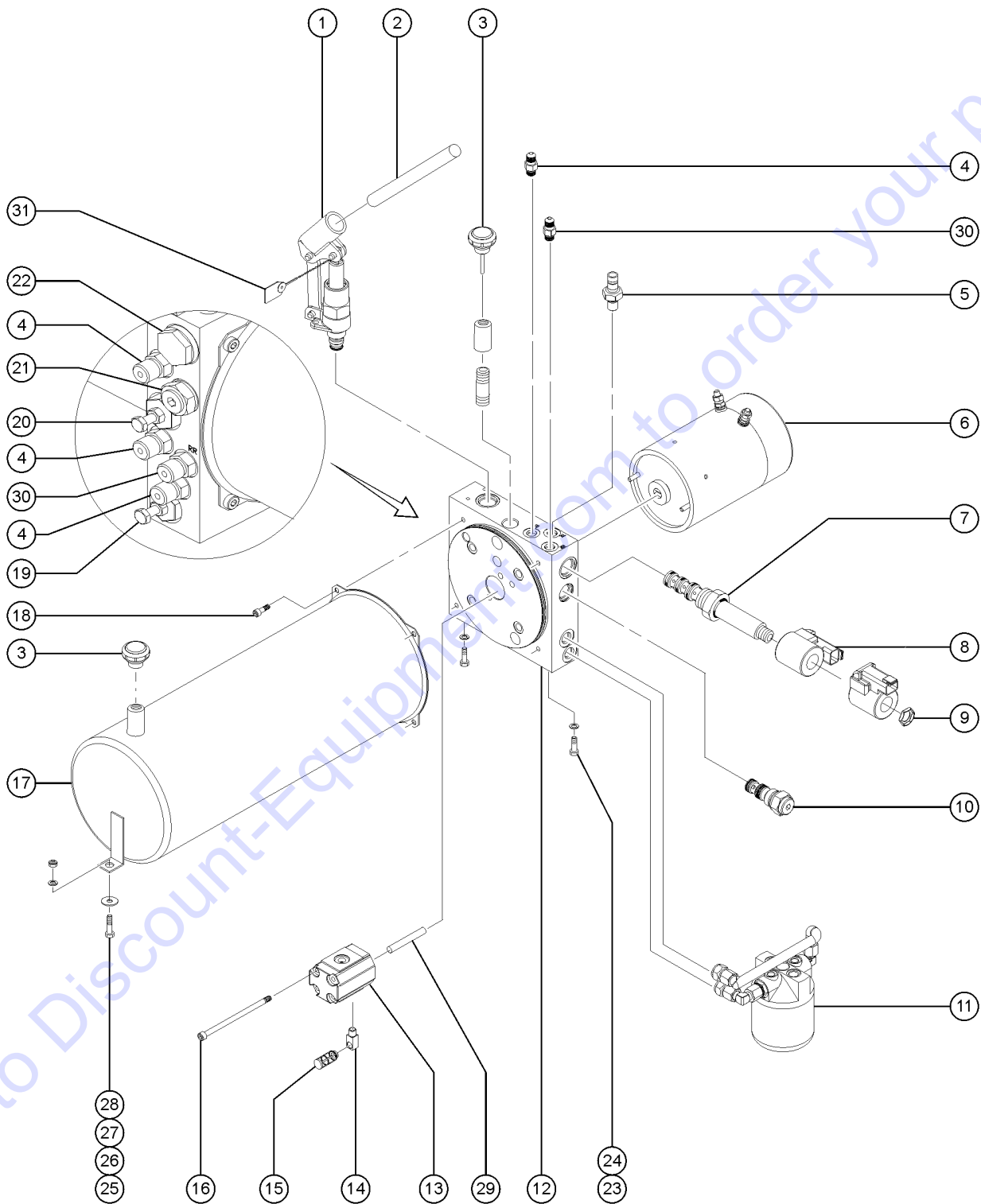
601.5 Hydraulic Power Unit (from 2013)



Go to Discount-Equipment.com to order your parts

Item	Part No.	Description	Qty.
	219216GT	POWER UNIT, 24 VDC (from SN TZ3407-484) (replaced 124083, requires dual counterbalance valve kit 826887)	
1	84337GT	HAND PUMP,TZ-34	1
2	105412GT	TUBE,RD,STL,,840 X .10 X 23.0	1
3	84349GT	BREATHER CAPW/CHECK VALVE,TZ34	2
4	84345GT	ADAPTER,SAE4XSAE4MFS,TZ34	4
5	84350GT	NIPPLE,DIAGNOSTIC,TZ34	1
6	84338GT	DC MOTOR, 3KW-TZ34	1
7B	104801GT	VALVE,SOLENOID 3POS 4WAY TZ34 (from SN TZ3412-299)	1
7B-	84427GT	SEAL KIT,SOLENOID VALVE,4 POS*	
8	87456GT	COIL,24VDC, DEUTZ CONN,SOLE	2
9	84341GT	COIL,NUT M18-1.5,TZ34	1
10	84351GT	VALVE, CHECK RP08A-01-C-N-15-3	1
10-	84428GT	SEAL KIT,HYDAC VALVES(84351)	
11	84342GT	FILTER HEAD, TZ34 ***	1
11-	84356GT	FILTER ELEMENT,TZ34	
11-	84357GT	FILTER TUBE ASSY KIT,(84342)	
12	84344GT	FLANGE,POWER UNIT,TZ34 empty manifold block only, valves and seals ordered separately	1
12-	84358GT	O-RING (FLANGE 84344),TZ34	
13	124100GT	PUMP 1.66CC,HYDAC (from SN TZ3404-302) when replacing the hydraulic pump you must also order PN 1284782GT or 1285358GT Kit, Upper Control Box Potentiometer from figure 506.1 Platform Control Box to keep the pump above 500 rpm and prevent damage to the new hydraulic pump.	1
14	84353GT	SUCTION LINE,POWER UNIT,TZ34	1
15	84354GT	SUCTION FILTER,POWER UNIT,TZ34	1
16	84355GT	PUMP FASTENERS,POWER UNIT,TZ34	2
17	124084GT	RESERVIOR, 630LX160RD	1
18	84343GT	RESERVOIR FASTENERS	4
19	84346GT	RELIEF VALVE,DB4,TZ-34***	1
19-	84435GT	SEAL KIT,RELIEF VALVE (84346)*	
20	84346GT	RELIEF VALVE,DB4,TZ-34***	1

601.5 Hydraulic Power Unit (from 2013)



Go to Discount-Equipment.com to order your parts

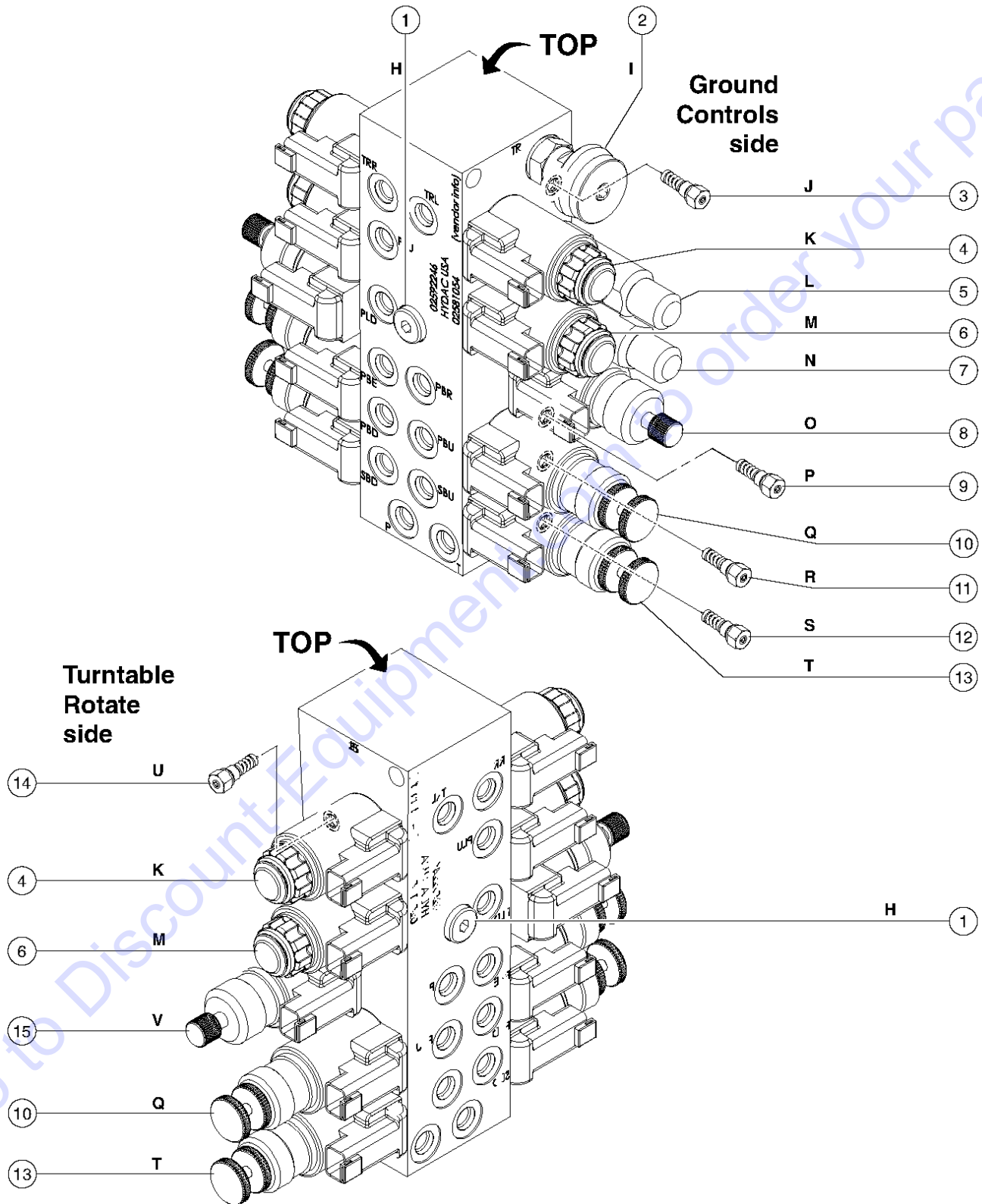
Item	Part No.	Description	Qty.
20-	84431GT	O-RING,RELIEF VALVE (84326)*	
21	84347GT	VALVE,CHECK,RV08A-01-C-N-05	5
21-	84436GT	SEAL KIT,CHECK VALVE (84347)	
22	84348GT	SIGHT GLAS, POWER UNIT,TZ34	1
23	10107GT	SCREW,HHC,5/16-18 X .75	1
24	49408GT	WASHER,LOCK,M8	1
25	824060GT	SCREW, HHC, 1/4-20 X 1, 8, ZAG	1
26	228725GT	WASHER	1
27	6356GT	WASHER,LOCK,.25	1
28	824024GT	NUT,TL,1/4-20,C,ZAG	1
29	58430GT	SHAFT,TZ34/20 for 124100	1
30B	39882GT	PLUG,HEX SOCKET,090109B-4 (from SN TZ3412-299)	2
31	1261459GT	TIE, RED BEADED SECURITY	1

Go to Discount-Equipment.com to order your parts



Item	Part No.	Description	Qty.
--	104651GT	MANIFOLD, HYDRAULIC, TZ34*** Complete	
--	28750GT	O-RING KIT, FIELD SVC, ALL PROD*	
--	49612GT	O-RING KIT (ORFS FITTINGS)	
--	33994GT	PLUG AND CAP KIT-SERVICE, 37 **	
--	49613GT	PLUG AND CAP KIT-SERVICE, ORFS*	
1	84331GT	VALVE, FLOW CONTROL, PRESS COMP* H, Platform level/turntable rotate circuit	2
2	84332GT	FLOW CONTROL NEEDLE VALVE, TZ34 I, Turntable rotate speed	1
2-	84426GT	SEAL KIT, FLOW CNT NEEDLE VALVE	
3	84326GT	RELIEF VALVE, 1200PSI, TZ34 J, Turntable rotate circuit	1
3-	84431GT	O-RING, RELIEF VALVE (84326)*	
4	84329GT	VALVE SOLENOID 3POS 4WAY, TZ34 K, Turntable rotate left/right	2
4-	62363GT	SEAL KIT, SOLENOID VALVES, HYDAC	
4-	84324GT	COIL W/DEUTZ CONN 50MM, TZ34	
4-	62354GT	NUT, SOLENOID VALVE, HYDAC	
4-	62355GT	O-RING, COIL NUT, HYDAC	
5	84333GT	VALVE, COUNTER BALANCE, 3300PSI L, Platform level up circuit	1
5-	84425GT	SEAL KIT, SOLENOID VALVE, 2 POS	
6	84328GT	SOLENOID VALVE 3POS 4WAY, TZ34 M, Platform level	2
6-	62363GT	SEAL KIT, SOLENOID VALVES, HYDAC	
6-	84324GT	COIL W/DEUTZ CONN 50MM, TZ34	
6-	62354GT	NUT, SOLENOID VALVE, HYDAC	
6-	62355GT	O-RING, COIL NUT, HYDAC	
7	84333GT	VALVE, COUNTER BALANCE, 3300PSI N, Platform level down circuit	1
7-	84425GT	SEAL KIT, SOLENOID VALVE, 2 POS	
8	84327GT	SOLN VALVE, 2POS3WAY, W/COIL TZ34 O, Fluid regeneration, boom extend circuit	1
8-	84425GT	SEAL KIT, SOLENOID VALVE, 2 POS	
8-	87456GT	COIL, 24VDC, DEUTZ CONN, SOLE	
8-	84336GT	NUT ASSY, (LCKMANOVER)M/0WK08C	

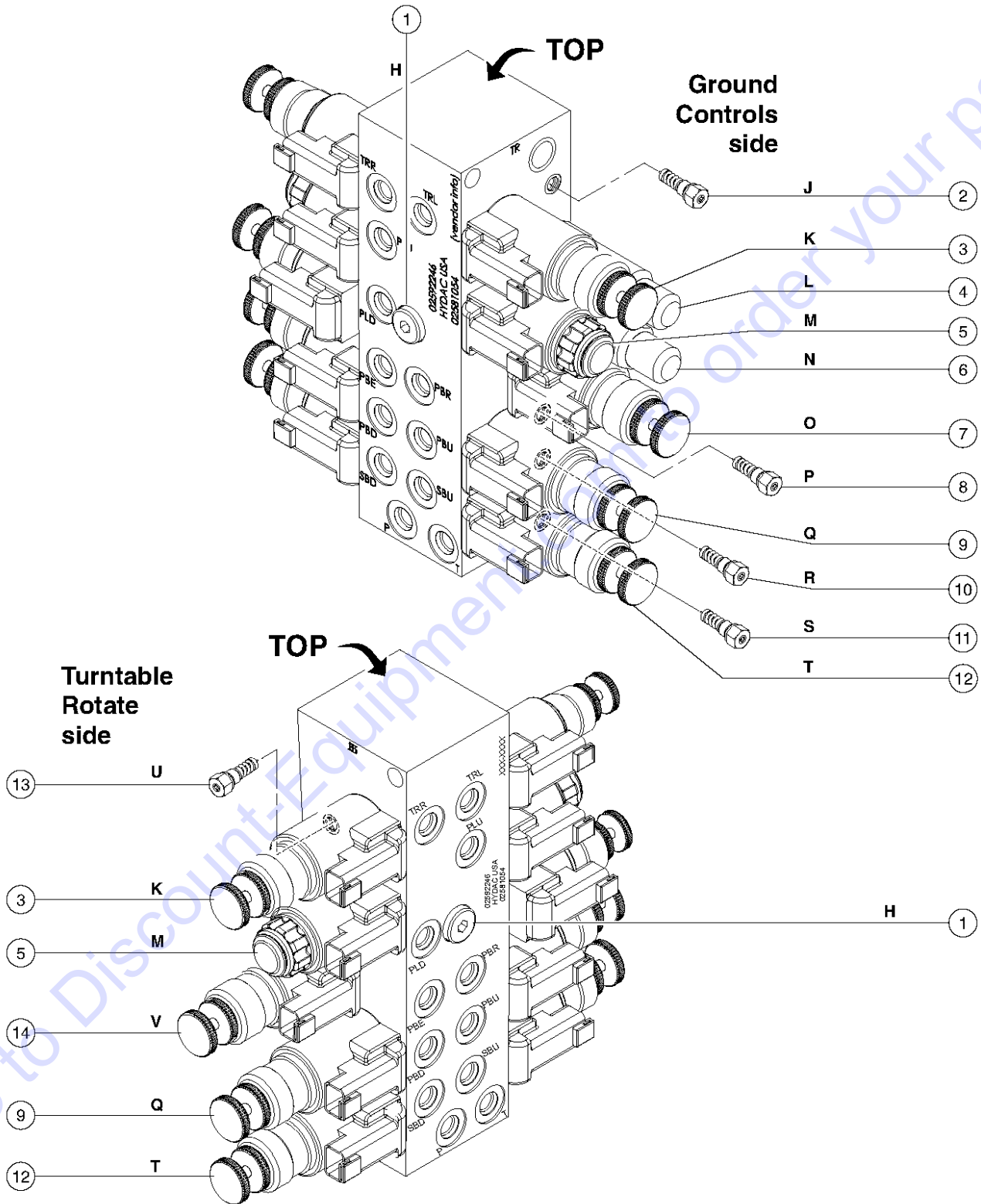
602.1 Function Manifold (to SN TZ3403-248)



602.1 Function Manifold (to SN TZ3403-248)

Item	Part No.	Description	Qty.
8-	62355GT	O-RING,COIL NUT, HYDAC	
9	84334GT	RELIEF VALVE,1500PSI, TZ34	1
		P, Boom extend circuit;	
9-	84431GT	O-RING,RELIEF VALVE (84326)*	
10	84325GT	SOLENOID VALVE,3POS 4WAY,TZ34	2
		Q, Primary boom up/down	
10-	62363GT	SEAL KIT,SOLENOID VALVES,HYDAC	
10-	84324GT	COIL W/DEUTZ CONN 50MM,TZ34	
10-	84323GT	NUT ASSY,(LCK MAN OVER)M/04WK	
10-	62355GT	O-RING,COIL NUT, HYDAC	
11	104803GT	RELIEF VALVE, 1200PSI, TZ34	1
		R, Primary boom circuit	
11-	84431GT	O-RING,RELIEF VALVE (84326)*	
12	84335GT	RELIEF VALVE,1000PSI, TZ34	1
		S, Secondary boom circuit	
12-	84431GT	O-RING,RELIEF VALVE (84326)*	
13	84325GT	SOLENOID VALVE,3POS 4WAY,TZ34	2
		T, Secondary boom up/down	
13-	62363GT	SEAL KIT,SOLENOID VALVES,HYDAC	
13-	84324GT	COIL W/DEUTZ CONN 50MM,TZ34	
13-	84323GT	NUT ASSY,(LCK MAN OVER)M/04WK	
13-	62355GT	O-RING,COIL NUT, HYDAC	
14	84326GT	RELIEF VALVE,1200PSI, TZ34	1
		U, Turntable rotate circuit	
14-	84431GT	O-RING,RELIEF VALVE (84326)*	
15	84327GT	SOLN VALVE,2POS3WAY,W/COILTZ34	1
		V, Boom extend/retract	
15-	84425GT	SEAL KIT,SOLENOID VALVE,2 POS	
15-	87456GT	COIL,24VDC, DEUTZ CONN,SOLE	
15-	84336GT	NUT ASSY,(LCKMANOVER)M/0WK08C	
15-	62355GT	O-RING,COIL NUT, HYDAC	

602.2 Function Manifold (from SN TZ3403-249 to SN TZ3405-171)

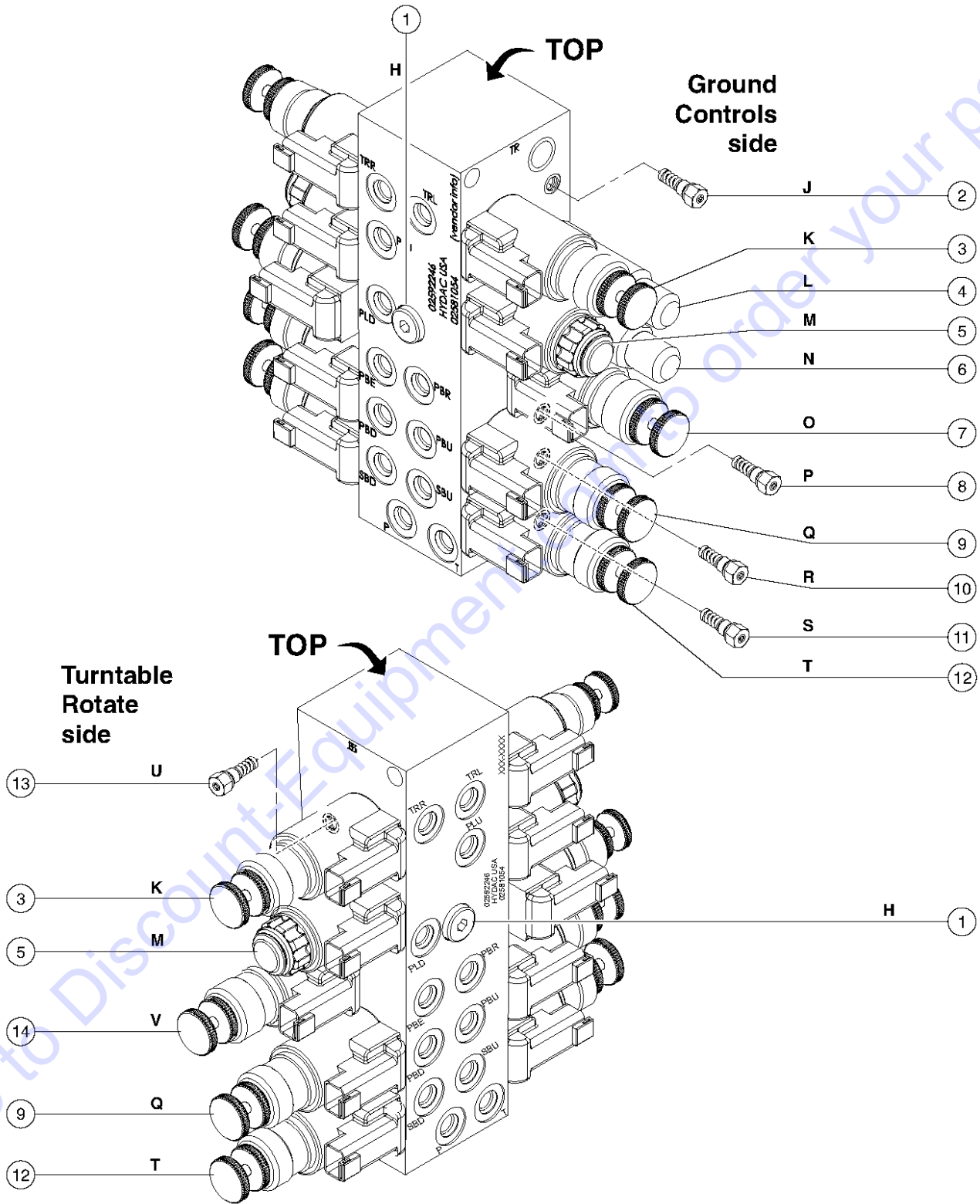


602.2 Function Manifold (from SN TZ3403-249 to SN TZ3405-171)

Item	Part No.	Description	Qty.
--	104651GT	MANIFOLD, HYDRAULIC, TZ34*** Complete	
--	28750GT	O-RING KIT, FIELD SVC, ALL PROD*	
--	49612GT	O-RING KIT (ORFS FITTINGS)	
--	33994GT	PLUG AND CAP KIT-SERVICE, 37 **	
--	49613GT	PLUG AND CAP KIT-SERVICE, ORFS*	
1A	84331GT	VALVE, FLOW CONTROL, PRESS COMP* H, Platform level/turntable rotate circuit (to SN TZ3404-357)	2
2	84326GT	RELIEF VALVE, 1200PSI, TZ34 J, Turntable rotate circuit	1
2-	84431GT	O-RING, RELIEF VALVE (84326)*	
3	84429GT	ROTATE SPOOL ASSEMBLY K, Turntable rotate left/right	2
3-	62363GT	SEAL KIT, SOLENOID VALVES, HYDAC	
3-	87456GT	COIL, 24VDC, DEUTZ CONN, SOLE	
3-	84323GT	NUT ASSY, (LCK MAN OVER)M/04WK	
3-	62355GT	O-RING, COIL NUT, HYDAC	
4	84333GT	VALVE, COUNTER BALANCE, 3300PSI L, Platform level up circuit	1
4-	84425GT	SEAL KIT, SOLENOID VALVE, 2 POS	
5	84328GT	SOLENOID VALVE 3POS 4WAY, TZ34 M, Platform level	2
5-	62363GT	SEAL KIT, SOLENOID VALVES, HYDAC	
5-	87456GT	COIL, 24VDC, DEUTZ CONN, SOLE	
5-	62354GT	NUT, SOLENOID VALVE, HYDAC	
5-	62355GT	O-RING, COIL NUT, HYDAC	
6	84333GT	VALVE, COUNTER BALANCE, 3300PSI N, Platform level down circuit	1
6-	84425GT	SEAL KIT, SOLENOID VALVE, 2 POS	
7	84327GT	SOLN VALVE, 2POS3WAY, W/COILTZ34 O, Fluid regeneration, boom extend circuit	1
7-	84425GT	SEAL KIT, SOLENOID VALVE, 2 POS	
7-	84324GT	COIL W/DEUTZ CONN 50MM, TZ34	
7-	84323GT	NUT ASSY, (LCK MAN OVER)M/04WK	
7-	62355GT	O-RING, COIL NUT, HYDAC	
8	84334GT	RELIEF VALVE, 1500PSI, TZ34 P, Boom extend circuit	



602.2 Function Manifold (from SN TZ3403-249 to SN TZ3405-171)



PARTS FINDER

**Search Website
by Part Number**



**Search Manual
Library For Parts
Manual & Lookup Part
Numbers – Purchase
or Request Quote**

Search Manuals

Enter your information to help us find the right parts manual for your machine.

* Brand:

* Model:

* Serial:

* Part Number:

SEARCH

**Can't Find Part or
Manual? Request Help
by Manufacturer,
Model & Description**

Parts Order Form

Please fill in the following information to help us find the right part for your machine.

Manufacturer:	<input type="text"/>
Model:	<input type="text"/>
Description:	<input type="text"/>
Part Number:	<input type="text"/>
Quantity:	<input type="text"/>
Notes:	<input type="text"/>

Submit

Discount-Equipment.com is your online resource for quality parts & equipment.

Florida: **561-964-4949** Outside Florida TOLL FREE: **877-690-3101**

Need parts?

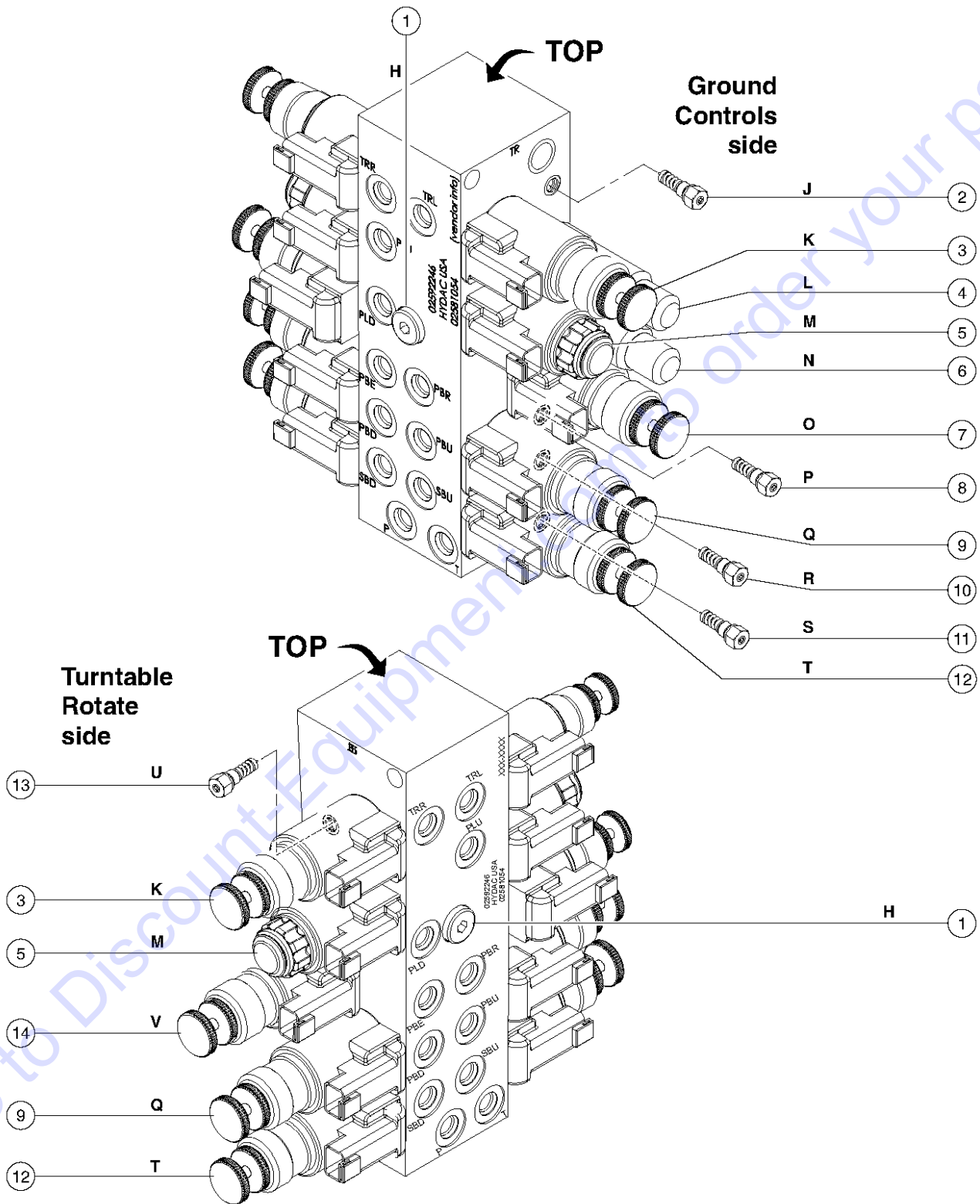
Click on this link: <http://www.discount-equipment.com/category/5443-parts/> and choose one of the options to help get the right parts and equipment you are looking for. Please have the machine model and serial number available in order to help us get you the correct parts. If you don't find the part on the website or on one of the online manuals, please fill out the request form and one of our experienced staff members will get back to you with a quote for the right part that your machine needs.

We sell worldwide for the brands: Genie, Terex, JLG, MultiQuip, Mikasa, Essick, Whiteman, Mayco, Toro Stone, Diamond Products, Generac Magnum, Airman, Haulotte, Barreto, Power Blanket, Nifty Lift, Atlas Copco, Chicago Pneumatic, Allmand, Miller Curber, Skyjack, Lull, Skytrak, Tsurumi, Husquvarna Target, Stow, Wacker, Sakai, Mi-T-M, Sullair, Basic, Dynapac, MBW, Weber, Bartell, Bennar Newman, Haulotte, Ditch Runner, Menegotti, Morrison, Contec, Buddy, Crown, Edco, Wyco, Bomag, Laymor, EZ Trench, Bil-Jax, F.S. Curtis, Gehl Pavers, Heli, Honda, ICS/PowerGrit, IHI, Partner, Imer, Clipper, MMD, Koshin, Rice, CH&E, General Equipment, Amida, Coleman, NAC, Gradall, Square Shooter, Kent, Stanley, Tamco, Toku, Hatz, Kohler, Robin, Wisconsin, Northrock, Oztec, Toker TK, Rol-Air, APT, Wylie, Ingersoll Rand / Doosan, Innovatech, Con X, Ammann, Mecalac, Makinex, Smith Surface Prep, Small Line, Wanco, Yanmar

602.2 Function Manifold (from SN TZ3403-249 to SN TZ3405-171)

Item	Part No.	Description	Qty.
8-	84431GT	O-RING,RELIEF VALVE (84326)*	
9	84325GT	SOLENOID VALVE,3POS 4WAY,TZ34	2
		Q, Primary boom up/down	
9-	62363GT	SEAL KIT,SOLENOID VALVES,HYDAC	
9-	87456GT	COIL,24VDC, DEUTZ CONN,SOLE	
9-	84323GT	NUT ASSY,(LCK MAN OVER)M/04WK	
9-	62355GT	O-RING,COIL NUT, HYDAC	
10	104803GT	RELIEF VALVE, 1200PSI, TZ34	1
		R, Primary boom circuit	
10-	84431GT	O-RING,RELIEF VALVE (84326)*	
11	84335GT	RELIEF VALVE,1000PSI, TZ34	1
		S, Secondary boom circuit	
11-	84431GT	O-RING,RELIEF VALVE (84326)*	
12	84325GT	SOLENOID VALVE,3POS 4WAY,TZ34	2
		T, Secondary boom up/down	
12-	62363GT	SEAL KIT,SOLENOID VALVES,HYDAC	
12-	87456GT	COIL,24VDC, DEUTZ CONN,SOLE	
12-	84323GT	NUT ASSY,(LCK MAN OVER)M/04WK	
12-	62355GT	O-RING,COIL NUT, HYDAC	
13	84326GT	RELIEF VALVE,1200PSI, TZ34	1
		U, turntable rotate circuit	
13-	84431GT	O-RING,RELIEF VALVE (84326)*	
14	84327GT	SOLN VALVE,2POS3WAY,W/COILTZ34	1
		V, Boom extend/retract	
14-	84425GT	SEAL KIT,SOLENOID VALVE,2 POS	
14-	84324GT	COIL W/DEUTZ CONN 50MM,TZ34	
14-	84323GT	NUT ASSY,(LCK MAN OVER)M/04WK	
14-	62355GT	O-RING,COIL NUT, HYDAC	

602.3 Function Manifold (from SN TZ3403-249 to SN TZ3405-171)



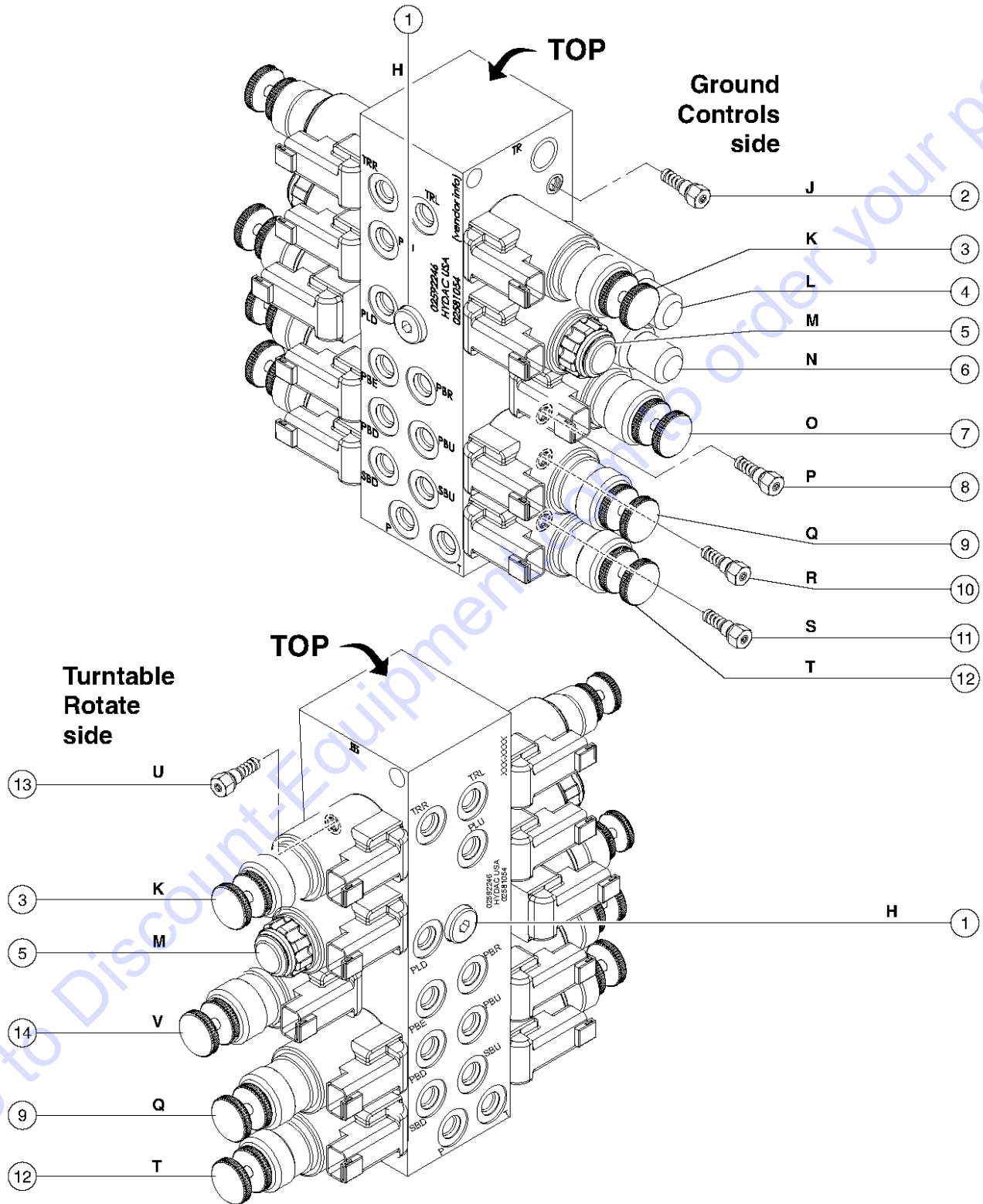
Go to Discount-Equipment.com to order your parts

602.3 Function Manifold (from SN TZ3403-249 to SN TZ3405-171)

Item	Part No.	Description	Qty.
		SOLENOID VALVE 3POS 4WAY,TZ34	
--	104651GT	MANIFOLD,HYDRAULIC,TZ34*** Complete	
--	28750GT	O-RING KIT,FIELD SVC,ALL PROD*	
--	49612GT	O-RING KIT (ORFS FITTINGS)	
--	33994GT	PLUG AND CAP KIT-SERVICE,37 **	
--	49613GT	PLUG AND CAP KIT-SERVICE,ORFS*	
1A	84331GT	VALVE,FLOW CONTROL,PRESS COMP* H, Platform level/turntable rotate circuit (to SN TZ3404-357)	2
1B	104604GT	VALVE,FLOW CONTROL .34 GPM H, Platform level/turntable rotate circuit (from SN TZ3404-358)	2
2	84326GT	RELIEF VALVE,1200PSI, TZ34 J, Turntable rotate circuit	
2-	84431GT	O-RING,RELIEF VALVE (84326)*	
3	84429GT	ROTATE SPOOL ASSEMBLY K, Turntable rotate left/right	2
3-	62363GT	SEAL KIT,SOLENOID VALVES,HYDAC	
3-	87456GT	COIL,24VDC, DEUTZ CONN,SOLE	
3-	84323GT	NUT ASSY,(LCK MAN OVER)M/04WK	
3-	62355GT	O-RING,COIL NUT, HYDAC	
4	84333GT	VALVE,COUNTER BALANCE,3300PSI L, Platform level up circuit	1
4-	84425GT	SEAL KIT,SOLENOID VALVE,2 POS	
5	84328GT	SOLENOID VALVE 3POS 4WAY,TZ34 M, Platform level	2
5-	62363GT	SEAL KIT,SOLENOID VALVES,HYDAC	
5-	87456GT	COIL,24VDC, DEUTZ CONN,SOLE	
5-	62354GT	NUT,SOLENOID VALVE,HYDAC	
5-	62355GT	O-RING,COIL NUT, HYDAC	
6	84333GT	VALVE,COUNTER BALANCE,3300PSI N, Platform level down circuit	1
6-	84425GT	SEAL KIT,SOLENOID VALVE,2 POS	
7	84327GT	SOLN VALVE,2POS3WAY,W/COILTZ34 O, Fluid regeneration, boom extend circuit	1
7-	84425GT	SEAL KIT,SOLENOID VALVE,2 POS	
7-	84324GT	COIL W/DEUTZ CONN 50MM,TZ34	
7-	84323GT	NUT ASSY,(LCK MAN OVER)M/04WK	



602.3 Function Manifold (from SN TZ3403-249 to SN TZ3405-171)



602.3 Function Manifold (from SN TZ3403-249 to SN TZ3405-171)

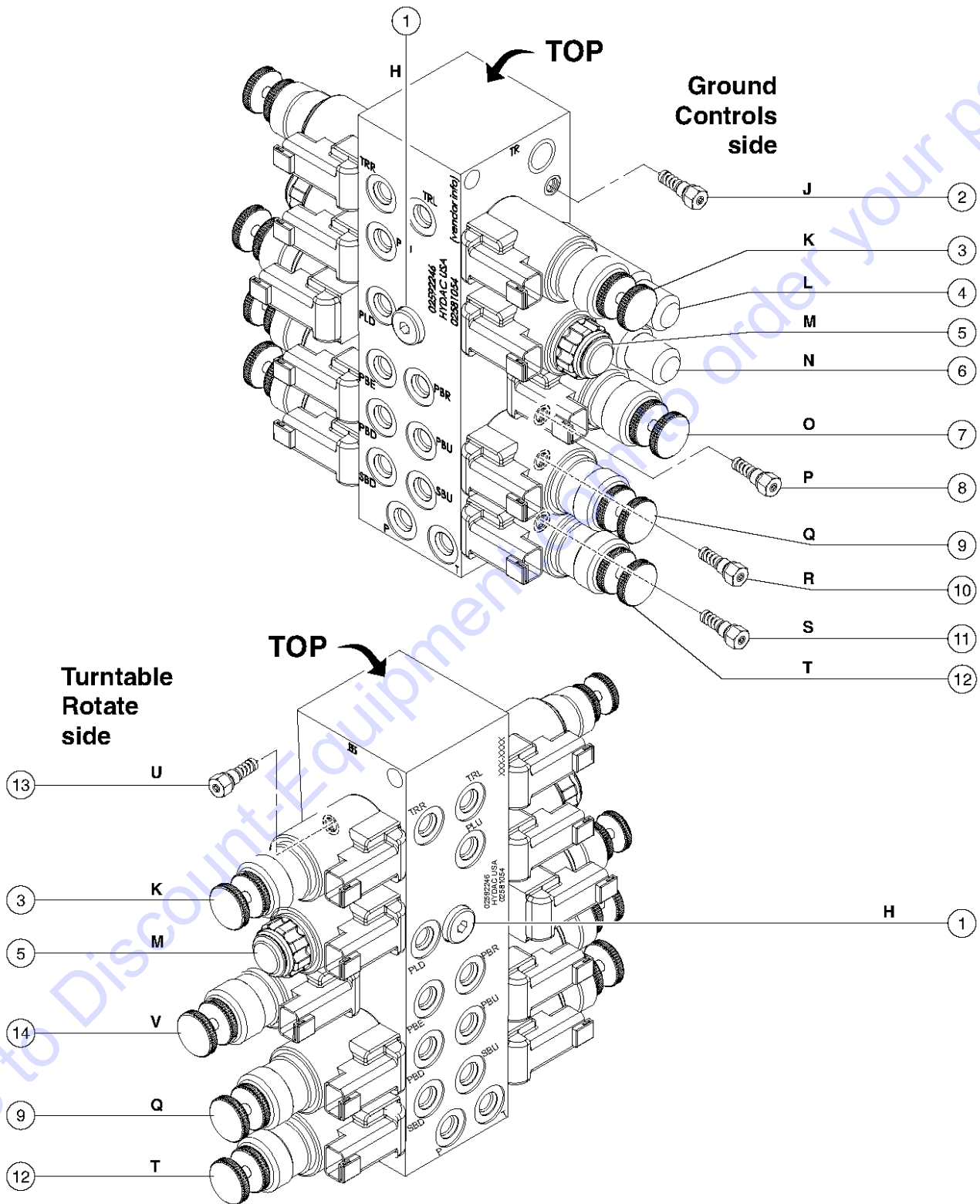
Item	Part No.	Description	Qty.
7-	62355GT	O-RING,COIL NUT, HYDAC	
8	84334GT	RELIEF VALVE,1500PSI, TZ34	1
		P, Boom extend circuit	
8-	84431GT	O-RING,RELIEF VALVE (84326)*	
9	84325GT	SOLENOID VALVE,3POS 4WAY,TZ34	2
		Q, Primary boom up/down	
9-	62363GT	SEAL KIT,SOLENOID VALVES,HYDAC	
9-	87456GT	COIL,24VDC, DEUTZ CONN,SOLE	
9-	84323GT	NUT ASSY,(LCK MAN OVER)M/04WK	
9-	62355GT	O-RING,COIL NUT, HYDAC	
10	104803GT	RELIEF VALVE, 1200PSI, TZ34	1
		R, Primary boom circuit	
10-	84431GT	O-RING,RELIEF VALVE (84326)*	
11	84335GT	RELIEF VALVE,1000PSI, TZ34	1
		S, Secondary boom circuit	
11-	84431GT	O-RING,RELIEF VALVE (84326)*	
12	84325GT	SOLENOID VALVE,3POS 4WAY,TZ34	2
		T, Secondary boom up/down	
12-	62363GT	SEAL KIT,SOLENOID VALVES,HYDAC	
12-	87456GT	COIL,24VDC, DEUTZ CONN,SOLE	
12-	84323GT	NUT ASSY,(LCK MAN OVER)M/04WK	
12-	62355GT	O-RING,COIL NUT, HYDAC	
13	84326GT	RELIEF VALVE,1200PSI, TZ34	1
		U, Turntable rotate circuit	
13-	84431GT	O-RING,RELIEF VALVE (84326)*	
14	84327GT	SOLN VALVE,2POS3WAY,W/COILTZ34	1
		V, Boom extend/retract	
14-	84425GT	SEAL KIT,SOLENOID VALVE,2 POS	
14-	84324GT	COIL W/DEUTZ CONN 50MM,TZ34	
14-	84323GT	NUT ASSY,(LCK MAN OVER)M/04WK	
14-	62355GT	O-RING,COIL NUT, HYDAC	

602.4 Function Manifold (from SN TZ3403-249 to SN TZ3405-171)

Item	Part No.	Description	Qty.
--	104651GT	MANIFOLD, HYDRAULIC, TZ34*** Complete	
--	28750GT	O-RING KIT, FIELD SVC, ALL PROD*	
--	49612GT	O-RING KIT (ORFS FITTINGS)	
--	33994GT	PLUG AND CAP KIT-SERVICE, 37 **	
--	49613GT	PLUG AND CAP KIT-SERVICE, ORFS*	
1B	104604GT	VALVE, FLOW CONTROL .34 GPM H, Platform level/turntable rotate circuit (from SN TZ3404-358)	2
2	84326GT	RELIEF VALVE, 1200PSI, TZ34 J, Turntable rotate circuit (item # 2A is not included and must be purchased separately)	1
2A	84431GT	O-RING, RELIEF VALVE (84326)*	
3	84429GT	ROTATE SPOOL ASSEMBLY K, Turntable rotate left/right (item # 3A, 3B, 3C & 3D are not included and must be purchased separately)	2
3A	62363GT	SEAL KIT, SOLENOID VALVES, HYDAC	
3B	84324GT	COIL W/DEUTZ CONN 50MM, TZ34	
3C	84323GT	NUT ASSY, (LCK MAN OVER)M/04WK	
3D	62355GT	O-RING, COIL NUT, HYDAC	
4	84333GT	VALVE, COUNTER BALANCE, 3300PSI L, Platform level up circuit (item # 4A is not included and must be purchased separately)	1
4A	84425GT	SEAL KIT, SOLENOID VALVE, 2 POS	
5	84328GT	SOLENOID VALVE 3POS 4WAY, TZ34 M, Platform level (item # 5A, 5B, 5C & 5D are not included and must be purchased separately)	2
5A	62363GT	SEAL KIT, SOLENOID VALVES, HYDAC	
5B	87456GT	COIL, 24VDC, DEUTZ CONN, SOLE	
5C	62354GT	NUT, SOLENOID VALVE, HYDAC	
5D	62355GT	O-RING, COIL NUT, HYDAC	
6	84333GT	VALVE, COUNTER BALANCE, 3300PSI N, Platform level down circuit (item # 6A is not included and must be purchased separately)	1
6A	84425GT	SEAL KIT, SOLENOID VALVE, 2 POS	
7	84327GT	SOLN VALVE, 2POS3WAY, W/COIL TZ34 O, Fluid regeneration, boom extend circuit (item # 7A, 7B, 7C & 7D are not included and must be purchased separately)	1
7A	84425GT	SEAL KIT, SOLENOID VALVE, 2 POS	
7B	84324GT	COIL W/DEUTZ CONN 50MM, TZ34	
7C	84323GT	NUT ASSY, (LCK MAN OVER)M/04WK	
7D	62355GT	O-RING, COIL NUT, HYDAC	



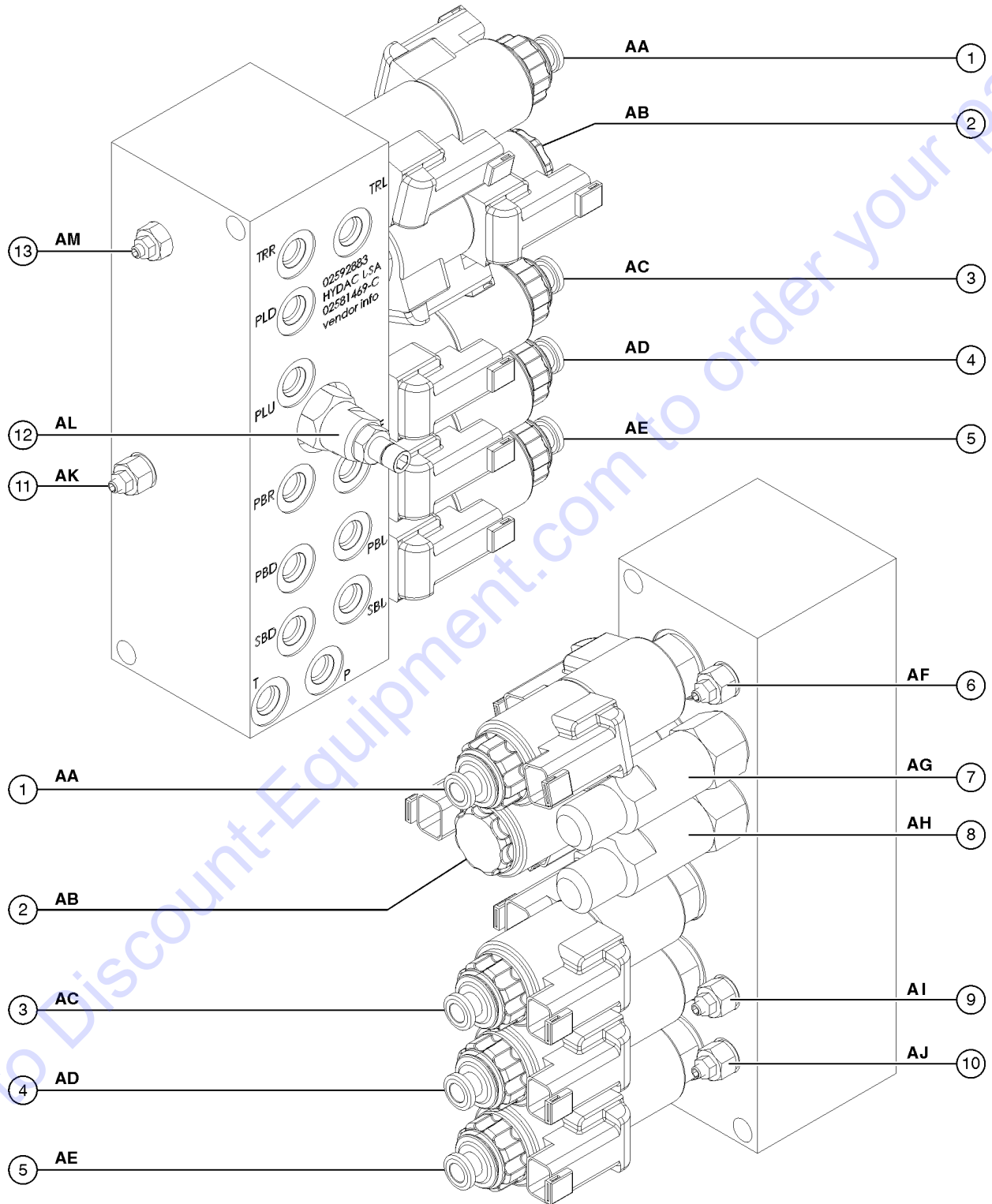
602.4 Function Manifold (from SN TZ3403-249 to SN TZ3405-171)



602.4 Function Manifold (from SN TZ3403-249 to SN TZ3405-171)

Item	Part No.	Description	Qty.
8	84334GT	RELIEF VALVE,1500PSI, TZ34 P, Boom extend crcuit (item # 8A is not included and must be purchased separately)	1
8A	84431GT	O-RING,RELIEF VALVE (84326)*	
9	84325GT	SOLENOID VALVE,3POS 4WAY,TZ34 Q, Primary boom up/down (item # 9A, 9B, 9C & 9D are not included and must be purchased separately)	2
9A	62363GT	SEAL KIT,SOLENOID VALVES,HYDAC	
9B	87456GT	COIL,24VDC, DEUTZ CONN,SOLE	
9C	84323GT	NUT ASSY,(LCK MAN OVER)M/04WK	
9D	62355GT	O-RING,COIL NUT, HYDAC	
10	104803GT	RELIEF VALVE, 1200PSI, TZ34 R, Primary boom circuit (item # 10A is not included and must be purchased separately)	1
10A	84431GT	O-RING,RELIEF VALVE (84326)*	
11	84335GT	RELIEF VALVE,1000PSI, TZ34 S, Secondary boom circuit (item # 11A is not included and must be purchased separately)	1
11A	84431GT	O-RING,RELIEF VALVE (84326)*	
12	84325GT	SOLENOID VALVE,3POS 4WAY,TZ34 T, Secondary boom up/down (item # 12A, 12B, 12C & 12D are not included and must be purchased separately)	2
12A	62363GT	SEAL KIT,SOLENOID VALVES,HYDAC	
12B	87456GT	COIL,24VDC, DEUTZ CONN,SOLE	
12C	84323GT	NUT ASSY,(LCK MAN OVER)M/04WK	
12D	62355GT	O-RING,COIL NUT, HYDAC	
13	84326GT	RELIEF VALVE,1200PSI, TZ34 U, Turntable rotate circuit (item # 13A is not included and must be purchased separately)	1
13A	84431GT	O-RING,RELIEF VALVE (84326)*	
14	84327GT	SOLN VALVE,2POS3WAY,W/COILTZ34 V, Boom extend/retract (item # 14A, 14B, 14C & 14D are not included and must be purchased separately)	1
14A	84425GT	SEAL KIT,SOLENOID VALVE,2 POS	
14B	84324GT	COIL W/DEUTZ CONN 50MM,TZ34	
14C	84323GT	NUT ASSY,(LCK MAN OVER)M/04WK	
14D	62355GT	O-RING,COIL NUT, HYDAC	

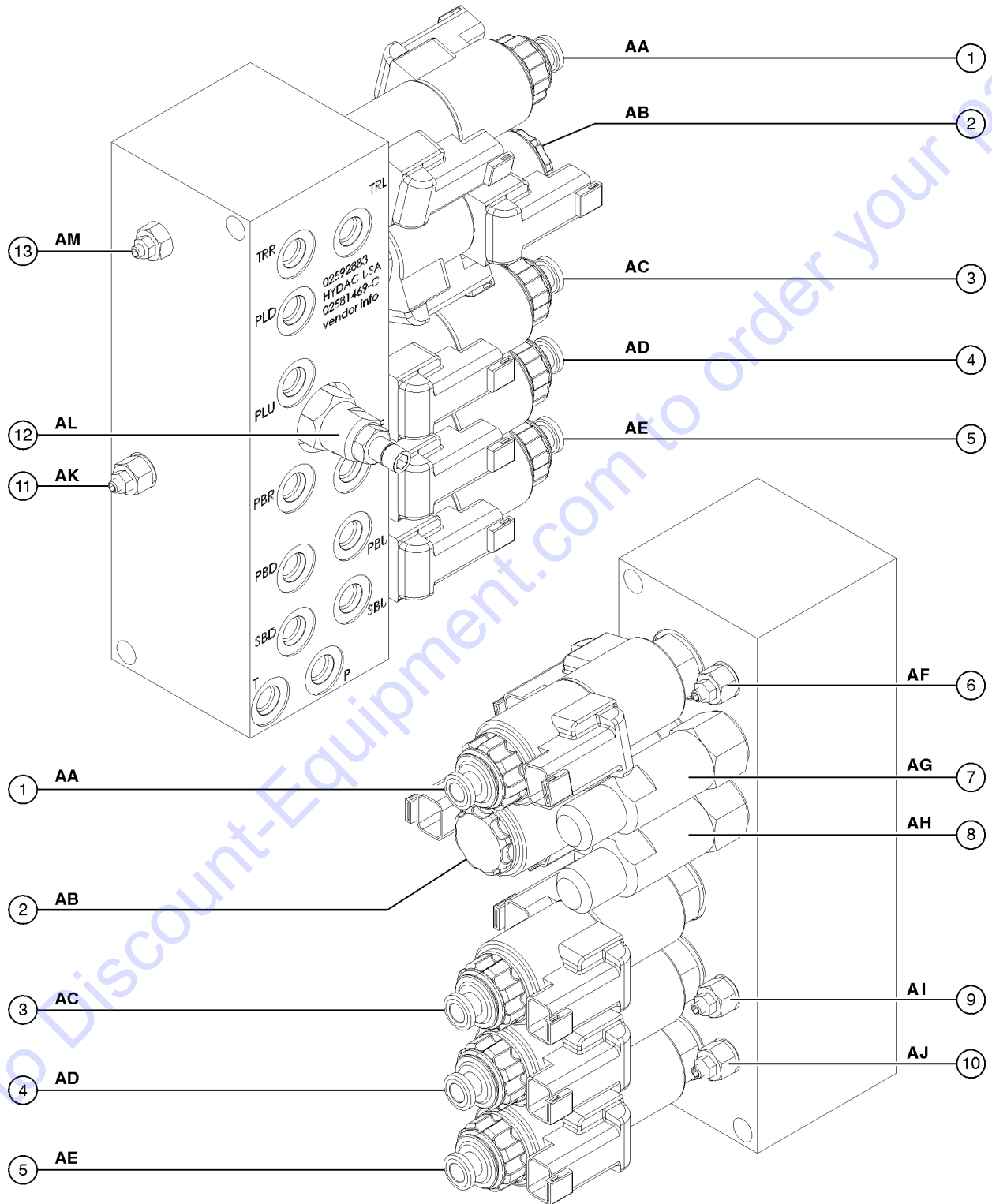
602.5 Function Manifold (from SN TZ3405-172)



Item	Part No.	Description	Qty.
--	104651GT	MANIFOLD, HYDRAULIC, TZ34*** Complete	
--	28750GT	O-RING KIT, FIELD SVC, ALL PROD*	
--	33994GT	PLUG AND CAP KIT-SERVICE, 37 **	
--	49613GT	PLUG AND CAP KIT-SERVICE, ORFS*	
1	104800GT	VALVE, SOLENOID 3POS 4WAY, TZ34 AA, Turntable rotate left/right (item # 1A & 1B are not included and must be purchased separately)	1
1A	84427GT	SEAL KIT, SOLENOID VALVE, 4 POS*	
1B	87456GT	COIL, 24VDC, DEUTZ CONN, SOLE	
2	104801GT	VALVE, SOLENOID 3POS 4WAY TZ34 AB, Platform level (item # 2A & 2B are not included and must be purchased separately)	1
2A	84427GT	SEAL KIT, SOLENOID VALVE, 4 POS*	
2B	87456GT	COIL, 24VDC, DEUTZ CONN, SOLE	
3	104799GT	VALVE, SOLENOID 3POS 4WAY, TZ34 AC, Boom extend/retract (item # 3A & 3B are not included and must be purchased separately)	1
3A	84427GT	SEAL KIT, SOLENOID VALVE, 4 POS*	
3B	87456GT	COIL, 24VDC, DEUTZ CONN, SOLE	
4	104798GT	VALVE, SOLENOID 3POS 4WAY, TZ34 AD, Primary boom up/down (item # 4A & 4B are not included and must be purchased separately)	1
4A	84427GT	SEAL KIT, SOLENOID VALVE, 4 POS*	
4B	87456GT	COIL, 24VDC, DEUTZ CONN, SOLE	
5	104798GT	VALVE, SOLENOID 3POS 4WAY, TZ34 AE, Secondary boom up/down (item # 5A & 5B are not included and must be purchased separately)	1
5A	84427GT	SEAL KIT, SOLENOID VALVE, 4 POS*	
5B	87456GT	COIL, 24VDC, DEUTZ CONN, SOLE	
6	84326GT	RELIEF VALVE, 1200PSI, TZ34 AF, Turntable rotate circuit (item # 6A is not included and must be purchased separately)	1
6A	84431GT	O-RING, RELIEF VALVE (84326)*	
7	84333GT	VALVE, COUNTER BALANCE, 3300PSI AG, Turntable level up circuit (item # 7A is not included and must be purchased separately)	1
7A	84425GT	SEAL KIT, SOLENOID VALVE, 2 POS	
8	84333GT	VALVE, COUNTER BALANCE, 3300PSI AH, Platform level down circuit (item # 8A is not included and must be purchased separately)	1
8A	84425GT	SEAL KIT, SOLENOID VALVE, 2 POS	
9	104803GT	RELIEF VALVE, 1200PSI, TZ34 AI, Primary boom circuit (item # 9A is not included and must be purchased separately)	1
9A	84431GT	O-RING, RELIEF VALVE (84326)*	



602.5 Function Manifold (from SN TZ3405-172)



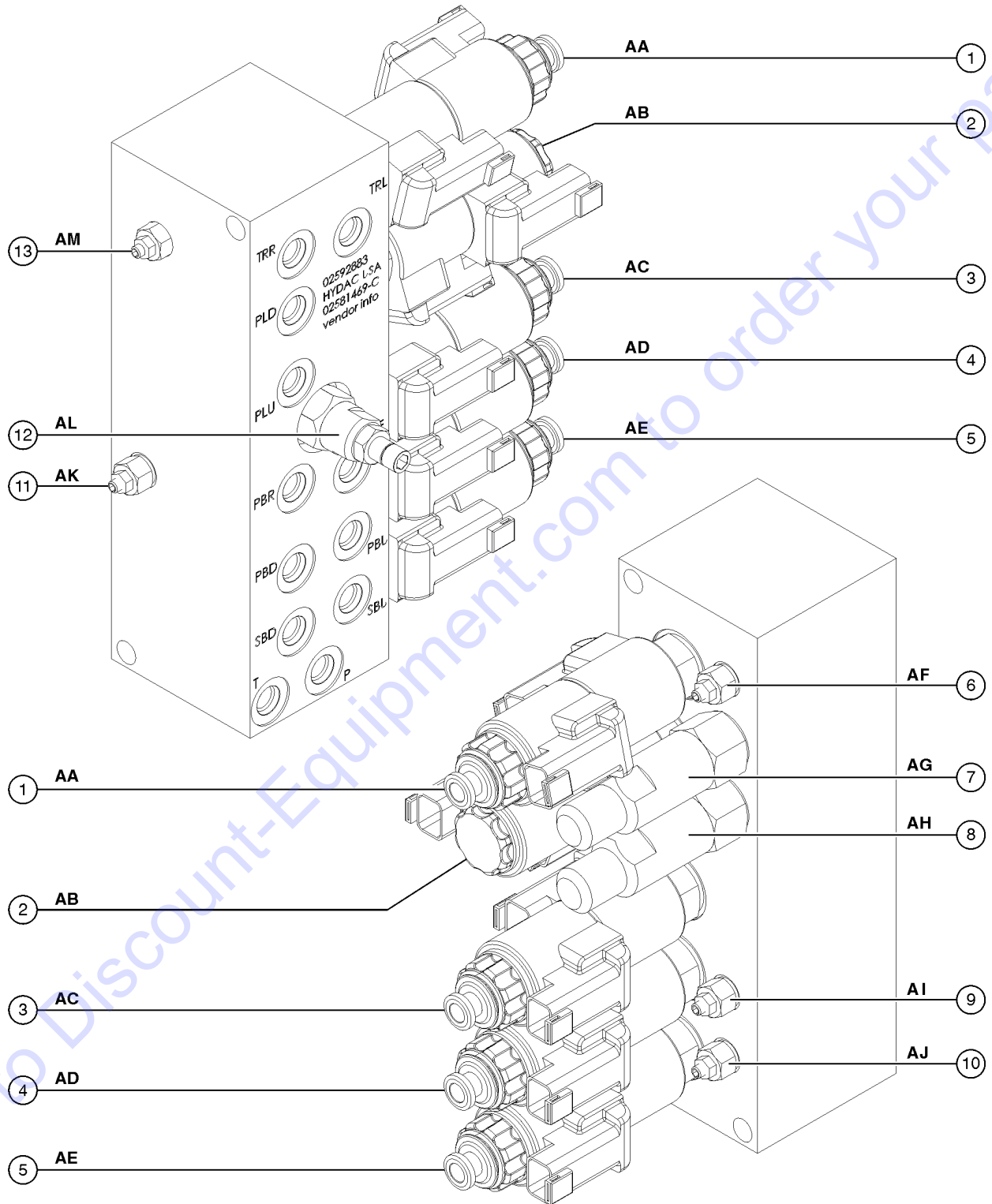
602.5 Function Manifold (from SN TZ3405-172)

Item	Part No.	Description	Qty.
10	84335GT	RELIEF VALVE,1000PSI, TZ34 AJ, Secondary boom circuit (item # 10A is not included and must be purchased separately)	1
10A	84431GT	O-RING,RELIEF VALVE (84326)*	
11	84334GT	RELIEF VALVE,1500PSI, TZ34 AK, Boom extgend circuit (item # 11A is not included and must be purchased separately)	1
11A	84431GT	O-RING,RELIEF VALVE (84326)*	
12	104604GT	VALVE,FLOW CONTROL .34 GPM AL, Platform level/turntable rotate circuit (item # 12A is not included and must be purchased separately)	1
12A	84426GT	SEAL KIT,FLOW CNT NEEDLE VALVE	
13	84326GT	RELIEF VALVE,1200PSI, TZ34 AM, Turntable rotate circuit (item # 13A is not included and must be purchased separately)	1
13A	84431GT	O-RING,RELIEF VALVE (84326)*	

Go to Discount-Equipment.com to order your parts



602.6 Function Manifold (from SN TZ3405-172)

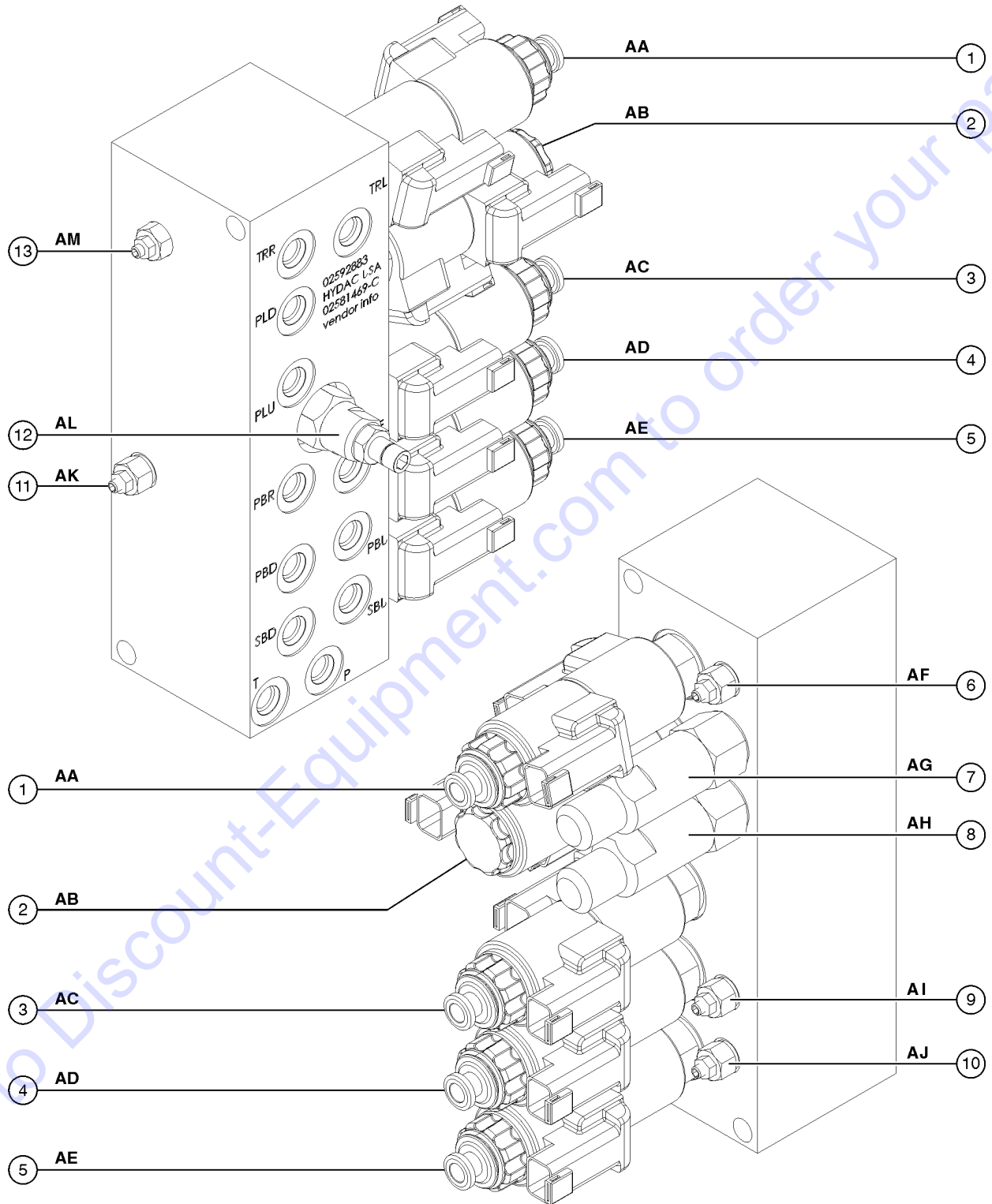


Go to Discount-Equipment.com to order your parts

Item	Part No.	Description	Qty.
--	104651GT	MANIFOLD, HYDRAULIC, TZ34*** Complete	
--	28750GT	O-RING KIT, FIELD SVC, ALL PROD*	
--	33994GT	PLUG AND CAP KIT-SERVICE, 37 **	
--	49613GT	PLUG AND CAP KIT-SERVICE, ORFS*	
1	104800GT	VALVE, SOLENOID 3POS 4WAY, TZ34 AA, Turntable rotate left/right (item # 1A & 1B are not included and must be purchased separately)	1
1A	84427GT	SEAL KIT, SOLENOID VALVE, 4 POS*	
1B	87456GT	COIL, 24VDC, DEUTZ CONN, SOLE	
2	104801GT	VALVE, SOLENOID 3POS 4WAY TZ34 AB, Platform level (item # 2A & 2B are not included and must be purchased separately)	1
2A	84427GT	SEAL KIT, SOLENOID VALVE, 4 POS*	
2B	87456GT	COIL, 24VDC, DEUTZ CONN, SOLE	
3	104799GT	VALVE, SOLENOID 3POS 4WAY, TZ34 AC, Boom extend/retract (item # 3A & 3B are not included and must be purchased separately)	1
3A	84427GT	SEAL KIT, SOLENOID VALVE, 4 POS*	
3B	87456GT	COIL, 24VDC, DEUTZ CONN, SOLE	
4	104798GT	VALVE, SOLENOID 3POS 4WAY, TZ34 AD, Primary boom up/down (item # 4A & 4B are not included and must be purchased separately)	1
4A	84427GT	SEAL KIT, SOLENOID VALVE, 4 POS*	
4B	87456GT	COIL, 24VDC, DEUTZ CONN, SOLE	
5	104798GT	VALVE, SOLENOID 3POS 4WAY, TZ34 AE, Secondary boom up/down (item # 5A & 5B are not included and must be purchased separately)	1
5A	84427GT	SEAL KIT, SOLENOID VALVE, 4 POS*	
5B	87456GT	COIL, 24VDC, DEUTZ CONN, SOLE	
6	84326GT	RELIEF VALVE, 1200PSI, TZ34 AF, Turntable rotate circuit (item # 6A is not included and must be purchased separately)	1
6A	84431GT	O-RING, RELIEF VALVE (84326)*	
7	84333GT	VALVE, COUNTER BALANCE, 3300PSI AG, Turntable level up circuit (item # 7A is not included and must be purchased separately)	1
7A	84425GT	SEAL KIT, SOLENOID VALVE, 2 POS	
8	84333GT	VALVE, COUNTER BALANCE, 3300PSI AH, Platform level down circuit (item # 8A is not included and must be purchased separately)	1
8A	84425GT	SEAL KIT, SOLENOID VALVE, 2 POS	
9	104803GT	RELIEF VALVE, 1200PSI, TZ34 AI, Primary boom circuit (item # 9A is not included and must be purchased separately)	1
9A	84431GT	O-RING, RELIEF VALVE (84326)*	



602.6 Function Manifold (from SN TZ3405-172)



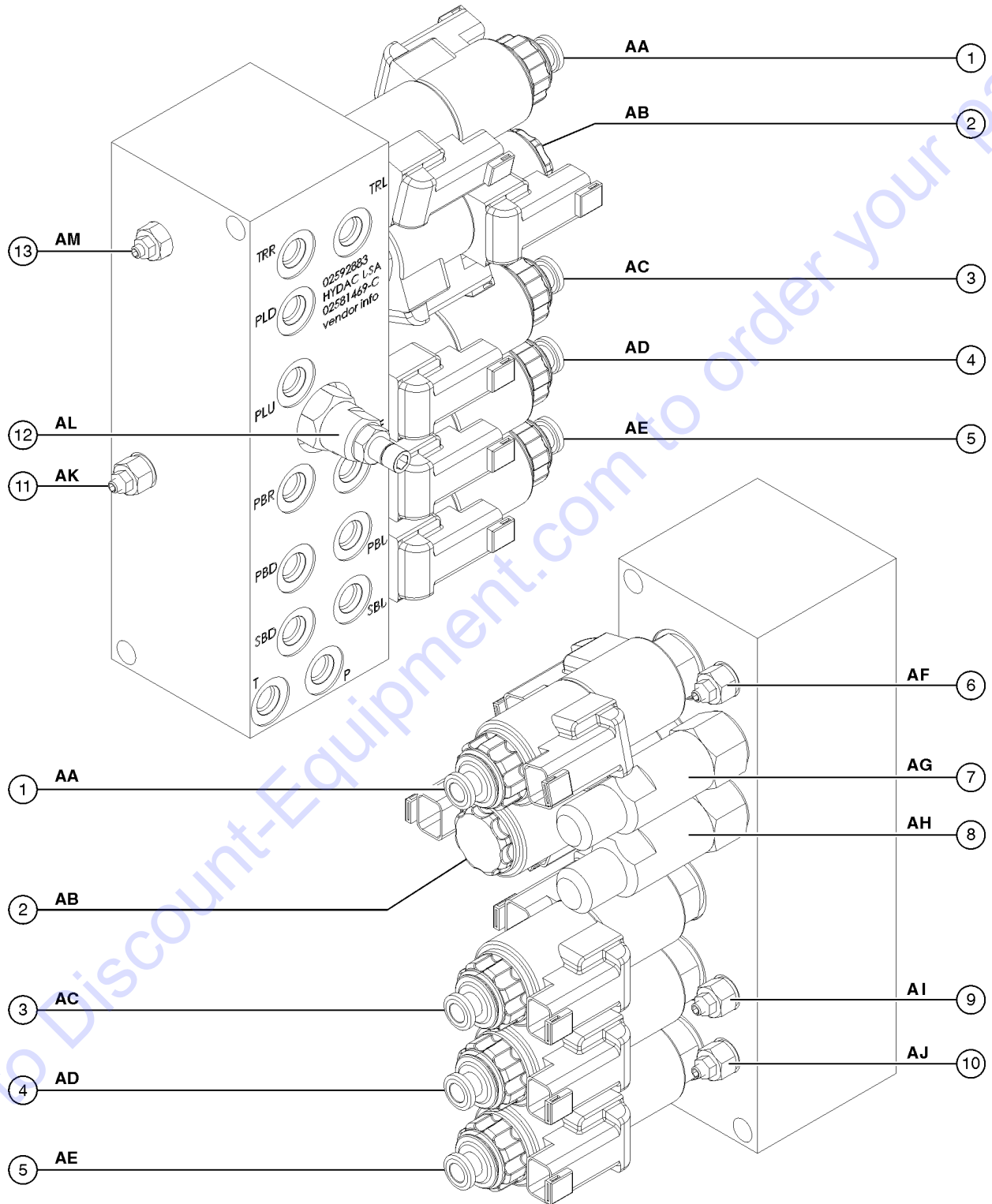
602.6 Function Manifold (from SN TZ3405-172)

Item	Part No.	Description	Qty.
10	84335GT	RELIEF VALVE,1000PSI, TZ34 AJ, Secondary boom circuit (item # 10A is not included and must be purchased separately)	1
10A	84431GT	O-RING,RELIEF VALVE (84326)*	
11	84334GT	RELIEF VALVE,1500PSI, TZ34 AK, Boom extgend circuit (item # 11A is not included and must be purchased separately) ..	1
11A	84431GT	O-RING,RELIEF VALVE (84326)*	
12	104604GT	VALVE,FLOW CONTROL .34 GPM AL, Platform level/turntable rotate circuit (item # 12A is not included and must be purchased separately)	1
12A	84426GT	SEAL KIT,FLOW CNT NEEDLE VALVE	
13	84326GT	RELIEF VALVE,1200PSI, TZ34 AM, Turntable rotate circuit (item # 13A is not included and must be purchased separately)	1
13A	84431GT	O-RING,RELIEF VALVE (84326)*	

Go to Discount-Equipment.com to order your parts



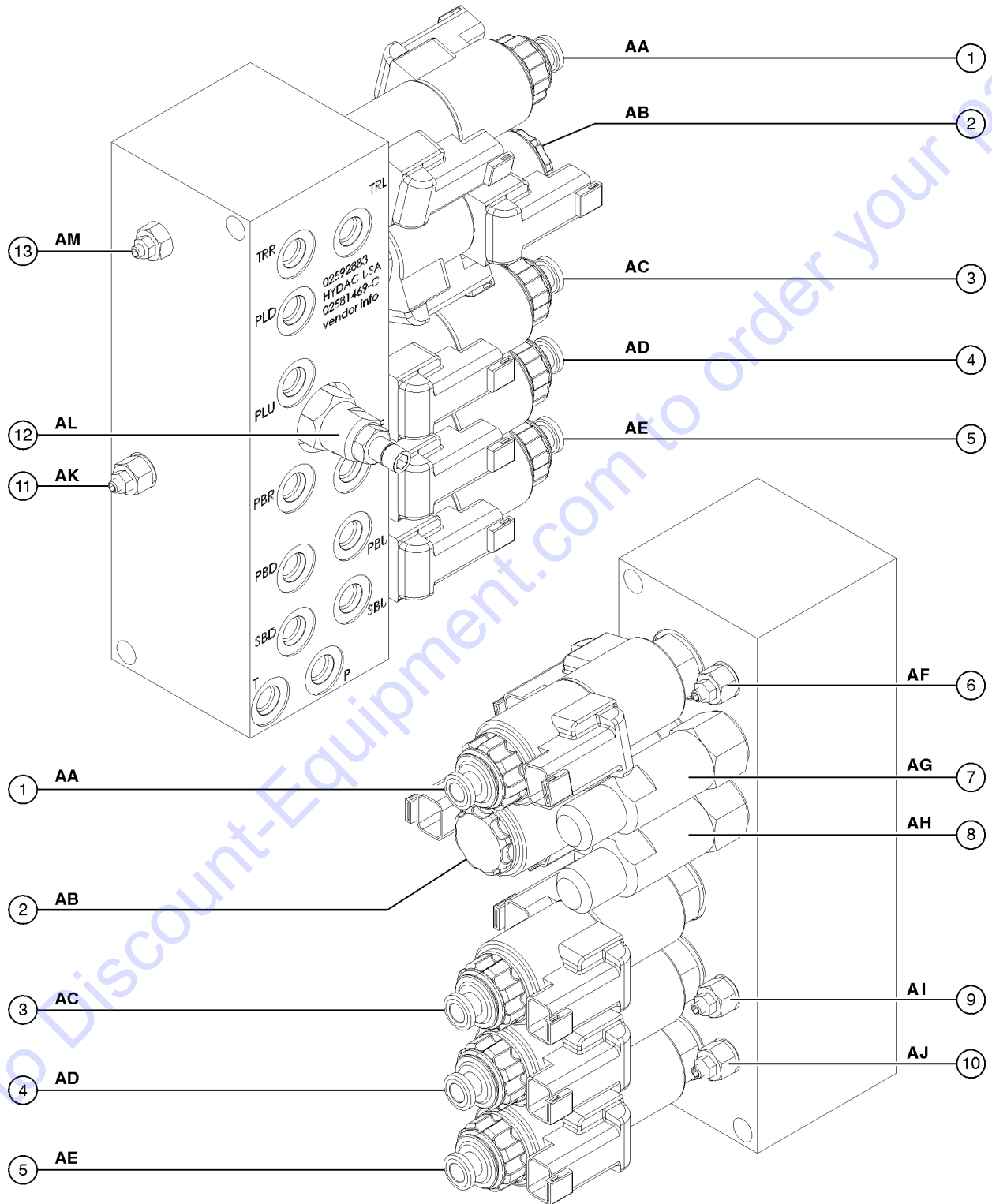
602.7 Function Manifold (from SN TZ3405-172)



Item	Part No.	Description	Qty.
--	104651GT	MANIFOLD, HYDRAULIC, TZ34*** Complete	
--	28750GT	O-RING KIT, FIELD SVC, ALL PROD*	
--	33994GT	PLUG AND CAP KIT-SERVICE, 37 **	
--	49613GT	PLUG AND CAP KIT-SERVICE, ORFS*	
1	104800GT	VALVE, SOLENOID 3POS 4WAY, TZ34 AA, Turntable rotate left/right (item # 1A & 1B are not included and must be purchased separately)	1
1A	84427GT	SEAL KIT, SOLENOID VALVE, 4 POS*	
1B	87456GT	COIL, 24VDC, DEUTZ CONN, SOLE	
2	104801GT	VALVE, SOLENOID 3POS 4WAY TZ34 AB, Platform level (item # 2A & 2B are not included and must be purchased separately)	1
2A	84427GT	SEAL KIT, SOLENOID VALVE, 4 POS*	
2B	87456GT	COIL, 24VDC, DEUTZ CONN, SOLE	
3	104799GT	VALVE, SOLENOID 3POS 4WAY, TZ34 AC, Boom extend/retract (item # 3A & 3B are not included and must be purchased separately)	1
3A	84427GT	SEAL KIT, SOLENOID VALVE, 4 POS*	
3B	87456GT	COIL, 24VDC, DEUTZ CONN, SOLE	
4	104798GT	VALVE, SOLENOID 3POS 4WAY, TZ34 AD, Primary boom up/down (item # 4A & 4B are not included and must be purchased separately)	1
4A	84427GT	SEAL KIT, SOLENOID VALVE, 4 POS*	
4B	87456GT	COIL, 24VDC, DEUTZ CONN, SOLE	
5	104798GT	VALVE, SOLENOID 3POS 4WAY, TZ34 AE, Secondary boom up/down (item # 5A & 5B are not included and must be purchased separately)	1
5A	84427GT	SEAL KIT, SOLENOID VALVE, 4 POS*	
5B	87456GT	COIL, 24VDC, DEUTZ CONN, SOLE	
6	84326GT	RELIEF VALVE, 1200PSI, TZ34 AF, Turntable rotate circuit (item # 6A is not included and must be purchased separately)	1
6A	84431GT	O-RING, RELIEF VALVE (84326)*	
7	84333GT	VALVE, COUNTER BALANCE, 3300PSI AG, Turntable level up circuit (item # 7A is not included and must be purchased separately)	1
7A	84425GT	SEAL KIT, SOLENOID VALVE, 2 POS	
8	84333GT	VALVE, COUNTER BALANCE, 3300PSI AH, Platform level down circuit (item # 8A is not included and must be purchased separately)	1
8A	84425GT	SEAL KIT, SOLENOID VALVE, 2 POS	
9	104803GT	RELIEF VALVE, 1200PSI, TZ34 AI, Primary boom circuit (item # 9A is not included and must be purchased separately)	1
9A	84431GT	O-RING, RELIEF VALVE (84326)*	



602.7 Function Manifold (from SN TZ3405-172)



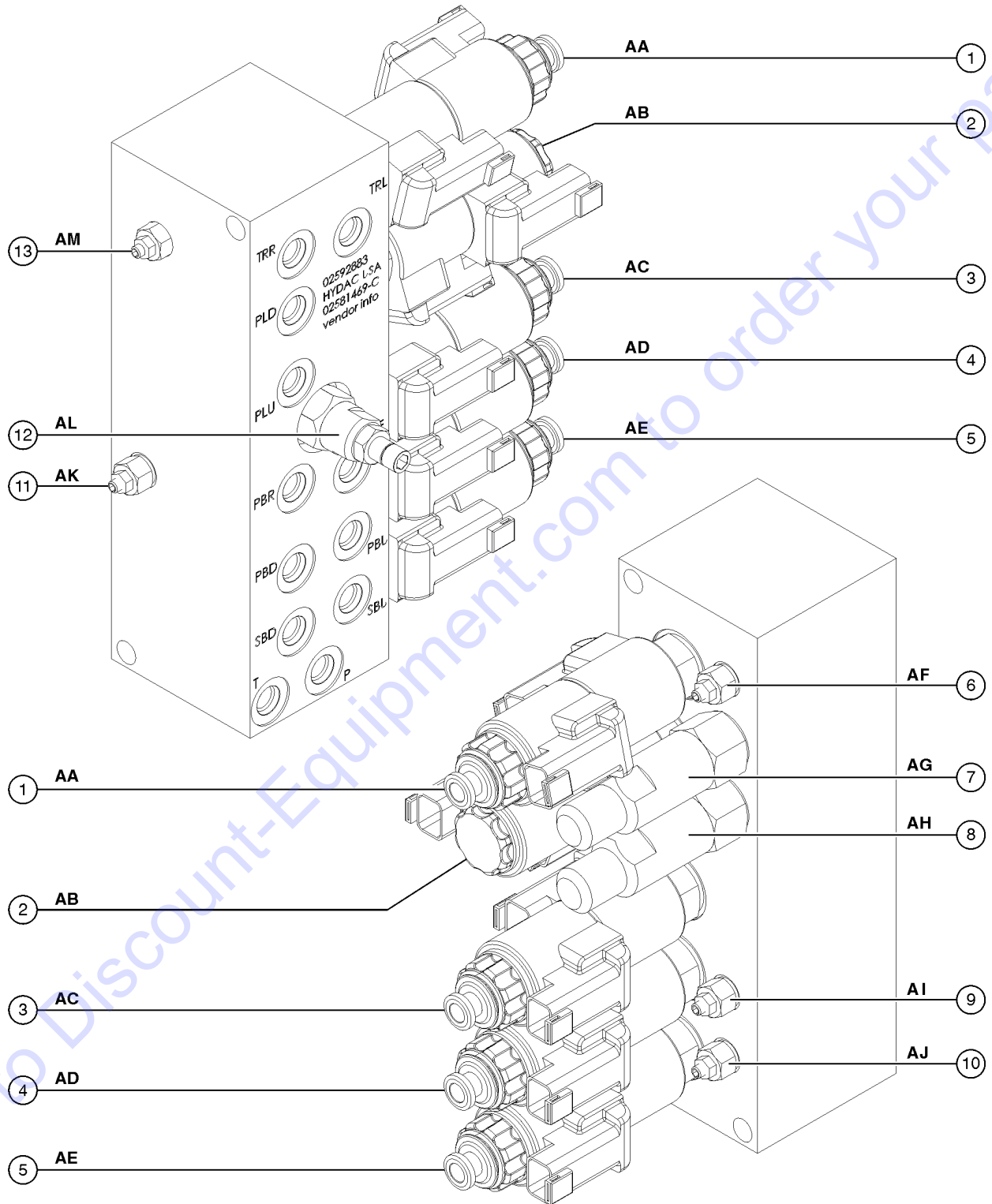
602.7 Function Manifold (from SN TZ3405-172)

Item	Part No.	Description	Qty.
10	84335GT	RELIEF VALVE,1000PSI, TZ34 AJ, Secondary boom circuit (item # 10A is not included and must be purchased separately)	1
10A	84431GT	O-RING,RELIEF VALVE (84326)*	
11	84334GT	RELIEF VALVE,1500PSI, TZ34 AK, Boom extgend circuit (item # 11A is not included and must be purchased separately) ..	1
11A	84431GT	O-RING,RELIEF VALVE (84326)*	
12	104604GT	VALVE,FLOW CONTROL .34 GPM AL, Platform level/turntable rotate circuit (item # 12A is not included and must be purchased separately)	1
12A	84426GT	SEAL KIT,FLOW CNT NEEDLE VALVE	
13	84326GT	RELIEF VALVE,1200PSI, TZ34 AM, Turntable rotate circuit (item # 13A is not included and must be purchased separately)	1
13A	84431GT	O-RING,RELIEF VALVE (84326)*	

Go to Discount-Equipment.com to order your parts



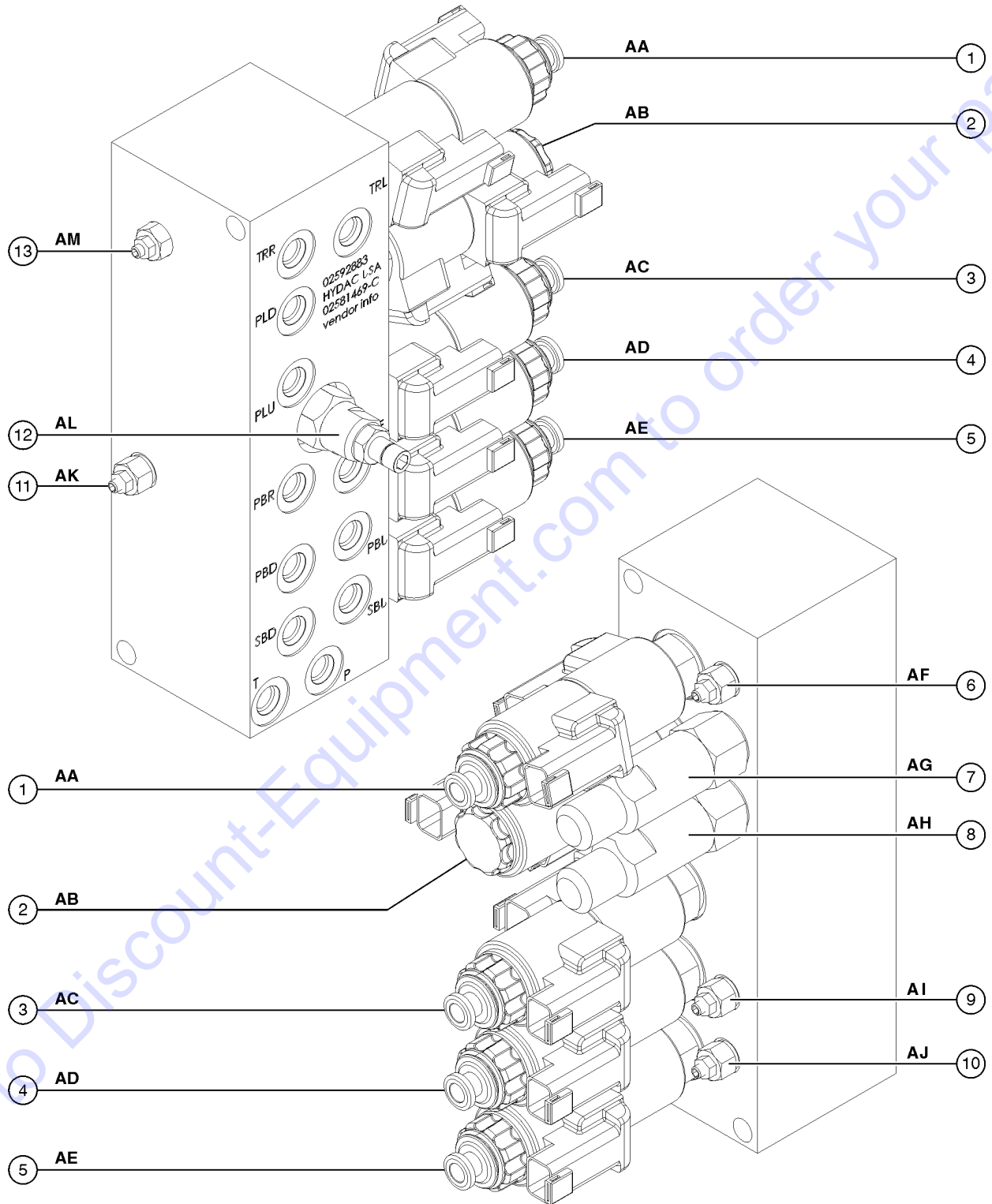
602.8 Function Manifold (from SN TZ3405-172)



Item	Part No.	Description	Qty.
--	104651GT	MANIFOLD, HYDRAULIC, TZ34*** Complete	
--	28750GT	O-RING KIT, FIELD SVC, ALL PROD*	
--	33994GT	PLUG AND CAP KIT-SERVICE, 37 **	
--	49613GT	PLUG AND CAP KIT-SERVICE, ORFS*	
1	104800GT	VALVE, SOLENOID 3POS 4WAY, TZ34 AA, Turntable rotate left/right (item # 1A & 1B are not included and must be purchased separately)	1
1A	84427GT	SEAL KIT, SOLENOID VALVE, 4 POS*	
1B	87456GT	COIL, 24VDC, DEUTZ CONN, SOLE	
2	104801GT	VALVE, SOLENOID 3POS 4WAY TZ34 AB, Platform level (item # 2A & 2B are not included and must be purchased separately)	1
2A	84427GT	SEAL KIT, SOLENOID VALVE, 4 POS*	
2B	87456GT	COIL, 24VDC, DEUTZ CONN, SOLE	
3	104799GT	VALVE, SOLENOID 3POS 4WAY, TZ34 AC, Boom extend/retract (item # 3A & 3B are not included and must be purchased separately)	1
3A	84427GT	SEAL KIT, SOLENOID VALVE, 4 POS*	
3B	87456GT	COIL, 24VDC, DEUTZ CONN, SOLE	
4	104798GT	VALVE, SOLENOID 3POS 4WAY, TZ34 AD, Primary boom up/down (item # 4A & 4B are not included and must be purchased separately)	1
4A	84427GT	SEAL KIT, SOLENOID VALVE, 4 POS*	
4B	87456GT	COIL, 24VDC, DEUTZ CONN, SOLE	
5	104798GT	VALVE, SOLENOID 3POS 4WAY, TZ34 AE, Secondary boom up/down (item # 5A & 5B are not included and must be purchased separately)	1
5A	84427GT	SEAL KIT, SOLENOID VALVE, 4 POS*	
5B	87456GT	COIL, 24VDC, DEUTZ CONN, SOLE	
6	84326GT	RELIEF VALVE, 1200PSI, TZ34 AF, Turntable rotate circuit (item # 6A is not included and must be purchased separately)	1
6A	84431GT	O-RING, RELIEF VALVE (84326)*	
7	84333GT	VALVE, COUNTER BALANCE, 3300PSI AG, Turntable level up circuit (item # 7A is not included and must be purchased separately)	1
7A	84425GT	SEAL KIT, SOLENOID VALVE, 2 POS	
8	84333GT	VALVE, COUNTER BALANCE, 3300PSI AH, Platform level down circuit (item # 8A is not included and must be purchased separately)	1
8A	84425GT	SEAL KIT, SOLENOID VALVE, 2 POS	
9	104803GT	RELIEF VALVE, 1200PSI, TZ34 AI, Primary boom circuit (item # 9A is not included and must be purchased separately)	1
9A	84431GT	O-RING, RELIEF VALVE (84326)*	



602.8 Function Manifold (from SN TZ3405-172)

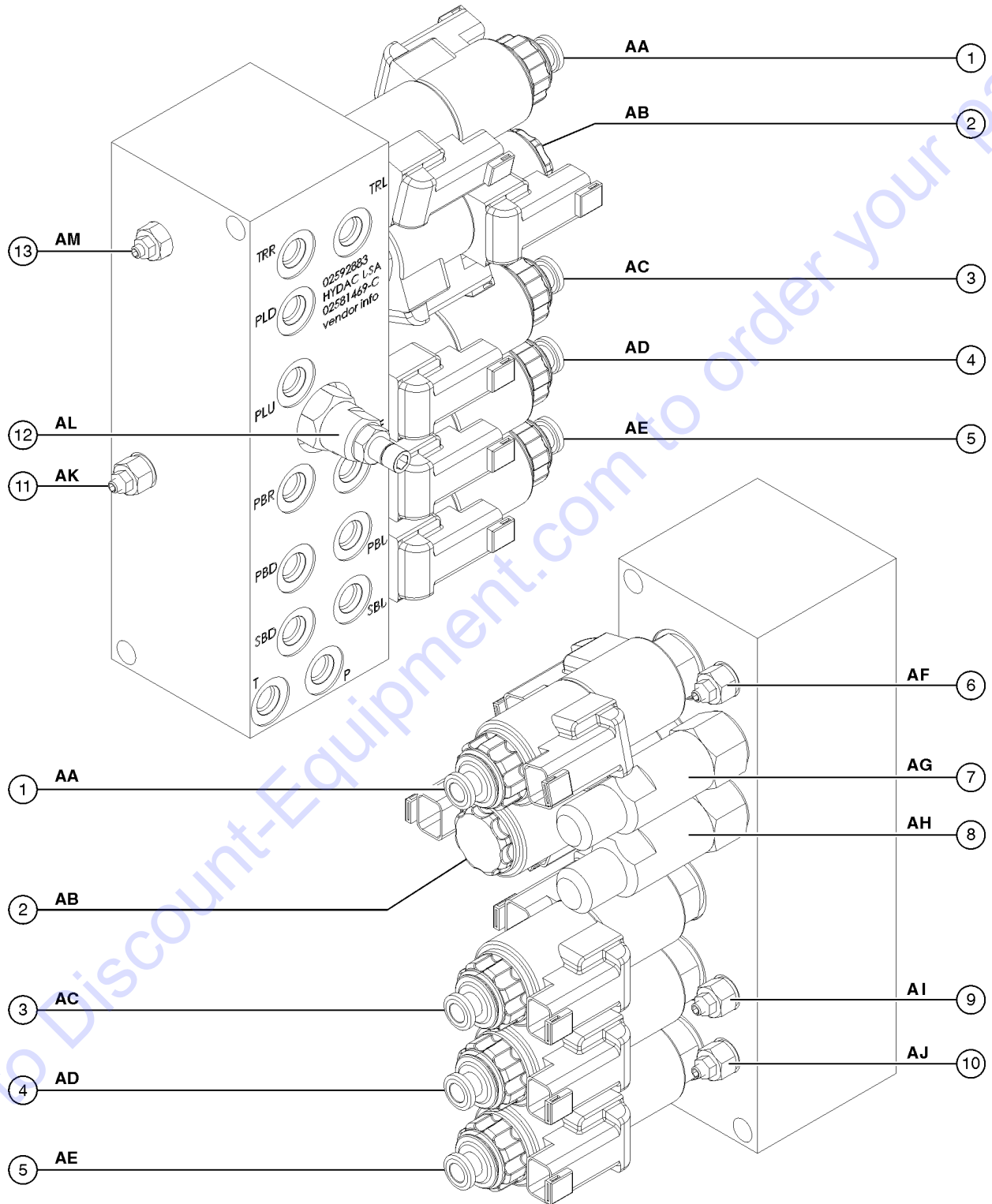


Item	Part No.	Description	Qty.
10	84335GT	RELIEF VALVE,1000PSI, TZ34 AJ, Secondary boom circuit (item # 10A is not included and must be purchased separately)	1
10A	84431GT	O-RING,RELIEF VALVE (84326)*	
11	84334GT	RELIEF VALVE,1500PSI, TZ34 AK, Boom extgend circuit (item # 11A is not included and must be purchased separately) ..	1
11A	84431GT	O-RING,RELIEF VALVE (84326)*	
12	104604GT	VALVE,FLOW CONTROL .34 GPM AL, Platform level/turntable rotate circuit (item # 12A is not included and must be purchased separately)	1
12A	84426GT	SEAL KIT,FLOW CNT NEEDLE VALVE	
13	84326GT	RELIEF VALVE,1200PSI, TZ34 AM, Turntable rotate circuit (item # 13A is not included and must be purchased separately)	1
13A	84431GT	O-RING,RELIEF VALVE (84326)*	

Go to Discount-Equipment.com to order your parts



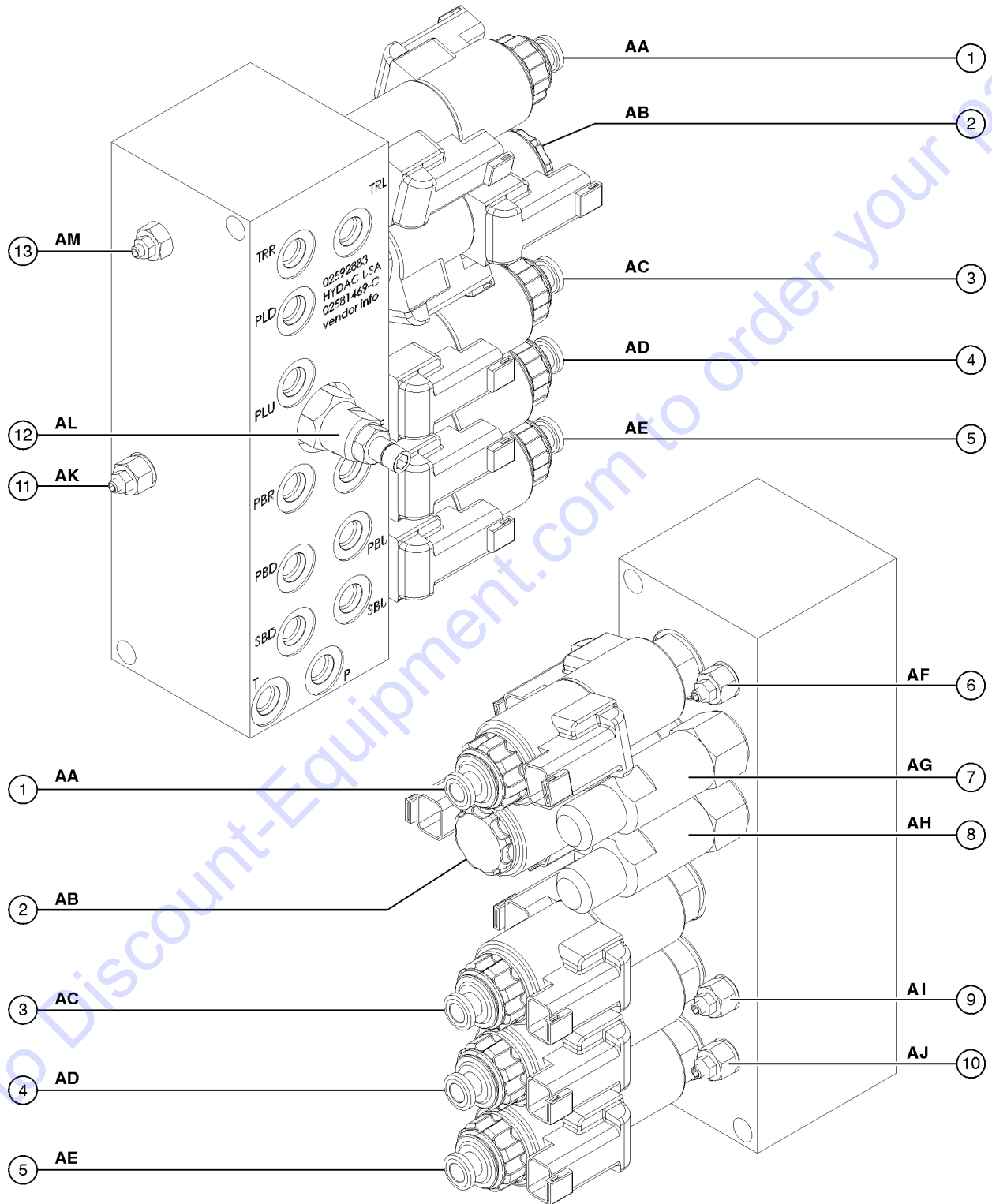
602.9 Function Manifold (from SN TZ3405-172)



Item	Part No.	Description	Qty.
--	104651GT	MANIFOLD, HYDRAULIC, TZ34*** Complete	
--	28750GT	O-RING KIT, FIELD SVC, ALL PROD*	
--	33994GT	PLUG AND CAP KIT-SERVICE, 37 **	
--	49613GT	PLUG AND CAP KIT-SERVICE, ORFS*	
1	104800GT	VALVE, SOLENOID 3POS 4WAY, TZ34 AA, Turntable rotate left/right (item # 1A & 1B are not included and must be purchased separately)	1
1A	84427GT	SEAL KIT, SOLENOID VALVE, 4 POS*	
1B	87456GT	COIL, 24VDC, DEUTZ CONN, SOLE	
2	104801GT	VALVE, SOLENOID 3POS 4WAY TZ34 AB, Platform level (item # 2A & 2B are not included and must be purchased separately)	1
2A	84427GT	SEAL KIT, SOLENOID VALVE, 4 POS*	
2B	87456GT	COIL, 24VDC, DEUTZ CONN, SOLE	
3	104799GT	VALVE, SOLENOID 3POS 4WAY, TZ34 AC, Boom extend/retract (item # 3A & 3B are not included and must be purchased separately)	1
3A	84427GT	SEAL KIT, SOLENOID VALVE, 4 POS*	
3B	87456GT	COIL, 24VDC, DEUTZ CONN, SOLE	
4	104798GT	VALVE, SOLENOID 3POS 4WAY, TZ34 AD, Primary boom up/down (item # 4A & 4B are not included and must be purchased separately)	1
4A	84427GT	SEAL KIT, SOLENOID VALVE, 4 POS*	
4B	87456GT	COIL, 24VDC, DEUTZ CONN, SOLE	
5	104798GT	VALVE, SOLENOID 3POS 4WAY, TZ34 AE, Secondary boom up/down (item # 5A & 5B are not included and must be purchased separately)	1
5A	84427GT	SEAL KIT, SOLENOID VALVE, 4 POS*	
5B	87456GT	COIL, 24VDC, DEUTZ CONN, SOLE	
6	84326GT	RELIEF VALVE, 1200PSI, TZ34 AF, Turntable rotate circuit (item # 6A is not included and must be purchased separately)	1
6A	84431GT	O-RING, RELIEF VALVE (84326)*	
7	84333GT	VALVE, COUNTER BALANCE, 3300PSI AG, Turntable level up circuit (item # 7A is not included and must be purchased separately)	1
7A	84425GT	SEAL KIT, SOLENOID VALVE, 2 POS	
8	84333GT	VALVE, COUNTER BALANCE, 3300PSI AH, Platform level down circuit (item # 8A is not included and must be purchased separately)	1
8A	84425GT	SEAL KIT, SOLENOID VALVE, 2 POS	
9	104803GT	RELIEF VALVE, 1200PSI, TZ34 AI, Primary boom circuit (item # 9A is not included and must be purchased separately)	1
9A	84431GT	O-RING, RELIEF VALVE (84326)*	



602.9 Function Manifold (from SN TZ3405-172)



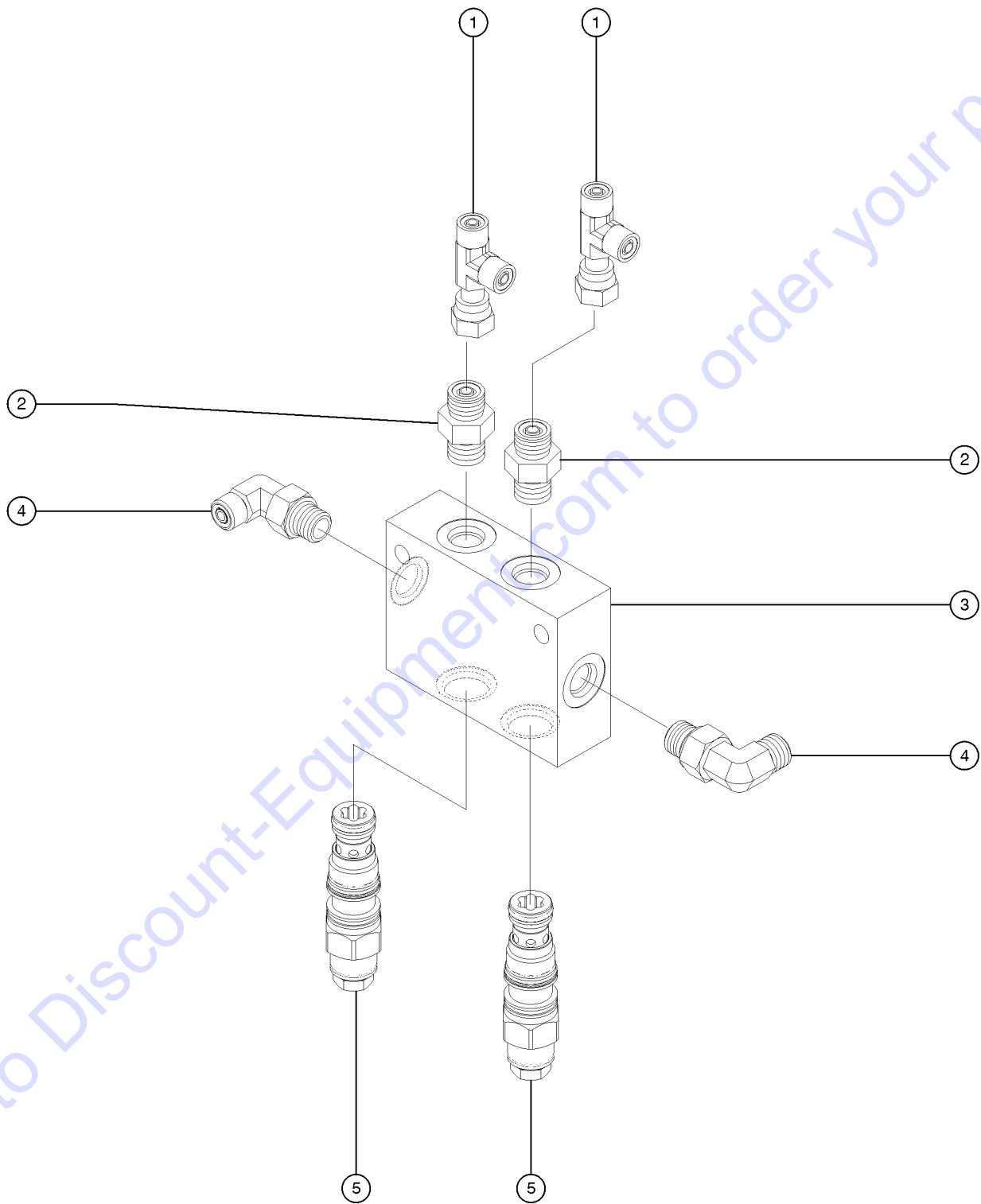
602.9 Function Manifold (from SN TZ3405-172)

Item	Part No.	Description	Qty.
10	84335GT	RELIEF VALVE,1000PSI, TZ34 AJ, Secondary boom circuit (item # 10A is not included and must be purchased separately)	1
10A	84431GT	O-RING,RELIEF VALVE (84326)*	
11	84334GT	RELIEF VALVE,1500PSI, TZ34 AK, Boom extgend circuit (item # 11A is not included and must be purchased separately) ..	1
11A	84431GT	O-RING,RELIEF VALVE (84326)*	
12	104604GT	VALVE,FLOW CONTROL .34 GPM AL, Platform level/turntable rotate circuit (item # 12A is not included and must be purchased separately)	1
12A	84426GT	SEAL KIT,FLOW CNT NEEDLE VALVE	
13	84326GT	RELIEF VALVE,1200PSI, TZ34 AM, Turntable rotate circuit (item # 13A is not included and must be purchased separately)	1
13A	84431GT	O-RING,RELIEF VALVE (84326)*	

Go to Discount-Equipment.com to order your parts



603.1 Dual Counterbalance Assembly, Outriggers (from SN TZ3412-299)



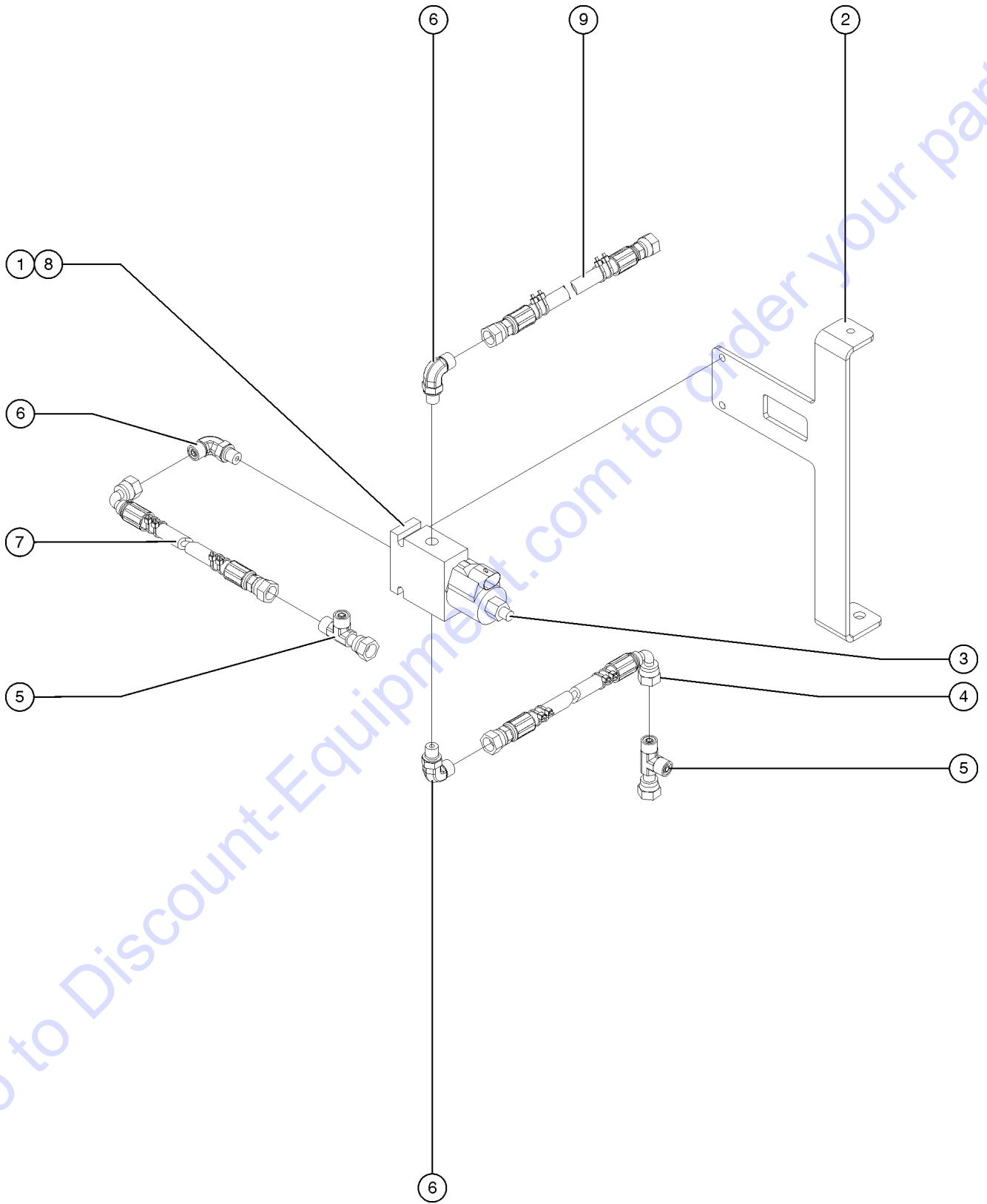
603.1 Dual Counterbalance Assembly, Outriggers (from SN TZ3412-299)

Item	Part No.	Description	Qty.
	217422GT	ASM,DUAL COUNTERBALANCE VALVE (includes bracket) (installed in production at TZ3412-299)	
1	48908GT	FITTING,TEE,RUN,SWIVEL520432-4	2
2	48912GT	CONN,520120-4-6***	2
3	76061GT	MANIFOLD,TWO CAVITY X-PILOTED	1
4	48911GT	ELBOW,90D,520220-4-6***	2
5	76069GT	VALVE,COUNTERBALANCE 4000 PSI	2

Go to Discount-Equipment.com to order your parts



603.2 Manifold/Solenoid Assembly, Rotate Brake (from SN TZ3414-982)



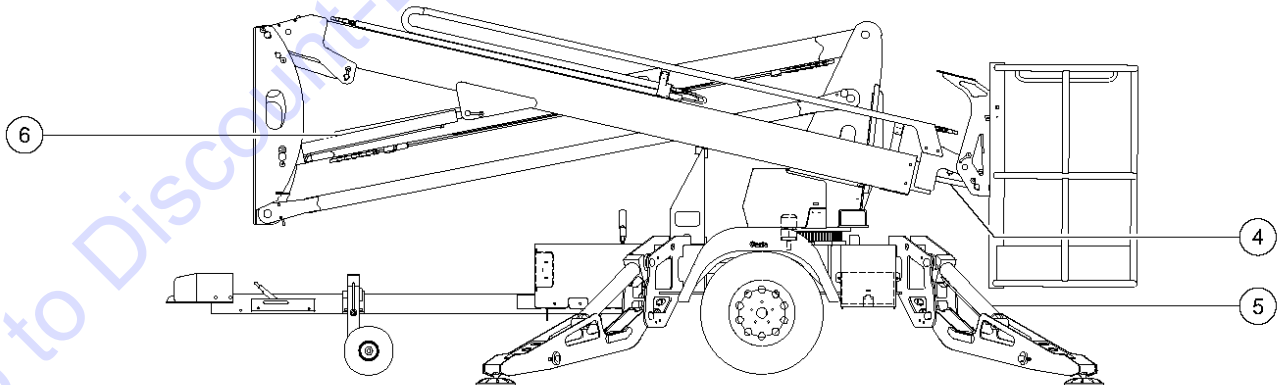
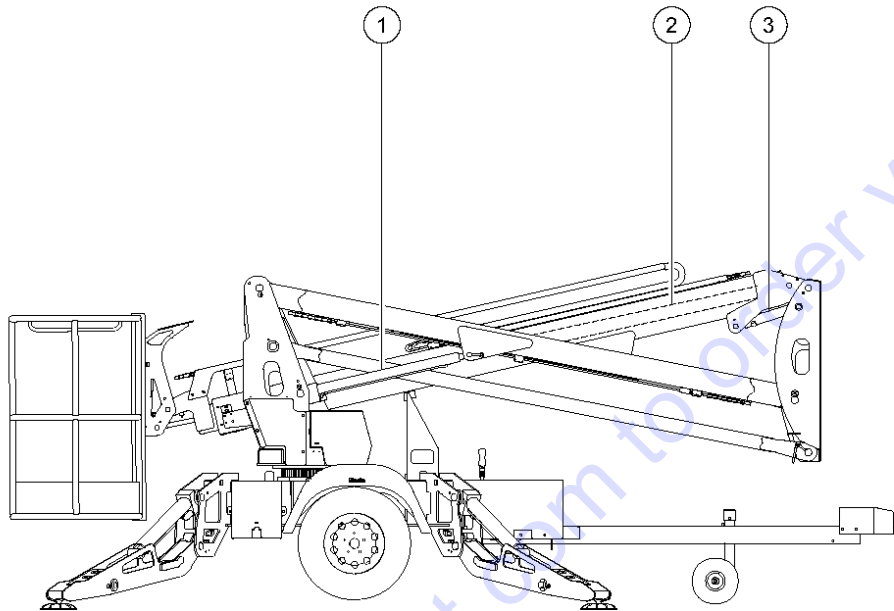
603.2 Manifold/Solenoid Assembly, Rotate Brake (from SN TZ3414-982)

Item	Part No.	Description	Qty.
1	1255049GT	ASSEMBLY, MANIFOLD AND SOLENOI (includes items 3 and 8)	
2	825186GT	TURNTABLE COVER, SUPPORT BRACK	1
3	1300210GT	VALVE (1255049)	
3	1300211GT	COIL (1255049)	
3	1300212GT	SEAL KIT (1255049)	
4	1253841GT	ASSEMBLY, HOSE, BRAKE MOTOR, L	1
5	48908GT	FITTING, TEE, RUN, SWIVEL 520432-4 connects to 1253841	
5B	48906GT	TEE, RUN, 520428-4 connects to 1254646	
6	48904GT	ELBOW, 90D, 520220-4-4	3
7	1254646GT	ASSEMBLY, HOSE, BRAKE MOTOR, F	1
8	1254257GT	MANIFOLD, 3-WAY	1
9	1253840GT	ASSEMBLY, HOSE, BRAKE MOTOR, S	1

Go to Discount-Equipment.com to order your parts



604.1 Hydraulic Cylinders

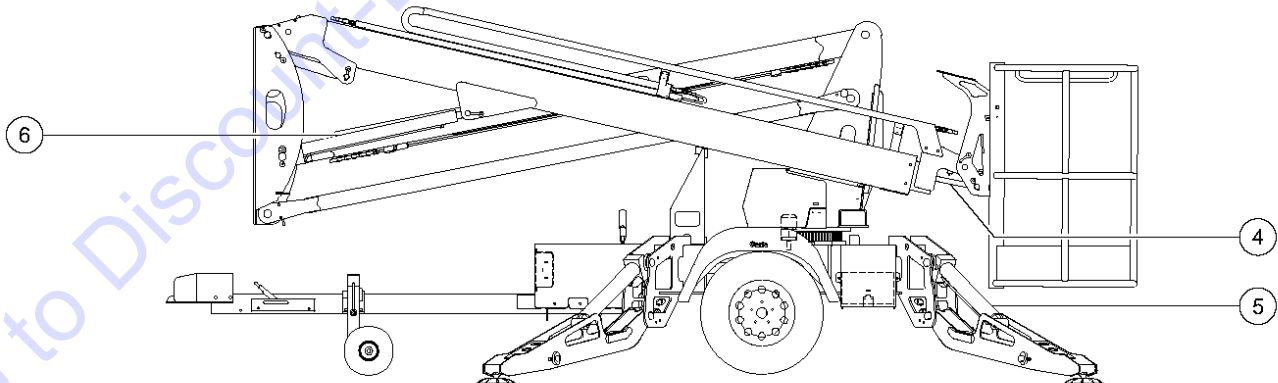
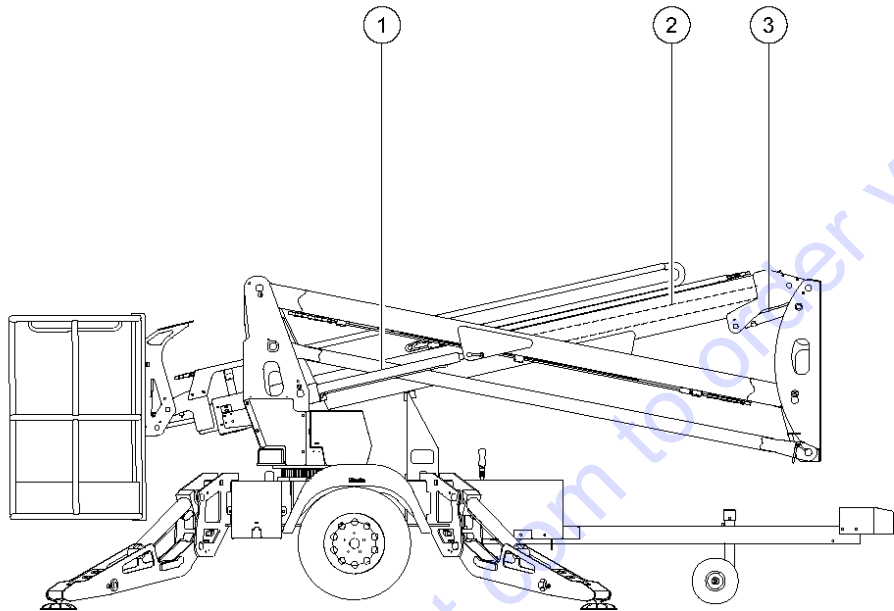


604.1 Hydraulic Cylinders

Item	Part No.	Description	Qty.
1	T108054GT	CYLINDER, SECONDARY LIFT	1
1-	T108067GT	SEAL KIT, CYL T108054 from SN TZ3412-250; for cylinder T108054	
1-	84293GT	SEAL KIT, CYL.79520, TZ34 to SN TZ3412-249; for cylinder 79520	
1-	77303GT	VALVE, CNTRBAL 3500 PSI, ATM VEN	
1-	128104GT	CAP. COUNTERBALANCE VALVE	
		for 77303	
1-	67744GT	ORIFICE, SHORT, 0.037 INCH	
		extend port (install below 48912)	
1-	25817GT	BEARING, 1.00IDX1.25ODX1.00L	
1-	48905GT	CONN, 520120-4***	
		retract port	
1-	48912GT	CONN, 520120-4-6***	
		extend port	
2	T108055GT	CYLINDER, EXTENSION	1
2-	T108068GT	SEAL KIT, CYL T108055 from SN TZ3412-247; for cylinder T108055	
2-	84294GT	SEAL KIT, CYL.79522, TZ34 to SN TZ3412-246; for cylinder 79522	
2-	89872GT	VALVE, COUNTERBALANCE***	
2-	25817GT	BEARING, 1.00IDX1.25ODX1.00L	
2-	48905GT	CONN, 520120-4***	
3	T108056GT	CYLINDER, MASTER	1
3-	T108069GT	SEAL KIT, CYL T108056 from SN TZ3412-253; for cylinder T108056	
3-	84295GT	SEAL KIT, CYL.79523&79524 TZ34 to SN TZ3412-252; for cylinder 79523	
3-	25817GT	BEARING, 1.00IDX1.25ODX1.00L	
4	T108057GT	CYLINDER, SLAVE	1
4-	T108070GT	SEAL KIT, CYL T108057 from SN TZ3412-240; for cylinder T108055	
4-	84295GT	SEAL KIT, CYL.79523&79524 TZ34 to SN TZ3412-239; for cylinder 79524	
4-	74872GT	VALVE, COUNTERBALANCE 3000 PSI*	
4-	25817GT	BEARING, 1.00IDX1.25ODX1.00L	
5A	233999GT	KIT, TZ-34 OUTRIGGER CYLINDER	4
		(ANSI, CSA, Australia)	
5A-	T108071GT	SEAL KIT, CYL T108058 from SN TZ3412-240; for cylinder T108058	
5A-	84291GT	SEAL KIT, CYL.87376, TZ34 to SN TZ3412-239; for cylinder 87376	
5A-	67933GT	VALVE, NC, BI-DI, CART***	
		order coil separately	



604.1 Hydraulic Cylinders

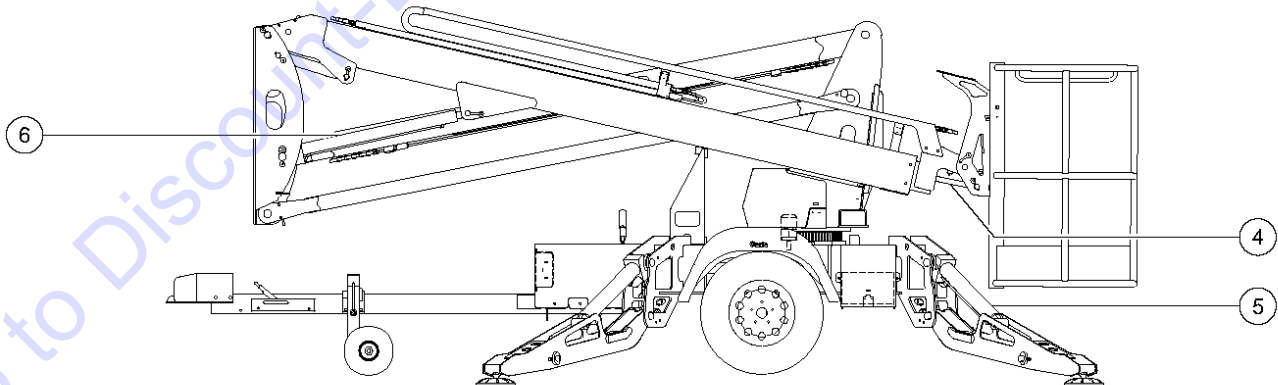
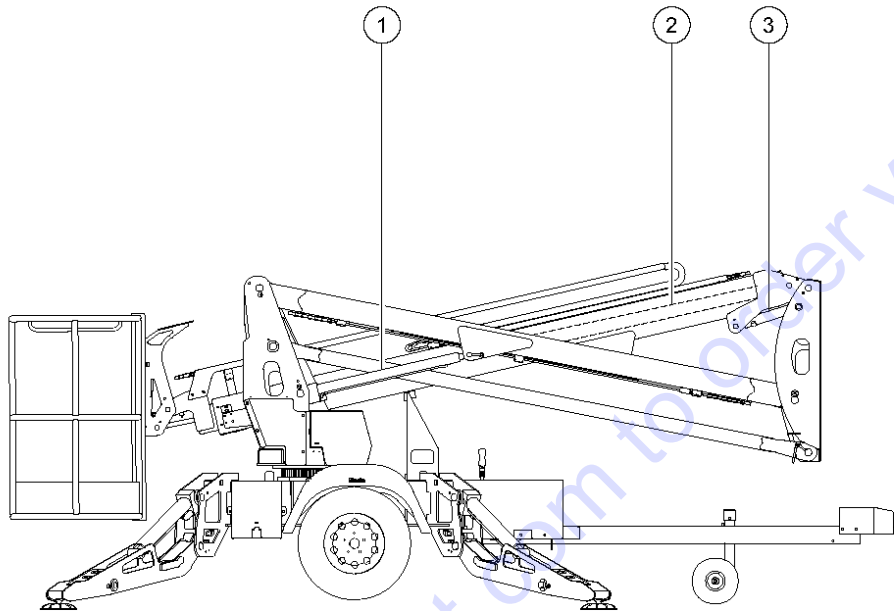


Go to Discount-Equipment.com to order your parts

Item	Part No.	Description	Qty.
5A-	87456GT	COIL,24VDC, DEUTZ CONN,SOLE for 67933	
5A-	87463GT	VALVE,PO CHECK	
5A-	76529GT	SCREW,BLEEDER,5/16,TMZ*** For use with outrigger cylinder p/n 76527GT, 76528GT, 87376GT & 99591GT. For outrigger cylinder p/n T108058GT use p/n 1284227GT.	
5A-	18396GT	BEARING,1.5IDX1.75ODX1.0L barrel end	
5A-	30370GT	BEARING,1.25IDX1.5ODX1.00L rod end	
5A-	48905GT	CONN,520120-4*** retract port	
5A-	48912GT	CONN,520120-4-6*** extend port	
5A-	67744GT	ORIFICE,SHORT, 0.037 INCH extend port (install below 48912)	
5B		KIT, TZ-34 OUTRIGGER, CE (available soon)	
5B-	T108071GT	SEAL KIT, CYL T108058	
5B-	84291GT	SEAL KIT,CYL.87376,TZ34	
5B-	67933GT	VALVE,NC,BI-DI,CART***	
5B-	87456GT	COIL,24VDC, DEUTZ CONN,SOLE	
5B-	87463GT	VALVE,PO CHECK	
5B-	76529GT	SCREW,BLEEDER,5/16,TMZ*** For use with outrigger cylinder p/n 76527GT, 76528GT, 87376GT & 99591GT. For outrigger cylinder p/n T108058GT use p/n 1284227GT.	
5B-	18396GT	BEARING,1.5IDX1.75ODX1.0L	
5B-	30370GT	BEARING,1.25IDX1.5ODX1.00L	
5B-	48905GT	CONN,520120-4***	
5B-	48912GT	CONN,520120-4-6***	
5B-	67744GT	ORIFICE,SHORT, 0.037 INCH	
6	T108059GT	CYLINDER, PRIMARY LIFT	1
6-	T108072GT	SEAL KIT,CYL T108059 from SN TZ3412-233; for cylinder T108059	
6-	84292GT	SEAL KIT,CYL.87563,TZ34 to SN TZ3412-232; for cylinder 87563	
6-	77303GT	VALVE, CNTRBAL 3500 PSI, ATM VEN	
6-	76596GT	ORIFICE, SHORT .028 extend port (install below 48912)	
6-	25817GT	BEARING,1.00IDX1.25ODX1.00L	
6-	18396GT	BEARING,1.5IDX1.75ODX1.0L	



604.1 Hydraulic Cylinders



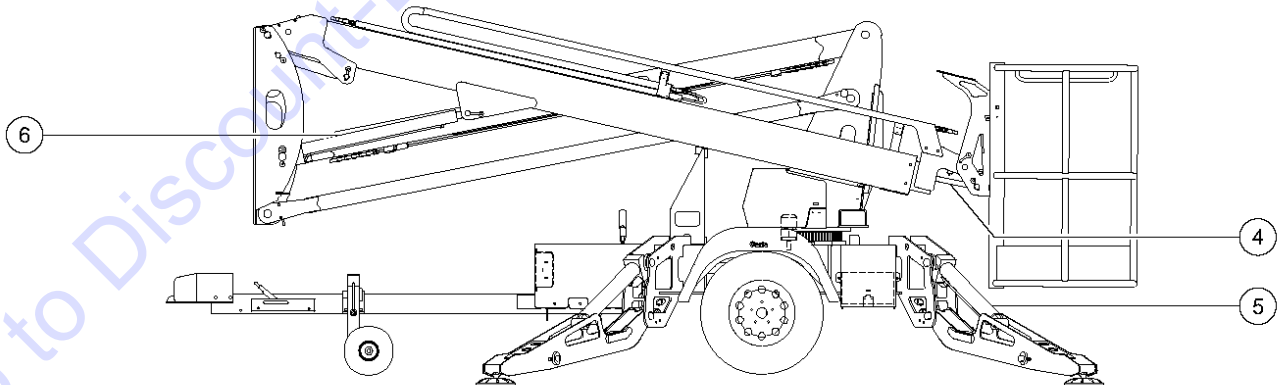
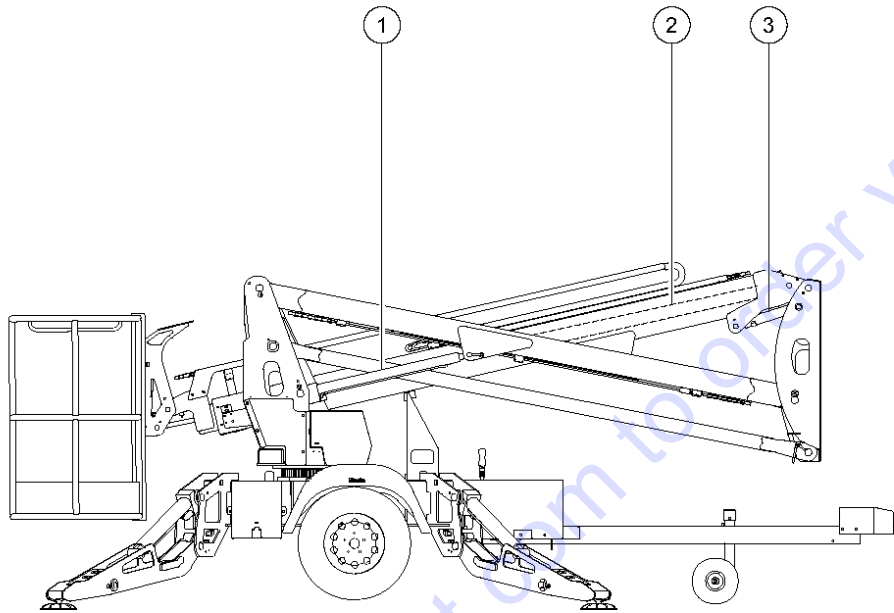
604.1 Hydraulic Cylinders

<i>Item</i>	<i>Part No.</i>	<i>Description</i>	<i>Qty.</i>
6-	48905GT	CONN,520120-4*** retract port	
6-	48912GT	CONN,520120-4-6*** extend port	

Go to Discount-Equipment.com to order your parts



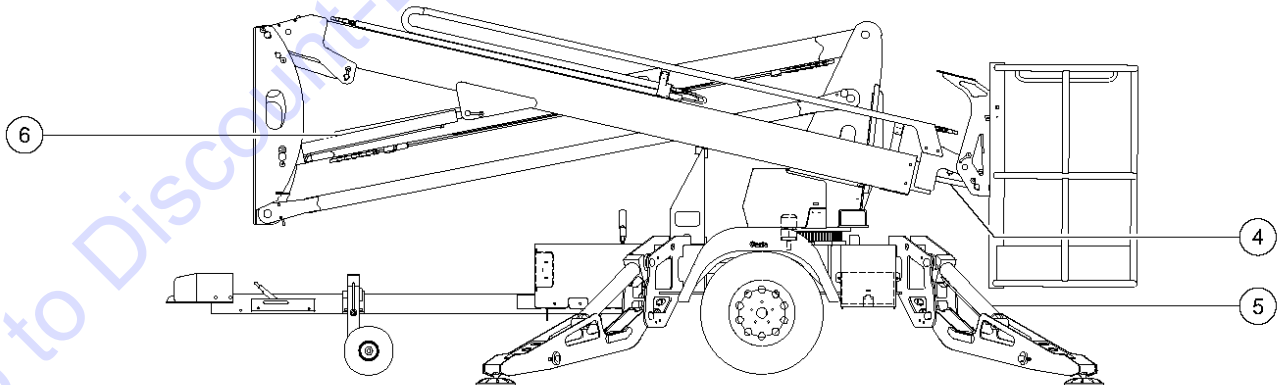
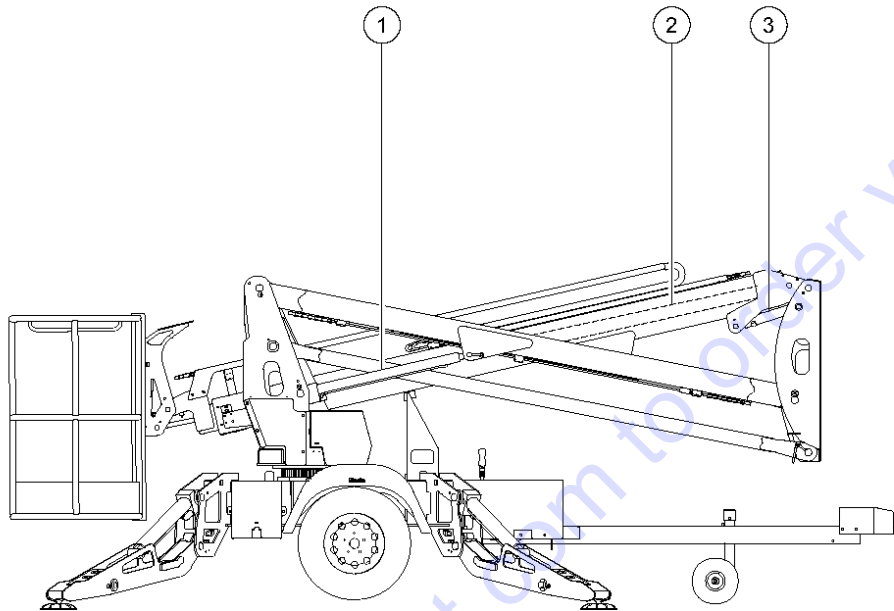
604.2 Hydraulic Cylinders



Item	Part No.	Description	Qty.
1	T108054GT	CYLINDER, SECONDARY LIFT	1
1-	T108067GT	SEAL KIT, CYL T108054 from SN TZ3412-250; for cylinder T108054	
1-	84293GT	SEAL KIT, CYL. 79520, TZ34 to SN TZ3412-249; for cylinder 79520	
1-	77303GT	VALVE, CNTRBAL 3500 PSI, ATM VEN	
1-	128104GT	CAP. COUNTERBALANCE VALVE	
		for 77303	
1-	67744GT	ORIFICE, SHORT, 0.037 INCH	
		extend port (install below 48912)	
1-	25817GT	BEARING, 1.00IDX1.25ODX1.00L	
1-	48905GT	CONN, 520120-4***	
		retract port	
2	T108055GT	CYLINDER, EXTENSION	1
2-	T108068GT	SEAL KIT, CYL T108055 from SN TZ3412-247; for cylinder T108055	
2-	84294GT	SEAL KIT, CYL. 79522, TZ34 to SN TZ3412-246; for cylinder 79522	
2-	89872GT	VALVE, COUNTERBALANCE***	
2-	25817GT	BEARING, 1.00IDX1.25ODX1.00L	
3	T108056GT	CYLINDER, MASTER	1
3-	T108069GT	SEAL KIT, CYL T108056 from SN TZ3412-253; for cylinder T108056	
3-	84295GT	SEAL KIT, CYL. 79523&79524 TZ34 to SN TZ3412-252; for cylinder 79523	
3-	25817GT	BEARING, 1.00IDX1.25ODX1.00L	
4	T108057GT	CYLINDER, SLAVE	1
4-	T108070GT	SEAL KIT, CYL T108057 from SN TZ3412-240; for cylinder T108055	
4-	84295GT	SEAL KIT, CYL. 79523&79524 TZ34 to SN TZ3412-239; for cylinder 79524	
4-	74872GT	VALVE, COUNTERBALANCE 3000 PSI*	
4-	25817GT	BEARING, 1.00IDX1.25ODX1.00L	
5A	233999GT	KIT, TZ-34 OUTRIGGER CYLINDER	4
5A-	T108071GT	SEAL KIT, CYL T108058 from SN TZ3412-240; for cylinder T108058	
5A-	84291GT	SEAL KIT, CYL. 87376, TZ34 to SN TZ3412-239; for cylinder 87376	
5A-	67933GT	VALVE, NC, BI-DI, CART***	
		order coil separately	
5A-	87456GT	COIL, 24VDC, DEUTZ CONN, SOLE	
		for 67933	
5A-	87463GT	VALVE, PO CHECK	



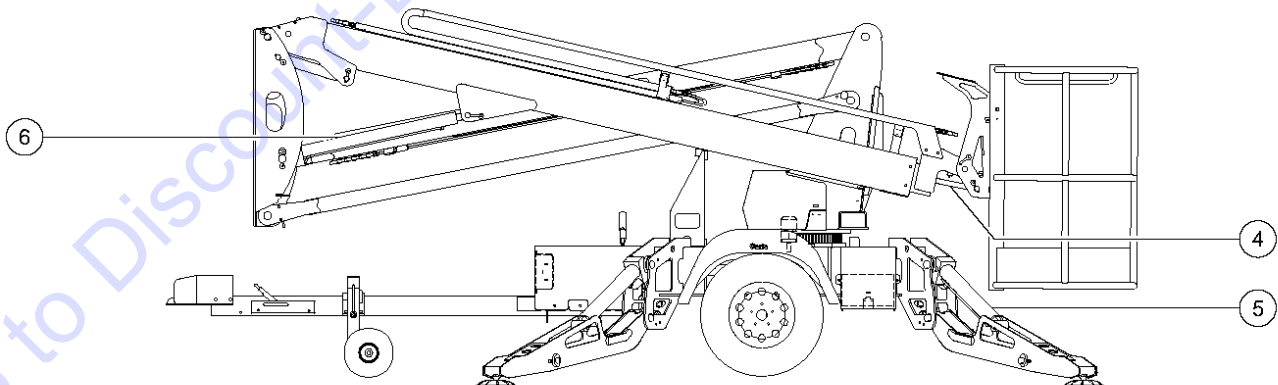
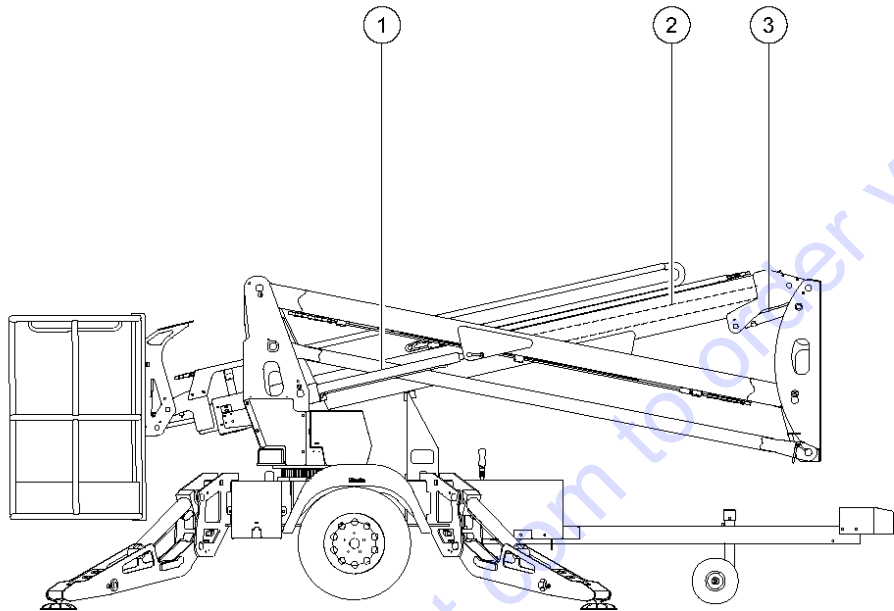
604.2 Hydraulic Cylinders



Item	Part No.	Description	Qty.
5A-	76529GT	SCREW,BLEEDER,5/16,TMZ*** For use with outrigger cylinder p/n 76527GT, 76528GT, 87376GT & 99591GT. For outrigger cylinder p/n T108058GT use p/n 1284227GT.	
5A-	18396GT	BEARING,1.5IDX1.75ODX1.0L barrel end	
5A-	30370GT	BEARING,1.25IDX1.5ODX1.00L rod end	
5A-	48905GT	CONN,520120-4*** retract port	
5A-	48912GT	CONN,520120-4-6*** extend port	
5A-	67744GT	ORIFICE,SHORT, 0.037 INCH extend port (install below 48912)	
5B		KIT, TZ-34 OUTRIGGER, CE (available soon)	
5B-	T108071GT	SEAL KIT, CYL T108058	
5B-	84291GT	SEAL KIT,CYL.87376,TZ34	
5B-	67933GT	VALVE,NC,BI-DI,CART***	
5B-	87456GT	COIL,24VDC, DEUTZ CONN,SOLE	
5B-	87463GT	VALVE,PO CHECK	
5B-	76529GT	SCREW,BLEEDER,5/16,TMZ***	
5B-	18396GT	BEARING,1.5IDX1.75ODX1.0L	
5B-	30370GT	BEARING,1.25IDX1.5ODX1.00L	
5B-	48905GT	CONN,520120-4***	
5B-	48912GT	CONN,520120-4-6***	
5B-	67744GT	ORIFICE,SHORT, 0.037 INCH	
6	T108059GT	CYLINDER, PRIMARY LIFT	1
6-	T108072GT	SEAL KIT,CYL T108059 from SN TZ3412-233; for cylinder T108059	
6-	84292GT	SEAL KIT,CYL.87563,TZ34 to SN TZ3412-232; for cylinder 87563	
6-	77303GT	VALVE, CNTRBAL 3500 PSI, ATM VEN	
6-	76596GT	ORIFICE, SHORT .028 extend port (install below 48912)	
6-	25817GT	BEARING,1.00IDX1.25ODX1.00L	
6-	18396GT	BEARING,1.5IDX1.75ODX1.0L	
6-	48905GT	CONN,520120-4*** retract port	
6-	48912GT	CONN,520120-4-6*** extend port	



604.3 Hydraulic Cylinders

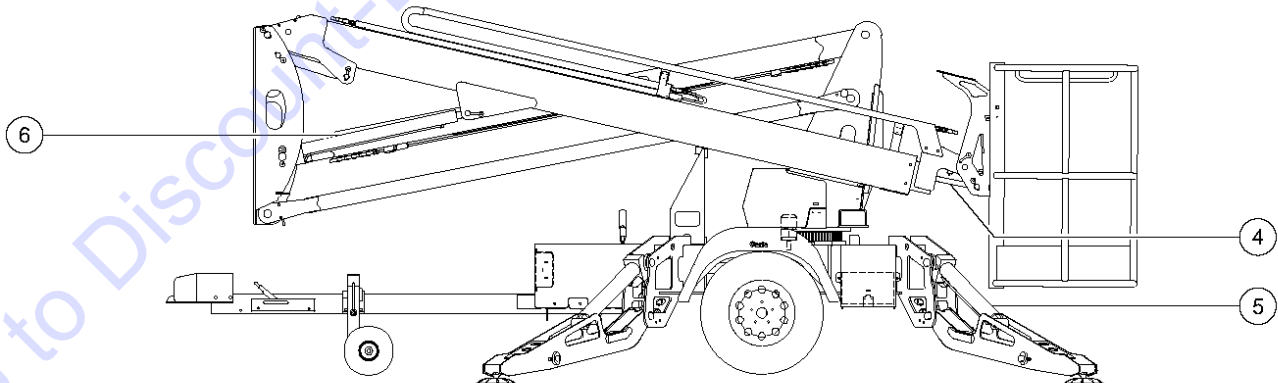
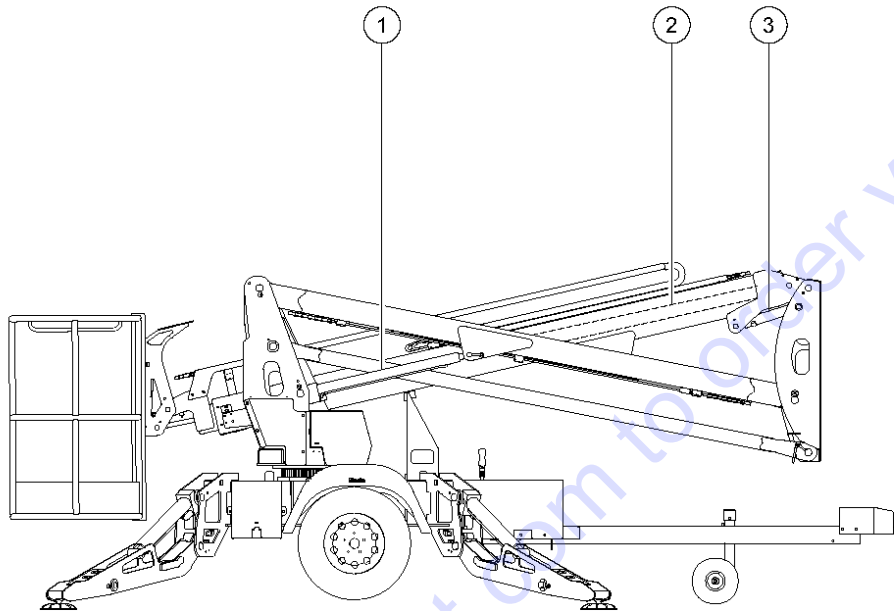


604.3 Hydraulic Cylinders

Item	Part No.	Description	Qty.
1	T108054GT	CYLINDER, SECONDARY LIFT	1
1-	T108067GT	SEAL KIT, CYL T108054 from SN TZ3412-250; for cylinder T108054	
1-	84293GT	SEAL KIT, CYL.79520, TZ34 to SN TZ3412-249; for cylinder 79520	
1-	77303GT	VALVE, CNTRBAL 3500 PSI, ATM VEN	
1-	128104GT	CAP. COUNTERBALANCE VALVE	
		for 77303	
1-	67744GT	ORIFICE, SHORT, 0.037 INCH	
		extend port (install below 48912)	
1-	25817GT	BEARING, 1.00IDX1.25ODX1.00L	
1-	48905GT	CONN, 520120-4***	
		retract port	
1-	48912GT	CONN, 520120-4-6***	
		extend port	
2	T108055GT	CYLINDER, EXTENSION	1
2-	T108068GT	SEAL KIT, CYL T108055 from SN TZ3412-247; for cylinder T108055	
2-	84294GT	SEAL KIT, CYL.79522, TZ34 to SN TZ3412-246; for cylinder 79522	
2-	89872GT	VALVE, COUNTERBALANCE***	
2-	25817GT	BEARING, 1.00IDX1.25ODX1.00L	
2-	48905GT	CONN, 520120-4***	
3	T108056GT	CYLINDER, MASTER	1
3-	T108069GT	SEAL KIT, CYL T108056 from SN TZ3412-253; for cylinder T108056	
3-	84295GT	SEAL KIT, CYL.79523&79524 TZ34 to SN TZ3412-252; for cylinder 79523	
3-	25817GT	BEARING, 1.00IDX1.25ODX1.00L	
4	T108057GT	CYLINDER, SLAVE	1
4-	T108070GT	SEAL KIT, CYL T108057 from SN TZ3412-240; for cylinder T108055	
4-	84295GT	SEAL KIT, CYL.79523&79524 TZ34 to SN TZ3412-239; for cylinder 79524	
4-	74872GT	VALVE, COUNTERBALANCE 3000 PSI*	
4-	25817GT	BEARING, 1.00IDX1.25ODX1.00L	
4-	48904GT	ELBOW, 90D, 520220-4-4	
4-	48906GT	TEE, RUN, 520428-4	
5A	233999GT	KIT, TZ-34 OUTRIGGER CYLINDER	4
5A-	T108071GT	SEAL KIT, CYL T108058 from SN TZ3412-240; for cylinder T108058	



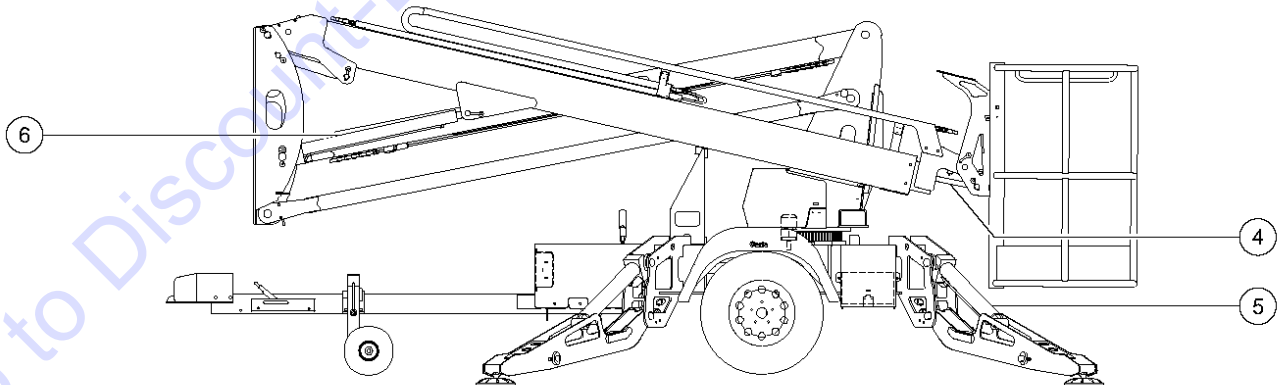
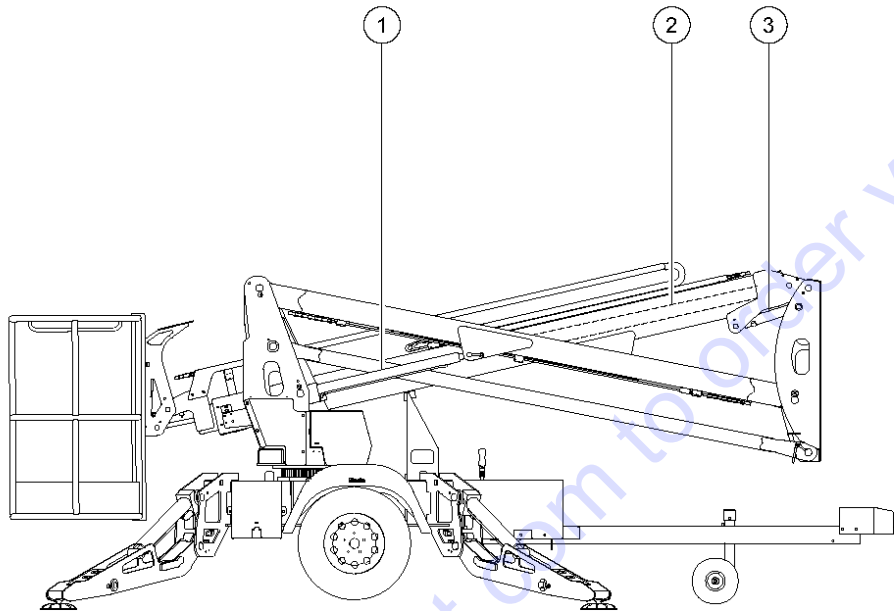
604.3 Hydraulic Cylinders



Item	Part No.	Description	Qty.
5A-	84291GT	SEAL KIT,CYL.87376,TZ34 to SN TZ3412-239; for cylinder 87376	
5A-	67933GT	VALVE,NC,BI-DI,CART*** order coil separately	
5A-	87456GT	COIL,24VDC, DEUTZ CONN,SOLE for 67933	
5A-	87463GT	VALVE,PO CHECK	
5A-	76529GT	SCREW,BLEEDER,5/16,TMZ*** For use with outrigger cylinder p/n 76527GT, 76528GT, 87376GT & 99591GT. For outrigger cylinder p/n T108058GT use p/n 1284227GT.	
5A-	18396GT	BEARING,1.5IDX1.75ODX1.0L barrel end	
5A-	30370GT	BEARING,1.25IDX1.5ODX1.00L rod end	
5A-	48905GT	CONN,520120-4*** retract port	
5A-	48912GT	CONN,520120-4-6*** extend port	
5A-	67744GT	ORIFICE,SHORT, 0.037 INCH extend port (install below 48912)	
5B		KIT, TZ-34 OUTRIGGER, CE (available soon)	
5B-	T108071GT	SEAL KIT, CYL T108058	
5B-	84291GT	SEAL KIT,CYL.87376,TZ34	
5B-	67933GT	VALVE,NC,BI-DI,CART***	
5B-	87456GT	COIL,24VDC, DEUTZ CONN,SOLE	
5B-	87463GT	VALVE,PO CHECK	
5B-	76529GT	SCREW,BLEEDER,5/16,TMZ*** For use with outrigger cylinder p/n 76527GT, 76528GT, 87376GT & 99591GT. For outrigger cylinder p/n T108058GT use p/n 1284227GT.	
5B-	18396GT	BEARING,1.5IDX1.75ODX1.0L	
5B-	30370GT	BEARING,1.25IDX1.5ODX1.00L	
5B-	48905GT	CONN,520120-4***	
5B-	48912GT	CONN,520120-4-6***	
5B-	67744GT	ORIFICE,SHORT, 0.037 INCH	
6	T108059GT	CYLINDER, PRIMARY LIFT	1
6-	T108072GT	SEAL KIT,CYL T108059 from SN TZ3412-233; for cylinder T108059	
6-	84292GT	SEAL KIT,CYL.87563,TZ34 to SN TZ3412-232; for cylinder 87563	
6-	77303GT	VALVE, CNTRBAL 3500 PSI, ATM VEN	
6-	76596GT	ORIFICE, SHORT .028 extend port (install below 48912)	



604.3 Hydraulic Cylinders



<i>Item</i>	<i>Part No.</i>	<i>Description</i>	<i>Qty.</i>
6-	25817GT	BEARING,1.00IDX1.25ODX1.00L	
6-	18396GT	BEARING,1.5IDX1.75ODX1.0L	
6-	48905GT	CONN,520120-4*** retract port	
6-	48912GT	CONN,520120-4-6*** extend port	

Go to Discount-Equipment.com to order your parts



PARTS FINDER

**Search Website
by Part Number**



**Search Manual
Library For Parts
Manual & Lookup Part
Numbers – Purchase
or Request Quote**

Search Manuals

Enter your information to search for a parts manual or lookup a part number.

* Brand:

* Model:

* Serial:

* Part Number:

SEARCH

**Can't Find Part or
Manual? Request Help
by Manufacturer,
Model & Description**

Parts Order Form

Please fill in the following information to request help finding a part or manual.

Manufacturer:

Model:

Description:

Quantity:

Part Number:

Part Name:

Part Description:

Part Category:

Part Location:

Part Status:

Part Condition:

Part Material:

Part Color:

Part Weight:

Part Dimensions:

Part Notes:

Submit

Discount-Equipment.com is your online resource for quality parts & equipment.

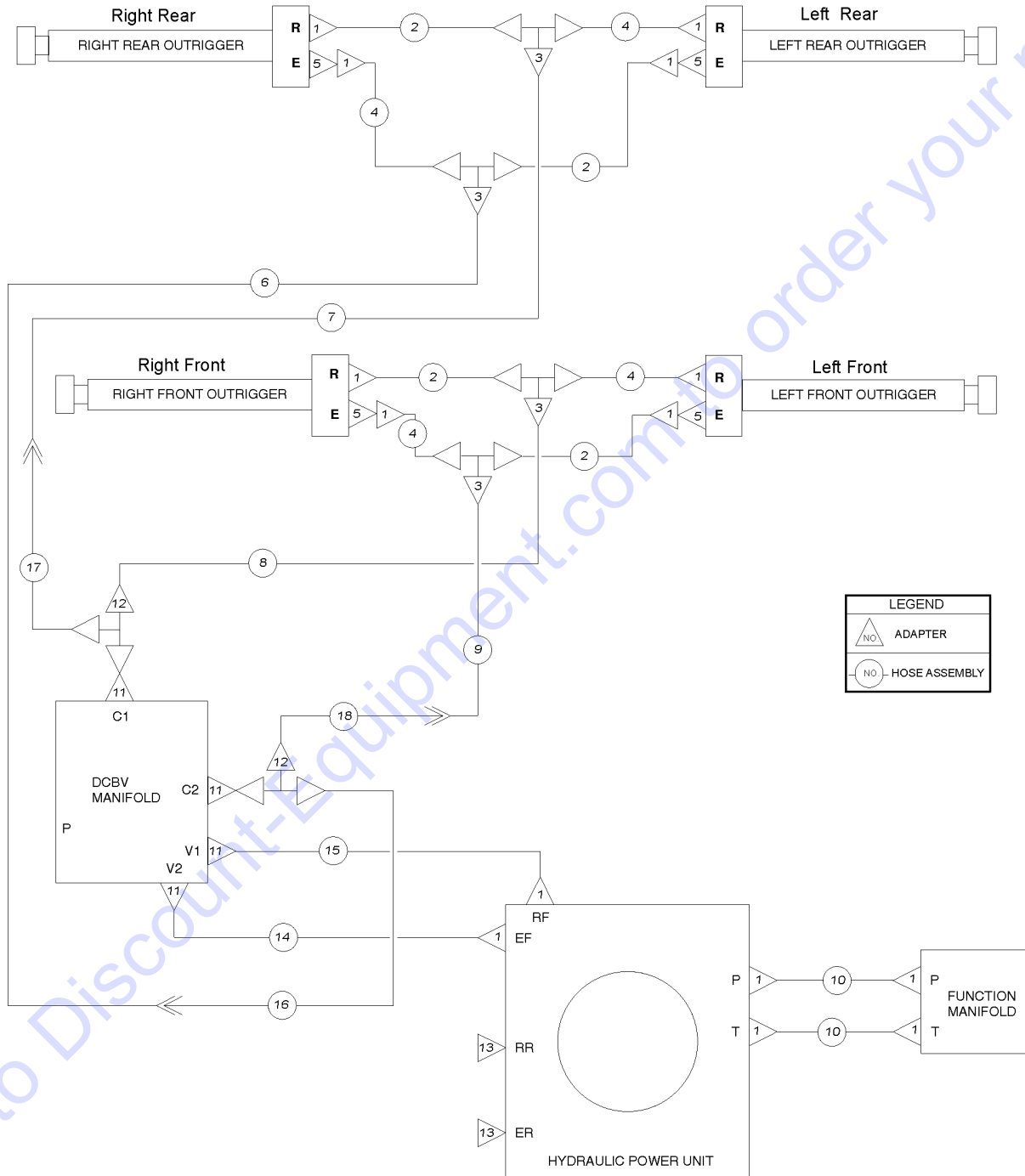
Florida: **561-964-4949** Outside Florida TOLL FREE: **877-690-3101**

Need parts?

Click on this link: <http://www.discount-equipment.com/category/5443-parts/> and choose one of the options to help get the right parts and equipment you are looking for. Please have the machine model and serial number available in order to help us get you the correct parts. If you don't find the part on the website or on one of the online manuals, please fill out the request form and one of our experienced staff members will get back to you with a quote for the right part that your machine needs.

We sell worldwide for the brands: Genie, Terex, JLG, MultiQuip, Mikasa, Essick, Whiteman, Mayco, Toro Stone, Diamond Products, Generac Magnum, Airman, Haulotte, Barreto, Power Blanket, Nifty Lift, Atlas Copco, Chicago Pneumatic, Allmand, Miller Curber, Skyjack, Lull, Skytrak, Tsurumi, Husquvarna Target, Stow, Wacker, Sakai, Mi-T-M, Sullair, Basic, Dynapac, MBW, Weber, Bartell, Bennar Newman, Haulotte, Ditch Runner, Menegotti, Morrison, Contec, Buddy, Crown, Edco, Wyco, Bomag, Laymor, EZ Trench, Bil-Jax, F.S. Curtis, Gehl Pavers, Heli, Honda, ICS/PowerGrit, IHI, Partner, Imer, Clipper, MMD, Koshin, Rice, CH&E, General Equipment, Amida, Coleman, NAC, Gradall, Square Shooter, Kent, Stanley, Tamco, Toku, Hatz, Kohler, Robin, Wisconsin, Northrock, Oztec, Toker TK, Rol-Air, APT, Wylie, Ingersoll Rand / Doosan, Innovatech, Con X, Ammann, Mecalac, Makinex, Smith Surface Prep, Small Line, Wanco, Yanmar

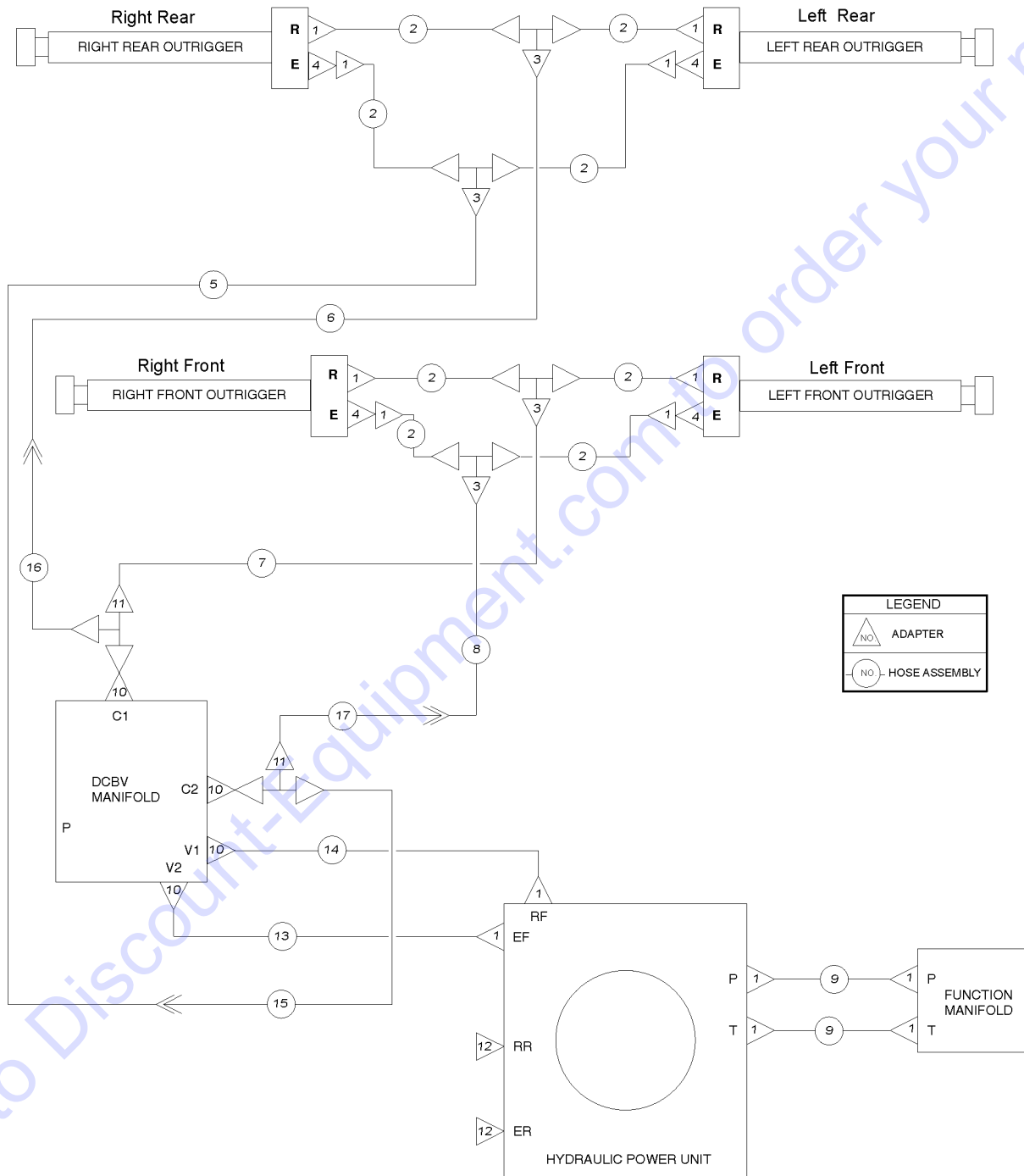
605.1 Hydraulic Hoses and Fittings - Outrigger System (to SN TZ3404-061)



605.1 Hydraulic Hoses and Fittings - Outrigger System (to SN T73404-061)

Item	Part No.	Description	Qty.
1	48905GT	CONN,520120-4***	16
2	87959GT	HOSE ASSY,TEE TO CYL LONGT TZ* Components: 48800, 48800, and 48751 @ 21 inches	4
3	48908GT	FITTING,TEE,RUN,SWIVEL520432-4	4
4	87958GT	HOSE ASSY,TEE TO CYL SHORT*** Components: 48800, 75628, and 48751 @ 14 inches	4
5		Ref. Orifice - Plug (refer to 604.1)	
6	87956GT	HOSE ASSY,PWR TO RR TEE, EXT Components: 48800, 48802, and 48751 @ 60 inches	1
7	87957GT	HOSE ASSY,PWR TO RR TEE, RET Components: 48800, 48802, and 48751 @ 62 inches	1
8	87955GT	HOSE ASSY,PWR TO FN TEE, RET Components: 48800, 48802, and 48751 @ 15 inches	1
9	87954GT	HOSE ASSY,PWR TO FN TEE, EXT Components: 48800, 48802, and 48751 @ 15 inches	1
10	87953GT	HOSE ASSY,PWR UNIT TO MANIFOLD Components: 48800, 48802, and 48751 @ 92 inches	2
11	48912GT	CONN,520120-4-6***	4
12	48908GT	FITTING,TEE,RUN,SWIVEL520432-4	2
13	49859GT	PLUG,HEX,090109A-4	2
14	217036GT	ASSEMBLY,HOSE-PURPLE (components: 48802, 48802 and 48751 @ 18 inches)	1
15	217037GT	ASSEMBLY,HOSE-ORANGE (components: 48802, 48802 and 48751 @ 17 inches)	1
16	217038GT	ASSEMBLY,HOSE-WHITE & BLACK (components: 48802, 42768 and 48751 @ 10.5 inches)	1
17	217039GT	ASSEMBLY,HOSE-BLACK & YELLOW (components: 48802, 42768 and 48751 @ 15 inches)	1
18	217040GT	ASSEMBLY,HOSE-BLUE & WHITE (components: 48802, 42768 and 48751 @ 10.5 inches)	1

605.2 Hydraulic Hoses and Fittings - Outrigger System (from SN TZ3404-062 to T73412-298)



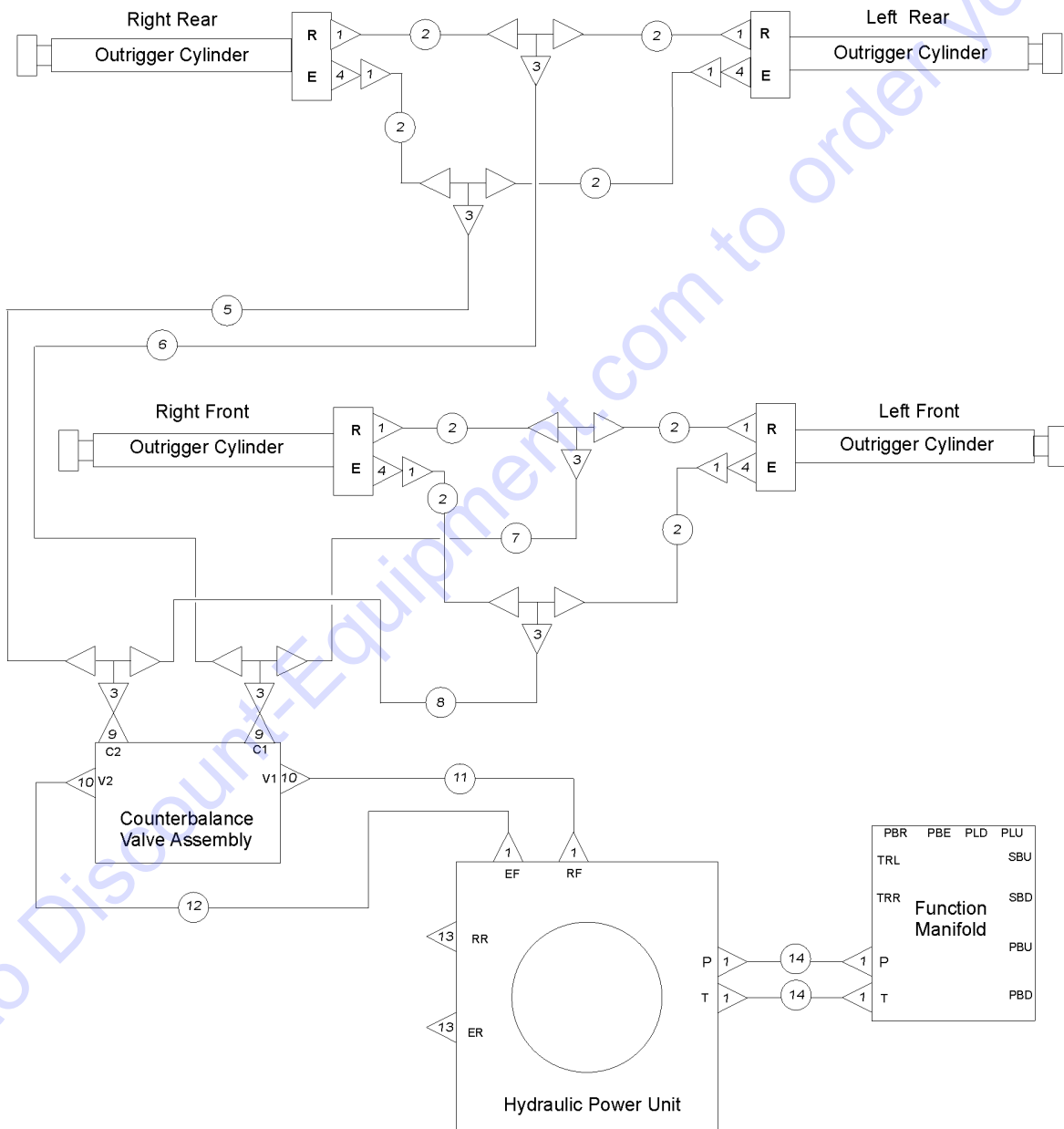
605.2 Hydraulic Hoses and Fittings - Outrigger System (from SN T73404-062 to T73412-298)

Item	Part No.	Description	Qty.
1	48905GT	CONN,520120-4***	16
2	87959GT	HOSE ASSY,TEE TO CYL LONGT TZ* components: 48000, 48000, and 48751 @ 18 inches	8
3	42758GT	TEE,UNION,520401-4	4
4		Ref. Orifice - Plug (refer to 604.1)	
5	87956GT	HOSE ASSY,PWR TO RR TEE, EXT components: 48000, 48802, and 48751 @ 60 inches	1
6	87957GT	HOSE ASSY,PWR TO RR TEE, RET components: 48000, 48802, and 48751 @ 62 inches	1
7	99489GT	HOSE ASSY,PWR UNIT TO RF TEE** components: 48000, 48802, and 48751 @ 22 inches	
8	99488GT	HOSE ASSY,PWR UNIT TO EF TEE components: 48000, 48802, and 48751 @ 15 inches	
9	87953GT	HOSE ASSY,PWR UNIT TO MANIFOLD components: 48000, 48802, and 48751 @ 57 inches	2
10	48912GT	CONN,520120-4-6***	4
11	48908GT	FITTING,TEE,RUN,SWIVEL520432-4	2
12	49859GT	PLUG,HEX,090109A-4	2
13	217036GT	ASSEMBLY,HOSE-PURPLE (components: 48802, 48802 and 48751 @ 18 inches)	1
14	217037GT	ASSEMBLY,HOSE-ORANGE (components: 48802, 48802 and 48751 @ 17 inches)	1
15	217038GT	ASSEMBLY,HOSE-WHITE & BLACK (components: 48802, 42768 and 48751 @ 10.5 inches)	1
16	217039GT	ASSEMBLY,HOSE-BLACK & YELLOW (components: 48802, 42768 and 48751 @ 15 inches)	1
17	217040GT	ASSEMBLY,HOSE-BLUE & WHITE (components: 48802, 42768 and 48751 @ 10.5 inches)	1



605.3 Hydraulic Hoses and Fittings - Outrigger System (from SN TZ3412-299)

LEGEND	
	ADAPTER
	HOSE ASSEMBLY




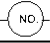
605.3 Hydraulic Hoses and Fittings - Outrigger System (from SN T73412-299)
Qty.

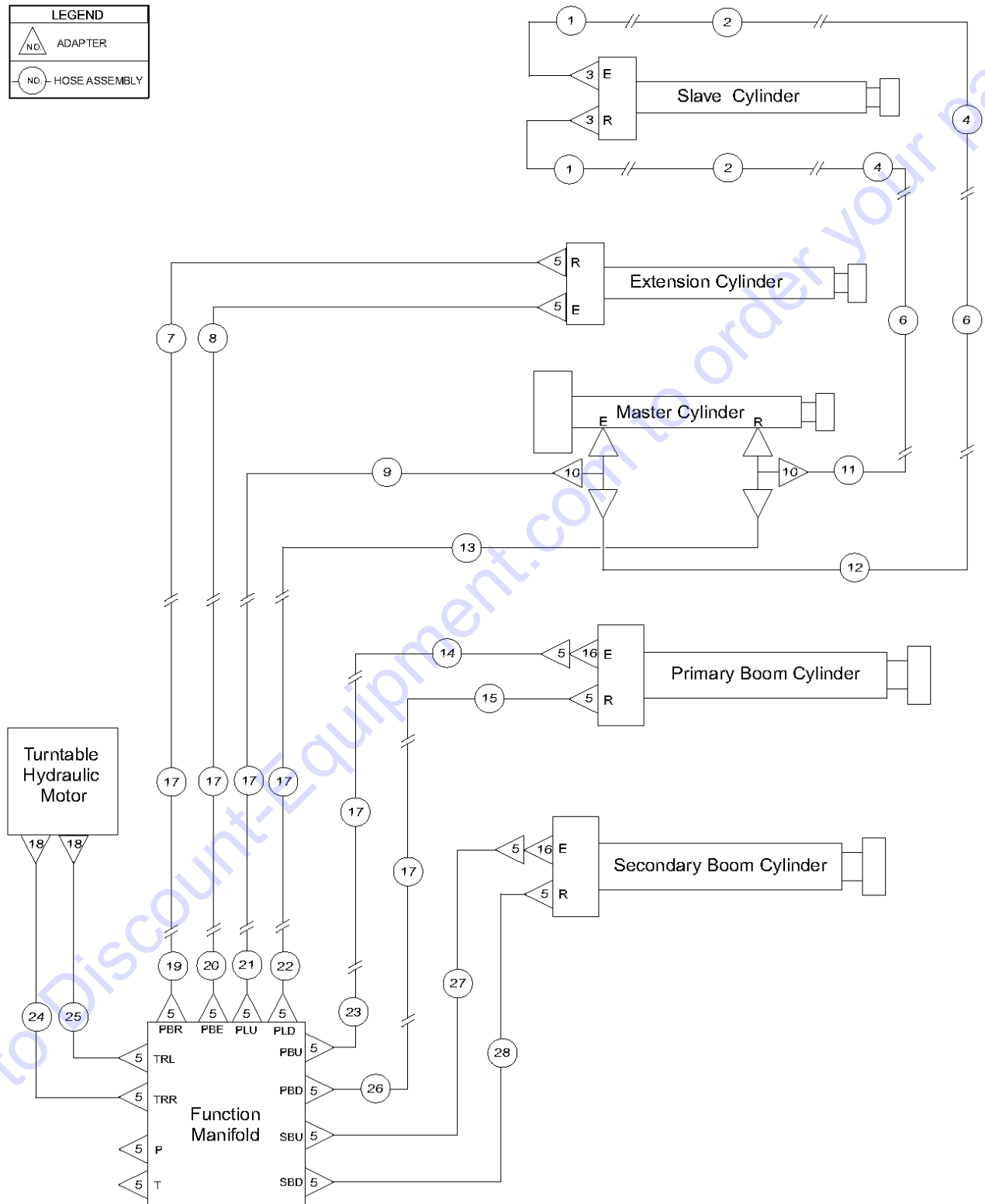
Item	Part No.	Description	Qty.
1	48905GT	CONN,520120-4***	14
2	87959GT	HOSE ASSY,TEE TO CYL LONGT TZ* (components: 48800, 48800 & 48751 @ 18.00 inches)	8
3	48908GT	FITTING,TEE,RUN,SWIVEL520432-4	8
4		Ref. ORIFICE, PLUG	
5	217704GT	ASSY,HOSE,C2-ER TEE (WH/BLK) (components: 48800, 48802 & 48751 @ 71.00 inches)	1
6	217706GT	ASSY,HOSE,C1-RR TEE (BLK/YE) (components: 48800, 48800 & 48751 @ 69.00 inches)	1
7	99489GT	HOSE ASSY,PWR UNIT TO RF TEE** (components: 48800, 48802 & 48751 @ 22.00 inches)	1
8	217705GT	ASSY,HOSE,C2-EF TEE (BLU/WH) (components: 48800, 48802 & 48751 @ 24.00 inches)	1
9	48912GT	CONN,520120-4-6***	2
10	48911GT	ELBOW,90D,520220-4-6***	2
11	217707GT	ASSY,HOSE,V1-RF (ORANGE) (components: 48800, 48802 & 48751 @ 15.00 inches)	1
12	217708GT	ASSY,HOSE,EF (PURPLE) (components: 48800, 48802 & 48751 @ 18.00 inches)	1
13	39882GT	PLUG,HEX SOCKET,090109B-4	2
14	87953GT	HOSE ASSY,PWR UNIT TO MANIFOLD (components: 48800, 48802 & 48751 @ 57.00 inches)	2

Go to Discount-Equipment.com to order your parts



606.1 Hydraulic Hoses and Fittings - Boom System (to SN TZ3408-634)

LEGEND	
	ADAPTER
	HOSE ASSEMBLY


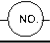


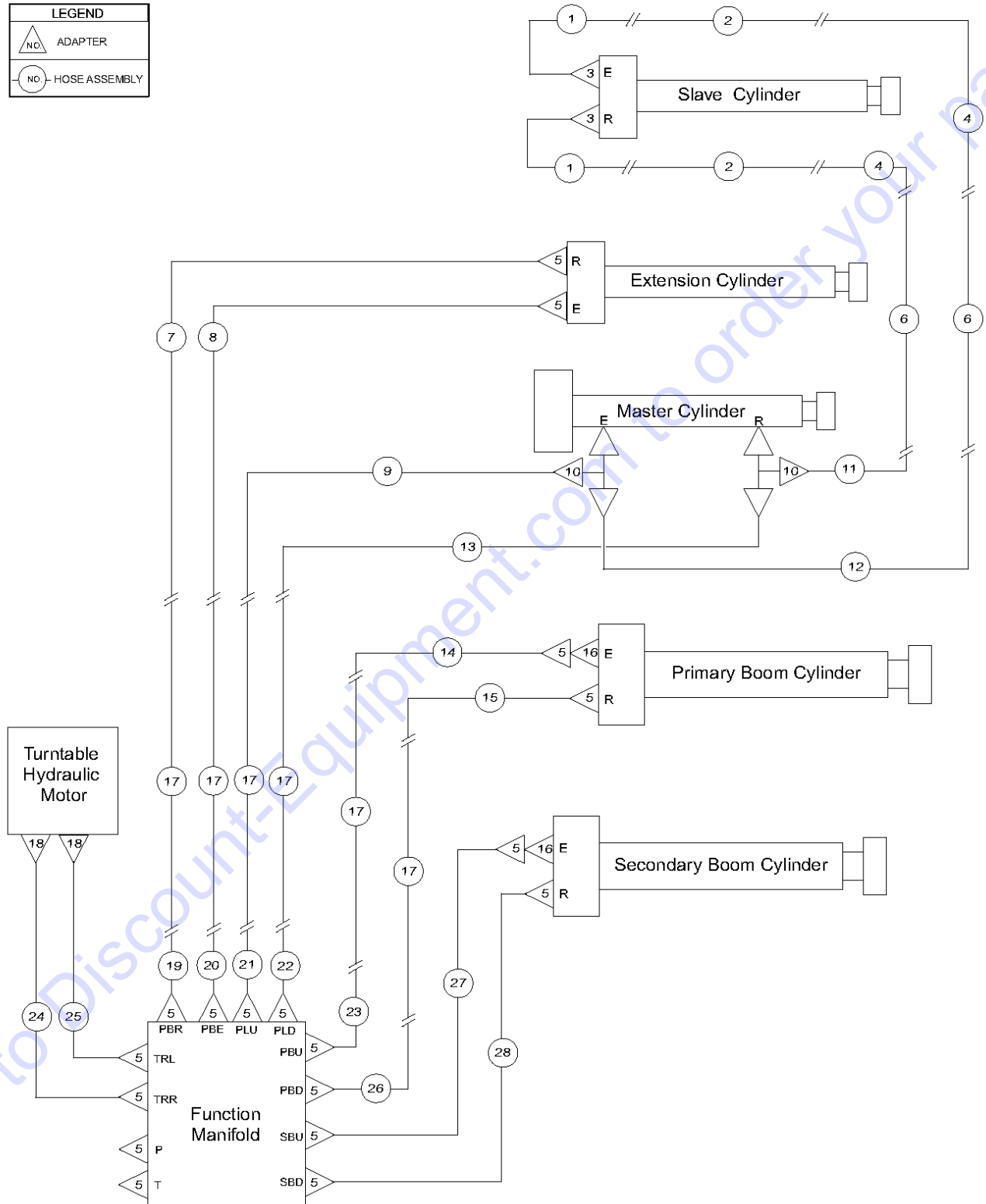
606.1 Hydraulic Hoses and Fittings - Boom System (to SN TZ3408-634)

Item	Part No.	Description	Qty.
1A	87951GT	HOSE ASSY, SLAVE CYL to SN TZ3407-520	2
2	87938GT	HYD LINE ASSEMBLY OLD to SN TZ3407-520	2
3	48904GT	ELBOW,90D,520220-4-4	2
4	87991GT	HOSE ASSY, CABLE TRACK to SN TZ3407-520	2
5	48905GT	CONN,520120-4***	18
6	87937GT	HYD LINE ASSEMBLY, UPPER BOOM to SN TZ3407-520	2
7	87948GT	HOSE ASSY, EXTENSION CYL, RET	1
8	87989GT	HOSE ASSY, EXTENSION CYL, EXT	1
9	87944GT	HOSE ASSY, MSTR CYL-MFD, EXT	1
10	48906GT	TEE,RUN,520428-4	2
11A	87947GT	HOSE ASSY, MSTR CYL-UB, RET to SN TZ3407-520	1
12A	87946GT	HOSE ASSY, MSTR CYL-UB, EXT to SN TZ3407-520	1
13	87945GT	HOSE ASSY, MSTR CYL-MFD, RET	1
14	87990GT	HOSE ASSY, UPPER BOOM CYL, EXT	1
15	87949GT	HOSE ASSY, UPPER BOOM CYL, RET	1
16		Ref., Orifice - Plug refer to 604.1	
17	87936GT	HYD LINE ASSEMBLY	6
17	87681GT	BONDED SEAL, #6	
18	48916GT	FITTING,CONN,520120-6	2
19	87987GT	HOSE ASSY, MFD-LB, EXT CYL,RET	1
20	87941GT	HOSE ASSY, MFD-LB,EXT CYL, EXT	1
21	99063GT	HOSE ASSY,MFD TO LB,MSTR CYL,E	1
22	87942GT	HOSE ASSY,MFD TO LB,MSTR CYL,R	1
23	87986GT	HOSE ASSY,MFD-LB,UPR LIFT, EXT	1
24	87939GT	HOSE ASSY, ROTATE MOTOR, CW	1
25	87985GT	HOSE ASSY, ROTATE MOTOR, CCW	1
26	87940GT	HOSE ASSY,MFD-LB,UPR LIFT, RET	1
27	87988GT	HOSE ASSY, LOWER BOOM CYL, EXT	1



606.1 Hydraulic Hoses and Fittings - Boom System (to SN TZ3408-634)

LEGEND	
	ADAPTER
	HOSE ASSEMBLY




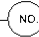
606.1 Hydraulic Hoses and Fittings - Boom System (to SN TZ3408-634)

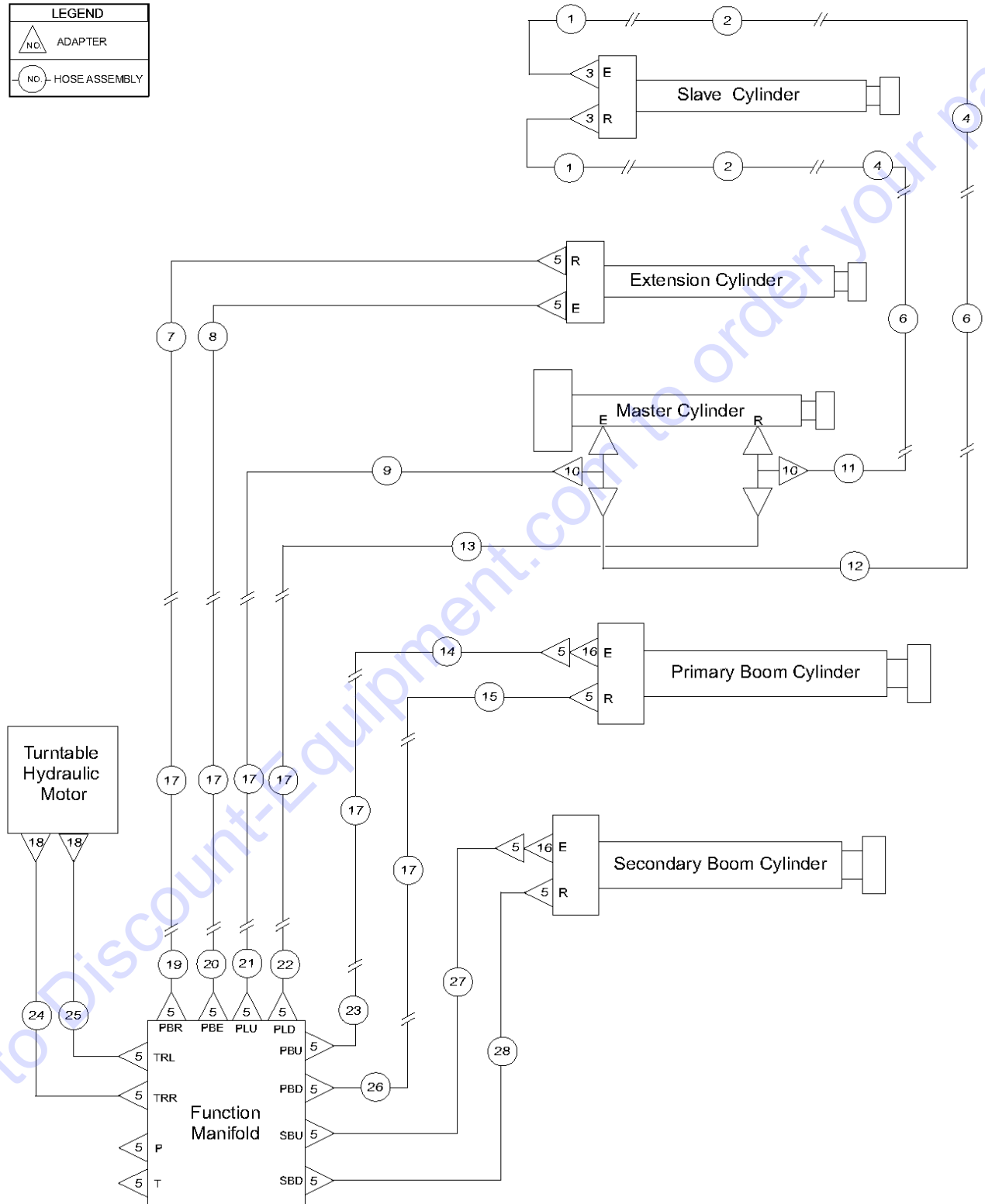
<i>Item</i>	<i>Part No.</i>	<i>Description</i>	<i>Qty.</i>
28	87943GT	HOSE ASSY, LOWER BOOM CYL, RET	1

Go to Discount-Equipment.com to order your parts



606.2 Hydraulic Hoses and Fittings - Boom System (to SN TZ3408-634)

LEGEND	
	ADAPTER
	HOSE ASSEMBLY

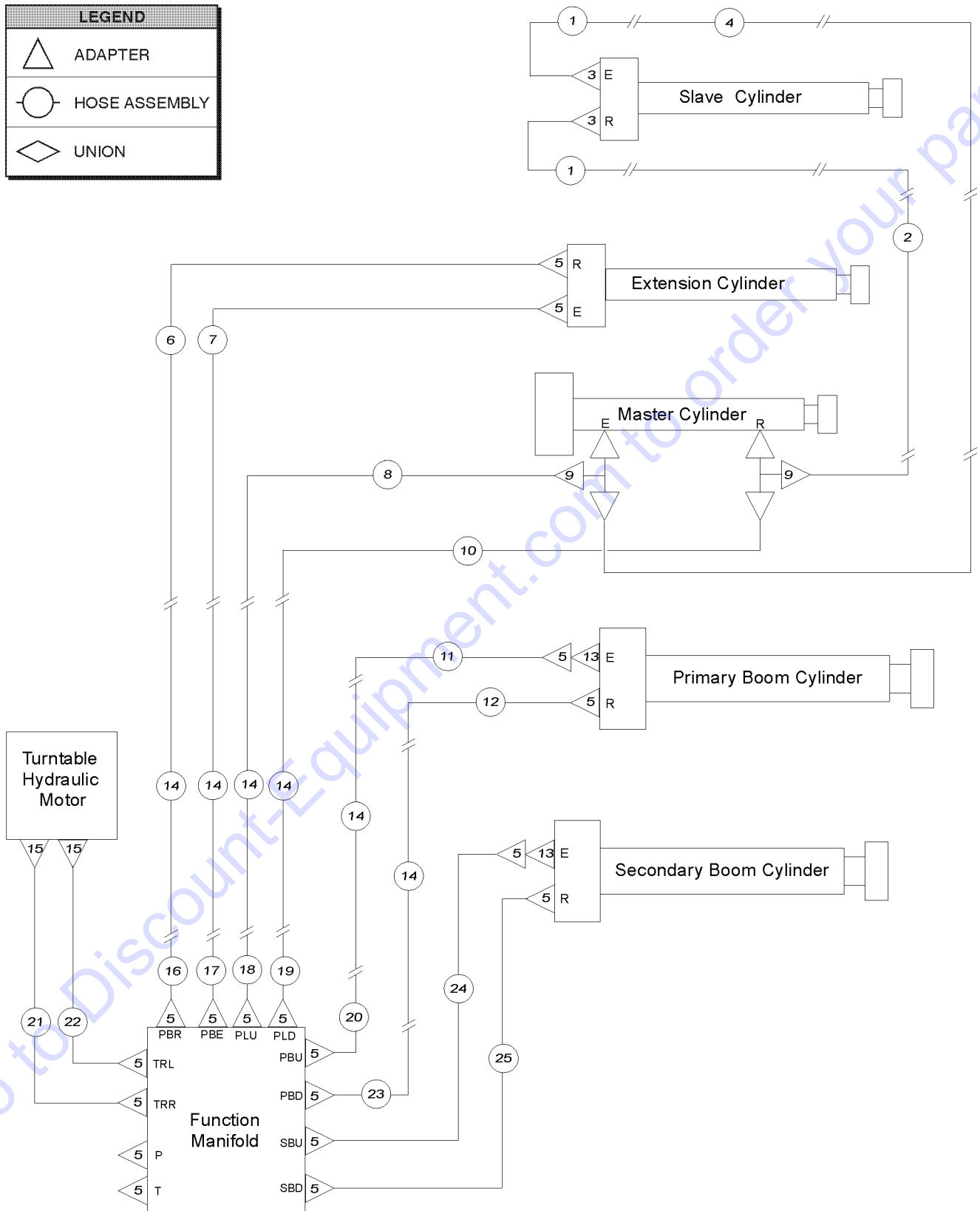


606.2 Hydraulic Hoses and Fittings - Boom System (to SN TZ3408-634)

Item	Part No.	Description	Qty.
1B	124018GT	HOSE ASSY,SLAVE CYL from SN TZ3408-001 to TZ3408-634	2
3	48904GT	ELBOW,90D,520220-4-4	2
5	48905GT	CONN,520120-4***	18
7	87948GT	HOSE ASSY, EXTENSION CYL, RET	1
8	87989GT	HOSE ASSY, EXTENSION CYL, EXT	1
9	87944GT	HOSE ASSY, MSTR CYL-MFD, EXT	1
10	48906GT	TEE,RUN,520428-4	2
11B	124017GT	HOSE ASSY,MAST,RETR from SN TZ3408-001 to TZ3408-634	1
12B	124016GT	HOSE ASSY,MAST,EXT from SN TZ3408-001 to TZ3408-634	1
13	87945GT	HOSE ASSY, MSTR CYL-MFD, RET	1
14	87990GT	HOSE ASSY, UPPER BOOM CYL, EXT	1
15	87949GT	HOSE ASSY, UPPER BOOM CYL, RET	1
16		Ref., Orifice - Plug refer to 604.1	
17	87936GT	HYD LINE ASSEMBLY	6
17	87681GT	BONDED SEAL, #6	
18	48916GT	FITTING,CONN,520120-6	2
19	87987GT	HOSE ASSY, MFD-LB, EXT CYL,RET	1
20	87941GT	HOSE ASSY, MFD-LB,EXT CYL, EXT	1
21	99063GT	HOSE ASSY,MFD TO LB,MSTR CYL,E	1
22	87942GT	HOSE ASSY,MFD TO LB,MSTR CYL,R	1
23	87986GT	HOSE ASSY,MFD-LB,UPR LIFT, EXT	1
24	87939GT	HOSE ASSY, ROTATE MOTOR, CW	1
25	87985GT	HOSE ASSY, ROTATE MOTOR, CCW	1
26	87940GT	HOSE ASSY,MFD-LB,UPR LIFT, RET	1
27	87988GT	HOSE ASSY, LOWER BOOM CYL, EXT	1
28	87943GT	HOSE ASSY, LOWER BOOM CYL, RET	1

606.3 Hydraulic Hoses and Fittings - Boom System (from SN TZ3409-001)

LEGEND	
	ADAPTER
	HOSE ASSEMBLY
	UNION






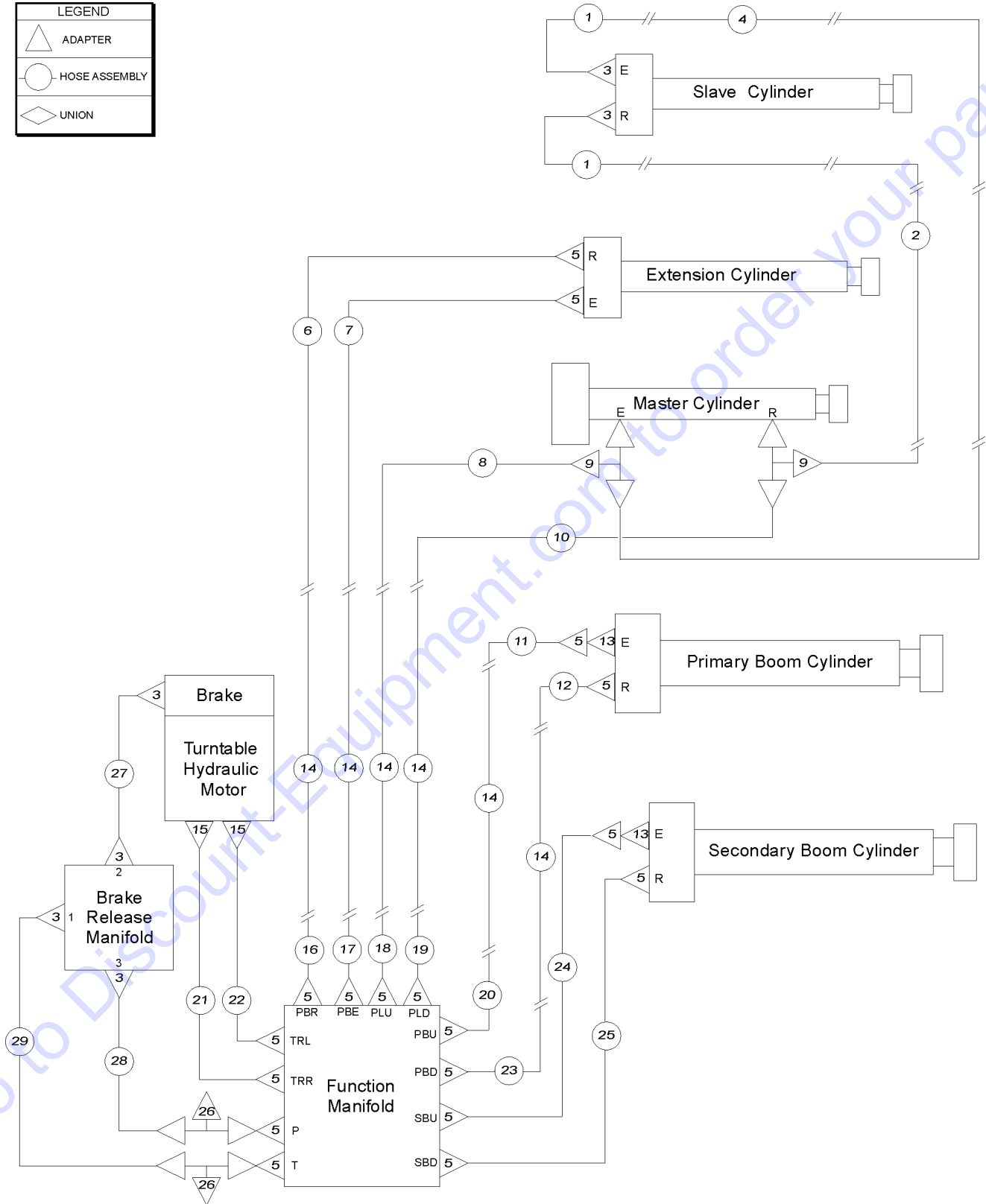
606.3 Hydraulic Hoses and Fittings - Boom System (from SN TZ3409-001)

Item	Part No.	Description	Qty.
1	124018GT	HOSE ASSY,SLAVE CYL (components: 48800, 48802, and 48751 @ 28 inches) (from TZ3407-333)	2
2	124016GT	HOSE ASSY,MAST,EXT (components: 48801, 42768, and 48751 @ 282 inches) (from TZ3407-333)	1
3	48904GT	ELBOW,90D,520220-4-4	2
4	124017GT	HOSE ASSY,MAST,RETR (components: 48801, 42768, and 48751 @ 289 inches) (from TZ3407-333)	1
5	48905GT	CONN,520120-4***	18
6	825654GT	HOSE ASSY,EXTENSION CYL,RET (components: 87681, 48801, 48810, and 48751 @ 51 inches)	1
7	825655GT	HOSE ASSY,EXTENSION CYL,EXT (components: 87681, 48801, 48810, and 48751 @ 49 inches)	1
8	825656GT	HOSE ASSY,MSTR CYL-MFD,EXT (components: 87681, 48802, 48810, and 48751 @ 57 inches)	1
9	48906GT	TEE,RUN,520428-4	2
10	825657GT	HOSE ASSY,MSTR CYL-MFD, RET (components: 87681, 48800, 48810, and 48751 @ 59 inches)	1
11	825658GT	HOSE ASSY,UPPER BOOM CYL,EXT (components: 87681, 48800, 48810, and 48751 @ 26.5 inches)	1
12	825659GT	HOSE ASSY,UPPER BOOM CYL, RET (components: 87681, 48800, 48810, and 48751 @ 29.5 inches)	1
13		ref. orifice - plug (refer to 604.1)	
14	87936GT	HYD LINE ASSEMBLY	6
14-	87681GT	BONDED SEAL, #6	
15	48916GT	FITTING,CONN,520120-6	2
16	825660GT	HOSE ASSY,MFD-LB,EXT CYL,RET (components: 87681, 48800, 48810, and 48751 @ 50.5 inches)	1
17	825661GT	HOSE ASSY,MFD-LB,EXT CYL,EXT (components: 87681, 48800, 48810, and 48751 @ 52.5 inches)	1
18	825662GT	HOSE ASSY,MFD TO LB,MSTR CYL,E (components: 87681, 48800, 48810, and 48751 @ 56.5 inches)	1
19	825663GT	HOSE ASSY,MFD TO LB,MSTR CYL,R (components: 87681, 48800, 48810, and 48751 @ 55 inches)	1
20	825664GT	HOSE ASSY,MFD-LB,UPR LIFT,EXT (components: 87681, 48800, 48810, and 48751 @ 51 inches)	1
21	87939GT	HOSE ASSY, ROTATE MOTOR, CW (components: 87681, 48800, 48810, and 48751 @ 50 inches)	1
22	87985GT	HOSE ASSY, ROTATE MOTOR, CCW (components: 48800, 48800, and 48751 @ 19.5 inches)	1
23	825665GT	HOSE ASSY,MFD-LB,UPR LIFT,RET (components: 87681, 48800, 48810, and 48751 @ 50 inches)	1
24	87988GT	HOSE ASSY, LOWER BOOM CYL, EXT (components: 48800, 48801, and 48751 @ 32 inches)	1
25	87943GT	HOSE ASSY, LOWER BOOM CYL, RET (components: 48800, 48801, and 48751 @ 32 inches)	1



606.4 Hydraulic Hoses and Fittings - Boom System (from SN TZ3414-982)

LEGEND	
	ADAPTER
	HOSE ASSEMBLY
	UNION






Go to DiscountEquipment.com to order your parts

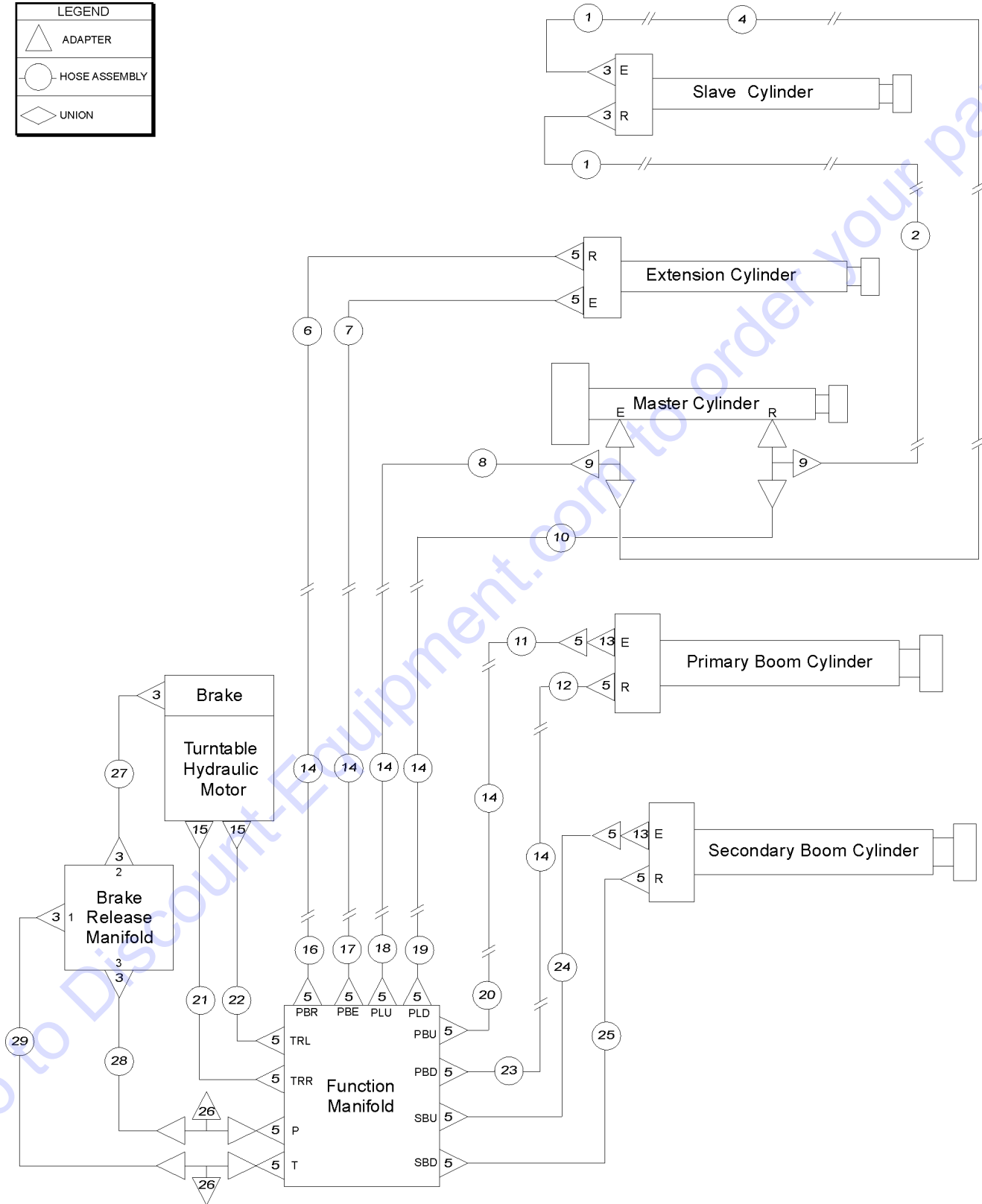
606.4 Hydraulic Hoses and Fittings - Boom System (from SN TZ3414-982)

Item	Part No.	Description	Qty.
1	124018GT	HOSE ASSY,SLAVE CYL (components: 48800, 48802, and 48751 @ 28 inches) (from TZ3407-333)	2
2	124016GT	HOSE ASSY,MAST,EXT (components: 48801, 42768, and 48751 @ 282 inches) (from TZ3407-333)	1
3	48904GT	ELBOW,90D,520220-4-4	6
4	124017GT	HOSE ASSY,MAST,RETR (components: 48801, 42768, and 48751 @ 289 inches) (from TZ3407-333)	1
5	48905GT	CONN,520120-4***	18
6	825654GT	HOSE ASSY,EXTENSION CYL,RET (components: 87681, 48801, 48810, and 48751 @ 51 inches)	1
7	825655GT	HOSE ASSY,EXTENSION CYL,EXT (components: 87681, 48801, 48810, and 48751 @ 49 inches)	1
8	825656GT	HOSE ASSY,MSTR CYL-MFD,EXT (components: 87681, 48802, 48810, and 48751 @ 57 inches)	1
9	48906GT	TEE,RUN,520428-4	2
10	825657GT	HOSE ASSY,MSTR CYL-MFD, RET (components: 87681, 48800, 48810, and 48751 @ 59 inches)	1
11	825658GT	HOSE ASSY,UPPER BOOM CYL,EXT (components: 87681, 48800, 48810, and 48751 @ 26.5 inches)	1
12	825659GT	HOSE ASSY,UPPER BOOM CYL, RET (components: 87681, 48800, 48810, and 48751 @ 29.5 inches)	1
13		ref. orifice - plug (refer to 604.1)	
14	87936GT	HYD LINE ASSEMBLY	6
14-	87681GT	BONDED SEAL, #6	
15	48916GT	FITTING,CONN,520120-6	2
16	825660GT	HOSE ASSY,MFD-LB,EXT CYL,RET (components: 87681, 48800, 48810, and 48751 @ 50.5 inches)	1
17	825661GT	HOSE ASSY,MFD-LB,EXT CYL,EXT (components: 87681, 48800, 48810, and 48751 @ 52.5 inches)	1
18	825662GT	HOSE ASSY,MFD TO LB,MSTR CYL,E (components: 87681, 48800, 48810, and 48751 @ 56.5 inches)	1
19	825663GT	HOSE ASSY,MFD TO LB,MSTR CYL,R (components: 87681, 48800, 48810, and 48751 @ 55 inches)	1
20	825664GT	HOSE ASSY,MFD-LB,UPR LIFT,EXT (components: 87681, 48800, 48810, and 48751 @ 51 inches)	1
21	87939GT	HOSE ASSY, ROTATE MOTOR, CW (components: 87681, 48800, 48810, and 48751 @ 50 inches)	1
22	87985GT	HOSE ASSY, ROTATE MOTOR, CCW (components: 48800, 48800, and 48751 @ 19.5 inches)	1
23	825665GT	HOSE ASSY,MFD-LB,UPR LIFT,RET (components: 87681, 48800, 48810, and 48751 @ 50 inches)	1
24	87988GT	HOSE ASSY, LOWER BOOM CYL, EXT (components: 48800, 48801, and 48751 @ 32 inches)	1
25	87943GT	HOSE ASSY, LOWER BOOM CYL, RET (components: 48800, 48801, and 48751 @ 32 inches)	1
26	48908GT	FITTING,TEE,RUN,SWIVEL520432-4	2
27	1253840GT	ASSEMBLY, HOSE, BRAKE MOTOR, S	1



606.4 Hydraulic Hoses and Fittings - Boom System (from SN TZ3414-982)

LEGEND	
	ADAPTER
	HOSE ASSEMBLY
	UNION



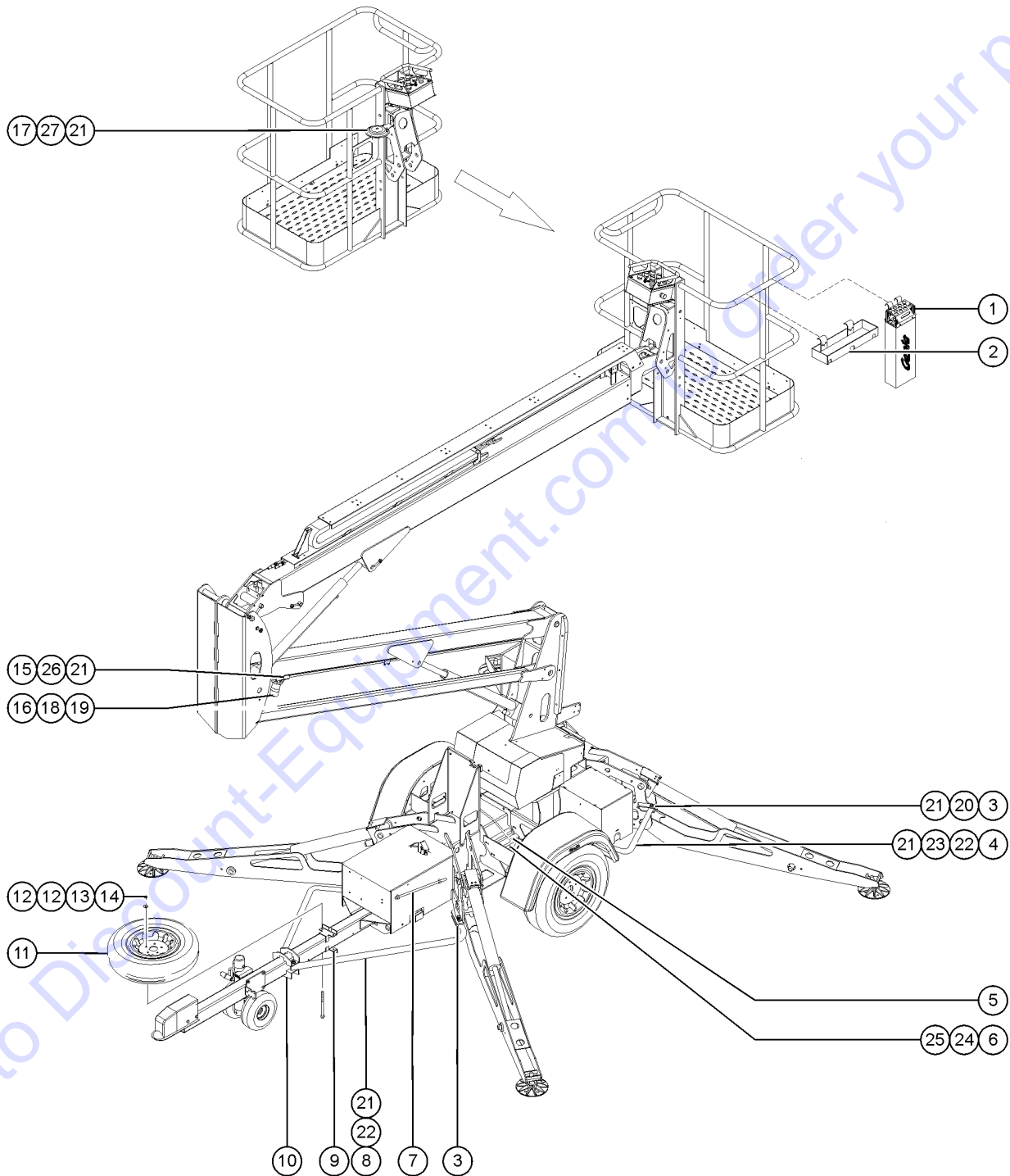
606.4 Hydraulic Hoses and Fittings - Boom System (from SN TZ3414-982)

<i>Item</i>	<i>Part No.</i>	<i>Description</i>	<i>Qty.</i>
28	1253841GT	ASSEMBLY, HOSE, BRAKE MOTOR, L	1
29	1254646GT	ASSEMBLY, HOSE, BRAKE MOTOR, F	1

Go to Discount-Equipment.com to order your parts



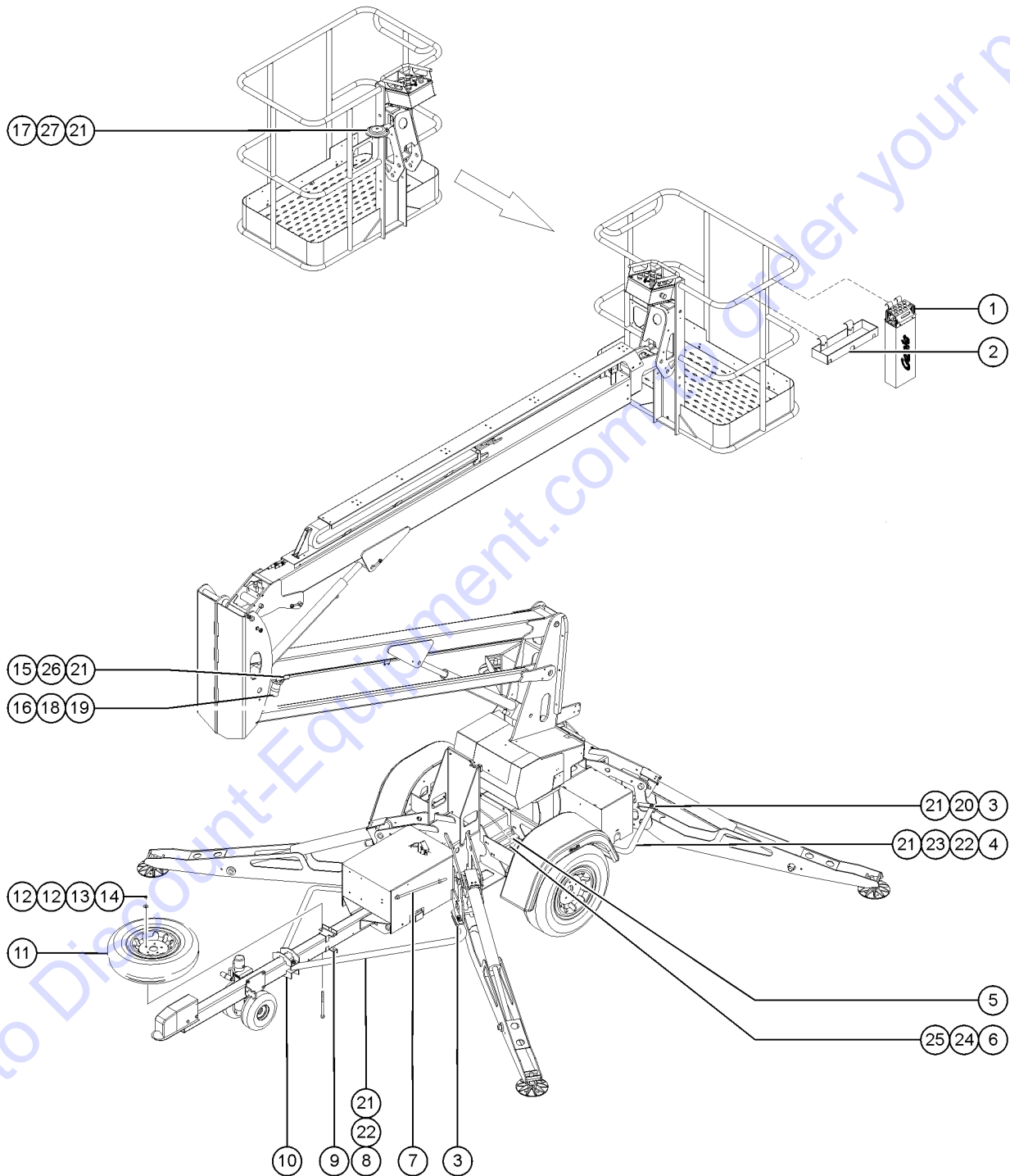
701.1 Accessories



Item	Part No.	Description	Qty.
A	104557GT	KIT,TZ34 BICYCLE GUARD includes items 3, 4 and 10	
B	99025-SGT	TZ34 LIGHT PACKAGE,US ANSI models	
C	99026-SGT	TZ34 LIGHT PACKAGE,EURO CE models	
D	87771-SGT	KIT TZ34 SPARE TIRE,HYD. BRAKE ANSI & CSA models	
E	87772-SGT	KIT TZ34 SPARE TIRE,MECH BRAKE CE models	
F	99274-SGT	KIT TZ34-WHEEL CHOCK includes items 5 and 6	
1	38226GT	TUBE CADDY,AWP PLATFORM***	1
2	9599-SGT	TOOL TRAY ACCESSORY***	1
3	87913GT	FORMING, BICYCLE GUARD MOUNT	4
4	87912GT	TUBE, BICYCLE GUARD,REAR	1
5	99216GT	CHOCK,WHEEL,1750 LBS	2
6	88422GT	STRAP,RUBBER,30.00, W/S HOOKS	1
6	87312GT	HOOK-BATT HOLD DOWN 12"LG	2
7A	46722GT	WRENCH, LUG,13/16 ANSI & CSA models; hydraulic brake. Component no longer available. Limited inventory available.	1
7A	46724GT	CLIP,LUG WRENCH HOLDR	
7A	16073GT	CLAMP,0.63,#10 X 1/4,RUB CUSH	
7A	39579GT	RIVET,STL,STL,.188 X .45	
7B	67750GT	WRENCH,LUG, EURO TMZ CE models; mechanical brake	1
7B	67966GT	CLIP,LUG WRENCH HOLDER, EURO	
7B	21618GT	CLAMP,1.13,#18 X 1/4,RUB CUSH	
7B	39579GT	RIVET,STL,STL,.188 X .45	
8	87910GT	TUBE, BICYCLE GUARD,FRONT	2
9A	99023GT	KIT,SPARE TIRE MNT,HYD BREAK ANSI and CSA models	1
9B	99201GT	FORMING,CE SPARE TIRE MOUNT CE models	2
10	87909GT	FORMING, BICYCLE GUARD CLAMP	2
11		Ref. Spare Tire Assembly (refer to 206.1)	
12	6034GT	NUT,HEX,JAM,1/2-13	
13	6033GT	WASHER,LOCK,0.5"	



701.1 Accessories



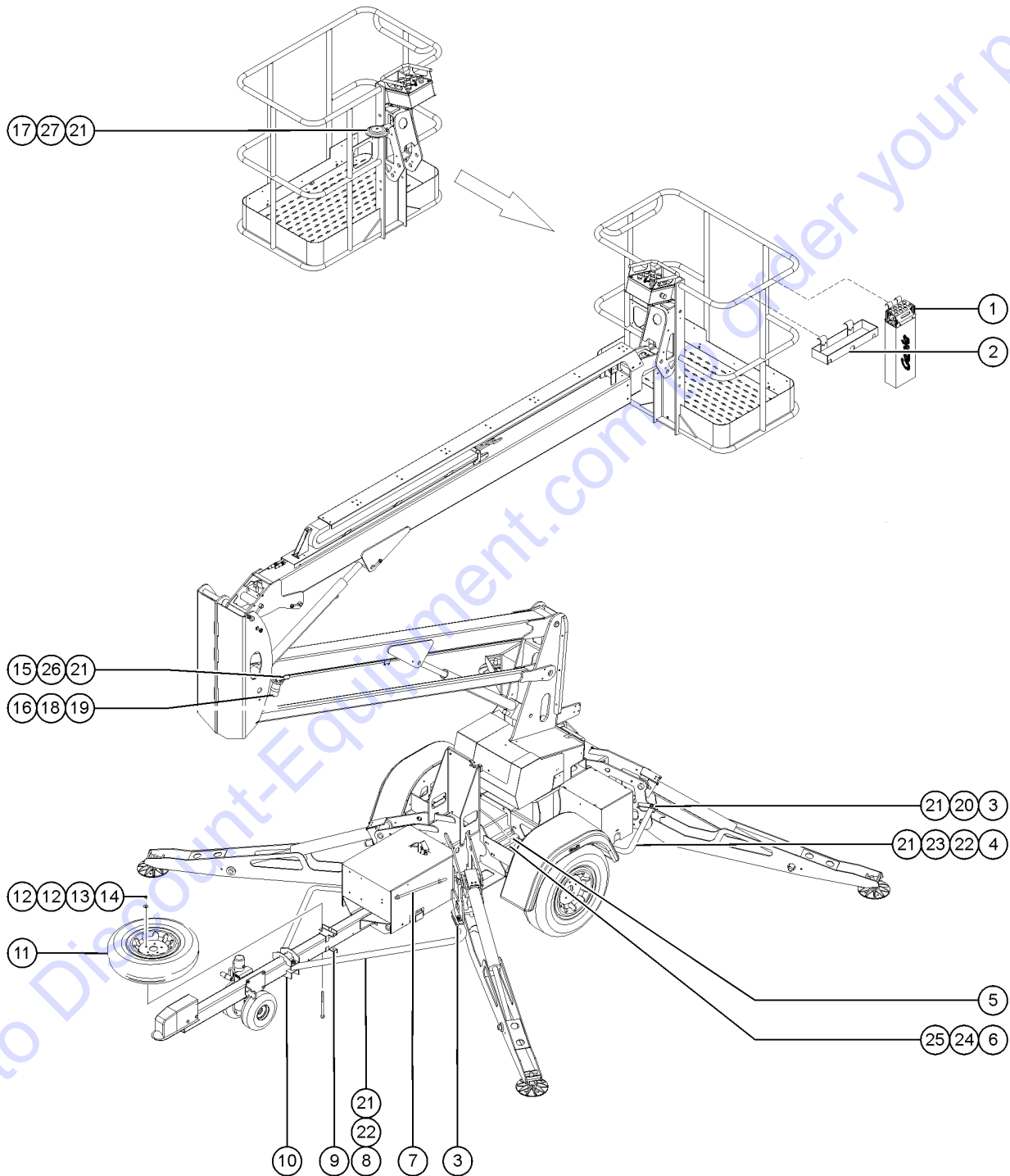
Go to Discount-Equipment.com to order your parts

Item	Part No.	Description	Qty.
14	99273GT	BOLT,CARRIAGE,1/2-13X11.0,G2	
15	87907GT	BRACKET, WARNING LIGHT	1
16A	66909GT	STROBE,BEACON,W/OUT HARDWARE** to SN TZ3406-465	1
16A-	58793GT	LIGHT,REPLACEMENT BULB (39676) for 66909	
17	81579GT	HORN,24VDC,SPADE TERMINALS***	1
18	51865GT	SCREW,PHM,10-32 X .625, YELLOW	
19	6178GT	NUT, NYLOCK, 10-32	
20	64154GT	BOLT,CARRIAGE,3/8-16 X1.00,G5	
21	4828GT	NUT,NYLOCK,3/8-16	
22	6708GT	SCREW,HHC,3/8-16 X 2.25	
23	32064GT	CLAMP,MUFFLER,1.75 INCH	2
24	6091GT	NUT,NYLOCK,1/4-20	
25	7265GT	RIVET,STEEL,P, .25 X .375	
26	9116GT	BOLT, CARRIAGE, 1/4-20 X 1.25, G2	
27	6175GT	SCREW,HHC,3/8-16 X 1	

Go to Discount-Equipment.com to order your parts



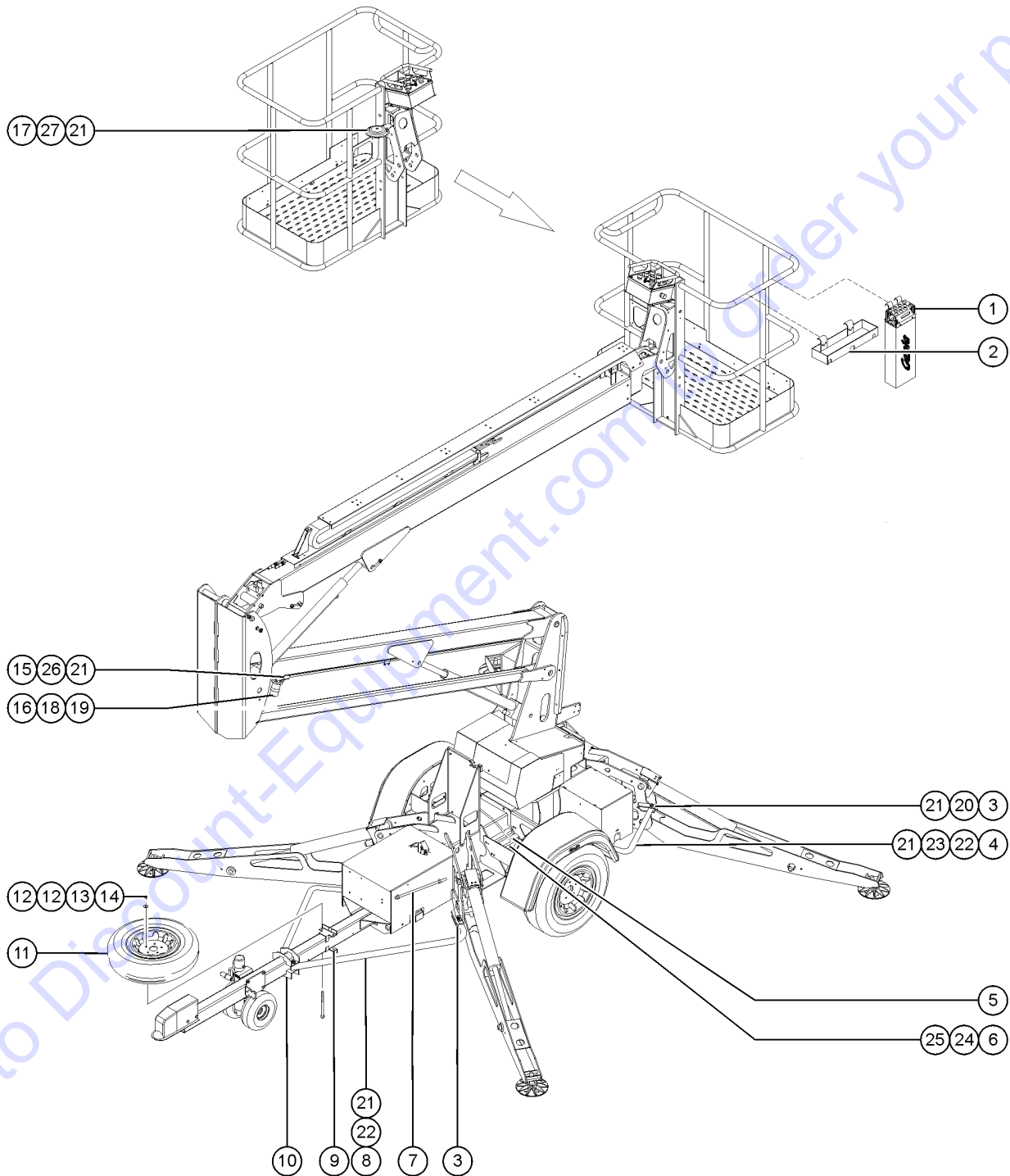
701.2 Accessories



Item	Part No.	Description	Qty.
A	104557GT	KIT,TZ34 BICYCLE GUARD includes items 3, 4 and 10	
B	99025-SGT	TZ34 LIGHT PACKAGE,US ANSI models	
C	99026-SGT	TZ34 LIGHT PACKAGE,EURO CE models	
D	87771-SGT	KIT TZ34 SPARE TIRE,HYD. BRAKE ANSI & CSA models	
E	87772-SGT	KIT TZ34 SPARE TIRE,MECH BRAKE CE models	
F	99274-SGT	KIT TZ34-WHEEL CHOCK includes items 5 and 6	
1	38226GT	TUBE CADDY,AWP PLATFORM***	1
2	9599-SGT	TOOL TRAY ACCESSORY***	1
3	87913GT	FORMING, BICYCLE GUARD MOUNT	4
4	87912GT	TUBE, BICYCLE GUARD,REAR	1
5	99216GT	CHOCK,WHEEL,1750 LBS	2
6	88422GT	STRAP,RUBBER,30.00, W/S HOOKS	1
6	87312GT	HOOK-BATT HOLD DOWN 12"LG	2
7A	46722GT	WRENCH, LUG,13/16 ANSI & CSA models; hydraulic brake. Component no longer available. Limited inventory available.	1
7A	46724GT	CLIP,LUG WRENCH HOLDR	
7A	16073GT	CLAMP,0.63,#10 X 1/4,RUB CUSH	
7A	39579GT	RIVET,STL,STL,.188 X .45	
7B	67750GT	WRENCH,LUG, EURO TMZ CE models; mechanical brake	1
7B	67966GT	CLIP,LUG WRENCH HOLDER, EURO	
7B	21618GT	CLAMP,1.13,#18 X 1/4,RUB CUSH	
7B	39579GT	RIVET,STL,STL,.188 X .45	
8	87910GT	TUBE, BICYCLE GUARD,FRONT	2
9A	99023GT	KIT,SPARE TIRE MNT,HYD BREAK ANSI and CSA models	1
9B	99201GT	FORMING,CE SPARE TIRE MOUNT CE models	2
10	87909GT	FORMING, BICYCLE GUARD CLAMP	2
11		Ref. Spare Tire Assembly (refer to 206.1)	
12	6034GT	NUT,HEX,JAM,1/2-13	
13	6033GT	WASHER,LOCK,0.5"	



701.2 Accessories



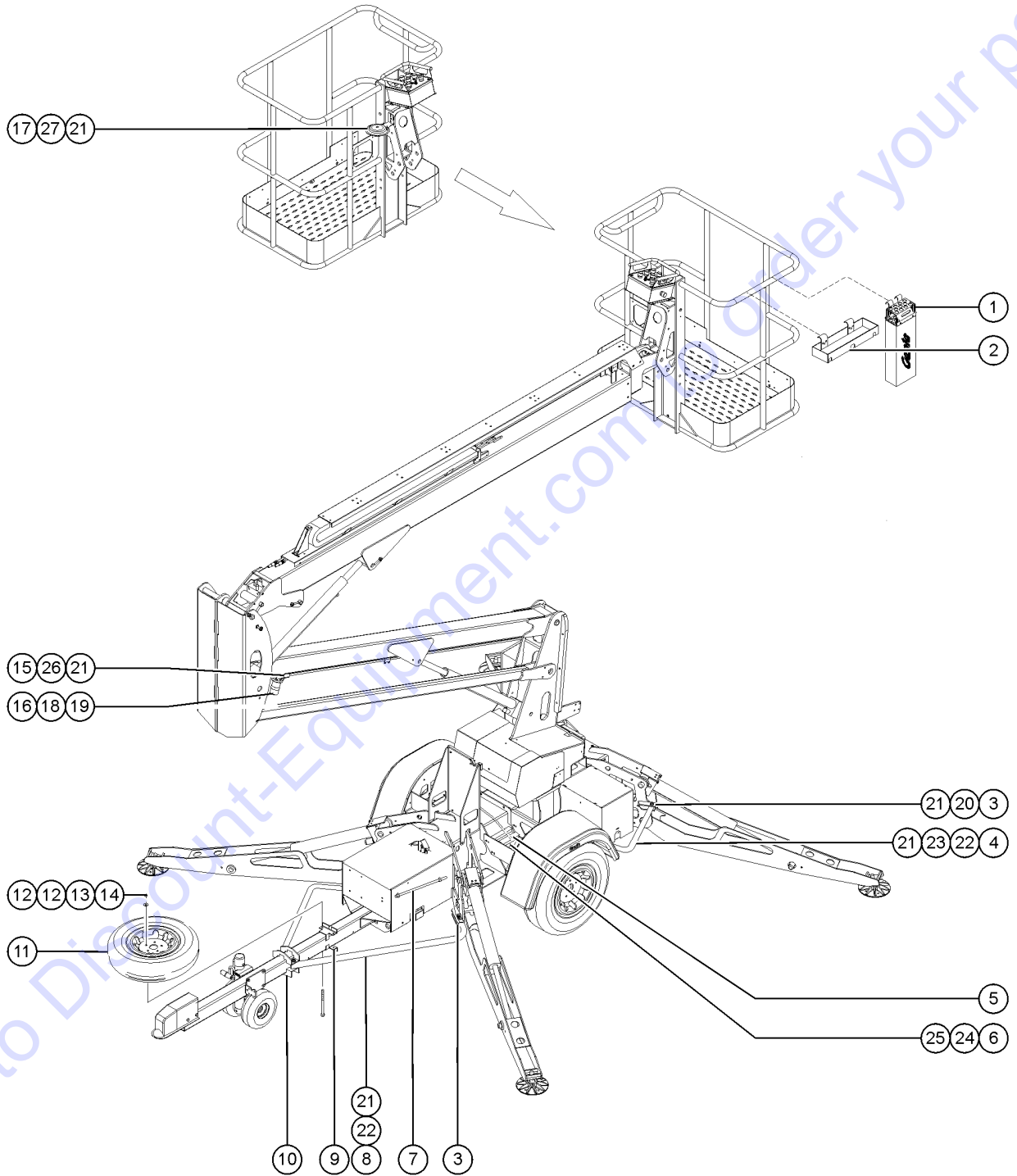
Go to Discount-Equipment.com to order your parts

Item	Part No.	Description	Qty.
14	99273GT	BOLT,CARRIAGE,1/2-13X11.0,G2	
15	87907GT	BRACKET, WARNING LIGHT	1
16A	66909GT	STROBE,BEACON,W/OUT HARDWARE** to SN TZ3406-465	1
16A-	58793GT	LIGHT,REPLACEMENT BULB (39676) for 66909	
16B	231931GT	STROBE,BEACON, AC COMP 12-80V fom SN TZ3406-466	1
16B-	105556GT	LENS,FLASHING BEACON	
16B-	105557GT	BULB,FLASHING BEACON	
17	81579GT	HORN,24VDC,SPADE TERMINALS***	1
18	51865GT	SCREW,PHM,10-32 X .625, YELLOW	
19	6178GT	NUT, NYLOCK, 10-32	
20	64154GT	BOLT,CARRIAGE,3/8-16 X1.00,G5	
21	4828GT	NUT,NYLOCK,3/8-16	
22	6708GT	SCREW,HHC,3/8-16 X 2.25	
23	32064GT	CLAMP,MUFFLER,1.75 INCH	2
24	6091GT	NUT,NYLOCK,1/4-20	
25	7265GT	RIVET,STEEL,P, .25 X .375	
26	9116GT	BOLT, CARRIAGE, 1/4-20 X 1.25, G2	
27	6175GT	SCREW,HHC,3/8-16 X 1	

Go to Discount-Equipment.com to order your parts



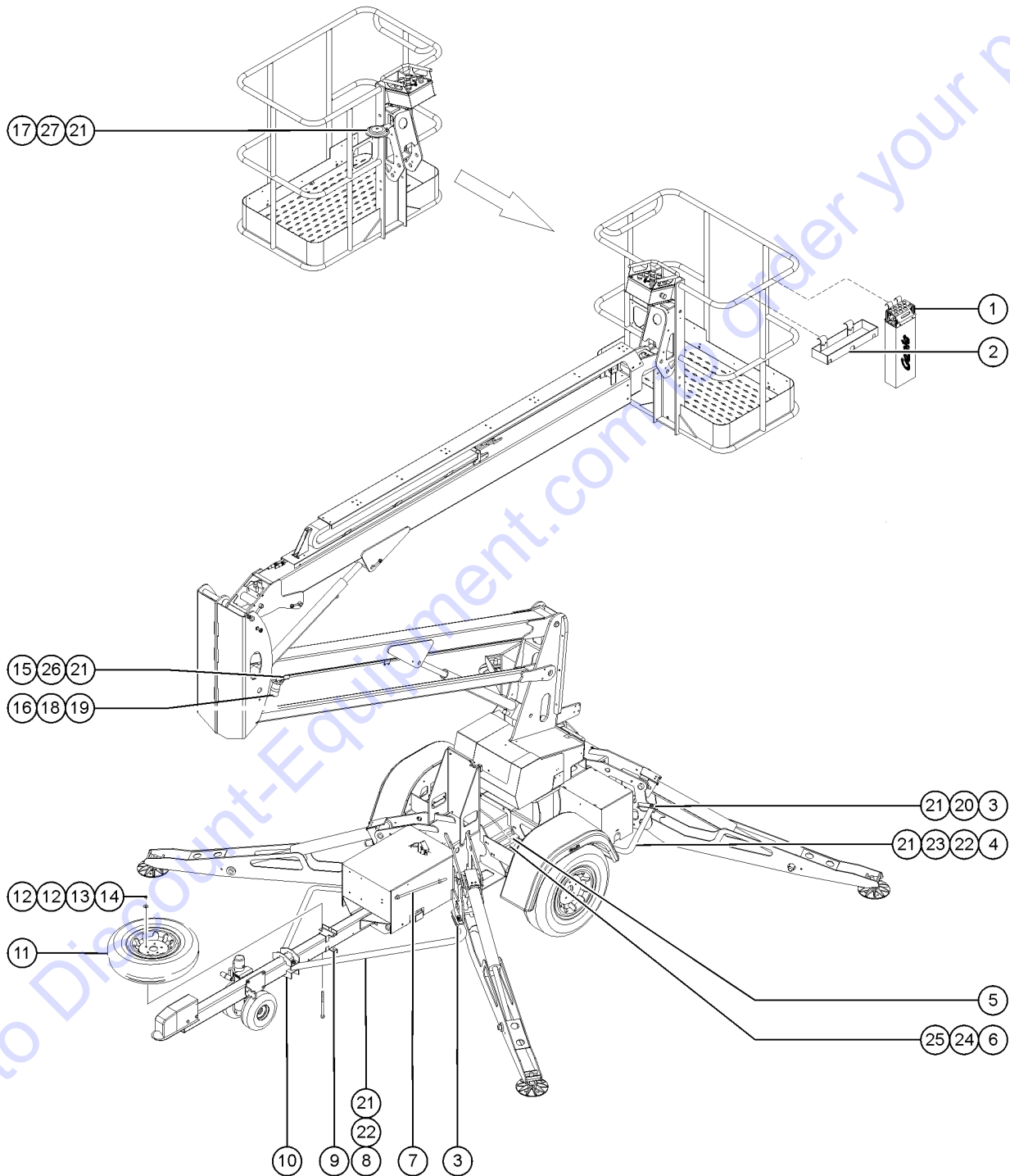
701.3 Accessories



Item	Part No.	Description	Qty.
A	104557GT	KIT,TZ34 BICYCLE GUARD includes items 3, 4 and 10	
B	99025-SGT	TZ34 LIGHT PACKAGE,US ANSI models	
C	99026-SGT	TZ34 LIGHT PACKAGE,EURO CE models	
D	87771-SGT	KIT TZ34 SPARE TIRE,HYD. BRAKE ANSI & CSA models	
E	87772-SGT	KIT TZ34 SPARE TIRE,MECH BRAKE CE models	
F	99274-SGT	KIT TZ34-WHEEL CHOCK includes items 5 and 6	
1	38226GT	TUBE CADDY,AWP PLATFORM***	1
2	9599-SGT	TOOL TRAY ACCESSORY***	1
3	87913GT	FORMING, BICYCLE GUARD MOUNT	4
4	87912GT	TUBE, BICYCLE GUARD,REAR	1
5	99216GT	CHOCK,WHEEL,1750 LBS	2
6	88422GT	STRAP,RUBBER,30.00, W/S HOOKS	1
6	87312GT	HOOK-BATT HOLD DOWN 12"LG	2
7A	46722GT	WRENCH, LUG,13/16 ANSI & CSA models; hydraulic brake. Component no longer available. Limited inventory available.	1
7A	46724GT	CLIP,LUG WRENCH HOLDR	
7A	16073GT	CLAMP,0.63,#10 X 1/4,RUB CUSH	
7A	39579GT	RIVET,STL,STL,.188 X .45	
7B	67750GT	WRENCH,LUG, EURO TMZ CE models; mechanical brake	1
7B	67966GT	CLIP,LUG WRENCH HOLDER, EURO	
7B	21618GT	CLAMP,1.13,#18 X 1/4,RUB CUSH	
7B	39579GT	RIVET,STL,STL,.188 X .45	
8	87910GT	TUBE, BICYCLE GUARD,FRONT	2
9A	99023GT	KIT,SPARE TIRE MNT,HYD BREAK ANSI and CSA models	1
9B	99201GT	FORMING,CE SPARE TIRE MOUNT CE models	2
10	87909GT	FORMING, BICYCLE GUARD CLAMP	2
11		Ref. Spare Tire Assembly (refer to 206.1)	
12	6034GT	NUT,HEX,JAM,1/2-13	
13	6033GT	WASHER,LOCK,0.5"	



701.3 Accessories



Go to Discount-Equipment.com to order your parts

Item	Part No.	Description	Qty.
14	99273GT	BOLT,CARRIAGE,1/2-13X11.0,G2	
15	87907GT	BRACKET, WARNING LIGHT	1
16B	231931GT	STROBE,BEACON, AC COMP 12-80V	1
16B-	105556GT	LENS,FLASHING BEACON	
		for 231931	
16B-	105557GT	BULB,FLASHING BEACON	
		for 231931	
17	81579GT	HORN,24VDC,SPADE TERMINALS***	1
18	51865GT	SCREW,PHM,10-32 X .625, YELLOW	
19	6178GT	NUT, NYLOCK, 10-32	
20	64154GT	BOLT,CARRIAGE,3/8-16 X1.00,G5	
21	4828GT	NUT,NYLOCK,3/8-16	
22	6708GT	SCREW,HHC,3/8-16 X 2.25	
23	32064GT	CLAMP,MUFFLER,1.75 INCH	2
24	824024GT	NUT,TL,1/4-20,C,ZAG	
25	7265GT	RIVET,STEEL,P, .25 X .375	
26	9116GT	BOLT, CARRIAGE, 1/4-20 X 1.25, G2	
27	6175GT	SCREW,HHC,3/8-16 X 1	

Go to Discount-Equipment.com to order your parts



<u>Part no.</u>	<u>Page Number</u>	<u>Part no.</u>	<u>Page Number</u>	<u>Part no.</u>	<u>Page Number</u>
1268GT	13	9116GT	209, 213, 217, 303, 371, 377...	24514GT	399, 399, 403, 407, 411, 415
1484GT	13	9599-SGT	563, 567, 571	24647GT	121
1698GT	247, 253, 257, 259, 265, 267...	10107GT	471, 475, 479, 483, 487	25817GT	529, 543, 223, 247, 251, 255...
4828GT	59, 63, 67, 71, 73, 75...	10262GT	385, 371, 377, 379, 385	25969GT	251, 255...
5365GT	29, 30, 31, 32, 329, 337...	10775GT	397, 401, 405	27564GT	15, 19, 23, 27, 31, 35
5387GT	413, 417	10777GT	395, 399, 403	27581GT	13
5397GT	39, 83, 87, 123, 129, 135...	11276GT	419	28161GT	15, 19, 23, 27, 31, 35
6019GT	207, 211, 213, 303, 371, 377...	11420GT	419	28164GT	15, 19, 23, 27, 31, 35
6021GT	71, 75, 79, 83, 87, 91...	11803GT	303, 313, 323, 329, 337, 345	28174GT	15, 19, 23, 27, 31, 35...
6024GT	103, 121, 191, 193, 199, 201...	12344GT	299, 303, 313, 323, 329, 337, 123, 131, 137, 143, 147, 153...	28175GT	15, 19, 23, 27, 31, 35
6033GT	563, 567, 571	12906GT	147, 153...	28176GT	15, 19, 23, 27, 31, 35
6034GT	39, 399, 403, 303, 567, 571	12981GT	59, 63, 67	28177GT	31, 35
6086GT	93, 421	13002GT	127, 133, 139, 143, 151, 157	28181GT	15, 19, 23, 27, 31, 35
6090GT	219, 221, 247, 251, 255, 259	13064GT	199, 193, 199, 201, 203, 205...	28235GT	15, 19, 23, 27, 31, 35...
6091GT	59, 63, 123, 129, 133, 141...	13083GT	423, 429, 435, 441	28236GT	15, 19, 23, 27, 31, 35
6094GT	73, 75, 79, 83, 87, 93	13585GT	395, 399, 403	28373GT	15, 19, 23, 27, 31, 35
6095GT	61, 65, 69, 91, 93	13610GT	419	28443GT	107, 111, 115
6096GT	27, 279, 283, 287, 291	13612GT	419	28646GT	27, 279, 283, 287, 291
6097GT	71, 75, 79, 83, 87, 91...	13614GT	419	28750GT	13, 489, 493, 497, 501, 505...
6146GT	165, 171, 179	13854GT	59, 63, 67, 121	28986-200GT	419
6175GT	71, 75, 79, 83, 87, 91...	15243GT	349, 353, 357, 423, 437	29868GT	123, 131, 137, 143, 149, 155...
6178GT	123, 131, 137, 143, 275, 279...	16073GT	189, 193, 197, 303, 567, 571	29883GT	203, 205
6179GT	407, 417	16439GT	209, 213, 217	30370GT	531, 537, 541
6198GT	59, 63, 67, 71, 75, 79...	16977GT	61, 65, 69, 91	30886GT	27, 279, 283, 287, 291
6356GT	219, 221, 223, 303, 369, 375...	17884GT	421	31182GT	299
6605GT	91	18396GT	207, 211, 213, 331, 537, 541...	31779GT	13
6606GT	127, 131, 137, 143, 149, 155...	18503GT	219, 221, 223	31785GT	15, 19, 23, 27, 31, 35
6607GT	165, 171, 179	18605GT	143, 149, 153, 161, 169, 175	31785JAGT	15, 19, 23, 27, 35
6638GT	247, 251, 253, 259, 263, 267...	18666GT	39, 83, 87, 301, 307, 373...	32064GT	565, 569, 573
6708GT	565, 569, 573	19331GT	419	32150GT	13
6732GT	93	19427GT	299	32151GT	13
6782GT	127, 133, 139, 143, 151, 157	19491GT	123, 131, 137, 143, 155, 275	32645GT	59, 63, 67
6878GT	299, 303, 307, 123, 129, 135, 137, 143, 145	19506GT	299, 303, 313, 323, 331, 339...	33994GT	13, 489, 493, 497, 501, 505...
6888GT	147, 153...	19843GT	409, 411, 417	35461GT	145, 149, 153, 161, 169, 175...
6935GT	425, 433, 437, 445	21618GT	563, 567, 571	35831GT	419
7056GT	397, 401, 405	21858GT	349, 353, 357	36245GT	303, 309, 313, 381, 387
7264GT	219, 221, 223, 247, 251, 255	21982GT	295	36294GT	393, 465, 467
7265GT	189, 193, 197, 247, 251, 257...	22036GT	419	36373GT	301, 309, 317, 323, 333, 341
7339GT	393, 465, 467	22383GT	411, 415	37052GT	15, 19, 23, 27, 31, 35
8516GT	17, 183, 207, 211, 215, 361	22571GT	71, 75, 79, 83, 87, 93	37947GT	295
8910GT	219, 221, 223, 223, 227, 229	23405GT	301, 309, 317, 323, 333, 341...	38020GT	349, 353, 357
8915GT	391	23927-044GT	419	38226GT	563, 567, 571

<u>Part no.</u>	<u>Page Number</u>	<u>Part no.</u>	<u>Page Number</u>	<u>Part no.</u>	<u>Page Number</u>
39474GT	353, 355, 403, 407, 411, 417	46440GT	187	52148GT	95, 99, 103
39579GT	81, 83, 85, 361, 363, 367...	46441GT	187	52149GT	95, 99, 103
39581GT	407, 415	46716GT	207, 211, 215	52150GT	95, 99, 103
39882GT	483, 487, 549	46717GT	123, 131, 137, 143, 149, 155...	52151GT	95, 99, 103
40434GT	15, 19, 23, 27, 31, 35...	46722GT	563, 567, 571	52185GT	71, 75, 79, 83, 87, 91
40624GT	59, 63, 67, 91	46724GT	563, 567, 571	52186GT	71, 75, 79, 83, 87, 91
40712GT	353, 433, 401, 403, 465, 467	47124GT	159, 165, 171, 179	52255GT	189, 193, 197
40833GT	127, 133, 139, 143, 149, 155	47186GT	103, 121	52256GT	189, 193, 197
41292GT	393, 433, 401, 403, 465, 467	47279GT	71, 75, 79, 83, 87, 91	52257GT	189, 193, 197
41695GT	381, 383, 367, 369, 373, 375	48308GT	189, 193, 197	52258GT	189, 193, 197
41861GT	361, 367, 373, 375, 385	48309GT	189, 193, 197	52259GT	191, 195, 199
41862GT	385, 387, 389, 391, 381, 387	48723GT	15, 19, 23, 27, 31, 35	52260GT	191, 195, 199
42427GT	423, 429	48885GT	213, 219, 283, 287, 291	52263GT	189, 193, 197
42428GT	423, 429, 435, 441	48904GT	327, 333, 335, 337, 557, 559	52264GT	189, 193, 197
42621GT	363, 369, 375	48905GT	329, 331, 333, 335, 537, 539	52265GT	189, 193, 197
42695GT	213, 219, 283, 287, 291	48906GT	327, 333, 335, 337, 557, 559	52475GT	15, 19, 23, 27, 31, 35...
42758GT	547	48908GT	525, 527, 343, 347, 549, 559	54156GT	385, 387, 389, 391, 381, 387
43394GT	209, 213	48911GT	525, 549	54177GT	123, 129, 133, 141, 147, 153...
43456GT	249, 253, 257, 261, 265, 269...	48912GT	525, 529, 531, 533, 537, 539...	55010GT	187
43617GT	15, 19, 23, 27, 31, 35	48916GT	551, 555, 557, 559	55017GT	393, 465, 467
43658GT	15, 19, 23, 27, 31, 35...	49382GT	107, 111, 115	55053GT	107, 111, 115
43956GT	397, 401, 405	49393GT	107, 111, 115	55096GT	249, 253, 257, 261, 265, 269...
44248GT	15, 29, 31, 35	49407GT	393, 465, 467	55109GT	71, 75, 79, 83, 87, 91...
44649GT	189, 193, 197	49408GT	411, 413, 419, 483, 487	55140GT	127, 131, 137, 143, 149, 155
44653GT	59, 63, 67, 93	49520GT	275, 279, 283, 287, 291	56302GT	301, 303, 317, 323, 333, 341...
44662GT	385, 387, 389, 391, 393, 395, 397, 399	49612GT	13, 489, 493, 497, 501	56361GT	361, 367, 373, 379
44714GT	263, 267...	49613GT	13, 489, 493, 497, 501, 505	56701GT	423, 429, 435
44723GT	207, 211, 215	49818GT	183, 187, 191, 193, 309, 317	56912GT	349, 353, 357
44733GT	59, 63, 67	49819GT	297, 301, 303, 317, 325, 333	57075GT	395, 399, 403
44743GT	353, 355, 403, 407, 411, 415	49820GT	299, 303, 313, 323, 329, 337...	57710GT	123, 131, 137, 143, 149, 155...
44980GT	15, 19, 23, 27, 31, 35...	49859GT	545, 547	57881GT	219, 221, 223, 247, 251, 255
44986GT	31, 35	50793GT	175, 183	58251GT	123, 131, 137, 143, 149, 155
44992GT	423, 429, 435, 441	51063GT	123, 131, 137, 143, 275, 279...	58430GT	471, 473, 479, 483, 487
45071GT	301, 303, 307, 311, 313, 315, 317, 319, 323	51474GT	411, 413	58502GT	377
45383GT	299, 307, 313, 323, 331, 339	51865GT	565, 569, 573	58793GT	565, 569
45384GT	295, 301, 303, 317, 325, 333...	52133GT	59, 63, 67, 91	58980GT	301, 307, 313, 319, 385
45437GT	395, 399, 403	52135GT	137, 143, 149, 153, 161, 167...	59582GT	103, 119
45748GT	357, 401, 403, 407, 411, 415	52143GT	95, 99, 103	59680GT	107, 111, 115
45782GT	423, 429, 435, 441	52144GT	95, 99, 103	59720GT	121
45840GT	249, 307, 313, 323, 331, 339...	52145GT	95, 99, 103	59752-SGT	121
46262GT	15, 19, 23, 27, 31, 35	52146GT	95, 99, 103	59753GT	121
46436GT	395, 399, 403, 417	52147GT	95, 99, 103	59971GT	107, 111, 115

<u>Part no.</u>	<u>Page Number</u>	<u>Part no.</u>	<u>Page Number</u>	<u>Part no.</u>	<u>Page Number</u>
60428GT	407, 417	65347GT	107, 111, 115	67586GT	209, 213, 217
60442GT	127, 133, 139, 143, 149, 157...	65348GT	109, 113, 117	67722GT	59, 63, 67, 121, 419
60443GT	127, 133, 139, 143, 149, 157...	65350GT	107, 111, 115	67736GT	59, 63, 67
60790GT	123, 129, 133, 141, 147, 153...	65351GT	107, 111, 115	67744GT	529, 531, 533, 537, 539, 541
61974GT	407, 415	65352GT	107, 111, 115	67750GT	563, 567, 571
61975GT	407, 415	65354GT	107, 111, 115	67755GT	71, 75, 79, 83, 87, 93
62147GT	191, 195, 199	65355GT	107, 111, 115	67784GT	71, 75, 79, 83, 87, 93
62354GT	489, 493, 497, 501 489, 491, 493, 495,	65370GT	201, 203, 205	67894GT	59, 63, 67, 91
62355GT	487, 499 489, 491, 493, 495,	65371GT	201, 203, 205	67902GT	71, 75, 79, 83, 87, 91
62363GT	497, 499...	65372GT	201, 203, 205	67933GT	529, 531, 533, 537, 541
62707GT	15, 19, 23, 27, 31, 35	65373GT	201, 203, 205	67959GT	127, 133, 139, 143, 151, 157...
62719GT	27, 31, 35, 51, 55	65376GT	201, 203, 205	67966GT	563, 567, 571
62761GT	119	65377GT	201, 203, 205	69167GT	419
62764GT	121	65378GT	201, 203, 205	69475GT	187
62765GT	119	65382GT	201, 203, 205	69510GT	249, 253, 257, 261, 265, 269...
62766GT	119	65383GT	201, 203, 205	69735GT	251, 253, 255, 263, 267, 271
62769GT	119	65384GT	201, 203, 205	69773GT	307, 313, 323, 331, 339, 347
62770GT	119	65385GT	201, 203, 205	71315GT	333, 337, 339, 401, 403, 405...
62771GT	119	65386GT	201, 203, 205	71874GT	293, 303, 313, 323, 329, 337...
62772GT	119	65397GT	393, 465, 467	72032-SGT	121
62773GT	119	65401GT	107, 111, 115	72326GT	299, 307, 313, 323, 331, 339...
62817GT	293	65403GT	109, 113, 115	72832GT	15, 19, 23, 27, 31, 35
62862GT	301, 307, 313, 319, 385	66081GT	127, 133, 137, 143, 149, 155...	72891GT	15, 19, 23, 27, 31, 35...
62864GT	119	66094GT	127, 133, 139, 143, 149, 155...	73464GT	391
62866GT	119	66353GT	395, 399, 403	73465GT	73, 77, 81, 85, 89, 93
62870GT	119	66355GT	401, 405	73713GT	127, 133, 139, 143, 151, 157...
62871GT	119	66397GT	127, 133, 139, 143, 149, 155...	73723GT	299, 303, 313, 323, 329, 337...
62872GT	119	66399GT	13	74267GT	159, 165, 171
62873GT	119	66717GT	127, 133, 139, 143, 149, 155...	74712GT	291, 293, 303, 313, 321, 387
62874GT	119	66778GT	395, 399, 403	74728GT	529, 535, 539
62877GT	119	66811GT	295	74872GT	293, 303, 313, 321, 329, 337...
62879GT	121	66814GT	295, 299, 303, 307, 311, 313	74911GT	293, 303, 313, 321, 329, 337...
64154GT	91, 209, 213, 217, 219, 221...	66815GT	297, 299, 301, 303, 309, 311	74913GT	293, 303, 313, 321, 329, 337...
65191GT	201, 203, 205	66816GT	293, 297, 299, 301, 303, 305	74917GT	293, 303, 313, 321, 329, 337...
65336GT	107, 111, 115	66817GT	293, 301, 303, 317, 325, 333	74918GT	293, 303, 313, 321, 329, 337...
65337GT	107, 111, 115	66818GT	293, 301, 303, 317, 325, 333...	75815GT	189, 193, 197
65339GT	107, 111, 115	66909GT	565, 569	75816GT	189, 193, 197
65342GT	107, 111, 115	67229GT	121	75817GT	189, 193, 197
65343GT	107, 111, 115	67230GT	121	75866GT	119
65344GT	107, 111, 115	67231GT	121	75868GT	119
65345GT	107, 111, 115	67304GT	119	75869GT	119
65346GT	107, 111, 115	67535GT	103, 121	75871GT	119

<u>Part no.</u>	<u>Page Number</u>	<u>Part no.</u>	<u>Page Number</u>	<u>Part no.</u>	<u>Page Number</u>
84328GT	489, 493, 497, 501	84436GT	411, 413, 419, 483, 487	85377GT	187
84329GT	489	84441GT	59, 63, 67	87073GT	301, 301, 313, 319, 385
84331GT	489, 493, 497	84443GT	13	87312GT	563, 567, 571
84332GT	489	84444GT	207, 211, 215	87377GT	189, 193, 197
84333GT	489, 493, 497, 501, 505, 509	84445GT	207, 211, 215	87378GT	201, 203, 205
84334GT	491, 493, 499, 503, 507, 511	84448GT	301, 301, 313, 319, 385	87379GT	123, 131, 131, 143, 149, 155...
84335GT	491, 493, 499, 503, 507, 511...	84592GT	13	87380GT	127, 131, 131, 143, 149, 155...
84336GT	489, 491	84615GT	123, 131, 131, 143, 149, 155...	87408PGT	59, 63, 67
84337GT	409, 413, 411, 481, 485	84616GT	149, 155...	87410GT	211, 281, 283, 289, 293
84338GT	485, 413, 411, 481, 485	84661GT	219, 221, 223	87435GT	71
84339GT	469, 473, 477	84703GT	219, 221, 223	87439GT	219, 221, 223
84341GT	409, 413, 411, 481, 485	84707GT	189, 193, 197	87443GT	123, 129
84342GT	485, 413, 411, 481, 485	84709GT	191, 195, 199	87445GT	213, 219, 283, 281, 291
84343GT	485, 413, 411, 481, 485	84710GT	191, 195, 199	87446GT	207, 211, 215
84344GT	485, 413, 411, 481, 485	84711GT	191, 195, 199	87451GT	207, 211, 215
84345GT	485, 411, 413, 413, 469, 473	84714GT	191, 195, 199	87452GT	207, 211, 215
84346GT	469, 473, 413, 411, 481, 485	84715GT	191, 195, 199	87453GT	207, 211, 215
84347GT	481, 485, 419, 483, 487	84717GT	201, 203, 205	87456GT	409, 413, 411, 481, 485, 489...
84348GT	487, 413, 419, 483, 485	84718GT	201, 203, 205	87463GT	531, 535, 537, 541
84349GT	487, 413, 411, 481, 485	84719GT	201, 203, 205	87468GT	219, 221, 223
84350GT	485, 413, 411, 481, 485	84721GT	207, 211, 215	87473GT	275, 279, 283, 287
84351GT	485, 413, 411, 481, 485	84722GT	207, 211, 215	87474GT	59, 63, 67
84353GT	485, 413, 411, 481, 485	84723GT	241, 231, 233, 239, 263, 267	87475GT	61, 65, 69
84354GT	485, 413, 411, 481, 485	84724GT	247, 251, 255	87530GT	11, 13, 19, 83, 81, 277...
84355GT	485, 413, 411, 481, 485	84725GT	247, 251, 255	87564GT	71, 75, 79, 83, 87, 91...
84356GT	13, 409, 413, 411, 481, 485	84726GT	247, 251, 255	87681GT	551, 555, 557, 559
84357GT	485, 413, 411, 481, 485	84727GT	247, 251, 255	87721GT	211, 281, 283, 289, 293
84358GT	485, 413, 411, 481, 485	84728GT	247, 251, 255	87722GT	207, 211, 215
84376GT	13	84729GT	241, 231, 233, 239, 263, 267	87723GT	231
84409GT	395, 399, 403	84730GT	247, 251, 255, 263, 267	87724GT	231
84411GT	411	84731GT	381, 387, 313, 319, 385	87725GT	231, 233, 235
84413GT	409	84732GT	301, 301, 313, 319, 385	87726GT	231, 233, 235, 237
84414GT	395, 399, 403	84733GT	423, 429, 435, 441	87727GT	231
84415GT	415	84734GT	303, 309, 313, 381, 387	87735GT	123, 129, 133, 141, 147, 153
84416GT	411	84735GT	363, 369, 375	87738GT	293, 303, 313, 321, 329, 337
84425GT	489, 491, 493, 493, 497, 499	84736GT	303, 311, 311, 381, 387	87739GT	123, 129, 133, 141, 147, 153
84426GT	489, 307, 311, 313, 519, 523	84805GT	365, 371, 387	87748GT	293, 303, 313, 323, 329, 337
84427GT	489, 473, 411, 481, 485, 505	84873GT	107, 111, 115	87749GT	329, 337, 313, 323, 329, 337
84428GT	485, 473, 411, 481, 485	84879GT	107, 111, 115	87750GT	303, 313, 323, 329, 337, 345
84429GT	493, 497, 501	85239GT	301, 309, 311, 323, 333, 341	87751GT	303, 313, 323, 329, 337, 345
84431GT	409, 413, 413, 411, 481, 487...	85375GT	187	87752GT	293, 303, 313, 323, 329, 337, 345
84435GT	477, 481, 485	85376GT	187	87753GT	329, 337, 323, 329, 337, 345...

<u>Part no.</u>	<u>Page Number</u>	<u>Part no.</u>	<u>Page Number</u>	<u>Part no.</u>	<u>Page Number</u>
87754GT	305, 313, 323, 329, 337, 345	87954GT	545	97808GT	27, 31, 35
87755GT	299, 303, 313, 323, 331, 339	87955GT	545	97809GT	51, 55
87756GT	125, 129, 135, 141, 147, 153	87956GT	545, 547	97815GT	33, 37, 53, 57
87759GT	125, 129, 135, 141, 147, 153	87957GT	545, 547	99016GT	355, 359, 399, 401, 403, 405...
87760GT	147, 153...	87958GT	545	99023GT	563, 567, 571
87763GT	61, 65, 69	87959GT	545, 547, 549	99024GT	125, 131, 137, 143, 149, 155...
87764GT	231, 233, 235, 237	87969GT	459, 461, 463	99025-SGT	563, 567, 571
87771-SGT	563, 567, 571	87985GT	551, 555, 557, 559	99026-SGT	563, 567, 571
87772-SGT	563, 567, 571	87986GT	551, 555	99030GT	189, 193, 197
87780GT	59, 63, 67, 71, 75, 79...	87987GT	551, 555	99031GT	189, 193, 197
87816GT	305, 311, 317, 381, 387	87988GT	551, 555, 557, 559	99032GT	189, 193, 197
87818GT	419	87989GT	551, 555	99049-SGT	415
87819GT	419	87990GT	551, 555	99051GT	361, 367, 373
87820GT	411, 417	87991GT	551	99056-SGT	361, 367, 373
87830GT	417	87994GT	419	99057-SGT	361, 367, 373
87838GT	411	87995GT	419	99063GT	551, 555
87849GT	419	88356-146R1GT	215, 219, 285, 287, 291	99072GT	207, 211, 215
87862GT	419	88356-246R1GT	125, 131, 137, 143, 155	99081GT	231, 233, 235, 237, 239
87868GT	305, 309, 315, 319, 381, 385	88422GT	563, 567, 571	99082GT	231, 233, 235, 237, 239
87869GT	381, 385...	88827GT	301, 309, 317, 323, 333, 341	99084GT	295, 305, 313, 323, 329, 337...
87907GT	565, 569, 573	89293GT	189, 193, 197	99085GT	71, 75, 79, 83, 87, 93
87909GT	563, 567, 571	89757GT	125, 131, 137, 143, 155	99088GT	295, 305, 313, 323, 425, 429, 435...
87910GT	563, 567, 571	89872GT	529, 535, 539	99089GT	231, 233, 235
87912GT	563, 567, 571	93500GT	13	99090GT	231, 233, 235, 237, 239, 241...
87913GT	563, 567, 571	94643GT	407, 417	99125GT	421
87926GT	407	96008GT	349, 353, 357	99126GT	419
87936GT	551, 555, 557, 559	96008-SGT	301, 309, 317, 323, 333, 341	99128GT	413, 417
87937GT	551	97059GT	187	99129GT	413, 417
87938GT	551	97357GT	125, 129, 135, 141, 147, 153...	99130GT	419
87939GT	551, 555, 557, 559	97455GT	119	99144GT	413, 417
87940GT	551, 555	97456GT	119	99145GT	411, 415
87941GT	551, 555	97457GT	119	99146GT	397, 401, 405, 411
87942GT	551, 555	97458GT	119	99147GT	393, 465, 467
87943GT	553, 555, 557, 559	97557GT	21, 23, 29, 33, 37, 43...	99150GT	411, 417
87944GT	551, 555	97558GT	21, 25, 29, 33, 37, 43...	99155GT	411, 415, 419
87945GT	551, 555	97563GT	53, 57	99159GT	419
87946GT	551	97564GT	53, 57	99160GT	419
87947GT	551	97565GT	19, 23	99173GT	407, 415
87948GT	551, 555	97566GT	43, 47	99174GT	407, 415
87949GT	551, 555	97762GT	29, 33, 37, 53, 57	99181GT	407, 415
87951GT	551	97768GT	29, 33, 37	99182GT	407, 417
87953GT	545, 547, 549	97770GT	53, 57	99183GT	407, 417

<u>Part no.</u>	<u>Page Number</u>	<u>Part no.</u>	<u>Page Number</u>	<u>Part no.</u>	<u>Page Number</u>
99194GT	407, 417	104128GT	59, 63, 67	105287GT	459, 461, 463
99195GT	423, 429, 435, 441	104144GT	305, 311, 311, 385, 389	105300GT	459
99201GT	563, 567, 571	104147GT	59, 63, 67	105306GT	459, 461, 463
99207GT	303, 311, 321, 321, 335, 343...	104148GT	59, 63, 67, 71, 75, 79...	105307GT	459, 461, 463
99211GT	71, 75, 79, 83, 87, 93	104167GT	423, 429, 435, 441	105311GT	237, 239
99212GT	71, 75, 79, 83, 87	104195GT	241, 251, 215, 211, 279	105334GT	187
99213GT	71, 75, 79, 83, 87	104239GT	71, 75, 79, 83, 87, 91	105412GT	409, 413, 411, 481, 485
99214GT	87	104302GT	299, 301, 309, 311, 325, 333...	105435GT	239, 241, 243, 245
99216GT	563, 567, 571	104303GT	423, 429, 435, 441	105436GT	239, 241, 243, 245
99232GT	215, 219, 285, 281, 293	104321GT	73, 77, 81, 85, 87, 93	105437GT	239, 241, 243, 245
99235GT	231, 233, 235	104327GT	429, 435, 441, 441, 451, 455	105472GT	231, 235, 235, 231, 239, 241...
99236GT	231, 235, 235, 231, 239, 241...	104331GT	59	105533GT	275, 283, 287, 291
99246GT	71, 75, 79, 83, 87	104332GT	71, 75	105556GT	569, 573
99247GT	275, 279, 283, 287	104333GT	441	105557GT	569, 573
99255GT	207, 211, 215	104335GT	423, 429, 435, 441	105604GT	249, 255, 251, 201, 255, 259, 251, 259, 241, 243
99263GT	231, 235, 235, 231, 231, 231, 235, 231, 239, 241...	104347GT	459, 461, 463	105637GT	239, 241, 243
99272GT	239, 241...	104348GT	459, 461, 463	105638GT	239, 241, 243
99273GT	565, 569, 573	104353GT	235, 231, 239, 241, 243, 245	105668GT	263, 267
99274-SGT	563, 567, 571	104489GT	301, 309, 311, 325, 333, 341	105739GT	187
99278GT	71, 75, 79, 83, 87, 91	104492GT	431, 437, 443	106669GT	121
99279GT	107, 111, 115	104493GT	421, 435, 439, 445, 447, 451...	109686GT	391
99284GT	125, 131, 137, 143	104557GT	563, 567, 571	109803GT	305, 311, 319, 321, 327, 335, 329, 321, 321, 355
99285GT	239, 241...	104604GT	491, 501, 501, 511, 515, 519	109804GT	343, 351...
99286GT	125, 131, 137, 143	104651GT	489, 493, 491, 501, 505, 509...	109844GT	391
99295GT	395, 399, 403	104653GT	285, 289, 293	109845GT	391
99413GT	407, 415	104705GT	301, 309, 311, 325, 323, 341	109846GT	391
99421GT	125, 131, 137, 143	104706GT	423, 431, 441, 451, 455	109847GT	391
99430GT	209, 213, 217	104735GT	275, 219, 285, 281, 291	109848GT	391
99431GT	209, 213, 217	104739GT	277, 281, 285	109850GT	363, 369, 375, 391
99432GT	393, 465, 467	104741GT	381, 387, 391	109851GT	391
99488GT	547	104791GT	235, 231, 239, 241, 243, 245	109859GT	213, 217
99489GT	547, 549	104794GT	255, 259, 263, 267	109860GT	209, 213, 217
99885GT	421, 435, 439, 445, 447, 451...	104795GT	255, 259, 263, 267	109888GT	209, 213
104006GT	281, 285, 289, 293	104796GT	255, 259, 263, 267	109898GT	213, 217
104009GT	279, 283, 287	104797GT	255, 259, 263, 267	109931GT	209, 213, 217
104022GT	129, 135, 141, 141, 153, 159	104798GT	305, 309, 315, 311, 521	114237GT	29, 33, 37
104091GT	303, 311, 319, 321, 327, 335	104799GT	521, 509, 515, 511, 505, 509, 515, 511, 521	115027GT	123
104092GT	319, 321, 321, 355, 343	104800GT	481, 485, 505, 509, 513, 517	115028GT	123
104101GT	349, 353, 357	104801GT	491, 495, 499, 505, 505, 509	115029GT	123, 129, 135, 141, 147, 153...
104110GT	423, 429, 435, 441	104803GT	505, 509	115030GT	371, 377, 381
104113GT	209, 213, 217	104804GT	273, 279, 285, 281, 291	115031GT	301, 309, 311, 325, 333, 341
104124GT	423, 429, 435	105277GT	187	124006GT	391

<u>Part no.</u>	<u>Page Number</u>	<u>Part no.</u>	<u>Page Number</u>	<u>Part no.</u>	<u>Page Number</u>
124016GT	555, 557, 559	219944GT	127, 133, 139, 143,	825655GT	557, 559
124017GT	555, 557, 559	219946GT	151, 157,	825656GT	557, 559
124018GT	555, 557, 559	219947GT	127, 133, 139, 143,	825657GT	557, 559
124042GT	381, 387	219948GT	151, 157,	825658GT	557, 559
124074GT	391	226320GT	127, 133, 139, 143,	825659GT	557, 559
124084GT	409, 413, 417, 481,	226322GT	151, 157,	825660GT	557, 559
124089GT	469, 473	227292GT	293, 301, 309, 317,	825661GT	557, 559
124099GT	251, 255, 259, 263	227293GT	325, 333...	825662GT	557, 559
124100GT	473, 477, 481, 485	227345GT	409	825663GT	557, 559
125650GT	189, 193, 197	227394GT	415	825664GT	557, 559
128104GT	529, 535, 539	227440GT	33, 37	825665GT	557, 559
129071GT	393, 465, 467	228725GT	33, 37	1251921GT	271
129082GT	463	229056GT	411, 413, 419, 483,	1251922GT	293
129083GT	463	229057GT	487	1252006GT	293
129100GT	379, 385, 391	229058GT	243, 245	1252698GT	17, 21, 25, 29, 33, 37
144180GT	187	229059GT	243, 245	1253840GT	527, 559
147253GT	427, 433, 439, 445	229060GT	243, 245	1253841GT	527, 561
160426GT	191, 195, 199	229165GT	393, 465, 467	1254250GT	291
160741GT	191, 195, 199	229166GT	393, 465, 467	1254257GT	293, 527
161969GT	123, 129, 141	229630GT	303, 309, 313, 381,	1254646GT	527, 561
162160GT	59, 63, 67, 121	229631GT	387	1254657GT	271
215243GT	245	230373GT	383, 389, 313, 381,	1254659GT	271
215261GT	441	230374GT	387	1254673GT	271
215265GT	333, 341	230375GT	91	1254674GT	271
216793GT	293, 303, 313, 321,	230507GT	67, 91	1255049GT	293, 527
217036GT	329, 337...	231931GT	67	1256289GT	103
217037GT	545, 547	232526GT	569, 573	1258567GT	13
217038GT	545, 547	232529GT	225, 227, 229	1259963GT	37
217039GT	545, 547	232568GT	165, 171, 179	1260375GT	57
217040GT	545, 547	232573GT	165	1260908GT	271
217314GT	175, 183	233999GT	427, 433, 439, 445	1260909GT	271
217422GT	525	236709GT	529, 535, 539	1261459GT	487
217704GT	549	822923GT	241, 243, 245	1261671GT	123, 129, 133, 141,
217705GT	549	823408GT	361, 367, 373	1264372GT	147, 153...
217706GT	549	824024GT	123, 129, 133, 141,	1264803GT	187
217707GT	549	824059GT	147, 153,	1270456GT	119
217708GT	549	824060GT	67, 179, 211, 217, 291,	1271707GT	349, 353, 357
218055GT	179	824109GT	389	1274165GT	447, 453, 457
218056GT	291	824113GT	223, 211, 349, 353,	1274320GT	213, 219, 283, 287,
218057GT	271	825019GT	357, 387,	1274353GT	291
218696GT	331, 343, 349, 353,	825186GT	181, 407, 413, 415,	1274938GT	349, 353, 357
219216GT	359, 443...	825654GT	419, 449...	1275647GT	447, 451, 455
	473, 477, 481, 485		349, 353, 357		349, 353, 357

<u>Part no.</u>	<u>Page Number</u>	<u>Part no.</u>	<u>Page Number</u>	<u>Part no.</u>	<u>Page Number</u>
1275924GT	447, 451, 455				
1277226GT	295, 301, 309, 317, 325, 333...				
1277780GT	187				
1278692GT	455				
1279831GT	191, 195, 199				
1283776GT	13				
1284782GT	435, 441				
1285358GT	435				
1286186GT	451, 455				
1287090GT	447				
1287091GT	451				
1287092GT	455				
1287093GT	349				
1287094GT	353				
1287143GT	349, 353, 357				
1287144GT	349, 353, 357, 447, 451, 455				
1289520GT	123, 129, 135, 141, 147, 153...				
1289557GT	447, 451, 455				
1289561GT	123, 129, 135, 141, 147, 153...				
1289867GT	349, 353, 357				
1289869GT	447, 451, 455				
1290563GT	357				
1300210GT	293, 527				
1300211GT	293, 527				
1300212GT	293, 527				
T106329GT	189, 193, 197				
T106330GT	189, 193, 197				
T108054GT	529, 535, 539				
T108055GT	529, 535, 539				
T108056GT	529, 535, 539				
T108057GT	529, 535, 539				
T108059GT	531, 537, 541				
T108067GT	529, 535, 539				
T108068GT	529, 535, 539				
T108069GT	529, 535, 539				
T108070GT	529, 535, 539				
T108071GT	529, 531, 535, 537, 539, 541				
T108072GT	531, 537, 541				
T112560GT	401, 403				
T112561GT	401, 405				
T112563GT	395, 399				

California Proposition 65

 **WARNING**

Operating, servicing and maintaining this equipment, passenger vehicle or off-highway motor vehicle can expose you to chemicals including engine exhaust, carbon monoxide, phthalates, and lead, which are known to the State of California to cause cancer and birth defects or other reproductive harm. These chemicals can be emitted from or contained in other various parts and systems, fluids and some component wear by-products. To minimize exposure, avoid breathing exhaust, do not idle the engine except as necessary, service your equipment and vehicle in a well-ventilated area and wear gloves or wash your hands frequently when servicing your equipment or vehicle and after operation. For more information go to www.P65Warnings.ca.gov/passenger-vehicle.

Breathing diesel engine exhaust exposes you to chemicals known to the State of California to cause cancer and birth defects or other reproductive harm.

- Always start and operate the engine in a well-ventilated area.
- If in an enclosed area, vent the exhaust to the outside.
- Do not modify or tamper with the exhaust system.
- Do not idle the engine except as necessary.

For more information go to www.P65warnings.ca.gov/diesel.

Distributed By:

www.GreaseMonkeyEquipment.com to order your parts

PARTS FINDER

**Search Website
by Part Number**



**Search Manual
Library For Parts
Manual & Lookup Part
Numbers – Purchase
or Request Quote**

Search Manuals

Enter your information to help us find the right parts manual for your machine.

* Brand:

* Model:

* Serial:

* Part Number:

SEARCH

**Can't Find Part or
Manual? Request Help
by Manufacturer,
Model & Description**

Parts Order Form

Please fill in the following information to help us find the right part for your machine.

Manufacturer:	<input type="text"/>
Model:	<input type="text"/>
Description:	<input type="text"/>
Part Number:	<input type="text"/>
Quantity:	<input type="text"/>
Notes:	<input type="text"/>

Discount-Equipment.com is your online resource for quality parts & equipment.

Florida: **561-964-4949** Outside Florida TOLL FREE: **877-690-3101**

Need parts?

Click on this link: <http://www.discount-equipment.com/category/5443-parts/> and choose one of the options to help get the right parts and equipment you are looking for. Please have the machine model and serial number available in order to help us get you the correct parts. If you don't find the part on the website or on one of the online manuals, please fill out the request form and one of our experienced staff members will get back to you with a quote for the right part that your machine needs.

We sell worldwide for the brands: Genie, Terex, JLG, MultiQuip, Mikasa, Essick, Whiteman, Mayco, Toro Stone, Diamond Products, Generac Magnum, Airman, Haulotte, Barreto, Power Blanket, Nifty Lift, Atlas Copco, Chicago Pneumatic, Allmand, Miller Curber, Skyjack, Lull, Skytrak, Tsurumi, Husquvarna Target, Stow, Wacker, Sakai, Mi-T-M, Sullair, Basic, Dynapac, MBW, Weber, Bartell, Bennar Newman, Haulotte, Ditch Runner, Menegotti, Morrison, Contec, Buddy, Crown, Edco, Wyco, Bomag, Laymor, EZ Trench, Bil-Jax, F.S. Curtis, Gehl Pavers, Heli, Honda, ICS/PowerGrit, IHI, Partner, Imer, Clipper, MMD, Koshin, Rice, CH&E, General Equipment, Amida, Coleman, NAC, Gradall, Square Shooter, Kent, Stanley, Tamco, Toku, Hatz, Kohler, Robin, Wisconsin, Northrock, Oztec, Toker TK, Rol-Air, APT, Wylie, Ingersoll Rand / Doosan, Innovatech, Con X, Ammann, Mecalac, Makinex, Smith Surface Prep, Small Line, Wanco, Yanmar