



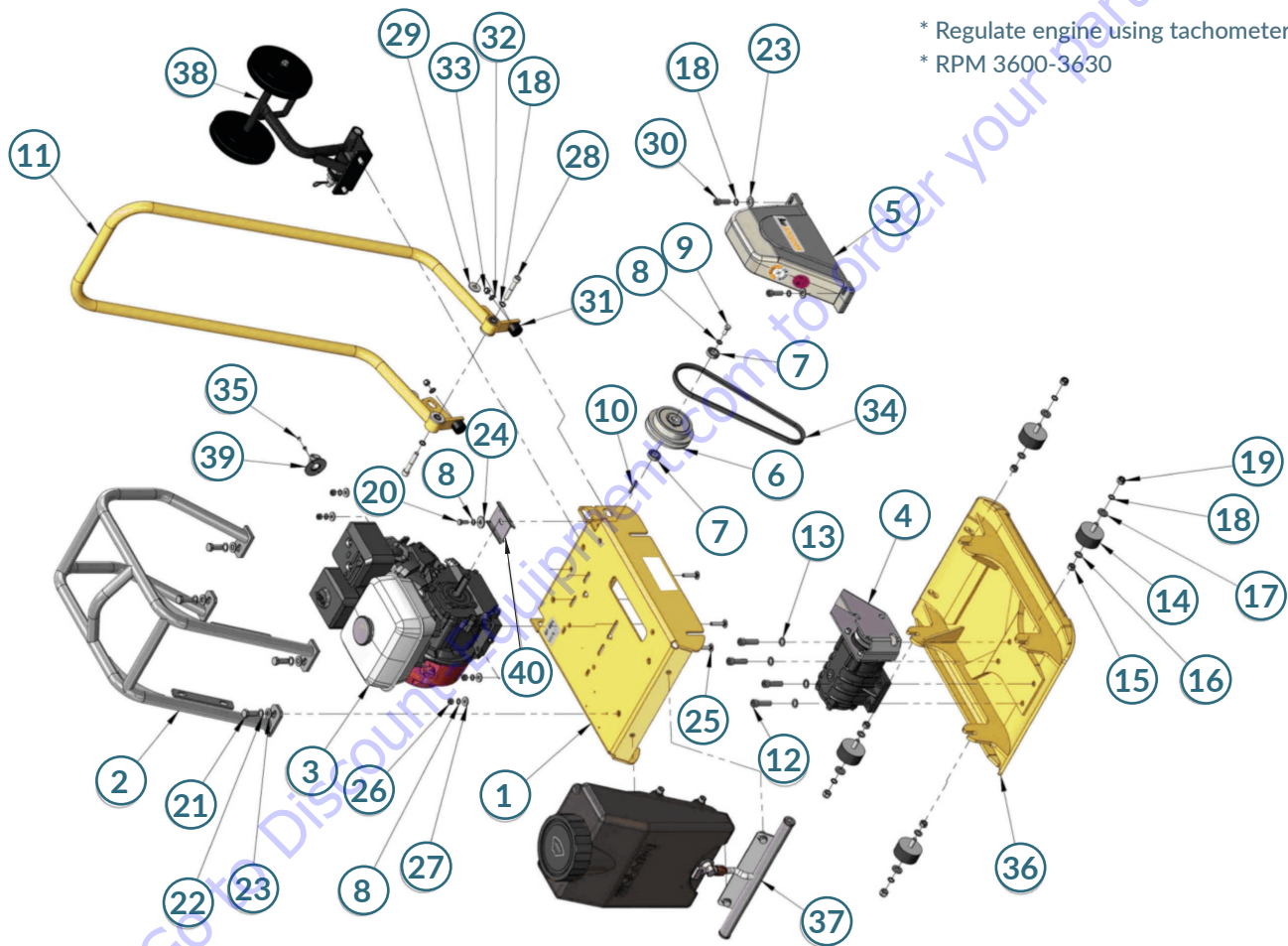
www.Discount-Equipment.com

MGT PARTS LIST
VIBRATORY COMPACTOR
MPC 80



Illustrative Image.

IMAGE A



* Regulate engine using tachometer

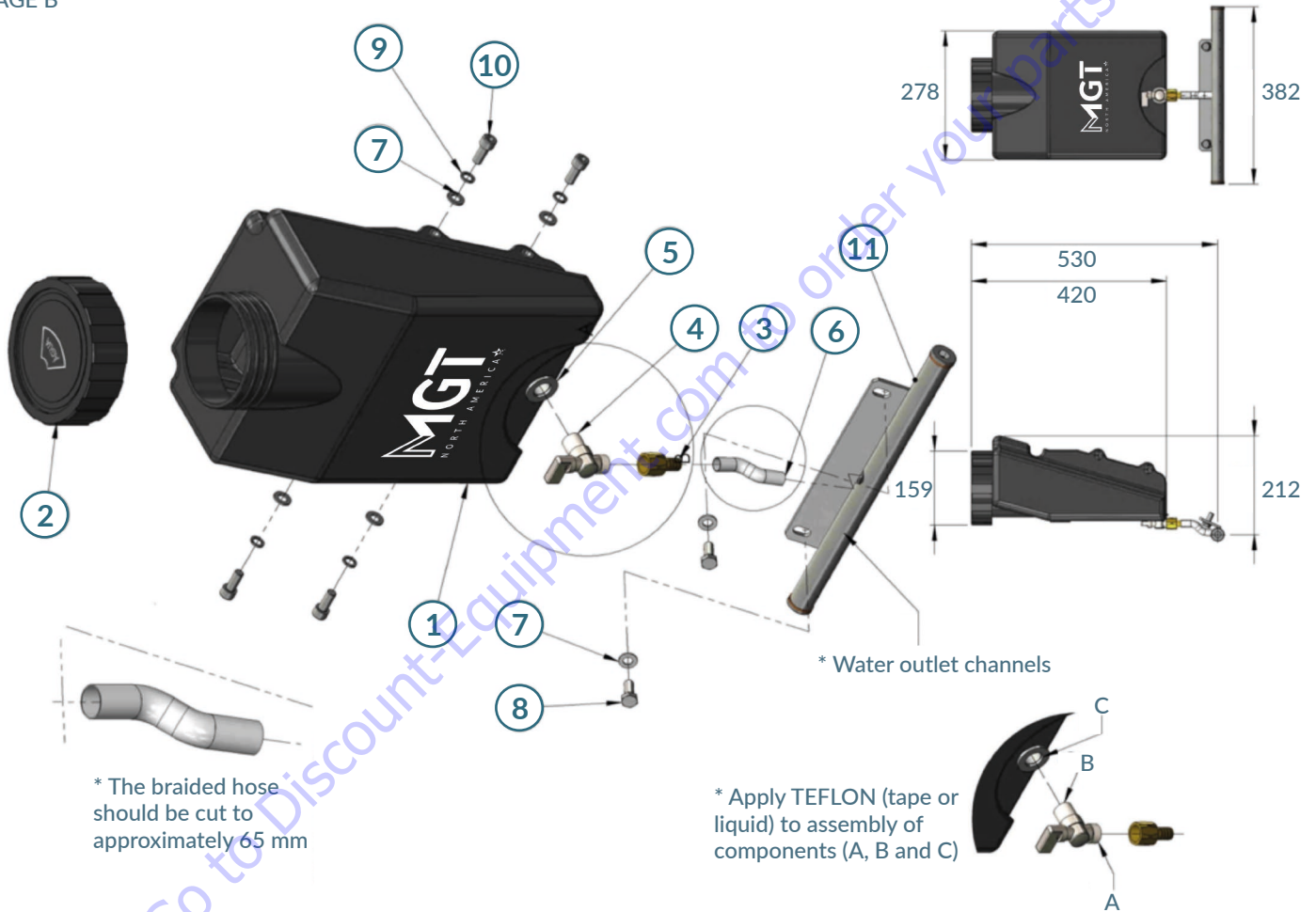
* RPM 3600-3630

| NO. | DESCRIPTION | QTY. | CODE |
|-----|-------------------|------|----------|
| A01 | Painted Console | 1 | 29114365 |
| A02 | Engine Protection | 1 | 29114366 |
| A03 | Engine | 1 | N/A |
| A04 | Eccentric | 1 | N/A |
| A05 | Pulley Protection | 1 | 29114368 |
| A06 | Clutch | 1 | 29110048 |
| A07 | Spacer | 2 | 29114369 |
| A08 | Washer | 6 | N/A |
| A09 | Bolt | 1 | N/A |
| A10 | Key | 1 | N/A |
| A11 | Handle Assembly | 1 | 29114370 |
| A12 | Bolt | 4 | N/A |
| A13 | Washer | 4 | N/A |
| A14 | Rubber | 4 | 29111879 |
| A15 | Nut | 4 | N/A |
| A16 | Washer | 4 | N/A |
| A17 | Washer | 4 | N/A |
| A18 | Washer | 8 | N/A |
| A19 | Nut | 4 | N/A |
| A20 | Bolt | 1 | N/A |

| NO. | DESCRIPTION | QTY. | CODE |
|-----|-------------|------|----------|
| A21 | Bolt | 4 | N/A |
| A22 | Washer | 4 | N/A |
| A23 | Washer | 6 | N/A |
| A24 | Washer | 1 | N/A |
| A25 | Bolt | 4 | N/A |
| A26 | Nut | 4 | N/A |
| A27 | Washer | 4 | N/A |
| A28 | Bolt | 2 | N/A |
| A29 | Washer | 2 | N/A |
| A30 | Bolt | 2 | N/A |
| A31 | Rubber | 2 | 29114371 |
| A32 | Washer | 2 | N/A |
| A33 | Nut | 2 | N/A |
| A34 | V-Belt | 1 | N/A |
| A35 | Bolt | 2 | N/A |
| A36 | Base Plate | 1 | 29114372 |
| A37 | Sprinkler | 1 | 29114373 |
| A38 | Wheel Kit | 1 | 29114380 |
| A39 | Baffle | 1 | 29114367 |
| A40 | Oil Drainer | 1 | 29114374 |

N/A = Item will not be sold separately

IMAGE B



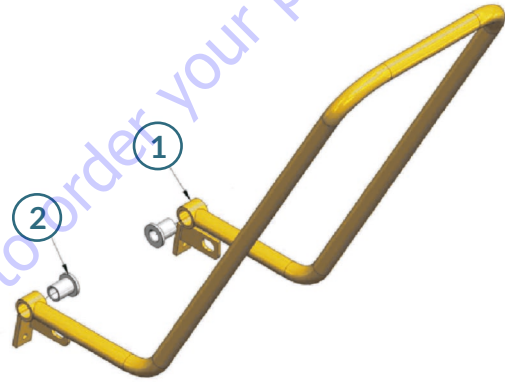
* The braided hose should be cut to approximately 65 mm

* Apply TEFLON (tape or liquid) to assembly of components (A, B and C)

| NO. | DESCRIPTION | QTY. | CODE |
|------|----------------------|------|----------|
| CJ-1 | Full Water Sprinkler | 1 | 29114373 |
| B01 | Water Tank | 1 | 29114375 |
| B02 | Cap | 1 | 29114376 |
| B03 | Connection | 1 | 29114377 |
| B04 | Cock | 1 | 29114378 |
| B05 | Washer | 1 | N/A |
| B06 | Hose 85mm | 1 | 29114379 |
| B07 | Washer | 6 | N/A |
| B08 | Bolt | 2 | N/A |
| B09 | Washer | 4 | N/A |
| B10 | Bolt | 4 | N/A |
| B11 | Sprinkler | 1 | N/A |

N/A = Item will not be sold separately

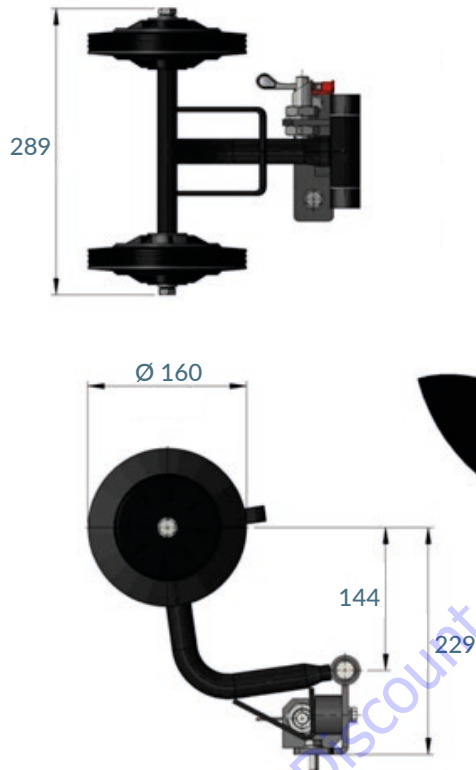
IMAGE C



| NO. | DESCRIPTION | QTY. | CODE |
|------|-----------------------------------|------|----------|
| CJ-2 | Handle Assembly with the bushings | 1 | 29114370 |
| C01 | Handle | 1 | N/A |
| C02 | Bushing | 2 | N/A |

N/A = Item will not be sold separately

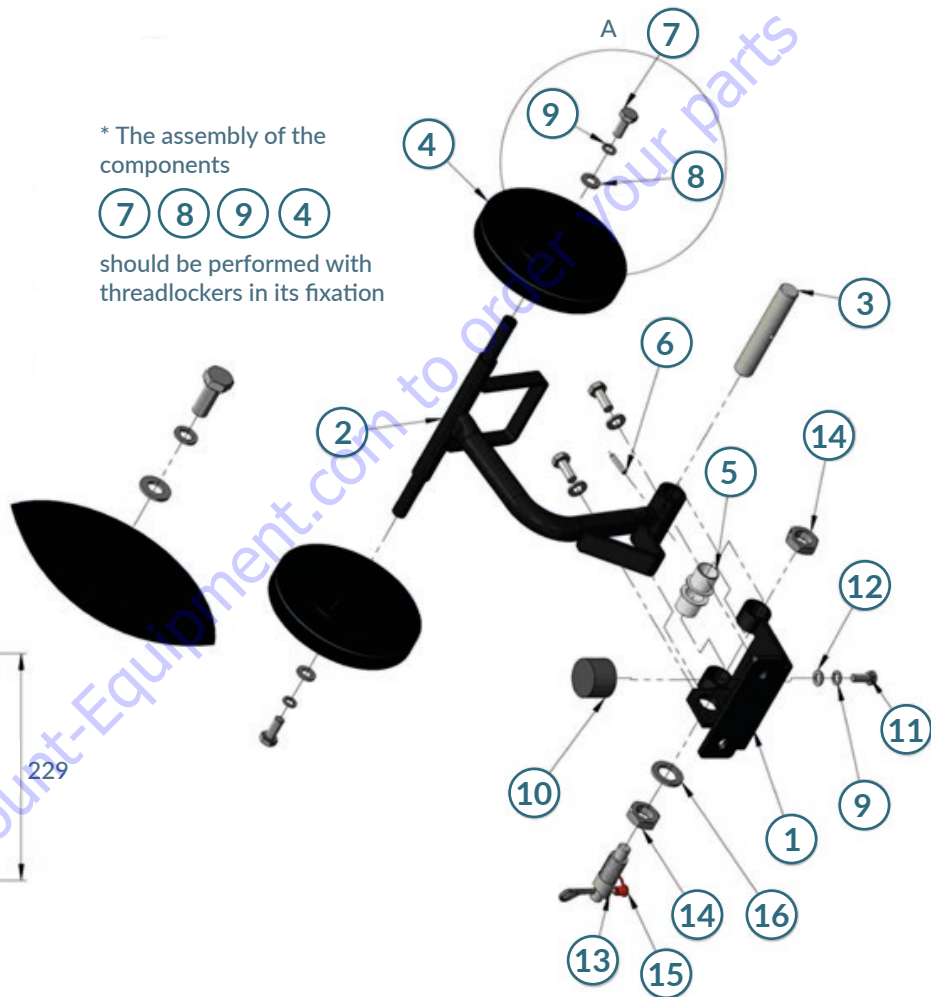
IMAGE D



* The assembly of the components



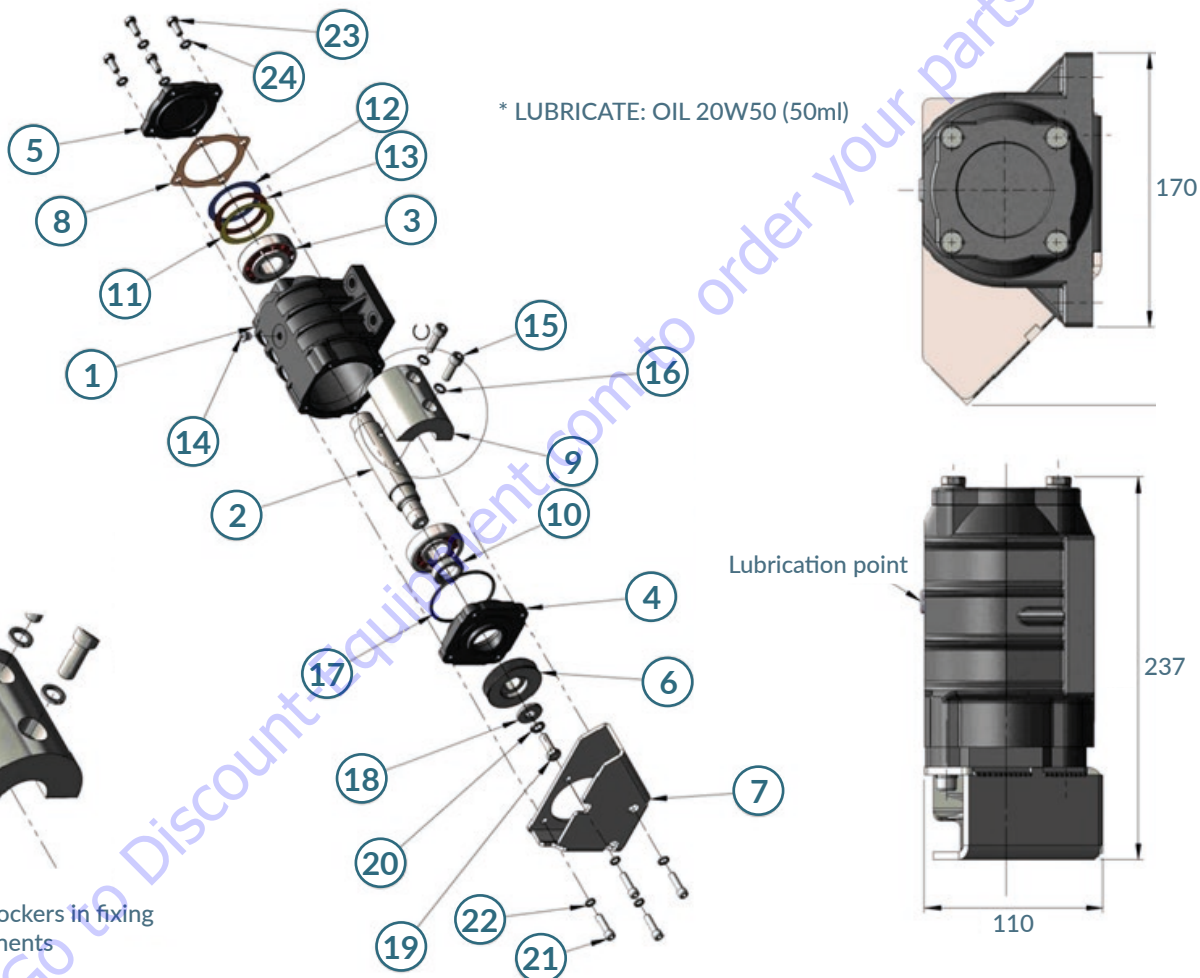
should be performed with threadlockers in its fixation



| NO. | DESCRIPTION | QTY. | CODE |
|------|--------------------|------|----------|
| CJ-3 | Wheel Kit Assembly | 1 | 29114380 |
| D01 | Base | 1 | N/A |
| D02 | Arm | 1 | N/A |
| D03 | Shaft | 1 | N/A |
| D04 | Wheel + Spacer | 2 | N/A |
| D05 | Bushing | 2 | N/A |
| D06 | Pin | 1 | N/A |
| D07 | Bolt | 4 | N/A |
| D08 | Washer | 4 | N/A |
| D09 | Washer | 3 | N/A |
| D10 | Rubber | 1 | N/A |
| D11 | Bolt | 1 | N/A |
| D12 | Washer | 1 | N/A |
| D13 | Pin | 2 | N/A |
| D14 | Hex nut | 2 | N/A |
| D15 | Grease Cover | 1 | N/A |
| D16 | Washer | 1 | N/A |

N/A = Item will not be sold separately

IMAGE E



* Use threadlockers in fixing these components

| NO. | DESCRIPTION | QTY. | CODE |
|------|--------------------|------|----------|
| CJ-4 | Eccentric Assembly | 1 | N/A |
| E01 | Housing | 1 | 29114381 |
| E02 | Shaft | 1 | 29114382 |
| E03 | Bearing | 2 | N/A |
| E04 | Cover With Hole | 1 | 29114383 |
| E05 | Cover | 1 | 29114384 |
| E06 | Pulley | 1 | 29114385 |
| E07 | Protector | 1 | 29114386 |
| E08 | Gasket | 1 | 29114387 |
| E09 | Bottom protection | 1 | 29114388 |
| E10 | Oil Seal | 1 | N/A |
| E11 | Spacer (0,1mm) | 1 | 29114389 |
| E12 | Spacer (0,2mm) | 1 | 29114390 |

| NO. | DESCRIPTION | QTY. | CODE |
|-----|--------------------------|------|----------|
| E13 | Spacer (0,5mm) | 1 | 29114391 |
| E14 | Oil Plug + Copper washer | 1 | 29114392 |
| E15 | Bolt | 2 | N/A |
| E16 | Washer | 2 | N/A |
| E17 | O-ring | 1 | N/A |
| E18 | Washer | 1 | N/A |
| E19 | Bolt | 1 | N/A |
| E20 | Washer | 1 | N/A |
| E21 | Bolt | 4 | N/A |
| E22 | Washer | 4 | N/A |
| E23 | Bolt | 4 | N/A |
| E24 | Washer | 4 | N/A |

N/A = Item will not be sold separately

MGT

NORTH AMERICA 



www.Discount-Equipment.com

Go to Discount-Equipment.com to order your parts