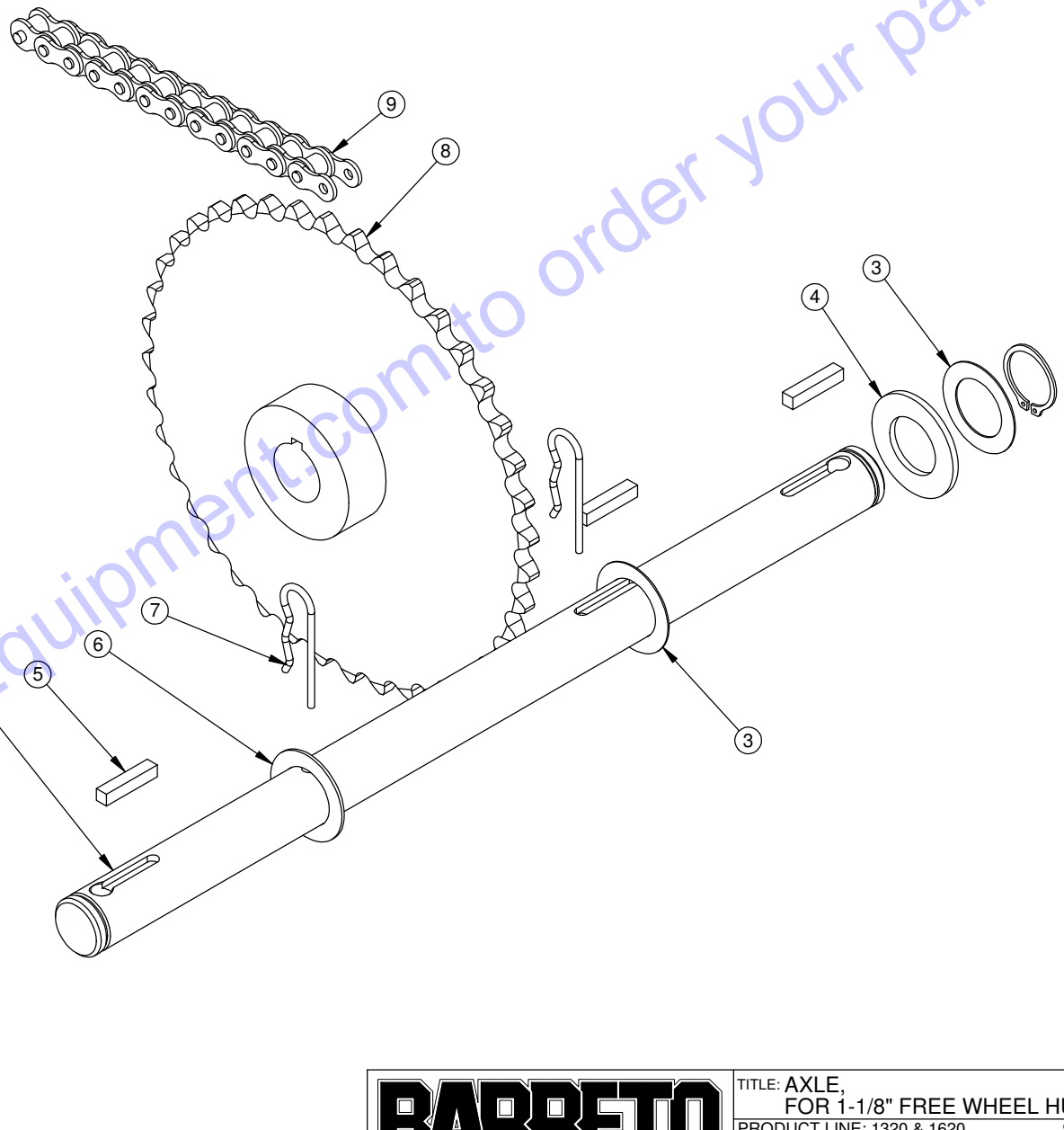


BARRETO 1320 & 1620 TILLER - 2004

REF.	QTY.	PART NO.	DESCRIPTION
1	1	10804	AXLE, WHEEL
2	2	05606	SNAP RING, 1-1/8" EXTERNAL
3	3	03008	THRUST WASHER, 1-1/8 X 1-3/4 X .030
4	2	03013	FELT WASHER, 1-1/8 X 2 X 1/8
5	3	05018	KEY, 1/4 X 1/4 X 1-1/4 HARDENED
6	1	03039	THRUST WASHER, 1-1/8 X 1-3/4 X .060
7	2	05033	HAIR SPRING COTTER #8
8	1	02006-F	SPROCKET, #50 40 TOOTH
9	1	03015-L	#50 ROLLER CHAIN, 63 PITCH WITH MASTER



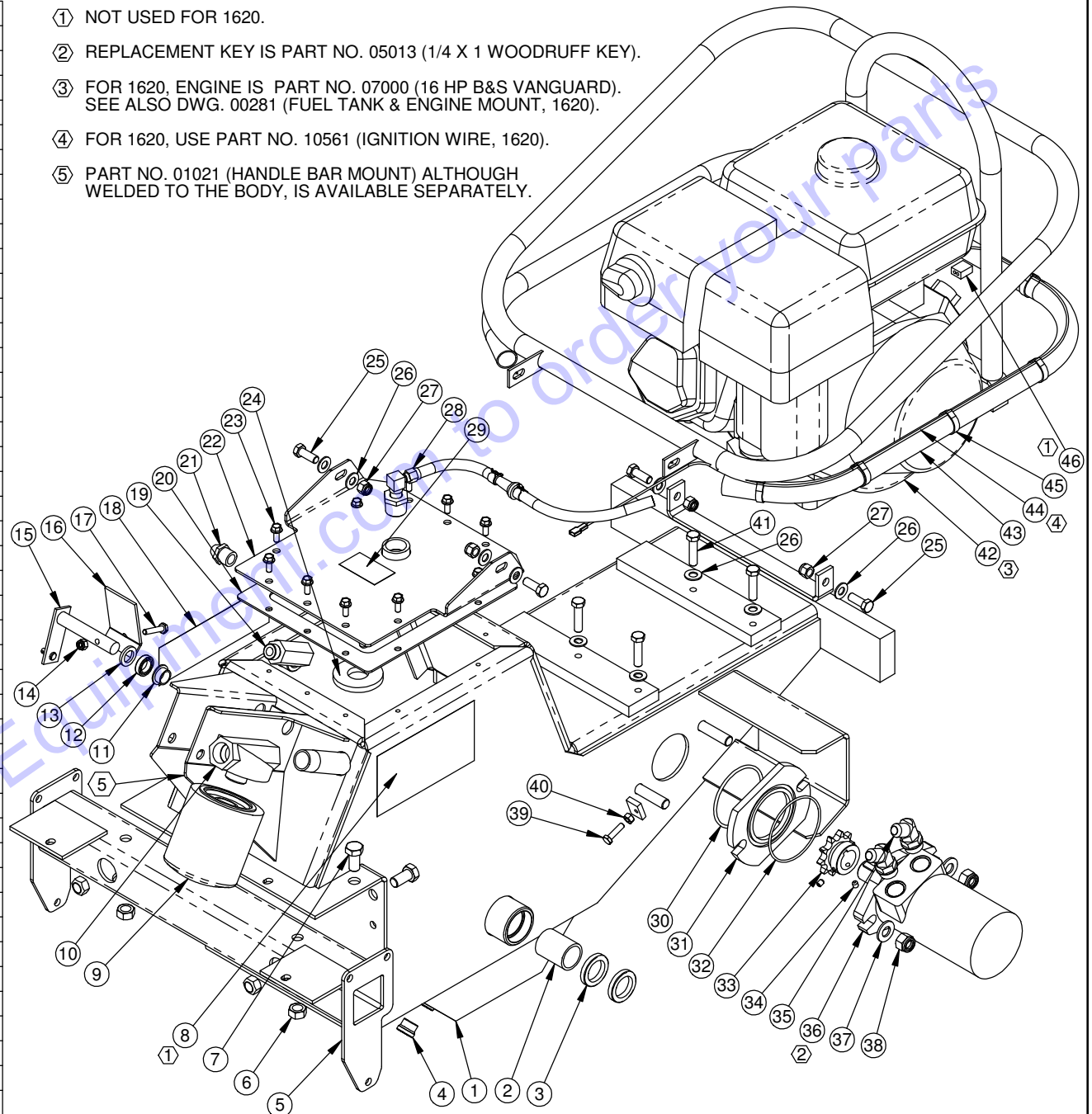
Go to Discount-Equipment.com to order your parts



TITLE: AXLE,
FOR 1-1/8" FREE WHEEL HUBS
 PRODUCT LINE: 1320 & 1620 9/23/04
 SCALE: 1:3 DWG# 00278
 SHEET 1 OF 1

REF.	QTY.	PART NO.	DESCRIPTION
1	1	10532	BODY
2	2	03007	BUSHING, AXLE
3	4	03012	SEAL, AXLE
4	1	10361	FITTING, 6409-8 PLUG
5	1	10536	TORQUE TUBE, 21"
6	4	05046	NUT, GRIPCO, 1/2-13 NC
7	4	05067	HH CAP SCREW, 1/2-13 NC X 1 G5 ZINC
8	1	03040-10	DECAL, "1320"
9	1	03951	FILTER, HYDRAULIC OIL, WITH BY-PASS
10	1	04212-Z	OIL FILTER MOUNT
11	2	03060	BUSHING, NYLON, IGUS MFI-1012-06
12	1	03020	SEAL
13	1	03061	FELT WASHER, 5/8 X 1 X 1/8
14	1	05096	NUT, NYLOCK, 1/4-20 NC
15	1	01038	ACTUATOR ARM
16	1	01037	ACTUATOR PLATE
17	1	05125	HH CAP SCREW, 1/4-20 NC X 1-1/4 G5 ZINC
18	1	03040-11	DECAL, "BARRETO", 2-3/16 X 7-3/8
19	1	04009-O	RELIEF VALVE, 500 POUND, O-RING
20	1	03041	GASKET, TILLER LID
21	1	03503	SIGHT GAUGE
22	1	01022	LID
23	10	05069	WHIZ LOCK, 1/4-20 UNC X 5/8
24	1	03520	MAGNET
25	4	05056	HH CAP SCREW, 3/8-24 NF X 1 G5 ZINC
26	10	05101	WASHER, 3/8 SAE ZINC
27	4	05072	NUT, NYLOCK, 3/8-24 NF
28	1	04517	VENT HOSE ASSEMBLY
29	1	03040-06	DECAL, "HYDRAULIC OIL ONLY"
30	1	03000	O-RING, 2-234, 3-1/4 OD X 1/8 SECTION
31	1	02004	WHEEL MOTOR SPACER
32	1	03001	O-RING, 2-152, 3-7/16 OD X 3/32 SECTION
33	1	02014	SPROCKET, #50 10 TOOTH
34	2	05021	SET SCREW, 1/4-20 UNC X 5/16, CUP POINT
35	2	04557	FITTING, 6802-8-10
36	1	04003-F	WHEEL DRIVE MOTOR WITH KEY
37	2	05102	WASHER, 1/2 SAE ZINC HARDENED
38	2	05098	NUT, NYLOCK, 1/2-13 NC
39	1	05237	HH CAP SCREW, 1/4-20 NC X 1 G5 ZINC
40	1	05090	NUT, 1/4-20 NC ZINC
41	4	05092	HH CAP SCREW, 3/8-16 NC X 1-1/2 G5 ZINC
42	1	07005	ENGINE, 13 HP HONDA GX390
43	1	01033-B	ENGINE GUARD
44	1	06422	IGNITION WIRE, 78"
45	5	03035	TIE WRAP, 1/8 X 6
46	1	03806	QUICK-SPLICE

- ① NOT USED FOR 1620.
- ② REPLACEMENT KEY IS PART NO. 05013 (1/4 X 1 WOODRUFF KEY).
- ③ FOR 1620, ENGINE IS PART NO. 07000 (16 HP B&S VANGUARD). SEE ALSO DWG. 00281 (FUEL TANK & ENGINE MOUNT, 1620).
- ④ FOR 1620, USE PART NO. 10561 (IGNITION WIRE, 1620).
- ⑤ PART NO. 01021 (HANDLE BAR MOUNT) ALTHOUGH WELDED TO THE BODY, IS AVAILABLE SEPARATELY.



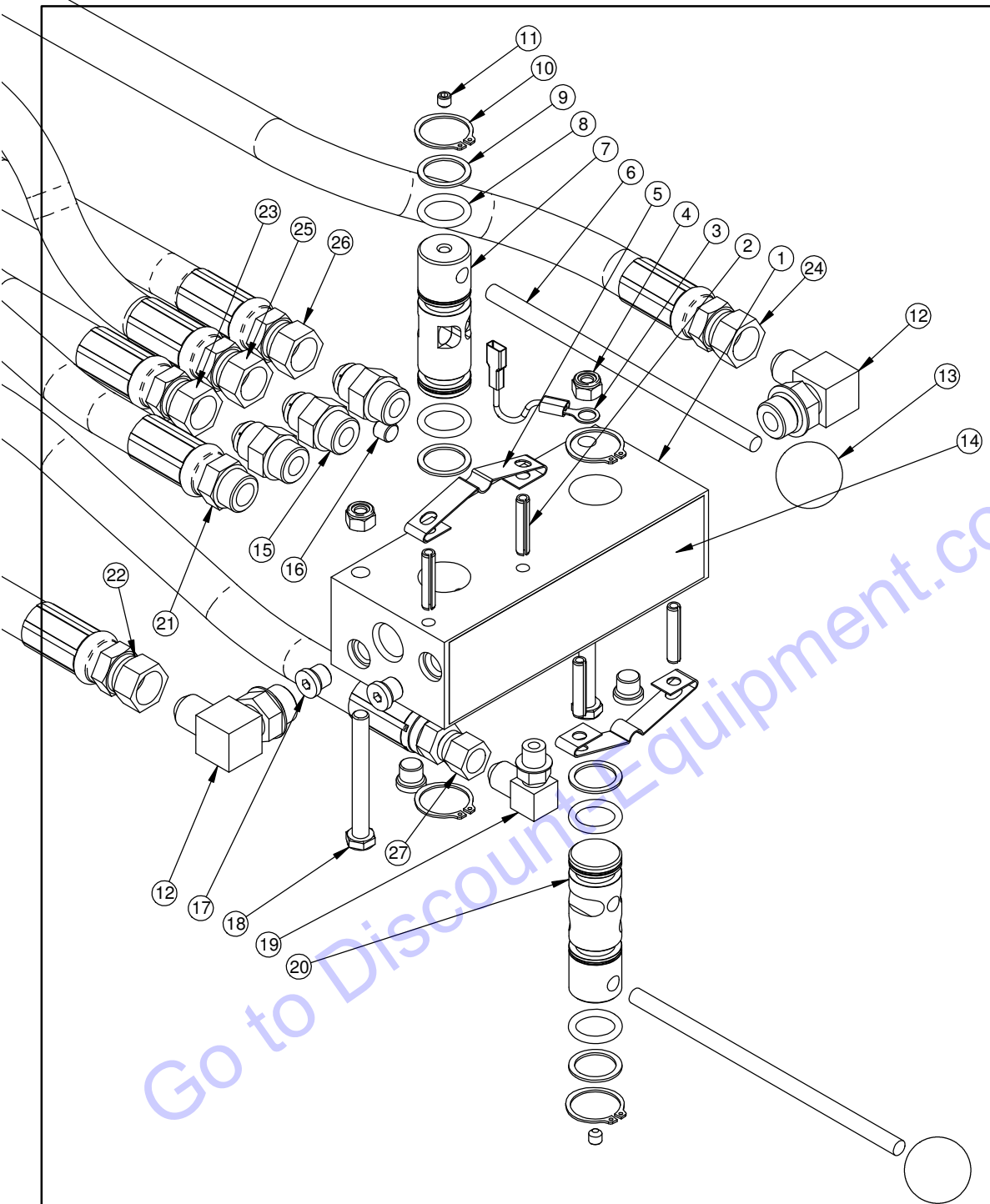
BARRETO

TITLE: BODY

PRODUCT LINE: 1320 & 1620 DATE: 10/8/04

SCALE: 1:7.5
SHEET 1 OF 1

DWG# 00279 R1



REF.	QTY.	PART NO.	DESCRIPTION
1	1	04010	CONTROL VALVE BODY
2	4	05200	ROLL PIN (SLOTTED SPRING), 1/4 X 1-1/4 ZINC
3	1	06421	GROUND WIRE, IGNITION SWITCH
4	2	05273	NUT, NYLOCK, 5/16-18 NC
5	2	03027	DETENT SPRING
6	2	02017	HANDLE, 5/16 X 7
7	1	04015-D	VALVE SPOOL, TINES
8	4	03002	O-RING, 2-210, 1" OD X 1/8 SECTION
9	4	03025	BACK-UP RING, 1" TEFLON
10	4	05010	SNAP RING, 1" EXTERNAL
11	2	05020	SET SCREW, 1/4-20 NC X 1/4
12	2	04554	FITTING, 6801-8-8
13	2	03026	KNOB, 5/16-NC
14	1	03040	DECAL, CONTROL VALVE
15	3	04520	FITTING, 6400-8-8
16	1	05023	PIPE PLUG, 1/8"
17	4	03300	FITTING, 6409-4 PLUG
18	2	05065	HH CAP SCREW, 5/16-18 NC X 2-3/4 G5 ZINC
19	1	04526-01	FITTING, 6801-6-4
20	1	04015-C	VALVE SPOOL, WHEEL DRIVE
21	1	04308	HOSE, CONTROL VALVE TO ACTUATOR TEE FITTING
22	1	04309	HOSE, CONTROL VALVE TO TINE MOTOR LOWER PORT
23	1	04310	HOSE, CONTROL VALVE TO TINE MOTOR UPPER PORT
24	1	04311	HOSE, CONTROL VALVE TO WHEEL MOTOR LOWER PORT
25	1	04312	HOSE, CONTROL VALVE TO WHEEL MOTOR UPPER PORT
26	1	04313	HOSE, CONTROL VALVE TO OIL FILTER MOUNT
27	1	04314	HOSE, CONTROL VALVE TO WHEEL RELIEF VALVE

BARRETO

TITLE: CONTROL VALVE

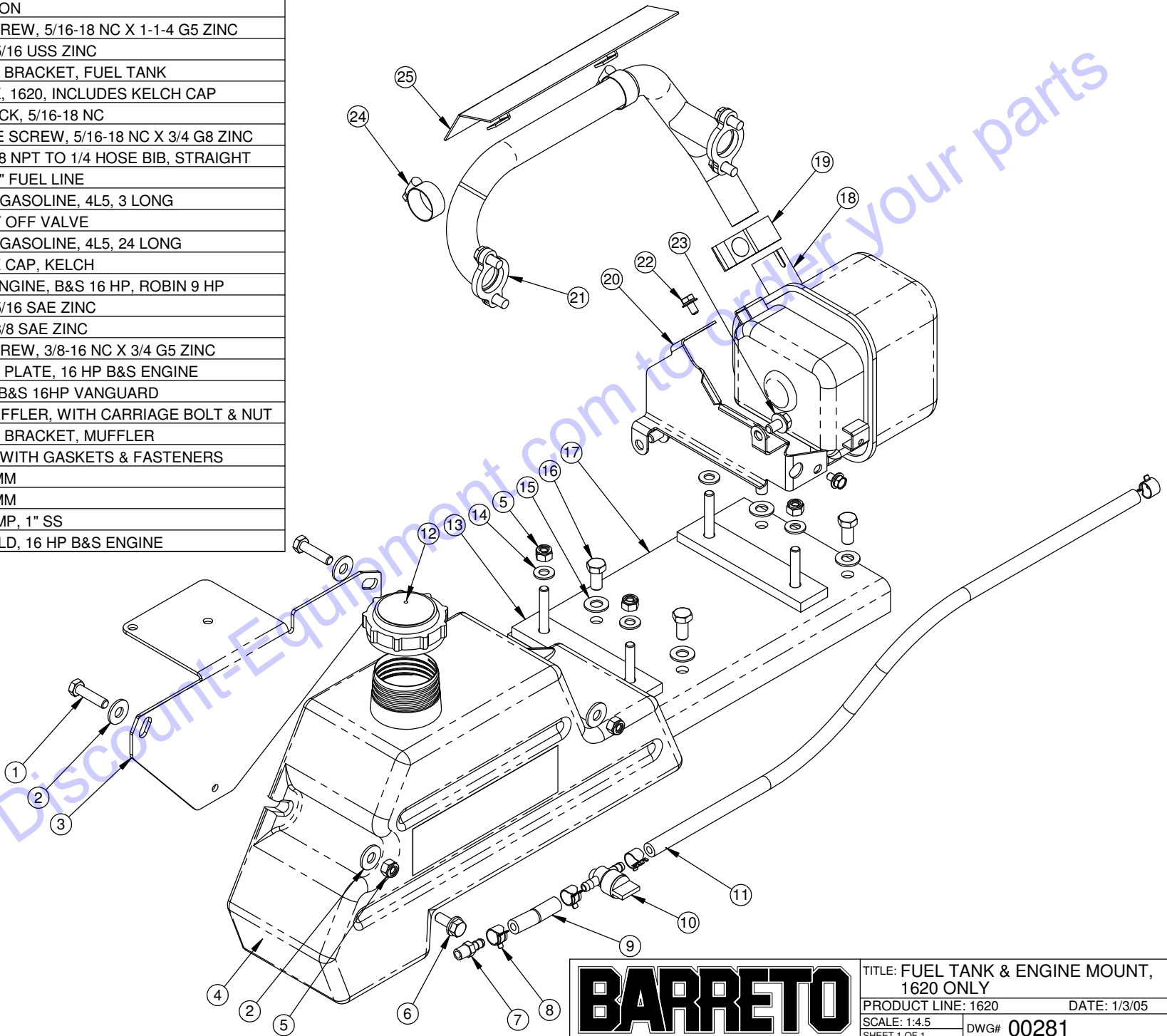
PRODUCT LINE: 1320 & 1620

DATE: 9/29/04

SCALE: 1:3
SHEET 1 OF 1

DWG# 00280

REF.	QTY.	PART NO.	DESCRIPTION
1	2	05297	HH CAP SCREW, 5/16-18 NC X 1-1/4 G5 ZINC
2	4	10615	WASHER, 5/16 USS ZINC
3	1	10556	MOUNTING BRACKET, FUEL TANK
4	1	10559	FUEL TANK, 1620, INCLUDES KELCH CAP
5	6	05273	NUT, NYLOCK, 5/16-18 NC
6	1	05131	HH FLANGE SCREW, 5/16-18 NC X 3/4 G8 ZINC
7	1	03062-04	FITTING, 1/8 NPT TO 1/4 HOSE BIB, STRAIGHT
8	4	03062-06	CLAMP, 1/4" FUEL LINE
9	1	04295	HOSE, 1/4" GASOLINE, 4L5, 3 LONG
10	1	03062-00	FUEL SHUT OFF VALVE
11	1	04295	HOSE, 1/4" GASOLINE, 4L5, 24 LONG
12	1	03062-12	FUEL TANK CAP, KELCH
13	2	01014	SPACER, ENGINE, B&S 16 HP, ROBIN 9 HP
14	4	05068	WASHER, 5/16 SAE ZINC
15	4	05101	WASHER, 3/8 SAE ZINC
16	4	05057	HH CAP SCREW, 3/8-16 NC X 3/4 G5 ZINC
17	1	01013	MOUNTING PLATE, 16 HP B&S ENGINE
18	1	07000-01	MUFFLER, B&S 16HP VANGUARD
19	1	07000-02	CLAMP, MUFFLER, WITH CARRIAGE BOLT & NUT
20	1	07000-03	MOUNTING BRACKET, MUFFLER
21	1	07000-04	MANIFOLD WITH GASKETS & FASTENERS
22	2	03070	SCREW, 6MM
23	2	03071	SCREW, 8MM
24	2	05041	HOSE CLAMP, 1" SS
25	1	01040	HEAT SHIELD, 16 HP B&S ENGINE

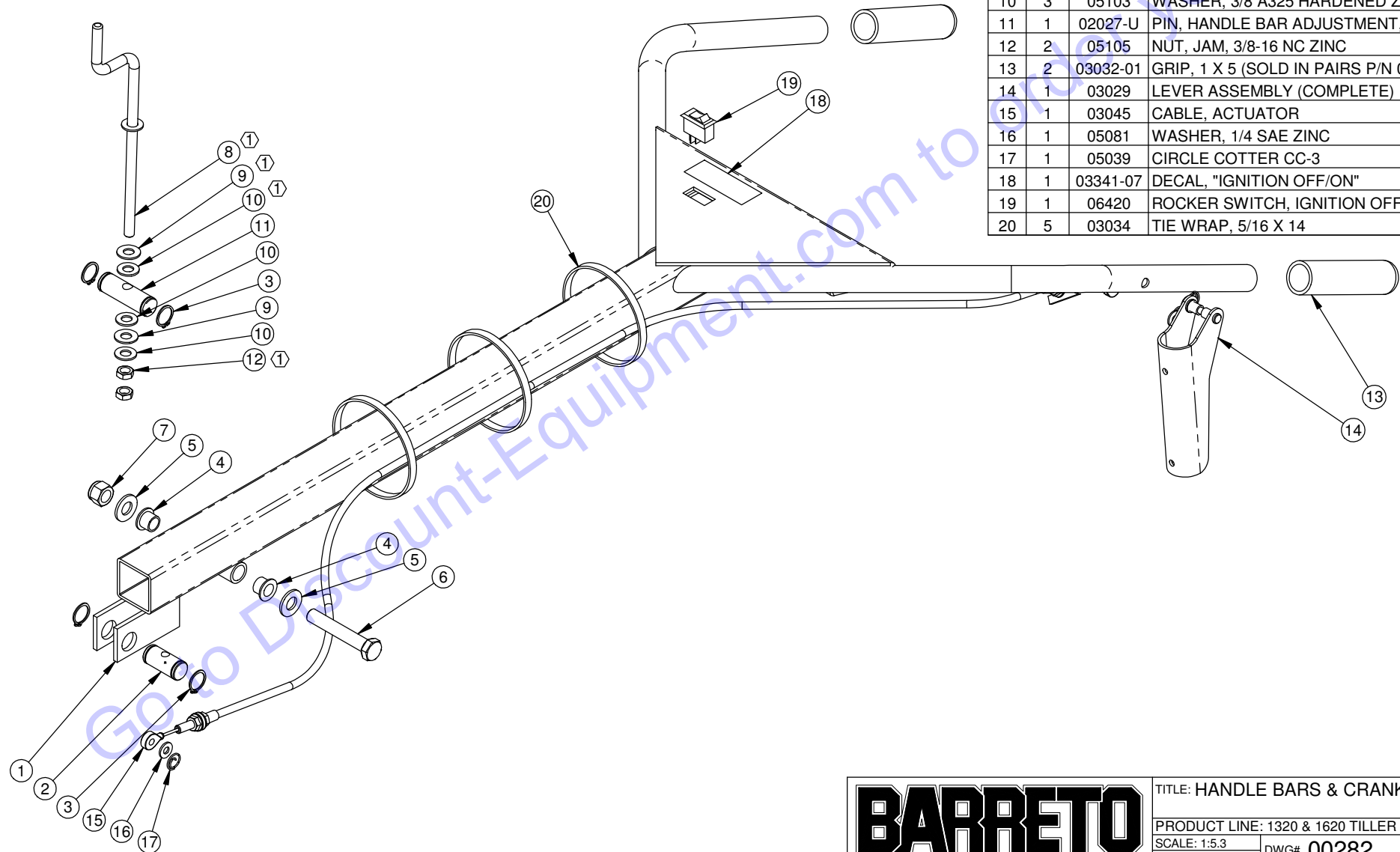


BARRETO

TITLE: FUEL TANK & ENGINE MOUNT, 1620 ONLY
 PRODUCT LINE: 1620 DATE: 1/3/05
 SCALE: 1:4.5 DWG# 00281
 SHEET 1 OF 1

① INDICATED ITEMS MAY BE ORDERED AS A KIT.
PART NO. 01030-KIT (KIT, HANDLE BAR ADJUSTMENT).

REF.	QTY.	PART NO.	DESCRIPTION
1	1	01017	HANDLE BARS
2	1	02027-L	HANDLE BAR ADJUSTER PIN, LOWER
3	4	05216	SNAP RING, 3/4 EXTERNAL
4	2	03501	BUSHING, NYLON, IGUS MFI-0810-08
5	2	05102	WASHER, 1/2 SAE ZINC HARDENED
6	1	05093	HH CAP SCREW, 1/2-13 NC X 3 G5 ZINC
7	1	05098	NUT, NYLOCK, 1/2-13 NC
8	1	01030	CRANK, HANDLE BAR ADJUSTMENT
9	2	05058	WASHER, 3/8 NYLON
10	3	05103	WASHER, 3/8 A325 HARDENED ZINC
11	1	02027-U	PIN, HANDLE BAR ADJUSTMENT, UPPER
12	2	05105	NUT, JAM, 3/8-16 NC ZINC
13	2	03032-01	GRIP, 1 X 5 (SOLD IN PAIRS P/N 03032)
14	1	03029	LEVER ASSEMBLY (COMPLETE)
15	1	03045	CABLE, ACTUATOR
16	1	05081	WASHER, 1/4 SAE ZINC
17	1	05039	CIRCLE COTTER CC-3
18	1	03341-07	DECAL, "IGNITION OFF/ON"
19	1	06420	ROCKER SWITCH, IGNITION OFF/ON
20	5	03034	TIE WRAP, 5/16 X 14



BARRETO

TITLE: HANDLE BARS & CRANK

PRODUCT LINE: 1320 & 1620 TILLER 10/8/04

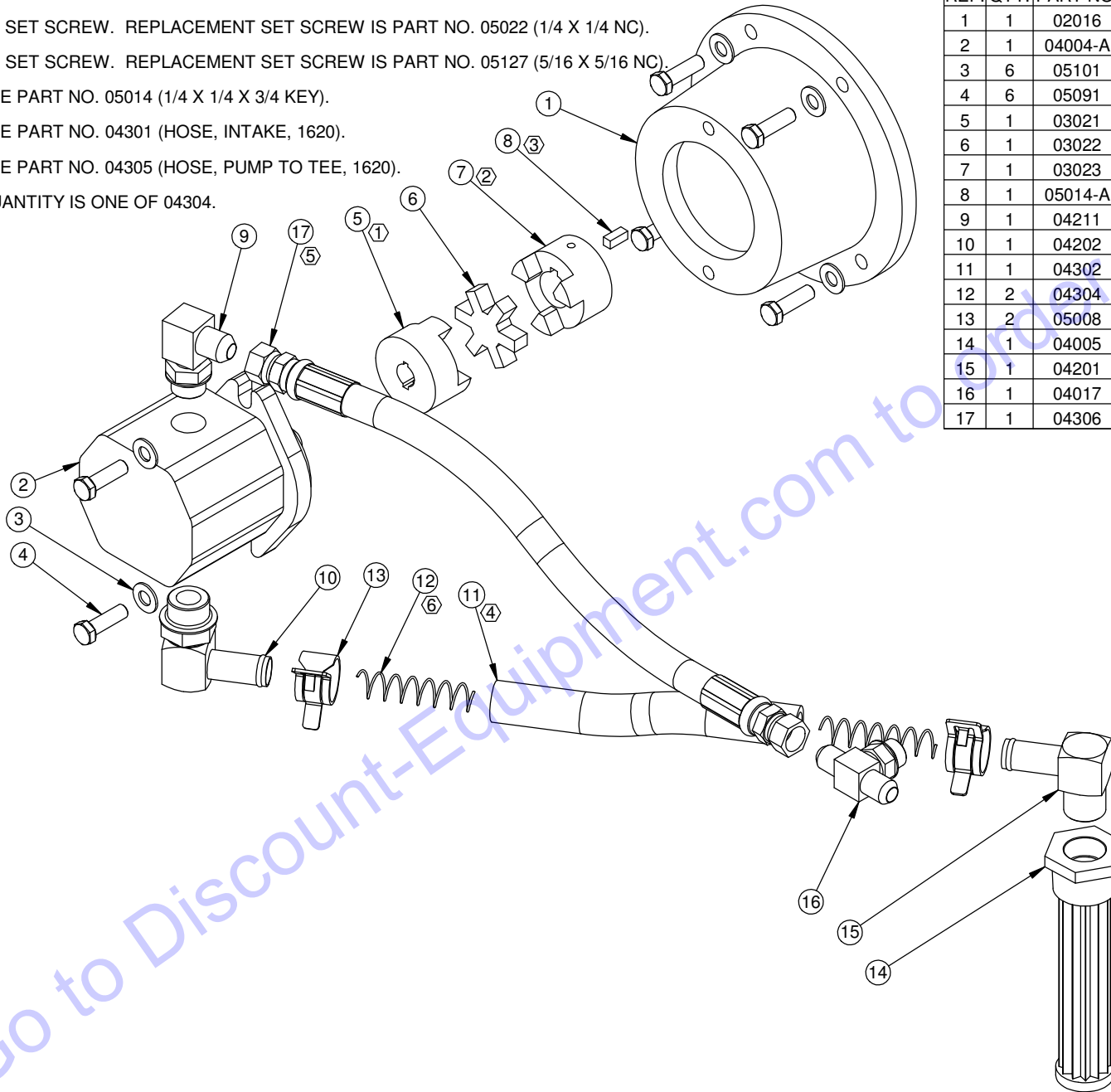
SCALE: 1:5.3

DWG# 00282

SHEET 1 OF 1

NOTES:

- ① COMES WITH SET SCREW. REPLACEMENT SET SCREW IS PART NO. 05022 (1/4 X 1/4 NC).
- ② COMES WITH SET SCREW. REPLACEMENT SET SCREW IS PART NO. 05127 (5/16 X 5/16 NC).
- ③ FOR 1620, USE PART NO. 05014 (1/4 X 1/4 X 3/4 KEY).
- ④ FOR 1620, USE PART NO. 04301 (HOSE, INTAKE, 1620).
- ⑤ FOR 1620, USE PART NO. 04305 (HOSE, PUMP TO TEE, 1620).
- ⑥ FOR 1620, QUANTITY IS ONE OF 04304.

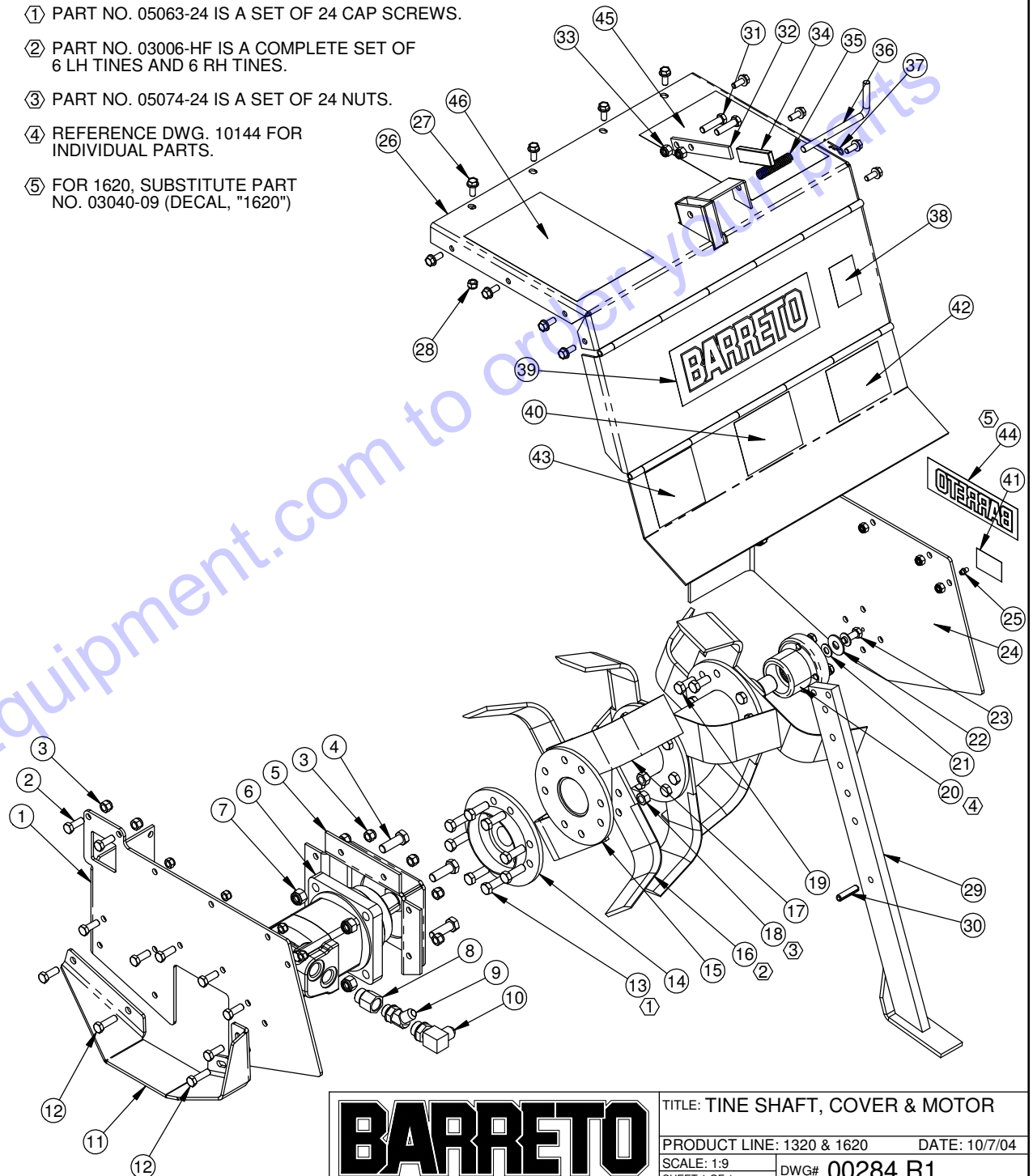


REF.	QTY.	PART NO.	DESCRIPTION
1	1	02016	PUMP ADAPTER
2	1	04004-A	PUMP, HYDRAULIC
3	6	05101	WASHER, 3/8 SAE ZINC
4	6	05091	HH CAP SCREW, 3/8-16 NC X 1-1/4 G5 ZINC
5	1	03021	JAW COUPLER, PUMP, 5/8" BORE
6	1	03022	SPIDER, RUBBER
7	1	03023	JAW COUPLER, 1" BORE
8	1	05014-A	KEY, 1/4 X 1/4 X 5/8
9	1	04211	FITTING, 6801-8-10
10	1	04202	FITTING, 4601-12-12
11	1	04302	HOSE, INTAKE, 1320
12	2	04304	INTERNAL WIRE COIL
13	2	05008	CLAMP, 1" HOSE, CTB-29
14	1	04005	SUMP SCREEN
15	1	04201	FITTING, 4501-12-12
16	1	04017	FITTING, 6803-8-8-8
17	1	04306	HOSE, PUMP TO TEE, 1320

Go to Discount-Equipment.com to order parts

REF.	QTY.	PART NO.	DESCRIPTION
1	1	10539	LH SIDE PLATE, TINE SECTION
2	12	05056	HH CAP SCREW, 3/8-24 NF X 1 G5 ZINC
3	14	05072	NUT, NYLOCK, 3/8-24 NF
4	4	05300-01	HH CAP SCREW, 1/2-13 NC X 1-1/2 G5 ZINC
5	1	01009	TINE MOTOR MOUNTING BRACKET
6	1	04000T-F	TINE MOTOR, 6.2 CU IN WITH KEY & NUT
7	4	05098	NUT, NYLOCK, 1/2-13 NC
8	1	04209	FITTING, 6410-10-8
9	1	04210	FITTING, 6802-8-8
10	1	04211	FITTING, 6801-8-10
11	1	01024	TINE MOTOR GUARD
12	2	05292	HH CAP SCREW, 3/8-24 NF X 1-1/4 G5 ZINC
13	8	05063	HH CAP SCREW, 7/16-20 NF X 1-1/4 G8 ZINC
14	1	01010-SGT	TINE MOTOR HUB, TAPERED BORE
15	1	01011	TINE SHAFT
16	6	03006-L	LH TINE, HARDFACED
17	6	03006-R	RH TINE, HARDFACED
18	24	05074	NUT, 7/16-20 NF G8 ZINC
19	16	05061	HH CAP SCREW, 7/16-20 NF X 1 G8 ZINC
20	1	10144	OUTBOARD BEARING ASSEMBLY
21	2	05103	WASHER, 3/8 A325 HARDENED ZINC
22	1	05083	WASHER, 7/16 USS ZINC
23	1	05059	HH CAP SCREW, 3/8-16 NC X 1 G5 ZINC
24	1	10538	RH SIDE PLATE, TINE SECTION
25	1	05044	GREASE ZERK, 1/4-28 UNF
26	1	01008	TINE COVER, 1320/1620
27	12	05140	WHIZ LOCK, 5/16 X 3/4
28	12	05273	NUT, NYLOCK, 5/16-18 NC
29	1	01012	DEPTH BAR
30	1	05006	ROLL PIN (SLOTTED SPRING), 3/8 X 1-1/2 ZINC
31	2	05092	HH CAP SCREW, 3/8-16 NC X 1-1/2 G5 ZINC
32	1	01099	HANDLE, DEPTH BAR
33	2	05073	NUT, NYLOCK, 3/8-16 NC
34	1	03018	GRIP
35	1	03080	SPRING
36	1	01018	PIN, DEPTH BAR
37	1	03065	HAIR SPRING COTTER #4
38	1	03040-01	DECAL, "MADE IN USA"
39	1	03040-02	DECAL, "BARRETO", 3-1/2 X 11-1/4
40	1	03040-03	DECAL, "CAUTION" (BLACK & WHITE)
41	1	03040-04	DECAL, "GREASE DAILY"
42	1	03040-07	DECAL, "CAUTION" (YELLOW)
43	1	03040-08	DECAL, "WARNING" (YELLOW)
44	1	03040-11	DECAL, "BARRETO", 2-3/16 X 7-3/8
45	1	03341-22	DECAL, "TILLER OPERATING INSTRUCTIONS"
46	1	03341-23	DECAL, "TILLER SAFETY INSTRUCTIONS"

- ① PART NO. 05063-24 IS A SET OF 24 CAP SCREWS.
- ② PART NO. 03006-HF IS A COMPLETE SET OF 6 LH TINES AND 6 RH TINES.
- ③ PART NO. 05074-24 IS A SET OF 24 NUTS.
- ④ REFERENCE DWG. 10144 FOR INDIVIDUAL PARTS.
- ⑤ FOR 1620, SUBSTITUTE PART NO. 03040-09 (DECAL, "1620")



BARRETO

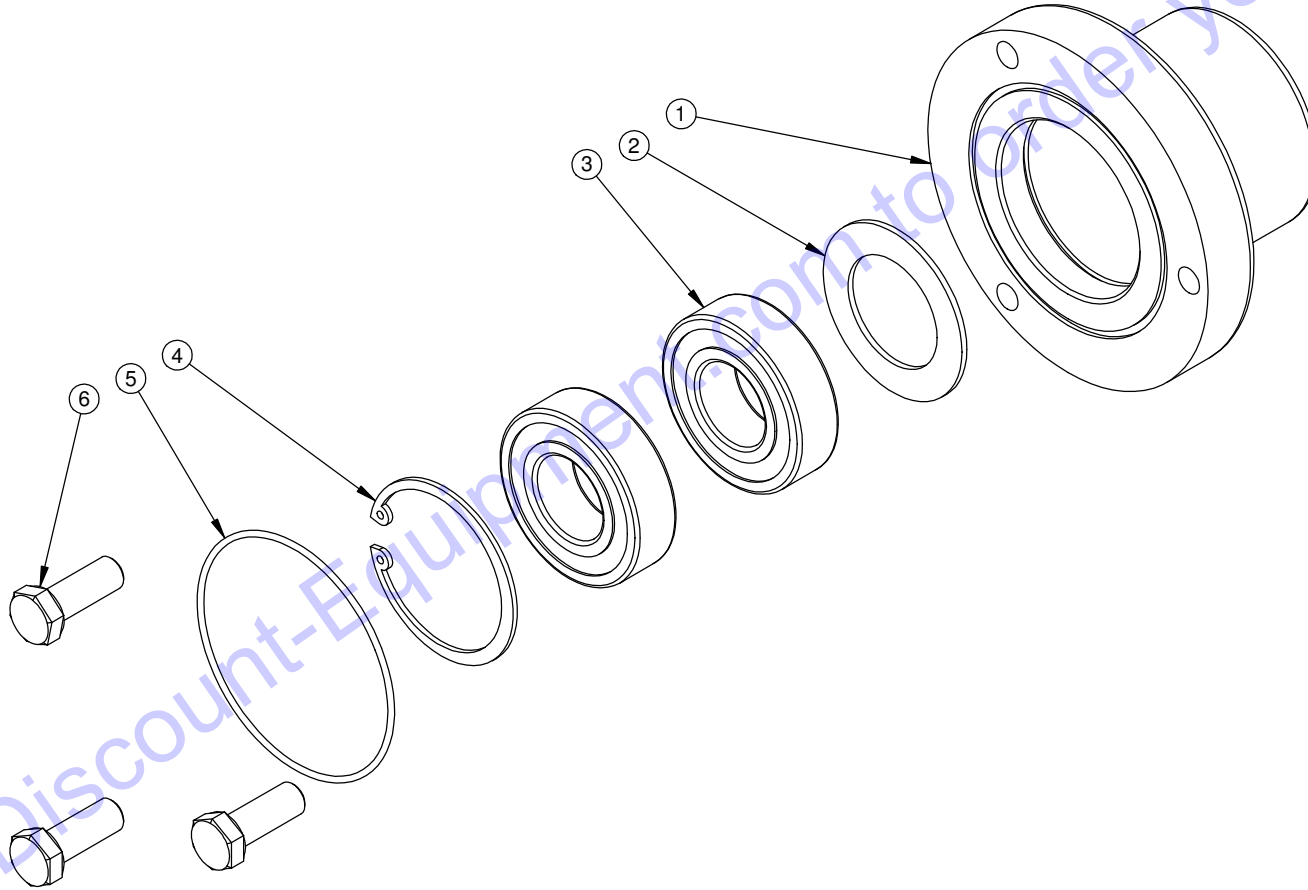
TITLE: TINE SHAFT, COVER & MOTOR

PRODUCT LINE: 1320 & 1620 DATE: 10/7/04

SCALE: 1:9
SHEET 1 OF 1

DWG# 00284 R1

REF.	QTY.	PART NO.	DESCRIPTION
1	1	01027+	OUTBOARD BEARING HOUSING, 3 BOLT
2	1	01026	SHIELD, OUTBOARD BEARING
3	2	03043	BALL BEARING, 6205
4	1	05024	SNAP RING, HO-200, 2" INTERNAL
5	1	03233	O-RING, 2-039, 2-7/8 OD X 1/16 SECTION
6	3	05059	HH CAP SCREW, 3/8-16 NC X 1 G5 ZINC

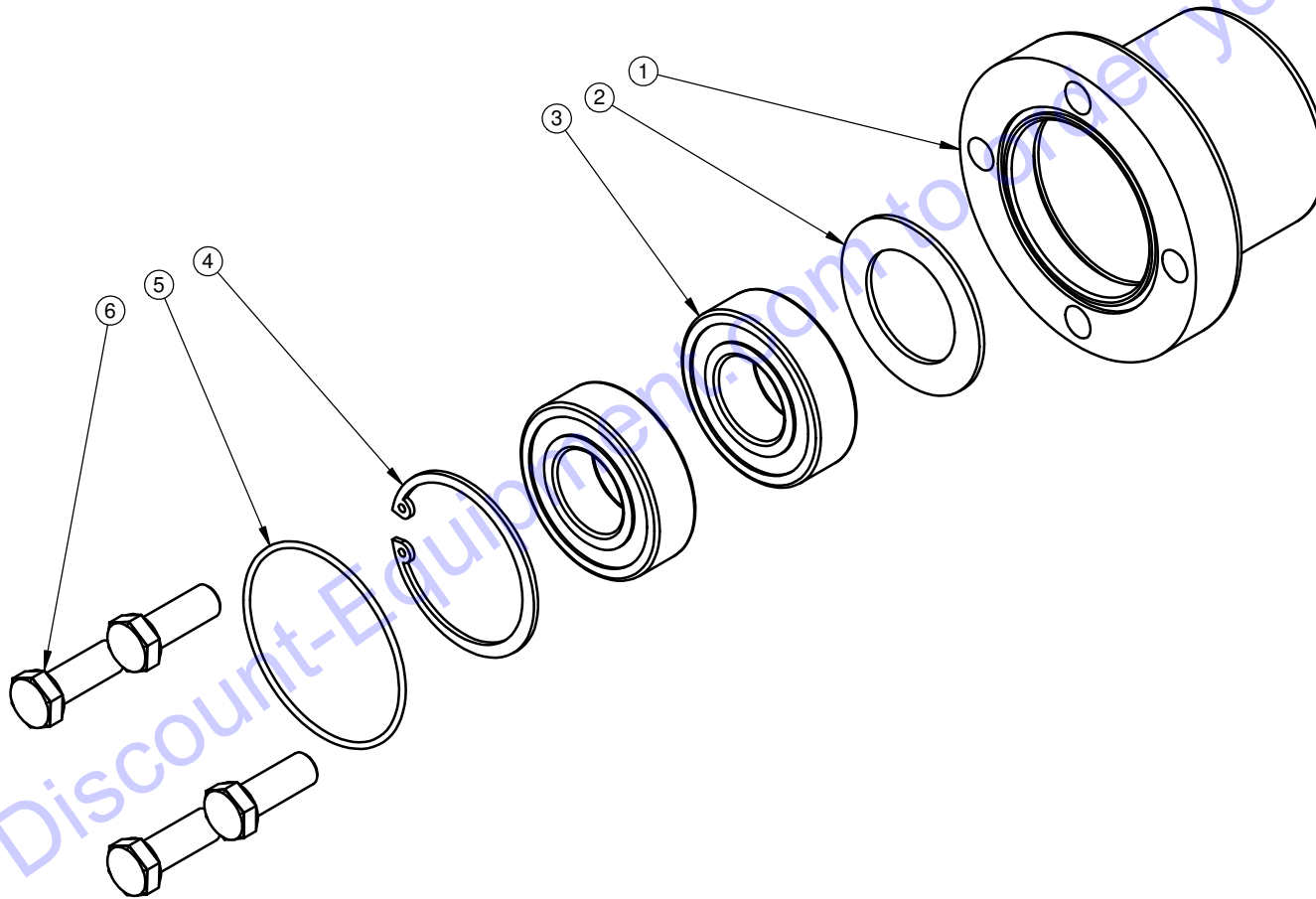


Go to Discount-Equipment.com to order your parts

BARRETO

TITLE: OUTBOARD BEARING ASSEMBLY, 3 BOLT	
PRODUCT LINE: COMMON	DATE: 3/2/04
SCALE: 1:2	DWG# 01028+
SHEET 1 OF 1	

REF	QTY.	PART NO.	DESCRIPTION
1	1	10142	OUTBOARD BEARING HOUSING, 4 BOLT
2	1	01026	SHIELD, OUTBOARD BEARING
3	2	03043	BALL BEARING, 6205
4	1	05024	SNAP RING, HO-200, 2" INTERNAL
5	1	03904	O-RING, 2-035, 2-3/8 OD X 1/16 SECTION
6	4	05059	HH CAP SCREW, 3/8-16 NC X 1 G5 ZINC

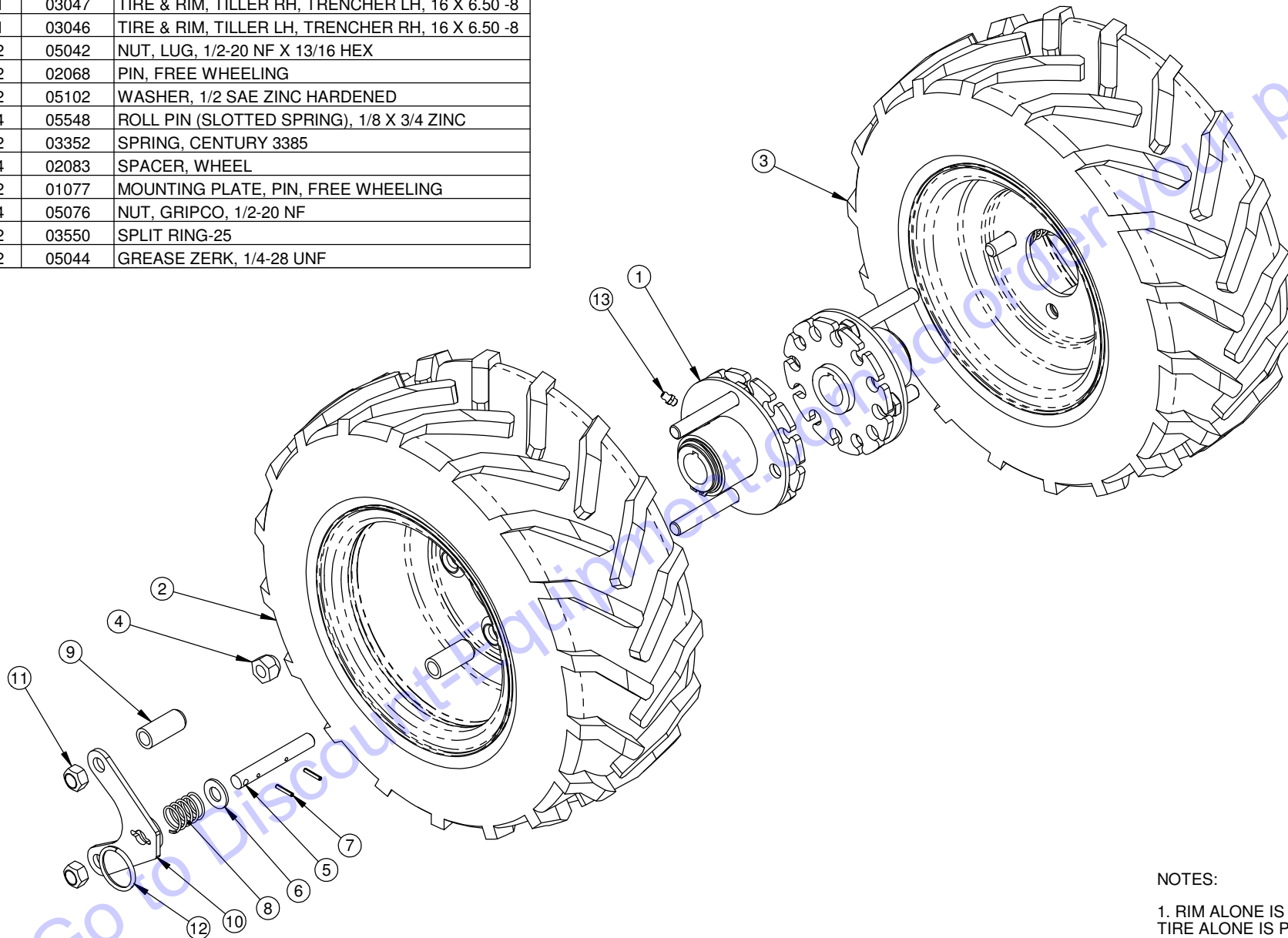


Go to Discount-Equipment.com to order your parts

BARRETO

TITLE: OUTBOARD BEARING ASSEMBLY, 4 BOLT	
PRODUCT LINE: COMMON	DATE: 3/2/04
SCALE: 1:2	DWG# 10144
SHEET 1 OF 1	

REF.	QTY.	PART NO.	DESCRIPTION
1	2	02269-HUB	WHEEL HUB ASSY, 1-1/8" BORE
2	1	03047	TIRE & RIM, TILLER RH, TRENCHER LH, 16 X 6.50 -8
3	1	03046	TIRE & RIM, TILLER LH, TRENCHER RH, 16 X 6.50 -8
4	2	05042	NUT, LUG, 1/2-20 NF X 13/16 HEX
5	2	02068	PIN, FREE WHEELING
6	2	05102	WASHER, 1/2 SAE ZINC HARDENED
7	4	05548	ROLL PIN (SLOTTED SPRING), 1/8 X 3/4 ZINC
8	2	03352	SPRING, CENTURY 3385
9	4	02083	SPACER, WHEEL
10	2	01077	MOUNTING PLATE, PIN, FREE WHEELING
11	4	05076	NUT, GRIPCO, 1/2-20 NF
12	2	03550	SPLIT RING-25
13	2	05044	GREASE ZERK, 1/4-28 UNF



NOTES:

1. RIM ALONE IS PART NO. 03049
TIRE ALONE IS PART NO. 03048

BARRETO

TITLE: FREE WHEEL HUBS & WHEELS

PRODUCT LINE: 1320 & 1620 DATE: 9/2/04

SCALE: 1:5
SHEET 1 OF 1

DWG# 10388

PARTS FINDER

**Search Website
by Part Number**



**Search Manual
Library For Parts
Manual & Lookup Part
Numbers – Purchase
or Request Quote**

Search Manuals

Enter your information to help us find the right parts manual for your machine.

* Brand:

* Model:

* Serial:

* Part Number:

SEARCH

**Can't Find Part or
Manual? Request Help
by Manufacturer,
Model & Description**

Parts Order Form

Please fill in the following information to help us find the right part for your machine.

Manufacturer:	<input type="text"/>
Model:	<input type="text"/>
Description:	<input type="text"/>
Part Number:	<input type="text"/>
Quantity:	<input type="text"/>
Notes:	<input type="text"/>

Submit

Discount-Equipment.com is your online resource for quality parts & equipment.

Florida: **561-964-4949** Outside Florida TOLL FREE: **877-690-3101**

Need parts?

Click on this link: <http://www.discount-equipment.com/category/5443-parts/> and choose one of the options to help get the right parts and equipment you are looking for. Please have the machine model and serial number available in order to help us get you the correct parts. If you don't find the part on the website or on one of the online manuals, please fill out the request form and one of our experienced staff members will get back to you with a quote for the right part that your machine needs.

We sell worldwide for the brands: Genie, Terex, JLG, MultiQuip, Mikasa, Essick, Whiteman, Mayco, Toro Stone, Diamond Products, Generac Magnum, Airman, Haulotte, Barreto, Power Blanket, Nifty Lift, Atlas Copco, Chicago Pneumatic, Allmand, Miller Curber, Skyjack, Lull, Skytrak, Tsurumi, Husquvarna Target, Stow, Wacker, Sakai, Mi-T-M, Sullair, Basic, Dynapac, MBW, Weber, Bartell, Bennar Newman, Haulotte, Ditch Runner, Menegotti, Morrison, Contec, Buddy, Crown, Edco, Wyco, Bomag, Laymor, EZ Trench, Bil-Jax, F.S. Curtis, Gehl Pavers, Heli, Honda, ICS/PowerGrit, IHI, Partner, Imer, Clipper, MMD, Koshin, Rice, CH&E, General Equipment, Amida, Coleman, NAC, Gradall, Square Shooter, Kent, Stanley, Tamco, Toku, Hatz, Kohler, Robin, Wisconsin, Northrock, Oztec, Toker TK, Rol-Air, APT, Wylie, Ingersoll Rand / Doosan, Innovatech, Con X, Ammann, Mecalac, Makinex, Smith Surface Prep, Small Line, Wanco, Yanmar