



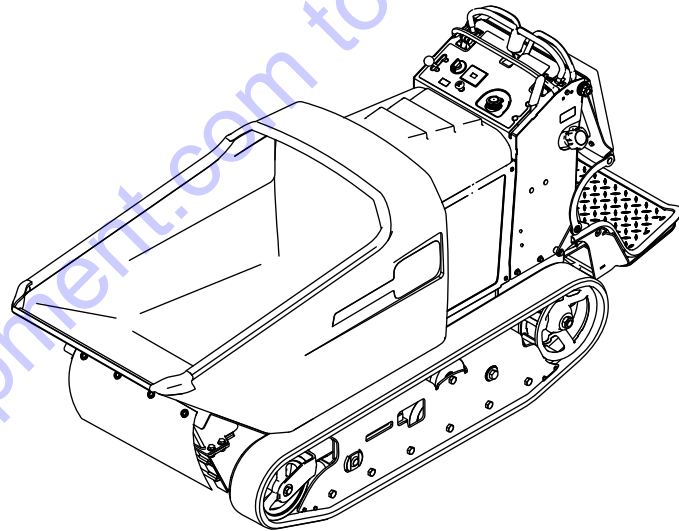
Count on it.

Operator's Manual

MB TX 2500 Tracked Mud Buggy

Model No. 68138—Serial No. 40000000 and Up

Model No. 68138G—Serial No. 40000000 and Up



Go to Discount-Equipment.com to order your parts



www.discount-equipment.com



PARTS FINDER

**Search Website
by Part Number**



**Search Manual
Library For Parts
Manual & Lookup Part
Numbers – Purchase
or Request Quote**

Search Manuals

Enter your information to help us find the right parts manual for your machine.

* Brand:

* Model:

* Serial:

* Part Number:

SEARCH

**Can't Find Part or
Manual? Request Help
by Manufacturer,
Model & Description**

Parts Order Form

Please fill in the following information to help us find the right part for your machine.

Manufacturer:	<input type="text"/>
Model:	<input type="text"/>
Description:	<input type="text"/>
Part Number:	<input type="text"/>
Quantity:	<input type="text"/>
Notes:	<input type="text"/>

Submit

Discount-Equipment.com is your online resource for quality parts & equipment.

Florida: **561-964-4949** Outside Florida TOLL FREE: **877-690-3101**

Need parts?

Click on this link: <http://www.discount-equipment.com/category/5443-parts/> and choose one of the options to help get the right parts and equipment you are looking for. Please have the machine model and serial number available in order to help us get you the correct parts. If you don't find the part on the website or on one of the online manuals, please fill out the request form and one of our experienced staff members will get back to you with a quote for the right part that your machine needs.

We sell worldwide for the brands: Genie, Terex, JLG, MultiQuip, Mikasa, Essick, Whiteman, Mayco, Toro Stone, Diamond Products, Generac Magnum, Airman, Haulotte, Barreto, Power Blanket, Nifty Lift, Atlas Copco, Chicago Pneumatic, Allmand, Miller Curber, Skyjack, Lull, Skytrak, Tsurumi, Husquvarna Target, Stow, Wacker, Sakai, Mi-T-M, Sullair, Basic, Dynapac, MBW, Weber, Bartell, Bennar Newman, Haulotte, Ditch Runner, Menegotti, Morrison, Contec, Buddy, Crown, Edco, Wyco, Bomag, Laymor, EZ Trench, Bil-Jax, F.S. Curtis, Gehl Pavers, Heli, Honda, ICS/PowerGrit, IHI, Partner, Imer, Clipper, MMD, Koshin, Rice, CH&E, General Equipment, Amida, Coleman, NAC, Gradall, Square Shooter, Kent, Stanley, Tamco, Toku, Hatz, Kohler, Robin, Wisconsin, Northrock, Oztec, Toker TK, Rol-Air, APT, Wylie, Ingersoll Rand / Doosan, Innovatech, Con X, Ammann, Mecalac, Makinex, Smith Surface Prep, Small Line, Wanco, Yanmar

⚠ WARNING

CALIFORNIA Proposition 65 Warning

This product contains a chemical or chemicals known to the State of California to cause cancer, birth defects, or reproductive harm.

The engine exhaust from this product contains chemicals known to the State of California to cause cancer, birth defects, or other reproductive harm.

Because in some areas there are local, state, or federal regulations requiring that a spark arrester be used on the engine of this machine, a spark arrester is available as an option. If you require a spark arrester, contact your Authorized Toro Service Dealer.

Genuine Toro spark arresters are approved by the USDA Forestry Service.

It is a violation of California Public Resource Code Section 4442 or 4443 to use or operate the engine on any forest-covered, brush-covered, or grass-covered land unless the engine is equipped with a spark arrester, as defined in Section 4442, maintained in effective working order or the engine is constructed, equipped, and maintained for the prevention of fire.

This spark ignition system complies with Canadian ICES-002

The enclosed engine owner's manual is supplied for information regarding the US Environmental Protection Agency (EPA) and the California Emission Control Regulation of emission systems, maintenance, and warranty. Replacements may be ordered through the engine manufacturer.

Introduction

This machine is intended to be used by professional, hired operators in commercial applications. This machine is a stable, reliable, and productive machine for carrying and moving materials for any job site. It is primarily designed to move concrete, mortar, gravel, dirt, or debris around job sites.

Read this information carefully to learn how to operate and maintain your product properly and to avoid injury and product damage. You are responsible for operating the product properly and safely.

You may contact Toro directly at www.Toro.com for product safety and operation training materials,

accessory information, help finding a dealer, or to register your product.

Whenever you need service, genuine Toro parts, or additional information, contact an Authorized Service Dealer or Toro Customer Service and have the model and serial numbers of your product ready. [Figure 1](#) identifies the location of the model and serial numbers on the product. Write the numbers in the space provided.

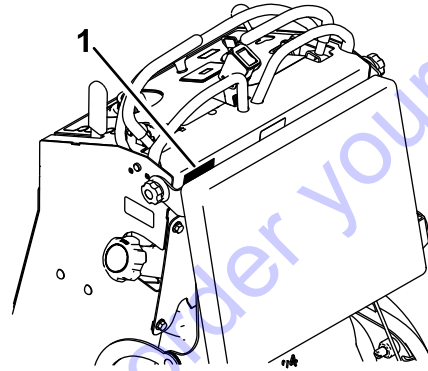


Figure 1

1. Model and serial number location

Model No. _____
Serial No. _____

This manual identifies potential hazards and has safety messages identified by the safety-alert symbol ([Figure 2](#)), which signals a hazard that may cause serious injury or death if you do not follow the recommended precautions.



Figure 2

1. Safety-alert symbol

This manual uses 2 words to highlight information. **Important** calls attention to special mechanical information and **Note** emphasizes general information worthy of special attention.

Contents

Safety	4
Safe Operating Practices.....	4
Safety and Instructional Decals	7
Product Overview	10
Controls	10
Specifications	10
Operation	11
Think Safety First.....	11
Adding Fuel	11
Performing Daily Maintenance.....	13
Operating the Parking Brake.....	13
Operating the Throttle.....	13
Operating the Choke.....	14
Starting the Engine	14
Shutting Off the Engine.....	15
Operating the Hopper	15
Removing Debris from the Machine	15
Lowering the Hopper without Power.....	15
Transporting the Machine	16
Lifting the Machine	16
Maintenance	17
Recommended Maintenance Schedule(s)	17
Pre-Maintenance Procedures	18
Releasing the Cushion for Rear Access	18
Using the Cylinder Lock	18
Lubrication	19
Greasing the Machine.....	19
Engine Maintenance	19
Servicing the Air Cleaner	19
Checking the Engine-Oil Level.....	20
Changing the Engine Oil and Filter.....	21
Servicing the Spark Plugs.....	22
Cleaning the Blower Housing.....	23
Fuel System Maintenance	23
Replacing the Fuel Filter	23
Draining the Fuel Tank	24
Removing the Fuel Tank	24
Electrical System Maintenance	25
Servicing the Battery.....	25
Servicing the Fuses	26
Drive System Maintenance	27
Servicing the Tracks	27
Servicing the Drive Belt.....	28
Controls System Maintenance	30
Adjusting the Motion-Control Levers	30
Brake Maintenance.....	30
Hydraulic System Maintenance	31
Servicing the Hydraulic Drive System	31
Servicing the Hydraulic Lift System	34
Checking the Hydraulic Lines	36
Cleaning	36
Removing Debris from the Machine	36
Storage	37

Safety

Improper use or maintenance of the machine can result in injury. To reduce the potential for injury, comply with these safety instructions and always pay attention to the safety-alert symbol **A**, which means *Caution, Warning, or Danger*—personal safety instruction. Failure to comply with the instruction may result in personal injury or death.

Safe Operating Practices

A WARNING

Engine exhaust contains carbon monoxide, an odorless, deadly poison that can kill you.

Do not run the engine indoors or in an enclosed area.

Training

- Read the *Operator's Manual* and other training material. If the operator(s) or mechanic(s) cannot read English, it is the owner's responsibility to explain this material to them.
- Become familiar with the safe operation of the equipment, operator controls, and safety signs.
- All operators and mechanics should be trained. The owner is responsible for training the users.
- Never let children or untrained people operate or service the equipment. Local regulations may restrict the age of the operator.
- The owner/user can prevent and is responsible for accidents or injuries occurring to himself or herself, other people or property.

Preparation

- Wear appropriate clothing including hard hat, eye protection, long pants, substantial, slip-resistant footwear, and hearing protection. Tie back long hair. Do not wear jewelry.
- Inspect the area where the equipment is to be used and ensure that all objects are removed from the machine before use.
- Know and mark the locations of all utility lines.
- Use extra care when handling fuels. They are flammable and vapors are explosive.
 - Use only an approved container.
 - Never remove the fuel cap or add fuel while the engine is running. Allow the engine to cool before refueling. Do not smoke.

- Never fuel or drain the machine indoors.
- Never store the machine or fuel container inside where there is an open flame, such as near a water heater or furnace.
- Never fill a container while it is inside a vehicle, trunk, pick-up bed, or any surface other than the ground.
- Keep container nozzle in contact with the tank during filling.
- Check that the operator's presence controls, safety switches, and shields are attached and functioning properly. Do not operate unless they are functioning properly.

Operation

- Never run an engine in an enclosed area.
- Only operate in good light, keeping away from holes and hidden hazards.
- Ensure that all drives are in neutral before starting the engine. Start the engine only from the operator's position.
- Never operate with the guards not securely in place. Be sure all interlocks are attached, adjusted properly, and functioning properly.
- Do not change the engine governor setting or overspeed the engine.
- Stop the machine on level ground, lower the hopper, and shut off the engine before leaving the operator's position for any reason.
- Never carry passengers and keep pets and bystanders away.
- Slow down and use caution when making turns and crossing roads and sidewalks.
- Do not operate the machine while ill, tired, or under the influence of alcohol or drugs.
- Use care when loading or unloading the machine into a trailer or truck.
- Use care when approaching blind corners, shrubs, trees, or other objects that may obscure vision.
- Ensure that the area is clear of other people before operating the machine. Shut off the machine if anyone enters the area.
- Never leave a running machine unattended.
- Do not exceed the rated operating capacity, as the machine may become unstable which may result in loss of control.
- Never jerk the controls; use a steady motion.
- Watch for traffic when operating near or crossing roadways.

- Do not touch parts which may be hot from operation. Allow them to cool before attempting to maintain, adjust, or service.
 - Check for overhead clearances (i.e., branches, doorways, electrical wires) before driving under any objects and do not contact them.
 - Ensure that you operate the machine in areas where there are no obstacles close to you. Failure to maintain adequate distance from trees, walls, and other barriers may result in injury as the machine backs up during operation if you are not attentive to the surroundings. Operate the machine only in areas where there is sufficient clearance for the operator to safely maneuver the product.
 - Locate the pinch point areas marked on the machine and keep hands and feet away from these areas.
 - Lightning can cause severe injury or death. If lightning is seen or thunder is heard in the area, do not operate the machine; seek shelter.
 - Do not overload the hopper and always keep the load level when operating the machine.
- embankments, water or other hazards. The machine could suddenly roll over if a wheel or track goes over the edge or the edge collapses. Keep a safe distance (twice the width of the machine) between the machine and any hazard.
 - Avoid starting, stopping, or turning the machine on a slope. Avoid making sudden changes in speed or direction; turn slowly and gradually.
 - Keep all movements on slopes slow and gradual. Do not make sudden changes in speed or direction.
 - Do not operate the machine under any conditions where traction, steering, or stability is in question. Be aware that operating the machine on wet grass, across slopes or downhill may cause the machine to lose traction. Loss of traction to the wheels or tracks may result in sliding and a loss of braking and steering. The machine can slide even if the wheels or tracks are stopped.
 - Remove or mark obstacles such as ditches, holes, ruts, bumps, rocks or other hidden hazards. Tall grass can hide obstacles. Uneven terrain could overturn the machine.
 - If you lose control of the machine, step off and away from the direction of travel of the machine.

Slope Operation

- Slopes are a major factor related to loss-of-control and tip-over accidents, which can result in severe injury or death. The operator is responsible for safe slope operation. operating the machine on any slope requires extra caution. Before using the machine on a slope, you must:
 - Review and understand the slope instructions in the manual and on the machine.
 - Evaluate the site conditions of the day to determine if the slope is safe for machine operation. Always use common sense and good judgment when performing this evaluation. Changes in the terrain, such as moisture, can quickly affect the operation of the machine on a slope.
- Raising the hopper on a slope affects the stability of the machine. Keep the hopper in the lowered position when on slopes.
- When operating on a slope, fold the platform up and walk behind the machine until it is on flat ground.
- **Operate up and down slopes with the heavy end of the machine uphill.** Weight distribution changes with a full hopper. A full hopper makes the front of the machine the heavy end, so when on traveling up or down slopes with a full hopper, walk-behind the machine with the full hopper uphill.
- Identify hazards at the base of the slope. Do not operate the machine near drop-offs, ditches,

Maintenance and Storage

- Let the engine cool before storing and do not store the machine near an open flame.
- Engage the parking brake, shut off the engine, and wait for all movement to stop before adjusting, cleaning, or repairing the machine.
- Clean debris from drives, mufflers, and the engine to help prevent fires. Clean up oil or fuel spills.
- Do not store fuel near flames or drain indoors.
- Park the machine on level ground. Never allow untrained personnel to service the machine.
- Use jack stands to support components when required.
- Carefully release pressure from components with stored energy.
- Disconnect the battery, negative terminal first and positive terminal last, before making any repairs. Connect the battery positive terminal first and negative terminal last.
- Keep your hands and feet away from moving parts. If possible, do not make adjustments with the engine running.
- Charge batteries in an open, well-ventilated area, away from spark and flames. Unplug the charger before connecting or disconnecting it from the battery. Wear protective clothing and use insulated tools.
- Keep all parts in good working condition and all hardware tightened. Replace all worn or damaged decals.
- Use the cylinder lock to secure the hopper in the raised position.
- Keep nuts and bolts tight. Keep equipment in good condition.
- Never tamper with safety devices.
- Use only genuine Toro replacement parts to ensure that original standards are maintained.
- Use extra care when handling fuels. They are flammable and vapors are explosive.
 - Use only an approved container.
 - Never remove the fuel cap or add fuel when the engine is running. Allow the engine to cool before refueling. Do not smoke.
 - Never fuel the machine indoors.
 - Never store the machine or fuel container inside where there is an open flame, such as near a water heater or furnace.
 - Never fill a container while it is inside a vehicle, trunk, pick-up bed, or any surface other than the ground.
- Keep container nozzle in contact with the tank during filling.
- Battery acid is poisonous and can cause burns. Avoid contact with skin, eyes, and clothing. Protect your face, eyes, and clothing when working with a battery.
- Battery gases can explode. Keep cigarettes, sparks, and flames away from the battery.
- Keep your body and hands away from pinhole leaks or nozzles that eject high-pressure hydraulic fluid. Use cardboard or paper to find hydraulic leaks; never use your hands. Hydraulic fluid escaping under pressure can penetrate skin and cause injury requiring surgery within a few hours by a qualified surgeon or gangrene may result.

Safety and Instructional Decals



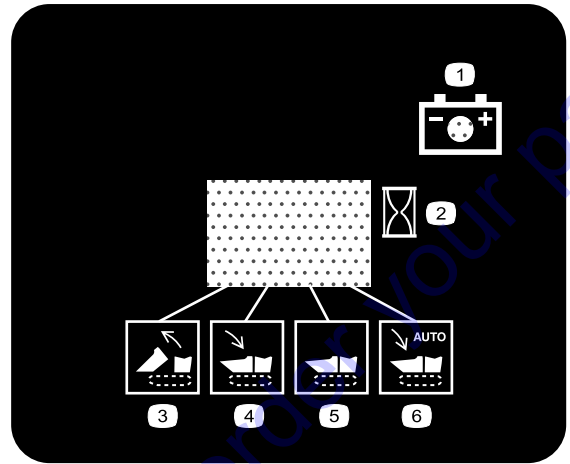
Safety decals and instructions are easily visible to the operator and are located near any area of potential danger. Replace any decal that is damaged or missing.



decal115-4212

115-4212

1. Hydraulic-fluid level
2. Read the *Operator's Manual*.
3. Warning—do not touch the hot surface.



decal132-8961

132-8961

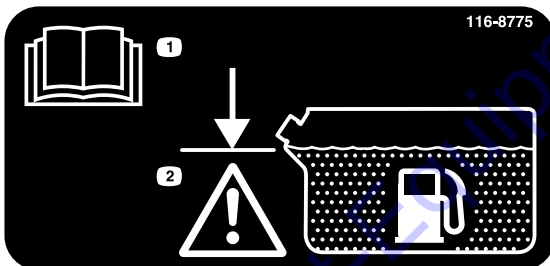
1. Battery charging condition
2. Hour meter
3. Hopper is raising.
4. Hopper is lowering.
5. Hopper is down.
6. Hopper is lowering automatically.



decal115-4858

115-4858

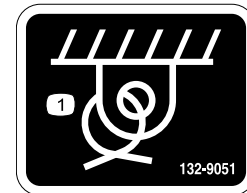
1. Crushing hazard of hands or feet—install the cylinder lock.



decal116-8775

116-8775

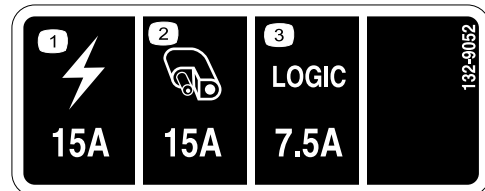
1. Read the *Operator's Manual*.
2. Fill to bottom of filler neck; warning—do not overfill the tank.



decal132-9051

132-9051

1. Tie-down point



decal132-9052

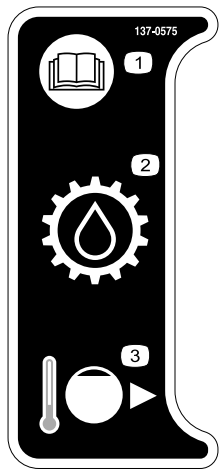
132-9052

1. Main (15 A)
2. Auxiliary (15 A)
3. Logic (7.5 A)

CALIFORNIA SPARK ARRESTER WARNING
 Operation of this equipment may create sparks that can start fires around dry vegetation. A spark arrester may be required. The operator should contact local fire agencies for laws or regulations relating to fire prevention requirements. 117-2718

decal117-2718

117-2718

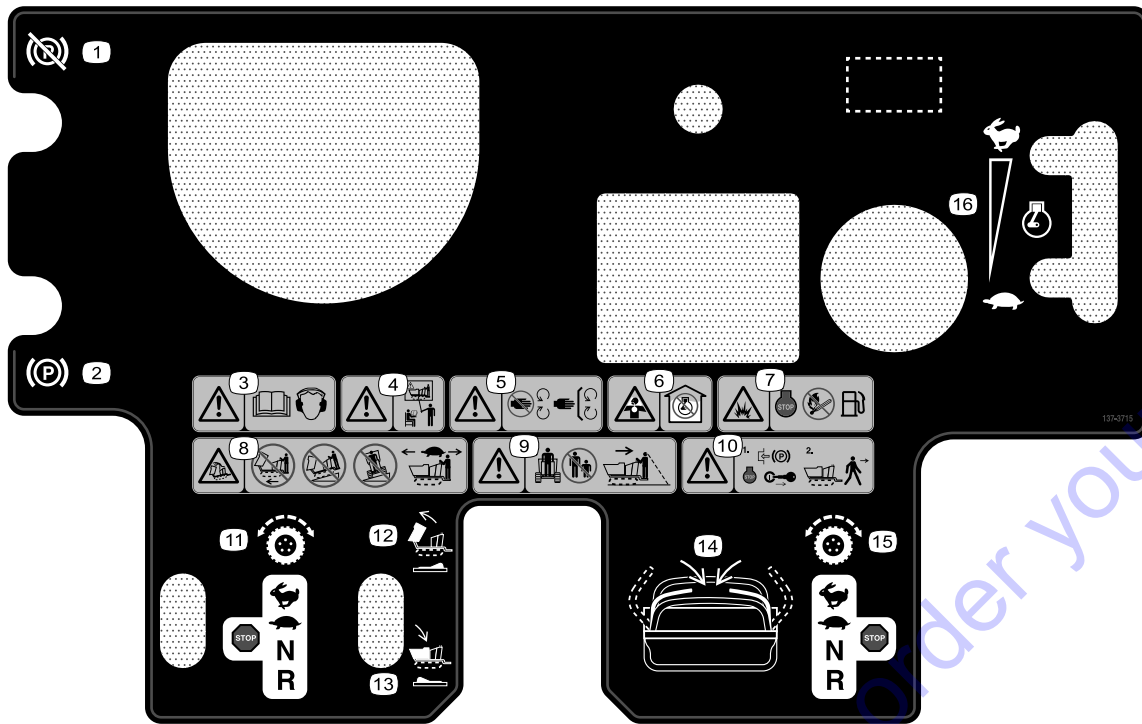


137-0575

decal137-0575

1. Read the *Operator's Manual*.
2. Transmission fluid
3. Cold-fill line

Go to Discount-Equipment.com to order your parts

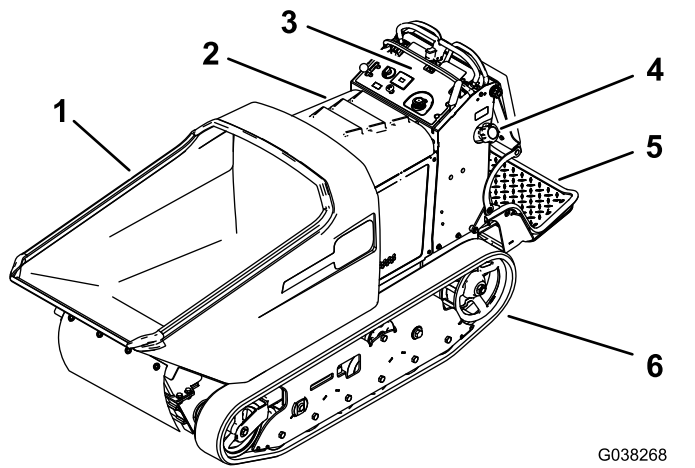


137-3715

decal137-3715

- | | | |
|--|---|-------------------------------------|
| 1. Parking-brake release | 7. Explosion hazard—shut off the engine before adding fuel; no fire, open flames, or smoking when adding fuel. | 13. Lower hopper |
| 2. Parking brake | 8. Machine tipping hazard—do not drive forward with the hopper raised; do not drive down slopes with the hopper raised; do not drive across slopes with the hopper raised; drive slowly with the hopper down. | 14. Move the handles in to operate. |
| 3. Warning—read the <i>Operator's Manual</i> ; hearing protection must be worn. | 9. Warning—keep bystanders a safe distance away from the machine; watch behind you when moving in reverse. | 15. Right traction controls |
| 4. Warning—all operators should be trained before operating the machine. | 10. Warning—engage the parking brake, shut off the engine, and remove the key before leaving the operator's position. | 16. Engine-speed control |
| 5. Warning—keep away from moving parts; keep all guards and covers in place. | 11. Left traction controls | |
| 6. Poisonous fumes or toxic gases, asphyxiation hazard—do not run the engine in an enclosed space. | 12. Raise hopper | |

Product Overview



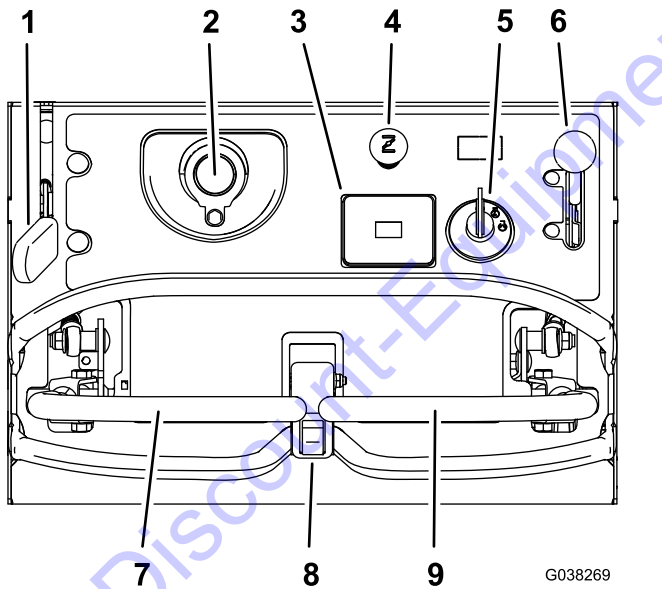
G038268
g038268

Figure 3

- | | |
|------------------|----------------------|
| 1. Hopper | 4. Fuel-tank cap |
| 2. Hood | 5. Operator platform |
| 3. Control panel | 6. Track |

Controls

Become familiar with all the controls (Figure 4) before you start the engine and operate the machine.



G038269
g038269

Figure 4

- | | |
|------------------------|-------------------------------|
| 1. Parking-brake lever | 6. Throttle lever |
| 2. Hydraulic-tank cap | 7. Left motion-control lever |
| 3. Hour meter | 8. Dump switch |
| 4. Choke control | 9. Right motion-control lever |
| 5. Key switch | |

Parking Brake Lever

To engage the parking brake, pull back the lever. (Figure 4).

To disengage the parking brake, push the lever forward.

Hour Meter

The hour meter records the number of hours the engine has operated. It operates when the engine is running. Use these times for scheduling regular maintenance ().

Choke Control

Use the choke to start a cold engine. Pull the choke knob up to engage it. Push the choke knob down to disengage it ().

Key Switch

Use the key switch to start the engine (). The switch has 3 positions: OFF, RUN, and START.

Throttle Lever

The throttle lever is variable between the FAST and SLOW positions ().

Motion-Control Levers

Use the motion-control levers to drive the machine forward and reverse and to turn either direction ().

Dump Switch

Use the dump switch to dump and lower the hopper. If you hold the switch down 0.2 to 1.3 seconds, the hopper fully lowers automatically.

Specifications

Note: Specifications and design are subject to change without notice.

Width	90.2 cm (35-1/2 inches)
Length	268.0 cm (105-1/2 inches)
Height	121.2 cm (47.7 inches)
Weight	734 kg (1619 lb)
Hopper capacity	0.45 m ³ (16 ft ³)
Maximum load	1134 kg (2,500 lb)
Discharge Height	38.1 cm (15 inches)

Operation

Note: Determine the left and right sides of the machine from the normal operating position.

Important: Before operating, check the fuel and oil level, and remove debris from the machine. Also, ensure that the area is clear of people and debris.

Think Safety First

Carefully read all safety instructions and symbols in the safety section. Knowing this information could help you or bystanders avoid injury.

⚠ CAUTION

This machine produces sound levels that can cause hearing loss through extended periods of exposure.

Wear hearing protection when operating this machine.

Use protective equipment for your eyes, ears, hands, feet, and head.

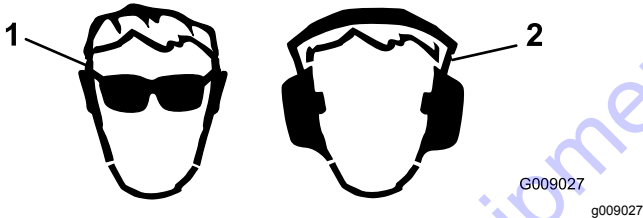


Figure 5

1. Wear eye protection.
2. Wear hearing protection.

Adding Fuel

- For best results, use only clean, fresh (less than 30 days old), unleaded gasoline with an octane rating of 87 or higher ((R+M)/2 rating method).
- **ETHANOL:** Gasoline with up to 10% ethanol (gasohol) or 15% MTBE (methyl tertiary butyl ether) by volume is acceptable. Ethanol and MTBE are not the same. Gasoline with 15% ethanol (E15) by volume is not approved for use. Never use gasoline that contains more than 10% ethanol by volume, such as E15 (contains 15% ethanol), E20 (contains 20% ethanol), or E85 (contains up to 85% ethanol). Using unapproved gasoline may cause performance problems and/or engine damage which may not be covered under warranty.

- Do not use gasoline containing methanol.
- Do not store fuel either in the fuel tank or fuel containers over the winter unless you use a fuel stabilizer.
- Do not add oil to gasoline.

⚠ DANGER

In certain conditions, fuel is extremely flammable and highly explosive. A fire or explosion from fuel can burn you and others and can damage property.

- Fill the fuel tank outdoors, in an open area, when the engine is cold. Wipe up any fuel that spills.
- Never fill the fuel tank inside an enclosed trailer.
- Do not fill the fuel tank completely full. Add fuel to the fuel tank until the level is 6 to 13 mm (1/4 to 1/2 inch) below the bottom of the filler neck. This empty space in the tank allows fuel to expand.
- Never smoke when handling fuel and stay away from an open flame or where fuel fumes may be ignited by a spark.
- Store fuel in an approved container and keep it out of the reach of children. Never buy more than a 30-day supply of fuel.
- Do not operate without entire exhaust system in place and in proper working condition.

▲ DANGER

In certain conditions during fueling, static electricity can be released causing a spark, which can ignite the fuel vapors. A fire or explosion from fuel can burn you and others and can damage property.

- Always place fuel containers on the ground away from your vehicle before filling.
- Do not fill fuel containers inside a vehicle or on a truck or trailer bed because interior carpets or plastic truck bed liners may insulate the container and slow the loss of any static charge.
- When practical, remove fuel-powered equipment from the truck or trailer and refuel the equipment with its wheels on the ground.
- If this is not possible, then refuel such equipment on a truck or trailer from a portable container rather than from a fuel-dispenser nozzle.
- If you must use a fuel-dispenser nozzle, keep the nozzle in contact with the rim of the fuel tank or container opening at all times until fueling is complete.

▲ WARNING

Fuel is harmful or fatal if swallowed. Long-term exposure to vapors can cause serious injury and illness.

- Avoid prolonged breathing of vapors.
- Keep your face away from nozzle and fuel tank or conditioner opening.
- Keep fuel away from eyes and skin.

Using Stabilizer/Conditioner

Use a fuel stabilizer/conditioner in the machine to provide the following benefits:

- Keeps fuel fresh during storage of 90 days or less. For longer storage, drain the fuel tank.
- Cleans the engine while it runs
- Eliminates gum-like varnish buildup in the fuel system, which causes hard starting

Important: Do not use fuel additives containing methanol or ethanol.

Add the correct amount of stabilizer/conditioner to the fuel.

Note: A fuel stabilizer/conditioner is most effective when mixed with fresh fuel. To minimize the chance of varnish deposits in the fuel system, use fuel stabilizer at all times.

Filling the Fuel Tank

Fuel-tank capacity: 40.1 L (10.6 US gallons)

1. Clean the area around the fuel-tank cap.
2. Remove the cap.
3. Add fuel until it is at the bottom of the filler neck.

Note: Do not fill the fuel tank completely full. The empty space in the tank allows the fuel to expand.

4. Install the cap.

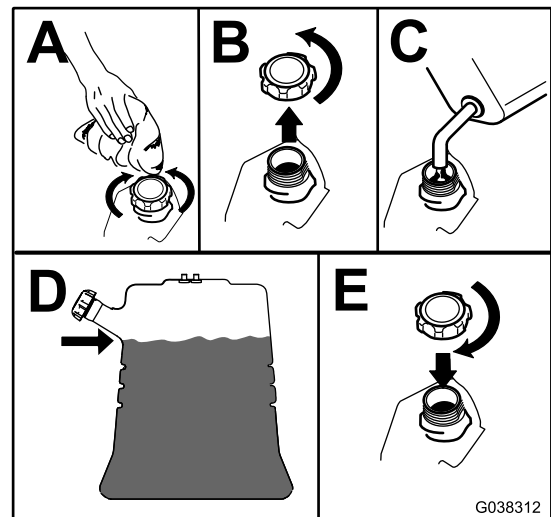


Figure 6

g038312

Performing Daily Maintenance

Before starting the engine each day, perform the following procedures:

- Check the engine-oil level—refer to [Checking the Engine-Oil Level](#) (page 20).
- Check the hydraulic-fluid level for the drive system—refer to [Checking the Hydraulic-Fluid Level for the Drive System](#) (page 31)
- Check the hydraulic-fluid level for the lift system—refer to [Checking the Hydraulic-Fluid Level for the Lift System](#) (page 34).

Operating the Parking Brake

Always engage the parking brake when you stop the machine or leave it unattended. Before each use, check the parking brake for proper operation.

⚠ CAUTION

Children or bystanders may be injured if they move or attempt to operate the machine while it is unattended.

Always remove the ignition key and engage the parking brake when leaving the machine unattended.

Engaging the Parking Brake

Pull the parking-brake lever rearward into the ENGAGED position ([Figure 7](#)).

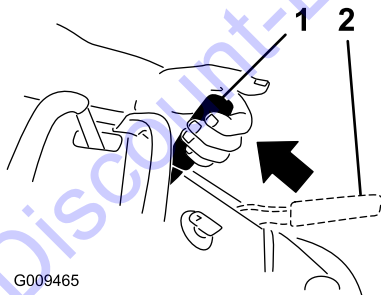


Figure 7

1. Parking brake—engaged 2. Parking brake—released

Releasing the Parking Brake

Push the parking-brake lever forward ([Figure 7](#)).

Operating the Throttle

The throttle control moves between FAST and SLOW positions ([Figure 8](#)).

Always use the FAST position when moving the machine.

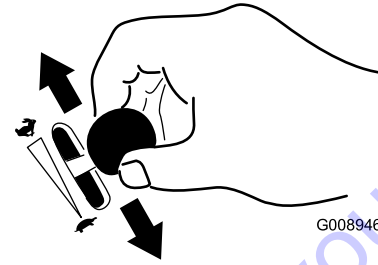


Figure 8

g008946

Operating the Choke

Use the choke to start a cold engine.

1. Pull up the choke knob to engage the choke before using the key switch (Figure 9).

Note: Ensure that you fully engage the choke. You may need to hold the knob up when you use the key switch.

2. Push down the choke to disengage the choke after the engine has started (Figure 9).

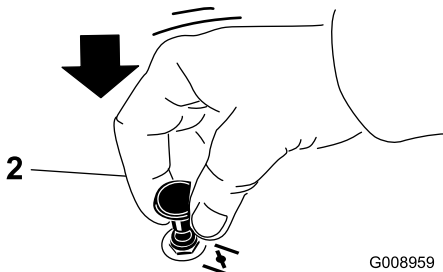
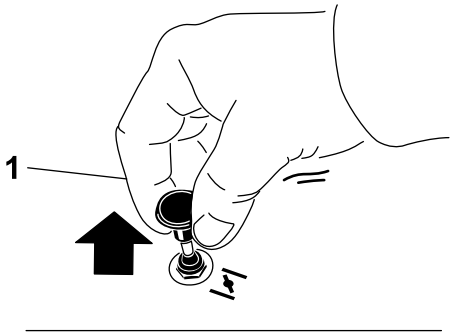


Figure 9

1. ON position

2. OFF position

Starting the Engine

1. Engage the parking brake.
2. Engage the choke.

Note: A warm or hot engine may not require choking. You may need to repeat the starting cycle when you start the engine for the first time after you have filled a completely empty fuel system with fuel.

3. Move the throttle between the FAST and SLOW positions.
4. Turn the key switch to the START position.
5. When the engine starts, disengage the choke.

Important: Do not engage the starter for more than 5 seconds at a time. If the engine fails to start, allow a 15-second cool-down period between attempts. Failure to follow these instructions can burn out the starter.

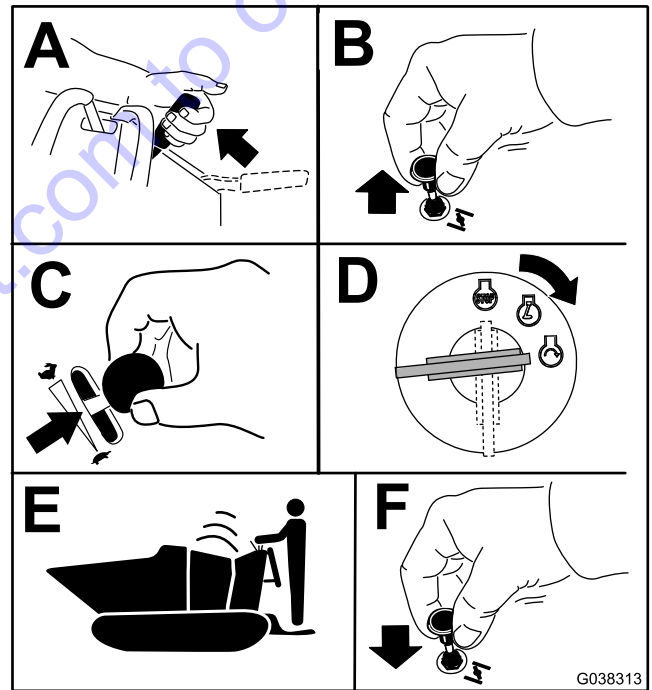


Figure 10

Shutting Off the Engine

1. Move the throttle between the FAST and SLOW positions.
2. Engage the parking brake.
3. Turn the key switch to the OFF position and remove the key.

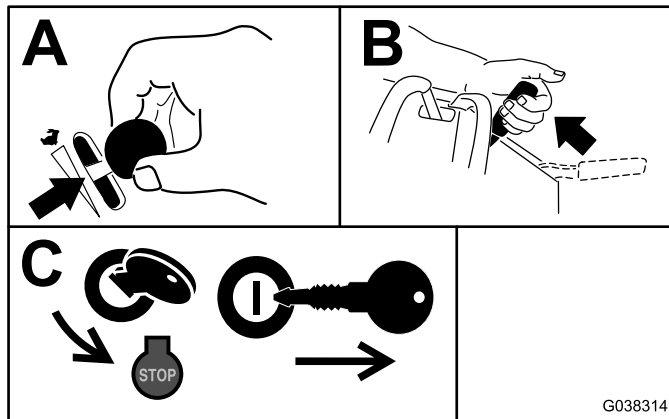


Figure 11

Operating the Hopper

Hopper capacity: 1134 kg (2,500 lb)

Know the load capacity of the machine and never exceed it. This machine normally operates on uneven, unpaved, bumpy, and/or inclined surfaces—adjust the load accordingly.

1. Position the machine where you intend to dump the load.
2. Dump the hopper by pushing the top of the dump switch (Figure 12).
3. Lower the hopper by pushing the bottom of the dump switch (Figure 12).

Note: If you hold the bottom of the switch 0.2 to 1.3 seconds, the hopper fully lowers automatically.

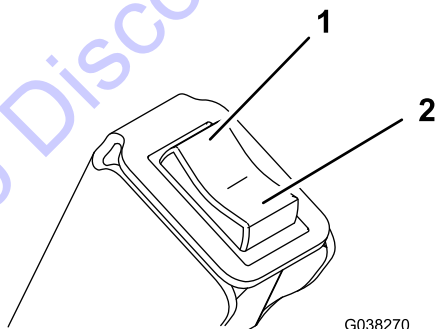


Figure 12

1. Dump the hopper.
2. Lower the hopper.

Removing Debris from the Machine

1. Park the machine on a level surface, move the motion-control levers to the NEUTRAL-LOCK position, engage the parking brake, and lower the hopper.
2. Shut off the engine and remove the key. Allow the engine to cool.
3. Clean the inside of the hopper using a hose.
4. Clean any debris from under the hopper.
5. Wipe away debris from the air cleaner.
6. Clean any debris buildup on the engine and in the transmission with a brush or blower.

Important: Blow out dirt rather than wash it out. If you use water, keep it away from electrical parts and hydraulic valves. Do not use a high-pressure washer. High-pressure washing can damage the electrical system and hydraulic valves or deplete grease.

Lowering the Hopper without Power

1. Install the cylinder lock; refer to [Installing the Cylinder Lock \(page 18\)](#).
2. Ensure that the tub is empty.
3. Place a large drain pan under the hydraulic-manifold block (Figure 13).

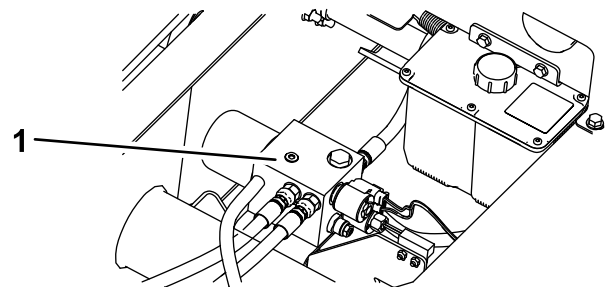


Figure 13

1. Hydraulic-manifold block

4. Disconnect the hose fittings in the manifold block and allow the fluid to drain into the pain.

Note: Dispose of the used fluid at a certified recycling center.

5. Connect the hose fittings.
6. Use a hoist or have 2 people hold up the hopper and remove the cylinder lock.
7. Carefully lower the hopper to the machine frame.

Transporting the Machine

Use a heavy-duty trailer or truck with full-width ramps to transport the machine. Ensure that the trailer or truck has all the necessary brakes, lighting, and marking as required by law. Please carefully read all the safety instructions. Knowing this information could help you, your family, pets or bystanders avoid injury. Refer to your local ordinances for trailer and tie-down requirements.

Important: Do not operate or drive the machine on roadways.

1. Lower the hopper.
2. If using a trailer, connect it to the towing vehicle and connect the safety chains.
3. If applicable, connect the trailer brakes.
4. Carefully load the machine onto the trailer or truck.
5. Shut off the engine, remove the key, and set the brake.
6. Use the metal tie-down loops on the machine to securely fasten the machine to the trailer or truck with straps, chains, cable, or ropes (Figure 14).

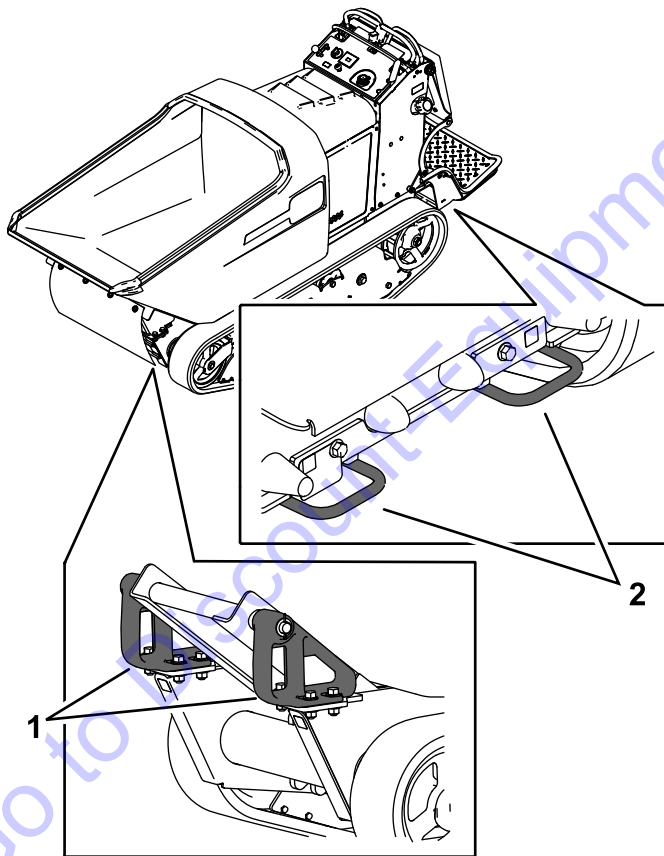


Figure 14

g185890

1. Front tie-down loops
2. Rear tie-down loops

Lifting the Machine

Hoist the machine using 2 lift points under the hopper and 2 rear tie-down loops. Tilt the hopper forward to locate the 2 lift loops and attach a chain or straps at each of the loops as shown in Figure 15.

Note: Take up the slack in the chain or straps to properly balance the unit.

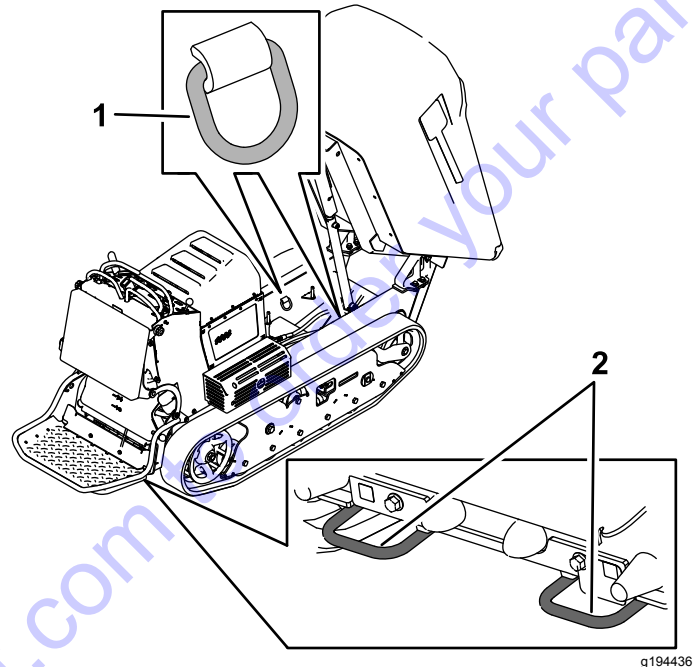


Figure 15

g194436

1. Lift points under hopper
2. Rear tie-down loops

Maintenance

Note: Determine the left and right sides of the machine from the normal operating position.

Recommended Maintenance Schedule(s)

Maintenance Service Interval	Maintenance Procedure
After the first 10 hours	<ul style="list-style-type: none"> • Check and adjust the track tension (every 10 hours until 50 hours).
Before each use or daily	<ul style="list-style-type: none"> • Check the engine-oil level. • Clean the blower housing (more often under extremely dusty, dirty conditions). • Check the condition of the track. • Check the parking brake operation. • Check the hydraulic-fluid level for the drive system. • Check the hydraulic-fluid level for the lift system. • Remove debris from the machine. • Check for loose fasteners.
Every 25 hours	<ul style="list-style-type: none"> • Service or replace the air-cleaner foam element (more often under extremely dusty, dirty conditions).
Every 40 hours	<ul style="list-style-type: none"> • Check the hydraulic lines for leaks, loose fittings, kinked lines, loose mounting supports, wear, and deterioration.
Every 50 hours	<ul style="list-style-type: none"> • Grease the machine (grease immediately after every washing). • Check the battery. • Check and adjust the track tension.
Every 100 hours	<ul style="list-style-type: none"> • Replace the air-cleaner paper element (more often under extremely dusty, dirty conditions). • Change the engine oil and the engine-oil filter. • Check the spark plug. • Remove the cooling shrouds and clean the cooling areas (more often under extremely dusty, dirty conditions). • Replace the fuel filter (more often under dusty, dirty conditions). • Inspect the drive belt. • Clean dirt buildup in the chassis.
Every 300 hours	<ul style="list-style-type: none"> • Replace the spark plug. • Check the road wheels. • Replace the drive belt. • Change the hydraulic fluid and filter for the drive system. • Change the hydraulic fluid for the lift system. • Replace the hydraulic filter for the lift system.

Important: Refer to your engine owner's manual for additional maintenance procedures.

Pre-Maintenance Procedures

Releasing the Cushion for Rear Access

You can release the cushion for rear access to the machine for maintenance or adjustment.

1. Lower the platform.
2. Loosen the twist knobs on each side of the machine (Figure 16).

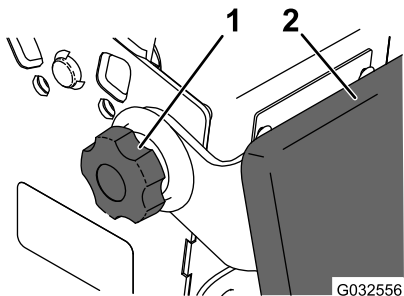


Figure 16

1. Twist knob
2. Cushion

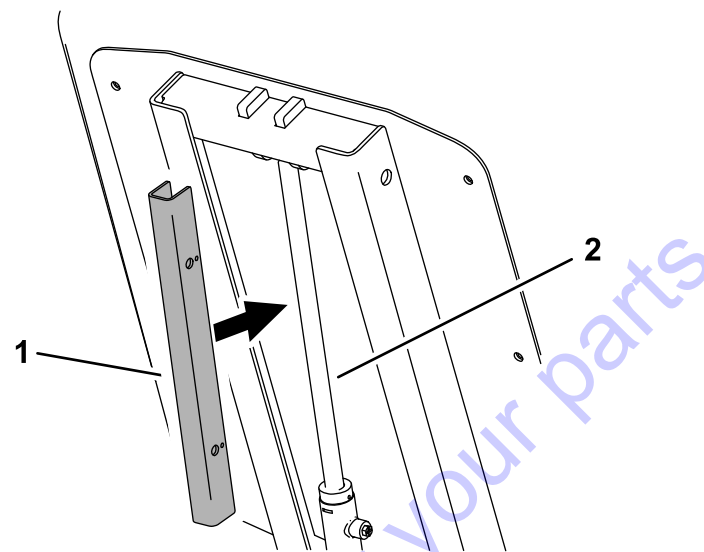


Figure 17

1. Cylinder lock
2. Lift-cylinder rod

4. Slowly lower the hopper until the cylinder lock contacts the cylinder body and rod end.

Removing and Storing the Cylinder Lock

Important: Remove the cylinder lock from the lift-cylinder rod and fully secure it in the storage position before operating the machine.

1. Start the machine.
2. Fully raise the hopper.
3. Shut off the engine.
4. Remove the cotterless pins securing the cylinder lock.
5. Place the cylinder lock on the posts inside the machine frame and secure with the cotterless pins.
6. Lower the hopper.

Using the Cylinder Lock

Installing the Cylinder Lock

1. Park the machine on a level surface, move the motion-control levers to the NEUTRAL-LOCK position, engage the parking brake, and fully raise the hopper.
2. Remove the 2 cotterless pins securing the cylinder lock to the machine.
3. Slide the cylinder lock over the lift-cylinder rod and secure with the cotterless pins (Figure 17).

Lubrication

Greasing the Machine

Service Interval: Every 50 hours

When operating the machine under normal conditions, lubricate all grease fittings for the bearings and bushings with No. 2 lithium grease. Lubricate the bearings and bushings immediately after every washing, regardless of the interval listed. Apply a light coating of oil onto the control cables.

Cylinder pivots (2)—[Figure 18](#)

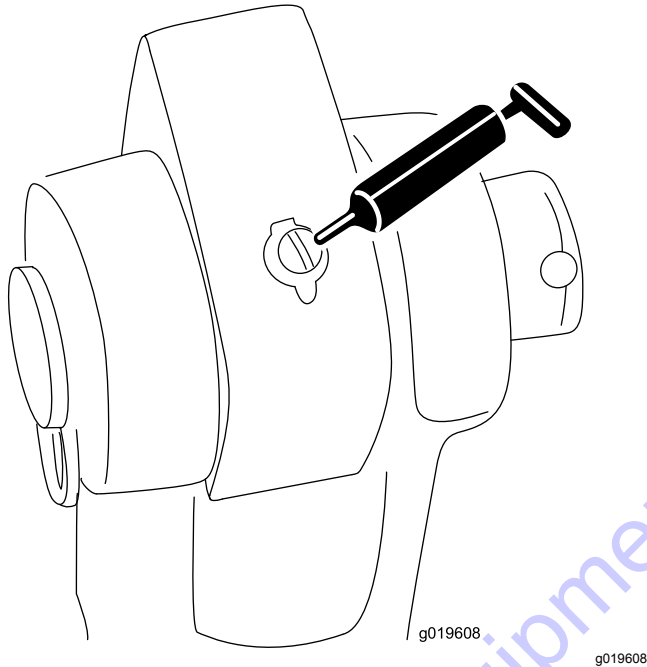


Figure 18

Engine Maintenance

Servicing the Air Cleaner

Service Interval: Every 25 hours—Service or replace the air-cleaner foam element (more often under extremely dusty, dirty conditions).

Every 100 hours—Replace the air-cleaner paper element (more often under extremely dusty, dirty conditions).

Note: Operating the engine with loose or damaged air-cleaner components could allow unfiltered air into the engine, causing premature wear and failure.

Note: Service the air cleaner more often under extremely dusty, dirty conditions.

Removing the Elements

1. Rotate the latches outward.
2. Remove the cover to access the air-cleaner elements ([Figure 19](#)).

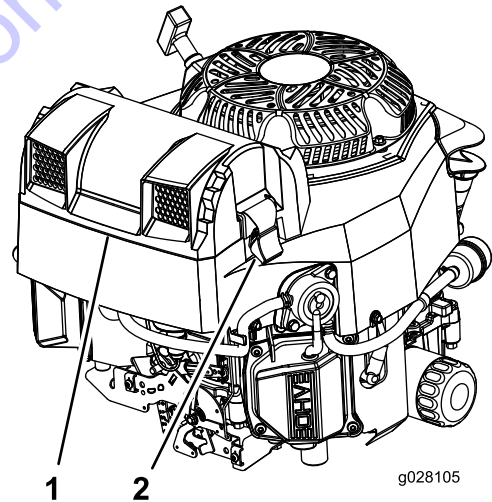


Figure 19

1. Air-cleaner cover
2. Air-cleaner latch

3. Remove the foam and paper elements ([Figure 20](#)).
4. Remove the foam element from the paper element ([Figure 20](#)).

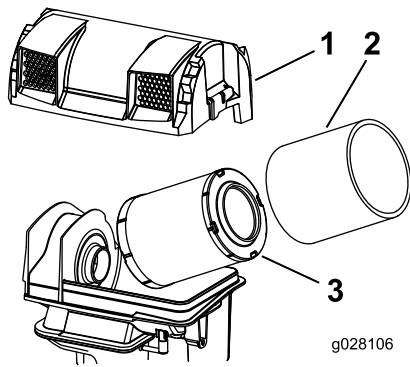


Figure 20

1. Air-cleaner cover
2. Foam element
3. Paper element

Servicing the Foam Element

1. Wash the foam element in warm water and detergent.
2. Rinse and allow it to air dry.
3. Lightly oil the foam element with new oil and squeeze out excess oil.

Servicing the Paper Element

1. Gently tap the paper element to dislodge dirt.

Note: Do not wash the paper element or use pressurized air, as this damages the element.

Note: Replace a dirty, bent, or damaged element. Handle the new element carefully; do not use if the sealing surfaces are bent or damaged.

2. Clean the air-cleaner base as required, and check the condition.

Installing the Elements

1. Install the foam element onto the paper element.
2. Install the elements onto the air-cleaner base (Figure 20).
3. Install the cover, and secure it with the latches (Figure 19).

Checking the Engine-Oil Level

Service Interval: Before each use or daily

Important: Remember to add 80% of the oil, and then gradually fill it to the Full mark on the dipstick.

Important: Do not run the engine with the oil level above the Full mark or below the low mark. Otherwise, you may damage the engine.

1. Park the machine on a level surface, move the motion-control levers to the NEUTRAL-LOCK position, engage the parking brake, and lower the hopper.
2. Shut off the engine, and remove the key. Allow the engine to cool.
3. Open the cowl.
4. Check the engine-oil level as shown in Figure 21.

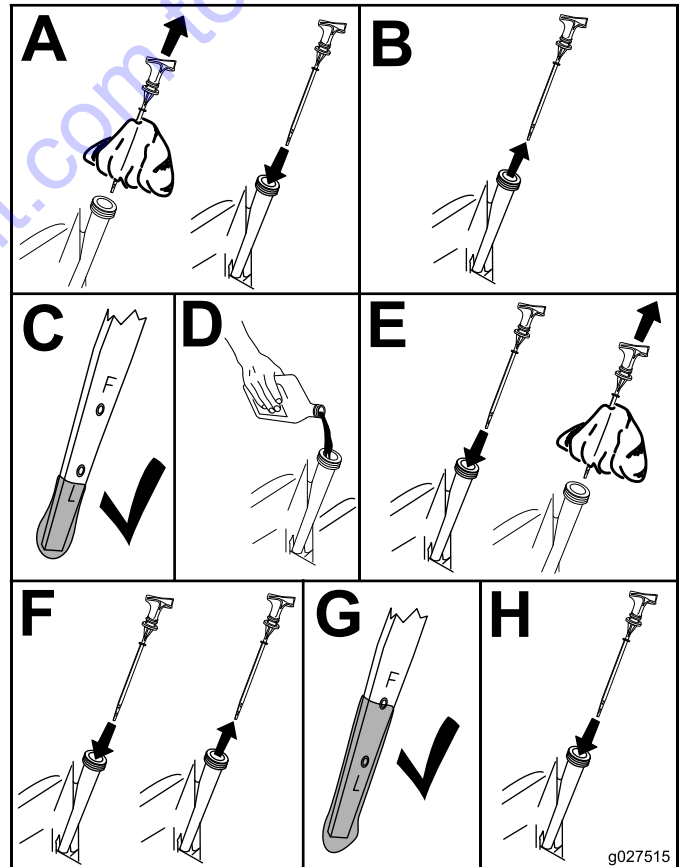


Figure 21

Changing the Engine Oil and Filter

Service Interval: Every 100 hours

Oil Type: Detergent oil (API service SJ or higher)

Engine Oil Capacity: 1.9 L (2.0 US quarts)

Viscosity: Refer to the table below.

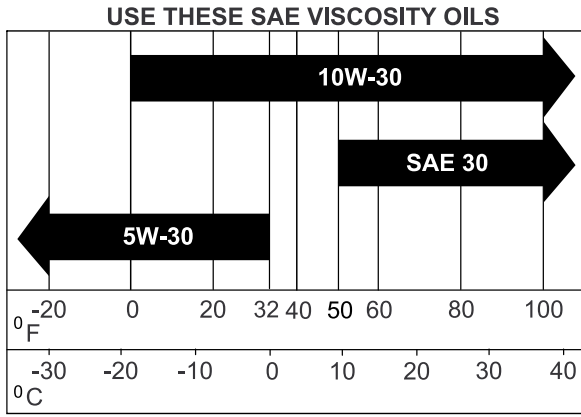
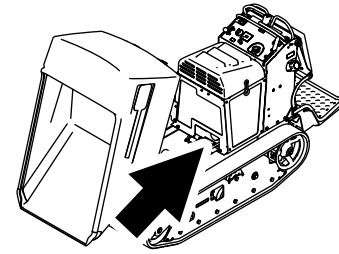


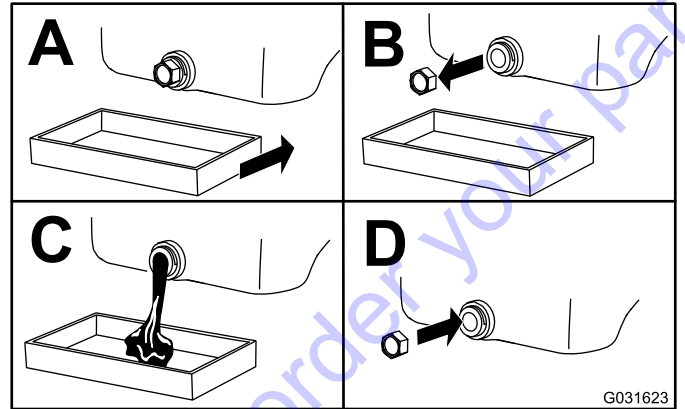
Figure 22

Note: Dispose of the used oil at a recycling center.

1. Park the machine on a level surface, move the motion-control levers to the NEUTRAL-LOCK position, engage the parking brake, raise the hopper, and install the cylinder lock.
2. Shut off the engine, and remove the key. Allow the engine to cool.
3. Start and run engine for a few minutes to warm the engine oil, then shut off the engine.
4. Change the engine oil as shown in Figure 23.



g185888

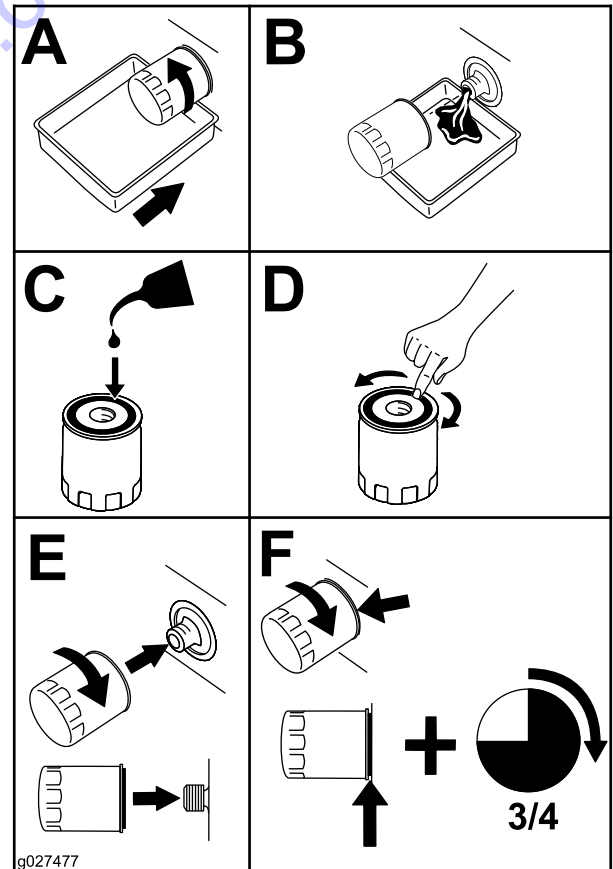


G031623

g031623

Figure 23

5. Torque the plug to 13.6 N·m (10 ft-lb).
6. Change the engine-oil filter as shown in Figure 24.



g027477

g027477

Figure 24

- Slowly pour approximately 80% of the specified oil into the filler tube (Figure 25).

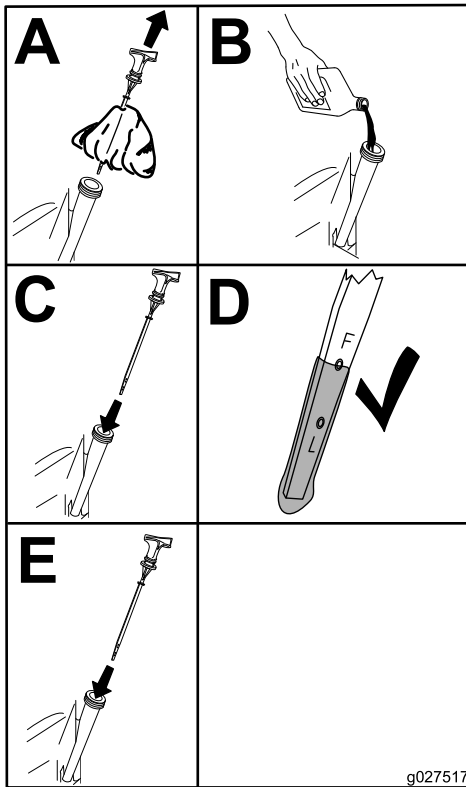


Figure 25

Servicing the Spark Plugs

Service Interval: Every 100 hours—Check the spark plug.

Every 300 hours—Replace the spark plug.

The spark plugs are RFI compliant. Equivalent alternate brand plugs can also be used.

Type: Champion XC12YC

Air Gap: 0.76 mm (0.03 inch)

Removing the Spark Plug

- Park the machine on a level surface, move the motion-control levers to the NEUTRAL-LOCK position, engage the parking brake, and lower the hopper.
- Shut off the engine and remove the key. Allow the engine to cool.
- Before removing the spark plug(s), clean the area around the base of the plug to keep dirt and debris out of the engine.
- Remove the spark plug (Figure 26).

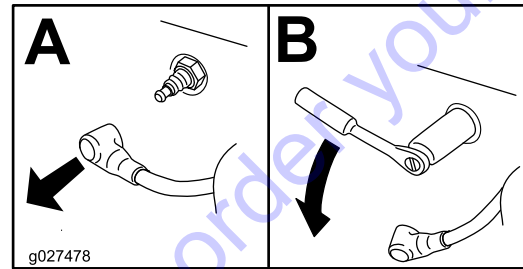


Figure 26

Checking the Spark Plug

Important: Do not clean the spark plug(s). Always replace the spark plug(s) when it has: a black coating, worn electrodes, an oily film, or cracks.

Note: If you see light brown or gray on the insulator, the engine is operating properly. A black coating on the insulator usually means the air cleaner is dirty.

Set the gap to 0.76 mm (0.03 inch).

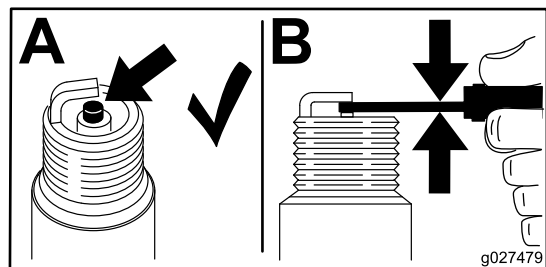


Figure 27

Installing the Spark Plug

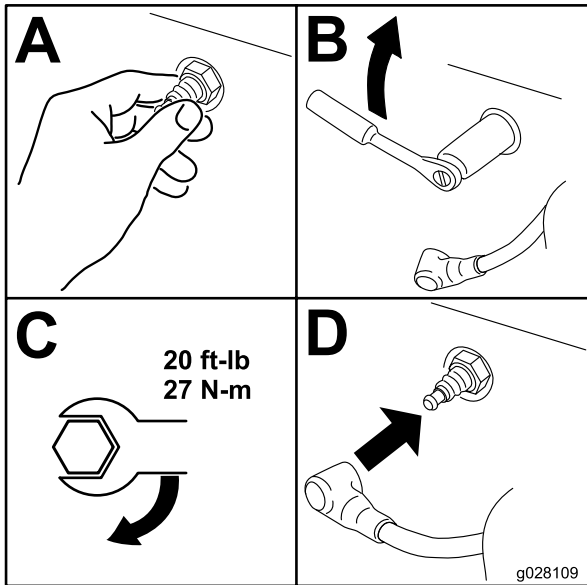


Figure 28

Cleaning the Blower Housing

Every 100 hours/Yearly (whichever comes first)

To ensure proper cooling, ensure that the grass screen, cooling fins, and other external surfaces of the engine are kept clean at all times.

Ensure that the cooling shrouds are installed.

Important: Operating the engine with a blocked grass screen, dirty or plugged cooling fins, and/or cooling shrouds removed causes engine damage due to overheating.

Fuel System Maintenance

Replacing the Fuel Filter

Service Interval: Every 100 hours/Yearly (whichever comes first) (more often under dusty, dirty conditions).

1. Park the machine on a level surface, move the motion-control levers to the NEUTRAL-LOCK position, engage the parking brake, and lower the hopper.
2. Shut off the engine, and remove the key. Allow the engine to cool.
3. Replace the fuel filter as shown in Figure 29.

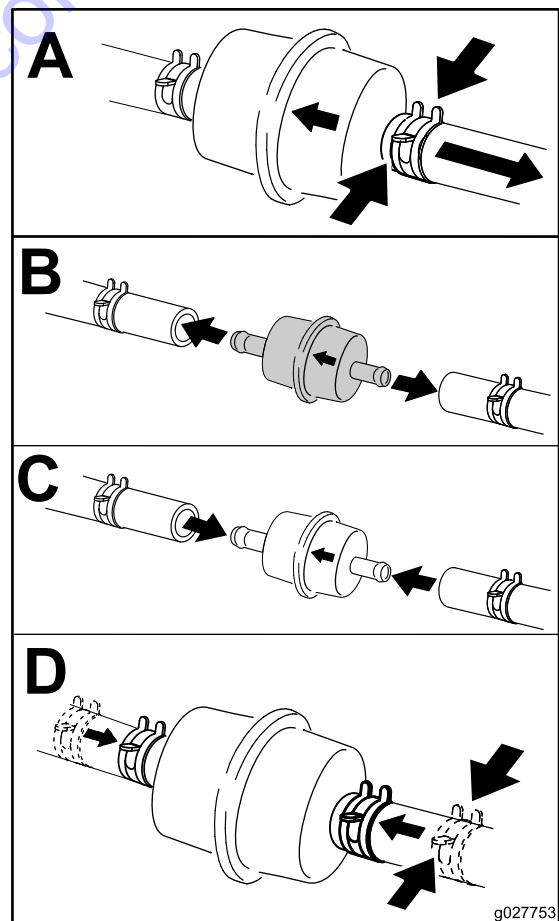
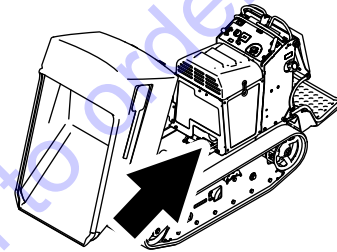


Figure 29

Draining the Fuel Tank

You can drain the fuel tank by removing it and pouring the fuel out of the fill neck; refer to [Removing the Fuel Tank \(page 24\)](#). You can also drain the fuel tank by using a siphon in the following procedure.

▲ DANGER

In certain conditions, fuel is extremely flammable and highly explosive. A fire or explosion from fuel can burn you and others and can damage property.

- Drain fuel from the fuel tank when the engine is cold. Do this outdoors in an open area. Wipe up any fuel that spills.
- Never smoke when draining fuel and stay away from an open flame, or where a spark may ignite the fuel fumes.

1. Park the machine on a level surface, move the motion-control levers to the NEUTRAL-LOCK position, engage the parking brake, and lower the hopper.
2. Shut off the engine, and remove the key. Allow the engine to cool.
3. Clean around the fuel cap to prevent debris from getting into the fuel tank ([Figure 30](#)).
4. Remove the fuel cap.
5. Insert a syphon pump into the fuel tank.
6. Using the syphon pump, drain the fuel into a clean fuel can ([Figure 30](#)).
7. Wipe up any spilled fuel.

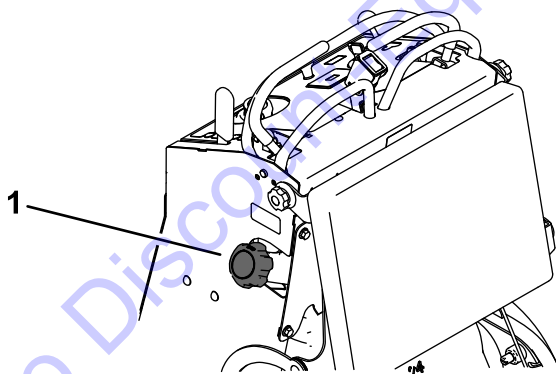


Figure 30

g186224

1. Fuel cap

Removing the Fuel Tank

1. Lower the platform.
2. Release the cushion; refer to [Releasing the Cushion for Rear Access \(page 18\)](#).
3. Remove the cross bracket ([Figure 31](#)).

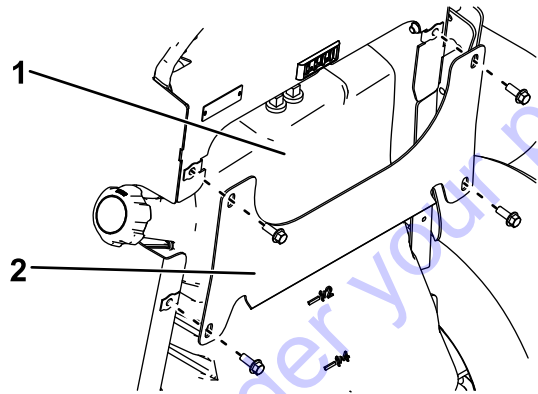


Figure 31

g186223

1. Fuel tank
2. Cross bracket

4. Remove the fuel tank and set it on the operator platform.

Note: If you want to move the fuel tank further from the machine, remove the fuel and vent lines from the top of the tank.

Electrical System Maintenance

Servicing the Battery

Service Interval: Every 50 hours

⚠ WARNING

CALIFORNIA Proposition 65 Warning

Battery posts, terminals, and related accessories contain lead and lead compounds, chemicals known to the State of California to cause cancer and reproductive harm. Wash hands after handling.

⚠ DANGER

Battery electrolyte contains sulfuric acid, which is fatal if consumed and causes severe burns.

Do not drink electrolyte and avoid contact with skin, eyes or clothing. Wear safety glasses to shield your eyes and rubber gloves to protect your hands.

Removing the Battery

⚠ WARNING

Battery terminals or metal tools could short against metal machine components, causing sparks. Sparks can cause the battery gasses to explode, resulting in personal injury.

- When removing or installing the battery, do not allow the battery terminals to touch any metal parts of the machine.
- Do not allow metal tools to short between the battery terminals and metal parts of the machine.

⚠ WARNING

Incorrect battery-cable routing could damage the machine and cables, causing sparks. Sparks can cause the battery gasses to explode, resulting in personal injury.

- Always disconnect the negative (black) battery cable before disconnecting the positive (red) cable.
 - Always connect the positive (red) battery cable before connecting the negative (black) cable.
1. Park the machine on a level surface, move the motion-control levers to the NEUTRAL-LOCK position, engage the parking brake, and lower the hopper.
 2. Shut off the engine, and remove the key. Allow the engine to cool.
 3. Remove the negative battery cable from the battery (Figure 32).

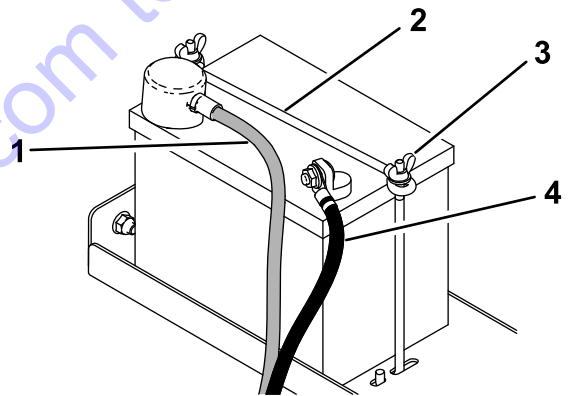


Figure 32

g185906

- | | |
|---------------------------|---------------------------|
| 1. Positive battery cable | 3. Wing nut (2) |
| 2. Securing rod | 4. Negative battery cable |

4. Remove the positive battery cable from the battery (Figure 32).
5. Remove the 2 wing nuts, securing rod, and the battery (Figure 32).

Installing the Battery

1. Place the battery on the platform and secure it using the 2 wing nuts and the securing rod (Figure 32).
2. Install the positive battery cable to the battery (Figure 32).
3. Install the negative battery cable to the battery (Figure 32).

Charging the Battery

⚠ WARNING

Charging the battery produces gasses that can explode.

Never smoke near the battery and keep sparks and flames away from battery.

Important: Always keep the battery fully charged (1.265 specific gravity) to prevent battery damage when the temperature is below 0°C (32°F).

1. Remove the battery from the chassis; refer to (page).
2. Check the electrolyte level.
3. Ensure that the filler caps are installed on the battery.
4. Charge the battery for 1 hour at 25 to 30 A or 6 hours at 4 to 6 A.
5. When the battery is fully charged, unplug the charger from the electrical outlet, and disconnect the charger leads from the battery posts (Figure 33).
6. Install the battery onto the machine and connect the battery cables; refer to (page).

Note: Do not run the machine with the battery disconnected; electrical damage may occur.

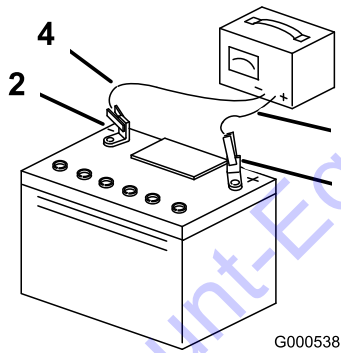


Figure 33

1. Positive battery post
2. Negative battery post
3. Red (+) charger lead
4. Black (-) charger lead

Servicing the Fuses

The electrical system is protected by fuses and requires no maintenance. If a fuse blows, check the component or circuit for a malfunction or short.

1. Release the cushion from the rear of the machine.
2. Pull out the fuse to remove or replace it (Figure 34).
3. Install the cushion to the rear of the machine.

Note: Ensure that the correct-size fuse is installed Figure 34.

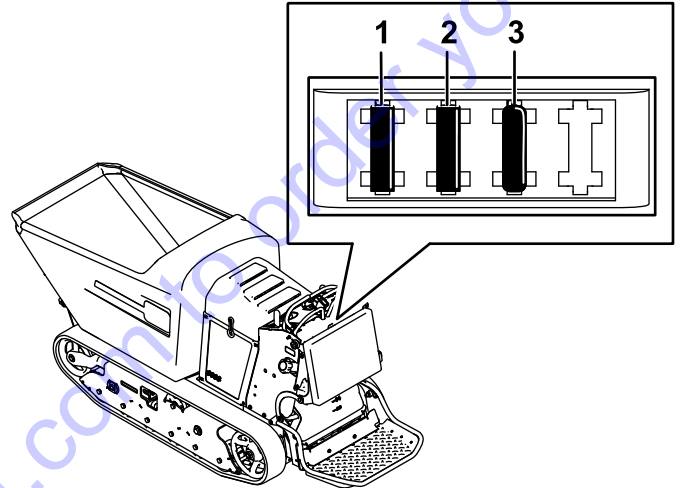


Figure 34

1. Main power fuse (15 A)
2. Auxiliary power fuse (15 A)
3. Logic fuse (7.5 A)

Drive System Maintenance

Servicing the Tracks

Service Interval: Before each use or daily—Check the condition of the track.

After the first 10 hours—Check and adjust the track tension (every 10 hours until 50 hours).

Every 50 hours—Check and adjust the track tension.

Every 300 hours—Check the road wheels.

Cleaning the Tracks

1. Park the machine on a level surface, move the motion-control levers to the NEUTRAL-LOCK position, engage the parking brake, and lower the hopper.
2. Shut off the engine, and remove the key. Allow the engine to cool.
3. Lift/support the side of the machine to be worked on so that the track is 3 to 4 inches (7.6 to 10 cm) off the ground.
4. Using a water hose or pressure washer, remove dirt from each track system.

Important: Ensure that you use high-pressure water to wash only the track area. Do not use a high-pressure washer to clean the rest of the machine. Do not use high pressure water between the drive sprocket and the machine or you may damage the motor seals. High-pressure washing can damage the electrical system and hydraulic valves or deplete grease.

Important: Ensure that you fully clean the road wheels, the front wheel, and the drive sprocket (Figure 35). The road wheels should rotate freely when clean.

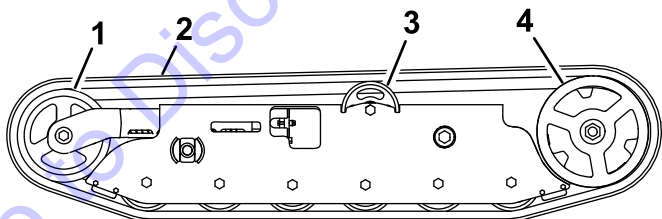


Figure 35

1. Front wheel
2. Track
3. Road wheel
4. Drive sprocket

Adjusting the Track Tension

If you place the tab of the tensioning tool along the rear edge of the tension nut, the other end of the tensioning tool should align with the edge of the tension arm as shown in Figure 36. If the distance is not correct, adjust the track tension using the following procedure:

Note: If the tensioning tool is not available, the distance between the nut and edge of the tension arm should be 7.1 cm (2-13/16 inch).

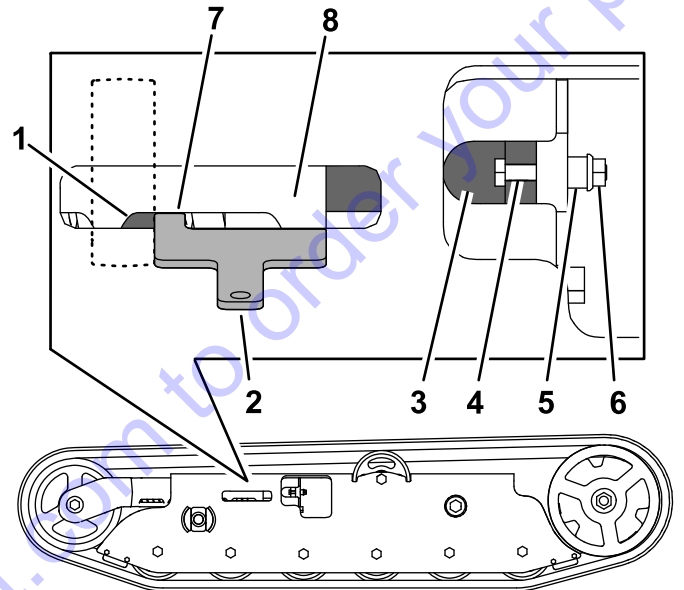


Figure 36

Left Track Shown

- | | |
|--|----------------|
| 1. Tension nut | 5. Spacer |
| 2. Tensioning tool (equal to 7.1 cm or 2-13/16 inch) | 6. Nut |
| 3. Tensioning bolt | 7. Tab |
| 4. Bolt (1/4 x 1-5/8 inch) | 8. Tension arm |

1. Park the machine on a level surface, move the motion-control levers to the NEUTRAL-LOCK position, engage the parking brake, and lower the hopper.
2. Shut off the engine, and remove the key. Allow the engine to cool.
3. Clean the tracks with high-pressure water.

Important: Ensure that you use high-pressure water to wash only the track area. Do not use a high-pressure washer to clean the rest of the machine. Do not use high pressure water between the drive sprocket and the machine or you may damage the motor seals. High-pressure washing can damage the electrical system and hydraulic valves or deplete grease.

4. Clean the drive sprocket, the front wheel, and the road wheels. The road wheels should spin freely when clean.
5. Remove the bolt (1/4 x 1-5/8 inch), spacer, and nut (Figure 36).
6. Turn the tensioning bolt to adjust the distance between the tension nut and the end tangent of the tension tube until the distance is correct, as shown in Figure 36.
7. Align the closest notch in the tensioning bolt to the bolt hole and secure the tensioning bolt with the bolt (1/4 x 1-5/8 inch), spacer, and nut (Figure 36).
9. Push the track under the lugs and between the road wheels (Figure 37).
10. Starting at the bottom of the front wheel, install the track around the wheel by rotating the track rearward while pushing the lugs into the wheel.
11. Tension the track; refer to [Adjusting the Track Tension](#) (page 27).
12. Lower the machine to the ground.
13. Repeat steps 3 through 12 to replace the other track.

Replacing the Tracks

Replace the tracks when they are badly worn.

1. Park the machine on a level surface, move the motion-control levers to the NEUTRAL-LOCK position, engage the parking brake, and lower the hopper.
2. Shut off the engine, and remove the key. Allow the engine to cool.
3. Lift/support the side of the machine to be worked on so that the track is 3 to 4 inches (7.6 to 10 cm) off the ground.
4. Remove the retaining bolt for the tensioning screw.
5. Release the drive tension by turning the tensioning screw clockwise (Figure 36 and Figure 37).

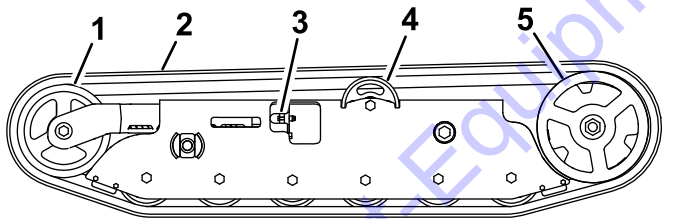


Figure 37

- | | |
|--|-------------------|
| 1. Front wheel | 4. Road wheel |
| 2. Track | 5. Drive sprocket |
| 3. Tensioning screw and retaining bolt | |

6. Remove the track at the top of the front wheel, peeling it off the wheel while rotating the track forward.
7. When the track is off the front wheel, remove it from the drive sprocket and road wheels (Figure 37).
8. Beginning at the drive sprocket, coil the new track around the sprocket, ensuring that the lugs on the track fit between the spacers on the sprocket (Figure 37).

Servicing the Drive Belt

Inspecting the Drive Belt

Service Interval: Every 100 hours

1. Park the machine on a level surface, move the motion-control levers to the NEUTRAL-LOCK position, engage the parking brake, and lower the hopper.
2. Shut off the engine, and remove the key. Allow the engine to cool.
3. Release the cushion and remove the fuel tank; refer to (page).
4. Inspect the belt (Figure 38). Replace the belt if it is worn; refer to (page).

Note: The signs of a worn belt include squealing while the belt is rotating, frayed edges, burn marks, and cracks on the belt.

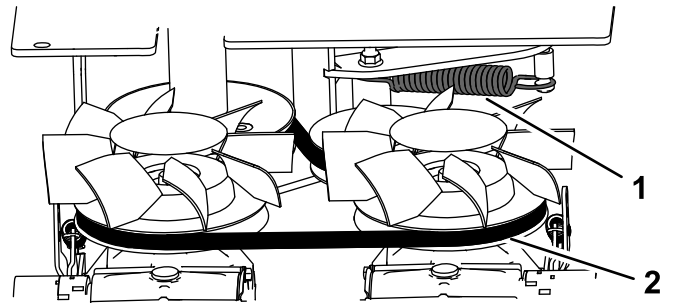


Figure 38

- | | |
|---------------------|---------|
| 1. Extension spring | 2. Belt |
|---------------------|---------|

Replacing the Drive Belt

Service Interval: Every 300 hours

1. Park the machine on a level surface, move the motion-control levers to the NEUTRAL-LOCK position, engage the parking brake, and lower the hopper.
2. Shut off the engine, and remove the key. Allow the engine to cool.

3. Release the cushion and remove the fuel tank; refer to [Removing the Fuel Tank \(page 24\)](#).
4. Raise the rear of the machine and support the machine on jack stands.
5. Remove the skid plate ([Figure 36](#)).

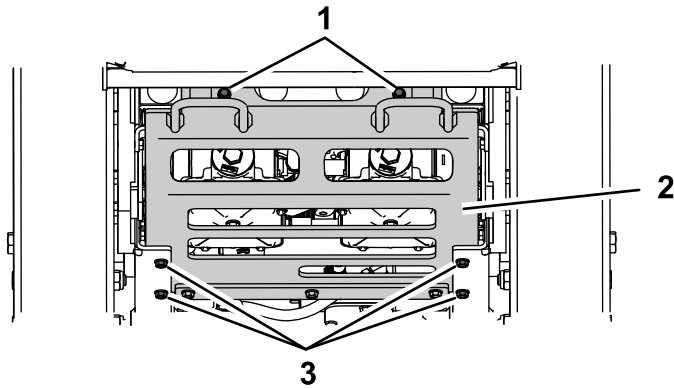


Figure 39

g203662

1. Rear bolt (2)
2. Skid plate
3. Side bolt (4)

6. Remove the extension spring ([Figure 38](#)).
7. Remove the 2 bolts and 2 nuts and loosen the 2 set screws on the coupler. Remove the gear pump from the pump mount ([Figure 40](#)).

Note: You do not need to remove the fittings from the pump.

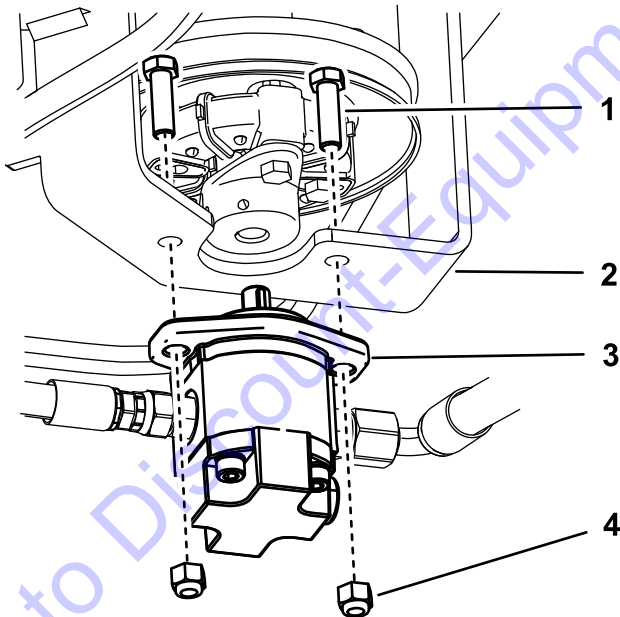


Figure 40

g189559

1. Bolt (2)
2. Pump mount
3. Gear pump
4. Nut (2)

8. Remove the drive belt from the engine pulley and 2 transmission pulleys.

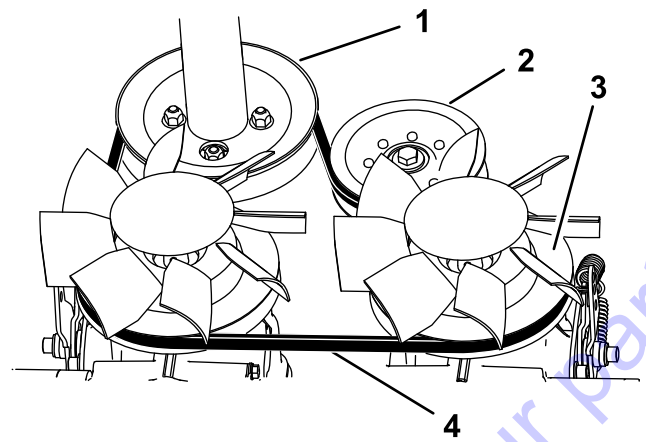


Figure 41

g189571

1. Engine pulley
2. Idler pulley
3. Transmission pulley (2)
4. Belt

9. Route the new belt around the engine pulley and 2 transmission pulleys ([Figure 41](#)).
10. Install the gear pump ([Figure 40](#)).
11. Install the extension spring ([Figure 38](#)).
12. Install the fuel tank; refer to [Removing the Fuel Tank \(page 24\)](#).
13. Raise the cushion.

Controls System Maintenance

Adjusting the Motion-Control Levers

If the motion-control levers do not align horizontally, adjust the right side motion-control lever.

1. Park the machine on a level surface, lower the hopper, engage the parking brake, shut off the engine, and remove the key.
2. Push the motion-control levers down out of the NEUTRAL-LOCK position (Figure 42).
3. Check if the right motion-control lever aligns horizontally with the left motion-control lever (Figure 42).

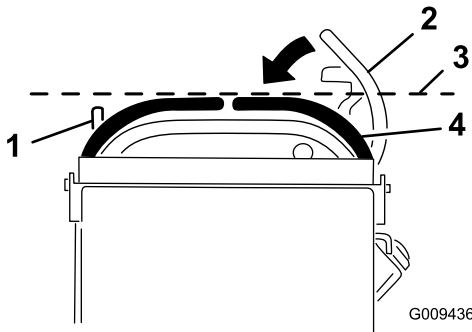


Figure 42

1. Left motion-control lever
2. Right motion-control lever in the Neutral-lock position
3. Check the horizontal alignment here
4. Right motion-control lever

4. To adjust the motion-control levers horizontally, you must adjust the cam.
5. Release the cushion from the rear of the machine.
6. Loosen the nut holding the cam (Figure 43).

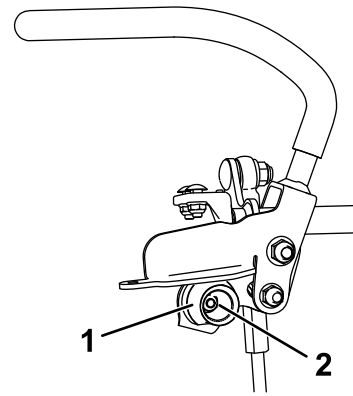


Figure 43

1. Cam
2. Nut

7. Adjust the cam until it aligns with the left motion-control lever and tighten the nut for the cam.

Note: Moving the cam clockwise (in the vertical position) lowers the handle; moving the cam counterclockwise (in the vertical position) raises the handle.

Important: Ensure that the flat portion of the cam does not go above a vertical position (right or left); otherwise you may damage the switch.

8. Repeat steps 2 through 7 for the left motion-control lever.

Brake Maintenance

⚠ WARNING

If the brakes are not properly adjusted, serious injury, or death, may occur.

Check your brakes daily. If you encounter any problems with the brakes while operating the machine, stop the machine immediately and bring it to an Authorized Service Dealer for repair.

Checking the Parking Brake

Service Interval: Before each use or daily

1. Park the machine on a level surface, lower the hopper, and engage the parking brake.
2. Start the engine and move the throttle lever to the FAST position.
3. Move the motion-control levers forward.

Note: The machine should not move forward.

Note: If the machine moves forward, refer to [Adjusting the Parking Brake \(page 31\)](#).

4. Release the parking brake.
5. Move the motion-control levers forward.

Note: The machine should move forward.

Note: If the machine does not move forward, refer to [Adjusting the Parking Brake \(page 31\)](#).

6. Engage the parking brake and shut off the machine.

Adjusting the Parking Brake

1. Remove the fuel tank; refer to [\(page \)](#).
2. Inside the left side of the control tower, adjust the nuts until the cables are taught ([Figure 44](#)).

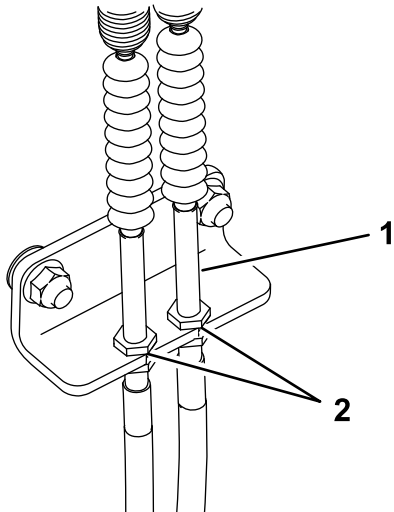


Figure 44

- | | |
|----------|---------|
| 1. Cable | 2. Nuts |
|----------|---------|

3. Install the fuel tank, cross bracket, and cushion.

Hydraulic System Maintenance

⚠ WARNING

Hydraulic fluid escaping under pressure can penetrate skin and cause injury. Fluid injected into the skin must be surgically removed within a few hours by a doctor familiar with this form of injury; otherwise gangrene may result.

- Keep your body and hands away from pinhole leaks or nozzles that eject high-pressure hydraulic fluid.
- Use cardboard or paper to find hydraulic leaks; never use your hands.

Servicing the Hydraulic Drive System

Expansion-tank capacity: 1.4 L (1.5 US quarts)

Hydraulic-fluid type: Toro® HYPR-OIL™ 500

Important: Always use the correct hydraulic fluid. Unspecified fluids will damage the hydraulic system.

Note: Many hydraulic fluids are almost colorless, making it difficult to spot leaks. A red dye additive for the hydraulic system oil is available in 0.67 fl oz (20 ml) bottles. One bottle is sufficient for 4 to 6 gal (15 to 22 L) of hydraulic fluid. Order Part No. 44-2500 from your authorized Toro distributor.

Checking the Hydraulic-Fluid Level for the Drive System

Service Interval: Before each use or daily

1. Park the machine on a level surface, move the motion-control levers to the NEUTRAL-LOCK position, engage the parking brake, and lower the hopper.
2. Shut off the engine, and remove the key. Allow the engine to cool.
3. Open the cowl.
4. Use the sight window to check the fluid level in the expansion tank ([Figure 45](#)).

Note: The fluid level should be at the fill line on the decal.

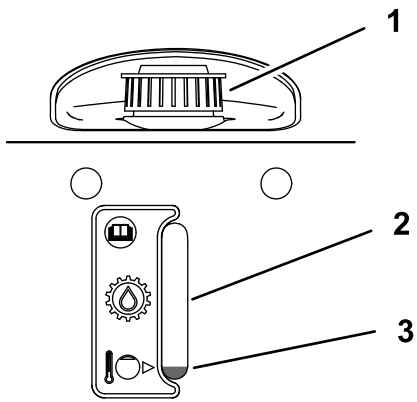


Figure 45

g203616

1. Expansion-tank cap
2. Sight window
3. Fluid at fill line

5. If the oil level is low, remove the cap lock and cap from the top of the expansion tank (Figure 46), and add enough of the specified hydraulic fluid to raise it to the proper level.

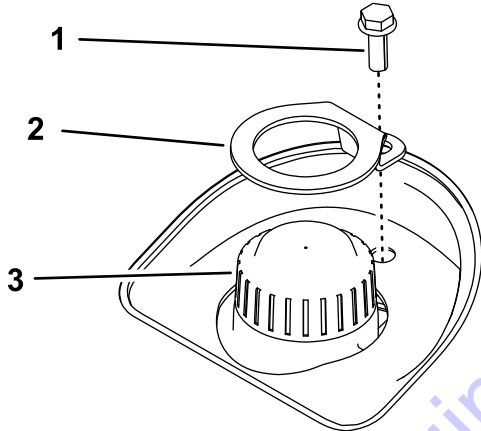


Figure 46

g186038

1. Bolt
2. Cap lock
3. Cap

6. Install the cap and cap lock. Wipe up any spilled hydraulic fluid.

Changing the Hydraulic Fluid and Filter for the Drive System

Service Interval: Every 300 hours

1. Park the machine on a level surface, move the motion-control levers to the NEUTRAL-LOCK position, engage the parking brake, and lower the hopper.
2. Shut off the engine, and remove the key. Allow the engine to cool.
3. Lower the cushion and remove the fuel tank; refer to [Removing the Fuel Tank \(page 24\)](#).

4. Remove the 6 bolts (2 rear, 4 side) from the skid plate and remove the skid plate (Figure 47).

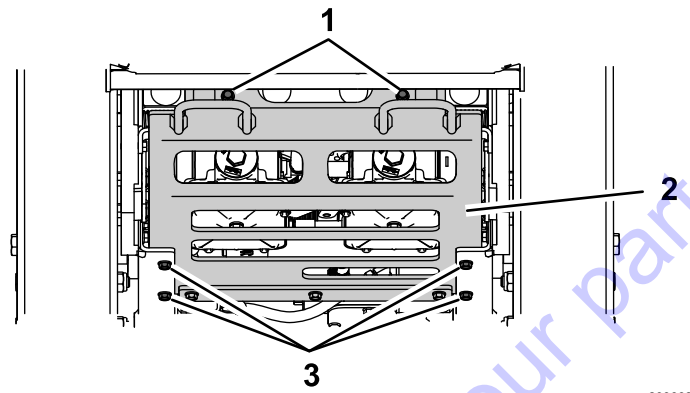


Figure 47

g203662

1. Rear bolt (2)
2. Skid plate
3. Side bolt (4)

5. Locate the drain plug in the bottom of each transmission, then place a drain pan under the plugs (Figure 48).

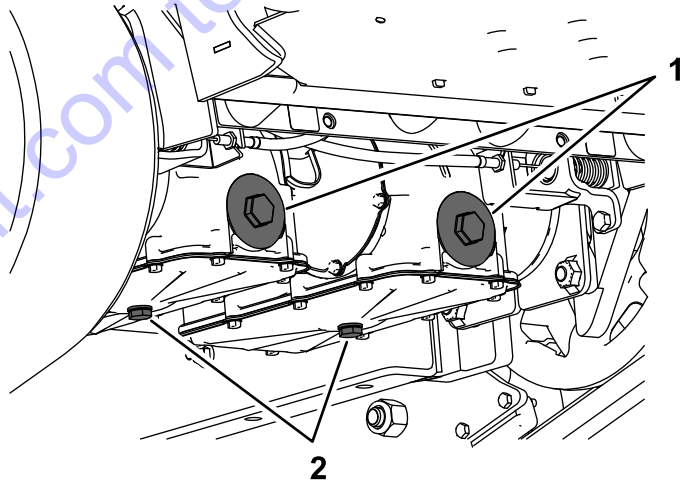


Figure 48

g203515

1. Hydraulic filter
2. Drain plug

6. Remove the drain plugs and allow the hydraulic fluid to fully drain from the machine.
7. Remove the hydraulic-filter cap and hydraulic filter from each transmission (Figure 48).
8. Install a new hydraulic filter with the spring side facing out and the hydraulic-filter cap for each transmission. Torque to 13 to 15 N·m (115 to 135 in-lb).
9. Install the drain plugs.
10. Loosen the vent plug in each transmission until loose (Figure 49).

Note: This allows air to escape the hydraulic system as you add hydraulic fluid.

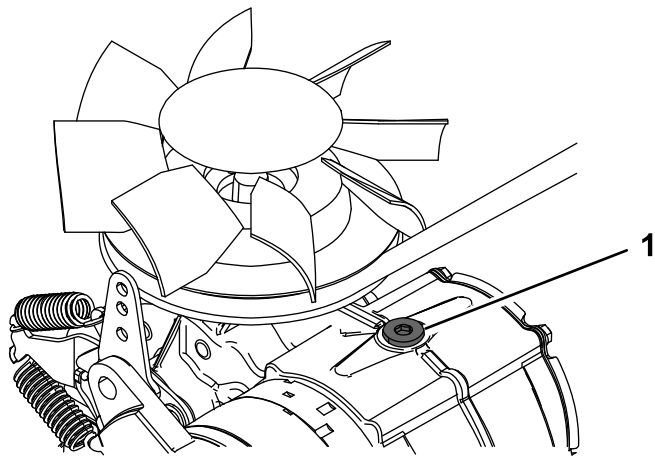


Figure 49

g203517

1. Vent plug

Bleeding the Hydraulic Drive System

Bleed the traction hydraulic system whenever you perform maintenance on the hydrostatic transmission or add hydraulic fluid to the expansion tank.

1. Park the machine on a level surface, move the motion-control levers to the NEUTRAL-LOCK position, engage the parking brake, and lower the hopper.
 2. Shut off the engine, and remove the key. Allow the engine to cool.
 3. Check the hydraulic fluid level and add hydraulic fluid as necessary; refer to [Checking the Hydraulic-Fluid Level for the Drive System \(page 31\)](#).
 4. Support the machine on jack stands, high enough to raise the tracks off the ground.
 5. Start the machine. Slowly move the motion-control levers forward and reverse 5 to 6 times.
 6. Check the hydraulic fluid level and add hydraulic fluid as necessary.
 7. Repeat steps 5 and 6 as necessary until all the air is completely purged from the system.

Note: Purging is complete when you obtain normal forward and reverse speed.
 8. Lower the machine and repeat the procedure with the tracks on the ground.
-
11. Slowly add approximately 6.2 L (208 fl oz) fluid to the expansion tank until it starts to come out of the vent plugs.

Important: Use the fluid specified in (page) or equivalent. Other fluids could cause system damage.

Important: Monitor the level of fluid in the expansion tank so that you do not overfill it.
 12. Tighten the vent plugs.
 13. Add hydraulic fluid to the expansion tank until it reaches the fluid line ([Figure 45](#)).

Important: Do not overfill.
 14. Install the expansion-tank cap.
 15. Install the skid plate ([Figure 47](#)).
 16. Install the fuel tank; refer to [Removing the Fuel Tank \(page 24\)](#).
 17. Start the engine and let it run for about 2 minutes to purge air from the system.
 18. Shut off the engine and check for leaks.

Servicing the Hydraulic Lift System

Checking the Hydraulic-Fluid Level for the Lift System

Service Interval: Before each use or daily

Reservoir-tank capacity: 1.4 L (1.5 US quarts)

Hydraulic-fluid type: Toro Premium All Season Hydraulic Fluid or Mobil® 424 Hydraulic Fluid

Important: Always use the correct hydraulic fluid. Unspecified fluids will damage the hydraulic system.

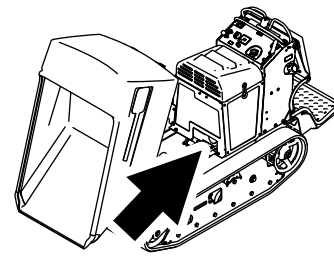
Note: Many hydraulic fluids are almost colorless, making it difficult to spot leaks. A red dye additive for the hydraulic system oil is available in 0.67 fl oz (20 ml) bottles. One bottle is sufficient for 4 to 6 gal (15 to 22 L) of hydraulic fluid. Order Part No. 44-2500 from your authorized Toro distributor.

1. Park the machine on a level surface, move the motion-control levers to the NEUTRAL-LOCK position, engage the parking brake, raise the hopper, and install the cylinder lock.
2. Shut off the machine and remove the key. Allow the machine to cool completely.
3. Remove the filler cap from the reservoir tank (Figure 50).

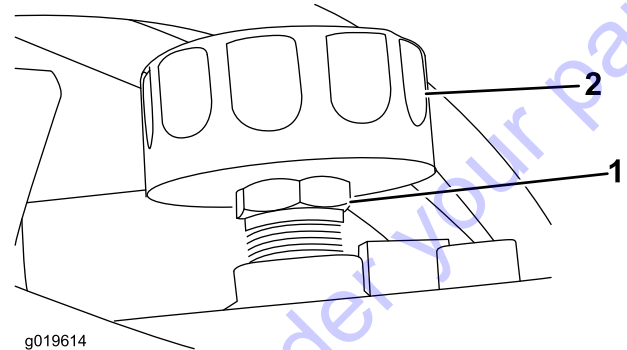
⚠ CAUTION

The hydraulic breather/filler cap is designed to pressurize the reservoir to 34 kPa (5 psi).

Loosen the cap slowly to avoid injury whenever adding fluid or working on the hydraulic system. Use a wrench on the hex directly under the cap.



g185888



g019614

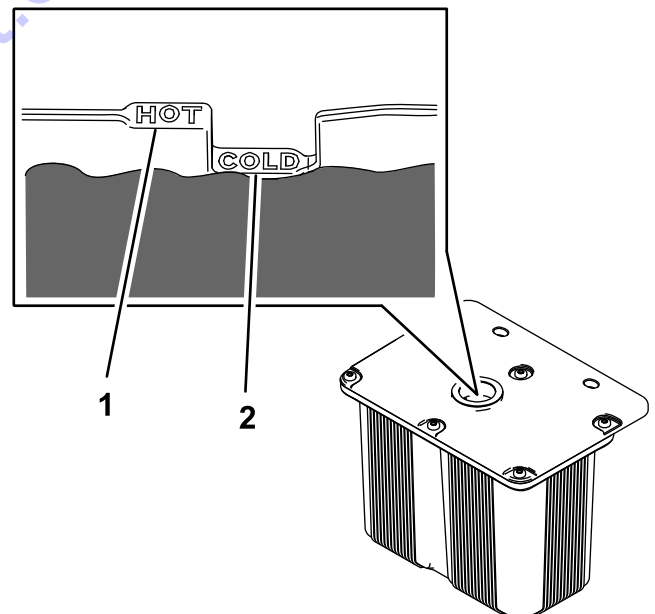
g019614

Figure 50

1. Hex
2. Filler cap

4. Look inside the tank to check the fluid level.

Note: If the machine is cool, the fluid should be at the COLD level; if the machine is hot, the fluid should be at the HOT level.



g189403

Figure 51

1. HOT level
2. COLD level

5. Fill the tank with hydraulic fluid only up to the COLD level.
6. Install the fill cap. Wipe up any spilled hydraulic fluid.
7. Remove the cylinder lock and lower the hopper.

Changing the Hydraulic Fluid for the Lift System

Service Interval: Every 300 hours

1. Park the machine on a level surface, move the motion-control levers to the NEUTRAL-LOCK position, engage the parking brake, raise the hopper, and install the cylinder lock.
2. Shut off the machine and remove the key. Allow the machine to cool completely.
3. Remove the filler cap from the reservoir tank (Figure 50).

⚠ CAUTION

The hydraulic breather/filler cap is designed to pressurize the reservoir to 34 kPa (5 psi).

Loosen the cap slowly to avoid injury whenever adding oil or working on the hydraulic system. Use a wrench on the hex directly under the cap.

4. Place a large drain pan under the fittings at the bottom of the reservoir tank.
 5. Disconnect a hose fitting and allow the fluid to drain into the pan.
 6. When finished, install and tighten the fitting.
- Note:** Dispose of the used fluid at a certified recycling center.
7. Fill the reservoir tank with approximately 2.2 L (2.3 US quarts) and install the filler cap.
 8. Remove the cylinder lock.
 9. Start the engine. Raise and lower the hopper 3 times to fill the cylinder and hoses with fluid.
 10. Raise the hopper and install the cylinder lock.
 11. Shut off the engine.
 12. Add 0.60 L (20 fl oz) of hydraulic fluid and install the filler cap.
- Note:** The fluid level should be at the Cold fill line. Do not fill past this line.
13. Remove the cylinder lock.
 14. Start the engine. Raise and lower the hopper several times to remove air from the system.

Replacing the Hydraulic Filter for the Lift System

Service Interval: Every 300 hours

Important: Do not substitute an automotive oil filter or severe hydraulic system damage may result.

1. Park the machine on a level surface, move the motion-control levers to the NEUTRAL-LOCK position, engage the parking brake, raise the hopper, and install the cylinder lock.
2. Shut off the engine, and remove the key. Allow the engine to cool.
3. Replace the filter as shown in Figure 52.

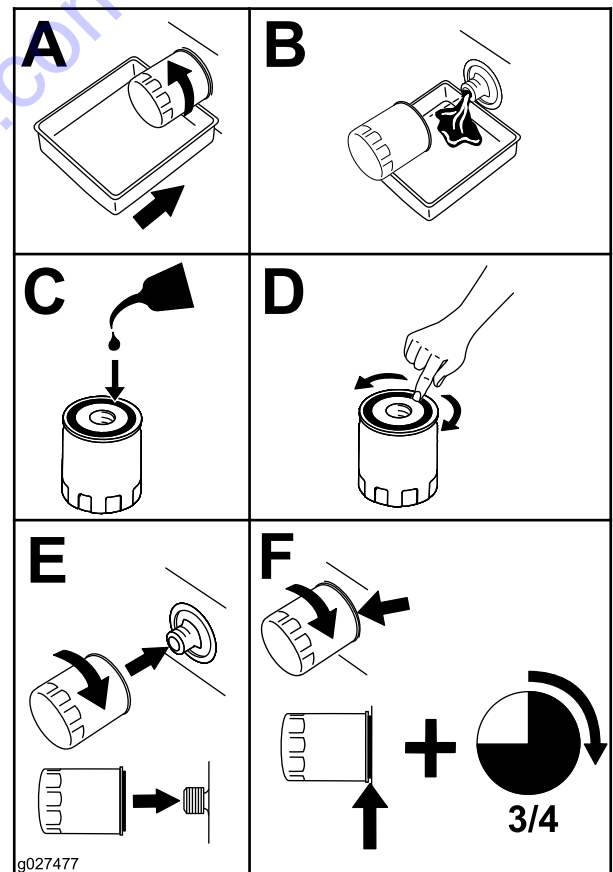
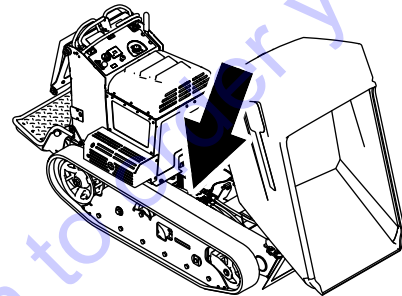


Figure 52

4. Start the engine and let it run for about 2 minutes to purge air from the system.

5. Shut off the engine and check for leaks.
 6. Check the fluid level in the reservoir tank, refer to (page).
- Note:** Do not overfill the reservoir tank.
7. Remove the cylinder lock and lower the hopper.

Checking the Hydraulic Lines

Service Interval: Every 40 hours—Check the hydraulic lines for leaks, loose fittings, kinked lines, loose mounting supports, wear, and deterioration. (Make necessary repairs before operating.)

⚠ WARNING

Hydraulic fluid escaping under pressure can penetrate skin and cause injury. Fluid injected into the skin must be surgically removed within a few hours by a doctor familiar with this form of injury; otherwise, gangrene may result.

- Keep your body and hands away from pinhole leaks or nozzles that eject high-pressure hydraulic fluid.
- Use cardboard or paper to find hydraulic leaks; never use your hands.

Cleaning

Removing Debris from the Machine

Service Interval: Before each use or daily

Every 100 hours

1. Park the machine on a level surface, move the motion-control levers to the NEUTRAL-LOCK position, engage the parking brake, and lower the hopper.
2. Shut off the engine, and remove the key. Allow the engine to cool.
3. Clean the inside of the hopper using a hose.
4. Clean any debris from under the hopper.
5. Wipe away debris from the air cleaner.
6. Clean any debris buildup on the engine and in the transmission with a brush or blower.

Important: It is preferable to blow dirt out, rather than washing it out. If you use water, keep it away from electrical parts and hydraulic valves. Do not use a high-pressure washer. High-pressure washing can damage the electrical system and hydraulic valves or deplete grease.

Storage

1. Shut off the engine and engage the parking brake.
2. Remove dirt and grime from the external parts of the entire machine, especially the engine. Clean dirt and chaff from the outside of the engine cylinder head fins and blower housing.
3. Service the air cleaner; refer to [Servicing the Air Cleaner \(page 19\)](#).
4. Grease the machine; refer to [Greasing the Machine \(page 19\)](#).
5. Change the engine crankcase oil; refer to [Changing the Engine Oil and Filter \(page 21\)](#).
6. For storage over 30 days, prepare the machine as follows:
 - A. Add a petroleum based stabilizer/conditioner to fuel in the tank. Follow mixing instructions from stabilizer manufacturer. **Do not use an alcohol-based stabilizer (ethanol or methanol).**
Note: Fuel stabilizer/conditioner is most effective when mixed with fresh fuel and used at all times.
 - B. Run the engine to distribute conditioned fuel through the fuel system (5 minutes).
 - C. Shut off the engine, allow it to cool, and drain the fuel tank using a pump-type syphon.
 - D. Start the engine and run it until it stops.
 - E. Choke the engine.
 - F. Start and run the engine until it does not start again.
 - G. Dispose of fuel properly. Recycle as per local codes.

Important: Do not store stabilizer/conditioned fuel over 90 days.
7. Remove the spark plugs and check the condition of them; refer to [Servicing the Spark Plugs \(page 22\)](#).
8. Prepare the engine as follows:
 - A. With the spark plugs removed from the engine, pour 2 tablespoons of engine oil into the spark plug holes.
 - B. Place a rag over the spark plug holes to catch any oil spray, then pull the starter rope to crank the engine and distribute the oil inside the cylinder.
- C. Install the spark plugs.
Note: Do not install the wire on the spark plugs.
9. Check and tighten all bolts, nuts, and screws. Repair or replace any part that is damaged.
10. Paint all scratched or bare metal surfaces. Paint is available from your Authorized Service Dealer.
11. Store the machine in a clean, dry garage or storage area.
12. Cover the machine to protect it and keep it clean.

PARTS FINDER

**Search Website
by Part Number**



**Search Manual
Library For Parts
Manual & Lookup Part
Numbers – Purchase
or Request Quote**

Search Manuals

Enter your information to help us find the right parts manual for your machine.

* Brand:

* Model:

* Serial:

* Part Number:

SEARCH

**Can't Find Part or
Manual? Request Help
by Manufacturer,
Model & Description**

Parts Order Form

Please fill in the following information to help us find the right part for your machine.

Manufacturer:	<input type="text"/>
Model:	<input type="text"/>
Description:	<input type="text"/>
Part Number:	<input type="text"/>
Quantity:	<input type="text"/>
Notes:	<input type="text"/>

Submit

Discount-Equipment.com is your online resource for quality parts & equipment.

Florida: **561-964-4949** Outside Florida TOLL FREE: **877-690-3101**

Need parts?

Click on this link: <http://www.discount-equipment.com/category/5443-parts/> and choose one of the options to help get the right parts and equipment you are looking for. Please have the machine model and serial number available in order to help us get you the correct parts. If you don't find the part on the website or on one of the online manuals, please fill out the request form and one of our experienced staff members will get back to you with a quote for the right part that your machine needs.

We sell worldwide for the brands: Genie, Terex, JLG, MultiQuip, Mikasa, Essick, Whiteman, Mayco, Toro Stone, Diamond Products, Generac Magnum, Airman, Haulotte, Barreto, Power Blanket, Nifty Lift, Atlas Copco, Chicago Pneumatic, Allmand, Miller Curber, Skyjack, Lull, Skytrak, Tsurumi, Husquvarna Target, Stow, Wacker, Sakai, Mi-T-M, Sullair, Basic, Dynapac, MBW, Weber, Bartell, Bennar Newman, Haulotte, Ditch Runner, Menegotti, Morrison, Contec, Buddy, Crown, Edco, Wyco, Bomag, Laymor, EZ Trench, Bil-Jax, F.S. Curtis, Gehl Pavers, Heli, Honda, ICS/PowerGrit, IHI, Partner, Imer, Clipper, MMD, Koshin, Rice, CH&E, General Equipment, Amida, Coleman, NAC, Gradall, Square Shooter, Kent, Stanley, Tamco, Toku, Hatz, Kohler, Robin, Wisconsin, Northrock, Oztec, Toker TK, Rol-Air, APT, Wylie, Ingersoll Rand / Doosan, Innovatech, Con X, Ammann, Mecalac, Makinex, Smith Surface Prep, Small Line, Wanco, Yanmar

TO PURCHASE THIS PRODUCT PLEASE CONTACT US



**Equipment Financing and
Extended Warranties Available**



**Discount-Equipment.com is your online resource for
commercial and industrial quality parts and equipment sales.**

561-964-4949

visit us on line @ www.discount-equipment.com

Select an option below to find your Equipment

Search by Manufacturer

Search by Product Type

Request a Quote

We sell worldwide for the brands: Genie, Terex, JLG, MultiQuip, Mikasa, Essick, Whiteman, Mayco, Toro Stone, Diamond Products, Generac Magnum, Airman, Haulotte, Barreto, Power Blanket, Nifty Lift, Atlas Copco, Chicago Pneumatic, Allmand, Miller Curber, Skyjack, Lull, Skytrak, Tsurumi, Husquvarna Target, Stow, Wacker, Sakai, Mi-T-M, Sullair, Basic, Dynapac, MBW, Weber, Bartell, Bennar Newman, Haulotte, Ditch Runner, Menegotti, Morrison, Contec, Buddy, Crown, Edco, Wyco, Bomag, Laymor, EZ Trench, Bil-Jax, F.S. Curtis, Gehl Pavers, Heli, Honda, ICS/PowerGrit, IHI, Partner, Imer, Clipper, MMD, Koshin, Rice, CH&E, General Equipment, Amida, Coleman, NAC, Gradall, Square Shooter, Kent, Stanley, Tamco, Toku, Hatz, Kohler, Robin, Wisconsin, Northrock, Oztec, Toker TK, Rol-Air, APT, Wylie, Ingersoll Rand / Doosan, Innovatech, Con X, Ammann, Mecalac, Makinex, Smith Surface Prep, Small Line, Wanco, Yanmar