



Illustrated Parts Manual

MODELS
1930ES, 2030ES,
2630ES,
2646ES & 3246ES

S/N 0200152825
TO S/N 0200198014 &
S/N 1200008481
TO PRESENT

3121248

October 9, 2013



www.discount-equipment.com

ANSI



An Oshkosh Corporation Company

PARTS FINDER

**Search Website
by Part Number**



**Search Manual
Library For Parts
Manual & Lookup Part
Numbers – Purchase
or Request Quote**

Search Manuals

Enter your information to help us find the right part for your machine.

* Brand:

* Model:

* Serial:

* Part Number:

SEARCH

**Can't Find Part or
Manual? Request Help
by Manufacturer,
Model & Description**

Parts Order Form

Please fill in the following information to help us find the right part for your machine.

Manufacturer:	<input type="text"/>
Model:	<input type="text"/>
Description:	<input type="text"/>
Part Number:	<input type="text"/>
Quantity:	<input type="text"/>
Notes:	<input type="text"/>

SEARCH

Discount-Equipment.com is your online resource for quality parts & equipment.

Florida: **561-964-4949** Outside Florida TOLL FREE: **877-690-3101**

Need parts?

Click on this link: <http://www.discount-equipment.com/category/5443-parts/> and choose one of the options to help get the right parts and equipment you are looking for. Please have the machine model and serial number available in order to help us get you the correct parts. If you don't find the part on the website or on one of the online manuals, please fill out the request form and one of our experienced staff members will get back to you with a quote for the right part that your machine needs.

We sell worldwide for the brands: Genie, Terex, JLG, MultiQuip, Mikasa, Essick, Whiteman, Mayco, Toro Stone, Diamond Products, Generac Magnum, Airman, Haulotte, Barreto, Power Blanket, Nifty Lift, Atlas Copco, Chicago Pneumatic, Allmand, Miller Curber, Skyjack, Lull, Skytrak, Tsurumi, Husquvarna Target, Stow, Wacker, Sakai, Mi-T-M, Sullair, Basic, Dynapac, MBW, Weber, Bartell, Bennar Newman, Haulotte, Ditch Runner, Menegotti, Morrison, Contec, Buddy, Crown, Edco, Wyco, Bomag, Laymor, EZ Trench, Bil-Jax, F.S. Curtis, Gehl Pavers, Heli, Honda, ICS/PowerGrit, IHI, Partner, Imer, Clipper, MMD, Koshin, Rice, CH&E, General Equipment, Amida, Coleman, NAC, Gradall, Square Shooter, Kent, Stanley, Tamco, Toku, Hatz, Kohler, Robin, Wisconsin, Northrock, Oztec, Toker TK, Rol-Air, APT, Wylie, Ingersoll Rand / Doosan, Innovatech, Con X, Ammann, Mecalac, Makinex, Smith Surface Prep, Small Line, Wanco, Yanmar

REVISION LOG

NOTES:

NOTE: Country of Manufacture - The ES Scissor Lifts are manufactured by JLG Industries in the following countries: USA, Belgium or China. Refer to the Serial Number Tag to identify the country of manufacture. ES Scissors manufactured in the USA will have a serial number prefix of 02 (i.e. 02XXXXXXXX), ES Scissors manufactured in Belgium will have a prefix of 12 (i.e. 12XXXXXXXX) and ES Scissors manufactured in the China will have a serial number prefix of B2 (i.e. B2XXXXXXXX).

NOTE: 1930ES, 2030ES, 2630ES, 2646ES & 3246ES Global Illustrated Parts Manual P/N 3121167 has been replaced by multiple manuals. Review machine S/N and use the Global Illustrated Parts Manual for the correct serial number range:

USA Built Machines Prior to S/N 0200135154 — Use manual p/n 3121246.

USA Built Machines S/N 0200135154 to S/N 0200152825 — Use manual p/n 3121247.

USA Built Machines S/N 0200152825 to S/N 0200198014 — Use manual p/n 3121248.

USA Built Machines S/N 0200198014 to Present — Use manual p/n 3121275.

Belgium Built Machines Prior to S/N 1200004293 — Use manual p/n 3121246.

Belgium Built Machines S/N 1200004293 to S/N 1200008481— Use manual p/n 3121247.

Belgium Built Machines S/N 1200008481 to Present — Use manual p/n 3121248.

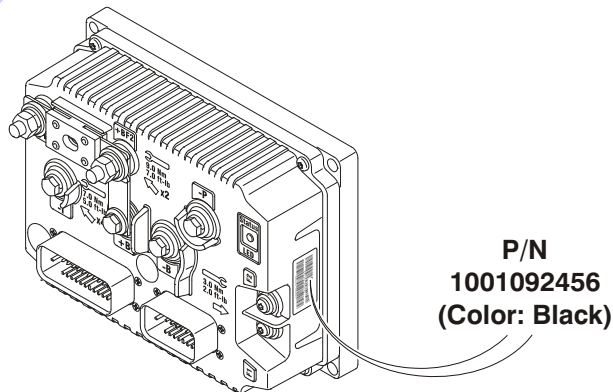
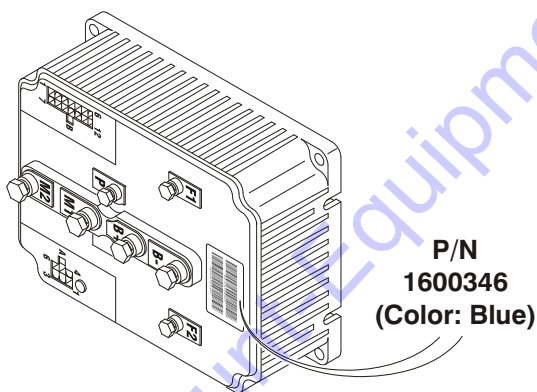
China Built Machines S/N B200000100 to Present — Use manual p/n 3121275.

NOTE: Drive Module Identification - The module is located inside a compartment on the frame behind the front drive wheels. Remove the cover and identify the drive module by part number or visual identification (See illustration below). Also, identify the country of manufactured by referring to the S/N nameplate before ordering parts (See note above).

USA built machines: All machines built before to S/N 0200198014 use the 1600346 Drive Module. All Machines built S/N 0200198014 to present machines use the 001092456 Drive Module.

Belgium built machines: All machines use the 1600346 Drive Module.

China built machines: All machines use the 1001092456 Drive Module.



MANUAL REVISION LOG:

May 31, 2008 - Original Issue of Manual (Edited to B/M 0010588 Revision 68)

August 1, 2008 - Revised Manual (Edited to B/M 0010588 Revision 69)

March 1, 2009 - Revised Manual (Edited to B/M 0010588 Revision 69)

November 15, 2009 - Revised Manual (Edited to B/M 0010588 Revision 77)

December 16, 2009 - Revised Manual (Edited to B/M 0010588 Revision 77)

March 1, 2010 - Revised Manual (Edited B/M 0010588 Revision 83)

November 1, 2010 - Revised Manual (Edited B/M 0010588 Revision 89)

April 11, 2011 - Revised Manual (Edited B/M 0010588 Revision 91)

July 22, 2011 - Revised Manual

REVISION LOG

October 7, 2011 - Revised Manual
January 10, 2012 - Revised Manual
June 20, 2012 - Revised Manual
August 23, 2012 - Revised Manual
January 10, 2013 - Revised Manual
April 15, 2013 - Revised Manual
July 10, 2013 - Revised Manual
October 9, 2013 - Revised Manual

Go to Discount-Equipment.com to order your parts

TABLE OF CONTENTS

FIGURE NO.	TITLE	PAGE NO.
SECTION 1 - FRAME1-1		
1-1	STEERING, DRIVE AND REAR AXLE INSTALLATIONS (USA BUILT MACHINES S/N 0200152825 TO S/N 0200170585 & BELGIUM BUILT MACHINES S/N 1200008481 TO S/N 1200015159).....	1-2
1-2	STEERING, DRIVE AND REAR AXLE INSTALLATIONS (USA BUILT MACHINES S/N 0200170585 TO S/N 0200198014 & BELGIUM BUILT MACHINES S/N 1200015159 TO PRESENT).....	1-6
1-3	WHEEL DRIVE ASSEMBLY	1-10
1-4	DRIVE MODULE & OTHER FRAME MOUNTED COMPONENTS.....	1-16
1-5	POTHOLE PROTECTION INSTALLATION (1930ES/2030ES/2630ES).....	1-20
1-6	POTHOLE PROTECTION INSTALLATION (2646ES/3246ES).....	1-24
1-7	BATTERY CHARGER ASSEMBLY AND INSTALLATION (DELTA-Q CHARGER) ...	1-28
1-8	BATTERY CHARGER WITH INVERTER ASSEMBLY AND INSTALLATION (OPTIONAL ON ANSI & CSA SPEC MACHINES)	1-32
1-9	LADDERS, BEACON LIGHT & ROTARY SENSOR COVER INSTALLATION	1-34
SECTION 2 - GROUND COMPONENTS2-1		
2-1	BATTERIES AND COVERS INSTALLATION	2-2
2-2	GROUND CONTROL ASSEMBLY & INSTALLATION	2-6
2-3	BRAKE DISCONNECT/RELEASE & MDI (MULTIFUNCTION DIGITAL INDICATOR) GAUGE INSTALLATIONS.....	2-10
SECTION 3 - SCISSOR ARMS.....3-1		
3-1	SCISSOR ARMS INSTALLATION - 1930ES.....	3-2
3-2	SCISSOR ARMS INSTALLATION - 2030ES.....	3-6
3-3	SCISSOR ARMS INSTALLATION - 2630ES.....	3-10
3-4	SCISSOR ARMS INSTALLATION - 2646ES/3246ES.....	3-14
SECTION 4 - PLATFORM.....4-1		
4-1	PLATFORM INSTALLATION.....	4-2
4-2	RAIL (FIXED) INSTALLATION - 1930ES	4-6
4-3	RAIL (FOLD-DOWN) INSTALLATION - 1930ES.....	4-10
4-4	RAIL INSTALLATION - 2030ES/2630ES.....	4-14
4-5	RAIL INSTALLATION - 2646ES/3246ES.....	4-18
4-6	PLATFORM CONSOLE BOX INSTALLATION	4-22
4-7	DRIVE/STEER CONTROLLER ASSEMBLY (USA BUILT MACHINES S/N 0200152825 TO S/N 0200172402 & BELGIUM BUILT MACHINES S/N 1200008481 TO S/N 1200015409).....	4-26
4-8	DRIVE/STEER CONTROLLER ASSEMBLY (USA BUILT MACHINES S/N 0200172402 TO S/N 0200198014 & BELGIUM BUILT MACHINES S/N 1200015409 TO PRESENT).....	4-28
SECTION 5 - CYLINDER5-1		
5-1	LIFT CYLINDER ASSEMBLY	5-2
5-2	STEER CYLINDER ASSEMBLY	5-8
SECTION 6 - HYDRAULIC6-1		
6-1	HYDRAULIC DIAGRAM	6-2

TABLE OF CONTENTS

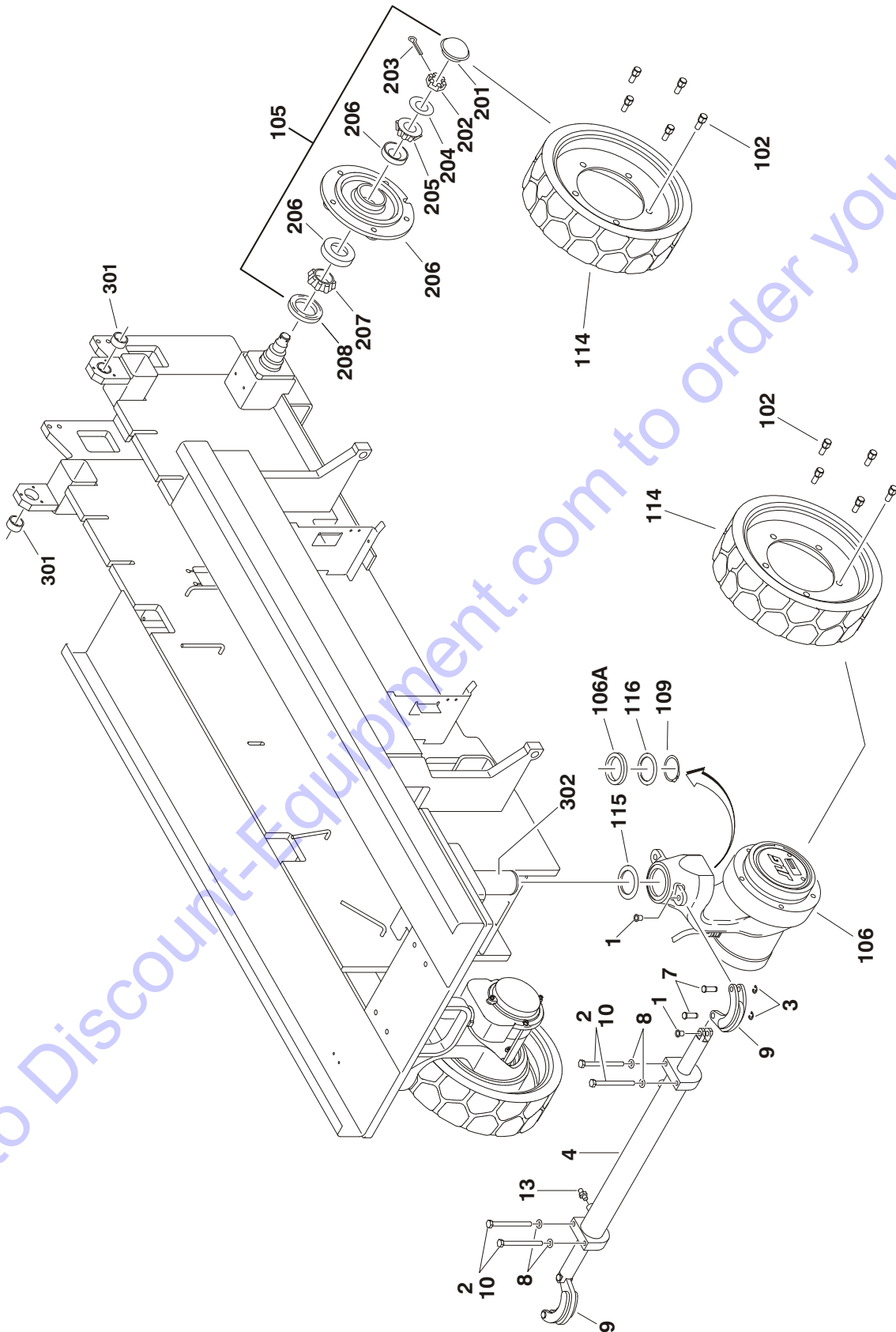
FIGURE NO.	TITLE	PAGE NO.
SECTION 7 - ELECTRICAL		7-1
7-1	ELECTRICAL SCHEMATIC	7-2
7-2	1930ES ELECTRICAL COMPONENTS INSTALLATION	7-4
7-3	2030ES/2630ES ELECTRICAL COMPONENTS INSTALLATION	7-18
7-4	2646ES/3246ES ELECTRICAL COMPONENTS INSTALLATION	7-32
SECTION 8 - DECALS		8-1
8-1	DECAL INSTALLATION (ANSI SPEC)	8-2
8-2	DECALS INSTALLATIONS (ANSI EXPORT SPEC)	8-8
8-3	DECAL INSTALLATION (AUSTRALIAN, CE & JAPANESE SPECS)	8-16
SECTION 9 - RECOMMENDED SERVICE PARTS STOCK		9-1
SECTION 10 - SPECIAL OPTIONS		10-1
SECTION 11 - PART NUMBER INDEX		11-1

Go to Discount-Equipment.com to order your parts

SECTION 1
FRAME

SECTION 1 FRAME

FIGURE 1-1. STEERING, DRIVE AND REAR AXLE INSTALLATIONS (USA BUILT MACHINES S/N 0200152825 TO S/N 0200170585 & BELGIUM BUILT MACHINES S/N 1200008481 TO S/N 1200015159)



SECTION 1 FRAME

FIGURE 1-1. STEERING, DRIVE AND REAR AXLE INSTALLATIONS (USA BUILT MACHINES S/N 0200152825 TO S/N 0200170585 & BELGIUM BUILT MACHINES S/N 1200008481 TO S/N 1200015159)

ITEM #	PART NUMBER	QTY.	DESCRIPTION	REV.
		Ref.	STEERING INSTALLATION	
	0272371	Ref.	1930ES	G
	0273227	Ref.	2030ES/2630ES	D
	0274546	Ref.	2646ES/3246ES	B
1	0440259	2	Bearing, Flanged	
2		4	Bolt M10 Options: 40mm Length 60mm Length	
	0701016			
	0701020			
3	1380153	4	E-Clip	
4		1	Steer Cylinder Assembly (See Section 5 for Breakdown): 1930ES/2030ES/2630ES 2646ES/3246ES	
	1684237			
	1684456			
5 to 6	Not Used			
7	3423037	4	Pin, Clevis	
8	4812000	4	Flatwasher M10	
9	4846757	2	Lug, Steer	
10	0100011	A/R	Compound, Locking	
11 to 12	Not Used			
13	2110404	2	Fitting, Straight	
		Ref.	DRIVE INSTALLATION	
	0275185	Ref.	1930ES USA Built Machines S/N 0200152825 to S/N 0200161932 & Belgium Built Machines S/N 1200008481 to S/N 1200011007	D
	0275445	Ref.	1930ES USA Built Machines S/N 0200161932 to S/N 0200170585 & Belgium Built Machines S/N 1200011007 to S/N 1200015159	A
	0275188	Ref.	1930ES (UL SPEC) USA Built Machines S/N 0200152825 to S/N 0200161932 & Belgium Built Machines S/N 1200008481 to S/N 1200011007	E
	0275445	Ref.	1930ES (UL SPEC) USA Built Machines S/N 0200161932 to S/N 0200170585 & Belgium Built Machines S/N 1200011007 to S/N 1200015159	A
	0275186	Ref.	2030ES/2630ES	C
	0275189	Ref.	2030ES/2630ES (UL SPEC)	D
	0275187	Ref.	2646ES/3246ES	C
	0275190	Ref.	2646ES/3246ES (UL SPEC)	D
101	Not Used			
102	0630580	20	Bolt, Wheel	
103 to 104	Not Used			
105	2780266	2	Hub Assembly (See Items 201-208 for Breakdown)	

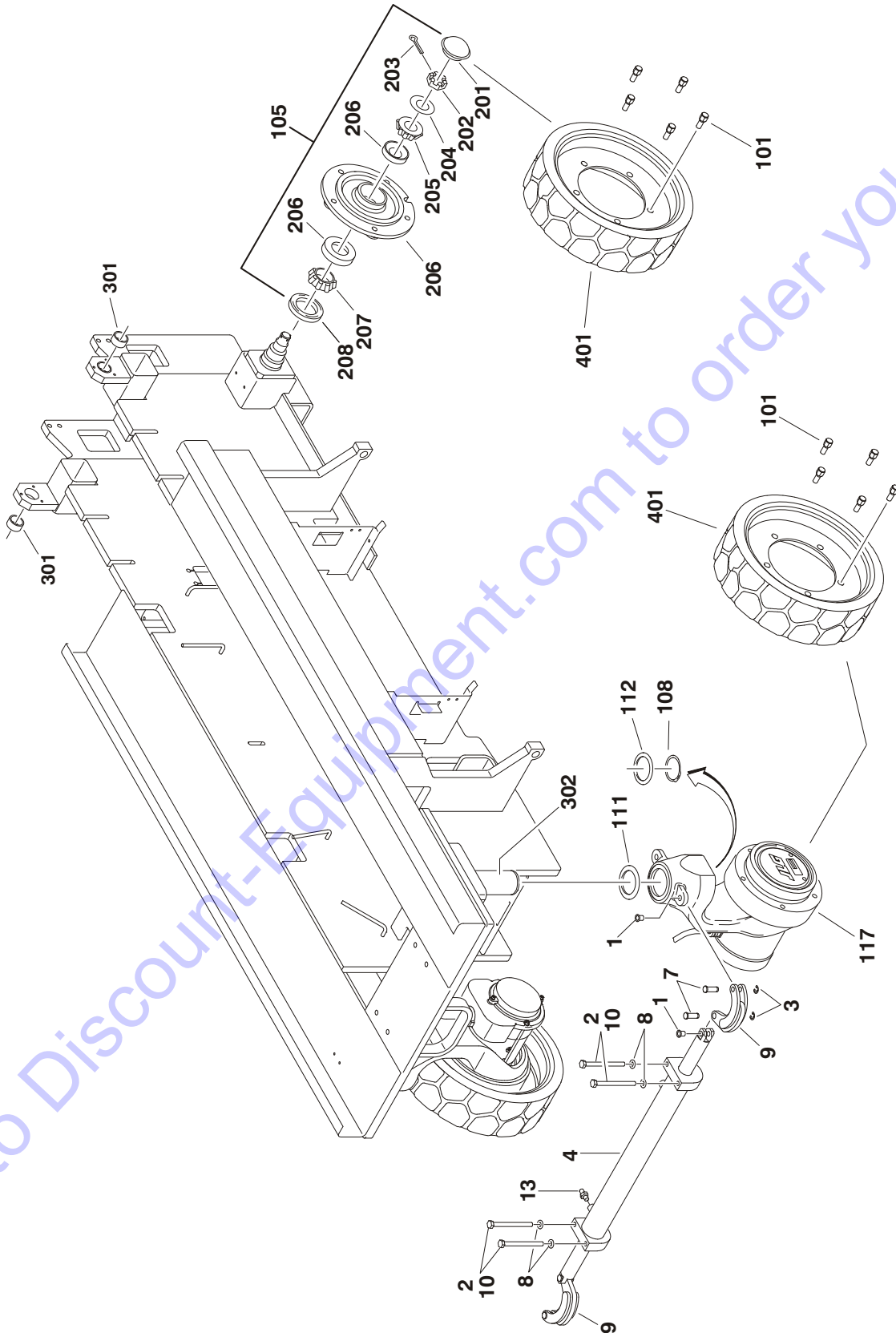
SECTION 1 FRAME

FIGURE 1-1. STEERING, DRIVE AND REAR AXLE INSTALLATIONS (USA BUILT MACHINES S/ N 0200152825 TO S/N 0200170585 & BELGIUM BUILT MACHINES S/N 1200008481 TO S/N 1200015159) (CONTINUED)

ITEM #	PART NUMBER	QTY.	DESCRIPTION	REV.
106		2	Wheel Drive Assembly Options (See Figure 1-3 for Breakdown): 1930ES USA Built Machines S/N 0200152825 to S/N 0200161932 & Belgium Built Machines S/N 1200008481 to S/N 1200011007(was p/n 3160306) USA Built Machines S/N 0200161932 to S/N 0200170585 & Belgium Built Machines S/N 1200011007 to S/N 1200015159 (was p/n 3160337) 2030ES/2630ES/2646ES/3246ES (was p/n 3160307)	
	Use 2915236			
	Use 1001100974			
	Use 1001100975			
106A	3577112	2	Plate, Spacer (Used only on Machines with Kit p/n 2915236 Installed)	
107 to 108	Not Used			
109	3760463	2	Ring, Retaining	
110 to 113	Not Used			
114		4	Tire and Wheel Assembly Options:	
		Ref.	Note: Must replace Tire & Wheel Assemblies in pairs per axle.	
	Use 2915012		1930ES (was p/n 4520326, 4520565, 1001100840 & 1001114467)	
	Use 2915013		2030ES/2630ES/2646ES/3246ES (was p/n 4520327, 4520676, 1001100894 & 1001114466)	
115	4740524	2	Thrustwasher M60	
116	4740564	2	Washer, Spindle Retaining	
	2780266	Ref.	HUB ASSEMBLY	B
		Ref.	Note: Qty's shown for 1 Assembly. Two Assemblies required per machine.	
201	Use 1001102354	1	Cap, Dust (was p/n 7012524)	
202	Use 3300423	1	Nut, Slotted (was p/n 7010641)	
203	Use 3450406	1	Pin, Cotter 2" x 3/16" (was p/n 7010642)	
204	Use 4740468	1	Washer (was p/n 7019697)	
205	Use 1001102351	1	Bearing, Cone - Outer (was p/n 7026185)	
206	Not Available	1	Hub (Purchase Complete Hub p/n 2780266)	
207	Use 1001102353	1	Bearing, Cone - Inner (was p/n 7026183)	
208	Use 1001102349	1	Seal (was p/n 7026184)	
		Ref.	FRAME WELDMENTS	
301		2	Bushing Options: 1930ES 2030ES/2630ES/2646ES/3246ES	
	0440264			
	0440265			
302		A/R	Kingpin Rework Instruction Options (Provides rework procedure for damaged kingpins): 1930ES/2030ES/2630ES 2646ES/3246ES	
	3128601			
	3128703			

SECTION 1 FRAME

FIGURE 1-2. STEERING, DRIVE AND REAR AXLE INSTALLATIONS (USA BUILT MACHINES S/N 0200170585 TO S/N 0200198014 & BELGIUM BUILT MACHINES S/N 1200015159 TO PRESENT)



SECTION 1 FRAME

FIGURE 1-2. STEERING, DRIVE AND REAR AXLE INSTALLATIONS (USA BUILT MACHINES S/ N 0200170585 TO S/N 0200198014 & BELGIUM BUILT MACHINES S/N 1200015159 TO PRESENT)

ITEM #	PART NUMBER	QTY.	DESCRIPTION	REV.
		Ref.	STEERING INSTALLATION	
	0272371	Ref.	1930ES	G
	0273227	Ref.	2030ES/2630ES	D
	0274546	Ref.	2646ES/3246ES	B
1	0440259	2	Bearing, Flanged	
2		4	Bolt M10 Options: 40mm Length 60mm Length	
	0701016			
	0701020			
3	1380153	4	E-Clip	
4		1	Steer Cylinder Assembly (See Section 5 for Breakdown): 1930ES/2030ES/2630ES 2646ES/3246ES	
	1684237			
	1684456			
5 to 6	Not Used			
7	3423037	4	Pin, Clevis	
8	4812000	4	Flatwasher M10	
9	4846757	2	Lug, Steer	
10	0100011	A/R	Compound, Locking	
11 to 12	Not Used			
13	2110404	2	Fitting, Straight	
		Ref.	DRIVE INSTALLATION	
	1001092739	Ref.	1930ES	D
	1001092740	Ref.	2030ES/2630ES	D
	1001092741	Ref.	2646ES/3246ES	D
101	0630580	20	Bolt, Wheel	
102 to 104	Not Used			
105	2780266	2	Hub Assembly (See Items 201-208 for Breakdown)	
106 to 107	Not Used			
108	3760463	2	Ring, Retaining	
109 to 110	Not Used			
111	4740524	2	Thrustwasher M60	
112	4740564	2	Washer, Spindle Retaining	
113 to 116	Not Used			
117		2	Wheel Drive Assembly Options (See Figure 1-3 for Breakdown): 1930ES 2030ES/2630ES/2646ES/3246ES 2646ES/3246ES	
	1001092737			
	1001092738			
	1001092738			
	2780266	Ref.	HUB ASSEMBLY	B
		Ref.	Note: Qtys shown for 1 Assembly. Two Assemblies required per machine.	
201	7012524	1	Cap, Dust	
202	7010641	1	Nut, Slotted	
203	7010642	1	Pin, Cotter 2" x 3/16"	

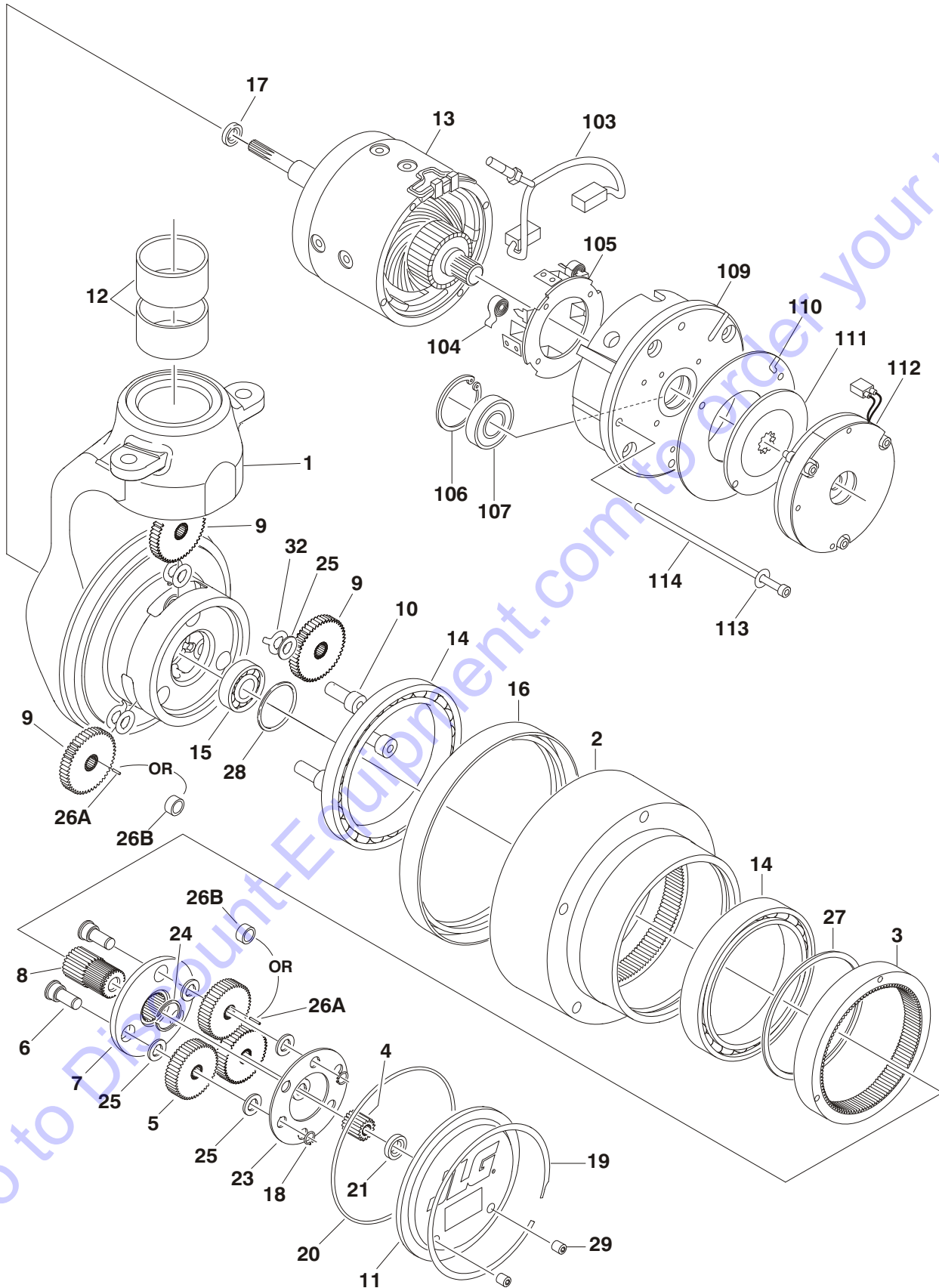
SECTION 1 FRAME

FIGURE 1-2. STEERING, DRIVE AND REAR AXLE INSTALLATIONS (USA BUILT MACHINES S/ N 0200170585 TO S/N 0200198014 & BELGIUM BUILT MACHINES S/N 1200015159 TO PRESENT) (CONTINUED)

ITEM #	PART NUMBER	QTY.	DESCRIPTION	REV.
204	7019697	1	Washer	
205	7026185	1	Bearing, Cone - Outer	
206	Not Available	1	Hub (Purchase Complete Hub p/n 2780266)	
207	7026183	1	Bearing, Cone - Inner	
208	7026184	1	Seal	
		Ref.	FRAME WELDMENT	
301		2	Bushing Options: 1930ES	
	0440264		2030ES/2630ES/2646ES/3246ES	
	0440265			
302		A/R	Kingpin Rework Instruction Options (Provides rework procedure for damaged kingpins): 1930ES/2030ES/2630ES	
	3128601		2646ES/3246ES	
	3128703			
		Ref.	TIRE & WHEEL INSTALLATION	
	1001092739	Ref.	1930ES USA Built Machines S/N 0200152825 to S/N 0200195328 & Belgium Built Machines S/N 1200008481 to S/N 1200022484	D
	0010588	Ref.	1930ES USA Built Machines S/N 0200195328 to S/N 0200198014 & Belgium Built Machines S/N 1200022484 to Present	83
	1001092740	Ref.	2030ES/2630ES USA Built Machines S/N 0200152825 to S/N 0200195328 & Belgium Built Machines S/N 1200008481 to S/N 1200022484	D
	0010588	Ref.	2030ES/2630ES USA Built Machines S/N 0200195328 to S/N 0200198014 & Belgium Built Machines S/N 1200022484 to Present	83
	1001092741	Ref.	2646ES/3246ES USA Built Machines S/N 0200152825 to S/N 0200195328 & Belgium Built Machines S/N 1200008481 to S/N 1200022484	D
	0010588	Ref.	2646ES/3246ES USA Built Machines S/N 0200195328 to S/N 0200198014 & Belgium Built Machines S/N 1200022484 to Present	83
401		A/R	Tire and Wheel Assembly Options:	
		Ref.	Note: Must replace Tire & Wheel Assy's in pairs per axle.	
	Use 2915012	4	1930ES (was p/n 4520565, 1001100840 & 1001114467)	
	Use 2915013	4	2030ES/2630ES/2646ES/3246ES (was p/n 4520676, 1001100894 & 1001114466)	

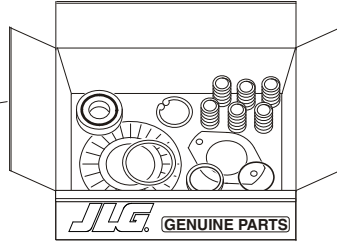
SECTION 1 FRAME

FIGURE 1-3. WHEEL DRIVE ASSEMBLY

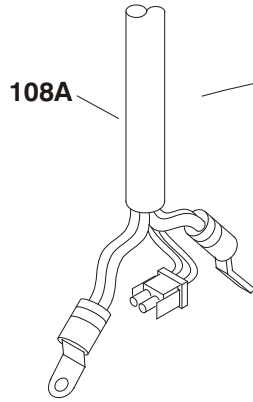
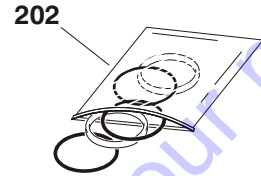


SECTION 1 FRAME

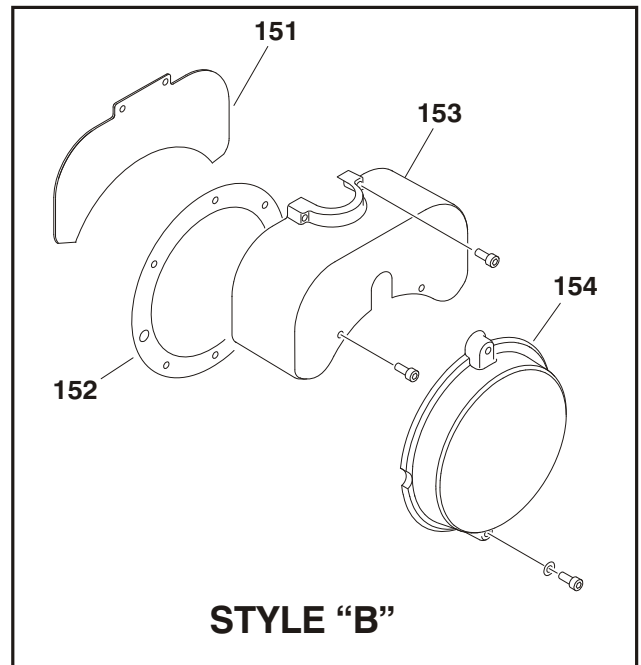
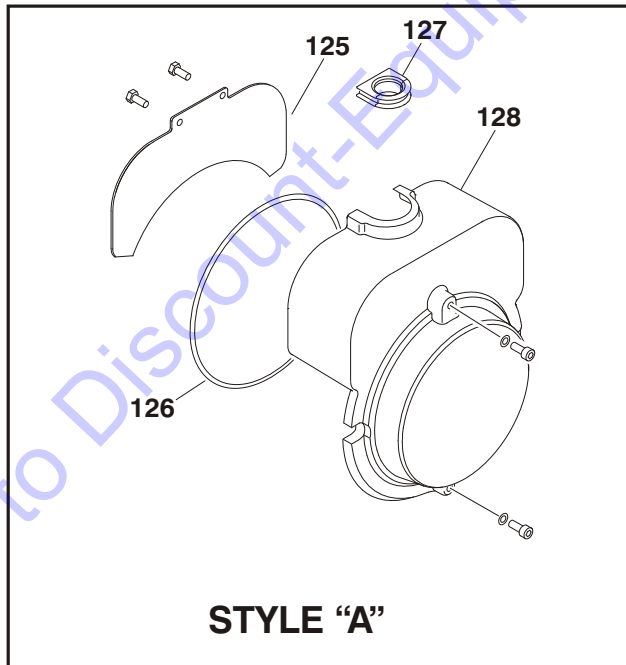
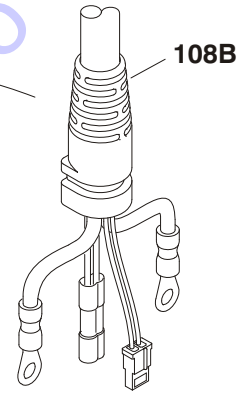
201
203
204
205A
205B
205C
205D
206



207
208
209
210A
210B
211A
211B



OR



SECTION 1 FRAME

FIGURE 1-3. WHEEL DRIVE ASSEMBLY

ITEM #	PART NUMBER	QTY.	DESCRIPTION	REV.
		Ref.	WHEEL DRIVE ASSEMBLY (ADVANCED)	
		Ref.	1930ES	
	3160306	Ref.	USA Built Machines S/N 0200152825 to S/N 0200161932 & Belgium Built Machines S/N 1200008481 to S/N 1200011007	E
	3160337	Ref.	USA Built Machines S/N 0200161932 to S/N 0200170585 & Belgium Built Machines S/N 1200011007 to S/N 1200015159	A
	1001092737	Ref.	USA Built Machines S/N 0200170585 to S/N 0200198014 & Belgium Built Machines S/N 1200015159 to Present	F
		Ref.	2030ES/2630ES	
	3160307	Ref.	USA Built Machines S/N 0200152825 to S/N 0200170585 & Belgium Built Machines S/N 1200008481 to S/N 1200015159	E
	1001092738	Ref.	USA Built Machines S/N 0200170585 to S/N 0200198014 & Belgium Built Machines S/N 1200015159 to Present	G
		Ref.	2646ES/3246ES	
	3160307	Ref.	USA Built Machines S/N 0200152825 to S/N 0200170585 & Belgium Built Machines S/N 1200008481 to S/N 1200015159	E
	1001092738	Ref.	USA Built Machines S/N 0200170585 to S/N 0200198014 & Belgium Built Machines S/N 1200015159 to Present	G
		Ref.	Note: Due to service updates, drive motors may use any of the various parts listed below. Visual identification will be required.	
		Ref.	HUB ASSEMBLY	
1	Not Available	1	Spindle	
2	Use Item 206	1	Hub	
3	Use Item 204	1	Ring, Input	
4	Use Item 203	1	Gear, Input Sun	
5	Use Item 203	3	Gear, Input Planet	
6	Use Item 203	3	Pin, Planet Gear	
7	Use Item 203	1	Carrier	
8	Use Item 203	1	Gear, Output Sun	
9	Use Item 207	3	Gear, Output Planet	
10	Use Item 207	3	Pin, Output Planet	
11	Use Item 201	1	Cover	
12	7024757	1	Bushing Kit, Kingpin (Includes 2 Bushings)	
13	See Note	1	Motor, Electric (Note: Use item 205A, 205B, 205C or 205D)	
14	See Note	2	Bearing, Main (Note: Use Item 202, 204, 206 or 207)	
15	Use Item 207	1	Bearing, Shaft	
16	70001739	1	Seal, Lip	
17	7024786	1	Seal, Lip	
18	Use Item 203	3	Ring, Retaining	
19	Use Item 201	1	Ring, Retaining	
20	70000191	1	O-Ring	
21	Use Item 201	1	Thrustwasher	
22	Not Used			
23	Use Item 203	1	Plate, Thrust	
24	Use Item 203	1	Ring, Retaining	
25	See Note	9	Thrustwasher (Note: Use Item 203 or 207)	

SECTION 1 FRAME

FIGURE 1-3. WHEEL DRIVE ASSEMBLY (CONTINUED)

ITEM #	PART NUMBER	QTY.	DESCRIPTION	REV.
26	See Note	A/R	Bearing/Bushing Options (Note: Use Item 203 or 207):	
26A		66	Bearing, Needle	
26B		6	Bushing	
27	See Note	1	Ring, Retaining (Note: Use Item 204, 206 or 207)	
28	Use Item 207	1	Ring, Retaining	
29	Use Item 201	2	Plug	
30 to 31	Not Used			
32	Use Item 207	3	Washer, Tanged	
		Ref.	BRAKE & MOTOR COMPONENTS	
101 to 102	Not Used			
103	Use Item 208	1	Brush & Terminal Assembly	
104	70000790	2	Spring, Brush	
105	70000791	1	Box, Brush	
106	Use Item 208	1	Ring, Retaining	
107	Use Item 208	1	Bearing	
108		1	Harness, Electrical Cable Options:	
108A	Use 1001099628 Use 1001099676		1930ES (was p/n 7024770) 2030ES/2630ES/2646ES/3246ES (was p/n 7024770 & 7024775)	
108B	1001091502 Use 1001134012		1930ES 2030ES/2630ES/2646ES/3246ES (was p/n 1001091843)	
109	70000792	1	Commutator	
110	Use Item 209	1	Disc, Reaction	
111	7024785	1	Disc, Friction	
112	Use Item 209	1	Brake Assembly	
113	See Note	2	Flatwasher (Note: Use Item 210A or 210B)	
114	See Note	2	Bolt (Note: Use Item 210A or 210B)	
115 to 124	Not Used			
		Ref.	Style "A" Brake Cover	
125	See Note	1	Plate, Cover (Note: Use Item 211A or 211B)	
126	See Note	1	O-Ring (Note: Use Item 210A, 210B, 211A or 211B)	
127	70000383	1	Connector, Strain Relief	
128	See Note	1	Cover (Note: Use Item 211A or 211B)	
129 to 150	Not Used			
		Ref.	Style "B" Brake Cover	
151	See Note	1	Plate, Cover (Note: Use Item 211A or 211B)	
152	70001949	1	Gasket, Cover	
153	See Note	1	Cover, Top (Note: Use Item 211A or 211B)	
154	See Note	1	Cover, End (Note: Use Item 211A or 211B)	
		Ref.	KIT OPTIONS	
201	7024747	1	Cover Kit (Includes Items 11,19,20,21 & 29)	
202	7024748	1	Main Seal Kit (Includes Qty 1 of Items 14,16 & 20)	
203	7024749	1	Input Carrier Kit (Includes Items 4-8,18,20 & 23-26)	
204	7024758	1	Input Ring Kit (Includes Item 3,20,27 & Qty 1 of Item 14)	

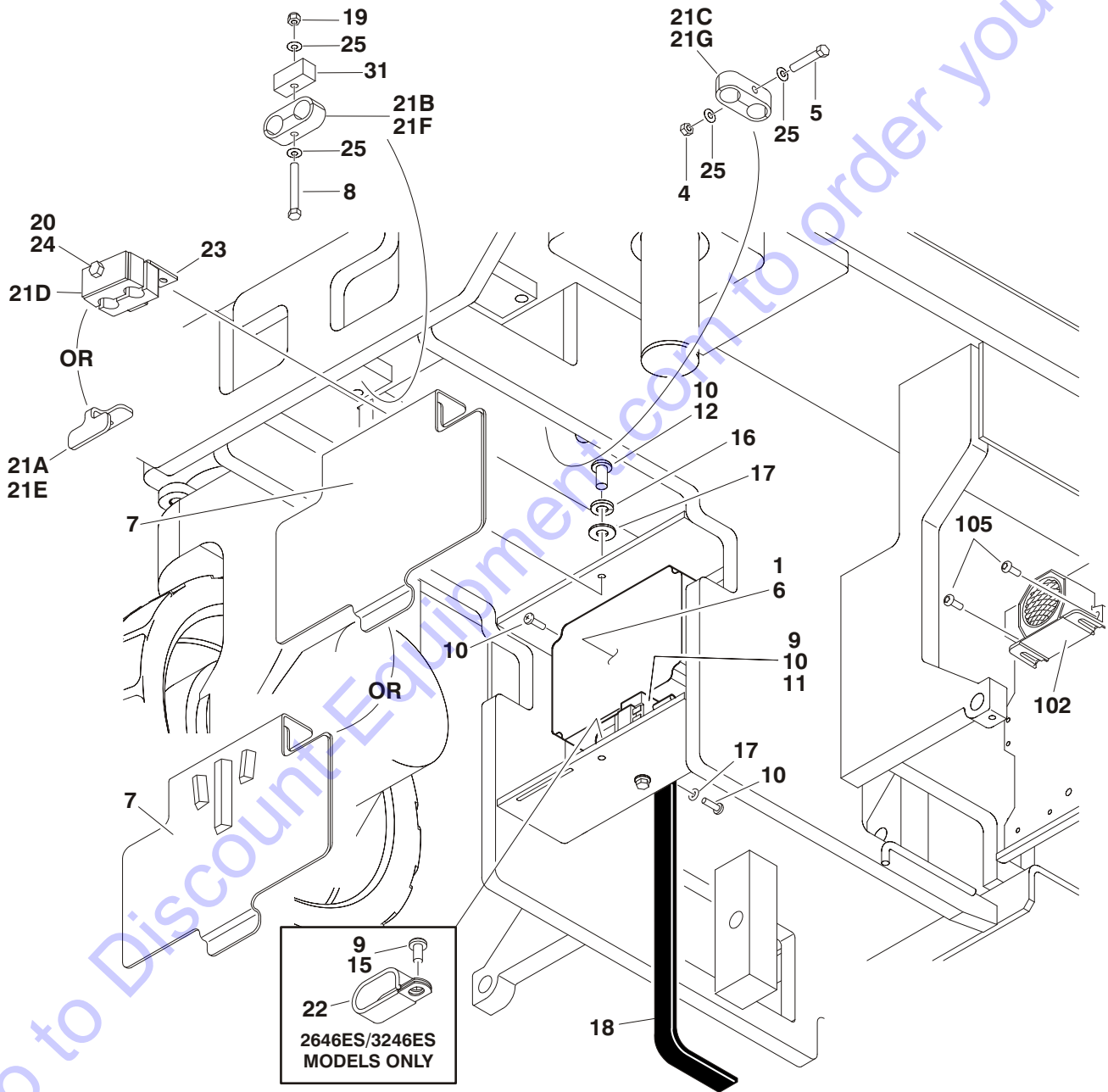
SECTION 1 FRAME

FIGURE 1-3. WHEEL DRIVE ASSEMBLY (CONTINUED)

ITEM #	PART NUMBER	QTY.	DESCRIPTION	REV.
205		1	Motor Kit Options (Includes Items 13,17,103-114 & 151-154): Motors with Item #108A Style Electrical Cable	
205A	Use 1001100819		1930ES (was p/n 7024774)	
205B	Use 1001100820		2030ES/2630ES/2646ES/3246ES (was p/n 7024777)	
205C	70001263		Motors with Item #108B Style Electrical Cable 1930ES	
205D	70001345		2030ES/2630ES/2646ES/3246ES	
206	7024756	1	Hub Kit (Includes Items 2,16,20,27 & Qty 1 of Item 14)	
207	7024750	1	Output Planet Kit (Includes Items 9,10,15,20,25-28,32 & Qty 1 of Item 14)	
208	7024771	1	Motor Brush & Bearing Kit (Includes Items 103, 106 & 107)	
209	7024772	1	Brake Kit (Includes Items 110, 111 & 112)	
210		1	Motor Hardware Kit (Includes 113 & 114)	
210A	7024773		1930ES	
210B	7024776		2030ES/2630ES/2646ES/3246ES	
211		1	Brake Cover Kit Options:	
211A	7024787		Style "A" (Includes Items 125 - 128)	
211B	70001265		Style "B" (Includes Items 151 - 154)	

SECTION 1 FRAME

FIGURE 1-4. DRIVE MODULE & OTHER FRAME MOUNTED COMPONENTS



SECTION 1 FRAME

FIGURE 1-4. DRIVE MODULE & OTHER FRAME MOUNTED COMPONENTS

ITEM #	PART NUMBER	QTY.	DESCRIPTION	REV.
		Ref.	DRIVE MODULE INSTALLATION	
		Ref.	1930ES:	
		Ref.	All except UL Spec	
	0275185	Ref.	USA Built Machines S/N 0200152825 to S/N 0200161931 & Belgium Built Machines S/N 1200008481 to S/N 1200011007	D
	0275445	Ref.	USA Built Machines S/N 0200161931 to S/N 0200170585 & Belgium Built Machines S/N 1200011007 to S/N 1200015159	A
	1001092739	Ref.	USA Built Machines S/N 0200170585 to S/N 0200198014 & Belgium Built Machines S/N 1200015159 to Present	D
		Ref.	UL Spec	
	0275188	Ref.	USA Built Machines S/N 0200152825 to S/N 0200161931 & Belgium Built Machines S/N 1200008481 to S/N 1200011007	E
	0275445	Ref.	USA Built Machines S/N 0200161931 to S/N 0200170585 & Belgium Built Machines S/N 1200011007 to S/N 1200015159	A
	1001092739	Ref.	USA Built Machines S/N 0200170585 to S/N 0200198014 & Belgium Built Machines S/N 1200015159 to Present	D
		Ref.	2030ES/2630ES:	
		Ref.	All except UL Spec	
	0275186	Ref.	USA Built Machines S/N 0200152825 to S/N 0200170585 & Belgium Built Machines S/N 1200008481 to S/N 1200015159	C
	1001092740	Ref.	USA Built Machines S/N 0200170585 to S/N 0200198014 & Belgium Built Machines S/N 1200015159 to Present	D
		Ref.	UL Spec	
	0275189	Ref.	USA Built Machines S/N 0200152825 to S/N 0200170585 & Belgium Built Machines S/N 1200008481 to S/N 1200015159	D
	1001092740	Ref.	USA Built Machines S/N 0200170585 to S/N 0200198014 & Belgium Built Machines S/N 1200015159 to Present	D
		Ref.	2646ES/3246ES:	
		Ref.	All except UL Spec	
	0275187	Ref.	USA Built Machines S/N 0200152825 to S/N 0200170585 & Belgium Built Machines S/N 1200008481 to S/N 1200015159	C
	1001092741	Ref.	USA Built Machines S/N 0200170585 to S/N 0200198014 & Belgium Built Machines S/N 1200015159 to Present	D
		Ref.	UL Spec	
	0275190	Ref.	USA Built Machines S/N 0200152825 to S/N 0200170585 & Belgium Built Machines S/N 1200008481 to S/N 1200015159	D
	1001092741	Ref.	USA Built Machines S/N 0200170585 to S/N 0200198014 & Belgium Built Machines S/N 1200015159 to Present	D
1	0100083	A/R	Grease, Heat Transfer	
2 to 3	Not Used			
4	3290605	A/R	Locknut M6	
5	0700619	A/R	Bolt M6 x 55mm	
6	1600346	1	Module, Drive	

SECTION 1 FRAME

FIGURE 1-4. DRIVE MODULE & OTHER FRAME MOUNTED COMPONENTS (CONTINUED)

ITEM #	PART NUMBER	QTY.	DESCRIPTION	REV.
7		1	Cover Options:	
		Ref.	1930ES	
	1671132		All except UL Spec	
			UL Spec Options:	
	1671181		USA Built Machines S/N 0200152825 to S/N 0200161931 & Belgium Built Machines S/N 1200008481 to S/N 1200011007	
	1671132		USA Built Machines S/N 0200161931 to S/N 0200198014 & Belgium Built Machines S/N 1200011007 to Present	
		Ref.	2030ES/2630ES	
	1671132		All except UL Spec	
			UL Spec	
	1671181		USA Built Machines S/N 0200152825 to S/N 0200170585 & Belgium Built Machines S/N 1200008481 to S/N 1200011007	
	1671132		USA Built Machines S/N 0200170585 to S/N 0200198014 & Belgium Built Machines S/N 1200011007 to Present	
		Ref.	2646ES/3246ES	
	1671133		All except UL Spec	
			UL Spec	
	1671182		USA Built Machines S/N 0200152825 to S/N 0200170585 & Belgium Built Machines S/N 1200008481 to S/N 1200015159	
	1671133		USA Built Machines S/N 0200170585 to S/N 0200198014 & Belgium Built Machines S/N 1200015159 to Present	
8	0700624	A/R	Bolt M6 x 80mm	
9	4191706	A/R	Bolt M6 x 12mm	
10	4191708	A/R	Bolt M6 x 20mm	
11		1	Relay Options:	
	3740150		All except UL Spec	
			UL Spec	
	Use 2915064		USA Built Machines S/N 0200152825 to S/N 0200161931 & Belgium Built Machines S/N 1200008481 to S/N 1200010663 (was p/n 3740146)	
	0903098	1	Mounting Bracket Used on 3740146	
	3740150		USA Built Machines S/N 0200161931 to S/N 0200198014 & Belgium Built Machines S/N 1200010663 to Present	
		Ref.	Note:	
			Relay p/n 3740146 Albright or Curtis brand has 4 terminals & no lead wires.	
			Relay p/n 3740150 is Trombetta brand has 2 terminals & 1 lead wire.	
12	4191709	A/R	Bolt M6 x 25mm	
13 to 14	Not Used			
15	4191707	A/R	Bolt M6 x 16mm	
16	4831700	A/R	Lockwasher M6	
17	4751400	A/R	Flatwasher 1/4" Wide	
18	4240147	1	Strap, Anti-Static	
19	3290606	A/R	Locknut M6	

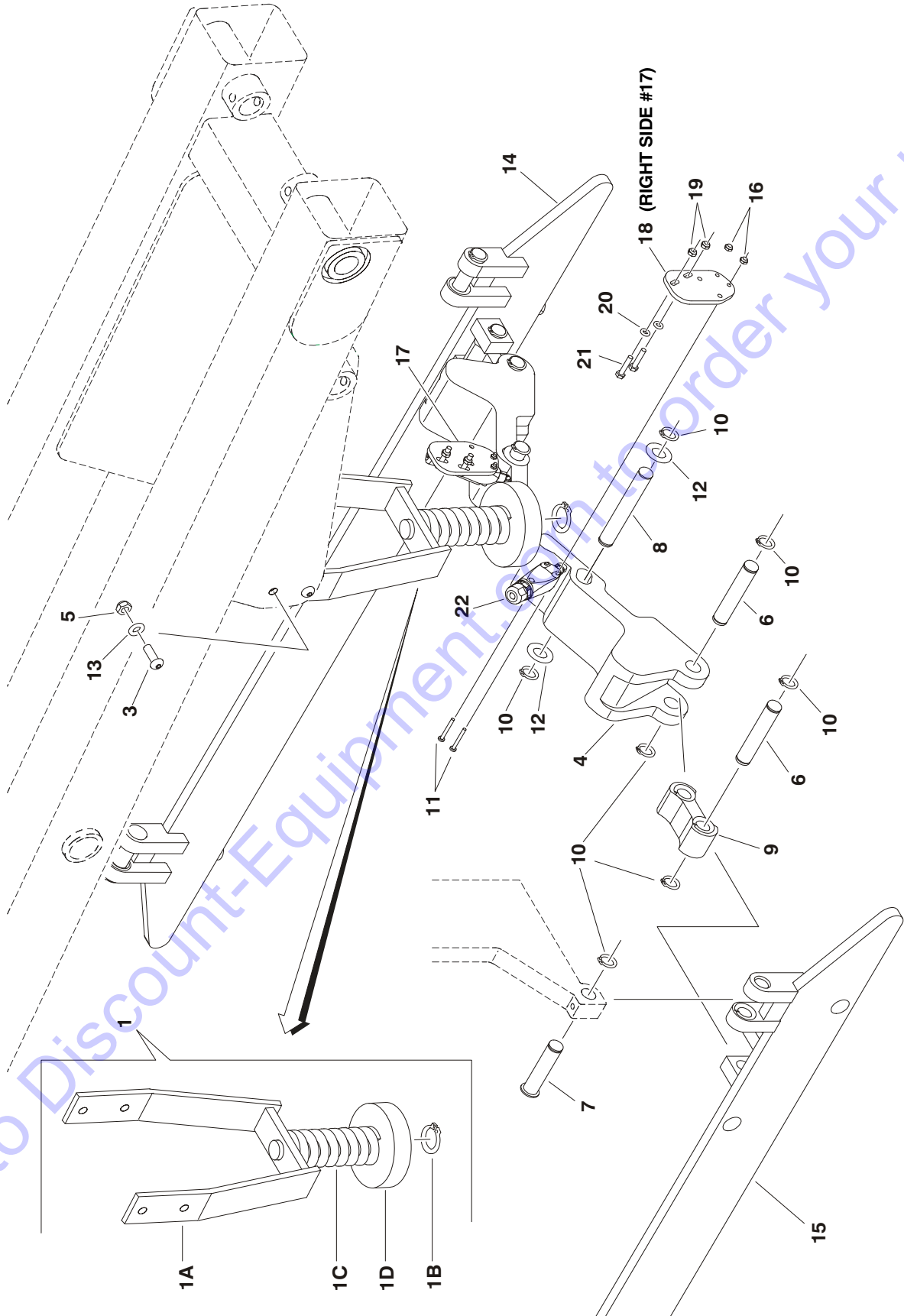
SECTION 1 FRAME

FIGURE 1-4. DRIVE MODULE & OTHER FRAME MOUNTED COMPONENTS (CONTINUED)

ITEM #	PART NUMBER	QTY.	DESCRIPTION	REV.
20	0700819	A/R	Bolt M8 x 55mm	
21		A/R	Clamp, Cable Options:	
		Ref.	Note: Due to service updates, cable clamps may be any of the various designs listed below. Visual identification will be required.	
			All except UL Spec	
21A	3574714	1	Clamp (Available on All Models)	
21B	1001091492	1	Clamp (Available on 1930ES)	
21C	1001094301	2	Clamp (Available on 2030ES/2630ES/2646ES/3246ES)	
			UL Spec	
21D	1320162	1	Clamp (Available on All Models)	
21E	3574714	1	Clamp (Available on 1930ES)	
21F	1001091492	1	Clamp (Available on 1930ES)	
21G	1001094301	2	Clamp (Available on 2030ES/2630ES/2646ES/3246ES)	
22	1321283	1	Clamp, Hose(2646ES/3246ES Only - USA Built Machines S/N 0200158825 to S/N 0200170585 & Belgium Built Machines S/N 1200008481 to S/N 1200015159)	
23	4340751	A/R	Mount, Cable Clamp (UL Spec Only)	
24	4811900	A/R	Flatwasher M8	
25	4811700	A/R	Flatwasher M6	
26 to 29	Not Used			
30	4923602	1	Harness, Field Wire Connection (Not Shown - See Section 7 for Breakdown) (USA Built Machines S/N 0200156117 to S/N 0200198014 & Belgium Built Machines S/N 1200008263 to Present)	
31	1001094124	A/R	Block, Spacer (1930ES With Service Upgrade Only)	
		Ref.	ALARM INSTALLATIONS	
	0272810	Ref.	ANSI & ANSI Export & UL Specs (USA & Belgium Built Machines)	F
	0273966	Ref.	ANSI Export & Japanese Specs (USA & Belgium Built Machines)	C
	0273443	Ref.	Australian Specs without Overload (USA & Belgium Built Machines)	D
	0272811	Ref.	Australian & CE Specs with Overload (USA & Belgium Built Machines)	F
	0272722	Ref.	Descent Alarm	A
	0272913	Ref.	Motion Alarm	A
101	Not Used			
102	0140043	1	Alarm	
103 to 104	Not Used			
105	4191706	2	Screw M6 x 12mm	

SECTION 1 FRAME

FIGURE 1-5. POTHOLE PROTECTION INSTALLATION (1930ES/2030ES/2630ES)



SECTION 1 FRAME

FIGURE 1-5. POTHOLE PROTECTION INSTALLATION (1930ES/2030ES/2630ES)

ITEM #	PART NUMBER	QTY.	DESCRIPTION	REV.
		Ref.	POTHOLE PROTECTION INSTALLATION	
	0275092	Ref.	1930ES	D
	0275093	Ref.	2030ES/2630ES	D
1	Purchase Individual Pieces	1	Actuator Assembly (was p/n 0060090)	A
1A	0060091	1	Actuator Weldment	
1B	3760115	1	Ring, Retaining	
1C	4160202		Spring	
1D	4220287		Pad	
2	Not Used			
3	3900351	4	Screw, Button Head M10 x 30mm	
4	3010158	2	Link	
5	3291005	4	Locknut M10	
6	3423045	4	Pin	
7	3423189	4	Pin	
8	3423267	2	Pin	
9	3574176	2	Link	
	0440263	4	Bushing	
10	3760348	16	Ring, Retaining	
11		4	Screw Options:	
	4010415		Screw M4 x 35mm	
	4031512		Screw M4 x 40mm	
12	4740086	4	Thrustwasher	
13	4812000	4	Flatwasher M10	
14		1	Bar, Pothole Support (Right)	
	4846775		1930ES (Not Shown)	
	4846816		2030ES/2630ES	
	0440263	4	Bushing	
15		1	Bar, Pothole Support (Left)	
	4846861		1930ES (Not Shown)	
	4846863		2030ES/2630ES	
	0440263	4	Bushing	
16	3290405	4	Locknut M4	
17		1	Plate, Attach (Right) Options:	
	Not Required		USA Built Machines S/N 0200152825 to S/N 0200159659 & Belgium Built Machines S/N12000008481 to S/N1200009514	
	3577029		USA Built Machines S/N 0200159659 to S/N 2000195918 & Belgium Built Machines S/N 1200009514 to S/N 1200022847	
	1001109232		USA Built Machines S/N 2000195918 to S/N 0200198014 & Belgium Built Machines S/N 1200022847 to Present	
18		1	Plate, Attach (Left) Options:	
	Not Required		USA Built Machines S/N 0200152825 to S/N 0200159659 & Belgium Built Machines S/N12000008481 to S/N1200009514	
	3577030		USA Built Machines S/N 0200159659 to S/N 2000195918 & Belgium Built Machines S/N 1200009514 to S/N 1200022847	
	1001109233		USA Built Machines S/N 2000195918 to S/N 0200198014 & Belgium Built Machines S/N 1200022847 to Present	
19	3290605	4	Locknut M6	
20	4811700	4	Flatwasher M6	

SECTION 1 FRAME

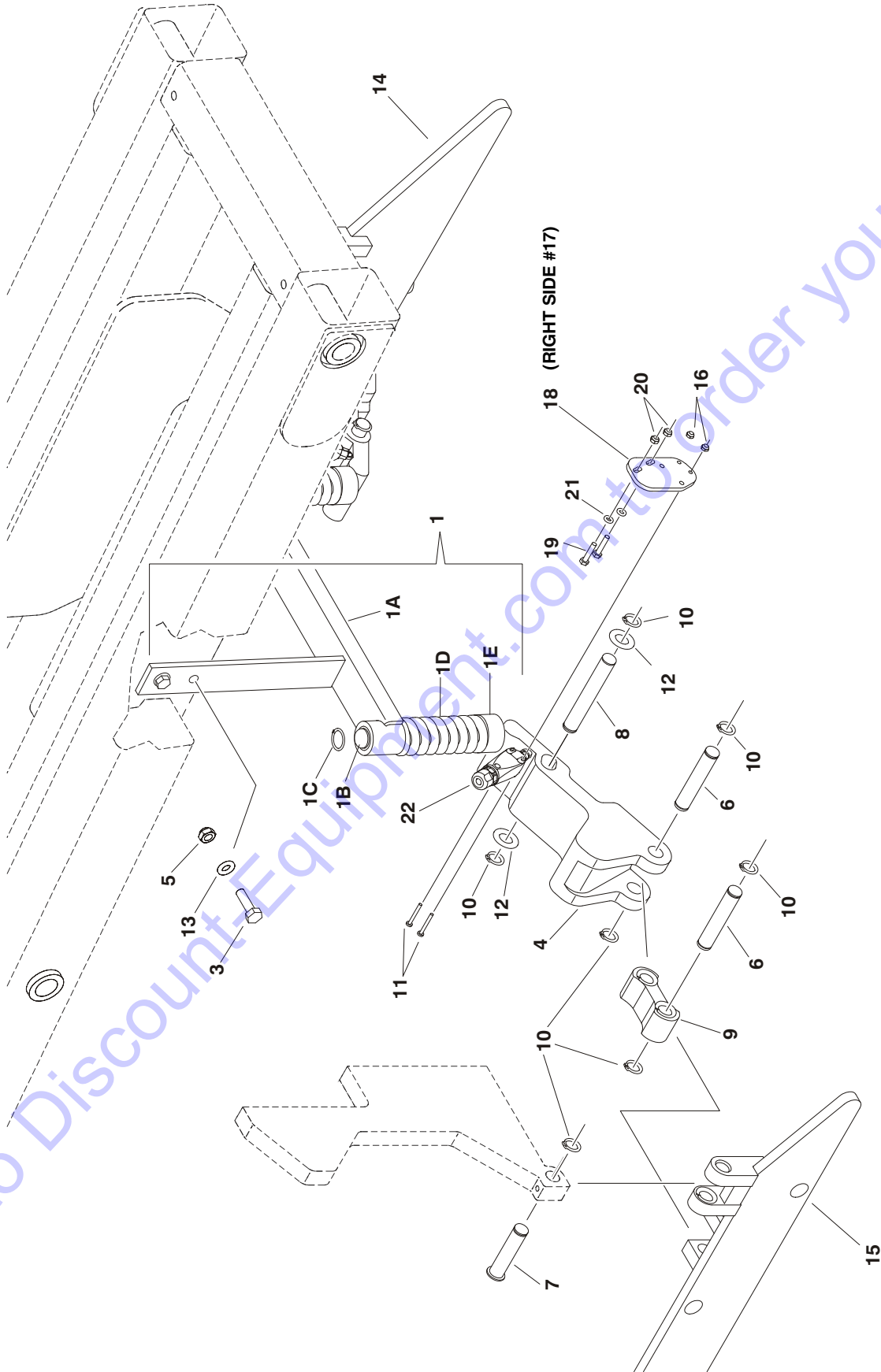
FIGURE 1-5. POTHOLE PROTECTION INSTALLATION (1930ES/2030ES/2630ES)

ITEM #	PART NUMBER	QTY.	DESCRIPTION	REV.
21	0700614	4	Screw M6 x 30mm	
22	Use 1001109345	2	Switch, Limit Options: USA Built Machines S/N 0200152825 to S/N 2000195918 & Belgium Built Machines S/N 12000008481 to S/N 1200022847 (was p/n 4360633)	
	1001109088		USA Built Machines S/N 2000195918 to S/N 0200198014 & Belgium Built Machines S/N 1200022847 to Present	

Go to Discount-Equipment.com to order your parts

SECTION 1 FRAME

FIGURE 1-6. POTHOLE PROTECTION INSTALLATION (2646ES/3246ES)



SECTION 1 FRAME

FIGURE 1-6. POTHOLE PROTECTION INSTALLATION (2646ES/3246ES)

ITEM #	PART NUMBER	QTY.	DESCRIPTION	REV.
	0275094	Ref.	POTHOLE PROTECTION INSTALLATION	D
1	Purchase Individual Pieces	1	Actuator Assembly (was p/n 0060092)	B
1A	0060093	1	Actuator	
1B	0962292	4	Bushing, Garmax	
1B	3423289	2	Pin	
1C	3760115	2	Ring, Retaining	
1D	4160202	2	Spring	
1E	4220293	2	Pad	
2	Not Used			
3	0701015	4	Screw M10 x 35mm	
4	3010158	2	Link	
5	3291005	4	Locknut M10	
6	3423045	4	Pin	
7	3423189	4	Pin	
8	3423267	2	Pin	
9	3574176	2	Link	
	0440263	4	Bushing	
10	3760348	16	Ring, Retaining	
11		4	Screw Options: Screw M4 x 35mm Screw M4 x 40mm	
12	4740086	4	Thrustwasher	
13	4812000	4	Flatwasher M10	
14	4846811	1	Bar, Pothole Support (Right)	
	0440263	4	Bushing	
15	4846862	1	Bar, Pothole Support (Left)	
	0440263	4	Bushing	
16	3290405	4	Locknut M4	
17		1	Plate, Attach (Right) Options: USA Built Machines S/N 0200152825 to S/N 0200159659 & Belgium Built Machines S/N12000008481 to S/N1200009514	
	Not Required		USA Built Machines S/N 0200159659 to S/N 2000195918 & Belgium Built Machines S/N 1200009514 to S/N 1200022847	
	3577029		USA Built Machines S/N 2000195918 to S/N 0200198014 & Belgium Built Machines S/N 1200022847 to Present	
18		1	Plate, Attach (Left) Options: USA Built Machines S/N 0200152825 to S/N 0200159659 & Belgium Built Machines S/N12000008481 to S/N1200009514	
	Not Required		USA Built Machines S/N 0200159659 to S/N 2000195918 & Belgium Built Machines S/N 1200009514 to S/N 1200022847	
	3577030		USA Built Machines S/N 2000195918 to S/N 0200198014 & Belgium Built Machines S/N 1200022847 to Present	
	1001109233		USA Built Machines S/N 2000195918 to S/N 0200198014 & Belgium Built Machines S/N 1200022847 to Present	
19	0700614	4	Screw M6 x 30mm	
20	3290605	4	Locknut M6	
21	4811700	4	Flatwasher M6	

SECTION 1 FRAME

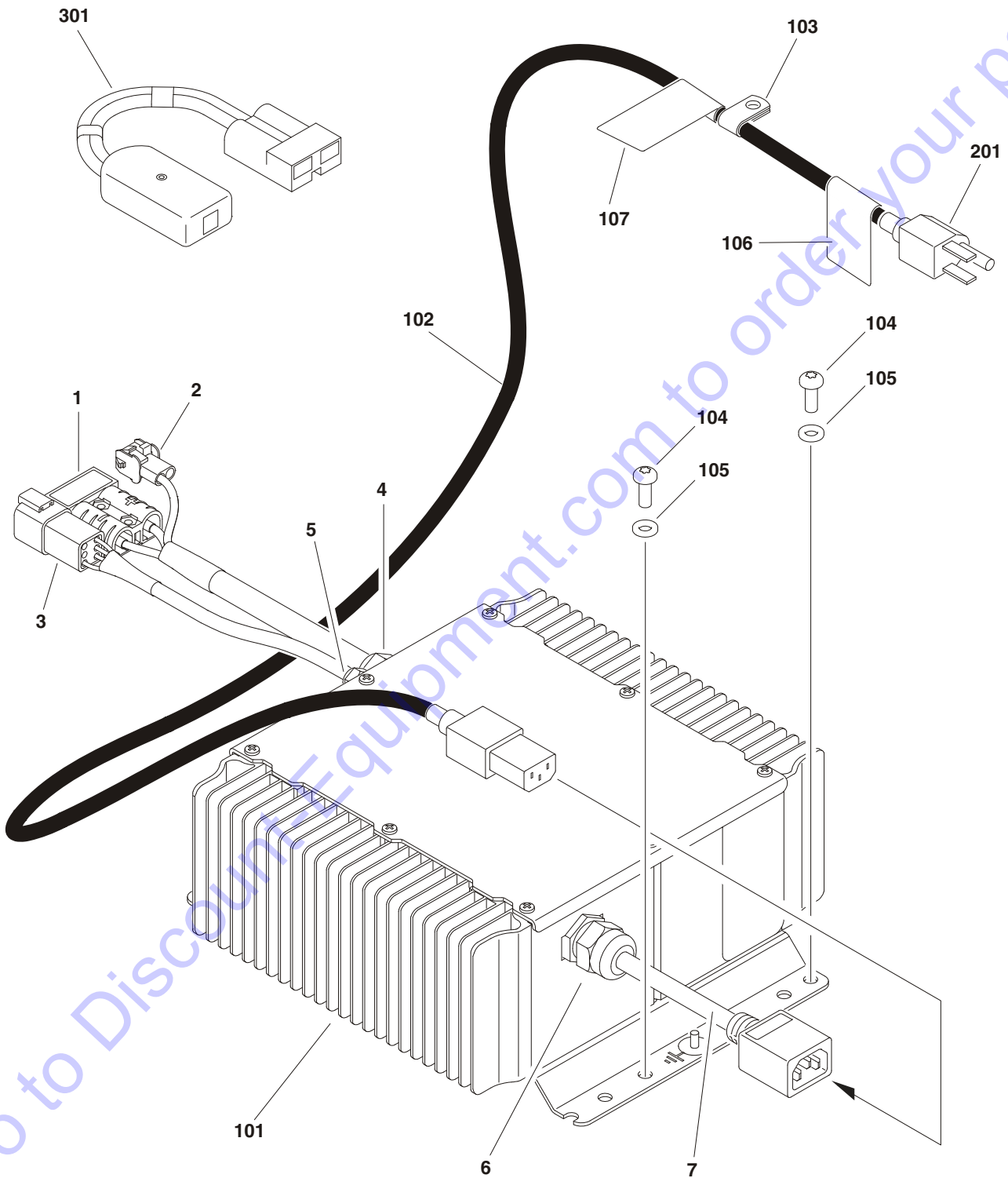
FIGURE 1-6. POTHOLE PROTECTION INSTALLATION (2646ES/3246ES) (CONTINUED)

ITEM #	PART NUMBER	QTY.	DESCRIPTION	REV.
22	Use 1001109345 1001109088	2	Switch, Limit Options: USA Built Machines S/N 0200152825 to S/N 2000195918 & Belgium Built Machines S/N 12000008481 to S/N 1200022847 (was p/n 4360633) USA Built Machines S/N 2000195918 to S/N 0200198014 & Belgium Built Machines S/N 1200022847 to Present	

Go to Discount-Equipment.com to order your parts

SECTION 1 FRAME

FIGURE 1-7. BATTERY CHARGER ASSEMBLY AND INSTALLATION (DELTA-Q CHARGER)



SECTION 1 FRAME

FIGURE 1-7. BATTERY CHARGER ASSEMBLY AND INSTALLATION (DELTA-Q CHARGER)

ITEM #	PART NUMBER	QTY.	DESCRIPTION	REV.
		Ref.	BATTERY CHARGER ASSEMBLY	
	Use 1001128737	Ref.	USA Built Machines S/N 0200152825 to S/N 0200197383 & Belgium Built Machines S/N 1200008481 to S/N 1200024211 (was p/n 0400238)	G
	1001112111	Ref.	USA Built Machines S/N 0200197383 to S/N 0200198014 & Belgium Built Machines S/N 1200024211 to Present	E
1	Not Available	1	Harness with Plug	
	4460648	1	Plug, Anderson Battery Cable	
2	Not Available	1	Harness with Connector	
	4460424	1	Connector, Female - 2 Position	
	4460227	2	Pin, Male	
3	Not Available	1	Harness with Connector	
	4460899	1	Connector, Female - 6 Position	
	4460464	6	Pin, Male	
4	Not Available	1	Connector, Strain Relief	
5	Not Available	1	Connector, Strain Relief	
6	Not Available	1	Connector, Strain Relief	
7	Not Available	1	Harness with Connector	
		Ref.	BATTERY CHARGER INSTALLATION	
		Ref.	1930ES:	
	0275079	Ref.	AC Cable Has Factory Supplied Plug	E
	0275088	Ref.	AC Cable Has Locally Supplied Plug	E
	0275088	Ref.	AC Cable Has Locally Supplied Plug (Australian Spec - USA Built Machines S/N 0200152825 to S/N 0200194584 & Belgium Built Machines S/N 1200008481 to S/N 1200022173)	H
	1001113574	Ref.	AC Cable Has Locally Supplied Plug (Australian Spec - USA Built Machines S/N 0200194584 to S/N 0200198014 & Belgium Built Machines S/N 1200022173 to Present)	C
		Ref.	2030ES/2630ES/2630ES/2646ES/3246ES:	
	0272874	Ref.	AC Cable Has Factory Supplied Plug	K
	0272875	Ref.	AC Cable Has Locally Supplied Plug	K
	0272875	Ref.	AC Cable Has Locally Supplied Plug (Australian Spec - USA Built Machines S/N 0200152825 to S/N 0200194584 & Belgium Built Machines S/N 1200008481 to S/N 1200022173)	K
	1001113576	Ref.	AC Cable Has Locally Supplied Plug (Australian Spec - USA Built Machines S/N 0200194584 to S/N 0200198014 & Belgium Built Machines S/N 1200022173 to Present)	C
101	Use 1001128737	1	Battery Charger Assembly (See Items 1-7 for Breakdown): USA Built Machines S/N 0200152825 to S/N 0200197383 & Belgium Built Machines S/N 1200008481 to S/N 1200024211 (was p/n 0400238 - Kit p/n 1001128737 includes Charger and Battery Temperature Sensor Kit)	
	1001112111		USA Built Machines S/N 0200197383 to S/N 0200198014 & Belgium Built Machines S/N 1200024211 to Present	
102		1	Cable, AC Options:	
	1060688		Factory Supplied Plug (Black)	
	1001103257		Factory Supplied Plug (Orange)	

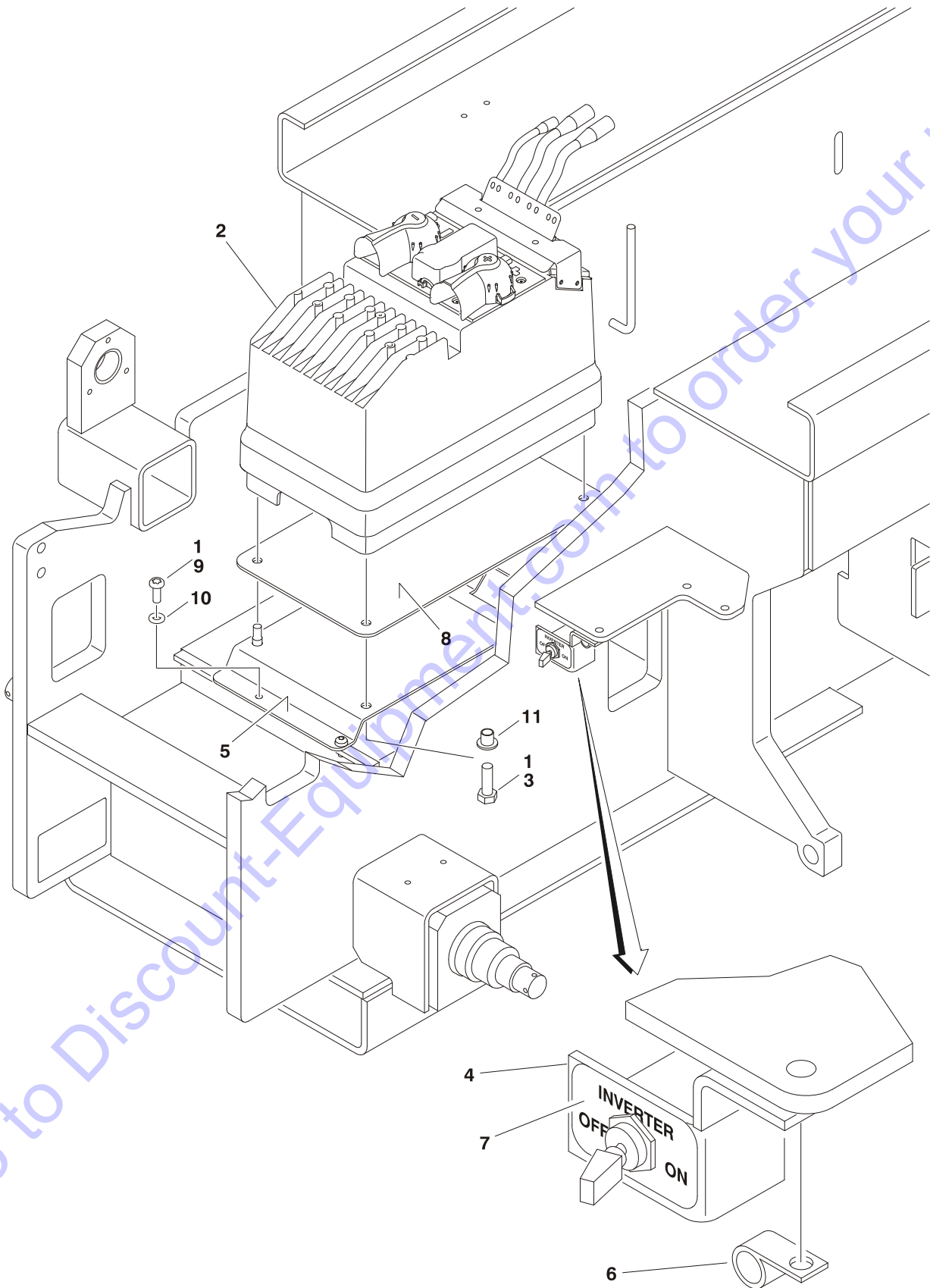
SECTION 1 FRAME

FIGURE 1-7. BATTERY CHARGER ASSEMBLY AND INSTALLATION (DELTA-Q CHARGER)

ITEM #	PART NUMBER	QTY.	DESCRIPTION	REV.
102 cont'd	1060689		Locally Supplied Plug (Black)	
	1001103258		Locally Supplied Plug (Orange)	
103	1320136	1	Clamp Options:	
	1321293		Insulated Clamp	
			Non-Insulated Clamp	
104	4191706	2	Screw M6 Options:	
	4191707		12mm Length	
			16mm Length	
105	4811700	2	Flatwasher M6	
106	1001102258	1	Decal - AC Label (Australian Spec - USA Built Machines S/N 0200190526 to S/N 0200198014 & Belgium Built Machines S/N 1200021770 to Present Only)	
107	1001102489	1	Decal - Charger Label (Australian Spec - USA Built Machines S/N 0200190526 to S/N 0200198014 & Belgium Built Machines S/N 1200021770 to Present Only)	
201	Not Available	1	PLUG OPTIONS:	
	Not Available	Ref.	ANSI Spec Plug (Use Item 102 p/n 1060688)	
		Ref.	Australian & Japanese Specs (Purchase Locally)	
		Ref.	CE Spec Options:	
	0275666	Ref.	IEC Yellow Receptacle Installation	A
	4461196		Receptacle, IEC Yellow	
	0275667	Ref.	IEC Blue Receptacle Installation	A
	4461199		Receptacle, IEC Blue	
	0275665	Ref.	AFSINT 107 Keyed Ground Receptacle Installation	A
	4461249		Receptacle, AFSINT 107 Keyed Ground	
	0275663	Ref.	CEE 7 Post Ground Receptacle Installation	A
	4461202		Receptacle, CEE 7 Post Ground	
	0275664	Ref.	CEE 7 Side Ground Receptacle Installation	A
	4461205		Receptacle, CEE 7 Side Ground	
301	Use 2915230	1	BATTERY CHARGER REPROGRAM CONTROLLER KIT (WAS P/N 1600466)	

SECTION 1 FRAME

**FIGURE 1-8. BATTERY CHARGER WITH INVERTER ASSEMBLY AND INSTALLATION
(OPTIONAL ON ANSI & CSA SPEC MACHINES)**



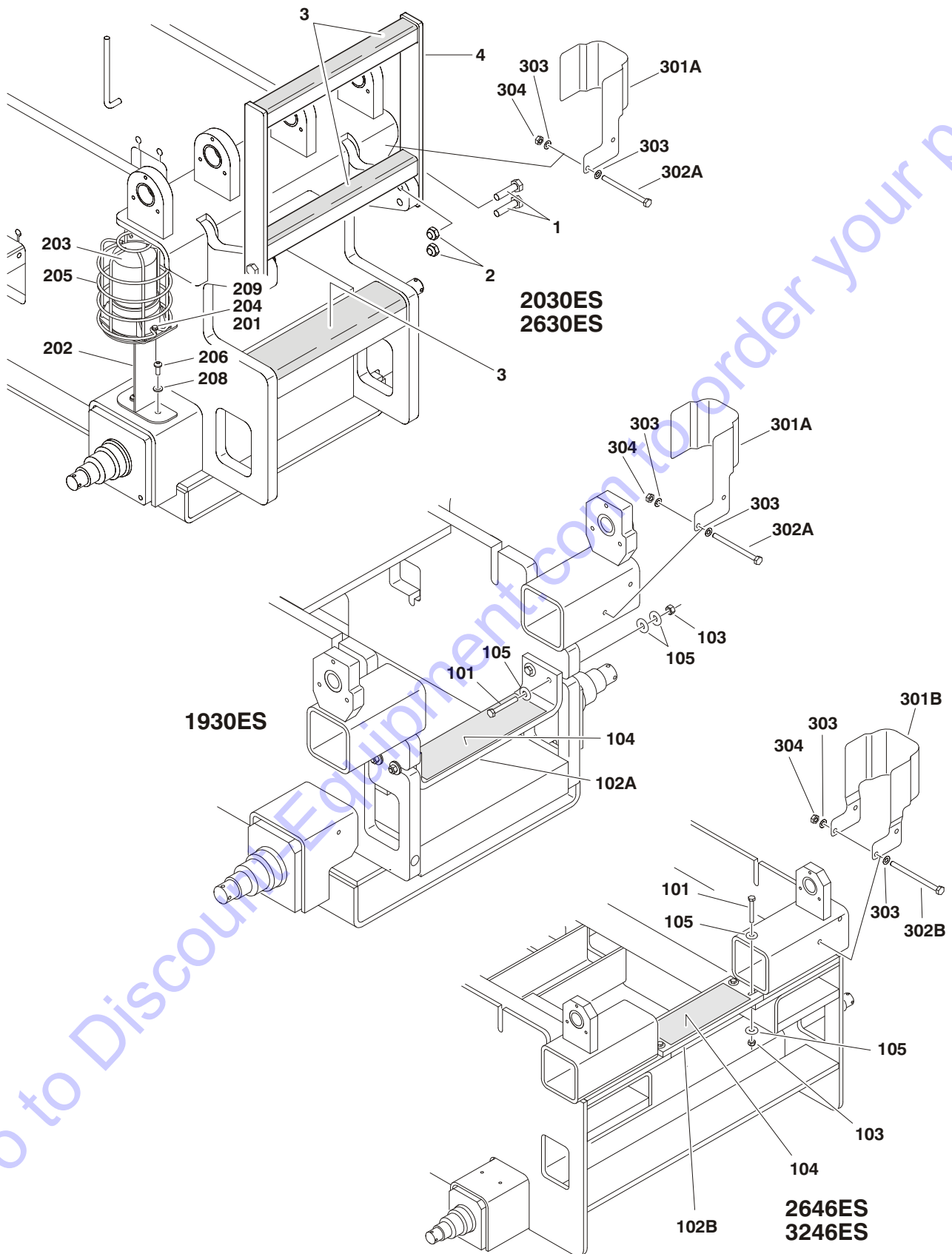
SECTION 1 FRAME

**FIGURE 1-8. BATTERY CHARGER WITH INVERTER ASSEMBLY AND INSTALLATION
(OPTIONAL ON ANSI & CSA SPEC MACHINES)**

ITEM #	PART NUMBER	QTY.	DESCRIPTION	REV.
		Ref.	BATTERY CHARGER ASSEMBLY	
	0275103	Ref.	1930ES	D
	0275104	Ref.	2030ES/2630ES	C
	0275105	Ref.	2646ES/3246ES	C
1	0100011	A/R	Compound, Locking	
2	1001093839	1	Charger/Inverter Assembly (was p/n 0400237)	
3		4	Hardware Options:	
	0760812		Bolt M8 x 25mm	
	0760814		Bolt M8 x 30mm	
	3290805		Nut M8	
4	0902780	1	Bracket, Mounting (Remote Switch)	
5		1	Bracket, Mounting (Charger/Inverter)	
	0903444		1930ES	
	0903319		2030ES/2630ES/2646ES/3246ES	
6	1320043	1	Clamp	
7	1705052	1	Decal - On/Off	
8	2820239	1	Insulation, Charger Mounting	
9		A/R	Screw M6 Options:	
	4191706		12mm Length	
	4191707		16mm Length	
10	4811700	2	Flatwasher M6	
11	4740562	4	Washer, Special	
12 to 17	Not Used			
18	1706749	1	Decal - Inverter (Not Shown - Located on Frame Near Inverter)	
19		1	Decal - Hazardous Voltage Options (Not Shown - Located on Platform Near AC Box):	
	1706765		English Language	
	1001136847		Spanish Language	

SECTION 1 FRAME

FIGURE 1-9. LADDERS, BEACON LIGHT & ROTARY SENSOR COVER INSTALLATION



SECTION 1 FRAME

FIGURE 1-9. LADDERS, BEACON LIGHT & ROTARY SENSOR COVER INSTALLATION

ITEM #	PART NUMBER	QTY.	DESCRIPTION	REV.
		Ref.	LADDER INSTALLATIONS	
	0272887	Ref.	2030ES	B
	0272888	Ref.	2630ES	B
1	0701016	4	Bolt M10 x 40mm	
2	3291005	4	Locknut M10	
3	4420070	3	Tape, Anti-Skid	
4		1	Ladder Options:	
	4846812		2030ES	
	4846813		2630ES	
		Ref.	LADDER INSTALLATIONS	
	0275120	Ref.	1930ES	C
	0275212	Ref.	2646ES/3246ES	C
101		4	Bolt M6 Options:	
	0700615		35mm Length	
	0700617		45mm Length	
102		1	Ladder Options:	
102A	2930005		1930ES	
102B	3576349		2646ES/3246ES	
103		4	Locknut Options:	
	3290605		1930ES	
	3290607		2646ES/3246ES	
104	4420080	1	Tape, Anti-Skid	
105	4751400	A/R	Flatwasher 1/4" Wide	
		Ref.	BEACON LIGHT INSTALLATIONS	
	0272309	Ref.	1930ES (Not Shown)	D
	0274012	Ref.	2030ES/2630ES	B
	0272980	Ref.	2646ES/3246ES	D
201	0760410	2	Bolt M4 x 20mm	
202		1	Bracket Options:	
	0902905		1930ES	
	0903086		2030ES/2630ES	
	0902906		2646ES/3246ES	
203	2920161	1	Light, Beacon	
	7016319	1	Bulb, Replacement	
	7016372	1	Len, Replacement	
204	3290405	2	Locknut M4	
205	4060865	1	Guard	
206	4191707	2	Screw M6 x 16mm	
207	Not Used			
208	4811700	A/R	Flatwasher M6	
209	4750800	2	Flatwasher #8 (Wide)	

SECTION 1 FRAME

FIGURE 1-9. LADDERS, BEACON LIGHT & ROTARY SENSOR COVER INSTALLATION

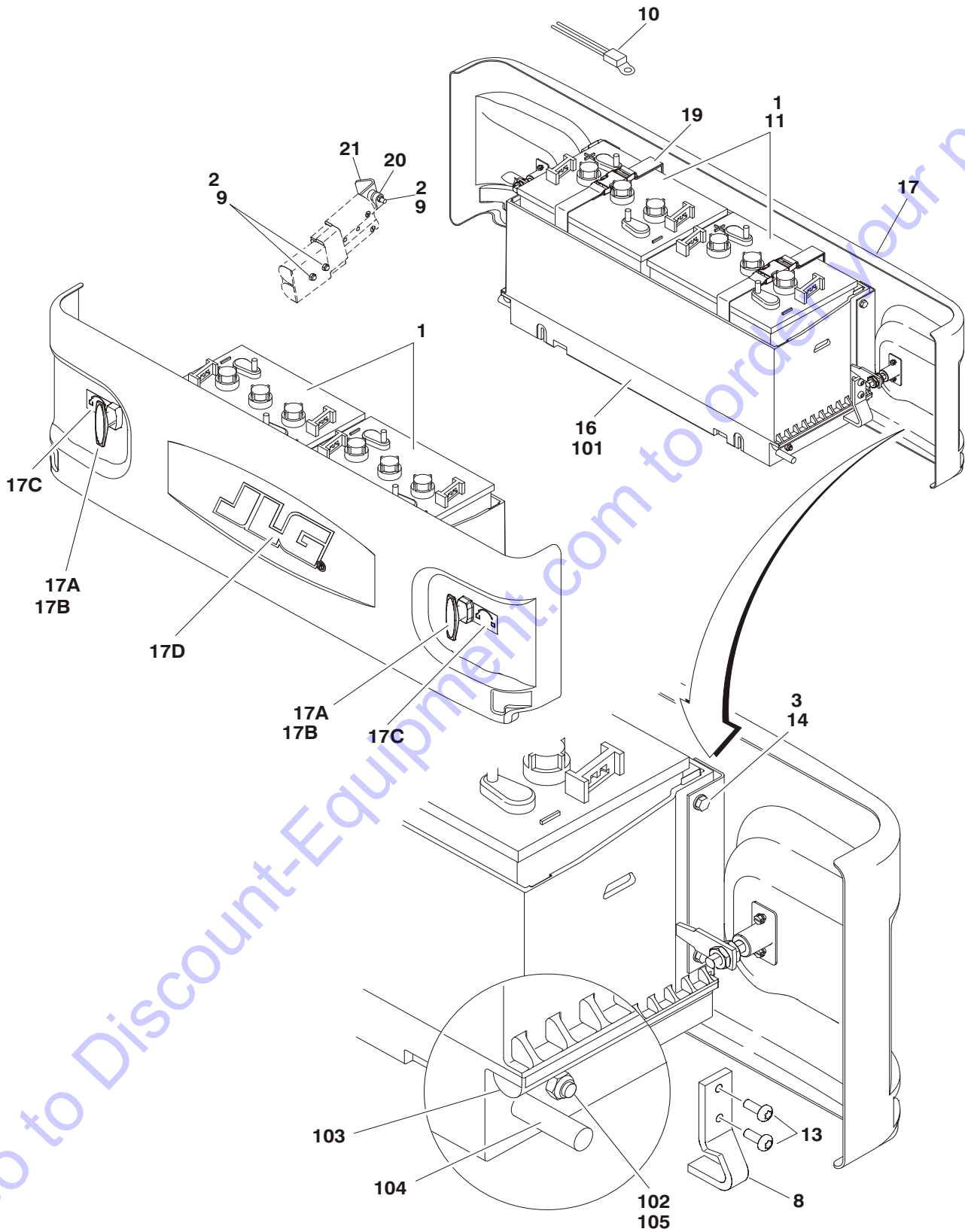
ITEM #	PART NUMBER	QTY.	DESCRIPTION	REV.
		Ref.	ROTARY ANGLE SENSOR COVER KIT	
		Ref.	Note: This kit is an optional aftermarket add-on for USA Built Machines S/N 0200117602 to S/N 0200198014 Only and Belgium Built Machines S/N 1200001665 to Present Only. Not Available on previous S/Ns due to changes in frame design. Kit also includes instructions. Parts listed below are for service.	
	1001105108	Ref.	1930ES/2030ES/2630ES	
	1001105109	Ref.	2630ES/3246ES	
301		1	Cover Options:	
301A	1001103029		Cover for 1930ES/2030ES/2630ES	
301B	1001103030		Cover for 2646ES/3246ES	
302		2	Bolt M6 Options:	
302A	0760610		Bolt 20mm Length for 1930ES/2030ES/2630ES	
302B	0760612		Bolt 25mm Length for 2646ES/3246ES	
303	4811700	4	Flatwasher 6mm	
304	3290605	2	Locknut M6	

Go to Discount-Equipment.com to order your parts

SECTION 2
GROUND COMPONENTS

SECTION 2 GROUND COMPONENTS

FIGURE 2-1. BATTERIES AND COVERS INSTALLATION



SECTION 2 GROUND COMPONENTS

FIGURE 2-1. BATTERIES AND COVERS INSTALLATION

ITEM #	PART NUMBER	QTY.	DESCRIPTION	REV.
		Ref.	BATTERIES AND COVERS INSTALLATION	
		Ref.	GC Type with 225 AH Rating Batteries:	
	0275020	Ref.	All Models (Standard Covers)	D
	0275022	Ref.	All Models (Locking Covers)	D
	0275480	Ref.	1930ES (UL Spec with Locking Covers)	E
	0275021	Ref.	2030ES/2630ES/2646ES/3246ES (UL Spec with Locking Covers)	D
		Ref.	EV Type with 244 AH Rating Batteries:	
	0275042	Ref.	2030ES/2630ES/2646ES/3246ES with Standard Covers	C
	0275044	Ref.	2030ES/2630ES/2646ES/3246ES with Locking Covers	C
	0275043	Ref.	2030ES/2630ES/2646ES/3246ES (UL Spec) with Locking Covers	C
		Ref.	AGM & EVG Type with 225 AH Rating Batteries:	
	0275401	Ref.	All Models (Standard Covers)	C
	1001132233	Ref.	All Models (Locking Covers)	A
1		A/R	Battery Options:	
	0400216	4	Battery Type EV-145-WNL (Not Available on 1930ES)	
	1001112112	4	Battery Type EVGC6A-A	
	0400215	4	Battery Type GC-110-WNL	
		A/R	Battery Type UAGC2N Replacement Components (Optional on USA Built Machines S/N 0200152825 to S/N 0200197383 & Belgium Built Machines S/N 1200008481 to S/N 1200024211 (was p/n 0400242):	
	Use 1001114770	1	Replacement Kit (Kit includes p/n 1001112111 Battery Charger, qty 4 p/n 1001112112 EVGC6A-A Batteries & qty 1 of Item 10 Temperature Sensor)	
	Use 1001112112	4	Battery Type EVGC6A-A (Note: Use only after kit has been installed)	
2		A/R	Bolt Options:	
	0700615		Bolt M6 x 35mm	
	0700616		Bolt M6 x 40mm	
	4031713		Bolt, Sockethead M6 x 40mm	
3	0760610	8	Bolt M6 x 20mm	
4 to 7	Not Used			
8			Plate, Slide Stop Options:	
	3574981		Left Side	
	3574984		Right Side	
9	3290605	A/R	Locknut M6	
10	1001127269	1	Temperature Sensor Kit (Includes Sensor, Wire Nut & Instructions) (was p/n 1001112113)	
11	0100051	A/R	Grease, Terminal	
12	Not Used			
13	4191707	8	Screw M6 x 16mm	
14	4811700	8	Flatwasher M6	
15	Not Used			
16		2	Tray Assembly Options (See Items 101-106 for Breakdown):	
	0273698		USA & Belgium	
	0861678		UL Spec	

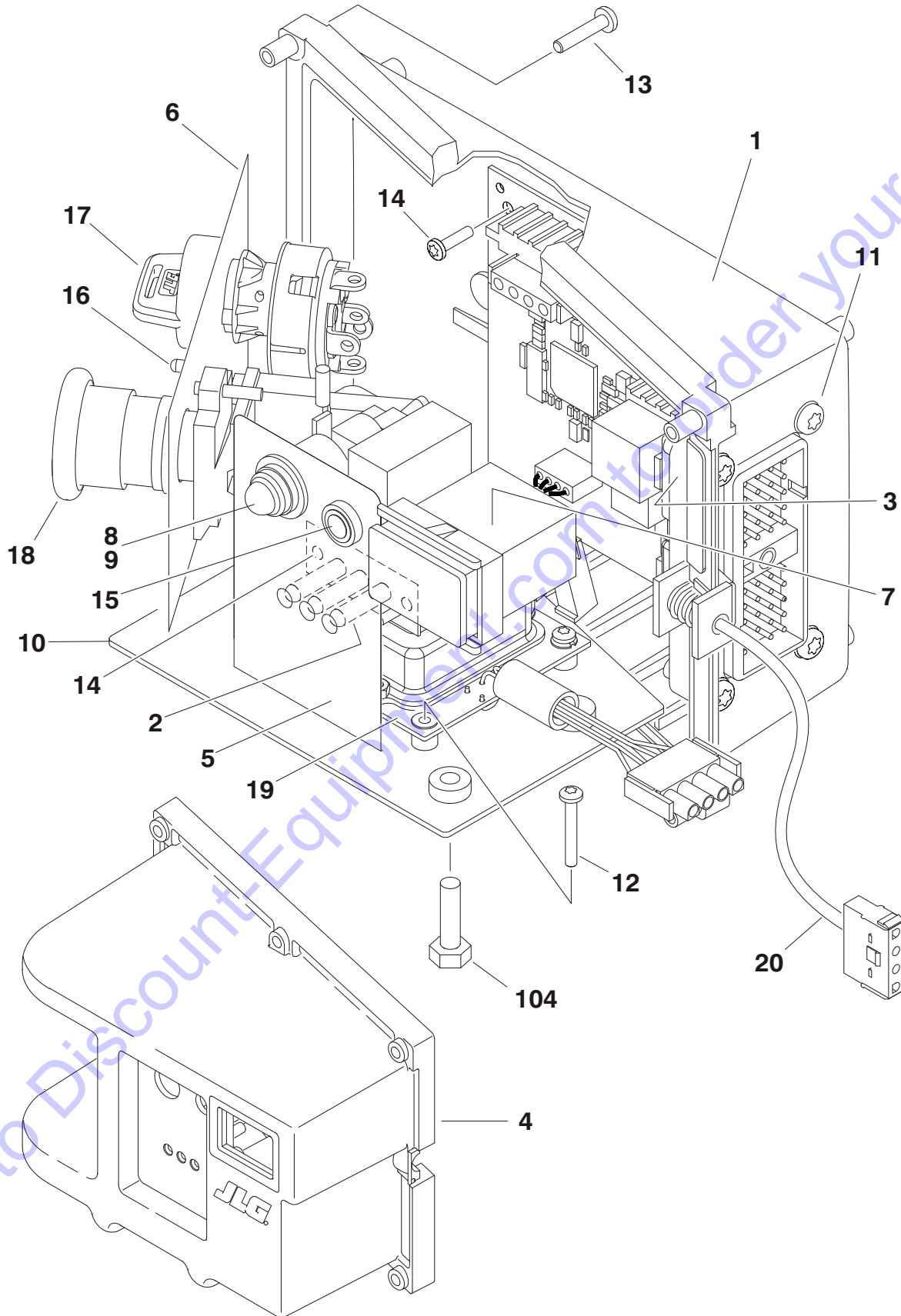
SECTION 2 GROUND COMPONENTS

FIGURE 2-1. BATTERIES AND COVERS INSTALLATION (CONTINUED)

ITEM #	PART NUMBER	QTY.	DESCRIPTION	REV.
17		2	Cover Options:	
	1671202		Cover with Decals & Standard Latches	D
	1671204		Cover with Decals & Lockable Latches	D
	1671204		Cover, UL Spec with Decals & Lockable Latches	D
	1671203	1	Cover, Battery Less Decals & Latches (Note: Must Purchase Decals & Latches Separately)	
17A		4	Latch Options (2 Per Cover):	
	2940174		Standard	
	2940175		Locking	
	7027863		Key	
17B	4750800	4	Flatwasher #8 (2 Per Cover) (was p/n 4071102 Shim)	
17C	1706350	2	Decal - Cover	
17D	1705754	1	Decal - JLG	
18	Not Used			
19	4240172	4	Strap, Battery (UL Spec)	
20	1321130	1	Clamp (UL Spec) (1930ES Only)	
21	Not Available	1	Handle, Disconnect (UL Spec) (1930ES Only)	
	1001110826	1	Bracket, Disconnect Mounting (UL Spec) (1930ES Only)	
		Ref.	TRAY ASSEMBLY OPTIONS:	
	0273698	Ref.	USA & Belgium	E
	0861678	Ref.	UL Spec	D
101	Purchase Item 16	1	Tray, Battery	
102	3290605	A/R	Locknut	
103	3340975	2	Pad, Wear (Note: Wear Pad not available separately from Tray Assembly on some applications.)	
104			Stop, Battery Box Options:	
		Ref.	NOTE: Requires (2) 3820032 Rivet & (1) 4811600 Washer	
	4220252	1	LH	
	4220253	1	RH	
105	3820032	A/R	Rivet (Not Shown)	
106	4811600	A/R	Washer (Not Shown)	

SECTION 2 GROUND COMPONENTS

FIGURE 2-2. GROUND CONTROL ASSEMBLY & INSTALLATION



SECTION 2 GROUND COMPONENTS

FIGURE 2-2. GROUND CONTROL ASSEMBLY & INSTALLATION

ITEM #	PART NUMBER	QTY.	DESCRIPTION	REV.
		Ref.	GROUND CONTROL ASSEMBLY	
	0272780	Ref.	ANSI & ANSI Export & UL Specs	AC
	0861669	Ref.	ANSI Export & Japanese Specs	R
	0273444	Ref.	Australian Specs without Overload	Y
	0272781	Ref.	Australian & CE Specs with Overload	AC
1	0380025	1	Box, Ground Control	
2	0610161	1	Board, PC (Battery Charger LED)	
3		A/R	Component Options:	
		Ref.	Note: PC Board must be recalibrated when replaced. PC Board used on Machines with p/n 1600346 Drive Module Only.	
	1600419	1	Board, PC (Ground Control)	
	2915039	1	Upgrade Kit (Includes Cables, Programming Instructions & CD Software) (Note: Use with p/n 1600419 PC Board. Must be Purchased Separately.)	B
4	1671105	1	Cover, Front	
5		1	Decal - LED Options:	
	1705696		ANSI, ANSI Export & UL Specs	
	1705697		ANSI Export, CE & Japanese Specs	
	1705696		Australian Spec without Overload	
	1705697		Australian Spec with Overload	
6	1705698	1	Decal - Function	
7	2420172	1	Hourmeter	
8		1	Component Options:	
	3520193		Plug (ANSI, ANSI Export & UL Specs)	
	2920026		Lamp (ANSI Export, CE & Japanese Specs)	
	3520193		Plug (Australian Spec without Overload)	
	2920026		Lamp (Australian Spec with Overload)	
9		A/R	Bulb Options:	
	Not Required	0	ANSI, ANSI Export & UL Specs	
	2920094	1	ANSI Export, CE Spec & Japanese Specs	
	Not Required	0	Australian Spec without Overload	
	2920094	1	Australian Spec with Overload	
10	4340739	1	Plate, Mounting	
11	3900336	4	Screw, Torx #10-32NF x 1/2"	
	3321005	4	Locknut #10-32NF	
	4751000	4	Flatwasher #10 Wide	
12	3900356	4	Screw, Torx M3.5 x 16mm	
13	3900338	6	Screw, Torx M4 x 20mm	
14	3900339	5	Screw, Plastite #6 x 1/2"	
15	4360069	1	Breaker, Circuit - 10 Amp	
16	4360328	1	Switch, Toggle	
17		1	Keyswitch Options:	
	4360469		ANSI, ANSI Export, Japanese & UL Specs	
	4360470		Australian & CE Specs	
	2860030	1	Key, Replacement (Fits All Specs)	
18	4360475	1	Switch, Emergency Stop	
	7020175	1	Cap	
	7020176	1	Block, Contact	

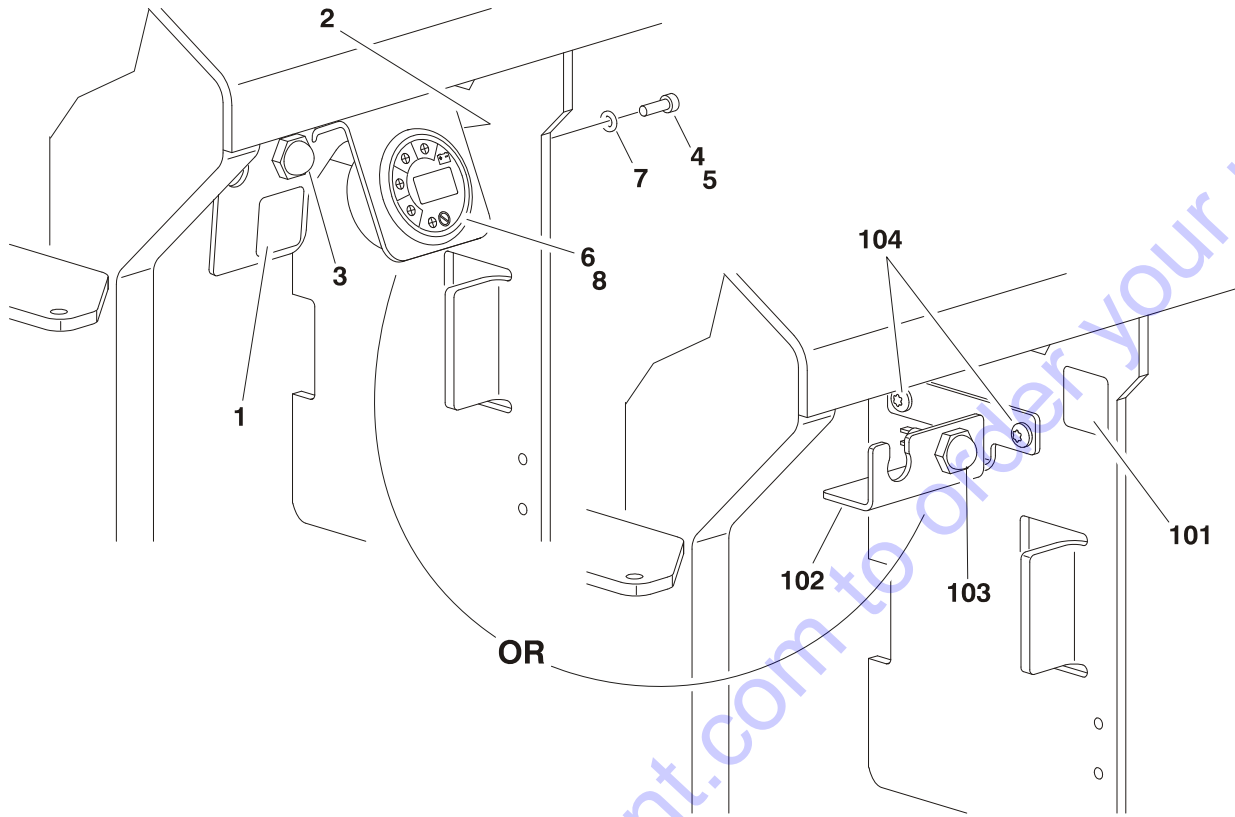
SECTION 2 GROUND COMPONENTS

FIGURE 2-2. GROUND CONTROL ASSEMBLY & INSTALLATION (CONTINUED)

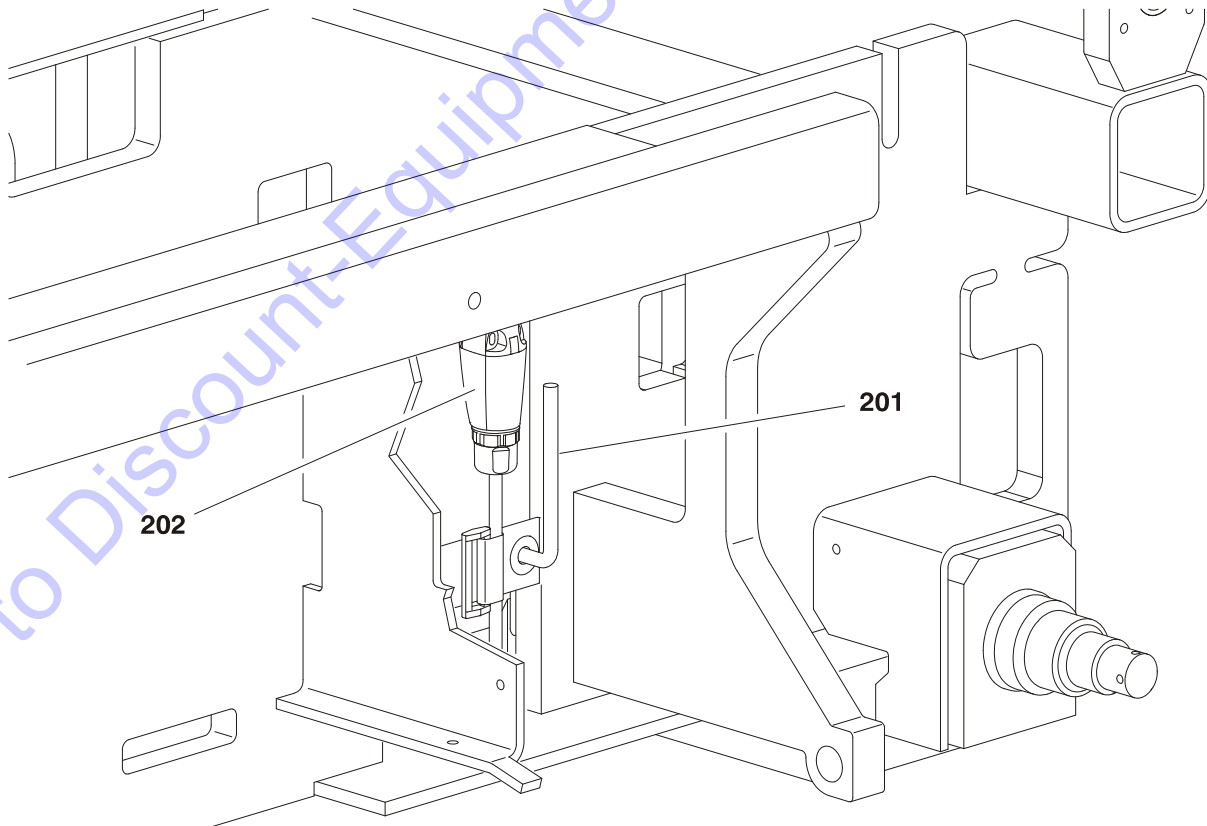
ITEM #	PART NUMBER	QTY.	DESCRIPTION	REV.
19	Use 1810140	1	Module, Tilt (was p/n 4000006)	
20	4922865	1	Harness, Control Box (See Section 7 for Breakdown)	
		Ref.	GROUND CONTROL BOX INSTALLATION	
	0272810	Ref.	ANSI & ANSI Export & UL Specs	G
	0273966	Ref.	ANSI Export & Japanese Specs	D
	0273443	Ref.	Australian Specs without Overload	E
	0272811	Ref.	Australian & CE Specs with Overload	G
101 to 103	Not Used			
104	0700615	3	Bolt M6 x 35mm	
	0272878	Ref.	ANTI-VANDELISM PACKAGE INSTALLATION (NOT SHOWN)	A
	1671124	1	Cover, Lockable Ground Control Box	

SECTION 2 GROUND COMPONENTS

FIGURE 2-3. BRAKE DISCONNECT/RELEASE & MDI (MULTIFUNCTION DIGITAL INDICATOR) GAUGE INSTALLATIONS



OPPOSITE SIDE OF FRAME



SECTION 2 GROUND COMPONENTS

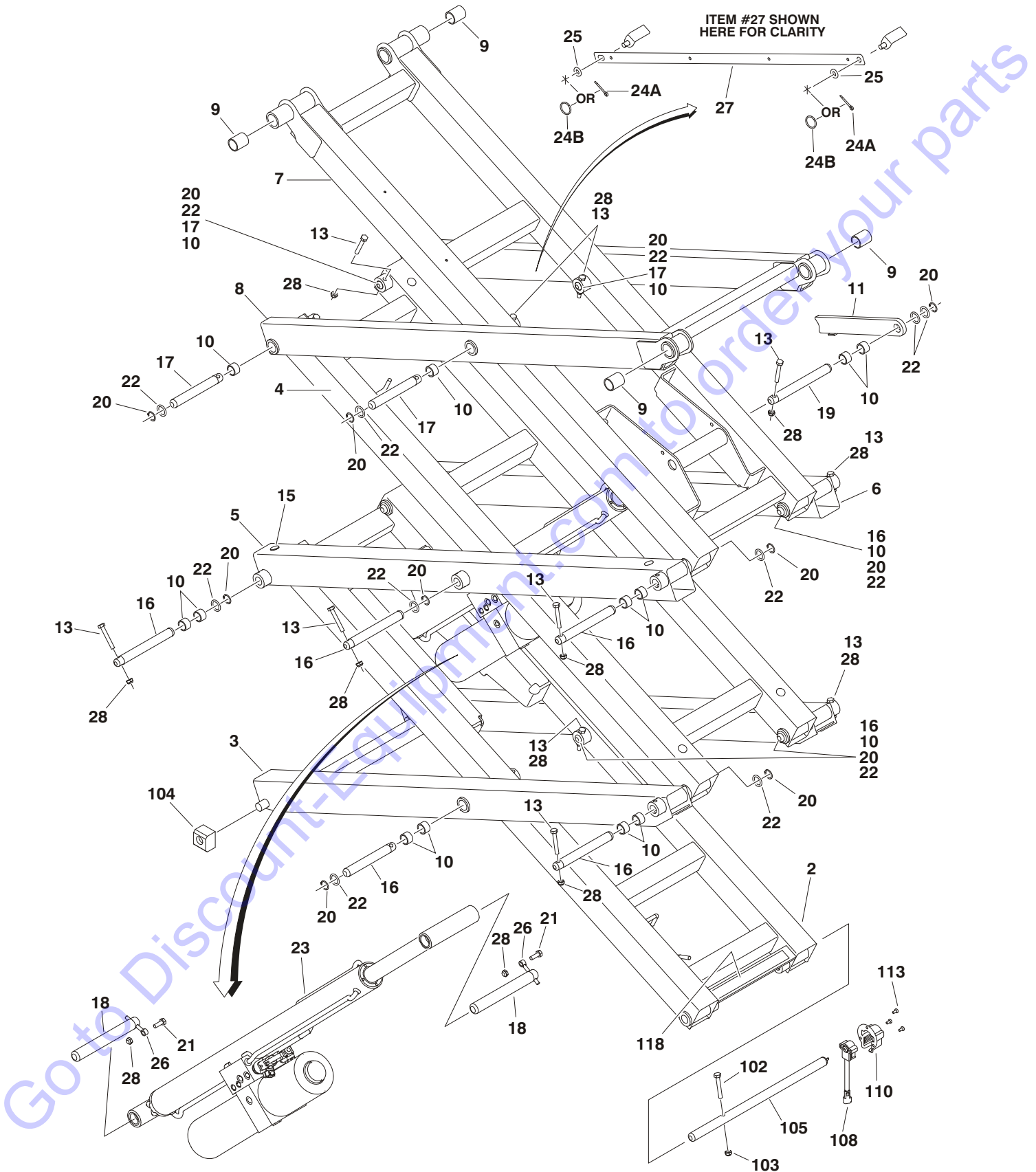
FIGURE 2-3. BRAKE DISCONNECT/RELEASE & MDI (MULTIFUNCTION DIGITAL INDICATOR) GAUGE INSTALLATIONS

ITEM #	PART NUMBER	QTY.	DESCRIPTION	REV.
	0275530	Ref.	MDI (MULTIFUNCTION DIGITAL INDICATOR) GAUGE & BRAKE RELEASE INSTALLATION	D
		Ref.	Note: Standard on USA Built Machines S/N 0200168420 to S/N 0200198014 & Belgium Built Machines S/N 1200014906 to Present - Previously Optional.	
1	1706679	1	Decal - Brake Release	
2	1001094203	1	Bracket	
3	4360387	1	Switch, Push Button	
4	4031607	2	Capscrew M5 x 16mm	
5	0100011	A/R	Compound, Locking	
6	0100048	A/R	Grease, Dielectric	
7	4811600	2	Flatwasher M5	
8	1001092454	1	Gauge, MDI (Multifunction Digital Indicator)	
9	1001093556	1	MDI Harness (Not Shown - See Section 7 for Breakdown)	
	0275603	Ref.	BRAKE RELEASE SWITCH INSTALLATION	A
		Ref.	Note: Optional on USA Built Machines S/N 0200152825 to S/N 0200168420 & Belgium Built Machines S/N 1200008481 to S/N 1200014906 Only	
101	1706679	1	Decal - Brake Release	
102	0903598	1	Bracket	
103	4360387	1	Switch, Push Button	
104	4191706	2	Screw M6 x 12mm	
	0275432	Ref.	BRAKE RELEASE ONLY INSTALLATION	A
		Ref.	Note: Optional on USA Built Machines S/N 0200152825 to S/N 0200168420 & Belgium Built Machines S/N 1200008481 to S/N 1200014906 Only	
201	2902331	1	Mount & Screw Kit	
202	4922944	1	Bracket Disconnect/Release Switch Assembly (See Section 7 for Breakdown as Design May Vary)	

SECTION 3
SCISSOR ARMS

SECTION 3 SCISSOR ARMS

FIGURE 3-1. SCISSOR ARMS INSTALLATION - 1930ES



SECTION 3 SCISSOR ARMS

FIGURE 3-1. SCISSOR ARMS INSTALLATION - 1930ES

ITEM #	PART NUMBER	QTY.	DESCRIPTION	REV.
		Ref.	SCISSOR ARMS ASSEMBLY - 1930ES	
	0274841	Ref.	Machines with Standard Hydraulic Oil	K
	0200838	Ref.	Machines with Biodegradeable Hydraulic Oil	E
1	Not Used			
2	0200825	1	Arm - Lower Inboard	
3	0200810	1	Arm - Lower Outboard	
4	0200824	1	Arm - Mid Inboard	
5	0200823	1	Arm - Mid Outboard (Left Side)	
6	0200822	1	Arm - Mid Outboard (Right Side)	
7	0200821	1	Arm - Upper Inboard	
8	0200815	1	Arm - Upper Outboard	
9	0440266	4	Bearing	
10	0440264	28	Bearing	
11	3574159	1	Prop, Safety	
12	Not Used			
13	0701022	14	Bolt M10 x 70mm	
14	Not Used			
15	3340962	16	Pad	
16	3423031	9	Pin	
17	3423032	4	Pin	
18	3423038	2	Pin	
19	3423042	1	Pin	
20	3760115	14	Ring, Retaining	
21	0761014	2	Bolt M10 x 30mm	
22	4740531	15	Washer, Special	
23		1	Lift Cylinder Assembly Options (See Section 5 for Breakdown):	
	1684484		Machines with Standard Hydraulic Oil	
	1684526		Machines with Biodegradeable Hydraulic Oil	
24		2	Hardware Options:	
24A	3450303		Pin, Cotter 3/32" x 3/4"	
24B	3760170		Ring, Split	
25	4812000	2	Flatwasher M10	
26	3841143	2	Keeper, Pin	
27	3576093	1	Bar, Cable Carrier	
28	3291007	16	Locknut M10 (was p/n 3291005)	
	2902455	1	Arms Kit - 1930ES (Includes Items 2-11)	N
		Ref.	SCISSOR ARMS INSTALLATIONS - 1930ES	
	0274874	Ref.	Machines with Standard Hydraulic Oil	E
	0275692	Ref.	Machines with Biodegradeable Hydraulic Oil	B
101	Not Used			
102	0701022	1	Bolt M10 x 70mm	
103	3291005	1	Locknut M10	
104	3340964	2	Pad, Slide	
105	3423239	1	Pin, Sensor	
106 to 107	Not Used			

SECTION 3 SCISSOR ARMS

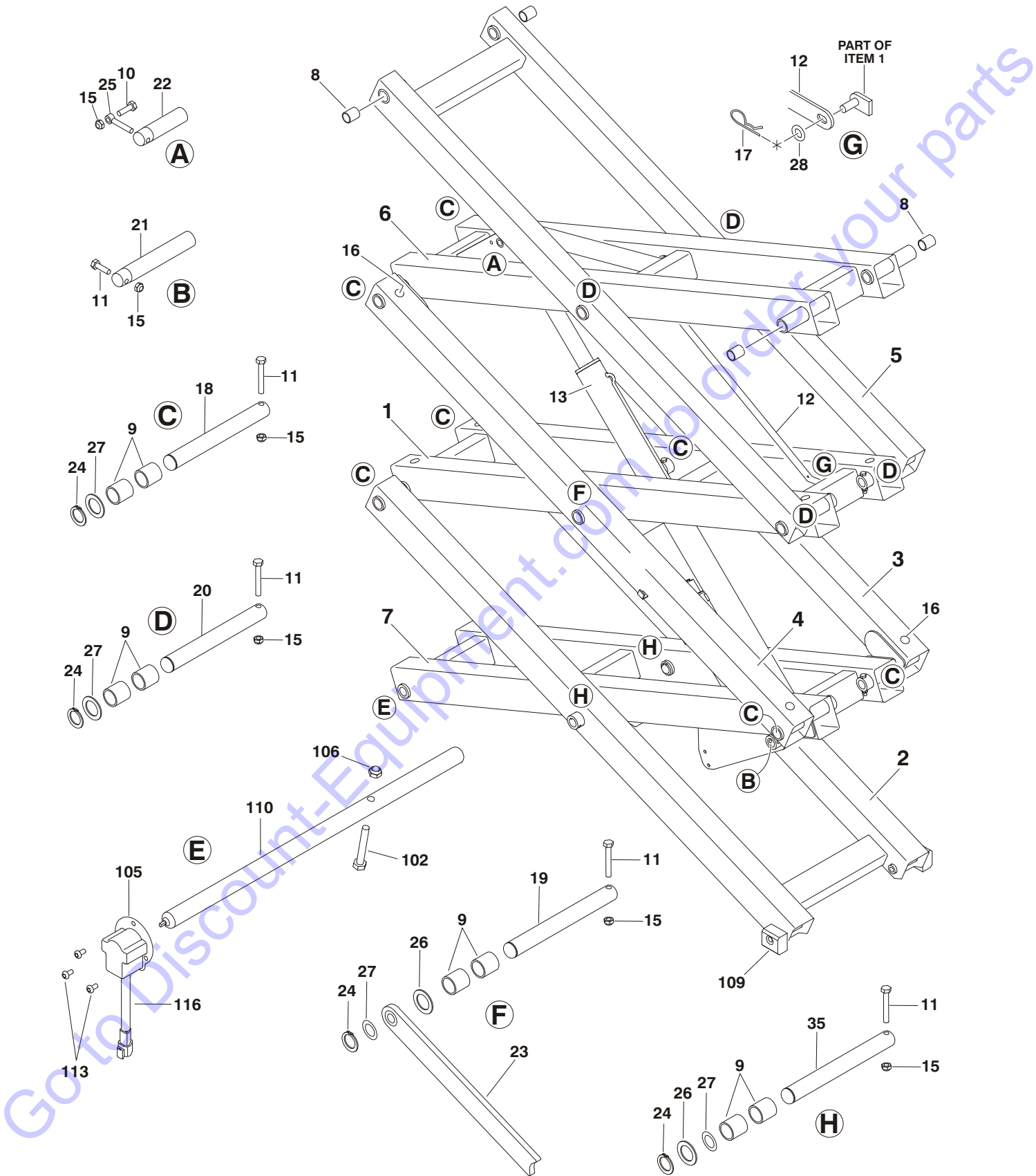
FIGURE 3-1. SCISSOR ARMS INSTALLATION - 1930ES (CONTINUED)

ITEM #	PART NUMBER	QTY.	DESCRIPTION	REV.
108	1001092354	1	Switch, Rotary Angle Sensor (was p/n 4360526)	
109	Not Used			
110	3200454	1	Mount, Switch	
111 to 112	Not Used			
113	4191706	3	Screw M6 x 12mm	
114	Not Used			
115	1061036	1	Cable, Manual Descent (Not Shown)	
	7020218	1	T-Handle (with 1/4"-20 Threads)	
	70001878	1	T-Handle (with 5mm Threads)	
116	3321402	1	Jam Nut (Not Shown)	
117	4160078	1	Spring, Compression (Not Shown)	
118	4420070	1	Tape, Anti-Skid	

Go to Discount-Equipment.com to order your parts

SECTION 3 SCISSOR ARMS

FIGURE 3-2. SCISSOR ARMS INSTALLATION - 2030ES



SECTION 3 SCISSOR ARMS

FIGURE 3-2. SCISSOR ARMS INSTALLATION - 2030ES

ITEM #	PART NUMBER	QTY.	DESCRIPTION	REV.
		Ref.	SCISSOR ARMS ASSEMBLY - 2030ES	
	0275018	Ref.	Machines with Standard Hydraulic Oil	I
	0200839	Ref.	Machines with Biodegradeable Hydraulic Oil	G
1	0200799	1	Arm - Mid Inboard	
2	0200802	1	Arm - Lower Outboard	
3	0200803	1	Arm - Mid Outboard (Left Side)	
4	0200804	1	Arm - Mid Outboard (Right Side)	
5	0200807	1	Arm - Upper Outboard	
6	0200816	1	Arm - Upper Inboard	
7	0200834	1	Arm - Lower Inboard	
8	0440266	4	Bearing	
9	0440267	28	Bearing	
10	0701015	1	Bolt M10 x 35mm	
11	0701022	15	Bolt M10 x 70mm	
12	1180382	1	Carrier, Cable	
13		1	Lift Cylinder Assembly Options (See Section 5 for Breakdown):	
	1684487		Machines with Standard Hydraulic Oil	
	1684527		Machines with Biodegradeable Hydraulic Oil	
14	Not Used			
15	3291005	16	Locknut M10	
16	3340962	16	Pad, Arm	
17	3420156	2	Pin, Cotter	
18	3422997	7	Pin	
19	3423014	1	Pin	
20	3423036	4	Pin	
21	3423038	1	Pin	
22	3423067	1	Pin	
23	3574161	1	Bar, Prop Attach	
24	3760387	14	Ring, Retaining	
25	3841143	1	Keeper, Pin	
26	4071094	A/R	Shim, Spacer	
27	4740438	14	Washer, Special	
28	4812000	2	Flatwasher M10	
30 to 34	Not Used			
35		2	Pin Options:	
	3422997		Pin (USA Built Machines S/N 0200152825 to S/N 0200176683 & Belgium Built Machines S/N 1200008481 to S/N 1200016873)	
	3423014		Pin (USA Built Machines S/N 0200176683 to S/N 0200198014 & Belgium Built Machines S/N 1200016873 to Present)	
	2902499	1	----- Scissor Arm Kit - 2030ES (Includes Items 2-9,12 & 23)	K

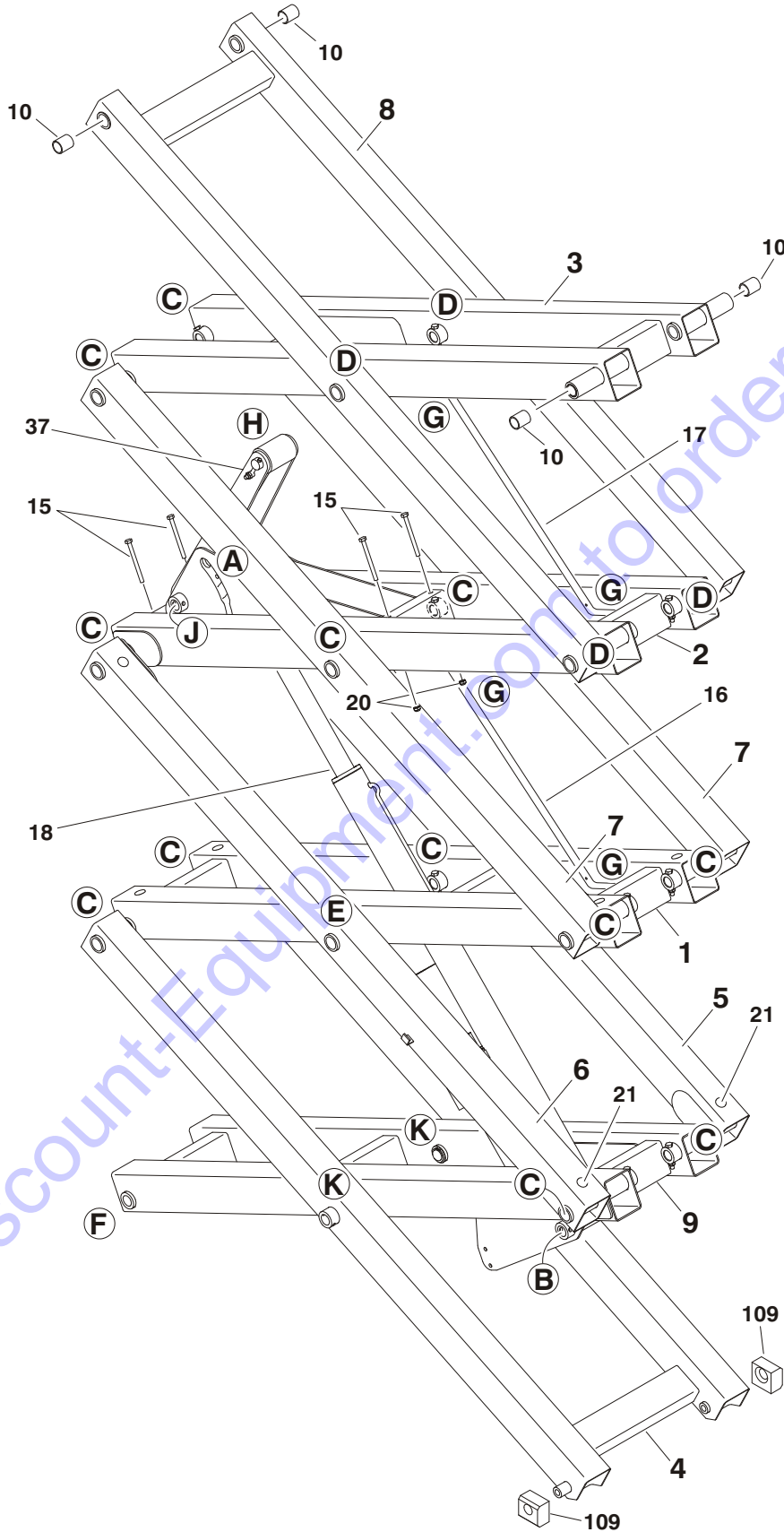
SECTION 3 SCISSOR ARMS

FIGURE 3-2. SCISSOR ARMS INSTALLATION - 2030ES (CONTINUED)

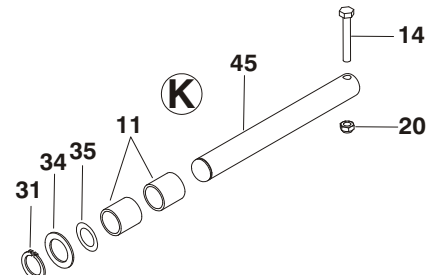
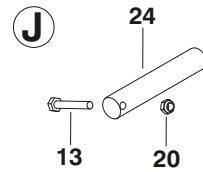
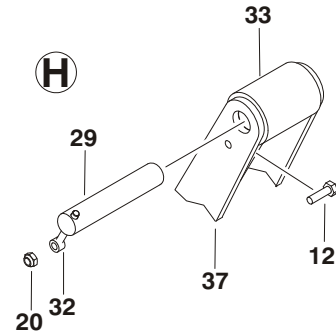
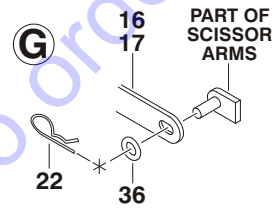
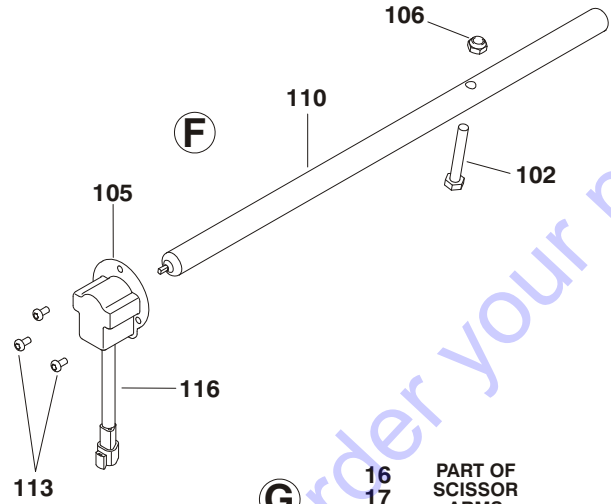
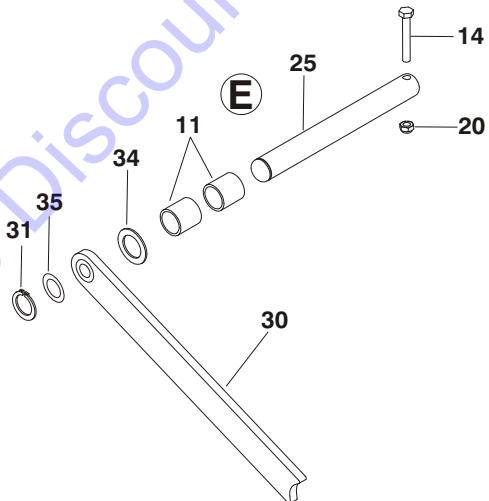
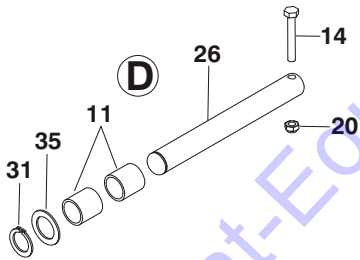
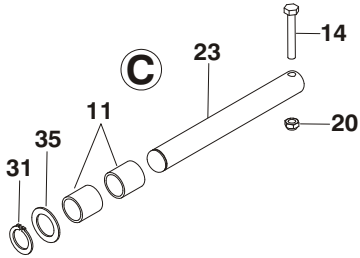
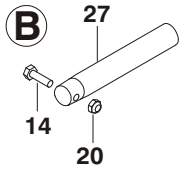
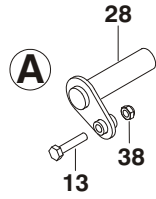
ITEM #	PART NUMBER	QTY.	DESCRIPTION	REV.
		Ref.	SCISSOR ARMS INSTALLATIONS - 2030ES	
	0275016	Ref.	Machines with Standard Hydraulic Oil	D
	0275693	Ref.	Machines with Biodegradable Hydraulic Oil	B
101	Not Used			
102	0701022	1	Bolt M10 x 70mm	
103		1	Cable, Manual Descent Options (Not Shown):	
	1061036		9ft/2.74m Length (USA Built Machines S/N 0200152825 to S/N 0200161859 & Belgium Built Machines S/N 1200008481 to S/N 1200011443)	
	1061034		12.5ft/3.81m Length (USA Built Machines S/N 0200161859 to S/N 0200198014 & Belgium Built Machines S/N 1200011443 to Present)	
	7020218	1	T-Handle (with 1/4"-20 Threads)	
	70001878	1	T-Handle (with 5mm Threads)	
104	Not Used			
105	3200454	1	Mount, Switch	
106	3291005	1	Locknut M10	
107	Not Used			
108	3321402	1	Nut, Jam 1/4"-28NF (Not Shown)	
109	3340957	2	Pad, Slide	
110	3423259	1	Pin, Sensor	
111	Not Used			
112	4160078	1	Spring, Compression (Not Shown)	
113	4191706	3	Screw M6 x 12mm	
114 to 115	Not Used			
116	1001092354	1	Switch, Rotary Angle Sensor (was p/n 4360526)	

SECTION 3 SCISSOR ARMS

FIGURE 3-3. SCISSOR ARMS INSTALLATION - 2630ES



SECTION 3 SCISSOR ARMS



SECTION 3 SCISSOR ARMS

FIGURE 3-3. SCISSOR ARMS INSTALLATION - 2630ES

ITEM #	PART NUMBER	QTY.	DESCRIPTION	REV.
		Ref.	SCISSOR ARMS ASSEMBLY - 2630ES	
	0275019	Ref.	Machines with Standard Hydraulic Oil	J
	0200840	Ref.	Machines with Biodegradeable Hydraulic Oil	H
1	0200799	1	Arm - Lower Mid Inboard	
2	0200800	1	Arm - Upper Mid Inboard	
3	0200801	1	Arm - Upper Inboard	
4	0200802	1	Arm - Lower Outboard	
5	0200803	1	Arm - Lower Mid Outboard (Left Side)	
6	0200804	1	Arm - Lower Mid Outboard (Right Side)	
7	0200805	2	Arm - Upper Mid Out board	
8	0200807	1	Arm - Upper Outboard	
9	0200834	1	Arm - Lower Inboard	
10	0440266	4	Bearing	
11	0440267	42	Bearing	
12	0701015	1	Bolt M10 x 35mm	
13	0701017	1	Bolt M10 x 45mm	
14	0701022	18	Bolt M10 x 70mm	
15	0701029	4	Bolt M10 x 120mm	
16	1180382	1	Carrier, Cable	
17	1180383	1	Carrier, Cable	
18		1	Lift Cylinder Assembly Options (See Section 5 for Breakdown):	
	1684488		Machines with Standard Hydraulic Oil	
	1684528		Machines with Biodegradeable Hydraulic Oil	
19	Not Used			
20	3291005	23	Locknut M10	
21	3340962	24	Pad, Arm	
22	3420156	2	Pin, Cotter	
23	3422997	13	Pin	
24	3422998	1	Pin	
25	3423014	1	Pin	
26	3423036	4	Pin	
27	3423038	1	Pin	
28	3423039	1	Pin	
29	3423067		Pin	
30	3574161	1	Bar, Prop Attach	
31	3760387	20	Ring, Retaining	
32	3841143	1	Keeper, Pin	
33	3860107	1	Roller	
34	4071094	A/R	Shim, Spacer	
35	4740438	20	Washer, Special	
36	4812000	2	Flatwasher M10	
37	4846752	1	Kicker, Arm	
38	3291007	1	Locknut M10	
39 to 44	Not Used			

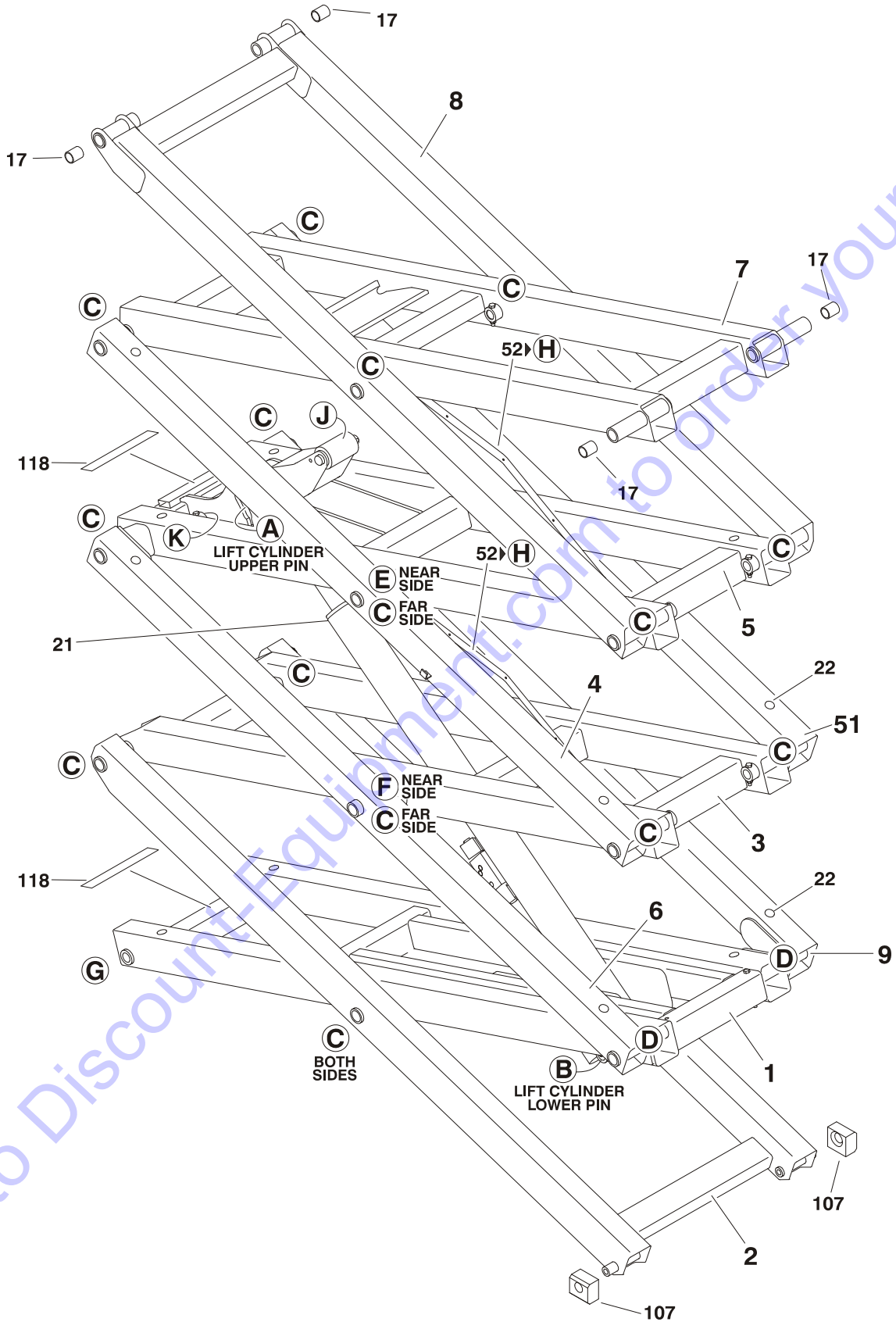
SECTION 3 SCISSOR ARMS

FIGURE 3-3. SCISSOR ARMS INSTALLATION - 2630ES (CONTINUED)

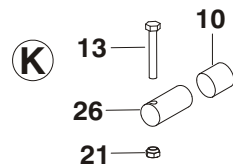
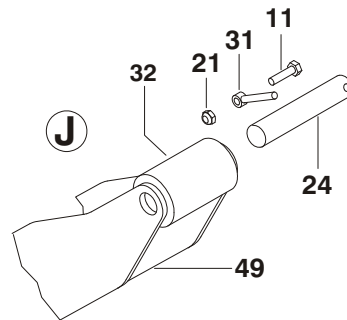
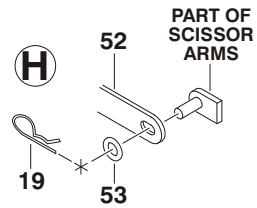
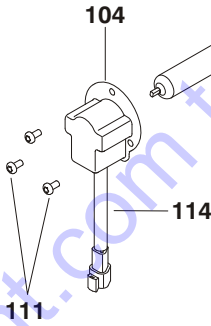
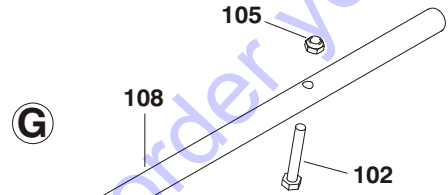
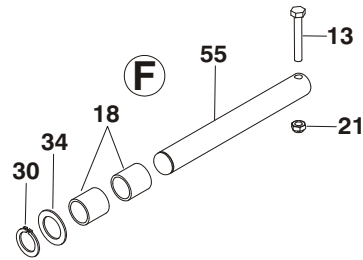
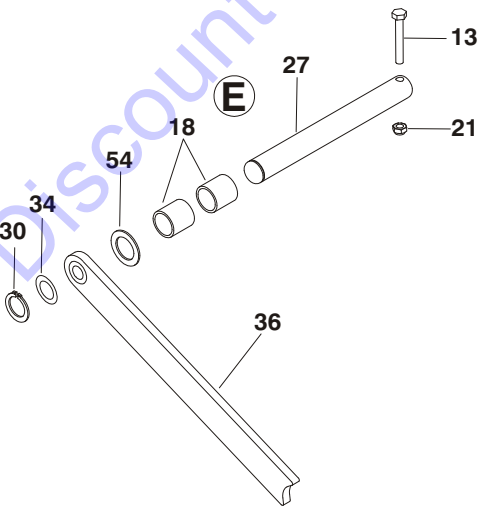
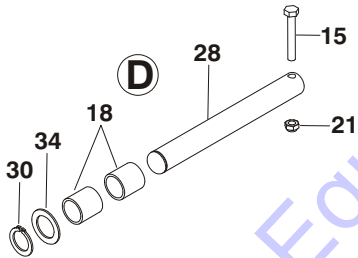
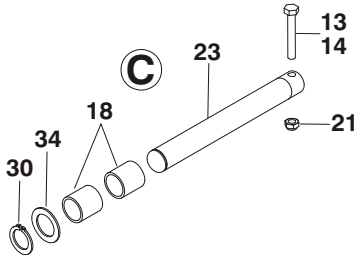
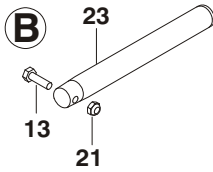
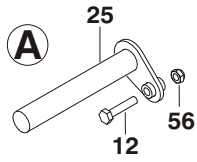
ITEM #	PART NUMBER	QTY.	DESCRIPTION	REV.
45	3422997	2	Pin Options: Pin (USA Built Machines S/N 0200152825 to S/N 0200176683 & Belgium Built Machines S/N 1200008481 to S/N 1200016873)	
	3423014		Pin (USA Built Machines S/N 0200176683 to S/N 0200198014 & Belgium Built Machines S/N 1200016873 to Present)	
	2902500	1	Scissor Arm Kit - 2630ES (Includes Items 1-11,16,17,30 & 37)	M
		Ref.	SCISSORS ARMS INSTALLATION	
	0275017	Ref.	Machines with Standard Hydraulic Oil	D
	0275694	Ref.	Machines with Biodegradable Hydraulic Oil	B
101	Not Used			
102	0701022	1	Bolt M10 x 70mm	
103		1	Cable, Manual Descent Options (Not Shown):	
	1061036		9ft/2.74m Length (USA Built Machines S/N 0200152825 to S/N 02000161859 & Belgium Built Machines S/N 1200008481 to S/N 1200011443)	
	1061034		12.5ft/3.81m Length (USA Built Machines S/N 02000161859 to S/N 0200198014 & Belgium Built Machines S/N 1200011443 to Present)	
	7020218	1	T-Handle (with 1/4"-20 Threads)	
	70001878	1	T-Handle (with 5mm Threads)	
104	Not Used			
105	3200454	1	Mount, Switch	
106	3291005	1	Locknut M10	
107	Not Used			
108	3321402	1	Nut, Jam 1/4"-28NF (Not Shown)	
109	3340957	2	Pad, Slide	
110	3423259	1	Pin, Sensor	
111	Not Used			
112	4160078	1	Spring, Compression (Not Shown)	
113	4191706	3	Screw M6 x 12mm	
114 to 115	Not Used			
116	1001092354	1	Switch, Rotary Angle Sensor (was p/n 4360526)	

SECTION 3 SCISSOR ARMS

FIGURE 3-4. SCISSOR ARMS INSTALLATION - 2646ES/3246ES



SECTION 3 SCISSOR ARMS



SECTION 3 SCISSOR ARMS

FIGURE 3-4. SCISSOR ARMS INSTALLATION - 2646ES/3246ES

ITEM #	PART NUMBER	QTY.	DESCRIPTION	REV.
		Ref.	SCISSOR ARMS ASSEMBLIES - 2646ES/3246ES	
	0274880	Ref.	2646ES with Standard Hydraulic Oil	H
	0200841	Ref.	2646ES with Biodegradeable Hydraulic Oil	F
	0274878	Ref.	3246ES with Standard Hydraulic Oil	H
	0200842	Ref.	3246ES with Biodegradeable Hydraulic Oil	F
1	0200832	1	Arm - Lower Inboard	
2	0200783	1	Arm - Lower Outboard	
3	0200831	1	Arm - Lower Mid Inboard	
4	0200830	1	Arm - Upper Mid Outboard (Right Side)	
5	0200829	1	Arm - Upper Mid Inboard	
6	0200828	1	Arm - Lower Mid Outboard (Right Side)	
7	0200827	1	Arm - Upper Inboard	
8	0200789	1	Arm - Upper Outboard	
9	0200826	1	Arm - Lower Mid Outboard (Left Side)	
10	0440257	2	Bearing	
11	0701016	1	Bolt M10 x 40mm	
12	0701020	1	Bolt M10 x 60mm	
13	0701022	19	Bolt M10 x 70mm	
14	0701027	2	Bolt M10 x 100mm	
15	0701029	2	Bolt M10 x 120mm	
16		1	Lift Cylinder Assembly Options (See Section 5 for Breakdown):	
	1684489		2646ES with Standard Hydraulic Oil	
	1684529		2646ES with Biodegradeable Hydraulic Oil	
	1684490		3246ES with Standard Hydraulic Oil	
	1684530		3246ES with Biodegradeable Hydraulic Oil	
17	0440266	4	Bearing	
18	0440267	40	Bearing	
19	3420156	4	Pin, Cotter	
20	Not Used			
21	3291005	24	Locknut M10	
22	3340962	24	Pad, Arm	
23	3422997	17	Pin	
24	3422998	1	Pin	
25	3423009	1	Pin	
26	3423011	2	Pin	
27	3423014	1	Pin	
28	3423026	2	Pin	
29	Not Used			
30	3760387	20	Ring, Retaining	
31	3841143	1	Keeper, Pin	
32	3860104	1	Roller	
33	Not Used			
34	4740438	20	Washer, Special	
35	Not Used			
36	3574161	1	Prop, Safety	
37 to 48	Not Used			
49	4846684	1	Kicker, Arm	
50	Not Used			

SECTION 3 SCISSOR ARMS

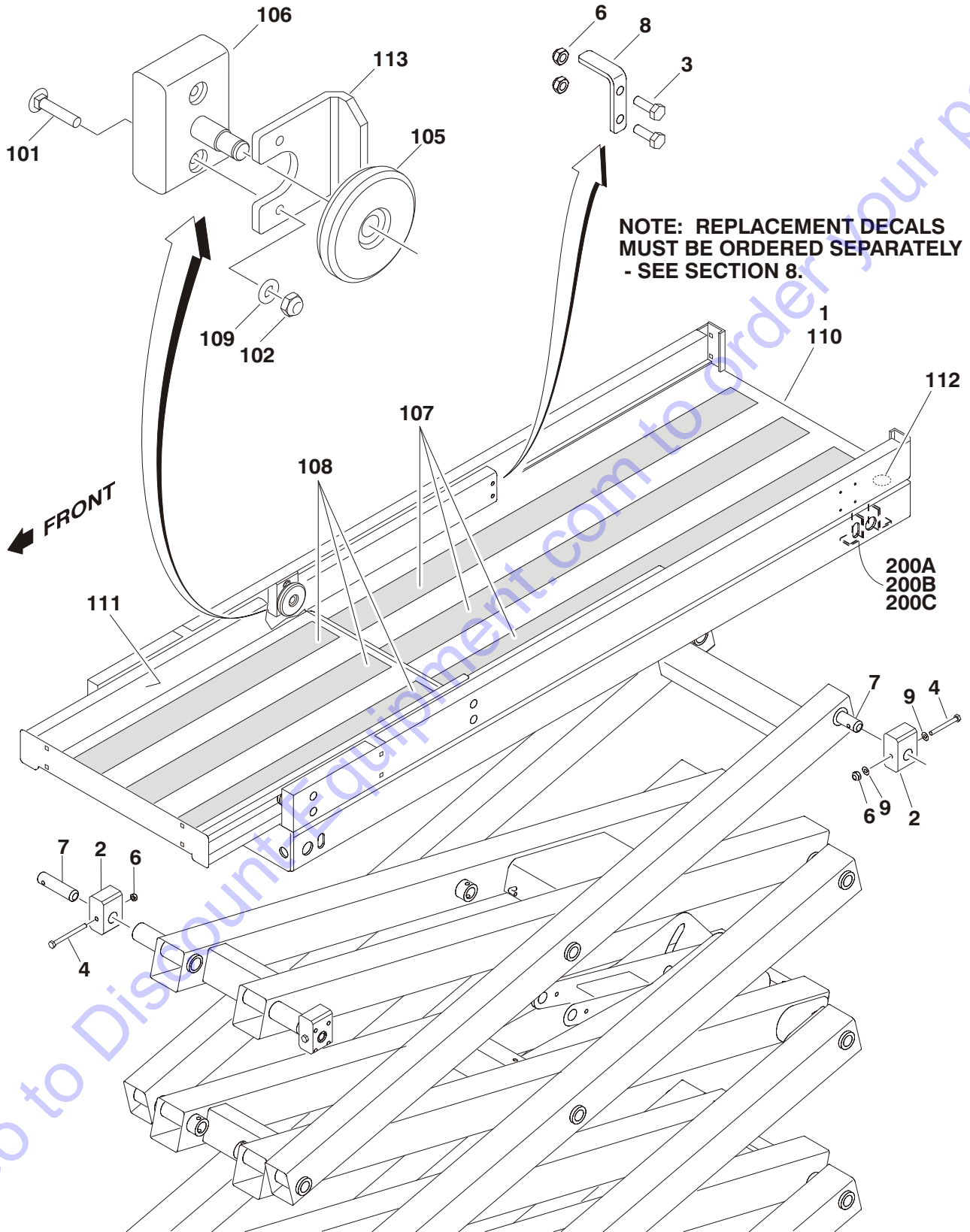
FIGURE 3-4. SCISSOR ARMS INSTALLATION - 2646ES/3246ES (CONTINUED)

ITEM #	PART NUMBER	QTY.	DESCRIPTION	REV.
51	0200820	1	Arm - Upper Mid Outboard (Left Side)	
52	1180380	2	Carrier, Cable	
53	4812000	4	Flatwasher M10	
54	4071094	A/R	Shim, Spacer	
55	3423170	1	Pin	
56	3291007	1	Locknut M10	
	2902475	1	Scissor Arm Kit - 2646ES/3246ES (Includes Items 1-10,17,18,36, 49,51 & 52)	L
		Ref.	SCISSOR ARMS INSTALLATIONS - 2646ES/3246ES	
	0274879	Ref.	2646ES with Standard Hydraulic Oil	D
	0275695	Ref.	2646ES with Biodegradable Hydraulic Oil	C
	0274881	Ref.	3246ES with Standard Hydraulic Oil	D
	0275696	Ref.	3246ES with Biodegradable Hydraulic Oil	C
101	Not Used			
102	0701022	2	Bolt M10 x 70mm	
103	Not Used			
104	3200454	1	Mount, Switch	
105	3291005	2	Locknut M10	
106	Not Used			
107	3340957	2	Pad, Slide	
108	3423255	1	Pin, Sensor	
109 to 110	Not Used			
111	4191706	3	Screw M6 x 12mm	
112 to 113	Not Used			
114	1001092354	1	Switch, Rotary Angle Sensor (was p/n 4360526)	
115	1061034	1	Cable, Manual Descent (Not Shown)	
	7020218	1	T-Handle (with 1/4"-20 Threads)	
	70001878	1	T-Handle (with 5mm Threads)	
116	3321402	1	Nut, Jam 1/4"-28NF (Not Shown)	
117	4160078	1	Spring, Compression (Not Shown)	
118	4420070	A/R	Tape, Anti-Skid (3 Pcs 41mm X 279mm Each)	
119	4420080	A/R	Tape, Anti-Skid (1 Pc 60mm X 279mm) (Not Shown - Located on Bottom Step - Part of Frame)	

**SECTION 4
PLATFORM**

SECTION 4 PLATFORM

FIGURE 4-1. PLATFORM INSTALLATION



SECTION 4 PLATFORM

FIGURE 4-1. PLATFORM INSTALLATION

ITEM #	PART NUMBER	QTY.	DESCRIPTION	REV.
		Ref.	PLATFORM INSTALLATIONS	
		Ref.	All Specs Except CE & Japanese Specs	
	0274817	Ref.	1930ES (Original Equipment)	E
	1001134933	Ref.	1930ES (Service Replacement)	A
	0274991	Ref.	2030ES/2630ES	C
	0274930	Ref.	2646ES/3246ES	B
		Ref.	CE & Japanese Specs Only	
	0275029	Ref.	1930ES	F
	0274992	Ref.	2030ES/2630ES	C
	0274931	Ref.	2646ES/3246ES	B
		Ref.	Note: All versions are available on ANSI Export & Australian Specs.	
1	Use 1001134934	1	Platform Assembly (See Items 101-113 for Breakdown): 1930ES (Service Replacement) (Original Equipment was p/n 0274818) 2030ES/2630ES 2646ES/3246ES	
2	0274971 0274929	A/R	Block, Slide Options:	
	3340976	2	1930ES (Front Block)	
	3340965	2	1930ES (Rear Block)	
	1001134951	2	1930ES (Spacer Sleeve Used with Rear Block) (Service Replacement Platforms Only)	
	0561520	4	2030ES/2630ES/2646ES/3246ES	
3	3900351	4	Bolt M10 x 30mm	
4		A/R	Bolt M10 Options:	
	0701022	2	70mm Length (Front Slide Block - 1930ES)	
	0701027	2	100mm Length (Rear Slide Block - 1930ES) (was p/n 0701026 - 90mm Length)	
	0701029	2	120mm Length (Rear Slide Block - 1930ES) (Service Replacement Platform Only)	
	0701024	2	80mm Length (Front Slide Block - 2030ES/2630ES/2646ES/3246ES)	
	0701027	2	100mm Length (Rear Slide Block - 2030ES/2630ES/2646ES/3246ES)	
5	Not Used			
6	3291005	8	Locknut M10	
7		4	Pin Options:	
	3423049		All Machines except CE & Japanese Specs	
	See Note		CE & Japanese Spec Machines (Note: Refer to JLG Supplement p/n 3124288)	
8	3574067	2	Plate, Extension Stop	
9	4812000	4	Flatwasher M10	

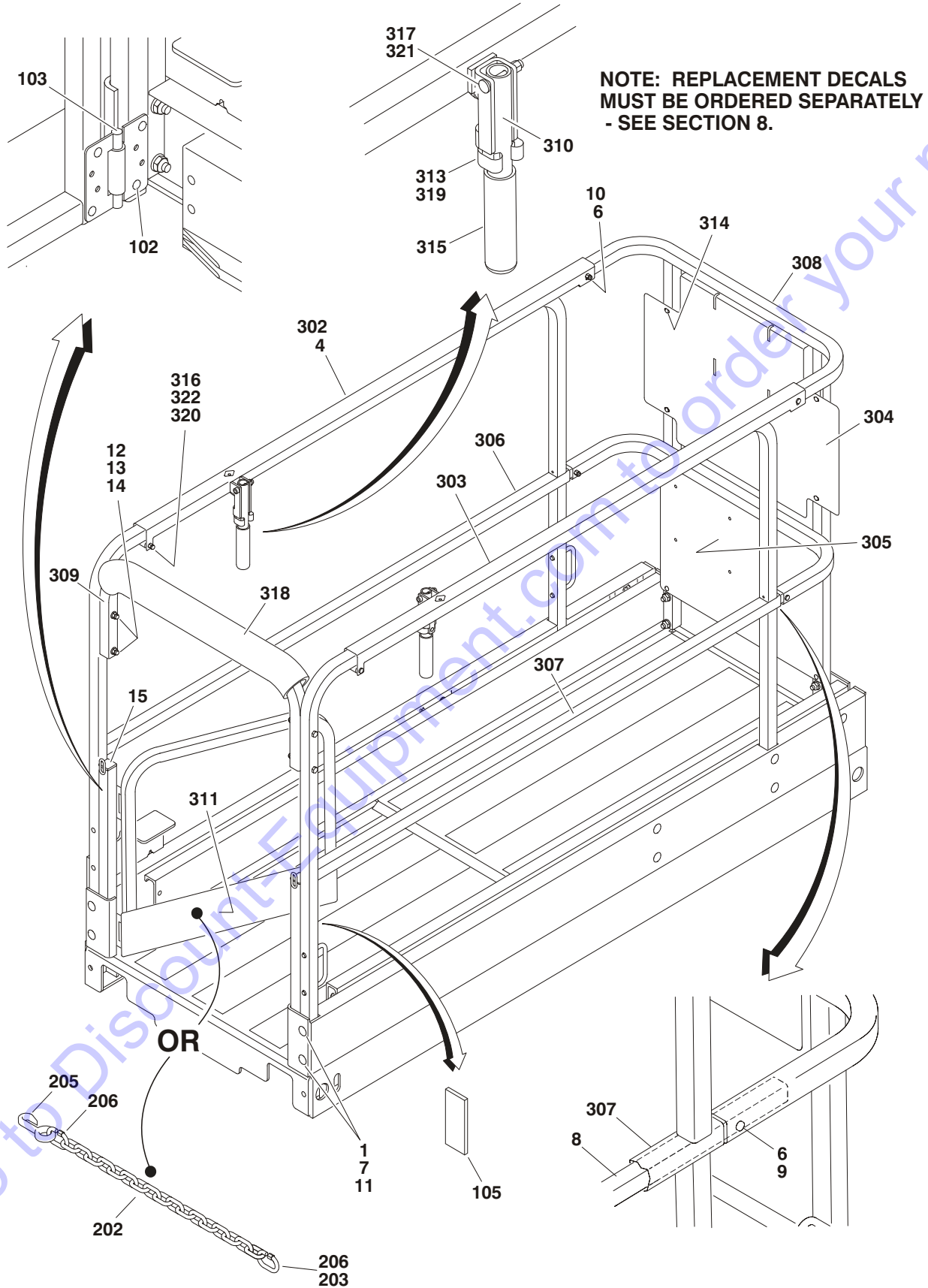
SECTION 4 PLATFORM

FIGURE 4-1. PLATFORM INSTALLATION (CONTINUED)

ITEM #	PART NUMBER	QTY.	DESCRIPTION	REV.
		Ref.	PLATFORM ASSEMBLY	
	Use 1001134934	Ref.	1930ES (Original Equipment was p/n 0274818)	B
	1001134934	Ref.	1930ES (Service Replacement)	A
	0274971	Ref.	2030ES/2630ES	C
	0274929	Ref.	2646ES/3246ES	A
101	0630565	8	Bolt, Carriage M10 x 50mm	
102	3291005	8	Locknut M10	
103 to 104	Not Used			
105	3860118	4	Roller	
106	4340914	4	Mount	
107		A/R	Tape, Anti-Skid Options:	
	4420071	3	1930ES	
	4420075	3	2030ES/2630ES	
	4420073	5	2646ES/3246ES	
108		A/R	Tape, Anti-Skid Options:	
	4420072	3	1930ES/2030ES/2630ES	
	4420074	5	2646ES/3246ES	
109	4812000	8	Flatwasher M10	
110		1	Platform Weldment Options:	
	Use 1001134935		1930ES (Service Replacement) (Original Equipment was p/n 3510888)	
	3510892		2030ES/2630ES	
	3510890		2646ES/3246ES	
111		1	Extension Weldment Options:	
	4846768		1930ES/2030ES/2630ES	
	4846764		2646ES/3246ES	
112	2540045	1	Grommet	
113	0903574	1	Bracket, Stop (Use with p/n 0274818 & 0274971 Platform Assemblies Only)	
		Ref.	SLIDE BLOCK MOUNT REPAIR KITS	
200		A/R	Fixed Mount Repair Kit (Kit includes components & instructions to repair weld cracks in fixed mounting block supports on aluminum platforms)	
200A	2915241	1	1930ES Fixed Mount Repair Kit	
200B	2915240	1	2030ES/2630ES Fixed Mount Repair Kit	
200C	2915241	1	2646ES/3246ES Fixed Mount Repair Kit	

SECTION 4 PLATFORM

FIGURE 4-2.RAIL (FIXED) INSTALLATION - 1930ES



SECTION 4 PLATFORM

FIGURE 4-2. RAIL (FIXED) INSTALLATION - 1930ES

ITEM #	PART NUMBER	QTY.	DESCRIPTION	REV.
		Ref.	RAIL INSTALLATION - 1930ES	
	0274985	Ref.	Rails with Gate Closure	C
	0274816	Ref.	Rails with Chain Closure	D
1	0630565	12	Bolt, Carriage M10 x 55mm	
2 to 3	Not Used			
4		1	Rail Assembly Options (See Items 301-322 for Breakdown):	
	2902448		Rails with Gate Closure	
	2902496		Rails with Chain Closure	
5	Not Used			
6	3290606	4	Capnut M6	
7	3291005	12	Locknut M10	
8	3841716	2	Rod, Fiberglass	
9	4010616	2	Screw M6 x 40mm	
10	4010618	2	Screw M6 x 50mm	
11	4812000	12	Flatwasher M10	
12	0700823	4	Screw M8 x 75mm	
13	3290806	4	Capnut M8	
14	4811900	4	Flatwasher M8	
15	3520072	2	Cap-Plug	
	0274985	Ref.	GATE CLOSURE COMPONENTS	C
101	Not Used			
102	2080040	8	Fastener, Huck	
103	2600281	2	Hinge	
104	Not Used			
105	3080007	1	Magnet, Gate	
	0274816	Ref.	CHAIN CLOSURE COMPONENTS	D
201	Not Used			
202	1260136	1.75ft/53cm	Chain (was 2ft/61cm)	
203	2820097	1.67ft/51cm	Cover, Chain (was 2ft/61cm)	
204	Not Used			
205	1001101076	1	Snap Latch Repair Kit (was p/n 2940064) (Includes Item 206)	
206	3010088	2	Link	
		Ref.	RAIL ASSEMBLY - 1930ES	
	2902496	Ref.	Rails with Gate Closure	J
	2902448	Ref.	Rails with Chain Closure	H
301	Not Used			
302	1271617	1	Rail, Slide (Left)	
303	1271618	1	Rail, Slide (Right)	
304	3576645	1	Plate, Billboard (Upper)	
305	3574184	1	Plate, Billboard (Lower)	
306	3641604	1	Rail, Side (Left)	
307	3641605	1	Rail, Side (Right)	

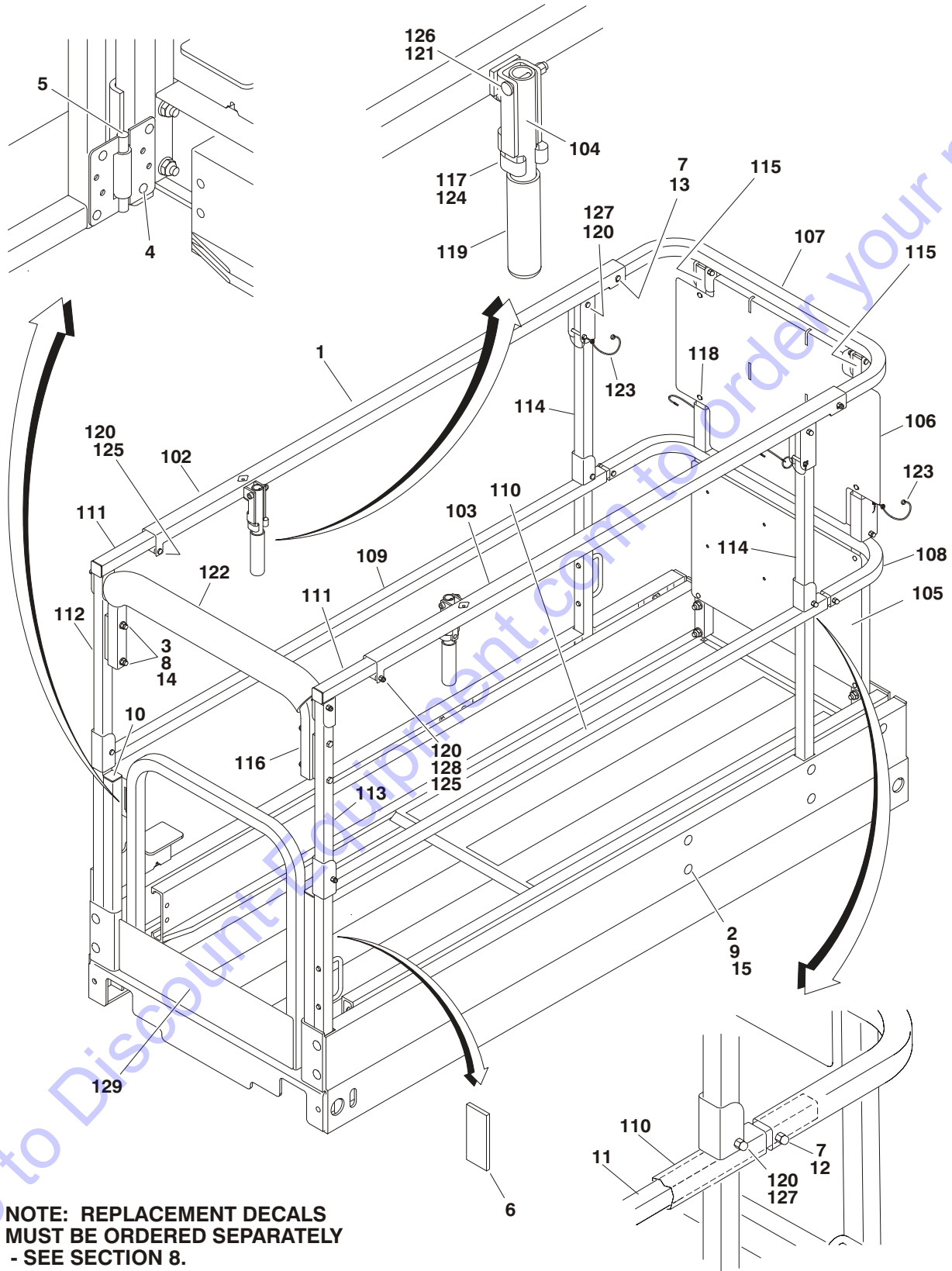
SECTION 4 PLATFORM

FIGURE 4-2. RAIL (FIXED) INSTALLATION - 1930ES (CONTINUED)

ITEM #	PART NUMBER	QTY.	DESCRIPTION	REV.
308	3641606	1	Rail, Extension Platform (Front)	
309	4569305	1	Rail (Rear)	
310	2560191	2	Handle, Extension	
311	4846723	1	Gate (2902496 Rail Assembly Only)	
312	Not Used			
313	1380132	2	Clip, Gripper	
314	2080040	8	Fastener, Huck	
315	2560088	2	Cover, Handle	
316	3290606	2	Capnut M6	
317	3290806	2	Capnut M8	
318	3340612	18in/46cm	Pad, Rail	
319	3820019	2	Rivet	
320	3860111	2	Roller	
321	3900345	2	Screw M8 x 45mm	
322	4010618	2	Screw M6 x 50mm	
	2902449		----- Rails Kit - 1930ES (Includes Items 302-310)	J

SECTION 4 PLATFORM

FIGURE 4-3.RAIL (FOLD-DOWN) INSTALLATION - 1930ES



SECTION 4 PLATFORM

FIGURE 4-3. RAIL (FOLD-DOWN) INSTALLATION - 1930ES

ITEM #	PART NUMBER	QTY.	DESCRIPTION	REV.
		Ref.	RAIL INSTALLATION - 1930ES	
	0275429	Ref.	Rails with Gate Closure	B
1	2902535	1	Rail Assembly (See Items 101-129 for Breakdown)	
2	0630565	12	Bolt, Carriage M10 x 55mm	
3	0700825	4	Bolt M8 x 85mm	
4	2080040	8	Fastener, Huck	
5	2600281	2	Hinge	
6	3080007	1	Magnet, Gate	
7	3290606	4	Capnut M6	
8	3290806	4	Capnut M8	
9	3291005	12	Capnut M10	
10	3520072	4	Cap-Plug	
11	3841716	2	Tube, Slide (Mid)	
12	4010616	2	Screw M6 x 40mm	
13	4010618	2	Screw M6 x 50mm	
14	4811900	4	Flatwasher M8	
15	4812000	12	Flatwasher M10	
		Ref.	RAIL ASSEMBLY - 1930ES	
	2902535	Ref.	Rails with Gate Closure	G
101	Not Used			
102	1271617	1	Rail, Slide (Left)	
103	1271618	1	Rail, Slide (Right)	
104	2560191	2	Handle, Extension	
105	3574184	1	Plate, Billboard (Lower)	
106	3576932	1	Plate, Billboard (Upper)	
107	3641619	1	Rail (Front Upper)	
108	3641620	1	Rail (Front Mid)	
109	3641650	1	Rail (Left Lower Side)	
110	3641651	1	Rail (Right Lower Side)	
111	3641652	2	Rail (Both Upper Sides)	
112	3641653	1	Rail (Left Rear Upper)	
113	3641654	1	Rail (Right Rear Upper)	
114	4568667	2	Tube, Folding (Both Mid Side)	
115	4569404	2	Tube, Folding (Both Front)	
116	4569428	1	Rail (Rear)	
117	1380132	2	Clip, Gripper	
118	2080040	8	Fastener, Huck	
119	2560088	2	Cover, Handle	
120	3290606	14	Capnut M6	
121	3290806	2	Capnut M8	
122	3340612	18in/46cm	Pad, Rail	
123	3423278	4	Snap Pin/Lanyard Kit	
124	3820019	2	Rivet	
125	3860111	2	Roller	
126	3900345	2	Capscrew M8 x 45mm	
127	4010617	12	Screw M6 x 45mm	

SECTION 4 PLATFORM

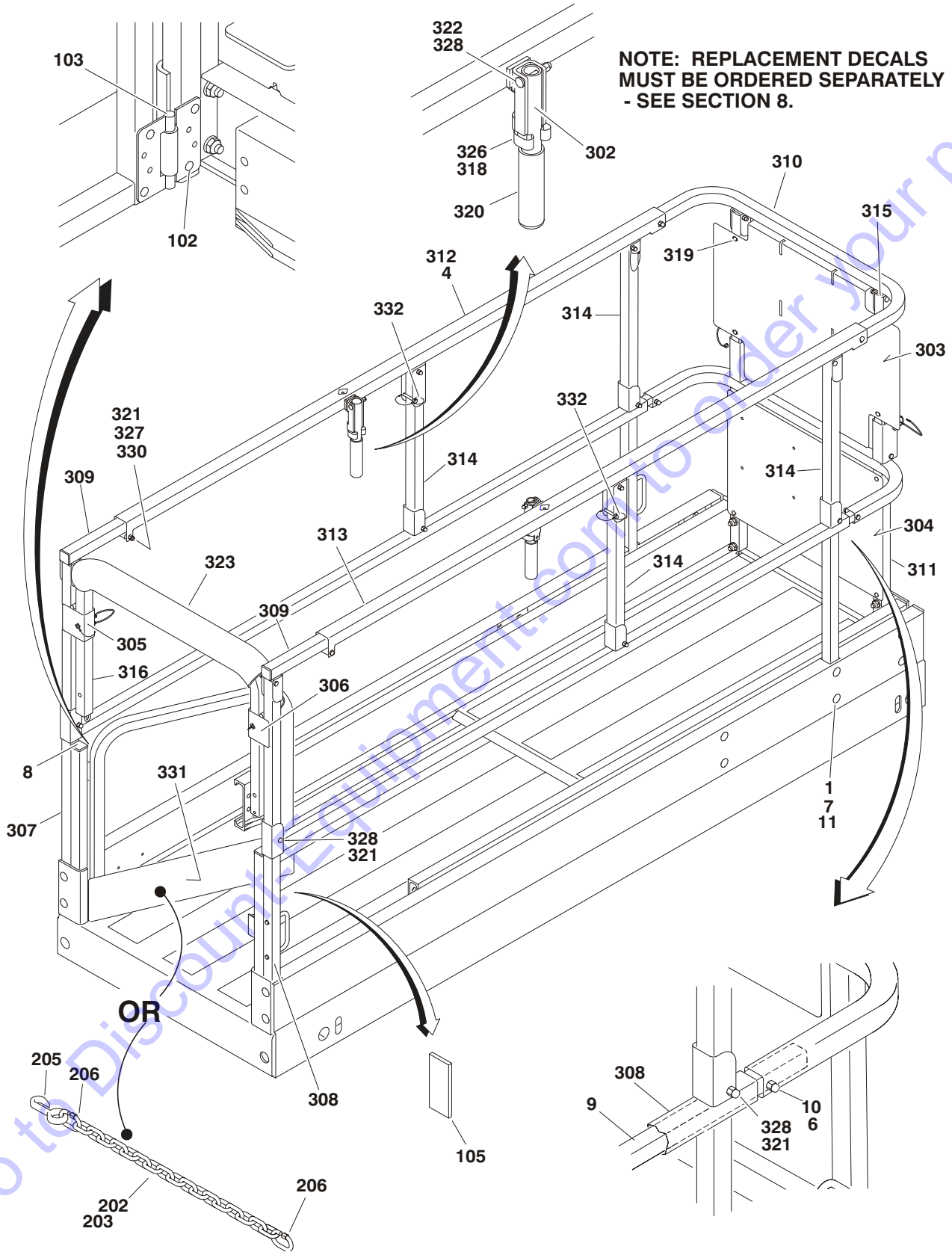
FIGURE 4-3. RAIL (FOLD-DOWN) INSTALLATION - 1930ES (CONTINUED)

ITEM #	PART NUMBER	QTY.	DESCRIPTION	REV.
128	4010618	2	Screw M6 x 50mm	
129	4846723	1	Gate	
	2902536		----- Rails Kit - 1930ES (Includes Items 102-116)	H

Go to Discount-Equipment.com to order your parts

SECTION 4 PLATFORM

FIGURE 4-4. RAIL INSTALLATION - 2030ES/2630ES



SECTION 4 PLATFORM

FIGURE 4-4. RAIL INSTALLATION - 2030ES/2630ES

ITEM #	PART NUMBER	QTY.	DESCRIPTION	REV.
		Ref.	RAIL INSTALLATION - 2030ES/2630ES	
	0274944	Ref.	Rails with Gate Closure	B
	0274943	Ref.	Rails with Chain Closure	D
1	0630565	12	Bolt, Carriage M10 x 55mm	
2 to 3	Not Used			
4		1	Rail Assembly Options (See Items 301-332 for Breakdown):	
	2902493		Rails with Gate Closure	
	2902492		Rails with Chain Closure	
5	Not Used			
6	3290606	2	Capnut M6	
7	3291005	12	Locknut M10	
8	3520072	4	Cap-Plug	
9	3841716	2	Rod, Fiberglass	
10	4010616	2	Screw M6 x 40mm	
11	4812000	12	Flatwasher M10	
	0274944	Ref.	GATE CLOSURE COMPONENTS	B
101	Not Used			
102	2080040	8	Fastener, Huck	
103	2600281	2	Hinge	
104	Not Used			
105	3080007	1	Magnet, Gate	
	0274943	Ref.	CHAIN CLOSURE COMPONENTS	D
201	Not Used			
202	1260136	1.67ft/51cm	Chain (was 2ft/61cm)	
203	2820097	1.58ft/49cm	Cover, Chain (was 2ft/61cm)	
204	Not Used			
205	1001101076	1	Snap Latch Repair Kit (was p/n 2940064) (Includes Item 206)	
206	3010088	2	Link	
		Ref.	RAIL ASSEMBLY - 2030ES/2630ES	
	2902493	Ref.	Rails with Gate Closure	L
	2902492	Ref.	Rails with Chain Closure	L
301	Not Used			
302	2560191	2	Handle, Extension	
303	3576932	1	Plate, Billboard (Upper)	
304	3574184	1	Plate, Billboard (Lower)	
305	3641614	1	Rail, Upright (Left Rear)	
306	3641615	1	Rail, Upright (Right Rear)	
307	3641616	1	Rail, Side (Left)	
308	3641617	1	Rail, Side (Right)	
309	3641618	2	Rail, Platform (Top)	
310	3641619	1	Rail, Extension (Top)	
311	3641620	1	Rail, Extension (Mid)	

SECTION 4 PLATFORM

FIGURE 4-4. RAIL INSTALLATION - 2030ES/2630ES (CONTINUED)

ITEM #	PART NUMBER	QTY.	DESCRIPTION	REV.
312	3641621	1	Rail, Slide (Left)	
313	3641622	1	Rail, Slide (Right)	
314	4568667	4	Tube, Folding Post (Platform)	
315	4569404	2	Tube, Folding Post (Extension)	
316	4569319	1	Rail (Rear)	
317	Not Used			
318	1380132	2	Clip, Gripper	
319	2080040	10	Fastener, Huck	
320	2560088	2	Handle	
321	3290606	20	Capnut M6	
322	3290806	2	Capnut M8	
323	3340612	18in/46cm	Pad, Rail	
324 to 325	Not Used			
326	3820019	2	Rivet	
327	3860111	2	Roller	
328	3900345	2	Screw M8 x 45mm	
329	4010617	24	Screw M6 x 45mm	
330	4010618	2	Screw M6 x 50mm	
331	4846723	1	Gate (2902493 Assembly Only)	
332	3423278	4	Snap Pin/Lanyard Kit	
	2902494		----- Rails Kit - 2030ES/2630ES (Includes Items 302-316)	Q

SECTION 4 PLATFORM

FIGURE 4-5. RAIL INSTALLATION - 2646ES/3246ES

ITEM #	PART NUMBER	QTY.	DESCRIPTION	REV.
		Ref.	RAIL INSTALLATION - 2646ES/32646ES	
	0274932	Ref.	Rails with Gate Closure	A
	0274933	Ref.	Rails with Chain Closure	C
1		1	Rail Assembly Options (See Items 301-332 for Breakdown):	
	2902490		Rails with Gate Closure	
	2902491		Rails with Chain Closure	
2	0630565	18	Bolt, Carriage M10 x 55mm	
3 to 5	Not Used			
6	3290606	2	Capnut M6	
7	3291005	18	Locknut M10	
8	3300477	2	Nut, Acorn	
9	3520072	2	Cap-Plug	
10	3841716	2	Rod, Fiberglass	
11	4010616	3	Screw M6 x 40mm	
12	4010618	3	Screw M6 x 50mm	
13	4812000	18	Flatwasher M10	
	0274932	Ref.	GATE CLOSURE COMPONENTS	A
101 to 102	Not Used			
103	2080040	8	Fastener, Huck	
104	2600281	2	Hinge	
105	3080007	1	Magnet, Gate	
	0274933	Ref.	CHAIN CLOSURE COMPONENTS	C
201 to 202	Not Used			
203	1260136	1.75ft/53cm	Chain (was 2ft/61cm)	
204	2820097	1.67ft/51cm	Cover, Chain (was 2ft/61cm)	
205	1001101076	1	Snap Latch Repair Kit (was p/n 2940064) (Includes Item 206)	
206	3010088	2	Link	
		Ref.	RAIL ASSEMBLY - 2030ES/2630ES	
	2902490	Ref.	Rails with Gate Closure	J
	2902491	Ref.	Rails with Chain Closure	J
301	Not Used			
302	2560191	2	Handle, Extension	
303	3576646	1	Plate, Billboard	
304	3641607	1	Rail, Side (Left Lower)	
305	3641608	1	Rail, Side (Right Lower)	
306	3641609	2	Rail, Platform (Top)	
307	3641610	1	Rail, Extension (Top)	
308	3641611	1	Rail, Extension (Mid)	
309	3641612	1	Rail, Slide (Left)	
310	3641613	1	Rail, Slide (Right)	
311	3641614	1	Rail, Side (Left Rear)	
312	3641615	1	Rail, Side (Right Rear)	

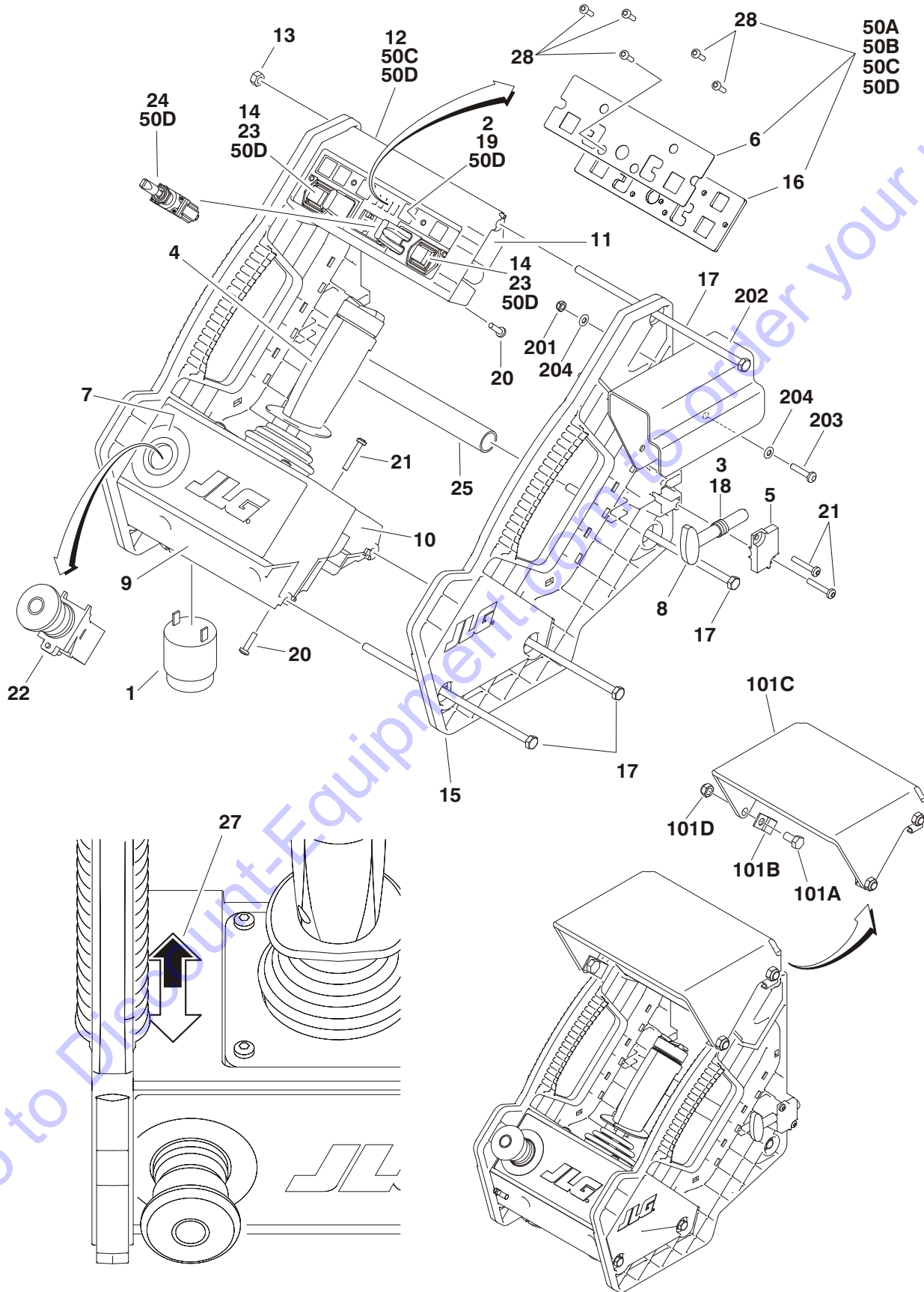
SECTION 4 PLATFORM

FIGURE 4-5. RAIL INSTALLATION - 2646ES/3246ES (CONTINUED)

ITEM #	PART NUMBER	QTY.	DESCRIPTION	REV.
313	4568667	4	Tube, Folding Post (Platform)	
314	4569404	2	Tube, Folding Post (Extension)	
315	4569310	1	Rail (Rear)	
316	Not Used			
317	1380132	2	Clip, Gripper	
318	2080040	6	Fastener, Huck	
319	2560088	2	Handle	
320	3290606	18	Capnut M6	
321	3290806	2	Capnut M8	
322	3340612	18in/46cm	Pad, Rail	
323 to 324	Not Used			
325	3820019	2	Rivet	
326	3860111	2	Roller	
327	3900345	2	Screw M8 x 45mm	
328	4010617	24	Screw M6 x 45mm	
329	4010618	2	Screw M6 x 50mm	
330	4420037	A/R	Tape, Insulation	
331	4846723	1	Gate (2902490 Assembly Only)	
332	3423278	4	Snap Pin/Lanyard Kit	
	2902489		----- Rails Kit - 2646ES/3246ES (Includes Items 302-315)	O

SECTION 4 PLATFORM

FIGURE 4-6.PLATFORM CONSOLE BOX INSTALLATION



SECTION 4 PLATFORM

FIGURE 4-6. PLATFORM CONSOLE BOX INSTALLATION

ITEM #	PART NUMBER	QTY.	DESCRIPTION	REV.
		Ref.	CONSOLE BOX ASSEMBLY	
	0272778 See Note	Ref.	All Specs except CE Spec (USA Built Machines S/N 0200152825 to S/N 0200163756 & Belgium Built Machines S/N 1200008481 to S/N 1200011998)	I
	1001091153	Ref.	All Specs except CE Spec (USA Built Machines S/N 0200163756 to S/N 0200198014 & Belgium Built Machines S/N 1200011998 to Present)	F
	0272779 See Note	Ref.	CE Spec (USA Built Machines S/N 0200152825 to S/N 0200163756 & Belgium Built Machines S/N 1200008481 to S/N 1200011998)	I
	1001091154	Ref.	CE Spec (USA Built Machines S/N 0200163756 to S/N 0200198014 & Belgium Built Machines S/N 1200011998 to Present)	F
		Ref.	Note: When replacing complete assembly, use p/n 1001091153 for All Specs except CE Spec Machines. Use p/n 1001091154 for CE Specs Machines.	
1	0140011	1	Alarm	
2	Use Item 50D		Platform Box Control Module (was p/n 1600439)	
3	1380156	1	E-Clip	
4	1	1	Drive/Steer Controller Assembly Options:	
	Use 1001134438		USA Built Machines S/N 0200152825 to S/N 0200172402 & Belgium Built Machines S/N 120008481 to S/N 1200015409 (Original Equipment was p/n 1600345 - See Figure 4-7 for Breakdown) (For Service Replacement Components p/n 1600402 & 100113443, See Figure 4-8 for Breakdown)	
	Use 1001134438		USA Built Machines S/N 0200172402 to S/N 0200198014 & Belgium Built Machines S/N 1200015409 to Present (See Figure 4-8 for Breakdown) (Original Equipment was p/n 1600402)	
5	1671098	1	Latch	
6	1	1	Decal - Icon Options:	
	See Note		USA Built Machines S/N 0200152825 to S/N 0200163756 & Belgium Built Machines S/N 120008481 to S/N 1200011998 (Note: Use Items 50A or 50C)	
	1705674		All Specs except CE Spec	
	1705675		CE Spec	
	See Note		USA Built Machines S/N 0200163756 to S/N 0200198014 & Belgium Built Machines S/N 1200011998 to Present (Note: Use Items 50B or 50C)	
	1001091272		All Specs except CE Spec	
	1001091275		CE Spec	
7	1705676	1	Decal - Emergency Stop Ring	
8	2560179	1	Handle, Latch	
9	1	1	Housing, Joystick (Lower) Options:	
	Use 1001091390		USA Built Machines S/N 0200152825 to S/N 0200163756 & Belgium Built Machines S/N 120008481 to S/N 1200011998 (was p/n 2760113)	
	1001091277		USA Built Machines S/N 0200163756 to S/N 0200198014 & Belgium Built Machines S/N 1200011998 to Present	

SECTION 4 PLATFORM

FIGURE 4-6. PLATFORM CONSOLE BOX INSTALLATION (CONTINUED)

ITEM #	PART NUMBER	QTY.	DESCRIPTION	REV.
10	Use 1001091390	1	Mount, Joystick Options: USA Built Machines S/N 0200152825 to S/N 0200163756 & Belgium Built Machines S/N 120008481 to S/N 1200011998 (was p/n 2760114)	
	1001091278		USA Built Machines S/N 0200163756 to S/N 0200198014 & Belgium Built Machines S/N 1200011998 to Present	
11	1001091279	1	Housing, Module Mounting (Lower) (was p/n 2760115)	
12	See Note	1	Housing, Module Mounting (Upper) Options: USA Built Machines S/N 0200152825 to S/N 0200163756 & Belgium Built Machines S/N 120008481 to S/N 1200011998 (was p/n 2760116) (Note: Use Items 50C or 50D)	
	1001091280		USA Built Machines S/N 0200163756 to S/N 0200198014 & Belgium Built Machines S/N 1200011998 to Present	
13	3300473	4	Nut M6	
14	3340968	2	Button (Includes Black Button Only)	
15	3380475	2	Panel, Side	
16	See Note	1	Plate, Decal Options: USA Built Machines S/N 0200152825 to S/N 0200163756 & Belgium Built Machines S/N 120008481 to S/N 1200011998 (was p/n 3574249) (Note: Use Items 50C or 50D)	
	See Note		USA Built Machines S/N 0200163756 to S/N 0200198014 & Belgium Built Machines S/N 1200011998 to Present (Note: Use Items 50B, 50C or 50D)	
17	3900333	4	Screw M6 x 190mm	
18	4160203	1	Spring, Compression	
19	4191306	5	Screw M3.5 x 12mm	
20	4191407	8	Screw M4 x 16mm	
21	4191409	6	Screw M4 x 25mm	
22	4360475	1	Switch, Emergency Stop	
	7020175	1	Cap	
	7020176	1	Block, Contact	
23	4360538	2	Strip, Switch & Membrane	
24	4360539	1	Switch, Toggle	
25	4568738	1	Tube, Spacer	
26	4922870	1	Harness, Platform Box (Not Shown - See Section 7 for Breakdown)	
27	1703819	1	Decal - Directional Arrow	
28		6	Screw M3.5 x 12mm Options: USA Built Machines S/N 0200152825 to S/N 0200163756 & Belgium Built Machines S/N 120008481 to S/N 1200011998	
	4191306		USA Built Machines S/N 0200163756 to S/N 0200198014 & Belgium Built Machines S/N 1200011998 to Present	
	1001091396		-----	

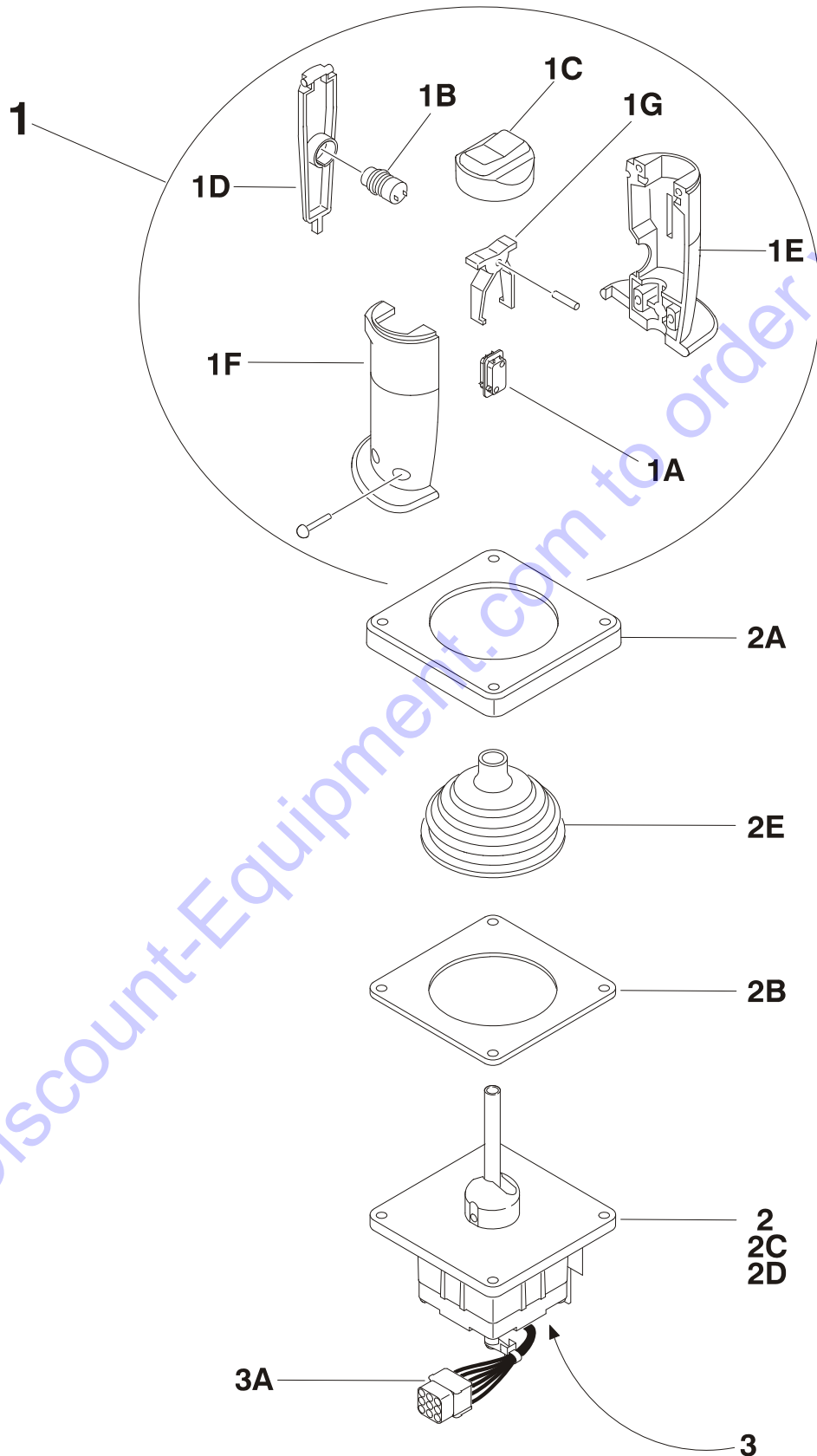
SECTION 4 PLATFORM

FIGURE 4-6. PLATFORM CONSOLE BOX INSTALLATION (CONTINUED)

ITEM #	PART NUMBER	QTY.	DESCRIPTION	REV.
50			Kit Options:	
50A	1001091967	1	Decal Kit for USA Built Machines S/N 02000152825 to S/N 0200163756 & Belgium Built Machines S/N 1200008481 to S/N 1200011998 (Includes Items 6, 16 & 28) Note: Two Item 6's are included in the kit - 1 for All Specs Except CE and 1 for CE Specs. Use decal required for applicable spec. Dispose of the decal not used. Note: If Housing has been replaced with Kit 1001091393 or Kit 1001091965, use Decal Kit p/n 1001091968	A
50B	1001091968	1	Decal Kit for USA Built Machines S/N 0200163756 to S/N 0200198014 & Belgium Built Machines S/N 1200011998 to Present (Includes Items 6, 16 & 28) Note: Two Item 6's are included in the kit - 1 for All Specs Except CE and 1 for CE Specs. Use decal required for applicable spec. Dispose of the decal not used.	A
50C	1001091393	1	Decal & Housing Kit (Includes Items 6, 12, 16 & 28) Note: Two Item 6's are included in the kit - 1 for All Specs Except CE and 1 for CE Specs. Use decal required for applicable spec. Dispose of the decal not used.	C
50D	1001091965	1	Decal, Housing & PC Board Kit (Includes Items 2, 6, 12, 14, 16, 19, 23, 24 & 28) Note: Two Item 6's are included in the kit - 1 for All Specs Except CE and 1 for CE Specs. Use decal required for applicable spec. Dispose of the decal not used.	C
	0272878	Ref.	ANTI-VANDELISM PACKAGE INSTALLATION (NOT SHOWN)	A
	1671131	1	Cover, Lockable Platform Console Box	
	Use 1001118216	Ref.	PLATFORM BOX COVER INSTALLATION (was p/n 0273841)	A/C
101	Use 1001118215		Kit, Platform Box Shield Options: Original Equipment (was p/n 0273841) Service Replacement	
	1001118215			
101A	0760808	4	Bolt M8 x 16mm	
101B	1380159	4	Clip, Cover Mounting	
101C	Use Item 101	1	Cover, Platform Box	
101D	3290805	4	Locknut M8	
	0274386	Ref.	PLATFORM BOX HANGER INSTALLATION (OPTIONAL)	B
201	3290405	2	Locknut M4	
202	3575794	1	Plate, Bracket	
203	3900338	2	Screw M4 x 20mm	
204	4811400	4	Flatwasher M4	

SECTION 4 PLATFORM

FIGURE 4-7. DRIVE/STEER CONTROLLER ASSEMBLY (USA BUILT MACHINES S/N 0200152825 TO S/N 0200172402 & BELGIUM BUILT MACHINES S/N 1200008481 TO S/N 1200015409)



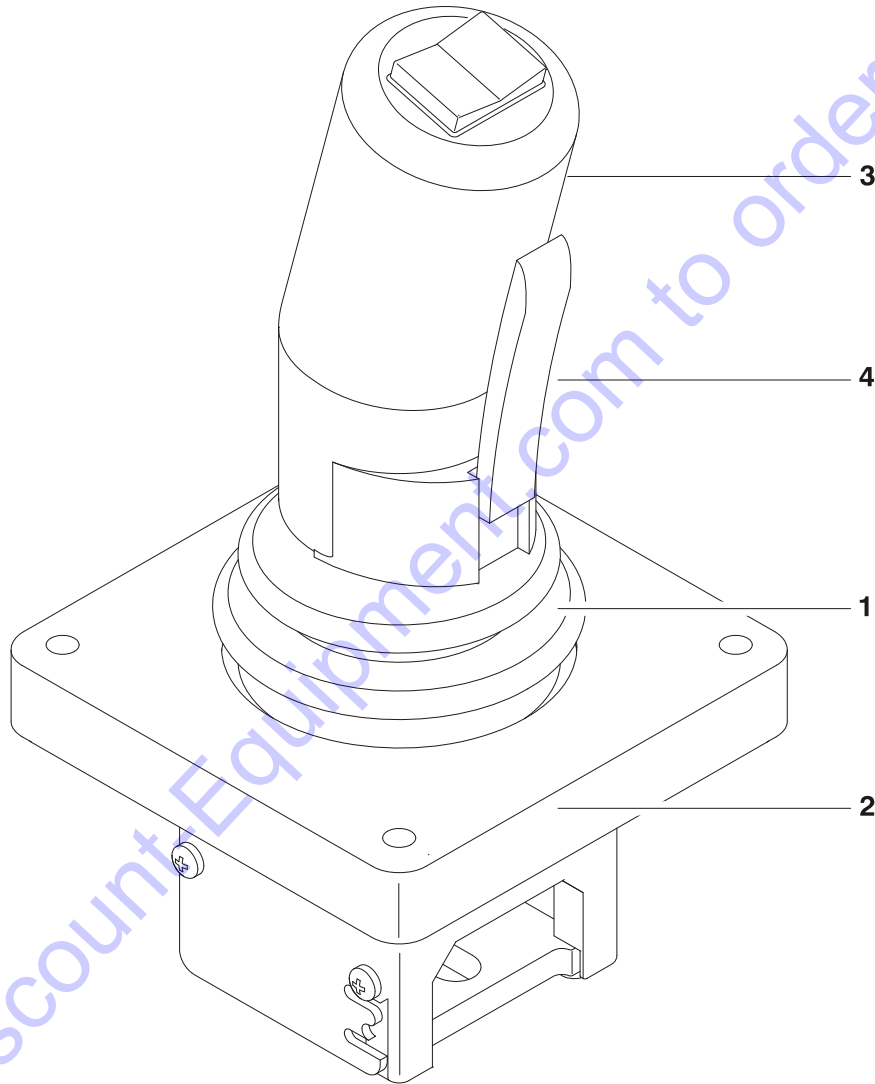
SECTION 4 PLATFORM

FIGURE 4-7. DRIVE/STEER CONTROLLER ASSEMBLY (USA BUILT MACHINES S/N 0200152825 TO S/N 0200172402 & BELGIUM BUILT MACHINES S/N 1200008481 TO S/N 1200015409)

ITEM #	PART NUMBER	QTY.	DESCRIPTION	REV.
	See Note	Ref. Ref.	CONTROLLER ASSEMBLY Note: Original Equipment controller p/n 1600345 may have been replaced with Service Replacement controller p/n 1001134438. Visually identify controller before ordering parts.	A
1	7020551	1	Grip Assembly	
1A	7020500	2	Switch, Steer Rocker	
1B	7020501	1	Switch, Enable Push Button	
1C	7003790	1	Cap, Rubber Rocker (Includes Lock Ring)	
1D	7011997	1	Trigger	
1E	Not Available	1	Grip - Right Half	
1F	Not Available	1	Grip - Left Half	
1G	Not Available	1	Actuator, Switch	
2	Not Available	1	Handle/Housing Assembly	
2A	7020552	1	Bezel	
2B	7020553	1	Gasket	
2C	7020554	1	Spring, Centering	
2D	7020555	1	Foot, Centering	
2E	7020556	1	Boot, Rubber	
3	Not Available	1	Electrical Assembly (Not Shown)	
3A	4460266	1	Connector, Receptacle - 9 Pin	
	4460226	7	Socket, Female	
	4460265	1	Plug, Male-9 Position (Part of Platform Box Harness)	
	4460227	7	Pin, Male (Part of Platform Box Harness)	

SECTION 4 PLATFORM

FIGURE 4-8. DRIVE/STEER CONTROLLER ASSEMBLY (USA BUILT MACHINES S/N 0200172402 TO S/N 0200198014 & BELGIUM BUILT MACHINES S/N 1200015409 TO PRESENT)



SECTION 4 PLATFORM

FIGURE 4-8. DRIVE/STEER CONTROLLER ASSEMBLY (USA BUILT MACHINES S/N 0200172402 TO S/N 0200198014 & BELGIUM BUILT MACHINES S/N 1200015409 TO PRESENT)

ITEM #	PART NUMBER	QTY.	DESCRIPTION	REV.
	See Note	1	DRIVE/STEER CONTROLLER ASSEMBLY	A
		Ref.	Note: Use p/n 1001134438 as replacement (was p/n 1600402).	
1	70001250	1	Boot, Panel	
2	70001252	1	Gasket, Mounting	
	70001251	1	Bezel, Mounting	
3	70003650	1	Handle Repair Kit (Includes handle gasket, item#4 push button and item #4 lever installed in front handle half, back handle half, top actuator, boot and hardware.)	
	70000084	1	Cap, Rubber	
	70000082	1	Microswitch	
	7027766	1	Ring, Retaining	
	7027365	1	Actuator, Handle	
	70001253	1	Gasket, Handle	
	70000683	4	Washer, Neoprene	
	70000685	2	Spacer, Plastic	
	70000686	2	Screw (Top)	
	70000684	2	Screw (Bottom)	
4	7027367	1	Switch, Push Button	
	7027765	1	Lever, Enable	

PARTS FINDER

**Search Website
by Part Number**



**Search Manual
Library For Parts
Manual & Lookup Part
Numbers – Purchase
or Request Quote**

Search Manuals

Enter your information to help us find the right parts manual for your machine.

* Brand:

* Model:

* Serial:

* Part Number:

SEARCH

**Can't Find Part or
Manual? Request Help
by Manufacturer,
Model & Description**

Parts Order Form

Please fill in the following information to help us find the right part for your machine.

Manufacturer:	<input type="text"/>
Model:	<input type="text"/>
Description:	<input type="text"/>
Part Number:	<input type="text"/>
Quantity:	<input type="text"/>
Notes:	<input type="text"/>

Submit

Discount-Equipment.com is your online resource for quality parts & equipment.

Florida: **561-964-4949** Outside Florida TOLL FREE: **877-690-3101**

Need parts?

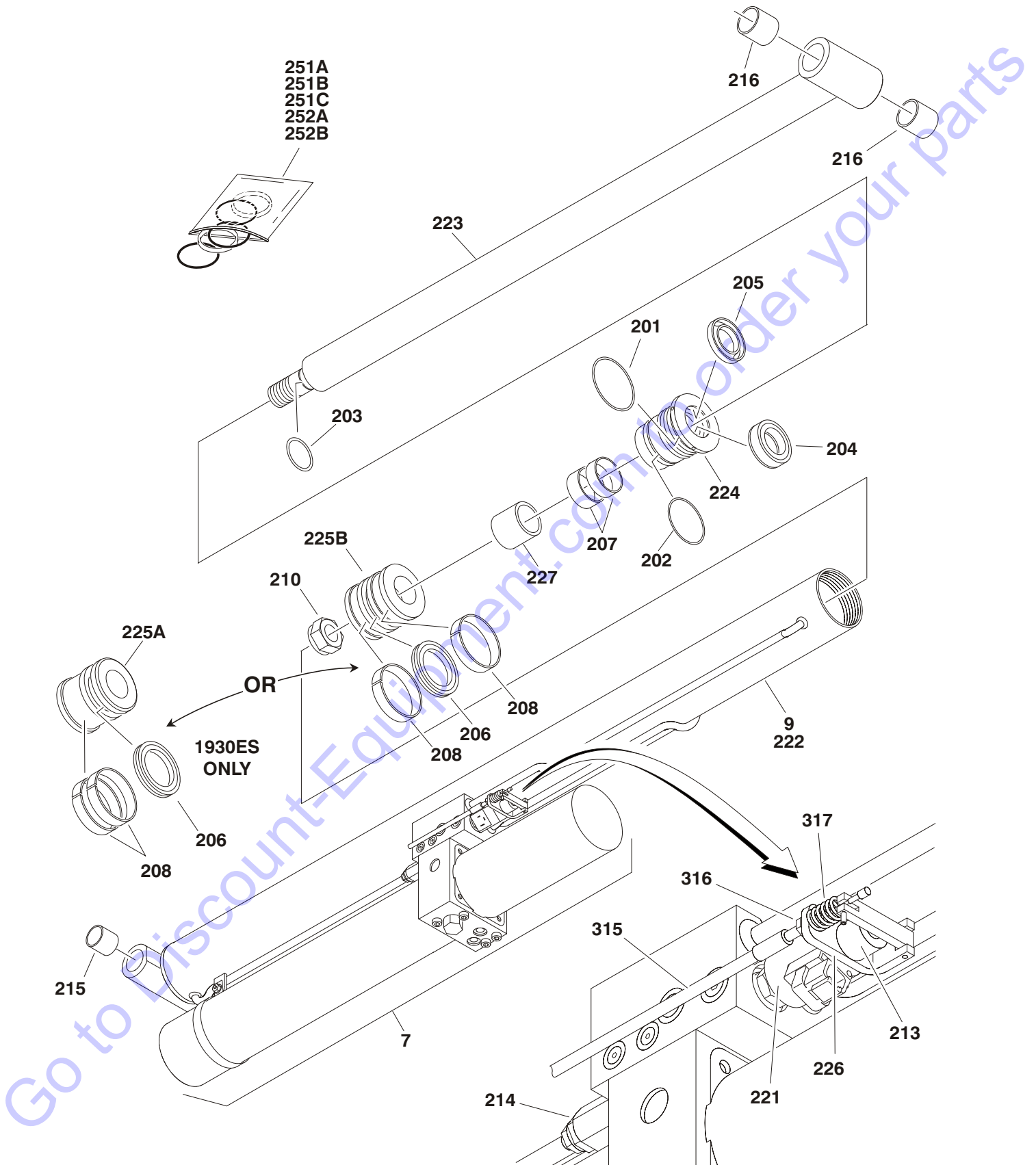
Click on this link: <http://www.discount-equipment.com/category/5443-parts/> and choose one of the options to help get the right parts and equipment you are looking for. Please have the machine model and serial number available in order to help us get you the correct parts. If you don't find the part on the website or on one of the online manuals, please fill out the request form and one of our experienced staff members will get back to you with a quote for the right part that your machine needs.

We sell worldwide for the brands: Genie, Terex, JLG, MultiQuip, Mikasa, Essick, Whiteman, Mayco, Toro Stone, Diamond Products, Generac Magnum, Airman, Haulotte, Barreto, Power Blanket, Nifty Lift, Atlas Copco, Chicago Pneumatic, Allmand, Miller Curber, Skyjack, Lull, Skytrak, Tsurumi, Husquvarna Target, Stow, Wacker, Sakai, Mi-T-M, Sullair, Basic, Dynapac, MBW, Weber, Bartell, Bennar Newman, Haulotte, Ditch Runner, Menegotti, Morrison, Contec, Buddy, Crown, Edco, Wyco, Bomag, Laymor, EZ Trench, Bil-Jax, F.S. Curtis, Gehl Pavers, Heli, Honda, ICS/PowerGrit, IHI, Partner, Imer, Clipper, MMD, Koshin, Rice, CH&E, General Equipment, Amida, Coleman, NAC, Gradall, Square Shooter, Kent, Stanley, Tamco, Toku, Hatz, Kohler, Robin, Wisconsin, Northrock, Oztec, Toker TK, Rol-Air, APT, Wylie, Ingersoll Rand / Doosan, Innovatech, Con X, Ammann, Mecalac, Makinex, Smith Surface Prep, Small Line, Wanco, Yanmar

**SECTION 5
CYLINDER**

SECTION 5 CYLINDER

FIGURE 5-1. LIFT CYLINDER ASSEMBLY



SECTION 5 CYLINDER

FIGURE 5-1. LIFT CYLINDER ASSEMBLY

ITEM #	PART NUMBER	QTY.	DESCRIPTION	REV.
		Ref.	LIFT CYLINDER ASSEMBLY	
	1684484	Ref.	1930ES with Standard Hydraulic Oil	D
	1684526	Ref.	1930ES with Biodegradeable Hydraulic Oil	C
	1684487	Ref.	2030ES with Standard Hydraulic Oil	D
	1684527	Ref.	2030ES with Biodegradeable Hydraulic Oil	C
	1684488	Ref.	2630ES with Standard Hydraulic Oil	D
	1684528	Ref.	2630ES with Biodegradeable Hydraulic Oil	C
	1684489	Ref.	2646ES with Standard Hydraulic Oil	D
	1684529	Ref.	2646ES with Biodegradeable Hydraulic Oil	C
	1684490	Ref.	3246ES with Standard Hydraulic Oil	D
	1684530	Ref.	3246ES with Biodegradeable Hydraulic Oil	C
1	7023577	2	O-Ring	
2	Not Available	1	Capscrew (All except 1930ES Models)	
3	Not Available	1	Locknut (All except 1930ES Models)	
4	7023589	4	Capscrew	
5	Not Available	2	Flatwasher (All except 1930ES Models)	
6	7023539	1	Clamp (All except 1930ES Models)	
7		1	Power Pack Assembly - Complete Options (See Items 101-107B for Breakdown):	
	7023558		1930ES	
	7023549		2030ES	
	7023568		2630ES	
	7023557		2646ES	
	7023535		3246ES	
8		2	Pin, Alignment Options:	
	70003646		Pin, Dowel	
	70003645		Rollpin	
9	Not Available	1	Cylinder Assembly Only (See Items 201-227 for Breakdown)	
		1	POWER PACK ASSEMBLY - COMPLETE	
	7023558	Ref.	1930ES (1684484/1684526 Cylinders)	
	7023549	Ref.	2030ES (1684487/1684527 Cylinders)	
	7023568	Ref.	2630ES (1684488/1684528 Cylinders)	
	7023557	Ref.	2646ES (1684489/1684529 Cylinders)	
	7023535	Ref.	3246ES (1684490/1684530 Cylinders)	
101		1	Tank Kit Options (Note: Includes Tank & Item 101A-101C):	
	7023569		1930ES	
	7023587		2030ES	
	7023585		2630ES	
	7023578		2646ES	
	7023583		3246ES	
101A	7023593	1	Plug, Fill	
101B	Use Item 101	4	Screw	
101C	Use Item 101	1	Magnet	

SECTION 5 CYLINDER

FIGURE 5-1. LIFT CYLINDER ASSEMBLY (CONTINUED)

ITEM #	PART NUMBER	QTY.	DESCRIPTION	REV.
102		A/R	Motor Options:	
102A	7023570	1	1930ES/2030ES/2630ES Motor	
	70000658	1	Brush Kit - 7023570 Motor	
102B	Not Available	2	Screw	
102C	7023579	1	2646ES/3246ES Motor	
	70000659	1	Brush Kit - 7023579 Motor	
102D	Not Available	4	Screw	
	Not Available	4	Washer	
103	7023571	1	Adapter	
103	7023571	1	Adapter Kit	
103A	70000335	1	O-Ring	
103B	Use Item 103	1	Screw	
103C	Use Item 103	1	Screw	
103D	Use Item 103	1	Adapter	
103E	See Note	1	Seal (Note: Use Item 252A or 252B)	
103F	Use Item 103	1	Retainer	
103G	2220883	2	Plug	
103H	Use Item 103	3	Plug	
103J	Use Item 103	1	Breather 9/16"- 12UNC	
103K	Use Item 103	1	Breather 9/16"- 18SAE	
104		1	Pump Options:	
			Note: Shaft Seal is only Repair Part Available. No Other Service Parts Available - Replace Complete Pump.	
	7023572		1930ES/2630ES Pump	
	7023588		2030ES Pump	
	7023580		2646ES/3246ES Pump	
104A	See Note	1	Seal, Shaft (Note: Use Item 252A or 252B)	
105	7023573	1	Relief Valve Assembly	
105A	7023591	1	Sealing Washer	
106		A/R	Power Pack Miscellaneous Service Parts	
106A	Not Available	1	Seal	
106B	See Note	1	Seal (Note: Use Item 252A or 252B)	
106C	Not Available	1	Screw	
106D	Use Item 106J	1	Sleeve (1930ES/2030ES/2630ES Only)	
106E	Use Item 106J	1	Rollpin (1930ES/2030ES/2630ES Only)	
106F	See Note	1	Seal (Note: Use Item 252A or 252B)	
106G	Not Available	1	Tab, Locking	
106H	Not Available	1	Retainer, Tube	
106J		1	Coupler Kit Options:	
	7023574		1930ES/2030ES/2630ES (Includes Items 106D & 106E)	
	7023581		2646ES/3246ES	
106K	Not Available	4	Screw	
107		1	Tube Kit Options:	
	7023575		1930ES	
	7023586		2030ES/2630ES	
	7023582		2646ES	
	7023584		3246ES	
107A	Use Item 107	1	Strainer	
107B	7023576	1	Filter Element (Includes Seal)	

SECTION 5 CYLINDER

FIGURE 5-1. LIFT CYLINDER ASSEMBLY (CONTINUED)

ITEM #	PART NUMBER	QTY.	DESCRIPTION	REV.
		Ref.	CYLINDER ASSEMBLY ONLY COMPONENTS	
201	See Note	1	O-Ring (Note: Use Item 251A or 251B)	
202	See Note	1	O-Ring (Note: Use Item 251A or 251B)	
203	See Note	2	O-Ring (Note: Use Item 251A or 251B)	
204	See Note	1	Seal (Note: Use Item 251A or 251B)	
205	See Note	1	Wiper (Note: Use Item 251A or 251B)	
206	See Note	1	Seal (Note: Use Item 251A or 251B) (Note: This is a 3 piece seal. Assembly may be required)	
207	See Note	2	Ring, Wear (Note: Use Item 251A or 251B)	
208	See Note	2	Ring, Wear (Note: Use Item 251A or 251B)	
209	Not Used			
210	Not Available	1	Locknut	
211	2220883	4	Plug, Steel (SAE #4) (Not Shown)	
212	2220882	8	Plug, Steel (SAE #3)	
213	7023543	1	Valve, Proportional (Lift Down)	
214	7023542	1	Valve, Relief (Steer)	
215		2	Bushing Options:	
	0962257		1930ES	
	0962006		2646ES/3246ES	
216		2	Bushing Options:	
	0962257		1930ES	
	0962181		2646ES/3246ES	
217	7023538	1	Valve, Check	
218	7023537	1	Directional Control Valve (Steer)	
219	7023536	1	Directional Control Valve (Lift Up)	
220	70000798	3	Coil (Steer & Lift Up)	
221	70000799	1	Coil (Lift Down)	
222		1	Barrel Options:	
	7023553		1930ES	
	7023548		2030ES/2630ES	
	7023556		2646ES	
	7023534		3246ES	
223		1	Rod Options:	
	7023552		1930ES	
	7023547		2030ES/2630ES	
	7023533		2646ES/3246ES	
224		1	Head Options:	
	7023551		1930ES	
	7023546		2030ES/2630ES	
	7023532		2646ES/3246ES	
225		1	Piston Options:	
225A	7023550		1930ES	
225B	7023545		2030ES/2630ES	
225B	7023531		2646ES/3246ES	
226	7023530		Emergency Release Assembly	
227		A/R	Spacer Options:	
	Not Required	0	1930ES/2646ES	
	7023529	1	3246ES	

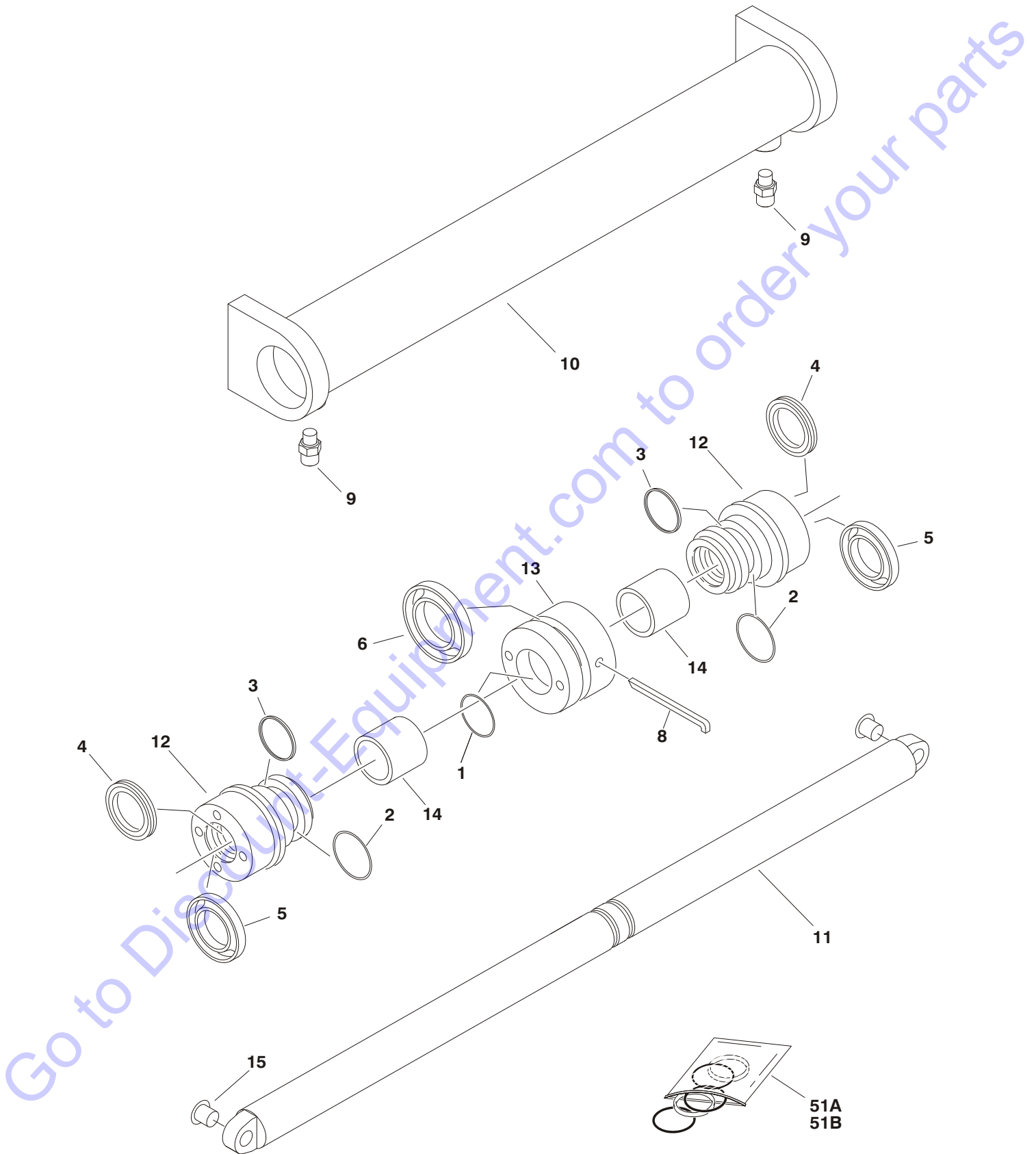
SECTION 5 CYLINDER

FIGURE 5-1. LIFT CYLINDER ASSEMBLY (CONTINUED)

ITEM #	PART NUMBER	QTY.	DESCRIPTION	REV.
		Ref.	SEAL KIT OPTIONS	
251		1	Seal Kit - Cylinder Options (Includes Items 201-208):	
251A	7023554		1930ES	
251B	7023544		2030ES/2630ES	
251C	7023528		2646ES/3246ES	
252		1	Seal Kit - Reservoir/Pump Options (Includes 103A, 103E, 104A, 106B & 106F):	
252A	70001709		1930ES/2030ES/2630ES	
252B	70001982		2646ES/3246ES	
		Ref.	MANUAL DESCENT COMPONENTS	
	0274874	Ref.	1930ES with Standard Hydraulic Oil	D
	0275692	Ref.	1930ES with Biodegradable Hydraulic Oil	B
	0275016	Ref.	2030ES with Standard Hydraulic Oil	D
	0275693	Ref.	2030ES with Biodegradable Hydraulic Oil	B
	0275017	Ref.	2630ES with Standard Hydraulic Oil	D
	0275694	Ref.	2630ES with Biodegradable Hydraulic Oil	B
	0274879	Ref.	2646ES with Standard Hydraulic Oil	C
	0275695	Ref.	2646ES with Biodegradable Hydraulic Oil	B
	0274881	Ref.	3246ES with Standard Hydraulic Oil	C
	0275696	Ref.	3246ES with Biodegradable Hydraulic Oil	B
301 to 314	Not Used			
315		1	Cable, Pull Options:	
	1061036		1930ES - 9ft/2.74m Length	
	Use 1061036		2030ES/2630ES - 9ft/2.74m Length (USA Built Machines S/N 0200152825 to S/N 0200161859 & Belgium Built Machines S/N 1200008481 to S/N 1200011443) (was p/n 1061035 - 10.5ft/3.2m Length Cable)	
	1061034		2030ES/2630ES - 12.5ft/3.81m Length (USA Built Machines S/N 0200161859 to S/N 0200198014 & Belgium Built Machines S/N 1200011443 to Present)	
	1061034		2646ES/3246ES - 12.5ft/3.81m Length	
	7020218	1	T-Handle (with 1/4"-20 Threads)	
	70001878	1	T-Handle (with 5mm Threads)	
316	3321402	1	Nut, Jam 1/4"-18NF	
317	4160078	1	Spring	

SECTION 5 CYLINDER

FIGURE 5-2. STEER CYLINDER ASSEMBLY



SECTION 5 CYLINDER

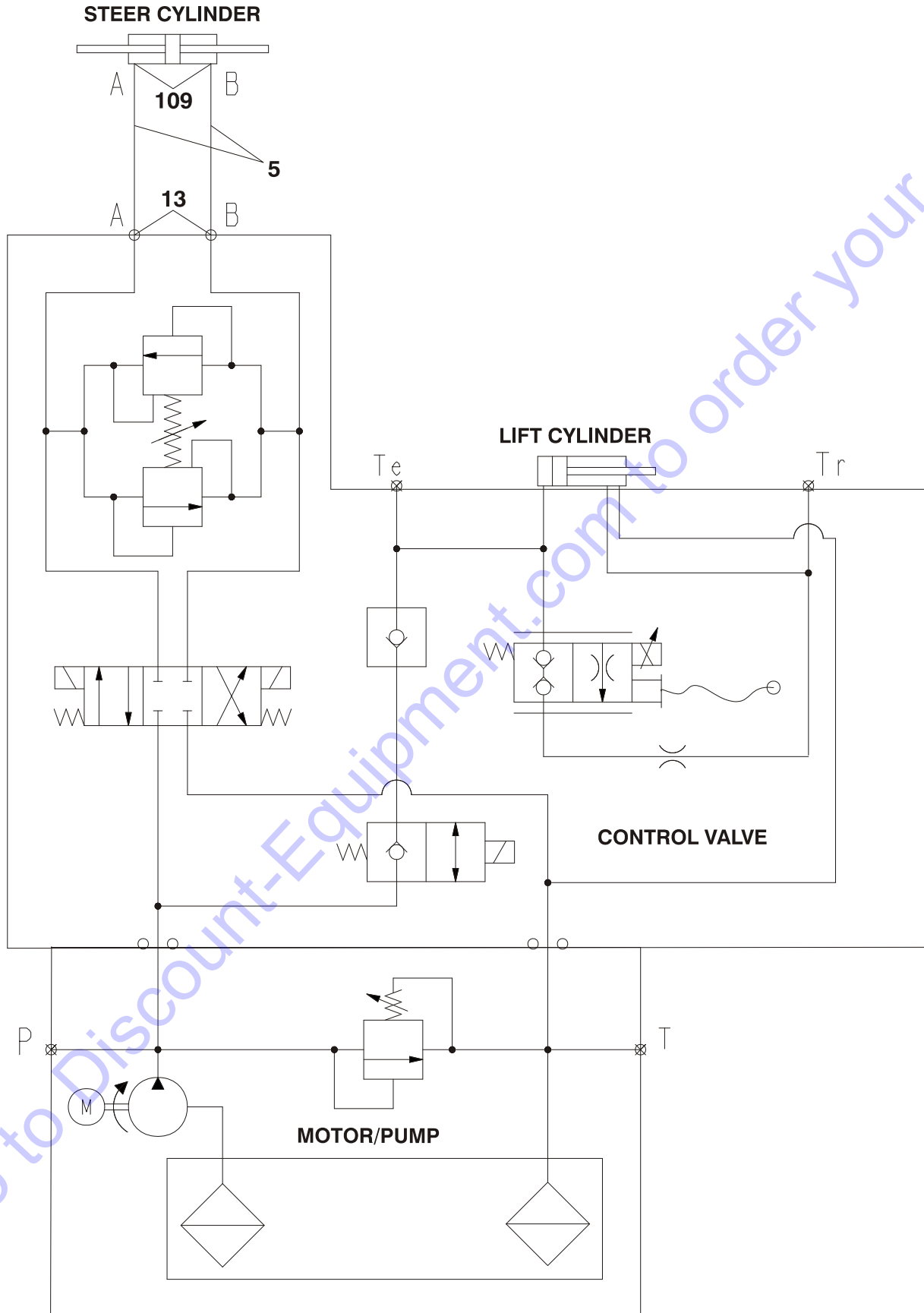
FIGURE 5-2. STEER CYLINDER ASSEMBLY

ITEM #	PART NUMBER	QTY.	DESCRIPTION	REV.
		Ref.	STEER CYLINDER ASSEMBLY	
	1684237	Ref.	1930ES/2030ES/2630ES	D
	1684456	Ref.	2646ES/3246ES	A
1	See Note	1	O-Ring (Note: Use Item 51A or 51B)	
2	See Note	2	O-Ring (Note: Use Item 51A or 51B)	
3	See Note	2	Ring, Back-Up (Note: Use Item 51A or 51B)	
4	See Note	2	Seal (Note: Use Item 51A or 51B)	
5	See Note	2	Wiper (Note: Use Item 51A or 51B)	
6	See Note	1	Seal (Note: Use Item 51A or 51B)	
7	Not Used			
8	7023564	1	Ring, Retaining	
9	2110404	2	Fitting, Straight Adapter	
10		1	Tube Assembly Options:	
	7023563		1930ES/2030ES/2630ES	
	70000108		2646ES/3246ES	
11		1	Rod Options:	
	7023562		1930ES/2030ES/2630ES	
	70000110		2646ES/3246ES	
12	7023561	2	Head	
13	7023560	1	Piston	
14			Spacer Options:	
	Not Required	0	1930ES/2030ES/2630ES	
	7023565	2	2646ES/3246ES	
15	0440259	2	Bushing	
16 to 50	Not Used			
51		1	Seal Kit - Cylinder Options (Includes Items 1-6):	
51A	7023559		1930ES/2030ES/2630ES	
51B	70000107		2646ES/3246ES	

**SECTION 6
HYDRAULIC**

SECTION 6 HYDRAULIC

FIGURE 6-1.HYDRAULIC DIAGRAM



SECTION 6 HYDRAULIC

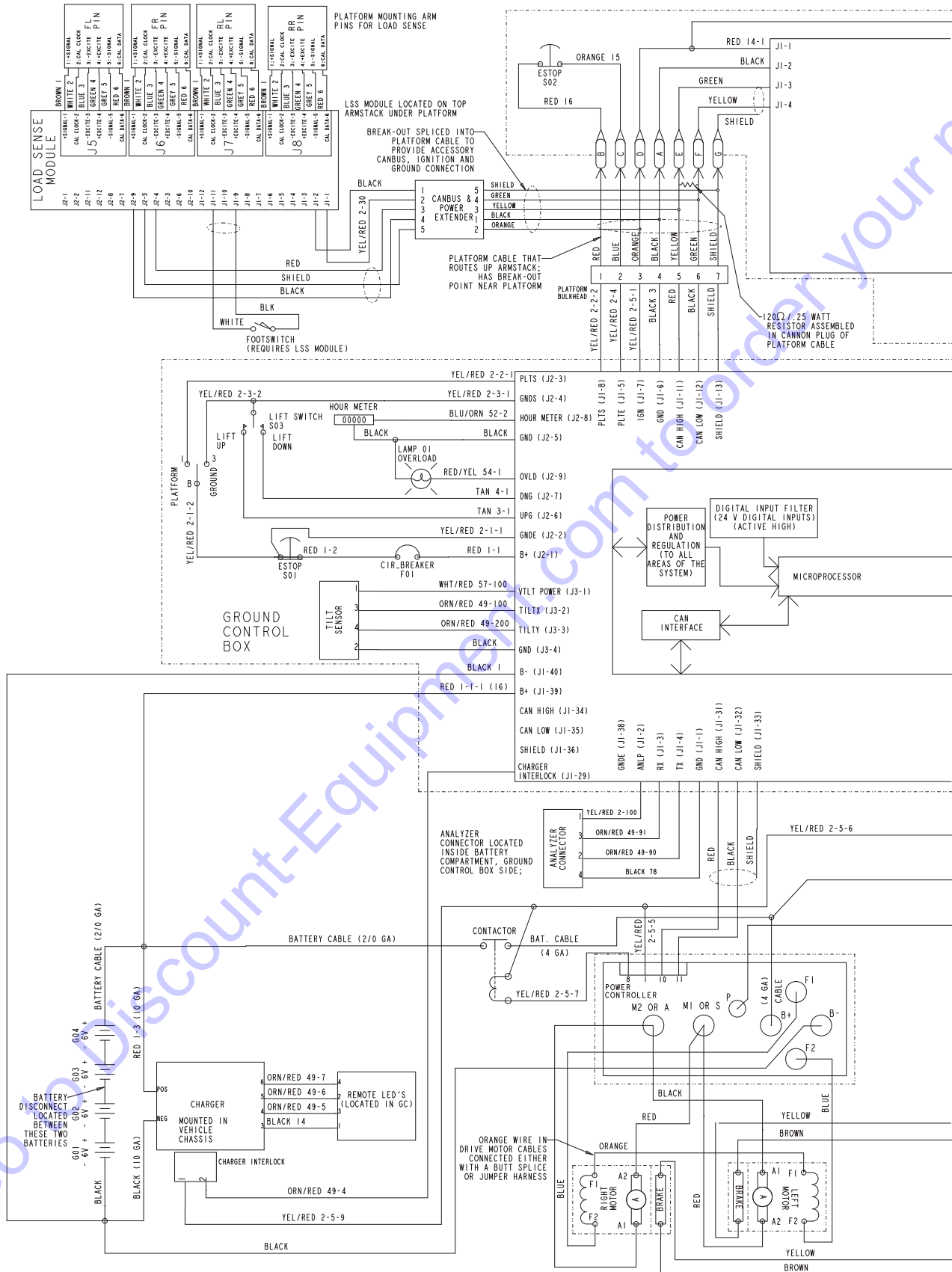
FIGURE 6-1. HYDRAULIC DIAGRAM

ITEM #	PART NUMBER	QTY.	DESCRIPTION	REV.
		Ref.	HYDRAULIC COMPONENTS	
	0272371	Ref.	Steer Hydraulics (1930ES)	G
	0273227	Ref.	Steer Hydraulics (2030ES/2630ES)	D
	0274546	Ref.	Steer Hydraulics (2646ES/3246ES)	B
	2792599	Ref.	Hydraulic Schematic	D
1 to 4	Not Used			
5		2	Hose Options: 1930ES	
	2753882		USA Built Machines S/N 0200152825 to S/N 0200161589 & Belgium Built Machines S/N 1200008481 to S/N 1200011443	
	2755056		USA Built Machines S/N 0200161589 to S/N 0200198014 & Belgium Built Machines S/N 1200011443 to Present	
	2753882		2030ES/2630ES USA Built Machines S/N 0200152825 to S/N 0200161589 & Belgium Built Machines S/N 1200008481 to S/N 1200011443	
	2755061		USA Built Machines S/N 0200161589 to S/N 0200198014 & Belgium Built Machines S/N 1200011443 to Present	
6 to 12	2753883		2646ES/3246ES	
13	Not Used			
	2110404	2	Fitting, Straight	
		Ref.	STEER CYLINDER ASSEMBLY	
	1684237	Ref.	1930ES/2030ES/2630ES	D
	1684456	Ref.	2646ES/3246ES	A
101 to 108	Not Used			
109	2110404	2	Fitting, Straight Adapter	

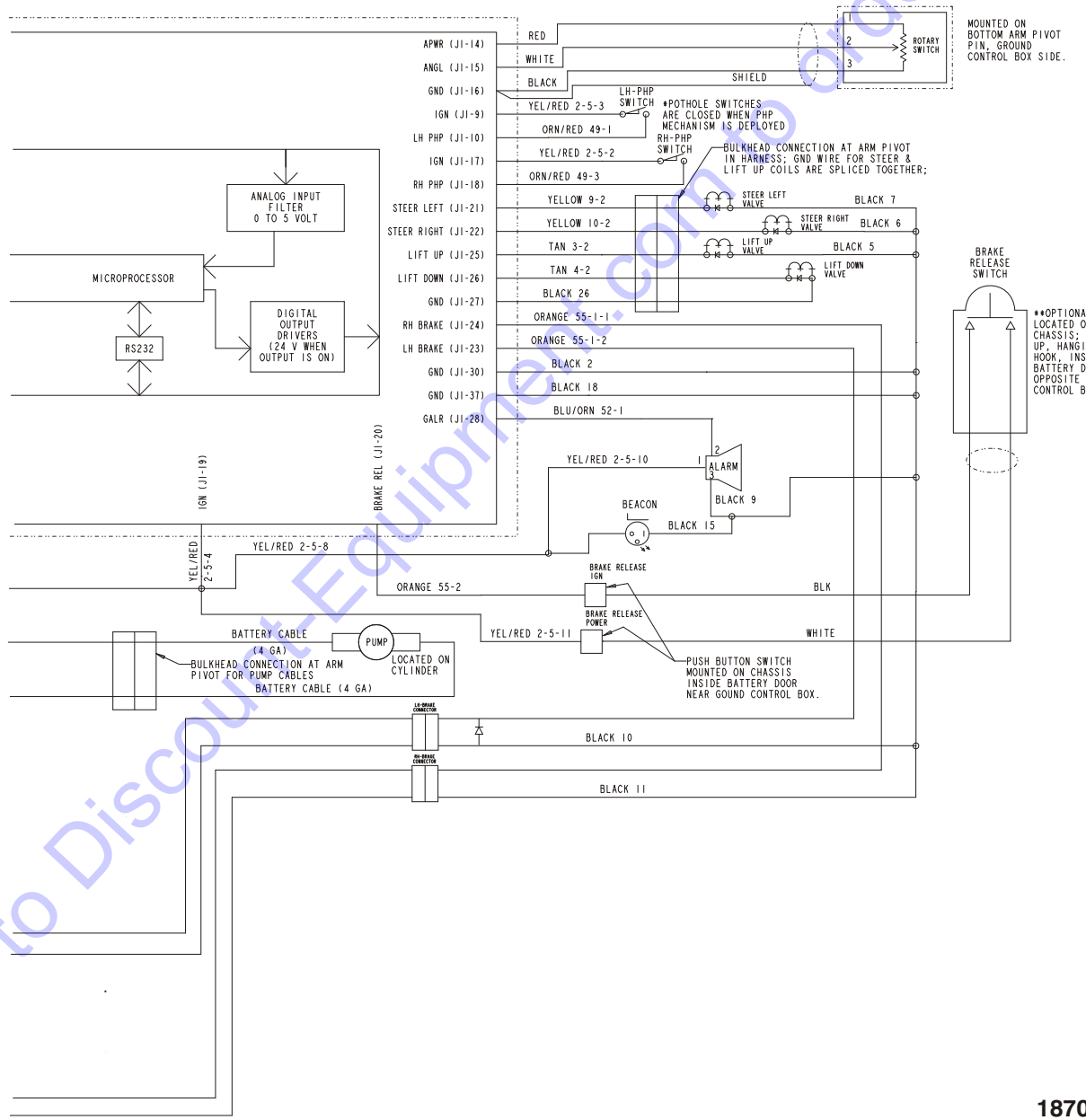
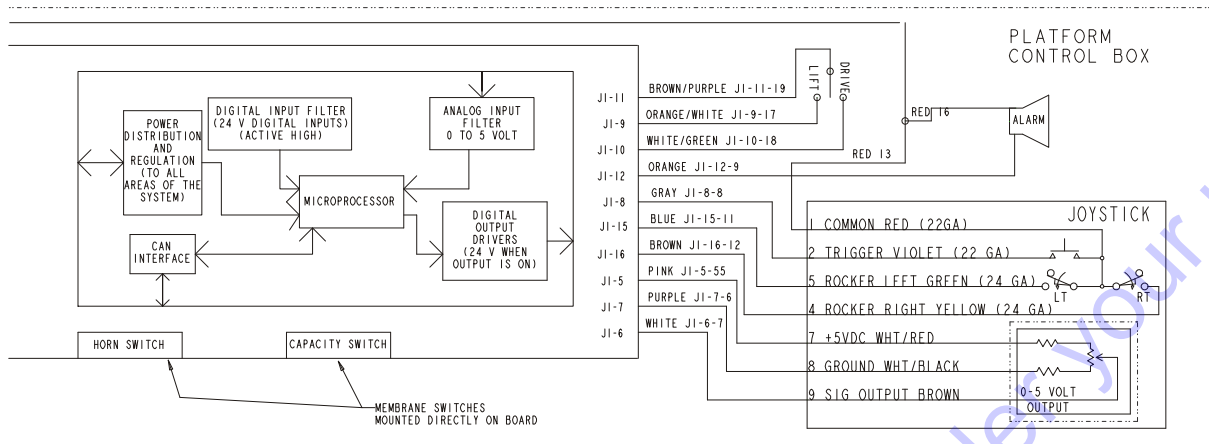
**SECTION 7
ELECTRICAL**

SECTION 7 ELECTRICAL

FIGURE 7-1. ELECTRICAL SCHEMATIC

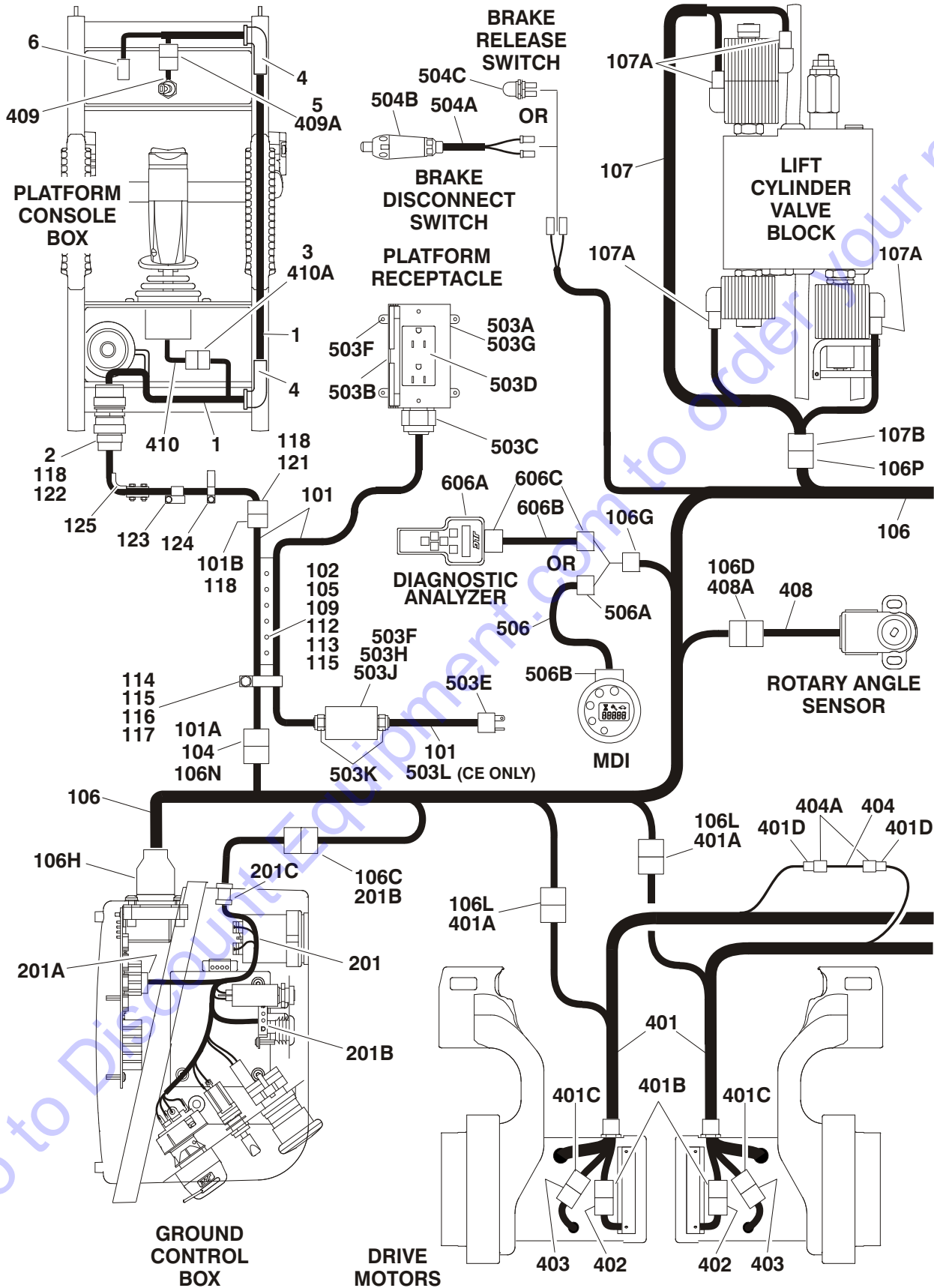


SECTION 7 ELECTRICAL



SECTION 7 ELECTRICAL

FIGURE 7-2. 1930ES ELECTRICAL COMPONENTS INSTALLATION



SECTION 7 ELECTRICAL

FIGURE 7-2. 1930ES ELECTRICAL COMPONENTS INSTALLATION

ITEM #	PART NUMBER	QTY.	DESCRIPTION	REV.
		Ref.	CONSOLE BOX COMPONENTS	
1	4922870	1	Platform Box Harness	B
2	4461016	1	Connector - 14 Position	
	4460464	5	Pin, Male	
	4460466	9	Plug, Sealing	
	4460496	1	Lockwasher	
	4460497	1	Nut, Panel	
3	4460265	1	Plug, Male - 9 Position	
	4460267	8	Pin, Male	
4	2540042	2	Grommet 90°	
5	Not Available	1	Receptacle, Female - 3 Position	
6	4461057	1	Plug, Male - 16 Position	
		Ref.	PLATFORM CABLES INSTALLATION	
	0274972	Ref.	ANSI, ANSI Export, Japanese & UL Specs	L
	0275541	Ref.	Australian & CE Specs	J
101		1	Platform to Ground Harness Options (Was p/n 4933218 & 4923587):	
	1001094154		ANSI, ANSI Export, Japanese & UL Specs:	C
	1001094332		Australian & CE Specs:	B
101A	4460930	1	Plug, Male - 8 Position	
	4460465	4	Socket, Female	
	4460944	3	Socket, Female (Gold)	
	4460466	1	Plug, Sealing	
	0840061	1	Boot, 8 Position Plug	
	2820026	A/R	Insulation, Clear Tubing	
	2820028	A/R	Heat Shrink	
101B	4460930	1	Plug, Male - 8 Position	
	4460465	4	Socket, Female	
	4460944	3	Socket, Female (Gold)	
	4460466	1	Plug, Sealing	
	0840061	1	Boot, 8 Position Plug	
	2820026	A/R	Insulation, Clear Tubing	
	2820028	A/R	Heat Shrink	
102	1380158	A/R	Retainer	
103	1320318	A/R	Clamp, Hose	
104	0100048	A/R	Grease, Dielectric	
105	4740545	A/R	Washer, Special Cable	

SECTION 7 ELECTRICAL

FIGURE 7-2. 1930ES ELECTRICAL COMPONENTS INSTALLATION

ITEM #	PART NUMBER	QTY.	DESCRIPTION	REV.
106		1	Chassis Harness Options:	
	Use 1001109218		USA Built Machines S/N 0200152825 to S/N 0200195918 & Belgium Built Machines S/N 1200008481 to S/N 1200022847 (was p/n 4923449)	F
	1001109124		USA Built Machines S/N 0200195918 to 0200198014 & Belgium Built Machines S/N 1200022847 to Present	B
	4933351	Ref.	Wiring Diagram - Chassis Options:	C
	1001109123	Ref.	USA Built Machines S/N 0200152825 to S/N 0200195918 & Belgium Built Machines S/N 1200008481 to S/N 1200022847	A
106A	3990013	2	Diode 1 Amp/400V (Not Shown)	
	Use 1001109345	2	Switch, Limit Options:	
	1001109088		USA Built Machines S/N 0200152825 to S/N 0200195918 & Belgium Built Machines S/N 1200008481 to S/N 1200022847 (was p/n 4360633)	
	4460884	2	USA Built Machines S/N 0200195918 to S/N0200198014 & Belgium Built Machines S/N 1200022847 to Present	
	4460465	4	Plug, Male 4 Position (Use with p/n 1001109088 Switch)	
106B	4460320	1	Socket, Female (Use with p/n 1001109088 Switch)	
	4460226	2	Plug, Male - 2 Position (Note: Connection to this plug used only when footswitch or battery interlock options are required)	
106C	4460321	1	Socket, Female	
	4460227	4	Plug, Male - 4 Position	
106D	4460539	1	Pin, Male	
	4460465	3	Plug, Male - 3 Position	
106E	4460539	1	Socket, Female	
	4460465	2	Plug, Male - 3 Position	
106F	4460648	1	Socket, Female	
106G	4460761	1	Connector, Anderson	
	4460227	4	Receptacle, Female - 4 Position	
106H	4460814	1	Pin, Male	
	4460465	31	Plug, Male - 40 Position	
	4460944	6	Socket, Female	
106J	0840057	1	Socket, Female (Gold)	
	4460870	1	Boot	
	4460877	4	Plug, Male - 12 Position	
106K	4460894	1	Pin, Male	
	4460465	4	Plug, Male - 6 Position	
	0840059	1	Socket, Female	
106L	4460897	3	Boot	
	4460464	6	Receptacle, Female - 2 Position	
106M	4460897	1	Pin, Male	
	4460465	2	Receptacle, Female - 2 Position	
			Socket, Female	

SECTION 7 ELECTRICAL

FIGURE 7-2. 1930ES ELECTRICAL COMPONENTS INSTALLATION

ITEM #	PART NUMBER	QTY.	DESCRIPTION	REV.
106N	4460931	1	Receptacle, Female - 8 Position	
	4460464	4	Pin, Male	
	4460943	3	Pin, Male (Gold)	
	0840058	1	Boot	
106P	4460899	1	Connector, Female - 6 Position	
	4460464	6	Pin, Male	
106R	4460931	1	Receptacle, Female - 8 Position	
	4460464	4	Pin, Male	
107	4923350	1	Lift Cylinder Harness	D
107A	4460891	4	Plug, Male - 2 Position	
	4460465	8	Socket, Female	
107B	4460894	1	Plug, Male - 6 Position	
	4460465	6	Socket, Female	
	0840059	1	Boot	
108		1	Power to Pump Motor Harness Options:	
	4923271		USA Built Machines S/N 0200152825 to S/N 0200164050 & Belgium Built Machines S/N 1200008481 to S/N 1200012626	C
	4923647		USA Built Machines S/N 0200164050 to S/N 0200198014 & Belgium Built Machines S/N 1200012626 to Present	B
108A		1	Connector, Anderson Options:	
	Not Available	1	Red	
	Not Available	1	Gray	
108B	0840041	2	Boot, Terminal (Red)	
109		A/R	Screw M6 Options:	
	0760610		20mm Length	
	0760614		30mm Length	
110		1	Bracket, Battery Connector Options (Not Shown - Located at Item 304):	
	0903339		Non-UL Machines	
	1001110826		UL Machines	
111	2902476	Ref.	Battery Cable Kit (See Item 301- 309 for Breakdown)	
112	3290607	4	Nut M6	
113	4811700	2	Flatwasher M6	
114	1321716	2	Clamp	
115	3291005	A/R	Locknut M10	
116	3900351	A/R	Screw, Button Head M10 x 30mm	
117	4812000	A/R	Flatwasher M10	
118		1	Platform to Control Box Coiled Cable Harness Options:	
	Use 1001104466		USA Built Machines S/N 0200152825 to S/N 0200168420 & Belgium Built Machines S/N 1200008481 to S/N 1200014906 (Repair Kit p/n 1001104466 Includes Items 101B & 121-125)	A
	1001096705		USA Built Machines S/N 0200168420 to S/N 0200198014 & Belgium Built Machines S/N 1200014906 to Present (Includes Items 121 & 122)	A
119 to 120	Not Used			A

SECTION 7 ELECTRICAL

FIGURE 7-2. 1930ES ELECTRICAL COMPONENTS INSTALLATION

ITEM #	PART NUMBER	QTY.	DESCRIPTION	REV.
121	4460931	1	Receptacle, Female - 8 Position	
	4460464	4	Pin, Male	
	4460943	3	Pin, Male (Gold)	
	4460466	1	Plug, Sealing	
	0840058	1	Boot, 8 Position Receptacle	
	2820026	A/R	Insulation, Clear Tubing	
	2820028	A/R	Heat Shrink	
122	4460754	1	Connector -14 Position	
	4460465	4	Socket, Female	
	4460944	3	Socket, Female	
	4460466	4	Plug, Sealing	
	3730119	1	Resistor	
	4460493	1	Cap, Dust	
	2820026	A/R	Insulation, Clear Tubing	
123	1001094175	A/R	Clamp, Post	
	4010617	A/R	Screw M6 x 45mm	
	3290606	A/R	Nut, Acorn M6	
124	1001094180	4	Clamp, Rail	
	0760606	4	Screw M6 x 12mm	
	3290606	4	Nut, Acorn M6	
125	1001104465	A/R	Hook, Corner	
	4010617	A/R	Screw M6 x 45mm	
	3290606	A/R	Nut, Acorn M6	
		Ref.	GROUND CONTROL BOX COMPONENTS	
201	4922865	1	Control Box Harness	F
201A	4460265	1	Plug, Male - 9 Position	
	4460268	9	Socket, Female	
201B	4460761	2	Receptacle, Female - 4 Position	
	4460267	8	Pin, Male	
201C	Not Available	1	Grommet (Molded in Part of Harness)	
201D	Use 4460418	1	Receptacle, Female - 3 Position	
	Use 4460419	3	Terminal	
	2902476	Ref.	BATTERY CABLE KIT	E
	0275480	Ref.	BATTERY CABLE COMPONENTS (UL SPEC ONLY)	A
301	0840060	8	Boot, Terminal (Gray) (Covers only the Battery Terminal Base)	
302	1060998	2	Cable, Battery (Battery Positive to Battery Negative)	
302A	Not Available	2	Boot, Terminal (Black) (1 Per Cable Assembly)	E
302B	Not Available	2	Boot, Terminal (Red) (1 Per Cable Assembly)	
303	1061001	1	Cable, Battery (Contactor to Drive Module B+)	E
303A	Not Available	1	Boot, Terminal (Black)	
303B	Not Available	1	Boot, Terminal (Red)	

SECTION 7 ELECTRICAL

FIGURE 7-2. 1930ES ELECTRICAL COMPONENTS INSTALLATION

ITEM #	PART NUMBER	QTY.	DESCRIPTION	REV.
304	4923365	1	Cable, Battery (LH Battery to Disconnect)	
	4923414		Non-UL Machines	C
			UL Machines	E
304A	Not Available	1	Connector, Anderson Options:	
	Not Available		Single Pole (Purchase p/n 4923365)	
	Not Available		Two Pole (Purchase p/n 4923414)	
304B	Not Available	1	Boot, Terminal (Black)	
305	4923366	1	Cable, Battery (RH Batteries to Disconnect) Options:	
	Use 1001127523		Non-UL Machines	B
			UL Machines (was p/n 4923413)	B/E
305A	Not Available	1	Connector, Anderson Options:	
	Not Available	1	Single Pole (Purchase p/n 4923366)	
	Not Available	1	Two Pole (Purchase p/n 4923413 & 1001127523)	
305B	Not Available	1	Boot, Terminal Options:	
	Not Available		Black	
	Not Available		Red	
306	4923367	1	Cable, Battery (RH Battery to Contactor)	B
306A	Not Available	1	Boot, Terminal (Black)	
306B	Not Available	1	Boot, Terminal (Red)	
307 & 307A	Not Required			
308	4923272	2	Cable, Battery (Power to Pump Motor)	
	4923648		USA Built S/N 0200152825 to S/N 0200164050 & Belgium Built Machines S/N 1200008481 to S/N 1200013825	C
			USA Built S/N 0200164050 to S/N 0200198014 & Belgium Built Machines S/N 1200013825 to Present	B
308A	Not Available	1	Connector, Anderson Options:	
	Not Available	1	Red	
	Not Available	1	Gray	
308B	0840041	1	Boot, Terminal (Red)	
309	4923374	1	Cable, Battery (Battery to Contactor)	B
309A	Not Available	2	Boot, Terminal (Red)	
		Ref.	STANDARD HARNESES	
401	Use 1001099628	2	Drive Motor/Brake Harness Options:	
	1001091502		USA Built Machines S/N 0200152825 to S/N 0200170585 & Belgium Built Machines S/N 1200008481 to S/N 1200015159 (was p/n 7024770)	
			USA Built Machines S/N 0200170585 to S/N 0200198014 & Belgium Built Machines S/N 1200015159 to Present	E
401A	4460891	2	Plug, Male - 2 Position (1 Per Harness)	
	4460465	4	Socket, Female (2 Per Harness)	
401B	70001442	2	Plug, Male - 2 Position (1 Per Harness) (To Brake)	
	Not Available	4	Socket, Female (2 Per Harness) (To Brake)	
401C	70001443	2	Plug, Male - 2 Position (1 Per Harness) (To Motor)	
	70001444	4	Socket, Female (2 Per Harness) (To Motor)	

SECTION 7 ELECTRICAL

FIGURE 7-2. 1930ES ELECTRICAL COMPONENTS INSTALLATION

ITEM #	PART NUMBER	QTY.	DESCRIPTION	REV.
401D	Not Available	A/R 1	Connector Options: USA Built Machines S/N 0200152825 to S/N 0200156117 Use Butt Connector (Purchase Locally) Note: P/N 7024770 Harness is equipped with a connector at this location. When replacing, clip connector and butt splice to Drive Harness from opposite side.	
	4461261	1	USA Built Machines S/N 0200156117 to S/N 0200198014 & All Belgium Built Machines Use Plug, Male - 1 Position	
	4460509	1	USA Built Machines S/N 0200156117 to S/N 0200198014 & All Belgium Built Machines Use Terminal	
402	Not Available	2	Harness, Brake (Internal Connections - Purchase Complete Brake)	
	Not Available	2	Receptacle, Female - 2 Position (1 Per Harness)	
	Not Available	4	Pin, Male (2 Per Harness)	
403	Not Available	2	Harness, Motor (Internal Connections - Purchase Complete Motor)	
	Not Available	2	Receptacle, Female - 2 Position (1 Per Harness)	
	Not Available	4	Pin, Male (2 Per Harness)	
404	4923602	2	Harness, Field Wire Connection	B
404A	4461260	2	Receptacle, Female - 1 Position	
	4460508	2	Terminal	
405	3740150	1	Contacting Relay Harness (Includes Relay)	
405A	4460891	1	Plug, Male - 2 Position	
	4460465	2	Socket, Female	
406		Ref.	Battery Charger Components	
406A	Not Available		DC Harness/Cord Set	
406B	4460648	1	Plug, Anderson	
406C	4460899	1	Connector, Female - 6 Position	
	4460464	6	Pin, Male	
406D	Not Available	1	Harness with Connector (Note: Connection to this plug used only when battery interlock options are required)	
406E	4460424	1	Connector, Female - 2 Position (Note: Connection to this plug used only when battery interlock options are required)	
	4460227	2	Pin, Male	
406F	Not Available	1	AC Harness/Cord Set	
406G	Not Available	1	Connector, Female	
407		1	Cable, AC Power to Charger Options:	
	1060688		Cable with Factory Supplied Plug (Black)	
	1001103257		Cable with Factory Supplied Plug (Orange)	
	1060689		Cable with Locally Supplied Plug (Black)	
	1001103258		Cable with Locally Supplied Plug (Orange)	
408	1001092354	1	Rotary Angle Sensor and Harness (Separate Harness Not Available) (was p/n 4360526)	
408A	4460536	1	Receptacle, Female - 3 Position	
	4460464	3	Pin, Male	
409	4360539	1	Toggle Switch and Harness (No Separate Harness Available)	
409A	Not Available	1	Plug, Male - 3 Position	
410	Not Available	1	Joystick Harness	
410A	4460266	1	Receptacle, Female - 9 Position	
	4460226	8	Socket, Female	

SECTION 7 ELECTRICAL

FIGURE 7-2. 1930ES ELECTRICAL COMPONENTS INSTALLATION

ITEM #	PART NUMBER	QTY.	DESCRIPTION	REV.
411	Not Available Not Available	1	Plug Options: ANSI Spec Plug (Use p/n 1001103257) Australian & Japanese Specs (Purchase Locally) CE Spec Options:	
	0275666	Ref.	IEC Yellow Receptacle Installation	A
	4461196		Receptacle, IEC Yellow	
	0276667	Ref.	IEC Blue Receptacle Installation	A
	4661199		Receptacle, IEC Blue	
	0275665	Ref.	AFSINT 107 Keyed Ground Receptacle Installation	A
	4661249		Receptacle, AFSINT 107 Keyed Ground	
	0275663	Ref.	CEE 7 Post Ground Receptacle Installation	A
	4661202		Receptacle, CEE 7 Post Ground	
	0275664	Ref.	CEE 7 Side Ground Receptacle Installation	A
	4661205		Receptacle, CEE 7 Side Ground	
		Ref.	OPTIONAL HARNESSES	
501	0140043	1	Alarm and Harness (Separate Harness Not Available)	
501A	4460536	1	Receptacle, Female - 3 Position	
	4460464	3	Pin, Male	
502	2920161	1	Beacon Light and Harness (Separate Harness Not Available)	
502A	4460891	1	Plug, Male - 2 Position (1 Per Harness)	
	4460465	2	Socket, Female (2 Per Harness)	
503		Ref.	Platform Electrical Outlet Components	
		Ref.	ANSI, ANSI Export, CSA, Japanese & UL Specs Options:	
	0272839	Ref.	110V with Receptacle & Plug	H
	0272843	Ref.	220V without Receptacle & Plug (Locally Supplied Components)	F
		Ref.	Australian Specs Options:	
	0272843	Ref.	220V without Receptacle & Plug (Locally Supplied Components)	F
		Ref.	CE Specs Options:	
	0275487	Ref.	110V with IEC Yellow Receptacle & Plug & Circuit Breaker	C
	0272843	Ref.	220V without Receptacle & Plug (Locally Supplied Components)	F
	Use 0275488	Ref.	220V with IEC Blue Receptacle & Plug & Circuit Breaker (was p/n 02754887)	C
	0275486	Ref.	220V with AFSINT 107 Keyed Ground Receptacle & Plug & Circuit Breaker	C
	0275472	Ref.	220V with CEE 7 Post Ground Receptacle & Plug & Circuit Breaker (2x4 Box)	C
	0275489	Ref.	220V with CEE 7 Post Ground Receptacle & Plug & Circuit Breaker (70x70 Box)	D
	0275485	Ref.	220V with CEE 7 Side Ground Receptacle & Plug & Circuit Breaker (2x4 Single Box)	C
	1001096628	Ref.	220V with CEE 7 Side Ground Receptacle & Plug & Circuit Breaker (2x4 Dual Boxes)	A
			Note: Qty shown is for single Receptacle Box. Double Qty listed for Dual Receptacle Boxes.	
	0275490	Ref.	220V with CEE 7 Side Ground Receptacle & Plug & Circuit Breaker (70x70 Box)	D

SECTION 7 ELECTRICAL

FIGURE 7-2. 1930ES ELECTRICAL COMPONENTS INSTALLATION

ITEM #	PART NUMBER	QTY.	DESCRIPTION	REV.
503 cont'd		1	Decal - AC Power (Not Shown)	
	1703464		110V	
	3252507		220V	
503A		A/R	Box, Switch Options:	
	0861731	1	0272839, 0275472, 0275485, 0275486 & 1001096628 Installations	
	Not Available	0	0272843 Installation (Purchase Locally)	
	4460315	1	0272839 Installation (Terminal, Spade) (Not Shown)	
	0861781	1	0275487 & 0275488 Installations	
	See Note	1	0275774/0275775 Installations (Note: Was p/n 0861782 which is no longer available. Use p/n 1001100344 CEE 7 Side Ground Service Kit or p/n 1001100343 CEE 7 Post Ground Service Kit. Kits includes Box p/n 1001141967 & items 503B, 503D & 503E.)	
	1001141967	1	1001100343, 1001100344, 1001141970 & 1001141971 Service Kits	
503B		A/R	Cover Options:	
	1671207	1	0272839 Installation	
	Not Available	0	0272843 Installation (Purchase Locally)	
	4461244	1	0275472 Installation (Includes Receptacle)	
	4461245	1	0275485 & 1001096628 Installations (Includes Receptacle)	
	4461246	1	0275486 Installation (Includes Receptacle)	
	4461198	1	0275487 Installation (Includes Receptacle)	
	4461201	1	0275488 Installation (Includes Receptacle)	
	Use 1001100343	1	0275489 Installation (Includes Receptacle) (was p/n 4461204 & 1001141971)	
	Use 1001100344	1	0275490 Installation (Includes Receptacle) (was p/n 4461207 & 1001141970)	
	1001141968	1	1001100343 & 1001141971 Service Kit	
	1001141969	1	1001100344 & 1001141970 Service Kit	
503C		A/R	Connector, Strain Relief Options:	
	4460662	1	0272839, 0275472, 0275485, 0275486 & 1001096628 Installations	
	Not Available	0	0272843 Installation (Purchase Locally)	
	4461257	1	0275487, 0275488, 0275489 & 0275490 Installations (90°)	
	4461258	1	0275487, 0275488, 0275489 & 0275490 Installations (Adapter)	
	4460633	1	0275520 & 0275521 Installations	
	4460428	1	0275522 & 0275523 Installations	
503D		A/R	Receptacle, Electrical Options:	
	4460346	1	0272839 Installation	
	Not Available	0	0272843 Installation (Purchase Locally)	
	4461244	1	0275472 Installation (Includes Cover)	
	4461245	1	0275485 & 1001096628 Installations (Includes Receptacle)	
	4461246	1	0275486 Installation (Includes Cover)	
	4461198	1	0275487 Installation (Includes Cover)	
	4461201	1	0275488 Installation (Includes Cover)	

SECTION 7 ELECTRICAL

FIGURE 7-2. 1930ES ELECTRICAL COMPONENTS INSTALLATION

ITEM #	PART NUMBER	QTY.	DESCRIPTION	REV.
503D cont'd	Use 1001100343	1	0275489 Installation (Includes Receptacle) (was p/n 4461204 & 1001141971)	
	Use 1001100344	1	0275490 Installation (Includes Receptacle) (was p/n 4461207 & 1001141970)	
503E	1001141968	1	1001100343 & 1001141971 Service Kit	
	1001141969	1	1001100344 & 1001141970 Service Kit	
		A/R	Plug End Options:	
	4460138	1	0272839 Installation (Male)	
	Not Available	0	0272843 Installation (Purchase Locally)	
	4461202	1	0275472/0275489 Installations & 1001100343/1001141971 Service Kits (Male)	
	4461203	1	0275472 & 0275489 Installations & 1001100343/1001141971 Service Kits (Female)	
	4461205	1	0275485 & 1001096628 Installations & 1001100344/1001141970 Service Kits (Male)	
	4461206	1	0275485 & 1001096628 Installations & 1001100344/1001141970 Service Kits (Female)	
	4461249	1	0275486 Installation (Male)	
	4461250	1	0275486 Installation (Female)	
	4461196	1	0275487 Installation (Male)	
	4461197	1	0275487 Installation (Female)	
	4461199	1	0275488 Installation (Male)	
	4461200	1	0275488 Installation (Female)	
	4461202	1	0275489 Installation (Male)	
	4461203	1	0275489 Installation (Female)	
	4461205	1	0275490 Installation (Male)	
	4461206	1	0275490 Installation (Female)	
	503F		A/R	Hardware Options:
4010405			Screw M4 x 10mm	
4010408			Screw M4 x 16mm	
4010612			Screw M6 x 16mm	
4191706			Screw M6 x 12mm	
4191708			Screw M6 x 20mm	
0760619			Screw M6 x 55mm	
3290405			Locknut M4	
3290605			Locknut M6	
3290607			Locknut M6	
4811400			Flatwasher M4	
1001091102			Flatwasher M4 Oversize	
4811700			Flatwasher M6	
503G		A/R	Bracket, Receptacle Box Mounting Options:	
	Not Required	0	0272839, 0272843, 0275472, 0275485, 0275486 & 1001096628 Installations	
	0903569	1	0275487, 0275488, 0275489 & 0275490 Installations	
503H	0903484	1	1001096628 Installation (2nd Receptacle Box Only)	
	0903566	1	Bracket, Circuit Breaker Mounting (Required Only on CE Spec Installations Except 0272843 Installation)	
	01001096627	1	Bracket, Circuit Breaker Mounting (Required Only on CE Spec 1001096628 Installation)	

SECTION 7 ELECTRICAL

FIGURE 7-2. 1930ES ELECTRICAL COMPONENTS INSTALLATION

ITEM #	PART NUMBER	QTY.	DESCRIPTION	REV.
503J	Use 2902541	A/R	Circuit Breaker Box Assembly (Required Only on CE Spec Installations Except 0272843 Installation):	E
		Ref.	Note: Original box assembly used one single large breaker which is no longer available. For USA Built Machines S/N 0200152825 to S/N 0200163756 & Belgium Built Machines S/N 1200008481 to S/N 1200011329 Purchase p/n 2902541 as replacement. For USA Built Machines S/N 0200163756 to S/N 0200191894 & Belgium Built Machines S/N 1200011329 to S/N 1200021491, the one large single may be replaced with 2 breakers. Purchase qty 1 each of p/ns 1001109475 & 1001109482.	
	Use 2902541 See Note	1	Circuit Breaker Options: Circuit Breaker - USA Built Machines S/N 0200152825 to S/N 0200163756 & Belgium Built Machines S/N 1200008481 to S/N 1200011329 (was p/n 240015)	
	See Note		Circuit Breaker - USA Built Machines S/N 0200163756 to S/N 0200191894 & Belgium Built Machines S/N 1200011329 to S/N 1200021491 (was p/n 2400093)	
	1001109475		Circuit Breaker - 16A USA Built Machines S/N 0200191894 to S/N 0200198014 & Belgium Built Machines S/N 1200021491 to Present	
	1001109482		Circuit Breaker - 30mA USA Built Machines S/N 0200191894 to S/N 0200198014 & Belgium Built Machines S/N 1200021491 to Present	
	250135	1	Terminal Block Options: USA Built Machines S/N 0200152825 to S/N 0200163756 & Belgium Built Machines S/N 1200008481 to S/N 1200011329	
	4460957		USA Built Machines S/N 0200163756 to S/N 0200198014 & Belgium Built Machines S/N 1200011329 to Present	
	Not Required	1	Barrier, Terminal Block Options: USA Built Machines S/N 0200152825 to S/N 0200163756 & Belgium Built Machines S/N 1200008481 to S/N 1200011329	
	4460956		USA Built Machines S/N 0200163756 to S/N 0200198014 & Belgium Built Machines S/N 1200011329 to Present	
503K	4460633	1	Connector, Strain Relief (Required Only on CE Spec Installations Except 0272843 Installation) USA Built Machines S/N 0200152825 to S/N 0200173859 & Belgium Built Machines S/N 1200008481 to S/N 1200015447	
	1001097150		USA Built Machines S/N 0200173859 to S/N 0200198014 & Belgium Built Machines S/N 1200015447 to Present	
503L	1060908	55in/1.4m	Cable, Extension (Required Only on CE Spec Installations Except 0272843 Installation)	
503M	1060908	55in/1.4m	Cable, Electrical (Required Only on CE Spec 1001096628 Installation) (Not Shown - Connects 2 Receptacle Boxes)	

SECTION 7 ELECTRICAL

FIGURE 7-2. 1930ES ELECTRICAL COMPONENTS INSTALLATION

ITEM #	PART NUMBER	QTY.	DESCRIPTION	REV.
	2902431	1	Receptacle Box Kit (110V GFI) (Includes Item 503A-503D) (0272839 Installation)	C
	0275216	1	Receptacle, Box & Plug Kit (110V IEC Yellow) (Includes Items 503A, 503B, 503C & Male 503E Plug End) (0275487 Installation)	1
	0275217	1	Receptacle, Box & Plug Kit (220V IEC Blue) (Includes Items 503A, 503B, 503D & Male 503E Plug End) (0275488 Installation)	1
	0275452	1	Receptacle Box Kit (220V CEE 7 Post Ground with 2x4 Box) (Includes Items 503A, 503B, 503D & Male 503E Plug End) (0275472 Installation)	1
	Use 1001100343	1	Receptacle, Box & Plug Kit (220V CEE 7 Post Ground with 70x70 Box) (Includes Items 503A, 503B, 503D & 503E) (0275489 Installation) (was p/n 0275218 & 1001141971)	B/A
	0275453	1	Receptacle Box Kit (220V CEE 7 Side Ground with 2x4 Box) (Includes Item 503A, 503B, 503D & Male 503E Plug End) (0275485 & 1001096628 Installations)	1
	Use 1001100344	1	Receptacle, Box & Plug Kit (220V CEE 7 Side Ground with 70x70 Box) (Includes Items 503A, 503B, 503D & 503E) (0275490 Installation) (was p/n 0275219 & 1001141970)	B/A
	0275454	1	Receptacle, Box & Plug Kit (220V AFSINT 107 Keyed Ground) (Includes Items 503A, 503B, 503D & Male 503E Plug End) (0275486 Installation)	1
504		1	Brake Disconnect /Release Switch Components	
504A	4922944	1	Brake Disconnect Harness & Switch	E
	1060680	15ft/2.7m	Cable, Electrical 18/2	
	4240003	1	Strap, Cinch (Not Shown)	
504B	4360613	1	Switch, Limit	
504C	4360387	1	Brake Release Switch	
505		Ref.	Battery Charger/Inverter Components (ANSI & CSA Option Only):	
505A	Not Available	1	AC Output Harness (Internal Part of Inverter)	
505B	Not Available	1	Receptacle, Female - 4 Position (Conxall T9014)	
505C	Not Available	1	AC Input Harness (Internal Part of Inverter)	
505D	Not Available	1	Receptacle, Female - 4 Position (Conxall T9016)	
505E	Not Available	1	Remote Control Harness (Internal Part of Inverter)	
505F	Not Available	1	Plug, Male - 8 Position (Conxall 7281-8PG-300)	
505G	Use 1001091479	1	AC Input Harness (was p/n 4923389)	A/D
505H	4460138	1	Plug, Male	
505J	Not Available	1	Plug, Male - 4 Position (Conxall T9017)	
505K	4923390	1	AC Output Harness	D
505L	4460779	1	Receptacle, Female	
505M	Not Available	1	Plug, Male - 4 Position (Conxall T9015)	
505N	4923391	1	Data Interface Harness	D
505P	Not Available	1	Plug, Male - 8 Position (Conxall 6280-8SG-318)	
505R	4460899	1	Receptacle, Female - 6 Position	
	4460464	4	Pin, Male	
	4460466	2	Plug, Seal	
	3990010	1	Diode 6A/600V	
505S	4360336	1	Switch, Toggle	
505T	4460424	2	Receptacle, Female - 2 Position	
	4460267	2	Pin, Male	
505U	4923392	1	Cable, Battery + to Inverter +	A

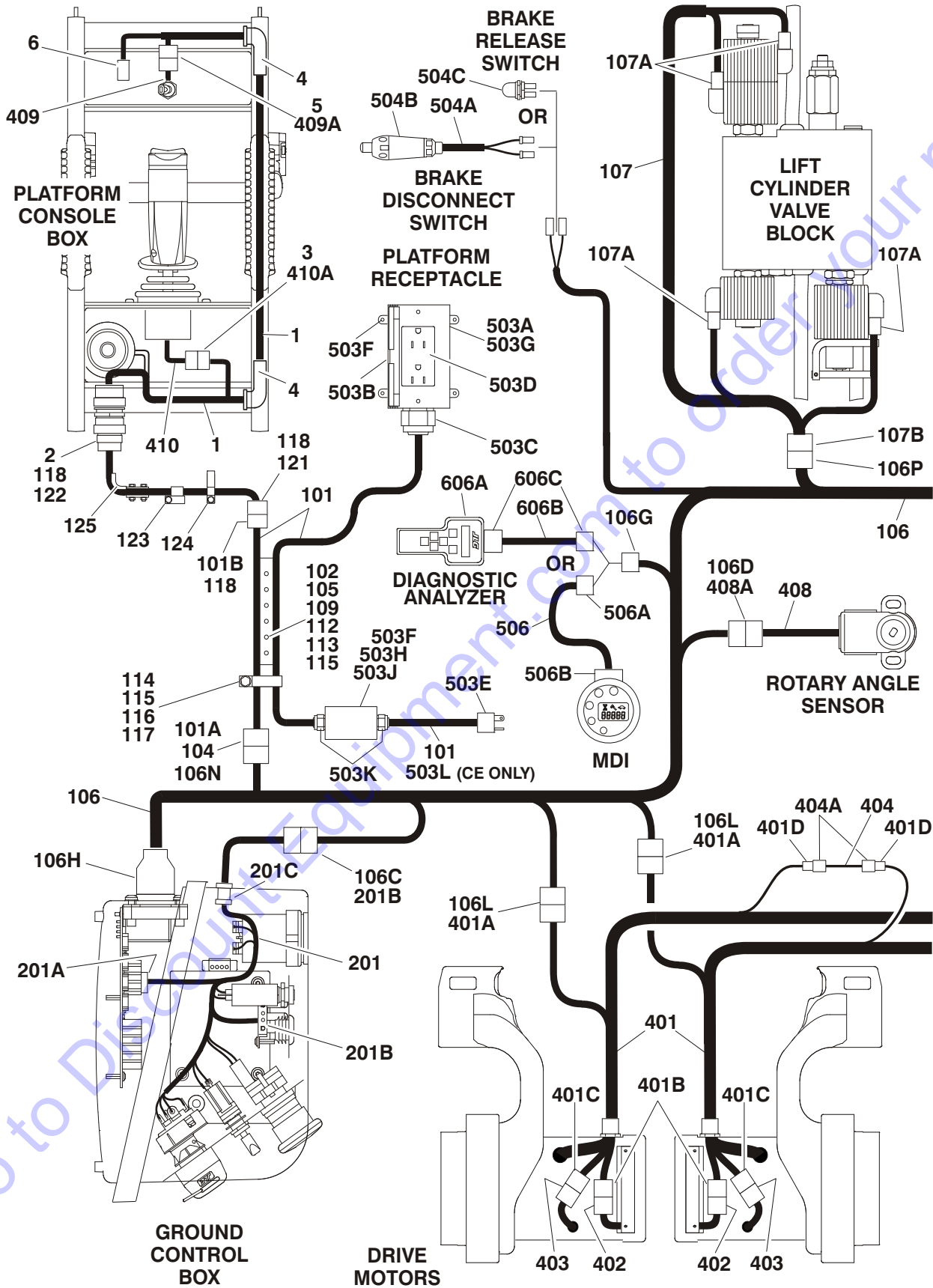
SECTION 7 ELECTRICAL

FIGURE 7-2. 1930ES ELECTRICAL COMPONENTS INSTALLATION

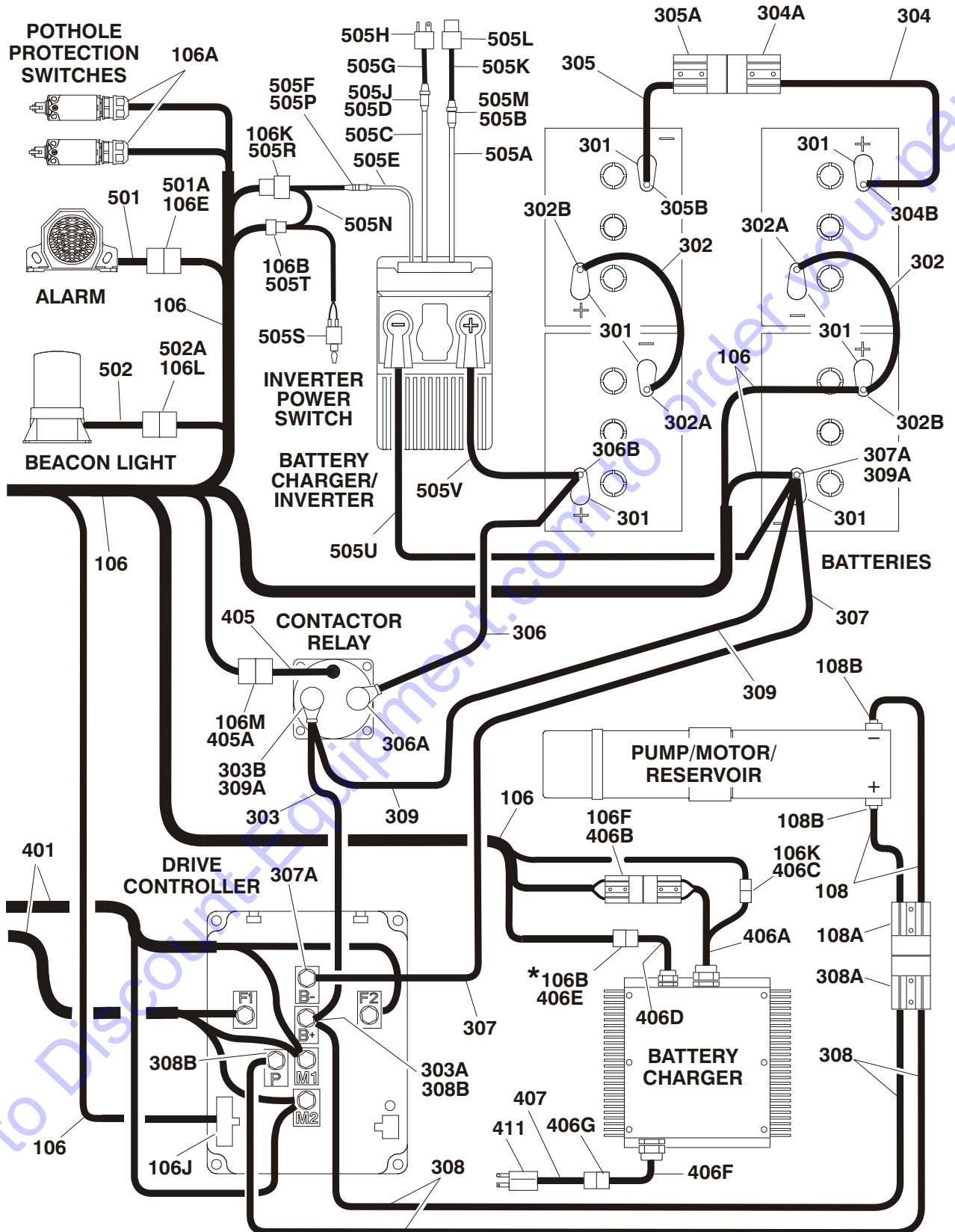
ITEM #	PART NUMBER	QTY.	DESCRIPTION	REV.
505V	4923393	1	Cable, Battery – to Inverter –	A
506	1001093556	1	MDI Harness (USA Built Machines S/N 0200168420 to S/N 0200198014 Only & Belgium Built Machines S/N 1200014906 to Present Only)	B
506A	4460321	1	Plug, Male	
	4460226	4	Socket, Female	
506B	4460868	1	Plug, Male - 6 Position	
	4460877	4	Terminal	
	1001094105	1	Boot	
		Ref.	TOOLS FOR SERVICE	
601	7002821	1	Crimper, Wire (Not Shown)	
602	7002823	1	Extractor, Pin - Universal (Not Shown)	
603	4460467	A/R	Extractor, Pin #16 Gauge (Not Shown)	
604	4460510	A/R	Extractor, Pin #12 Gauge (Not Shown)	
605	7002828	1	Stripper, Wire (Not Shown)	
606	2901443	1	Analyzer Kit (Not Shown)	
606A	1600244	1	Analyzer	
606B	1060633	1	Cable, Analyzer	
606C	4460321	2	Plug, Male - 4 Position	
	4460226	8	Socket, Female	
607	1001137005	1	Software Cables Kit (Not Shown)	

SECTION 7 ELECTRICAL

FIGURE 7-3. 2030ES/2630ES ELECTRICAL COMPONENTS INSTALLATION



SECTION 7 ELECTRICAL



*NOTE: THIS CONNECTION USED ONLY WHEN FOOTSWITCH OR BATTERY CHARGER INTERLOCK OPTIONS ARE REQUIRED.

SECTION 7 ELECTRICAL

FIGURE 7-3. 2030ES/2630ES ELECTRICAL COMPONENTS INSTALLATION

ITEM #	PART NUMBER	QTY.	DESCRIPTION	REV.
		Ref.	CONSOLE BOX COMPONENTS	
1	4922870	1	Platform Box Harness	B
2	4461016	1	Connector - 14 Position	
	4460464	6	Pin, Male	
	4460466	8	Plug, Sealing	
	4460496	1	Lockwasher	
	4460497	1	Nut, Panel	
3	4460265	1	Plug, Male - 9 Position	
	4460267	8	Pin, Male	
4	2540042	2	Grommet 90°	
5	Not Available	1	Receptacle, Female - 3 Position	
6	4461057	1	Plug, Male - 16 Position	
		Ref.	PLATFORM CABLES INSTALLATION	
	0274973	Ref.	2030ES (ANSI, ANSI Export, Japanese & UL Specs)	J
	0275542	Ref.	2030ES (Australian & CE Specs)	H
	0274974	Ref.	2630ES (ANSI, ANSI Export, Japanese & UL Specs)	J
	0275543	Ref.	2630ES (Australian & CE Specs)	H
101		1	Platform to Ground Harness Options:	
	1001094155		2030ES ANSI, ANSI Export, Japanese & UL Specs	C
	1001094333		2030ES Australian & CE Specs	B
	1001094156		2630ES ANSI, ANSI Export, Japanese & UL Specs	C
	1001094334		2630ES Australian & CE Specs	B
101A	4460930	1	Plug, Male - 8 Position	
	4460465	4	Socket, Female	
	4460944	3	Socket, Female (Gold)	
	4460466	1	Plug, Sealing	
	0840061	1	Boot, 8 Position Plug	
	2820026	A/R	Insulation, Clear Tubing	
	2820028	A/R	Heat Shrink	
101B	4460930	1	Plug, Male - 8 Position	
	4460465	4	Socket, Female	
	4460944	3	Socket, Female (Gold)	
	4460466	1	Plug, Sealing	
	0840061	1	Boot, 8 Position Plug	
	2820026	A/R	Insulation, Clear Tubing	
	2820028	A/R	Heat Shrink	
102	1380158	A/R	Retainer	
103	Not Used			
104	0100048	A/R	Grease, Dielectric	
105	4740545	A/R	Washer, Special Cable	

SECTION 7 ELECTRICAL

FIGURE 7-3. 2030ES/2630ES ELECTRICAL COMPONENTS INSTALLATION

ITEM #	PART NUMBER	QTY.	DESCRIPTION	REV.
106	Use 1001109218	1	Chassis Harness Options: USA Built Machines S/N 0200152825 to S/N 0200195918 & Belgium Built Machines S/N 1200008481 to S/N 1200022847 (was p/n 4923449)	F
	1001109124		USA Built Machines S/N 0200195918 to S/N 0200198014 & Belgium Built Machines S/N 1200022847 to Present	B
	4933351	Ref.	Wiring Diagram - Chassis Options: USA Built Machines S/N 0200152825 to S/N 0200195918 & Belgium Built Machines S/N 1200008481 to S/N 1200022847	C
	1001109123	Ref.	USA Built Machines S/N 0200195918 to S/N 0200198014 & Belgium Built Machines S/N 1200022847 to Present	A
	3990013	2	Diode 1 Amp/400V (Not Shown)	
106A	Use 1001109345	2	Switch, Limit Options: USA Built Machines S/N 0200152825 to S/N 0200195918 & Belgium Built Machines S/N 1200008481 to S/N 1200022847 (was p/n 4360633)	
	1001109088		USA Built Machines S/N 0200195918 to S/N 0200198014 & Belgium Built Machines S/N 1200022847 to Present	
	4460884	2	Plug, Male 4 Position (Use with p/n 1001109088 Switch)	
	4460465	4	Socket, Female (Use with p/n 1001109088 Switch)	
106B	4460320	1	Plug, Male - 2 Position (Note: Connection to this plug used only when footswitch or battery interlock options are required)	
	4460226	2	Socket, Female	
106C	4460321	1	Plug, Male - 4 Position	
	4460227	4	Pin, Male	
106D	4460539	1	Plug, Male - 3 Position	
	4460465	3	Socket, Female	
106E	4460539	1	Plug, Male - 3 Position	
	4460465	2	Socket, Female	
106F	4460648	1	Connector, Anderson	
106G	4460761	1	Receptacle, Female - 4 Position	
	4460227	4	Pin, Male	
106H	4460814	1	Plug, Male - 40 Position	
	4460465	31	Socket, Female	
	4460944	6	Socket, Female (Gold)	
	0840057	1	Boot	
106J	4460870	1	Plug, Male - 12 Position	
	4460877	4	Pin, Male	
106K	4460894	1	Plug, Male - 6 Position	
	4460465	4	Socket, Female	
	0840059	1	Boot	
106L	4460897	3	Receptacle, Female - 2 Position	
	4460464	6	Pin, Male	
106M	4460897	1	Receptacle, Female - 2 Position	
	4460465	2	Socket, Female	

SECTION 7 ELECTRICAL

FIGURE 7-3. 2030ES/2630ES ELECTRICAL COMPONENTS INSTALLATION

ITEM #	PART NUMBER	QTY.	DESCRIPTION	REV.
106N	4460931	1	Receptacle, Female - 8 Position	
	4460464	4	Pin, Male	
	4460943	3	Pin, Male (Gold)	
	0840058	1	Boot	
106P	4460899	1	Connector, Female - 6 Position	
	4460464	6	Pin, Male	
106R	4460931	1	Receptacle, Female - 8 Position	
	4460464	4	Pin, Male	
106T	4460930	1	Plug, Male - 8 Position	
	4460466	1	Seal, Plug	
107	4923350	1	Lift Cylinder Harness	D
107A	4460891	4	Plug, Male - 2 Position	
	4460465	8	Socket, Female	
107B	4460894	1	Plug, Male - 6 Position	
	4460465	6	Socket, Female	
108	0840059	1	Boot	
	4923271	1	Power to Pump Motor Harness Options: USA Built Machines S/N 0200152825 to S/N 0200172053 & Belgium Built Machines S/N 1200008481 to S/N 1200014906	C
	1001096794		USA Built Machines S/N 0200172053 to S/N 0200198014 & Belgium Built Machines S/N 1200014906 to Present	B
108A	Not Available	1	Connector, Anderson Options: Red	
	Not Available		Gray	
108B	0840041	2	Boot, Terminal (Red)	
109		A/R	Screw M6 Options: 20mm Length	
	0760610		30mm Length	
	0760614			
110	Not Used			
111	2902509		Battery Cable Kit Options (See Item 301- 309 for Breakdown): USA Built Machines S/N 0200152825 to S/N 0200172053 & Belgium Built Machines S/N 1200008481 to S/N 1200014906	
	1001096799		USA Built Machines S/N 0200172053 to S/N 0200198014 & Belgium Built Machines S/N 1200014906 to Present	
112	3290607	4	Nut M6	
113	4811700	2	Flatwasher M6	
114	1321716	2	Clamp	
115	3290605	A/R	Locknut M6	
116	4031713	A/R	Capscrew, Socket Head M6 x 45mm	
117	4811700	A/R	Flatwasher M6	
118	1		Platform to Control Box Coiled Cable Harness Options:	
	Use 1001104467		USA Built Machines S/N 0200152825 to S/N 0200168420 & Belgium Built Machines S/N 1200008481 to S/N 1200014906 (Repair Kit p/n 1001104467 Includes Items 101B & 121-125)	A
	1001096706		USA Built Machines S/N 0200168420 to S/N 0200198014 & Belgium Built Machines S/N 1200014906 to Present (Includes Items 121 & 122)	A
119 to 120	Not Used			A

SECTION 7 ELECTRICAL

FIGURE 7-3. 2030ES/2630ES ELECTRICAL COMPONENTS INSTALLATION

ITEM #	PART NUMBER	QTY.	DESCRIPTION	REV.
121	4460931	1	Receptacle, Female - 8 Position	
	4460464	4	Pin, Male	
	4460943	3	Pin, Male (Gold)	
	4460466	1	Plug, Sealing	
	0840058	1	Boot, 8 Position Receptacle	
	2820026	A/R	Insulation, Clear Tubing	
	2820028	A/R	Heat Shrink	
	122	4460754	1	
4460465		4	Socket, Female	
4460944		3	Socket, Female	
4460466		4	Plug, Sealing	
3730119		1	Resistor	
4460493		1	Cap, Dust	
2820026		A/R	Insulation, Clear Tubing	
123	1001094175	A/R	Clamp, Post	
	4010617	A/R	Screw M6 x 45mm	
	3290606	A/R	Nut, Acorn M6	
124	1001094180	4	Clamp, Rail	
	0760606	4	Screw M6 x 12mm	
	3290606	4	Nut, Acorn M6	
125	1001104465	A/R	Hook, Corner	
	4010617	A/R	Screw M6 x 45mm	
	3290606	A/R	Nut, Acorn M6	
		Ref.	GROUND CONTROL BOX COMPONENTS	
201	4922865	1	Control Box Harness	E
201A	4460265	1	Plug, Male - 9 Position	
	4460268	9	Socket, Female	
201B	4460761	2	Receptacle, Female - 4 Position	
	4460267	8	Pin, Male	
201C	Not Available	1	Grommet (Molded in Part of Harness)	
201D	Use 4460418	1	Receptacle, Female - 3 Position	
	Use 4460419	3	Terminal	
		Ref.	BATTERY CABLE KITS	
	2902509	Ref.	USA Built Machines S/N 0200152825 to S/N 0200172053 & Belgium Built Machines S/N 1200008481 to S/N 1200014906	F
	1001096799	Ref.	USA Built Machines S/N 0200172053 to S/N 0200198014 & Belgium Built Machines S/N 1200014906 to Present	C
301	0840060	8	Boot, Terminal (Gray) (Covers only the Battery Terminal Base)	E
302	1060998	2	Cable, Battery (Battery Positive to Battery Negative)	
302A	Not Available	2	Boot, Terminal (Black) (1 Per Cable Assembly)	E
302B	Not Available	2	Boot, Terminal (Red) (1 Per Cable Assembly)	
303	1061001	1	Cable, Battery (Contactor to Drive Module B+)	E
303A	Not Available	1	Boot, Terminal (Black)	
303B	Not Available	1	Boot, Terminal (Red)	

SECTION 7 ELECTRICAL

FIGURE 7-3. 2030ES/2630ES ELECTRICAL COMPONENTS INSTALLATION

ITEM #	PART NUMBER	QTY.	DESCRIPTION	REV.
304	Use 1001127523	1	Cable, Battery (LH Battery to Disconnect) (was p/n 4923413)	B/E
304A	4460618	1	Connector, Anderson	
	Use 2560205	1	Handle, Connector	
304B	Not Available	1	Boot, Terminal (Red)	
305	4923414	1	Cable, Battery (RH Batteries to Disconnect)	E
305A	4460618	1	Connector, Anderson	
305B	Not Available	1	Boot, Terminal (Black)	
306	4923415	1	Cable, Battery (RH Battery to Contactor)	C
306A	Not Available	1	Boot, Terminal (Black)	
306B	Not Available	1	Boot, Terminal (Red)	
307	4923416	1	Cable, Battery (LH Battery to Connector B-)	B
307A	Not Available	1	Boot, Terminal (Black)	
308		2	Cable, Battery (Power to Pump Motor)	
	4923272		USA Built Machines S/N 0200152825 to S/N 0200172053 & Belgium Built Machines S/N 1200008481 to S/N 1200014906	C
	1001096795		USA Built Machines S/N 0200172053 to S/N 0200198014 & Belgium Built Machines S/N 1200014906 to Present	C
308A		1	Connector, Anderson Options:	
	Not Available		Red	
	Not Available		Gray	
308B	0840041	1	Boot, Terminal (Red)	
309 & 309A	Not Required			
		Ref.	STANDARD HARNESSES	
401		2	Drive Motor/Brake Harness Options:	
	Use 1001099676		USA Built Machines S/N 0200152825 to S/N 0200170585 & Belgium Built Machines S/N 1200008481 to S/N 1200015159 (was p/n 7024770 & 7024775)	
	Use 1001134012		USA Built Machines S/N 0200170585 to S/N 0200198014 & Belgium Built Machines S/N 1200015159 to Present (was p/n 1001091843)	
401A	4460891	2	Plug, Male - 2 Position (1 Per Harness)	
	4460465	4	Socket, Female (2 Per Harness)	
401B	70001442	2	Plug, Male - 2 Position (1 Per Harness) (To Brake)	
	Not Available	4	Socket, Female (2 Per Harness) (To Brake)	
401C	70001443	2	Plug, Male - 2 Position (1 Per Harness) (To Motor)	
	70001444	4	Socket, Female (2 Per Harness) (To Motor)	
401D		A/R	Connector Options:	
	Not Available	1	USA Built Machines S/N 0200152825 to S/N 0200156117 Use Butt Connector (Purchase Locally)	
			Note: P/N 7024770 Harness is equipped with a connector at this location. When replacing, clip connector and butt splice to Drive Harness from opposite side.	
	4461261	1	USA Built Machines S/N 0200156117 to S/N 0200198014 & All Belgium Built Machines Use Plug, Male - 1 Position	
	4460509	1	USA Built Machines S/N 0200156117 to S/N 0200198014 & All Belgium Built Machines Use Terminal	

SECTION 7 ELECTRICAL

FIGURE 7-3. 2030ES/2630ES ELECTRICAL COMPONENTS INSTALLATION

ITEM #	PART NUMBER	QTY.	DESCRIPTION	REV.
402	Not Available	2	Harness, Brake (Internal Connections - Purchase Complete Brake)	
	Not Available	2	Receptacle, Female - 2 Position (1 Per Harness)	
	Not Available	4	Pin, Male (2 Per Harness)	
403	Not Available	2	Harness, Motor (Internal Connections - Purchase Complete Motor)	
	Not Available	2	Receptacle, Female - 2 Position (1 Per Harness)	
	Not Available	4	Pin, Male (2 Per Harness)	
404	4923602	2	Harness, Field Wire Connection	B
404A	4461260	2	Receptacle, Female - 1 Position	
	4460508	2	Terminal	
405	3740150	1	Contactor Relay Harness (Includes Relay)	
405A	4460891	1	Plug, Male - 2 Position	
	4460465	2	Socket, Female	
406		Ref.	Battery Charger Components	
406A	Not Available		DC Harness/Cord Set	
406B	4460648	1	Plug, Anderson	
406C	4460899	1	Connector, Female - 6 Position	
	4460464	6	Pin, Male	
406D	Not Available	1	Harness with Connector (Note: Connection to this plug used only when battery interlock options are required)	
406E	4460424	1	Connector, Female - 2 Position (Note: Connection to this plug used only when battery interlock options are required)	
	4460227	2	Pin, Male	
406F	Not Available	1	AC Harness/Cord Set	
406G	Not Available	1	Connector, Female	
407		1	Cable, AC Power to Charger Options:	
	1060688		Cable with Factory Supplied Plug (Black)	
	1001103257		Cable with Factory Supplied Plug (Orange)	
	1060689		Cable with Locally Supplied Plug (Black)	
	1001103258		Cable with Locally Supplied Plug (Orange)	
408	1001092354	1	Rotary Angle Sensor and Harness (Separate Harness Not Available) (was p/n 4360526)	
408A	4460536	1	Receptacle, Female - 3 Position	
	4460464	3	Pin, Male	
409	4360539	1	Toggle Switch and Harness (No Separate Harness Available)	
409A	Not Available	1	Plug, Male - 3 Position	
410	Not Available	1	Joystick Harness	
410A	4460266	1	Receptacle, Female - 9 Position	
	4460226	8	Socket, Female	
411		1	Plug Options:	
	Not Available		ANSI Spec Plug (Use p/n 1001103257)	
	Not Available		Australian & Japanese Specs (Purchase Locally)	
			CE Spec Options:	
	0275666	Ref.	IEC Yellow Receptacle Installation	A
	4461196		Receptacle, IEC Yellow	
	0276667	Ref.	IEC Blue Receptacle Installation	A
4661199		Receptacle, IEC Blue		
0275665	Ref.	AFSINT 107 Keyed Ground Receptacle Installation	A	
	4661249		Receptacle, AFSINT 107 Keyed Ground	

SECTION 7 ELECTRICAL

FIGURE 7-3. 2030ES/2630ES ELECTRICAL COMPONENTS INSTALLATION

ITEM #	PART NUMBER	QTY.	DESCRIPTION	REV.
411 cont'd	0275663	Ref.	CEE 7 Post Ground Receptacle Installation	A
	4661202		Receptacle, CEE 7 Post Ground	
	0275664	Ref.	CEE 7 Side Ground Receptacle Installation	A
	4661205		Receptacle, CEE 7 Side Ground	
		Ref.	OPTIONAL HARNESSES	
501	0140043	1	Alarm and Harness (Separate Harness Not Available)	
501A	4460536	1	Receptacle, Female - 3 Position	
	4460464	3	Pin, Male	
502	2920161	1	Beacon Light and Harness (Separate Harness Not Available)	
502A	4460891	1	Plug, Male - 2 Position (1 Per Harness)	
	4460465	2	Socket, Female (2 Per Harness)	
503		Ref.	Platform Electrical Outlet Components	
		Ref.	ANSI, ANSI Export, CSA, Japanese & UL Specs Options:	
	0272839	Ref.	110V with Receptacle & Plug	H
	0272843	Ref.	220V without Receptacle & Plug (Locally Supplied Components)	F
		Ref.	Australian Specs Options:	
	0272843	Ref.	220V without Receptacle & Plug (Locally Supplied Components)	F
		Ref.	CE Specs Options:	
	Use 0275487	Ref.	110V with IEC Yellow Receptacle & Plug & Circuit Breaker (was p/n 0275513)	C
)	0272843	Ref.	220V without Receptacle & Plug (Locally Supplied Components)	F
	Use 0275488	Ref.	220V with IEC Blue Receptacle & Plug & Circuit Breaker (was p/n 0275514)	C
	Use 0275486	Ref.	220V with AFSINT 107 Keyed Ground Receptacle & Plug & Circuit Breaker (was p/n 0275512)	C
	Use 0275472	Ref.	220V with CEE 7 Post Ground Receptacle & Plug & Circuit Breaker (2x4 Box) (was p/n 0275510)	C
	Use 0275489	Ref.	220V with CEE 7 Post Ground Receptacle & Plug & Circuit Breaker (70x70 Box) (was p/n 0275515)	D
	Use 0275485	Ref.	220V with CEE 7 Side Ground Receptacle & Plug & Circuit Breaker (2x4 Single Box) (was p/n 0275511)	C
	1001096628	Ref.	220V with CEE 7 Side Ground Receptacle & Plug & Circuit Breaker (2x4 Dual Boxes)	A
			Note: Qty shown is for single Receptacle Box. Double Qty listed for Dual Receptacle Boxes.	
	Use 0275490	Ref.	220V with CEE 7 Side Ground Receptacle & Plug & Circuit Breaker (70x70 Box) (was p/n 0275516)	D
		1	Decal - AC Power (Not Shown)	
	1703464		110V	
	3252507		220V	
503A		A/R	Box, Switch Options:	
	0861731	1	0272839, 0275472, 0275485, 0275486 & 1001096628 Installations	
	Not Available	0	0272843 Installation (Purchase Locally)	
	4460315	1	0272839 Installation (Terminal, Spade) (Not Shown)	
	0861781	1	0275487 & 0275488 Installations	

SECTION 7 ELECTRICAL

FIGURE 7-3. 2030ES/2630ES ELECTRICAL COMPONENTS INSTALLATION

ITEM #	PART NUMBER	QTY.	DESCRIPTION	REV.
503A cont'd	See Note	1	0275774/0275775 Installations (Note: Was p/n 0861782 which is no longer available. Use p/n 100110344 CEE 7 Side Ground Service Kit or p/n 1001100343 CEE 7 Post Ground Service Kit. Kits includes Box p/n 1001141967 & items 503B, 503D & 503E.)	
503B	1001141967	1	1001100343, 1001100344, 1001141970 & 1001141971 Service Kits	
		A/R	Cover Options:	
	1671207	1	0272839 Installation	
	Not Available	0	0272843 Installation (Purchase Locally)	
	4461244	1	0275472 Installation (Includes Receptacle)	
	4461245	1	0275485 & 1001096628 Installations (Includes Receptacle)	
	4461246	1	0275486 Installation (Includes Receptacle)	
	4461198	1	0275487 Installation (Includes Receptacle)	
	4461201	1	0275488 Installation (Includes Receptacle)	
	Use 1001100343	1	0275489 Installation (Includes Receptacle) (was p/n 4461204 & 1001141971)	
503C	Use 1001100344	1	0275490 Installation (Includes Receptacle) (was p/n 4461207 & 1001141970)	
	1001141968	1	1001100343 & 1001141971 Service Kits	
	1001141969	1	1001100344 & 1001141970 Service Kits	
		A/R	Connector, Strain Relief Options:	
	4460662	1	0272839, 0275472, 0275485, 0275486 & 1001096628 Installations	
	Not Available	0	0272843 Installation (Purchase Locally)	
	4461257	1	0275487, 0275488, 0275489 & 0275490 Installations (90°)	
	4461258	1	0275487, 0275488, 0275489 & 0275490 Installations (Adapter)	
	4460633	1	0275520 & 0275521 Installations	
	4460428	1	0275522 & 0275523 Installations	
503D		A/R	Receptacle, Electrical Options:	
	4460346	1	0272839 Installation	
	Not Available	0	0272843 Installation (Purchase Locally)	
	4461244	1	0275472 Installation (Includes Cover)	
	4461245	1	0275485 & 1001096628 Installations (Includes Receptacle)	
	4461246	1	0275486 Installation (Includes Cover)	
	4461198	1	0275487 Installation (Includes Cover)	
	4461201	1	0275488 Installation (Includes Cover)	
	Use 1001100343	1	0275489 Installation (Includes Receptacle) (was p/n 4461204 & 1001141971)	
	Use 1001100344	1	0275490 Installation (Includes Receptacle) (was p/n 4461207 & 1001141970)	
	1	1001100343 & 1001141971 Service Kits		
	1	1001100344 & 1001141970 Service Kits		

SECTION 7 ELECTRICAL

FIGURE 7-3. 2030ES/2630ES ELECTRICAL COMPONENTS INSTALLATION

ITEM #	PART NUMBER	QTY.	DESCRIPTION	REV.
503E		A/R	Plug End Options:	
	4460138	1	0272839 Installation (Male)	
	Not Available	0	0272843 Installation (Purchase Locally)	
	4461202	1	0275472/0275489 Installations & 1001100343/ 1001141971 Kits (Male)	
	4461203	1	0275472 & 0275489 Installations & 1001100343/ 1001141971 Kits (Female)	
	4461205	1	0275485/1001096628 Installations & 1001100344/ 1001141970 Kits (Male)	
	4461206	1	0275485 & 1001096628 Installations & 1001100344/ 1001141970 Kits (Female)	
	4461249	1	0275486 Installation (Male)	
	4461250	1	0275486 Installation (Female)	
	4461196	1	0275487 Installation (Male)	
	4461197	1	0275487 Installation (Female)	
	4461199	1	0275488 Installation (Male)	
	4461200	1	0275488 Installation (Female)	
	4461202	1	0275489 Installation (Male)	
	4461203	1	0275489 Installation (Female)	
	4461205	1	0275490 Installation (Male)	
	4461206	1	0275490 Installation (Female)	
503F		A/R	Hardware Options:	
	4010405		Screw M4 x 10mm	
	4010408		Screw M4 x 16mm	
	4010612		Screw M6 x 16mm	
	4191706		Screw M6 x 12mm	
	4191708		Screw M6 x 20mm	
	0760619		Screw M6 x 55mm	
	3290405		Locknut M4	
	3290605		Locknut M6	
	3290607		Locknut M6	
	4811400		Flatwasher M4	
1001091102		Flatwasher M4 Oversize		
4811700		Flatwasher M6		
503G		A/R	Bracket, Receptacle Box Mounting Options:	
	Not Required	0	0272839, 0272843, 0275472, 0275485, 0275486 & 1001096628 Installations	
	0903569	1	0275487, 0275488, 0275489 & 0275490 Installations	
	0903484	1	1001096628 Installation (2nd Receptacle Box Only)	
503H	0903566	1	Bracket, Circuit Breaker Mounting (Required Only on CE Spec Installations Except 0272843 Installation)	
	01001096627	1	Bracket, Circuit Breaker Mounting (Required Only on CE Spec 1001096628 Installation)	

SECTION 7 ELECTRICAL

FIGURE 7-3. 2030ES/2630ES ELECTRICAL COMPONENTS INSTALLATION

ITEM #	PART NUMBER	QTY.	DESCRIPTION	REV.
503J	Use 2902541	A/R	Circuit Breaker Box Assembly (Required Only on CE Spec Installations Except 0272843 Installation):	E
		Ref.	Note: Original box assembly used one single large breaker which is no longer available. For USA Built Machines S/N 0200152825 to S/N 0200163756 & Belgium Built Machines S/N 1200008481 to S/N 1200011329 Purchase p/n 2902541 as replacement. For USA Built Machines S/N 0200163756 to S/N0200191894 & Belgium Built Machines S/N 1200011329 to S/N1200021491, the one large single may be replaced with 2 breakers. Purchase qty 1 each of p/ns 1001109475 & 1001109482.	
		1	Circuit Breaker Options:	
	Use 2902541 See Note		Circuit Breaker - USA Built Machines S/N 0200152825 to S/N 0200163756 & Belgium Built Machines S/N 1200008481 to S/N 1200011329 (was p/n 240015)	
	See Note		Circuit Breaker - USA Built Machines S/N 0200163756 to S/N 0200191894 & Belgium Built Machines S/N 1200011329 to S/N 1200021491 (was p/n 2400093)	
	1001109475		Circuit Breaker - 16A USA Built Machines S/N 0200191894 to S/N 0200198014 & Belgium Built Machines S/N 1200021491to Present	
	1001109482		Circuit Breaker - 30mA USA Built Machines S/N 0200191894 to S/N 0200198014 & Belgium Built Machines S/N 1200021491to Present	
		1	Terminal Block Options:	
	250135		USA Built Machines S/N 0200152825 to S/N 0200163756 & Belgium Built Machines S/N 1200008481 to S/N 1200011329	
	4460957		USA Built Machines S/N 0200163756 to S/N 0200198014 & Belgium Built Machines S/N 1200011329 to Present	
	1	Barrier, Terminal Block Options:		
Not Required		USA Built Machines S/N 0200152825 to S/N 0200163756 & Belgium Built Machines S/N 1200008481 to S/N 1200011329		
4460956		USA Built Machines S/N 0200163756 to S/N 0200198014 & Belgium Built Machines S/N 1200011329 to Present		
503K		1	Connector, Strain Relief (Required Only on CE Spec Installations Except 0272843 Installation)	
	4460633		USA Built Machines S/N 0200152825 to S/N 0200173859 & Belgium Built Machines S/N 1200008481 to S/N 1200015447	
	1001097150		USA Built Machines S/N 0200173859 to S/N 0200198014 & Belgium Built Machines S/N 1200015447 to Present	
503L	1060908	55in/1.4m	Cable, Extension (Required Only on CE Spec Installations Except 0272843 Installation)	
503M	1060908	55in/1.4m	Cable, Electrical (Required Only on CE Spec 1001096628 Installation) (Not Shown - Connects 2 Receptacle Boxes)	
	2902431	1	Receptacle Box Kit (110V GFI) (Includes Item 503A-503D) (0272839 Installation)	C

SECTION 7 ELECTRICAL

FIGURE 7-3. 2030ES/2630ES ELECTRICAL COMPONENTS INSTALLATION

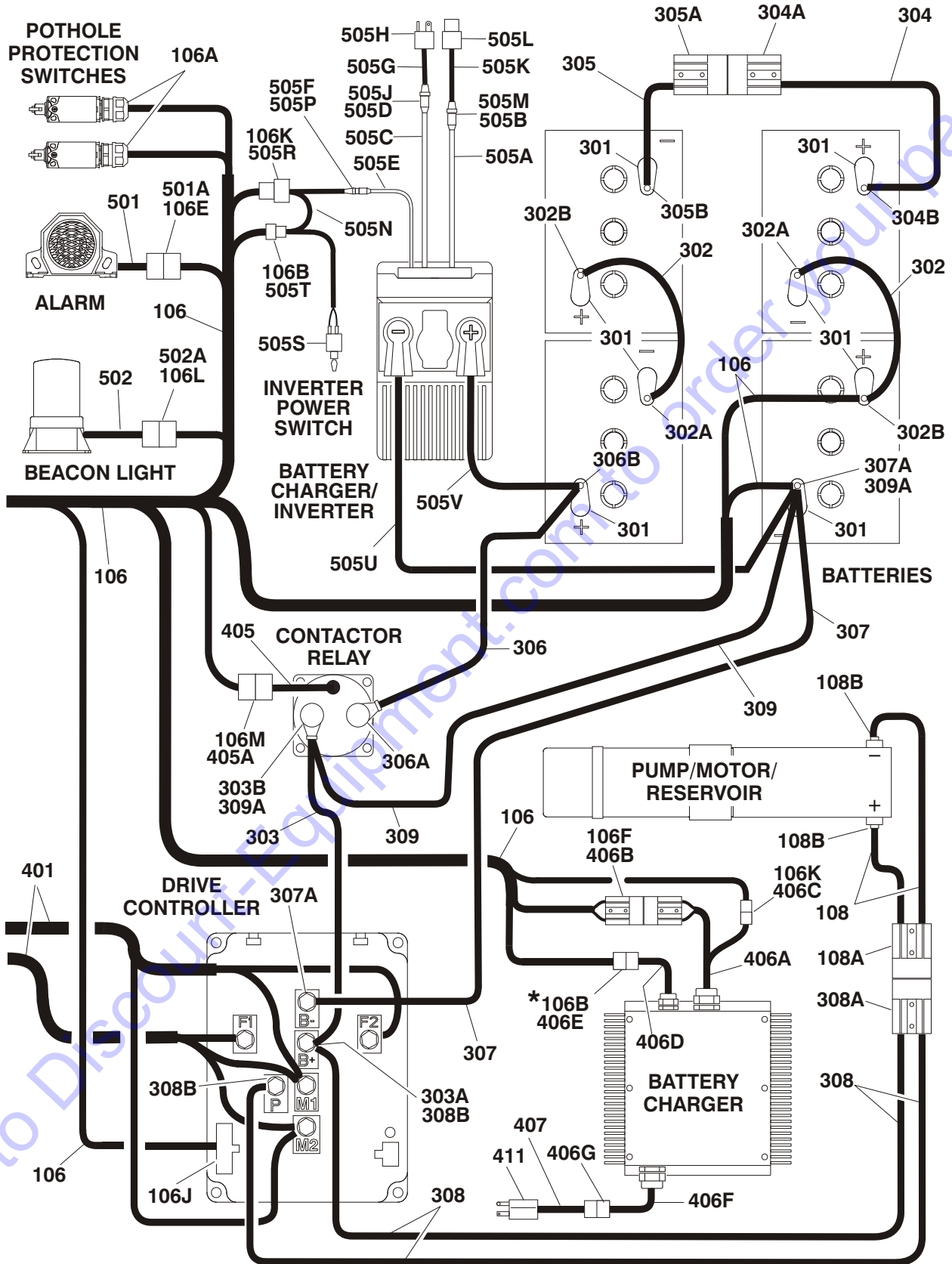
ITEM #	PART NUMBER	QTY.	DESCRIPTION	REV.
	0275216	1	Receptacle, Box & Plug Kit (110V IEC Yellow) (Includes Items 503A, 503B, 503C & Male 503E Plug End) (0275487 Installation)	1
	0275217	1	Receptacle, Box & Plug Kit (220V IEC Blue) (Includes Items 503A, 503B, 503D & Male 503E Plug End) (0275488 Installation)	1
	0275452	1	Receptacle Box Kit (220V CEE 7 Post Ground with 2x4 Box) (Includes Items 503A, 503B, 503D & Male 503E Plug End) (0275472 Installation)	1
	Use 1001100343	1	Receptacle, Box & Plug Kit (220V CEE 7 Post Ground with 70x70 Box) (Includes Items 503A, 503B, 503D & 503E) (0275489 Installation) (was p/n 0275218 & 1001141971)	B/A
	0275453	1	Receptacle Box Kit (220V CEE 7 Side Ground with 2x4 Box) (Includes Item 503A, 503B, 503D & Male 503E Plug End) (0275485 & 1001096628 Installations)	1
	Use 1001100344	1	Receptacle, Box & Plug Kit (220V CEE 7 Side Ground with 70x70 Box) (Includes Items 503A, 503B, 503D & 503E) (0275490 Installation) (was p/n 0275219 & 1001141970)	B/A
	0275454	1	Receptacle, Box & Plug Kit (220V AFSINT 107 Keyed Ground) (Includes Items 503A, 503B, 503D & Male 503E Plug End) (0275486 Installation)	1
504		1	Brake Disconnect /Release Switch Components	
504A	4922944	1	Brake Disconnect Harness & Switch	E
	1060680	15ft/2.7m	Cable, Electrical 18/2	
	4240003	1	Strap, Cinch (Not Shown)	
504B	4360613	1	Switch, Limit	
504C	4360387	1	Brake Release Switch	
505		Ref.	Battery Charger/Inverter Components (ANSI & CSA Option Only):	
505A	Not Available	1	AC Output Harness (Internal Part of Inverter)	
505B	Not Available	1	Receptacle, Female - 4 Position (Conxall T9014)	
505C	Not Available	1	AC Input Harness (Internal Part of Inverter)	
505D	Not Available	1	Receptacle, Female - 4 Position (Conxall T9016)	
505E	Not Available	1	Remote Control Harness (Internal Part of Inverter)	
505F	Not Available	1	Plug, Male - 8 Position (Conxall 7281-8PG-300)	
505G	Use 1001091479	1	AC Input Harness (was p/n 4923389)	A/D
505H	4460138	1	Plug, Male	
505J	Not Available	1	Plug, Male - 4 Position (Conxall T9017)	
505K	4923390	1	AC Output Harness	D
505L	4460779	1	Receptacle, Female	
505M	Not Available	1	Plug, Male - 4 Position (Conxall T9015)	
505N	4923391	1	Data Interface Harness	D
505P	Not Available	1	Plug, Male - 8 Position (Conxall 6280-8SG-318)	
505R	4460899	1	Receptacle, Female - 6 Position	
	4460464	4	Pin, Male	
	4460466	2	Plug, Seal	
	3990010	1	Diode 6A/600V	
505S	4360336	1	Switch, Toggle	
505T	4460424	2	Receptacle, Female - 2 Position	
	4460267	2	Pin, Male	
505U	4923392	1	Cable, Battery + to Inverter +	A
505V	4923393	1	Cable, Battery - to Inverter -	A

SECTION 7 ELECTRICAL

FIGURE 7-3. 2030ES/2630ES ELECTRICAL COMPONENTS INSTALLATION

ITEM #	PART NUMBER	QTY.	DESCRIPTION	REV.
506	1001093556	1	MDI Harness (USA Built Machines S/N 0200168420 to S/N 0200198014 Only & Belgium Built Machines S/N 1200014906 to Present Only)	B
506A	4460321	1	Plug, Male	
	4460226	4	Socket, Female	
506B	4460868	1	Plug, Male - 6 Position	
	4460877	4	Terminal	
	1001094105	1	Boot	
		Ref.	TOOLS FOR SERVICE	
601	7002821	1	Crimper, Wire (Not Shown)	
602	7002823	1	Extractor, Pin - Universal (Not Shown)	
603	4460467	A/R	Extractor, Pin #16 Gauge (Not Shown)	
604	4460510	A/R	Extractor, Pin #12 Gauge (Not Shown)	
605	7002828	1	Stripper, Wire (Not Shown)	
606	2901443	1	Analyzer Kit (Not Shown)	
606A	1600244	1	Analyzer	
606B	1060633	1	Cable, Analyzer	
606C	4460321	2	Plug, Male - 4 Position	
	4460226	8	Socket, Female	
607	1001137005	1	Software Cables Kit (Not Shown)	

SECTION 7 ELECTRICAL



*NOTE: THIS CONNECTION USED ONLY WHEN FOOTSWITCH OR BATTERY CHARGER INTERLOCK OPTIONS ARE REQUIRED.

SECTION 7 ELECTRICAL

FIGURE 7-4. 2646ES/3246ES ELECTRICAL COMPONENTS INSTALLATION

ITEM #	PART NUMBER	QTY.	DESCRIPTION	REV.
		Ref.	CONSOLE BOX COMPONENTS	
1	4922870	1	Platform Box Harness	B
2	4461016	1	Connector - 14 Position	
	4460464	6	Pin, Male	
	4460466	8	Plug, Sealing	
	4460496	1	Lockwasher	
	4460497	1	Nut, Panel	
3	4460265	1	Plug, Male - 9 Position	
	4460267	8	Pin, Male	
4	2540042	2	Grommet 90°	
5	Not Available	1	Receptacle, Female - 3 Position	
6	4461057	1	Plug, Male - 16 Position	
		Ref.	PLATFORM CABLES INSTALLATION	
	0274975	Ref.	2646ES/3246ES (ANSI, ANSI Export, Japanese & UL Specs)	J
	0275544	Ref.	2646ES/3246ES (Australian & CE Specs)	I
101		1	Platform to Ground Harness Options:	
	1001094157		ANSI, ANSI Export, Japanese & UL Specs:	C
	1001094335		Australian & CE Specs:	B
101A	4460930	1	Plug, Male - 8 Position	
	4460465	4	Socket, Female	
	4460944	3	Socket, Female (Gold)	
	4460466	1	Plug, Sealing	
	0840061	1	Boot 8 Position Plug	
	2820026	A/R	Insulation, Clear Tubing	
	2820028	A/R	Heat Shrink	
101B	4460930	1	Plug, Male - 8 Position	
	4460465	4	Socket, Female	
	4460944	3	Socket, Female (Gold)	
	4460466	1	Plug, Sealing	
	0840061	1	Boot 8 Position Plug	
	2820026	A/R	Insulation, Clear Tubing	
	2820028	A/R	Heat Shrink	
102	1380158	A/R	Retainer	
103	1320318	A/R	Clamp, Hose (Not Shown)	
104	0100048	A/R	Grease, Dielectric	
105	4740545	A/R	Washer, Special Cable	

SECTION 7 ELECTRICAL

FIGURE 7-4. 2646ES/3246ES ELECTRICAL COMPONENTS INSTALLATION

ITEM #	PART NUMBER	QTY.	DESCRIPTION	REV.
106	Use 1001109219	1	Chassis Harness Options: USA Built Machines S/N 0200152825 to S/N 0200195918 & Belgium Built Machines S/N 1200008481 to S/N 1200022847 (was p/n 4923450)	E
	1001109125		USA Built Machines S/N 0200195918 to Present & Belgium Built Machines S/N 1200022847 to Present	B
	4933351	Ref.	Wiring Diagram - Chassis Options: USA Built Machines S/N 0200152825 to S/N 0200195918 & Belgium Built Machines S/N 1200008481 to S/N 1200022847	C
	1001109123	Ref.	USA Built Machines S/N 0200195918 to Present & Belgium Built Machines S/N 1200022847 to Present	A
	3990013	2	Diode 1 Amp/400V (Not Shown)	
106A	Use 1001109345	2	Switch, Limit Options: USA Built Machines S/N 0200152825 to S/N 0200195918 & Belgium Built Machines S/N 1200008481 to S/N 1200022847 (was p/n 4360633)	
	1001109088		USA Built Machines S/N 0200195918 to Present & Belgium Built Machines S/N 1200022847 to Present	
	4460884	2	Plug, Male 4 Position (Use with p/n 1001109088 Switch)	
106B	4460465	4	Socket, Female (Use with p/n 1001109088 Switch)	
	4460320	1	Plug, Male - 2 Position (Note: Connection to this plug used only when footswitch or battery interlock options are required)	
106C	4460226	2	Socket, Female	
	4460321	1	Plug, Male - 4 Position	
106D	4460227	4	Pin, Male	
	4460539	1	Plug, Male - 3 Position	
106E	4460465	3	Socket, Female	
	4460539	1	Plug, Male - 3 Position	
106F	4460465	2	Socket, Female	
	4460648	1	Connector, Anderson	
106G	4460761	1	Receptacle, Female - 4 Position	
	4460227	4	Pin, Male	
106H	4460814	1	Plug, Male - 40 Position	
	4460465	31	Socket, Female	
	4460944	6	Socket, Female (Gold)	
106J	0840057	1	Boot	
	4460870	1	Plug, Male - 12 Position	
106K	4460877	4	Pin, Male	
	4460894	1	Plug, Male - 6 Position	
	4460465	4	Socket, Female	
106L	0840059	1	Boot	
	4460897	3	Receptacle, Female - 2 Position	
106M	4460464	6	Pin, Male	
	4460897	1	Receptacle, Female - 2 Position	
106N	4460465	2	Socket, Female	
	4460931	1	Receptacle, Female -8 Position	
	4460464	4	Pin, Male	
	4460943	3	Pin, Male (Gold)	
	0840058	1	Boot	

SECTION 7 ELECTRICAL

FIGURE 7-4. 2646ES/3246ES ELECTRICAL COMPONENTS INSTALLATION

ITEM #	PART NUMBER	QTY.	DESCRIPTION	REV.
106P	4460899	1	Connector, Female - 6 Position	
	4460464	6	Pin, Male	
106R	4460931	1	Receptacle, Female -8 Position	
	4460464	4	Pin, Male	
106T	4460930	1	Plug, Male - 8 Position	
	4460466	1	Seal, Plug	
107	4923350	1	Lift Cylinder Harness	D
107A	4460891	4	Plug, Male - 2 Position	
	4460465	8	Socket, Female	
107B	4460894	1	Plug, Male - 6 Position	
	4460465	6	Socket, Female	
	0840059	1	Boot	
108		1	Power to Pump Motor Harness Options:	
	4923271		USA Built Machines S/N 0200152825 to S/N 0200164050 & Belgium Built Machines S/N 1200008481 to S/N 1200012626	C
	4923647		USA Built Machines S/N 0200164050 to S/N 0200168420 & Belgium Built Machines S/N 1200012626 to S/N 1200014906	B
	1001093693		USA Built Machines S/N 0200168420 to Present & Belgium Built Machines S/N 1200014906 to Present	B
		Ref.	Note: 2646ES & 3246ES with S/Ns 0200165918, 0200165941, 0200165946, 0200165995, 0200166005, 0200166033, 0200166047 & 0200166065 also use p/n 1001093693.	
108A		1	Connector, Anderson Options:	
	Not Available		Red	
	Not Available		Gray	
108B	0840041	2	Boot, Terminal (Red)	
109		A/R	Screw Options:	
	0760610		Screw M6 x 20mm	
	0760614		Screw M6 x 30mm	
110	Not Required			
111			Battery Cable Kit Options (See Item 301- 309 for Breakdown)	
	2902507		USA Built Machines S/N 0200152825 to S/N 0200172053 & Belgium Built Machines S/N 1200008481 to S/N 1200014906	
	1001096798		USA Built Machines S/N 0200172053 to Present & Belgium Built Machines S/N 1200014906 to Present	
112	3290607	4	Nut M6	
113	4811700	2	Flatwasher M6	
114	1321716	2	Clamp	
115	3290605	A/R	Locknut M6	
116	4031713	A/R	Capscrew, Socket Head M6 x 45mm	
117	4811700	A/R	Flatwasher M6	
118		1	Platform to Control Box Coiled Cable Harness Options:	
	Use 1001104468		USA Built Machines S/N 0200152825 to S/N 0200168420 & Belgium Built Machines S/N 1200008481 to S/N 1200014906 (Repair Kit p/n 1001104468 Includes Items 101B & 121-125)	A
	1001096707		USA Built Machines S/N 0200168420 to Present & Belgium Built Machines S/N 1200014906 to Present (Includes Items 121 & 122)	A
119 to 120	Not Used			A

SECTION 7 ELECTRICAL

FIGURE 7-4. 2646ES/3246ES ELECTRICAL COMPONENTS INSTALLATION

ITEM #	PART NUMBER	QTY.	DESCRIPTION	REV.
121	4460931	1	Receptacle, Female - 8 Position	
	4460464	4	Pin, Male	
	4460943	3	Pin, Male (Gold)	
	4460466	1	Plug, Sealing	
	0840058	1	Boot, 8 Position Receptacle	
	2820026	A/R	Insulation, Clear Tubing	
	2820028	A/R	Heat Shrink	
	122	4460754	1	
4460465		4	Socket, Female	
4460944		3	Socket, Female	
4460466		4	Plug, Sealing	
3730119		1	Resistor	
4460493		1	Cap, Dust	
2820026		A/R	Insulation, Clear Tubing	
123	1001094175	A/R	Clamp, Post	
	4010617	A/R	Screw M6 x 45mm	
	3290606	A/R	Nut, Acorn M6	
124	1001094180	4	Clamp, Rail	
	0760606	4	Screw M6 x 12mm	
	3290606	4	Nut, Acorn M6	
125	1001104465	A/R	Hook, Corner	
	4010617	A/R	Screw M6 x 45mm	
	3290606	A/R	Nut, Acorn M6	
		Ref.	GROUND CONTROL BOX COMPONENTS	
201	4922865	1	Control Box Harness	E
201A	4460265	1	Plug, Male - 9 Position	
	4460268	9	Socket, Female	
201B	4460761	2	Receptacle, Female - 4 Position	
	4460267	8	Pin, Male	
201C	Not Available	1	Grommet (Molded in Part of Harness)	
201D	Use 4460418	1	Receptacle, Female - 3 Position	
	Use 4460419	3	Terminal	
		Ref.	BATTERY CABLE KITS	
	2902507	Ref.	USA Built Machines S/N 0200152825 to S/N 0200172053 & Belgium Built Machines S/N 1200008481 to S/N 1200014906	E
	1001096798	Ref.	USA Built Machines S/N 0200172053 to Present & Belgium Built Machines S/N 1200014906 to Present	C
301	0840060	8	Boot, Terminal (Gray) (Covers only the Battery Terminal Base)	E
302	1060998	2	Cable, Battery (Battery Positive to Battery Negative)	
302A	Not Available	2	Boot, Terminal (Black) (1 Per Cable Assembly)	E
302B	Not Available	2	Boot, Terminal (Red) (1 Per Cable Assembly)	
303	1061001	1	Cable, Battery (Contactor to Drive Module B+)	E
303A	Not Available	1	Boot, Terminal (Black)	
303B	Not Available	1	Boot, Terminal (Red)	

SECTION 7 ELECTRICAL

FIGURE 7-4. 2646ES/3246ES ELECTRICAL COMPONENTS INSTALLATION

ITEM #	PART NUMBER	QTY.	DESCRIPTION	REV.
304	4923401	1	Cable, Battery (LH Battery to Disconnect)	C
304A	4460618	1	Connector, Anderson	
	Use 2560205	1	Handle, Connector	
304B	Not Available	1	Boot, Terminal (Red)	
305	4923402	1	Cable, Battery (RH Batteries to Disconnect)	B
305A	4460618	1	Connector, Anderson	
305B	Not Available	1	Boot, Terminal (Black)	
306	4923406	1	Cable, Battery (RH Battery to Contactor)	B
306A	Not Available	1	Boot, Terminal (Black)	
306B	Not Available	1	Boot, Terminal (Red)	
307	4923409	1	Cable, Battery (LH Battery to Connector B-)	B
307A	Not Available	1	Boot, Terminal (Black)	
308		2	Cable, Battery (Power to Pump Motor)	
	4923410		USA Built Machines S/N 0200152825 to S/N 0200172053 & Belgium Built Machines S/N 1200008481 to S/N 1200014906	D
	1001096796		USA Built Machines S/N 0200172053 to Present & Belgium Built Machines S/N 1200014906 to Present	B
308A		1	Connector, Anderson Options:	
	Not Available		Red	
	Not Available		Gray	
308B	0840041	1	Boot, Terminal (Red)	
309	Not Required	1	Cable, Battery (LH Battery to Contactor)	
309A	Not Required	2	Boot, Terminal (Red)	
		Ref.	STANDARD HARNESSES	
401		2	Drive Motor/Brake Harness Options:	
	Use 1001099676		USA Built Machines S/N 0200152825 to S/N 0200170585 & Belgium Built Machines S/N 1200008481 to S/N 1200015159 (was p/n 7024770 & 7024775)	
	Use 1001134012		USA Built Machines S/N 0200170585 to Present & Belgium Built Machines S/N 1200015159 to Present (was p/n 1001091843)	E
401A	4460891	2	Plug, Male - 2 Position (1 Per Harness)	
	4460465	4	Socket, Female (2 Per Harness)	
401B	70001442	2	Plug, Male - 2 Position (1 Per Harness) (To Brake)	
	Not Available	4	Socket, Female (2 Per Harness) (To Brake)	
401C	70001443	2	Plug, Male - 2 Position (1 Per Harness) (To Motor)	
	70001444	4	Socket, Female (2 Per Harness) (To Motor)	
401D		A/R	Connector Options:	
	Not Available	1	USA Built Machines S/N 0200152825 to S/N 0200156117 Use Butt Connector (Purchase Locally) Note: P/N 7024770 Harness is equipped with a connector at this location. When replacing, clip connector and butt splice to Drive Harness from opposite side.	
	4461261	1	USA Built Machines S/N 0200156117 to Present & All Belgium Built Machines Use Plug, Male - 1 Position	
	4460509	1	USA Built Machines S/N 0200156117 to Present & All Belgium Built Machines Use Terminal	

SECTION 7 ELECTRICAL

FIGURE 7-4. 2646ES/3246ES ELECTRICAL COMPONENTS INSTALLATION

ITEM #	PART NUMBER	QTY.	DESCRIPTION	REV.
402	Not Available	2	Harness, Brake (Internal Connections - Purchase Complete Brake)	
	Not Available	2	Receptacle, Female - 2 Position (1 Per Harness)	
	Not Available	4	Pin, Male (2 Per Harness)	
403	Not Available	2	Harness, Motor (Internal Connections - Purchase Complete Motor)	
	Not Available	2	Receptacle, Female - 2 Position (1 Per Harness)	
	Not Available	4	Pin, Male (2 Per Harness)	
404	4923602	2	Harness, Field Wire Connection	B
404A	4461260	2	Receptacle, Female - 1 Position	
	4460508	2	Terminal	
405	3740150	1	Contactory Relay Harness (Includes Relay)	
405A	4460891	1	Plug, Male - 2 Position	
	4460465	2	Socket, Female	
406		Ref.	Battery Charger Components	
406A	Not Available		DC Harness/Cord Set	
406B	4460648	1	Plug, Anderson	
406C	4460899	1	Connector, Female - 6 Position	
	4460464	6	Pin, Male	
406D	Not Available	1	Harness with Connector (Note: Connection to this plug used only when battery interlock options are required)	
406E	4460424	1	Connector, Female - 2 Position (Note: Connection to this plug used only when battery interlock options are required)	
	4460227	2	Pin, Male	
406F	Not Available	1	AC Harness/Cord Set	
406G	Not Available	1	Connector, Female	
407		1	Cable, AC Power to Charger Options:	
	1060688		Cable with Factory Supplied Plug (Black)	
	1001103257		Cable with Factory Supplied Plug (Orange)	
	1060689		Cable with Locally Supplied Plug (Black)	
	1001103258		Cable with Locally Supplied Plug (Orange)	
408	1001092354	1	Rotary Angle Sensor and Harness (Separate Harness Not Available) (was p/n 4360526)	
408A	4460536	1	Receptacle, Female - 3 Position	
	4460464	3	Pin, Male	
409	4360539	1	Toggle Switch and Harness (No Separate Harness Available)	
409A	Not Available	1	Plug, Male - 3 Position	
410	Not Available	1	Joystick Harness	
410A	4460266	1	Receptacle, Female - 9 Position	
	4460226	8	Socket, Female	
411		1	Plug Options:	
	Not Available		ANSI Spec Plug (Use p/n 1001103257)	
	Not Available		Australian & Japanese Specs (Purchase Locally)	
			CE Spec Options:	
	0275666	Ref.	IEC Yellow Receptacle Installation	A
	4461196		Receptacle, IEC Yellow	
	0276667	Ref.	IEC Blue Receptacle Installation	A
	4661199		Receptacle, IEC Blue	
	0275665	Ref.	AFSINT 107 Keyed Ground Receptacle Installation	A
	4661249		Receptacle, AFSINT 107 Keyed Ground	

SECTION 7 ELECTRICAL

FIGURE 7-4. 2646ES/3246ES ELECTRICAL COMPONENTS INSTALLATION

ITEM #	PART NUMBER	QTY.	DESCRIPTION	REV.
411 cont'd	0275663	Ref.	CEE 7 Post Ground Receptacle Installation	A
	4661202		Receptacle, CEE 7 Post Ground	
	0275664	Ref.	CEE 7 Side Ground Receptacle Installation	A
	4661205		Receptacle, CEE 7 Side Ground	
		Ref.	OPTIONAL HARNESSES	
501	0140043	1	Alarm and Harness (Separate Harness Not Available)	
501A	4460536	1	Receptacle, Female - 3 Position	
	4460464	3	Pin, Male	
502	2920161	1	Beacon Light and Harness (Separate Harness Not Available)	
502A	4460891	1	Plug, Male - 2 Position (1 Per Harness)	
	4460465	2	Socket, Female (2 Per Harness)	
503		Ref.	Platform Electrical Outlet Components	
		Ref.	ANSI, ANSI Export, CSA, Japanese & UL Specs Options:	
	0272839	Ref.	110V with Receptacle & Plug	H
	0272843	Ref.	220V without Receptacle & Plug (Locally Supplied Components)	F
		Ref.	Australian Specs Options:	
	0272843	Ref.	220V without Receptacle & Plug (Locally Supplied Components)	F
		Ref.	CE Specs Options:	
	Use 0275487	Ref.	110V with IEC Yellow Receptacle & Plug & Circuit Breaker (was p/n 0275520)	C
	0272843	Ref.	220V without Receptacle & Plug (Locally Supplied Components) (All Models)	F
	Use 0275488	Ref.	220V with IEC Blue Receptacle & Plug & Circuit Breaker (was p/n 0275521)	C
	Use 0275486	Ref.	220V with AFSINT 107 Keyed Ground Receptacle & Plug & Circuit Breaker (was p/n 0275519)	C
	Use 0275472	Ref.	220V with CEE 7 Post Ground Receptacle & Plug & Circuit Breaker (2x4 Box) (was p/n 0275517)	C
	Use 0275489	Ref.	220V with CEE 7 Post Ground Receptacle & Plug & Circuit Breaker (70x70 Box) (was p/n 0275522)	D
	Use 0275485	Ref.	220V with CEE 7 Side Ground Receptacle & Plug & Circuit Breaker (2x4 Single Box) (was p/n 0275518)	C
	1001096628	Ref.	220V with CEE 7 Side Ground Receptacle & Plug & Circuit Breaker (2x4 Dual Boxes)	A
				Note: Qty shown is for single Receptacle Box. Double Qty listed for Dual Receptacle Boxes.
Use 0275490	Ref.	220V with CEE 7 Side Ground Receptacle & Plug & Circuit Breaker (70x70 Box) (was p/n 0275523)	D	
		1	Decal - AC Power (Not Shown)	
	1703464		110V	
	3252507		220V	
503A		A/R	Box, Switch Options:	
	0861731	1	0272839, 0275472, 0275485, 0275486 & 1001096628 Installations	
	Not Available	0	0272843 Installation (Purchase Locally)	
	4460315	1	0272839 Installation (Terminal, Spade) (Not Shown)	
	0861781	1	0275487 & 0275488 Installations	

SECTION 7 ELECTRICAL

FIGURE 7-4. 2646ES/3246ES ELECTRICAL COMPONENTS INSTALLATION

ITEM #	PART NUMBER	QTY.	DESCRIPTION	REV.
503A cont'd	See Note	1	0275774/0275775 Installations (Note: Was p/n 0861782 which is no longer available. Use p/n 1001100344 CEE 7 Side Ground Service Kit or p/n 1001100343 CEE 7 Post Ground Service Kit. Kits includes Box p/n 1001141967 & items 503B, 503D & 503E.)	
503B	1001141967	1	1001100343, 1001100344, 1001141970 & 1001141971 Service Kits	
		A/R	Cover Options:	
	1671207	1	0272839 Installation	
	Not Available	0	0272843 Installation (Purchase Locally)	
	4461244	1	0275472 Installation (Includes Receptacle)	
	4461245	1	0275485 & 1001096628 Installations (Includes Receptacle)	
	4461246	1	0275486 Installation (Includes Receptacle)	
	4461198	1	0275487 Installation (Includes Receptacle)	
	4461201	1	0275488 Installation (Includes Receptacle)	
	Use 1001100343	1	0275489 Installation (Includes Receptacle) (was p/n 4461204 & 1001141971)	
503C	Use 1001100344	1	0275490 Installation (Includes Receptacle) (was p/n 4461207 & 1001141970)	
	1001141968	1	1001100343 & 1001141971 Service Kit	
	1001141969	1	1001100344 & 1001141970 Service Kit	
		A/R	Connector, Strain Relief Options:	
	4460662	1	0272839, 0275472, 0275485, 0275486 & 1001096628 Installations	
	Not Available	0	0272843 Installation (Purchase Locally)	
	4461257	1	0275487, 0275488, 0275489 & 0275490 Installations (90°)	
	4461258	1	0275487, 0275488, 0275489 & 0275490 Installations (Adapter)	
	4460633	1	0275520 & 0275521 Installations	
	4460428	1	0275522 & 0275523 Installations	
503D		A/R	Receptacle, Electrical Options:	
	4460346	1	0272839 Installation	
	Not Available	0	0272843 Installation (Purchase Locally)	
	4461244	1	0275472 Installation (Includes Cover)	
	4461245	1	0275485 & 1001096628 Installations (Includes Receptacle)	
	4461246	1	0275486 Installation (Includes Cover)	
	4461198	1	0275487 Installation (includes Cover)	
	4461201	1	0275488 Installation (Includes Cover)	
	Use 1001100343	1	0275489 Installation (Includes Receptacle) (was p/n 4461204 & 1001141971)	
	Use 1001100344	1	0275490 Installation (Includes Receptacle) (was p/n 4461207 & 1001141970)	
	1	1001141971 Service Kit		
	1	1001141970 Service Kit		

SECTION 7 ELECTRICAL

FIGURE 7-4. 2646ES/3246ES ELECTRICAL COMPONENTS INSTALLATION

ITEM #	PART NUMBER	QTY.	DESCRIPTION	REV.
503E		A/R	Plug End Options:	
	4460138	1	0272839 Installation (Male)	
	Not Available	0	0272843 Installation (Purchase Locally)	
	4461202	1	0275472/0275489 Installations & 1001100343/ 1001141971 Service Kits (Male)	
	4461203	1	0275472/0275489 Installations & 1001100343/ 1001141971 (Female)	
	4461205	1	0275485 & 1001096628 Installations & 1001100344/ 1001141970 (Male)	
	4461206	1	0275485 & 1001096628 Installations & 1001100344/ 1001141970 (Female)	
	4461249	1	0275486 Installation (Male)	
	4461250	1	0275486 Installation (Female)	
	4461196	1	0275487 Installation (Male)	
	4461197	1	0275487 Installation (Female)	
	4461199	1	0275488 Installation (Male)	
	4461200	1	0275488 Installation (Female)	
	4461202	1	0275489 Installation (Male)	
	4461203	1	0275489 Installation (Female)	
	4461205	1	0275490 Installation (Male)	
	4461206	1	0275490 Installation (Female)	
503F		A/R	Hardware Options:	
	4010405		Screw M4 x 10mm	
	4010408		Screw M4 x 16mm	
	4010612		Screw M6 x 16mm	
	4191706		Screw M6 x 12mm	
	4191708		Screw M6 x 20mm	
	0760619		Screw M6 x 55mm	
	3290405		Locknut M4	
	3290605		Locknut M6	
	3290607		Locknut M6	
	4811400		Flatwasher M4	
	1001091102		Flatwasher M4 Oversize	
4811700		Flatwasher M6		
503G		A/R	Bracket, Receptacle Box Mounting Options:	
	Not Required	0	0272839, 0272843, 0275472, 0275485, 0275486 & 1001096628 Installations	
	0903569	1	0275487, 0275488, 0275489 & 0275490 Installations	
	0903484	1	1001096628 Installation (2nd Receptacle Box Only)	
503H	0903566	1	Bracket, Circuit Breaker Mounting (Required Only on CE Spec Installations Except 0272843 Installation)	
	1001096627	1	Bracket, Circuit Breaker Mounting (Required Only on CE Spec 1001096628 Installation)	

SECTION 7 ELECTRICAL

FIGURE 7-4. 2646ES/3246ES ELECTRICAL COMPONENTS INSTALLATION

ITEM #	PART NUMBER	QTY.	DESCRIPTION	REV.
503J	Use 2902541	A/R	Circuit Breaker Box Assembly (Required Only on CE Spec Installations Except 0272843 Installation):	E
		Ref.	Note: Original box assembly used one single large breaker which is no longer available. For USA Built Machines S/N 0200152825 to S/N 0200163756 & Belgium Built Machines S/N 1200008481 to S/N 1200011329 Purchase p/n 2902541 as replacement. For USA Built Machines S/N 0200163756 to S/N 0200191894 & Belgium Built Machines S/N 1200011329 to S/N 1200021491, the one large single may be replaced with 2 breakers. Purchase qty 1 each of p/ns 1001109475 & 1001109482.	
		1	Circuit Breaker Options:	
	Use 2902541 See Note		Circuit Breaker - USA Built Machines S/N 0200152825 to S/N 0200163756 & Belgium Built Machines S/N 1200008481 to S/N 1200011329 (was p/n 240015)	
	See Note		Circuit Breaker - USA Built Machines S/N 0200163756 to S/N 0200191894 & Belgium Built Machines S/N 1200011329 to S/N 1200021491 (was p/n 2400093)	
	1001109475		Circuit Breaker - 16A USA Built Machines S/N 0200191894 to Present & Belgium Built Machines S/N 1200021491 to Present	
	1001109482		Circuit Breaker - 30mA USA Built Machines S/N 0200191894 to Present & Belgium Built Machines S/N 1200021491 to Present	
		1	Terminal Block Options:	
	250135		USA Built Machines S/N 0200152825 to S/N 0200163756 & Belgium Built Machines S/N 1200008481 to S/N 1200011329	
	4460957		USA Built Machines S/N 0200163756 to Present & Belgium Built Machines S/N 1200011329 to Present	
	1	Barrier, Terminal Block Options:		
Not Required		USA Built Machines S/N 0200152825 to S/N 0200163756 & Belgium Built Machines S/N 1200008481 to S/N 1200011329		
	4460956		USA Built Machines S/N 0200163756 to Present & Belgium Built Machines S/N 1200011329 to Present	
503K		1	Connector, Strain Relief (Required Only on CE Spec Installations Except 0272843 Installation)	
	4460633		USA Built Machines S/N 0200152825 to S/N 0200173859 & Belgium Built Machines S/N 1200008481 to S/N 1200015447	
	1001097150		USA Built Machines S/N 0200173859 to Present & Belgium Built Machines S/N 1200015447 to Present	
503L	1060908	55in/1.4m	Cable, Extension (Required Only on CE Spec Installations Except 0272843 Installation)	
503M	1060908	55in/1.4m	Cable, Electrical (Required Only on CE Spec 1001096628 Installation) (Not Shown - Connects 2 Receptacle Boxes)	
	2902431	1	Receptacle Box Kit (110V GFI) (Includes Item 503A-503D) (0272839 Installation)	C
	0275216	1	Receptacle, Box & Plug Kit (110V IEC Yellow) (Includes Items 503A, 503B, 503C & Male 503E Plug End) (0275487 Installation)	1

SECTION 7 ELECTRICAL

FIGURE 7-4. 2646ES/3246ES ELECTRICAL COMPONENTS INSTALLATION

ITEM #	PART NUMBER	QTY.	DESCRIPTION	REV.
	0275217	1	Receptacle, Box & Plug Kit (220V IEC Blue) (Includes Items 503A, 503B, 503D & Male 503E Plug End) (0275488 Installation)	1
	0275452	1	Receptacle Box Kit (220V CEE 7 Post Ground with 2x4 Box) (Includes Items 503A, 503B, 503D & Male 503E Plug End) (0275472 Installation)	1
	Use 1001100343	1	Receptacle, Box & Plug Kit (220V CEE 7 Post Ground with 70x70 Box) (Includes Items 503A, 503B, 503D & 503E) (0275489 Installation) (was p/n 0275218 & 1001141971)	B/A
	0275453	1	Receptacle Box Kit (220V CEE 7 Side Ground with 2x4 Box) (Includes Item 503A, 503B, 503D & Male 503E Plug End) (0275485 & 1001096628 Installation)	1
	Use 1001100344	1	Receptacle, Box & Plug Kit (220V CEE 7 Side Ground with 70x70 Box) (Includes Items 503A, 503B, 503D & Male 503E Plug End) (0275490 Installation) (was p/n 0275219 & 1001141970)	B/A
	0275454	1	Receptacle, Box & Plug Kit (220V AFSINT 107 Keyed Ground) (Includes Items 503A, 503B, 503D & Male 503E Plug End) (0275486 Installation)	1
504		1	Brake Disconnect /Release Switch Components	
504A	4922944	1	Brake Disconnect Harness & Switch	E
	1060680	15ft/2.7m	Cable, Electrical 18/2	
	4240003	1	Strap, Cinch (Not Shown)	
504B	4360613	1	Switch, Limit	
504C	4360387	1	Brake Release Switch	
505		Ref.	Battery Charger/Inverter Components (ANSI & CSA Option Only):	
505A	Not Available	1	AC Output Harness (Internal Part of Inverter)	
505B	Not Available	1	Receptacle, Female - 4 Position (Conxall T9014)	
505C	Not Available	1	AC Input Harness (Internal Part of Inverter)	
505D	Not Available	1	Receptacle, Female - 4 Position (Conxall T9016)	
505E	Not Available	1	Remote Control Harness (Internal Part of Inverter)	
505F	Not Available	1	Plug, Male - 8 Position (Conxall 7281-8PG-300)	
505G	Use 1001091479	1	AC Input Harness (was p/n 4923389)	A/D
505H	4460138	1	Plug, Male	
505J	Not Available	1	Plug, Male - 4 Position (Conxall T9017)	
505K	4923390	1	AC Output Harness	D
505L	4460779	1	Receptacle, Female	
505M	Not Available	1	Plug, Male - 4 Position (Conxall T9015)	
505N	4923391	1	Data Interface Harness	D
505P	Not Available	1	Plug, Male - 8 Position (Conxall 6280-8SG-318)	
505R	4460899	1	Receptacle, Female - 6 Position	
	4460464	4	Pin, Male	
	4460466	2	Plug, Seal	
	3990010	1	Diode 6A/600V	
505S	4360336	1	Switch, Toggle	
505T	4460424	2	Receptacle, Female - 2 Position	
	4460267	2	Pin, Male	
505U	4923392	1	Cable, Battery + to Inverter +	A
505V	4923393	1	Cable, Battery - to Inverter -	A

SECTION 7 ELECTRICAL

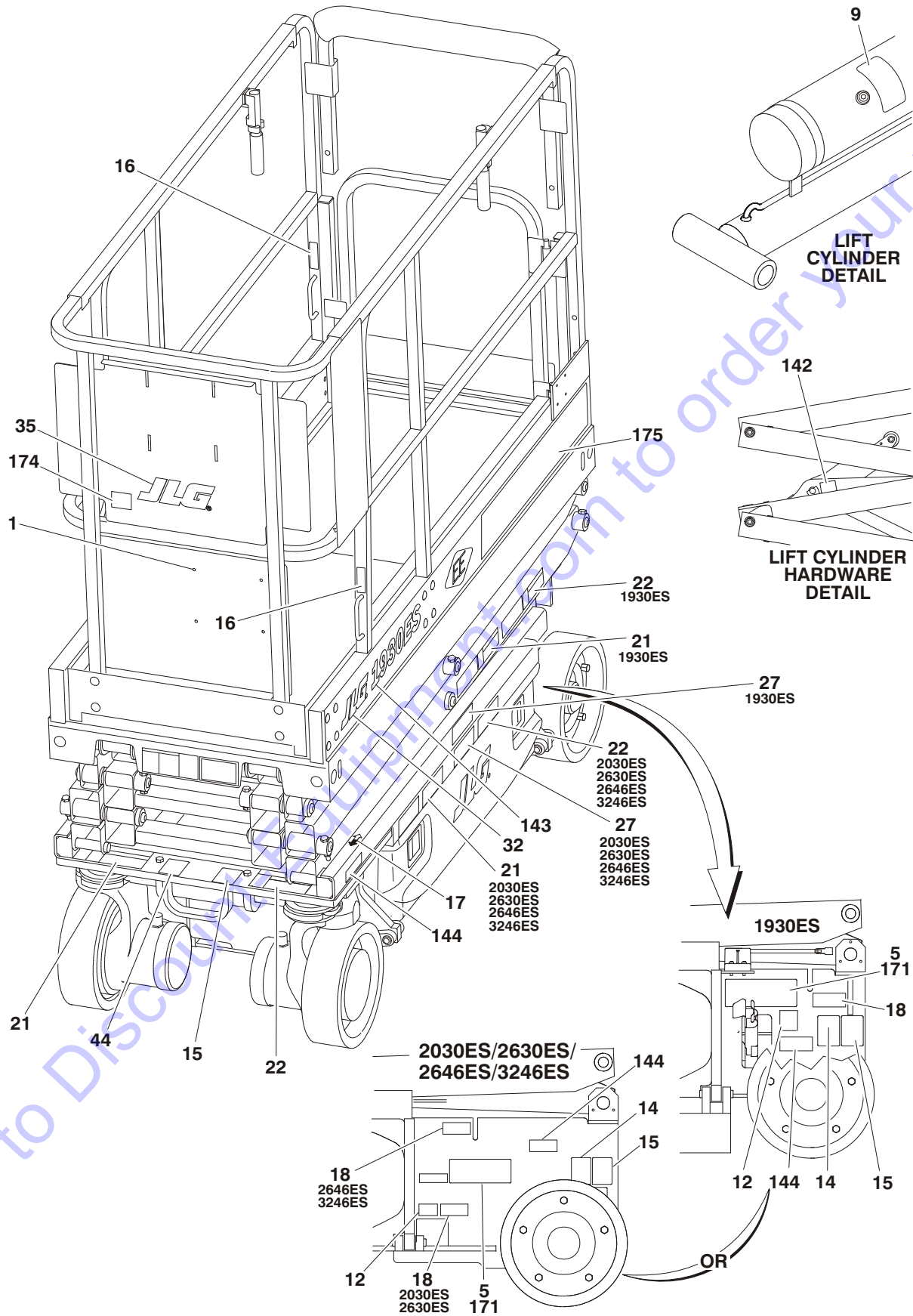
FIGURE 7-4. 2646ES/3246ES ELECTRICAL COMPONENTS INSTALLATION

ITEM #	PART NUMBER	QTY.	DESCRIPTION	REV.
506	1001093556	1	MDI Harness (USA Built Machines S/N 0200168420 to Present Only & Belgium Built Machines S/N 1200014906 to Present Only)	B
506A	4460321	1	Plug, Male	
	4460226	4	Socket, Female	
506B	4460868	1	Plug, Male - 6 Position	
	4460877	4	Terminal	
	1001094105	1	Boot	
		Ref.	TOOLS FOR SERVICE	
601	7002821	1	Crimper, Wire (Not Shown)	
602	7002823	1	Extractor, Pin - Universal (Not Shown)	
603	4460467	A/R	Extractor, Pin #16 Gauge (Not Shown)	
604	4460510	A/R	Extractor, Pin #12 Gauge (Not Shown)	
605	7002828	1	Stripper, Wire (Not Shown)	
606	2901443	1	Analyzer Kit (Not Shown)	
606A	1600244	1	Analyzer	
606B	1060633	1	Cable, Analyzer	
606C	4460321	2	Plug, Male - 4 Position	
	4460226	8	Socket, Female	
607	1001137005	1	Software Cables Kit (Not Shown)	

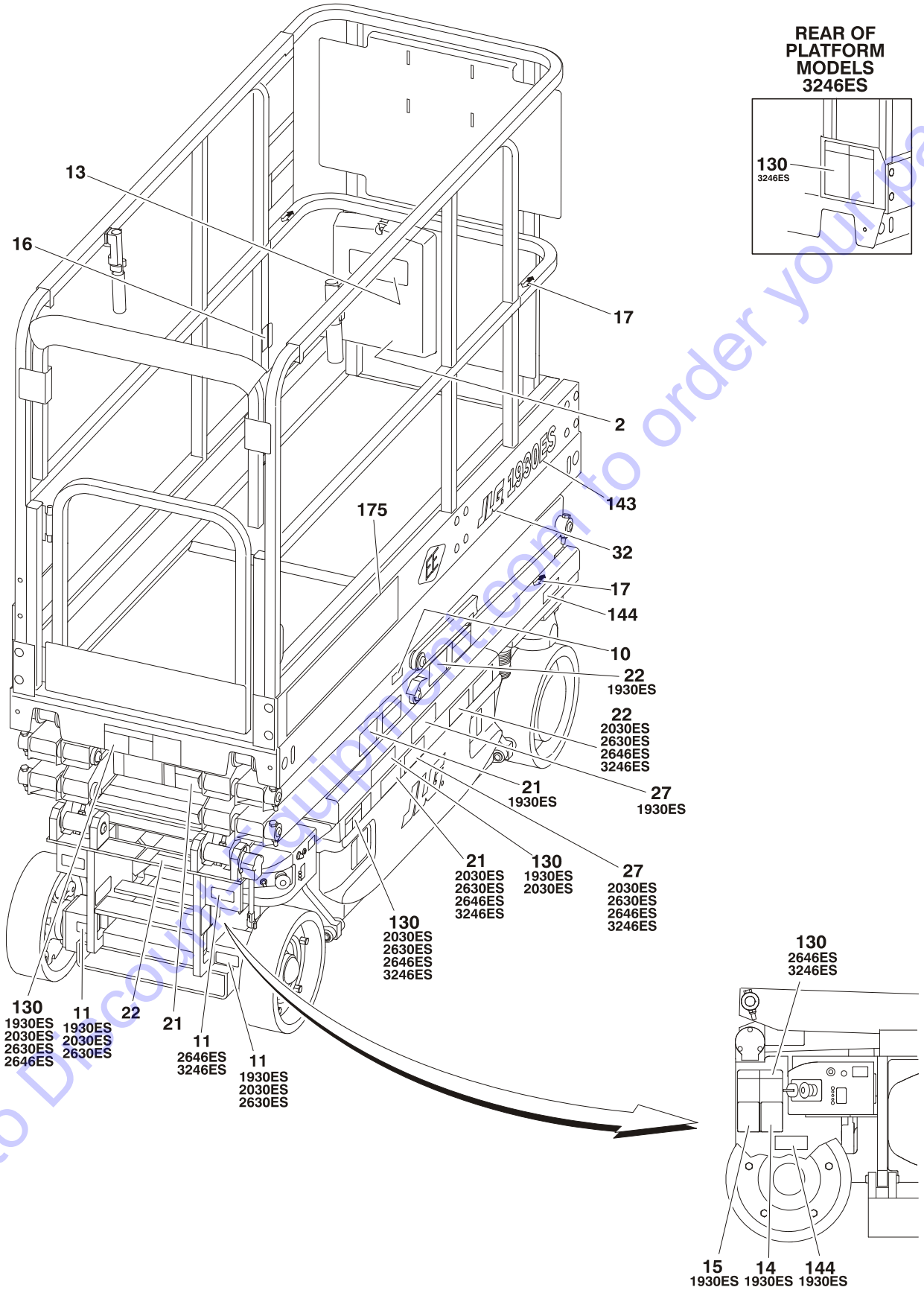
**SECTION 8
DECALS**

SECTION 8 DECALS

FIGURE 8-1. DECAL INSTALLATION (ANSI SPEC)



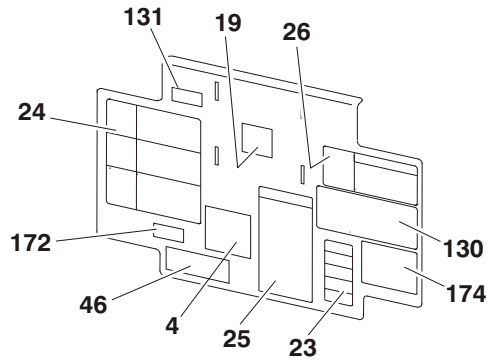
SECTION 8 DECALS



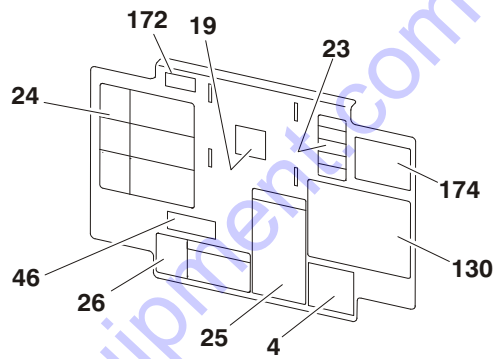
SECTION 8 DECALS

PLATFORM DECAL PANEL DETAILS

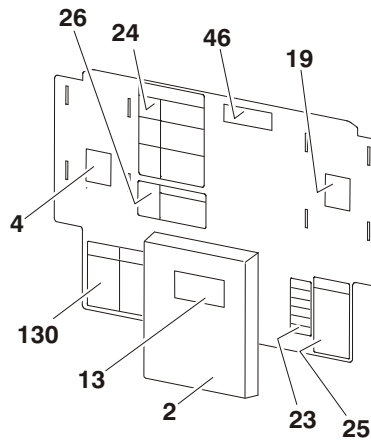
MODEL 1930ES



MODELS 2030ES & 2630ES



MODELS 2646ES & 3246ES



SECTION 8 DECALS

FIGURE 8-1. DECAL INSTALLATION (ANSI SPEC)

ITEM #	PART NUMBER	QTY.	DESCRIPTION	REV.
		Ref.	DECALS INSTALLATION	
	0275220	Ref.	1930ES/2030ES/2630ES/2646ES/3246ES	5
	0272870	Ref.	JLG Decals	2
1	2080040	4	Fastener	
2	0860520	1	Box, Manual Storage	
3	Not Used			
4	1700584	1	Decal - Patent	
5	2080057	4	Fastener	
6	Not Used	1		
7	Not Available	1	Decal - Bar Code (Not Shown - Located on Back of Platform Console Box) (USA Built Machines S/N 0200152825 to S/N 0200195328 Only & Belgium Built Machines S/N 1200008481 to S/N 1200022484 Only)	
8	Not Used	1		
9	1704412	1	Decal - Hydraulic Oil	
10	1705693	1	Decal - Safety Prop	
11	1704016	2	Decal - Forklift	
12	1702155	1	Decal - Battery Disconnect	
13	1701509	1	Decal - Manual Reference	
14	1703811	4	Decal - Lifting Lugs	
15	1703814	3	Decal - Tie Down	
16	1704277	3	Decal - Attach Lanyard Here	
17	1703819	4	Decal - Directional Arrow	
18	1703822	1	Decal - Manual Descent	
19	1705692	1	Decal - Control Box Location	
20	Not Used			
21	1705694	4	Decal - Crushing Hazard	
22	1705695	4	Decal - Danger Electrocutation	
23	1705686	1	Decal - Legend	
24	1705680	1	Decal - Danger/Warning	
25	1705679	1	Decal - Inspection	
26	1705681	1	Decal - Electrocutation	
27	1703813	2	Decal - Warning Battery Vent	
28 to 31	Not Used			
32	1705781	2	Decal - JLG	
33 to 34	Not Used			
35	1702773	1	Decal - JLG	
36 to 38	Not Used			
39		1	Decal - AC Power Options:	
	1703464		120-60Hz	
	3252507		220V-50/60Hz	
40 to 43	Not Used			
44	1701499	1	Decal - No Lift	
45	Not Used			
46	1001094359	1	Decal - Troubleshooting (USA Built Machines S/N 0200168420 to S/N 0200198014 Only & Belgium Built Machines S/N 1200014906 to Present Only)	

SECTION 8 DECALS

FIGURE 8-1. DECAL INSTALLATION (ANSI SPEC) (CONTINUED)

ITEM #	PART NUMBER	QTY.	DESCRIPTION	REV.
	2902267	1	Decal Kit 1 (Includes Items 9-19 & 44)	8
	2902522	1	Decal Kit 2 (Includes Items 21-27 & 39)	2
101 to 129	0010588	Ref.	DECAL OPTIONS	83
130	Not Used	A/R	Decal - Capacity Options: 1930ES:	
	1705638	2	500lbs/227kg (Platform Box & Platform Entry Locations)	
	1705699	1	500lbs/227kg (Ground Control Box Location)	
	1705639	3	2030ES: 800lbs/363kg (All Locations)	
			2630ES:	
	1705941	1	Platform Console Box Decal - 500lb/227kg & 800lb/360kg	
	1705880	1	Platform Entry Decal - 500lb/227kg & 800lb/360kg	
	1705941	1	Ground Control Box - 500lb/227kg & 800lb/360kg	
	1705640	3	2646ES: 1000lbs/454kg	
	1705641	3	3246ES: 700lbs/317kg	
131		1	Decal - No Pipe Racks/Panel Carriers Options:	
	Not Required		1930ES USA Built Machines S/N 0200152825 to S/N 0200166715 & Belgium Built Machines S/N 1200008481 to S/N 1200012995	
	1001092071		1930ES USA Built Machines S/N 0200166715 to S/N 0200198014 & Belgium Built Machines S/N 1200012995 to Present	
	Not Required		2030ES/2630ES/2646ES/3246ES	
132 to 141	Not Used			
142	1001116915	1	Decal - Hardware Retention (was p/n 1001116928)	
143		2	Decal - Model Designation Options:	
	1705642		1930ES USA Built Machines S/N 0200152825 to S/N 0200194464 & Belgium Built Machines S/N 1200008481 to S/N 1200022097	
	1001099919		1930ES USA Built Machines S/N 0200194464 to S/N 0200198014 & Belgium Built Machines S/N 1200022097 to Present	
	1705643		2030ES USA Built Machines S/N 0200152825 to S/N 0200194676 & Belgium Built Machines S/N 1200008481 to S/N 1200022097	
	1001099920		2030ES USA Built Machines S/N 0200194676 to S/N 0200198014 & Belgium Built Machines S/N 1200022097 to Present	
	1705644		2630ES USA Built Machines S/N 0200152825 to S/N 0200194676 & Belgium Built Machines S/N 1200008481 to S/N 1200022097	
	1001099921		2630ES USA Built Machines S/N 0200194676 to S/N 0200198014 & Belgium Built Machines S/N 1200022097 to Present	
	1705645		2646ES USA Built Machines S/N 0200152825 to S/N 0200194676 & Belgium Built Machines S/N 1200008481 to S/N 1200022097	
	1001099922		2646ES USA Built Machines S/N 0200194676 to S/N 0200198014 & Belgium Built Machines S/N 1200022097 to Present	

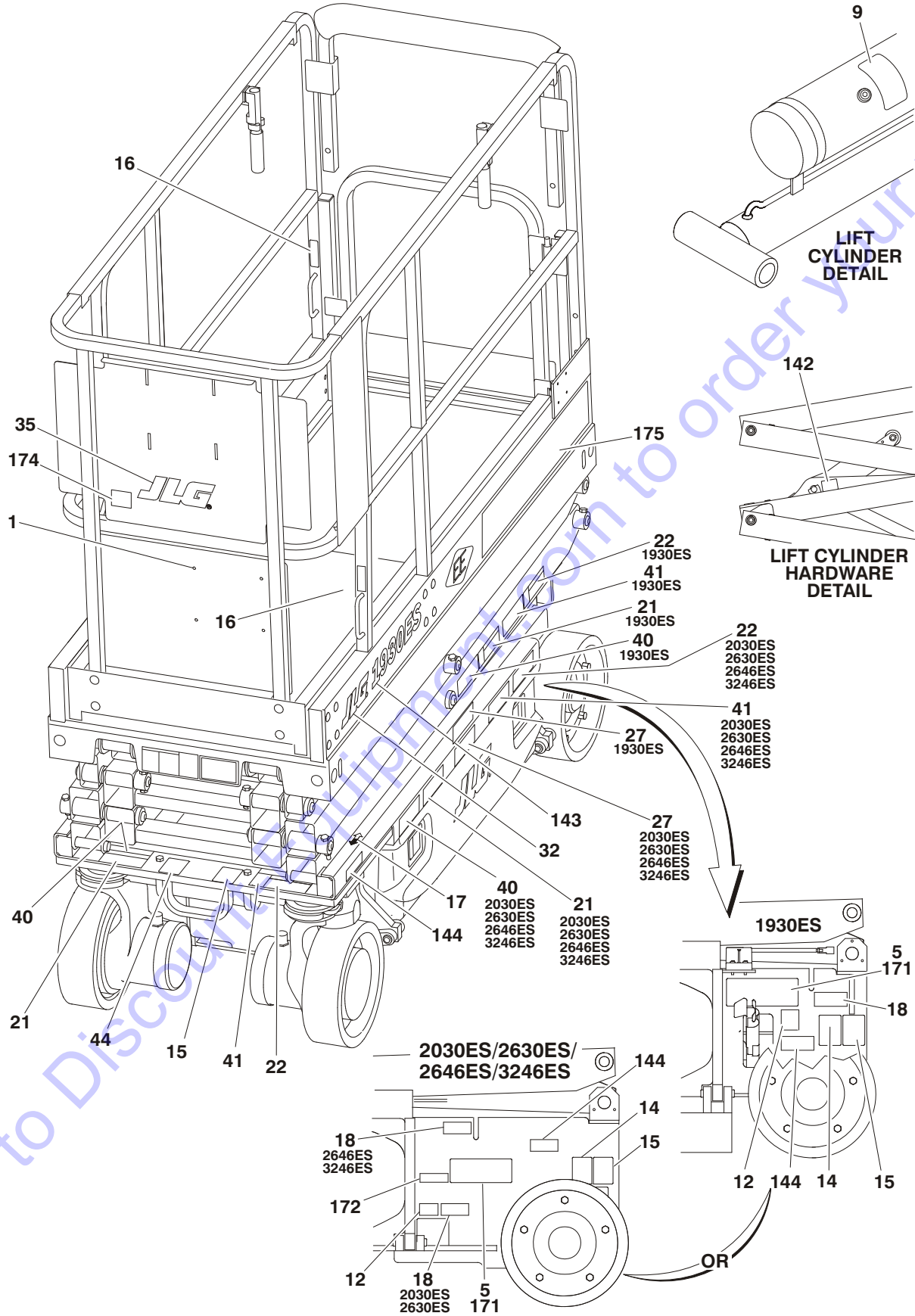
SECTION 8 DECALS

FIGURE 8-1. DECAL INSTALLATION (ANSI SPEC) (CONTINUED)

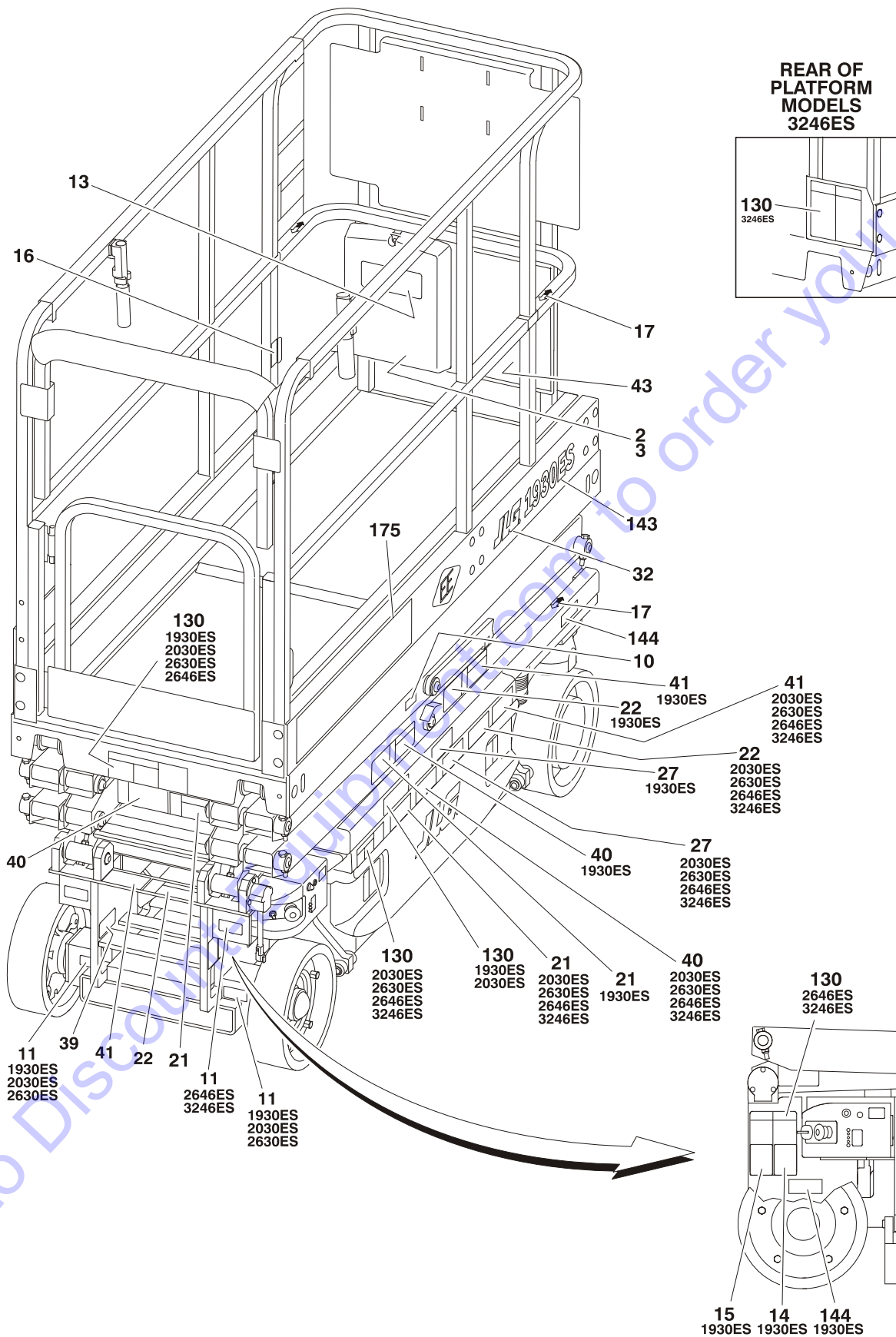
ITEM #	PART NUMBER	QTY.	DESCRIPTION	REV.
143 Cont'd	1705646		3246ES USA Built Machines S/N 0200152825 to S/N 0200194676 & Belgium Built Machines S/N 1200008481 to S/N 1200022097	
	1001099923		3246ES USA Built Machines S/N 0200194676 to S/N 0200198014 & Belgium Built Machines S/N 1200022097 to Present	
144		4	Decal - Max Tire Load Options: 1930ES 2030ES/2630ES 2646ES/3246ES	
	1705647			
	1706310			
	1706311			
145 to 170	Not Used			
171	Not Available		Nameplate - Serial Number	
172 to 173	Not Used			
174	3251813	1	Decal - Made in USA	
175		2	Decal - Platform Color Options:	
	1705850		1930ES USA Built Machines USA Built Machines S/N 0200152825 to S/N 0200194464 Only	
	1705850		1930ES Belgium Built Machines S/N 1200008481 to S/N 1200022097 Only	
	1705850		2030ES/2630ES USA Built Machines S/N 0200152825 to S/N 0200194676 Only	
	1705850		2030ES/2630ES Belgium Built Machines S/N 1200008481 to S/N 1200022097 Only	
	1705851		2646ES/3246ES USA Built Machines S/N 0200152825 to S/N 0200194676 Only	
	1705851		2646ES/3246ES Belgium Built Machines S/N 1200008481 to S/N 1200022097 Only	
		1	----- Complete Decal Kit Options (Includes Items 4, 9-46 & 130-175):	
	1001149795		1930ES	A
	1001149796		2030ES	A
	1001149797		2630ES	A
	1001149798		2646ES	A
	1001149799		3246ES	A

SECTION 8 DECALS

FIGURE 8-2.DECALS INSTALLATIONS (ANSI EXPORT SPEC)



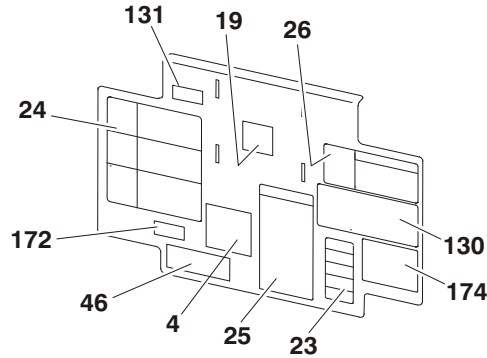
SECTION 8 DECALS



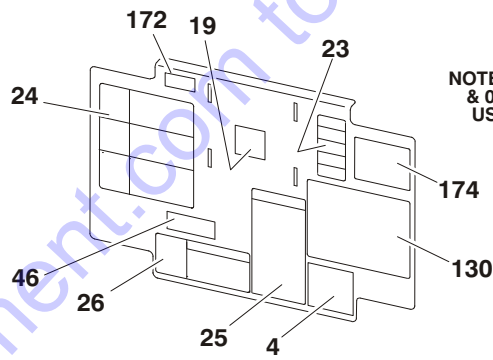
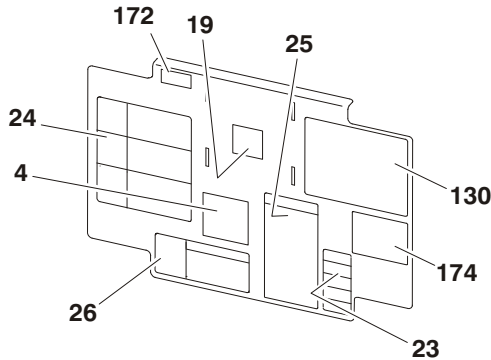
SECTION 8 DECALS

PLATFORM DECAL PANEL DETAILS

MODEL 1930ES



MODELS 2030ES & 2630ES

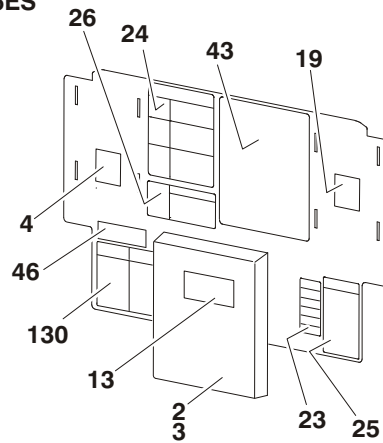
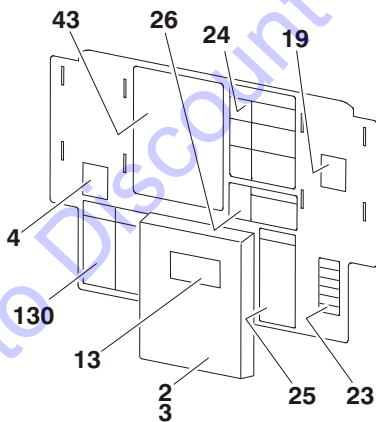


NOTE: S/Ns 0200166041
& 0200166080 ALSO
USE THIS DESIGN.

USA BUILT MACHINES
S/N 0200152825 TO S/N 0200168420
& BELGIUM BUILT MACHINES
S/N 1200008481 TO S/N 1200014874

USA BUILT MACHINES
S/N 0200168420 TO S/N 0200198014 &
BELGIUM BUILT MACHINES
S/N 1200014874 TO PRESENT

MODELS 2646ES & 3246ES



NOTE: S/Ns 0200165918,
0200165941, 0200165946,
0200165995, 0200166005,
0200166033, 0200166047
& 0200166065 ALSO
USE THIS DESIGN.

USA BUILT MACHINES
S/N 0200152825 TO S/N 0200168420
& BELGIUM BUILT MACHINES
S/N 1200008481 TO S/N 1200014874

USA BUILT MACHINES
S/N 0200168420 TO S/N 0200198014 &
BELGIUM BUILT MACHINES
S/N 1200014874 TO PRESENT

SECTION 8 DECALS

FIGURE 8-2. DECALS INSTALLATIONS (ANSI EXPORT SPEC)

ITEM #	PART NUMBER	QTY.	DESCRIPTION	REV.
		Ref.	DECALS INSTALLATION - ANSI EXPORT SPECS	
	0275225	Ref.	Brazilian Spec (Portuguese/Spanish Spec)	5
	0275226	Ref.	Chinese Specs (English/Chinese Spec)	5
	0275223	Ref.	CSA Spec (English/French)	5
	0275227	Ref.	Korean Spec	6
	0275224	Ref.	Latin American Spec (English/Spanish)	5
	0272870	Ref.	JLG Decals	2
1	2080040	4	Fastener	
2	0860520	1	Box, Manual Storage	
3	1060279	1	Cable, Lanyard	
4	1700584	1	Decal - Patent	
5	2080057	4	Fastener	
6	Not Used	1		
7	Not Available	1	Decal - Bar Code (Not Shown - Located on Back of Platform Console Box) (USA Built Machines S/N 0200152825 to S/N 0200195328 Only & Belgium Built Machines S/N 1200008481 to S/N 1200022484 Only)	
8	Not Used	1		
9	1704412	1	Decal - Hydraulic Oil	
10	1705693	1	Decal - Safety Prop	
11	1704016	2	Decal - Forklift	
12	1702155	1	Decal - Battery Disconnect	
13	1701509	1	Decal - Manual Reference	
14	1703811	3	Decal - Lifting Lugs	
15	1703814	3	Decal - Tie Down	
16	1704277	3	Decal - Attach Lanyard Here	
17	1703819	4	Decal - Directional Arrow	
18	1703822	1	Decal - Manual Descent	
19	1705692	1	Decal - Control Box Location	
20	Not Used			
21		4	Decal - Crushing Hazard	
	1705694		All Specs Except Brazilian Spec	
	1705722		Brazilian Spec	
22		4	Decal - Danger Electrocutation	
	1705695		All Specs Except Brazilian Spec	
	1703834		Brazilian Spec	
23		1	Decal - Legend	
	1705726		Brazilian Spec	
	1705946		Chinese Spec	
	1705723		CSA Spec	
	1706057		Korean Spec	
	1705720		Latin American Spec	
24		1	Decal - Danger/Warning	
	1705680		All Specs Except Brazilian Spec	
	1705894		Brazilian Spec	
25		1	Decal - Inspection	
	1705679		All Specs Except Brazilian Spec	
	1705727		Brazilian Spec	

SECTION 8 DECALS

FIGURE 8-2. DECALS INSTALLATIONS (ANSI EXPORT SPEC) (CONTINUED)

ITEM #	PART NUMBER	QTY.	DESCRIPTION	REV.
26	1705681 1705721	1	Decal - Electrocution All Specs Except Brazilian Spec Brazilian Spec	
27	1704341 1704344 1704340 1703856 1704339	2	Decal - Warning Battery Vent Brazilian Spec Chinese Spec CSA Spec Korean Spec Latin American Spec	
28 to 31	Not Used			
32	1705781	2	Decal - JLG	
33 to 34	Not Used			
35	1702773	1	Decal - JLG	
36 to 38	Not Used			
39	1703464 3252507	1	Decal - AC Power Options: 120-60Hz 220V-50/60Hz	
40	1705725 1705717 1705943 1706052	4	Decal - Crushing Hazard Options: Brazilian & Latin American Specs CSA Spec Chinese Spec Korean Spec	
41	1705724 1705718 1705944 1706056	4	Decal - Electrocution Options: Brazilian & Latin American Specs CSA Spec Chinese Spec Korean Spec	
42	Not Used			
43	1705719 3252098 1705945 1706053	1	Decal - Warning/Danger Options: Brazilian & Latin American Specs CSA Spec (English/French) Chinese Spec Korean Spec	
44	1701499	1	Decal - No Lift	
45	Not Used			
46	1001094359	1	Decal - Troubleshooting (USA Built Machines S/N 0200168420 to S/N 0200198014 Only, Belgium Built Machines S/N 1200014906 to Present Only	
	2902267	1	Decal Kit 1 (Includes Items 9-19 & 44)	8
	Use 2902526	1	Decal Kit 2 Options (Includes Items 21-27 & 40-41): Brazilian Spec (was p/n 2902302)	2
	Use 2902528		Chinese Spec (was p/n 2902335)	2
	Use 2902524		CSA Spec (was p/n 2902278)	2
	Use 2902532		Korean Spec (was p/n 2902378)	2
	Use 2902525		Latin American Spec (was p/n 2902301)	2

SECTION 8 DECALS

FIGURE 8-2. DECALS INSTALLATIONS (ANSI EXPORT SPEC) (CONTINUED)

ITEM #	PART NUMBER	QTY.	DESCRIPTION	REV.
101 to 129 130	0010588	Ref.	DECAL OPTIONS	83
	Not Used			
		A/R		Decal - Capacity Options:
				1930ES:
	1705638	2		500lbs/227kg (Platform Box & Platform Entry Locations)
	1705699	1		500lbs/227kg (Ground Control Box Location)
	1705639	3		2030ES: 800lbs/363kg (All Locations)
				2630ES:
	1705941	1		Platform Console Box Decal - 500lb/227kg & 800lb/360kg
	1705880	1		Platform Entry Decal - 500lb/227kg & 800lb/360kg
1705941	1	Ground Control Box - 500lb/227kg & 800lb/360kg		
1705640	3	2646ES: 1000lbs/454kg		
1705641	3	3246ES: 700lbs/317kg		
131	Not Required	1	Decal - No Pipe Racks/Panel Carriers Options:	
			1930ES USA Built Machines S/N 0200152825 to S/N 0200166715 & Belgium Built Machines S/N 1200008481 to S/N 1200012995	
			1930ES USA Built Machines S/N 0200166715 to S/N 0200198014 & Belgium Built Machines S/N 1200012995 to Present	
	1001092071		ANSI Export/UL Specs	
	1001120623		Brazilian & Latin American Specs (was p/n 1001092071)	
	1001092580		CSA Spec	
	1001120622		Chinese Spec (was p/n 1001092071)	
	1001120621		Korean Spec (was p/n 1001092071)	
	1001120629		Latin American Spec (was p/n 1001092071)	
	Not Required		2030ES/2630ES/2646ES/3246ES	
132 to 141	Not Used			
142	1001116915	1	Decal - Hardware Retention (was p/n 1001116928)	
143		2	Decal - Model Designation Options:	
	1705642		1930ES USA Built Machines S/N 0200152825 to S/N 0200194464 & Belgium Built Machines S/N 1200008481 to S/N 1200022097	
	1001099919		1930ES USA Built Machines S/N 0200194464 to S/N 0200198014 & Belgium Built Machines S/N 1200022097 to Present	
	1705643		2030ES USA Built Machines S/N 0200152825 to S/N 0200194676 & Belgium Built Machines S/N 1200008481 to S/N 1200022097	
	1001099920		2030ES USA Built Machines S/N 0200194676 to S/N 0200198014 & Belgium Built Machines S/N 1200022097 to Present	
	1705644		2630ES USA Built Machines S/N 0200152825 to S/N 0200194676 & Belgium Built Machines S/N 1200008481 to S/N 1200022097	
	1001099921		2630ES USA Built Machines S/N 0200194676 to S/N 0200198014 & Belgium Built Machines S/N 1200022097 to Present	
	1705645		2646ES USA Built Machines S/N 0200152825 to S/N 0200194676 & Belgium Built Machines S/N 1200008481 to S/N 1200022097	

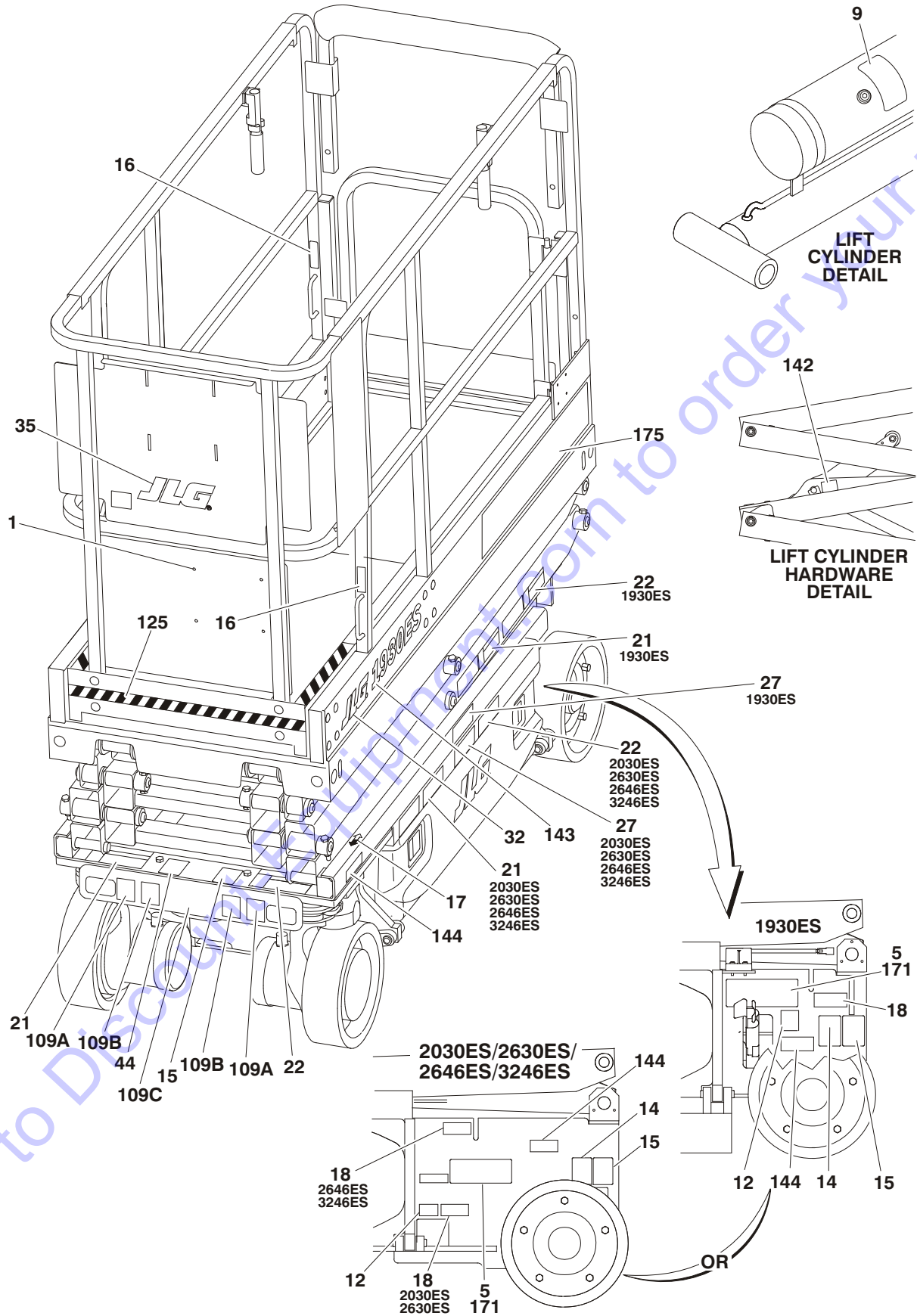
SECTION 8 DECALS

FIGURE 8-2. DECALS INSTALLATIONS (ANSI EXPORT SPEC) (CONTINUED)

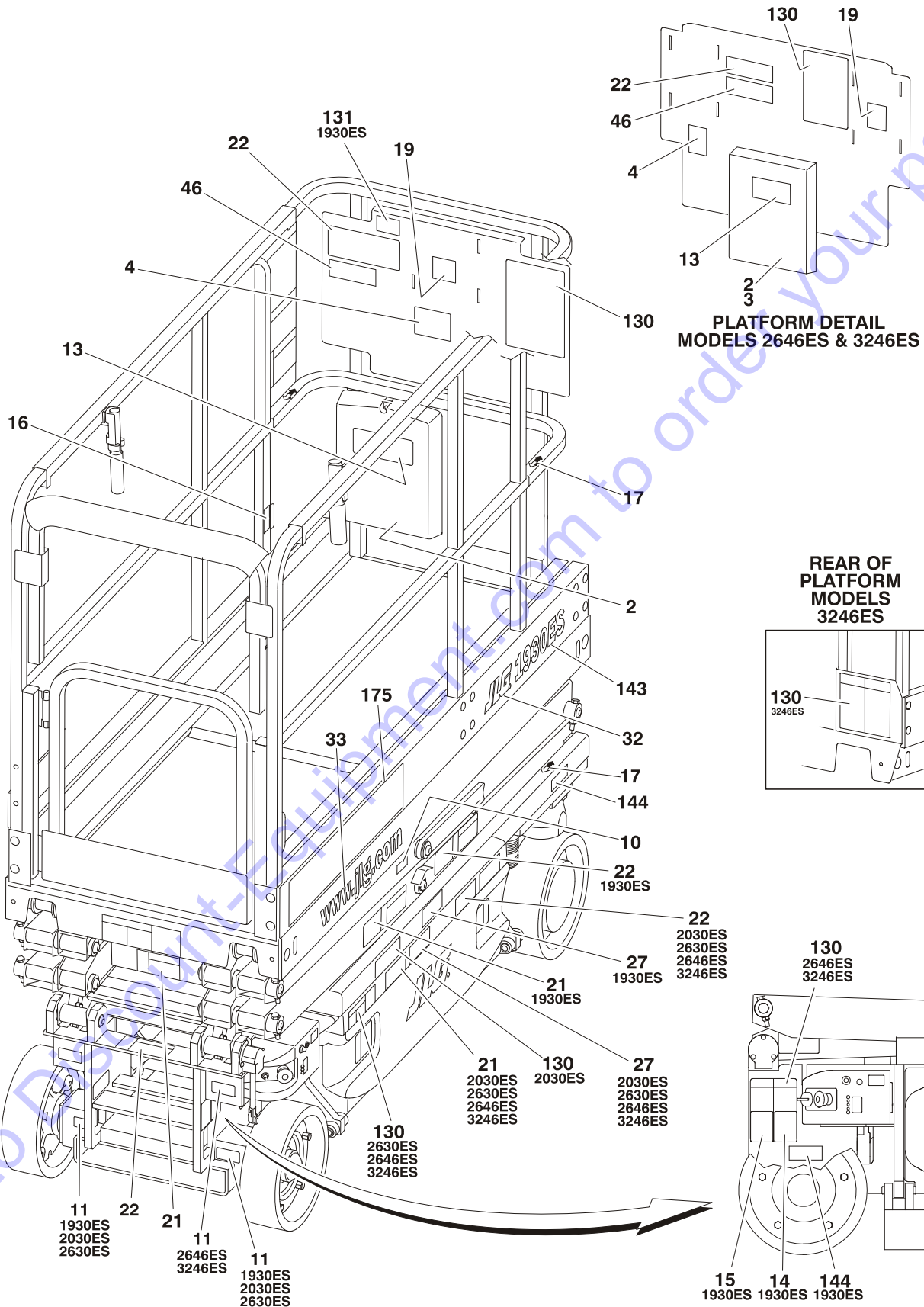
ITEM #	PART NUMBER	QTY.	DESCRIPTION	REV.
143 cont'd	1001099922		2646ES USA Built Machines S/N 0200194676 to S/N 0200198014 & Belgium Built Machines S/N 1200022097 to Present	
	1705646		3246ES USA Built Machines S/N 0200152825 to S/N 0200194676 & Belgium Built Machines S/N 1200008481 to S/N 1200022097	
	1001099923		3246ES USA Built Machines S/N 0200194676 to S/N 0200198014 & Belgium Built Machines S/N 1200022097 to Present	
144		4	Decal - Max Tire Load Options:	
	1705647		1930ES	
	1706310		2030ES/2630ES	
	1706311		2646ES/3246ES	
145 to 170	Not Used			
171	Not Available		Nameplate - Serial Number	
172		A/R	Decal - CSA Options:	
	1705303	1	CSA Spec (English/French)	
	Not Required	0	Latin American Spec (English/Spanish)/(English/Chinese Spec)	
173	Not Used			
174	3251813	1	Decal - Made in USA	
175		2	Decal - Platform Color Options:	
	1705850		1930ES USA Built Machines USA Built Machines S/N 0200152825 to S/N 0200194464 Only	
	1705850		1930ES Belgium Built Machines S/N 1200008481 to S/N 1200022097 Only	
	1705850		2030ES/2630ES USA Built Machines S/N 0200152825 to S/N 0200194676 Only	
	1705850		2030ES/2630ES Belgium Built Machines S/N 1200008481 to S/N 1200022097 Only	
	1705851		2646ES/3246ES USA Built Machines S/N 0200152825 to S/N 0200194676 Only	
	1705851		2646ES/3246ES Belgium Built Machines S/N 1200008481 to S/N 1200022097 Only	
176	1705880	1	Decal - Capacity (Platform Entry) (800lbs/363kg - 500lbs/227kg) (2630ES)	

SECTION 8 DECALS

FIGURE 8-3. DECAL INSTALLATION (AUSTRALIAN, CE & JAPANESE SPECS)



SECTION 8 DECALS



SECTION 8 DECALS

FIGURE 8-3. DECAL INSTALLATION (AUSTRALIAN, CE & JAPANESE SPECS)

ITEM #	PART NUMBER	QTY.	DESCRIPTION	REV.
		Ref.	DECALS INSTALLATION - ANSI EXPORT SPECS	
	0275222	Ref.	Australian Spec	5
	0275221	Ref.	CE & Japanese Specs	5
	0272870	Ref.	JLG Decals	2
1	2080040	4	Fastener	
2	0860520	1	Box, Manual Storage	
3	Not Used			
4	1700584	1	Decal - Patent	
5	2080057	4	Fastener	
6	Not Used	1		
7	Not Available	1	Decal - Bar Code (Not Shown - Located on Back of Platform Console Box) (USA Built Machines S/N 0200152825 to S/N 0200195328 Only & Belgium Built Machines S/N 1200008481 to S/N 1200022484 Only)	
8	Not Used	1		
9	1704412	1	Decal - Hydraulic Oil	
10	1705693	1	Decal - Safety Prop	
11	1704016	2	Decal - Forklift	
12	1702155	1	Decal - Battery Disconnect	
13	1701509	1	Decal - Manual Reference	
14	1703811	3	Decal - Lifting Lugs	
15	1703814	3	Decal - Tie Down	
16	1704277	3	Decal - Attach Lanyard Here	
17	1703819	4	Decal - Directional Arrow	
18	1703822	1	Decal - Manual Descent	
19	1705692	1	Decal - Control Box Location	
20	Not Used			
21	1705673	4	Decal - Crushing Hazard	
22	1705671	5	Decal - Danger Electrocution	
23 to 26	Not Used			
27	1705670	1	Decal - Warning Battery Vent	
28 to 31	Not Used			
32	1705781	2	Decal - JLG	
33 to 34	Not Used			
35	1702773	1	Decal - JLG	
36 to 38	Not Used			
39		1	Decal - AC Power Options: 120-60Hz 220V-50/60Hz	
	1703464			
	3252507			
40 to 43	Not Used			
44	1701499	1	Decal - No Lift	
45	Not Used			
46	1001094359	1	Decal - Troubleshooting (USA Built Machines S/N 0200168420 to S/N 0200198014 Only & Belgium Built Machines S/N 1200014906 to S/N 0200198014 Only)	

	2902267	1	Decal Kit 1 (Includes Items 9-19 & 44)	8
	2902523	1	Decal Kit 2 (Includes Items 21, 22 & 27)	1
	2890186	1	Decal Kit CE (Includes qty1 of p/n 1702928 CE Decal)	1

SECTION 8 DECALS

FIGURE 8-3. DECAL INSTALLATION (AUSTRALIAN, CE & JAPANESE SPECS) (CONTINUED)

ITEM #	PART NUMBER	QTY.	DESCRIPTION	REV.
	0010588	Ref.	DECAL OPTIONS	83
101 to 108	Not Used			
109	0273454	A/R	Lifting Lug & Decals (Standard on Australian & Japanese Specs/ Optional on CE Specs)	B
109A	1703811	2	Decal - Lifting Lug	
109B	1703814	2	Decal - Tie-Down	
109C	0240055	1	Attach, Lifting Lug	
	3574636	1	Bar, Mounting (Located Behind Item 109C)	
110 to 124	Not Used			
125		A/R	Decal - Corner Stripe Options:	
	0272721		1930ES/2030ES/2630ES	B
	0272862		2646ES/3246ES	B
	4420051	1.3m	1930ES/2030ES/2630ES	
	4420051	1.2m	2646ES/3246ES	
126 to 129	Not Used			
130		1	Decal - Capacity Options:	
	1705666		230kg Indoor/120kg Outdoor (1930ES)	
	1705667		360kg (2030ES)	
	1705887		230kg (2630ES) (Australian Specs)	
	1705942		230kg/360kg (2630ES) (CE Specs)	
	1705668		450kg (2646ES)	
	1705819		320kg/450kg (3246ES) (Australian Spec)	
	1705704		320kg (3246ES) (CE Spec)	
131		1	Decal - No Pipe Racks/Panel Carriers Options:	
	Not Required		1930ES USA Built Machines Prior to S/N 0200166715 & Belgium Built Machines Prior to S/N 1200012995	
	Use 1001092497		1930ES USA Built Machines S/N 0200166715 to S/N 0200198014 & Belgium Built Machines S/N 1200012995 to Present (was p/n 1001092071 for Australian Spec)	
	Not Required		2030ES/2630ES/2646ES/3246ES	
132 to 141	Not Used			
142	1001116915	1	Decal - Hardware Retention (was p/n 1001116928)	
143		2	Decal - Model Designation Options:	
	1705642		1930ES USA Built Machines S/N 0200152825 to S/N 0200194464 & Belgium Built Machines S/N 1200008481 to S/N 1200022097	
	1001099919		1930ES USA Built Machines S/N 0200194464 to S/N 0200198014 & Belgium Built Machines S/N 1200022097 to Present	
	1705643		2030ES USA Built Machines S/N 0200152825 to S/N 0200194676 & Belgium Built Machines S/N 1200008481 to S/N 1200022097	
	1001099920		2030ES USA Built Machines S/N 0200194676 to S/N 0200198014 & Belgium Built Machines S/N 1200022097 to Present	
	1705644		2630ES USA Built Machines S/N 0200152825 to S/N 0200194676 & Belgium Built Machines S/N 1200008481 to S/N 1200022097	
143 Cont'd	1001099921		2630ES USA Built Machines S/N 0200194676 to S/N 0200198014 & Belgium Built Machines S/N 1200022097 to Present	

SECTION 8 DECALS

FIGURE 8-3. DECAL INSTALLATION (AUSTRALIAN, CE & JAPANESE SPECS) (CONTINUED)

ITEM #	PART NUMBER	QTY.	DESCRIPTION	REV.
	1705645		2646ES USA Built Machines S/N 0200152825 to S/N 0200194676 & Belgium Built Machines S/N 1200008481 to S/N 1200022097	
	1001099922		2646ES USA Built Machines S/N 0200194676 to S/N 0200198014 & Belgium Built Machines S/N 1200022097 to Present	
	1705646		3246ES USA Built Machines S/N 0200152825 to S/N 0200194676 & Belgium Built Machines S/N 1200008481 to S/N 1200022097	
	1001099923		3246ES USA Built Machines S/N 0200194676 to S/N 0200198014 & Belgium Built Machines S/N 1200022097 to Present	
144		4	Decal - Max Tire Load Options: 1930ES 2030ES/2630ES 2646ES/3246ES	
145 to 170	Not Used			
171	Not Available		Nameplate - Serial Number	
172 to 174	Not Used			
175		2	Decal - Platform Color Options: 1930ES USA Built Machines USA Built Machines S/N 0200152825 to S/N 0200194464 Only 1930ES Belgium Built Machines S/N 1200008481 to S/N 1200022097 Only 2030ES/2630ES USA Built Machines S/N 0200152825 to S/N 0200194676 Only 2030ES/2630ES Belgium Built Machines S/N 1200008481 to S/N 1200022097 Only 2646ES/3246ES USA Built Machines S/N 0200152825 to S/N 0200194676 Only 2646ES/3246ES Belgium Built Machines S/N 1200008481 to S/N 1200022097 Only	
	1705850			
	1705850			
	1705850			
	1705850			
	1705851			
	1705851			

SECTION 9 RECOMMENDED SERVICE PARTS STOCK

MODEL ES

The following list will service one machine (built to current production per date on the front cover) with emergency repair parts which can be installed in the field. Parts from the list should be replaced when inventory is depleted to keep service parts stock supplied. For further information, contact your JLG dealer or the JLG Industries Parts Department.

Part Number	Description	Qty./Machine
STANDARD PARTS		Ref.
4360069	Breaker, Circuit - 10 Amp (Figure 2-2)	1
4360328	Switch, Toggle (Figure 2-2)	1
2860030	Key, Replacement (Figure 2-2)	1
4360475	Switch, Mushroom (Figures 2-2 & 4-6)	1
4360387	Switch, Push Button (Figure 2-3)	1
1001092354	Switch, Rotary Angle Sensor (Figures 3-1, 3-2, 3-3 & 3-4)	1
1001134438	Controller, Drive (Figure 4-6)	1
4360538	Switch & Membrane (Figure 4-6)	1
4360539	Switch, Toggle (Figure 4-6)	1
7027367	Switch, Push Button (Figure 4-8)	1
70000798	Coil (Figure 5-1)	1
70000799	Coil (Figure 5-1)	1
7023593	Plug, Fill (Figure 5-1)	1
7023576	Filter (Figure 5-1)	1
1001097347	Relay (Figures 7-2, 7-3 & 7-4)	1
VARIABLE PARTS		Ref.
1600346	Drive Module (Frame) (Figure 1-4)	1
2915064	Relay (UL Spec) (Figure 1-4)	1
3740150	Relay (Non-UL Spec) (Figure 1-4)	1
1001114933	Tilt Module (Figure 2-2)	1
4360469	Switch, Key (ANSI/ANSI Export Spec) (Figure 2-2)	1
4360470	Switch, Key (CE/Australian Spec) (Figure 2-2)	1
3080007	Magnet, Latch (Machines with Platform Gate Entry) (Figures 4-2, 4-3, 4-4 & 4-5)	1
1001101076	Snap Latch Repair Kit (Machines with Platform Chain Entry) (Figures 4-2, 4-4 & 4-5)	1
1001091965	Control Module (Platform) (Figure 4-6)	1
1001109088	Switch, Limit (Figures 1-6, 7-2, 7-3 & 7-4)	1
1001109475	Breaker, Circuit 16 Amp (CE Spec Machines with Platform Electrical Outlet) (Figures 7-2, 7-3 & 7-4)	1
1001109482	Breaker, Circuit 30mA (CE Spec Machines with Platform Electrical Outlet) (Figures 7-2, 7-3 & 7-4)	1
4360613	Limit Switch (Machines with Optional Brake Disconnect) (Figures 7-2, 7-3 & 7-4)	1
4360336	Switch, Toggle (ANSI & CSA Spec Machines with Optional Battery Charger/ Inverter Combo) (Figures 7-2, 7-3 & 7-4)	1
3990010	Diode 6 Amp (ANSI & CSA Spec Machines with Optional Battery Charger/ Inverter Combo) (Figures 7-2, 7-3 & 7-4)	2

SECTION 9 RECOMMENDED SERVICE PARTS STOCK

MODEL ES

The following list will service one machine (built to current production per date on the front cover) with emergency repair parts which can be installed in the field. Parts from the list should be replaced when inventory is depleted to keep service parts stock supplied. For further information, contact your JLG dealer or the JLG Industries Parts Department.

Part Number	Description	Qty./Machine
MAINTENANCE KITS		
1001101329	Annual Hydraulic Maintenance Kit - 1930ES/2030ES/2630ES (w/Standard Hydraulic Oil) (Figure 10-1)	Ref. 1
1001101330	Annual Hydraulic Maintenance Kit - 2646ES/3246ES (w/Standard Hydraulic Oil) (Figure 10-1)	1

Go to Discount-Equipment.com to order your parts

SECTION 10 SPECIAL OPTIONS

Note: This list is to accommodate machines ordered with special equipment. Options may not be applicable to all models. For more specific parts information contact JLG Parts Department.

FIG&ITEM#	PART NUMBER	QTY.	DESCRIPTION	REV.
10—1		Ref.	SPECIAL OPTIONS LIST	
		Ref.	Airline Installation (1/2")	
	0274516	Ref.	1930ES	
	0274370	Ref.	2030ES	
	0274517	Ref.	2630ES	
	0274446	Ref.	2646ES/3246ES	
		Ref.	Brake Disconnect/Release Kit Options	
	0275432	Ref.	Brake Disconnect Cable Kit (Optional All Specs)	
	2902331	Ref.	Brake Mount Kit (includes Mounting Bracket & Setscrew)	
	4922944	Ref.	Brake Switch & Harness	
	0275530	Ref.	Brake Release Switch (Optional ANSI, ANSI Export, CSA & UL Specs/Standard on Australian & CE Specs) For Machines without Pressure Checks)	
	See Note	Ref.	Brake Release Switch (Optional ANSI, ANSI Export, CSA & UL Specs/Standard on Japanese Specs) (For Machines with Pressure Checks) (Was p/n 0275603) Note: Use Both p/ns 0275530& 0273859.	
	2915016	Ref.	Battery Charger Mounting Kit	
		Ref.	Decal Options:	
	1001110179	Ref.	Decals - Boels (1930ES CE Spec - Dutch Belgium)	
	1001106715	Ref.	Decals - Boels (1930ES CE Spec - Dutch Netherlands)	
	1001109207	Ref.	Decals - Boels (1930ES CE Spec - French)	
	1001110176	Ref.	Decals - Boels (1930ES CE Spec - German Austria)	
	1001109146	Ref.	Decals - Boels (1930ES CE Spec - German Deutschland)	
	1001109210	Ref.	Decals - Boels (1930ES CE Spec - TJECH)	
	1001110180	Ref.	Decals - Boels (2030ES CE Spec - Dutch Belgium)	
	1001106716	Ref.	Decals - Boels (2030ES CE Spec - Dutch Netherlands)	
	1001109208	Ref.	Decals - Boels (2030ES CE Spec - French)	
	1001110177	Ref.	Decals - Boels (2030ES CE Spec - German Austria)	
	1001109147	Ref.	Decals - Boels (2030ES CE Spec - German Deutschland)	
	1001109211	Ref.	Decals - Boels (2030ES CE Spec - TJECH)	
	1001110181	Ref.	Decals - Boels (2646ES/3246ES CE Spec - Dutch Belgium)	
	1001106717	Ref.	Decals - Boels (2646ES/3246ES CE Spec - Dutch Netherlands)	
	1001109209	Ref.	Decals - Boels (2646ES/3246ES CE Spec - French)	
	1001110178	Ref.	Decals - Boels (2646ES/3246ES CE Spec - German Austria)	
	1001109148	Ref.	Decals - Boels (2646ES/3246ES CE Spec - German Deutschland)	
	1001109212	Ref.	Decals - Boels (2646ES/3246ES CE Spec - TJECH)	
	2890186	Ref.	Decals - CE Kit	
	0272721	Ref.	Decals - Corner Stripes (1930ES/2030ES/2630ES)	
	0272862	Ref.	Decals - Corner Stripes (2646ES/3246ES)	
	0273603	Ref.	Decals - Commercial Solutions Group (ANSI & CSA Specs Only)	

SECTION 10 SPECIAL OPTIONS

Note: This list is to accommodate machines ordered with special equipment. Options may not be applicable to all models. For more specific parts information contact JLG Parts Department.

FIG&ITEM#	PART NUMBER	QTY.	DESCRIPTION	REV.
	Continued	Ref.	Decal Options:	
	1705304	Ref.	Decals - Service Support (Commercial Solutions Group Only) (ANSI, CSA & UL Specs Only)	
	0274545	Ref.	Decals - FedEx (ANSI, CE, CSA & UL Specs Only)	
	0273603	Ref.	Decals - Grainger Spec (ANSI, CSA & UL Specs Only)	
	0274527	Ref.	Decals - Head & Engquist Equipment (ANSI Specs Only)	
	0273543	Ref.	Decals - Hertz	
	0272877	Ref.	Decals - Home Depot (ANSI, CSA & UL Specs Only)	
	0273544	Ref.	Decals - Nations Rent (ANSI, CSA & UL Specs Only)	
	0274242	Ref.	Decals - Nations Equipment Services (1930ES/2030ES/2630ES) (ANSI, CSA & UL Specs Only)	
	0274251	Ref.	Decals - Nations Equipment Services (2646ES/3246ES) (ANSI, CSA & UL Specs Only)	
	0275900	Ref.	Decals - RSC Equipment Rental (ANSI & CSA Specs Only)	
	1705304	Ref.	Decals - Service Support (ANSI & CSA Specs Only)	
	1706922	Ref.	Decals - Service Support (ANSI & CSA Specs Only)	
	0272872	Ref.	Decals - Sunbelt (ANSI, CSA & UL Specs Only)	
	0274179	Ref.	Decals - Sunstate (ANSI, CSA & UL Specs Only)	
	0274126	Ref.	Decals - UL Specs (EE Rating) (USA Built Machines)	
	1001126013	Ref.	Decals - UL Specs (EE Rating) (China Built Machines)	
	0272871	Ref.	Decals - United Rentals (ANSI, CSA & UL Specs Only)	
	1001103307	Ref.	Decals - UPS (ANSI Spec Only)	
		Ref.	Electrical Connector Kits	
	1001148902	Ref.	Amp/Tyco Electrical Connector Kit	
	1001148903	Ref.	Deutsch DT Electrical Connector Kit	
	1001148904	Ref.	Deutsch HD Electrical Connector Kit	
	1001148905	Ref.	Packard Electrical Connector Kit	
	1001148906	Ref.	Various Electrical Connectors Kit	
		Ref.	Electricians Package (Work Station in the Sky Accessory)	
		Ref.	Note: For Breakdown of this Accessory Refer to Accessories Manual p/n 3128160.	
	0273950	Ref.	Without DC Converter	
	0273955	Ref.	With DC Converter	
		Ref.	Electricians Tree (Work Station in the Sky Accessory)	
		Ref.	Note: For Breakdown of this Accessory Refer to Accessories Manual p/n 3128160.	
	0240092	Ref.	Without DC Converter (USA Built Machines S/N 0200152825 to S/N 0200190219 & Belgium Built Machines S/N 1200008481 to S/N 1200020973)	
	1001102549	Ref.	Without DC Converter (USA Built Machines S/N 0200190219 to S/N 0200198014 & Belgium Built Machines S/N 1200020973 to Present)	
	0274153	Ref.	With DC Converter	
	0274849	Ref.	Fire Extinguisher Installation (ANSI)	

SECTION 10 SPECIAL OPTIONS

Note: This list is to accommodate machines ordered with special equipment. Options may not be applicable to all models. For more specific parts information contact JLG Parts Department.

FIG&ITEM#	PART NUMBER	QTY.	DESCRIPTION	REV.
	2300028	Ref.	Fluids	
	70010346	A/R	Fluid, Hydraulic - Mobil DTE 10 Excel 15 (Bulk)	
	2300042	A/R	Fluid, Hydraulic - Mobil DTE 10 Excel 15 (1 Gallon)	
		A/R	Fluid, Hydraulic - Synthetic Biodegradeable	
	0273761	Ref.	Footswitch Installation Options (Japanese Spec)	
	0273762	Ref.	1930ES	
		Ref.	2030ES/2630ES/2646ES/3246ES	
	3128145	Ref.	Inspection Packet (ANSI & ANSI Export Specs Only)	
	0274341	Ref.	Interlock Override for Battery Charger Installation (ANSI)	
	0272876	Ref.	Inverter Installations (ANSI, ANSI Export & Japanese Specs)	
	0273070	Ref.	1930ES	
	0273071	Ref.	2030ES/2630ES	
	2460042	1	2646ES/3246ES	
	4360482	1	Inverter Assembly	
	1705051	1	Switch, Toggle	
	1705052	1	Decal - Instructions	
		1	Decal - On-Off	
	0273454	Ref.	Lifting Lugs Installations	
		Ref.	Maintenance Kits - Annual Hydraulic (Not for Machines with Biodegradeable Hydraulic Fluid)	
	1001101329	Ref.	1930ES/2030ES/2630ES	
	1001101330	Ref.	2646ES/3246ES	
	2902405	Ref.	Motor Band Kit (UL Specs Only)	
	3125053	Ref.	Operator Video (ANSI & ANSI Export Specs Only)	
		Ref.	Panel Carrier Installations (All Specs Except U/L Spec)	
		Ref.	Note: For Breakdown of this Accessory Refer to Accessories Manual p/n 3128160.	
		Ref.	1930ES:	
	No Longer Available	Ref.	ANSI, ANSI Export & CSA Specs (was p/n 0274970)	
	No Longer Available	Ref.	Australian, CE & Japanese Specs (was p/n 0274969)	
		Ref.	2030ES & 2630ES:	
	0275006	Ref.	ANSI, ANSI Export & CSA Specs	
	0275007	Ref.	Australian, CE & Japanese Specs	
		Ref.	2646ES & 3246ES:	
	0274980	Ref.	ANSI, ANSI Export & CSA Specs (2 in Wide Channel)	
	1001121695	Ref.	ANSI, ANSI Export & CSA Specs (7in Wide Channel) (2646ES Only)	
	0274981	Ref.	Australian, CE & Japanese Specs	

SECTION 10 SPECIAL OPTIONS

Note: This list is to accommodate machines ordered with special equipment. Options may not be applicable to all models. For more specific parts information contact JLG Parts Department.

FIG&ITEM#	PART NUMBER	QTY.	DESCRIPTION	REV.
		Ref.	Pipe Racks Installations (Not Available on 1930ES)	
		Ref.	Note: For Breakdown of this Accessory Refer to Accessories Manual p/n 3128160.	
	Use 1001092074	Ref.	Installation for USA Built Machines S/N 0200152825 to S/N 0200166715 & Belgium Built Machines S/N 1200008481 to S/N 1200012995 (was p/n 0272884)	
	Use 1001092073	2	Pipe Rack Assembly for USA Built Machines S/N 0200152825 to S/N 0200166715 & Belgium Built Machines S/N 1200008481 to S/N 1200012995 (was p/n 0240057)	
	1001092074	Ref.	Installation for USA Built Machines S/N 0200166715 to S/N 0200198014 & Belgium Built Machines S/N 1200012995 to Present	
	1001092073	2	Pipe Racks Assembly for USA Built Machines S/N 0200166715 to S/N 0200198014 & Belgium Built Machines S/N 1200012995 to Present	
		Ref.	Platform Latch - Magna-Latch Side Pull	
	1001135316	Ref.	1930ES/2030ES/2630ES	
	1001135317	Ref.	2646ES/3246ES	
		Ref.	Platform Limit Switches & Rail Padding Installations	
	0275078	Ref.	1930ES without Limit Switches (All Specs)	
		Ref.	1930ES with Limit Switches Options:	
	0275080	Ref.	Non-UL Spec (ANSI & ANSI Export Specs Only)	
	1001100029	Ref.	UL Spec (ANSI & UL Specs Only)	
	0275077	Ref.	2030ES/2630ES without Limit Switches (All Specs)	
		Ref.	2030ES/2630ES with Limit Switches Options:	
	0275081	Ref.	Non-UL (ANSI & ANSI Export Specs Only)	
	1001092701	Ref.	UL Spec (ANSI & UL Specs Only)	
	0275076	Ref.	2646ES/3246ES without Limit Switches	
		Ref.	2646ES/3246ES with Limit Switches	
	0275082	Ref.	Non-UL Spec (ANSI & ANSI Export Specs Only)	
	1001092702	Ref.	UL Spec (ANSI & UL Specs)	
	1001098162	Ref.	2646ES with Limit Switches without Padding (CE Spec Only)	
	1001121295	Ref.	2646ES with Limit Switches with Padding (ANSI Export Spec Only)	
		Ref.	Platform Worklights Installations	
	0272850	Ref.	1930ES (Without UL Specs)	
	0272851	Ref.	2030ES (Without UL Specs)	
	0272852	Ref.	2630ES (Without UL Specs)	
	0272853	Ref.	2646ES/3246ES (Without UL Specs)	
	0275937	Ref.	2646ES/3246ES (With UL Specs)	
	0273951	Ref.	Plant Maintenance Package (Work Station in the Sky Accessory)	
		Ref.	Note: For Breakdown of this Accessory Refer to Accessories Manual p/n 3128160.	

SECTION 10 SPECIAL OPTIONS

Note: This list is to accommodate machines ordered with special equipment. Options may not be applicable to all models. For more specific parts information contact JLG Parts Department.

FIG&ITEM#	PART NUMBER	QTY.	DESCRIPTION	REV.
	0273951	Ref.	Plumbers Package (Work Station in the Sky Accessory)	
		Ref.	Note: For Breakdown of this Accessory Refer to Accessories Manual p/n 3128160.	
	0273859	Ref.	Pressure Check Installation (All Specs Except Australian & CE Specs)	
		Ref.	Tools for Service	
	7002821	1	Crimper, Wire	
	7002823	1	Extractor, Pin - Universal	
	4460467	A/R	Extractor, Pin #16 Gauge	
	4460510	A/R	Extractor, Pin #12 Gauge	
	7004275	1	Installer, Cylinder Seal - 1"	
	7004276	1	Installer, Cylinder Seal - 1 1/2"	
	7002826	1	Installer, Cylinder Seal - 2"	
	7016654	1	Screwdriver, Magnetic	
	7002822	1	Screwdriver, Potentiometer	
	7002828	1	Stripper, Wire	
	2901443	1	Analyzer Kit	
	4341055	1	Service Safety Prop	
	1706331	1	Decal - ES Service Prop	
	70000555	1	Relief Valve Removable Tool (For Older Style Relief Valves)	
	2915230	1	Battery Charger Reprogram Controller Kit	
	0240093	Ref.	Vise Installation (Work Station in the Sky Accessory)	
		Ref.	Note: For Breakdown of this Accessory Refer to Accessories Manual p/n 3128160.	
		Ref.	Welder Installations (All Specs Except U/L Spec)	
		Ref.	Note: For Breakdown of this Accessory Refer to Accessories Manual p/n 3128160.	
	0272879	Ref.	1930ES Complete Kit	
	0275072	Ref.	1930ES Kit (Includes Fire Extinguisher & Power Cable Only)	
	0272880	Ref.	2030ES Complete Kit	
	0275073	Ref.	2030ES Kit (Includes Fire Extinguisher & Power Cable Only)	
	0272881	Ref.	2630ES Complete Kit	
	0275074	Ref.	2630ES Kit (Includes Fire Extinguisher & Power Cable Only)	
	0272882	Ref.	2646ES/3246ES Complete Kit	
	0275075	Ref.	2646ES/3246ES Kit (Includes Fire Extinguisher & Power Cable Only)	

SECTION 10 SPECIAL OPTIONS

Note: This list is to accommodate machines ordered with special equipment. Options may not be applicable to all models. For more specific parts information contact JLG Parts Department.

FIG&ITEM#	PART NUMBER	QTY.	DESCRIPTION	REV.
		Ref.	Work Station in the Sky Accessories Installations	
		Ref.	Note: For Breakdown of this Accessory Refer to Accessories Manual p/n 3128160.	
	0273965	Ref.	Work Station without DC Converter Installation	
	0240087	Ref.	Work Station without DC Converter Assembly	
	0273955	Ref.	Work Station with DC Converter Installation (1930ES/2030ES)	
	0273955	Ref.	Work Station with DC Converter Installation (2630ES/2646ES/3246ES)	
	0240071	Ref.	Work Station with DC Converter Assembly	

SECTION 11 PART NUMBER INDEX

Part Number	Page	Part Number	Page	Part Number	Page	Part Number	Page
0010588	1-8, 8-6, 8-13, 8-19	0272811	1-19, 2-8	0274816	4-7	0275105	1-33
0060090	1-21, 1-25	0272839	7-12, 7-26, 7-40	0274817	4-3	0275120	1-35
0060091	1-21	0272843	7-12, 7-26, 7-40	0274818	4-3, 4-4	0275185	1-3, 1-17
0060093	1-25	0272850	10-4	0274841	3-3	0275186	1-3, 1-17
0100011	1-3, 1-7, 1-33, 2-11	0272851	10-4	0274849	10-2	0275187	1-3, 1-17
0100048	2-11, 7-6, 7-20, 7-34	0272852	10-4	0274874	3-3, 5-7	0275188	1-3, 1-17
0100051	2-3	0272853	10-4	0274878	3-16	0275189	1-3, 1-17
0100083	1-17	0272862	8-19, 10-1	0274879	3-17, 5-7	0275190	1-3, 1-17
01001096627	7-14, 7-28	0272870	8-5, 8-11, 8-18	0274880	3-16	0275212	1-35
0140011	4-23	0272871	10-2	0274881	3-17, 5-7	0275216	7-16, 7-30, 7-43
0140043	1-19, 7-12, 7-26, 7-40	0272872	10-2	0274929	4-3, 4-4	0275217	7-16, 7-30, 7-44
0200783	3-16	0272874	1-29	0274930	4-3	0275218	7-16, 7-30, 7-44
0200789	3-16	0272875	1-29	0274931	4-3	0275219	7-16, 7-30, 7-44
0200799	3-7, 3-12	0272876	10-3	0274932	4-19	0275220	8-5
0200800	3-12	0272877	10-2	0274933	4-19	0275221	8-18
0200801	3-12	0272878	2-8, 4-25	0274943	4-15	0275222	8-18
0200802	3-7, 3-12	0272879	10-5	0274944	4-15	0275223	8-11
0200803	3-7, 3-12	0272880	10-5	0274969	10-3	0275224	8-11
0200804	3-7, 3-12	0272881	10-5	0274970	10-3	0275225	8-11
0200805	3-12	0272882	10-5	0274971	4-3, 4-4	0275226	8-11
0200807	3-7, 3-12	0272884	10-4	0274972	7-6	0275227	8-11
0200810	3-3	0272887	1-35	0274973	7-20	0275401	2-3
0200815	3-3	0272888	1-35	0274974	7-20	0275429	4-11
0200816	3-7	0272913	1-19	0274975	7-34	0275432	10-1
0200820	3-17	0272980	1-35	0274980	10-3	0275445	1-3, 1-17
0200821	3-3	0273070	10-3	0274981	10-3	0275452	7-16, 7-30, 7-44
0200822	3-3	0273071	10-3	0274985	4-7	0275453	7-16, 7-30, 7-44
0200823	3-3	0273227	1-3, 1-7, 6-3	0274991	4-3	0275454	7-16, 7-30, 7-44
0200824	3-3	0273443	1-19, 2-8	0274992	4-3	0275472	7-12, 7-26, 7-40
0200825	3-3	0273444	2-7	0275006	10-3	0275480	2-3, 7-9
0200826	3-16	0273454	8-19, 10-3	0275007	10-3	0275485	7-12, 7-26, 7-40
0200827	3-16	0273543	10-2	0275016	3-8, 5-7	0275486	7-12, 7-26, 7-40
0200828	3-16	0273544	10-2	0275017	3-13, 5-7	0275487	7-12, 7-26, 7-40
0200829	3-16	0273603	10-1, 10-2	0275018	3-7	0275488	7-12, 7-26, 7-40
0200830	3-16	0273698	2-3, 2-4	0275019	3-12	02754887	7-12
0200831	3-16	0273761	10-3	0275020	2-3	0275489	7-12, 7-26, 7-40
0200832	3-16	0273762	10-3	0275021	2-3	0275490	7-12, 7-26, 7-40
0200834	3-7, 3-12	0273841	4-25	0275022	2-3	0275510	7-26
0200838	3-3	0273859	10-5	0275029	4-3	0275511	7-26
0200839	3-7	0273950	10-2	0275042	2-3	0275512	7-26
0200840	3-12	0273951	10-4, 10-5	0275043	2-3	0275513	7-26
0200841	3-16	0273955	10-2, 10-6	0275044	2-3	0275514	7-26
0200842	3-16	0273965	10-6	0275072	10-5	0275515	7-26
0240055	8-19	0273966	1-19, 2-8	0275073	10-5	0275516	7-26
0240057	10-4	0274012	1-35	0275074	10-5	0275517	7-40
0240071	10-6	0274126	10-2	0275075	10-5	0275518	7-40
0240087	10-6	0274153	10-2	0275076	10-4	0275519	7-40
0240092	10-2	0274179	10-2	0275077	10-4	0275520	7-40
0240093	10-5	0274242	10-2	0275078	10-4	0275521	7-40
0272309	1-35	0274251	10-2	0275079	1-29	0275522	7-40
0272371	1-3, 1-7, 6-3	0274341	10-3	0275080	10-4	0275523	7-40
0272721	8-19, 10-1	0274370	10-1	0275081	10-4	0275530	2-11, 10-1
0272722	1-19	0274386	4-25	0275082	10-4	0275541	7-6
0272778	4-23	0274446	10-1	0275088	1-29	0275542	7-20
0272779	4-23	0274516	10-1	0275092	1-21	0275543	7-20
0272780	2-7	0274517	10-1	0275093	1-21	0275544	7-34
0272781	2-7	0274527	10-2	0275094	1-25	0275603	10-1
0272810	1-19, 2-8	0274545	10-2	0275094	1-25	0275663	1-30, 7-12, 7-26, 7-40
		0274546	1-3, 1-7, 6-3	0275103	1-33		
				0275104	1-33		

SECTION 11 PART NUMBER INDEX

Part Number	Page	Part Number	Page	Part Number	Page	Part Number	Page
0275664	1-30, 7-12, 7-26, 7-40	0760814	1-33	1001092454	2-11	1001100894	1-4, 1-8
0275665	1-30, 7-12, 7-25, 7-39	0761014	3-3	1001092497	8-19	1001100974	1-4
0275666	1-30, 7-12, 7-25, 7-39	0840041	7-8, 7-10, 7-22, 7-24, 7-36, 7-38	1001092580	8-13	1001100975	1-4
0275667	1-30	0840057	7-7, 7-21, 7-35	1001092701	10-4	1001101076	4-7, 4-15, 4-19, 9-1
0275692	3-3, 5-7	0840058	7-8, 7-9, 7-22, 7-23, 7-35, 7-37	1001092702	10-4	1001101329	9-2, 10-3
0275693	3-8, 5-7	0840059	7-7, 7-8, 7-21, 7-22, 7-35, 7-36	1001092737	1-7, 1-12	1001101330	9-2, 10-3
0275694	3-13, 5-7	0840060	7-9, 7-23, 7-37	1001092738	1-7, 1-12	1001102258	1-30
0275695	3-17, 5-7	0840061	7-6, 7-20, 7-34	1001092739	1-7, 1-8, 1-17	1001102349	1-4
0275696	3-17, 5-7	0860520	8-5, 8-11, 8-18	1001092740	1-7, 1-8, 1-17	1001102351	1-4
0275900	10-2	0861669	2-7	1001092741	1-7, 1-8, 1-17	1001102353	1-4
0275937	10-4	0861678	2-3, 2-4	1001093556	2-11, 7-17, 7-31, 7-45	1001102354	1-4
0276667	7-12, 7-25, 7-39	0861731	7-13, 7-26, 7-40	1001093693	7-36	1001102489	1-30
0380025	2-7	0861781	7-13, 7-26, 7-40	1001093839	1-33	1001102549	10-2
0400215	2-3	0861782	7-13, 7-27, 7-41	1001094105	7-17, 7-31, 7-45	1001103257	1-29, 7-11, 7-25, 7-39
0400216	2-3	0902780	1-33	1001094124	1-19	1001103258	1-30, 7-11, 7-25, 7-39
0400237	1-33	0902905	1-35	1001094154	7-6	1001103307	10-2
0400238	1-29	0902906	1-35	1001094155	7-20	100110344	7-27
0400242	2-3	0903086	1-35	1001094156	7-20	1001104465	7-9, 7-23, 7-37
0440257	3-16	0903098	1-18	1001094157	7-34	1001104466	7-8
0440259	1-3, 1-7, 5-9	0903319	1-33	1001094175	7-9, 7-23, 7-37	1001104467	7-22
0440263	1-21, 1-25	0903339	7-8	1001094180	7-9, 7-23, 7-37	1001104468	7-36
0440264	1-4, 1-8, 3-3	0903444	1-33	1001094203	2-11	1001105108	1-36
0440265	1-4, 1-8	0903484	7-14, 7-28, 7-42	1001094301	1-19	1001105109	1-36
0440266	3-3, 3-7, 3-12, 3-16	0903566	7-14, 7-28, 7-42	1001094332	7-6	1001106715	10-1
0440267	3-7, 3-12, 3-16	0903569	7-14, 7-28, 7-42	1001094333	7-20	1001106716	10-1
0561520	4-3	0903574	4-4	1001094334	7-20	1001106717	10-1
0610161	2-7	0903598	2-11	1001094335	7-34	1001109088	1-22, 1-26, 7-7, 7-21, 7-35, 9-1
0630565	4-4, 4-7, 4-11, 4-15, 4-19	0962006	5-6	1001094359	8-5, 8-12, 8-18	1001109123	7-7, 7-21, 7-35
0630580	1-3, 1-7	0962181	5-6	1001096627	7-42	1001109124	7-7, 7-21
0700614	1-22, 1-25	0962257	5-6	1001096628	7-12, 7-26, 7-40	1001109125	7-35
0700615	1-35, 2-3, 2-8	0962292	1-25	1001096705	7-8	1001109146	10-1
0700616	2-3	1001091102	7-14, 7-28, 7-42	1001096706	7-22	1001109147	10-1
0700617	1-35	1001091153	4-23	1001096707	7-36	1001109148	10-1
0700619	1-17	1001091154	4-23	1001096794	7-22	1001109207	10-1
0700624	1-18	1001091272	4-23	1001096795	7-24	1001109208	10-1
0700819	1-19	1001091275	4-23	1001096796	7-38	1001109209	10-1
0700823	4-7	1001091277	4-23	1001096798	7-36, 7-37	1001109210	10-1
0700825	4-11	1001091278	4-24	1001096799	7-22, 7-23	1001109211	10-1
0701015	1-25, 3-7, 3-12	1001091279	4-24	1001097150	7-15, 7-29, 7-43	1001109212	10-1
0701016	1-3, 1-7, 1-35, 3-16	1001091280	4-24	1001097347	9-1	1001109218	7-7, 7-21
0701017	3-12	1001091390	4-23, 4-24	1001098162	10-4	1001109219	7-35
0701020	1-3, 1-7, 3-16	1001091393	4-25	1001099628	1-13, 7-10	1001109232	1-21, 1-25
0701022	3-3, 3-7, 3-8, 3-12, 3-13, 3-16, 3-17, 4-3	1001091396	4-24	1001099676	1-13, 7-24, 7-38	1001109233	1-21, 1-25
0701024	4-3	1001091479	7-16, 7-30, 7-44	1001099919	8-6, 8-13, 8-19	1001109345	1-22, 1-26, 7-7, 7-21, 7-35
0701027	3-16, 4-3	1001091492	1-19	1001099920	8-6, 8-13, 8-19	1001109475	7-15, 7-29, 7-43, 9-1
0701029	3-12, 3-16, 4-3	1001091502	1-13, 7-10	1001099921	8-6, 8-13, 8-19	1001109482	7-15, 7-29, 7-43, 9-1
0760410	1-35	1001091502	1-13, 7-10	1001099922	8-6, 8-14, 8-20	1001110176	10-1
0760606	7-9, 7-23, 7-37	1001091502	1-13, 7-10	1001099923	8-7, 8-14, 8-20	1001110177	10-1
0760610	2-3, 7-8, 7-22, 7-36	1001091843	1-13, 7-24, 7-38	1001100029	10-4	1001110178	10-1
0760614	7-8, 7-22, 7-36	1001091965	4-25, 9-1	1001100343	7-13, 7-14, 7-16, 7-27, 7-30, 7-41, 7-44	1001110179	10-1
0760619	7-14, 7-28, 7-42	1001091967	4-25	1001100344	7-13, 7-14, 7-16, 7-27, 7-30, 7-41, 7-44	1001110180	10-1
0760808	4-25	1001091968	4-25	1001100819	1-14	1001110181	10-1
0760812	1-33	1001092071	8-6, 8-13, 8-19	1001100820	1-14		
		1001092073	10-4	1001100840	1-4, 1-8		
		1001092074	10-4				
		1001092354	3-4, 3-8, 3-13, 3-17, 7-11, 7-25, 7-39, 9-1				

SECTION 11 PART NUMBER INDEX

Part Number	Page	Part Number	Page	Part Number	Page	Part Number	Page
1001110826	2-4, 7-8	1060633	7-17, 7-31, 7-45	1684528	3-12, 5-4	1705698	2-7
1001112111	1-29	1060680	7-16, 7-30, 7-44	1684529	3-16, 5-4	1705699	8-6, 8-13
1001112112	2-3	1060688	1-29, 1-30, 7-11, 7-12, 7-25, 7-39	1684530	3-16, 5-4	1705704	8-19
1001112113	2-3	1060689	1-30, 7-11, 7-25, 7-39	1700584	8-5, 8-11, 8-18	1705717	8-12
1001113574	1-29	1060908	7-15, 7-29, 7-43	1701499	8-5, 8-12, 8-18	1705718	8-12
1001113576	1-29	1060998	7-9, 7-23, 7-37	1701509	8-5, 8-11, 8-18	1705719	8-12
1001114466	1-4, 1-8	1061001	7-9, 7-23, 7-37	1702155	8-5, 8-11, 8-18	1705720	8-11
1001114467	1-4, 1-8	1061034	3-8, 3-13, 3-17, 5-7	1702773	8-5, 8-12, 8-18	1705721	8-12
1001114770	2-3	1061035	5-7	1702928	8-18	1705722	8-11
1001114933	9-1	1061036	3-4, 3-8, 3-13, 5-7	1703464	7-13, 7-26, 7-40, 8-5, 8-12, 8-18	1705723	8-11
1001116915	8-6, 8-13, 8-19	1180380	3-17	1703811	8-5, 8-11, 8-18, 8-19	1705724	8-12
1001116928	8-6, 8-13, 8-19	1180382	3-7, 3-12	1703813	8-5	1705725	8-12
1001118215	4-25	1180383	3-12	1703814	8-5, 8-11, 8-18, 8-19	1705726	8-11
1001118216	4-25	1180388	3-12	1703819	4-24, 8-5, 8-11, 8-18	1705727	8-11
1001120621	8-13	1260136	4-7, 4-15, 4-19	1703822	8-5, 8-11, 8-18	1705754	2-4
1001120622	8-13	1271617	4-7, 4-11	1703834	8-11	1705781	8-5, 8-12, 8-18
1001120623	8-13	1271618	4-7, 4-11	1703856	8-12	1705819	8-19
1001120629	8-13	1320043	1-33	1704016	8-5, 8-11, 8-18	1705850	8-7, 8-14, 8-20
1001121295	10-4	1320136	1-30	1704277	8-5, 8-11, 8-18	1705851	8-7, 8-14, 8-20
1001121695	10-3	1320162	1-19	1704339	8-12	1705880	8-6, 8-13, 8-14
1001126013	10-2	1320318	7-6, 7-34	1704340	8-12	1705887	8-19
1001127269	2-3	1321130	2-4	1704341	8-12	1705894	8-11
1001127523	7-10, 7-24	1321283	1-19	1704344	8-12	1705941	8-6, 8-13
1001128737	1-29	1321293	1-30	1704412	8-5, 8-11, 8-18	1705942	8-19
1001132233	2-3	1321716	7-8, 7-22, 7-36	1705051	10-3	1705943	8-12
1001134012	1-13, 7-24, 7-38	1380132	4-8, 4-11, 4-16, 4-20	1705052	1-33, 10-3	1705944	8-12
100113443	4-23	1380153	1-3, 1-7	1705303	8-14	1705945	8-12
1001134438	4-23, 4-27, 4-29, 9-1	1380156	4-23	1705304	10-2	1705946	8-11
1001134933	4-3	1380158	7-6, 7-20, 7-34	1705638	8-6, 8-13	1706052	8-12
1001134934	4-3, 4-4	1380159	4-25	1705639	8-6, 8-13	1706053	8-12
1001134935	4-4	1600244	7-17, 7-31, 7-45	1705640	8-6, 8-13	1706056	8-12
1001134951	4-3	1600345	4-23, 4-27	1705641	8-6, 8-13	1706057	8-11
1001135316	10-4	1600346	1-17, 9-1	1705642	8-6, 8-13, 8-19	1706310	8-7, 8-14, 8-20
1001135317	10-4	1600402	4-23, 4-29	1705643	8-6, 8-13, 8-19	1706311	8-7, 8-14
1001136847	1-33	1600419	2-7	1705644	8-6, 8-13, 8-19	1706312	8-20
1001137005	7-17, 7-31, 7-45	1600439	4-23	1705645	8-6, 8-13, 8-20	1706331	10-5
1001141967	7-13, 7-27, 7-41	1600466	1-30	1705646	8-7, 8-14, 8-20	1706350	2-4
1001141968	7-13, 7-14, 7-27, 7-41	1671098	4-23	1705647	8-7, 8-14	1706679	2-11
1001141969	7-13, 7-14, 7-27, 7-41	1671105	2-7	1705648	8-20	1706749	1-33
1001141970	7-13, 7-14, 7-16, 7-30, 7-41, 7-44	1671124	2-8	1705666	8-19	1706765	1-33
1001141971	7-13, 7-14, 7-16, 7-30, 7-41, 7-44	1671131	4-25	1705667	8-19	1706922	10-2
1001148902	10-2	1671132	1-18	1705668	8-19	1810140	2-8
1001148903	10-2	1671133	1-18	1705670	8-18	1930ES	1-1
1001148904	10-2	1671181	1-18	1705671	8-18	2080040	4-7, 4-8, 4-11, 4-15, 4-16, 4-19, 4-20, 8-5, 8-11, 8-18
1001148905	10-2	1671182	1-18	1705673	8-18	2080057	8-5, 8-11, 8-18
1001148906	10-2	1671202	2-4	1705674	4-23	2110404	1-3, 1-7, 5-9, 6-3
1001149795	8-7	1671203	2-4	1705675	4-23	2220882	5-6
1001149796	8-7	1671204	2-4	1705676	4-23	2220883	5-5, 5-6
1001149797	8-7	1671207	7-13, 7-27, 7-41	1705679	8-5, 8-11	2300028	10-3
1001149798	8-7	1684237	1-3, 1-7, 5-9, 6-3	1705680	8-5, 8-11	2300042	10-3
1001149799	8-7	1684456	1-3, 1-7, 5-9, 6-3	1705681	8-5, 8-12	2400093	7-15, 7-29, 7-43
1060279	8-11	1684484	3-3, 5-4	1705686	8-5	240015	7-15, 7-29, 7-43
		1684487	3-7, 5-4	1705692	8-5, 8-11, 8-18	2420172	2-7
		1684488	3-12, 5-4	1705693	8-5, 8-11, 8-18	2460042	10-3
		1684489	3-16, 5-4	1705694	8-5, 8-11	250135	7-15, 7-29, 7-43
		1684490	3-16, 5-4	1705695	8-5, 8-11	2540042	7-6, 7-20, 7-34
		1684526	3-3, 5-4	1705696	2-7	2540045	4-4
		1684527	3-7, 5-4	1705697	2-7		

SECTION 11 PART NUMBER INDEX

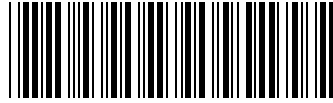
Part Number	Page	Part Number	Page	Part Number	Page	Part Number	Page
2560088	4-8, 4-11, 4-16, 4-20	2902541 7-15, 7-29, 7-43	3300423 1-4	3576349 1-35
2560179 4-23	2915012 1-4, 1-8	3300473 4-24	3576645 4-7
2560191	4-8, 4-11, 4-15, 4-19	2915013 1-4, 1-8	3300477 4-19	3576646 4-19
2560205 7-24, 7-38	2915016 10-1	3321005 2-7	3576932 4-11, 4-15
2600281	4-7, 4-11, 4-15, 4-19	2915039 2-7	3321402	3-4, 3-8, 3-13, 3-17, 5-7	3577029 1-21, 1-25
2753882 6-3	2915064 1-18, 9-1	3340612	4-8, 4-11, 4-16, 4-20	3577030 1-21, 1-25
2753883 6-3	2915230 1-30, 10-5	3340957 3-8, 3-13, 3-17	3577112 1-4
2755056 6-3	2915236 1-4	3340962	3-3, 3-7, 3-12, 3-16	3641604 4-7
2755061 6-3	2915240 4-4	3340964 3-3	3641605 4-7
2760113 4-23	2915241 4-4	3340965 4-3	3641606 4-8
2760114 4-24	2920026 2-7	3340965 4-3	3641607 4-19
2760115 4-24	2920094 2-7	3340968 4-24	3641608 4-19
2760116 4-24	2920161	1-35, 7-12, 7-26, 7- 40	3340975 2-4	3641609 4-19
2780266 1-3, 1-4, 1-7	2930005 1-35	3340976 4-3	3641610 4-19
2792599 6-3	2940064 4-7, 4-15, 4-19	3380475 4-24	3641611 4-19
2820026	7-6, 7-9, 7-20, 7-23, 7-34, 7-37	2940174 2-4	3420156 3-7, 3-12, 3-16	3641612 4-19
2820028	7-6, 7-9, 7-20, 7-23, 7-34, 7-37	2940175 2-4	3422997	3-7, 3-12, 3-13, 3-16	3641613 4-19
2820097 4-7, 4-15, 4-19	3010088 4-7, 4-15, 4-19	3422998 3-12, 3-16	3641614 4-15, 4-19
2820239 1-33	3010158 1-21, 1-25	3423009 3-16	3641615 4-15, 4-19
2860030 2-7, 9-1	3080007	.. 4-7, 4-11, 4-15, 4- 19, 9-1	3423011 3-16	3641616 4-15
2890186 10-1	3121248 1-1	3423014	3-7, 3-12, 3-13, 3-16	3641617 4-15
2901443	7-17, 7-31, 7-45, 10- 5	3125053 10-3	3423026 3-16	3641618 4-15
2902267 8-6, 8-12, 8-18	3128145 10-3	3423031 3-3	3641619 4-11, 4-15
2902278 8-12	3128601 1-4, 1-8	3423032 3-3	3641620 4-11, 4-15
2902301 8-12	3128703 1-4, 1-8	3423036 3-7, 3-12	3641621 4-16
2902302 8-12	3160306 1-4, 1-12	3423037 1-3, 1-7	3641622 4-16
2902331 2-11, 10-1	3160307 1-4, 1-12	3423038 3-3, 3-7, 3-12	3641650 4-11
2902335 8-12	3160337 1-4, 1-12	3423039 3-12	3641651 4-11
2902378 8-12	3200454	3-4, 3-8, 3-13, 3-17	3423042 3-3	3641652 4-11
2902405 10-3	3251813 8-7, 8-14	3423045 1-21, 1-25	3641653 4-11
2902431 7-16, 7-29, 7-43	3252098 8-12	3423049 4-3	3641654 4-11
2902448 4-7	3252507	7-13, 7-26, 7-40, 8- 5, 8-12, 8-18	3423067 3-7, 3-12	3730119 7-9, 7-23, 7-37
2902449 4-8	3290405	1-21, 1-25, 1-35, 4- 25, 7-14, 7-28, 7-42	3423170 3-17	3740146 1-18
2902455 3-3	3290605	1-17, 1-21, 1-25, 1- 35, 2-3, 2-4, 7- 14, 7-22, 7-28, 7-36, 7-42	3423189 1-21, 1-25	3740150	1-18, 7-11, 7-25, 7- 39, 9-1
2902475 3-17	3290606	1-18, 4-7, 4-8, 4-11, 4-15, 4-16, 4-19, 4-20, 7-9, 7-23, 7-37	3423239 3-3	3760115 1-21, 1-25, 3-3
2902476 7-8, 7-9	3290607	.. 1-35, 7-8, 7-14, 7- 22, 7-28, 7-36, 7-42	3423255 3-17	3760170 3-3
2902489 4-20	3290805 1-33, 4-25	3423259 3-8, 3-13	3760348 1-21, 1-25
2902490 4-19	3290806	4-7, 4-8, 4-11, 4-16, 4-20	3423267 1-21, 1-25	3760387 3-7, 3-12, 3-16
2902491 4-19	3291005	1-21, 1-25, 1-35, 3- 3, 3-7, 3-8, 3-12, 3-13, 3-16, 3-17, 4-3, 4-4, 4-7, 4- 11, 4-15, 4-19, 7-8	3423278 4-11, 4-16, 4-20	3760463 1-4, 1-7
2902492 4-15			3423289 1-25	3820019	4-8, 4-11, 4-16, 4-20
2902493 4-15			3450303 3-3	3820032 2-4
2902494 4-16			3450406 1-4	3841143	3-3, 3-7, 3-12, 3-16
2902496 4-7			3510888 4-4	3841716	4-7, 4-11, 4-15, 4-19
2902499 3-7			3510890 4-4	3860104 3-16
2902500 3-13			3510892 4-4	3860107 3-12
2902507 7-36, 7-37			3520072	4-7, 4-11, 4-15, 4-19	3860111	4-8, 4-11, 4-16, 4-20
2902509 7-22, 7-23			3520193 2-7	3860118 4-4
2902522 8-6			3574067 4-3	3900333 4-24
2902523 8-18			3574159 3-3	3900336 2-7
2902524 8-12			3574161 3-7, 3-12, 3-16	3900338 2-7, 4-25
2902525 8-12			3574176 1-21, 1-25	3900339 2-7
2902526 8-12			3574184 4-7, 4-11, 4-15	3900345	4-8, 4-11, 4-16, 4-20
2902528 8-12			3574249 4-24	3900351 1-21, 4-3, 7-8
2902532 8-12			3574636 8-19	3900356 2-7
2902535 4-11			3574714 1-19	3990010	7-16, 7-30, 7-44, 9-1
2902536 4-12			3574981 2-3	3990013 7-7, 7-21, 7-35
				3574984 2-3	4000006 2-8
				3575794 4-25	4010405 7-14, 7-28, 7-42
				3576093 3-3		

SECTION 11 PART NUMBER INDEX

Part Number	Page	Part Number	Page	Part Number	Page	Part Number	Page
40104087-14, 7-28, 7-42	4420051 8-19	4460508 7-11, 7-25, 7-39	44612037-14, 7-28, 7-42
4010415 1-21, 1-25	4420070 1-35, 3-4, 3-17	4460509 7-11, 7-24, 7-38	4461204	7-13, 7-14, 7-27, 7-41
40106127-14, 7-28, 7-42	4420071 4-4	4460510	7-17, 7-31, 7-45, 10-5	4461205	1-30, 7-14, 7-28, 7-42
4010616	4-7, 4-11, 4-15, 4-19	4420072 4-4	4460536	7-11, 7-12, 7-25, 7-26, 7-39, 7-40	44612067-14, 7-28, 7-42
4010617	4-11, 4-16, 4-20, 7-9, 7-23, 7-37	4420073 4-4	4460539 7-7, 7-21, 7-35	4461207	7-13, 7-14, 7-27, 7-41
4010618	4-7, 4-8, 4-11, 4-12, 4-16, 4-19, 4-20	4420074 4-4	44606187-24, 7-38	44612447-13, 7-27, 7-41
4031512 1-21, 1-25	4420075 4-4	4460633	7-13, 7-15, 7-27, 7-29, 7-41, 7-43	44612457-13, 7-27, 7-41
4031607 2-11	4420080 1-35, 3-17	4460648	. 1-29, 7-7, 7-11, 7-21, 7-25, 7-35, 7-39	44612467-13, 7-27, 7-41
40317132-3, 7-22, 7-36	4460138	7-14, 7-16, 7-28, 7-30, 7-42, 7-44	4460662 7-13, 7-27, 7-41	4461249	1-30, 7-14, 7-28, 7-42
4060865 1-35	4460226	..4-27, 7-7, 7-11, 7-17, 7-21, 7-25, 7-31, 7-35, 7-39, 7-45	4460754 7-9, 7-23, 7-37	44612507-14, 7-28, 7-42
40710943-7, 3-12, 3-17	4460227	..1-29, 4-27, 7-7, 7-11, 7-21, 7-25, 7-35, 7-39	4460761	7-7, 7-9, 7-21, 7-23, 7-35, 7-37	44612577-13, 7-27, 7-41
4071102 2-4	4460265	4-27, 7-6, 7-9, 7-20, 7-23, 7-34, 7-37	4460779 7-16, 7-30, 7-44	44612587-13, 7-27, 7-41
4160078	3-4, 3-8, 3-13, 3-17, 5-7	4460266	4-27, 7-11, 7-25, 7-39	4460814 7-7, 7-21, 7-35	44612607-11, 7-25, 7-39
4160202 1-21, 1-25	4460267	7-6, 7-9, 7-16, 7-20, 7-23, 7-30, 7-34, 7-37, 7-44	4460868 7-17, 7-31, 7-45	44612617-11, 7-24, 7-38
4160203 4-24	4460268 7-9, 7-23, 7-37	4460870 7-7, 7-21, 7-35	4520326 1-4
4191306 4-24	4460315 7-13, 7-26, 7-40	4460877	. 7-7, 7-17, 7-21, 7-31, 7-35, 7-45	4520327 1-4
4191407 4-24	4460320 7-7, 7-21, 7-35	4460884 7-7, 7-21, 7-35	4520565 1-4, 1-8
4191409 4-24	4460321	..7-7, 7-17, 7-21, 7-31, 7-35, 7-45	4460891	. 7-8, 7-10, 7-11, 7-12, 7-22, 7-24, 7-25, 7-26, 7-36, 7-38, 7-39, 7-40	4520676 1-4, 1-8
4191706	1-18, 1-19, 1-30, 1-33, 2-11, 3-4, 3-8, 3-13, 3-17, 7-14, 7-28, 7-42	4460346 7-13, 7-27, 7-41	4460894	7-7, 7-8, 7-21, 7-22, 7-35, 7-36	4568667 4-11, 4-16, 4-20
4191707	1-18, 1-30, 1-33, 1-35, 2-3	4460418 7-9, 7-23, 7-37	4460897 7-7, 7-21, 7-35	4568738 4-24
4191708	1-18, 7-14, 7-28, 7-42	4460419 7-9, 7-23, 7-37	4460899	. 1-29, 7-8, 7-11, 7-16, 7-22, 7-25, 7-30, 7-36, 7-39, 7-44	4569305 4-8
4191709 1-18	4460424	1-29, 7-11, 7-16, 7-25, 7-30, 7-39, 7-44	4460930	. 7-6, 7-20, 7-22, 7-34, 7-36	4569310 4-20
4220252 2-4	4460428 7-13, 7-27, 7-41	4460931	7-8, 7-9, 7-22, 7-23, 7-35, 7-36, 7-37	4569319 4-16
4220253 2-4	4460464	. 1-29, 7-6, 7-7, 7-8, 7-9, 7-11, 7-12, 7-16, 7-20, 7-21, 7-22, 7-23, 7-25, 7-26, 7-30, 7-34, 7-35, 7-36, 7-37, 7-39, 7-40, 7-44	4460943	7-8, 7-9, 7-22, 7-23, 7-35, 7-37	4569404 4-11, 4-16, 4-20
4220287 1-21	4460465	7-6, 7-7, 7-8, 7-9, 7-10, 7-11, 7-12, 7-20, 7-21, 7-22, 7-23, 7-24, 7-25, 7-26, 7-34, 7-35, 7-36, 7-37, 7-39, 7-40	4460944	7-6, 7-7, 7-9, 7-20, 7-21, 7-23, 7-34, 7-35, 7-37	4569428 4-11
4220293 1-25	4460466	7-6, 7-9, 7-16, 7-20, 7-22, 7-23, 7-30, 7-37, 7-44	4460956 7-15, 7-29, 7-43	4661199 7-12, 7-25, 7-39
42400037-16, 7-30, 7-44	4460467	7-17, 7-31, 7-45, 10-5	4460957 7-15, 7-29, 7-43	4661202 7-12, 7-26, 7-40
4240147 1-18	4460493 7-9, 7-23, 7-37	4461016 7-6, 7-20, 7-34	4661205 7-12, 7-26, 7-40
4240172 2-4	4460496 7-6, 7-20, 7-34	4461057 7-6, 7-20, 7-34	4661249 7-12, 7-25, 7-39
4340739 2-7	4460497 7-6, 7-20, 7-34	4461196	1-30, 7-12, 7-14, 7-25, 7-28, 7-39, 7-42	4740086 1-21, 1-25
4340751 1-19			4461197 7-14, 7-28, 7-42	4740438 3-7, 3-12, 3-16
4340914 4-4			4461198 7-13, 7-27, 7-41	4740468 1-4
4341055 10-5			4461199	1-30, 7-14, 7-28, 7-42	4740524 1-4, 1-7
4360069 2-7, 9-1			4461200 7-14, 7-28, 7-42	4740531 3-3
4360328 2-7, 9-1			4461201 7-13, 7-27, 7-41	4740545 7-6, 7-20, 7-34
4360336	7-16, 7-30, 7-44, 9-1			4461202	1-30, 7-14, 7-28, 7-42	4740562 1-33
4360387	2-11, 7-16, 7-30, 7-44, 9-1					4740564 1-4, 1-7
4360469 2-7, 9-1					4750800 1-35, 2-4
4360470 2-7, 9-1					4751000 2-7
4360475 2-7, 4-24, 9-1					4751400 1-18, 1-35
4360482 10-3					4811400	4-25, 7-14, 7-28, 7-42
4360526	3-4, 3-8, 3-13, 3-17, 7-11, 7-25, 7-39					4811600 2-4, 2-11
4360538 4-24, 9-1					4811700	1-19, 1-21, 1-25, 1-30, 1-33, 1-35, 2-3, 7-8, 7-14, 7-22, 7-28, 7-36, 7-42
4360539	4-24, 7-11, 7-25, 7-39, 9-1					4811900 1-19, 4-7, 4-11
4360613	7-16, 7-30, 7-44, 9-1					4812000	1-3, 1-7, 1-21, 1-25, 3-3, 3-7, 3-12, 3-17, 4-3, 4-4, 4-7, 4-11, 4-15, 4-19, 7-8
4360633	. 1-22, 1-26, 7-7, 7-21, 7-35						
4420037 4-20						

SECTION 11 PART NUMBER INDEX

Part Number	Page	Part Number	Page	Part Number	Page	Part Number	Page
4846684	3-16	70000683	4-29	7020556	4-27	7023593	5-4, 9-1
4846723	4-8, 4-12, 4-16, 4-20	70000684	4-29	7023528	5-7	7024747	1-13
4846752	3-12	70000685	4-29	7023529	5-6	7024748	1-13
4846757	1-3, 1-7	70000686	4-29	7023530	5-6	7024749	1-13
4846764	4-4	70000790	1-13	7023531	5-6	7024750	1-14
4846768	4-4	70000791	1-13	7023532	5-6	7024756	1-14
4846775	1-21	70000792	1-13	7023533	5-6	7024757	1-12
4846811	1-25	70000798	5-6, 9-1	7023534	5-6	7024758	1-13
4846812	1-35	70000799	5-6, 9-1	7023535	5-4	7024770	1-13, 7-10, 7-24, 7-38
4846813	1-35	70001250	4-29	7023536	5-6		
4846816	1-21	70001251	4-29	7023537	5-6	7024771	1-14
4846861	1-21	70001252	4-29	7023538	5-6	7024772	1-14
4846862	1-25	70001253	4-29	7023539	5-4	7024773	1-14
4846863	1-21	70001263	1-14	7023542	5-6	7024774	1-14
4922865	2-8, 7-9, 7-23, 7-37	70001265	1-14	7023543	5-6	7024775	1-13, 7-24, 7-38
4922870	4-24, 7-6, 7-20, 7-34	70001345	1-14	7023544	5-7	7024776	1-14
4922944	2-11, 7-16, 7-30, 7-44, 10-1	70001442	7-10, 7-24, 7-38	7023545	5-6	7024777	1-14
4923271	7-8, 7-22, 7-36	70001443	7-10, 7-24, 7-38	7023546	5-6	7024785	1-13
4923272	7-10, 7-24	70001444	7-10, 7-24, 7-38	7023547	5-6	7024786	1-12
4923350	7-8, 7-22, 7-36	70001709	5-7	7023548	5-6	7024787	1-14
4923365	7-10	70001739	1-12	7023549	5-4	7026183	1-4, 1-8
4923366	7-10	70001878	3-4, 3-8, 3-13, 3-17, 5-7	7023550	5-6	7026184	1-4, 1-8
4923367	7-10	70001949	1-13	7023551	5-6	7026185	1-4, 1-8
4923374	7-10	70001982	5-7	7023552	5-6	7027365	4-29
4923389	7-16, 7-30, 7-44	70003645	5-4	7023553	5-6	7027367	4-29, 9-1
4923390	7-16, 7-30, 7-44	70003646	5-4	7023554	5-7	7027765	4-29
4923391	7-16, 7-30, 7-44	70003650	4-29	7023555	5-6	7027766	4-29
4923392	7-16, 7-30, 7-44	70010346	10-3	7023557	5-4	7027863	2-4
4923393	7-17, 7-30, 7-44	7002821	7-17, 7-31, 7-45, 10-5	7023558	5-4		
4923401	7-38			7023559	5-9		
4923402	7-38	7002822	10-5	7023560	5-9		
4923406	7-38	7002823	7-17, 7-31, 7-45, 10-5	7023561	5-9		
4923409	7-38			7023562	5-9		
4923410	7-38	7002826	10-5	7023563	5-9		
4923413	7-10, 7-24	7002828	7-17, 7-31, 7-45, 10-5	7023564	5-9		
4923414	7-10, 7-24			7023565	5-9		
4923415	7-24	7003790	4-27	7023568	5-4		
4923416	7-24	7004275	10-5	7023569	5-4		
4923449	7-7, 7-21	7004276	10-5	7023570	5-5		
4923450	7-35	7010641	1-4, 1-7	7023571	5-5		
4923587	7-6	7010642	1-4, 1-7	7023572	5-5		
4923602	1-19, 7-11, 7-25, 7-39	7011997	4-27	7023573	5-5		
4923647	7-8, 7-36	7012524	1-4, 1-7	7023574	5-5		
4923648	7-10	7016319	1-35	7023575	5-5		
4933218	7-6	7016372	1-35	7023576	5-5, 9-1		
4933351	7-7, 7-21, 7-35	7016654	10-5	7023577	5-4		
70000082	4-29	7019697	1-4, 1-8	7023578	5-4		
70000084	4-29	7020175	2-7, 4-24	7023579	5-5		
70000107	5-9	7020176	2-7, 4-24	7023580	5-5		
70000108	5-9	7020218	3-4, 3-8, 3-13, 3-17, 5-7	7023581	5-5		
70000110	5-9			7023582	5-5		
70000191	1-12	7020500	4-27	7023583	5-4		
70000335	5-5	7020501	4-27	7023584	5-5		
70000383	1-13	7020551	4-27	7023585	5-4		
70000555	10-5	7020552	4-27	7023586	5-5		
70000658	5-5	7020553	4-27	7023587	5-4		
70000659	5-5	7020554	4-27	7023588	5-5		
		7020555	4-27	7023589	5-4		
				7023591	5-5		



3121248



An Oshkosh Corporation Company



www.discount-equipment.com

Go to Discount-Equipment.com to order your parts

PARTS FINDER

**Search Website
by Part Number**



**Search Manual
Library For Parts
Manual & Lookup Part
Numbers – Purchase
or Request Quote**

Search Manuals

Enter your information to help us find the right parts manual for your machine.

* Brand:

* Model:

* Serial:

* Part Number:

SEARCH

**Can't Find Part or
Manual? Request Help
by Manufacturer,
Model & Description**

Parts Order Form

Please fill in the following information to help us find the right part for your machine.

Manufacturer:	<input type="text"/>
Model:	<input type="text"/>
Description:	<input type="text"/>
Part Number:	<input type="text"/>
Quantity:	<input type="text"/>
Notes:	<input type="text"/>

Submit

Discount-Equipment.com is your online resource for quality parts & equipment.

Florida: **561-964-4949** Outside Florida TOLL FREE: **877-690-3101**

Need parts?

Click on this link: <http://www.discount-equipment.com/category/5443-parts/> and choose one of the options to help get the right parts and equipment you are looking for. Please have the machine model and serial number available in order to help us get you the correct parts. If you don't find the part on the website or on one of the online manuals, please fill out the request form and one of our experienced staff members will get back to you with a quote for the right part that your machine needs.

We sell worldwide for the brands: Genie, Terex, JLG, MultiQuip, Mikasa, Essick, Whiteman, Mayco, Toro Stone, Diamond Products, Generac Magnum, Airman, Haulotte, Barreto, Power Blanket, Nifty Lift, Atlas Copco, Chicago Pneumatic, Allmand, Miller Curber, Skyjack, Lull, Skytrak, Tsurumi, Husquvarna Target, Stow, Wacker, Sakai, Mi-T-M, Sullair, Basic, Dynapac, MBW, Weber, Bartell, Bennar Newman, Haulotte, Ditch Runner, Menegotti, Morrison, Contec, Buddy, Crown, Edco, Wyco, Bomag, Laymor, EZ Trench, Bil-Jax, F.S. Curtis, Gehl Pavers, Heli, Honda, ICS/PowerGrit, IHI, Partner, Imer, Clipper, MMD, Koshin, Rice, CH&E, General Equipment, Amida, Coleman, NAC, Gradall, Square Shooter, Kent, Stanley, Tamco, Toku, Hatz, Kohler, Robin, Wisconsin, Northrock, Oztec, Toker TK, Rol-Air, APT, Wylie, Ingersoll Rand / Doosan, Innovatech, Con X, Ammann, Mecalac, Makinex, Smith Surface Prep, Small Line, Wanco, Yanmar