



**Count on it.**

**Parts Catalog**

**VR-3100**

**Rammer Compactor**

Model No. 68035—Serial No. 404320000 and Up

Go to [Discount-Equipment.com](http://Discount-Equipment.com) to order your parts



[www.discount-equipment.com](http://www.discount-equipment.com)



# PARTS FINDER

**Search Website  
by Part Number**



**Search Manual  
Library For Parts  
Manual & Lookup Part  
Numbers – Purchase  
or Request Quote**

**Search Manuals**

Enter your information to help us find the right parts manual for your machine.

\* Brand:

\* Model:

\* Serial:

\* Part Number:

SEARCH

**Can't Find Part or  
Manual? Request Help  
by Manufacturer,  
Model & Description**

**Parts Order Form**

Please fill in the following information to help us find the right part for your machine.

Manufacturer:	<input type="text"/>
Model:	<input type="text"/>
Description:	<input type="text"/>
Part Number:	<input type="text"/>
Quantity:	<input type="text"/>
Notes:	<input type="text"/>

Submit

Discount-Equipment.com is your online resource for quality parts & equipment.

Florida: **561-964-4949** Outside Florida TOLL FREE: **877-690-3101**

**Need parts?**

Click on this link: <http://www.discount-equipment.com/category/5443-parts/> and choose one of the options to help get the right parts and equipment you are looking for. Please have the machine model and serial number available in order to help us get you the correct parts. If you don't find the part on the website or on one of the online manuals, please fill out the request form and one of our experienced staff members will get back to you with a quote for the right part that your machine needs.

We sell worldwide for the brands: Genie, Terex, JLG, MultiQuip, Mikasa, Essick, Whiteman, Mayco, Toro Stone, Diamond Products, Generac Magnum, Airman, Haulotte, Barreto, Power Blanket, Nifty Lift, Atlas Copco, Chicago Pneumatic, Allmand, Miller Curber, Skyjack, Lull, Skytrak, Tsurumi, Husquvarna Target, Stow, Wacker, Sakai, Mi-T-M, Sullair, Basic, Dynapac, MBW, Weber, Bartell, Bennar Newman, Haulotte, Ditch Runner, Menegotti, Morrison, Contec, Buddy, Crown, Edco, Wyco, Bomag, Laymor, EZ Trench, Bil-Jax, F.S. Curtis, Gehl Pavers, Heli, Honda, ICS/PowerGrit, IHI, Partner, Imer, Clipper, MMD, Koshin, Rice, CH&E, General Equipment, Amida, Coleman, NAC, Gradall, Square Shooter, Kent, Stanley, Tamco, Toku, Hatz, Kohler, Robin, Wisconsin, Northrock, Oztec, Toker TK, Rol-Air, APT, Wylie, Ingersoll Rand / Doosan, Innovatech, Con X, Ammann, Mecalac, Makinex, Smith Surface Prep, Small Line, Wanco, Yanmar

# Ordering Replacement Parts

To order replacement parts, please supply the part number, the quantity, and the description of each part desired.

## Understanding Reference Numbers

Each identified part in an illustration has a reference number. The reference number for a part also appears in the parts list, along with other information about the part.

This catalog uses two special reference number formats, one to indicate parts in a service assembly and another to indicate the quantity of a given part in an illustration.

## Service Assembly Reference Numbers

Parts in service assemblies have reference numbers in the form a:b. The a represents the reference number of the entire service assembly and the b represents a sequential number unique to each part within the service assembly.

For example, a wheel assembly might be identified by reference number 6, the tire by 6:1, the valve by 6:2, and the wheel by 6:3. When you order the assembly identified by reference number 6, you receive all parts identified by reference numbers 6:1, 6:2, and 6:3. However, you may also order any part individually. Reference numbers of this type appear in illustration and in parts lists.

## Reference Numbers Indicating Quantity

In an illustration, if a reference number indicates more than one part, the reference number has the form nX y. The n represents the quantity of the part, the X is the multiplication symbol, and the y represents the reference number.

For example, in an illustration, the reference number 2X 37 means that two of the parts identified by reference number 37 are indicated.

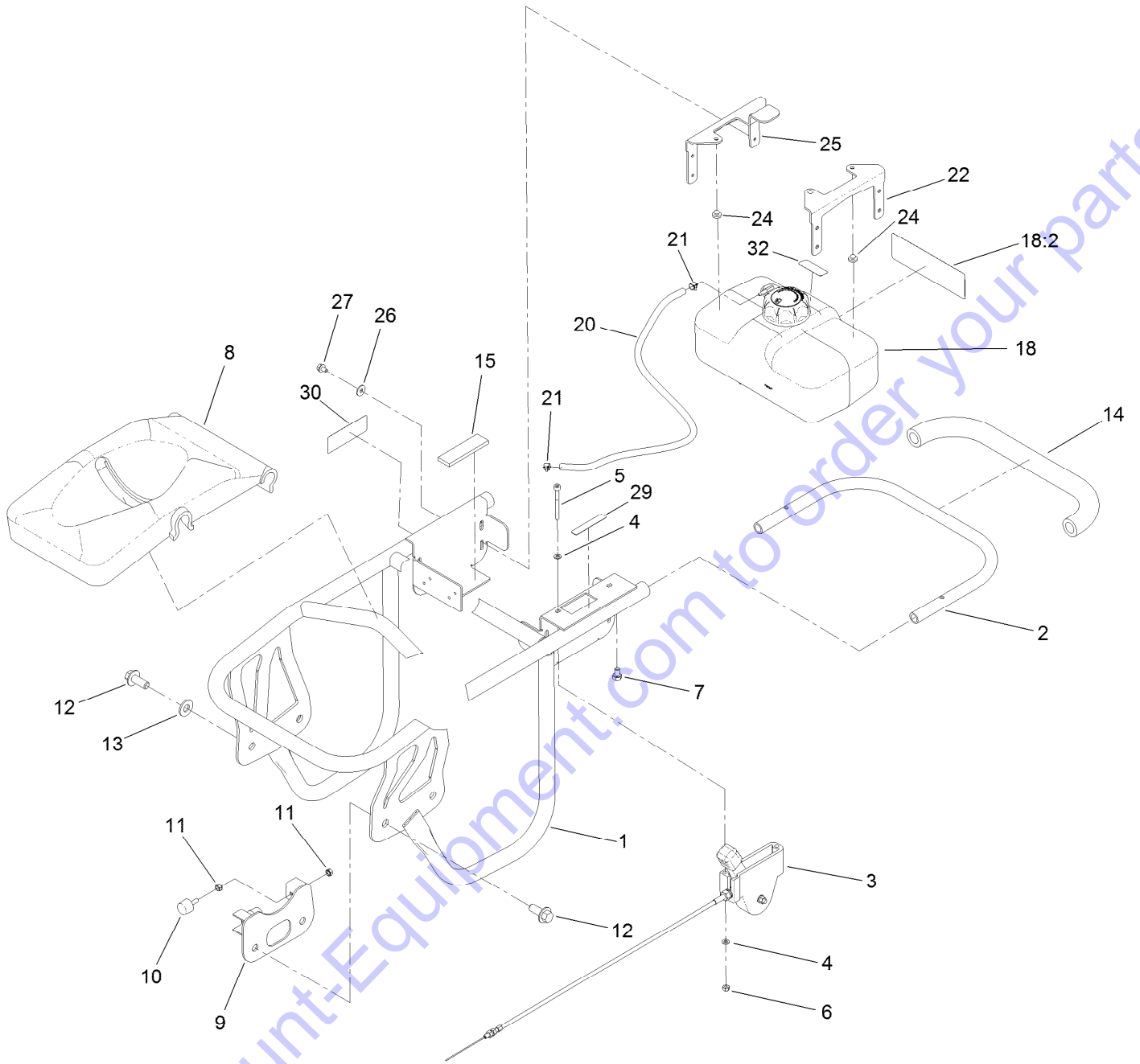
Go to Discount-Equipment.com to order your parts

# Contents

Frame, Handle and Fuel Tank Assembly .....	4
Engine and Air Filter Assembly .....	6
Lower Unit Assembly .....	8
Rammer Assembly .....	10

Go to [Discount-Equipment.com](http://Discount-Equipment.com) to order your parts

# Frame, Handle and Fuel Tank Assembly



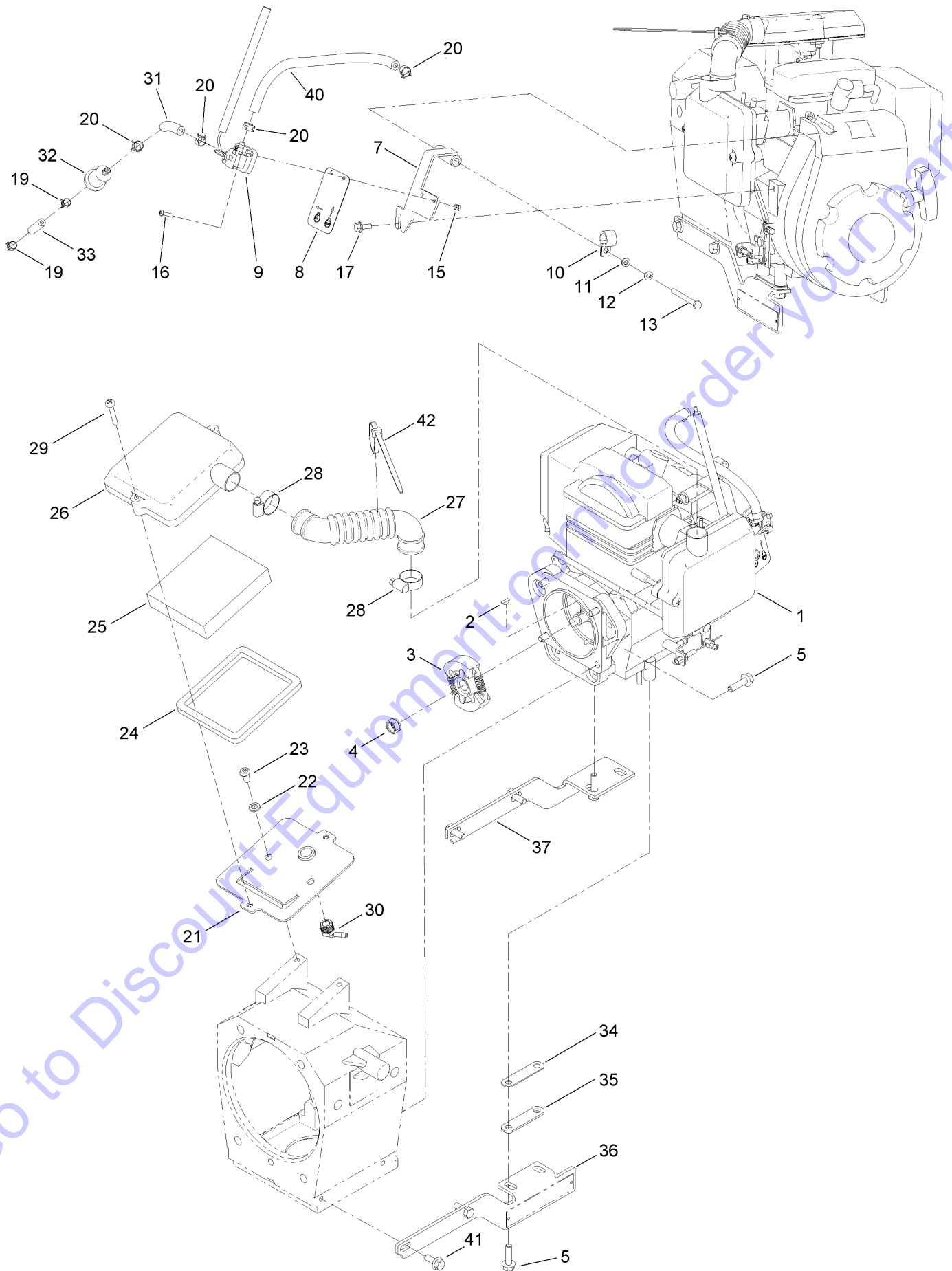
Go to [Discount-Equipment.com](http://Discount-Equipment.com) to order your parts

## Frame, Handle and Fuel Tank Assembly (continued)

<i>Ref.</i>	<i>Part Number</i>	<i>Qty.</i>	<i>Description</i>	<i>Ref.</i>	<i>Part Number</i>	<i>Qty.</i>	<i>Description</i>
1	127-2830	1	Handle ASM	15	125-6239	2	Pad-Tank, Fuel
2	127-5596-03	1	Handle-Rammer	18	127-7574	1	1 Gallon Fuel Tank ASM
3	125-8669	1	Throttle Lever ASM	18:2	125-8191	1	Decal-Warning
4	33093-00	4	Washer-Flat	20	120-5022	1	Hose-Fuel
5	ST80940	2	Screw-HSH	21	2412-80	2	Clamp-Hose
6	115-7373	2	Nut-Lock	22	ST66668-03	1	Bracket-Top, Fuel Tank
7	ST80586	2	Screw-HWH	24	ST47292	4	Bumper-Rubber
8	125-4803	1	Cover-Engine	25	127-7556-03	1	Guard-Fuel Tank, Top
9	ST39424-03	1	Stopper	26	ST81181	8	Washer-Flat
10	ST39427	2	Mount-Shock	27	81-1280	8	Screw-HHF
11	98-5845	4	Nut-Hex	29	125-8182	1	Decal-Throttle
12	33106-020	4	Screw-HHF	30	133-8062	1	Decal-Arrestor, Spark
13	29-8910	2	Washer	32	130-8322	1	Decal-Warning, Ethanol
14	ST39483	1	Grip-Cushion, Handle				

Go to Discount-Equipment.com to order your parts

# Engine and Air Filter Assembly



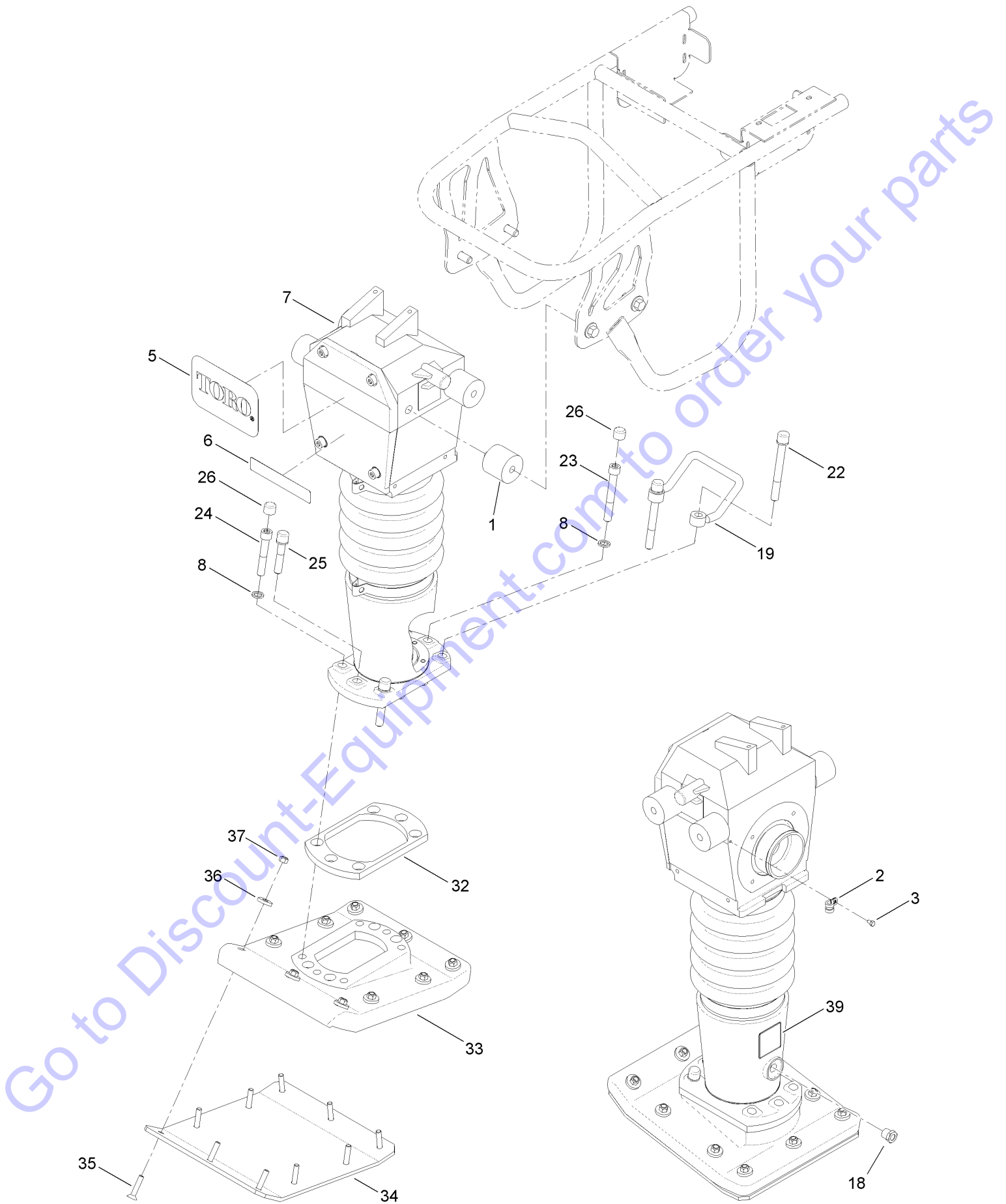
## Engine and Air Filter Assembly (continued)

<i>Ref.</i>	<i>Part Number</i>	<i>Qty.</i>	<i>Description</i>	<i>Ref.</i>	<i>Part Number</i>	<i>Qty.</i>	<i>Description</i>
1	125-4818	1	Engine-Honda, Gx101	23	ST81188	2	Screw-HSBH
2	ST32525	1	Key-Woodruff	24	ST32516	1	Gasket-Prefilter
3	ST30291	1	Clutch-Friction	25	ST32517	1	Filter-Air, Prefilter
4	ST32524	1	Nut-Hex Flange	26	ST32518	1	Cover-Air Filter
5	33104-030	8	Screw-HHF	27	ST32515	1	Tube-Air
7	127-7548	1	Bracket-Fuel Valve	28	ST32519	2	Clamp-Worm
8	125-4966	1	Hang Tag-Run, Stop	29	ST32526	2	Screw-PPH
9	ST58582	1	Fuel Shut Off Valve ASM	30	127-7537	1	Fitting-90 DEG
10	2412-87	1	Clamp-Cable	31	99-9415	1	Hose-Fuel
11	33093-00	1	Washer-Flat	32	ST31231	1	Filter-Fuel
12	43-5930	1	Washer-Lock, Spring	33	119-8561	1	Hose-Fuel
13	ST81354	1	Screw-HH	34	ST50255-03	2	Shim-Engine (16GA)
15	46-0430	2	Nut-Lock	35	ST50256-03	2	Shim-Engine (11GA)
16	119-7444	2	Screw-HSBH	36	127-1697-03	1	Bracket-Support, LH
17	33113-016	1	Screw-HH	37	ST50195-03	1	Bracket-Support, RH
19	2412-80	2	Clamp-Hose	40	109-0297	1	Hose-Fuel
20	2412-98	4	Clamp-Hose	41	33104-020	4	Screw-HHF
21	ST50187-03	1	Base-Prefilter	42	1-303335	1	Tie-Plastic
22	ST80812	2	Washer-Lock				

Go to Discount-Equipment.com to order your parts



# Lower Unit Assembly



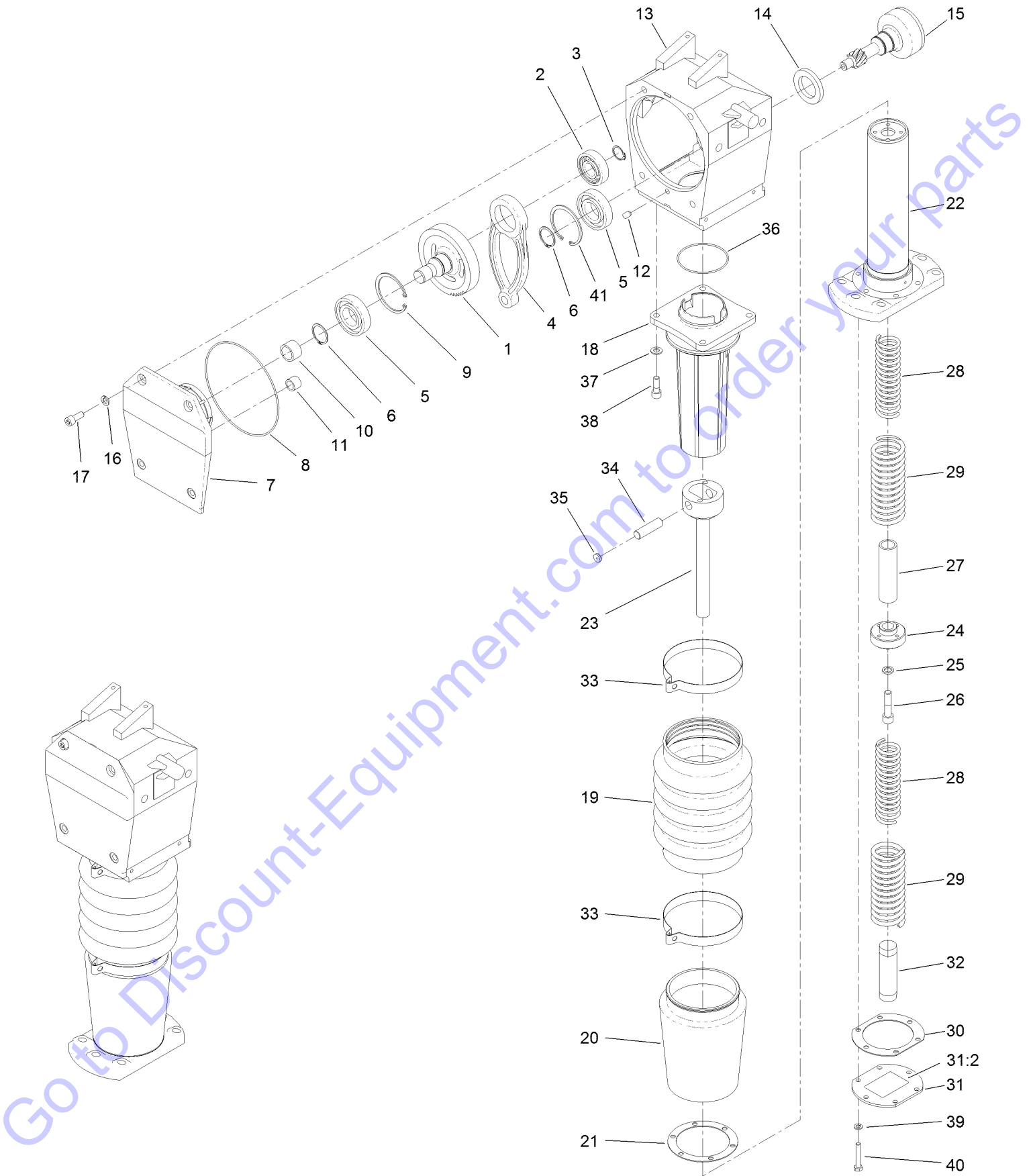
## Lower Unit Assembly (continued)

<i>Ref.</i>	<i>Part Number</i>	<i>Qty.</i>	<i>Description</i>	<i>Ref.</i>	<i>Part Number</i>	<i>Qty.</i>	<i>Description</i>
1	ST39425	4	Mount-Shock	24	ST80945	2	Screw-HSH
2	ST39509	1	Clamp	25	ST80827	1	Screw-HSH
3	ST81043	1	Screw-HH	26	ST80765	6	Cap-Plastic
5	127-7590	1	Decal	32	ST50370	1	Plate-Spacer, Shoe
6	127-7592	1	Decal	33	ST47302	1	Shoe-Plastic, Medium/Heavy
7		1	Rammer ASM ●	34	ST65024-03	1	Plate-Shoe
8	ST81196	6	Washer-Lock	35	ST80948	10	Screw-HSFH
18	ST34096	1	Plug-Sight, Oil	36	ST26325	10	Washer-Flat
19	ST39480-03	1	Grip-Lift	37	33024-00	10	Nut-Lock, NI
22	ST81193	2	Screw-HSH	39	127-7595	1	Decal-Oil Level
23	ST80946	1	Screw-HSH				

Go to Discount-Equipment.com to order your parts

● Not serviced separately

# Rammer Assembly



## Rammer Assembly (continued)

<i>Ref.</i>	<i>Part Number</i>	<i>Qty.</i>	<i>Description</i>	<i>Ref.</i>	<i>Part Number</i>	<i>Qty.</i>	<i>Description</i>
1	ST39379	1	Gear-Helical	22	125-8675	1	Housing-Spring
2	ST39429	1	Bearing-Ball	23	ST50305	1	Rod-Piston
3	ST39432	1	Ring-External	24	ST50465	1	Puck-Piston
4	ST50302	1	Rod-Connecting	25	ST81196	1	Washer-Lock
5	ST39428	2	Bearing-Ball	26	ST80822	1	Screw-HSH
6	32120-84	2	Ring-Snap, External	27	ST50410	1	Snubber-Spring, Upper
7	ST50294	1	Cover-Front	28	ST50282	2	Spring-Compression, Inner
8	ST39437	1	O-Ring	29	ST50283	2	Spring-Compression, Outer
9	ST50539	1	Ring-Internal	30	ST39390	1	Gasket-Cover, Spring
10	ST39430	1	Bearing-Needle	31	127-2831	1	Bottom Spring Cover ASM
11	ST39431	1	Bearing-Needle	31:2	125-8181	1	Decal-Warning, Spring
12	ST80543	1	Pin	32	ST50411	1	Snubber-Spring, Lower
13	ST50193	1	Gearcase	33	ST39439	2	Clamp-Boot, Stomper
14	ST39435	1	Seal-Shaft	34	ST39436	1	Pin
15	ST50192	1	Pinion	35	ST39401	2	Button-Pin, Captivator
16	42-9600	4	Washer-Lock	36	ST39438	1	O-Ring
17	ST80803	4	Screw-HSH	37	33095-00	4	Washer-Flat
18	ST50281	1	Guide-Tube	38	ST80872	4	Screw-HSH
19	ST50408	1	Boot-Stomper	39	ST80812	6	Washer-Lock
20	ST50409	1	Cover-Housing, Spring	40	33114-050	6	Screw-HH
21	ST39399	1	Gasket-Housing, Spring Cover	41	ST39434	1	Ring-Internal

Go to Discount-Equipment.com to Order your parts



[www.discount-equipment.com](http://www.discount-equipment.com)



**Count on it.**

Go to [Discount-Equipment.com](http://Discount-Equipment.com) to order your parts

# PARTS FINDER

**Search Website  
by Part Number**



**Search Manual  
Library For Parts  
Manual & Lookup Part  
Numbers – Purchase  
or Request Quote**

**Search Manuals**

Enter your information to search for a manual or parts manual for your equipment.

\* Brand:

\* Model:

\* Serial:

\* Part Number:

SEARCH

**Can't Find Part or  
Manual? Request Help  
by Manufacturer,  
Model & Description**

**Parts Order Form**

Please fill in the following information to request help finding a part or manual.

Manufacturer:

Model:

Description:

Quantity:

Part Number:

Part Name:

Part Description:

Part Location:

Part Condition:

Part Status:

Part Color:

Part Material:

Part Weight:

Part Dimensions:

Part Price:

Part Notes:

Submit

Discount-Equipment.com is your online resource for quality parts & equipment.

Florida: **561-964-4949** Outside Florida TOLL FREE: **877-690-3101**

**Need parts?**

Click on this link: <http://www.discount-equipment.com/category/5443-parts/> and choose one of the options to help get the right parts and equipment you are looking for. Please have the machine model and serial number available in order to help us get you the correct parts. If you don't find the part on the website or on one of the online manuals, please fill out the request form and one of our experienced staff members will get back to you with a quote for the right part that your machine needs.

We sell worldwide for the brands: Genie, Terex, JLG, MultiQuip, Mikasa, Essick, Whiteman, Mayco, Toro Stone, Diamond Products, Generac Magnum, Airman, Haulotte, Barreto, Power Blanket, Nifty Lift, Atlas Copco, Chicago Pneumatic, Allmand, Miller Curber, Skyjack, Lull, Skytrak, Tsurumi, Husquvarna Target, Stow, Wacker, Sakai, Mi-T-M, Sullair, Basic, Dynapac, MBW, Weber, Bartell, Bennar Newman, Haulotte, Ditch Runner, Menegotti, Morrison, Contec, Buddy, Crown, Edco, Wyco, Bomag, Laymor, EZ Trench, Bil-Jax, F.S. Curtis, Gehl Pavers, Heli, Honda, ICS/PowerGrit, IHI, Partner, Imer, Clipper, MMD, Koshin, Rice, CH&E, General Equipment, Amida, Coleman, NAC, Gradall, Square Shooter, Kent, Stanley, Tamco, Toku, Hatz, Kohler, Robin, Wisconsin, Northrock, Oztec, Toker TK, Rol-Air, APT, Wylie, Ingersoll Rand / Doosan, Innovatech, Con X, Ammann, Mecalac, Makinex, Smith Surface Prep, Small Line, Wanco, Yanmar