



**Count on it.**

**Parts Catalog**

**VR-2650 Rammer Compactor**

Model No. 68034—Serial No. 314000001 and Up

Go to [Discount-Equipment.com](http://Discount-Equipment.com) to order your parts



[www.discount-equipment.com](http://www.discount-equipment.com)



# PARTS FINDER

**Search Website  
by Part Number**



**Search Manual  
Library For Parts  
Manual & Lookup Part  
Numbers – Purchase  
or Request Quote**

**Search Manuals**

Enter your information to help us find the right parts manual for your machine.

\* Brand:

\* Model:

\* Serial:

\* Part Number:

SEARCH

**Can't Find Part or  
Manual? Request Help  
by Manufacturer,  
Model & Description**

**Parts Order Form**

Please fill in the following information to help us find the right part for your machine.

Manufacturer:	<input type="text"/>
Model:	<input type="text"/>
Description:	<input type="text"/>
Part Number:	<input type="text"/>
Quantity:	<input type="text"/>
Notes:	<input type="text"/>

Submit

Discount-Equipment.com is your online resource for quality parts & equipment.

Florida: **561-964-4949** Outside Florida TOLL FREE: **877-690-3101**

**Need parts?**

Click on this link: <http://www.discount-equipment.com/category/5443-parts/> and choose one of the options to help get the right parts and equipment you are looking for. Please have the machine model and serial number available in order to help us get you the correct parts. If you don't find the part on the website or on one of the online manuals, please fill out the request form and one of our experienced staff members will get back to you with a quote for the right part that your machine needs.

We sell worldwide for the brands: Genie, Terex, JLG, MultiQuip, Mikasa, Essick, Whiteman, Mayco, Toro Stone, Diamond Products, Generac Magnum, Airman, Haulotte, Barreto, Power Blanket, Nifty Lift, Atlas Copco, Chicago Pneumatic, Allmand, Miller Curber, Skyjack, Lull, Skytrak, Tsurumi, Husquvarna Target, Stow, Wacker, Sakai, Mi-T-M, Sullair, Basic, Dynapac, MBW, Weber, Bartell, Bennar Newman, Haulotte, Ditch Runner, Menegotti, Morrison, Contec, Buddy, Crown, Edco, Wyco, Bomag, Laymor, EZ Trench, Bil-Jax, F.S. Curtis, Gehl Pavers, Heli, Honda, ICS/PowerGrit, IHI, Partner, Imer, Clipper, MMD, Koshin, Rice, CH&E, General Equipment, Amida, Coleman, NAC, Gradall, Square Shooter, Kent, Stanley, Tamco, Toku, Hatz, Kohler, Robin, Wisconsin, Northrock, Oztec, Toker TK, Rol-Air, APT, Wylie, Ingersoll Rand / Doosan, Innovatech, Con X, Ammann, Mecalac, Makinex, Smith Surface Prep, Small Line, Wanco, Yanmar

# Ordering Replacement Parts

To order replacement parts, please supply the part number, the quantity, and the description of each part desired.

## Understanding Reference Numbers

Each identified part in an illustration has a reference number. The reference number for a part also appears in the parts list, along with other information about the part.

This catalog uses two special reference number formats, one to indicate parts in a service assembly and another to indicate the quantity of a given part in an illustration.

## Service Assembly Reference Numbers

Parts in service assemblies have reference numbers in the form a:b. The a represents the reference number of the entire service assembly and the b represents a sequential number unique to each part within the service assembly.

For example, a wheel assembly might be identified by reference number 6, the tire by 6:1, the valve by 6:2, and the wheel by 6:3. When you order the assembly identified by reference number 6, you receive all parts identified by reference numbers 6:1, 6:2, and 6:3. However, you may also order any part individually. Reference numbers of this type appear in illustration and in parts lists.

## Reference Numbers Indicating Quantity

In an illustration, if a reference number indicates more than one part, the reference number has the form nX y. The n represents the quantity of the part, the X is the multiplication symbol, and the y represents the reference number.

For example, in an illustration, the reference number 2X 37 means that two of the parts identified by reference number 37 are indicated.

# List of Abbreviations

**AR:** as required

**ASM:** assembly

**BBC:** blade brake control

**BHTF:** button head thread forming

**CARR:** carriage

**CCW:** counter clockwise

**CW:** clockwise

**DEG:** degrees

**DPA:** Dual Point Adjustment

**ECM:** electronic control module

**EXT:** external

**FH:** flat head

**GA:** gauge

**HD:** heavy-duty

**HF:** hex flange

**HH:** hex head

**HHF:** hex head flange

**HHFTF:** hex head flange thread forming

**HJ:** hex jam

**HLH:** hex lag head

**HOC:** height-of-cut

**HSBH:** hex socket button head

**HSFH:** hex socket flat head

**HSH:** hex socket head

**HWH:** hex washer head

**HWHTF:** hex washer head thread forming

**HYD:** hydraulic

**LH:** left hand

**LP:** Liquefied Petroleum Gas

**LPG:** Liquefied Petroleum Gas

**NI:** nylon insert

**NPTF:** national pipe thread fine

**PFH:** phillips flat head

**PPH:** phillips pan head

**PPHTF:** phillips pan head thread forming

**PRH:** phillips round head

**PTH:** phillips truss head

**PTO:** power-take-off

**RH:** right hand

**ROPS:** roll-over protection system

**RRB:** rear roller brush

**SFH:** slotted fillister head

**SHH:** slotted hex head

**SHWH:** slotted hex washer head

**SPH:** slotted pan head

**SQH:** square head

**SRH:** slotted round head

**STD:** standard

**TAP:** self tapping

**TTH:** torx truss head

# Contents

Frame, Handle and Fuel Tank Assembly .....	4
Engine and Air Filter Assembly .....	6
Lower Unit Assembly .....	8
Rammer Assembly .....	10

Go to [Discount-Equipment.com](http://Discount-Equipment.com) to order your parts

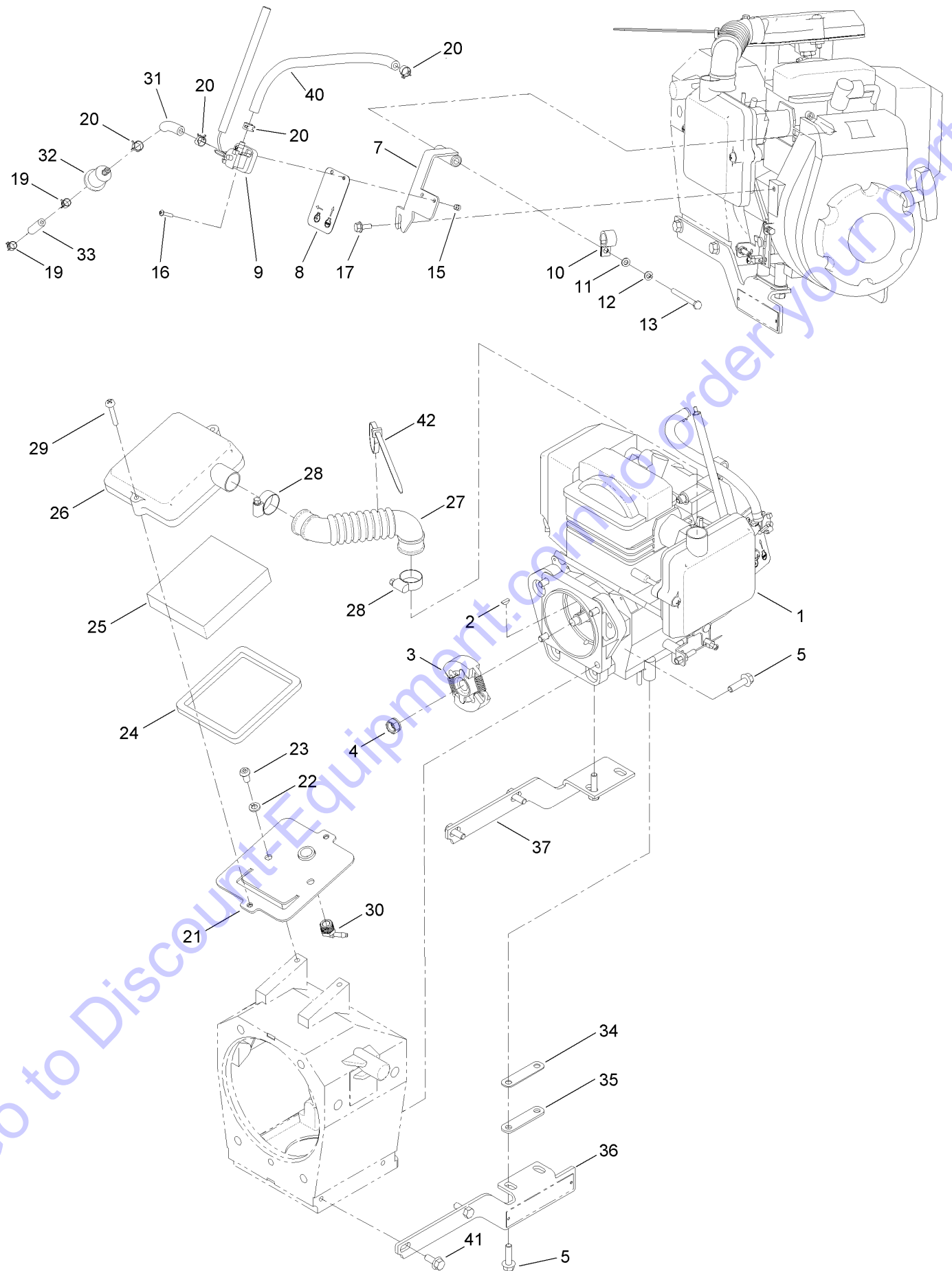


## Frame, Handle and Fuel Tank Assembly (continued)

<i>Ref.</i>	<i>Part Number</i>	<i>Qty.</i>	<i>Description</i>	<i>Ref.</i>	<i>Part Number</i>	<i>Qty.</i>	<i>Description</i>
1	127-2830	1	Handle ASM	13	29-8910	2	Washer
1:2	117-2718	1	Decal-Arrester, Spark	14	ST39483	1	Grip-Cushion, Handle
2	127-5596-03	1	Handle-Rammer	15	125-6239	2	Pad-Tank, Fuel
3	125-8669	1	Throttle Lever ASM	18	127-7574	1	1 Gallon Fuel Tank ASM
4	33093-00	4	Washer-Flat	18:2	125-8191	1	Decal-Warning
5	ST80940	2	Screw-HSH	20	120-5022	1	Hose-Fuel
6	115-7373	2	Nut-Lock	21	2412-80	2	Clamp-Hose
7	ST80586	2	Screw-HWH	22	ST66668-03	1	Bracket-Top, Fuel Tank
8	125-4803	1	Cover-Engine	24	ST47292	4	Bumper-Rubber
9	ST39424-03	1	Stopper	25	127-7556-03	1	Guard-Fuel Tank, Top
10	ST39427	2	Mount-Shock	26	ST81181	8	Washer-Flat
11	98-5845	4	Nut-Hex	27	81-1280	8	Screw-HHF
12	33106-020	4	Screw-HHF	29	125-8182	1	Decal-Throttle

Go to Discount-Equipment.com to order your parts

# Engine and Air Filter Assembly



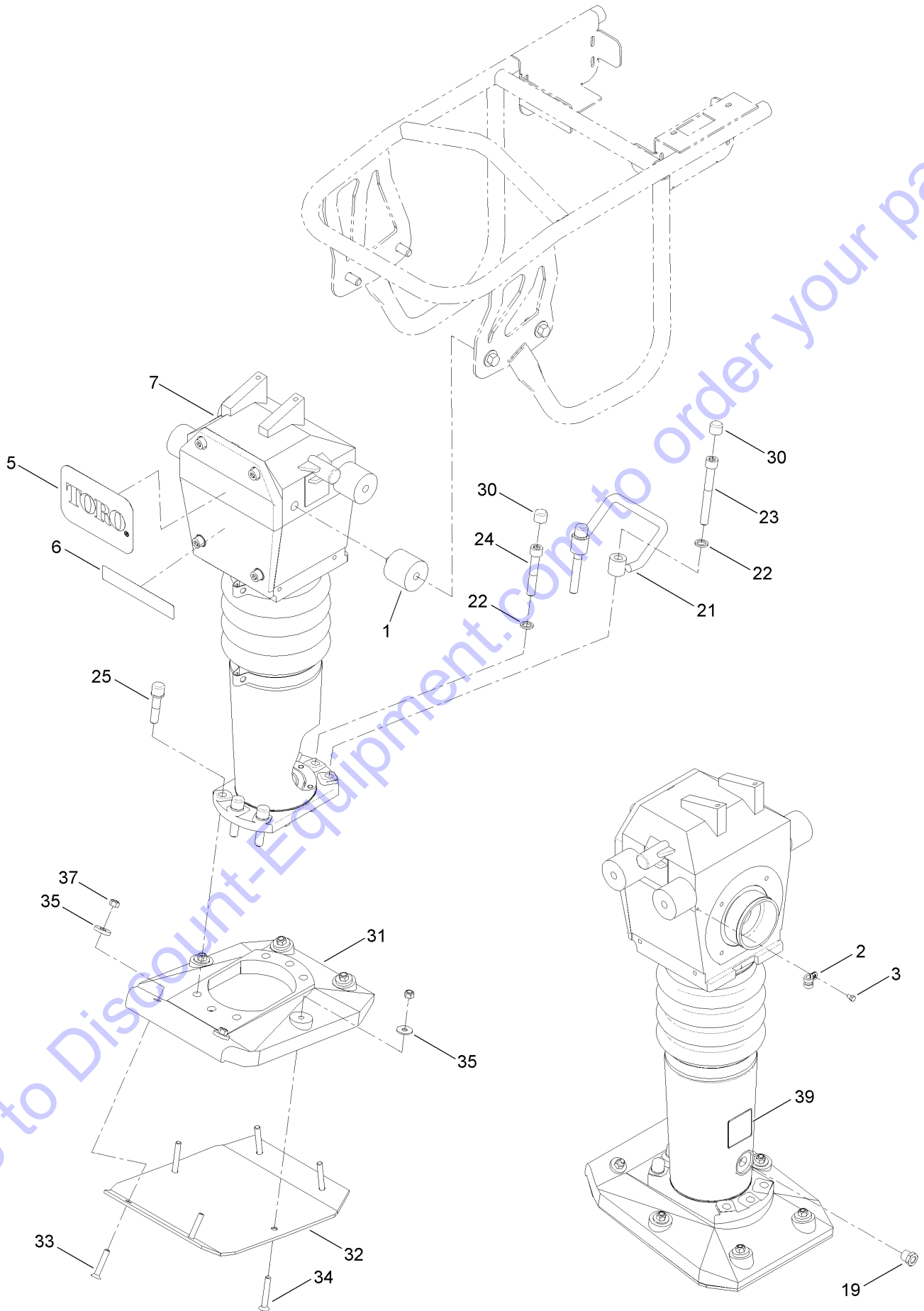
## Engine and Air Filter Assembly (continued)

<i>Ref.</i>	<i>Part Number</i>	<i>Qty.</i>	<i>Description</i>	<i>Ref.</i>	<i>Part Number</i>	<i>Qty.</i>	<i>Description</i>
1	125-4818	1	Engine-Honda, Gx100	23	ST81188	2	Screw-HSBH
2	ST32525	1	Key-Woodruff	24	ST32516	1	Gasket-Prefilter
3	ST30291	1	Clutch-Friction	25	ST32517	1	Filter-Air, Prefilter
4	ST32524	1	Nut-Hex Flange	26	ST32518	1	Cover-Air Filter
5	33104-030	8	Screw-HHF	27	ST32515	1	Tube-Air
7	127-7548	1	Bracket-Fuel Valve	28	ST32519	2	Clamp-Worm
8	125-4966	1	Hang Tag-Run, Stop	29	ST32526	2	Screw-PPH
9	ST58582	1	Fuel Shut Off Valve ASM	30	127-7537	1	Fitting-90 DEG
10	2412-87	1	Clamp-Cable	31	99-9415	1	Hose-Fuel
11	33093-00	1	Washer-Flat	32	ST31231	1	Filter-Fuel
12	43-5930	1	Washer-Lock, Spring	33	119-8561	1	Hose-Fuel
13	ST81354	1	Screw-HH	34	ST50255-03	2	Shim-Engine (16GA)
15	46-0430	2	Nut-Lock	35	ST50256-03	2	Shim-Engine (11GA)
16	119-7444	2	Screw-HSBH	36	127-1697-03	1	Bracket-Support, LH
17	33113-016	1	Screw-HH	37	ST50195-03	1	Bracket-Support, RH
19	2412-80	2	Clamp-Hose	40	109-0297	1	Hose-Fuel
20	2412-98	4	Clamp-Hose	41	33104-020	4	Screw-HHF
21	ST50187-03	1	Base-Prefilter	42	1-303335	1	Tie-Plastic
22	ST80812	2	Washer-Lock				

Go to Discount-Equipment.com to order your parts



# Lower Unit Assembly



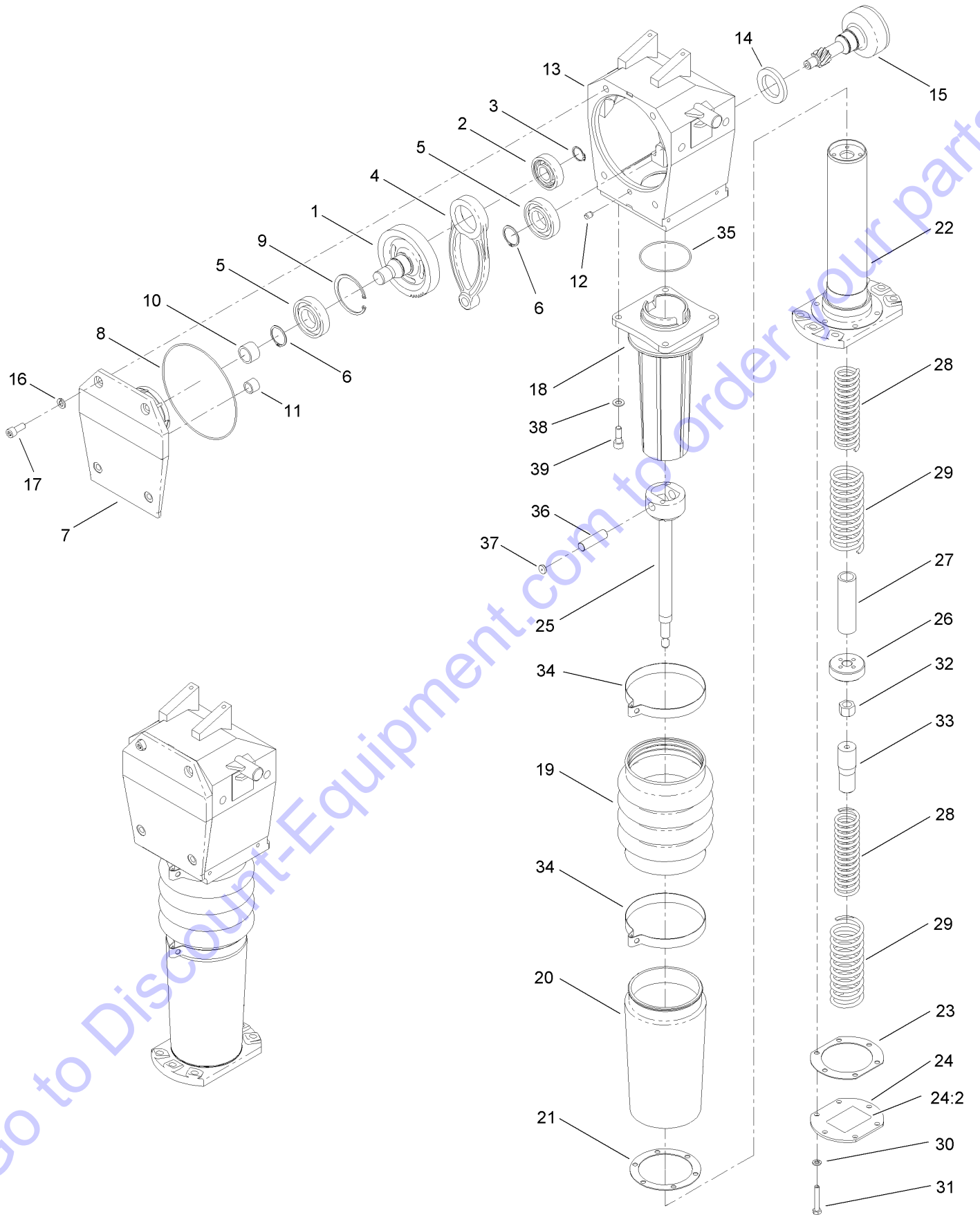
## Lower Unit Assembly (continued)

<i>Ref.</i>	<i>Part Number</i>	<i>Qty.</i>	<i>Description</i>	<i>Ref.</i>	<i>Part Number</i>	<i>Qty.</i>	<i>Description</i>
1	ST39425	4	Mount-Shock	24	ST80945	1	Screw-HSH
2	ST39509	1	Clamp	25	ST80822	3	Screw-HSH
3	ST81043	1	Screw-HH	30	ST80765	6	Cap-Plastic
5	127-7590	1	Decal	31	ST39371	1	Shoe-Plastic, Light
6	127-7591	1	Decal	32	ST39400-03	1	Plate-Shoe
7		1	Rammer ASM ●	33	ST80949	2	Screw
19	ST34096	1	Plug-Sight, Oil	34	ST80948	4	Screw-HSFH
21	ST39405-03	1	Grip-Lifting	35	ST80813	6	Washer-Flat
22	ST81196	6	Washer-Lock	37	33024-00	6	Nut-Lock, NI
23	ST80943	2	Screw-HSH	39	127-7595	1	Decal-Oil Level

Go to Discount-Equipment.com to order your parts

● Not serviced separately

# Rammer Assembly



Go to Discount-Equipment.com to order your parts

## Rammer Assembly (continued)

<i>Ref.</i>	<i>Part Number</i>	<i>Qty.</i>	<i>Description</i>	<i>Ref.</i>	<i>Part Number</i>	<i>Qty.</i>	<i>Description</i>
1	ST39379	1	Gear-Helical	22	125-8668	1	Housing-Spring
2	ST39429	1	Bearing-Ball	23	ST39390	1	Gasket-Cover, Spring
3	ST39432	1	Ring-External	24	127-2831	1	Bottom Spring Cover ASM
4	ST50302	1	Rod-Connecting	24:2	125-8181	1	Decal-Warning, Spring
5	ST39428	2	Bearing-Ball	25	ST39381	1	Rod-Piston
6	32120-84	2	Ring-Snap, External	26	ST39389	1	Puck-Piston
7	ST50294	1	Cover-Front	27	ST39384	1	Snubber-Axial, Top
8	ST39437	1	O-Ring	28	ST39382	2	Spring-Compression, Inner
9	ST50539	1	Ring-Internal	29	ST39383	2	Spring-Compression, Outer
10	ST39430	1	Bearing-Needle	30	ST80812	6	Washer-Lock
11	ST39431	1	Bearing-Needle	31	33114-050	6	Screw-HH
12	ST80543	1	Pin	32	33028-00	1	Nut-Lock, NI
13	ST50193	1	Gearcase	33	ST39385	1	Snubber-Axial, Lower
14	ST39435	1	Seal-Shaft	34	ST39439	2	Clamp-Boot, Stomper
15	ST50192	1	Pinion	35	ST39438	1	O-Ring
16	42-9600	4	Washer-Lock, Spring	36	ST39436	1	Pin
17	ST80803	4	Screw-HSH	37	ST39401	2	Button-Pin, Captivator
18	ST39374	1	Guide-Tube	38	33095-00	4	Washer-Flat
19	ST39372	1	Boot-Awack	39	ST80872	4	Screw-HSH
20	ST39377	1	Cover-Housing, Spring				
21	ST39399	1	Gasket-Housing, Spring Cover				

Go to Discount-Equipment.com to order your parts



[www.discount-equipment.com](http://www.discount-equipment.com)



**Count on it.**

Go to [Discount-Equipment.com](http://Discount-Equipment.com) to order your parts

# PARTS FINDER

**Search Website  
by Part Number**



**Search Manual  
Library For Parts  
Manual & Lookup Part  
Numbers – Purchase  
or Request Quote**

**Search Manuals**

Enter your information to help us find the right parts manual for your machine.

\* Brand:

\* Model:

\* Serial:

\* Part Number:

SEARCH

**Can't Find Part or  
Manual? Request Help  
by Manufacturer,  
Model & Description**

**Parts Order Form**

Please fill in the following information to help us find the right part for your machine.

Manufacturer:	<input type="text"/>
Model:	<input type="text"/>
Description:	<input type="text"/>
Part Number:	<input type="text"/>
Quantity:	<input type="text"/>
Notes:	<input type="text"/>

Submit

Discount-Equipment.com is your online resource for quality parts & equipment.

Florida: **561-964-4949** Outside Florida TOLL FREE: **877-690-3101**

**Need parts?**

Click on this link: <http://www.discount-equipment.com/category/5443-parts/> and choose one of the options to help get the right parts and equipment you are looking for. Please have the machine model and serial number available in order to help us get you the correct parts. If you don't find the part on the website or on one of the online manuals, please fill out the request form and one of our experienced staff members will get back to you with a quote for the right part that your machine needs.

We sell worldwide for the brands: Genie, Terex, JLG, MultiQuip, Mikasa, Essick, Whiteman, Mayco, Toro Stone, Diamond Products, Generac Magnum, Airman, Haulotte, Barreto, Power Blanket, Nifty Lift, Atlas Copco, Chicago Pneumatic, Allmand, Miller Curber, Skyjack, Lull, Skytrak, Tsurumi, Husquvarna Target, Stow, Wacker, Sakai, Mi-T-M, Sullair, Basic, Dynapac, MBW, Weber, Bartell, Bennar Newman, Haulotte, Ditch Runner, Menegotti, Morrison, Contec, Buddy, Crown, Edco, Wyco, Bomag, Laymor, EZ Trench, Bil-Jax, F.S. Curtis, Gehl Pavers, Heli, Honda, ICS/PowerGrit, IHI, Partner, Imer, Clipper, MMD, Koshin, Rice, CH&E, General Equipment, Amida, Coleman, NAC, Gradall, Square Shooter, Kent, Stanley, Tamco, Toku, Hatz, Kohler, Robin, Wisconsin, Northrock, Oztec, Toker TK, Rol-Air, APT, Wylie, Ingersoll Rand / Doosan, Innovatech, Con X, Ammann, Mecalac, Makinex, Smith Surface Prep, Small Line, Wanco, Yanmar