



**Count on it.**

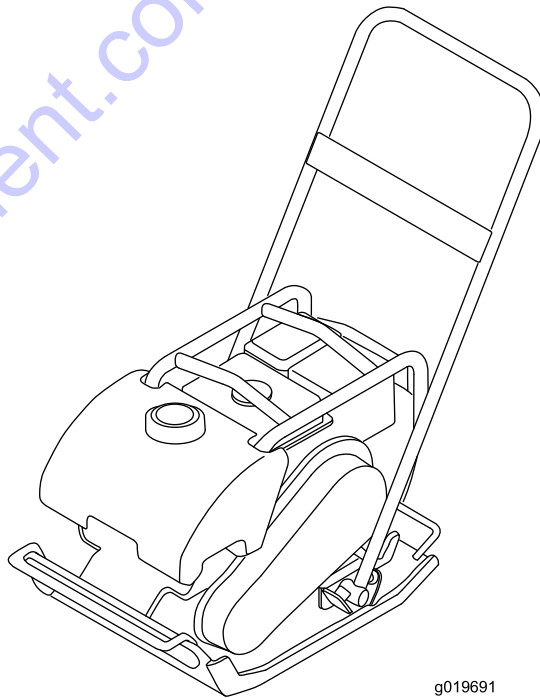
**Operator's Manual**

**FP-2200/3000/4000 Forward Plate  
Compactor**

Model No. 68025—Serial No. 313000001 and Up

Model No. 68026—Serial No. 313000001 and Up

Model No. 68027—Serial No. 313000001 and Up



g019691



[www.discount-equipment.com](http://www.discount-equipment.com)



# PARTS FINDER

**Search Website  
by Part Number**



**Search Manual  
Library For Parts  
Manual & Lookup Part  
Numbers – Purchase  
or Request Quote**

**Search Manuals**

Enter your information to help us find the right parts manual for your machine.

\* Brand:

\* Model:

\* Serial:

\* Part Number:

SEARCH

**Can't Find Part or  
Manual? Request Help  
by Manufacturer,  
Model & Description**

**Parts Order Form**

Please fill in the following information to help us find the right part for your machine.

Manufacturer:	<input type="text"/>
Model:	<input type="text"/>
Description:	<input type="text"/>
Part Number:	<input type="text"/>
Quantity:	<input type="text"/>
Notes:	<input type="text"/>

Submit

Discount-Equipment.com is your online resource for quality parts & equipment.

Florida: **561-964-4949** Outside Florida TOLL FREE: **877-690-3101**

**Need parts?**

Click on this link: <http://www.discount-equipment.com/category/5443-parts/> and choose one of the options to help get the right parts and equipment you are looking for. Please have the machine model and serial number available in order to help us get you the correct parts. If you don't find the part on the website or on one of the online manuals, please fill out the request form and one of our experienced staff members will get back to you with a quote for the right part that your machine needs.

We sell worldwide for the brands: Genie, Terex, JLG, MultiQuip, Mikasa, Essick, Whiteman, Mayco, Toro Stone, Diamond Products, Generac Magnum, Airman, Haulotte, Barreto, Power Blanket, Nifty Lift, Atlas Copco, Chicago Pneumatic, Allmand, Miller Curber, Skyjack, Lull, Skytrak, Tsurumi, Husquvarna Target, Stow, Wacker, Sakai, Mi-T-M, Sullair, Basic, Dynapac, MBW, Weber, Bartell, Bennar Newman, Haulotte, Ditch Runner, Menegotti, Morrison, Contec, Buddy, Crown, Edco, Wyco, Bomag, Laymor, EZ Trench, Bil-Jax, F.S. Curtis, Gehl Pavers, Heli, Honda, ICS/PowerGrit, IHI, Partner, Imer, Clipper, MMD, Koshin, Rice, CH&E, General Equipment, Amida, Coleman, NAC, Gradall, Square Shooter, Kent, Stanley, Tamco, Toku, Hatz, Kohler, Robin, Wisconsin, Northrock, Oztec, Toker TK, Rol-Air, APT, Wylie, Ingersoll Rand / Doosan, Innovatech, Con X, Ammann, Mecalac, Makinex, Smith Surface Prep, Small Line, Wanco, Yanmar

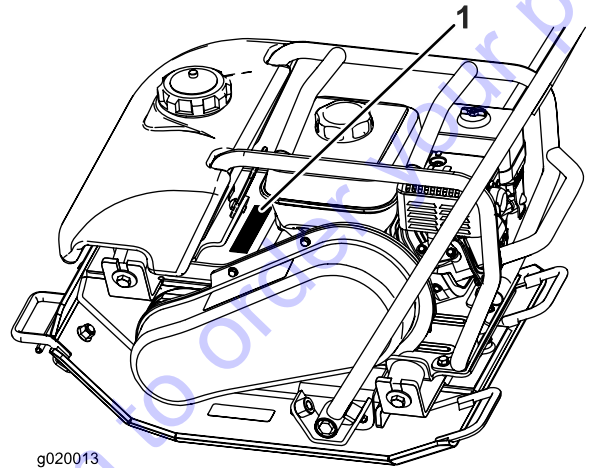
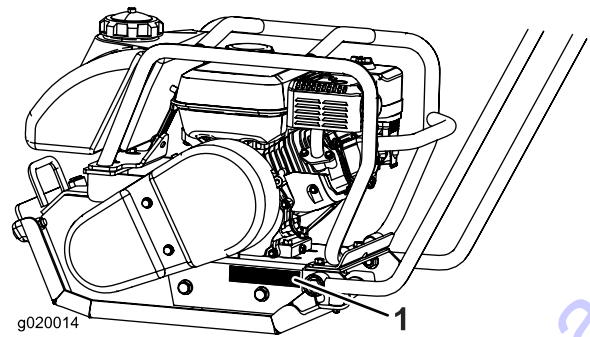
## ⚠ WARNING

### CALIFORNIA Proposition 65 Warning

This product contains a chemical or chemicals known to the State of California to cause cancer, birth defects, or reproductive harm.

The engine exhaust from this product contains chemicals known to the State of California to cause cancer, birth defects, or other reproductive harm.

Use of this product may cause exposure to chemicals known to the State of California to cause cancer, birth defects, or other reproductive harm.



**Figure 1**

2200–Top; 3000/4000–Bottom

This spark ignition system complies with Canadian ICES-002.

**Important:** This engine is not equipped with a spark arrester muffler. It is a violation of California Public Resource Code Section 4442 to use or operate the engine on any forest-covered, brush-covered, or grass-covered land. Other states or federal areas may have similar laws.

## Introduction

Read this information carefully to learn how to operate and maintain your product properly and to avoid injury and product damage. You are responsible for operating the product properly and safely.

Whenever you need service, genuine Toro parts, or additional information, contact an Authorized Service Dealer or Toro Customer Service and have the model and serial numbers of your product ready. Figure 1 illustrates the location of the model and serial numbers on the product. Write the numbers in the space provided.

Model No. \_\_\_\_\_

Serial No. \_\_\_\_\_

This manual identifies potential hazards and has safety messages identified by the safety alert symbol (Figure 2), which signals a hazard that may cause serious injury or death if you do not follow the recommended precautions.



**Figure 2**

1. Safety alert symbol

This manual uses 2 other words to highlight information. **Important** calls attention to special mechanical information and **Note** emphasizes general information worthy of special attention.

# Contents

Introduction .....	2
Safety .....	3
Safe Operating Practices .....	3
Safety and Instructional Decals .....	5
Setup .....	6
Installing the Handle.....	6
Checking the Engine Oil Level .....	6
Checking the Eccentric Oil Level.....	6
Product Overview .....	7
Operation .....	7
Checking the Engine Oil Level .....	7
Cleaning Debris from the Machine.....	7
Adding Fuel.....	8
Adding Water.....	9
Starting and Stopping the Engine.....	9
Operating the Compactor.....	10
Transporting the Machine.....	11
Maintenance .....	12
Recommended Maintenance Schedule(s) .....	12
Disconnecting the Spark Plug Wire .....	12
Servicing the Air Cleaner .....	12
Servicing the Engine Oil.....	13
Servicing the Eccentric Oil .....	13
Cleaning the Sediment Cup.....	14
Servicing the Belt .....	14
Servicing the Spark Plug .....	15
Storage .....	15
Troubleshooting .....	16

# Safety

**Improper use or maintenance by the operator or owner can result in injury. To reduce the potential for injury, comply with these safety instructions and always pay attention to the safety alert symbol, which means *Caution, Warning, or Danger*—personal safety instruction. Failure to comply with the instruction may result in personal injury or death.**

## Safe Operating Practices

This product is capable of crushing or amputating hands and feet. Always follow all safety instructions to avoid serious injury or death.

### **▲ WARNING**

**Engine exhaust contains carbon monoxide, and odorless, deadly poison that can kill you**

**Do not run the engine indoors or in an enclosed area.**

## Training

- Read the *Operator's Manual* and other training material. If the operator(s) or mechanic(s) can not read English, it is the owner's responsibility to explain this material to them.
- Become familiar with the safe operation of the equipment, operator controls, and safety signs.
- All operators and mechanics should be trained. The owner is responsible for training the users.
- Never let children or untrained people operate or service the equipment. Local regulations may restrict the age of the operator.
- The owner/user can prevent and is responsible for accidents or injuries occurring to himself or herself, other people or property.

## Preparation

- Evaluate the terrain to determine the proper and safe actions to perform the job. Only use accessories and attachments approved by the manufacturer.
- Wear appropriate clothing including hard hat, safety glasses, long pants, safety shoes, and hearing protection. Long hair, loose clothing or jewelry may get tangled in moving parts.
- Inspect the area where the equipment is to be used and remove all objects such as tools, building materials, and personal items which can be damaged by the machine.
- Use extra care when handling fuels. They are flammable and vapors are explosive.
  - Use only an approved container
  - Never remove the fuel cap or add fuel with the engine running. Allow the engine to cool before refueling. Do not smoke.

- Never refuel or drain the machine indoors.
- Check that the operator's presence controls, safety switches, and shields are attached and functioning properly. Do not operate unless they are functioning properly.

## Operation

- Never run an engine in an enclosed area.
- Only operate in good light, keeping away from holes and hidden hazards.
- Do not operate in standing water.
- Slow down and use caution when making turns.
- Stop on level ground, set the throttle to slow, and shut off the engine before leaving the operator's position for any reason.
- Ensure that the area is clear of other people before operating the machine. Stop the machine if anyone enters the area.
- Keep pets and bystanders away.
- Keep feet clear of the plate compactor.
- Ear protection is required when operating this equipment.
- Do not operate the machine under the influence of alcohol or drugs.
- For foot protection, wear steel toe shoes or toe pads.
- Never operate with the guards not securely in place. Be sure all interlocks are attached, adjusted properly, and functioning properly.
- Do not change the engine governor setting or overspeed the engine.
- Use care when loading or unloading the machine into a trailer or truck.
- Never leave the machine running unattended. Always set the throttle to slow, stop the engine, and wait for all moving parts to stop before leaving.
- Do not touch parts which may be hot from operation. Allow them to cool before attempting to maintain, adjust, or service.
- Before compacting soil, have the area marked for underground utilities.
- Lightning can cause severe injury or death. If lightning is seen or thunder is heard in the area, do not operate the machine; seek shelter.

## Maintenance and Storage

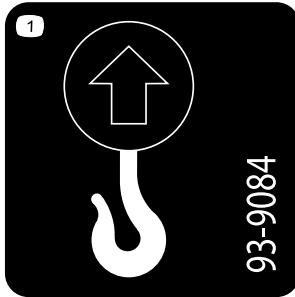
- Park the machine on a level surface, set the throttle to slow, and stop the engine. Wait for all movement to stop before adjusting, cleaning, or repairing.
- Clean debris from the drives, mufflers, and engine to help prevent fires. Clean up fuel and oil spillage.

- Let the engine cool before storing and do not store near flame.
- Do not store fuel near flames or drain indoors.
- Park the machine on level ground. Never allow untrained personnel to service the machine.
- Carefully release pressure from components with stored energy.
- Disconnect the spark plug before making any repairs.
- Keep hands and feet away from moving parts. If possible, do not make adjustments with the engine running.
- Keep all parts in good working condition and all hardware tightened. Replace all worn or damaged decals.
- Keep nuts and bolts tight. Keep equipment in good condition.
- Keep the machine free from the build-up of mud, rocks, or other debris. Clean up oil or fuel spillage. Allow the machine to cool before storing.
- Use extra care when handling fuels. They are flammable and vapors are explosive.
  - Use only an approved container.
  - Never remove the fuel cap or add fuel when the engine is running. Allow the engine to cool before refueling. Do not smoke.
  - Never refuel the machine indoors.
  - Never store the machine or fuel container inside where there is an open flame, such as near a water heater or furnace.
  - Never fill a fuel container while it is inside a vehicle, trunk, pick-up bed, or any surface other than the ground.
  - Keep container nozzle in contact with the tank during filling.
- Stop and inspect the equipment if you strike an object. Make any necessary repairs before restarting.
- Use only genuine Toro replacement parts to ensure that original standards are maintained.

# Safety and Instructional Decals



Safety decals and instructions are easily visible to the operator and are located near any area of potential danger. Replace any decal that is damaged or lost.

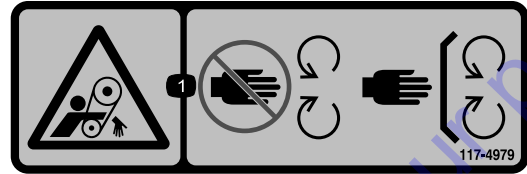


93-9084

1. Lift point

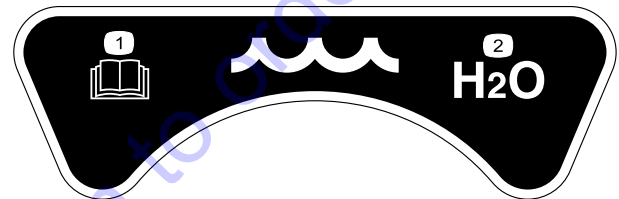
**CALIFORNIA SPARK ARRESTER WARNING**  
 Operation of this equipment may create sparks that can start fires around dry vegetation. A spark arrester may be required. The operator should contact local fire agencies for laws or regulations relating to fire prevention requirements. 117-2718

117-2718



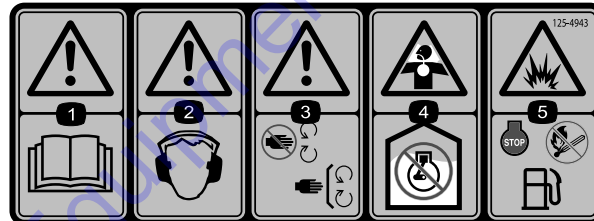
117-4979

1. Entanglement hazard, belt—keep away from moving parts; keep all guards and shields in place



125-4945

1. Read the *Operator's Manual* for information on using the water tank.
2. Water cap



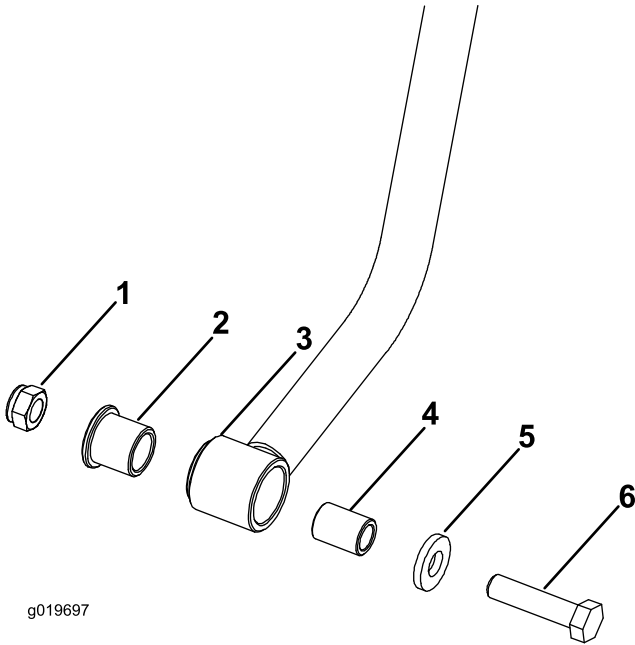
125-4943

1. Warning—read the *Operator's Manual*.
2. Warning—wear hearing protection.
3. Warning—keep away from moving parts; keep all guards and shields in place.
4. Choking hazard—do not operate the machine indoors.
5. Explosion hazard—stop the engine and extinguish all flames before refueling the machine.

# Setup

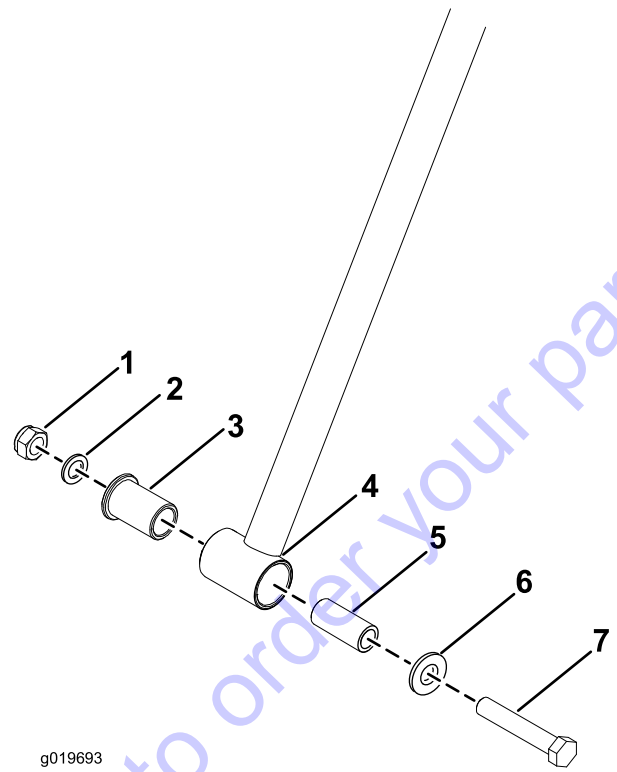
## Installing the Handle

Secure each side of the handle to the plate compactor frame using a bolt, flat washer, spacer, bearing, lock washer, and nut (Figure 3 or Figure 4).



**Figure 3**  
Model no. 2200

- |            |                |
|------------|----------------|
| 1. Nut     | 4. Spacer      |
| 2. Bearing | 5. Flat washer |
| 3. Handle  | 6. Bolt        |



**Figure 4**  
Model no. 3000/4000

- |                |                |
|----------------|----------------|
| 1. Nut         | 5. Spacer      |
| 2. Lock washer | 6. Flat washer |
| 3. Bearing     | 7. Bolt        |
| 4. Handle      |                |

## Checking the Engine Oil Level

The machine comes from the factory with oil in the engine crankcase; however, it may be necessary to add oil. Refer to Servicing the Engine Oil (page 13). Add only enough oil to raise the level to the Full mark on the dipstick.

## Checking the Eccentric Oil Level

The machine comes from the factory with eccentric oil in the eccentric housing; however, it may be necessary to add oil. Refer to Servicing the Eccentric Oil (page 13). Add only enough oil so that the oil level is flush with the oil plug on the side of the eccentric housing.

# Product Overview

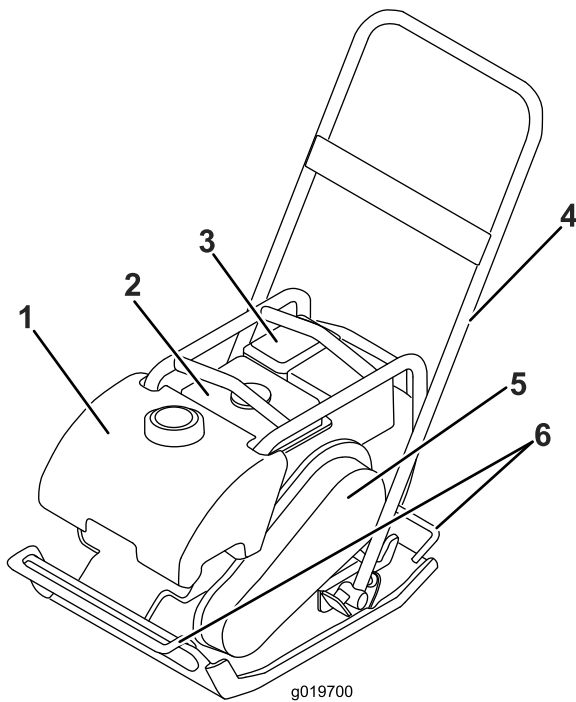


Figure 5

- |               |                    |
|---------------|--------------------|
| 1. Water tank | 4. Handle          |
| 2. Engine     | 5. Belt cover      |
| 3. Air filter | 6. Lifting handles |

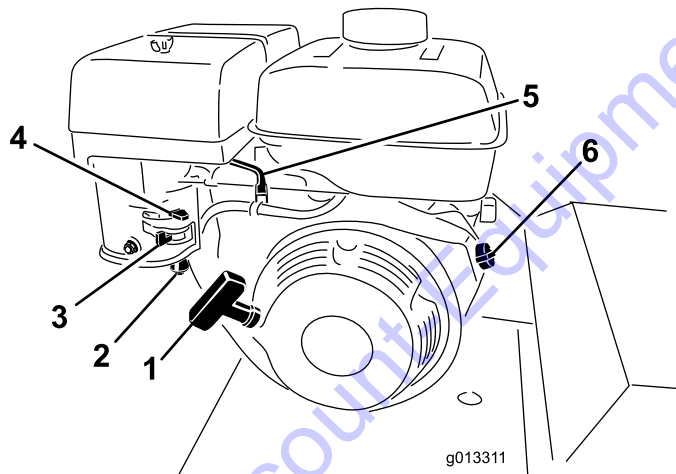


Figure 6

- |                        |                         |
|------------------------|-------------------------|
| 1. Recoil starter      | 4. Choke lever          |
| 2. Sediment cup        | 5. Throttle lever       |
| 3. Fuel shut-off valve | 6. Engine On/Off switch |

# Operation

**Note:** Determine the left and right sides of the machine from the normal operating position.

## Checking the Engine Oil Level

**Service Interval:** Before each use or daily

1. Stop the machine on a level surface.
2. Set the throttle to slow, turn off the engine switch, and wait for all moving parts to stop.
3. Clean around the dipstick (Figure 7) so that dirt cannot fall into the filler hole and damage the engine.

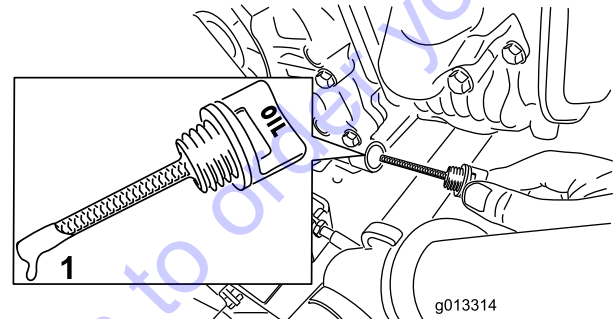


Figure 7

1. Dipstick
4. Unscrew the dipstick and wipe the end clean (Figure 7).
5. Screw the dipstick fully onto the filler tube (Figure 7).
6. Unscrew the dipstick again and look at the end. If the engine oil level is low, slowly pour only enough oil into the filler tube to raise the level to the Full mark on the dipstick.

**Important:** Do not overfill the crankcase with engine oil and run the engine; engine damage may result.

## Cleaning Debris from the Machine

**Service Interval:** Before each use or daily

1. Set the throttle to slow, stop the engine, and wait for all moving parts to stop.

### **⚠ WARNING**

Contact with hot parts on the machine can cause severe burns.

Wait for all parts to cool before touching the machine.

2. Brush dirt and debris away from the air cleaner and engine openings.
3. Check the sprinkler tube and remove any dirt or debris.



## Adding Fuel

- For best results, use only clean, fresh (less than 30 days old), unleaded gasoline with an octane rating of 87 or higher ((R+M)/2 rating method).
- **Ethanol:** Gasoline with up to 10% ethanol (gasohol) or 15% MTBE (methyl tertiary butyl ether) by volume is acceptable. Ethanol and MTBE are not the same. Gasoline with 15% ethanol (E15) by volume is not approved for use. **Never use gasoline that contains more than 10% ethanol by volume**, such as E15 (contains 15% ethanol), E20 (contains 20% ethanol), or E85 (contains up to 85% ethanol). Using unapproved gasoline may cause performance problems and/or engine damage which may not be covered under warranty.
- **Do not** use gasoline containing methanol.
- **Do not** store fuel either in the fuel tank or fuel containers over the winter unless a fuel stabilizer is used.
- **Do not** add oil to gasoline.

**Important:** Do not use fuel additives other than a fuel stabilizer/conditioner. Do not use fuel stabilizers with an alcohol base such as ethanol, methanol, or isopropanol.

### ▲ DANGER

In certain conditions, gasoline is extremely flammable and highly explosive. A fire or explosion from gasoline can burn you and others and can damage property.

- **Fill the fuel tank outdoors, in an open area, and when the engine is cold. Wipe up any gasoline that spills.**
- **Do not fill the fuel tank completely full. Add gasoline to the fuel tank until the level is 6 to 13 mm (1/4 to 1/2 in) below the bottom of the filler neck. This empty space in the tank allows the gasoline to expand.**
- **Never smoke when handling gasoline, and stay away from an open flame or where a spark may ignite the gasoline fumes.**
- **Store gasoline in an approved fuel container and keep it out of the reach of children.**
- **Never buy more than a 30-day supply of gasoline.**

### ▲ DANGER

**When fueling, under certain circumstances, a static charge can develop, igniting the gasoline. A fire or explosion from gasoline can burn you and others and damage property.**

- **Always place gasoline containers on the ground and away from your vehicle before filling.**
- **Do not fill gasoline containers inside a vehicle or on a truck or trailer bed because interior carpets or plastic truck bed liners may insulate the container and slow the loss of any static charge.**
- **When practical, remove gasoline-powered equipment from the truck or trailer and refuel the equipment with its wheels on the ground.**
- **If this is not possible, then refuel such equipment on a truck or trailer from a portable container, not from a gasoline dispenser nozzle.**
- **If you must use a gasoline dispenser nozzle, keep the nozzle in contact with the rim of the fuel tank or container opening at all times until fueling is complete.**

## Using Stabilizer/Conditioner

Use a fuel stabilizer/conditioner in the traction unit to provide the following benefits:

- Keeps gasoline fresh during storage of 90 days or less. For longer storage it is recommended that the fuel tank be drained.
- Cleans the engine while it runs
- Eliminates gum-like varnish buildup in the fuel system, which causes hard starting

**Important:** Do not use fuel additives containing methanol or ethanol.

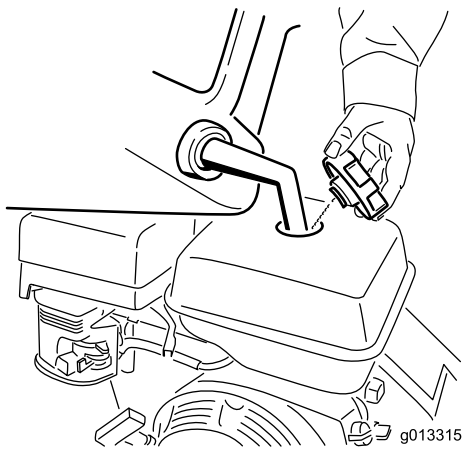
Add the correct amount of gas stabilizer/conditioner to the gas.

**Note:** A fuel stabilizer/conditioner is most effective when mixed with fresh gasoline. To minimize the chance of varnish deposits in the fuel system, use fuel stabilizer at all times.

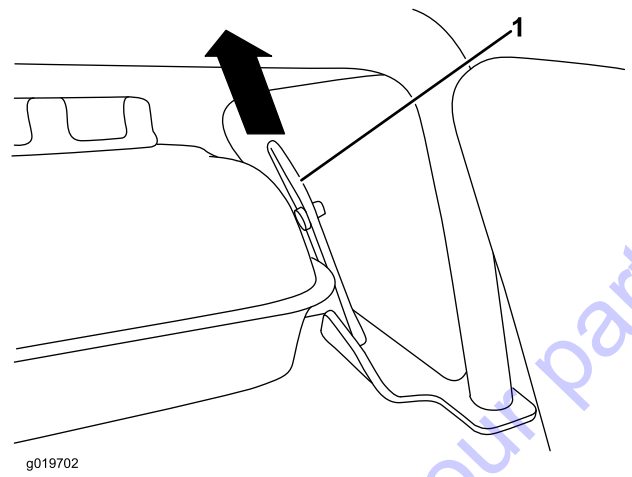
## Filling the Fuel Tank

1. Set the throttle to slow, turn off the engine switch, and wait for all moving parts to stop.
2. Allow the engine to cool.
3. Clean around the fuel tank cap and remove it (Figure 8).

**Note:** The cap is tethered to the fuel tank.



**Figure 8**



**Figure 10**

4. Add unleaded gasoline to the fuel tank, until the level is just inside the mesh filter basket.

**Important:** This space in the tank allows gasoline to expand. Do not fill the fuel tank completely full.

5. Install the fuel tank cap securely.
6. Wipe up any gasoline that may have spilled.

1. Elastic tank latch

3. Fill the tank with water, reassemble it to the frame, and reattach the coupler.

## Starting and Stopping the Engine

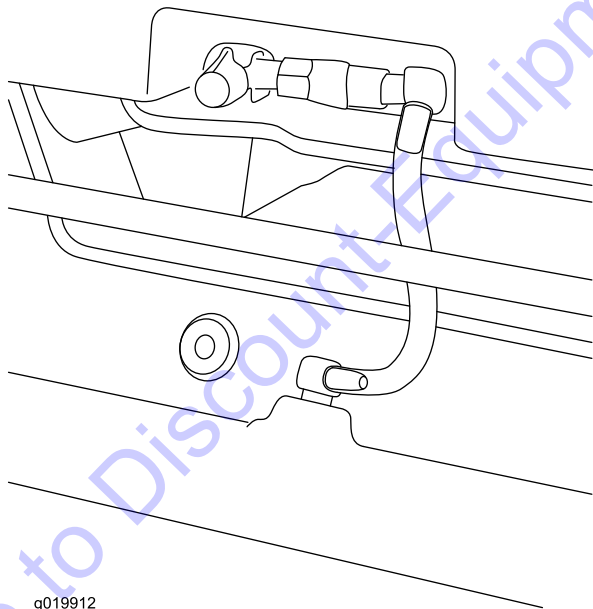
### Starting the Engine

1. Move the engine switch to the On position (Figure 11).

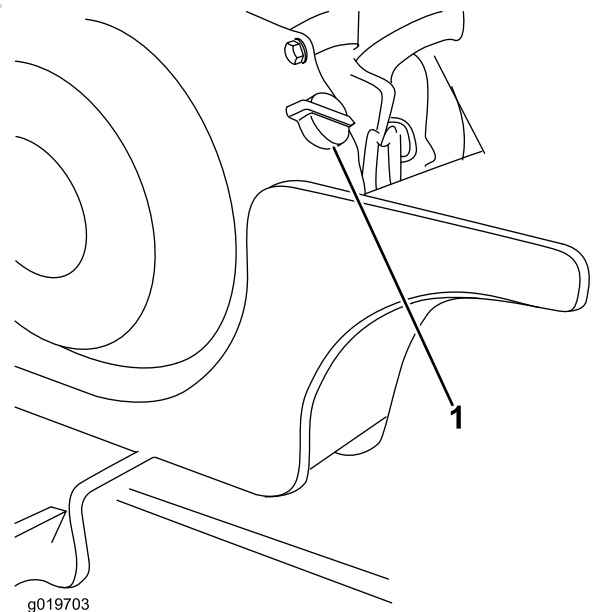
## Adding Water

The water system is used to wet the surface of the compactor to prevent asphalt from sticking to the compactor when in use.

1. Detach the valve coupler (Figure 9).



**Figure 9**



**Figure 11**

1. Engine switch

2. Move the fuel valve to the On position (Figure 12).

2. Remove the water tank from the frame by pulling up on the elastic tank latch (Figure 10).

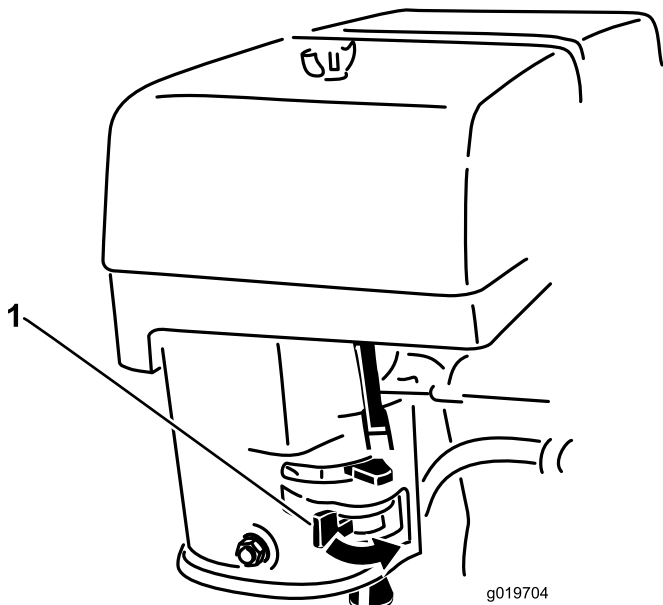


Figure 12

1. Fuel valve

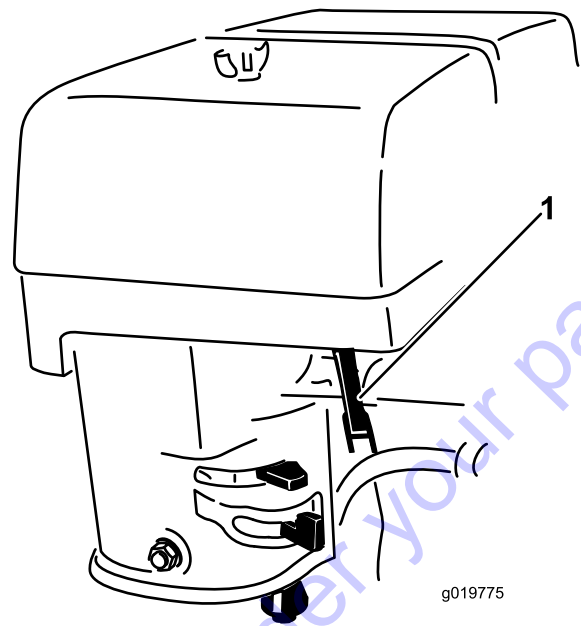


Figure 14

1. Throttle

3. Move the choke lever to the left if you are starting a cold engine (Figure 13).

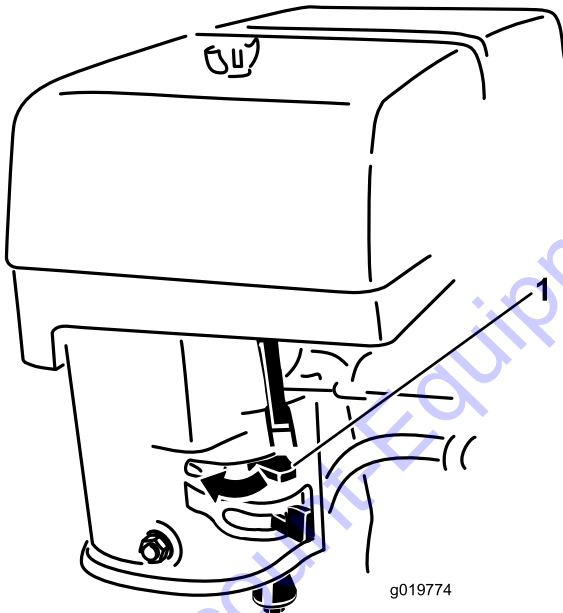


Figure 13

1. Choke

4. Move the throttle lever midway between slow (turtle) and fast (rabbit) positions (Figure 14).

**Note:** A warm or hot engine may not require choking.

5. Pull the recoil handle sharply to start the engine.
6. After the engine starts, gradually move the choke to the right. If the engine stalls or hesitates, move the choke left again until the engine warms up.
7. Move the throttle lever to maximum throttle.

### Stopping the Engine

1. Move the throttle lever to the slow (turtle) position.
2. Turn the engine switch and fuel valve off.

### Operating the Compactor

With the engine at full throttle, the compactor will move forward while vibrating.

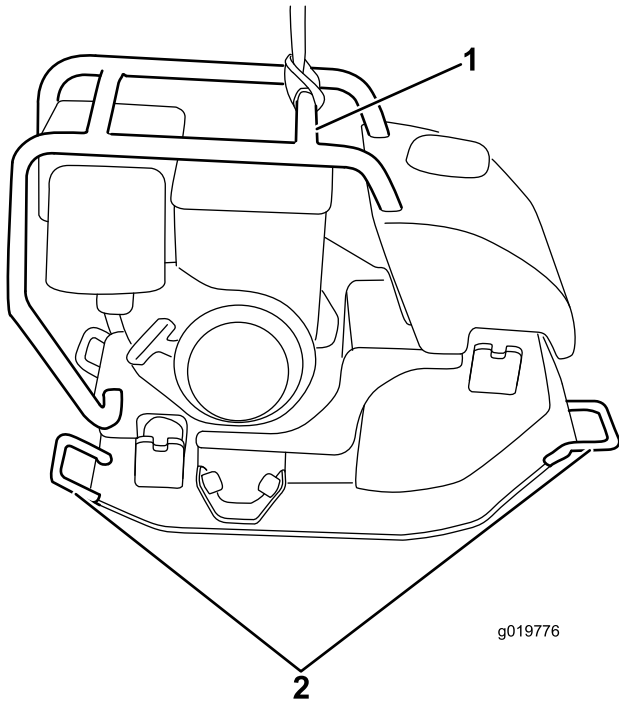
Grasp the handle lightly with both hands and allow the compactor to move forward on its own. Use the handle to guide the direction of travel to avoid obstructions.

To make tight turns easier to maneuver, lower the engine speed.

# Transporting the Machine

The rollcage lifteye can be used to lift and transport the machine with straps or a crane (Figure 15).

Alternatively, two people can transport the machine by lifting the compactor using the front and rear lift handles (Figure 15).



**Figure 15**

1. Rollcage lifteye

2. Lift handles

Go to Discount-Equipment.com to order your parts

# Maintenance

## Recommended Maintenance Schedule(s)

Maintenance Service Interval	Maintenance Procedure
After the first 25 hours	<ul style="list-style-type: none"> <li>Change the engine oil.</li> </ul>
Before each use or daily	<ul style="list-style-type: none"> <li>Check the engine oil level.</li> <li>Clean debris from the air cleaner.</li> <li>Inspect the air cleaner elements.</li> </ul>
Every 50 hours	<ul style="list-style-type: none"> <li>Clean the air filter elements. Clean them more frequently in dusty operating conditions.</li> </ul>
Every 100 hours	<ul style="list-style-type: none"> <li>Change the engine oil.</li> <li>Inspect, clean, and adjust the spark plug; replace it if necessary.</li> </ul>
Every 200 hours	<ul style="list-style-type: none"> <li>Replace the spark plug.</li> </ul>
Every 300 hours	<ul style="list-style-type: none"> <li>Replace the paper air cleaner element. Replace it more frequently in dusty operating conditions.</li> </ul>
Monthly	<ul style="list-style-type: none"> <li>Check the eccentric oil level.</li> </ul>

## Disconnecting the Spark Plug Wire

Before performing any maintenance on the engine, disconnect the spark plug wire from the spark plug (Figure 16).

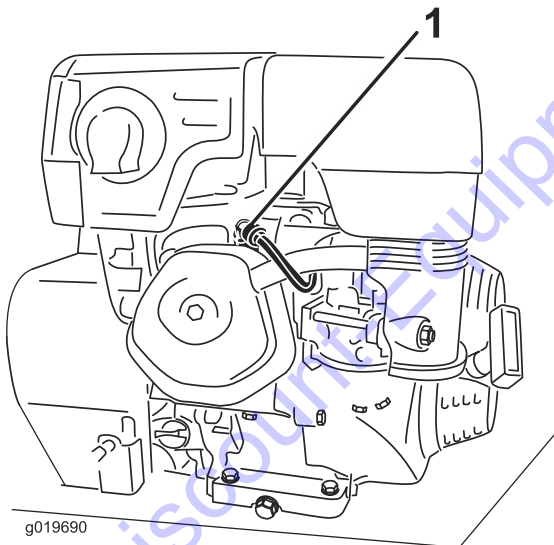


Figure 16

1. Spark plug wire

Every 300 hours/Yearly (whichever comes first)—Replace the paper air cleaner element. Replace it more frequently in dusty operating conditions.

**Important: Do not operate the engine without the air filter assembly; extreme engine damage will occur.**

1. Set the throttle to slow, stop the engine, and wait for all moving parts to stop.
2. Disconnect the wire from the spark plug.
3. Remove the nut that secures the cover (Figure 17).

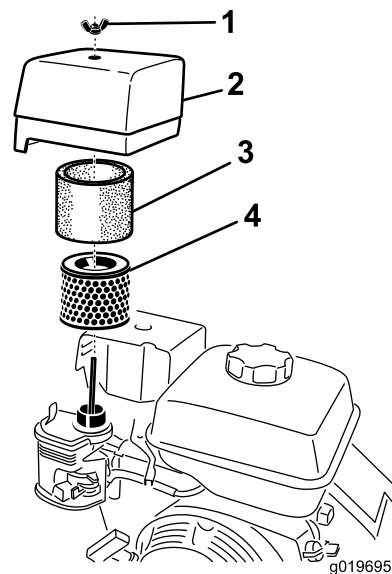


Figure 17

1. Nut
2. Cover
3. Paper element
4. Foam element

## Servicing the Air Cleaner

**Service Interval:** Before each use or daily—Inspect the air cleaner elements.

Every 50 hours—Clean the air filter elements. Clean them more frequently in dusty operating conditions.

- Remove the cover.

**Note:** Be careful to prevent dirt and debris from falling into the base.

- Remove the foam and paper elements from the base (Figure 17).
- Remove the foam element from the paper element (Figure 17).
- Inspect the foam and paper elements, and replace them if they are damaged or excessively dirty.
- If the paper element is excessively dirty, replace it.

**Note:** Never try to brush dirt off the paper element; brushing forces the dirt into the fibers.

- Clean the foam element in warm, soapy water or in a **nonflammable** solvent.

**Note:** Do not use gasoline to clean the foam element because it could create a risk of fire or explosion.

- Rinse and dry the foam element thoroughly.
- Dip the foam element in clean engine oil, then squeeze out the excess oil.

**Note:** Excess oil in the foam element restricts the air flow through the element and may reach the paper filter and clog it.

- Wipe dirt from the base and the cover with a moist rag.

**Note:** Be careful to prevent dirt and debris from entering the air duct leading to the carburetor.

- Install the air cleaner elements and ensure that they are properly positioned.
- Securely install the cover with the nut.

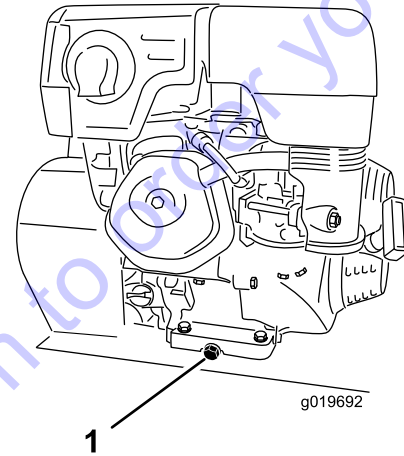
Every 100 hours

## ⚠ WARNING

**Oil may be hot after the engine has been run, and contact with hot oil can cause severe personal injury.**

**Avoid contacting the hot engine oil when you drain it.**

- Stop the engine and wait for all moving parts to stop.
- Disconnect the wire from the spark plug.
- Remove the drain plug (Figure 19).



**Figure 19**

- Drain plug

**Note:** You may have to tip the compactor backwards to drain the oil.

- When the oil has drained completely, replace the plug.

**Note:** Dispose of the used oil at a certified recycling center.

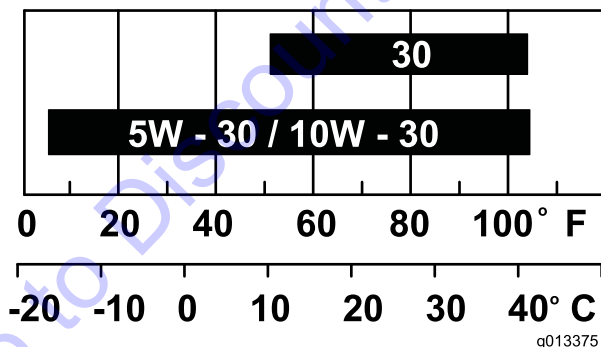
- Remove the dipstick (Figure 7) and slowly pour oil into the filler hole until the oil pours out of the filler hole.
- Replace and secure the dipstick.
- Wipe up any spilled oil.

## Servicing the Engine Oil

Oil Type: Detergent oil (API service SJ or higher)

Crankcase Capacity: 37 oz (1.1 l)

Viscosity: See table below



**Figure 18**

## Changing the Engine Oil

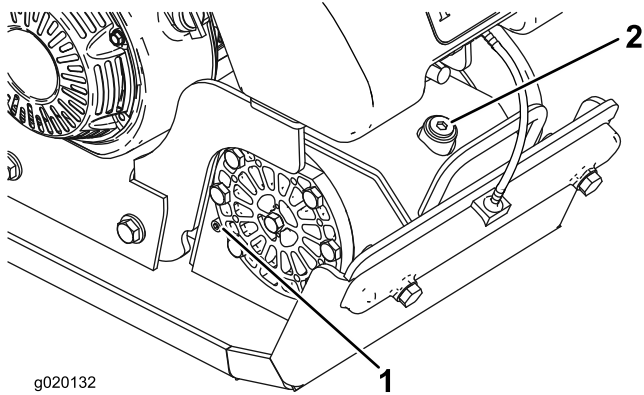
**Service Interval:** After the first 25 hours

## Servicing the Eccentric Oil

### Checking the Eccentric Oil Level

**Service Interval:** Monthly

- Set the throttle to slow, stop the engine, and wait for all moving parts to stop.
- Place a drain pan under the oil plug and remove the oil plug screw on the side of the eccentric housing (Figure 20).



**Figure 20**

1. Oil plug
2. Eccentric oil filler hole

3. Verify that the eccentric oil is level with the bolt hole. If adding oil is required, refer to Changing the Eccentric Oil (page 14).
4. Wipe up any spilled oil.
5. Replace the oil plug screw.

## Changing the Eccentric Oil

1. Set the throttle to slow, stop the engine, and wait for all moving parts to stop.
2. Place an oil drain pan under the oil plug and remove the fill plug and the oil plug screw (Figure 20). Place an oil drain pan under the oil plug.
3. Tip the plate compactor forward slightly and use a suction gun to remove the oil through the filler hole (Figure 20).
4. Slowly pour oil into the filler hole until the oil comes out the oil plug (Figure 20).
5. Wipe up any spilled oil.
6. Replace the fill plug and the oil plug screw.

## Cleaning the Sediment Cup

### **⚠ DANGER**

In certain conditions, gasoline is extremely flammable and highly explosive. A fire or explosion from gasoline can burn you and others and can damage property.

- Set the throttle to slow, stop the engine and keep heat, sparks, and flame away.
- Handle fuel only outdoors.
- Wipe up spills immediately.
- Do not smoke while handling fuel.

1. Stop the engine and wait for all moving parts to stop.
2. Disconnect the wire from the spark plug.

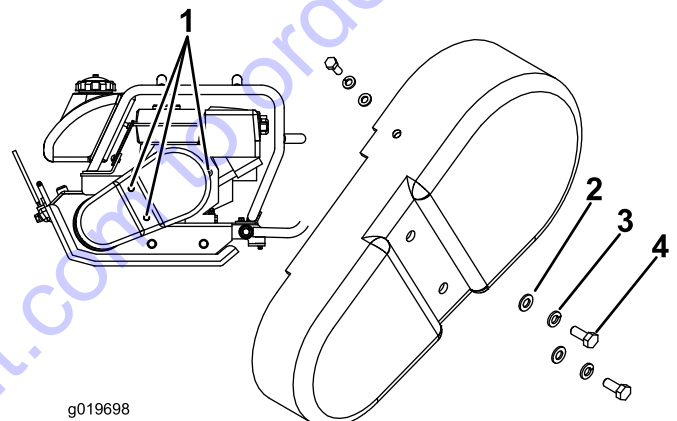
3. Move the fuel shut-off valve to the Off position.
4. Remove the sediment cup and O-ring (Figure 6).
5. Wash the sediment cup in a nonflammable solvent and dry it thoroughly.
6. Place the O-ring in the fuel valve and install the sediment cup, tightening it securely.
7. Move the fuel shut-off lever to the On position.

If any fuel leaks, repeat this procedure and replace the O-ring.

## Servicing the Belt

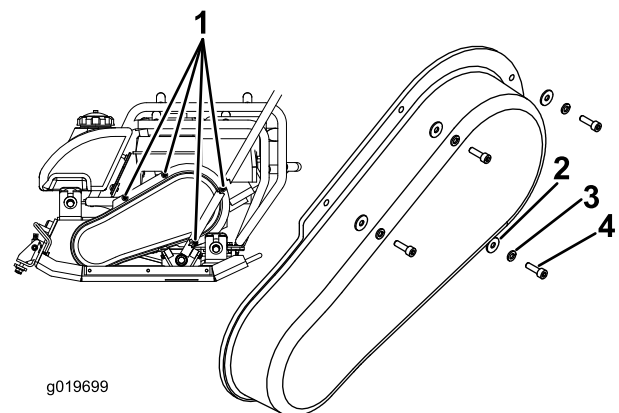
### Adjusting the Belt

1. Remove the bolts holding the belt cover in place (Figure 21 or Figure 22).



**Figure 21**  
Model 2200

- |                   |                |
|-------------------|----------------|
| 1. Bolt locations | 3. Lock washer |
| 2. Bolt           | 4. Washer      |



**Figure 22**  
Model 3000/4000

- |                   |                |
|-------------------|----------------|
| 1. Bolt locations | 3. Lock washer |
| 2. Bolt           | 4. Washer      |

2. Loosen the four engine mounting bolts.

- Loosen or tighten the puller bolt on the rear of the engine deck until the desired tension is obtained.
- Replace the belt cover and the four engine mounting bolts.

## Servicing the Spark Plug

**Service Interval:** Every 100 hours—Inspect, clean, and adjust the spark plug; replace it if necessary.

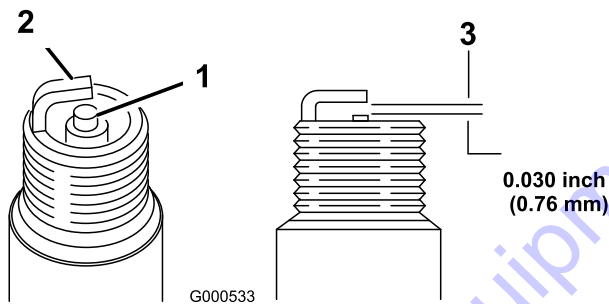
Every 200 hours—Replace the spark plug.

Use an **NGK BPR6ES** spark plug or equivalent.

- Stop the engine and wait for all moving parts to stop.
- Disconnect the wire from the spark plug.
- Clean around the spark plug.
- Remove the spark plug from the cylinder head.

**Important:** Replace a cracked, fouled, or dirty spark plug. Do not clean the electrodes because grit entering the cylinder can damage the engine.

- Set the gap on the plug to 0.030 inch (0.76 mm) (Figure 23).



**Figure 23**

- Center electrode insulator
- Side electrode
- Air gap (not to scale)

- Carefully install the spark plug by hand (to avoid cross threading) until it is hand tight.
- Tighten the spark plug an additional 1/2 turn if it is new; otherwise, tighten it an additional 1/8 to 1/4 turn.

**Important:** A loose spark plug can become very hot and can damage the engine; overtightening a spark plug may damage the threads in the cylinder head.

- Connect the wire to the spark plug.

## Storage

- Stop the engine, and disconnect the spark plug wire.
- Remove dirt and grime from the entire machine.

**Important:** You can wash the machine with mild detergent and water. Do not pressure wash the machine. Avoid excessive use of water, especially near the engine.

- Service the air cleaner; refer to Servicing the Air Cleaner (page 12).
- Change the engine oil; refer to Changing the Engine Oil (page 13).
- For storage over 30 days, prepare the unit as follows:
  - Add a petroleum based stabilizer/conditioner to fuel in the tank. Follow mixing instructions from stabilizer manufacturer (1 oz. per gallon). **Do not use an alcohol based stabilizer (ethanol or methanol).**
  - Run the engine until it stops from running out of fuel.
  - Choke the engine.
  - Start and run the engine until it will not start again.
  - Dispose of fuel properly. Recycle as per local codes.

**Note:** A fuel stabilizer/conditioner is most effective when mixed with fresh gasoline and used at all times.

**Important:** Do not store stabilizer/conditioned gasoline over 90 days.

- Check and tighten all bolts, nuts, and screws. Repair or replace any part that is damaged.
- Paint all scratched or bare metal surfaces. Paint is available from your Authorized Service Dealer.
- Store the machine in a clean, dry garage or storage area.
- Cover the machine to protect it and keep it clean.



# Troubleshooting

Problem	Possible Cause	Corrective Action
The engine will not start, starts hard, or fails to keep running.	<ol style="list-style-type: none"> <li>1. The fuel tank is empty.</li> <li>2. The spark plug is pitted, fouled, or the gap is incorrect.</li> <li>3. The air cleaner is dirty.</li> </ol>	<ol style="list-style-type: none"> <li>1. Fill the fuel tank with gasoline.</li> <li>2. Install a new, correctly gapped spark plug.</li> <li>3. Clean or replace the air cleaner elements.</li> </ol>
The plate does not vibrate at full speed.	<ol style="list-style-type: none"> <li>1. The oil level in the eccentric housing is too high.</li> <li>2. The belt is loose.</li> </ol>	<ol style="list-style-type: none"> <li>1. Check the oil level and drain as necessary.</li> <li>2. Adjust the belt tension.</li> </ol>
The clutch is extremely hot.	<ol style="list-style-type: none"> <li>1. A foreign object is lodged against the eccentric sheave.</li> <li>2. The oil level in the eccentric housing is too high.</li> <li>3. The clutch has slipped.</li> <li>4. Engine RPM is not reaching full RPM.</li> </ol>	<ol style="list-style-type: none"> <li>1. Remove the obstruction.</li> <li>2. Check the oil level and drain as necessary.</li> <li>3. Adjust the carburetor.</li> <li>4. Adjust the throttle so the engine runs at 3,600 to 3,800 RPM.</li> </ol>
The plate does not vibrate when the engine is running.	<ol style="list-style-type: none"> <li>1. The belt is broken.</li> <li>2. The clutch is broken or worn out.</li> <li>3. The eccentric has seized.</li> </ol>	<ol style="list-style-type: none"> <li>1. Replace the belt.</li> <li>2. Replace the clutch.</li> <li>3. Ensure the eccentric is free turning.</li> </ol>
There is insufficient water flow.	<ol style="list-style-type: none"> <li>1. The water tank is empty.</li> <li>2. The sprinkler is closed.</li> <li>3. The sprinkler tube is clogged.</li> </ol>	<ol style="list-style-type: none"> <li>1. Fill the water tank.</li> <li>2. Open the sprinkler valve.</li> <li>3. Remove and clean the tube.</li> </ol>



## The Toro Warranty

A limited warranty (see warranty periods below)

### Conditions and Products Covered

The Toro Company and its affiliate, Toro Warranty Company, pursuant to an agreement between them, jointly warrant your Toro Concrete, Masonry, and Compaction Equipment Products listed below to be free from defects in materials or workmanship.

This warranty covers the cost of parts and labor, but you must pay transportation costs.

The following time periods apply from the date of purchase:

Products	Warranty Period
Concrete Mixers	1 year
• Spindle Bearings	Lifetime* (original owner only)
Mortar Mixers	1 year
• Drum Bearings and Seals	Lifetime* (original owner only)
Forward Plate Compactors	2 years
Reversible Plates	1 year
Rammer Compactors	2 years
Mud Buggy	1 year
Vibrating Trench Roller	2 years
Concrete Saws	1 year
Masonry Saws	1 year
Power Trowels	1 year
Screeds	1 year
Concrete Vibrators	1 year

Where a warrantable condition exists, we will repair the Product at no cost to you including diagnosis, labor, and parts.

\*Lifetime Warranty - If the bearing(s) or seal(s) on your mixer fail, it will be replaced under warranty, at no cost for parts or labor.

### Instructions for Obtaining Warranty Service

If you think that your Toro Product contains a defect in materials or workmanship, follow this procedure<sup>1</sup>:

1. Contact any Authorized Servicing Outlet to arrange service at their dealership. To locate one convenient to you, access our website at [www.Toro.com](http://www.Toro.com). Select "Where to Buy" and select "Contractor" under product type. You may also call our toll free number below.
2. Bring the product and your proof of purchase (sales receipt) to them.
3. If for any reason you are dissatisfied with the Service Outlet's analysis or with the assistance provided, contact us at:

SWS Customer Care Department  
Toro Warranty Company  
8111 Lyndale Avenue South  
Bloomington, MN 55420-1196  
Toll Free: 800-888-9926

<sup>1</sup>Toro Authorized Rental Customers who have purchased products directly from Toro and have signed the Toro Rental Customer Agreement have the ability to perform their own warranty work. Please visit Toro's Rental Portal for electronic warranty claim filing procedures or call the toll free number above.

### Owner Responsibilities

You must maintain your Toro Product by following the maintenance procedures described in the *Operator's Manual*. Such routine

maintenance, whether performed by a dealer or by you, is at your expense. Parts scheduled for replacement as required maintenance ("Maintenance Parts"), are warranted for the period of time up to the scheduled replacement time for that part. Failure to perform required maintenance and adjustments can be grounds for disallowing a warranty claim.

### Items and Conditions Not Covered

Not all product failures or malfunctions that occur during the warranty period are defects in materials or workmanship. This express warranty does not cover the following:

- Product failures which result from the use of non-Toro replacement parts, or from installation and use of add-on, modified, or unapproved accessories
- Product failures which result from failure to perform required maintenance and/or adjustments
- Product failures which result from operating the Product in an abusive, negligent or reckless manner
- Parts subject to consumption through use unless found to be defective. Examples of parts which are consumed, or used up, during normal product operation include, but are not limited to, belts, wipers, spark plugs, tires, filters, gaskets, wear plates, seals, O-rings, drive chains, clutches.
- Failures caused by outside influence. Items considered to be outside influence include, but are not limited to, weather, storage practices, contamination, use of unapproved coolants, lubricants, additives, or chemicals, etc.
- Normal "wear and tear" items. Normal "wear and tear" includes, but is not limited to, worn painted surfaces, scratched decals, etc.
- Any component covered by a separate manufacturer's warranty
- Pickup and delivery charges

### General Conditions

Repair by an Authorized Servicing Outlet or Self-Service as an Authorized Rental Customer is your sole remedy under the warranty.

**Neither The Toro Company nor Toro Warranty Company is liable for indirect, incidental or consequential damages in connection with the use of the Toro Products covered by this warranty, including any cost or expense of providing substitute equipment or service during reasonable periods of malfunction or non-use pending completion of repairs under this warranty. All implied warranties of merchantability and fitness for use are limited to the duration of this express warranty. Some states do not allow exclusions of incidental or consequential damages, or limitations on how long an implied warranty lasts, so the above exclusions and limitations may not apply to you.**

This warranty gives you specific legal rights, and you may also have other rights which vary from state to state.

Except for the engine warranty coverage and the Emissions warranty referenced below, if applicable, there is no other express warranty. The Emissions Control System on your Product may be covered by a separate warranty meeting requirements established by the U.S. Environmental Protection Agency (EPA) or the California Air Resources Board (CARB). Refer to the California Emission Control Warranty Statement supplied with your Product or contained in the engine manufacturer's documentation for details.

### Countries Other than the United States or Canada

Customers who have purchased Toro products outside the United States or Canada should contact their Toro Distributor (Dealer) to obtain guarantee policies for your country, province, or state. If for any reason you are dissatisfied with your Distributor's service or have difficulty obtaining guarantee information, contact the Toro importer. If all other remedies fail, you may contact us at Toro Warranty Company.

**Australian Consumer Law:** Australian customers will find details relating to the Australian Consumer Law either inside the box or at your local Toro Dealer.

# PARTS FINDER

**Search Website  
by Part Number**



**Search Manual  
Library For Parts  
Manual & Lookup Part  
Numbers – Purchase  
or Request Quote**

**Search Manuals**

Enter your information to help us find the right parts manual for your machine.

\* Brand:

\* Model:

\* Serial:

\* Part Number:

SEARCH

**Can't Find Part or  
Manual? Request Help  
by Manufacturer,  
Model & Description**

**Parts Order Form**

Please fill in the following information to help us find the right part for your machine.

Manufacturer:	<input type="text"/>
Model:	<input type="text"/>
Description:	<input type="text"/>
Part Number:	<input type="text"/>
Quantity:	<input type="text"/>
Notes:	<input type="text"/>

Discount-Equipment.com is your online resource for quality parts & equipment.

Florida: **561-964-4949** Outside Florida TOLL FREE: **877-690-3101**

**Need parts?**

Click on this link: <http://www.discount-equipment.com/category/5443-parts/> and choose one of the options to help get the right parts and equipment you are looking for. Please have the machine model and serial number available in order to help us get you the correct parts. If you don't find the part on the website or on one of the online manuals, please fill out the request form and one of our experienced staff members will get back to you with a quote for the right part that your machine needs.

We sell worldwide for the brands: Genie, Terex, JLG, MultiQuip, Mikasa, Essick, Whiteman, Mayco, Toro Stone, Diamond Products, Generac Magnum, Airman, Haulotte, Barreto, Power Blanket, Nifty Lift, Atlas Copco, Chicago Pneumatic, Allmand, Miller Curber, Skyjack, Lull, Skytrak, Tsurumi, Husquvarna Target, Stow, Wacker, Sakai, Mi-T-M, Sullair, Basic, Dynapac, MBW, Weber, Bartell, Bennar Newman, Haulotte, Ditch Runner, Menegotti, Morrison, Contec, Buddy, Crown, Edco, Wyco, Bomag, Laymor, EZ Trench, Bil-Jax, F.S. Curtis, Gehl Pavers, Heli, Honda, ICS/PowerGrit, IHI, Partner, Imer, Clipper, MMD, Koshin, Rice, CH&E, General Equipment, Amida, Coleman, NAC, Gradall, Square Shooter, Kent, Stanley, Tamco, Toku, Hatz, Kohler, Robin, Wisconsin, Northrock, Oztec, Toker TK, Rol-Air, APT, Wylie, Ingersoll Rand / Doosan, Innovatech, Con X, Ammann, Mecalac, Makinex, Smith Surface Prep, Small Line, Wanco, Yanmar