



A TEREX BRAND



Parts Manual

Serial Number Range

GTH-5519

from SN 20368 to 25040

GTH-5519 S

Part No. 645043

Rev V

March 2016

Go to Discount-Equipment.com to order your parts

PARTS FINDER

**Search Website
by Part Number**



**Search Manual
Library For Parts
Manual & Lookup Part
Numbers – Purchase
or Request Quote**

Search Manuals

Enter your information to help us find the right parts manual for your machine.

* Brand:

* Model:

* Serial:

* Part Number:

SEARCH

**Can't Find Part or
Manual? Request Help
by Manufacturer,
Model & Description**

Parts Order Form

Please fill in the following information to help us find the right part for your machine.

Manufacturer:	<input type="text"/>
Model:	<input type="text"/>
Description:	<input type="text"/>
Part Number:	<input type="text"/>
Quantity:	<input type="text"/>
Notes:	<input type="text"/>

Submit

Discount-Equipment.com is your online resource for quality parts & equipment.

Florida: **561-964-4949** Outside Florida TOLL FREE: **877-690-3101**

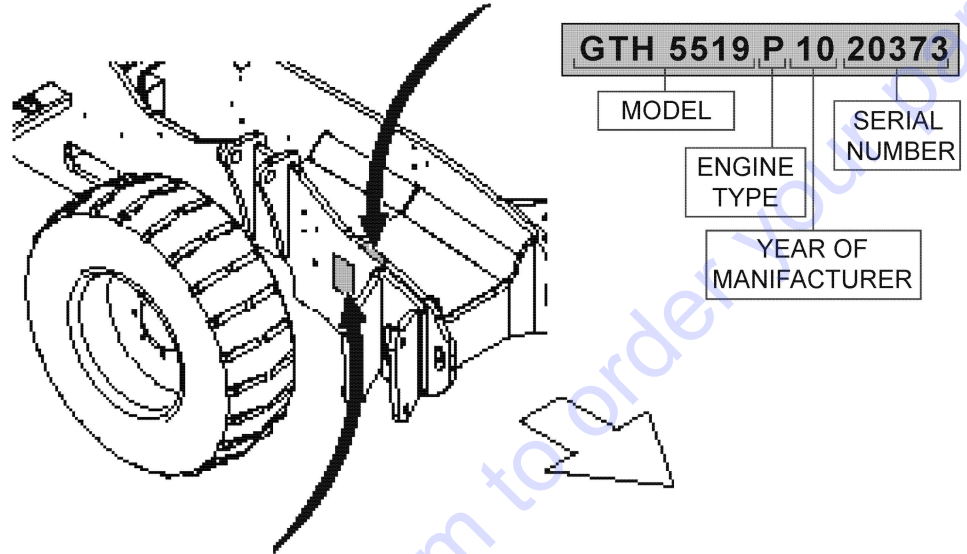
Need parts?

Click on this link: <http://www.discount-equipment.com/category/5443-parts/> and choose one of the options to help get the right parts and equipment you are looking for. Please have the machine model and serial number available in order to help us get you the correct parts. If you don't find the part on the website or on one of the online manuals, please fill out the request form and one of our experienced staff members will get back to you with a quote for the right part that your machine needs.

We sell worldwide for the brands: Genie, Terex, JLG, MultiQuip, Mikasa, Essick, Whiteman, Mayco, Toro Stone, Diamond Products, Generac Magnum, Airman, Haulotte, Barreto, Power Blanket, Nifty Lift, Atlas Copco, Chicago Pneumatic, Allmand, Miller Curber, Skyjack, Lull, Skytrak, Tsurumi, Husquvarna Target, Stow, Wacker, Sakai, Mi-T-M, Sullair, Basic, Dynapac, MBW, Weber, Bartell, Bennar Newman, Haulotte, Ditch Runner, Menegotti, Morrison, Contec, Buddy, Crown, Edco, Wyco, Bomag, Laymor, EZ Trench, Bil-Jax, F.S. Curtis, Gehl Pavers, Heli, Honda, ICS/PowerGrit, IHI, Partner, Imer, Clipper, MMD, Koshin, Rice, CH&E, General Equipment, Amida, Coleman, NAC, Gradall, Square Shooter, Kent, Stanley, Tamco, Toku, Hatz, Kohler, Robin, Wisconsin, Northrock, Oztec, Toker TK, Rol-Air, APT, Wylie, Ingersoll Rand / Doosan, Innovatech, Con X, Ammann, Mecalac, Makinex, Smith Surface Prep, Small Line, Wanco, Yanmar

Chassis serial number

(The chassis serial number is punched on the front right part of the chassis side member)



Machine data plate

(On machines destined for the Italian market, the machine data plate is installed in the driving cab, on the right, and is well-visible when the door is opened. On the machines destined for foreign markets, the data plate is applied on the front right side of the chassis)

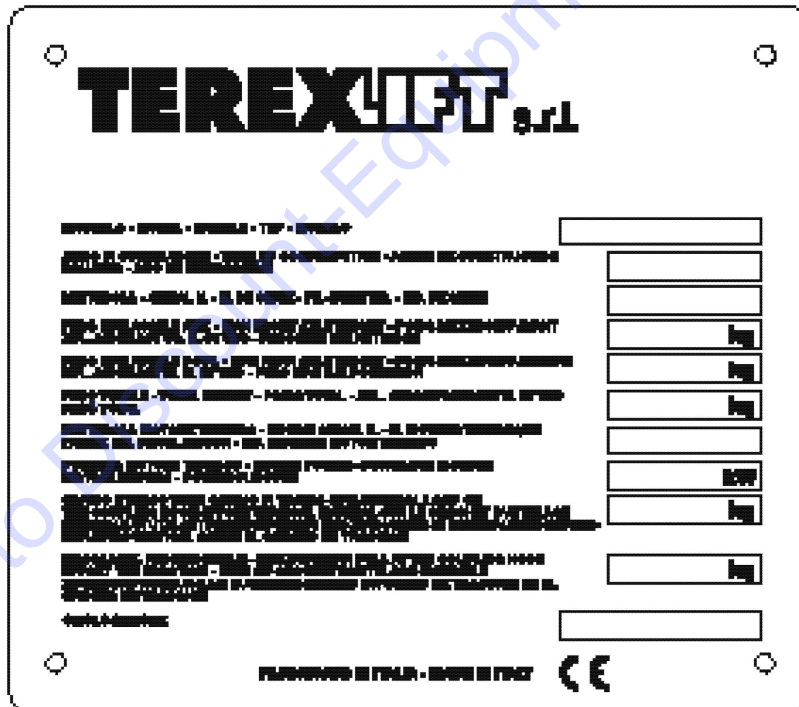


Table of Contents

This manual is updated frequently. For the most up-to-date parts information, visit www.discount-equipment.com

How to Read Your Serial Number.....3
 Parts Stocking List.....7

Electronic Version
 Click on any page number to view the figure.

100 Decals

101.1 606611 Decals, View 1.....10
 102.1 606612 Decals, View 2.....12

200 Drive Chassis Components

201.1 606613 Rear Chassis.....14
 202.1 606614 Left Chassis.....16
 203.1 606615 Right Chassis (Deutz Engine).....18
 204.1 606616 Right Chassis (Perkins Engine).....20
 205.1 606617 Hydraulic Oil Tank.....22
 206.1 606618 Drive Chassis And Wheels.....24
 207.1 606619 Front Axle - Differential.....26
 208.1 606620 Front Axle - Reduction Gear.....28
 209.1 606621 Front Axle - Brake.....30
 210.1 606622 Front Axle - Steering Cylinder.....32
 211.1 606623 Rear Axle - differential.....34
 212.1 606624 Rear Axle - Steering Axle.....36
 213.1 606625 Rear Axle - Steering Cylinder.....38

300 Engine Components

301.1 606626 Diesel Engine - Engine Cooling System (Deutz Engine).....40
 302.1 606627 Diesel Engine - Engine Cooling System (Perkins Engine).....42
 303.1 606628 Diesel Engine _Exhaust System - Injection - Accelerator (Deutz Engine).....44
 304.1 606629 Diesel Engine - Exhaust System - Injetton - Accelerator (Perkins Engine).....46
 305.1 606630 Diesel Engine - Hydraulic Pumps (Deutz Engine).....48
 306.1 606631 Diesel Engine - Hydraulic Pumps (Perkins Engine).....50

400 Cab Components

401.1 606632 Closed Cabin, View 1.....52
 402.1 606633 Closed Cabin, View 2.....54
 403.1 606634 Open Cab, Viw 1.....56
 404.1 606635 Dashboard, View 1.....58
 405.1 606636 Dashboard, View 2.....60
 406.1 606637 Components - Main Valve And Joystick.....62

500 Boom Components

501.1 606638 Boom (1st - 2nd Telescopic Element).....64
 502.1 606639 Manual Fork Attachments.....66
 503.1 606641 Cylinders.....68
 504.1 606642 First Section Pipes And Clamps.....70

600 Hydraulic System

601.1 606643 Valve Block.....72
 602.1 606644 Hydraulic System - Fork Balancing.....74
 603.1 606645 Hydraulic System - Auxiliary Circuits.....76
 604.1 606646 Hydraulic System - Boom Extension.....78
 605.1 606647 Hydraulic System - Boom Lifting.....80
 606.1 606648 Hydraulic System - Radiator (Deutz Engine).....82
 607.1 606649 Hydraulic System - Radiator (Perkins Engine).....84
 608.1 606650 Hydraulic System - Test Port (Deutz Engine).....86
 609.1 606651 Hydraulic System - Test Port (Perkins Engine).....88
 610.1 606652 Hydraulic System - Transmission (Deutz Engine).....90
 611.1 606653 Hydraulic System - Transmission (Perkins Engine).....92
 612.1 606654 Hydraulic System - Steering, Boom Functions Pump (Deutz Engine).....94
 613.1 606655 Hydraulic System - Steering, Boom Functions Pump (Perkins Engine).....96
 614.1 606656 Hydraulic System - Hydraulic Piloting Line Main Valve.....98
 615.1 606657 Hydraulic System - Joystick.....100
 616.1 606658 Hydraulic System - Power Steering System (Deutz Engine).....102
 617.1 606659 Hydraulic System - Power Steering System (Perkins Engine).....104
 618.1 606660 Hydraulic System - Brake System.....106

700 Electric Installation

701.1 606661 Fuse Box.....108
 702.1 606662 Engine Electrical Installation.....110
 703.1 606663 Chassis And Cabin Electrical Installation....112

800 Optionals

801.1 606664 Hydraulic Quick Coupling For attachment
(Hydraulic Part 1).....114

802.1 606665 Hydraulic Quick Coupling For Attachment
(Hydraulic Part 2).....116

803.1 606666 Hydraulic Quick Coupling For Attachment
(Electrical Part).....118

804.1 606667 Heater (Deutz Engine).....120

805.1 606668 Heater (Perkins Engine).....122

806.1 606669 Road Lights.....124

807.1 606670 Road Lights (Electrical Part).....126

808.1 606671 Work Lights.....128

809.1 606672 Front Grill For Open Cab.....130

810.1 606673 Front Grille For Close Cab.....132

811.1 606674 Seat Spring.....134

812.1 606675 Rubber Platform.....136

813.1 606676 Flashing Beacon.....138

814.1 606677 Lock Fork.....140

815.1 606678 Special Air Filter.....142

816.1 606679 Air Conditioning - Cabin Part.....144

817.1 606680 Air Conditioning - Deutz Engine.....146

818.1 606681 Air Conditioning - Perkins Engine.....148

819.1 606682 Air Conditioning - Electrical Part.....150

820.1 606640 Forks.....152

Indices

Part Number Index.....154

Part Description Index.....158

Cross References

Fittings Cross Reference.....164

Go to Discount-Equipment.com to order your parts

Required Parts

The following parts are required to perform maintenance procedures as outlined in the *Genie GTH-5519 Operator's and Service Manuals*.

Description	Part No.
Diesel Fuel Filter.....	07.4501.0068
Engine Oil Filter.....	07.4501.0067
Hydraulic Oil Filter Cartridge.....	07.0700.0023
Engine Air Filter Cartridge.....	07.0700.0036
Oil Filter Immersed in the Tank.....	09.4604.0004

Recommended Parts

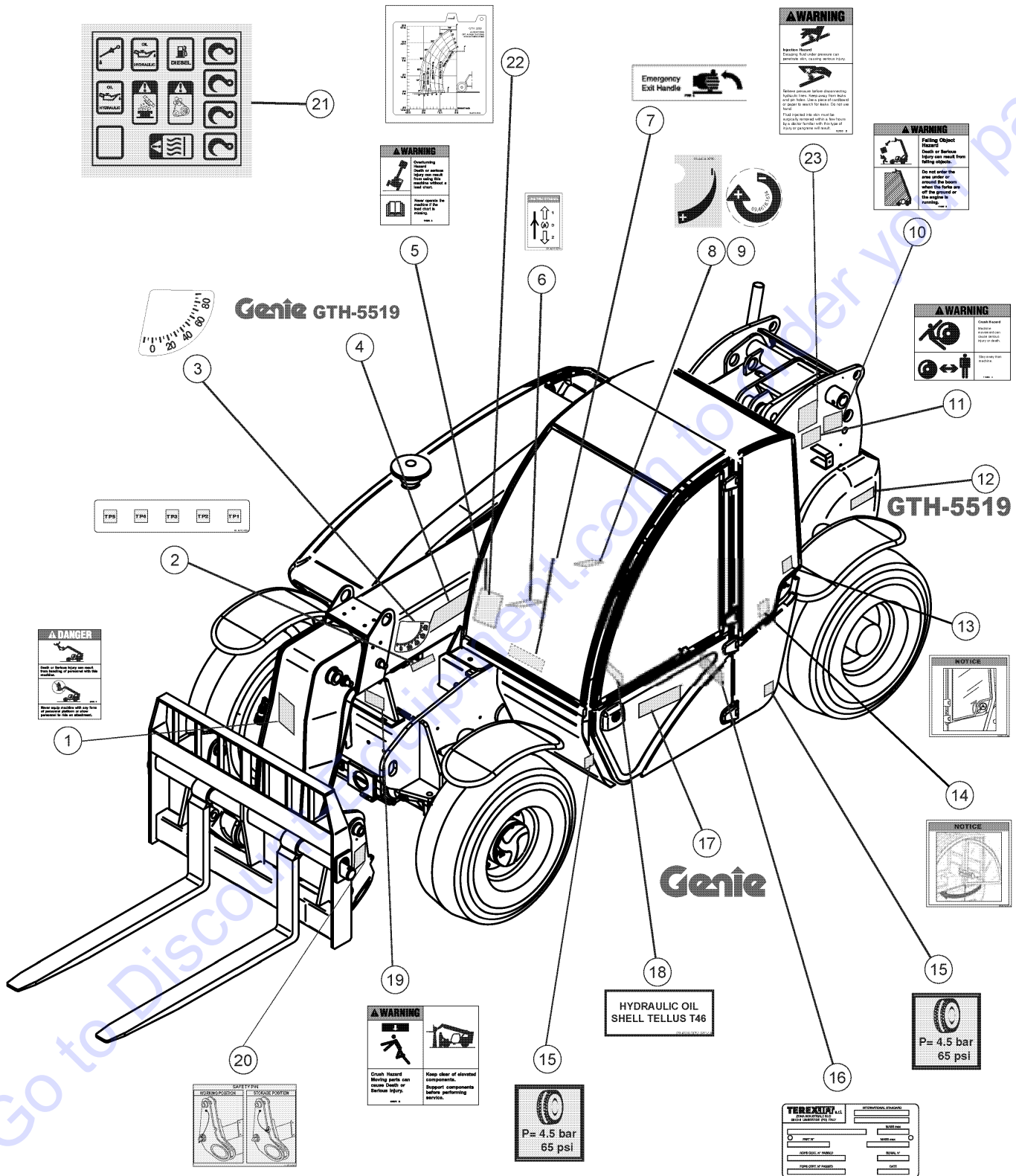
Description	Type
Terex Grey.....	RAL 7012
Terex White.....	RAL 1013
Terex Matte Black for Cylinders.....	RAL 9005
Genie Blue.....	
Genie Grey.....	
Genie Mat Balck for Cylinders.....	RAL 9005

Genie also offers the following support documents:

Genie GTH 5519 Operator's Manual, 1 st edition.....	57.0009.0412
Genie GTH 5519 Service Manual, 1 st edition.....	57.0009.0415

Go to Discount-Equipment.com to order your parts

101.1 606611 Decals, View 1



Item	Part No.	Description	Qty.
1	97673	Danger - Fall Hazard, No Riders.....	1
2	09.4618.0786	Label - Testing Ports.....	1
3	09.4618.0205	DECAL, BOOM ANGLE INDICATOR.....	1
4	09.4618.0643	Cosmetic - Genie GTH-5519.....	1
5	114356	DECAL, WARNING, NO LOAD CHART.....	1
6	09.4618.0781	Label - Flow Reversal Button.....	1
7	97688	DECAL, EMERGENCY EXIT HANDLE.....	1
8	09.4618.0780	LABEL, CONTINUOUS FLOW KNOB..... <i>to SN 24128</i>	1
9	09.4618.1634	Label - Continuous Flow Knob..... <i>from SN 24129</i>	1
10	114367	DECAL, FALLING OBJECT HAZARD.....	1
11	114365	DECAL, BODY CRUSH, ROLLING MACHIN.....	1
12	09.4618.0644	DECAL, COSMETIC, GTH-5519.....	1
13	09.4618.1025	DECAL, UPPER DOOR EXT UNLOCK SYS.....	1
14	09.4618.0776	DECAL, UPPER DOOR UNLOCK SYS.....	1
15	09.4618.0061	DECAL, TIRE PREASURE.....	2
16	09.4616.0100	SERIAL NUMBER PLATE.....	1
17	114470	Cosmetic - Genie Logo.....	1
18	09.4616.0051	Label - Hydraulic Oil.....	1
19	97674	Warning - Crush Hazard, Overhead Parts.....	1
20	09.4618.0791	Decal - Safety pin operation.....	1
21	09.4618.0109	DECAL, SHEET VARIOUS.....	1
22	215615	Load Chart Kit with Lanyard.....	1
23	82558	DECAL, SKIN INJECTION.....	1

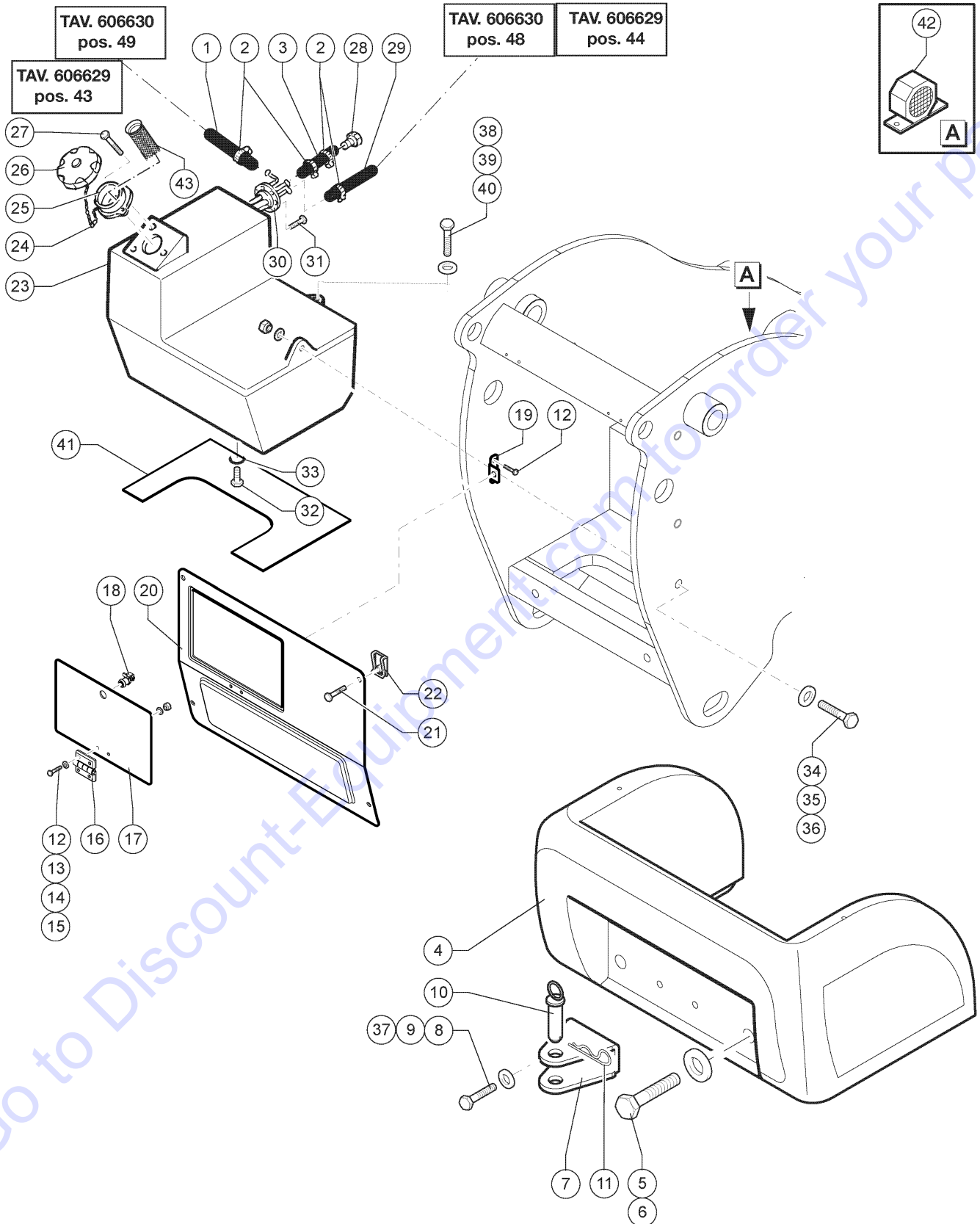
Go to DiscountEquipment.com to order your parts



Item	Part No.	Description	Qty.	Item	Part No.	Description	Qty.
1	97667	DECAL,BURN HAZARD.....	1	25	09.4618.0644	DECAL,COSMETIC,GTH-5519.....	1
2	97668	DECAL,WARN,OVERTURN HAZARD.....	1	26	09.0803.0424	Emblem Genie 8".....	1
3	09.4618.0792	DECAL,ENGINE COVER CLOSING.....	1	27	09.4618.0782	DECAL.....	1
4	97676	DECAL,DANGER,ELECTRICAL HAZARD.....	1				
5	97666	DECAL,WARN,READ MANUAL.....	1				
6	97665	DECAL,WARN,WEAR SEAT BELT.....	1				
7	97672	DECAL,DANGER,CRUSH HAZARD.....	1				
8	114352	DECAL,OVERTURNING,KEEP LOAD LO.....	1				
9	97669	DECAL,WARN,FALLING OBJECT HAZ.....	1				
10	09.4618.0819	Label - Lever Controls.....	1				
11	97673	Danger - Fall Hazard, No Riders.....	1				
12	97670	DECAL,DANGER,CRUSH HAZARD.....	1				
13	09.4618.0643	Cosmetic - Genie GTH-5519.....	1				
14	09.4616.0101	Machine Data Plate.....	1				
15	28159	DECAL,DIESEL.....	1				
16	09.4618.0061	DECAL,TIRE PREASURE.....	2				
17	28175	DECAL,COMPARTMENT ACCESS.....	1				
18	09.4618.0010	DECAL, (DO NOT OPEN WHEN RUN).....	1				
19	31788	DECAL,DANGER,BATTERY SAFETY***.....	1				
20	97675	DECAL,WARN,EXPLSION/BURN HAZ.....	1				
21	114391	DECAL,WARNING,CRUSHING.....	1				
22	09.4618.0949	Label - Fuses and Relays Engine Board..... <i>ECN 003111 From Serial Number 20847</i>	1				
22	09.4618.1026	Label - Fuses and Relays Engine Board..... <i>ECN 003111 Up-to Serial Number 20846</i>	1				
23	114365	DECAL,BODYCRUSH,ROLLING MACHIN.....	1				
24	114367	DECAL,FALLING OBJECT HAZARD.....	1				



201.1 606613 Rear Chassis

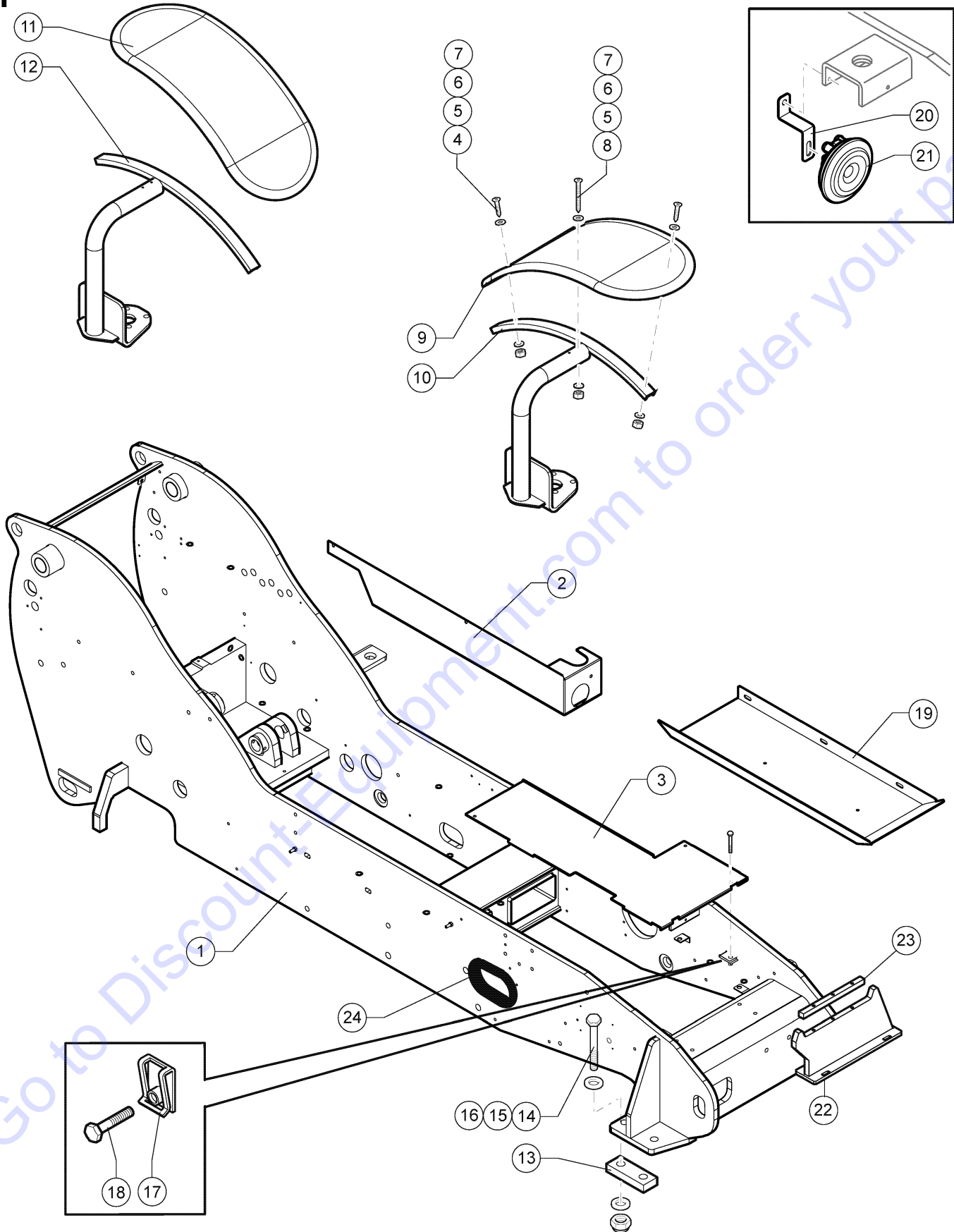


201.1 606613 Rear Chassis

Item	Part No.	Description	Qty.	Item	Part No.	Description	Qty.
1	09.0805.0000	RUBBER HOSE.....118-Inch		37	01.0031.0059	FLAT WASHER D16 UNI 6592 ZN.....2	2
2	04.0227.0051	CLAMP DN 10/16 LG 9.....4		38	01.0001.0260	SCREW M8X45 UNI 5739 8.8 ZN ...2	2
3	09.0805.0000	RUBBER HOSE.....236-Inch		39	01.4032.0003	SPRING WASHER D 8 ZN2	2
4	51.1000.5200	COUNTERWEIGHT.....1		40	01.0031.0299	FLAT WASHER D8 UNI 6593.....2	2
5	01.4001.0025	SCREW M24X160 UNI 5737 10.9 ZN.....2		41	53.3302.0016	Rubber Base.....1	1
6	01.4032.0000	SPRING WASHER D24 ZN.....2		42	56.0009.0009	ALARM.....1	1
7	51.0800.3800	Hitch.....1		43	09.4661.0016	BASKET,PLUG.....1	1
8	01.0001.0703	SCREW,TE,M16X35.....2					
9	01.4032.0007	SPRING WASHER D16 ZN.....2					
10	54.0000.0027	HITCH PIN.....1					
11	09.0803.0026	SPRING SPLIT PIN.....1					
12	01.0001.0156	SCREW M6X20 UNI 5739 8.8 ZN ...4					
13	01.4032.0002	SPRING WASHER D6 ZN.....4					
14	01.0031.0298	FLAT WASHER D6 UNI 6593 ZN4					
15	01.0019.0103	NUT M6 UNI 5588 6S ZN.....4					
16	09.0803.0421	Hinge.....1					
17	52.1100.8000	Cover.....1					
18	09.0803.0518	Lock.....1					
19	51.0811.2000	Support.....1					
20	52.1100.9101	Cover.....1					
21	01.4001.0078	SCREW M8x20 DIN 6923 8.8 ZN...4					
22	09.0803.0352	SPRING CLIP M8.....4					
23	51.0600.2700	DIESEL TANK.....1					
24	09.4661.0022	Chain.....1					
25	09.4661.0021	AIR INLET.....1					
26	09.4661.0020	PLUG.....1					
27	01.4001.0045	Screw TE M 5X10 UNI 5739 8.8 ZN.....3					
28	01.0001.0254	SCREW M8X20 UNI 5739 8.8 ZN...1					
29	09.0805.0000	RUBBER HOSE.....118-Inch					
30	56.0012.0074	Fuel Gauge.....1					
31	01.4001.0006	SCREW M4X10 UNI 5739 8.8 ZN...6					
32	09.0803.0510	DRAIN PLUG M16.....1					
33	07.4529.0119	O-Ring.....1					
34	01.0023.0056	STOP NUT M12 UNI 7473 6S ZN...1					
35	01.0031.0151	FLAT WASHER D12 UNI 6593 ZN.....3					
36	01.0001.0405	SCREW, 8.8 HCS 12MM1.75X60Z.....1					



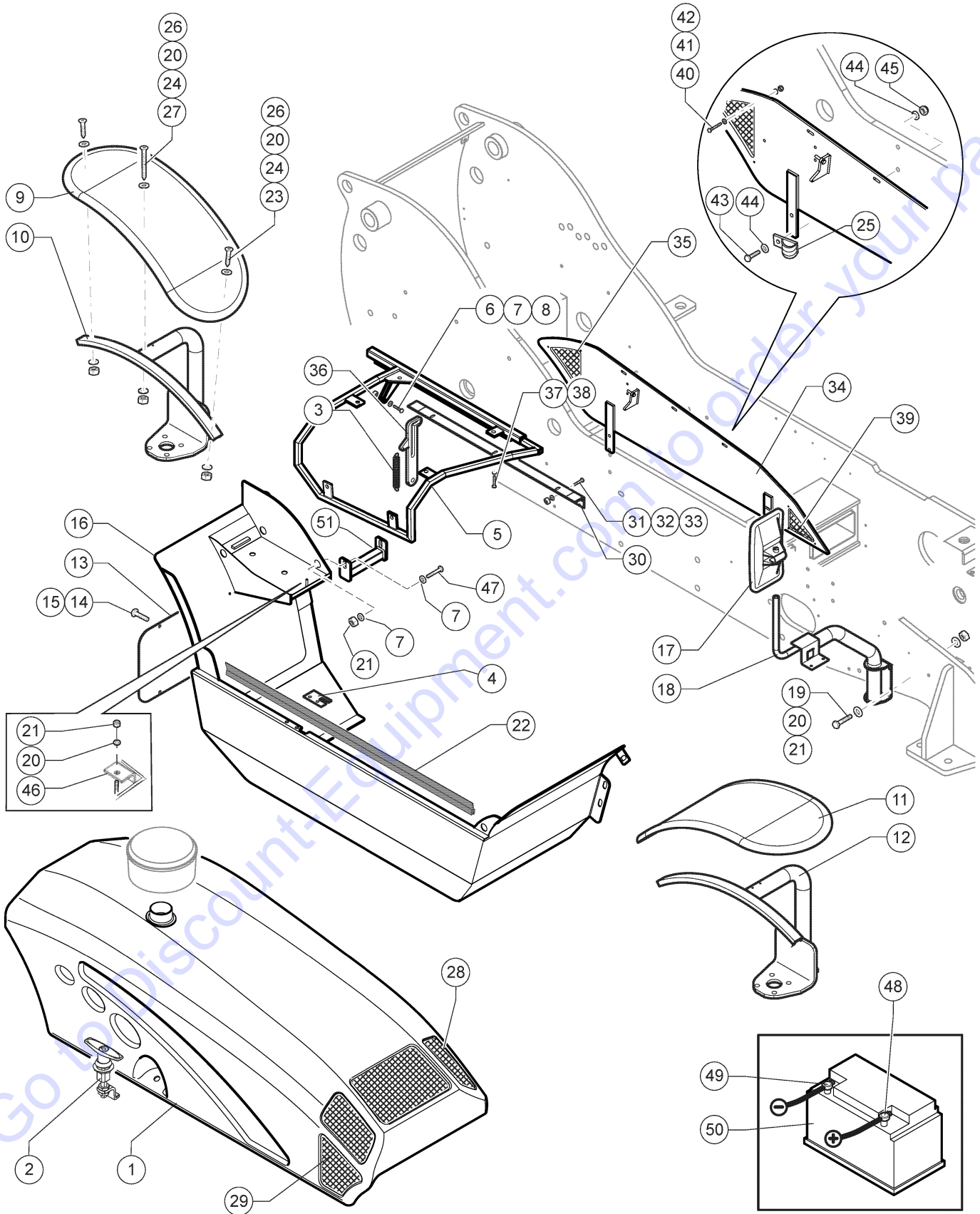
202.1 606614 Left Chassis



Item	Part No.	Description	Qty.
1	51.0113.9010	Complete Frame.....	1
2	51.0903.4300	SIDE COVER, CAB.....	1
3	51.0903.4100	CENTRAL CASING.....	1
4	01.0006.0033	Screw TSPEI M 6X25UNI5933 8.8ZN.....	4
5	09.0803.0012	WASHER D6.....	6
6	01.0031.0055	FLAT WASHER D8 UNI 6592 ZN	6
7	01.0023.0053	STOP NUT M6 UNI 7473 6S ZN	6
8	01.4006.0016	Screw TSPEI M6x55 UNI 5933 10.9 ZN.....	2
9	09.0803.0400	Mudguard, RR & LF.....	1
10	51.0811.4055	SUPPORT.....	1
11	09.0803.0401	Mudguard, LR & RF.....	1
12	51.0811.4056	Mudguard Bracket.....	1
13	51.0810.6100	Front Axle Bracket Fixing Plate.....	2
14	01.4001.0057	Screw TE M24X220UNI 5737 8.8 ZN.....	4
15	01.0031.0063	Washer D24 UNI 6592 ZN.....	8
16	01.0023.0062	Nut M24 UNI 7473 6SZN.....	4
17	09.0803.0352	SPRING CLIP M8.....	5
18	01.4001.0078	SCREW M8x20 DIN 6923 8.8 ZN....	5
19	51.0903.4400	LOWER CAB COVER.....	1
20	51.0811.0100	BRACKET.....	1
21	56.0009.0003	HORN	1
22	51.0803.5700	SUPPORT.....	1
23	54.0702.0014	Pad 20X250.....	1
24	09.0803.0503	Gasket.....	6

Go to DiscountEquipment.com to order your parts

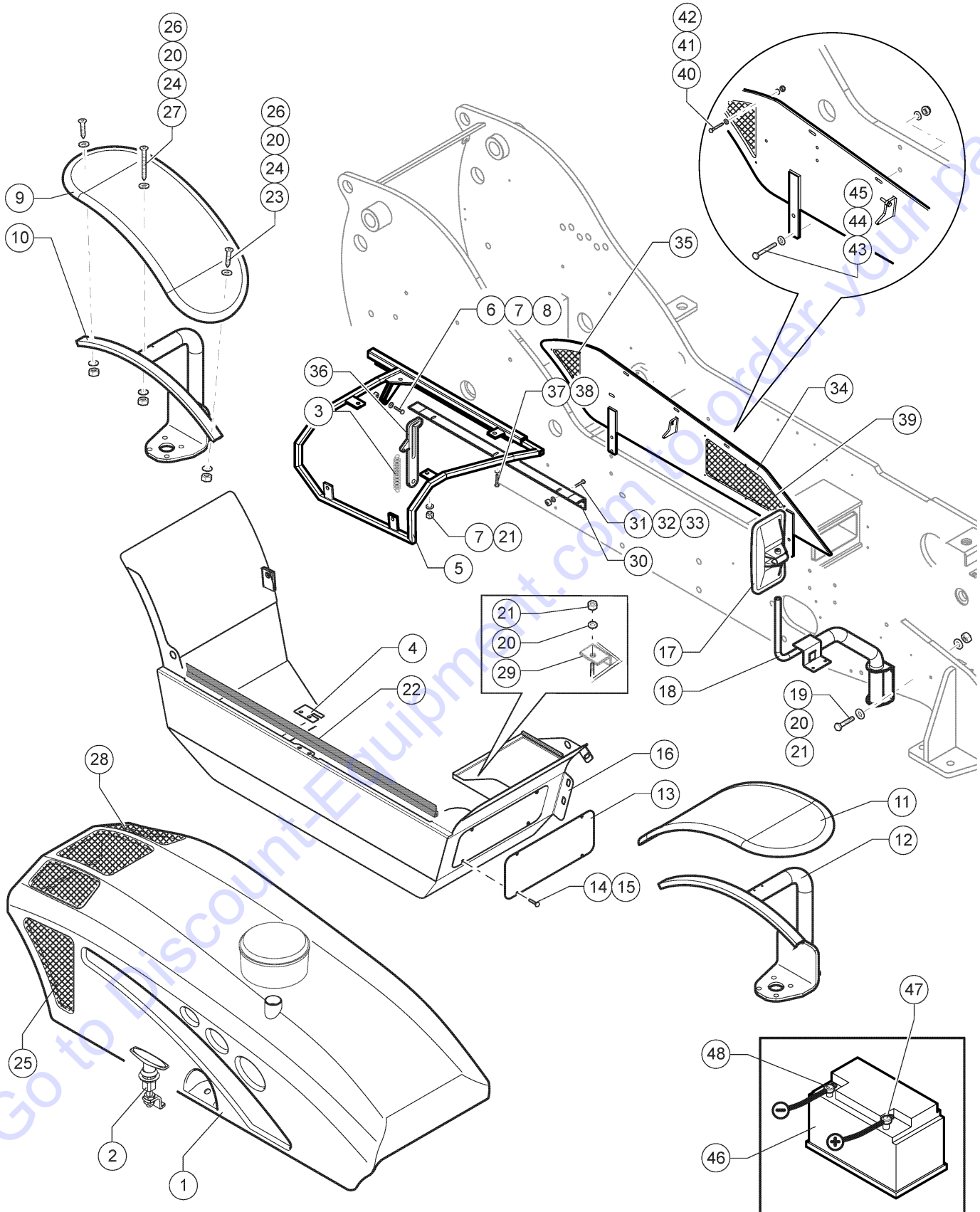
203.1 606615 Right Chassis (Deutz Engine)



203.1 606615 Right Chassis (Deutz Engine)

Item	Part No.	Description	Qty.	Item	Part No.	Description	Qty.
1	52.1100.7600	Engine Cover.....	1	37	01.0001.0156	SCREW M6X20 UNI 5739 8.8 ZN ...	3
2	09.0803.0393	LOCK.....	1	38	01.0019.0103	NUT M6 UNI 5588 6S ZN.....	3
3	54.0800.0000	Spring.....	1	39	51.0903.4600	GRILLE.....	1
4	51.0810.4200	Engine Cover Lock Pin.....	1	40	01.4001.0102	Screw TE M5x25 UNI 5737 8.8 ZN.....	6
5	51.0810.5100	Engine Cover Frame.....	1	41	01.0031.0053	FLAT WASHER D5 UNI 6592 ZN.....	12
6	01.0001.0254	SCREW M8X20 UNI 5739 8.8 ZN....	1	42	01.0023.0052	STOP NUT M5 UNI 7473 6S ZN....	6
7	01.0031.0299	FLAT WASHER D8 UNI 6593.....	5	43	01.0001.0358	SCREW,TE,M10X40 UNI 8.8 ZN....	4
8	01.4032.0003	SPRING WASHER D 8 ZN	1	44	01.0031.0301	FLAT WASHER D10 UNI 6593 ZN	8
9	09.0803.0400	Mudguard, RR & LF.....	1	45	01.0023.0055	NUT,STOP,M10 UNI 7473 6S ZN....	4
10	51.0811.4055	SUPPORT.....	1	46	07.0726.0128	BATTERY HOLD DOWN BRACKET.....	1
11	09.0803.0401	Mudguard, LR & RF.....	1	47	01.0001.0257	SCREW M8X30 UNI 5739 8.8 ZN....	2
12	51.0811.4056	Mudguard Bracket.....	1	48	55.0602.0407	Battery Positive Cable.....	1
13	07.0726.0109	COVER, OIL TANK.....	1	49	55.0602.0408	Battery Negative Cable.....	1
14	01.4001.0106	FLANGED SCREW M6X16 DIN 692 8.8 ZN 3.....	4	50	56.0008.0002	BATTERY..... <i>For US Market Can Be Sold P.N. 129101 With Bracket P.N. 823269</i>	1
15	09.0803.0516	SPRING CLIP M6.....	4	51	51.0811.4006	SUPPORT.....	1
16	51.0903.4917	Engine Housing.....	1				
17	07.0723.0042	Mirror.....	1				
18	51.0802.4400	MIRROR SUPPORT.....	1				
19	01.0001.1465	SCREW M8X40 UNI 5739 8.8 ZN...3	3				
20	01.0031.0055	FLAT WASHER D8 UNI 6592 ZN	10				
21	01.0023.0054	NUT,M8 UNI 7473 6S ZN.....	6				
22	09.0803.0245	GASKET.....	1.5-meter				
23	01.0006.0033	Screw TSPEI M 6X25UNI5933 8.8ZN.....	4				
24	09.0803.0012	WASHER D6.....	6				
25	04.4227.0020	Clamp.....	1				
26	01.0023.0053	STOP NUT M6 UNI 7473 6S ZN	6				
27	01.4006.0016	Screw TSPEI M6x55 UNI 5933 10.9 ZN.....	2				
28	51.0903.4930	Upper Grid.....	1				
29	51.0903.4931	Lateral Grid.....	1				
30	09.0803.0547	HINGE.....	1				
31	01.0001.0204	Screw TE M 8X40 UNI 5739 8.8 ZN.....	3				
32	01.4032.0003	SPRING WASHER D 8 ZN	3				
33	01.0019.0104	NUT M8 UNI 5588 6S ZN.....	3				
34	51.0810.5000	ENGINE COVER SUPPORT.....	1				
35	51.0903.4700	GRILLE.....	1				
36	51.0810.7300	Engine Cover Hinge.....	1				

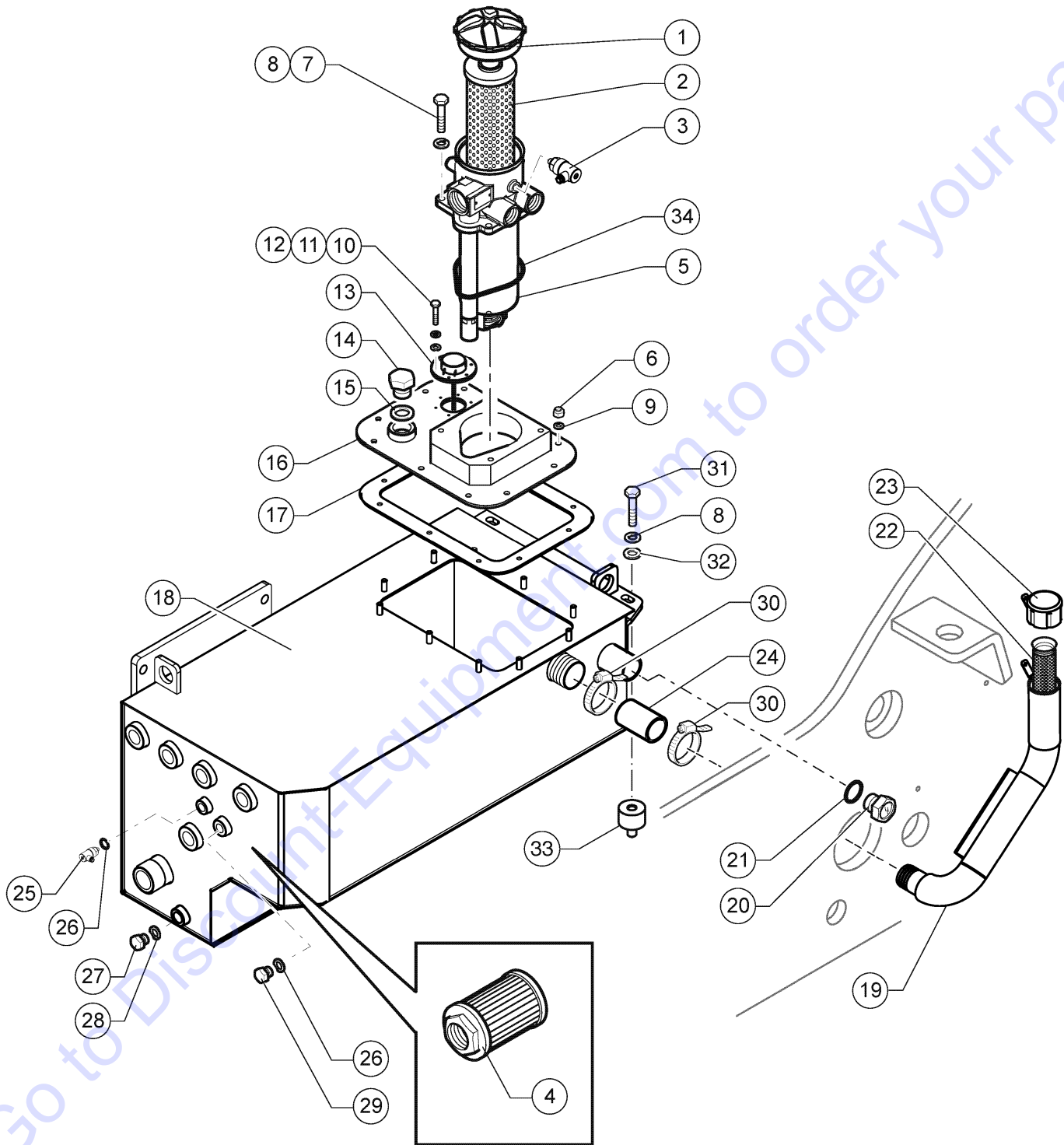
204.1 606616 Right Chassis (Perkins Engine)



204.1 606616 Right Chassis (Perkins Engine)

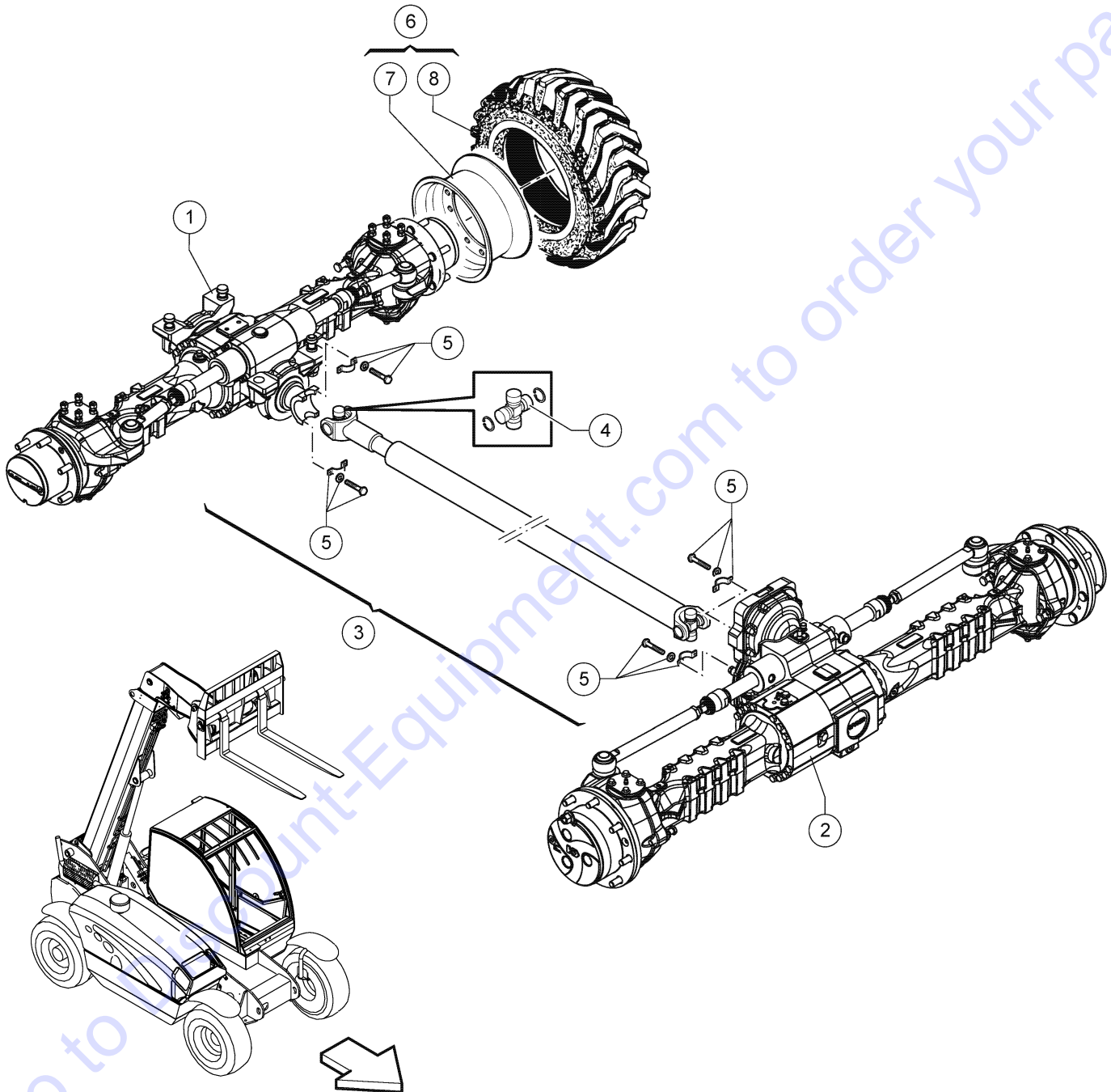
Item	Part No.	Description	Qty.	Item	Part No.	Description	Qty.
1	52.1100.7500	Engine Cover.....	1	38	01.0019.0103	NUT M6 UNI 5588 6S ZN.....	3
2	09.0803.0393	LOCK.....	1	39	51.0903.2200	Grid.....	1
3	54.0800.0000	Spring.....	1	40	01.4001.0102	Screw TE M5x25 UNI 5737 8.8 ZN.....	6
4	51.0810.4200	Engine Cover Lock Pin.....	1	41	01.0031.0053	FLAT WASHER D5 UNI 6592 ZN.....	12
5	51.0810.3200	ENGINE CASING FRAME.....	1	42	01.0023.0052	STOP NUT M5 UNI 7473 6S ZN....	6
6	01.0001.0254	SCREW M8X20 UNI 5739 8.8 ZN....	1	43	01.0001.0358	SCREW,TE,M10X40 UNI 8.8 ZN....	4
7	01.0031.0299	FLAT WASHER D8 UNI 6593.....	6	44	01.0031.0301	FLAT WASHER D10 UNI 6593 ZN.....	8
8	01.4032.0003	SPRING WASHER D 8 ZN	1	45	01.0023.0055	NUT,STOP,M10 UNI 7473 6S ZN....	4
9	09.0803.0400	Mudguard, RR & LF.....	1	46	56.0008.0002	BATTERY..... <i>For US Market Can Be Sold P.N. 129101 With Bracket P.N. 823269</i>	1
10	51.0811.4055	SUPPORT.....	1	47	55.0602.0407	Battery Positive Cable.....	1
11	09.0803.0401	Mudguard, LR & RF.....	1	48	55.0602.0408	Battery Negative Cable.....	1
12	51.0811.4056	Mudguard Bracket.....	1				
13	07.0726.0129	Cover.....	1				
14	01.0001.0355	SCREW,TE,M10X25 UNI 8.8 ZN....	4				
15	01.4032.0004	SPRING WASHER D10 ZN.....	4				
16	51.0903.0400	Engine Housing.....	1				
17	07.0723.0042	Mirror.....	1				
18	51.0800.3500	SUPPORT.....	1				
19	01.0001.1465	SCREW M8X40 UNI 5739 8.8 ZN....	3				
20	01.0031.0055	FLAT WASHER D8 UNI 6592 ZN	10				
21	01.0023.0054	NUT,M8 UNI 7473 6S ZN.....	10				
22	09.0803.0245	GASKET.....	1.5-meter				
23	01.0006.0033	Screw TSPEI M 6X25UNI5933 8.8ZN.....	4				
24	09.0803.0012	WASHER D6.....	6				
25	51.0903.5090	Lateral Grid.....	1				
26	01.0023.0053	STOP NUT M6 UNI 7473 6S ZN	6				
27	01.4006.0016	Screw TSPEI M6x55 UNI 5933 10.9 ZN.....	2				
28	51.0903.5089	Upper Grid.....	1				
29	07.0726.0107	BATTERY HOLD DOWN BRACKET.....	1				
30	09.0803.0547	Hinge.....	1				
31	01.0001.0204	Screw TE M 8X40 UNI 5739 8.8 ZN.....	3				
33	01.0019.0104	NUT M8 UNI 5588 6S ZN.....	3				
34	51.0810.3100	Engine Cover Support.....	1				
35	51.0903.2300	Grid.....	1				
36	51.0810.7300	Engine Cover Hinge.....	1				
37	01.0001.0156	SCREW M6X20 UNI 5739 8.8 ZN ...	3				

205.1 606617 Hydraulic Oil Tank



Item	Part No.	Description	Qty.
1	07.0700.0006	CAP,HYDRAULIC FILTER.....	1
2	07.0700.0023	OIL FILTER,CARTRIDGE.....	1
3	07.0700.0028	INDICATOR (OIL CLOGGING).....	1
4	09.4604.0004	Filter.....	1
5	09.4604.0047	Complete Hydraulic Oil Filter	1
6	01.0023.0054	NUT,M8 UNI 7473 6S ZN.....	10
7	01.0001.0355	SCREW,TE,M10X25 UNI 8.8 ZN....	4
8	01.4032.0004	SPRING WASHER D10 ZN.....	6
9	01.0031.0055	FLAT WASHER D8 UNI 6592 ZN	10
10	01.4032.0011	SPRING WASHER D4 ZN.....	6
11	01.0031.0054	FLAT WASHER D6 UNI 6592 ZN ...	6
12	01.4003.0012	SCREW M4 X 16, 10.9.....	6
13	56.0013.0028	LEVEL INDICATOR	1
14	04.4220.0063	Hex-Head Cap DA 1" Gas	2
15	06.0442.0107	Copper Washer JC 33.....	3
16	07.0726.0108	Inspection Hatch.....	1
17	53.3301.0005	Rubber Gasket.....	1
18	51.0600.9304	Oil Tank.....	1
19	53.3001.4800	Oil Manifold.....	1
20	09.4661.0002	OIL LEVEL INDICATOR.....	1
21	06.0442.0111	WASHER.....	1
22	09.4661.0016	BASKET,PLUG.....	1
23	09.4661.0014	CAP, DIESEL FUEL TX5119***	1
24	09.0805.0087	Hose D.48/58 LG.125.....	1
25	56.0013.0000	TEMPERATURE SENSOR, HYDRAULIC OIL.....	1
26	06.0442.0102	Copper Washer JC 17.....	2
27	04.0220.0055	PLUG 1/2 BSP.....	1
28	06.0442.0103	COPPER WASHER.....	1
29	04.0220.0053	PLUG 3/8" BSP.....	1
30	04.0227.0144	Clamp DN 55/59.....	2
31	01.0001.0353	SCREW M10X20 UNI 5739 8.8 ZN.....	2
32	01.0031.0301	FLAT WASHER D10 UNI 6593 ZN	2
33	09.0803.0232	Insulator M-F D=30/H=20 M10ART.TCVF 3020	2
34	07.0700.0051	O-Ring 124 x 4,5.....	1

206.1 606618 Drive Chassis And Wheels



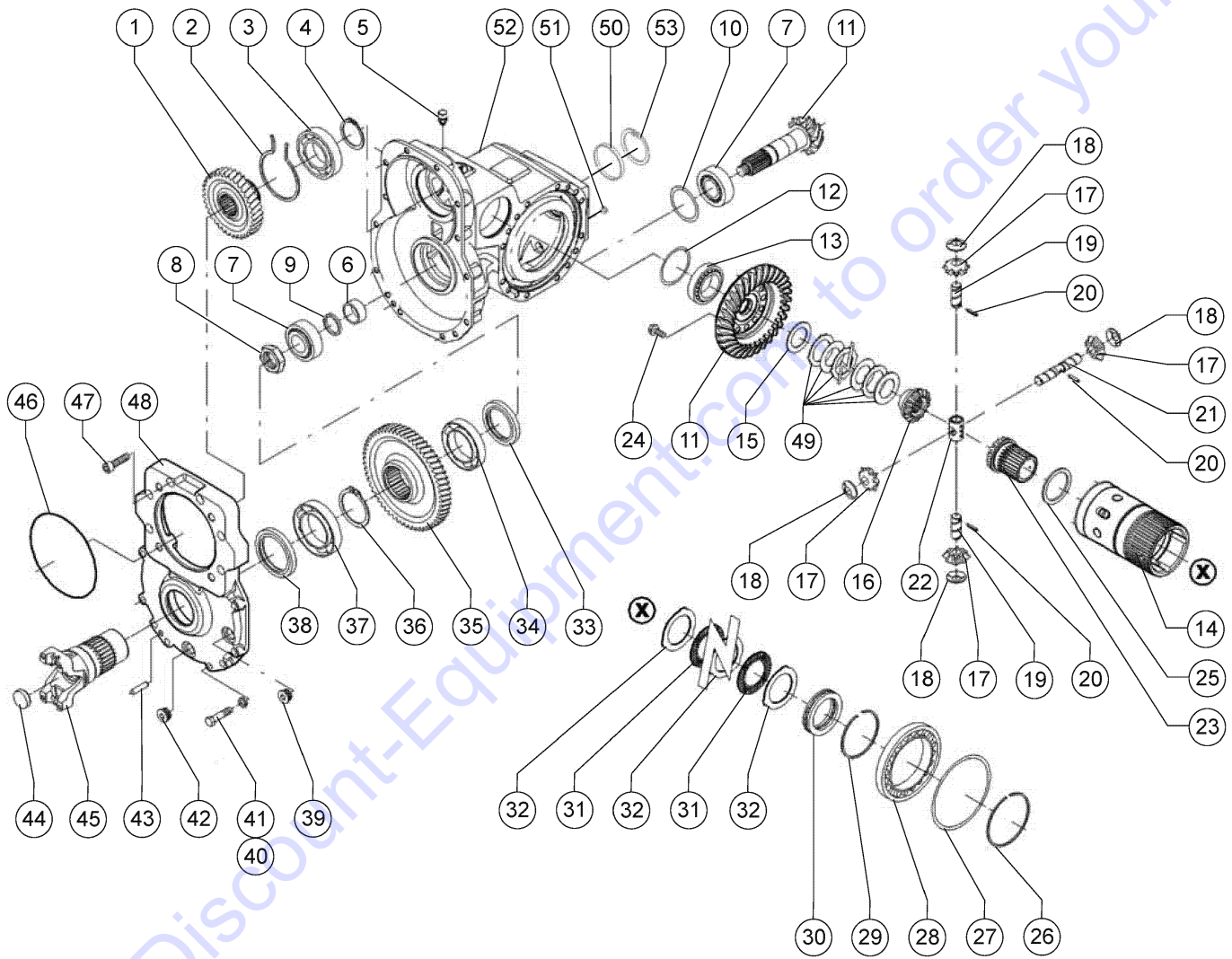
206.1 606618 Drive Chassis And Wheels

Item	Part No.	Description	Qty.
1	09.4632.0075	Rear Steering Axle.....	1
2	09.4632.0067	Front Steering Axle.....	1
3	09.4635.0048	Cardan Shaft.....	1
4	07.0738.0003	Universal Joint Cross.....	2
5	09.4635.0014	CARDAN SHAFT ASSY KIT.....	4
6A	236833	STANDARD AIR FILLED TIRE LEFT	
6B	236834	STANDARD AIR FILLED TIRE RIGHT	
6C	55.0403.0088	COMPLETE WHEEL 16.5 MIX CRUMB FILLED,LEFT.....	2
		<i>Optional</i>	
6C	55.0403.0089	Complete Right Wheel 16.5" - Air Filled.....	2
6C	55.0403.0093	Complete Right Wheel 16.5" - No Marking.....	2
		<i>Optional</i>	
6C	55.0403.0094	Complete Left Wheel 16.5" - No Marking.....	2
		<i>Optional</i>	
6C	55.0403.0095	COMPLETE WHEEL 16.5 MIX CRUMB FILLED,RIGHT.....	2
		<i>Optional</i>	
7	09.4629.0018	Rim 9.75 X 16.5".....	4
		<i>Only Combined to Air Filled Wheel</i>	
8	09.4627.0018	Tire 12-16.5" PR10.....	4
		<i>Only Combined to Air Filled Wheel</i>	

Go to Discount-Equipment.com to order your parts



207.1 606619 Front Axle - Differential

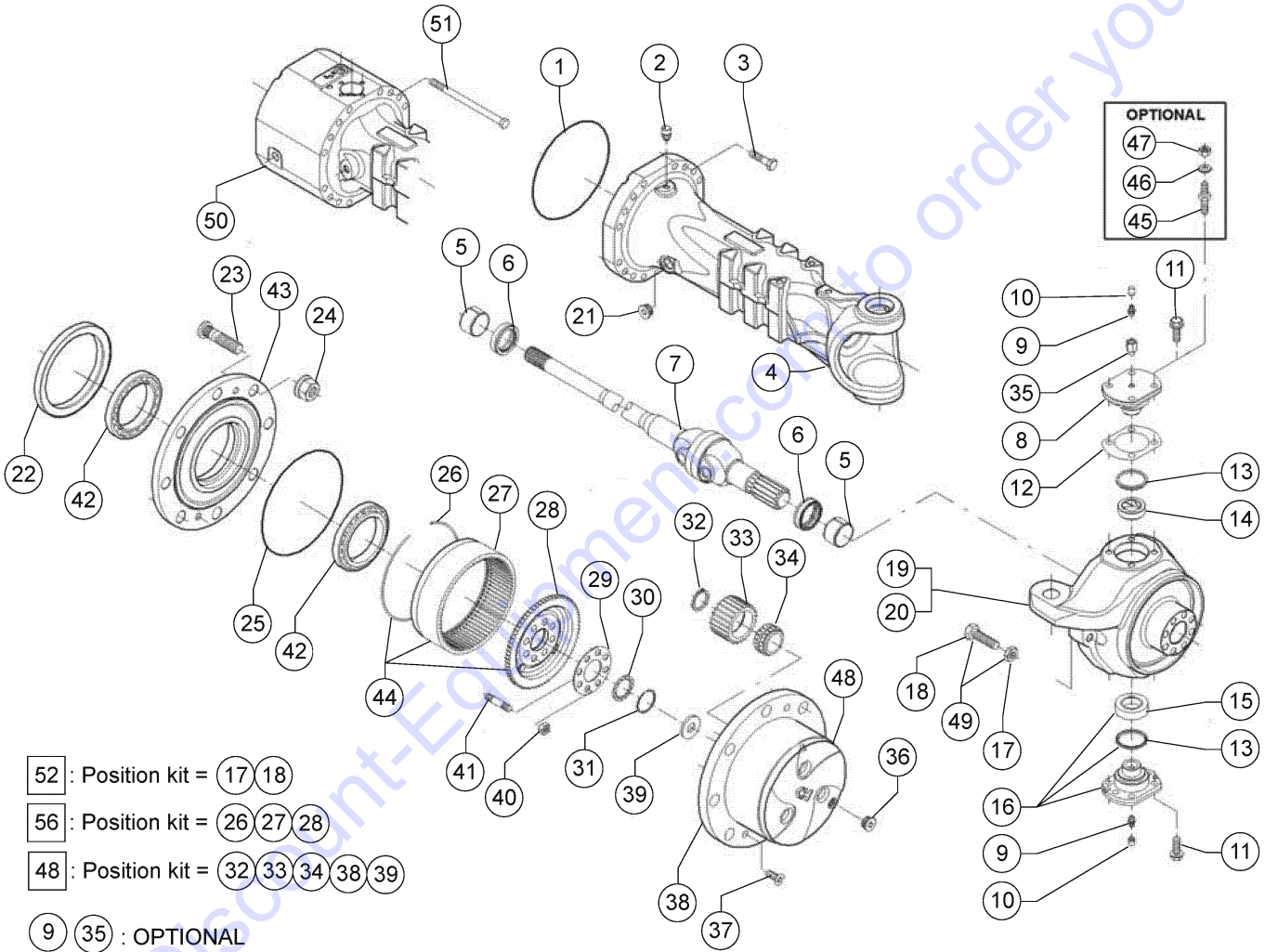


207.1 606619 Front Axle - Differential

Item	Part No.	Description	Qty.	Item	Part No.	Description	Qty.
1	07.0709.0293	Gear.....	1	33	07.0709.0312	SEAL	1
2	07.0709.0294	SNAP RING	1	34	07.0709.0313	BEARING.....	1
3	07.0709.0130	BEARING.....	1	35	07.0709.0314	Gear.....	1
4	07.0709.0295	SNAP RING	1	36	07.0709.0315	SNAP RING.....	1
5	07.0709.0912	Plug, Breather.....	1	37	634561	BEARING.....	1
6	07.0709.0359	Spacer.....	1	38	07.0709.0316	SEAL.....	1
7	07.0709.0174	Bearing.....	2	39	07.0709.0921	PLUG.....	1
8	07.0709.0296	RING NUT.....	1	40	07.0709.0188	SPRING WASHER.....	8
9	07.0709.0245	Ring.....	1	41	07.0709.0922	Bolt.....	8
9	07.0709.0249	RING.....	1	42	07.0709.0747	Magnet Plug.....	1
10	634391	SHIM,THICKNESS.....	1	43	639832	DOWEL	1
10	634392	SHIM,THICKNESS.....	1	44	07.0709.0317	PLUG.....	1
10	634393	SHIM,THICKNESS.....	1	45	07.0709.0710	Flange.....	1
11	07.0709.0913	Bevel Gear.....	1	46	07.0709.0127	O-RING	1
12	07.0709.0257	THICKNESS.....	1	47	07.0709.0923	Bolt.....	6
12	07.0709.0258	THICKNESS.....	1	48	07.0709.0319	Cover.....	1
12	07.0709.0259	THICKNESS.....	1	49	07.0709.0320	Clutch Disc.....	1
12	07.0709.0260	THICKNESS.....	1	50	07.0709.0084	PLUG.....	1
13	633529	BEARING	1	51	07.0709.0747	Magnet Plug.....	1
14	07.0709.0894	Differential Box.....	1	52	07.0709.0292	HOUSING.....	1
15	07.0709.0914	WASHER.....	1	53	07.0709.0441	SNAP RING.....	1
16	07.0709.0915	DIFFERENTIAL SIDE GEAR.....	1				
17	07.0709.0916	SATELLITE ART (GEAR).....	4				
18	07.0709.0917	Friction Washer.....	4				
19	07.0709.0918	Pin.....	2				
20	07.0709.0254	DOWEL	3				
21	07.0709.0919	Pin.....	1				
22	07.0709.0706	CROSS JOINT.....	1				
23	07.0709.0920	Differential Side Gear.....	1				
24	07.0709.0751	Screw.....	12				
25	07.0709.0752	Shim Washer.....	1				
26	07.0709.0303	SNAP RING.....	1				
27	07.0709.0309	Shim.....	8				
27	07.0709.0310	Shim.....	1				
27	07.0709.0311	Shim.....	1				
28	639637	Bearing.....	1				
29	07.0709.0302	Snap Ring.....	1				
30	07.0709.0306	Bearing.....	1				
31	07.0709.0305	CLUTCH DISC.....	1				
32	07.0709.0301	Intermediate Clutch Disc.....	1				



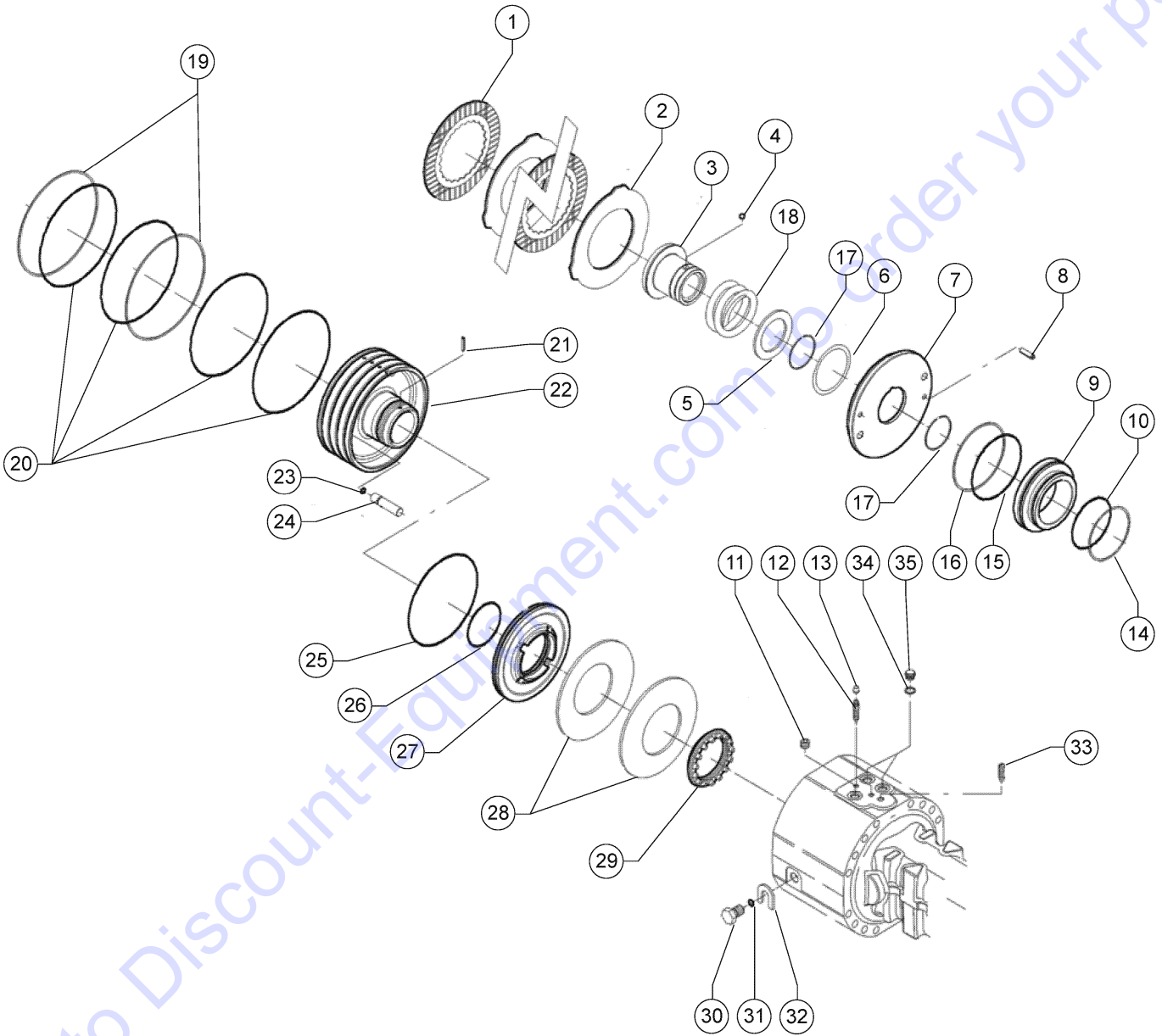
208.1 606620 Front Axle - Reduction Gear



208.1 606620 Front Axle - Reduction Gear

Item	Part No.	Description	Qty.	Item	Part No.	Description	Qty.
1	07.0709.0261	SEAL	2	39	07.0709.0279	Shim Washer.....	2
2	07.0709.0912	Plug, Breather.....	1	40	07.0709.0280	Nut.....	16
3	07.0709.0924	Screw.....	16	41	07.0709.0281	Stud.....	16
4	07.0709.0263	ARM.....	1	42	07.0709.0171	Bearing.....	4
5	07.0709.0264	Bushing.....	2	43	07.0709.0282	Wheel Hub.....	2
6	07.0709.0265	Sealing Ring.....	4	44	07.0709.0757	Ring Gear Support.....	2
7	07.0709.0266	Cardan Shaft.....	2	45	07.0709.0119	STUD,DRIVE AXLE.....	8
8	07.0709.0267	Pivot Pin.....	2	46	07.0709.0071	WASHER	8
9	633176	GREASE ZERK	1	47	07.0709.0070	NUT.....	8
10	638548	PLUG.....	4	48	07.0709.0926	Planet Gear Carrier.....	2
11	07.0709.0057	SCREW,RING GEAR.....	12	49	07.0709.0365	SCREW,STEERING ADJUST.....	4
12	07.0709.0268	THICKNESS.....	2	50	07.0709.0927	Boom.....	1
12	07.0709.0290	THICKNESS.....	2	51	07.0709.0323	Screw.....	16
12	07.0709.0291	THICKNESS.....	2				
13	07.0709.0269	SEAL	2				
14	07.0709.0753	Bushing.....	2				
15	07.0709.0270	Joint Box.....	2				
16	07.0709.0271	Pivot Pin.....	2				
17	634546	NUT.....	4				
18	07.0709.0104	SCREW.....	4				
19	07.0709.0754	Steering Case.....	1				
20	07.0709.0764	Steering Case.....	1				
21	07.0709.0921	PLUG.....	1				
22	07.0709.0363	SEAL.....	2				
23	07.0709.0117	WHEEL STUD.....	16				
24	07.0709.0118	Wheel Nut	16				
25	632383	SEAL / DIFFERENTIAL	2				
26	639646	Snap Ring.....	2				
27	639639	RING GEAR	2				
28	07.0709.0275	Ring Gear Support.....	2				
29	07.0709.0276	Safety Sheet.....	2				
30	07.0709.0925	SPACER.....	2				
31	07.0709.0278	Circlip.....	2				
32	639641	SNAP RING.....	6				
33	639642	PINION,DIFFERENTIAL.....	6				
34	639643	Bearing	6				
35	07.0709.0758	PIPE FITTING.....	2				
36	07.0709.0113	PLUG.....	2				
37	07.0709.0065	SCREW.....	4				
38	07.0709.0321	PLANET GEAR CARRIER.....	2				

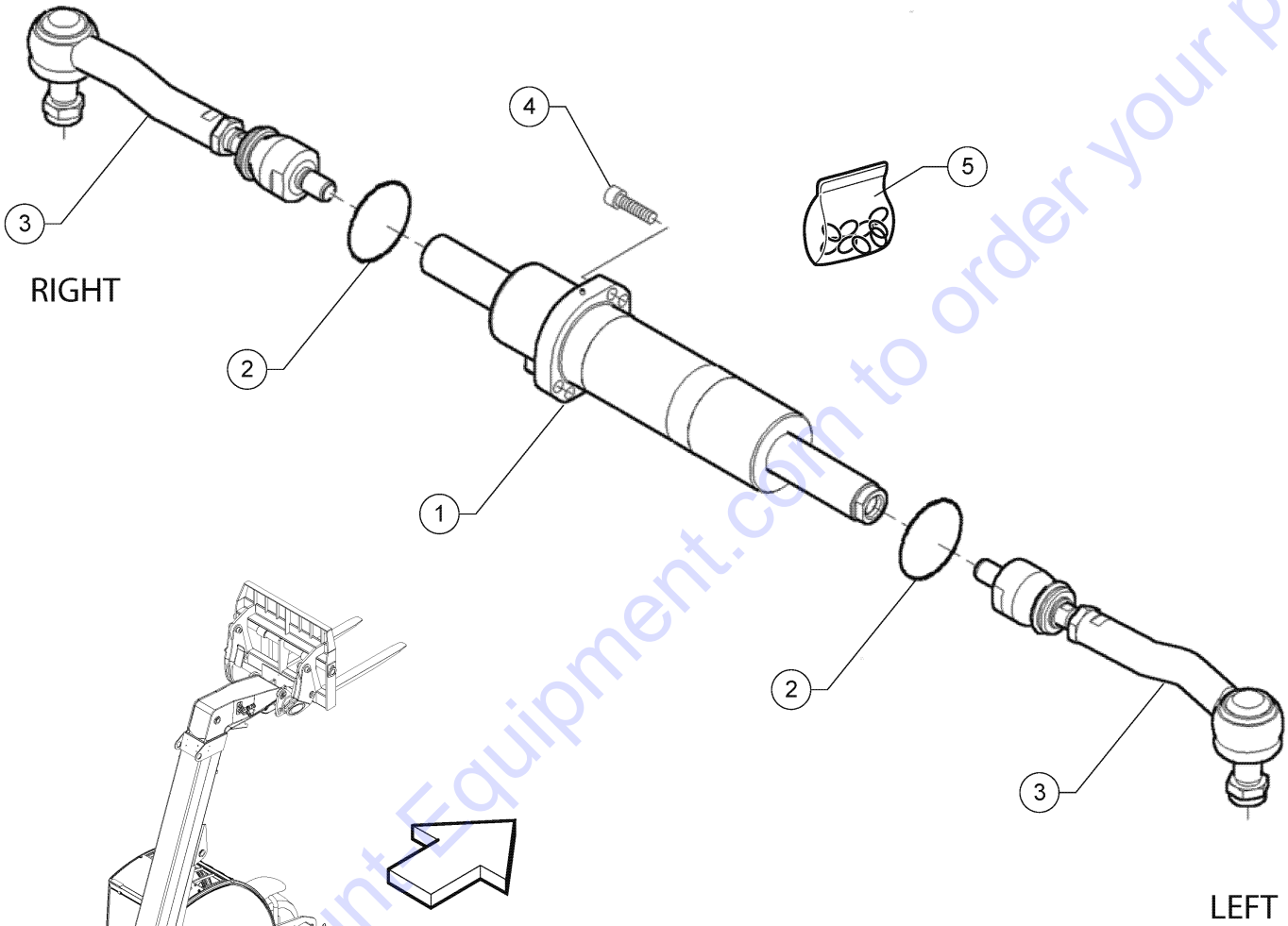
209.1 606621 Front Axle - Brake



Item	Part No.	Description	Qty.
1	07.0709.0324	BRAKE DISC.....	6
2	07.0709.0325	Brake Disc Internal.....	6
3	07.0709.0928	Bushing.....	1
4	07.0709.0327	BALL.....	1
5	07.0709.0328	Spacer.....	1
6	629733	SHIM 0.10MM.....	2
6	629735	SHIM 0.30MM.....	2
6	639327	SHIM 0.40MM.....	2
6	639328	SHIM 0.15MM.....	2
6	639329	SHIM 0.20MM.....	2
7	07.0709.0900	Brake Disc Internal.....	1
8	07.0709.0330	Split Pin.....	2
9	07.0709.0711	Piston.....	1
10	07.0709.0332	SEAL.....	1
11	632070	SCREW.....	1
12	630328	BLEEDER VALVE, LONG	2
13	638548	PLUG.....	2
14	07.0709.0333	Back-up Ring.....	1
15	07.0709.0334	SEAL.....	1
16	07.0709.0335	Back-up Ring.....	1
17	07.0709.0336	Snap Ring.....	2
18	07.0709.0337	Spring.....	1
19	07.0709.0338	Back-Up Ring.....	4
20	07.0709.0929	O-Ring.....	4
21	07.0709.0254	DOWEL	1
22	07.0709.0340	Piston.....	1
23	07.0709.0341	O-RING.....	3
24	07.0709.0342	Pin.....	3
25	07.0709.0343	O-Ring.....	1
26	07.0709.0344	O-Ring.....	1
27	07.0709.0345	Piston.....	1
28	07.0709.0346	Spring.....	2
29	07.0709.0347	Ring Nut.....	1
30	07.0709.0712	Screw.....	2
31	07.0709.0034	SEAL.....	2
32	07.0709.0349	Spacer.....	2
33	07.0709.0350	Threaded Grubscrew.....	1
34	07.0709.0351	WASHER.....	2
35	07.0709.0352	SCREW.....	2

Go to www.genie-equipment.com to order your parts

210.1 606622 Front Axle - Steering Cylinder

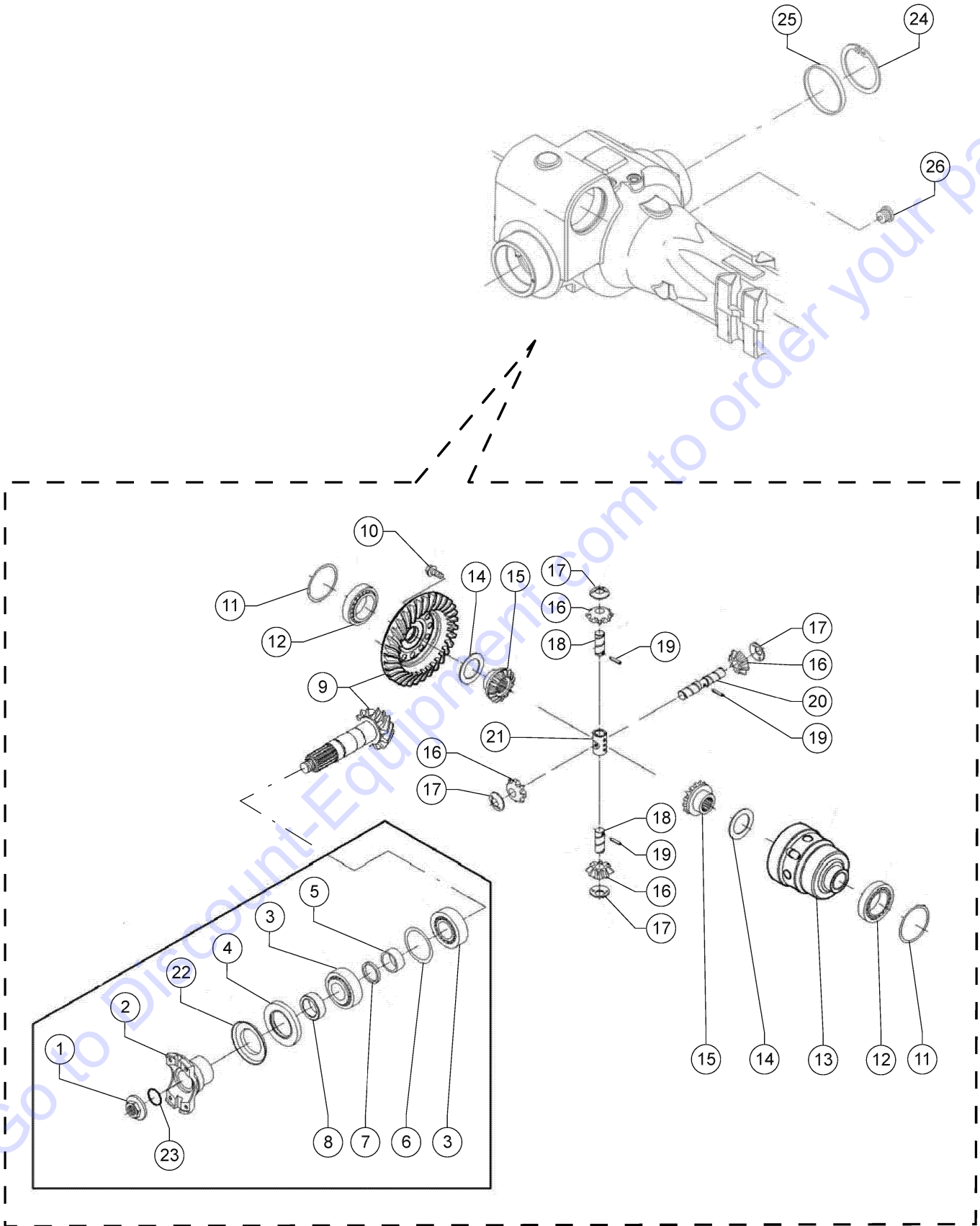


210.1 606622 Front Axle - Steering Cylinder

Item	Part No.	Description	Qty.
1	07.0709.0908	CYLINDER, STEERING.....	1
2	634397	O-RING.....	2
3	07.0709.0909	TIE ROD.....	2
4	07.0709.0930	Screw.....	4
5	07.0709.0417	Gasket Kit.....	1

Go to Discount-Equipment.com to order your parts

211.1 606623 Rear Axle - differential

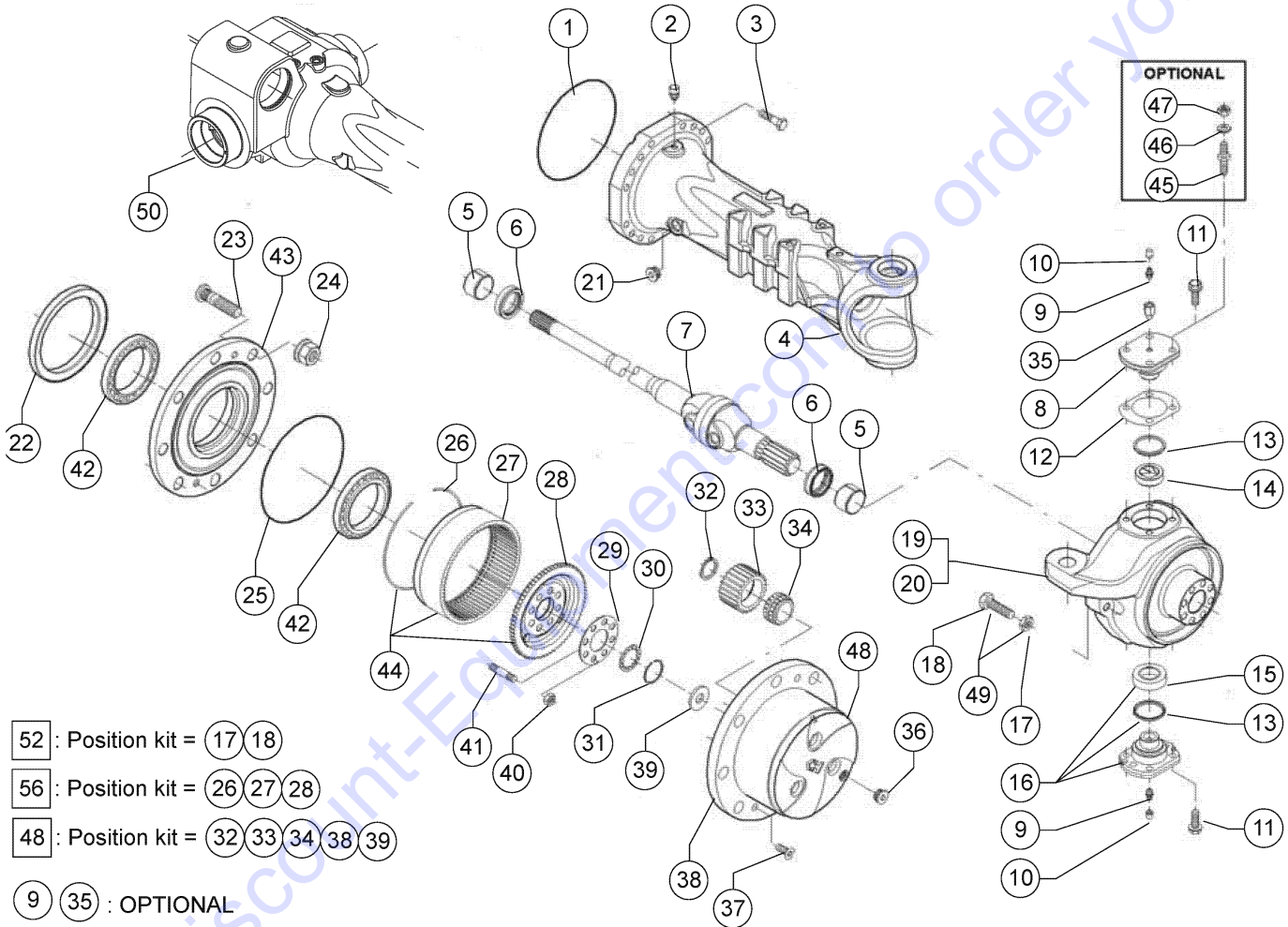


211.1 606623 Rear Axle - differential

Item	Part No.	Description	Qty.
1	633160	Nut.....	1
2	07.0709.0388	Flange.....	1
3	07.0709.0174	Bearing.....	1
4	633098	SEAL,DIFFERENTIAL	2
5	07.0709.0359	Spacer.....	1
6	634391	SHIM,THICKNESS.....	1
6	634392	SHIM,THICKNESS.....	1
6	634393	SHIM,THICKNESS.....	1
7	07.0709.0245	Ring.....	1
7	07.0709.0249	RING.....	1
8	633574	SPACER.....	1
9	07.0709.0760	Bevel Gear.....	1
10	07.0709.0751	Screw.....	12
11	07.0709.0257	THICKNESS.....	2
11	07.0709.0258	THICKNESS.....	2
11	07.0709.0259	THICKNESS.....	2
11	07.0709.0260	THICKNESS.....	2
12	633529	BEARING	2
13	07.0709.0761	DIFFERENTIAL BOX.....	1
14	633531	WASHER	1
15	07.0709.0762	DIFFERENTIAL PINION.....	2
16	07.0709.0763	Satellite Gear.....	4
17	633533	WASHER	4
18	07.0709.0918	Pin.....	2
19	07.0709.0254	DOWEL	3
20	07.0709.0919	Pin.....	1
21	07.0709.0706	CROSS JOINT.....	1
22	07.0709.0235	Safety Sheet	1
23	633110	O-RING.....	1
24	07.0709.0441	SNAP RING.....	1
25	07.0709.0084	PLUG.....	1
26	07.0709.0747	Magnet Plug.....	1

Go to DiscountEquipment.com to order your parts

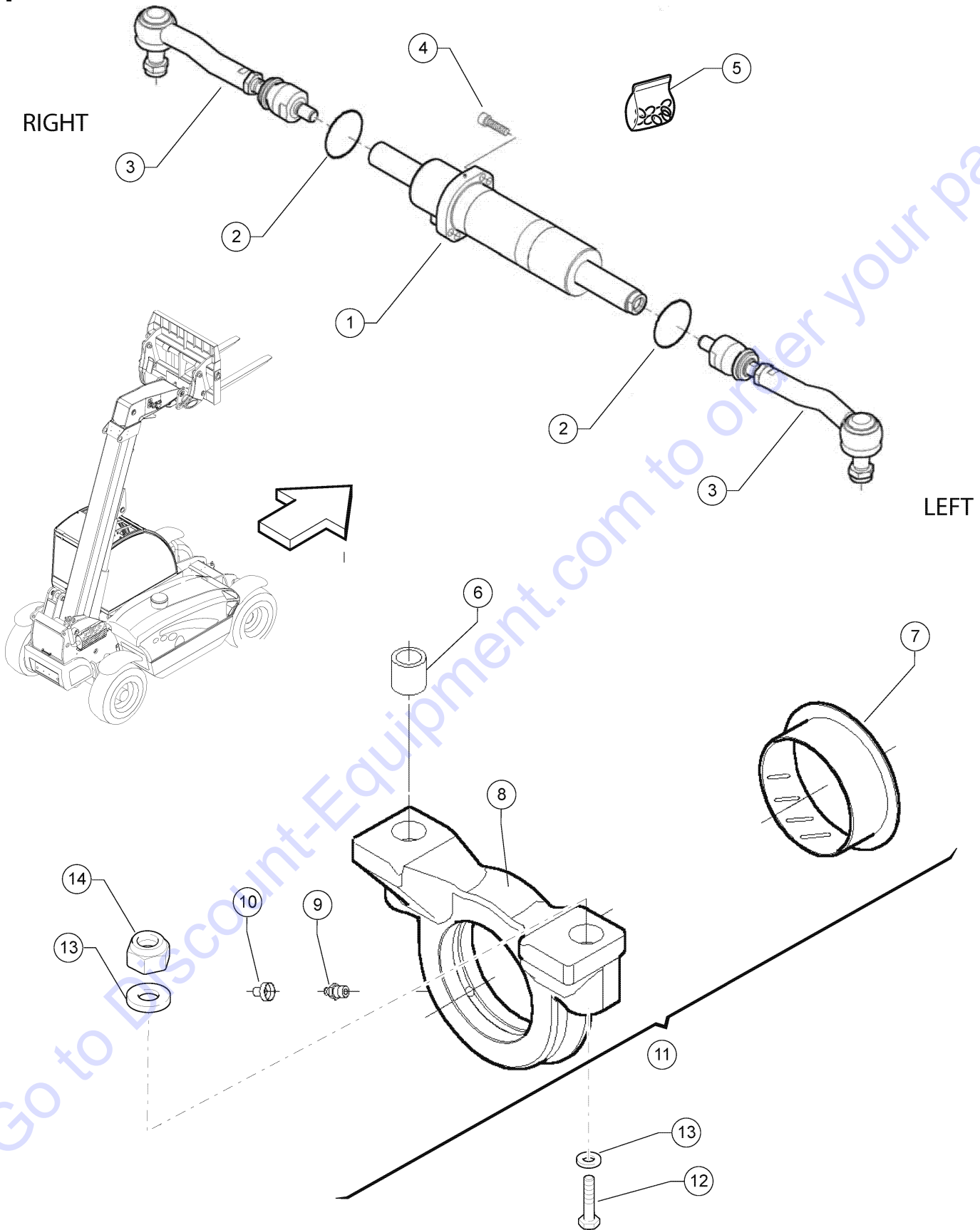
212.1 606624 Rear Axle - Steering Axle



212.1 606624 Rear Axle - Steering Axle

Item	Part No.	Description	Qty.	Item	Part No.	Description	Qty.
1	07.0709.0261	SEAL	2	39	07.0709.0279	Shim Washer.....	2
2	07.0709.0912	Plug, Breather.....	1	40	07.0709.0280	Nut.....	16
3	07.0709.0262	Screw, 10.9HCS 12MM-1.75X50....	16	41	07.0709.0281	Stud.....	16
4	07.0709.0707	Boom.....	1	42	07.0709.0171	Bearing.....	4
5	07.0709.0264	Bushing.....	2	43	07.0709.0282	Wheel Hub.....	2
6	07.0709.0265	Sealing Ring.....	4	44	07.0709.0757	Ring Gear Support.....	2
7	07.0709.0266	Cardan Shaft.....	2	45	07.0709.0119	STUD,DRIVE AXLE.....	8
8	07.0709.0267	Pivot Pin.....	2	46	07.0709.0071	WASHER	8
9	633176	GREASE ZERK	1	47	07.0709.0070	NUT.....	8
10	638548	PLUG.....	4	48	07.0709.0926	Planet Gear Carrier.....	2
11	07.0709.0057	SCREW,RING GEAR.....	12	49	07.0709.0365	SCREW,STEERING ADJUST.....	4
12	07.0709.0268	THICKNESS.....	2	50	07.0709.0283	Boom.....	1
12	07.0709.0290	THICKNESS.....	2				
12	07.0709.0291	THICKNESS.....	2				
13	07.0709.0269	SEAL	2				
14	07.0709.0753	Bushing.....	2				
15	07.0709.0270	Joint Box.....	2				
16	07.0709.0271	Pivot Pin.....	2				
17	634546	NUT.....	4				
18	07.0709.0104	SCREW.....	4				
19	07.0709.0754	Steering Case.....	1				
20	07.0709.0764	Steering Case.....	1				
21	07.0709.0921	PLUG.....	1				
22	07.0709.0363	SEAL.....	2				
23	07.0709.0117	WHEEL STUD.....	16				
24	07.0709.0118	Wheel Nut	16				
25	632383	SEAL / DIFFERENTIAL	2				
26	639646	Snap Ring.....	2				
27	639639	RING GEAR	2				
28	07.0709.0275	Ring Gear Support.....	2				
29	07.0709.0276	Safety Sheet.....	2				
30	07.0709.0925	SPACER.....	2				
31	07.0709.0278	Circlip.....	2				
32	639641	SNAP RING.....	6				
33	639642	PINION,DIFFERENTIAL.....	6				
34	639643	Bearing	6				
35	07.0709.0758	PIPE FITTING.....	2				
36	07.0709.0113	PLUG.....	2				
37	07.0709.0065	SCREW.....	4				
38	07.0709.0321	PLANET GEAR CARRIER.....	2				

213.1 606625 Rear Axle - Steering Cylinder



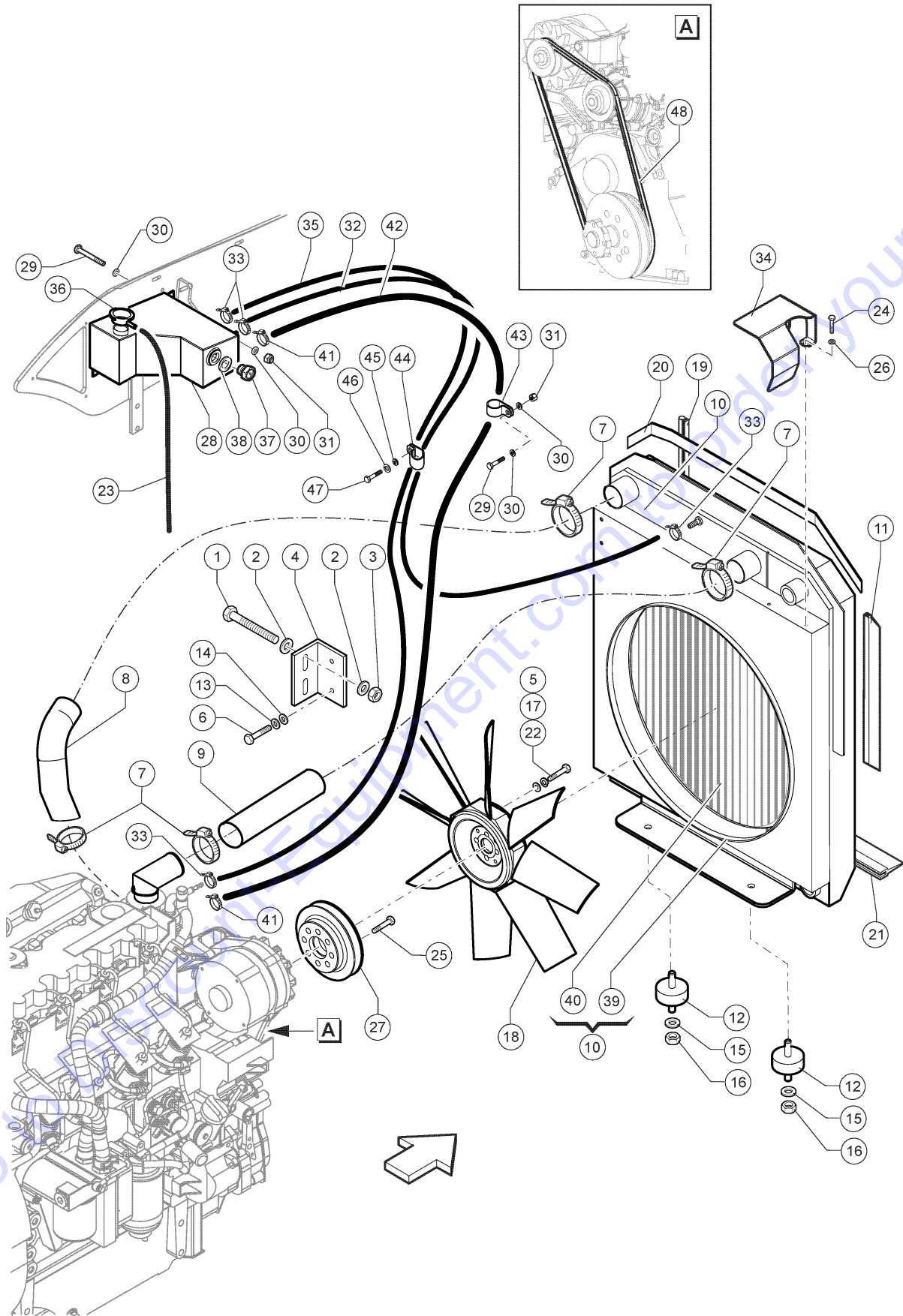
213.1 606625 Rear Axle - Steering Cylinder

Item	Part No.	Description	Qty.
1	07.0709.0908	CYLINDER, STEERING.....	1
2	634397	O-RING.....	2
3	07.0709.0909	TIE ROD.....	2
4	07.0709.0930	Screw.....	4
5	07.0709.0417	Gasket Kit.....	1
6	07.0709.0218	BUSHING.....	4
7	07.0709.0287	Bushing.....	2
8	07.0709.0931	Support.....	4
9	633176	GREASE ZERK	2
10	638548	PLUG.....	2
11	07.0709.0289	SUPPORT	2
12	01.4001.0001	Screw TE M20X160UNI 5737 10.9ZN.....	4
13	01.0031.0061	FLAT WASHER D20 UNI 6592 ZN.....	8
14	01.0023.0060	STOP NUT M20 UNI 7473 6S ZN....	4

Go to Discount-Equipment.com to order your parts



301.1 606626 Diesel Engine - Engine Cooling System (Deutz Engine)



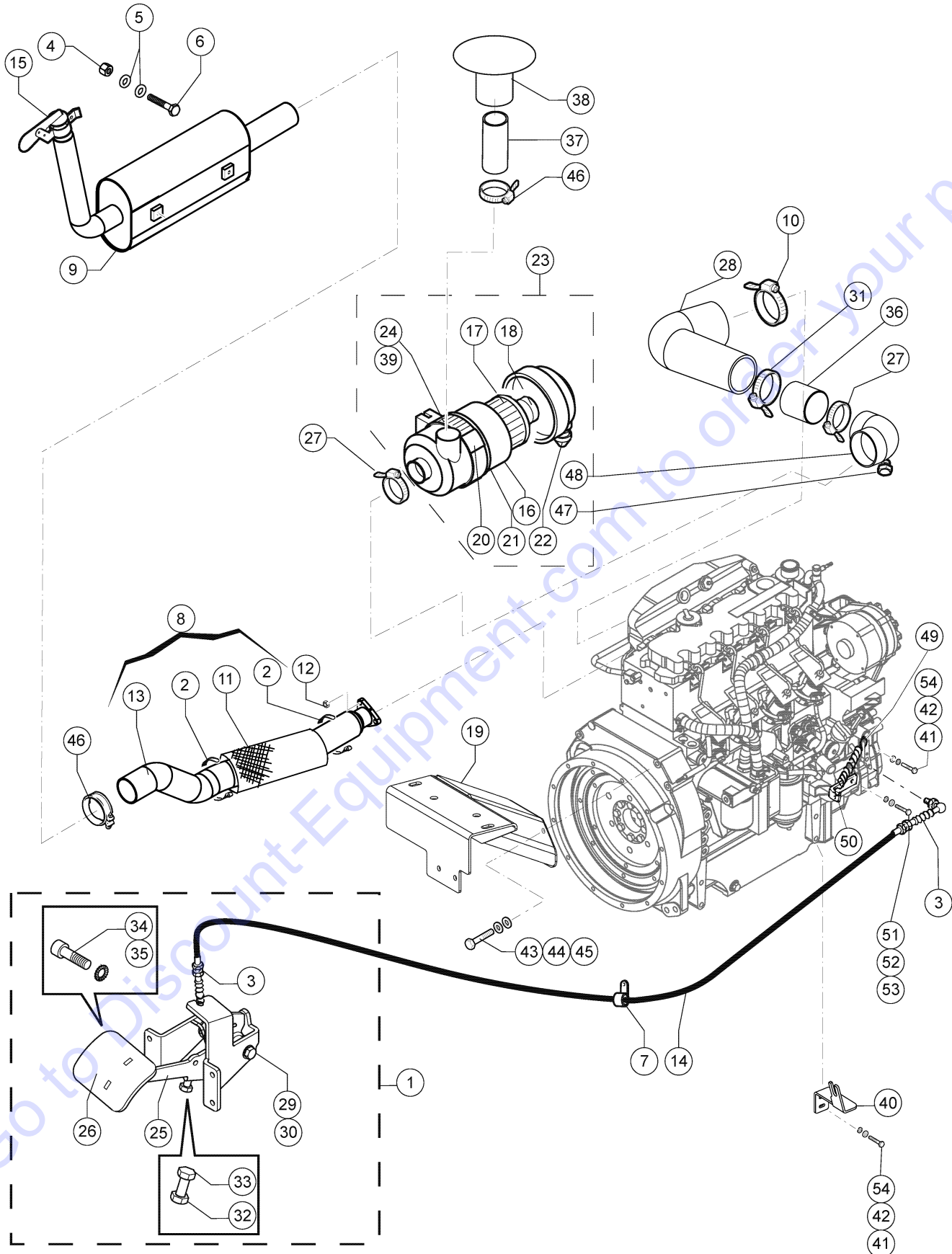
301.1 606626 Diesel Engine - Engine Cooling System (Deutz Engine)

Item	Part No.	Description	Qty.	Item	Part No.	Description	Qty.
--	128274	OIL PAN HEATER,DEUTZ,120V,150W		37	07.0501.0026	LEVEL INDICATOR 3/4".....	1
1	01.0001.1465	SCREW M8X40 UNI 5739 8.8 ZN....	1	38	07.0501.0027	Copper Washer.....	1
2	01.4031.0004	FLAT WASHER D8X32 UNI 6593 ZN.....	2	39	07.0712.0116	AIR CONVEYOR (RADIATOR SHROUD).....	1
3	01.0023.0054	NUT,M8 UNI 7473 6S ZN.....	1	40	07.0712.0151	Cooling Package.....	1
4	51.0810.4100	SUPPORT,RADIATOR.....	1	41	04.0227.0068	CLAMP DN 22/32 LG 9.....	2
5	01.0001.0254	SCREW M8X20 UNI 5739 8.8 ZN....	4	42	09.0805.0036	RUBBER HOSE.....	48-Inch
6	01.0001.0256	SCREW M8X25 UNI 5739 8.8 ZN....	2	43	04.4227.0015	CLAMP D40 HOLE 8.5.....	1
7	04.0227.0058	CLAMP DN 40/60 LG12.....	4	44	04.4227.0007	CLAMP S16 D32 HOLE 8.4.....	1
8	53.3001.6702	RADIATOR HOSE.....	1	45	01.0031.0054	FLAT WASHER D6 UNI 6592 ZN	2
9	53.3001.6710	HOSE.....	1	46	01.4032.0002	SPRING WASHER D6 ZN.....	2
10	53.3200.0046	Complete Radiator.....	1	47	01.0001.0154	SCREW,TE,M6X16 UNI 8.8 ZN.....	2
11	09.0803.0245	GASKET.....	7.87-Inch	48	32698	BELT,V, DEUTZ DIESEL ENGINE....	1
12	09.4670.0002	VIBRATION DAMPING.....	2				
13	01.0031.0055	FLAT WASHER D8 UNI 6592 ZN	2				
14	01.4032.0003	SPRING WASHER D 8 ZN	2				
15	01.4031.0003	FLAT WASHER D12 UNI 6593 ZN.....	2				
16	01.0023.0055	NUT,STOP,M10 UNI 7473 6S ZN....	2				
17	01.0032.0054	WASHER,D8,UNI 1751 ZN.....	4				
18	07.0712.0243	Fan.....	1				
19	09.0803.0245	GASKET.....	27.56-Inch				
20	09.0803.0245	GASKET.....	43.3-Inch				
21	09.0803.0245	GASKET.....	23.62-Inch				
22	01.0019.0104	NUT M8 UNI 5588 6S ZN.....	4				
23	09.0805.0000	RUBBER HOSE.....	55.11-Inch				
24	01.4001.0078	SCREW M8x20 DIN 6923 8.8 ZN....	2				
25	01.0003.0262	SCREW M10X60 UNI 5931 8.8 ZN.....	8				
26	01.0031.0055	FLAT WASHER D8 UNI 6592 ZN	2				
27	54.0100.0087	PULLEY.....	1				
28	53.3200.0045	TANK, RADIATOR.....	1				
29	01.0001.0257	SCREW M8X30 UNI 5739 8.8 ZN....	4				
30	01.0031.0055	FLAT WASHER D8 UNI 6592 ZN	8				
31	01.0023.0054	NUT,M8 UNI 7473 6S ZN.....	4				
32	09.0805.0000	RUBBER HOSE.....	39.37-Inch				
33	04.0227.0051	CLAMP DN 10/16 LG 9.....	4				
34	51.0903.4500	ALTERNATOR COVER.....	1				
35	09.0805.0000	RUBBER HOSE.....	47.24-Inch				
36	07.0712.0094	RADIATOR PLUG.....	1				

302.1 606627 Diesel Engine - Engine Cooling System (Perkins Engine)

Item	Part No.	Description	Qty.
1	01.0001.1465	SCREW M8X40 UNI 5739 8.8 ZN....1	
2	01.4031.0004	FLAT WASHER D8X32 UNI 6593 ZN.....2	
3	01.0023.0054	NUT,M8 UNI 7473 6S ZN.....1	
4	51.0810.4100	SUPPORT,RADIATOR.....1	
5	53.3200.0043	Combined Oil/Water Radiator.....1	
6	01.4032.0003	SPRING WASHER D 8 ZN2	
7	04.0227.0058	CLAMP DN 40/60 LG12.....4	
8	01.0001.0254	SCREW M8X20 UNI 5739 8.8 ZN....1	
9	53.3001.5500	HOSE.....1	
10	53.3001.5400	HOSE.....1	
11	01.4032.0003	SPRING WASHER D 8 ZN1	
12	01.0031.0055	FLAT WASHER D8 UNI 6592 ZN1	
13	07.0712.0148	Excanger.....1	
14	07.0712.0149	AIR CONVEYOR (RADIATOR SHROUD).....1	
15	09.4670.0002	VIBRATION DAMPING.....1	
16	01.0031.0055	FLAT WASHER D8 UNI 6592 ZN2	
17	01.0001.0256	SCREW M8X25 UNI 5739 8.8 ZN....2	
18	01.4031.0003	FLAT WASHER D12 UNI 6593 ZN.....2	
19	01.0019.0105	NUT M10 UNI 5588 6S ZN.....2	
20	07.0712.0150	Fan Guard Grid.....1	
21	09.4605.0015	Fan.....1	
22	09.0803.0245	GASKET.....0.7-meter	
23	09.0803.0245	GASKET.....1.1-meter	
24	09.0803.0245	GASKET.....0.6-meter	
25	07.0712.0087	Radiator Cap.....1	
26	01.4032.0004	SPRING WASHER D10 ZN.....2	
27	09.4605.0014	Shim.....1	
28	09.0806.0054	Screw Fitting M16x1.5.....1	
29	06.0442.0102	Copper Washer JC 17.....2	
30	09.0806.0055	FITTING.....1	
31	04.0227.0051	CLAMP DN 10/16 LG 9.....2	
32	09.0806.0059	Pipe Fitting.....1	
33	09.0806.0053	PIPE FITTING.....1	
34	09.0805.0000	RUBBER HOSE.....0.70-meter	

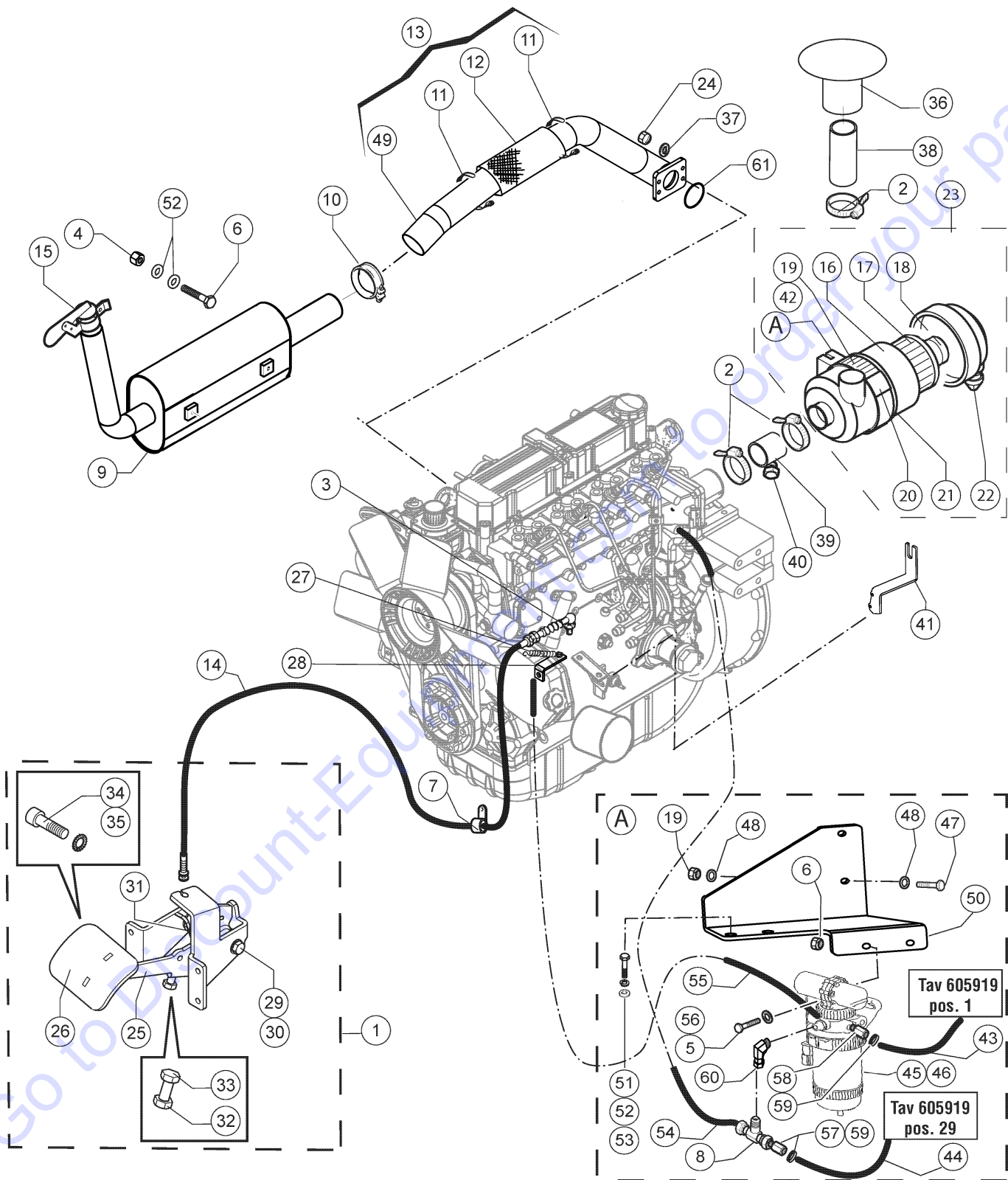
303.1 606628 Diesel Engine _Exhaust System - Injection - Accelerator (Deutz Engine)



303.1 606628 Diesel Engine _Exhaust System - Injection - Accelerator (Deutz Engine)

Item	Part No.	Description	Qty.	Item	Part No.	Description	Qty.
1	09.4656.0012	Complete Throttle Pedal.....	1	38	09.4604.0055	AIR FILTER CAP.....	1
2	04.0227.0067	Clamp DN 50/70 LG12.....	6	39	01.0001.0256	SCREW M8X25 UNI 5739 8.8 ZN....	2
3	09.0803.0008	JOINT D6.....	2	40	51.0811.0600	THROTTLE CABLE BRACKET.....	1
4	01.0023.0055	NUT,STOP,M10 UNI 7473 6S ZN....	2	41	01.0031.0054	FLAT WASHER D6 UNI 6592 ZN	3
5	01.0031.0301	FLAT WASHER D10 UNI 6593 ZN	4	42	01.4032.0002	SPRING WASHER D6 ZN.....	3
6	01.0001.0304	SCREW M10X50 UNI 5739 8.8 ZN.....	2	43	01.0001.0355	SCREW,TE,M10X25 UNI 8.8 ZN....	2
7	04.4227.0007	CLAMP S16 D32 HOLE 8.4.....	5	44	01.0031.0301	FLAT WASHER D10 UNI 6593 ZN	2
8	55.0208.0054	Complete Exhaust Pipe.....	1	45	01.4032.0004	SPRING WASHER D10 ZN.....	2
9	53.3100.0034	Muffler.....	1	46	04.4227.0030	Clamp TFCV 64-67.....	1
10	04.4227.0001	CLAMP DN 80/100 LG12.....	1	47	09.4604.0045	SENSOR.....	1
11	09.0803.0259	Screening.....	1	48	07.0501.0020	Curve.....	1
12	01.0023.0053	STOP NUT M6 UNI 7473 6S ZN	1	49	09.0803.0251	Spring.....	1
13	53.3001.6500	EXHAUST PIPE, STAINLESS STEEL.....	1	50	51.0806.2800	SPRING COUPLING.....	1
14	09.4645.0032	Throttle Cable.....	1	51	01.0001.0254	SCREW M8X20 UNI 5739 8.8 ZN....	1
15	09.0803.0027	Muffler Cap.....	1	52	01.0031.0055	FLAT WASHER D8 UNI 6592 ZN	1
16	07.0501.0024	Complete Air Filter	1	53	01.4032.0003	SPRING WASHER D 8 ZN	1
17	07.0700.0037	Main Air Filter Element.....	1	54	01.0001.0154	SCREW,TE,M6X16 UNI 8.8 ZN.....	3
18	07.0700.0036	Secondary Air Filter Element.....	1				
19	51.0811.2500	AIR FILTER SUPPORT.....	1				
20	07.0700.0030	BRACKET, AIR FILTER.....	1				
21	07.0700.0030	BRACKET, AIR FILTER.....	1				
22	07.0700.0035	Output Valve.....	1				
23	09.4604.0060	Complete Air Filter.....	1				
24	01.0023.0054	NUT,M8 UNI 7473 6S ZN.....	2				
25	07.0730.0052	Pedal.....	1				
26	07.0730.0053	Removable Pedal.....	1				
27	04.0227.0067	Clamp DN 50/70 LG12.....	2				
28	53.3001.6600	Manifold.....	1				
29	01.0001.0252	SCREW M8X16 UNI 5739 8.8 ZN....	2				
30	07.0730.0056	Crinkle Washer UNI 8840.....	2				
31	04.0227.0000	Clamp 60x80.....	1				
32	01.0001.0257	SCREW M8X30 UNI 5739 8.8 ZN....	1				
33	07.0730.0058	Nut 8MA Slim UNI 4035.....	1				
34	01.0003.0205	SCREW M8X25 UNI 5931 8.8 ZN....	1				
35	01.0031.0055	FLAT WASHER D8 UNI 6592 ZN	1				
36	53.3000.3500	Sleeve.....	1				
37	09.0805.0097	HOSE.....	1				

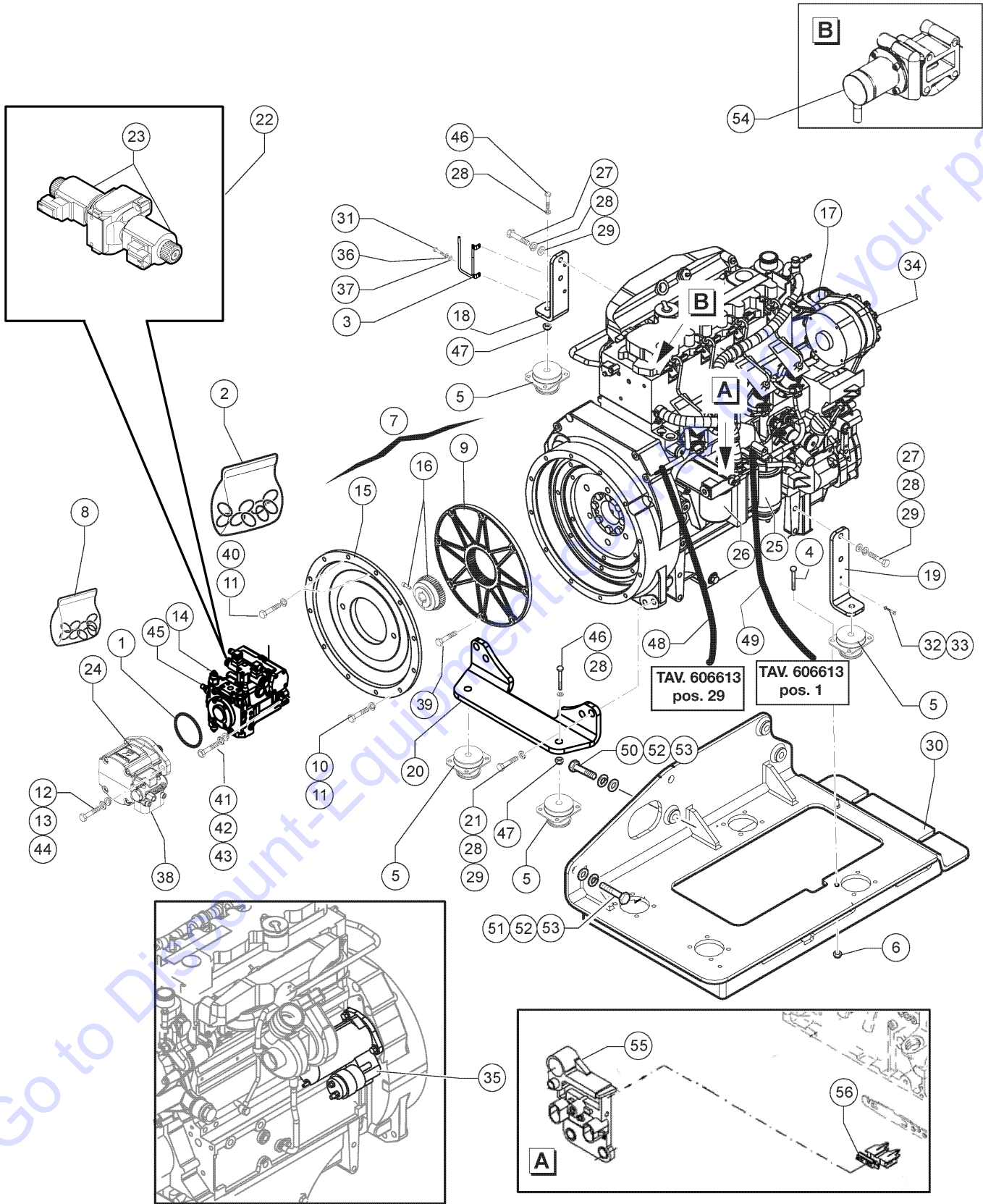
304.1 606629 Diesel Engine - Exhaust System - Injetton - Accelerator (Perkins Engine)



304.1 606629 Diesel Engine - Exhaust System - Injetton - Accelerator (Perkins Engine)

Item	Part No.	Description	Qty.	Item	Part No.	Description	Qty.
1	09.4656.0012	Complete Throttle Pedal.....	1	40	09.4604.0045	SENSOR.....	1
2	04.0227.0067	Clamp DN 50/70 LG12.....	3	41	51.0810.5400	Bracket.....	1
3	09.0803.0008	JOINT D6.....	2	42	01.0001.0256	SCREW M8X25 UNI 5739 8.8 ZN....	2
4	01.0023.0055	NUT,STOP,M10 UNI 7473 6S ZN....	2	43		606613 Ref. 1.....	Ref
5	01.0031.0056	WASHER,D10 UNI 6592 ZN.....	4	44		606613 Ref 29.....	Ref
6	01.0001.0304	SCREW M10X50 UNI 5739 8.8 ZN.....	2	45	07.4501.0139	Diesel Fuel Filter.....	1
7	04.4227.0007	CLAMP S16 D32 HOLE 8.4.....	5	46	07.0501.0029	DIESEL FUEL FILTER ELEMENT....	1
8	09.0806.0007	PIPE FITTING.....	1	47	01.0001.1465	SCREW M8X40 UNI 5739 8.8 ZN....	2
9	53.3100.0034	Muffler.....	1	48	01.0031.0299	FLAT WASHER D8 UNI 6593.....	4
10	04.4227.0030	Clamp TFCV 64-67.....	1	49	53.3001.500	Steel Exhaust Pipe.....	1
11	04.0227.0067	Clamp DN 50/70 LG12.....	2	50	51.0810.1100	Bracket.....	1
12	09.0803.0259	Screening.....	1	51	01.0001.0355	SCREW,TE,M10X25 UNI 8.8 ZN....	2
13	55.0208.0046	Steel Exhaust Pipe Assembly.....	1	52	01.0031.0301	FLAT WASHER D10 UNI 6593 ZN	6
14	09.4645.0032	Throttle Cable.....	1	53	01.4032.0004	SPRING WASHER D10 ZN.....	2
15	09.0803.0027	Muffler Cap.....	1	54	09.0805.0000	RUBBER HOSE.....35,43-inch	
16	07.0501.0024	Complete Air Filter	1	55	09.0805.0000	RUBBER HOSE.....21,65-inch	
17	07.0700.0037	Main Air Filter Element.....	1	56	01.0001.0357	SCREW,TE,M10X35 UNI 8.8 ZN....	2
18	07.0700.0036	Secondary Air Filter Element.....	1	57	09.0806.0008	DOOR RUBBER/PIPE FITTING	2
19	01.0023.0054	NUT,M8 UNI 7473 6S ZN.....	4	58	09.0806.0057	Pipe Fitting 1/2-20.....	2
20	07.0700.0030	BRACKET, AIR FILTER.....	1	59	04.0227.0051	CLAMP DN 10/16 LG 9.....	4
21	07.0700.0030	BRACKET, AIR FILTER.....	1	60	09.0806.0056	Pipe Fitting 1/8M X 1/4F.....	1
22	07.0700.0035	Output Valve.....	1	61	101645	Gasket.....	1
23	09.4604.0052	Air Filter Assembly.....	1				
24	01.0019.0104	NUT M8 UNI 5588 6S ZN.....	4				
25	07.0730.0052	Pedal.....	1				
26	07.0730.0053	Removable Pedal.....	1				
27	09.0803.0536	Spring.....	1				
28	51.0806.2800	SPRING COUPLING.....	1				
29	01.0001.0252	SCREW M8X16 UNI 5739 8.8 ZN....	2				
30	07.0730.0056	Crinkle Washer UNI 8840.....	2				
31	07.0730.0057	Twist Spring.....	1				
32	01.0001.0257	SCREW M8X30 UNI 5739 8.8 ZN....	1				
33	07.0730.0058	Nut 8MA Slim UNI 4035.....	1				
34	01.0003.0205	SCREW M8X25 UNI 5931 8.8 ZN....	1				
35	01.0031.0055	FLAT WASHER D8 UNI 6592 ZN	1				
36	09.4604.0055	AIR FILTER CAP.....	1				
37	01.4032.0003	SPRING WASHER D 8 ZN	4				
38	09.0805.0094	CONNECTING SLEEVE.....	1				
39	07.0700.0031	Connecting Sleeve 60/65 LG68.....	1				

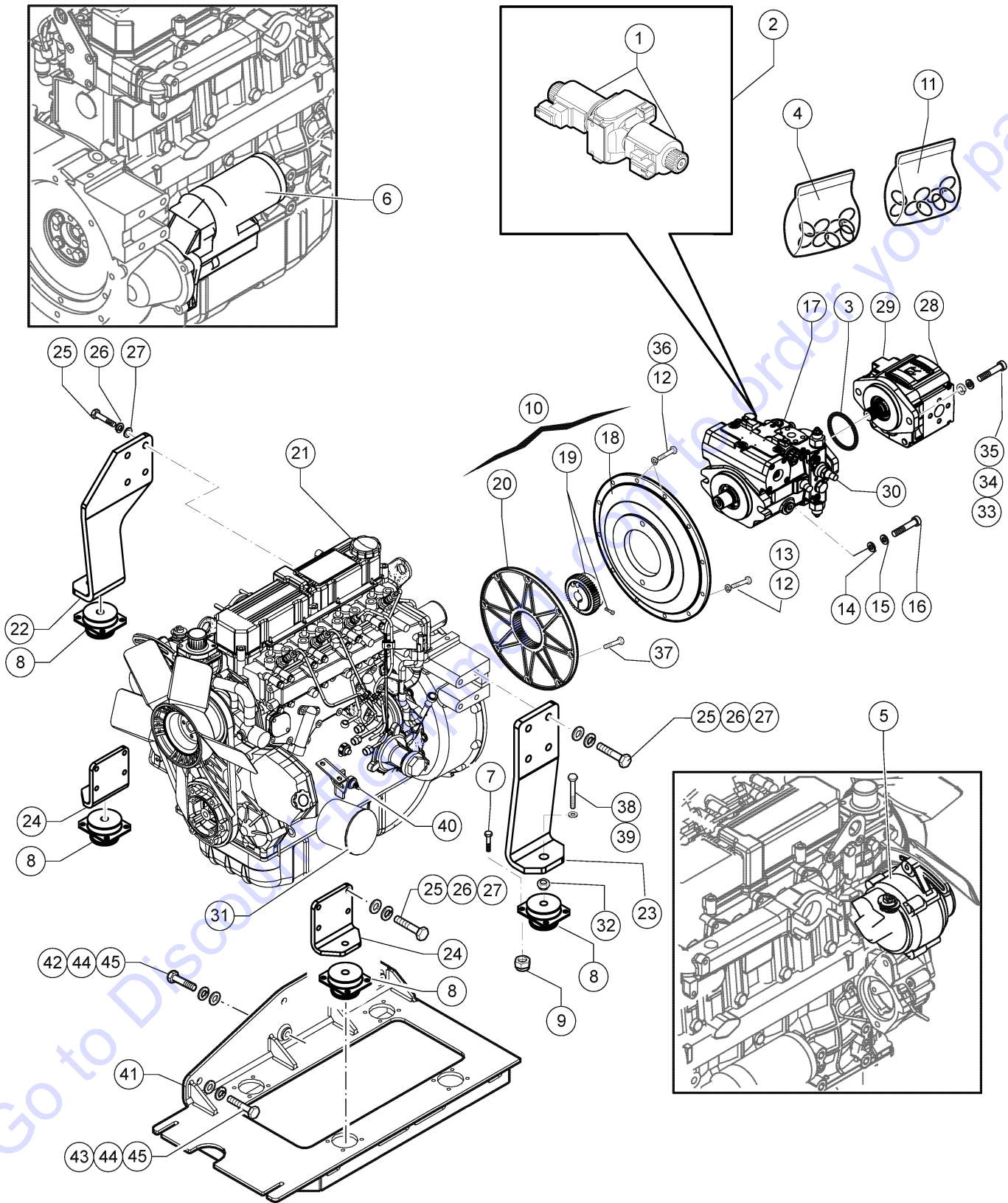
305.1 606630 Diesel Engine - Hydraulic Pumps (Deutz Engine)



305.1 606630 Diesel Engine - Hydraulic Pumps (Deutz Engine)

Item	Part No.	Description	Qty.	Item	Part No.	Description	Qty.
1	07.0701.0211	O-RING,R909154589 REXROTH.....	1	33	01.4032.0002	SPRING WASHER D6 ZN.....	4
2	07.0701.0200	SEAL KIT..... <i>Kit For Pump 04.4238.0058</i>	1	34	07.0501.0001	Alternator.....	1
3	51.0811.4032	Hoses guide.....	1	35	139709	STARTER, 12V.....	1
4	01.0001.0356	SCREW,TE,M10X30 UNI 8.8 ZN...16	16	36	01.4032.0003	SPRING WASHER D 8 ZN	2
5	09.4670.0004	VIBRATION DAMPING.....	4	37	01.0031.0299	FLAT WASHER D8 UNI 6593.....	2
6	01.0023.0055	NUT,STOP,M10 UNI 7473 6S ZN.....	16	38	07.0722.0053	VALVE,LOAD SENSE.....	1
7	09.0804.2300	PUMP,PRE ARRANGEMENT.....	1	39	01.0003.0255	SCREW M10X25 UNI 5931 8.8 ZN.....	8
8	07.4529.0112	SEAL KIT..... <i>Kit For Pump 04.4238.0059</i>	1	40	01.0001.0356	SCREW,TE,M10X30 UNI 8.8 ZN....	2
9	07.0713.0061	FLANGE.....	1	41	01.0003.0405	SCREW,TCEI,M16X50,UNI5931,8.8Z.2	2
10	01.0001.0355	SCREW,TE,M10X25 UNI 8.8 ZN...10	10	42	01.4032.0007	SPRING WASHER D16 ZN.....	2
11	01.4032.0004	SPRING WASHER D10 ZN.....	12	43	01.0031.0099	FLAT WASHER D16 UNI 5714 ZN.....	2
12	01.0001.0506	SCREW M12X30 UNI 5739 8.8 ZN.....	2	44	01.0031.0057	WASHER,D12 UNI 6592 ZN	2
13	01.4032.0005	SPRING WASHER D12 ZN	2	45	07.0701.0241	VALVE.....	1
14	04.4238.0058	PUMP A4VG56G 5519.....	1	46	01.4001.0012	SCREW M14X100UNI 5737 8.8 ZN.....	4
15	07.0713.0063	BELL.....	1	47	01.0023.0057	STOP NUT M14 UNI 7473 6S ZN....	4
16	07.0713.0062	HUB.....	1	48		606613 ref. 29.....	Ref
17	09.4601.0051	DIESEL ENGINE.....	1	49		606613 ref. 1.....	Ref
18	51.0810.1900	ENGINE MOUNT,DEUTZ.....	1	50	01.4001.0096	SCREW M20X55 UNI 5739 8.8 ZN.....	3
19	51.0810.1400	ENGINE MOUNT,DEUTZ.....	1	51	01.0001.0902	Screw TE M20X40 UNI 5739 8.8 ZN.....	2
20	51.0810.1300	ENGINE MOUNT,DEUTZ.....	1	52	01.4032.0009	Spring Washer D20 ZN	5
21	01.0001.1493	SCREW M14X45 UNI 5739 8.8 ZN	4	53	01.0031.0061	FLAT WASHER D20 UNI 6592 ZN.....	5
22	07.0701.0209	SOLENOID VALVE	1	54	1258582	Valve.....	1
23	07.0701.0007	SOLENOID (07.0701.0290).....	2	55	1258583	Sensor..... <i>Includes Shaped Packing</i>	1
24	04.4238.0059	HYDRAULIC PUMP KP 30-27DO-A5K9.....	1	56	1258654	Clip.....	1
25	29560	FILTER,FUEL/WTR SEP, DTZ 1008.....	1				
26	07.4501.0067	FILTER,OIL..... <i>For US Market Can Be Sold P.N. 49924</i>	1				
27	01.0001.0605	SCREW M14X35 UNI 5739 8.8 ZN.....	4				
28	01.0031.0058	FLAT WASHER D14 UNI 6592 ZN	12				
29	01.4032.0006	SPRING WASHER D14 ZN.....	8				
30	51.0811.0016	ENGINE SUPPORT.....	1				
31	01.0001.0254	SCREW M8X20 UNI 5739 8.8 ZN...2	2				
32	01.0001.0156	SCREW M6X20 UNI 5739 8.8 ZN ...4	4				

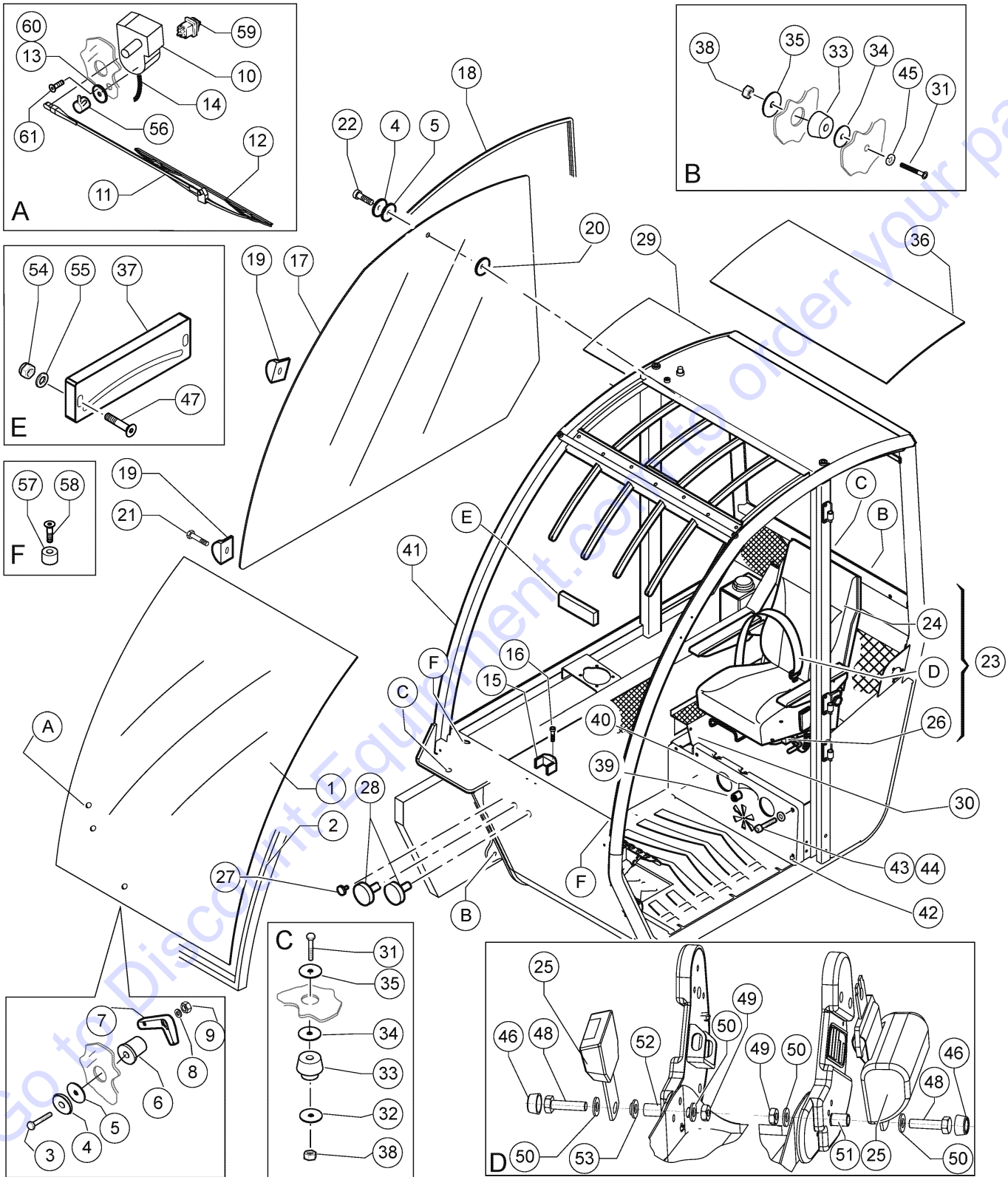
306.1 606631 Diesel Engine - Hydraulic Pumps (Perkins Engine)



306.1 606631 Diesel Engine - Hydraulic Pumps (Perkins Engine)

Item	Part No.	Description	Qty.	Item	Part No.	Description	Qty.
1	07.0701.0007	SOLENOID (07.0701.0290).....	2	33	01.0001.0506	SCREW M12X30 UNI 5739 8.8 ZN.....	2
2	07.0701.0209	SOLENOID VALVE	1	34	01.4032.0005	SPRING WASHER D12 ZN	2
3	07.0701.0211	O-RING,R909154589 REXROTH.....	1	35	01.0031.0057	WASHER,D12 UNI 6592 ZN	2
4	07.0701.0200	SEAL KIT..... <i>Kit For Pump 04.4238.0058</i>	1	36	01.0001.0356	SCREW,TE,M10X30 UNI 8.8 ZN....	2
5	07.0501.0017	Alternator.....	1	37	01.0003.0255	SCREW M10X25 UNI 5931 8.8 ZN.....	8
6	07.0501.0018	Starter Motor.....	1	38	01.4001.0012	SCREW M14X100UNI 5737 8.8 ZN.....	4
7	01.0001.0356	SCREW,TE,M10X30 UNI 8.8 ZN...	16	39	01.0031.0058	FLAT WASHER D14 UNI 6592 ZN	4
8	09.4670.0003	INSULATOR.....	4	40	07.4501.0172	Oil Pressure Sensor.....	1
9	01.0023.0055	NUT,STOP,M10 UNI 7473 6S ZN.....	16	41	51.0811.1500	Perkins Engine Support.....	1
10	09.0804.2300	PUMP,PRE ARRANGEMENT.....	1	42	01.4001.0096	SCREW M20X55 UNI 5739 8.8 ZN.....	3
11	07.4529.0112	SEAL KIT..... <i>Kit For Pump 04.4238.0059</i>	1	43	01.0001.0902	Screw TE M20X40 UNI 5739 8.8 ZN.....	2
12	01.4032.0004	SPRING WASHER D10 ZN.....	12	44	01.4032.0009	Spring Washer D20 ZN	5
13	01.0001.0355	SCREW,TE,M10X25 UNI 8.8 ZN...	10	45	01.0031.0061	FLAT WASHER D20 UNI 6592 ZN.....	5
14	01.0031.0099	FLAT WASHER D16 UNI 5714 ZN.....	2				
15	01.4032.0007	SPRING WASHER D16 ZN.....	2				
16	01.0003.0405	SCREW,TCEI,M16X50,UNI5931,8.8Z.2					
17	04.4238.0058	PUMP A4VG56G 5519.....	1				
18	07.0713.0063	BELL.....	1				
19	07.0713.0062	HUB.....	1				
20	07.0713.0061	FLANGE.....	1				
21		DIESEL ENGINE..... <i>Contact Service Parts</i>	1				
22	51.0810.0900	ENGINE SUPPORT LEFT FLYWHEEL SIDE.....	1				
23	51.0810.1000	ENGINE SUPPORT RIGHT SIDE TELELIFT 2506.....	1				
24	51.0809.8900	ENGINE SUPPORT FAN SIDE.....	2				
25	01.0001.0506	SCREW M12X30 UNI 5739 8.8 ZN.....	16				
26	01.0031.0057	WASHER,D12 UNI 6592 ZN	16				
27	01.4032.0005	SPRING WASHER D12 ZN	16				
28	04.4238.0059	HYDRAULIC PUMP KP 30-27DO-A5K9.....	1				
29	07.0722.0053	VALVE,LOAD SENSE.....	1				
30	07.0701.0241	VALVE.....	1				
31	101613	ELEMENT,OIL FILTER,PERKINS***.....	1				
32	01.0023.0057	STOP NUT M14 UNI 7473 6S ZN....	4				

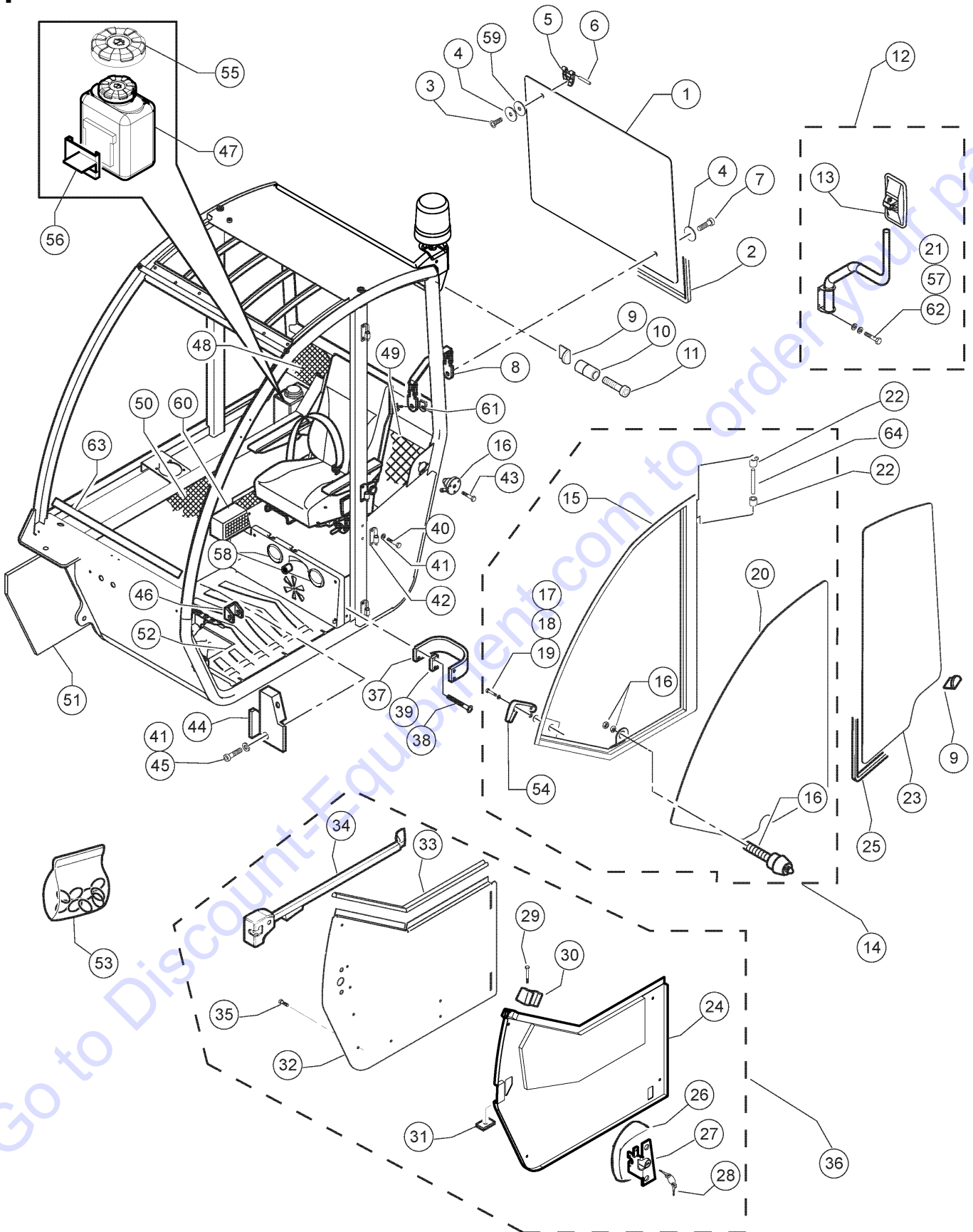
401.1 606632 Closed Cabin, View 1



401.1 606632 Closed Cabin, View 1

Item	Part No.	Description	Qty.	Item	Part No.	Description	Qty.
1	07.0723.0219	Front Side Glass.....	1	35	01.4031.0001	WASHER,CHMFRD,D16,UNI 6593,ZN.....	4
2	130163	WEATHERSTRIP,DOUBLE BULB.....	150-inch	36	07.0723.0168	Upper Glass.....	1
3	07.0723.0133	Screw TSPEI M8X70.....	1	37	09.4610.0038	SPIRIT LEVEL..... ECN 03510	1
4	07.0723.0114	Nylon Washer.....	3	38	01.0023.0058	STOP NUT M16 UNI 7473 6S ZN....	4
5	07.0723.0096	RUBBER.....	3	39	07.0723.0193	TAP	1
6	641020	BUSHING.....	1	40	07.0723.0522	Decal.....	1
7	641019	HANDLE.....	1	41	07.0723.0457	Cab Structure.....	1
8	07.0723.0134	PLAIN WASHER.....	1	42	07.0723.0464	PANEL.....	1
9	07.0723.0528	Stop Nut M8 / Black Cap.....	1	43	07.0723.0040	Screw TCB 1BG3223.....	3
10	07.0723.0221	WIPER MOTOR.....	1	44	07.0723.0076	Plain Washer D6x18	3
11	07.0723.0450	Windscreen Wiper Arm.....	1	45	01.0031.0059	FLAT WASHER D16 UNI 6592 ZN.....	2
12	07.0723.0037	WIPER BLADE.....	1	46	09.0803.0568	Cap..... ECN 04610	2
13	07.0723.0516	GASKET, RUBBER.....	1	47	01.4006.0002	Screw TSPEI M4 X 15 UNI 5933 10.9 ZN.....	2
14	07.0723.0226	RUBBER HOSE	20-inch	48	01.0002.0000	Screw TE M10X45 x 1,25 UNI 5738 8.8 ZN.....	2
15	641024	STOP.....	1	49	01.0019.0105	NUT M10 UNI 5588 6S ZN..... ECN 04610	2
16	07.0723.0507	Screw TCB+M6X40 UNI 7687 ZNN.....	2	50	01.0031.0056	WASHER,D10 UNI 6592 ZN..... ECN 04610	4
17	07.0723.0165	RIGHT SIDE GLASS	1	51	09.4610.0045	Spacer..... ECN 04610	1
18	130163	WEATHERSTRIP,DOUBLE BULB.....	162-inch	52	09.0803.0571	Shim..... ECN 04610	1
19	641042	GLASS STOP.....	5	53	09.4610.0044	BUSHING D.12,6..... ECN 04610	1
20	07.0723.0059	Rubber Cap D37xH12xD8.....	2	54	01.0023.0051	NUT,STOP,M4 UNI 7473 6S ZN....	2
21	07.0723.0517	Screw TPS+ 4.8x38.....	5	55	01.4031.0007	WASHER,D4 UNI 6592.....	2
22	07.0723.0169	Screw TSPEI M8x40.....	2	56	07.0706.0061	Spray Nozzle.....	1
23	09.4610.0042	Seat..... ECN 04610	1	57	07.0723.0538	Rubber Pads.....	2
24	07.0703.0508	SEAT, CUSHION BACK	1	58	07.0723.0539	Screw TPS.....	2
25	09.4610.0043	Safety Belt 3" Kit..... ECN 04610	1	59	07.0723.0229	SWITCH.....	1
26	07.0703.0509	SEAT,BOTTOM CUSHION.....	1	60	07.0723.0225	Plastic Washer.....	1
27	07.0723.0055	RUBBER PLUG D.10.....	1	61	07.0723.0416	Screw TSPEI M6X30 UNI 5933.....	1
28	07.0723.0054	RUBBER PLUG D25.....	2				
29	07.0723.0498	COVER, ROOF.....	1				
30	07.0723.0454	COATING.....	1				
31	01.0001.0659	Screw TE M16X100 UNI 5737 8.8 ZN.....	4				
32	54.0100.0002	WASHER D70/16, SP 8.....	2				
33	09.0803.0540	VIBRATION DAMPENING SUPPORT.....	4				
34	54.0100.0017	WASHER, ZN, D70/16, SP 4.....	4				

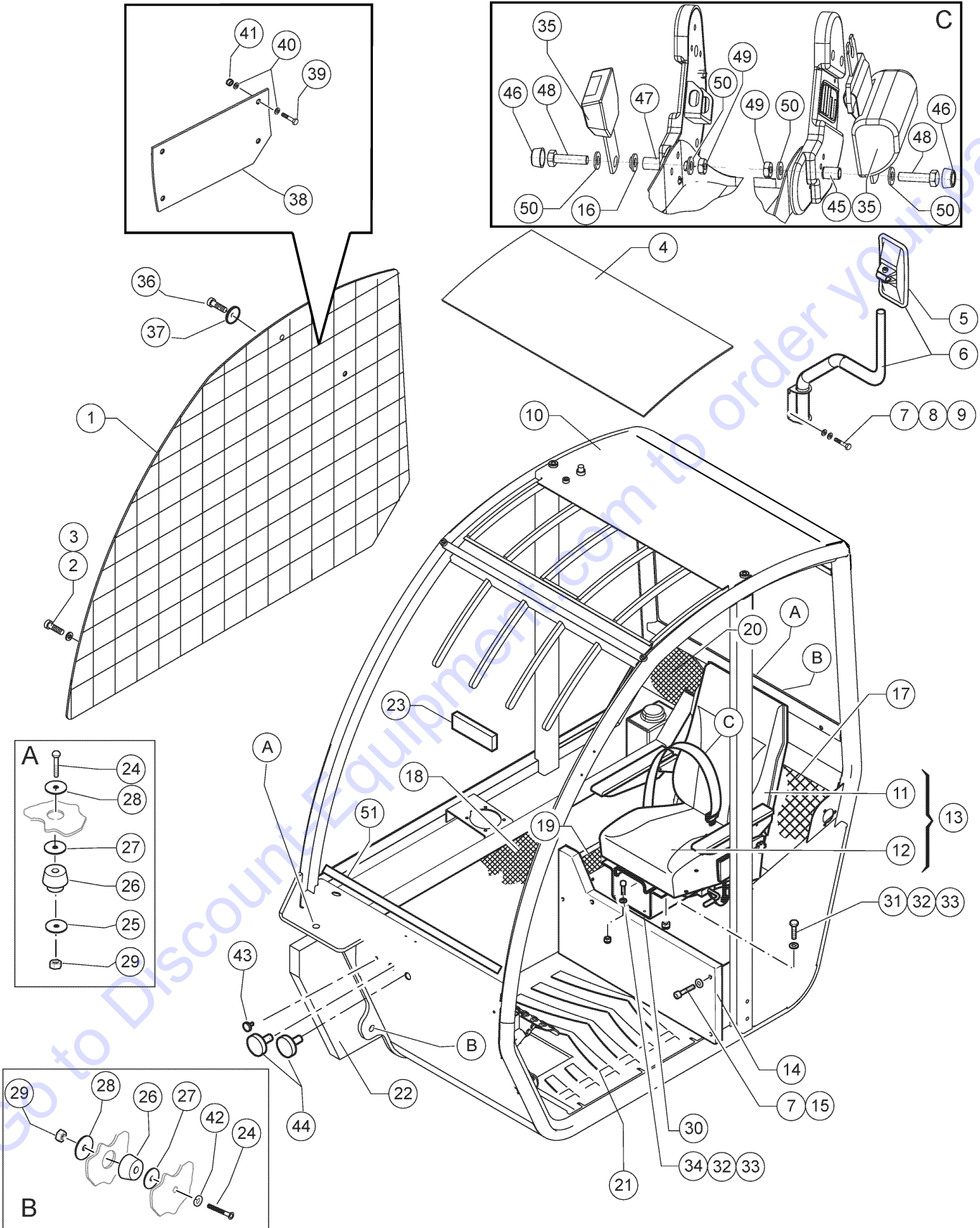
402.1 606633 Closed Cabin, View 2



402.1 606633 Closed Cabin, View 2

Item	Part No.	Description	Qty.	Item	Part No.	Description	Qty.
1	07.0723.0163	REAR GLASS.....	1	37	07.0723.0418	BELT, DOOR ASSY GTH5519.....	1
2	07.0723.0433	GASKET (PER INCH).....	110-inches	38	07.0723.0075	Screw TSPEI M6X16 UNI 5933.....	4
3	07.0723.0176	SCREW,TSPEI M8X25.....	2	39	07.0723.0419	PLATE, BELT RETAINING 5519.....	2
4	07.0723.0114	Nylon Washer.....	4	40	07.0723.0075	Screw TSPEI M6X16 UNI 5933.....	8
5	07.0723.0155	HINGE.....	2	41	07.0723.0076	Plain Washer D6x18	14
6	07.0723.0161	PIN.....	2	42	07.0723.0672	HINGE.....	4
7	07.0723.0441	SCREW,TCEI M5X50	2	43	07.0723.0185	SCREW, M6X30DIN933 YZ HCS....	3
8	07.0723.0434	TOGGLE LEVER,COMPLETE.....	2	44	07.0723.0455	COVER, AIR FILTER.....	1
9	641042	GLASS STOP.....	4	45	07.0723.0090	BALL-GRIP	2
10	07.0723.0236	STOP PAD.....	2	46	640995	CLIP.....	1
11	07.0723.0237	SCREW,M10-1.5X90 12.9 SHCS....	1	47	641004	TANK, WIPER W/ PUMP	1
12	07.0723.0024	MIRROR W/BRACKET, SINGLE	1			<i>Tank and white cap cannot be sold separately</i>	
13	07.0723.0042	Mirror.....	1	48	07.0723.0452	Cover.....	1
14	07.0723.0684	UPPER DOOR FRAME WITH GLASS	1	49	07.0723.0451	Cover.....	1
15	07.0723.0425	UPPER DOOR FRAME.....	1	50	07.0723.0453	Cover.....	1
16	07.0723.0430	Complete Door Locker.....	1	51	07.0723.0456	External Sound Proofing Panel.....	1
17	07.0723.0429	CRINKLE WASHER,DM.10.....	1	52	07.0723.0462	Mat.....	1
18	07.0723.0428	WASHER,D10X20.....	1	53	07.0723.0513	Gasket Kit.....	1
19	07.0723.0427	SCREW,TE,M8X16.....	1	54	641019	HANDLE.....	1
20	07.0723.0426	UPPER DOOR GLASS GTH5519....	1	55	07.0723.0477	Water Tank Cover (Black Cap).....	1
21	07.0723.0173	Washer D6X12MM.....	2			<i>This is not the Cap for Position 47, but just a cover</i>	
22	07.0723.0345	BUSHING.....	8	56	07.0723.0494	SUPPORT.....	1
23	07.0723.0166	LEFT SIDE GLASS.....	1	57	07.0723.0111	Washer.....	2
24	07.0723.0423	LOWER DOOR/ GTH5519.....	1	58	07.0723.0475	Air Inlet + Frame.....	2
		<i>(steel)</i>		59	07.0723.0096	RUBBER.....	2
25	07.0723.0433	GASKET (PER INCH).....	110-inches	60	07.0723.0149	FILTER	1
26	07.0723.0156	HANDLE.....	1	61	07.0723.0506	Receptacles.....	2
27	07.0723.0459	Handle Lock.....	1	62	07.0723.0040	Screw TCB 1BG3223.....	2
		<i>order key separately</i>		63	07.0723.0632	Lock Bracket	1
28	07.0723.0571	KEY.....	1	64	07.0723.0410	PIN,8X85	4
29	07.0723.0421	SCREW,TCB+M6X35.....	2				
30	641024	STOP.....	1				
31	07.0723.0172	Plate.....	1				
32	07.0723.0420	DOOR COATING, 5519 LOWER DOOR.....	1				
33	07.0723.0183	GASKET.....	36-inches				
34	07.0723.0157	HANDLE, INTERNAL DOOR.....	1				
35	07.0723.0039	SCREW,PPH SMS 10X3/4ZAKEG.....	3				
36	07.0723.0460	LOWER DOOR ASSY.....	1				

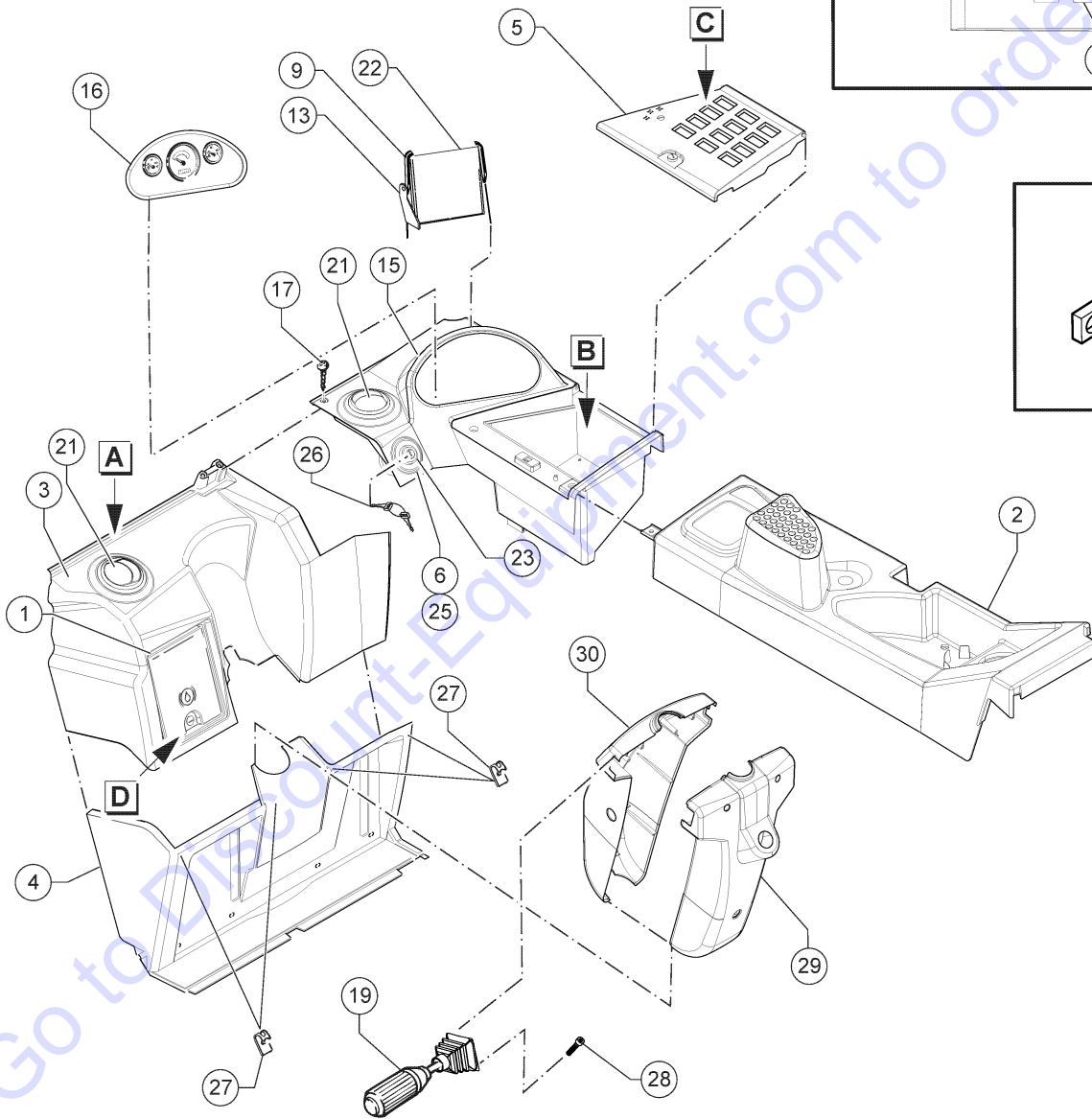
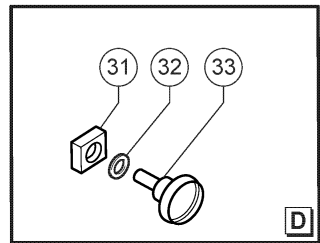
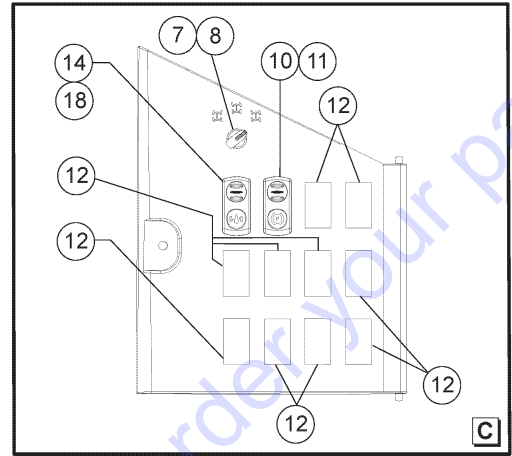
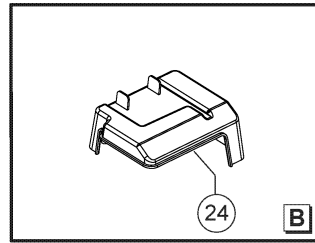
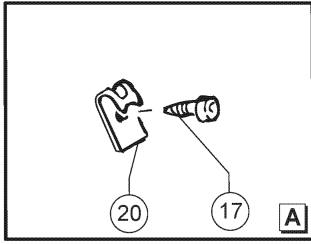
403.1 606634 Open Cab, Viw 1



403.1 606634 Open Cab, Viw 1

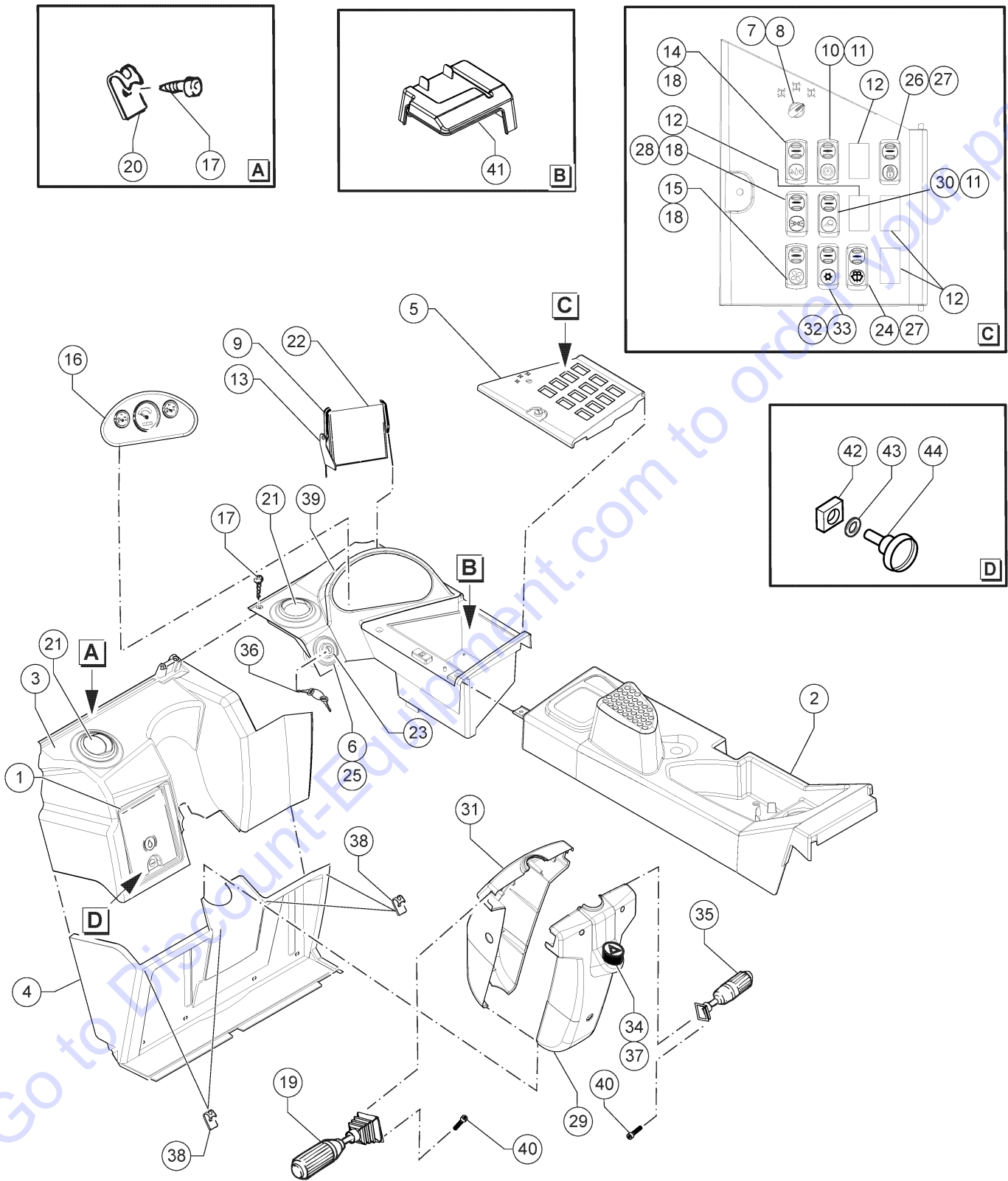
Item	Part No.	Description	Qty.	Item	Part No.	Description	Qty.
1	07.0723.0198	Right Side Grid.....	1	35	09.4610.0043	Safety Belt 3" Kit..... <i>ECN 04610</i>	1
2	07.0723.0039	SCREW,PPH SMS 10X3/4ZAKEG.....	19	36	07.0723.0114	Nylon Washer.....	3
3	07.0723.0074	WASHER.....	19	37	07.0723.0169	Screw TSPEI M8x40.....	2
4	07.0723.0168	Upper Glass.....	1	38	51.0811.4035	Plate for Decals.....	1
5	07.0723.0042	Mirror.....	1	39	01.0001.0154	SCREW,TE,M6X16 UNI 8.8 ZN.....	4
6	07.0723.0024	MIRROR W/BRACKET, SINGLE	1	40	01.0031.0298	FLAT WASHER D6 UNI 6593 ZN	8
7	07.0723.0040	Screw TCB 1BG3223.....	6	41	01.0023.0053	STOP NUT M6 UNI 7473 6S ZN	4
8	07.0723.0111	Washer.....	2	42	01.0031.0059	FLAT WASHER D16 UNI 6592 ZN.....	2
9	07.0723.0173	Washer D6X12MM.....	2	43	07.0723.0055	RUBBER PLUG D.10.....	1
10	07.0723.0457	Cab Structure.....	1	44	07.0723.0054	RUBBER PLUG D25.....	2
11	07.0703.0508	SEAT, CUSHION BACK	1	45	09.4610.0045	Spacer..... <i>ECN 04610</i>	1
12	07.0703.0509	SEAT,BOTTOM CUSHION.....	1	46	09.0803.0568	Cap..... <i>ECN 04610</i>	2
13	09.4610.0042	Seat..... <i>ECN 04610</i>	1	47	09.0803.0571	Shim..... <i>ECN 04610</i>	1
14	07.0723.0465	Lock.....	1	48	01.0002.0000	Screw TE M10X45 x 1,25 UNI 5738 8.8 ZN.....	2
15	07.0723.0076	Plain Washer D6x18	4	49	01.0019.0105	NUT M10 UNI 5588 6S ZN..... <i>ECN 04610</i>	2
16	09.4610.0044	BUSHING D.12,6..... <i>ECN 04610</i>	1	50	01.0031.0056	WASHER,D10 UNI 6592 ZN..... <i>ECN 04610</i>	4
17	07.0723.0451	Cover.....	1	51	07.0723.0632	Lock Bracket	1
18	07.0723.0453	Cover.....	1				
19	07.0723.0454	COATING.....	1				
20	07.0723.0452	Cover.....	1				
21	07.0723.0097	Mat.....	1				
22	07.0723.0456	External Sound Proofing Panel.....	1				
23	07.0723.0142	LEVEL GAUGE.....	1				
24	01.0001.0659	Screw TE M16X100 UNI 5737 8.8 ZN.....	4				
25	54.0100.0002	WASHER D70/16, SP 8.....	2				
26	09.0803.0540	VIBRATION DAMPENING SUPPORT.....	4				
27	54.0100.0017	WASHER, ZN, D70/16, SP 4.....	4				
28	01.4031.0001	WASHER,CHMFRD,D16,UNI 6593,ZN.....	4				
29	01.0023.0058	STOP NUT M16 UNI 7473 6S ZN....	4				
30	07.0723.0467	Seat Support 2264055V.....	1				
31	01.0001.0010	SCREW, M 8X20 UNI 5739 8.8 ZN.....	4				
32	01.0031.0299	FLAT WASHER D8 UNI 6593.....	8				
33	01.0023.0054	NUT,M8 UNI 7473 6S ZN.....	8				
34	01.0003.0944	Screw Tcei M 8X30 UNI 5931 8.8Zn.....	4				

404.1 606635 Dashboard, View 1



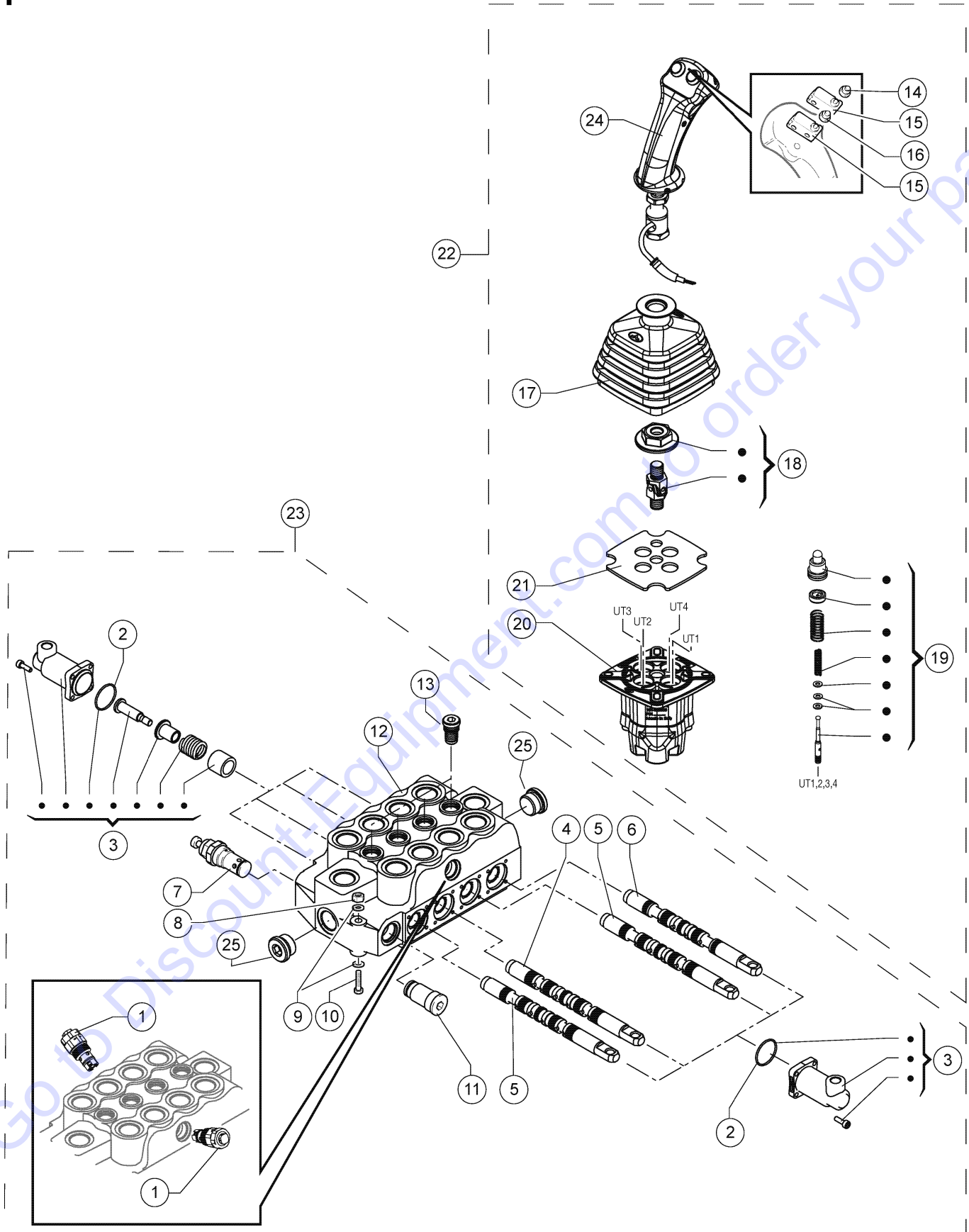
Item	Part No.	Description	Qty.	Item	Part No.	Description	Qty.
1	52.1200.4900	Oil Tank Cover.....	1	31	07.0723.0629	CLIP.....	1
2	52.1200.4600	Rear Side Dashboard.....	1	32	07.0723.0628	Washer.....	1
3	07.0723.0470	UPPER FRONT DASHBOARD.....	1	33	09.0803.0616	Snap Screw.....	1
4	52.1200.4700	Lower Front Dashboard.....	1				
5	52.1200.4400	DASHBOARD BOX.....	1				
6	54.0100.0099	Braking disk.....	1				
7	56.0017.0049	SWITCH,STEERING MODE.....	1				
8	07.0703.0429	KNOB, STEERING MODE SELECTOR.....	1				
		<i>Without Switch Contact</i>					
9	51.0811.4009	External Support.....	1				
10	56.0017.0046	Parking Brake Switch Cover	1				
		<i>Without Switch Contact</i>					
11	56.0017.0044	Switch Contact.....	1				
12	56.0017.0039	CAP.....	10				
13	51.0811.1700	Load Chart Support.....	1				
14	56.0017.0047	Continuous Flow Switch Cover.....	1				
		<i>Without Switch Contact</i>					
15	52.1200.4500	Instruments Panel Cover.....	1				
16	56.0016.0105	Instruments Panel.....	1				
17	07.0723.0039	SCREW,PPH SMS 10X3/4ZAKEG.....	9				
18	56.0017.0037	CONTACT - 8 Pins.....	1				
19	56.0016.0107	FWD/REVERSE SWITCH ASSEMBLY.....	1				
20	07.0723.0104	RETAINER.....	6				
21	07.0723.0480	Air Inlet + Frame.....	2				
		<i>Open Cabin</i>					
21	07.0723.0530	Air Inlet + Frame.....	2				
		<i>Closed Cabin</i>					
22	51.0811.4008	Internal Support.....	1				
23	56.0017.0073	Starting Switch.....	1				
24	56.0021.0107	Fuse and Relay Cover.....	1				
25	09.4618.1347	Decal - Preheating Start Switch.....	1				
26	56.0017.0015	KEY ONLY (1 PAIR).....	2				
27	09.0803.0572	THREADED CLIP M5.....	4				
28	01.4001.0164	Screw TC M4 x 10 8.8 ZN UNI 7687.....	3				
		<i>Screw To lock Item 19 to Steering Column</i>					
29	52.1200.5000	Front Steering Column Cover.....	1				
		<i>grey</i>					
30	52.1200.5200	Rear Steering Column Cover.....	1				
		<i>black</i>					

405.1 606636 Dashboard, View 2



Item	Part No.	Description	Qty.	Item	Part No.	Description	Qty.
1	52.1200.4900	Oil Tank Cover.....	1	30	56.0017.0045	Work Lights Switch Cover <i>Without Switch Contact</i>	1
2	52.1200.4600	Rear Side Dashboard.....	1	31	52.1200.5200	Rear Steering Column Cover..... <i>black</i>	1
3	07.0723.0470	UPPER FRONT DASHBOARD.....	1	32	56.0017.0053	Air Condition Switch Cover..... <i>Without Switch Contact</i>	1
4	52.1200.4700	Lower Front Dashboard.....	1	33	56.0017.0048	SWITCH.....	1
5	52.1200.4400	DASHBOARD BOX.....	1	34	56.0017.0064	CONTACT (SWITCH).....	1
6	54.0100.0099	Braking disk.....	1	35	56.0016.0079	RIGHT, STEERING COLUMN SWITCH.....	1
7	56.0017.0049	SWITCH,STEERING MODE.....	1	36	56.0017.0015	KEY ONLY (1 PAIR).....	2
8	07.0703.0429	KNOB, STEERING MODE SELECTOR..... <i>Without Switch Contact</i>	1	37	56.0017.0070	HAZARD WARNING LIGHTS SWITCH COVER <i>Without Switch Contact</i>	1
9	51.0811.4009	External Support.....	1	38	09.0803.0572	THREADED CLIP M5.....	4
10	56.0017.0046	Parking Brake Switch Cover <i>Without Switch Contact</i>	1	39	52.1200.4500	Instruments Panel Cover.....	1
11	56.0017.0044	Switch Contact.....	2	40	01.4001.0164	Screw TC M4 x 10 8.8 ZN UNI 7687..... <i>Screw To lock Item 19 - 35 to Steering Column</i>	6
12	56.0017.0039	CAP.....	4	41	56.0021.0107	Fuse and Relay Cover.....	1
13	51.0811.1700	Load Chart Support.....	1	42	07.0723.0629	CLIP.....	1
14	56.0017.0047	Continuous Flow Switch Cover..... <i>Without Switch Contact</i>	1	43	07.0723.0628	Washer.....	1
15	56.0017.0054	Cabin Fan Switch Cover <i>Without Switch Contact</i>	1	44	09.0803.0616	Snap Screw.....	1
16	56.0016.0105	Instruments Panel.....	1				
17	07.0723.0039	SCREW,PPH SMS 10X3/4ZAKEG.....	9				
18	56.0017.0037	CONTACT - 8 Pins.....	3				
19	56.0016.0107	FWD/REVERSE SWITCH ASSEMBLY.....	1				
20	07.0723.0104	RETAINER.....	6				
21	07.0723.0480	Air Inlet + Frame..... <i>Open Cabin</i>	2				
21	07.0723.0530	Air Inlet + Frame..... <i>Closed Cabin</i>	2				
22	51.0811.4008	Internal Support.....	1				
23	56.0017.0073	Starting Switch.....	1				
24	56.0017.0038	WIPER SWITCH COVER..... <i>Without Switch Contact</i>	1				
25	09.4618.1347	Decal - Preheating Start Switch.....	1				
26	56.0017.0063	SWITCH COVER..... <i>Without Switch Contact</i>	1				
27	56.0017.0035	SWITCH	2				
28	56.0017.0055	Road Lights Push Button Cover..... <i>Without Switch Contact</i>	1				
29	52.1200.5000	Front Steering Column Cover..... <i>grey</i>	1				

406.1 606637 Components - Main Valve And Joystick

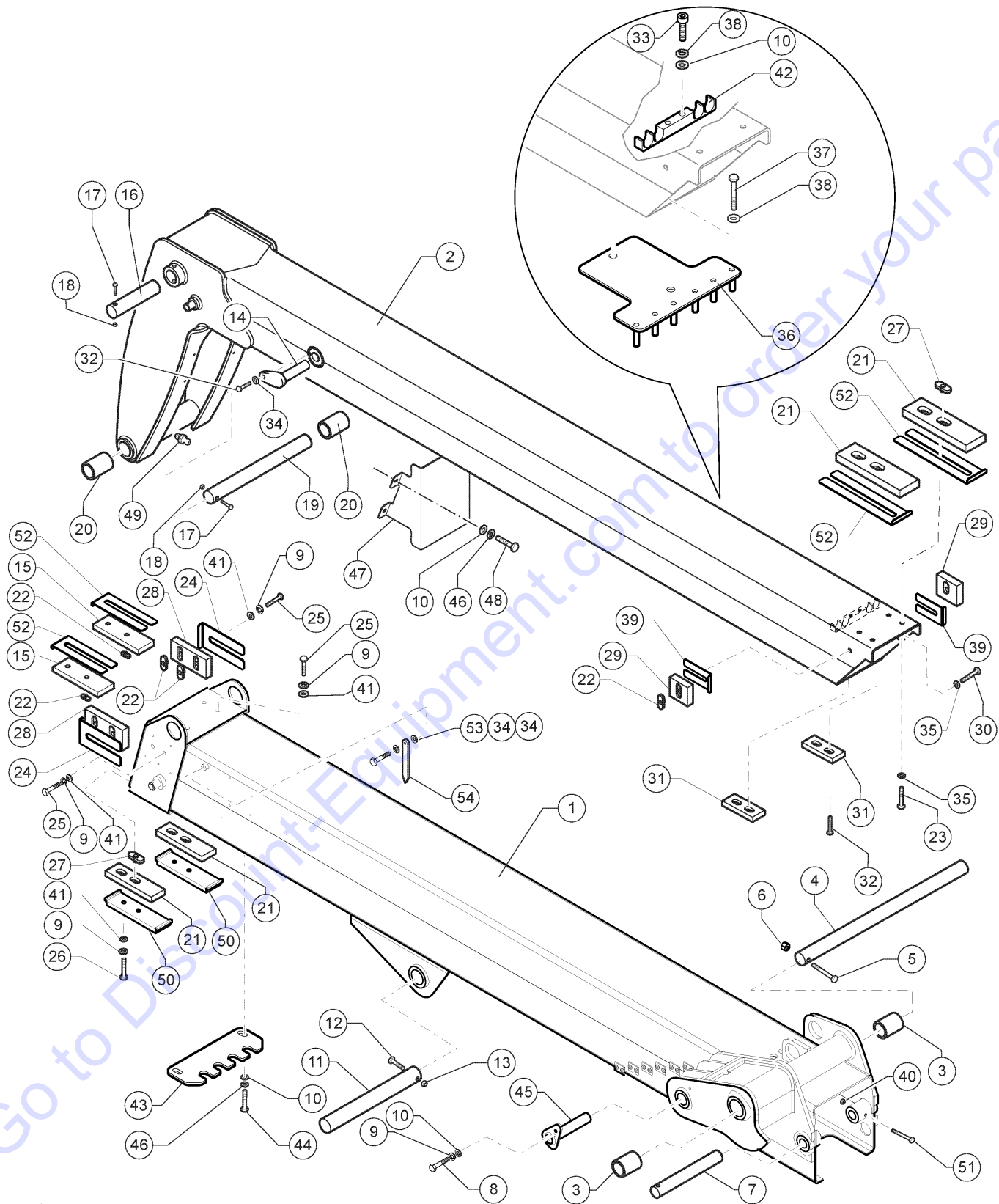


406.1 606637 Components - Main Valve And Joystick

Item	Part No.	Description	Qty.
1	07.0704.0038	VALVE, CARTRIDGE.....	2
2	07.0704.0078	O-RING.....	8
3	07.0704.0023	Cap Kit.....	8
4	07.0704.0033	Cursor.....	1
5	07.0704.0034	Cursor.....	2
6	07.0704.0035	VALVE CURSOR.....	1
7	07.0704.0042	VALVE.....	1
8	01.0023.0054	NUT,M8 UNI 7473 6S ZN.....	3
9	01.0031.0055	FLAT WASHER D8 UNI 6592 ZN	6
10	01.0001.0209	SCREW M8X70 UNI 5737 8.8 ZN...3	3
11	07.0704.0045	Plug TCEI BSP 3/4.....	1
12	07.0704.0032	Main Valve Body.....	1
13	07.0704.0144	VALVE.....	4
14	07.0704.0118	RED PUSH BUTTON CAP.....	1
15	07.0704.0117	PUSH BUTTON.....	2
16	07.0704.0119	YELLOW PUSH BUTTON CAP.....	1
17	07.0704.0134	Rubber Protection.....	1
18	07.0704.0136	ARTICULATION.....	1
19	07.0704.0138	Complete Selector.....	4
20	07.0704.0137	BODY.....	1
21	07.0704.0169	Flange.....	1
22	04.4237.0010	Joystick.....	1
23	04.4236.0029	Control Valve.....	1
24	07.0704.0133	CONTROL LEVER.....	1
24	07.0704.0173	Joystick Handle.....	1
25	07.0704.0145	Plug.....	2

Go to DiscountEquipment.com to order your parts

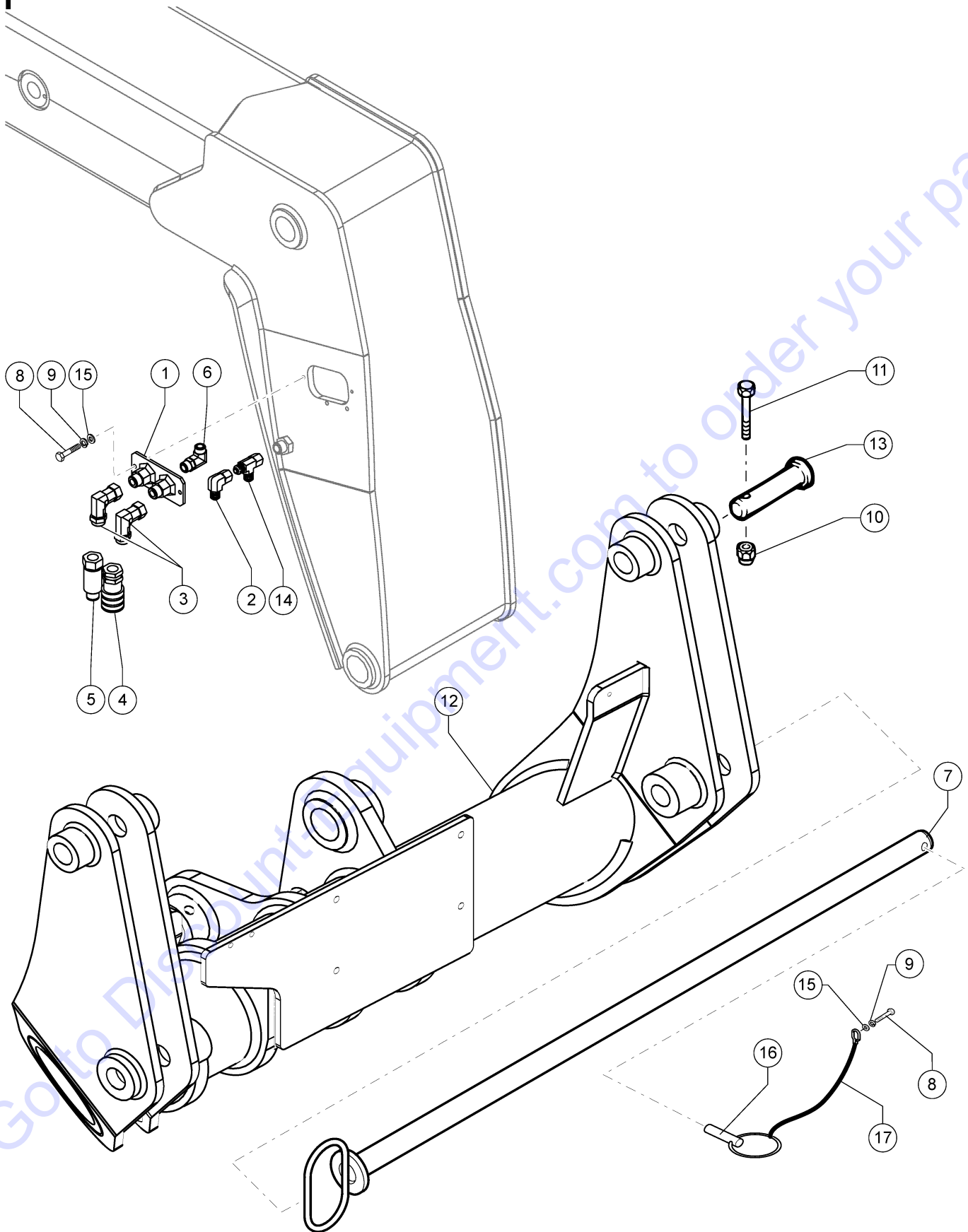
501.1 606638 Boom (1st - 2nd Telescopic Element)



501.1 606638 Boom (1st - 2nd Telescopic Element)

Item	Part No.	Description	Qty.	Item	Part No.	Description	Qty.
1	51.0201.3912	1st Telescopic Element.....	1	37	01.0001.0254	SCREW M8X20 UNI 5739 8.8 ZN....	2
2	51.0201.3920	2nd Telescopic Element.....	1	38	01.4032.0003	SPRING WASHER D 8 ZN	4
3	54.0202.0006	Bushing DB 50/58 LG.55.....	2	39	51.0811.4241	SHIM,WEAR PAD,60X60X1.....	2
4	54.0000.0199	Chassis-Boom Joint Pin.....	1	40	01.0023.0054	NUT,M8 UNI 7473 6S ZN.....	1
5	01.4001.0012	SCREW M14X100UNI 5737 8.8 ZN.....	1	41	01.0031.0301	FLAT WASHER D10 UNI 6593 ZN	12
6	01.0023.0057	STOP NUT M14 UNI 7473 6S ZN....	1	42	51.0810.2700	HOSE GUIDE.....	1
7	54.0000.0017	PIN.....	1	43	51.0811.2700	HOSE GUIDE.....	1
8	01.0001.0357	SCREW,TE,M10X35 UNI 8.8 ZN....	1	44	01.0001.0252	SCREW M8X16 UNI 5739 8.8 ZN....	6
9	01.4032.0004	SPRING WASHER D10 ZN.....	18	45	54.0000.0211	Levelling Cylinder Head Pin.....	1
10	01.0031.0055	FLAT WASHER D8 UNI 6592 ZN	9	46	01.4032.0003	SPRING WASHER D 8 ZN	2
11	54.0000.0025	PIN.....	1	47	51.0903.1300	PROTECTIVE BRACKET.....	1
12	01.4001.0003	SCREW M12X100 UNI 5737 8.8 ZN.....	1	48	01.0001.0252	SCREW M8X16 UNI 5739 8.8 ZN....	4
13	01.0023.0056	STOP NUT M12 UNI 7473 6S ZN....	1	49	02.0117.0119	GREASE NIPPLE G 1/8.....	1
14	54.0003.0016	PIN.....	1	50	07.0726.0043	SLIDING BLOCK HOLDER.....	2
15	54.0702.0013	WEAR PAD,200X60X15.....	2	51	01.0001.0209	SCREW M8X70 UNI 5737 8.8 ZN....	1
16	54.0000.0192	PIN.....	1	52	51.0811.4240	SHIM,WEAR PAD,60X200X1.....	4
17	01.4001.0008	SCREW M10X90 UNI 5737 8.8 ZN.....	2	53	01.0001.0256	SCREW M8X25 UNI 5739 8.8 ZN....	1
18	01.0023.0055	NUT,STOP,M10 UNI 7473 6S ZN....	2	54	51.0804.8400	NEEDLE FOR INCLINEOMETER....	1
19	54.0000.0194	PIN.....	1				
20	54.0201.0073	BUSHING 45/52X50.....	2				
21	54.0702.0000	WEAR PAD,200X60X20.....	4				
22	54.0200.0000	BUSHING M10X8.5	14				
23	01.0006.0049	SCREW M10X30 UNI 5933 10.9 ZN.....	4				
24	51.0811.4131	SHIM, WEAR PAD,100X60X1.....	4				
25	01.0001.0356	SCREW,TE,M10X30 UNI 8.8 ZN...12					
26	01.0001.0355	SCREW,TE,M10X25 UNI 8.8 ZN....	4				
27	54.0200.0001	BUSHING M10X13.5.....	8				
28	54.0702.0001	WEAR PAD,100X60X12.....	4				
29	54.0702.0002	WEAR PAD,60X60X12.....	2				
30	01.4006.0013	SCREW M10X25 UNI 5933 10.9 ZN.....	2				
31	54.0702.0005	WEAR PAD,100X25X15.....	2				
32	01.4003.0041	SCREW M8X16 DIN 7984 8.8 ZN....	3				
33	01.0003.0205	SCREW M8X25 UNI 5931 8.8 ZN....	2				
34	01.0031.0299	FLAT WASHER D8 UNI 6593.....	3				
35	09.0803.0062	WASHER D10.....	6				
36	51.0811.2600	HOSE GUIDE.....	1				

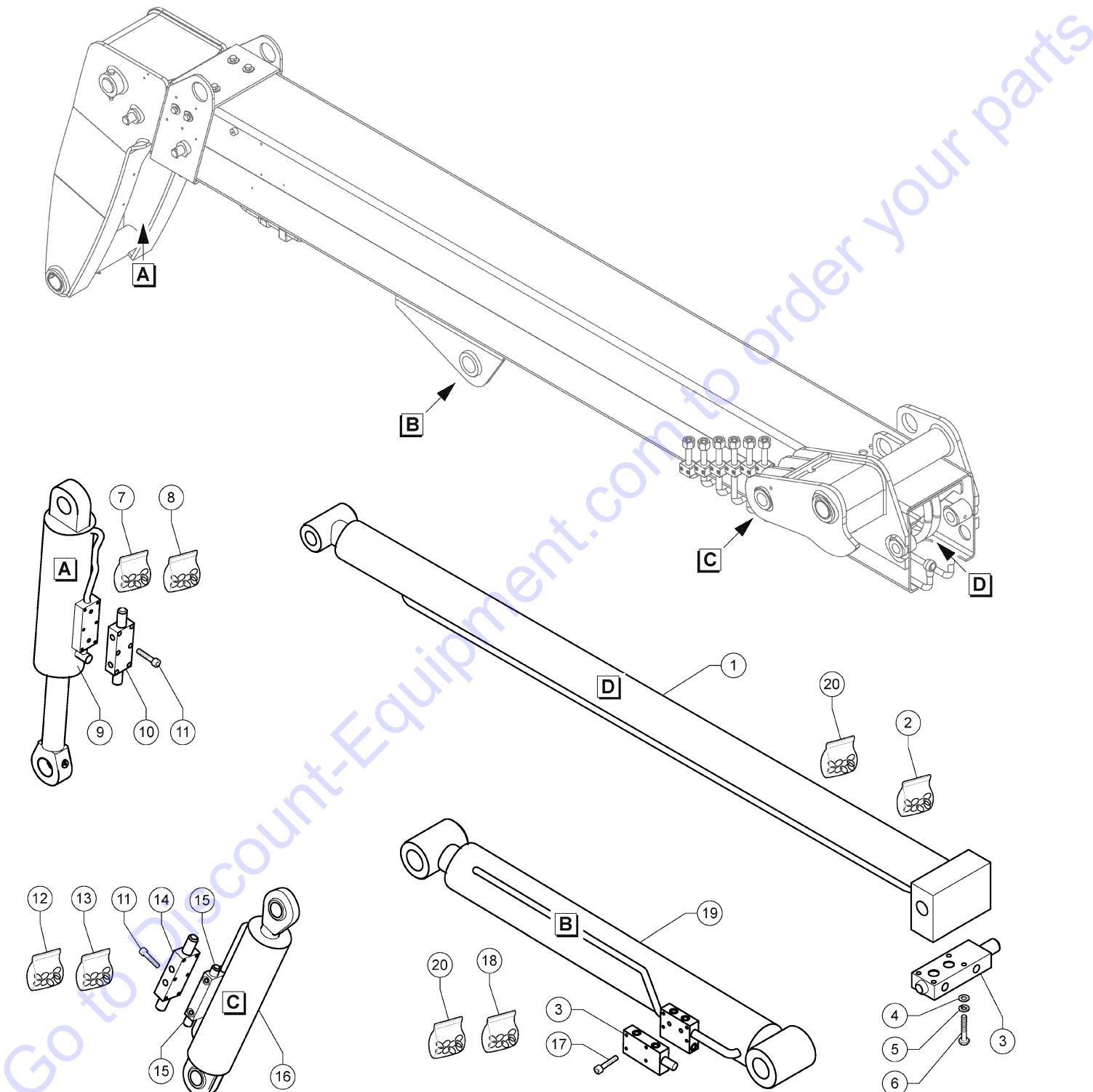
502.1 606639 Manual Fork Attachments



Item	Part No.	Description	Qty.
1	53.3001.0500	MANIFOLD, BOOM HOSES.....	1
2	04.0600.0019	Pipe Fitting MFK 90 1/2 BSP.....	1
3	04.0600.0087	PIPE FITTING 90.....	2
4	04.4210.0019	QUICK COUPLING, FEMALE 1/2....	1
5	04.4210.0018	QUICK COUPLING, MALE 1/2.....	1
6	04.0607.0141	PIPE FITTING 90 1/2GASXM 13/16-16 ORFS.....	2
7	54.0000.0200	PIN.....	1
8	01.0001.0156	SCREW M6X20 UNI 5739 8.8 ZN ...	3
9	01.4032.0002	SPRING WASHER D6 ZN.....	3
10	01.0023.0053	STOP NUT M6 UNI 7473 6S ZN	2
11	01.0001.0104	SCREW M6X40 UNI 5739 8.8 ZN ...	2
12	51.0400.4300	FORK COUPLING 5519.....	1
13	54.0001.0022	PIN.....	2
14	04.0600.0081	PIPE FITTING TMF+L 1/2 BSP.....	1
15	01.0031.0054	FLAT WASHER D6 UNI 6592 ZN ...	3
16	02.4102.0012	RING PIN.....	1
17	09.0803.0406	LANYARD,PIN.....	1

Go to Discount-Equipment.com to order your parts

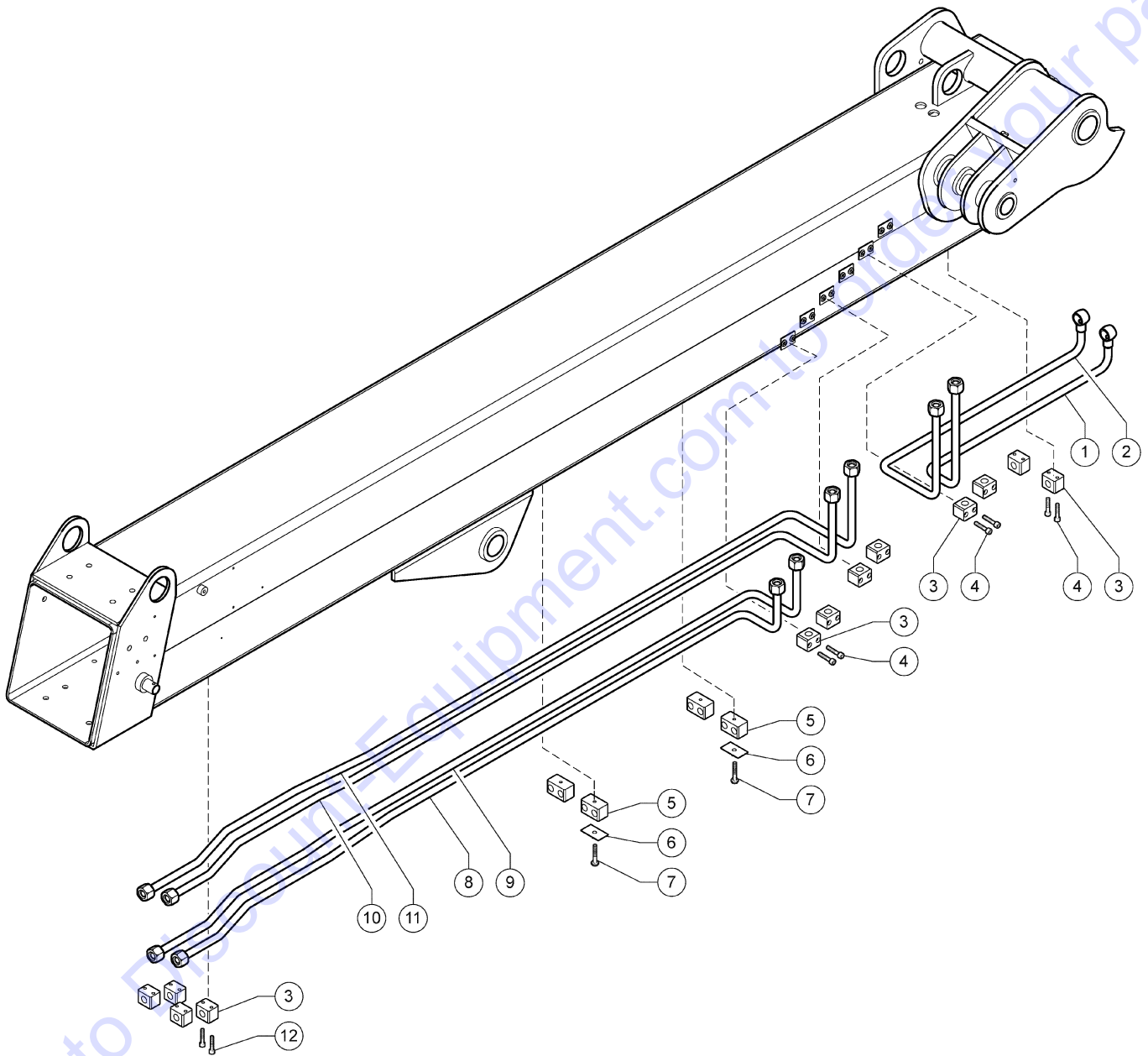
503.1 606641 Cylinders



Item	Part No.	Description	Qty.
1	53.0100.2800	CYLINDER,EXTENSION.....	1
2	639993	CYLINDER GASKET KIT.....	1
3	04.4239.0005	SAFETY VALVE.....	2
4	01.0031.0055	FLAT WASHER D8 UNI 6592 ZN	4
5	01.4032.0003	SPRING WASHER D 8 ZN	4
6	01.0001.0206	SCREW M8X55 UNI 5737 8.8 ZN....	4
7	635965	SEAL KIT,CYLINDER.....	1
8		Lock Valve Gasket Kit.....	1
9	53.0400.1803	Fork Movements Cylinder.....	1
10	04.4239.0052	Safety Valve	1
11	01.0003.0208	SCREW TCEI M8X40 UNI 5931 8.8 ZN.....	12
12	07.4529.0100	Cylinder Gasket Kit.....	1
13	07.0705.0082	SEAL KIT.....	1
14	04.4239.0051	SAFETY VALVE.....	1
15	04.4239.0004	SAFETY VALVE.....	2
16	53.0300.2201	Levelling Cylinder.....	1
17	01.0003.0210	SCREW M8X50 UNI 5931 8.8 ZN....	4
18	07.4529.0190	Cylinder Seals Kit (FromSN23546-ToSN23554 And FromSN24047-ToSN24117).....	1
18	640096	SEAL KIT, LIFT CYLINDER.....	1
19	53.0000.3801	Boom Lifting Cylinder.....	1
20	01.0001.0252	SCREW M8X16 UNI 5739 8.8 ZN....	2

Go to Discount-Equipment.com to order your parts

504.1 606642 First Section Pipes And Clamps

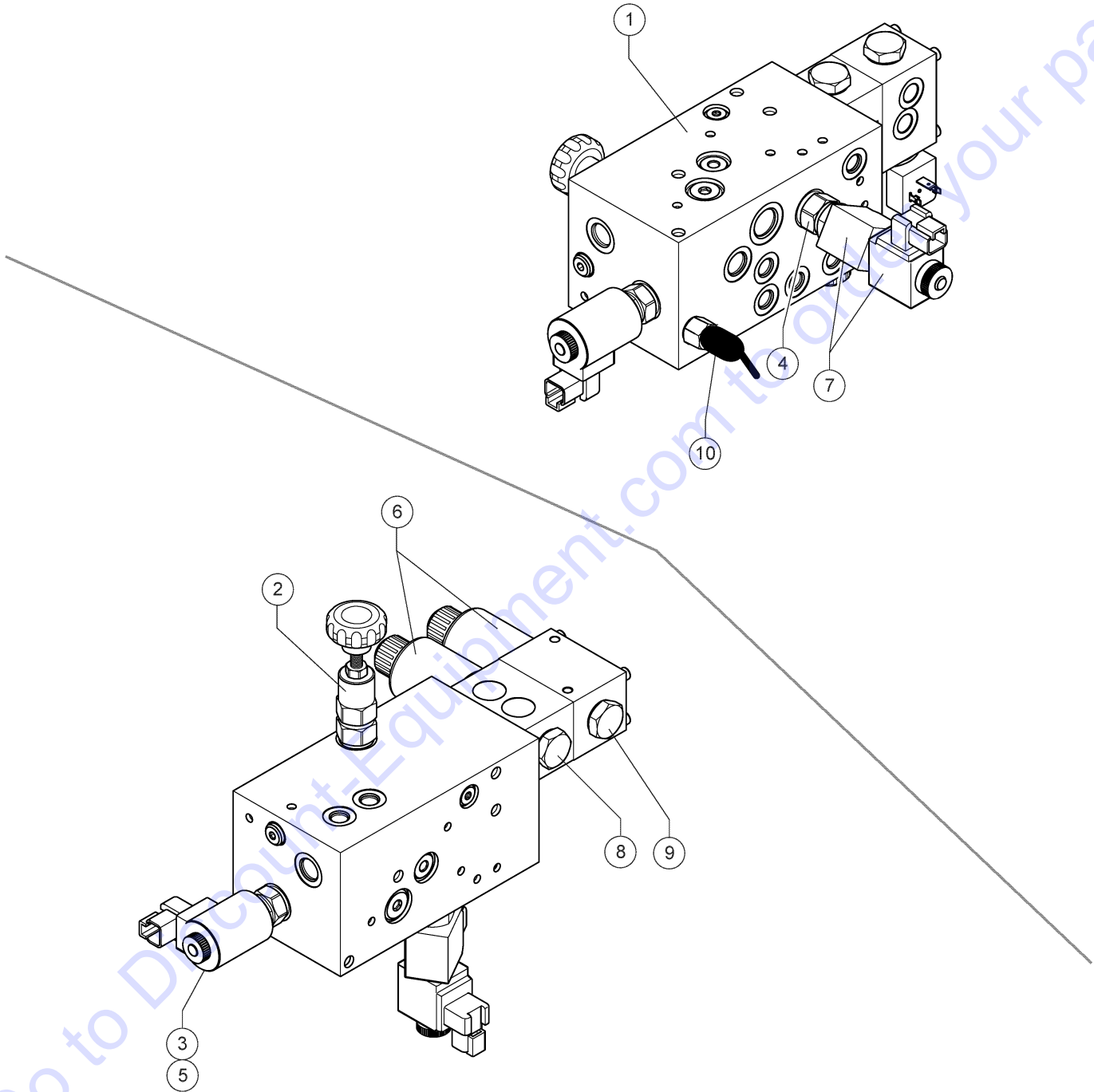


504.1 606642 First Section Pipes And Clamps

Item	Part No.	Description	Qty.
1	53.3402.1800	Pipe.....1 07.4529.0082 Seal Ring	1
2	53.3402.1900	PIPE, 5519.....1	1
3	09.0803.0043	SINGLE HOSE BRACKET D16.....12	12
4	01.0003.0157	SCREW M6X25 UNI 5931 8.8 ZN.....16	16
5	09.0803.0060	CLAMP,DOUBLE,D16.....4	4
6	09.0803.0523	DOUBLE HOSE LOCKING PLATE D18.....4	4
7	01.0001.0258	SCREW M8X35 UNI 5739 8.8 ZN ...4	4
8	53.3402.2000	PIPE, 5519.....1	1
9	53.3402.2100	PIPE, 5519.....1	1
10	53.3402.2200	PIPE, 5519.....1	1
11	53.3402.2300	PIPE, 5519.....1	1
12	01.0003.0158	SCREW,TCEI,M6X30 UNI 8.8 ZN ...8	8

Go to Discount-Equipment.com to order your parts

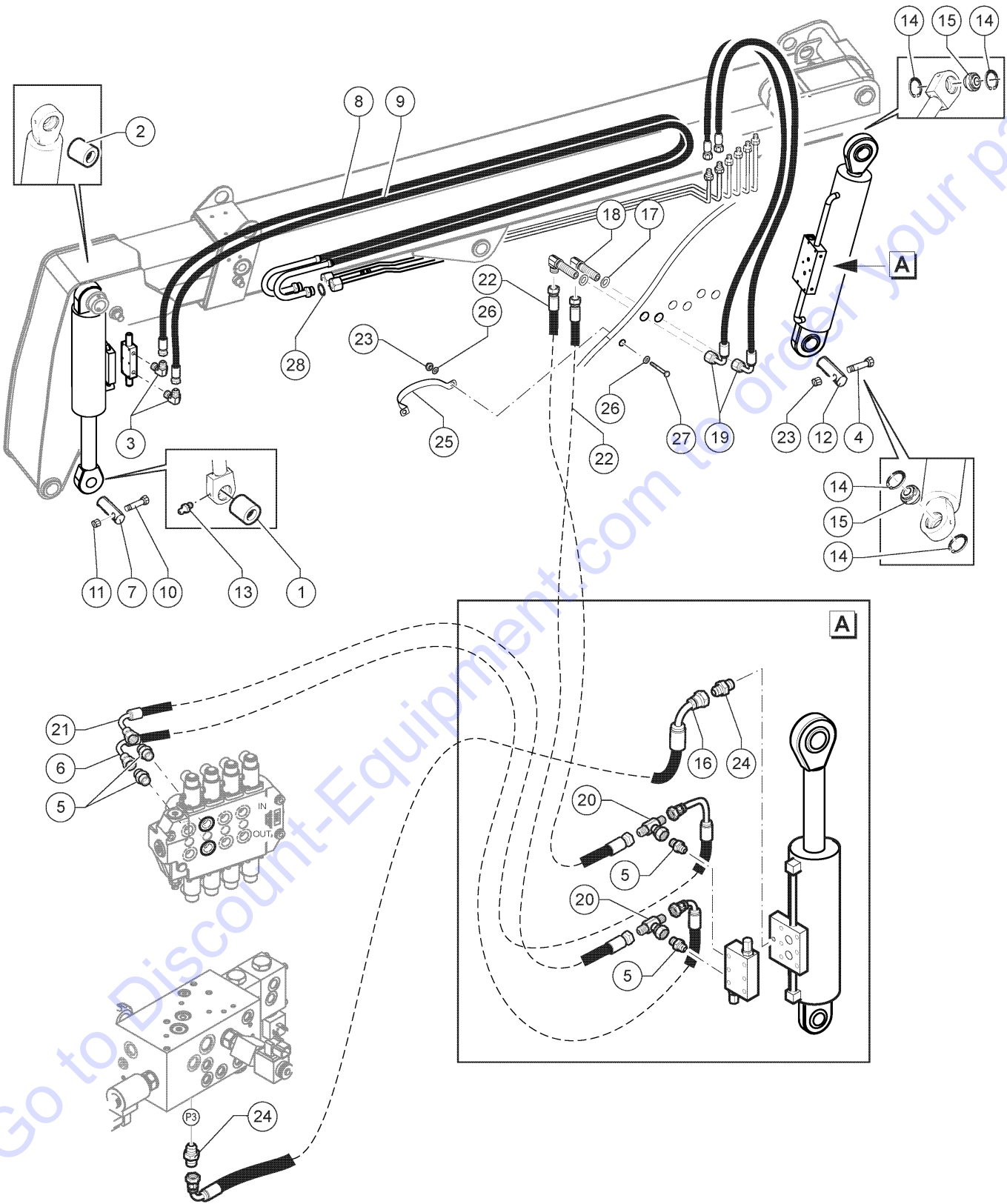
601.1 606643 Valve Block



Item	Part No.	Description	Qty.
1	04.4236.0083	Piloting Hydraulic Block.....	1
2	07.0705.0095	Flow Reduction Valve.....	1
--	07.0704.0407	KNOB for 07.0705.0095	
3	07.0704.0184	Solenoid.....	1
4	07.0705.0100	Continuous Oil Electrovalve.....	1
5	07.0705.0094	VALVE,SOLND,BRK,DEUTZ TCD4.1.....	1
6	07.0704.0143	SOLENOID****.....	2
7	07.0705.0099	Solenoid.....	2
8	07.0705.0098	Lock/Release Electrovalve.....	1
9	07.0705.0097	Fork Overturning Electrovalve.....	1
10	56.0012.0027	SWITCH, NEGATIVE BRAKE.....	1

Go to Discount-Equipment.com to order your parts

602.1 606644 Hydraulic System - Fork Balancing

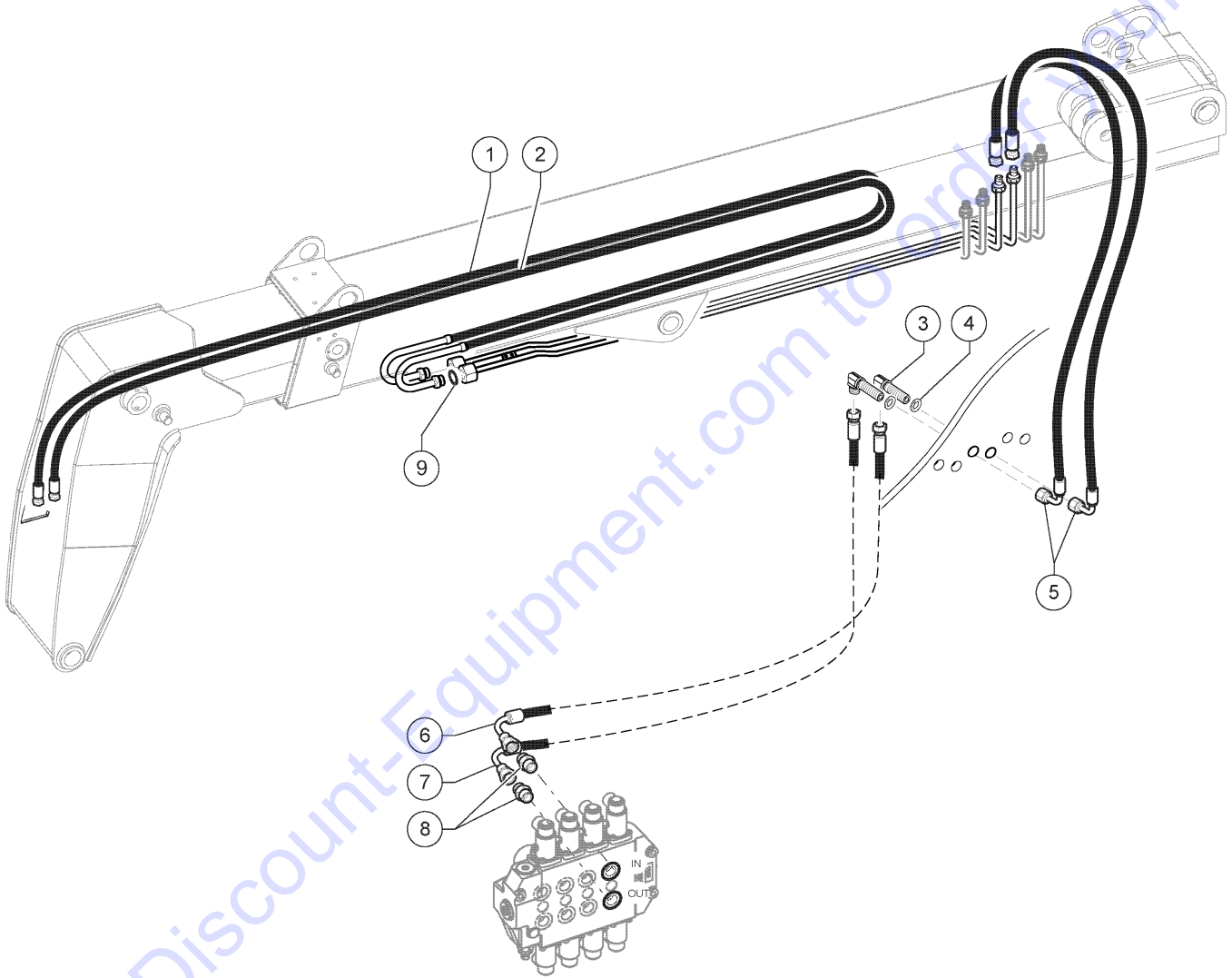


602.1 606644 Hydraulic System - Fork Balancing

Item	Part No.	Description	Qty.
1	09.0800.0025	Bushing 45-55 LG.50 ART GF-B.....1	
2	54.0202.0004	BUSHING1	
3	04.0607.0141	PIPE FITTING 90 1/2GASXM 13/16-16 ORFS.....2	
4	01.0001.0211	SCREW M8X80 UNI 5737 8.8 ZN....1	
5	04.0607.0111	PIPE FITTING 1/2 BSPX13/16-16 ORFS4	
6	04.0605.0942	Hose R2 X 1/2 1600 F90 F90 Hight 13/16"-16 90°.....1	
7	54.0000.0193	Pin.....1	
8	04.0605.1040	Fork Movement Cylinder Pipe R2 X 1/2 6110 FD 13/16"-16 180° M.24X1,5.....1	
9	04.0605.1039	Fork Movement Cylinder Pipe R2 X 1/2 6160 FD 13/16"-16 180° M.24X1,5.....1	
10	01.0001.0308	SCREW,TE,M10X70 UNI 8.8 ZN.....1	
11	01.0023.0055	NUT,STOP,M10 UNI 7473 6S ZN....1	
12	54.0000.0210	Pin Lg.142.....1	
13	02.0117.0101	GREASE NIPPLE G 1/8.....1	
14	07.0721.0117	SNAP RING.....4	
15	07.0721.0019	BALL JOINT2	
16	04.0605.0950	Hose R1 X 1/4 LG. 1100 F90-F90 9/16-18 ORFS A 270°1	
17	01.0031.0061	FLAT WASHER D20 UNI 6592 ZN.....2	
18	04.0607.0124	PIPE FITTING 90 M-M 13/16-16 ORFS.....2	
19	04.0605.0626	Flexible Hose R2 X 1/2 LG. 1100 F90 13/16 MD 16 S DIN 24°2	
20	04.0607.0126	PIPE FITTING TMF+C 13/16-16 ORFS.....2	
21	04.0605.0944	Flexible Hose R2 X 1/2 1500 F90 F90 13/16"-16 90°.....1	
22	04.0605.0941	FLEXIBLE HOSE 750MM.....2	
23	01.0023.0054	NUT,M8 UNI 7473 6S ZN.....3	
24	04.0607.0113	PIPE FITTING 1/4 BSPX9/16-18 ORFS.....2	
25	04.4227.0016	CLAMP D60 HOLE 10.5.....1	
26	01.0031.0299	FLAT WASHER D8 UNI 6593.....4	
27	01.0001.1465	SCREW M8X40 UNI 5739 8.8 ZN....2	
28	07.4529.0082	O-Ring.....2	

Go to www.genie-equipment.com to order your parts

603.1 606645 Hydraulic System - Auxiliary Circuits



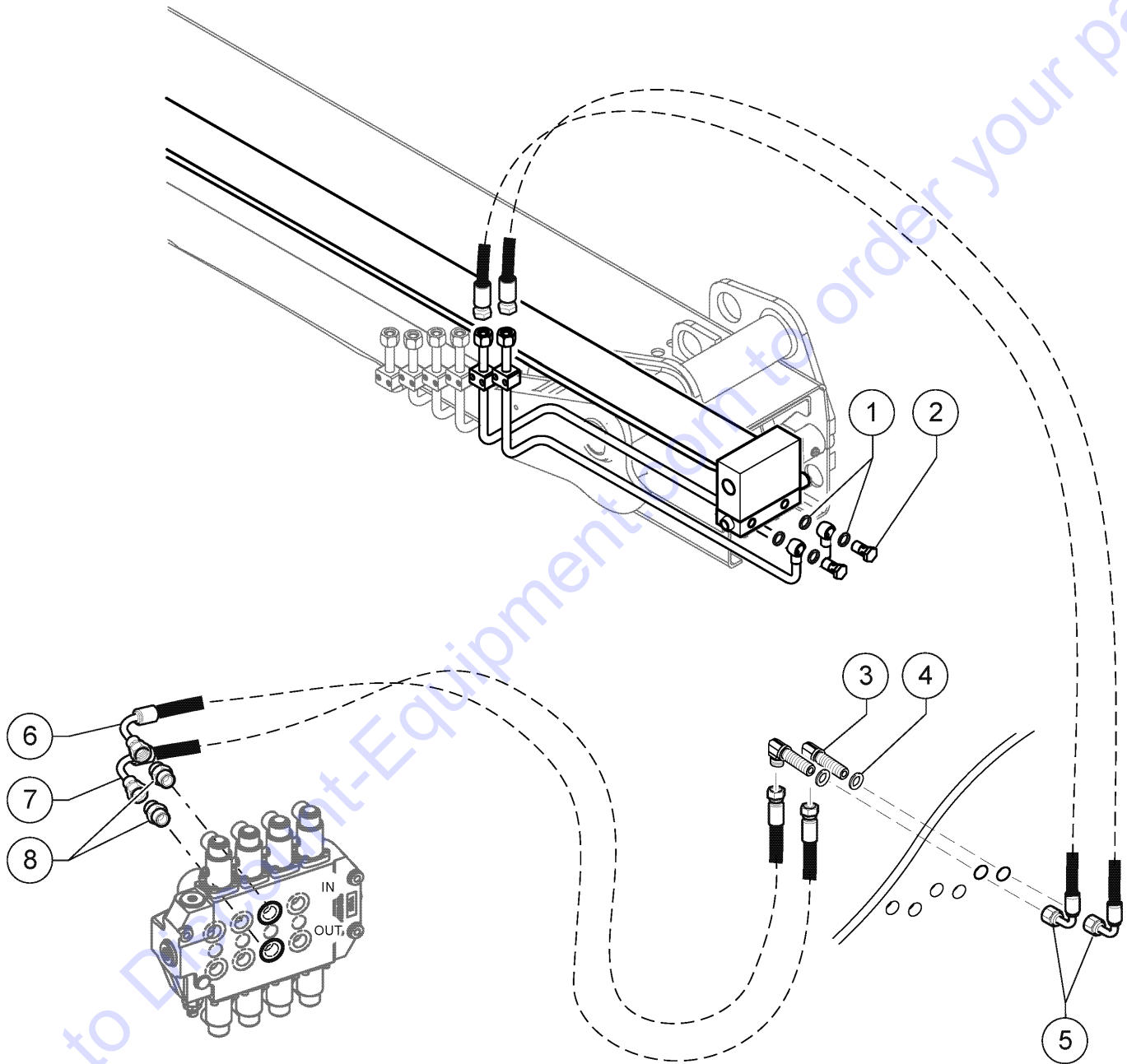
603.1 606645 Hydraulic System - Auxiliary Circuits

Item	Part No.	Description	Qty.
1	04.0605.1042	Flexible Hose R2 X 1/2 6010 FD 13/16"-16 - 180° M.24X1,5.....	1
2	04.0605.1041	Flexible Hose R2 X 1/2 6000 FD 13/16"-16 - 180° M.24X1,5.....	1
3	04.0607.0124	PIPE FITTING 90 M-M 13/16-16 ORFS.....	2
4	01.0031.0061	FLAT WASHER D20 UNI 6592 ZN.....	2
5	04.0605.0626	Flexible Hose R2 X 1/2 LG. 1100 F90 13/16 MD 16 S DIN 24°	2
6	04.0605.0188	Flexible Hose R2 X 1/2" 280 Bar Lg. 1700 FD - F90 13/16"-16 ORFS.....	1
7	04.0605.0803	Flexible Hose R2 X 1/2 LG. 1650 F90 FD 13/16-16 ORFS.....	1
8	04.0607.0111	PIPE FITTING 1/2 BSPX13/16-16 ORFS	2
9	07.4529.0082	O-Ring.....	2

Go to Discount-Equipment.com to order your parts



604.1 606646 Hydraulic System - Boom Extension



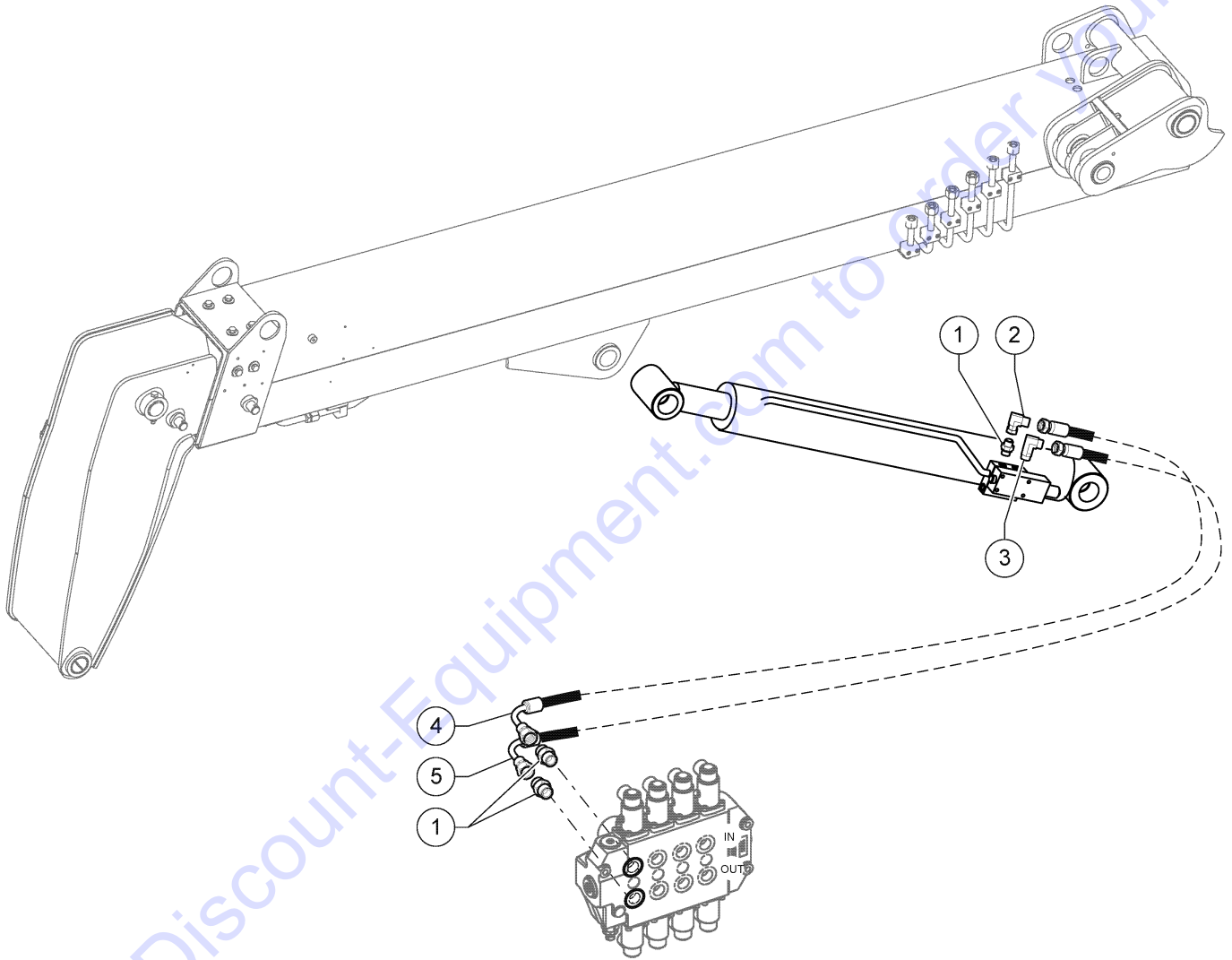
604.1 606646 Hydraulic System - Boom Extension

Item	Part No.	Description	Qty.
1	06.0442.0103	COPPER WASHER.....	4
2	04.0214.0035	DRILLED SCREW 1/2 BSP.....	2
3	04.0607.0124	PIPE FITTING 90 M-M 13/16-16 ORFS.....	2
4	01.0031.0061	FLAT WASHER D20 UNI 6592 ZN.....	2
5	04.0605.0626	Flexible Hose R2 X 1/2 LG. 1100 F90 13/16 MD 16 S DIN 24°	2
6	04.0605.0837	Flexible Hose R2 X 1/2 LG. 1800 FD-F90° 13/16-16 ORFS.....	1
7	04.0605.0943	Flexible Hose R2 X 1/2 1750 FD F90 13/16"-16.....	1
8	04.0607.0111	PIPE FITTING 1/2 BSPX13/16-16 ORFS	2

Go to Discount-Equipment.com to order your parts



605.1 606647 Hydraulic System - Boom Lifting



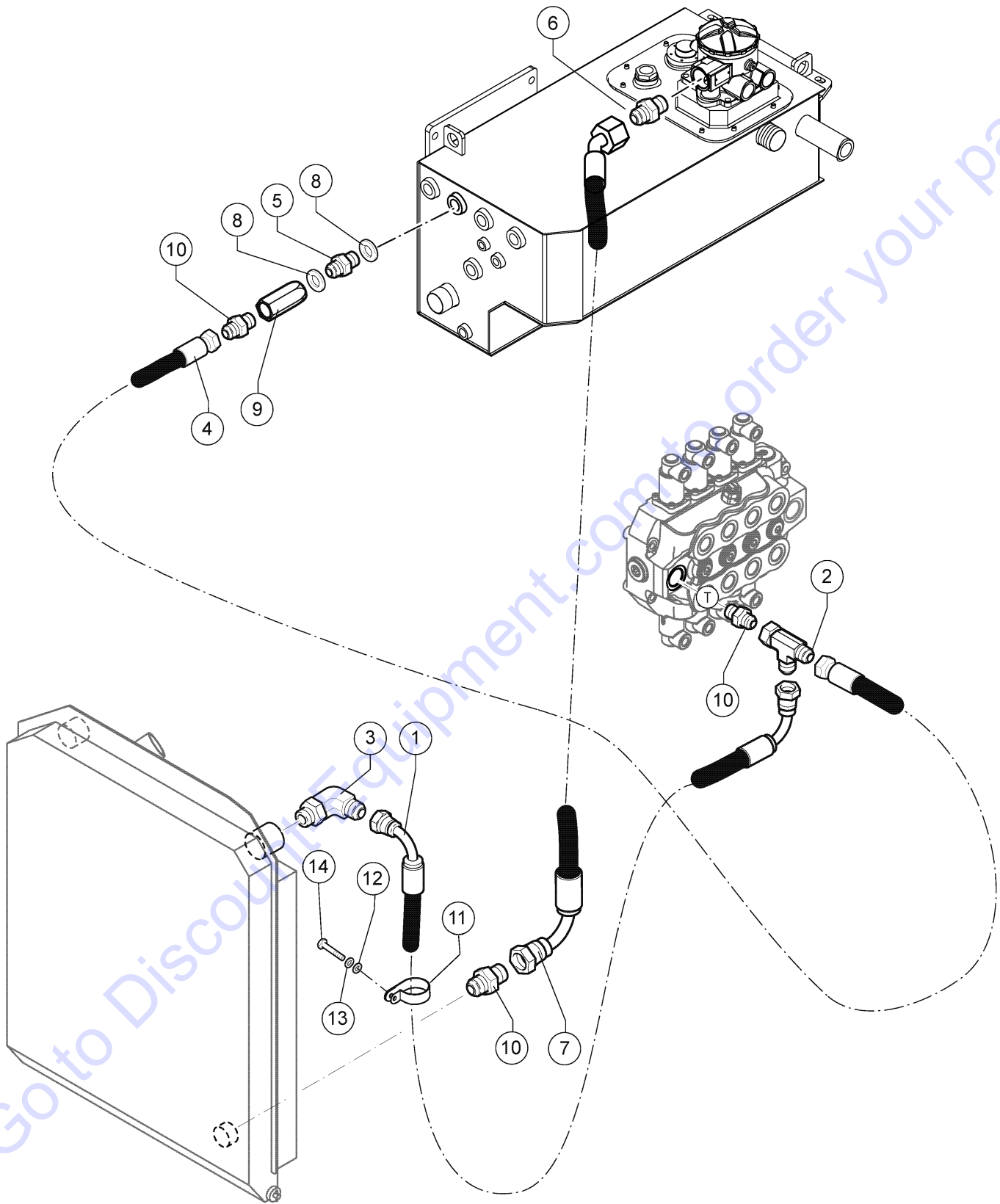
605.1 606647 Hydraulic System - Boom Lifting

Item	Part No.	Description	Qty.
1	04.0607.0111	PIPE FITTING 1/2 BSPX13/16-16 ORFS	3
2	04.0607.0109	PIPE FITTING,90 M-F 13/16-16	1
3	04.0607.0141	PIPE FITTING 90 1/2GASXM 13/16-16 ORFS.....	1
4	04.0605.0189	Flexible Hose R2 X 1/2 LG.2050 FD F90 13/16-16 ORFS.....	1
5	04.0605.0186	Flexible Hose R2 X 1/2 LG.1950 FD F90 13/16-16 ORFS.....	1

Go to Discount-Equipment.com to order your parts



606.1 606648 Hydraulic System - Radiator (Deutz Engine)

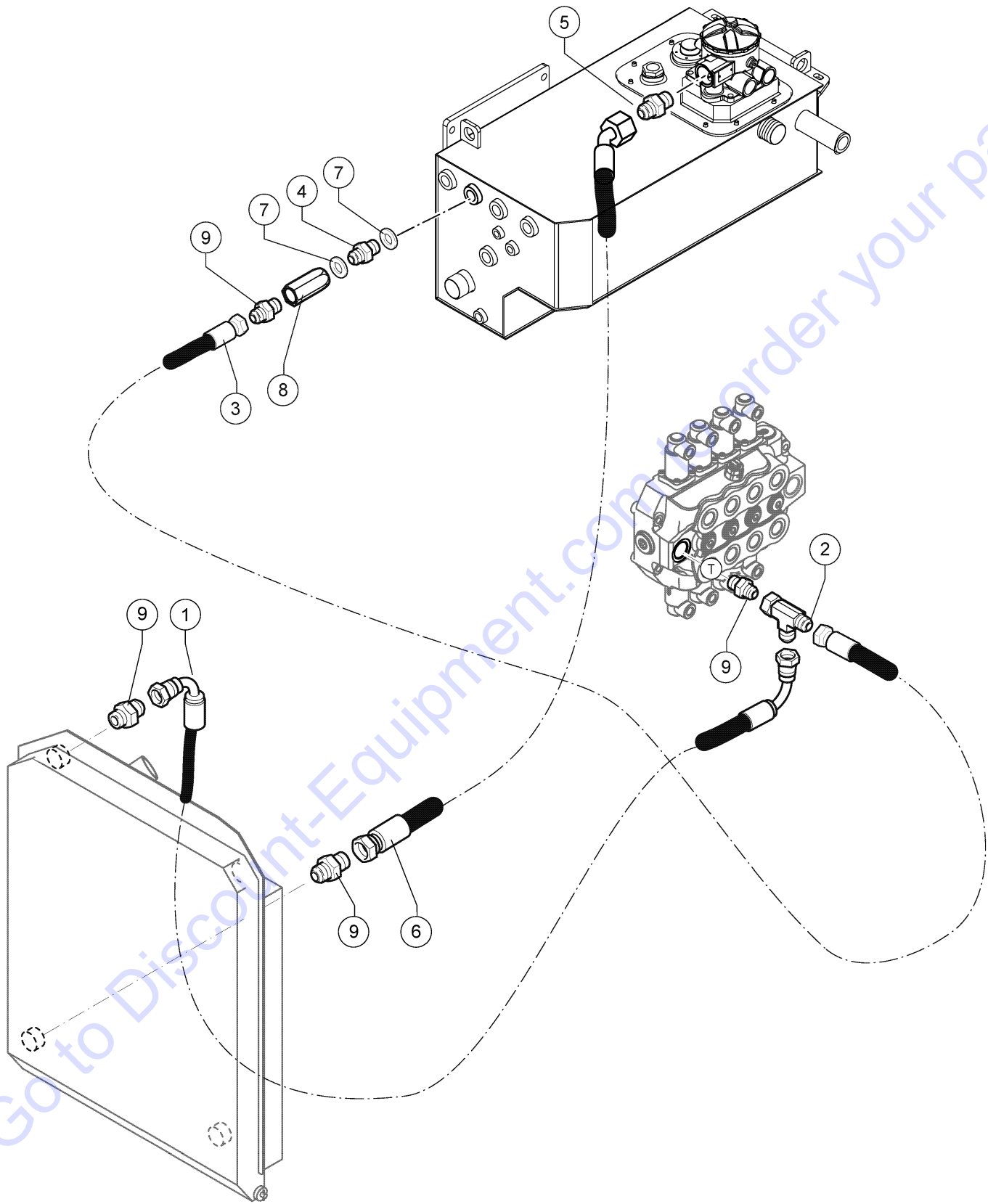


606.1 606648 Hydraulic System - Radiator (Deutz Engine)

Item	Part No.	Description	Qty.
1	04.0605.0937	Hose R1 X 3/4 1500 F90 F90 1 3/16"-12 90°.....	1
2	04.0607.0120	Pipe Fitting TMF+L 1" 3/16-12 ORFS.....	1
3	04.0607.0119	PIPE FITTING	1
4	04.0605.0647	HOSE R1 X 3/4 LG. 400 5519.....	1
5	04.0600.0046	PIPE FITTING 3/4X 3/4 BSP.....	2
6	04.0607.0194	Pipe Fitting 1"1/4BSP-1"3/16-12 ORFS.....	1
7	04.0605.0682	HOSE, R1 X 3/4LG 1850.....	1
8	06.0442.0124	Bonded Ring 3/4".....	2
9	04.4239.0083	Valve Vuc 3/4 8 Bar.....	1
10	04.0607.0107	PIPE FITTING 3/4"BSP X1"3/16-12 ORFS.....	2
11	04.4227.0007	CLAMP S16 D32 HOLE 8.4.....	1
12	01.0031.0055	FLAT WASHER D8 UNI 6592 ZN	1
13	01.4032.0003	SPRING WASHER D 8 ZN	1
14	01.0001.0254	SCREW M8X20 UNI 5739 8.8 ZN....	1

Go to Discount-Equipment.com to order your parts

607.1 606649 Hydraulic System - Radiator (Perkins Engine)



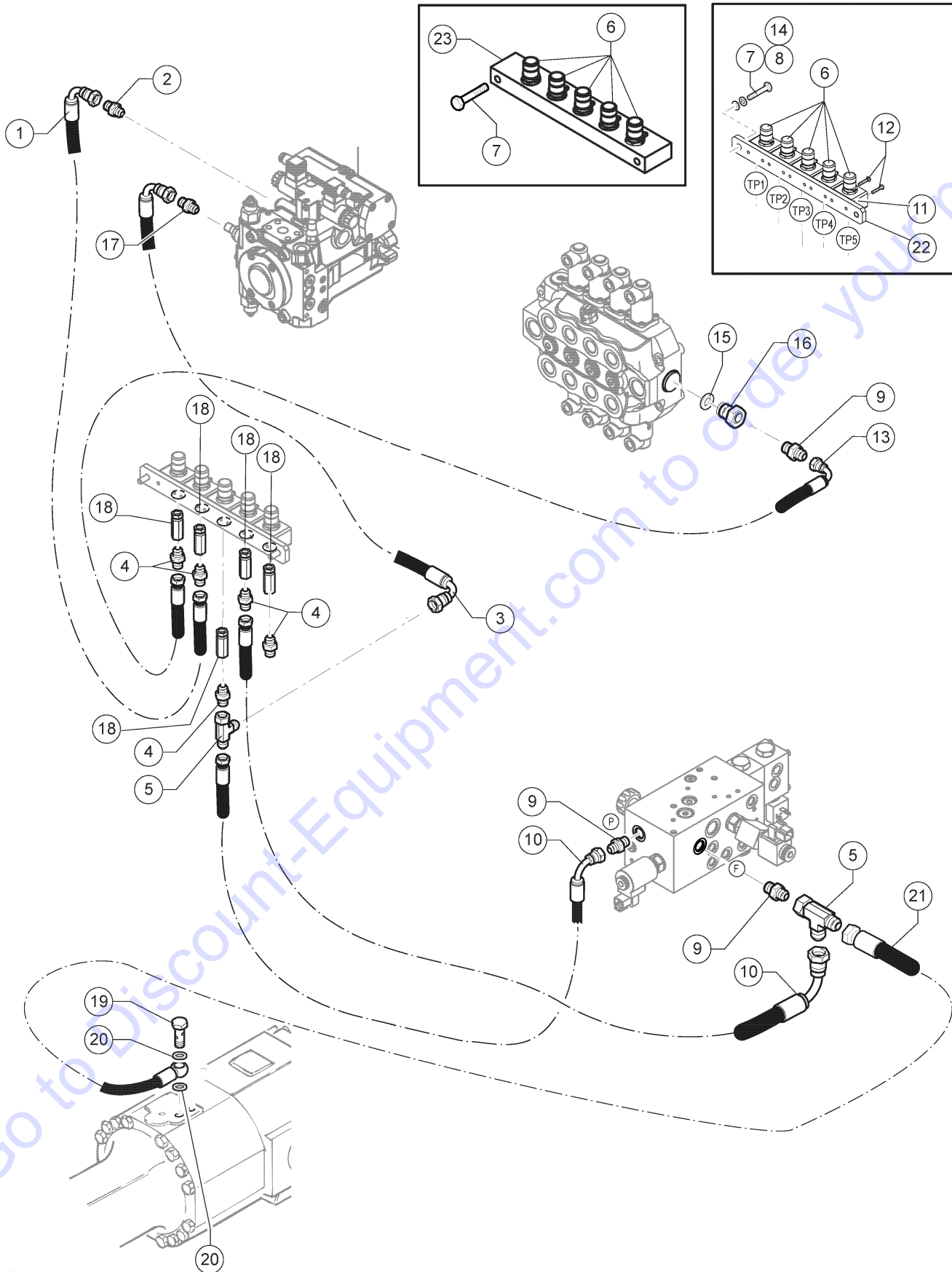
607.1 606649 Hydraulic System - Radiator (Perkins Engine)

Item	Part No.	Description	Qty.
1	04.0605.0953	Hose R1 X 3/4 1800 F90 F90 1 3/16"-12 220°.....	1
2	04.0607.0120	Pipe Fitting TMF+L 1" 3/16-12 ORFS.....	1
3	04.0605.0647	HOSE R1 X 3/4 LG. 400 5519.....	1
4	04.0600.0046	PIPE FITTING 3/4X 3/4 BSP.....	1
5	04.0607.0194	Pipe Fitting 1"1/4BSP-1"3/16-12 ORFS.....	1
6	04.0605.0954	Hose R1 X 3/4 2250 F45 FD 1 3/16"-12 ORFS.....	1
7	06.0442.0124	Bonded Ring 3/4".....	2
8	04.4239.0083	Valve Vuc 3/4 8 Bar.....	1
9	04.0607.0107	PIPE FITTING 3/4"BSP X1"3/16-12 ORFS.....	3

Go to Discount-Equipment.com to order your parts



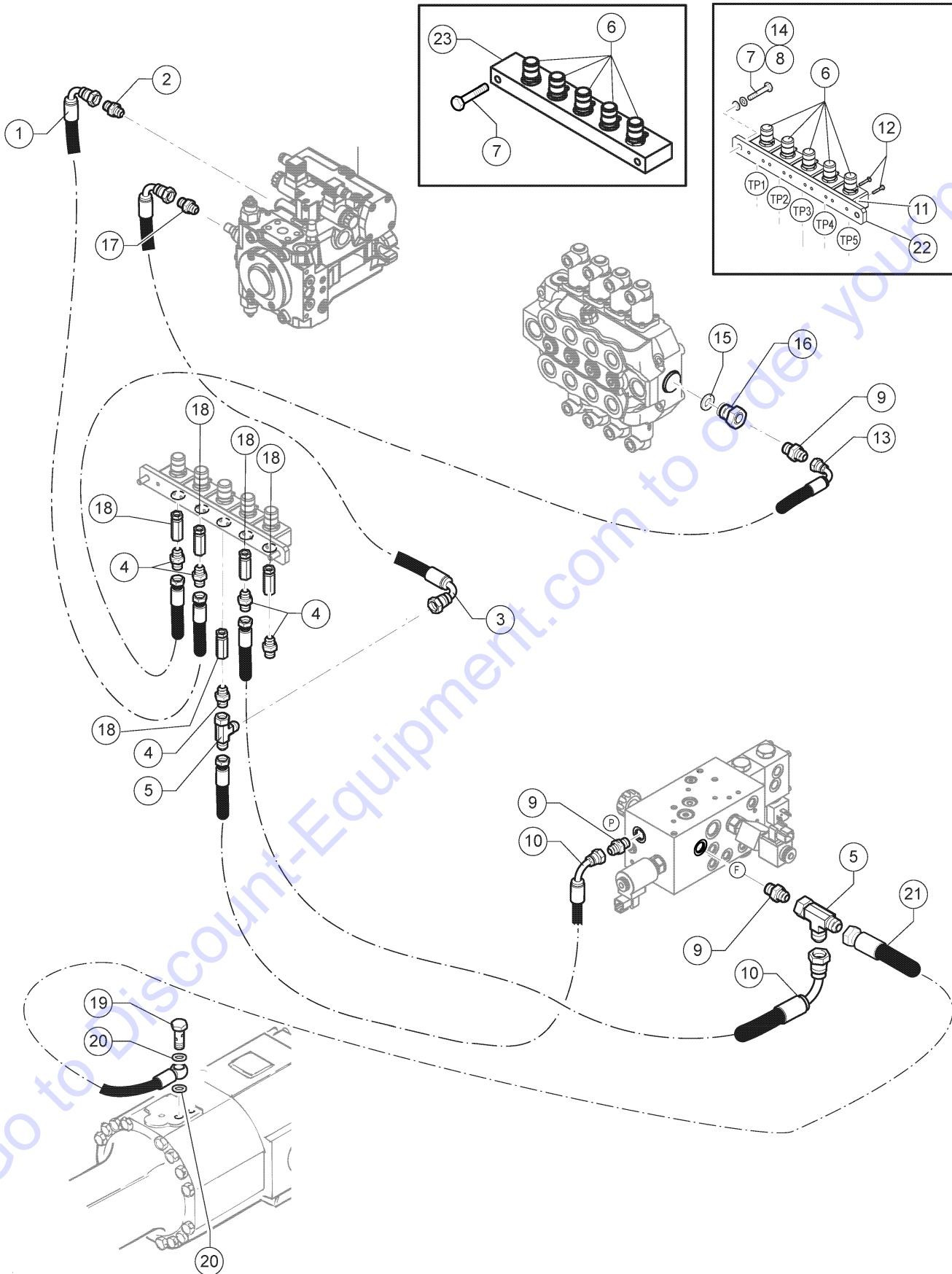
608.1 606650 Hydraulic System - Test Port (Deutz Engine)



608.1 606650 Hydraulic System - Test Port (Deutz Engine)

Item	Part No.	Description	Qty.
1	04.0605.0674	HOSE,ETERNITY, 1/4 1500	1
2	04.0607.0103	PIPE FITTING M12X1.5 X 9/16-18 ORFS.....	1
3	04.0605.0940	Hose R1 X 1/4 1550 F90 F909/16"-18.....	1
4	04.0607.0113	PIPE FITTING 1/4 BSPX9/16-18 ORFS.....	5
5	04.0607.0115	PIPE FITTING TMF+L 9/16-18 ORFS.....	2
6	04.4210.0016	PRESSURE TUBE.....	5
7	01.0001.0254	SCREW M8X20 UNI 5739 8.8 ZN... To SN 23657	2
7	01.0001.0466	SCREW M8X50 UNI 5739 8.8 ZN... From SN 23658	2
8	01.4032.0003	SPRING WASHER D 8 ZN	2
		To SN 23657	
9	04.0607.0114	PIPE FITTING 3/8 BSPX9/16-18 ORFS.....	2
10	04.0605.0235	FLEXIBLE HOSE.....	2
11	09.0803.0046	SINGLE HOSE BRACKET D25..... To SN 23657	5
12	01.0003.0159	SCREW,TCEI,M6X35 UNI 8.8 ZN..... To SN 23657	10
13	04.0605.0684	HOSE R2X1/4 LG 650 FD-F90 9/16-18 ORFS.....	1
14	01.0031.0055	FLAT WASHER D8 UNI 6592 ZN To SN 23657	2
15	06.0442.0105	WASHER,JC 27,SP2,5.....	1
16	04.0600.0013	FITTING,GWR,3/4M X 3/8F.....	1
17	04.0607.0153	PIPE FITTING 14X1.5X9/16-18 ORFS.....	1
18	04.0607.0791	HOSE ADAPTER F-F 1/4GXM14X1,5..... To SN 23657	5
19	05.0401.0003	drilled Screw M14X1.5.....	1
20	06.0442.0055	WASHER,D.14/20X1.5.....	2
21	04.0605.0653	HOSE	1
22	51.0811.0200	Support for Test Ports..... To SN 23657	1
23	53.3001.6764	Support for Test Ports..... From SN 23658	1

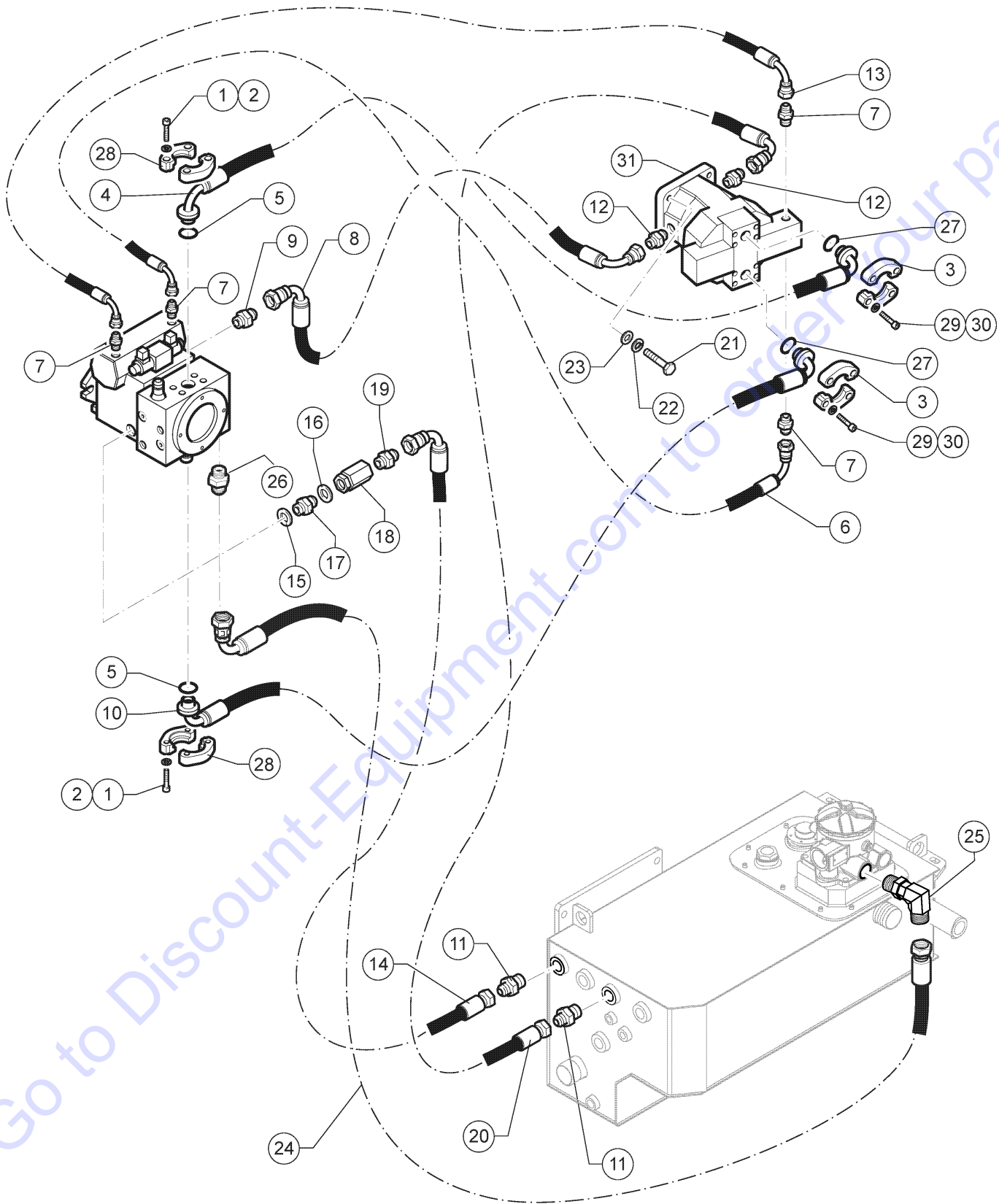
609.1 606651 Hydraulic System - Test Port (Perkins Engine)



609.1 606651 Hydraulic System - Test Port (Perkins Engine)

Item	Part No.	Description	Qty.
1	04.0605.0865	Hose ETERNITY/2 X 1/4 900 FD F90 9/16-18.....	1
2	04.0607.0103	PIPE FITTING M12X1.5 X 9/16-18 ORFS.....	1
3	04.0605.0957	Hose R1 X 1/4 850 F90 F90 9/16"-18 ORFS 45°.....	1
4	04.0607.0113	PIPE FITTING 1/4 BSPX9/16-18 ORFS.....	5
5	04.0607.0115	PIPE FITTING TMF+L 9/16-18 ORFS.....	2
6	04.4210.0016	PRESSURE TUBE.....	5
7	01.0001.0254	SCREW M8X20 UNI 5739 8.8 ZN... <i>To SN 23607</i>	2
7	01.0001.0466	SCREW M8X50 UNI 5739 8.8 ZN... <i>From SN 23608</i>	2
8	01.4032.0003	SPRING WASHER D 8 ZN <i>To SN 23607</i>	2
9	04.0607.0114	PIPE FITTING 3/8 BSPX9/16-18 ORFS.....	2
10	04.0605.0235	FLEXIBLE HOSE.....	2
11	09.0803.0046	SINGLE HOSE BRACKET D25..... <i>To SN 23607</i>	5
12	01.0003.0159	SCREW,TCEI,M6X35 UNI 8.8 ZN..... <i>To SN 23607</i>	10
13	04.0605.0684	HOSE R2X1/4 LG 650 FD-F90 9/16-18 ORFS.....	1
14	01.0031.0055	FLAT WASHER D8 UNI 6592 ZN <i>To SN 23607</i>	2
15	06.0442.0105	WASHER,JC 27,SP2,5.....	1
16	04.0600.0013	FITTING,GWR,3/4M X 3/8F.....	1
17	04.0607.0153	PIPE FITTING 14X1.5X9/16-18 ORFS.....	1
18	04.0607.0791	HOSE ADAPTER F-F 1/4GXM14X1,5..... <i>To SN 23607</i>	5
19	05.0401.0003	drilled Screw M14X1.5.....	1
20	06.0442.0055	WASHER,D.14/20X1.5.....	2
21	04.0605.0653	HOSE.....	1
22	51.0811.0200	Support for Test Ports..... <i>To SN 23607</i>	1
23	53.3001.6764	Support for Test Ports..... <i>From SN 23608</i>	1

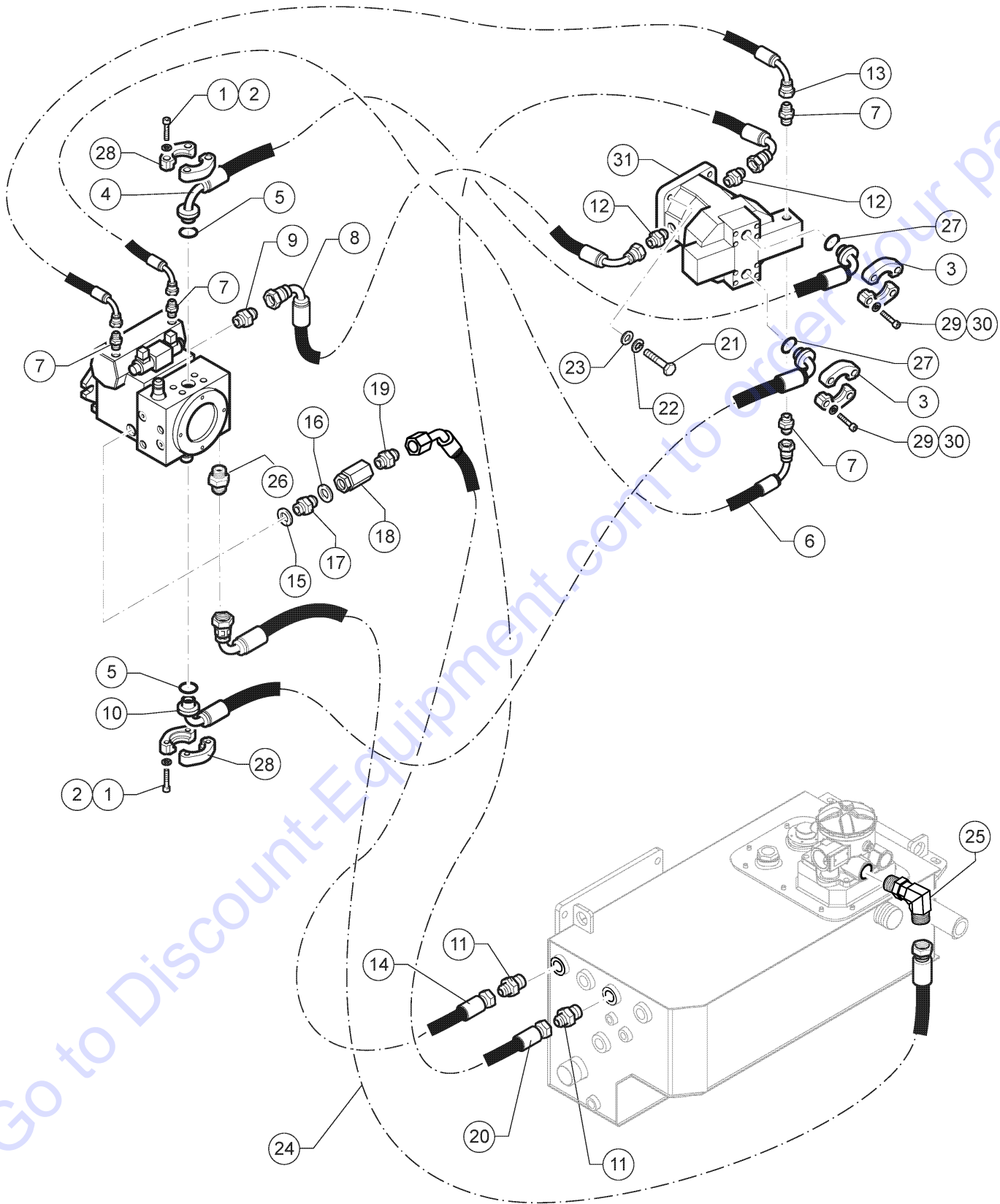
610.1 606652 Hydraulic System - Transmission (Deutz Engine)



610.1 606652 Hydraulic System - Transmission (Deutz Engine)

Item	Part No.	Description	Qty.
1	01.0003.0257	Screw TCEI M10X35 UNI5931 8.8ZN	8
2	01.4032.0004	SPRING WASHER D10 ZN.....	8
3	04.4223.0003	HALF FLANGE D47.....	4
4	04.4229.0050	Hose FLANG BM6K X3/4 1400 FL45D47 FL90D42 A 90°.....	1
5	06.0401.0214	O-Ring.....	2
6	04.0605.0678	HOSE, R1 X 1/4LG 1950.....	1
7	04.0607.0103	PIPE FITTING M12X1.5 X 9/16-18 ORFS.....	4
8	04.0605.0675	HOSE, R1 X 3/4LG 1900.....	1
9	04.0607.0182	Pipe Fitting M22X1,5X 1"3/16-12.....	1
10	04.4229.0051	Hose FLANG BM6K X3/4 1400 FL45D47 FL90D42 A 280°.....	1
11	04.0607.0107	PIPE FITTING 3/4"BSP X1"3/16-12 ORFS.....	2
12	04.0607.0217	PIPE FITTING M18X1,5X1"3/16-12 ORFS.....	2
13	04.0605.0108	HOSE R1X1/4 LG 1700 F90-F90 9/16-18 ORFS a 270°.....	1
14	04.0605.0677	HOSE, R1 X 3/4LG 1400.....	1
15	06.0442.0059	WASHER,JC 22.....	1
16	06.0442.0105	WASHER,JC 27,SP2,5.....	1
17	04.0600.0050	Pipe Fitting M22X1.5X3/4.....	1
18	04.4239.0013	Valve 3/4 PA 2.5.....	1
19	04.0607.0107	PIPE FITTING 3/4"BSP X1"3/16-12 ORFS.....	1
20	04.0605.0447	HOSE, R1 X 3/4LG 1000.....	1
21	01.0001.0651	Screw TE M16X50 UNI 5737 8.8 ZN.....	4
22	01.4032.0007	SPRING WASHER D16 ZN.....	4
23	01.0031.0059	FLAT WASHER D16 UNI 6592 ZN.....	4
24	04.0605.0936	Hose R4 X 1-1/4 2700 F90 FD 1 11/16"-12.....	1
25	04.0607.0793	FITTING,PIPE,90,1" BSP.....	1
26	04.0607.0143	Pipe Fitting M33X2 X1"11/16-12	1
27	06.0401.0219	O-RING.....	2
28	04.4223.0004	PLATE/SEMI FLANGE.....	4
29	01.0001.0401	SCREW,TE,M12X40 UNI 8.8 ZN.....	8
30	01.4032.0005	SPRING WASHER D12 ZN	8
31	04.4235.0018	Hydraulic Motor.....	1

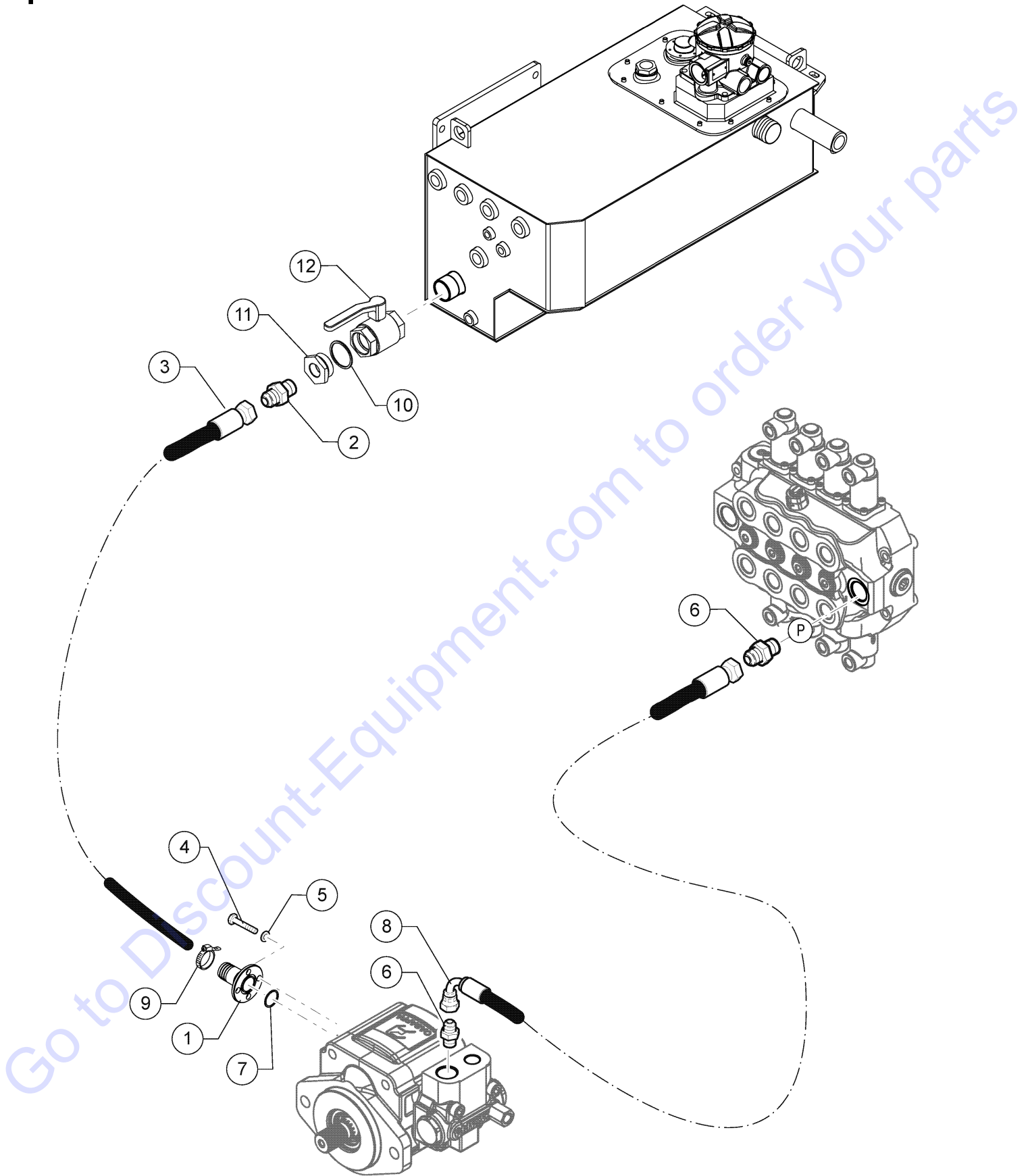
611.1 606653 Hydraulic System - Transmission (Perkins Engine)



611.1 606653 Hydraulic System - Transmission (Perkins Engine)

Item	Part No.	Description	Qty.
1	01.0003.0257	Screw TCEI M10X35 UNI5931 8.8ZN	8
2	01.4032.0004	SPRING WASHER D10 ZN.....	8
3	04.4223.0003	HALF FLANGE D47.....	4
4	04.4229.0048	HOSE, 5519.....	1
5	06.0401.0214	O-Ring.....	5
6	04.0605.0645	HOSE, R1 X 1/4 LG. 850 F90 F90...1	
7	04.0607.0103	PIPE FITTING M12X1.5 X 9/16-18 ORFS.....	4
8	04.0605.0952	Hose R1 X 3/4 1000 F90 F90 1 3/16"-12 ORFS 90°.....	1
9	04.0607.0182	Pipe Fitting M22X1,5X 1"3/16-12.....	1
10	04.4229.0066	Hose FLANG BM6K 3/4 630 FL45 D.47 FL90 D.42 270°.....	1
11	04.0607.0107	PIPE FITTING 3/4"BSP X1"3/16-12 ORFS.....	2
12	04.0607.0447	Nipple M18x1,5 X1"3/16-18 ORFS...2	
13	04.0605.0611	Hose R1 X 1/4 LG. 950 F90 F90 9/16-18 ORFS.....	1
14	04.0605.0644	HOSE R1 X 3/4 LG. 600 5519.....	1
15	06.0442.0059	WASHER,JC 22.....	1
16	06.0442.0105	WASHER,JC 27,SP2,5.....	1
17	04.0600.0050	Pipe Fitting M22X1.5X3/4.....	1
18	04.4239.0013	Valve 3/4 PA 2.5.....	1
19	04.0607.0107	PIPE FITTING 3/4"BSP X1"3/16-12 ORFS.....	1
20	04.0605.0447	HOSE, R1 X 3/4LG 1000.....	1
21	01.0001.0651	Screw TE M16X50 UNI 5737 8.8 ZN.....	4
22	01.4032.0007	SPRING WASHER D16 ZN.....	4
23	01.0031.0059	FLAT WASHER D16 UNI 6592 ZN.....	4
24	04.0605.0951	Hose R4 X 1-1/4 1750 F90 FD 1 11/16"-12 ORFS.....	1
25	04.0607.0793	FITTING,PIPE,90,1" BSP.....	1
26	04.0607.0143	Pipe Fitting M33X2 X1"11/16-12	1
27	06.0401.0219	O-RING.....	2
28	04.4223.0004	PLATE/SEMI FLANGE.....	4
29	01.0001.0401	SCREW,TE,M12X40 UNI 8.8 ZN.....	8
30	01.4032.0005	SPRING WASHER D12 ZN	8
31	04.4235.0018	Hydraulic Motor.....	1

612.1 606654 Hydraulic System - Steering, Boom Functions Pump (Deutz Engine)

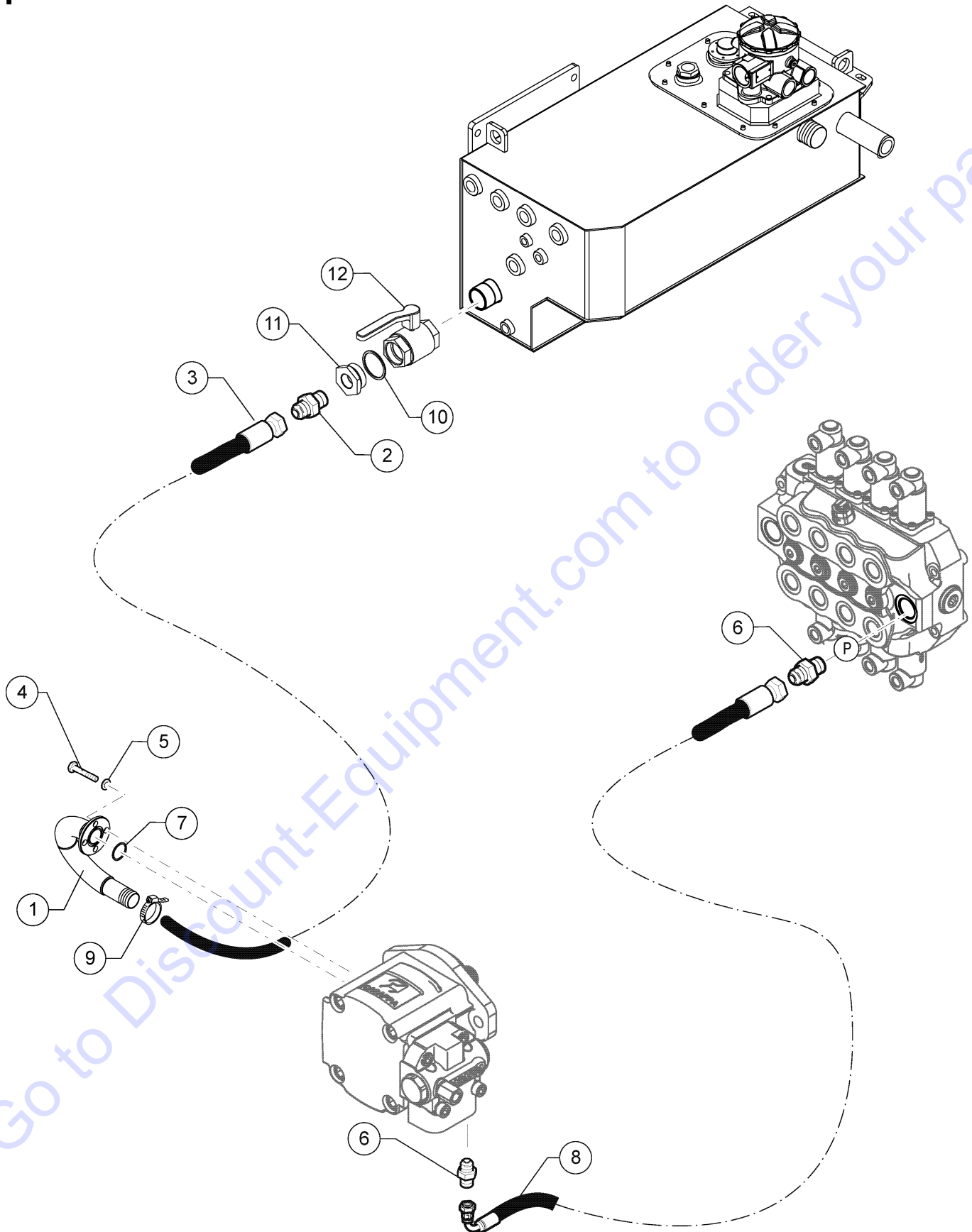


612.1 606654 Hydraulic System - Steering, Boom Functions Pump (Deutz Engine)

Item	Part No.	Description	Qty.
1	53.3001.5700	Manifold.....	1
2	04.0607.0174	PIPE FITTING 1"BSPX1"11/16-12 ORFS.....	1
3	04.0605.0949	Hose R4 X 1-1/4 1800 FD 1 11/16"-12.....	1
4	01.0003.0255	SCREW M10X25 UNI 5931 8.8 ZN.....	4
5	01.4032.0004	SPRING WASHER D10 ZN.....	4
6	04.0607.0107	PIPE FITTING 3/4"BSP X1"3/16-12 ORFS.....	2
7	06.0401.0123	O-RING.....	1
8	04.0605.0939	Hose ETERNITY/2 X 3/4 1800 FD F90 1 3/16"-12.....	1
9	04.4227.0027	Clamp 38/41.....	1
10	06.0442.0111	WASHER.....	1
11	04.0600.0055	Pipe Fitting GWR 1" 1/2 M x 1" F.....	1
12	04.4224.0000	Ball Valve DN 1 1/2	1

Go to Discount-Equipment.com to order your parts

613.1 606655 Hydraulic System - Steering, Boom Functions Pump (Perkins Engine)

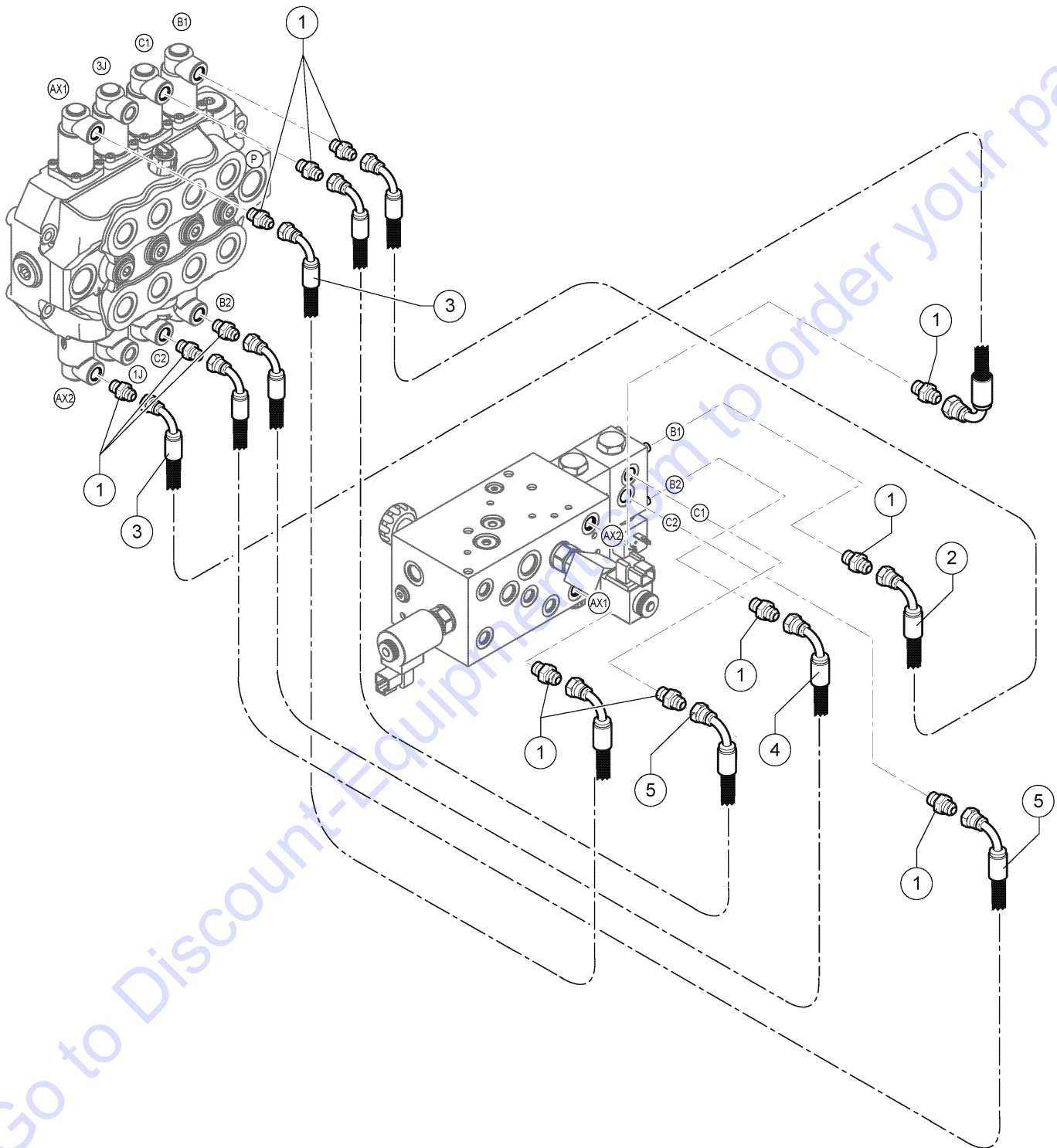


613.1 606655 Hydraulic System - Steering, Boom Functions Pump (Perkins Engine)

Item	Part No.	Description	Qty.
1	53.3001.4900	PIPE,SUCTION LINE FOR MANIFOLD.....	1
2	04.0607.0174	PIPE FITTING 1"BSPX1"11/16-12 ORFS.....	1
3	04.0605.0958	Hose R4 X 1-1/4 1000 FD 1 11/16"-12.....	1
4	01.0003.0255	SCREW M10X25 UNI 5931 8.8 ZN.....	4
5	01.4032.0004	SPRING WASHER D10 ZN.....	4
6	04.0607.0107	PIPE FITTING 3/4"BSP X1"3/16-12 ORFS.....	2
7	06.0401.0123	O-RING.....	1
8	04.0605.0988	Hose ETERNITY/2 X 3/4 700 FD F90 1 3/16"-12.....	1
9	04.4227.0027	Clamp 38/41.....	1
10	06.0442.0111	WASHER.....	1
11	04.0600.0055	Pipe Fitting GWR 1" 1/2 M x 1" F.....	1
12	04.4224.0000	Ball Valve DN 1 1/2	1

Go to Discount-Equipment.com to order your parts

614.1 606656 Hydraulic System - Hydraulic Piloting Line Main Valve



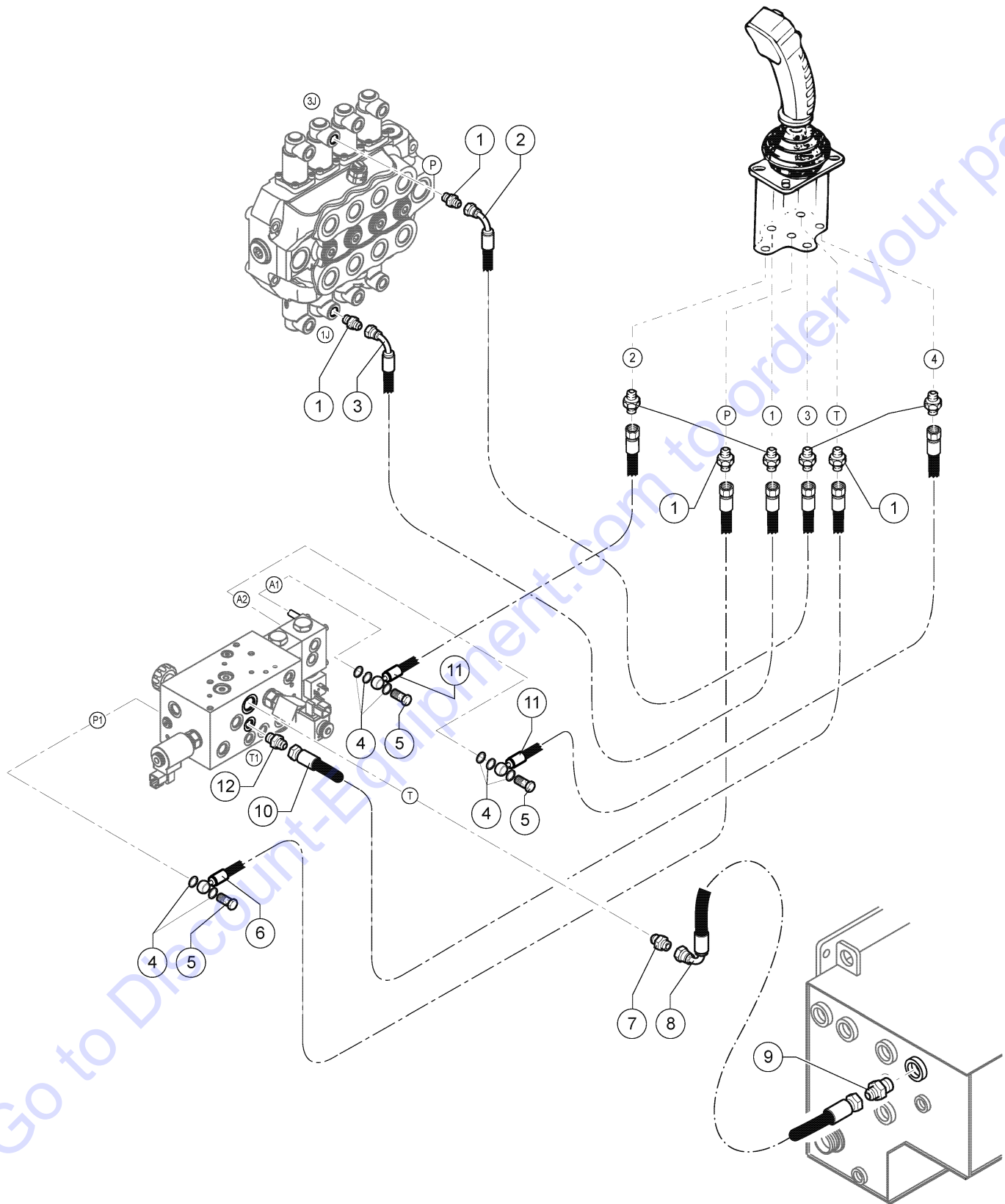
614.1 606656 Hydraulic System - Hydraulic Piloting Line Main Valve

Item	Part No.	Description	Qty.
1	04.0607.0113	PIPE FITTING 1/4 BSPX9/16-18 ORFS.....	12
2	04.0605.0225	Hose R1 X 1/4 LG.1000 F90 F90 9/16-18 ORFS a 90°.....	1
3	04.0605.0179	HOSE R1X1/4 LG 700 FD-F90 9/16-18 ORFS.....	2
4	04.0605.0271	Hose R1 X 1/4 LG.1100 F90 F90 9/16-18 ORFS a 90°.....	1
5	04.0605.0453	HOSE, R1X1/4 900.....	2

Go to Discount-Equipment.com to order your parts



615.1 606657 Hydraulic System - Joystick



Item	Part No.	Description	Qty.
1	04.0607.0113	PIPE FITTING 1/4 BSPX9/16-18 ORFS.....	8
2	04.0605.0245	HOSE.....	1
3	04.0605.0956	Hose R1 X 1/4 LG.950 - FD F90 9/16-18 ORFS.....	1
4	06.0442.0101	WASHER.....	6
5	05.0401.0016	SCREW, 1/4 BSP.....	3
6	04.0605.0656	Hose R1 X 1/4 LG.450 1/4GAS FD9/16.....	1
7	04.0607.0110	PIPE FITTING 1/2BSP x 11/16-16 ORFS.....	1
8	04.0605.0652	PIPE R1 X 3/8LG, 650 F90 FD 11/16.....	1
9	04.0607.0139	PIPE FITTING.....	1
10	04.0605.0654	Hose R1 X 1/4 LG. 500 FD FD 9/16.....	1
11	04.0605.0655	Hose R1 X 1/4 LG. 1100 1/4GAS FD9/16.....	2
12	04.0607.0113	PIPE FITTING 1/4 BSPX9/16-18 ORFS.....	1

Go to Discount-Equipment.com to order your parts

616.1 606658 Hydraulic System - Power Steering System (Deutz Engine)

Item	Part No.	Description	Qty.	Item	Part No.	Description	Qty.
1	09.4636.0019	Steering Wheel.....	1	29	992989	SEAL KIT.....	1
2	55.0602.0340	Harness.....	1	30	09.4618.1107	DECAL.....	1
3	09.4636.0012	POWER STEERING.....	1	31	09.0803.0546	Knob.....	1
4	04.0607.0113	PIPE FITTING 1/4 BSPX9/16-18 ORFS.....	2	32	09.0803.0562	Steering Wheel Plug.....	1
5	04.0607.0110	PIPE FITTING 1/2BSP x 11/16-16 ORFS.....	2	33	04.0607.0121	PIPE FITTING 3/4 BSPX13/16-16 ORFS.....	1
6	04.0607.0111	PIPE FITTING 1/2 BSPX13/16-16 ORFS	3				
7	04.0607.0137	Pipe Fitting 18X1.5 X 11/16-16 ORFS.....	2				
8	04.0605.0648	HOSE, R2 X 3/8LG 280 F90 F90 11/16 A 34.....	1				
9	04.0605.0638	Hose R2 X 3/8 LG. 1250 F90 F45 11/16-18 ORFS 90°.....	1				
10	04.0605.0637	Hose R2 X 3/8 1000 F45 11/16"-16 F90 11/16"-16 A 90°	1				
11	04.4240.0052	SOLENOID VALVE.....	1				
12	04.0607.0117	PIPE FITTING 3/8BSPX11/16-16 ORFS.....	4				
13	01.0001.0106	SCREW M6X50 UNI 5737 8.8 ZN....	2				
14	04.0605.0734	Hose R2 X 3/8 LG. 2650 F90 11/16-16 ORFS- D=18.....	1				
15	04.0605.0733	Hose R2 X 3/8 LG. 1900 F90 11/16-16 ORFS-OCCHIO D=18.....	1				
16	01.0023.0053	STOP NUT M6 UNI 7473 6S ZN	2				
17	06.0442.0057	Copper Washer JC 18 SP.2,5.....	4				
18	04.0605.0804	Hose R1 X 1/4 LG. 1700 F90 FD 9/16-18 ORFS	1				
19	04.0605.0803	Flexible Hose R2 X 1/2 LG. 1650 F90 FD 13/16-16 ORFS.....	1				
20	04.0605.0299	Hose R1 X 1/4 LG. 550 - FD F90 9/16-18 ORFS.....	1				
21	04.0607.0236	Pipe Fitting 9/16 ORFS X 9/16 ORFS.....	1				
22	04.0605.0100	Hose R2 X 1/2 Lg. 550 FD F45 13/16-16 ORFS	1				
23	04.0607.0237	FITTING,13/16 ORFS	1				
24	04.0214.0156	Drilled Screw M18X1.5.....	2				
25	01.0031.0298	FLAT WASHER D6 UNI 6593 ZN	2				
26	01.0031.0054	FLAT WASHER D6 UNI 6592 ZN	2				
27	04.0605.0640	Hose R1 X 1/2 LG. 1300 FD F45 13/16 ORFS.....	1				
28	07.4529.0111	COIL, VALVE	2				

PARTS FINDER

**Search Website
by Part Number**



**Search Manual
Library For Parts
Manual & Lookup Part
Numbers – Purchase
or Request Quote**

Search Manuals

Enter your information to help us find the right parts manual for your machine.

* Brand:

* Model:

* Serial:

* Part Number:

SEARCH

**Can't Find Part or
Manual? Request Help
by Manufacturer,
Model & Description**

Parts Order Form

Please fill in the following information to help us find the right part for your machine.

Manufacturer:	<input type="text"/>
Model:	<input type="text"/>
Description:	<input type="text"/>
Part Number:	<input type="text"/>
Quantity:	<input type="text"/>
Notes:	<input type="text"/>

Submit

Discount-Equipment.com is your online resource for quality parts & equipment.

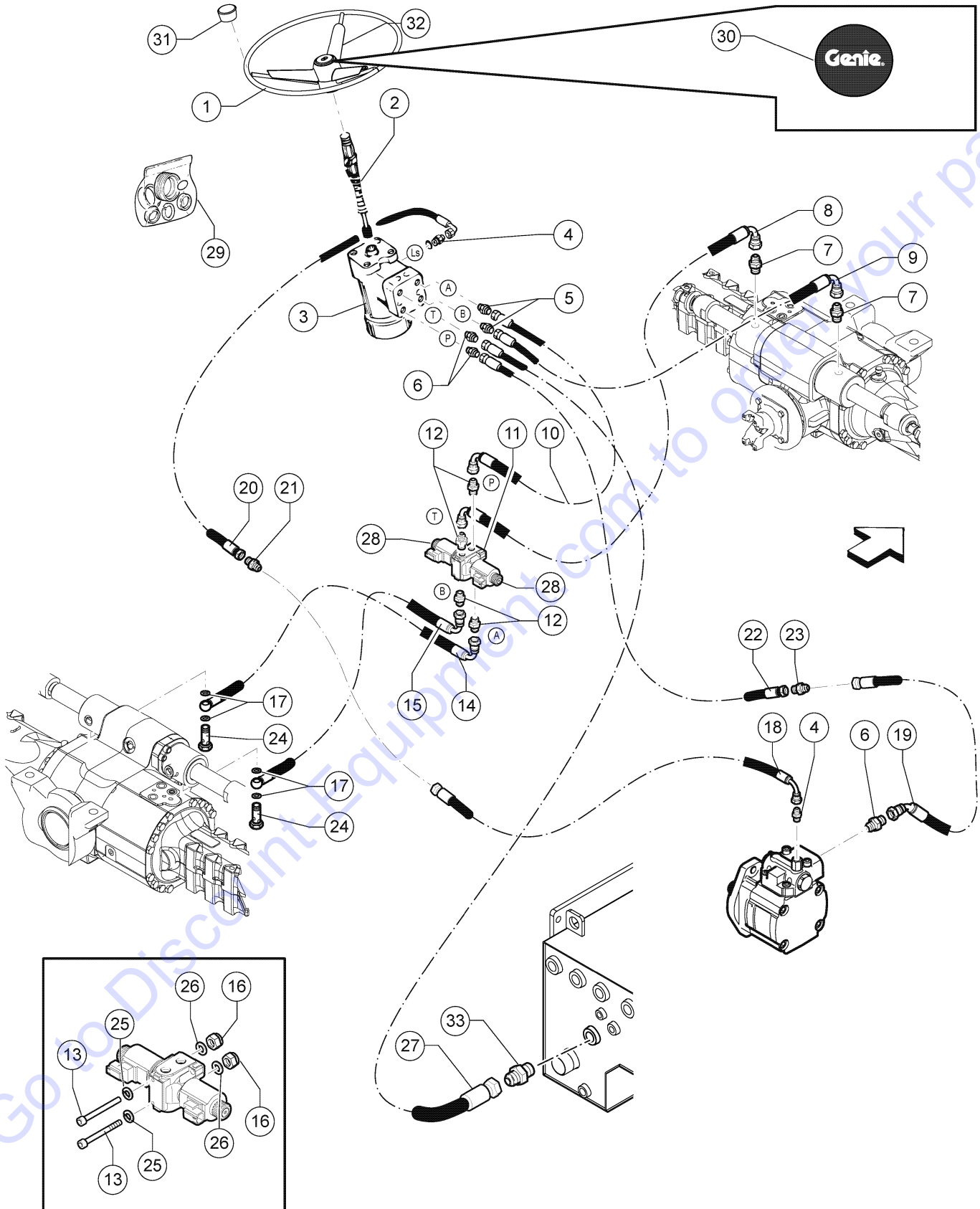
Florida: **561-964-4949** Outside Florida TOLL FREE: **877-690-3101**

Need parts?

Click on this link: <http://www.discount-equipment.com/category/5443-parts/> and choose one of the options to help get the right parts and equipment you are looking for. Please have the machine model and serial number available in order to help us get you the correct parts. If you don't find the part on the website or on one of the online manuals, please fill out the request form and one of our experienced staff members will get back to you with a quote for the right part that your machine needs.

We sell worldwide for the brands: Genie, Terex, JLG, MultiQuip, Mikasa, Essick, Whiteman, Mayco, Toro Stone, Diamond Products, Generac Magnum, Airman, Haulotte, Barreto, Power Blanket, Nifty Lift, Atlas Copco, Chicago Pneumatic, Allmand, Miller Curber, Skyjack, Lull, Skytrak, Tsurumi, Husquvarna Target, Stow, Wacker, Sakai, Mi-T-M, Sullair, Basic, Dynapac, MBW, Weber, Bartell, Bennar Newman, Haulotte, Ditch Runner, Menegotti, Morrison, Contec, Buddy, Crown, Edco, Wyco, Bomag, Laymor, EZ Trench, Bil-Jax, F.S. Curtis, Gehl Pavers, Heli, Honda, ICS/PowerGrit, IHI, Partner, Imer, Clipper, MMD, Koshin, Rice, CH&E, General Equipment, Amida, Coleman, NAC, Gradall, Square Shooter, Kent, Stanley, Tamco, Toku, Hatz, Kohler, Robin, Wisconsin, Northrock, Oztec, Toker TK, Rol-Air, APT, Wylie, Ingersoll Rand / Doosan, Innovatech, Con X, Ammann, Mecalac, Makinex, Smith Surface Prep, Small Line, Wanco, Yanmar

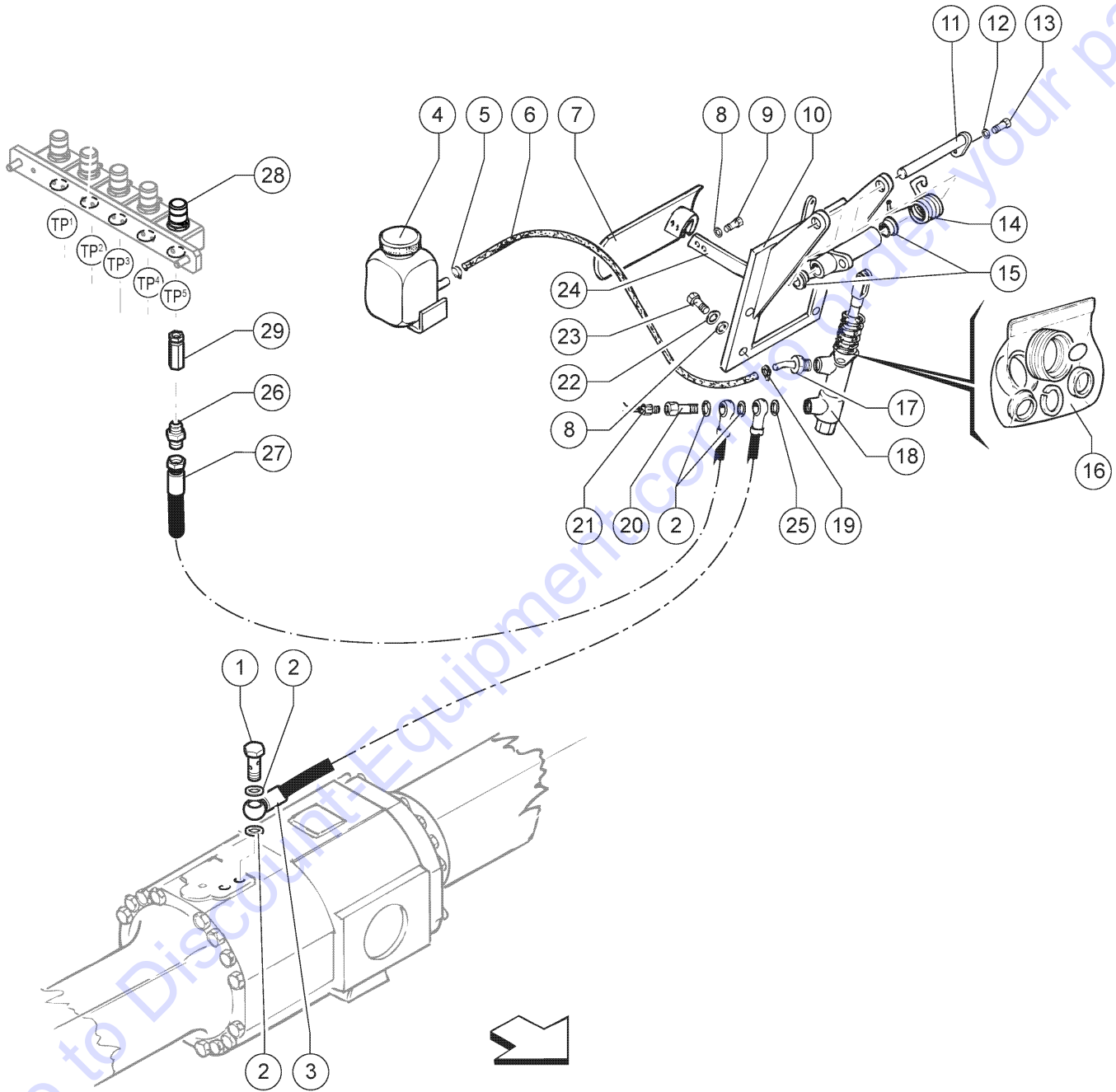
617.1 606659 Hydraulic System - Power Steering System (Perkins Engine)



617.1 606659 Hydraulic System - Power Steering System (Perkins Engine)

Item	Part No.	Description	Qty.	Item	Part No.	Description	Qty.
1	09.4636.0019	Steering Wheel.....	1	29	992989	SEAL KIT.....	1
2	55.0602.0340	Harness.....	1	30	09.4618.1107	DECAL.....	1
3	09.4636.0012	POWER STEERING.....	1	31	09.0803.0546	Knob.....	1
4	04.0607.0113	PIPE FITTING 1/4 BSPX9/16-18 ORFS.....	2	32	09.0803.0562	Steering Wheel Plug.....	1
5	04.0607.0110	PIPE FITTING 1/2BSP x 11/16-16 ORFS.....	2	33	04.0607.0121	PIPE FITTING 3/4 BSPX13/16-16 ORFS.....	1
6	04.0607.0111	PIPE FITTING 1/2 BSPX13/16-16 ORFS	3				
7	04.0607.0137	Pipe Fitting 18X1.5 X 11/16-16 ORFS.....	2				
8	04.0605.0648	HOSE, R2 X 3/8LG 280 F90 F90 11/16 A 34.....	1				
9	04.0605.0638	Hose R2 X 3/8 LG. 1250 F90 F45 11/16-18 ORFS 90°.....	1				
10	04.0605.0637	Hose R2 X 3/8 1000 F45 11/16"-16 F90 11/16"-16 A 90°	1				
11	04.4240.0052	SOLENOID VALVE.....	1				
12	04.0607.0117	PIPE FITTING 3/8BSPX11/16-16 ORFS.....	4				
13	01.0001.0106	SCREW M6X50 UNI 5737 8.8 ZN....	2				
14	04.0605.0734	Hose R2 X 3/8 LG. 2650 F90 11/16-16 ORFS- D=18.....	1				
15	04.0605.0733	Hose R2 X 3/8 LG. 1900 F90 11/16-16 ORFS-OCCHIO D=18.....	1				
16	01.0023.0053	STOP NUT M6 UNI 7473 6S ZN	2				
17	06.0442.0057	Copper Washer JC 18 SP.2,5.....	4				
18	04.0605.0685	Hose R1 X 1/4 Lg. 650 R1 X 1/4 LG. 650 FD F90 9/16-18 ORFS.....	1				
19	04.0605.0806	Hose R2X1/2 LG 550 F90-FD 13/16-16 ORFS.....	1				
20	04.0605.0299	Hose R1 X 1/4 LG. 550 - FD F90 9/16-18 ORFS.....	1				
21	04.0607.0236	Pipe Fitting 9/16 ORFS X 9/16 ORFS.....	1				
22	04.0605.0100	Hose R2 X 1/2 Lg. 550 FD F45 13/16-16 ORFS	1				
23	04.0607.0237	FITTING,13/16 ORFS	1				
24	04.0214.0156	Drilled Screw M18X1.5.....	2				
25	01.0031.0298	FLAT WASHER D6 UNI 6593 ZN	2				
26	01.0031.0054	FLAT WASHER D6 UNI 6592 ZN	2				
27	04.0605.0640	Hose R1 X 1/2 LG. 1300 FD F45 13/16 ORFS.....	1				
28	07.4529.0111	COIL, VALVE	2				

618.1 606660 Hydraulic System - Brake System

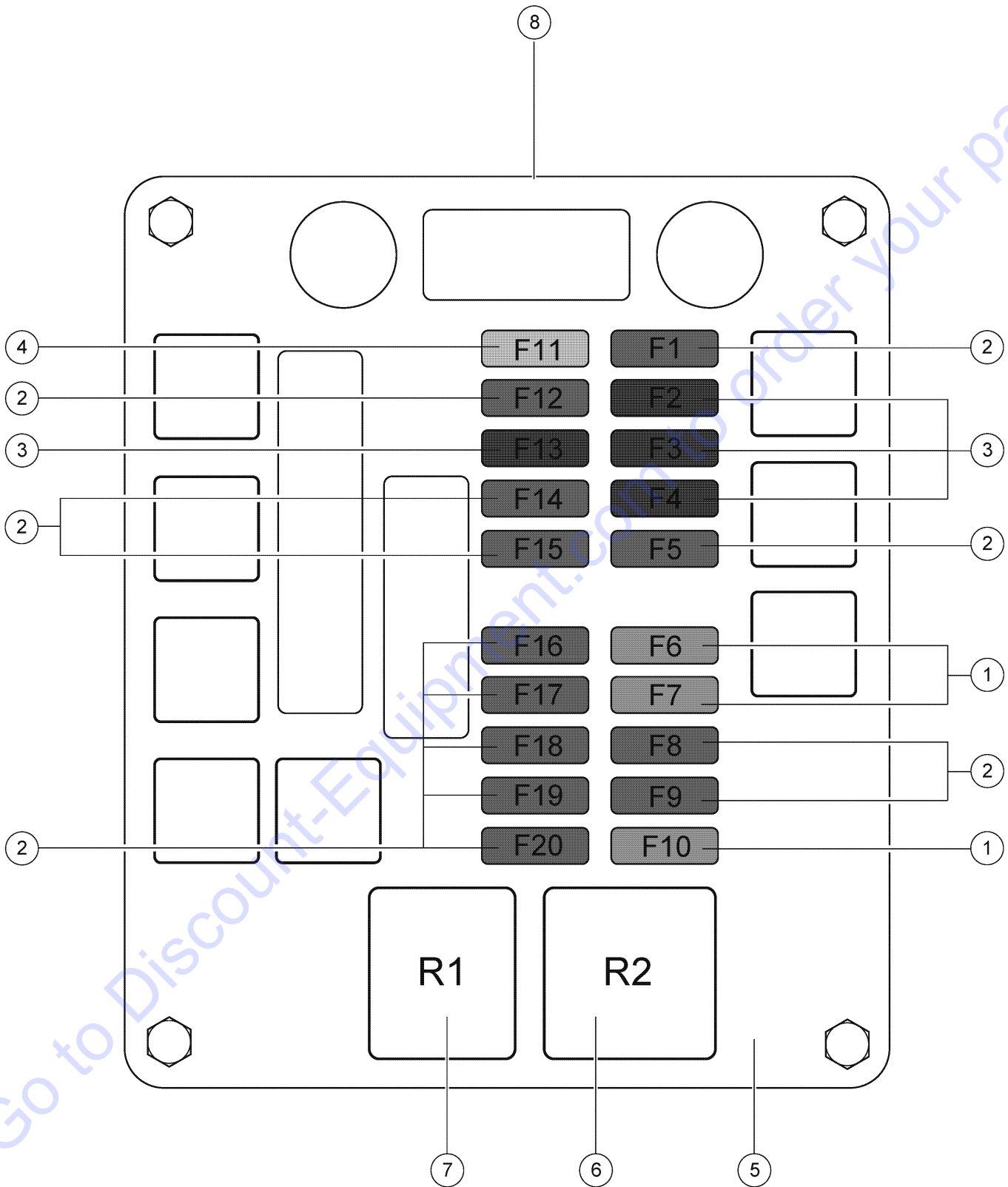


618.1 606660 Hydraulic System - Brake System

Item	Part No.	Description	Qty.
1	05.0401.0003	drilled Screw M14X1.5.....	2
2	06.0442.0119	BONDED RING M14 (9/16).....	4
3	04.0602.0570	Hose R 1X 1/4 LG 1950.....	1
4	05.4309.0002	BRAKE RESERVOIR W/BRACKET	1
5	04.0227.0054	CLAMP DN 15/25 LG 9.....	2
6	09.0805.0000	RUBBER HOSE.....	39,370-inches
7	07.0730.0019	Pedal.....	1
8	01.4032.0003	SPRING WASHER D 8 ZN	6
9	01.0001.0252	SCREW M8X16 UNI 5739 8.8 ZN....	2
10	07.0730.0025	BRAKE PEDAL KIT..... <i>includes item 24</i>	1
11	07.0730.0017	Pin.....	1
12	01.4032.0002	SPRING WASHER D6 ZN.....	1
13	01.0001.0154	SCREW,TE,M6X16 UNI 8.8 ZN.....	1
14	07.0730.0023	Spring.....	1
15	07.0730.0013	Bushing BL16234.....	2
16	07.4529.0027	SEAL KIT	1
17	09.0803.0088	KNURLED COUPLING	1
18	05.4309.0001	Pump.....	1
19	04.0227.0054	CLAMP DN 15/25 LG 9.....	2
20	05.0401.0017	Drilled Screw M12	1
21	05.4329.0003	Pressure Switch.....	1
22	01.0031.0299	FLAT WASHER D8 UNI 6593.....	4
23	01.0001.0254	SCREW M8X20 UNI 5739 8.8 ZN....	4
24		Lever..... <i>not available separately; order Brake Kit 07.0730.0025 for replacement</i>	1
25	06.0442.0128	BONDED RING M12.....	1
26	04.0607.0113	PIPE FITTING 1/4 BSPX9/16-18 ORFS.....	1
27	04.0605.0928	Flexible Hose R1 X 1/4 1700 FD 9/16-18 D.14.....	1
28	04.4210.0016	PRESSURE TUBE.....	1
29	04.0607.0791	HOSE ADAPTER F-F 1/4GXM14X1,5.....	1

Go to www.genie-equipment.com to order your parts

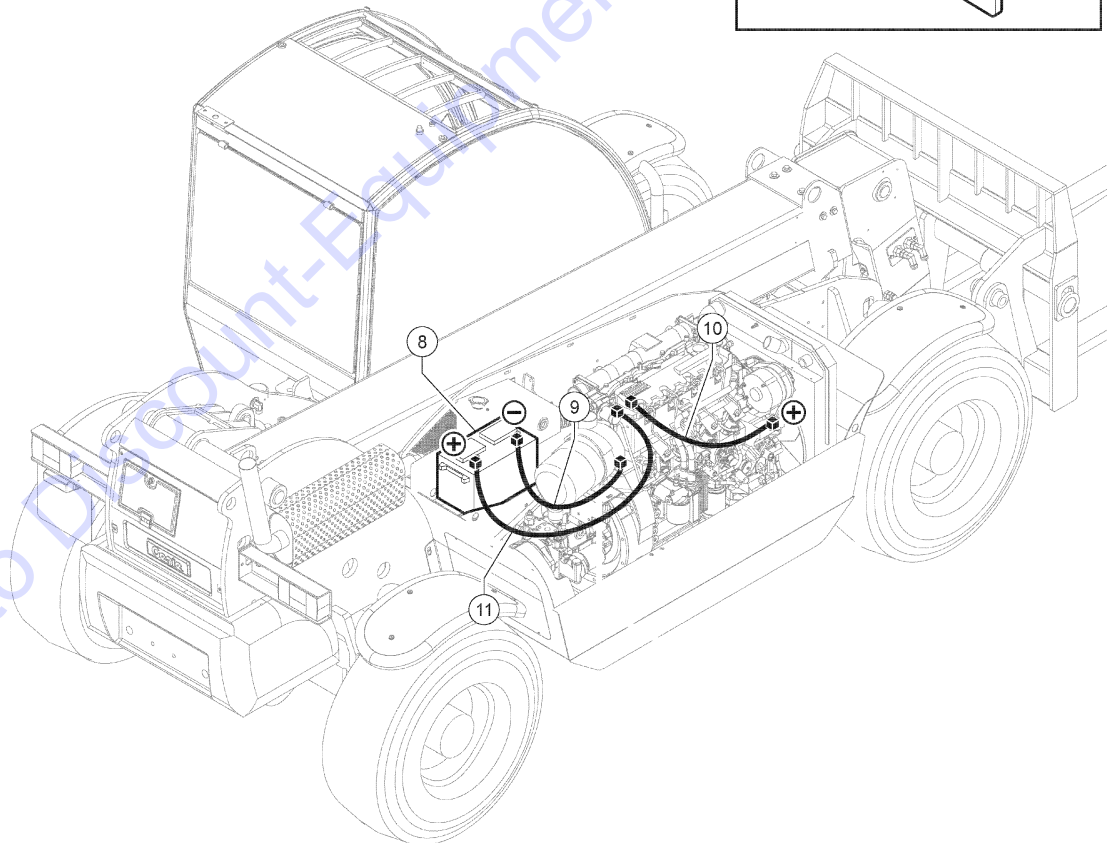
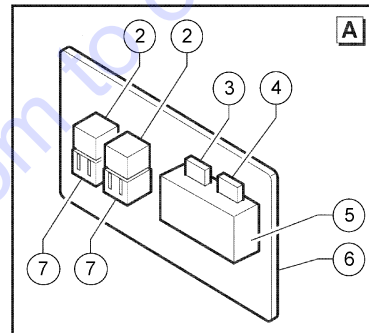
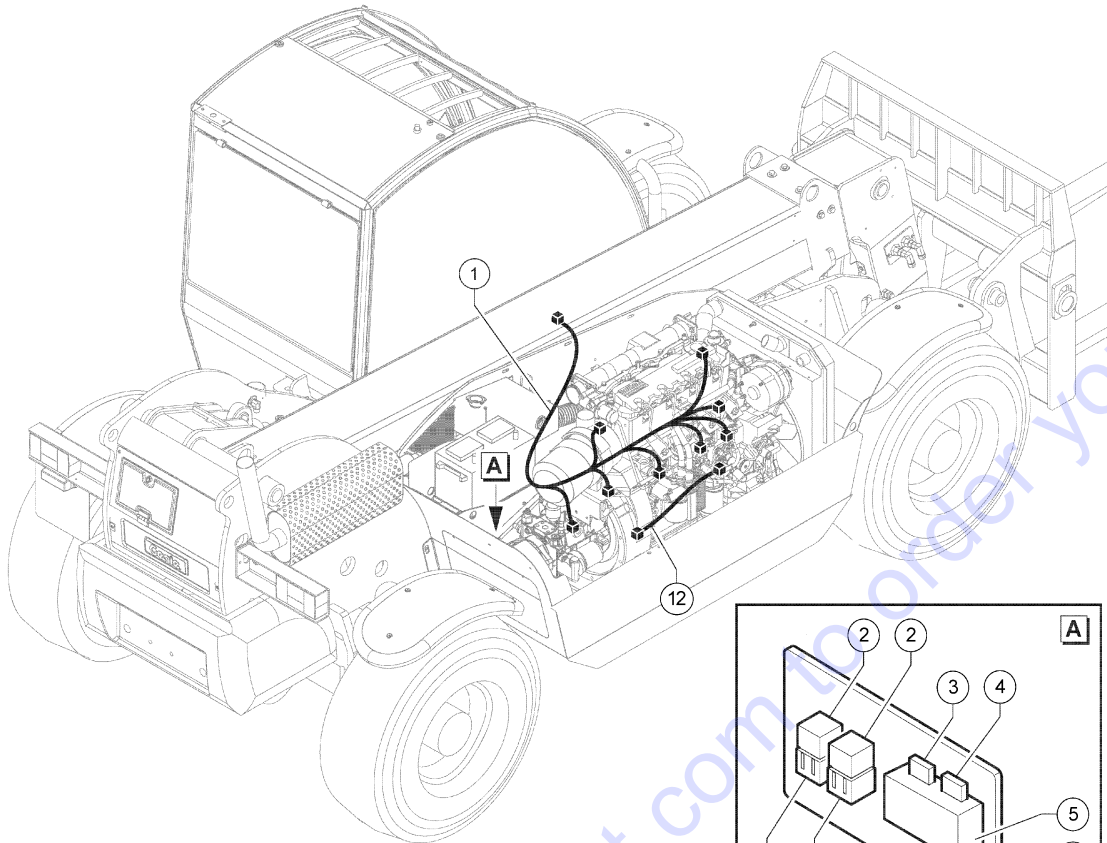
701.1 606661 Fuse Box



Item	Part No.	Description	Qty.
1	07.0703.0080	Fuse 5A.....	3
2	07.0703.0148	FUSE,10A.....	12
3	634973	Fuse 15A.....	4
4	07.0703.0071	FUSE 25A.....	1
5	56.0005.0008	FUSE HOLDER.....	1
6	56.0021.0078	TIMER RELAY.....	1
7	07.0703.0487	Intermittence Relay	1
8	56.0021.0104	RELAY CARD.....	1

Go to Discount-Equipment.com to order your parts

702.1 606662 Engine Electrical Installation



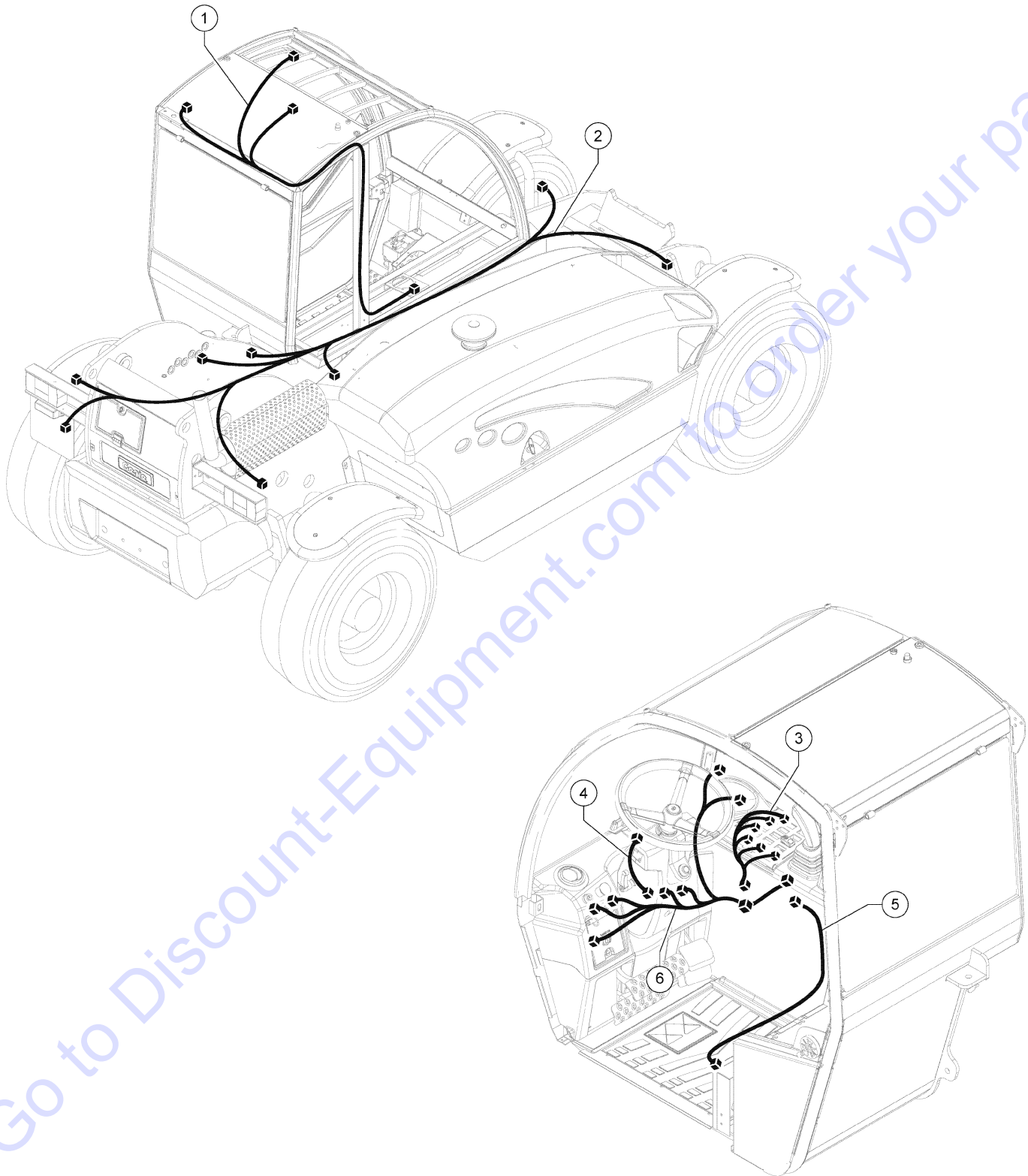
702.1 606662 Engine Electrical Installation

Item	Part No.	Description	Qty.
1	55.0602.0335	Engine Electric Line Perkins.....	1
1	55.0602.0336	ENGINE HARNESS.....	1
2	56.0006.9201	Relay 12V 50A	2
3	56.0005.0000	Max Fuse 40A	1
4	56.0005.0001	FUSE, 50A.....	1
5	07.0703.0670	Maxi Fuse Holder.....	1
6	56.0005.0007	Engine Fuse Box.....	1
7	56.0002.0266	CONNECTOR.....	2
8	56.0008.0002	BATTERY..... <i>For US Market Can Be Sold P.N. 129101 With Bracket P.N. 823269</i>	1
9	55.0602.0408	Battery Negative Cable.....	1
10	56.0000.0072	Alternator Line.....	1
11	55.0602.0407	Battery Positive Cable.....	1
12	55.0602.0766	Engine DPF Supply Line..... <i>ONLY FOR DEUTZ ENGINE</i>	1

Go to Discount-Equipment.com to order your parts



703.1 606663 Chassis And Cabin Electrical Installation



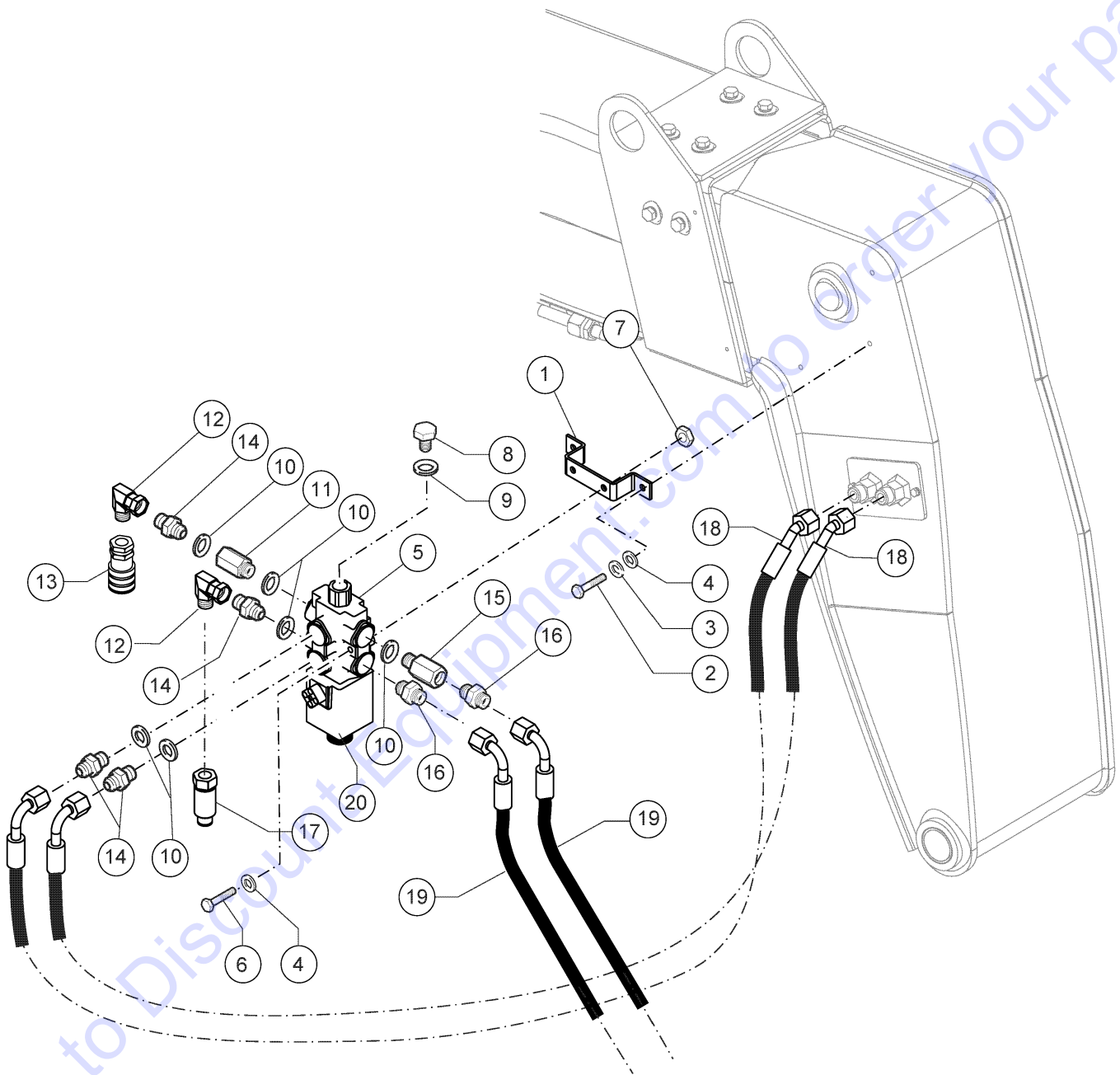
703.1 606663 Chassis And Cabin Electrical Installation

Item	Part No.	Description	Qty.
1	55.0602.0446	CABIN LINE, TOP.....	1
2	55.0602.0415	Chassis Harness.....	1
3	55.0602.0414	Dashboard Harness.....	1
4	55.0602.0604	Steering Column Line.....	1
5	55.0602.0605	Heating Fan Line (Only For Close Cab Version).....	1
6	55.0602.0413	Cab Harness.....	1

Go to Discount-Equipment.com to order your parts



801.1 606664 Hydraulic Quick Coupling For attachment (Hydraulic Part 1)

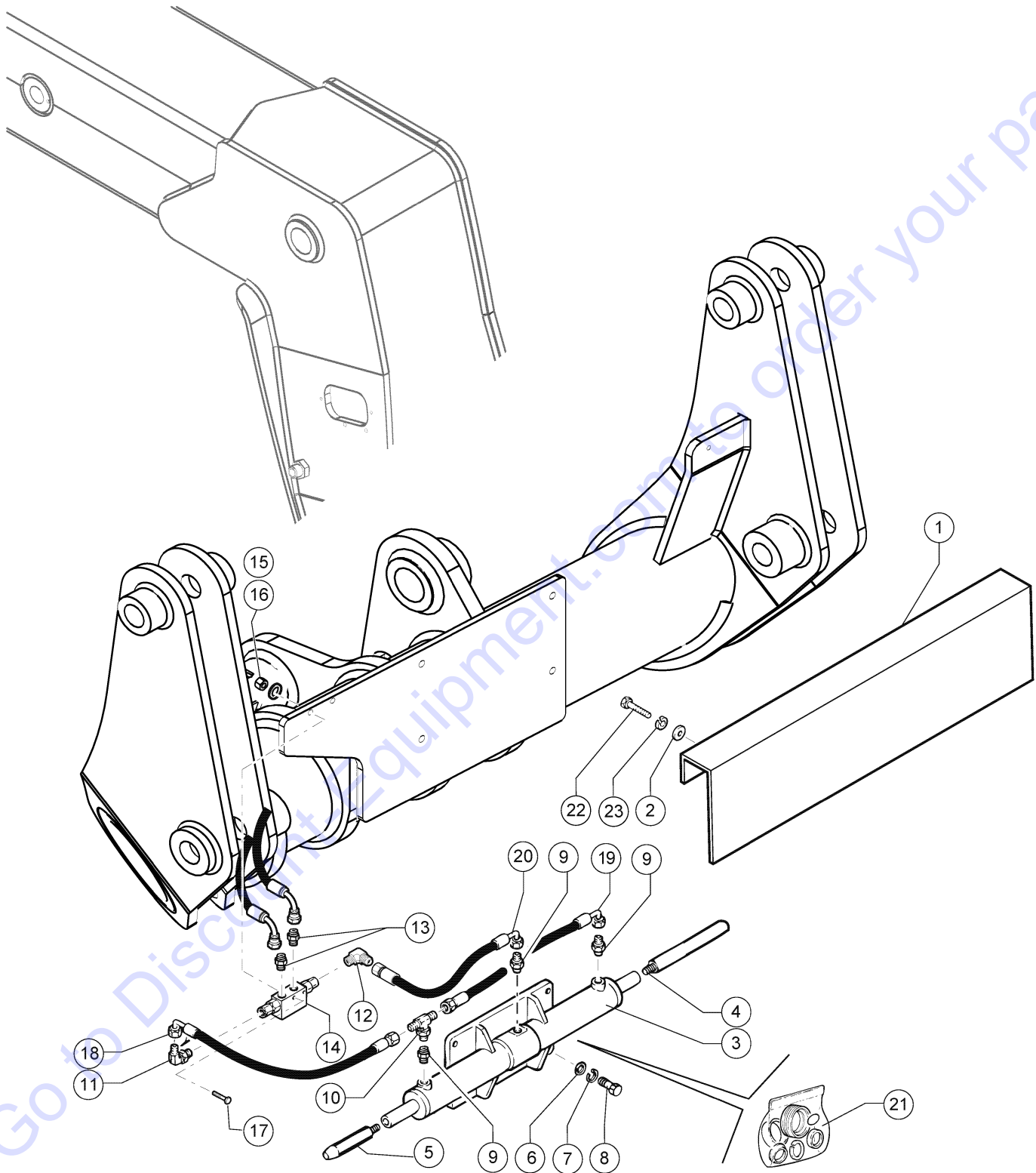


801.1 606664 Hydraulic Quick Coupling For attachment (Hydraulic Part 1)

Item	Part No.	Description	Qty.
1	51.0807.1800	Bracket.....	1
2	01.0001.0254	SCREW M8X20 UNI 5739 8.8 ZN....	2
3	01.4032.0003	SPRING WASHER D 8 ZN	2
4	01.0031.0055	FLAT WASHER D8 UNI 6592 ZN	4
5	04.4240.0011	Solenoid Valve.....	1
6	01.0001.0207	SCREW M8X60 UNI 5737 8.8 ZN....	2
7	01.0023.0054	NUT,M8 UNI 7473 6S ZN.....	2
8	04.0220.0051	PLUG 1/4" BSP.....	1
9	06.0442.0101	WASHER.....	1
10	06.0442.0103	COPPER WASHER.....	6
11	04.0600.0016	PIPE FITTING CMF G1/2 ES LG 45.....	1
12	04.0600.0019	Pipe Fitting MFK 90 1/2 BSP.....	2
13	04.4210.0019	QUICK COUPLING, FEMALE 1/2....	1
14	04.0600.0017	PIPE FITTING 1/2X1/2 BSP.....	4
15	04.0600.0091	PIPE FITTING CMF1/2 ES LG 25....	1
16	04.0607.0110	PIPE FITTING 1/2BSP x 11/16-16 ORFS.....	2
17	04.4210.0018	QUICK COUPLING, MALE 1/2.....	1
18	04.0602.0581	Flexible Hose R2 X 1/2 400 F90 F45 BSP.....	2
19	04.0605.1062	Flexible Hose R2 X 3/8 LG. 900 FD F90 11/16-16 ORFS.....	2
20	07.0704.0153	Solenoid Valve.....	1

Go to Discount-Equipment.com to order your parts

802.1 606665 Hydraulic Quick Coupling For Attachment (Hydraulic Part 2)



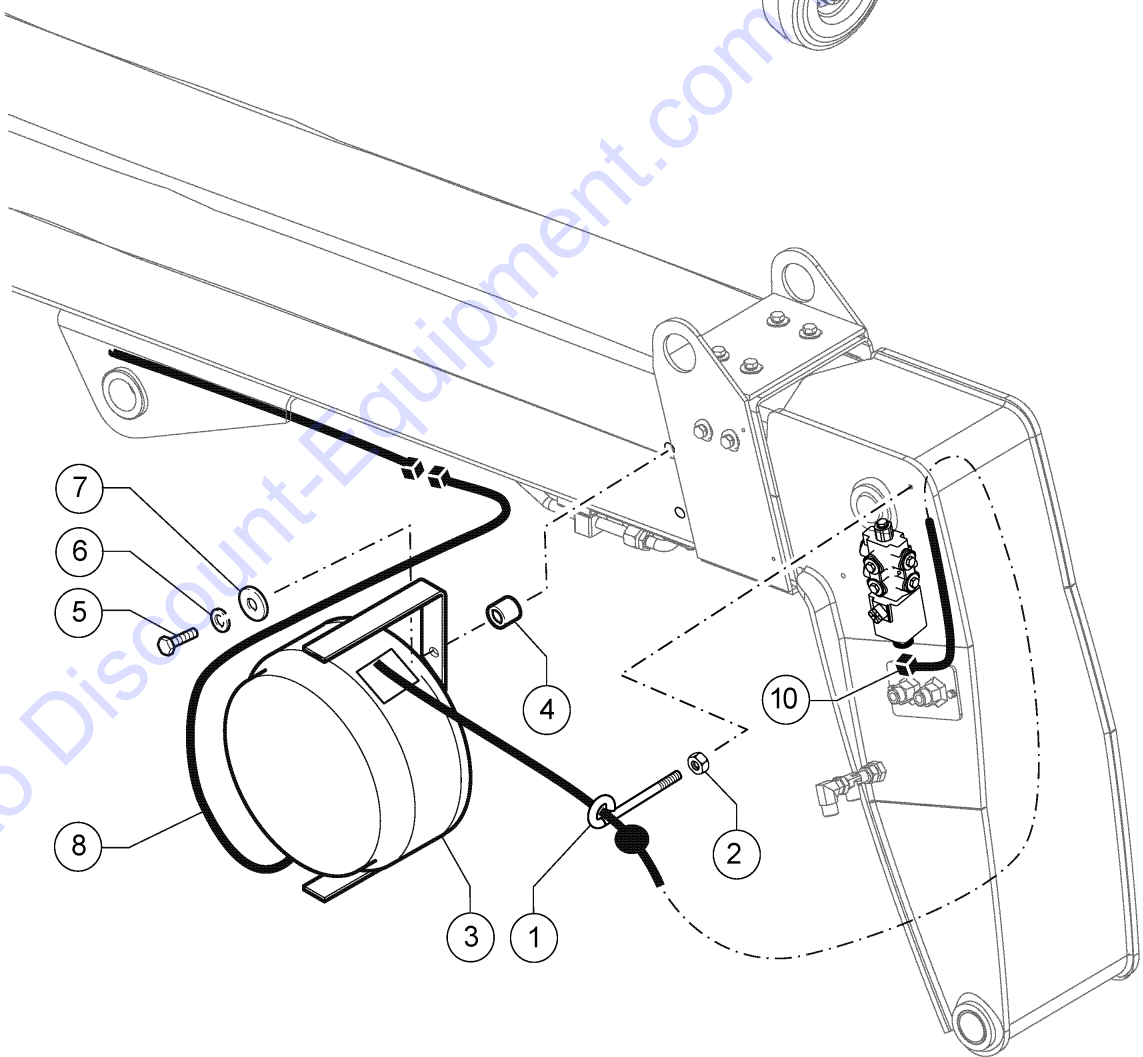
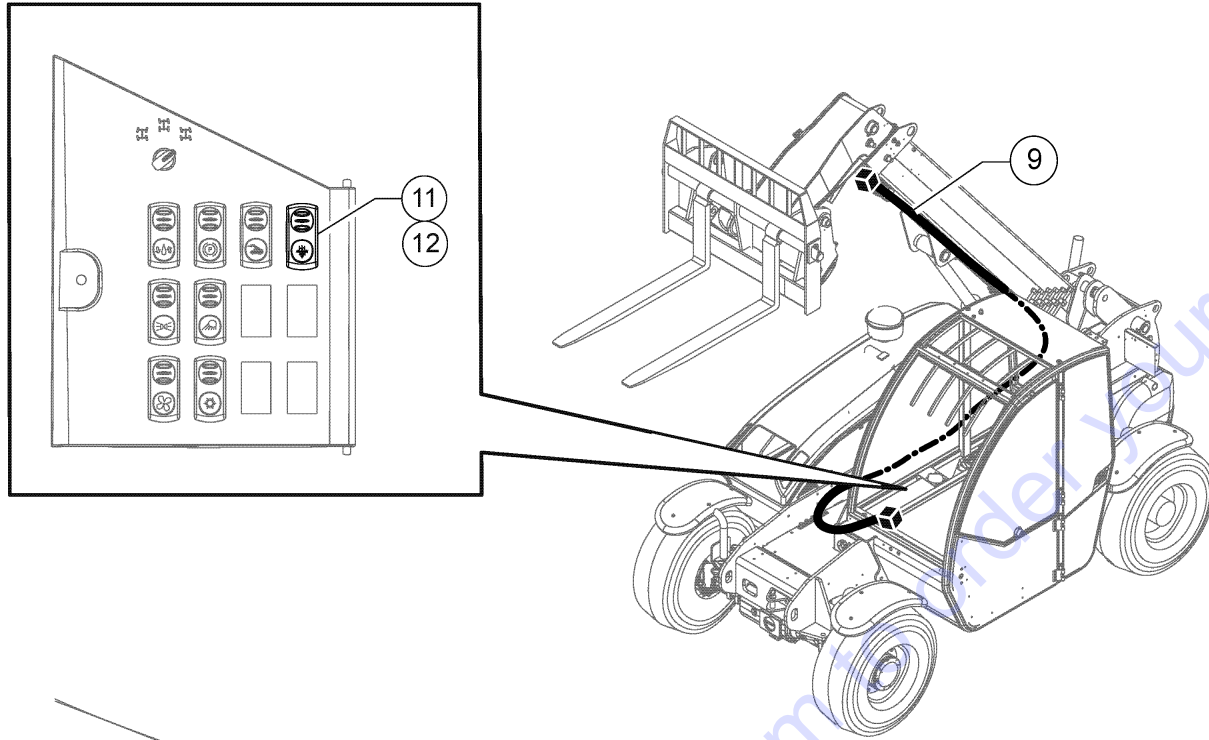
802.1 606665 Hydraulic Quick Coupling For Attachment (Hydraulic Part 2)

Item	Part No.	Description	Qty.
1	51.0903.1500	CYL PROTECTOR (SHIELD, GUARD).....	1
2	01.0031.0299	FLAT WASHER D8 UNI 6593.....	2
3	53.0500.0600	CYLINDER.....	1
4	54.0001.0058	PIN.....	1
5	54.0001.0059	PIN.....	1
6	01.4032.0004	SPRING WASHER D10 ZN.....	4
7	01.0031.0301	FLAT WASHER D10 UNI 6593 ZN	4
8	01.0001.0355	SCREW,TE,M10X25 UNI 8.8 ZN....	4
9	04.0607.0114	PIPE FITTING 3/8 BSPX9/16-18 ORFS.....	3
10	04.0607.0131	PIPE FITTING TMF+C 9/16-18 ORFS.....	1
11	04.0607.0112	PIPE FITTING M-M A 90 1/4 BSPX9/16-18 ORFS.....	1
12	04.0607.0132	PIPE FITTING 45 M-M 1/4 BSPX9/16-18 ORFS.....	1
13	04.0607.0163	PIPE FITTING 1/4BSPX11/16-16 ORFS.....	2
14	04.4239.0002	VALVE.....	1
15	01.0031.0054	FLAT WASHER D6 UNI 6592 ZN	2
16	01.0023.0053	STOP NUT M6 UNI 7473 6S ZN	2
17	01.0003.0162	SCREW M6X50 UNI 5931 8.8 ZN....	2
18	04.0605.0114	FLEXIBLE HOSE.....	1
19	04.0605.0113	HOSE R2X1/4 LG 405 FD-F90 9/16-18 ORFS.....	1
20	04.0605.0112	FLEXIBLE HOSE 7.75 INCH	1
21	07.4529.0107	SEAL KIT.....	1
22	01.0001.0254	SCREW M8X20 UNI 5739 8.8 ZN....	2
23	01.4032.0003	SPRING WASHER D 8 ZN	2

Go to www.genieequipment.com to order your parts



803.1 606666 Hydraulic Quick Coupling For Attachment (Electrical Part)



A TEREX BRAND

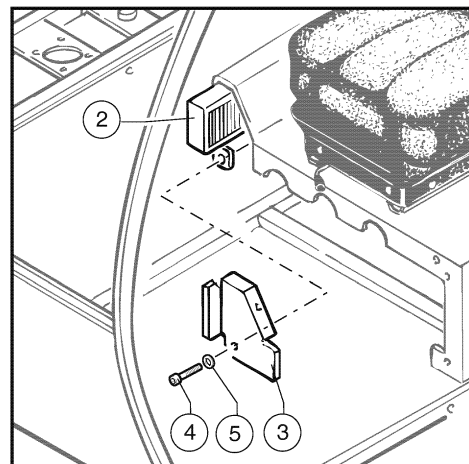
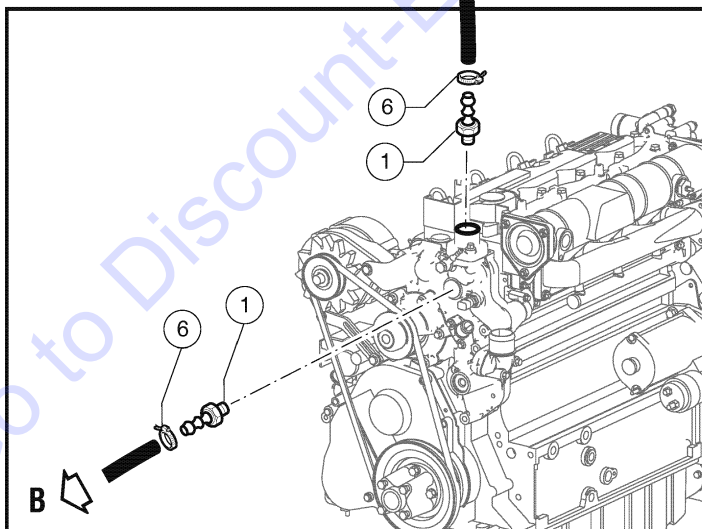
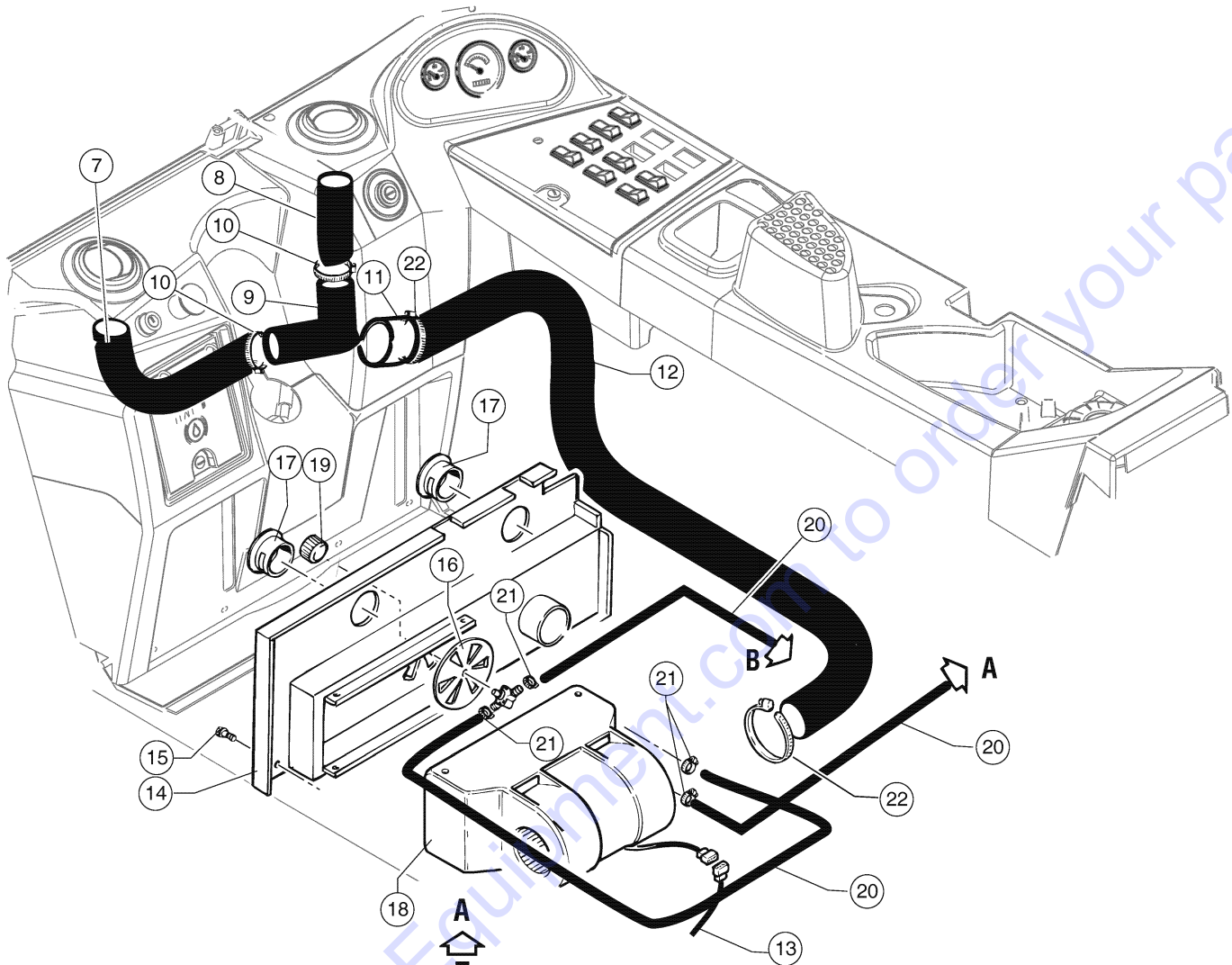
803.1 606666 Hydraulic Quick Coupling For Attachment (Electrical Part)

Item	Part No.	Description	Qty.
1	51.0811.4040	BRACKET.....	1
2	01.0019.0104	NUT M8 UNI 5588 6S ZN.....	1
3	56.0023.0025	Cable Reel.....	1
4	54.0101.0015	Spacer.....	2
5	01.0001.0104	SCREW M6X40 UNI 5739 8.8 ZN ...	2
6	01.0031.0298	FLAT WASHER D6 UNI 6593 ZN	2
7	01.4032.0002	SPRING WASHER D6 ZN.....	2
8	55.0602.0420	HARNESS, CABLE REEL.....	1
9	55.0602.0333	HARNESS, BOOM.....	1
10	56.0002.0071	CONNECTOR,DIN CONNECTOR W/LED.....	1
11	56.0017.0063	SWITCH COVER.....	1
12	56.0017.0035	SWITCH	1

Go to Discount-Equipment.com to order your parts



804.1 606667 Heater (Deutz Engine)



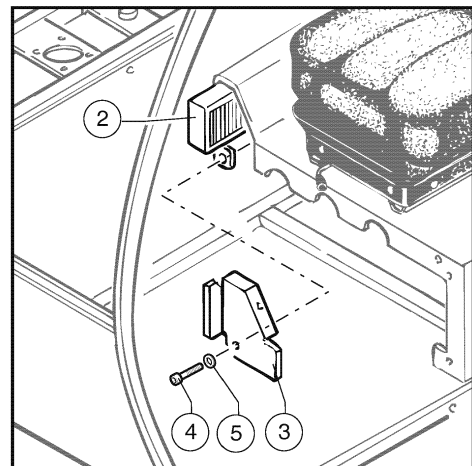
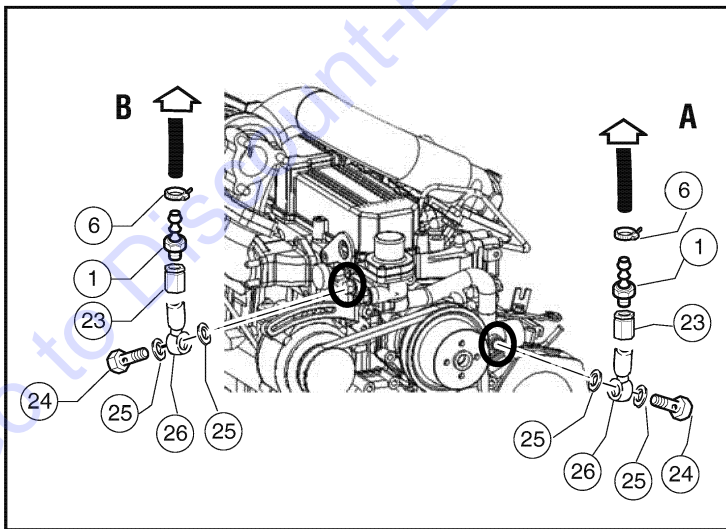
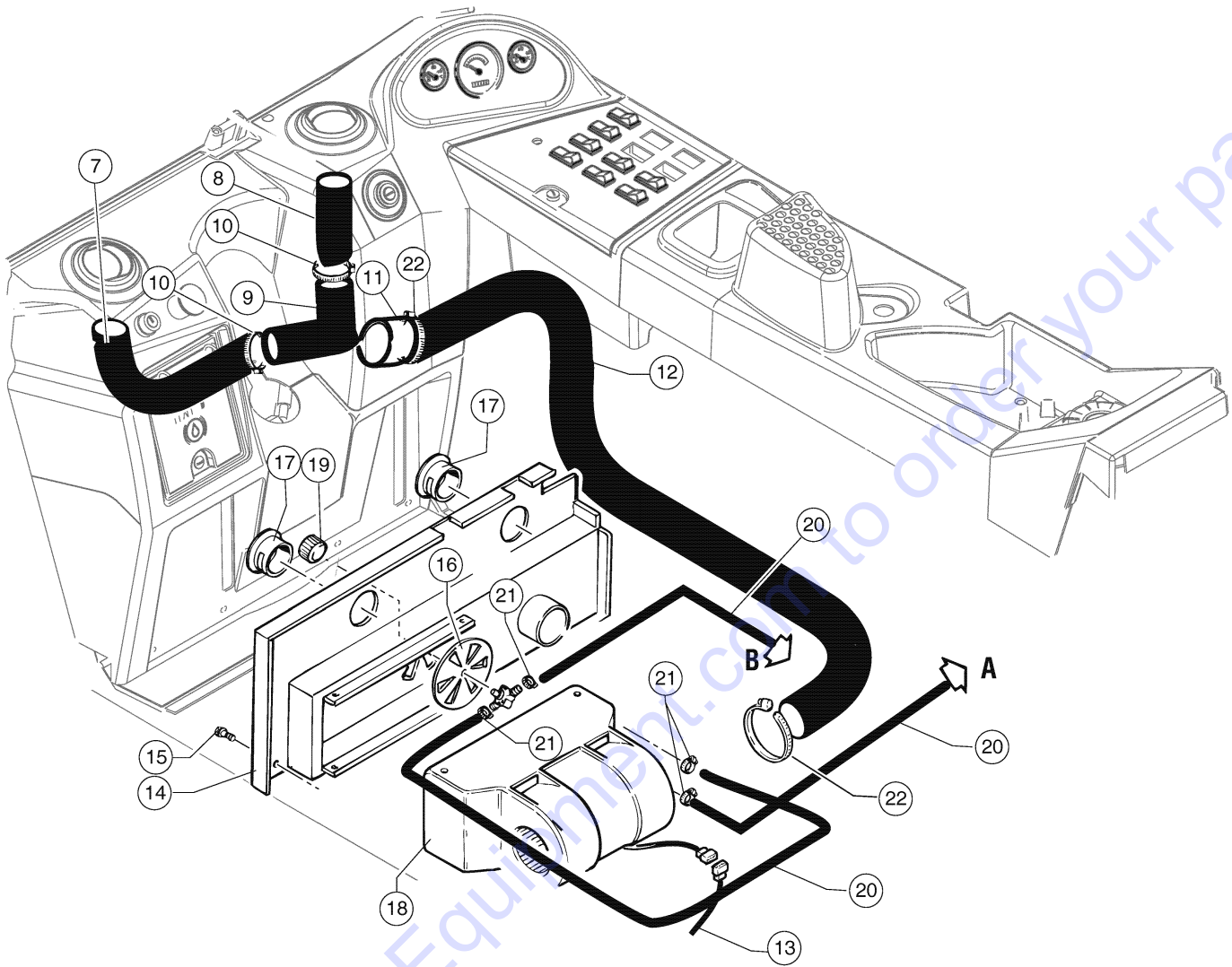
804.1 606667 Heater (Deutz Engine)

Item	Part No.	Description	Qty.
1	09.0806.0058	Hose Fitting.....	2
2	07.0723.0149	FILTER	1
3	07.0723.0455	COVER, AIR FILTER.....	1
4	07.0723.0090	BALL-GRIP	2
5	07.0723.0076	Plain Washer D6x18	2
6	04.4227.0007	CLAMP S16 D32 HOLE 8.4.....	2
7	07.0723.0484	AIR HOSE.....	19,68-inch
8	07.0723.0484	AIR HOSE.....	13,78-inch
9	07.0723.0482	CONNECTOR.....	1
10	04.4227.0012	Clamp.....	2
11	07.0723.0483	Coupling.....	1
12	640990	PAPER PIPING(1 PIECE=39.37 IN).....	59-inch
13	07.0723.0523	Electrical Harness.....	1
14	07.0723.0464	PANEL.....	1
15	07.0723.0109	SCREW.....	5
16	07.0723.0108	Air Inlet.....	1
17	07.0723.0010	Air Inlet.....	2
18	640985	Heater	1
19	07.0723.0193	TAP	1
20	07.0723.0194	Rubber Hose LG.1000.....	354-inch
21	04.0227.0051	CLAMP DN 10/16 LG 9.....	4
22	07.0723.0524	Clamp.....	2

Go to Discount-Equipment.com to order your parts



805.1 606668 Heater (Perkins Engine)

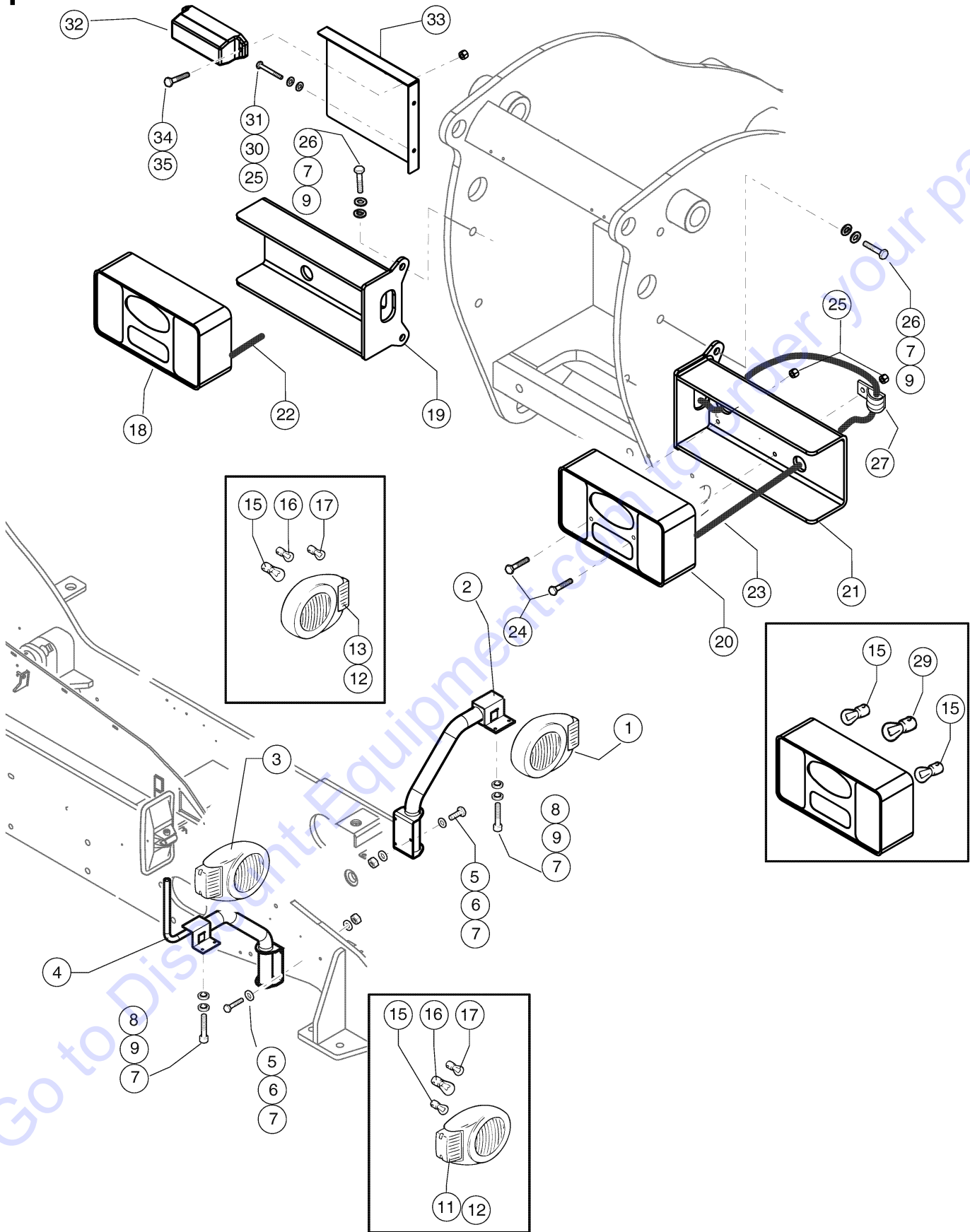


805.1 606668 Heater (Perkins Engine)

Item	Part No.	Description	Qty.
1	09.0806.0050	Hose Fitting.....	2
2	07.0723.0149	FILTER	1
3	07.0723.0455	COVER, AIR FILTER.....	1
4	07.0723.0090	BALL-GRIP	2
5	07.0723.0076	Plain Washer D6x18	2
6	07.0227.0051	Clamp DN 10/16 L=9.....	2
7	07.0723.0484	AIR HOSE.....	19,68-inch
8	07.0723.0484	AIR HOSE.....	13,78-inch
9	07.0723.0482	CONNECTOR.....	1
10	04.4227.0012	Clamp.....	2
11	07.0723.0483	Coupling.....	1
12	640990	PAPER PIPING(1 PIECE=39.37 IN).....	59-inch
13	07.0723.0523	Electrical Harness.....	1
14	07.0723.0464	PANEL.....	1
15	07.0723.0109	SCREW.....	5
16	07.0723.0108	Air Inlet.....	1
17	07.0723.0010	Air Inlet.....	2
18	640985	Heater	1
19	07.0723.0193	TAP	1
20	07.0723.0194	Rubber Hose LG.1000.....	354-inch
21	04.0227.0051	CLAMP DN 10/16 LG 9.....	4
22	07.0723.0524	Clamp.....	2
23	09.0806.0053	PIPE FITTING.....	2
24	09.0806.0054	Screw Fitting M16x1.5.....	2
25	06.0442.0102	Copper Washer JC 17.....	4
26	09.0806.0055	FITTING.....	2

Go to DiscountEquipment.com to order your parts

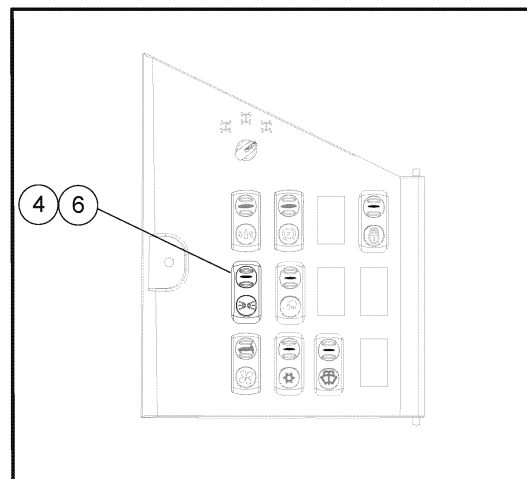
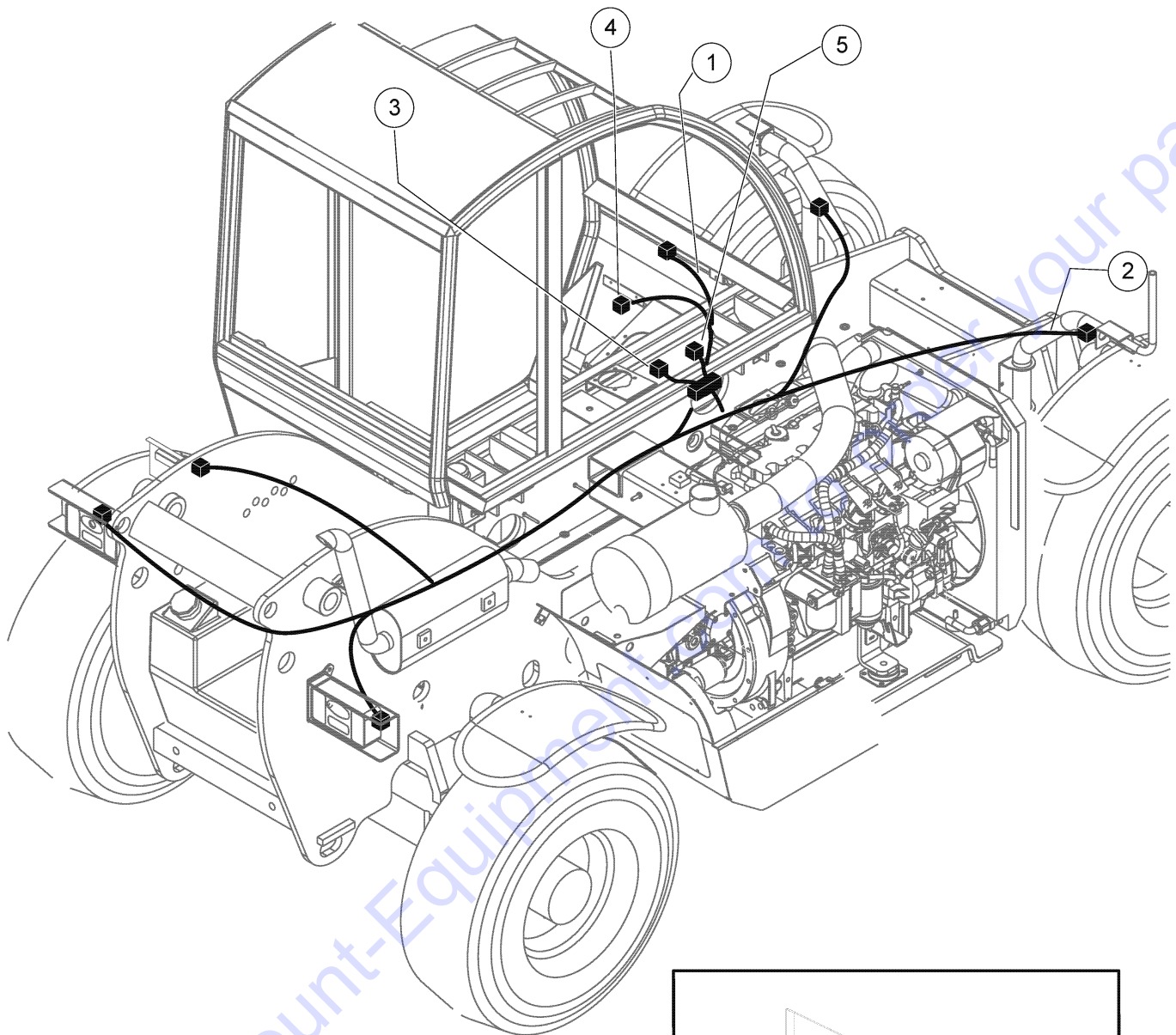
806.1 606669 Road Lights



Item	Part No.	Description	Qty.
1	56.0010.0000	Left Front Light.....	1
2	51.0800.3400	SUPPORT, HEADLIGHT.....	1
3	56.0010.0001	FRONT RIGHT BEACON/LIGHT.....	1
4	51.0800.3500	SUPPORT.....	1
5	01.0001.1465	SCREW M8X40 UNI 5739 8.8 ZN....	6
6	01.0023.0054	NUT,M8 UNI 7473 6S ZN.....	6
7	01.0031.0055	FLAT WASHER D8 UNI 6592 ZN	20
8	01.0001.0254	SCREW M8X20 UNI 5739 8.8 ZN....	4
9	01.4032.0003	SPRING WASHER D 8 ZN	8
11	07.0703.0309	GLASS, AMBER.....	1
12	07.0703.0310	GLASS (TAIL LIGHT LENS).....	2
13	07.0703.0302	LEFT TURN SIGNAL.....	1
15	07.0703.0175	BULB.....	6
16	56.0010.0058	BULB,12V,45/40W.....	2
17	56.0010.0059	Bulb 12V 4W.....	2
18	56.0010.0036	LIGHT,REAR,LEFT.....	1
19	51.0811.4038	SUPPORT.....	1
20	56.0010.0037	LIGHT,REAR,RIGHT.....	1
21	51.0811.4039	SUPPORT.....	1
22	55.0602.0450	Rear Left Light Harness.....	1
23	55.0602.0449	Rear Right Light Harness	1
24	01.0023.0053	STOP NUT M6 UNI 7473 6S ZN	4
25	01.0031.0054	FLAT WASHER D6 UNI 6592 ZN	6
26	01.0001.0256	SCREW M8X25 UNI 5739 8.8 ZN....	4
27	04.4227.0008	CLAMP S16 D12 HOLE 8.4.....	2
29	07.0703.0319	BULB, TAIL LIGHT.....	2
30	01.4032.0002	SPRING WASHER D6 ZN.....	2
31	01.0001.0154	SCREW,TE,M6X16 UNI 8.8 ZN.....	2
32	56.0010.0004	LIGHT,TRAFFIC ROAD PLATE.....	1
33	51.0811.4019	License Plate Support.....	1
34	01.4006.0006	Screw TSPEI M5X16 UNI 5933 10.9 ZN.....	2
35	01.0023.0052	STOP NUT M5 UNI 7473 6S ZN.....	2

Go to Distributors.genie.com to order your parts

807.1 606670 Road Lights (Electrical Part)



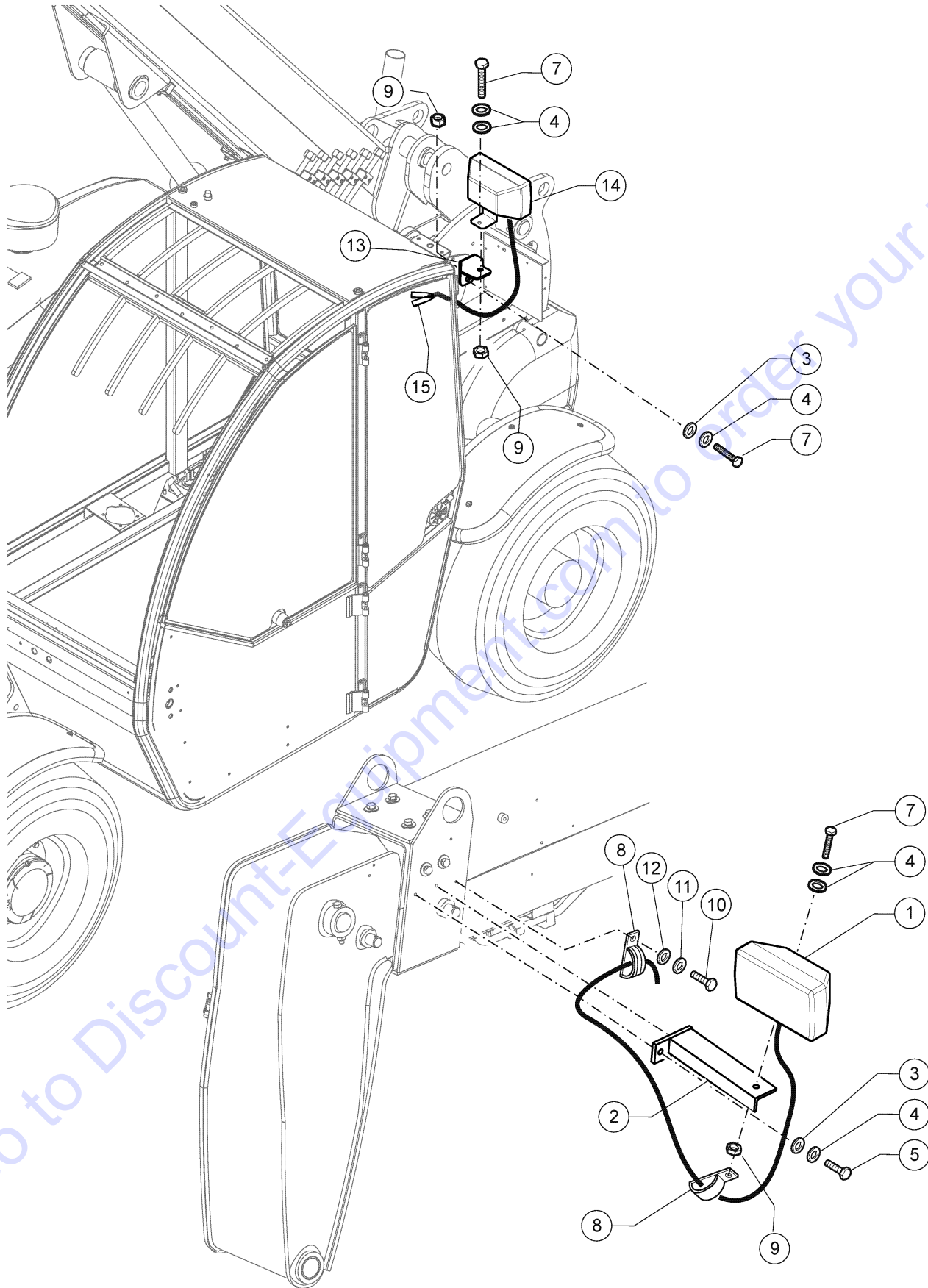
807.1 606670 Road Lights (Electrical Part)

Item	Part No.	Description	Qty.
1	55.0602.0349	Road Light Cab Harness.....	1
2	55.0602.0348	Road Light Chassis Harness.....	1
3	07.0703.0487	Intermittence Relay	1
4	56.0017.0037	CONTACT - 8 Pins.....	1
5	56.0017.0041	Switch.....	1
6	56.0017.0055	Road Lights Push Button Cover.....	1

Go to Discount-Equipment.com to order your parts



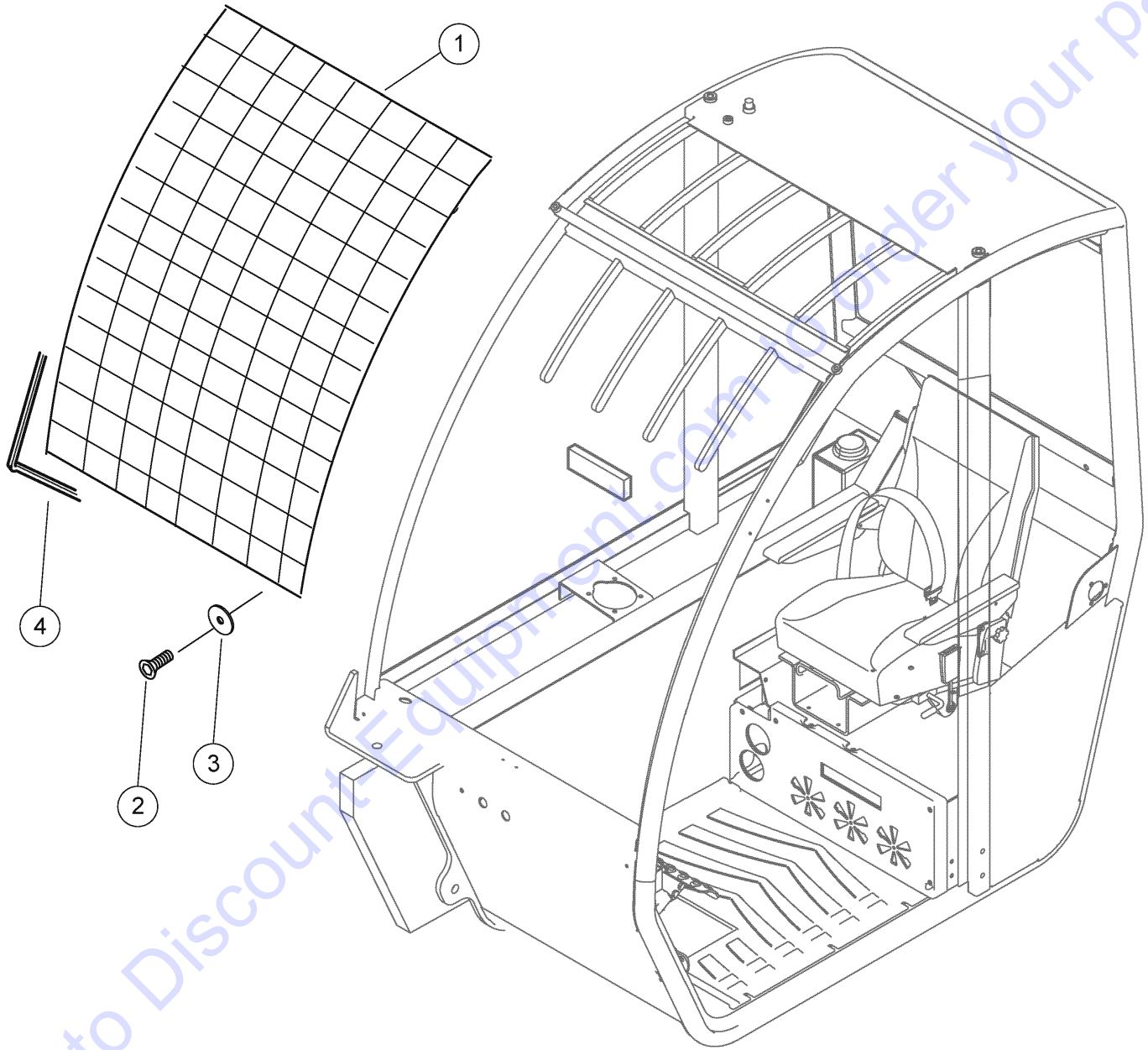
808.1 606671 Work Lights



Item	Part No.	Description	Qty.
1	07.0703.0047	LAMP H3 12V 55W.....	1
1	55.0602.0452	Complete Boom Work Light Harness.....	1
2	51.0806.5700	LIGHT SUPPORT BRACKET.....	1
3	01.4032.0003	SPRING WASHER D 8 ZN	4
4	01.0031.0055	FLAT WASHER D8 UNI 6592 ZN	6
5	01.0001.0254	SCREW M8X20 UNI 5739 8.8 ZN....	2
7	01.0001.0256	SCREW M8X25 UNI 5739 8.8 ZN....	4
8	04.4227.0008	CLAMP S16 D12 HOLE 8.4.....	2
9	01.0023.0054	NUT,M8 UNI 7473 6S ZN.....	4
10	01.0001.0154	SCREW,TE,M6X16 UNI 8.8 ZN.....	1
11	01.4032.0002	SPRING WASHER D6 ZN.....	1
12	01.0031.0054	FLAT WASHER D6 UNI 6592 ZN	1
13	51.0811.4037	Rear Work Light Bracket.....	1
14	55.0602.0451	WORK LIGHT W/HARNESS.....	1
15	55.0602.0453	Faston Cover Kit.....	1

Go to Discount-Equipment.com to order your parts

809.1 606672 Front Grill For Open Cab



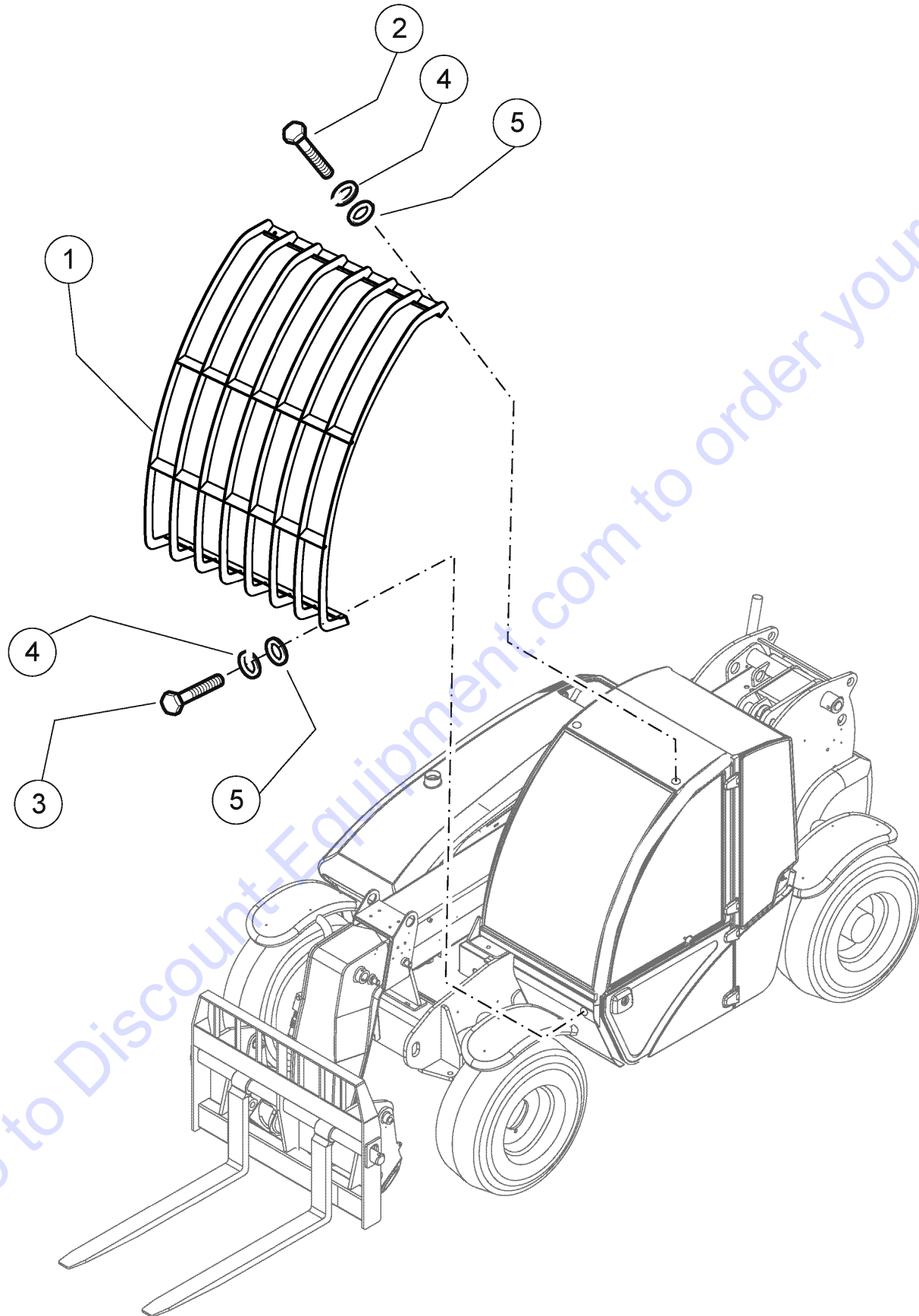
809.1 606672 Front Grill For Open Cab

Item	Part No.	Description	Qty.
1	07.0723.0196	GUARD.....	1
2	07.0723.0136	Screw TCB+4,8.....	8
3	07.0723.0074	WASHER.....	8
4	07.0723.0197	Rubber Seal.....	157,48-inch

Go to Discount-Equipment.com to order your parts



810.1 606673 Front Grille For Close Cab



Go to Discount-Equipment.com to order your parts

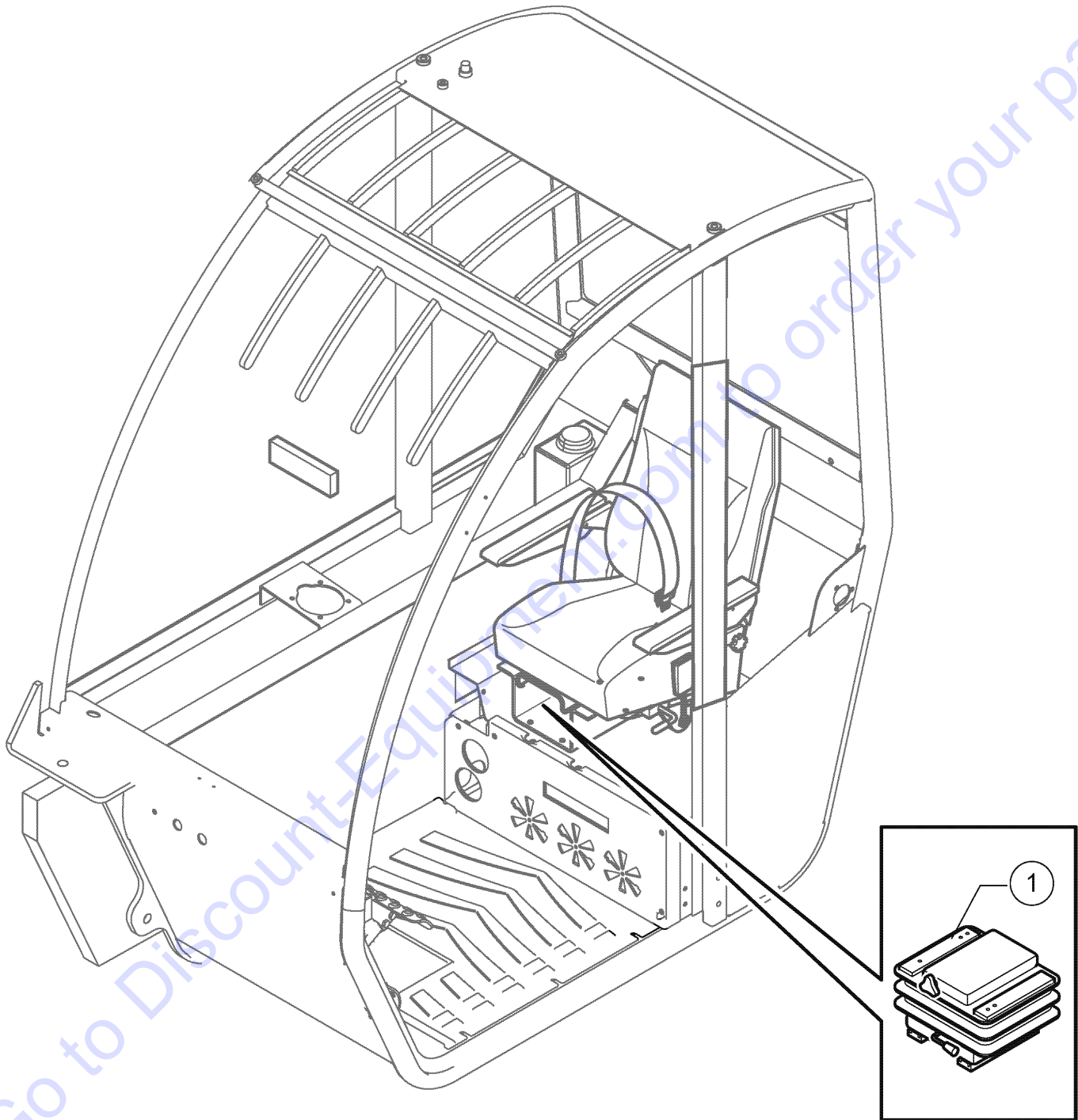
810.1 606673 Front Grille For Close Cab

Item	Part No.	Description	Qty.
1	51.0903.3800	FRONT GRILL.....	1
2	01.4001.0038	Screw TE M 8X12 UNI 5739 8.8 ZN.....	2
3	01.0001.0252	SCREW M8X16 UNI 5739 8.8 ZN....	2
4	01.4032.0003	SPRING WASHER D 8 ZN	4
5	01.0031.0299	FLAT WASHER D8 UNI 6593.....	4

Go to Discount-Equipment.com to order your parts



811.1 606674 Seat Spring

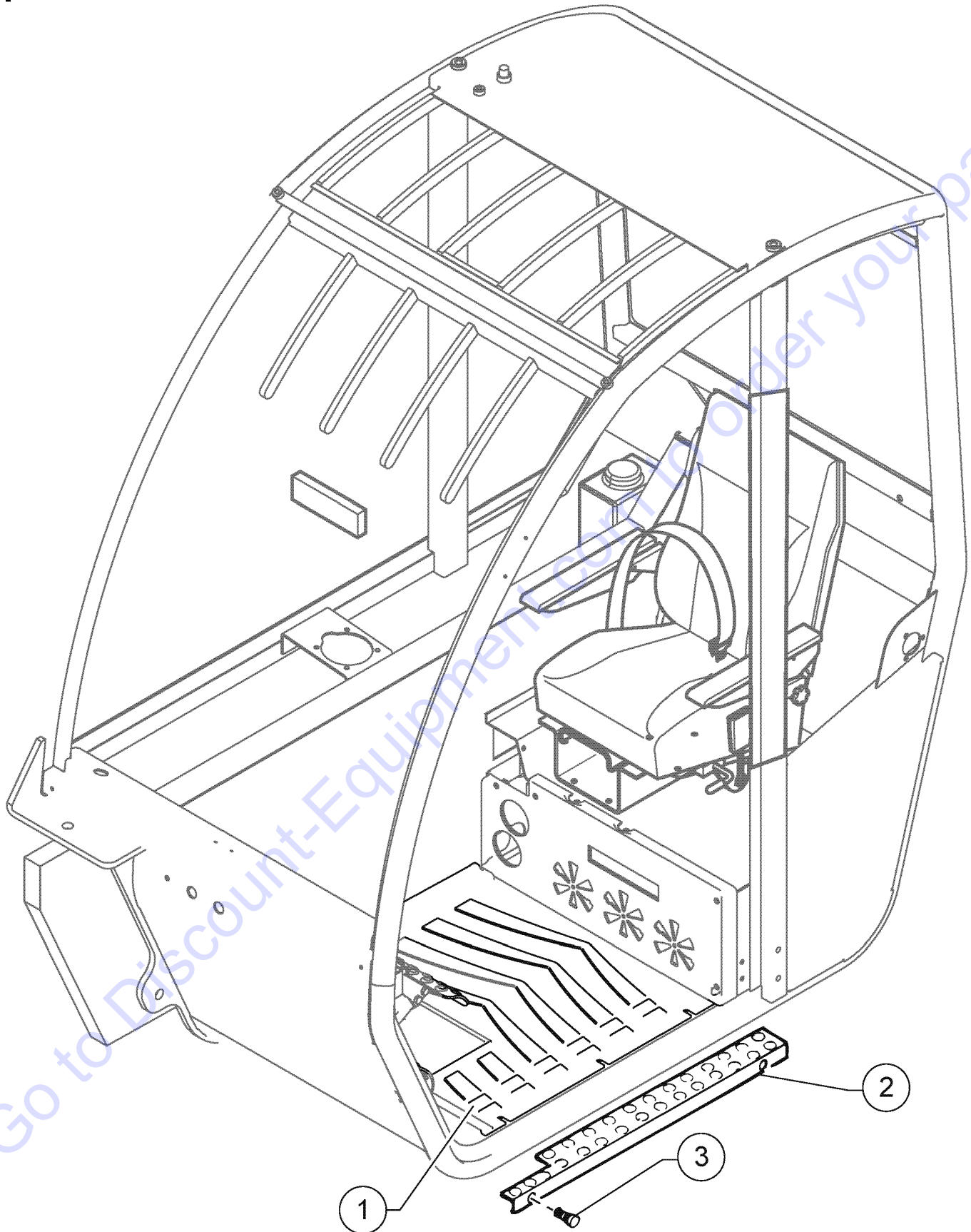


Item	Part No.	Description	Qty.
1	09.4610.0025	SHOCK ABSORBER, SEAT.....	1

Go to Discount-Equipment.com to order your parts



812.1 606675 Rubber Platform

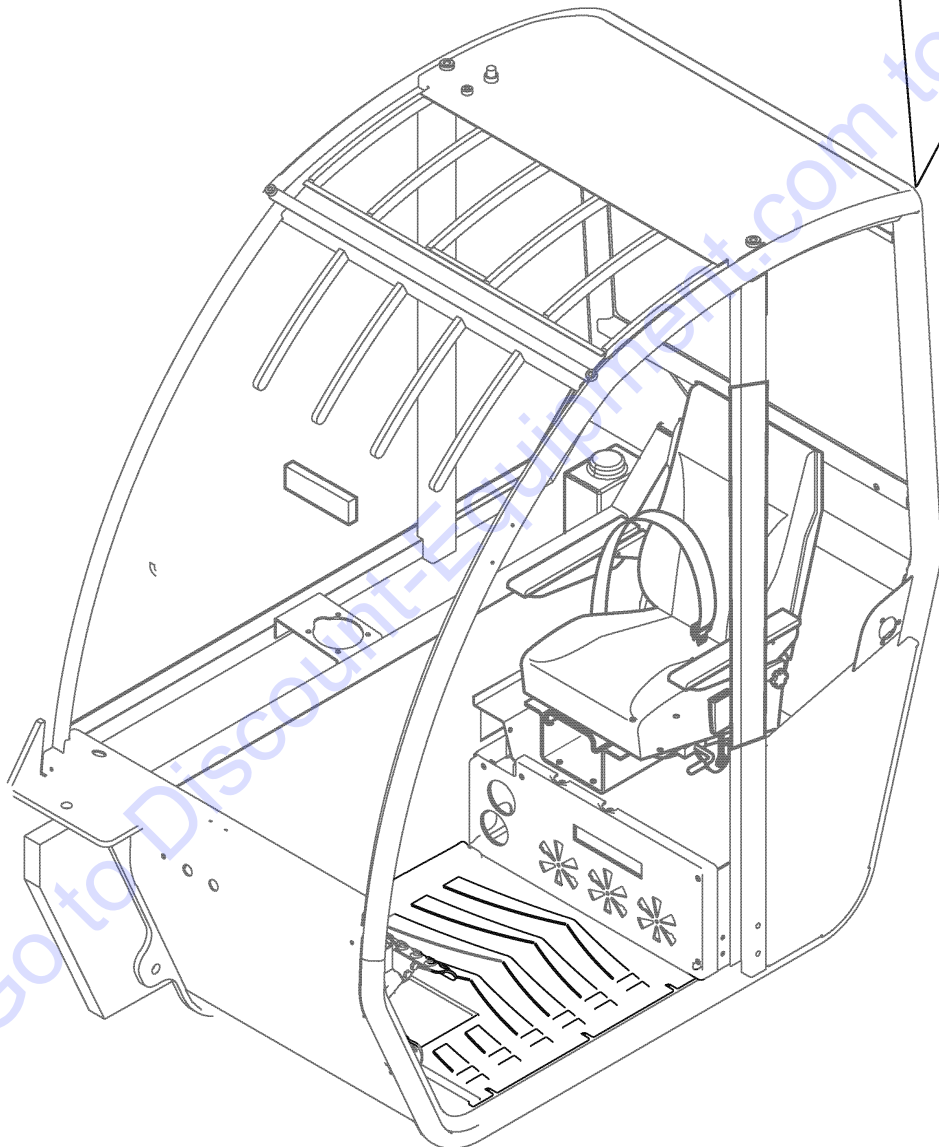
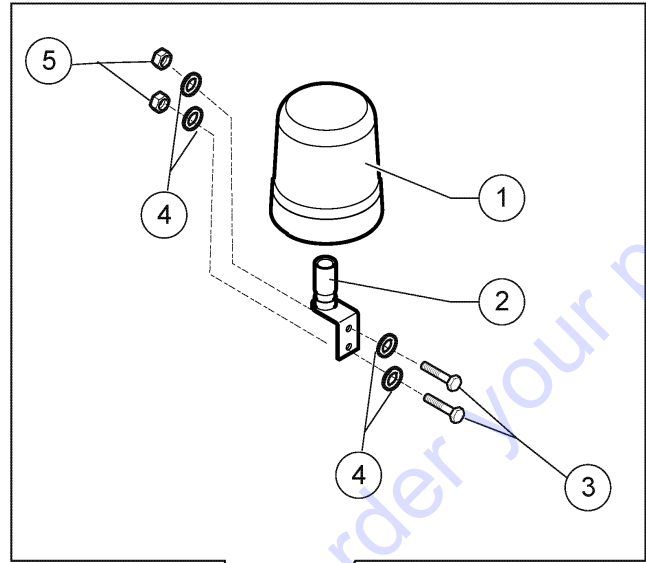


Item	Part No.	Description	Qty.
1	07.0723.0630	RUBBER CARPET.....	1
2	07.0723.0138	Bracket.....	1
3	07.0723.0162	SCREW.....	3

Go to Discount-Equipment.com to order your parts



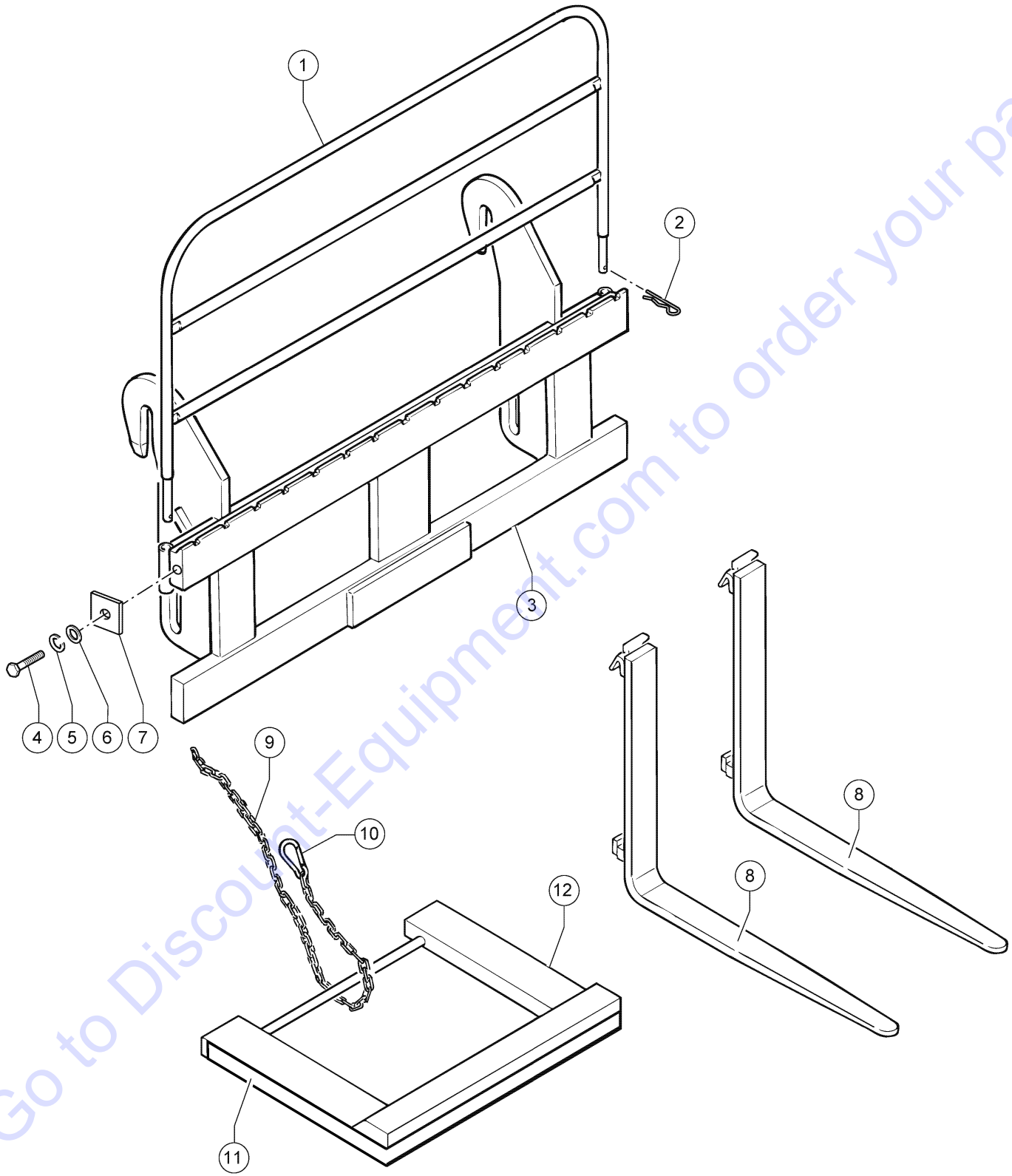
813.1 606676 Flashing Beacon



Item	Part No.	Description	Qty.
1	56.0010.0005	Flashing Beacon.....	1
2	07.0723.0485	Flashing Beacon Bracket.....	1
3	01.0001.0254	SCREW M8X20 UNI 5739 8.8 ZN....	2
4	01.0031.0055	FLAT WASHER D8 UNI 6592 ZN	4
5	01.0023.0054	NUT,M8 UNI 7473 6S ZN.....	2

Go to Discount-Equipment.com to order your parts

814.1 606677 Lock Fork

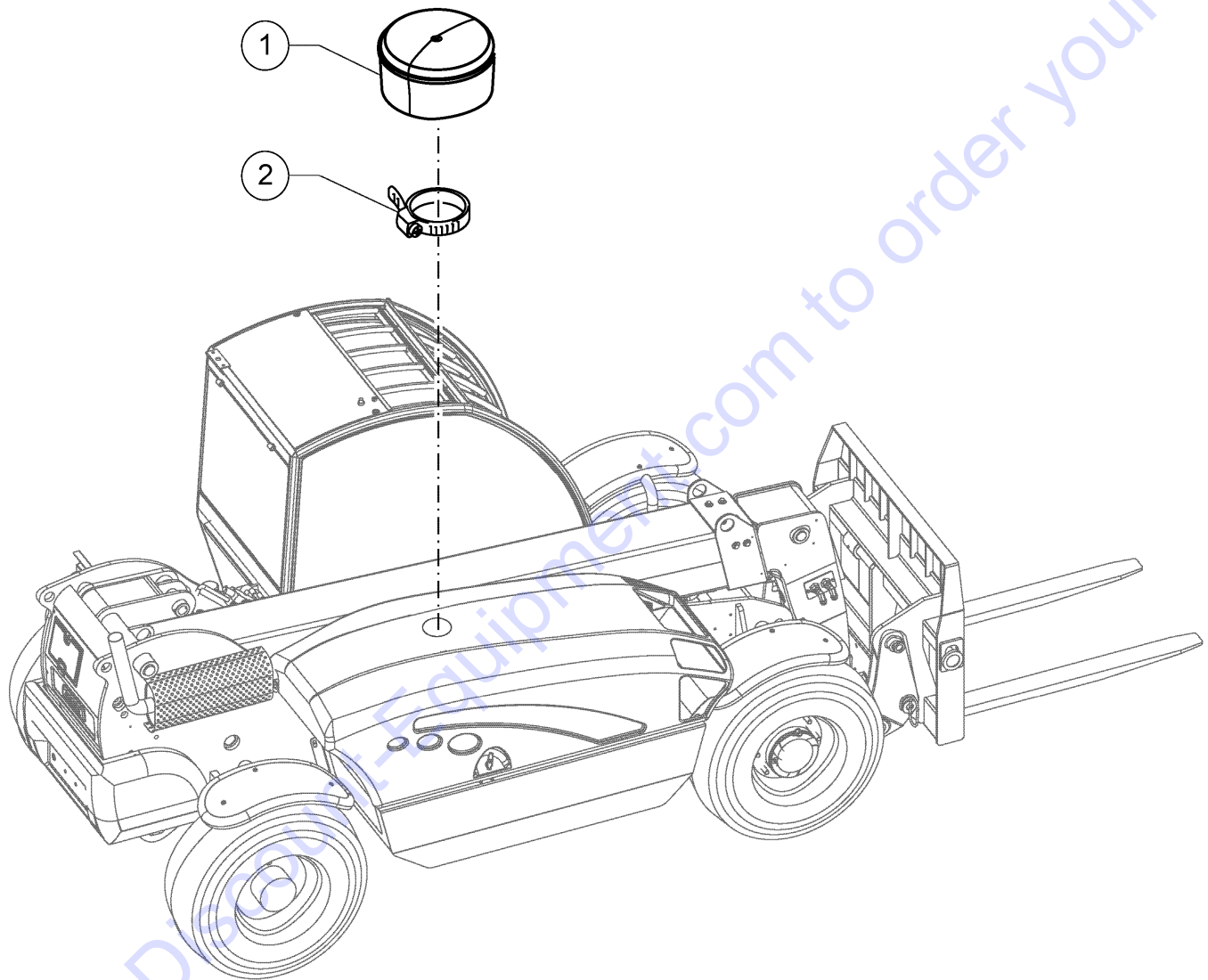


Item	Part No.	Description	Qty.
1	51.1300.1000	Guard.....	1
2	09.0803.0026	SPRING SPLIT PIN.....	2
3	51.1300.0900	Plate.....	1
4	01.0001.0256	SCREW M8X25 UNI 5739 8.8 ZN....	2
5	01.4032.0003	SPRING WASHER D 8 ZN	2
6	01.0031.0055	FLAT WASHER D8 UNI 6592 ZN	2
7	51.1300.0100	STOP GUARD.....	2
8	09.0803.0071	Fork.....	2
9	09.0803.0068	CHAIN.....	47,244-inch
10	09.0803.0069	CLAMP,DOUBLE,D16.....	1
11	09.4618.0093	REFLECTIVE DECAL,WHITE/RED.....	122,047-inch
12	51.1300.0300	Guard.....	1

Go to Discount-Equipment.com to order your parts



815.1 606678 Special Air Filter

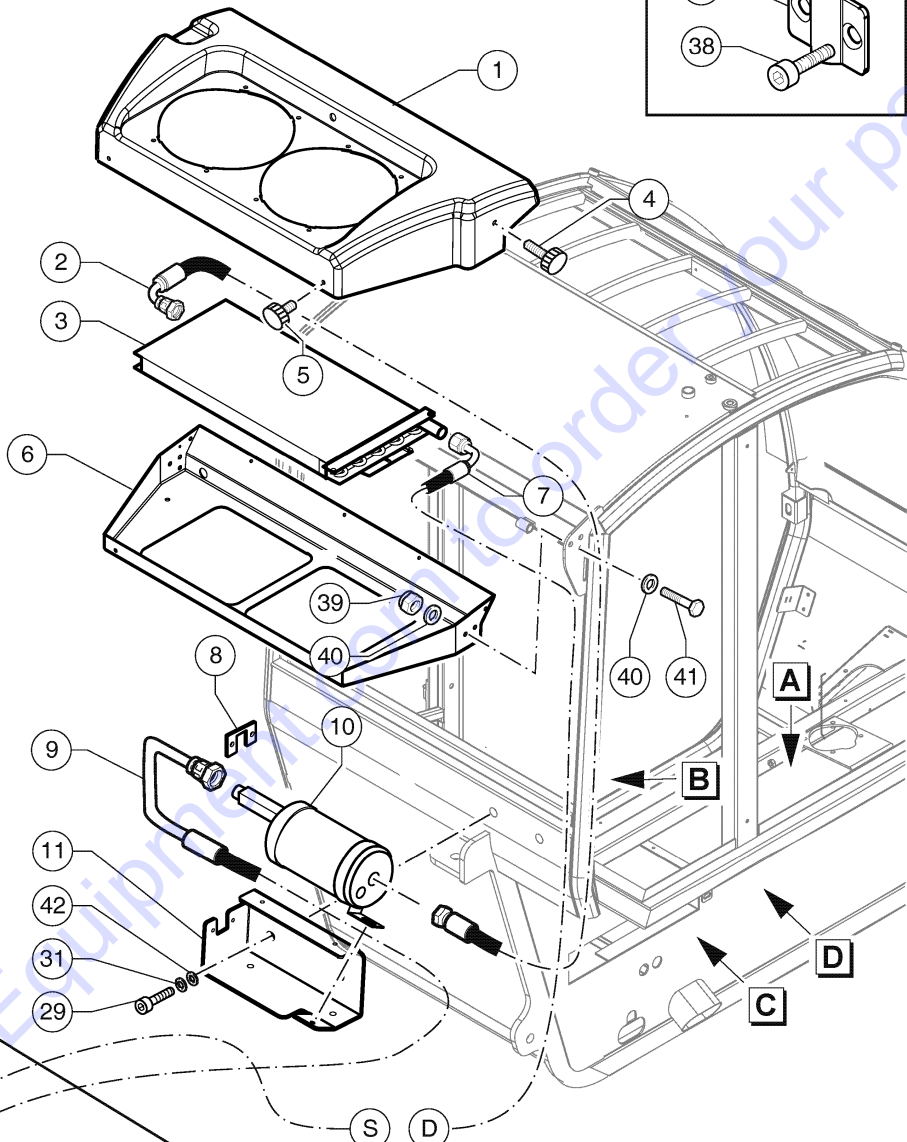
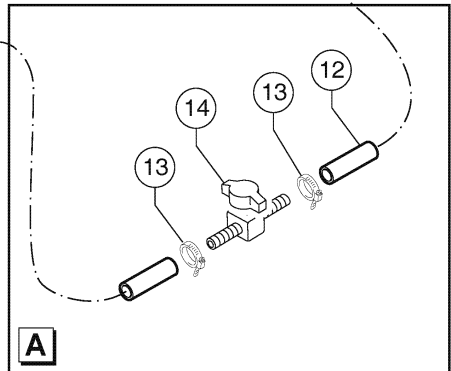
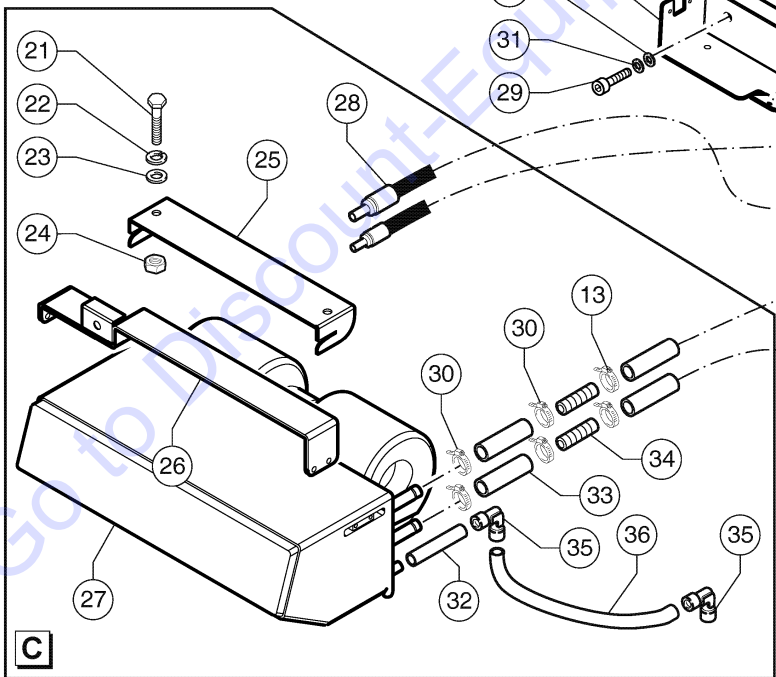
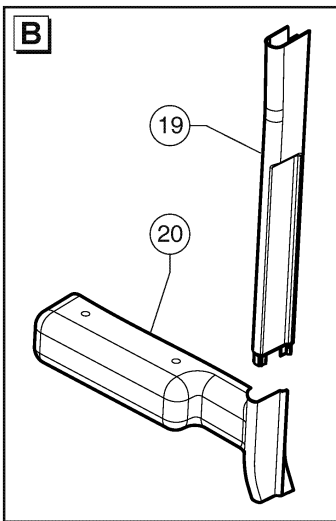
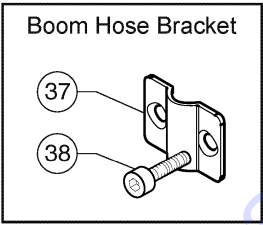
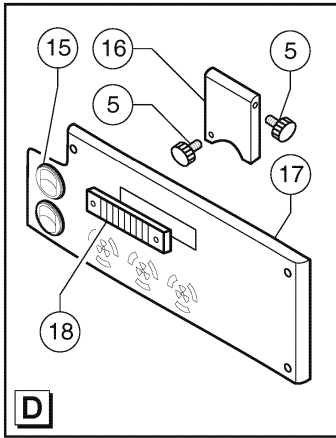


Item	Part No.	Description	Qty.
1	09.4604.0054	PRE FILTER.....	1
2	07.0700.0045	Clamp.....	1

Go to Discount-Equipment.com to order your parts



816.1 606679 Air Conditioning - Cabin Part

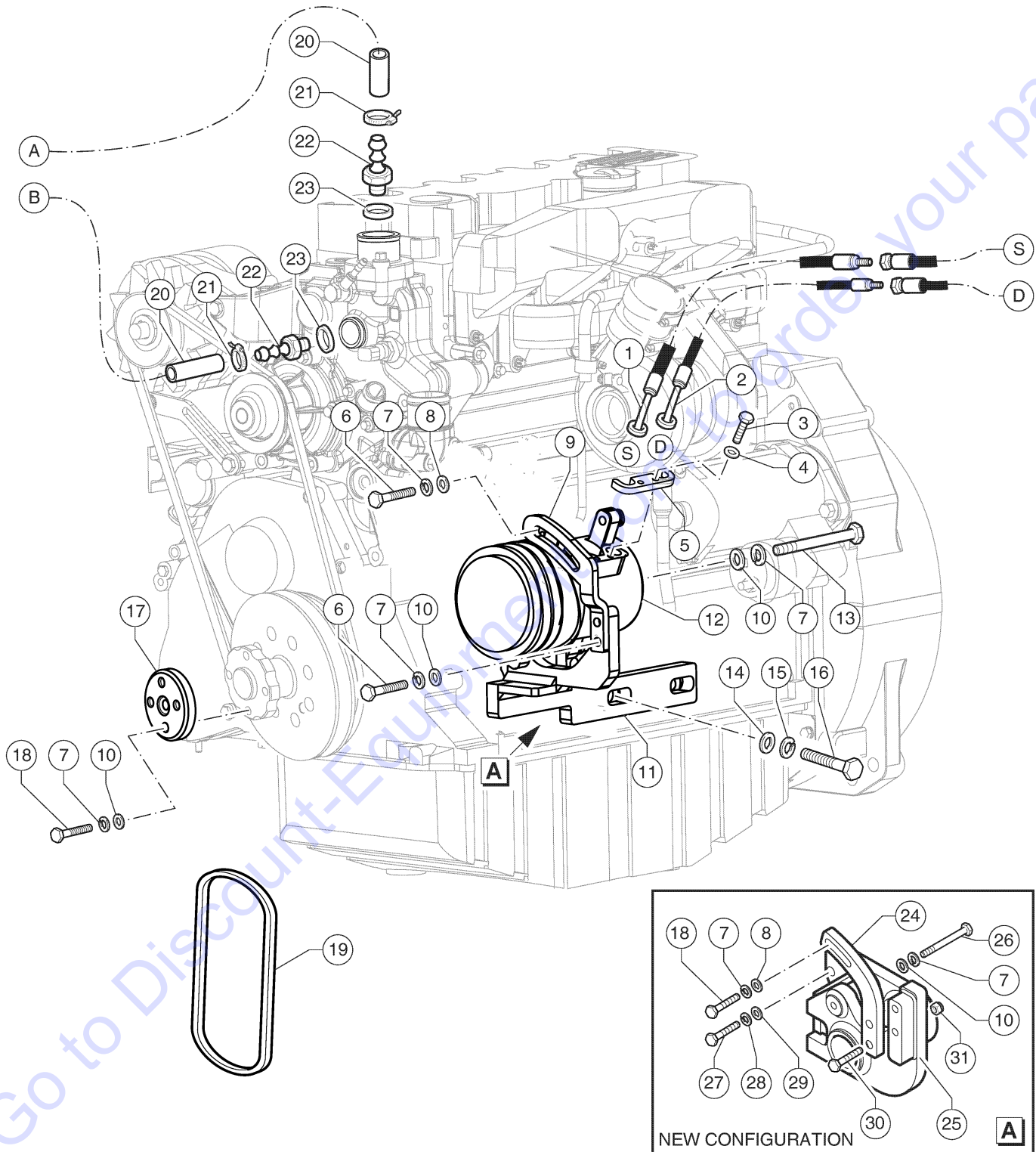


816.1 606679 Air Conditioning - Cabin Part

Item	Part No.	Description	Qty.	Item	Part No.	Description	Qty.
A		Drawing 606680 Position A, Drawing 606681 Position A		34	07.0723.0555	Pipe Fitting.....	2
B		Drawing 606680 Position B, Drawing 606681 Position B		35	07.0723.0404	PVC Pipe Fltting 90°.....	4
D		Drawing 606680 Position D, Drawing 606681 Position D		36	07.0723.0556	Outlet Hose.....	2
S		Drawing 606680 Position S, Drawing 606681 Position S		37	51.0811.4060	Boom Hose Lock Bracket.....	1
1	07.0723.0542	Carter.....	1	38	01.0003.0157	SCREW M6X25 UNI 5931 8.8 ZN....	2
2	07.0723.0545	Flexble Hose.....	1	39	01.0023.0054	NUT,M8 UNI 7473 6S ZN.....	6
3	07.0723.0540	Condenser.....	1	40	01.0031.0055	FLAT WASHER D8 UNI 6592 ZN	12
4	07.0723.0544	Manual Screw M6x40.....	1	41	01.0001.0256	SCREW M8X25 UNI 5739 8.8 ZN....	6
5	07.0723.0557	Manual Screw M6x25.....	5	42	01.0031.0298	FLAT WASHER D6 UNI 6593 ZN	2
6	07.0723.0547	Condenser Support.....	1				
7	07.0723.0546	Flexble Hose.....	1				
8	07.0723.0548	Filter Lock Bracket.....	1				
9	07.0723.0550	Flexble Hose.....	1				
10	07.0723.0549	Gas Filter.....	1				
11	07.0723.0551	Filter Bracket.....	1				
12	07.0723.0194	Rubber Hose LG.1000.....59,055-inch					
13	07.0723.0520	Clamp 12/18.....	4				
14	07.0723.0193	TAP	1				
15	07.0723.0372	Air Inlet D68.....	2				
16	07.0723.0365	Heater Carter.....	1				
17	07.0723.0558	Heater Carter.....	1				
18	07.0723.0371	Air Inlet.....	1				
19	07.0723.0559	Hose PVC Carter.....	1				
20	07.0723.0560	Filter PVC Carter.....	1				
21	01.0001.0256	SCREW M8X25 UNI 5739 8.8 ZN....	2				
22	01.4032.0003	SPRING WASHER D 8 ZN	2				
23	01.0031.0299	FLAT WASHER D8 UNI 6593.....	2				
24	01.0023.0054	NUT,M8 UNI 7473 6S ZN.....	1				
25	07.0723.0366	Upper Heater Bracket.....	1				
26	07.0723.0370	Lower Heater Bracket.....	1				
27	07.0723.0397	Heater.....	1				
28	07.0723.0561	Flexble Hose.....	1				
29	01.0003.0153	SCREW M6X15 UNI 5931 8.8 ZN....	2				
30	07.0723.0079	Clamp 16/27.....	4				
31	01.4032.0002	SPRING WASHER D6 ZN.....	2				
32	07.0723.0553	Rubber Hose.....	2				
33	07.0723.0554	Hose.....	2				



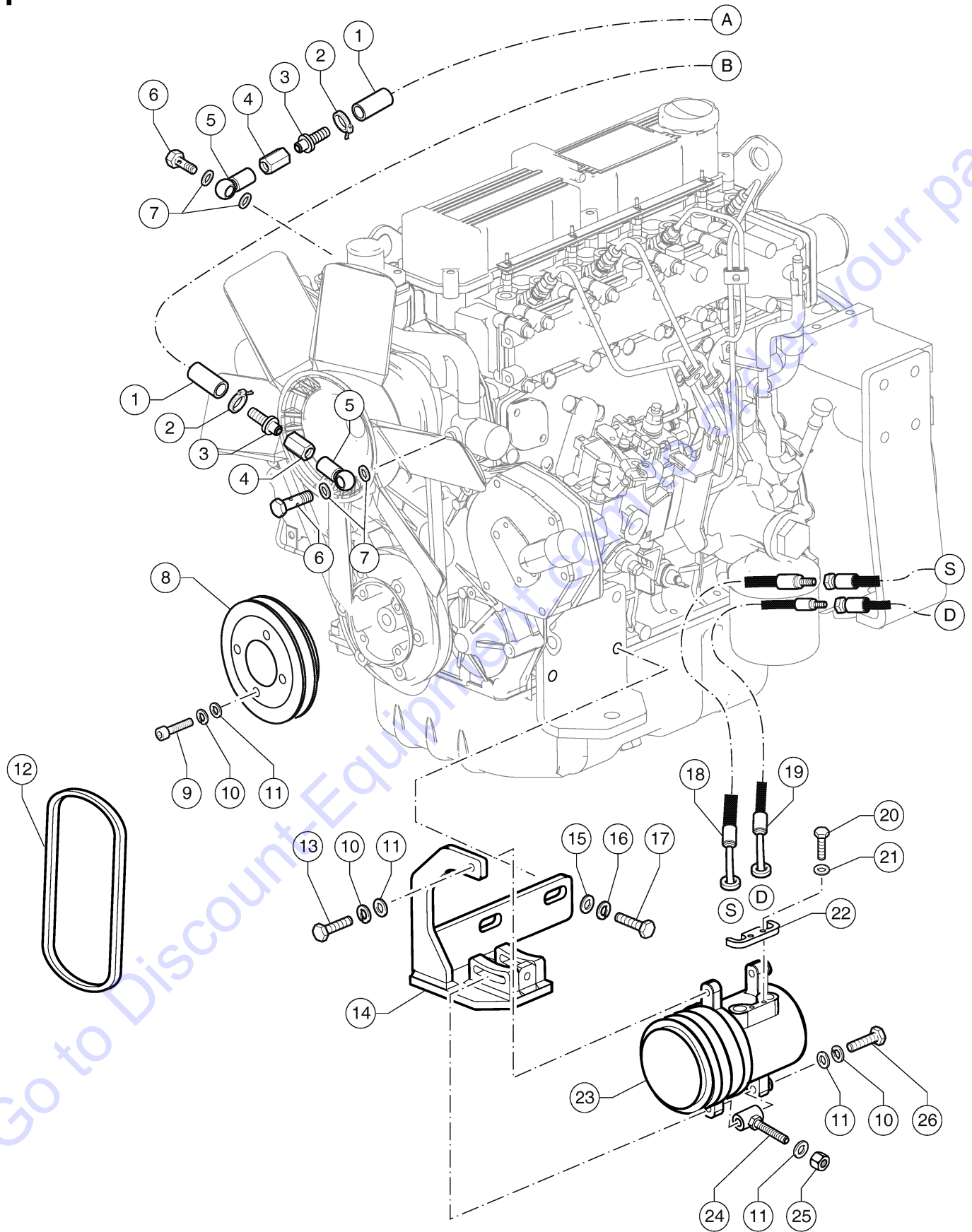
817.1 606680 Air Conditioning - Deutz Engine



817.1 606680 Air Conditioning - Deutz Engine

Item	Part No.	Description	Qty.	Item	Part No.	Description	Qty.
A		Drawing 606679 Position A		29	01.0031.0056	WASHER,D10 UNI 6592 ZN.....	3
B		Drawing 606679 Position B		30	01.0001.0207	SCREW M8X60 UNI 5737 8.8 ZN....	2
D		Drawing 606679 Position D		31	01.0023.0054	NUT,M8 UNI 7473 6S ZN.....	2
S		Drawing 606679 Position S					
1	09.0805.0107	Hose.....	1				
2	09.0805.0106	Hose.....	1				
3	01.0001.0256	SCREW M8X25 UNI 5739 8.8 ZN....	2				
4	01.4032.0002	SPRING WASHER D6 ZN.....	2				
5	09.0803.0575	FLANGE.....	1				
6	01.0001.0256	SCREW M8X25 UNI 5739 8.8 ZN....	3				
7	10.4032.0003	Spring Washer D8 UNI 1752 ZN....	10				
8	01.0031.0299	FLAT WASHER D8 UNI 6593.....	2				
9	51.0811.4046	Tensioner Braket..... <i>Old Configuration</i>	1				
10	01.0031.0055	FLAT WASHER D8 UNI 6592 ZN	8				
11		Compressor Support - Please Order The Complete New Configuration (Item 24 + 25.....) <i>Old Configuration</i>	1				
12	07.0723.0378	Compressor.....	1				
13	01.4001.0010	Screw TE M8X100 UNI 5737 8.8 ZN.....	1				
14	01.0031.0058	FLAT WASHER D14 UNI 6592 ZN	2				
15	01.4032.0006	SPRING WASHER D14 ZN.....	2				
16	01.0001.0605	SCREW M14X35 UNI 5739 8.8 ZN.....	2				
17	54.0100.0098	Spacer.....	1				
18	01.0001.0257	SCREW M8X30 UNI 5739 8.8 ZN....	5				
19	09.0803.0544	Rubber Belt.....	1				
20	07.0723.0194	Rubber Hose LG.1000.....314,96-inch					
21	07.0723.0520	Clamp 12/18.....	2				
22	09.0806.0050	Hose Fitting.....	2				
23	06.4442.0000	Copper Washer JC 26.....	2				
24	51.0811.4496	Tensioner Braket..... <i>New Configuration</i>	1				
25	51.0811.4495	Compressor Support..... <i>New Configuration</i>	1				
26	01.4001.0179	Screw TE M8X100 UNI 5737 10.9 ZN.....	1				
27	01.0001.0357	SCREW,TE,M10X35 UNI 8.8 ZN....	3				
28	01.4032.0004	SPRING WASHER D10 ZN.....	3				

818.1 606681 Air Conditioning - Perkins Engine

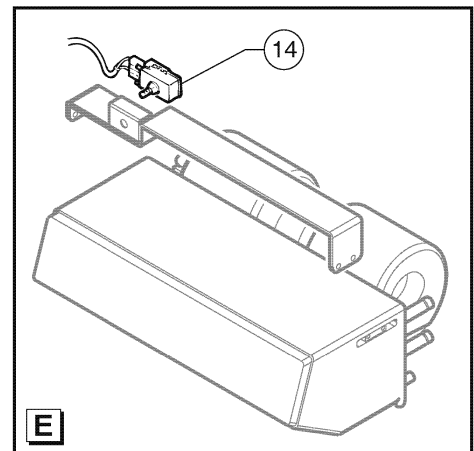
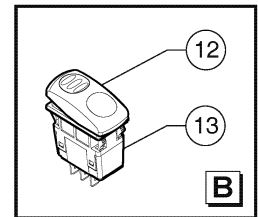
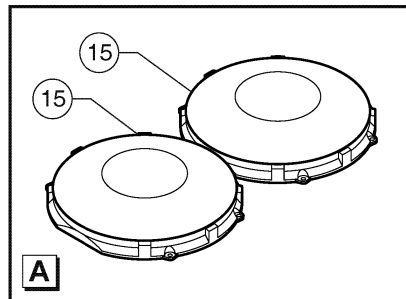
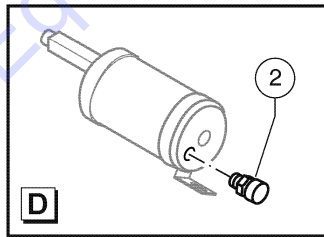
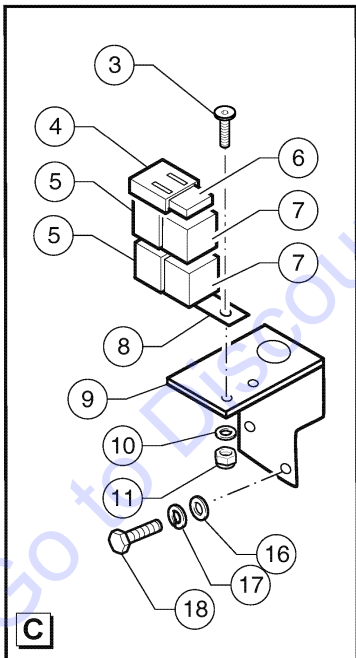
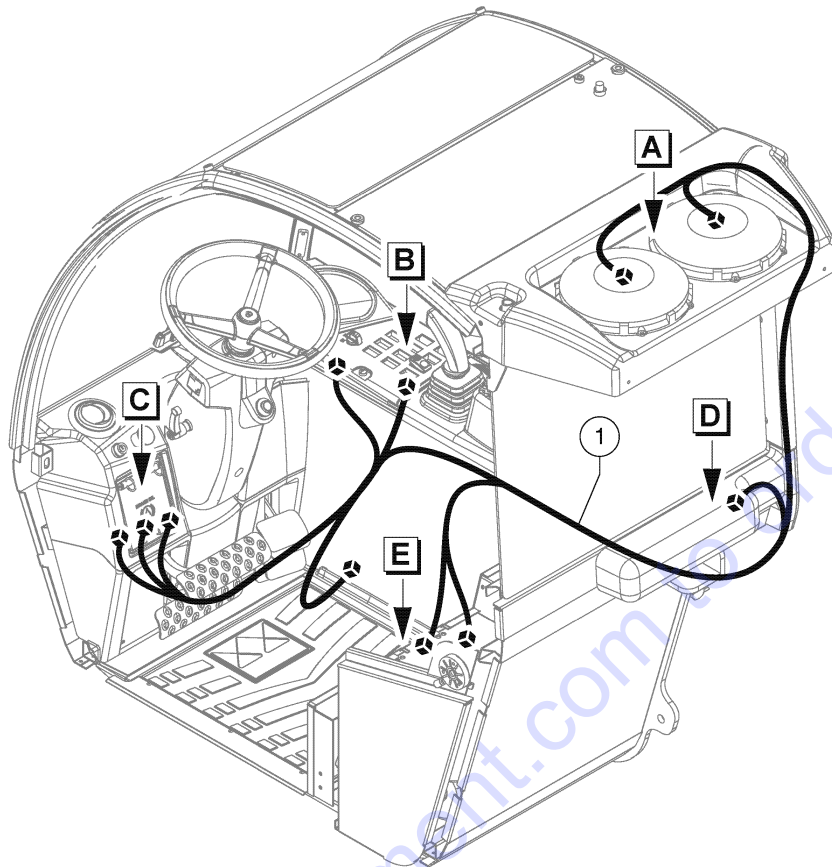


818.1 606681 Air Conditioning - Perkins Engine

Item	Part No.	Description	Qty.
A		Drawing 606679 Position A	
B		Drawing 606679 Position B	
D		Drawing 606679 Position D	
S		Drawing 606679 Position S	
1	07.0723.0194	Rubber Hose LG.1000.....314,96-inch	
2	07.0723.0520	Clamp 12/18.....2	
3	09.0806.0050	Hose Fitting.....2	
4	09.0806.0053	PIPE FITTING.....2	
5	09.0806.0055	FITTING.....2	
6	09.0806.0054	Screw Fitting M16x1.5.....2	
7	06.0442.0102	Copper Washer JC 17.....4	
8	54.0100.0097	Pulley.....1	
9	01.0003.0205	SCREW M8X25 UNI 5931 8.8 ZN...4	
10	01.4032.0003	SPRING WASHER D 8 ZN6	
11	01.0031.0055	FLAT WASHER D8 UNI 6592 ZN7	
12	09.0803.0544	Rubber Belt.....1	
13	01.0001.0257	SCREW M8X30 UNI 5739 8.8 ZN...1	
14	51.0811.4045	Compressor Bracket.....1	
15	01.0031.0057	WASHER,D12 UNI 6592 ZN2	
16	01.4032.0005	SPRING WASHER D12 ZN2	
17	01.4001.0011	Screw TE M12X40 UNI 5737 10.9ZN2	
18	09.0805.0105	Hose 13/32".....1	
19	09.0805.0104	Hose 13/32".....1	
20	01.0001.0256	SCREW M8X25 UNI 5739 8.8 ZN...2	
21	01.4032.0002	SPRING WASHER D6 ZN.....2	
22	09.0803.0575	FLANGE.....1	
23	07.0723.0378	Compressor.....1	
24	51.0811.4048	Bracket.....1	
25	01.0023.0054	NUT,M8 UNI 7473 6S ZN.....1	
26	01.4001.0010	Screw TE M8X100 UNI 5737 8.8 ZN.....1	

Go to www.genieequipment.com to order your parts

819.1 606682 Air Conditioning - Electrical Part

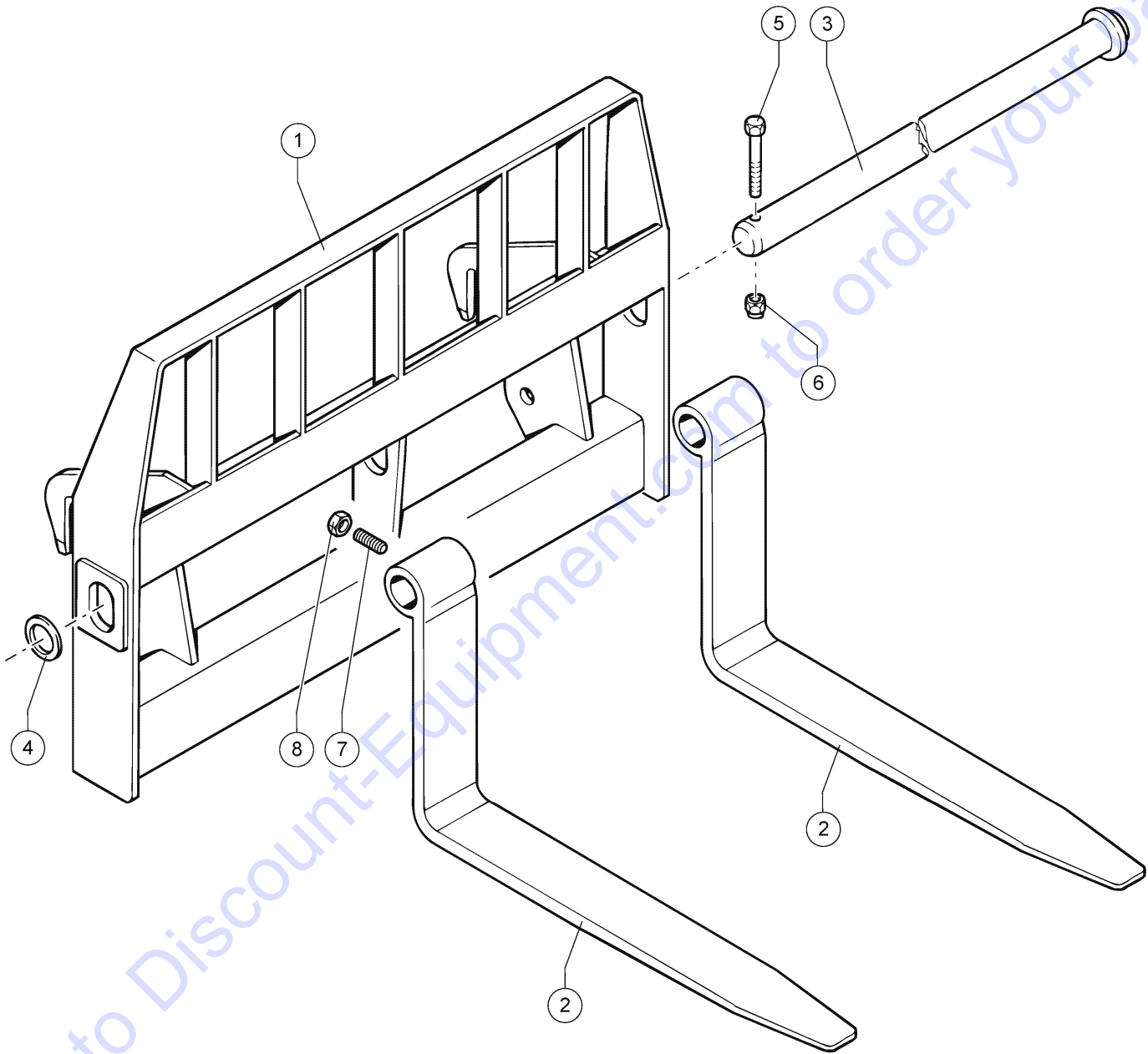


819.1 606682 Air Conditioning - Electrical Part

Item	Part No.	Description	Qty.
1	56.0014.0026	AIR CONDITIONING WIRING HARNESS.....	1
2	07.0723.0377	Pressure Sensor.....	1
3	01.4006.0006	Screw TSPEI M5X16 UNI 5933 10.9 ZN.....	1
4	56.0005.0009	FUSE HOLDER.....	1
5	07.0703.0188	RELAY HOLDER.....	2
6	634975	Fuse 20A	1
7	07.0703.0486	RELAY.....	2
8	56.0005.0017	Relay Support Bracket.....	1
9	07.0723.0494	SUPPORT.....	1
10	01.0031.0053	FLAT WASHER D5 UNI 6592 ZN.....	1
11	01.0023.0052	STOP NUT M5 UNI 7473 6S ZN.....	1
12	56.0017.0053	Air Condition Switch Cover.....	1
13	56.0017.0048	SWITCH.....	1
14	07.0723.0396	Temperature Switch.....	1
15	07.0723.0541	Fan.....	2
16	01.0031.0055	FLAT WASHER D8 UNI 6592 ZN	2
17	01.4032.0003	SPRING WASHER D 8 ZN	2
18	01.0001.0254	SCREW M8X20 UNI 5739 8.8 ZN.....	2

Go to Discount-Equipment.com to order your parts

820.1 606640 Forks



Item	Part No.	Description	Qty.
1	216559	Floating Fork Support Plate.....1 <i>From SN 22100</i>	1
1	51.1301.4300	FLOATING FORK CARRIAGE.....1 <i>To SN 22099</i>	1
2	216560	OPTION,FORK,STANDARD,48" PAIR,.....1-pair <i>From SN 22100 (includes qty 2 forks)</i>	1-pair
2	216561	OPTION,FORK,STANDARD,60" PAIR.....2	2
2	51.1300.5400	FORK (4" WIDE X 48" LONG).....2 <i>To SN 22099</i>	2
3	1254827	PIN,STD 48 CARRIAGE,GTH5519.....1	1
4	54.0100.0027	WASHER2	2
5	01.0001.0409	SCREW M12X80 UNI 5737 8.8 ZN.....1	1
6	01.0023.0056	STOP NUT M12 UNI 7473 6S ZN....1	1
7	01.4041.0005	DOWEL M12X25 UNI 5927 12.9 ZN.....2	2
8	01.4019.0004	NUT M12 UNI 5589.....2	2

Go to Discount-Equipment.com to order your parts

Part Number Index (continued)

Part Number	Page	Part Number	Page	Part Number	Page	Part Number	Page
04.4220.0063	23	07.0701.0209	49, 51	07.0709.0260	27, 35	07.0709.0441	27, 35
04.4223.0003	91, 93	07.0701.0211	49, 51	07.0709.0261	29, 37	07.0709.0706	27, 35
04.4223.0004	91, 93	07.0701.0241	49, 51	07.0709.0262	37	07.0709.0707	37
04.4224.0000	95, 97	07.0703.0047	129	07.0709.0263	29	07.0709.0710	27
04.4227.0001	45	07.0703.0071	109	07.0709.0264	29, 37	07.0709.0711	31
04.4227.0007	41, 45, 47, 83, 121	07.0703.0080	109	07.0709.0265	29, 37	07.0709.0712	31
04.4227.0008	125, 129	07.0703.0148	109	07.0709.0266	29, 37	07.0709.0747	27, 35
04.4227.0012	121, 123	07.0703.0175	125	07.0709.0267	29, 37	07.0709.0751	27, 35
04.4227.0015	41	07.0703.0188	151	07.0709.0268	29, 37	07.0709.0752	27
04.4227.0016	75	07.0703.0302	125	07.0709.0269	29, 37	07.0709.0753	29, 37
04.4227.0020	19	07.0703.0309	125	07.0709.0270	29, 37	07.0709.0754	29, 37
04.4227.0027	95, 97	07.0703.0310	125	07.0709.0271	29, 37	07.0709.0757	29, 37
04.4227.0030	45, 47	07.0703.0319	125	07.0709.0275	29, 37	07.0709.0758	29, 37
04.4229.0048	93	07.0703.0429	59, 61	07.0709.0276	29, 37	07.0709.0760	35
04.4229.0050	91	07.0703.0486	151	07.0709.0278	29, 37	07.0709.0761	35
04.4229.0051	91	07.0703.0487	109, 127	07.0709.0279	29, 37	07.0709.0762	35
04.4229.0066	93	07.0703.0508	53, 57	07.0709.0280	29, 37	07.0709.0763	35
04.4235.0018	91, 93	07.0703.0509	53, 57	07.0709.0281	29, 37	07.0709.0764	29, 37
04.4236.0029	63	07.0703.0670	111	07.0709.0282	29, 37	07.0709.0894	27
04.4236.0083	73	07.0704.0023	63	07.0709.0283	37	07.0709.0900	31
04.4237.0010	63	07.0704.0032	63	07.0709.0287	39	07.0709.0908	33, 39
04.4238.0058	49, 51	07.0704.0033	63	07.0709.0289	39	07.0709.0909	33, 39
04.4238.0059	49, 51	07.0704.0034	63	07.0709.0290	29, 37	07.0709.0912	27, 29, 37
04.4239.0002	117	07.0704.0035	63	07.0709.0291	29, 37	07.0709.0913	27
04.4239.0004	69	07.0704.0038	63	07.0709.0292	27	07.0709.0914	27
04.4239.0005	69	07.0704.0042	63	07.0709.0293	27	07.0709.0915	27
04.4239.0013	91, 93	07.0704.0045	63	07.0709.0294	27	07.0709.0916	27
04.4239.0051	69	07.0704.0078	63	07.0709.0295	27	07.0709.0917	27
04.4239.0052	69	07.0704.0117	63	07.0709.0296	27	07.0709.0918	27, 35
04.4239.0083	83, 85	07.0704.0118	63	07.0709.0296	27	07.0709.0919	27, 35
04.4240.0011	115	07.0704.0119	63	07.0709.0301	27	07.0709.0920	27
04.4240.0052	103, 105	07.0704.0133	63	07.0709.0302	27	07.0709.0921	27, 29, 37
05.0401.0003	87, 89, 107	07.0704.0134	63	07.0709.0303	27	07.0709.0922	27
05.0401.0016	101	07.0704.0136	63	07.0709.0305	27	07.0709.0923	27
05.0401.0017	107	07.0704.0137	63	07.0709.0306	27	07.0709.0924	29
05.4309.0001	107	07.0704.0138	63	07.0709.0309	27	07.0709.0925	29, 37
05.4309.0002	107	07.0704.0143	73	07.0709.0310	27	07.0709.0926	29, 37
05.4329.0003	107	07.0704.0144	63	07.0709.0311	27	07.0709.0927	29
06.0401.0123	95, 97	07.0704.0145	63	07.0709.0312	27	07.0709.0928	31
06.0401.0214	91, 93	07.0704.0153	115	07.0709.0313	27	07.0709.0929	31
06.0401.0219	91, 93	07.0704.0169	63	07.0709.0314	27	07.0709.0930	33, 39
06.0442.0055	87, 89	07.0704.0173	63	07.0709.0315	27	07.0709.0931	39
06.0442.0057	103, 105	07.0704.0184	73	07.0709.0316	27	07.0712.0087	43
06.0442.0059	91, 93	07.0704.0407	73	07.0709.0317	27	07.0712.0094	41
06.0442.0101	101, 115	07.0705.0082	69	07.0709.0319	27	07.0712.0116	41
06.0442.0102	23, 43, 123, 149	07.0705.0094	73	07.0709.0320	27	07.0712.0148	43
06.0442.0103	23, 79, 115	07.0705.0095	73	07.0709.0321	29, 37	07.0712.0149	43
06.0442.0105	87, 89, 91, 93	07.0705.0097	73	07.0709.0322	29	07.0712.0150	43
06.0442.0107	23	07.0705.0098	73	07.0709.0323	29	07.0712.0151	41
06.0442.0111	23, 95, 97	07.0705.0099	73	07.0709.0324	31	07.0712.0243	41
06.0442.0119	107	07.0705.0100	73	07.0709.0325	31	07.0713.0061	49, 51
06.0442.0124	83, 85	07.0706.0061	53	07.0709.0327	31	07.0713.0062	49, 51
06.0442.0128	107	07.0709.0034	31	07.0709.0328	31	07.0713.0063	49, 51
06.4442.0000	147	07.0709.0057	29, 37	07.0709.0330	31	07.0721.0019	75
07.0227.0051	123	07.0709.0065	29, 37	07.0709.0331	31	07.0721.0117	75
07.0501.0001	49	07.0709.0070	29, 37	07.0709.0332	31	07.0722.0053	49, 51
07.0501.0017	51	07.0709.0071	29, 37	07.0709.0333	31	07.0723.0010	121, 123
07.0501.0018	51	07.0709.0084	27, 35	07.0709.0334	31	07.0723.0024	55, 57
07.0501.0020	45	07.0709.0104	29, 37	07.0709.0335	31	07.0723.0037	53
07.0501.0024	45, 47	07.0709.0113	29, 37	07.0709.0336	31	07.0723.0039	55, 57, 59, 61
07.0501.0026	41	07.0709.0117	29, 37	07.0709.0340	31	07.0723.0040	53, 55, 57
07.0501.0027	41	07.0709.0118	29, 37	07.0709.0341	31	07.0723.0042	19, 21, 55, 57
07.0501.0029	47	07.0709.0119	29, 37	07.0709.0342	31	07.0723.0054	53, 57
07.0700.0006	23	07.0709.0127	27	07.0709.0343	31	07.0723.0055	53, 57
07.0700.0023	23	07.0709.0130	27	07.0709.0344	31	07.0723.0059	53
07.0700.0028	23	07.0709.0171	29, 37	07.0709.0345	31	07.0723.0074	57, 131
07.0700.0030	45, 47	07.0709.0174	27, 35	07.0709.0346	31	07.0723.0075	55
07.0700.0031	47	07.0709.0188	27	07.0709.0347	31	07.0723.0076	53, 55, 57, 121,
07.0700.0035	45, 47	07.0709.0218	39	07.0709.0349	31		123
07.0700.0036	45, 47	07.0709.0235	35	07.0709.0350	31	07.0723.0079	145
07.0700.0037	45, 47	07.0709.0245	27, 35	07.0709.0351	31	07.0723.0090	55, 121, 123
07.0700.0045	143	07.0709.0249	27, 35	07.0709.0352	31	07.0723.0096	53, 55
07.0700.0051	23	07.0709.0254	27, 31, 35	07.0709.0355	27, 35	07.0723.0097	57
07.0701.0007	49, 51	07.0709.0257	27, 35	07.0709.0363	29, 37	07.0723.0104	59, 61
07.0701.0200	49, 51	07.0709.0258	27, 35	07.0709.0365	29, 37	07.0723.0108	121, 123
		07.0709.0259	27, 35	07.0709.0388	35	07.0723.0109	121, 123
				07.0709.0417	33, 39		

Part Number Index (continued)

Part Number	Page	Part Number	Page	Part Number	Page	Part Number	Page
07.0723.0111	55, 57	07.0723.0467	57	07.4529.0112	49, 51	09.4610.0042	53, 57
07.0723.0114	53, 55, 57	07.0723.0470	59, 61	07.4529.0119	15	09.4610.0043	53, 57
07.0723.0133	53	07.0723.0475	55	07.4529.0190	69	09.4610.0044	53, 57
07.0723.0134	53	07.0723.0477	55	09.0800.0025	75	09.4610.0045	53, 57
07.0723.0136	131	07.0723.0480	59, 61	09.0803.0008	45, 47	09.4616.0051	11
07.0723.0138	137	07.0723.0482	121, 123	09.0803.0012	17, 19, 21	09.4616.0100	11
07.0723.0142	57	07.0723.0483	121, 123	09.0803.0026	15, 141	09.4616.0101	13
07.0723.0149	55, 121, 123	07.0723.0484	121, 123	09.0803.0027	45, 47	09.4618.0010	13
07.0723.0155	55	07.0723.0485	139	09.0803.0043	71	09.4618.0061	11, 13
07.0723.0156	55	07.0723.0494	55, 151	09.0803.0046	87, 89	09.4618.0093	141
07.0723.0157	55	07.0723.0498	53	09.0803.0060	71	09.4618.0109	11
07.0723.0161	55	07.0723.0506	55	09.0803.0062	65	09.4618.0205	11
07.0723.0162	137	07.0723.0507	53	09.0803.0068	141	09.4618.0643	11, 13
07.0723.0163	55	07.0723.0513	55	09.0803.0069	141	09.4618.0644	11, 13
07.0723.0165	53	07.0723.0516	53	09.0803.0071	141	09.4618.0776	11
07.0723.0166	55	07.0723.0517	53	09.0803.0088	107	09.4618.0780	11
07.0723.0168	53, 57	07.0723.0520	145, 147, 149	09.0803.0232	23	09.4618.0781	11
07.0723.0169	53, 57	07.0723.0522	53	09.0803.0245	19, 21, 41, 43	09.4618.0782	13
07.0723.0172	55	07.0723.0523	121, 123	09.0803.0251	45	09.4618.0786	11
07.0723.0173	55, 57	07.0723.0524	121, 123	09.0803.0259	45, 47	09.4618.0791	11
07.0723.0176	55	07.0723.0528	53	09.0803.0352	15, 17	09.4618.0792	13
07.0723.0183	55	07.0723.0530	59, 61	09.0803.0393	19, 21	09.4618.0819	13
07.0723.0185	55	07.0723.0538	53	09.0803.0400	17, 19, 21	09.4618.0949	13
07.0723.0193	53, 121, 123, 145	07.0723.0539	53	09.0803.0401	17, 19, 21	09.4618.1025	11
07.0723.0194	121, 123, 145, 147, 149	07.0723.0540	145	09.0803.0406	67	09.4618.1026	13
07.0723.0196	131	07.0723.0541	151	09.0803.0421	15	09.4618.1107	103, 105
07.0723.0197	131	07.0723.0542	145	09.0803.0424	13	09.4618.1347	59, 61
07.0723.0198	57	07.0723.0544	145	09.0803.0503	17	09.4618.1634	11
07.0723.0219	53	07.0723.0545	145	09.0803.0510	15	09.4627.0018	25
07.0723.0221	53	07.0723.0546	145	09.0803.0516	19	09.4629.0018	25
07.0723.0225	53	07.0723.0547	145	09.0803.0518	15	09.4632.0067	25
07.0723.0226	53	07.0723.0548	145	09.0803.0523	71	09.4632.0075	25
07.0723.0229	53	07.0723.0549	145	09.0803.0536	47	09.4635.0014	25
07.0723.0236	55	07.0723.0550	145	09.0803.0540	53, 57	09.4635.0048	25
07.0723.0237	55	07.0723.0551	145	09.0803.0544	147, 149	09.4636.0012	103, 105
07.0723.0345	55	07.0723.0553	145	09.0803.0546	103, 105	09.4636.0019	103, 105
07.0723.0365	145	07.0723.0554	145	09.0803.0547	19, 21	09.4645.0032	45, 47
07.0723.0366	145	07.0723.0555	145	09.0803.0562	103, 105	09.4656.0012	45, 47
07.0723.0370	145	07.0723.0556	145	09.0803.0568	53, 57	09.4661.0002	23
07.0723.0371	145	07.0723.0557	145	09.0803.0571	53, 57	09.4661.0014	23
07.0723.0372	145	07.0723.0558	145	09.0803.0572	59, 61	09.4661.0016	15, 23
07.0723.0377	151	07.0723.0559	145	09.0803.0575	147, 149	09.4661.0020	15
07.0723.0378	147, 149	07.0723.0560	145	09.0803.0616	59, 61	09.4661.0021	15
07.0723.0396	151	07.0723.0561	145	09.0804.2300	49, 51	09.4661.0022	15
07.0723.0397	145	07.0723.0571	55	09.0805.0000	15, 41, 43, 47, 107	09.4670.0002	41, 43
07.0723.0404	145	07.0723.0628	59, 61	09.0805.0036	41	09.4670.0003	51
07.0723.0410	55	07.0723.0629	59, 61	09.0805.0087	23	09.4670.0004	49
07.0723.0416	53	07.0723.0630	137	09.0805.0094	47	10.4032.0003	147
07.0723.0418	55	07.0723.0632	55, 57	09.0805.0097	45	101613	51
07.0723.0419	55	07.0723.0672	55	09.0805.0104	149	101645	47
07.0723.0420	55	07.0726.0043	65	09.0805.0104	149	114352	13
07.0723.0421	55	07.0726.0107	21	09.0805.0105	149	114356	11
07.0723.0423	55	07.0726.0108	23	09.0805.0106	147	114365	11, 13
07.0723.0425	55	07.0726.0109	19	09.0805.0107	147	114367	11, 13
07.0723.0426	55	07.0726.0128	19	09.0806.0007	47	114391	13
07.0723.0427	55	07.0726.0129	21	09.0806.0008	47	114470	11
07.0723.0428	55	07.0730.0013	107	09.0806.0050	123, 147, 149	1254827	153
07.0723.0429	55	07.0730.0017	107	09.0806.0053	43, 123, 149	1258582	49
07.0723.0430	55	07.0730.0019	107	09.0806.0054	43, 123, 149	1258583	49
07.0723.0433	55	07.0730.0023	107	09.0806.0055	43, 123, 149	1258654	49
07.0723.0434	55	07.0730.0025	107	09.0806.0056	47	128274	41
07.0723.0441	55	07.0730.0052	45, 47	09.0806.0057	47	130163	53
07.0723.0450	53	07.0730.0053	45, 47	09.0806.0058	121	139709	49
07.0723.0451	55, 57	07.0730.0056	45, 47	09.0806.0059	43	215615	11
07.0723.0452	55, 57	07.0730.0057	47	09.4601.0051	49	216559	153
07.0723.0453	55, 57	07.0730.0058	45, 47	09.4604.0004	23	216560	153
07.0723.0454	53, 57	07.0738.0003	25	09.4604.0045	45, 47	216561	153
07.0723.0455	55, 121, 123	07.4501.0067	49	09.4604.0047	23	236833	25
07.0723.0456	55, 57	07.4501.0139	47	09.4604.0052	47	236834	25
07.0723.0457	53, 57	07.4501.0172	51	09.4604.0054	143	28159	13
07.0723.0459	55	07.4529.0027	107	09.4604.0055	45, 47	28175	13
07.0723.0460	55	07.4529.0082	75, 77	09.4604.0060	45	29560	49
07.0723.0462	55	07.4529.0100	69	09.4605.0014	43	31788	13
07.0723.0464	53, 121, 123	07.4529.0107	117	09.4605.0015	43	32698	41
07.0723.0465	57	07.4529.0111	103, 105	09.4610.0025	135	51.0113.9010	17
				09.4610.0038	53	51.0201.3912	65

Part Number	Page	Part Number	Page	Part Number	Page	Part Number	Page
51.0201.3920	65	51.0903.5089	21	54.0202.0006	65	56.0017.0049	59, 61
51.0400.4300	67	51.0903.5090	21	54.0702.0000	65	56.0017.0053	61, 151
51.0600.2700	15	51.1000.5200	15	54.0702.0001	65	56.0017.0054	61
51.0600.9304	23	51.1300.0100	141	54.0702.0002	65	56.0017.0055	61, 127
51.0800.3400	125	51.1300.0300	141	54.0702.0005	65	56.0017.0063	61, 119
51.0800.3500	21, 125	51.1300.0900	141	54.0702.0013	65	56.0017.0064	61
51.0800.3800	15	51.1300.1000	141	54.0702.0014	17	56.0017.0070	61
51.0802.4400	19	51.1300.5400	153	54.0800.0000	19, 21	56.0017.0073	59, 61
51.0803.5700	17	51.1301.4300	153	55.0208.0046	47	56.0021.0078	109
51.0804.8400	65	52.1100.7500	21	55.0208.0054	45	56.0021.0104	109
51.0806.2800	45, 47	52.1100.7600	19	55.0403.0088	25	56.0021.0107	59, 61
51.0806.5700	129	52.1100.8000	15	55.0403.0089	25	56.0023.0025	119
51.0807.1800	115	52.1100.9101	15	55.0403.0093	25	629733	31
51.0809.8900	51	52.1200.4400	59, 61	55.0403.0094	25	629735	31
51.0810.0900	51	52.1200.4500	59, 61	55.0403.0095	25	630328	31
51.0810.1000	51	52.1200.4600	59, 61	55.0602.0333	119	632070	31
51.0810.1100	47	52.1200.4700	59, 61	55.0602.0335	111	632383	29, 37
51.0810.1300	49	52.1200.4900	59, 61	55.0602.0336	111	633098	35
51.0810.1400	49	52.1200.5000	59, 61	55.0602.0340	103, 105	633110	35
51.0810.1900	49	52.1200.5200	59, 61	55.0602.0348	127	633160	35
51.0810.2700	65	53.0000.3801	69	55.0602.0349	127	633176	29, 37, 39
51.0810.3100	21	53.0100.2800	69	55.0602.0407	19, 21, 111	633529	27, 35
51.0810.3200	21	53.0300.2201	69	55.0602.0408	19, 21, 111	633531	35
51.0810.4100	41, 43	53.0400.1803	69	55.0602.0413	113	633533	35
51.0810.4200	19, 21	53.0500.0600	117	55.0602.0414	113	633574	35
51.0810.5000	19	53.3000.3500	45	55.0602.0415	113	634391	27, 35
51.0810.5100	19	53.3001.0500	67	55.0602.0420	119	634392	27, 35
51.0810.5400	47	53.3001.4800	23	55.0602.0446	113	634393	27, 35
51.0810.6100	17	53.3001.4900	97	55.0602.0449	125	634397	33, 39
51.0810.7300	19, 21	53.3001.500	47	55.0602.0450	125	634546	29, 37
51.0811.0016	49	53.3001.5400	43	55.0602.0451	129	634561	27
51.0811.0100	17	53.3001.5500	43	55.0602.0452	129	634973	109
51.0811.0200	87, 89	53.3001.5700	95	55.0602.0453	129	634975	151
51.0811.0600	45	53.3001.6500	45	55.0602.0604	113	635965	69
51.0811.1500	51	53.3001.6600	45	55.0602.0605	113	638548	29, 31, 37, 39
51.0811.1700	59, 61	53.3001.6702	41	55.0602.0766	111	639327	31
51.0811.2000	15	53.3001.6710	41	56.0000.0072	111	639328	31
51.0811.2500	45	53.3001.6764	87, 89	56.0002.0071	119	639329	31
51.0811.2600	65	53.3100.0034	45, 47	56.0002.0266	111	639637	27
51.0811.2700	65	53.3200.0043	43	56.0005.0000	111	639639	29, 37
51.0811.4006	19	53.3200.0045	41	56.0005.0001	111	639641	29, 37
51.0811.4008	59, 61	53.3200.0046	41	56.0005.0007	111	639642	29, 37
51.0811.4009	59, 61	53.3301.0005	23	56.0005.0008	109	639643	29, 37
51.0811.4019	125	53.3302.0016	15	56.0005.0009	151	639646	29, 37
51.0811.4032	49	53.3402.1800	71	56.0005.0017	151	639832	27
51.0811.4035	57	53.3402.1900	71	56.0006.9201	111	639993	69
51.0811.4037	129	53.3402.2000	71	56.0008.0002	19, 21, 111	640096	69
51.0811.4038	125	53.3402.2100	71	56.0009.0003	17	640985	121, 123
51.0811.4039	125	53.3402.2200	71	56.0009.0009	15	640990	121, 123
51.0811.4040	119	53.3402.2300	71	56.0010.0000	125	640995	55
51.0811.4045	149	54.0000.0017	65	56.0010.0001	125	641004	55
51.0811.4046	147	54.0000.0025	65	56.0010.0004	125	641019	53, 55
51.0811.4048	149	54.0000.0027	15	56.0010.0005	139	641020	53
51.0811.4055	17, 19, 21	54.0000.0192	65	56.0010.0036	125	641024	53, 55
51.0811.4056	17, 19, 21	54.0000.0193	75	56.0010.0037	125	641042	53, 55
51.0811.4060	145	54.0000.0194	65	56.0010.0058	125	82558	11
51.0811.4131	65	54.0000.0199	65	56.0010.0059	125	97665	13
51.0811.4240	65	54.0000.0200	67	56.0012.0027	73	97666	13
51.0811.4241	65	54.0000.0210	75	56.0012.0074	15	97667	13
51.0811.4495	147	54.0000.0211	65	56.0013.0000	23	97668	13
51.0811.4496	147	54.0001.0022	67	56.0013.0028	23	97669	13
51.0903.0400	21	54.0001.0058	117	56.0014.0026	151	97670	13
51.0903.1300	65	54.0001.0059	117	56.0016.0079	61	97672	13
51.0903.1500	117	54.0003.0016	65	56.0016.0105	59, 61	97673	11, 13
51.0903.2200	21	54.0100.0002	53, 57	56.0016.0107	59, 61	97674	11
51.0903.2300	21	54.0100.0017	53, 57	56.0017.0015	59, 61	97675	13
51.0903.3800	133	54.0100.0027	153	56.0017.0035	61, 119	97676	13
51.0903.4100	17	54.0100.0087	41	56.0017.0037	59, 61, 127	97688	11
51.0903.4300	17	54.0100.0097	149	56.0017.0038	61	992989	103, 105
51.0903.4400	17	54.0100.0098	147	56.0017.0039	59, 61		
51.0903.4500	41	54.0100.0099	59, 61	56.0017.0041	127		
51.0903.4600	19	54.0101.0015	119	56.0017.0044	59, 61		
51.0903.4700	19	54.0200.0000	65	56.0017.0045	61		
51.0903.4917	19	54.0200.0001	65	56.0017.0046	59, 61		
51.0903.4930	19	54.0201.0073	65	56.0017.0047	59, 61		
51.0903.4931	19	54.0202.0004	75	56.0017.0048	61, 151		

Part Description Index

The Part Description Index is an alphabetical index of all part descriptions included in this manual. The index shows what page(s) the part is used on.

- 1**
1st Telescopic Element.....65
- 2**
2nd Telescopic Element.....65
- 6**
606613 Ref 29.....47
606613 Ref. 1.....47
606613 ref. 1.....49
606613 ref. 29.....49
- A**
Air Condition Switch Cover.....61, 151
AIR CONDITIONING WIRING HARNESS...151
AIR CONVEYOR (RADIATOR SHROUD)....41, 43
Air Filter Assembly.....47
AIR FILTER CAP.....45, 47
AIR FILTER SUPPORT.....45
AIR HOSE.....121, 123
AIR INLET.....15
Air Inlet.....121, 123, 145
Air Inlet + Frame.....55, 59, 61
Air Inlet D68.....145
ALARM.....15
Alternator.....49, 51
ALTERNATOR COVER.....41
Alternator Line.....111
ARM.....29
ARTICULATION.....63
- B**
Back-Up Ring.....31
Back-up Ring.....31
BALL.....31
BALL JOINT75
Ball Valve DN 1 1/295, 97
BALL-GRIP55, 121, 123
BASKET,PLUG.....15, 23
BATTERY.....19, 21, 111
BATTERY HOLD DOWN BRACKET.....19, 21
Battery Negative Cable.....19, 21, 111
Battery Positive Cable.....19, 21, 111
BEARING.....27
Bearing.....27, 29, 35, 37
BEARING27, 35
Bearing29, 37
BELL.....49, 51
BELT, DOOR ASSY GTH5519.....55
BELT,V, DEUTZ DIESEL ENGINE.....41
Bevel Gear.....27, 35
BLEEDER VALVE, LONG31
BODY.....63
Bolt.....27
Bonded Ring 3/4".....83, 85
BONDED RING M12.....107
BONDED RING M14 (9/16).....107
Boom.....29, 37
Boom Hose Lock Bracket.....145
Boom Lifting Cylinder.....69
BRACKET.....17, 119
Bracket.....47, 115, 137, 149
- BRACKET, AIR FILTER.....45, 47
BRAKE DISC.....31
Brake Disc Internal.....31
BRAKE PEDAL KIT107
BRAKE RESERVOIR W/BRACKET107
Braking disk.....59, 61
BULB.....125
Bulb 12V 4W.....125
BULB, TAIL LIGHT.....125
BULB,12V,45/40W.....125
BUSHING.....39, 53, 55
Bushing.....29, 31, 37, 39
Bushing 45-55 LG.50 ART GF-B.....75
BUSHING 45/52X50.....65
Bushing BL16234.....107
BUSHING D.12,6.....53, 57
Bushing DB 50/58 LG.55.....65
BUSHING M10X13.5.....65
BUSHING M10X8.565
BUSHING75
- C**
Cab Harness.....113
Cab Structure.....53, 57
Cabin Fan Switch Cover61
CABIN LINE, TOP.....113
Cable Reel.....119
CAP.....59, 61
Cap.....53, 57
Cap Kit.....63
CAP, DIESEL FUEL TX5119***23
CAP, HYDRAULIC FILTER.....23
Cardan Shaft.....25, 29, 37
CARDAN SHAFT ASSY KIT.....25
Carter.....145
CENTRAL CASING.....17
CHAIN.....141
Chain.....15
Chassis Harness.....113
Chassis-Boom Joint Pin.....65
Circlip.....29, 37
Clamp.....19, 121, 123, 143
Clamp 12/18.....145, 147, 149
Clamp 16/27.....145
Clamp 38/41.....95, 97
Clamp 60x80.....45
CLAMP D40 HOLE 8.5.....41
CLAMP D60 HOLE 10.5.....75
Clamp DN 10/16 L=9.....123
CLAMP DN 10/16 LG 9.....15, 41, 43, 47, 121, 123
CLAMP DN 15/25 LG 9.....107
CLAMP DN 22/32 LG 9.....41
CLAMP DN 40/60 LG12.....41, 43
Clamp DN 50/70 LG12.....45, 47
Clamp DN 55/59.....23
CLAMP DN 80/100 LG12.....45
CLAMP S16 D12 HOLE 8.4.....125, 129
CLAMP S16 D32 HOLE 8.4.....41, 45, 47, 83, 121
Clamp TFCV 64-67.....45, 47
CLAMP, DOUBLE, D16.....71, 141
CLIP.....55, 59, 61
Clip.....49
CLUTCH DISC.....27
Clutch Disc.....27
- COATING.....53, 57
COIL, VALVE103, 105
Combined Oil/Water Radiator.....43
Complete Air Filter.....45
Complete Air Filter45, 47
Complete Boom Work Light Harness.....129
Complete Door Locker.....55
Complete Exhaust Pipe.....45
Complete Frame.....17
Complete Hydraulic Oil Filter23
Complete Left Wheel 16.5" - No Marking.....25
Complete Radiator.....41
Complete Right Wheel 16.5" - Air Filled.....25
Complete Right Wheel 16.5" - No Marking.....25
Complete Selector.....63
Complete Throttle Pedal.....45, 47
COMPLETE WHEEL 16.5 MIX CRUMB FILLED, LEFT.....25
COMPLETE WHEEL 16.5 MIX CRUMB FILLED, RIGHT.....25
Compressor.....147, 149
Compressor Bracket.....149
Compressor Support.....147
Compressor Support - Please Order The Complete New Configuration (Item 24 + 25.....).....147
Condenser.....145
Condenser Support.....145
CONNECTING SLEEVE.....47
Connecting Sleeve 60/65 LG68.....47
CONNECTOR.....111, 121, 123
CONNECTOR, DIN CONNECTOR W/LED..119
CONTACT (SWITCH).....61
CONTACT - 8 Pins.....59, 61, 127
Continuous Flow Switch Cover.....59, 61
Continuous Oil Electrovalve.....73
CONTROL LEVER.....63
Control Valve.....63
Cooling Package.....41
COPPER WASHER.....23, 79, 115
Copper Washer.....41
Copper Washer JC 17.....23, 43, 123, 149
Copper Washer JC 18 SP.2.5.....103, 105
Copper Washer JC 26.....147
Copper Washer JC 33.....23
Cosmetic - Genie GTH-5519.....11, 13
Cosmetic - Genie Logo.....11
COUNTERWEIGHT.....15
Coupling.....121, 123
Cover.....15, 21, 27, 55, 57
COVER, AIR FILTER.....55, 121, 123
COVER, OIL TANK.....19
COVER, ROOF.....53
Crinkle Washer UNI 8840.....45, 47
CRINKLE WASHER, DM.10.....55
CROSS JOINT.....27, 35
Cursor.....63
Curve.....45
CYL PROTECTOR (SHIELD, GUARD).....117
CYLINDER.....117
CYLINDER GASKET KIT.....69
Cylinder Gasket Kit.....69
Cylinder Seals Kit (From SN23546-ToSN23554 And From SN24047-ToSN24117).....69
CYLINDER, STEERING.....33, 39
CYLINDER, EXTENSION.....69

D

Danger - Fall Hazard, No Riders.....11, 13
 DASHBOARD BOX.....59, 61
 Dashboard Harness.....113
 DECAL.....13, 103, 105
 Decal.....53
 Decal - Preheating Start Switch.....59, 61
 Decal - Safety pin operation.....11
 DECAL, (DO NOT OPEN WHEN RUN).....13
 DECAL, BOOM ANGLE INDICATOR.....11
 DECAL, SHEET VARIOUS.....11
 D E C A L , B O D Y C R U S H , R O L L I N G
 MACHIN.....11, 13
 DECAL,BURN HAZARD.....13
 DECAL,COMPARTMENT ACCESS.....13
 DECAL,COSMETIC,GTH-5519.....11, 13
 DECAL,DANGER,BATTERY SAFETY***.....13
 DECAL,DANGER,CRUSH HAZARD.....13
 DECAL,DANGER,ELECTRICAL HAZARD.....13
 DECAL,DIESEL.....13
 DECAL,EMERGENCY EXIT HANDLE.....11
 DECAL,ENGINE COVER CLOSING.....13
 DECAL,FALLING OBJECT HAZARD.....11, 13
 DECAL,OVERTURNING,KEEP LOAD LO.....13
 DECAL,SKIN INJECTION.....11
 DECAL,TIRE PREAMURE.....11, 13
 DECAL,UPPER DOOR UNLOCK SYS.....11
 DECAL,UPPR DOOR EXT UNLOCK SYS.....11
 DECAL,WARN,EXPLSION/BURN HAZ.....13
 DECAL,WARN,FALLING OBJECT HAZ.....13
 DECAL,WARN,OVERTURN HAZARD.....13
 DECAL,WARN,READ MANUAL.....13
 DECAL,WARN,WEAR SEAT BELT.....13
 DECAL,WARNING,CRUSHING.....13
 DECAL,WARNING,NO LOAD CHART.....11
 DIESEL ENGINE.....49, 51
 Diesel Fuel Filter.....47
 DIESEL FUEL FILTER ELEMENT.....47
 DIESEL TANK.....15
 DIFFERENTIAL BOX.....35
 Differential Box.....27
 DIFFERENTIAL PINION.....35
 DIFFERENTIAL SIDE GEAR.....27
 Differential Side Gear.....27
 DOOR COATING, 5519 LOWER DOOR.....55
 DOOR RUBBER/PIPE FITTING47
 DOUBLE HOSE LOCKING PLATE D18.....71
 DOWEL M12X25 UNI 5927 12.9 ZN.....153
 DOWEL27, 31, 35
 DRAIN PLUG M16.....15
 Drawing 606679 Position A.....147, 149
 Drawing 606679 Position B.....147, 149
 Drawing 606679 Position D.....147, 149
 Drawing 606679 Position S.....147, 149
 Drawing 606680 Position A, Drawing 606681
 Position A.....145
 Drawing 606680 Position B, Drawing 606681
 Position B.....145
 Drawing 606680 Position D, Drawing 606681
 Position D.....145
 Drawing 606680 Position S, Drawing 606681
 Position S.....145
 DRILLED SCREW 1/2 BSP.....79
 Drilled Screw M12107
 Drilled Screw M18X1.5.....103, 105

d

drilled Screw M14X1.5.....87, 89, 107

E

Electrical Harness.....121, 123
 ELEMENT,OIL FILTER,PERKINS***.....51
 Emblem Genie 8".....13
 ENGINE CASING FRAME.....21
 Engine Cover.....19, 21
 Engine Cover Frame.....19
 Engine Cover Hinge.....19, 21
 Engine Cover Lock Pin.....19, 21
 ENGINE COVER SUPPORT.....19
 Engine Cover Support.....21
 Engine DPF Supply Line.....111
 Engine Electric Line Perkins.....111
 Engine Fuse Box.....111
 ENGINE HARNESS.....111
 Engine Housing.....19, 21
 ENGINE MOUNT,DEUTZ.....49
 ENGINE SUPPORT.....49
 ENGINE SUPPORT FAN SIDE.....51
 ENGINE SUPPORT LEFT FLYWHEEL
 SIDE.....51
 ENGINE SUPPORT RIGHT SIDE TELELIFT
 2506.....51
 Excanger.....43
 EXHAUST PIPE, STAINLESS STEEL.....45
 External Sound Proofing Panel.....55, 57
 External Support.....59, 61

F

Fan.....41, 43, 151
 Fan Guard Grid.....43
 Faston Cover Kit.....129
 Filter.....23
 Filter Bracket.....145
 Filter Lock Bracket.....145
 Filter PVC Carter.....145
 FILTER,FUEL/WTR SEP, DTZ 1008.....49
 FILTER,OIL.....49
 FILTER55, 121, 123
 FITTING.....43, 123, 149
 FITTING,13/16 ORFS103, 105
 FITTING,GWR,3/4M X 3/8F.....87, 89
 FITTING,PIPE,90,1" BSP.....91, 93
 FLANGE.....49, 51, 147, 149
 Flange.....27, 35, 63
 FLANGED SCREW M6X16 DIN 692 8.8 ZN
 3.....19
 Flashing Beacon.....139
 Flashing Beacon Bracket.....139
 FLAT WASHER D10 UNI 6593 ZN19, 21,
 23, 45, 47, 65, 117
 FLAT WASHER D12 UNI 6593 ZN.....15, 41, 43
 FLAT WASHER D14 UNI 6592 ZN49, 51,
 147
 FLAT WASHER D16 UNI 5714 ZN.....49, 51
 FLAT WASHER D16 UNI 6592 ZN.....15, 53,
 57, 91, 93
 FLAT WASHER D20 UNI 6592 ZN.....39, 49,
 51, 75, 77, 79
 FLAT WASHER D5 UNI 6592 ZN.....19, 21, 151
 FLAT WASHER D6 UNI 6592 ZN ...23, 41, 45,
 67, 103, 105, 117, 125, 129
 FLAT WASHER D6 UNI 6593 ZN15, 57,
 103, 105, 119, 145
 FLAT WASHER D8 UNI 6592 ZN ...17, 19, 21,
 23, 41, 43, 45, 47, 63, 65, 69, 83, 87, 89, 115,
 125, 129, 139, 141, 145, 147, 149, 151

FLAT WASHER D8 UNI 6593.....15, 19, 21, 47,
 49, 57, 65, 75, 107, 117, 133, 145, 147
 FLAT WASHER D8X32 UNI 6593 ZN.....41, 43
 Flexible Hose.....145
 FLEXIBLE HOSE.....87, 89, 117
 FLEXIBLE HOSE 7.75 INCH117
 FLEXIBLE HOSE 750MM.....75
 Flexible Hose R1 X 1/4 1700 FD 9/16-18
 D.14.....107
 Flexible Hose R2 X 1/2 1500 F90 F90 13/16"-16
 90°.....75
 Flexible Hose R2 X 1/2 1750 FD F90
 13/16"-16.....79
 Flexible Hose R2 X 1/2 400 F90 F45 BSP...115
 Flexible Hose R2 X 1/2 6000 FD 13/16"-16 -
 180° M.24X1,5.....77
 Flexible Hose R2 X 1/2 6010 FD 13/16"-16 -
 180° M.24X1,5.....77
 Flexible Hose R2 X 1/2 LG. 1100 F90 13/16 MD
 16 S DIN 24°75, 77, 79
 Flexible Hose R2 X 1/2 LG. 1650 F90 FD
 13/16-16 ORFS.....77, 103
 Flexible Hose R2 X 1/2 LG. 1800 FD-F90°
 13/16-16 ORFS.....79
 Flexible Hose R2 X 1/2 LG.1950 FD F90
 13/16-16 ORFS.....81
 Flexible Hose R2 X 1/2 LG.2050 FD F90
 13/16-16 ORFS.....81
 Flexible Hose R2 X 1/2" 280 Bar Lg. 1700 FD -
 F90 13/16"-16 ORFS.....77
 Flexible Hose R2 X 3/8 LG. 900 FD F90
 11/16-16 ORFS.....115
 FLOATING FORK CARRIAGE.....153
 Floating Fork Support Plate.....153
 Flow Reduction Valve.....73
 Fork.....141
 FORK (4" WIDE X 48" LONG).....153
 FORK COUPLING 5519.....67
 Fork Movement Cylinder Pipe R2 X 1/2 6110
 FD 13/16"-16 180° M.24X1,5.....75
 Fork Movement Cylinder Pipe R2 X 1/2 6160
 FD 13/16"-16 180° M.24X1,5.....75
 Fork Movements Cylinder.....69
 Fork Overturning Electrovalve.....73
 Friction Washer.....27
 Front Axle Bracket Fixing Plate.....17
 FRONT GRILL.....133
 FRONT RIGHT BEACON/LIGHT.....125
 Front Side Glass.....53
 Front Steering Axle.....25
 Front Steering Column Cover.....59, 61
 Fuel Gauge.....15
 Fuse 15A.....109
 Fuse 20A151
 FUSE 25A.....109
 Fuse 5A.....109
 Fuse and Relay Cover.....59, 61
 FUSE HOLDER.....109, 151
 FUSE,50A.....111
 FUSE,10A.....109
 FWD/REVERSE SWITCH ASSEMBLY.....59,
 61

G

Gas Filter.....145
 GASKET.....19, 21, 41, 43, 55
 Gasket.....17, 47
 GASKET (PER INCH).....55
 Gasket Kit.....33, 39, 55

Part Description Index (continued)

GASKET, RUBBER.....53
 Gear.....27
 GLASS (TAIL LIGHT LENS).....125
 GLASS STOP.....53, 55
 GLASS, AMBER.....125
 GREASE NIPPLE G 1/8.....65, 75
 GREASE ZERK29, 37, 39
 Grid.....21
 GRILLE.....19
 GUARD.....131
 Guard.....141

H

HALF FLANGE D47.....91, 93
 HANDLE.....53, 55
 Handle Lock.....55
 HANDLE, INTERNAL DOOR.....55
 Harness.....103, 105
 HARNESS, BOOM.....119
 HARNESS, CABLE REEL.....119
 HAZARD WARNING LIGHTS SWITCH COVER61
 Heater.....145
 Heater Carter.....145
 Heater121, 123
 Heating Fan Line (Only For Close Cab Version).....113
 Hex-Head Cap DA 1" Gas23
 HINGE.....19, 55
 Hinge.....15, 21
 Hitch.....15
 HITCH PIN.....15
 HORN17
 HOSE.....41, 43, 45, 87, 89, 101
 Hose.....145, 147
 Hose R1 X 1/4 LG. 1100 1/4GAS FD9/16...101
 HOSE R1X1/4 LG 1700 F90-F90 9/16-18 ORFS a 270°.....91
 Hose 13/32".....149
 HOSE ADAPTER F-F 1/4GXM14X1,5.....87, 89, 107
 Hose D.48/58 LG.125.....23
 Hose ETERNITY/2 X 3/4 700 FD F90 1 3/16"-12.....97
 Hose ETERNITY/2 X 1/4 900 FD F90 9/16-18.....89
 Hose ETERNITY/2 X 3/4 1800 FD F90 1 3/16"-12.....95
 Hose Fitting.....121, 123, 147, 149
 Hose FLANG BM6K 3/4 630 FL45 D.47 FL90 D.42 270°.....93
 Hose FLANG BM6K X3/4 1400 FL45D47 FL90D42 A 280°.....91
 Hose FLANG BM6K X3/4 1400 FL45D47 FL90D42 A 90°.....91
 HOSE GUIDE.....65
 Hose PVC Carter.....145
 Hose R 1X 1/4 LG 1950.....107
 Hose R1 X 1/2 LG. 1300 FD F45 13/16 ORFS.....103, 105
 Hose R1 X 1/4 LG. 500 FD FD 9/16.....101
 Hose R1 X 1/4 1550 F90 F909/16"-18.....87
 Hose R1 X 1/4 850 F90 F90 9/16"-18 ORFS 45°.....89
 Hose R1 X 1/4 LG. 1100 F90-F90 9/16-18 ORFS A 270°.....75
 Hose R1 X 1/4 LG. 1700 F90 FD 9/16-18 ORFS103

Hose R1 X 1/4 LG. 550 - FD F90 9/16-18 ORFS.....103, 105
 Hose R1 X 1/4 Lg. 650 R1 X 1/4 LG. 650 FD F90 9/16-18 ORFS.....105
 Hose R1 X 1/4 LG. 950 F90 F90 9/16-18 ORFS.....93
 Hose R1 X 1/4 LG.1000 F90 F90 9/16-18 ORFS a 90°.....99
 Hose R1 X 1/4 LG.1100 F90 F90 9/16-18 ORFS a 90°.....99
 Hose R1 X 1/4 LG.450 1/4GAS FD9/16.....101
 Hose R1 X 1/4 LG.950 - FD F90 9/16-18 ORFS.....101
 Hose R1 X 3/4 1000 F90 F90 1 3/16"-12 ORFS 90°.....93
 Hose R1 X 3/4 1500 F90 F90 1 3/16"-12 90°.....83
 Hose R1 X 3/4 1800 F90 F90 1 3/16"-12 220°.....85
 Hose R1 X 3/4 2250 F45 FD 1 3/16"-12 ORFS.....85
 HOSE R1 X 3/4 LG. 400 5519.....83, 85
 HOSE R1 X 3/4 LG. 600 5519.....93
 HOSE R1X1/4 LG 700 FD-F90 9/16-18 ORFS.....99
 Hose R2 X 1/2 1600 F90 F90 Hight 13/16"-16 90°.....75
 Hose R2 X 1/2 Lg. 550 FD F45 13/16-16 ORFS103, 105
 Hose R2 X 3/8 1000 F45 11/16"-16 F90 11/16"-16 A 90°103, 105
 Hose R2 X 3/8 LG. 1250 F90 F45 11/16-18 ORFS 90°.....103, 105
 Hose R2 X 3/8 LG. 1900 F90 11/16-16 ORFS-OCCHIO D=18.....103, 105
 Hose R2 X 3/8 LG. 2650 F90 11/16-16 ORFS-D=18.....103, 105
 Hose R2X1/2 LG 550 F90-FD 13/16-16 ORFS.....105
 HOSE R2X1/4 LG 405 FD-F90 9/16-18 ORFS.....117
 HOSE R2X1/4 LG 650 FD-F90 9/16-18 ORFS.....87, 89
 Hose R4 X 1-1/4 1000 FD 1 11/16"-12.....97
 Hose R4 X 1-1/4 1750 F90 FD 1 11/16"-12 ORFS.....93
 Hose R4 X 1-1/4 1800 FD 1 11/16"-12.....95
 Hose R4 X 1-1/4 2700 F90 FD 1 11/16"-12...91
 HOSE, 5519.....93
 HOSE, R1 X 1/4 LG. 850 F90 F90.....93
 HOSE, R1 X 1/4LG 1950.....91
 HOSE, R1 X 3/4LG 1000.....91, 93
 HOSE, R1 X 3/4LG 1400.....91
 HOSE, R1 X 3/4LG 1850.....83
 HOSE, R1 X 3/4LG 1900.....91
 HOSE, R1X1/4 900.....99
 HOSE, R2 X 3/8LG 280 F90 F90 11/16 A 34.....103, 105
 HOSE,ETERNITY, 1/4 150087
 Hoses guide.....49
 HOUSING.....27
 HUB.....49, 51
 Hydraulic Motor.....91, 93
 HYDRAULIC PUMP KP 30-27DO-A5K9.....49, 51

I

INDICATOR (OIL CLOGGING).....23
 Inspection Hatch.....23

Instruments Panel.....59, 61
 Instruments Panel Cover.....59, 61
 INSULATOR.....51
 Insulator M-F D=30/H=20 M10ART.TCVF 302023
 Intermediate Clutch Disc.....27
 Intermittence Relay109, 127
 Internal Support.....59, 61

J

Joint Box.....29, 37
 JOINT D6.....45, 47
 Joystick.....63
 Joystick Handle.....63

K

KEY.....55
 KEY ONLY (1 PAIR).....59, 61
 KNOB.....73
 Knob.....103, 105
 KNOB, STEERING MODE SELECTOR.....59, 61
 KNURLED COUPLING107

L

Label - Continuous Flow Knob.....11
 Label - Flow Reversal Button.....11
 Label - Fuses and Relays Engine Board.....13
 Label - Hydraulic Oil.....11
 Label - Lever Controls.....13
 Label - Testing Ports.....11
 LABEL, CONTINUOUS FLOW KNOB.....11
 LAMP H3 12V 55W.....129
 LANYARD,PIN.....67
 Lateral Grid.....19, 21
 Left Front Light.....125
 LEFT SIDE GLASS.....55
 LEFT TURN SIGNAL.....125
 LEVEL GAUGE.....57
 LEVEL INDICATOR 3/4".....41
 LEVEL INDICATOR.....23
 Levelling Cylinder.....69
 Levelling Cylinder Head Pin.....65
 Lever.....107
 License Plate Support.....125
 LIGHT SUPPORT BRACKET.....129
 LIGHT,REAR,LEFT125
 LIGHT,REAR,RIGHT.....125
 LIGHT,TRAFFIC ROAD PLATE.....125
 Load Chart Kit with Lanyard.....11
 Load Chart Support.....59, 61
 LOCK.....19, 21
 Lock.....15, 57
 Lock Bracket55, 57
 Lock Valve Gasket Kit.....69
 Lock/Release Electrovalve.....73
 LOWER CAB COVER.....17
 LOWER DOOR ASSY.....55
 LOWER DOOR/ GTH5519.....55
 Lower Front Dashboard.....59, 61
 Lower Heater Bracket.....145

M

Machine Data Plate.....13
 Magnet Plug.....27, 35
 Main Air Filter Element.....45, 47
 Main Valve Body.....63

Manifold.....45, 95
 MANIFOLD, BOOM HOSES.....67
 Manual Screw M6x25.....145
 Manual Screw M6x40.....145
 Mat.....55, 57
 Max Fuse 40A111
 Maxi Fuse Holder.....111
 Mirror.....19, 21, 55, 57
 MIRROR SUPPORT.....19
 MIRROR W/BRACKET, SINGLE55, 57
 Mudguard Bracket.....17, 19, 21
 Mudguard, LR & RF.....17, 19, 21
 Mudguard, RR & LF.....17, 19, 21
 Muffler.....45, 47
 Muffler Cap.....45, 47

N

NEEDLE FOR INCLINOMETER.....65
 Nipple M18x1,5 X1"3/16-18 ORFS.....93
 NUT.....29, 37
 Nut.....29, 35, 37
 Nut 8MA Slim UNI 4035.....45, 47
 NUT M10 UNI 5588 6S ZN.....43, 53, 57
 NUT M12 UNI 5589.....153
 Nut M24 UNI 7473 6SZN.....17
 NUT M6 UNI 5588 6S ZN.....15, 19, 21
 NUT M8 UNI 5588 6S ZN.....19, 21, 41, 47, 119
 NUT,M8 UNI 7473 6S ZN.....19, 21, 23, 41, 43,
 45, 47, 57, 63, 65, 75, 115, 125, 129, 139, 145,
 147, 149
 NUT,STOP,M10 UNI 7473 6S ZN.....19, 21, 41,
 45, 47, 49, 51, 65, 75
 NUT,STOP,M4 UNI 7473 6S ZN.....53
 Nylon Washer.....53, 55, 57

O

O-RING.....31, 33, 35, 39, 63, 91, 93, 95, 97
 O-Ring.....15, 31, 75, 77, 91, 93
 O-Ring 124 x 4,5.....23
 O-RING,R909154589 REXROTH.....49, 51
 O-RING27
 OIL FILTER,CARTRIDGE.....23
 OIL LEVEL INDICATOR.....23
 Oil Manifold.....23
 OIL PAN HEATER,DEUTZ,120V,150W.....41
 Oil Pressure Sensor.....51
 Oil Tank.....23
 Oil Tank Cover.....59, 61
 OPTION,FORK,STANDARD,48" PAIR,.....153
 OPTION,FORK,STANDARD,60" PAIR.....153
 Outlet Hose.....145
 Output Valve.....45, 47

P

Pad 20X250.....17
 PANEL.....53, 121, 123
 PAPER PIPING(1 PIECE=39.37 IN).....121, 123
 Parking Brake Switch Cover59, 61
 Pedal.....45, 47, 107
 Perkins Engine Support.....51
 Piloting Hydraulic Block.....73
 PIN.....55, 65, 67, 117
 Pin.....27, 31, 35, 75, 107
 Pin Lg.142.....75
 PIN,8X8555
 PIN,STD 48 CARRIAGE,GTH5519.....153
 PINION,DIFFERENTIAL.....29, 37
 Pipe.....71

PIPE FITTING.....29, 37, 43, 47, 101, 123, 149
 Pipe Fitting.....43, 145
 PIPE FITTING 3/4 BSPX13/16-16 ORFS..103,
 105
 PIPE FITTING 3/8BSPX11/16-16 ORFS...103,
 105
 Pipe Fitting 1"1/4BSP-1"3/16-12 ORFS.....83,
 85
 PIPE FITTING 1"BSPX1"11/16-12 ORFS...95,
 97
 PIPE FITTING 1/2 BSPX13/16-16 ORFS ...75,
 77, 79, 81, 103, 105
 Pipe Fitting 1/2-20.....47
 PIPE FITTING 1/2BSP x 11/16-16
 ORFS.....101, 103, 105, 115
 PIPE FITTING 1/2X1/2 BSP.....115
 PIPE FITTING 1/4 BSPX9/16-18 ORFS.....75,
 87, 89, 99, 101, 103, 105, 107
 PIPE FITTING 1/4BSPX11/16-16 ORFS.....117
 Pipe Fitting 1/8M X 1/4F.....47
 PIPE FITTING 14X1.5X9/16-18 ORFS.....87, 89
 Pipe Fitting 18X1.5 X 11/16-16 ORFS.....103,
 105
 PIPE FITTING 3/4"BSP X1"3/16-12
 ORFS.....83, 85, 91, 93, 95, 97
 PIPE FITTING 3/4X 3/4 BSP.....83, 85
 PIPE FITTING 3/8 BSPX9/16-18 ORFS.....87,
 89, 117
 PIPE FITTING 45 M-M 1/4 BSPX9/16-18
 ORFS.....117
 Pipe Fitting 9/16 ORFS X 9/16 ORFS.....103,
 105
 PIPE FITTING 90.....67
 PIPE FITTING 90 1/2GASXM 13/16-16
 ORFS.....67, 75, 81
 PIPE FITTING 90 M-M 13/16-16 ORFS.....75,
 77, 79
 PIPE FITTING CMF G1/2 ES LG 45.....115
 PIPE FITTING CMF1/2 ES LG 25.....115
 Pipe Fitting GWR 1" 1/2 M x 1" F.....95, 97
 PIPE FITTING M-M A 90 1/4 BSPX9/16-18
 ORFS.....117
 PIPE FITTING M12X1.5 X 9/16-18 ORFS..87,
 89, 91, 93
 PIPE FITTING M18X1,5X1"3/16-12 ORFS...91
 Pipe Fitting M22X1,5X 1"3/16-12.....91, 93
 Pipe Fitting M22X1.5X3/4.....91, 93
 Pipe Fitting M33X2 X1"11/16-1291, 93
 Pipe Fitting MFK 90 1/2 BSP.....67, 115
 PIPE FITTING TMF+C 13/16-16 ORFS.....75
 PIPE FITTING TMF+C 9/16-18 ORFS.....117
 PIPE FITTING TMF+L 1/2 BSP.....67
 Pipe Fitting TMF+L 1" 3/16-12 ORFS.....83, 85
 PIPE FITTING TMF+L 9/16-18 ORFS.....87, 89
 PIPE FITTING,90 M-F 13/16-1681
 PIPE FITTING83
 PIPE R1 X 3/8LG, 650 F90 FD 11/16.....101
 PIPE, 5519.....71
 PIPE,SUCTION LINE FOR MANIFOLD.....97
 Piston.....31
 Pivot Pin.....29, 37
 PLAIN WASHER.....53
 Plain Washer D6x1853, 55, 57, 121, 123
 PLANET GEAR CARRIER.....29, 37
 Planet Gear Carrier.....29, 37
 Plastic Washer.....53
 Plate.....55, 141
 Plate for Decals.....57
 PLATE, BELT RETAINING 5519.....55

PLATE/SEMI FLANGE.....91, 93
 PLUG.....15, 27, 29, 31, 35, 37, 39
 Plug.....63
 PLUG 1/2 BSP.....23
 PLUG 1/4" BSP.....115
 PLUG 3/8" BSP.....23
 Plug TCEI BSP 3/4.....63
 Plug, Breather.....27, 29, 37
 POWER STEERING.....103, 105
 PRE FILTER.....143
 Pressure Sensor.....151
 Pressure Switch.....107
 PRESSURE TUBE.....87, 89, 107
 PROTECTIVE BRACKET.....65
 PULLEY.....41
 Pulley.....149
 Pump.....107
 PUMP A4VG56G 5519.....49, 51
 PUMP,PRE ARRANGEMENT.....49, 51
 PUSH BUTTON.....63
 PVC Pipe Fitting 90°.....145

Q

QUICK COUPLING, FEMALE 1/2.....67, 115
 QUICK COUPLING, MALE 1/2.....67, 115

R

Radiator Cap.....43
 RADIATOR HOSE.....41
 RADIATOR PLUG.....41
 REAR GLASS.....55
 Rear Left Light Harness.....125
 Rear Right Light Harness125
 Rear Side Dashboard.....59, 61
 Rear Steering Axle.....25
 Rear Steering Column Cover.....59, 61
 Rear Work Light Bracket.....129
 Receptacles.....55
 RED PUSH BUTTON CAP.....63
 REFLECTIVE DECAL,WHITE/RED.....141
 RELAY.....151
 Relay 12V 50A111
 RELAY CARD.....109
 RELAY HOLDER.....151
 Relay Support Bracket.....151
 Removable Pedal.....45, 47
 RETAINER.....59, 61
 RIGHT SIDE GLASS53
 Right Side Grid.....57
 RIGHT, STEERING COLUMN SWITCH.....61
 Rim 9.75 X 16.5"25
 RING.....27, 35
 Ring.....27, 35
 Ring Gear Support.....29, 37
 RING GEAR29, 37
 RING NUT.....27
 Ring Nut.....31
 RING PIN.....67
 Road Light Cab Harness.....127
 Road Light Chassis Harness.....127
 Road Lights Push Button Cover.....61, 127
 RUBBER.....53, 55
 Rubber Base.....15
 Rubber Belt.....147, 149
 Rubber Cap D37xH12xD8.....53
 RUBBER CARPET.....137
 Rubber Gasket.....23
 RUBBER HOSE.....15, 41, 43, 47, 107

Part Description Index (continued)

- Rubber Hose.....145
 Rubber Hose LG.1000.....121, 123, 145, 147, 149
 RUBBER HOSE53
 Rubber Pads.....53
 RUBBER PLUG D.10.....53, 57
 RUBBER PLUG D25.....53, 57
 Rubber Protection.....63
 Rubber Seal.....131
- S**
- Safety Belt 3" Kit.....53, 57
 Safety Sheet.....29, 37
 Safety Sheet35
 SAFETY VALVE.....69
 Safety Valve69
 SATELLITE ART (GEAR).....27
 Satellite Gear.....35
 Screening.....45, 47
 SCREW.....29, 31, 37, 121, 123, 137
 Screw.....27, 29, 31, 33, 35, 39
 Screw Fitting M16x1.5.....43, 123, 149
 SCREW M10X20 UNI 5739 8.8 ZN.....23
 SCREW M10X25 UNI 5931 8.8 ZN.....49, 51, 95, 97
 SCREW M10X25 UNI 5933 10.9 ZN.....65
 SCREW M10X30 UNI 5933 10.9 ZN.....65
 SCREW M10X50 UNI 5739 8.8 ZN.....45, 47
 SCREW M10X60 UNI 5931 8.8 ZN.....41
 SCREW M10X90 UNI 5737 8.8 ZN.....65
 SCREW M12X100 UNI 5737 8.8 ZN.....65
 SCREW M12X30 UNI 5739 8.8 ZN.....49, 51
 SCREW M12X80 UNI 5737 8.8 ZN.....153
 SCREW M14X100UNI 5737 8.8 ZN.....49, 51, 65
 SCREW M14X35 UNI 5739 8.8 ZN.....49, 147
 SCREW M14X45 UNI 5739 8.8 ZN49
 SCREW M20X55 UNI 5739 8.8 ZN.....49, 51
 SCREW M24X160 UNI 5737 10.9 ZN.....15
 SCREW M4 X 16, 10.9.....23
 SCREW M4X10 UNI 5739 8.8 ZN.....15
 SCREW M6X15 UNI 5931 8.8 ZN.....145
 SCREW M6X20 UNI 5739 8.8 ZN15, 19, 21, 49, 67
 SCREW M6X25 UNI 5931 8.8 ZN.....71, 145
 SCREW M6X40 UNI 5739 8.8 ZN67, 119
 SCREW M6X50 UNI 5737 8.8 ZN.....103, 105
 SCREW M6X50 UNI 5931 8.8 ZN.....117
 SCREW M8X16 DIN 7984 8.8 ZN.....65
 SCREW M8X16 UNI 5739 8.8 ZN.....45, 47, 65, 69, 107, 133
 SCREW M8x20 DIN 6923 8.8 ZN.....15, 17, 41
 SCREW M8X20 UNI 5739 8.8 ZN.....15, 19, 21, 41, 43, 45, 49, 65, 83, 87, 89, 107, 115, 117, 125, 129, 139, 151
 SCREW M8X25 UNI 5739 8.8 ZN...41, 43, 45, 47, 65, 125, 129, 141, 145, 147, 149
 SCREW M8X25 UNI 5931 8.8 ZN...45, 47, 65, 149
 SCREW M8X30 UNI 5739 8.8 ZN...19, 41, 45, 47, 147, 149
 SCREW M8X35 UNI 5739 8.8 ZN71
 SCREW M8X40 UNI 5739 8.8 ZN...19, 21, 41, 43, 47, 75, 125
 SCREW M8X45 UNI 5739 8.8 ZN15
 SCREW M8X50 UNI 5739 8.8 ZN.....87, 89
 SCREW M8X50 UNI 5931 8.8 ZN.....69
 SCREW M8X55 UNI 5737 8.8 ZN.....69
 SCREW M8X60 UNI 5737 8.8 ZN.....115, 147
 SCREW M8X70 UNI 5737 8.8 ZN.....63, 65
 SCREW M8X80 UNI 5737 8.8 ZN.....75
 Screw TC M4 x 10 8.8 ZN UNI 7687.....59, 61
 Screw TCB 1BG3223.....53, 55, 57
 Screw TCB+4,8.....131
 Screw TCB+M6X40 UNI 7687 ZNN.....53
 Screw Tcei M 8X30 UNI 5931 8.8Zn.....57
 Screw TCEI M10X35 UNI5931 8.8ZN91, 93
 SCREW TCEI M8X40 UNI 5931 8.8 ZN.....69
 Screw TE M10X45 x 1,25 UNI 5738 8.8 ZN.....53, 57
 Screw TE M 5X10 UNI 5739 8.8 ZN.....15
 Screw TE M 8X12 UNI 5739 8.8 ZN.....133
 Screw TE M 8X40 UNI 5739 8.8 ZN.....19, 21
 Screw TE M12X40 UNI 5737 10.9ZN149
 Screw TE M16X100 UNI 5737 8.8 ZN.....53, 57
 Screw TE M16X50 UNI 5737 8.8 ZN.....91, 93
 Screw TE M20X160UNI 5737 10.9ZN.....39
 Screw TE M20X40 UNI 5739 8.8 ZN.....49, 51
 Screw TE M24X220UNI 5737 8.8 ZN.....17
 Screw TE M5x25 UNI 5737 8.8 ZN.....19, 21
 Screw TE M8X100 UNI 5737 10.9 ZN.....147
 Screw TE M8X100 UNI 5737 8.8 ZN...147, 149
 Screw TPS.....53
 Screw TPS+ 4.8x38.....53
 Screw TSPEI M 6X25UNI5933 8.8ZN...17, 19, 21
 Screw TSPEI M4 X 15 UNI 5933 10.9 ZN.....53
 Screw TSPEI M5X16 UNI 5933 10.9 ZN.....125, 151
 Screw TSPEI M6X16 UNI 5933.....55
 Screw TSPEI M6X30 UNI 5933.....53
 Screw TSPEI M6x55 UNI 5933 10.9 ZN.....17, 19, 21
 Screw TSPEI M8x40.....53, 57
 Screw TSPEI M8X70.....53
 SCREW, 1/4 BSP.....101
 Screw, 10.9HCS 12MM-1.75X50.....37
 SCREW, 8.8 HCS 12MM1.75X60Z.....15
 SCREW, M 8X20 UNI 5739 8.8 ZN.....57
 SCREW, M6X30DIN933 YZ HCS.....55
 SCREW,M10-1.5X90 12.9 SHCS.....55
 SCREW,PPH SMS 10X3/4ZAKEG.....55, 57, 59, 61
 SCREW,RING GEAR.....29, 37
 SCREW,STEERING ADJUST.....29, 37
 SCREW,TCB+M6X35.....55
 SCREW,TCEI M5X5055
 SCREW,TCEI,M16X50,UNI5931,8.8Z.....49,51
 SCREW,TCEI,M6X30 UNI 8.8 ZN71
 SCREW,TCEI,M6X35 UNI 8.8 ZN.....87, 89
 SCREW,TE,M10X25 UNI 8.8 ZN.....21, 23, 45, 47, 49, 51, 65, 117
 SCREW,TE,M10X30 UNI 8.8 ZN.....49, 51, 65
 SCREW,TE,M10X35 UNI 8.8 ZN.....47, 65, 147
 SCREW,TE,M10X40 UNI 8.8 ZN.....19, 21
 SCREW,TE,M10X70 UNI 8.8 ZN.....75
 SCREW,TE,M12X40 UNI 8.8 ZN.....91, 93
 SCREW,TE,M16X35.....15
 SCREW,TE,M6X16 UNI 8.8 ZN.....41, 45, 57, 107, 125, 129
 SCREW,TE,M8X16.....55
 SCREW,TSPEI M8X25.....55
 SEAL.....27, 29, 31, 37
 SEAL / DIFFERENTIAL29, 37
 SEAL KIT.....49, 51, 69, 103, 105, 117
 SEAL KIT, LIFT CYLINDER.....69
 SEAL KIT,CYLINDER.....69
 SEAL KIT107
 SEAL,DIFFERENTIAL35
 Sealing Ring.....29, 37
 SEAL27, 29, 37
 Seat.....53, 57
 Seat Support 2264055V.....57
 SEAT, CUSHION BACK53, 57
 SEAT,BOTTOM CUSHION.....53, 57
 Secondary Air Filter Element.....45, 47
 SENSOR.....45, 47
 Sensor.....49
 SERIAL NUMBER PLATE.....11
 Shim.....27, 43, 53, 57
 SHIM 0.10MM.....31
 SHIM 0.15MM.....31
 SHIM 0.20MM.....31
 SHIM 0.30MM.....31
 SHIM 0.40MM.....31
 Shim Washer.....27, 29, 37
 SHIM, WEAR PAD,100X60X1.....65
 SHIM,THICKNESS.....27, 35
 SHIM,WEAR PAD,60X200X1.....65
 SHIM,WEAR PAD,60X60X1.....65
 SHOCK ABSORBER, SEAT.....135
 SIDE COVER, CAB.....17
 SINGLE HOSE BRACKET D16.....71
 SINGLE HOSE BRACKET D25.....87, 89
 Sleeve.....45
 SLIDING BLOCK HOLDER.....65
 SNAP RING.....27, 29, 35, 37, 75
 Snap Ring.....27, 29, 31, 37
 SNAP RING27
 Snap Screw.....59, 61
 Solenoid.....73
 SOLENOID (07.0701.0290).....49, 51
 SOLENOID VALVE.....103, 105
 Solenoid Valve.....115
 SOLENOID VALVE49, 51
 SOLENOID****.....73
 SPACER.....29, 35, 37
 Spacer.....27, 31, 35, 53, 57, 119, 147
 SPIRIT LEVEL.....53
 Split Pin.....31
 Spray Nozzle.....53
 Spring.....19, 21, 31, 45, 47, 107
 SPRING CLIP M6.....19
 SPRING CLIP M8.....15, 17
 SPRING COUPLING.....45, 47
 SPRING SPLIT PIN.....15, 141
 SPRING WASHER.....27
 SPRING WASHER D 8 ZN15, 19, 21, 41, 43, 45, 47, 49, 65, 69, 83, 87, 89, 107, 115, 117, 125, 129, 133, 141, 145, 149, 151
 SPRING WASHER D10 ZN.....21, 23, 43, 45, 47, 49, 51, 65, 91, 93, 95, 97, 117, 147
 SPRING WASHER D12 ZN49, 51, 91, 93, 149
 SPRING WASHER D14 ZN.....49, 147
 SPRING WASHER D16 ZN.....15, 49, 51, 91, 93
 Spring Washer D20 ZN49, 51
 SPRING WASHER D24 ZN.....15
 SPRING WASHER D4 ZN.....23
 SPRING WASHER D6 ZN...15, 41, 45, 49, 67, 107, 119, 125, 129, 145, 147, 149
 Spring Washer D8 UNI 1752 ZN.....147
 STANDARD AIR FILLED TIRE LEFT.....25
 STANDARD AIR FILLED TIRE RIGHT.....25
 Starter Motor.....51
 STARTER, 12V.....49

Starting Switch.....59, 61
 Steel Exhaust Pipe.....47
 Steel Exhaust Pipe Assembly.....47
 Steering Case.....29, 37
 Steering Column Line.....113
 Steering Wheel.....103, 105
 Steering Wheel Plug.....103, 105
 STOP.....53, 55
 STOP GUARD.....141
 STOP NUT M12 UNI 7473 6S ZN...15, 65, 153
 STOP NUT M14 UNI 7473 6S ZN.....49, 51, 65
 STOP NUT M16 UNI 7473 6S ZN.....53, 57
 STOP NUT M20 UNI 7473 6S ZN.....39
 STOP NUT M5 UNI 7473 6S ZN...19, 21, 125,
 151
 STOP NUT M6 UNI 7473 6S ZN17, 19, 21,
 45, 57, 67, 103, 105, 117, 125
 Stop Nut M8 / Black Cap.....53
 STOP PAD.....55
 Stud.....29, 37
 STUD,DRIVE AXLE.....29, 37
 SUPPORT.....17, 19, 21, 55, 125, 151
 Support.....15, 39
 Support for Test Ports.....87, 89
 SUPPORT, HEADLIGHT.....125
 SUPPORT,RADIATOR.....41, 43
 SUPPORT39
 SWITCH.....53, 61, 151
 Switch.....127
 Switch Contact.....59, 61
 SWITCH COVER.....61, 119
 SWITCH, NEGATIVE BRAKE.....73
 SWITCH,STEERING MODE.....59, 61
 SWITCH61, 119

T

TANK, RADIATOR.....41
 TANK, WIPER W/ PUMP55
 TAP53, 121, 123, 145
 TEMPERATURE SENSOR, HYDRAULIC
 OIL.....23
 Temperature Switch.....151
 Tensioner Bracket.....147
 THICKNESS.....27, 29, 35, 37
 THREADED CLIP M5.....59, 61
 Threaded Grubscrew.....31
 Throttle Cable.....45, 47
 THROTTLE CABLE BRACKET.....45
 TIE ROD.....33, 39
 TIMER RELAY.....109
 Tire 12-16.5" PR10.....25
 TOGGLE LEVER,COMPLETE.....55
 Twist Spring.....47

U

Universal Joint Cross.....25
 UPPER DOOR FRAME.....55
 UPPER DOOR FRAME WITH GLASS55
 UPPER DOOR GLASS GTH5519.....55
 UPPER FRONT DASHBOARD.....59, 61
 Upper Glass.....53, 57
 Upper Grid.....19, 21
 Upper Heater Bracket.....145

V

VALVE.....49, 51, 63, 117
 Valve.....49
 Valve 3/4 PA 2.5.....91, 93

VALVE CURSOR.....63
 Valve Vuc 3/4 8 Bar.....83, 85
 VALVE, CARTRIDGE.....63
 VALVE,LOAD SENSE.....49, 51
 VALVE,SOLND,BRK,DEUTZ TCD4.1.....73
 VIBRATION DAMPENING SUPPORT.....53, 57
 VIBRATION DAMPING.....41, 43, 49

W

Warning - Crush Hazard, Overhead Parts.....11
 WASHER.....23, 27, 31, 57, 95, 97, 101, 115,
 131
 Washer.....55, 57, 59, 61
 WASHER D10.....65
 Washer D24 UNI 6592 ZN.....17
 WASHER D6.....17, 19, 21
 Washer D6X12MM.....55, 57
 WASHER D70/16, SP 8.....53, 57
 WASHER, ZN, D70/16, SP 4.....53, 57
 WASHER,CHMFRD,D16,UNI 6593,ZN.....53,
 57
 WASHER,D.14/20X1.5.....87, 89
 WASHER,D10 UNI 6592 ZN.....47, 53, 57, 147
 WASHER,D10X20.....55
 WASHER,D12 UNI 6592 ZN49, 51, 149
 WASHER,D4 UNI 6592.....53
 WASHER,D8,UNI 1751 ZN.....41
 WASHER,JC 22.....91, 93
 WASHER,JC 27,SP.2,5.....87, 89, 91, 93
 WASHER29, 35, 37, 153
 Water Tank Cover (Black Cap).....55
 WEAR PAD,100X25X15.....65
 WEAR PAD,100X60X12.....65
 WEAR PAD,200X60X15.....65
 WEAR PAD,200X60X20.....65
 WEAR PAD,60X60X12.....65
 WEATHERSTRIP,DOUBLE BULB.....53
 Wheel Hub.....29, 37
 Wheel Nut29, 37
 WHEEL STUD.....29, 37
 Windscreen Wiper Arm.....53
 WIPER BLADE.....53
 WIPER MOTOR.....53
 WIPER SWITCH COVER.....61
 WORK LIGHT W/HARNES.....129
 Work Lights Switch Cover61

Y

YELLOW PUSH BUTTON CAP.....63

Fitting Cross References

Genie PN	Parker PN	Description	Genie PN	Parker PN	Description
12342	6-4 F5OX-S	CONNECTOR,STRAIGHT THREAD TO FLARE TUBE	42794	1 CR-S	ELBOW,90°,MALE PIPE
13757	4 R6X-S	RUN TEE,SWIVEL NUT,ORFS	42795	BV-0839	BALL VALVE
19685	12-10 C5OX-S	ELBOW,90°,STRAIGHT THREAD TO FLARE TUBE	42796	BV-0838	BALL VALVE
22664	12-10 C5OX	ELBOW,90°,STRAIGHT THREAD TO FLARE TUBE	42874	6-8 CLO-S	ELBOW,90°,MALE PIPE TO ORFS
27431	8-12 F5OX-S	CONNECTOR,STRAIGHT THREAD TO FLARE TUBE	42912	13943-6-4	HOSE END,90° FEMALE SWIVEL,JIC
28678	AS-B-33	SLEEVE,NYLON,1.81" ID	42920	BV-0840	BALL VALVE,90°
39871	6 WETX-WLN-S	UNION,90° BULKHEAD W/NUT,FLARE TUBE	42932	AS-B-17	SLEEVE,NYLON,1.22" ID
39872	4 R5OX-S	RUN TEE,STRAIGHT THREAD	42936	10243-2-4	HOSE END,FEMALE PIPE
39873	6 C5OX-S	ELBOW,90°,STRAIGHT THREAD TO FLARE TUBE	42953	1/2 DD-S	ELBOW,90°,FEMALE PIPE
39874	8-6 C5OX-S	ELBOW,90°,STRAIGHT THREAD TO FLARE TUBE	42956	6 WELO-WLNL-S	UNION,90° BULKHEAD W/NUT,ORFS
39875	4-6 C5OX-S	ELBOW,90°,STRAIGHT THREAD TO FLARE TUBE	45349	8 V5OX-S	ELBOW,45°,STRAIGHT THREAD TO FLARE TUBE
39876	6-8 C5OX-S	ELBOW,90°,STRAIGHT THREAD TO FLARE TUBE	45351	4 V5OX-S	ELBOW,45°,STRAIGHT THREAD TO FLARE TUBE
39877	4 F5OX-S	CONNECTOR,STRAIGHT THREAD TO FLARE TUBE	47223	10343-6-6	HOSE END,MALE,JIC
39878	6 F5OX-S	CONNECTOR,STRAIGHT THREAD TO FLARE TUBE	47419	PS690503-6-6	SWIVEL,90°,STRAIGHT THREAD TO 37° FLARE
39879	4-8 F5OX-S	CONNECTOR,STRAIGHT THREAD TO FLARE TUBE	48750	421-4	HOSE,1/4 INCH ID
39880	6-10 F5OX-S	CONNECTOR,STRAIGHT THREAD TO FLARE TUBE	48751	481TC-4	HOSE,1/4 INCH ID
39881	4-6 F5OX-S	CONNECTOR,STRAIGHT THREAD TO FLARE TUBE	48752	482TC-4	HOSE,1/4 INCH ID
39882	4-HP5ON-S	PLUG,STRAIGHT THREAD	48753	451TC-6	HOSE,3/8 INCH ID
39883	8-8 FTX-S	CONNECTOR,MALE PIPE TO FLARE TUBE	48754	482TC-6	HOSE,3/8 INCH ID
39885	269HB 12-12	ELBOW,90°,BEADED HOSE BARB TO MALE PIPE	48755	381-6	HOSE,3/8 INCH ID
39886	431-6	HOSE,3/8 INCH ID	48756	451TC-8	HOSE,1/2 INCH ID
39887	540N-2	HOSE,1/8 INCH ID	48757	482TC-8	HOSE,1/2 INCH ID
39888	801-8	HOSE,1/2 INCH ID	48758	381-8	HOSE,1/2 INCH ID
39889	801-12	HOSE,3/4 INCH ID	48759	381-10	HOSE,5/8 INCH ID
39890	10643-6-6	HOSE END,FEMALE SWIVEL,JIC	48760	451TC-10	HOSE,5/8 INCH ID
39891	13943-6-6	HOSE END,90° FEMALE SWIVEL,JIC	48761	482TC-12	HOSE,3/4 INCH ID
39892	13743-6-6	HOSE END,45° FEMALE SWIVEL,JIC	48762	451TC-12	HOSE,3/4 INCH ID
39894	30682-8-8	HOSE END,FEMALE SWIVEL,JIC	48763	772-12	HOSE,3/4 INCH ID
39895	30682-10-12	HOSE END,FEMALE SWIVEL,JIC	48764	881-16	HOSE,1 INCH ID
42286	8-8 CTX-S	ELBOW,90°,MALE PIPE TO FLARE TUBE	48765	772-16	HOSE,1 INCH ID
42756	8-12 CLO-S	ELBOW,90,MALE PIPE TO ORFS	48766	AS-B-15	SLEEVE,NYLON,1.06" ID
42757	8-12 FLO-S	CONNECTOR,MALE PIPE TO ORFS	48767	AS-B-22	SLEEVE,NYLON,1.42" ID
42758	4 JLO-S	UNION TEE,ORFS	48770	881-8	HOSE,1/2 INCH ID
42759	4-4 FLO-S	CONNECTOR,MALE PIPE TO ORFS			
42760	6-8 FLO-S	CONNECTOR,MALE PIPE TO ORFS			
42761	1J143-6-4	HOSE END,90° FEMALE SWIVEL,SEAL LOK			
42762	1J743-6-4	HOSE END,45° FEMALE SWIVEL,SEAL LOK			
42768	1JO43-4-4	HOSE END,MALE,SEAL LOK			
42776	801-8	HOSE,1/2 INCH ID			
42777	1J743-16-16	HOSE END,45° FEMALE SWIVEL,SEAL LOK			
42786	16 CLO-S	ELBOW,90°,MALE PIPE TO ORFS			
42787	16 R8LO-S	RUN TEE,SWIVEL NUT,ORFS			
42788	16-8 TRLO-BL-S	REDUCER,TUBE END TO SWIVEL,ORFS			
42789	6-6 CLO-S	ELBOW,90°,MALE PIPE TO ORFS			
42790	8-10 V5OLO-S	ELBOW,45°,STRAIGHT THREAD TO ORFS			
42791	3/4 CD-S	ELBOW,90°,MALE TO FEMALE PIPE			
42792	3/4 X 1/2 PTR-S	REDUCER,MALE TO FEMALE PIPE			
42793	1/2 CR-S	ELBOW,90°,MALE PIPE			

Fitting Cross References (Continued)

Genie PN	Parker PN	Description
48771	881-10	HOSE,5/8 INCH ID
48772	381-4	HOSE,1/4 INCH ID
48773	AS-B-13	SLEEVE,NYLON,.86" ID
48800	1JC43-4-4	HOSE END,FEMALE SWIVEL,SEAL LOK
48801	1J743-4-4	HOSE END,45° FEMALE SWIVEL,SEAL LOK
48802	1J943-4-4	HOSE END,90° FEMALE SWIVEL,SEAL LOK
48804	1JM43-4-4	HOSE END,MALE,SEAL LOK, NO O-RING
48805	10643-4-4	HOSE END,FEMALE SWIVEL,JIC
48806	13943-4-4	HOSE END,90° FEMALE SWIVEL,JIC
48807	1JS43-4-4	HOSE END,FEMALE SWIVEL,SEAL LOK
48808	3JC82-8-8	HOSE END,FEMALE SWIVEL,SEAL LOK
48809	3JC82-12-12	HOSE END,FEMALE SWIVEL,SEAL LOK
48810	1JC43-6-4	HOSE END,FEMALE SWIVEL,SEAL LOK
48811	1J943-6-4	HOSE END,90° FEMALE SWIVEL,SEAL LOK
48812	1JC43-6-6	HOSE END,FEMALE SWIVEL,SEAL LOK
48813	1J143-6-6	HOSE END,90° FEMALE SWIVEL,SEAL LOK
48814	1J543-6-6	HOSE END,90° FEMALE SWIVEL,SEAL LOK
48815	1J743-6-6	HOSE END,45° FEMALE SWIVEL,SEAL LOK
48816	1J943-6-6	HOSE END,90° FEMALE SWIVEL,SEAL LOK
48817	1JS43-6-8	HOSE END,FEMALE SWIVEL,SEAL LOK
48818	1J943-8-4	HOSE END,90° FEMALE SWIVEL,SEAL LOK
48819	1JC43-8-6	HOSE END,FEMALE SWIVEL,SEAL LOK
48820	1J743-8-6	HOSE END,45° FEMALE SWIVEL,SEAL LOK
48821	1J943-8-6	HOSE END,90° FEMALE SWIVEL,SEAL LOK
48822	1JC43-8-8	HOSE END,FEMALE SWIVEL,SEAL LOK
48823	1JS43-8-8	HOSE END,FEMALE SWIVEL,SEAL LOK
48824	1J143-8-8	HOSE END,90° FEMALE SWIVEL,SEAL LOK
48825	1J543-8-8	HOSE END,90° FEMALE SWIVEL,SEAL LOK
48826	1J743-8-8	HOSE END,45° FEMALE SWIVEL,SEAL LOK
48827	1J943-8-8	HOSE END,90° FEMALE SWIVEL,SEAL LOK
48828	1JC43-10-8	HOSE END,FEMALE SWIVEL,SEAL LOK
48829	1JS43-10-8	HOSE END,FEMALE SWIVEL,SEAL LOK
48830	1J743-10-8	HOSE END,45° FEMALE SWIVEL,SEAL LOK
48831	1J943-10-8	HOSE END,90° FEMALE SWIVEL,SEAL LOK
48833	1JC43-10-10	HOSE END,FEMALE SWIVEL,SEAL LOK
48834	1J943-10-10	HOSE END,90° FEMALE SWIVEL,SEAL LOK
48835	1JS43-10-12	HOSE END,FEMALE SWIVEL,SEAL LOK
48836	1JC43-12-8	HOSE END,FEMALE SWIVEL,SEAL LOK
48837	1JS43-12-8	HOSE END,FEMALE SWIVEL,SEAL LOK
48838	1J743-12-8	HOSE END,45° FEMALE SWIVEL,SEAL LOK
48839	1J943-12-8	HOSE END,90° FEMALE SWIVEL,SEAL LOK
48840	1J943-12-10	HOSE END,90° FEMALE SWIVEL,SEAL LOK
48841	1JC43-12-12	HOSE END,FEMALE SWIVEL,SEAL LOK
48842	1JO43-12-12	HOSE END,MALE,SEAL LOK
48843	1J143-12-12	HOSE END,90° FEMALE SWIVEL,SEAL LOK
48844	1J543-12-12	HOSE END,90° FEMALE SWIVEL,SEAL LOK
48845	1J743-12-12	HOSE END,45° FEMALE SWIVEL,SEAL LOK
48846	1J943-12-12	HOSE END,90° FEMALE SWIVEL,SEAL LOK

Genie PN	Parker PN	Description
48847	13943-12-12	HOSE END,90° FEMALE SWIVEL,JIC
48848	10543-12-12	HOSE END,MALE,STRAIGHT THREAD
48849	1JC71-12-12	HOSE END,FEMALE SWIVEL,SEAL LOK
48850	1JS71-12-12	HOSE END,FEMALE SWIVEL,SEAL LOK
48851	1J171-12-12	HOSE END,90° FEMALE SWIVEL,SEAL LOK
48852	1J771-12-12	HOSE END,45° FEMALE SWIVEL,SEAL LOK
48853	1J971-12-12	HOSE END,90° FEMALE SWIVEL,SEAL LOK
48854	1JC43-16-16	HOSE END,FEMALE SWIVEL,SEAL LOK
48855	1J943-16-16	HOSE END,90° FEMALE SWIVEL,SEAL LOK
48856	1J171-16-16	HOSE END,90° FEMALE SWIVEL,SEAL LOK
48857	1J971-16-16	HOSE END,90° FEMALE SWIVEL,SEAL LOK
48859	1JS43-8-4	HOSE END,FEMALE SWIVEL,SEAL LOK
48867	PD36BTL	DIAGNOSTIC NIPPLE,SEAL-LOK SWIVEL
48873	6 PNLO-S	PLUG,TUBE END,ORFS
48874	6 PNTX-S	PLUG,FLARE TUBE
48875	6 R6LO-S	RUN TEE,SWIVEL NUT,ORFS
48877	4 F5OLO-SW/.025	CONNECTOR,STRAIGHT THREAD TO ORFS, W/.025 ORI
48878	16-12 C5OLO-S	ELBOW,90°,STRAIGHT THREAD TO ORFS
48879	8 C8LO-S	ELBOW,90°,SWIVEL NUT ORFS
48880	PD6-285	CAP,DIAGNOSTIC NIPPLE
48881	6 HLO-S	UNION,ORFS
48883	8 P5ON-S	PLUG,STRAIGHT THREAD
48884	8M18F87OMLO-S	CONNECTOR,METRIC,STRAIGHT THREAD TO ORFS
48885	4 WGTX-WLN-S	CONNECTOR,BULKHEAD,FEMALE PIPE TO FLARE TUBE
48886	4 F5OLO-SW/2MM	CONNECTOR,MACHINED STRAIGHT THREAD TO ORFS
48887	4 CTX-S	ELBOW,90°,MALE PIPE TO FLARE TUBE
48888	10-12 V5OLO-S	ELBOW,45°,STRAIGHT THREAD TO ORFS
48890	4 S5OLO-S	BRANCH TEE,STRAIGHT THREAD TO ORFS
48891	4 S8LO-S	BRANCH TEE,SWIVEL NUT TO ORFS

Fitting Cross References (Continued)

Genie PN	Parker PN	Description	Genie PN	Parker PN	Description
48892	6 C6LO-S	ELBOW,90°,SWIVEL NUT ORFS	48938	8 R6LO-S	RUN TEE,SWIVEL NUT,ORFS
48893	6 F5OHAO-S	UNION,STRAIGHT THREAD	48939	8 S6LO-S	BRANCH TEE,SWIVEL NUT TO ORFS
48894	8 WLO-WLNL-S	UNION,BULKHEAD,ORFS	48940	8 WJLO-WLNL-S	RUN TEE, BULKHEAD,ORFS
48895	DT-370-MSMO-5	VALVE,CHECK	48941	8-4 TRLO-S	REDUCER,TUBE END TO SWIVEL,ORFS
48896	6 JLO-S	UNION,TEE,ORFS	48942	8-6 C5OLO-S	ELBOW,90°,STRAIGHT THREAD TO ORFS
48897	DT-750-MSMS-5	VALVE,CHECK	48943	8-6 F5OLO-S	CONNECTOR,STRAIGHT THREAD TO ORFS
48898	DT-750-MOMS-5	VALVE,CHECK	48944	8-8 FLO-S	CONNECTOR,MALE PIPE TO ORFS
48899	DT-620-MOMS-5	VALVE,CHECK	48945	8 FTX-S	CONNECTOR,MALE PIPE TO FLARE TUBE
48900	4-6 F5OLO-SW/.035	CONNECTOR,STRAIGHT THREAD TO ORFS, W/.035 ORI	48946	8-10 F5OLO-S	CONNECTOR,STRAIGHT THREAD TO ORFS
48902	16-1 AOE4G-S	ELBOW,90° LONG,FEMALE PIPE TO STRAIGHT THREAD	48947	8-12 C5OLO-S	ELBOW,90°,STRAIGHT THREAD TO ORFS
48903	1 FF-S	NIPPLE,PIPE	48948	8-12 F5OLO-S	CONNECTOR,STRAIGHT THREAD TO ORFS
48904	4 C5OLO-S	ELBOW,90°,STRAIGHT THREAD TO ORFS	48949	8-16 F5OLO-S	CONNECTOR,STRAIGHT THREAD TO ORFS
48905	4 F5OLO-S	CONNECTOR,STRAIGHT THREAD TO ORFS	48950	10 C5OLO-S	ELBOW,90°,STRAIGHT THREAD TO ORFS
48906	4 R5OLO-S	RUN TEE,STRAIGHT THREAD	48951	10 CC5OLO-S	ELBOW,90° LONG,STRAIGHT THREAD TO ORFS
48907	4 V5OLO-S	ELBOW,45°,STRAIGHT THREAD TO ORFS	48952	10 F5OLO-S	CONNECTOR,STRAIGHT THREAD TO ORFS
48908	4 R6LO-S	RUN TEE,SWIVEL NUT,ORFS	48953	10 R5OLO-S	RUN TEE,STRAIGHT THREAD
48909	4 WJLO-WLNL-S	RUN TEE, BULKHEAD,ORFS	48954	10 S5OLO-S	BRANCH TEE,STRAIGHT THREAD TO ORFS
48910	4 GTX-S W/.030	CONNECTOR,FEMALE PIPE TO FLARE TUBE	48955	10 R6LO-S	RUN TEE,SWIVEL NUT,ORFS
48911	4-6 C5OLO-S	ELBOW,90°,STRAIGHT THREAD TO ORFS	48956	10-4 TRLO-BL-S	REDUCER,TUBE END TO SWIVEL,ORFS
48912	4-6 F5OLO-S	CONNECTOR,STRAIGHT THREAD TO ORFS	48957	10-6 TRLO-BL-S	REDUCER,TUBE END TO SWIVEL,ORFS
48913	4-6 F5OLO-SW/.030	CONNECTOR,STRAIGHT THREAD TO ORFS, W/.030 ORI	48958	10-12 F5OLO-S	CONNECTOR,STRAIGHT THREAD TO ORFS
48914	4-8 F5OLO-S	CONNECTOR,STRAIGHT THREAD TO ORFS	48959	12 C5OLO-S	ELBOW,90°,STRAIGHT THREAD TO ORFS
48915	6 C5OLO-S	ELBOW,90°,STRAIGHT THREAD TO ORFS	48960	12 F5OLO-S	CONNECTOR,STRAIGHT THREAD TO ORFS
48916	6 F5OLO-S	CONNECTOR,STRAIGHT THREAD TO ORFS	48961	12 R5OLO-S	RUN TEE,STRAIGHT THREAD
48917	6 FF5OLO-S	CONNECTOR,LONG,STRAIGHT THREAD TO ORFS	48962	12 S5OLO-S	BRANCH TEE,STRAIGHT THREAD TO ORFS
48918	6 R5OLO-S	RUN TEE,STRAIGHT THREAD	48963	12 V5OLO-S	ELBOW,45°,STRAIGHT THREAD TO ORFS
48919	6 S5OLO-S	BRANCH TEE,STRAIGHT THREAD TO ORFS	48964	12 R6LO-S	RUN TEE,SWIVEL NUT,ORFS
48920	6 V5OLO-S	ELBOW,45°,STRAIGHT THREAD TO ORFS	48965	12 CLO-S	ELBOW,90°,MALE PIPE TO ORFS
48921	6 FLO-S	CONNECTOR,MALE PIPE TO ORFS	48966	12 FLO-S	CONNECTOR,MALE PIPE TO ORFS
48922	6-6 FLO-S	CONNECTOR,MALE PIPE TO ORFS	48967	12 JLO-S	UNION TEE,ORFS
48923	6 P5ON-S	PLUG,STRAIGHT THREAD	48968	12 WLO-WLNL-S	UNION,BULKHEAD,ORFS
48925	6 WELO-S	UNION,90° BULKHEAD,ORFS	48969	12 WJLO-WLNL-S	RUN TEE, BULKHEAD,ORFS
48926	6-4 C5OLO-S	ELBOW,90°,STRAIGHT THREAD TO ORFS	48970	12 WELO-WLNL-S	UNION,90° BULKHEAD W/NUT,ORFS
48927	6-4 F5OLO-S	CONNECTOR,STRAIGHT THREAD TO ORFS			
48928	6-4 V5OLO-S	ELBOW,45°,STRAIGHT THREAD TO ORFS			
48929	6-8 C5OLO-S	ELBOW,90°,STRAIGHT THREAD TO ORFS			
48930	6-8 F5OLO-S	CONNECTOR,STRAIGHT THREAD TO ORFS			
48931	6-10 F5OLO-S	CONNECTOR,STRAIGHT THREAD TO ORFS			
48932	8 C5OLO-S	ELBOW,90°,STRAIGHT THREAD TO ORFS			
48933	8 F5OLO-S	CONNECTOR,STRAIGHT THREAD TO ORFS			
48934	8 FF5OLO-S	CONNECTOR,LONG,STRAIGHT THREAD TO ORFS			
48935	8 R5OLO-S	RUN TEE,STRAIGHT THREAD			
48936	8 S5OLO-S	BRANCH TEE,STRAIGHT THREAD TO ORFS			
48937	8 V5OLO-S	ELBOW,45°,STRAIGHT THREAD TO ORFS			

Fitting Cross References (Continued)

Genie PN	Parker PN	Description	Genie PN	Parker PN	Description
48971	12 G5G5JG5-S	TEE,FEMALE STRAIGHT THREAD	49612	PKT02586	O-RING KIT (ORFS FITTINGS)
48972	12 XHL6-S	ADAPTER, 37° MALE TO SWIVEL ORFS	49613	PKT06276	PLUG AND CAP KIT-SERVICE,ORFS
48973	12-1/2 F5OG-S	ADAPTER,FEMALE PIPE TO STRAIGHT THREAD	49728	10143-12-12	HOSE END, MALE PIPE
48974	12-10 C5OLO-S	ELBOW,90°,STRAIGHT THREAD TO ORFS	49729	16-1 F5OG-S	ADAPTER,FEMALE PIPE TO STRAIGHT THREAD
48975	12-10 F5OLO-S	CONNECTOR,STRAIGHT THREAD TO ORFS	49814	12-8 FLO-S	CONNECTOR,MALE PIPE TO ORFS
48976	12-16 C5OLO-S	ELBOW,90°,STRAIGHT THREAD TO ORFS	49829	DT-500-MOMF-5	VALVE,CHECK
48977	12-16 F5OLO-S	CONNECTOR,STRAIGHT THREAD TO ORFS	49831	881-12	HOSE,3/4 INCH ID
48978	12-16 V5OLO-S	ELBOW,45°,STRAIGHT THREAD TO ORFS	49834	16 JLO-S	UNION TEE,ORFS
48980	12-16 FLO-S	CONNECTOR,MALE PIPE TO ORFS	49838	12-8 TRLO-BL-S	REDUCER,TUBE END TO SWIVEL,ORFS
48983	16 C5OLO-S	ELBOW,90°,STRAIGHT THREAD TO ORFS	49840	8 JLO-S	UNION TEE,ORFS
48984	16 F5OLO-S	CONNECTOR,STRAIGHT THREAD TO ORFS	49844	10-8 TRLO-BL-S	REDUCER,TUBE END TO SWIVEL,ORFS
48985	16 V5OLO-S	ELBOW,45°,STRAIGHT THREAD TO ORFS	49854	8 P5ON-S	PLUG,STRAIGHT THREAD
48986	16 FLO-S	CONNECTOR,MALE PIPE TO ORFS	49855	1JC43-16-12	HOSE END,FEMALE SWIVEL,SEAL LOK
48988	16 CD45-S	ELBOW,45°,MALE TO FEMALE PIPE	49859	4 P5ON-S	PLUG,STRAIGHT THREAD
48989	12 CD45-S	ELBOW,45°,MALE TO FEMALE PIPE	49861	4 FF5OLO-S	CONNECTOR, LONG, STRAIGHT THREAD TO ORFS
48990	8 CD45-S	ELBOW,45°,MALE TO FEMALE PIPE	49867	12-3/4 F5OG-S	ADAPTER,FEMALE PIPE TO STRAIGHT THREAD
48991	16-12 FLO-S	CONNECTOR,MALE PIPE TO ORFS	51152	6 R6X-S	RUN TEE,SWIVEL NUT,ORFS
48992	16-12 V5OLO-S	ELBOW,45°,STRAIGHT THREAD TO ORFS	51153	6-4 TRTX-S	REDUCER,TUBE END TO SWIVEL,ORFS
48993	XV501-12	BALL VALVE	51154	4-4 GTX	CONNECTOR,FEMALE PIPE TO FLARE TUBE
48994	XV501-16	BALL VALVE	51264	881-12	HOSE,3/4 INCH ID
48995	XV510P-12	BALL VALVE	51265	8 JLO-S	UNION TEE,ORFS
48996	XV510P-16	BALL VALVE	51508	6 BTX-S	NUT,FLARE TUBE
48997	PD341	DIAGNOSTIC NIPPLE, STRAIGHT THREAD	51580	12-8 TRLO-BL-S	TUBE END REDUCER,ORFS
48998	PD 361	DIAGNOSTIC NIPPLE, STRAIGHT THREAD	51628	6 R6X-S	RUN TEE,SWIVEL NUT,ORFS
48999	DT-500-MOMS-5	VALVE,CHECK	51735	3/8 HHP	PLUG,PIPE THREAD
49201	10 V5OLO-S	ELBOW,45°,STRAIGHT THREAD TO ORFS	51803	1J943-6-8	HOSE END,90° FEMALE SWIVEL,SEAL LOK
49202	1JC43-12-10	HOSE END,FEMALE SWIVEL,SEAL LOK	53023	125HBL-5-4	FITTING,HOSE BARB TO MALE PIPE
49203	10-8 V5OLO-S	ELBOW,45°,STRAIGHT THREAD TO ORFS	53497	PKT02585	O-RING KIT
49205	6 F5OHAO-S	UNION,STRAIGHT THREAD	53499	1JC71-16-16	HOSE END,FEMALE SWIVEL,SEAL LOK
49207	PD34BTL	DIAGNOSTIC NIPPLE,SEAL-LOK SWIVEL	53500	3-904	O-RING,STRAIGHT THREAD,-4
49209	8M18F870MX-S	CONNECTOR,METRIC,STRAIGHT THREAD TO FLARE TUBE	53501	3-906	O-RING,STRAIGHT THREAD,-6
49212	8 WGTX-WLN-S	CONNECTOR,BULKHEAD,FEMALE PIPE TO FLARE TUBE	53502	3-908	O-RING,STRAIGHT THREAD,-8
49213	30682-8-8	HOSE END,FEMALE SWIVEL,JIC	53503	3-910	O-RING,STRAIGHT THREAD,-10
49216	831-8	HOSE,1/2 INCH ID			
49217	33982-8-8	HOSE END,90° FEMALE SWIVEL,JIC			
49219	PS-B-35	SLEEVE,NYLON,2.19" ID			
49418	4-6 V5OLO-S	ELBOW,45°,STRAIGHT THREAD TO ORFS			
49511	DT370-MOMS-5	VALVE,CHECK			
49512	1 DD-S	ELBOW,90°,FEMALE PIPE			
49513	1 FF-S	NIPPLE,PIPE			
49514	10 HP5ON-S	PLUG,STRAIGHT THREAD			
49515	12-16 CLO-S	ELBOW,90°,MALE PIPE TO ORFS			
49517	6 HP5ON-S	PLUG,STRAIGHT THREAD			
49519	16-12 F5OLO-S	CONNECTOR,STRAIGHT THREAD TO ORFS			
49520	4 VTX-S	ELBOW,45°,MALE PIPE TO FLARE TUBE			
49530	16 C6LO-S	ELBOW,90°,SWIVEL NUT ORFS			

Fitting Cross References (Continued)

Genie PN	Parker PN	Description	Genie PN	Parker PN	Description
53535	3-912	O-RING,STRAIGHT THREAD,-12	61083	24 F5OLO-S	CONNECTOR,STRAIGHT THREAD TO ORFS
53536	4-PNLO-S	PLUG,TUBE END,ORFS	61086	20 R5OLO-S	RUN TEE,STRAIGHT THREAD
53537	6 PNLO-S	PLUG,TUBE END,ORFS	61090	24-20 F5OLO-S	CONNECTOR,STRAIGHT THREAD TO ORFS
53538	8 PNLO-S	PLUG,TUBE END,ORFS	61091	1J943 24-24	HOSE END,90° FEMALE SWIVEL,SEAL LOK
53539	10 PNLO-S	PLUG,TUBE END,ORFS	61093	1J978-12-12	HOSE END,90° FEMALE SWIVEL,JIC
53540	12 PNLO-S	PLUG,TUBE END,ORFS	61095	1JS43-20-16	HOSE END,FEMALE SWIVEL,SEAL LOK
53946	129HB-5-4	FITTING,90° HOSE BARB TO MALE PIPE	61100	811-24	HOSE,11/2 INCH ID
53951	8-1/4F50G-S	ADAPTER,FEMALE PIPE TO STRAIGHT THREAD	61130	1JS43-24-24	HOSE END,FEMALE SWIVEL,SEAL LOK
53980	6 S6LO-S	BRANCH TEE,SWIVEL NUT TO ORFS	61131	1JS78 12-12	HOSE END,FEMALE SWIVEL,SEAL LOK
54132	4 C6LO-S	ELBOW,90°,SWIVEL NUT ORFS	61132	1J778-12-12	HOSE END,45° FEMALE SWIVEL,JIC
54135	11343-16-16	HOSE END,MALE SWIVEL,PIPE	61152	139HB-6-4	ELBOW,45°,BARB TO MALE PIPE
54283	8-10 C5OLO-S	ELBOW,90°,STRAIGHT THREAD TO ORFS	61251	BV-0750	BALL VALVE
54428	8M18C870MLO-S	ELBOW, 90° METRIC, STRAIGHT THREAD TO ORFS	61259	4 CC5OLO-S	ELBOW,90° LONG,STRAIGHT THREAD TO ORFS
54803	FS-F-16-10	SLEEVE,FIRE,.96" ID	61260	20-12 TRLO-BL	REDUCER,TUBE END TO SWIVEL,ORFS
54954	10143-2-4	HOSE END, MALE PIPE	61262	12 C6LO-S	ELBOW,90°,SWIVEL NUT ORFS
55190	3/8 HP-S	PLUG,PIPE THREAD	61263	20 F5OHAO-S	UNION,STRAIGHT THREAD
55448	8 HLO-S	UNION,ORFS	61264	6-10 C5OLO-S	ELBOW,90°,STRAIGHT THREAD TO ORFS
55839	6 F65OX-S	CONNECTOR,STRAIGHT THREAD TO 37° SWIVEL	61265	6 WNLO-WLNL-S	UNION,BULKHEAD 45°,ORFS
55968	10 C5OX-S	ELBOW,90°,STRAIGHT THREAD TO FLARE TUBE	61268	4 WNLO-WLNL-S	UNION,BULKHEAD 45°,ORFS
56003	6 CC5OLO-S	ELBOW,90° LONG,STRAIGHT THREAD TO ORFS	61269	4 WLO-WLNL-S	UNION,BULKHEAD,ORFS
56166	BV-0837	BALL VALVE,90°	61272	12 AOEL6	ELBOW,90°,STRAIGHT THREAD TO ORFS SWIVEL
56188	10143-8-6	HOSE END, MALE PIPE	61316	482TC-16	HOSE,1 INCH ID
56233	2-011	O-RING,ORFS,-4	61321	6 JLO-S	UNION TEE,ORFS
56234	2-012	O-RING,ORFS,-6	61327	782-12	HOSE,3/4 INCH ID
56235	2-014	O-RING,ORFS,-8	61328	881-24	HOSE,11/2 INCH ID
56236	2-016	O-RING,ORFS,-10	61336	11943-20-24	HOSE END,90° FLANGE HEAD
56237	2-018	O-RING,ORFS,-12	61345	12 WJLO-WLNL-S	RUN TEE, BULKHEAD,ORFS
56238	2-021	O-RING,ORFS,-16	61346	8 WNLO-WLNL-S 4	UNION,BULKHEAD 45°,ORFS
56352	6 WLNL-S	LOCKNUT,BULKHEAD	61569	33782-8-8	HOSE END,45° FEMALE SWIVEL,JIC
56353	3J782-12-12	HOSE END,45° FEMALE SWIVEL,SEAL LOK	61610	12 FF5OLO-S	CONNECTOR,LONG,STRAIGHT THREAD TO ORFS
56354	3J982-12-12	HOSE END,90° FEMALE SWIVEL,SEAL LOK	61742	1/8 X 1.5 FFF	NIPPLE,PIPE
56604	10-8 F5OLO-S	CONNECTOR,STRAIGHT THREAD TO ORFS	63426	8 PNTX-S	PLUG,FLARE TUBE
56639	3JC82-10-10	HOSE END,FEMALE SWIVEL,SEAL LOK			
56640	3J982-10-10	HOSE END,90° FEMALE SWIVEL,SEAL LOK			
56655	3JC82-8-10	HOSE END,FEMALE SWIVEL,SEAL LOK			
56676	10-8 C5OLO-S	ELBOW,90°,STRAIGHT THREAD TO ORFS			
56776	471TC-6	HOSE,3/8 INCH ID			
56777	471TC-8	HOSE,1/2 INCH ID			
56789	811-16	HOSE,1 INCH ID			
57884	3/8 FF	NIPPLE,PIPE			
59335	6 FNL-S	CAP,TUBE END			
59342	4 FNL-S	CAP,TUBE END			
59371	8 HP50N-S	PLUG,STRAIGHT THREAD			
60653	BV-0751	BALL VALVE			
60806	125HB-3-4	FITTING,HOSE BARB TO MALE PIPE			
61064	5-1/4 F50G-S	ADAPTER,FEMALE PIPE TO STRAIGHT THREAD			
61079	4 WELO-WLNL-S	UNION,90° BULKHEAD W/NUT,ORFS			
61080	6 WLO-WLNL-S	UNION,BULKHEAD,ORFS			

Fitting Cross References (Continued)

Genie PN	Parker PN	Description
64271	4 WLO-WLNL-S	UNION,BULKHEAD,ORFS
64272	6 WLO-WLNL-S	UNION,BULKHEAD,ORFS
65776	8 F65OL-S	CONNECTOR,STRAIGHT THREAD TO ORFS SWIVEL
65880	6001012	O-RING KIT
66154	6 WTX-WLNS	UNION,BULKHEAD,FLARE TUBE
66155	6 WETX-S	UNION,BULKHEAD 90°,FLARE TUBE
66156	6 WLNL-S	BULKHEAD LOCKNUT
66389	6-8 F5OX-S	CONNECTOR,STRAIGHT THREAD TO FLARE TUBE
66392	6 R5OX-S	RUN TEE,STRAIGHT THREAD
66396	811-12	HOSE,3/4 INCH ID
66829	H3174PP	CLAMP,TUBE
67217	4 KLO-S	UNION,CROSS,ORFS
67339	10-6 F5OX-S	CONNECTOR,STRAIGHT THREAD TO FLARE TUBE
67357	13943-8-6	HOSE END,90° FEMALE SWIVEL,JIC
67358	10 HP5ON-S	PLUG,STRAIGHT THREAD
67371	12 S6LO-S	BRANCH TEE,SWIVEL NUT TO ORFS
67498	4 FNL-S	CAP, TUBE END
67906	DC-370-F0F0-5	VALVE,CHECK
69316	8 FLO-S	CONNECTOR,MALE PIPE TO ORFS
69333	H3174PP	CLAMP,HYDRAULIC HOSE
69503	4 F65OX-S	CONNECTOR,STRAIGHT THREAD TO 37° SWIVEL
69775	8 FNL-S	CAP, TUBE END
71038	1/4X1/4F3HG-S	ADAPTER,CONVERSION
71196	12-8 F5OLO-S	CONNECTOR,STRAIGHT THREAD TO ORFS
71383	1/4 CD45-S	ELBOW,45°,MALE TO FEMALE PIPE
72270	12FNL-S	CAP, TUBE END
73436	60C-4	SLEEVE,COMPRESSION
73437	61C-4	NUT,COMPRESSION
73438	33482-4-4B	HOSE END,PUSH LOK,MALE
73767	1CD-S	ELBOW,90°,MALE TO FEMALE PIPE
73768	20-16-F5OG5-S	ADAPTER,FEMALE PIPE TO STRAIGHT THREAD
73769	16-20 F5OLO-S	CONNECTOR,STRAIGHT THREAD TO ORFS
74660	6-8 F42EDMLO-S	CONNECTOR,MALE BSPP TO ORFS
74661	8-8 F42EDMLO-S	CONNECTOR,MALE BSPP TO ORFS
75007	4 FLO-S	CONNECTOR,MALE PIPE TO ORFS
75008	1/8 HP-S	PLUG,PIPE THREAD
75014	1/2 HP-S	PLUG,PIPE THREAD
75042	8 WELO-WLNL-S	UNION,90° BULKHEAD W/NUT,ORFS
75043	3/4 FF-S	NIPPLE,PIPE
75254	24 F5OHAO-S	UNION,STRAIGHT THREAD
75255	12 F5OHAO-S	UNION,STRAIGHT THREAD
75256	XV506P-24	BALL VALVE
75574	4 WLNL-S	BULKHEAD LOCKNUT
75612	8 WJLO-WLNL-S	RUN TEE, BULKHEAD,ORFS
75613	12-8 F5OG5-S	ADAPTER,FEMALE PIPE TO STRAIGHT THREAD
75614	8 CC5OLO-S	ELBOW,90° LONG,STRAIGHT THREAD TO ORFS
75628	1JB43-4-4	HOSE END,BULKHEAD,SEAL LOK

Genie PN	Parker PN	Description
75631	801-6	HOSE,3/8 INCH ID
75654	20 F5OLO-S	CONNECTOR,STRAIGHT THREAD TO ORFS
75655	1J943-20-20	HOSE END,90° FEMALE SWIVEL,SEAL LOK
75656	881-20	HOSE,1-1/4 INCH ID
75971	8 F5OHAO-S	UNION,STRAIGHT THREAD
77307	1JB43-8-8	HOSE END,BULKHEAD,SEAL LOK
77309	8 WLNL-S	BULKHEAD LOCKNUT
77379	8M18C87OMX-S	ELBOW,90° METRIC,STRAIGHT THREAD TO FLARE TUBE
77703	3J982-8-8	HOSE END,90° FEMALE SWIVEL,SEAL LOK
77711	801-10	HOSE,5/8 INCH ID
77758	12 WNLO-WLNL-S	UNION,BULKHEAD 45°,ORFS
78091	6 C6X-S	ELBOW,90°,SWIVEL NUT TO FLARE TUBE
78684	30582-8-8B	HOSE END,PUSH LOK,MALE
78852	549-2	HOSE,1/8 INCH ID
78855	10657-4-2	HOSE END,FEMALE SWIVEL,JIC
79138	PS-B-37	SLEEVE,NYLON,2.38" ID
79476	1JS43-6-8	HOSE END,FEMALE SWIVEL,SEAL LOK
79847	12-3/4 A0EG-S	ELBOW,90°,STRAIGHT THREAD TO FEMALE PIPE
80044	8 CLO-S	ELBOW,90°,MALE PIPE TO ORFS
80502	8 F5OX-S	CONNECTOR,STRAIGHT THREAD TO FLARE TUBE
80503	8 C5OX-S	ELBOW,90°,STRAIGHT THREAD TO FLARE TUBE
81010	AS-B-27	SLEEVE,NYLON,1.63" ID
83052	821-6	HOSE,3/8 INCH ID
83053	821-8	HOSE,1/2 INCH ID
83054	821-12	HOSE,3/4 INCH ID
83055	30682-6-6	HOSE END,FEMALE SWIVEL,JIC
83056	30682-12-12	HOSE END,FEMALE SWIVEL,JIC
83057	33782-6-6	HOSE END,45° FEMALE SWIVEL,JIC
83058	33982-6-6	HOSE END,90° FEMALE SWIVEL,JIC
83060	33982-12-12	HOSE END,90° FEMALE SWIVEL,JIC
83063	13743-4-4	HOSE END,45° FEMALE SWIVEL,JIC

Fitting Cross References (Continued)

Genie PN	Parker PN	Description
83064	13743-8-8	HOSE END,45° FEMALE SWIVEL,JIC
83065	13743-12-12	HOSE END,45° FEMALE SWIVEL,JIC
83066	13943-8-8	HOSE END,90° FEMALE SWIVEL,JIC
83067	14143-6-6	HOSE END,90° FEMALE SWIVEL,JIC
83068	14143-8-8	HOSE END,90° FEMALE SWIVEL,JIC
83069	14143-12-12	HOSE END,90° FEMALE SWIVEL,JIC
83070	772-8	HOSE,1/2 INCH ID
83071	10671-8-8	HOSE END,FEMALE SWIVEL,JIC
83072	10671-12-12	HOSE END,FEMALE SWIVEL,JIC
83073	13771-8-8	HOSE END,45° FEMALE SWIVEL,JIC
83074	13771-12-12	HOSE END,45° FEMALE SWIVEL,JIC
83075	13971-8-8	HOSE END,90° FEMALE SWIVEL,JIC
83076	13971-12-12	HOSE END,90° FEMALE SWIVEL,JIC
83077	14171-8-8	HOSE END,90° FEMALE SWIVEL,JIC
83078	14171-12-12	HOSE END,90° FEMALE SWIVEL,JIC
83080	13943-16-16	HOSE END,90° FEMALE SWIVEL,JIC
83103	10671-16-12	HOSE END,FEMALE SWIVEL,JIC
83104	10671-10-12	HOSE END,FEMALE SWIVEL,JIC
83112	1JC71-8-8	HOSE END,FEMALE SWIVEL,SEAL LOK
83113	1JS71-16-12	HOSE END,FEMALE SWIVEL,SEAL LOK
83114	1JS71-10-12	HOSE END,FEMALE SWIVEL,SEAL LOK
83115	1J971-8-8	HOSE END,90° FEMALE SWIVEL,SEAL LOK
83116	1J171-8-8	HOSE END,90° FEMALE SWIVEL,SEAL LOK
83117	1J771-8-8	HOSE END,45° FEMALE SWIVEL,SEAL LOK
83127	1J543-6-8	HOSE END,90° FEMALE SWIVEL,JIC
83128	1JC43-6-8	HOSE END,FEMALE SWIVEL,SEAL LOK
87033	12-6 TRLO-S	REDUCER,TUBE END TO SWIVEL,ORFS
87034	3J782-8-8	HOSE END,45° FEMALE SWIVEL,SEAL LOK
87172	12 HP50N-S	PLUG,STRAIGHT THREAD
87185	8 WNLO-WLNL-S	UNION,BULKHEAD 45°,ORFS
87246	4 C6X-S	ELBOW,90°,SWIVEL NUT TO FLARE TUBE
87679	6 LHP-S	FLANGE SEAL FITTING, MALE
87681	6PLS N0702	BONDED SEAL
88100	SR88100	ADAPTER,OIL DRAIN,GM 3.0L
88311	1JS43-20-20	HOSE END,FEMALE SWIVEL,SEAL LOK
88353	20 V5OLO-S	ELBOW,45°,STRAIGHT THREAD TO ORFS
88474	10081-20	Crimp Shell, 1.25"
88475	1988-20-24	HOSE END,90° FLANGE HEAD
88476	JS88-24-24	HOSE END,FEMALE SWIVEL,SEAL LOK
88477	1JC88-20-20	HOSE END,FEMALE SWIVEL,SEAL LOK
88478	811-20	HOSE,1 1/4 INCH ID
88936	20-16 F5OLO-S	CONNECTOR,STRAIGHT THREAD TO ORFS
88937	20-16 FLO-S	CONNECTOR,MALE PIPE TO ORFS
88938	1JC88-16-16	HOSE END,FEMALE SWIVEL,SEAL LOK
88939	1J988-16-16	HOSE END,90° FEMALE SWIVEL,ORFS
88940	811-16	HOSE,1 INCH ID
88944	1J988-20-20	HOSE END,90° FEMALE SWIVEL,ORFS
89403	16 VLO-S	ELBOW,45°,MALE PIPE TO ORFS

Genie PN	Parker PN	Description
89449	6 WJLO-WLNL-S	RUN TEE, BULKHEAD,ORFS
89489	4 WJMLO-S	BRANCH TEE,BULKHEAD,ORFS
89551	1JB43-6-6	HOSE END,BULKHEAD,SEAL LOK
89552	1JB43-8-8	HOSE END,BULKHEAD,SEAL LOK
89593	20 C5OLO-S	ELBOW,90°,STRAIGHT THREAD TO ORFS
94161	8-8 CLO-S	ELBOW,90°,MALE PIPE TO ORFS
94358	351TC-12	HOSE,3/4 INCH ID
94418	20 FLO-S	CONNECTOR,MALE PIPE TO ORFS
96358	12 TX-S	SLEEVE,FLARE TUBE
96359	12 BTX-S	NUT,FLARE TUBE
96397	8 F5OX-S	CONNECTOR,STRAIGHT THREAD TO FLARE TUBE
96398	12-8 F5OX-S	CONNECTOR,STRAIGHT THREAD TO FLARE TUBE
96402	10343-6-6	HOSE END,MALE,JIC
96407	30382-6-6B	HOSE END,MALE,JIC

PARTS FINDER

**Search Website
by Part Number**



**Search Manual
Library For Parts
Manual & Lookup Part
Numbers – Purchase
or Request Quote**

Search Manuals

Enter your information to help us find the right parts manual for your machine.

* Brand:

* Model:

* Serial:

* Part Number:

SEARCH

**Can't Find Part or
Manual? Request Help
by Manufacturer,
Model & Description**

Parts Order Form

Please fill in the following information to help us find the right part for your machine.

MANUFACTURER:

MODEL:

DESCRIPTION:

DATE:

TIME:

PHONE:

EMAIL:

ADDRESS:

CITY:

STATE:

ZIP:

COUNTRY:

SEARCH

Discount-Equipment.com is your online resource for quality parts & equipment.

Florida: **561-964-4949** Outside Florida TOLL FREE: **877-690-3101**

Need parts?

Click on this link: <http://www.discount-equipment.com/category/5443-parts/> and choose one of the options to help get the right parts and equipment you are looking for. Please have the machine model and serial number available in order to help us get you the correct parts. If you don't find the part on the website or on one of the online manuals, please fill out the request form and one of our experienced staff members will get back to you with a quote for the right part that your machine needs.

We sell worldwide for the brands: Genie, Terex, JLG, MultiQuip, Mikasa, Essick, Whiteman, Mayco, Toro Stone, Diamond Products, Generac Magnum, Airman, Haulotte, Barreto, Power Blanket, Nifty Lift, Atlas Copco, Chicago Pneumatic, Allmand, Miller Curber, Skyjack, Lull, Skytrak, Tsurumi, Husquvarna Target, Stow, Wacker, Sakai, Mi-T-M, Sullair, Basic, Dynapac, MBW, Weber, Bartell, Bennar Newman, Haulotte, Ditch Runner, Menegotti, Morrison, Contec, Buddy, Crown, Edco, Wyco, Bomag, Laymor, EZ Trench, Bil-Jax, F.S. Curtis, Gehl Pavers, Heli, Honda, ICS/PowerGrit, IHI, Partner, Imer, Clipper, MMD, Koshin, Rice, CH&E, General Equipment, Amida, Coleman, NAC, Gradall, Square Shooter, Kent, Stanley, Tamco, Toku, Hatz, Kohler, Robin, Wisconsin, Northrock, Oztec, Toker TK, Rol-Air, APT, Wylie, Ingersoll Rand / Doosan, Innovatech, Con X, Ammann, Mecalac, Makinex, Smith Surface Prep, Small Line, Wanco, Yanmar