



A TEREX BRAND



Parts Manual

Serial Number Range

GTH-5519

from SN 19006 to 20367

GTH-5519 S

Part No. 645002

Rev P

March 2016

Go to Discount-Equipment.com to order your parts

PARTS FINDER

**Search Website
by Part Number**



**Search Manual
Library For Parts
Manual & Lookup Part
Numbers – Purchase
or Request Quote**

Search Manuals

Enter your information to help us find the right parts manual for your machine.

* Brand:

* Model:

* Serial:

* Part Number:

SEARCH

**Can't Find Part or
Manual? Request Help
by Manufacturer,
Model & Description**

Parts Order Form

Please fill in the following information to help us find the right part for your machine.

| | |
|---------------|----------------------|
| Manufacturer: | <input type="text"/> |
| Model: | <input type="text"/> |
| Description: | <input type="text"/> |
| Part Number: | <input type="text"/> |
| Quantity: | <input type="text"/> |
| Notes: | <input type="text"/> |

Submit

Discount-Equipment.com is your online resource for quality parts & equipment.

Florida: **561-964-4949** Outside Florida TOLL FREE: **877-690-3101**

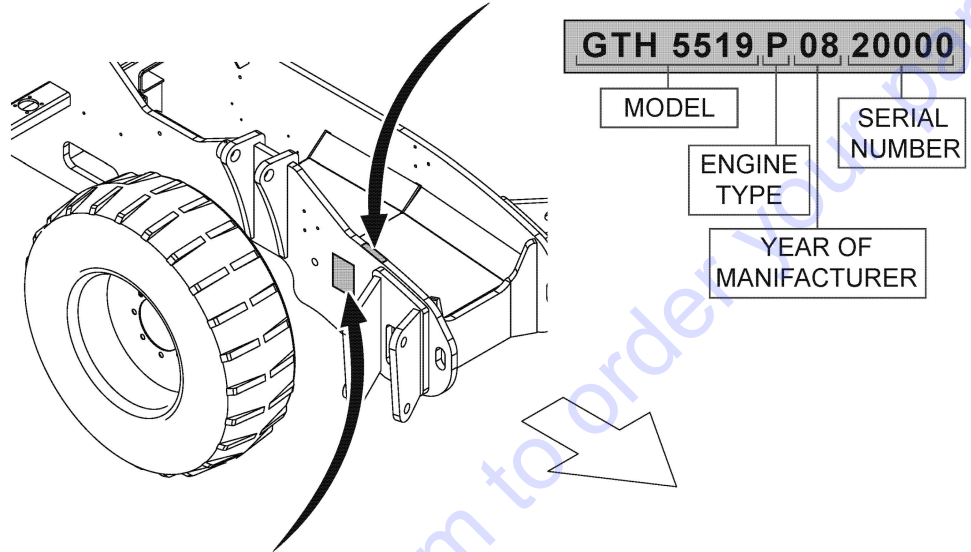
Need parts?

Click on this link: <http://www.discount-equipment.com/category/5443-parts/> and choose one of the options to help get the right parts and equipment you are looking for. Please have the machine model and serial number available in order to help us get you the correct parts. If you don't find the part on the website or on one of the online manuals, please fill out the request form and one of our experienced staff members will get back to you with a quote for the right part that your machine needs.

We sell worldwide for the brands: Genie, Terex, JLG, MultiQuip, Mikasa, Essick, Whiteman, Mayco, Toro Stone, Diamond Products, Generac Magnum, Airman, Haulotte, Barreto, Power Blanket, Nifty Lift, Atlas Copco, Chicago Pneumatic, Allmand, Miller Curber, Skyjack, Lull, Skytrak, Tsurumi, Husquvarna Target, Stow, Wacker, Sakai, Mi-T-M, Sullair, Basic, Dynapac, MBW, Weber, Bartell, Bennar Newman, Haulotte, Ditch Runner, Menegotti, Morrison, Contec, Buddy, Crown, Edco, Wyco, Bomag, Laymor, EZ Trench, Bil-Jax, F.S. Curtis, Gehl Pavers, Heli, Honda, ICS/PowerGrit, IHI, Partner, Imer, Clipper, MMD, Koshin, Rice, CH&E, General Equipment, Amida, Coleman, NAC, Gradall, Square Shooter, Kent, Stanley, Tamco, Toku, Hatz, Kohler, Robin, Wisconsin, Northrock, Oztec, Toker TK, Rol-Air, APT, Wylie, Ingersoll Rand / Doosan, Innovatech, Con X, Ammann, Mecalac, Makinex, Smith Surface Prep, Small Line, Wanco, Yanmar

Chassis serial number

(The chassis serial number is punched on the front right part of the chassis side member)



Machine data plate

(On machines destined for the Italian market, the machine data plate is installed in the driving cab, on the right, and is well-visible when the door is opened. On the machines destined for foreign markets, the data plate is applied on the front right side of the chassis)

| | |
|-------------------------------------------------------------------------------------------------------------------------------------------------------------------------------------------------------------------------------------------------------------|-------------------------|
| TEREXLIFT s.r.l. | |
| MODELLO - MODEL - MODELE - TYP - MODELO | <input type="text"/> |
| ANNO DI COSTRUZIONE - YEAR OF CONSTRUCTION - ANNEE DE CONSTRUCTION BAUJAHR - AÑO DE FABRICACIÓN | <input type="text"/> |
| MATRICOLA - SERIAL N. - N. DE SERIE - FZ.-IDENT NR. - NO. DE SERIE | <input type="text"/> |
| PESO MAX ASSALE ANT. - MAX FRONT AXLE WEIGHT - POIDS MAX ESSIEU AVANT ZUL. ACHSLAST VO. N. ST VZO - PESO MAX EJE ANTERIOR | <input type="text"/> kg |
| PESO MAX ASSALE POST. - MAX REAR AXLE WEIGHT - POIDS MAX ESSIEU ARRIERE ZUL. ACHSLAST HI. N. ST VZO - PESO MAX EJE POSTERIOR | <input type="text"/> kg |
| PESO TOTALE - TOTAL WEIGHT - POIDS TOTAL - ZUL. GESAMTGEWICHT N. ST VZO PESO TOTAL | <input type="text"/> kg |
| MATRICOLA MOTORE TERMICO - ENGINE SERIAL N. - N. MOTEUR THERMIQUE FABRIK NR. DIESEL MOTOR - NO. DE SERIE MOTOR TERMICO | <input type="text"/> |
| POTENZA MOTORE TERMICO - ENGINE POWER - PUISSANCE MOTEUR MOTORLEISTUNG - POTENCIA MOTOR | <input type="text"/> kW |
| CARICO STATICO VERT. GANCIO DI TRAINO-MAX.VERTICAL LOAD ON THE COUPLING HOOK-EFFORT VERTICAL MAXIMAL SUR LE CROCHET D'ATTELAGE MAXIMALE STUTZLASTBEANSPRUCHUNG DES ZUGHAKENS IN VERTIKALER RICHTUNG- ESFUERZO VERTICAL SOBRE EL GANCHO DE TRACCION | <input type="text"/> kg |
| MASSA MAX. RIMORCHIABILE - MAX.DRAWBAR PULL AT THE COUPLING HOOK EFFORT THE TRACTION - MAXI AU CROCHET D'ATTELAGE-MAXIMALE ZUGBEANSPRUCHUNG AM ZUGHAKEN-MAXIMO ESFUERZO DE TRACCION EN EL GANCHO DE TRACCION | <input type="text"/> kg |
| OMOLOGAZIONE | <input type="text"/> |
| FABBRICATO IN ITALIA - MADE IN ITALY | |

Table of Contents

This manual is updated frequently. For the most up-to-date parts information, visit www.discount-equipment.com

How to Read Your Serial Number.....3
 Parts Stocking List.....7

Electronic Version

Click on any page number to view the figure.

100 Decals

101.1 605888 Decals, View 1.....10
 102.1 605889 Decals, View 2.....12

200 Drive Chassis Components

201.1 605919 Rear Chassis.....14
 202.1 605916 Left Chassis.....16
 203.1 605920 Right Chassis (Deutz Engine).....18
 204.1 605890 Right Chassis (Perkins Engine).....20
 205.1 605657 Hydraulic Oil Tank.....22
 206.1 605658 Drive line And Wheels.....24
 207.1 605659 Front Axle - Differential.....26
 208.1 605660 Front Axle - Reduction Gear.....28
 209.1 605661 Front Axle - Brake.....30
 210.1 605662 Front Axle - Steering Cylinder.....32
 211.1 605663 Rear Axle - Differential.....34
 212.1 605664 Rear Axle - Steering Axle.....36
 213.1 605665 Rear Axle - Steering Cylinder.....38

300 Engine Components

301.1 605667 Diesel Engine - Engine Cooling System (Deutz Engine).....40
 302.1 605519 Diesel Engine - Engine Cooling System (Perkins Engine).....42
 303.1 605891 Diesel Engine - Exhaust System - Injection - Accelerator (Deutz Engine).....44
 304.1 605918 Diesel Engine - Exhaust System - Injection - Accelerator (Perkins Engine).....46
 305.1 605824 Diesel Engine - Hydraulic Pumps (Deutz Engine).....48
 306.1 605892 Diesel Engine - Hydraulic Pumps (Perkins Engine).....50

400 Cab Components

401.1 605914 Closed Cabin, View 1.....52
 402.1 604749 Closed Cabin, View 2.....54
 403.1 605893 Open Cabin, View 3.....56
 404.1 605917 Dashboard, View 1.....58
 405.1 605980 Dashboard, View 2.....60
 406.1 605528 Components - Main Valve And Joystick.....62

500 Boom Components

501.1 605674 Boom (1st - 2nd Telescopic Element).....64
 502.1 605827 Manual Fork Attachments.....66
 503.1 605677 Forks.....68
 504.1 605678 Cylinders.....70

600 Hydraulic System

601.1 605536 Valve Block.....72
 602.1 605895 Hydraulic System - Fork Balancing.....74
 603.1 605896 Hydraulic System - Auxiliary Circuits.....76
 604.1 605897 Hydraulic System - Lifting and Boom Extension.....78
 605.1 605898 Hydraulic System - Radiator (Deutz Engine).....80
 606.1 605899 Hydraulic System - Radiator (Perkins Engine).....82
 607.1 605900 Hydraulic System - Hydraulic Switches (Deutz Engine).....84
 608.1 605901 Hydraulic System - Hydraulic Switches (Perkins Engine).....86
 609.1 605902 Hydraulic System - Transmission (Deutz Engine).....88
 610.1 605903 Hydraulic System - Transmission (Perkins Engine).....90
 611.1 605904 Hydraulic System - Casappa Pump (Deutz Engine).....92
 612.1 605905 Hydraulic System - Casappa Pump (Perkins Engine).....94
 613.1 605906 Hydraulic System - Hydraulic Piloting Line Main Valve.....96
 614.1 605907 Hydraulic System - Joystick.....98
 615.1 605908 Hydraulic System - Power Steering System (Deutz Engine).....100
 616.1 605909 Hydraulic System - Power Steering System (Perkins Engine).....102
 617.1 605910 Hydraulic System - Negative Brake.....104

700 Electric Installation

701.1 605911 Fuse Box.....106
 702.1 605912 Electric Installation.....108

800 Optionals

801.1 58.2511.9007A Hydraulic Quick Coupling for Attachment (Hydraulic Part 1).....110

802.1 58.2511.9007B Hydraulic Quick Coupling for Attachment (Hydraulic Part 2).....112

803.1 58.2511.9007C Hydraulic Quick Coupling for Attachment (Electrical Part).....114

804.1 58.2513.1002 Heater (Deutz Engine).....116

805.1 58.2511.7000 Heater (Perkins Engine).....118

806.1 58.1701.4002A Road Lights.....120

807.1 58.1701.4002B Road Lights (Electrical Part).....122

808.1 58.2511.9005 Work Lights.....124

809.1 58.1600.9002 Front Grill For Open Cab.....126

810.1 58.1600.9001 Front Grill For Close Cab.....128

811.1 09.4610.0025 Seat Spring.....130

812.1 58.2513.1007 Rubber Platform.....132

813.1 56.0010.0005 Flashing Beacon.....134

814.1 58.2900.0014 Lock Forks.....136

815.1 0 58.1401.1002 Special Air Filter.....138

816.1 606261 Air Conditioning - Cabin Part.....140

817.1 58.0904.7002 Air Conditioning - Deutz Engine.....142

818.1 58.0904.7010 Air Conditioning - Perkins Engine.....144

819.1 606262 Air Conditioning - Electrical Part.....146

Indices

Part Number Index.....148

Part Description Index.....152

Cross References

Fittings Cross Reference.....158

Go to Discount-Equipment.com to order your parts

Required Parts

The following parts are required to perform maintenance procedures as outlined in the *Genie GTH-5519 Operator's and Service Manuals*.

| Description | Part No. |
|----------------------------------------------|--------------|
| Diesel Fuel Filter (Deutz Engine)..... | 07.4501.0068 |
| Diesel Fuel Filter (Perkins Engine)..... | 07.4501.0139 |
| Engine Oil Filter (Deutz Engine)..... | 07.4501.0067 |
| Engine Oil Filter (Deutz Engine)..... | 07.4501.0138 |
| Hydraulic Oil Filter Cartridge | 07.0700.0023 |
| Engine Air Filter Primary Cartridge | 07.0700.0037 |
| Engine Air Filter Cartridge | 07.0700.0036 |
| Hydraulic Oil Filter Immersed in the Tank... | 09.4604.0004 |

Recommended Parts

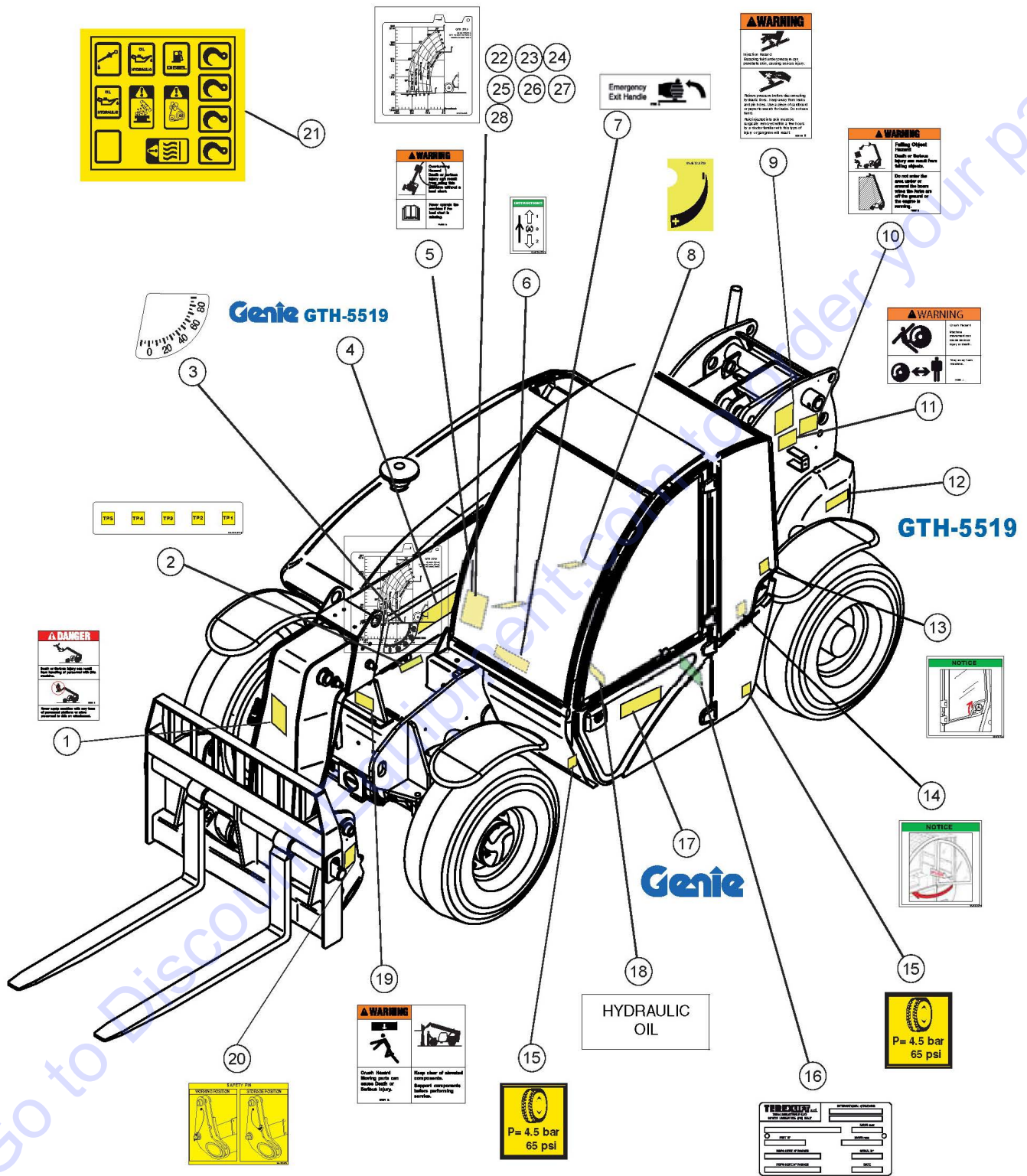
| Description | Type |
|--------------------------------------|----------|
| Terex Grey | RAL 7012 |
| Terex White | RAL 1013 |
| Terex Matte Black for Cylinders..... | RAL 9005 |
| Genie Blue..... | |
| Genie Grey | |
| Genie Mat Balck for Cylinders..... | RAL 9005 |

Genie also offers the following support documents:

| | |
|----------------------------------------------------------------------------|--------------|
| Genie GTH 5519 Tier III Operator's Manual, 1 st edition..... | 57.0009.0412 |
| Genie GTH 5519 Tier III Service Manual, 1 st edition | 57.0009.0415 |

Go to Discount-Equipment.com to order your parts

101.1 605888 Decals, View 1



| Item | Part No. | Description | Qty. |
|------|--------------|-----------------------------------------------------------------------------|------|
| 1 | 97673B | Danger - Fall Hazard, No Riders..... | 1 |
| 2 | 09.4618.0786 | Label - Testing Ports..... | 1 |
| 3 | 09.4618.0205 | DECAL, BOOM ANGLE INDICATOR..... | 1 |
| 4 | 09.4618.0643 | Cosmetic - Genie GTH-5519..... | 1 |
| 5 | 114356 | DECAL, WARNING, NO LOAD CHART..... | 1 |
| 6 | 09.4618.0781 | Label - Flow Reversal Button..... | 1 |
| 7 | 97688 | DECAL, EMERGENCY EXIT HANDLE..... | 1 |
| 8 | 09.4618.0780 | LABEL, CONTINUOUS FLOW KNOB..... | 1 |
| 9 | 82558B | Warning - Injection Hazard..... | 1 |
| 10 | 114367 | DECAL, FALLING OBJECT HAZARD..... | 1 |
| 11 | 114365 | DECAL, BODY CRUSH, ROLLING MACHIN..... | 1 |
| 12 | 09.4618.0644 | DECAL, COSMETIC, GTH-5519..... | 1 |
| 13 | 09.4618.1025 | DECAL, UPPR DOOR EXT UNLOCK SYS..... | 1 |
| 14 | 09.4618.0776 | DECAL, UPPER DOOR UNLOCK SYS..... | 1 |
| 15 | 09.4618.0061 | DECAL, TIRE PREASURE..... | 2 |
| 16 | 09.4616.0100 | SERIAL NUMBER PLATE..... | 1 |
| 17 | 114470 | Cosmetic - Genie Logo..... | 1 |
| 18 | 09.4616.0051 | Label - Hydraulic Oil..... | 1 |
| 19 | 97674B | Warning - Crush Hazard, Overhead Parts..... | 1 |
| 20 | 09.4618.0791 | Decal - Safety pin operation..... | 1 |
| 21 | 09.4618.0109 | DECAL, SHEET VARIOUS..... | 1 |
| 22 | 09.4618.0801 | Load Chart - 60" And 66" Bucket..... | 1 |
| 23 | 09.4618.0802 | Load Chart - Scrap Grapple Bucket..... | 1 |
| 24 | 09.4618.0803 | Load Chart - 60" Forks, Optional 48" Forks, 48" Cubing Tines..... | 1 |
| 25 | 09.4618.0804 | Load Chart - Universal Attachment Adapter..... | 1 |
| 26 | 09.4618.0812 | Floating Forks Load Chart..... | 1 |
| 27 | 09.4618.0806 | Load Chart - Truss Boom..... | 1 |
| 28 | 09.4618.0805 | Load Chart - Rotating Or Side Shift Fork Carriage, Standard Fork Tines..... | 1 |

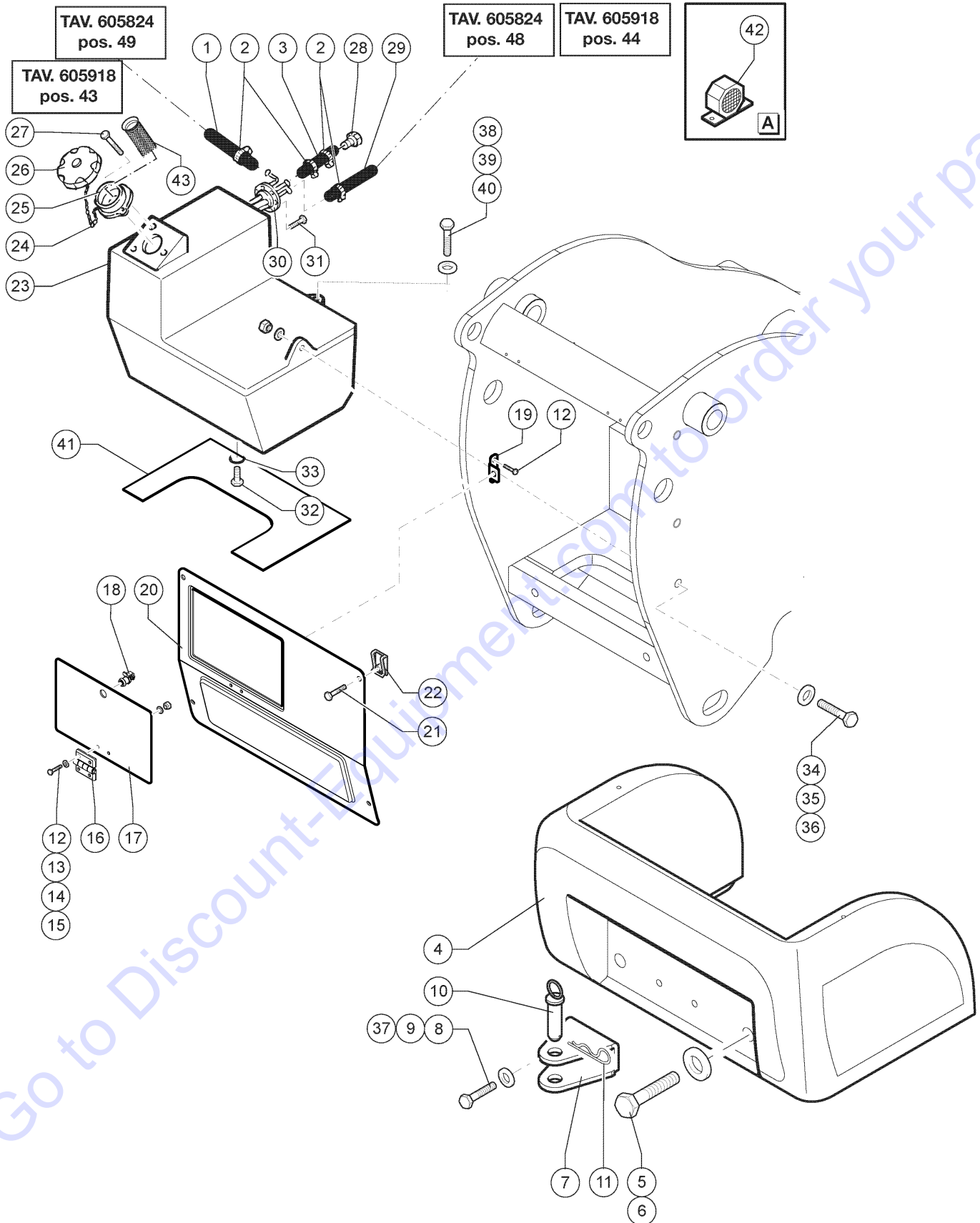
Go to www.genieequipment.com to order your parts



| Item | Part No. | Description | Qty. |
|------|--------------|-----------------------------------------------|------|
| 1 | 97667B | Warning - Burn Hazard..... | 1 |
| 2 | 97668B | Warning - Overturning Hazard..... | 1 |
| 3 | 09.4618.0792 | DECAL,ENGINE COVER CLOSING..... | 1 |
| 4 | 97676B | Danger - Electrocution Hazard..... | 1 |
| 5 | 97666B | Warning - Improper Operation..... | 1 |
| 6 | 97665B | Warning - Bodly Injury Hazard..... | 1 |
| 7 | 97672B | Danger - Crush Hazard, No Riders..... | 1 |
| 8 | 114352B | Overturning Hazard for Cab..... | 1 |
| 9 | 97669C | Warning - Falling Object Hazard..... | 1 |
| 10 | 09.4618.0819 | Label - Lever Controls..... | 1 |
| 11 | 97673B | Danger - Fall Hazard, No Riders..... | 1 |
| 12 | 97670B | Warning - Crush Hazard, Parking Brake..... | 1 |
| 13 | 09.4618.0643 | Cosmetic - Genie GTH-5519..... | 1 |
| 14 | 09.4619.0101 | Machine Data Plate..... | 1 |
| 15 | 28159 | DECAL,DIESEL..... | 1 |
| 16 | 09.4618.0061 | DECAL,TIRE PREASURE..... | 2 |
| 17 | 28175 | DECAL,COMPARTMENT ACCESS..... | 1 |
| 18 | 09.4618.0010 | DECAL, (DO NOT OPEN WHEN RUN)..... | 1 |
| 19 | 31788 | DECAL,DANGER,BATTERY SAFETY*** | 1 |
| 20 | 97675 | DECAL,WARN,EXPLSION/BURN HAZ..... | 1 |
| 21 | 114391 | DECAL,WARNING,CRUSHING..... | 1 |
| 22 | 09.4618.1026 | Label - Fuses and Relays Engine Board..... | 1 |
| 23 | 114365 | DECAL,BODYCRUSH,ROLLING MACHIN..... | 1 |
| 24 | 114367 | DECAL,FALLING OBJECT HAZARD..... | 1 |
| 25 | 09.4618.0644 | DECAL,COSMETIC,GTH-5519..... | 1 |
| 26 | 09.0803.0424 | Emblem Genie 8"..... | 1 |
| 27 | 09.4618.0782 | DECAL..... | 1 |

Go to www.genie.com to order your parts

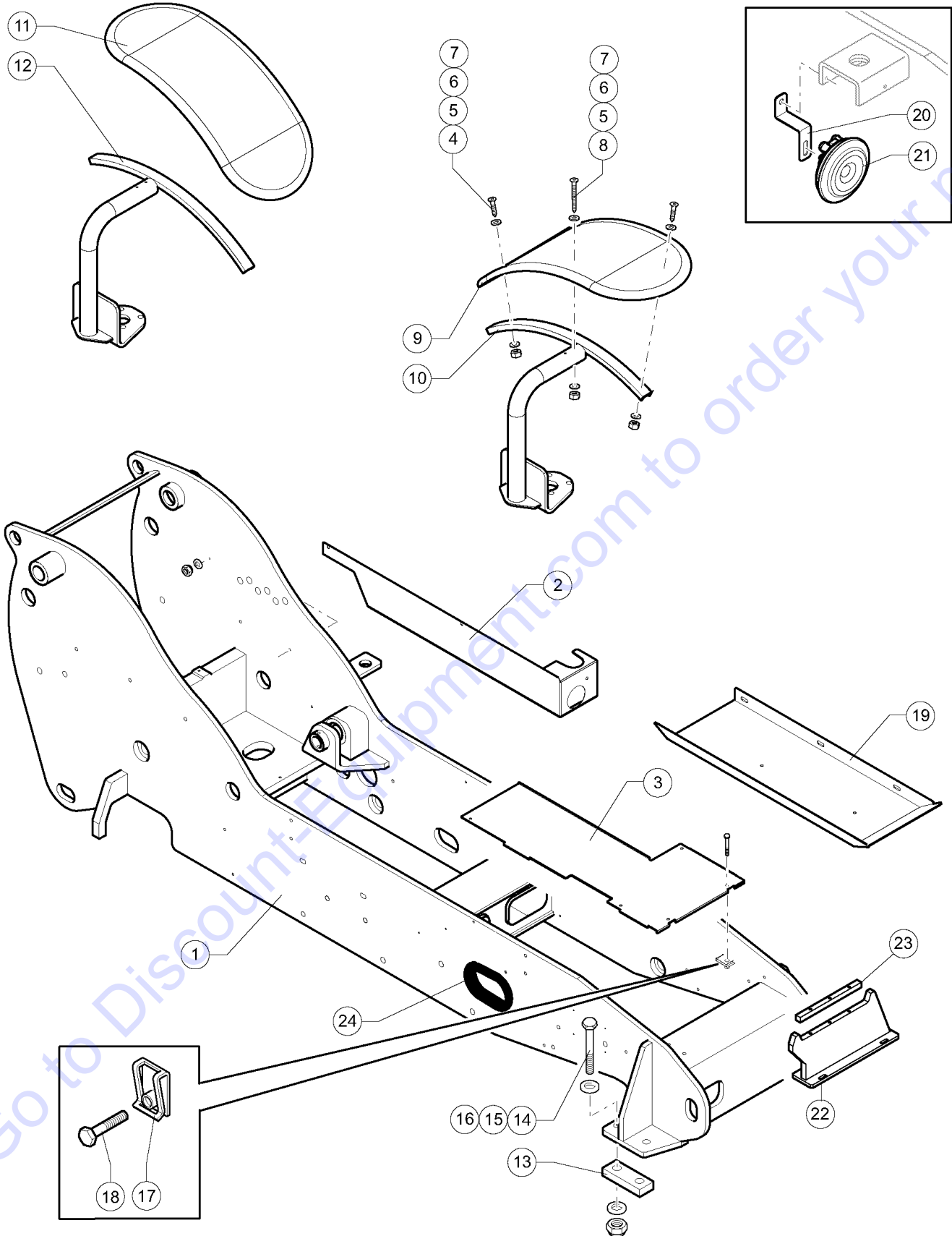
201.1 605919 Rear Chassis



201.1 605919 Rear Chassis

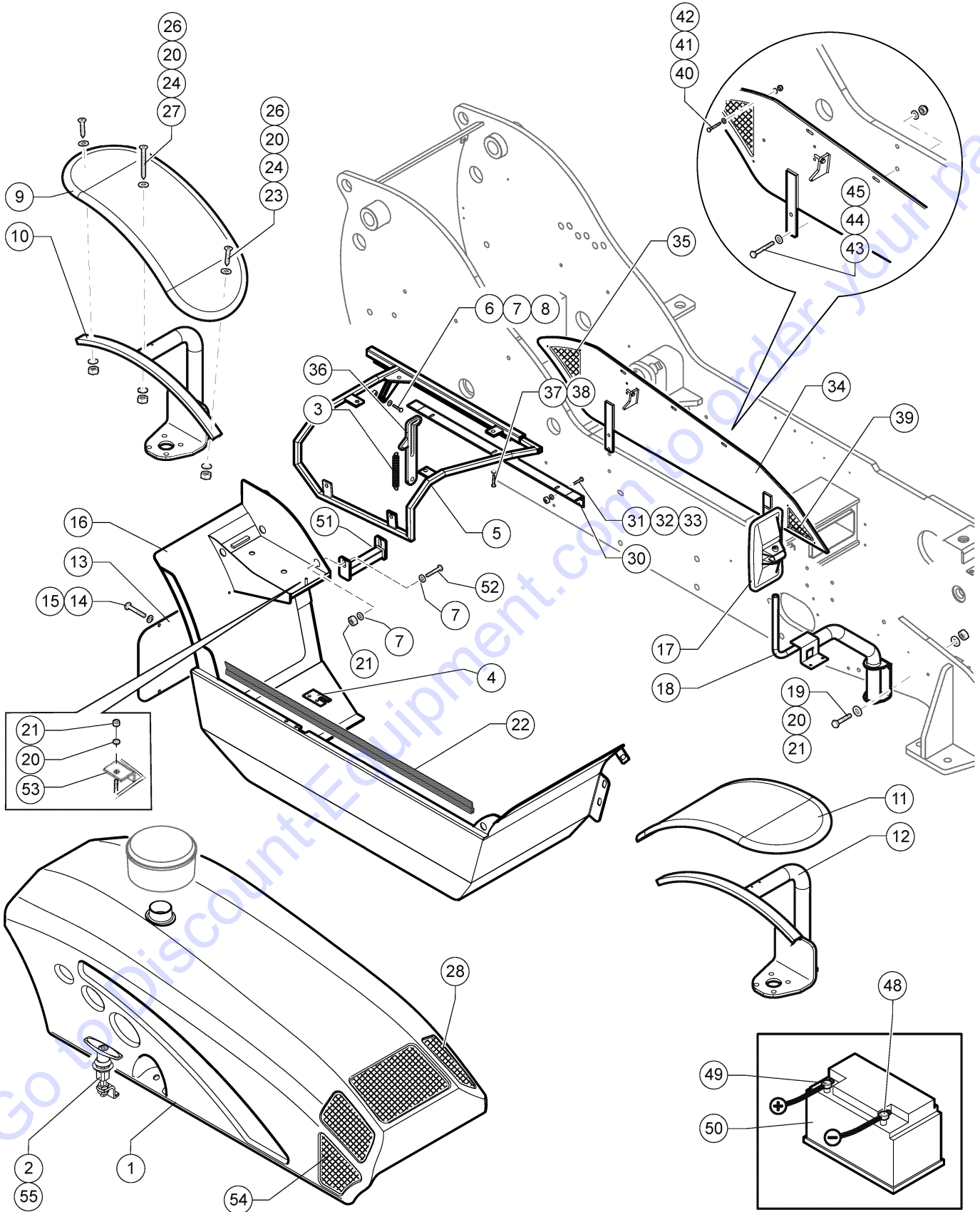
| Item | Part No. | Description | Qty. | Item | Part No. | Description | Qty. |
|------|--------------|------------------------------------------|------|------|--------------|--------------------------------------|------|
| 1 | 09.0805.0000 | RUBBER HOSE.....118-Inch | | 37 | 01.0031.0059 | FLAT WASHER D16 UNI 6592 ZN.....2 | 2 |
| 2 | 04.0227.0051 | CLAMP DN 10/16 LG 9.....4 | | 38 | 01.0001.0260 | SCREW M8X45 UNI 5739 8.8 ZN ...2 | 2 |
| 3 | 09.0805.0000 | RUBBER HOSE.....236-Inch | | 39 | 01.4032.0003 | SPRING WASHER D 8 ZN2 | 2 |
| 4 | 51.1000.5200 | COUNTERWEIGHT.....1 | | 40 | 01.0031.0299 | FLAT WASHER D8 UNI 6593.....2 | 2 |
| 5 | 01.4001.0025 | SCREW M24X160 UNI 5737 10.9 ZN.....2 | | 41 | 53.3302.0016 | Rubber Base.....1 | 1 |
| 6 | 01.4032.0000 | SPRING WASHER D24 ZN.....2 | | 42 | 56.0009.0009 | ALARM.....1 | 1 |
| 7 | 51.0800.3800 | Hitch.....1 | | 43 | 09.4661.0016 | BASKET,PLUG.....1 | 1 |
| 8 | 01.0001.0703 | SCREW,TE,M16X35.....2 | | | | | |
| 9 | 01.4032.0007 | SPRING WASHER D16 ZN.....2 | | | | | |
| 10 | 54.0000.0027 | HITCH PIN.....1 | | | | | |
| 11 | 09.0803.0026 | SPRING SPLIT PIN.....1 | | | | | |
| 12 | 01.0001.0156 | SCREW M6X20 UNI 5739 8.8 ZN ...4 | | | | | |
| 13 | 01.4032.0002 | SPRING WASHER D6 ZN.....4 | | | | | |
| 14 | 01.0031.0298 | FLAT WASHER D6 UNI 6593 ZN4 | | | | | |
| 15 | 01.0019.0103 | NUT M6 UNI 5588 6S ZN.....4 | | | | | |
| 16 | 09.0803.0421 | Hinge.....1 | | | | | |
| 17 | 52.1100.8000 | Cover.....1 | | | | | |
| 18 | 09.0803.0518 | Lock.....1 | | | | | |
| 19 | 51.0811.2000 | Support.....1 | | | | | |
| 20 | 52.1100.9101 | Cover.....1 | | | | | |
| 21 | 01.4001.0078 | SCREW M8x20 DIN 6923 8.8 ZN...4 | | | | | |
| 22 | 09.0803.0352 | SPRING CLIP M8.....4 | | | | | |
| 23 | 51.0600.2700 | DIESEL TANK.....1 | | | | | |
| 24 | 09.4661.0022 | Chain.....1 | | | | | |
| 25 | 09.4661.0021 | AIR INLET.....1 | | | | | |
| 26 | 09.4661.0020 | PLUG.....1 | | | | | |
| 27 | 01.4001.0045 | Screw TE M 5X10 UNI 5739 8.8 ZN.....3 | | | | | |
| 28 | 01.0001.0254 | SCREW M8X20 UNI 5739 8.8 ZN...1 | | | | | |
| 29 | 09.0805.0000 | RUBBER HOSE.....118-Inch | | | | | |
| 30 | 56.0012.0074 | Fuel Gauge.....1 | | | | | |
| 31 | 01.4001.0006 | SCREW M4X10 UNI 5739 8.8 ZN...6 | | | | | |
| 32 | 09.0803.0510 | DRAIN PLUG M16.....1 | | | | | |
| 33 | 07.4529.0119 | O-Ring.....1 | | | | | |
| 34 | 01.0023.0056 | STOP NUT M12 UNI 7473 6S ZN...1 | | | | | |
| 35 | 01.0031.0151 | FLAT WASHER D12 UNI 6593 ZN.....3 | | | | | |
| 36 | 01.0001.0405 | SCREW, 8.8 HCS 12MM1.75X60Z.....1 | | | | | |

202.1 605916 Left Chassis



| Item | Part No. | Description | Qty. | Item | Part No. | Description | Qty. |
|------|--------------|----------------------------------------------------------------------------|--------|------|--------------|-----------------|------|
| 1 | 51.0113.4000 | Complete Frame..... | 1 | 23 | 54.0702.0014 | Pad 20X250..... | 1 |
| 2 | 51.0903.4300 | SIDE COVER, CAB..... | 1 | 24 | 09.0803.0503 | Gasket..... | 6 |
| 3 | 51.0903.4100 | CENTRAL CASING..... | 1 | | | | |
| 4 | 01.0006.0033 | Screw TSPEI M 6X25UNI5933 8.8ZN..... | 4 | | | | |
| 5 | 09.0803.0012 | WASHER D6..... | 6 | | | | |
| 6 | 01.0031.0055 | FLAT WASHER D8 UNI 6592 ZN | 6 | | | | |
| 7 | 01.0023.0053 | STOP NUT M6 UNI 7473 6S ZN | 6 | | | | |
| 8 | 01.4006.0016 | Screw TSPEI M6x55 UNI 5933 10.9 ZN..... | 2 | | | | |
| 9 | 09.0803.0400 | Mudguard, RR & LF..... | 1 | | | | |
| 10a | 51.0806.0000 | SUPPORT, LEFT MUDGUARD..... <i>Up To Serial Number 19814</i> | 1 | | | | |
| 10b | 51.0806.0000 | SUPPORT, LEFT MUDGUARD..... <i>Up To Serial Number 19937</i> | 1 | | | | |
| 10c | 51.0811.4056 | Mudguard Bracket..... <i>From Serial Number 19815 - ECN 0039/08</i> | 1 | | | | |
| 10d | 51.0811.4056 | Mudguard Bracket..... <i>From Serial Number 19938 - ECN 0039/08</i> | 1 | | | | |
| 11 | 09.0803.0401 | Mudguard, LR & RF..... | 1 | | | | |
| 12a | 51.0806.1000 | SUPPORT..... <i>Up To Serial Number 19814</i> | 1 | | | | |
| 12b | 51.0806.1000 | SUPPORT..... <i>Up To Serial Number 19937</i> | 1 | | | | |
| 12c | 51.0811.4056 | Mudguard Bracket..... <i>From Serial Number 19815 - ECN 0039/08</i> | 1 | | | | |
| 12d | 51.0811.4056 | Mudguard Bracket..... <i>From Serial Number 19938 - ECN 0039/08</i> | 1 | | | | |
| 13 | 51.0810.6100 | Front Axle Bracket Fixing Plate..... | 2 | | | | |
| 14 | 01.4001.0057 | Screw TE M24X220UNI 5737 8.8 ZN..... | 4 | | | | |
| 15 | 01.0031.0063 | Washer D24 UNI 6592 ZN..... | 8 | | | | |
| 16 | 01.0023.0062 | Nut M24 UNI 7473 6SZN..... | 4 | | | | |
| 17 | 09.0803.0352 | SPRING CLIP M8..... | 5 | | | | |
| 18 | 01.4001.0078 | SCREW M8x20 DIN 6923 8.8 ZN..... | 5-Inch | | | | |
| 19 | 51.0903.4400 | LOWER CAB COVER..... | 1 | | | | |
| 20 | 51.0811.0100 | BRACKET..... | 1 | | | | |
| 21 | 56.0009.0003 | HORN | 1 | | | | |
| 22 | 51.0803.5700 | SUPPORT..... | 1 | | | | |

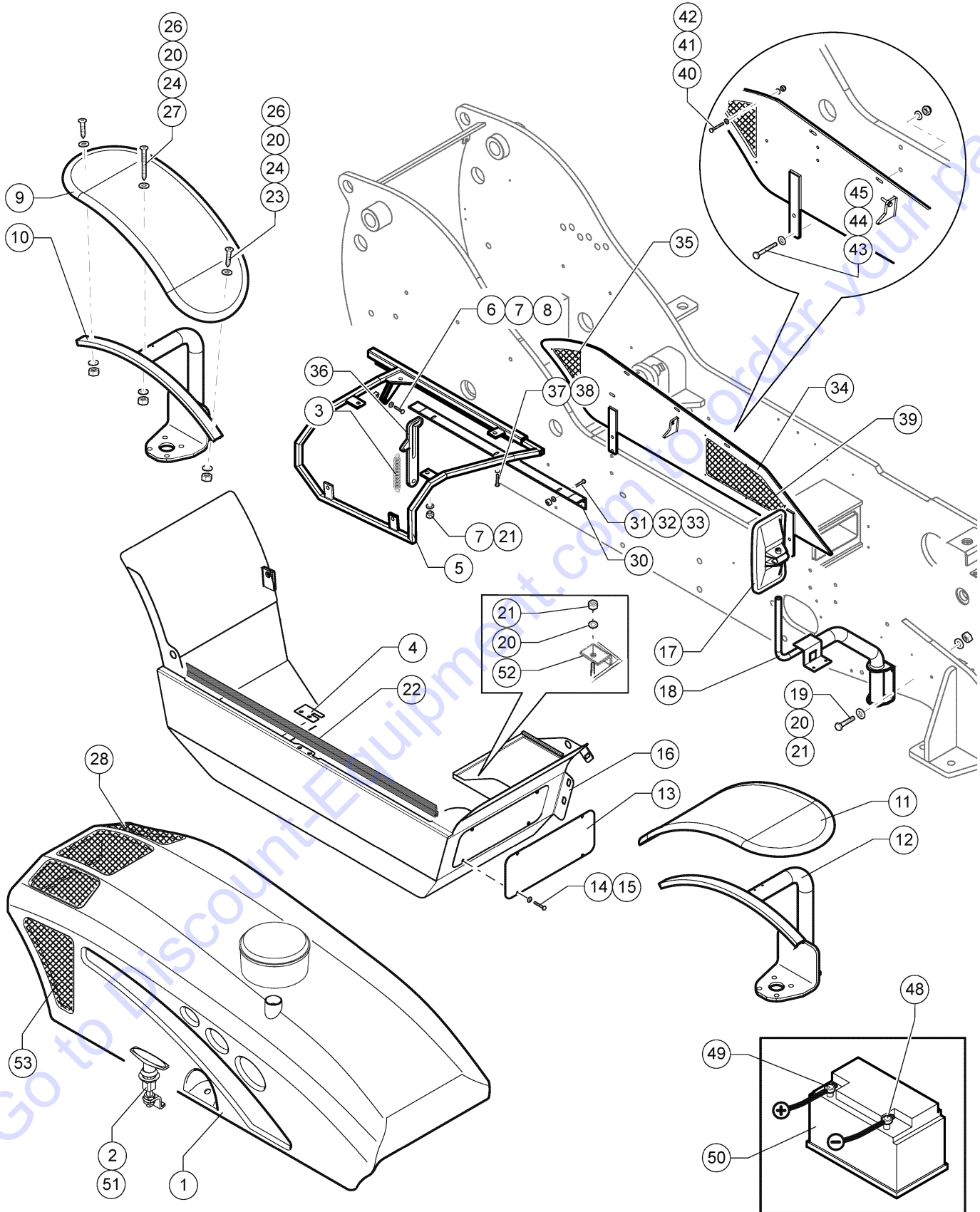
203.1 605920 Right Chassis (Deutz Engine)



203.1 605920 Right Chassis (Deutz Engine)

| Item | Part No. | Description | Qty. | Item | Part No. | Description | Qty. |
|------|--------------|-----------------------------------------------------------------------------------|------|------|--------------|-------------------------------------------------------------------------------------------|------|
| 1 | 52.1100.7600 | Engine Cover..... | 1 | 32 | 01.4032.0003 | SPRING WASHER D 8 ZN | 3 |
| 2 | 09.0803.0420 | CLOSING TO JAM..... | 1 | 33 | 01.0019.0104 | NUT M8 UNI 5588 6S ZN..... | 3 |
| 3 | 54.0800.0000 | Spring..... | 1 | 34 | 51.0810.5000 | Engine Cover Support..... | 1 |
| 4 | 51.0810.4200 | Engine Cover Lock Pin..... | 1 | 35 | 51.0903.4700 | GRILLE..... | 1 |
| 5 | 51.0810.5100 | Engine Cover Frame..... | 1 | 36 | 51.0810.7300 | Engine Cover Hinge..... | 1 |
| 6 | 01.0001.0254 | SCREW M8X20 UNI 5739 8.8 ZN.... | 1 | 37 | 01.0001.0156 | SCREW M6X20 UNI 5739 8.8 ZN ... | 3 |
| 7 | 01.0031.0299 | FLAT WASHER D8 UNI 6593..... | 5 | 38 | 01.0019.0103 | NUT M6 UNI 5588 6S ZN..... | 3 |
| 8 | 01.4032.0003 | SPRING WASHER D 8 ZN | 1 | 39 | 51.0903.4600 | GRILLE..... | 1 |
| 9 | 09.0803.0400 | Mudguard, RR & LF..... | 1 | 40 | 01.4001.0102 | Screw TE M5x25 UNI 5737 8.8 ZN..... | 6 |
| 10 | 51.0806.0000 | SUPPORT, LEFT MUDGUARD..... <i>Up To Serial Number 19937 - ECN 0039/08</i> | 1 | 41 | 01.0031.0053 | FLAT WASHER D5 UNI 6592 ZN..... | 12 |
| 10 | 51.0811.4055 | SUPPORT..... <i>From To Serial Number 19938 - ECN 0039/08</i> | 1 | 42 | 01.0023.0052 | STOP NUT M5 UNI 7473 6S ZN.... | 6 |
| 11 | 09.0803.0401 | Mudguard, LR & RF..... | 1 | 43 | 01.0001.0358 | SCREW,TE,M10X40 UNI 8.8 ZN.... | 4 |
| 12 | 51.0806.1000 | SUPPORT..... <i>Up To Serial Number 19937 - ECN 0039/08</i> | 1 | 44 | 01.0031.0301 | FLAT WASHER D10 UNI 6593 ZN | 8 |
| 12 | 51.0811.4056 | Mudguard Bracket..... <i>From To Serial Number 19938 - ECN 0039/08</i> | 1 | 45 | 01.0023.0055 | NUT,STOP,M10 UNI 7473 6S ZN.... | 4 |
| 13 | 07.0726.0109 | COVER, OIL TANK..... | 1 | 48 | 55.0602.0407 | Battery Positive Cable..... | 1 |
| 14 | 01.0001.0355 | SCREW,TE,M10X25 UNI 8.8 ZN.... | 4 | 49 | 55.0602.0408 | Battery Negative Cable..... | 1 |
| 15 | 01.4032.0004 | SPRING WASHER D10 ZN..... | 4 | 50 | 56.0008.0002 | BATTERY..... <i>For US Market Can Be Sold P.N. 129101 With Bracket P.N. 823269</i> | 1 |
| 16 | 51.0903.1200 | Engine Housing..... | 1 | 51 | 51.0811.4006 | SUPPORT..... | 1 |
| 17 | 07.0723.0042 | Mirror..... | 1 | 52 | 01.0001.0257 | SCREW M8X30 UNI 5739 8.8 ZN.... | 2 |
| 18 | 51.0802.4400 | MIRROR SUPPORT..... | 1 | 53 | 07.0726.0107 | BATTERY HOLD DOWN BRACKET..... | 1 |
| 19 | 01.0001.1465 | SCREW M8X40 UNI 5739 8.8 ZN.... | 3 | 54 | 51.0903.4931 | Lateral Grid..... | 1 |
| 20 | 01.0031.0055 | FLAT WASHER D8 UNI 6592 ZN | 10 | 55 | 07.0723.0571 | KEY | 1 |
| 21 | 01.0023.0054 | NUT,M8 UNI 7473 6S ZN..... | 6 | | | | |
| 22 | 09.0803.0245 | GASKET..... | 59 | | | | |
| 23 | 01.0006.0033 | Screw TSPEI M 6X25UNI5933 8.8ZN..... | 4 | | | | |
| 24 | 09.0803.0012 | WASHER D6..... | 6 | | | | |
| 26 | 01.0023.0053 | STOP NUT M6 UNI 7473 6S ZN | 6 | | | | |
| 27 | 01.4006.0016 | Screw TSPEI M6x55 UNI 5933 10.9 ZN..... | 2 | | | | |
| 28 | 51.0903.4930 | Upper Grid..... | 1 | | | | |
| 30 | 09.0803.0547 | Hinge..... | 1 | | | | |
| 31 | 01.0001.0204 | Screw TE M 8X40 UNI 5739 8.8 ZN..... | 3 | | | | |

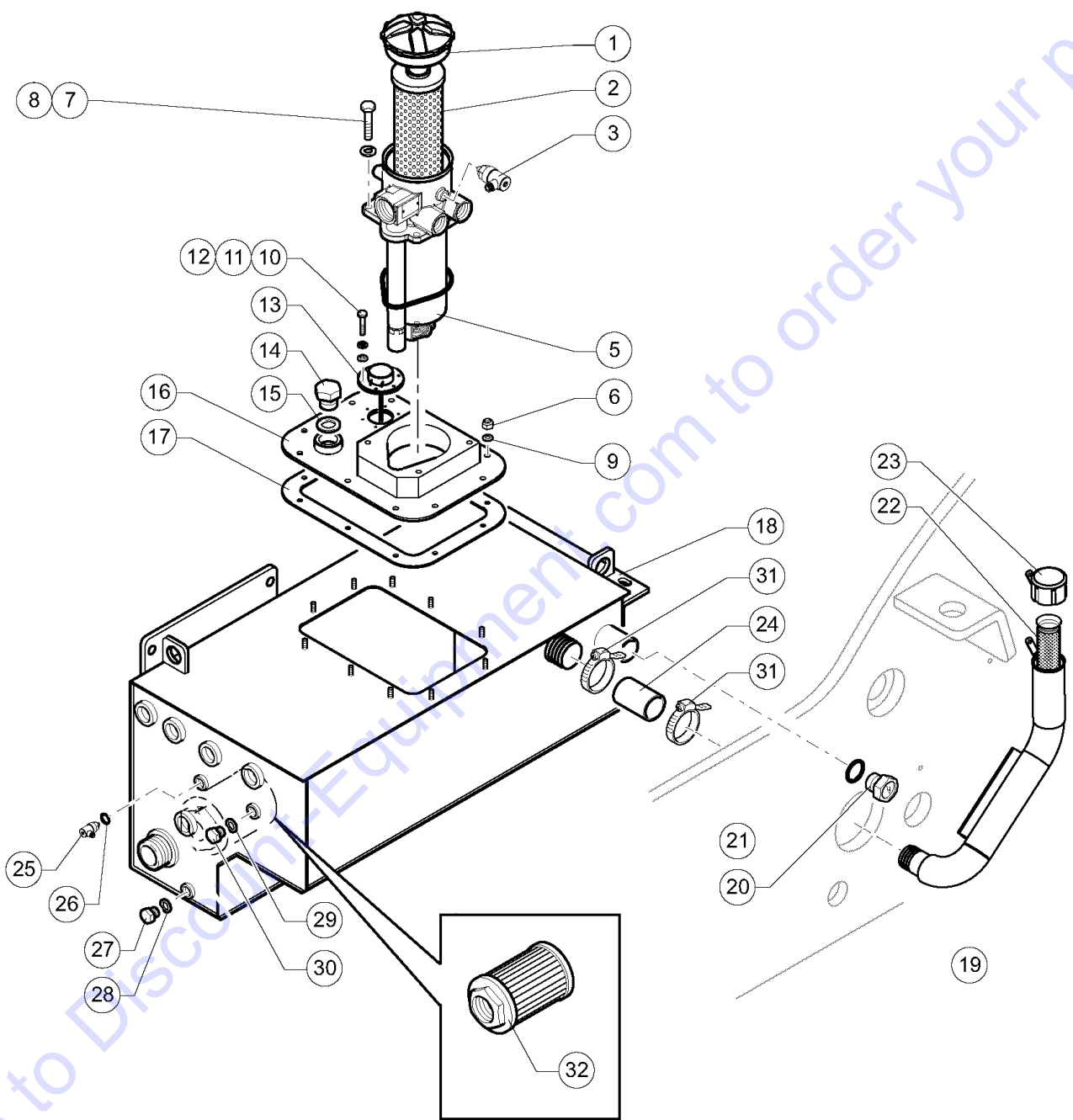
204.1 605890 Right Chassis (Perkins Engine)



204.1 605890 Right Chassis (Perkins Engine)

| Item | Part No. | Description | Qty. | Item | Part No. | Description | Qty. |
|------|--------------|-----------------------------------------------------------------------------------|-----------|------|--------------|-------------------------------------------------------------------------------------------|------|
| 1 | 52.1100.7500 | Engine Cover..... | 1 | 32 | 01.4032.0003 | SPRING WASHER D 8 ZN | 3 |
| 2 | 09.0803.0393 | LOCK..... | 1 | 33 | 01.0019.0104 | NUT M8 UNI 5588 6S ZN..... | 3 |
| 3 | 54.0800.0000 | Spring..... | 1 | 34 | 51.0810.3100 | Engine Cover Support..... | 1 |
| 4 | 51.0810.4200 | Engine Cover Lock Pin..... | 1 | 35 | 51.0903.2300 | Grid..... | 1 |
| 5 | 51.0810.3200 | ENGINE CASING FRAME..... | 1 | 36 | 51.0810.7300 | Engine Cover Hinge..... | 1 |
| 6 | 01.0001.0254 | SCREW M8X20 UNI 5739 8.8 ZN.... | 1 | 37 | 01.0001.0156 | SCREW M6X20 UNI 5739 8.8 ZN ... | 3 |
| 7 | 01.0031.0299 | FLAT WASHER D8 UNI 6593..... | 6 | 38 | 01.0019.0103 | NUT M6 UNI 5588 6S ZN..... | 3 |
| 8 | 01.4032.0003 | SPRING WASHER D 8 ZN | 1 | 39 | 51.0903.2200 | Grid..... | 1 |
| 9 | 09.0803.0400 | Mudguard, RR & LF..... | 1 | 40 | 01.4001.0102 | Screw TE M5x25 UNI 5737 8.8 ZN..... | 6 |
| 10 | 51.0806.0000 | SUPPORT, LEFT MUDGUARD..... <i>Up To Serial Number 19814 - ECN 0039/08</i> | 1 | 41 | 01.0031.0053 | FLAT WASHER D5 UNI 6592 ZN..... | 12 |
| 10 | 51.0811.4055 | SUPPORT..... <i>From To Serial Number 19815 - ECN 0039/08</i> | 1 | 42 | 01.0023.0052 | STOP NUT M5 UNI 7473 6S ZN.... | 6 |
| 11 | 09.0803.0401 | Mudguard, LR & RF..... | 1 | 43 | 01.0001.0358 | SCREW,TE,M10X40 UNI 8.8 ZN.... | 4 |
| 12 | 51.0806.1000 | SUPPORT..... <i>Up To Serial Number 19814 - ECN 0039/08</i> | 1 | 44 | 01.0031.0301 | FLAT WASHER D10 UNI 6593 ZN | 8 |
| 12 | 51.0811.4056 | Mudguard Bracket..... <i>From To Serial Number 19815 - ECN 0039/08</i> | 1 | 45 | 01.0023.0055 | NUT,STOP,M10 UNI 7473 6S ZN.... | 4 |
| 13 | 07.0726.0102 | COVER, OIL TANK..... | 1 | 48 | 55.0602.0407 | Battery Positive Cable..... | 1 |
| 14 | 01.0001.0355 | SCREW,TE,M10X25 UNI 8.8 ZN.... | 4 | 49 | 55.0602.0408 | Battery Negative Cable..... | 1 |
| 15 | 01.4032.0004 | SPRING WASHER D10 ZN..... | 4 | 50 | 56.0008.0002 | BATTERY..... <i>For US Market Can Be Sold P.N. 129101 With Bracket P.N. 823269</i> | 1 |
| 16 | 51.0903.0400 | Engine Housing..... | 1 | 51 | 07.0723.0571 | KEY..... | 1 |
| 17 | 07.0723.0042 | Mirror..... | 1 | 52 | 07.0726.0107 | BATTERY HOLD DOWN BRACKET..... | 1 |
| 18 | 51.0800.3500 | SUPPORT..... | 1 | 53 | 07.0726.0110 | Lateral Grid..... | 1 |
| 19 | 01.0001.1465 | SCREW M8X40 UNI 5739 8.8 ZN.... | 3 | | | | |
| 20 | 01.0031.0055 | FLAT WASHER D8 UNI 6592 ZN | 10 | | | | |
| 21 | 01.0023.0054 | NUT,M8 UNI 7473 6S ZN..... | 10 | | | | |
| 22 | 09.0803.0245 | GASKET..... | 0.6-meter | | | | |
| 23 | 01.0006.0033 | Screw TSPEI M 6X25UNI5933 8.8ZN..... | 4 | | | | |
| 24 | 09.0803.0012 | WASHER D6..... | 6 | | | | |
| 26 | 01.0023.0053 | STOP NUT M6 UNI 7473 6S ZN | 6 | | | | |
| 27 | 01.4006.0016 | Screw TSPEI M6x55 UNI 5933 10.9 ZN..... | 2 | | | | |
| 28 | 07.0726.0111 | Upper Grid..... | 1 | | | | |
| 30 | 09.0803.0547 | HINGE..... | 1 | | | | |
| 31 | 01.0001.0204 | Screw TE M 8X40 UNI 5739 8.8 ZN..... | 3 | | | | |

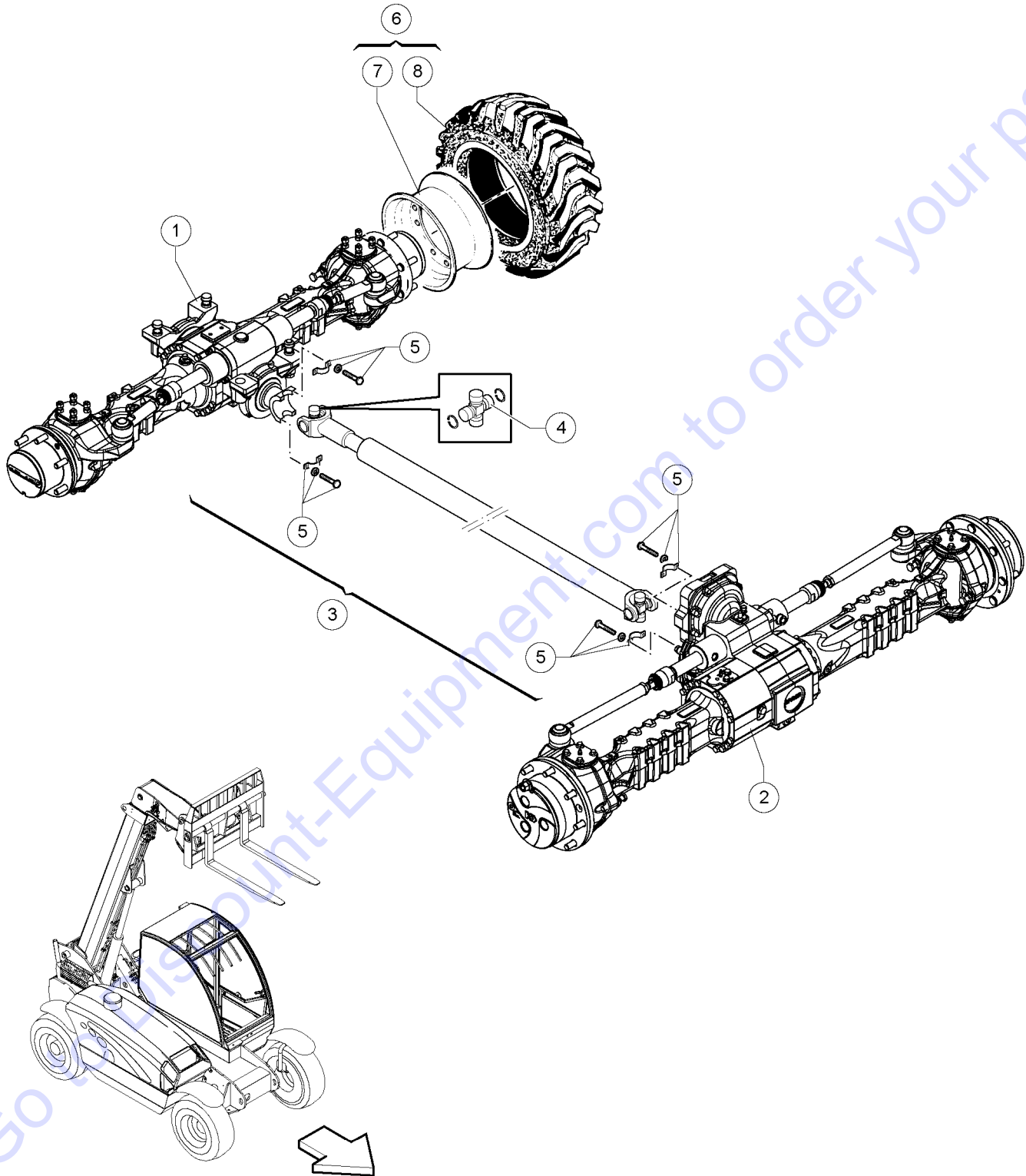
205.1 605657 Hydraulic Oil Tank



| Item | Part No. | Description | Qty. |
|------|--------------|-------------------------------------------|------|
| 1 | 07.0700.0006 | CAP, HYDRAULIC FILTER..... | 1 |
| 2 | 07.0700.0023 | OIL FILTER, CARTRIDGE..... | 1 |
| 3 | 07.0700.0028 | INDICATOR (OIL CLOGGING)..... | 1 |
| 5 | 09.4604.0047 | Complete Hydraulic Oil Filter | 1 |
| 6 | 01.0023.0054 | NUT, M8 UNI 7473 6S ZN..... | 10 |
| 7 | 01.0001.0355 | SCREW, TE, M10X25 UNI 8.8 ZN.... | 4 |
| 8 | 01.4032.0004 | SPRING WASHER D10 ZN..... | 4 |
| 9 | 01.0031.0055 | FLAT WASHER D8 UNI 6592 ZN | 10 |
| 10 | 01.4032.0011 | SPRING WASHER D4 ZN..... | 6 |
| 11 | 01.0031.0054 | FLAT WASHER D6 UNI 6592 ZN | 6 |
| 12 | 01.4003.0012 | SCREW M4 X 16, 10.9..... | 6 |
| 13 | 56.0013.0028 | LEVEL INDICATOR | 1 |
| 14 | 04.4220.0063 | Hex-Head Cap DA 1" Gas | 2 |
| 15 | 06.0442.0107 | Copper Washer JC 33..... | 3 |
| 16 | 07.0726.0102 | COVER, OIL TANK..... | 1 |
| 17 | 53.3301.0005 | Rubber Gasket..... | 1 |
| 18 | 51.0600.9100 | Oil Tank..... | 1 |
| 19 | 53.3001.4800 | Oil Manifold..... | 1 |
| 20 | 09.4661.0002 | OIL LEVEL INDICATOR..... | 1 |
| 21 | 06.0442.0111 | WASHER..... | 1 |
| 22 | 09.4661.0016 | BASKET, PLUG..... | 1 |
| 23 | 09.4661.0014 | CAP, DIESEL FUEL TX5119*** | 1 |
| 24 | 09.0805.0087 | Hose D.48/58 LG.125..... | 1 |
| 25 | 56.0013.0000 | TEMPERATURE SENSOR, HYDRAULIC OIL..... | 1 |
| 26 | 06.0442.0102 | Copper Washer JC 17..... | 2 |
| 27 | 04.0220.0055 | PLUG 1/2 BSP..... | 1 |
| 28 | 06.0442.0103 | COPPER WASHER..... | 1 |
| 29 | 06.0442.0102 | Copper Washer JC 17..... | 2 |
| 30 | 04.0220.0053 | PLUG 3/8" BSP..... | 1 |
| 31 | 04.0227.0144 | Clamp DN 55/59..... | 2 |
| 32 | 09.4604.0004 | Filter..... | 1 |

Go to www.genie.com to order your parts

206.1 605658 Drive line And Wheels

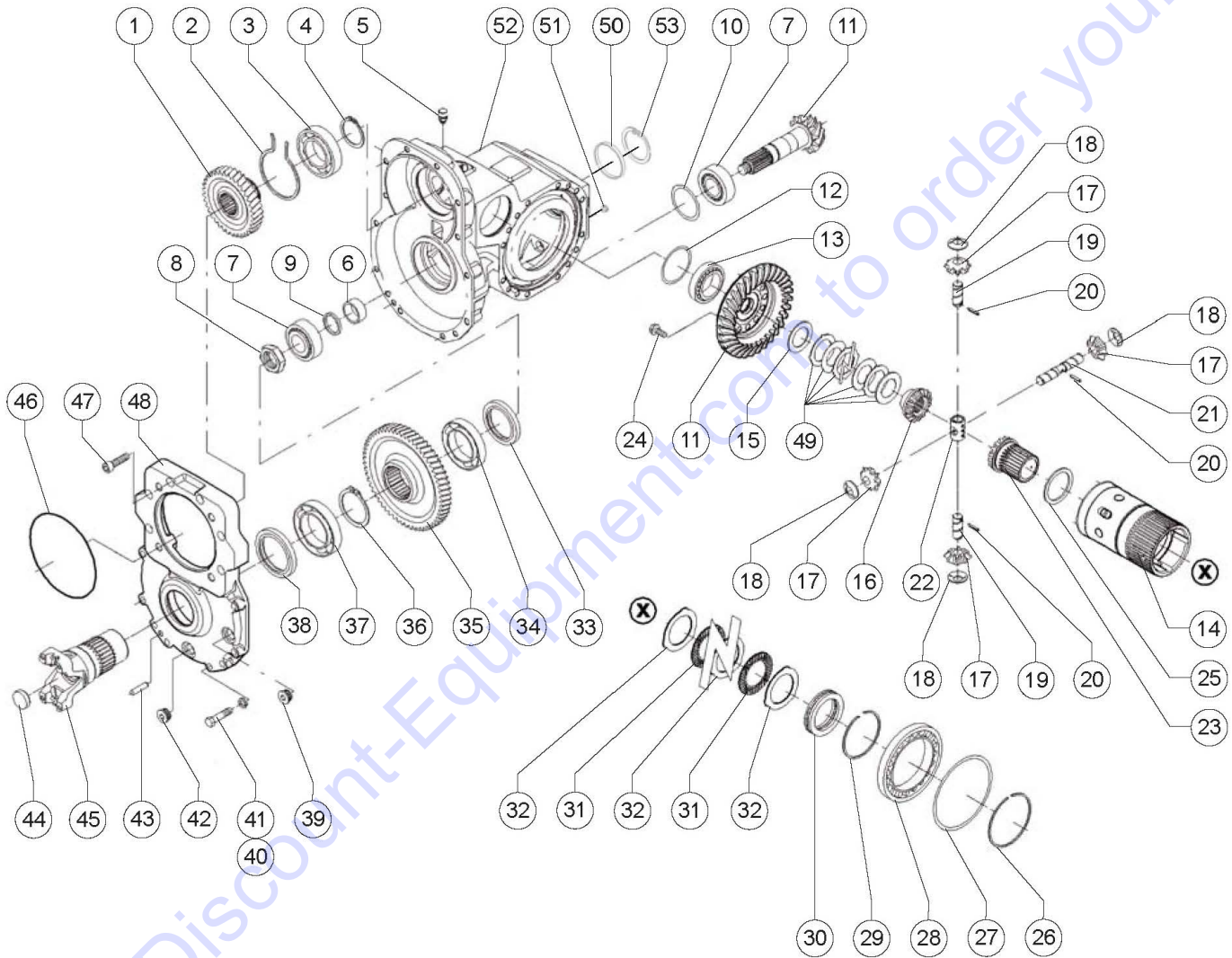


| Item | Part No. | Description | Qty. |
|------|--------------|---------------------------------------|------|
| 1 | 09.4632.0075 | Rear Steering Axle..... | 1 |
| 2 | 09.4632.0067 | Front Steering Axle..... | 1 |
| 3 | 09.4635.0048 | Cardan Shaft..... | 1 |
| 4 | 07.0738.0002 | STAR WHEEL..... | 2 |
| 5 | 09.4635.0014 | CARDAN SHAFT ASSY KIT..... | 4 |
| 6 | 55.0403.0046 | COMPLETE WHEEL 16.5 AIR,RIGHT..... | 4 |
| 7 | 09.4629.0018 | Rim 9.75 X 16.5"..... | 4 |
| 8 | 09.4627.0018 | Tire 12-16.5" PR10..... | 4 |

Go to Discount-Equipment.com to order your parts



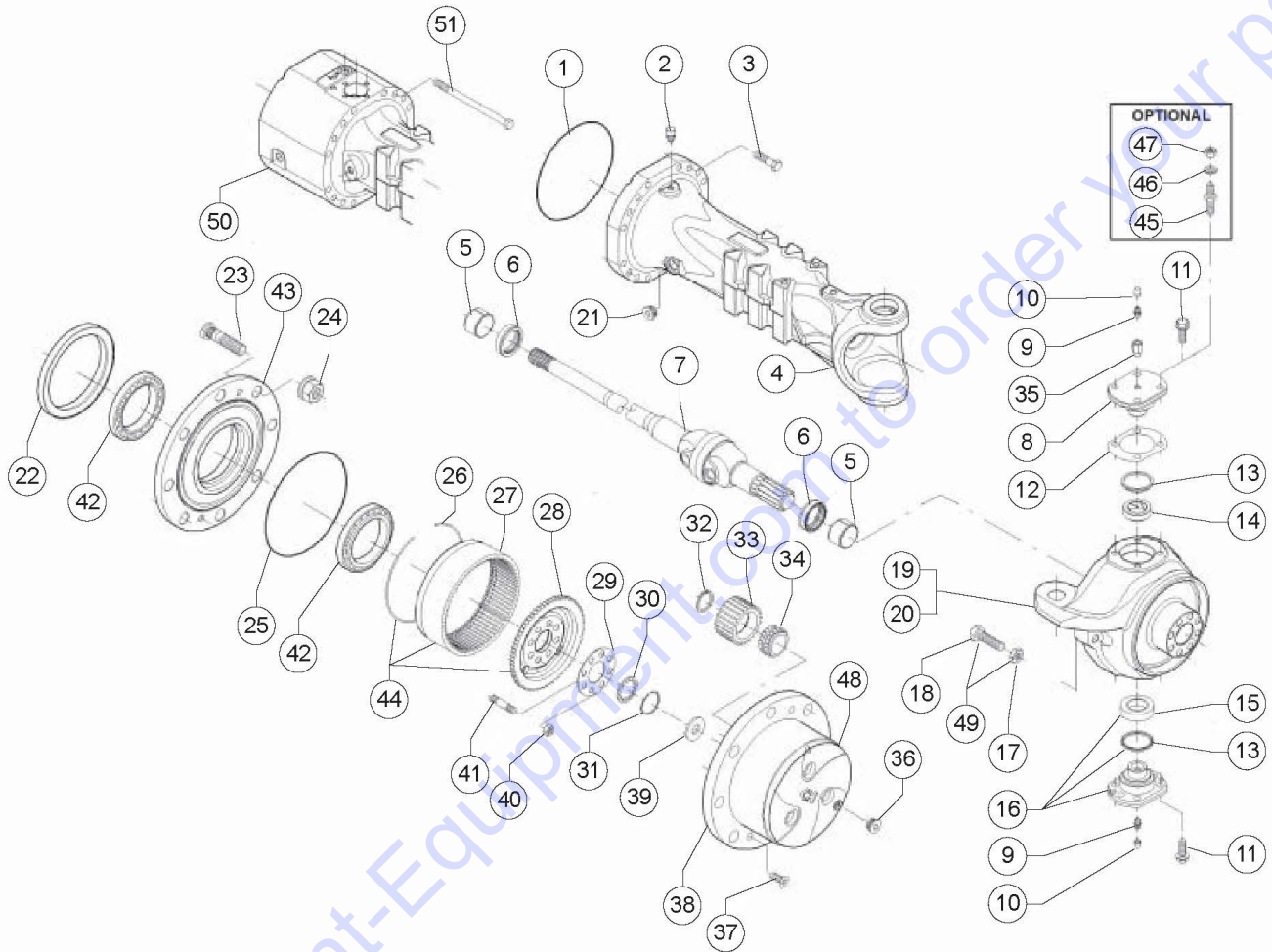
207.1 605659 Front Axle - Differential



207.1 605659 Front Axle - Differential

| Item | Part No. | Description | Qty. | Item | Part No. | Description | Qty. |
|------|--------------|-----------------------------|------|------|--------------|-------------------------------|------|
| 1 | 07.0709.0293 | Gear..... | 1 | 32 | 07.0709.0301 | Intermediate Clutch Disc..... | 1 |
| 2 | 07.0709.0294 | SNAP RING | 1 | 33 | 07.0709.0312 | SEAL | 1 |
| 3 | 07.0709.0130 | BEARING..... | 1 | 34 | 07.0709.0313 | BEARING..... | 1 |
| 4 | 07.0709.0295 | SNAP RING | 1 | 35 | 07.0709.0314 | Gear..... | 1 |
| 5 | 07.0709.0912 | Plug, Breather..... | 1 | 36 | 07.0709.0315 | SNAP RING..... | 1 |
| 6 | 07.0709.0359 | Spacer..... | 1 | 37 | 634561 | BEARING..... | 1 |
| 7 | 07.0709.0174 | Bearing..... | 2 | 38 | 07.0709.0316 | SEAL..... | 1 |
| 8 | 07.0709.0296 | RING NUT..... | 1 | 39 | 07.0709.0921 | PLUG..... | 1 |
| 9 | 07.0709.0245 | Ring..... | 1 | 40 | 07.0709.0188 | SPRING WASHER..... | 8 |
| 9 | 07.0709.0249 | RING..... | 1 | 41 | 07.0709.0922 | Bolt..... | 8 |
| 10 | 634391 | SHIM,THICKNESS..... | 1 | 42 | 07.0709.0747 | Magnet Plug..... | 1 |
| 10 | 634392 | SHIM,THICKNESS..... | 1 | 43 | 639832 | DOWEL | 1 |
| 10 | 634393 | SHIM,THICKNESS..... | 1 | 44 | 07.0709.0317 | PLUG..... | 1 |
| 11 | 07.0709.0913 | Bevel Gear..... | 1 | 45 | 07.0709.0710 | Flange..... | 1 |
| 12 | 07.0709.0257 | THICKNESS..... | 1 | 46 | 07.0709.0127 | O-RING | 1 |
| 12 | 07.0709.0258 | THICKNESS..... | 1 | 47 | 07.0709.0923 | Bolt..... | 6 |
| 12 | 07.0709.0259 | THICKNESS..... | 1 | 48 | 07.0709.0319 | Cover..... | 1 |
| 12 | 07.0709.0260 | THICKNESS..... | 1 | 49 | 07.0709.0320 | Clutch Disc..... | 1 |
| 13 | 633529 | BEARING | 1 | 50 | 07.0709.0084 | PLUG..... | 1 |
| 14 | 07.0709.0748 | DIFFERENTIAL CASE..... | 1 | 51 | 07.0709.0747 | Magnet Plug..... | 1 |
| 14 | 07.0709.0894 | Differential Box..... | 1 | 52 | 07.0709.0292 | HOUSING..... | 1 |
| 15 | 07.0709.0914 | WASHER..... | 1 | 53 | 07.0709.0441 | SNAP RING..... | 1 |
| 16 | 07.0709.0915 | DIFFERENTIAL SIDE GEAR..... | 1 | | | | |
| 17 | 07.0709.0916 | SATELLITE ART (GEAR)..... | 4 | | | | |
| 18 | 07.0709.0917 | Friction Washer..... | 4 | | | | |
| 19 | 07.0709.0918 | Pin..... | 2 | | | | |
| 20 | 07.0709.0254 | DOWEL | 3 | | | | |
| 21 | 07.0709.0919 | Pin..... | 1 | | | | |
| 22 | 07.0709.0706 | CROSS JOINT..... | 1 | | | | |
| 23 | 07.0709.0920 | Differential Side Gear..... | 1 | | | | |
| 24 | 07.0709.0751 | Screw..... | 12 | | | | |
| 25 | 07.0709.0752 | Shim Washer..... | 1 | | | | |
| 26 | 07.0709.0303 | SNAP RING..... | 1 | | | | |
| 27 | 07.0709.0309 | Shim..... | 8 | | | | |
| 27 | 07.0709.0310 | Shim..... | 1 | | | | |
| 27 | 07.0709.0311 | Shim..... | 1 | | | | |
| 28 | 639637 | Bearing..... | 1 | | | | |
| 29 | 07.0709.0302 | Snap Ring..... | 1 | | | | |
| 30 | 07.0709.0306 | Bearing..... | 1 | | | | |
| 31 | 07.0709.0305 | CLUTCH DISC..... | 1 | | | | |

208.1 605660 Front Axle - Reduction Gear



52 : Position kit = 17 18

56 : Position kit = 26 27 28

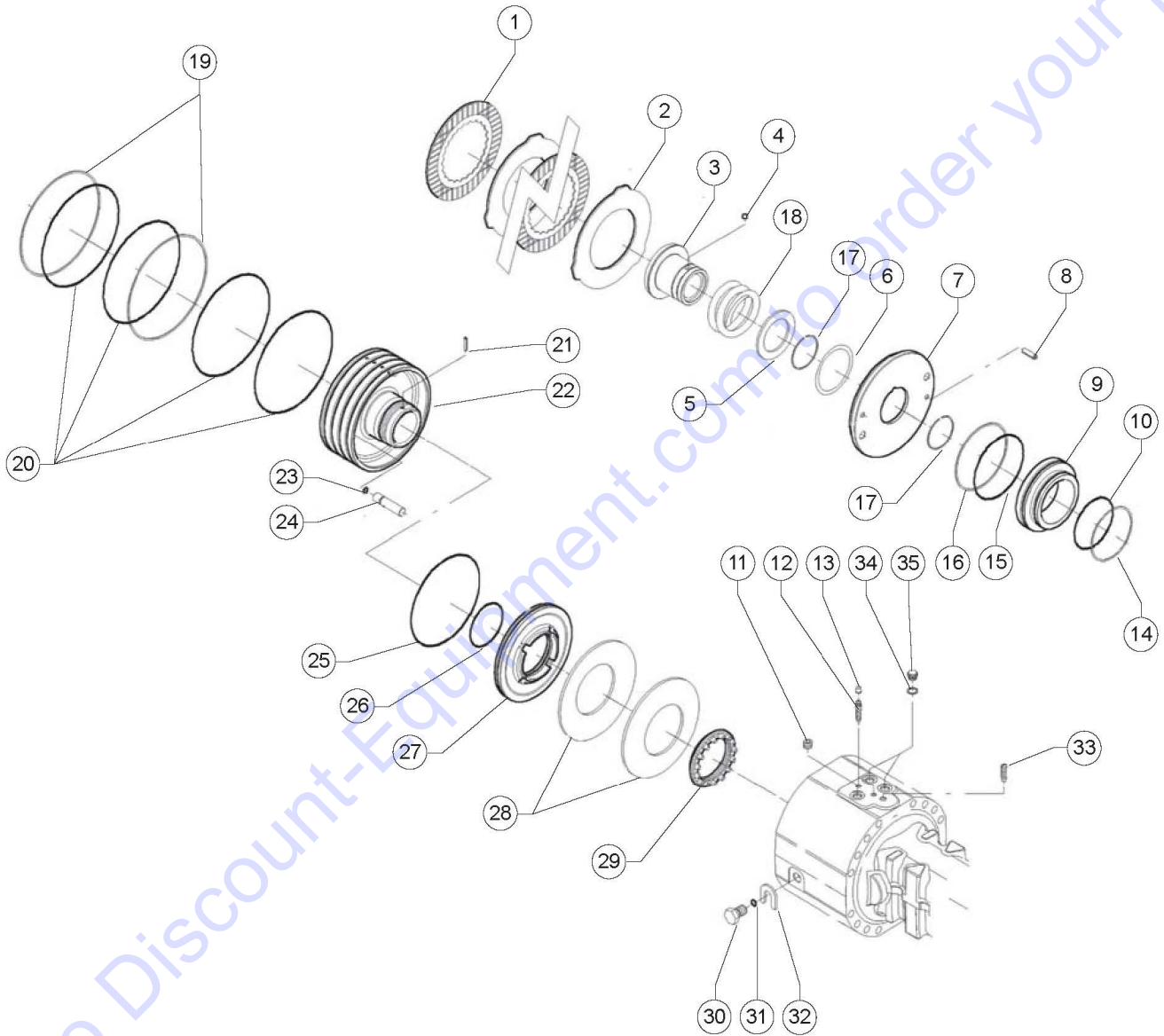
48 : Position kit = 32 33 34 38 39

9 35 : OPTIONAL

208.1 605660 Front Axle - Reduction Gear

| Item | Part No. | Description | Qty. | Item | Part No. | Description | Qty. |
|------|--------------|---------------------------|------|------|--------------|----------------------------|------|
| 1 | 07.0709.0261 | SEAL | 2 | 39 | 07.0709.0279 | Shim Washer..... | 2 |
| 2 | 07.0709.0912 | Plug, Breather..... | 1 | 40 | 07.0709.0280 | Nut..... | 16 |
| 3 | 07.0709.0924 | Screw..... | 16 | 41 | 07.0709.0281 | Stud..... | 16 |
| 4 | 07.0709.0263 | ARM..... | 1 | 42 | 07.0709.0171 | Bearing..... | 4 |
| 5 | 07.0709.0264 | Bushing..... | 2 | 43 | 07.0709.0282 | Wheel Hub..... | 2 |
| 6 | 07.0709.0265 | Sealing Ring..... | 4 | 44 | 07.0709.0757 | Ring Gear Support..... | 2 |
| 7 | 07.0709.0266 | Cardan Shaft..... | 2 | 45 | 07.0709.0119 | STUD,DRIVE AXLE..... | 8 |
| 8 | 07.0709.0267 | Pivot Pin..... | 2 | 46 | 07.0709.0071 | WASHER | 8 |
| 9 | 633176 | GREASE ZERK | 1 | 47 | 07.0709.0070 | NUT..... | 8 |
| 10 | 638548 | PLUG..... | 4 | 48 | 07.0709.0926 | Planet Gear Carrier..... | 2 |
| 11 | 07.0709.0057 | SCREW,RING GEAR..... | 12 | 49 | 07.0709.0365 | SCREW,STEERING ADJUST..... | 4 |
| 12 | 07.0709.0268 | THICKNESS..... | 2 | 50 | 07.0709.0927 | Boom..... | 1 |
| 12 | 07.0709.0290 | THICKNESS..... | 2 | 51 | 07.0709.0323 | Screw..... | 16 |
| 12 | 07.0709.0291 | THICKNESS..... | 2 | | | | |
| 13 | 07.0709.0269 | SEAL | 2 | | | | |
| 14 | 07.0709.0753 | Bushing..... | 2 | | | | |
| 15 | 07.0709.0270 | Joint Box..... | 2 | | | | |
| 16 | 07.0709.0271 | Pivot Pin..... | 2 | | | | |
| 17 | 634546 | NUT..... | 4 | | | | |
| 18 | 07.0709.0104 | SCREW..... | 4 | | | | |
| 19 | 07.0709.0754 | Steering Case..... | 1 | | | | |
| 20 | 07.0709.0764 | Steering Case..... | 1 | | | | |
| 21 | 07.0709.0921 | PLUG..... | 1 | | | | |
| 22 | 07.0709.0363 | SEAL..... | 2 | | | | |
| 23 | 07.0709.0117 | WHEEL STUD..... | 16 | | | | |
| 24 | 07.0709.0118 | Wheel Nut | 16 | | | | |
| 25 | 632383 | SEAL / DIFFERENTIAL | 2 | | | | |
| 26 | 639646 | Snap Ring..... | 2 | | | | |
| 27 | 639639 | RING GEAR | 2 | | | | |
| 28 | 07.0709.0275 | Ring Gear Support..... | 2 | | | | |
| 29 | 07.0709.0276 | Safety Sheet..... | 2 | | | | |
| 30 | 07.0709.0925 | SPACER..... | 2 | | | | |
| 31 | 07.0709.0278 | Circlip..... | 2 | | | | |
| 32 | 639641 | SNAP RING..... | 6 | | | | |
| 33 | 639642 | PINION,DIFFERENTIAL..... | 6 | | | | |
| 34 | 639643 | Bearing | 6 | | | | |
| 35 | 07.0709.0758 | PIPE FITTING..... | 2 | | | | |
| 36 | 07.0709.0113 | PLUG..... | 2 | | | | |
| 37 | 07.0709.0065 | SCREW..... | 4 | | | | |
| 38 | 07.0709.0321 | PLANET GEAR CARRIER..... | 2 | | | | |

209.1 605661 Front Axle - Brake

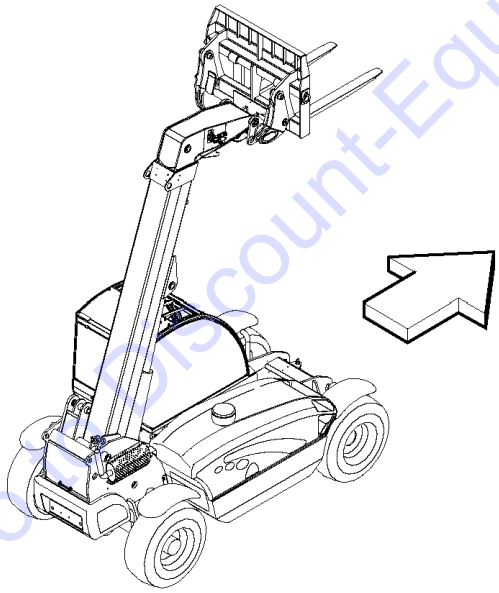
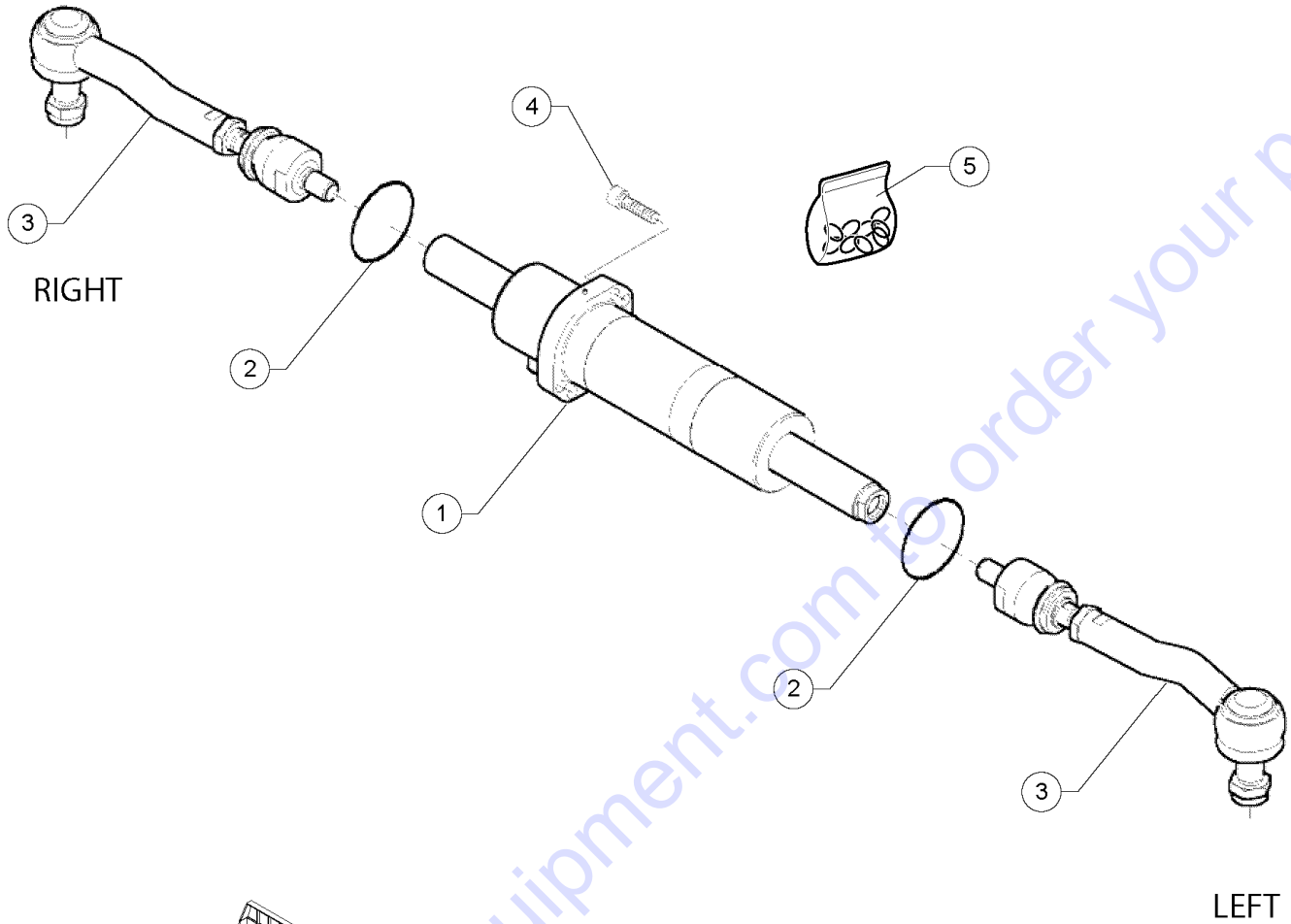


Go to Discount-Equipment.com to order your parts

| Item | Part No. | Description | Qty. |
|------|--------------|---------------------------|------|
| 1 | 07.0709.0324 | BRAKE DISC..... | 6 |
| 2 | 07.0709.0325 | Brake Disc Internal..... | 6 |
| 3 | 07.0709.0928 | Bushing..... | 1 |
| 4 | 07.0709.0327 | BALL..... | 1 |
| 5 | 07.0709.0328 | Spacer..... | 1 |
| 6 | 629733 | SHIM 0.10MM..... | 2 |
| 6 | 629735 | SHIM 0.30MM..... | 2 |
| 6 | 639327 | SHIM 0.40MM..... | 2 |
| 6 | 639328 | SHIM 0.15MM..... | 2 |
| 6 | 639329 | SHIM 0.20MM..... | 2 |
| 7 | 07.0709.0900 | Brake Disc Internal..... | 1 |
| 8 | 07.0709.0330 | Split Pin..... | 2 |
| 9 | 07.0709.0711 | Piston..... | 1 |
| 10 | 07.0709.0332 | SEAL..... | 1 |
| 11 | 632070 | SCREW..... | 1 |
| 12 | 630328 | BLEEDER VALVE, LONG | 2 |
| 13 | 638548 | PLUG..... | 2 |
| 14 | 07.0709.0333 | Back-up Ring..... | 1 |
| 15 | 07.0709.0334 | SEAL..... | 1 |
| 16 | 07.0709.0335 | Back-up Ring..... | 1 |
| 17 | 07.0709.0336 | Snap Ring..... | 2 |
| 18 | 07.0709.0337 | Spring..... | 1 |
| 19 | 07.0709.0338 | Back-Up Ring..... | 4 |
| 20 | 07.0709.0929 | O-Ring..... | 4 |
| 21 | 07.0709.0254 | DOWEL | 1 |
| 22 | 07.0709.0340 | Piston..... | 1 |
| 23 | 07.0709.0341 | O-RING..... | 3 |
| 24 | 07.0709.0342 | Pin..... | 3 |
| 25 | 07.0709.0343 | O-Ring..... | 1 |
| 26 | 07.0709.0344 | O-Ring..... | 1 |
| 27 | 07.0709.0345 | Piston..... | 1 |
| 28 | 07.0709.0346 | Spring..... | 2 |
| 29 | 07.0709.0347 | Ring Nut..... | 1 |
| 30 | 07.0709.0712 | Screw..... | 2 |
| 31 | 07.0709.0034 | SEAL..... | 2 |
| 32 | 07.0709.0349 | Spacer..... | 2 |
| 33 | 07.0709.0350 | Threaded Grubscrew..... | 1 |
| 34 | 07.0709.0351 | WASHER..... | 2 |
| 35 | 07.0709.0352 | SCREW..... | 2 |

Go to www.genie-equipment.com to order your parts

210.1 605662 Front Axle - Steering Cylinder

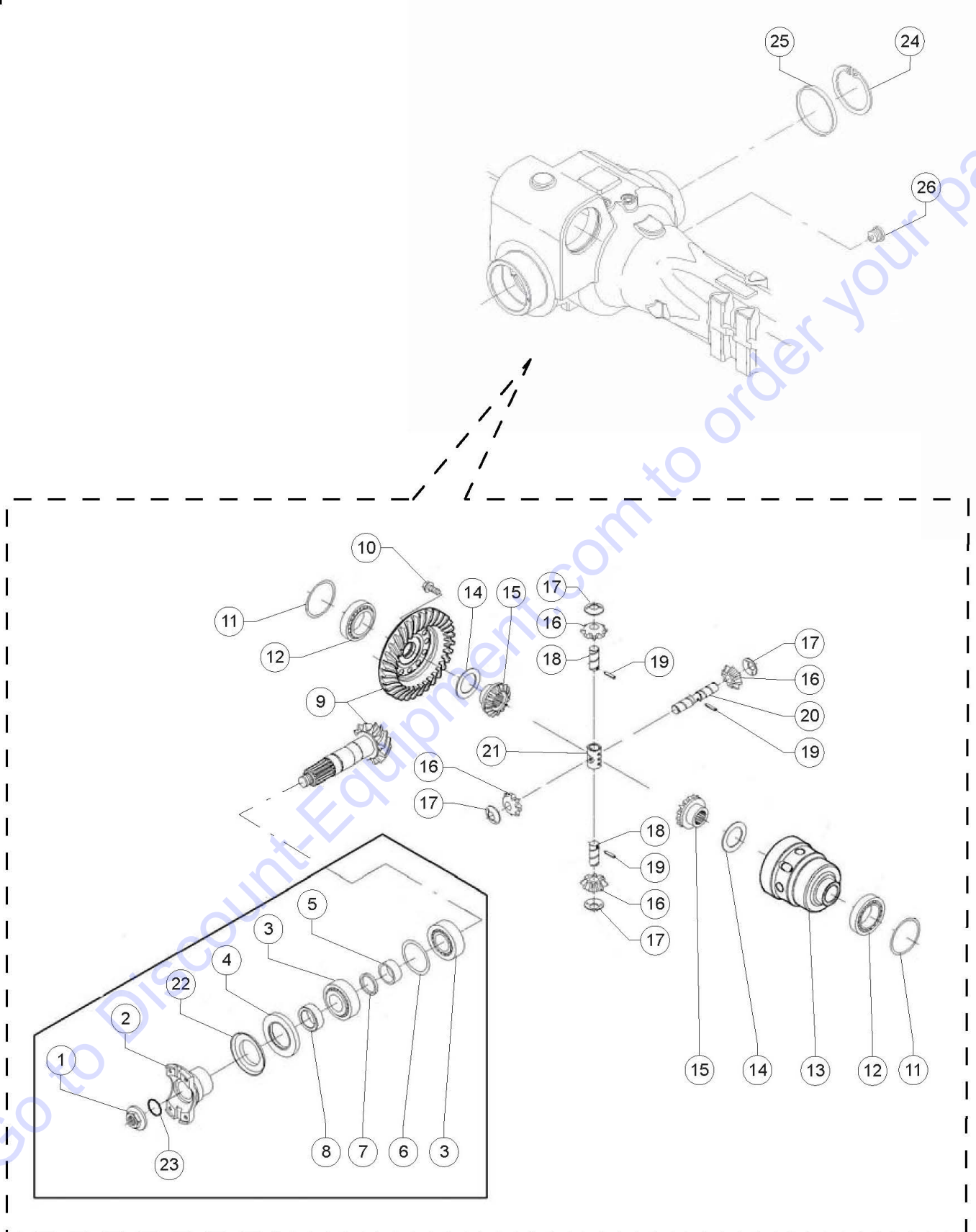


210.1 605662 Front Axle - Steering Cylinder

| Item | Part No. | Description | Qty. |
|------|--------------|-------------------------|------|
| 1 | 07.0709.0908 | CYLINDER, STEERING..... | 1 |
| 2 | 634397 | O-RING..... | 2 |
| 3 | 07.0709.0909 | TIE ROD..... | 2 |
| 4 | 07.0709.0930 | Screw..... | 4 |
| 5 | 07.0709.0417 | Gasket Kit..... | 1 |

Go to Discount-Equipment.com to order your parts

211.1 605663 Rear Axle - Differential

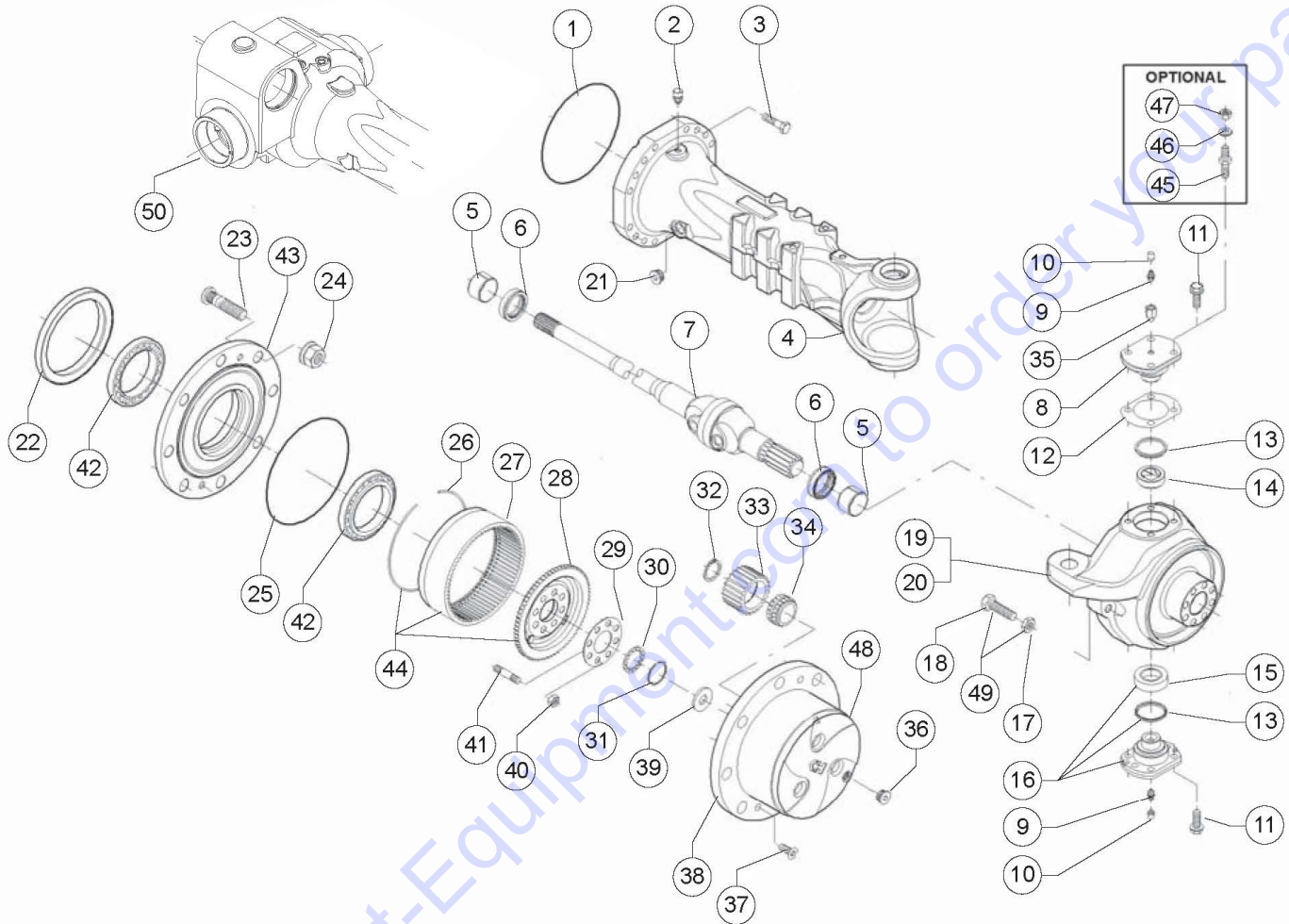


211.1 605663 Rear Axle - Differential

| Item | Part No. | Description | Qty. |
|------|--------------|--------------------------|------|
| 1 | 633160 | Nut..... | 1 |
| 2 | 07.0709.0388 | Flange..... | 1 |
| 3 | 07.0709.0174 | Bearing..... | 1 |
| 4 | 633098 | SEAL,DIFFERENTIAL | 2 |
| 5 | 07.0709.0359 | Spacer..... | 1 |
| 6 | 634391 | SHIM,THICKNESS..... | 1 |
| 6 | 634392 | SHIM,THICKNESS..... | 1 |
| 6 | 634393 | SHIM,THICKNESS..... | 1 |
| 7 | 07.0709.0245 | Ring..... | 1 |
| 7 | 07.0709.0249 | RING..... | 1 |
| 8 | 633574 | SPACER..... | 1 |
| 9 | 07.0709.0760 | Bevel Gear..... | 1 |
| 10 | 07.0709.0751 | Screw..... | 12 |
| 11 | 07.0709.0257 | THICKNESS..... | 2 |
| 11 | 07.0709.0258 | THICKNESS..... | 2 |
| 11 | 07.0709.0259 | THICKNESS..... | 2 |
| 11 | 07.0709.0260 | THICKNESS..... | 2 |
| 12 | 633529 | BEARING | 2 |
| 13 | 07.0709.0761 | DIFFERENTIAL BOX..... | 1 |
| 14 | 633531 | WASHER | 1 |
| 15 | 07.0709.0762 | DIFFERENTIAL PINION..... | 2 |
| 16 | 07.0709.0763 | Satellite Gear..... | 4 |
| 17 | 633533 | WASHER | 4 |
| 18 | 07.0709.0918 | Pin..... | 2 |
| 19 | 07.0709.0254 | DOWEL | 3 |
| 20 | 07.0709.0919 | Pin..... | 1 |
| 21 | 07.0709.0706 | CROSS JOINT..... | 1 |
| 22 | 07.0709.0235 | Safety Sheet | 1 |
| 23 | 633110 | O-RING..... | 1 |
| 24 | 07.0709.0441 | SNAP RING..... | 1 |
| 25 | 07.0709.0084 | PLUG..... | 1 |
| 26 | 07.0709.0747 | Magnet Plug..... | 1 |

Go to DiscountEquipment.com to order your parts

212.1 605664 Rear Axle - Steering Axle



52 : Position kit = 17 18

56 : Position kit = 26 27 28

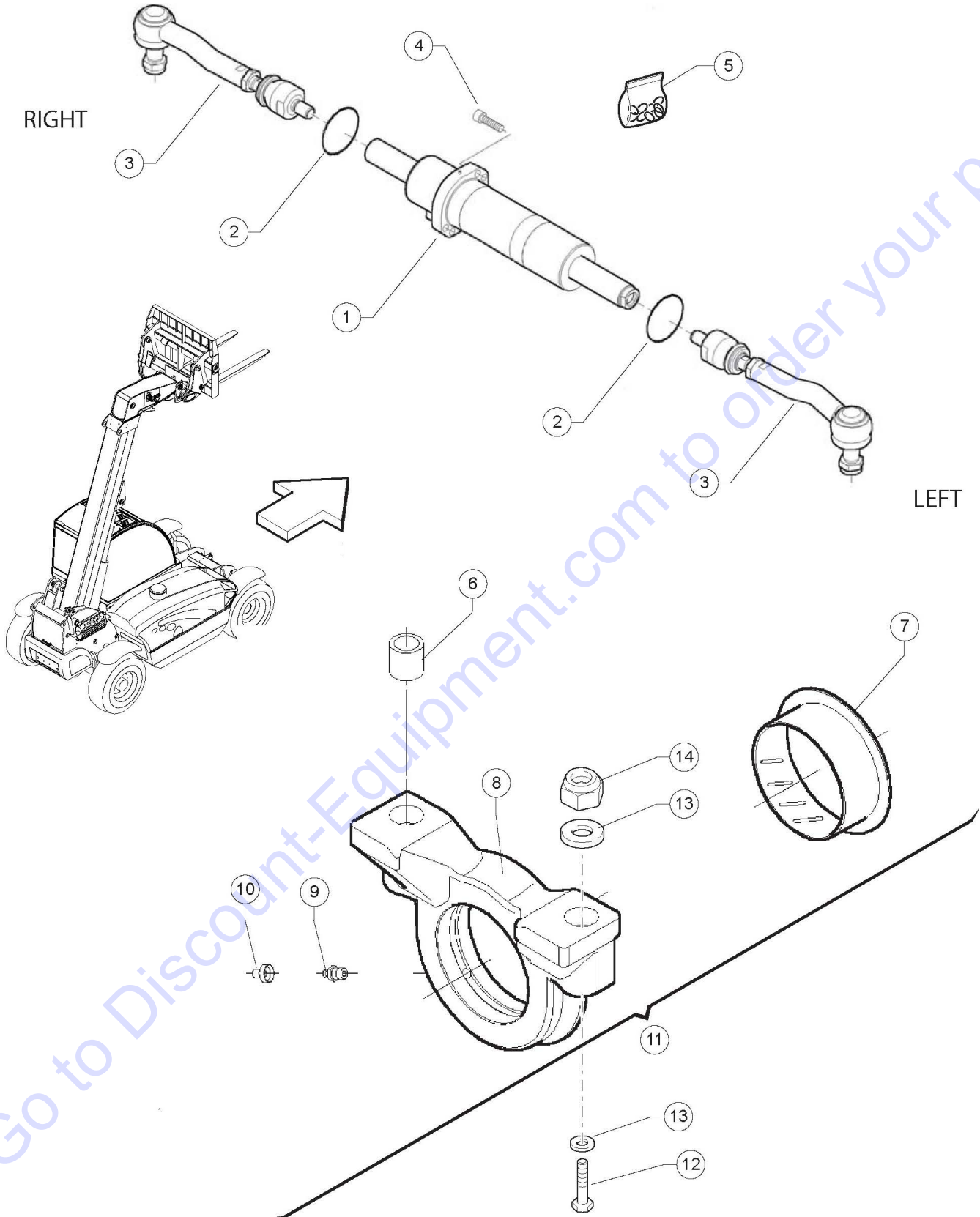
48 : Position kit = 32 33 34 38 39

9 35 : OPTIONAL

212.1 605664 Rear Axle - Steering Axle

| Item | Part No. | Description | Qty. | Item | Part No. | Description | Qty. |
|------|--------------|---------------------------------|------|------|--------------|----------------------------|------|
| 1 | 07.0709.0261 | SEAL | 2 | 39 | 07.0709.0279 | Shim Washer..... | 2 |
| 2 | 07.0709.0912 | Plug, Breather..... | 1 | 40 | 07.0709.0280 | Nut..... | 16 |
| 3 | 07.0709.0262 | Screw, 10.9HCS 12MM-1.75X50.... | 16 | 41 | 07.0709.0281 | Stud..... | 16 |
| 4 | 07.0709.0707 | Boom..... | 1 | 42 | 07.0709.0171 | Bearing..... | 4 |
| 5 | 07.0709.0264 | Bushing..... | 2 | 43 | 07.0709.0282 | Wheel Hub..... | 2 |
| 6 | 07.0709.0265 | Sealing Ring..... | 4 | 44 | 07.0709.0757 | Ring Gear Support..... | 2 |
| 7 | 07.0709.0266 | Cardan Shaft..... | 2 | 45 | 07.0709.0119 | STUD,DRIVE AXLE..... | 8 |
| 8 | 07.0709.0267 | Pivot Pin..... | 2 | 46 | 07.0709.0071 | WASHER | 8 |
| 9 | 633176 | GREASE ZERK | 1 | 47 | 07.0709.0070 | NUT..... | 8 |
| 10 | 638548 | PLUG..... | 4 | 48 | 07.0709.0926 | Planet Gear Carrier..... | 2 |
| 11 | 07.0709.0057 | SCREW,RING GEAR..... | 12 | 49 | 07.0709.0365 | SCREW,STEERING ADJUST..... | 4 |
| 12 | 07.0709.0268 | THICKNESS..... | 2 | 50 | 07.0709.0283 | Boom..... | 1 |
| 12 | 07.0709.0290 | THICKNESS..... | 2 | | | | |
| 12 | 07.0709.0291 | THICKNESS..... | 2 | | | | |
| 13 | 07.0709.0269 | SEAL | 2 | | | | |
| 14 | 07.0709.0753 | Bushing..... | 2 | | | | |
| 15 | 07.0709.0270 | Joint Box..... | 2 | | | | |
| 16 | 07.0709.0271 | Pivot Pin..... | 2 | | | | |
| 17 | 634546 | NUT..... | 4 | | | | |
| 18 | 07.0709.0104 | SCREW..... | 4 | | | | |
| 19 | 07.0709.0754 | Steering Case..... | 1 | | | | |
| 20 | 07.0709.0764 | Steering Case..... | 1 | | | | |
| 21 | 07.0709.0921 | PLUG..... | 1 | | | | |
| 22 | 07.0709.0363 | SEAL..... | 2 | | | | |
| 23 | 07.0709.0117 | WHEEL STUD..... | 16 | | | | |
| 24 | 07.0709.0118 | Wheel Nut | 16 | | | | |
| 25 | 632383 | SEAL / DIFFERENTIAL | 2 | | | | |
| 26 | 639646 | Snap Ring..... | 2 | | | | |
| 27 | 639639 | RING GEAR | 2 | | | | |
| 28 | 07.0709.0275 | Ring Gear Support..... | 2 | | | | |
| 29 | 07.0709.0276 | Safety Sheet..... | 2 | | | | |
| 30 | 07.0709.0925 | SPACER..... | 2 | | | | |
| 31 | 07.0709.0278 | Circlip..... | 2 | | | | |
| 32 | 639641 | SNAP RING..... | 6 | | | | |
| 33 | 639642 | PINION,DIFFERENTIAL..... | 6 | | | | |
| 34 | 639643 | Bearing | 6 | | | | |
| 35 | 07.0709.0758 | PIPE FITTING..... | 2 | | | | |
| 36 | 07.0709.0113 | PLUG..... | 2 | | | | |
| 37 | 07.0709.0065 | SCREW..... | 4 | | | | |
| 38 | 07.0709.0321 | PLANET GEAR CARRIER..... | 2 | | | | |

213.1 605665 Rear Axle - Steering Cylinder



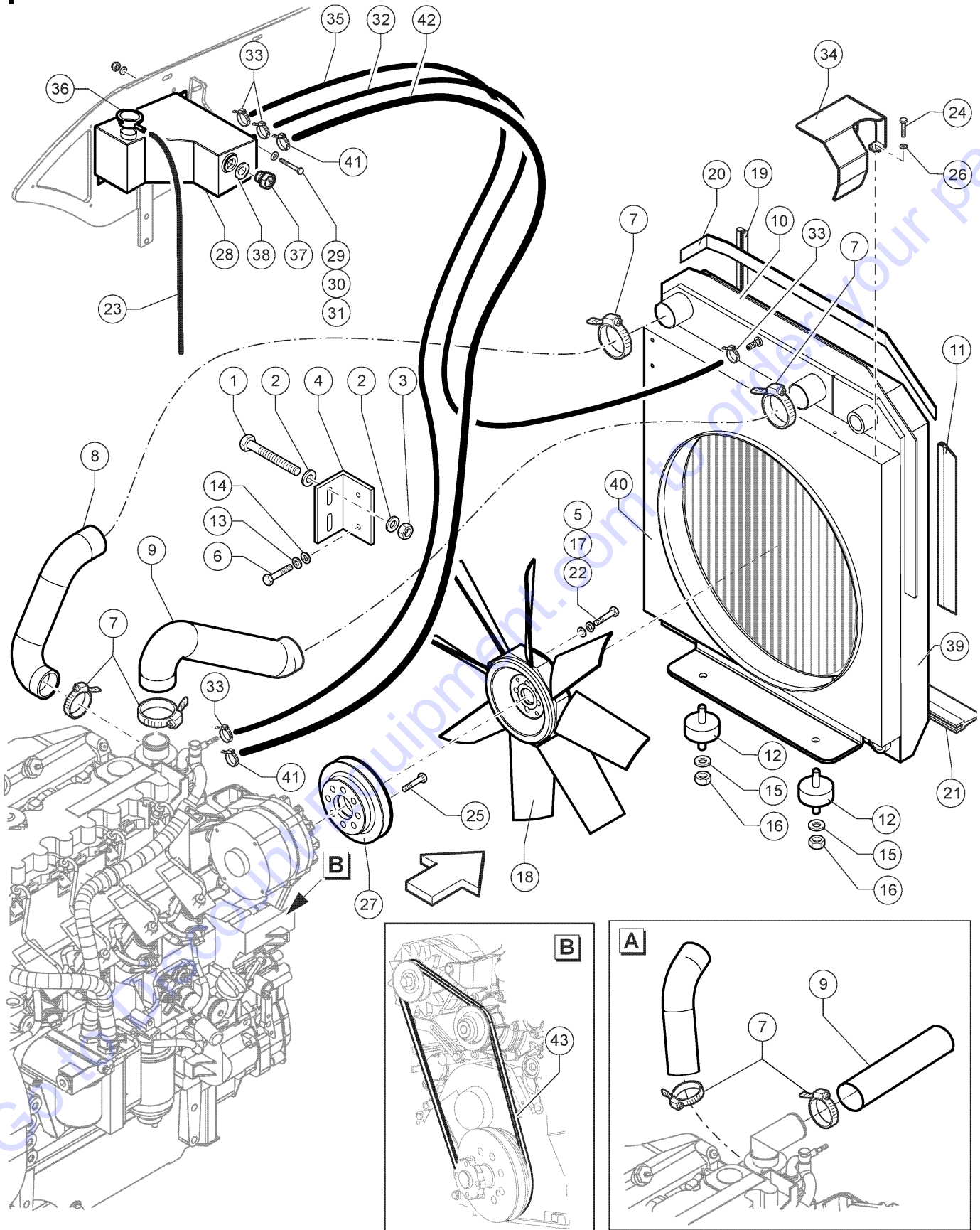
213.1 605665 Rear Axle - Steering Cylinder

| Item | Part No. | Description | Qty. |
|------|--------------|-----------------------------------------|------|
| 1 | 07.0709.0908 | CYLINDER, STEERING..... | 1 |
| 2 | 634397 | O-RING..... | 2 |
| 3 | 07.0709.0909 | TIE ROD..... | 2 |
| 4 | 07.0709.0930 | Screw..... | 4 |
| 5 | 07.0709.0417 | Gasket Kit..... | 1 |
| 6 | 07.0709.0218 | BUSHING..... | 4 |
| 7 | 07.0709.0287 | Bushing..... | 2 |
| 8 | 07.0709.0931 | Support..... | 4 |
| 9 | 633176 | GREASE ZERK | 2 |
| 10 | 638548 | PLUG..... | 2 |
| 11 | 07.0709.0289 | SUPPORT | 2 |
| 12 | 01.4001.0001 | Screw TE M20X160UNI 5737 10.9ZN..... | 4 |
| 13 | 01.0031.0061 | FLAT WASHER D20 UNI 6592 ZN..... | 8 |
| 14 | 01.0023.0060 | STOP NUT M20 UNI 7473 6S ZN.... | 4 |

Go to Discount-Equipment.com to order your parts



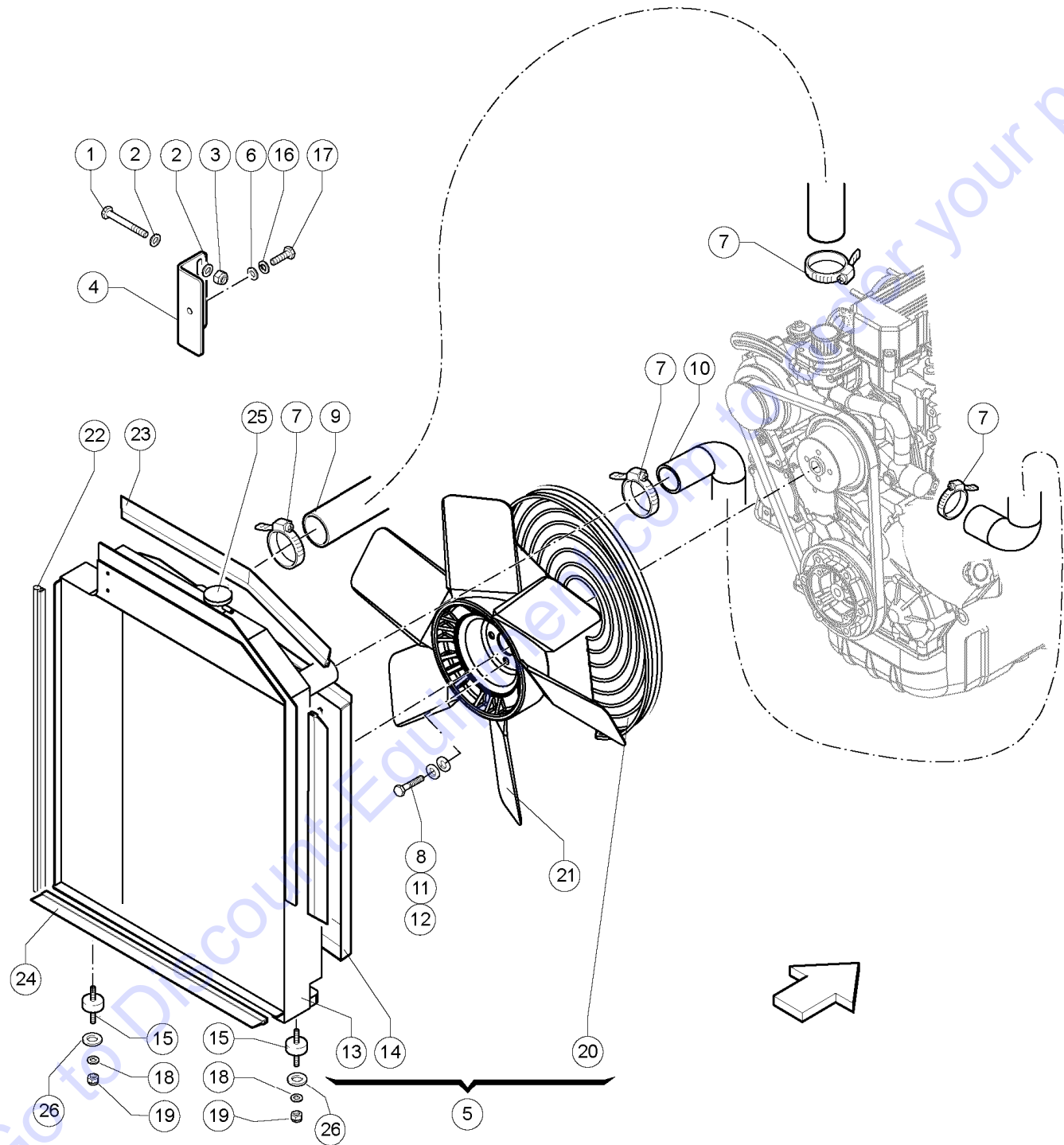
301.1 605667 Diesel Engine - Engine Cooling System (Deutz Engine)



301.1 605667 Diesel Engine - Engine Cooling System (Deutz Engine)

| Item | Part No. | Description | Qty. | Item | Part No. | Description | Qty. |
|------|--------------|-----------------------------------------------------------------------------------|------|------|--------------|-----------------------------------------|------|
| 1 | 01.0001.1465 | SCREW M8X40 UNI 5739 8.8 ZN....1 | | 30 | 01.0031.0055 | FLAT WASHER D8 UNI 6592 ZN6 | |
| 2 | 01.4031.0004 | FLAT WASHER D8X32 UNI 6593 ZN.....2 | | 31 | 01.0023.0054 | NUT,M8 UNI 7473 6S ZN.....3 | |
| 3 | 01.0023.0054 | NUT,M8 UNI 7473 6S ZN.....1 | | 32 | 09.0805.0000 | RUBBER HOSE.....1.1-meter | |
| 4 | 51.0810.4100 | SUPPORT,RADIATOR.....1 | | 33 | 04.0227.0051 | CLAMP DN 10/16 LG 9.....4 | |
| 5 | 01.0001.0254 | SCREW M8X20 UNI 5739 8.8 ZN....4 | | 34 | 51.0903.4500 | ALTERNATOR COVER.....1 | |
| 6 | 01.0001.0256 | SCREW M8X25 UNI 5739 8.8 ZN....2 | | 35 | 09.0805.0000 | RUBBER HOSE.....1.2-meter | |
| 7 | 04.0227.0058 | CLAMP DN 40/60 LG12.....4 <i>From To Serial Number 19715 - ECN 0041/08</i> | | 36 | 07.0712.0087 | Radiator Cap.....1 | |
| 7 | 04.0227.0067 | Clamp DN 50/70 LG12.....4 <i>Up To Serial Number 19714 - ECN 0041/08</i> | | 37 | 07.0501.0026 | LEVEL INDICATOR 3/4".....1 | |
| 8 | 53.3001.6702 | RADIATOR HOSE.....1 | | 38 | 07.0501.0027 | Copper Washer.....1 | |
| 9 | 53.3001.6300 | RADIATOR HOSE.....1 <i>Up To Serial Number 19714 - ECN 0041/08</i> | | 39 | 07.0712.0118 | Exchanger.....1 | |
| 9 | 53.3001.6710 | HOSE.....1 <i>From To Serial Number 19715 - ECN 0041/08</i> | | 40 | 07.0712.0137 | AIR CONVEYOR (RADIATOR SHROUD).....1 | |
| 10 | 53.3200.0046 | Complete Radiator.....1 | | 41 | 04.0227.0068 | CLAMP DN 22/32 LG 9.....2 | |
| 11 | 09.0803.0245 | GASKET.....0.20-meter | | 42 | 09.0805.0036 | RUBBER HOSE.....1.2-meter | |
| 12 | 09.4670.0002 | VIBRATION DAMPING.....2 | | 43 | 32698 | BELT,V, DEUTZ DIESEL ENGINE1 | |
| 13 | 01.0031.0055 | FLAT WASHER D8 UNI 6592 ZN2 | | | | | |
| 14 | 01.4032.0003 | SPRING WASHER D 8 ZN2 | | | | | |
| 15 | 01.4031.0003 | FLAT WASHER D12 UNI 6593 ZN.....2 | | | | | |
| 16 | 01.0023.0055 | NUT,STOP,M10 UNI 7473 6S ZN....2 | | | | | |
| 17 | 01.4032.0003 | SPRING WASHER D 8 ZN4 | | | | | |
| 18 | 07.0712.0243 | Fan.....1 <i>ECN 029/11</i> | | | | | |
| 19 | 09.0803.0245 | GASKET.....0.7-meter | | | | | |
| 20 | 09.0803.0245 | GASKET.....1.1-meter | | | | | |
| 21 | 09.0803.0245 | GASKET.....0.60-meter | | | | | |
| 22 | 01.0019.0104 | NUT M8 UNI 5588 6S ZN.....4 | | | | | |
| 23 | 09.0805.0000 | RUBBER HOSE.....1.4-meter | | | | | |
| 24 | 01.4001.0078 | SCREW M8x20 DIN 6923 8.8 ZN....2 | | | | | |
| 25 | 01.0003.0262 | SCREW M10X60 UNI 5931 8.8 ZN.....8 | | | | | |
| 26 | 01.0031.0055 | FLAT WASHER D8 UNI 6592 ZN2 | | | | | |
| 27 | 54.0100.0087 | PULLEY.....1 | | | | | |
| 28 | 53.3200.0045 | TANK, RADIATOR.....1 | | | | | |
| 29 | 01.0001.0257 | SCREW M8X30 UNI 5739 8.8 ZN....3 | | | | | |

302.1 605519 Diesel Engine - Engine Cooling System (Perkins Engine)

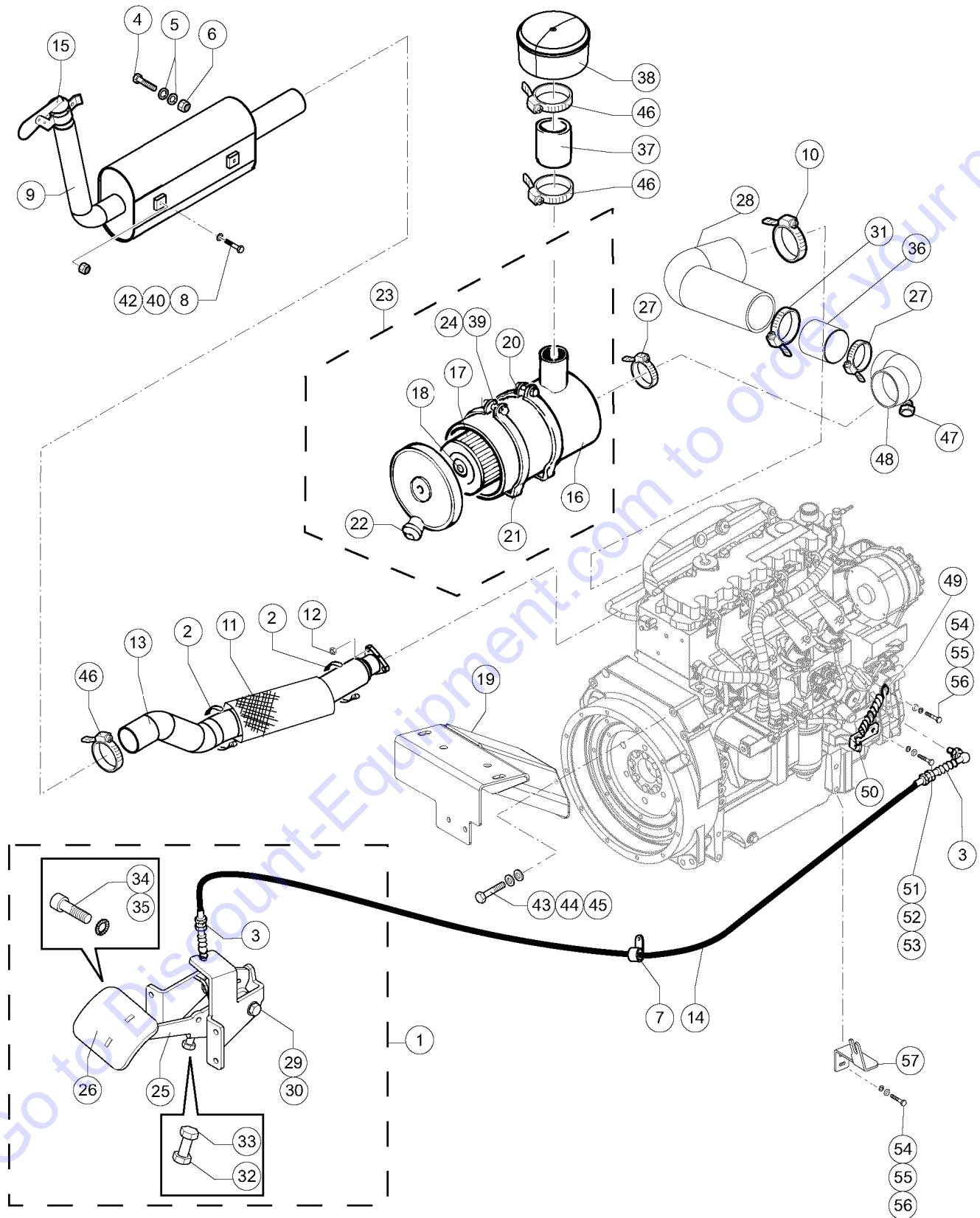


302.1 605519 Diesel Engine - Engine Cooling System (Perkins Engine)

| Item | Part No. | Description | Qty. |
|------|--------------|-----------------------------------------|------|
| 1 | 01.0001.1465 | SCREW M8X40 UNI 5739 8.8 ZN....1 | |
| 2 | 01.4031.0004 | FLAT WASHER D8X32 UNI 6593 ZN.....2 | |
| 3 | 01.0023.0054 | NUT,M8 UNI 7473 6S ZN.....1 | |
| 4 | 51.0810.4100 | SUPPORT,RADIATOR.....1 | |
| 5 | 53.3200.0043 | Combined Oil/Water Radiator.....1 | |
| 6 | 01.4032.0003 | SPRING WASHER D 8 ZN2 | |
| 7 | 04.0227.0058 | CLAMP DN 40/60 LG12.....4 | |
| 8 | 01.0001.0254 | SCREW M8X20 UNI 5739 8.8 ZN....1 | |
| 9 | 53.3001.5400 | HOSE.....1 | |
| 10 | 53.3001.5500 | HOSE.....1 | |
| 11 | 01.4032.0003 | SPRING WASHER D 8 ZN1 | |
| 12 | 01.0031.0055 | FLAT WASHER D8 UNI 6592 ZN1 | |
| 13 | 07.0712.0046 | OIL COOLER.....1 | |
| 14 | 07.0712.0047 | AIR CONVEYOR (RADIATOR SHROUD).....1 | |
| 15 | 09.4670.0002 | VIBRATION DAMPING.....1 | |
| 16 | 01.0031.0055 | FLAT WASHER D8 UNI 6592 ZN2 | |
| 17 | 01.0001.0256 | SCREW M8X25 UNI 5739 8.8 ZN....2 | |
| 18 | 01.4031.0003 | FLAT WASHER D12 UNI 6593 ZN.....2 | |
| 19 | 01.0019.0105 | NUT M10 UNI 5588 6S ZN.....2 | |
| 20 | 07.0712.0103 | Fan Guard Grid.....1 | |
| 21 | 09.4605.0015 | Fan.....1 | |
| 22 | 09.0803.0245 | GASKET.....0.7-meter | |
| 23 | 09.0803.0245 | GASKET.....1.1-meter | |
| 24 | 09.0803.0245 | GASKET.....0.6-meter | |
| 25 | 07.0712.0094 | RADIATOR PLUG.....1 | |
| 26 | 01.4032.0004 | SPRING WASHER D10 ZN.....2 | |

Go to DiscountEquipment.com to order your parts

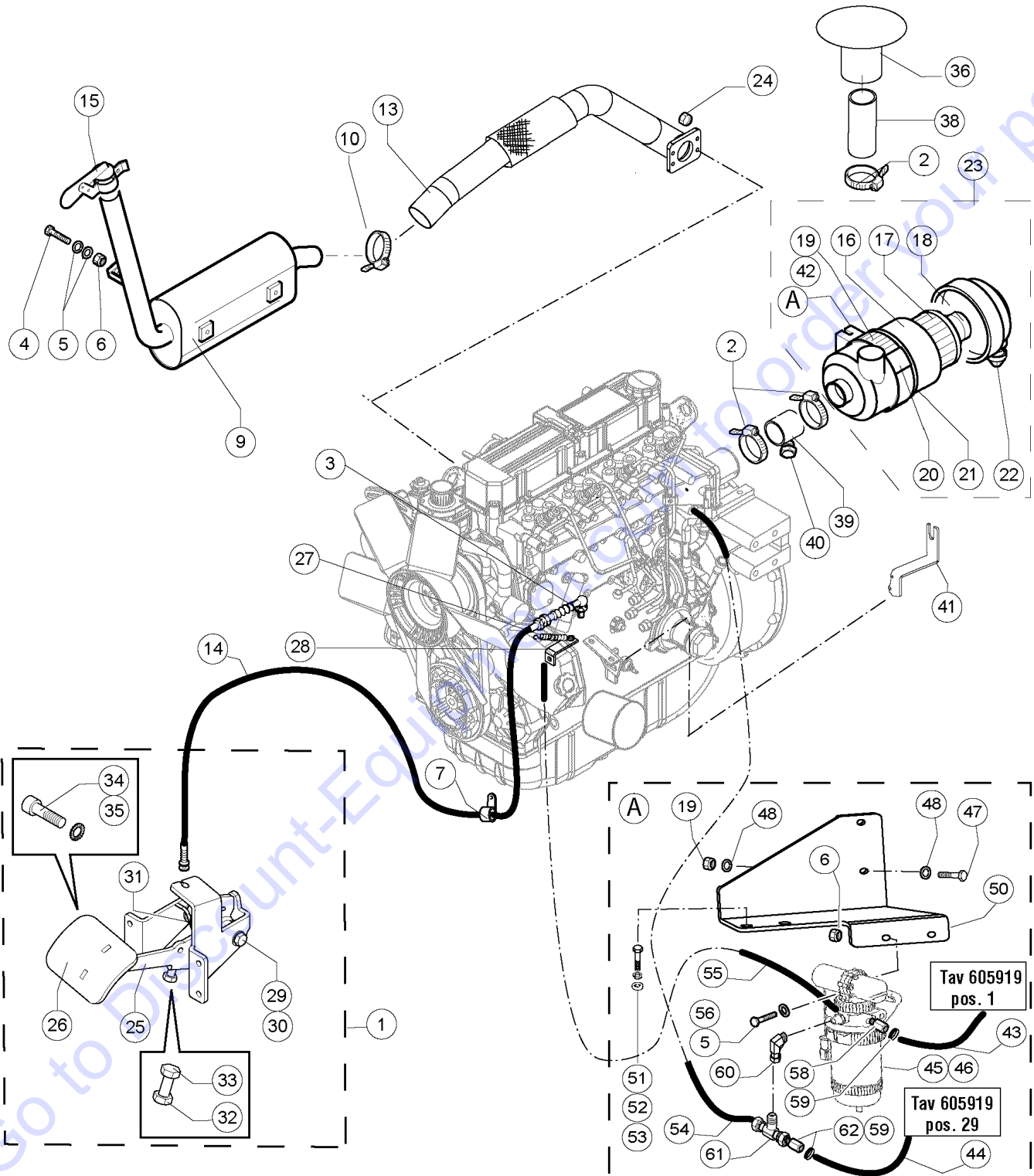
303.1 605891 Diesel Engine - Exhaust System - Injection - Accelerator (Deutz Engine)



303.1 605891 Diesel Engine - Exhaust System - Injection - Accelerator (Deutz Engine)

| Item | Part No. | Description | Qty. | Item | Part No. | Description | Qty. |
|------|--------------|---------------------------------------|------|------|--------------|--------------------------------------|------|
| 1 | 09.4656.0012 | Complete Throttle Pedal..... | 1 | 40 | 01.0031.0301 | FLAT WASHER D10 UNI 6593 ZN | 2 |
| 2 | 04.0227.0067 | Clamp DN 50/70 LG12..... | 6 | 42 | 01.0023.0055 | NUT,STOP,M10 UNI 7473 6S ZN..... | 2 |
| 3 | 09.0803.0008 | JOINT D6..... | 2 | 43 | 01.0001.0355 | SCREW,TE,M10X25 UNI 8.8 ZN..... | 2 |
| 4 | 01.0001.0357 | SCREW,TE,M10X35 UNI 8.8 ZN.... | 1 | 44 | 01.0031.0301 | FLAT WASHER D10 UNI 6593 ZN | 2 |
| 5 | 01.0031.0056 | WASHER,D10 UNI 6592 ZN..... | 2 | 45 | 01.4032.0004 | SPRING WASHER D10 ZN..... | 2 |
| 6 | 01.0023.0055 | NUT,STOP,M10 UNI 7473 6S ZN.... | 1 | 46 | 09.0803.0347 | CLAMP 64-67 M8..... | 3 |
| 7 | 04.4227.0007 | CLAMP S16 D32 HOLE 8.4..... | 5 | 47 | 09.4604.0045 | SENSOR..... | 1 |
| 8 | 01.0001.0357 | SCREW,TE,M10X35 UNI 8.8 ZN.... | 2 | 48 | 07.0501.0020 | Curve..... | 1 |
| 9 | 53.3100.0034 | Muffler..... | 1 | 49 | 09.0803.0251 | Spring..... | 1 |
| 10 | 04.4227.0001 | CLAMP DN 80/100 LG12..... | 1 | 50 | 51.0806.2800 | SPRING COUPLING..... | 1 |
| 11 | 09.0803.0259 | Screening..... | 1 | 51 | 01.0001.0254 | SCREW M8X20 UNI 5739 8.8 ZN.... | 1 |
| 12 | 01.0023.0053 | STOP NUT M6 UNI 7473 6S ZN | 1 | 52 | 01.0031.0055 | FLAT WASHER D8 UNI 6592 ZN | 1 |
| 13 | 53.3001.6500 | EXHAUST PIPE, STAINLESS STEEL..... | 1 | 53 | 01.4032.0003 | SPRING WASHER D 8 ZN | 1 |
| 14 | 09.4645.0032 | Throttle Cable..... | 1 | 54 | 01.0001.0154 | SCREW,TE,M6X16 UNI 8.8 ZN..... | 3 |
| 15 | 09.0803.0027 | Muffler Cap..... | 1 | 55 | 01.4032.0002 | SPRING WASHER D6 ZN..... | 3 |
| 16 | 07.0501.0024 | Complete Air Filter | 1 | 56 | 01.0031.0054 | FLAT WASHER D6 UNI 6592 ZN | 3 |
| 17 | 07.0700.0037 | Main Air Filter Element..... | 1 | 57 | 51.0811.0600 | THROTTLE CABLE BRACKET..... | 1 |
| 18 | 07.0700.0036 | Secondary Air Filter Element..... | 1 | | | | |
| 19 | 51.0811.2500 | AIR FILTER SUPPORT..... | 1 | | | | |
| 20 | 07.0700.0030 | BRACKET, AIR FILTER..... | 1 | | | | |
| 21 | 07.0700.0030 | BRACKET, AIR FILTER..... | 1 | | | | |
| 22 | 07.0700.0035 | Output Valve..... | 1 | | | | |
| 23 | 09.4604.0060 | Complete Air Filter..... | 1 | | | | |
| 24 | 01.0023.0054 | NUT,M8 UNI 7473 6S ZN..... | 2 | | | | |
| 25 | 07.0730.0052 | Pedal..... | 1 | | | | |
| 26 | 07.0730.0053 | Removable Pedal..... | 1 | | | | |
| 27 | 04.0227.0067 | Clamp DN 50/70 LG12..... | 2 | | | | |
| 28 | 53.3001.6600 | Manifold..... | 1 | | | | |
| 29 | 01.0001.0252 | SCREW M8X16 UNI 5739 8.8 ZN.... | 2 | | | | |
| 30 | 07.0730.0056 | Crinkle Washer UNI 8840..... | 2 | | | | |
| 31 | 04.0227.0000 | Clamp 60x80..... | 1 | | | | |
| 32 | 01.0001.0257 | SCREW M8X30 UNI 5739 8.8 ZN.... | 1 | | | | |
| 33 | 07.0730.0058 | Nut 8MA Slim UNI 4035..... | 1 | | | | |
| 34 | 01.0003.0205 | SCREW M8X25 UNI 5931 8.8 ZN.... | 1 | | | | |
| 35 | 01.0031.0055 | FLAT WASHER D8 UNI 6592 ZN | 1 | | | | |
| 36 | 53.3000.3500 | Sleeve..... | 1 | | | | |
| 37 | 09.0805.0097 | HOSE | 1 | | | | |
| 38 | 09.4604.0055 | AIR FILTER CAP..... | 1 | | | | |
| 39 | 01.0001.0256 | SCREW M8X25 UNI 5739 8.8 ZN.... | 2 | | | | |

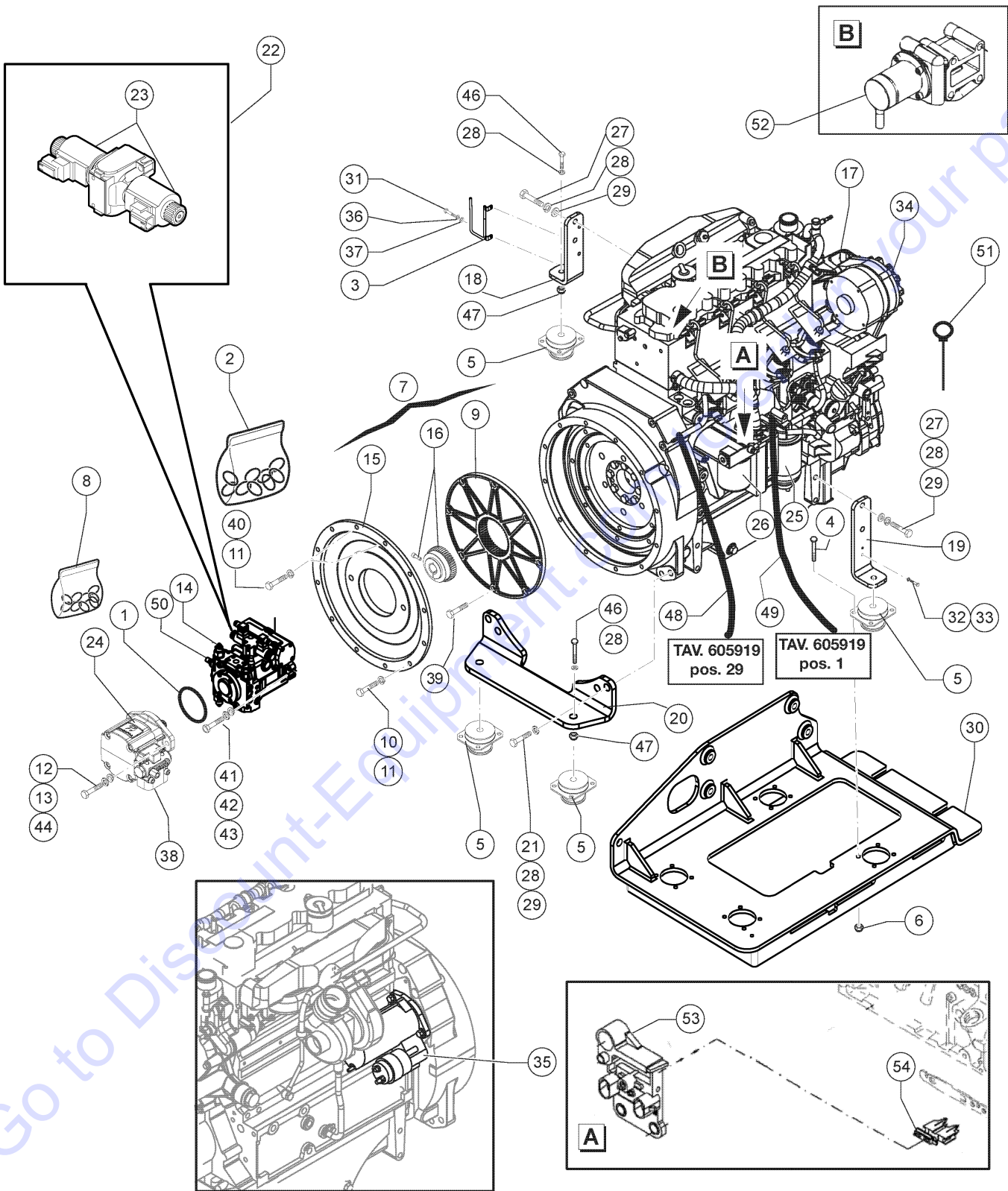
304.1 605918 Diesel Engine - Exhaust System - Injection - Accelerator (Perkins Engine)



304.1 605918 Diesel Engine - Exhaust System - Injection - Accelerator (Perkins Engine)

| Item | Part No. | Description | Qty. | Item | Part No. | Description | Qty. |
|------|--------------|-----------------------------------|------|------|--------------|--------------------------------------|------|
| 1 | 09.4656.0012 | Complete Throttle Pedal..... | 1 | 45 | 07.4501.0139 | Diesel Fuel Filter..... | 1 |
| 2 | 04.0227.0067 | Clamp DN 50/70 LG12..... | 3 | 46 | 07.0501.0029 | DIESEL FUEL FILTER ELEMENT.... | 1 |
| 3 | 09.0803.0008 | JOINT D6..... | 2 | 47 | 01.0001.1465 | SCREW M8X40 UNI 5739 8.8 ZN.... | 2 |
| 4 | 01.0001.1476 | SCREW,TE,M10X45 UNI 8.8 ZN.... | 2 | 48 | 01.0031.0299 | FLAT WASHER D8 UNI 6593..... | 4 |
| 5 | 01.0031.0056 | WASHER,D10 UNI 6592 ZN..... | 6 | 50 | 51.0810.1100 | Bracket..... | 1 |
| 6 | 01.0023.0055 | NUT,STOP,M10 UNI 7473 6S ZN.... | 4 | 51 | 01.0001.0355 | SCREW,TE,M10X25 UNI 8.8 ZN.... | 2 |
| 7 | 04.4227.0007 | CLAMP S16 D32 HOLE 8.4..... | 5 | 52 | 01.0031.0301 | FLAT WASHER D10 UNI 6593 ZN | 2 |
| 9 | 53.3100.0034 | Muffler..... | 1 | 53 | 01.4032.0004 | SPRING WASHER D10 ZN..... | 2 |
| 10 | 09.0803.0347 | CLAMP 64-67 M8..... | 1 | 54 | 09.0805.0000 | RUBBER HOSE.....35,43-inch | |
| 13 | 55.0208.0046 | Steel Exhaust Pipe Assembly..... | 1 | 55 | 09.0805.0000 | RUBBER HOSE.....21,65-inch | |
| 14 | 09.4645.0032 | Throttle Cable..... | 1 | 56 | 01.0001.0357 | SCREW,TE,M10X35 UNI 8.8 ZN.... | 2 |
| 15 | 09.0803.0027 | Muffler Cap..... | 1 | 58 | 09.0806.0057 | Pipe Fitting 1/2-20..... | 2 |
| 16 | 07.0501.0024 | Complete Air Filter | 1 | 59 | 04.0227.0051 | CLAMP DN 10/16 LG 9..... | 4 |
| 17 | 07.0700.0037 | Main Air Filter Element..... | 1 | 60 | 09.0806.0056 | Pipe Fitting 1/8M X 1/4F..... | 1 |
| 18 | 07.0700.0036 | Secondary Air Filter Element..... | 1 | 61 | 09.0806.0007 | PIPE FITTING..... | 1 |
| 19 | 01.0023.0054 | NUT,M8 UNI 7473 6S ZN..... | 4 | 62 | 09.0806.0008 | DOOR RUBBER/PIPE FITTING | 2 |
| 20 | 07.0700.0030 | BRACKET, AIR FILTER..... | 2 | | | | |
| 21 | 07.0700.0030 | BRACKET, AIR FILTER..... | 1 | | | | |
| 22 | 07.0700.0035 | Output Valve..... | 1 | | | | |
| 23 | 09.4604.0052 | Air Filter Assembly..... | 1 | | | | |
| 24 | 01.0023.0053 | STOP NUT M6 UNI 7473 6S ZN | 4 | | | | |
| 25 | 07.0730.0052 | Pedal..... | 1 | | | | |
| 26 | 07.0730.0053 | Removable Pedal..... | 1 | | | | |
| 27 | 09.0803.0536 | Spring..... | 1 | | | | |
| 28 | 51.0806.2800 | SPRING COUPLING..... | 1 | | | | |
| 29 | 01.0001.0252 | SCREW M8X16 UNI 5739 8.8 ZN.... | 2 | | | | |
| 30 | 07.0730.0056 | Crinkle Washer UNI 8840..... | 2 | | | | |
| 31 | 07.0730.0057 | Twist Spring..... | 1 | | | | |
| 32 | 01.0001.0257 | SCREW M8X30 UNI 5739 8.8 ZN.... | 1 | | | | |
| 33 | 07.0730.0058 | Nut 8MA Slim UNI 4035..... | 1 | | | | |
| 34 | 01.0003.0205 | SCREW M8X25 UNI 5931 8.8 ZN.... | 1 | | | | |
| 35 | 01.0031.0055 | FLAT WASHER D8 UNI 6592 ZN | 1 | | | | |
| 36 | 09.4604.0055 | AIR FILTER CAP..... | 1 | | | | |
| 38 | 09.0805.0094 | CONNECTING SLEEVE..... | 1 | | | | |
| 39 | 07.0700.0031 | Connecting Sleeve 60/65 LG68..... | 1 | | | | |
| 40 | 09.4604.0045 | SENSOR..... | 1 | | | | |
| 41 | 51.0810.5400 | Bracket..... | 1 | | | | |
| 42 | 01.0001.0256 | SCREW M8X25 UNI 5739 8.8 ZN.... | 2 | | | | |
| 43 | | 505919 Ref. 1..... | Ref | | | | |
| 44 | | 505919 Ref 29..... | Ref | | | | |

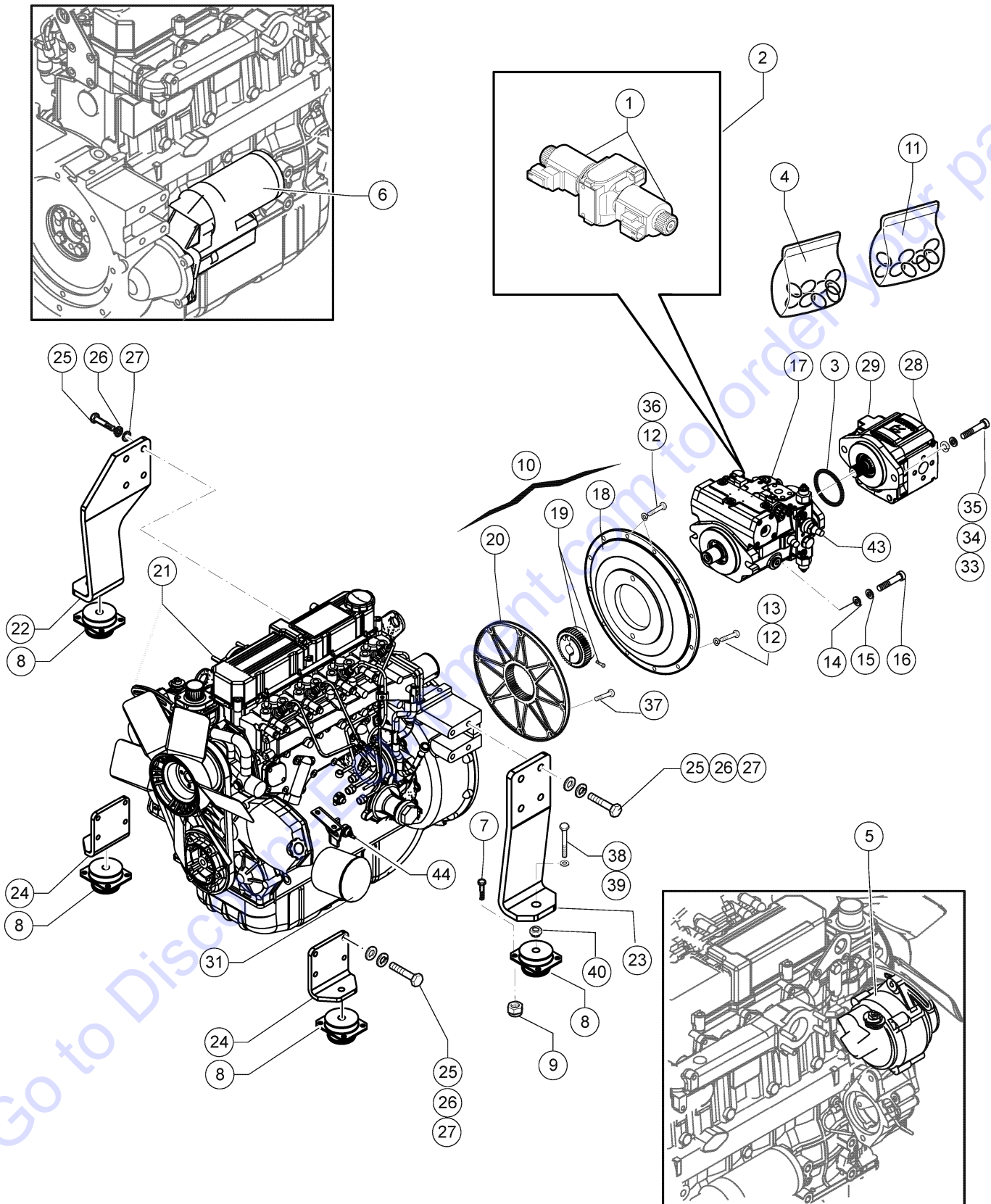
305.1 605824 Diesel Engine - Hydraulic Pumps (Deutz Engine)



305.1 605824 Diesel Engine - Hydraulic Pumps (Deutz Engine)

| Item | Part No. | Description | Qty. | Item | Part No. | Description | Qty. |
|------|--------------|--------------------------------------------------------------------|------|------|---------------------|--------------------------------------|------|
| 1 | 07.0701.0211 | O-RING,R909154589 REXROTH..... | 1 | 34 | 07.0501.0001 | Alternator..... | 1 |
| 2 | 07.0701.0200 | SEAL KIT..... | 1 | 35 | 139709 | STARTER, 12V..... | 1 |
| 3 | 51.0811.4032 | Hoses guide..... | 1 | 36 | 01.4032.0003 | SPRING WASHER D 8 ZN | 2 |
| 4 | 01.0001.0356 | SCREW,TE,M10X30 UNI 8.8 ZN...16 | 16 | 37 | 01.0031.0299 | FLAT WASHER D8 UNI 6593..... | 2 |
| 5 | 09.4670.0004 | VIBRATION DAMPING..... | 4 | 38 | 07.0722.0053 | VALVE,LOAD SENSE..... | 1 |
| 6 | 01.0023.0055 | NUT,STOP,M10 UNI 7473 6S ZN..... | 16 | 39 | 01.0003.0255 | SCREW M10X25 UNI 5931 8.8 ZN..... | 8 |
| 7 | 09.0804.2300 | PUMP,PRE ARRANGEMENT..... | 1 | 40 | 01.0001.0356 | SCREW,TE,M10X30 UNI 8.8 ZN.... | 2 |
| 8 | 07.4529.0112 | SEAL KIT..... | 1 | 41 | 01.0003.0405 | SCREW,TCEI,M16X50,UNI5931,8.8Z.2 | 2 |
| 9 | 07.0713.0061 | FLANGE..... | 1 | 42 | 01.4032.0007 | SPRING WASHER D16 ZN..... | 2 |
| 10 | 01.0001.0355 | SCREW,TE,M10X25 UNI 8.8 ZN...10 | 10 | 43 | 01.0031.0099 | FLAT WASHER D16 UNI 5714 ZN..... | 2 |
| 11 | 01.4032.0004 | SPRING WASHER D10 ZN..... | 12 | 44 | 01.0031.0057 | WASHER,D12 UNI 6592 ZN | 2 |
| 12 | 01.0001.0506 | SCREW M12X30 UNI 5739 8.8 ZN..... | 2 | 46 | 01.4001.0012 | SCREW M14X100UNI 5737 8.8 ZN..... | 4 |
| 13 | 01.4032.0005 | SPRING WASHER D12 ZN | 2 | 47 | 01.0023.0057 | STOP NUT M14 UNI 7473 6S ZN...4 | 4 |
| 14 | 04.4238.0058 | PUMP A4VG56G 5519..... | 1 | 48 | 605919 ref. 29..... | Ref | |
| 15 | 07.0713.0063 | BELL..... | 1 | 49 | 605919 ref. 1..... | Ref | |
| 16 | 07.0713.0062 | HUB..... | 1 | 50 | 07.0701.0241 | VALVE..... | 1 |
| 17 | 09.4601.0051 | DIESEL ENGINE..... | 1 | 51 | 49922 | DIPSTICK - DEUTZ F4L1011F..... | 1 |
| 18 | 51.0810.1900 | ENGINE MOUNT,DEUTZ..... | 1 | 52 | 1258582 | Valve..... | 1 |
| 19 | 51.0810.1400 | ENGINE MOUNT,DEUTZ..... | 1 | 53 | 1258583 | Sensor..... | 1 |
| 20 | 51.0810.1300 | ENGINE MOUNT,DEUTZ..... | 1 | | | <i>Includes Shaped Packing</i> | |
| 21 | 01.0001.1493 | SCREW M14X45 UNI 5739 8.8 ZN | 4 | 54 | 1258654 | Clip..... | 1 |
| 22 | 07.0701.0209 | SOLENOID VALVE | 1 | | | | |
| 23 | 07.0701.0242 | SOLENOID..... | 2 | | | | |
| 24 | 04.4238.0059 | HYDRAULIC PUMP KP 30-27DO-A5K9..... | 1 | | | | |
| 25 | 29560 | FILTER,FUEL/WTR SEP, DTZ 1008..... | 1 | | | | |
| 26 | 07.4501.0067 | FILTER,OIL..... <i>For US Market Can Be Sold P.N. 49924</i> | 1 | | | | |
| 27 | 01.0001.0605 | SCREW M14X35 UNI 5739 8.8 ZN..... | 4 | | | | |
| 28 | 01.0031.0058 | FLAT WASHER D14 UNI 6592 ZN | 12 | | | | |
| 29 | 01.4032.0006 | SPRING WASHER D14 ZN..... | 8 | | | | |
| 30 | 51.0811.0016 | ENGINE SUPPORT..... | 1 | | | | |
| 31 | 01.0001.0254 | SCREW M8X20 UNI 5739 8.8 ZN...2 | 2 | | | | |
| 32 | 01.0001.0156 | SCREW M6X20 UNI 5739 8.8 ZN ...4 | 4 | | | | |
| 33 | 01.4032.0002 | SPRING WASHER D6 ZN..... | 4 | | | | |

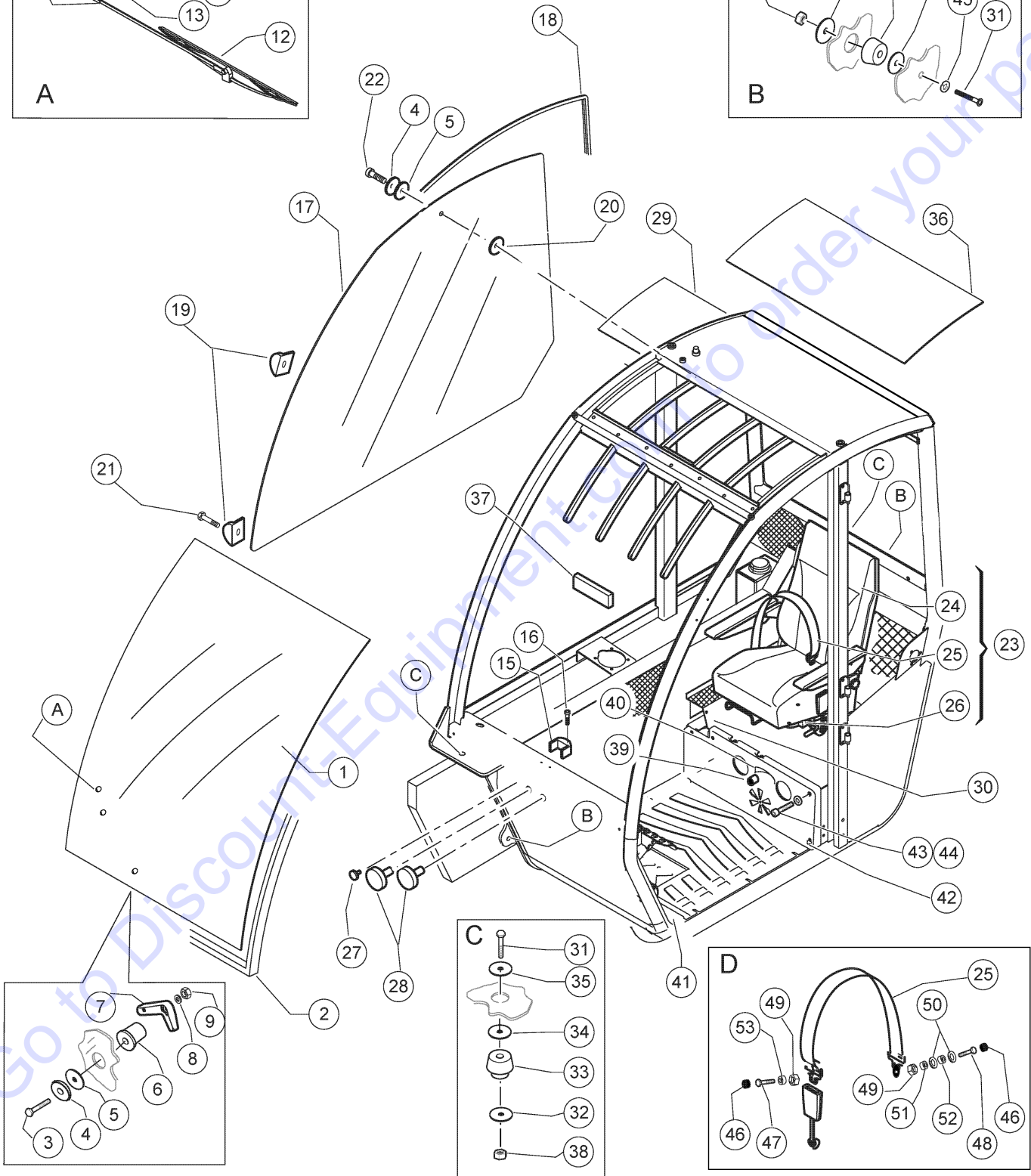
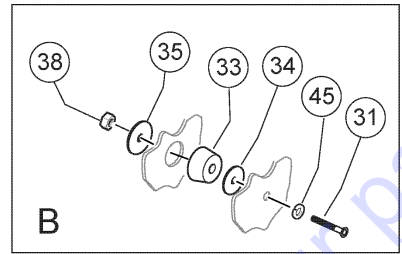
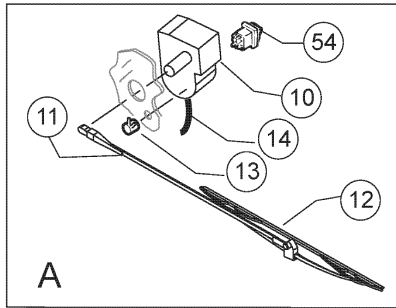
306.1 605892 Diesel Engine - Hydraulic Pumps (Perkins Engine)



306.1 605892 Diesel Engine - Hydraulic Pumps (Perkins Engine)

| Item | Part No. | Description | Qty. | Item | Part No. | Description | Qty. |
|------|--------------|----------------------------------------------------|------|------|--------------|--------------------------------------|------|
| 1 | 07.0701.0007 | SOLENOID (07.0701.0290)..... | 2 | 35 | 01.0031.0057 | WASHER,D12 UNI 6592 ZN | 2 |
| 2 | 07.0701.0209 | SOLENOID VALVE | 1 | 36 | 01.0001.0356 | SCREW,TE,M10X30 UNI 8.8 ZN..... | 2 |
| 3 | 07.0701.0211 | O-RING,R909154589 REXROTH..... | 1 | 37 | 01.0003.0255 | SCREW M10X25 UNI 5931 8.8 ZN..... | 8 |
| 4 | 07.0701.0200 | SEAL KIT..... | 1 | 38 | 01.4001.0012 | SCREW M14X100UNI 5737 8.8 ZN..... | 4 |
| 5 | 07.0501.0017 | Alternator..... | 1 | 39 | 01.0031.0058 | FLAT WASHER D14 UNI 6592 ZN | 4 |
| 6 | 07.0501.0018 | Starter Motor..... | 1 | 40 | 01.0023.0057 | STOP NUT M14 UNI 7473 6S ZN.... | 4 |
| 7 | 01.0001.0356 | SCREW,TE,M10X30 UNI 8.8 ZN...16 | | 43 | 07.0701.0241 | VALVE..... | 1 |
| 8 | 09.4670.0003 | INSULATOR..... | 4 | 44 | 07.4501.0172 | Oil Pressure Sensor..... | 1 |
| 9 | 01.0023.0055 | NUT,STOP,M10 UNI 7473 6S ZN..... | 16 | | | | |
| 10 | 09.0804.2300 | PUMP,PRE ARRANGEMENT..... | 1 | | | | |
| 11 | 07.4529.0012 | Pump Gasket Kit For 04.4238.0059..... | 1 | | | | |
| 12 | 01.4032.0004 | SPRING WASHER D10 ZN..... | 12 | | | | |
| 13 | 01.0001.0355 | SCREW,TE,M10X25 UNI 8.8 ZN...10 | | | | | |
| 14 | 01.0031.0099 | FLAT WASHER D16 UNI 5714 ZN..... | 2 | | | | |
| 15 | 01.4032.0007 | SPRING WASHER D16 ZN..... | 2 | | | | |
| 16 | 01.0003.0405 | SCREW,TCEI,M16X50,UNI5931,8.8Z.2 | | | | | |
| 17 | 04.4238.0058 | PUMP A4VG56G 5519..... | 1 | | | | |
| 18 | 07.0713.0063 | BELL..... | 1 | | | | |
| 19 | 07.0713.0062 | HUB..... | 1 | | | | |
| 20 | 07.0713.0061 | FLANGE..... | 1 | | | | |
| 21 | | DIESEL ENGINE..... <i>Contact Service Parts</i> | 1 | | | | |
| 22 | 51.0810.0900 | ENGINE SUPPORT LEFT FLYWHEEL SIDE..... | 1 | | | | |
| 23 | 51.0810.1000 | ENGINE SUPPORT RIGHT SIDE TELELIFT 2506..... | 1 | | | | |
| 24 | 51.0809.8900 | ENGINE SUPPORT FAN SIDE..... | 2 | | | | |
| 25 | 01.0001.0506 | SCREW M12X30 UNI 5739 8.8 ZN..... | 16 | | | | |
| 26 | 01.0031.0057 | WASHER,D12 UNI 6592 ZN | 16 | | | | |
| 27 | 01.4032.0005 | SPRING WASHER D12 ZN | 16 | | | | |
| 28 | 04.4238.0059 | HYDRAULIC PUMP KP 30-27DO-A5K9..... | 1 | | | | |
| 29 | 07.0722.0053 | VALVE,LOAD SENSE..... | 1 | | | | |
| 31 | 101613 | ELEMENT,OIL FILTER,PERKINS*** | 1 | | | | |
| 33 | 01.0001.0506 | SCREW M12X30 UNI 5739 8.8 ZN..... | 2 | | | | |
| 34 | 01.4032.0005 | SPRING WASHER D12 ZN | 2 | | | | |

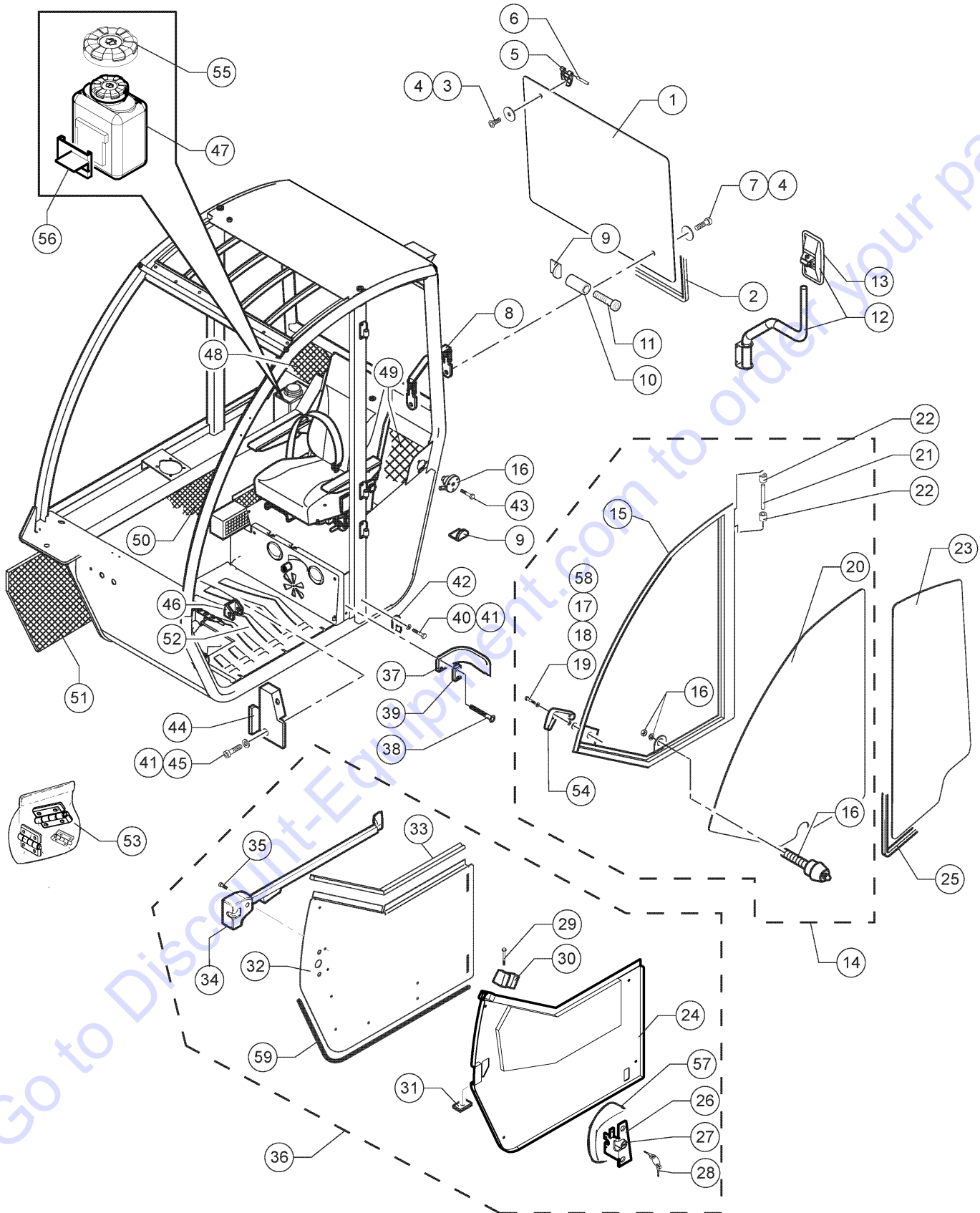
401.1 605914 Closed Cabin, View 1



401.1 605914 Closed Cabin, View 1

| Item | Part No. | Description | Qty. | Item | Part No. | Description | Qty. |
|------|--------------|------------------------------------------|----------|------|--------------|-----------------------------------------|------|
| 1 | 07.0723.0219 | Front Side Glass..... | 1 | 35 | 01.4031.0001 | WASHER,CHMFRD,D16,UNI 6593,ZN..... | 4 |
| 2 | 130163 | WEATHERSTRIP,DOUBLE BULB..... | 150-inch | 36 | 07.0723.0168 | Upper Glass..... | 1 |
| 3 | 07.0723.0133 | Screw TSPEI M8X70..... | 1 | 37 | 07.0723.0142 | LEVEL GAUGE..... | 1 |
| 4 | 07.0723.0114 | Nylon Washer..... | 3 | 38 | 01.0023.0058 | STOP NUT M16 UNI 7473 6S ZN.... | 4 |
| 5 | 07.0723.0096 | RUBBER..... | 3 | 39 | 07.0723.0193 | TAP | 1 |
| 6 | 641020 | BUSHING..... | 1 | 40 | 07.0723.0522 | Decal..... | 1 |
| 7 | 641019 | HANDLE..... | 1 | 41 | 07.0723.0457 | Cab Structure..... | 1 |
| 8 | 07.0723.0134 | PLAIN WASHER..... | 1 | 42 | 07.0723.0464 | PANEL..... | 1 |
| 9 | 07.0723.0528 | Stop Nut M8 / Black Cap..... | 1 | 43 | 07.0723.0040 | Screw TCB 1BG3223..... | 3 |
| 10 | 07.0723.0221 | WIPER MOTOR..... | 1 | 44 | 07.0723.0076 | Plain Washer D6x18 | 3 |
| -- | 07.0723.0225 | SEAL WASHER..... | 2 | 45 | 01.0031.0059 | FLAT WASHER D16 UNI 6592 ZN..... | 2 |
| -- | 07.0723.0416 | SCREW..... | 2 | 46 | 09.0803.0568 | Cap..... | 2 |
| 11 | 07.0723.0450 | Windscreen Wiper Arm..... | 1 | 47 | 901238 | SCREW..... | 1 |
| 12 | 07.0723.0037 | WIPER BLADE..... | 1 | 48 | 01.0001.0303 | Screw TE M10X45 UNI 5737 8.8 ZN..... | 1 |
| 13 | 07.0706.0061 | Spray Nozzle..... | 1 | 49 | 01.0019.0105 | NUT M10 UNI 5588 6S ZN..... | 2 |
| 14 | 07.0723.0226 | RUBBER HOSE | 20-inch | 50 | 01.0031.0056 | WASHER,D10 UNI 6592 ZN..... | 2 |
| 15 | 641024 | STOP..... | 1 | 51 | 09.0803.0569 | Bush..... | 1 |
| 16 | 07.0723.0507 | Screw TCB+M6X40 UNI 7687 ZNN..... | 2 | 52 | 09.0803.0571 | Shim..... | 1 |
| 17 | 07.0723.0165 | RIGHT SIDE GLASS | 1 | 53 | 09.0803.0570 | Bush..... | 1 |
| 18 | 130163 | WEATHERSTRIP,DOUBLE BULB..... | 162-inch | 54 | 07.0723.0229 | SWITCH..... | 1 |
| 19 | 641042 | GLASS STOP..... | 5 | | | | |
| 20 | 07.0723.0059 | Rubber Cap D37xH12xD8..... | 2 | | | | |
| 21 | 07.0723.0517 | Screw TPS+ 4.8x38..... | 5 | | | | |
| 22 | 07.0723.0169 | Screw TSPEI M8x40..... | 2 | | | | |
| 23 | 09.4610.0024 | Seat, Non Suspension..... | 1 | | | | |
| 24 | 07.0703.0508 | SEAT, CUSHION BACK | 1 | | | | |
| 25 | 09.4610.0027 | BELT,SEAT A5073.104 | 1 | | | | |
| 26 | 07.0703.0509 | SEAT,BOTTOM CUSHION..... | 1 | | | | |
| 27 | 07.0723.0055 | RUBBER PLUG D.10..... | 1 | | | | |
| 28 | 07.0723.0054 | RUBBER PLUG D25..... | 2 | | | | |
| 29 | 07.0723.0498 | COVER, ROOF..... | 1 | | | | |
| 30 | 07.0723.0454 | COATING..... | 1 | | | | |
| 31 | 01.0001.0659 | Screw TE M16X100 UNI 5737 8.8 ZN..... | 4 | | | | |
| 32 | 54.0100.0002 | WASHER D70/16, SP 8..... | 2 | | | | |
| 33 | 09.0803.0540 | VIBRATION DAMPENING SUPPORT..... | 4 | | | | |
| 34 | 54.0100.0017 | WASHER, ZN, D70/16, SP 4..... | 4 | | | | |

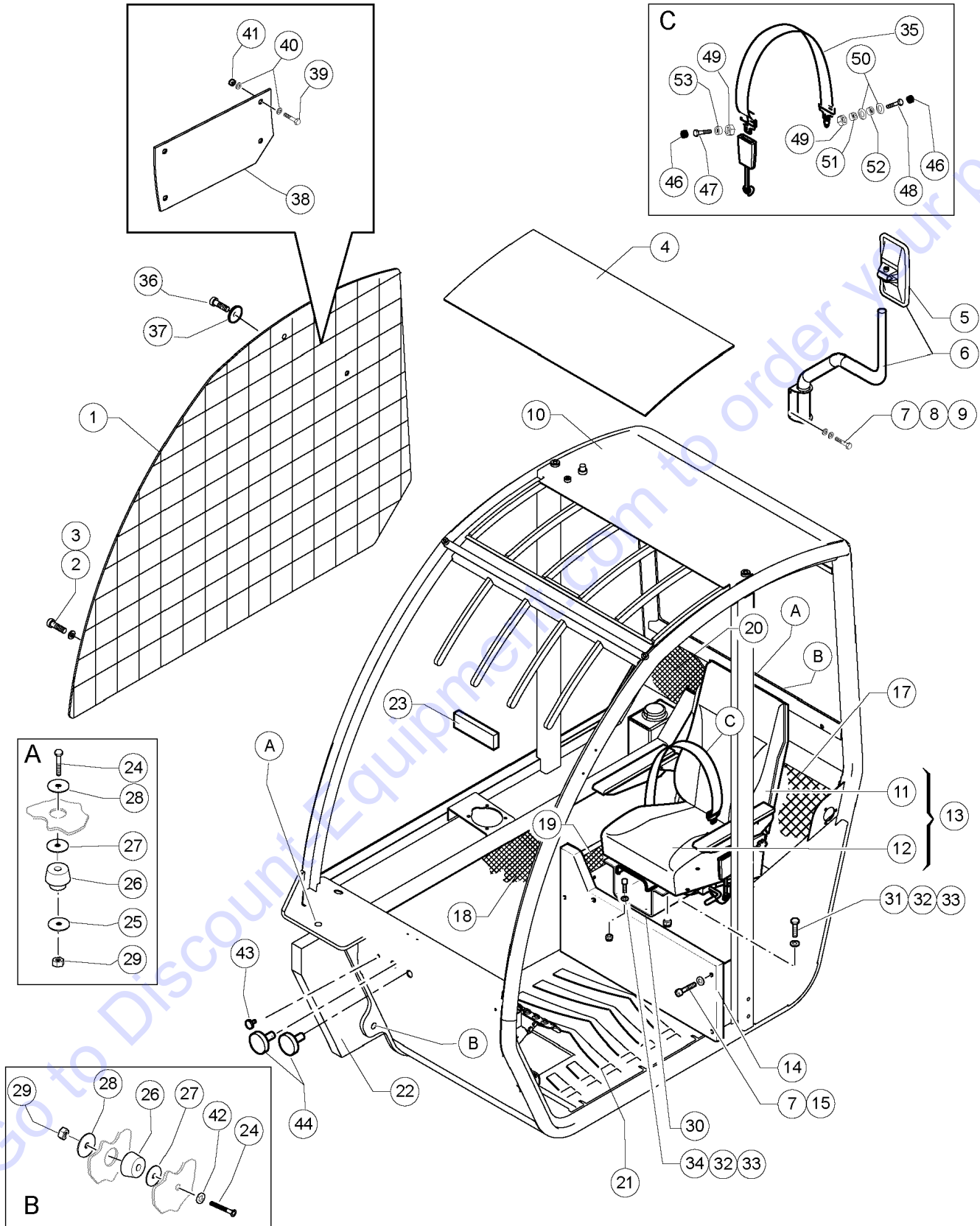
402.1 604749 Closed Cabin, View 2



402.1 604749 Closed Cabin, View 2

| Item | Part No. | Description | Qty. | Item | Part No. | Description | Qty. |
|------|--------------|---------------------------------------|--------|------|--------------|------------------------------------------------------------------|------|
| 1 | 07.0723.0163 | REAR GLASS..... | 1 | 36 | 07.0723.0460 | LOWER DOOR ASSY..... | 1 |
| 2 | 130163 | WEATHERSTRIP,DOUBLE BULB..... | 1.55-m | 37 | 07.0723.0461 | BELT, DOOR ASSY GTH5519..... | 1 |
| 3 | 07.0723.0176 | SCREW,TSPEI M8X25..... | 2 | 38 | 07.0723.0075 | Screw TSPEI M6X16 UNI 5933..... | 4 |
| 4 | 07.0723.0114 | Nylon Washer..... | 16 | 39 | 07.0723.0419 | PLATE, BELT RETAINING 5519..... | 2 |
| 5 | 07.0723.0155 | HINGE..... | 2 | 40 | 07.0723.0175 | SCREW, M6X20 DIN 933 YZ HCS..... | 8 |
| 6 | 07.0723.0161 | PIN..... | 2 | 41 | 07.0723.0076 | Plain Washer D6x18 | 14 |
| 7 | 07.0723.0441 | SCREW,TCEI M5X50 | 2 | 42 | 07.0723.0672 | HINGE..... | 4 |
| 8 | 07.0723.0434 | TOGGLE LEVER,COMPLETE..... | 2 | 43 | 07.0723.0185 | SCREW, M6X30DIN933 YZ HCS..... | 3 |
| 9 | 641042 | GLASS STOP..... | 16 | 44 | 07.0723.0455 | COVER, AIR FILTER..... | 1 |
| 10 | 07.0723.0236 | STOP PAD..... | 2 | 45 | 07.0723.0090 | BALL-GRIP | 2 |
| 11 | 07.0723.0237 | SCREW,M10-1.5X90 12.9 SHCS..... | 1 | 46 | 640995 | CLIP..... | 1 |
| 12 | 07.0723.0024 | MIRROR W/BRACKET, SINGLE | 1 | 47 | 641004 | TANK, WIPER W/ PUMP | 1 |
| 13 | 07.0723.0042 | Mirror..... | 1 | | | <i>Tank and white cap cannot be sold separately</i> | |
| 14 | 07.0723.0684 | UPPER DOOR FRAME WITH GLASS | 1 | 48 | 07.0723.0452 | Cover..... | 1 |
| 15 | 07.0723.0425 | UPPER DOOR FRAME..... | 1 | 49 | 07.0723.0451 | Cover..... | 1 |
| 16 | 07.0723.0144 | DOOR STOP KIT..... | 1 | 50 | 07.0723.0453 | Cover..... | 1 |
| 17 | 07.0723.0429 | CRINKLE WASHER,DM.10..... | 1 | 51 | 07.0723.0456 | External Sound Proofing Panel..... | 1 |
| 18 | 07.0723.0428 | WASHER,D10X20..... | 2 | 52 | 07.0723.0630 | RUBBER CARPET..... | 1 |
| 19 | 01.0001.0252 | SCREW M8X16 UNI 5739 8.8 ZN..... | 2 | 53 | 07.0723.0351 | HINGE KIT, 5519..... | 1 |
| 20 | 07.0723.0426 | UPPER DOOR GLASS GTH5519..... | 1 | 54 | 641019 | HANDLE..... | 1 |
| 21 | 07.0723.0410 | PIN,8X85 | 4 | 55 | 07.0723.0477 | Water Tank Cover (Black Cap)..... | 1 |
| 22 | 07.0723.0345 | BUSHING..... | 8 | | | <i>This in not the Cap for Position 47, but just a cover</i> | |
| 23 | 07.0723.0166 | LEFT SIDE GLASS..... | 1 | 56 | 07.0723.0494 | SUPPORT..... | 1 |
| 24 | 07.0723.0422 | LOWER DOOR..... | 1 | 57 | 07.0723.0156 | HANDLE..... | 1 |
| 25 | 130163 | WEATHERSTRIP,DOUBLE BULB..... | 1.55-m | 58 | 07.0723.0114 | Nylon Washer..... | 1 |
| 26 | 07.0723.0156 | HANDLE..... | 1 | 59 | 07.0723.0152 | SEAL (1 PIECE = 3 METERS)..... | 1 |
| | | <i>Order Key Item 28 Separately</i> | | | | | |
| 27 | 07.0723.0459 | Handle Lock..... | 1 | | | | |
| 28 | 56.0017.0066 | STARTER KEY..... | 1 | | | | |
| 29 | 07.0723.0421 | SCREW,TCB+M6X35..... | 4 | | | | |
| 30 | 641024 | STOP..... | 2 | | | | |
| 31 | 07.0723.0172 | Plate..... | 1 | | | | |
| 32 | 07.0723.0420 | DOOR COATING, 5519 LOWER DOOR..... | 1 | | | | |
| 33 | 07.0723.0183 | GASKET..... | 1 | | | | |
| 34 | 07.0723.0157 | HANDLE, INTERNAL DOOR..... | 1 | | | | |
| 35 | 07.0723.0057 | SCREW,M6-1.0X20MM FHSCS ZP..... | 3 | | | | |

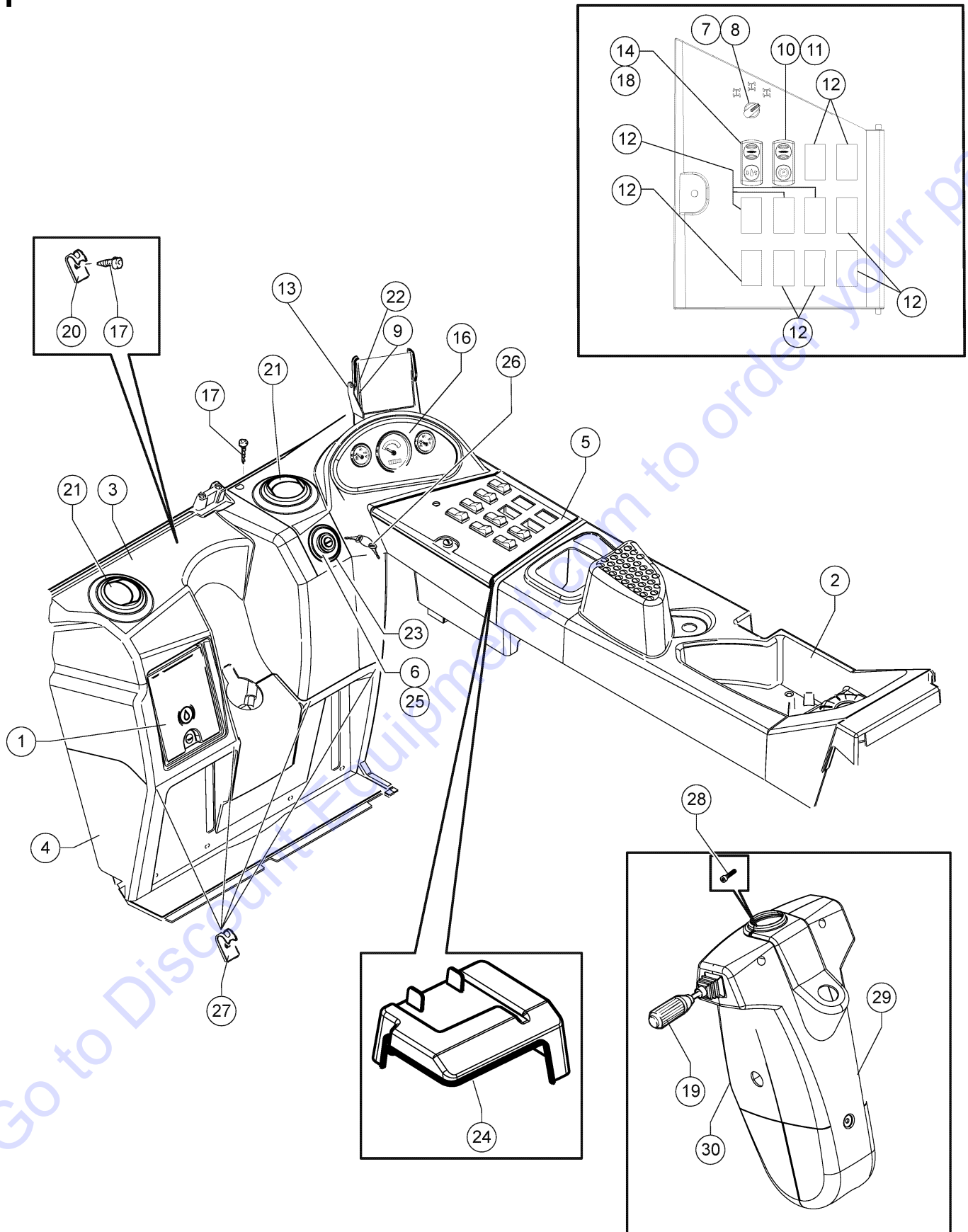
403.1 605893 Open Cabin, View 3



403.1 605893 Open Cabin, View 3

| Item | Part No. | Description | Qty. | Item | Part No. | Description | Qty. |
|------|--------------|------------------------------------------|------|------|--------------|-----------------------------------------|------|
| 1 | 07.0723.0198 | Right Side Grid..... | 1 | 37 | 07.0723.0169 | Screw TSPEI M8x40..... | 2 |
| 2 | 07.0723.0039 | SCREW,PPH SMS 10X3/4ZAKEG..... | 19 | 38 | 51.0808.5700 | Plate for Decals..... | 1 |
| 3 | 07.0723.0074 | WASHER..... | 19 | 39 | 01.0001.0154 | SCREW,TE,M6X16 UNI 8.8 ZN..... | 4 |
| 4 | 07.0723.0168 | Upper Glass..... | 1 | 40 | 01.0031.0298 | FLAT WASHER D6 UNI 6593 ZN | 8 |
| 5 | 07.0723.0024 | MIRROR W/BRACKET, SINGLE | 1 | 41 | 01.0023.0053 | STOP NUT M6 UNI 7473 6S ZN | 4 |
| 6 | 07.0723.0042 | Mirror..... | 1 | 42 | 01.0031.0059 | FLAT WASHER D16 UNI 6592 ZN..... | 2 |
| 7 | 07.0723.0040 | Screw TCB 1BG3223..... | 6 | 43 | 07.0723.0055 | RUBBER PLUG D.10..... | 1 |
| 8 | 07.0723.0111 | Washer..... | 2 | 44 | 07.0723.0054 | RUBBER PLUG D25..... | 2 |
| 9 | 07.0723.0173 | Washer D6X12MM..... | 2 | 46 | 09.0803.0568 | Cap..... | 2 |
| 10 | 51.1100.0020 | Cab Structure..... | 1 | 47 | 901238 | SCREW..... | 1 |
| 11 | 07.0703.0508 | SEAT, CUSHION BACK | 1 | 48 | 01.0001.0303 | Screw TE M10X45 UNI 5737 8.8 ZN..... | 1 |
| 12 | 07.0703.0509 | SEAT,BOTTOM CUSHION..... | 1 | 49 | 01.0019.0105 | NUT M10 UNI 5588 6S ZN..... | 2 |
| 13 | 09.4610.0024 | Seat, Non Suspension..... | 1 | 50 | 01.0031.0056 | WASHER,D10 UNI 6592 ZN..... | 2 |
| 14 | 07.0723.0465 | Lock..... | 1 | 51 | 09.0803.0569 | Bush..... | 1 |
| 15 | 07.0723.0076 | Plain Washer D6x18 | 4 | 52 | 09.0803.0571 | Shim..... | 1 |
| 17 | 07.0723.0451 | Cover..... | 1 | 53 | 09.0803.0570 | Bush..... | 1 |
| 18 | 07.0723.0453 | Cover..... | 1 | | | | |
| 19 | 07.0723.0454 | COATING..... | 1 | | | | |
| 20 | 07.0723.0452 | Cover..... | 1 | | | | |
| 21 | 07.0723.0097 | Mat..... | 1 | | | | |
| 22 | 07.0723.0456 | External Sound Proofing Panel..... | 1 | | | | |
| 23 | 07.0723.0142 | LEVEL GAUGE..... | 1 | | | | |
| 24 | 01.0001.0659 | Screw TE M16X100 UNI 5737 8.8 ZN..... | 4 | | | | |
| 25 | 54.0100.0002 | WASHER D70/16, SP 8..... | 2 | | | | |
| 26 | 09.0803.0540 | VIBRATION DAMPENING SUPPORT..... | 4 | | | | |
| 27 | 54.0100.0017 | WASHER, ZN, D70/16, SP 4..... | 4 | | | | |
| 28 | 01.4031.0001 | WASHER,CHMFRD,D16,UNI 6593,ZN..... | 4 | | | | |
| 29 | 01.0023.0058 | STOP NUT M16 UNI 7473 6S ZN.... | 4 | | | | |
| 30 | 07.0723.0467 | Seat Support 2264055V..... | 1 | | | | |
| 31 | 01.0001.0010 | SCREW, M 8X20 UNI 5739 8.8 ZN..... | 4 | | | | |
| 32 | 01.0031.0299 | FLAT WASHER D8 UNI 6593..... | 8 | | | | |
| 33 | 01.0023.0054 | NUT,M8 UNI 7473 6S ZN..... | 8 | | | | |
| 34 | 01.0003.0944 | Screw Tcei M 8X30 UNI 5931 8.8Zn..... | 4 | | | | |
| 35 | 09.4610.0027 | BELT,SEAT A5073.104 | 1 | | | | |
| 36 | 07.0723.0114 | Nylon Washer..... | 3 | | | | |

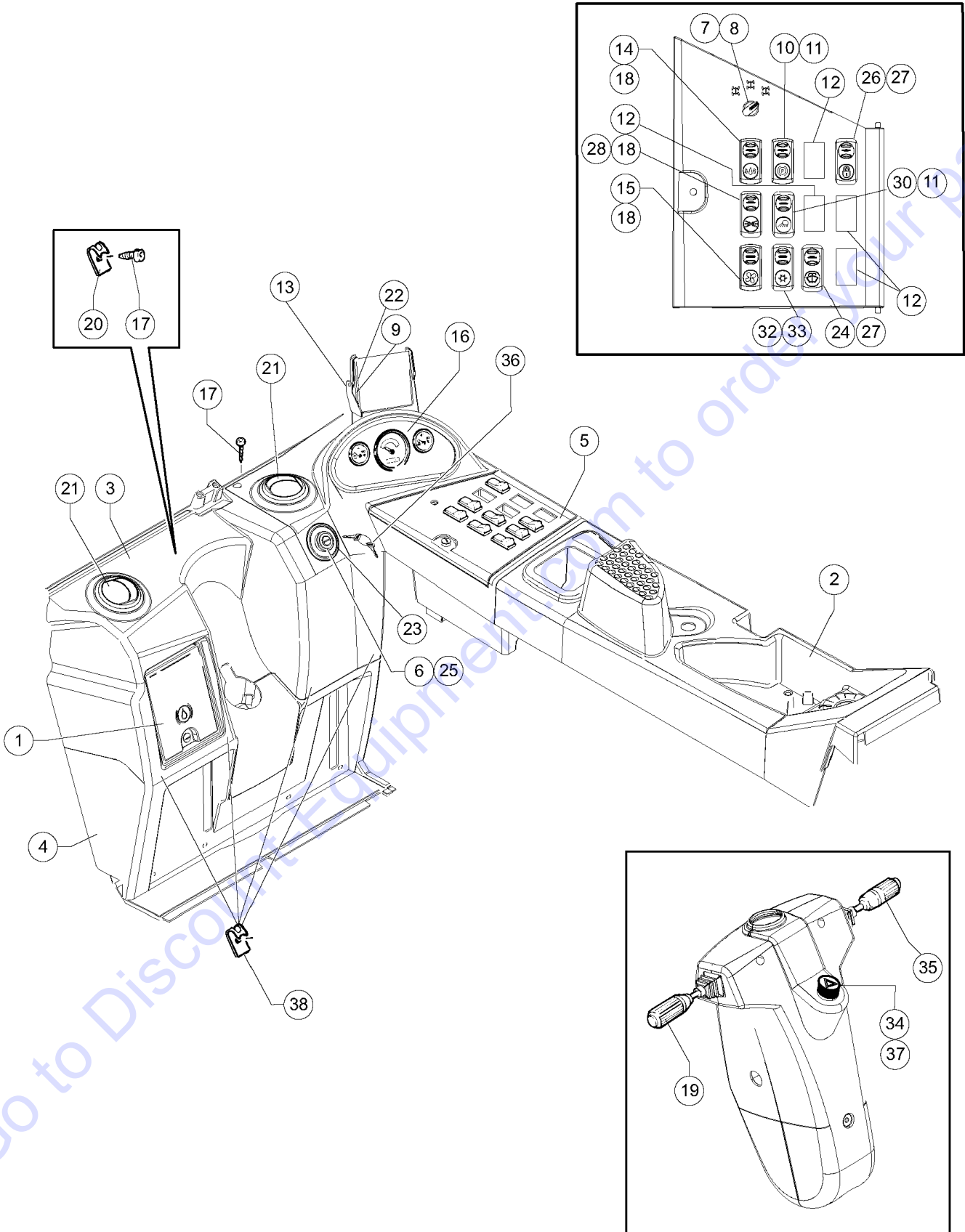
404.1 605917 Dashboard, View 1



404.1 605917 Dashboard, View 1

| Item | Part No. | Description | Qty. | Item | Part No. | Description | Qty. |
|------|--------------|-----------------------------------------------------------------------------------------------|------|------|--------------|--------------------------------------------------------------------------------------|------|
| 1 | 07.0723.0468 | Hatch on Front Dashboard Support..... | 1 | 25 | 09.4618.1347 | Decal - Preheating Start Switch..... <i>From Serial Number 19935 - ECN 006/09</i> | 1 |
| 2 | 07.0723.0469 | REAR SIDE DASHBOARD..... | 1 | 26 | 56.0017.0015 | KEY ONLY (1 PAIR)..... | 2 |
| 3 | 07.0723.0470 | UPPER FRONT DASHBOARD..... | 1 | 27 | 09.0803.0572 | THREADED CLIP M5..... | 4 |
| 4 | 07.0723.0471 | LOWER FRONT DASHBOARD..... | 1 | 28 | 01.4001.0164 | Screw TC M4 x 10 8.8 ZN UNI 7687..... | 3 |
| 5 | 56.0015.0007 | Dashboard Cover..... | 1 | | | <i>Screw To lock Item 19 to Steering Column</i> | |
| 6 | 54.0100.0099 | Braking disk..... | 1 | 29 | 52.1200.5000 | Front Steering Column Cover..... | 1 |
| 7 | 56.0017.0049 | SWITCH,STEERING MODE..... | 1 | 30 | 52.1200.5200 | Rear Steering Column Cover..... | 1 |
| 8 | 07.0703.0429 | KNOB, STEERING MODE SELECTOR..... | 1 | | | | |
| 9 | 51.0811.4009 | External Support..... | 1 | | | | |
| 10 | 56.0017.0046 | Parking Brake Switch Cover | 1 | | | | |
| 11 | 56.0017.0044 | Switch Contact..... | 1 | | | | |
| 12 | 56.0017.0039 | Cap..... | 10 | | | | |
| 13 | 51.0811.1700 | Load Chart Support..... | 1 | | | | |
| 14 | 56.0017.0047 | Continuous Flow Switch Cover..... | 1 | | | | |
| 16 | 56.0016.0088 | Instruments Panel..... | 1 | | | | |
| 17 | 07.0723.0039 | SCREW,PPH SMS 10X3/4ZAKEG..... | 9 | | | | |
| 18 | 56.0017.0037 | CONTACT - 8 Pins..... <i>Check the numbers of pins of the one installed on the machine</i> | 1 | | | | |
| 18 | 56.0017.0095 | CONTACT..... <i>Check the numbers of pins of the one installed on the machine</i> | 1 | | | | |
| 19 | 56.0016.0107 | FWD/REVERSE SWITCH ASSEMBLY..... | 1 | | | | |
| 20 | 07.0723.0104 | RETAINER..... | 6 | | | | |
| 21 | 07.0723.0480 | Air Inlet + Frame..... <i>Open Cabin</i> | 2 | | | | |
| 21 | 07.0723.0530 | Air Inlet + Frame..... <i>Closed Cabin</i> | 2 | | | | |
| 22 | 51.0811.4008 | Internal Support..... | 1 | | | | |
| 23 | 07.0703.0472 | Starting Switch..... <i>Up to Serial Number 19934 - ECN 006/09</i> | 1 | | | | |
| 23 | 56.0017.0073 | Starting Switch..... <i>From Serial Number 19935 - ECN 006/09</i> | 1 | | | | |
| 24 | 56.0021.0107 | Fuse and Relay Cover..... | 1 | | | | |
| 25 | 09.4618.0114 | Decal..... <i>Up to Serial Number 19934 - ECN 006/09</i> | 1 | | | | |

405.1 605980 Dashboard, View 2



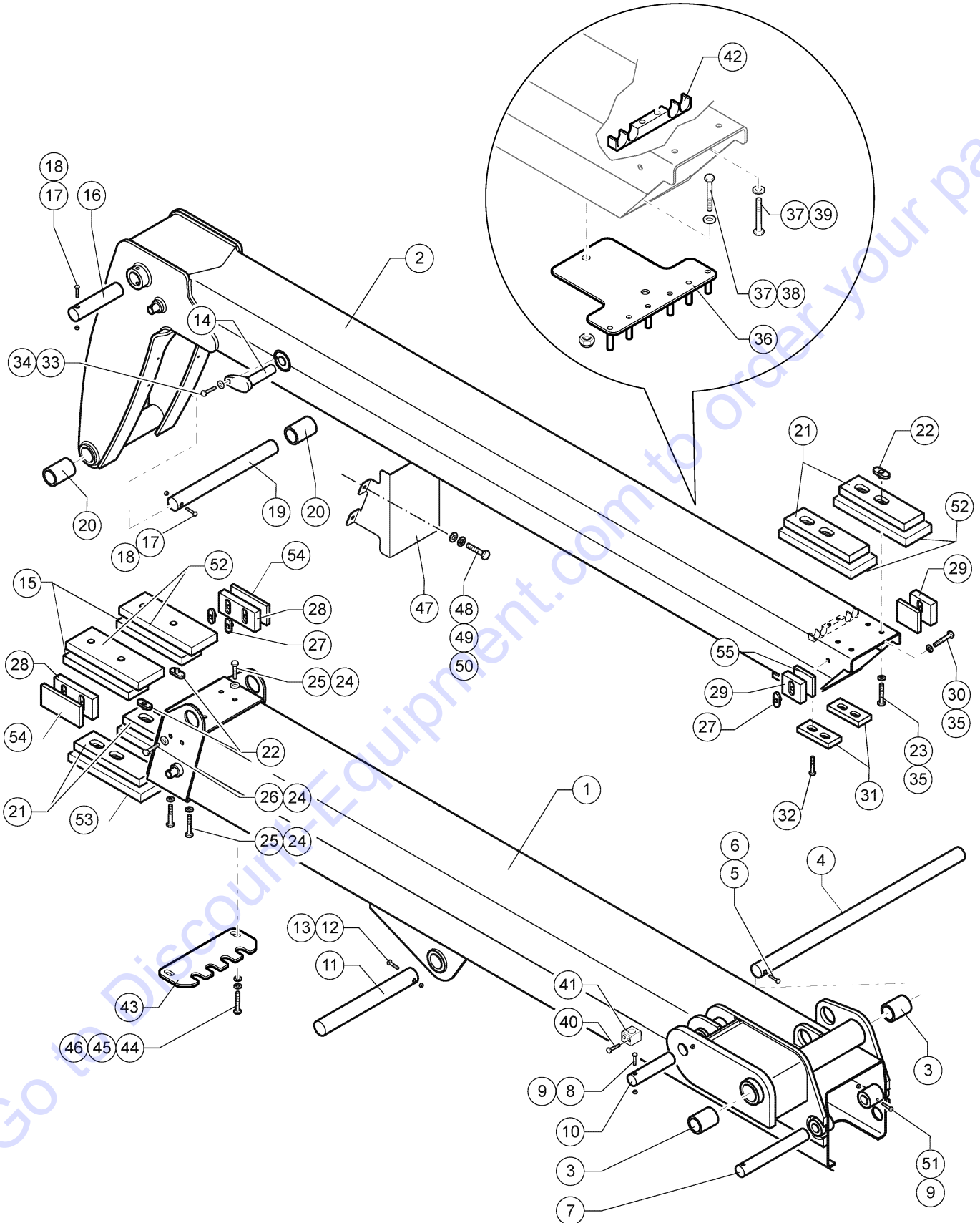
| Item | Part No. | Description | Qty. | Item | Part No. | Description | Qty. |
|------|--------------|-------------------------------------------------------------------------------------------------|------|------|--------------|-------------------------------------------------------|------|
| 1 | 07.0723.0468 | Hatch on Front Dashboard Support..... | 1 | 27 | 56.0017.0035 | SWITCH | 2 |
| 2 | 07.0723.0469 | REAR SIDE DASHBOARD..... | 1 | 28 | 56.0017.0055 | Road Lights Push Button Cover..... <i>Optional</i> | 1 |
| 3 | 07.0723.0470 | UPPER FRONT DASHBOARD..... | 1 | 30 | 56.0017.0051 | Cover - Switch, Work Lights..... <i>Optional</i> | 1 |
| 4 | 07.0723.0471 | LOWER FRONT DASHBOARD..... | 1 | 32 | 56.0017.0053 | Air Condition Switch Cover..... <i>Optional</i> | 1 |
| 5 | 56.0015.0007 | Dashboard Cover..... | 1 | 33 | 56.0017.0048 | SWITCH..... | 1 |
| 6 | 54.0100.0099 | Braking disk..... | 1 | 34 | 56.0017.0064 | CONTACT (SWITCH)..... <i>Optional</i> | 1 |
| 7 | 56.0017.0049 | SWITCH,STEERING MODE..... | 1 | 35 | 56.0016.0079 | RIGHT, STEERING COLUMN SWITCH..... <i>Optional</i> | 1 |
| 8 | 07.0703.0429 | KNOB, STEERING MODE SELECTOR..... | 1 | 36 | 56.0017.0015 | KEY ONLY (1 PAIR)..... | 2 |
| 9 | 51.0811.4009 | External Support..... | 1 | 37 | 56.0017.0070 | HAZARD WARNING LIGHTS SWITCH COVER | 1 |
| 10 | 56.0017.0046 | Parking Brake Switch Cover | 1 | | | <i>Optional</i> | |
| | | <i>Complete Switch Item 10 + Item 11</i> | | | | | |
| 11 | 56.0017.0044 | Switch Contact..... | 2 | | | | |
| | | <i>Complete Switch Item 11 + Item 10</i> | | | | | |
| 12 | 56.0017.0039 | CAP..... | 4 | 38 | 09.0803.0572 | THREADED CLIP M5..... | 4 |
| 13 | 51.0811.1700 | Load Chart Support..... | 1 | | | | |
| 14 | 56.0017.0047 | Continuous Flow Switch Cover..... | 1 | | | | |
| | | <i>Complete Switch Item 14 + Item 18</i> | | | | | |
| 15 | 56.0017.0054 | Cabin Fan Switch Cover | 1 | | | | |
| 16 | 56.0016.0088 | Instruments Panel..... | 1 | | | | |
| 17 | 07.0723.0039 | SCREW,PPH SMS 10X3/4ZAKEG..... | 9 | | | | |
| 18 | 56.0017.0037 | CONTACT - 8 Pins..... | 1 | | | | |
| | | <i>8-pin contact (Check the numbers of pins of the contact on the machine before ordering)</i> | | | | | |
| 18 | 56.0017.0095 | CONTACT..... | 1 | | | | |
| | | <i>12-pin contact (Check the numbers of pins of the contact on the machine before ordering)</i> | | | | | |
| 19 | 56.0016.0107 | FWD/REVERSE SWITCH ASSEMBLY..... | 1 | | | | |
| 20 | 07.0723.0104 | RETAINER..... | 6 | | | | |
| 21 | 07.0723.0480 | Air Inlet + Frame..... | 2 | | | | |
| | | <i>Open Cabin</i> | | | | | |
| 21 | 07.0723.0530 | Air Inlet + Frame..... | 2 | | | | |
| | | <i>Closed Cabin</i> | | | | | |
| 22 | 51.0811.4008 | Internal Support..... | 1 | | | | |
| 23 | 56.0017.0073 | Starting Switch..... | 1 | | | | |
| 24 | 56.0017.0038 | WIPER SWITCH COVER..... | 1 | | | | |
| 25 | 09.4618.1347 | Decal - Preheating Start Switch..... | 1 | | | | |
| 26 | 56.0017.0063 | SWITCH COVER..... | 1 | | | | |
| | | <i>Optional</i> | | | | | |

406.1 605528 Components - Main Valve And Joystick

| Item | Part No. | Description | Qty. |
|------|--------------|---------------------------------|------|
| 1 | 07.0704.0038 | VALVE, CARTRIDGE..... | 2 |
| 2 | 07.0704.0078 | O-RING..... | 8 |
| 3 | 07.0704.0023 | Cap Kit..... | 8 |
| 4 | 07.0704.0033 | Cursor..... | 1 |
| 5 | 07.0704.0034 | Cursor..... | 2 |
| 6 | 07.0704.0035 | VALVE CURSOR..... | 1 |
| 7 | 07.0704.0042 | VALVE..... | 1 |
| 8 | 01.0023.0054 | NUT,M8 UNI 7473 6S ZN..... | 3 |
| 9 | 01.0031.0055 | FLAT WASHER D8 UNI 6592 ZN | 6 |
| 10 | 01.0001.0209 | SCREW M8X70 UNI 5737 8.8 ZN...3 | 3 |
| 11 | 07.0704.0045 | Plug TCEI BSP 3/4..... | 1 |
| 12 | 07.0704.0032 | Main Valve Body..... | 1 |
| 14 | 07.0704.0118 | RED PUSH BUTTON CAP..... | 1 |
| 15 | 07.0704.0117 | PUSH BUTTON..... | 2 |
| 16 | 07.0704.0119 | YELLOW PUSH BUTTON CAP..... | 1 |
| 17 | 07.0704.0134 | Rubber Protection..... | 1 |
| 18 | 07.0704.0136 | ARTICULATION..... | 1 |
| 19 | 07.0704.0138 | Complete Selector..... | 4 |
| 20 | 07.0704.0137 | BODY..... | 1 |
| 21 | 07.0704.0169 | Flange..... | 1 |
| 22 | 04.4237.0010 | Joystick..... | 1 |
| 23 | 04.4236.0029 | Control Valve..... | 1 |
| 24 | 07.0704.0173 | Joystick Handle..... | 1 |
| 25 | 07.0704.0145 | Plug..... | 2 |
| 26 | 07.0704.0144 | VALVE..... | 4 |

Go to Discount-Equipment.com to order your parts

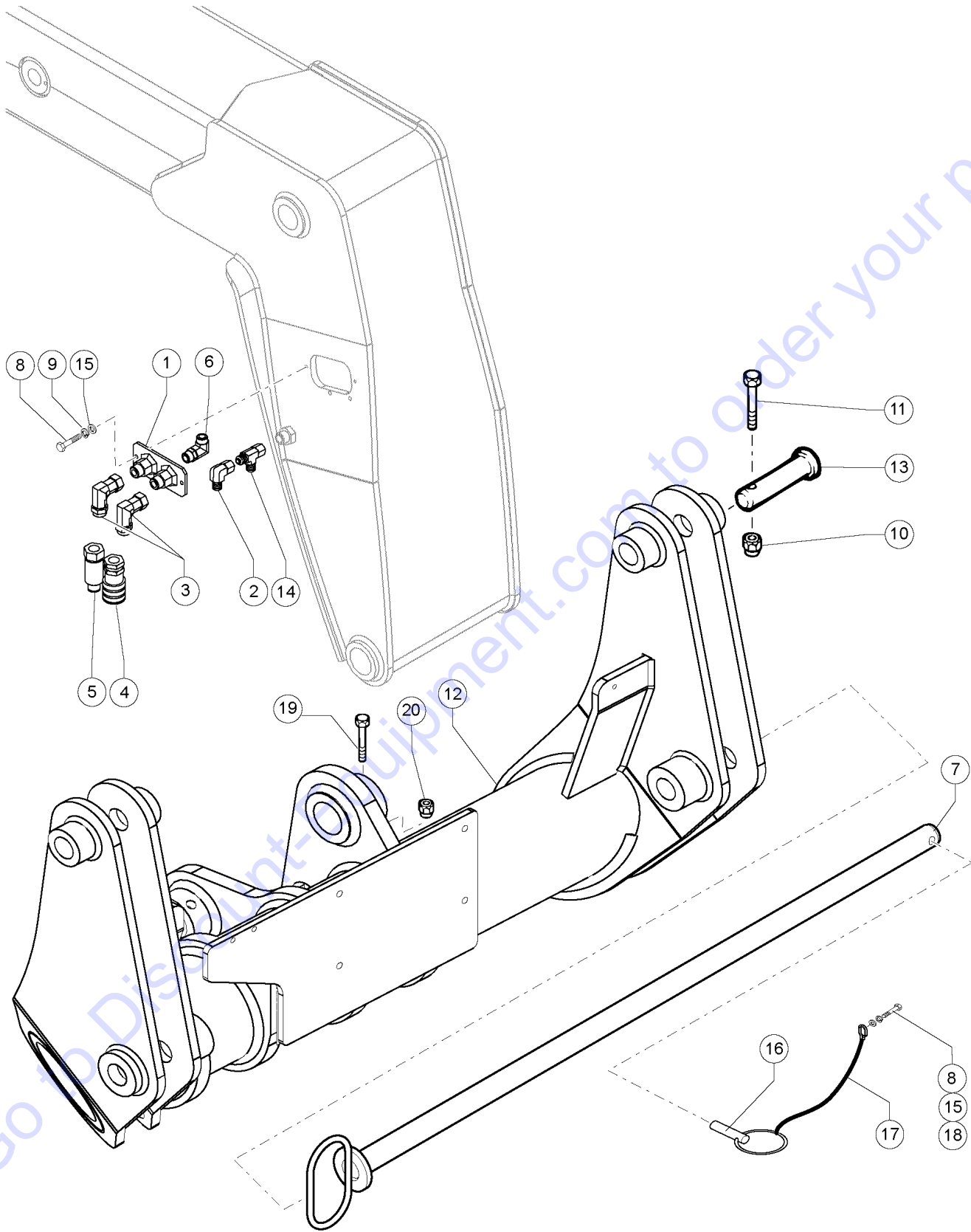
501.1 605674 Boom (1st - 2nd Telescopic Element)



501.1 605674 Boom (1st - 2nd Telescopic Element)

| Item | Part No. | Description | Qty. | Item | Part No. | Description | Qty. |
|------|--------------|-----------------------------------------------------|------|------|--------------|-------------------------------------|------|
| 1 | 51.0201.2400 | BOOM 1DEG ARM SECTION..... | 1 | 36 | 51.0811.2600 | HOSE GUIDE..... | 1 |
| 2 | 51.0201.2500 | 2ND TELESCOPIC ELEMENT GTH5519..... | 1 | 37 | 01.0001.0258 | SCREW M8X35 UNI 5739 8.8 ZN ... | 4 |
| 3 | 54.0202.0006 | Bushing DB 50/58 LG.55..... | 2 | 38 | 01.4032.0003 | SPRING WASHER D 8 ZN | 2 |
| 4 | 54.0000.0199 | Chassis-Boom Joint Pin..... | 1 | 39 | 01.0031.0055 | FLAT WASHER D8 UNI 6592 ZN | 2 |
| 5 | 01.4001.0012 | SCREW M14X100UNI 5737 8.8 ZN..... | 1 | 40 | 01.0003.0157 | SCREW M6X25 UNI 5931 8.8 ZN..... | 24 |
| 6 | 01.0023.0057 | STOP NUT M14 UNI 7473 6S ZN.... | 1 | 41 | 09.0803.0043 | SINGLE HOSE BRACKET D16..... | 12 |
| 7 | 54.0000.0017 | PIN..... | 1 | 42 | 51.0810.2700 | HOSE GUIDE..... | 1 |
| 8 | 01.0001.0211 | SCREW M8X80 UNI 5737 8.8 ZN.... | 1 | 43 | 51.0811.2700 | HOSE GUIDE..... | 1 |
| 9 | 01.0023.0054 | NUT,M8 UNI 7473 6S ZN..... | 2 | 44 | 01.0001.0252 | SCREW M8X16 UNI 5739 8.8 ZN.... | 2 |
| 10 | 54.0000.0197 | Levelling Cylinder Head Pin..... | 1 | 45 | 01.0031.0055 | FLAT WASHER D8 UNI 6592 ZN | 2 |
| 11 | 54.0000.0196 | PIN..... | 1 | 46 | 01.4032.0003 | SPRING WASHER D 8 ZN | 2 |
| 12 | 01.4001.0003 | SCREW M12X100 UNI 5737 8.8 ZN..... | 1 | 47 | 51.0903.1300 | PROTECTIVE BRACKET..... | 1 |
| 13 | 01.0023.0056 | STOP NUT M12 UNI 7473 6S ZN.... | 1 | 48 | 01.0001.0256 | SCREW M8X25 UNI 5739 8.8 ZN.... | 4 |
| 14 | 54.0003.0016 | PIN..... | 1 | 49 | 01.0031.0055 | FLAT WASHER D8 UNI 6592 ZN | 4 |
| 15 | 54.0702.0013 | WEAR PAD,200X60X15..... | 2 | 50 | 01.4032.0003 | SPRING WASHER D 8 ZN | 4 |
| 16 | 54.0000.0192 | PIN..... | 1 | 51 | 01.0001.0209 | SCREW M8X70 UNI 5737 8.8 ZN.... | 1 |
| 17 | 01.4001.0008 | SCREW M10X90 UNI 5737 8.8 ZN..... | 2 | 52 | 51.0811.4240 | SHIM,WEAR PAD,60X200X1..... | 4 |
| 18 | 01.0023.0055 | NUT,STOP,M10 UNI 7473 6S ZN.... | 2 | 53 | 07.0726.0043 | SLIDING BLOCK HOLDER..... | 2 |
| 19 | 54.0000.0194 | PIN..... <i>pins carriage attachment to boom</i> | 1 | 54 | 51.0811.4131 | SHIM, WEAR PAD,100X60X1..... | 2 |
| 20 | 54.0202.0007 | Bushing DB 45/52 LG.50..... | 1 | 55 | 51.0811.4241 | SHIM,WEAR PAD,60X60X1..... | 2 |
| 21 | 54.0702.0000 | WEAR PAD,200X60X20..... | 4 | | | | |
| 22 | 54.0200.0001 | BUSHING M10X13.5..... | 12 | | | | |
| 23 | 01.0006.0049 | SCREW M10X30 UNI 5933 10.9 ZN..... | 4 | | | | |
| 24 | 01.4032.0004 | SPRING WASHER D10 ZN..... | 4 | | | | |
| 25 | 01.0001.0357 | SCREW,TE,M10X35 UNI 8.8 ZN.... | 8 | | | | |
| 26 | 01.0001.0355 | SCREW,TE,M10X25 UNI 8.8 ZN.... | 8 | | | | |
| 27 | 54.0200.0000 | BUSHING M10X8.5 | 6 | | | | |
| 28 | 54.0702.0001 | WEAR PAD,100X60X12..... | 2 | | | | |
| 29 | 54.0702.0002 | WEAR PAD,60X60X12..... | 2 | | | | |
| 30 | 01.4006.0005 | Screw TSPEI M10x20 UNI 5933 10.9 ZN..... | 2 | | | | |
| 31 | 54.0702.0005 | WEAR PAD,100X25X15..... | 2 | | | | |
| 32 | 01.0003.0203 | SCREW M8X20 UNI 8.8 ZN..... | 2 | | | | |
| 33 | 01.0001.0254 | SCREW M8X20 UNI 5739 8.8 ZN.... | 1 | | | | |
| 34 | 01.4032.0003 | SPRING WASHER D 8 ZN | 1 | | | | |
| 35 | 09.0803.0062 | WASHER D10..... | 6 | | | | |

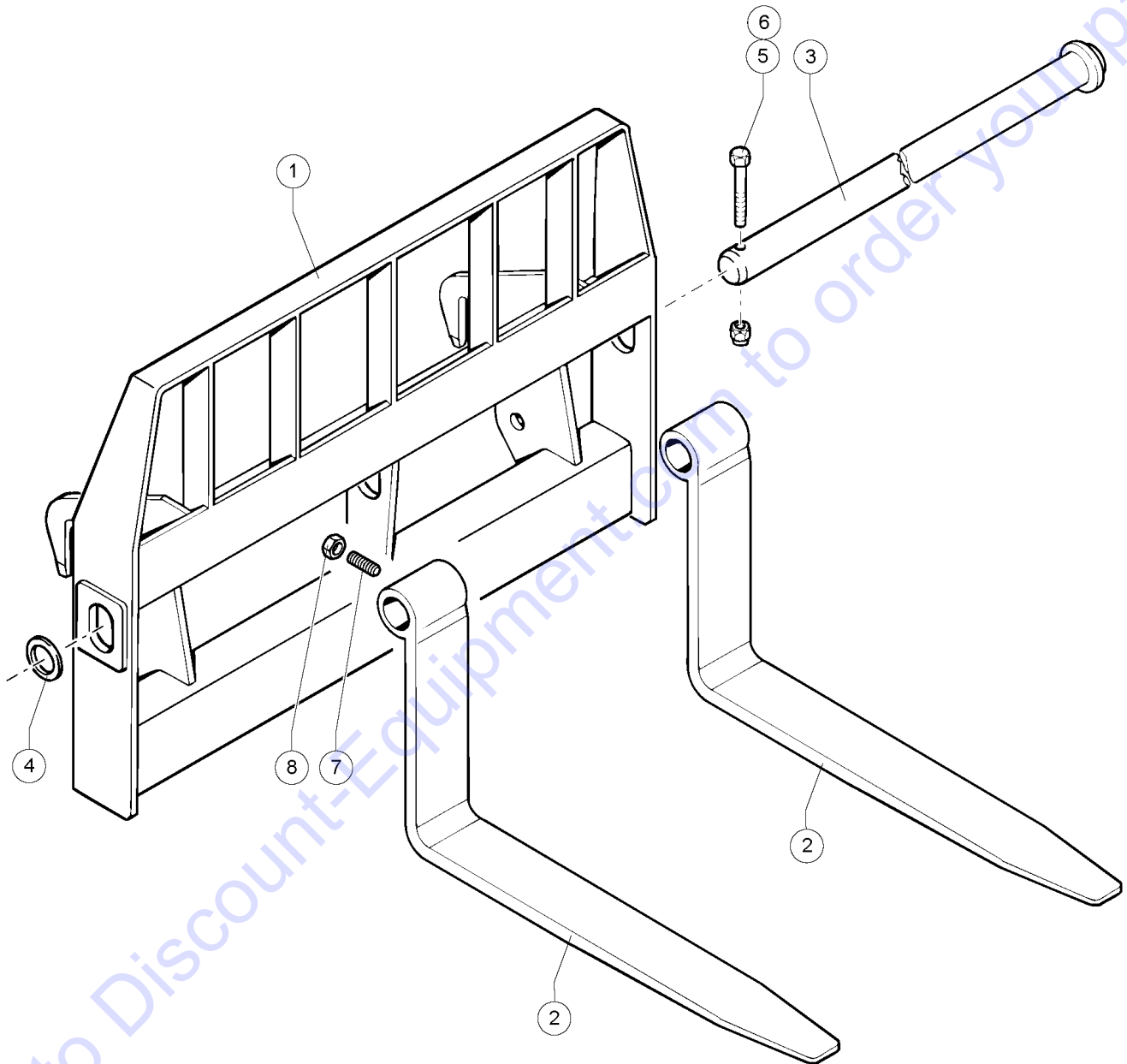
502.1 605827 Manual Fork Attachments



| Item | Part No. | Description | Qty. |
|------|--------------|------------------------------------------------|------|
| 1 | 53.3001.0500 | MANIFOLD, BOOM HOSES..... | 1 |
| 2 | 04.0600.0019 | Pipe Fitting MFK 90 1/2 BSP..... | 1 |
| 3 | 04.0600.0087 | PIPE FITTING 90..... | 2 |
| 4 | 04.4210.0019 | QUICK COUPLING, FEMALE 1/2.... | 1 |
| 5 | 04.4210.0018 | QUICK COUPLING, MALE 1/2..... | 1 |
| 6 | 04.0607.0141 | PIPE FITTING 90 1/2GASXM 13/16-16 ORFS..... | 2 |
| 7 | 54.0000.0200 | PIN..... | 1 |
| 8 | 01.0001.0156 | SCREW M6X20 UNI 5739 8.8 ZN ... | 3 |
| 9 | 01.4032.0002 | SPRING WASHER D6 ZN..... | 2 |
| 10 | 01.0023.0053 | STOP NUT M6 UNI 7473 6S ZN | 2 |
| 11 | 01.0001.0104 | SCREW M6X40 UNI 5739 8.8 ZN ... | 2 |
| 12 | 51.0400.4300 | FORK COUPLING 5519..... | 1 |
| 13 | 54.0001.0022 | PIN..... | 2 |
| 14 | 04.0600.0081 | PIPE FITTING TMF+L 1/2 BSP..... | 1 |
| 15 | 01.0031.0054 | FLAT WASHER D6 UNI 6592 ZN ... | 3 |
| 16 | 02.4102.0012 | RING PIN..... | 1 |
| 17 | 09.0803.0406 | LANYARD,PIN..... | 1 |
| 18 | 01.4032.0002 | SPRING WASHER D6 ZN..... | 1 |
| 19 | 01.4001.0008 | SCREW M10X90 UNI 5737 8.8 ZN..... | 1 |
| 20 | 01.0023.0055 | NUT,STOP,M10 UNI 7473 6S ZN..... | 1 |

Go to Discount-Equipment.com to order your parts

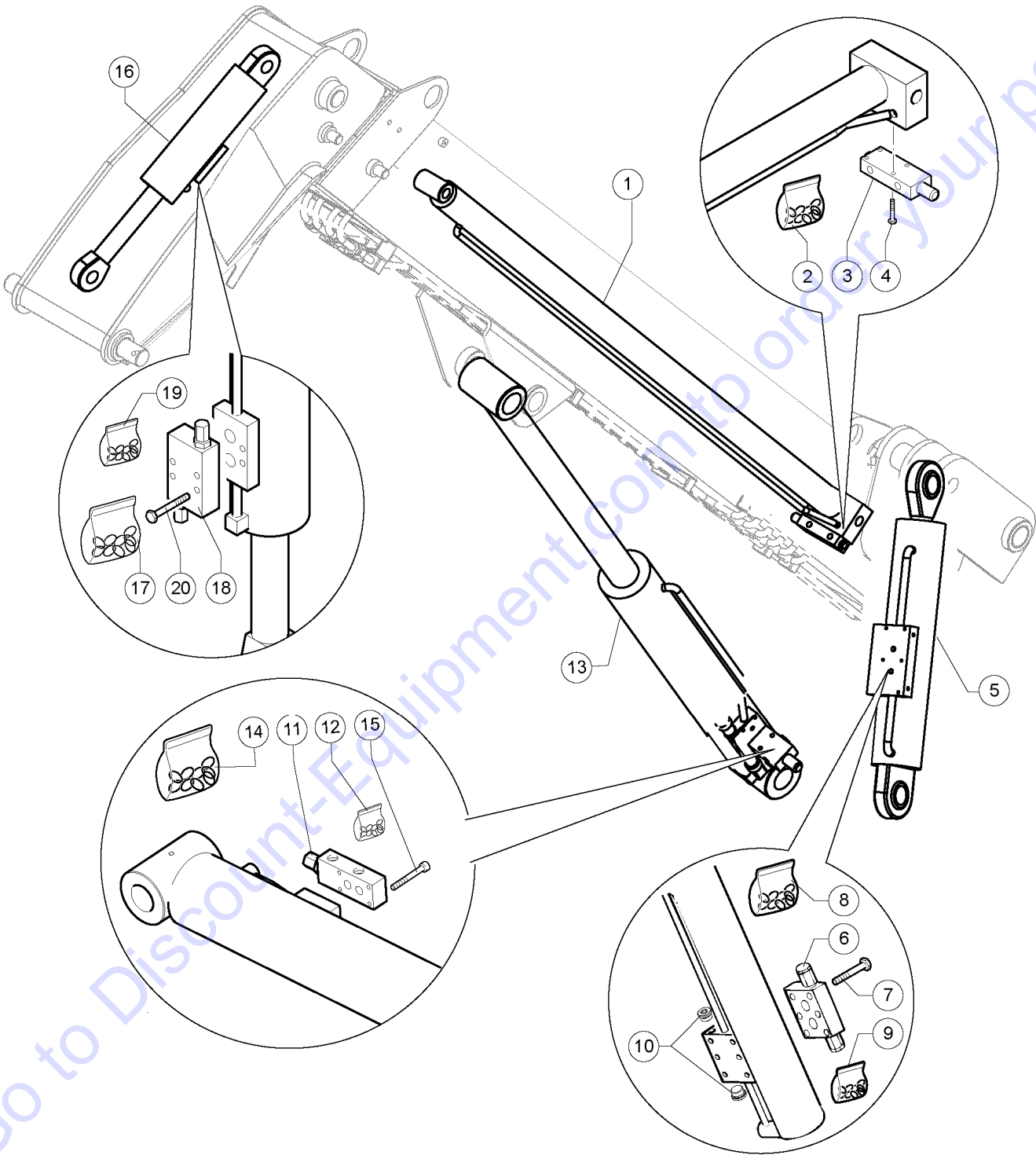
503.1 605677 Forks



| Item | Part No. | Description | Qty. |
|------|--------------|---------------------------------------|------|
| 1 | 51.1301.4300 | FLOATING FORK CARRIAGE..... | 1 |
| 2 | 51.1300.5400 | FORK (4" WIDE X 48" LONG)..... | 2 |
| 3 | 54.0000.0068 | PIN, FORK..... | 1 |
| 4 | 54.0100.0027 | WASHER | 2 |
| 5 | 01.0001.0409 | SCREW M12X80 UNI 5737 8.8 ZN..... | 1 |
| 6 | 01.0023.0056 | STOP NUT M12 UNI 7473 6S ZN.... | 1 |
| 7 | 01.4041.0005 | DOWEL M12X25 UNI 5927 12.9 ZN..... | 2 |
| 8 | 01.4019.0004 | NUT M12 UNI 5589..... | 2 |

Go to Discount-Equipment.com to order your parts

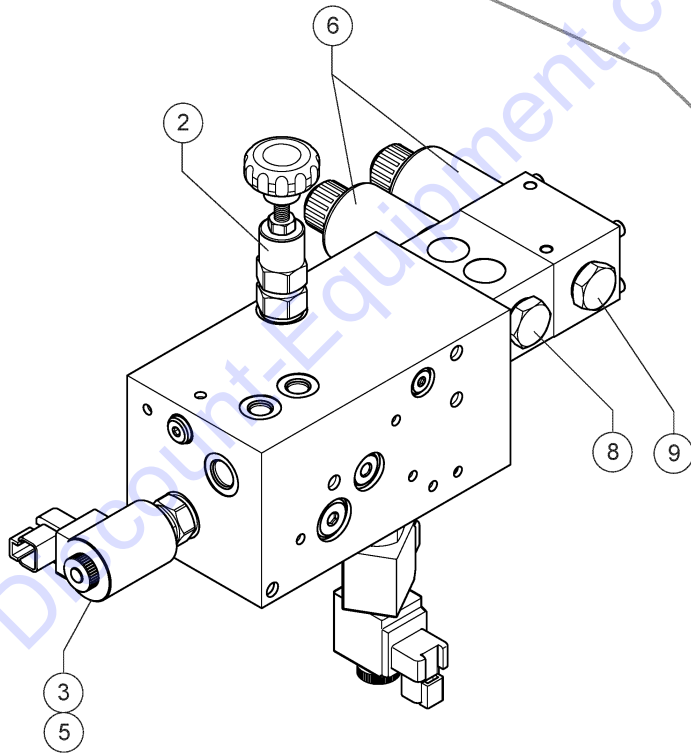
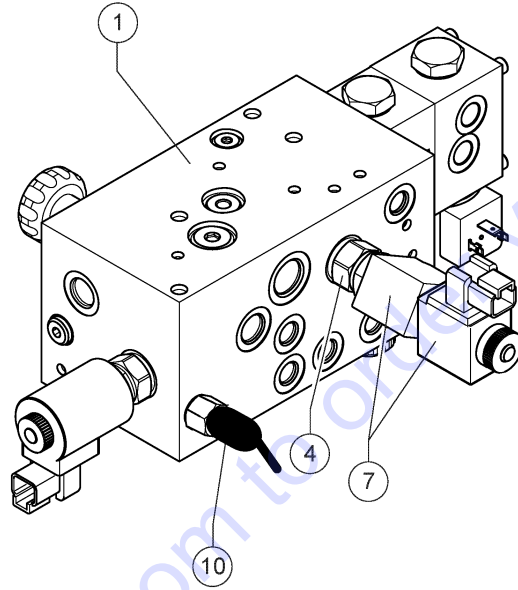
504.1 605678 Cylinders



| Item | Part No. | Description | Qty. |
|------|--------------|------------------------------------------|------|
| 1 | 53.0100.2800 | CYLINDER,EXTENSION..... | 1 |
| 2 | 639993 | CYLINDER GASKET KIT..... | 1 |
| 3 | 04.4239.0005 | SAFETY VALVE..... | 1 |
| 4 | 01.0001.0306 | SCREW M10X60 UNI 5737 8.8 ZN..... | 4 |
| 5 | 53.0300.2200 | Levelling Cylinder..... | 1 |
| 6 | 04.4239.0051 | SAFETY VALVE..... | 1 |
| 7 | 01.0003.0208 | SCREW TCEI M8X40 UNI 5931 8.8 ZN..... | 6 |
| 8 | 639992 | GASKET/JOINT KIT..... | 1 |
| 9 | 07.0705.0082 | SEAL KIT..... | 1 |
| 10 | 04.4239.0004 | SAFETY VALVE..... | 2 |
| 11 | 04.4239.0005 | SAFETY VALVE..... | 1 |
| 12 | 01.0001.0252 | SCREW M8X16 UNI 5739 8.8 ZN.... | 1 |
| 13 | 53.0000.3200 | Boom Lifting Cylinder..... | 1 |
| 14 | 640096 | SEAL KIT, LIFT CYLINDER..... | 1 |
| 15 | 01.0003.0210 | SCREW M8X50 UNI 5931 8.8 ZN.... | 4 |
| 16 | 53.0400.1700 | Tilt Cylinder..... | 1 |
| 17 | 635965 | SEAL KIT,CYLINDER..... | 1 |
| 18 | 04.4239.0052 | Safety Valve | 1 |
| 19 | | Lock Valve Gasket Kit..... | 1 |
| 20 | 01.0003.0208 | SCREW TCEI M8X40 UNI 5931 8.8 ZN..... | 6 |

Go to Discount-Equipment.com to order your parts

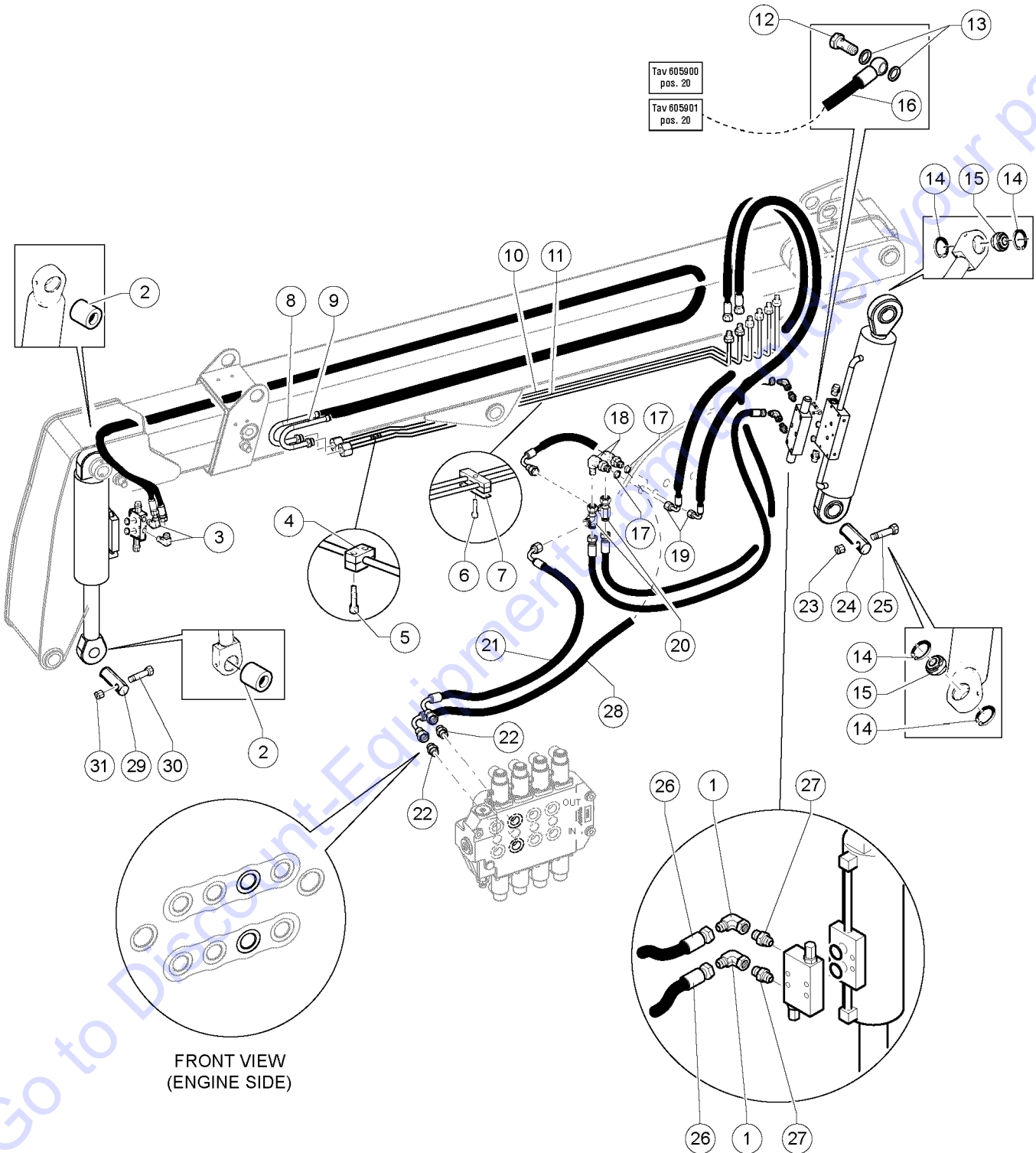
601.1 605536 Valve Block



| Item | Part No. | Description | Qty. |
|------|--------------|--------------------------------------|------|
| 1 | 04.4236.0083 | Piloting Hydraulic Block..... | 1 |
| 2 | 07.0705.0095 | Flow Reduction Valve..... | 1 |
| -- | 07.0704.0407 | KNOB for 07.0705.0095 | |
| 3 | 07.0704.0184 | Solenoid..... | 1 |
| 4 | 07.0705.0100 | Continuous Oil Electrovalve..... | 1 |
| 5 | 07.0705.0094 | VALVE,SOLND,BRK,DEUTZ TCD4.1..... | 1 |
| 6 | 07.0704.0143 | SOLENOID****..... | 2 |
| 7 | 07.0705.0099 | Solenoid..... | 2 |
| 8 | 07.0705.0098 | Lock/Release Electrovalve..... | 1 |
| 9 | 07.0705.0097 | Fork Overturning Electrovalve..... | 1 |
| 10 | 56.0012.0027 | SWITCH, NEGATIVE BRAKE..... | 1 |

Go to Discount-Equipment.com to order your parts

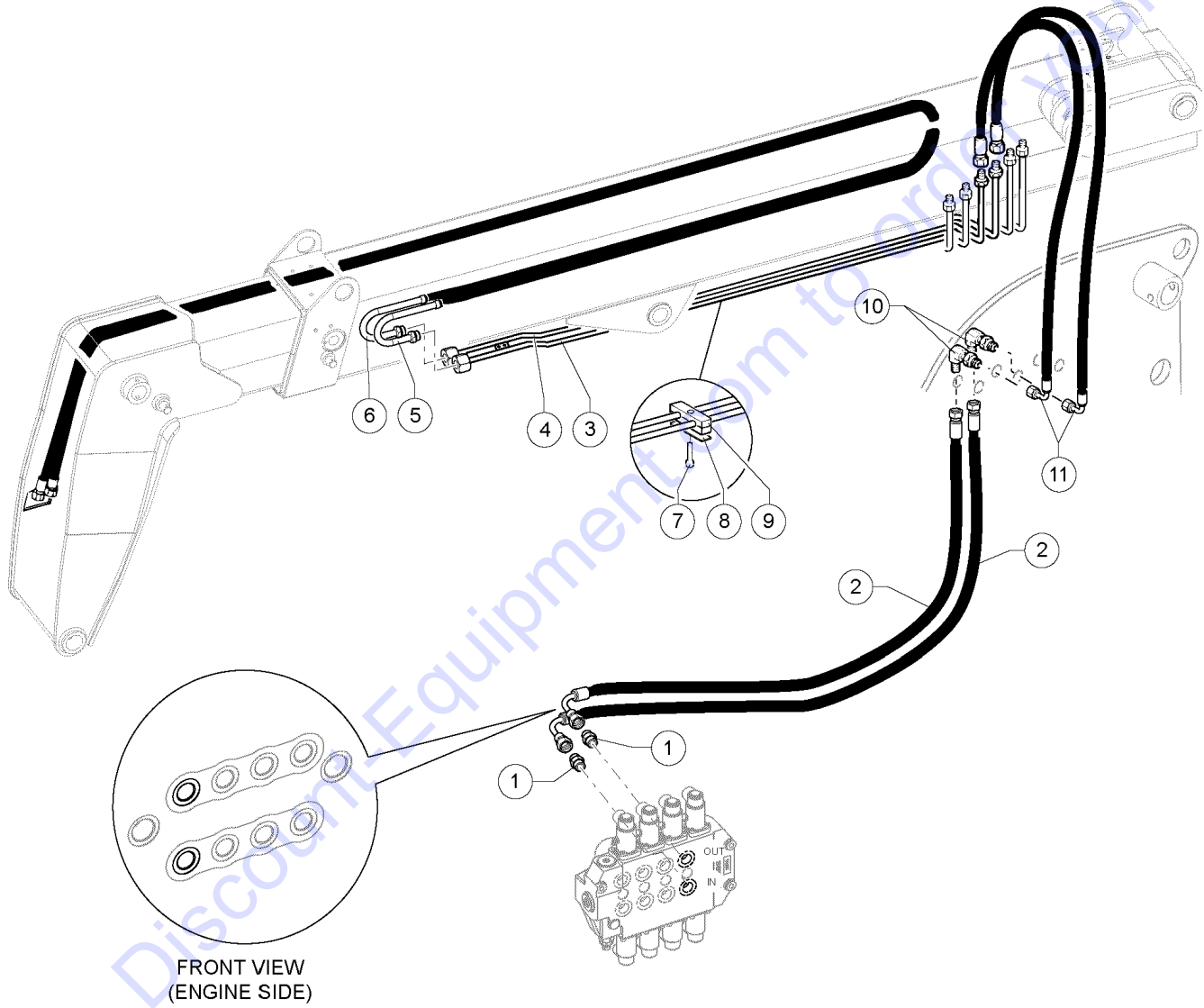
602.1 605895 Hydraulic System - Fork Balancing



602.1 605895 Hydraulic System - Fork Balancing

| Item | Part No. | Description | Qty. | Item | Part No. | Description | Qty. |
|------|--------------|-----------------------------------------------------------------------------------------|---------|------|--------------|-----------------------------|------|
| 1 | 04.0607.0109 | PIPE FITTING,90 M-F 13/16-16 |2 | 30 | 01.0001.0310 | SCREW, 8.8 HCS 10MM-1.5X80Z | ...1 |
| 2 | 54.0202.0004 | BUSHING |2 | 31 | 01.0023.0055 | NUT,STOP,M10 UNI 7473 6S ZN | ...1 |
| 3 | 04.0607.0141 | PIPE FITTING 90 1/2GASXM 13/16-16 ORFS |2 | | | | |
| 4 | 09.0803.0043 | SINGLE HOSE BRACKET D16 |6 | | | | |
| 5 | 01.0003.0157 | SCREW M6X25 UNI 5931 8.8 ZN |12 | | | | |
| 6 | 01.0001.0257 | SCREW M8X30 UNI 5739 8.8 ZN |4 | | | | |
| 7 | 09.0803.0060 | CLAMP,DOUBLE,D16 |4 | | | | |
| 8 | 04.0605.1039 | Fork Movement Cylinder Pipe R2 X 1/2 6160 FD 13/16"-16 180° M.24X1,5 ECN 04209 |1 | | | | |
| 9 | 04.0605.1040 | Fork Movement Cylinder Pipe R2 X 1/2 6110 FD 13/16"-16 180° M.24X1,5 ECN 04209 |1 | | | | |
| 10 | 53.3402.2100 | PIPE, 5519 |1 | | | | |
| 11 | 53.3402.2000 | PIPE, 5519 |1 | | | | |
| 12 | 04.0600.0188 | Drilled Screw 3/8" |1 | | | | |
| 13 | 06.0442.0102 | Copper Washer JC 17 |2 | | | | |
| 14 | 07.0721.0117 | SNAP RING |4 | | | | |
| 15 | 07.0721.0019 | BALL JOINT |2 | | | | |
| 16 | 04.0605.0659 | HOSE R1 X 1/4 LG 1350 |1 | | | | |
| 17 | 01.0031.0061 | FLAT WASHER D20 UNI 6592 ZN |2 | | | | |
| 18 | 04.0607.0124 | PIPE FITTING 90 M-M 13/16-16 ORFS |2 | | | | |
| 19 | 04.0605.0626 | Flexible Hose R2 X 1/2 LG. 1100 F90 13/16 MD 16 S DIN 24° |2 | | | | |
| 20 | 04.0607.0122 | PIPE FITTING TMF+L 13/16-16 ORFS |2 | | | | |
| 21 | 04.0605.0809 | HOSE R2 X 1/2 LG. 1650 |1 | | | | |
| 22 | 04.0607.0111 | PIPE FITTING 1/2 BSPX13/16-16 ORFS |2 | | | | |
| 23 | 01.0023.0054 | NUT,M8 UNI 7473 6S ZN |1 | | | | |
| 24 | 54.0000.0198 | Pin |1 | | | | |
| 25 | 01.0001.0211 | SCREW M8X80 UNI 5737 8.8 ZN | ...2 | | | | |
| 26 | 04.0605.0658 | Pipe R2 X 1/2 LG. 950 FD FD 13/16-16 ORFS |2 | | | | |
| 27 | 04.0607.0111 | PIPE FITTING 1/2 BSPX13/16-16 ORFS |2 | | | | |
| 28 | 04.0605.0661 | HOSE |1 | | | | |
| 29 | 54.0000.0193 | PIN |1 | | | | |

603.1 605896 Hydraulic System - Auxiliary Circuits

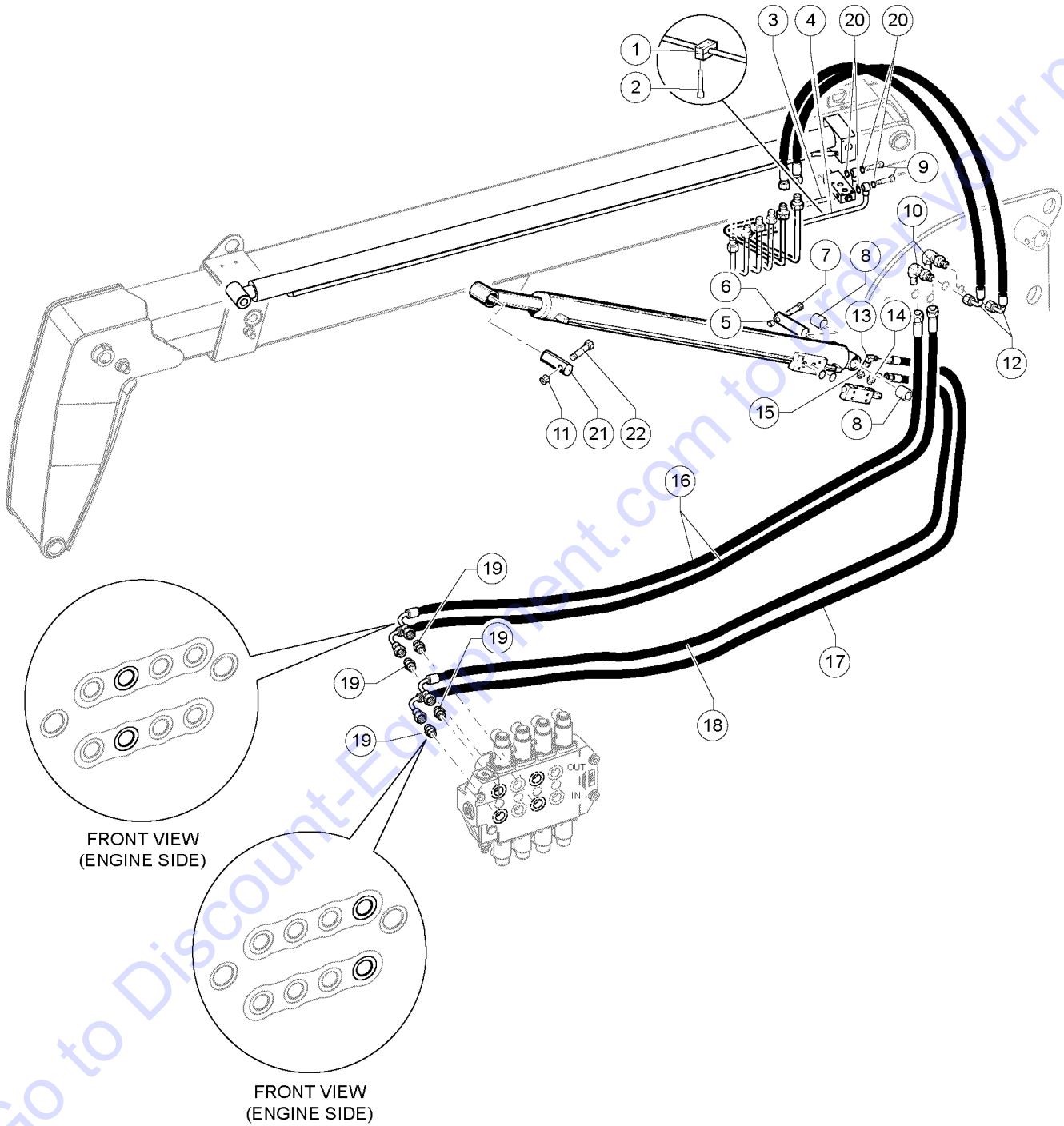


603.1 605896 Hydraulic System - Auxiliary Circuits

| Item | Part No. | Description | Qty. |
|------|--------------|--------------------------------------------------------------------------------------|------|
| 1 | 04.0607.0111 | PIPE FITTING 1/2 BSPX13/16-16 ORFS | 2 |
| 2 | 04.0605.0351 | HOSE R2X1/2 LG 1800 F90-FD 13/16-16 ORFS..... | 2 |
| 3 | 53.3402.2200 | PIPE, 5519..... | 1 |
| 4 | 53.3402.2300 | PIPE, 5519..... | 1 |
| 5 | 04.0605.1041 | Flexible Hose R2 X 1/2 6000 FD 13/16"-16 - 180° M.24X1,5..... <i>ECN 04209</i> | 1 |
| 6 | 04.0605.1042 | Flexible Hose R2 X 1/2 6010 FD 13/16"-16 - 180° M.24X1,5..... <i>ECN 04209</i> | 1 |
| 7 | 01.0001.0257 | SCREW M8X30 UNI 5739 8.8 ZN...4 | 4 |
| 8 | 09.0803.0523 | DOUBLE HOSE LOCKING PLATE D18..... | 4 |
| 9 | 09.0803.0060 | CLAMP,DOUBLE,D16..... | 4 |
| 10 | 04.0607.0124 | PIPE FITTING 90 M-M 13/16-16 ORFS..... | 2 |
| 11 | 04.0605.0626 | Flexible Hose R2 X 1/2 LG. 1100 F90 13/16 MD 16 S DIN 24° | 2 |

Go to Discount-Equipment.com to order your parts

604.1 605897 Hydraulic System - Lifting and Boom Extension



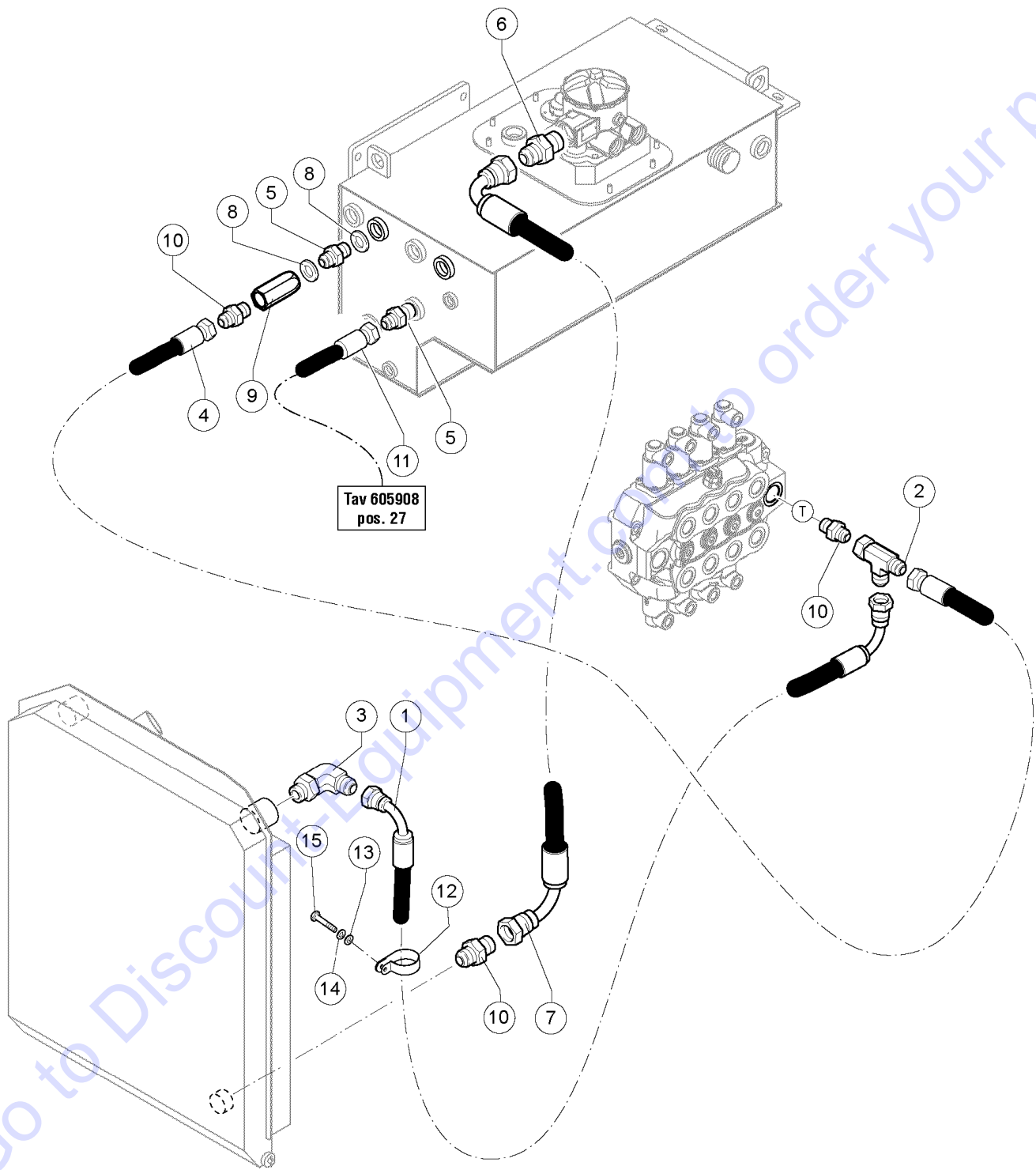
604.1 605897 Hydraulic System - Lifting and Boom Extension

| Item | Part No. | Description | Qty. |
|------|--------------|---------------------------------------------------------------------|------|
| 1 | 09.0803.0043 | SINGLE HOSE BRACKET D16.....12 | |
| 2 | 01.0003.0157 | SCREW M6X25 UNI 5931 8.8 ZN.....24 | |
| 3 | 53.3402.1900 | PIPE, 5519.....1 | |
| 4 | 53.3402.1800 | Pipe.....1 <i>07.4529.0082 Seal Ring</i> | |
| 5 | 01.0023.0056 | STOP NUT M12 UNI 7473 6S ZN....2 | |
| 6 | 54.0000.0195 | Pin.....1 | |
| 7 | 01.4001.0003 | SCREW M12X100 UNI 5737 8.8 ZN.....2 | |
| 8 | 54.0202.0005 | Busch.....2 | |
| 9 | 04.0214.0035 | DRILLED SCREW 1/2 BSP.....2 | |
| 10 | 04.0607.0124 | PIPE FITTING 90 M-M 13/16-16 ORFS.....2 | |
| 11 | 01.0023.0056 | STOP NUT M12 UNI 7473 6S ZN....1 | |
| 12 | 04.0605.0626 | Flexible Hose R2 X 1/2 LG. 1100 F90 13/16 MD 16 S DIN 24°2 | |
| 13 | 04.0607.0109 | PIPE FITTING,90 M-F 13/16-161 | |
| 14 | 04.0607.0141 | PIPE FITTING 90 1/2GASXM 13/16-16 ORFS.....1 | |
| 15 | 04.0607.0111 | PIPE FITTING 1/2 BSPX13/16-16 ORFS1 | |
| 16 | 04.0605.0184 | FLEXIBLE HOSE.....2 | |
| 17 | 04.0605.0189 | Flexible Hose R2 X 1/2 LG.2050 FD F90 13/16-16 ORFS.....1 | |
| 18 | 04.0605.0186 | Flexible Hose R2 X 1/2 LG.1950 FD F90 13/16-16 ORFS.....1 | |
| 19 | 04.0607.0111 | PIPE FITTING 1/2 BSPX13/16-16 ORFS4 | |
| 20 | 06.0442.0103 | COPPER WASHER.....4 | |
| 21 | 54.0000.0196 | PIN.....1 | |
| 22 | 01.4001.0003 | SCREW M12X100 UNI 5737 8.8 ZN.....1 | |

Go to www.genieequipment.com to order your parts



605.1 605898 Hydraulic System - Radiator (Deutz Engine)

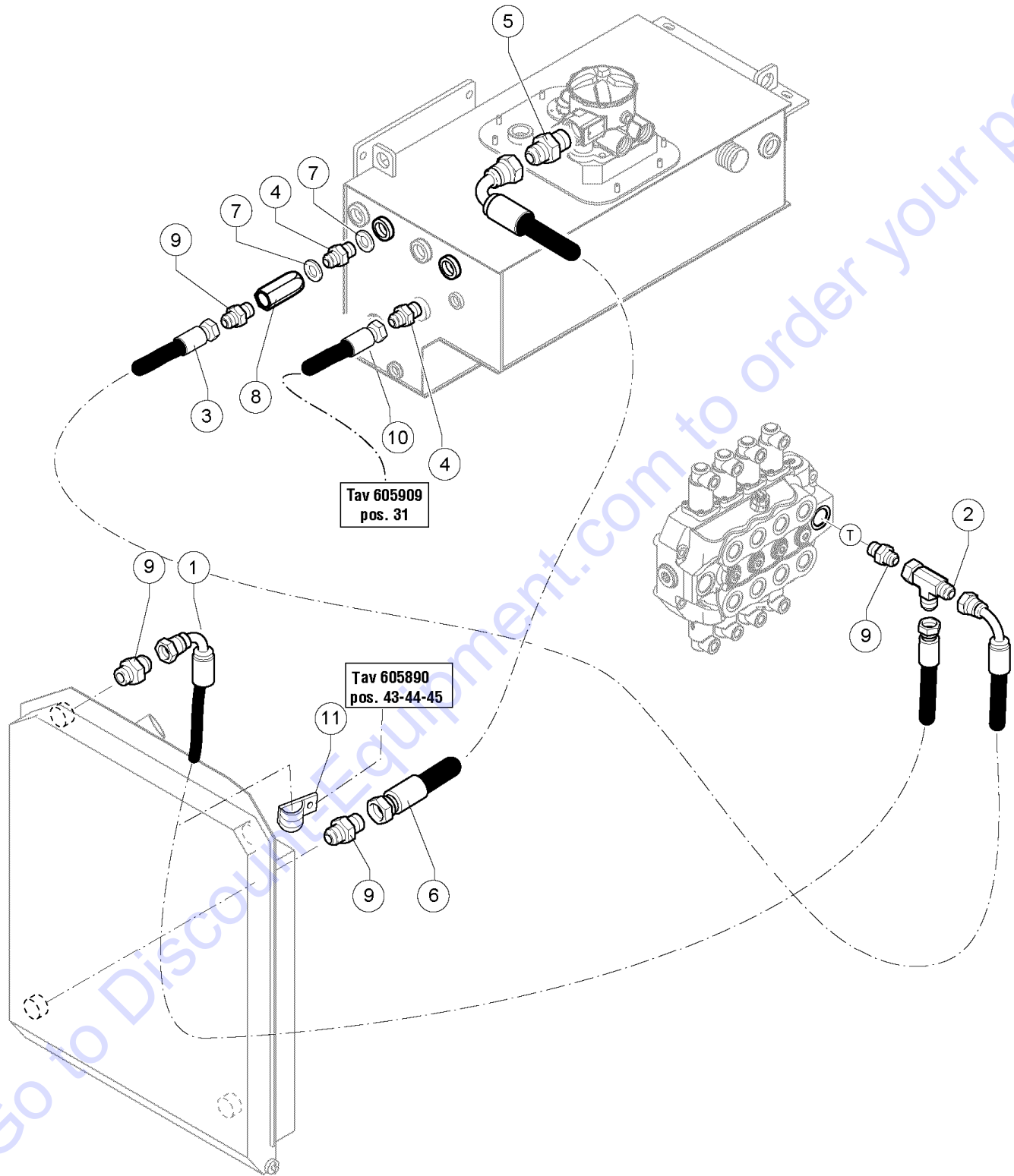


605.1 605898 Hydraulic System - Radiator (Deutz Engine)

| Item | Part No. | Description | Qty. |
|------|--------------|---------------------------------------------------|------|
| 1 | 04.0605.0937 | Hose R1 X 3/4 1500 F90 F90 1 3/16"-12 90°..... | 1 |
| 2 | 04.0607.0120 | Pipe Fitting TMF+L 1" 3/16-12 ORFS..... | 1 |
| 3 | 04.0607.0119 | PIPE FITTING | 1 |
| 4 | 04.0605.0647 | HOSE R1 X 3/4 LG. 400 5519..... | 1 |
| 5 | 04.0600.0046 | PIPE FITTING 3/4X 3/4 BSP..... | 2 |
| 6 | 04.0607.0194 | Pipe Fitting 1"1/4BSP-1"3/16-12 ORFS..... | 1 |
| 7 | 04.0605.0682 | HOSE, R1 X 3/4LG 1850..... | 1 |
| 8 | 06.0442.0105 | WASHER,JC 27,SP.2,5..... | 2 |
| 9 | 04.4239.0083 | Valve Vuc 3/4 8 Bar..... | 1 |
| 10 | 04.0607.0107 | PIPE FITTING 3/4"BSP X1"3/16-12 ORFS..... | 2 |
| 11 | | 605908 ref. 27..... | Ref |
| 12 | 04.4227.0007 | CLAMP S16 D32 HOLE 8.4..... | 1 |
| 13 | 01.0031.0055 | FLAT WASHER D8 UNI 6592 ZN | 1 |
| 14 | 01.4032.0003 | SPRING WASHER D 8 ZN | 1 |
| 15 | 01.0001.0254 | SCREW M8X20 UNI 5739 8.8 ZN.... | 1 |

Go to Discount-Equipment.com to order your parts

606.1 605899 Hydraulic System - Radiator (Perkins Engine)

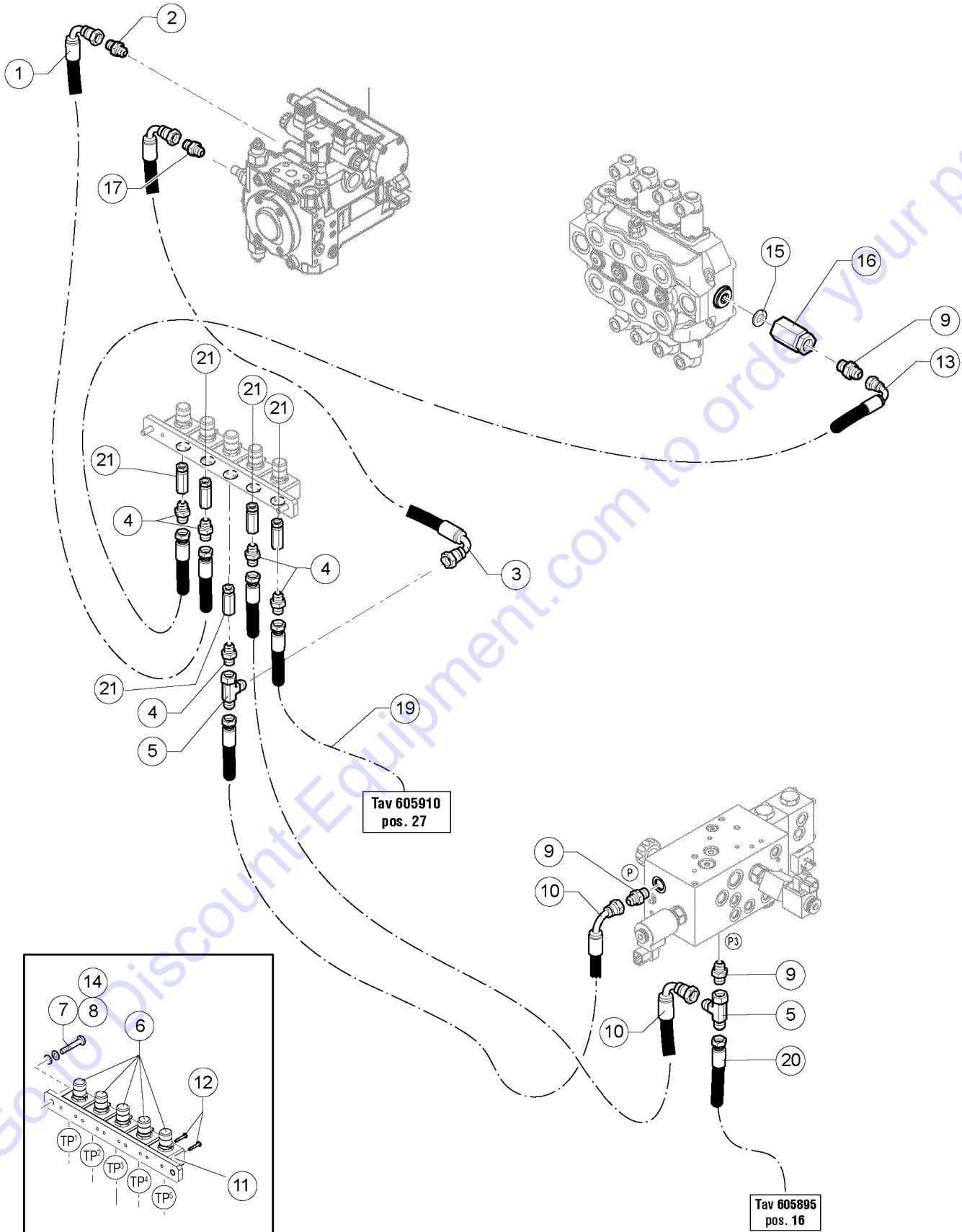


606.1 605899 Hydraulic System - Radiator (Perkins Engine)

| Item | Part No. | Description | Qty. |
|------|--------------|----------------------------------------------|------|
| 1 | 04.0605.0646 | HOSE..... | 1 |
| 2 | 04.0607.0120 | Pipe Fitting TMF+L 1" 3/16-12 ORFS..... | 1 |
| 3 | 04.0605.0647 | HOSE R1 X 3/4 LG. 400 5519..... | 1 |
| 4 | 04.0600.0046 | PIPE FITTING 3/4X 3/4 BSP..... | 1 |
| 5 | 04.0607.0194 | Pipe Fitting 1"1/4BSP-1"3/16-12 ORFS..... | 1 |
| 6 | 04.0605.0650 | HOSE, R1 X 3/4LG 2150 F90 FD 1" 3/16..... | 1 |
| 7 | 06.0442.0124 | Bonded Ring 3/4"..... | 2 |
| 8 | 04.4239.0083 | Valve Vuc 3/4 8 Bar..... | 1 |
| 9 | 04.0607.0107 | PIPE FITTING 3/4"BSP X1"3/16-12 ORFS..... | 3 |
| 10 | | 605909 ref. 31..... | Ref |
| 11 | 04.4227.0020 | Clamp..... | 1 |
| 11 | | 605890 ref 43-44-45..... | Ref |

Go to Discount-Equipment.com to order your parts

607.1 605900 Hydraulic System - Hydraulic Switches (Deutz Engine)

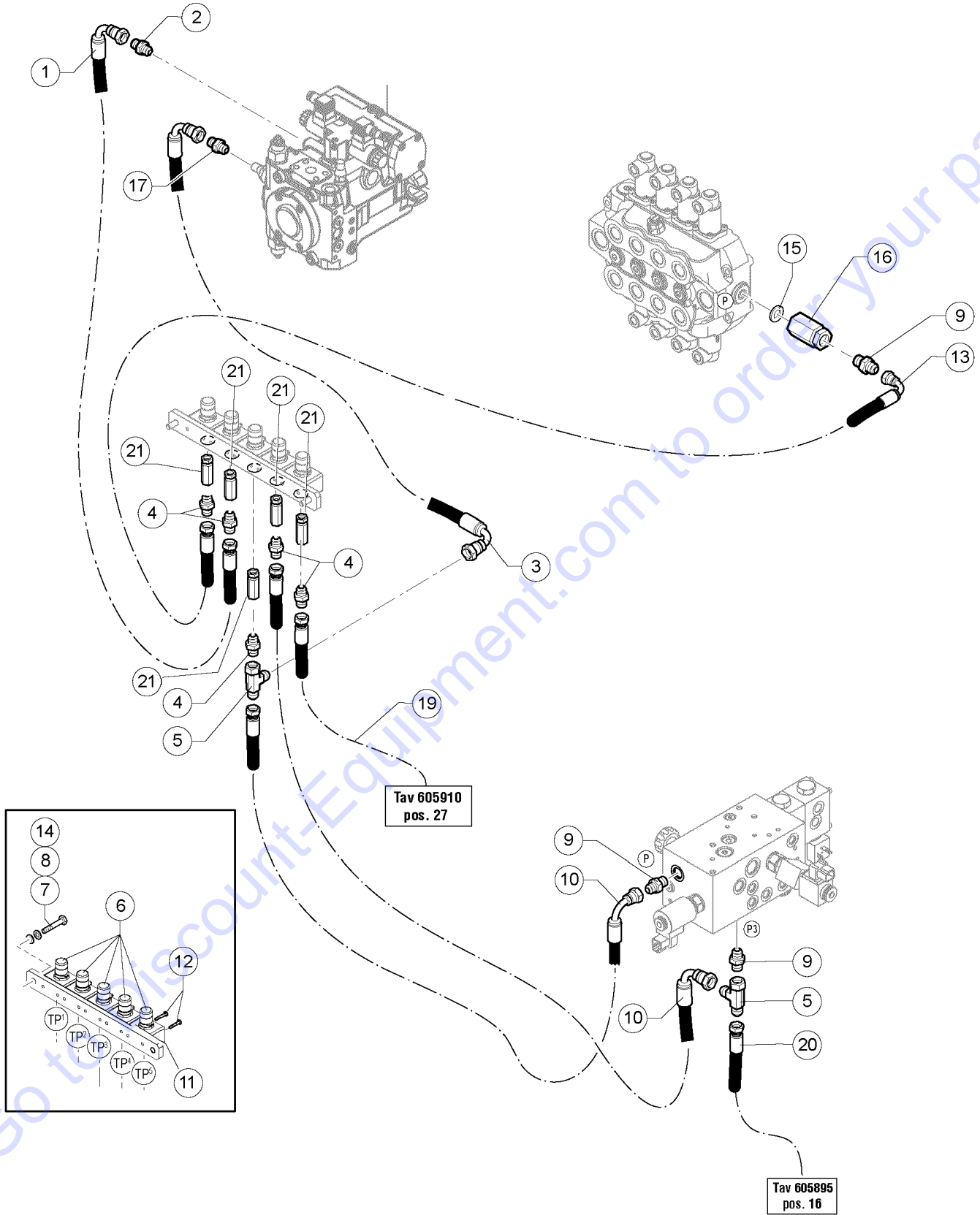


607.1 605900 Hydraulic System - Hydraulic Switches (Deutz Engine)

| Item | Part No. | Description | Qty. |
|------|--------------|-------------------------------------------------|------|
| 1 | 04.0605.0674 | HOSE,ETERNITY, 1/4 1500 | 1 |
| 2 | 04.0607.0103 | PIPE FITTING M12X1.5 X 9/16-18 ORFS..... | 1 |
| 3 | 04.0605.0651 | HOSE, R1 X 1/4LG 1650 F90 F90 9/16-18 O..... | 1 |
| 4 | 04.0607.0113 | PIPE FITTING 1/4 BSPX9/16-18 ORFS..... | 5 |
| 5 | 04.0607.0115 | PIPE FITTING TMF+L 9/16-18 ORFS..... | 2 |
| 6 | 04.4210.0016 | PRESSURE TUBE..... | 5 |
| 7 | 01.0001.0254 | SCREW M8X20 UNI 5739 8.8 ZN.... | 2 |
| 8 | 01.4032.0003 | SPRING WASHER D 8 ZN | 2 |
| 9 | 04.0607.0114 | PIPE FITTING 3/8 BSPX9/16-18 ORFS..... | 2 |
| 10 | 04.0605.0235 | FLEXIBLE HOSE..... | 2 |
| 11 | 09.0803.0046 | SINGLE HOSE BRACKET D25..... | 5 |
| 12 | 01.0003.0159 | SCREW,TCEI,M6X35 UNI 8.8 ZN..... | 10 |
| 13 | 04.0605.0684 | HOSE R2X1/4 LG 650 FD-F90 9/16-18 ORFS..... | 1 |
| 14 | 01.0031.0055 | FLAT WASHER D8 UNI 6592 ZN | 2 |
| 15 | 06.0442.0105 | WASHER,JC 27,SP2,5..... | 1 |
| 16 | 04.0600.0013 | FITTING,GWR,3/4M X 3/8F..... | 1 |
| 17 | 04.0607.0153 | PIPE FITTING 14X1.5X9/16-18 ORFS..... | 1 |
| 19 | 04.0605.0790 | Hose..... | 1 |
| 20 | | 605895 ref. 16..... | Ref |
| 21 | 04.0607.0791 | HOSE ADAPTER F-F 1/4GXM14X1,5..... | 5 |

Go to DiscountEquipment.com to order your parts

608.1 605901 Hydraulic System - Hydraulic Switches (Perkins Engine)

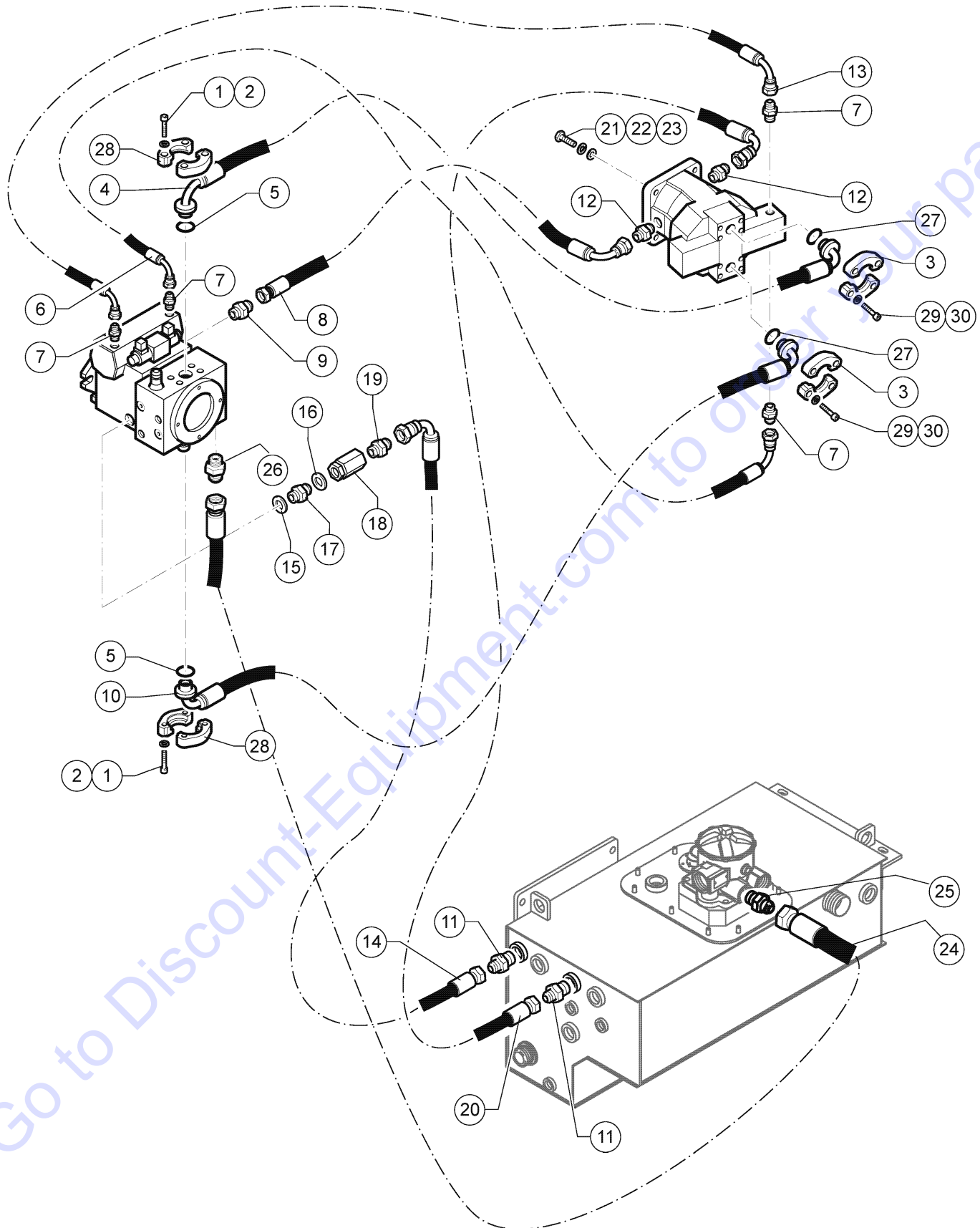


608.1 605901 Hydraulic System - Hydraulic Switches (Perkins Engine)

| Item | Part No. | Description | Qty. |
|------|--------------|--------------------------------------------------|------|
| 1 | 04.0605.0865 | Hose ETERNITY/2 X 1/4 900 FD F90 9/16-18..... | 1 |
| 2 | 04.0607.0103 | PIPE FITTING M12X1.5 X 9/16-18 ORFS..... | 1 |
| 3 | 04.0605.0807 | Hose R1 X 1/4..... | 1 |
| 4 | 04.0607.0113 | PIPE FITTING 1/4 BSPX9/16-18 ORFS..... | 5 |
| 5 | 04.0607.0115 | PIPE FITTING TMF+L 9/16-18 ORFS..... | 2 |
| 6 | 04.4210.0016 | PRESSURE TUBE..... | 5 |
| 7 | 01.0001.0254 | SCREW M8X20 UNI 5739 8.8 ZN.... | 2 |
| 8 | 01.4032.0003 | SPRING WASHER D 8 ZN | 2 |
| 9 | 04.0607.0114 | PIPE FITTING 3/8 BSPX9/16-18 ORFS..... | 2 |
| 10 | 04.0605.0235 | FLEXIBLE HOSE..... | 2 |
| 11 | 09.0803.0046 | SINGLE HOSE BRACKET D25..... | 5 |
| 12 | 01.0003.0159 | SCREW,TCEI,M6X35 UNI 8.8 ZN..... | 10 |
| 13 | 04.0605.0684 | HOSE R2X1/4 LG 650 FD-F90 9/16-18 ORFS..... | 1 |
| 14 | 01.0031.0055 | FLAT WASHER D8 UNI 6592 ZN | 2 |
| 15 | 06.0442.0105 | WASHER,JC 27,SP2,5..... | 1 |
| 16 | 04.0600.0013 | FITTING,GWR,3/4M X 3/8F..... | 1 |
| 17 | 04.0607.0153 | PIPE FITTING 14X1.5X9/16-18 ORFS..... | 1 |
| 19 | 04.0605.0790 | Hose..... | 1 |
| 20 | | 605895 ref. 16..... | Ref |
| 21 | 04.0607.0791 | HOSE ADAPTER F-F 1/4GXM14X1,5..... | 5 |

Go to DiscountEquipment.com to order your parts

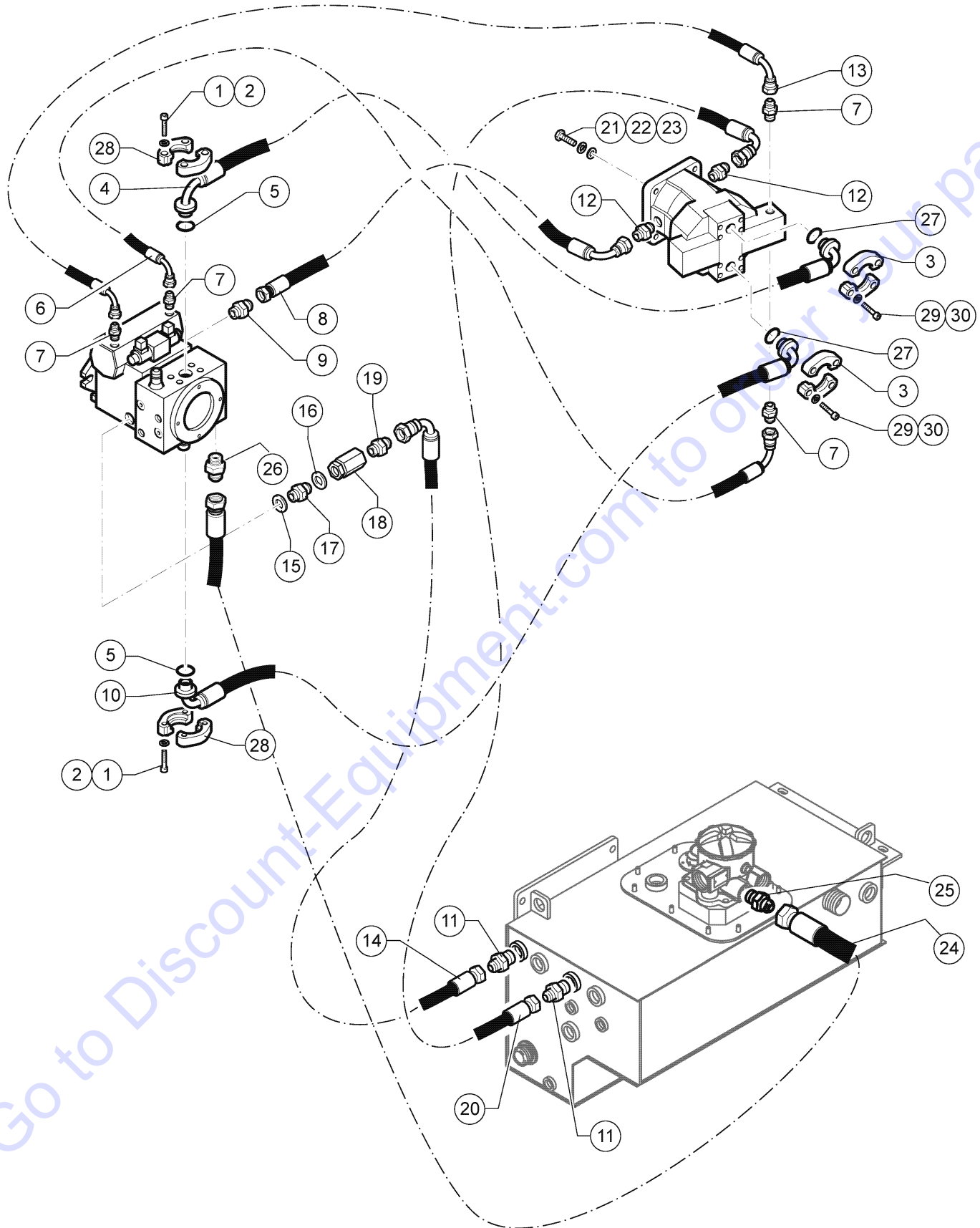
609.1 605902 Hydraulic System - Transmission (Deutz Engine)



609.1 605902 Hydraulic System - Transmission (Deutz Engine)

| Item | Part No. | Description | Qty. |
|------|--------------|----------------------------------------------------------|------|
| 1 | 01.0003.0257 | Screw TCEI M10X35 UNI5931 8.8ZN | 8 |
| 2 | 01.4032.0004 | SPRING WASHER D10 ZN..... | 8 |
| 3 | 04.4223.0003 | HALF FLANGE D47..... | 4 |
| 4 | 04.4229.0050 | Hose FLANG BM6K X3/4 1400 FL45D47 FL90D42 A 90°..... | 1 |
| 5 | 06.0401.0214 | O-Ring..... | 2 |
| 6 | 04.0605.0678 | HOSE, R1 X 1/4LG 1950..... | 1 |
| 7 | 04.0607.0103 | PIPE FITTING M12X1.5 X 9/16-18 ORFS..... | 4 |
| 8 | 04.0605.0675 | HOSE, R1 X 3/4LG 1900..... | 1 |
| 9 | 04.0607.0182 | Pipe Fitting M22X1,5X 1"3/16-12..... | 1 |
| 10 | 04.4229.0051 | Hose FLANG BM6K X3/4 1400 FL45D47 FL90D42 A 280°..... | 1 |
| 11 | 04.0607.0107 | PIPE FITTING 3/4"BSP X1"3/16-12 ORFS..... | 2 |
| 12 | 04.0607.0217 | PIPE FITTING M18X1,5X1"3/16-12 ORFS..... | 2 |
| 13 | 04.0605.0108 | HOSE R1X1/4 LG 1700 F90-F90 9/16-18 ORFS a 270°..... | 1 |
| 14 | 04.0605.0677 | HOSE, R1 X 3/4LG 1400..... | 1 |
| 15 | 06.0442.0059 | WASHER,JC 22..... | 1 |
| 16 | 06.0442.0105 | WASHER,JC 27,SP2,5..... | 1 |
| 17 | 04.0600.0050 | Pipe Fitting M22X1.5X3/4..... | 1 |
| 18 | 04.4239.0013 | Valve 3/4 PA 2.5..... | 1 |
| 19 | 04.0607.0107 | PIPE FITTING 3/4"BSP X1"3/16-12 ORFS..... | 1 |
| 20 | 04.0605.0447 | HOSE, R1 X 3/4LG 1000..... | 1 |
| 21 | 01.0001.0651 | Screw TE M16X50 UNI 5737 8.8 ZN..... | 4 |
| 22 | 01.4032.0007 | SPRING WASHER D16 ZN..... | 4 |
| 23 | 01.0031.0059 | FLAT WASHER D16 UNI 6592 ZN..... | 4 |
| 24 | 04.0605.0676 | HOSE R4 X 1"1/4 LG. 2500..... | 1 |
| 25 | 04.0607.0174 | PIPE FITTING 1"BSPX1"11/16-12 ORFS..... | 1 |
| 26 | 04.0607.0143 | Pipe Fitting M33X2 X1"11/16-12 | 1 |
| 27 | 06.0401.0219 | O-RING..... | 2 |
| 28 | 04.4223.0004 | PLATE/SEMI FLANGE..... | 4 |
| 29 | 01.0001.0401 | SCREW,TE,M12X40 UNI 8.8 ZN..... | 8 |
| 30 | 01.4032.0005 | SPRING WASHER D12 ZN | 8 |

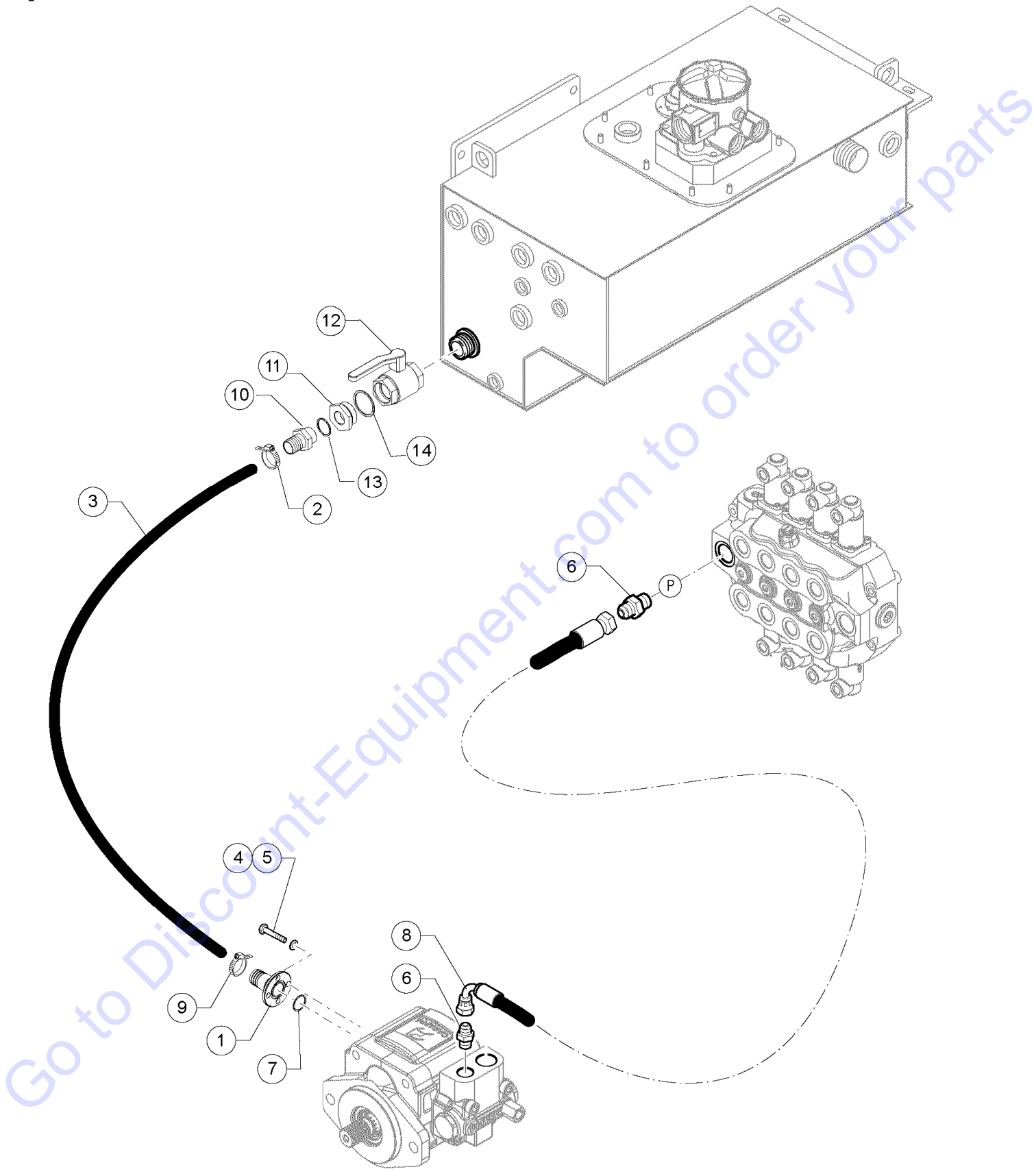
610.1 605903 Hydraulic System - Transmission (Perkins Engine)



610.1 605903 Hydraulic System - Transmission (Perkins Engine)

| Item | Part No. | Description | Qty. |
|------|--------------|----------------------------------------------|------|
| 1 | 01.0003.0257 | Screw TCEI M10X35 UNI5931 8.8ZN | 8 |
| 2 | 01.4032.0004 | SPRING WASHER D10 ZN..... | 8 |
| 3 | 04.4223.0003 | HALF FLANGE D47..... | 4 |
| 4 | 04.4229.0048 | HOSE, 5519..... | 1 |
| 5 | 06.0401.0214 | O-Ring..... | 5 |
| 6 | 04.0605.0645 | HOSE, R1 X 1/4 LG. 850 F90 F90...1 | 1 |
| 7 | 04.0607.0103 | PIPE FITTING M12X1.5 X 9/16-18 ORFS..... | 4 |
| 8 | 04.0605.0660 | HOSE R1 X 3/4 LG. 1000 5519..... | 1 |
| 9 | 04.0607.0182 | Pipe Fitting M22X1,5X 1"3/16-12.... | 1 |
| 10 | 04.4229.0049 | HOSE, 5519..... | 1 |
| 11 | 04.0607.0107 | PIPE FITTING 3/4"BSP X1"3/16-12 ORFS..... | 2 |
| 12 | 04.0607.0217 | PIPE FITTING M18X1,5X1"3/16-12 ORFS..... | 2 |
| 13 | 04.0605.0281 | HOSE FLEXIBLE 5519..... | 1 |
| 14 | 04.0605.0660 | HOSE R1 X 3/4 LG. 1000 5519..... | 1 |
| 15 | 06.0442.0059 | WASHER,JC 22..... | 1 |
| 16 | 06.0442.0105 | WASHER,JC 27,SP2,5..... | 1 |
| 17 | 04.0600.0050 | Pipe Fitting M22X1.5X3/4..... | 1 |
| 18 | 04.4239.0013 | Valve 3/4 PA 2.5..... | 1 |
| 19 | 04.0607.0107 | PIPE FITTING 3/4"BSP X1"3/16-12 ORFS..... | 1 |
| 20 | 04.0605.0447 | HOSE, R1 X 3/4LG 1000..... | 1 |
| 21 | 01.0001.0651 | Screw TE M16X50 UNI 5737 8.8 ZN..... | 4 |
| 22 | 01.4032.0007 | SPRING WASHER D16 ZN..... | 4 |
| 23 | 01.0031.0059 | FLAT WASHER D16 UNI 6592 ZN..... | 4 |
| 24 | 04.0605.0676 | HOSE R4 X 1"1/4 LG. 2500..... | 1 |
| 25 | 04.0607.0174 | PIPE FITTING 1"BSPX1"11/16-12 ORFS..... | 1 |
| 26 | 04.0607.0143 | Pipe Fitting M33X2 X1"11/16-12 | 1 |
| 27 | 06.0401.0219 | O-RING..... | 2 |
| 28 | 04.4223.0004 | PLATE/SEMI FLANGE..... | 4 |
| 29 | 01.0001.0401 | SCREW,TE,M12X40 UNI 8.8 ZN.... | 8 |
| 30 | 01.4032.0005 | SPRING WASHER D12 ZN | 8 |

611.1 605904 Hydraulic System - Casappa Pump (Deutz Engine)

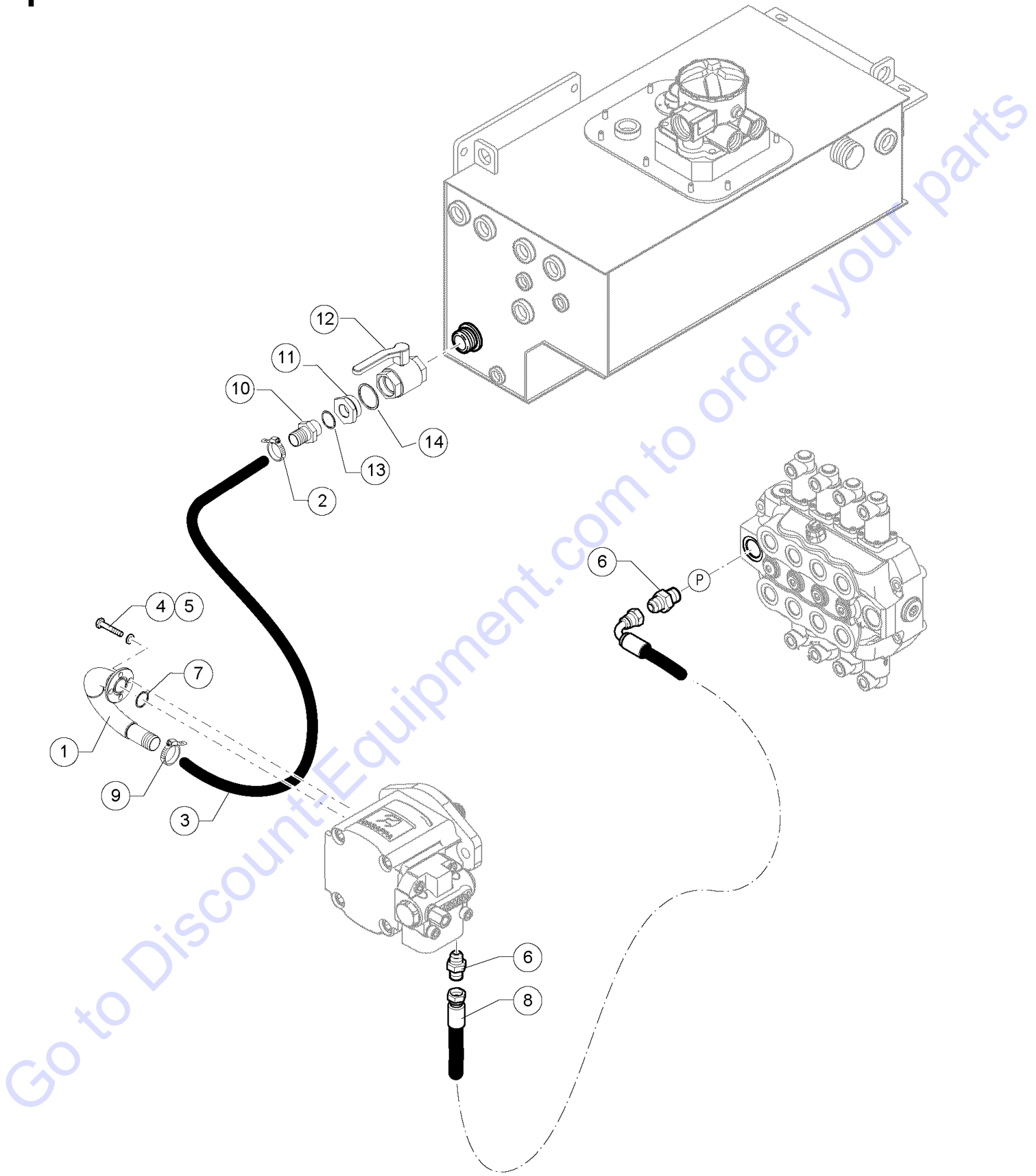


611.1 605904 Hydraulic System - Casappa Pump (Deutz Engine)

| Item | Part No. | Description | Qty. |
|------|--------------|----------------------------------------------|-------|
| 1 | 53.3001.5700 | Manifold..... | 1 |
| 2 | 04.4227.0023 | Clamp..... | 2 |
| 3 | 09.0805.0093 | RUBBER PIPE R4 X 1 1/4(DI30)..... | 1,8-m |
| 4 | 01.0003.0255 | SCREW M10X25 UNI 5931 8.8 ZN..... | 4 |
| 5 | 01.4032.0004 | SPRING WASHER D10 ZN..... | 4 |
| 6 | 04.0607.0107 | PIPE FITTING 3/4"BSP X1"3/16-12 ORFS..... | 2 |
| 7 | 06.0401.0123 | O-RING..... | 1 |
| 8 | 04.0605.0681 | HOSE ROCKMASTER X 3/4..... | 1 |
| 9 | 04.4227.0027 | Clamp 38/41..... | 1 |
| 10 | 09.0806.0020 | SUPPORT/RUBBER DOOR..... | 1 |
| 11 | 04.0600.0055 | Pipe Fitting GWR 1" 1/2 M x 1" F..... | 1 |
| 12 | 04.4224.0000 | Ball Valve DN 1 1/2 | 1 |
| 13 | 06.0442.0107 | Copper Washer JC 33..... | 3 |
| 14 | 06.0442.0111 | WASHER..... | 1 |

Go to Discount-Equipment.com to order your parts

612.1 605905 Hydraulic System - Casappa Pump (Perkins Engine)



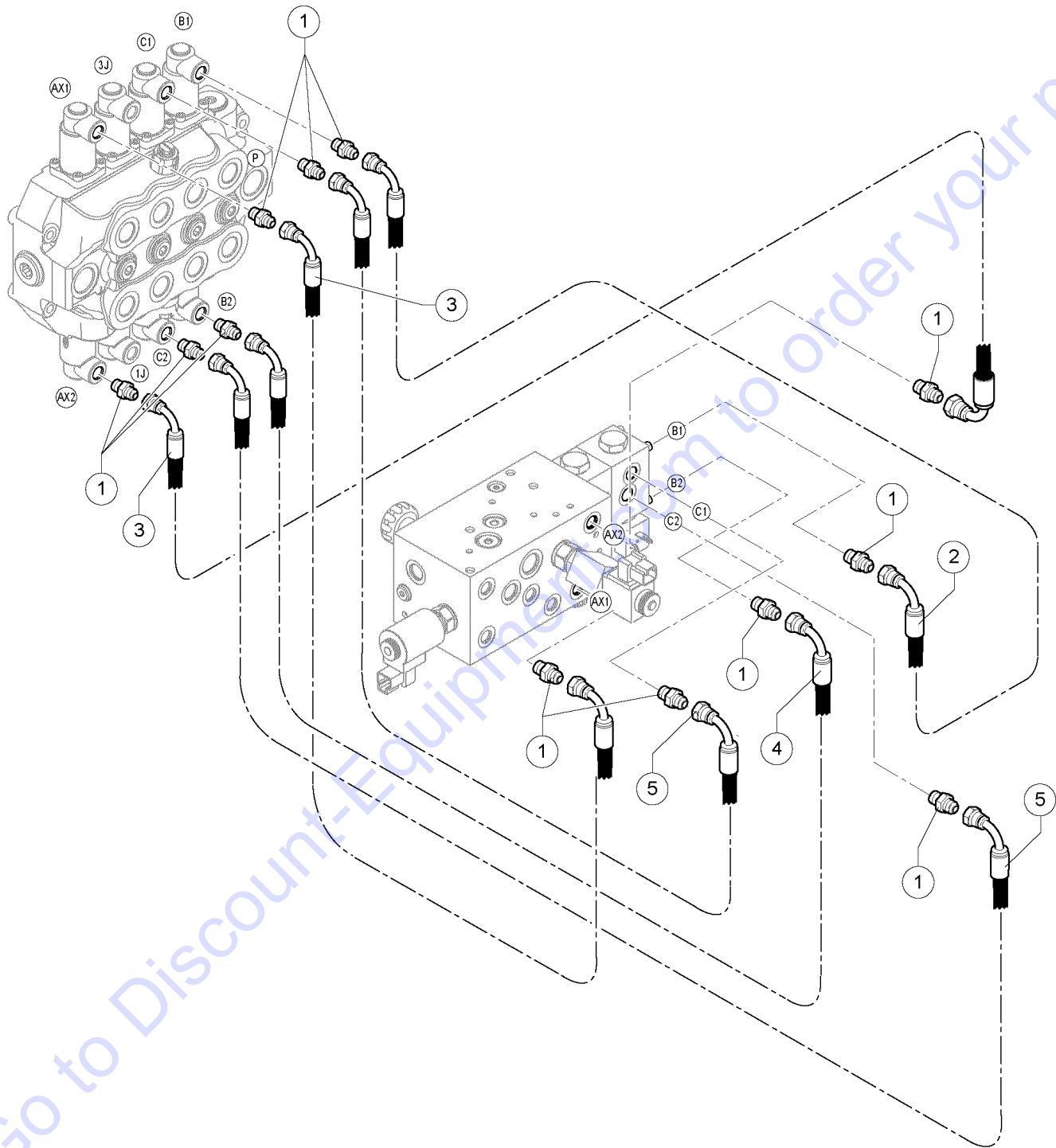
612.1 605905 Hydraulic System - Casappa Pump (Perkins Engine)

| Item | Part No. | Description | Qty. |
|------|--------------|---------------------------------------------------|------|
| 1 | 53.3001.4900 | PIPE,SUCTION LINE FOR MANIFOLD..... | 1 |
| 2 | 04.4227.0023 | Clamp..... | 1 |
| 3 | 09.0805.0088 | HOSE R4 X 1-1/4 (DI30) LG 1000..... | 1-m |
| 4 | 01.0003.0255 | SCREW M10X25 UNI 5931 8.8 ZN..... | 4 |
| 5 | 04.4032.0004 | Spring Washer..... | 4 |
| 6 | 04.0607.0107 | PIPE FITTING 3/4"BSP X1"3/16-12 ORFS..... | 2 |
| 7 | 06.0401.0123 | O-RING..... | 1 |
| 8 | 04.0605.0649 | HOSE, ROCKMASTER X 3/4 LG-730 FD F90 1" 3..... | 1 |
| 9 | 04.4227.0027 | Clamp 38/41..... | 1 |
| 10 | 09.0806.0020 | SUPPORT/RUBBER DOOR..... | 1 |
| 11 | 04.0600.0055 | Pipe Fitting GWR 1" 1/2 M x 1" F..... | 1 |
| 12 | 04.4224.0000 | Ball Valve DN 1 1/2 | 1 |
| 13 | 06.0442.0107 | Copper Washer JC 33..... | 3 |
| 14 | 06.0442.0111 | WASHER..... | 1 |

Go to Discount-Equipment.com to order your parts



613.1 605906 Hydraulic System - Hydraulic Piloting Line Main Valve



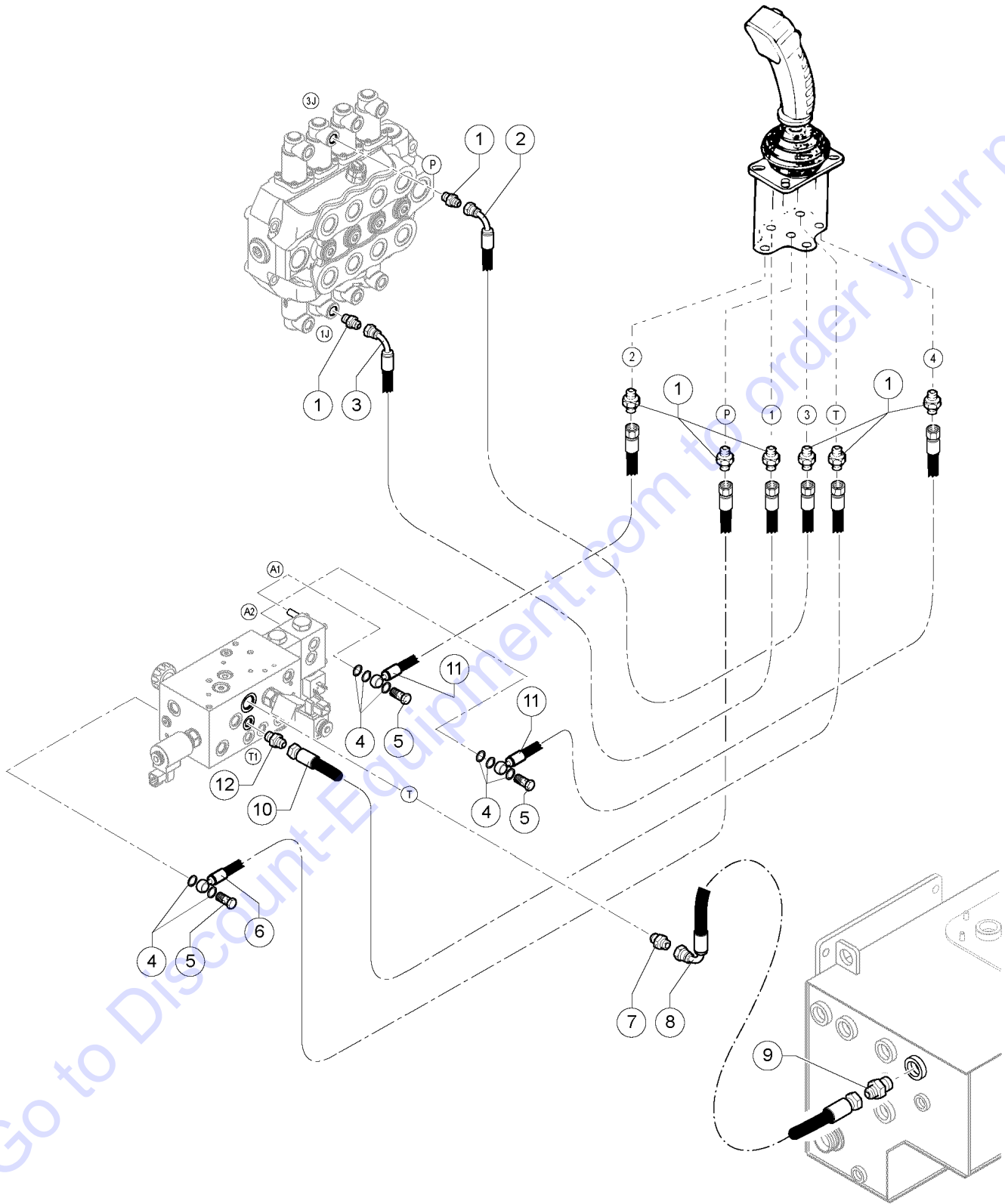
613.1 605906 Hydraulic System - Hydraulic Piloting Line Main Valve

| Item | Part No. | Description | Qty. |
|------|--------------|----------------------------------------------------------|------|
| 1 | 04.0607.0113 | PIPE FITTING 1/4 BSPX9/16-18 ORFS..... | 12 |
| 2 | 04.0605.0225 | Hose R1 X 1/4 LG.1000 F90 F90 9/16-18 ORFS a 90°..... | 1 |
| 3 | 04.0605.0179 | HOSE R1X1/4 LG 700 FD-F90 9/16-18 ORFS..... | 2 |
| 4 | 04.0605.0271 | Hose R1 X 1/4 LG.1100 F90 F90 9/16-18 ORFS a 90°..... | 1 |
| 5 | 04.0605.0453 | HOSE, R1X1/4 900..... | 2 |

Go to Discount-Equipment.com to order your parts



614.1 605907 Hydraulic System - Joystick

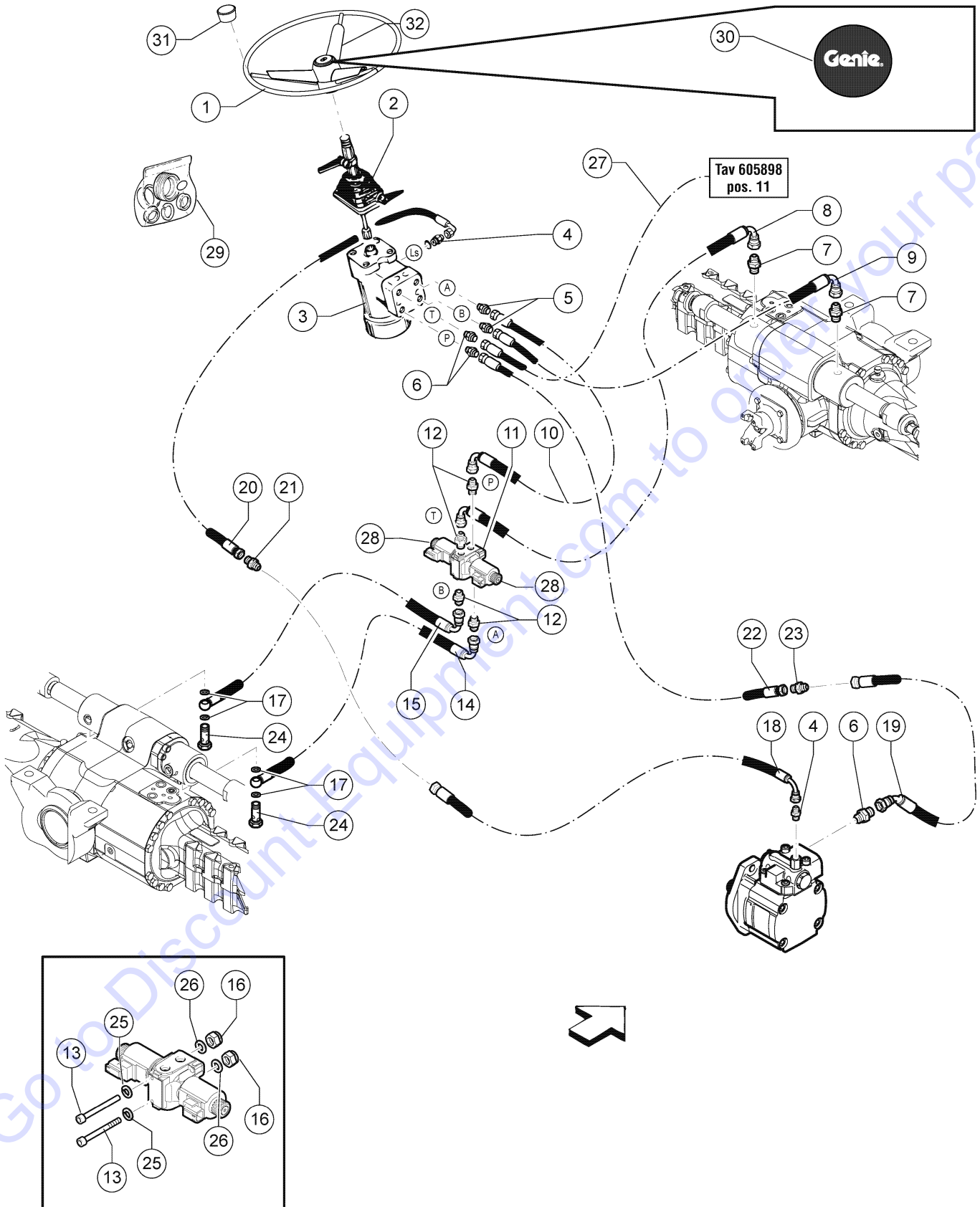


| Item | Part No. | Description | Qty. |
|------|--------------|----------------------------------------------|------|
| 1 | 04.0607.0113 | PIPE FITTING 1/4 BSPX9/16-18 ORFS..... | 8 |
| 2 | 04.0605.0245 | HOSE..... | 1 |
| 3 | 04.0605.0275 | HOSE, R1 X 1/4LG 450..... | 1 |
| 4 | 06.0442.0101 | WASHER..... | 6 |
| 5 | 05.0401.0016 | SCREW, 1/4 BSP..... | 3 |
| 6 | 04.0605.0656 | Hose R1 X 1/4 LG.450 1/4GAS FD9/16..... | 1 |
| 7 | 04.0607.0110 | PIPE FITTING 1/2BSP x 11/16-16 ORFS..... | 1 |
| 8 | 04.0605.0652 | PIPE R1 X 3/8LG, 650 F90 FD 11/16..... | 1 |
| 9 | 04.0607.0139 | PIPE FITTING..... | 1 |
| 10 | 04.0605.0654 | Hose R1 X 1/4 LG. 500 FD FD 9/16..... | 1 |
| 11 | 04.0605.0655 | Hose R1 X 1/4 LG. 1100 1/4GAS FD9/16..... | 2 |
| 12 | 04.0607.0113 | PIPE FITTING 1/4 BSPX9/16-18 ORFS..... | 1 |

Go to Discount-Equipment.com to order your parts



615.1 605908 Hydraulic System - Power Steering System (Deutz Engine)



615.1 605908 Hydraulic System - Power Steering System (Deutz Engine)

| Item | Part No. | Description | Qty. | Item | Part No. | Description | Qty. |
|------|--------------|---------------------------------------------------------------|------|------|--------------|--------------------------|------|
| 1 | 09.4636.0019 | Steering Wheel..... | 1 | 29 | 992989 | SEAL KIT..... | 1 |
| 2 | 55.0602.0340 | Harness..... | 1 | 30 | 09.4618.1107 | DECAL..... | 1 |
| 3 | 09.4636.0012 | POWER STEERING..... | 1 | 31 | 09.0803.0546 | Knob..... | 1 |
| 4 | 04.0607.0113 | PIPE FITTING 1/4 BSPX9/16-18 ORFS..... | 2 | 32 | 09.0803.0562 | Steering Wheel Plug..... | 1 |
| 5 | 04.0607.0110 | PIPE FITTING 1/2BSP x 11/16-16 ORFS..... | 2 | | | | |
| 6 | 04.0607.0111 | PIPE FITTING 1/2 BSPX13/16-16 ORFS | 3 | | | | |
| 7 | 04.0607.0137 | Pipe Fitting 18X1.5 X 11/16-16 ORFS..... | 2 | | | | |
| 8 | 04.0605.0648 | HOSE, R2 X 3/8LG 280 F90 F90 11/16 A 34..... | 1 | | | | |
| 9 | 04.0605.0638 | Hose R2 X 3/8 LG. 1250 F90 F45 11/16-18 ORFS 90°..... | 1 | | | | |
| 10 | 04.0605.0637 | Hose R2 X 3/8 1000 F45 11/16"-16 F90 11/16"-16 A 90° | 1 | | | | |
| 11 | 04.4240.0052 | SOLENOID VALVE..... | 1 | | | | |
| 12 | 04.0607.0117 | PIPE FITTING 3/8BSPX11/16-16 ORFS..... | 4 | | | | |
| 13 | 01.0001.0106 | SCREW M6X50 UNI 5737 8.8 ZN.... | 2 | | | | |
| 14 | 04.0605.0734 | Hose R2 X 3/8 LG. 2650 F90 11/16-16 ORFS- D=18..... | 1 | | | | |
| 15 | 04.0605.0733 | Hose R2 X 3/8 LG. 1900 F90 11/16-16 ORFS-OCCHIO D=18..... | 1 | | | | |
| 16 | 01.0023.0053 | STOP NUT M6 UNI 7473 6S ZN | 2 | | | | |
| 17 | 06.0442.0057 | Copper Washer JC 18 SP.2,5..... | 4 | | | | |
| 18 | 04.0605.0804 | Hose R1 X 1/4 LG. 1700 F90 FD 9/16-18 ORFS | 1 | | | | |
| 19 | 04.0605.0803 | Flexible Hose R2 X 1/2 LG. 1650 F90 FD 13/16-16 ORFS..... | 1 | | | | |
| 20 | 04.0605.0299 | Hose R1 X 1/4 LG. 550 - FD F90 9/16-18 ORFS..... | 1 | | | | |
| 21 | 04.0607.0236 | Pipe Fitting 9/16 ORFS X 9/16 ORFS..... | 1 | | | | |
| 22 | 04.0605.0100 | Hose R2 X 1/2 Lg. 550 FD F45 13/16-16 ORFS | 1 | | | | |
| 23 | 04.0607.0237 | FITTING,13/16 ORFS | 1 | | | | |
| 24 | 04.0214.0156 | Drilled Screw M18X1.5..... | 2 | | | | |
| 25 | 01.0031.0298 | FLAT WASHER D6 UNI 6593 ZN | 2 | | | | |
| 26 | 01.0031.0054 | FLAT WASHER D6 UNI 6592 ZN | 2 | | | | |
| 27 | 04.0605.0640 | Hose R1 X 1/2 LG. 1300 FD F45 13/16 ORFS..... | 1 | | | | |
| 28 | 07.4529.0111 | COIL, VALVE | 2 | | | | |

616.1 605909 Hydraulic System - Power Steering System (Perkins Engine)

| Item | Part No. | Description | Qty. | Item | Part No. | Description | Qty. |
|------|--------------|--------------------------------------------------------------------|------|------|--------------|--------------------------------------------------|------|
| 1 | 09.4636.0019 | Steering Wheel..... | 1 | 30 | 09.0803.0546 | Knob..... | 1 |
| 2 | 55.0602.0340 | Harness..... | 1 | 31 | 04.0605.0640 | Hose R1 X 1/2 LG. 1300 FD F45 13/16 ORFS..... | 1 |
| 3 | 09.4636.0012 | POWER STEERING..... | 1 | 32 | 09.0803.0562 | Steering Wheel Plug..... | 1 |
| 4 | 04.0607.0113 | PIPE FITTING 1/4 BSPX9/16-18 ORFS..... | 1 | | | | |
| 5 | 04.0607.0110 | PIPE FITTING 1/2BSP x 11/16-16 ORFS..... | 2 | | | | |
| 6 | 04.0607.0111 | PIPE FITTING 1/2 BSPX13/16-16 ORFS | 2 | | | | |
| 7 | 04.0607.0137 | Pipe Fitting 18X1.5 X 11/16-16 ORFS..... | 2 | | | | |
| 8 | 04.0605.0648 | HOSE, R2 X 3/8LG 280 F90 F90 11/16 A 34..... | 1 | | | | |
| 9 | 04.0605.0638 | Hose R2 X 3/8 LG. 1250 F90 F45 11/16-18 ORFS 90°..... | 1 | | | | |
| 10 | 04.0605.0637 | Hose R2 X 3/8 1000 F45 11/16"-16 F90 11/16"-16 A 90° | 1 | | | | |
| 11 | 04.4240.0052 | SOLENOID VALVE..... | 1 | | | | |
| 12 | 04.0607.0117 | PIPE FITTING 3/8BSPX11/16-16 ORFS..... | 4 | | | | |
| 13 | 01.0001.0106 | SCREW M6X50 UNI 5737 8.8 ZN.... | 2 | | | | |
| 14 | 04.0605.0734 | Hose R2 X 3/8 LG. 2650 F90 11/16-16 ORFS- D=18..... | 1 | | | | |
| 15 | 04.0605.0733 | Hose R2 X 3/8 LG. 1900 F90 11/16-16 ORFS-OCCHIO D=18..... | 1 | | | | |
| 16 | 01.0023.0053 | STOP NUT M6 UNI 7473 6S ZN | 2 | | | | |
| 17 | 06.0442.0057 | Copper Washer JC 18 SP.2,5..... | 4 | | | | |
| 18 | 04.0605.0685 | Hose R1 X 1/4 Lg. 650 R1 X 1/4 LG. 650 FD F90 9/16-18 ORFS..... | 1 | | | | |
| 19 | 04.0605.0806 | Hose R2X1/2 LG 550 F90-FD 13/16-16 ORFS..... | 1 | | | | |
| 20 | 04.0605.0299 | Hose R1 X 1/4 LG. 550 - FD F90 9/16-18 ORFS..... | 1 | | | | |
| 21 | 04.0607.0237 | FITTING,13/16 ORFS | 1 | | | | |
| 22 | 04.0605.0100 | Hose R2 X 1/2 Lg. 550 FD F45 13/16-16 ORFS | 1 | | | | |
| 23 | 04.0607.0236 | Pipe Fitting 9/16 ORFS X 9/16 ORFS..... | 1 | | | | |
| 24 | 04.0214.0156 | Drilled Screw M18X1.5..... | 2 | | | | |
| 25 | 01.0031.0298 | FLAT WASHER D6 UNI 6593 ZN | 2 | | | | |
| 26 | 01.0031.0054 | FLAT WASHER D6 UNI 6592 ZN | 2 | | | | |
| 27 | 07.4529.0111 | COIL, VALVE | 2 | | | | |
| 28 | 992989 | SEAL KIT..... | 1 | | | | |
| 29 | 09.4618.1107 | DECAL..... | 1 | | | | |

PARTS FINDER

**Search Website
by Part Number**



**Search Manual
Library For Parts
Manual & Lookup Part
Numbers – Purchase
or Request Quote**

Search Manuals

Enter your information to help us find the right parts manual for your machine.

* Brand:

* Model:

* Serial:

* Part Number:

SEARCH

**Can't Find Part or
Manual? Request Help
by Manufacturer,
Model & Description**

Parts Order Form

Please fill in the following information to help us find the right part for your machine.

| | |
|---------------|----------------------|
| Manufacturer: | <input type="text"/> |
| Model: | <input type="text"/> |
| Description: | <input type="text"/> |
| Part Number: | <input type="text"/> |
| Quantity: | <input type="text"/> |
| Notes: | <input type="text"/> |

Submit

Discount-Equipment.com is your online resource for quality parts & equipment.

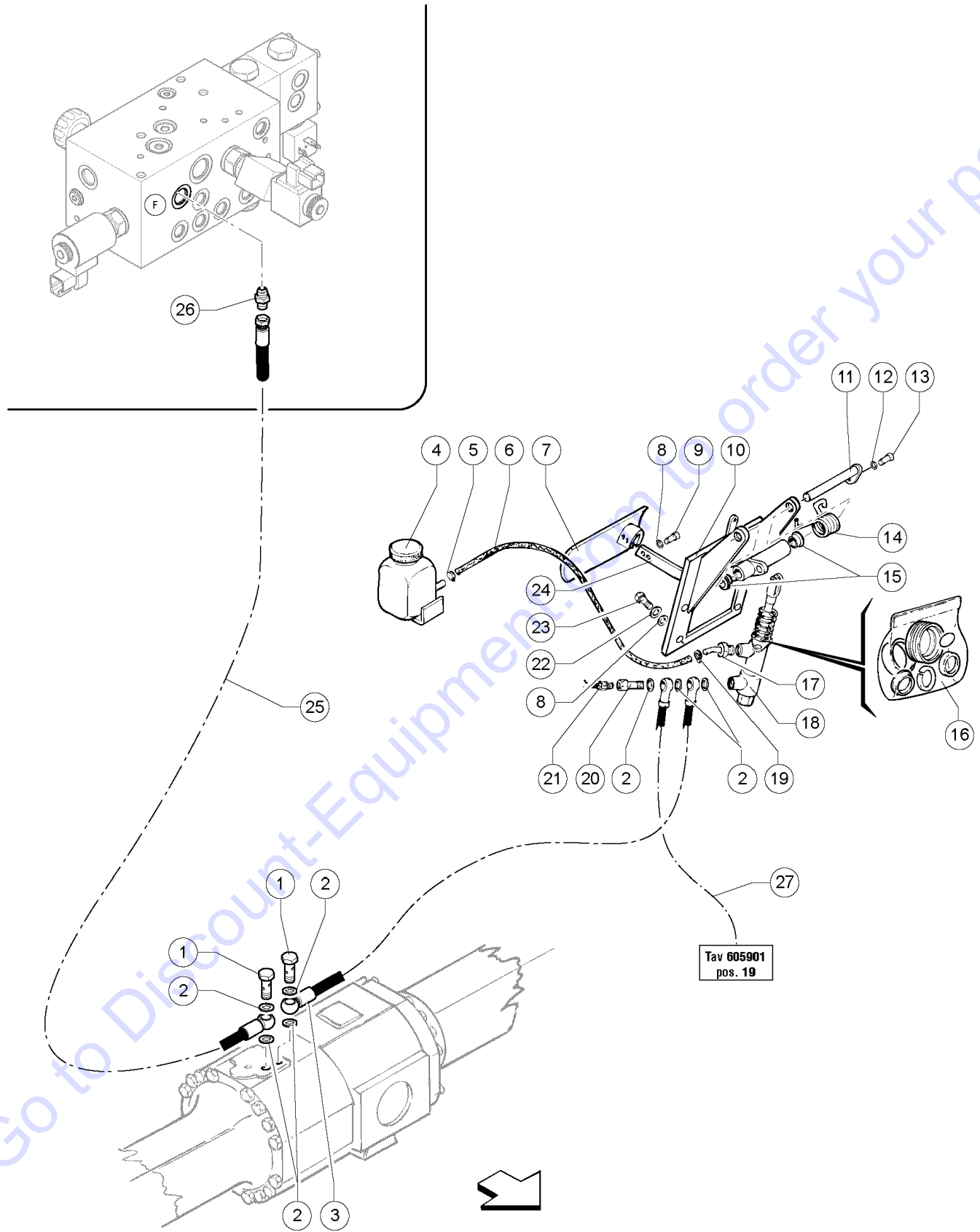
Florida: **561-964-4949** Outside Florida TOLL FREE: **877-690-3101**

Need parts?

Click on this link: <http://www.discount-equipment.com/category/5443-parts/> and choose one of the options to help get the right parts and equipment you are looking for. Please have the machine model and serial number available in order to help us get you the correct parts. If you don't find the part on the website or on one of the online manuals, please fill out the request form and one of our experienced staff members will get back to you with a quote for the right part that your machine needs.

We sell worldwide for the brands: Genie, Terex, JLG, MultiQuip, Mikasa, Essick, Whiteman, Mayco, Toro Stone, Diamond Products, Generac Magnum, Airman, Haulotte, Barreto, Power Blanket, Nifty Lift, Atlas Copco, Chicago Pneumatic, Allmand, Miller Curber, Skyjack, Lull, Skytrak, Tsurumi, Husquvarna Target, Stow, Wacker, Sakai, Mi-T-M, Sullair, Basic, Dynapac, MBW, Weber, Bartell, Bennar Newman, Haulotte, Ditch Runner, Menegotti, Morrison, Contec, Buddy, Crown, Edco, Wyco, Bomag, Laymor, EZ Trench, Bil-Jax, F.S. Curtis, Gehl Pavers, Heli, Honda, ICS/PowerGrit, IHI, Partner, Imer, Clipper, MMD, Koshin, Rice, CH&E, General Equipment, Amida, Coleman, NAC, Gradall, Square Shooter, Kent, Stanley, Tamco, Toku, Hatz, Kohler, Robin, Wisconsin, Northrock, Oztec, Toker TK, Rol-Air, APT, Wylie, Ingersoll Rand / Doosan, Innovatech, Con X, Ammann, Mecalac, Makinex, Smith Surface Prep, Small Line, Wanco, Yanmar

617.1 605910 Hydraulic System - Negative Brake

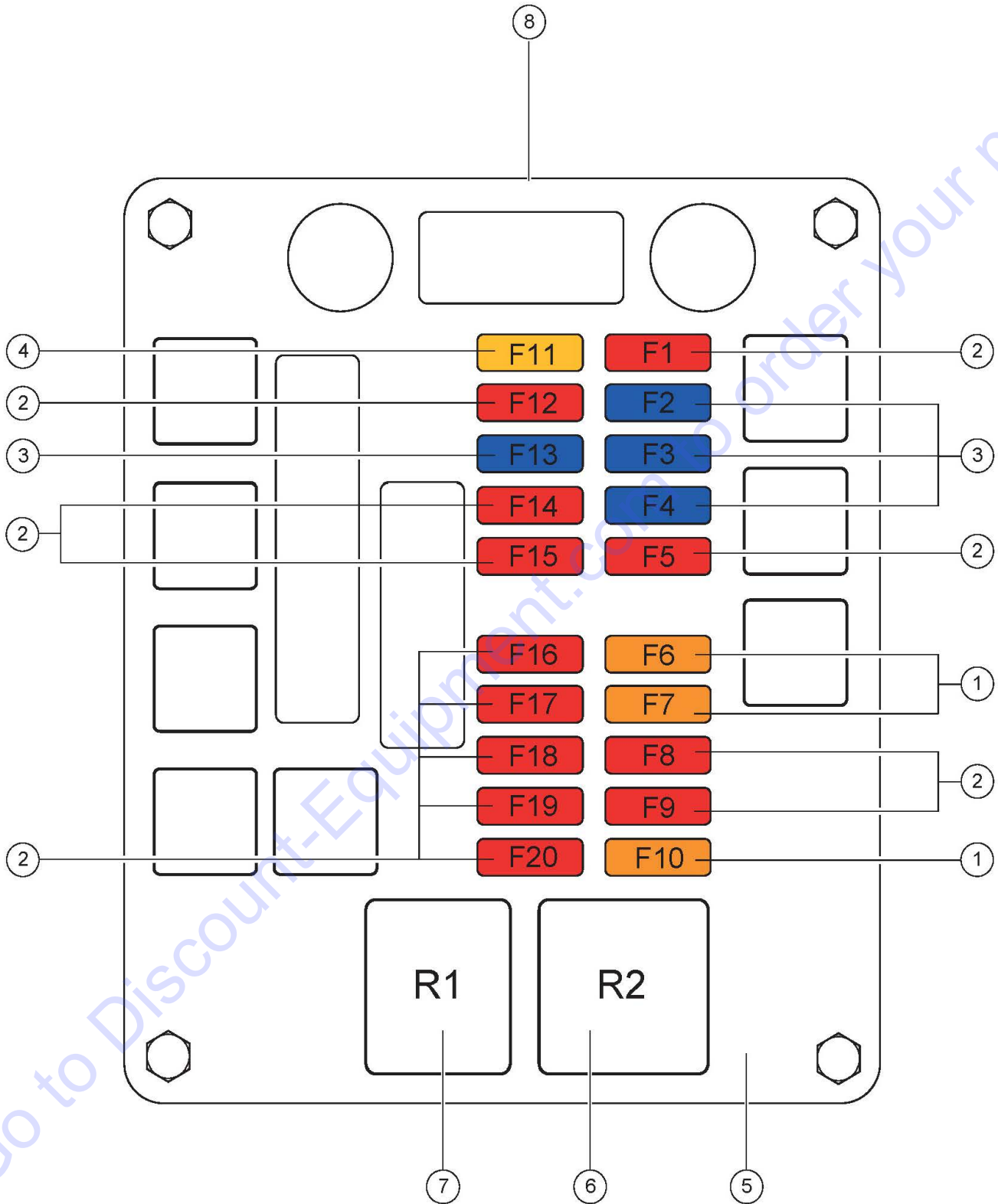


617.1 605910 Hydraulic System - Negative Brake

| Item | Part No. | Description | Qty. |
|------|--------------|-------------------------------------------------------------------------------------------------|------|
| 1 | 05.0401.0003 | drilled Screw M14X1.5..... | 2 |
| 2 | 06.0442.0055 | WASHER,D.14/20X1.5..... | 6 |
| 3 | 04.0602.0570 | Hose R 1X 1/4 LG 1950..... | 1 |
| 4 | 05.4309.0002 | BRAKE RESERVOIR W/BRACKET | 1 |
| 5 | 04.0227.0054 | CLAMP DN 15/25 LG 9..... | 2 |
| 6 | 09.0805.0000 | RUBBER HOSE..... | 1 |
| 7 | 07.0730.0019 | PEDAL..... | 1 |
| 8 | 01.4032.0003 | SPRING WASHER D 8 ZN | 6 |
| 9 | 01.0001.0252 | SCREW M8X16 UNI 5739 8.8 ZN...2 | |
| 10 | 07.0730.0025 | BRAKE PEDAL KIT..... <i>includes item 24</i> | 1 |
| 11 | 07.0730.0017 | PIN..... | 1 |
| 12 | 01.4032.0002 | SPRING WASHER D6 ZN..... | 1 |
| 13 | 01.0001.0154 | SCREW,TE,M6X16 UNI 8.8 ZN..... | 1 |
| 14 | 07.0730.0023 | Spring..... | 1 |
| 15 | 07.0730.0013 | Bushing BL16234..... | 2 |
| 16 | 07.4529.0027 | SEAL KIT | 1 |
| 17 | 09.0803.0088 | KNURLED COUPLING | 1 |
| 18 | 05.4309.0001 | Pump..... | 1 |
| 19 | 04.0227.0054 | CLAMP DN 15/25 LG 9..... | 2 |
| 20 | 05.0401.0007 | DRILLED SCREW, PRESSURE SWITCH..... | 1 |
| 21 | 05.4329.0003 | Pressure Switch..... | 1 |
| 22 | 01.0031.0299 | FLAT WASHER D8 UNI 6593..... | 4 |
| 23 | 01.0001.0254 | SCREW M8X20 UNI 5739 8.8 ZN...4 | |
| 24 | | Lever..... <i>not available separately; order Brake Kit 07.0730.0025 for replacement</i> | 1 |
| 25 | 04.0605.0653 | HOSE..... | 4 |
| 26 | 04.0607.0114 | PIPE FITTING 3/8 BSPX9/16-18 ORFS..... | 1 |
| 27 | | 605901 ref.19..... | Ref |

Go to www.genie-equipment.com to order your parts

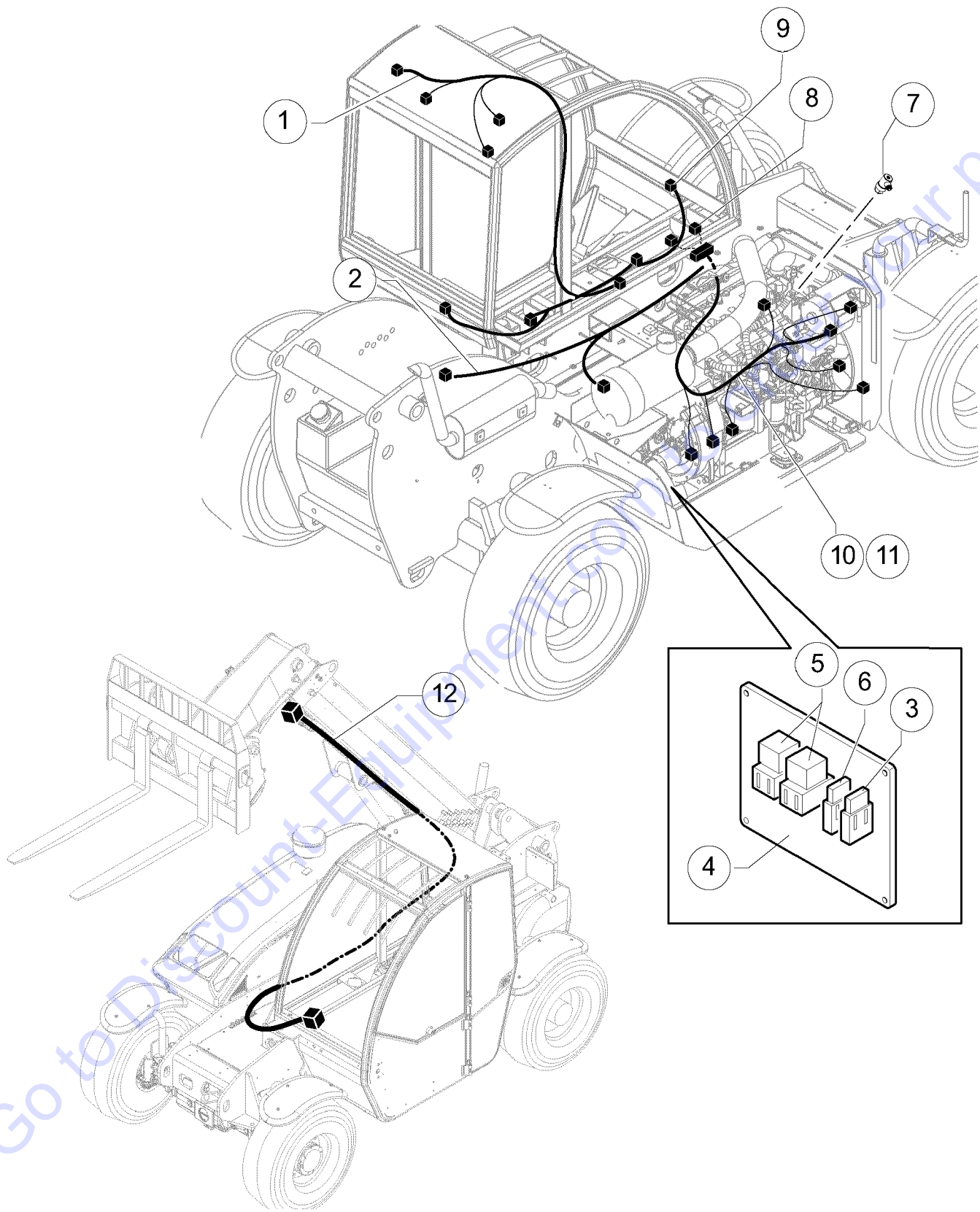
701.1 605911 Fuse Box



| Item | Part No. | Description | Qty. |
|------|--------------|---------------------------|------|
| 1 | 07.0703.0080 | Fuse 5A..... | 3 |
| 2 | 07.0703.0148 | FUSE,10A..... | 12 |
| 3 | 634973 | Fuse 15A..... | 4 |
| 4 | 07.0703.0071 | FUSE 25A..... | 1 |
| 5 | 56.0005.0008 | FUSE HOLDER..... | 1 |
| 6 | 56.0021.0078 | TIMER RELAY..... | 1 |
| 7 | 07.0703.0487 | Intermittence Relay | 1 |
| 8 | 56.0021.0104 | RELAY CARD..... | 1 |

Go to Discount-Equipment.com to order your parts

702.1 605912 Electric Installation

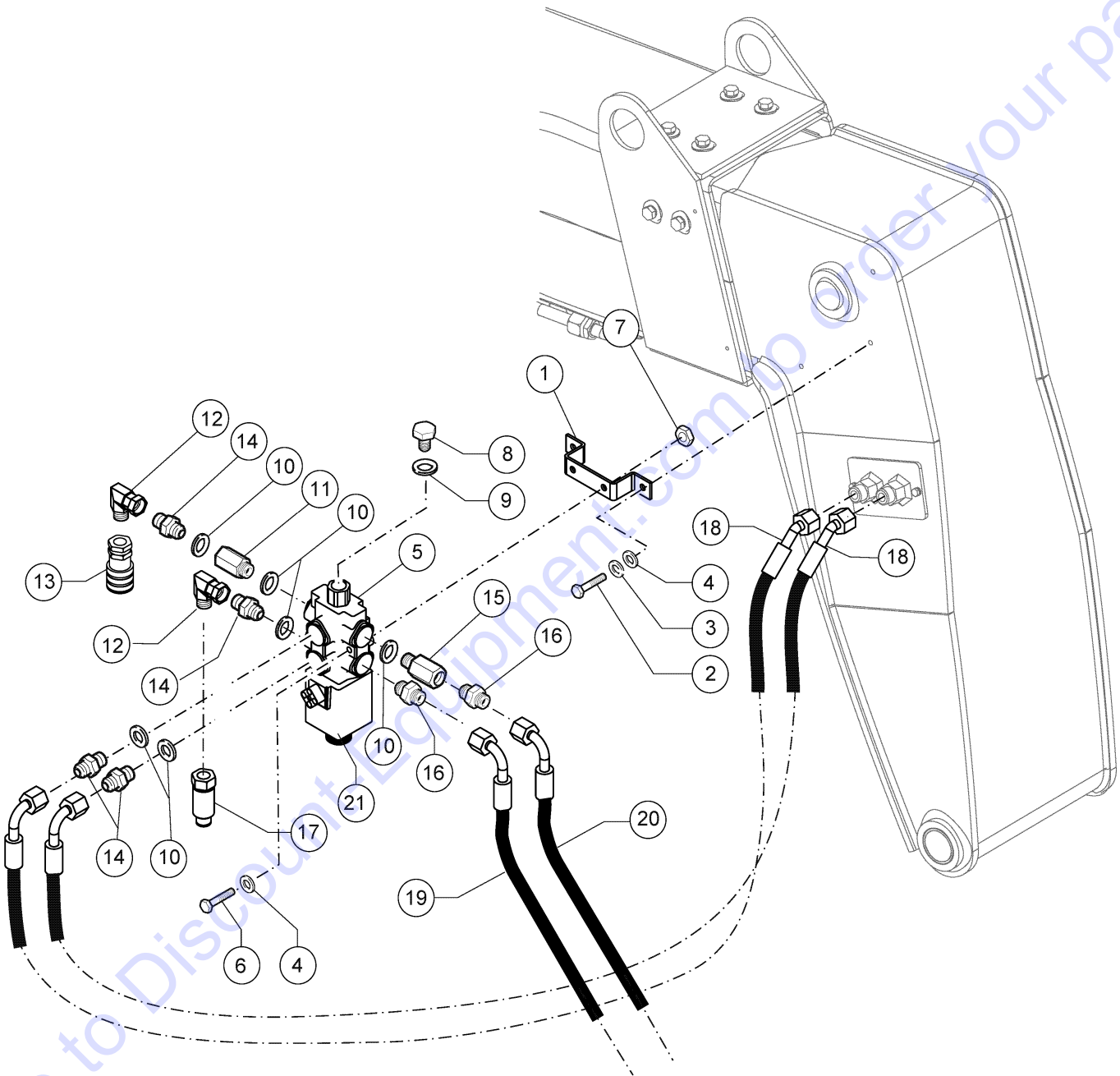


| Item | Part No. | Description | Qty. |
|------|--------------|-----------------------------------|------|
| 1 | 55.0602.0446 | CABIN LINE, TOP..... | 1 |
| 2 | 55.0600.0109 | Chassis Harness..... | 1 |
| 3 | 56.0005.0000 | Max Fuse 40A | 1 |
| 4 | 56.0005.0007 | Engine Fuse Box..... | 1 |
| 5 | 56.0006.9201 | Relay 12V 50A | 2 |
| 6 | 56.0005.0001 | FUSE, 50A..... | 1 |
| 7 | 56.0012.0058 | Water temperature sensor..... | 1 |
| 8 | 55.0601.0060 | Cab Harness..... | 1 |
| 9 | 55.0602.0414 | Dashboard Harness..... | 1 |
| 10 | 55.0602.0335 | Engine Electric Line Perkins..... | 1 |
| 11 | 55.0602.0336 | ENGINE HARNESS..... | 1 |
| 12 | 55.0602.0333 | HARNESS, BOOM..... | 1 |

Go to Discount-Equipment.com to order your parts



801.1 58.2511.9007A Hydraulic Quick Coupling for Attachment (Hydraulic Part 1)

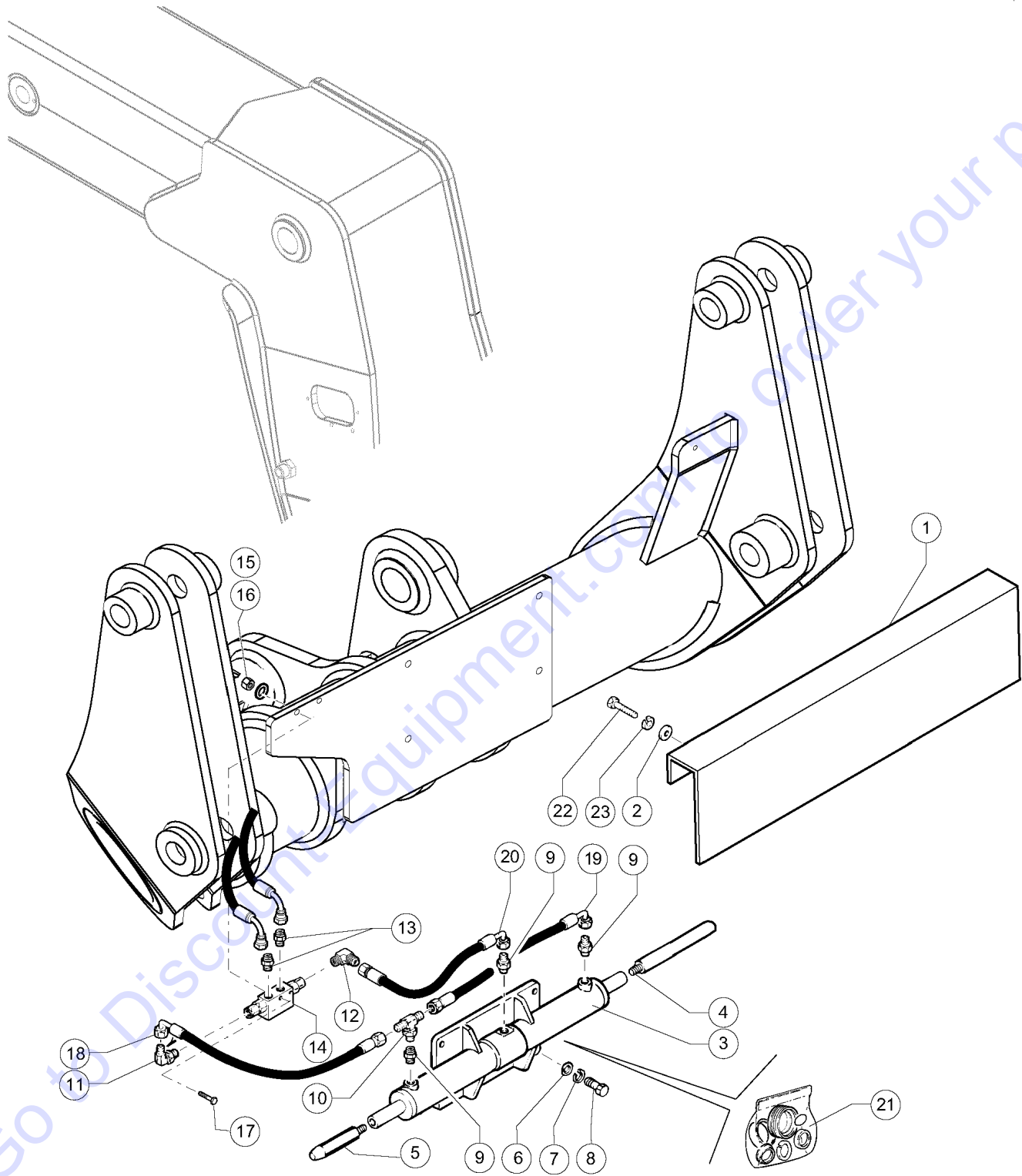


801.1 58.2511.9007A Hydraulic Quick Coupling for Attachment (Hydraulic Part 1)

| Item | Part No. | Description | Qty. |
|------|--------------|------------------------------------------------|------|
| 1 | 51.0807.1800 | Bracket..... | 1 |
| 2 | 01.0001.0254 | SCREW M8X20 UNI 5739 8.8 ZN.... | 2 |
| 3 | 01.4032.0003 | SPRING WASHER D 8 ZN | 2 |
| 4 | 01.0031.0055 | FLAT WASHER D8 UNI 6592 ZN | 4 |
| 5 | 04.4240.0011 | Solenoid Valve..... | 1 |
| 6 | 01.0001.0207 | SCREW M8X60 UNI 5737 8.8 ZN.... | 2 |
| 7 | 01.0023.0054 | NUT,M8 UNI 7473 6S ZN..... | 2 |
| 8 | 04.0220.0051 | PLUG 1/4" BSP..... | 1 |
| 9 | 06.0442.0101 | WASHER..... | 1 |
| 10 | 06.0442.0103 | COPPER WASHER..... | 6 |
| 11 | 04.0600.0016 | PIPE FITTING CMF G1/2 ES LG 45..... | 1 |
| 12 | 04.0600.0019 | Pipe Fitting MFK 90 1/2 BSP..... | 2 |
| 13 | 04.4210.0019 | QUICK COUPLING, FEMALE 1/2.... | 1 |
| 14 | 04.0600.0017 | PIPE FITTING 1/2X1/2 BSP..... | 4 |
| 15 | 04.0600.0091 | PIPE FITTING CMF1/2 ES LG 25.... | 1 |
| 16 | 04.0607.0110 | PIPE FITTING 1/2BSP x 11/16-16 ORFS..... | 2 |
| 17 | 04.4210.0018 | QUICK COUPLING, MALE 1/2..... | 1 |
| 18 | 04.0602.0581 | Flexible Hose R2 X 1/2 400 F90 F45 BSP..... | 2 |
| 19 | 04.0605.0934 | Flexible Hose R2 X 3/8 F90 37,4inch..... | 1 |
| 20 | 04.0605.0933 | Flexible Hose R2 X 3/8 F90 39,37inch..... | 1 |
| 21 | 07.0704.0153 | Solenoid Valve..... | 1 |

Go to Discount-Equipment.com to order your parts

802.1 58.2511.9007B Hydraulic Quick Coupling for Attachment (Hydraulic Part 2)

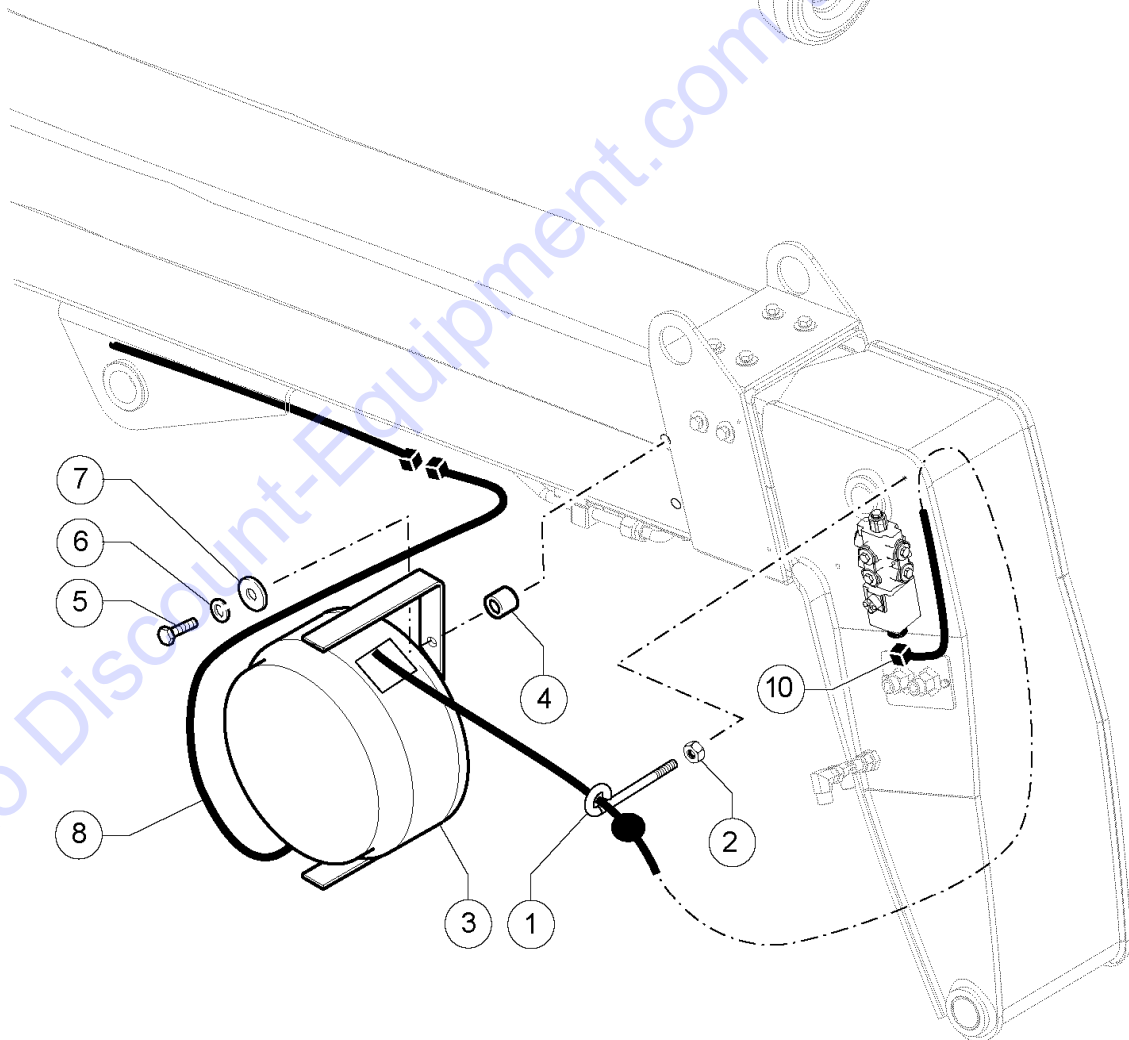
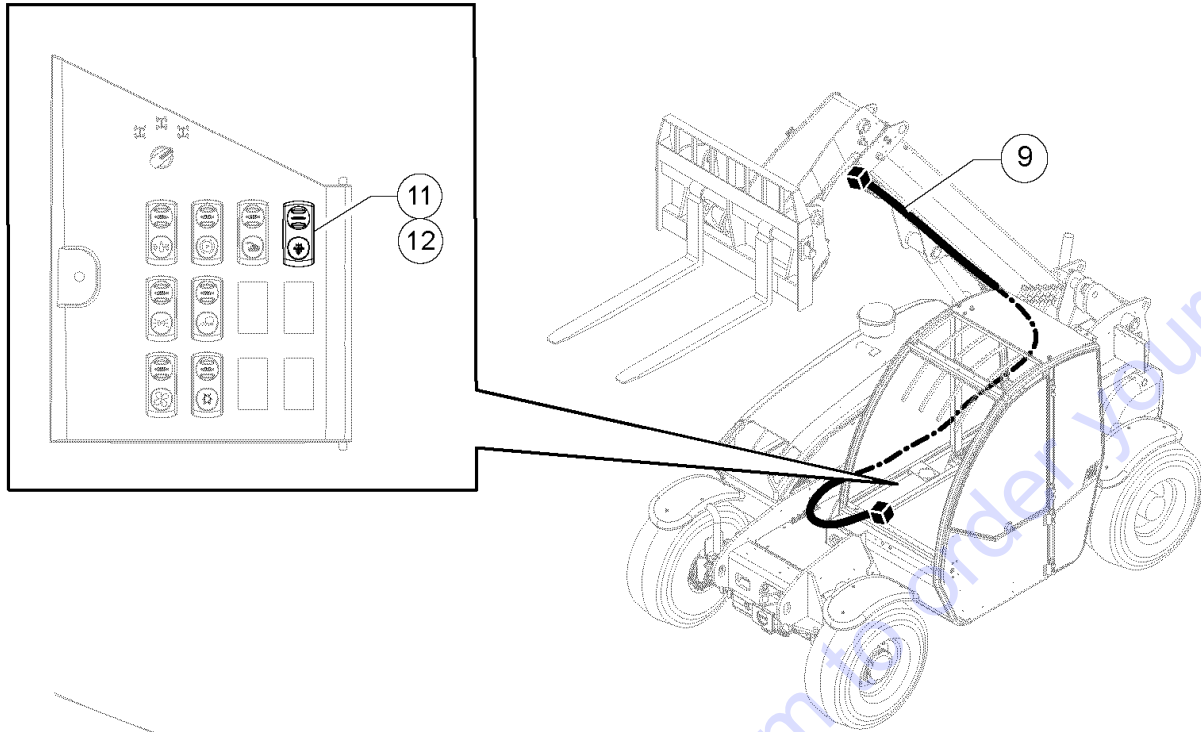


802.1 58.2511.9007B Hydraulic Quick Coupling for Attachment (Hydraulic Part 2)

| Item | Part No. | Description | Qty. |
|------|--------------|-------------------------------------------------|------|
| 1 | 51.0903.1500 | CYL PROTECTOR (SHIELD, GUARD)..... | 1 |
| 2 | 01.0031.0299 | FLAT WASHER D8 UNI 6593..... | 2 |
| 3 | 53.0500.0600 | CYLINDER..... | 1 |
| 4 | 54.0001.0058 | PIN..... | 1 |
| 5 | 54.0001.0059 | PIN..... | 1 |
| 6 | 01.4032.0004 | SPRING WASHER D10 ZN..... | 4 |
| 7 | 01.0031.0301 | FLAT WASHER D10 UNI 6593 ZN | 4 |
| 8 | 01.0001.0355 | SCREW,TE,M10X25 UNI 8.8 ZN.... | 4 |
| 9 | 04.0607.0114 | PIPE FITTING 3/8 BSPX9/16-18 ORFS..... | 3 |
| 10 | 04.0607.0131 | PIPE FITTING TMF+C 9/16-18 ORFS..... | 1 |
| 11 | 04.0607.0112 | PIPE FITTING M-M A 90 1/4 BSPX9/16-18 ORFS..... | 1 |
| 12 | 04.0607.0132 | PIPE FITTING 45 M-M 1/4 BSPX9/16-18 ORFS..... | 1 |
| 13 | 04.0607.0163 | PIPE FITTING 1/4BSPX11/16-16 ORFS..... | 2 |
| 14 | 04.4239.0002 | VALVE..... | 1 |
| 15 | 01.0031.0054 | FLAT WASHER D6 UNI 6592 ZN | 2 |
| 16 | 01.0023.0053 | STOP NUT M6 UNI 7473 6S ZN | 2 |
| 17 | 01.0003.0162 | SCREW M6X50 UNI 5931 8.8 ZN.... | 2 |
| 18 | 04.0605.0114 | FLEXIBLE HOSE..... | 1 |
| 19 | 04.0605.0113 | HOSE R2X1/4 LG 405 FD-F90 9/16-18 ORFS..... | 1 |
| 20 | 04.0605.0112 | FLEXIBLE HOSE 7.75 INCH | 1 |
| 21 | 07.4529.0107 | SEAL KIT..... | 1 |
| 22 | 01.0001.0254 | SCREW M8X20 UNI 5739 8.8 ZN.... | 2 |
| 23 | 01.4032.0003 | SPRING WASHER D 8 ZN | 2 |

Go to www.genieequipment.com to order your parts

803.1 58.2511.9007C Hydraulic Quick Coupling for Attachment (Electrical Part)



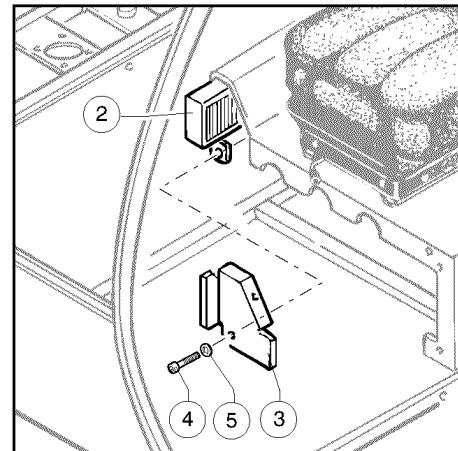
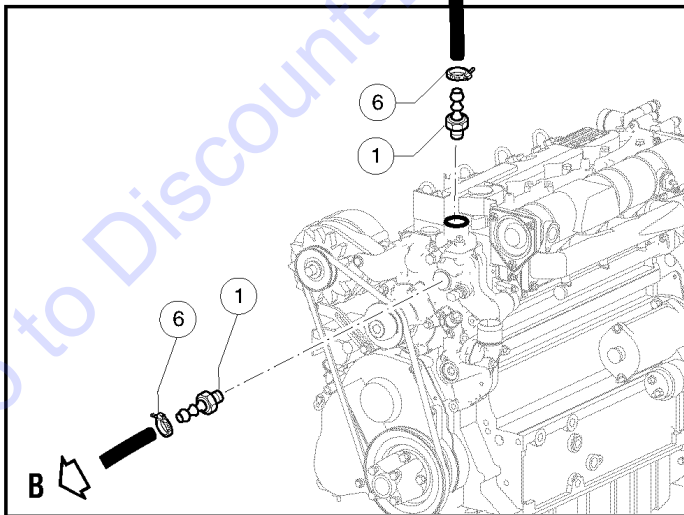
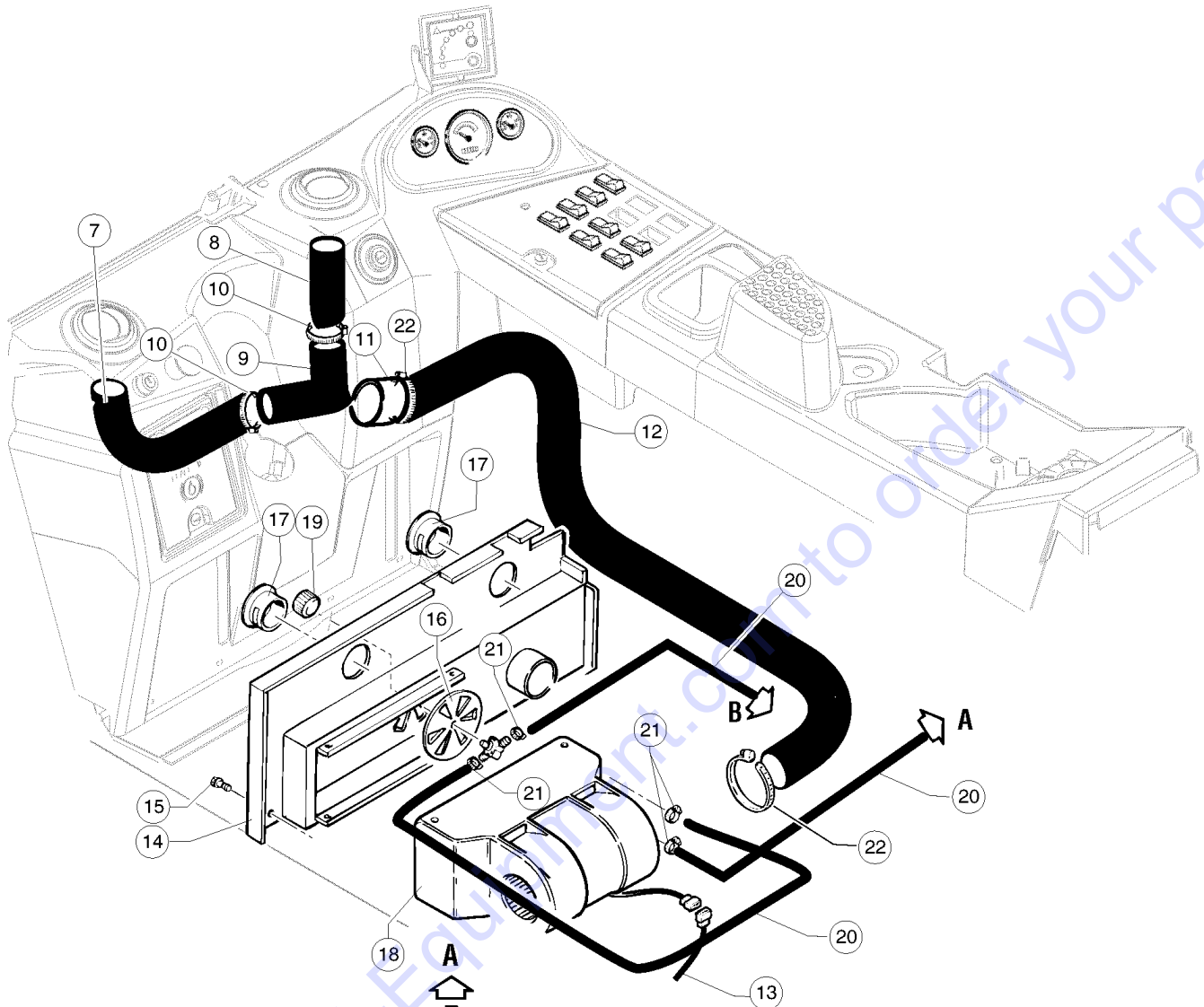
803.1 58.2511.9007C Hydraulic Quick Coupling for Attachment (Electrical Part)

| Item | Part No. | Description | Qty. |
|------|--------------|---------------------------------------|------|
| 1 | 51.0811.4040 | BRACKET..... | 1 |
| 2 | 01.0019.0104 | NUT M8 UNI 5588 6S ZN..... | 1 |
| 3 | 56.0023.0025 | Cable Reel..... | 1 |
| 4 | 54.0101.0015 | Spacer..... | 2 |
| 5 | 01.0001.0104 | SCREW M6X40 UNI 5739 8.8 ZN ... | 2 |
| 6 | 01.0031.0298 | FLAT WASHER D6 UNI 6593 ZN | 2 |
| 7 | 01.4032.0002 | SPRING WASHER D6 ZN..... | 2 |
| 8 | 55.0602.0420 | HARNESS, CABLE REEL..... | 1 |
| 9 | 55.0602.0333 | HARNESS, BOOM..... | 1 |
| 10 | 56.0002.0071 | CONNECTOR,DIN CONNECTOR W/LED..... | 1 |
| 11 | 56.0017.0063 | SWITCH COVER..... | 1 |
| 12 | 56.0017.0035 | SWITCH | 1 |

Go to Discount-Equipment.com to order your parts



804.1 58.2513.1002 Heater (Deutz Engine)

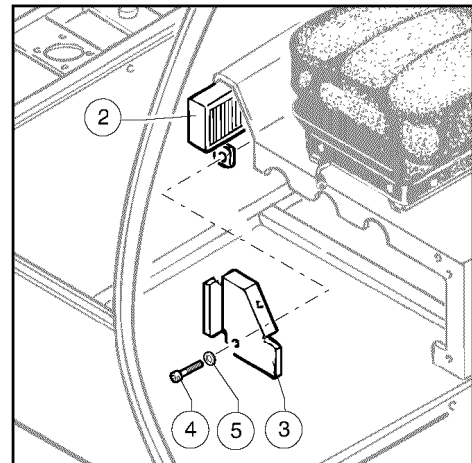
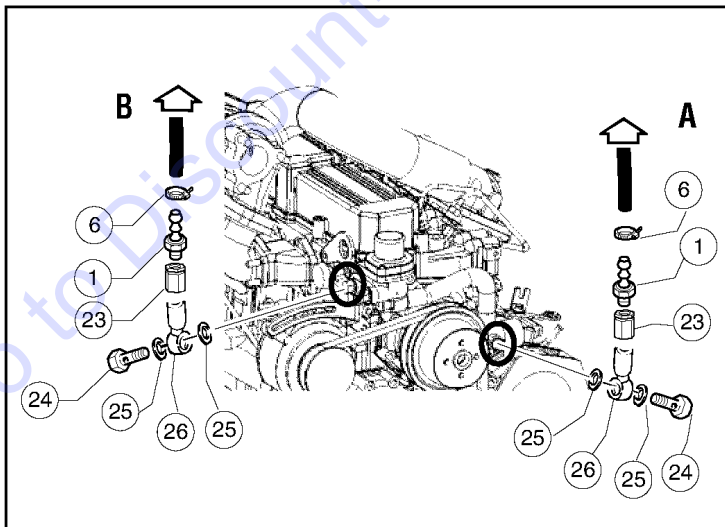
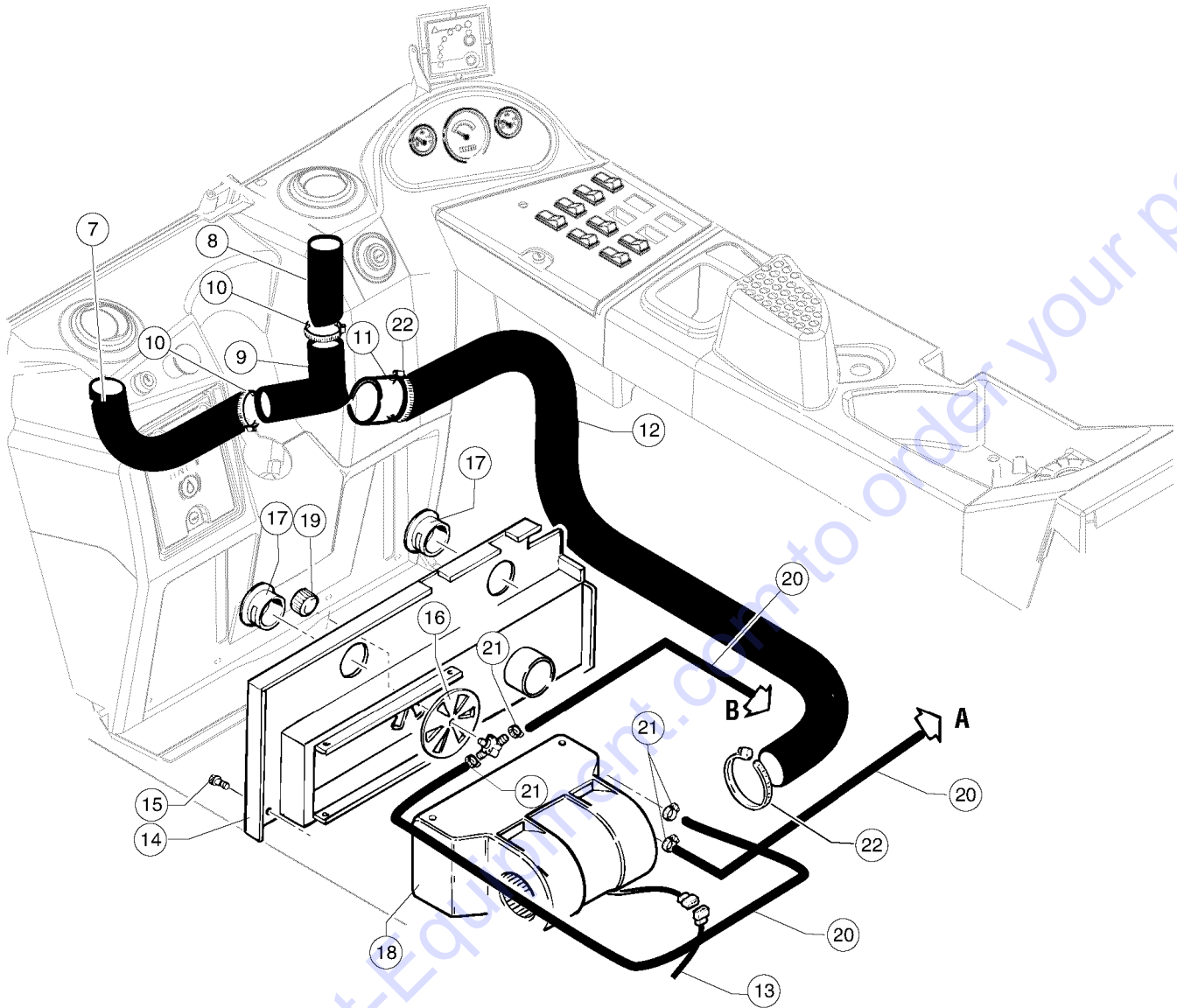


804.1 58.2513.1002 Heater (Deutz Engine)

| Item | Part No. | Description | Qty. |
|------|--------------|----------------------------------------|------------|
| 1 | 09.0806.0058 | Hose Fitting..... | 2 |
| 2 | 07.0723.0149 | FILTER | 1 |
| 3 | 07.0723.0455 | COVER, AIR FILTER..... | 1 |
| 4 | 07.0723.0090 | BALL-GRIP | 2 |
| 5 | 07.0723.0076 | Plain Washer D6x18 | 2 |
| 6 | 04.4227.0007 | CLAMP S16 D32 HOLE 8.4..... | 2 |
| 7 | 07.0723.0484 | AIR HOSE..... | 19,68-inch |
| 8 | 07.0723.0484 | AIR HOSE..... | 13,78-inch |
| 9 | 07.0723.0482 | CONNECTOR..... | 1 |
| 10 | 04.4227.0012 | Clamp..... | 2 |
| 11 | 07.0723.0483 | Coupling..... | 1 |
| 12 | 640990 | PAPER PIPING(1 PIECE=39.37 IN)..... | 59-inch |
| 13 | 07.0723.0523 | Electrical Harness..... | 1 |
| 14 | 07.0723.0464 | PANEL..... | 1 |
| 15 | 07.0723.0109 | SCREW..... | 5 |
| 16 | 07.0723.0108 | Air Inlet..... | 1 |
| 17 | 07.0723.0010 | Air Inlet..... | 2 |
| 18 | 640985 | Heater | 1 |
| 19 | 07.0723.0193 | TAP | 1 |
| 20 | 07.0723.0194 | Rubber Hose LG.1000..... | 354-inch |
| 21 | 04.0227.0051 | CLAMP DN 10/16 LG 9..... | 4 |
| 22 | 07.0723.0524 | Clamp..... | 2 |

Go to Discount-Equipment.com to order your parts

805.1 58.2511.7000 Heater (Perkins Engine)



Genie

Genie
A TEREX BRAND

805.1 58.2511.7000 Heater (Perkins Engine)

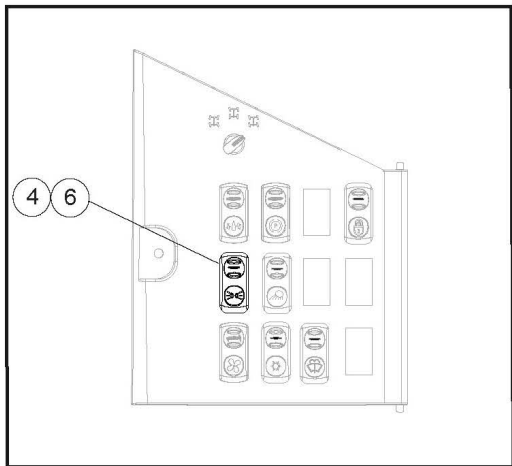
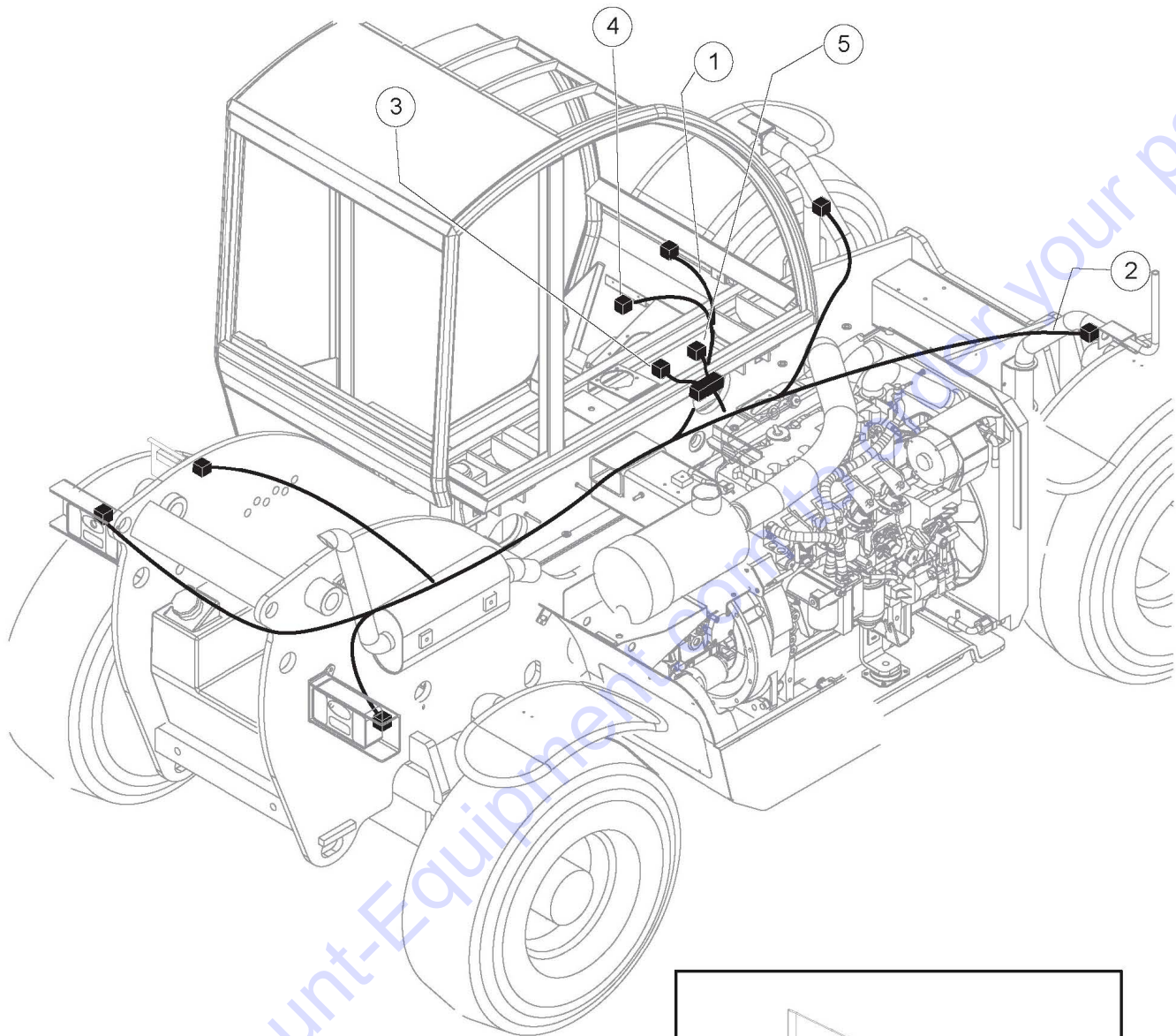
| Item | Part No. | Description | Qty. |
|------|--------------|-------------------------------------|------------|
| 1 | 09.0806.0050 | Hose Fitting..... | 2 |
| 2 | 07.0723.0149 | FILTER | 1 |
| 3 | 07.0723.0455 | COVER, AIR FILTER..... | 1 |
| 4 | 07.0723.0090 | BALL-GRIP | 2 |
| 5 | 07.0723.0076 | Plain Washer D6x18 | 2 |
| 6 | 07.0227.0051 | Clamp DN 10/16 L=9..... | 2 |
| 7 | 07.0723.0484 | AIR HOSE..... | 19,68-inch |
| 8 | 07.0723.0484 | AIR HOSE..... | 13,78-inch |
| 9 | 07.0723.0482 | CONNECTOR..... | 1 |
| 10 | 04.4227.0012 | Clamp..... | 2 |
| 11 | 07.0723.0483 | Coupling..... | 1 |
| 12 | 640990 | PAPER PIPING(1 PIECE=39.37 IN)..... | 59-inch |
| 13 | 07.0723.0523 | Electrical Harness..... | 1 |
| 14 | 07.0723.0464 | PANEL..... | 1 |
| 15 | 07.0723.0109 | SCREW..... | 5 |
| 16 | 07.0723.0108 | Air Inlet..... | 1 |
| 17 | 07.0723.0010 | Air Inlet..... | 2 |
| 18 | 640985 | Heater | 1 |
| 19 | 07.0723.0193 | TAP | 1 |
| 20 | 07.0723.0194 | Rubber Hose LG.1000..... | 354-inch |
| 21 | 04.0227.0051 | CLAMP DN 10/16 LG 9..... | 4 |
| 22 | 07.0723.0524 | Clamp..... | 2 |
| 23 | 09.0806.0053 | PIPE FITTING..... | 2 |
| 24 | 09.0806.0054 | Screw Fitting M16x1.5..... | 2 |
| 25 | 06.0442.0102 | Copper Washer JC 17..... | 4 |
| 26 | 09.0806.0055 | FITTING..... | 2 |

Go to DiscountEquipment.com to order your parts

| Item | Part No. | Description | Qty. |
|------|--------------|--------------------------------------------|------|
| 1 | 56.0010.0000 | Left Front Light..... | 1 |
| 2 | 51.0800.3400 | SUPPORT, HEADLIGHT..... | 1 |
| 3 | 56.0010.0001 | FRONT RIGHT BEACON/LIGHT..... | 1 |
| 4 | 51.0800.3500 | SUPPORT..... | 1 |
| 5 | 01.0001.1465 | SCREW M8X40 UNI 5739 8.8 ZN.... | 6 |
| 6 | 01.0023.0054 | NUT,M8 UNI 7473 6S ZN..... | 6 |
| 7 | 01.0031.0055 | FLAT WASHER D8 UNI 6592 ZN | 20 |
| 8 | 01.0001.0254 | SCREW M8X20 UNI 5739 8.8 ZN.... | 4 |
| 9 | 01.4032.0003 | SPRING WASHER D 8 ZN | 8 |
| 11 | 07.0703.0309 | GLASS, AMBER..... | 1 |
| 12 | 07.0703.0310 | GLASS (TAIL LIGHT LENS)..... | 2 |
| 13 | 07.0703.0302 | LEFT TURN SIGNAL..... | 1 |
| 15 | 07.0703.0175 | BULB..... | 6 |
| 16 | 56.0010.0058 | BULB,12V,45/40W..... | 2 |
| 17 | 56.0010.0059 | Bulb 12V 4W..... | 2 |
| 18 | 56.0010.0036 | LIGHT,REAR,LEFT..... | 1 |
| 19 | 51.0811.4038 | SUPPORT..... | 1 |
| 20 | 56.0010.0037 | LIGHT,REAR,RIGHT..... | 1 |
| 21 | 51.0811.4039 | SUPPORT..... | 1 |
| 22 | 55.0602.0450 | Rear Left Light Harness..... | 1 |
| 23 | 55.0602.0449 | Rear Right Light Harness | 1 |
| 24 | 01.0023.0053 | STOP NUT M6 UNI 7473 6S ZN | 4 |
| 25 | 01.0031.0054 | FLAT WASHER D6 UNI 6592 ZN | 6 |
| 26 | 01.0001.0256 | SCREW M8X25 UNI 5739 8.8 ZN.... | 4 |
| 27 | 04.4227.0008 | CLAMP S16 D12 HOLE 8.4..... | 2 |
| 29 | 07.0703.0319 | BULB, TAIL LIGHT..... | 2 |
| 30 | 01.4032.0002 | SPRING WASHER D6 ZN..... | 2 |
| 31 | 01.0001.0154 | SCREW,TE,M6X16 UNI 8.8 ZN..... | 2 |
| 32 | 56.0010.0004 | LIGHT,TRAFFIC ROAD PLATE..... | 1 |
| 33 | 51.0811.4019 | License Plate Support..... | 1 |
| 34 | 01.4006.0006 | Screw TSPEI M5X16 UNI 5933 10.9 ZN..... | 2 |
| 35 | 01.0023.0052 | STOP NUT M5 UNI 7473 6S ZN..... | 2 |

Go to Distributors.genie.com to order your parts

807.1 58.1701.4002B Road Lights (Electrical Part)



Go to Discount-Equipment.com for your parts

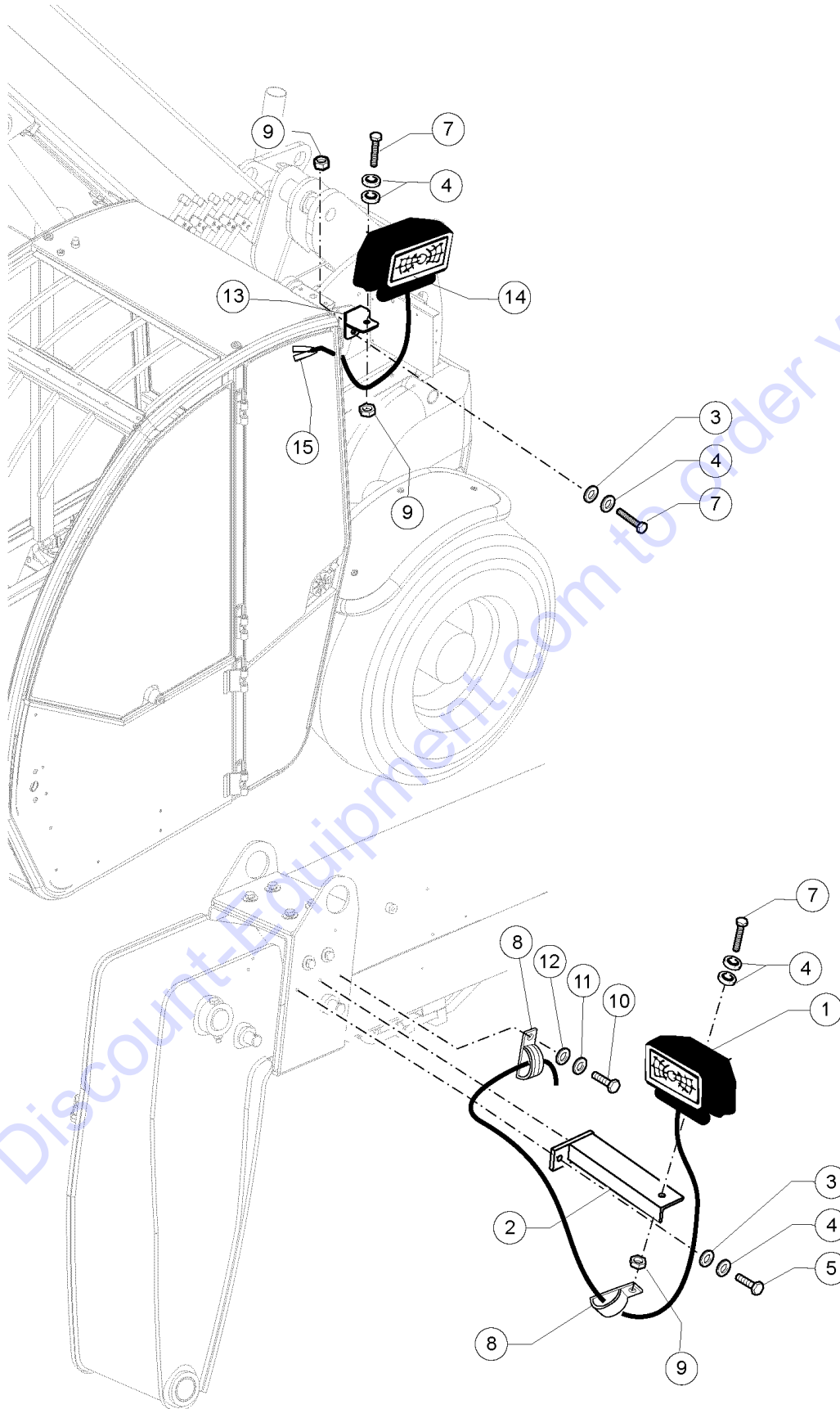
807.1 58.1701.4002B Road Lights (Electrical Part)

| Item | Part No. | Description | Qty. |
|------|--------------|------------------------------------|------|
| 1 | 55.0602.0349 | Road Light Cab Harness..... | 1 |
| 2 | 55.0602.0348 | Road Light Chassis Harness..... | 1 |
| 3 | 07.0703.0487 | Intermittence Relay | 1 |
| 4 | 56.0017.0037 | CONTACT - 8 Pins..... | 1 |
| 5 | 56.0017.0041 | Switch..... | 1 |
| 6 | 56.0017.0055 | Road Lights Push Button Cover..... | 1 |

Go to Discount-Equipment.com to order your parts



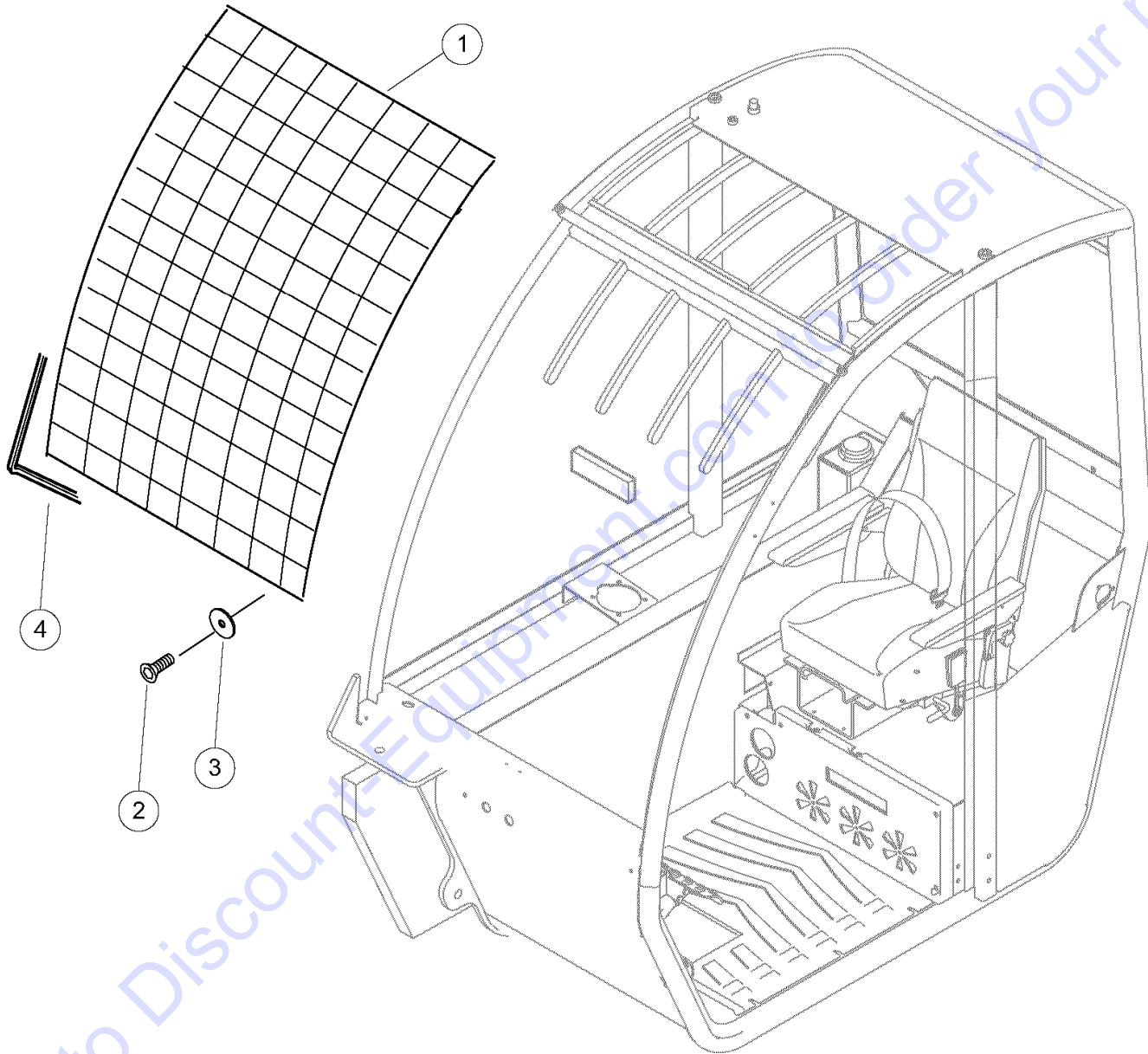
808.1 58.2511.9005 Work Lights



| Item | Part No. | Description | Qty. |
|------|--------------|---------------------------------------|------|
| 1 | 55.0602.0452 | Complete Boom Work Light Harness..... | 1 |
| 2 | 51.0806.5700 | LIGHT SUPPORT BRACKET..... | 1 |
| 3 | 01.4032.0003 | SPRING WASHER D 8 ZN | 4 |
| 4 | 01.0031.0055 | FLAT WASHER D8 UNI 6592 ZN | 6 |
| 5 | 01.0001.0254 | SCREW M8X20 UNI 5739 8.8 ZN.... | 2 |
| 7 | 01.0001.0256 | SCREW M8X25 UNI 5739 8.8 ZN.... | 4 |
| 8 | 04.4227.0008 | CLAMP S16 D12 HOLE 8.4..... | 2 |
| 9 | 01.0023.0054 | NUT,M8 UNI 7473 6S ZN..... | 4 |
| 10 | 01.0001.0154 | SCREW,TE,M6X16 UNI 8.8 ZN..... | 1 |
| 11 | 01.4032.0002 | SPRING WASHER D6 ZN..... | 1 |
| 12 | 01.0031.0054 | FLAT WASHER D6 UNI 6592 ZN | 1 |
| 13 | 51.0811.4037 | Rear Work Light Bracket..... | 1 |
| 14 | 55.0602.0451 | WORK LIGHT W/HARNESS..... | 1 |
| 15 | 55.0602.0453 | Faston Cover Kit..... | 1 |

Go to Discount-Equipment.com to order your parts

809.1 58.1600.9002 Front Grill For Open Cab



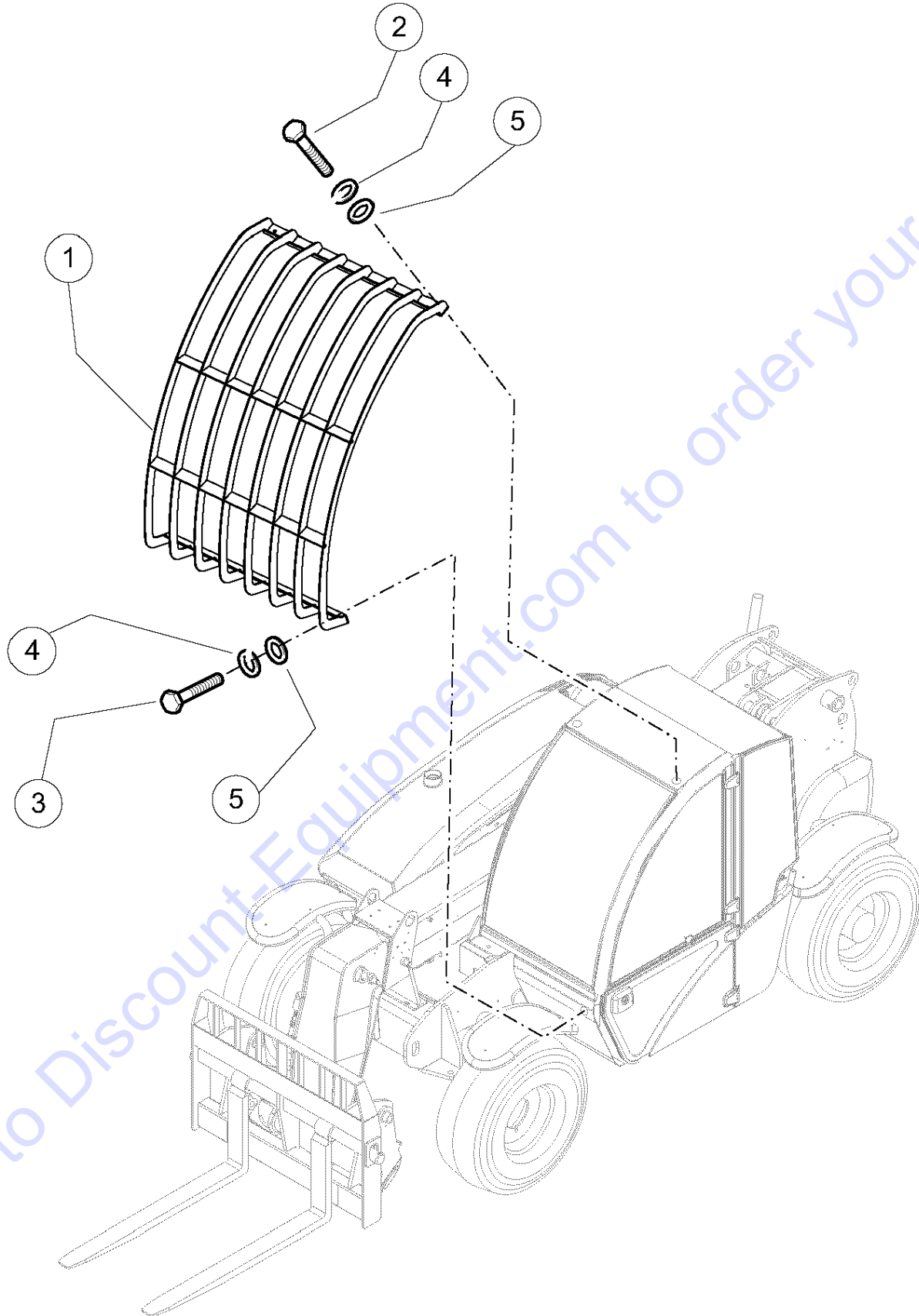
809.1 58.1600.9002 Front Grill For Open Cab

| Item | Part No. | Description | Qty. |
|------|--------------|--------------------|-------------|
| 1 | 07.0723.0196 | GUARD..... | 1 |
| 2 | 07.0723.0136 | Screw TCB+4,8..... | 8 |
| 3 | 07.0723.0074 | WASHER..... | 8 |
| 4 | 07.0723.0197 | Rubber Seal..... | 157,48-inch |

Go to Discount-Equipment.com to order your parts



810.1 58.1600.9001 Front Grill For Close Cab



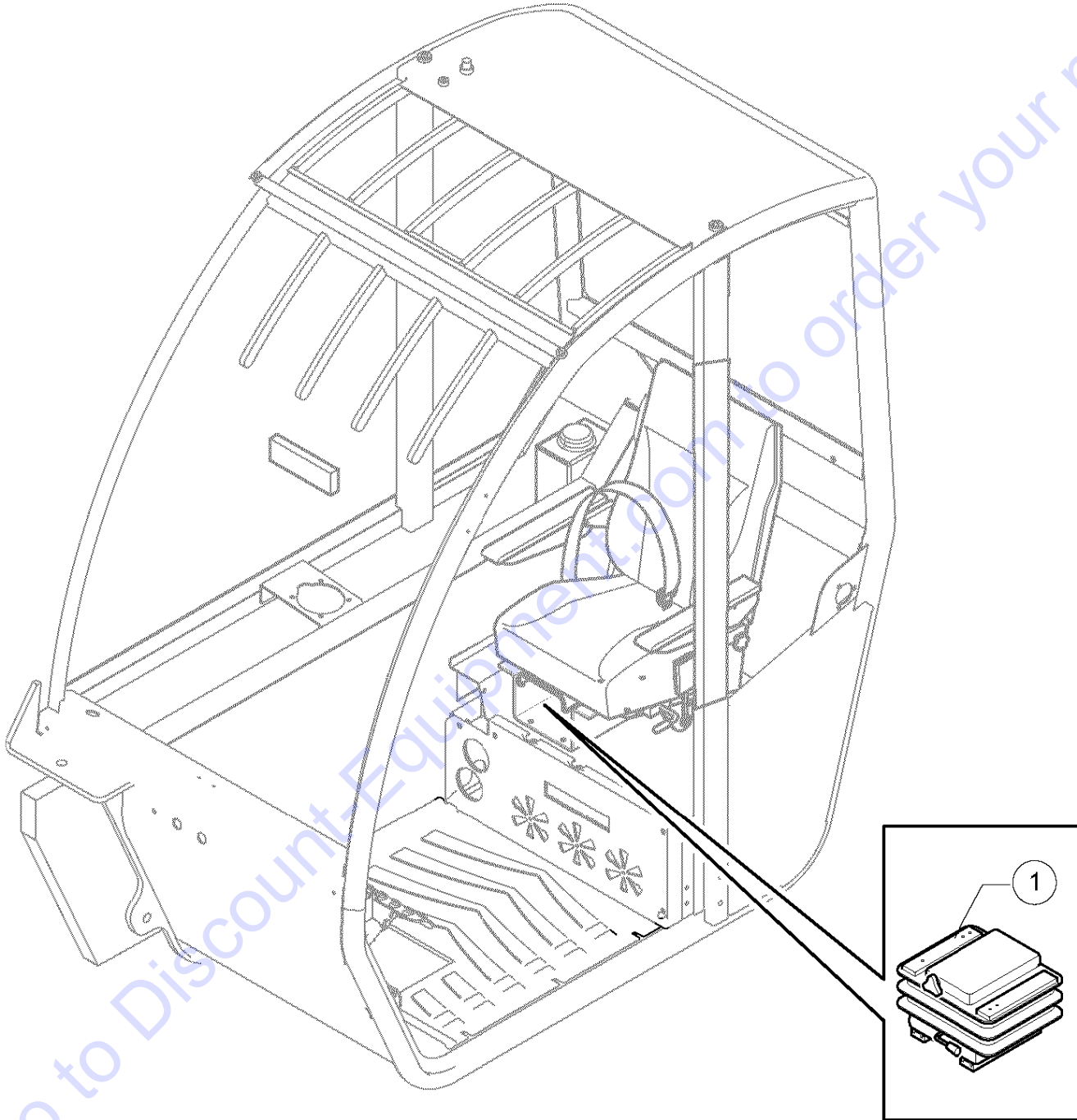
810.1 58.1600.9001 Front Grill For Close Cab

| Item | Part No. | Description | Qty. |
|------|--------------|-----------------------------------------|------|
| 1 | 51.0903.3800 | FRONT GRILL..... | 1 |
| 2 | 01.4001.0038 | Screw TE M 8X12 UNI 5739 8.8 ZN..... | 2 |
| 3 | 01.0001.0252 | SCREW M8X16 UNI 5739 8.8 ZN.... | 2 |
| 4 | 01.4032.0003 | SPRING WASHER D 8 ZN | 4 |
| 5 | 01.0031.0299 | FLAT WASHER D8 UNI 6593..... | 4 |

Go to Discount-Equipment.com to order your parts



811.1 09.4610.0025 Seat Spring

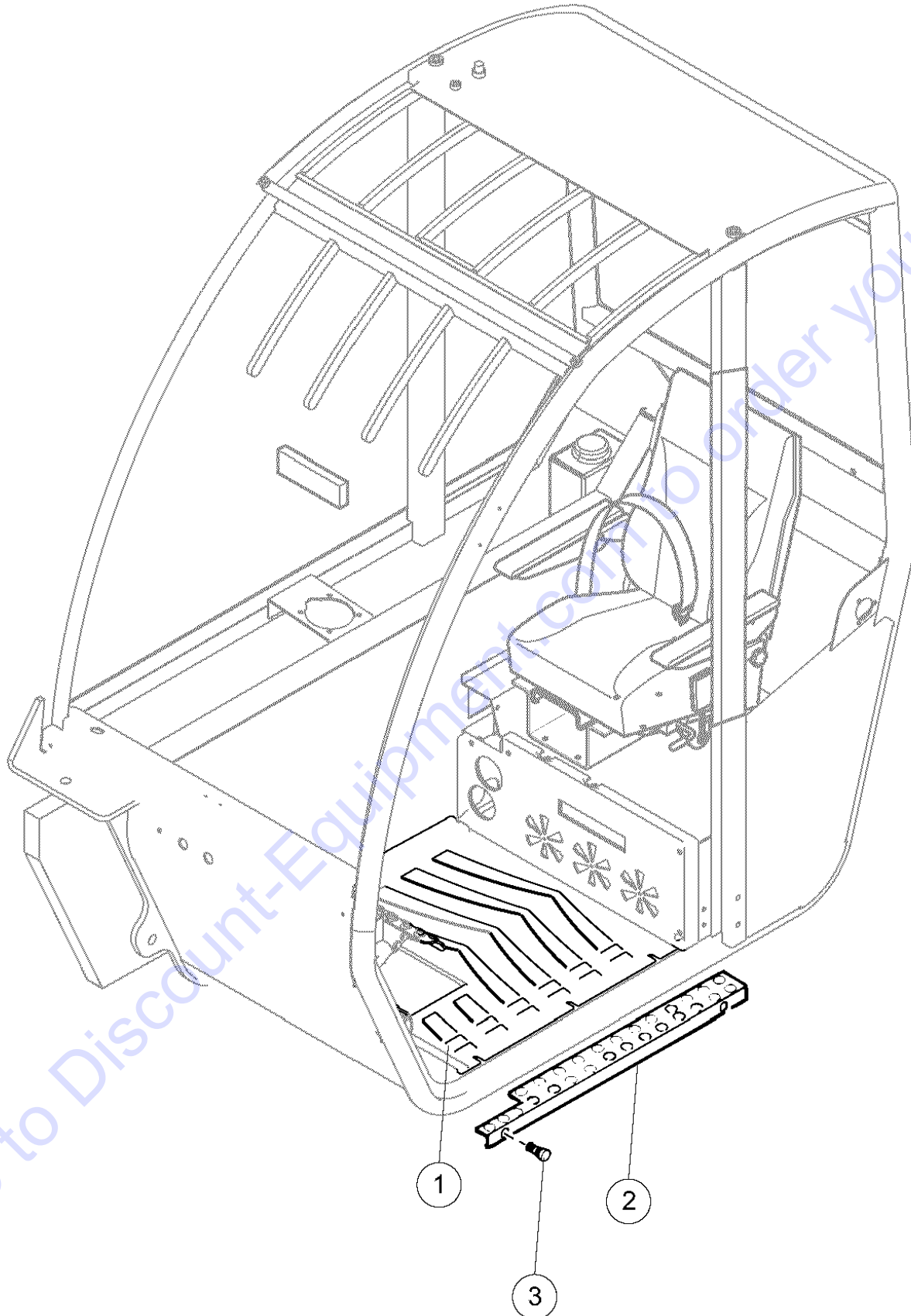


| Item | Part No. | Description | Qty. |
|------|--------------|---------------------------|------|
| 1 | 09.4610.0025 | SHOCK ABSORBER, SEAT..... | 1 |

Go to Discount-Equipment.com to order your parts



812.1 58.2513.1007 Rubber Platform

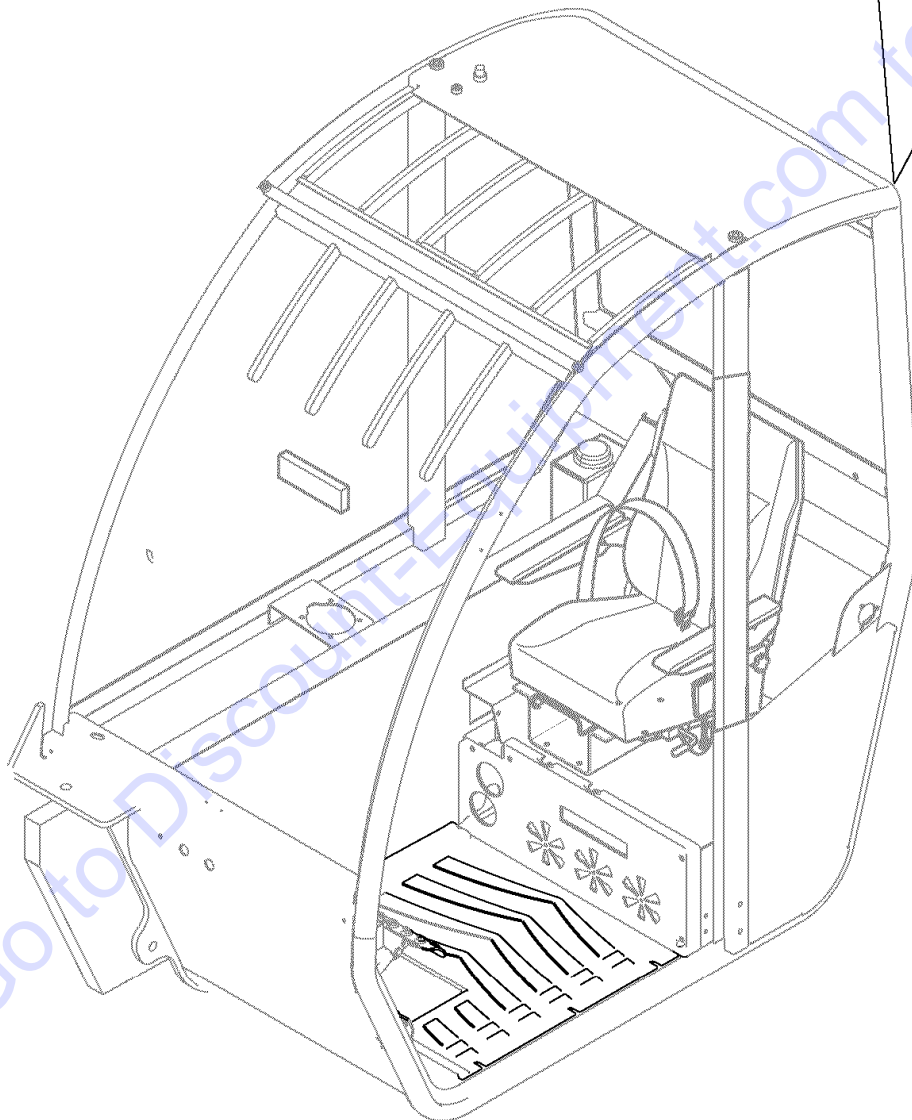
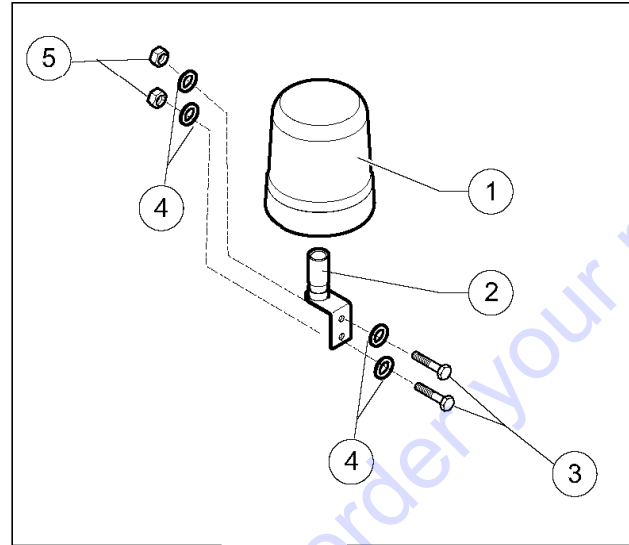


| Item | Part No. | Description | Qty. |
|------|--------------|--------------------|------|
| 1 | 07.0723.0630 | RUBBER CARPET..... | 1 |
| 2 | 07.0723.0138 | Bracket..... | 1 |
| 3 | 07.0723.0162 | SCREW..... | 3 |

Go to Discount-Equipment.com to order your parts



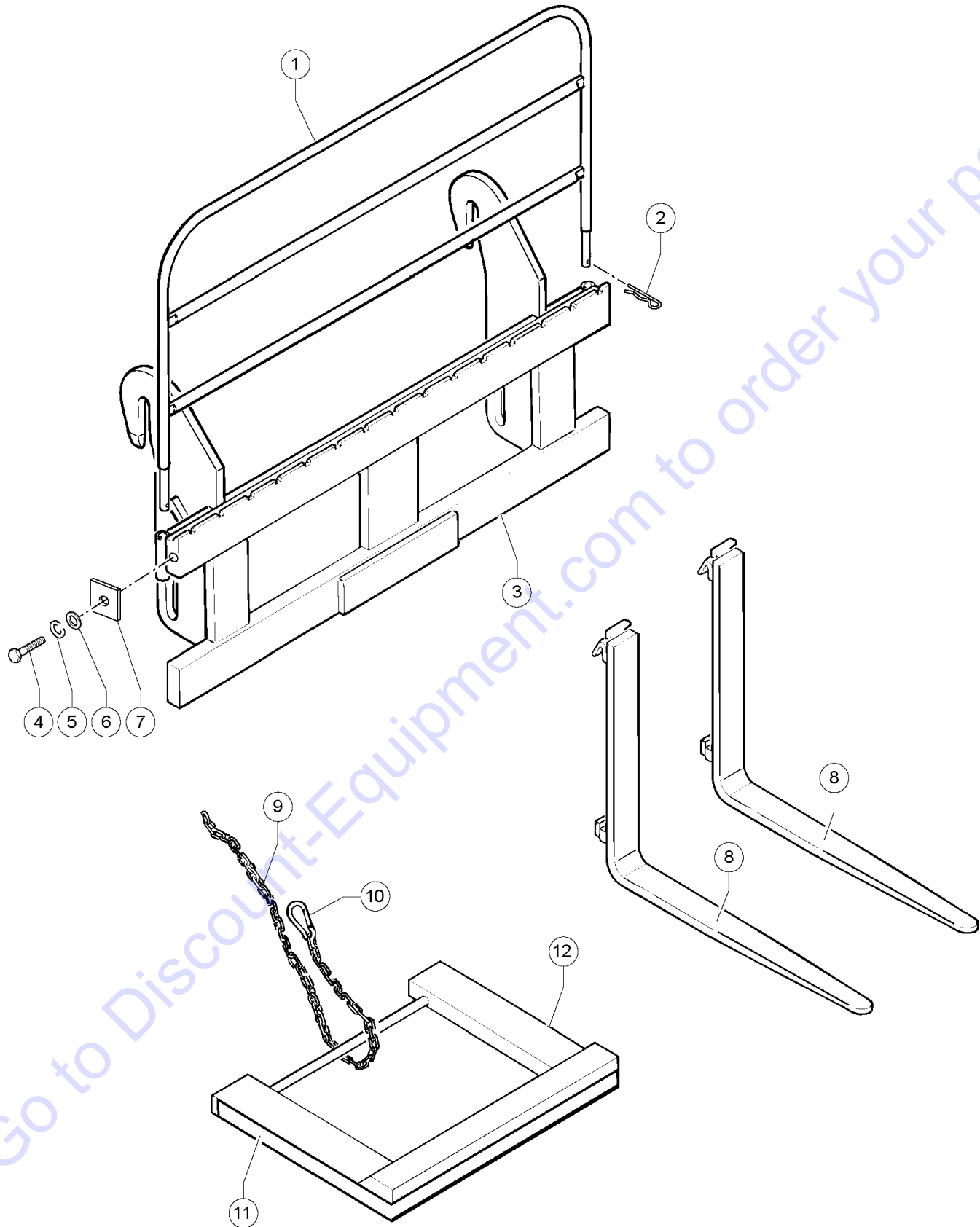
813.1 56.0010.0005 Flashing Beacon



| Item | Part No. | Description | Qty. |
|------|--------------|---------------------------------|------|
| 1 | 56.0010.0005 | Flashing Beacon..... | 1 |
| 2 | 07.0723.0485 | Flashing Beacon Bracket..... | 1 |
| 3 | 01.0001.0254 | SCREW M8X20 UNI 5739 8.8 ZN.... | 2 |
| 4 | 01.0031.0055 | FLAT WASHER D8 UNI 6592 ZN | 4 |
| 5 | 01.0023.0054 | NUT,M8 UNI 7473 6S ZN..... | 2 |

Go to Discount-Equipment.com to order your parts

814.1 58.2900.0014 Lock Forks

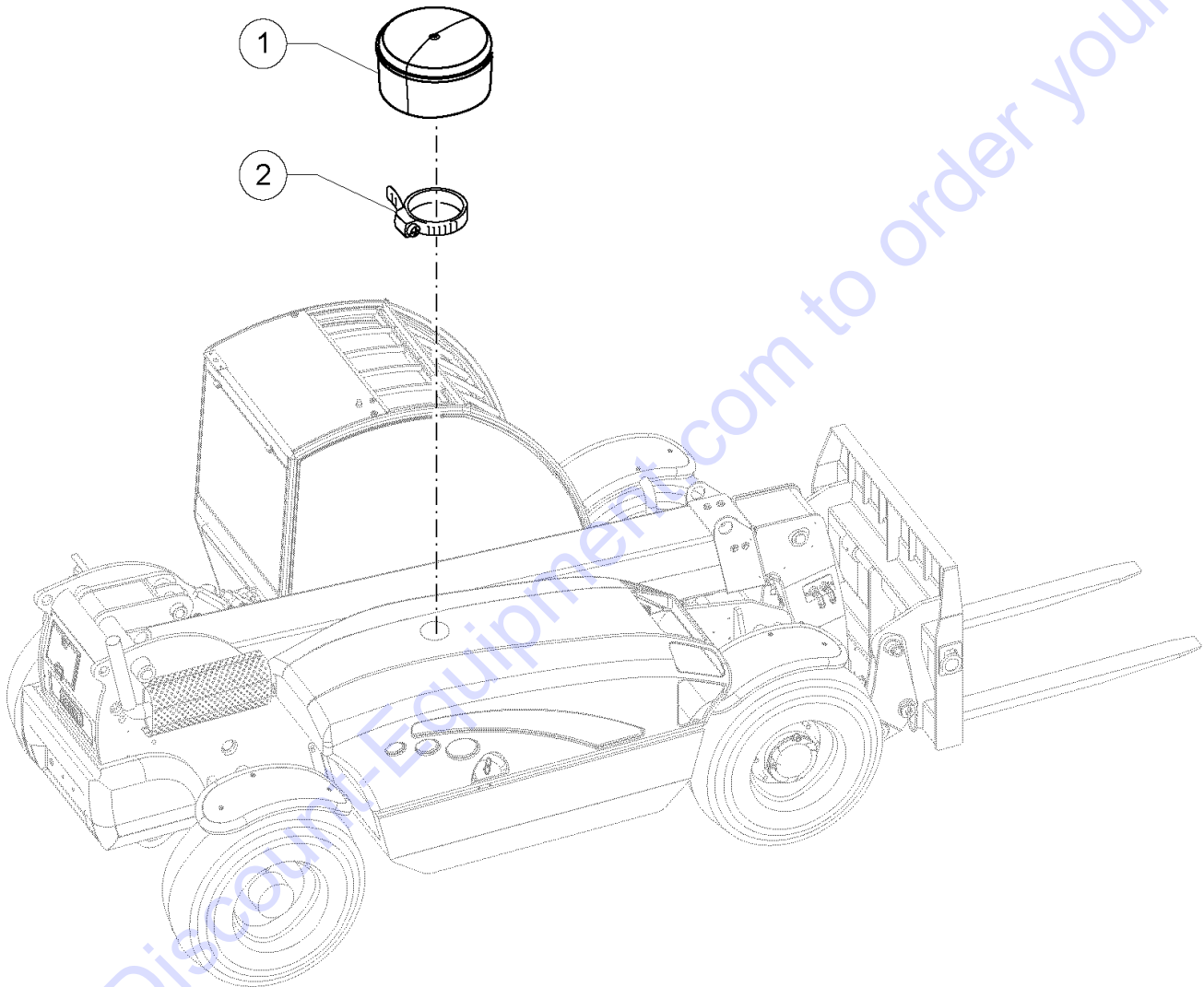


| Item | Part No. | Description | Qty. |
|------|--------------|------------------------------------|--------------|
| 1 | 51.1300.1000 | Guard..... | 1 |
| 2 | 09.0803.0026 | SPRING SPLIT PIN..... | 2 |
| 3 | 51.1300.0900 | Plate..... | 1 |
| 4 | 01.0001.0256 | SCREW M8X25 UNI 5739 8.8 ZN.... | 2 |
| 5 | 01.4032.0003 | SPRING WASHER D 8 ZN | 2 |
| 6 | 01.0031.0055 | FLAT WASHER D8 UNI 6592 ZN | 2 |
| 7 | 51.1300.0100 | STOP GUARD..... | 2 |
| 8 | 09.0803.0071 | Fork..... | 2 |
| 9 | 09.0803.0068 | CHAIN..... | 47,244-inch |
| 10 | 09.0803.0069 | CLAMP,DOUBLE,D16..... | 1 |
| 11 | 09.4618.0093 | REFLECTIVE DECAL,WHITE/RED..... | 122,047-inch |
| 12 | 51.1300.0300 | Guard..... | 1 |

Go to Discount-Equipment.com to order your parts



815.1 58.1401.1002 Special Air Filter

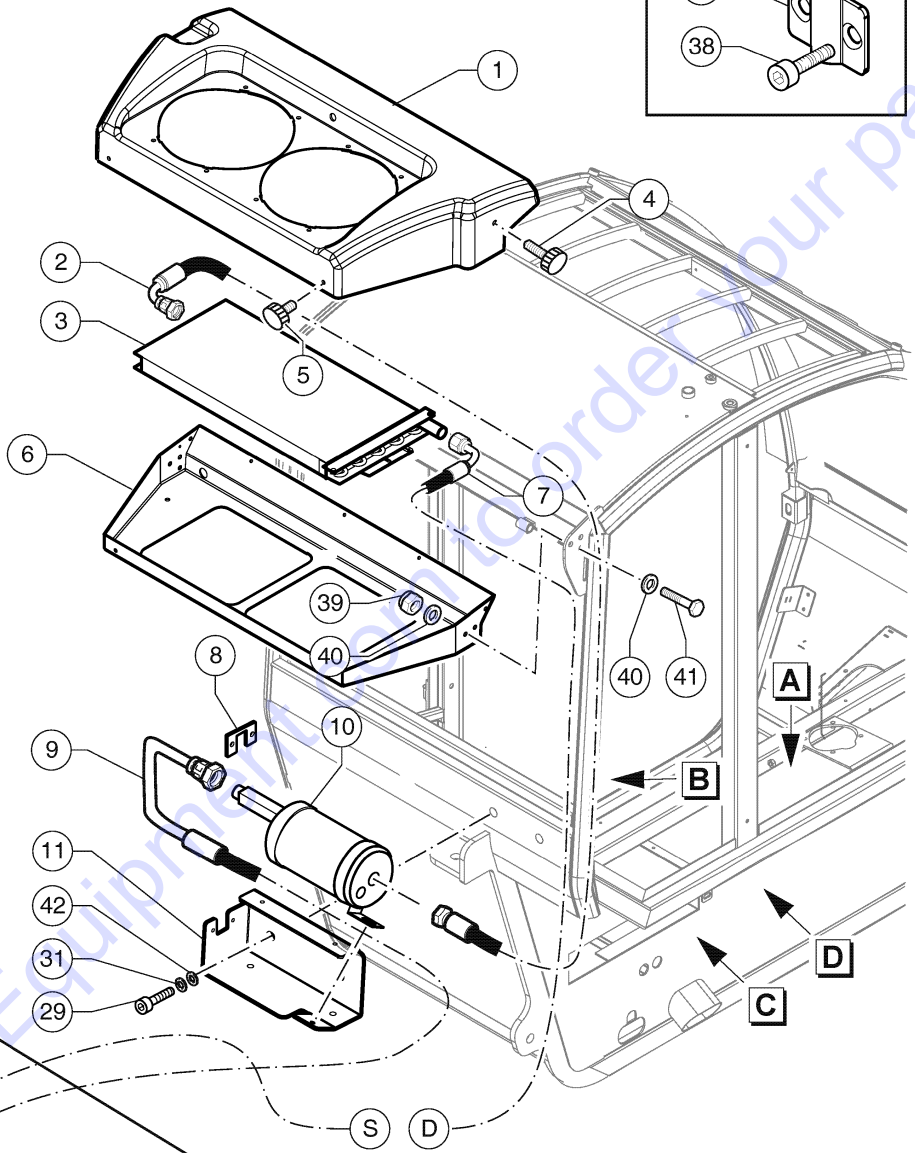
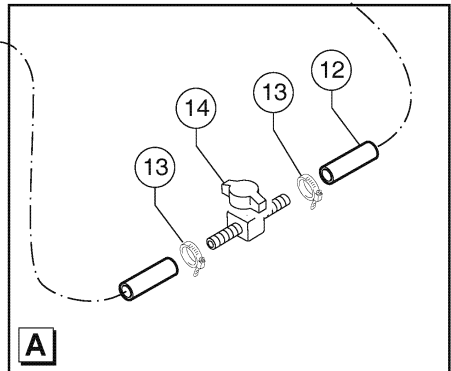
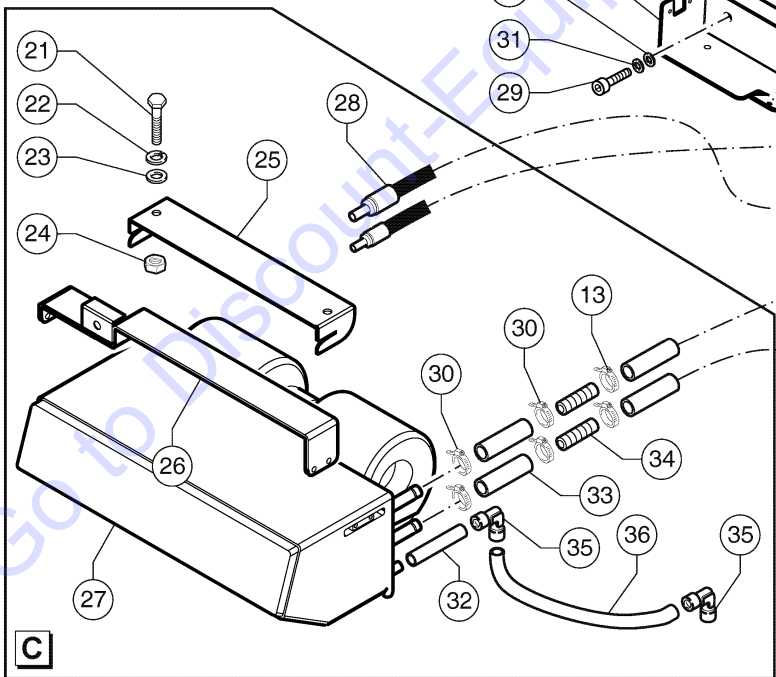
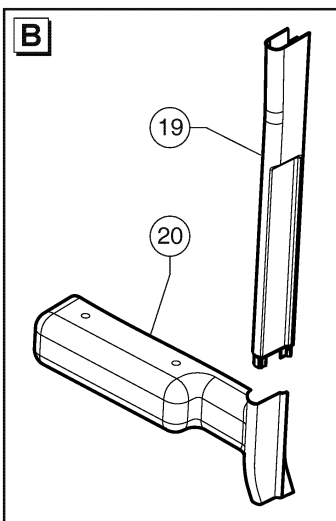
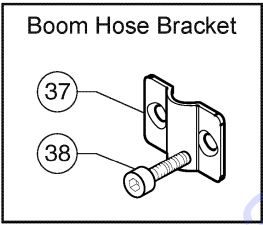
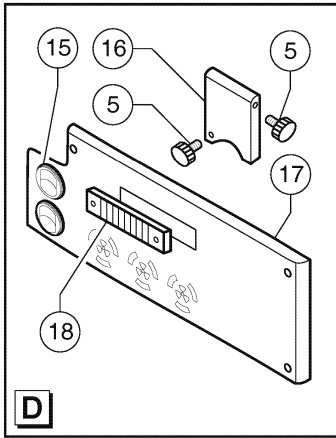


| Item | Part No. | Description | Qty. |
|------|--------------|-----------------|------|
| 1 | 09.4604.0054 | PRE FILTER..... | 1 |
| 2 | 07.0700.0045 | Clamp..... | 1 |

Go to Discount-Equipment.com to order your parts



816.1 606261 Air Conditioning - Cabin Part

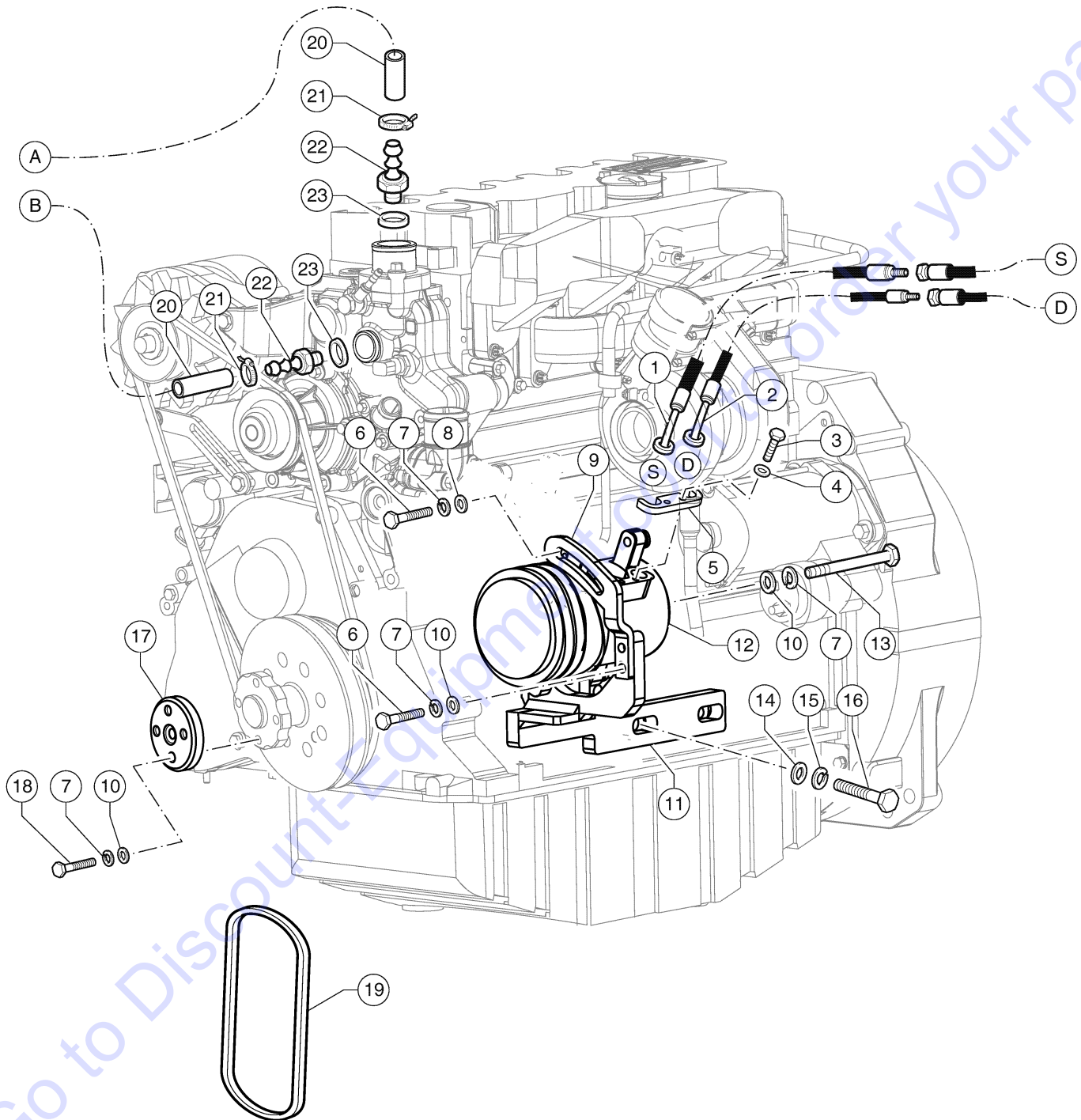


816.1 606261 Air Conditioning - Cabin Part

| Item | Part No. | Description | Qty. | Item | Part No. | Description | Qty. |
|------|--------------|---------------------------------------------------------------------|------|------|--------------|-------------------------------------|------|
| A | | Drawing 58.0904.7002 Position A, Drawing 58.0904.7010 Position A | | 34 | 07.0723.0555 | Pipe Fitting..... | 2 |
| B | | Drawing 58.0904.7002 Position B, Drawing 58.0904.7010 Position B | | 35 | 07.0723.0404 | PVC Pipe Fltting 90°..... | 4 |
| D | | Drawing 58.0904.7002 Position D, Drawing 58.0904.7010 Position D | | 36 | 07.0723.0556 | Outlet Hose..... | 2 |
| S | | Drawing 58.0904.7002 Position S, Drawing 58.0904.7010 Position S | | 37 | 51.0811.4060 | Boom Hose Lock Bracket..... | 1 |
| 1 | 07.0723.0542 | Carter..... | 1 | 38 | 01.0003.0157 | SCREW M6X25 UNI 5931 8.8 ZN.... | 2 |
| 2 | 07.0723.0545 | Flexble Hose..... | 1 | 39 | 01.0023.0054 | NUT,M8 UNI 7473 6S ZN..... | 6 |
| 3 | 07.0723.0540 | Condenser..... | 1 | 40 | 01.0031.0055 | FLAT WASHER D8 UNI 6592 ZN | 12 |
| 4 | 07.0723.0544 | Manual Screw M6x40..... | 1 | 41 | 01.0001.0256 | SCREW M8X25 UNI 5739 8.8 ZN.... | 6 |
| 5 | 07.0723.0557 | Manual Screw M6x25..... | 5 | 42 | 01.0031.0298 | FLAT WASHER D6 UNI 6593 ZN | 2 |
| 6 | 07.0723.0547 | Condenser Support..... | 1 | | | | |
| 7 | 07.0723.0546 | Flexble Hose..... | 1 | | | | |
| 8 | 07.0723.0548 | Filter Lock Bracket..... | 1 | | | | |
| 9 | 07.0723.0550 | Flexble Hose..... | 1 | | | | |
| 10 | 07.0723.0549 | Gas Filter..... | 1 | | | | |
| 11 | 07.0723.0551 | Filter Bracket..... | 1 | | | | |
| 12 | 07.0723.0194 | Rubber Hose LG.1000.....59,055-inch | | | | | |
| 13 | 07.0723.0520 | Clamp 12/18..... | 4 | | | | |
| 14 | 07.0723.0193 | TAP | 1 | | | | |
| 15 | 07.0723.0372 | Air Inlet D68..... | 2 | | | | |
| 16 | 07.0723.0365 | Heater Carter..... | 1 | | | | |
| 17 | 07.0723.0558 | Heater Carter..... | 1 | | | | |
| 18 | 07.0723.0371 | Air Inlet..... | 1 | | | | |
| 19 | 07.0723.0559 | Hose PVC Carter..... | 1 | | | | |
| 20 | 07.0723.0560 | Filter PVC Carter..... | 1 | | | | |
| 21 | 01.0001.0256 | SCREW M8X25 UNI 5739 8.8 ZN.... | 2 | | | | |
| 22 | 01.4032.0003 | SPRING WASHER D 8 ZN | 2 | | | | |
| 23 | 01.0031.0299 | FLAT WASHER D8 UNI 6593..... | 2 | | | | |
| 24 | 01.0023.0054 | NUT,M8 UNI 7473 6S ZN..... | 1 | | | | |
| 25 | 07.0723.0366 | Upper Heater Bracket..... | 1 | | | | |
| 26 | 07.0723.0370 | Lower Heater Bracket..... | 1 | | | | |
| 27 | 07.0723.0397 | Heater..... | 1 | | | | |
| 28 | 07.0723.0561 | Flexble Hose..... | 1 | | | | |
| 29 | 01.0003.0153 | SCREW M6X15 UNI 5931 8.8 ZN.... | 2 | | | | |
| 30 | 07.0723.0079 | Clamp 16/27..... | 4 | | | | |
| 31 | 01.4032.0002 | SPRING WASHER D6 ZN..... | 2 | | | | |
| 32 | 07.0723.0553 | Rubber Hose..... | 2 | | | | |
| 33 | 07.0723.0554 | Hose..... | 2 | | | | |



817.1 58.0904.7002 Air Conditioning - Deutz Engine

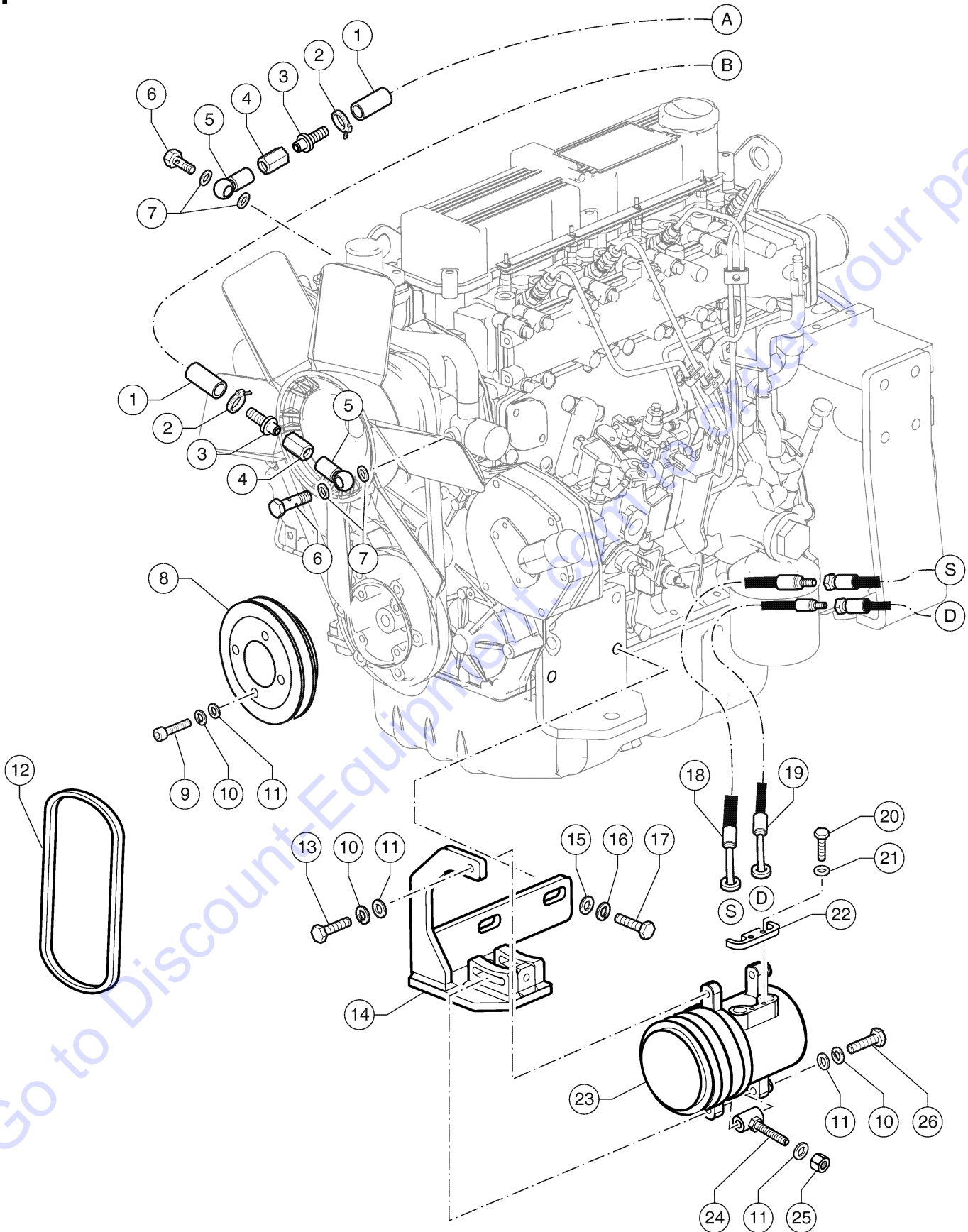


817.1 58.0904.7002 Air Conditioning - Deutz Engine

| Item | Part No. | Description | Qty. |
|------|--------------|-----------------------------------------|------|
| A | | Drawing 606261 Position A | |
| B | | Drawing 606261 Position B | |
| D | | Drawing 606261 Position D | |
| S | | Drawing 606261 Position S | |
| 1 | 09.0805.0107 | Hose..... | 1 |
| 2 | 09.0805.0106 | Hose..... | 1 |
| 3 | 01.0001.0256 | SCREW M8X25 UNI 5739 8.8 ZN.... | 2 |
| 4 | 01.4032.0002 | SPRING WASHER D6 ZN..... | 2 |
| 5 | 09.0803.0575 | FLANGE..... | 1 |
| 6 | 01.0001.0256 | SCREW M8X25 UNI 5739 8.8 ZN.... | 3 |
| 7 | 10.4032.0003 | Spring Washer D8 UNI 1752 ZN.... | 8 |
| 8 | 01.0031.0299 | FLAT WASHER D8 UNI 6593..... | 1 |
| 9 | 51.0811.4046 | Tensioner Braket..... | 1 |
| 10 | 01.0031.0055 | FLAT WASHER D8 UNI 6592 ZN | 7 |
| 11 | 51.0811.4030 | Bracket..... | 1 |
| 12 | 07.0723.0378 | Compressor..... | 1 |
| 13 | 01.4001.0010 | Screw TE M8X100 UNI 5737 8.8 ZN..... | 1 |
| 14 | 01.0031.0058 | FLAT WASHER D14 UNI 6592 ZN | 2 |
| 15 | 01.4032.0006 | SPRING WASHER D14 ZN..... | 2 |
| 16 | 01.0001.0605 | SCREW M14X35 UNI 5739 8.8 ZN..... | 2 |
| 17 | 54.0100.0098 | Spacer..... | 1 |
| 18 | 01.0001.0257 | SCREW M8X30 UNI 5739 8.8 ZN.... | 4 |
| 19 | 09.0803.0544 | Rubber Belt..... | 1 |
| 20 | 07.0723.0194 | Rubber Hose LG.1000.....314,96-inch | |
| 21 | 07.0723.0520 | Clamp 12/18..... | 2 |
| 22 | 09.0806.0050 | Hose Fitting..... | 2 |
| 23 | 06.4442.0000 | Copper Washer JC 26..... | 2 |

Go to DiscountEquipment.com to order your parts

818.1 58.0904.7010 Air Conditioning - Perkins Engine

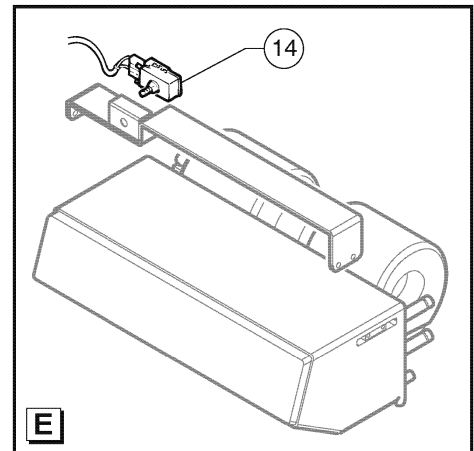
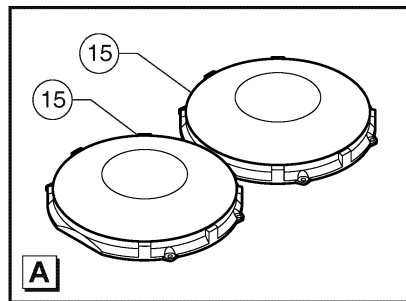
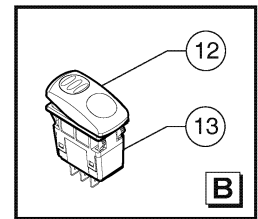
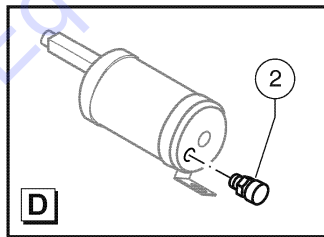
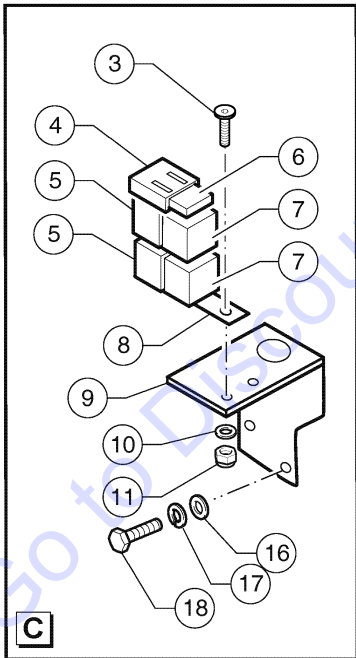
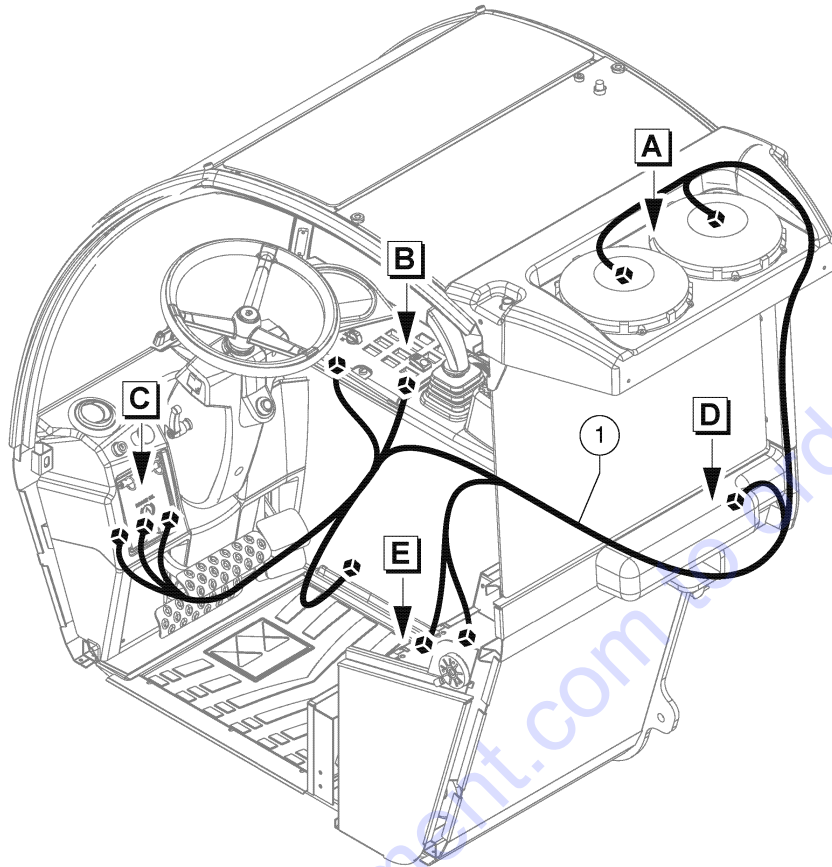


818.1 58.0904.7010 Air Conditioning - Perkins Engine

| Item | Part No. | Description | Qty. |
|------|--------------|-------------------------------------------|------|
| A | | Drawing 606261 Position A | |
| B | | Drawing 606261 Position B | |
| D | | Drawing 606261 Position D | |
| S | | Drawing 606261 Position S | |
| 1 | 07.0723.0194 | Rubber Hose LG.1000.....314,96-inch | |
| 2 | 07.0723.0520 | Clamp 12/18.....2 | |
| 3 | 09.0806.0050 | Hose Fitting.....2 | |
| 4 | 09.0806.0053 | PIPE FITTING.....2 | |
| 5 | 09.0806.0055 | FITTING.....2 | |
| 6 | 09.0806.0054 | Screw Fitting M16x1.5.....2 | |
| 7 | 06.0442.0102 | Copper Washer JC 17.....4 | |
| 8 | 54.0100.0097 | Pulley.....1 | |
| 9 | 01.0003.0205 | SCREW M8X25 UNI 5931 8.8 ZN...4 | |
| 10 | 01.4032.0003 | SPRING WASHER D 8 ZN6 | |
| 11 | 01.0031.0055 | FLAT WASHER D8 UNI 6592 ZN7 | |
| 12 | 09.0803.0544 | Rubber Belt.....1 | |
| 13 | 01.0001.0257 | SCREW M8X30 UNI 5739 8.8 ZN...1 | |
| 14 | 51.0811.4045 | Compressor Bracket.....1 | |
| 15 | 01.0031.0057 | WASHER,D12 UNI 6592 ZN2 | |
| 16 | 01.4032.0005 | SPRING WASHER D12 ZN2 | |
| 17 | 01.4001.0011 | Screw TE M12X40 UNI 5737 10.9ZN2 | |
| 18 | 09.0805.0105 | Hose 13/32".....1 | |
| 19 | 09.0805.0104 | Hose 13/32".....1 | |
| 20 | 01.0001.0256 | SCREW M8X25 UNI 5739 8.8 ZN...2 | |
| 21 | 01.4032.0002 | SPRING WASHER D6 ZN.....2 | |
| 22 | 09.0803.0575 | FLANGE.....1 | |
| 23 | 07.0723.0378 | Compressor.....1 | |
| 24 | 51.0811.4048 | Bracket.....1 | |
| 25 | 01.0023.0054 | NUT,M8 UNI 7473 6S ZN.....1 | |
| 26 | 01.4001.0010 | Screw TE M8X100 UNI 5737 8.8 ZN.....1 | |

Go to www.genieequipment.com to order your parts

819.1 606262 Air Conditioning - Electrical Part



819.1 606262 Air Conditioning - Electrical Part

| Item | Part No. | Description | Qty. |
|------|--------------|-----------------------------------------|------|
| 1 | 56.0014.0026 | AIR CONDITIONING WIRING HARNESS..... | 1 |
| 2 | 07.0723.0377 | Pressure Sensor..... | 1 |
| 3 | 01.4006.0006 | Screw TSPEI M5X16 UNI 5933 10.9 ZN..... | 1 |
| 4 | 56.0005.0009 | FUSE HOLDER..... | 1 |
| 5 | 07.0703.0188 | RELAY HOLDER..... | 2 |
| 6 | 634975 | Fuse 20A | 1 |
| 7 | 07.0703.0486 | RELAY..... | 2 |
| 8 | 56.0005.0017 | Relay Support Bracket..... | 1 |
| 9 | 07.0723.0494 | SUPPORT..... | 1 |
| 10 | 01.0031.0053 | FLAT WASHER D5 UNI 6592 ZN..... | 1 |
| 11 | 01.0023.0052 | STOP NUT M5 UNI 7473 6S ZN..... | 1 |
| 12 | 56.0017.0053 | Air Condition Switch Cover..... | 1 |
| 13 | 56.0017.0048 | SWITCH..... | 1 |
| 14 | 07.0723.0396 | Temperature Switch..... | 1 |
| 15 | 07.0723.0541 | Fan..... | 2 |
| 16 | 01.0031.0055 | FLAT WASHER D8 UNI 6592 ZN | 2 |
| 17 | 01.4032.0003 | SPRING WASHER D 8 ZN | 2 |
| 18 | 01.0001.0254 | SCREW M8X20 UNI 5739 8.8 ZN.... | 2 |

Go to Discount-Equipment.com to order your parts

Part Number Index

The Part Number Index is a numeric index of all part numbers included in this manual. The index shows what page(s) the part is used on.

| Part Number | Page | Part Number | Page | Part Number | Page | Part Number | Page |
|--------------|-------------------------------------------------------------------------------|--------------|-------------------------------------------------------------------------------------------------|--------------|----------------------|--------------|--------------------------|
| 01.0001.0010 | 57 | 01.0023.0055 | 19, 21, 41, 45, | 01.4032.0011 | 23 | 04.0605.0684 | 85, 87 |
| 01.0001.0104 | 67, 115 | | 47, 49, 51, 65, | 01.4041.0005 | 69 | 04.0605.0685 | 103 |
| 01.0001.0106 | 101, 103 | | 67, 75 | 02.4102.0012 | 67 | 04.0605.0733 | 101, 103 |
| 01.0001.0154 | 45, 57, 105, 121, 125 | 01.0023.0056 | 15, 65, 69, 79 | 04.0214.0035 | 79 | 04.0605.0734 | 101, 103 |
| 01.0001.0156 | 15, 19, 21, 49, 67 | 01.0023.0057 | 49, 51, 65 | 04.0214.0156 | 101, 103 | 04.0605.0790 | 85, 87 |
| 01.0001.0204 | 19, 21 | 01.0023.0058 | 53, 57 | 04.0220.0051 | 111 | 04.0605.0803 | 101 |
| 01.0001.0207 | 111 | 01.0023.0060 | 39 | 04.0220.0053 | 23 | 04.0605.0804 | 101 |
| 01.0001.0209 | 63, 65 | 01.0023.0062 | 17 | 04.0220.0055 | 23 | 04.0605.0806 | 103 |
| 01.0001.0211 | 65, 75 | 01.0031.0053 | 19, 21, 147 | 04.0227.0000 | 45 | 04.0605.0807 | 87 |
| 01.0001.0252 | 45, 47, 55, 65, 71, 105, 129 | 01.0031.0054 | 23, 45, 67, 101, 103, 113, 121, 125 | 04.0227.0051 | 15, 41, 47, 117, 119 | 04.0605.0809 | 75 |
| 01.0001.0254 | 15, 19, 21, 41, 43, 45, 49, 65, 81, 85, 87, 105, 111, 113, 121, 125, 135, 147 | 01.0031.0055 | 17, 19, 21, 23, 41, 43, 45, 47, 63, 65, 81, 85, 87, 111, 121, 125, 135, 137, 141, 143, 145, 147 | 04.0227.0054 | 105 | 04.0605.0865 | 87 |
| 01.0001.0256 | 41, 43, 45, 47, 65, 121, 125, 137, 141, 143, 145 | 01.0031.0056 | 45, 47, 53, 57 | 04.0227.0058 | 41, 43 | 04.0605.0933 | 111 |
| 01.0001.0257 | 19, 41, 45, 47, 75, 77, 143, 145 | 01.0031.0057 | 49, 51, 145 | 04.0227.0067 | 41, 45, 47 | 04.0605.0934 | 111 |
| 01.0001.0258 | 65 | 01.0031.0058 | 49, 51, 143 | 04.0227.0068 | 41 | 04.0605.0937 | 81 |
| 01.0001.0260 | 15 | 01.0031.0059 | 15, 53, 57, 89, 91 | 04.0227.0144 | 23 | 04.0605.1039 | 75 |
| 01.0001.0303 | 53, 57 | 01.0031.0061 | 39, 75 | 04.0600.0013 | 85, 87 | 04.0605.1040 | 75 |
| 01.0001.0306 | 71 | 01.0031.0063 | 17 | 04.0600.0016 | 111 | 04.0605.1041 | 77 |
| 01.0001.0310 | 75 | 01.0031.0099 | 49, 51 | 04.0600.0017 | 111 | 04.0605.1042 | 77 |
| 01.0001.0355 | 19, 21, 23, 45, 47, 49, 51, 65, 113 | 01.0031.0151 | 15 | 04.0600.0019 | 67, 111 | 04.0607.0103 | 85, 87, 89, 91 |
| 01.0001.0356 | 49, 51 | 01.0031.0151 | 15, 57, 101, 103, 115, 141 | 04.0600.0046 | 81, 83 | 04.0607.0107 | 81, 83, 89, 91, 93, 95 |
| 01.0001.0357 | 45, 47, 65 | 01.0031.0298 | 15, 57, 101, 103, 115, 141 | 04.0600.0050 | 89, 91 | 04.0607.0109 | 75, 79 |
| 01.0001.0358 | 19, 21 | 01.0031.0299 | 15, 19, 21, 47, 49, 57, 105, 113, 129, 141, 143 | 04.0600.0055 | 93, 95 | 04.0607.0110 | 99, 101, 103, 111 |
| 01.0001.0401 | 89, 91 | 01.0031.0301 | 19, 21, 45, 47, 113 | 04.0600.0081 | 67 | 04.0607.0111 | 75, 77, 79, 101, 103 |
| 01.0001.0405 | 15 | 01.4001.0001 | 39 | 04.0600.0087 | 67 | 04.0607.0112 | 113 |
| 01.0001.0409 | 69 | 01.4001.0003 | 65, 79 | 04.0600.0091 | 111 | 04.0607.0113 | 85, 87, 97, 99, 101, 103 |
| 01.0001.0506 | 49, 51 | 01.4001.0006 | 15 | 04.0600.0188 | 75 | 04.0607.0114 | 85, 87, 105, 113 |
| 01.0001.0605 | 49, 143 | 01.4001.0008 | 65, 67 | 04.0602.0570 | 105 | 04.0607.0115 | 85, 87 |
| 01.0001.0651 | 89, 91 | 01.4001.0010 | 143, 145 | 04.0602.0581 | 111 | 04.0607.0117 | 101, 103 |
| 01.0001.0659 | 53, 57 | 01.4001.0011 | 145 | 04.0605.0581 | 101, 103 | 04.0607.0119 | 81 |
| 01.0001.0703 | 15 | 01.4001.0012 | 49, 51, 65 | 04.0605.0100 | 89 | 04.0607.0120 | 81, 83 |
| 01.0001.1465 | 19, 21, 41, 43, 47, 121 | 01.4001.0025 | 15 | 04.0605.0112 | 113 | 04.0607.0122 | 75 |
| 01.0001.1476 | 47 | 01.4001.0038 | 129 | 04.0605.0113 | 113 | 04.0607.0124 | 75, 77, 79 |
| 01.0001.1493 | 49 | 01.4001.0045 | 15 | 04.0605.0114 | 113 | 04.0607.0131 | 113 |
| 01.0003.0153 | 141 | 01.4001.0057 | 17 | 04.0605.0179 | 97 | 04.0607.0132 | 113 |
| 01.0003.0157 | 65, 75, 79, 141 | 01.4001.0078 | 15, 17, 41 | 04.0605.0184 | 79 | 04.0607.0137 | 101, 103 |
| 01.0003.0159 | 85, 87 | 01.4001.0102 | 19, 21 | 04.0605.0186 | 79 | 04.0607.0139 | 99 |
| 01.0003.0162 | 113 | 01.4001.0164 | 59 | 04.0605.0189 | 79 | 04.0607.0141 | 67, 75, 79 |
| 01.0003.0203 | 65 | 01.4003.0012 | 23 | 04.0605.0225 | 97 | 04.0607.0143 | 89, 91 |
| 01.0003.0205 | 45, 47, 145 | 01.4006.0005 | 65 | 04.0605.0235 | 85, 87 | 04.0607.0153 | 85, 87 |
| 01.0003.0208 | 71 | 01.4006.0006 | 121, 147 | 04.0605.0245 | 99 | 04.0607.0163 | 113 |
| 01.0003.0210 | 71 | 01.4006.0016 | 17, 19, 21 | 04.0605.0271 | 97 | 04.0607.0174 | 89, 91 |
| 01.0003.0255 | 49, 51, 93, 95 | 01.4019.0004 | 69 | 04.0605.0275 | 99 | 04.0607.0182 | 89, 91 |
| 01.0003.0257 | 89, 91 | 01.4031.0001 | 53, 57 | 04.0605.0281 | 91 | 04.0607.0194 | 81, 83 |
| 01.0003.0262 | 41 | 01.4031.0003 | 41, 43 | 04.0605.0299 | 101, 103 | 04.0607.0217 | 89, 91 |
| 01.0003.0405 | 49, 51 | 01.4031.0004 | 41, 43 | 04.0605.0351 | 77 | 04.0607.0236 | 101, 103 |
| 01.0003.0944 | 57 | 01.4032.0000 | 15 | 04.0605.0447 | 89, 91 | 04.0607.0237 | 101, 103 |
| 01.0006.0033 | 17, 19, 21 | 01.4032.0002 | 15, 45, 49, 67, 105, 115, 121, 125, 141, 143, 145 | 04.0605.0453 | 97 | 04.0607.0271 | 89, 91 |
| 01.0006.0049 | 65 | | | 04.0605.0626 | 75, 77, 79 | 04.0607.0283 | 113 |
| 01.0019.0103 | 15, 19, 21 | 01.4032.0003 | 15, 19, 21, 41, 43, 45, 49, 65, 81, 85, 87, 105, 111, 113, 121, 125, 129, 137, 141, 145, 147 | 04.0605.0637 | 101, 103 | 04.0607.0317 | 89, 91 |
| 01.0019.0104 | 19, 21, 41, 115 | | | 04.0605.0638 | 101, 103 | 04.0607.0326 | 101, 103 |
| 01.0019.0105 | 43, 53, 57 | | | 04.0605.0640 | 101, 103 | 04.0607.0331 | 85, 87 |
| 01.0023.0052 | 19, 21, 121, 147 | | | 04.0605.0645 | 91 | 04.0607.0340 | 113 |
| 01.0023.0053 | 17, 19, 21, 45, 47, 57, 67, 101, 103, 113, 121 | | | 04.0605.0646 | 83 | 04.0607.0349 | 89, 91 |
| 01.0023.0054 | 19, 21, 23, 41, 43, 45, 47, 57, 63, 65, 75, 111, 121, 125, 135, 141, 145 | | | 04.0605.0647 | 81, 83 | 04.0607.0358 | 89, 91 |
| | | | | 04.0605.0648 | 101, 103 | 04.0607.0367 | 89, 91 |
| | | | | 04.0605.0649 | 95 | 04.0607.0376 | 89, 91 |
| | | | | 04.0605.0650 | 83 | 04.0607.0385 | 93, 95 |
| | | | | 04.0605.0651 | 85 | 04.0607.0394 | 91 |
| | | | | 04.0605.0652 | 99 | 04.0607.0403 | 89 |
| | | | | 04.0605.0653 | 105 | 04.0607.0412 | 89 |
| | | | | 04.0605.0654 | 99 | 04.0607.0421 | 89 |
| | | | | 04.0605.0655 | 99 | 04.0607.0430 | 89 |
| | | | | 04.0605.0656 | 99 | 04.0607.0439 | 89 |
| | | | | 04.0605.0658 | 75 | 04.0607.0448 | 89 |
| | | | | 04.0605.0659 | 75 | 04.0607.0457 | 89 |
| | | | | 04.0605.0660 | 91 | 04.0607.0466 | 89 |
| | | | | 04.0605.0661 | 75 | 04.0607.0475 | 89 |
| | | | | 04.0605.0662 | 85 | 04.0607.0484 | 89 |
| | | | | 04.0605.0663 | 89 | 04.0607.0493 | 89 |
| | | | | 04.0605.0664 | 89, 91 | 04.0607.0502 | 89 |
| | | | | 04.0605.0665 | 89 | 04.0607.0511 | 89 |
| | | | | 04.0605.0666 | 89 | 04.0607.0520 | 89 |
| | | | | 04.0605.0667 | 89 | 04.0607.0529 | 89 |
| | | | | 04.0605.0668 | 89 | 04.0607.0538 | 89 |
| | | | | 04.0605.0669 | 89 | 04.0607.0547 | 89 |
| | | | | 04.0605.0670 | 89 | 04.0607.0556 | 89 |
| | | | | 04.0605.0671 | 89 | 04.0607.0565 | 89 |
| | | | | 04.0605.0672 | 89 | 04.0607.0574 | 89 |
| | | | | 04.0605.0673 | 89 | 04.0607.0583 | 89 |
| | | | | 04.0605.0674 | 89 | 04.0607.0592 | 89 |
| | | | | 04.0605.0675 | 89 | 04.0607.0601 | 89 |
| | | | | 04.0605.0676 | 89 | 04.0607.0610 | 89 |
| | | | | 04.0605.0677 | 89 | 04.0607.0619 | 89 |
| | | | | 04.0605.0678 | 89 | 04.0607.0628 | 89 |
| | | | | 04.0605.0679 | 89 | 04.0607.0637 | 89 |
| | | | | 04.0605.0680 | 89 | 04.0607.0646 | 89 |
| | | | | 04.0605.0681 | 89 | 04.0607.0655 | 89 |
| | | | | 04.0605.0682 | 89 | 04.0607.0664 | 89 |
| | | | | 04.0605.0683 | 89 | 04.0607.0673 | 89 |
| | | | | 04.0605.0684 | 89 | 04.0607.0682 | 89 |
| | | | | 04.0605.0685 | 89 | 04.0607.0691 | 89 |
| | | | | 04.0605.0686 | 89 | 04.0607.0700 | 89 |
| | | | | 04.0605.0687 | 89 | 04.0607.0709 | 89 |
| | | | | 04.0605.0688 | 89 | 04.0607.0718 | 89 |
| | | | | 04.0605.0689 | 89 | 04.0607.0727 | 89 |
| | | | | 04.0605.0690 | 89 | 04.0607.0736 | 89 |
| | | | | 04.0605.0691 | 89 | 04.0607.0745 | 89 |
| | | | | 04.0605.0692 | 89 | 04.0607.0754 | 89 |
| | | | | 04.0605.0693 | 89 | 04.0607.0763 | 89 |
| | | | | 04.0605.0694 | 89 | 04.0607.0772 | 89 |
| | | | | 04.0605.0695 | 89 | 04.0607.0781 | 89 |
| | | | | 04.0605.0696 | 89 | 04.0607.0790 | 89 |
| | | | | 04.0605.0697 | 89 | 04.0607.0799 | 89 |
| | | | | 04.0605.0698 | 89 | 04.0607.0808 | 89 |
| | | | | 04.0605.0699 | 89 | 04.0607.0817 | 89 |
| | | | | 04.0605.0700 | 89 | 04.0607.0826 | 89 |
| | | | | 04.0605.0701 | 89 | 04.0607.0835 | 89 |
| | | | | 04.0605.0702 | 89 | 04.0607.0844 | 89 |
| | | | | 04.0605.0703 | 89 | 04.0607.0853 | 89 |
| | | | | 04.0605.0704 | 89 | 04.0607.0862 | 89 |
| | | | | 04.0605.0705 | 89 | 04.0607.0871 | 89 |
| | | | | 04.0605.0706 | 89 | 04.0607.0880 | 89 |
| | | | | 04.0605.0707 | 89 | 04.0607.0889 | 89 |
| | | | | 04.0605.0708 | 89 | 04.0607.0898 | 89 |
| | | | | 04.0605.0709 | 89 | | |

| Part Number | Page | Part Number | Page | Part Number | Page | Part Number | Page |
|--------------|--------------------|--------------|------------|--------------|------------|--------------|----------------------|
| 04.4239.0004 | 71 | 07.0704.0117 | 63 | 07.0709.0301 | 27 | 07.0709.0918 | 27, 35 |
| 04.4239.0005 | 71 | 07.0704.0118 | 63 | 07.0709.0302 | 27 | 07.0709.0919 | 27, 35 |
| 04.4239.0013 | 89, 91 | 07.0704.0119 | 63 | 07.0709.0303 | 27 | 07.0709.0920 | 27 |
| 04.4239.0051 | 71 | 07.0704.0134 | 63 | 07.0709.0305 | 27 | 07.0709.0921 | 27, 29, 37 |
| 04.4239.0052 | 71 | 07.0704.0136 | 63 | 07.0709.0306 | 27 | 07.0709.0922 | 27 |
| 04.4239.0083 | 81, 83 | 07.0704.0137 | 63 | 07.0709.0309 | 27 | 07.0709.0923 | 27 |
| 04.4240.0011 | 111 | 07.0704.0138 | 63 | 07.0709.0310 | 27 | 07.0709.0924 | 29 |
| 04.4240.0052 | 101, 103 | 07.0704.0143 | 73 | 07.0709.0311 | 27 | 07.0709.0925 | 29, 37 |
| 05.0401.0003 | 105 | 07.0704.0144 | 63 | 07.0709.0312 | 27 | 07.0709.0926 | 29, 37 |
| 05.0401.0007 | 105 | 07.0704.0145 | 63 | 07.0709.0313 | 27 | 07.0709.0927 | 29 |
| 05.0401.0016 | 99 | 07.0704.0153 | 111 | 07.0709.0314 | 27 | 07.0709.0928 | 31 |
| 05.4309.0001 | 105 | 07.0704.0169 | 63 | 07.0709.0315 | 27 | 07.0709.0929 | 31 |
| 05.4309.0002 | 105 | 07.0704.0173 | 63 | 07.0709.0316 | 27 | 07.0709.0930 | 33, 39 |
| 05.4329.0003 | 105 | 07.0704.0184 | 73 | 07.0709.0317 | 27 | 07.0709.0931 | 39 |
| 06.0401.0123 | 93, 95 | 07.0704.0407 | 73 | 07.0709.0319 | 27 | 07.0712.0046 | 43 |
| 06.0401.0214 | 89, 91 | 07.0705.0082 | 71 | 07.0709.0320 | 27 | 07.0712.0047 | 43 |
| 06.0401.0219 | 89, 91 | 07.0705.0094 | 73 | 07.0709.0321 | 29, 37 | 07.0712.0087 | 41 |
| 06.0442.0055 | 105 | 07.0705.0095 | 73 | 07.0709.0323 | 29 | 07.0712.0094 | 43 |
| 06.0442.0057 | 101, 103 | 07.0705.0097 | 73 | 07.0709.0324 | 31 | 07.0712.0103 | 43 |
| 06.0442.0059 | 89, 91 | 07.0705.0098 | 73 | 07.0709.0325 | 31 | 07.0712.0118 | 41 |
| 06.0442.0101 | 99, 111 | 07.0705.0099 | 73 | 07.0709.0327 | 31 | 07.0712.0137 | 41 |
| 06.0442.0102 | 23, 75, 119, 145 | 07.0705.0100 | 73 | 07.0709.0328 | 31 | 07.0712.0243 | 41 |
| 06.0442.0103 | 23, 79, 111 | 07.0706.0061 | 53 | 07.0709.0330 | 31 | 07.0713.0061 | 49, 51 |
| 06.0442.0105 | 81, 85, 87, 89, 91 | 07.0709.0034 | 31 | 07.0709.0332 | 31 | 07.0713.0062 | 49, 51 |
| 06.0442.0107 | 23, 93, 95 | 07.0709.0057 | 29, 37 | 07.0709.0333 | 31 | 07.0713.0063 | 49, 51 |
| 06.0442.0111 | 23, 93, 95 | 07.0709.0065 | 29, 37 | 07.0709.0334 | 31 | 07.0721.0019 | 75 |
| 06.0442.0124 | 83 | 07.0709.0070 | 29, 37 | 07.0709.0335 | 31 | 07.0721.0117 | 75 |
| 06.4442.0000 | 143 | 07.0709.0071 | 29, 37 | 07.0709.0336 | 31 | 07.0722.0053 | 49, 51 |
| 07.0227.0051 | 119 | 07.0709.0084 | 27, 35 | 07.0709.0337 | 31 | 07.0723.0010 | 117, 119 |
| 07.0501.0001 | 49 | 07.0709.0104 | 29, 37 | 07.0709.0338 | 31 | 07.0723.0024 | 55, 57 |
| 07.0501.0017 | 51 | 07.0709.0113 | 29, 37 | 07.0709.0340 | 31 | 07.0723.0037 | 53 |
| 07.0501.0018 | 51 | 07.0709.0117 | 29, 37 | 07.0709.0341 | 31 | 07.0723.0039 | 57, 59, 61 |
| 07.0501.0020 | 45 | 07.0709.0118 | 29, 37 | 07.0709.0342 | 31 | 07.0723.0040 | 53, 57 |
| 07.0501.0024 | 45, 47 | 07.0709.0119 | 29, 37 | 07.0709.0343 | 31 | 07.0723.0042 | 19, 21, 55, 57 |
| 07.0501.0026 | 41 | 07.0709.0127 | 27 | 07.0709.0344 | 31 | 07.0723.0054 | 53, 57 |
| 07.0501.0027 | 41 | 07.0709.0130 | 27 | 07.0709.0345 | 31 | 07.0723.0055 | 53, 57 |
| 07.0501.0029 | 47 | 07.0709.0171 | 29, 37 | 07.0709.0346 | 31 | 07.0723.0057 | 55 |
| 07.0700.0006 | 23 | 07.0709.0174 | 27, 35 | 07.0709.0347 | 31 | 07.0723.0059 | 53 |
| 07.0700.0023 | 23 | 07.0709.0188 | 27 | 07.0709.0349 | 31 | 07.0723.0074 | 57, 127 |
| 07.0700.0028 | 23 | 07.0709.0218 | 39 | 07.0709.0350 | 31 | 07.0723.0075 | 55 |
| 07.0700.0030 | 45, 47 | 07.0709.0235 | 35 | 07.0709.0351 | 31 | 07.0723.0076 | 53, 55, 57, 117, 119 |
| 07.0700.0031 | 47 | 07.0709.0245 | 27, 35 | 07.0709.0352 | 31 | | |
| 07.0700.0035 | 45, 47 | 07.0709.0249 | 27, 35 | 07.0709.0359 | 27, 35 | 07.0723.0079 | 141 |
| 07.0700.0036 | 45, 47 | 07.0709.0254 | 27, 31, 35 | 07.0709.0363 | 29, 37 | 07.0723.0090 | 55, 117, 119 |
| 07.0700.0037 | 45, 47 | 07.0709.0257 | 27, 35 | 07.0709.0365 | 29, 37 | 07.0723.0096 | 53 |
| 07.0700.0045 | 139 | 07.0709.0258 | 27, 35 | 07.0709.0388 | 35 | 07.0723.0097 | 57 |
| 07.0701.0007 | 51 | 07.0709.0259 | 27, 35 | 07.0709.0417 | 33, 39 | 07.0723.0104 | 59, 61 |
| 07.0701.0200 | 49, 51 | 07.0709.0260 | 27, 35 | 07.0709.0441 | 27, 35 | 07.0723.0108 | 117, 119 |
| 07.0701.0209 | 49, 51 | 07.0709.0261 | 29, 37 | 07.0709.0706 | 27, 35 | 07.0723.0109 | 117, 119 |
| 07.0701.0211 | 49, 51 | 07.0709.0262 | 37 | 07.0709.0707 | 37 | 07.0723.0111 | 57 |
| 07.0701.0241 | 49, 51 | 07.0709.0263 | 29 | 07.0709.0710 | 27 | 07.0723.0114 | 53, 55, 57 |
| 07.0701.0242 | 49 | 07.0709.0264 | 29, 37 | 07.0709.0711 | 31 | 07.0723.0133 | 53 |
| 07.0703.0071 | 107 | 07.0709.0265 | 29, 37 | 07.0709.0712 | 31 | 07.0723.0134 | 53 |
| 07.0703.0080 | 107 | 07.0709.0266 | 29, 37 | 07.0709.0747 | 27, 35 | 07.0723.0136 | 127 |
| 07.0703.0148 | 107 | 07.0709.0267 | 29, 37 | 07.0709.0748 | 27 | 07.0723.0138 | 133 |
| 07.0703.0175 | 121 | 07.0709.0268 | 29, 37 | 07.0709.0751 | 27, 35 | 07.0723.0142 | 53, 57 |
| 07.0703.0188 | 147 | 07.0709.0269 | 29, 37 | 07.0709.0752 | 27 | 07.0723.0144 | 55 |
| 07.0703.0302 | 121 | 07.0709.0270 | 29, 37 | 07.0709.0753 | 29, 37 | 07.0723.0149 | 117, 119 |
| 07.0703.0309 | 121 | 07.0709.0271 | 29, 37 | 07.0709.0754 | 29, 37 | 07.0723.0152 | 55 |
| 07.0703.0310 | 121 | 07.0709.0275 | 29, 37 | 07.0709.0757 | 29, 37 | 07.0723.0155 | 55 |
| 07.0703.0319 | 121 | 07.0709.0276 | 29, 37 | 07.0709.0758 | 29, 37 | 07.0723.0156 | 55 |
| 07.0703.0429 | 59, 61 | 07.0709.0278 | 29, 37 | 07.0709.0760 | 35 | 07.0723.0157 | 55 |
| 07.0703.0472 | 59 | 07.0709.0279 | 29, 37 | 07.0709.0761 | 35 | 07.0723.0161 | 55 |
| 07.0703.0486 | 147 | 07.0709.0280 | 29, 37 | 07.0709.0762 | 35 | 07.0723.0162 | 133 |
| 07.0703.0487 | 107, 123 | 07.0709.0281 | 29, 37 | 07.0709.0763 | 35 | 07.0723.0163 | 55 |
| 07.0703.0508 | 53, 57 | 07.0709.0282 | 29, 37 | 07.0709.0764 | 29, 37 | 07.0723.0165 | 53 |
| 07.0703.0509 | 53, 57 | 07.0709.0283 | 37 | 07.0709.0894 | 27 | 07.0723.0166 | 55 |
| 07.0704.0023 | 63 | 07.0709.0287 | 39 | 07.0709.0900 | 31 | 07.0723.0168 | 53, 57 |
| 07.0704.0032 | 63 | 07.0709.0289 | 39 | 07.0709.0908 | 33, 39 | 07.0723.0169 | 53, 57 |
| 07.0704.0033 | 63 | 07.0709.0290 | 29, 37 | 07.0709.0909 | 33, 39 | 07.0723.0172 | 55 |
| 07.0704.0034 | 63 | 07.0709.0291 | 29, 37 | 07.0709.0912 | 27, 29, 37 | 07.0723.0173 | 57 |
| 07.0704.0035 | 63 | 07.0709.0292 | 27 | 07.0709.0913 | 27 | 07.0723.0175 | 55 |
| 07.0704.0038 | 63 | 07.0709.0293 | 27 | 07.0709.0914 | 27 | 07.0723.0176 | 55 |
| 07.0704.0042 | 63 | 07.0709.0294 | 27 | 07.0709.0915 | 27 | 07.0723.0183 | 55 |
| 07.0704.0045 | 63 | 07.0709.0295 | 27 | 07.0709.0916 | 27 | 07.0723.0185 | 55 |
| 07.0704.0078 | 63 | 07.0709.0296 | 27 | 07.0709.0917 | 27 | 07.0723.0193 | 53, 117, 119, 141 |

Part Number Index (continued)

| Part Number | Page | Part Number | Page | Part Number | Page | Part Number | Page |
|--------------|-------------------------|--------------|----------------|--------------|-----------------|--------------|------------|
| 07.0723.0194 | 117, 119, 141, 143, 145 | 07.0723.0547 | 141 | 09.0803.0547 | 19, 21 | 09.4635.0014 | 25 |
| 07.0723.0196 | 127 | 07.0723.0548 | 141 | 09.0803.0562 | 101, 103 | 09.4635.0048 | 25 |
| 07.0723.0197 | 127 | 07.0723.0549 | 141 | 09.0803.0568 | 53, 57 | 09.4636.0012 | 101, 103 |
| 07.0723.0198 | 57 | 07.0723.0550 | 141 | 09.0803.0569 | 53, 57 | 09.4636.0019 | 101, 103 |
| 07.0723.0219 | 53 | 07.0723.0551 | 141 | 09.0803.0570 | 53, 57 | 09.4645.0032 | 45, 47 |
| 07.0723.0221 | 53 | 07.0723.0553 | 141 | 09.0803.0571 | 53, 57 | 09.4656.0012 | 45, 47 |
| 07.0723.0225 | 53 | 07.0723.0554 | 141 | 09.0803.0572 | 59, 61 | 09.4661.0002 | 23 |
| 07.0723.0226 | 53 | 07.0723.0555 | 141 | 09.0803.0575 | 143, 145 | 09.4661.0014 | 23 |
| 07.0723.0229 | 53 | 07.0723.0556 | 141 | 09.0804.2300 | 49, 51 | 09.4661.0016 | 15, 23 |
| 07.0723.0236 | 55 | 07.0723.0557 | 141 | 09.0805.0000 | 15, 41, 47, 105 | 09.4661.0020 | 15 |
| 07.0723.0237 | 55 | 07.0723.0558 | 141 | 09.0805.0036 | 41 | 09.4661.0021 | 15 |
| 07.0723.0345 | 55 | 07.0723.0559 | 141 | 09.0805.0087 | 23 | 09.4661.0022 | 15 |
| 07.0723.0351 | 55 | 07.0723.0560 | 141 | 09.0805.0088 | 95 | 09.4670.0002 | 41, 43 |
| 07.0723.0365 | 141 | 07.0723.0561 | 141 | 09.0805.0093 | 93 | 09.4670.0003 | 51 |
| 07.0723.0366 | 141 | 07.0723.0571 | 19, 21 | 09.0805.0094 | 47 | 09.4670.0004 | 49 |
| 07.0723.0370 | 141 | 07.0723.0630 | 55, 133 | 09.0805.0097 | 45 | 10.4032.0003 | 143 |
| 07.0723.0371 | 141 | 07.0723.0672 | 55 | 09.0805.0104 | 145 | 101613 | 51 |
| 07.0723.0372 | 147 | 07.0723.0684 | 55 | 09.0805.0105 | 145 | 114352B | 13 |
| 07.0723.0377 | 147 | 07.0726.0043 | 65 | 09.0805.0106 | 143 | 114356 | 11 |
| 07.0723.0378 | 143, 145 | 07.0726.0102 | 21, 23 | 09.0805.0107 | 143 | 114365 | 11, 13 |
| 07.0723.0396 | 147 | 07.0726.0107 | 19, 21 | 09.0806.0007 | 47 | 114367 | 11, 13 |
| 07.0723.0397 | 141 | 07.0726.0109 | 19 | 09.0806.0008 | 47 | 114391 | 13 |
| 07.0723.0404 | 141 | 07.0726.0110 | 21 | 09.0806.0020 | 93, 95 | 114470 | 11 |
| 07.0723.0410 | 55 | 07.0726.0111 | 21 | 09.0806.0050 | 119, 143, 145 | 1258582 | 49 |
| 07.0723.0416 | 53 | 07.0730.0013 | 105 | 09.0806.0053 | 119, 145 | 1258583 | 49 |
| 07.0723.0419 | 55 | 07.0730.0017 | 105 | 09.0806.0054 | 119, 145 | 1258654 | 49 |
| 07.0723.0420 | 55 | 07.0730.0019 | 105 | 09.0806.0055 | 119, 145 | 130163 | 53, 55 |
| 07.0723.0421 | 55 | 07.0730.0023 | 105 | 09.0806.0056 | 47 | 139709 | 49 |
| 07.0723.0422 | 55 | 07.0730.0025 | 105 | 09.0806.0057 | 47 | 28159 | 13 |
| 07.0723.0425 | 55 | 07.0730.0052 | 45, 47 | 09.0806.0058 | 117 | 28175 | 13 |
| 07.0723.0426 | 55 | 07.0730.0053 | 45, 47 | 09.4601.0051 | 49 | 29560 | 49 |
| 07.0723.0428 | 55 | 07.0730.0056 | 45, 47 | 09.4604.0004 | 23 | 31788 | 13 |
| 07.0723.0429 | 55 | 07.0730.0057 | 47 | 09.4604.0045 | 45, 47 | 32698 | 41 |
| 07.0723.0434 | 55 | 07.0730.0058 | 45, 47 | 09.4604.0047 | 23 | 49922 | 49 |
| 07.0723.0441 | 55 | 07.0738.0002 | 25 | 09.4604.0052 | 47 | 51.0113.4000 | 17 |
| 07.0723.0450 | 53 | 07.4501.0067 | 49 | 09.4604.0054 | 139 | 51.0201.2400 | 65 |
| 07.0723.0451 | 55, 57 | 07.4501.0139 | 47 | 09.4604.0055 | 45, 47 | 51.0201.2500 | 65 |
| 07.0723.0452 | 55, 57 | 07.4501.0172 | 51 | 09.4604.0060 | 45 | 51.0400.4300 | 67 |
| 07.0723.0453 | 55, 57 | 07.4529.0012 | 51 | 09.4605.0015 | 43 | 51.0600.2700 | 15 |
| 07.0723.0454 | 53, 57 | 07.4529.0027 | 105 | 09.4610.0024 | 53, 57 | 51.0600.9100 | 23 |
| 07.0723.0455 | 55, 117, 119 | 07.4529.0107 | 113 | 09.4610.0025 | 131 | 51.0800.3400 | 121 |
| 07.0723.0456 | 55, 57 | 07.4529.0111 | 101, 103 | 09.4610.0027 | 53, 57 | 51.0800.3500 | 21, 121 |
| 07.0723.0457 | 53 | 07.4529.0112 | 49 | 09.4616.0051 | 11 | 51.0800.3800 | 15 |
| 07.0723.0459 | 55 | 07.4529.0119 | 15 | 09.4616.0100 | 11 | 51.0802.4400 | 19 |
| 07.0723.0460 | 55 | 09.0803.0008 | 45, 47 | 09.4618.0010 | 13 | 51.0803.5700 | 17 |
| 07.0723.0461 | 55 | 09.0803.0012 | 17, 19, 21 | 09.4618.0061 | 11, 13 | 51.0806.0000 | 17, 19, 21 |
| 07.0723.0464 | 53, 117, 119 | 09.0803.0026 | 15, 137 | 09.4618.0093 | 137 | 51.0806.1000 | 17, 19, 21 |
| 07.0723.0465 | 57 | 09.0803.0027 | 45, 47 | 09.4618.0109 | 11 | 51.0806.2800 | 45, 47 |
| 07.0723.0467 | 57 | 09.0803.0043 | 65, 75, 79 | 09.4618.0114 | 59 | 51.0806.5700 | 125 |
| 07.0723.0468 | 59, 61 | 09.0803.0046 | 85, 87 | 09.4618.0205 | 11 | 51.0807.1800 | 111 |
| 07.0723.0469 | 59, 61 | 09.0803.0060 | 75, 77 | 09.4618.0643 | 11, 13 | 51.0808.5700 | 57 |
| 07.0723.0470 | 59, 61 | 09.0803.0062 | 65 | 09.4618.0644 | 11, 13 | 51.0809.8900 | 51 |
| 07.0723.0471 | 59, 61 | 09.0803.0068 | 137 | 09.4618.0776 | 11 | 51.0810.0900 | 51 |
| 07.0723.0477 | 55 | 09.0803.0069 | 137 | 09.4618.0780 | 11 | 51.0810.1000 | 51 |
| 07.0723.0480 | 59, 61 | 09.0803.0071 | 137 | 09.4618.0781 | 11 | 51.0810.1100 | 47 |
| 07.0723.0482 | 117, 119 | 09.0803.0088 | 105 | 09.4618.0782 | 13 | 51.0810.1300 | 49 |
| 07.0723.0483 | 117, 119 | 09.0803.0245 | 19, 21, 41, 43 | 09.4618.0786 | 11 | 51.0810.1400 | 49 |
| 07.0723.0484 | 117, 119 | 09.0803.0251 | 45 | 09.4618.0791 | 11 | 51.0810.1900 | 49 |
| 07.0723.0485 | 135 | 09.0803.0259 | 45 | 09.4618.0792 | 13 | 51.0810.2700 | 65 |
| 07.0723.0494 | 55, 147 | 09.0803.0347 | 45, 47 | 09.4618.0801 | 11 | 51.0810.3100 | 21 |
| 07.0723.0498 | 53 | 09.0803.0352 | 15, 17 | 09.4618.0802 | 11 | 51.0810.3200 | 21 |
| 07.0723.0507 | 53 | 09.0803.0393 | 21 | 09.4618.0803 | 11 | 51.0810.4100 | 41, 43 |
| 07.0723.0517 | 53 | 09.0803.0400 | 17, 19, 21 | 09.4618.0804 | 11 | 51.0810.4200 | 19, 21 |
| 07.0723.0520 | 141, 143, 145 | 09.0803.0401 | 17, 19, 21 | 09.4618.0805 | 11 | 51.0810.5000 | 19 |
| 07.0723.0522 | 53 | 09.0803.0406 | 67 | 09.4618.0806 | 11 | 51.0810.5100 | 19 |
| 07.0723.0523 | 117, 119 | 09.0803.0420 | 19 | 09.4618.0812 | 11 | 51.0810.5400 | 47 |
| 07.0723.0524 | 117, 119 | 09.0803.0421 | 15 | 09.4618.0819 | 13 | 51.0810.6100 | 17 |
| 07.0723.0528 | 53 | 09.0803.0424 | 13 | 09.4618.1025 | 11 | 51.0810.7300 | 19, 21 |
| 07.0723.0530 | 59, 61 | 09.0803.0503 | 17 | 09.4618.1026 | 13 | 51.0811.0016 | 49 |
| 07.0723.0540 | 141 | 09.0803.0510 | 15 | 09.4618.1107 | 101, 103 | 51.0811.0100 | 17 |
| 07.0723.0541 | 147 | 09.0803.0518 | 15 | 09.4618.1347 | 59, 61 | 51.0811.0600 | 45 |
| 07.0723.0542 | 141 | 09.0803.0523 | 77 | 09.4619.0101 | 13 | 51.0811.1700 | 59, 61 |
| 07.0723.0544 | 141 | 09.0803.0536 | 47 | 09.4627.0018 | 25 | 51.0811.2000 | 15 |
| 07.0723.0545 | 141 | 09.0803.0540 | 53, 57 | 09.4629.0018 | 25 | 51.0811.2500 | 45 |
| 07.0723.0546 | 141 | 09.0803.0544 | 143, 145 | 09.4632.0067 | 25 | 51.0811.2600 | 65 |
| | | 09.0803.0546 | 101, 103 | 09.4632.0075 | 25 | 51.0811.2700 | 65 |

Part Number Index (continued)

| Part Number | Page | Part Number | Page | Part Number | Page | Part Number | Page |
|--------------|------------|--------------|----------|--------------|----------------|-------------|----------|
| 51.0811.4006 | 19 | 53.3402.2300 | 77 | 56.0010.0059 | 121 | 641019 | 53, 55 |
| 51.0811.4008 | 59, 61 | 54.0000.0017 | 65 | 56.0012.0027 | 73 | 641020 | 53 |
| 51.0811.4009 | 59, 61 | 54.0000.0027 | 15 | 56.0012.0058 | 109 | 641024 | 53, 55 |
| 51.0811.4019 | 121 | 54.0000.0068 | 69 | 56.0012.0074 | 15 | 641042 | 53, 55 |
| 51.0811.4030 | 143 | 54.0000.0192 | 65 | 56.0013.0000 | 23 | 82558B | 11 |
| 51.0811.4032 | 49 | 54.0000.0193 | 75 | 56.0013.0028 | 23 | 901238 | 53, 57 |
| 51.0811.4037 | 125 | 54.0000.0194 | 65 | 56.0014.0026 | 147 | 97665B | 13 |
| 51.0811.4038 | 121 | 54.0000.0195 | 79 | 56.0015.0007 | 59, 61 | 97666B | 13 |
| 51.0811.4039 | 121 | 54.0000.0196 | 65, 79 | 56.0016.0079 | 61 | 97667B | 13 |
| 51.0811.4040 | 115 | 54.0000.0197 | 65 | 56.0016.0088 | 59, 61 | 97668B | 13 |
| 51.0811.4045 | 145 | 54.0000.0198 | 75 | 56.0016.0107 | 59, 61 | 97669C | 13 |
| 51.0811.4046 | 143 | 54.0000.0199 | 65 | 56.0017.0015 | 59, 61 | 97670B | 13 |
| 51.0811.4048 | 145 | 54.0000.0200 | 67 | 56.0017.0035 | 61, 115 | 97672B | 13 |
| 51.0811.4055 | 19, 21 | 54.0001.0022 | 67 | 56.0017.0037 | 59, 61, 123 | 97673B | 11, 13 |
| 51.0811.4056 | 17, 19, 21 | 54.0001.0058 | 113 | 56.0017.0038 | 61 | 97674B | 11 |
| 51.0811.4060 | 141 | 54.0001.0059 | 113 | 56.0017.0039 | 59, 61 | 97675 | 13 |
| 51.0811.4131 | 65 | 54.0003.0016 | 65 | 56.0017.0041 | 123 | 97676B | 13 |
| 51.0811.4240 | 65 | 54.0100.0002 | 53, 57 | 56.0017.0044 | 59, 61 | 97688 | 11 |
| 51.0811.4241 | 65 | 54.0100.0017 | 53, 57 | 56.0017.0046 | 59, 61 | 992989 | 101, 103 |
| 51.0903.0400 | 21 | 54.0100.0027 | 69 | 56.0017.0047 | 59, 61 | | |
| 51.0903.1200 | 19 | 54.0100.0087 | 41 | 56.0017.0048 | 61, 147 | | |
| 51.0903.1300 | 65 | 54.0100.0097 | 145 | 56.0017.0049 | 59, 61 | | |
| 51.0903.1500 | 113 | 54.0100.0098 | 143 | 56.0017.0051 | 61 | | |
| 51.0903.2200 | 21 | 54.0100.0099 | 59, 61 | 56.0017.0053 | 61, 147 | | |
| 51.0903.2300 | 21 | 54.0101.0015 | 115 | 56.0017.0054 | 61 | | |
| 51.0903.3800 | 129 | 54.0200.0000 | 65 | 56.0017.0055 | 61, 123 | | |
| 51.0903.4100 | 17 | 54.0200.0001 | 65 | 56.0017.0063 | 61, 115 | | |
| 51.0903.4300 | 17 | 54.0202.0004 | 75 | 56.0017.0064 | 61 | | |
| 51.0903.4400 | 17 | 54.0202.0005 | 79 | 56.0017.0066 | 55 | | |
| 51.0903.4500 | 41 | 54.0202.0006 | 65 | 56.0017.0070 | 61 | | |
| 51.0903.4600 | 19 | 54.0202.0007 | 65 | 56.0017.0073 | 59, 61 | | |
| 51.0903.4700 | 19 | 54.0702.0000 | 65 | 56.0017.0095 | 59, 61 | | |
| 51.0903.4930 | 19 | 54.0702.0001 | 65 | 56.0021.0078 | 107 | | |
| 51.0903.4931 | 19 | 54.0702.0002 | 65 | 56.0021.0104 | 107 | | |
| 51.1000.5200 | 15 | 54.0702.0005 | 65 | 56.0021.0107 | 59 | | |
| 51.1100.0020 | 57 | 54.0702.0013 | 65 | 56.0023.0025 | 115 | | |
| 51.1300.0100 | 137 | 54.0702.0014 | 17 | 629733 | 31 | | |
| 51.1300.0300 | 137 | 54.0800.0000 | 19, 21 | 629735 | 31 | | |
| 51.1300.0900 | 137 | 55.0208.0046 | 47 | 630328 | 31 | | |
| 51.1300.1000 | 137 | 55.0403.0046 | 25 | 632070 | 31 | | |
| 51.1300.5400 | 69 | 55.0600.0109 | 109 | 632383 | 29, 37 | | |
| 51.1301.4300 | 69 | 55.0601.0060 | 109 | 633098 | 35 | | |
| 52.1100.7500 | 21 | 55.0602.0333 | 109, 115 | 633110 | 35 | | |
| 52.1100.7600 | 19 | 55.0602.0335 | 109 | 633160 | 35 | | |
| 52.1100.8000 | 15 | 55.0602.0336 | 109 | 633176 | 29, 37, 39 | | |
| 52.1100.9101 | 15 | 55.0602.0340 | 101, 103 | 633529 | 27, 35 | | |
| 52.1200.5000 | 59 | 55.0602.0348 | 123 | 633531 | 35 | | |
| 52.1200.5200 | 59 | 55.0602.0349 | 123 | 633533 | 35 | | |
| 53.0000.3200 | 71 | 55.0602.0407 | 19, 21 | 633574 | 35 | | |
| 53.0100.2800 | 71 | 55.0602.0408 | 19, 21 | 634391 | 27, 35 | | |
| 53.0300.2200 | 71 | 55.0602.0414 | 109 | 634392 | 27, 35 | | |
| 53.0400.1700 | 71 | 55.0602.0420 | 115 | 634393 | 27, 35 | | |
| 53.0500.0600 | 113 | 55.0602.0446 | 109 | 634397 | 33, 39 | | |
| 53.3000.3500 | 45 | 55.0602.0449 | 121 | 634546 | 29, 37 | | |
| 53.3001.0500 | 67 | 55.0602.0450 | 121 | 634561 | 27 | | |
| 53.3001.4800 | 23 | 55.0602.0451 | 125 | 634973 | 107 | | |
| 53.3001.4900 | 95 | 55.0602.0452 | 125 | 634975 | 147 | | |
| 53.3001.5400 | 43 | 55.0602.0453 | 125 | 635965 | 71 | | |
| 53.3001.5500 | 43 | 56.0002.0071 | 115 | 638548 | 29, 31, 37, 39 | | |
| 53.3001.5700 | 93 | 56.0005.0000 | 109 | 639327 | 31 | | |
| 53.3001.6300 | 41 | 56.0005.0001 | 109 | 639328 | 31 | | |
| 53.3001.6500 | 45 | 56.0005.0007 | 109 | 639329 | 31 | | |
| 53.3001.6600 | 45 | 56.0005.0008 | 107 | 639637 | 27 | | |
| 53.3001.6702 | 41 | 56.0005.0009 | 147 | 639639 | 29, 37 | | |
| 53.3001.6710 | 41 | 56.0005.0017 | 147 | 639641 | 29, 37 | | |
| 53.3100.0034 | 45, 47 | 56.0006.9201 | 109 | 639642 | 29, 37 | | |
| 53.3200.0043 | 43 | 56.0008.0002 | 19, 21 | 639643 | 29, 37 | | |
| 53.3200.0045 | 41 | 56.0009.0003 | 17 | 639646 | 29, 37 | | |
| 53.3200.0046 | 41 | 56.0009.0009 | 15 | 639832 | 27 | | |
| 53.3301.0005 | 23 | 56.0010.0000 | 121 | 639992 | 71 | | |
| 53.3302.0016 | 15 | 56.0010.0001 | 121 | 639993 | 71 | | |
| 53.3402.1800 | 79 | 56.0010.0004 | 121 | 640096 | 71 | | |
| 53.3402.1900 | 79 | 56.0010.0005 | 135 | 640985 | 117, 119 | | |
| 53.3402.2000 | 75 | 56.0010.0036 | 121 | 640990 | 117, 119 | | |
| 53.3402.2100 | 75 | 56.0010.0037 | 121 | 640995 | 55 | | |
| 53.3402.2200 | 77 | 56.0010.0058 | 121 | 641004 | 55 | | |

Part Description Index

The Part Description Index is an alphabetical index of all part descriptions included in this manual. The index shows what page(s) the part is used on.

- 2**
2ND TELESCOPIC ELEMENT GTH5519.....65
- 5**
505919 Ref 29.....47
505919 Ref. 1.....47
- 6**
605890 ref 43-44-45.....83
605895 ref. 16.....85, 87
605901 ref.19.....105
605908 ref. 27.....81
605909 ref. 31.....83
605919 ref. 1.....49
605919 ref. 29.....49
- A**
Air Condition Switch Cover.....61, 147
AIR CONDITIONING WIRING HARNESS...147
AIR CONVEYOR (RADIATOR SHROUD)....41, 43
Air Filter Assembly.....47
AIR FILTER CAP.....45, 47
AIR FILTER SUPPORT.....45
AIR HOSE.....117, 119
AIR INLET.....15
Air Inlet.....117, 119, 141
Air Inlet + Frame.....59, 61
Air Inlet D68.....141
ALARM.....15
Alternator.....49, 51
ALTERNATOR COVER.....41
ARM.....29
ARTICULATION.....63
- B**
Back-Up Ring.....31
Back-up Ring.....31
BALL.....31
BALL JOINT75
Ball Valve DN 1 1/293, 95
BALL-GRIP55, 117, 119
BASKET,PLUG.....15, 23
BATTERY.....19, 21
BATTERY HOLD DOWN BRACKET.....19, 21
Battery Negative Cable.....19, 21
Battery Positive Cable.....19, 21
BEARING.....27
Bearing.....27, 29, 35, 37
BEARING27, 35
Bearing29, 37
BELL.....49, 51
BELT, DOOR ASSY GTH5519.....55
BELT, SEAT A5073.10453, 57
BELT, V, DEUTZ DIESEL ENGINE41
Bevel Gear.....27, 35
BLEEDER VALVE, LONG31
BODY.....63
Bolt.....27
Bonded Ring 3/4".....83
Boom.....29, 37
BOOM 1DEG ARM SECTION.....65
Boom Hose Lock Bracket.....141
Boom Lifting Cylinder.....71
BRACKET.....17, 115
Bracket.....47, 111, 133, 143, 145
BRACKET, AIR FILTER.....45, 47
BRAKE DISC.....31
Brake Disc Internal.....31
BRAKE PEDAL KIT.....105
BRAKE RESERVOIR W/BRACKET105
Braking disk.....59, 61
BULB.....121
Bulb 12V 4W.....121
BULB, TAIL LIGHT.....121
BULB, 12V,45/40W.....121
Busch.....79
Bush.....53, 57
BUSHING.....39, 53, 55
Bushing.....29, 31, 37, 39
Bushing BL16234.....105
Bushing DB 45/52 LG.50.....65
Bushing DB 50/58 LG.55.....65
BUSHING M10X13.5.....65
BUSHING M10X8.565
BUSHING75
- C**
Cab Harness.....109
Cab Structure.....53, 57
Cabin Fan Switch Cover61
CABIN LINE, TOP.....109
Cable Reel.....115
CAP.....61
Cap.....53, 57, 59
Cap Kit.....63
CAP, DIESEL FUEL TX5119***23
CAP, HYDRAULIC FILTER.....23
Cardan Shaft.....25, 29, 37
CARDAN SHAFT ASSY KIT.....25
Carter.....141
CENTRAL CASING.....17
CHAIN.....137
Chain.....15
Chassis Harness.....109
Chassis-Boom Joint Pin.....65
Circlip.....29, 37
Clamp.....83, 93, 95, 117, 119, 139
Clamp 12/18.....141, 143, 145
Clamp 16/27.....141
Clamp 38/41.....93, 95
Clamp 60x80.....45
CLAMP 64-67 M8.....45, 47
Clamp DN 10/16 L=9.....119
CLAMP DN 10/16 LG 9.....15, 41, 47, 117, 119
CLAMP DN 15/25 LG 9.....105
CLAMP DN 22/32 LG 9.....41
CLAMP DN 40/60 LG12.....41, 43
Clamp DN 50/70 LG12.....41, 45, 47
Clamp DN 55/59.....23
CLAMP DN 80/100 LG12.....45
CLAMP S16 D12 HOLE 8.4.....121, 125
CLAMP S16 D32 HOLE 8.4.....45, 47, 81, 117
CLAMP, DOUBLE, D16.....75, 77, 137
CLIP.....55
Clip.....49
CLOSING TO JAM.....19
CLUTCH DISC.....27
Clutch Disc.....27
COATING.....53, 57
COIL, VALVE101, 103
Combined Oil/Water Radiator.....43
Complete Air Filter.....45
Complete Air Filter45, 47
Complete Boom Work Light Harness.....125
Complete Frame.....17
Complete Hydraulic Oil Filter23
Complete Radiator.....41
Complete Selector.....63
Complete Throttle Pedal.....45, 47
COMPLETE WHEEL 16.5 AIR, RIGHT.....25
Compressor.....143, 145
Compressor Bracket.....145
Condenser.....141
Condenser Support.....141
CONNECTING SLEEVE.....47
Connecting Sleeve 60/65 LG68.....47
CONNECTOR.....117, 119
CONNECTOR, DIN CONNECTOR W/LED..115
CONTACT.....59, 61
CONTACT (SWITCH).....61
CONTACT - 8 Pins.....59, 61, 123
Continuous Flow Switch Cover.....59, 61
Continuous Oil Electrovalve.....73
Control Valve.....63
COPPER WASHER.....23, 79, 111
Copper Washer.....41
Copper Washer JC 17.....23, 75, 119, 145
Copper Washer JC 18 SP.2,5.....101, 103
Copper Washer JC 26.....143
Copper Washer JC 33.....23, 93, 95
Cosmetic - Genie GTH-5519.....11, 13
Cosmetic - Genie Logo.....11
COUNTERWEIGHT.....15
Coupling.....117, 119
Cover.....15, 27, 55, 57
Cover - Switch, Work Lights.....61
COVER, AIR FILTER.....55, 117, 119
COVER, OIL TANK.....19, 21, 23
COVER, ROOF.....53
Crinkle Washer UNI 8840.....45, 47
CRINKLE WASHER, DM.10.....55
CROSS JOINT.....27, 35
Cursor.....63
Curve.....45
CYL PROTECTOR (SHIELD, GUARD).....113
CYLINDER.....113
CYLINDER GASKET KIT.....71
CYLINDER, STEERING.....33, 39
CYLINDER, EXTENSION.....71
- D**
Danger - Crush Hazard, No Riders.....13
Danger - Electrocutation Hazard.....13
Danger - Fall Hazard, No Riders.....11, 13
Dashboard Cover.....59, 61
Dashboard Harness.....109
DECAL.....13, 101, 103
Decal.....53, 59
Decal - Preheating Start Switch.....59, 61
Decal - Safety pin operation.....11
DECAL, (DO NOT OPEN WHEN RUN).....13
DECAL, BOOM ANGLE INDICATOR.....11
DECAL, SHEET VARIOUS.....11

DECAL, BODY CRUSH, ROLLING MACHIN.....11, 13
 DECAL, COMPARTMENT ACCESS.....13
 DECAL, COSMETIC, GTH-5519.....11, 13
 DECAL, DANGER, BATTERY SAFETY***.....13
 DECAL, DIESEL.....13
 DECAL, EMERGENCY EXIT HANDLE.....11
 DECAL, ENGINE COVER CLOSING.....13
 DECAL, FALLING OBJECT HAZARD.....11, 13
 DECAL, TIRE PREASURE.....11, 13
 DECAL, UPPER DOOR UNLOCK SYS.....11
 DECAL, UPPR DOOR EXT UNLOCK SYS.....11
 DECAL, WARN, EXPLSION/BURN HAZ.....13
 DECAL, WARNING, CRUSHING.....13
 DECAL, WARNING, NO LOAD CHART.....11
 DIESEL ENGINE.....49, 51
 Diesel Fuel Filter.....47
 DIESEL FUEL FILTER ELEMENT.....47
 DIESEL TANK.....15
 DIFFERENTIAL BOX.....35
 Differential Box.....27
 DIFFERENTIAL CASE.....27
 DIFFERENTIAL PINION.....35
 DIFFERENTIAL SIDE GEAR.....27
 Differential Side Gear.....27
 DIPSTICK - DEUTZ F4L1011F.....49
 DOOR COATING, 5519 LOWER DOOR.....55
 DOOR RUBBER/PIPE FITTING47
 DOOR STOP KIT.....55
 DOUBLE HOSE LOCKING PLATE D18.....77
 DOWEL M12X25 UNI 5927 12.9 ZN.....69
 DOWEL27, 31, 35
 DRAIN PLUG M16.....15
 Drawing 58.0904.7002 Position A, Drawing 58.0904.7010 Position A.....141
 Drawing 58.0904.7002 Position B, Drawing 58.0904.7010 Position B.....141
 Drawing 58.0904.7002 Position D, Drawing 58.0904.7010 Position D.....141
 Drawing 58.0904.7002 Position S, Drawing 58.0904.7010 Position S.....141
 Drawing 606261 Position A.....143, 145
 Drawing 606261 Position B.....143, 145
 Drawing 606261 Position D.....143, 145
 Drawing 606261 Position S.....143, 145
 DRILLED SCREW 1/2 BSP.....79
 Drilled Screw 3/8".....75
 Drilled Screw M18X1.5.....101, 103
 DRILLED SCREW, PRESSURE SWITCH...105

d

drilled Screw M14X1.5.....105

E

Electrical Harness.....117, 119
 ELEMENT, OIL FILTER, PERKINS***.....51
 Emblem Genie 8".....13
 ENGINE CASING FRAME.....21
 Engine Cover.....19, 21
 Engine Cover Frame.....19
 Engine Cover Hinge.....19, 21
 Engine Cover Lock Pin.....19, 21
 Engine Cover Support.....19, 21
 Engine Electric Line Perkins.....109
 Engine Fuse Box.....109
 ENGINE HARNESS.....109
 Engine Housing.....19, 21
 ENGINE MOUNT, DEUTZ.....49

ENGINE SUPPORT.....49
 ENGINE SUPPORT FAN SIDE.....51
 ENGINE SUPPORT LEFT FLYWHEEL SIDE.....51
 ENGINE SUPPORT RIGHT SIDE TELELIFT 2506.....51
 Exchanger.....41
 EXHAUST PIPE, STAINLESS STEEL.....45
 External Sound Proofing Panel.....55, 57
 External Support.....59, 61

F

Fan.....41, 43, 147
 Fan Guard Grid.....43
 Faston Cover Kit.....125
 Filter.....23
 Filter Bracket.....141
 Filter Lock Bracket.....141
 Filter PVC Carter.....141
 FILTER, FUEL/WTR SEP, DTZ 1008.....49
 FILTER, OIL.....49
 FILTER117, 119
 FITTING.....119, 145
 FITTING, 13/16 ORFS101, 103
 FITTING, GWR, 3/4M X 3/8F.....85, 87
 FLANGE.....49, 51, 143, 145
 Flange.....27, 35, 63
 Flashing Beacon.....135
 Flashing Beacon Bracket.....135
 FLAT WASHER D10 UNI 6593 ZN19, 21, 45, 47, 113
 FLAT WASHER D12 UNI 6593 ZN.....15, 41, 43
 FLAT WASHER D14 UNI 6592 ZN49, 51, 143
 FLAT WASHER D16 UNI 5714 ZN.....49, 51
 FLAT WASHER D16 UNI 6592 ZN.....15, 53, 57, 89, 91
 FLAT WASHER D20 UNI 6592 ZN.....39, 75
 FLAT WASHER D5 UNI 6592 ZN.....19, 21, 147
 FLAT WASHER D6 UNI 6592 ZN ...23, 45, 67, 101, 103, 113, 121, 125
 FLAT WASHER D6 UNI 6593 ZN15, 57, 101, 103, 115, 141
 FLAT WASHER D8 UNI 6592 ZN ...17, 19, 21, 23, 41, 43, 45, 47, 63, 65, 81, 85, 87, 111, 121, 125, 135, 137, 141, 143, 145, 147
 FLAT WASHER D8 UNI 6593.....15, 19, 21, 47, 49, 57, 105, 113, 129, 141, 143
 FLAT WASHER D8X32 UNI 6593 ZN.....41, 43
 Flexible Hose.....141
 FLEXIBLE HOSE.....79, 85, 87, 113
 FLEXIBLE HOSE 7.75 INCH113
 Flexible Hose R2 X 1/2 400 F90 F45 BSP...111
 Flexible Hose R2 X 1/2 6000 FD 13/16"-16 - 180° M.24X1,5.....77
 Flexible Hose R2 X 1/2 6010 FD 13/16"-16 - 180° M.24X1,5.....77
 Flexible Hose R2 X 1/2 LG. 1100 F90 13/16 MD 16 S DIN 24°75, 77, 79
 Flexible Hose R2 X 1/2 LG. 1650 F90 FD 13/16-16 ORFS.....101
 Flexible Hose R2 X 1/2 LG.1950 FD F90 13/16-16 ORFS.....79
 Flexible Hose R2 X 1/2 LG.2050 FD F90 13/16-16 ORFS.....79
 Flexible Hose R2 X 3/8 F90 37,4inch.....111
 Flexible Hose R2 X 3/8 F90 39,37inch.....111
 FLOATING FORK CARRIAGE.....69
 Floating Forks Load Chart.....11

Flow Reduction Valve.....73
 Fork.....137
 FORK (4" WIDE X 48" LONG).....69
 FORK COUPLING 5519.....67
 Fork Movement Cylinder Pipe R2 X 1/2 6110 FD 13/16"-16 180° M.24X1,5.....75
 Fork Movement Cylinder Pipe R2 X 1/2 6160 FD 13/16"-16 180° M.24X1,5.....75
 Fork Overturning Electrovalve.....73
 Friction Washer.....27
 Front Axle Bracket Fixing Plate.....17
 FRONT GRILL.....129
 FRONT RIGHT BEACON/LIGHT.....121
 Front Side Glass.....53
 Front Steering Axle.....25
 Front Steering Column Cover.....59
 Fuel Gauge.....15
 Fuse 15A.....107
 Fuse 20A147
 FUSE 25A.....107
 Fuse 5A.....107
 Fuse and Relay Cover.....59
 FUSE HOLDER.....107, 147
 FUSE, 50A.....109
 FUSE, 10A.....107
 FWD/REVERSE SWITCH ASSEMBLY.....59, 61

G

Gas Filter.....141
 GASKET.....19, 21, 41, 43, 55
 Gasket.....17
 Gasket Kit.....33, 39
 GASKET/JOINT KIT.....71
 Gear.....27
 GLASS (TAIL LIGHT LENS).....121
 GLASS STOP.....53, 55
 GLASS, AMBER.....121
 GREASE ZERK29, 37, 39
 Grid.....21
 GRILLE.....19
 GUARD.....127
 Guard.....137

H

HALF FLANGE D47.....89, 91
 HANDLE.....53, 55
 Handle Lock.....55
 HANDLE, INTERNAL DOOR.....55
 Harness.....101, 103
 HARNESS, BOOM.....109, 115
 HARNESS, CABLE REEL.....115
 Hatch on Front Dashboard Support.....59, 61
 HAZARD WARNING LIGHTS SWITCH COVER61
 Heater.....141
 Heater Carter.....141
 Heater117, 119
 Hex-Head Cap DA 1" Gas23
 HINGE.....21, 55
 Hinge.....15, 19
 HINGE KIT, 5519.....55
 Hitch.....15
 HITCH PIN.....15
 HORN17
 HOSE.....41, 43, 45, 75, 83, 99, 105
 Hose.....85, 87, 141, 143
 Hose R1 X 1/4 LG. 1100 1/4GAS FD9/16.....99

Part Description Index (continued)

| | | |
|--------------------------------------------------------------------|-------------------------------------------------------------------------------|---------------------------------------------------------------------------------------------------|
| HOSE R1X1/4 LG 1700 F90-F90 9/16-18 ORFS a 270°.....89 | HOSE, R1 X 3/4LG 1900.....89 | Load Chart - Universal Attachment Adapter..11 |
| Hose 13/32".....145 | HOSE, R1 X 3/4LG 2150 F90 FD 1" 3/16.....83 | Load Chart Support.....59, 61 |
| HOSE ADAPTER F-F 1/4GXM14X1,5.....85, 87 | HOSE, R1X1/4 900.....97 | LOCK.....21 |
| Hose D.48/58 LG.125.....23 | HOSE, R2 X 3/8LG 280 F90 F90 11/16 A 34.....101, 103 | Lock.....15, 57 |
| Hose ETERNITY/2 X 1/4 900 FD F90 9/16-18.....87 | HOSE, ROCKMASTER X 3/4 LG-730 FD F90 1" 3.....95 | Lock Valve Gasket Kit.....71 |
| Hose Fitting.....117, 119, 143, 145 | HOSE,ETERNITY, 1/4 150085 | Lock/Release Electrovalve.....73 |
| Hose FLANG BM6K X3/4 1400 FL45D47 FL90D42 A 280°.....89 | Hoses guide.....49 | LOWER CAB COVER.....17 |
| Hose FLANG BM6K X3/4 1400 FL45D47 FL90D42 A 90°.....89 | HOUSING.....27 | LOWER DOOR.....55 |
| HOSE FLEXIBLE 5519.....91 | HUB.....49, 51 | LOWER DOOR ASSY.....55 |
| HOSE GUIDE.....65 | HYDRAULIC PUMP KP 30-27DO-A5K9.....49, 51 | LOWER FRONT DASHBOARD.....59, 61 |
| Hose PVC Carter.....141 | | Lower Heater Bracket.....141 |
| Hose R 1X 1/4 LG 1950.....105 | | |
| Hose R1 X 1/2 LG. 1300 FD F45 13/16 ORFS.....101, 103 | I | M |
| Hose R1 X 1/4.....87 | INDICATOR (OIL CLOGGING).....23 | Machine Data Plate.....13 |
| Hose R1 X 1/4 LG. 500 FD FD 9/16.....99 | Instruments Panel.....59, 61 | Magnet Plug.....27, 35 |
| HOSE R1 X 1/4 LG 1350.....75 | INSULATOR.....51 | Main Air Filter Element.....45, 47 |
| Hose R1 X 1/4 LG. 1700 F90 FD 9/16-18 ORFS101 | Intermediate Clutch Disc.....27 | Main Valve Body.....63 |
| Hose R1 X 1/4 LG. 550 - FD F90 9/16-18 ORFS.....101, 103 | Intermittence Relay107, 123 | Manifold.....45, 93 |
| Hose R1 X 1/4 Lg. 650 R1 X 1/4 LG. 650 FD F90 9/16-18 ORFS.....103 | Internal Support.....59, 61 | MANIFOLD, BOOM HOSES.....67 |
| Hose R1 X 1/4 LG.1000 F90 F90 9/16-18 ORFS a 90°.....97 | | Manual Screw M6x25.....141 |
| Hose R1 X 1/4 LG.1100 F90 F90 9/16-18 ORFS a 90°.....97 | J | Manual Screw M6x40.....141 |
| Hose R1 X 1/4 LG.450 1/4GAS FD9/16.....99 | Joint Box.....29, 37 | Mat.....57 |
| Hose R1 X 3/4 1500 F90 F90 1 3/16"-12 90°.....81 | JOINT D6.....45, 47 | Max Fuse 40A109 |
| HOSE R1 X 3/4 LG. 1000 5519.....91 | Joystick.....63 | Mirror.....19, 21, 55, 57 |
| HOSE R1 X 3/4 LG. 400 5519.....81, 83 | Joystick Handle.....63 | MIRROR SUPPORT.....19 |
| HOSE R1X1/4 LG 700 FD-F90 9/16-18 ORFS.....97 | | MIRROR W/BRACKET, SINGLE55, 57 |
| HOSE R2 X 1/2 LG. 1650.....75 | K | Mudguard Bracket.....17, 19, 21 |
| Hose R2 X 1/2 Lg. 550 FD F45 13/16-16 ORFS101, 103 | KEY.....19, 21 | Mudguard, LR & RF.....17, 19, 21 |
| Hose R2 X 3/8 1000 F45 11/16"-16 F90 11/16"-16 A 90°101, 103 | KEY ONLY (1 PAIR).....59, 61 | Mudguard, RR & LF.....17, 19, 21 |
| Hose R2 X 3/8 LG. 1250 F90 F45 11/16-18 ORFS 90°.....101, 103 | Knob.....73 | Muffler.....45, 47 |
| Hose R2 X 3/8 LG. 1900 F90 11/16-16 ORFS-OCCHIO D=18.....101, 103 | Knob.....101, 103 | Muffler Cap.....45, 47 |
| Hose R2 X 3/8 LG. 2650 F90 11/16-16 ORFS-D=18.....101, 103 | Knob, STEERING MODE SELECTOR.....59, 61 | |
| HOSE R2X1/2 LG 1800 F90-FD 13/16-16 ORFS.....77 | KNURLED COUPLING105 | |
| Hose R2X1/2 LG 550 F90-FD 13/16-16 ORFS.....103 | | |
| HOSE R2X1/4 LG 405 FD-F90 9/16-18 ORFS.....113 | L | N |
| HOSE R2X1/4 LG 650 FD-F90 9/16-18 ORFS.....85, 87 | Label - Flow Reversal Button.....11 | NUT.....29, 37 |
| HOSE R4 X 1"1/4 LG. 2500.....89, 91 | Label - Fuses and Relays Engine Board.....13 | Nut.....29, 35, 37 |
| HOSE R4 X 1-1/4 (DI30) LG 1000.....95 | Label - Hydraulic Oil.....11 | Nut 8MA Slim UNI 4035.....45, 47 |
| HOSE ROCKMASTER X 3/4.....93 | Label - Lever Controls.....13 | NUT M10 UNI 5588 6S ZN.....43, 53, 57 |
| HOSE, 5519.....91 | Label - Testing Ports.....11 | NUT M12 UNI 5589.....69 |
| HOSE, R1 X 1/4 LG. 850 F90 F90.....91 | LABEL, CONTINUOUS FLOW KNOB.....11 | Nut M24 UNI 7473 6SZN.....17 |
| HOSE, R1 X 1/4LG 1650 F90 F90 9/16-18 O.....85 | LANYARD,PIN.....67 | NUT M6 UNI 5588 6S ZN.....15, 19, 21 |
| HOSE, R1 X 1/4LG 1950.....89 | Lateral Grid.....19, 21 | NUT M8 UNI 5588 6S ZN.....19, 21, 41, 115 |
| HOSE, R1 X 1/4LG 450.....99 | Left Front Light.....121 | NUT,M8 UNI 7473 6S ZN....19, 21, 23, 41, 43, 45, 47, 57, 63, 65, 75, 111, 121, 125, 135, 141, 145 |
| HOSE, R1 X 3/4LG 1000.....89, 91 | LEFT SIDE GLASS.....55 | NUT,STOP,M10 UNI 7473 6S ZN....19, 21, 41, 45, 47, 49, 51, 65, 67, 75 |
| HOSE, R1 X 3/4LG 1400.....89 | LEFT TURN SIGNAL.....121 | Nylon Washer.....53, 55, 57 |
| HOSE, R1 X 3/4LG 1850.....81 | LEVEL GAUGE.....53, 57 | |
| | LEVEL INDICATOR 3/4".....41 | O |
| | LEVEL INDICATOR23 | O-RING.....31, 33, 35, 39, 63, 89, 91, 93, 95 |
| | Levelling Cylinder.....71 | O-Ring.....15, 31, 89, 91 |
| | Levelling Cylinder Head Pin.....65 | O-RING,R909154589 REXROTH.....49, 51 |
| | Lever.....105 | O-RING27 |
| | License Plate Support.....121 | OIL COOLER.....43 |
| | LIGHT SUPPORT BRACKET.....125 | OIL FILTER,CARTRIDGE.....23 |
| | LIGHT,REAR,LEFT.....121 | OIL LEVEL INDICATOR.....23 |
| | LIGHT,REAR,RIGHT.....121 | Oil Manifold.....23 |
| | LIGHT,TRAFFIC ROAD PLATE.....121 | Oil Pressure Sensor.....51 |
| | Load Chart - 60" And 66" Bucket.....11 | Oil Tank.....23 |
| | Load Chart - 60" Forks, Optional 48" Forks, 48" Cubing Tines.....11 | Outlet Hose.....141 |
| | Load Chart - Rotating Or Side Shift Fork Carriage, Standard Fork Tines.....11 | Output Valve.....45, 47 |
| | Load Chart - Scrap Grapple Bucket.....11 | Overturning Hazard for Cab.....13 |
| | Load Chart - Truss Boom.....11 | |
| | | P |
| | | Pad 20X250.....17 |
| | | PANEL.....53, 117, 119 |
| | | PAPER PIPING(1 PIECE=39.37 IN)....117, 119 |

Parking Brake Switch Cover59, 61
 PEDAL.....105
 Pedal.....45, 47
 Piloting Hydraulic Block.....73
 PIN.....55, 65, 67, 75, 79, 105, 113
 Pin.....27, 31, 35, 75, 79
 PIN, FORK.....69
 PIN,8X8555
 PINION,DIFFERENTIAL.....29, 37
 Pipe.....79
 PIPE FITTING.....29, 37, 47, 99, 119, 145
 Pipe Fitting.....141
 PIPE FITTING 3/8BSPX11/16-16 ORFS...101,
 103
 Pipe Fitting 1"1/4BSP-1"3/16-12 ORFS.....81,
 83
 PIPE FITTING 1"BSPX1"11/16-12 ORFS...89,
 91
 PIPE FITTING 1/2 BSPX13/16-16 ORFS ...75,
 77, 79, 101, 103
 Pipe Fitting 1/2-20.....47
 PIPE FITTING 1/2BSP x 11/16-16 ORFS...99,
 101, 103, 111
 PIPE FITTING 1/2X1/2 BSP.....111
 PIPE FITTING 1/4 BSPX9/16-18 ORFS.....85,
 87, 97, 99, 101, 103
 PIPE FITTING 1/4BSPX11/16-16 ORFS.....113
 Pipe Fitting 1/8M X 1/4F.....47
 PIPE FITTING 14X1.5X9/16-18 ORFS.....85, 87
 Pipe Fitting 18X1.5 X 11/16-16 ORFS.....101,
 103
 PIPE FITTING 3/4"BSP X1"3/16-12
 ORFS.....81, 83, 89, 91, 93, 95
 PIPE FITTING 3/4X 3/4 BSP.....81, 83
 PIPE FITTING 3/8 BSPX9/16-18 ORFS.....85,
 87, 105, 113
 PIPE FITTING 45 M-M 1/4 BSPX9/16-18
 ORFS.....113
 Pipe Fitting 9/16 ORFS X 9/16 ORFS.....101,
 103
 PIPE FITTING 90.....67
 PIPE FITTING 90 1/2GASXM 13/16-16
 ORFS.....67, 75, 79
 PIPE FITTING 90 M-M 13/16-16 ORFS.....75,
 77, 79
 PIPE FITTING CMF G1/2 ES LG 45.....111
 PIPE FITTING CMF1/2 ES LG 25.....111
 Pipe Fitting GWR 1" 1/2 M x 1" F.....93, 95
 PIPE FITTING M-M A 90 1/4 BSPX9/16-18
 ORFS.....113
 PIPE FITTING M12X1.5 X 9/16-18 ORFS...85,
 87, 89, 91
 PIPE FITTING M18X1,5X1"3/16-12
 ORFS.....89, 91
 Pipe Fitting M22X1,5X 1"3/16-12.....89, 91
 Pipe Fitting M22X1.5X3/4.....89, 91
 Pipe Fitting M33X2 X1"11/16-1289, 91
 Pipe Fitting MFK 90 1/2 BSP.....67, 111
 PIPE FITTING TMF+C 9/16-18 ORFS.....113
 PIPE FITTING TMF+L 1/2 BSP.....67
 PIPE FITTING TMF+L 13/16-16 ORFS.....75
 Pipe Fitting TMF+L 1" 3/16-12 ORFS.....81, 83
 PIPE FITTING TMF+L 9/16-18 ORFS.....85, 87
 PIPE FITTING,90 M-F 13/16-1675, 79
 PIPE FITTING81
 PIPE R1 X 3/8LG, 650 F90 FD 11/16.....99
 Pipe R2 X 1/2 LG. 950 FD FD 13/16-16
 ORFS.....75
 PIPE, 5519.....75, 77, 79

PIPE,SUCTION LINE FOR MANIFOLD.....95
 Piston.....31
 Pivot Pin.....29, 37
 PLAIN WASHER.....53
 Plain Washer D6x1853, 55, 57, 117, 119
 PLANET GEAR CARRIER.....29, 37
 Planet Gear Carrier.....29, 37
 Plate.....55, 137
 Plate for Decals.....57
 PLATE, BELT RETAINING 5519.....55
 PLATE/SEMI FLANGE.....89, 91
 PLUG.....15, 27, 29, 31, 35, 37, 39
 Plug.....63
 PLUG 1/2 BSP.....23
 PLUG 1/4" BSP.....111
 PLUG 3/8" BSP.....23
 Plug TCEI BSP 3/4.....63
 Plug, Breather.....27, 29, 37
 POWER STEERING.....101, 103
 PRE FILTER.....139
 Pressure Sensor.....147
 Pressure Switch.....105
 PRESSURE TUBE.....85, 87
 PROTECTIVE BRACKET.....65
 PULLEY.....41
 Pulley.....145
 Pump.....105
 PUMP A4VG56G 5519.....49, 51
 Pump Gasket Kit For 04.4238.0059.....51
 PUMP,PRE ARRANGEMENT.....49, 51
 PUSH BUTTON.....63
 PVC Pipe Fitting 90°.....141

Q

QUICK COUPLING, FEMALE 1/2.....67, 111
 QUICK COUPLING, MALE 1/2.....67, 111

R

Radiator Cap.....41
 RADIATOR HOSE.....41
 RADIATOR PLUG.....43
 REAR GLASS.....55
 Rear Left Light Harness.....121
 Rear Right Light Harness121
 REAR SIDE DASHBOARD.....59, 61
 Rear Steering Axle.....25
 Rear Steering Column Cover.....59
 Rear Work Light Bracket.....125
 RED PUSH BUTTON CAP.....63
 REFLECTIVE DECAL,WHITE/RED.....137
 RELAY.....147
 Relay 12V 50A109
 RELAY CARD.....107
 RELAY HOLDER.....147
 Relay Support Bracket.....147
 Removable Pedal.....45, 47
 RETAINER.....59, 61
 RIGHT SIDE GLASS53
 Right Side Grid.....57
 RIGHT, STEERING COLUMN SWITCH.....61
 Rim 9.75 X 16.5".....25
 RING.....27, 35
 Ring.....27, 35
 Ring Gear Support.....29, 37
 RING GEAR29, 37
 RING NUT.....27
 Ring Nut.....31
 RING PIN.....67

Road Light Cab Harness.....123
 Road Light Chassis Harness.....123
 Road Lights Push Button Cover.....61, 123
 RUBBER.....53
 Rubber Base.....15
 Rubber Belt.....143, 145
 Rubber Cap D37xH12xD8.....53
 RUBBER CARPET.....55, 133
 Rubber Gasket.....23
 RUBBER HOSE.....15, 41, 47, 105
 Rubber Hose.....141
 Rubber Hose LG.1000.....117, 119, 141, 143,
 145
 RUBBER HOSE53
 RUBBER PIPE R4 X 1 1/4(DI30).....93
 RUBBER PLUG D.10.....53, 57
 RUBBER PLUG D25.....53, 57
 Rubber Protection.....63
 Rubber Seal.....127

S

Safety Sheet.....29, 37
 Safety Sheet35
 SAFETY VALVE.....71
 Safety Valve71
 SATELLITE ART (GEAR).....27
 Satellite Gear.....35
 Screening.....45
 SCREW.....29, 31, 37, 53, 57, 117, 119, 133
 Screw.....27, 29, 31, 33, 35, 39
 Screw Fitting M16x1.5.....119, 145
 SCREW M10X25 UNI 5931 8.8 ZN.....49, 51,
 93, 95
 SCREW M10X30 UNI 5933 10.9 ZN.....65
 SCREW M10X60 UNI 5737 8.8 ZN.....71
 SCREW M10X60 UNI 5931 8.8 ZN.....41
 SCREW M10X90 UNI 5737 8.8 ZN.....65, 67
 SCREW M12X100 UNI 5737 8.8 ZN.....65, 79
 SCREW M12X30 UNI 5739 8.8 ZN.....49, 51
 SCREW M12X80 UNI 5737 8.8 ZN.....69
 SCREW M14X100UNI 5737 8.8 ZN.....49, 51,
 65
 SCREW M14X35 UNI 5739 8.8 ZN.....49, 143
 SCREW M14X45 UNI 5739 8.8 ZN49
 SCREW M24X160 UNI 5737 10.9 ZN.....15
 SCREW M4 X 16, 10.9.....23
 SCREW M4X10 UNI 5739 8.8 ZN.....15
 SCREW M6X15 UNI 5931 8.8 ZN.....141
 SCREW M6X20 UNI 5739 8.8 ZN15, 19,
 21, 49, 67
 SCREW M6X25 UNI 5931 8.8 ZN...65, 75, 79,
 141
 SCREW M6X40 UNI 5739 8.8 ZN67, 115
 SCREW M6X50 UNI 5737 8.8 ZN.....101, 103
 SCREW M6X50 UNI 5931 8.8 ZN.....113
 SCREW M8X16 UNI 5739 8.8 ZN...45, 47, 55,
 65, 71, 105, 129
 SCREW M8x20 DIN 6923 8.8 ZN.....15, 17, 41
 SCREW M8X20 UNI 5739 8.8 ZN...15, 19, 21,
 41, 43, 45, 49, 65, 81, 85, 87, 105, 111, 113,
 121, 125, 135, 147
 SCREW M8X20 UNI 8.8 ZN.....65
 SCREW M8X25 UNI 5739 8.8 ZN...41, 43, 45,
 47, 65, 121, 125, 137, 141, 143, 145
 SCREW M8X25 UNI 5931 8.8 ZN...45, 47, 145
 SCREW M8X30 UNI 5739 8.8 ZN...19, 41, 45,
 47, 75, 77, 143, 145
 SCREW M8X35 UNI 5739 8.8 ZN65

Part Description Index (continued)

| | | |
|--------------------------------------------------------------------|------------------------------------------------------------------------------------------------------------------------|--------------------------------------------------------------------------------|
| SCREW M8X40 UNI 5739 8.8 ZN...19, 21, 41, 43, 47, 121 | SEAL KIT105 | Starting Switch.....59, 61 |
| SCREW M8X45 UNI 5739 8.8 ZN15 | SEAL WASHER.....53 | Steel Exhaust Pipe Assembly.....47 |
| SCREW M8X50 UNI 5931 8.8 ZN.....71 | SEAL,DIFFERENTIAL35 | Steering Case.....29, 37 |
| SCREW M8X60 UNI 5737 8.8 ZN.....111 | Sealing Ring.....29, 37 | Steering Wheel.....101, 103 |
| SCREW M8X70 UNI 5737 8.8 ZN.....63, 65 | SEAL27, 29, 37 | Steering Wheel Plug.....101, 103 |
| SCREW M8X80 UNI 5737 8.8 ZN.....65, 75 | Seat Support 2264055V.....57 | STOP.....53, 55 |
| Screw TC M4 x 10 8.8 ZN UNI 7687.....59 | SEAT, CUSHION BACK53, 57 | STOP GUARD.....137 |
| Screw TCB 1BG3223.....53, 57 | Seat, Non Suspension.....53, 57 | STOP NUT M12 UNI 7473 6S ZN...15, 65, 69, 79 |
| Screw TCB+4.8.....127 | SEAT,BOTTOM CUSHION.....53, 57 | STOP NUT M14 UNI 7473 6S ZN.....49, 51, 65 |
| Screw TCB+M6X40 UNI 7687 ZNN.....53 | Secondary Air Filter Element.....45, 47 | STOP NUT M16 UNI 7473 6S ZN.....53, 57 |
| Screw Tcei M 8X30 UNI 5931 8.8Zn.....57 | SENSOR.....45, 47 | STOP NUT M20 UNI 7473 6S ZN.....39 |
| Screw TCEI M10X35 UNI5931 8.8ZN89, 91 | Sensor.....49 | STOP NUT M5 UNI 7473 6S ZN...19, 21, 121, 147 |
| SCREW TCEI M8X40 UNI 5931 8.8 ZN.....71 | SERIAL NUMBER PLATE.....11 | STOP NUT M6 UNI 7473 6S ZN17, 19, 21, 45, 47, 57, 67, 101, 103, 113, 121 |
| Screw TE M 5X10 UNI 5739 8.8 ZN.....15 | Shim.....27, 53, 57 | Stop Nut M8 / Black Cap.....53 |
| Screw TE M 8X12 UNI 5739 8.8 ZN.....129 | SHIM 0.10MM.....31 | STOP PAD.....55 |
| Screw TE M 8X40 UNI 5739 8.8 ZN.....19, 21 | SHIM 0.15MM.....31 | Stud.....29, 37 |
| Screw TE M10X45 UNI 5737 8.8 ZN.....53, 57 | SHIM 0.20MM.....31 | STUD,DRIVE AXLE.....29, 37 |
| Screw TE M12X40 UNI 5737 10.9ZN145 | SHIM 0.30MM.....31 | SUPPORT.....17, 19, 21, 55, 121, 147 |
| Screw TE M16X100 UNI 5737 8.8 ZN.....53, 57 | SHIM 0.40MM.....31 | Support.....15, 39 |
| Screw TE M16X50 UNI 5737 8.8 ZN.....89, 91 | Shim Washer.....27, 29, 37 | SUPPORT, HEADLIGHT.....121 |
| Screw TE M20X160UNI 5737 10.9ZN.....39 | SHIM, WEAR PAD,100X60X1.....65 | SUPPORT, LEFT MUDGUARD.....17, 19, 21 |
| Screw TE M24X220UNI 5737 8.8 ZN.....17 | SHIM,THICKNESS.....27, 35 | SUPPORT,RADIATOR.....41, 43 |
| Screw TE M5x25 UNI 5737 8.8 ZN.....19, 21 | SHIM,WEAR PAD,60X200X1.....65 | SUPPORT/RUBBER DOOR.....93, 95 |
| Screw TE M8X100 UNI 5737 8.8 ZN...143, 145 | SHIM,WEAR PAD,60X60X1.....65 | SUPPORT39 |
| Screw TPS+ 4.8x38.....53 | SHOCK ABSORBER, SEAT.....131 | SWITCH.....53, 61, 147 |
| Screw TSPEI M 6X25UNI5933 8.8ZN...17, 19, 21 | SIDE COVER, CAB.....17 | Switch.....123 |
| Screw TSPEI M10x20 UNI 5933 10.9 ZN.....65 | SINGLE HOSE BRACKET D16.....65, 75, 79 | Switch Contact.....59, 61 |
| Screw TSPEI M5X16 UNI 5933 10.9 ZN...121, 147 | SINGLE HOSE BRACKET D25.....85, 87 | SWITCH COVER.....61, 115 |
| Screw TSPEI M6X16 UNI 5933.....55 | Sleeve.....45 | SWITCH, NEGATIVE BRAKE.....73 |
| Screw TSPEI M6x55 UNI 5933 10.9 ZN.....17, 19, 21 | SLIDING BLOCK HOLDER.....65 | SWITCH,STEERING MODE.....59, 61 |
| Screw TSPEI M8x40.....53, 57 | SNAP RING.....27, 29, 35, 37, 75 | SWITCH61, 115 |
| Screw TSPEI M8X70.....53 | Snap Ring.....27, 29, 31, 37 | |
| SCREW, 1/4 BSP.....99 | SNAP RING27 | |
| Screw, 10.9HCS 12MM-1.75X50.....37 | SOLENOID.....49 | |
| SCREW, 8.8 HCS 10MM-1.5X80Z.....75 | Solenoid.....73 | |
| SCREW, 8.8 HCS 12MM1.75X60Z.....15 | SOLENOID (07.0701.0290).....51 | |
| SCREW, M 8X20 UNI 5739 8.8 ZN.....57 | SOLENOID VALVE.....101, 103 | |
| SCREW, M6X20 DIN 933 YZ HCS.....55 | Solenoid Valve.....111 | |
| SCREW, M6X30DIN933 YZ HCS.....55 | SOLENOID VALVE49, 51 | |
| SCREW,M10-1.5X90 12.9 SHCS.....55 | SOLENOID****.....73 | |
| SCREW,M6-1.0X20MM FHSCS ZP.....55 | SPACER.....29, 35, 37 | |
| SCREW,PPH SMS 10X3/4ZAKEG....57, 59, 61 | Spacer.....27, 31, 35, 115, 143 | |
| SCREW,RING GEAR.....29, 37 | Split Pin.....31 | |
| SCREW,STEERING ADJUST.....29, 37 | Spray Nozzle.....53 | |
| SCREW,TCB+M6X35.....55 | Spring.....19, 21, 31, 45, 47, 105 | |
| SCREW,TCEI M5X5055 | SPRING CLIP M8.....15, 17 | |
| SCREW,TCEI,M16X50,UNI5931,8.8Z.....49, 51 | SPRING COUPLING.....45, 47 | |
| SCREW,TCEI,M6X35 UNI 8.8 ZN.....85, 87 | SPRING SPLIT PIN.....15, 137 | |
| SCREW,TE,M10X25 UNI 8.8 ZN.....19, 21, 23, 45, 47, 49, 51, 65, 113 | SPRING WASHER.....27 | |
| SCREW,TE,M10X30 UNI 8.8 ZN.....49, 51 | Spring Washer.....95 | |
| SCREW,TE,M10X35 UNI 8.8 ZN.....45, 47, 65 | SPRING WASHER D 8 ZN15, 19, 21, 41, 43, 45, 49, 65, 81, 85, 87, 105, 111, 113, 121, 125, 129, 137, 141, 145, 147 | |
| SCREW,TE,M10X40 UNI 8.8 ZN.....19, 21 | SPRING WASHER D10 ZN.....19, 21, 23, 43, 45, 47, 49, 51, 65, 89, 91, 93, 113 | |
| SCREW,TE,M10X45 UNI 8.8 ZN.....47 | SPRING WASHER D12 ZN49, 51, 89, 91, 145 | |
| SCREW,TE,M12X40 UNI 8.8 ZN.....89, 91 | SPRING WASHER D14 ZN.....49, 143 | |
| SCREW,TE,M16X35.....15 | SPRING WASHER D16 ZN.....15, 49, 51, 89, 91 | |
| SCREW,TE,M6X16 UNI 8.8 ZN.....45, 57, 105, 121, 125 | SPRING WASHER D24 ZN.....15 | |
| SCREW,TSPEI M8X25.....55 | SPRING WASHER D4 ZN.....23 | |
| SEAL.....27, 29, 31, 37 | SPRING WASHER D6 ZN.....15, 45, 49, 67, 105, 115, 121, 125, 141, 143, 145 | |
| SEAL (1 PIECE = 3 METERS).....55 | Spring Washer D8 UNI 1752 ZN.....143 | |
| SEAL / DIFFERENTIAL29, 37 | STAR WHEEL.....25 | |
| SEAL KIT.....49, 51, 71, 101, 103, 113 | STARTER KEY.....55 | |
| SEAL KIT, LIFT CYLINDER.....71 | Starter Motor.....51 | |
| SEAL KIT,CYLINDER.....71 | STARTER, 12V.....49 | |

T

TANK, RADIATOR.....41
TANK, WIPER W/ PUMP55
TAP53, 117, 119, 141
TEMPERATURE SENSOR, HYDRAULIC OIL.....23
Temperature Switch.....147
Tensioner Bracket.....143
THICKNESS.....27, 29, 35, 37
THREADED CLIP M5.....59, 61
Threaded Grubscrew.....31
Throttle Cable.....45, 47
THROTTLE CABLE BRACKET.....45
TIE ROD.....33, 39
Tilt Cylinder.....71
TIMER RELAY.....107
Tire 12-16.5" PR10.....25
TOGGLE LEVER,COMPLETE.....55
Twist Spring.....47

U

UPPER DOOR FRAME.....55
UPPER DOOR FRAME WITH GLASS55
UPPER DOOR GLASS GTH5519.....55
UPPER FRONT DASHBOARD.....59, 61
Upper Glass.....53, 57
Upper Grid.....19, 21
Upper Heater Bracket.....141

V

VALVE.....49, 51, 63, 113
Valve.....49
Valve 3/4 PA 2.5.....89, 91

VALVE CURSOR.....63
Valve Vuc 3/4 8 Bar.....81, 83
VALVE, CARTRIDGE.....63
VALVE,LOAD SENSE.....49, 51
VALVE,SOLND,BRK,DEUTZ TCD4.1.....73
VIBRATION DAMPENING SUPPORT.....53, 57
VIBRATION DAMPING.....41, 43, 49

W

Warning - Bodly Injury Hazard.....13
Warning - Burn Hazard.....13
Warning - Crush Hazard, Overhead Parts.....11
Warning - Crush Hazard, Parking Brake.....13
Warning - Falling Object Hazard.....13
Warning - Improper Operation.....13
Warning - Injection Hazard.....11
Warning - Overturning Hazard.....13
WASHER...23, 27, 31, 57, 93, 95, 99, 111, 127
Washer.....57
WASHER D10.....65
Washer D24 UNI 6592 ZN.....17
WASHER D6.....17, 19, 21
Washer D6X12MM.....57
WASHER D70/16, SP 8.....53, 57
WASHER, ZN, D70/16, SP 4.....53, 57
WASHER,CHMFRD,D16,UNI 6593,ZN.....53,
57
WASHER,D.14/20X1.5.....105
WASHER,D10 UNI 6592 ZN.....45, 47, 53, 57
WASHER,D10X20.....55
WASHER,D12 UNI 6592 ZN49, 51, 145
WASHER,JC 22.....89, 91
WASHER,JC 27,SP2,5.....81, 85, 87, 89, 91
WASHER29, 35, 37, 69
Water Tank Cover (Black Cap).....55
Water temperature sensor.....109
WEAR PAD,100X25X15.....65
WEAR PAD,100X60X12.....65
WEAR PAD,200X60X15.....65
WEAR PAD,200X60X20.....65
WEAR PAD,60X60X12.....65
WEATHERSTRIP,DOUBLE BULB.....53, 55
Wheel Hub.....29, 37
Wheel Nut29, 37
WHEEL STUD.....29, 37
Windscreen Wiper Arm.....53
WIPER BLADE.....53
WIPER MOTOR.....53
WIPER SWITCH COVER.....61
WORK LIGHT W/HARNESS.....125

Y

YELLOW PUSH BUTTON CAP.....63

Fitting Cross References

| Genie PN | Parker PN | Description | Genie PN | Parker PN | Description |
|----------|-----------------|-----------------------------------------|----------|---------------|-----------------------------------------|
| 12342 | 6-4 F5OX-S | CONNECTOR,STRAIGHT THREAD TO FLARE TUBE | 42794 | 1 CR-S | ELBOW,90°,MALE PIPE |
| 13757 | 4 R6X-S | RUN TEE,SWIVEL NUT,ORFS | 42795 | BV-0839 | BALL VALVE |
| 19685 | 12-10 C5OX-S | ELBOW,90°,STRAIGHT THREAD TO FLARE TUBE | 42796 | BV-0838 | BALL VALVE |
| 22664 | 12-10 C5OX | ELBOW,90°,STRAIGHT THREAD TO FLARE TUBE | 42874 | 6-8 CLO-S | ELBOW,90°,MALE PIPE TO ORFS |
| 27431 | 8-12 F5OX-S | CONNECTOR,STRAIGHT THREAD TO FLARE TUBE | 42912 | 13943-6-4 | HOSE END,90° FEMALE SWIVEL,JIC |
| 28678 | AS-B-33 | SLEEVE,NYLON,1.81" ID | 42920 | BV-0840 | BALL VALVE,90° |
| 39871 | 6 WETX-WLN-S | UNION,90° BULKHEAD W/NUT,FLARE TUBE | 42932 | AS-B-17 | SLEEVE,NYLON,1.22" ID |
| 39872 | 4 R5OX-S | RUN TEE,STRAIGHT THREAD | 42936 | 10243-2-4 | HOSE END,FEMALE PIPE |
| 39873 | 6 C5OX-S | ELBOW,90°,STRAIGHT THREAD TO FLARE TUBE | 42953 | 1/2 DD-S | ELBOW,90°,FEMALE PIPE |
| 39874 | 8-6 C5OX-S | ELBOW,90°,STRAIGHT THREAD TO FLARE TUBE | 42956 | 6 WELO-WLNL-S | UNION,90° BULKHEAD W/NUT,ORFS |
| 39875 | 4-6 C5OX-S | ELBOW,90°,STRAIGHT THREAD TO FLARE TUBE | 45349 | 8 V5OX-S | ELBOW,45°,STRAIGHT THREAD TO FLARE TUBE |
| 39876 | 6-8 C5OX-S | ELBOW,90°,STRAIGHT THREAD TO FLARE TUBE | 45351 | 4 V5OX-S | ELBOW,45°,STRAIGHT THREAD TO FLARE TUBE |
| 39877 | 4 F5OX-S | CONNECTOR,STRAIGHT THREAD TO FLARE TUBE | 47223 | 10343-6-6 | HOSE END,MALE,JIC |
| 39878 | 6 F5OX-S | CONNECTOR,STRAIGHT THREAD TO FLARE TUBE | 47419 | PS690503-6-6 | SWIVEL,90°,STRAIGHT THREAD TO 37° FLARE |
| 39879 | 4-8 F5OX-S | CONNECTOR,STRAIGHT THREAD TO FLARE TUBE | 48750 | 421-4 | HOSE,1/4 INCH ID |
| 39880 | 6-10 F5OX-S | CONNECTOR,STRAIGHT THREAD TO FLARE TUBE | 48751 | 481TC-4 | HOSE,1/4 INCH ID |
| 39881 | 4-6 F5OX-S | CONNECTOR,STRAIGHT THREAD TO FLARE TUBE | 48752 | 482TC-4 | HOSE,1/4 INCH ID |
| 39882 | 4-HP5ON-S | PLUG,STRAIGHT THREAD | 48753 | 451TC-6 | HOSE,3/8 INCH ID |
| 39883 | 8-8 FTX-S | CONNECTOR,MALE PIPE TO FLARE TUBE | 48754 | 482TC-6 | HOSE,3/8 INCH ID |
| 39885 | 269HB 12-12 | ELBOW,90°,BEADED HOSE BARB TO MALE PIPE | 48755 | 381-6 | HOSE,3/8 INCH ID |
| 39886 | 431-6 | HOSE,3/8 INCH ID | 48756 | 451TC-8 | HOSE,1/2 INCH ID |
| 39887 | 540N-2 | HOSE,1/8 INCH ID | 48757 | 482TC-8 | HOSE,1/2 INCH ID |
| 39888 | 801-8 | HOSE,1/2 INCH ID | 48758 | 381-8 | HOSE,1/2 INCH ID |
| 39889 | 801-12 | HOSE,3/4 INCH ID | 48759 | 381-10 | HOSE,5/8 INCH ID |
| 39890 | 10643-6-6 | HOSE END,FEMALE SWIVEL,JIC | 48760 | 451TC-10 | HOSE,5/8 INCH ID |
| 39891 | 13943-6-6 | HOSE END,90° FEMALE SWIVEL,JIC | 48761 | 482TC-12 | HOSE,3/4 INCH ID |
| 39892 | 13743-6-6 | HOSE END,45° FEMALE SWIVEL,JIC | 48762 | 451TC-12 | HOSE,3/4 INCH ID |
| 39894 | 30682-8-8 | HOSE END,FEMALE SWIVEL,JIC | 48763 | 772-12 | HOSE,3/4 INCH ID |
| 39895 | 30682-10-12 | HOSE END,FEMALE SWIVEL,JIC | 48764 | 881-16 | HOSE,1 INCH ID |
| 42286 | 8-8 CTX-S | ELBOW,90°,MALE PIPE TO FLARE TUBE | 48765 | 772-16 | HOSE,1 INCH ID |
| 42756 | 8-12 CLO-S | ELBOW,90,MALE PIPE TO ORFS | 48766 | AS-B-15 | SLEEVE,NYLON,1.06" ID |
| 42757 | 8-12 FLO-S | CONNECTOR,MALE PIPE TO ORFS | 48767 | AS-B-22 | SLEEVE,NYLON,1.42" ID |
| 42758 | 4 JLO-S | UNION TEE,ORFS | 48770 | 881-8 | HOSE,1/2 INCH ID |
| 42759 | 4-4 FLO-S | CONNECTOR,MALE PIPE TO ORFS | | | |
| 42760 | 6-8 FLO-S | CONNECTOR,MALE PIPE TO ORFS | | | |
| 42761 | 1J143-6-4 | HOSE END,90° FEMALE SWIVEL,SEAL LOK | | | |
| 42762 | 1J743-6-4 | HOSE END,45° FEMALE SWIVEL,SEAL LOK | | | |
| 42768 | 1JO43-4-4 | HOSE END,MALE,SEAL LOK | | | |
| 42776 | 801-8 | HOSE,1/2 INCH ID | | | |
| 42777 | 1J743-16-16 | HOSE END,45° FEMALE SWIVEL,SEAL LOK | | | |
| 42786 | 16 CLO-S | ELBOW,90°,MALE PIPE TO ORFS | | | |
| 42787 | 16 R8LO-S | RUN TEE,SWIVEL NUT,ORFS | | | |
| 42788 | 16-8 TRLO-BL-S | REDUCER,TUBE END TO SWIVEL,ORFS | | | |
| 42789 | 6-6 CLO-S | ELBOW,90°,MALE PIPE TO ORFS | | | |
| 42790 | 8-10 V5OLO-S | ELBOW,45°,STRAIGHT THREAD TO ORFS | | | |
| 42791 | 3/4 CD-S | ELBOW,90°,MALE TO FEMALE PIPE | | | |
| 42792 | 3/4 X 1/2 PTR-S | REDUCER,MALE TO FEMALE PIPE | | | |
| 42793 | 1/2 CR-S | ELBOW,90°,MALE PIPE | | | |

Fitting Cross References (Continued)

| Genie PN | Parker PN | Description |
|----------|-------------|-------------------------------------|
| 48771 | 881-10 | HOSE,5/8 INCH ID |
| 48772 | 381-4 | HOSE,1/4 INCH ID |
| 48773 | AS-B-13 | SLEEVE,NYLON,.86" ID |
| 48800 | 1JC43-4-4 | HOSE END,FEMALE SWIVEL,SEAL LOK |
| 48801 | 1J743-4-4 | HOSE END,45° FEMALE SWIVEL,SEAL LOK |
| 48802 | 1J943-4-4 | HOSE END,90° FEMALE SWIVEL,SEAL LOK |
| 48804 | 1JM43-4-4 | HOSE END,MALE,SEAL LOK, NO O-RING |
| 48805 | 10643-4-4 | HOSE END,FEMALE SWIVEL,JIC |
| 48806 | 13943-4-4 | HOSE END,90° FEMALE SWIVEL,JIC |
| 48807 | 1JS43-4-4 | HOSE END,FEMALE SWIVEL,SEAL LOK |
| 48808 | 3JC82-8-8 | HOSE END,FEMALE SWIVEL,SEAL LOK |
| 48809 | 3JC82-12-12 | HOSE END,FEMALE SWIVEL,SEAL LOK |
| 48810 | 1JC43-6-4 | HOSE END,FEMALE SWIVEL,SEAL LOK |
| 48811 | 1J943-6-4 | HOSE END,90° FEMALE SWIVEL,SEAL LOK |
| 48812 | 1JC43-6-6 | HOSE END,FEMALE SWIVEL,SEAL LOK |
| 48813 | 1J143-6-6 | HOSE END,90° FEMALE SWIVEL,SEAL LOK |
| 48814 | 1J543-6-6 | HOSE END,90° FEMALE SWIVEL,SEAL LOK |
| 48815 | 1J743-6-6 | HOSE END,45° FEMALE SWIVEL,SEAL LOK |
| 48816 | 1J943-6-6 | HOSE END,90° FEMALE SWIVEL,SEAL LOK |
| 48817 | 1JS43-6-8 | HOSE END,FEMALE SWIVEL,SEAL LOK |
| 48818 | 1J943-8-4 | HOSE END,90° FEMALE SWIVEL,SEAL LOK |
| 48819 | 1JC43-8-6 | HOSE END,FEMALE SWIVEL,SEAL LOK |
| 48820 | 1J743-8-6 | HOSE END,45° FEMALE SWIVEL,SEAL LOK |
| 48821 | 1J943-8-6 | HOSE END,90° FEMALE SWIVEL,SEAL LOK |
| 48822 | 1JC43-8-8 | HOSE END,FEMALE SWIVEL,SEAL LOK |
| 48823 | 1JS43-8-8 | HOSE END,FEMALE SWIVEL,SEAL LOK |
| 48824 | 1J143-8-8 | HOSE END,90° FEMALE SWIVEL,SEAL LOK |
| 48825 | 1J543-8-8 | HOSE END,90° FEMALE SWIVEL,SEAL LOK |
| 48826 | 1J743-8-8 | HOSE END,45° FEMALE SWIVEL,SEAL LOK |
| 48827 | 1J943-8-8 | HOSE END,90° FEMALE SWIVEL,SEAL LOK |
| 48828 | 1JC43-10-8 | HOSE END,FEMALE SWIVEL,SEAL LOK |
| 48829 | 1JS43-10-8 | HOSE END,FEMALE SWIVEL,SEAL LOK |
| 48830 | 1J743-10-8 | HOSE END,45° FEMALE SWIVEL,SEAL LOK |
| 48831 | 1J943-10-8 | HOSE END,90° FEMALE SWIVEL,SEAL LOK |
| 48833 | 1JC43-10-10 | HOSE END,FEMALE SWIVEL,SEAL LOK |
| 48834 | 1J943-10-10 | HOSE END,90° FEMALE SWIVEL,SEAL LOK |
| 48835 | 1JS43-10-12 | HOSE END,FEMALE SWIVEL,SEAL LOK |
| 48836 | 1JC43-12-8 | HOSE END,FEMALE SWIVEL,SEAL LOK |
| 48837 | 1JS43-12-8 | HOSE END,FEMALE SWIVEL,SEAL LOK |
| 48838 | 1J743-12-8 | HOSE END,45° FEMALE SWIVEL,SEAL LOK |
| 48839 | 1J943-12-8 | HOSE END,90° FEMALE SWIVEL,SEAL LOK |
| 48840 | 1J943-12-10 | HOSE END,90° FEMALE SWIVEL,SEAL LOK |
| 48841 | 1JC43-12-12 | HOSE END,FEMALE SWIVEL,SEAL LOK |
| 48842 | 1JO43-12-12 | HOSE END,MALE,SEAL LOK |
| 48843 | 1J143-12-12 | HOSE END,90° FEMALE SWIVEL,SEAL LOK |
| 48844 | 1J543-12-12 | HOSE END,90° FEMALE SWIVEL,SEAL LOK |
| 48845 | 1J743-12-12 | HOSE END,45° FEMALE SWIVEL,SEAL LOK |
| 48846 | 1J943-12-12 | HOSE END,90° FEMALE SWIVEL,SEAL LOK |

| Genie PN | Parker PN | Description |
|----------|-----------------|-----------------------------------------------|
| 48847 | 13943-12-12 | HOSE END,90° FEMALE SWIVEL,JIC |
| 48848 | 10543-12-12 | HOSE END,MALE,STRAIGHT THREAD |
| 48849 | 1JC71-12-12 | HOSE END,FEMALE SWIVEL,SEAL LOK |
| 48850 | 1JS71-12-12 | HOSE END,FEMALE SWIVEL,SEAL LOK |
| 48851 | 1J171-12-12 | HOSE END,90° FEMALE SWIVEL,SEAL LOK |
| 48852 | 1J771-12-12 | HOSE END,45° FEMALE SWIVEL,SEAL LOK |
| 48853 | 1J971-12-12 | HOSE END,90° FEMALE SWIVEL,SEAL LOK |
| 48854 | 1JC43-16-16 | HOSE END,FEMALE SWIVEL,SEAL LOK |
| 48855 | 1J943-16-16 | HOSE END,90° FEMALE SWIVEL,SEAL LOK |
| 48856 | 1J171-16-16 | HOSE END,90° FEMALE SWIVEL,SEAL LOK |
| 48857 | 1J971-16-16 | HOSE END,90° FEMALE SWIVEL,SEAL LOK |
| 48859 | 1JS43-8-4 | HOSE END,FEMALE SWIVEL,SEAL LOK |
| 48867 | PD36BTL | DIAGNOSTIC NIPPLE,SEAL-LOK SWIVEL |
| 48873 | 6 PNLO-S | PLUG,TUBE END,ORFS |
| 48874 | 6 PNTX-S | PLUG,FLARE TUBE |
| 48875 | 6 R6LO-S | RUN TEE,SWIVEL NUT,ORFS |
| 48877 | 4 F5OLO-SW/.025 | CONNECTOR,STRAIGHT THREAD TO ORFS, W/.025 ORI |
| 48878 | 16-12 C5OLO-S | ELBOW,90°,STRAIGHT THREAD TO ORFS |
| 48879 | 8 C8LO-S | ELBOW,90°,SWIVEL NUT ORFS |
| 48880 | PD6-285 | CAP,DIAGNOSTIC NIPPLE |
| 48881 | 6 HLO-S | UNION,ORFS |
| 48883 | 8 P5ON-S | PLUG,STRAIGHT THREAD |
| 48884 | 8M18F87OMLO-S | CONNECTOR,METRIC,STRAIGHT THREAD TO ORFS |
| 48885 | 4 WGTX-WLN-S | CONNECTOR,BULKHEAD,FEMALE PIPE TO FLARE TUBE |
| 48886 | 4 F5OLO-SW/2MM | CONNECTOR,MACHINED STRAIGHT THREAD TO ORFS |
| 48887 | 4 CTX-S | ELBOW,90°,MALE PIPE TO FLARE TUBE |
| 48888 | 10-12 V5OLO-S | ELBOW,45°,STRAIGHT THREAD TO ORFS |
| 48890 | 4 S5OLO-S | BRANCH TEE,STRAIGHT THREAD TO ORFS |
| 48891 | 4 S8LO-S | BRANCH TEE,SWIVEL NUT TO ORFS |

Fitting Cross References (Continued)

| Genie PN | Parker PN | Description | Genie PN | Parker PN | Description |
|----------|-------------------|--------------------------------------------------|----------|----------------|----------------------------------------|
| 48892 | 6 C6LO-S | ELBOW,90°,SWIVEL NUT ORFS | 48938 | 8 R6LO-S | RUN TEE,SWIVEL NUT,ORFS |
| 48893 | 6 F5OHAO-S | UNION,STRAIGHT THREAD | 48939 | 8 S6LO-S | BRANCH TEE,SWIVEL NUT TO ORFS |
| 48894 | 8 WLO-WLNL-S | UNION,BULKHEAD,ORFS | 48940 | 8 WJLO-WLNL-S | RUN TEE, BULKHEAD,ORFS |
| 48895 | DT-370-MSMO-5 | VALVE,CHECK | 48941 | 8-4 TRLO-S | REDUCER,TUBE END TO SWIVEL,ORFS |
| 48896 | 6 JLO-S | UNION,TEE,ORFS | 48942 | 8-6 C5OLO-S | ELBOW,90°,STRAIGHT THREAD TO ORFS |
| 48897 | DT-750-MSMS-5 | VALVE,CHECK | 48943 | 8-6 F5OLO-S | CONNECTOR,STRAIGHT THREAD TO ORFS |
| 48898 | DT-750-MOMS-5 | VALVE,CHECK | 48944 | 8-8 FLO-S | CONNECTOR,MALE PIPE TO ORFS |
| 48899 | DT-620-MOMS-5 | VALVE,CHECK | 48945 | 8 FTX-S | CONNECTOR,MALE PIPE TO FLARE TUBE |
| 48900 | 4-6 F5OLO-SW/.035 | CONNECTOR,STRAIGHT THREAD TO ORFS, W/.035 ORI | 48946 | 8-10 F5OLO-S | CONNECTOR,STRAIGHT THREAD TO ORFS |
| 48902 | 16-1 AOE4G-S | ELBOW,90° LONG,FEMALE PIPE TO STRAIGHT THREAD | 48947 | 8-12 C5OLO-S | ELBOW,90°,STRAIGHT THREAD TO ORFS |
| 48903 | 1 FF-S | NIPPLE,PIPE | 48948 | 8-12 F5OLO-S | CONNECTOR,STRAIGHT THREAD TO ORFS |
| 48904 | 4 C5OLO-S | ELBOW,90°,STRAIGHT THREAD TO ORFS | 48949 | 8-16 F5OLO-S | CONNECTOR,STRAIGHT THREAD TO ORFS |
| 48905 | 4 F5OLO-S | CONNECTOR,STRAIGHT THREAD TO ORFS | 48950 | 10 C5OLO-S | ELBOW,90°,STRAIGHT THREAD TO ORFS |
| 48906 | 4 R5OLO-S | RUN TEE,STRAIGHT THREAD | 48951 | 10 CC5OLO-S | ELBOW,90° LONG,STRAIGHT THREAD TO ORFS |
| 48907 | 4 V5OLO-S | ELBOW,45°,STRAIGHT THREAD TO ORFS | 48952 | 10 F5OLO-S | CONNECTOR,STRAIGHT THREAD TO ORFS |
| 48908 | 4 R6LO-S | RUN TEE,SWIVEL NUT,ORFS | 48953 | 10 R5OLO-S | RUN TEE,STRAIGHT THREAD |
| 48909 | 4 WJLO-WLNL-S | RUN TEE, BULKHEAD,ORFS | 48954 | 10 S5OLO-S | BRANCH TEE,STRAIGHT THREAD TO ORFS |
| 48910 | 4 GTX-S W/.030 | CONNECTOR,FEMALE PIPE TO FLARE TUBE | 48955 | 10 R6LO-S | RUN TEE,SWIVEL NUT,ORFS |
| 48911 | 4-6 C5OLO-S | ELBOW,90°,STRAIGHT THREAD TO ORFS | 48956 | 10-4 TRLO-BL-S | REDUCER,TUBE END TO SWIVEL,ORFS |
| 48912 | 4-6 F5OLO-S | CONNECTOR,STRAIGHT THREAD TO ORFS | 48957 | 10-6 TRLO-BL-S | REDUCER,TUBE END TO SWIVEL,ORFS |
| 48913 | 4-6 F5OLO-SW/.030 | CONNECTOR,STRAIGHT THREAD TO ORFS, W/.030 ORI | 48958 | 10-12 F5OLO-S | CONNECTOR,STRAIGHT THREAD TO ORFS |
| 48914 | 4-8 F5OLO-S | CONNECTOR,STRAIGHT THREAD TO ORFS | 48959 | 12 C5OLO-S | ELBOW,90°,STRAIGHT THREAD TO ORFS |
| 48915 | 6 C5OLO-S | ELBOW,90°,STRAIGHT THREAD TO ORFS | 48960 | 12 F5OLO-S | CONNECTOR,STRAIGHT THREAD TO ORFS |
| 48916 | 6 F5OLO-S | CONNECTOR,STRAIGHT THREAD TO ORFS | 48961 | 12 R5OLO-S | RUN TEE,STRAIGHT THREAD |
| 48917 | 6 FF5OLO-S | CONNECTOR,LONG,STRAIGHT THREAD TO ORFS | 48962 | 12 S5OLO-S | BRANCH TEE,STRAIGHT THREAD TO ORFS |
| 48918 | 6 R5OLO-S | RUN TEE,STRAIGHT THREAD | 48963 | 12 V5OLO-S | ELBOW,45°,STRAIGHT THREAD TO ORFS |
| 48919 | 6 S5OLO-S | BRANCH TEE,STRAIGHT THREAD TO ORFS | 48964 | 12 R6LO-S | RUN TEE,SWIVEL NUT,ORFS |
| 48920 | 6 V5OLO-S | ELBOW,45°,STRAIGHT THREAD TO ORFS | 48965 | 12 CLO-S | ELBOW,90°,MALE PIPE TO ORFS |
| 48921 | 6 FLO-S | CONNECTOR,MALE PIPE TO ORFS | 48966 | 12 FLO-S | CONNECTOR,MALE PIPE TO ORFS |
| 48922 | 6-6 FLO-S | CONNECTOR,MALE PIPE TO ORFS | 48967 | 12 JLO-S | UNION TEE,ORFS |
| 48923 | 6 P5ON-S | PLUG,STRAIGHT THREAD | 48968 | 12 WLO-WLNL-S | UNION,BULKHEAD,ORFS |
| 48925 | 6 WELO-S | UNION,90° BULKHEAD,ORFS | 48969 | 12 WJLO-WLNL-S | RUN TEE, BULKHEAD,ORFS |
| 48926 | 6-4 C5OLO-S | ELBOW,90°,STRAIGHT THREAD TO ORFS | 48970 | 12 WELO-WLNL-S | UNION,90° BULKHEAD W/NUT,ORFS |
| 48927 | 6-4 F5OLO-S | CONNECTOR,STRAIGHT THREAD TO ORFS | | | |
| 48928 | 6-4 V5OLO-S | ELBOW,45°,STRAIGHT THREAD TO ORFS | | | |
| 48929 | 6-8 C5OLO-S | ELBOW,90°,STRAIGHT THREAD TO ORFS | | | |
| 48930 | 6-8 F5OLO-S | CONNECTOR,STRAIGHT THREAD TO ORFS | | | |
| 48931 | 6-10 F5OLO-S | CONNECTOR,STRAIGHT THREAD TO ORFS | | | |
| 48932 | 8 C5OLO-S | ELBOW,90°,STRAIGHT THREAD TO ORFS | | | |
| 48933 | 8 F5OLO-S | CONNECTOR,STRAIGHT THREAD TO ORFS | | | |
| 48934 | 8 FF5OLO-S | CONNECTOR,LONG,STRAIGHT THREAD TO ORFS | | | |
| 48935 | 8 R5OLO-S | RUN TEE,STRAIGHT THREAD | | | |
| 48936 | 8 S5OLO-S | BRANCH TEE,STRAIGHT THREAD TO ORFS | | | |
| 48937 | 8 V5OLO-S | ELBOW,45°,STRAIGHT THREAD TO ORFS | | | |

Fitting Cross References (Continued)

| Genie PN | Parker PN | Description | Genie PN | Parker PN | Description |
|----------|---------------|------------------------------------------------|----------|----------------|------------------------------------------|
| 48971 | 12 G5G5JG5-S | TEE,FEMALE STRAIGHT THREAD | 49612 | PKT02586 | O-RING KIT (ORFS FITTINGS) |
| 48972 | 12 XHL6-S | ADAPTER, 37° MALE TO SWIVEL ORFS | 49613 | PKT06276 | PLUG AND CAP KIT-SERVICE,ORFS |
| 48973 | 12-1/2 F5OG-S | ADAPTER,FEMALE PIPE TO STRAIGHT THREAD | 49728 | 10143-12-12 | HOSE END, MALE PIPE |
| 48974 | 12-10 C5OLO-S | ELBOW,90°,STRAIGHT THREAD TO ORFS | 49729 | 16-1 F5OG-S | ADAPTER,FEMALE PIPE TO STRAIGHT THREAD |
| 48975 | 12-10 F5OLO-S | CONNECTOR,STRAIGHT THREAD TO ORFS | 49814 | 12-8 FLO-S | CONNECTOR,MALE PIPE TO ORFS |
| 48976 | 12-16 C5OLO-S | ELBOW,90°,STRAIGHT THREAD TO ORFS | 49829 | DT-500-MOMF-5 | VALVE,CHECK |
| 48977 | 12-16 F5OLO-S | CONNECTOR,STRAIGHT THREAD TO ORFS | 49831 | 881-12 | HOSE,3/4 INCH ID |
| 48978 | 12-16 V5OLO-S | ELBOW,45°,STRAIGHT THREAD TO ORFS | 49834 | 16 JLO-S | UNION TEE,ORFS |
| 48980 | 12-16 FLO-S | CONNECTOR,MALE PIPE TO ORFS | 49838 | 12-8 TRLO-BL-S | REDUCER,TUBE END TO SWIVEL,ORFS |
| 48983 | 16 C5OLO-S | ELBOW,90°,STRAIGHT THREAD TO ORFS | 49840 | 8 JLO-S | UNION TEE,ORFS |
| 48984 | 16 F5OLO-S | CONNECTOR,STRAIGHT THREAD TO ORFS | 49844 | 10-8 TRLO-BL-S | REDUCER,TUBE END TO SWIVEL,ORFS |
| 48985 | 16 V5OLO-S | ELBOW,45°,STRAIGHT THREAD TO ORFS | 49854 | 8 P5ON-S | PLUG,STRAIGHT THREAD |
| 48986 | 16 FLO-S | CONNECTOR,MALE PIPE TO ORFS | 49855 | 1JC43-16-12 | HOSE END,FEMALE SWIVEL,SEAL LOK |
| 48988 | 16 CD45-S | ELBOW,45°,MALE TO FEMALE PIPE | 49859 | 4 P5ON-S | PLUG,STRAIGHT THREAD |
| 48989 | 12 CD45-S | ELBOW,45°,MALE TO FEMALE PIPE | 49861 | 4 FF5OLO-S | CONNECTOR, LONG, STRAIGHT THREAD TO ORFS |
| 48990 | 8 CD45-S | ELBOW,45°,MALE TO FEMALE PIPE | 49867 | 12-3/4 F5OG-S | ADAPTER, FEMALE PIPE TO STRAIGHT THREAD |
| 48991 | 16-12 FLO-S | CONNECTOR,MALE PIPE TO ORFS | 51152 | 6 R6X-S | RUN TEE,SWIVEL NUT,ORFS |
| 48992 | 16-12 V5OLO-S | ELBOW,45°,STRAIGHT THREAD TO ORFS | 51153 | 6-4 TRTX-S | REDUCER,TUBE END TO SWIVEL,ORFS |
| 48993 | XV501-12 | BALL VALVE | 51154 | 4-4 GTX | CONNECTOR,FEMALE PIPE TO FLARE TUBE |
| 48994 | XV501-16 | BALL VALVE | 51264 | 881-12 | HOSE,3/4 INCH ID |
| 48995 | XV510P-12 | BALL VALVE | 51265 | 8 JLO-S | UNION TEE,ORFS |
| 48996 | XV510P-16 | BALL VALVE | 51508 | 6 BTX-S | NUT,FLARE TUBE |
| 48997 | PD341 | DIAGNOSTIC NIPPLE, STRAIGHT THREAD | 51580 | 12-8 TRLO-BL-S | TUBE END REDUCER,ORFS |
| 48998 | PD 361 | DIAGNOSTIC NIPPLE, STRAIGHT THREAD | 51628 | 6 R6X-S | RUN TEE,SWIVEL NUT,ORFS |
| 48999 | DT-500-MOMS-5 | VALVE,CHECK | 51735 | 3/8 HHP | PLUG,PIPE THREAD |
| 49201 | 10 V5OLO-S | ELBOW,45°,STRAIGHT THREAD TO ORFS | 51803 | 1J943-6-8 | HOSE END,90° FEMALE SWIVEL,SEAL LOK |
| 49202 | 1JC43-12-10 | HOSE END,FEMALE SWIVEL,SEAL LOK | 53023 | 125HBL-5-4 | FITTING,HOSE BARB TO MALE PIPE |
| 49203 | 10-8 V5OLO-S | ELBOW,45°,STRAIGHT THREAD TO ORFS | 53497 | PKT02585 | O-RING KIT |
| 49205 | 6 F5OHAO-S | UNION,STRAIGHT THREAD | 53499 | 1JC71-16-16 | HOSE END,FEMALE SWIVEL,SEAL LOK |
| 49207 | PD34BTL | DIAGNOSTIC NIPPLE,SEAL-LOK SWIVEL | 53500 | 3-904 | O-RING,STRAIGHT THREAD,-4 |
| 49209 | 8M18F870MX-S | CONNECTOR,METRIC,STRAIGHT THREAD TO FLARE TUBE | 53501 | 3-906 | O-RING,STRAIGHT THREAD,-6 |
| 49212 | 8 WGTX-WLN-S | CONNECTOR,BULKHEAD,FEMALE PIPE TO FLARE TUBE | 53502 | 3-908 | O-RING,STRAIGHT THREAD,-8 |
| 49213 | 30682-8-8 | HOSE END,FEMALE SWIVEL,JIC | 53503 | 3-910 | O-RING,STRAIGHT THREAD,-10 |
| 49216 | 831-8 | HOSE,1/2 INCH ID | | | |
| 49217 | 33982-8-8 | HOSE END,90° FEMALE SWIVEL,JIC | | | |
| 49219 | PS-B-35 | SLEEVE,NYLON,2.19" ID | | | |
| 49418 | 4-6 V5OLO-S | ELBOW,45°,STRAIGHT THREAD TO ORFS | | | |
| 49511 | DT370-MOMS-5 | VALVE,CHECK | | | |
| 49512 | 1 DD-S | ELBOW,90°,FEMALE PIPE | | | |
| 49513 | 1 FF-S | NIPPLE,PIPE | | | |
| 49514 | 10 HP5ON-S | PLUG,STRAIGHT THREAD | | | |
| 49515 | 12-16 CLO-S | ELBOW,90°,MALE PIPE TO ORFS | | | |
| 49517 | 6 HP5ON-S | PLUG,STRAIGHT THREAD | | | |
| 49519 | 16-12 F5OLO-S | CONNECTOR,STRAIGHT THREAD TO ORFS | | | |
| 49520 | 4 VTX-S | ELBOW,45°,MALE PIPE TO FLARE TUBE | | | |
| 49530 | 16 C6LO-S | ELBOW,90°,SWIVEL NUT ORFS | | | |

Fitting Cross References (Continued)

| Genie PN | Parker PN | Description | Genie PN | Parker PN | Description |
|----------|---------------|--------------------------------------------|----------|-----------------|------------------------------------------|
| 53535 | 3-912 | O-RING,STRAIGHT THREAD,-12 | 61083 | 24 F5OLO-S | CONNECTOR,STRAIGHT THREAD TO ORFS |
| 53536 | 4-PNLO-S | PLUG,TUBE END,ORFS | 61086 | 20 R5OLO-S | RUN TEE,STRAIGHT THREAD |
| 53537 | 6 PNLO-S | PLUG,TUBE END,ORFS | 61090 | 24-20 F5OLO-S | CONNECTOR,STRAIGHT THREAD TO ORFS |
| 53538 | 8 PNLO-S | PLUG,TUBE END,ORFS | 61091 | 1J943 24-24 | HOSE END,90° FEMALE SWIVEL,SEAL LOK |
| 53539 | 10 PNLO-S | PLUG,TUBE END,ORFS | 61093 | 1J978-12-12 | HOSE END,90° FEMALE SWIVEL,JIC |
| 53540 | 12 PNLO-S | PLUG,TUBE END,ORFS | 61095 | 1JS43-20-16 | HOSE END,FEMALE SWIVEL,SEAL LOK |
| 53946 | 129HB-5-4 | FITTING,90° HOSE BARB TO MALE PIPE | 61100 | 811-24 | HOSE,11/2 INCH ID |
| 53951 | 8-1/4F5OG-S | ADAPTER,FEMALE PIPE TO STRAIGHT THREAD | 61130 | 1JS43-24-24 | HOSE END,FEMALE SWIVEL,SEAL LOK |
| 53980 | 6 S6LO-S | BRANCH TEE,SWIVEL NUT TO ORFS | 61131 | 1JS78 12-12 | HOSE END,FEMALE SWIVEL,SEAL LOK |
| 54132 | 4 C6LO-S | ELBOW,90°,SWIVEL NUT ORFS | 61132 | 1J778-12-12 | HOSE END,45° FEMALE SWIVEL,JIC |
| 54135 | 11343-16-16 | HOSE END,MALE SWIVEL,PIPE | 61152 | 139HB-6-4 | ELBOW,45°,BARB TO MALE PIPE |
| 54283 | 8-10 C5OLO-S | ELBOW,90°,STRAIGHT THREAD TO ORFS | 61251 | BV-0750 | BALL VALVE |
| 54428 | 8M18C870MLO-S | ELBOW, 90° METRIC, STRAIGHT THREAD TO ORFS | 61259 | 4 CC5OLO-S | ELBOW,90° LONG,STRAIGHT THREAD TO ORFS |
| 54803 | FS-F-16-10 | SLEEVE,FIRE,.96" ID | 61260 | 20-12 TRLO-BL | REDUCER,TUBE END TO SWIVEL,ORFS |
| 54954 | 10143-2-4 | HOSE END, MALE PIPE | 61262 | 12 C6LO-S | ELBOW,90°,SWIVEL NUT ORFS |
| 55190 | 3/8 HP-S | PLUG,PIPE THREAD | 61263 | 20 F5OHAO-S | UNION,STRAIGHT THREAD |
| 55448 | 8 HLO-S | UNION,ORFS | 61264 | 6-10 C5OLO-S | ELBOW,90°,STRAIGHT THREAD TO ORFS |
| 55839 | 6 F65OX-S | CONNECTOR,STRAIGHT THREAD TO 37° SWIVEL | 61265 | 6 WNLO-WLNL-S | UNION,BULKHEAD 45°,ORFS |
| 55968 | 10 C5OX-S | ELBOW,90°,STRAIGHT THREAD TO FLARE TUBE | 61268 | 4 WNLO-WLNL-S | UNION,BULKHEAD 45°,ORFS |
| 56003 | 6 CC5OLO-S | ELBOW,90° LONG,STRAIGHT THREAD TO ORFS | 61269 | 4 WLO-WLNL-S | UNION,BULKHEAD,ORFS |
| 56166 | BV-0837 | BALL VALVE,90° | 61272 | 12 AOEL6 | ELBOW,90°,STRAIGHT THREAD TO ORFS SWIVEL |
| 56188 | 10143-8-6 | HOSE END, MALE PIPE | 61316 | 482TC-16 | HOSE,1 INCH ID |
| 56233 | 2-011 | O-RING,ORFS,-4 | 61321 | 6 JLO-S | UNION TEE,ORFS |
| 56234 | 2-012 | O-RING,ORFS,-6 | 61327 | 782-12 | HOSE,3/4 INCH ID |
| 56235 | 2-014 | O-RING,ORFS,-8 | 61328 | 881-24 | HOSE,11/2 INCH ID |
| 56236 | 2-016 | O-RING,ORFS,-10 | 61336 | 11943-20-24 | HOSE END,90° FLANGE HEAD |
| 56237 | 2-018 | O-RING,ORFS,-12 | 61345 | 12 WJLO-WLNL-S | RUN TEE, BULKHEAD,ORFS |
| 56238 | 2-021 | O-RING,ORFS,-16 | 61346 | 8 WNLO-WLNL-S 4 | UNION,BULKHEAD 45°,ORFS |
| 56352 | 6 WLNL-S | LOCKNUT,BULKHEAD | 61569 | 33782-8-8 | HOSE END,45° FEMALE SWIVEL,JIC |
| 56353 | 3J782-12-12 | HOSE END,45° FEMALE SWIVEL,SEAL LOK | 61610 | 12 FF5OLO-S | CONNECTOR,LONG,STRAIGHT THREAD TO ORFS |
| 56354 | 3J982-12-12 | HOSE END,90° FEMALE SWIVEL,SEAL LOK | 61742 | 1/8 X 1.5 FFF | NIPPLE,PIPE |
| 56604 | 10-8 F5OLO-S | CONNECTOR,STRAIGHT THREAD TO ORFS | 63426 | 8 PNTX-S | PLUG,FLARE TUBE |
| 56639 | 3JC82-10-10 | HOSE END,FEMALE SWIVEL,SEAL LOK | | | |
| 56640 | 3J982-10-10 | HOSE END,90° FEMALE SWIVEL,SEAL LOK | | | |
| 56655 | 3JC82-8-10 | HOSE END,FEMALE SWIVEL,SEAL LOK | | | |
| 56676 | 10-8 C5OLO-S | ELBOW,90°,STRAIGHT THREAD TO ORFS | | | |
| 56776 | 471TC-6 | HOSE,3/8 INCH ID | | | |
| 56777 | 471TC-8 | HOSE,1/2 INCH ID | | | |
| 56789 | 811-16 | HOSE,1 INCH ID | | | |
| 57884 | 3/8 FF | NIPPLE,PIPE | | | |
| 59335 | 6 FNL-S | CAP,TUBE END | | | |
| 59342 | 4 FNL-S | CAP,TUBE END | | | |
| 59371 | 8 HP5ON-S | PLUG,STRAIGHT THREAD | | | |
| 60653 | BV-0751 | BALL VALVE | | | |
| 60806 | 125HB-3-4 | FITTING,HOSE BARB TO MALE PIPE | | | |
| 61064 | 5-1/4 F5OG-S | ADAPTER,FEMALE PIPE TO STRAIGHT THREAD | | | |
| 61079 | 4 WELO-WLNL-S | UNION,90° BULKHEAD W/NUT,ORFS | | | |
| 61080 | 6 WLO-WLNL-S | UNION,BULKHEAD,ORFS | | | |

Fitting Cross References (Continued)

| Genie PN | Parker PN | Description |
|----------|----------------|------------------------------------------|
| 64271 | 4 WLO-WLNL-S | UNION,BULKHEAD,ORFS |
| 64272 | 6 WLO-WLNL-S | UNION,BULKHEAD,ORFS |
| 65776 | 8 F65OL-S | CONNECTOR,STRAIGHT THREAD TO ORFS SWIVEL |
| 65880 | 6001012 | O-RING KIT |
| 66154 | 6 WTX-WLNS | UNION,BULKHEAD,FLARE TUBE |
| 66155 | 6 WETX-S | UNION,BULKHEAD 90°,FLARE TUBE |
| 66156 | 6 WLN-S | BULKHEAD LOCKNUT |
| 66389 | 6-8 F5OX-S | CONNECTOR,STRAIGHT THREAD TO FLARE TUBE |
| 66392 | 6 R5OX-S | RUN TEE,STRAIGHT THREAD |
| 66396 | 811-12 | HOSE,3/4 INCH ID |
| 66829 | H3174PP | CLAMP,TUBE |
| 67217 | 4 KLO-S | UNION,CROSS,ORFS |
| 67339 | 10-6 F5OX-S | CONNECTOR,STRAIGHT THREAD TO FLARE TUBE |
| 67357 | 13943-8-6 | HOSE END,90° FEMALE SWIVEL,JIC |
| 67358 | 10 HP5ON-S | PLUG,STRAIGHT THREAD |
| 67371 | 12 S6LO-S | BRANCH TEE,SWIVEL NUT TO ORFS |
| 67498 | 4 FNL-S | CAP, TUBE END |
| 67906 | DC-370-F0F0-5 | VALVE,CHECK |
| 69316 | 8 FLO-S | CONNECTOR,MALE PIPE TO ORFS |
| 69333 | H3174PP | CLAMP,HYDRAULIC HOSE |
| 69503 | 4 F65OX-S | CONNECTOR,STRAIGHT THREAD TO 37° SWIVEL |
| 69775 | 8 FNL-S | CAP, TUBE END |
| 71038 | 1/4X1/4F3HG-S | ADAPTER,CONVERSION |
| 71196 | 12-8 F5OLO-S | CONNECTOR,STRAIGHT THREAD TO ORFS |
| 71383 | 1/4 CD45-S | ELBOW,45°,MALE TO FEMALE PIPE |
| 72270 | 12FNL-S | CAP, TUBE END |
| 73436 | 60C-4 | SLEEVE,COMPRESSION |
| 73437 | 61C-4 | NUT,COMPRESSION |
| 73438 | 33482-4-4B | HOSE END,PUSH LOK,MALE |
| 73767 | 1CD-S | ELBOW,90°,MALE TO FEMALE PIPE |
| 73768 | 20-16-F5OG5-S | ADAPTER,FEMALE PIPE TO STRAIGHT THREAD |
| 73769 | 16-20 F5OLO-S | CONNECTOR,STRAIGHT THREAD TO ORFS |
| 74660 | 6-8 F42EDMLO-S | CONNECTOR,MALE BSPP TO ORFS |
| 74661 | 8-8 F42EDMLO-S | CONNECTOR,MALE BSPP TO ORFS |
| 75007 | 4 FLO-S | CONNECTOR,MALE PIPE TO ORFS |
| 75008 | 1/8 HP-S | PLUG,PIPE THREAD |
| 75014 | 1/2 HP-S | PLUG,PIPE THREAD |
| 75042 | 8 WELO-WLNL-S | UNION,90° BULKHEAD W/NUT,ORFS |
| 75043 | 3/4 FF-S | NIPPLE,PIPE |
| 75254 | 24 F5OHAO-S | UNION,STRAIGHT THREAD |
| 75255 | 12 F5OHAO-S | UNION,STRAIGHT THREAD |
| 75256 | XV506P-24 | BALL VALVE |
| 75574 | 4 WLNL-S | BULKHEAD LOCKNUT |
| 75612 | 8 WJLO-WLNL-S | RUN TEE, BULKHEAD,ORFS |
| 75613 | 12-8 F5OG5-S | ADAPTER,FEMALE PIPE TO STRAIGHT THREAD |
| 75614 | 8 CC5OLO-S | ELBOW,90° LONG,STRAIGHT THREAD TO ORFS |
| 75628 | 1JB43-4-4 | HOSE END,BULKHEAD,SEAL LOK |

| Genie PN | Parker PN | Description |
|----------|----------------|------------------------------------------------|
| 75631 | 801-6 | HOSE,3/8 INCH ID |
| 75654 | 20 F5OLO-S | CONNECTOR,STRAIGHT THREAD TO ORFS |
| 75655 | 1J943-20-20 | HOSE END,90° FEMALE SWIVEL,SEAL LOK |
| 75656 | 881-20 | HOSE,1-1/4 INCH ID |
| 75971 | 8 F5OHAO-S | UNION,STRAIGHT THREAD |
| 77307 | 1JB43-8-8 | HOSE END,BULKHEAD,SEAL LOK |
| 77309 | 8 WLNL-S | BULKHEAD LOCKNUT |
| 77379 | 8M18C87OMX-S | ELBOW,90° METRIC,STRAIGHT THREAD TO FLARE TUBE |
| 77703 | 3J982-8-8 | HOSE END,90° FEMALE SWIVEL,SEAL LOK |
| 77711 | 801-10 | HOSE,5/8 INCH ID |
| 77758 | 12 WNLO-WLNL-S | UNION,BULKHEAD 45°,ORFS |
| 78091 | 6 C6X-S | ELBOW,90°,SWIVEL NUT TO FLARE TUBE |
| 78684 | 30582-8-8B | HOSE END,PUSH LOK,MALE |
| 78852 | 549-2 | HOSE,1/8 INCH ID |
| 78855 | 10657-4-2 | HOSE END,FEMALE SWIVEL,JIC |
| 79138 | PS-B-37 | SLEEVE,NYLON,2.38" ID |
| 79476 | 1JS43-6-8 | HOSE END,FEMALE SWIVEL,SEAL LOK |
| 79847 | 12-3/4 A0EG-S | ELBOW,90°,STRAIGHT THREAD TO FEMALE PIPE |
| 80044 | 8 CLO-S | ELBOW,90°,MALE PIPE TO ORFS |
| 80502 | 8 F5OX-S | CONNECTOR,STRAIGHT THREAD TO FLARE TUBE |
| 80503 | 8 C5OX-S | ELBOW,90°,STRAIGHT THREAD TO FLARE TUBE |
| 81010 | AS-B-27 | SLEEVE,NYLON,1.63" ID |
| 83052 | 821-6 | HOSE,3/8 INCH ID |
| 83053 | 821-8 | HOSE,1/2 INCH ID |
| 83054 | 821-12 | HOSE,3/4 INCH ID |
| 83055 | 30682-6-6 | HOSE END,FEMALE SWIVEL,JIC |
| 83056 | 30682-12-12 | HOSE END,FEMALE SWIVEL,JIC |
| 83057 | 33782-6-6 | HOSE END,45° FEMALE SWIVEL,JIC |
| 83058 | 33982-6-6 | HOSE END,90° FEMALE SWIVEL,JIC |
| 83060 | 33982-12-12 | HOSE END,90° FEMALE SWIVEL,JIC |
| 83063 | 13743-4-4 | HOSE END,45° FEMALE SWIVEL,JIC |

Fitting Cross References (Continued)

| Genie PN | Parker PN | Description | Genie PN | Parker PN | Description |
|----------|---------------|-------------------------------------|----------|---------------|-----------------------------------------|
| 83064 | 13743-8-8 | HOSE END,45° FEMALE SWIVEL,JIC | 89449 | 6 WJLO-WLNL-S | RUN TEE, BULKHEAD,ORFS |
| 83065 | 13743-12-12 | HOSE END,45° FEMALE SWIVEL,JIC | 89489 | 4 WJMLO-S | BRANCH TEE,BULKHEAD,ORFS |
| 83066 | 13943-8-8 | HOSE END,90° FEMALE SWIVEL,JIC | 89551 | 1JB43-6-6 | HOSE END,BULKHEAD,SEAL LOK |
| 83067 | 14143-6-6 | HOSE END,90° FEMALE SWIVEL,JIC | 89552 | 1JB43-8-8 | HOSE END,BULKHEAD,SEAL LOK |
| 83068 | 14143-8-8 | HOSE END,90° FEMALE SWIVEL,JIC | 89593 | 20 C5OLO-S | ELBOW,90°,STRAIGHT THREAD TO ORFS |
| 83069 | 14143-12-12 | HOSE END,90° FEMALE SWIVEL,JIC | 94161 | 8-8 CLO-S | ELBOW,90°,MALE PIPE TO ORFS |
| 83070 | 772-8 | HOSE,1/2 INCH ID | 94358 | 351TC-12 | HOSE,3/4 INCH ID |
| 83071 | 10671-8-8 | HOSE END,FEMALE SWIVEL,JIC | 94418 | 20 FLO-S | CONNECTOR,MALE PIPE TO ORFS |
| 83072 | 10671-12-12 | HOSE END,FEMALE SWIVEL,JIC | 96358 | 12 TX-S | SLEEVE,FLARE TUBE |
| 83073 | 13771-8-8 | HOSE END,45° FEMALE SWIVEL,JIC | 96359 | 12 BTX-S | NUT,FLARE TUBE |
| 83074 | 13771-12-12 | HOSE END,45° FEMALE SWIVEL,JIC | 96397 | 8 F5OX-S | CONNECTOR,STRAIGHT THREAD TO FLARE TUBE |
| 83075 | 13971-8-8 | HOSE END,90° FEMALE SWIVEL,JIC | 96398 | 12-8 F5OX-S | CONNECTOR,STRAIGHT THREAD TO FLARE TUBE |
| 83076 | 13971-12-12 | HOSE END,90° FEMALE SWIVEL,JIC | 96402 | 10343-6-6 | HOSE END,MALE,JIC |
| 83077 | 14171-8-8 | HOSE END,90° FEMALE SWIVEL,JIC | 96407 | 30382-6-6B | HOSE END,MALE,JIC |
| 83078 | 14171-12-12 | HOSE END,90° FEMALE SWIVEL,JIC | | | |
| 83080 | 13943-16-16 | HOSE END,90° FEMALE SWIVEL,JIC | | | |
| 83103 | 10671-16-12 | HOSE END,FEMALE SWIVEL,JIC | | | |
| 83104 | 10671-10-12 | HOSE END,FEMALE SWIVEL,JIC | | | |
| 83112 | 1JC71-8-8 | HOSE END,FEMALE SWIVEL,SEAL LOK | | | |
| 83113 | 1JS71-16-12 | HOSE END,FEMALE SWIVEL,SEAL LOK | | | |
| 83114 | 1JS71-10-12 | HOSE END,FEMALE SWIVEL,SEAL LOK | | | |
| 83115 | 1J971-8-8 | HOSE END,90° FEMALE SWIVEL,SEAL LOK | | | |
| 83116 | 1J171-8-8 | HOSE END,90° FEMALE SWIVEL,SEAL LOK | | | |
| 83117 | 1J771-8-8 | HOSE END,45° FEMALE SWIVEL,SEAL LOK | | | |
| 83127 | 1J543-6-8 | HOSE END,90° FEMALE SWIVEL,JIC | | | |
| 83128 | 1JC43-6-8 | HOSE END,FEMALE SWIVEL,SEAL LOK | | | |
| 87033 | 12-6 TRLO-S | REDUCER,TUBE END TO SWIVEL,ORFS | | | |
| 87034 | 3J782-8-8 | HOSE END,45° FEMALE SWIVEL,SEAL LOK | | | |
| 87172 | 12 HP5ON-S | PLUG,STRAIGHT THREAD | | | |
| 87185 | 8 WNLO-WLNL-S | UNION,BULKHEAD 45°,ORFS | | | |
| 87246 | 4 C6X-S | ELBOW,90°,SWIVEL NUT TO FLARE TUBE | | | |
| 87679 | 6 LHP-S | FLANGE SEAL FITTING, MALE | | | |
| 87681 | 6PLS N0702 | BONDED SEAL | | | |
| 88100 | SR88100 | ADAPTER,OIL DRAIN,GM 3.0L | | | |
| 88311 | 1JS43-20-20 | HOSE END,FEMALE SWIVEL,SEAL LOK | | | |
| 88353 | 20 V5OLO-S | ELBOW,45°,STRAIGHT THREAD TO ORFS | | | |
| 88474 | 10081-20 | Crimp Shell, 1.25" | | | |
| 88475 | 1988-20-24 | HOSE END,90° FLANGE HEAD | | | |
| 88476 | JS88-24-24 | HOSE END,FEMALE SWIVEL,SEAL LOK | | | |
| 88477 | 1JC88-20-20 | HOSE END,FEMALE SWIVEL,SEAL LOK | | | |
| 88478 | 811-20 | HOSE,11/4 INCH ID | | | |
| 88936 | 20-16 F5OLO-S | CONNECTOR,STRAIGHT THREAD TO ORFS | | | |
| 88937 | 20-16 FLO-S | CONNECTOR,MALE PIPE TO ORFS | | | |
| 88938 | 1JC88-16-16 | HOSE END,FEMALE SWIVEL,SEAL LOK | | | |
| 88939 | 1J988-16-16 | HOSE END,90° FEMALE SWIVEL,ORFS | | | |
| 88940 | 811-16 | HOSE,1 INCH ID | | | |
| 88944 | 1J988-20-20 | HOSE END,90° FEMALE SWIVEL,ORFS | | | |
| 89403 | 16 VLO-S | ELBOW,45°,MALE PIPE TO ORFS | | | |

PARTS FINDER

**Search Website
by Part Number**



**Search Manual
Library For Parts
Manual & Lookup Part
Numbers – Purchase
or Request Quote**

Search Manuals

Enter your information to help us find the right parts manual for your equipment.

* Brand:

* Model:

* Serial:

* Part Number:

SEARCH

**Can't Find Part or
Manual? Request Help
by Manufacturer,
Model & Description**

Parts Order Form

Please fill in the following information to help us find the right parts for your equipment.

| | |
|---------------|----------------------|
| Manufacturer: | <input type="text"/> |
| Model: | <input type="text"/> |
| Description: | <input type="text"/> |
| Part Number: | <input type="text"/> |
| Quantity: | <input type="text"/> |
| Notes: | <input type="text"/> |

Discount-Equipment.com is your online resource for quality parts & equipment.

Florida: **561-964-4949** Outside Florida TOLL FREE: **877-690-3101**

Need parts?

Click on this link: <http://www.discount-equipment.com/category/5443-parts/> and choose one of the options to help get the right parts and equipment you are looking for. Please have the machine model and serial number available in order to help us get you the correct parts. If you don't find the part on the website or on one of the online manuals, please fill out the request form and one of our experienced staff members will get back to you with a quote for the right part that your machine needs.

We sell worldwide for the brands: Genie, Terex, JLG, MultiQuip, Mikasa, Essick, Whiteman, Mayco, Toro Stone, Diamond Products, Generac Magnum, Airman, Haulotte, Barreto, Power Blanket, Nifty Lift, Atlas Copco, Chicago Pneumatic, Allmand, Miller Curber, Skyjack, Lull, Skytrak, Tsurumi, Husquvarna Target, Stow, Wacker, Sakai, Mi-T-M, Sullair, Basic, Dynapac, MBW, Weber, Bartell, Bennar Newman, Haulotte, Ditch Runner, Menegotti, Morrison, Contec, Buddy, Crown, Edco, Wyco, Bomag, Laymor, EZ Trench, Bil-Jax, F.S. Curtis, Gehl Pavers, Heli, Honda, ICS/PowerGrit, IHI, Partner, Imer, Clipper, MMD, Koshin, Rice, CH&E, General Equipment, Amida, Coleman, NAC, Gradall, Square Shooter, Kent, Stanley, Tamco, Toku, Hatz, Kohler, Robin, Wisconsin, Northrock, Oztec, Toker TK, Rol-Air, APT, Wylie, Ingersoll Rand / Doosan, Innovatech, Con X, Ammann, Mecalac, Makinex, Smith Surface Prep, Small Line, Wanco, Yanmar