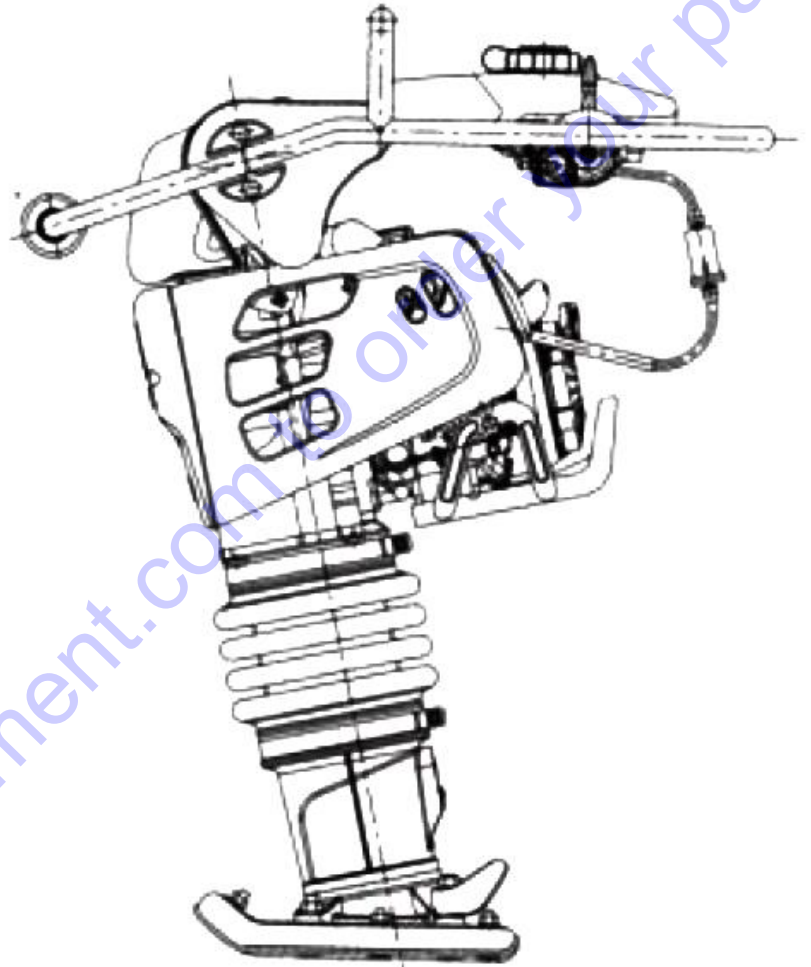
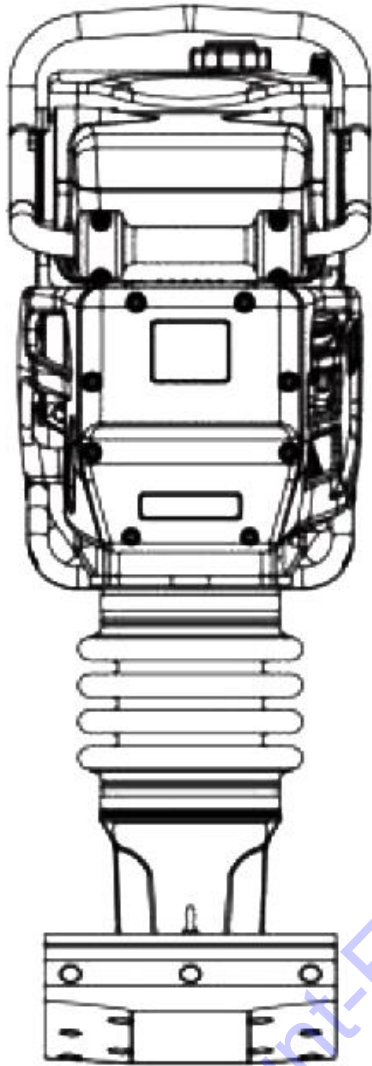


# MR-70H TAMPING RAMMER PARTS BREAKDOWN



Go to [Discount-Equipment.com](http://Discount-Equipment.com) to order your parts

# PARTS FINDER

**Search Website  
by Part Number**



**Search Manual  
Library For Parts  
Manual & Lookup Part  
Numbers – Purchase  
or Request Quote**

**Search Manuals**

Enter your information to search for a parts manual or lookup a part number.

\* Brand:

\* Model:

\* Serial:

\* Part Number:

SEARCH

**Can't Find Part or  
Manual? Request Help  
by Manufacturer,  
Model & Description**

**Parts Order Form**

Please fill in the following information:

Manufacturer:

Model:

Description:

Quantity:

Part Number:

Part Name:

Part Description:

Part Location:

Part Condition:

Part Status:

Part Color:

Part Material:

Part Weight:

Part Dimensions:

Part Notes:

Submit

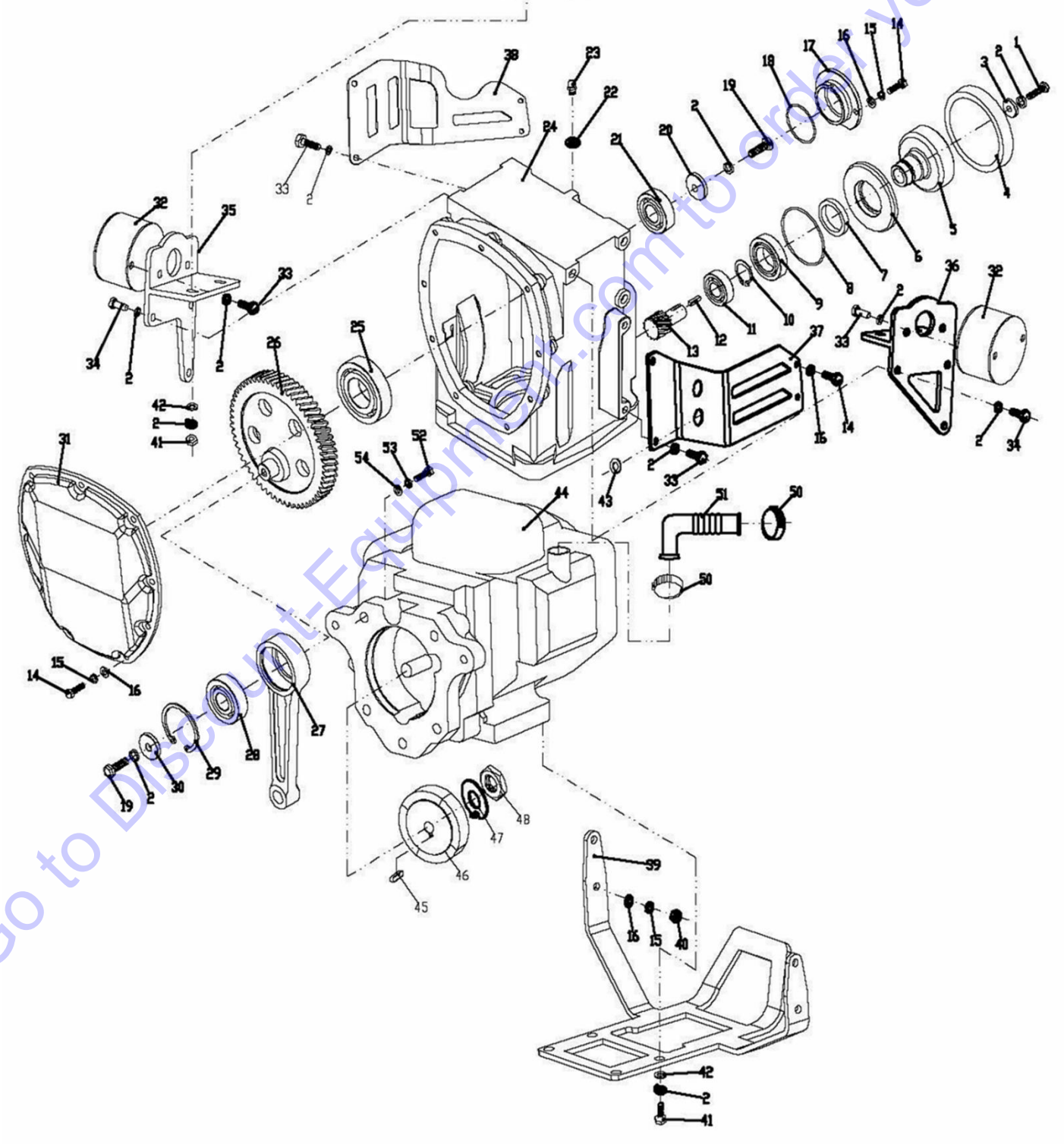
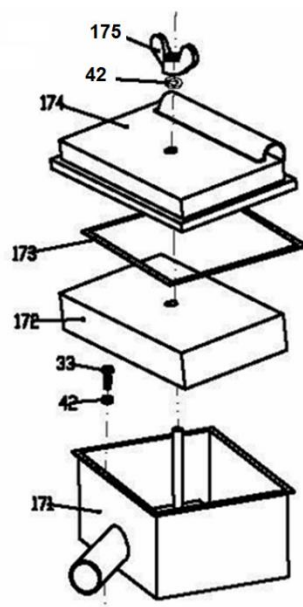
Discount-Equipment.com is your online resource for quality parts & equipment.

Florida: **561-964-4949** Outside Florida TOLL FREE: **877-690-3101**

**Need parts?**

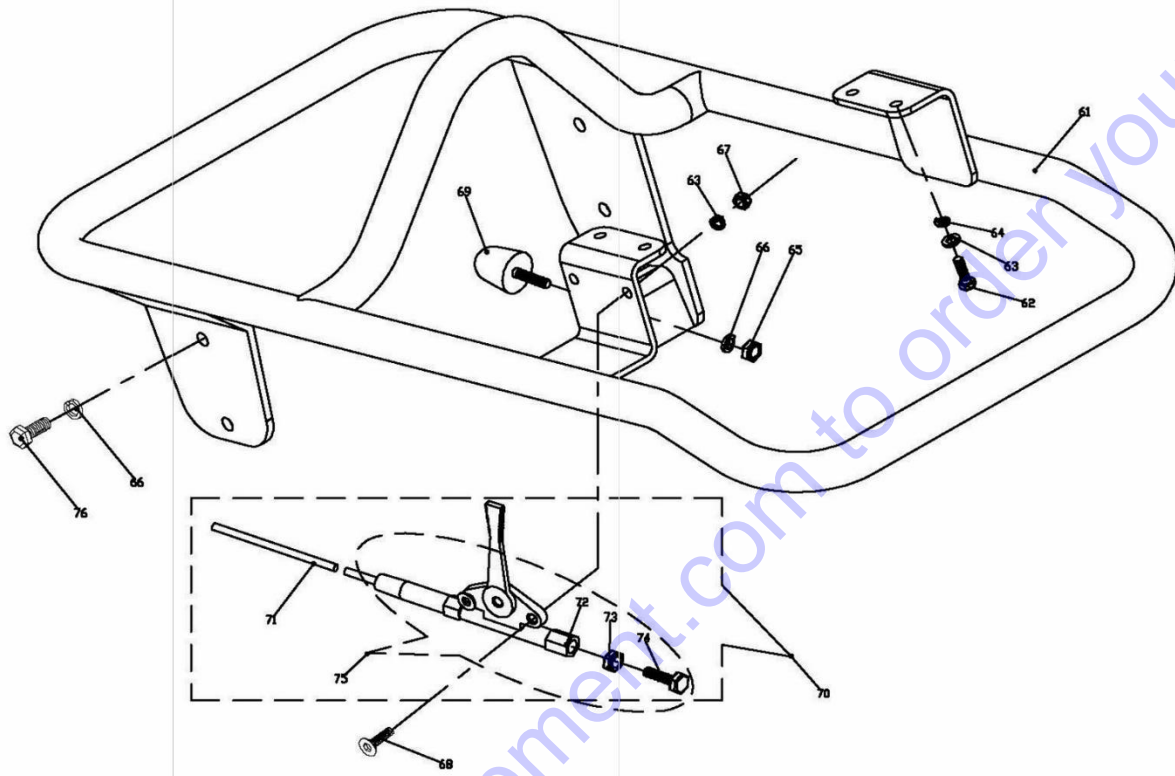
Click on this link: <http://www.discount-equipment.com/category/5443-parts/> and choose one of the options to help get the right parts and equipment you are looking for. Please have the machine model and serial number available in order to help us get you the correct parts. If you don't find the part on the website or on one of the online manuals, please fill out the request form and one of our experienced staff members will get back to you with a quote for the right part that your machine needs.

We sell worldwide for the brands: Genie, Terex, JLG, MultiQuip, Mikasa, Essick, Whiteman, Mayco, Toro Stone, Diamond Products, Generac Magnum, Airman, Haulotte, Barreto, Power Blanket, Nifty Lift, Atlas Copco, Chicago Pneumatic, Allmand, Miller Curber, Skyjack, Lull, Skytrak, Tsurumi, Husquvarna Target, Stow, Wacker, Sakai, Mi-T-M, Sullair, Basic, Dynapac, MBW, Weber, Bartell, Bennar Newman, Haulotte, Ditch Runner, Menegotti, Morrison, Contec, Buddy, Crown, Edco, Wyco, Bomag, Laymor, EZ Trench, Bil-Jax, F.S. Curtis, Gehl Pavers, Heli, Honda, ICS/PowerGrit, IHI, Partner, Imer, Clipper, MMD, Koshin, Rice, CH&E, General Equipment, Amida, Coleman, NAC, Gradall, Square Shooter, Kent, Stanley, Tamco, Toku, Hatz, Kohler, Robin, Wisconsin, Northrock, Oztec, Toker TK, Rol-Air, APT, Wylie, Ingersoll Rand / Doosan, Innovatech, Con X, Ammann, Mecalac, Makinex, Smith Surface Prep, Small Line, Wanco, Yanmar

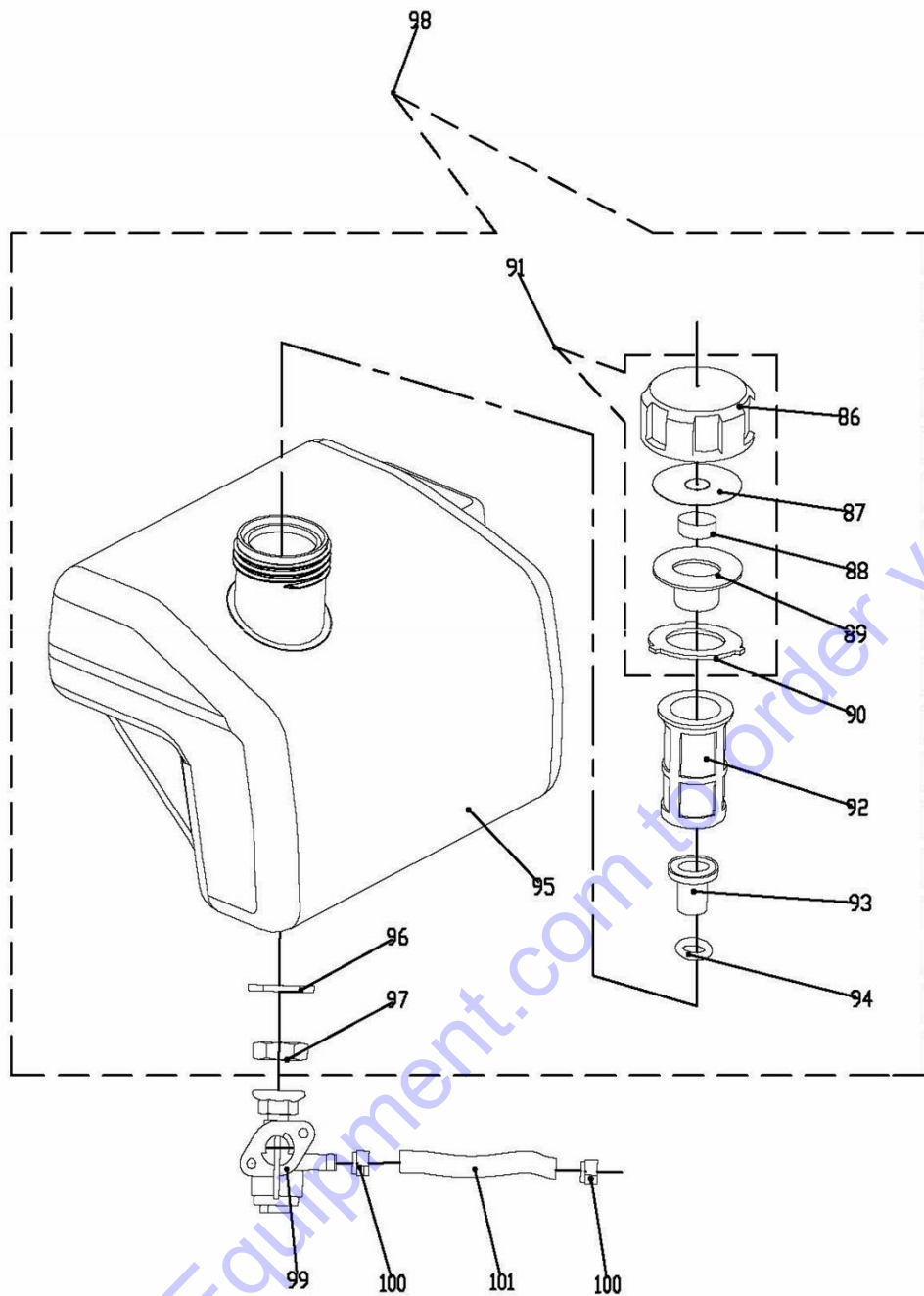


GEARBOX ASSEMBLY				
ITEM	PART #	DESCRIPTION	RAM70H	
1	20102105	BOLT M8X30	1	
2	20509006	SPRING WASHER 8	25	
3	40504001	PINION SHAFT END GASKET	1	
4	40504070	HONDA LOCATING SLEEVE	1	
5	40506027	HUB	1	
6	40501001	BRACKET, LEFT	1	
7	21106002	LIP-TYPE PACKING40×52×8-FB	1	
8	21101100	O RING 95×3.1	1	
9	21001052	BEARING 6007Z	1	
10	20601014	CIRCLIP FOR SHAFT 35	1	
11	21001059	BEARING 6204	1	
12	20901101	FLAT KEY 6X20	1	
13	40602002	4.0 PINION SHAFT	1	
14	20102054	BOLT M6X20	13	
15	20509004	SPRING WASHER 6	13	
16	20501005	FLAT WASHER 6	17	
17	40502001	3HP GEAR BOX BEARING COVER	1	
18	21101004	O RING 43.7X1.8	1	
19	20102102	BOLT M8X25	2	
20	40504002	CRANK GEAR SHAFT END GASKET	1	
21	21001059	BEARING 6204	1	
22	40504004	NYLON SPACER	1	
23	21110001	STRAIGHT THROUGH TYPE PRESSURE OIL FILLING CUP M6	1	
24	40901012	GEAR BOX	1	
25	21001062	BEARING 6207	1	
26	40601002	ROBIN GEAR CRANK	1	
26	40601002-1	HONDA GEAR CRANK	1	
27	40407001	CONNECTING ROD	1	
28	21001066	BEARING 6304	1	
29	20602008	CIRCLIP FOR HOLE 52	1	
30	40504003	CONNECTING ROD SHAFT END GASKET	1	
31	40903004	GEAR BOX COVER	1	
32	41201002	SHOCK ABSORBER ASSY	2	
33	20102101	BOLT M8X20	12	
34	20102105	BOLT M8X30	6	
35	40206076	BRACKET, RIGHT	1	
36	40206075	BRACKET, LEFT	1	
37	40207016	PROTECTIVE FRAME LEFT	1	
38	40207017	PROTECTIVE FRAME RIGHT	1	
39	40207018	PROTECTIVE FRAME BACK	1	
40	20405002	LOCK NUT M6	4	
41	20102102	BOLT M8X25	4	
42	20501007	FLAT WASHER 8	12	
43	41404001	PROTECTIVE RING Φ16	1	
44	41401075	HONDA ENGINE GX120	1	
45	20902001	WOODRUFF KEY 4×5	1	
46	50101011	CLUTCH ASSY	1	
47	40504008	LOCK WASHER	1	
48	20407002	HEX THIN NUT	1	
50	41406012	CLAMP 20-32 (WIDTH 9)	2	

51	41204011	3HP AIR INLET PIPE	1	
52	20102156	BOLT M10X40	4	
53	20509008	SPRING WASHER 10	4	
54	20501009	FLAT WASHER 10	4	
171	40902001	AIR FILTER SHELL	1	
172	41402005	AIR FILTER	1	
173	41204003	SEALING TAPE	1	
174	40902002	AIR FILTER COVER	1	
175	20422001	BUTTERFLY NUT M8X1.25 A TYPE	1	

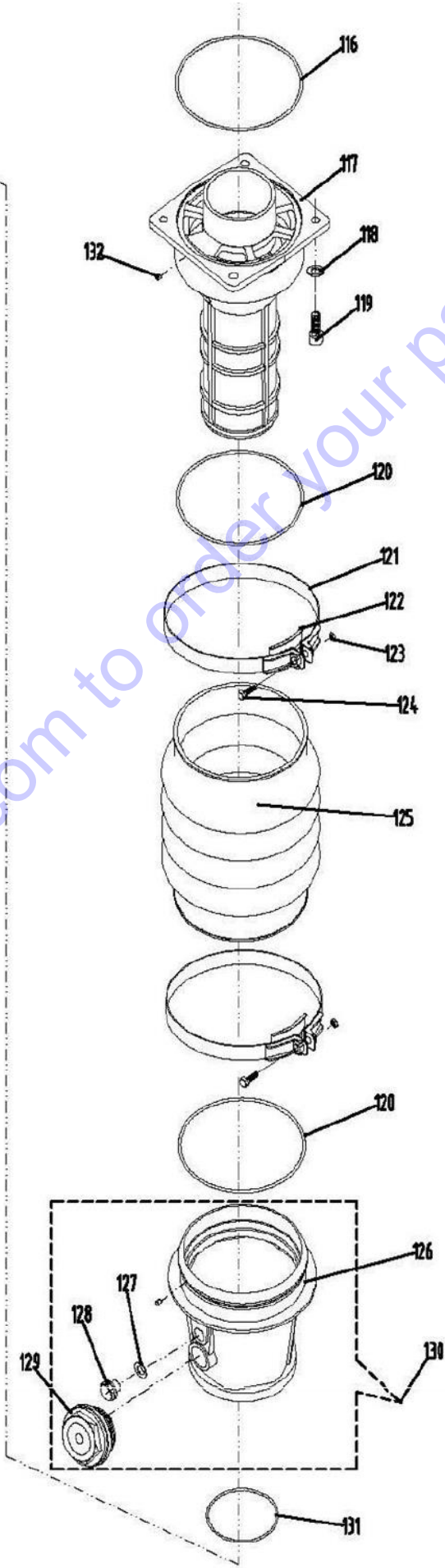
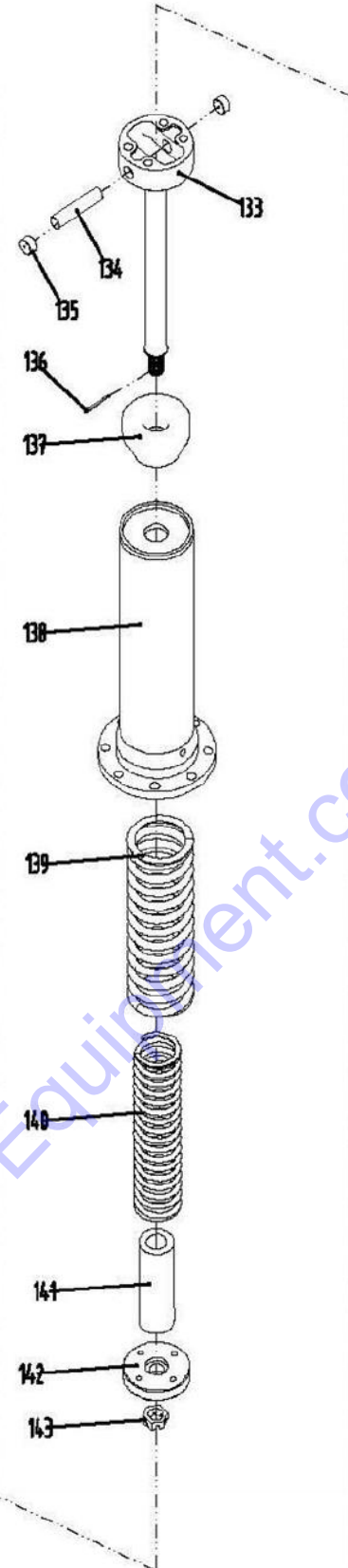
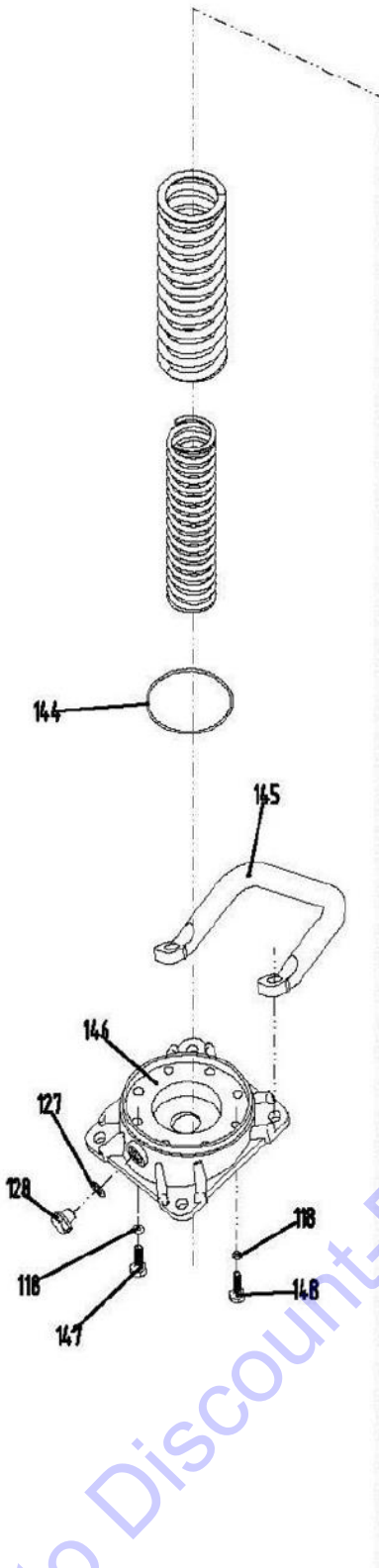


HANDLE ASSEMBLY				
ITEM	PART #	DESCRIPTION	RAM70H	
61	50103004	HANDLE ASSY	1	
62	20102053	HEX BOLT M6X16	4	
63	20509004	SPRING WASHER 6	6	
64	20501005	FLAT WASHER 6	4	
65	20405004	HEX LOCK NUT M8	1	
66	20509006	SPRING WASHER 8	5	
67	20401003	HEXNUT M6	2	
68	20308051	HEX SOCKET COUNTERSUNK FLAT CAP HEAD SCREW M6X16	2	
69	41202003	RUBBER STOPPER	1	
70	41403004	THROTTLE ASSY 70 (71, 75)	1	
71	40209016	THROTTLE WIRE	1	
72	40101029	THROTTLE HANDLE	1	
73	20401003	HEXNUT M6	1	
74	20102056	HEX BOLT M6X30	1	
75	50201011	THROTTLE HANDLE ASSY 75 (72-74)	1	
76	20102101	HEX BOLT M8X20	4	



FUEL TANK ASSEMBLY				
ITEM	PART #	DESCRIPTION	RAM70H	LIST PRICE
86	40903048	FUEL TANK CAP	1	
87	41201066	FUEL TANK INNER CAP (I)	1	
88	41402003	SMALL FILTER $\Phi$ 18.5*10	1	
89	41201067	FUEL TANK INNER CAP (II)	1	
90	41201065	RUBBER GASKET OF FUEL TANK CAP	1	
91	40903001	FUEL TANK ASSY 91 (86-90)	1	
92	41402007	FUEL TANK OPENING FILTER	1	
93	41101001	1/8" FUEL TANK OUTLET CONNECTION	1	
94	21101150	O RING 14x3.55	1	
95	41206002	FUEL TANK	1	
96	20501012	FLAT WASHER 14	1	
97	20407003	HEX THIN NUT M14x1.5	1	
98	50207002	FUEL TANK ASSY 98 (91-97)	1	
99	41403001	FUEL TANK ON-OFF	1	
100	41406003	FUEL TUBE CLAMP $\Phi$ 9	2	
101	89001004	FUEL TUBE	1	

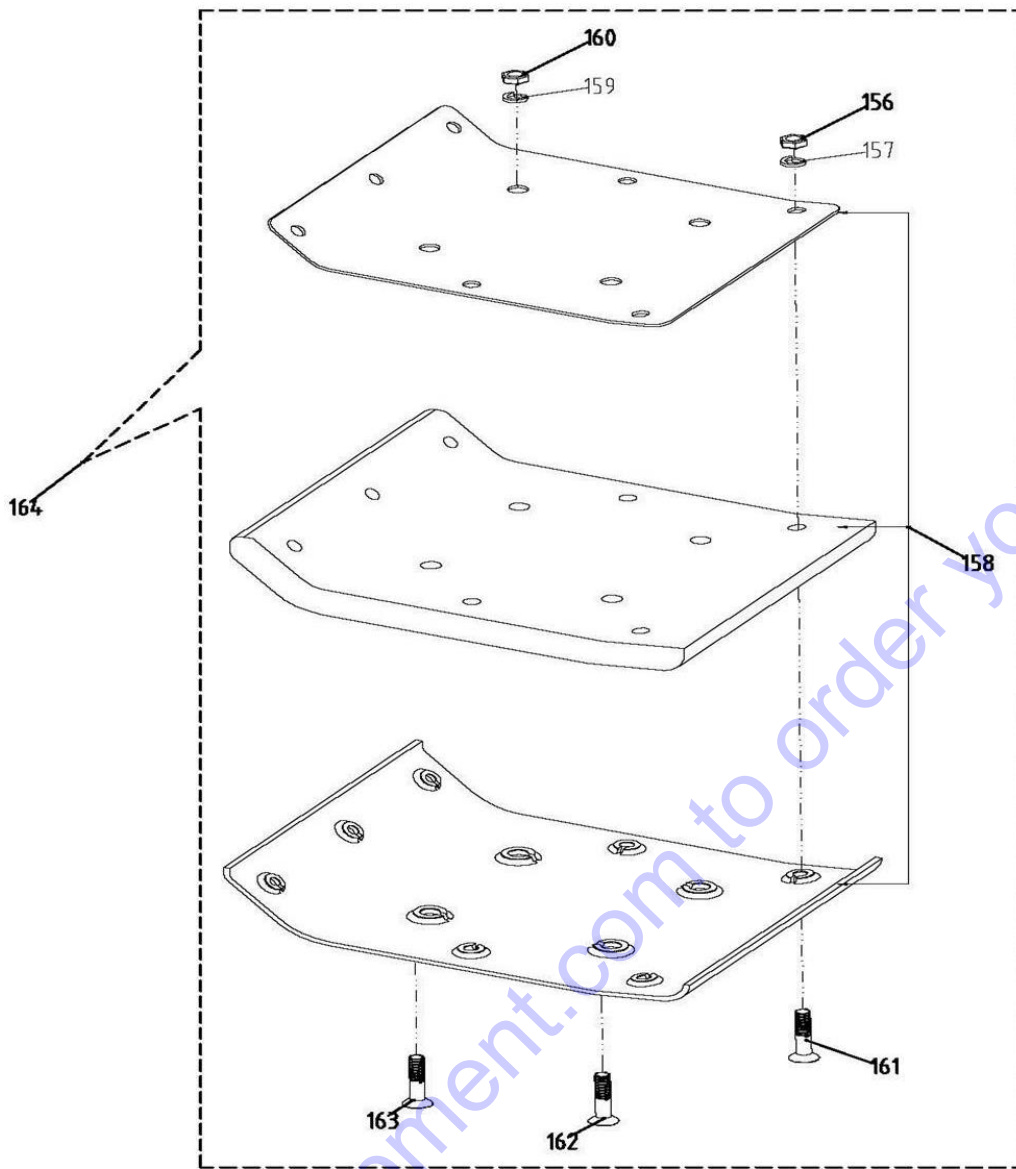
Go to DiscountEquipment.com to order your parts



BELLOW ASSEMBLY				
ITEM	PART #	DESCRIPTION	RAM70H	LIST PRICE
116	21101200	O RING160x5.3	1	
117	40505001	GUIDE CYLINDER	1	
118	20509008	SPRING WASHER 10	12	
119	20306156	SOKET HEAD CAP SCREW M10X35	4	
120	21101153	O RING160x3.55	2	
121	40101001	BELLLOW CLAMP	2	
122	40101001	LINER PLATE	2	
123	20401004	NUT M8	2	
124	20102107	BOLT M8X40	2	
125	41205003	BELLOW	1	
126	40505002	SPRING CYLINDER	1	
127	21105004	COPPER GASKET	1	
128	40401001	PLUG SCREW M14X1.5	1	
129	21110002	OIL LEVER GAUGE M24x1.5	1	
130	50201012	SPRING CYLINDER ASSY 130 (126-129)	1	
131	21101055	O RING95x2.65	1	
132	40402001	BELLOW PIN	2	
133	40406001	PISTON ROD	1	
134	40402002	PISTON PIN	1	
135	41201038	PISTON PLUG	2	
136	20805050	COTTER 3.2x36	1	
137	41202001	RUBBER	1	
138	40505004	DOWN GUIDE CYLINDER	1	
139	40103002	INNER SPRING	2	
140	40103007	OUTER SPRING	2	
141	41201040	STOPPER LOWER	1	
142	40705001	PISTON END	1	
143	20410001	SLOTTED NUT M18x1.5	1	
144	21101152	O RING 87.5x3.55	1	
145	41003002	HANDLE	1	
146	40804001	FOOT PLATE	1	
147	20306150	SOCKET HEAD CAP SCREW M10x20	4	
148	20306158	SOCKET HEAD CAP SCREW M10x40	4	

Go to DiscountEquipment.com to order your parts





SHOE ASSEMBLY				
ITEM	PART #	DESCRIPTION	RAM70H	
156	20405006	LOCK NUT M10	7	
157	20509008	SPRING W ASHER 10	7	
158	50201013	FOOT PLATE COMPONENTS	1	
159	20509009	SPRING WASHER 12	4	
160	20405007	LOCKNUT M12	4	
161	20103001	FLAT COUNTER SUNK NIB BOLTS M10x52	7	
162	20103002	FLAT COUNTER SUNK NIB BOLTS M12x70	2	
163	20103003	FLAT COUNTER SUNK NIB BOLTS M12x75	2	
164	50201009	FOOT ASSY 164 (156-163)	1	

Go to [www.450000.com](http://www.450000.com) to order your parts