



A TEREX BRAND



Parts Manual

Serial Number Range

GTH-5519

from SN GTH5514B-101 to GTH5516B-4410

from SN GTH5516M-4411 to GTH5516M-5799

from SN GTH55M-5800 to GTH55M-11699

Part No. 645054GT
Rev: AK
February 2020

PARTS FINDER

**Search Website
by Part Number**



**Search Manual
Library For Parts
Manual & Lookup Part
Numbers – Purchase
or Request Quote**

Search Manuals

Enter your information to search for a manual or to purchase a manual or parts.

* Brand:

* Model:

* Serial:

* Part Number:

SEARCH

**Can't Find Part or
Manual? Request Help
by Manufacturer,
Model & Description**

Parts Order Form

Please fill in the following information:

Manufacturer:

Model:

Description:

Quantity:

Part Number:

Part Name:

Part Description:

Part Category:

Part Location:

Part Status:

Part Condition:

Part Material:

Part Color:

Part Weight:

Part Dimensions:

Part Price:

Part Notes:

Submit

Discount-Equipment.com is your online resource for quality parts & equipment.

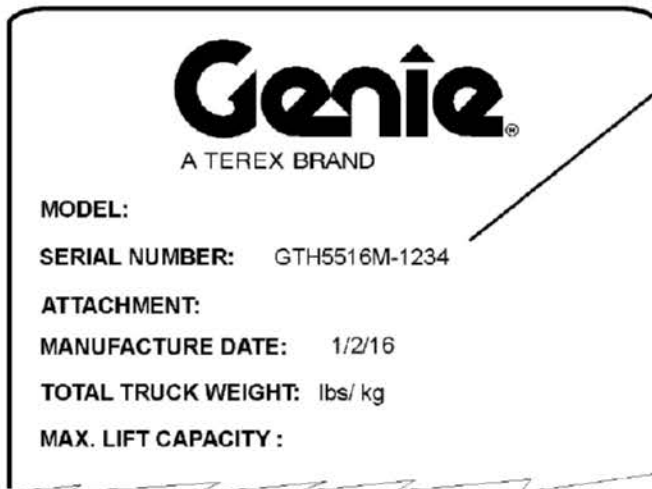
Florida: **561-964-4949** Outside Florida TOLL FREE: **877-690-3101**

Need parts?

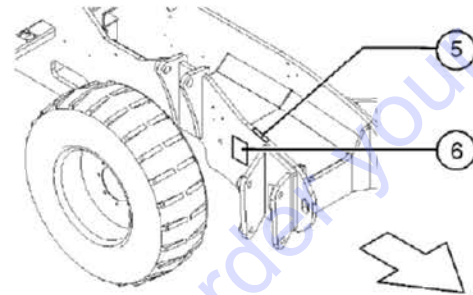
Click on this link: <http://www.discount-equipment.com/category/5443-parts/> and choose one of the options to help get the right parts and equipment you are looking for. Please have the machine model and serial number available in order to help us get you the correct parts. If you don't find the part on the website or on one of the online manuals, please fill out the request form and one of our experienced staff members will get back to you with a quote for the right part that your machine needs.

We sell worldwide for the brands: Genie, Terex, JLG, MultiQuip, Mikasa, Essick, Whiteman, Mayco, Toro Stone, Diamond Products, Generac Magnum, Airman, Haulotte, Barreto, Power Blanket, Nifty Lift, Atlas Copco, Chicago Pneumatic, Allmand, Miller Curber, Skyjack, Lull, Skytrak, Tsurumi, Husquvarna Target, Stow, Wacker, Sakai, Mi-T-M, Sullair, Basic, Dynapac, MBW, Weber, Bartell, Bennar Newman, Haulotte, Ditch Runner, Menegotti, Morrison, Contec, Buddy, Crown, Edco, Wyco, Bomag, Laymor, EZ Trench, Bil-Jax, F.S. Curtis, Gehl Pavers, Heli, Honda, ICS/PowerGrit, IHI, Partner, Imer, Clipper, MMD, Koshin, Rice, CH&E, General Equipment, Amida, Coleman, NAC, Gradall, Square Shooter, Kent, Stanley, Tamco, Toku, Hatz, Kohler, Robin, Wisconsin, Northrock, Oztec, Toker TK, Rol-Air, APT, Wylie, Ingersoll Rand / Doosan, Innovatech, Con X, Ammann, Mecalac, Makinex, Smith Surface Prep, Small Line, Wanco, Yanmar

To August 31, 2016



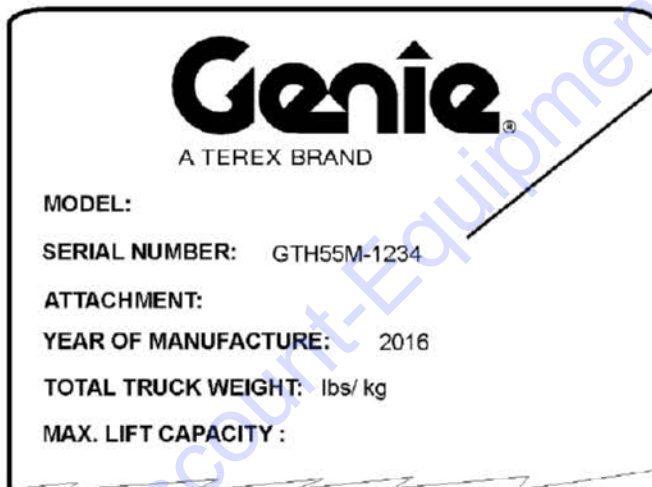
GTH55 16 M - 1234
 1 2 3 4



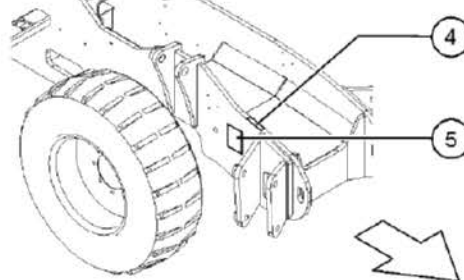
- 1 Model
- 2 Model year
- 3 Facility code
- 4 Sequence number

- 5 Serial number (stamped on chassis)
- 6 Serial label

From September 1, 2016



GTH55 M - 1234
 1 2 3



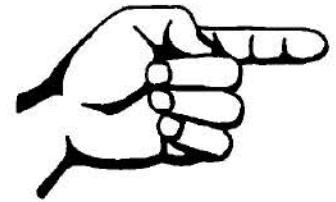
- 1 Model
- 2 Facility code
- 3 Sequence number

- 4 Serial number (stamped on chassis)
- 5 Serial label

Machine data plate

(On machines destined for the Italian market, the machine data plate is installed in the driving cab, on the right, and is well-visible when the door is opened. On the machines destined for foreign markets, the data plate is applied on the front right side of the chassis)

Please refer to section 001 for the Recommended
Spare Parts List.



This page intentionally left blank.

Go to Discount-Equipment.com to order your parts

Description	Page
100 Decals	10
101.1 607890 Decals, View 1	10
102.1 607891 Decals, View 2	14
200 Drive Chassis Components	16
201.1 607894 Rear Chassis - To SN GTH55M-5878	16
201.2 607991 Rear Chassis - From SN GTH55M-5879	20
202.1 607895 Left Chassis	24
203.1 607896 Right Chassis	28
205.1 607897 Hydraulic Oil Tank	34
206.1 607898 Drive Chassis And Wheels	38
207.1 607900 Front Axle - Differential	40
208.1 607901 Front Axle - Pinion Housing	44
209.1 607902 Front Axle - Differential Group	46
210.1 607903 Front Axle - Piston Group	48
211.1 607904 Front Axle - Brake Group	50
212.1 607905 Front Axle - RH Steering Wheel Assy	52
213.1 607906 Front Axle - LH Steering Wheel Assy	56
214.1 607907 Front Axle - Reduction Gearbox	60
215.1 607908 Rear Axle - Differential	64
216.1 607909 Rear Axle - Pinion Housing	68
217.1 607910 Rear Axle - Differential Group	70
218.1 607911 Rear Axle - RH Steering Wheel Assy	72
219.1 607912 Rear Axle - LH Steering Wheel Assy	76
300 Engine Components	80
301.1 607915 Cooling System (To SN GTH55M-7858, From GTH55M-7866 to GTH55M-8254, from GTH55M-8264 to GTH55M-8385, from GTH55M-8394 to GTH55M-8429)	80
301.2 607993 Cooling System (From SN GTH55M-7859 to GTH55M-7865, from GTH55M-8255 to GTH55M-8263, from GTH55M-8386 to GTH55M-8393, from GTH55M-8430)	86
302.1 607977 Injection, Accelerator - Stage IIIA Engine	90
302.2 607978 Exhaust System - Stage IIIA Engine	92
302.3 607916 Exhaust System, Injection, Accelerator - Stage IIIB Engine	94
303.1 607917 Hydraulic Pumps - To SN GTH55M-5878	98
303.2 607992 Hydraulic Pumps - From GTH55M-5879 to 7912, From GTH55M-7923 To 8945	104
303.3 607997 Hydraulic Pumps - From GTH55M-7913 To 7922, From GTH55M-8946	110
400 Cab Components	116
401.1 607923 Closed Cab, View 1	116
402.1 607924 Closed Cab, View 2	120
403.1 607925 Open Cab	126
405.1 607926 Dashboard, View 1	132

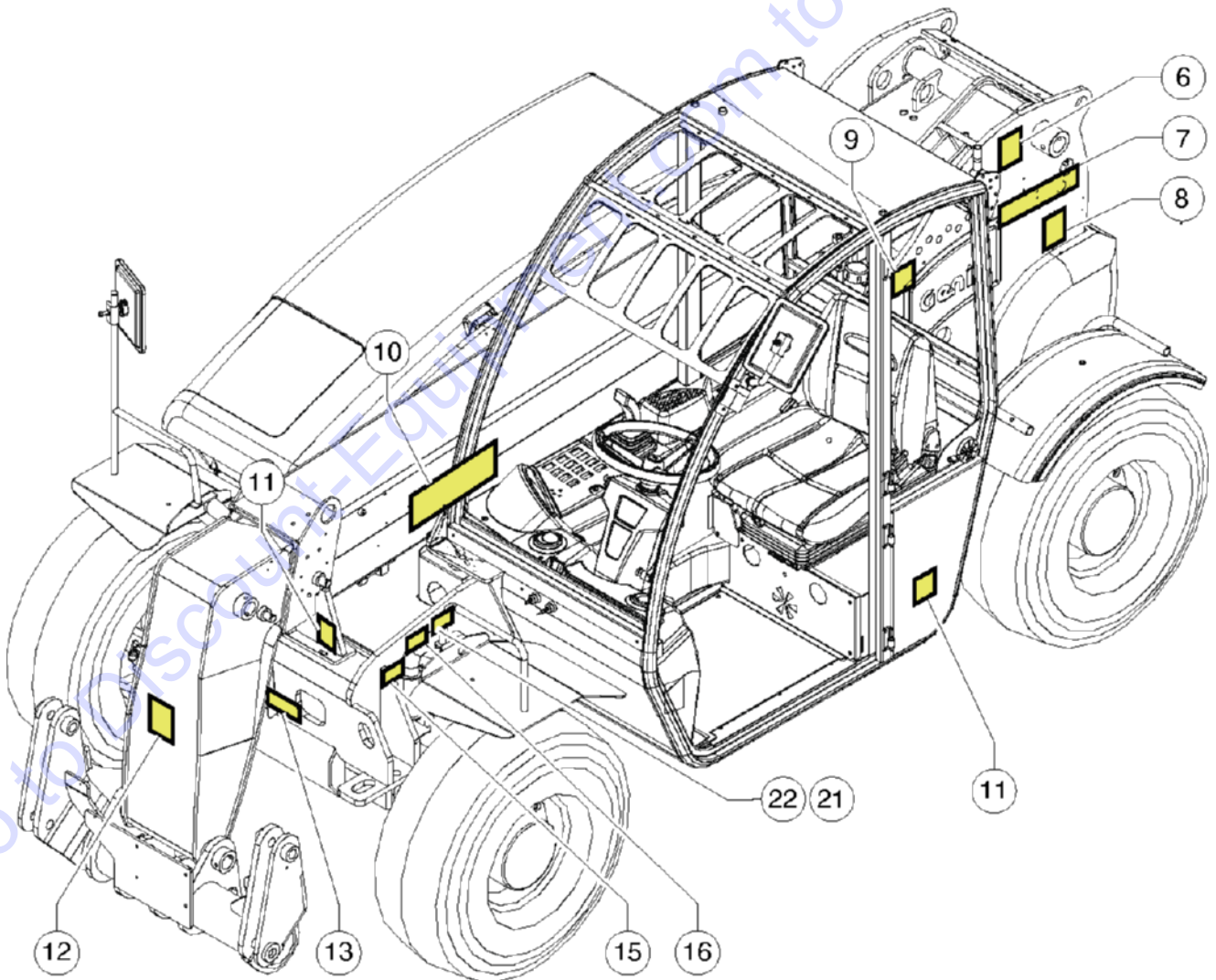
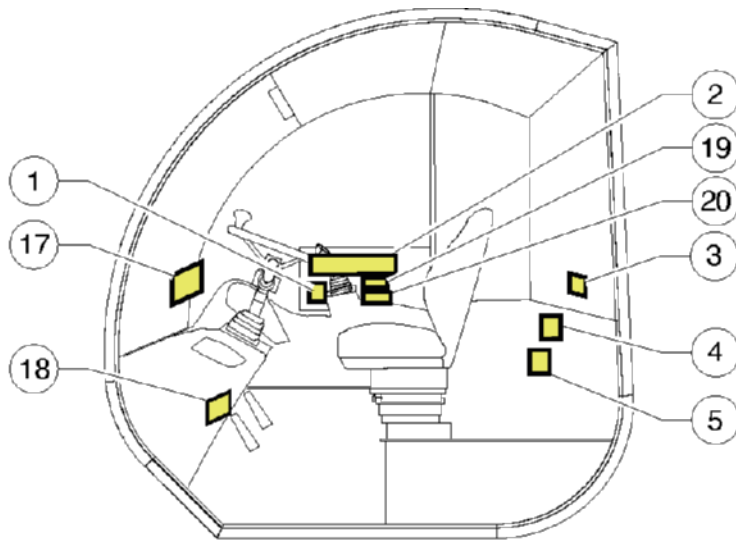
Table of Contents

Description	Page
406.1 607927 Dashboard, View 2	136
407.1 607928 Joystick	140
500 Boom Components	142
501.1 607932 Boom (1st - 2nd Telescopic Element)	142
502.1 607933 Manual Fork Attachments	146
502.2 607968 Forks	148
503.1 607934 Cylinders	150
504.1 607935 First Section Pipes And Clamps	154
600 Hydraulic System	156
601.1 607939 Valve Block	156
602.1 607940 Fork Balancing	158
603.1 607941 Auxiliary Circuits	160
604.1 607942 Boom Extension	162
605.1 607943 Boom Lifting	164
606.1 607944 Radiator - IIIA Engine - To GTH55M-7912, From GTH55M-7923 To 8945	166
606.2 607987 Radiator - IIIB Engine - To GTH55M-7912, From GTH55M-7923 To 8945	168
606.3 607998 Radiator - IIIA Engine - From GTH55M-7913 To 7922, From GTH55M-8946	170
606.4 607999 Radiator - IIIB Engine - From GTH55M-7913 To 7922, From GTH55M-8946	172
607.1 607945 Test Port - To GTH55M-7912, From GTH55M-7923 To 8945	174
607.2 608000 Test Port - From GTH55M-7913 To 7922, From GTH55M-8946	176
608.1 607946 Transmission - To GTH55M-7912, From GTH55M-7923 To 8945	178
608.2 608001 Transmission - From GTH585M-7913 To 7922, From GTH55M-8946	180
609.1 607947 Hydraulic Piloting Line Main Valve	182
610.1 607948 Joystick	184
611.1 607949 Power Steering System	186
612.1 607950 Brake System	190
613.1 607988 Main Valve	192
700 Electric Installation	194
701.1 607963 Fuse Box	194
702.1 607964 Wirings - View 1	196
703.1 607965 Wirings - View 2	200
704.1 607966 Wirings - View 3	202
800 Optionals	204
801.1 607970 Cab Heater	204
802.1 607980 Air Conditioning - Part 1 - To SN GTH55M-6148	206
803.1 607981 Air Conditioning - Part 2 - To SN GTH55M-6148	210
804.1 607982 Air Conditioning - Part 3 - To SN GTH55M-6148	212
805.1 607974 Hydraulic Quick Coupling And 1 Aux Circuit (Electric Part)	214

Description	Page
806.1 607975 Hydraulic Quick Coupling And 1 Aux Circuit (Hydraulic Part)	216
807.1 607976 Work Lights	220
808.1 607983 Road Lights - Part 1	222
809.1 607984 Road Lights - Part 2	224
810.1 607985 Telematics	226
810.2 607989 Telematics M8	228
811.1 607986 Front Protection Grid	230
812.1 607990 Rear Proximity Alarm	232
813.1 607994 Air Conditioning - Part 1 - From SN GTH55M-6149	234
814.1 607995 Air Conditioning - Part 2 - From SN GTH55M-6149	238
815.1 607996 Air Conditioning - Part 3 - From SN GTH55M-6149	240
Part Number Index	242

Go to Discount-Equipment.com to order your parts

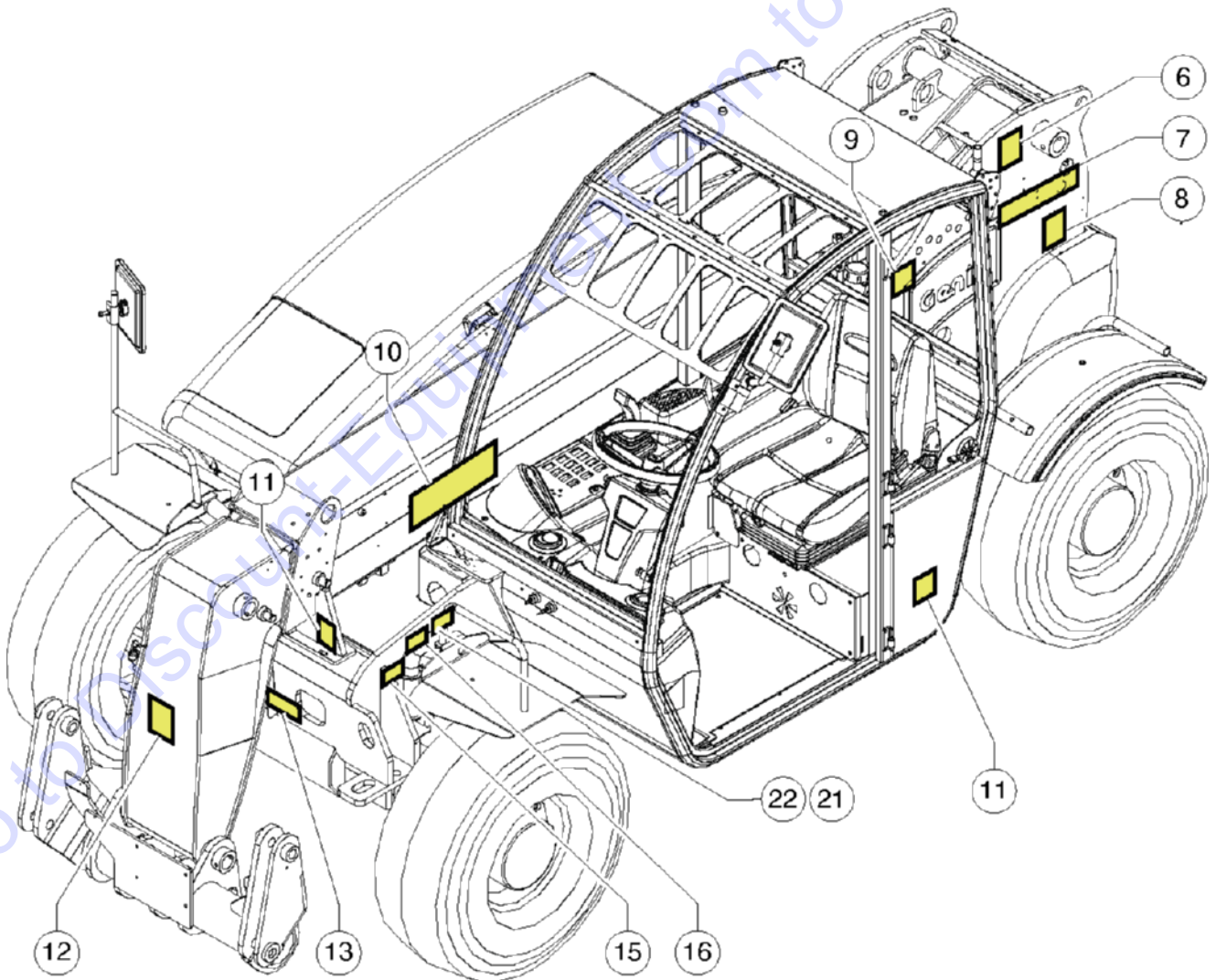
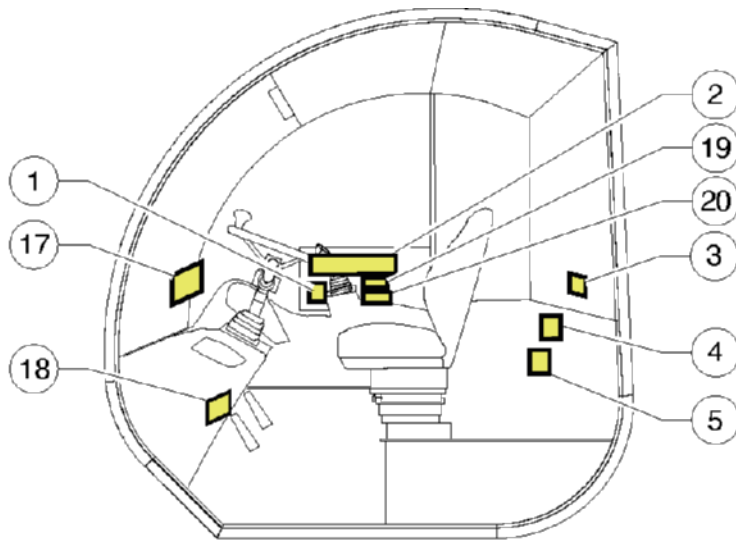
101.1 607890 Decals, View 1



Item	Part No.	Description	Qty.
1	09.4618.1688GT	Label - Control Lever	1
1	09.4618.1775GT	Label - Control Lever - French Decal	1
2	09.4618.1622GT	Danger/Warning – 7 Decal Combination	1
2	09.4618.1774GT	Danger/Warning – 7 Decal Combination - French Decal	1
3	09.4618.1742GT	Label - Emergency Exit Handles	1
4	09.4618.1025GT	DECAL,UPPR DOOR EXT UNLOCK SYS	1
5	09.4618.0776GT	DECAL,UPPER DOOR UNLOCK SYS	1
6	82558GT	DECAL,WARN,SKIN INJECTION HAZ*	1
6	82558FRGT	DECAL,SKIN INJECTION - FRENCH DECAL	1
7	09.4618.0644GT	DECAL,COSMETIC,GTH-5519	1
8	237598GT	DECAL,BODY CRUSH,ROLLING MACHINE	1
8	237598FRGT	DECAL,CRUSH HAZARD - FRENCH DECAL	1
9	82366GT	DECAL,CHEVRON RANDO HD	1
9	82366FRGT	DECAL,CHEVRON RANDO HD - FRENCH DECAL	1
10	09.4618.0643GT	Cosmetic - Genie GTH-5519	1
11	214418GT	DECAL, 2 DECAL COMBO	2
12	215268GT	DECAL, FALL HAZARD	1
12	215268FRGT	DECAL,FALL HAZARD,WORK PLAT - FRENCH DECAL	1
13	09.4618.1690GT	DECAL,LIFTING AND ANCHORING	1
15	09.4618.1691GT	DECAL, TEST PORT	1
16	215267GT	Label - Product Registration	1
16	215267FRGT	Label – Product Registration - French Decal	1
17	55.0700.0166GT	Load Charts Standard KIT	1
17A	09.4618.0801GT	Load Chart - 60" And 66" Bucket	1
17B	09.4618.0802GT	Load Chart - Scrap Grapple Bucket	1
17C	09.4618.0803GT	Load Chart - 60" Forks, Optional 48" Forks, 48" Cubing Tines	1
17D	09.4618.0804GT	Load Chart - Universal Attachment Adapter	1
17E	09.4618.0805GT	Load Chart - Rotating Or Side Shift Fork Carriage, Standard Fork Tines	1



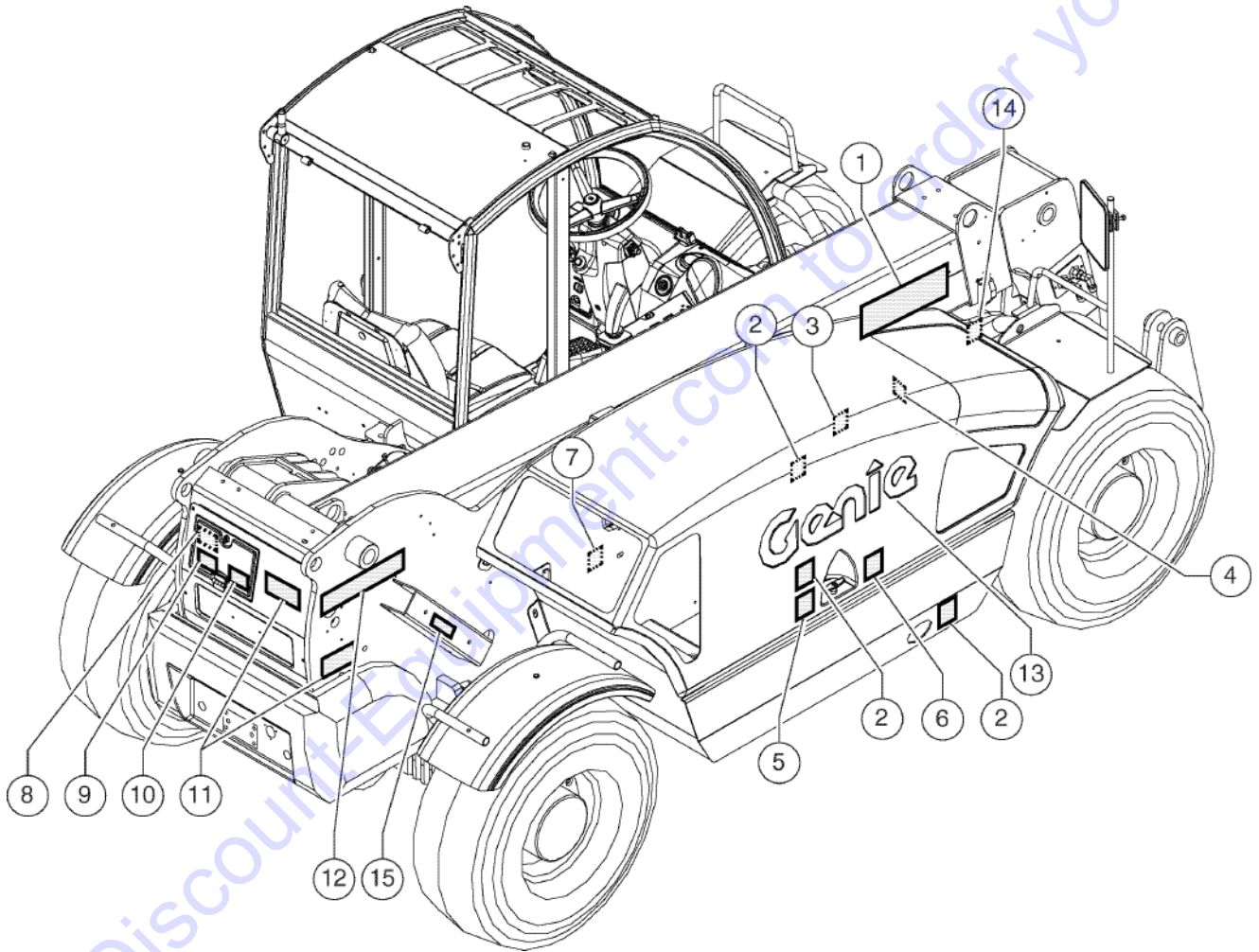
101.1 607890 Decals, View 1



Item	Part No.	Description	Qty.
17F	09.4618.0806GT	Load Chart - Truss Boom	1
17G	09.4618.1867GT	Load Chart - Shackle	1
17H	09.4618.1680GT	Load Chart - Side Shift Fork Carriage 60" Fork Tines	1
17I	09.4618.1738GT	Load Chart - Standard Carriage	1
18	09.4618.1999GT	DECAL, NO DOT FLUID	1
19	1280819GT	DECAL,WARNING,CANCER AND REPRODUCTIVE HARM, PROP 65	1
20	1280820GT	DECAL,FUEL,DIESEL EXHAUST, PROP 65	1
21	1291624GT	DECAL COSM,GENIE LIFT CONNECT,LEXAN COVER	1
22	1292512GT	DECAL COSM,GENIE LIFT CONNECT,ESN,SKU4-1	1

Go to Discount-Equipment.com to order your parts



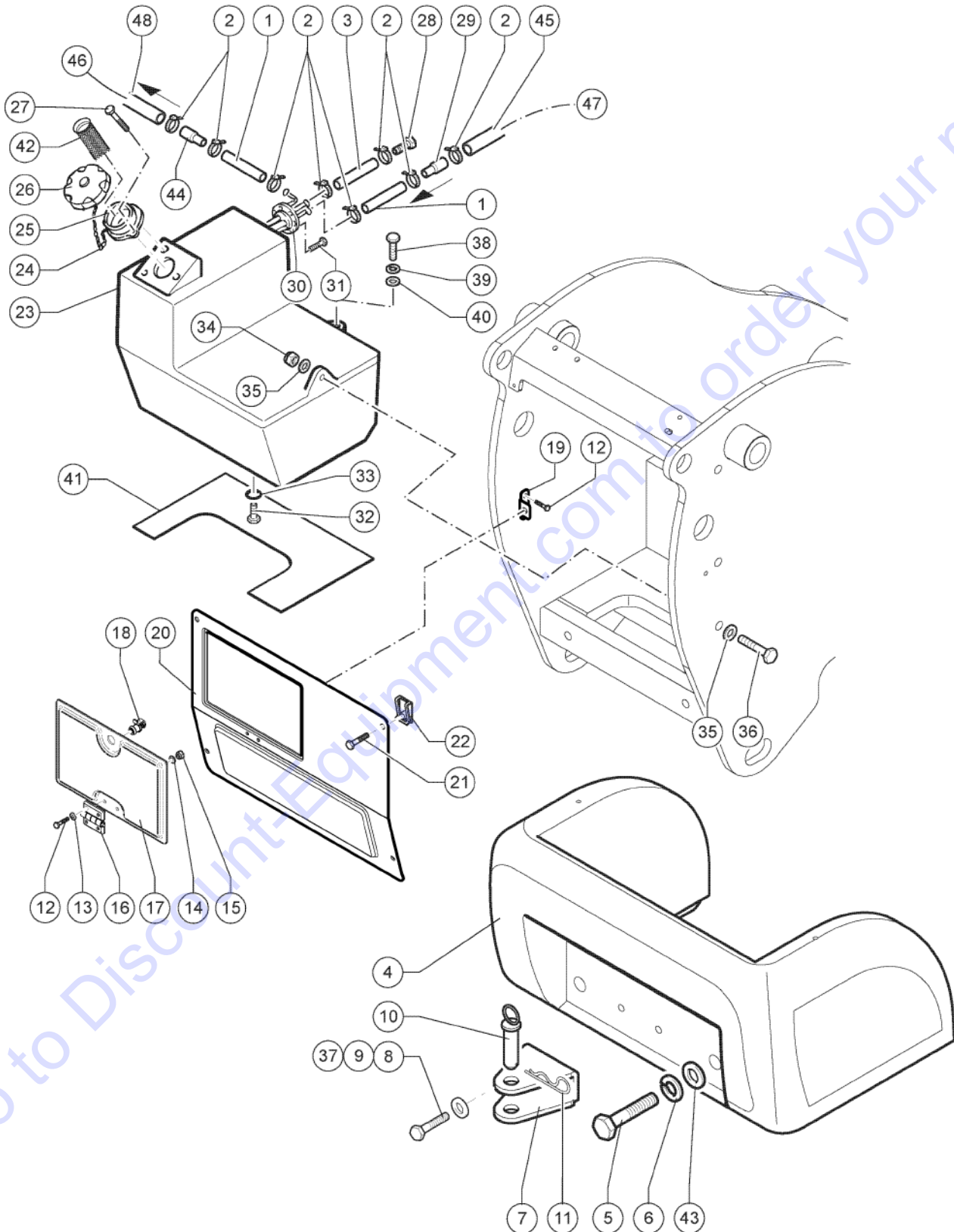


Go to DiscountEquipment.com to order your parts

Item	Part No.	Description	Qty.
1	09.4618.0643GT	Cosmetic - Genie GTH-5519	1
2	97667GT	DECAL,WARN,BURN HAZARD	3
2	97667FRGT	DECAL,BURN HAZARD - FRENCH DECAL	3
3	97602GT	DECAL,EXPLOSION HAZARD	1
3	97602FRGT	DECAL,EXPLOSION HAZARD - FRENCH DECAL	1
4	237601GT	DECAL DANGER BATTERY SAFETY	1
4	237601FRGT	DECAL,BURN HAZARD - FRENCH DECAL	1
5	1263543GT	DECAL, IMPROPER OPERATION	1
5	1263543FRGT	DECAL,COMPARTMENT ACCESS - FRENCH DECAL	1
6	214418GT	DECAL, 2 DECAL COMBO	1
6	214418FRGT	DECAL,DANGER/WARNING - FRENCH DECAL	1
7	237605GT	DECAL WARNING EXPLOSION/BURN HAZARD	1
7	237605FRGT	DECAL,HOT PARTS - FRENCH DECAL	1
8	237971GT	DECAL,DANGER,EXPLOSION/BURN,DIESEL FUELING	1
8	237971FRGT	DECAL,EXPLOSION,FUELING - FRENCH DECAL	1
9	826345GT	DECAL,ULS DIESEL ONLY,TIER 4	1
9	826345FRGT	DECAL, ULTRA LOW SULFUR FUEL-FRENCH	1
10	28159GT	DECAL,DIESEL	1
11	237598GT	DECAL,BODY CRUSH,ROLLING MACHINE	2
12	09.4618.0644GT	DECAL,COSMETIC,GTH-5519	1
13	1258639GT	DECAL,COSMETIC,7.5" GENIE WHIT	1
14	1272242GT	DECAL,MACHINE REGISTRATION/OWN	1
15	09.4618.2048GT	DECAL CRUSH HAZARD- USE SAFETY COLLAR GB	1
15	09.4618.2049FR GT	DECAL CRUSH HAZARD- USE SAFETY COLLAR FR	1



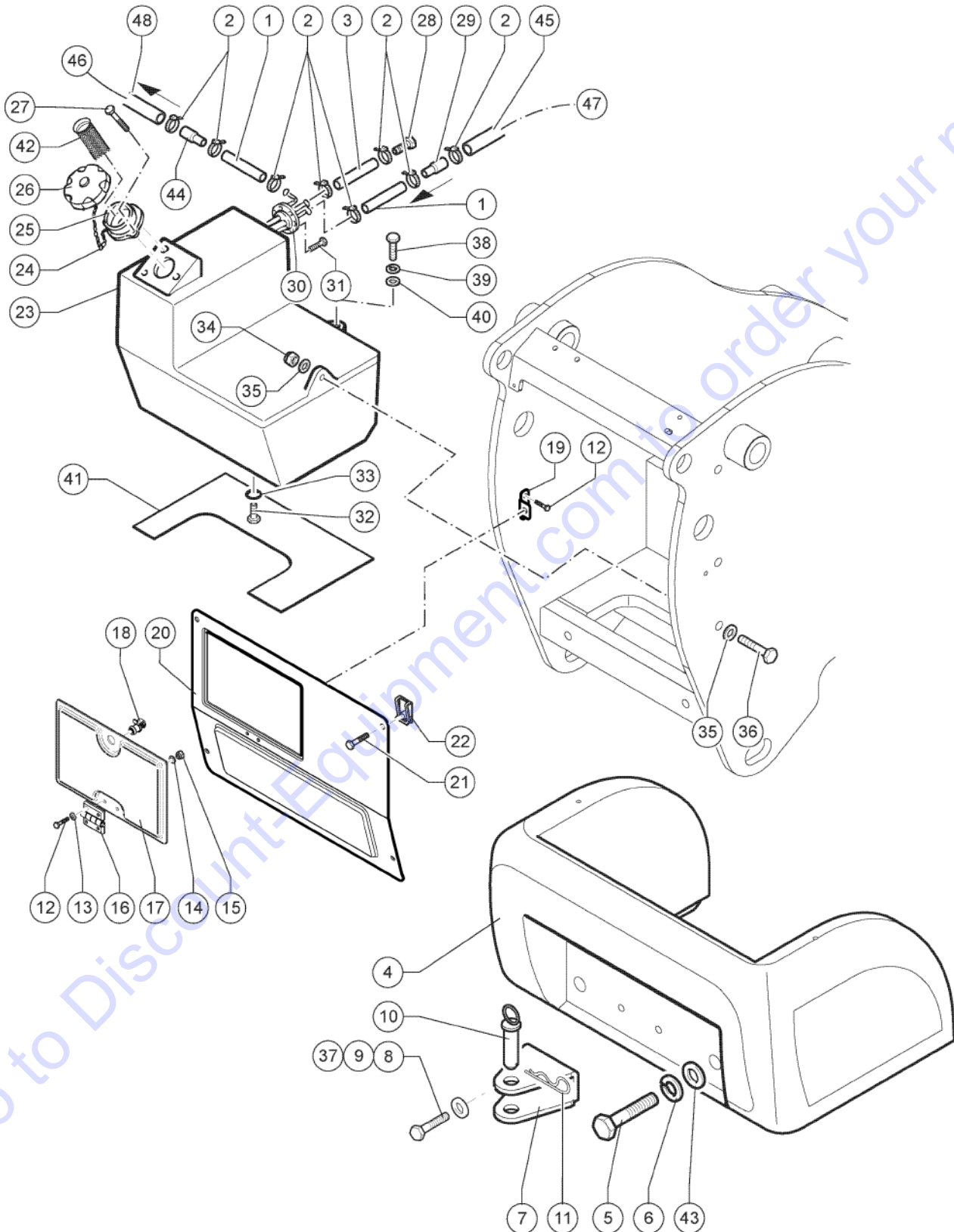
201.1 607894 Rear Chassis - To SN GTH55M-5878



Item	Part No.	Description	Qty.
1	09.0805.0000GT	RUBBER HOSE	6
2	04.0227.0051GT	CLAMP DN 10/16 LG 9	8
3	09.0805.0000GT	RUBBER HOSE	6
4	51.1000.5200GT	COUNTERWEIGHT to SN GTH5515B-2614	1
4	51.1000.5218GT	Counterweight (see note) from SN GTH5515B-2615	1
5	01.4001.0025GT	SCREW M24X160 UNI 5737 10.9 ZN	2
6	01.4032.0000GT	SPRING WASHER D24 ZN	2
7	51.0800.3800GT	Hitch	1
8	01.0001.0703GT	SCREW M16X35 UNI 5739 8.8 ZN	2
9	01.4032.0007GT	SPRING WASHER D16 ZN	2
10	54.0000.0027GT	Hitch Pin	1
11	09.0803.0026GT	SPRING SPLIT PIN	1
12	01.0001.0156GT	SCREW M6X20 UNI 5739 8.8 ZN	4
13	01.4032.0002GT	SPRING WASHER D6 ZN	4
14	01.0031.0298GT	FLAT WASHER D6 UNI 6593 ZN	4
15	01.0019.0103GT	NUT M6 UNI 5588 6S ZN	4
16	09.0803.0421GT	Hinge	1
17	52.1100.9132GT	Cover	1
18	09.0803.0518GT	Lock	1
19	51.0811.2000GT	Support	1
20	52.1100.9131GT	Cover	1
21	01.4001.0078GT	SCREW M8X20 DIN 6923 8.8 ZN	4
22	09.0803.0352GT	SPRING CLIP M8	4
23	51.0600.2700GT	DIESEL TANK	1
24	09.4661.0022GT	Chain	1
25	09.4661.0021GT	AIR INLET	1
26	09.4661.0020GT	PLUG	1
27	01.4001.0045GT	Screw TE M 5X10 UNI 5739 8.8 ZN	3



201.1 607894 Rear Chassis - To SN GTH55M-5878

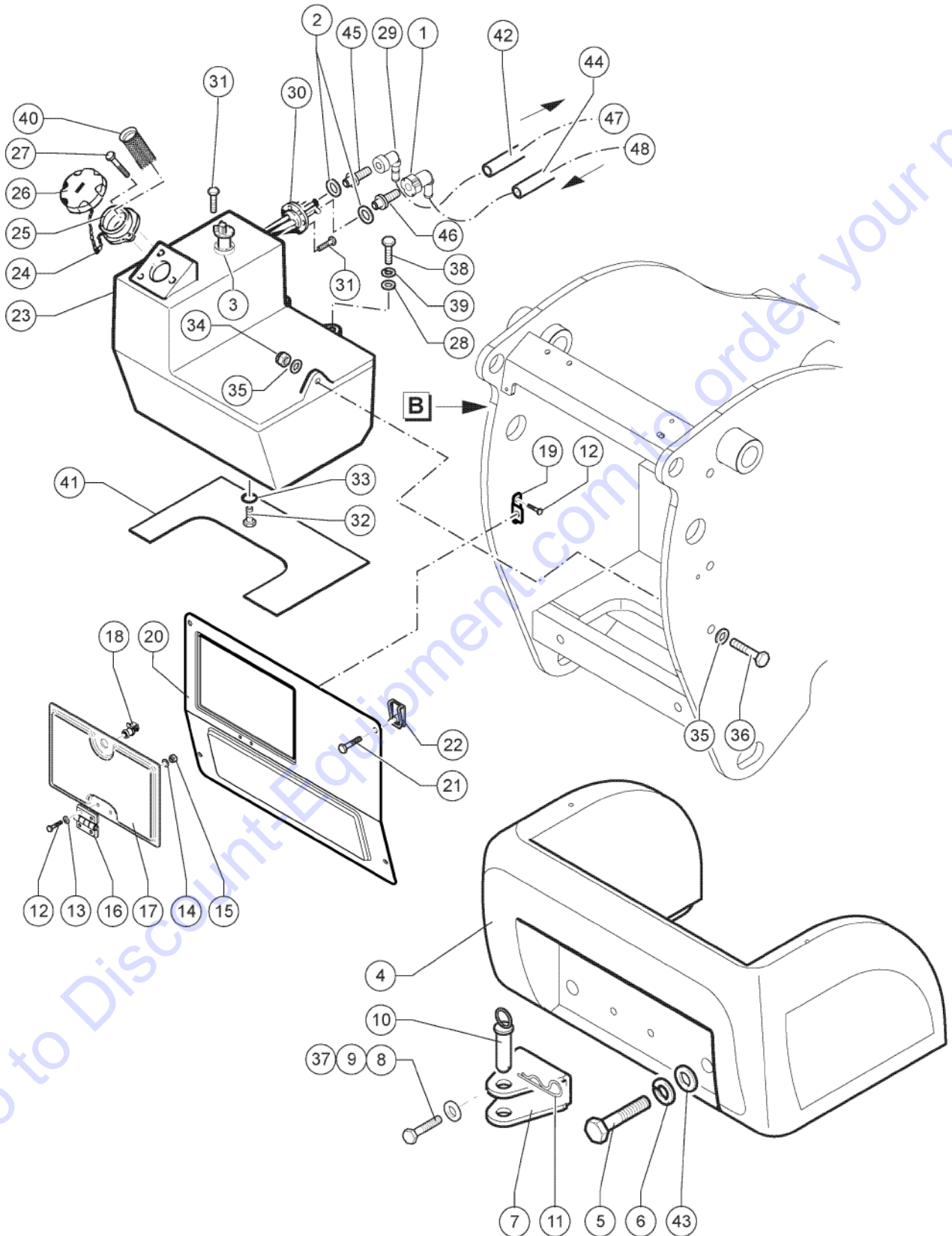


Item	Part No.	Description	Qty.
28	01.0001.0254GT	SCREW M8X20 UNI 5739 8.8 ZN	1
29	53.3001.6773GT	Reducer D.10 to D.8	1
30	56.0012.0074GT	Fuel Gauge	1
31	01.4001.0006GT	SCREW M4X10 UNI 5739 8.8 ZN	6
32	09.0803.0510GT	DRAIN PLUG M16	1
33	900046GT	O-Ring	1
34	01.0023.0056GT	STOP NUT M12 UNI 7473 6S ZN	1
35	01.0031.0151GT	FLAT WASHER D12 UNI 6593 ZN	3
36	01.0001.0405GT	SCREW, 8.8 HCS 12MM1.75X60Z	1
37	01.0031.0059GT	FLAT WASHER D16 UNI 6592 ZN	2
38	01.0001.0260GT	SCREW M8X45 UNI 5739 8.8 ZN	2
39	01.4032.0003GT	Spring Washer D 8 ZN	2
40	01.0031.0299GT	FLAT WASHER D8 UNI 6593 ZN	2
41	53.3302.0016GT	Rubber Base	1
42	09.4661.0016GT	BASKET,PLUG	1
43	01.0031.0062GT	FLAT WASHER D22 UNI 6592 ZN	2
44	51.0807.8500GT	REDUCER D12/D8	1
45	09.0805.0171GT	HOSE	137
46		See 300 Engine Components - Figure 607917, position 3	Ref
47		See 300 Engine Components - Figure 607917, position 4	Ref
48	T09.0805.0070GT	FLEXIBLE HOSE,D12X18(1EACH-1METER)	140

Go to DiscountEquipment.com to order your parts



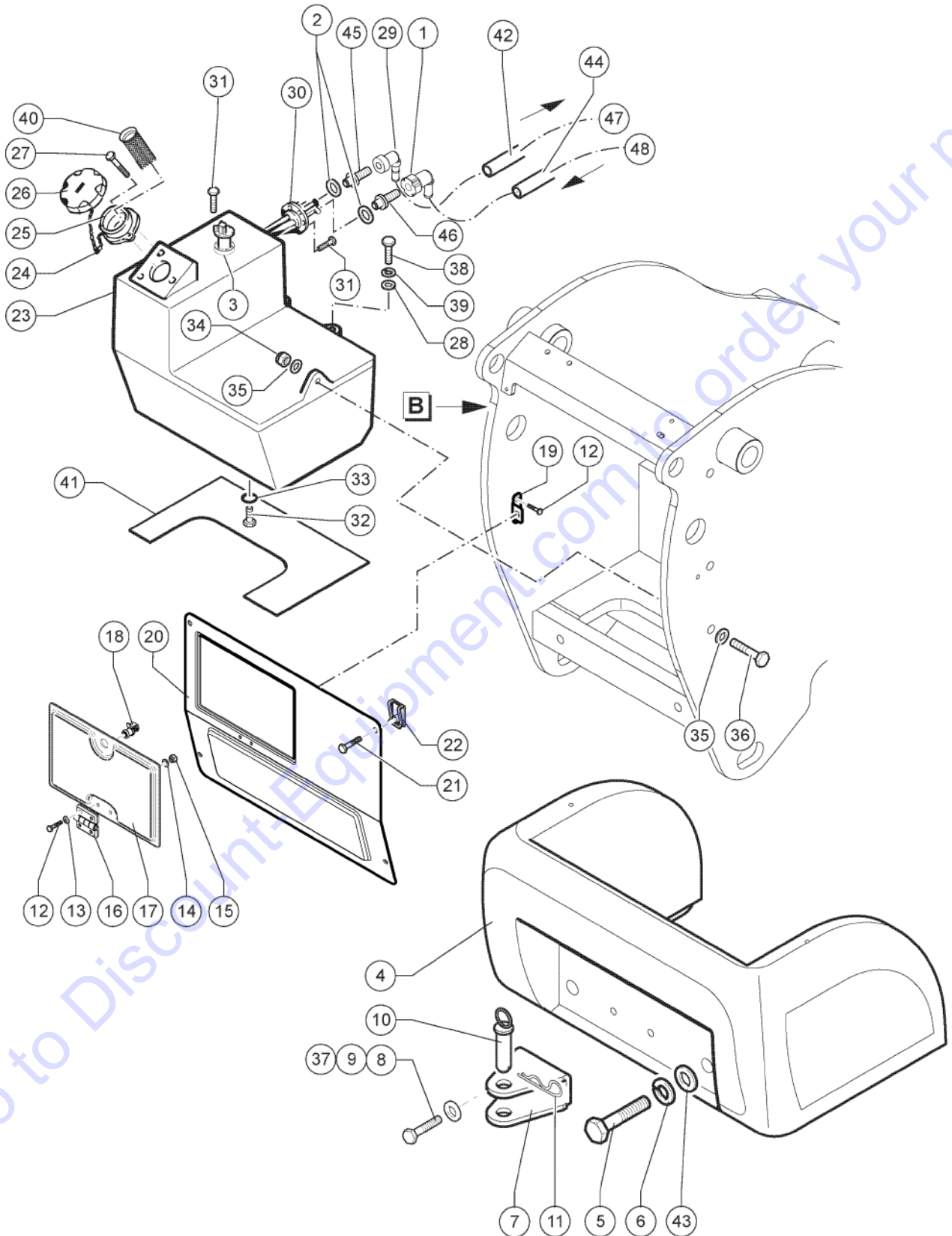
201.2 607991 Rear Chassis - From SN GTH55M-5879



Item	Part No.	Description	Qty.
1	09.0805.0146GT	GAS/OIL QUICK CONNECTOR	1
2	06.0443.0002GT	LOCKWASHER	2
3	56.0012.0085GT	FUEL GAUGE	1
4	51.1000.5218GT	Counterweight (see note)	1
5	01.4001.0025GT	SCREW M24X160 UNI 5737 10.9 ZN	2
6	01.4032.0000GT	SPRING WASHER D24 ZN	2
7	51.0800.3800GT	Hitch	1
8	01.0001.0703GT	SCREW M16X35 UNI 5739 8.8 ZN	2
9	01.4032.0007GT	SPRING WASHER D16 ZN	2
10	54.0000.0027GT	Hitch Pin	1
11	09.0803.0026GT	SPRING SPLIT PIN	1
12	01.0001.0156GT	SCREW M6X20 UNI 5739 8.8 ZN	4
13	01.4032.0002GT	SPRING WASHER D6 ZN	4
14	01.0031.0298GT	FLAT WASHER D6 UNI 6593 ZN	4
15	01.0019.0103GT	NUT M6 UNI 5588 6S ZN	4
16	09.0803.0421GT	Hinge	1
17	52.1100.9132GT	Cover	1
18	09.0803.0518GT	Lock	1
19	51.0811.2000GT	Support	1
20	52.1100.9131GT	Cover	1
21	01.4001.0078GT	SCREW M8X20 DIN 6923 8.8 ZN	4
22	09.0803.0352GT	SPRING CLIP M8	4
23	51.0600.9334GT	DIESEL TANK	1
24	09.4661.0022GT	Chain	1
25	09.4661.0021GT	AIR INLET	1
26	09.4661.0020GT	PLUG	1
27	01.4001.0045GT	Screw TE M 5X10 UNI 5739 8.8 ZN	3
28	01.0031.0299GT	FLAT WASHER D8 UNI 6593 ZN	4



201.2 607991 Rear Chassis - From SN GTH55M-5879

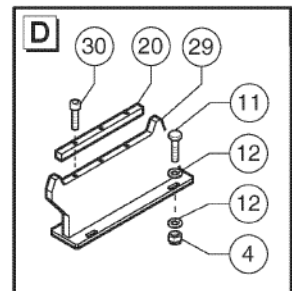
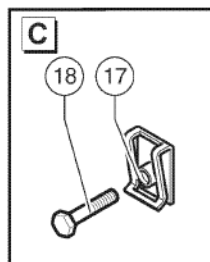
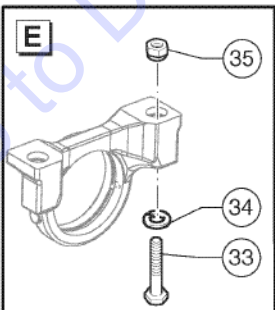
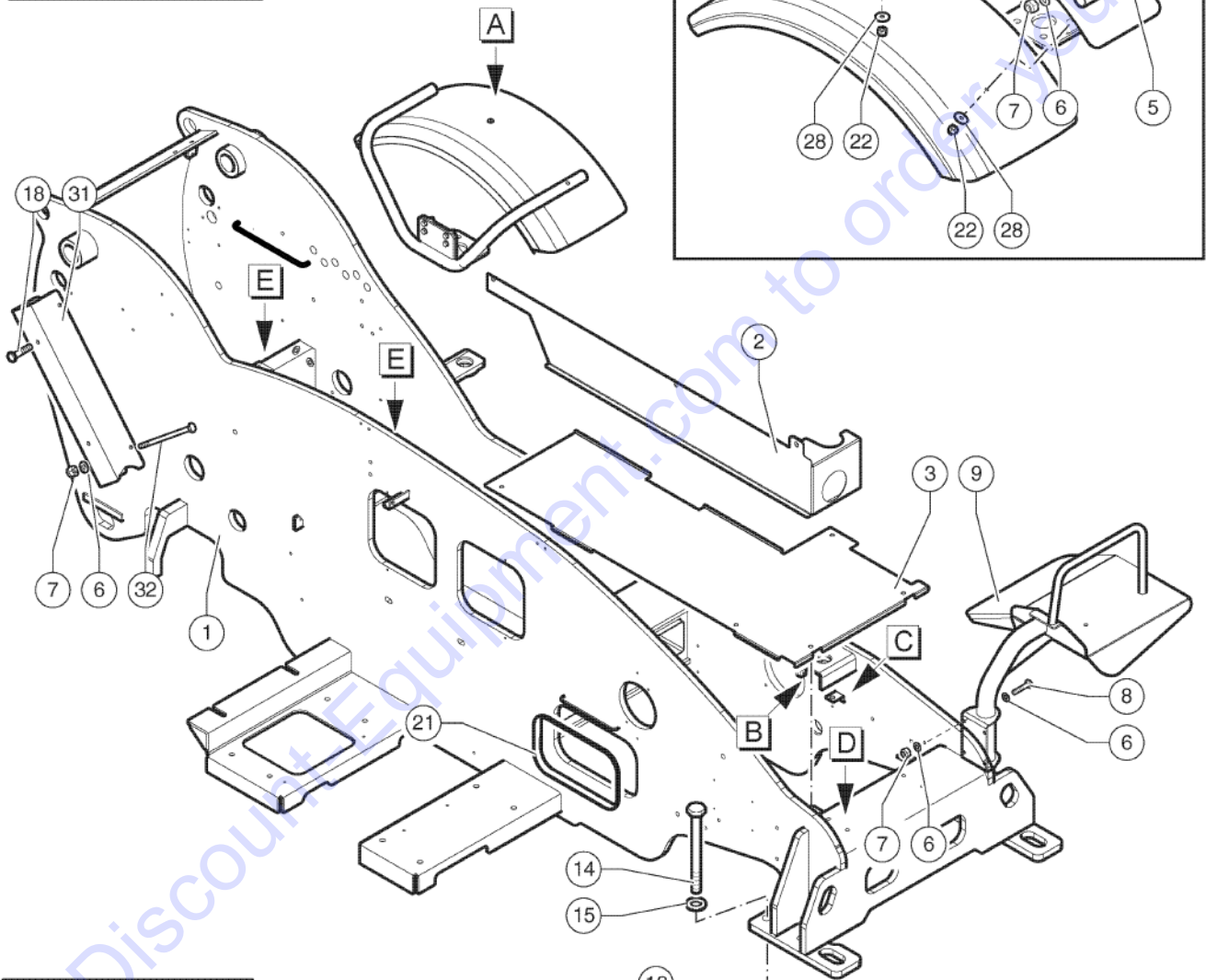
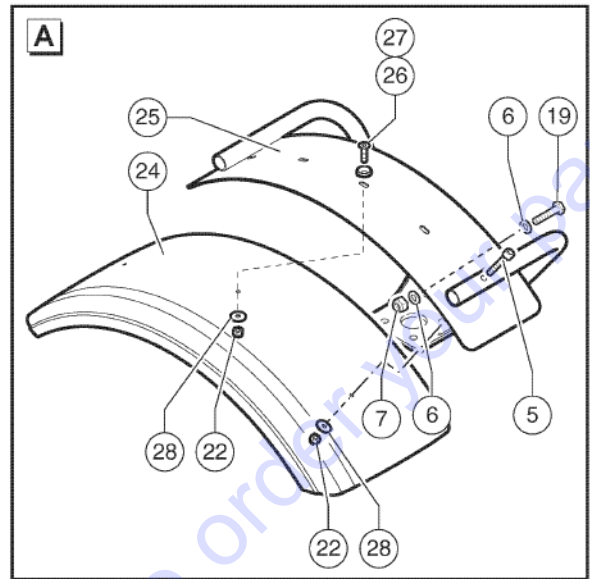
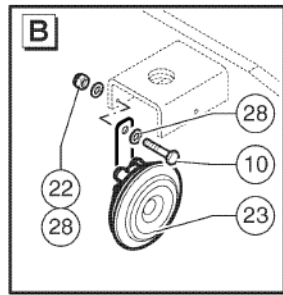


Item	Part No.	Description	Qty.
29	09.0805.0147GT	FITTING,PUMP,FUEL	1
30	53.3001.6851GT	FLANGE	1
31	01.4001.0006GT	SCREW M4X10 UNI 5739 8.8 ZN	10
32	09.0803.0510GT	DRAIN PLUG M16	1
33	900046GT	O-Ring	1
34	01.0023.0056GT	STOP NUT M12 UNI 7473 6S ZN	1
35	01.0031.0151GT	FLAT WASHER D12 UNI 6593 ZN	2
36	01.0001.0405GT	SCREW, 8.8 HCS 12MM1.75X60Z	1
37	01.0031.0059GT	FLAT WASHER D16 UNI 6592 ZN	2
38	01.0001.0252GT	SCREW M8X16 UNI 5739 8.8 ZN	2
39	01.4032.0003GT	Spring Washer D 8 ZN	8
40	09.4661.0016GT	BASKET,PLUG	1
41	53.3302.0016GT	Rubber Base	1
42	T09.0805.0070GT	FLEXIBLE HOSE,D12X18(1EACH-1METER)	130
43	01.0031.0062GT	FLAT WASHER D22 UNI 6592 ZN	2
44	09.0805.0171GT	HOSE	138
45	09.0803.0837GT	FITTING	1
46	09.0803.0838GT	FITTING	1
47		See 300 Engine Components, Figure 607992, ref. 3	
48		See 300 Engine Components, Figure 607992, ref. 4	

Go to Discount-Equipment.com to order your parts



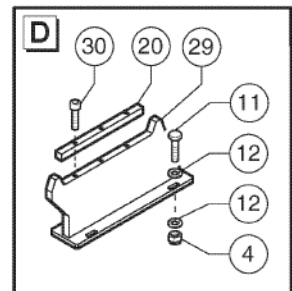
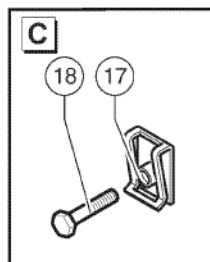
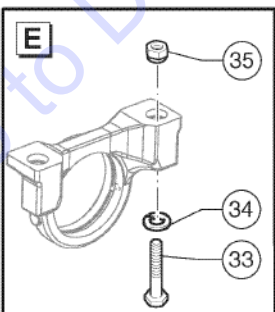
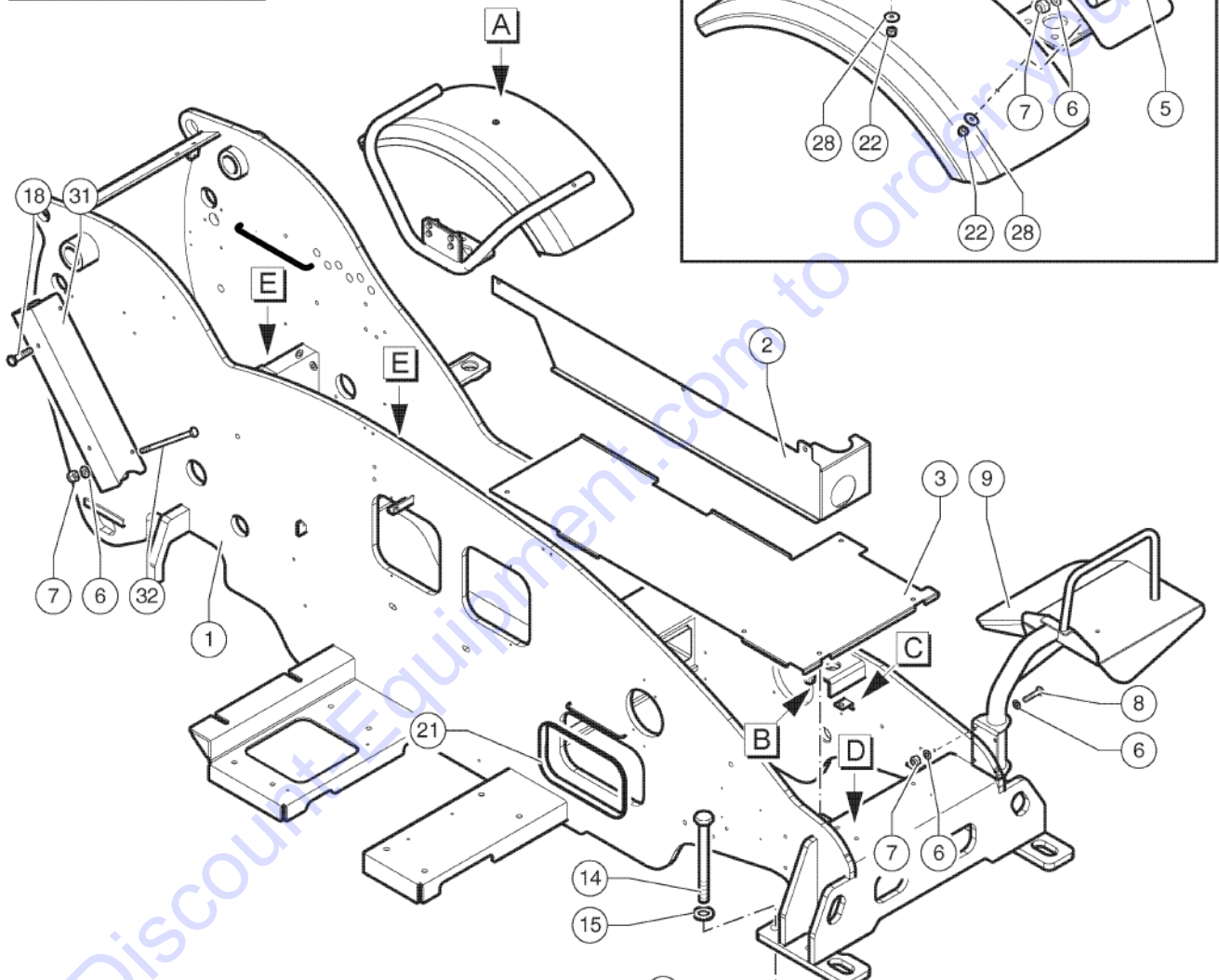
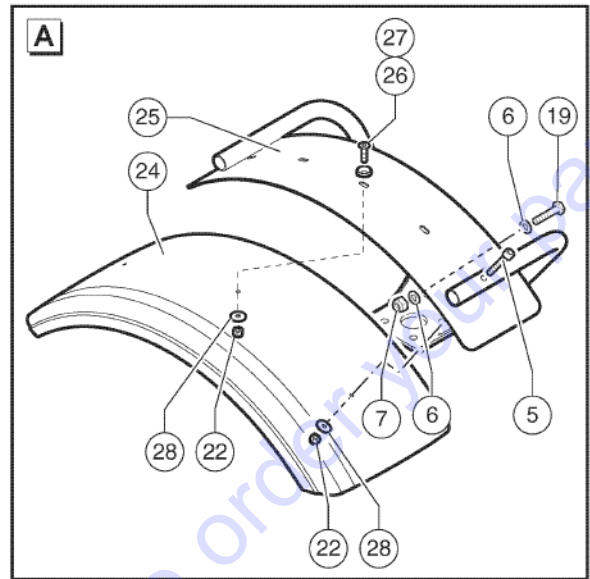
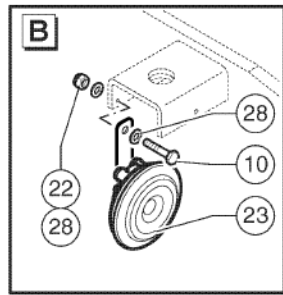
202.1 607895 Left Chassis



Item	Part No.	Description	Qty.
1	51.0113.9081GT	Chassis	1
2	51.0903.4997GT	Cab Lateral Cover to SN GTH5515B-2614	1
2	51.0903.5187GT	Cab Lateral Cover from SN GTH5515B-2615	1
3	51.0903.5050GT	Protection	1
4	01.0023.0055GT	Stop Nut M10 UNI 7473 6S ZN	4
5	01.0003.0155GT	SCREW M6X20 UNI 5931 8.8 ZN	2
6	01.0031.0055GT	FLAT WASHER D8 UNI 6592 ZN	18
7	01.0023.0054GT	NUT,M8 UNI 7473 6S ZN	17
8	01.0001.1465GT	SCREW TE M8X40 UNI 5739 8.8 ZN	10
9	51.0811.4431GT	Front Left Mudguard (see note) to SN GTH5515B-2614	1
9	51.0811.4643GT	Front Left Mudguard from SN GTH5515B-2615	1
10	01.0001.1458GT	SCREW M6X35 UNI 5739 8.8 ZN	1
11	01.0001.0304GT	SCREW M10X50 UNI 5739 8.8 ZN	4
12	01.0031.0056GT	FLAT WASHER D10 UNI 6592 ZN	8
13	51.0810.6100GT	Front Axle Bracket Fixing Plate to SN GTH5515B-2614	2
13	51.0811.4641GT	Front Axle Bracket Fixing Plate from SN GTH5515B-2615	2
14	01.4001.0057GT	Screw TE M24X220UNI 5737 8.8 ZN	4
15	01.0031.0063GT	FLAT WASHER D24 UNI 6592 ZN	8
16	01.0023.0062GT	STOP NUT M24 UNI 7473 6S ZN	4
17	09.0803.0352GT	SPRING CLIP M8	5
18	01.4001.0078GT	SCREW M8X20 DIN 6923 8.8 ZN	5
19	01.0001.0257GT	SCREW M8X30 UNI 5739 8.8 ZN	4
20	54.0705.0038GT	Pad 20X250	1
21	09.0803.0418GT	GASKET	32, 37
22	01.0023.0053GT	STOP NUT M6 UNI 7473 6S ZN	4
23	56.0009.0003GT	HORN To SN GTH5516M-5474	1
23	56.0010.0087GT	HORN For SN GTH5516M-5342; From SN GTH5516M-5475	1
24	09.0803.0667GT	MUD GUARD	1



202.1 607895 Left Chassis

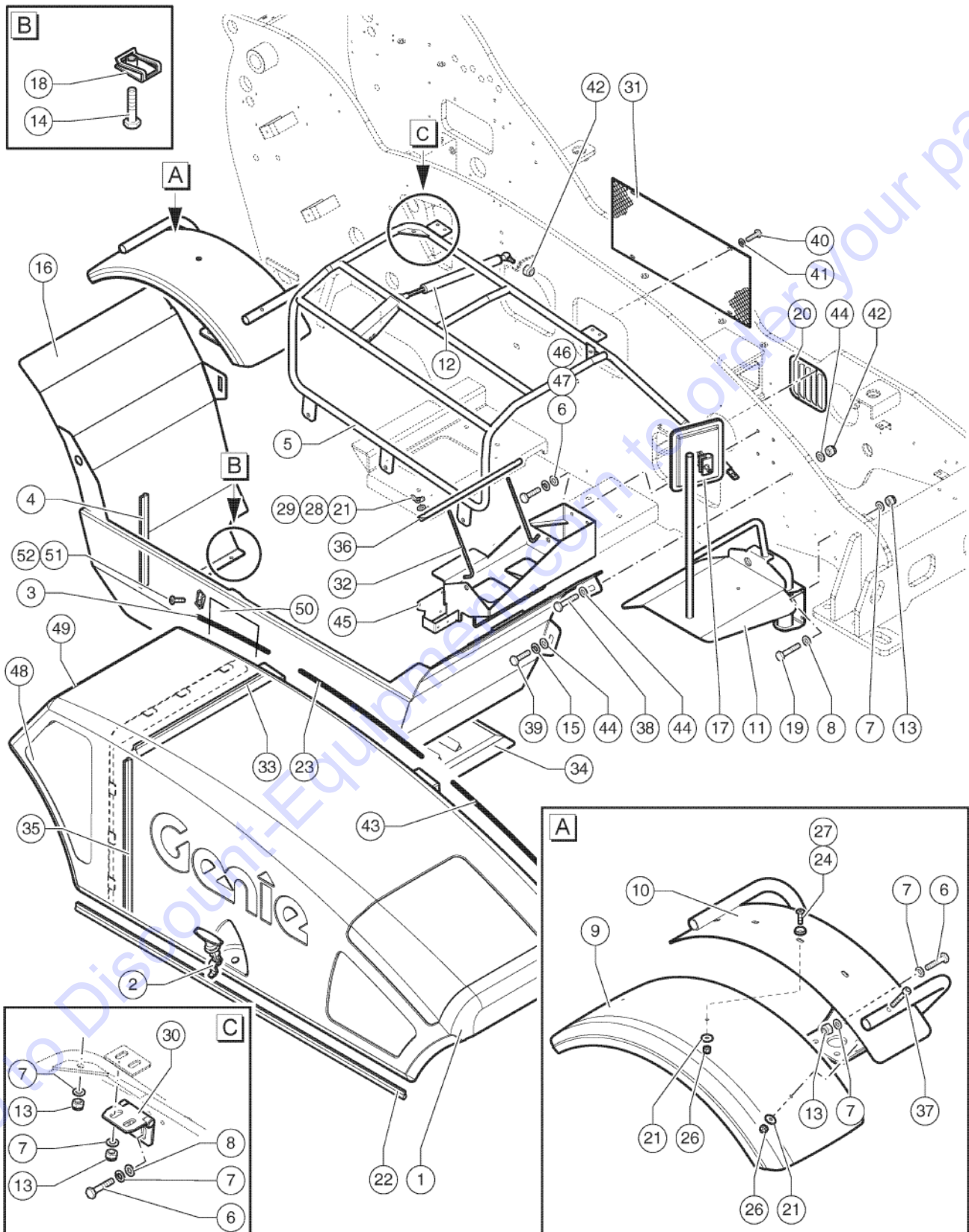


Item	Part No.	Description	Qty.
25	51.0811.4433GT	SUPPORT,REAR,MUD GUARD (KIT) to SN GTH5515B-2614	1
25	51.0811.4433GT	SUPPORT,REAR,MUD GUARD (KIT) from SN GTH5515B-2615	1
26	09.0803.0012GT	WASHER D6	1
27	01.4006.0011GT	SCREW M6X20 UNI 5933 10.9 ZN	1
28	01.0031.0298GT	FLAT WASHER D6 UNI 6593 ZN	4
29	51.0803.5700GT	SUPPORT	1
30	01.0003.0203GT	SCREW,TCEI,M8X20 UNI 8.8 ZN	3
31	51.1301.9152GT	Maintenance Collar	1
32	01.0001.0217GT	SCREW,TE,M8X110 UNI 8.8 ZN	2
33	01.4001.0212GT	SCREW,HHC,M20-2,5X160,DIN931,8.8,ZN	4
34	01.4032.0009GT	SPRING WASHER D20 ZN	4
35	01.0023.0060GT	STOP NUT M20 UNI 7473 6S ZN	4

Go to Discount-Equipment.com to order your parts

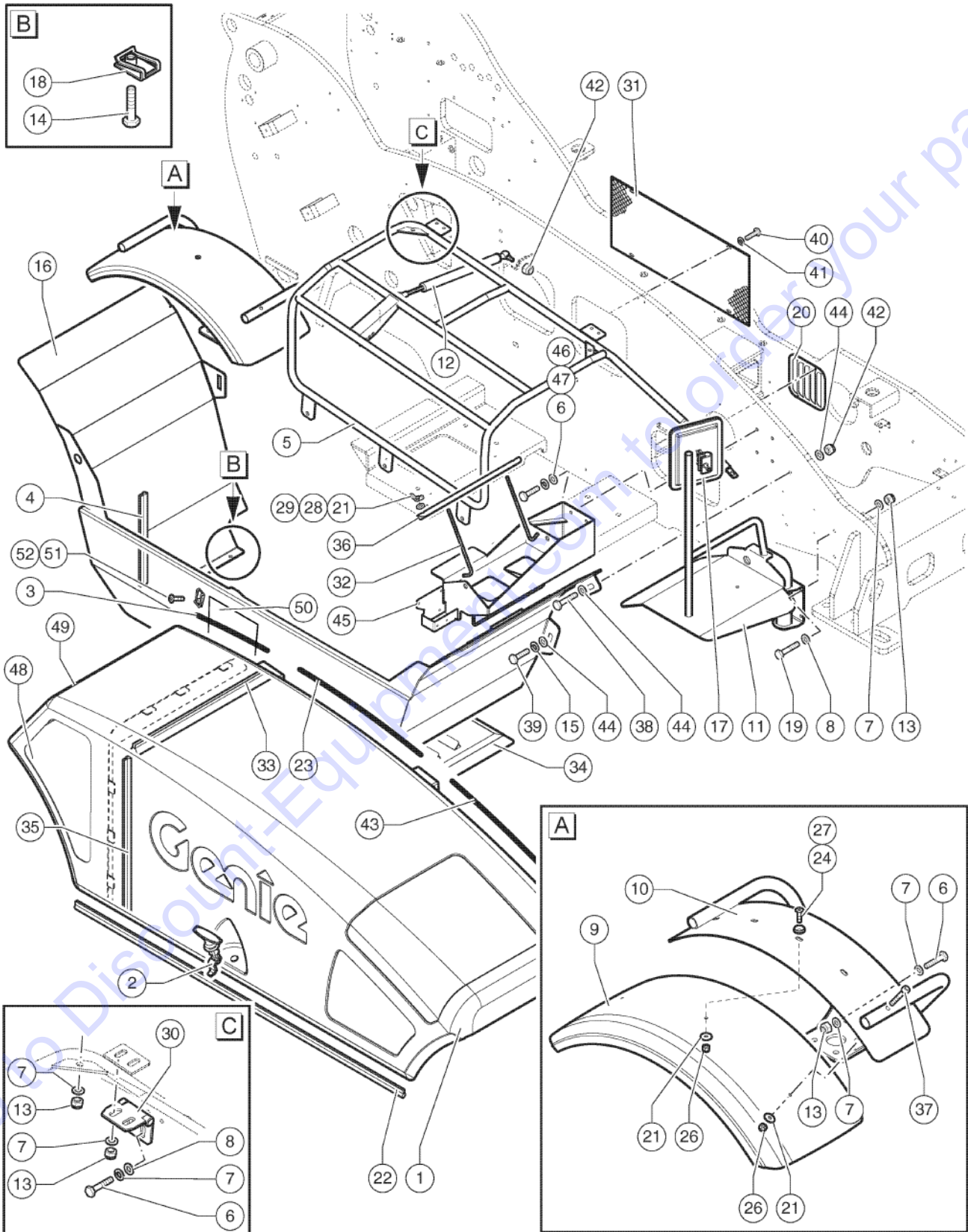


203.1 607896 Right Chassis



Item	Part No.	Description	Qty.
1	52.1100.9118GT	Engine Cover to SN GTH5516M-5556; from SN GTH5516M-5567 to SN GTH55M-5884; from GTH55M-5886 to SN GTH55M-6056; from GTH55M-6067 to SN GTH55M-6816	1
1	52.1200.5550GT	Engine Cover from GTH5516M-5557 to SN GTH5516M-5566; for GTH55M-5885; from SN GTH55M-6057 to SN GTH55M-6066; from SN GTH55M-6817	1
2	09.0803.0393GT	Lock to SN GTH5515B-2614	1
2	09.0803.0827GT	Lock from SN GTH5515B-2615 to SN GTH5516M-5556; from SN GTH5516M-5567 to SN GTH55M-5884; from GTH55M-5886 to SN GTH55M-6056; from GTH55M-6067 to SN GTH55M-6816	1
2	09.0803.0828GT	ENGINE COVER CLOSING from GTH5516M-5557 to SN GTH5516M-5566; for GTH55M-5885; from SN GTH55M-6057 to SN GTH55M-6066; from SN GTH55M-6817	1
3	07.0723.0089GT	SEAL STRIP	0.6
4	07.0723.0089GT	SEAL STRIP	0.2
5	51.0811.4419GT	Support to SN GTH5516M-5556; from SN GTH5516M-5567 to SN GTH55M-5884; from GTH55M-5886 to SN GTH55M-6056; from GTH55M-6067 to SN GTH55M-6816	1
6	01.0001.0257GT	SCREW M8X30 UNI 5739 8.8 ZN	8
7	01.0031.0055GT	FLAT WASHER D8 UNI 6592 ZN	14
8	01.4032.0003GT	Spring Washer D 8 ZN	4
9	09.0803.0667GT	MUD GUARD	1
10	51.0811.4433GT	SUPPORT,REAR,MUD GUARD (KIT) to SN GTH5515B-2614	1
10	51.0811.4617GT	SUPPORT,REAR,MUD GUARD (KIT) from SN GTH5515B-2615	1
11	51.0811.4430GT	Right Front Mudguard (see note) to SN GTH5515B-2614	1
11	51.0811.4642GT	RF SUPPORT MUDGUARD from SN GTH5515B-2615	1
12	09.0803.0815GT	Gas Spring	1
13	01.0023.0054GT	NUT,M8 UNI 7473 6S ZN	16
14	01.4001.0078GT	SCREW M8X20 DIN 6923 8.8 ZN	4
15	01.4032.0004GT	Spring Washer D10 ZN	7
16	51.0903.5071GT	HOUSING,ENGINE to SN GTH5515B-2614	1
16	51.0903.5191GT	ENGINE COVER from SN GTH5515B-2615 to SN GTH55M-5878	1
16	51.0903.5272GT	Engine Housing from SN GTH55M-5879	1
17	07.0723.0042GT	Mirror	1
18	09.0803.0352GT	SPRING CLIP M8	4
19	01.0001.1465GT	SCREW TE M8X40 UNI 5739 8.8 ZN	4

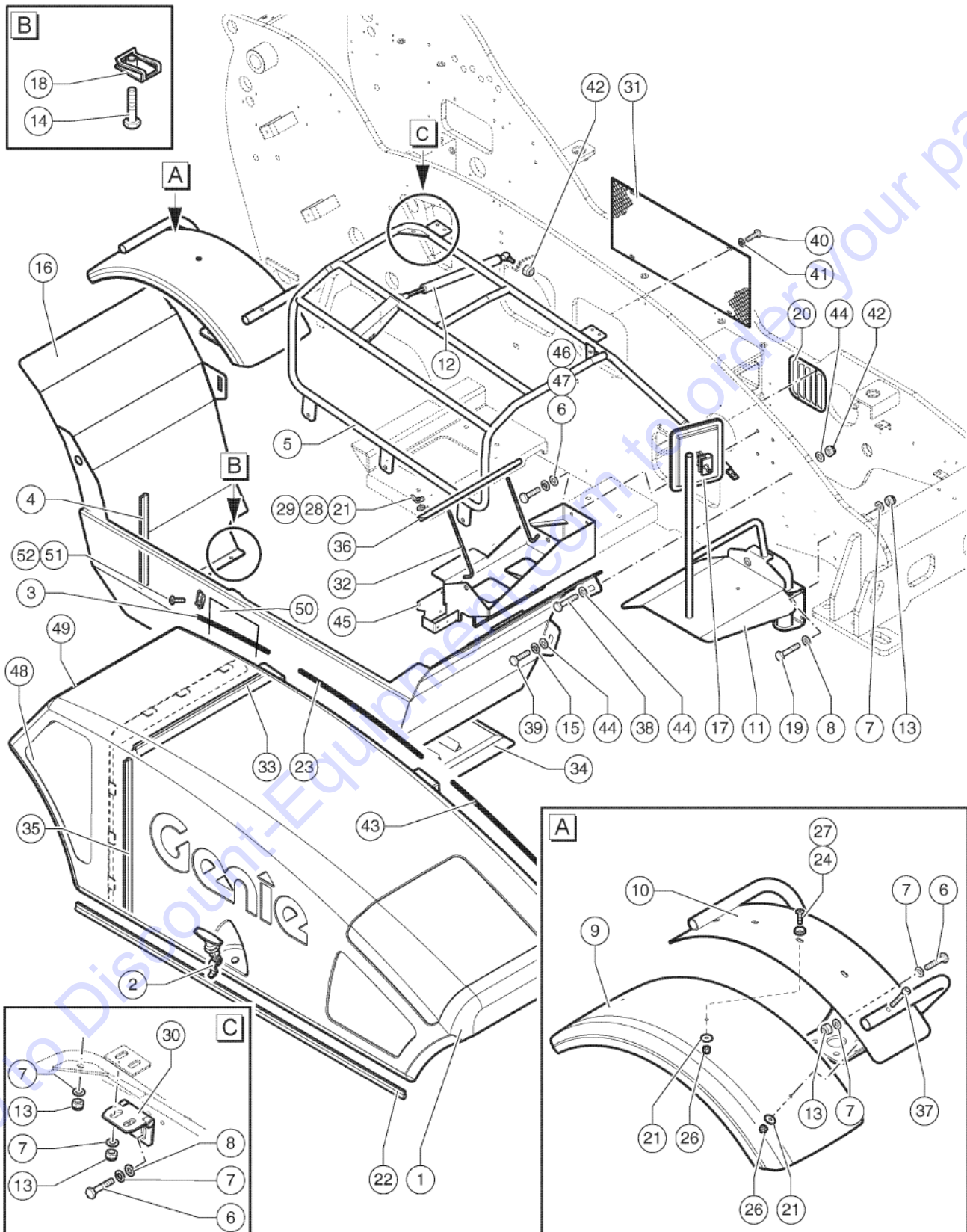
203.1 607896 Right Chassis



Item	Part No.	Description	Qty.
20	51.0903.5057GT	Cover	1
21	01.0031.0298GT	FLAT WASHER D6 UNI 6593 ZN	5
22	07.0723.0089GT	SEAL STRIP	1.5
23	07.0723.0089GT	SEAL STRIP	0.55
24	09.0803.0012GT	WASHER D6	6
26	01.0023.0053GT	STOP NUT M6 UNI 7473 6S ZN	6
27	01.4006.0011GT	SCREW M6X20 UNI 5933 10.9 ZN	1
28	01.4023.0010GT	NUT,WING,M6 UNI 7473-7474 6S	2
29	01.4032.0002GT	SPRING WASHER D6 ZN	2
30	09.0803.0000GT	Hinge	2
31	51.0903.5125GT	Cover	1
32	51.0811.4230GT	ROD,BATTERY HOLD DOWN	2
33	09.0805.0119GT	GASKET	0.6
34	51.0903.5111GT	COVER,LOWER to SN GTH5515B-2614	1
34	51.0903.5273GT	LOWER COVER from SN GTH5515B-2615	1
35	07.0723.0089GT	SEAL STRIP	1.3
36	51.0811.4236GT	BRACKET,BATTERY HOLD DOWN	1
37	01.0003.0155GT	SCREW M6X20 UNI 5931 8.8 ZN	2
38	01.0001.1476GT	SCREW,TE,M10X45 UNI 8.8 ZN	3
39	01.0001.0356GT	SCREW M10X30 UNI 5739 8.8 ZN	3
40	01.4001.0106GT	SCREW M6X16 DIN 6923 8.8 ZN	9
41	01.0031.0054GT	FLAT WASHER D6 UNI 6592 ZN	9
42	01.0023.0055GT	Stop Nut M10 UNI 7473 6S ZN	7
43	07.0723.0089GT	SEAL STRIP	1
44	01.0031.0301GT	FLAT WASHER D10 UNI 6593 ZN	16
45	51.0811.4554GT	Battery Support	1
46	01.4032.0003GT	Spring Washer D 8 ZN	4
47	01.0031.0299GT	FLAT WASHER D8 UNI 6593 ZN	4



203.1 607896 Right Chassis

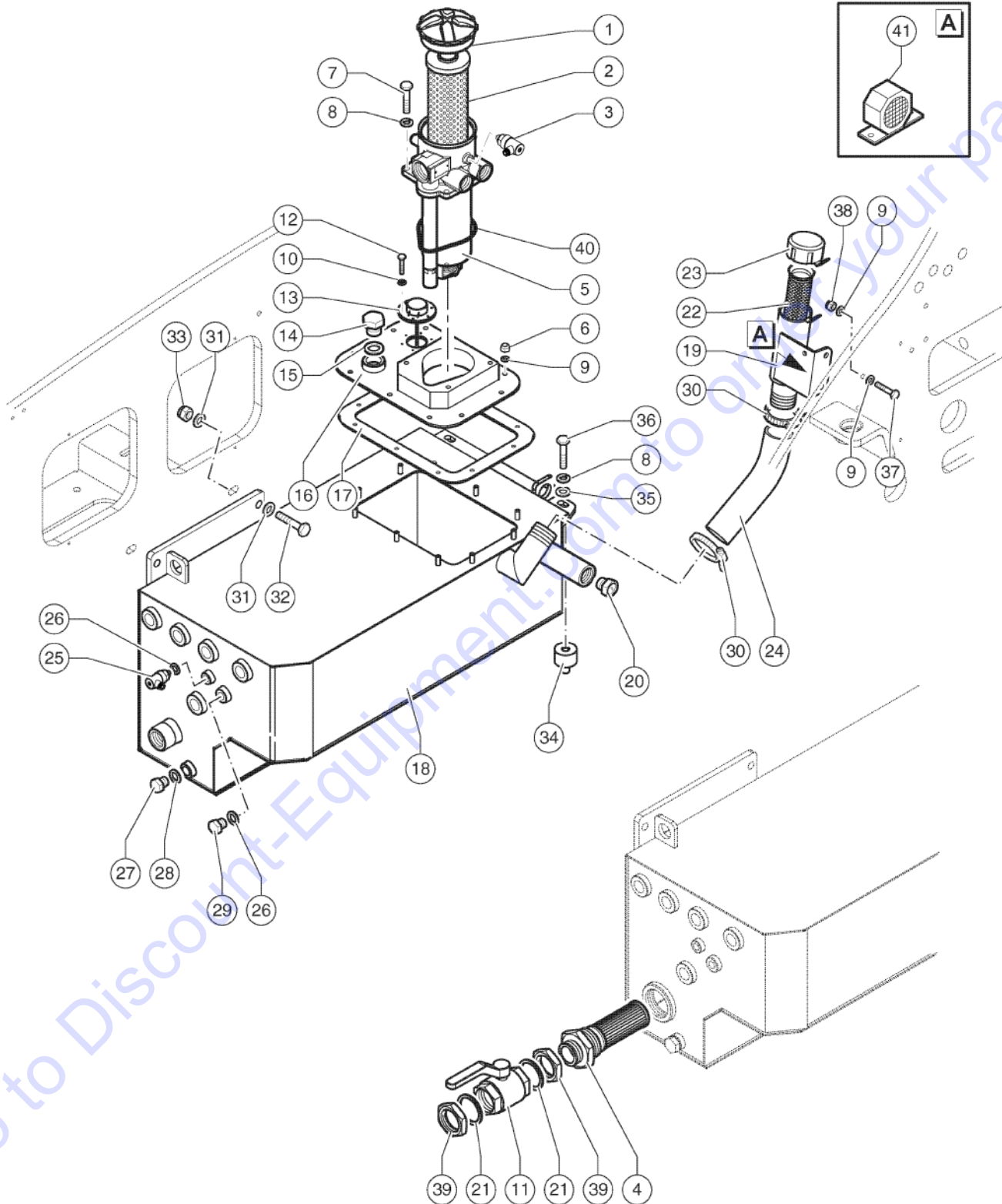


<i>Item</i>	<i>Part No.</i>	<i>Description</i>	<i>Qty.</i>
48	07.0726.0138GT	Grid	1
49	07.0726.0139GT	Grid	1
50	51.0903.5270GT	COVER	1
51	09.0803.0516GT	SPRING CLIP M6	4
52	01.4006.0001GT	SCREW M6X16 UNI 5933 10.9 ZN	4

Go to Discount-Equipment.com to order your parts



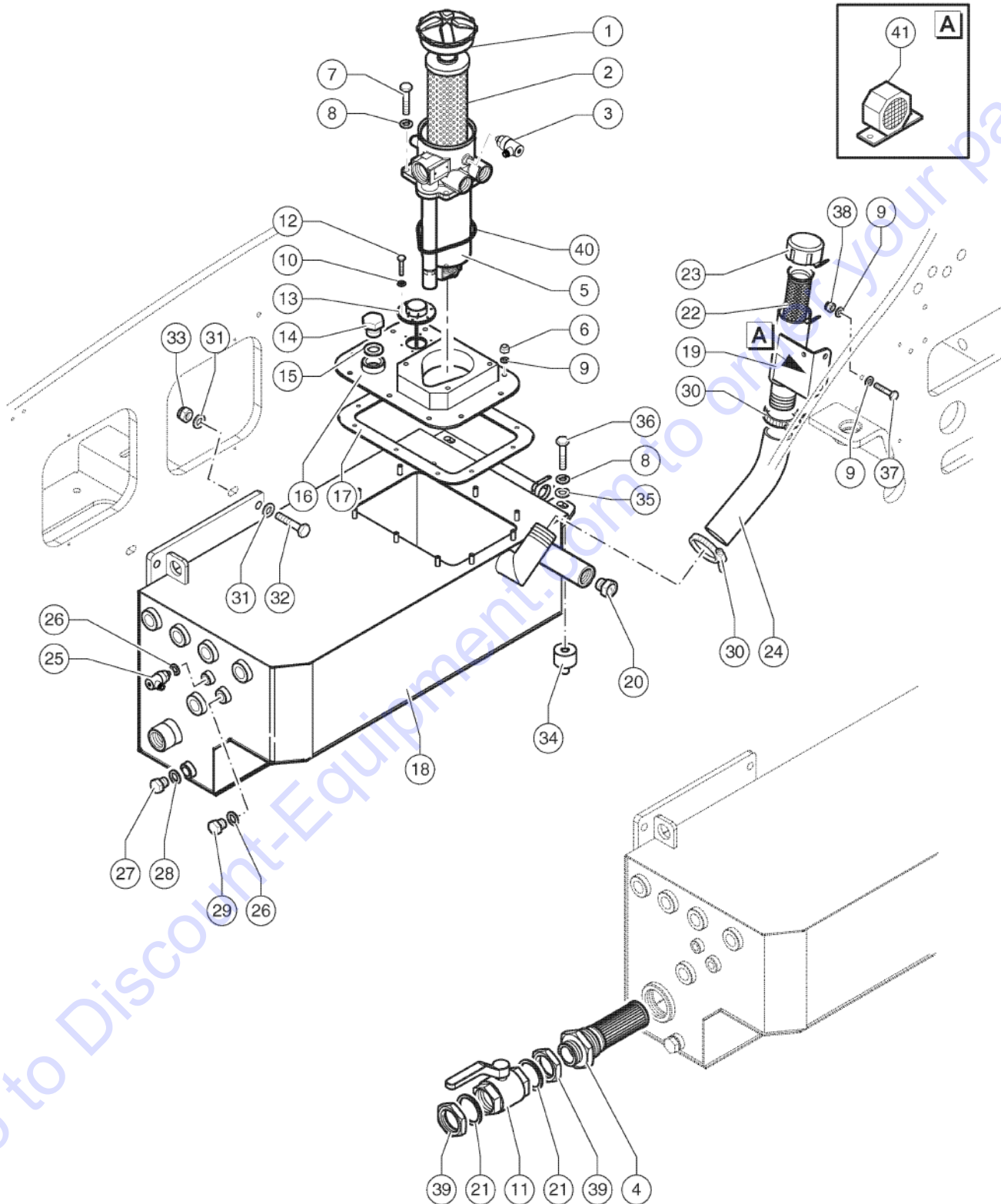
205.1 607897 Hydraulic Oil Tank



Item	Part No.	Description	Qty.
1	07.0700.0006GT	CAP, HYDRAULIC FILTER	1
2	07.0700.0023GT	OIL FILTER, CARTRIDGE	1
3	07.0700.0028GT	INDICATOR (OIL CLOGGING)	1
4	09.4604.0073GT	Filter	1
5	09.4604.0047GT	HYD OIL FILTER	1
6	01.0023.0054GT	NUT, M8 UNI 7473 6S ZN	10
7	01.0001.0355GT	SCREW M10X25 UNI 5739 8.8 ZN	4
8	01.4032.0004GT	Spring Washer D10 ZN	6
9	01.0031.0056GT	FLAT WASHER D10 UNI 6592 ZN	12
10	01.4032.0011GT	SPRING WASHER D4 ZN	6
11	04.4224.0000GT	BALL VALVE DN 1 1/2	1
12	01.4003.0012GT	SCREW M4 X 16, 10.9	6
13	56.0013.0028GT	LEVEL INDICATOR	1
14	04.0220.0063GT	PLUG 1 BSP	2
15	06.0442.0125GT	BONDED RING 1"	3
16	07.0726.0108GT	Inspection Hatch to SN GTH5515B-2614	1
16	51.0903.5205GT	Inspection Hatch from SN GTH5515B-2615	1
17	53.3301.0005GT	Rubber Gasket	1
18	51.0600.9315GT	Oil Tank (see note) to SN GTH5515B-2614	1
18	51.0600.9323GT	Oil Tank from SN GTH5515B-2615	1
19	53.3001.6744GT	Oil Manifold	1
20	09.4661.0002GT	OIL LEVEL INDICATOR	1
21	06.0442.0127GT	RING, BONDED	2
22	09.4661.0016GT	BASKET, PLUG	1
23	09.4661.0014GT	PLUG	1
24	09.0805.0166GT	Rubber Pipe D.48/58	1
25	56.0013.0000GT	TEMPERATURE SENSOR, HYDRAULIC OIL	1
26	06.0442.0120GT	BONDED RING 3/8"	2



205.1 607897 Hydraulic Oil Tank

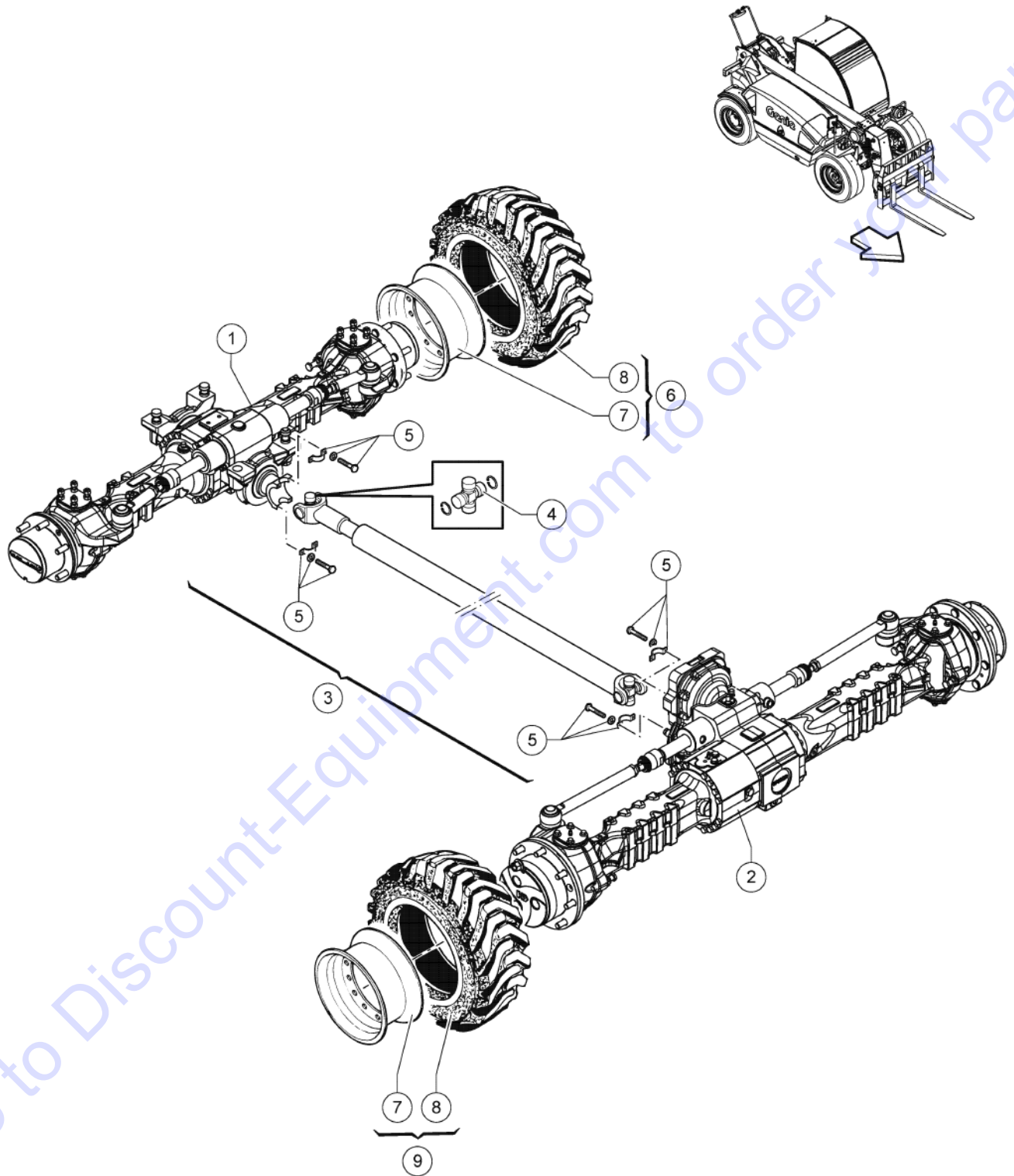


Item	Part No.	Description	Qty.
27	04.0220.0055GT	PLUG 1/2 BSP	1
28	06.0442.0122GT	BONDED RING 1/2"	1
29	04.0220.0053GT	PLUG 3/8" BSP	1
30	04.0227.0144GT	Clamp DN 55/59	2
31	01.0031.0151GT	FLAT WASHER D12 UNI 6593 ZN	4
32	01.0001.1482GT	Screw TE M12X50 UNI 5737 8.8 ZN	2
33	01.0023.0056GT	STOP NUT M12 UNI 7473 6S ZN	2
34	09.0803.0232GT	INSULATOR M-F D=30/H=20 M10ART.TCVF 3020	2
35	01.0031.0301GT	FLAT WASHER D10 UNI 6593 ZN	2
36	01.0001.0353GT	SCREW M10X20 UNI 5739 8.8 ZN	2
37	01.0001.1465GT	SCREW TE M8X40 UNI 5739 8.8 ZN	2
38	01.0023.0054GT	NUT,M8 UNI 7473 6S ZN	2
39	01.4019.0021GT	NUT	2
40	07.0700.0051GT	O-RING 124X4,5	1
41	56.0009.0009GT	ALARM To SN GTH5516M-5474	1
41	56.0010.0086GT	ALARM For SN GTH5516M-5342; From SN GTH5516M-5475	1

Go to Discount-Equipment.com to order your parts



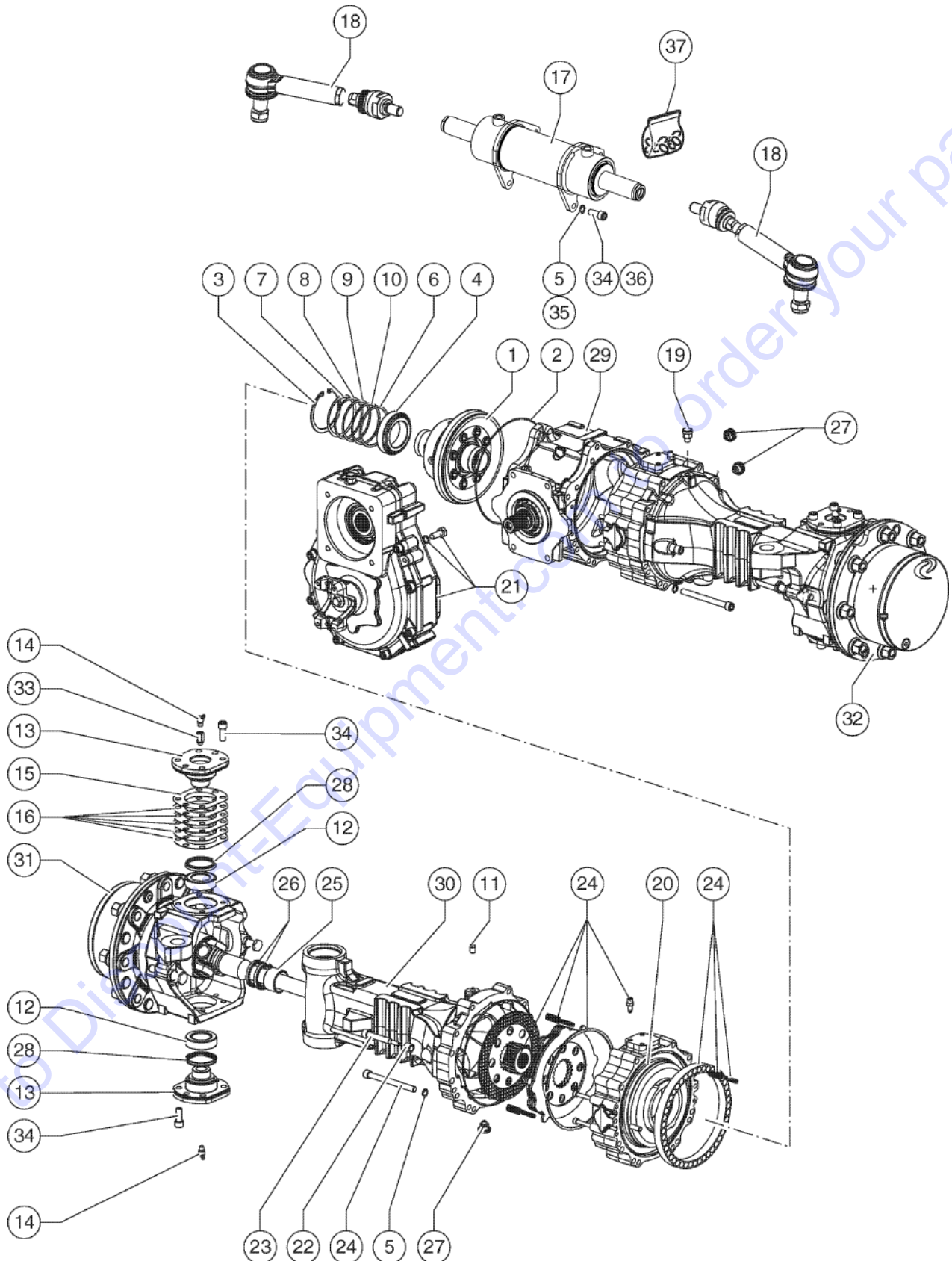
206.1 607898 Drive Chassis And Wheels



Item	Part No.	Description	Qty.
1	09.4632.0090GT	Rear Steering Axle To SN GTH55M-5844	1
1	09.4632.0110GT	Rear Steering Axle For SN GTH55M-5815; From SN GTH55M-5845	1
2	09.4632.0089GT	Front Steering Axle To SN GTH5514B-337	1
2A	09.4632.0101GT	Front Steering Axle (new axle) From SN GTH5514B-338 To GTH5516M-4523	1
2A-	1260374GT	AXLE,STRNG,FRNT,COMPLETE,REMAN (remanufactured axle) from SN GTH5514B-338 to GTH5516M-4523	
2B	09.4632.0108GT	Front Steering Axle From SN GTH5516M-4524 To SN GTH55M-5844	1
2C	09.4632.0109GT	Front Steering Axle For SN GTH55M-5815; From SN GTH55M-5845	1
3	09.4635.0054GT	Cardan Shaft	1
4	07.0738.0004GT	Universal Joint Cross	2
5	09.4635.0014GT	CARDAN SHAFT ASSY KIT	4
6	55.0403.0090GT	Complete Left Wheel 16.5" - Air Filled	2
6	55.0403.0088GT	COMPLETE WHEEL 16.5 MIX CRUMB FILLED,LEFT Optional - Foam Filled	2
6	55.0403.0082GT	Complete Left Wheel 20" - Solid Boss Optional	2
7	09.4629.0018GT	Rim 9.75 X 16.5" Only For Air Filled Wheels	4
8	09.4627.0018GT	Tire 12-16.5" PR10 Only For Air Filled Wheels	4
9	55.0403.0046GT	COMPLETE WHEEL 16.5 AIR,RIGHT	2
9	55.0403.0095GT	COMPLETE WHEEL 16.5 MIX CRUMB FILLED,RIGHT Optional - Foam Filled	2
9	55.0403.0081GT	Complete Right Wheel 20" - Solid Boss Optional	2

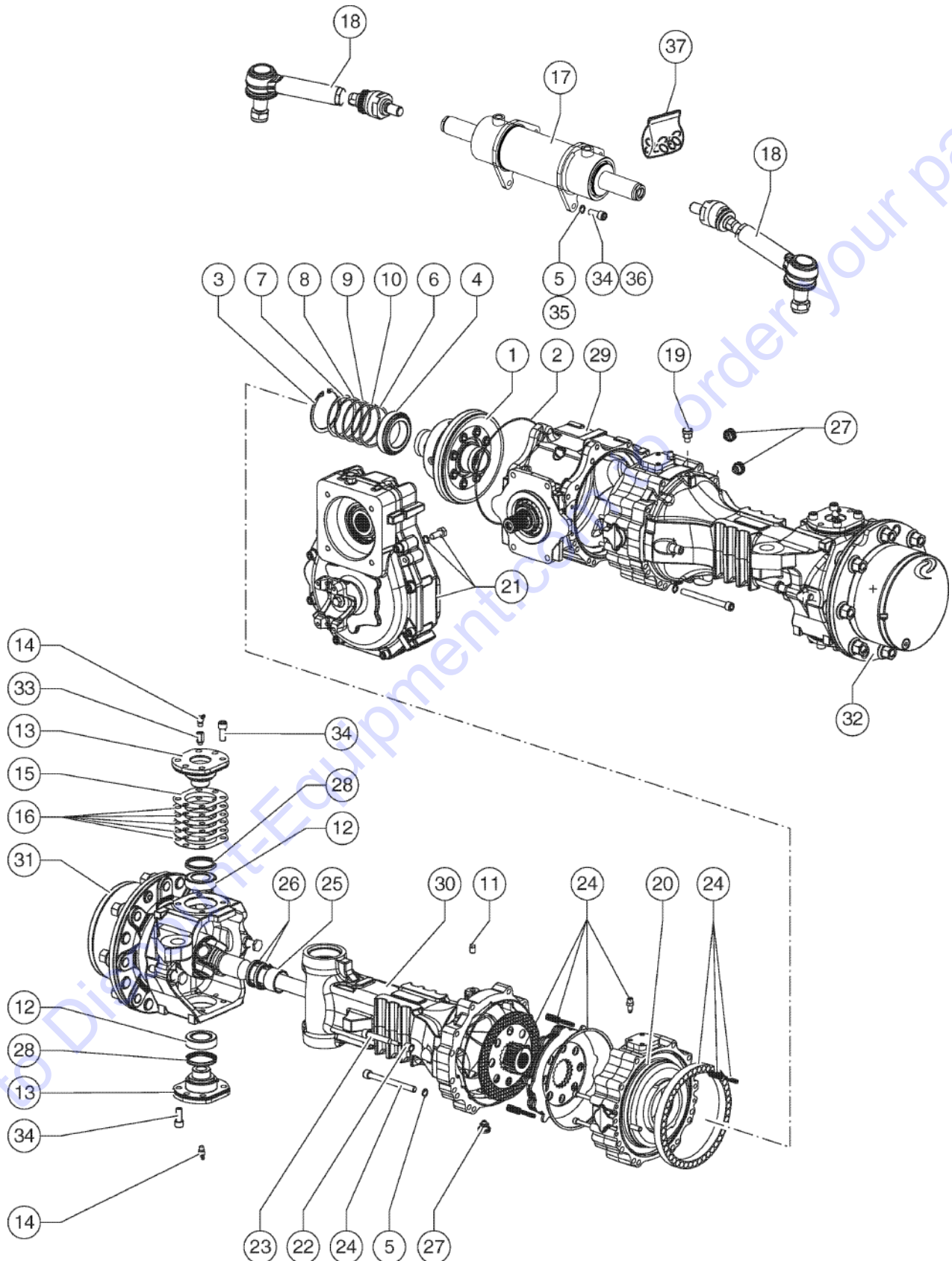


207.1 607900 Front Axle - Differential



Item	Part No.	Description	Qty.
1	07.0709.1192GT	Differential group std r=2,71 -128 To SN GTH5516M-4523	1
1	07.0709.1379GT	DIFFERENTIAL GROUP From SN GTH5516M-4524 To SN GTH55M-5844	1
1	07.0709.1332GT	DIFFERENTIAL GROUP For SN GTH55M-5815; From SN GTH55M-5845	1
2	07.0709.1071GT	O-Ring 3925	2
3	07.0709.1068GT	Snap Ring 95 Uni 7437	2
4	07.0709.1124GT	Bearing 32012 X	2
5	07.0709.1172GT	Shnorr Washer D.12	28
6	07.0709.1204GT	Shim 85.3X1.0 To SN GTH5516M-4523	2
6	07.0709.1088GT	Shim 85,3X94,7x1 From SN GTH5516M-4524	2
7	07.0709.1087GT	Shim 82.4X94.7x0.2 From SN GTH5516M-4524 To SN GTH55M-5844	2
8	07.0709.1184GT	Shim 94.7X85.3x0.3	2
9	07.0709.1186GT	Shim 94.7X85.3x0.35	2
10	07.0709.1185GT	Shim 85.3X0.5	2
11	07.0709.1187GT	Plug 1/4"Gas	1
12	07.0709.1077GT	Ball Joint Ge40sx	4
13	07.0709.1114GT	Flaged Pin - 128	4
14	07.0709.1083GT	Greaser 45° M10x1	4
15	07.0709.1179GT	Articulated-Joint Shim 0.1 - 128 Quantity 4 From SN GTH5514B-338 To SN GTH5516M-4523	2
16	07.0709.1180GT	Articulated-Joint Shim 0.2 - 128 To SN GTH5514B-337, From SN GTH5516M-4524 To SN GTH55M-5844	10
17	07.0709.1097GT	Steering cylinder To SN GTH5514B-337	
17	07.0709.1206GT	Steering cylinder From SN GTH5514B-338 To SN GTH55M-5844	1
17	07.0709.1334GT	Steering Cylinder For SN GTH55M-5815; From SN GTH55M-5845	1
18	07.0709.1098GT	Tie Rod	2
19	07.0709.1177GT	Oil Filler Plug . 1/4G	1
20	07.0709.1194GT	Piston group (service+parking) To SN GTH55M-5844	2
20	07.0709.1340GT	Piston Group (Service+Parking) For SN GTH55M-5815; From SN GTH55M-5845	2
21	07.0709.1341GT	Reduction Gearbox	1
22	07.0709.1370GT	Brake Fulcrum Pin	4

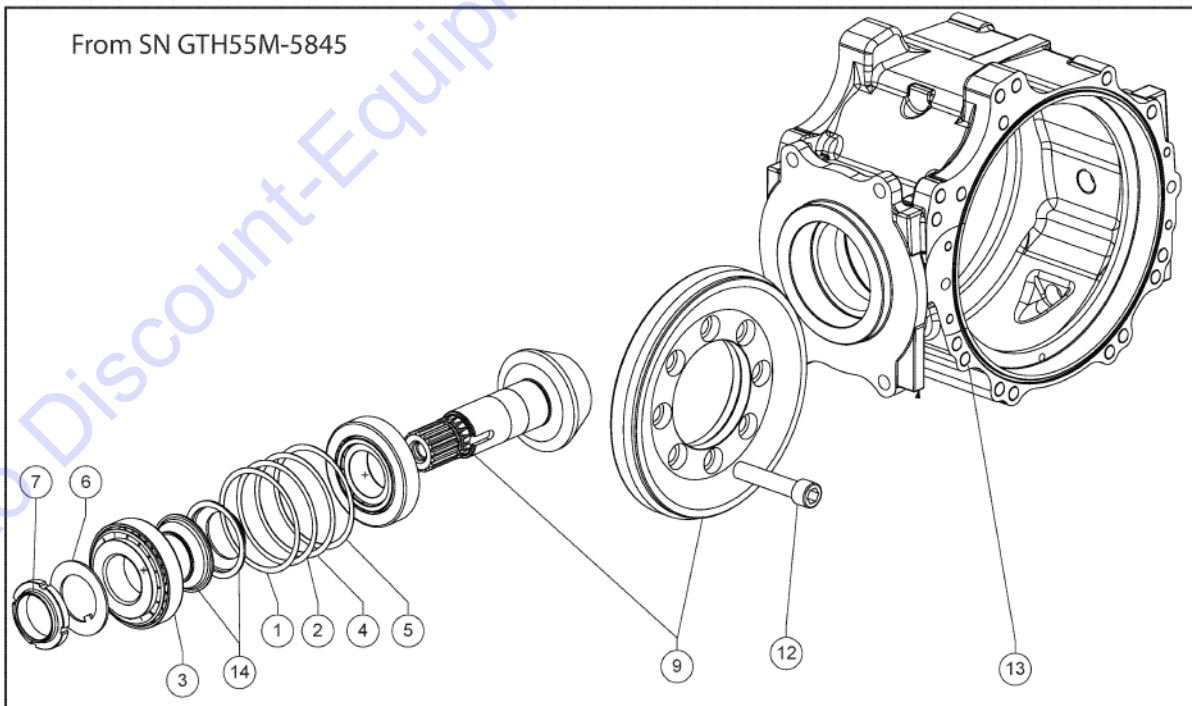
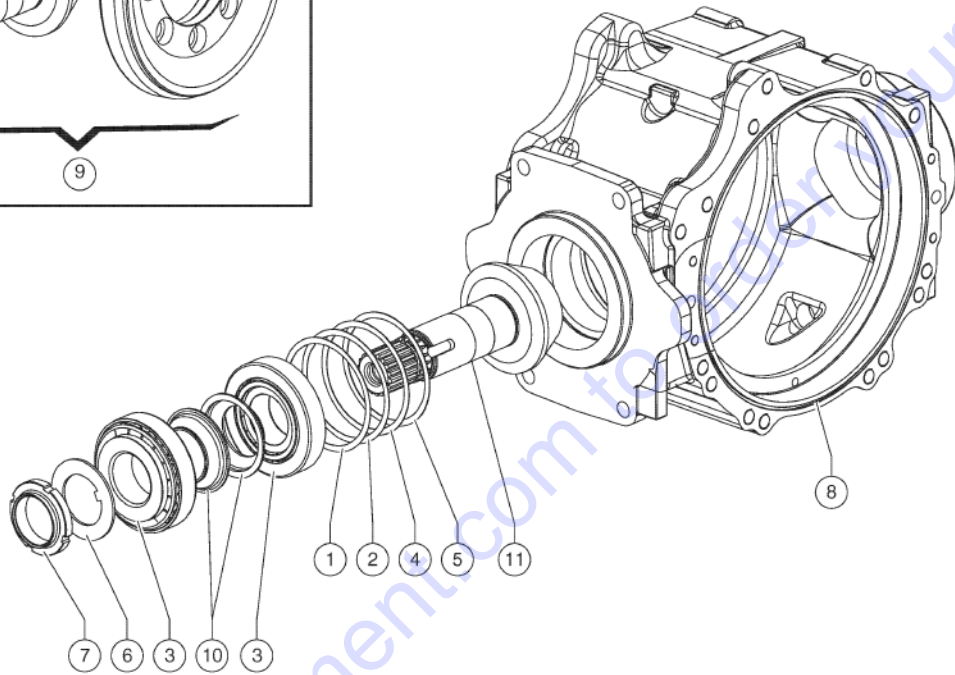
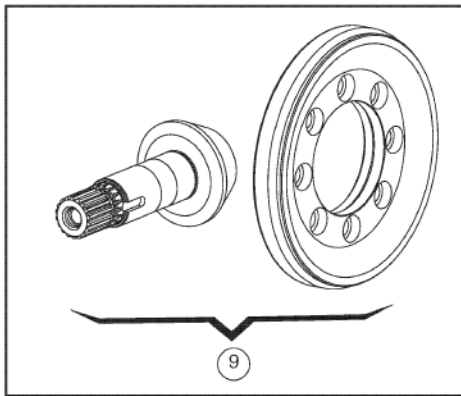
207.1 607900 Front Axle - Differential



Item	Part No.	Description	Qty.
23	07.0709.1188GT	Unlock Brakes Screw - 128	4
24	07.0709.1195GT	Brake group (parking+service) To SN GTH5516M-4523	2
24	07.0709.1335GT	Brake Group (Parking+Service) From SN GTH5516M-4524	2
25	07.0709.1148GT	Busching Dx	2
26	07.0709.1155GT	Oil Seal 45X60x7 Basl To SN GTH5516M-4523	4
26	07.0709.1080GT	OIL SEAL From SN GTH5516M-4524	4
27	07.0709.1198GT	Magnetic Plug 1/2 Gas Din908	4
28	07.0709.1181GT	Dust Ring - 128	4
29	07.0709.1193GT	Pinion housing To SN GTH5514B-337	1
29	07.0709.1378GT	PINION HOUSING From SN GTH5514B-338 To SN GTH55M-5844	1
29	07.0709.1330GT	Pinion Housing For SN GTH55M-5815; From SN GTH55M-5845	1
30	07.0709.1102GT	Steering housing - 128 To SN GTH55M-5844	2
30	07.0709.1325GT	Steering Housing - 128 For SN GTH55M-5815; From SN GTH55M-5845	2
31	07.0709.1191GT	Lh Steering Wheel Assy To SN GTH5514B-337	1
31	07.0709.1207GT	Lh Steering Wheel Assy FromSN GTH5514B-338 To SN GTH55M-5844	1
31	07.0709.1329GT	LH STEERING WHEEL ASSY For SN GTH55M-5815; From SN GTH55M-5845	1
32	07.0709.1190GT	Rh Steering Wheel Assy To SN GTH5514B-337	1
32	07.0709.1208GT	Rh Steering Wheel Assy From SN GTH5514B-338 To SN GTH55M-5844	1
32	07.0709.1326GT	RH STEERING WHEEL ASSY For SN GTH55M-5815; From SN GTH55M-5845	1
33	07.0709.1085GT	Extensiosion M10x1	4
34	07.0709.1183GT	Socket Head Screw M12x30 12.9 5931	24
35	07.0709.1343GT	WASHER D.12 For SN GTH55M-5815; From SN GTH55M-5845	8
36	07.0709.1170GT	Socket Head Screw M12x35 5931 12.9 For SN GTH55M-5815; From SN GTH55M-5845	8
37	07.0709.1212GT	Cylinder Seal Kit	1



208.1 607901 Front Axle - Pinion Housing

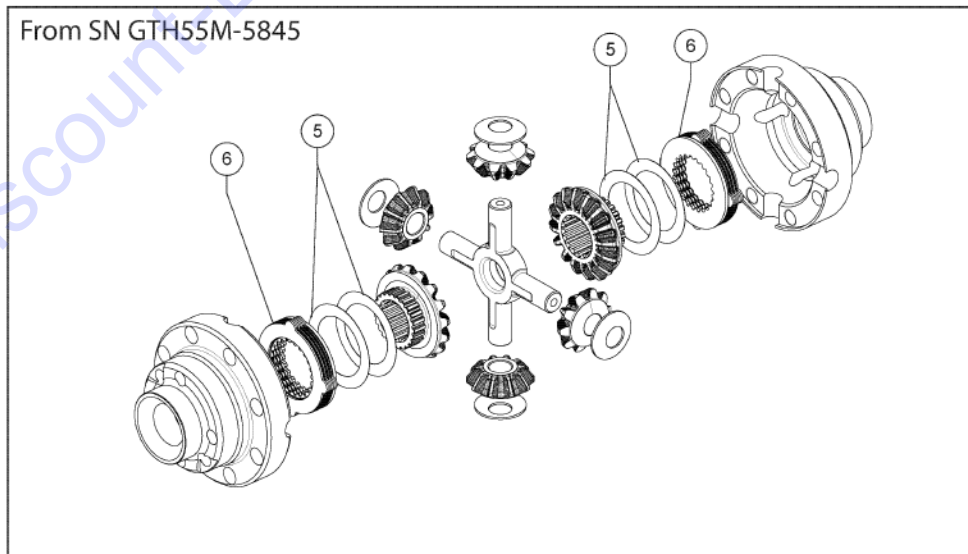
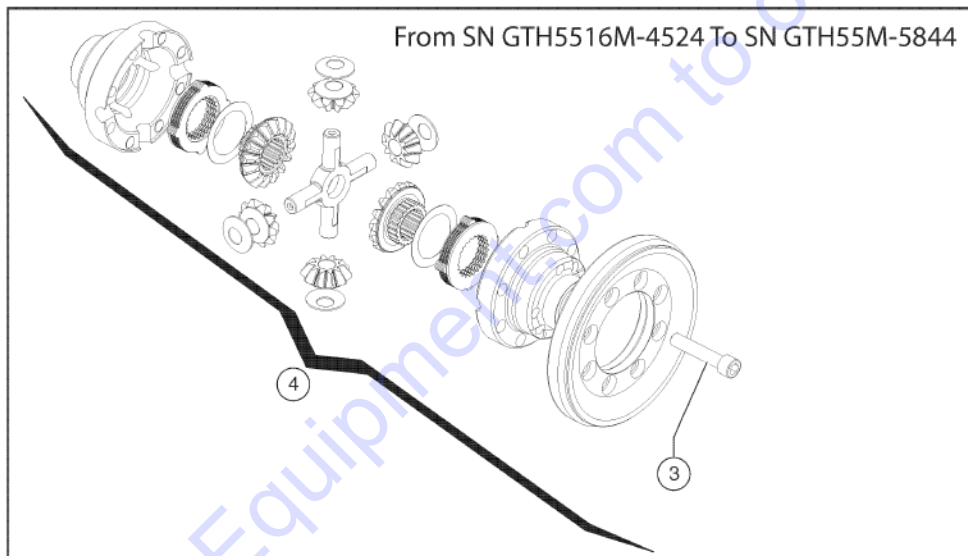
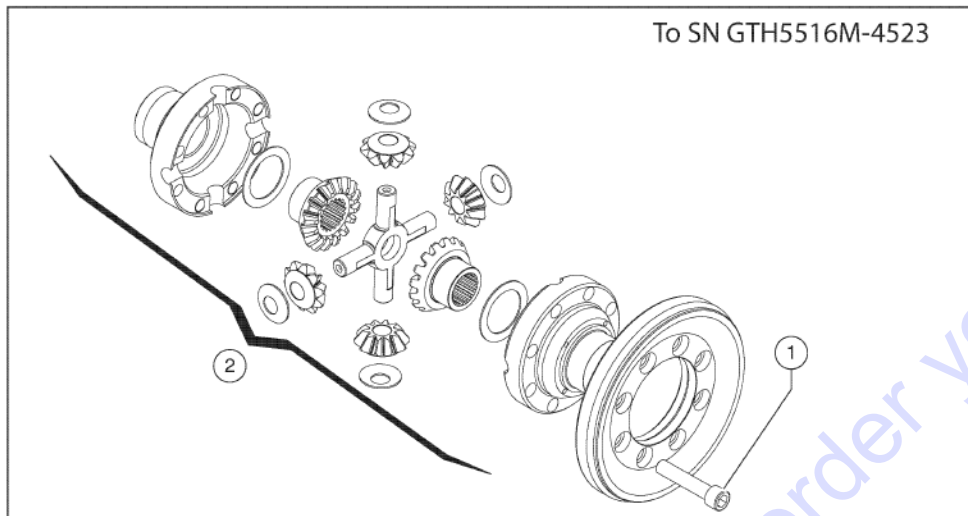


Item	Part No.	Description	Qty.
1	07.0709.1165GT	Shim 80.3X89.7x0.35	1
2	07.0709.1162GT	Shim 80.3X89.7x0.3	1
3	07.0709.1076GT	Taper Roller Bearing 31308 To SN GTH5514B-337	2
3	07.0709.1215GT	Taper roller bearing 31308 From GTH5514B-338	2
4	07.0709.1163GT	Shim 80.3X89.7x0.4	1
5	07.0709.1164GT	Shim 80.3X89.7x0.5	1
6	07.0709.1134GT	Anti-Rotation Washer	1
7	07.0709.1167GT	Lock Nut M40x1.5	1
8	07.0709.1106GT	Central housing To SN GTH55M-5844	1
9	07.0709.1216GT	Bevel Gears From SN GTH5516M-4524	1
10	07.0709.1130GT	COLLAPSIBLE SPACER To SN GTH55M-5844	2
11	07.0709.1136GT	BEVEL PINION To SN GTH5516M-4523	1
12	07.0709.1160GT	Screw Tcei12.9 M14x70 5931 For SN GTH55M-5815; From SN GTH55M-5845	8
13	07.0709.1331GT	CENTRAL HOUSING For SN GTH55M-5815; From SN GTH55M-5845	1
14	07.0709.1130GT	COLLAPSIBLE SPACER For SN GTH55M-5815; From SN GTH55M-5845	2

Go to Discount-Equipment.com to order your parts



209.1 607902 Front Axle - Differential Group



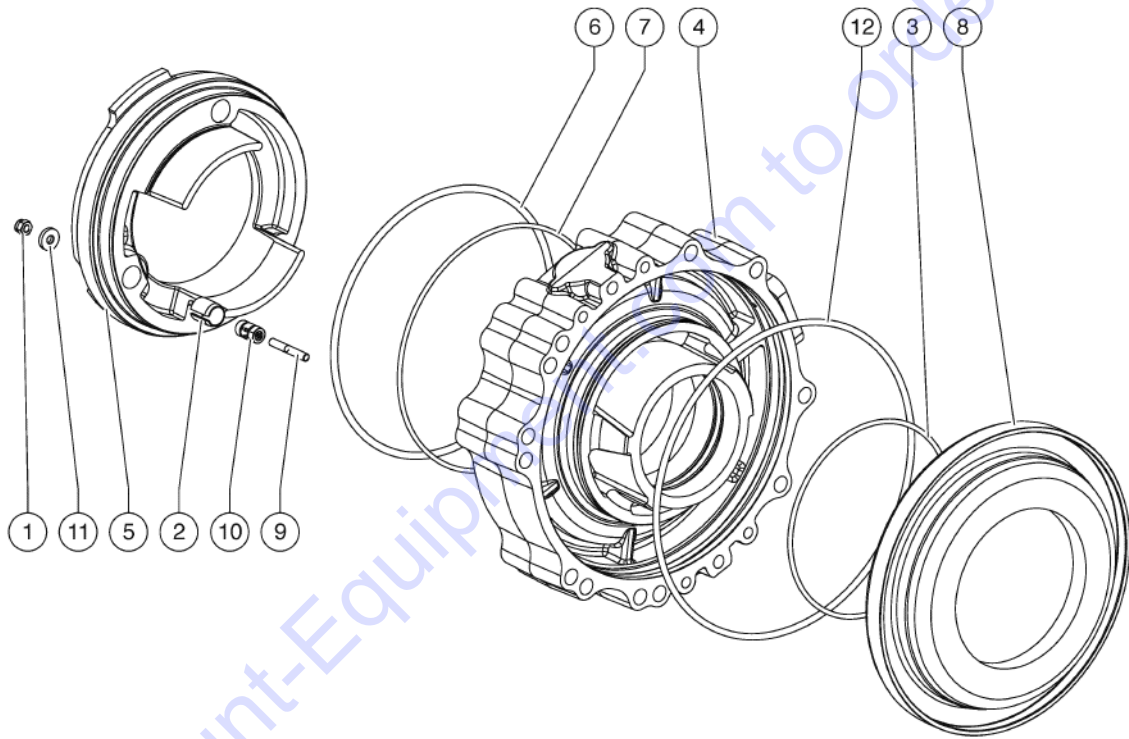
209.1 607902 Front Axle - Differential Group

Item	Part No.	Description	Qty.
1	07.0709.1160GT	Screw Tcei12.9 M14x70 5931 To SN GTH5516M-4523	8
2	07.0709.1214GT	Differential unit s12/80/220/150 To SN GTH5516M-4523	1
3	07.0709.1160GT	Screw Tcei12.9 M14x70 5931 From SN GTH5516M-4524 To SN GTH55M-5844	8
4	07.0709.1438GT	DIFFERENTIAL UNIT From SN GTH5516M-4524 To SN GTH55M-5844	1
5	07.0709.1372GT	SHIM For SN GTH55M-5815; From SN GTH55M-5845	1
6	07.0709.1333GT	DISCK KIT For SN GTH55M-5815; From SN GTH55M-5845	1

Go to Discount-Equipment.com to order your parts



210.1 607903 Front Axle - Piston Group



Go to Discount-Equipment.com to order your parts

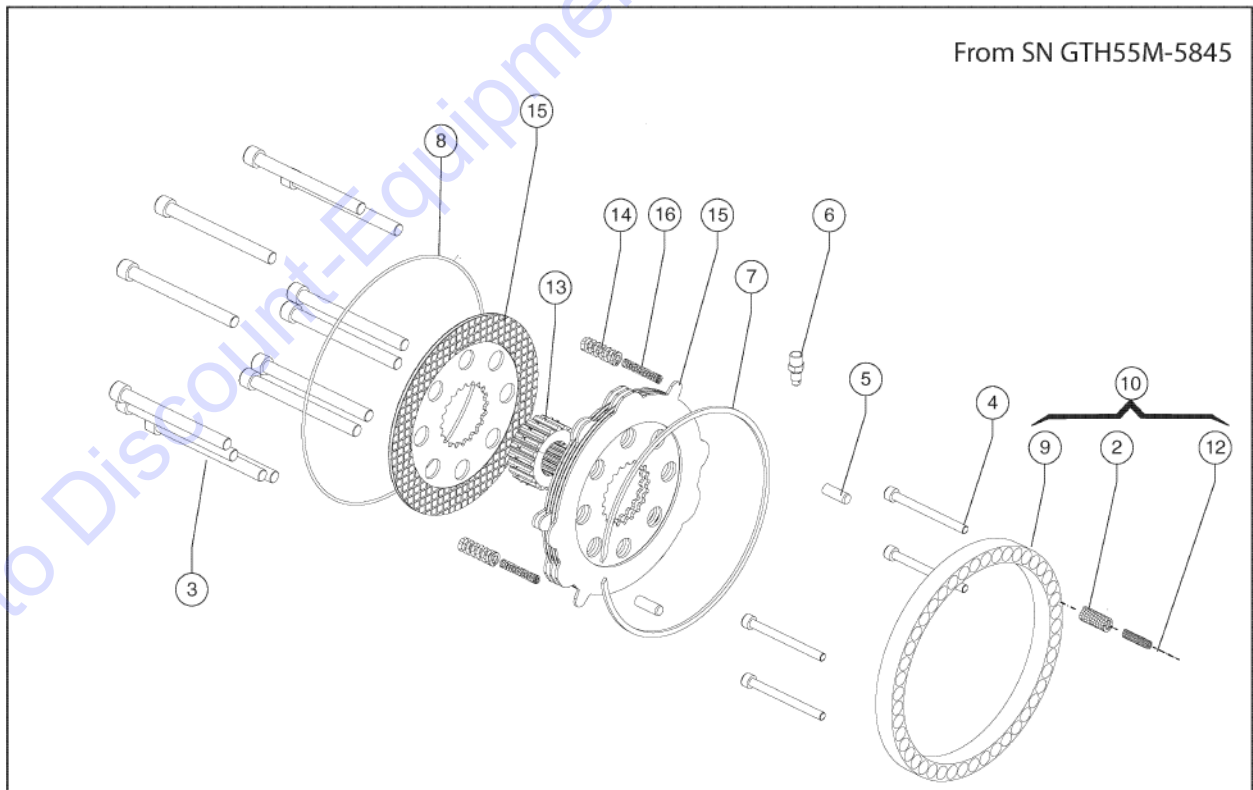
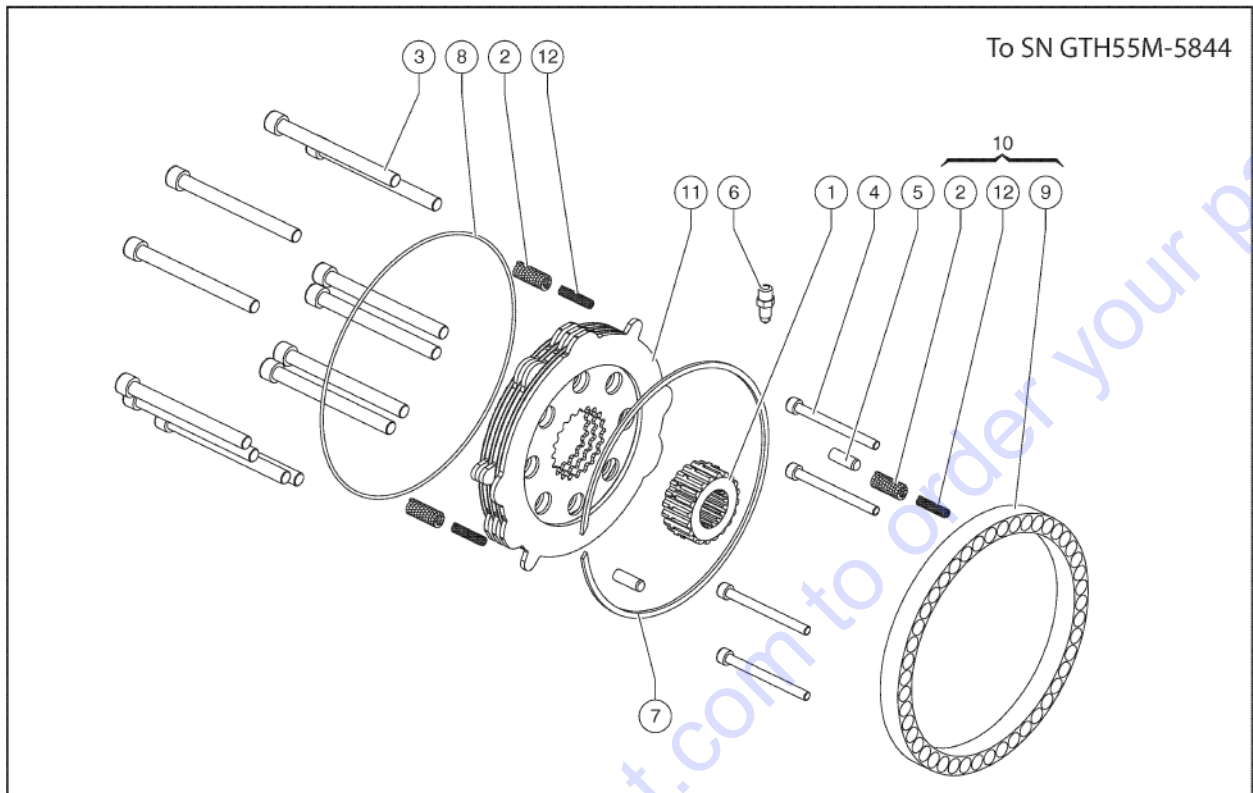
210.1 607903 Front Axle - Piston Group

Item	Part No.	Description	Qty.
1	07.0709.1121GT	Locknut M6 H7,6	3
2	07.0709.1089GT	Pin 6X20 Uni6875	3
3	07.0709.1144GT	O-Ring Or-4587	1
4	07.0709.1111GT	Brake Flange	1
5	07.0709.1108GT	Service Brake Piston To SN GTH55M-5844	1
5	07.0709.1373GT	SERVICE BRAKE PISTON For SN GTH55M-5815; From SN GTH55M-5845	1
6	07.0709.1073GT	O-Ring 6795	1
7	07.0709.1072GT	O-Ring 4750	1
8	07.0709.1109GT	Parking Brake Piston	1
9	07.0709.1084GT	Stud Bolt M6x35 Uni5909	3
10	07.0709.1117GT	Self-Adjust Spacer - 128	3
11	07.0709.1129GT	Self-Adjust Washer - 128	3
12	07.0709.1074GT	O-Ring 6945	1

Go to Discount-Equipment.com to order your parts



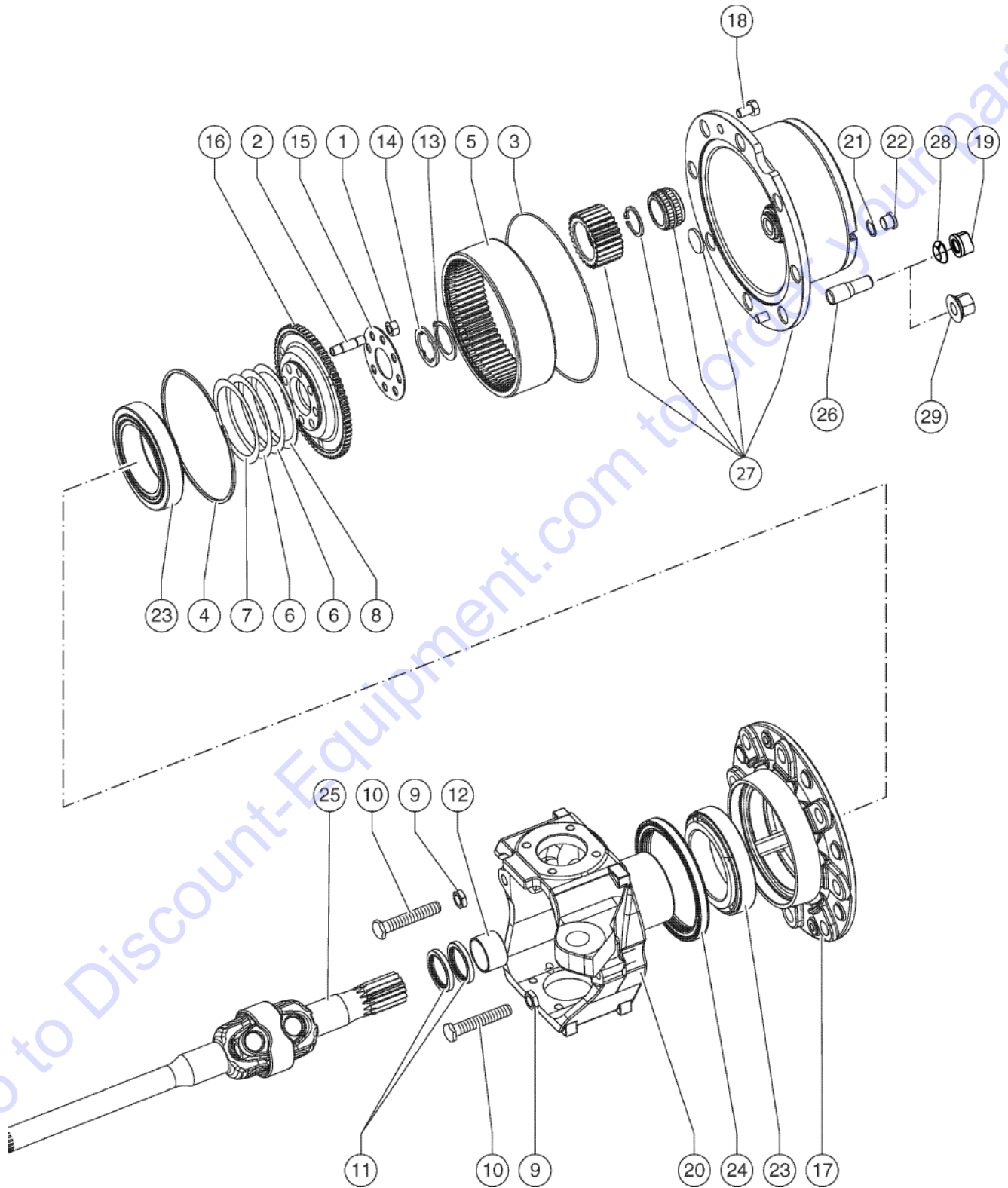
211.1 607904 Front Axle - Brake Group



Item	Part No.	Description	Qty.
1	07.0709.1138GT	Disks Bushing -- 128 To SN GTH55M-5844	1
2	07.0709.1141GT	Spring 13,5X44,51 To SN GTH55M-5844	47
3	07.0709.1094GT	Socket Head Screw M12x130 12.9 5931	12
4	07.0709.1091GT	Socket Head Screw M8x90 12.9 5931	4
5	07.0709.1143GT	Parallel Pin 10X30 Din6325	2
6	07.0709.1189GT	Bleeding Screw M10x1	1
7	07.0709.1070GT	Snap Ring Br225	1
8	07.0709.1071GT	O-Ring 3925	1
9	07.0709.1140GT	Springs Ring - 128	1
10	07.0709.1201GT	Springs Kit - 128	1
11	07.0709.1082GT	Disk Package Brake -128 To SN GTH55M-5844	1
12	07.0709.1142GT	Spring 7,8X50,08 To SN GTH55M-5844	47
13	07.0709.1336GT	DISKS BUSCHING - 128 For SN GTH55M-5815; From SN GTH55M-5845	1
14	07.0709.1337GT	SPRING For SN GTH55M-5815; From SN GTH55M-5845	2
15	07.0709.1338GT	DISCK PAKAGE BRAKE - 128 For SN GTH55M-5815; From SN GTH55M-5845	1
16	07.0709.1339GT	SPRING D2.65 - 7.8X44.4 For SN GTH55M-5815; From SN GTH55M-5845	2



212.1 607905 Front Axle - RH Steering Wheel Assy



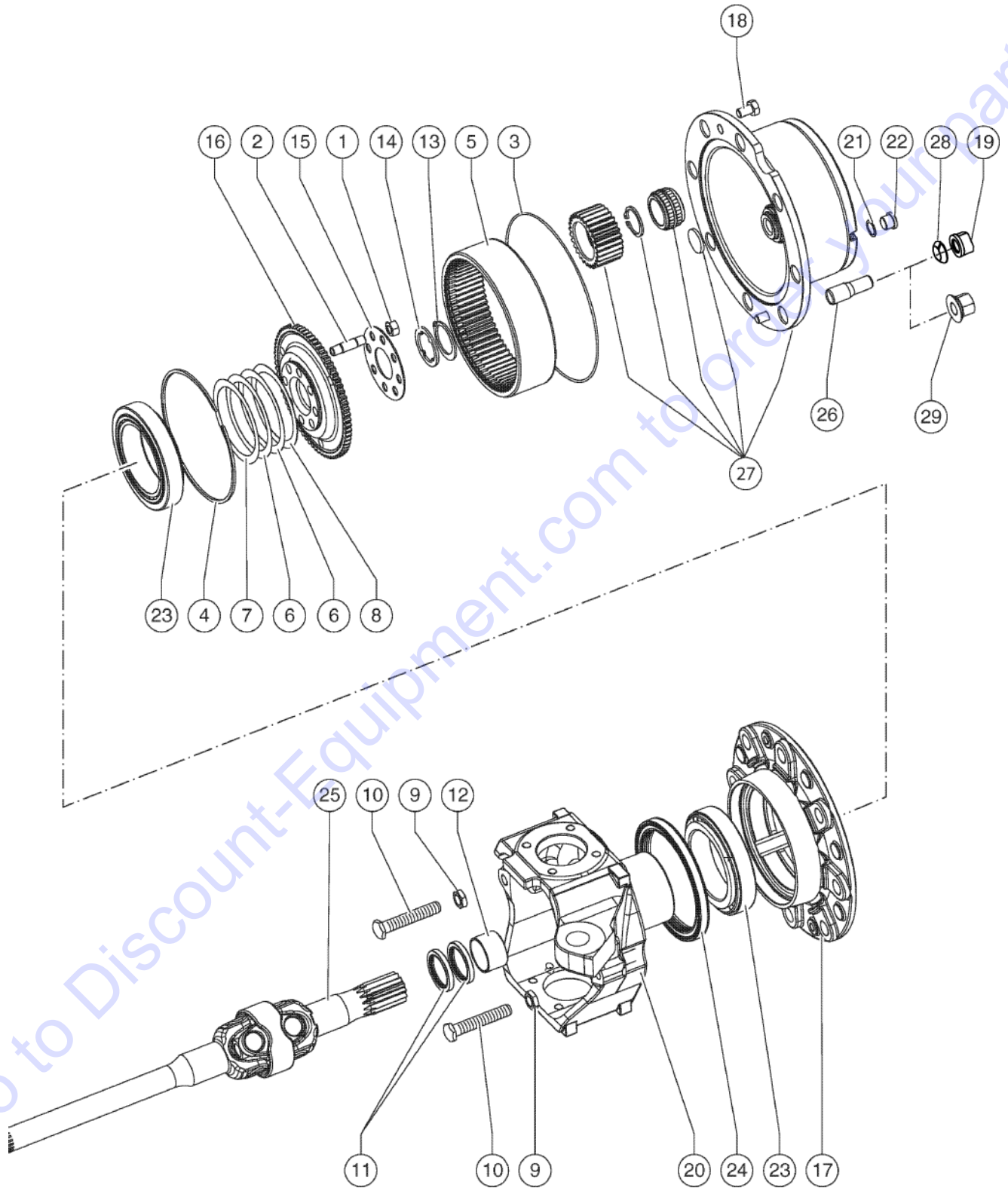
Go to Discount-Equipment.com to order your parts

212.1 607905 Front Axle - RH Steering Wheel Assy

Item	Part No.	Description	Qty.
1	07.0709.1078GT	Nut M12x1.25 8.8 Uni5588	8
2	07.0709.1149GT	Stud Bolts M12x41	8
3	07.0709.1071GT	O-Ring 3925	1
4	07.0709.1069GT	Int. Retaining Ring Br190	1
5	07.0709.1135GT	Crown Wheel	1
6	07.0709.1132GT	Shim 99,8X122x0,2	2
7	07.0709.1131GT	Shim 99,8X122x0,1	1
8	07.0709.1133GT	Shim 9,8X122x0,35	1
9	07.0709.1123GT	Nut M16 8	2
10	07.0709.1151GT	End Steering Screw - 128	2
11	07.0709.1155GT	Oil Seal 45X60x7 Basl To SN GTH5514B-337	2
11	07.0709.1080GT	OIL SEAL From GTH5514B-338	2
12	07.0709.1148GT	Busching Dx	1
13	07.0709.1154GT	Snap Ring 45 Uni7436	1
14	07.0709.1128GT	Crown Shim	1
15	07.0709.1127GT	Crown Ring	1
16	07.0709.1113GT	Corwn Flange	1
17	07.0709.1103GT	Wheel hub - 128 To SN GTH55M-5844	1
17	07.0709.1327GT	WHEEL HUB - 128 For SN GTH55M-5815; From SN GTH55M-5845	1
18	07.0709.1092GT	Hwx Screw M12x20 Uni 5739-8G	2
19	07.0709.1209GT	Nut M18x1,5 To SN GTH55M-5844	8
19	07.0709.1351GT	NUT For SN GTH55M-5815; From SN GTH55M-5845	8
20	07.0709.1101GT	Articulated Joint Rh - S128	1
21	07.0709.1120GT	Copper Washer D.18	1
22	07.0709.1152GT	Cap M18x1,5din908	1
23	07.0709.1153GT	Bearing 32020 X	2
24	07.0709.1197GT	Ring 145X75x4.5x15.5 Nbr	1
25	07.0709.1096GT	Cardan Shaft l=1390 - S128 To SN GTH55M-5844	1



212.1 607905 Front Axle - RH Steering Wheel Assy



Go to Discount-Equipment.com to order your parts

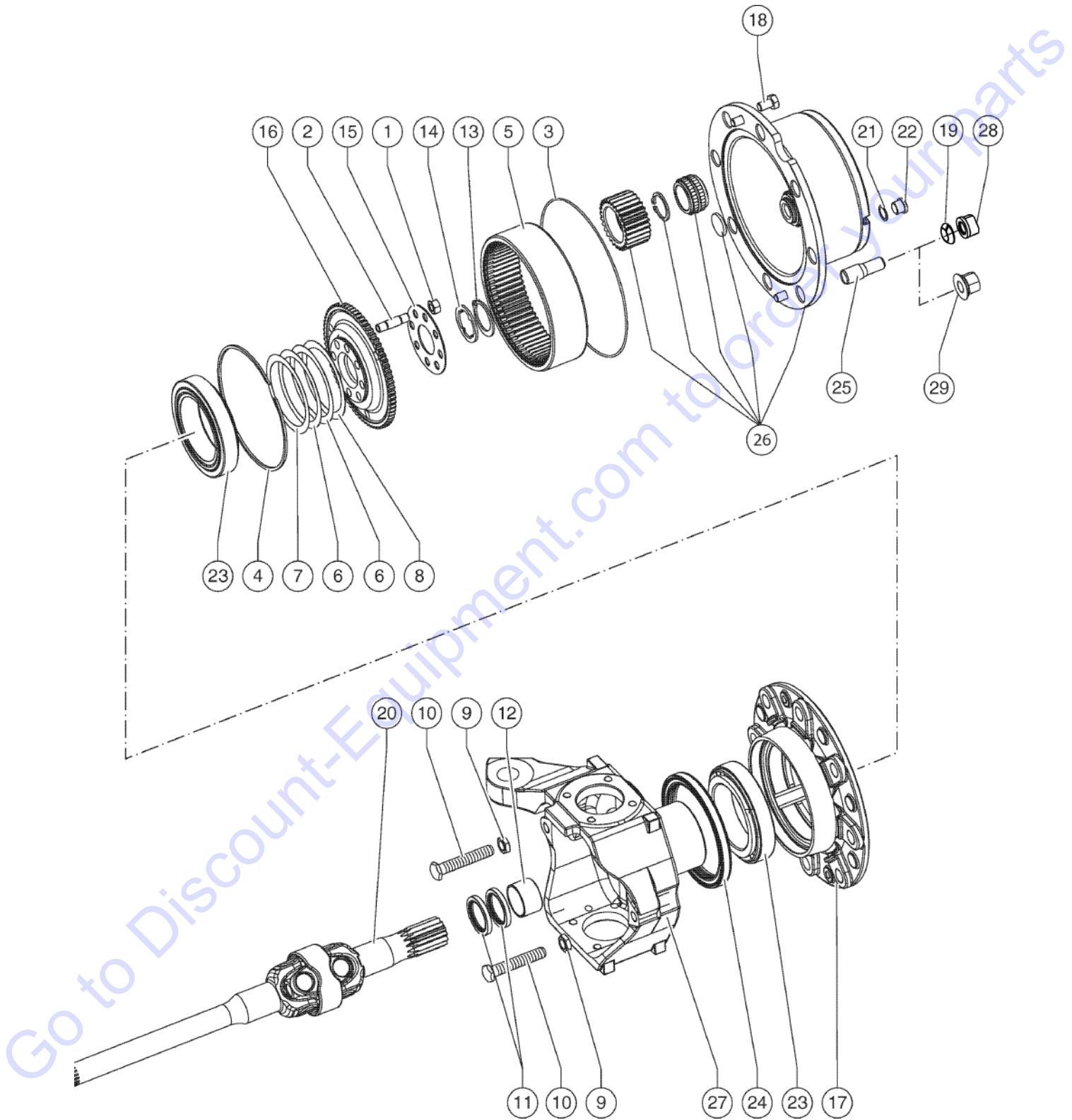
212.1 607905 Front Axle - RH Steering Wheel Assy

Item	Part No.	Description	Qty.
25	07.0709.1344GT	CARDAN SHAFT - S128 For SN GTH55M-5815; From SN GTH55M-5845	1
26	07.0709.1150GT	Stud bolts m22/18x45 10.9 To SN GTH55M-5844	8
26	07.0709.1328GT	BOLT M1BX1,5X68 10.9-128 For SN GTH55M-5815; From SN GTH55M-5845	8
27	07.0709.1350GT	HUB ASSEMBLY	1
28	07.0709.1210GT	Spring Washer D18 To SN GTH55M-5844	8
29	07.0709.1079GT	Self-Lock Nut M18x1,5 Din 74361 Only combined with Solid Boss wheel	8

Go to Discount-Equipment.com to order your parts



213.1 607906 Front Axle - LH Steering Wheel Assy

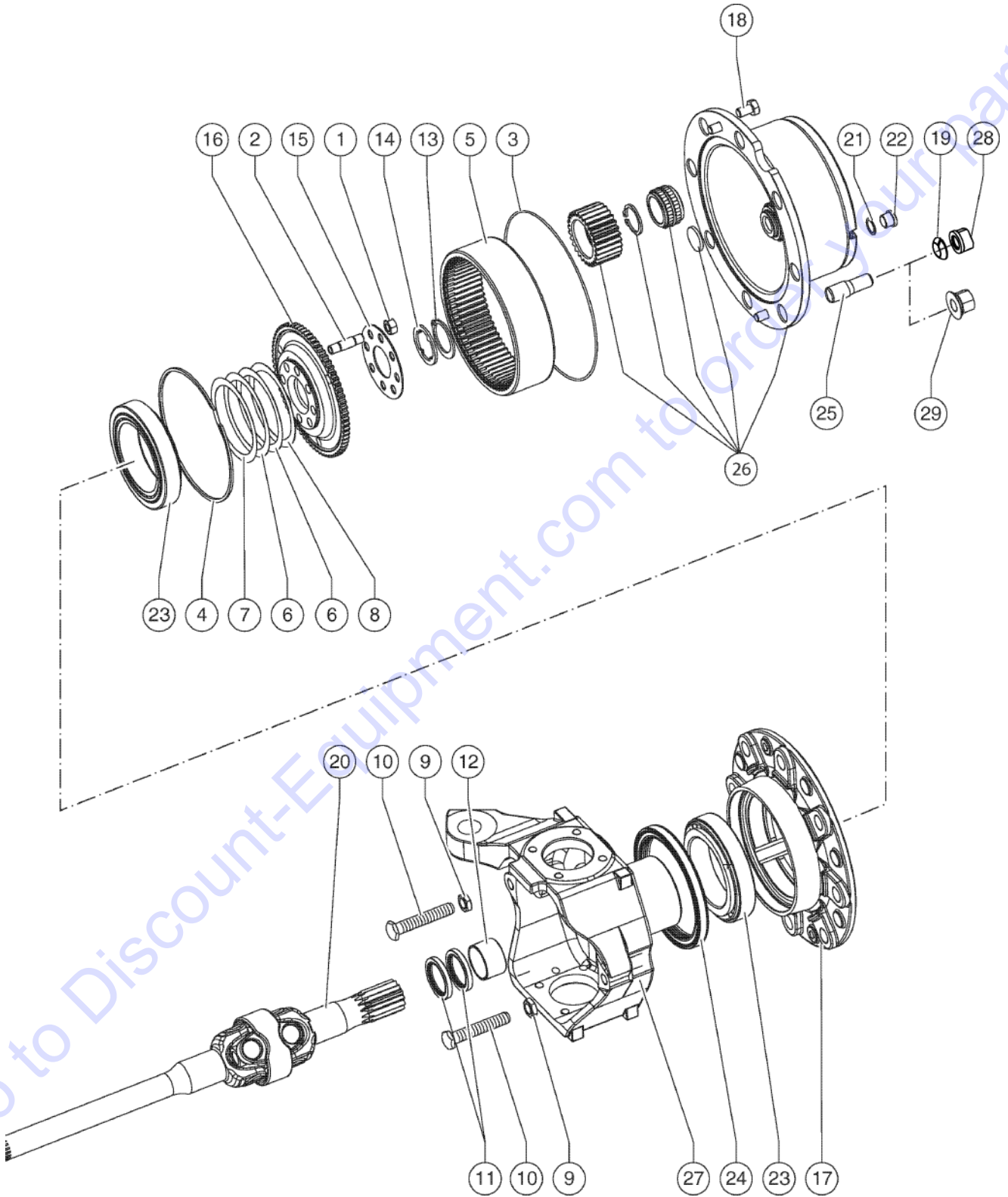


213.1 607906 Front Axle - LH Steering Wheel Assy

Item	Part No.	Description	Qty.
1	07.0709.1078GT	Nut M12x1.25 8.8 Uni5588	8
2	07.0709.1149GT	Stud Bolts M12x41	8
3	07.0709.1071GT	O-Ring 3925	1
4	07.0709.1069GT	Int. Retaining Ring Br190	1
5	07.0709.1135GT	Crown Wheel	1
6	07.0709.1132GT	Shim 99,8X122x0,2	2
7	07.0709.1131GT	Shim 99,8X122x0,1	1
8	07.0709.1133GT	Shim 9,8X122x0,35	1
9	07.0709.1123GT	Nut M16 8	2
10	07.0709.1151GT	End Steering Screw - 128	2
11	07.0709.1155GT	Oil Seal 45X60x7 Basl To SN GTH5514B-337	2
11	07.0709.1080GT	OIL SEAL From GTH5514B-338	2
12	07.0709.1148GT	Busching Dx	1
13	07.0709.1154GT	Snap Ring 45 Uni7436	1
14	07.0709.1128GT	Crown Shim	1
15	07.0709.1127GT	Crown Ring	1
16	07.0709.1113GT	Corwn Flange	1
17	07.0709.1103GT	Wheel hub - 128 To SN GTH55M-5844	1
17	07.0709.1327GT	WHEEL HUB - 128 For SN GTH55M-5815; From SN GTH55M-5845	1
18	07.0709.1092GT	Hwx Screw M12x20 Uni 5739-8G	2
19	07.0709.1210GT	Spring Washer D18 To SN GTH55M-5844	8
20	07.0709.1096GT	Cardan Shaft l=1390 - S128 To SN GTH55M-5844	1
20	07.0709.1344GT	CARDAN SHAFT - S128 For SN GTH55M-5815; From SN GTH55M-5845	1
21	07.0709.1120GT	Copper Washer D.18	1
22	07.0709.1152GT	Cap M18x1,5din908	1
23	07.0709.1153GT	Bearing 32020 X	2
24	07.0709.1197GT	Ring 145X75x4.5x15.5 Nbr	1
25	07.0709.1150GT	Stud bolts m22/18x45 10.9 To SN GTH55M-5844	8



213.1 607906 Front Axle - LH Steering Wheel Assy



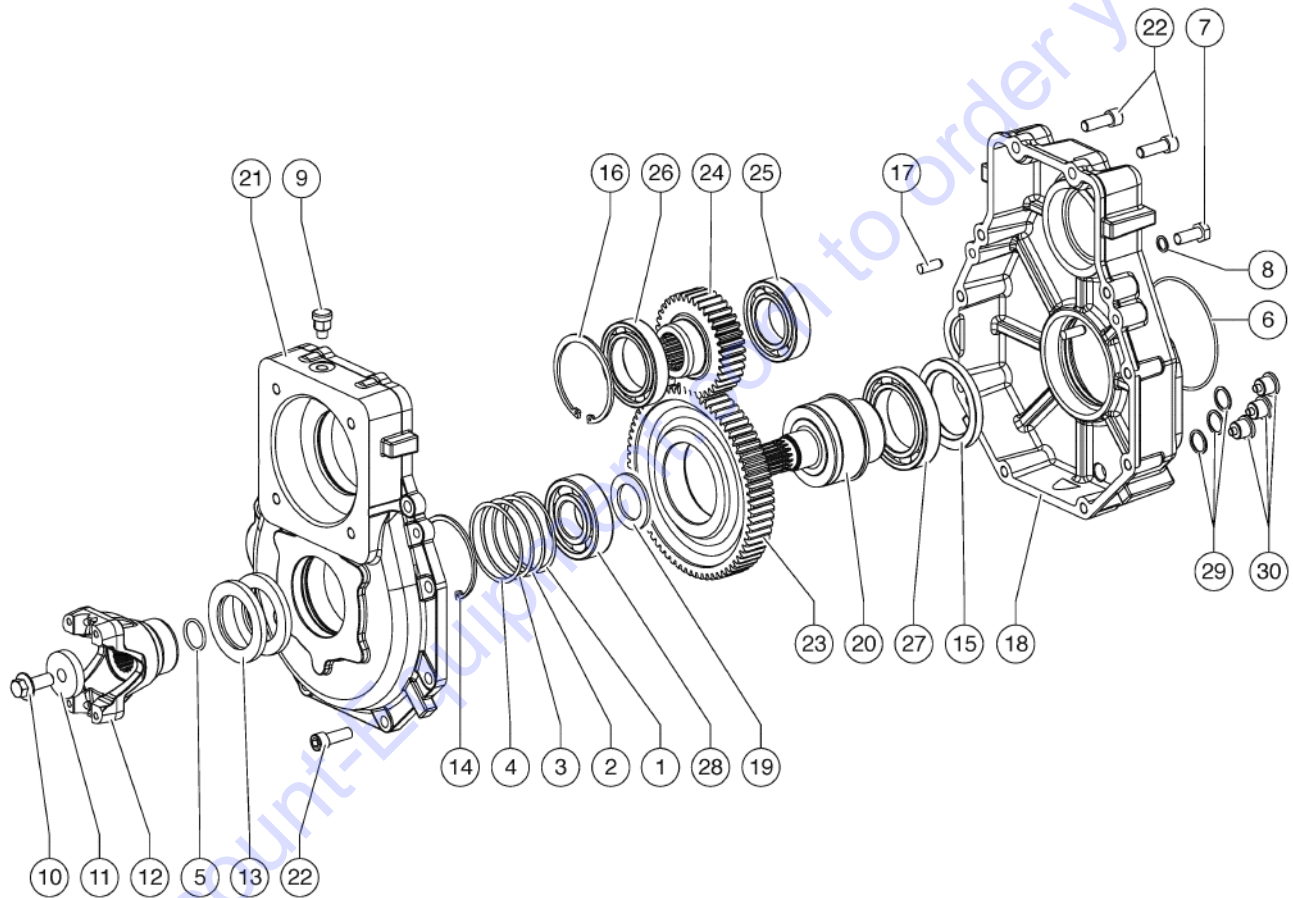
213.1 607906 Front Axle - LH Steering Wheel Assy

Item	Part No.	Description	Qty.
25	07.0709.1328GT	BOLT M1BX1,5X68 10.9-128 For SN GTH55M-5815; From SN GTH55M-5845	8
26	07.0709.1350GT	HUB ASSEMBLY	1
27	07.0709.1100GT	Articulated Joint Lh - S128	1
28	07.0709.1209GT	Nut M18x1,5 To SN GTH55M-5844	8
28	07.0709.1351GT	NUT For SN GTH55M-5815; From SN GTH55M-5845	8
29	07.0709.1079GT	Self-Lock Nut M18x1,5 Din 74361 Only combined with Solid Boss wheel	8

Go to Discount-Equipment.com to order your parts



214.1 607907 Front Axle - Reduction Gearbox

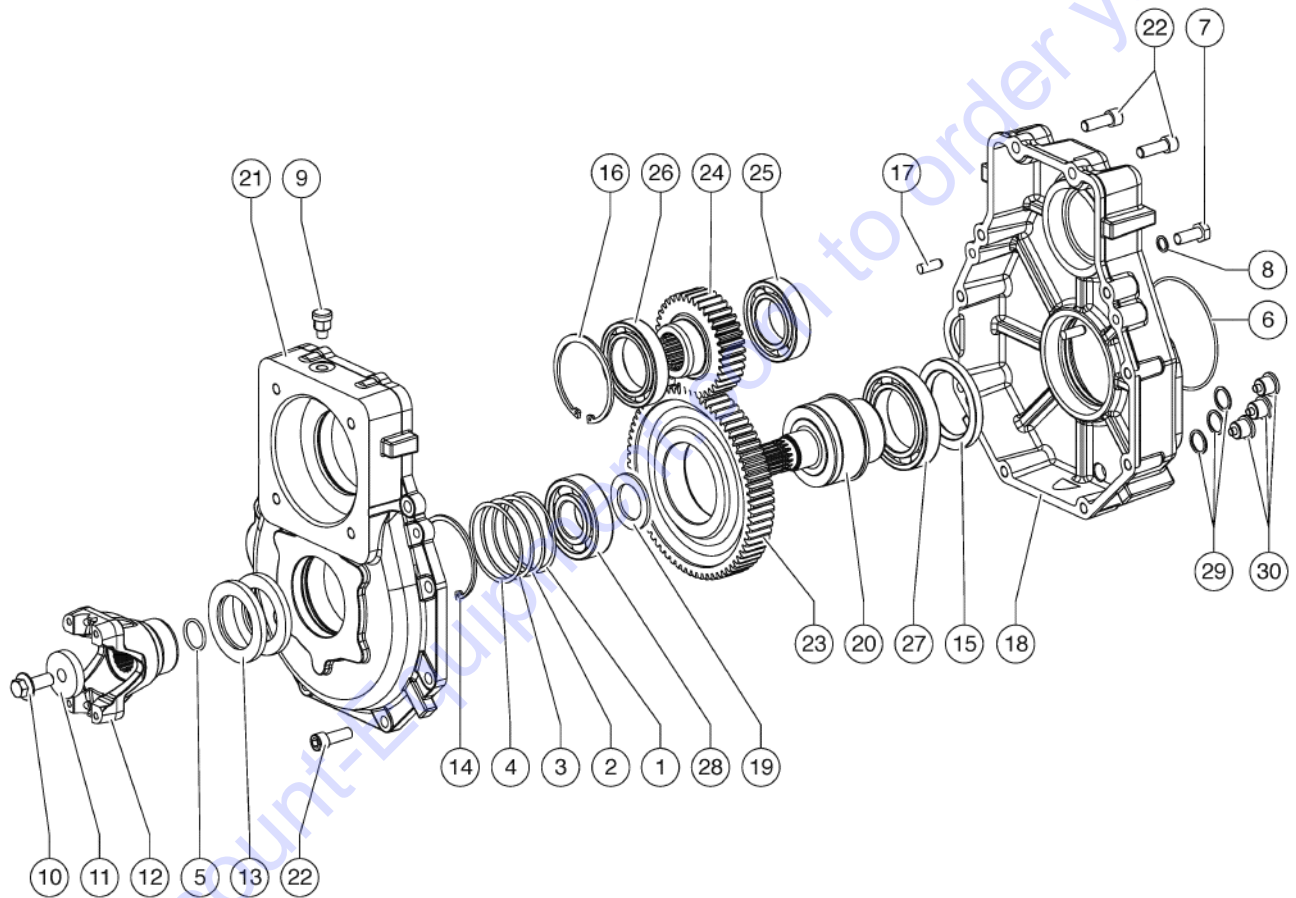


Go to Discount-Parts.com to order your parts

Item	Part No.	Description	Qty.
1	07.0709.1162GT	Shim 80.3X89.7x0.3	1
2	07.0709.1163GT	Shim 80.3X89.7x0.4	1
3	07.0709.1164GT	Shim 80.3X89.7x0.5	1
4	07.0709.1165GT	Shim 80.3X89.7x0.35	1
5	07.0709.1161GT	O-Ring 4112	1
6	07.0709.1178GT	O-Ring 4462	1
7	07.0709.1171GT	Screw M12x30 10.9 Uni5739	4
8	07.0709.1172GT	Shnorr Washer D.12	4
9	07.0709.1177GT	Oil Filler Plug . 1/4G	1
10	07.0709.1095GT	Flanged Screw M14x35 10.9 Din6921	1
11	07.0709.1119GT	Pinion Washer - 128	1
12	07.0709.1125GT	End-Lock Flange - 128	1
13	07.0709.1166GT	Oil Seal 60X90x8	2
14	07.0709.1067GT	Int.retaining Ring D.90 Uni 7437	1
15	07.0709.1081GT	Oil Seal Ba 70X100x10	1
16	07.0709.1068GT	Snap Ring 95 Uni 7437	1
17	07.0709.1143GT	Parallel Pin 10X30 Din6325	2
18	07.0709.1110GT	Gearbox Housing - 128	1
19	07.0709.1118GT	6308 Spacer - 128	1
20	07.0709.1139GT	Driven Shaft - 128	1
21	07.0709.1112GT	Reduction Gear Cover - 128	1
22	07.0709.1170GT	Socket Head Screw M12x35 5931 12.9 To SN GTH5514B-337	10
22	07.0709.1377GT	SOCKET HEAD SCREW M12X30 8.8 5931 From GTH5514B-338	10
23	07.0709.1168GT	Driven Gear Z69 (R=1.92)- S128	1
24	07.0709.1169GT	Driven Gear Z=30 - 128	1
25	07.0709.1176GT	Bearing 6210 To SN GTH5514B-337	1
25	07.0709.1218GT	BEARING 6210/C3 From GTH5514B-338	1
26	07.0709.1174GT	Bearing 6012 To SN GTH5514B-337	1



214.1 607907 Front Axle - Reduction Gearbox



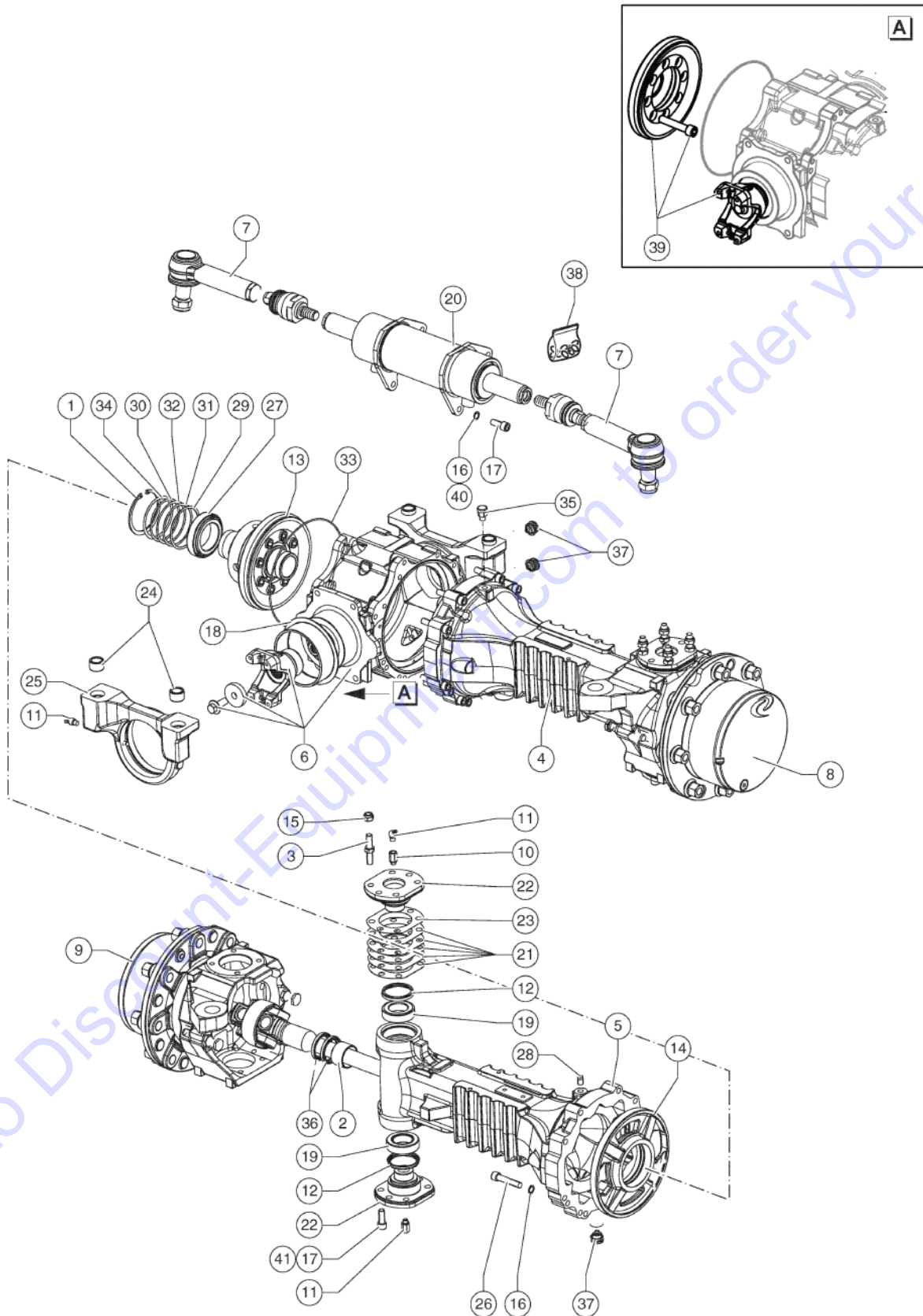
Go to Discount-Parts.com to order your parts

Item	Part No.	Description	Qty.
26	07.0709.1219GT	BALL BEARING 6012/C3 From GTH5514B-338	1
27	07.0709.1175GT	Bearing 6014 To SN GTH5514B-337	1
27	07.0709.1220GT	BALL BEARING CLA 6014/C3 From GTH5514B-338	1
28	07.0709.1173GT	Bearing 6308 To SN GTH5514B-337	1
28	07.0709.1221GT	BEARING From GTH5514B-338	1
29	07.0709.1086GT	Copper Washer 21,5X27 Only To SN GTH5514B-337	3
30	07.0709.1090GT	Magnetic Plug 1/2 Gas Din908 To SN GTH5514B-337	3
30	07.0709.1198GT	Magnetic Plug 1/2 Gas Din908 From GTH5514B-338	3

Go to Discount-Equipment.com to order your parts



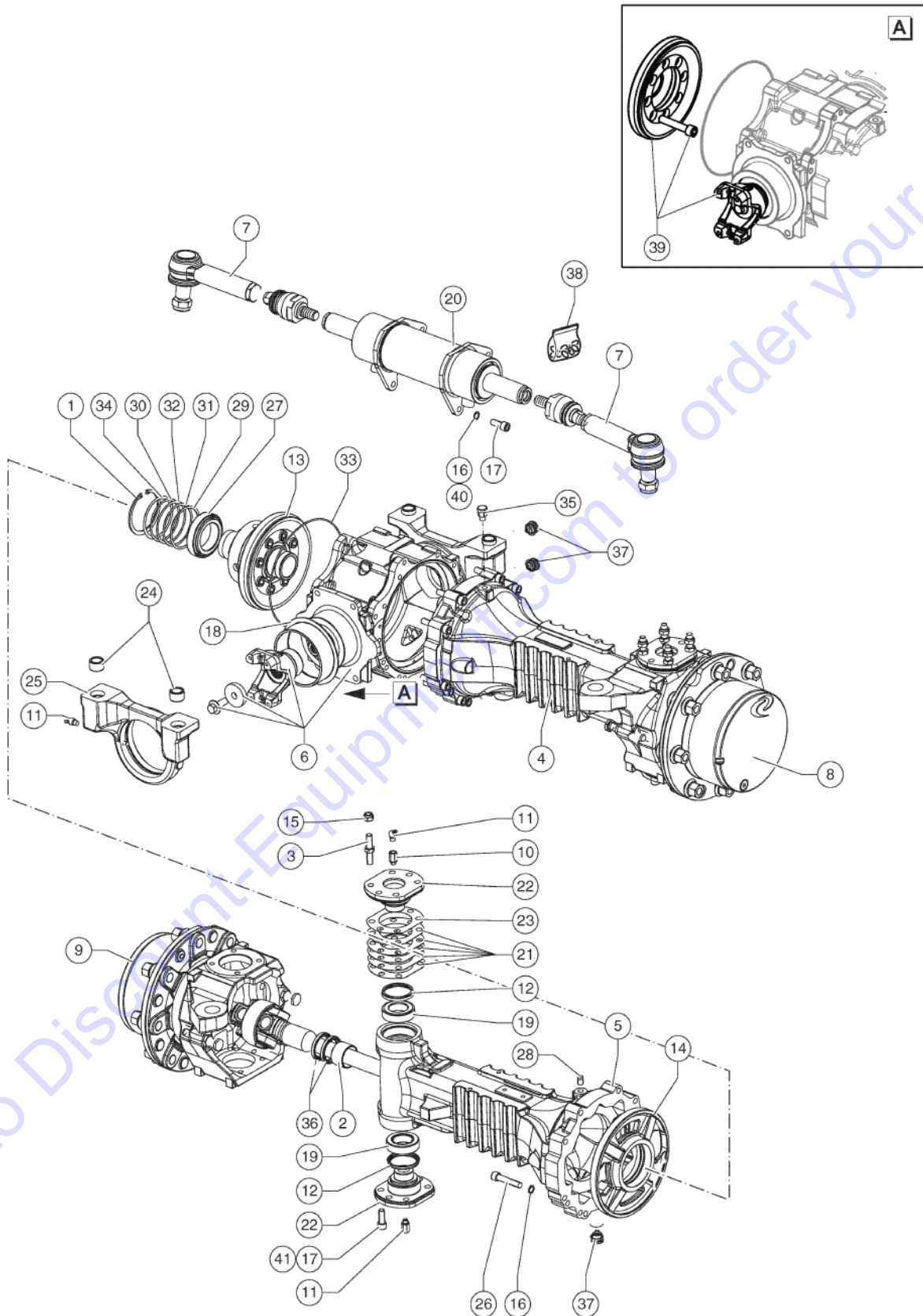
215.1 607908 Rear Axle - Differential



Item	Part No.	Description	Qty.
1	07.0709.1068GT	Snap Ring 95 Uni 7437	2
2	07.0709.1148GT	Busching Dx	2
3	07.0709.1182GT	Double-Screw M12x30 10.9 Uni5739	8
4	07.0709.1199GT	Side housing i=1530 To SN GTH55M-5844	1
5	07.0709.1200GT	Side Housing I=1530 Quantity 2 For SN GTH55M-5815 And From SN GTH55M-5845	1
6	07.0709.1193GT	Pinion housing To SN GTH55M-5844	1
7	07.0709.1098GT	Tie Rod	2
8	07.0709.1190GT	Rh Steering Wheel Assy To SN GTH55M-5844	1
8	07.0709.1326GT	RH STEERING WHEEL ASSY For SN GTH55M-5815; From SN GTH55M-5845	1
9	07.0709.1191GT	Lh Steering Wheel Assy To SN GTH55M-5844	1
9	07.0709.1329GT	LH STEERING WHEEL ASSY For SN GTH55M-5815; From SN GTH55M-5845	1
10	07.0709.1085GT	Extensiosion M10x1	4
11	07.0709.1083GT	Greaser 45° M10x1	6
12	07.0709.1181GT	Dust Ring - 128	4
13	07.0709.1192GT	Differential group std r=2,71 -128 To SN GTH55M-5844	1
13	07.0709.1348GT	Differential Unit For SN GTH55M-5815; From SN GTH55M-5845	1
14	07.0709.1105GT	Differential Flage - S128	2
15	07.0709.1122GT	Locknut M12 H11,8	8
16	07.0709.1172GT	Shnorr Washer D.12	28
17	07.0709.1183GT	Socket Head Screw M12x30 12.9 5931	16
18	07.0709.1116GT	Pivot Bushing - 128	2
19	07.0709.1077GT	Ball Joint Ge40sx	4
20	07.0709.1097GT	Steering cylinder To SN GTH55M-5844	1
20	07.0709.1349GT	Steering Cylinder For SN GTH55M-5815; From SN GTH55M-5845	1
21	07.0709.1180GT	Articulated-Joint Shim 0.2 - 128	10
22	07.0709.1114GT	Flaged Pin - 128	4
23	07.0709.1179GT	Articulated-Joint Shim 0.1 - 128	2
24	07.0709.1115GT	07.0709.1115GT	4



215.1 607908 Rear Axle - Differential

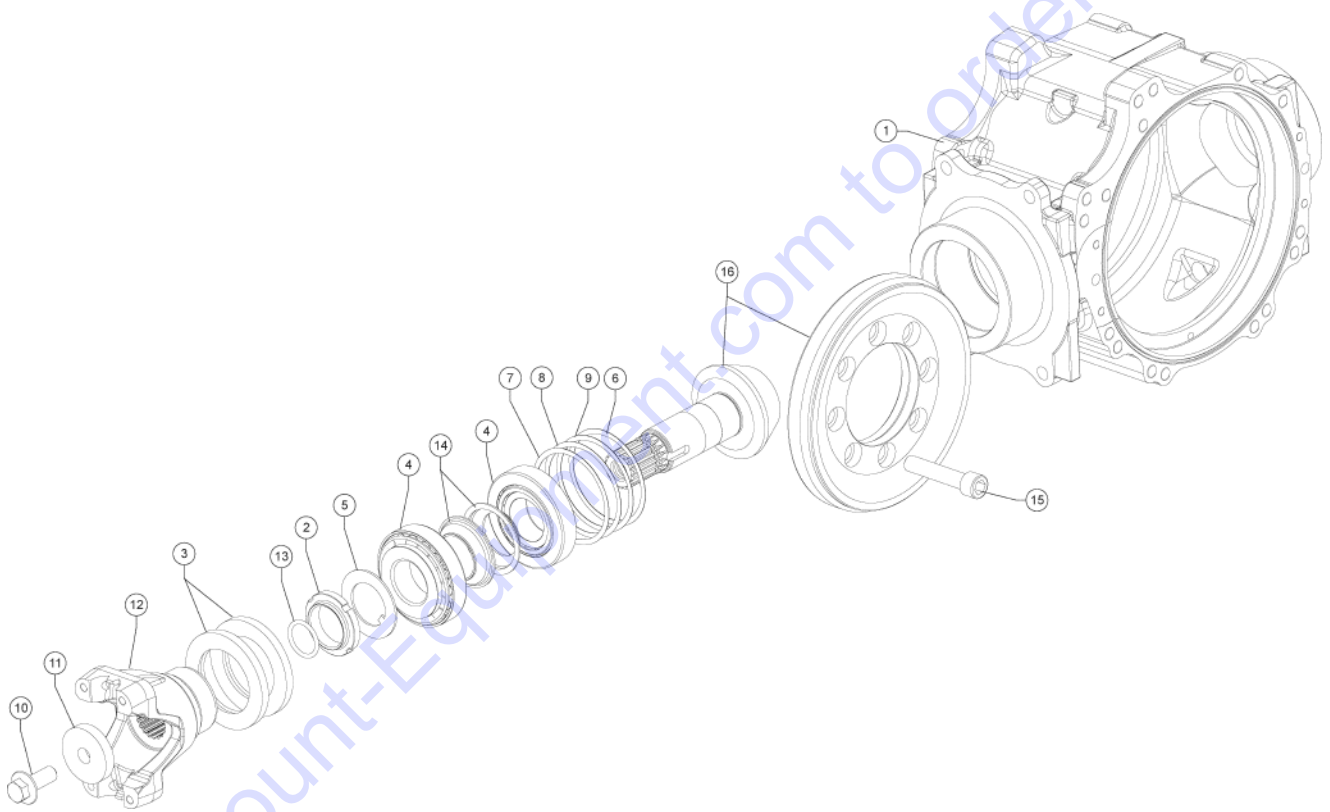


Item	Part No.	Description	Qty.
25	07.0709.1107GT	Central Pivot - S128	2
26	07.0709.1093GT	Bolt M12x60 Uni5031-12.9	24
27	07.0709.1124GT	Bearing 32012 X	2
28	07.0709.1187GT	Plug 1/4"Gas	1
29	07.0709.1088GT	Shim 85,3X94,7x1	2
30	07.0709.1184GT	Shim 94.7X85.3x0.3	2
31	07.0709.1185GT	Shim 85.3X0.5	2
32	07.0709.1186GT	Shim 94.7X85.3x0.35	2
33	07.0709.1071GT	O-Ring 3925	2
34	07.0709.1087GT	Shim 82.4X94.7x0,2	2
35	07.0709.1177GT	Oil Filler Plug . 1/4G	1
36	07.0709.1155GT	Oil Seal 45X60x7 Basl To SN GTH55M-5844	4
36	07.0709.1080GT	OIL SEAL For SN GTH55M-5815; From SN GTH55M-5845	4
37	07.0709.1198GT	Magnetic Plug 1/2 Gas Din908	4
38	07.0709.1212GT	Cylinder Seal Kit	1
39	07.0709.1346GT	Pinion Housing For SN GTH55M-5815; From SN GTH55M-5845	1
40	07.0709.1343GT	WASHER D.12 For SN GTH55M-5815; From SN GTH55M-5845	6
41	07.0709.1377GT	SOCKET HEAD SCREW M12X30 8.8 5931 For SN GTH55M-5815; From SN GTH55M-5845	12

Go to Discount-Equipment.com to order your parts



216.1 607909 Rear Axle - Pinion Housing



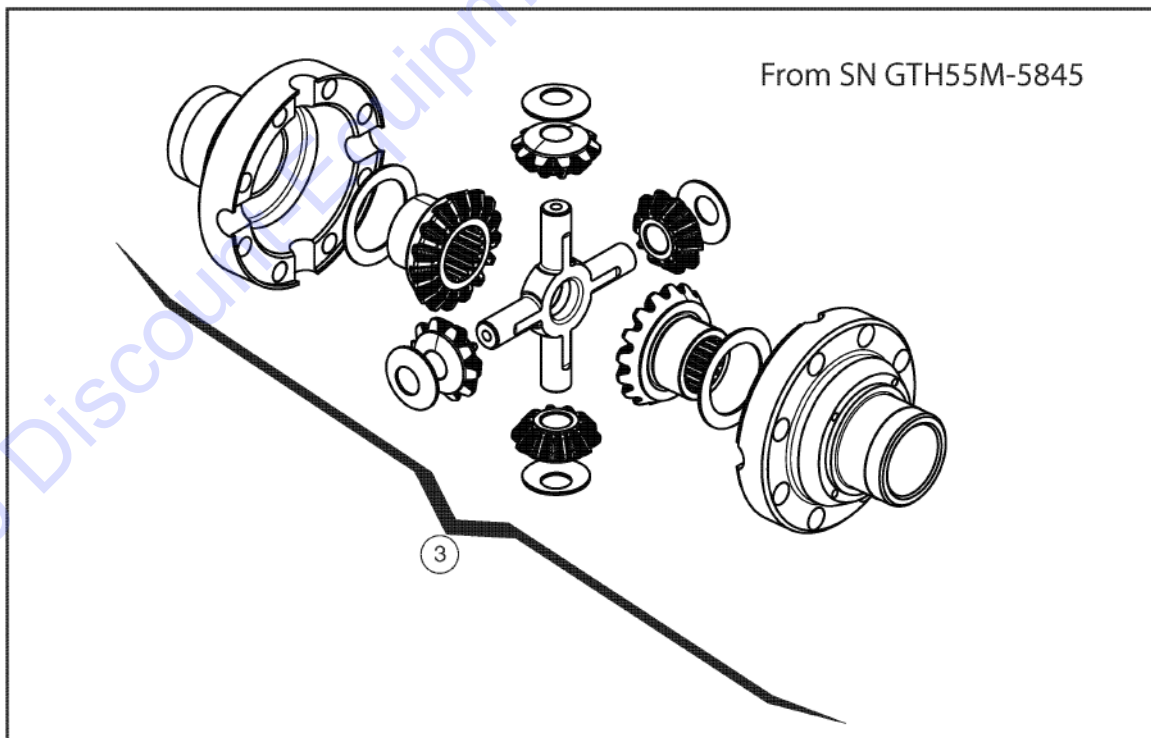
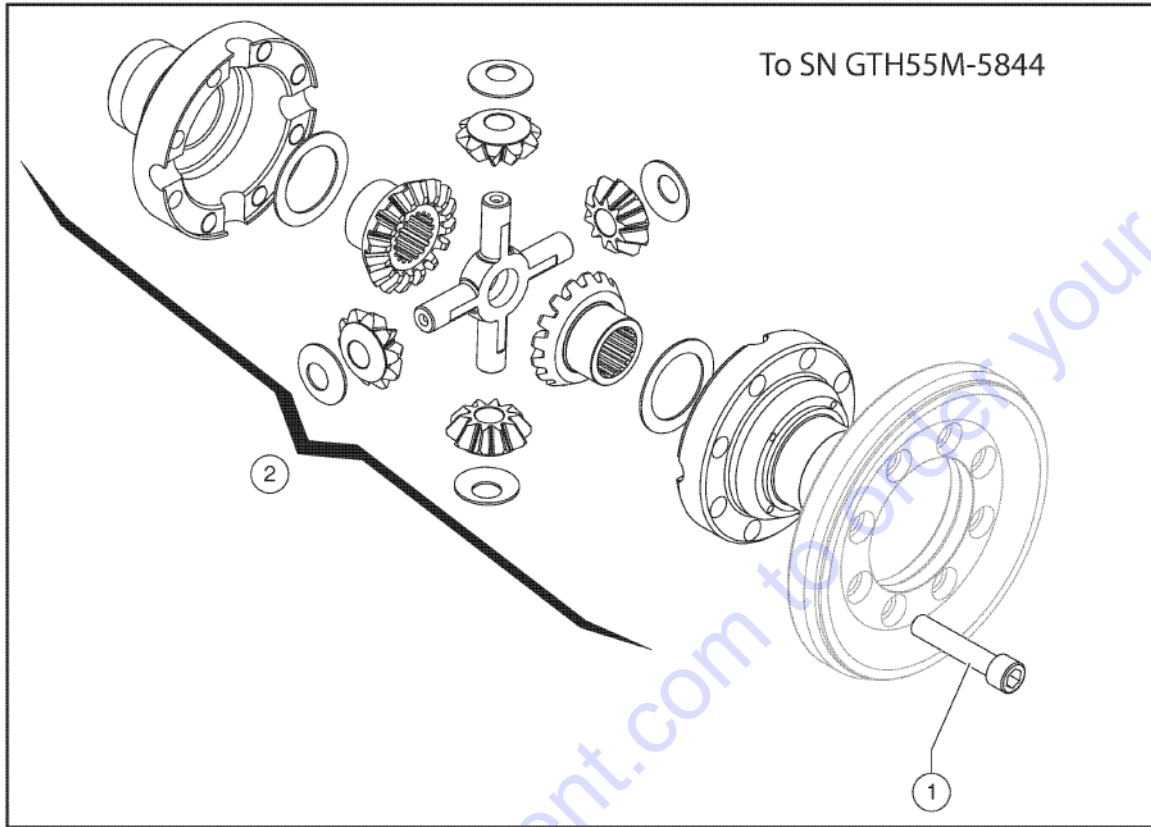
Go to Discount-Equipment.com to order your parts

Item	Part No.	Description	Qty.
1	07.0709.1104GT	Central Housing - Pivot Center - S128 To SN GTH55M-5844	1
1	07.0709.1347GT	CENTRAL HOUSING For SN GTH55M-5815; From SN GTH55M-5845	1
2	07.0709.1167GT	Lock Nut M40x1.5	1
3	07.0709.1166GT	Oil Seal 60X90x8	2
4	07.0709.1076GT	Taper Roller Bearing 31308 To SN GTH55M-5844	2
4	07.0709.1215GT	Taper roller bearing 31308 For SN GTH55M-5815; From SN GTH55M-5845	2
5	07.0709.1134GT	Anti-Rotation Washer	1
6	07.0709.1164GT	Shim 80.3X89.7x0.5	1
7	07.0709.1165GT	Shim 80.3X89.7x0.35	1
8	07.0709.1162GT	Shim 80.3X89.7x0.3	1
9	07.0709.1163GT	Shim 80.3X89.7x0.4	1
10	07.0709.1095GT	Flanged Screw M14x35 10.9 Din6921	1
11	07.0709.1119GT	Pinion Washer - 128	1
12	07.0709.1125GT	End-Lock Flange - 128	1
13	07.0709.1161GT	O-Ring 4112	1
14	07.0709.1130GT	COLLAPSIBILE SPACER	2
15	07.0709.1160GT	Screw Tcej12.9 M14x70 5931 For SN GTH55M-5815; From SN GTH55M-5845	8
16	07.0709.1216GT	Bevel Gears	1

Go to Discount-Equipment.com to order your parts



217.1 607910 Rear Axle - Differential Group



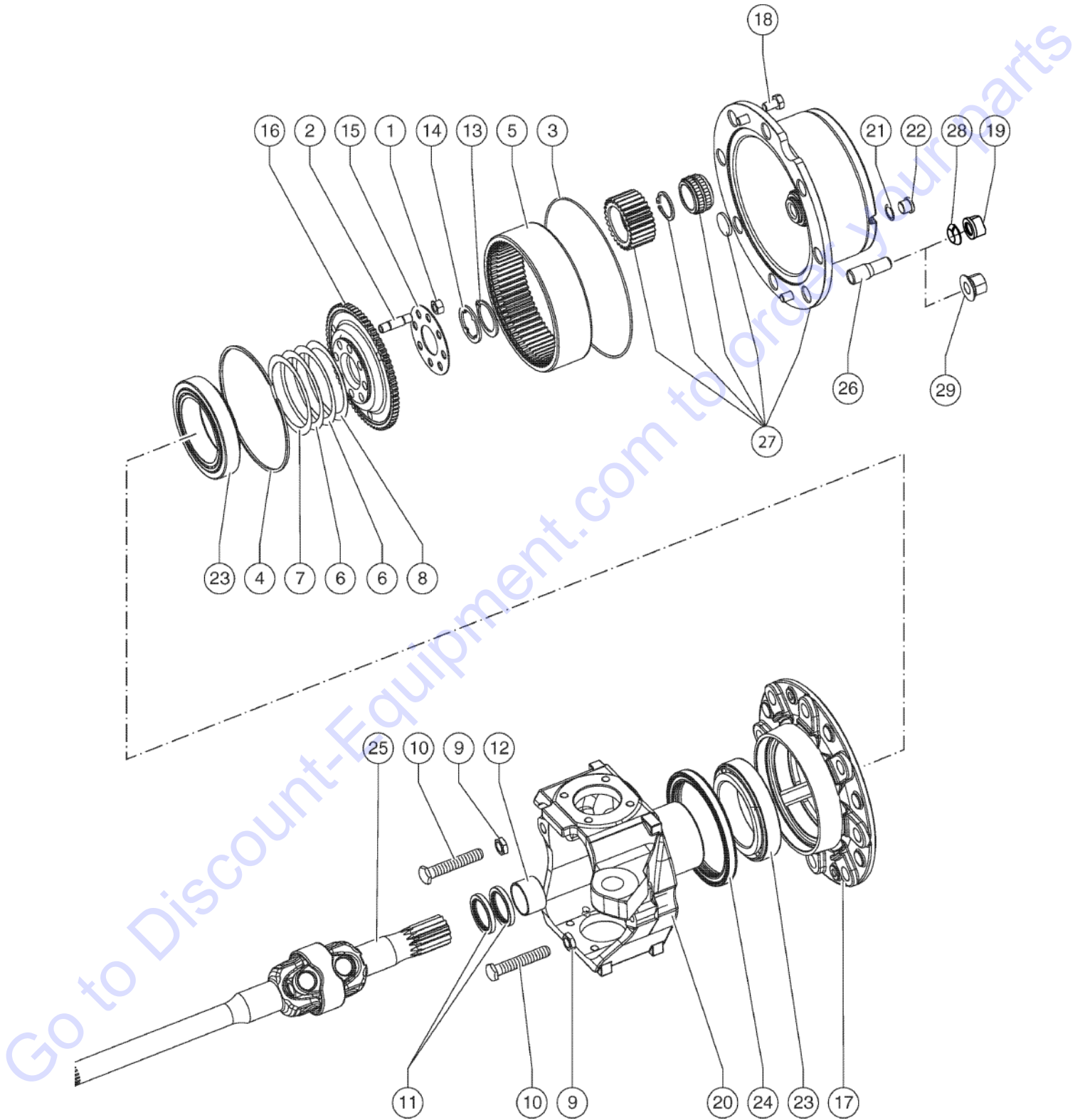
217.1 607910 Rear Axle - Differential Group

Item	Part No.	Description	Qty.
1	07.0709.1160GT	Screw Tcei12.9 M14x70 5931 To SN GTH55M-5844	8
2	07.0709.1214GT	Differential unit s12/80/220/150 To SN GTH55M-5844	1
3	07.0709.1348GT	Differential Unit For SN GTH55M-5815; From SN GTH55M-5845	1

Go to Discount-Equipment.com to order your parts



218.1 607911 Rear Axle - RH Steering Wheel Assy

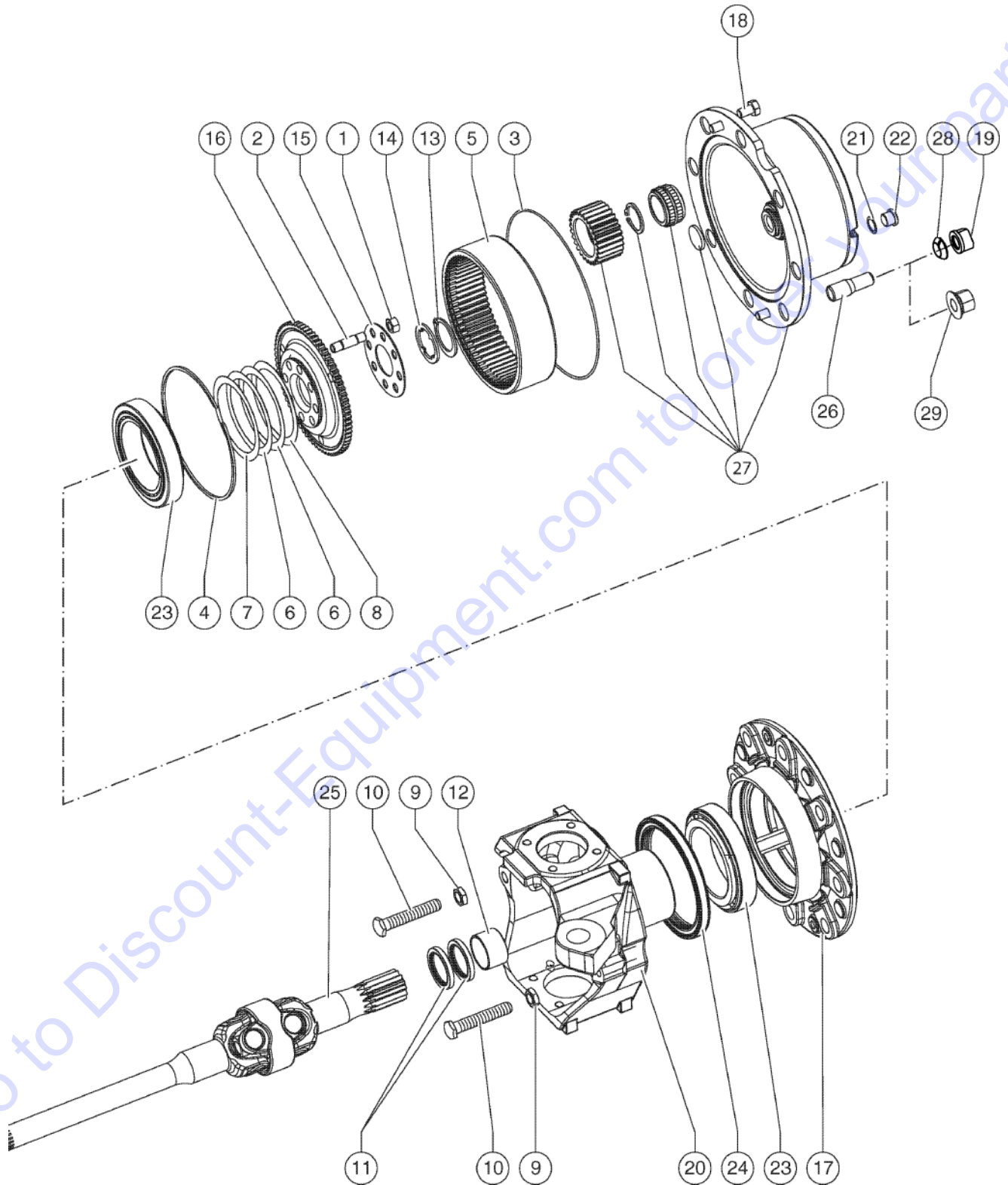


218.1 607911 Rear Axle - RH Steering Wheel Assy

Item	Part No.	Description	Qty.
1	07.0709.1078GT	Nut M12x1.25 8.8 Uni5588	8
2	07.0709.1149GT	Stud Bolts M12x41	8
3	07.0709.1071GT	O-Ring 3925	1
4	07.0709.1069GT	Int. Retaining Ring Br190	1
5	07.0709.1135GT	Crown Wheel	1
6	07.0709.1132GT	Shim 99,8X122x0,2	2
7	07.0709.1131GT	Shim 99,8X122x0,1	1
8	07.0709.1133GT	Shim 9,8X122x0,35	1
9	07.0709.1123GT	Nut M16 8	2
10	07.0709.1151GT	End Steering Screw - 128	2
11	07.0709.1155GT	Oil Seal 45X60x7 Basl To SN GTH55M-5844	2
11	07.0709.1080GT	OIL SEAL For SN GTH55M-5815; From SN GTH55M-5845	2
12	07.0709.1148GT	Busching Dx	1
13	07.0709.1154GT	Snap Ring 45 Uni7436	1
14	07.0709.1128GT	Crown Shim	1
15	07.0709.1127GT	Crown Ring	1
16	07.0709.1113GT	Corwn Flange	1
17	07.0709.1103GT	Wheel hub - 128 To SN GTH55M-5844	1
17	07.0709.1327GT	WHEEL HUB - 128 For SN GTH55M-5815; From SN GTH55M-5845	1
18	07.0709.1092GT	Hwx Screw M12x20 Uni 5739-8G	2
19	07.0709.1209GT	Nut M18x1,5 To SN GTH55M-5844	8
19	07.0709.1351GT	NUT For SN GTH55M-5815; From SN GTH55M-5845	8
20	07.0709.1101GT	Articulated Joint Rh - S128	1
21	07.0709.1120GT	Copper Washer D.18	1
22	07.0709.1152GT	Cap M18x1,5din908	1
23	07.0709.1153GT	Bearing 32020 X	2
24	07.0709.1197GT	Ring 145X75x4.5x15.5 Nbr	1
25	07.0709.1096GT	Cardan Shaft l=1390 - S128	1



218.1 607911 Rear Axle - RH Steering Wheel Assy



Go to Discount-Equipment.com to order your parts

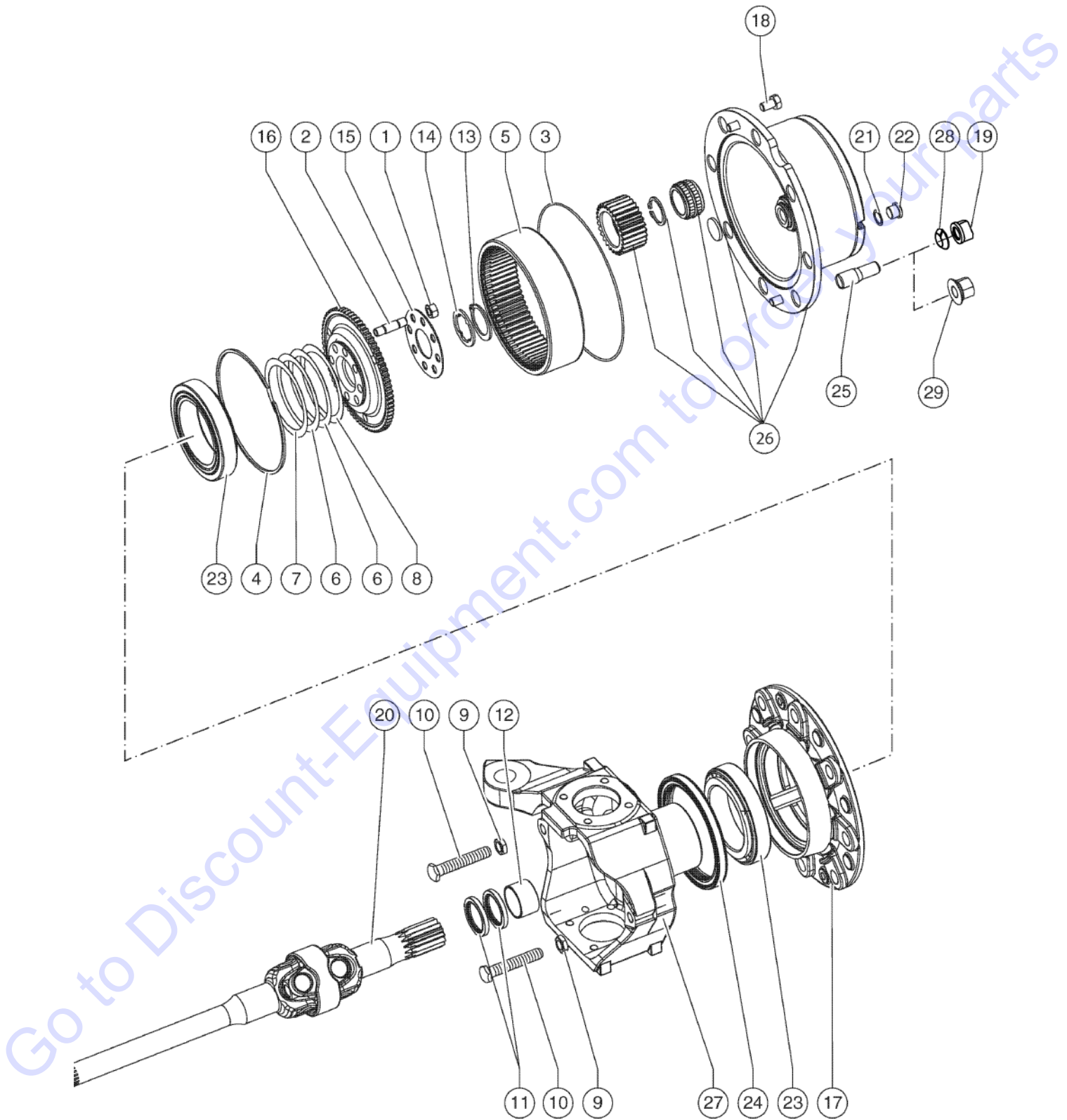
218.1 607911 Rear Axle - RH Steering Wheel Assy

Item	Part No.	Description	Qty.
26	07.0709.1150GT	Stud bolts m22/18x45 10.9 To SN GTH55M-5844	8
26	07.0709.1328GT	BOLT M1BX1,5X68 10.9-128 For SN GTH55M-5815; From SN GTH55M-5845	8
27	07.0709.1350GT	HUB ASSEMBLY	1
28	07.0709.1210GT	Spring Washer D18 To SN GTH55M-5844	8
29	07.0709.1079GT	Self-Lock Nut M18x1,5 Din 74361 Only combined with Solid Boss wheel	8

Go to Discount-Equipment.com to order your parts



219.1 607912 Rear Axle - LH Steering Wheel Assy



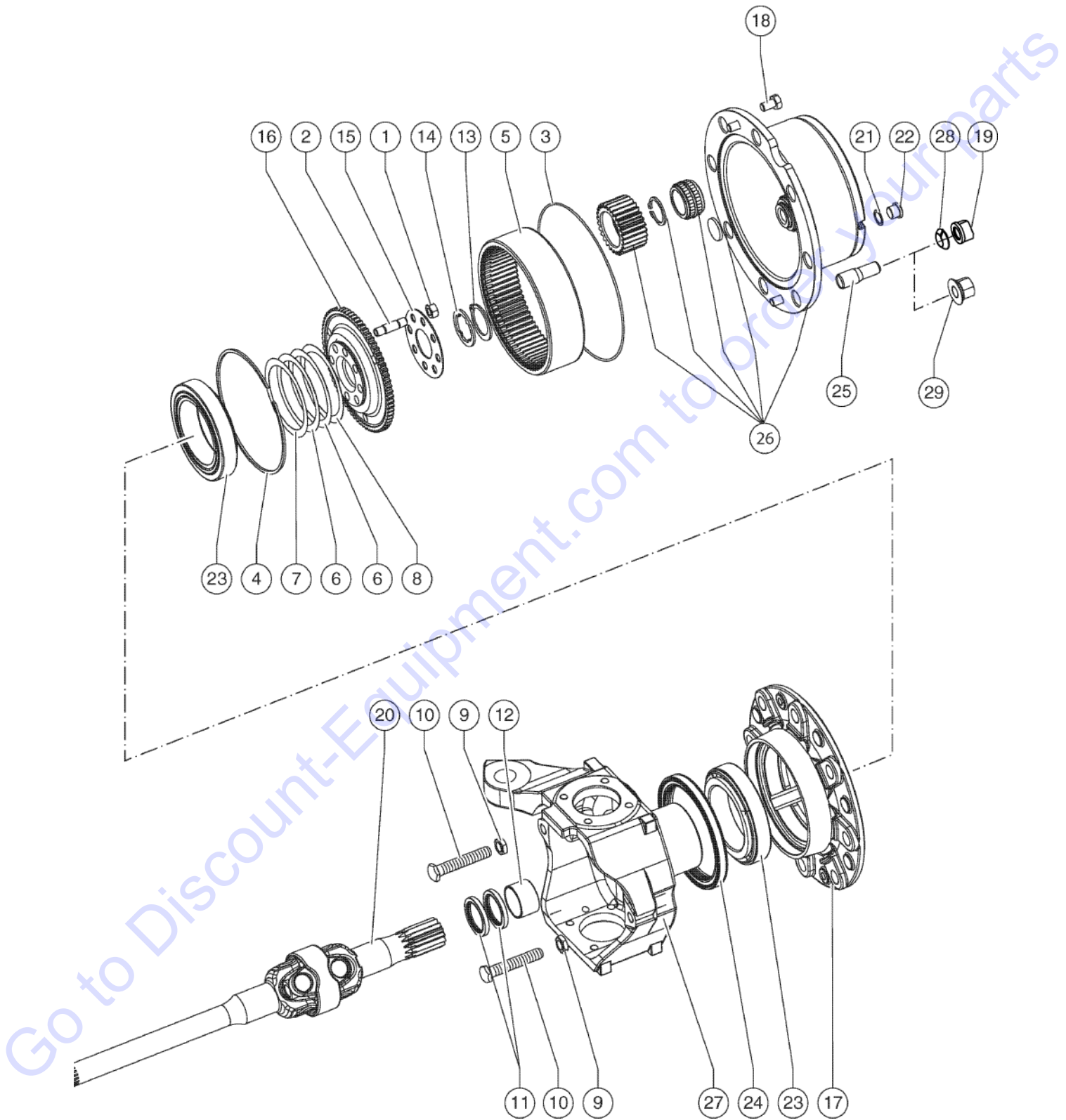
Go to Discount-Equipment.com to order your parts

219.1 607912 Rear Axle - LH Steering Wheel Assy

Item	Part No.	Description	Qty.
1	07.0709.1078GT	Nut M12x1.25 8.8 Uni5588	8
2	07.0709.1149GT	Stud Bolts M12x41	8
3	07.0709.1071GT	O-Ring 3925	1
4	07.0709.1069GT	Int. Retaining Ring Br190	1
5	07.0709.1135GT	Crown Wheel	1
6	07.0709.1132GT	Shim 99,8X122x0,2	2
7	07.0709.1131GT	Shim 99,8X122x0,1	1
8	07.0709.1133GT	Shim 9,8X122x0,35	1
9	07.0709.1123GT	Nut M16 8	2
10	07.0709.1151GT	End Steering Screw - 128	2
11	07.0709.1155GT	Oil Seal 45X60x7 Basl To SN GTH55M-5844	2
11	07.0709.1080GT	OIL SEAL For SN GTH55M-5815; From SN GTH55M-5845	2
12	07.0709.1148GT	Busching Dx	1
13	07.0709.1154GT	Snap Ring 45 Uni7436	1
14	07.0709.1128GT	Crown Shim To SN GTH55M-5844	1
15	07.0709.1127GT	Crown Ring	1
16	07.0709.1113GT	Corwn Flange	1
17	07.0709.1103GT	Wheel hub - 128 To SN GTH55M-5844	1
17	07.0709.1327GT	WHEEL HUB - 128 For SN GTH55M-5815; From SN GTH55M-5845	1
18	07.0709.1092GT	Hwx Screw M12x20 Uni 5739-8G	2
19	07.0709.1209GT	Nut M18x1,5 To SN GTH55M-5844	8
19	07.0709.1351GT	NUT For SN GTH55M-5815; From SN GTH55M-5845	8
20	07.0709.1096GT	Cardan Shaft l=1390 - S128	1
21	07.0709.1120GT	Copper Washer D.18	1
22	07.0709.1152GT	Cap M18x1,5din908	1
23	07.0709.1153GT	Bearing 32020 X	2
24	07.0709.1197GT	Ring 145X75x4.5x15.5 Nbr	1
25	07.0709.1150GT	Stud bolts m22/18x45 10.9 To SN GTH55M-5844	8



219.1 607912 Rear Axle - LH Steering Wheel Assy



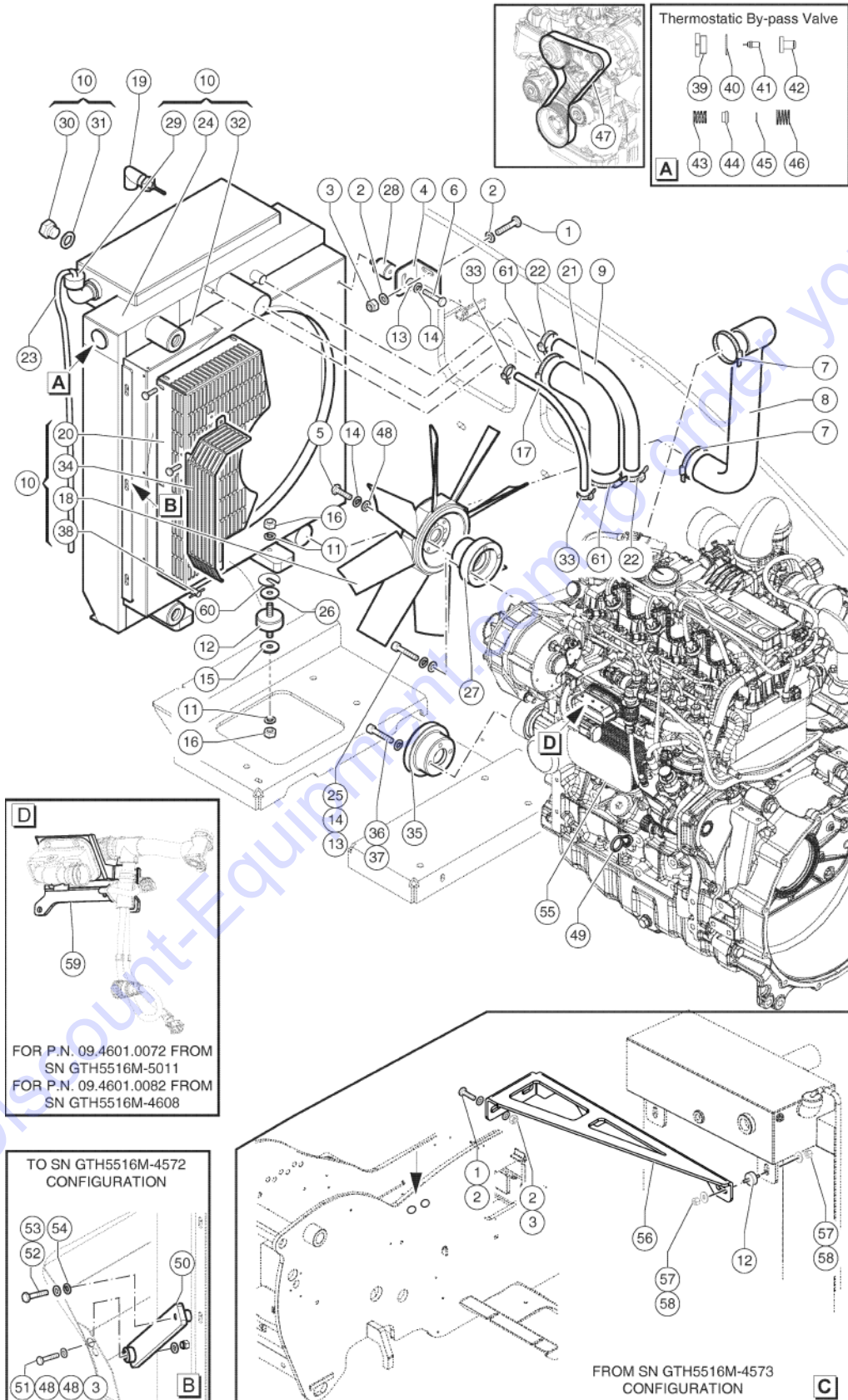
219.1 607912 Rear Axle - LH Steering Wheel Assy

Item	Part No.	Description	Qty.
25	07.0709.1328GT	BOLT M1BX1,5X68 10.9-128 For SN GTH55M-5815; From SN GTH55M-5845	8
26	07.0709.1350GT	HUB ASSEMBLY	1
27	07.0709.1100GT	Articulated Joint Lh - S128	1
28	07.0709.1210GT	Spring Washer D18 To SN GTH55M-5844	8
29	07.0709.1079GT	Self-Lock Nut M18x1,5 Din 74361 Only combined with Solid Boss wheel	8

Go to Discount-Equipment.com to order your parts



301.1 607915 Cooling System (To SN GTH55M-7858, From GTH55M-7866 to GTH55M-8254. from GTH55M-8264 to GTH55M-8385. from GTH55M-8394 to

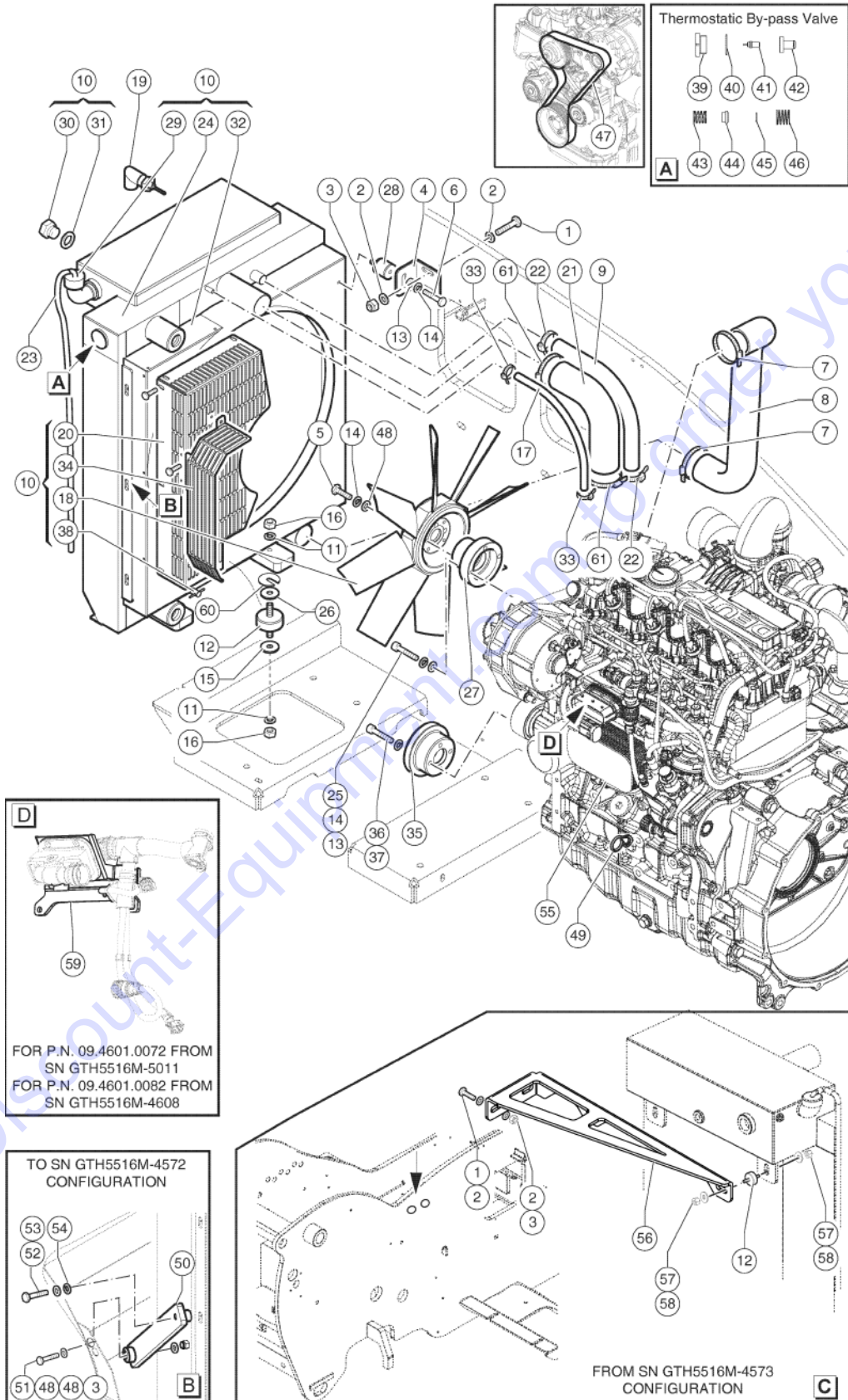


301.1 607915 Cooling System (To SN GTH55M-7858, From GTH55M-7866 to GTH55M-8254. from GTH55M-8264 to GTH55M-8385.

Item	Part No.	Description	Qty.
	1294715GT	KIT,FAN REPLACEMENT,458MM,GTH	1
1	01.0001.1465GT	SCREW TE M8X40 UNI 5739 8.8 ZN	2
2	01.4031.0004GT	FLAT WASHER D8X32 UNI 6593 ZN	4
3	01.0023.0054GT	NUT,M8 UNI 7473 6S ZN	2
4	51.0811.4418GT	Radiator Lateral Support To SN GTH5516M-4572	1
5	01.0001.0254GT	SCREW M8X20 UNI 5739 8.8 ZN	4
6	01.0001.0252GT	SCREW M8X16 UNI 5739 8.8 ZN To SN GTH5516M-4572	1
7	04.0227.0058GT	CLAMP DN 40/60 LG12	2
8	53.3001.6747GT	Radiator Manifold	1
9	53.3001.6789GT	Radiator Manifold	1
10	53.3200.0060GT	Complete Radiator For Stage IIIB To SN GTH5516M-5265; For Stage IIIA To SN GTH5516M-5326	1
10	53.3200.0088GT	Complete Radiator For Stage IIIB From SN GTH5516M-5266; For Stage IIIA From SN GTH5516M-5327	1
11	01.4032.0004GT	Spring Washer D10 ZN	4
12	09.4670.0022GT	Insulator To SN GTH5516M-4572	2
12	09.4670.0022GT	Insulator From SN GTH5516M-4573	4
13	01.0031.0299GT	FLAT WASHER D8 UNI 6593 ZN	2
14	01.4032.0003GT	Spring Washer D 8 ZN	18
15	01.4031.0003GT	WASHER,D12 UNI 6593 ZN	2
16	01.0019.0105GT	NUT M10 UNI 5588 6S ZN	4
17	53.3001.6806GT	Rubber Hose	1
18	07.0712.0154GT	Fan	1
19	07.4501.0287GT	Sensor	1
20	07.0712.0164GT	Fan Guard	1
21	53.3001.5500GT	HOSE, UPPER RADIATOR	1
22	04.0227.0068GT	CLAMP DN 22/32 LG 9	2
23	09.0805.0000GT	RUBBER HOSE	1,4
24	07.0712.0162GT	Radiator For Stage IIIB To SN GTH5516M-5265; For Stage IIIA To SN GTH5516M-5326	1
24	07.0712.0261GT	Radiator For Stage IIIB From SN GTH5516M-5266; For Stage IIIA From SN GTH5516M-5327	1



301.1 607915 Cooling System (To SN GTH55M-7858, From GTH55M-7866 to GTH55M-8254. from GTH55M-8264 to GTH55M-8385. from GTH55M-8394 to

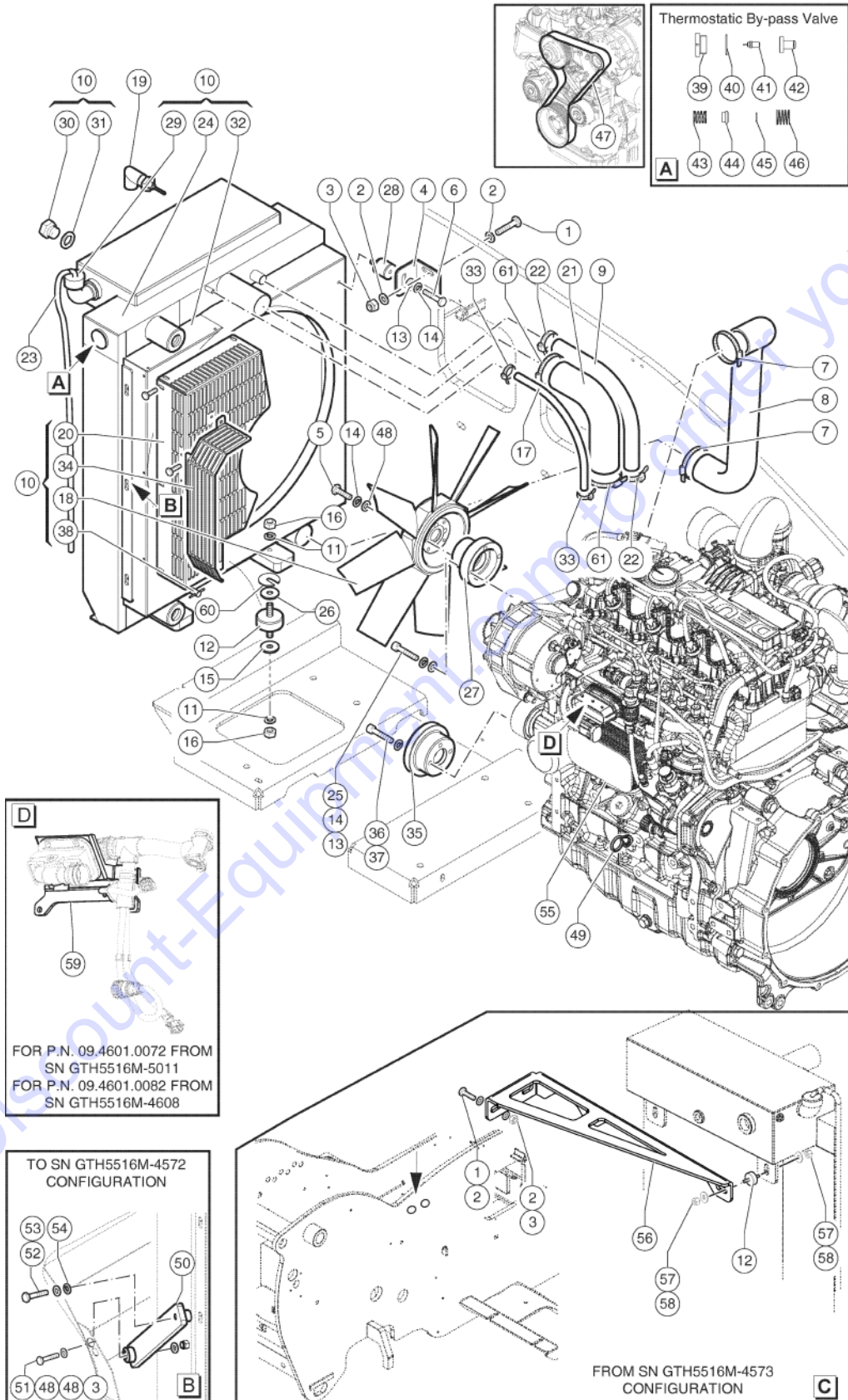


301.1 607915 Cooling System (To SN GTH55M-7858, From GTH55M-7866 to GTH55M-8254, from GTH55M-8264 to GTH55M-8385.

Item	Part No.	Description	Qty.
25	01.0003.0210GT	SCREW M8X50 UNI 5931 8.8 ZN	4
26	54.0100.0005GT	WASHER	5
27	54.0100.0135GT	PULLEY - GTH5519	1
28	09.4670.0029GT	Insulator M-F D.30 X 20 To SN GTH5516M-4572	1
29	07.0712.0175GT	CAP,RADIATOR,DEUTZ	1
30	07.0501.0026GT	LEVEL INDICATOR 3/4"	1
31	07.0501.0027GT	Copper Washer	1
32	07.0712.0163GT	Conveyor	1
33	04.0227.0051GT	CLAMP DN 10/16 LG 9	4
34	07.0712.0165GT	Alternator Guard Cover	1
35	54.0100.0127GT	Pulley	1
36	01.4032.0004GT	Spring Washer D10 ZN	4
37	01.0003.0959GT	Screw M10 X 40 LG.8.8 ZN UNI 5931	4
38	07.0712.0234GT	VALVE	1
39	07.0712.0235GT	PLUG	1
40	07.0712.0236GT	SEAL	1
41	07.0712.0241GT	ELEMENT THERMAL	1
42	07.0712.0237GT	HOUSING	1
43	07.0712.0240GT	Spring	1
44	07.0712.0238GT	ADAPTER	1
45	07.0712.0242GT	SNAP RING	1
46	07.0712.0239GT	SPRING	1
47	07.4501.0289GT	Belt	1
48	01.0031.0055GT	FLAT WASHER D8 UNI 6592 ZN	6
49	07.0501.0097GT	DIPSTICK	1
50	51.0811.4764GT	Bracket	1
51	01.0001.0257GT	SCREW M8X30 UNI 5739 8.8 ZN	1
52	01.0001.1458GT	SCREW M6X35 UNI 5739 8.8 ZN	1



301.1 607915 Cooling System (To SN GTH55M-7858, From GTH55M-7866 to GTH55M-8254. from GTH55M-8264 to GTH55M-8385. from GTH55M-8394 to



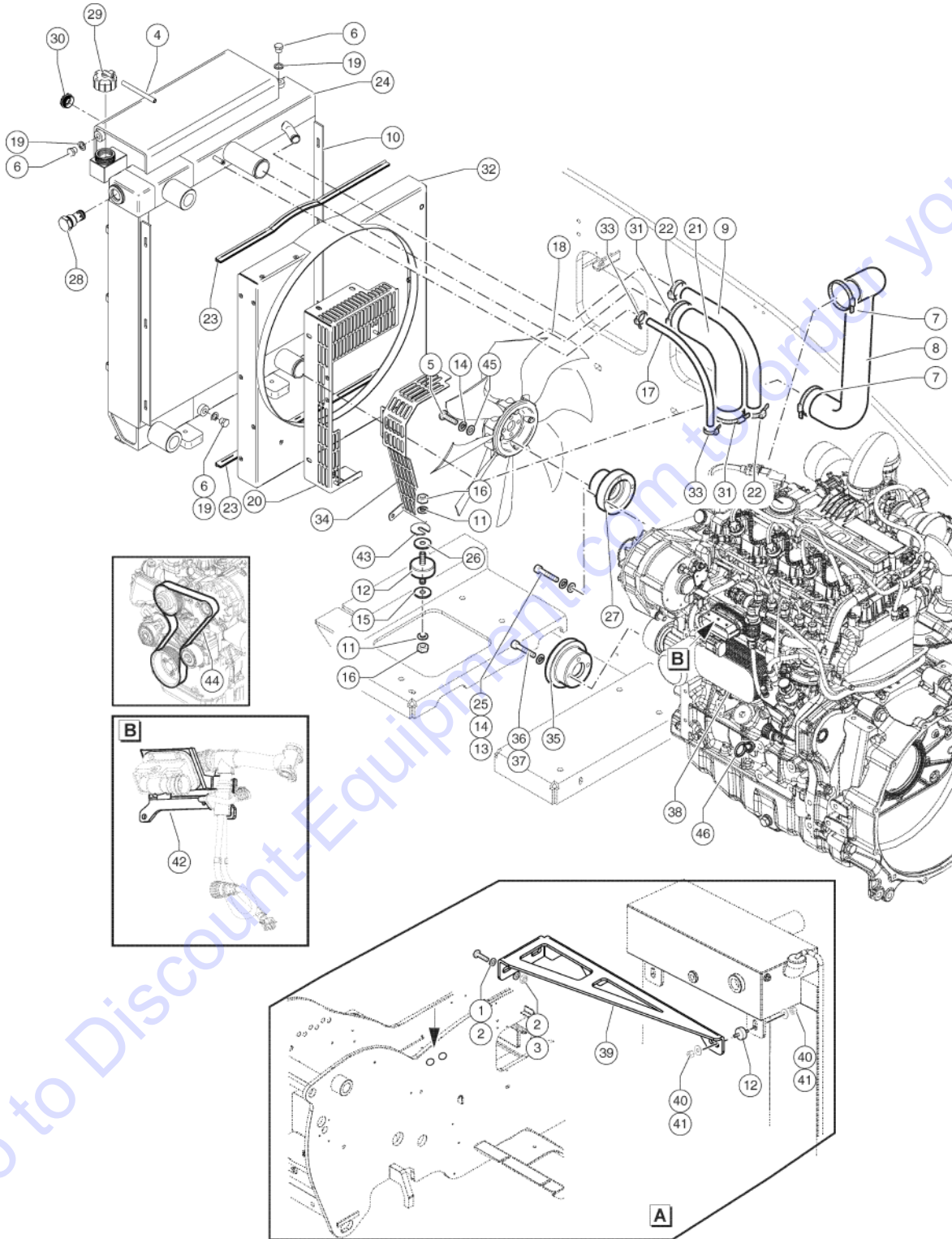
301.1 607915 Cooling System (To SN GTH55M-7858, From GTH55M-7866 to GTH55M-8254, from GTH55M-8264 to GTH55M-8385.

Item	Part No.	Description	Qty.
53	01.0031.0054GT	FLAT WASHER D6 UNI 6592 ZN	1
54	01.4032.0002GT	SPRING WASHER D6 ZN	1
55	1260357GT	OIL COOLER,TD2.9 For Deutz Engine Version	1
56	51.0811.4763GT	Bracket	1
57	01.0031.0301GT	FLAT WASHER D10 UNI 6593 ZN	4
58	01.0023.0055GT	Stop Nut M10 UNI 7473 6S ZN	4
59	07.0501.0052GT	Bracket Kit	1
60	54.0100.0153GT	SHIM	2
61	04.0227.0503GT	Clamp	2

Go to Discount-Equipment.com to order your parts



301.2 607993 Cooling System (From SN GTH55M-7859 to GTH55M-7865, from GTH55M-8255 to GTH55M-8263. from GTH55M-8386 to GTH55M-8393. from

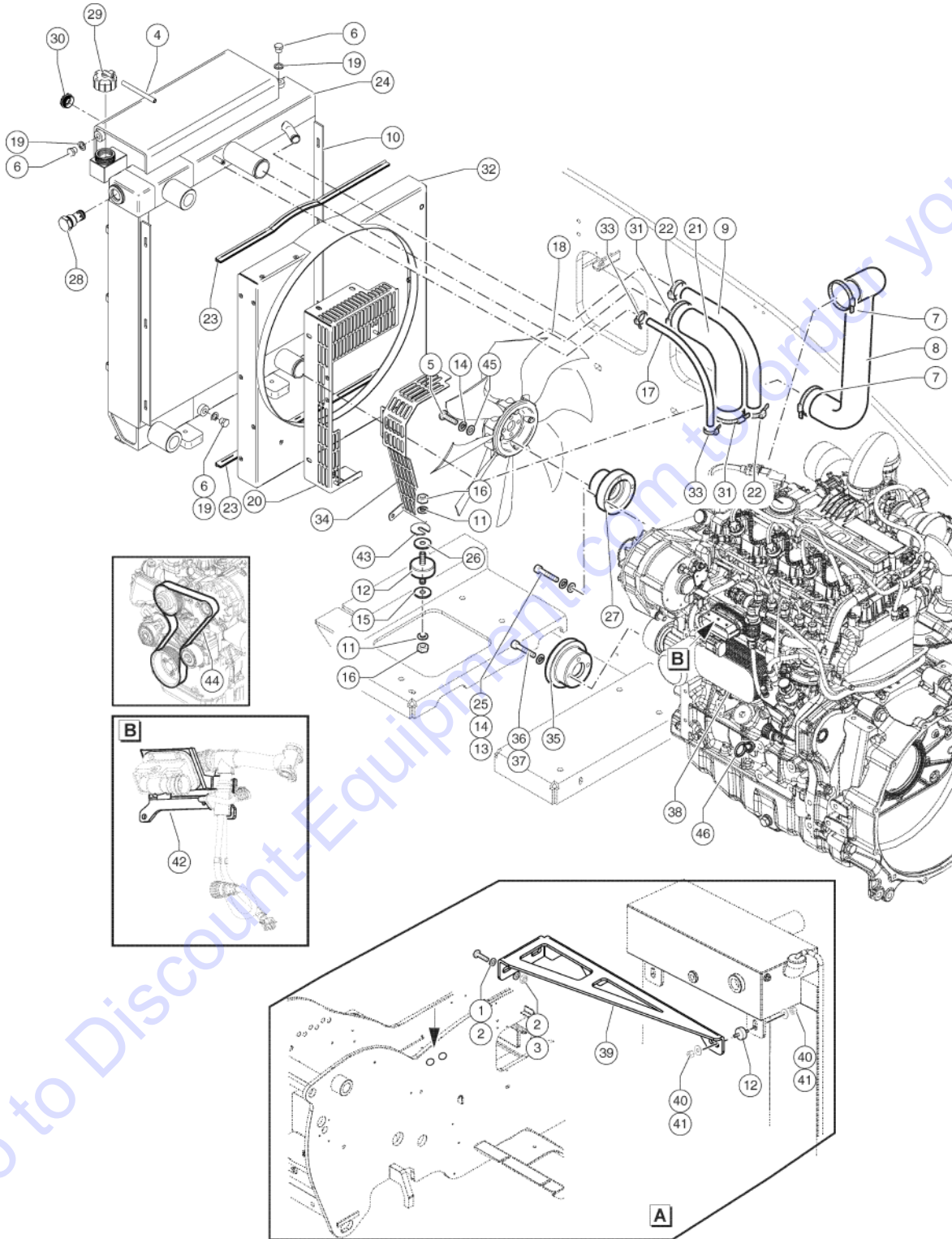


301.2 607993 Cooling System (From SN GTH55M-7859 to GTH55M-7865,
from GTH55M-8255 to GTH55M-8263. from GTH55M-8386 to

Item	Part No.	Description	Qty.
1	01.0001.1465GT	SCREW TE M8X40 UNI 5739 8.8 ZN	2
2	01.4031.0004GT	FLAT WASHER D8X32 UNI 6593 ZN	4
3	01.0023.0054GT	NUT,M8 UNI 7473 6S ZN	2
4	09.0805.0225GT	RUBBER PIPE	1
5	01.0001.0254GT	SCREW M8X20 UNI 5739 8.8 ZN	4
6	04.0220.0051GT	PLUG 1/4" BSP	3
7	04.0227.0058GT	CLAMP DN 40/60 LG12	2
8	53.3001.6747GT	Radiator Manifold	1
9	53.3001.6789GT	Radiator Manifold	1
10	53.3200.0088GT	Complete Radiator	1
11	01.4032.0004GT	Spring Washer D10 ZN	4
12	09.4670.0022GT	Insulator	4
13	01.0031.0299GT	FLAT WASHER D8 UNI 6593 ZN	2
14	01.4032.0003GT	Spring Washer D 8 ZN	18
15	01.4031.0003GT	WASHER,D12 UNI 6593 ZN	2
16	01.0019.0105GT	NUT M10 UNI 5588 6S ZN	4
17	53.3001.6806GT	Rubber Hose	1
18	07.0712.0314GT	Fan	1
19	06.0442.0117GT	BONDED RING 1/4"	3
20	07.0712.0322GT	Fan Guard	1
21	53.3001.5500GT	HOSE, UPPER RADIATOR	1
22	04.0227.0068GT	CLAMP DN 22/32 LG 9	2
23	07.0712.0320GT	Rubber Seal	1
24	07.0712.0316GT	Radiator	1
25	01.0003.0210GT	SCREW M8X50 UNI 5931 8.8 ZN	4
26	54.0100.0005GT	WASHER	5
27	54.0100.0135GT	PULLEY - GTH5519	1
28	07.0712.0317GT	BY-PASS VALVE	1



301.2 607993 Cooling System (From SN GTH55M-7859 to GTH55M-7865, from GTH55M-8255 to GTH55M-8263. from GTH55M-8386 to GTH55M-8393. from



Go to Discount-Equipment.com to order your parts

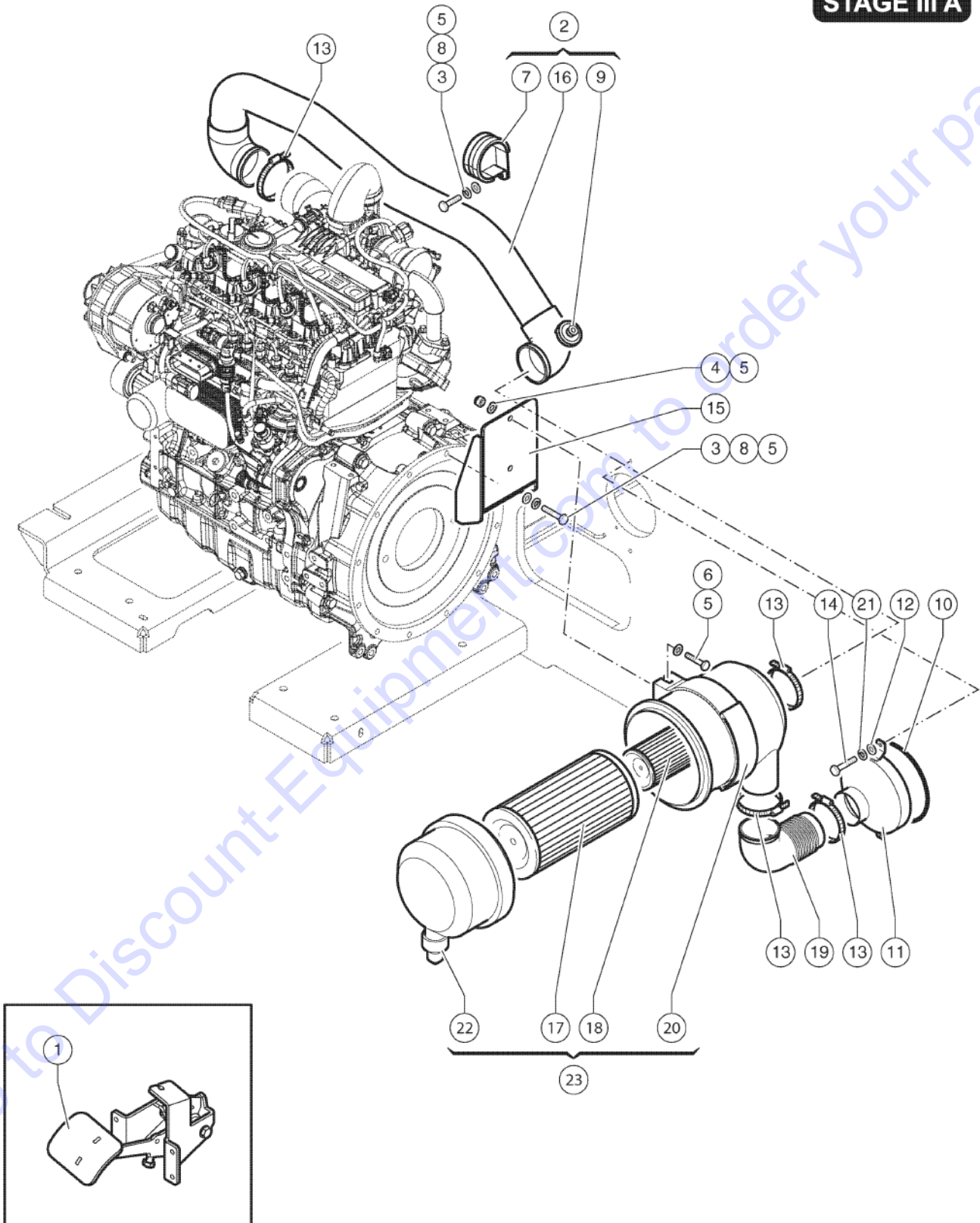
301.2 607993 Cooling System (From SN GTH55M-7859 to GTH55M-7865,
from GTH55M-8255 to GTH55M-8263. from GTH55M-8386 to

Item	Part No.	Description	Qty.
29	07.0712.0318GT	CAP	1
30	07.0712.0319GT	LEVEL INDICATOR 3/4"	1
31	04.0227.0503GT	Clamp	2
32	07.0712.0321GT	Conveyor	1
33	04.0227.0051GT	CLAMP DN 10/16 LG 9	4
34	07.0712.0323GT	Alternator Guard Cover	1
35	54.0100.0127GT	Pulley	1
36	01.4032.0004GT	Spring Washer D10 ZN	4
37	01.0003.0959GT	Screw M10 X 40 LG.8.8 ZN UNI 5931	4
38	1260357GT	OIL COOLER,TD2.9	1
39	51.0811.4763GT	Bracket	1
40	01.0031.0301GT	FLAT WASHER D10 UNI 6593 ZN	4
41	01.0023.0055GT	Stop Nut M10 UNI 7473 6S ZN	4
42	07.0501.0052GT	Bracket Kit	1
43	54.0100.0153GT	SHIM	2
44	07.4501.0289GT	Belt	1
45	01.0031.0055GT	FLAT WASHER D8 UNI 6592 ZN	6
46	07.0501.0097GT	DIPSTICK	1

Go to Discount-Equipment.com to order your parts



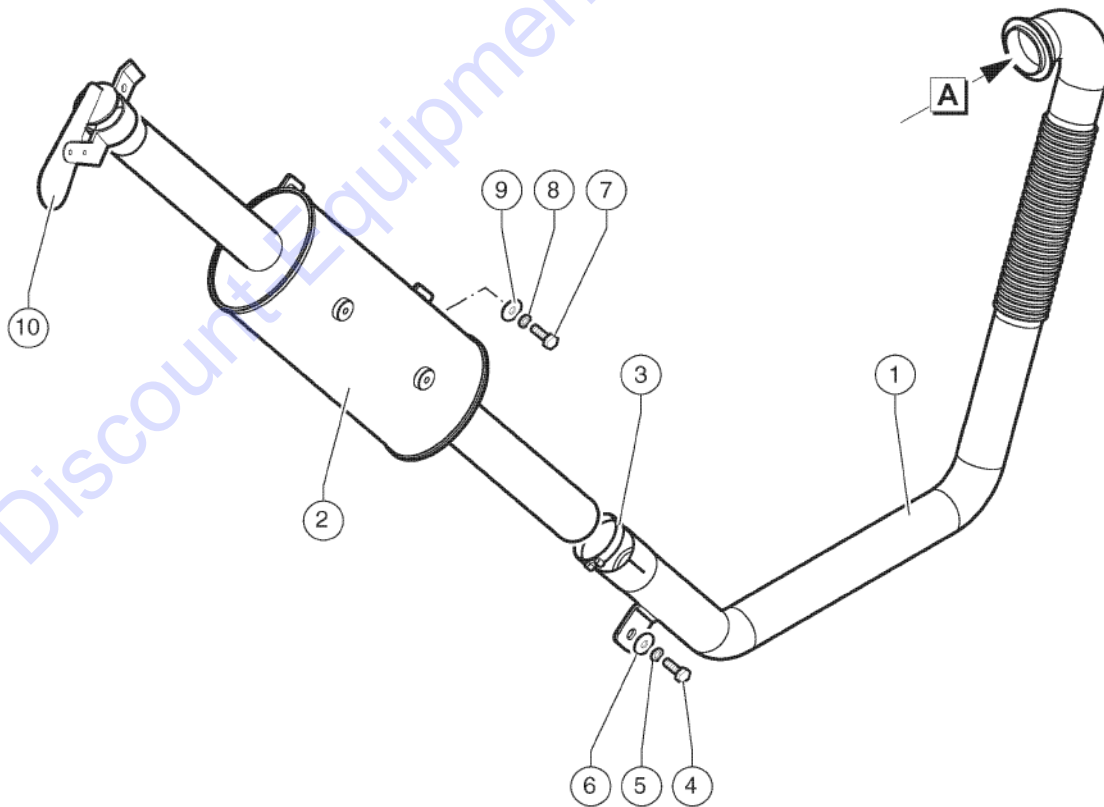
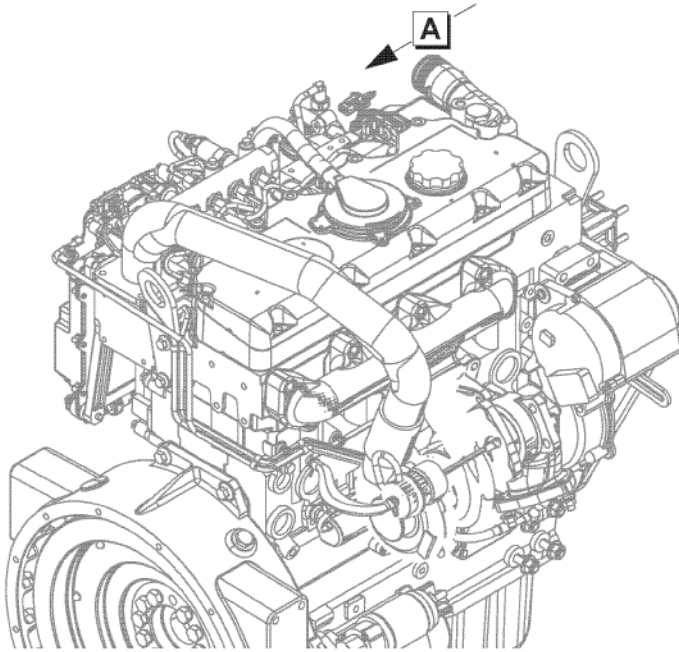
STAGE III A



Item	Part No.	Description	Qty.
1	09.4656.0020GT	Complete Throttle Pedal	1
2	55.0208.0114GT	Air Suction Manifold Assembly	1
3	01.0001.0057GT	SCREW TE M14X100UNI 5737 8.	2
4	01.0023.0054GT	NUT,M8 UNI 7473 6S ZN	2
5	01.0031.0299GT	FLAT WASHER D8 UNI 6593 ZN	8
6	01.0001.1465GT	SCREW TE M8X40 UNI 5739 8.8 ZN	3
7	04.4227.0016GT	CLAMP D60 HOLE 10.5	5
8	01.4032.0003GT	Spring Washer D 8 ZN	2
9	09.4604.0076GT	Sensor	1
10	07.0723.0089GT	SEAL STRIP	0.6
11	53.3001.6749GT	Air Filter Manifold	1
12	01.0031.0054GT	FLAT WASHER D6 UNI 6592 ZN	2
13	04.0227.0000GT	Clamp 60x80	4
14	01.0001.0154GT	SCREW,TE,M6X16 UNI 8.8 ZN	2
15	51.0811.4533GT	Air filter support	1
16	53.3001.6746GT	Manifold	1
17	07.0700.0040GT	Main Air Filter Element	1
18	07.0700.0041GT	Secondary Air Filter Element	1
19	53.3001.6792GT	HOSE,INTAKE	1
20	07.0700.0052GT	Bracket, Air Filter	1
21	01.4032.0002GT	SPRING WASHER D6 ZN	2
22	07.0700.0035GT	Output Valve	1
23	09.4604.0069GT	Air Filter Kit	1

302.2 607978 Exhaust System - Stage IIIA Engine

STAGE III A



Go to DiscountEquipment.com to order your parts

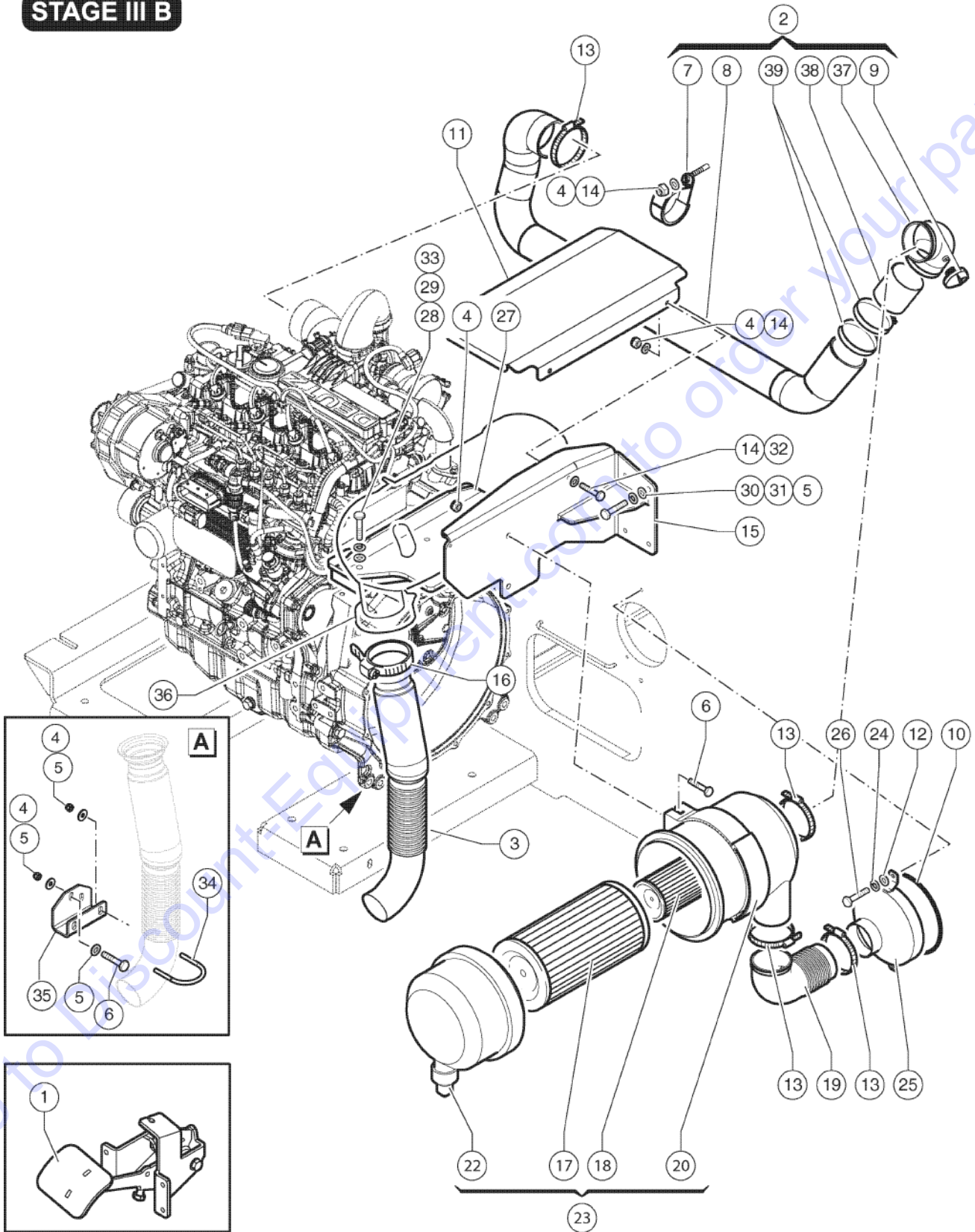
302.2 607978 Exhaust System - Stage IIIA Engine

Item	Part No.	Description	Qty.
1	53.3001.6790GT	Exhaust Tube	1
2	53.3100.0059GT	Silencer	1
3	09.0803.0347GT	CLAMP 64-67 M8	1
4	01.0001.0257GT	SCREW M8X30 UNI 5739 8.8 ZN	2
5	01.4032.0003GT	Spring Washer D 8 ZN	2
6	01.0031.0299GT	FLAT WASHER D8 UNI 6593 ZN	2
7	01.0001.0356GT	SCREW M10X30 UNI 5739 8.8 ZN	2
8	01.4032.0004GT	Spring Washer D10 ZN	2
9	01.0031.0301GT	FLAT WASHER D10 UNI 6593 ZN	2
10	09.0803.0539GT	Muffler Cap	1

Go to Discount-Equipment.com to order your parts



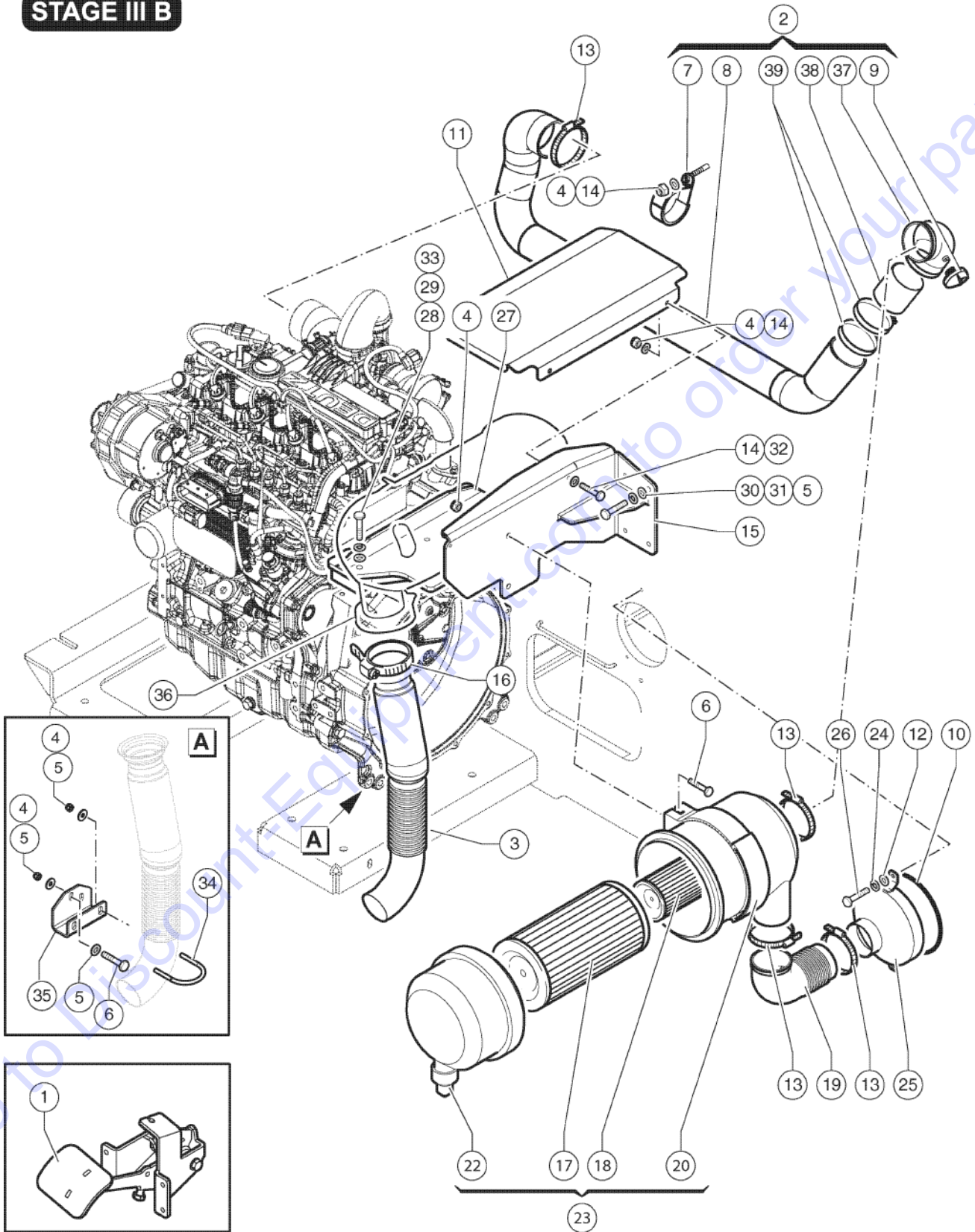
STAGE III B



302.3 607916 Exhaust System, Injection, Accelerator - Stage IIIB Engine

Item	Part No.	Description	Qty.
1	09.4656.0020GT	Complete Throttle Pedal	1
2	55.0208.0147GT	Air Suction Manifold Assembly	1
3	58.2513.9083GT	Kit Exhaust Pipe Includes Items 4, 5, 34, 35	1
4	01.0023.0054GT	NUT,M8 UNI 7473 6S ZN	8
5	01.0031.0299GT	FLAT WASHER D8 UNI 6593 ZN	8
6	01.0001.1465GT	SCREW TE M8X40 UNI 5739 8.8 ZN	3
7	04.4227.0049GT	RUBBER CLAMP D.70	1
8	09.0805.0226GT	AIR FILTER RUBBER MANIFOLD	1
9	09.4604.0076GT	Sensor	1
10	07.0723.0089GT	SEAL STRIP	23
11	51.0903.5046GT	Cover	1
12	01.0031.0054GT	FLAT WASHER D6 UNI 6592 ZN	2
13	04.0227.0000GT	Clamp 60x80	4
14	01.0031.0055GT	FLAT WASHER D8 UNI 6592 ZN	2
15	51.0811.4553GT	Air filter support	1
16	825015GT	CLAMP, 50MM V	1
17	07.0700.0040GT	Main Air Filter Element	1
18	07.0700.0041GT	Secondary Air Filter Element	1
19	53.3001.6792GT	HOSE,INTAKE	1
20	07.0700.0052GT	Bracket, Air Filter	1
22	07.0700.0035GT	Output Valve	1
23	09.4604.0069GT	Air Filter Kit	1
24	01.4032.0002GT	SPRING WASHER D6 ZN	2
25	53.3001.6749GT	Air Filter Manifold	1
26	01.0001.0154GT	SCREW,TE,M6X16 UNI 8.8 ZN	2
27	51.0811.4552GT	Cover	1
28	01.0031.0056GT	FLAT WASHER D10 UNI 6592 ZN	4
29	01.4032.0004GT	Spring Washer D10 ZN	4

STAGE III B

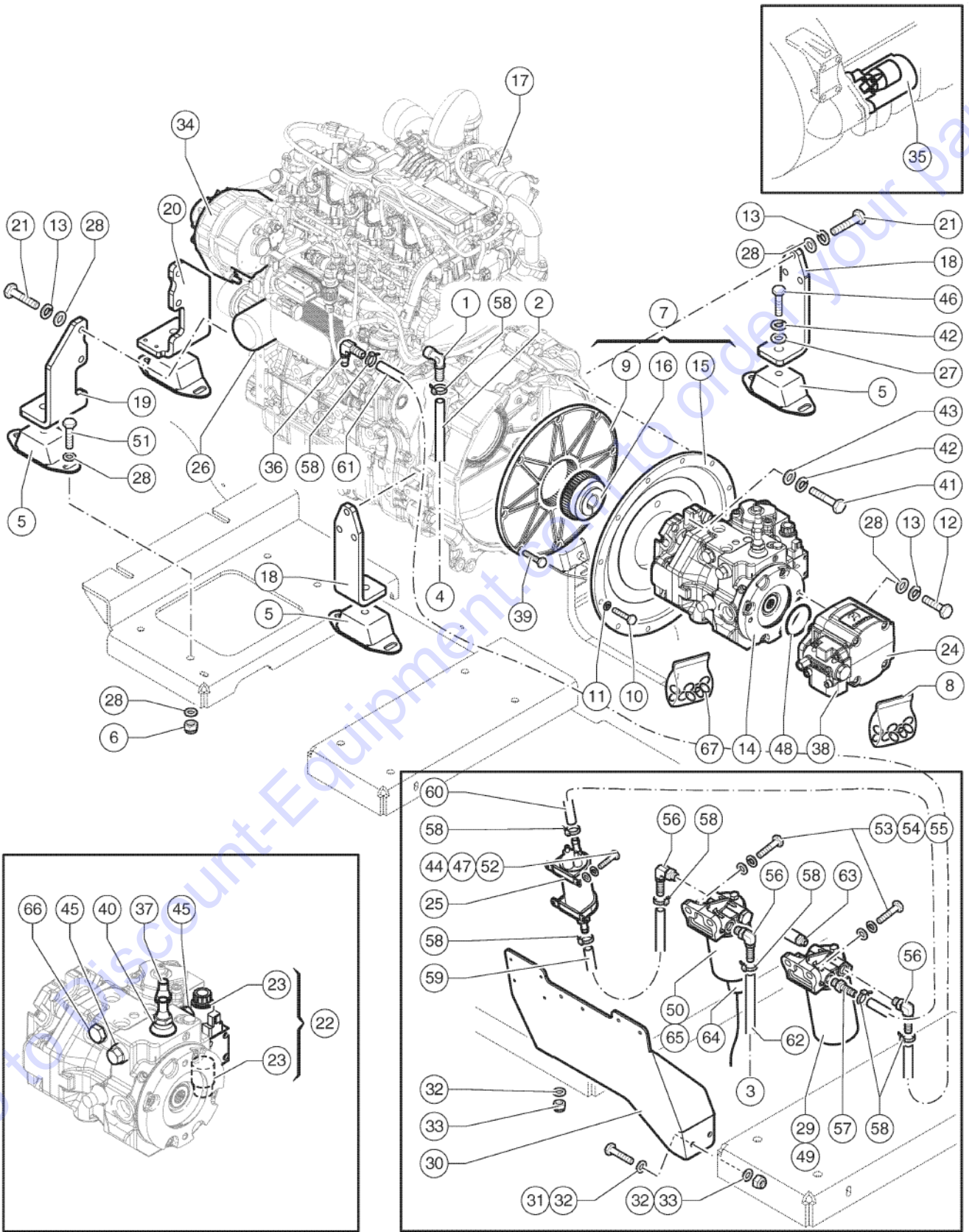


302.3 607916 Exhaust System, Injection, Accelerator - Stage IIIB Engine

Item	Part No.	Description	Qty.
30	01.0001.0257GT	SCREW M8X30 UNI 5739 8.8 ZN	4
31	01.4032.0003GT	Spring Washer D 8 ZN	4
32	01.0001.0256GT	SCREW M8X25 UNI 5739 8.8 ZN	2
33	01.0001.0308GT	Screw TE M10X70 UNI 5737 8.8 ZN	4
34	51.0811.4706GT	U-Bolt Pipe Hanger	1
35	51.0811.4704GT	Bracket	1
36	07.4501.0330GT	EAT KIT To SN GTH55M-7863	1
36	07.4501.0400GT	EAT KIT From SN GTH55M-7864	1
37	07.0700.0053GT	RUBBER ELBOW	1
38	53.3001.6798GT	PIPE	1
39	04.4227.0000GT	CLAMP DN 60/80 LG12	2

Go to Discount-Equipment.com to order your parts

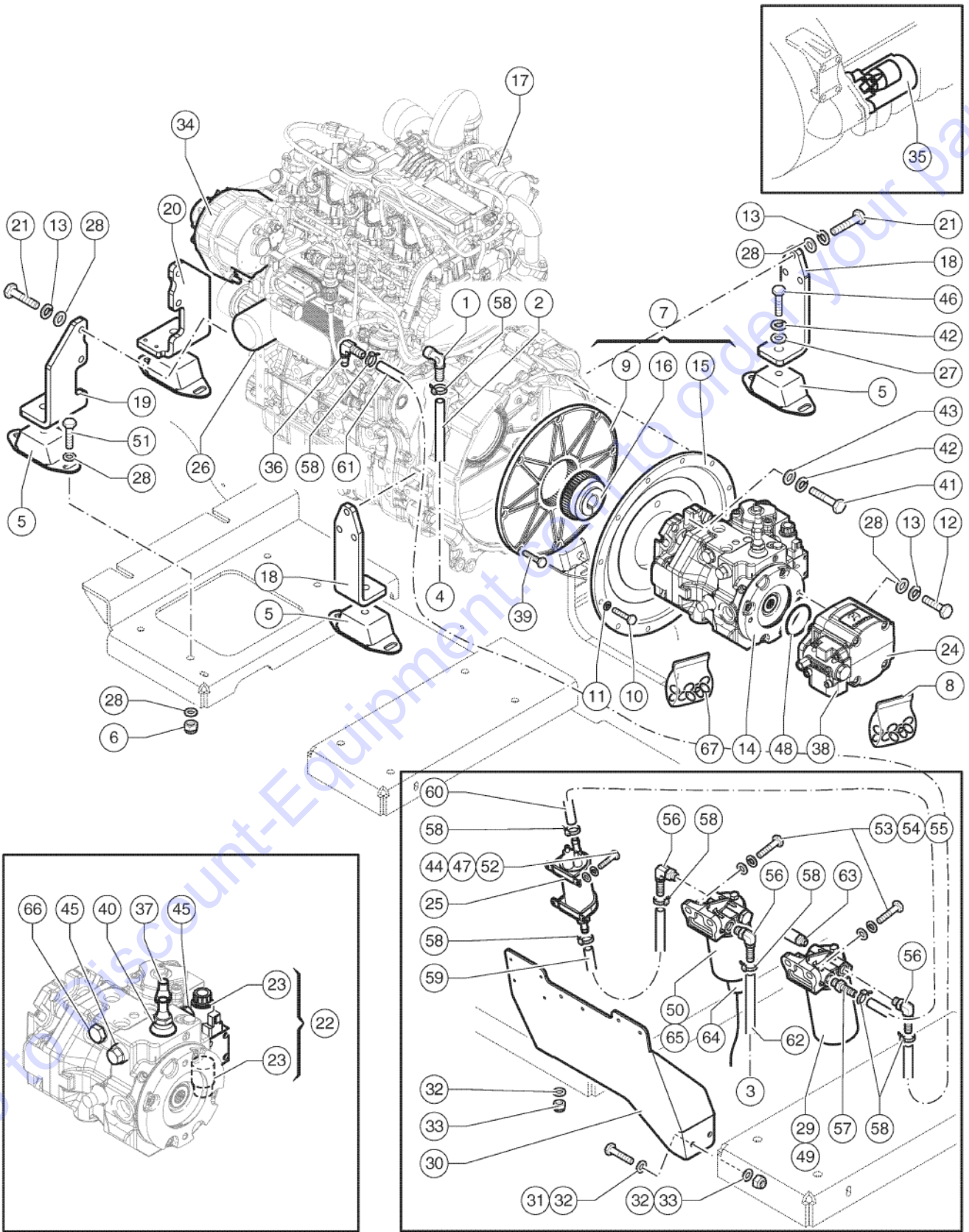




303.1 607917 Hydraulic Pumps - To SN GTH55M-5878

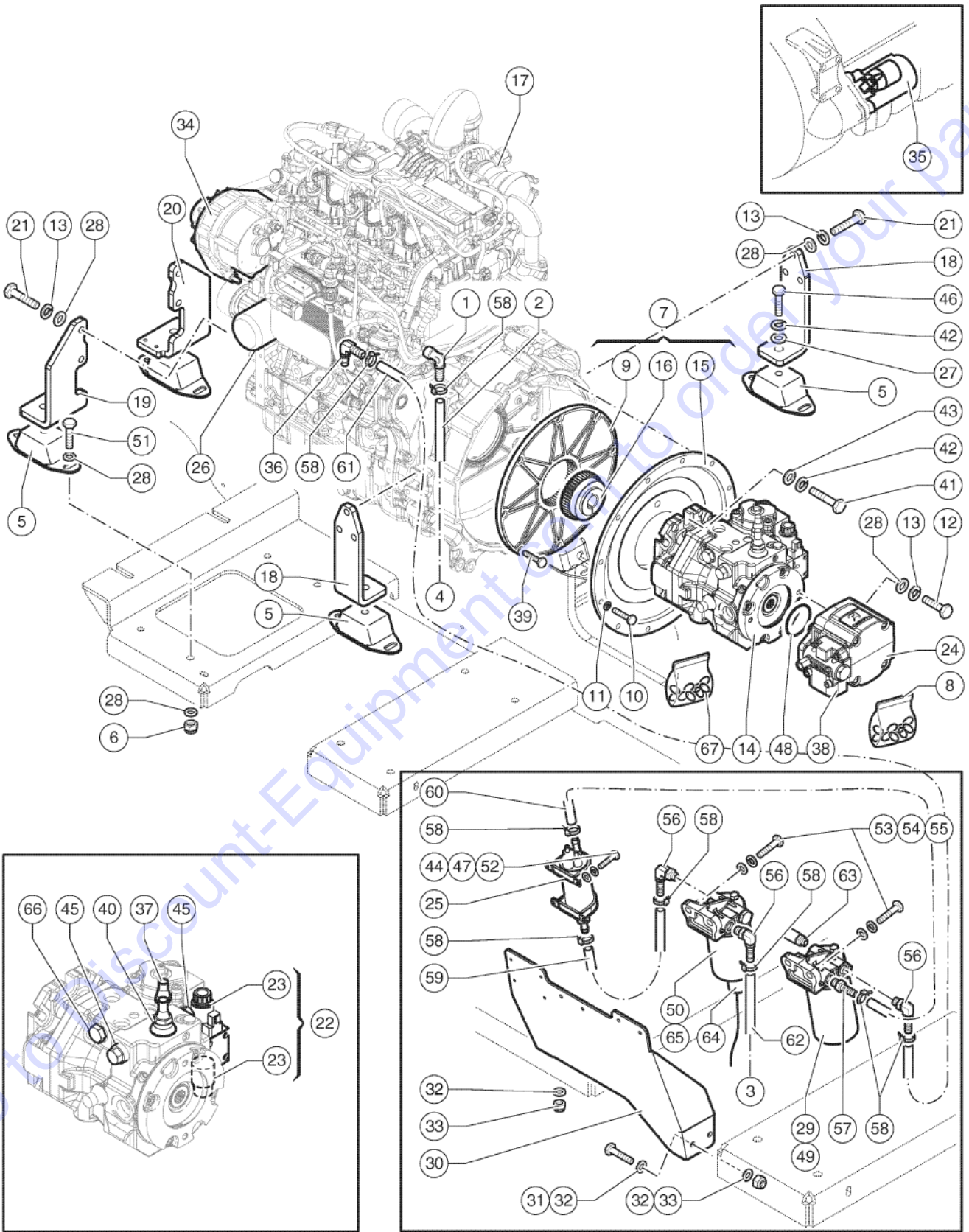
Item	Part No.	Description	Qty.
1	09.0805.0146GT	GAS/OIL QUICK CONNECTOR	1
2	09.0805.0171GT	HOSE	138
3		See 200 Drive Chassis Components - Figure 607894, ref.46	Ref
4		See 200 Drive Chassis Components - Figure 607894, ref.47	Ref
5	09.4670.0027GT	Insulator	4
6	01.0023.0056GT	STOP NUT M12 UNI 7473 6S ZN	16
7	09.0804.2300GT	PUMP,PRE ARRANGEMENT	1
8	07.4529.0209GT	SEAL KIT Kit For 04.4238.0059	1
9	07.0713.0061GT	FLANGE	1
10	01.0001.0355GT	SCREW M10X25 UNI 5739 8.8 ZN	10
11	01.4032.0004GT	Spring Washer D10 ZN	12
12	01.0001.0506GT	SCREW M12X30 UNI 5739 8.8 ZN	2
13	01.4032.0005GT	SPRING WASHER D12 ZN	12
14	04.4238.0088GT	Hydraulic Pump	1
15	07.0713.0063GT	BELL	1
16	07.0713.0062GT	HUB	1
17	09.4601.0072GT	ENGINE,DEUTZ	1
17	09.4601.0082GT	DIESEL ENGINE	1
18	51.0811.4413GT	SUPPORT,ENGINE,FWHL	1
19	51.0811.4841GT	ENGINE SUPPORT	1
20	51.0811.4414GT	SUPPORT,ENGINE,FRONT L	1
21	01.0001.0508GT	SCREW M12X40 UNI 5739 8.8 ZN	10
22	07.0701.0268GT	Solenoid Valve	1
23	07.0701.0267GT	Solenoid	2
24	04.4238.0059GT	HYDRAULIC PUMP 2	1
25	07.0501.0050GT	Fuel Pump	1
26	07.4501.0067GT	FILTER,OIL For US Market Can Be Sold P.N. 49924	1
27	01.0031.0059GT	FLAT WASHER D16 UNI 6592 ZN	4





Item	Part No.	Description	Qty.
28	01.0031.0057GT	WASHER, FLAT, D12, UNI 6592, ZN	12
29	214228GT	FILTER, DEUTZ 2.9, FUEL	1
30	51.0811.4541GT	Filter Support	1
31	01.0001.0257GT	SCREW M8X30 UNI 5739 8.8 ZN	2
32	01.0031.0299GT	FLAT WASHER D8 UNI 6593 ZN	4
33	01.0023.0054GT	NUT,M8 UNI 7473 6S ZN	2
34	07.0501.0051GT	Alternator	1
35	07.4501.0286GT	Starter Motor	1
36	09.0805.0147GT	FITTING,PUMP,FUEL	1
37	07.0701.0269GT	PRESSURE CONTROL VALVE	1
38	07.0722.0053GT	VALVE,LOAD SENSE	1
39	01.0003.0255GT	SCREW M10X25 UNI 5931 8.8 ZN	8
40	07.0701.0241GT	VALVE	1
41	01.4001.0069GT	SCREW M16X40 UNI 5737 10.9 ZN	2
42	01.4032.0007GT	SPRING WASHER D16 ZN	4
43	01.0031.0099GT	FLAT WASHER D16 UNI 5714 ZN	2
44	01.4001.0045GT	Screw TE M 5X10 UNI 5739 8.8 ZN	4
45	07.0701.0270GT	MAX PRESSURE VALVE	2
46	01.0001.1557GT	SCREW, HHC, M16 x 50 LG.8.8 ZN UNI 5739 , DIN 933	4
47	01.4032.0001GT	WASHER,SPRING,D5 ZN	4
48	07.0701.0211GT	O-RING,R909154589 REXROTH	1
49	07.4501.0304GT	FUEL FILTER	1
50	07.4501.0285GT	FUEL PRE-FILTER For US Market Can Be Sold P.N. 236260	1
51	01.0001.0508GT	SCREW M12X40 UNI 5739 8.8 ZN	16
52	01.0031.0053GT	FLAT WASHER D5 UNI 6592 ZN	4
53	01.0001.0256GT	SCREW M8X25 UNI 5739 8.8 ZN	4
54	01.4032.0003GT	Spring Washer D 8 ZN	4
55	01.0031.0055GT	FLAT WASHER D8 UNI 6592 ZN	4





PARTS FINDER

**Search Website
by Part Number**



**Search Manual
Library For Parts
Manual & Lookup Part
Numbers – Purchase
or Request Quote**

Search Manuals

Enter your information to help us find the right parts manual for your machine.

* Brand:

* Model:

* Serial:

* Part Number:

SEARCH

**Can't Find Part or
Manual? Request Help
by Manufacturer,
Model & Description**

Parts Order Form

Please fill in the following information to help us find the right part for your machine.

MANUFACTURER:

MODEL:

DESCRIPTION:

DATE:

TIME:

PHONE:

EMAIL:

ADDRESS:

CITY:

STATE:

ZIP:

COUNTRY:

SEARCH

Discount-Equipment.com is your online resource for quality parts & equipment.

Florida: **561-964-4949** Outside Florida TOLL FREE: **877-690-3101**

Need parts?

Click on this link: <http://www.discount-equipment.com/category/5443-parts/> and choose one of the options to help get the right parts and equipment you are looking for. Please have the machine model and serial number available in order to help us get you the correct parts. If you don't find the part on the website or on one of the online manuals, please fill out the request form and one of our experienced staff members will get back to you with a quote for the right part that your machine needs.

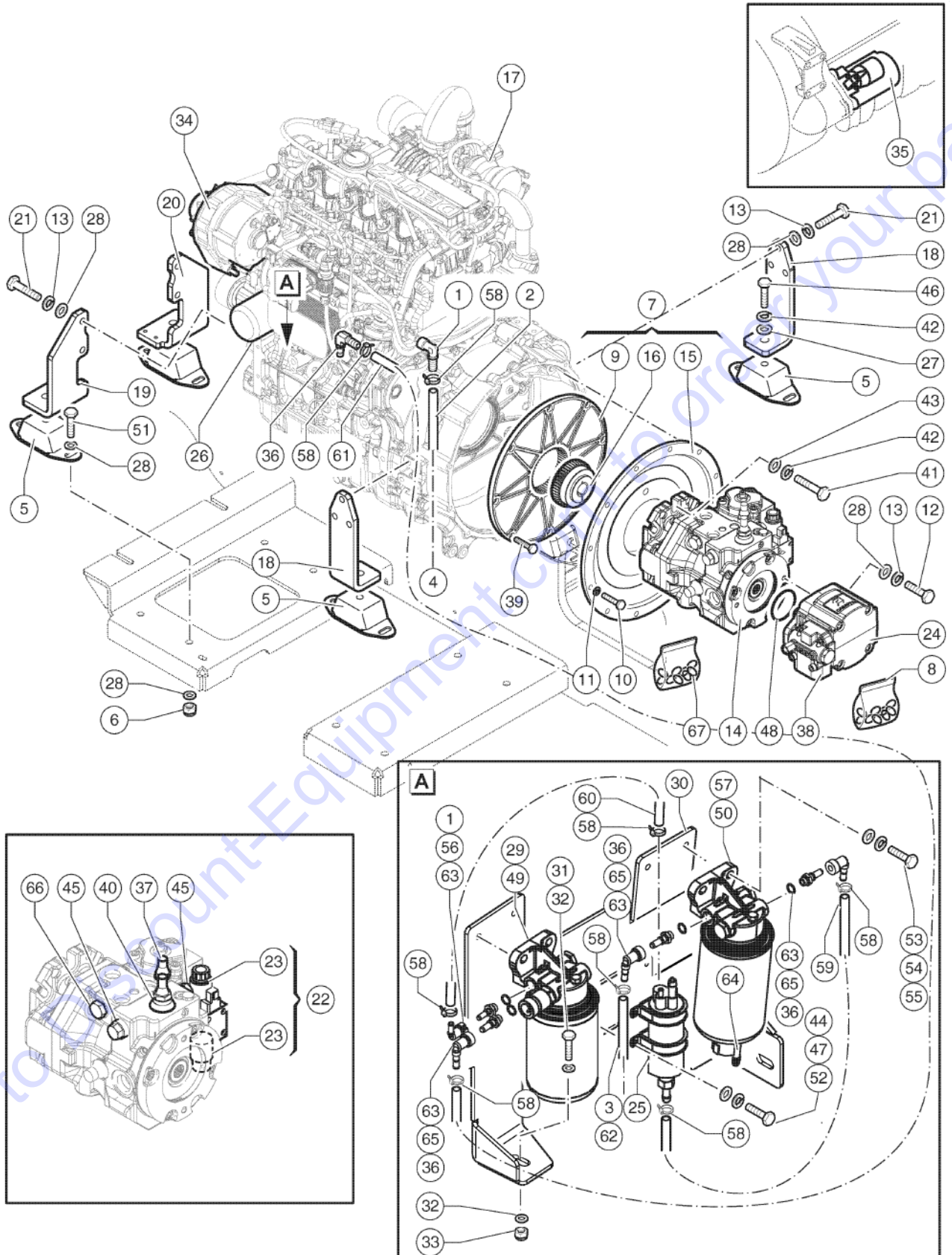
We sell worldwide for the brands: Genie, Terex, JLG, MultiQuip, Mikasa, Essick, Whiteman, Mayco, Toro Stone, Diamond Products, Generac Magnum, Airman, Haulotte, Barreto, Power Blanket, Nifty Lift, Atlas Copco, Chicago Pneumatic, Allmand, Miller Curber, Skyjack, Lull, Skytrak, Tsurumi, Husquvarna Target, Stow, Wacker, Sakai, Mi-T-M, Sullair, Basic, Dynapac, MBW, Weber, Bartell, Bennar Newman, Haulotte, Ditch Runner, Menegotti, Morrison, Contec, Buddy, Crown, Edco, Wyco, Bomag, Laymor, EZ Trench, Bil-Jax, F.S. Curtis, Gehl Pavers, Heli, Honda, ICS/PowerGrit, IHI, Partner, Imer, Clipper, MMD, Koshin, Rice, CH&E, General Equipment, Amida, Coleman, NAC, Gradall, Square Shooter, Kent, Stanley, Tamco, Toku, Hatz, Kohler, Robin, Wisconsin, Northrock, Oztec, Toker TK, Rol-Air, APT, Wylie, Ingersoll Rand / Doosan, Innovatech, Con X, Ammann, Mecalac, Makinex, Smith Surface Prep, Small Line, Wanco, Yanmar

Item	Part No.	Description	Qty.
56	09.0806.0066GT	Pipe Fitting A 90 M16X1.5 XD.12	3
57	09.0806.0063GT	Pipe Fitting M16X1.5 X D. 10	1
58	04.0227.0051GT	CLAMP DN 10/16 LG 9	8
59	T09.0805.0070GT	FLEXIBLE HOSE,D12X18(1EACH-1METER)	23 .6
60	09.0805.0171GT	HOSE	27
61	T09.0805.0070GT	FLEXIBLE HOSE,D12X18(1EACH-1METER)	27
62	09.0805.0171GT	HOSE	130
63	824673GT	SENSOR, PRESSURE,DEUTZ 2.9	1
64	07.4501.0291GT	SENSOR	1
65	07.4501.0303GT	Complete Fuel Pre-Filter	1
66	07.0701.0271GT	SUPERCHARGING VALVE	1
67	07.4529.0214GT	SEAL KIT	1

Go to Discount-Equipment.com to order your parts



303.2 607992 Hydraulic Pumps - From GTH55M-5879 to 7912, From GTH55M-7923 To 8945

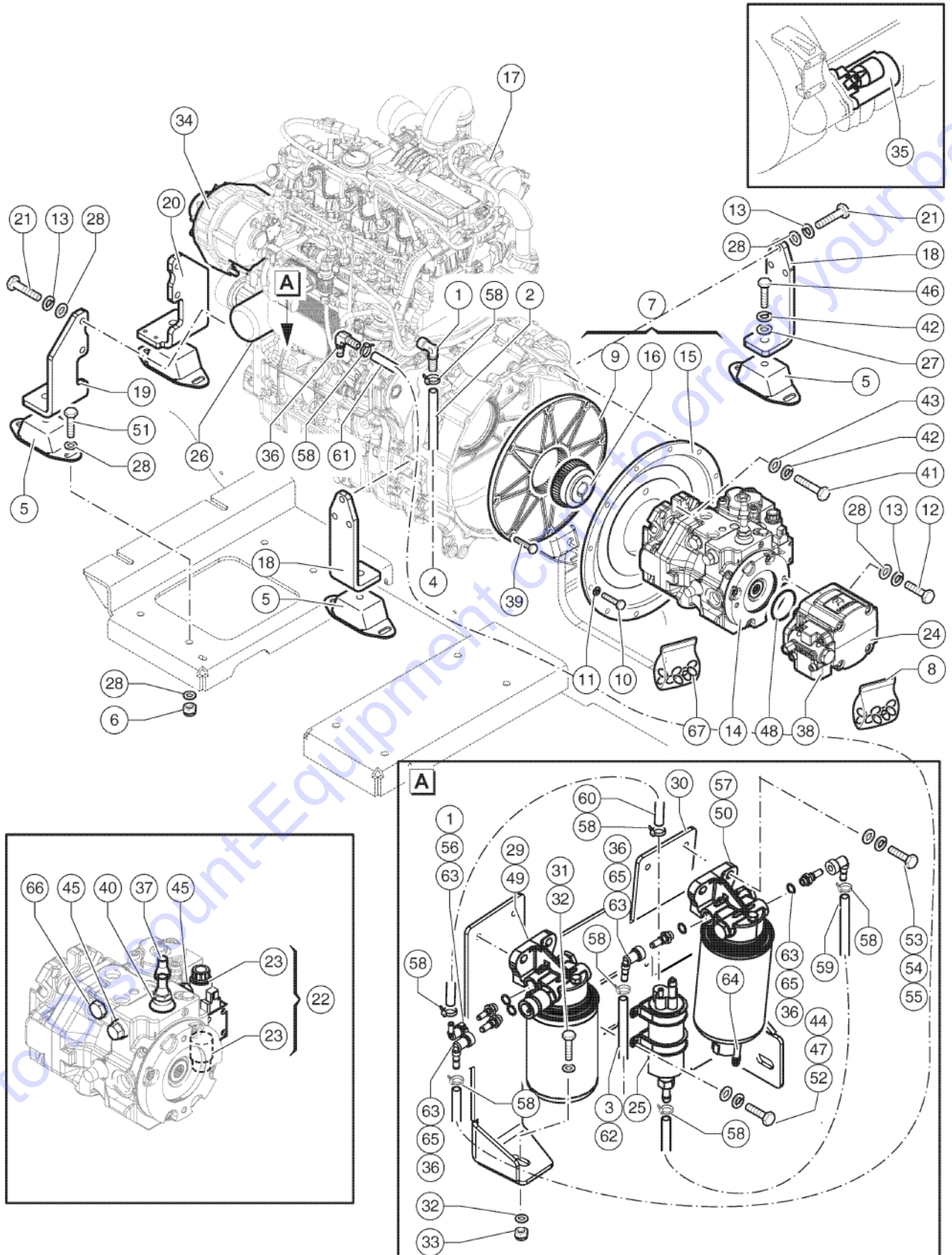


303.2 607992 Hydraulic Pumps - From GTH55M-5879 to 7912, From
GTH55M-7923 To 8945

Item	Part No.	Description	Qty.
1	09.0805.0146GT	GAS/OIL QUICK CONNECTOR	2
2	09.0805.0171GT	HOSE	138
3		See 200 Drive Chassis Components, Figure 607991, Ref.47	Ref
4		See 200 Drive Chassis Components, Figure 607991, Ref.48	Ref
5	09.4670.0027GT	Insulator	4
6	01.0023.0056GT	STOP NUT M12 UNI 7473 6S ZN	16
7	09.0804.2300GT	PUMP,PRE ARRANGEMENT	1
8	07.4529.0209GT	SEAL KIT Kit For 04.4238.0059	1
9	07.0713.0061GT	FLANGE	1
10	01.0001.0355GT	SCREW M10X25 UNI 5739 8.8 ZN	10
11	01.4032.0004GT	Spring Washer D10 ZN	12
12	01.0001.0506GT	SCREW M12X30 UNI 5739 8.8 ZN	2
13	01.4032.0005GT	SPRING WASHER D12 ZN	12
14	04.4238.0088GT	Hydraulic Pump	1
15	07.0713.0063GT	BELL	1
16	07.0713.0062GT	HUB	1
17	09.4601.0072GT	ENGINE,DEUTZ	1
17	09.4601.0082GT	DIESEL ENGINE	1
18	51.0811.4413GT	SUPPORT,ENGINE,FWHL	1
19	51.0811.4841GT	ENGINE SUPPORT	1
20	51.0811.4414GT	SUPPORT,ENGINE,FRONT L	1
21	01.0001.0508GT	SCREW M12X40 UNI 5739 8.8 ZN	10
22	07.0701.0268GT	Solenoid Valve	1
23	07.0701.0267GT	Solenoid	2
24	04.4238.0059GT	HYDRAULIC PUMP 2	1
25	07.0501.0050GT	Fuel Pump To SN GTH55M-5918	1
25	07.4501.0351GT	Fuel Pump From SN GTH55M-5919	1
26	07.4501.0067GT	FILTER,OIL For US Market Can Be Sold P.N. 49924	1



303.2 607992 Hydraulic Pumps - From GTH55M-5879 to 7912, From GTH55M-7923 To 8945

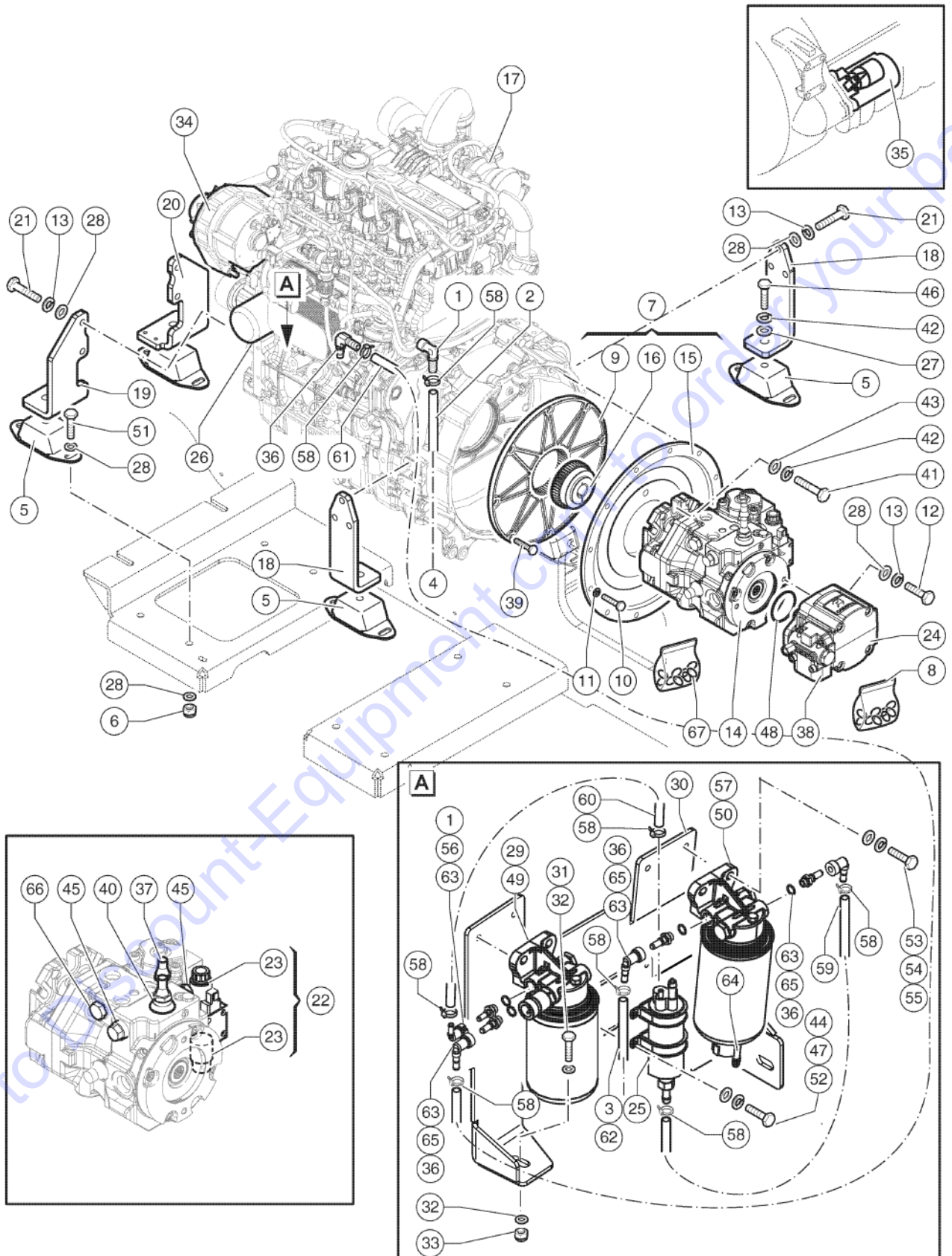


303.2 607992 Hydraulic Pumps - From GTH55M-5879 to 7912, From GTH55M-7923 To 8945

Item	Part No.	Description	Qty.
27	01.0031.0059GT	FLAT WASHER D16 UNI 6592 ZN	4
28	01.0031.0057GT	WASHER, FLAT, D12, UNI 6592, ZN	12
29	214228GT	FILTER, DEUTZ 2.9, FUEL	1
30	51.0811.4722GT	FILTER SUPPORT	1
31	01.0001.0258GT	SCREW M8X35 UNI 5739 8.8 ZN	3
32	01.0031.0299GT	FLAT WASHER D8 UNI 6593 ZN	6
33	01.0023.0054GT	NUT,M8 UNI 7473 6S ZN	3
34	07.0501.0051GT	Alternator	1
35	07.4501.0286GT	Starter Motor	1
36	09.0805.0147GT	FITTING,PUMP,FUEL	4
37	07.0701.0269GT	PRESSURE CONTROL VALVE	1
38	07.0722.0053GT	VALVE,LOAD SENSE	1
39	01.0003.0255GT	SCREW M10X25 UNI 5931 8.8 ZN	8
40	07.0701.0241GT	VALVE	1
41	01.4001.0069GT	SCREW M16X40 UNI 5737 10.9 ZN	2
42	01.4032.0007GT	SPRING WASHER D16 ZN	4
43	01.0031.0099GT	FLAT WASHER D16 UNI 5714 ZN	2
44	01.4001.0045GT	Screw TE M 5X10 UNI 5739 8.8 ZN	4
45	07.0701.0270GT	MAX PRESSURE VALVE	2
46	01.0001.1557GT	SCREW, HHC, M16 x 50 LG.8.8 ZN UNI 5739 , DIN 933	4
47	01.4032.0001GT	WASHER,SPRING,D5 ZN	4
48	07.0701.0211GT	O-RING,R909154589 REXROTH	1
49	07.4501.0304GT	FUEL FILTER	1
50	07.4501.0285GT	FUEL PRE-FILTER For US Market Can Be Sold P.N. 236260	1
51	01.0001.0508GT	SCREW M12X40 UNI 5739 8.8 ZN	16
52	01.0031.0053GT	FLAT WASHER D5 UNI 6592 ZN	4
53	01.0001.0254GT	SCREW M8X20 UNI 5739 8.8 ZN	4
54	01.4032.0003GT	Spring Washer D 8 ZN	4



303.2 607992 Hydraulic Pumps - From GTH55M-5879 to 7912, From GTH55M-7923 To 8945



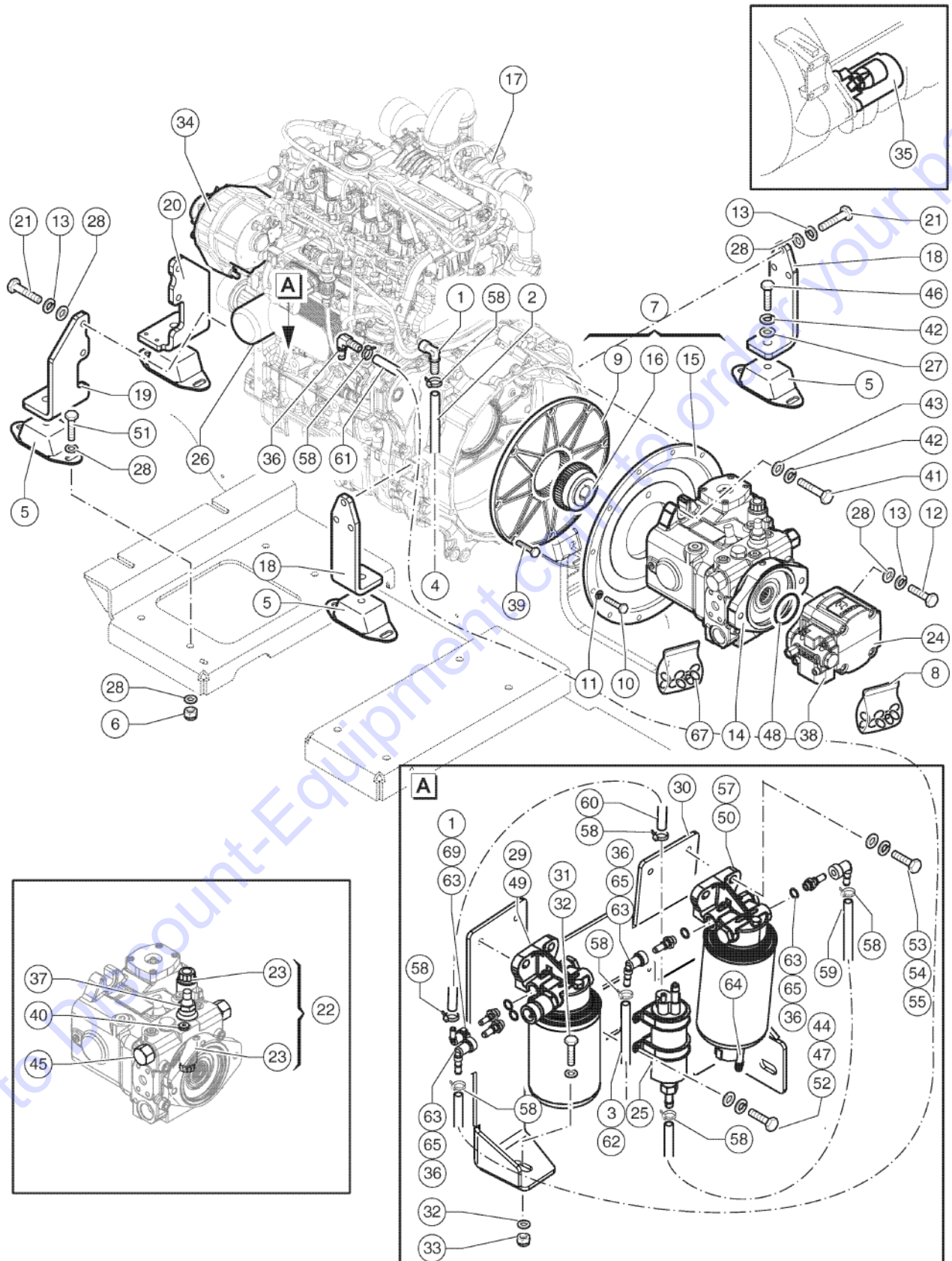
303.2 607992 Hydraulic Pumps - From GTH55M-5879 to 7912, From
GTH55M-7923 To 8945

Item	Part No.	Description	Qty.
55	01.0031.0055GT	FLAT WASHER D8 UNI 6592 ZN	4
56	09.0803.0838GT	FITTING	1
57	07.4501.0303GT	Complete Fuel Pre-Filter	1
58	04.0227.0051GT	CLAMP DN 10/16 LG 9	8
59	T09.0805.0070GT	FLEXIBLE HOSE,D12X18(1EACH-1METER)	18, 5
60	09.0805.0171GT	HOSE	13, 78
61	T09.0805.0070GT	FLEXIBLE HOSE,D12X18(1EACH-1METER)	27
62	T09.0805.0070GT	FLEXIBLE HOSE,D12X18(1EACH-1METER)	12 9,9
63	06.0443.0002GT	LOCKWASHER	4
64	07.4501.0291GT	SENSOR	1
65	09.0803.0837GT	FITTING	3
66	07.0701.0271GT	SUPERCHARGING VALVE	1
67	07.4529.0214GT	SEAL KIT	1

Go to Discount-Equipment.com to order your parts



303.3 607997 Hydraulic Pumps - From GTH55M-7913 To 7922, From GTH55M-8946

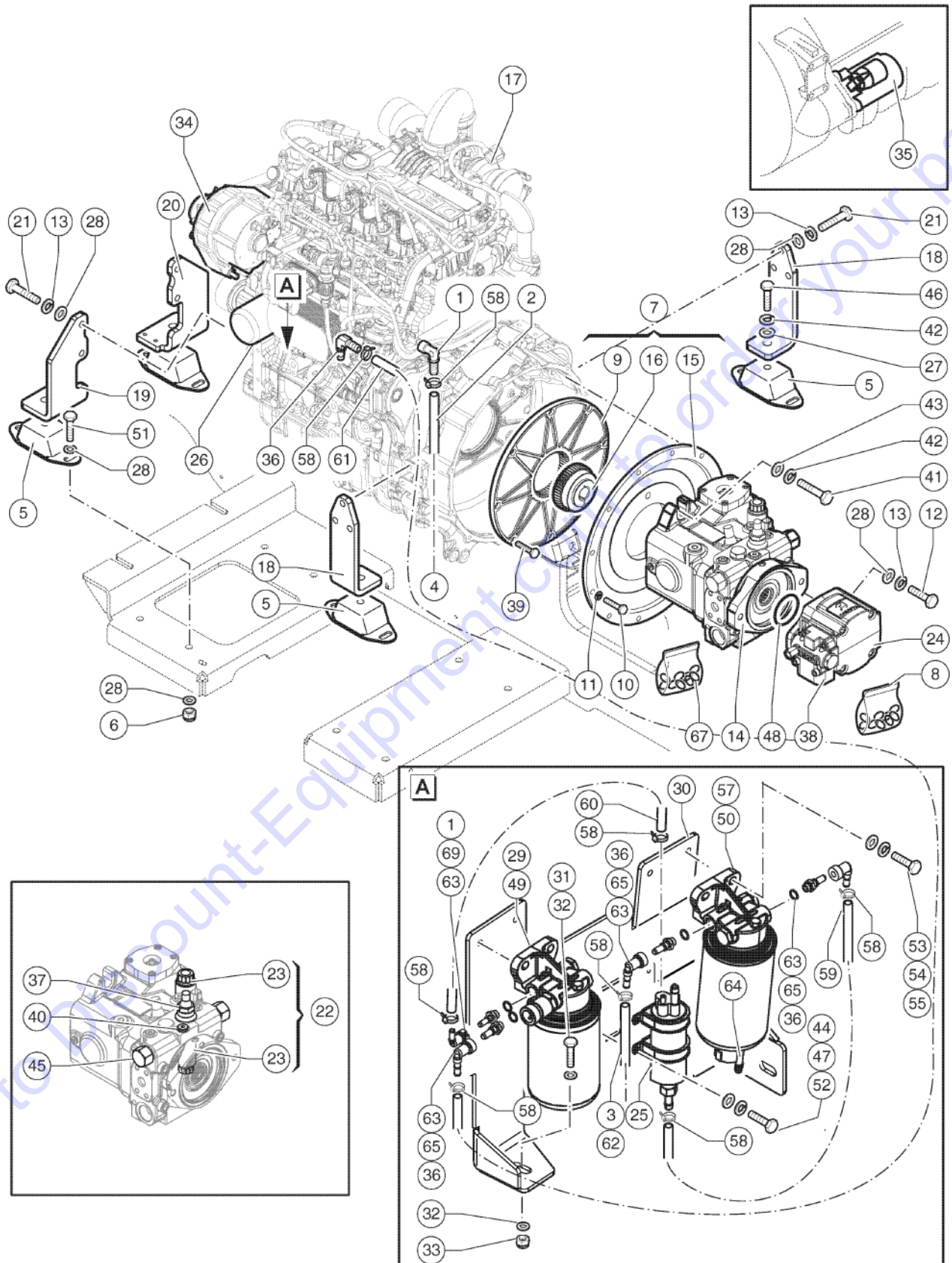


303.3 607997 Hydraulic Pumps - From GTH55M-7913 To 7922, From GTH55M-8946

Item	Part No.	Description	Qty.
1	09.0805.0146GT	GAS/OIL QUICK CONNECTOR	2
2	09.0805.0171GT	HOSE	138
3		See 200 Drive Chassis Components, FIGURE 607991, REF.47	Ref
4		See 200 Drive Chassis Components, FIGURE 607991, REF.48	Ref
5	09.4670.0027GT	Insulator	4
6	01.0023.0056GT	STOP NUT M12 UNI 7473 6S ZN	16
7	09.0804.2300GT	PUMP,PRE ARRANGEMENT	1
8	07.4529.0209GT	SEAL KIT Kit For 04.4238.0059	1
9	07.0713.0061GT	FLANGE	1
10	01.0001.0355GT	SCREW M10X25 UNI 5739 8.8 ZN	10
11	01.4032.0004GT	Spring Washer D10 ZN	12
12	01.0001.0506GT	SCREW M12X30 UNI 5739 8.8 ZN	2
13	01.4032.0005GT	SPRING WASHER D12 ZN	12
14	04.4238.0108GT	Hydraulic Pump	1
15	07.0713.0063GT	BELL	1
16	07.0713.0062GT	HUB	1
17	09.4601.0072GT	ENGINE,DEUTZ Stage IIIB Version	1
17	09.4601.0082GT	DIESEL ENGINE Stage IIIA Version	1
18	51.0811.4413GT	SUPPORT,ENGINE,FWHL	1
19	51.0811.4841GT	ENGINE SUPPORT	1
20	51.0811.4414GT	SUPPORT,ENGINE,FRONT L	1
21	01.0001.0508GT	SCREW M12X40 UNI 5739 8.8 ZN	10
22	07.0701.0346GT	SOLENOID VALVE	1
23	07.0701.0267GT	Solenoid	2
24	04.4238.0059GT	HYDRAULIC PUMP 2	1
25	07.4501.0351GT	Fuel Pump From SN GTH55M-5919	1
26	07.4501.0067GT	FILTER,OIL For US Market Can Be Sold P.N. 49924	1
27	01.0031.0059GT	FLAT WASHER D16 UNI 6592 ZN	4



303.3 607997 Hydraulic Pumps - From GTH55M-7913 To 7922, From GTH55M-8946

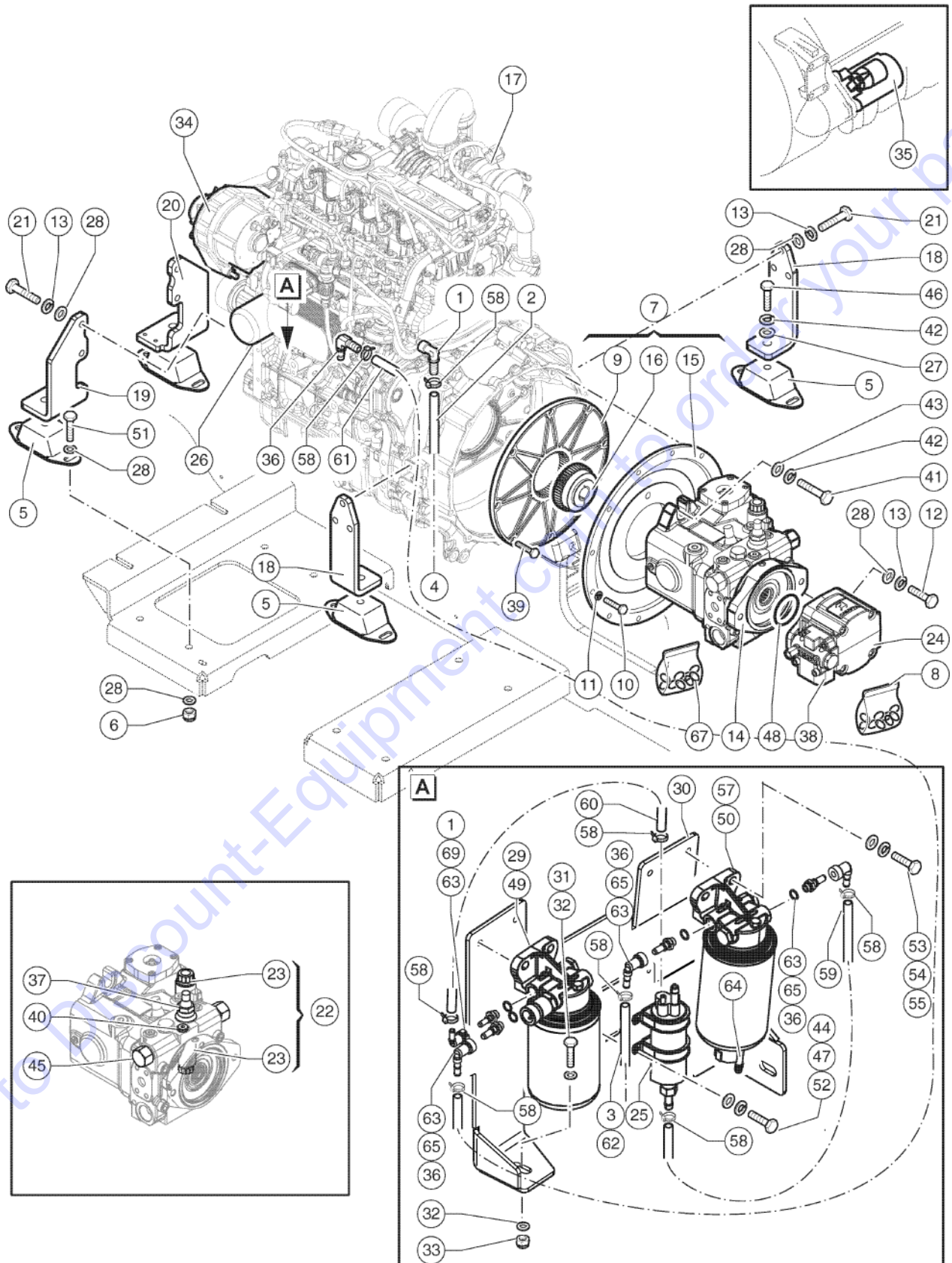


303.3 607997 Hydraulic Pumps - From GTH55M-7913 To 7922, From GTH55M-8946

Item	Part No.	Description	Qty.
28	01.0031.0057GT	WASHER, FLAT, D12, UNI 6592, ZN	12
29	214228GT	FILTER, DEUTZ 2.9, FUEL	1
30	51.0811.4722GT	FILTER SUPPORT	1
31	01.0001.0258GT	SCREW M8X35 UNI 5739 8.8 ZN	3
32	01.0031.0299GT	FLAT WASHER D8 UNI 6593 ZN	6
33	01.0023.0054GT	NUT, M8 UNI 7473 6S ZN	3
34	07.0501.0051GT	Alternator	1
35	07.4501.0286GT	Starter Motor	1
36	09.0805.0147GT	FITTING, PUMP, FUEL	4
37	07.0701.0241GT	VALVE	1
38	07.0722.0053GT	VALVE, LOAD SENSE	1
39	01.0003.0255GT	SCREW M10X25 UNI 5931 8.8 ZN	8
40	07.0701.0147GT	Pressure Relief Valve	1
41	01.0001.1557GT	SCREW, HHC, M16 x 50 LG. 8.8 ZN UNI 5739 , DIN 933	2
42	01.4032.0007GT	SPRING WASHER D16 ZN	4
43	01.0031.0099GT	FLAT WASHER D16 UNI 5714 ZN	2
44	01.4001.0045GT	Screw TE M 5X10 UNI 5739 8.8 ZN	4
45	07.0701.0345GT	VALVE	2
46	01.0001.1557GT	SCREW, HHC, M16 x 50 LG. 8.8 ZN UNI 5739 , DIN 933	4
47	01.4032.0001GT	WASHER, SPRING, D5 ZN	4
48	07.0701.0211GT	O-RING, R909154589 REXROTH	1
49	07.4501.0304GT	FUEL FILTER	1
50	07.4501.0285GT	FUEL PRE-FILTER For US Market Can Be Sold P.N. 236260	1
51	01.0001.0508GT	SCREW M12X40 UNI 5739 8.8 ZN	16
52	01.0031.0053GT	FLAT WASHER D5 UNI 6592 ZN	4
53	01.0001.0254GT	SCREW M8X20 UNI 5739 8.8 ZN	4
54	01.4032.0003GT	Spring Washer D 8 ZN	4
55	01.0031.0055GT	FLAT WASHER D8 UNI 6592 ZN	4



303.3 607997 Hydraulic Pumps - From GTH55M-7913 To 7922, From GTH55M-8946



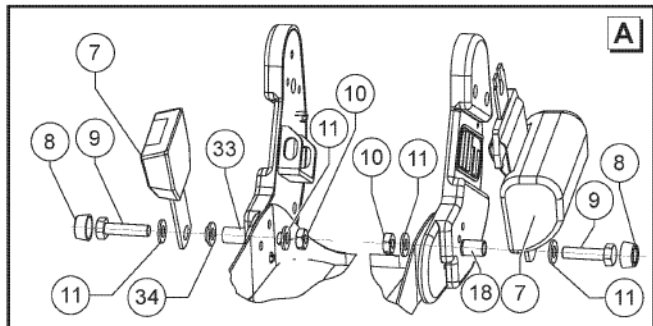
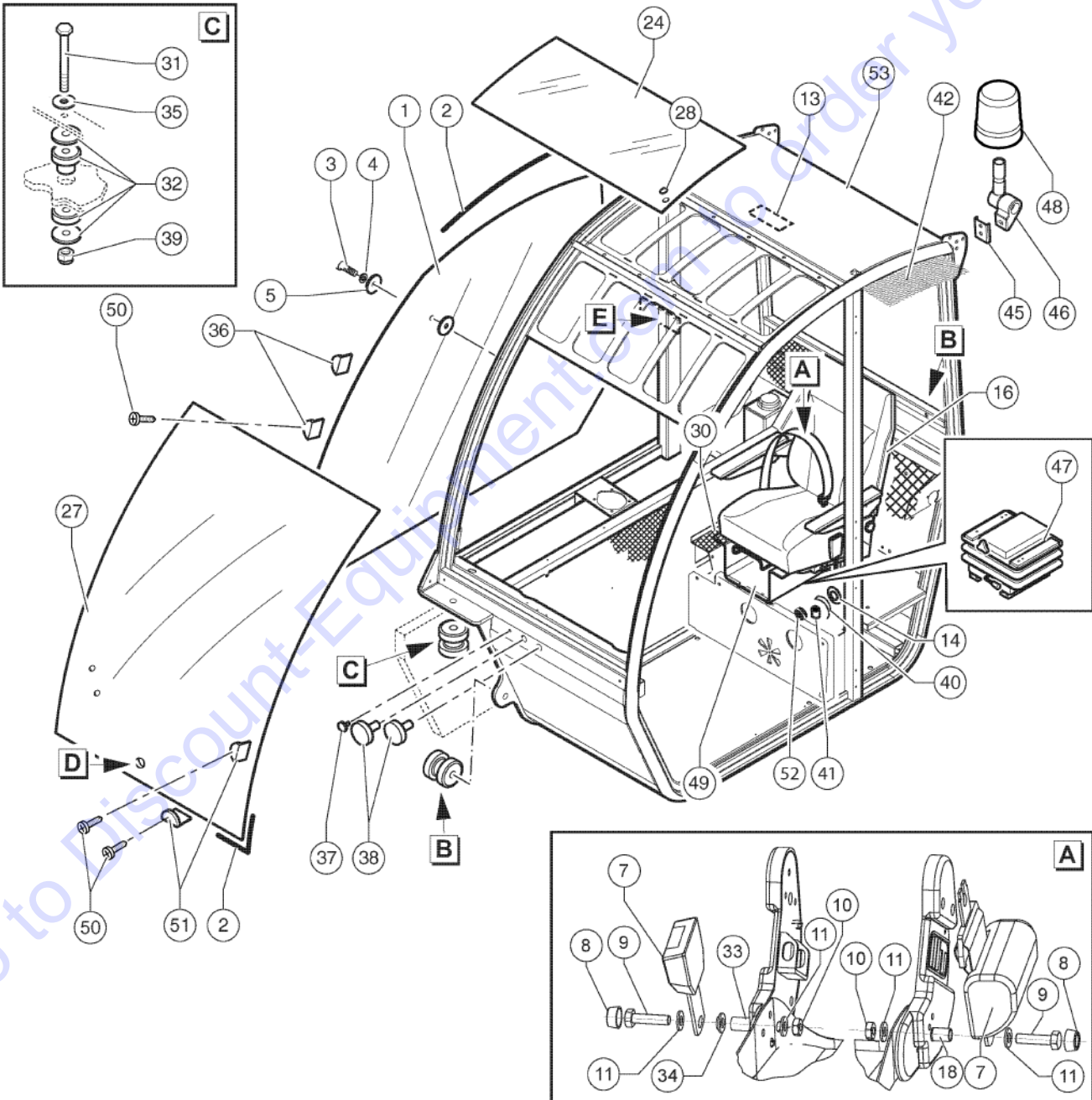
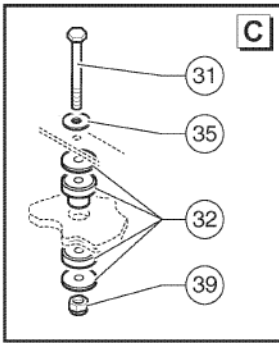
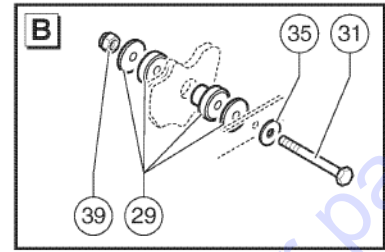
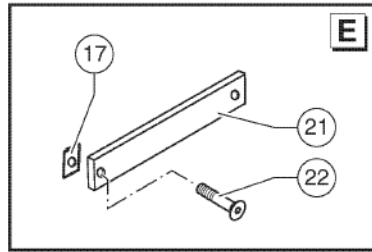
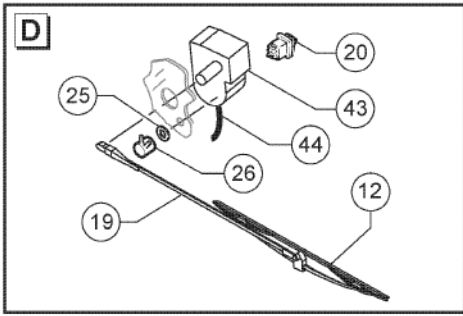
303.3 607997 Hydraulic Pumps - From GTH55M-7913 To 7922, From GTH55M-8946

Item	Part No.	Description	Qty.
56	09.0803.0838GT	FITTING	1
57	07.4501.0303GT	Complete Fuel Pre-Filter	1
58	04.0227.0051GT	CLAMP DN 10/16 LG 9	8
59	T09.0805.0070GT	FLEXIBLE HOSE,D12X18(1EACH-1METER)	18, 5
60	09.0805.0171GT	HOSE	13, 78
61	09.0805.0070GT	FLEXIBLE HOSE,D12X18(1EACH-1METER)	27
62	T09.0805.0070GT	FLEXIBLE HOSE,D12X18(1EACH-1METER)	12 9,9
63	06.0443.0002GT	LOCKWASHER	4
64	07.4501.0291GT	SENSOR	1
65	09.0803.0837GT	FITTING	3
67	07.0701.0200GT	SEAL KIT	1

Go to Discount-Equipment.com to order your parts



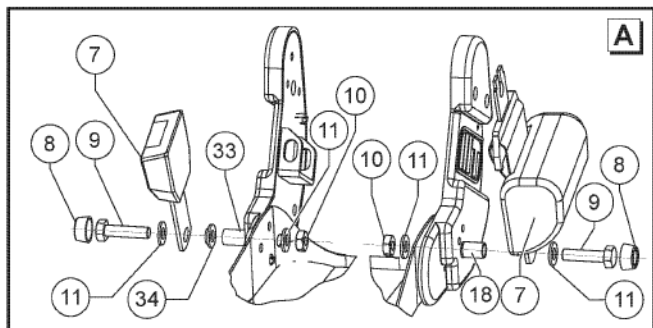
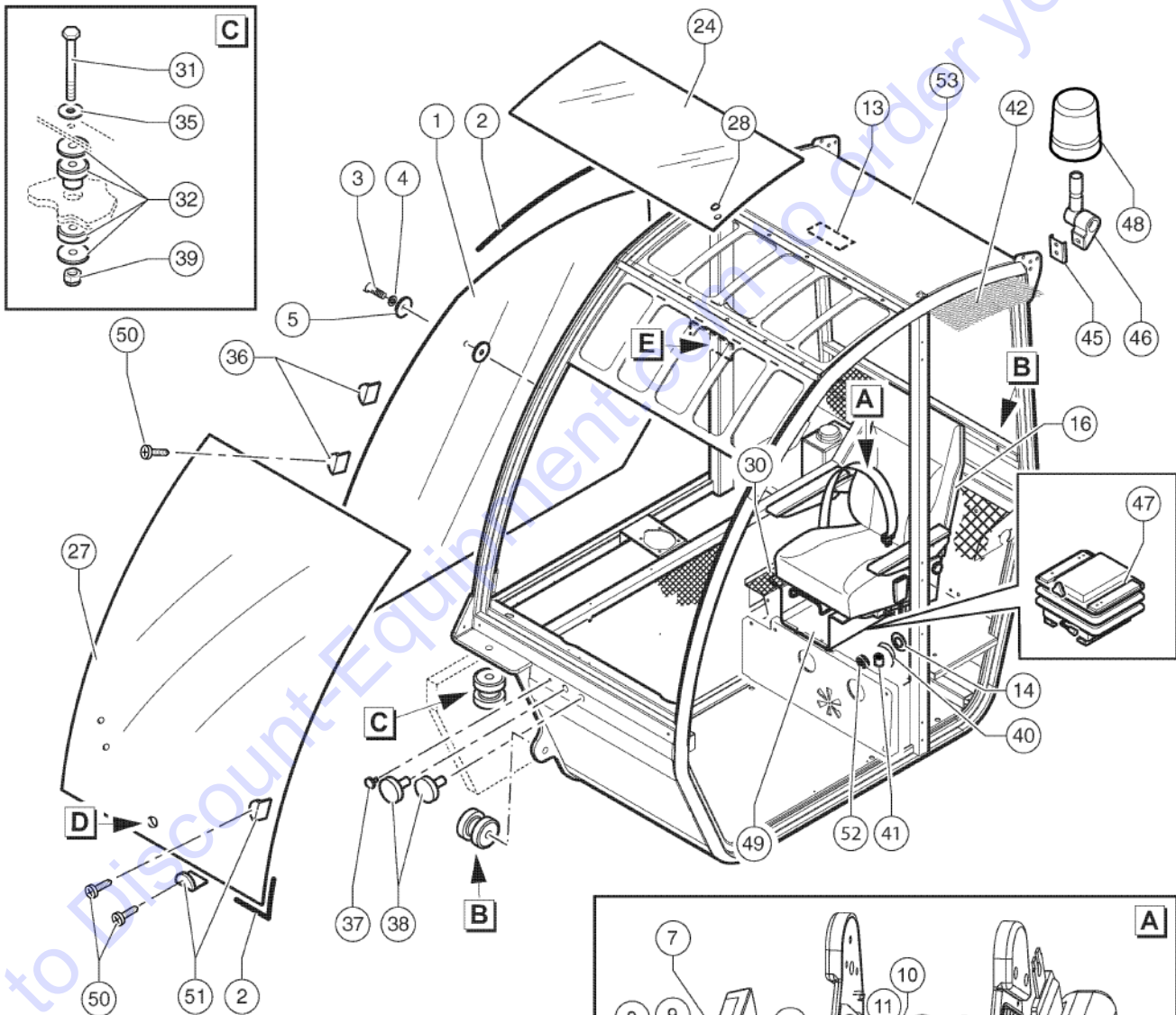
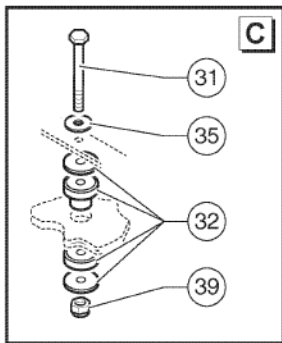
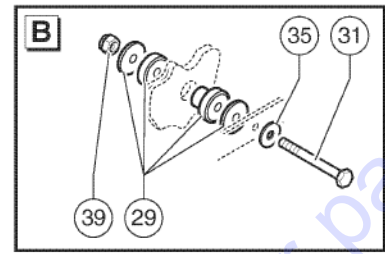
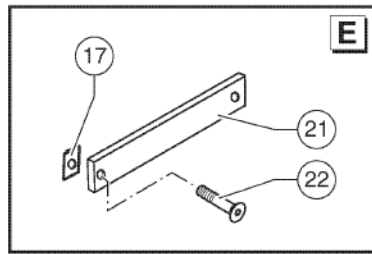
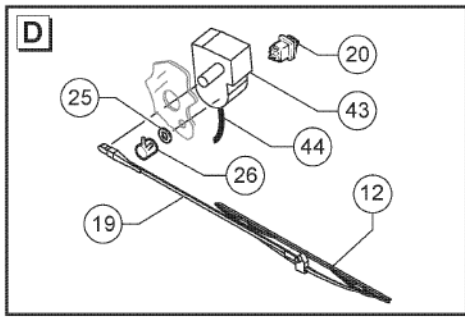
401.1 607923 Closed Cab, View 1



Item	Part No.	Description	Qty.
1	07.0723.0165GT	RIGHT SIDE GLASS	1
2	07.0723.0433GT	GASKET	311
3	07.0723.0169GT	Screw TSPEI M8x40	2
4	07.0723.0114GT	Nylon Washer	2
5	07.0723.0223GT	Rubber	2
7	09.4610.0043GT	Safety Belt 3" Kit	1
8	09.0803.0568GT	Cap	2
9	01.0002.0000GT	SCREW M10X1,25X45 UNI 5738 8.8 ZN	2
10	01.0019.0105GT	NUT M10 UNI 5588 6S ZN	2
11	01.0031.0056GT	FLAT WASHER D10 UNI 6592 ZN	2
12	07.0723.0037GT	WIPER BLADE	1
13	07.0723.0491GT	Light	1
14	07.0723.0696GT	PAINTED WATER VALVE FRAME	1
16	09.4610.0056GT	Seat Assembly W/ Shock Absorber	1
16-	07.0703.0508GT	SEAT, CUSHION BACK	1
16-	07.0703.0509GT	SEAT,BOTTOM CUSHION	1
17	07.0723.0104GT	RETAINER	2
18	09.4610.0045GT	Spacer	1
19	07.0723.0450GT	Windscreen Wiper Arm	1
20	07.0723.0229GT	Switch	1
21	09.4610.0057GT	BUBBLE LEVEL	1
22	01.4001.0061GT	PHILLIPS SCREW M4X20 UNI 7687	2
24	07.0723.0168GT	Upper Glass	1
24-	07.0723.0654GT	Cap Seal Use this hole Cap Seal on first time replacement of Upper Glass 07.0723.0168GT, if original Upper Glass didn't have a hole	
25	07.0723.0516GT	GASKET, RUBBER	1
26	07.0706.0061GT	Spray Nozzle	1
27	07.0723.0649GT	Windshield Glass	1
28	07.0723.0654GT	Cap Seal	1



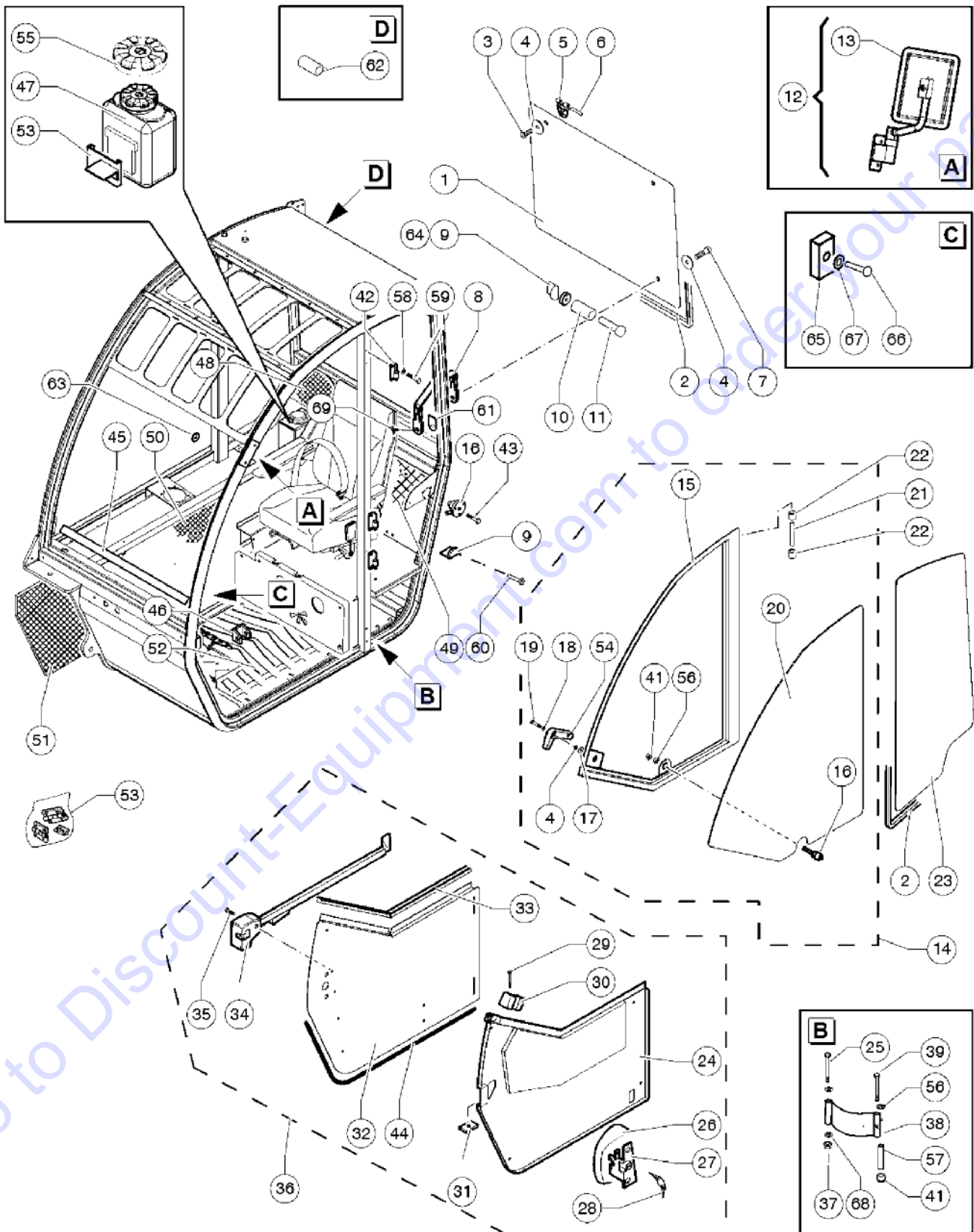
401.1 607923 Closed Cab, View 1



Item	Part No.	Description	Qty.
29	09.4670.0030GT	Lower Vibration Damping	2
30	07.0723.0454GT	COATING	1
31	01.0001.0659GT	Screw TE M16X100 UNI 5737 8.8 ZN	4
32	09.4670.0031GT	Upper Vibration Damping	2
33	09.0803.0571GT	Shim	1
34	09.4610.0044GT	BUSHING D.12,6	1
35	01.4031.0001GT	WASHER,CHMFRD,D16,UNI 6593,ZN	4
36	641042GT	GLASS STOP	5
37	07.0723.0055GT	RUBBER PLUG D.10	1
38	07.0723.0054GT	RUBBER PLUG D25	2
39	01.0023.0058GT	NUT,STOP,M16 UNI 7473 6S ZN	4
40	07.0723.0522GT	Decal	1
41	07.0723.0193GT	TAP	2
42	07.0723.0498GT	COVER, ROOF	1
43	07.0723.0221GT	WIPER MOTOR	1
44	07.0723.0226GT	RUBBER HOSE	1
45	07.0723.0651GT	Bracket	1
46	07.0723.0652GT	Flashing Beacon Support	1
46-	07.0723.0712GT	Plug, 2-terminal	
47	09.4610.0025GT	SHOCK ABSORBER, SEAT	1
48	56.0010.0005GT	Flashing Beacon Optional	1
49	07.0723.0352GT	Seat Support To SN 55141316	1
50	07.0723.0627GT	Screw	7
51	07.0723.0720GT	GLASS STOP	2
52	07.0723.0717GT	KNOB	1
53	51.1100.0035GT	Cab Structure To SN GTH5515B-2614	1
53	51.1100.0040GT	Cab Structure From SN GTH5515B-2615	1



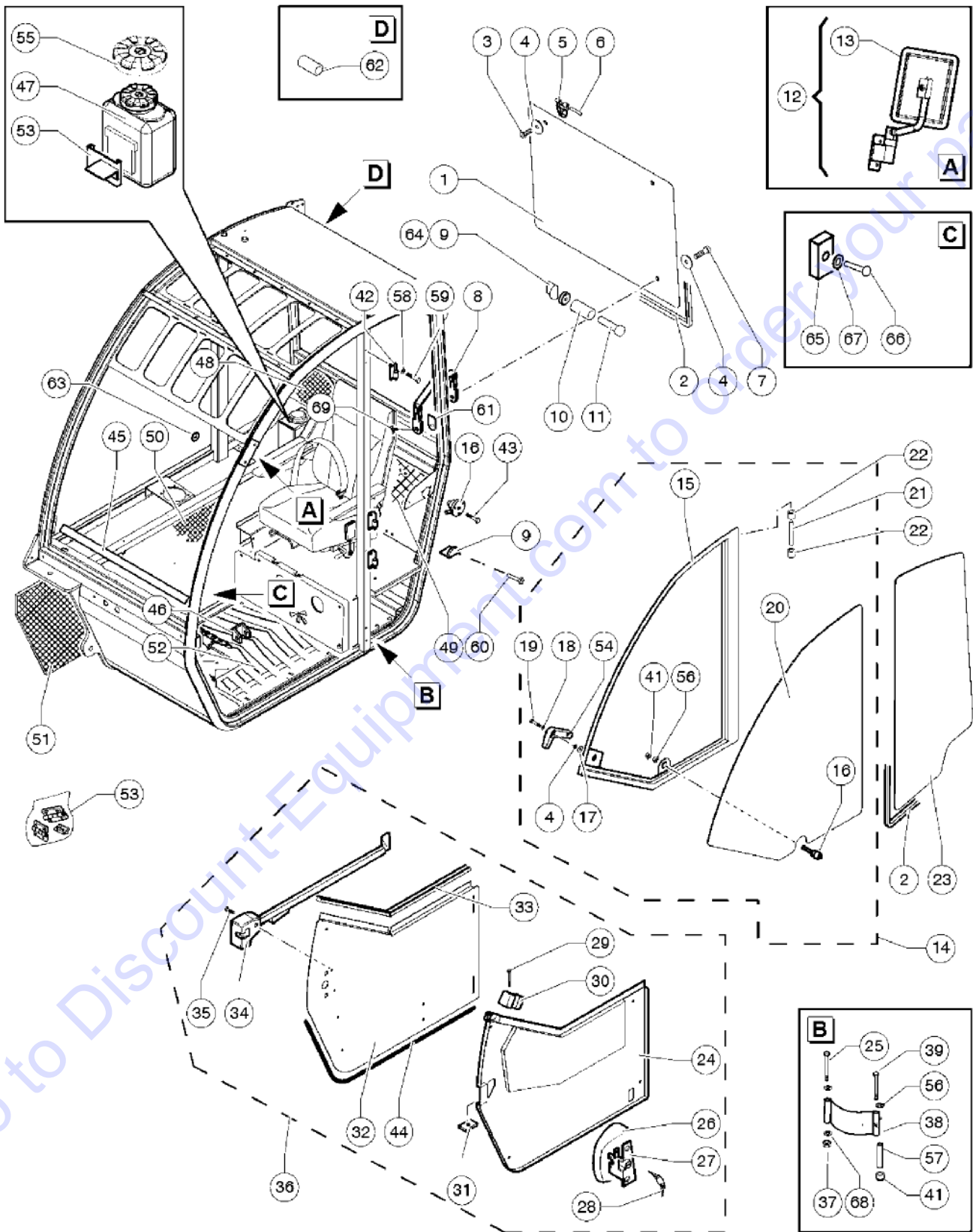
402.1 607924 Closed Cab, View 2



Item	Part No.	Description	Qty.
1	07.0723.0163GT	REAR GLASS	1
2	07.0723.0433GT	GASKET 110 Inch + 110 Inch	220
3	07.0723.0176GT	SCREW,TSPEI M8X25	2
4	07.0723.0114GT	Nylon Washer	16
5	07.0723.0155GT	HINGE	2
6	07.0723.0161GT	PIN	2
7	07.0723.0441GT	SCREW,TCEI M5X50	2
8	07.0723.0434GT	TOGGLE LEVER,COMPLETE	2
9	641042GT	GLASS STOP	3
10	07.0723.0236GT	STOP PAD	2
11	07.0723.0719GT	SCREW,TCB+M5X80 UNI 7687	1
12	07.0723.0024GT	MIRROR W/BRACKET, SINGLE	1
13	07.0723.0042GT	Mirror	1
14	07.0723.0424GT	UPPER DOOR FRAME WITH GLASS to SN GTH5515B-2614	1
14	07.0723.0684GT	UPPER DOOR FRAME WITH GLASS from SN GTH5515B-2615	1
15	07.0723.0425GT	UPPER DOOR FRAME to SN GTH5515B-2614	1
15	07.0723.0675GT	UPPER DOOR FRAME from SN GTH5515B-2615	1
16	07.0723.0430GT	Complete Door Locker	1
17	07.0723.0429GT	CRINKLE WASHER,DM.10	1
18	07.0723.0428GT	WASHER,D10X20	2
19	07.0723.0427GT	SCREW,TE,M8X16	2
20	07.0723.0426GT	UPPER DOOR GLASS	1
21	07.0723.0410GT	PIN,8X85	4
22	07.0723.0345GT	BUSHING	8
23	07.0723.0645GT	LEFT SIDE GLASS to SN GTH55M-9656	1
23	07.0723.0764GT	LEFT SIDE GLASS from SN GTH55M-9657	1
24	07.0723.0655GT	DOOR COATING	1
25	01.0003.0941GT	SCREW	1

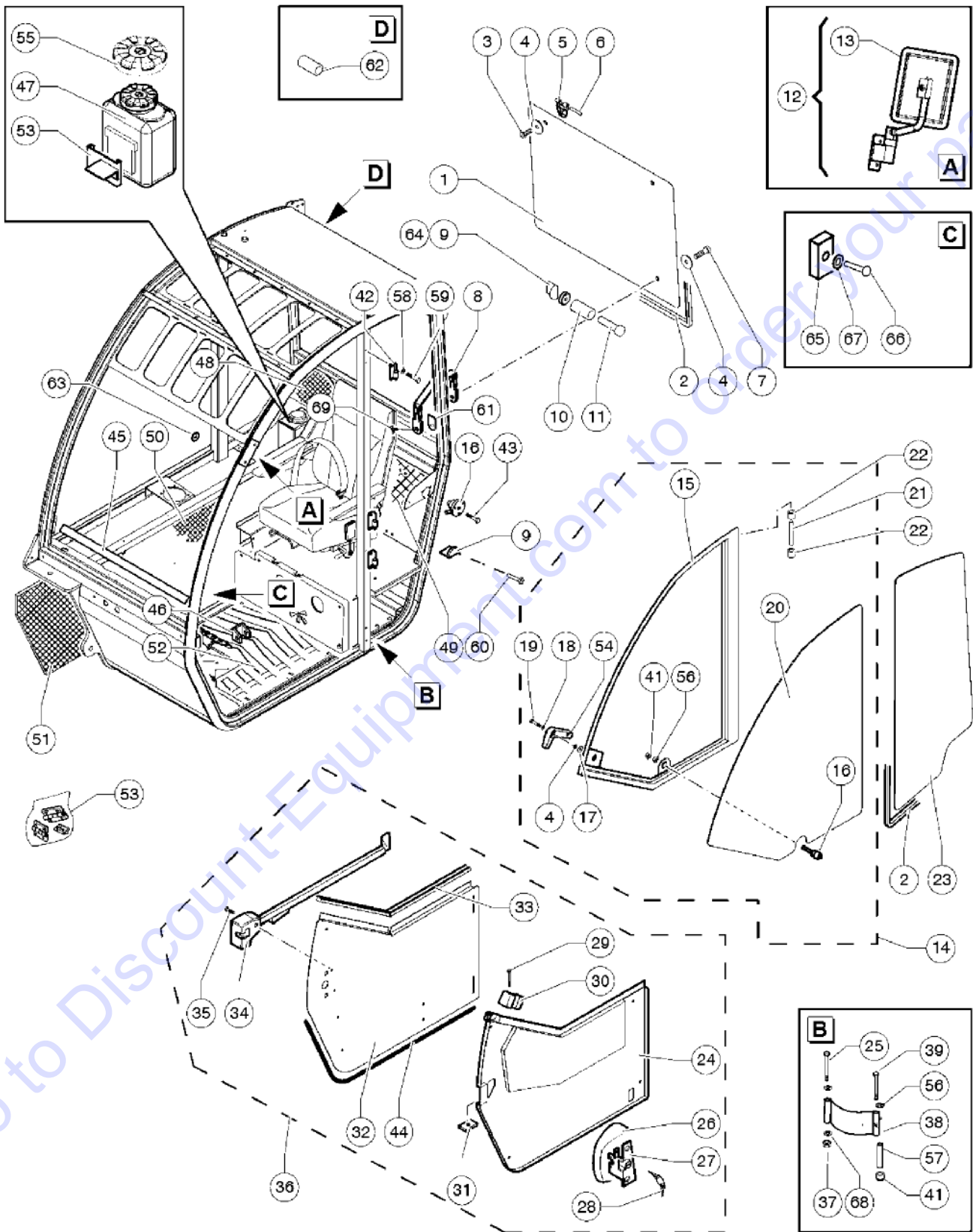


402.1 607924 Closed Cab, View 2



Item	Part No.	Description	Qty.
26	07.0723.0156GT	HANDLE to SN GTH5515B-2614	1
26	07.0723.0697GT	HANDLE from SN GTH5515B-2615 To SN GTH5516M-5474	1
26	09.0803.0871GT	HANDLE for SN GTH5516M-5342; From SN GTH5516M-5475	1
27	07.0723.0459GT	Handle Lock	1
28	07.0723.0571GT	KEY	1
29	07.0723.0421GT	SCREW,TCB+M6X35	4
30	641024GT	STOP	2
31	07.0723.0172GT	Plate	1
32	07.0723.0644GT	LOWER DOOR to SN GTH5515B-2614	1
32	07.0723.0674GT	LOWER DOOR from SN GTH5515B-2615	1
33	07.0723.0290GT	Seal	1
34	07.0723.0157GT	HANDLE, INTERNAL DOOR	1
35	07.0723.0057GT	SCREW,M6-1.0X20MM FHSCS ZP	3
36	07.0723.0683GT	PREASSEMBLED LOWER DOOR FRAME	1
37	07.0723.0181GT	Nut M8 UNI 7473	1
38	07.0723.0646GT	BELT, DOOR ASSY	1
39	07.0723.0728GT	SCREW HHC M6 X 60	1
41	07.0723.0725GT	NUT	4
42	07.0723.0342GT	HINGE to SN GTH5515B-2614	4
42	07.0723.0672GT	HINGE from SN GTH5515B-2615	4
43	07.0723.0185GT	SCREW, M6X30DIN933 YZ HCS	3
44	07.0723.0152GT	SEAL	1
45	07.0723.0638GT	Profile	1
46	640995GT	CLIP	1
47	641004GT	TANK, WIPER W/ PUMP Tank and white cap cannot be sold separately	1
48	07.0723.0452GT	Cover	1
49	07.0723.0451GT	Cover	1
50	07.0723.0453GT	Cover	1

402.1 607924 Closed Cab, View 2

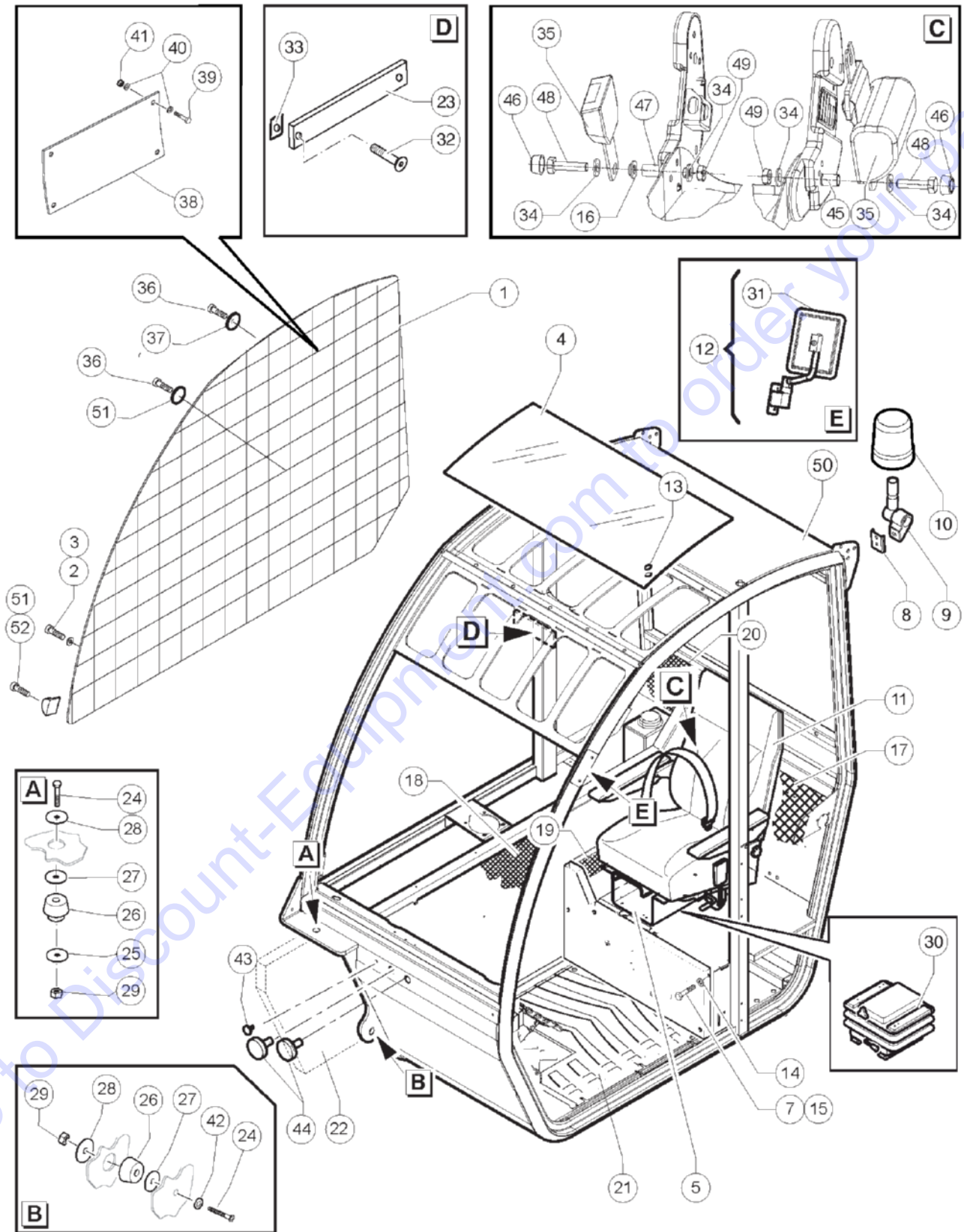


Item	Part No.	Description	Qty.
51	07.0723.0456GT	External Sound Proofing Panel	1
52	07.0740.0347GT	RUBBER CARPET	1
53	07.0723.0722GT	TANK SUPPORT	1
54	641019GT	HANDLE	1
55	52.1200.5300GT	Water Tank Cover (Black Cap)	1
56	07.0723.0173GT	Washer D6X12MM	4
57	07.0723.0647GT	Bushing	1
58	07.0723.0202GT	Washer	8
59	07.0723.0727GT	SCREW HHC M6 X 16	8
60	07.0723.0627GT	Screw	3
61	07.0723.0506GT	Receptacles	2
62	07.0723.0505GT	NYLON BUSH D12X8.2 X H12.1	4
63	07.0723.0059GT	Rubber Cap D37xH12xD8	2
64	07.0723.0730GT	RUBBER SHIM	1
65	07.0723.0731GT	PLATE	1
66	07.0723.0732GT	DOOR LOCK PIN	1
67	07.0723.0733GT	WASHER	1
68	07.0723.0232GT	Plain Washer D8x16 UNI 6592	2
69	07.0723.0442GT	Pin	2

Go to Discount-Equipment.com to order your parts



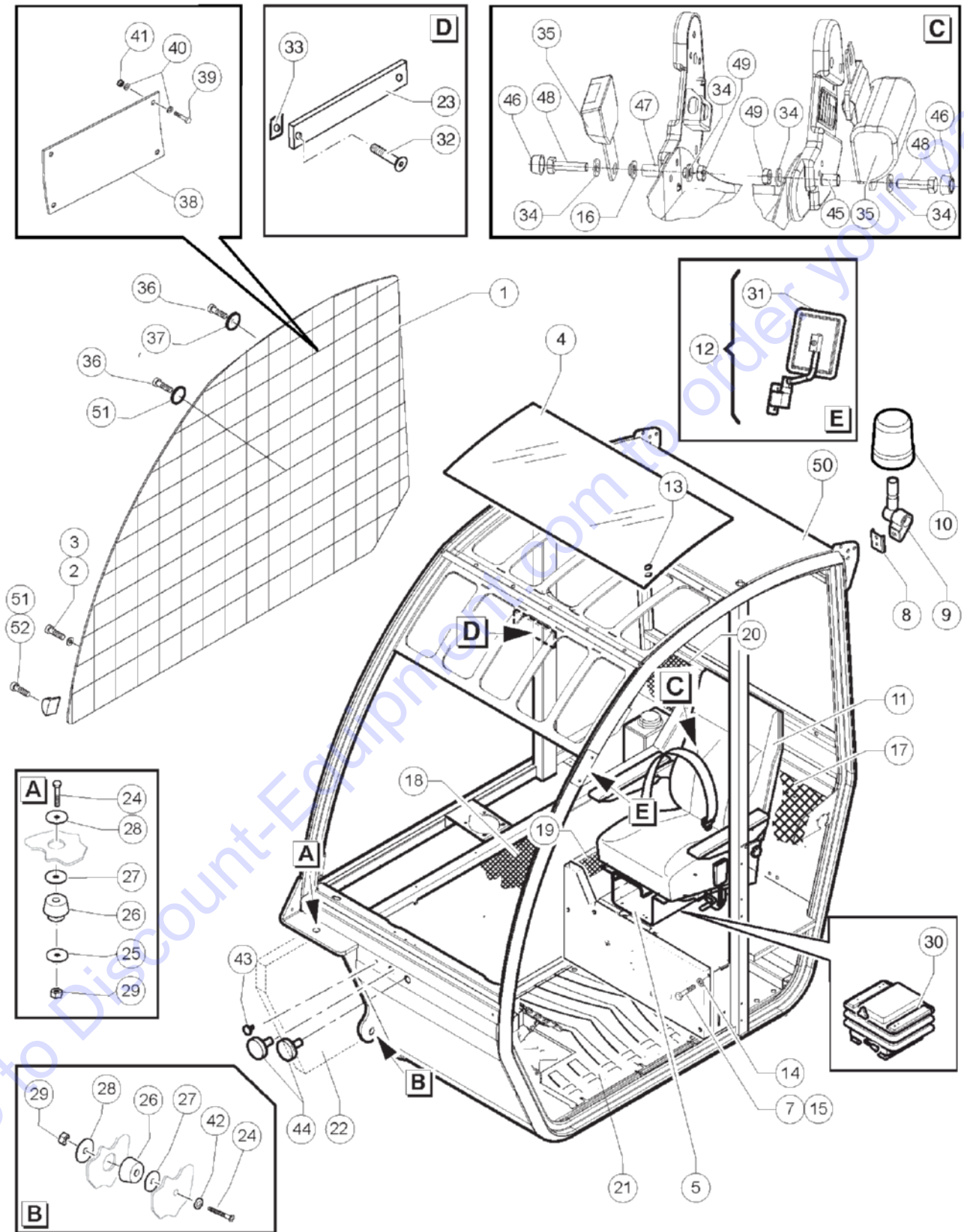
403.1 607925 Open Cab



Item	Part No.	Description	Qty.
1	07.0723.0198GT	Right Side Grid	1
2	07.0723.0039GT	SCREW,PPH SMS 10X3/4ZAKEG To SN GTH55M-10690	19
3	07.0723.0074GT	WASHER To SN GTH55M-10690	19
4	07.0723.0168GT	Upper Glass	1
4-	07.0723.0654GT	Cap Seal Use this hole Cap Seal on first time replacement of Upper Glass 07.0723.0168GT, if original Upper Glass didn't have a hole	
5	07.0723.0352GT	Seat Support To SN 55141316	1
6	07.0723.0042GT	Mirror	1
7	07.0723.0040GT	Screw TCB 1BG3223	4
8	07.0723.0651GT	Bracket	1
9	07.0723.0652GT	Flashing Beacon Support	1
9-	07.0723.0712GT	Plug, 2-terminal	
10	56.0010.0005GT	Flashing Beacon Optional	1
11	09.4610.0056GT	Seat Assembly W/ Shock Absorber	1
11-	07.0703.0508GT	SEAT, CUSHION BACK	1
11-	07.0703.0509GT	SEAT,BOTTOM CUSHION	1
12	07.0723.0024GT	MIRROR W/BRACKET, SINGLE	1
13	07.0723.0654GT	Cap Seal	1
14	07.0723.0465GT	Lock	1
15	07.0723.0076GT	Plain Washer D6x18	4
16	09.4610.0044GT	BUSHING D.12,6	1
17	07.0723.0451GT	Cover	1
18	07.0723.0453GT	Cover	1
19	07.0723.0454GT	COATING	1
20	07.0723.0452GT	Cover	1
21	07.0723.0097GT	Mat	1
22	07.0723.0456GT	External Sound Proofing Panel	1
23	09.4610.0038GT	INCLINOMETERS BUBBLE LEVEL	1
24	01.0001.0659GT	Screw TE M16X100 UNI 5737 8.8 ZN	4



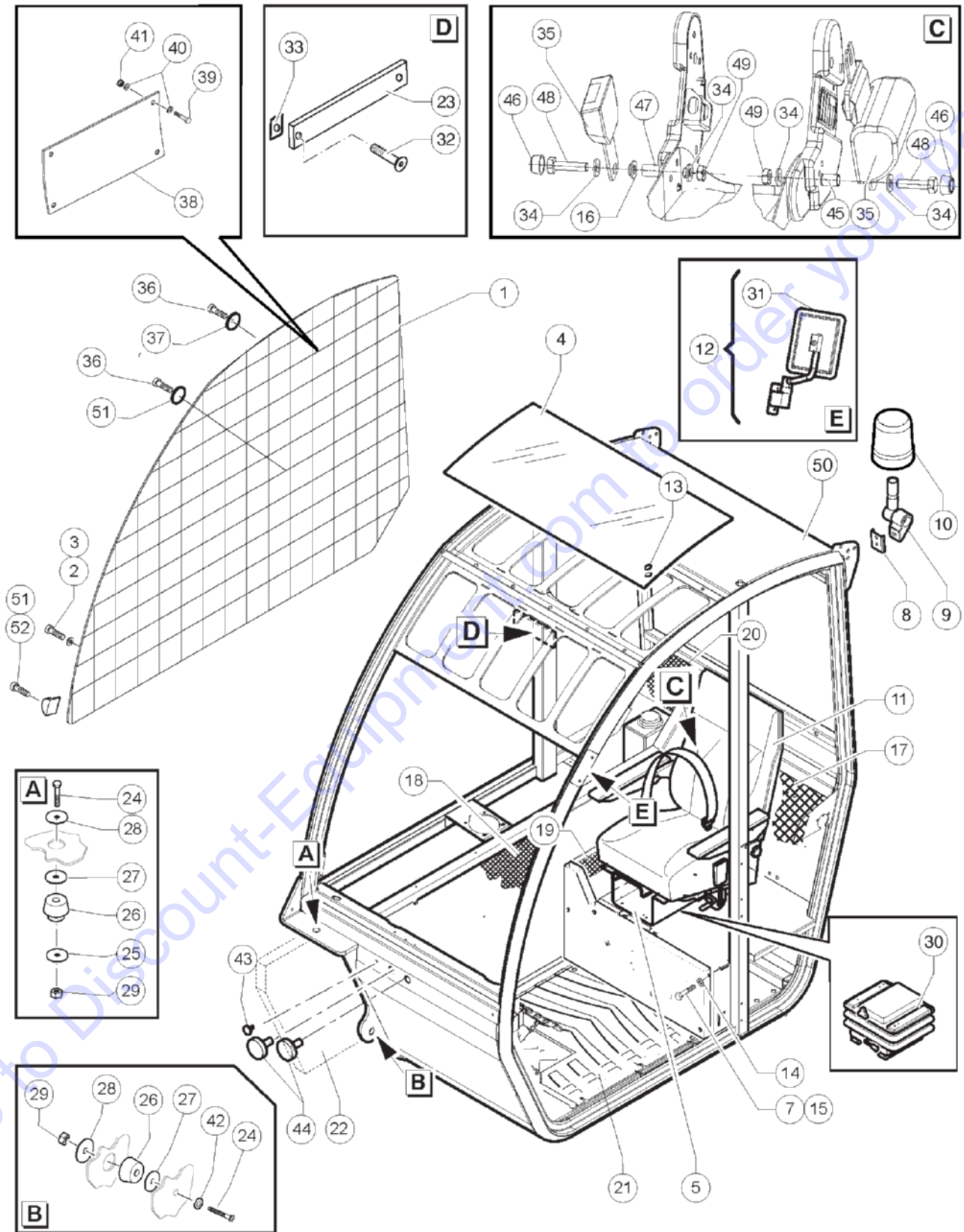
403.1 607925 Open Cab



Item	Part No.	Description	Qty.
25	54.0100.0002GT	WASHER D70/16, SP 8	2
26	09.4670.0031GT	Upper Vibration Damping	4
27	54.0100.0017GT	WASHER, ZN, D70/16, SP 4	4
28	01.4031.0001GT	WASHER,CHMFRD,D16,UNI 6593,ZN	4
29	01.0023.0058GT	NUT,STOP,M16 UNI 7473 6S ZN	4
30	09.4610.0025GT	SHOCK ABSORBER, SEAT	1
31	07.0723.0042GT	Mirror	1
32	01.4006.0002GT	SCREW M4X15 UNI 5933 10.9 ZN	2
33	07.0723.0104GT	RETAINER	2
34	01.0031.0056GT	FLAT WASHER D10 UNI 6592 ZN	4
35	09.4610.0043GT	Safety Belt 3" Kit	1
36	07.0723.0114GT	Nylon Washer	3
37	07.0723.0169GT	Screw TSPEI M8x40	2
38	51.0811.4551GT	Plate for Decals to SN GTH5515B-2614	1
38	51.0811.4665GT	Plate for Decals from SN GTH5515B-2615	1
39	01.0001.0154GT	SCREW,TE,M6X16 UNI 8.8 ZN	4
40	01.0031.0298GT	FLAT WASHER D6 UNI 6593 ZN	8
41	01.0023.0053GT	STOP NUT M6 UNI 7473 6S ZN	4
42	01.0031.0059GT	FLAT WASHER D16 UNI 6592 ZN	2
43	07.0723.0055GT	RUBBER PLUG D.10	1
44	07.0723.0054GT	RUBBER PLUG D25	2
45	09.4610.0045GT	Spacer	1
46	09.0803.0568GT	Cap	2
47	09.0803.0571GT	Shim	1
48	01.0002.0000GT	SCREW M10X1,25X45 UNI 5738 8.8 ZN	2
49	01.0019.0105GT	NUT M10 UNI 5588 6S ZN	2
50	51.1100.0035GT	Cab Structure To SN GTH5515B-2614	1
50	51.1100.0040GT	Cab Structure From SN GTH5515B-2615	1



403.1 607925 Open Cab

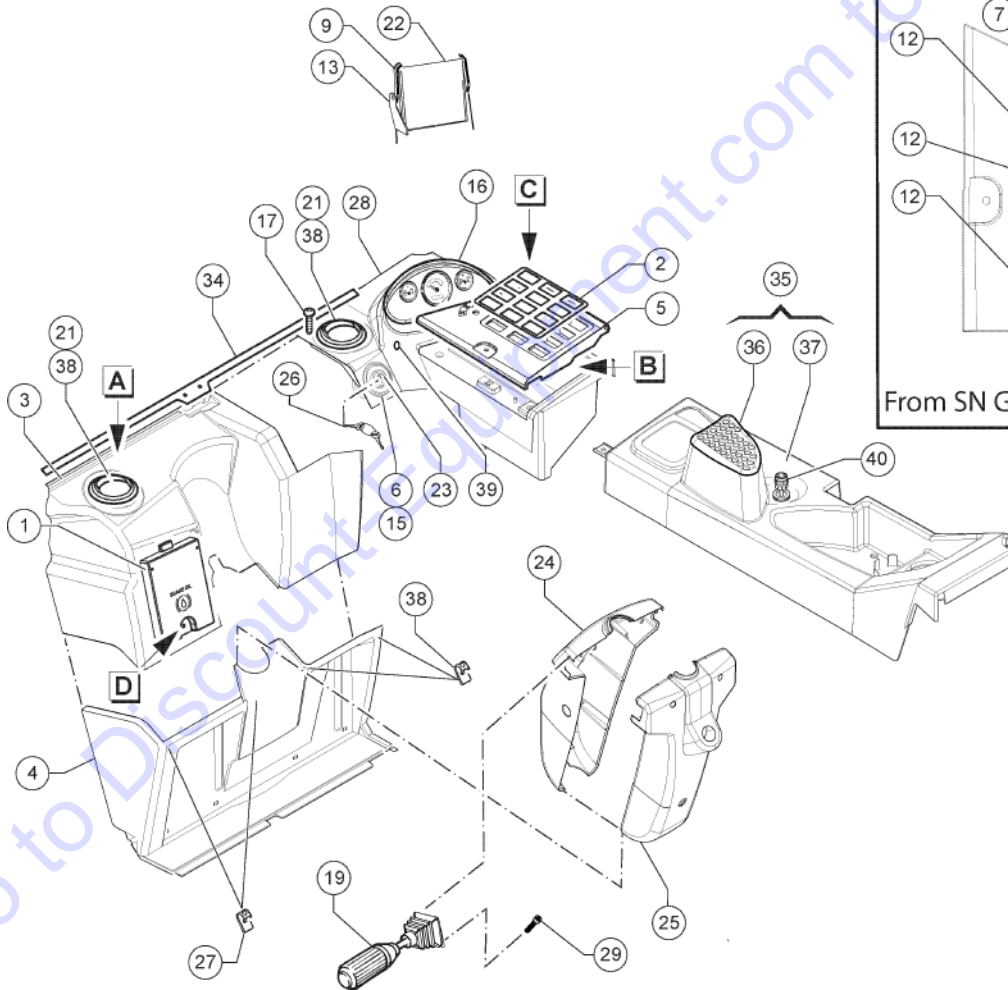
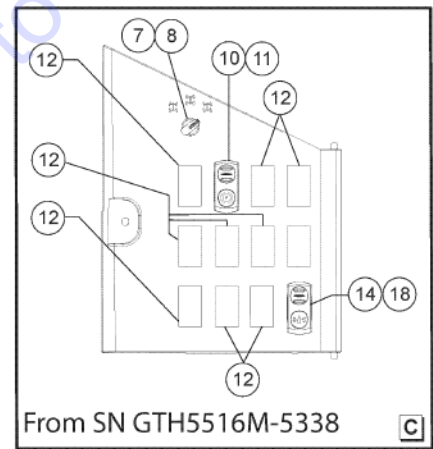
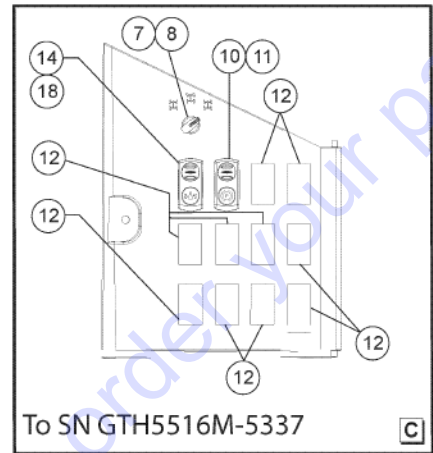
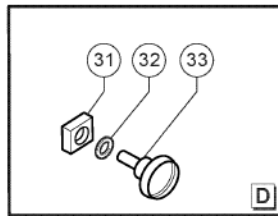
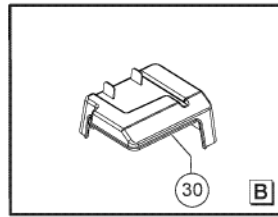
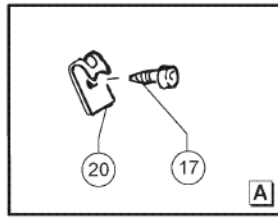


403.1 607925 Open Cab

<i>Item</i>	<i>Part No.</i>	<i>Description</i>	<i>Qty.</i>
51	07.0723.0627GT	Screw From SN GTH55M-10691	8
52	07.0723.0777GT	RIGHT SIDE GRID STOP From SN GTH55M-10691	7

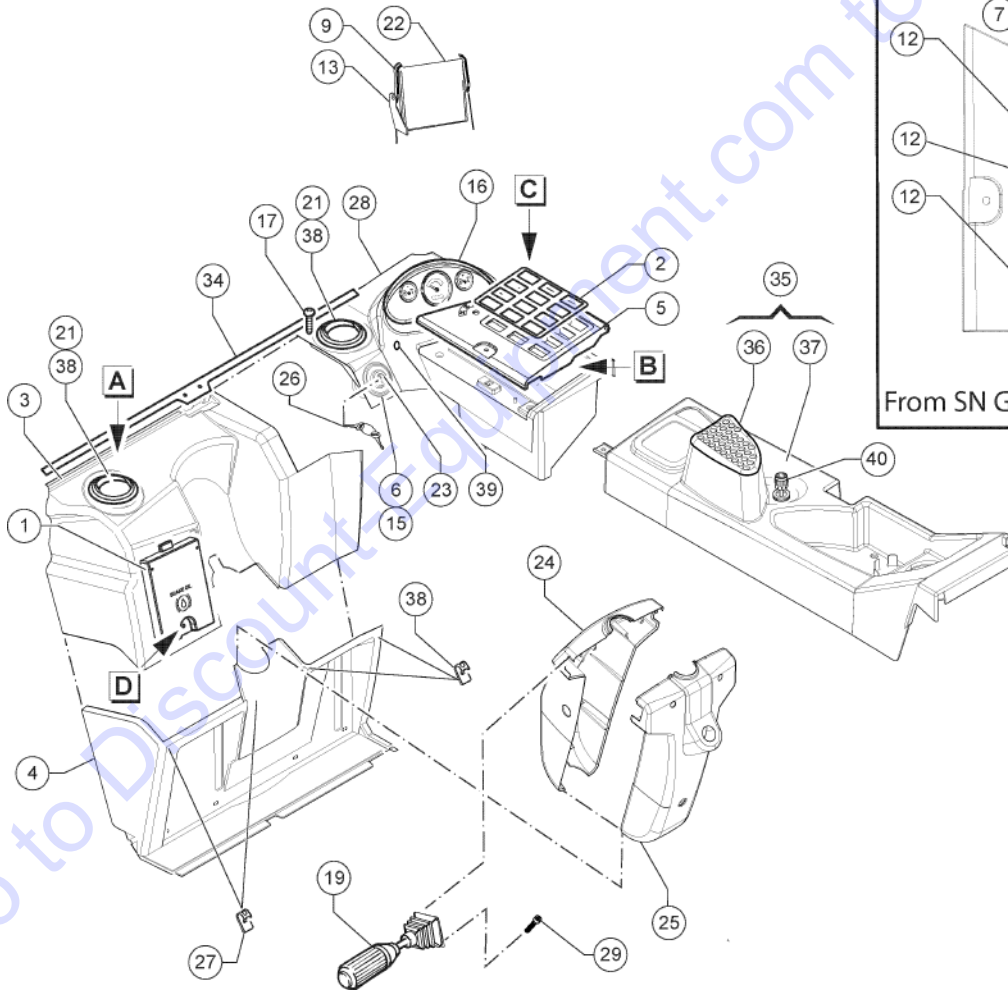
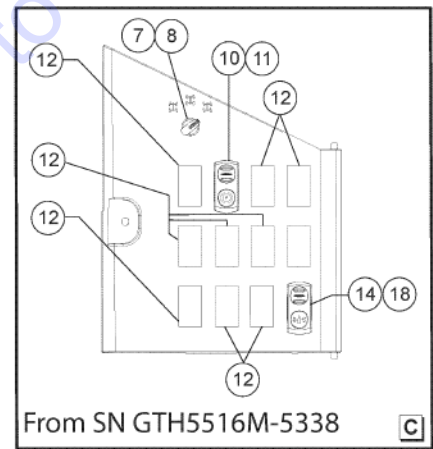
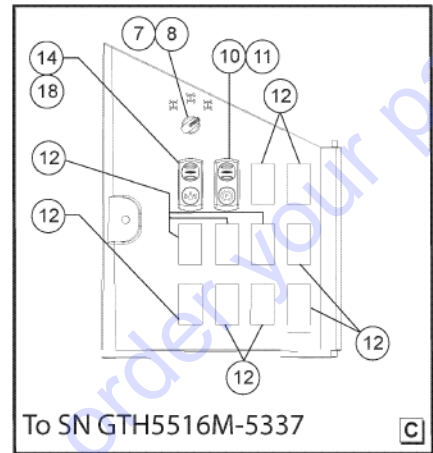
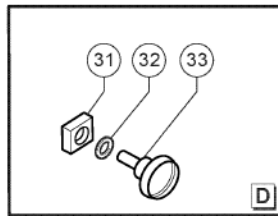
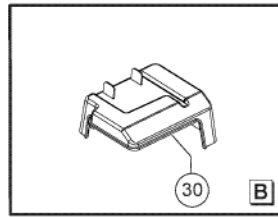
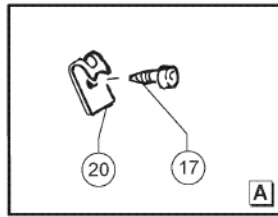
Go to Discount-Equipment.com to order your parts





Item	Part No.	Description	Qty.
1	52.1200.5523GT	Oil Tank ABS Cover	1
2	52.1200.5547GT	Plate	1
3	52.1200.5522GT	Upper Front Dashboard	1
4	52.1200.5521GT	Lower Front Dashboard	1
5	52.1200.5519GT	COVER,BOX,ABS	1
6	54.0100.0099GT	Braking disk	1
7	56.0017.0049GT	SWITCH,STEERING MODE	1
8	07.0703.0429GT	KNOB, STEERING MODE SELECTOR	1
9	51.0811.4009GT	External Support	1
10	56.0017.0046GT	SWITCH COVER	1
11	56.0017.0044GT	Switch Contact	1
12	56.0017.0039GT	Cap	10
13	07.0723.0678GT	Load Chart Support	1
14	56.0017.0047GT	Continuous Flow Switch Cover	1
15	09.4618.2038GT	KEY PLATE	1
16	56.0016.0195GT	DISPLAY From SN GTH5514B-101 to GTH-5516B-4410, from SN GTH5516M-4411 to GTH5516B-5799, from SN GTH55M-5800 to GTH55M-5878	1
16	56.0016.0206GT	DISPLAY From SN GTH55M-5879	1
17	07.0723.0039GT	SCREW,PPH SMS 10X3/4ZAKEG	10
18	56.0017.0132GT	Switch Contact	1
19	56.0016.0107GT	FWD/REVERSE SWITCH ASSEMBLY	1
20	07.0723.0104GT	RETAINER	6
21	07.0723.0639GT	Air Inlet	2
22	51.0811.4008GT	Internal Support	1
23	07.0703.0472GT	Starting Switch	1
24	52.1200.5526GT	Rear Steering Column Cover	1
25	52.1200.5525GT	Front Steering Column Cover	1
26	56.0017.0015GT	KEY ONLY (1 PAIR)	2
27	09.0803.0572GT	THREADED CLIP M5	4



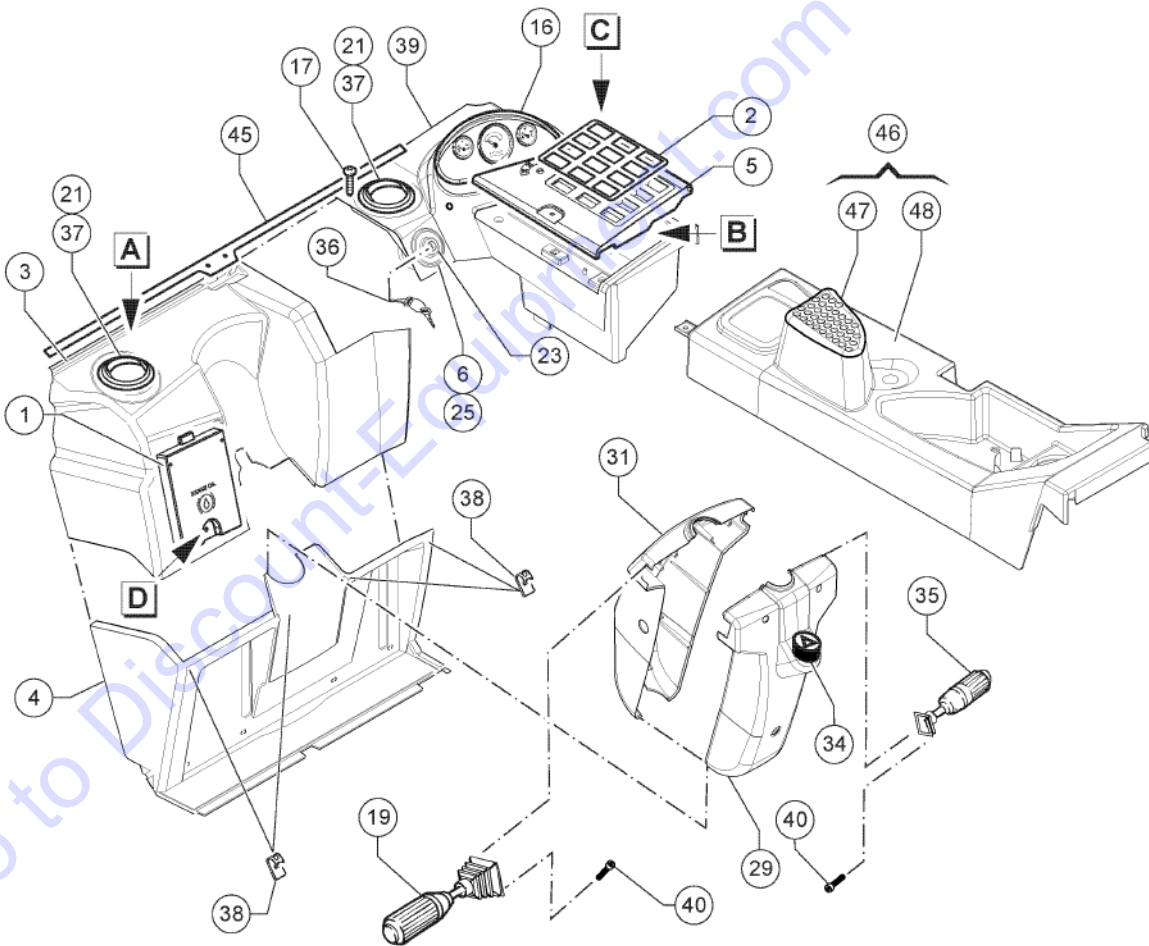
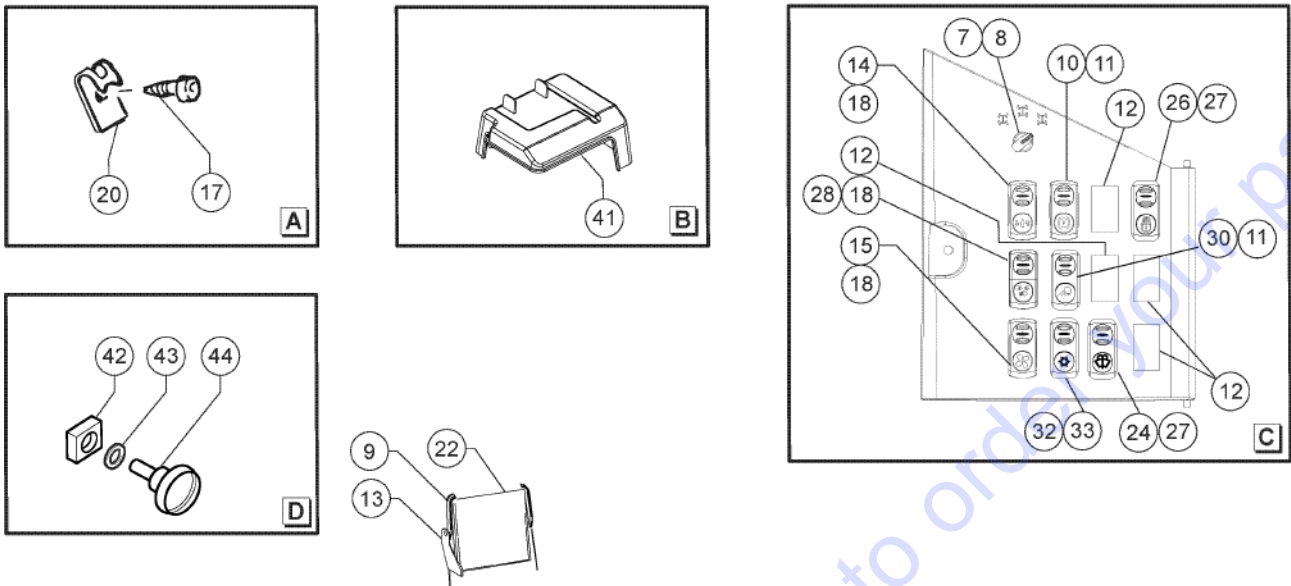


Item	Part No.	Description	Qty.
28	52.1200.5527GT	Instruments Dashboard	1
29	01.4001.0164GT	Screw TC M4 x 10 8.8 ZN UNI 7687	3
30	56.0021.0107GT	Fuse and Relay Cover	1
31	07.0723.0629GT	CLIP	1
32	07.0723.0628GT	Washer	1
33	09.0803.0616GT	Snap Screw	1
34	07.0723.0638GT	Profile	1
35	55.0511.0001GT	Complete Side ABS Cover	1
36	52.1200.5548GT	Panel	1
37	52.1200.5528GT	Side ABS Cover	1
38	07.0723.0640GT	Air Inlet Fitting	2
39	56.0017.0141GT	SWITCH TYCO	1
40		See 600 Hydraulic System, Figure 607939	

Go to Discount-Equipment.com to order your parts



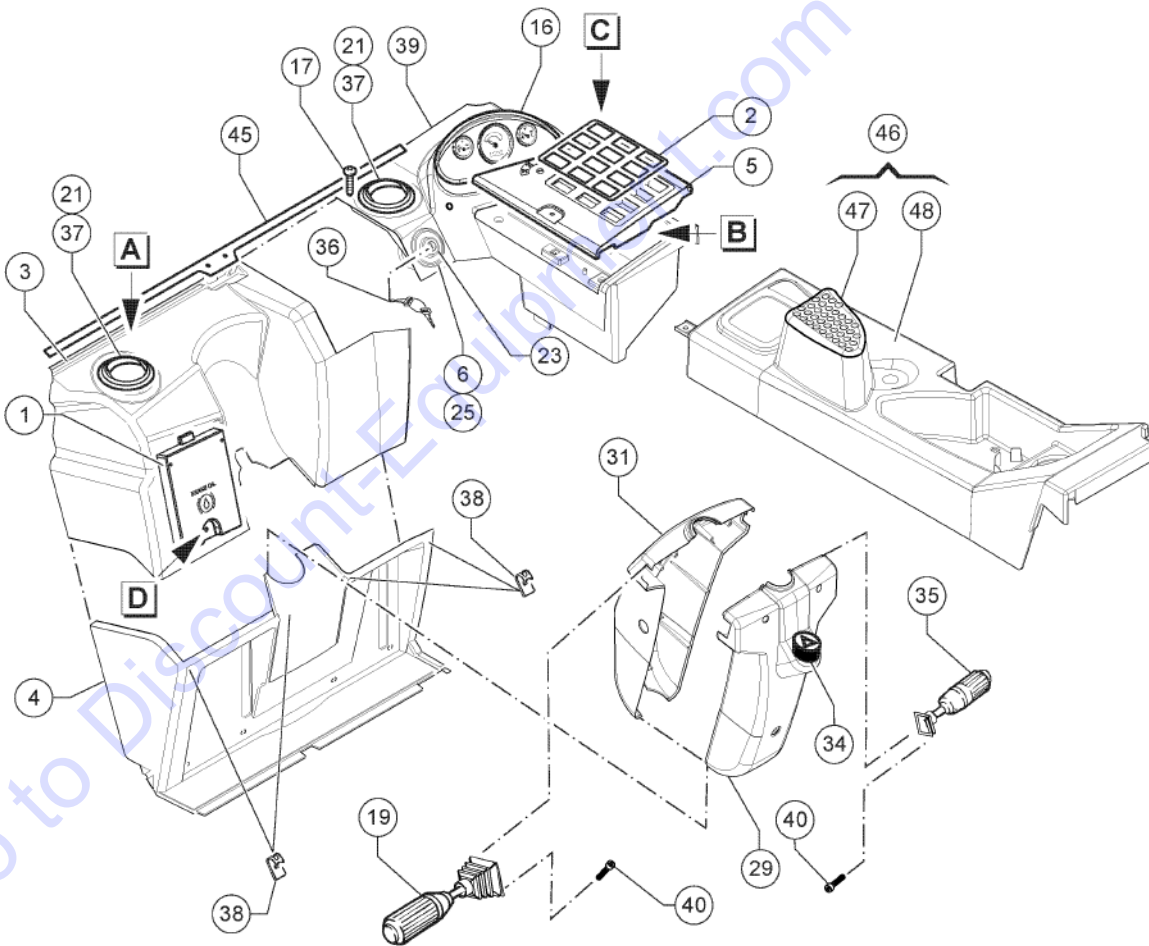
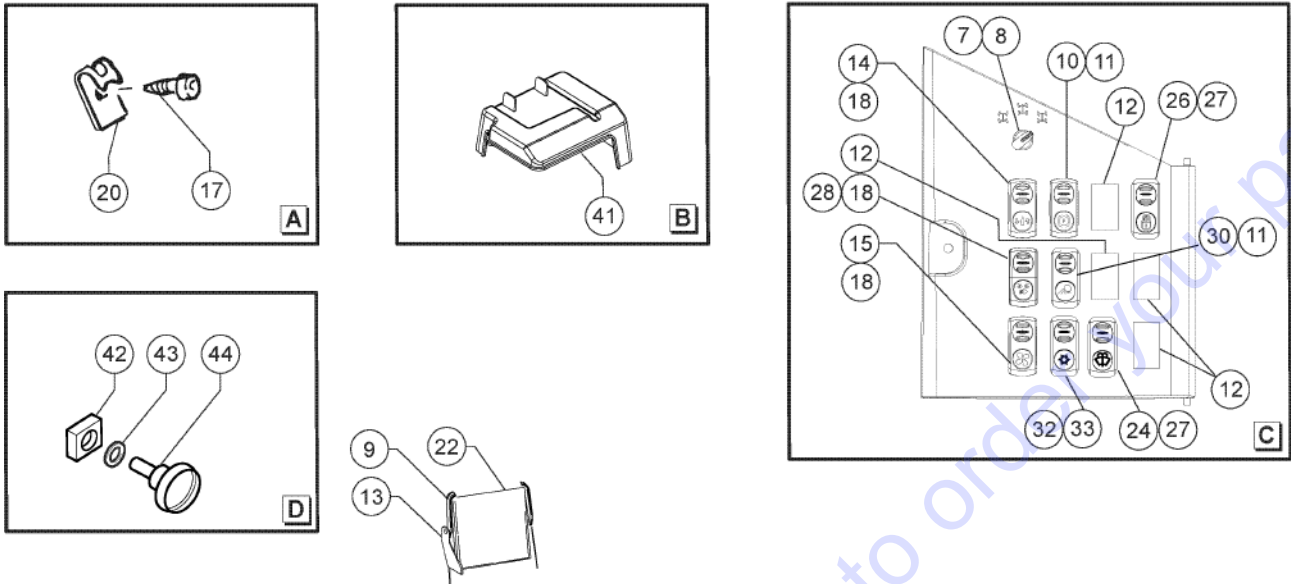
406.1 607927 Dashboard, View 2



Item	Part No.	Description	Qty.
1	52.1200.5523GT	Oil Tank ABS Cover	1
2	52.1200.5547GT	Plate	1
3	52.1200.5522GT	Upper Front Dashboard	1
4	52.1200.5521GT	Lower Front Dashboard	1
5	52.1200.5519GT	COVER,BOX,ABS	1
6	54.0100.0099GT	Braking disk	1
7	56.0017.0049GT	SWITCH,STEERING MODE	1
8	07.0703.0429GT	KNOB, STEERING MODE SELECTOR Without Switch Contact	1
9	51.0811.4009GT	External Support	1
10	56.0017.0046GT	SWITCH COVER Without Switch Contact	1
11	56.0017.0044GT	Switch Contact	2
12	56.0017.0039GT	Cap	4
13	07.0723.0678GT	Load Chart Support	1
14	56.0017.0047GT	Continuous Flow Switch Cover Without Switch Contact	1
15	56.0017.0054GT	FAN SWITCH COVER Without Switch Contact	1
16	56.0016.0195GT	DISPLAY From SN GTH5514B-101 to GTH-5516B-4410, from SN GTH5516M-4411 to GTH5516B-5799, from SN GTH55M-5800 to GTH55M-5878	1
16	56.0016.0206GT	DISPLAY From SN GTH55M-5879	1
17	07.0723.0039GT	SCREW,PPH SMS 10X3/4ZAKEG	10
18	56.0017.0132GT	Switch Contact	3
19	56.0016.0107GT	FWD/REVERSE SWITCH ASSEMBLY	1
20	07.0723.0104GT	RETAINER	6
21	07.0723.0639GT	Air Inlet	2
22	51.0811.4008GT	Internal Support	1
23	07.0703.0472GT	Starting Switch	1
24	56.0017.0038GT	SWITCH COVER Without Switch Contact	1
25	09.4618.2038GT	KEY PLATE	1
26	56.0017.0063GT	SWITCH COVER Without Switch Contact	1
27	56.0017.0035GT	SWITCH	2

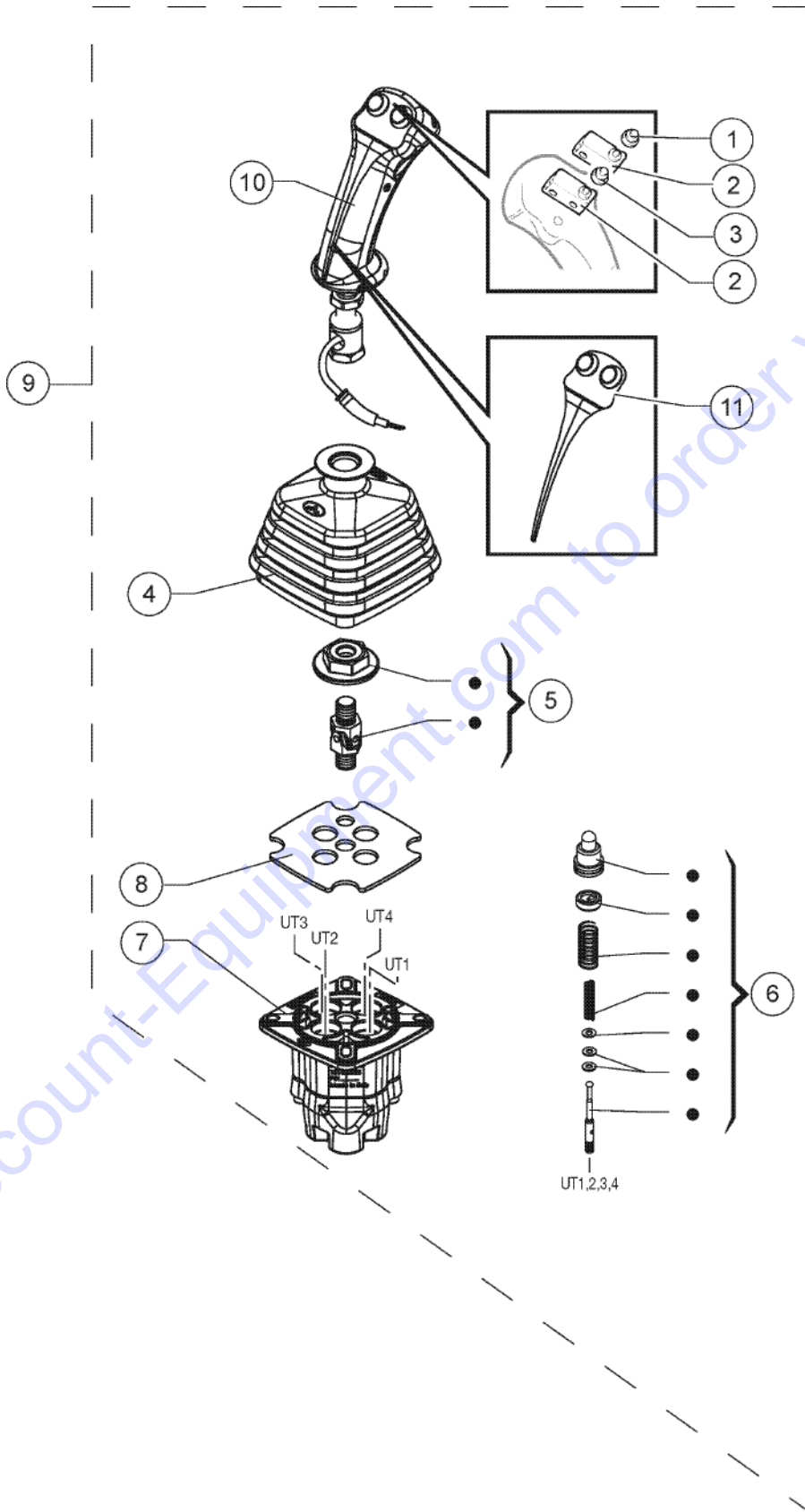


406.1 607927 Dashboard, View 2



Item	Part No.	Description	Qty.
28	56.0017.0130GT	Road Lights Switch Cover Without Switch Contact	1
29	52.1200.5525GT	Front Steering Column Cover	1
30	56.0017.0045GT	Work Lights Switch Cover Without Switch Contact	1
31	52.1200.5526GT	Rear Steering Column Cover	1
32	56.0017.0053GT	Air Condition Switch Cover Without Switch Contact	1
33	56.0017.0048GT	SWITCH	1
34	56.0017.0131GT	SWITCH	1
35	56.0016.0183GT	Right lever	1
36	56.0017.0015GT	KEY ONLY (1 PAIR)	2
37	07.0723.0640GT	Air Inlet Fitting	2
38	09.0803.0572GT	THREADED CLIP M5	4
39	52.1200.5527GT	Instruments Dashboard	1
40	01.4001.0164GT	Screw TC M4 x 10 8.8 ZN UNI 7687 Screw To lock Item 19 - 35 to Steering Column	6
41	56.0021.0107GT	Fuse and Relay Cover	1
42	07.0723.0629GT	CLIP	1
43	07.0723.0628GT	Washer	1
44	09.0803.0616GT	Snap Screw	1
45	07.0723.0638GT	Profile	1
46	55.0511.0001GT	Complete Side ABS Cover	1
47	52.1200.5548GT	Panel	1
48	52.1200.5528GT	Side ABS Cover	1

407.1 607928 Joystick



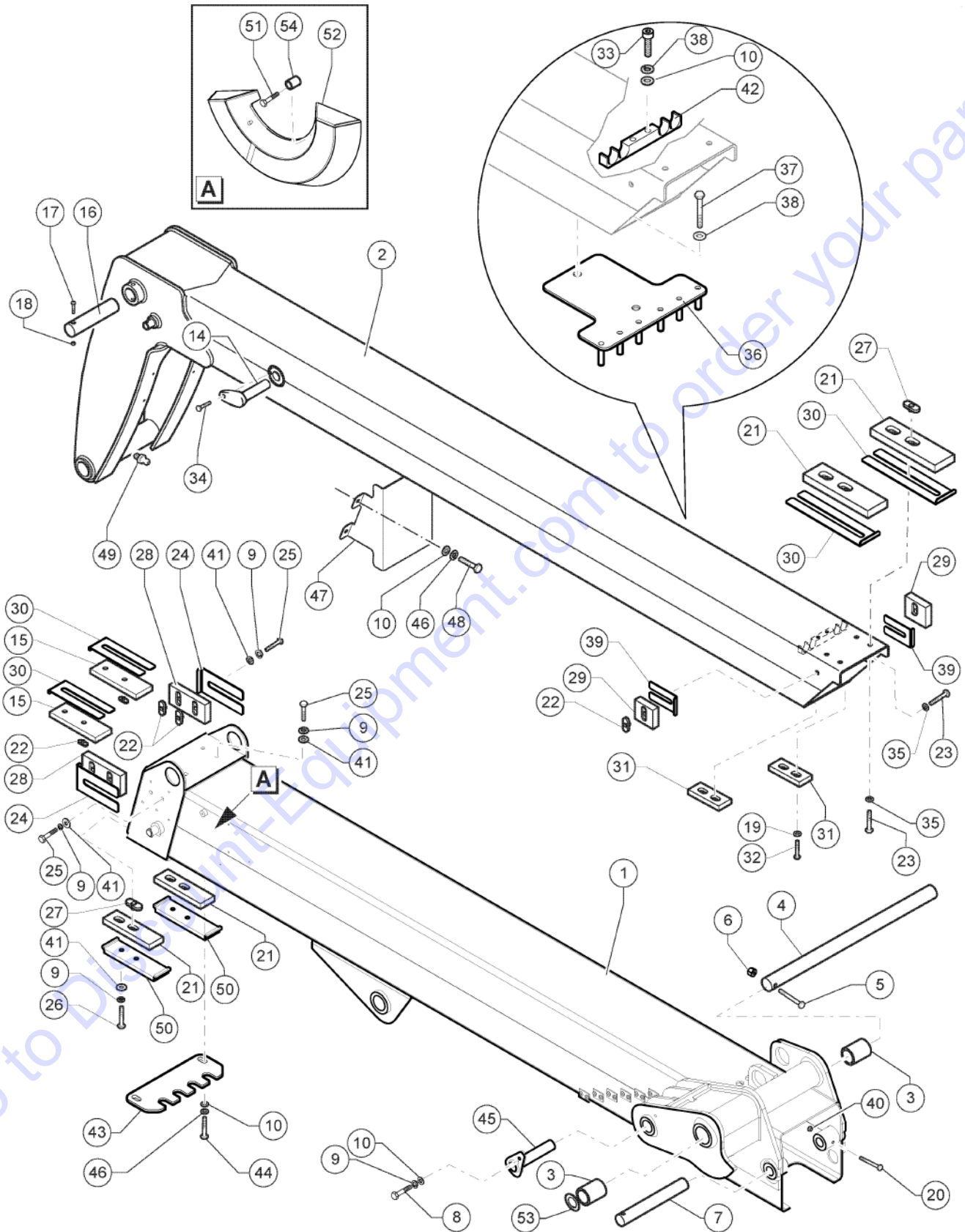
Go to Discount-Equipment.com to order your parts

Item	Part No.	Description	Qty.
1	07.0704.0118GT	RED PUSH BUTTON CAP	1
2	07.0704.0117GT	PUSH BUTTON	2
3	07.0704.0119GT	YELLOW PUSH BUTTON CAP	1
4	07.0704.0134GT	Rubber Protection	1
5	07.0704.0136GT	ARTICULATION	1
6	07.0704.0138GT	Complete Selector	4
7	07.0704.0137GT	BODY	1
8	07.0704.0169GT	Flange	1
9	04.4237.0010GT	Joystick	1
10	07.0704.0133GT	CONTROL LEVER	1
10	07.0704.0173GT	Joystick Handle	1
11	07.0704.0473GT	BRACKET Included Item 1, 2, 3	1

Go to Discount-Equipment.com to order your parts



501.1 607932 Boom (1st - 2nd Telescopic Element)

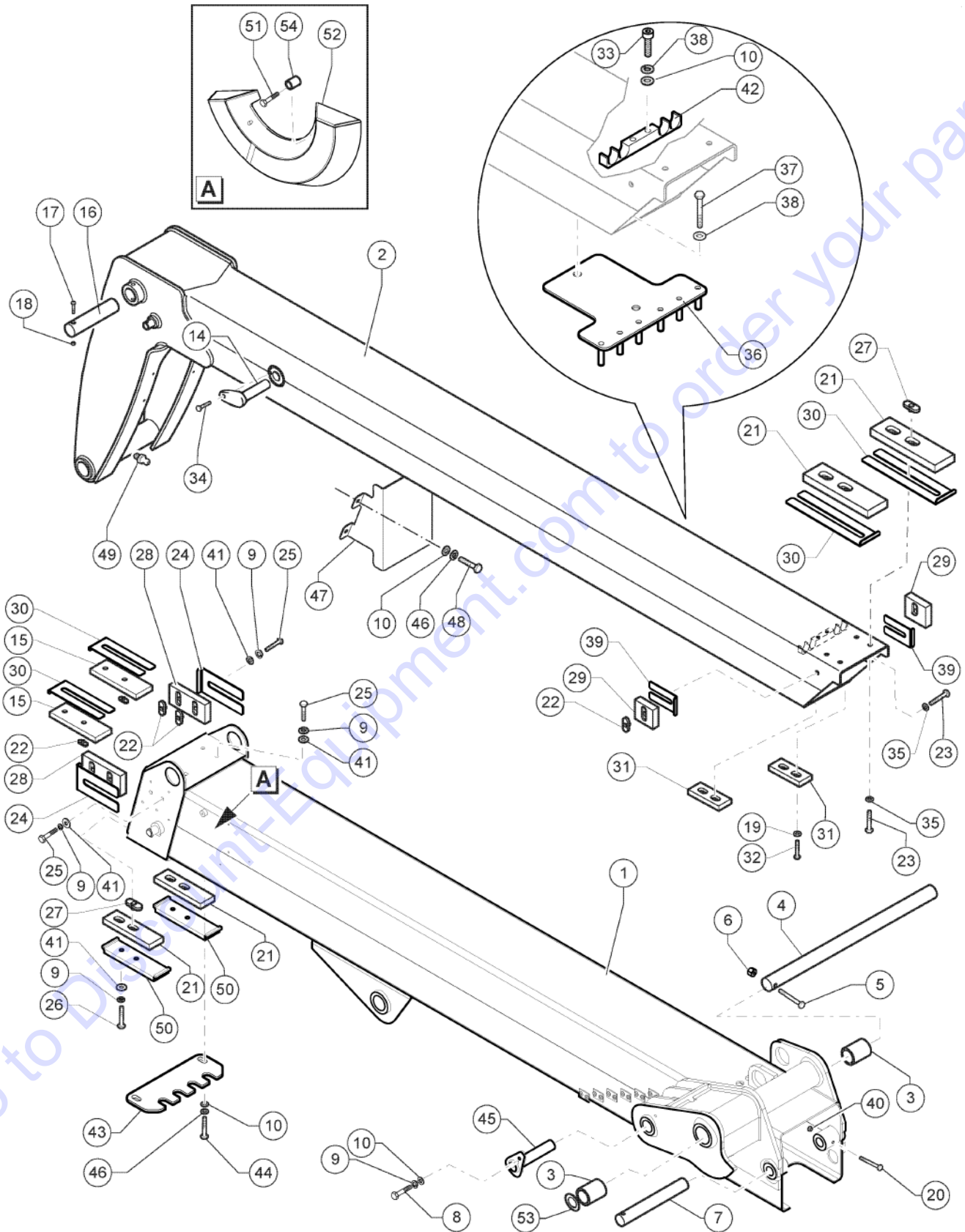


501.1 607932 Boom (1st - 2nd Telescopic Element)

Item	Part No.	Description	Qty.
1	51.0201.3943GT	1st Telescopic Element	1
2	51.0201.3944GT	2nd Telescopic Element To S.N. GTH5515B-3801	1
2	51.0201.3973GT	2nd Telescopic Element From S.N. GTH5515B-3802	1
3	54.0202.0006GT	Bushing DB 50/58 LG.55	2
4	54.0000.0262GT	54.0000.0262GT	1
5	01.4001.0012GT	SCREW M14X100UNI 5737 8.8 ZN	1
6	01.0023.0057GT	STOP NUT M14 UNI 7473 6S ZN	1
7	54.0000.0258GT	Extension Cylinder Foot Pin	1
8	01.0001.0357GT	SCREW,TE,M10X35 UNI 8.8 ZN	1
9	01.4032.0004GT	Spring Washer D10 ZN	14
10	01.0031.0055GT	FLAT WASHER D8 UNI 6592 ZN	9
14	54.0004.0133GT	Extension Cylinder Head Pin	1
15	54.0705.0048GT	SLIDING GUIDE	2
16	54.0000.0259GT	PIN	1
17	01.4001.0008GT	SCREW M10X90 UNI 5737 8.8 ZN	2
18	01.0023.0055GT	Stop Nut M10 UNI 7473 6S ZN	2
19	01.0031.0055GT	FLAT WASHER D8 UNI 6592 ZN	4
20	01.0001.0209GT	SCREW M8X70 UNI 5737 8.8 ZN	1
21	54.0705.0069GT	WEAR PAD,200X60X20	4
22	54.0200.0000GT	BUSHING M10X8.5	1
23	01.4006.0013GT	SCREW M10X25 UNI 5933 10.9 ZN	4
24	51.0811.4131GT	SHIM, WEAR PAD,100X60X1	4
25	01.0001.0356GT	SCREW M10X30 UNI 5739 8.8 ZN	8
26	01.0001.0355GT	SCREW M10X25 UNI 5739 8.8 ZN	4
27	54.0200.0001GT	BUSHING M10X13.5	8
28	54.0705.0049GT	WEAR PAD,100X60X12	2
29	54.0705.0037GT	SLIDING GUIDE	2
30	51.0811.4240GT	SHIM,WEAR PAD,60X200X1	6



501.1 607932 Boom (1st - 2nd Telescopic Element)

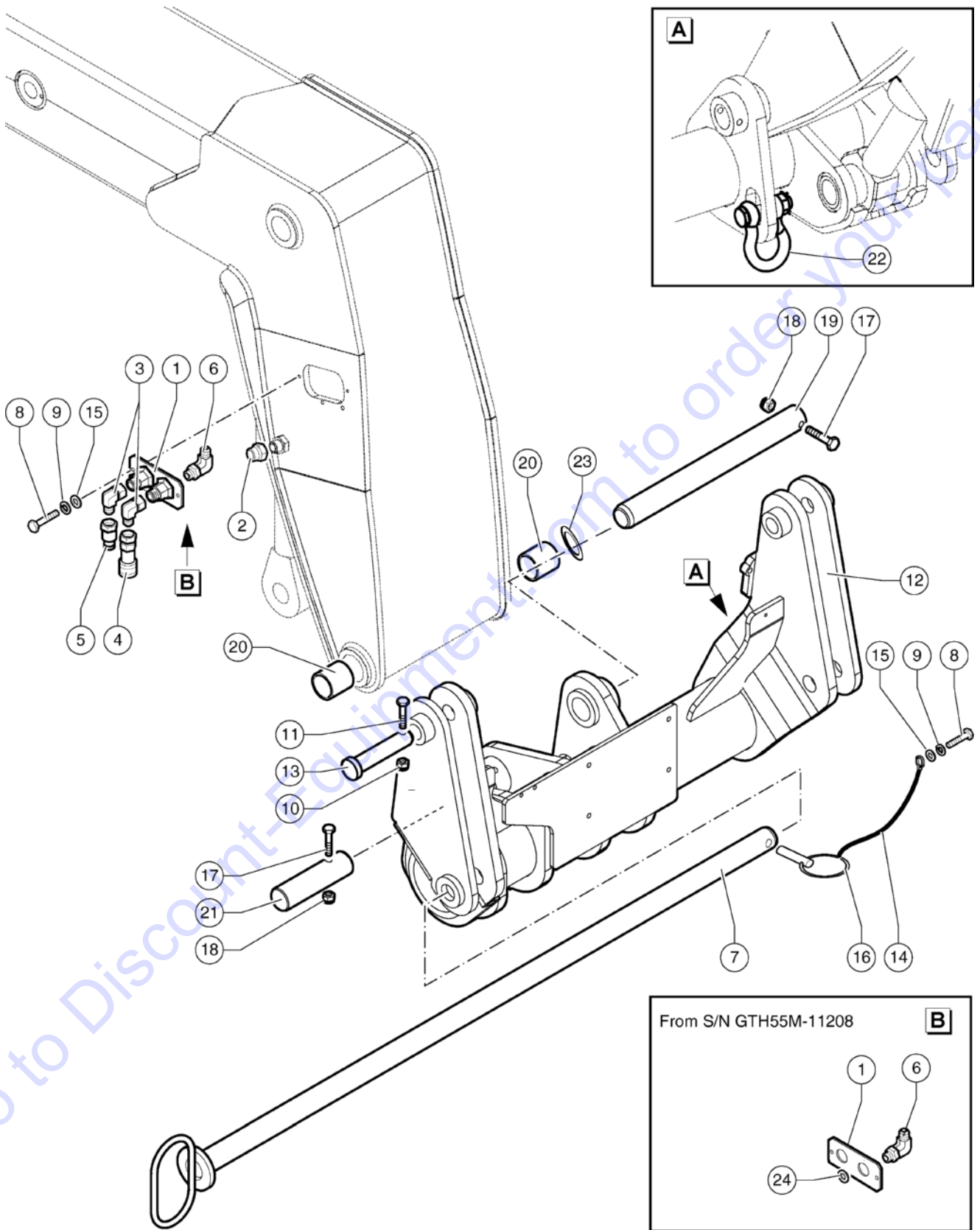


Go to Dixie-Equipment.com to order your parts

501.1 607932 Boom (1st - 2nd Telescopic Element)

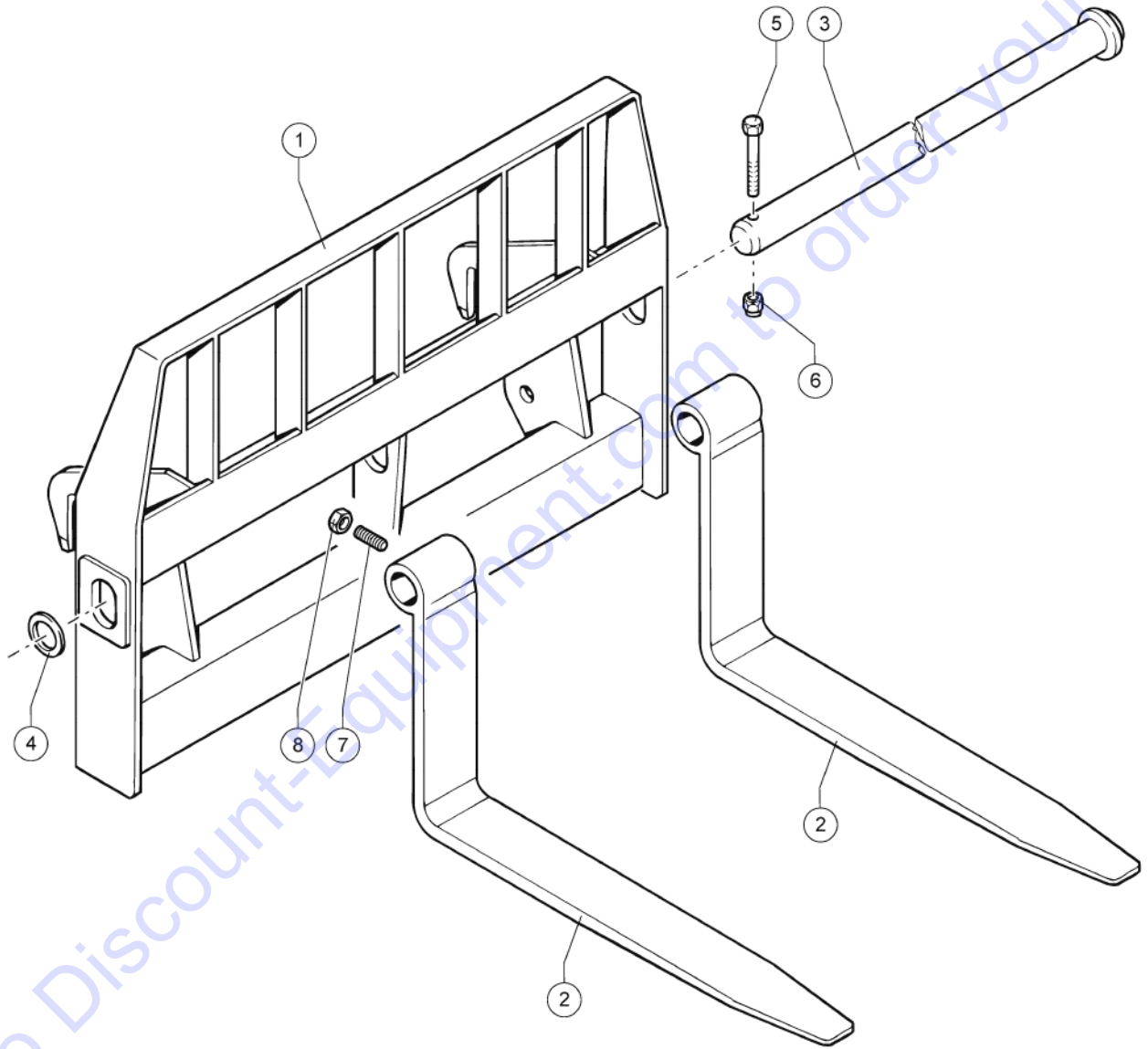
Item	Part No.	Description	Qty.
31	54.0705.0047GT	Lower Rear Pad 100X25X15	2
32	01.4003.0041GT	SCREW M8X16 DIN 7984 8.8 ZN	3
33	01.0003.0205GT	SCREW M8X25 UNI 5931 8.8 ZN	2
34	01.4006.0004GT	SCREW M8X20 UNI 5933 10.9 ZN	3
35	09.0803.0062GT	WASHER D10	6
36	51.0811.2600GT	HOSE GUIDE To S.N. GTH5515B-3801	1
37	01.0001.0254GT	SCREW M8X20 UNI 5739 8.8 ZN	2
38	01.4032.0003GT	Spring Washer D 8 ZN	4
39	51.0811.4241GT	SHIM,WEAR PAD,60X60X1	2
40	01.0023.0054GT	NUT,M8 UNI 7473 6S ZN	1
41	01.0031.0301GT	FLAT WASHER D10 UNI 6593 ZN	8
42	51.0810.2700GT	HOSE GUIDE To S.N. GTH5515B-3801	1
43	51.0811.2700GT	HOSE GUIDE To S.N. GTH5515B-3801	1
44	01.0001.0252GT	SCREW M8X16 UNI 5739 8.8 ZN	6
45	54.0000.0263GT	Levelling Cylinder Head Pin	1
46	01.4032.0003GT	Spring Washer D 8 ZN	2
47	51.0903.5304GT	PROTECTIVE BRACKET	1
48	01.0001.0252GT	SCREW M8X16 UNI 5739 8.8 ZN	4
49	02.0117.0119GT	GREASE NIPPLE G 1/8	1
50	07.0726.0043GT	SLIDING BLOCK HOLDER	2
51	01.4003.0000GT	SCREW M4X16 UNI 5931 8.8 ZN	2
52	09.0803.0357GT	BOOM LEVEL INDICATOR	1
53	54.0100.0151GT	SHIM	2
54	09.0803.0910GT	SHIM D.5,2/10MM H5MM	2

502.1 607933 Manual Fork Attachments



Item	Part No.	Description	Qty.
1	53.3001.0500GT	MANIFOLD, BOOM HOSES To SN GTH55M-11207	1
1	51.0811.4951GT	PASSTHROUGH PLATE From SN GTH55M-11208	1
2	04.0600.0228GT	CAP FITTING F 1/2" BSP	1
3	04.0600.0087GT	PIPE FITTING 90	2
4	04.4210.0019GT	QUICK COUPLING, FEMALE 1/2	1
5	04.4210.0018GT	QUICK COUPLING, MALE 1/2	1
6	04.0607.0141GT	PIPE FITTING 90 1/2GASXM 13/16-16 ORFS To SN GTH55M-11207	2
6	04.0607.0869GT	FITTING 90 M-M 1/2 bsp x 13/16-16 orfs From SN GTH55M-11208	2
7	54.0000.0235GT	PIN	1
8	01.0001.0156GT	SCREW M6X20 UNI 5739 8.8 ZN	3
9	01.4032.0002GT	SPRING WASHER D6 ZN	3
10	01.0023.0053GT	STOP NUT M6 UNI 7473 6S ZN	2
11	01.0001.0104GT	SCREW M6X40 UNI 5739 8.8 ZN	2
12	51.0400.5018GT	Fork Attachment	1
13	54.0001.0081GT	PIN	2
14	09.0803.0406GT	LANYARD,PIN	1
15	01.0031.0054GT	FLAT WASHER D6 UNI 6592 ZN	3
16	02.4102.0012GT	RING PIN	1
17	01.4001.0008GT	SCREW M10X90 UNI 5737 8.8 ZN	2
18	01.0023.0055GT	Stop Nut M10 UNI 7473 6S ZN	2
19	54.0000.0260GT	PIN	1
20	54.0201.0073GT	BUSHING 45/52X50	2
21	54.0000.0261GT	Pin	1
22	1256281GT	ASSEMBLY,LIFTING SHACKLE,4.75t	1
23	54.0100.0154GT	SHIM	1
24	01.0031.0061GT	FLAT WASHER D20 UNI 6592 ZN From SN GTH55M-11208	2

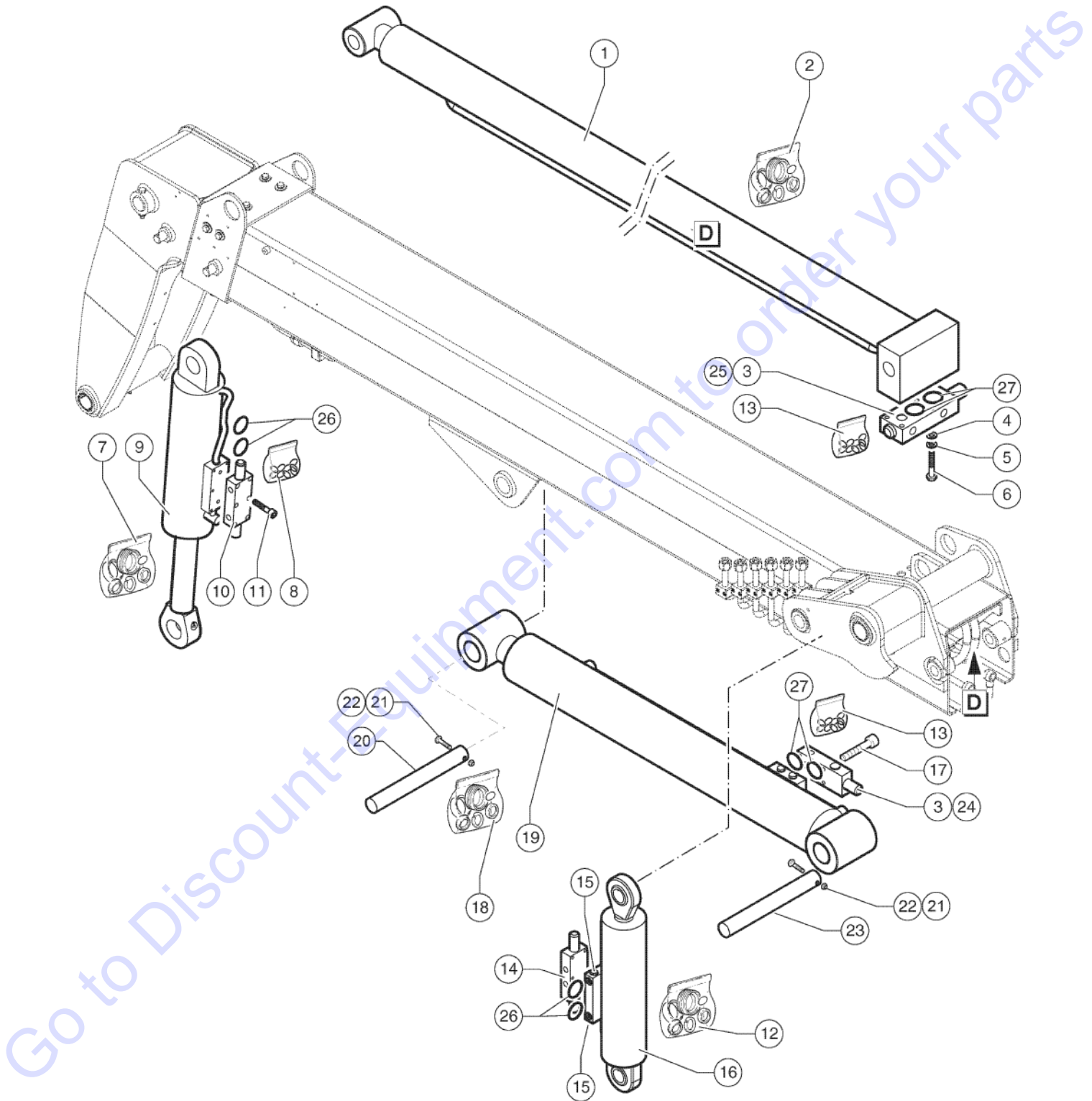




Item	Part No.	Description	Qty.
1	216559GT	Floating Fork Support Plate	1
2	216560GT	OPTION,FORK,STANDARD,48" PAIR, (includes qty 2 forks)	1
2	216561GT	OPTION,FORK,STANDARD,60" PAIR	1
2	51.1301.9236GT	FORK BAR 100X45X1200 (HD)	2
3	1254827GT	PIN,STD 48 CARRIAGE,GTH5519	1
4	54.0100.0027GT	WASHER	2
5	01.0001.0409GT	SCREW M12X80 UNI 5737 8.8 ZN	1
6	01.0023.0056GT	STOP NUT M12 UNI 7473 6S ZN	1
7	01.4041.0005GT	DOWEL M12X25 UNI 5927 12.9 ZN	2
8	01.4019.0004GT	NUT M12 UNI 5589	2

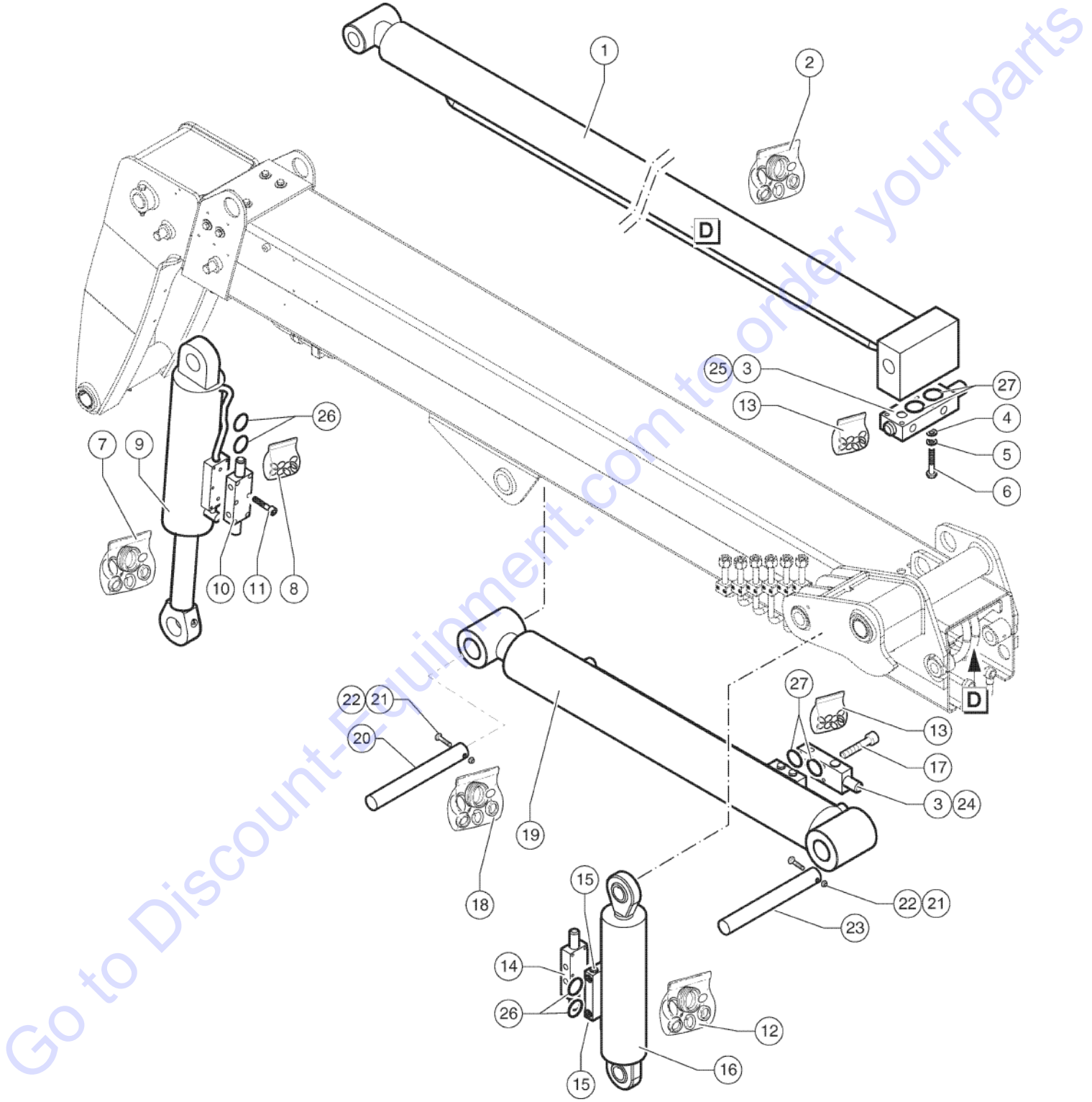
Go to Discount-Equipment.com to order your parts





Item	Part No.	Description	Qty.
1	53.0100.3210GT	CYLINDER,EXTENSION to SN GTH5515B-2614	1
1	53.0100.3230GT	CYLINDER,EXTENSION from SN GTH5515B-2615	1
2	07.0721.0121GT	Cylinder Gasket Kit	1
3	04.4239.0005GT	SAFETY VALVE to SN GTH55M-8254, from SN GTH55M-8264 to SN GTH55M-8718, from SN GTH55M-8720 to SN GTH55M-9025	2
4	01.0031.0055GT	FLAT WASHER D8 UNI 6592 ZN	4
5	01.4032.0003GT	Spring Washer D 8 ZN	4
6	01.0001.0206GT	SCREW M8X55 UNI 5737 8.8 ZN	4
7	07.0721.0123GT	Seal Kit Cylinder	1
8	07.0705.0085GT	SEAL KIT to SN GTH55M-8254, from SN GTH55M-8264 to SN GTH55M-8718, from SN GTH55M-8720 to SN GTH55M-9025	1
9	53.0400.1809GT	Tilt Cylinder to SN GTH5515B-2614	1
9	53.0400.1817GT	CYLINDER,TILT from SN GTH5515B-2615	1
10	04.4239.0052GT	Safety Valve to SN GTH55M-8254, from SN GTH55M-8264 to SN GTH55M-8718, from SN GTH55M-8720 to SN GTH55M-9025	1
10	04.4239.0157GT	OVERCENTER VALVE from SN GTH55M-8255 to SN GTH55M-8263, for SN GTH55M-8719, from SN GTH55M-9026	1
11	01.0003.0208GT	SCREW,TCEI,M8X40 UNI 8.8ZN	12
12	07.0721.0122GT	Cylinder Gasket Kit	1
13	07.0705.0081GT	SEAL KIT to SN GTH55M-8254, from SN GTH55M-8264 to SN GTH55M-8718, from SN GTH55M-8720 to SN GTH55M-9025	2
14	04.4239.0051GT	SAFETY VALVE to SN GTH55M-8254, from SN GTH55M-8264 to SN GTH55M-8718, from SN GTH55M-8720 to SN GTH55M-9025	1
14	04.4239.0156GT	OVERCENTER VALVE from SN GTH55M-8255 to SN GTH55M-8263, for SN GTH55M-8719, from SN GTH55M-9026	1
15	04.4239.0004GT	SAFETY VALVE	2
16	53.0300.2215GT	CYLINDER,SLAVE to SN GTH5515B-2614	1
16-	07.0721.0019GT	BALL JOINT	2
16	53.0300.2219GT	CYLINDER,SLAVE from SN GTH5515B-2615	1
16-	03.0000.0006GT	Ball Joint	2
17	01.0003.0210GT	SCREW M8X50 UNI 5931 8.8 ZN	4
18	07.0721.0120GT	Cylinder Gasket Kit	1
19	53.0000.3811GT	CYLINDER,LIFT to SN GTH5515B-2614	1



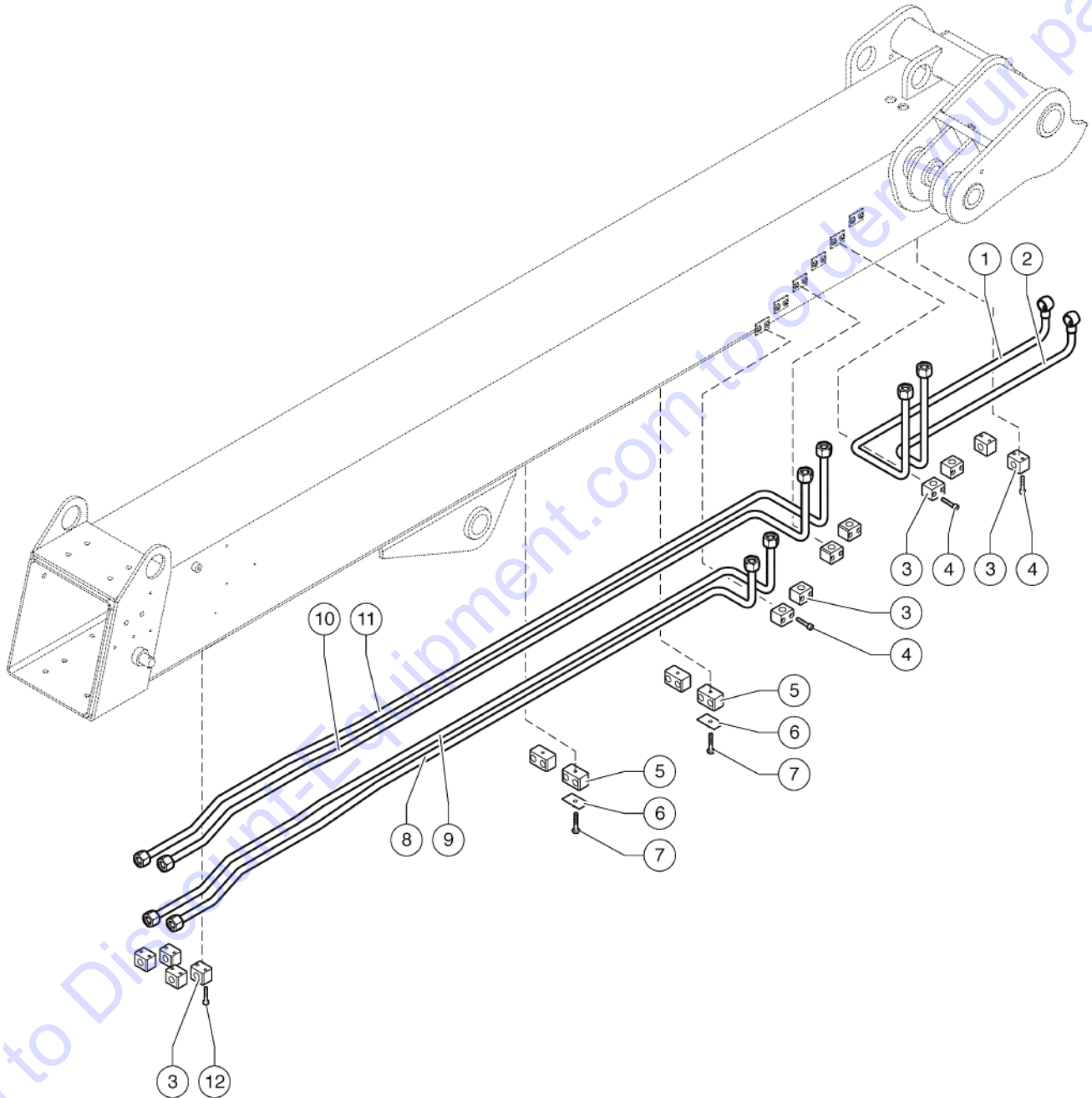


Item	Part No.	Description	Qty.
19	53.0000.3823GT	CYLINDER,LIFT from SN GTH5515B-2615	1
20	54.0000.0264GT	Lifting Cylinder Head Pin	1
21	01.4001.0003GT	SCREW M12X100 UNI 5737 8.8 ZN	2
22	01.0023.0056GT	STOP NUT M12 UNI 7473 6S ZN	2
23	54.0000.0256GT	Lifting Cylinder Foot Pin	1
24	04.4239.0155GT	OVERCENTER VALVE from SN GTH55M-8255 to SN GTH55M-8263, for SN GTH55M-8719, from SN GTH55M-9026	1
25	04.4239.0159GT	OVERCENTER VALVE from SN GTH55M-8255 to SN GTH55M-8263, for SN GTH55M-8719, from SN GTH55M-9026	1
26	07.0722.0037GT	O-ring from SN GTH55M-8255 to SN GTH55M-8263, for SN GTH55M-8719, from SN GTH55M-9026	2
27	07.0705.0101GT	O-ring from SN GTH55M-8255 to SN GTH55M-8263, for SN GTH55M-8719, from SN GTH55M-9026	2

Go to Discount-Equipment.com to order your parts



504.1 607935 First Section Pipes And Clamps



Go to Discount-Parts.com to order your parts

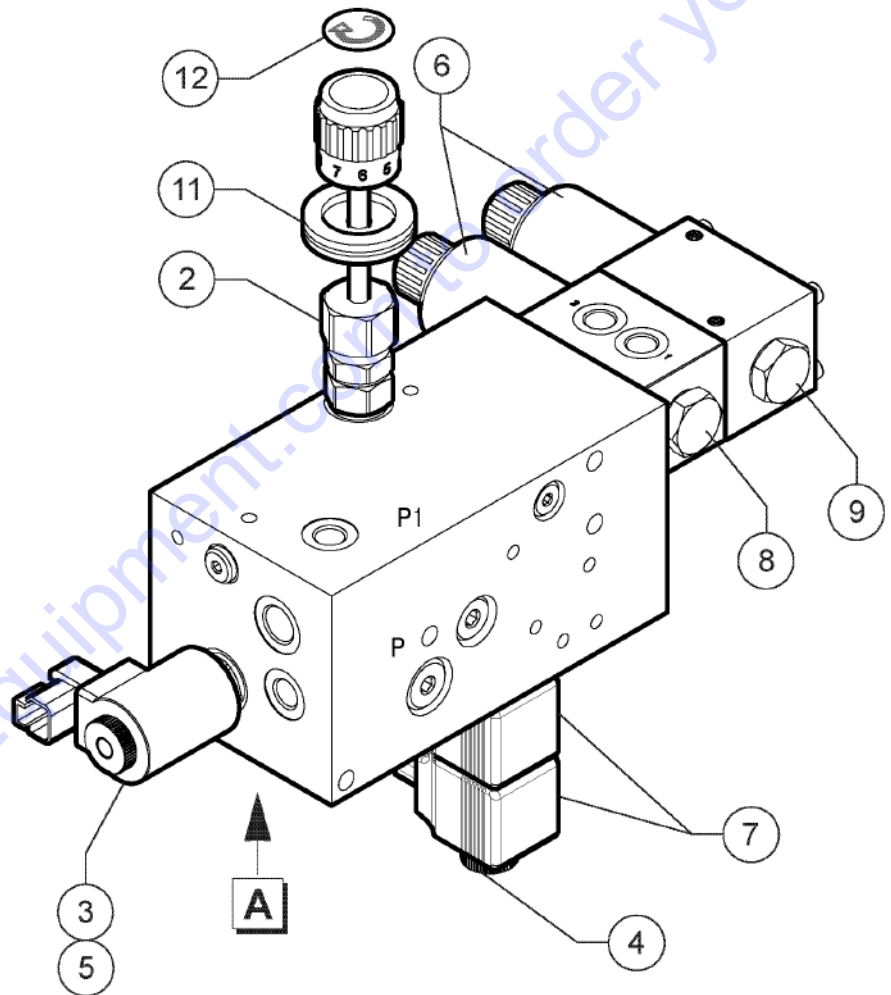
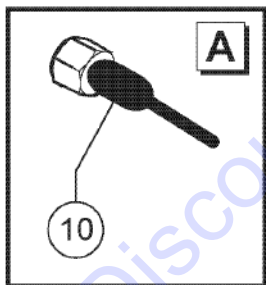
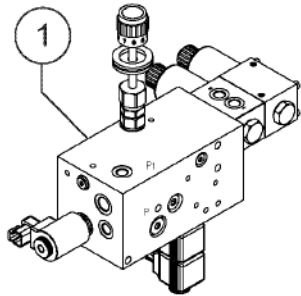
504.1 607935 First Section Pipes And Clamps

Item	Part No.	Description	Qty.
1	53.3402.1900GT	PIPE, 5519	1
2	53.3402.1800GT	Pipe 07.4529.0082 Seal Ring	1
3	09.0803.0043GT	SINGLE HOSE BRACKET D16	12
4	01.0003.0157GT	SCREW M6X25 UNI 5931 8.8 ZN	16
5	09.0803.0060GT	CLAMP,DOUBLE,D16	4
6	09.0803.0523GT	DOUBLE HOSE LOCKING PLATE D18	4
7	01.0001.0258GT	SCREW M8X35 UNI 5739 8.8 ZN	4
8	53.3402.2000GT	PIPE, 5519	1
9	53.3402.2100GT	PIPE, 5519	1
10	53.3402.2200GT	PIPE, 5519	1
11	53.3402.2300GT	PIPE, 5519	1
12	01.0003.0158GT	SCREW,TCEI,M6X30 UNI 8.8 ZN	8

Go to Discount-Equipment.com to order your parts



601.1 607939 Valve Block

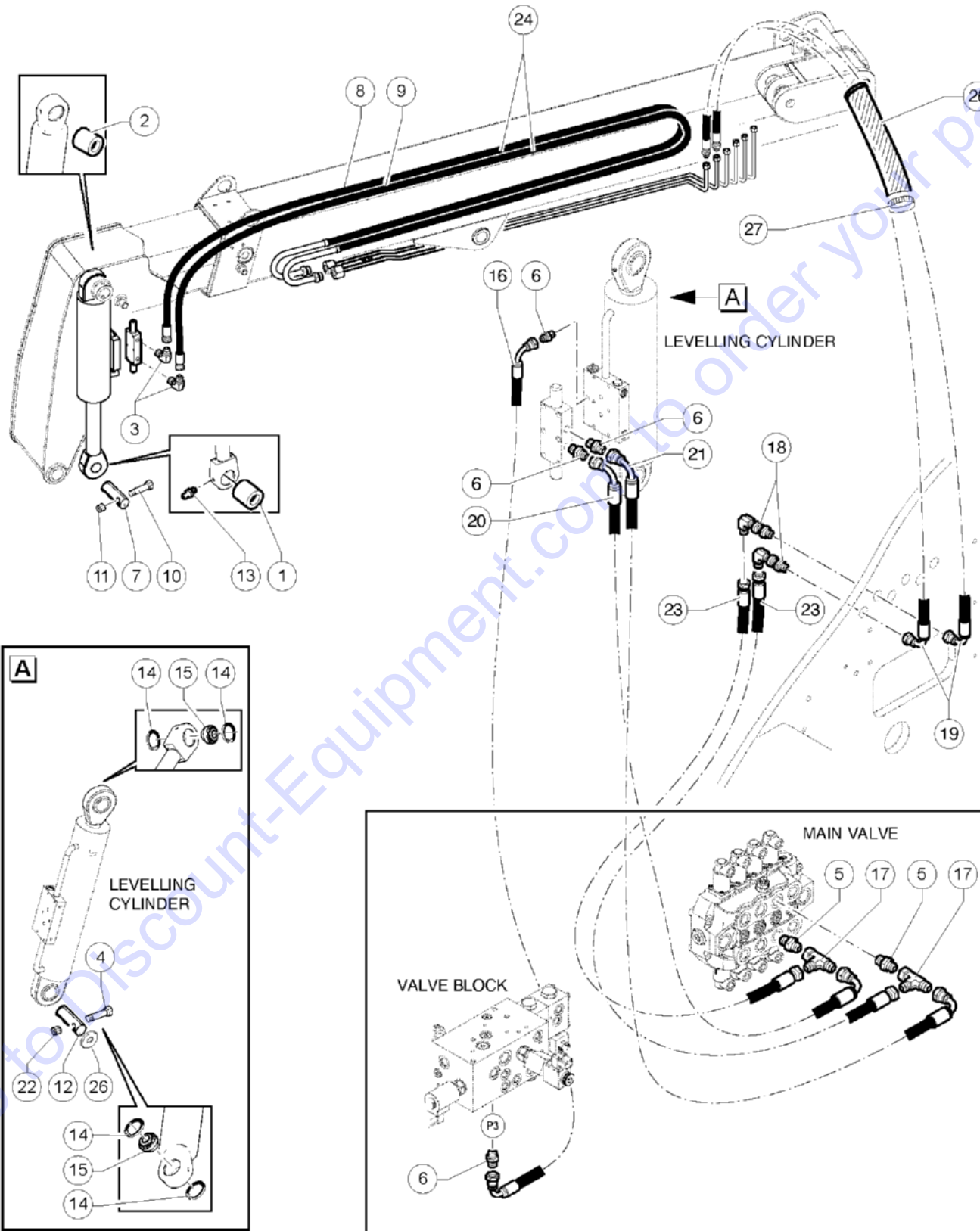


Go to Discount-Equipment.com to order your parts

Item	Part No.	Description	Qty.
1	04.4236.0107GT	BLOCK,HYD,PILOTING Without Item 12	1
2	07.0705.0095GT	Flow Reduction Valve	1
2-	07.0704.0407GT	KNOB for 07.0705.0095	
3	07.0704.0184GT	Solenoid	1
4	07.0705.0100GT	Continuous Oil Electrovalve	1
5	07.0705.0094GT	VALVE,SOLND,BRK,DEUTZ TCD4.1	1
6	07.0704.0143GT	SOLENOID****	2
7	07.0705.0099GT	Solenoid	2
8	07.0705.0098GT	Lock/Release Electrovalve	1
9	07.0705.0097GT	Fork Overturning Electrovalve	1
10	56.0012.0027GT	SWITCH, NEGATIVE BRAKE	1
11	07.0704.0415GT	Seal Ring	1
12	09.4618.1634GT	Label - Continuous Flow Knob	1

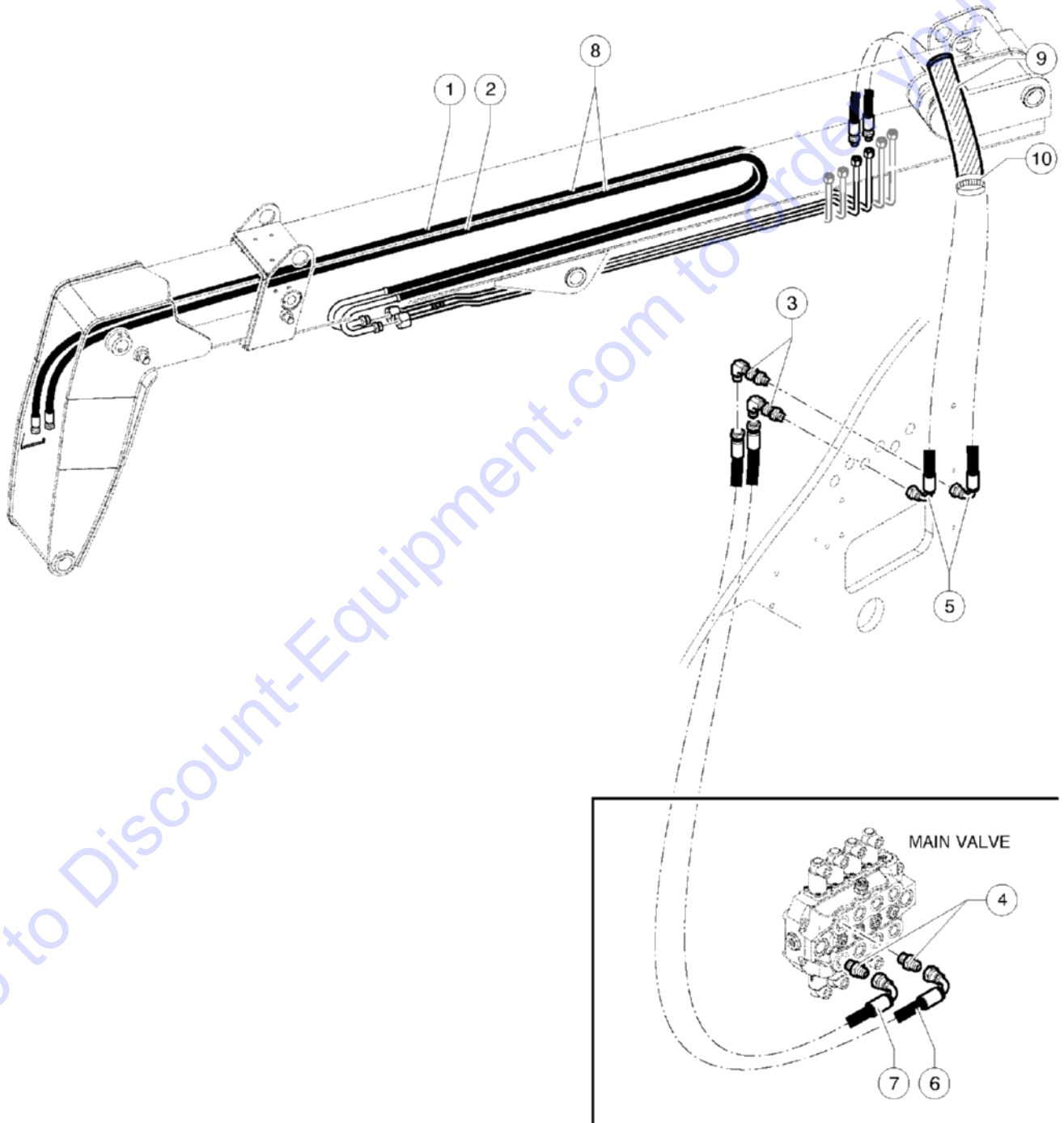
Go to Discount-Equipment.com to order your parts





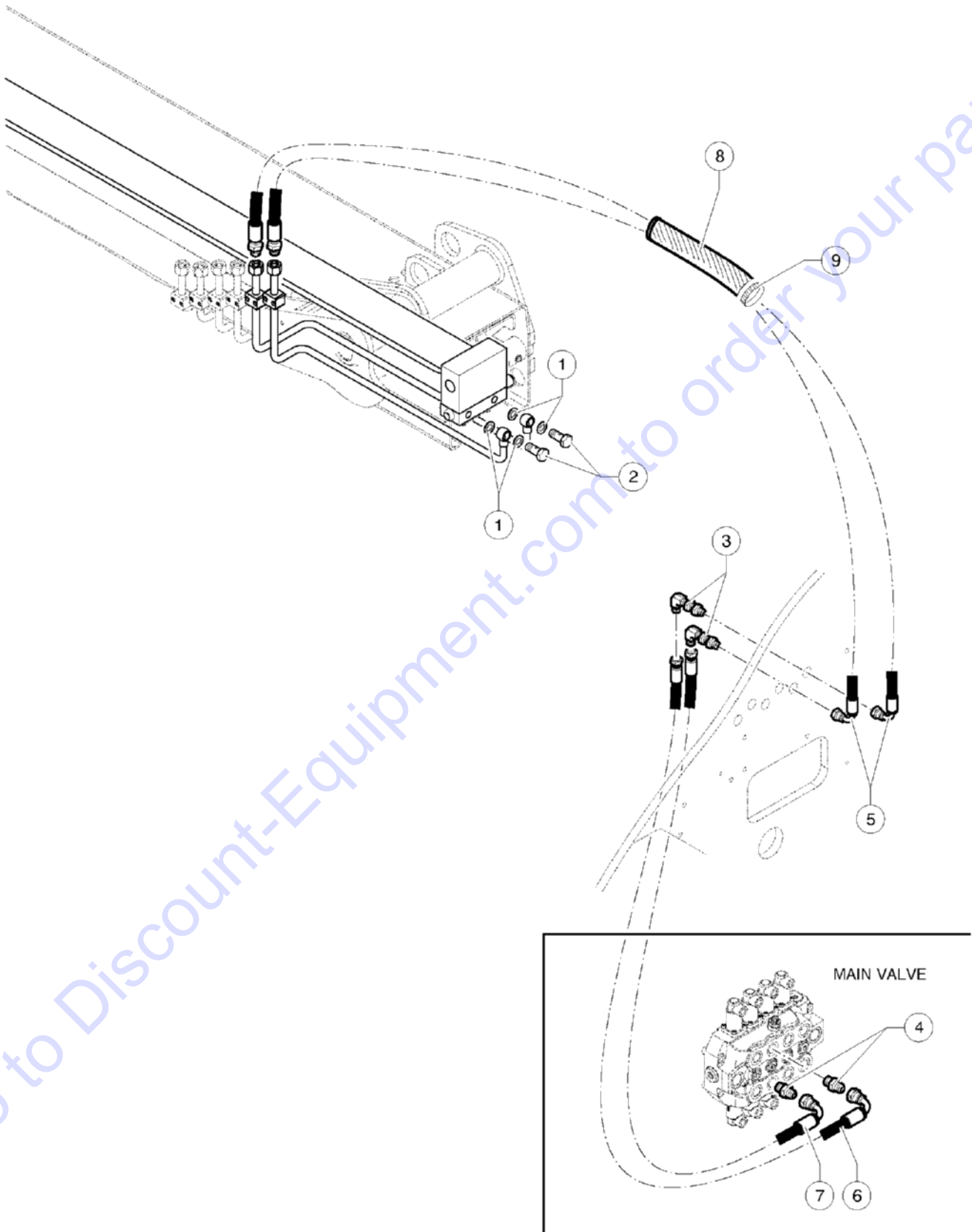
Item	Part No.	Description	Qty.
1	09.0800.0025GT	Bushing 45-55 LG 50	1
2	54.0202.0004GT	BUSHING	1
3	04.0607.0141GT	PIPE FITTING 90 1/2GASXM 13/16-16 ORFS	2
4	01.0001.0211GT	SCREW M8X80 UNI 5737 8.8 ZN	1
5	04.0607.0111GT	PIPE FITTING 1/2 BSPX13/16-16 ORFS	4
6	04.0607.0113GT	PIPE FITTING 1/4 BSPX9/16-18 ORFS	2
7	54.0000.0261GT	Pin	1
8	04.0605.1040GT	Fork Movement Cylinder Pipe R2 X 1/2 6110 FD 13/16"-16 180° M.24X1,5 To S.N. GTH5515B-3801	1
9	04.0605.1039GT	Fork Movement Cylinder Pipe R2 X 1/2 6160 FD 13/16"-16 180° M.24X1,5 To S.N. GTH5515B-3801	1
10	01.0001.0308GT	Screw TE M10X70 UNI 5737 8.8 ZN	1
11	01.0023.0055GT	Stop Nut M10 UNI 7473 6S ZN	1
12	54.0000.0257GT	Pin Lg.142	1
13	02.0117.0101GT	GREASE NIPPLE G1/8	1
14	07.0721.0117GT	SNAP RING	4
15	07.0721.0019GT	BALL JOINT	2
16	04.0605.0950GT	Hose R1 X 1/4 LG. 1100 F90-F90 9/16-18 ORFS A 270°	1
17	04.0607.0122GT	PIPE FITTING TMF+L 13/16-16 ORFS	2
18	04.0607.0124GT	PIPE FITTING 90 M-M 13/16-16 ORFS	2
19	04.0605.0626GT	HOSE R2X1/2 LG 1100 F90 13/16 MD 16 S DIN 24	2
20	04.0605.1432GT	Flexible Hose R2 X 1/2 LG. 1500 F90 - F90 13/16-16 ORFS-180°	1
21	04.0605.1431GT	Flexible Hose R2 X 1/2 LG. 1600 F90 HIGHT -F90 13/16-16 ORFS-180°	1
22	01.0023.0054GT	NUT,M8 UNI 7473 6S ZN	1
23	04.0605.0961GT	Flexible Hose R2 X 1/2 LG. 1700 FD - FD 13/16-16 ORFS	2
24	04.0605.1817GT	Fork Cylinder Double Hose 1/2 6150-6100 SP.F. TO 180° SF 13/16"-16 ORFS From S.N. GTH5515B-3802	1
25	54.0100.0152GT	SHIM	1
26	09.0803.0914GT	HOSE SLEEVE From SN GTH55M-11335	1
27	04.4227.0005GT	CLAMP From SN GTH55M-11335	3





Item	Part No.	Description	Qty.
1	04.0605.1042GT	Flexible Hose R2 X 1/2 6010 FD 13/16"-16 - 180° M.24X1,5 To S.N. GTH5515B-3801	1
1-	07.4529.0082GT	O-Ring At end of hose	
2	04.0605.1041GT	Flexible Hose R2 X 1/2 6000 FD 13/16"-16 - 180° M.24X1,5 To S.N. GTH5515B-3801	1
2-	07.4529.0082GT	O-Ring At end of hose	
3	04.0607.0124GT	PIPE FITTING 90 M-M 13/16-16 ORFS	2
4	04.0607.0111GT	PIPE FITTING 1/2 BSPX13/16-16 ORFS	2
5	04.0605.0626GT	HOSE R2X1/2 LG 1100 F90 13/16 MD 16 S DIN 24	2
6	04.0605.0188GT	Flexible Hose R2 X 1/2" 280 Bar Lg. 1700 FD - F90 13/16"-16 ORFS	1
7	04.0605.0803GT	Flexible Hose R2 X 1/2 LG. 1650 F90 FD 13/16-16 ORFS	1
8	04.0605.1608GT	Double Hose 1/2 - SF - R.SP.180° From S.N. GTH5515B-3802	1
9	09.0803.0914GT	HOSE SLEEVE From SN GTH55M-11335	1
10	04.4227.0005GT	CLAMP From SN GTH55M-11335	3

604.1 607942 Boom Extension

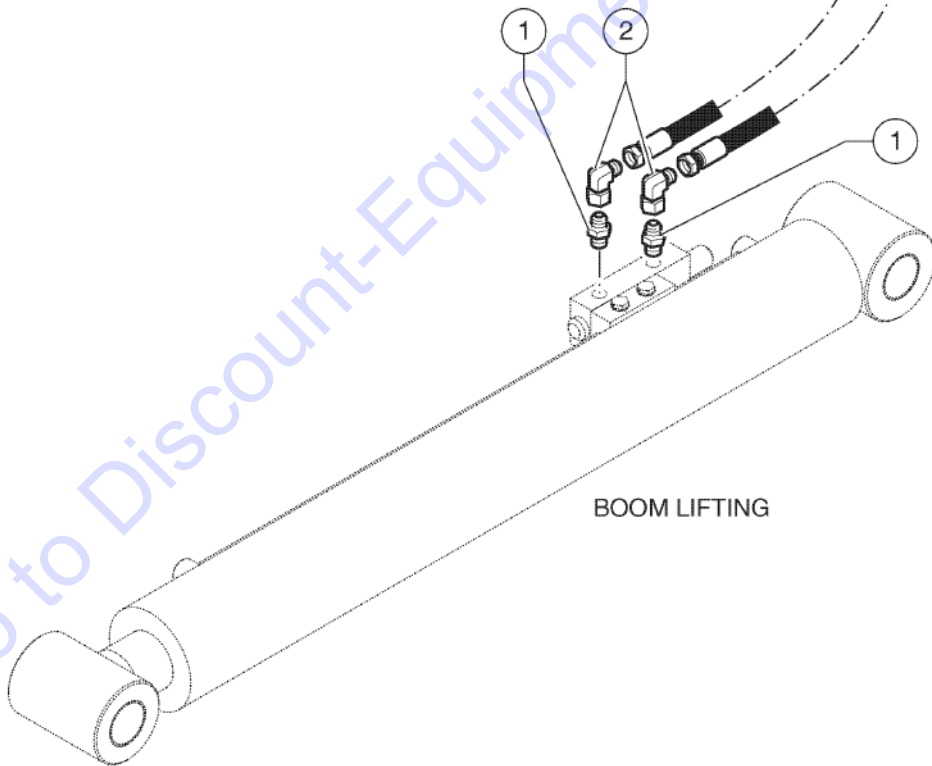
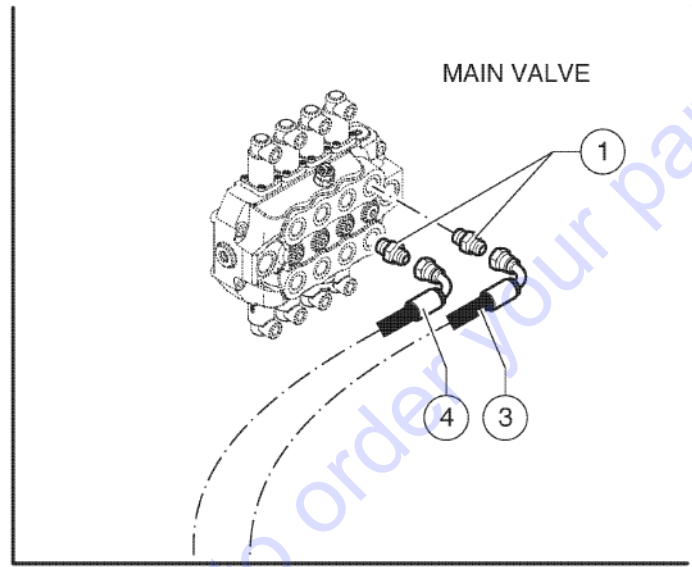


Go to Discount-Equipment.com to order your parts

Item	Part No.	Description	Qty.
1	06.0442.0103GT	COPPER WASHER	4
2	04.0214.0035GT	DRILLED SCREW 1/2 BSP	2
3	04.0607.0124GT	PIPE FITTING 90 M-M 13/16-16 ORFS	2
4	04.0607.0111GT	PIPE FITTING 1/2 BSPX13/16-16 ORFS	2
5	04.0605.0626GT	HOSE R2X1/2 LG 1100 F90 13/16 MD 16 S DIN 24	2
6	04.0605.0837GT	Flexible Hose R2 X 1/2 LG. 1800 FD-F90° 13/16-16 ORFS	1
7	04.0605.0943GT	Flexible Hose R2 X 1/2 1750 FD F90 13/16"-16	1
8	09.0803.0914GT	HOSE SLEEVE From SN GTH55M-11335	1
9	04.4227.0005GT	CLAMP From SN GTH55M-11335	3

Go to Discount-Equipment.com to order your parts





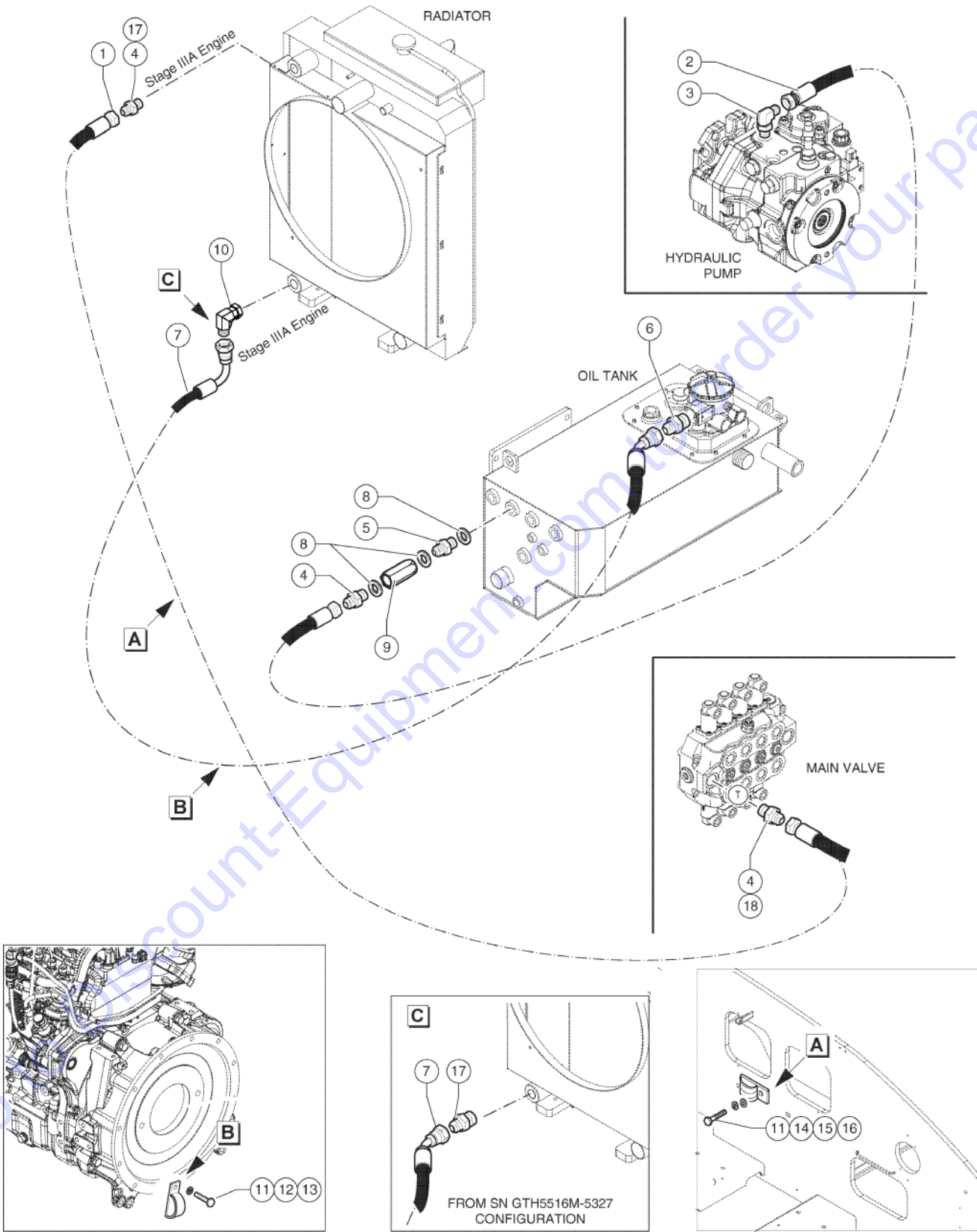
Go to Discount-Equipment.com to order your parts

<i>Item</i>	<i>Part No.</i>	<i>Description</i>	<i>Qty.</i>
1	04.0607.0111GT	PIPE FITTING 1/2 BSPX13/16-16 ORFS	4
2	04.0607.0109GT	PIPE FITTING,90 M-F 13/16-16	2
3	04.0605.0259GT	Flexibel Hose R2 X 1/2 LG.2200 FD F90 13/16-16 ORFS	1
4	04.0605.0477GT	Flexible Hose R2 X 1/2 LG. 2300 FD-F90 13/16-16 ORFS	1

Go to Discount-Equipment.com to order your parts



606.1 607944 Radiator - IIIA Engine - To GTH55M-7912, From GTH55M-7923 To 8945



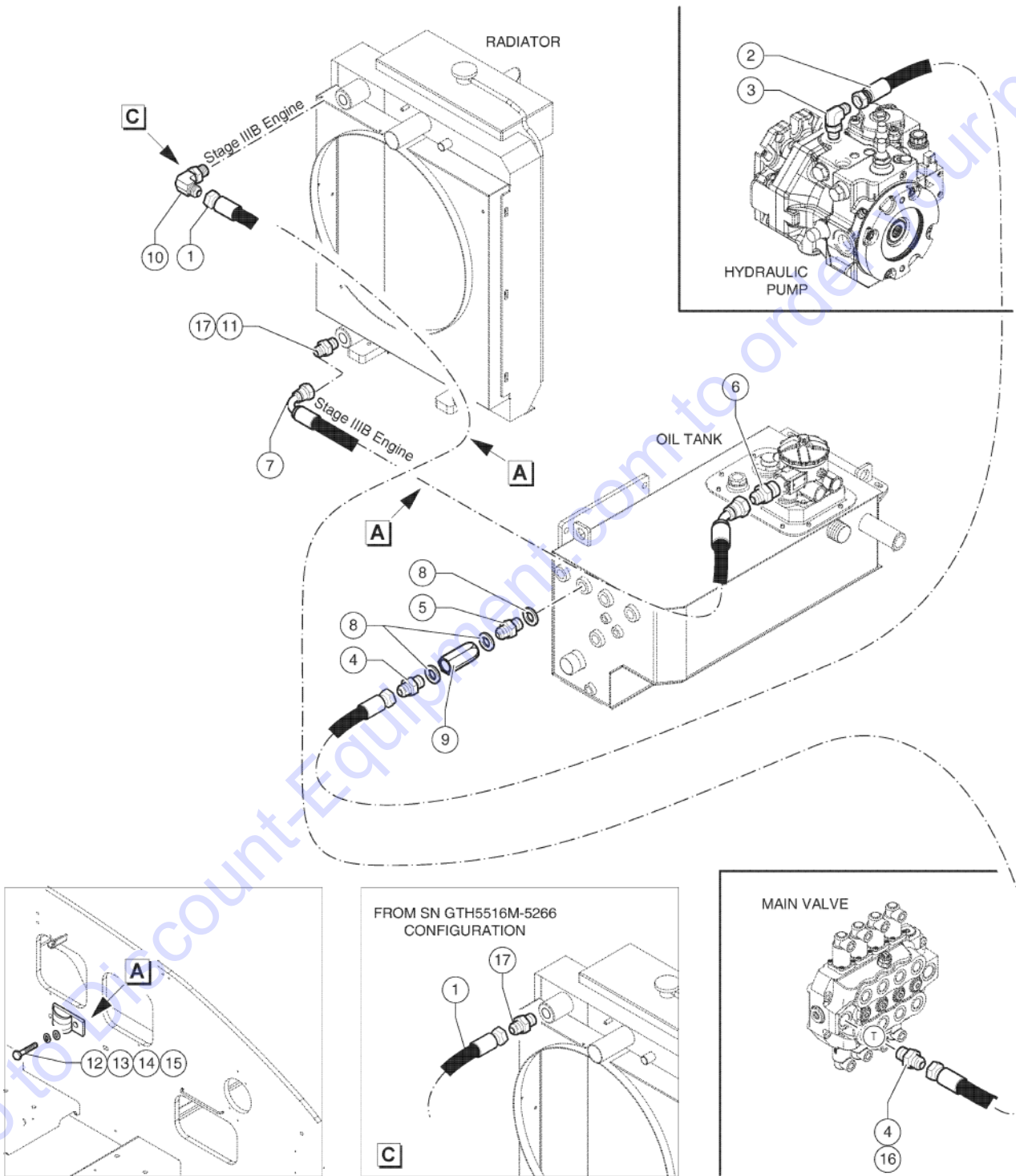
606.1 607944 Radiator - IIIA Engine - To GTH55M-7912, From GTH55M-7923 To 8945

Item	Part No.	Description	Qty.
1	04.0605.1536GT	Hose R1 X 3/4 2500 FD 1" 3/16-12 FD 1 3/16"-12 Only For Stage IIIA Engine; To SN GTH5516M-5326	1
1	04.0605.1783GT	Hose R4 X 1" 2500 FD - FD 1 7/16"-12 ORFS Only For Stage IIIA Engine; From SN GTH5516M-5327	1
2	04.0605.1446GT	Hose R1 X 3/4 800 FD FD 1"3/16-12 ORFS	1
3	04.0607.0844GT	Pipe Fitting 90 M27x2 x M1"3/16-12ORFS	1
4	04.0607.0107GT	PIPE FITTING 3/4"BSP X1"3/16-12 ORFS	3
5	04.0600.0046GT	PIPE FITTING 3/4X 3/4 BSP	1
6	04.0607.0179GT	PIPE FITTING 1"1/4BSP-1"7/16-12 ORFS	1
7	04.0605.1707GT	Hose R4 X 1 2600 F45 . F90 1 7/16"-12 A 200 Only For Stage IIIA Engine; To SN GTH5516M-5326	1
7	04.0605.1781GT	Hose R4X 1" Lg. 2600 F45 ? F45 1"7/16?12 ORFS A 200° Only For Stage IIIA Engine; From SN GTH5516M-5327	1
8	06.0442.0124GT	BONDED RING 3/4	3
9	04.4239.0083GT	Valve Vuc 3/4 8 Bar	1
10	04.0607.0101GT	Pipe Fitting A 90° M-M 3/4 BSP X 1"7/16-12 ORFS To SN GTH5516M-5326	1
11	04.4227.0016GT	CLAMP D60 HOLE 10.5	2
12	01.0001.0355GT	SCREW M10X25 UNI 5739 8.8 ZN	1
13	01.4032.0004GT	Spring Washer D10 ZN	1
14	01.0001.0254GT	SCREW M8X20 UNI 5739 8.8 ZN	1
15	01.4032.0003GT	Spring Washer D 8 ZN	1
16	01.0031.0055GT	FLAT WASHER D8 UNI 6592 ZN	1
17	04.0607.0142GT	PIPE FITTING 1" GASX1-7/16-12 ORFS From SN GTH5516M-5327	2
18	04.0607.0196GT	PIPE FITTING 3/4"BSP/1"7/16-12 ORFS From SN GTH5516M-5327	1

Go to DiscountEquipment.com to order your parts



606.2 607987 Radiator - IIB Engine - To GTH55M-7912, From GTH55M-7923 To 8945

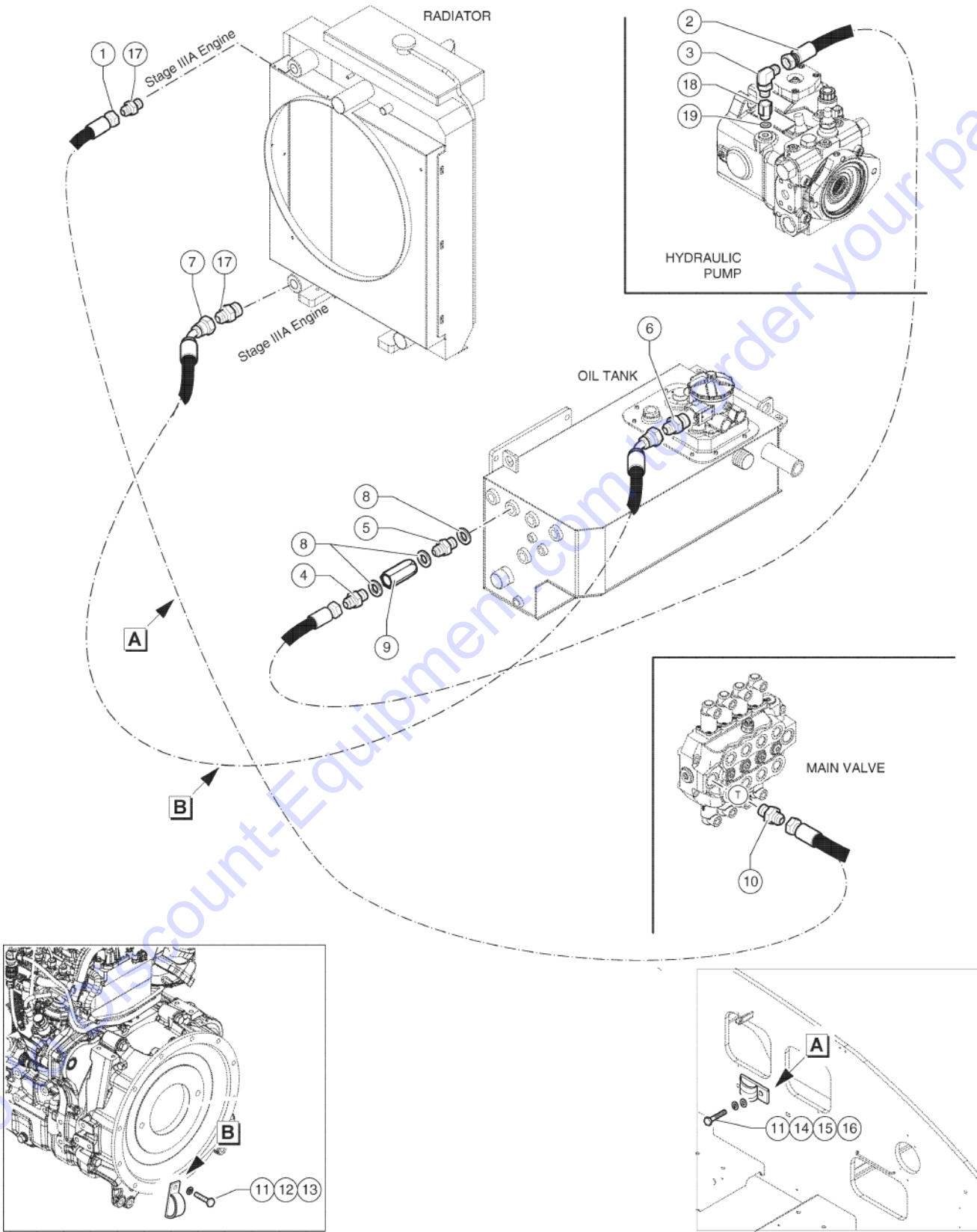


606.2 607987 Radiator - IIIB Engine - To GTH55M-7912, From GTH55M-7923 To 8945

Item	Part No.	Description	Qty.
1	04.0605.1552GT	Hose R1 X 3/4 LG.2450 FD-FD 1 "3/16-12 Only For Stage IIIB Engine; To SN GTH5516M-5265	1
1	04.0605.1778GT	Hose R4 X 1 2550 FD 1" 7/16-12 FD 1 7/16"-12 ORFS Only For Stage IIIB Engine; From SN GTH5516M-5266	1
2	04.0605.1446GT	Hose R1 X 3/4 800 FD FD 1"3/16-12 ORFS	1
3	04.0607.0844GT	Pipe Fitting 90 M27x2 x M1"3/16-12ORFS	1
4	04.0607.0107GT	PIPE FITTING 3/4"BSP X1"3/16-12 ORFS	2
5	04.0600.0046GT	PIPE FITTING 3/4X 3/4 BSP	1
6	04.0607.0179GT	PIPE FITTING 1"1/4BSP-1"7/16-12 ORFS	1
7	04.0605.1706GT	HOSE Only For Stage IIIB Engine	1
8	06.0442.0124GT	BONDED RING 3/4	3
9	04.4239.0083GT	Valve Vuc 3/4 8 Bar	1
10	04.0607.0119GT	PIPE FITTING To SN GTH5516M-5265	1
11	04.0607.0196GT	PIPE FITTING 3/4"BSP/1"7/16-12 ORFS To SN GTH5516M-5265	1
12	04.4227.0016GT	CLAMP D60 HOLE 10.5	2
13	01.0001.0254GT	SCREW M8X20 UNI 5739 8.8 ZN	2
14	01.4032.0003GT	Spring Washer D 8 ZN	2
15	01.0031.0055GT	FLAT WASHER D8 UNI 6592 ZN	2
16	04.0607.0196GT	PIPE FITTING 3/4"BSP/1"7/16-12 ORFS From SN GTH5516M-5266	1
17	04.0607.0142GT	PIPE FITTING 1" GASX1-7/16-12 ORFS From SN GTH5516M-5266	2



606.3 607998 Radiator - IIIA Engine - From GTH55M-7913 To 7922, From GTH55M-8946



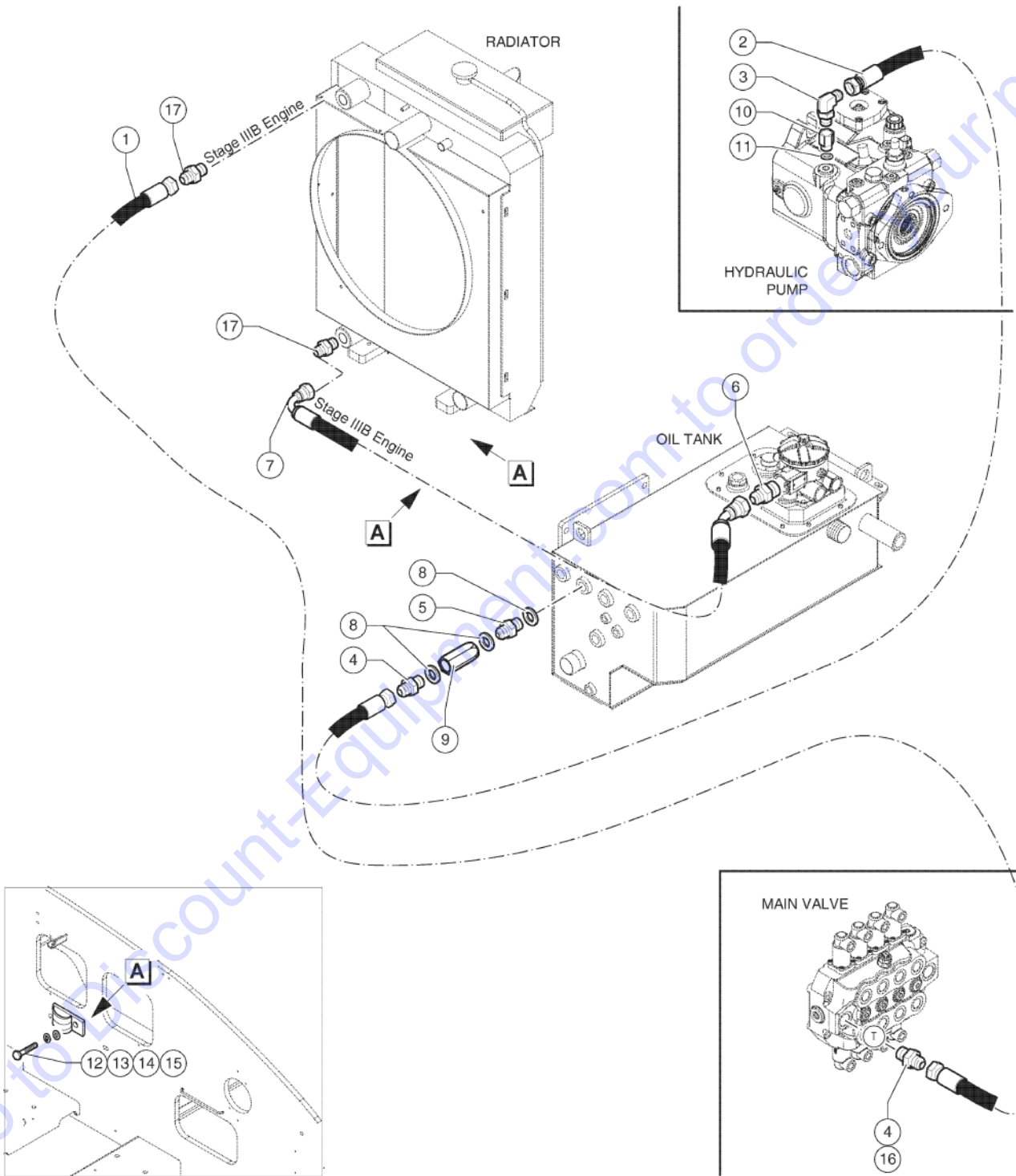
606.3 607998 Radiator - IIIA Engine - From GTH55M-7913 To 7922, From GTH55M-8946

Item	Part No.	Description	Qty.
1	04.0605.1783GT	Hose R4 X 1" 2500 FD - FD 1 7/16"-12 ORFS	1
2	04.0605.1446GT	Hose R1 X 3/4 800 FD FD 1"3/16-12 ORFS	1
3	04.0607.0866GT	90° FITTING M-M M22x1,5 ISO 6149 X 1 3/16"-12 ORFS	1
4	04.0607.0107GT	PIPE FITTING 3/4"BSP X1"3/16-12 ORFS	1
5	04.0600.0046GT	PIPE FITTING 3/4X 3/4 BSP	1
6	04.0607.0179GT	PIPE FITTING 1"1/4BSP-1"7/16-12 ORFS	1
7	04.0605.1781GT	Hose R4X 1" Lg. 2600 F45 ? F45 1"7/16?12 ORFS A 200°	1
8	06.0442.0124GT	BONDED RING 3/4	3
9	04.4239.0083GT	Valve Vuc 3/4 8 Bar	1
10	04.0607.0196GT	PIPE FITTING 3/4"BSP/1"7/16-12 ORFS	1
11	04.4227.0016GT	CLAMP D60 HOLE 10.5	2
12	01.0001.0355GT	SCREW M10X25 UNI 5739 8.8 ZN	1
13	01.4032.0004GT	Spring Washer D10 ZN	1
14	01.0001.0254GT	SCREW M8X20 UNI 5739 8.8 ZN	1
15	01.4032.0003GT	Spring Washer D 8 ZN	1
16	01.0031.0055GT	FLAT WASHER D8 UNI 6592 ZN	1
17	04.0607.0142GT	PIPE FITTING 1" GASX1-7/16-12 ORFS	2
18	04.0600.0285GT	FITTING M-F OP M 22x1.5 . X F 22x1.5 . 25 LG.	1
19	06.0442.0135GT	BONDED RING M 22	1

Go to Discount-Equipment.com to order your parts



606.4 607999 Radiator - IIB Engine - From GTH55M-7913 To 7922, From GTH55M-8946



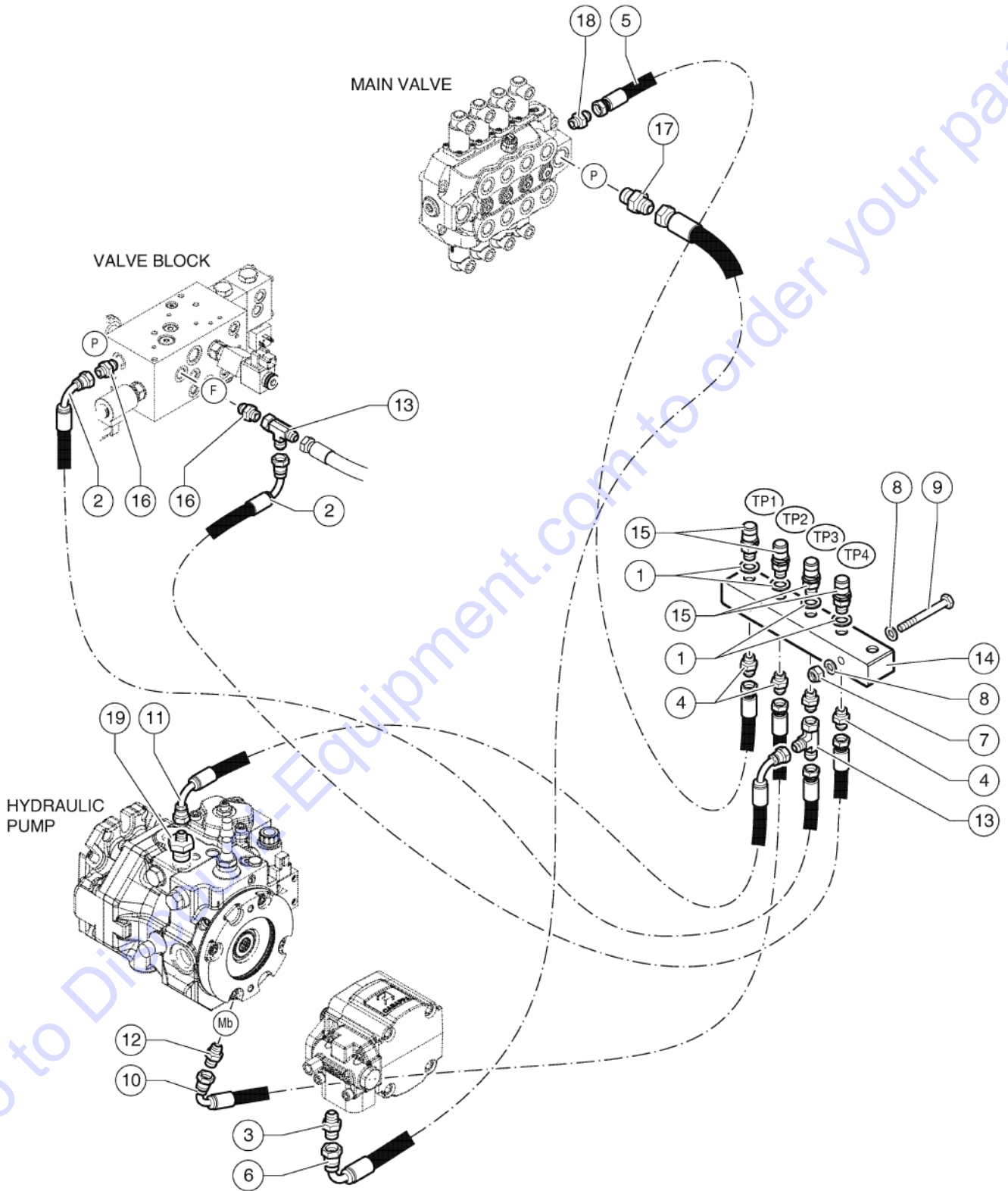
606.4 607999 Radiator - IIIB Engine - From GTH55M-7913 To 7922, From GTH55M-8946

Item	Part No.	Description	Qty.
1	04.0605.1778GT	Hose R4 X 1 2550 FD 1" 7/16-12 FD 1 7/16"-12 ORFS	1
2	04.0605.1446GT	Hose R1 X 3/4 800 FD FD 1"3/16-12 ORFS	1
3	04.0607.0866GT	90° FITTING M-M M22x1,5 ISO 6149 X 1 3/16"-12 ORFS	1
4	04.0607.0107GT	PIPE FITTING 3/4"BSP X1"3/16-12 ORFS	2
5	04.0600.0046GT	PIPE FITTING 3/4X 3/4 BSP	1
6	04.0607.0179GT	PIPE FITTING 1"1/4BSP-1"7/16-12 ORFS	1
7	04.0605.1706GT	HOSE	1
8	06.0442.0124GT	BONDED RING 3/4	3
9	04.4239.0083GT	Valve Vuc 3/4 8 Bar	1
10	04.0600.0285GT	FITTING M-F OP M 22x1.5 . X F 22x1.5 . 25 LG.	1
11	06.0442.0135GT	BONDED RING M 22	1
12	04.4227.0016GT	CLAMP D60 HOLE 10.5	2
13	01.0001.0254GT	SCREW M8X20 UNI 5739 8.8 ZN	2
14	01.4032.0003GT	Spring Washer D 8 ZN	2
15	01.0031.0055GT	FLAT WASHER D8 UNI 6592 ZN	2
16	04.0607.0196GT	PIPE FITTING 3/4"BSP/1"7/16-12 ORFS	1
17	04.0607.0142GT	PIPE FITTING 1" GASX1-7/16-12 ORFS	2

Go to Discount-Equipment.com to order your parts



607.1 607945 Test Port - To GTH55M-7912, From GTH55M-7923 To 8945



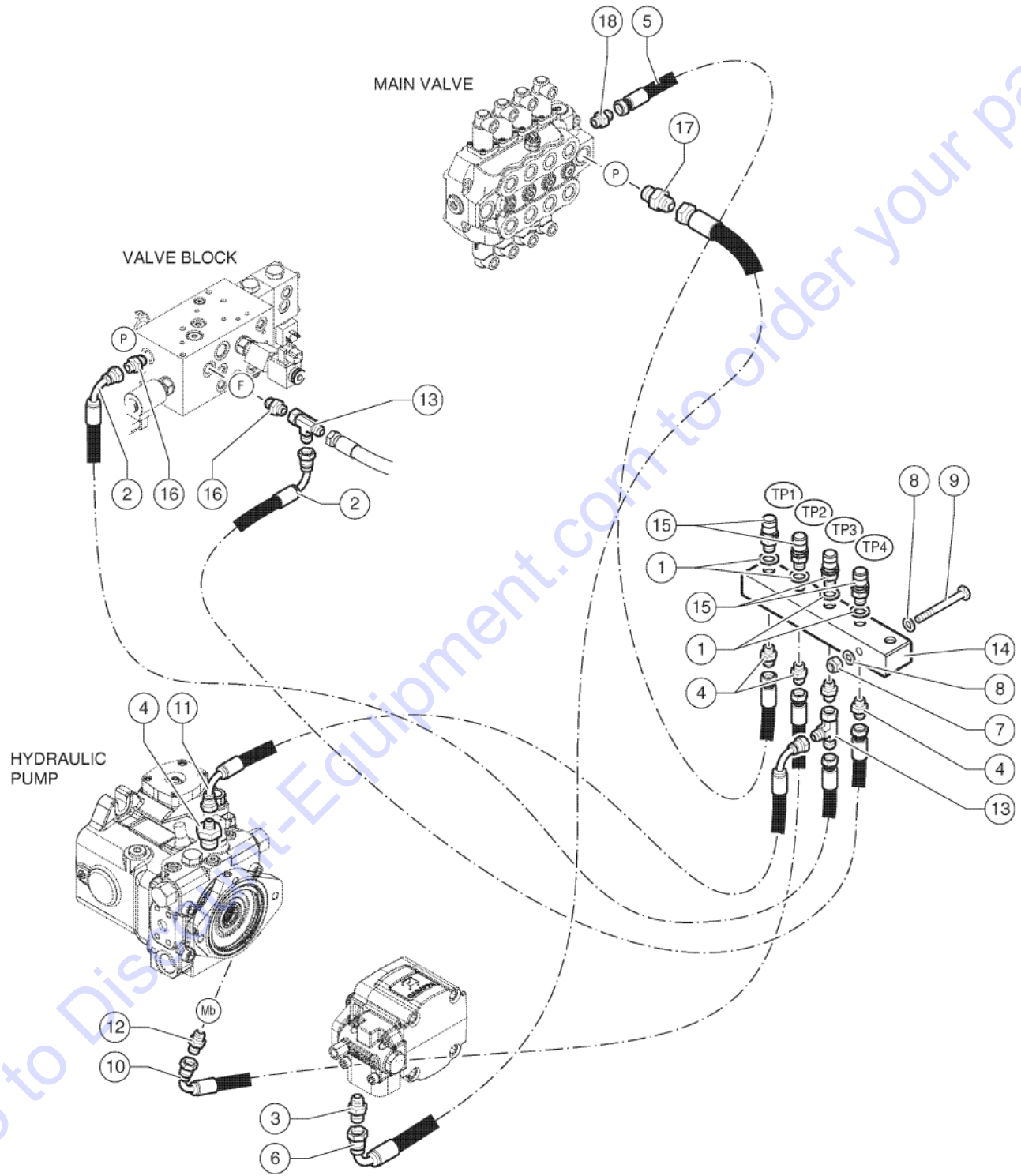
607.1 607945 Test Port - To GTH55M-7912, From GTH55M-7923 To 8945

Item	Part No.	Description	Qty.
1	54.0100.0093GT	FLAT WASHER D.16 1/4-19 BSPP GAS CIL 50100	4
2	04.0605.1044GT	HOSE R1X1/4 LG 1300 F90 9/16-18 FD 9/16-18	2
3	04.0607.0107GT	PIPE FITTING 3/4"BSP X1"3/16-12 ORFS	2
4	04.0607.0153GT	PIPE FITTING 14X1.5X9/16-18 ORFS	4
5	04.0605.1435GT	Hose R2 X 1/4 LG. 470 FD-FD 9/16-18 ORFS	1
6	04.0605.1433GT	Hose ROCKMASTER 3/4 950 F90 FD 1 3/16"-12 ORFS	1
7	01.0023.0054GT	NUT,M8 UNI 7473 6S ZN	2
8	01.0031.0055GT	FLAT WASHER D8 UNI 6592 ZN	4
9	01.0001.0207GT	SCREW M8X60 UNI 5737 8.8 ZN	2
10	04.0605.0674GT	HOSE,ETERNITY, 1/4 1500	1
11	04.0605.1419GT	Hose R1 X 1/4 1550 F90-F90 9/16"-18 ORFS A 270	1
12	04.0607.0103GT	PIPE FITTING M12X1.5 X 9/16-18 ORFS	1
13	04.0607.0115GT	PIPE FITTING TMF+L 9/16-18 ORFS	2
14	53.3001.6753GT	BULKHEAD,TESTPORTS	1
15	04.4210.0016GT	PRESSURE PLUG M14X1.5	4
16	04.0607.0114GT	PIPE FITTING 3/8 BSPX9/16-18 ORFS	2
17	04.0607.0107GT	PIPE FITTING 3/4"BSP X1"3/16-12 ORFS	2
18	04.0607.0852GT	Pipe Fitting 3/4" M 9/16"-18 ORFS	1
19	04.0607.0845GT	PIPE FITTING M 22X1,5 CIL.X9/16-18 ORFS	1

Go to Discount-Equipment.com to order your parts



607.2 608000 Test Port - From GTH55M-7913 To 7922, From GTH55M-8946



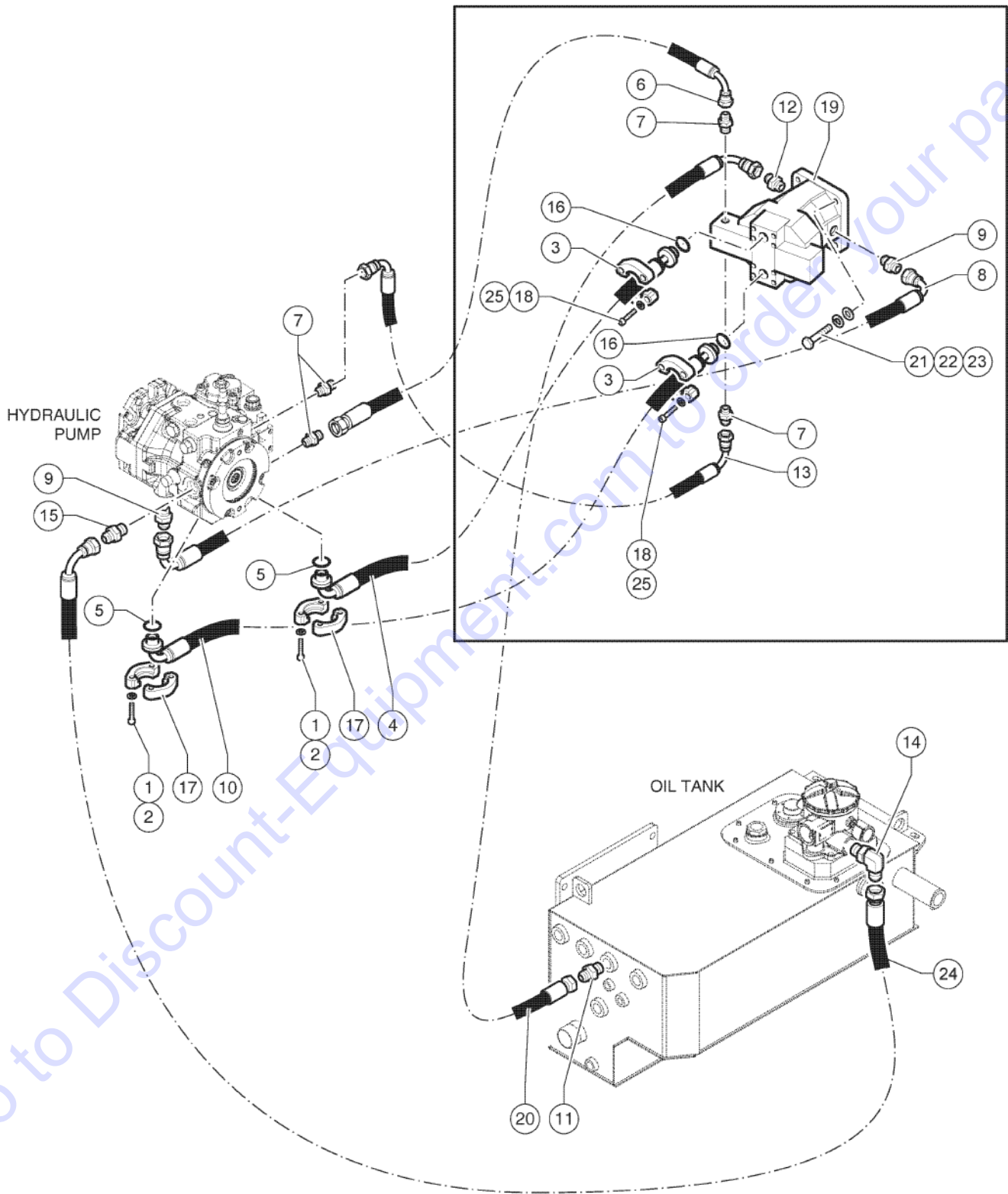
Go to Discontinued-Equipment.com to order your parts

607.2 608000 Test Port - From GTH55M-7913 To 7922, From GTH55M-8946

Item	Part No.	Description	Qty.
1	54.0100.0093GT	FLAT WASHER D.16 1/4-19 BSPP GAS CIL 50100	4
2	04.0605.1044GT	HOSE R1X1/4 LG 1300 F90 9/16-18 FD 9/16-18	2
3	04.0607.0107GT	PIPE FITTING 3/4"BSP X1"3/16-12 ORFS	2
4	04.0607.0153GT	PIPE FITTING 14X1.5X9/16-18 ORFS	5
5	04.0605.1435GT	Hose R2 X 1/4 LG. 470 FD-FD 9/16-18 ORFS	1
6	04.0605.1433GT	Hose ROCKMASTER 3/4 950 F90 FD 1 3/16"-12 ORFS	1
7	01.0023.0054GT	NUT,M8 UNI 7473 6S ZN	2
8	01.0031.0055GT	FLAT WASHER D8 UNI 6592 ZN	4
9	01.0001.0207GT	SCREW M8X60 UNI 5737 8.8 ZN	2
10	04.0605.0674GT	HOSE,ETERNITY, 1/4 1500	1
11	04.0605.1419GT	Hose R1 X 1/4 1550 F90-F90 9/16"-18 ORFS A 270	1
12	04.0607.0103GT	PIPE FITTING M12X1.5 X 9/16-18 ORFS	1
13	04.0607.0115GT	PIPE FITTING TMF+L 9/16-18 ORFS	2
14	53.3001.6753GT	BULKHEAD,TESTPORTS	1
15	04.4210.0016GT	PRESSURE PLUG M14X1.5	4
16	04.0607.0114GT	PIPE FITTING 3/8 BSPX9/16-18 ORFS	2
17	04.0607.0107GT	PIPE FITTING 3/4"BSP X1"3/16-12 ORFS	2
18	04.0607.0852GT	Pipe Fitting 3/4" M 9/16"-18 ORFS	1



608.1 607946 Transmission - To GTH55M-7912, From GTH55M-7923 To 8945



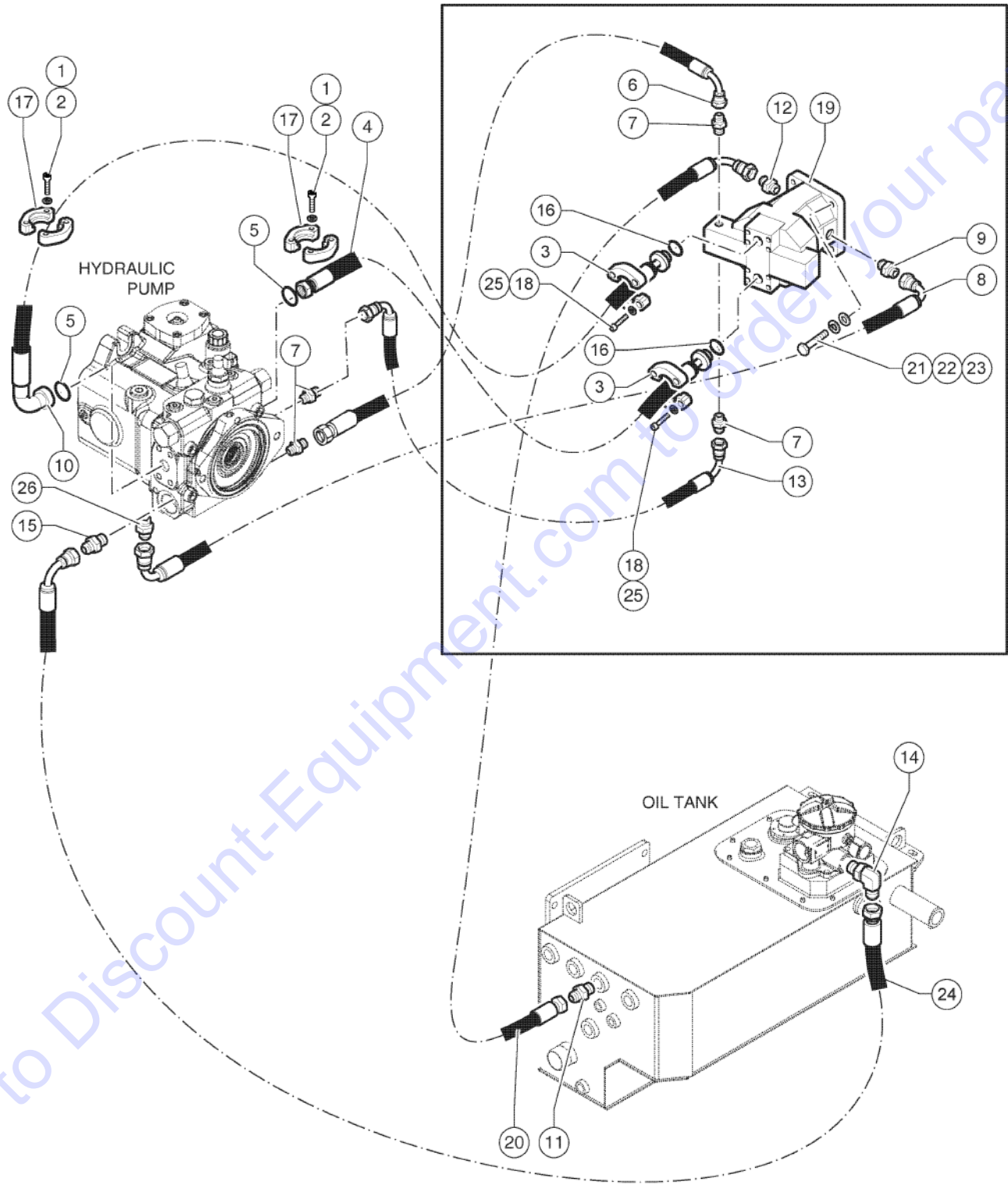
Go to Discount-Equipment.com to order your parts

608.1 607946 Transmission - To GTH55M-7912, From GTH55M-7923 To 8945

Item	Part No.	Description	Qty.
1	01.0003.0257GT	SCREW M10X35 UNI 5931 8.8 ZN	8
2	01.4032.0004GT	Spring Washer D10 ZN	8
3	04.4223.0018GT	Flange	4
4	04.4229.0087GT	Hose EC850-12 (500 BAR) 3/4 670 FL45 D42 FLD D47	1
5	06.0401.1510GT	O-Ring	2
6	04.0605.0556GT	HOSE R1X1/4 LG 800 FD F90 9/16-18 ORFS	1
7	04.0607.0103GT	PIPE FITTING M12X1.5 X 9/16-18 ORFS	4
8	04.0605.1411GT	HOSE R1X3/4 900 F90 F90 1 3/16-12 ORFS A 90	1
9	04.0607.0842GT	PIPE FITTING M27x2 ISO 6149-2 X M 1 3/16"-12 ORFS	2
10	04.4229.0088GT	Hose EC850-12 (500BAR) 3/4 1000 FL90 D42 FLD D47	1
11	04.0607.0107GT	PIPE FITTING 3/4"BSP X1"3/16-12 ORFS	1
12	04.0607.0865GT	PIPE FITTING M22x1,5 ISO 6149-2 X M 1 3/16"-12 ORFS	1
13	04.0605.0224GT	Hose R1 X 1/4 LG. 900 F90 F90 9/16-18 ORFS	1
14	04.0607.0793GT	FITTING,PIPE,90,1" BSP	1
15	04.0607.0143GT	PIPE FITTING M33X2 X1"11/16-12	1
16	06.0401.1509GT	O-Ring	2
17	04.4223.0017GT	Flange	4
18	01.0001.0402GT	SCREW M12X45 UNI 5737 8.8 ZN	8
19	04.4235.0048GT	Hydraulic Motor	1
20	04.0605.0136GT	HOSE R1X3/4 LG 900 FD F90 1"3/16-12 ORFS	1
21	01.0001.1557GT	SCREW, HHC, M16 x 50 LG.8.8 ZN UNI 5739 , DIN 933	4
22	01.4032.0007GT	SPRING WASHER D16 ZN	4
23	01.0031.0059GT	FLAT WASHER D16 UNI 6592 ZN	4
24	04.0605.0867GT	HOSE R4X1-1/4 2200 F90 1" 11/16-12 FD 1" 11/16-12	1
25	01.4032.0005GT	SPRING WASHER D12 ZN	8



608.2 608001 Transmission - From GTH585M-7913 To 7922, From GTH55M-8946



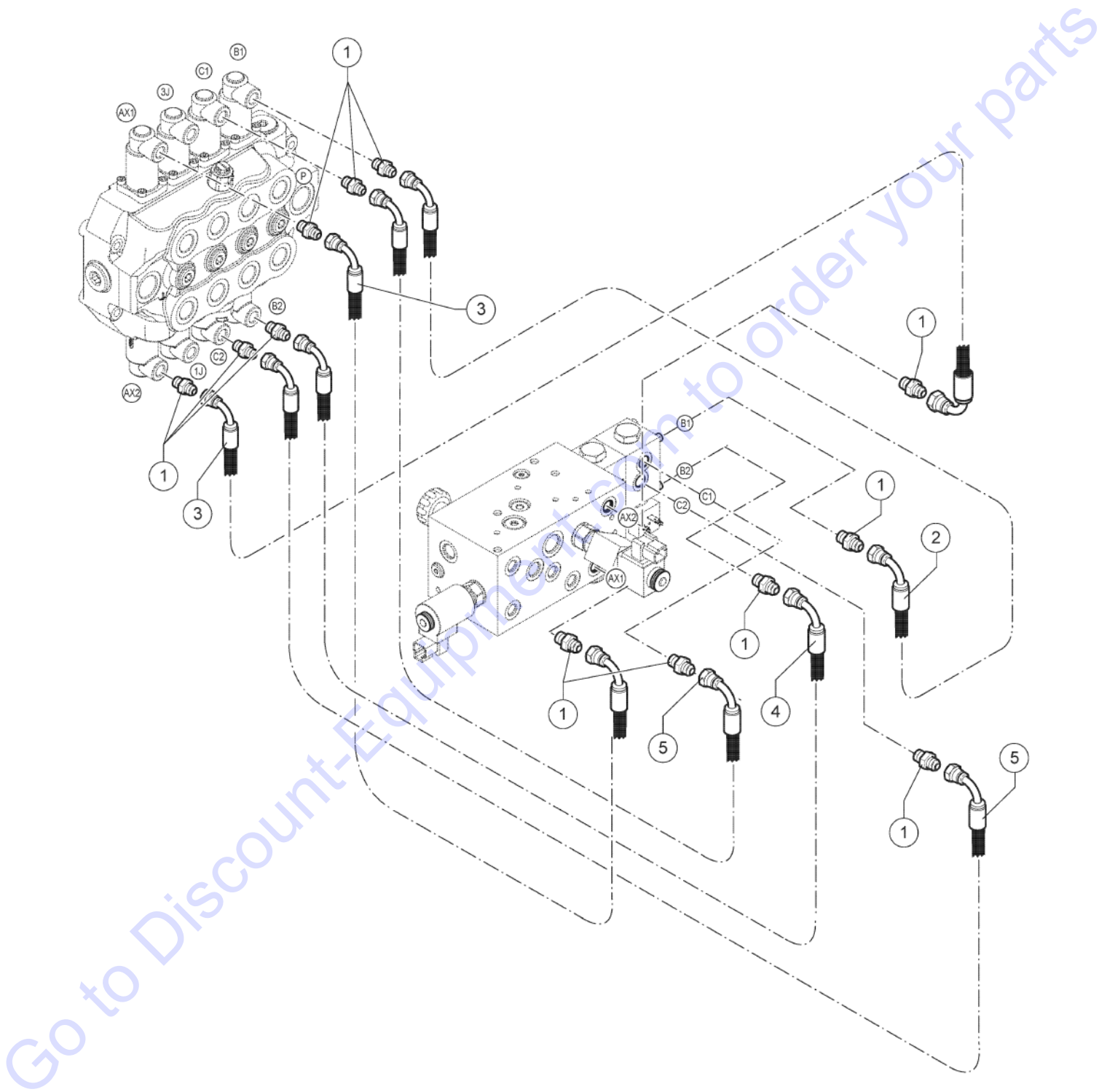
Go to Discount-Equipment.com to order your parts

608.2 608001 Transmission - From GTH585M-7913 To 7922, From GTH55M-8946

Item	Part No.	Description	Qty.
1	01.0003.0257GT	SCREW M10X35 UNI 5931 8.8 ZN	8
2	01.4032.0004GT	Spring Washer D10 ZN	8
3	04.4223.0018GT	Flange	4
4	04.4229.0092GT	HOSE RC50TC-12 (500 BAR) 3/4 720 FL45 D.42 FLD D.47	1
5	06.0401.1510GT	O-Ring	2
6	04.0605.0556GT	HOSE R1X1/4 LG 800 FD F90 9/16-18 ORFS	1
7	04.0607.0103GT	PIPE FITTING M12X1.5 X 9/16-18 ORFS	4
8	04.0605.1819GT	HOSE R1 X 3/4 700 F90 1" 3/16-12 F90 1 3/16"-12 A90°	1
9	04.0607.0842GT	PIPE FITTING M27x2 ISO 6149-2 X M 1 3/16"-12 ORFS	1
10	04.4229.0093GT	HOSE RC50TC-12 500BAR 3/4 1200 FL90 D.42 FLD D.47	1
11	04.0607.0107GT	PIPE FITTING 3/4"BSP X1"3/16-12 ORFS	1
12	04.0607.0865GT	PIPE FITTING M22x1,5 ISO 6149-2 X M 1 3/16"-12 ORFS	1
13	04.0605.0224GT	Hose R1 X 1/4 LG. 900 F90 F90 9/16-18 ORFS	1
14	04.0607.0793GT	FITTING,PIPE,90,1" BSP	1
15	04.0607.0867GT	FITTING M33X2 X 1"11-16-12ORFS ISO9974	1
16	06.0401.1509GT	O-Ring	2
17	04.4223.0017GT	Flange	4
18	01.0001.0402GT	SCREW M12X45 UNI 5737 8.8 ZN	8
19	04.4235.0066GT	Hydraulic Motor	1
20	04.0605.0136GT	HOSE R1X3/4 LG 900 FD F90 1"3/16-12 ORFS	1
21	01.0001.1557GT	SCREW, HHC, M16 x 50 LG.8.8 ZN UNI 5739 , DIN 933	4
22	01.4032.0007GT	SPRING WASHER D16 ZN	4
23	01.0031.0059GT	FLAT WASHER D16 UNI 6592 ZN	4
24	04.0605.1818GT	HOSE R4 X 1-1/4 2050 SF 1" 11/16-12 F90 1 11/16"-12	1
25	01.4032.0005GT	SPRING WASHER D12 ZN	8
26	04.0607.0182GT	Pipe Fitting M22X1,5X 1"3/16-12	1



609.1 607947 Hydraulic Piloting Line Main Valve

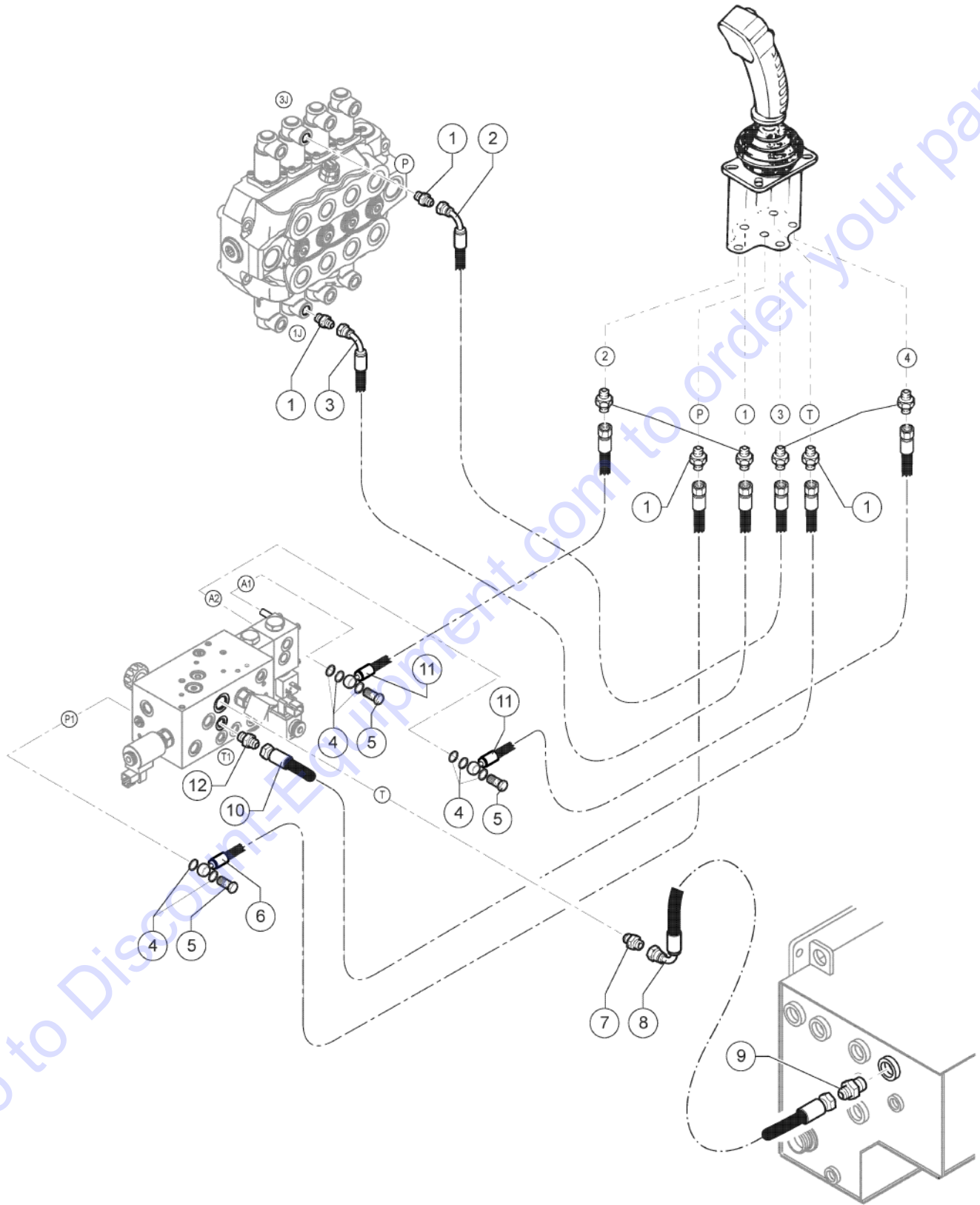


609.1 607947 Hydraulic Piloting Line Main Valve

<i>Item</i>	<i>Part No.</i>	<i>Description</i>	<i>Qty.</i>
1	04.0607.0113GT	PIPE FITTING 1/4 BSPX9/16-18 ORFS	12
2	04.0605.0225GT	Hose R1 X 1/4 LG.1000 F90 F90 9/16-18 ORFS a 90°	1
3	04.0605.0179GT	HOSE R1X1/4 LG 700 FD-F90 9/16-18 ORFS	2
4	04.0605.0271GT	Hose R1 X 1/4 LG.1100 F90 F90 9/16-18 ORFS a 90°	1
5	04.0605.0453GT	HOSE, R1X1/4 900	2

Go to Discount-Equipment.com to order your parts

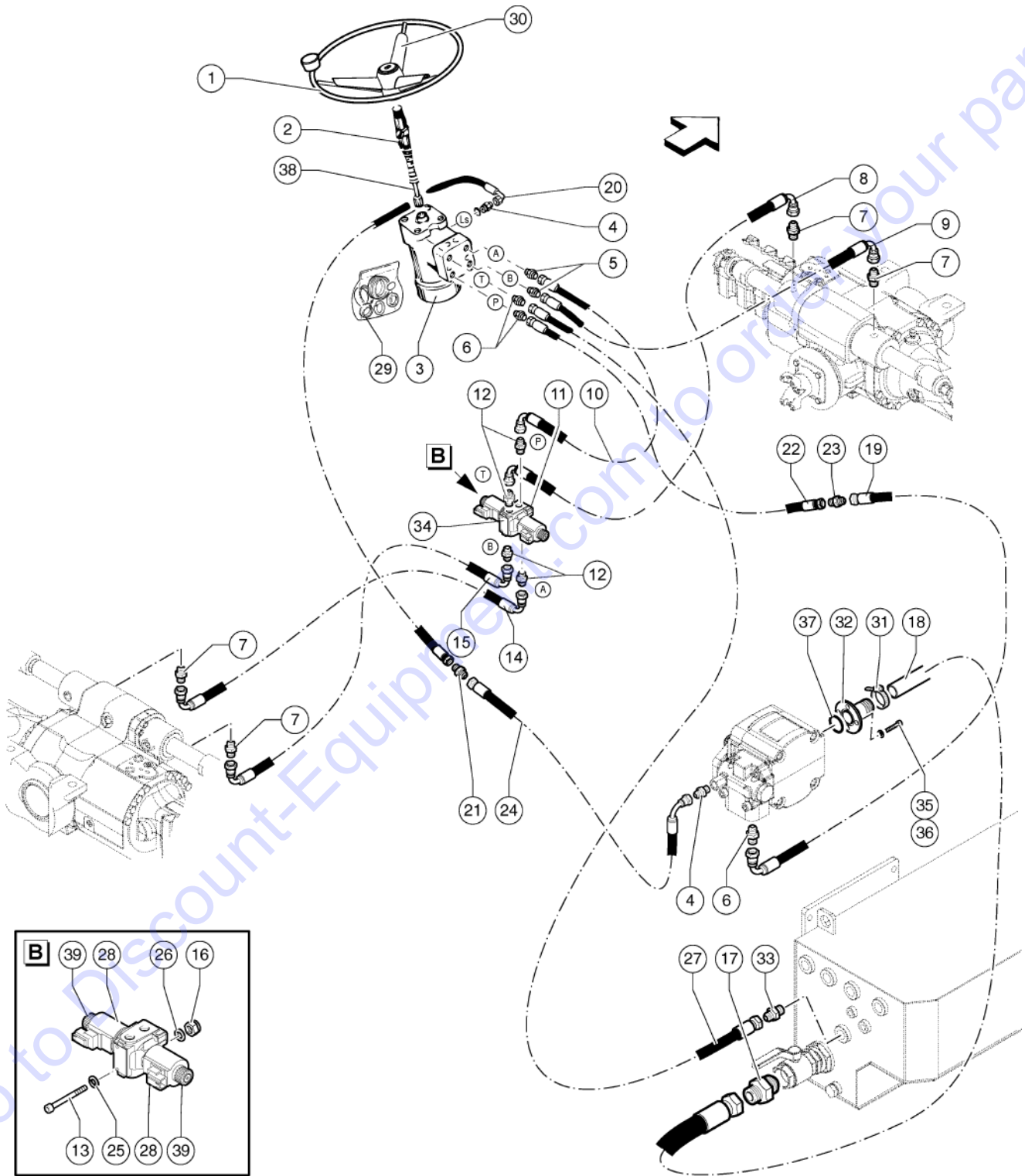




Item	Part No.	Description	Qty.
1	04.0607.0113GT	PIPE FITTING 1/4 BSPX9/16-18 ORFS	8
2	04.0605.0192GT	Flexible Hose R1 X 1/4 LG. 400 FD F90 9/16-18 ORFS	1
3	04.0605.0453GT	HOSE, R1X1/4 900	1
4	06.0442.0101GT	BONDED RING 3/8"	6
5	05.0401.0016GT	SCREW, 1/4 BSP	3
6	04.0605.0656GT	Hose R1 X 1/4 LG.450 1/4GAS FD9/16	1
7	04.0607.0110GT	PIPE FITTING 1/2BSP x 11/16-16 ORFS	1
8	04.0605.0652GT	PIPE R1 X 3/8LG, 650 F90 FD 11/16	1
9	04.0607.0139GT	PIPE FITTING 3/4BSPX11/16-16 ORFS	1
10	04.0605.0654GT	Hose R1 X 1/4 LG. 500 FD FD 9/16	1
11	04.0605.0655GT	Hose R1 X 1/4 LG. 1100 1/4GAS FD9/16	2
12	04.0607.0113GT	PIPE FITTING 1/4 BSPX9/16-18 ORFS	1

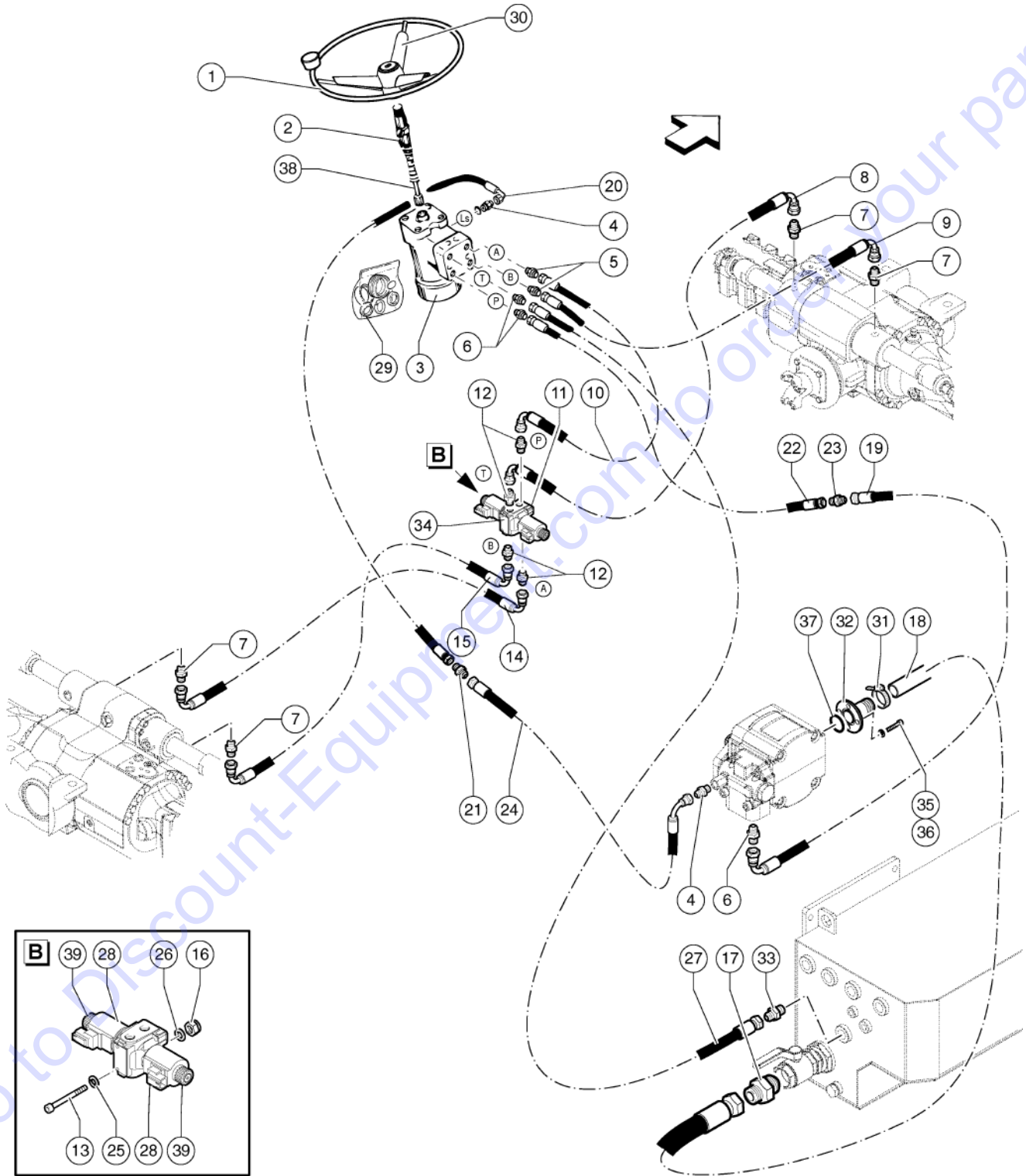
Go to Discount-Equipment.com to order your parts





Item	Part No.	Description	Qty.
1	09.4636.0019GT	Steering Wheel To SN GTH55M-10886	1
1	09.4636.0040GT	Steering Wheel From GTH55M-10887; for GTH55M-10851, GTH55M-10854, GTH55M-10860, GTH55M-10862, GTH55M-10863, GTH55M-10864, GTH55M-10866, GTH55M-10867, GTH55M-10869, from GTH55M-10872 to GTH55M-10882, and GTH55M-10884, GTH55M-10885	2
2	55.0602.0803GT	Steering Column Kit To SN GTH55M-10886	1
2	56.0016.0208GT	Steering Column Kit From GTH55M-10887; for GTH55M-10851, GTH55M-10854, GTH55M-10860, GTH55M-10862, GTH55M-10863, GTH55M-10864, GTH55M-10866, GTH55M-10867, GTH55M-10869, from GTH55M-10872 to GTH55M-10882, and GTH55M-10884, GTH55M-10885	1
3	09.4636.0037GT	POWER STEERING	1
4	04.0607.0113GT	PIPE FITTING 1/4 BSPX9/16-18 ORFS	2
5	04.0607.0110GT	PIPE FITTING 1/2BSP x 11/16-16 ORFS	2
6	04.0607.0111GT	PIPE FITTING 1/2 BSPX13/16-16 ORFS	3
7	04.0607.0117GT	PIPE FITTING 3/8BSPX11/16-16 ORFS	4
8	04.0605.1715GT	Hose R2 X 3/8 560 F90 F90 11/16"-16 ORFS	1
9	04.0605.1449GT	Hose R2 x 3/8 1250 F45-F90 11/16"-16 270°	1
9	04.0605.1494GT	Hose R2 X 3/8 1250 F45 F90 11/16"-16 120°	1
10	04.0605.0637GT	HOSE R2X3/8 1000 F45 11/16-16 F90 11/16-16 A 90	1
11	04.4240.0052GT	SOLENOID VALVE	1
12	04.0607.0117GT	PIPE FITTING 3/8BSPX11/16-16 ORFS	4
13	01.0001.0106GT	SCREW M6X50 UNI 5737 8.8 ZN	2
14	04.0605.0348GT	Hose R2 X 3/8 LG.2200 F90F90 11/16 ORFS	1
15	04.0605.1422GT	Hose R2 X 3/8 3050 F90 F90 11/16"-16 ORFS	1
16	01.0023.0053GT	STOP NUT M6 UNI 7473 6S ZN	2
17	04.0607.0178GT	Pipe Fitting 1"1/2BSP-1"11/16-12ORF	1
18	04.0605.1426GT	Hose R1 X 1-1/4 750 FD 1" 11/16-12 ORFS	1
19	04.0605.0331GT	Hose R2 X 1/2 LG.800 - F90-FD 13/16-16 ORFS	1
20	04.0605.0299GT	Hose R1 X 1/4 LG. 550 - FD F90 9/16-18 ORFS	1
21	04.0607.0236GT	Pipe Fitting 9/16 ORFS X 9/16 ORFS	1
22	04.0605.0100GT	HOSE R2X1/2 LG 550 FD F45 13/16-16 ORFS	1
23	04.0607.0237GT	FITTING,13/16 ORFS	1





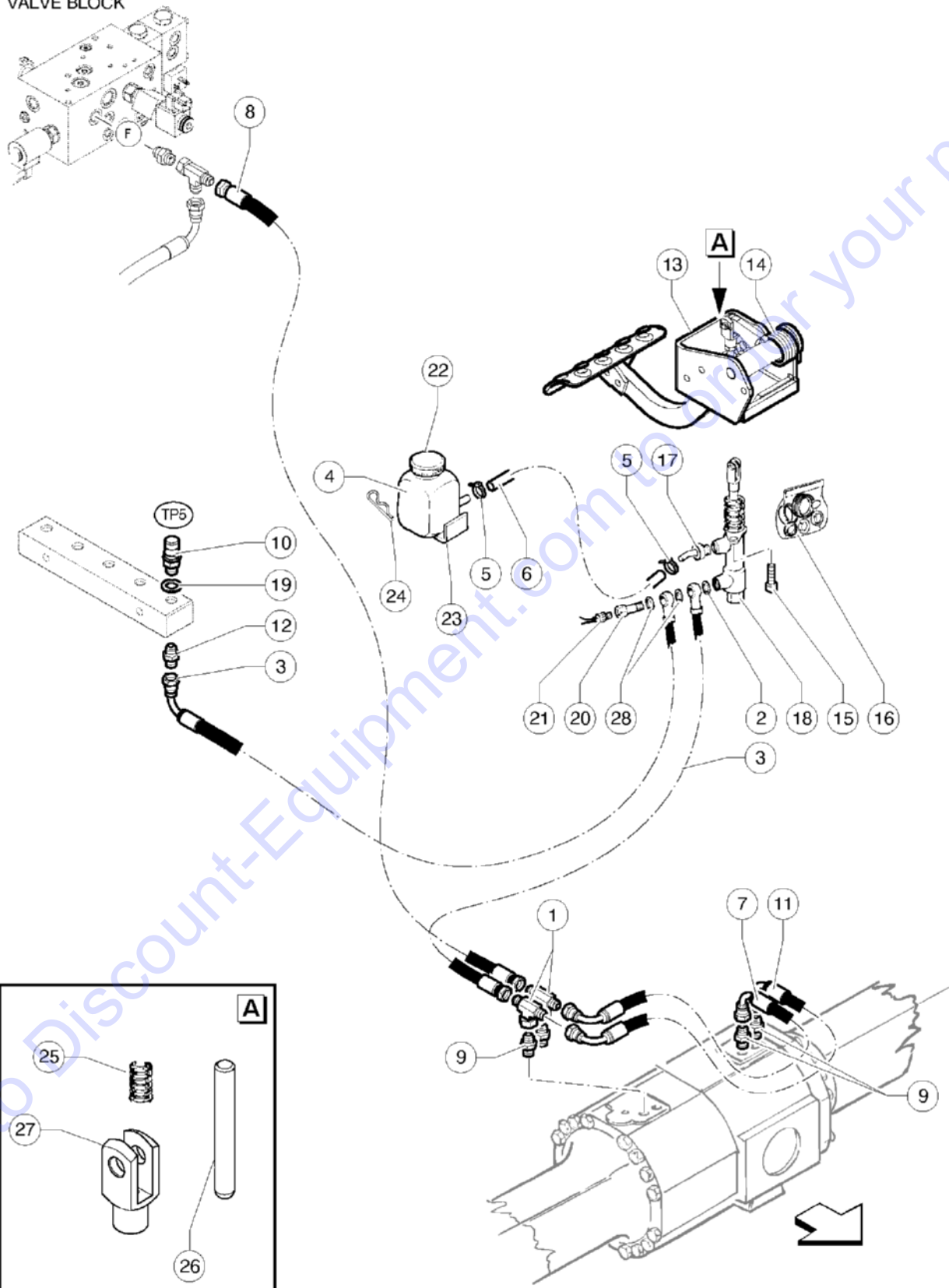
Item	Part No.	Description	Qty.
24	04.0605.0956GT	Hose R1 X 1/4 LG.950 - FD F90 9/16-18 ORFS	1
25	01.0031.0298GT	FLAT WASHER D6 UNI 6593 ZN	2
26	01.0031.0054GT	FLAT WASHER D6 UNI 6592 ZN	2
27	04.0605.0640GT	HOSE R1X1/2 LG 1300 FD F45 13/16 ORFS	1
28	07.4529.0111GT	COIL, VALVE	2
29	07.0706.0043GT	Seal Kit	1
30	09.0803.0863GT	STEERING WHEEL COVER	1
		To SN GTH55M-10886	
30	09.4636.0041GT	HORN	1
		From GTH55M-10887; for GTH55M-10851, GTH55M-10854, GTH55M-10860, GTH55M-10862, GTH55M-10863, GTH55M-10864, GTH55M-10866, GTH55M-10867, GTH55M-10869, from GTH55M-10872 to GTH55M-10882, and GTH55M-10884, GTH55M-10885	
31	04.4227.0038GT	CLAMP	1
32	53.3001.5700GT	Manifold	1
33	04.0607.0121GT	PIPE FITTING 3/4 BSPX13/16-16 ORFS	1
34	04.4240.0052GT	SOLENOID VALVE	1
35	01.4032.0004GT	Spring Washer D10 ZN	4
36	01.0003.0255GT	SCREW M10X25 UNI 5931 8.8 ZN	4
37	06.0401.0123GT	O-RING	1
38	07.0703.0775GT	STEERING COLUMN	1
39	07.0701.0344GT	LOCKNUT	2

Go to Discount-Equipment.com to order your parts



612.1 607950 Brake System

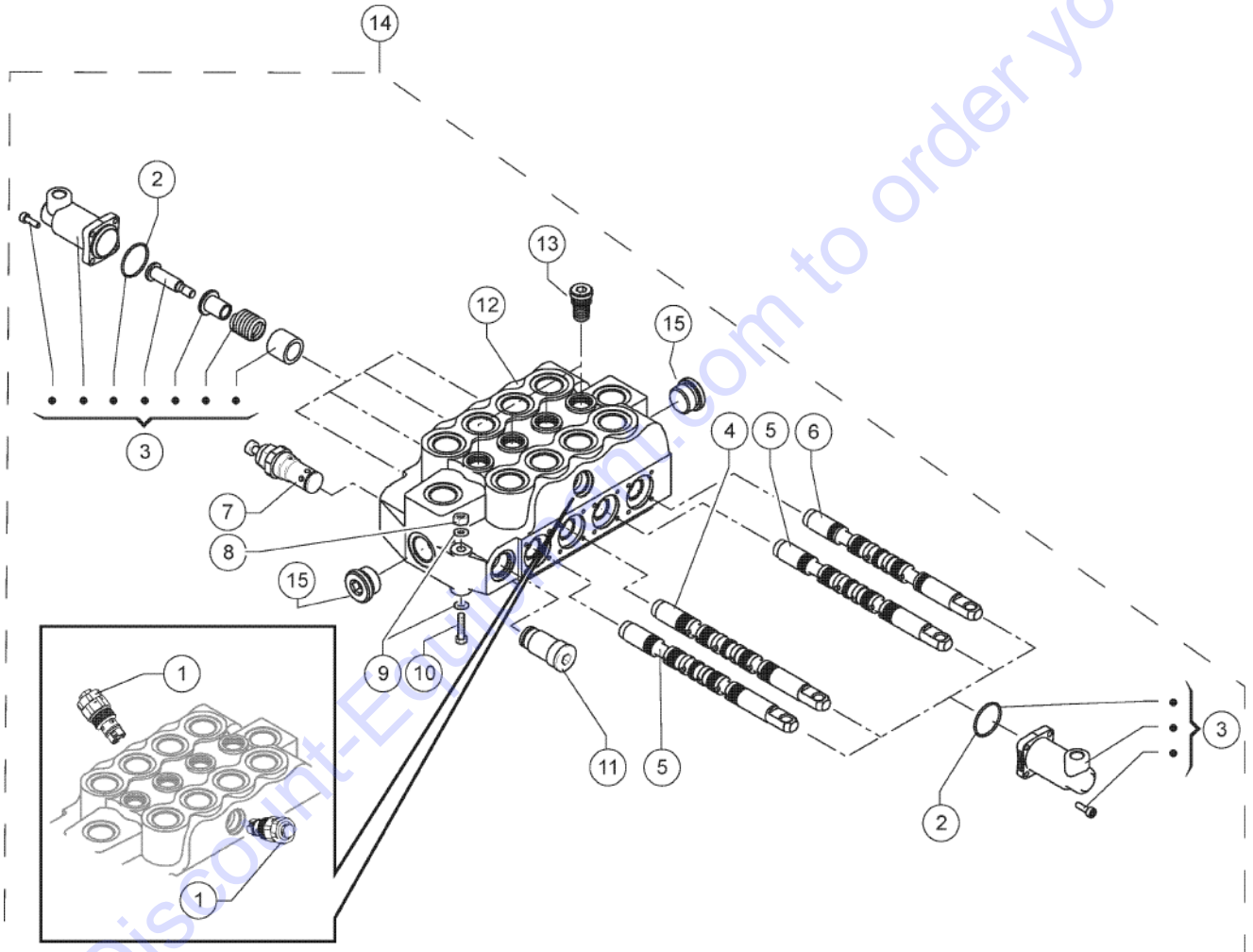
VALVE BLOCK



Item	Part No.	Description	Qty.
1	04.0607.0131GT	PIPE FITTING TMF+C 9/16-18 ORFS	2
2	06.0442.0054GT	WASHER	1
3	04.0605.1289GT	Hose R1 X 1/4 1500 D. 14 FD 9/16"-18	2
4	05.4309.0002GT	BRAKE RESERVOIR W/BRACKET	1
5	04.0227.0054GT	CLAMP DN 15/25 LG 9	2
6	07.0723.0092GT	Rubber Hose	1
7	04.0605.1421GT	Hose R1 X 1/4 LG.300 F90-F90 9/16-18 ORFS 95°	2
8	04.0605.1335GT	Flexible Hose R1 X 1/4 L 1600 STR FEM STR FEM 9/16"-18 ORFS	1
9	04.0607.0180GT	PIPE FITTING M10X1- 9/16-18 ORFS	4
10	04.4210.0016GT	PRESSURE PLUG M14X1.5	1
11	04.0605.1416GT	Hose R1 X 1/4 LG.400 F90-F90 9/16-18 ORFS a 90°	1
12	04.0607.0153GT	PIPE FITTING 14X1.5X9/16-18 ORFS	1
13	09.4656.0019GT	Complete Brake Pedal	1
14	07.0730.0080GT	Spring	1
15	01.0003.0203GT	SCREW,TCEI,M8X20 UNI 8.8 ZN	2
16	07.4529.0027GT	SEAL KIT	1
17	09.0803.0088GT	KNURLED COUPLING	1
18	05.4309.0001GT	Pump	1
19	54.0100.0093GT	FLAT WASHER D.16 1/4-19 BSPP GAS CIL 50100	1
20	05.0401.0017GT	Drilled Screw M12	1
21	05.4329.0003GT	Pressure Switch	1
22	07.0730.0083GT	PLUG	1
23	07.0730.0082GT	BRACKET	1
24	07.0730.0081GT	CLIP	1
25	07.0730.0084GT	RUBBER HOOD	1
26	07.0730.0085GT	PIN To Be Replaced Together With Position 27	1
27	07.0730.0086GT	FORK To Be Replaced Together With Position 26	1
28	06.0442.0119GT	BONDED RING M14 (9/16)	2



613.1 607988 Main Valve

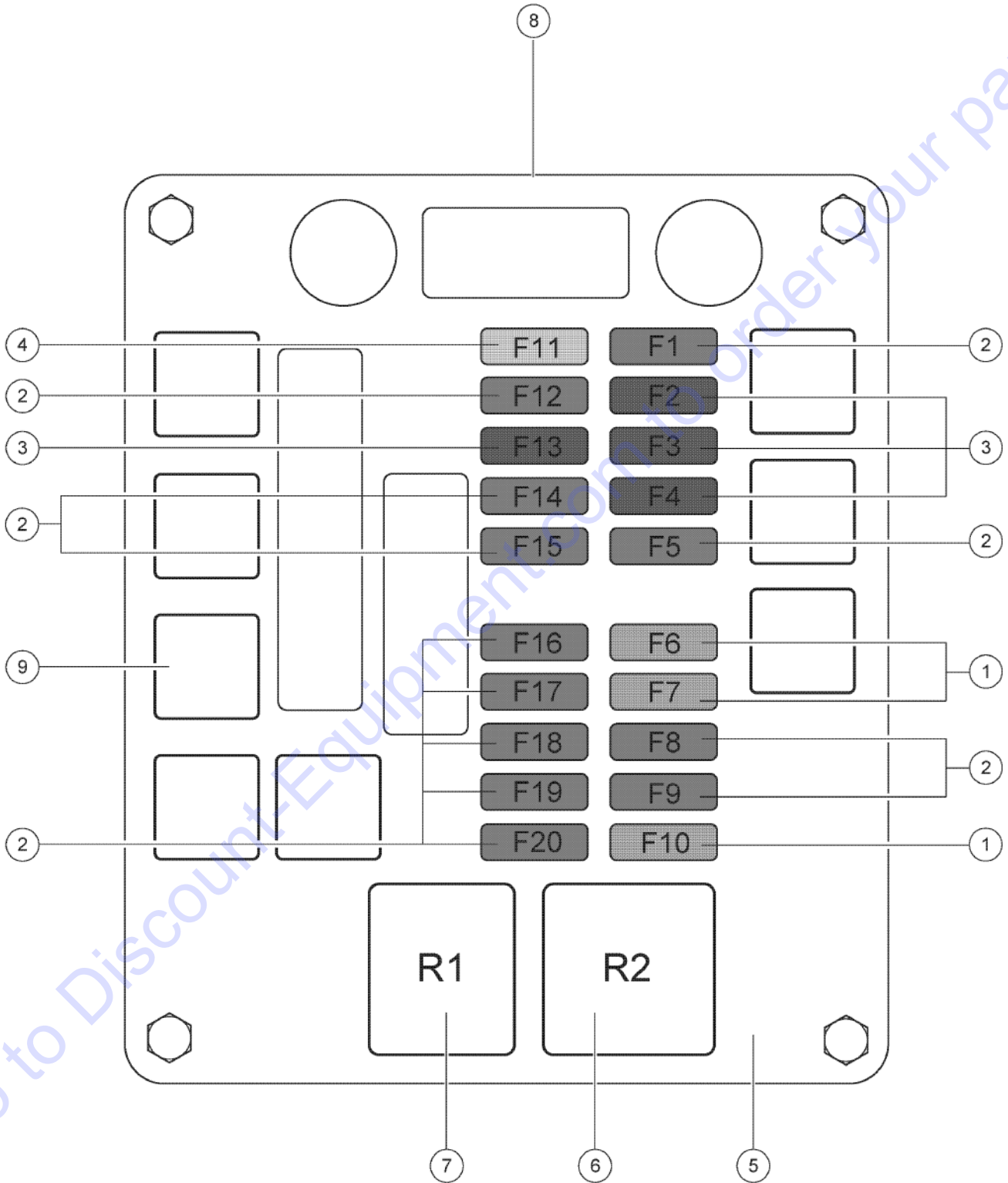


Item	Part No.	Description	Qty.
1	07.0704.0038GT	VALVE, CARTRIDGE	2
2	07.0704.0078GT	O-Ring	8
3	07.0704.0023GT	Cap Kit	8
4	07.0704.0033GT	Cursor	1
5	07.0704.0490GT	Cursor	2
6	07.0704.0035GT	VALVE CURSOR	1
7	07.0704.0042GT	Valve	1
8	01.0023.0054GT	NUT,M8 UNI 7473 6S ZN	3
9	01.0031.0055GT	FLAT WASHER D8 UNI 6592 ZN	6
10	01.0001.0209GT	SCREW M8X70 UNI 5737 8.8 ZN	3
11	07.0704.0045GT	Plug TCEI BSP 3/4	1
12	07.0704.0032GT	Main Valve Body	1
13	07.0704.0144GT	VALVE	4
14	04.4236.0029GT	Control Valve	1
15	07.0704.0145GT	Plug	2

Go to Discount-Equipment.com to order your parts



701.1 607963 Fuse Box

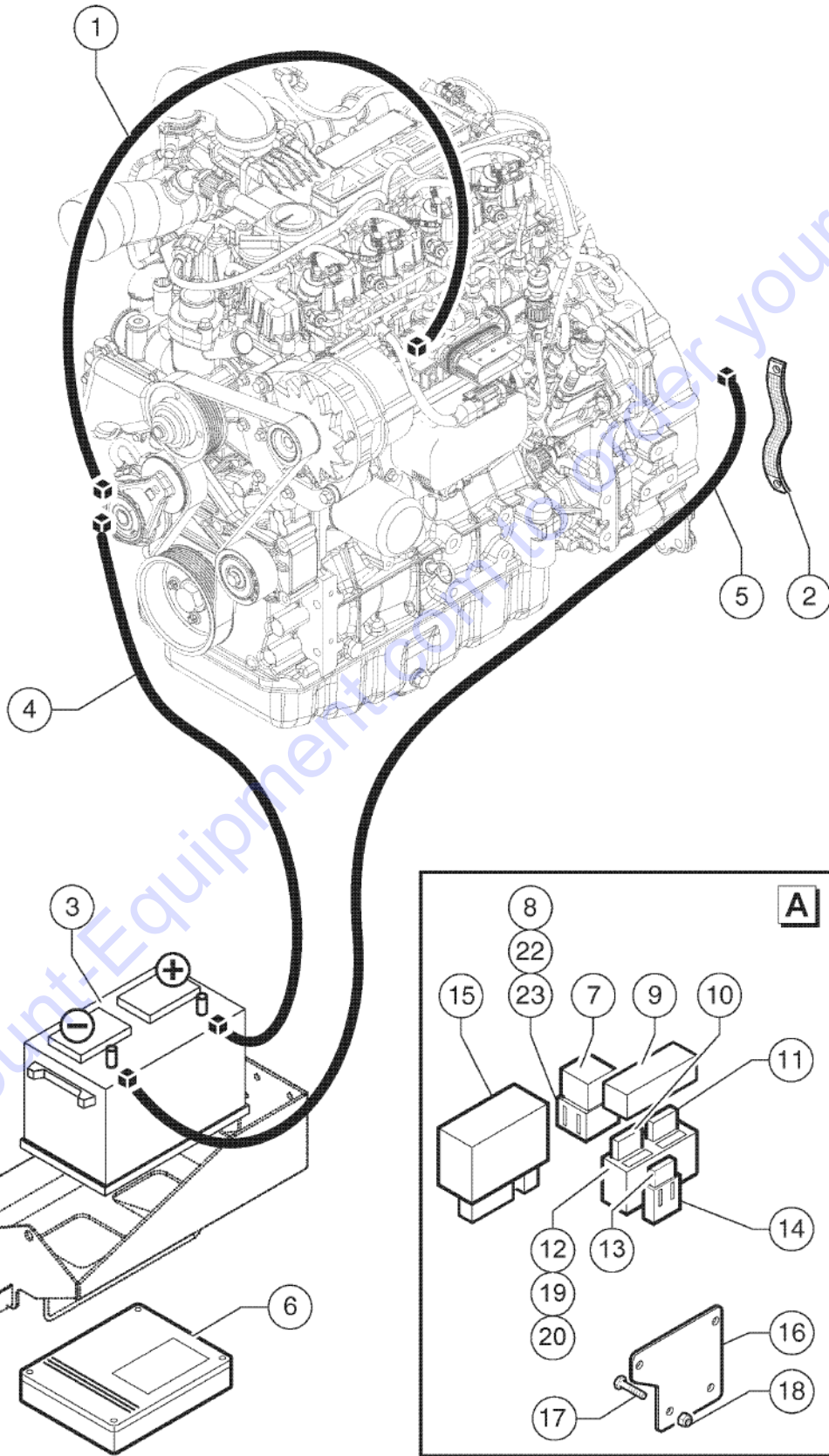


Item	Part No.	Description	Qty.
1	07.0703.0080GT	Fuse 5A	3
2	07.0703.0148GT	FUSE,10A	12
3	634973GT	Fuse 15A	4
4	07.0703.0071GT	FUSE 25A	1
5	56.0005.0008GT	FUSE HOLDER	1
6	56.0021.0078GT	TIMER RELAY	1
7	07.0703.0487GT	Intermittence Relay	1
8	56.0021.0161GT	RELAY CARD order Timer relay and intermittence relay separately	1
9	07.0703.0485GT	RELAY	8

Go to Discount-Equipment.com to order your parts



702.1 607964 Wirings - View 1

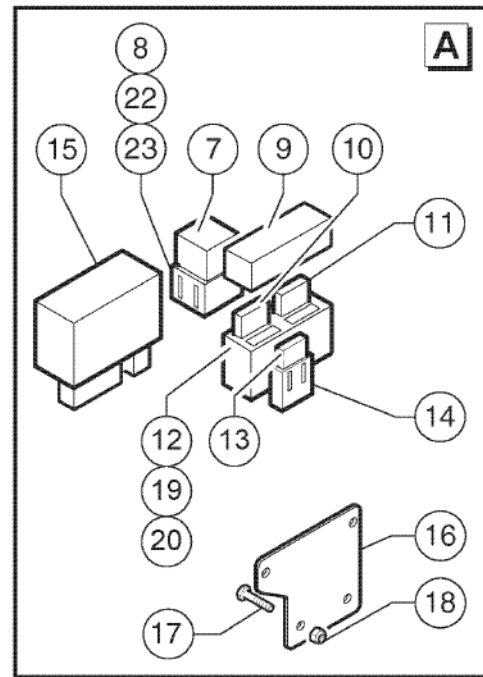
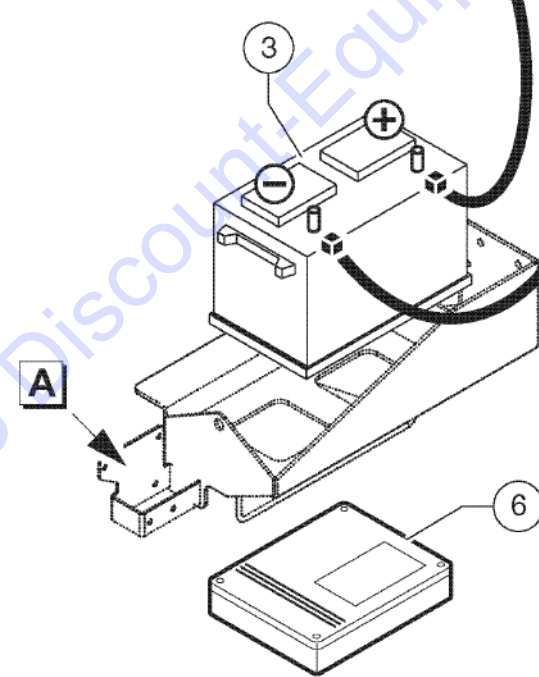
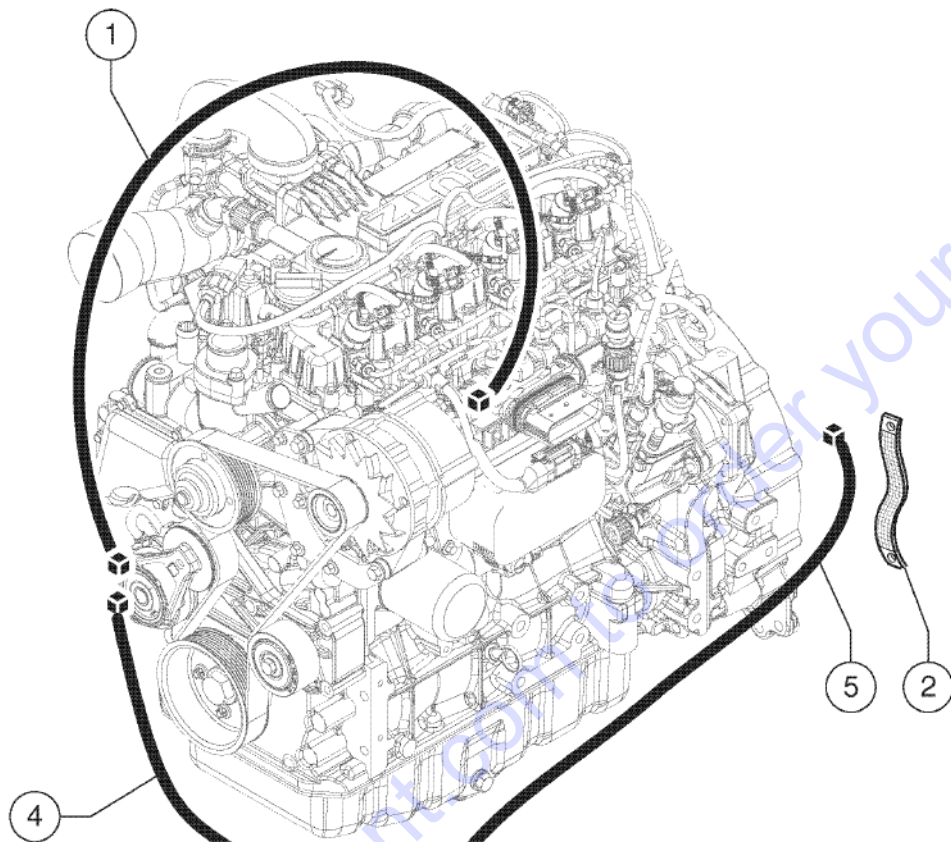


Go to Discount Equipment Center for your parts

Item	Part No.	Description	Qty.
1	55.0602.0944GT	Alternator Line To SN GTH5516M-5474	1
1	55.0602.1023GT	Alternator Line For SN GTH5516M-5342; From SN GTH5516M-5475	1
2	56.0008.0013GT	GROUND BRAID	1
3	56.0008.5217GT	BATTERY For US Market Can Be Sold P.N. 129101 With Bracket P.N. 823269	1
4	55.0602.0891GT	Positive Battery Cable To SN GTH5516M-5474	1
4	55.0602.1020GT	Positive Battery Cable For SN GTH5516M-5342; From SN GTH5516M-5475	1
5	55.0602.0892GT	Negative Battery Cable To SN GTH5516M-5474	1
5	55.0602.1032GT	Negative Battery Cable For SN GTH5516M-5342; From SN GTH5516M-5475	1
6		Deutz Control Unit Please Communicate The Engine Serial Number	1
7	56.0006.9201GT	Relay 12V 50A	1
8	56.0002.0266GT	CONNECTOR	1
9	56.0017.0134GT	Box Cap	1
10	07.0703.0060GT	FUSE, 50 AMP	1
10	07.0703.0061GT	FUSE From SN GTH55M-6149 for Air Conditioning Option	1
11	07.0703.0229GT	Fuse Maxi 100A	1
12	07.0703.0189GT	FUSE HOLDER	1
13	634975GT	Fuse 20A	1
14	07.0703.0714GT	FUSE HOLDER	1
15	56.0006.9211GT	Relay 12V 150A	1
16	51.0811.4576GT	Relay Bracket To SN 55141104	1
17	01.0001.0154GT	SCREW,TE,M6X16 UNI 8.8 ZN To SN 55141104	4
18	01.0023.0053GT	STOP NUT M6 UNI 7473 6S ZN To SN 55141104	4
19	56.0002.0333GT	Black 1 way Connector	1
19	56.0001.0049GT	Pin For Black Connector	1
20	56.0002.0264GT	CONNECTOR,1 WAY	1
20	56.0001.0016GT	Pin For Grey Connector	1
22	56.0001.0046GT	PIN For Connector Pin Numbers 1 and 2	2
22	56.0001.0050GT	Small Pin Seal For Connector Pin Numbers 1 and 2	2



702.1 607964 Wirings - View 1



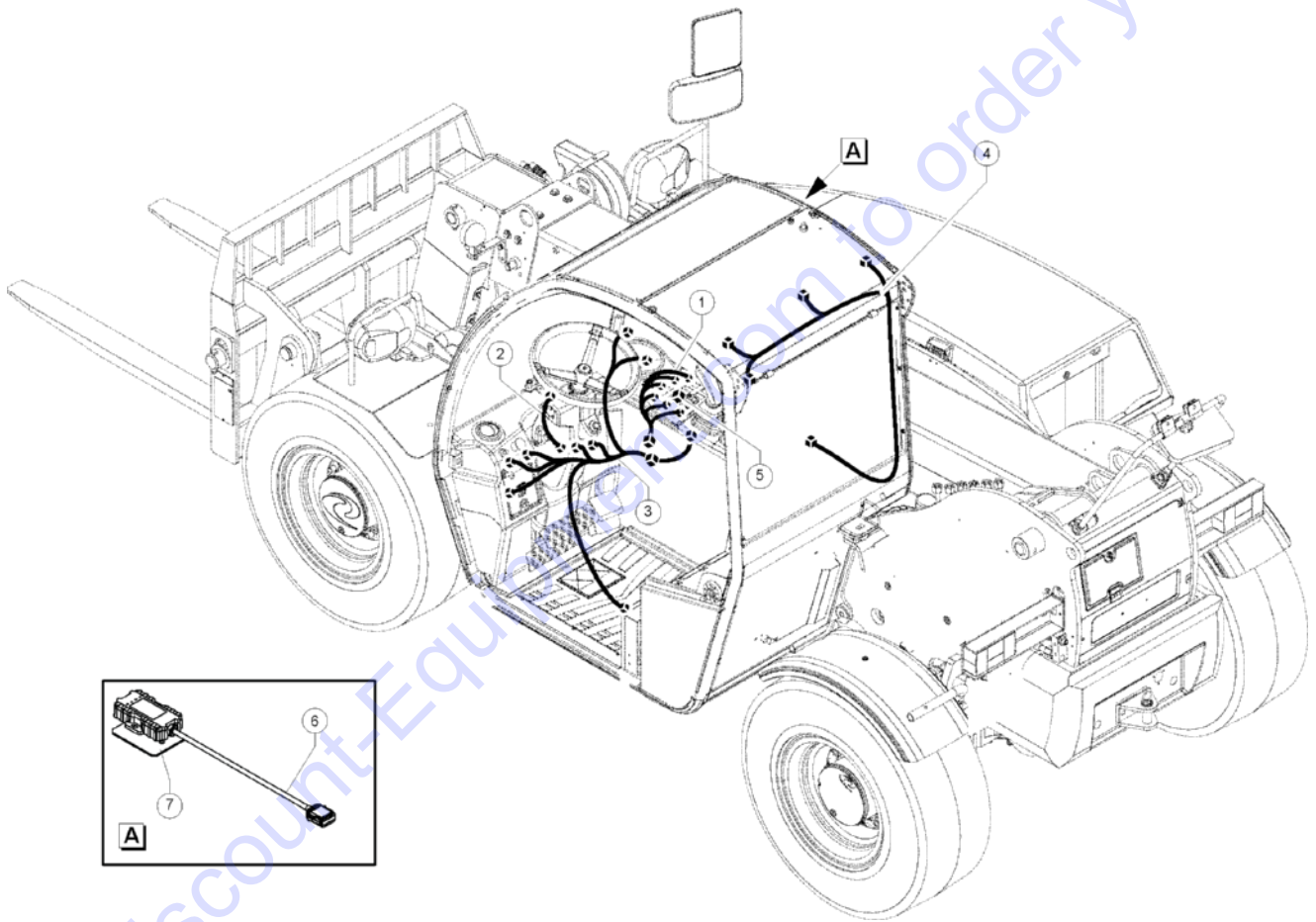
Go to Discount Equipment Center for your parts

<i>Item</i>	<i>Part No.</i>	<i>Description</i>	<i>Qty.</i>
23	56.0001.0047GT	Connector Big Pin For Connector Pin Numbers 3 and 5	2
23	56.0001.0051GT	Big Pin Seal For Connector Pin Numbers 3 and 5	2

Go to Discount-Equipment.com to order your parts



703.1 607965 Wirings - View 2



Go to Discount-Equipment.com to order your parts

Item	Part No.	Description	Qty.
1	55.0602.0833GT	Switch Dashboard Harness To SN GTH5516M-5474	1
1	55.0602.1031GT	Switch Dashboard Harness For SN GTH5516M-5342; From SN GTH5516M-5475	1
2	55.0602.0836GT	Steering Column Harness	1
3	55.0602.0987GT	Lower Cabin Harness To SN GTH5516M-5474	1
3	55.0602.1030GT	Lower Cabin Harness From SN GTH5516M-5475 to GTH55M-10886; for SN GTH5516M-5342	1
3	55.0602.1179GT	LOWER CAB WIRING From GTH55M-10887; for GTH55M-10851, GTH55M-10854, GTH55M-10860, GTH55M-10862, GTH55M-10863, GTH55M-10864, GTH55M-10866, GTH55M-10867, GTH55M-10869, from GTH55M-10872 to GTH55M-10882, and GTH55M-10884, GTH55M-10885	1
4	55.0602.0947GT	Upper Cabin Harness To SN GTH5516M-5474	1
4	55.0602.1016GT	Upper Cabin Line For SN GTH5516M-5342; From SN GTH5516M-5475	1
5	56.0002.0351GT	Diode For SN GTH5516M-5342; From SN GTH5516M-5475	2
6	1289520GT	MODULE, TELEMATICS, ZTR, M7, NORTH AMERICA From GTH55M-10887; for GTH55M-10851, GTH55M-10854, GTH55M-10860, GTH55M-10862, GTH55M-10863, GTH55M-10864, GTH55M-10866, GTH55M-10867, GTH55M-10869, from GTH55M-10872 to GTH55M-10882, and GTH55M-10884, GTH55M-10885	1
7	1289561GT	BRACKET, TELEMATICS From GTH55M-10887; for GTH55M-10851, GTH55M-10854, GTH55M-10860, GTH55M-10862, GTH55M-10863, GTH55M-10864, GTH55M-10866, GTH55M-10867, GTH55M-10869, from GTH55M-10872 to GTH55M-10882, and GTH55M-10884, GTH55M-10885	1



PARTS FINDER

**Search Website
by Part Number**



**Search Manual
Library For Parts
Manual & Lookup Part
Numbers – Purchase
or Request Quote**

Search Manuals

Enter your information to help us find the right parts manual for your machine.

* Brand:

* Model:

* Serial:

* Part Number:

SEARCH

**Can't Find Part or
Manual? Request Help
by Manufacturer,
Model & Description**

Parts Order Form

Please fill in the following information to help us find the right part for your machine.

Manufacturer:	<input type="text"/>
Model:	<input type="text"/>
Description:	<input type="text"/>
Part Number:	<input type="text"/>
Quantity:	<input type="text"/>
Notes:	<input type="text"/>

Submit

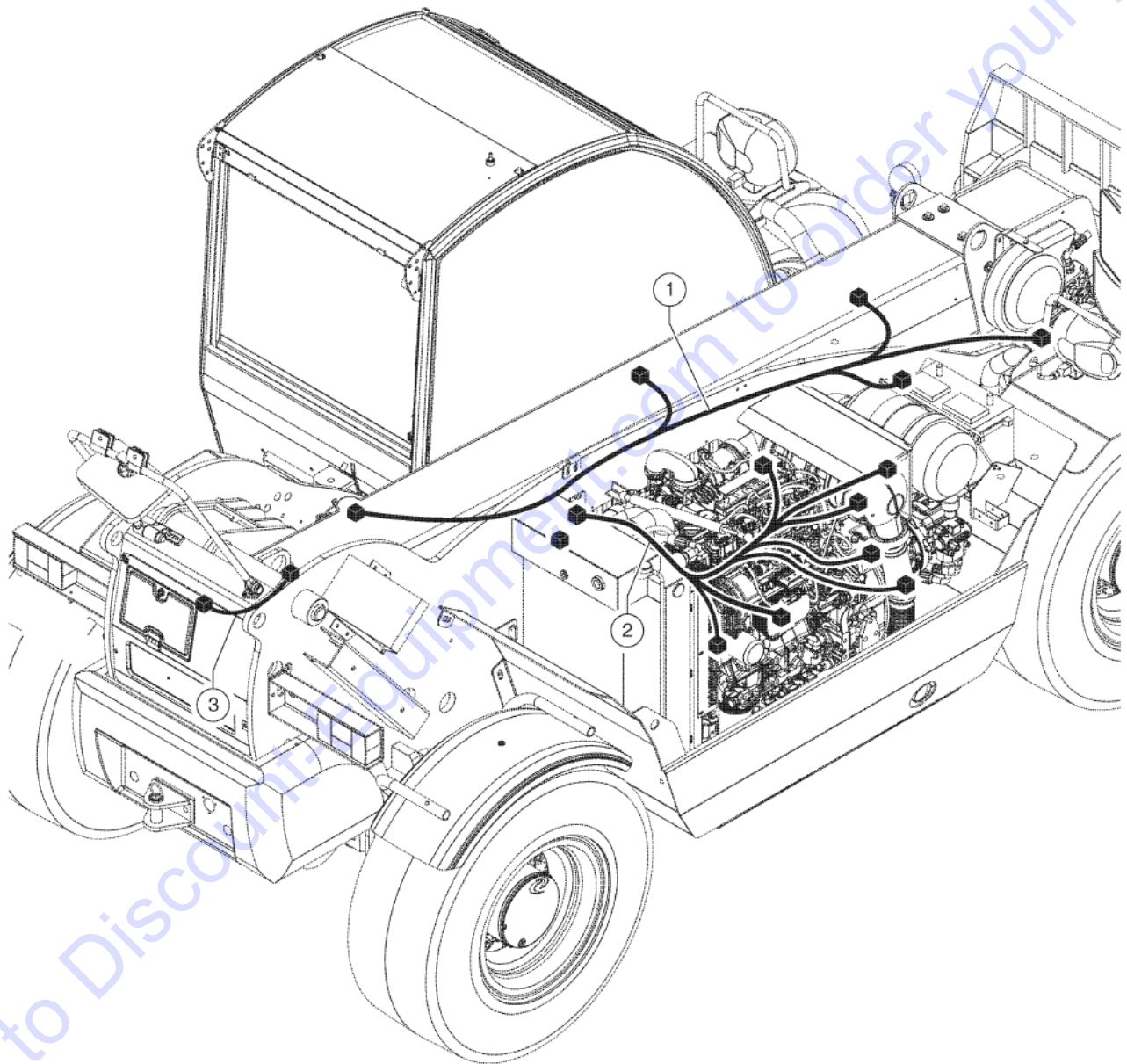
Discount-Equipment.com is your online resource for quality parts & equipment.

Florida: **561-964-4949** Outside Florida TOLL FREE: **877-690-3101**

Need parts?

Click on this link: <http://www.discount-equipment.com/category/5443-parts/> and choose one of the options to help get the right parts and equipment you are looking for. Please have the machine model and serial number available in order to help us get you the correct parts. If you don't find the part on the website or on one of the online manuals, please fill out the request form and one of our experienced staff members will get back to you with a quote for the right part that your machine needs.

We sell worldwide for the brands: Genie, Terex, JLG, MultiQuip, Mikasa, Essick, Whiteman, Mayco, Toro Stone, Diamond Products, Generac Magnum, Airman, Haulotte, Barreto, Power Blanket, Nifty Lift, Atlas Copco, Chicago Pneumatic, Allmand, Miller Curber, Skyjack, Lull, Skytrak, Tsurumi, Husquvarna Target, Stow, Wacker, Sakai, Mi-T-M, Sullair, Basic, Dynapac, MBW, Weber, Bartell, Bennar Newman, Haulotte, Ditch Runner, Menegotti, Morrison, Contec, Buddy, Crown, Edco, Wyco, Bomag, Laymor, EZ Trench, Bil-Jax, F.S. Curtis, Gehl Pavers, Heli, Honda, ICS/PowerGrit, IHI, Partner, Imer, Clipper, MMD, Koshin, Rice, CH&E, General Equipment, Amida, Coleman, NAC, Gradall, Square Shooter, Kent, Stanley, Tamco, Toku, Hatz, Kohler, Robin, Wisconsin, Northrock, Oztec, Toker TK, Rol-Air, APT, Wylie, Ingersoll Rand / Doosan, Innovatech, Con X, Ammann, Mecalac, Makinex, Smith Surface Prep, Small Line, Wanco, Yanmar



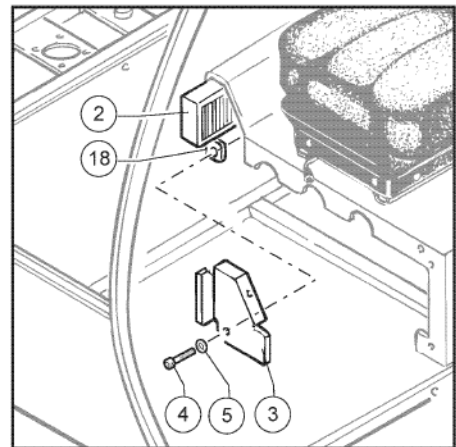
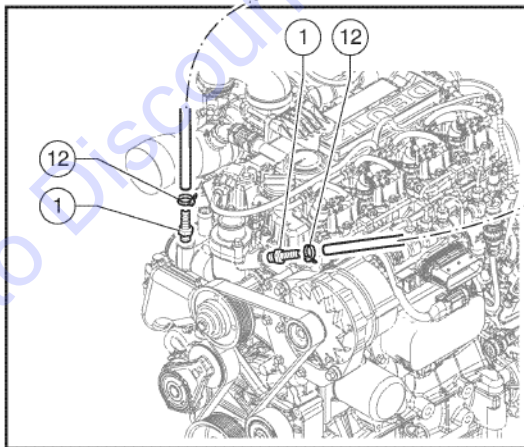
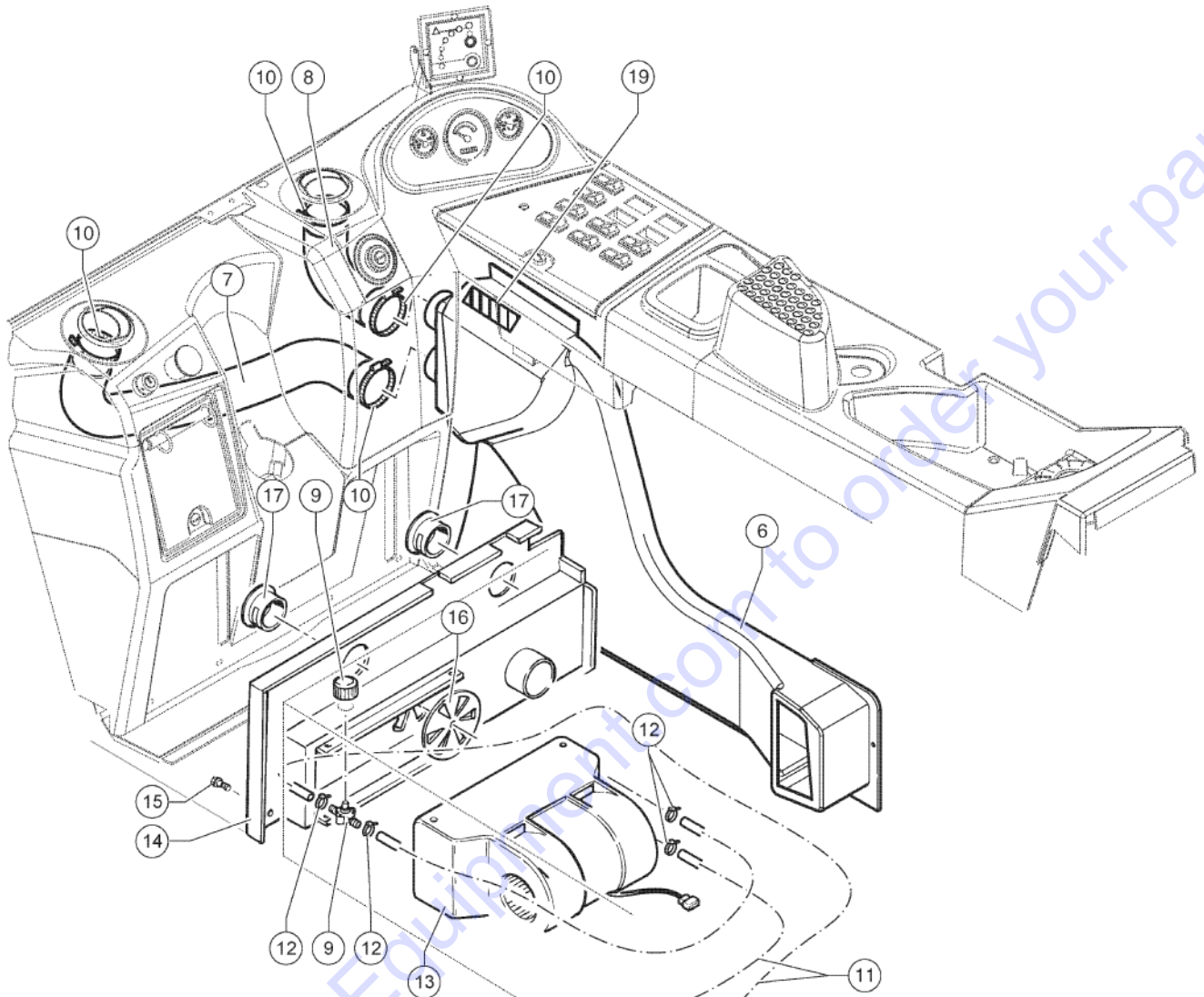
Go to www.genielift.com to order your parts

Item	Part No.	Description	Qty.
1	55.0602.0829GT	Chassis Harness To SN GTH5516M-5474	1
1	55.0602.1033GT	CHASSIS HARNESS For SN GTH5516M-5342; From SN GTH5516M-5475	1
2	55.0602.0975GT	Engine Harness To SN GTH5516M-5474	1
2	55.0602.1024GT	ENGINE HARNESS For SN GTH5516M-5342; From SN GTH5516M-5475	1
3	55.0602.1099GT	WIRING HARNESS For SN GTH5516M-5342; From SN GTH5516M-5475 To SN GTH55M-5878	1

Go to Discount-Equipment.com to order your parts



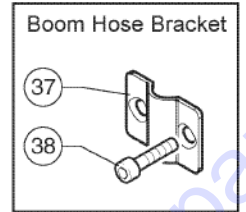
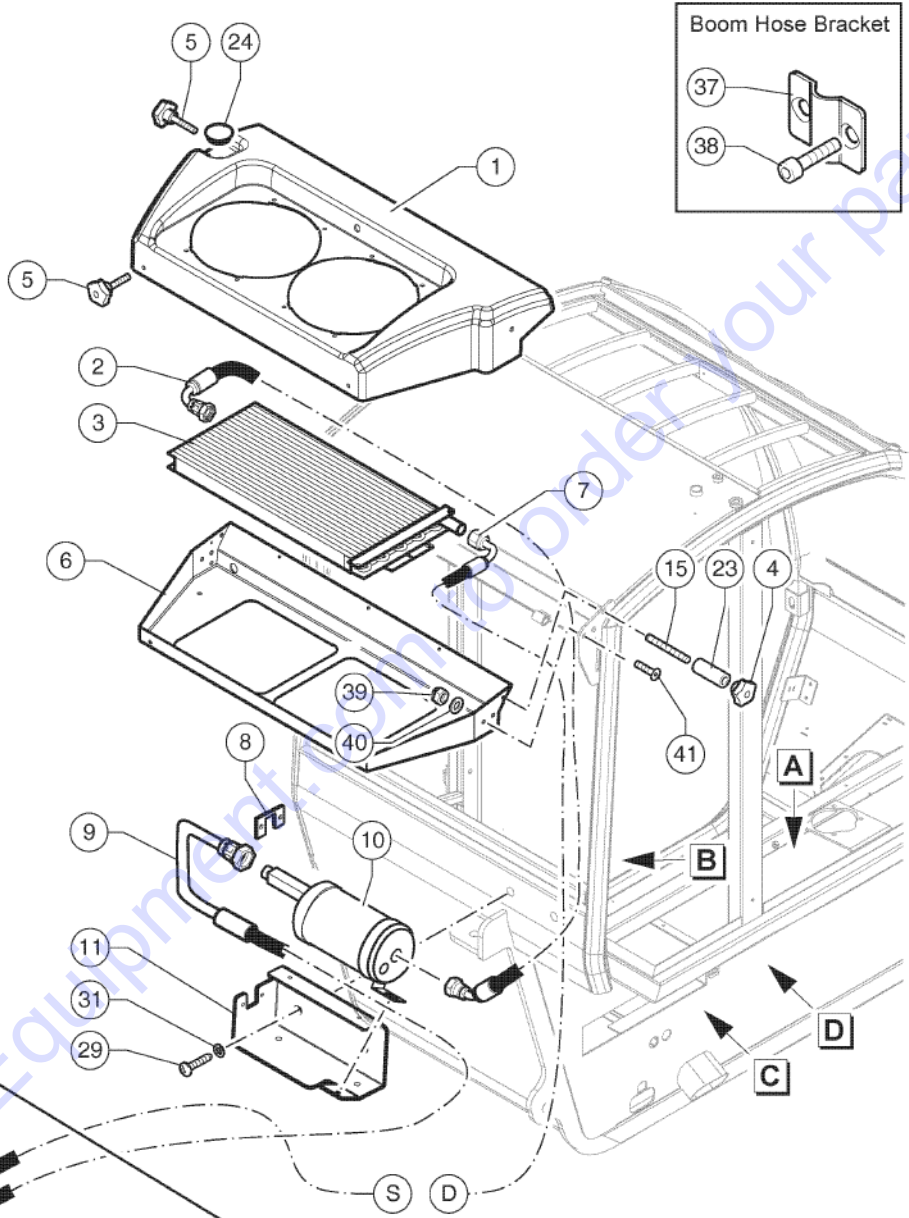
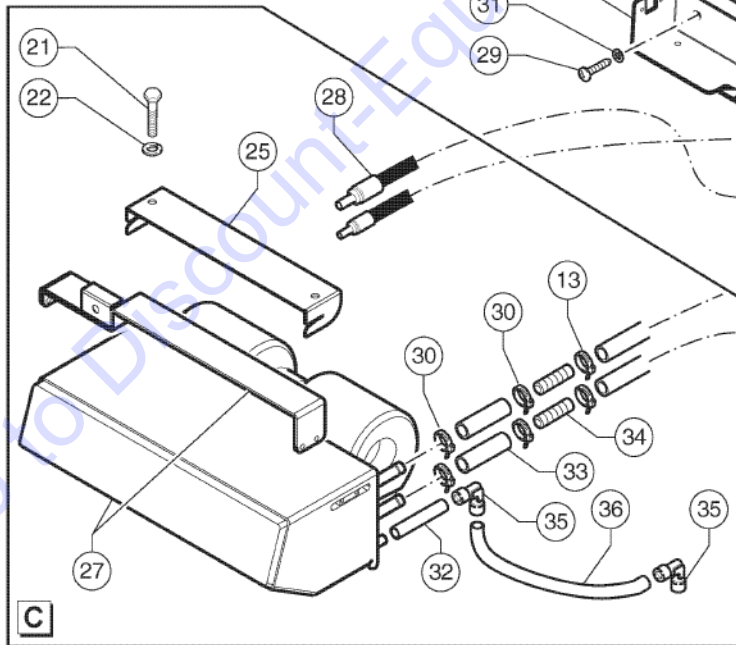
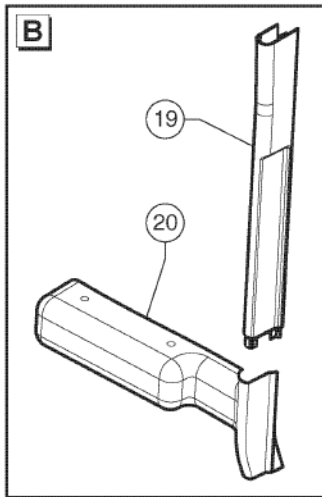
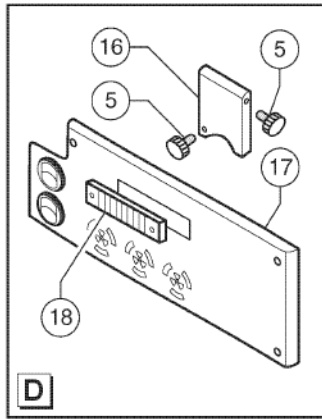
801.1 607970 Cab Heater



Item	Part No.	Description	Qty.
1	09.0806.0062GT	Hose Fitting	2
2	07.0723.0149GT	FILTER	1
3	07.0723.0663GT	Cover to SN GTH5515B-2614	1
3	07.0723.0693GT	Cover from SN GTH5515B-2615	1
4	07.0723.0557GT	Manual Screw M6x25	2
5	07.0723.0076GT	Plain Washer D6x18	2
6	07.0723.0776GT	CONVEYOR ASSY Include Item 19	1
7	07.0723.0661GT	Air Hose	0.8
8	07.0723.0484GT	AIR HOSE	0.4
9	07.0723.0658GT	Heater Valve Include Fitting and Knob	1
10	04.4227.0012GT	Clamp	4
11	07.0723.0194GT	Rubber Hose LG.1000	9
12	04.0227.0051GT	CLAMP DN 10/16 LG 9	6
13	640985GT	HEATER	1
14	07.0723.0710GT	Cover to SN GTH5515B-2614	1
14	07.0723.0694GT	Cover from SN GTH5515B-2615	1
15	07.0723.0109GT	Screw	5
16	07.0723.0108GT	Air Inlet	1
17	07.0723.0010GT	Air Inlet	2
18	07.0723.0734GT	PLATE	1
19	07.0723.0763GT	AIR INLET	1

Go to Discount-Equipment.com to order your parts

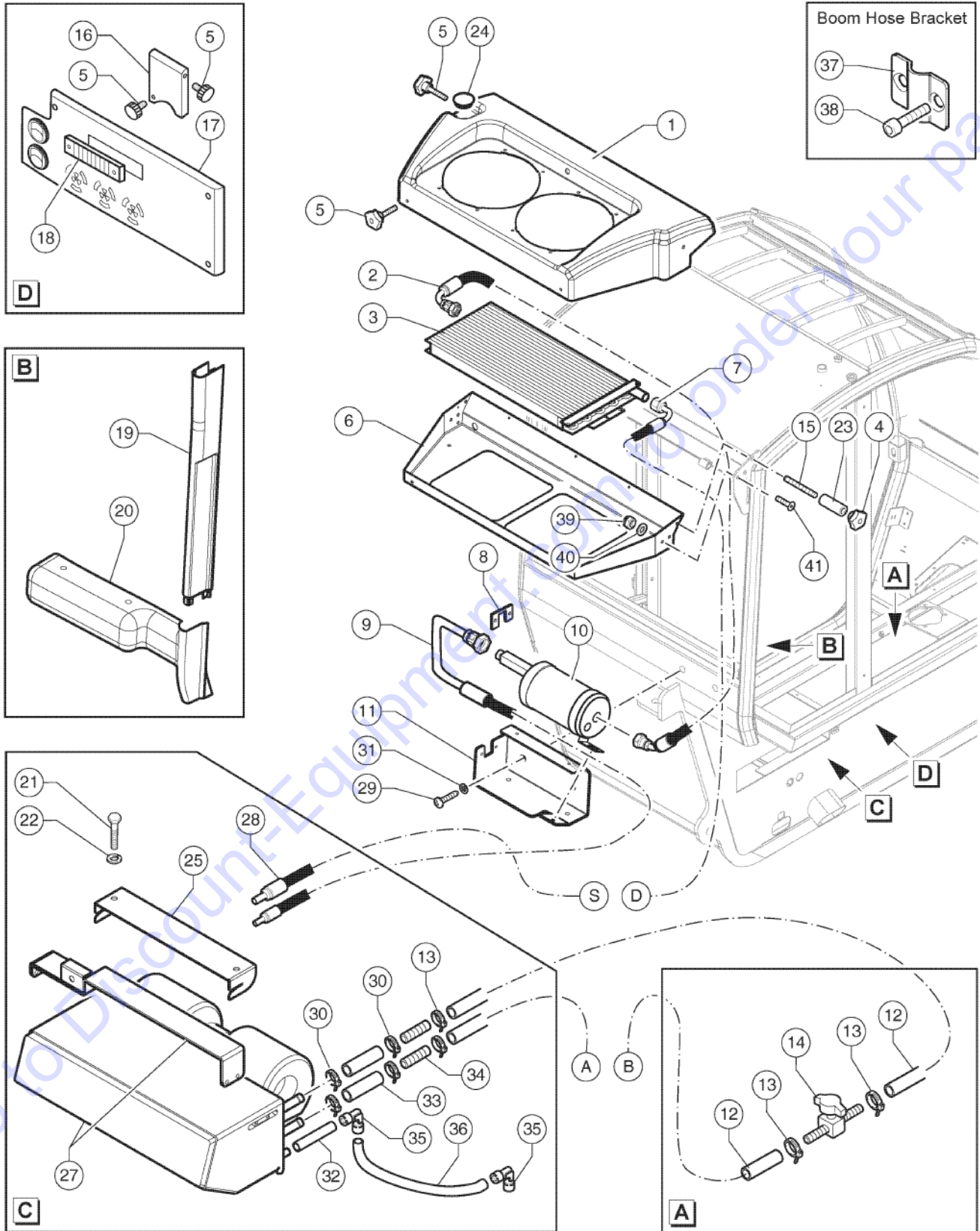




Item	Part No.	Description	Qty.
1	07.0723.0542GT	Carter To Serial Number GTH5515B - 2614	1
1	07.0723.0688GT	Carter From Serial Number GTH5515B - 2615	1
2	07.0723.0545GT	Flexble Hose	1
3	07.0723.0540GT	Condenser	1
4	07.0723.0698GT	Female Manual Screw M6	1
5	07.0723.0557GT	Manual Screw M6x25	5
6	07.0723.0699GT	Condenser Support To Serial Number GTH5515B - 2614	1
6	07.0723.0689GT	Condenser Support From Serial Number GTH5515B - 2615	1
7	07.0723.0546GT	Flexble Hose	1
8	07.0723.0700GT	Filter Lock Bracket	1
9	07.0723.0550GT	Flexble Hose	1
10	07.0723.0549GT	Gas Filter	1
11	07.0723.0702GT	Filter Bracket	1
12	640989GT	Rubber Hose d.9,5xD17	8,00
13	07.0723.0703GT	Clamp 11x20 SP. 13MM	4
14	07.0723.0658GT	Heater Valve	1
15	07.0723.0709GT	Pin M6X60 ZN	1
16	07.0723.0365GT	Heater Carter	1
17	07.0723.0558GT	Heater Carter	1
18	07.0723.0371GT	Air Inlet	1
19	07.0723.0704GT	Hose PVC Carter To Serial Number GTH5515B - 2614	1
19	07.0723.0686GT	Hose PVC Carter From Serial Number GTH5515B - 2615	1
20	07.0723.0705GT	Filter PVC Carter To Serial Number GTH5515B - 2614	1
20	07.0723.0687GT	Filter PVC Carter From Serial Number GTH5515B - 2615	1
21	01.4006.0004GT	SCREW M8X20 UNI 5933 10.9 ZN	2
22	01.4031.0002GT	FLAT WASHER D14 UNI 6593 ZN	2
23	07.0723.0708GT	Bushing D10XH30XD6 ZNB	1
24	07.0723.0707GT	Prubber Plug D=30,6 MM	1

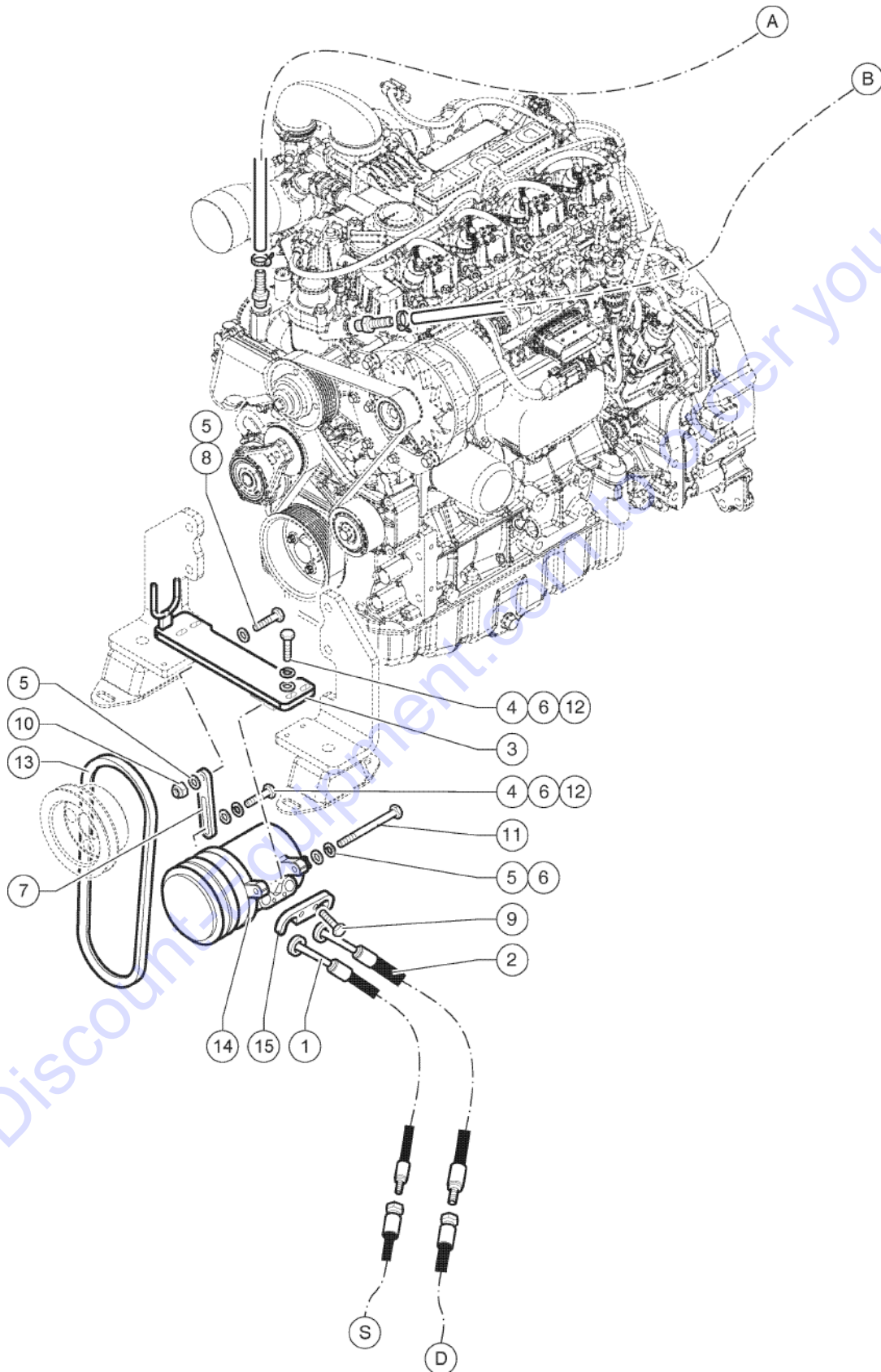


802.1 607980 Air Conditioning - Part 1 - To SN GTH55M-6148



Item	Part No.	Description	Qty.
25	07.0723.0366GT	Upper Heater Bracket	1
27	07.0723.0397GT	Heater	1
28	07.0723.0561GT	Flexble Hose	1
29	01.4006.0006GT	Screw TSPEI M5X16 UNI 5933 10.9 ZN	2
30	07.0723.0079GT	Clamp 16/27	4
42	07.0723.0232GT	Plain Washer D8x16 UNI 6592	2
32	07.0723.0553GT	Rubber Hose	2
33	07.0723.0350GT	HOSE	0,2
34	07.0723.0555GT	Pipe Fitting	2
35	07.0723.0404GT	PVC Pipe Fltting 90°	4
36	07.0723.0706GT	Outlet Hose	2
37	51.0811.4060GT	Boom Hose Lock Bracket	1
38	01.0003.0157GT	SCREW M6X25 UNI 5931 8.8 ZN	2
39	07.0723.0181GT	Nut M8 UNI 7473	6
40	01.0031.0055GT	FLAT WASHER D8 UNI 6592 ZN	6
41	07.0723.0176GT	SCREW,TSPEI M8X25	6
A		Draft 607981 Position A	
B		Draft 607981 Position B	
S		Draft 607981 Position S	
D		Draft 607981 Position D	

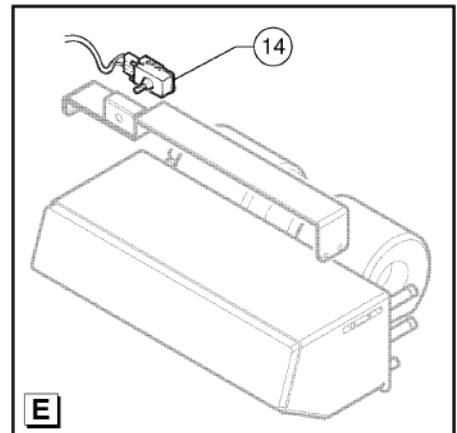
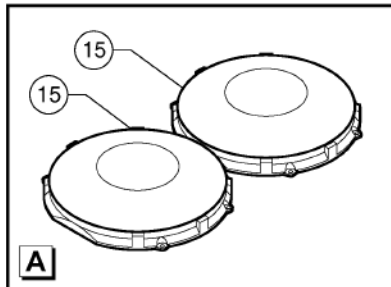
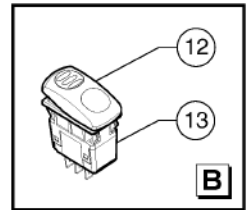
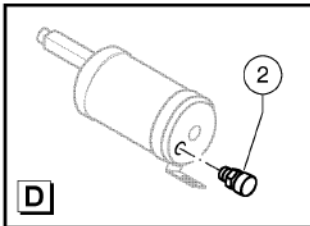
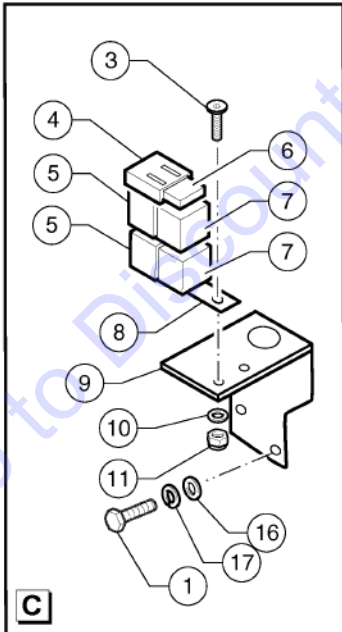
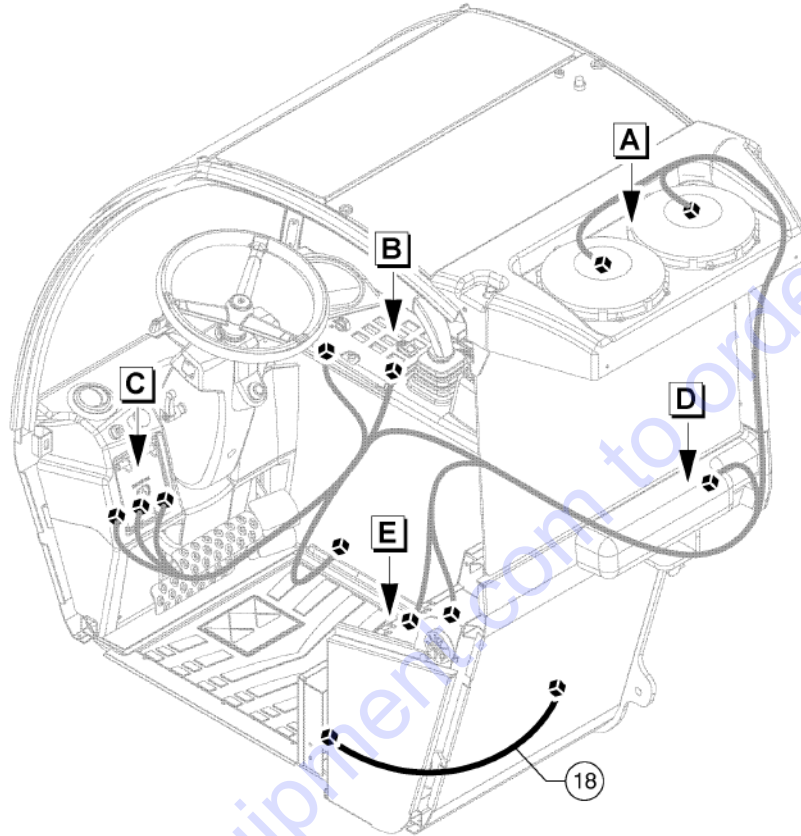




Item	Part No.	Description	Qty.
S		Draft 607980 Position S	
1	09.0805.0193GT	Hose 1/2"	1
2	09.0805.0192GT	Hose 13/32"	1
3	51.0811.4778GT	Support	1
4	01.0001.0257GT	SCREW M8X30 UNI 5739 8.8 ZN	5
5	01.0031.0055GT	FLAT WASHER D8 UNI 6592 ZN	1
6	01.4032.0003GT	Spring Washer D 8 ZN	8
7	51.0811.4417GT	Support	1
8	01.0001.0258GT	SCREW M8X35 UNI 5739 8.8 ZN	1
9	01.0001.0256GT	SCREW M8X25 UNI 5739 8.8 ZN	2
10	01.0023.0054GT	NUT,M8 UNI 7473 6S ZN	1
11	01.4001.0179GT	Screw TE M8X100 UNI 5737 10.9 ZN	1
12	01.0031.0299GT	FLAT WASHER D8 UNI 6593 ZN	1
13	09.0803.0543GT	Belt A33 13X838 ATI	1
14	07.0723.0378GT	Compressor	1
15	09.0803.0575GT	FLANGE	1

Go to Discount-Equipment.com to order your parts





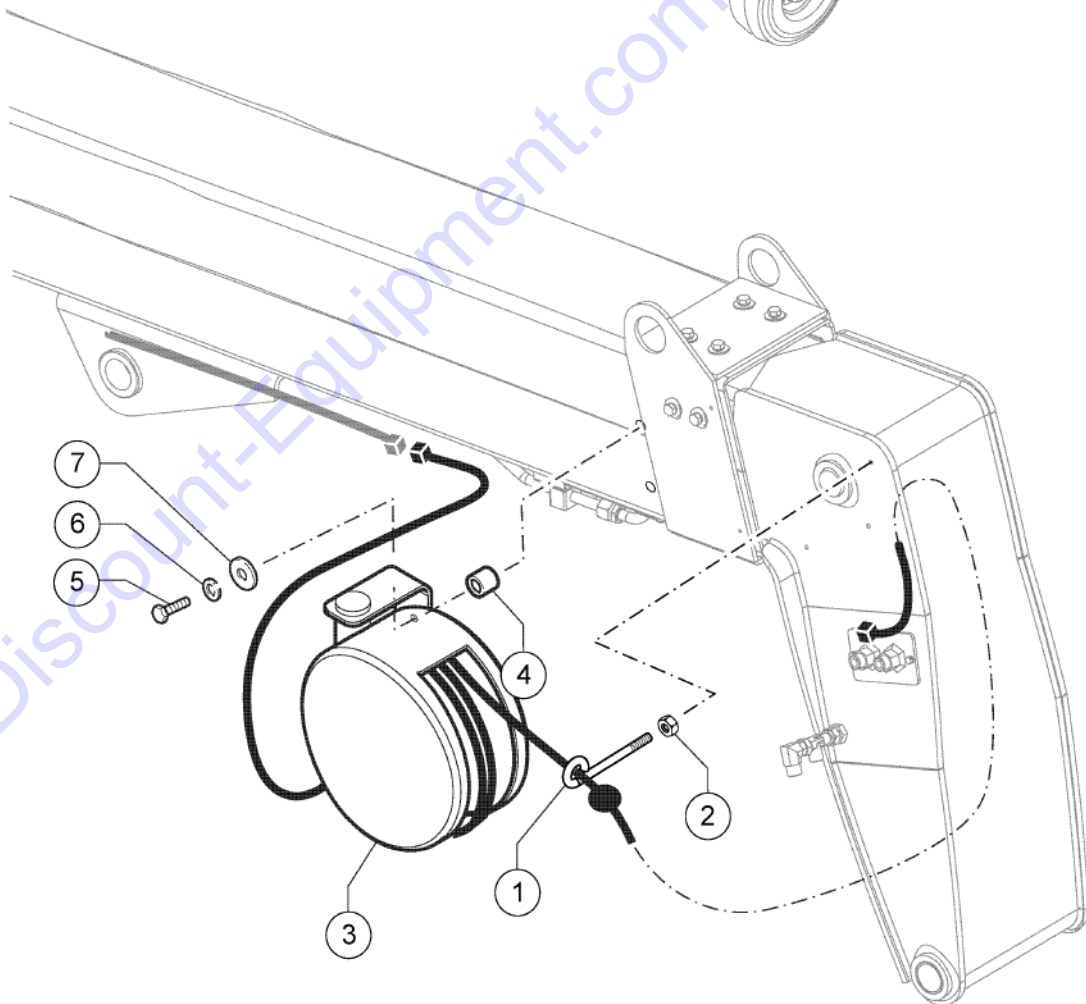
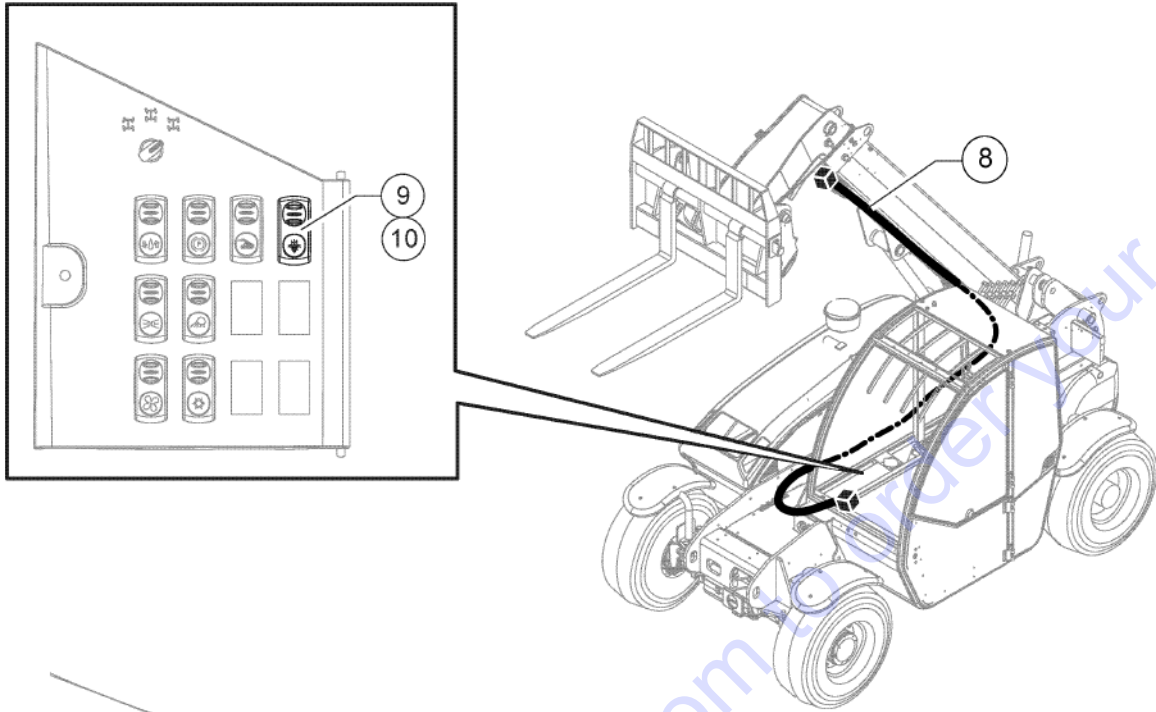
804.1 607982 Air Conditioning - Part 3 - To SN GTH55M-6148

Item	Part No.	Description	Qty.
1	01.0001.0254GT	SCREW M8X20 UNI 5739 8.8 ZN	2
2	07.0723.0377GT	Pressure Sensor	1
3	01.4006.0006GT	Screw TSPEI M5X16 UNI 5933 10.9 ZN	1
4	56.0005.0009GT	FUSE HOLDER	1
5	07.0703.0188GT	RELAY HOLDER	2
6	634976GT	FUSE	1
7	07.0703.0486GT	RELAY	2
8	56.0005.0017GT	Relay Support Bracket	1
9	07.0723.0494GT	SUPPORT	1
10	01.0031.0053GT	FLAT WASHER D5 UNI 6592 ZN	1
11	01.0023.0052GT	STOP NUT M5 UNI 7473 6S ZN	1
12	56.0017.0053GT	Air Condition Switch Cover	1
13	56.0017.0048GT	SWITCH	1
14	07.0723.0396GT	Temperature Switch	1
15	07.0723.0541GT	Fan	2
16	01.0031.0055GT	FLAT WASHER D8 UNI 6592 ZN	2
17	01.4032.0003GT	Spring Washer D 8 ZN	2
18	55.0602.1098GT	WIRING From SN GTH5516M-5475 to SN GTH55M-6148	1

Go to Discount-Equipment.com to order your parts



805.1 607974 Hydraulic Quick Coupling And 1 Aux Circuit (Electric Part)



Go to Discount-Equipment.com to order your parts

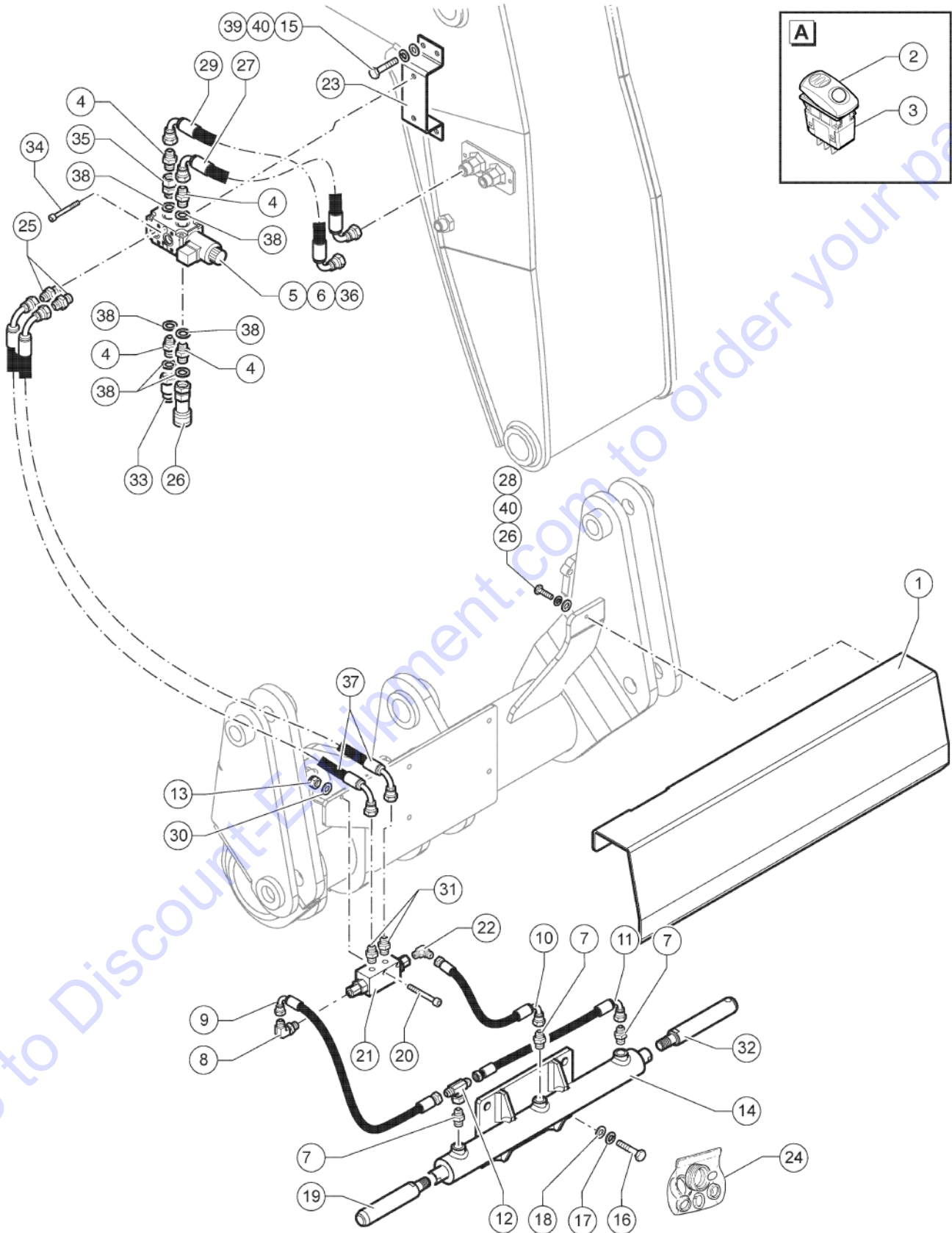
805.1 607974 Hydraulic Quick Coupling And 1 Aux Circuit (Electric Part)

Item	Part No.	Description	Qty.
1	51.0811.4537GT	ELECTRICAL CABLE SUPPORT	1
2	01.0019.0104GT	NUT M8 UNI 5588 6S ZN	1
3	56.0023.0051GT	Cable Reel	1
4	54.0101.0015GT	Spacer	2
5	01.0001.0104GT	SCREW M6X40 UNI 5739 8.8 ZN	2
6	01.0031.0298GT	FLAT WASHER D6 UNI 6593 ZN	2
7	01.4032.0002GT	SPRING WASHER D6 ZN	2
8	55.0602.0848GT	Boom Line To SN GTH5516M-5474	1
8	55.0602.1027GT	Boom Line For SN GTH5516M-5342; From SN GTH5516M-5475	1
9	56.0017.0063GT	SWITCH COVER	1
10	56.0017.0035GT	SWITCH	1

Go to Discount-Equipment.com to order your parts



806.1 607975 Hydraulic Quick Coupling And 1 Aux Circuit (Hydraulic Part)



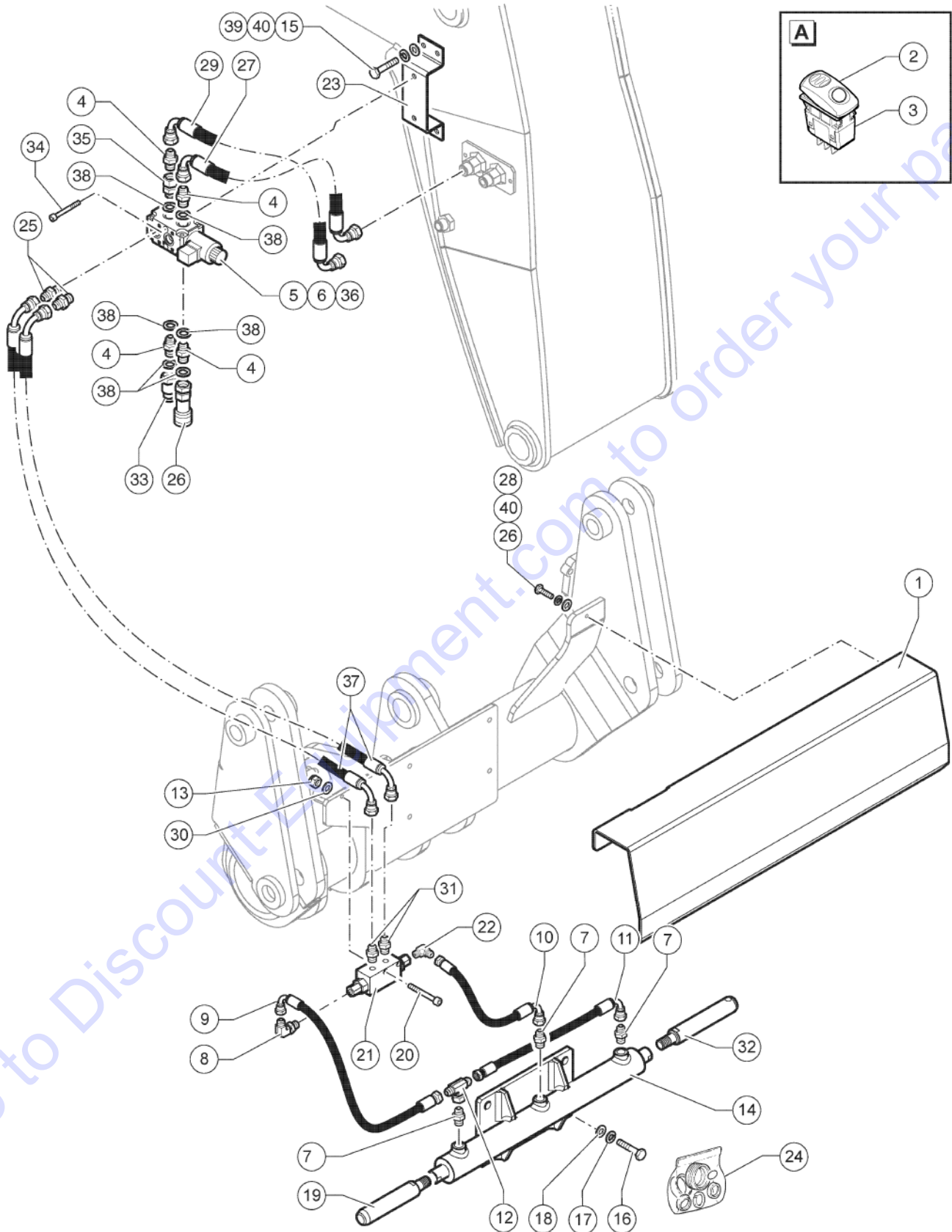
Go to DiscountEquipment.com to order your parts

806.1 607975 Hydraulic Quick Coupling And 1 Aux Circuit (Hydraulic Part)

Item	Part No.	Description	Qty.
1	51.0903.5062GT	Protection Cylinder	1
2	56.0017.0063GT	SWITCH COVER	1
3	56.0017.0035GT	SWITCH	1
4	04.0600.0017GT	PIPE FITTING 1/2X1/2 BSP	4
5	04.4240.0075GT	SOLENOID VALVE ASSY 6 WAY	1
6	07.0701.0316GT	SOLENOID	1
7	04.0607.0114GT	PIPE FITTING 3/8 BSPX9/16-18 ORFS	3
8	04.0607.0112GT	PIPE FITTING M-M A 90 1/4 BSPX9/16-18 ORFS	1
9	04.0605.0112GT	FLEXIBLE HOSE 7.75 INCH	1
10	04.0605.0114GT	FLEXIBLE HOSE	1
11	04.0605.0113GT	HOSE R2X1/4 LG 405 FD-F90 9/16-18 ORFS	1
12	04.0607.0131GT	PIPE FITTING TMF+C 9/16-18 ORFS	1
13	01.0023.0053GT	STOP NUT M6 UNI 7473 6S ZN	4
14	53.0500.0601GT	Cylinder To SN GTH5515B-2614	1
14	53.0500.0604GT	Cylinder From SN GTH5515B-2615	1
15	01.0001.0252GT	SCREW M8X16 UNI 5739 8.8 ZN	4
16	01.0001.0355GT	SCREW M10X25 UNI 5739 8.8 ZN	4
17	01.4032.0004GT	Spring Washer D10 ZN	4
18	01.0031.0301GT	FLAT WASHER D10 UNI 6593 ZN	4
19	54.0001.0088GT	Pin	1
20	01.0003.0162GT	SCREW M6X50 UNI 5931 8.8 ZN	2
21	04.4239.0002GT	VALVE	1
22	04.0607.0132GT	PIPE FITTING 45 M-M 1/4 BSPX9/16-18 ORFS	1
23	51.0811.4527GT	SUPPORT	1
24	07.4529.0158GT	Joint Kit	1
25	04.0607.0110GT	PIPE FITTING 1/2BSP x 11/16-16 ORFS	2
26	04.4210.0019GT	QUICK COUPLING, FEMALE 1/2	2
27	04.0602.0615GT	HOSE R2X1/2 430 F90 BSP F90 BSP A 270°	1



806.1 607975 Hydraulic Quick Coupling And 1 Aux Circuit (Hydraulic Part)



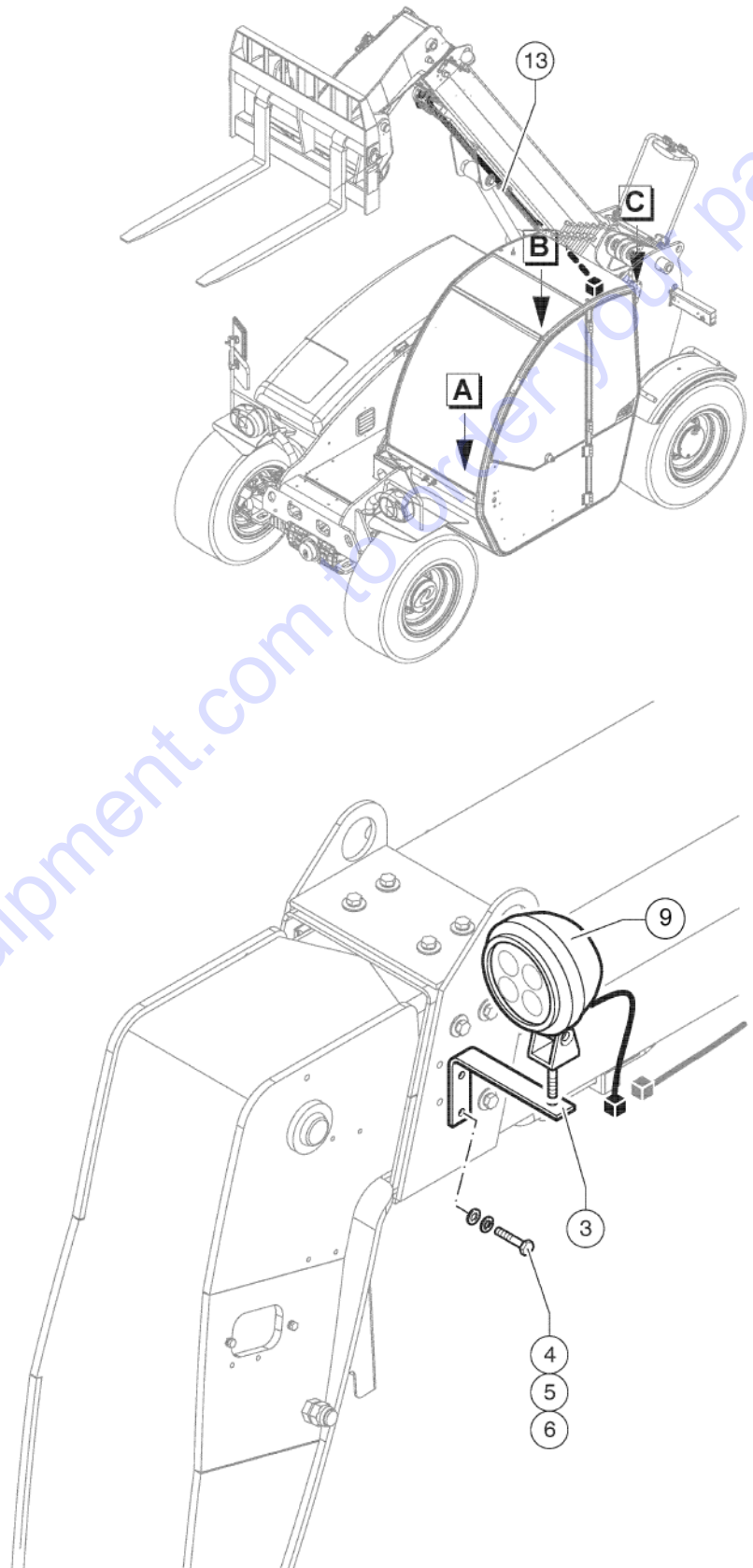
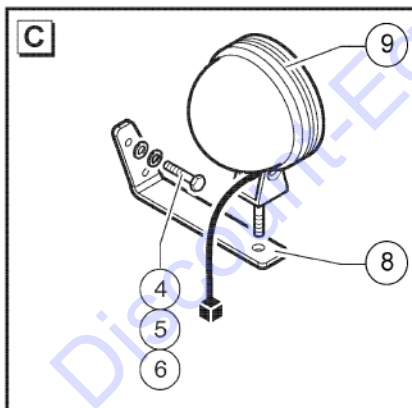
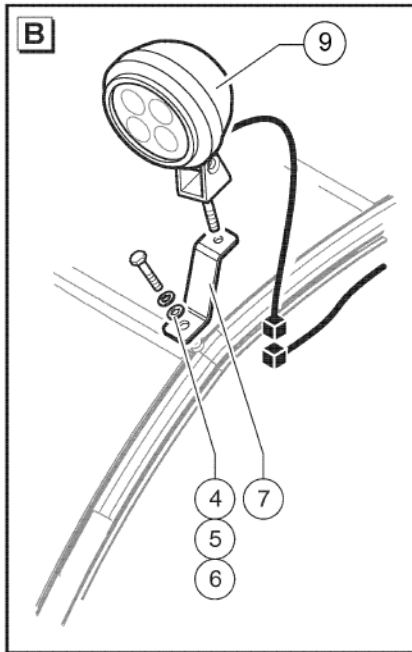
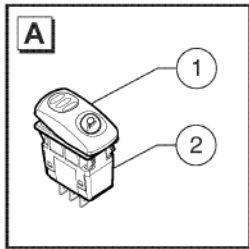
806.1 607975 Hydraulic Quick Coupling And 1 Aux Circuit (Hydraulic Part)

Item	Part No.	Description	Qty.
28	01.0031.0299GT	FLAT WASHER D8 UNI 6593 ZN	2
29	04.0602.0613GT	HOSE R2X1/2 500 F90 F90 BSP A 270°	1
30	01.0031.0054GT	FLAT WASHER D6 UNI 6592 ZN	5
31	04.0607.0163GT	PIPE FITTING 1/4BSPX11/16-16 ORFS	2
32	54.0001.0087GT	Pin	1
33	04.4210.0018GT	QUICK COUPLING, MALE 1/2	2
34	01.4003.0036GT	SCREW M8X65 UNI 5931 8.8 ZN	4
35	04.0600.0107GT	PIPE FITTING GMF 1/2 BSP	1
36	07.0701.0317GT	SINGLE VALVE BODY	1
37	04.0605.1633GT	HOSE R2X3/8 LG 1050 F90-F90 11/16-16 90	2
38	06.0442.0122GT	BONDED RING 1/2"	4
39	01.0031.0055GT	FLAT WASHER D8 UNI 6592 ZN	4
40	01.4032.0003GT	Spring Washer D 8 ZN	6

Go to Discount-Equipment.com to order your parts



807.1 607976 Work Lights



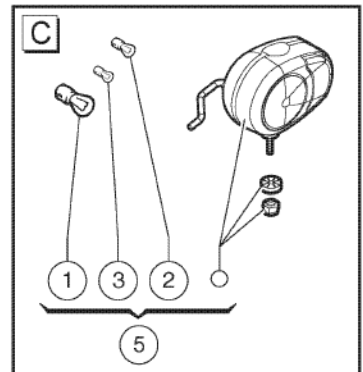
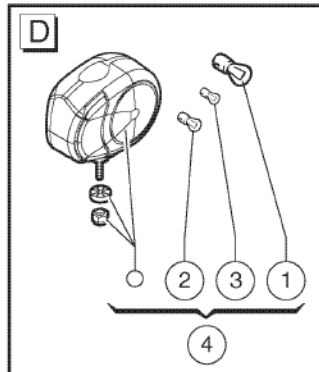
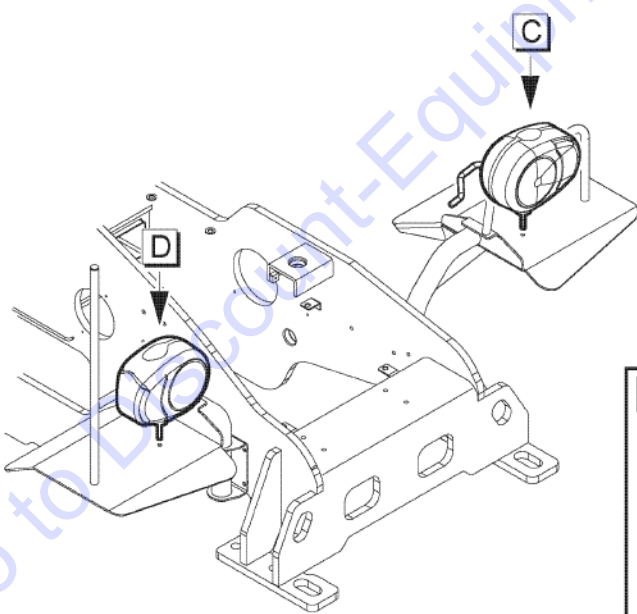
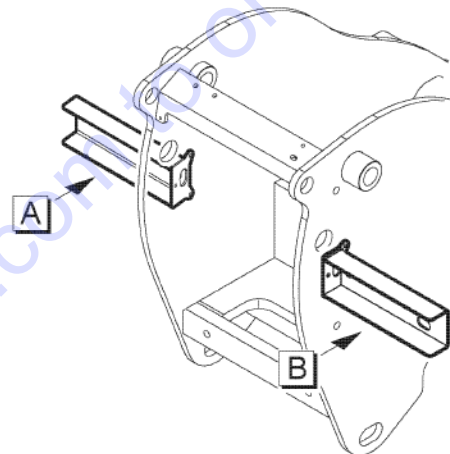
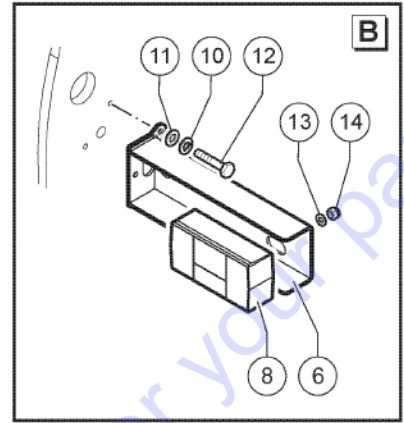
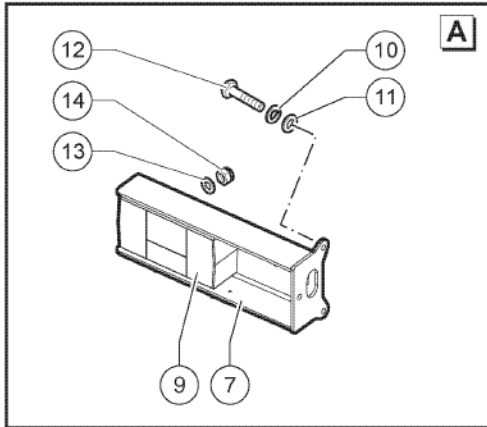
Go to DiscountEquipment.com to order your parts

Item	Part No.	Description	Qty.
1	56.0017.0045GT	Work Lights Switch Cover	1
2	56.0017.0132GT	Switch Contact	1
3	51.0811.4490GT	WORKING LIGHT BOOM SUPPORT	1
4	01.0001.0254GT	SCREW M8X20 UNI 5739 8.8 ZN	2
5	01.0031.0055GT	FLAT WASHER D8 UNI 6592 ZN	4
6	01.4032.0003GT	Spring Washer D 8 ZN	2
7	51.0811.4162GT	Support to SN GTH5515B-2614	1
7	51.0811.4717GT	Support from SN GTH5515B-2615	1
8	51.0811.4536GT	Support to SN GTH5515B-2614	1
8	51.0811.4718GT	Support from SN GTH5515B-2615	1
9	56.0017.0124GT	Work Light	3
13	55.0602.0848GT	Boom Line To SN GTH5516M-5474	1
13	55.0602.1027GT	Boom Line For SN GTH5516M-5342; From SN GTH5516M-5475	1

Go to Discount-Equipment.com to order your parts



808.1 607983 Road Lights - Part 1

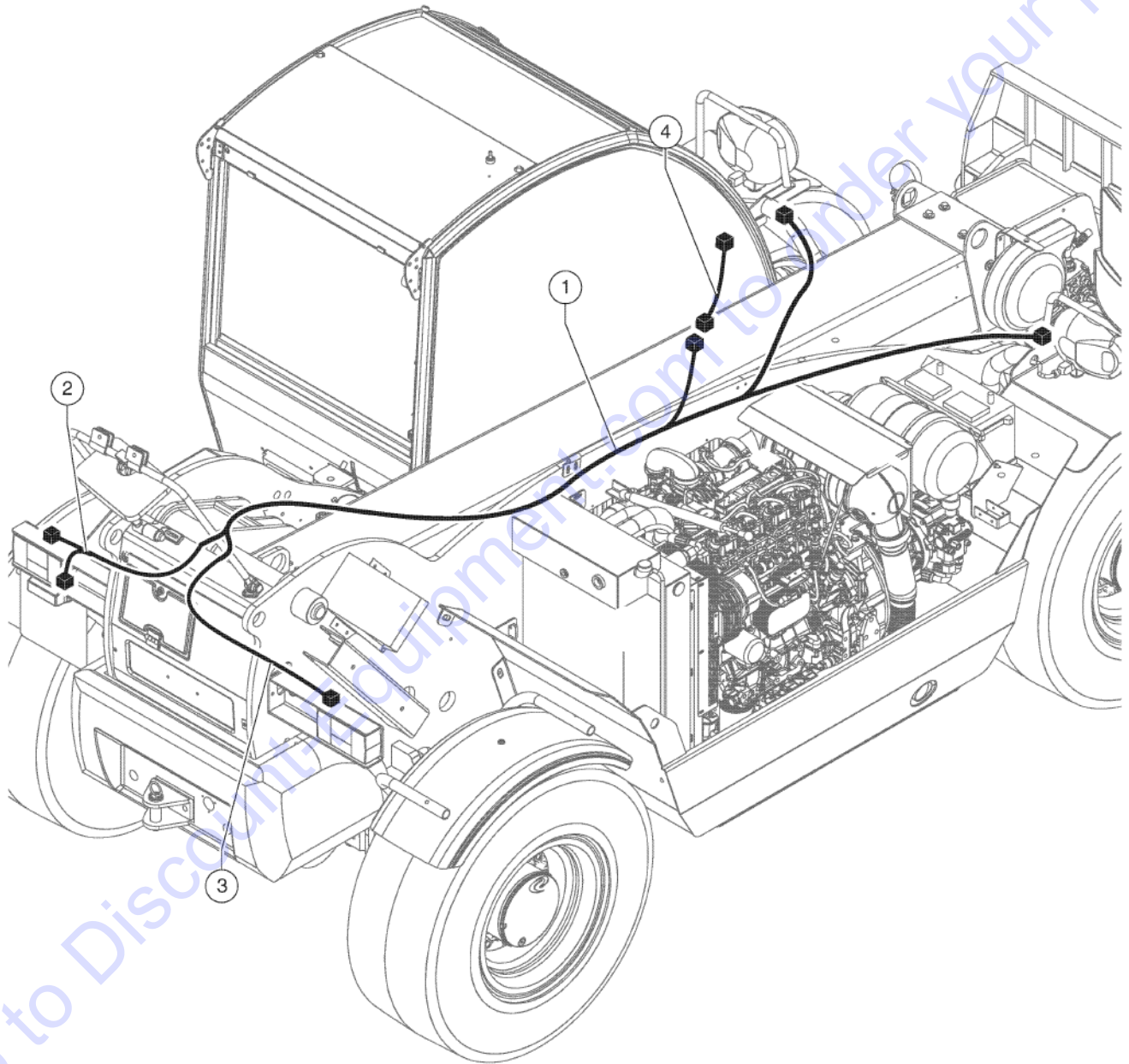


Item	Part No.	Description	Qty.
1	07.0703.0306GT	BULB, HEADLAMP	2
2	56.0010.0058GT	BULB,12V,45/40W	2
3	07.0703.0305GT	BULB, HEADLAMP	2
4	56.0010.0034GT	LIGHT,FRONT,RIGHT	1
5	56.0010.0035GT	LIGHT,FRONT,LEFT	1
6	51.0811.4039GT	SUPPORT To Serial Number GTH5515B - 2614	1
6	51.0811.4716GT	Right Rear Road Light Support From Serial Number GTH5515B - 2615	1
7	51.0811.4038GT	SUPPORT To Serial Number GTH5515B - 2614	1
7	51.0811.4715GT	Right Left Road Light Support From Serial Number GTH5515B - 2615	1
8	56.0010.0037GT	LIGHT,REAR,RIGHT	1
9	56.0010.0036GT	LIGHT,REAR,LEFT	1
10	01.4032.0003GT	Spring Washer D 8 ZN	4
11	01.0031.0055GT	FLAT WASHER D8 UNI 6592 ZN	4
12	01.0001.0256GT	SCREW M8X25 UNI 5739 8.8 ZN	4
13	01.0031.0054GT	FLAT WASHER D6 UNI 6592 ZN	4
14	01.0023.0053GT	STOP NUT M6 UNI 7473 6S ZN	4

Go to Discount-Equipment.com to order your parts



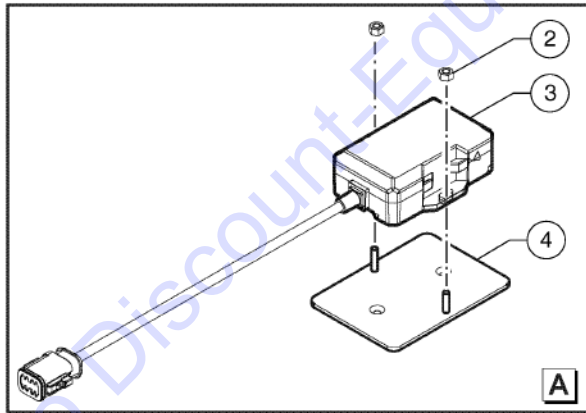
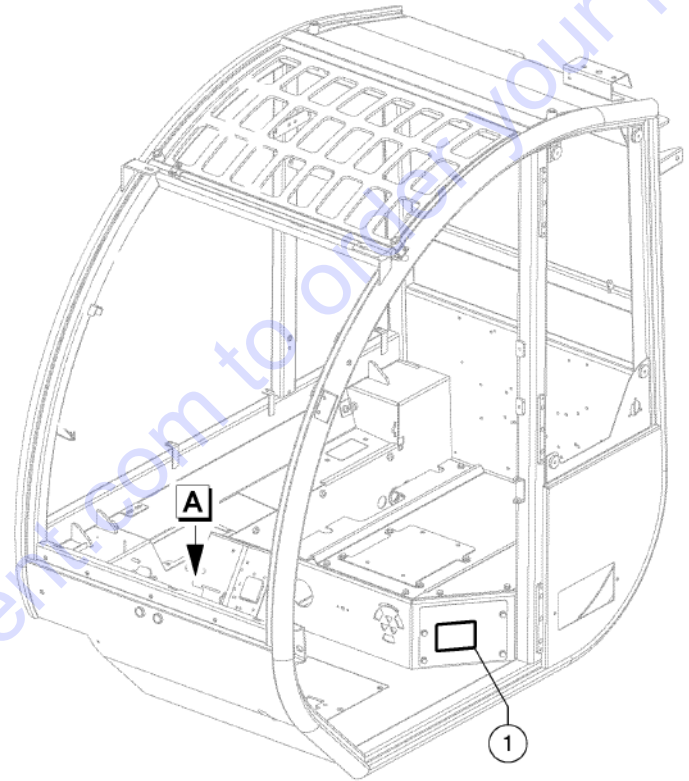
809.1 607984 Road Lights - Part 2



Item	Part No.	Description	Qty.
1	55.0602.0851GT	Chassis Line	1
2	55.0602.0854GT	Rear Left Lights Line	1
3	55.0602.0853GT	Rear Right Lights Line	1
4	55.0602.0852GT	Road Light Cab Harness To SN GTH5516M-5341	1
4	55.0602.0981GT	Road Light Cab Harness From SN GTH5516M-5342	1

Go to Discount-Equipment.com to order your parts

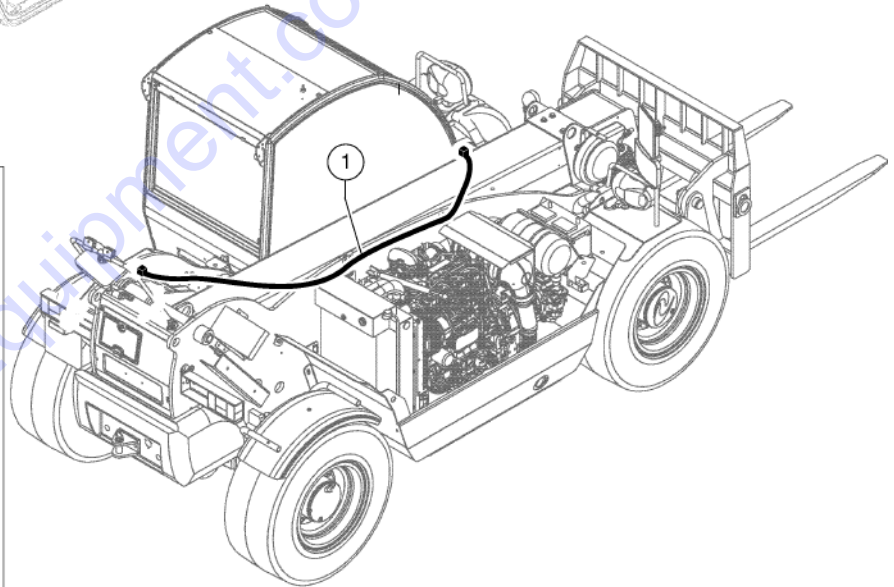
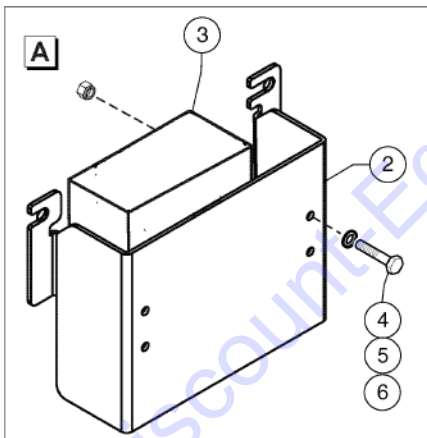
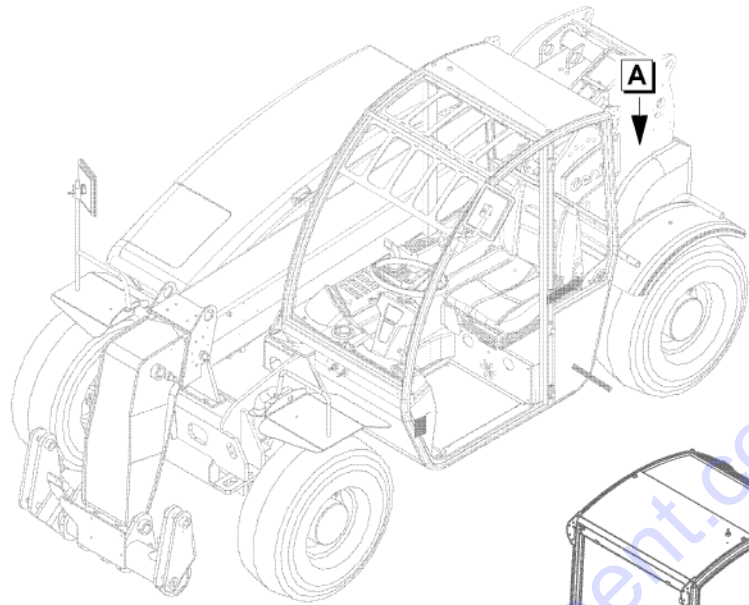




<i>Item</i>	<i>Part No.</i>	<i>Description</i>	<i>Qty.</i>
1	1262435GT	DECAL,TELEMATICS,UR	1
2	1261777GT	NUT,8-32, URI TELEMATICS	2
3	1261360GT	MODULE,TELEMATICS,ZTR,M6H	1
4	1262434GT	BRACKET KIT	1

Go to Discount-Equipment.com to order your parts





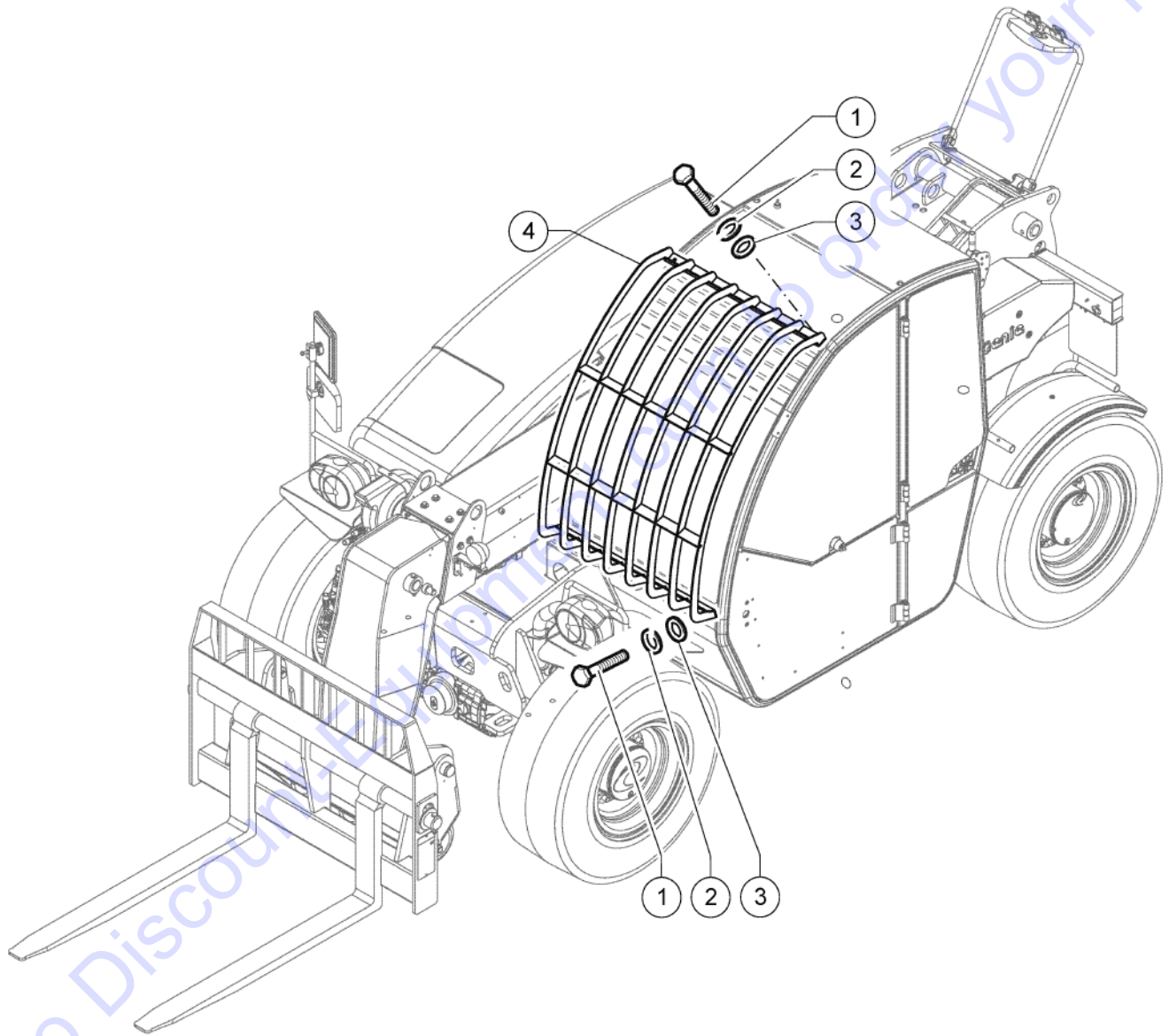
Go to DiscountEquipment.com to order your parts

<i>Item</i>	<i>Part No.</i>	<i>Description</i>	<i>Qty.</i>
1	55.0602.1092GT	TELEMATICS ZTR M8 WIRING	1
2	51.0811.4880GT	ZTR M8 SUPPORT	1
3	1271765GT	MODULE TELEMATICS M8	1
4	01.0001.1438GT	SCREW M5X20 UNI 5739 8.8 ZN	4
5	01.0031.0053GT	FLAT WASHER D5 UNI 6592 ZN	4
6	01.0023.0052GT	STOP NUT M5 UNI 7473 6S ZN	4

Go to Discount-Equipment.com to order your parts



811.1 607986 Front Protection Grid



Go to Discount Forklift Parts your parts

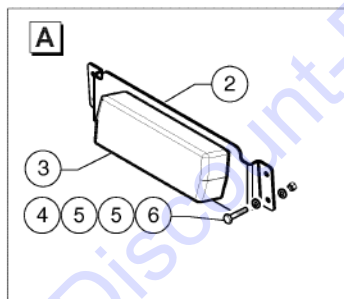
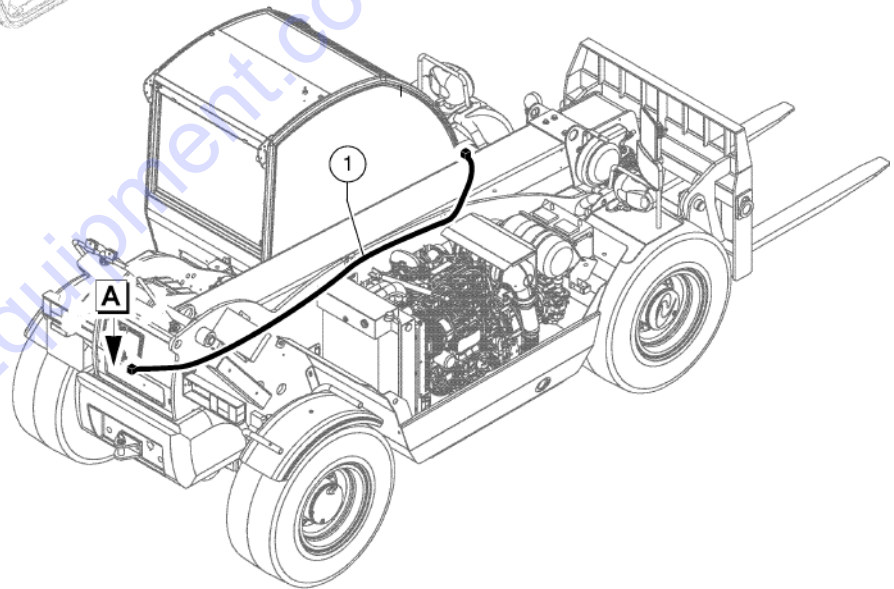
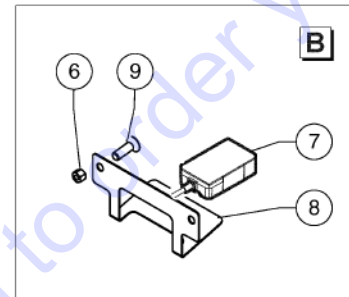
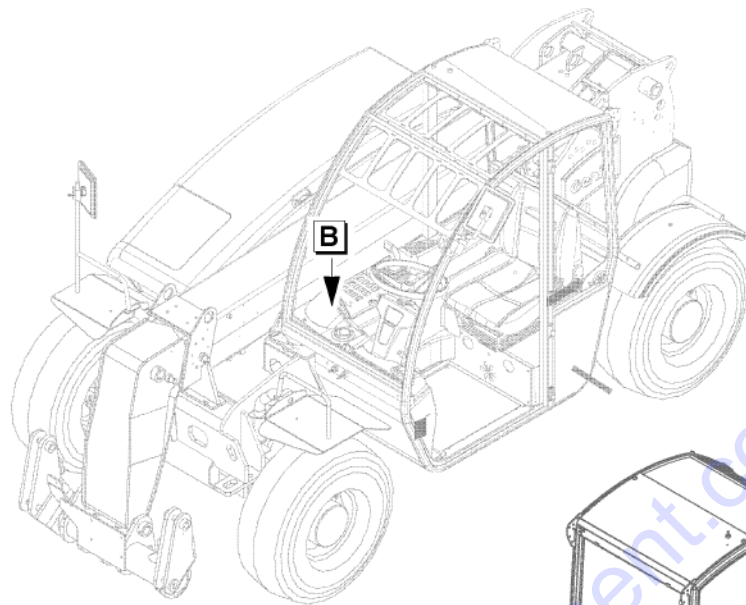
811.1 607986 Front Protection Grid

<i>Item</i>	<i>Part No.</i>	<i>Description</i>	<i>Qty.</i>
1	01.0001.0252GT	SCREW M8X16 UNI 5739 8.8 ZN	4
2	01.4032.0003GT	Spring Washer D 8 ZN	4
3	01.0031.0299GT	FLAT WASHER D8 UNI 6593 ZN	4
4	51.0903.5193GT	Front Grille	1

Go to Discount-Equipment.com to order your parts



812.1 607990 Rear Proximity Alarm

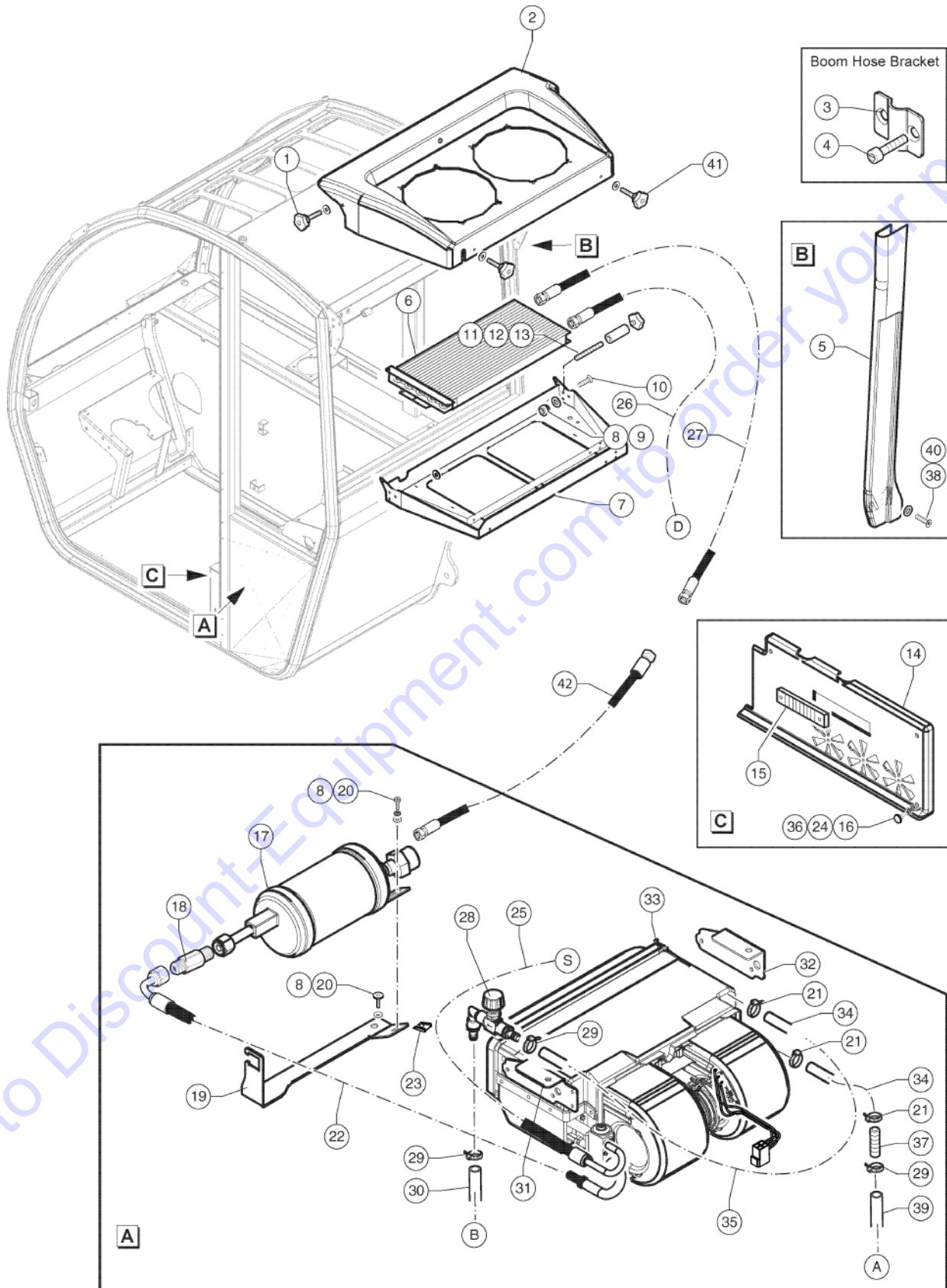


812.1 607990 Rear Proximity Alarm

Item	Part No.	Description	Qty.
1	55.0602.1095GT	WIRING	1
2	51.0811.4872GT	SUPPORT	1
3	1257987GT	SENSOR,REAR PROXIMITY ALARM	1
4	01.0001.1538GT	SCREW M5X16 UNI5737 8.8 ZN	4
5	01.0031.0053GT	FLAT WASHER D5 UNI 6592 ZN	8
6	01.0023.0052GT	STOP NUT M5 UNI 7473 6S ZN	8
7	1257988GT	DISPLAY,LED,REAR PROX ALARM	1
8	51.0811.4875GT	DISPLAY SUPPORT	1
9	01.4003.0037GT	SCREW M5X20 UNI 5931 8.8 ZN	4

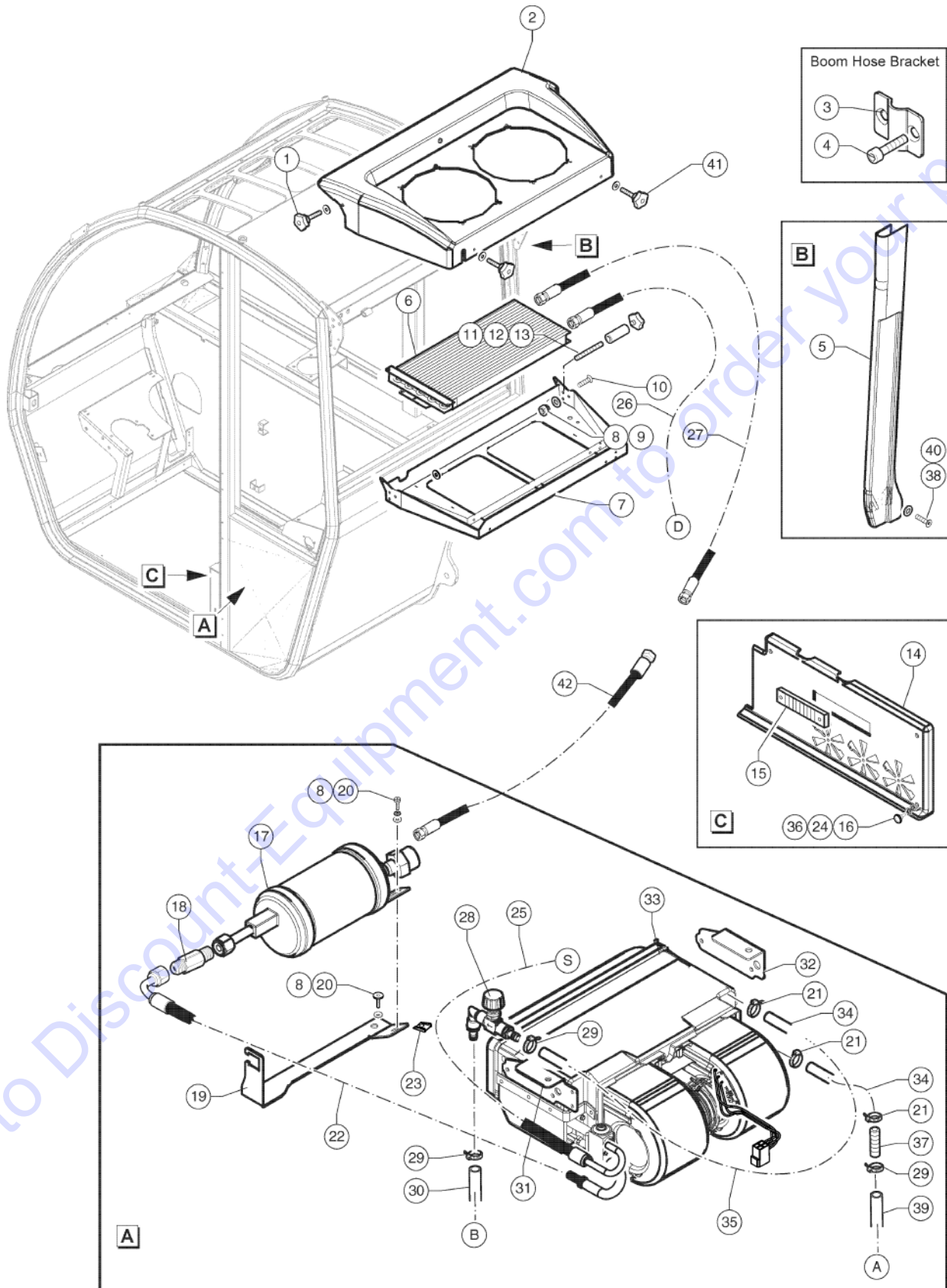
Go to Discount-Equipment.com to order your parts





Item	Part No.	Description	Qty.
1	07.0723.0557GT	Manual Screw M6x25	3
2	07.0723.0721GT	COVER	1
3	51.0811.4060GT	Boom Hose Lock Bracket	1
4	01.0003.0157GT	SCREW M6X25 UNI 5931 8.8 ZN	2
5	07.0723.0736GT	COVER	1
6	07.0723.0737GT	CONDENSER	1
7	07.0723.0738GT	CONDENSER ASSY	1
8	07.0723.0232GT	Plain Washer D8x16 UNI 6592	6
9	07.0723.0181GT	Nut M8 UNI 7473	6
10	07.0723.0176GT	SCREW,TSPEI M8X25	4
11	07.0723.0698GT	Female Manual Screw M6	1
12	07.0723.0708GT	Bushing D10XH30XD6 ZNB	1
13	07.0723.0709GT	Pin M6X60 ZN	1
14	07.0723.0739GT	COVER ASSY	1
15	07.0723.0371GT	Air Inlet	1
16	07.0723.0175GT	SCREW, M6X20 DIN 933 YZ HCS	7
17	07.0723.0701GT	GAS FILTER	1
18	07.0723.0740GT	NIPPLE 5/8-18 UNF2A	1
19	07.0723.0741GT	FILTER SUPPORT	1
20	01.4006.0006GT	Screw TSPEI M5X16 UNI 5933 10.9 ZN	2
21	07.0723.0079GT	Clamp 16/27	4
22	07.0723.0742GT	PIPE 5/6	1
23	07.0723.0743GT	PLATE	3
24	07.0723.0076GT	Plain Washer D6x18	5
25	07.0723.0744GT	PIPE 1/2	1
26	07.0723.0745GT	PIPE 13/32	1
27	07.0723.0746GT	PIPE 5/16	1
28	07.0723.0658GT	Heater Valve	1



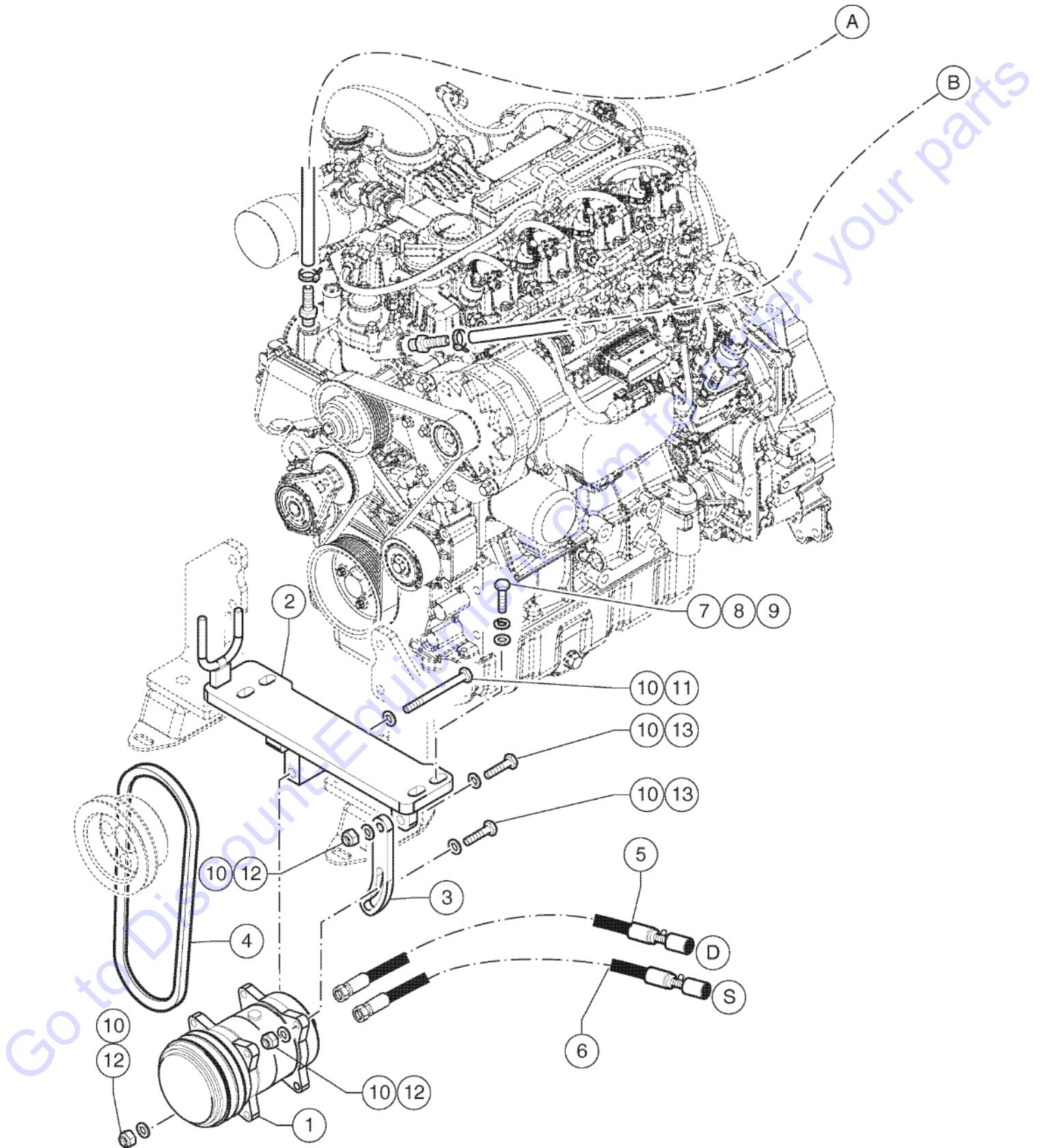


813.1 607994 Air Conditioning - Part 1 - From SN GTH55M-6149

Item	Part No.	Description	Qty.
29	07.0723.0520GT	Clamp 12/18	4
30	07.0723.0747GT	PIPE	1
31	07.0723.0748GT	LEFT BRACKET EVAPORATOR	1
32	07.0723.0749GT	RIGHT BRACKET EVAPORATOR	1
33	07.0723.0750GT	EVAPORATOR GROUP	1
34	07.0723.0751GT	PIPE D15X23 10 BAR	2
35	07.0723.0752GT	PIPE	1
36	07.0723.0173GT	Washer D6X12MM	4
37	07.0723.0555GT	Pipe Fitting	2
38	07.0723.0039GT	SCREW,PPH SMS 10X3/4ZAKEG	3
39	07.0723.0753GT	ENGINE PIPE	1
40	07.0723.0074GT	WASHER	3
41	07.0723.0090GT	BALL-GRIP	2
42	07.0723.0754GT	PIPE 5/16	1

Go to Discount-Equipment.com to order your parts



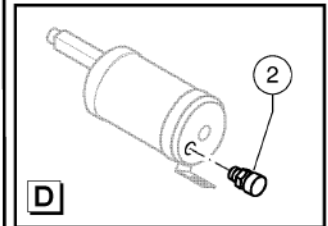
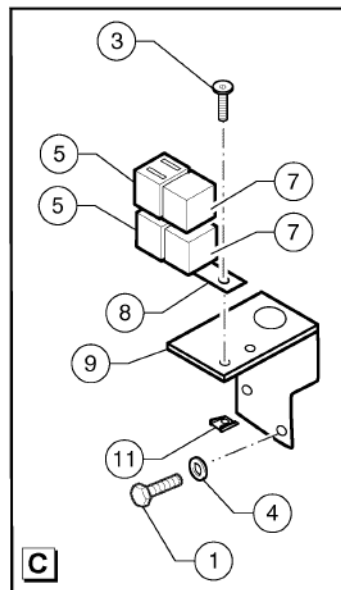
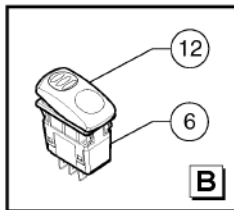
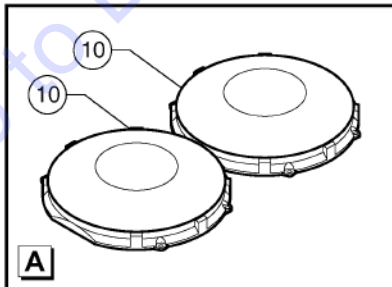
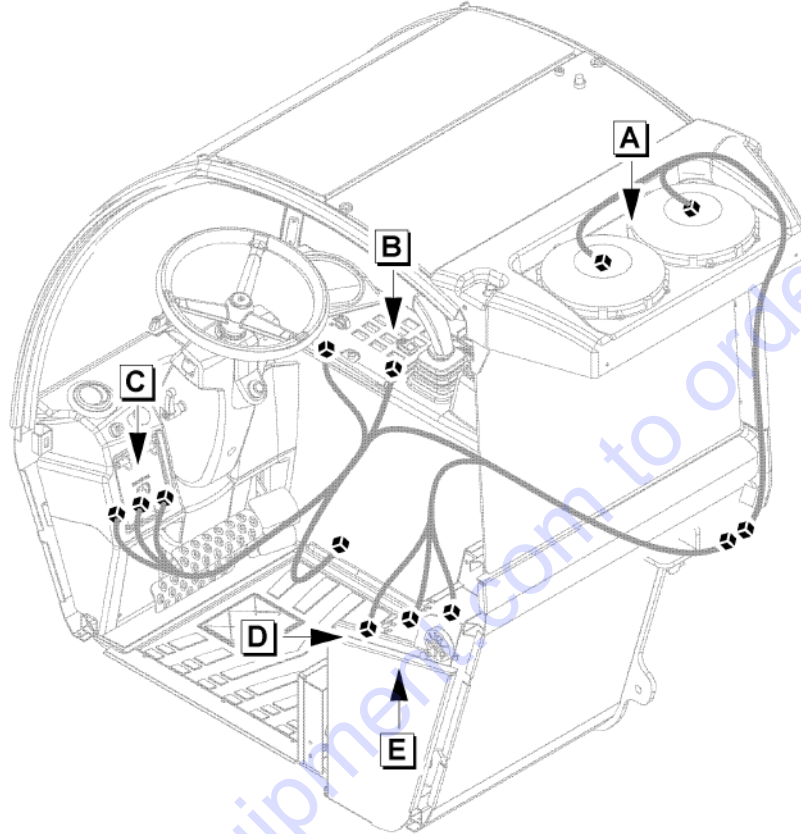


814.1 607995 Air Conditioning - Part 2 - From SN GTH55M-6149

Item	Part No.	Description	Qty.
1	56.0014.0031GT	Compressor A/C DELPHI ART 015200/1 SP15 OR.RO.E132/2 12V	1
2	51.0811.4839GT	COMPRESSOR SUPPORT	2
3	51.0811.4840GT	SUPPORT	3
4	09.0803.0869GT	BELT A36,5 13 X 925	4
5	09.0805.0213GT	HOSE	1
6	09.0805.0214GT	HOSE	1
7	01.0031.0299GT	FLAT WASHER D8 UNI 6593 ZN	1
8	01.4032.0003GT	Spring Washer D 8 ZN	1
9	01.0001.0256GT	SCREW M8X25 UNI 5739 8.8 ZN	1
10	01.4032.0004GT	Spring Washer D10 ZN	6
11	01.0001.0317GT	SCREW M10X130 UNI 5737 8.8 ZN	1
12	01.0023.0055GT	Stop Nut M10 UNI 7473 6S ZN	3
13	01.0001.0358GT	SCREW M10X40 UNI 5739 8.8 ZN	2

Go to Discount-Equipment.com to order your parts





815.1 607996 Air Conditioning - Part 3 - From SN GTH55M-6149

Item	Part No.	Description	Qty.
1	07.0723.0182GT	Screw	2
2	07.0723.0755GT	PRESSURE SWITCH	1
3	01.4006.0006GT	Screw TSPEI M5X16 UNI 5933 10.9 ZN	2
4	07.0723.0232GT	Plain Washer D8x16 UNI 6592	2
5	07.0703.0188GT	RELAY HOLDER	2
6	56.0017.0048GT	SWITCH	1
7	07.0703.0486GT	RELAY	2
8	56.0005.0017GT	Relay Support Bracket	1
9	07.0723.0494GT	SUPPORT	1
10	07.0723.0756GT	FAN	2
11	07.0723.0743GT	PLATE	1
12	56.0017.0053GT	Air Condition Switch Cover	1

Go to Discount-Equipment.com to order your parts



<u>Part no.</u>	<u>Page Number</u>	<u>Part no.</u>	<u>Page Number</u>	<u>Part no.</u>	<u>Page Number</u>
01.0001.0057GT	91	01.0003.0162GT	217	01.4001.0061GT	117
01.0001.0104GT	147, 215	01.0003.0203GT	27, 191	01.4001.0069GT	101, 107
01.0001.0106GT	187	01.0003.0205GT	145	01.4001.0078GT	17, 21, 25, 29
01.0001.0154GT	91, 95, 129, 197	01.0003.0208GT	151	01.4001.0106GT	31
01.0001.0156GT	17, 21, 147	01.0003.0210GT	83, 87, 151	01.4001.0164GT	135, 139
01.0001.0206GT	151	01.0003.0255GT	101, 107, 113, 189	01.4001.0179GT	211
01.0001.0207GT	175, 177	01.0003.0257GT	179, 181	01.4001.0212GT	27
01.0001.0209GT	143, 193	01.0003.0941GT	121	01.4003.0000GT	145
01.0001.0211GT	159	01.0003.0959GT	83, 89	01.4003.0012GT	35
01.0001.0217GT	27	01.0019.0103GT	17, 21	01.4003.0036GT	219
01.0001.0252GT	23, 81, 145, 217, 231	01.0019.0104GT	215	01.4003.0037GT	233
01.0001.0254GT	19, 81, 81, 101, 113, 145...	01.0019.0105GT	81, 87, 117, 129	01.4003.0041GT	145
01.0001.0256GT	97, 101, 211, 223, 239	01.0023.0052GT	213, 229, 233	01.4006.0001GT	33
01.0001.0257GT	23, 29, 83, 93, 91, 101...	01.0023.0053GT	25, 31, 129, 141, 181, 197...	01.4006.0002GT	129
01.0001.0258GT	107, 113, 155, 211	01.0023.0054GT	25, 29, 35, 37, 81, 87...	01.4006.0004GT	145, 207
01.0001.0260GT	19	01.0023.0055GT	23, 31, 83, 89, 143, 147...	01.4006.0006GT	209, 213, 235, 241
01.0001.0304GT	25	01.0023.0056GT	13, 23, 31, 99, 103, 111...	01.4006.0011GT	27, 31
01.0001.0308GT	97, 159	01.0023.0057GT	143	01.4006.0013GT	143
01.0001.0317GT	239	01.0023.0058GT	119, 129	01.4019.0004GT	149
01.0001.0353GT	37	01.0023.0060GT	27	01.4019.0021GT	37
01.0001.0355GT	33, 99, 103, 111, 143, 167...	01.0023.0062GT	25	01.4023.0010GT	31
01.0001.0356GT	31, 93, 143	01.0031.0053GT	101, 101, 113, 213, 229, 233, 297, 85, 91, 93, 141, 189...	01.4031.0001GT	119, 129
01.0001.0357GT	143	01.0031.0054GT	189	01.4031.0002GT	207
01.0001.0358GT	239	01.0031.0055GT	28, 29, 83, 89, 93, 101...	01.4031.0003GT	81, 87
01.0001.0402GT	179, 181	01.0031.0056GT	101...	01.4031.0004GT	81, 87
01.0001.0405GT	19, 23	01.0031.0057GT	25, 35, 95, 117, 129	01.4032.0000GT	17, 21
01.0001.0409GT	149	01.0031.0059GT	101, 107, 113	01.4032.0001GT	101, 107, 113
01.0001.0506GT	99, 105, 111	01.0031.0061GT	19, 23, 99, 101, 111, 129...	01.4032.0002GT	17, 21, 31, 85, 91, 95...
01.0001.0508GT	99, 101, 103, 101, 111, 113	01.0031.0062GT	147	01.4032.0003GT	19, 23, 29, 31, 81, 87...
01.0001.0659GT	119, 127	01.0031.0063GT	19, 23	01.4032.0004GT	29, 35, 81, 83, 87, 89...
01.0001.0703GT	17, 21	01.0031.0099GT	25	01.4032.0005GT	99, 105, 111, 179, 181
01.0001.1438GT	229	01.0031.0151GT	101, 107, 113	01.4032.0007GT	17, 21, 101, 101, 113, 179...
01.0001.1458GT	25, 83	01.0031.0298GT	19, 23, 37	01.4032.0009GT	27
01.0001.1465GT	25, 29, 37, 81, 87, 91...	01.0031.0299GT	11, 21, 21, 31, 129, 189...	01.4032.0011GT	35
01.0001.1476GT	31	01.0031.0301GT	19, 21, 31, 81, 87, 91...	01.4041.0005GT	149
01.0001.1482GT	37	01.4001.0003GT	31, 31, 83, 89, 93, 145...	02.0117.0101GT	159
01.0001.1538GT	233	01.4001.0006GT	153	02.0117.0119GT	145
01.0001.1557GT	101, 101, 113, 119, 181	01.4001.0008GT	19, 23	02.4102.0012GT	147
01.0002.0000GT	117, 129	01.4001.0012GT	143, 147	03.0000.0006GT	151
01.0003.0155GT	25, 31	01.4001.0025GT	143	04.0214.0035GT	163
01.0003.0157GT	155, 209, 235	01.4001.0025GT	143	04.0220.0051GT	87
01.0003.0158GT	155	01.4001.0025GT	17, 21	04.0220.0053GT	37
		01.4001.0045GT	17, 21, 101, 107, 113		
		01.4001.0057GT	25		

<u>Part no.</u>	<u>Page Number</u>	<u>Part no.</u>	<u>Page Number</u>	<u>Part no.</u>	<u>Page Number</u>
04.0220.0055GT	37	04.0605.0674GT	175, 177	04.0607.0103GT	175, 177, 179, 181
04.0220.0063GT	35	04.0605.0803GT	161	04.0607.0107GT	107, 109, 111, 113, 175, 177...
04.0227.0000GT	91, 95	04.0605.0837GT	163	04.0607.0109GT	165
04.0227.0051GT	11, 83, 89, 103, 109, 115...	04.0605.0867GT	179	04.0607.0110GT	185, 187, 217
04.0227.0054GT	191	04.0605.0943GT	163	04.0607.0111GT	159, 161, 163, 165, 187
04.0227.0058GT	81, 87	04.0605.0950GT	159	04.0607.0112GT	217
04.0227.0068GT	81, 87	04.0605.0956GT	189	04.0607.0113GT	159, 183, 185, 187
04.0227.0144GT	37	04.0605.0961GT	159	04.0607.0114GT	175, 177, 217
04.0227.0503GT	85, 89	04.0605.1039GT	159	04.0607.0115GT	175, 177
04.0600.0017GT	217	04.0605.1040GT	159	04.0607.0117GT	187
04.0600.0046GT	167, 169, 171, 173	04.0605.1041GT	161	04.0607.0119GT	169
04.0600.0087GT	147	04.0605.1042GT	161	04.0607.0121GT	189
04.0600.0107GT	219	04.0605.1044GT	175, 177	04.0607.0122GT	159
04.0600.0228GT	147	04.0605.1289GT	191	04.0607.0124GT	159, 161, 163
04.0600.0285GT	171, 173	04.0605.1335GT	191	04.0607.0131GT	191, 217
04.0602.0613GT	219	04.0605.1411GT	179	04.0607.0132GT	217
04.0602.0615GT	217	04.0605.1416GT	191	04.0607.0139GT	185
04.0605.0100GT	187	04.0605.1419GT	175, 177	04.0607.0141GT	147, 159
04.0605.0112GT	217	04.0605.1421GT	191	04.0607.0142GT	167, 169, 171, 173
04.0605.0113GT	217	04.0605.1422GT	187	04.0607.0143GT	179
04.0605.0114GT	217	04.0605.1426GT	187	04.0607.0153GT	175, 177, 191
04.0605.0136GT	179, 181	04.0605.1431GT	159	04.0607.0163GT	219
04.0605.0179GT	183	04.0605.1432GT	159	04.0607.0178GT	187
04.0605.0188GT	161	04.0605.1433GT	175, 177	04.0607.0179GT	167, 169, 171, 173
04.0605.0192GT	185	04.0605.1435GT	175, 177	04.0607.0180GT	191
04.0605.0224GT	179, 181	04.0605.1446GT	167, 169, 171, 173	04.0607.0182GT	181
04.0605.0225GT	183	04.0605.1449GT	187	04.0607.0196GT	167, 169, 171, 173
04.0605.0259GT	165	04.0605.1494GT	187	04.0607.0236GT	187
04.0605.0271GT	183	04.0605.1536GT	167	04.0607.0237GT	187
04.0605.0299GT	187	04.0605.1552GT	169	04.0607.0793GT	179, 181
04.0605.0331GT	187	04.0605.1608GT	161	04.0607.0842GT	179, 181
04.0605.0348GT	187	04.0605.1633GT	219	04.0607.0844GT	167, 169
04.0605.0453GT	183, 185	04.0605.1706GT	169, 173	04.0607.0845GT	175
04.0605.0477GT	165	04.0605.1707GT	167	04.0607.0852GT	175, 177
04.0605.0556GT	179, 181	04.0605.1715GT	187	04.0607.0865GT	179, 181
04.0605.0626GT	159, 161, 163	04.0605.1778GT	169, 173	04.0607.0866GT	171, 173
04.0605.0637GT	187	04.0605.1781GT	167, 171	04.0607.0867GT	181
04.0605.0640GT	189	04.0605.1783GT	167, 171	04.0607.0869GT	147
04.0605.0652GT	185	04.0605.1817GT	159	04.4210.0016GT	175, 177, 191
04.0605.0654GT	185	04.0605.1818GT	181	04.4210.0018GT	147, 219
04.0605.0655GT	185	04.0605.1819GT	181	04.4210.0019GT	147, 217
04.0605.0656GT	185	04.0607.0101GT	167	04.4223.0017GT	179, 181

<u>Part no.</u>	<u>Page Number</u>	<u>Part no.</u>	<u>Page Number</u>	<u>Part no.</u>	<u>Page Number</u>
04.4223.0018GT	179, 181	06.0442.0103GT	163	07.0703.0080GT	195
04.4224.0000GT	35	06.0442.0117GT	87	07.0703.0148GT	195
04.4227.0000GT	97	06.0442.0119GT	191	07.0703.0188GT	213, 241
04.4227.0005GT	159, 161, 163	06.0442.0120GT	35	07.0703.0189GT	197
04.4227.0012GT	205	06.0442.0122GT	37, 219	07.0703.0229GT	197
04.4227.0016GT	91, 167, 169, 171, 173	06.0442.0124GT	167, 169, 171, 173	07.0703.0305GT	223
04.4227.0038GT	189	06.0442.0125GT	35	07.0703.0306GT	223
04.4227.0049GT	95	06.0442.0127GT	35	07.0703.0429GT	133, 137
04.4229.0087GT	179	06.0442.0135GT	171, 173	07.0703.0472GT	133, 137
04.4229.0088GT	179	06.0443.0002GT	21, 109, 115	07.0703.0485GT	195
04.4229.0092GT	181	07.0501.0026GT	83	07.0703.0486GT	213, 241
04.4229.0093GT	181	07.0501.0027GT	83	07.0703.0487GT	195
04.4235.0048GT	179	07.0501.0050GT	99, 105	07.0703.0508GT	117, 127
04.4235.0066GT	181	07.0501.0051GT	101, 107, 113	07.0703.0509GT	117, 127
04.4236.0029GT	193	07.0501.0052GT	85, 89	07.0703.0714GT	197
04.4236.0107GT	157	07.0501.0097GT	83, 89	07.0703.0775GT	189
04.4237.0010GT	141	07.0700.0006GT	35	07.0704.0023GT	193
04.4238.0059GT	99, 105, 111	07.0700.0023GT	35	07.0704.0032GT	193
04.4238.0088GT	99, 105	07.0700.0028GT	35	07.0704.0033GT	193
04.4238.0108GT	111	07.0700.0035GT	91, 95	07.0704.0035GT	193
04.4239.0002GT	217	07.0700.0040GT	91, 95	07.0704.0038GT	193
04.4239.0004GT	151	07.0700.0041GT	91, 95	07.0704.0042GT	193
04.4239.0005GT	151	07.0700.0051GT	37	07.0704.0045GT	193
04.4239.0051GT	151	07.0700.0052GT	91, 95	07.0704.0078GT	193
04.4239.0052GT	151	07.0700.0053GT	97	07.0704.0117GT	141
04.4239.0083GT	167, 169, 171, 173	07.0701.0147GT	113	07.0704.0118GT	141
04.4239.0155GT	153	07.0701.0200GT	115	07.0704.0119GT	141
04.4239.0156GT	151	07.0701.0211GT	101, 107, 113	07.0704.0133GT	141
04.4239.0157GT	151	07.0701.0241GT	101, 107, 113	07.0704.0134GT	141
04.4239.0159GT	153	07.0701.0267GT	99, 105, 111	07.0704.0136GT	141
04.4240.0052GT	187, 189	07.0701.0268GT	99, 105	07.0704.0137GT	141
04.4240.0075GT	217	07.0701.0269GT	101, 107	07.0704.0138GT	141
05.0401.0016GT	185	07.0701.0270GT	101, 107	07.0704.0143GT	157
05.0401.0017GT	191	07.0701.0271GT	103, 109	07.0704.0144GT	193
05.4309.0001GT	191	07.0701.0316GT	217	07.0704.0145GT	193
05.4309.0002GT	191	07.0701.0317GT	219	07.0704.0169GT	141
05.4329.0003GT	191	07.0701.0344GT	189	07.0704.0173GT	141
06.0401.0123GT	189	07.0701.0345GT	113	07.0704.0184GT	157
06.0401.1509GT	179, 181	07.0701.0346GT	111	07.0704.0407GT	157
06.0401.1510GT	179, 181	07.0703.0060GT	197	07.0704.0415GT	157
06.0442.0054GT	191	07.0703.0061GT	197	07.0704.0473GT	141
06.0442.0101GT	185	07.0703.0071GT	195	07.0704.0490GT	193

<u>Part no.</u>	<u>Page Number</u>	<u>Part no.</u>	<u>Page Number</u>	<u>Part no.</u>	<u>Page Number</u>
07.0705.0081GT	151	07.0709.1100GT	59, 79	07.0709.1144GT	49
07.0705.0085GT	151	07.0709.1101GT	53, 73	07.0709.1148GT	43, 53, 57, 65, 73, 77
07.0705.0094GT	157	07.0709.1102GT	43	07.0709.1149GT	53, 57, 73, 77
07.0705.0095GT	157	07.0709.1103GT	53, 57, 73, 77	07.0709.1150GT	55, 57, 75, 77
07.0705.0097GT	157	07.0709.1104GT	69	07.0709.1151GT	53, 57, 73, 77
07.0705.0098GT	157	07.0709.1105GT	65	07.0709.1152GT	53, 57, 73, 77
07.0705.0099GT	157	07.0709.1106GT	45	07.0709.1153GT	53, 57, 73, 77
07.0705.0100GT	157	07.0709.1107GT	67	07.0709.1154GT	53, 57, 73, 77
07.0705.0101GT	153	07.0709.1108GT	49	07.0709.1155GT	43, 53, 57, 67, 73, 77
07.0706.0043GT	189	07.0709.1109GT	49	07.0709.1160GT	45, 47, 69, 71
07.0706.0061GT	117	07.0709.1110GT	61	07.0709.1161GT	61, 69
07.0709.1067GT	61	07.0709.1111GT	49	07.0709.1162GT	45, 61, 69
07.0709.1068GT	41, 61, 65	07.0709.1112GT	61	07.0709.1163GT	45, 61, 69
07.0709.1069GT	53, 57, 73, 77	07.0709.1113GT	53, 57, 73, 77	07.0709.1164GT	45, 61, 69
07.0709.1070GT	51	07.0709.1114GT	41, 65	07.0709.1165GT	45, 61, 69
07.0709.1071GT	41, 51, 53, 57, 67, 73...	07.0709.1115GT	65	07.0709.1166GT	61, 69
07.0709.1072GT	49	07.0709.1116GT	65	07.0709.1167GT	45, 69
07.0709.1073GT	49	07.0709.1117GT	49	07.0709.1168GT	61
07.0709.1074GT	49	07.0709.1118GT	61	07.0709.1169GT	61
07.0709.1076GT	45, 69	07.0709.1119GT	61, 69	07.0709.1170GT	43, 61
07.0709.1077GT	41, 65	07.0709.1120GT	53, 57, 73, 77	07.0709.1171GT	61
07.0709.1078GT	53, 57, 73, 77	07.0709.1121GT	49	07.0709.1172GT	41, 61, 65
07.0709.1079GT	55, 59, 75, 79	07.0709.1122GT	65	07.0709.1173GT	63
07.0709.1080GT	43, 53, 57, 67, 73, 77	07.0709.1123GT	53, 57, 73, 77	07.0709.1174GT	61
07.0709.1081GT	61	07.0709.1124GT	41, 67	07.0709.1175GT	63
07.0709.1082GT	51	07.0709.1125GT	61, 69	07.0709.1176GT	61
07.0709.1083GT	41, 65	07.0709.1127GT	53, 57, 73, 77	07.0709.1177GT	41, 61, 67
07.0709.1084GT	49	07.0709.1128GT	53, 57, 73, 77	07.0709.1178GT	61
07.0709.1085GT	43, 65	07.0709.1129GT	49	07.0709.1179GT	41, 65
07.0709.1086GT	63	07.0709.1130GT	45, 69	07.0709.1180GT	41, 65
07.0709.1087GT	41, 67	07.0709.1131GT	53, 57, 73, 77	07.0709.1181GT	43, 65
07.0709.1088GT	41, 67	07.0709.1132GT	53, 57, 73, 77	07.0709.1182GT	65
07.0709.1089GT	49	07.0709.1133GT	53, 57, 73, 77	07.0709.1183GT	43, 65
07.0709.1090GT	63	07.0709.1134GT	45, 69	07.0709.1184GT	41, 67
07.0709.1091GT	51	07.0709.1135GT	53, 57, 73, 77	07.0709.1185GT	41, 67
07.0709.1092GT	53, 57, 73, 77	07.0709.1136GT	45	07.0709.1186GT	41, 67
07.0709.1093GT	67	07.0709.1138GT	51	07.0709.1187GT	41, 67
07.0709.1094GT	51	07.0709.1139GT	61	07.0709.1188GT	43
07.0709.1095GT	61, 69	07.0709.1140GT	51	07.0709.1189GT	51
07.0709.1096GT	53, 57, 73, 77	07.0709.1141GT	51	07.0709.1190GT	43, 65
07.0709.1097GT	41, 65	07.0709.1142GT	51	07.0709.1191GT	43, 65
07.0709.1098GT	41, 65	07.0709.1143GT	51, 61	07.0709.1192GT	41, 65

<u>Part no.</u>	<u>Page Number</u>	<u>Part no.</u>	<u>Page Number</u>	<u>Part no.</u>	<u>Page Number</u>
07.0709.1193GT	43, 65	07.0709.1347GT	69	07.0721.0120GT	151
07.0709.1194GT	41	07.0709.1348GT	65, 71	07.0721.0121GT	151
07.0709.1195GT	43	07.0709.1349GT	65	07.0721.0122GT	151
07.0709.1197GT	53, 57, 73, 77	07.0709.1350GT	55, 59, 75, 79	07.0721.0123GT	151
07.0709.1198GT	43, 63, 67	07.0709.1351GT	53, 59, 73, 77	07.0722.0037GT	153
07.0709.1199GT	65	07.0709.1370GT	41	07.0722.0053GT	101, 107, 113
07.0709.1200GT	65	07.0709.1372GT	47	07.0723.0010GT	205
07.0709.1201GT	51	07.0709.1373GT	49	07.0723.0024GT	121, 127
07.0709.1204GT	41	07.0709.1377GT	61, 67	07.0723.0037GT	117
07.0709.1206GT	41	07.0709.1378GT	43	07.0723.0039GT	127, 133, 137, 237
07.0709.1207GT	43	07.0709.1379GT	41	07.0723.0040GT	127
07.0709.1208GT	43	07.0709.1438GT	47	07.0723.0042GT	29, 121, 127, 129
07.0709.1209GT	53, 59, 73, 77	07.0712.0154GT	81	07.0723.0054GT	119, 129
07.0709.1210GT	55, 57, 75, 79	07.0712.0162GT	81	07.0723.0055GT	119, 129
07.0709.1212GT	43, 67	07.0712.0163GT	83	07.0723.0057GT	123
07.0709.1214GT	47, 71	07.0712.0164GT	81	07.0723.0059GT	125
07.0709.1215GT	45, 69	07.0712.0165GT	83	07.0723.0074GT	127, 237
07.0709.1216GT	45, 69	07.0712.0175GT	83	07.0723.0076GT	127, 205, 235
07.0709.1218GT	61	07.0712.0234GT	83	07.0723.0079GT	209, 235
07.0709.1219GT	63	07.0712.0235GT	83	07.0723.0089GT	29, 31, 91, 95
07.0709.1220GT	63	07.0712.0236GT	83	07.0723.0090GT	237
07.0709.1221GT	63	07.0712.0237GT	83	07.0723.0092GT	191
07.0709.1325GT	43	07.0712.0238GT	83	07.0723.0097GT	127
07.0709.1326GT	43, 65	07.0712.0239GT	83	07.0723.0104GT	117, 129, 133, 137
07.0709.1327GT	53, 57, 73, 77	07.0712.0240GT	83	07.0723.0108GT	205
07.0709.1328GT	55, 59, 75, 79	07.0712.0241GT	83	07.0723.0109GT	205
07.0709.1329GT	43, 65	07.0712.0242GT	83	07.0723.0114GT	117, 121, 129
07.0709.1330GT	43	07.0712.0261GT	81	07.0723.0149GT	205
07.0709.1331GT	45	07.0712.0314GT	87	07.0723.0152GT	123
07.0709.1332GT	41	07.0712.0316GT	87	07.0723.0155GT	121
07.0709.1333GT	47	07.0712.0317GT	87	07.0723.0156GT	123
07.0709.1334GT	41	07.0712.0318GT	89	07.0723.0157GT	123
07.0709.1335GT	43	07.0712.0319GT	89	07.0723.0161GT	121
07.0709.1336GT	51	07.0712.0320GT	87	07.0723.0163GT	121
07.0709.1337GT	51	07.0712.0321GT	89	07.0723.0165GT	117
07.0709.1338GT	51	07.0712.0322GT	87	07.0723.0168GT	117, 127
07.0709.1339GT	51	07.0712.0323GT	89	07.0723.0169GT	117, 129
07.0709.1340GT	41	07.0713.0061GT	99, 105, 111	07.0723.0172GT	123
07.0709.1341GT	41	07.0713.0062GT	99, 105, 111	07.0723.0173GT	125, 237
07.0709.1343GT	43, 67	07.0713.0063GT	99, 105, 111	07.0723.0175GT	235
07.0709.1344GT	55, 57	07.0721.0019GT	151, 159	07.0723.0176GT	121, 209, 235
07.0709.1346GT	67	07.0721.0117GT	159	07.0723.0181GT	123, 209, 235

<u>Part no.</u>	<u>Page Number</u>	<u>Part no.</u>	<u>Page Number</u>	<u>Part no.</u>	<u>Page Number</u>
07.0723.0182GT	241	07.0723.0454GT	119, 127	07.0723.0661GT	205
07.0723.0185GT	123	07.0723.0456GT	125, 127	07.0723.0663GT	205
07.0723.0193GT	119	07.0723.0459GT	123	07.0723.0672GT	123
07.0723.0194GT	205	07.0723.0465GT	127	07.0723.0674GT	123
07.0723.0198GT	127	07.0723.0484GT	205	07.0723.0675GT	121
07.0723.0202GT	125	07.0723.0491GT	117	07.0723.0678GT	133, 137
07.0723.0221GT	119	07.0723.0494GT	213, 241	07.0723.0683GT	123
07.0723.0223GT	117	07.0723.0498GT	119	07.0723.0684GT	121
07.0723.0226GT	119	07.0723.0505GT	125	07.0723.0686GT	207
07.0723.0229GT	117	07.0723.0506GT	125	07.0723.0687GT	207
07.0723.0232GT	125, 209, 235, 241	07.0723.0516GT	117	07.0723.0688GT	207
07.0723.0236GT	121	07.0723.0520GT	237	07.0723.0689GT	207
07.0723.0290GT	123	07.0723.0522GT	119	07.0723.0693GT	205
07.0723.0342GT	123	07.0723.0540GT	207	07.0723.0694GT	205
07.0723.0345GT	121	07.0723.0541GT	213	07.0723.0696GT	117
07.0723.0350GT	209	07.0723.0542GT	207	07.0723.0697GT	123
07.0723.0352GT	119, 127	07.0723.0545GT	207	07.0723.0698GT	207, 235
07.0723.0365GT	207	07.0723.0546GT	207	07.0723.0699GT	207
07.0723.0366GT	209	07.0723.0549GT	207	07.0723.0700GT	207
07.0723.0371GT	207, 235	07.0723.0550GT	207	07.0723.0701GT	235
07.0723.0377GT	213	07.0723.0553GT	209	07.0723.0702GT	207
07.0723.0378GT	211	07.0723.0555GT	209, 237	07.0723.0703GT	207
07.0723.0396GT	213	07.0723.0557GT	205, 207, 235	07.0723.0704GT	207
07.0723.0397GT	209	07.0723.0558GT	207	07.0723.0705GT	207
07.0723.0404GT	209	07.0723.0561GT	209	07.0723.0706GT	209
07.0723.0410GT	121	07.0723.0571GT	123	07.0723.0707GT	207
07.0723.0421GT	123	07.0723.0627GT	119, 125, 131	07.0723.0708GT	207, 235
07.0723.0424GT	121	07.0723.0628GT	135, 139	07.0723.0709GT	207, 235
07.0723.0425GT	121	07.0723.0629GT	135, 139	07.0723.0710GT	205
07.0723.0426GT	121	07.0723.0638GT	123, 135, 139	07.0723.0712GT	119, 127
07.0723.0427GT	121	07.0723.0639GT	133, 137	07.0723.0717GT	119
07.0723.0428GT	121	07.0723.0640GT	135, 139	07.0723.0719GT	121
07.0723.0429GT	121	07.0723.0644GT	123	07.0723.0720GT	119
07.0723.0430GT	121	07.0723.0645GT	121	07.0723.0721GT	235
07.0723.0433GT	117, 121	07.0723.0646GT	123	07.0723.0722GT	125
07.0723.0434GT	121	07.0723.0647GT	125	07.0723.0725GT	123
07.0723.0441GT	121	07.0723.0649GT	117	07.0723.0727GT	125
07.0723.0442GT	125	07.0723.0651GT	119, 127	07.0723.0728GT	123
07.0723.0450GT	117	07.0723.0652GT	119, 127	07.0723.0730GT	125
07.0723.0451GT	123, 127	07.0723.0654GT	117, 127	07.0723.0731GT	125
07.0723.0452GT	123, 127	07.0723.0655GT	121	07.0723.0732GT	125
07.0723.0453GT	123, 127	07.0723.0658GT	205, 207, 235	07.0723.0733GT	125

<u>Part no.</u>	<u>Page Number</u>	<u>Part no.</u>	<u>Page Number</u>	<u>Part no.</u>	<u>Page Number</u>
07.0723.0734GT	205	07.4501.0287GT	81	09.0803.0815GT	29
07.0723.0736GT	235	07.4501.0289GT	83, 89	09.0803.0827GT	29
07.0723.0737GT	235	07.4501.0291GT	103, 109, 115	09.0803.0828GT	29
07.0723.0738GT	235	07.4501.0303GT	103, 109, 115	09.0803.0837GT	23, 109, 115
07.0723.0739GT	235	07.4501.0304GT	101, 107, 113	09.0803.0838GT	23, 109, 115
07.0723.0740GT	235	07.4501.0330GT	97	09.0803.0863GT	189
07.0723.0741GT	235	07.4501.0351GT	105, 111	09.0803.0869GT	239
07.0723.0742GT	235	07.4501.0400GT	97	09.0803.0871GT	123
07.0723.0743GT	235, 241	07.4529.0027GT	191	09.0803.0910GT	145
07.0723.0744GT	235	07.4529.0082GT	161	09.0803.0914GT	159, 161, 163
07.0723.0745GT	235	07.4529.0111GT	189	09.0804.2300GT	99, 105, 111
07.0723.0746GT	235	07.4529.0158GT	217	09.0805.0000GT	17, 81
07.0723.0747GT	237	07.4529.0209GT	99, 105, 111	09.0805.0070GT	115
07.0723.0748GT	237	07.4529.0214GT	103, 109	09.0805.0119GT	31
07.0723.0749GT	237	09.0800.0025GT	159	09.0805.0146GT	21, 99, 105, 111
07.0723.0750GT	237	09.0803.0000GT	31	09.0805.0147GT	23, 101, 107, 113
07.0723.0751GT	237	09.0803.0012GT	27, 31	09.0805.0166GT	35
07.0723.0752GT	237	09.0803.0026GT	17, 21	09.0805.0171GT	19, 23, 99, 103, 105, 109...
07.0723.0753GT	237	09.0803.0043GT	155	09.0805.0192GT	211
07.0723.0754GT	237	09.0803.0060GT	155	09.0805.0193GT	211
07.0723.0755GT	241	09.0803.0062GT	145	09.0805.0213GT	239
07.0723.0756GT	241	09.0803.0088GT	191	09.0805.0214GT	239
07.0723.0763GT	205	09.0803.0232GT	37	09.0805.0225GT	87
07.0723.0764GT	121	09.0803.0347GT	93	09.0805.0226GT	95
07.0723.0776GT	205	09.0803.0352GT	17, 21, 25, 29	09.0806.0062GT	205
07.0723.0777GT	131	09.0803.0357GT	145	09.0806.0063GT	103
07.0726.0043GT	145	09.0803.0393GT	29	09.0806.0066GT	103
07.0726.0108GT	35	09.0803.0406GT	147	09.4601.0072GT	99, 105, 111
07.0726.0138GT	33	09.0803.0418GT	25	09.4601.0082GT	99, 105, 111
07.0726.0139GT	33	09.0803.0421GT	17, 21	09.4604.0047GT	35
07.0730.0080GT	191	09.0803.0510GT	19, 23	09.4604.0069GT	91, 95
07.0730.0081GT	191	09.0803.0516GT	33	09.4604.0073GT	35
07.0730.0082GT	191	09.0803.0518GT	17, 21	09.4604.0076GT	91, 95
07.0730.0083GT	191	09.0803.0523GT	155	09.4610.0025GT	119, 129
07.0730.0084GT	191	09.0803.0539GT	93	09.4610.0038GT	127
07.0730.0085GT	191	09.0803.0543GT	211	09.4610.0043GT	117, 129
07.0730.0086GT	191	09.0803.0568GT	117, 129	09.4610.0044GT	119, 127
07.0738.0004GT	39	09.0803.0571GT	119, 129	09.4610.0045GT	117, 129
07.0740.0347GT	125	09.0803.0572GT	133, 139	09.4610.0056GT	117, 127
07.4501.0067GT	99, 105, 111	09.0803.0575GT	211	09.4610.0057GT	117
07.4501.0285GT	101, 107, 113	09.0803.0616GT	135, 139	09.4618.0643GT	11, 15
07.4501.0286GT	101, 107, 113	09.0803.0667GT	25, 29	09.4618.0644GT	11, 15

<u>Part no.</u>	<u>Page Number</u>	<u>Part no.</u>	<u>Page Number</u>	<u>Part no.</u>	<u>Page Number</u>
09.4618.0776GT	11	09.4661.0020GT	17, 21	51.0811.4431GT	25
09.4618.0801GT	11	09.4661.0021GT	17, 21	51.0811.4433GT	27, 29
09.4618.0802GT	11	09.4661.0022GT	17, 21	51.0811.4490GT	221
09.4618.0803GT	11	09.4670.0022GT	81, 87	51.0811.4527GT	217
09.4618.0804GT	11	09.4670.0027GT	99, 105, 111	51.0811.4533GT	91
09.4618.0805GT	11	09.4670.0029GT	83	51.0811.4536GT	221
09.4618.0806GT	13	09.4670.0030GT	119	51.0811.4537GT	215
09.4618.1025GT	11	09.4670.0031GT	119, 129	51.0811.4541GT	101
09.4618.1622GT	11	51.0113.9081GT	25	51.0811.4551GT	129
09.4618.1634GT	157	51.0201.3943GT	143	51.0811.4552GT	95
09.4618.1680GT	13	51.0201.3944GT	143	51.0811.4553GT	95
09.4618.1688GT	11	51.0201.3973GT	143	51.0811.4554GT	31
09.4618.1690GT	11	51.0400.5018GT	147	51.0811.4576GT	197
09.4618.1691GT	11	51.0600.2700GT	17	51.0811.4617GT	29
09.4618.1738GT	13	51.0600.9315GT	35	51.0811.4641GT	25
09.4618.1742GT	11	51.0600.9323GT	35	51.0811.4642GT	29
09.4618.1774GT	11	51.0600.9334GT	21	51.0811.4643GT	25
09.4618.1775GT	11	51.0800.3800GT	17, 21	51.0811.4665GT	129
09.4618.1867GT	13	51.0803.5700GT	27	51.0811.4704GT	97
09.4618.1999GT	13	51.0807.8500GT	19	51.0811.4706GT	97
09.4618.2038GT	133, 137	51.0810.2700GT	145	51.0811.4715GT	223
09.4618.2048GT	15	51.0810.6100GT	25	51.0811.4716GT	223
09.4618.2049FRGT	15	51.0811.2000GT	17, 21	51.0811.4717GT	221
09.4627.0018GT	39	51.0811.2600GT	145	51.0811.4718GT	221
09.4629.0018GT	39	51.0811.2700GT	145	51.0811.4722GT	107, 113
09.4632.0089GT	39	51.0811.4008GT	133, 137	51.0811.4763GT	85, 89
09.4632.0090GT	39	51.0811.4009GT	133, 137	51.0811.4764GT	83
09.4632.0101GT	39	51.0811.4038GT	223	51.0811.4778GT	211
09.4632.0108GT	39	51.0811.4039GT	223	51.0811.4839GT	239
09.4632.0109GT	39	51.0811.4060GT	209, 235	51.0811.4840GT	239
09.4632.0110GT	39	51.0811.4131GT	143	51.0811.4841GT	99, 105, 111
09.4635.0014GT	39	51.0811.4162GT	221	51.0811.4872GT	233
09.4635.0054GT	39	51.0811.4230GT	31	51.0811.4875GT	233
09.4636.0019GT	187	51.0811.4236GT	31	51.0811.4880GT	229
09.4636.0037GT	187	51.0811.4240GT	143	51.0811.4951GT	147
09.4636.0040GT	187	51.0811.4241GT	145	51.0903.4997GT	25
09.4636.0041GT	189	51.0811.4413GT	99, 105, 111	51.0903.5046GT	95
09.4656.0019GT	191	51.0811.4414GT	99, 105, 111	51.0903.5050GT	25
09.4656.0020GT	91, 95	51.0811.4417GT	211	51.0903.5057GT	31
09.4661.0002GT	35	51.0811.4418GT	81	51.0903.5062GT	217
09.4661.0014GT	35	51.0811.4419GT	29	51.0903.5071GT	29
09.4661.0016GT	19, 23, 35	51.0811.4430GT	29	51.0903.5111GT	31

<u>Part no.</u>	<u>Page Number</u>	<u>Part no.</u>	<u>Page Number</u>	<u>Part no.</u>	<u>Page Number</u>
51.0903.5125GT	31	53.3001.5700GT	189	54.0100.0027GT	149
51.0903.5187GT	25	53.3001.6744GT	35	54.0100.0093GT	175, 177, 191
51.0903.5191GT	29	53.3001.6746GT	91	54.0100.0099GT	133, 137
51.0903.5193GT	231	53.3001.6747GT	81, 87	54.0100.0127GT	83, 89
51.0903.5205GT	35	53.3001.6749GT	91, 95	54.0100.0135GT	83, 87
51.0903.5270GT	33	53.3001.6753GT	175, 177	54.0100.0151GT	145
51.0903.5272GT	29	53.3001.6773GT	19	54.0100.0152GT	159
51.0903.5273GT	31	53.3001.6789GT	81, 87	54.0100.0153GT	85, 89
51.0903.5304GT	145	53.3001.6790GT	93	54.0100.0154GT	147
51.1000.5200GT	17	53.3001.6792GT	91, 95	54.0101.0015GT	215
51.1000.5218GT	17, 21	53.3001.6798GT	97	54.0200.0000GT	143
51.1100.0035GT	119, 129	53.3001.6806GT	81, 87	54.0200.0001GT	143
51.1100.0040GT	119, 129	53.3001.6851GT	23	54.0201.0073GT	147
51.1301.9152GT	27	53.3100.0059GT	93	54.0202.0004GT	159
51.1301.9236GT	149	53.3200.0060GT	81	54.0202.0006GT	143
52.1100.9118GT	29	53.3200.0088GT	81, 87	54.0705.0037GT	143
52.1100.9131GT	17, 21	53.3301.0005GT	35	54.0705.0038GT	25
52.1100.9132GT	17, 21	53.3302.0016GT	19, 23	54.0705.0047GT	145
52.1200.5300GT	125	53.3402.1800GT	155	54.0705.0048GT	143
52.1200.5519GT	133, 137	53.3402.1900GT	155	54.0705.0049GT	143
52.1200.5521GT	133, 137	53.3402.2000GT	155	54.0705.0069GT	143
52.1200.5522GT	133, 137	53.3402.2100GT	155	55.0208.0114GT	91
52.1200.5523GT	133, 137	53.3402.2200GT	155	55.0208.0147GT	95
52.1200.5525GT	133, 139	53.3402.2300GT	155	55.0403.0046GT	39
52.1200.5526GT	133, 139	54.0000.0027GT	17, 21	55.0403.0081GT	39
52.1200.5527GT	135, 139	54.0000.0235GT	147	55.0403.0082GT	39
52.1200.5528GT	135, 139	54.0000.0256GT	153	55.0403.0088GT	39
52.1200.5547GT	133, 137	54.0000.0257GT	159	55.0403.0090GT	39
52.1200.5548GT	135, 139	54.0000.0258GT	143	55.0403.0095GT	39
52.1200.5550GT	29	54.0000.0259GT	143	55.0511.0001GT	135, 139
53.0000.3811GT	151	54.0000.0260GT	147	55.0602.0803GT	187
53.0000.3823GT	153	54.0000.0261GT	147, 159	55.0602.0829GT	203
53.0100.3210GT	151	54.0000.0262GT	143	55.0602.0833GT	201
53.0100.3230GT	151	54.0000.0263GT	145	55.0602.0836GT	201
53.0300.2215GT	151	54.0000.0264GT	153	55.0602.0848GT	215, 221
53.0300.2219GT	151	54.0001.0081GT	147	55.0602.0851GT	225
53.0400.1809GT	151	54.0001.0087GT	219	55.0602.0852GT	225
53.0400.1817GT	151	54.0001.0088GT	217	55.0602.0853GT	225
53.0500.0601GT	217	54.0004.0133GT	143	55.0602.0854GT	225
53.0500.0604GT	217	54.0100.0002GT	129	55.0602.0891GT	197
53.3001.0500GT	147	54.0100.0005GT	83, 87	55.0602.0892GT	197
53.3001.5500GT	81, 87	54.0100.0017GT	129	55.0602.0944GT	197

<u>Part no.</u>	<u>Page Number</u>	<u>Part no.</u>	<u>Page Number</u>	<u>Part no.</u>	<u>Page Number</u>
55.0602.0947GT	201	56.0010.0037GT	223	82558FRGT	11
55.0602.0975GT	203	56.0010.0058GT	223	82558GT	11
55.0602.0981GT	225	56.0010.0086GT	37	97602FRGT	15
55.0602.0987GT	201	56.0010.0087GT	25	97602GT	15
55.0602.1016GT	201	56.0012.0027GT	157	97667FRGT	15
55.0602.1020GT	197	56.0012.0074GT	19	97667GT	15
55.0602.1023GT	197	56.0012.0085GT	21	214228GT	101, 107, 113
55.0602.1024GT	203	56.0013.0000GT	35	214418FRGT	15
55.0602.1027GT	215, 221	56.0013.0028GT	35	214418GT	11, 15
55.0602.1030GT	201	56.0014.0031GT	239	215267FRGT	11
55.0602.1031GT	201	56.0016.0107GT	133, 137	215267GT	11
55.0602.1032GT	197	56.0016.0183GT	139	215268FRGT	11
55.0602.1033GT	203	56.0016.0195GT	133, 137	215268GT	11
55.0602.1092GT	229	56.0016.0206GT	133, 137	216559GT	149
55.0602.1095GT	233	56.0016.0208GT	187	216560GT	149
55.0602.1098GT	213	56.0017.0015GT	133, 139	216561GT	149
55.0602.1099GT	203	56.0017.0035GT	137, 215, 217	237598FRGT	11
55.0602.1179GT	201	56.0017.0038GT	137	237598GT	11, 15
55.0700.0166GT	11	56.0017.0039GT	133, 137	237601FRGT	15
56.0001.0016GT	197	56.0017.0044GT	133, 137	237601GT	15
56.0001.0046GT	197	56.0017.0045GT	139, 221	237605FRGT	15
56.0001.0047GT	199	56.0017.0046GT	133, 137	237605GT	15
56.0001.0049GT	197	56.0017.0047GT	133, 137	237971FRGT	15
56.0001.0050GT	197	56.0017.0048GT	139, 213, 241	237971GT	15
56.0001.0051GT	199	56.0017.0049GT	133, 137	634973GT	195
56.0002.0264GT	197	56.0017.0053GT	139, 213, 241	634975GT	197
56.0002.0266GT	197	56.0017.0054GT	137	634976GT	213
56.0002.0333GT	197	56.0017.0063GT	137, 215, 217	640985GT	205
56.0002.0351GT	201	56.0017.0124GT	221	640989GT	207
56.0005.0008GT	195	56.0017.0130GT	139	640995GT	123
56.0005.0009GT	213	56.0017.0131GT	139	641004GT	123
56.0005.0017GT	213, 241	56.0017.0132GT	133, 137, 221	641019GT	125
56.0006.9201GT	197	56.0017.0134GT	197	641024GT	123
56.0006.9211GT	197	56.0017.0141GT	135	641042GT	119, 121
56.0008.0013GT	197	56.0021.0078GT	195	824673GT	103
56.0008.5217GT	197	56.0021.0107GT	135, 139	825015GT	95
56.0009.0003GT	25	56.0021.0161GT	195	826345FRGT	15
56.0009.0009GT	37	56.0023.0051GT	215	826345GT	15
56.0010.0005GT	119, 127	58.2513.9083GT	95	900046GT	19, 23
56.0010.0034GT	223	28159GT	15	1254827GT	149
56.0010.0035GT	223	82366FRGT	11	1256281GT	147
56.0010.0036GT	223	82366GT	11	1257987GT	233

<u>Part no.</u>	<u>Page Number</u>	<u>Part no.</u>	<u>Page Number</u>	<u>Part no.</u>	<u>Page Number</u>
1257988GT	233				
1258639GT	15				
1260357GT	85, 89				
1260374GT	39				
1261360GT	227				
1261777GT	227				
1262434GT	227				
1262435GT	227				
1263543FRGT	15				
1263543GT	15				
1271765GT	229				
1272242GT	15				
1280819GT	13				
1280820GT	13				
1289520GT	201				
1289561GT	201				
1291624GT	13				
1292512GT	13				
1294715GT	81				
T09.0805.0070GT	19, 23, 103, 109, 115				

Go to Discount-Equipment.com to order your parts



California Proposition 65

 **WARNING**

Operating, servicing and maintaining this equipment, passenger vehicle or off-highway motor vehicle can expose you to chemicals including engine exhaust, carbon monoxide, phthalates, and lead, which are known to the State of California to cause cancer and birth defects or other reproductive harm. These chemicals can be emitted from or contained in other various parts and systems, fluids and some component wear by-products. To minimize exposure, avoid breathing exhaust, do not idle the engine except as necessary, service your equipment and vehicle in a well-ventilated area and wear gloves or wash your hands frequently when servicing your equipment or vehicle and after operation. For more information go to www.P65Warnings.ca.gov/passenger-vehicle.

Breathing diesel engine exhaust exposes you to chemicals known to the State of California to cause cancer and birth defects or other reproductive harm.

- Always start and operate the engine in a well-ventilated area.
- If in an enclosed area, vent the exhaust to the outside.
- Do not modify or tamper with the exhaust system.
- Do not idle the engine except as necessary.

For more information go to www.P65warnings.ca.gov/diesel.

Distributed By:

www.GreaseMonkeyEquipment.com to order your parts

PARTS FINDER

**Search Website
by Part Number**



**Search Manual
Library For Parts
Manual & Lookup Part
Numbers – Purchase
or Request Quote**

Search Manuals

Enter your information to help us find the right parts manual for your machine.

* Brand:

* Model:

* Serial:

* Part Number:

SEARCH

**Can't Find Part or
Manual? Request Help
by Manufacturer,
Model & Description**

Parts Order Form

Please fill in the following information to help us find the right part for your machine.

MANUFACTURER:

MODEL:

DESCRIPTION:

DATE:

TIME:

PHONE:

EMAIL:

ADDRESS:

CITY:

STATE:

ZIP:

COUNTRY:

SEARCH

Discount-Equipment.com is your online resource for quality parts & equipment.

Florida: **561-964-4949** Outside Florida TOLL FREE: **877-690-3101**

Need parts?

Click on this link: <http://www.discount-equipment.com/category/5443-parts/> and choose one of the options to help get the right parts and equipment you are looking for. Please have the machine model and serial number available in order to help us get you the correct parts. If you don't find the part on the website or on one of the online manuals, please fill out the request form and one of our experienced staff members will get back to you with a quote for the right part that your machine needs.

We sell worldwide for the brands: Genie, Terex, JLG, MultiQuip, Mikasa, Essick, Whiteman, Mayco, Toro Stone, Diamond Products, Generac Magnum, Airman, Haulotte, Barreto, Power Blanket, Nifty Lift, Atlas Copco, Chicago Pneumatic, Allmand, Miller Curber, Skyjack, Lull, Skytrak, Tsurumi, Husquvarna Target, Stow, Wacker, Sakai, Mi-T-M, Sullair, Basic, Dynapac, MBW, Weber, Bartell, Bennar Newman, Haulotte, Ditch Runner, Menegotti, Morrison, Contec, Buddy, Crown, Edco, Wyco, Bomag, Laymor, EZ Trench, Bil-Jax, F.S. Curtis, Gehl Pavers, Heli, Honda, ICS/PowerGrit, IHI, Partner, Imer, Clipper, MMD, Koshin, Rice, CH&E, General Equipment, Amida, Coleman, NAC, Gradall, Square Shooter, Kent, Stanley, Tamco, Toku, Hatz, Kohler, Robin, Wisconsin, Northrock, Oztec, Toker TK, Rol-Air, APT, Wylie, Ingersoll Rand / Doosan, Innovatech, Con X, Ammann, Mecalac, Makinex, Smith Surface Prep, Small Line, Wanco, Yanmar