



A TEREX BRAND



Parts Manual

Serial Number Range

GTH-5519

from SN 16381 to 16382

from SN 17548 to 17565

from SN 17822 to 17825

from SN 18154 to 18168

from SN 18556 to 18586

Part No. 645001

Rev K

March 2016

Go to Discount-Equipment.com to order your parts

PARTS FINDER

**Search Website
by Part Number**



**Search Manual
Library For Parts
Manual & Lookup Part
Numbers – Purchase
or Request Quote**

Search Manuals

Enter your information to help us find the right parts manual for your machine.

* Brand:

* Model:

* Serial:

* Part Number:

SEARCH

**Can't Find Part or
Manual? Request Help
by Manufacturer,
Model & Description**

Parts Order Form

Please fill in the following information to help us find the right part for your machine.

Manufacturer:	<input type="text"/>
Model:	<input type="text"/>
Description:	<input type="text"/>
Part Number:	<input type="text"/>
Quantity:	<input type="text"/>
Notes:	<input type="text"/>

Submit

Discount-Equipment.com is your online resource for quality parts & equipment.

Florida: **561-964-4949** Outside Florida TOLL FREE: **877-690-3101**

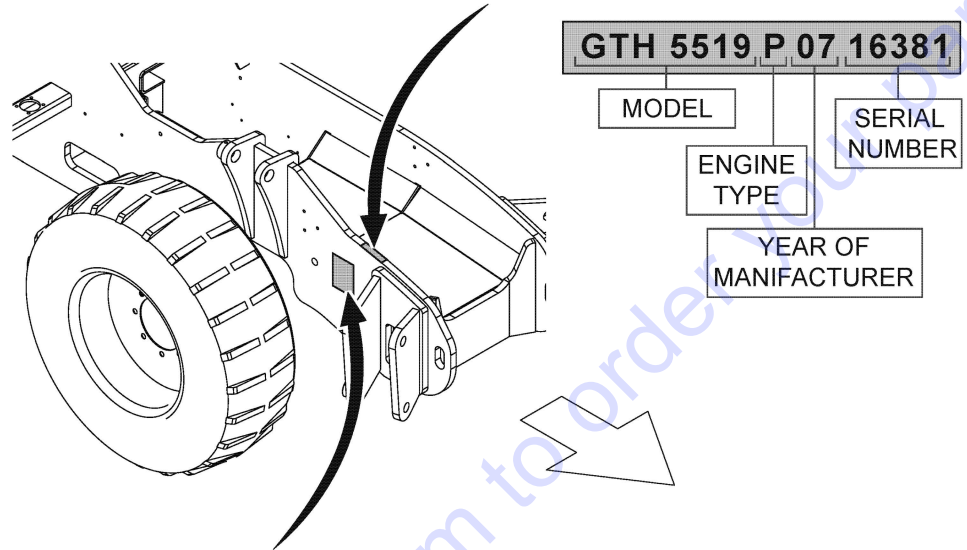
Need parts?

Click on this link: <http://www.discount-equipment.com/category/5443-parts/> and choose one of the options to help get the right parts and equipment you are looking for. Please have the machine model and serial number available in order to help us get you the correct parts. If you don't find the part on the website or on one of the online manuals, please fill out the request form and one of our experienced staff members will get back to you with a quote for the right part that your machine needs.

We sell worldwide for the brands: Genie, Terex, JLG, MultiQuip, Mikasa, Essick, Whiteman, Mayco, Toro Stone, Diamond Products, Generac Magnum, Airman, Haulotte, Barreto, Power Blanket, Nifty Lift, Atlas Copco, Chicago Pneumatic, Allmand, Miller Curber, Skyjack, Lull, Skytrak, Tsurumi, Husquvarna Target, Stow, Wacker, Sakai, Mi-T-M, Sullair, Basic, Dynapac, MBW, Weber, Bartell, Bennar Newman, Haulotte, Ditch Runner, Menegotti, Morrison, Contec, Buddy, Crown, Edco, Wyco, Bomag, Laymor, EZ Trench, Bil-Jax, F.S. Curtis, Gehl Pavers, Heli, Honda, ICS/PowerGrit, IHI, Partner, Imer, Clipper, MMD, Koshin, Rice, CH&E, General Equipment, Amida, Coleman, NAC, Gradall, Square Shooter, Kent, Stanley, Tamco, Toku, Hatz, Kohler, Robin, Wisconsin, Northrock, Oztec, Toker TK, Rol-Air, APT, Wylie, Ingersoll Rand / Doosan, Innovatech, Con X, Ammann, Mecalac, Makinex, Smith Surface Prep, Small Line, Wanco, Yanmar

Chassis serial number

(The chassis serial number is punched on the front right part of the chassis side member)



Machine data plate

(On machines destined for the Italian market, the machine data plate is installed in the driving cab, on the right, and is well-visible when the door is opened. On the machines destined for foreign markets, the data plate is applied on the front right side of the chassis)

TEREXLIFT s.r.l.	
MODELLO - MODEL - MODELE - TYP - MODELO	<input type="text"/>
ANNO DI COSTRUZIONE - YEAR OF CONSTRUCTION - ANNEE DE CONSTRUCTION BAUJAHR - AÑO DE FABRICACIÓN	<input type="text"/>
MATRICOLA - SERIAL N. - N. DE SERIE - FZ.-IDENT NR. - NO. DE SERIE	<input type="text"/>
PESO MAX ASSALE ANT. - MAX FRONT AXLE WEIGHT - POIDS MAX ESSIEU AVANT ZUL. ACHSLAST VO. N. ST VZO - PESO MAX EJE ANTERIOR	<input type="text"/> kg
PESO MAX ASSALE POST. - MAX REAR AXLE WEIGHT - POIDS MAX ESSIEU ARRIERE ZUL. ACHSLAST HI. N. ST VZO - PESO MAX EJE POSTERIOR	<input type="text"/> kg
PESO TOTALE - TOTAL WEIGHT - POIDS TOTAL - ZUL. GESAMTGEWICHT N. ST VZO PESO TOTAL	<input type="text"/> kg
MATRICOLA MOTORE TERMICO - ENGINE SERIAL N. - N. MOTEUR THERMIQUE FABRIK NR. DIESEL MOTOR - NO. DE SERIE MOTOR TERMICO	<input type="text"/>
POTENZA MOTORE TERMICO - ENGINE POWER - PUISSANCE MOTEUR MOTORLEISTUNG - POTENCIA MOTOR	<input type="text"/> kW
CARICO STATICO VERT. GANCIO DI TRAINO-MAX.VERTICAL LOAD ON THE COUPLING HOOK-EFFORT VERTICAL MAXIMAL SUR LE CROCHET D'ATTELAGE MAXIMALE STUTZLASTBEANSPRUCHUNG DES ZUGHAKENS IN VERTIKALER RICHTUNG- ESFUERZO VERTICAL SOBRE EL GANCHO DE TRACCION	<input type="text"/> kg
MASSA MAX. RIMORCHIABILE - MAX.DRAWBAR PULL AT THE COUPLING HOOK EFFORT THE TRACTION - MAXI AU CROCHET D'ATTELAGE-MAXIMALE ZUGBEANSPRUCHUNG AM ZUGHAKEN-MAXIMO ESFUERZO DE TRACCION EN EL GANCHO DE TRACCION	<input type="text"/> kg
OMOLOGAZIONE	<input type="text"/>
FABBRICATO IN ITALIA - MADE IN ITALY	CE

Table of Contents

This manual is updated frequently. For the most up-to-date parts information, visit www.discount-equipment.com

How to Read Your Serial Number.....3
 Parts Stocking List.....7

Electronic Version
 Click on any page number to view the figure.

100 Decals

101.1 0 605502 Decals, View 1.....10
 102.1 0 605503 Decals, View 2.....12

200 Drive Chassis Components

201.1 0 605504 Rear Frame Unit.....14
 202.1 0 605505 Left Frame.....16
 203.1 0 605506 Right Frame.....18
 204.1 0 605507 Hydraulic Oil Tank.....20
 205.1 0 605508 Driveline and Wheels.....22
 206.1 0 605509 Front Axle - Differential Case.....24
 207.1 0 605510 Front Axle - Differential.....26
 208.1 0 605511 Front Axle - Reduction Gear.....28
 209.1 0 605512 Front Axle - Brake.....30
 210.1 0 605513 Front Axle - Steering Cylinder.....32
 211.1 0 605514 Rear Axle - Differential Case.....34
 212.1 0 605515 Rear Axle - Differential.....36
 213.1 0 605516 Rear Axle - Steering Axle.....38
 214.1 0 605517 Rear Axle - Steering Cylinder.....40
 215.1 0 605518 Rear Axle - Coupling Support.....42

300 Engine Components

301.1 0 605519 Diesel Engine - Engine Cooling System.....44
 302.1 0 605520 Diesel Engine - Exhaust System - Injection - Accelerator.....46
 303.1 0 605521 Diesel Engine - Hydraulic Pumps.....48

400 Cab Components

401.1 0 605522 Closed Cabin, View 1.....50
 402.1 0 605523 Closed Cabin, View 2.....52
 403.1 0 605524 Open Cabin, View 3.....54

404.1 0 605525 Open Cabin, View 4.....56
 405.1 0 605526 Dashboard.....58
 406.1 0 605527 Steering and Brake Components.....60
 407.1 0 605528 Components - Distributor And Joystick.....62

500 Boom Components

501.1 0 605529 Boom (1st - 2nd Telescopic Element).....64
 502.1 0 605530 Fork Attachments.....66
 503.1 0 605531 Forks.....68
 504.1 0 605532 Lifting Cylinder.....70
 505.1 0 605533 Boom Extension Cylinder.....72
 506.1 0 605534 Tilt Cylinder.....74
 507.1 0 605535 Fork Levelling Cylinder.....76

600 Hydraulic System

601.1 0 605536 Valve Block.....78
 602.1 0 605537 Hydraulic System - Levelling Cylinder And Lifting Cylinder.....80
 603.1 0 605538 Hydraulic System - Rear Boom Connections.....82
 604.1 0 605539 Hydraulic System - Casappa Pump Inlet And Radiator Entry.....84
 605.1 0 605540 Hydraulic System - Main Valve - Attachments - Telescope Extension.....86
 606.1 0 605541 Hydraulic System - Joystick - Negative Brake.....88
 607.1 0 605542 Hydraulic System - Main Valve Pressure.....90
 608.1 0 605543 Hydraulic System - Hydrostatic Transmission.....92
 609.1 0 605544 Hydraulic System - Power Steering.....94

700 Electric Installation

701.1 0 605545 Fuse Box.....96
 702.1 0 605546 Electric Installation.....98

Indices

Part Number Index.....100
 Part Description Index.....103

Cross References

Fittings Cross Reference.....108

Required Parts

The following parts are required to perform maintenance procedures as outlined in the *Genie GTH-5519 Operator's and Service Manuals*.

Description	Part No.
Diesel Fuel Filter.....	07.4501.0139
Engine Oil Filter.....	07.4501.0138
Hydraulic Oil Filter Cartridge	07.0700.0023
Engine Air Filter Primary Cartridge	07.0700.0037
Engine Air Filter Secondary Cartridge	07.0700.0036
Hydraulic Oil Filter Immersed in the Tank...	09.4604.0004
Manual, PERKINS 804C-33	SLBU 785300

Recommended Parts

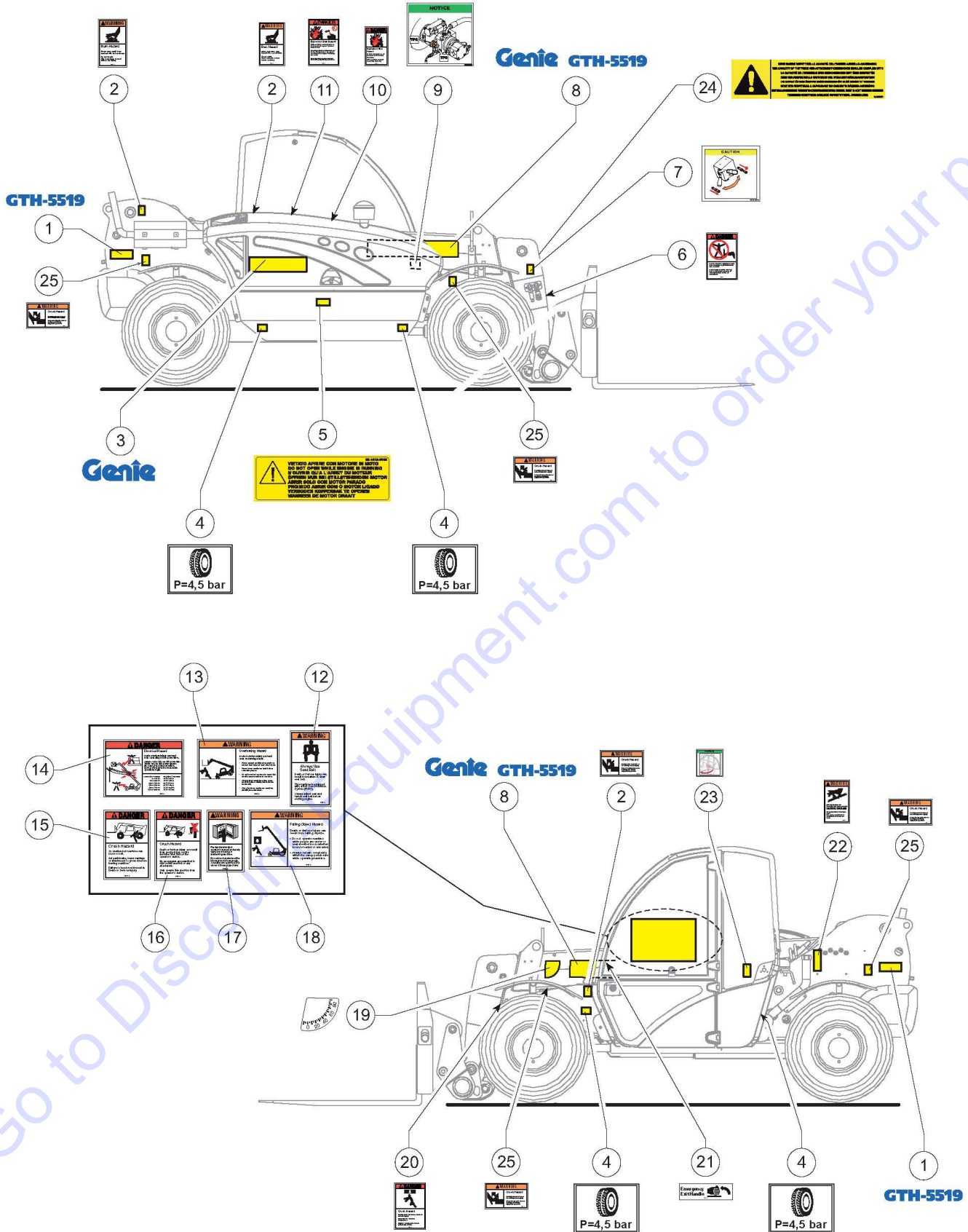
Description	Type
Terex Grey.....	RAL 7012
Terex White	RAL 1013
Terex Matte Black for Cylinders.....	RAL 9005
Ausa Orange	RAL 2004
Mz Imer Orange.....	RAL 2010
Genie Blue.....	
Genie Grey	
Genie Mat Balck for Cylinders	RAL 9005

Genie also offers the following support documents:

Genie GTH 5519	
Operator's Manual, 1 st edition.....	57.0008.6200
Genie GTH 5519	
Service Manual, 1 st edition	57.4403.3200

Go to Discount-Equipment.com to order your parts

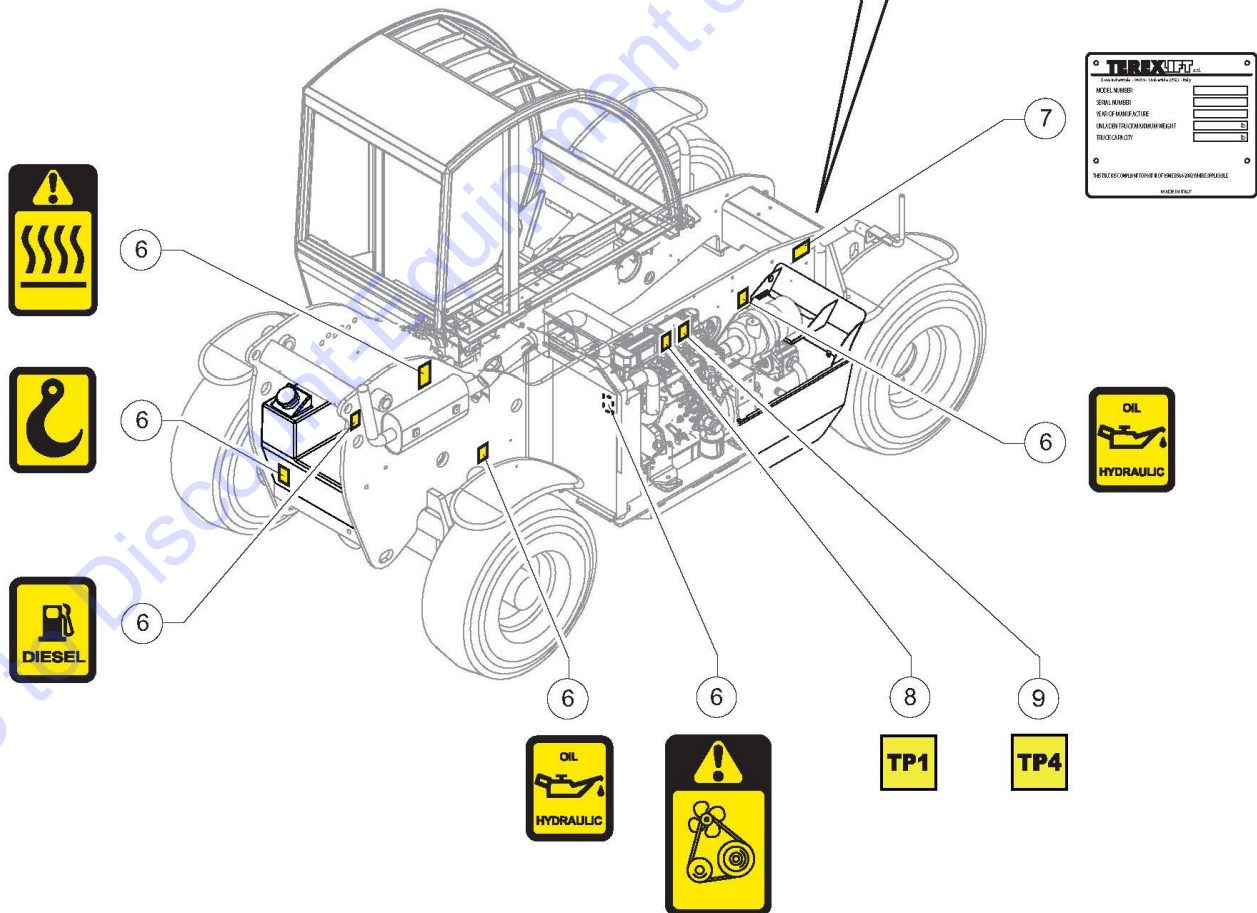
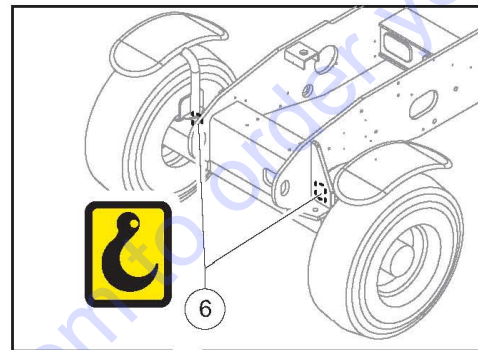
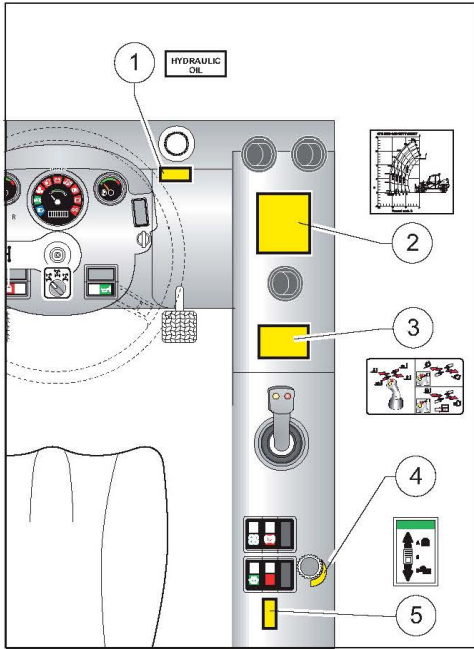
101.1 605502 Decals, View 1



Item	Part No.	Description	Qty.
1	09.4618.0644	DECAL,COSMETIC,GTH-5519.....	2
2	97667	DECAL,BURN HAZARD.....	2
3	09.4618.0641	LABEL,GENIE DECAL.....	2
4	09.4618.0061	DECAL,TIRE PREASURE.....	4
5	09.4618.0010	DECAL, (DO NOT OPEN WHEN RUN).....	1
6	97673	Danger - Fall Hazard, No Riders.....	1
7	09.4618.0782	DECAL.....	1
8	09.4618.0643	Cosmetic - Genie GTH-5519.....	2
9	09.4618.0777	Pressure Port Decal TP2,TP3 GTH 5519 NEW.....	1
10	97675	DECAL,WARN,EXPLSION/BURN HAZ.....	1
11	97671	DECAL,DANGER,EXPLSION/BURN HAZ.....	1
12	97665	DECAL,WARN,WEAR SEAT BELT.....	1
13	97668	DECAL,WARN,OVERTURN HAZARD.....	1
14	97676	DECAL,DANGER,ELECTRICAL HAZARD.....	1
15	97670	DECAL,DANGER,CRUSH HAZARD.....	1
16	97672	DECAL,DANGER,CRUSH HAZARD.....	1
17	97666	DECAL,WARN,READ MANUAL.....	1
18	97669	DECAL,WARN,FALLING OBJECT HAZ.....	1
19	09.4618.0205	DECAL, BOOM ANGLE INDICATOR.....	1
20	97674	Warning - Crush Hazard, Overhead Parts.....	1
21	97688	DECAL,EMERGENCY EXIT HANDLE.....	1
22	82558	DECAL,SKIN INJECTION.....	1
23	09.4618.0776	DECAL,UPPER DOOR UNLOCK SYS.....	1
24	09.4618.0784	Decal - Capacity of the Truck and Attachment.....	1
25	97664	DECAL,WARN,CRUSH HAZ MOVING PT.....	4

Go to www.genieequipment.com to order your parts

102.1 605503 Decals, View 2

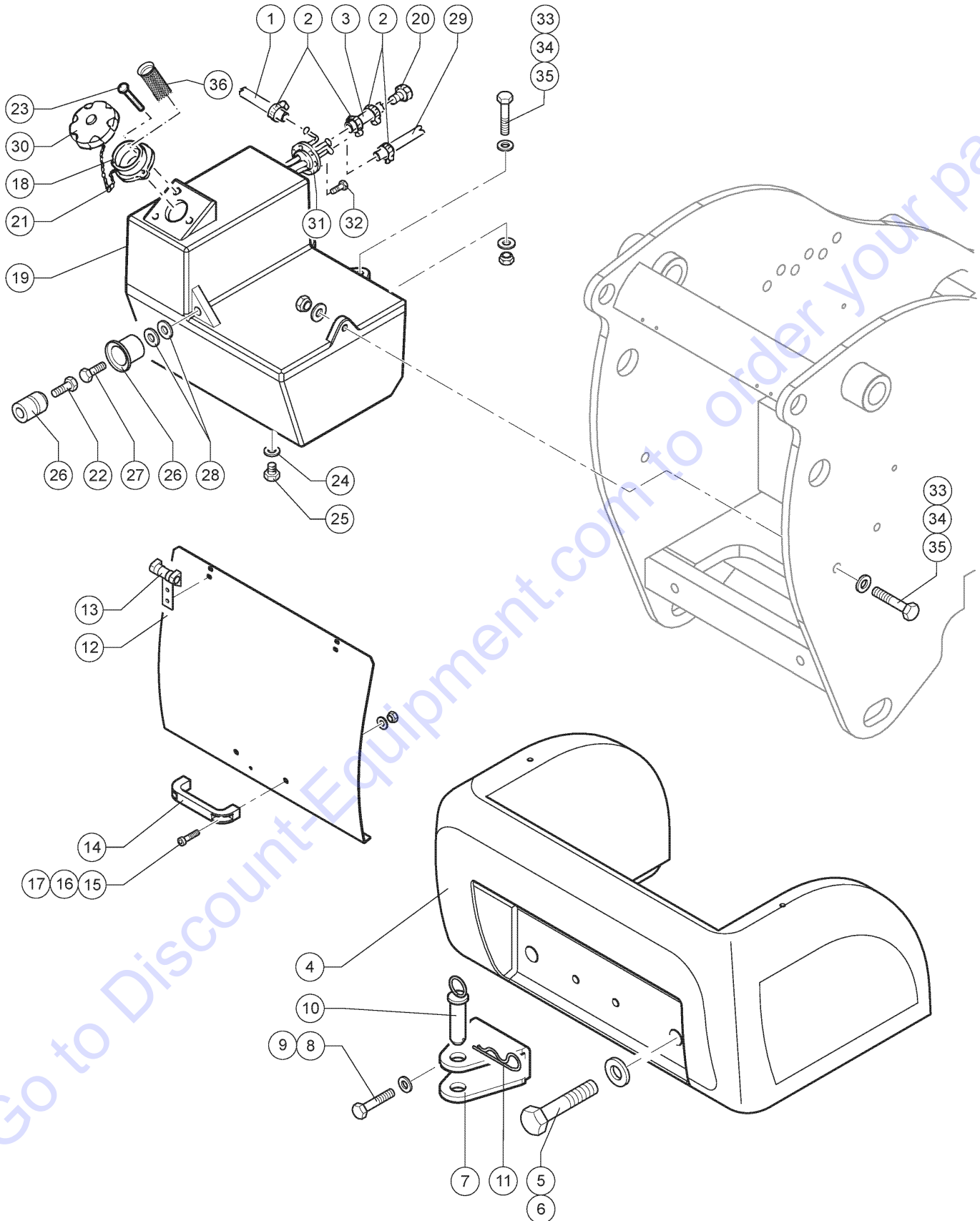


TELEXCEL	
MODEL NUMBER:	
SERIAL NUMBER:	
YEAR OF MANUFACTURE:	
WEIGHT (TYPICAL) (Kilograms/Weight):	
TRUCK CAPACITY:	
*SEE TECHNICAL DRAWING FOR DIMENSIONS AND WEIGHTS MADE IN CHINA	

Item	Part No.	Description	Qty.
1	09.4616.0051	Label - Hydraulic Oil.....	1
2	09.4618.0783	Capacity Both Side Adhesive Plate GTH-5519 New.....	1
3	09.4618.0389	DECAL,JOYSTICK FUNCTIONS.....	1
4	09.4618.0780	LABEL, CONTINUOUS FLOW KNOB.....	1
5	09.4618.1262	Both Side Adhesive Plate for Backflow Button NEH 5519 NEW.....	1
6	09.4618.0109	DECAL, SHEET VARIOUS.....	1
7	09.4616.0101	Machine Data Plate.....	1
8	09.4618.0778	Pressure Port Decal TP1 GTH-5519 NEW.....	1
9	09.4618.0779	Pressure Port Decal TP4 GTH-5519 NEW.....	1

Go to Discount-Equipment.com to order your parts

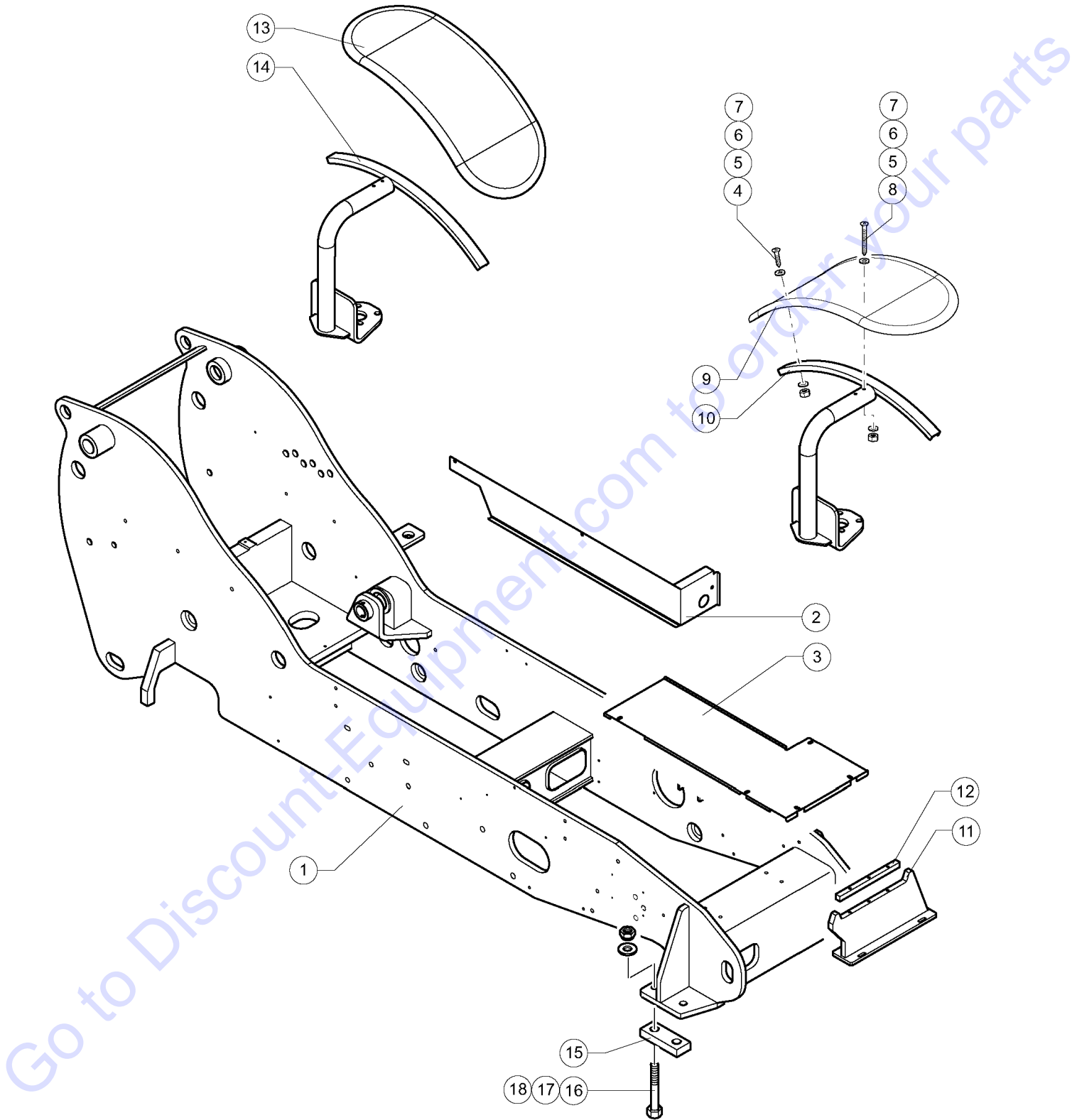
201.1 605504 Rear Frame Unit



201.1 605504 Rear Frame Unit

Item	Part No.	Description	Qty.	Item	Part No.	Description	Qty.
1	09.0805.0000	RUBBER HOSE.....	3	36	09.4661.0016	BASKET,PLUG.....	1
2	04.0227.0051	CLAMP DN 10/16 LG 9.....	4				
3	09.0805.0000	RUBBER HOSE.....	0,6				
4	51.1000.1800	Counterweight.....	1				
5	01.4001.0025	SCREW M24X160 UNI 5737 10.9 ZN.....	2				
6	01.4032.0000	SPRING WASHER D24 ZN.....	2				
7	51.0800.3800	Hitch.....	1				
8	01.0001.0703	Screw TE M16X35 UNI 5739 8.8 ZN.....	2				
9	01.4032.0007	SPRING WASHER D16 ZN.....	2				
10	54.0000.0027	HITCH PIN.....	1				
11	09.0803.0026	SPRING SPLIT PIN.....	1				
12	51.0902.7000	REAR FRAME LOCK (BLUE).....	1				
13	09.0803.0025	Hinge.....	2				
14	09.0803.0002	HANDLE.....	1				
15	01.0003.0203	SCREW M8X20 UNI 8.8 ZN.....	2				
16	01.0031.0298	FLAT WASHER D6 UNI 6593 ZN....	2				
17	01.0023.0054	NUT,M8 UNI 7473 6S ZN.....	2				
18	09.4661.0021	AIR INLET.....	1				
19	51.0600.2700	DIESEL TANK.....	1				
20	01.0001.0254	SCREW M8X20 UNI 5739 8.8 ZN....	1				
21	09.4661.0022	Chain.....	1				
22	01.0001.0204	Screw TE M 8X40 UNI 5739 8.8 ZN.....	1				
23	01.4001.0045	Screw TE M 5X10 UNI 5739 8.8 ZN.....	3				
24	07.4529.0119	O-Ring.....	1				
25	09.0803.0510	DRAIN PLUG M16.....	1				
26	09.4670.0000	KIT,DOOR LOCK.....	1				
27	01.0001.0158	SCREW M6X25 UNI 5739 8.8 ZN....	1				
28	01.0031.0298	FLAT WASHER D6 UNI 6593 ZN....	4				
29	09.0805.0000	RUBBER HOSE.....	3				
30	09.4661.0020	PLUG.....	1				
31	56.0012.0074	Fuel Gauge.....	1				
32	01.0001.0260	SCREW M8X45 UNI 5739 8.8 ZN....	2				
33	01.0023.0056	STOP NUT M12 UNI 7473 6S ZN....	3				
34	01.0031.0151	FLAT WASHER D12 UNI 6593 ZN.....	6				
35	01.0001.0405	SCREW, 8.8 HCS 12MM1.75X60Z.....	3				

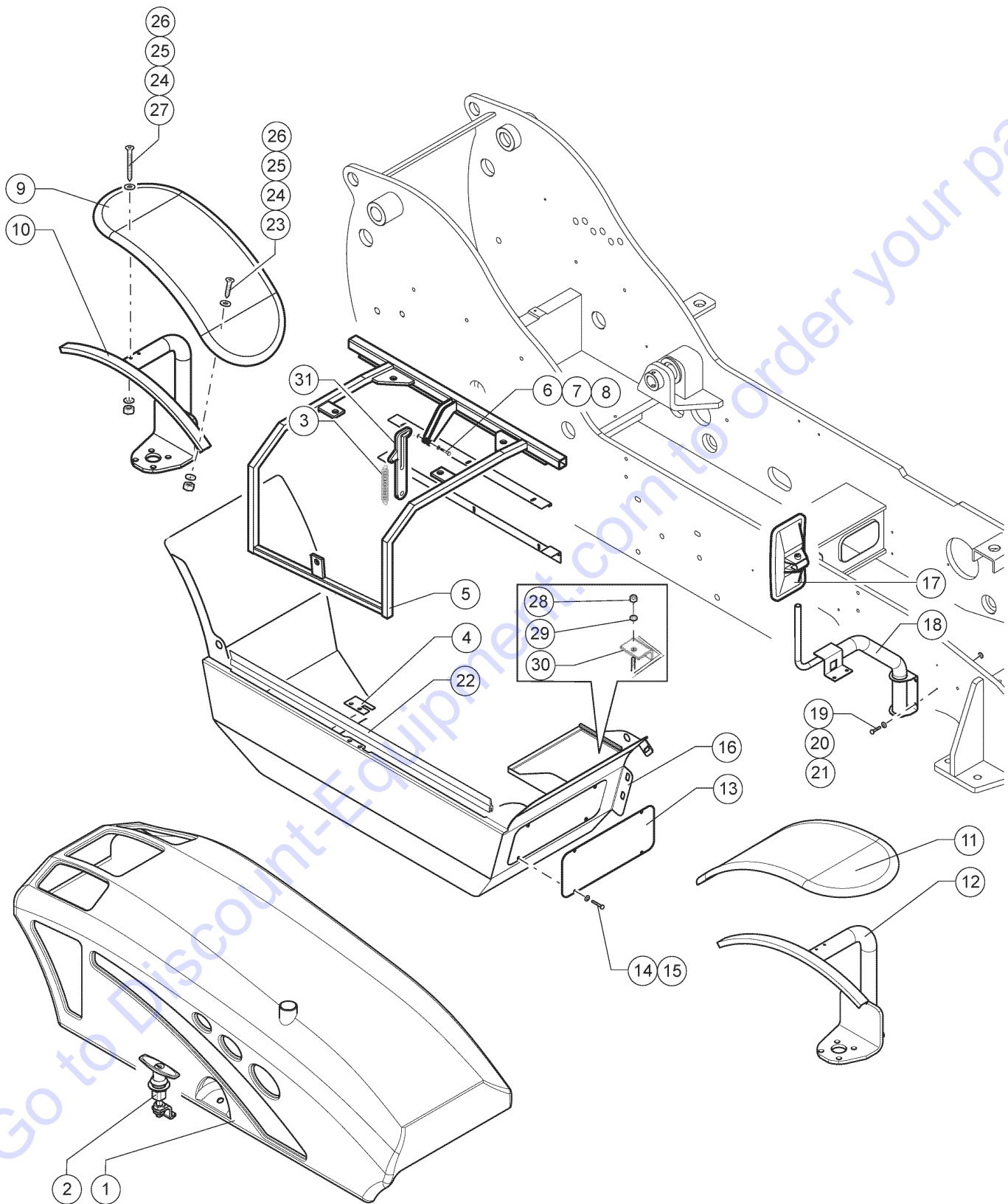
202.1 605505 Left Frame



Item	Part No.	Description	Qty.
1	51.0111.8000	Complete Frame.....	1
2	51.0903.1800	Cab Lateral Casing.....	1
3	51.0903.1700	Central Casing.....	1
4	01.0006.0033	Screw TSPEI M 6X25UNI5933 8.8ZN.....	4
5	09.0803.0012	WASHER D6.....	6
6	01.0031.0055	FLAT WASHER D8 UNI 6592 ZN....	6
7	01.0023.0053	STOP NUT M6 UNI 7473 6S ZN....	6
8	01.4006.0016	Screw TSPEI M6x55 UNI 5933 10.9 ZN.....	2
9	09.0803.0400	Mudguard, RR & LF.....	1
10	51.0806.0000	SUPPORT, LEFT MUDGUARD.....	1
11	51.0803.5700	SUPPORT.....	1
12	54.0702.0014	Pad 20X250.....	1
13	09.0803.0401	Mudguard, LR & RF.....	1
14	51.0806.1000	SUPPORT.....	1
15	51.0810.6100	Front Axle Bracket Fixing Plate.....	2
16	01.4001.0057	Screw TE M24X220UNI 5737 8.8 ZN.....	4
17	01.0031.0063	Washer D24 UNI 6592 ZN.....	8
18	01.0023.0062	Nut M24 UNI 7473 6SZN.....	4

Go to Discount-Equipment.com to order your parts

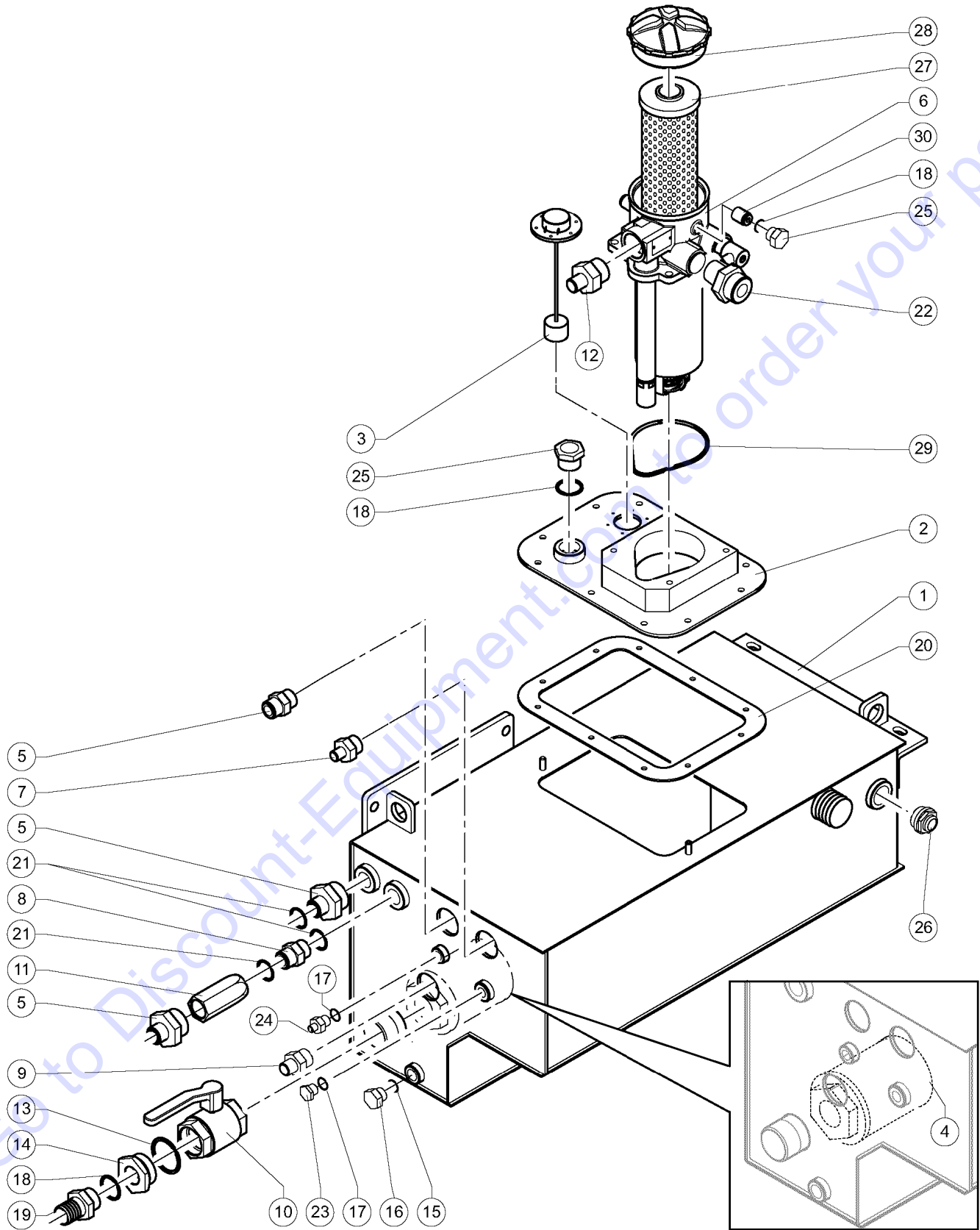
203.1 605506 Right Frame



Item	Part No.	Description	Qty.
1	52.1100.7500	Engine Cover.....	1
2	09.0803.0393	LOCK.....	1
3	54.0800.0000	Spring.....	1
4	51.0810.4200	Engine Cover Lock Pin.....	1
5	51.0810.3200	ENGINE CASING FRAME.....	1
6	01.0001.0254	SCREW M8X20 UNI 5739 8.8 ZN....	1
7	01.0031.0299	FLAT WASHER D8 UNI 6593.....	1
8	01.4032.0003	SPRING WASHER D 8 ZN.....	1
9	09.0803.0401	Mudguard, LR & RF.....	1
10	51.0806.0000	SUPPORT, LEFT MUDGUARD.....	1
11	09.0803.0400	Mudguard, RR & LF.....	1
12	51.0806.1000	SUPPORT.....	1
13	07.0726.0102	COVER, OIL TANK.....	1
14	01.0001.0355	SCREW M10X25 UNI 5739 8.8 ZN.....	4
15	01.4032.0004	SPRING WASHER D10 ZN.....	4
16	51.0903.0400	Engine Housing.....	1
17	07.0723.0042	Mirror.....	1
18	51.0802.4400	MIRROR SUPPORT.....	1
19	01.0001.0256	SCREW M8X25 UNI 5739 8.8 ZN....	3
20	01.4032.0003	SPRING WASHER D 8 ZN.....	3
21	01.0031.0055	FLAT WASHER D8 UNI 6592 ZN....	3
22	09.0803.0245	GASKET.....0.6-meter	
23	01.0006.0033	Screw TSPEI M 6X25UNI5933 8.8ZN.....	4
24	09.0803.0012	WASHER D6.....	6
25	01.0031.0055	FLAT WASHER D8 UNI 6592 ZN....	6
26	01.0023.0053	STOP NUT M6 UNI 7473 6S ZN....	6
27	01.4006.0016	Screw TSPEI M6x55 UNI 5933 10.9 ZN.....	2
28	01.0023.0054	NUT,M8 UNI 7473 6S ZN.....	1
29	01.0031.0055	FLAT WASHER D8 UNI 6592 ZN....	1
30	51.0901.7900	GUARD (DARK GRAY).....	1
31	51.0810.7300	Engine Cover Hinge.....	1

Go to www.genie.com to order your parts

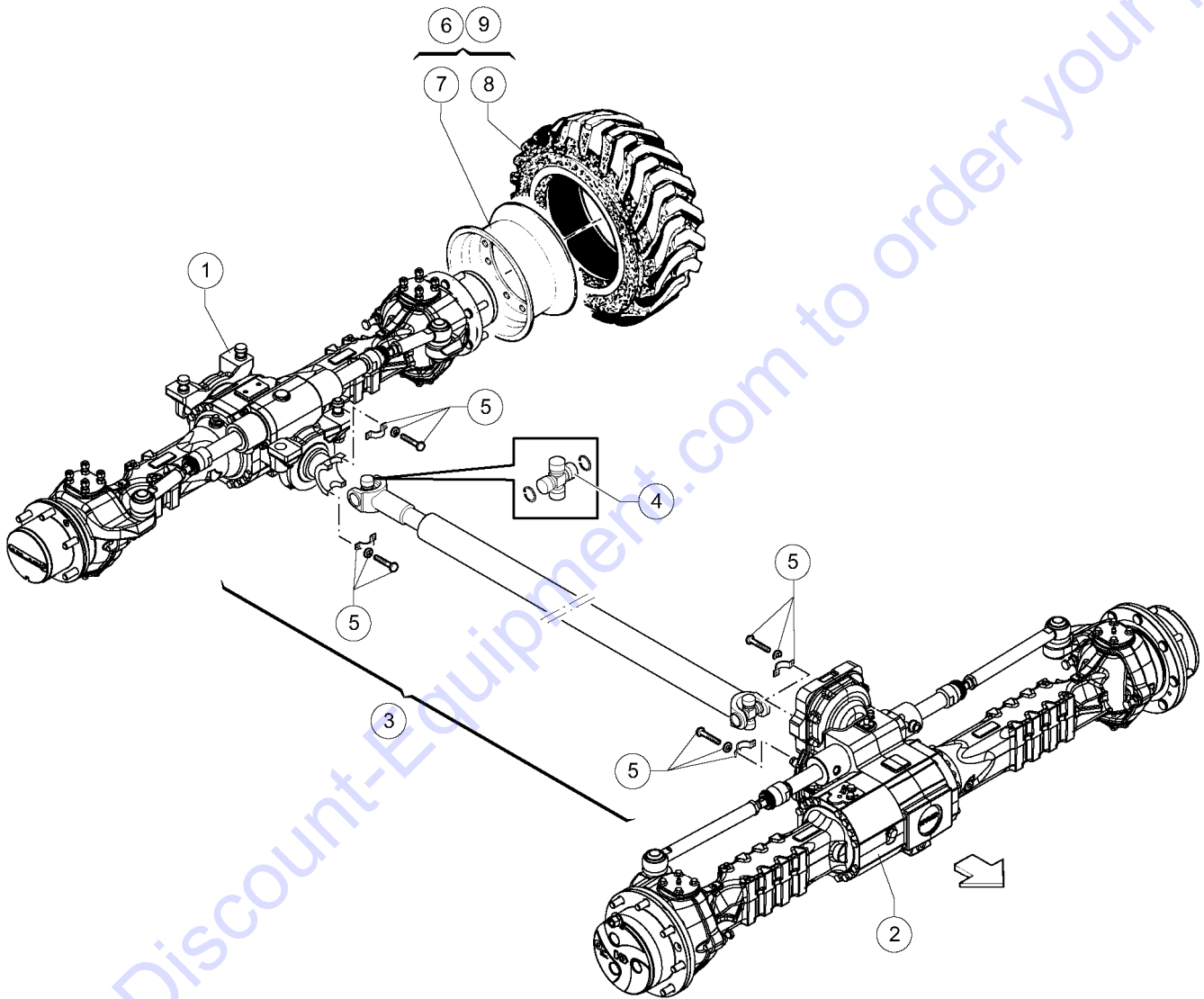
204.1 605507 Hydraulic Oil Tank



Item	Part No.	Description	Qty.
1	51.0600.4900	Oil Tank.....	1
2	07.0726.0102	COVER, OIL TANK.....	1
3	56.0013.0028	LEVEL INDICATOR	1
4	09.4604.0004	Filter.....	1
5	04.0607.0107	PIPE FITTING 3/4"BSP X1"3/16-12 ORFS.....	3
6	09.4604.0047	Complete Hydraulic Oil Filter	1
7	04.0607.0139	PIPE FITTING.....	1
8	04.0600.0046	PIPE FITTING 3/4X 3/4 BSP.....	1
9	04.0607.0121	PIPE FITTING 3/4 BSPX13/16-16 ORFS.....	1
10	04.4224.0000	Ball Valve DN 1 1/2	1
11	04.4239.0083	Valve Vuc 3/4 8 Bar.....	1
12	04.0607.0194	Pipe Fitting 1"1/4BSP-1"3/16-12 ORFS.....	1
13	06.0442.0111	WASHER.....	1
14	04.0600.0055	Pipe Fitting GWR 1" 1/2 M x 1" F....	1
15	06.0442.0103	COPPER WASHER.....	1
16	04.0220.0055	PLUG 1/2 BSP.....	1
17	06.0442.0102	Copper Washer JC 17.....	2
18	06.0442.0107	Copper Washer JC 33.....	3
19	09.0806.0020	SUPPORT/RUBBER DOOR.....	1
20	53.3301.0005	Rubber Gasket.....	1
21	06.0442.0105	WASHER,JC 27,SP2,5.....	2
22	04.0607.0174	PIPE FITTING 1"BSPX1"11/16-12 ORFS.....	1
23	04.0220.0053	PLUG 3/8" BSP.....	1
24	56.0013.0000	TEMPERATURE SENSOR, HYDRAULIC OIL.....	1
25	04.4220.0063	Hex-Head Cap DA 1" Gas	2
26	09.4661.0002	OIL LEVEL INDICATOR.....	1
27	07.0700.0023	OIL FILTER,CARTRIDGE.....	1
28	07.0700.0006	CAP,HYDRAULIC FILTER.....	1
29	07.0700.0007	O-Ring 100 x 4	1
30	07.0700.0028	INDICATOR (OIL CLOGGING).....	1

Go to www.genie.com to order your parts

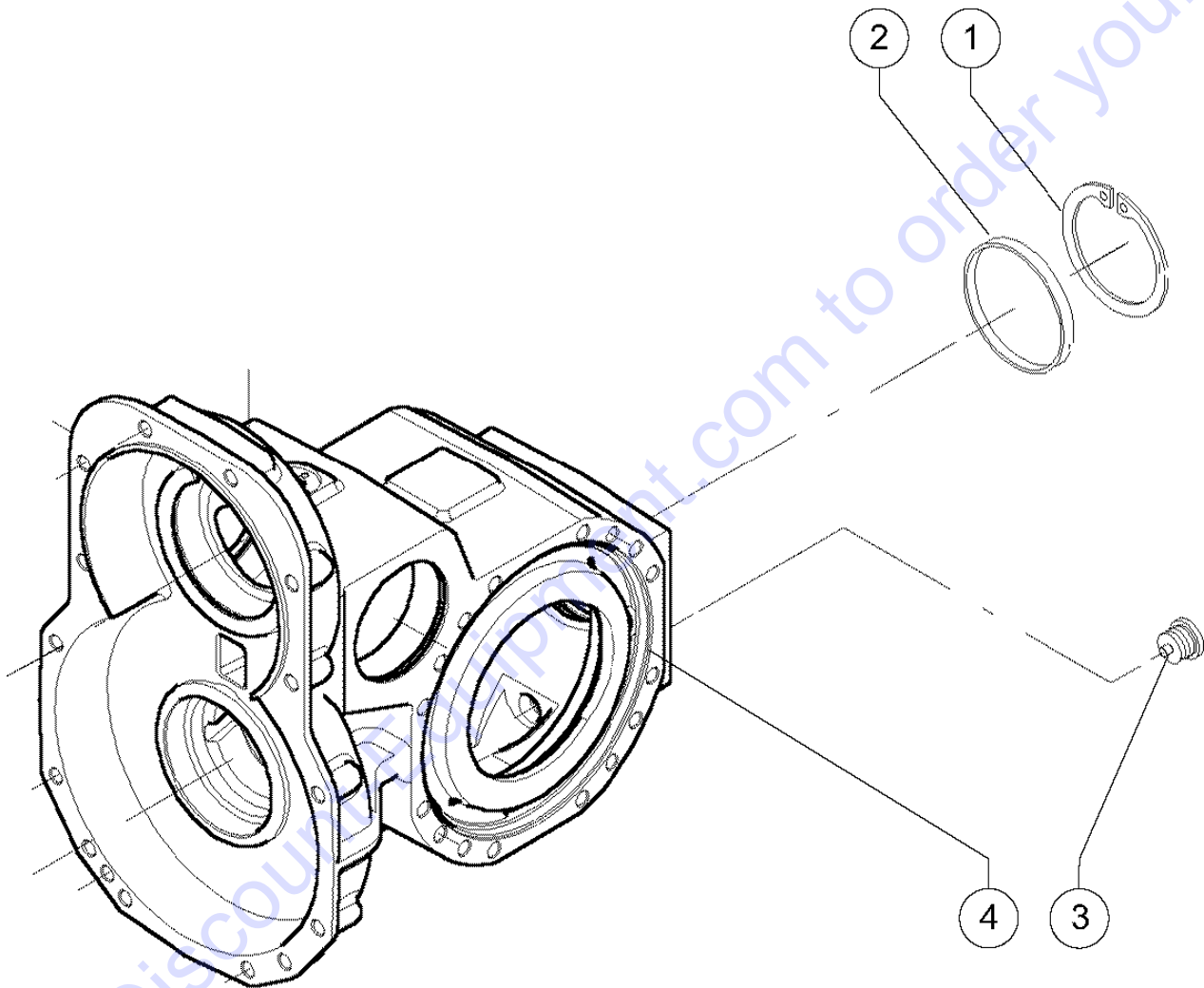
205.1 605508 Driveline and Wheels



Item	Part No.	Description	Qty.
1	09.4632.0068	Rear Steering Axle.....	1
2	09.4632.0067	Front Steering Axle.....	1
3	09.4635.0048	Cardan Shaft.....	1
4	07.0738.0003	Universal Joint Cross.....	2
5	09.4635.0014	CARDAN SHAFT ASSY KIT.....	4
6	55.0403.0046	COMPLETE WHEEL 16.5 AIR,RIGHT.....	4
7	09.4629.0018	Rim 9.75 X 16.5".....	4
8	09.4627.0018	Tire 12-16.5" PR10.....	4
9	55.0403.0055	Polyurethane Complete Wheel..... <i>Optional</i>	4

Go to Discount-Equipment.com to order your parts

206.1 605509 Front Axle - Differential Case

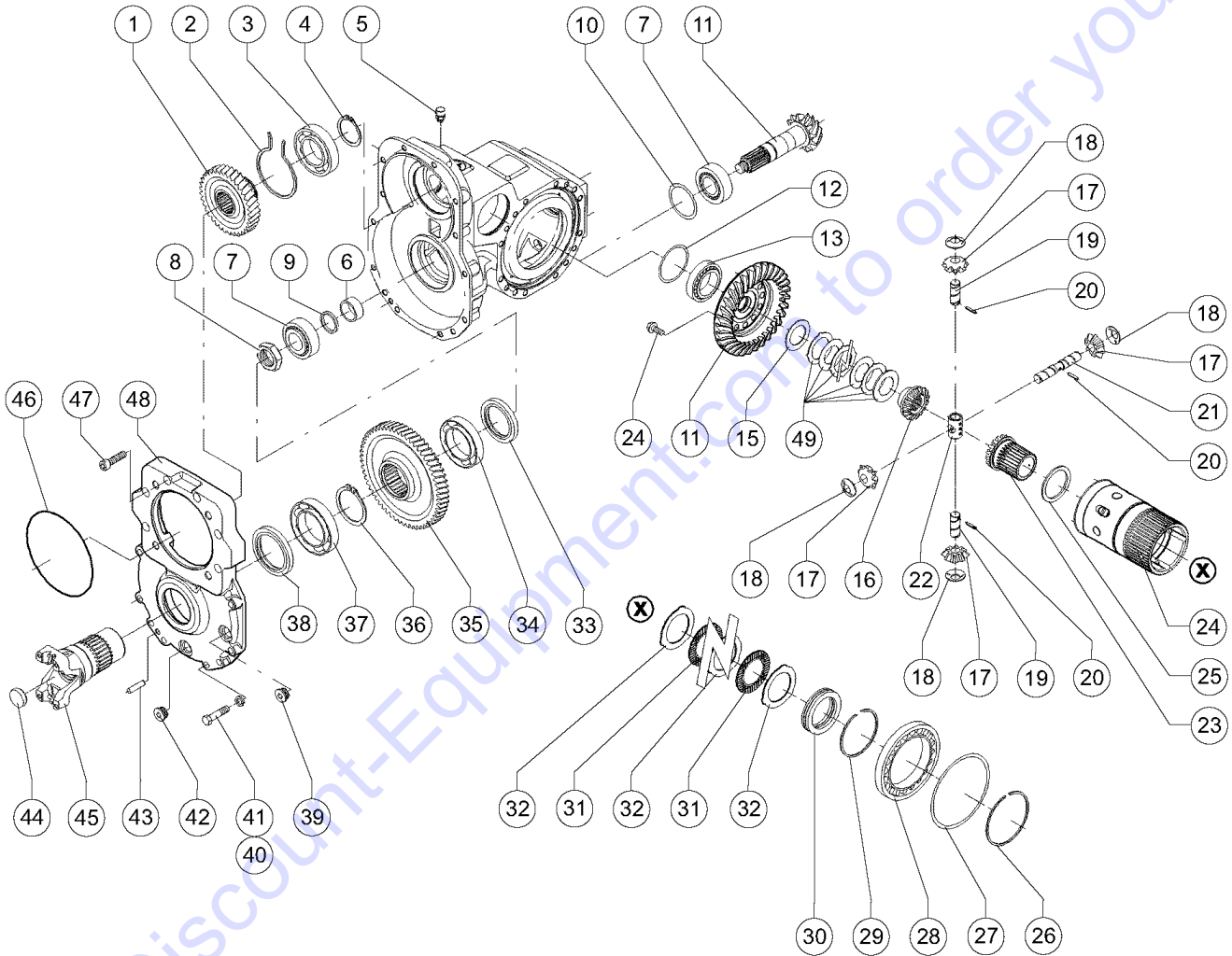


206.1 605509 Front Axle - Differential Case

Item	Part No.	Description	Qty.
1	633204	SNAP RING (CIRCLIP).....	1
2	07.0709.0084	PLUG.....	1
3	07.0709.0747	Magnet Plug.....	1
4	07.0709.0292	HOUSING.....	1

Go to Discount-Equipment.com to order your parts

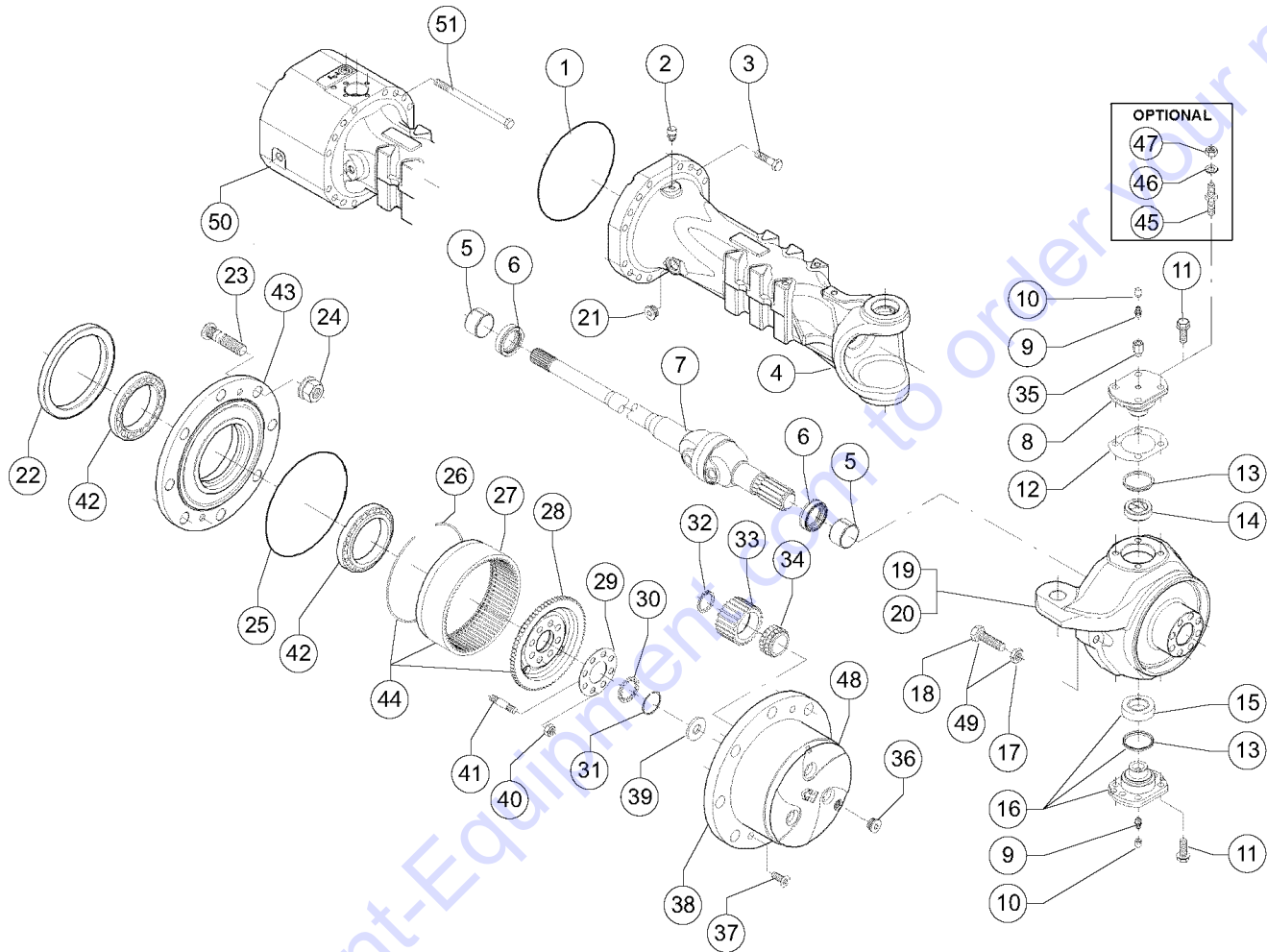
207.1 605510 Front Axle - Differential



207.1 605510 Front Axle - Differential

Item	Part No.	Description	Qty.	Item	Part No.	Description	Qty.
1	07.0709.0293	Gear.....	1	35	07.0709.0313	BEARING.....	1
2	07.0709.0294	SNAP RING	1	36	07.0709.0315	SNAP RING.....	1
3	07.0709.0130	BEARING.....	1	37	634561	BEARING.....	1
4	07.0709.0295	SNAP RING	1	38	07.0709.0316	SEAL.....	1
5	639670	PLUG,BREATHER.....	1	39	07.0709.0274	PLUG.....	1
6	07.0709.0359	Spacer.....	1	40	07.0709.0188	SPRING WASHER.....	8
7	07.0709.0174	Bearing.....	2	41	639830	SCREW, 8.8 HCS 12MM-1.75X50	8
8	07.0709.0296	RING NUT.....	1	42	07.0709.0747	Magnet Plug.....	1
9	07.0709.0245	Ring.....	1	43	639832	DOWEL	1
9	07.0709.0249	RING.....	1	44	07.0709.0317	PLUG.....	1
10	634391	SHIM,THICKNESS.....	1	45	07.0709.0710	Flange.....	1
10	634392	SHIM,THICKNESS.....	1	46	07.0709.0127	O-RING	1
10	634393	SHIM,THICKNESS.....	1	47	07.0709.0134	SCREW, 12.9 SHCS 12-1.75X45....	6
11	07.0709.0709	BEVEL GEAR SET.....	1	48	07.0709.0319	Cover.....	1
12	07.0709.0257	THICKNESS.....	1	49	07.0709.0320	Clutch Disc.....	1
12	07.0709.0258	THICKNESS.....	1				
12	07.0709.0259	THICKNESS.....	1				
12	07.0709.0260	THICKNESS.....	1				
13	633529	BEARING	1				
14	07.0709.0748	DIFFERENTIAL CASE.....	1				
15	633531	WASHER	1				
16	07.0709.0749	Crown Wheel.....	1				
17	633568	PINION GEAR.....	4				
18	633533	WASHER	4				
19	07.0709.0253	Pin.....	2				
20	07.0709.0254	DOWEL	3				
21	07.0709.0255	Pin.....	1				
22	07.0709.0256	STAR WHEEL.....	1				
23	07.0709.0750	Crown Wheel.....	1				
24	07.0709.0751	Screw.....	12				
25	07.0709.0752	Shim Washer.....	1				
26	07.0709.0303	SNAP RING.....	1				
27	07.0709.0309	Shim.....	8				
28	639637	Bearing.....	1				
29	07.0709.0302	Snap Ring.....	1				
30	07.0709.0306	Bearing.....	1				
31	07.0709.0305	CLUTCH DISC.....	1				
32	07.0709.0301	Intermediate Clutch Disc.....	1				
33	07.0709.0306	Bearing.....	1				
34	07.0709.0312	SEAL	1				

208.1 605511 Front Axle - Reduction Gear



49 : Position kit = 17 18

44 : Position kit = 26 27 28

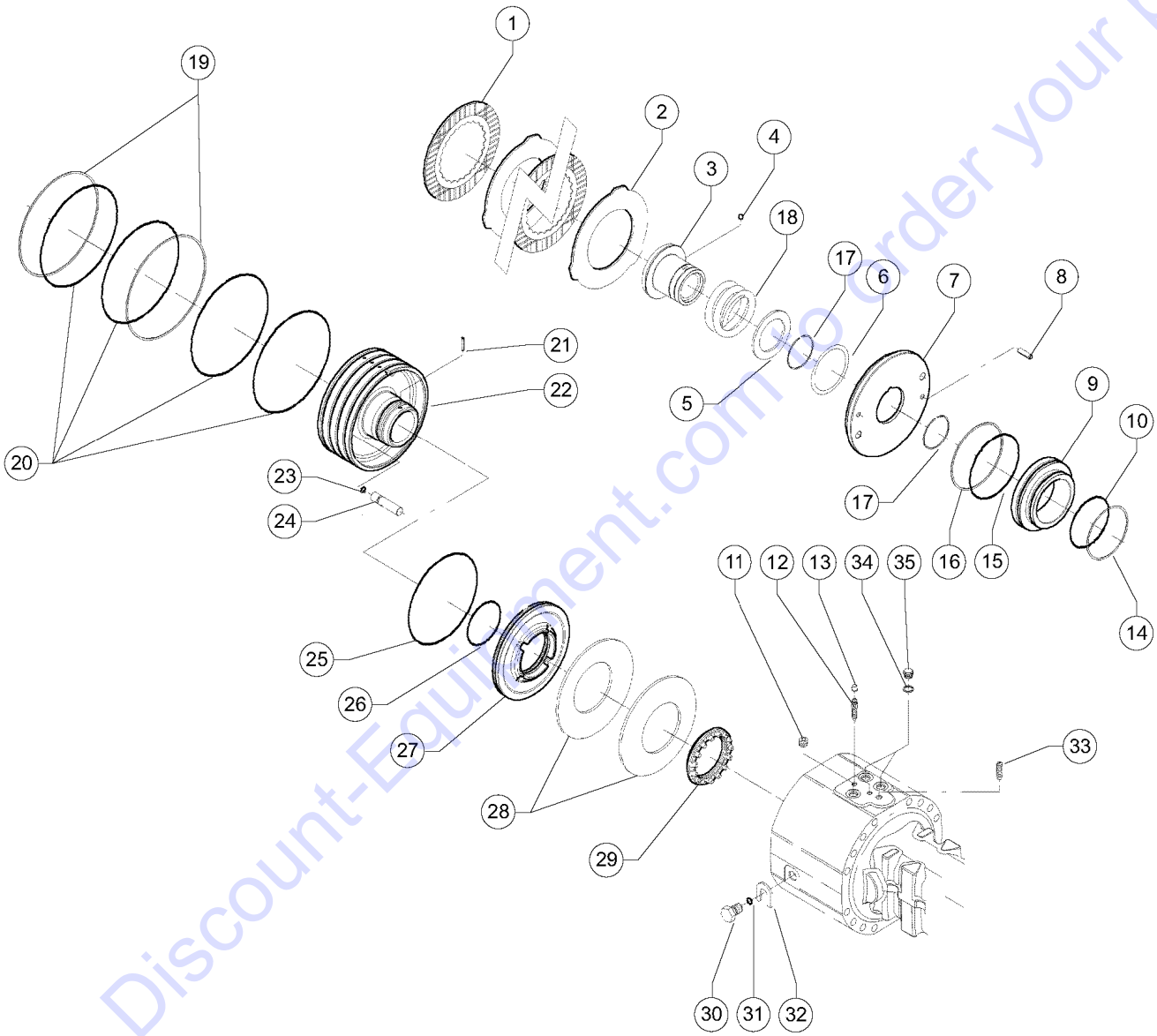
48 : Position kit = 32 33 34 38 39

9 35 : OPTIONAL

208.1 605511 Front Axle - Reduction Gear

Item	Part No.	Description	Qty.	Item	Part No.	Description	Qty.
1	07.0709.0261	SEAL	2	39	07.0709.0279	Shim Washer.....	2
2	639670	PLUG,BREATHER.....	1	40	07.0709.0280	Nut.....	16
3	07.0709.0262	Screw, 10.9HCS 12MM-1.75X50....	16	41	07.0709.0281	Stud.....	16
4	07.0709.0263	ARM.....	1	42	07.0709.0171	Bearing.....	4
5	07.0709.0264	Bushing.....	2	43	07.0709.0282	Wheel Hub.....	2
6	07.0709.0265	Sealing Ring.....	4	44	07.0709.0757	Ring Gear Support.....	2
7	07.0709.0266	Cardan Shaft.....	2	45	07.0709.0119	STUD,DRIVE AXLE.....	8
8	07.0709.0267	Pivot Pin.....	2	46	07.0709.0071	WASHER	8
9	07.0709.0756	Greaser	1	47	07.0709.0070	NUT.....	8
10	638548	PLUG.....	4	48	07.0709.0284	Support.....	2
11	07.0709.0057	SCREW,RING GEAR.....	12	49	07.0709.0365	SCREW,STEERING ADJUST.....	4
12	07.0709.0268	THICKNESS.....	2	50	07.0709.0322	ARM.....	1
12	07.0709.0290	THICKNESS.....	2	51	07.0709.0323	Screw.....	16
12	07.0709.0291	THICKNESS.....	2				
13	07.0709.0269	SEAL	2				
14	07.0709.0753	Bushing.....	2				
15	07.0709.0754	Steering Case.....	2				
16	07.0709.0764	Steering Case.....	2				
17	634546	NUT.....	4				
18	07.0709.0104	SCREW.....	4				
19	07.0709.0272	HOUSING.....	1				
20	07.0709.0273	HOUSING.....	1				
21	07.0709.0274	PLUG.....	1				
22	07.0709.0363	SEAL.....	2				
23	07.0709.0117	WHEEL STUD.....	16				
24	07.0709.0118	Wheel Nut	16				
25	632383	SEAL / DIFFERENTIAL	2				
26	639646	Snap Ring.....	2				
27	639639	RING GEAR	2				
28	07.0709.0275	Ring Gear Support.....	2				
29	07.0709.0276	Safety Sheet.....	2				
30	07.0709.0277	Ring.....	2				
31	07.0709.0278	Circlip.....	2				
32	639641	SNAP RING.....	6				
33	639642	PINION,DIFFERENTIAL.....	6				
34	639643	Bearing	6				
35	07.0709.0758	PIPE FITTING.....	2				
36	07.0709.0113	PLUG.....	2				
37	07.0709.0065	SCREW.....	4				
38	07.0709.0321	PLANET GEAR CARRIER.....	2				

209.1 605512 Front Axle - Brake

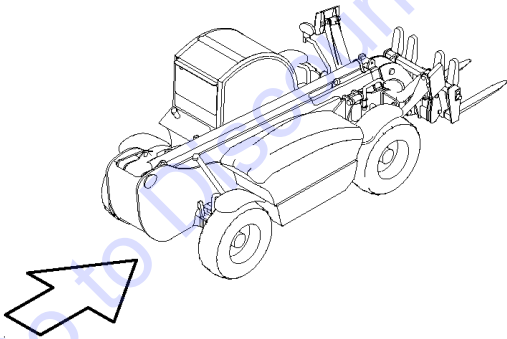
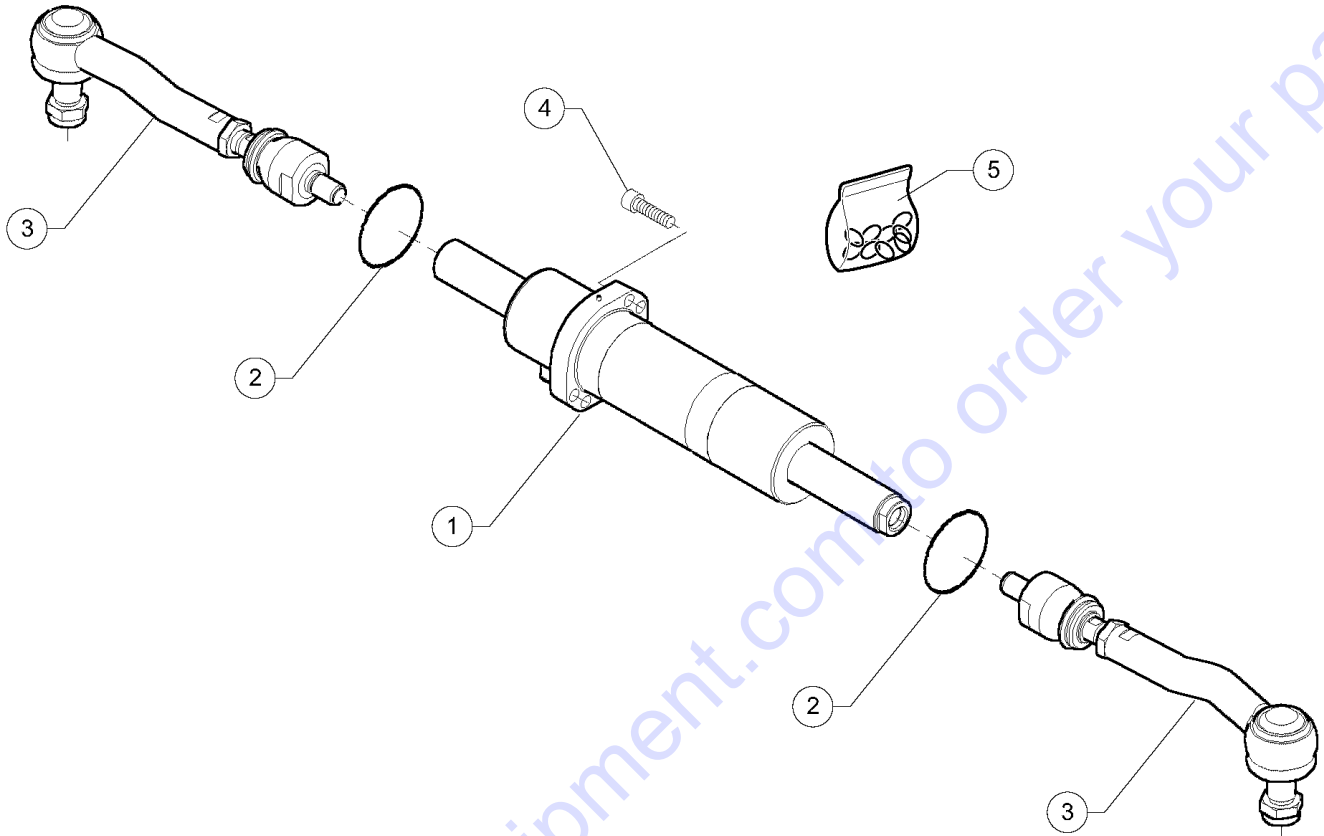


Go to Discount-Equipment.com to order your parts

Item	Part No.	Description	Qty.
1	07.0709.0324	BRAKE DISC.....	6
2	07.0709.0325	Brake Disc Internal.....	6
3	07.0709.0326	BUSHING.....	1
4	07.0709.0327	BALL.....	1
5	07.0709.0328	Spacer.....	1
6	629733	SHIM 0.10MM.....	2
6	629735	SHIM 0.30MM.....	2
6	639327	SHIM 0.40MM.....	2
6	639329	SHIM 0.20MM.....	2
7	07.0709.0329	BRAKE DISC.....	1
8	07.0709.0330	Split Pin.....	2
9	07.0709.0711	Piston.....	1
10	07.0709.0332	SEAL.....	1
11	632070	SCREW.....	1
12	630328	BLEEDER VALVE, LONG	2
13	638548	PLUG.....	2
14	07.0709.0333	Back-up Ring.....	1
15	07.0709.0334	SEAL.....	1
16	07.0709.0335	Back-up Ring.....	1
17	07.0709.0336	Snap Ring.....	2
18	07.0709.0337	Spring.....	1
19	07.0709.0338	Back-Up Ring.....	4
20	07.0709.0339	SEAL.....	4
21	07.0709.0254	DOWEL	1
22	07.0709.0340	Piston.....	1
23	07.0709.0341	O-RING.....	3
24	07.0709.0342	Pin.....	3
25	07.0709.0343	O-Ring.....	1
26	07.0709.0344	O-Ring.....	1
27	07.0709.0345	Piston.....	1
28	07.0709.0346	Spring.....	2
29	07.0709.0347	Ring Nut.....	1
30	07.0709.0712	Screw.....	2
31	07.0709.0034	SEAL.....	2
32	07.0709.0349	Spacer.....	2
33	07.0709.0350	Threaded Grubscrew.....	1
34	07.0709.0351	WASHER.....	2
35	07.0709.0352	SCREW.....	2

Go to www.GenieEquipment.com to order your parts

210.1 605513 Front Axle - Steering Cylinder

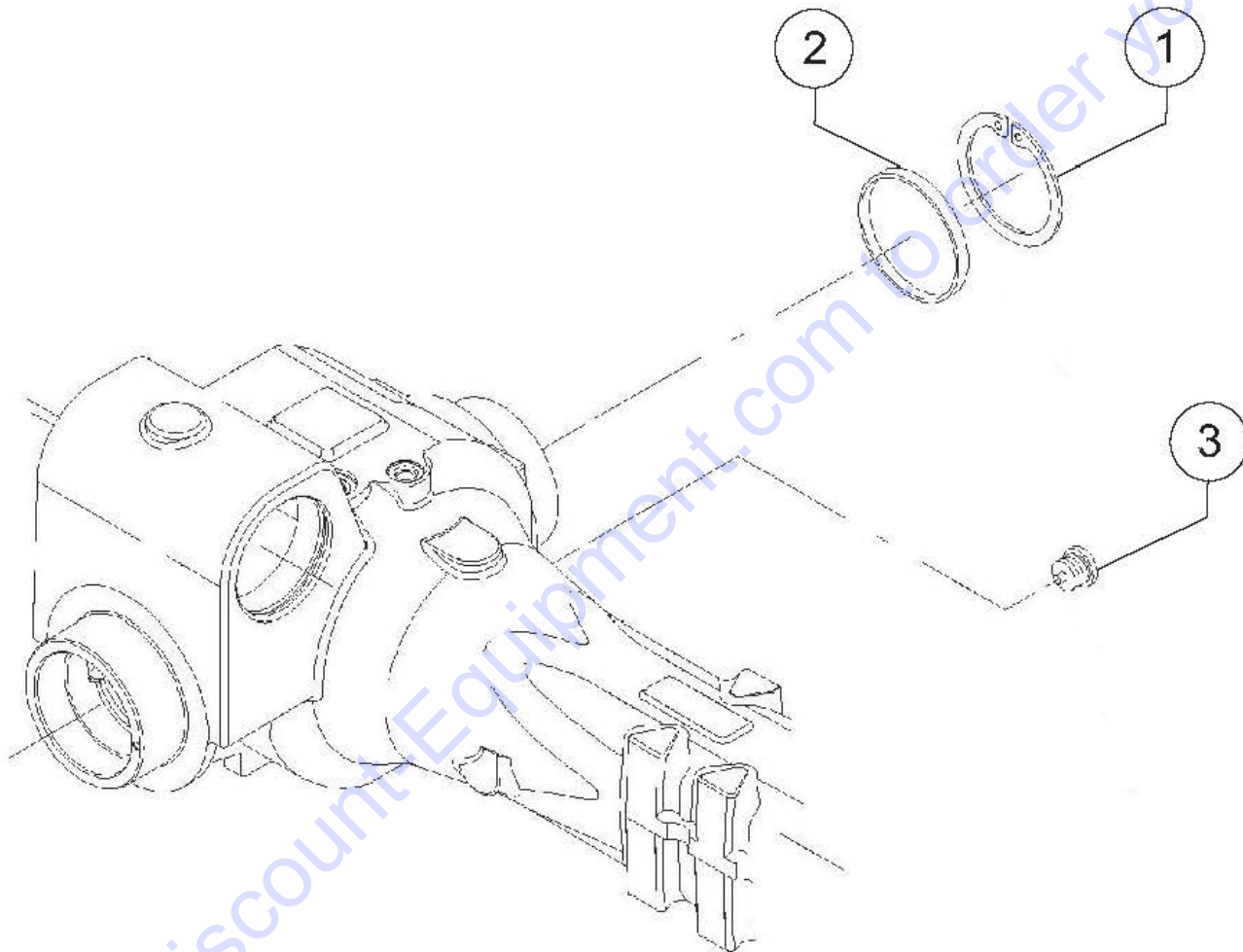


210.1 605513 Front Axle - Steering Cylinder

Item	Part No.	Description	Qty.
1	07.0709.0285	Cylinder.....	1
2	634397	O-RING.....	2
3	07.0709.0286	ARTICULATED TIE ROD.....	2
4	07.0709.0134	SCREW, 12.9 SHCS 12-1.75X45.....	4
5	07.0709.0417	Gasket Kit.....	1

Go to Discount-Equipment.com to order your parts

211.1 605514 Rear Axle - Differential Case

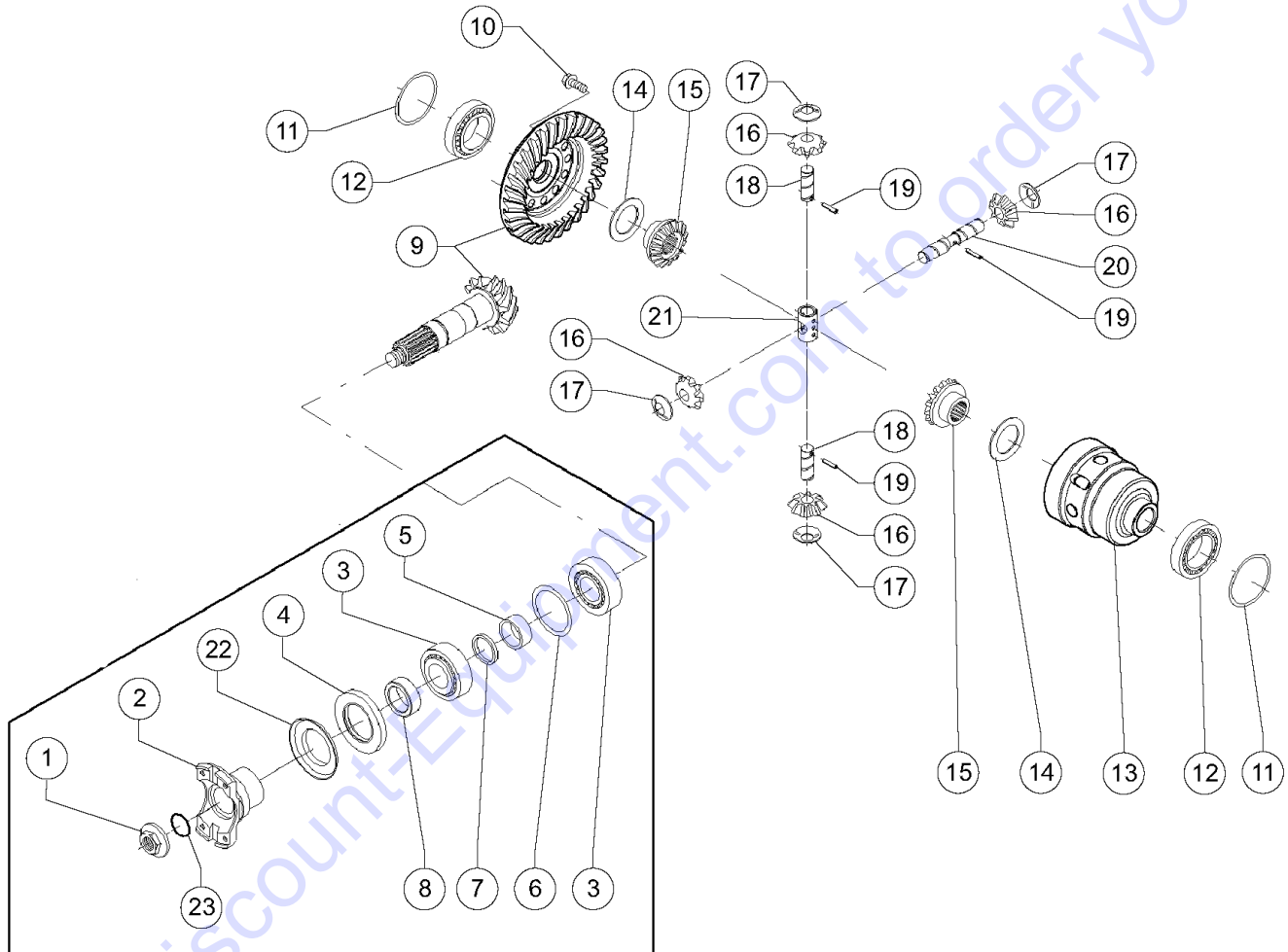


211.1 605514 Rear Axle - Differential Case

Item	Part No.	Description	Qty.
1	633204	SNAP RING (CIRCLIP).....	1
2	07.0709.0084	PLUG.....	1
3	07.0709.0747	Magnet Plug.....	1

Go to Discount-Equipment.com to order your parts

212.1 605515 Rear Axle - Differential

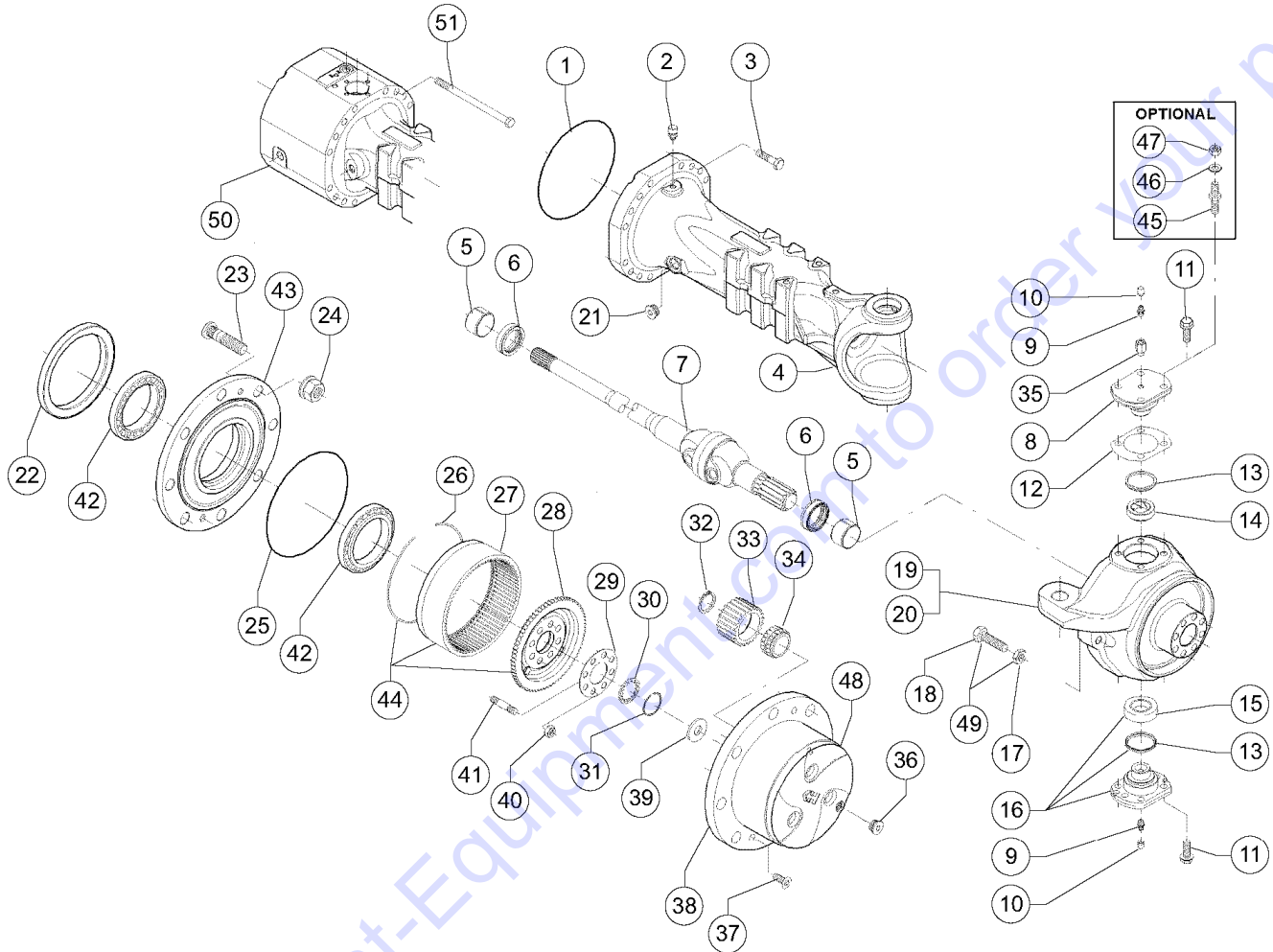


212.1 605515 Rear Axle - Differential

Item	Part No.	Description	Qty.
1	633160	Nut.....	1
2	07.0709.0388	Flange.....	1
3	07.0709.0174	Bearing.....	1
4	633098	SEAL,DIFFERENTIAL	2
5	07.0709.0359	Spacer.....	1
6	634391	SHIM,THICKNESS.....	1
7	07.0709.0245	Ring.....	1
8	634391	SHIM,THICKNESS.....	1
9	07.0709.0760	Bevel Gear.....	1
10	07.0709.0751	Screw.....	12
11	07.0709.0257	THICKNESS.....	2
12	633529	BEARING	2
13	07.0709.0761	DIFFERENTIAL BOX.....	1
14	07.0709.0252	DIFFERENTIAL CASE.....	1
15	07.0709.0762	DIFFERENTIAL PINION.....	2
16	07.0709.0763	Satellite Gear.....	4
17	633533	WASHER	4
18	07.0709.0253	Pin.....	2
19	07.0709.0254	DOWEL	3
20	07.0709.0255	Pin.....	1
21	07.0709.0706	CROSS JOINT.....	1
22	07.0709.0235	Safety Sheet	1
23	633110	O-RING.....	1

Go to Discount-Equipment.com to order your parts

213.1 605516 Rear Axle - Steering Axle



49 : Position kit = 17 18

44 : Position kit = 26 27 28

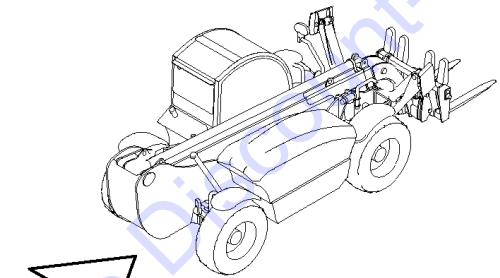
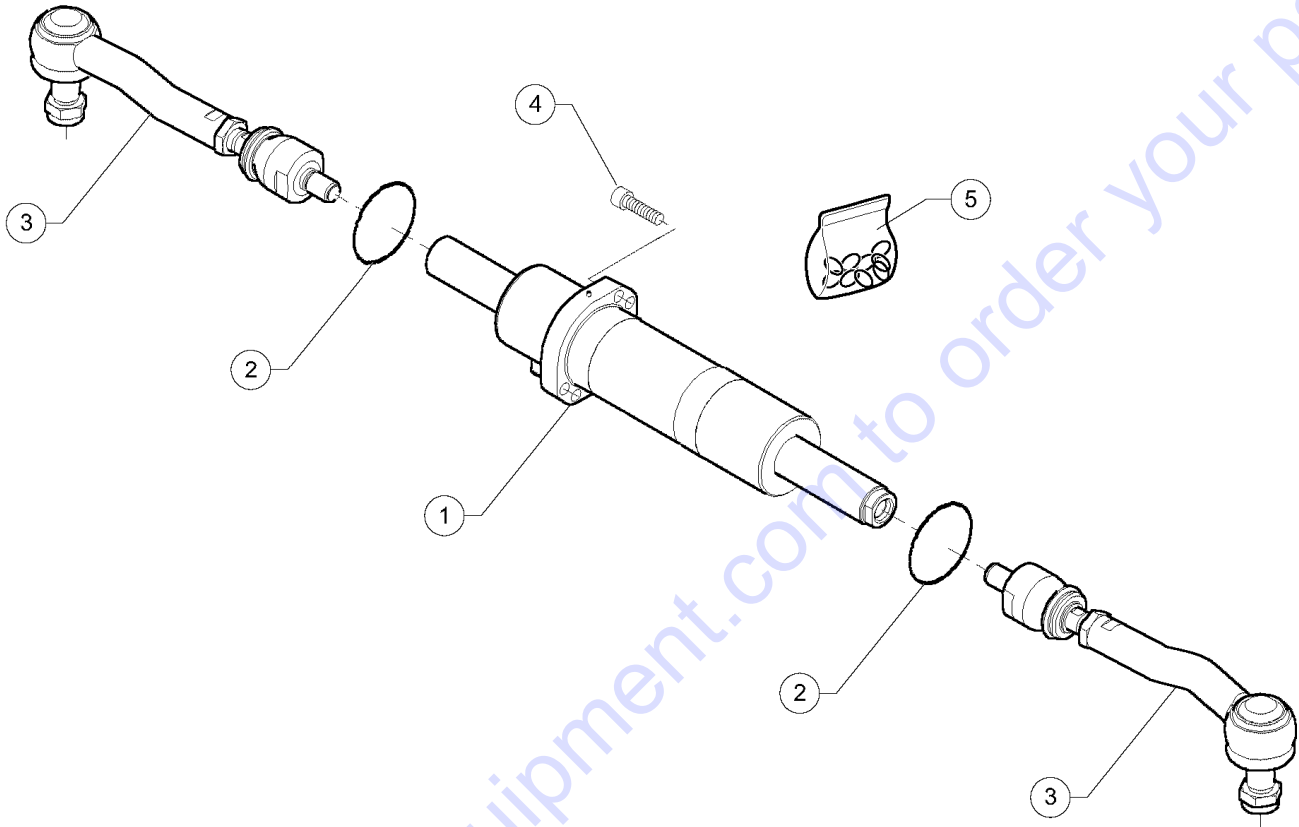
48 : Position kit = 32 33 34 38 39

9 35 : OPTIONAL

213.1 605516 Rear Axle - Steering Axle

Item	Part No.	Description	Qty.	Item	Part No.	Description	Qty.
1	07.0709.0261	SEAL	2	39	07.0709.0279	Shim Washer.....	2
2	639670	PLUG,BREATHER.....	1	40	07.0709.0280	Nut.....	16
3	07.0709.0262	Screw, 10.9HCS 12MM-1.75X50....	16	41	07.0709.0281	Stud.....	16
4	07.0709.0263	ARM.....	1	42	07.0709.0171	Bearing.....	4
5	07.0709.0264	Bushing.....	2	43	07.0709.0282	Wheel Hub.....	2
6	07.0709.0265	Sealing Ring.....	4	44	07.0709.0757	Ring Gear Support.....	2
7	07.0709.0266	Cardan Shaft.....	2	45	07.0709.0119	STUD,DRIVE AXLE.....	8
8	07.0709.0267	Pivot Pin.....	2	46	07.0709.0071	WASHER	8
9	07.0709.0756	Greaser	1	47	07.0709.0070	NUT.....	8
10	638548	PLUG.....	4	48	07.0709.0284	Support.....	2
11	07.0709.0057	SCREW,RING GEAR.....	12	49	07.0709.0365	SCREW,STEERING ADJUST.....	4
12	07.0709.0268	THICKNESS.....	2	50	07.0709.0322	ARM.....	1
12	07.0709.0290	THICKNESS.....	2	51	07.0709.0323	Screw.....	16
12	07.0709.0291	THICKNESS.....	2				
13	07.0709.0269	SEAL	2				
14	07.0709.0753	Bushing.....	2				
15	07.0709.0754	Steering Case.....	2				
16	07.0709.0764	Steering Case.....	2				
17	634546	NUT.....	4				
18	07.0709.0104	SCREW.....	4				
19	07.0709.0272	HOUSING.....	1				
20	07.0709.0273	HOUSING.....	1				
21	07.0709.0274	PLUG.....	1				
22	07.0709.0363	SEAL.....	2				
23	07.0709.0117	WHEEL STUD.....	16				
24	07.0709.0118	Wheel Nut	16				
25	632383	SEAL / DIFFERENTIAL	2				
26	639646	Snap Ring.....	2				
27	639639	RING GEAR	2				
28	07.0709.0275	Ring Gear Support.....	2				
29	07.0709.0276	Safety Sheet.....	2				
30	07.0709.0277	Ring.....	2				
31	07.0709.0278	Circlip.....	2				
32	639641	SNAP RING.....	6				
33	639642	PINION,DIFFERENTIAL.....	6				
34	639643	Bearing	6				
35	07.0709.0758	PIPE FITTING.....	2				
36	07.0709.0113	PLUG.....	2				
37	07.0709.0065	SCREW.....	4				
38	07.0709.0321	PLANET GEAR CARRIER.....	2				

214.1 605517 Rear Axle - Steering Cylinder

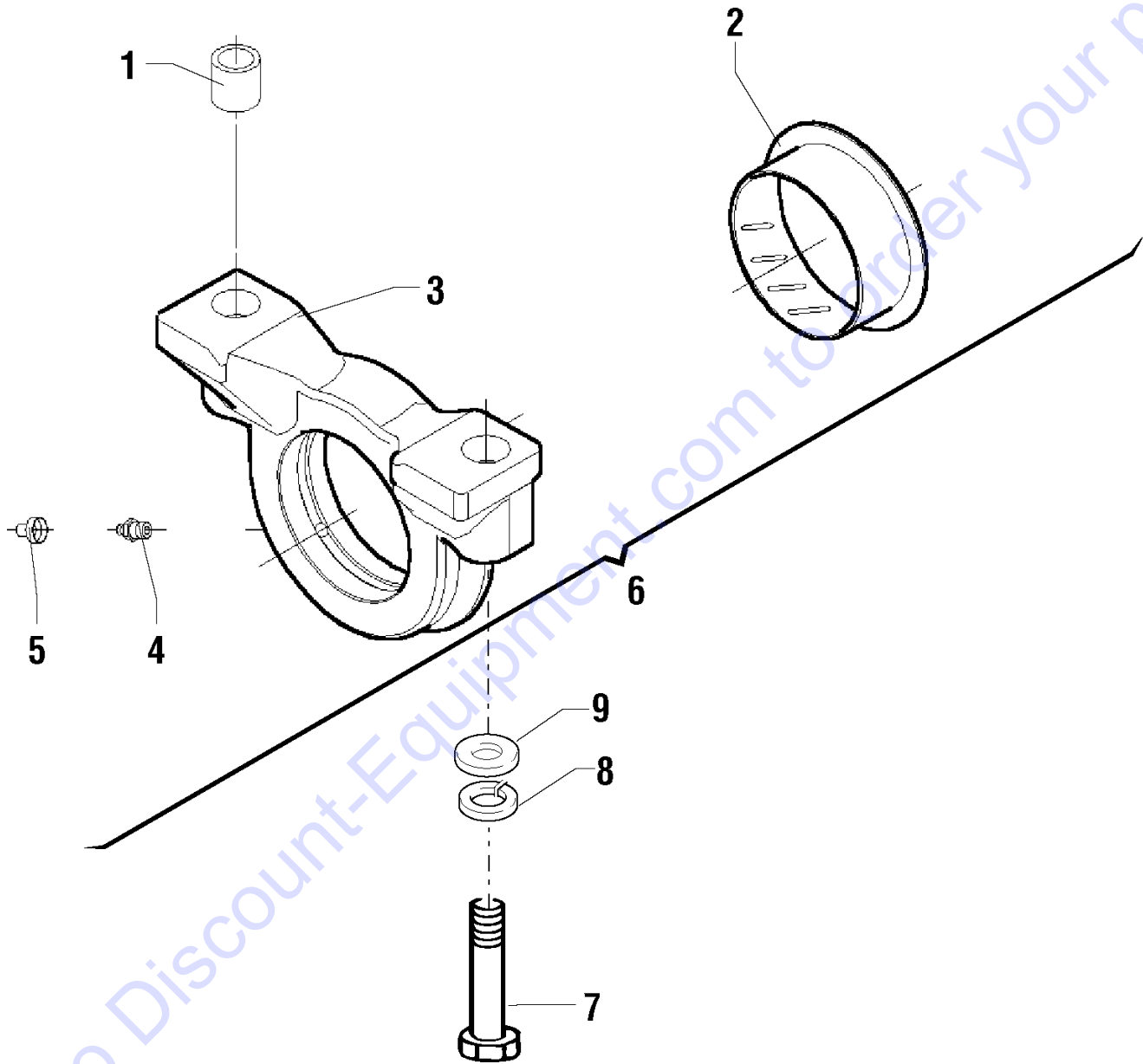


214.1 605517 Rear Axle - Steering Cylinder

Item	Part No.	Description	Qty.
1	07.0709.0285	Cylinder.....	1
2	634397	O-RING.....	2
3	07.0709.0286	ARTICULATED TIE ROD.....	2
4	07.0709.0134	SCREW, 12.9 SHCS 12-1.75X45.....	4
5	07.0709.0417	Gasket Kit.....	1

Go to Discount-Equipment.com to order your parts

215.1 605518 Rear Axle - Coupling Support

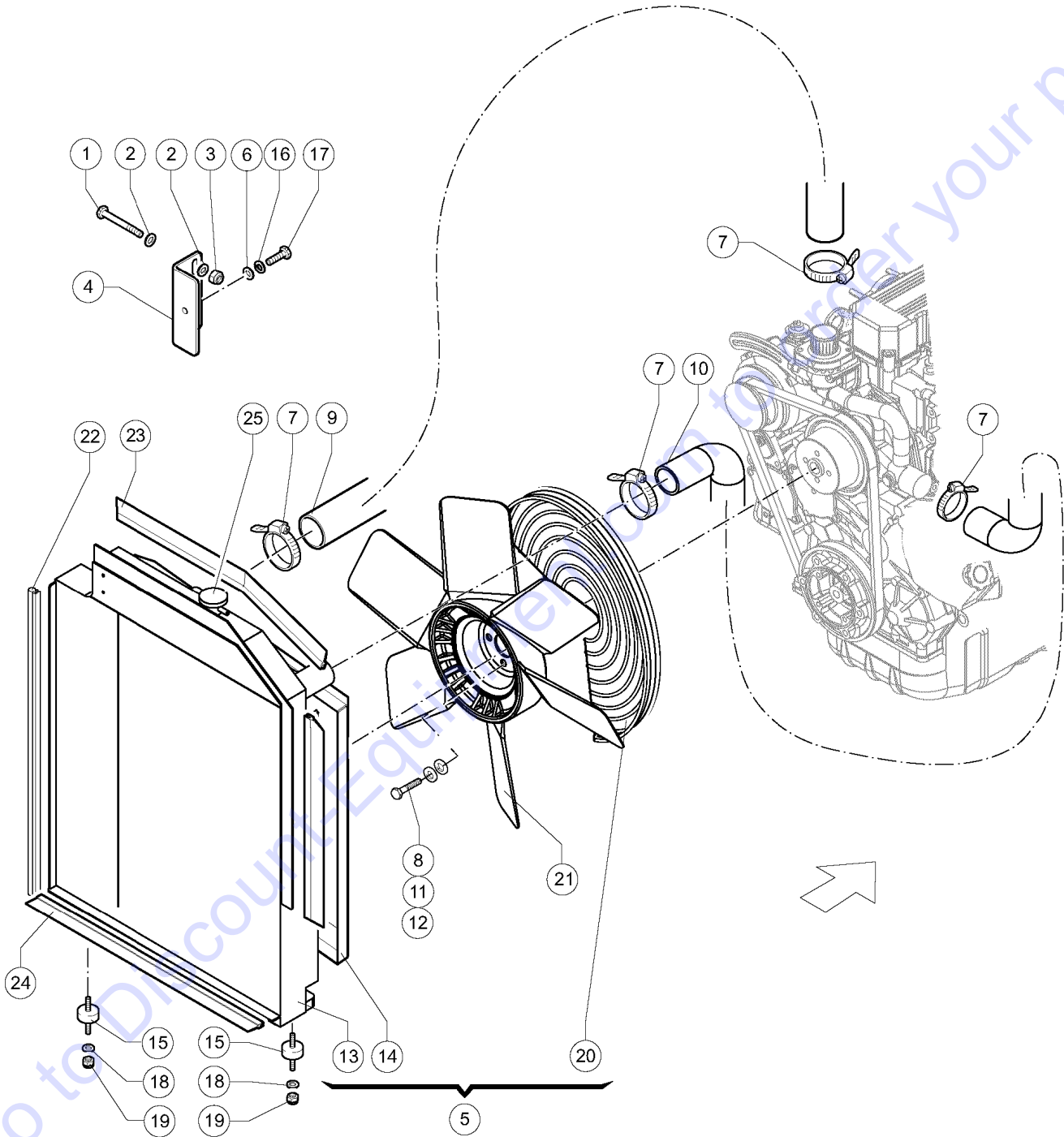


215.1 605518 Rear Axle - Coupling Support

Item	Part No.	Description	Qty.
1	07.0709.0218	BUSHING.....	4
2	07.0709.0287	Bushing.....	2
3	07.0709.0289	SUPPORT	4
4	633176	GREASE ZERK	2
5	638548	PLUG.....	2
6	07.0709.0289	SUPPORT	42
7	01.4001.0009	Screw TE M20X130UNI 5737 10.9ZN.....	4
8	01.4032.0009	Spring Washer D20 ZN	4
9	01.0031.0061	FLAT WASHER D20 UNI 6592 ZN.....	4

Go to Discount-Equipment.com to order your parts

301.1 605519 Diesel Engine - Engine Cooling System

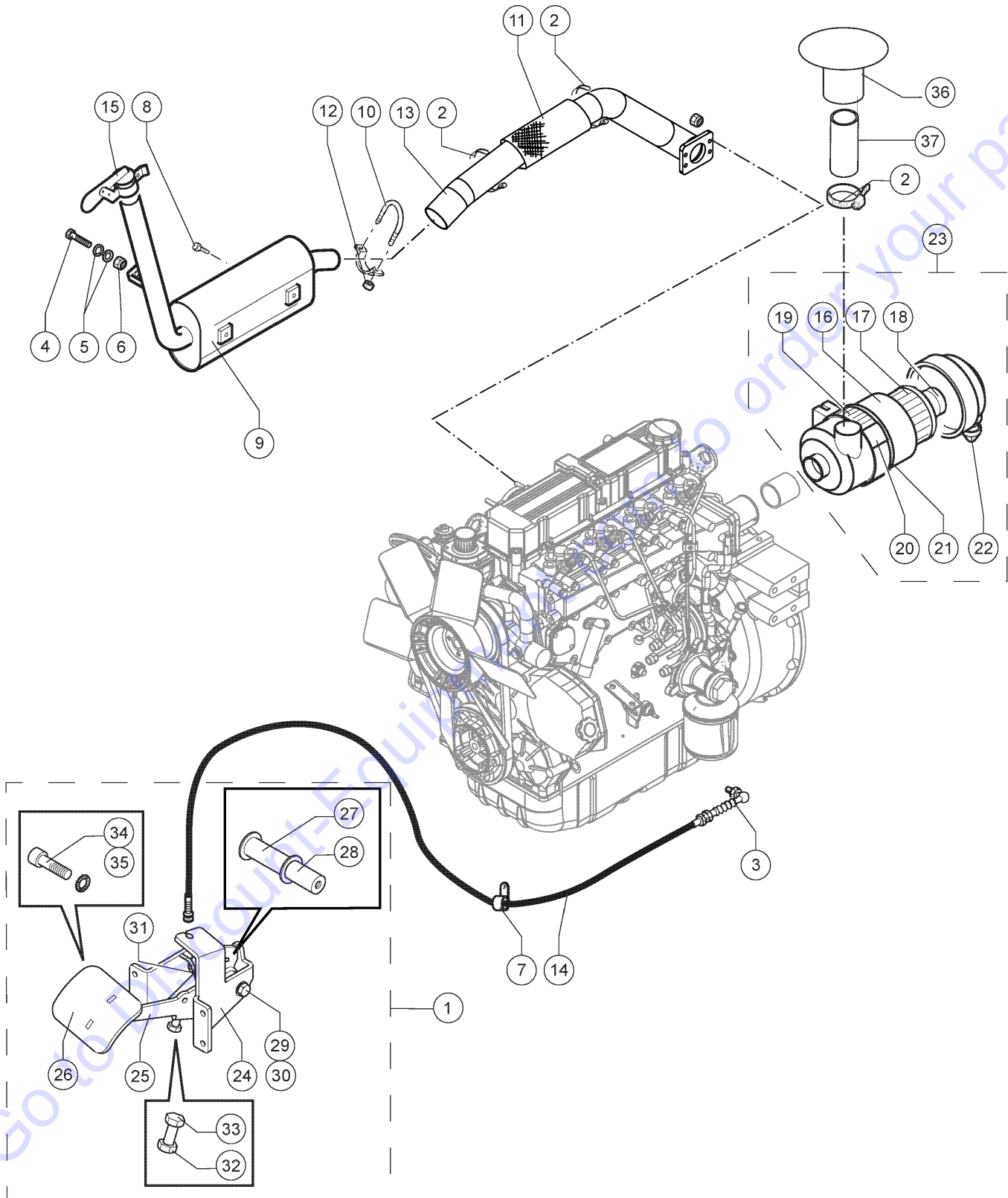


301.1 605519 Diesel Engine - Engine Cooling System

Item	Part No.	Description	Qty.
1	01.0001.1465	SCREW M8X40 UNI 5739 8.8 ZN....1	
2	01.4031.0004	FLAT WASHER D8X32 UNI 6593 ZN.....2	
3	01.0023.0054	NUT,M8 UNI 7473 6S ZN.....1	
4	51.0810.4100	SUPPORT,RADIATOR.....1	
5	53.3200.0043	Combined Oil/Water Radiator.....1	
6	01.4032.0003	SPRING WASHER D 8 ZN.....2	
7	04.0227.0067	Clamp DN 50/70 LG12.....4	
8	01.0001.0254	SCREW M8X20 UNI 5739 8.8 ZN....1	
9	53.3001.5400	HOSE.....1	
10	53.3001.5500	HOSE.....1	
11	01.4032.0003	SPRING WASHER D 8 ZN.....1	
12	01.0031.0055	FLAT WASHER D8 UNI 6592 ZN....1	
13	07.0712.0101	Radiator Core.....1	
14	07.0712.0102	AIR CONVEYOR (RADIATOR SHROUD).....1	
15	09.4670.0002	VIBRATION DAMPING.....1	
16	01.0031.0055	FLAT WASHER D8 UNI 6592 ZN....2	
17	01.0001.0256	SCREW M8X25 UNI 5739 8.8 ZN....2	
18	01.0031.0301	FLAT WASHER D10 UNI 6593 ZN1	
19	01.0023.0055	NUT, NYLOCK, M 10 UNI 7473 6S ZN.....1	
20	07.0712.0103	Fan Guard Grid.....1	
21	07.0712.0048	Fan.....1	
22	09.0803.0245	GASKET.....0.70-meter	
23	09.0803.0245	GASKET.....1.09-meter	
24	09.0803.0245	GASKET.....0.60-meter	
25	07.0712.0104	Radiator Cap.....1	

Go to DiscountEquipment.com to order your parts

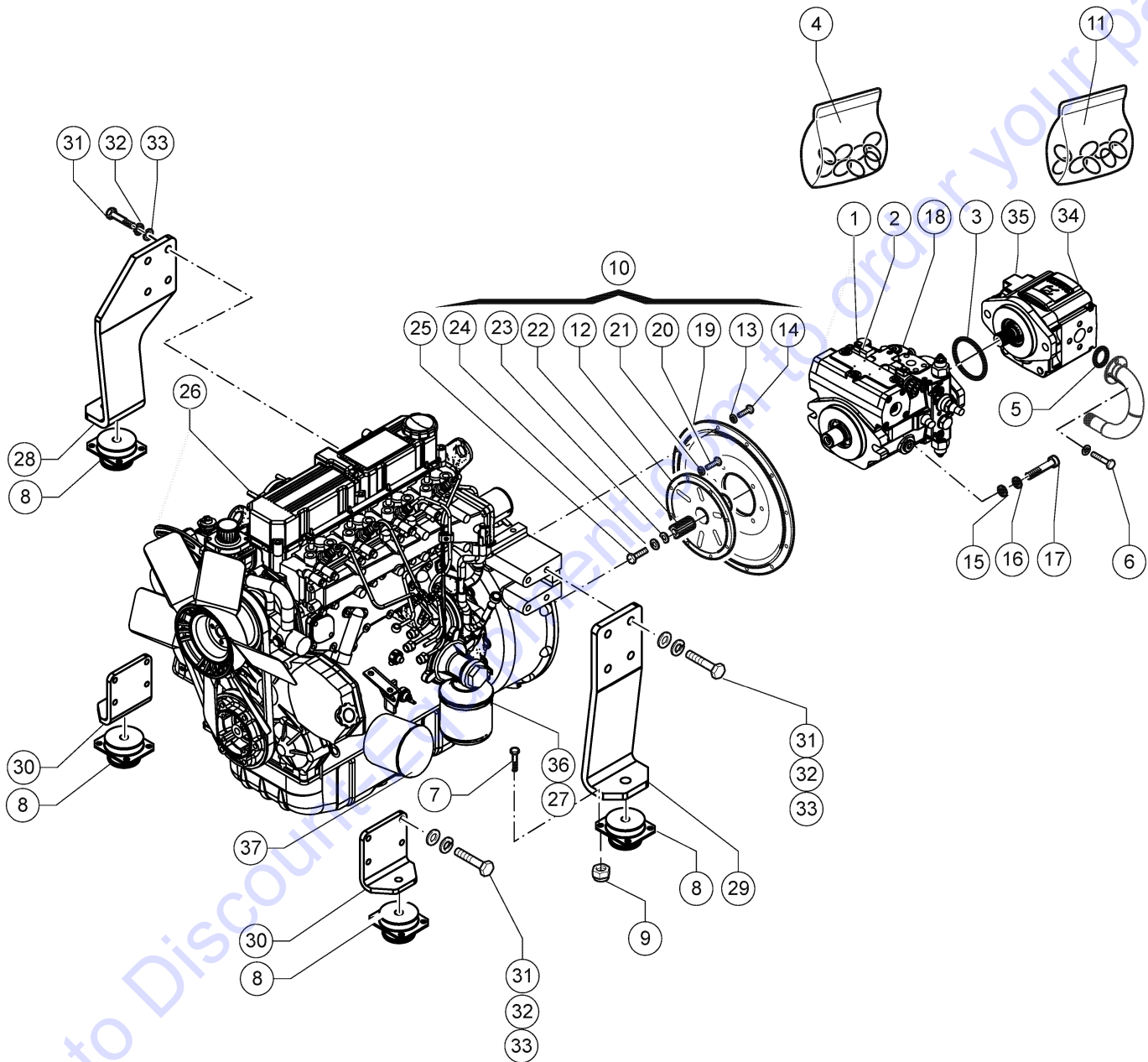
302.1 605520 Diesel Engine - Exhaust System - Injection - Accelerator



302.1 605520 Diesel Engine - Exhaust System - Injection - Accelerator

Item	Part No.	Description	Qty.
1	09.4656.0012	Complete Throttle Pedal.....	1
2	04.0227.0067	Clamp DN 50/70 LG12.....	7
3	09.0803.0008	JOINT D6.....	1
4	01.0001.0357	SCREW,TE,M10X35 UNI 8.8 ZN....	1
5	01.0031.0056	WASHER,D10 UNI 6592 ZN.....	2
6	01.0023.0055	NUT, NYLOCK, M 10 UNI 7473 6S ZN.....	1
7	04.4227.0007	CLAMP S16 D32 HOLE 8.4.....	5
8	01.0001.0356	SCREW,TE,M10X30 UNI 8.8 ZN....	2
9	53.3100.0034	Muffler.....	1
10	09.0803.0347	CLAMP 64-67 M8.....	1
11	09.0803.0259	Screening.....	1
12	01.0023.0053	STOP NUT M6 UNI 7473 6S ZN....	1
13	53.3001.5000	Stainless Steel Exhaust Pipe.....	1
14	09.4645.0030	Throttle Cable.....	1
15	09.0803.0027	Muffler Cap.....	1
16	07.0700.0038	Filter Body.....	1
17	07.0700.0037	Main Air Filter Element.....	1
18	07.0700.0036	Secondary Air Filter Element.....	1
19	07.0700.0032	Bracket.....	1
20	07.0700.0033	Compression Spring.....	2
21	07.0700.0034	Ring.....	1
22	07.0700.0035	Output Valve.....	1
23	09.4604.0052	Air Filter Assembly.....	1
24	07.0730.0051	Pedal Support.....	1
25	07.0730.0052	Pedal.....	1
26	07.0730.0053	Removable Pedal.....	1
27	07.0730.0054	Bushing.....	2
28	07.0730.0055	Pedal Pin.....	1
29	01.0001.0252	SCREW M8X16 UNI 5739 8.8 ZN....	2
30	07.0730.0056	Crinkle Washer UNI 8840.....	2
31	07.0730.0057	Twist Spring.....	1
32	01.0001.0257	SCREW M8X30 UNI 5739 8.8 ZN....	1
33	07.0730.0058	Nut 8MA Slim UNI 4035.....	1
34	01.0003.0205	SCREW M8X25 UNI 5931 8.8 ZN....	1
35	01.0031.0055	FLAT WASHER D8 UNI 6592 ZN....	1
36	09.4604.0055	AIR FILTER CAP.....	1
37	09.0805.0094	Connecting Sleeve.....	1

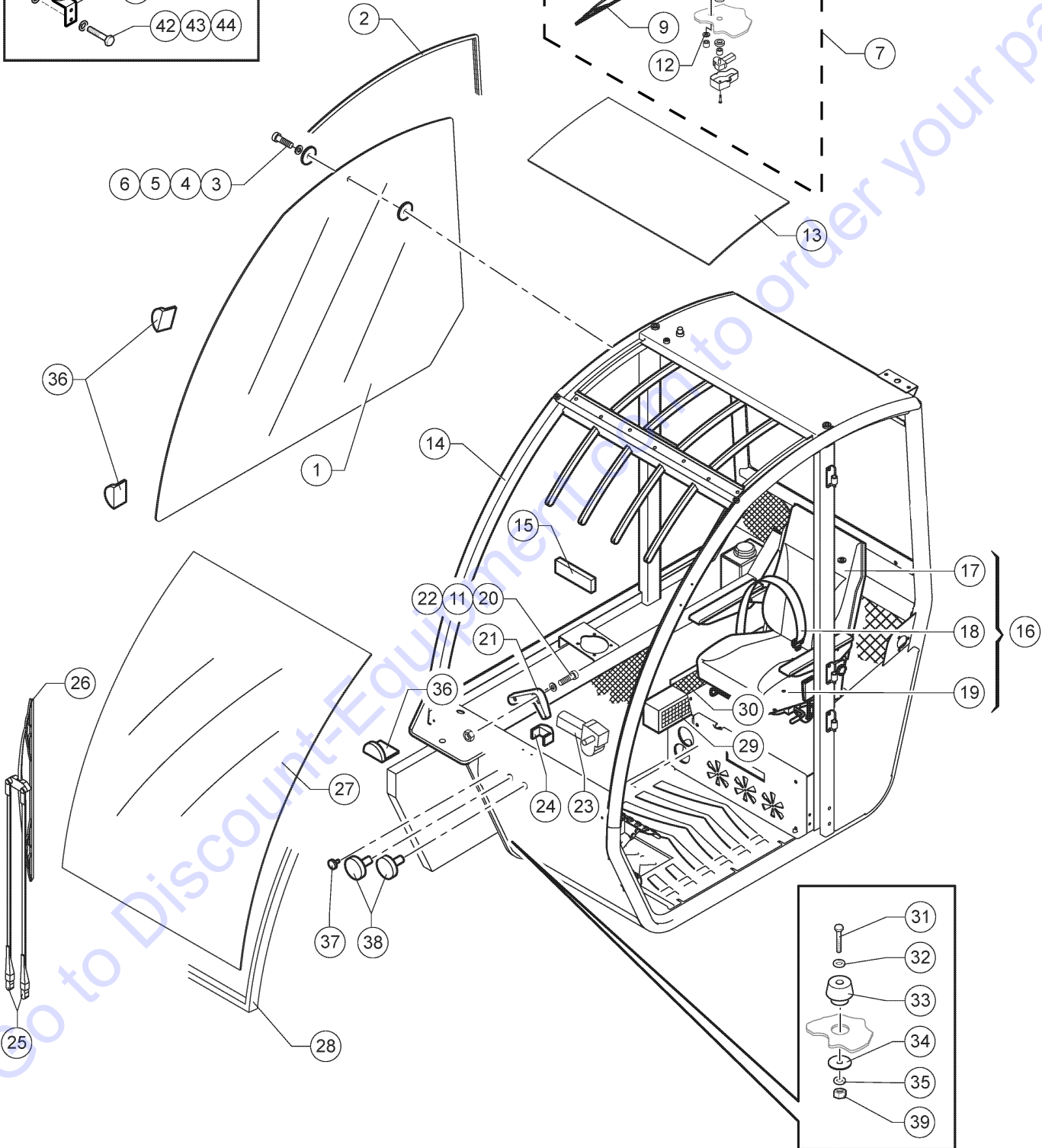
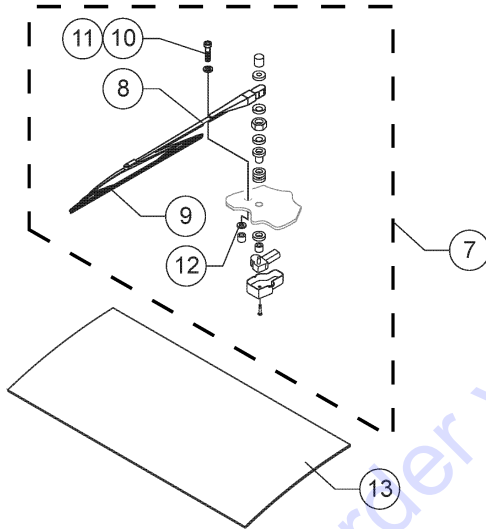
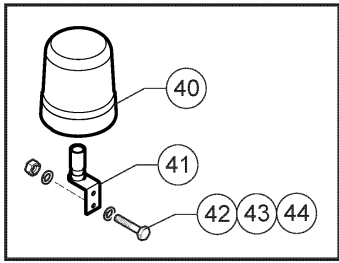
303.1 605521 Diesel Engine - Hydraulic Pumps



303.1 605521 Diesel Engine - Hydraulic Pumps

Item	Part No.	Description	Qty.	Item	Part No.	Description	Qty.
1	07.0701.0007	SOLENOID (07.0701.0290).....	2	35	07.0722.0053	VALVE,LOAD SENSE.....	1
2	07.0701.0209	SOLENOID VALVE	1	36	07.4501.0139	Diesel Fuel Filter.....	1
3	07.0701.0211	O-RING,R909154589 REXROTH.....	1	37	101613	ELEMENT,OIL FILTER,PERKINS***	1
4	07.0701.0200	SEAL KIT.....	1				
5	06.0401.0123	O-RING.....	1				
6	01.0003.0255	SCREW M10X25 UNI 5931 8.8 ZN.....	4				
7	01.0001.0356	SCREW,TE,M10X30 UNI 8.8 ZN...16					
8	09.4670.0004	VIBRATION DAMPING.....	4				
9	01.0023.0055	NUT, NYLOCK, M 10 UNI 7473 6S ZN.....	16				
10	09.0804.0100	Joint Engine/Pump.....	1				
11	07.4529.0112	SEAL KIT.....	1				
12	641124	Elastic Joint.....	1				
13	01.4032.0004	SPRING WASHER D10 ZN.....	8				
14	01.0001.0356	SCREW,TE,M10X30 UNI 8.8 ZN....	8				
15	01.0031.0099	FLAT WASHER D16 UNI 5714 ZN.....	2				
16	01.4032.0007	SPRING WASHER D16 ZN.....	2				
17	01.0003.0405	SCREW,TCEI,M16X50,UNI5931,8.8Z.2					
18	04.4238.0058	PUMP A4VG56G 5519.....	1				
19	07.0713.0051	Housing.....	1				
20	01.0001.0356	SCREW,TE,M10X30 UNI 8.8 ZN....	8				
21	01.0032.0055	Spring Washer D10 UNI 1751 ZN...8					
22	634981	Pump Hub.....	1				
23	999058	Washer.....	1				
24	01.0032.0057	Spring Washer D14 UNI 1751 ZN...1					
25	01.0001.0357	SCREW,TE,M10X35 UNI 8.8 ZN....	1				
26	09.4601.0049	Diesel Engine.....	1				
27	07.0501.0029	Diesel Fuel Filter Element.....	1				
28	51.0810.0900	Engine Support Left Flywheel Side.....	1				
29	51.0810.1000	Engine Support Right Side TELELIFT 2506.....	1				
30	51.0809.8900	Engine Support Fan Side.....	2				
31	01.0001.0506	SCREW M12X30 UNI 5739 8.8 ZN.....	16				
32	01.0031.0059	FLAT WASHER D16 UNI 6592 ZN.....	16				
33	01.4032.0007	SPRING WASHER D16 ZN.....	16				
34	04.4238.0059	HYDRAULIC PUMP KP 30-27DO-A5K9.....	1				

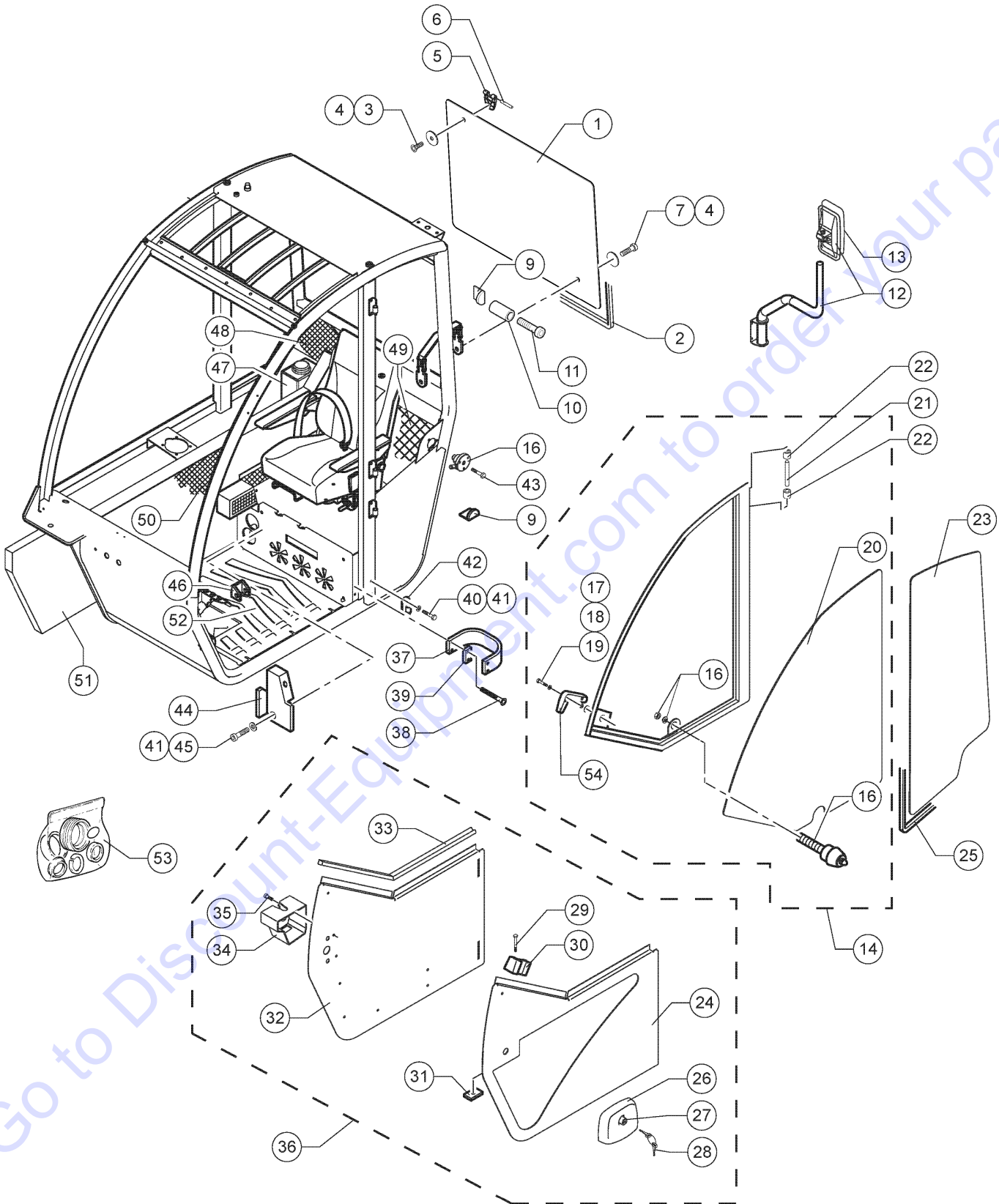
401.1 605522 Closed Cabin, View 1



401.1 605522 Closed Cabin, View 1

Item	Part No.	Description	Qty.	Item	Part No.	Description	Qty.
1	07.0723.0165	RIGHT SIDE GLASS	1	38	07.0723.0054	RUBBER PLUG D25.....	2
2	07.0723.0174	SEAL.....162-Inch.		39	01.0023.0058	STOP NUT M16 UNI 7473 6S ZN....	4
3	07.0723.0169	Screw TSPEI M8x40.....	2	40	56.0010.0005	Flashing Beacon.....	1
4	07.0723.0114	Nylon Washer.....	16	41	07.0723.0485	Flashing Beacon Bracket.....	1
5	07.0723.0096	RUBBER.....	2	42	01.0001.0254	SCREW M8X20 UNI 5739 8.8 ZN....	2
6	07.0723.0059	Rubber Cap D37xH12xD8.....	2	43	01.0031.0055	FLAT WASHER D8 UNI 6592 ZN....	4
7	58.1800.3300	REAR WINDSCREEN WIPER KIT...1		44	01.0023.0054	NUT,M8 UNI 7473 6S ZN.....	2
8	07.0723.0036	WIPER ARM.....	1				
9	07.0723.0446	WINDSCREEN WIPER BRUSH	1				
10	07.0723.0444	SCREW,TPEI,M8X30.....	2				
11	07.0723.0134	PLAIN WASHER.....	20				
12	07.0723.0223	Rubber.....	2				
13	07.0723.0168	Upper Glass.....	1				
14	51.1100.0020	Cab Structure.....	1				
15	07.0723.0142	LEVEL GAUGE.....	1				
16	09.4610.0024	Seat, Non Suspension.....	1				
17	07.0703.0508	SEAT, CUSHION BACK	1				
18	09.4610.0027	BELT,SEAT A5073.104	1				
19	07.0703.0509	SEAT,BOTTOM CUSHION.....	1				
20	07.0723.0133	Screw TSPEI M8X70.....	1				
21	641019	HANDLE.....	2				
22	07.0723.0135	NUT.....	1				
23	07.0723.0221	WIPER MOTOR.....	1				
23	07.0723.0229	SWITCH.....	1				
24	641024	STOP.....	2				
25	07.0723.0450	Windscreen Wiper Arm.....	1				
26	07.0723.0037	WIPER BLADE.....	1				
27	07.0723.0219	Front Side Glass.....	1				
28	07.0723.0190	SEAL.....150-Inch.					
29	07.0723.0149	FILTER	1				
30	07.0723.0454	COATING.....	1				
31	01.0001.0659	Screw TE M16X100 UNI 5737 8.8 ZN.....	4				
32	54.0100.0002	WASHER D70/16, SP 8.....	4				
33	07.0723.0004	INSULATOR.....	4				
34	54.0100.0017	WASHER, ZN, D70/16, SP 4.....	4				
35	01.4031.0001	WASHER,CHMFRD,D16,UNI 6593,ZN.....	4				
36	641042	GLASS STOP.....	16				
37	07.0723.0055	RUBBER PLUG D.10.....	1				

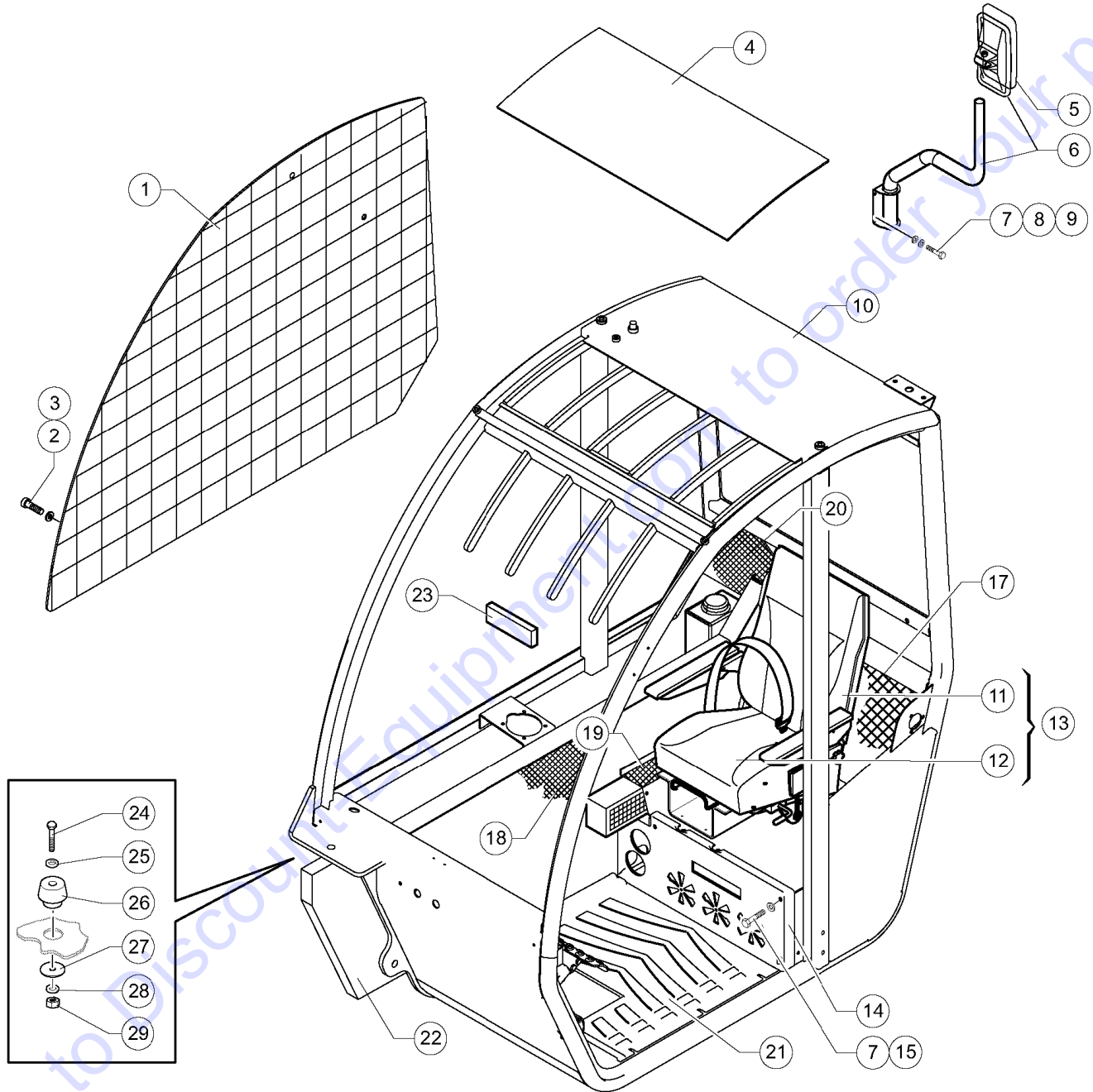
402.1 605523 Closed Cabin, View 2



402.1 605523 Closed Cabin, View 2

Item	Part No.	Description	Qty.	Item	Part No.	Description	Qty.
1	07.0723.0163	REAR GLASS.....	1	36	07.0723.0448	LOWER DOOR ASSY GTH5519 ****	1
2	130163	WEATHERSTRIP,DOUBLE BULB.....	110-Inch.	37	07.0723.0461	BELT, DOOR ASSY GTH5519.....	1
3	07.0723.0176	SCREW,TSPEI M8X25.....	2	38	07.0723.0075	Screw TSPEI M6X16 UNI 5933.....	4
4	07.0723.0114	Nylon Washer.....	16	39	07.0723.0419	PLATE, BELT RETAINING 5519.....	2
5	07.0723.0155	HINGE.....	2	40	07.0723.0175	SCREW, M6X20 DIN 933 YZ HCS.....	8
6	07.0723.0161	PIN.....	2	41	07.0723.0076	Plain Washer D6x18	14
7	07.0723.0441	SCREW,TCEI M5X50	2	42	07.0723.0672	HINGE.....	4
8	07.0723.0434	TOGGLE LEVER,COMPLETE.....	2	43	07.0723.0185	SCREW, M6X30DIN933 YZ HCS.....	3
9	641042	GLASS STOP.....	16	44	07.0723.0455	COVER, AIR FILTER.....	1
10	07.0723.0236	STOP PAD.....	2	45	07.0723.0090	BALL-GRIP	1
11	07.0723.0237	SCREW,M10-1.5X90 12.9 SHCS.....	1	46	640995	CLIP.....	1
12	07.0723.0024	MIRROR W/BRACKET, SINGLE	1	47	641004	TANK, WIPER W/ PUMP	1
13	07.0723.0042	Mirror.....	1	48	07.0723.0452	Cover.....	1
14	07.0723.0684	UPPER DOOR FRAME WITH GLASS	1	49	07.0723.0451	Cover.....	1
15	07.0723.0425	UPPER DOOR FRAME.....	1	50	07.0723.0453	Cover.....	1
16	07.0723.0144	DOOR STOP KIT.....	1	51	07.0723.0456	External Sound Proofing Panel.....	1
17	07.0723.0429	CRINKLE WASHER,DM.10.....	1	52	07.0723.0097	Mat.....	1
18	07.0723.0428	WASHER,D10X20.....	2	53	07.0723.0351	HINGE KIT, 5519.....	1
19	01.0001.0252	SCREW M8X16 UNI 5739 8.8 ZN....	2	54	641019	HANDLE.....	2
20	07.0723.0426	UPPER DOOR GLASS GTH5519....	1				
21	07.0723.0410	PIN,8X85	4				
22	07.0723.0345	BUSHING.....	8				
23	07.0723.0166	LEFT SIDE GLASS.....	1				
24	07.0723.0423	LOWER DOOR/ GTH5519.....	1				
		(steel)					
25	07.0723.0152	SEAL (1 PIECE = 3 METERS).....	110-Inch.				
26	07.0723.0156	HANDLE.....	1				
27	07.0723.0188	KEY SWITCH WITH 2 KEYS.....	1				
28	07.0723.0045	KEY	1				
29	07.0723.0421	SCREW,TCB+M6X35.....	4				
30	641024	STOP.....	2				
31	07.0723.0172	Plate.....	1				
32	07.0723.0420	DOOR COATING, 5519 LOWER DOOR.....	1				
33	07.0723.0183	GASKET.....	1				
34	07.0723.0157	HANDLE, INTERNAL DOOR.....	1				
35	07.0723.0057	SCREW,M6-1.0X20MM FHSCS ZP	3				

403.1 605524 Open Cabin, View 3



PARTS FINDER

**Search Website
by Part Number**



**Search Manual
Library For Parts
Manual & Lookup Part
Numbers – Purchase
or Request Quote**

Search Manuals

Enter your information to help us find the right parts manual for your machine.

* Brand:

* Model:

* Serial:

* Part Number:

SEARCH

**Can't Find Part or
Manual? Request Help
by Manufacturer,
Model & Description**

Parts Order Form

Please fill in the following information to help us find the right part for your machine.

Manufacturer:	<input type="text"/>
Model:	<input type="text"/>
Description:	<input type="text"/>
Part Number:	<input type="text"/>
Quantity:	<input type="text"/>
Notes:	<input type="text"/>

Submit

Discount-Equipment.com is your online resource for quality parts & equipment.

Florida: **561-964-4949** Outside Florida TOLL FREE: **877-690-3101**

Need parts?

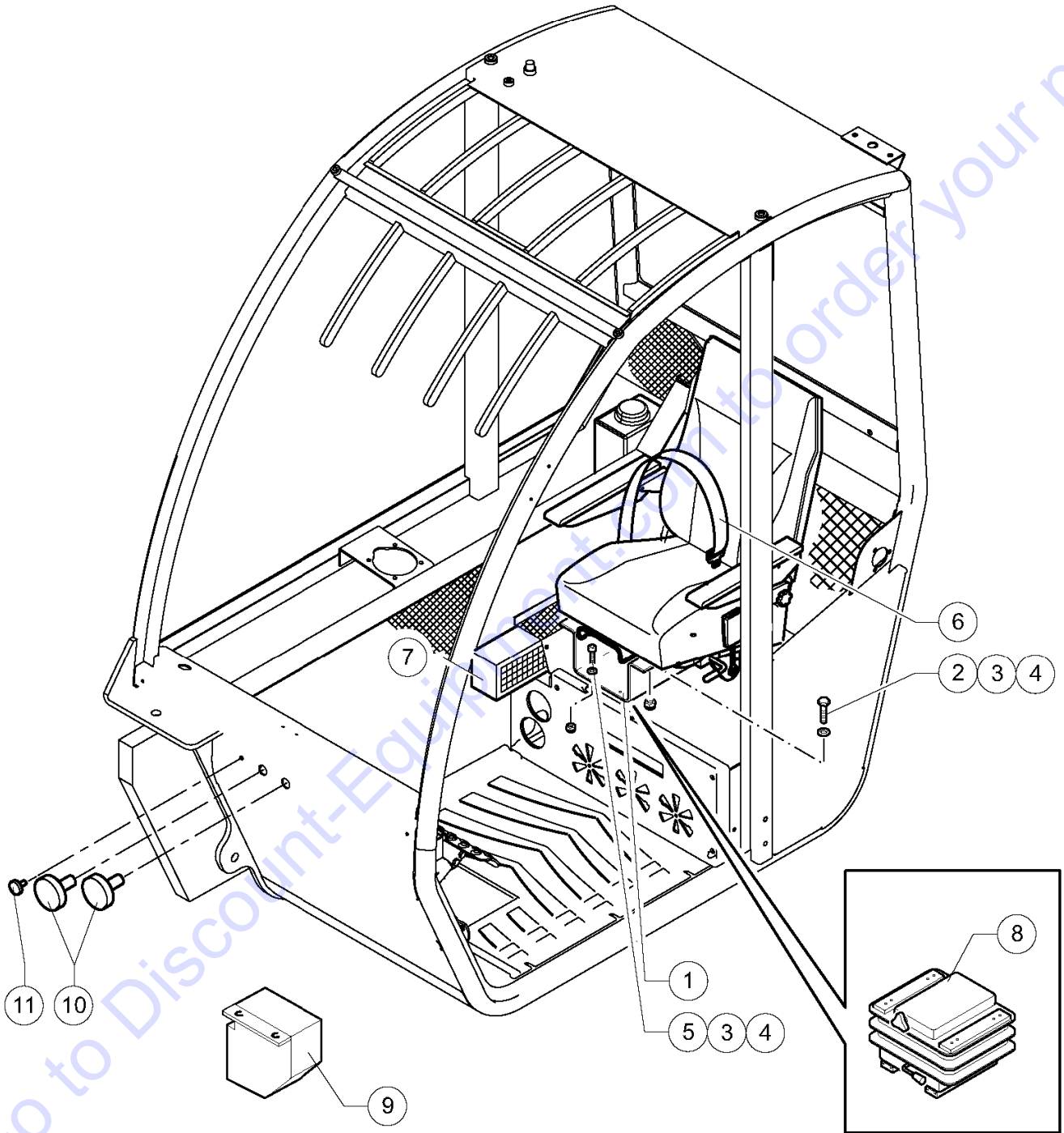
Click on this link: <http://www.discount-equipment.com/category/5443-parts/> and choose one of the options to help get the right parts and equipment you are looking for. Please have the machine model and serial number available in order to help us get you the correct parts. If you don't find the part on the website or on one of the online manuals, please fill out the request form and one of our experienced staff members will get back to you with a quote for the right part that your machine needs.

We sell worldwide for the brands: Genie, Terex, JLG, MultiQuip, Mikasa, Essick, Whiteman, Mayco, Toro Stone, Diamond Products, Generac Magnum, Airman, Haulotte, Barreto, Power Blanket, Nifty Lift, Atlas Copco, Chicago Pneumatic, Allmand, Miller Curber, Skyjack, Lull, Skytrak, Tsurumi, Husquvarna Target, Stow, Wacker, Sakai, Mi-T-M, Sullair, Basic, Dynapac, MBW, Weber, Bartell, Bennar Newman, Haulotte, Ditch Runner, Menegotti, Morrison, Contec, Buddy, Crown, Edco, Wyco, Bomag, Laymor, EZ Trench, Bil-Jax, F.S. Curtis, Gehl Pavers, Heli, Honda, ICS/PowerGrit, IHI, Partner, Imer, Clipper, MMD, Koshin, Rice, CH&E, General Equipment, Amida, Coleman, NAC, Gradall, Square Shooter, Kent, Stanley, Tamco, Toku, Hatz, Kohler, Robin, Wisconsin, Northrock, Oztec, Toker TK, Rol-Air, APT, Wylie, Ingersoll Rand / Doosan, Innovatech, Con X, Ammann, Mecalac, Makinex, Smith Surface Prep, Small Line, Wanco, Yanmar

Item	Part No.	Description	Qty.
1	07.0723.0198	Right Side Grid.....	1
2	07.0723.0039	SCREW,PPH SMS 10X3/4ZAKEG.....	19
3	07.0723.0074	WASHER.....	19
4	07.0723.0168	Upper Glass.....	1
5	07.0723.0042	Mirror.....	1
6	07.0723.0024	MIRROR W/BRACKET, SINGLE	1
7	07.0723.0040	Screw TCB 1BG3223.....	2
8	07.0723.0111	Washer.....	2
9	07.0723.0173	Washer D6X12MM.....	2
10	51.1100.0020	Cab Structure.....	1
11	07.0703.0508	SEAT, CUSHION BACK	1
12	07.0703.0509	SEAT,BOTTOM CUSHION.....	1
13	09.4610.0024	Seat, Non Suspension.....	1
14	07.0723.0214	Lock.....	1
15	07.0723.0076	Plain Washer D6x18	4
16	07.0723.0215	PLUG.....	8
17	07.0723.0451	Cover.....	1
18	07.0723.0453	Cover.....	1
19	07.0723.0454	COATING.....	1
20	07.0723.0452	Cover.....	1
21	07.0723.0097	Mat.....	1
22	07.0723.0456	External Sound Proofing Panel.....	1
23	07.0723.0142	LEVEL GAUGE.....	1
24	01.0001.0659	Screw TE M16X100 UNI 5737 8.8 ZN.....	4
25	54.0100.0002	WASHER D70/16, SP 8.....	4
26	07.0723.0004	INSULATOR.....	4
27	54.0100.0017	WASHER, ZN, D70/16, SP 4.....	4
28	01.4031.0001	WASHER,CHMFRD,D16,UNI 6593,ZN.....	4
29	01.0023.0058	STOP NUT M16 UNI 7473 6S ZN....	4

Go to DrummondEquipment.com to order your parts

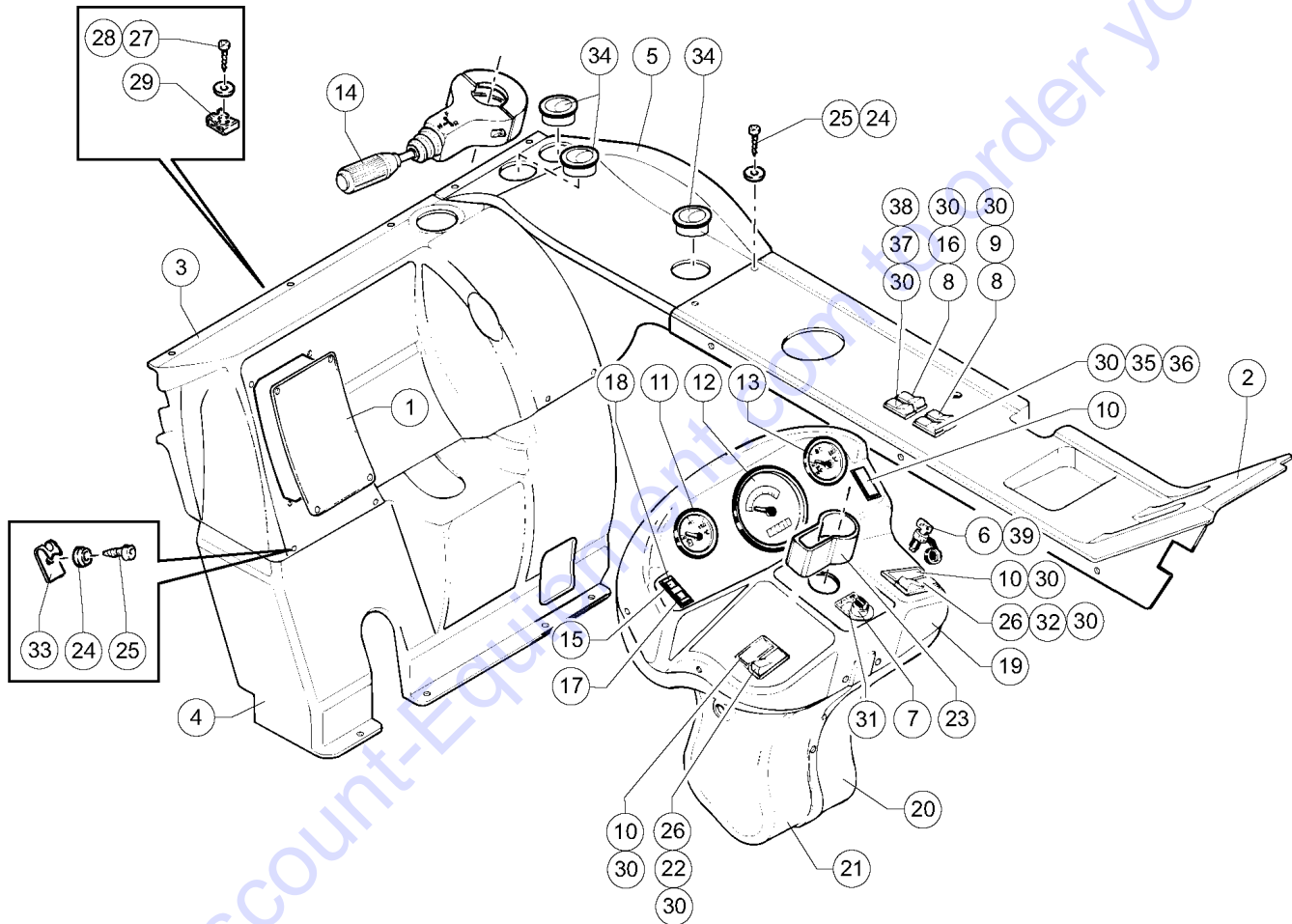
404.1 605525 Open Cabin, View 4



Item	Part No.	Description	Qty.
1	07.0723.0352	Seat Support.....	1
2	01.0001.0010	SCREW, M 8X20 UNI 5739 8.8 ZN.....	4
3	01.0031.0299	FLAT WASHER D8 UNI 6593.....	8
4	01.0023.0064	STOP NUT.....	8
5	01.0003.0944	Screw Tcei M 8X30 UNI 5931 8.8Zn.....	4
6	09.4610.0027	BELT,SEAT A5073.104	1
7	07.0723.0149	FILTER	1
8	09.4610.0025	SHOCK ABSORBER, SEAT.....	1
9	07.0723.0217	GUARD.....	1
10	07.0723.0054	RUBBER PLUG D25.....	2
11	07.0723.0055	RUBBER PLUG D.10.....	1

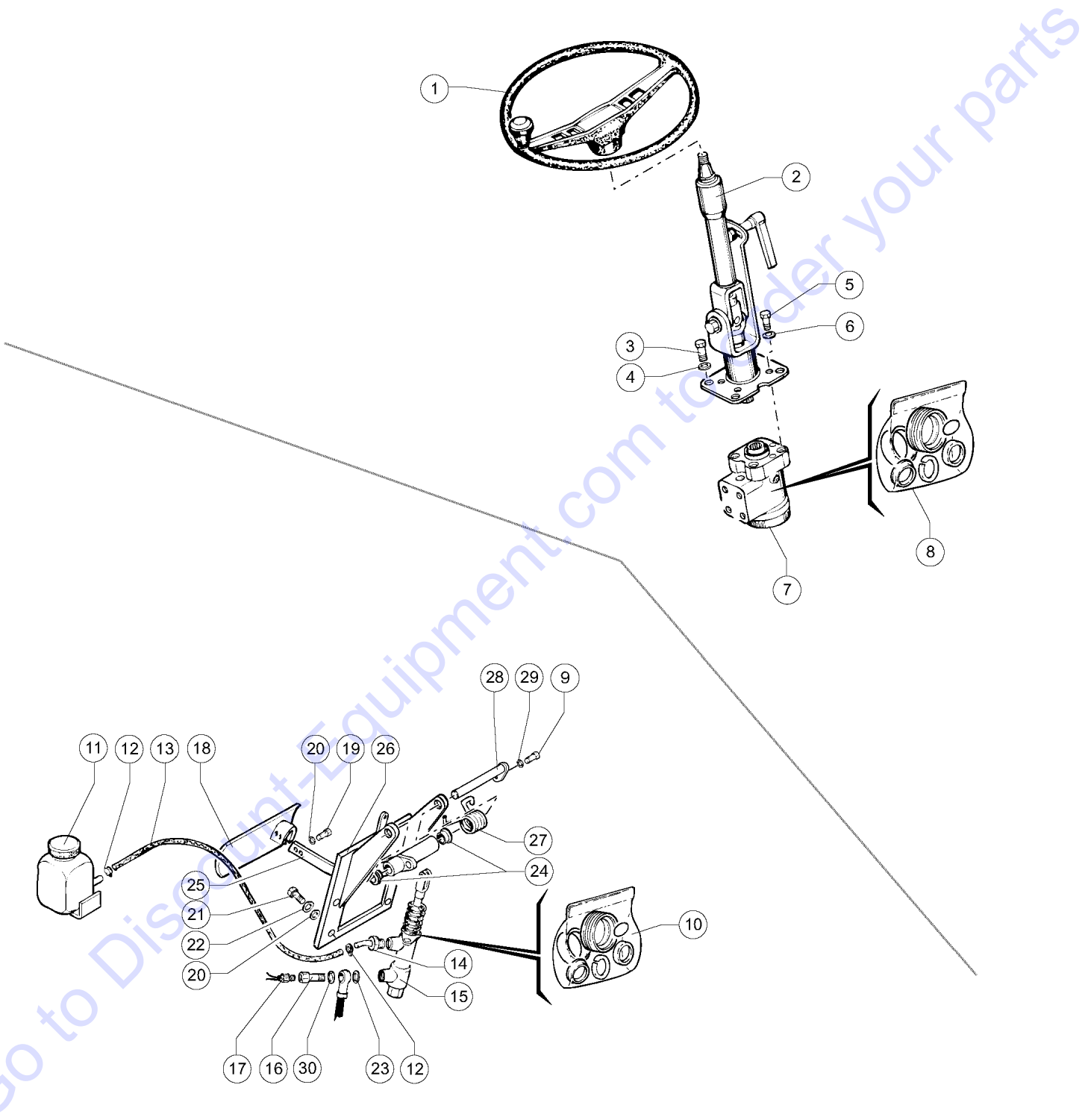
Go to Discount-Equipment.com to order your parts

405.1 605526 Dashboard



Item	Part No.	Description	Qty.	Item	Part No.	Description	Qty.
1	52.1200.1100	DASH, PANEL COVER.....	1	38	07.0703.0088	SWITCH.....	1
2	52.1200.0700	DASHBOARD.....	1	39	56.0017.0015	KEY ONLY (1 PAIR).....	1
3	52.1200.3900	DASHBOARD.....	1				
4	52.1200.4300	Lower Front Dashboard.....	1				
5	52.1200.3700	DASHBOARD.....	1				
6	07.0703.0472	Starting Switch.....	1				
7	641065	SWITCH,STEER SELECTOR.....	1				
8	07.0703.0087	Switch.....	2				
9	07.0703.0455	COVER,PARK BRAKE/RED.....	1				
10	07.0703.0089	PLUG.....	2				
11	56.0016.0073	GAUGE, HYDRAULIC OIL TEMP, 5519.....	1				
12	641053	DISPLAY, GAUGES.....	1				
13	56.0012.0049	Water Temperature Gauge.....	1				
14	07.0703.0479	SPEED LEVER.....	1				
15	07.0703.0458	COVER,TOGGLE SWITCH PREHEATING.....	1				
16	07.0703.0075	SWITCH COVER, CONTINUOUS FLOW.....	1				
17	07.0703.0459	COVER,TOGGLE SWITCH.....	1				
18	07.0703.0457	PILOT LIGHT.....	1				
19	640495	Dashboard.....	1				
20	640496	DASHBOARD,RIGHT SIDE.....	1				
21	640497	LEFT SIDE, DASHBOARD.....	1				
22	07.0703.0477	SWITCH,LOCK COVER.....	1				
23	07.0703.0056	GUARD.....	1				
24	07.0723.0074	WASHER.....	18				
25	07.0723.0039	SCREW,PPH SMS 10X3/4ZAKEG.....	18				
26	07.0703.0476	SWITCH/2 POS. MOMENTARY.....	3				
27	07.0723.0039	SCREW,PPH SMS 10X3/4ZAKEG.....	5				
28	07.0723.0074	WASHER.....	5				
29	07.0723.0104	RETAINER.....	5				
30	07.0703.0052	TANK FOR 2 POSITION SWITCH...8					
31	07.0703.0113	NAME PLATE.....	1				
32	07.0703.0474	SWITCH COVER-HORN.....	1				
33	07.0723.0104	RETAINER.....	1				
34	640987	Air Inlet + Frame.....	3				
36	07.0703.0610	SWITCH UPPER.....	1				
37	07.0703.0077	SWITCH,COVER,FAN/GREEN.....	1				

406.1 605527 Steering and Brake Components

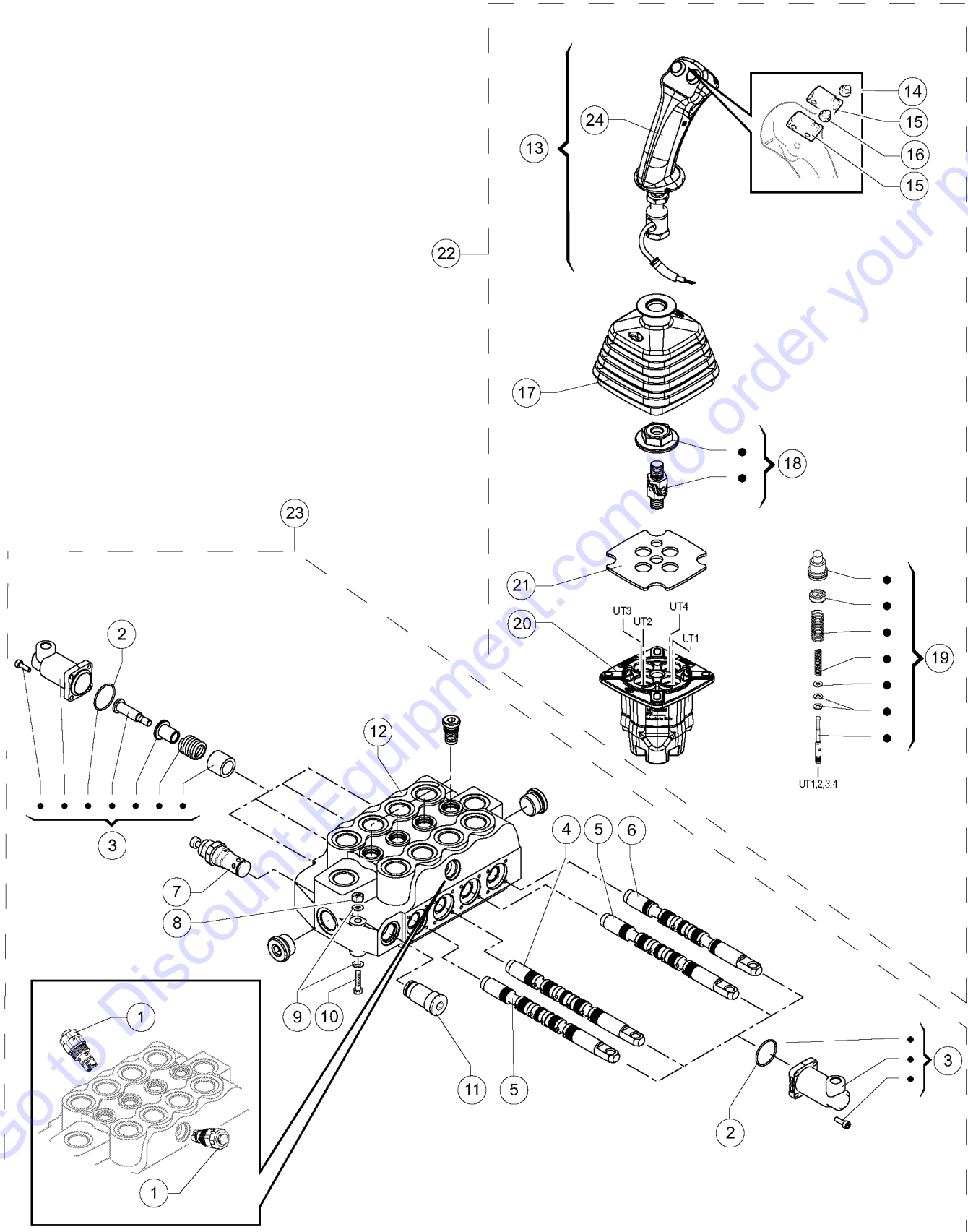


406.1 605527 Steering and Brake Components

Item	Part No.	Description	Qty.
1	09.4636.0008	STEERING WHEEL.....	1
2	07.0703.0116	Steering Column.....	1
3	01.0001.0256	SCREW M8X25 UNI 5739 8.8 ZN....	4
4	01.4032.0003	SPRING WASHER D 8 ZN.....	4
5	01.0001.0355	SCREW M10X25 UNI 5739 8.8 ZN.....	4
6	01.0032.0055	Spring Washer D10 UNI 1751 ZN....	4
7	09.4636.0018	Power Steering.....	1
8	07.0701.0210	Seal Kit.....	1
9	01.0001.0154	SCREW,TE,M6X16 UNI 8.8 ZN.....	1
10	07.4529.0027	SEAL KIT	1
11	05.4309.0002	BRAKE RESERVOIR W/BRACKET	1
12	04.0227.0054	CLAMP DN 15/25 LG 9.....	2
13	09.0805.0000	RUBBER HOSE.....	1
14	09.0803.0088	KNURLED COUPLING	1
15	05.4309.0001	Pump.....	1
16	05.0401.0007	DRILLED SCREW, PRESSURE SWITCH.....	1
17	05.4329.0003	Pressure Switch.....	1
18	07.0730.0019	PEDAL.....	1
19	01.0001.0252	SCREW M8X16 UNI 5739 8.8 ZN....	2
20	01.4032.0003	SPRING WASHER D 8 ZN.....	6
21	01.0001.0254	SCREW M8X20 UNI 5739 8.8 ZN....	4
22	01.0031.0299	FLAT WASHER D8 UNI 6593.....	4
23	06.0442.0054	WASHER.....	1
24	07.0730.0013	Bushing BL16234.....	2
25		Lever..... <i>not available separately; order Brake Kit 07.0730.0025 for replacement</i>	1
26	07.0730.0025	BRAKE PEDAL KIT..... <i>includes item 25</i>	1
27	07.0730.0023	Spring.....	1
28	07.0730.0017	PIN.....	1
29	01.4032.0002	SPRING WASHER D6 ZN.....	1
30	06.0442.0055	WASHER,D.14/20X1.5.....	1

Go to www.genieequipment.com to order your parts

407.1 605528 Components - Distributor And Joystick

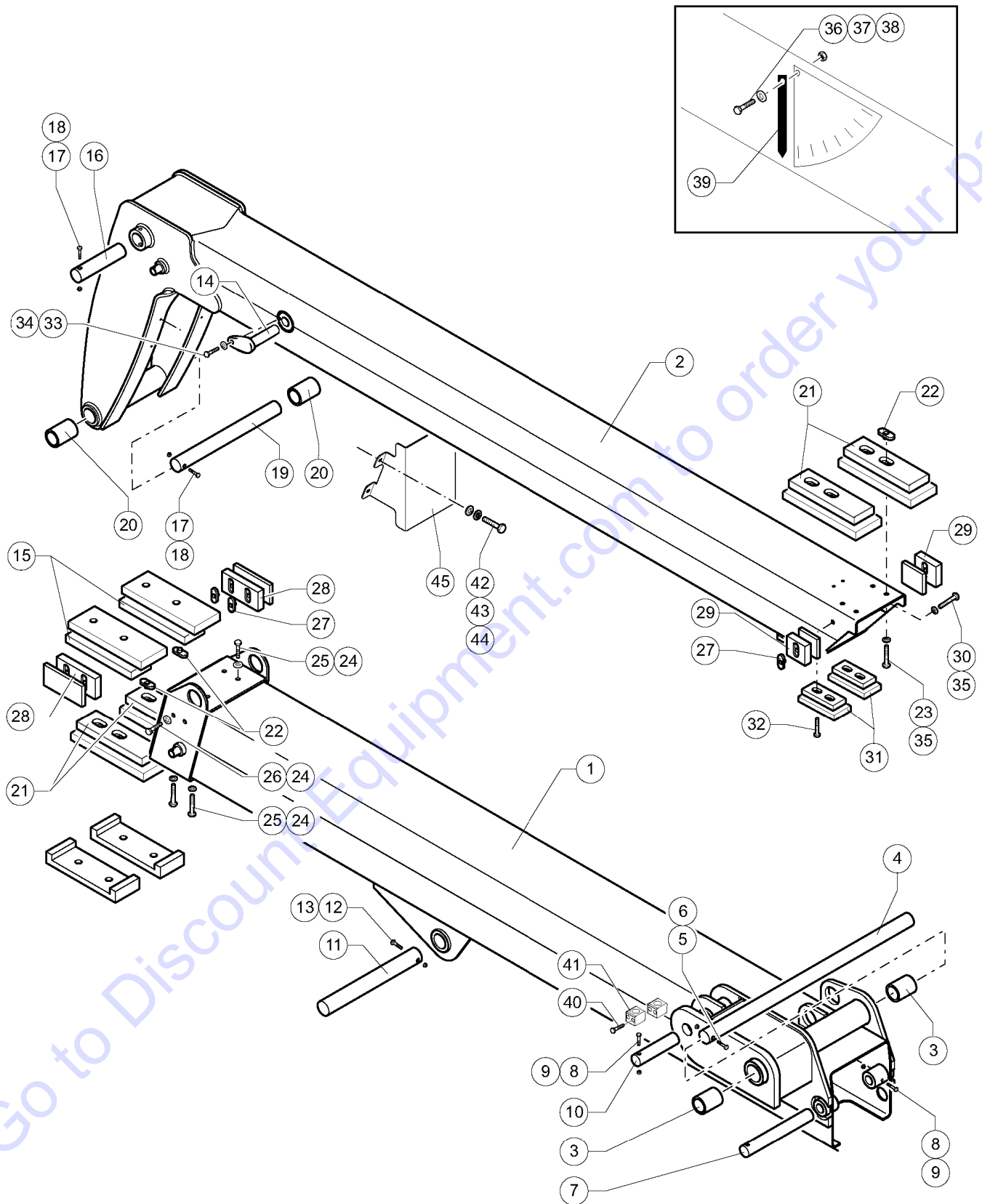


407.1 605528 Components - Distributor And Joystick

Item	Part No.	Description	Qty.
1	07.0704.0038	VALVE, CARTRIDGE.....	2
2	07.0704.0078	O-RING.....	8
3	07.0704.0023	Cap Kit.....	4
4	07.0704.0033	Cursor.....	1
5	07.0704.0034	Cursor.....	2
6	07.0704.0035	VALVE CURSOR.....	1
7	07.0704.0042	VALVE.....	1
8	01.0023.0054	NUT,M8 UNI 7473 6S ZN.....	3
9	01.0031.0055	FLAT WASHER D8 UNI 6592 ZN....	6
10	01.0001.0209	SCREW M8X70 UNI 5737 8.8 ZN...3	3
11	07.0704.0045	Plug TCEI BSP 3/4.....	1
12	07.0704.0032	Main Valve Body.....	1
13	07.0704.0133	CONTROL LEVER.....	1
14	07.0704.0118	RED PUSH BUTTON CAP.....	1
15	07.0704.0117	PUSH BUTTON.....	2
16	07.0704.0119	YELLOW PUSH BUTTON CAP.....	1
17	07.0704.0134	Rubber Protection.....	1
18	07.0704.0136	ARTICULATION.....	1
19	07.0704.0138	Complete Selector.....	4
20	07.0704.0137	BODY.....	1
21	07.0704.0169	Flange.....	1
22	04.4237.0010	Joystick.....	1
23	04.4236.0029	Control Valve.....	1
24	07.0704.0173	Joystick Handle.....	1

Go to Discount-Equipment.com to order your parts

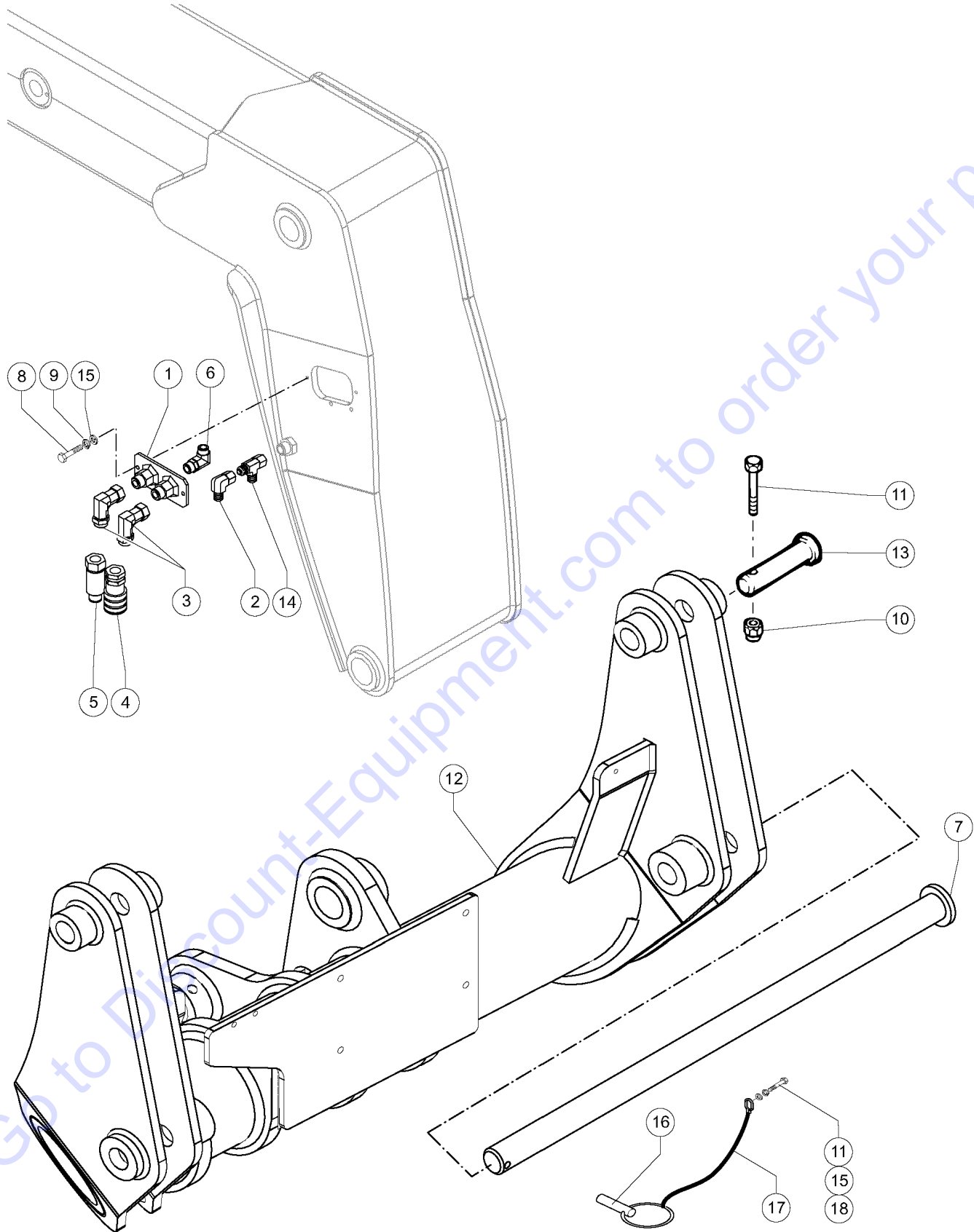
501.1 605529 Boom (1st - 2nd Telescopic Element)



501.1 605529 Boom (1st - 2nd Telescopic Element)

Item	Part No.	Description	Qty.	Item	Part No.	Description	Qty.
1	51.0201.2400	BOOM 1DEG ARM SECTION.....	1	36	01.0001.0158	SCREW M6X25 UNI 5739 8.8 ZN....	1
2	51.0201.2500	2ND TELESCOPIC ELEMENT GTH5519.....	1	37	01.0031.0298	FLAT WASHER D6 UNI 6593 ZN....	1
3	54.0202.0006	Bushing DB 50/58 LG.55.....	2	38	01.0019.0104	NUT M8 UNI 5588 6S ZN.....	1
4	54.0000.0199	Chassis-Boom Joint Pin.....	1	39	51.0804.8400	NEEDLE FOR INCLINOMETER....	1
5	01.4001.0012	SCREW M14X100UNI 5737 8.8 ZN.....	1	40	01.0003.0157	SCREW M6X25 UNI 5931 8.8 ZN.....	24
6	01.0023.0057	STOP NUT M14 UNI 7473 6S ZN....	1	41	09.0803.0043	SINGLE HOSE BRACKET D16.....	12
7	54.0000.0017	PIN.....	1	42	51.0903.1300	PROTECTIVE BRACKET.....	1
8	01.0001.0209	SCREW M8X70 UNI 5737 8.8 ZN....	1	43	01.0001.0256	SCREW M8X25 UNI 5739 8.8 ZN....	4
9	01.0023.0054	NUT,M8 UNI 7473 6S ZN.....	1	44	01.0031.0055	FLAT WASHER D8 UNI 6592 ZN....	4
10	54.0000.0197	Levelling Cylinder Head Pin.....	1	45	01.4032.0003	SPRING WASHER D 8 ZN.....	4
11	54.0000.0196	PIN.....	1				
12	01.4001.0003	SCREW M12X100 UNI 5737 8.8 ZN.....	1				
13	01.0023.0056	STOP NUT M12 UNI 7473 6S ZN....	1				
14	54.0003.0016	PIN.....	1				
15	54.0702.0013	WEAR PAD,200X60X15.....	2				
16	54.0000.0192	PIN.....	1				
17	01.0001.0310	SCREW, 8.8 HCS 10MM-1.5X80Z...1	1				
18	01.0023.0055	NUT, NYLOCK, M 10 UNI 7473 6S ZN.....	1				
19	54.0000.0194	PIN.....	1				
20	54.0202.0007	Bushing DB 45/52 LG.50.....	1				
21	54.0702.0000	WEAR PAD,200X60X20.....	2				
22	54.0200.0001	BUSHING M10X13.5.....	2				
23	01.0006.0049	SCREW M10X30 UNI 5933 10.9 ZN.....	4				
24	01.4032.0004	SPRING WASHER D10 ZN.....	4				
25	01.0001.0357	SCREW,TE,M10X35 UNI 8.8 ZN....	8				
26	01.0001.0355	SCREW M10X25 UNI 5739 8.8 ZN.....	8				
27	54.0200.0000	BUSHING M10X8.5.....	4				
28	54.0702.0001	WEAR PAD,100X60X12.....	2				
29	54.0702.0002	WEAR PAD,60X60X12.....	2				
30	01.4006.0005	Screw TSPEI M10x20 UNI 5933 10.9 ZN.....	2				
31	54.0702.0005	WEAR PAD,100X25X15.....	2				
32	01.0003.0203	SCREW M8X20 UNI 8.8 ZN.....	2				
33	01.0001.0254	SCREW M8X20 UNI 5739 8.8 ZN....	1				
34	01.4032.0003	SPRING WASHER D 8 ZN.....	1				
35	09.0803.0062	WASHER D10.....	6				

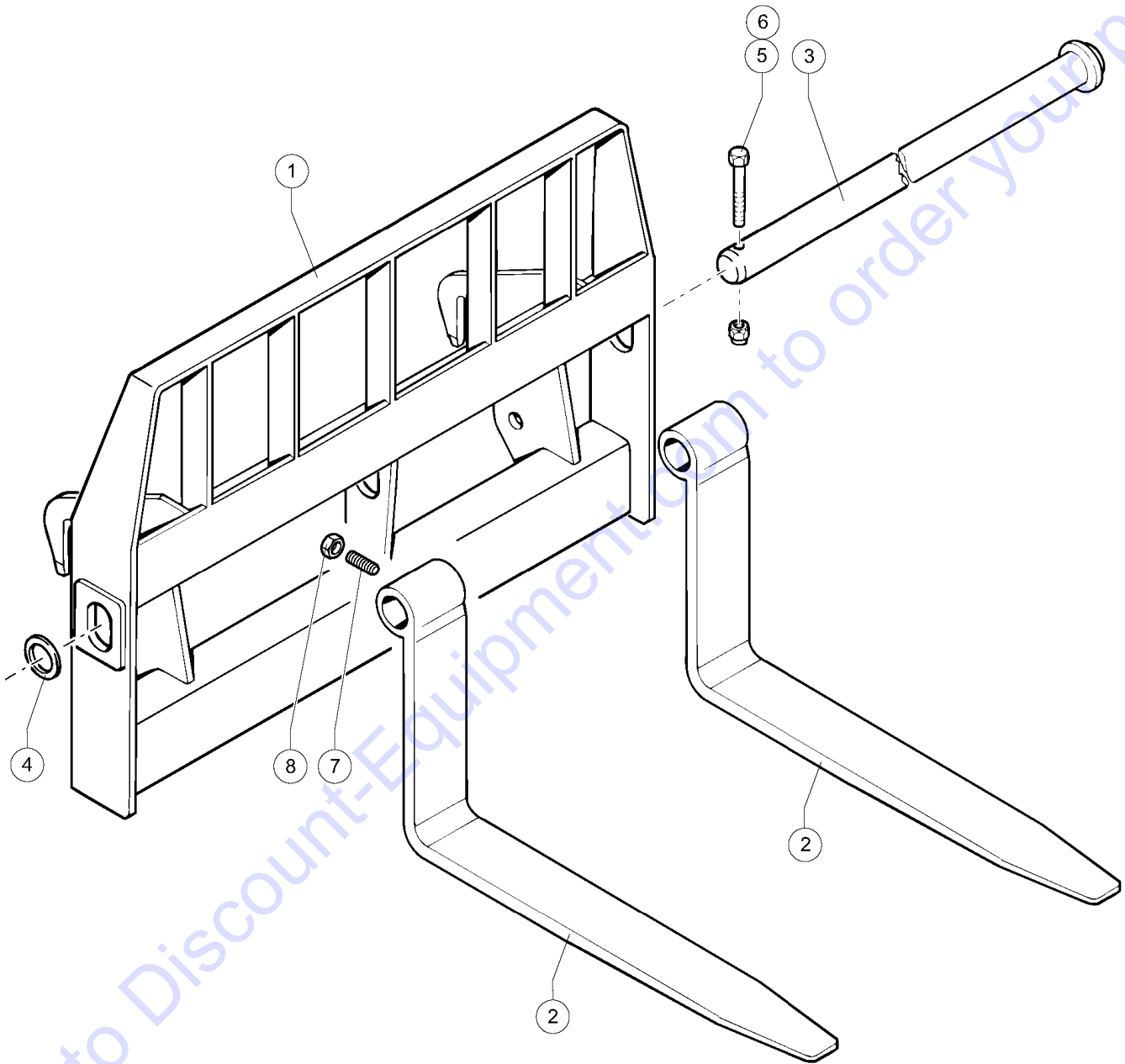
502.1 605530 Fork Attachments



Item	Part No.	Description	Qty.
1	53.3001.0500	MANIFOLD, BOOM HOSES.....	1
2	04.0600.0019	Pipe Fitting MFK 90 1/2 BSP.....	1
3	04.0600.0087	PIPE FITTING 90.....	2
4	04.4210.0019	QUICK COUPLING, FEMALE 1/2....	1
5	04.4210.0018	QUICK COUPLING, MALE 1/2.....	1
6	04.0607.0141	PIPE FITTING 90 1/2GASXM 13/16-16 ORFS.....	2
7	54.0000.0077	PIN.....	1
8	01.0001.0156	SCREW M6X20 UNI 5739 8.8 ZN....	3
9	01.4032.0002	SPRING WASHER D6 ZN.....	2
10	01.0023.0053	STOP NUT M6 UNI 7473 6S ZN....	1
11	01.0001.0104	SCREW M6X40 UNI 5739 8.8 ZN....	1
12	51.0400.4300	FORK COUPLING 5519.....	1
13	54.0001.0022	PIN.....	1
14	04.0600.0081	PIPE FITTING TMF+L 1/2 BSP.....	1
15	01.0031.0054	FLAT WASHER D6 UNI 6592 ZN....	3
16	02.4102.0012	RING PIN.....	1
17	09.0803.0406	LANYARD,PIN.....	1
18	01.4032.0002	SPRING WASHER D6 ZN.....	1

Go to Discount-Equipment.com to order your parts

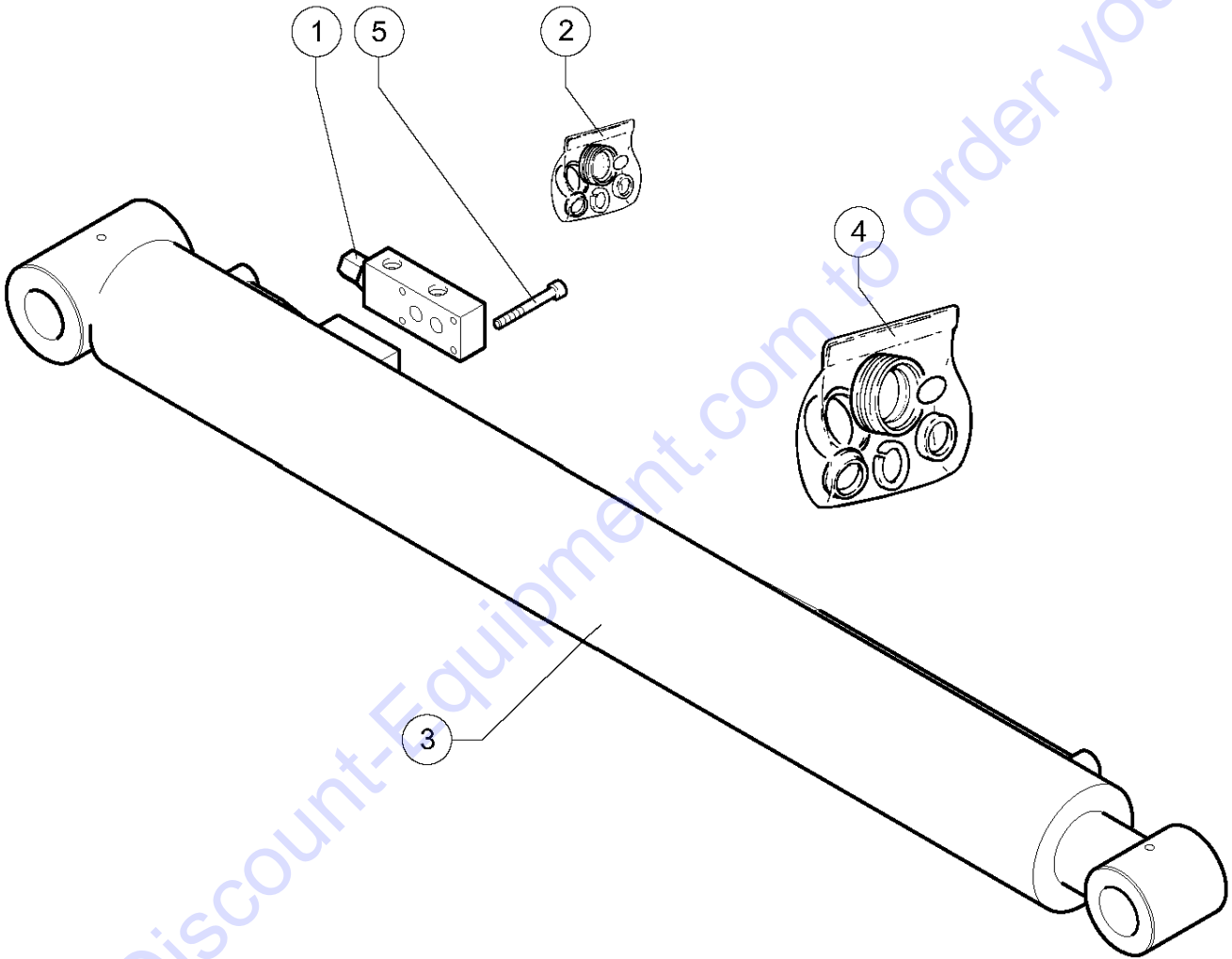
503.1 605531 Forks



Item	Part No.	Description	Qty.
1	51.1301.4300	FLOATING FORK CARRIAGE.....	1
2	51.1300.5400	FORK (4" WIDE X 48" LONG).....	2
3	54.0000.0068	PIN, FORK.....	1
4	54.0100.0027	WASHER	2
5	01.0001.0409	SCREW M12X80 UNI 5737 8.8 ZN.....	1
6	01.0023.0056	STOP NUT M12 UNI 7473 6S ZN....	1
7	01.4041.0005	DOWEL M12X25 UNI 5927 12.9 ZN.....	2
8	01.4019.0004	NUT M12 UNI 5589.....	2

Go to Discount-Equipment.com to order your parts

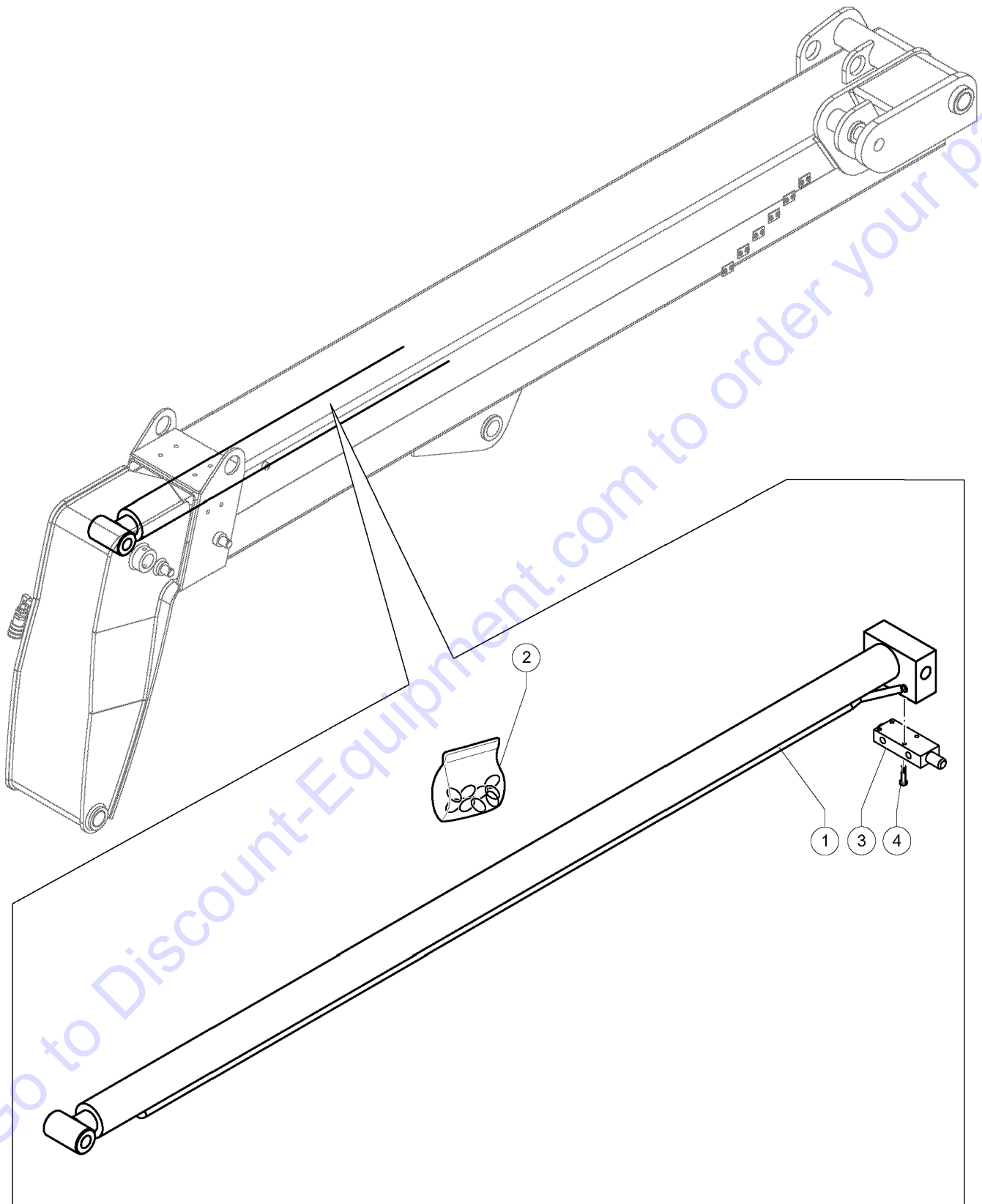
504.1 605532 Lifting Cylinder



Item	Part No.	Description	Qty.
1	04.4239.0005	SAFETY VALVE.....	1
2	01.0001.0252	SCREW M8X16 UNI 5739 8.8 ZN....	1
3	53.0000.3200	Boom Lifting Cylinder.....	1
4	640096	SEAL KIT, LIFT CYLINDER.....	1
5	01.0003.0210	SCREW M8X50 UNI 5931 8.8 ZN....	4

Go to Discount-Equipment.com to order your parts

505.1 605533 Boom Extension Cylinder

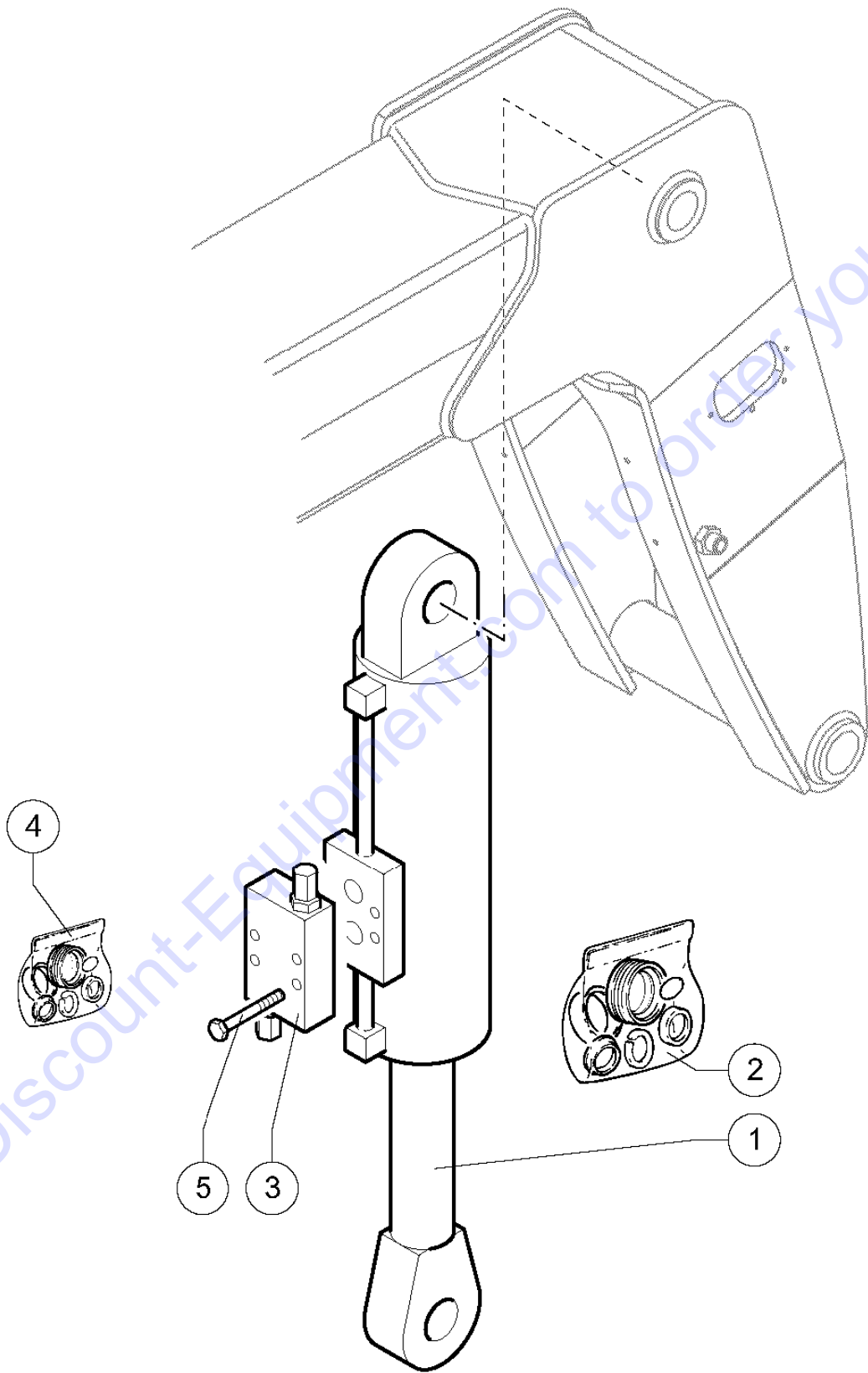


505.1 605533 Boom Extension Cylinder

Item	Part No.	Description	Qty.
1	53.0100.2800	CYLINDER,EXTENSION.....	1
2	639993	CYLINDER GASKET KIT.....	1
3	04.4239.0005	SAFETY VALVE.....	1
4	01.0001.0306	SCREW M10X60 UNI 5737 8.8 ZN.....	4

Go to Discount-Equipment.com to order your parts

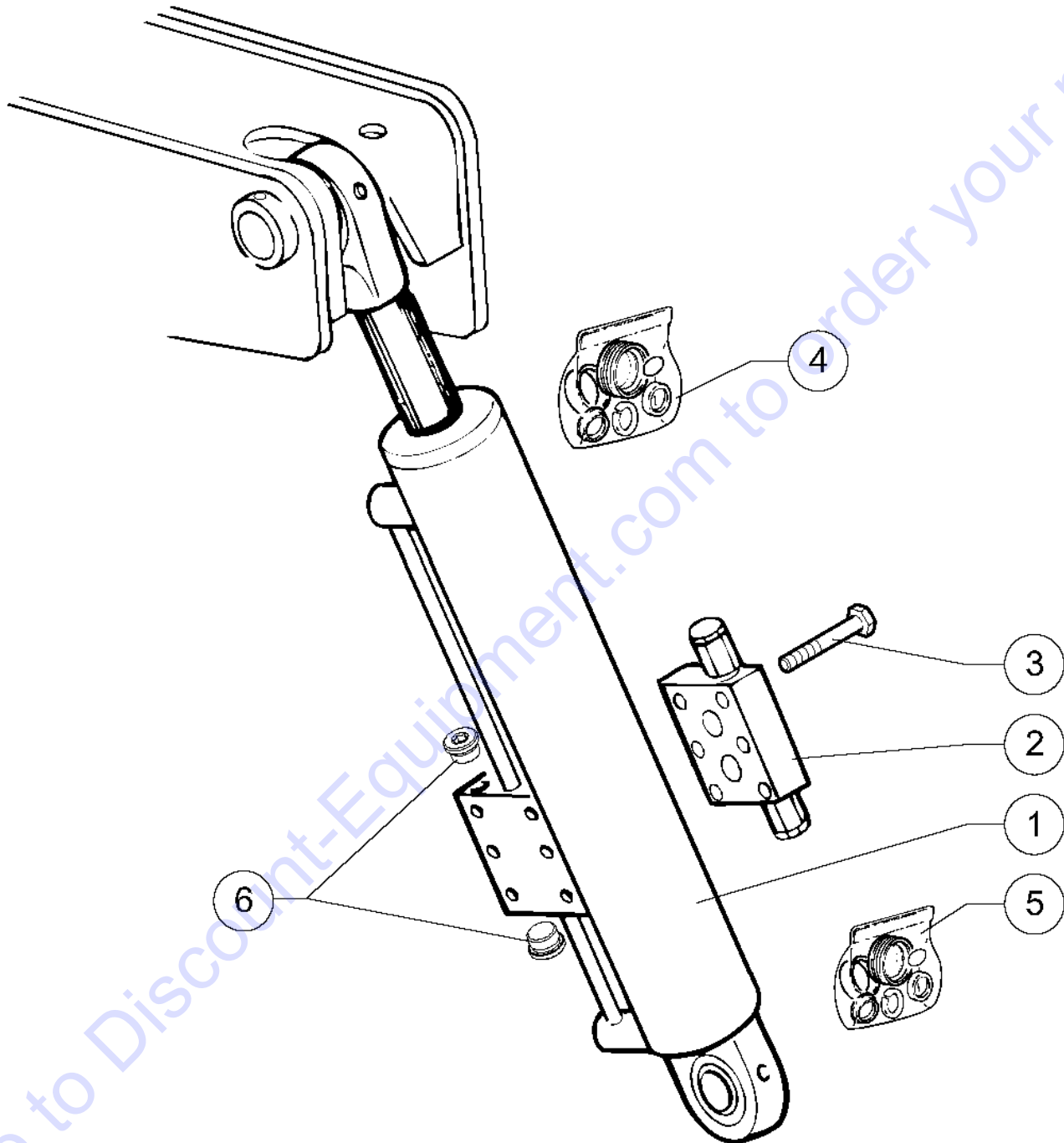
506.1 605534 Tilt Cylinder



Item	Part No.	Description	Qty.
1	53.0400.1700	Tilt Cylinder.....	1
2	635965	SEAL KIT,CYLINDER.....	1
3	04.4239.0052	Safety Valve	1
4		Lock Valve Gasket Kit.....	1
5	01.0003.0208	SCREW TCEI M8X40 UNI 5931 8.8 ZN.....	6

Go to Discount-Equipment.com to order your parts

507.1 605535 Fork Levelling Cylinder

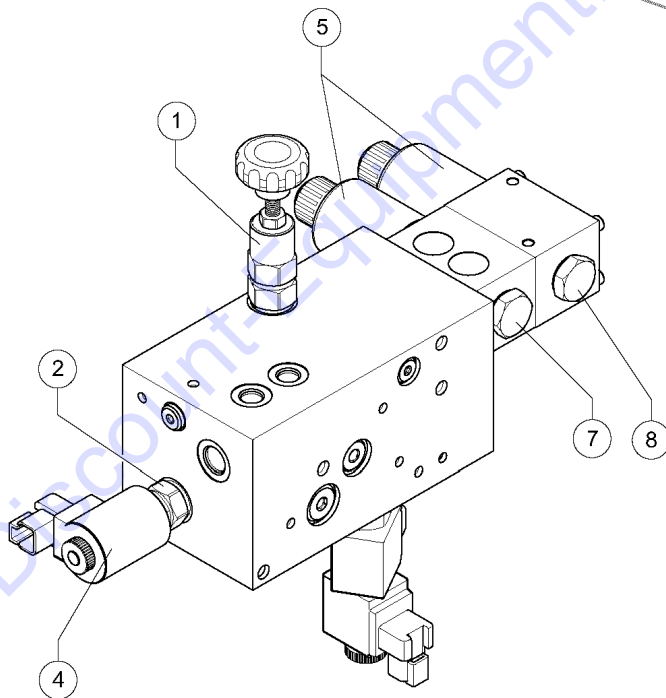
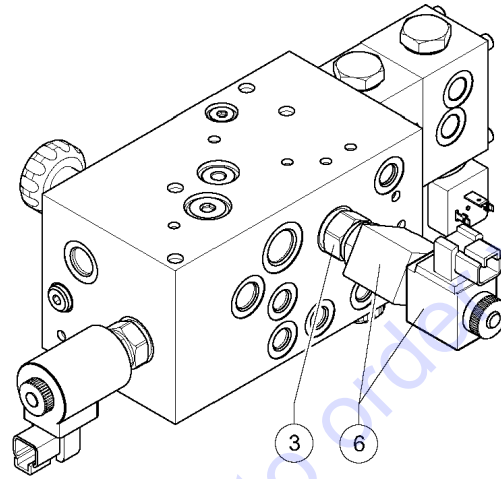


507.1 605535 Fork Levelling Cylinder

Item	Part No.	Description	Qty.
1	53.0300.1800	Fork Levelling Cylinder.....	1
2	04.4239.0051	SAFETY VALVE.....	1
3	01.0003.0208	SCREW TCEI M8X40 UNI 5931 8.8 ZN.....	6
4	639992	GASKET/JOINT KIT.....	1
5	07.0705.0082	SEAL KIT.....	1
6	04.4239.0004	SAFETY VALVE.....	2

Go to Discount-Equipment.com to order your parts

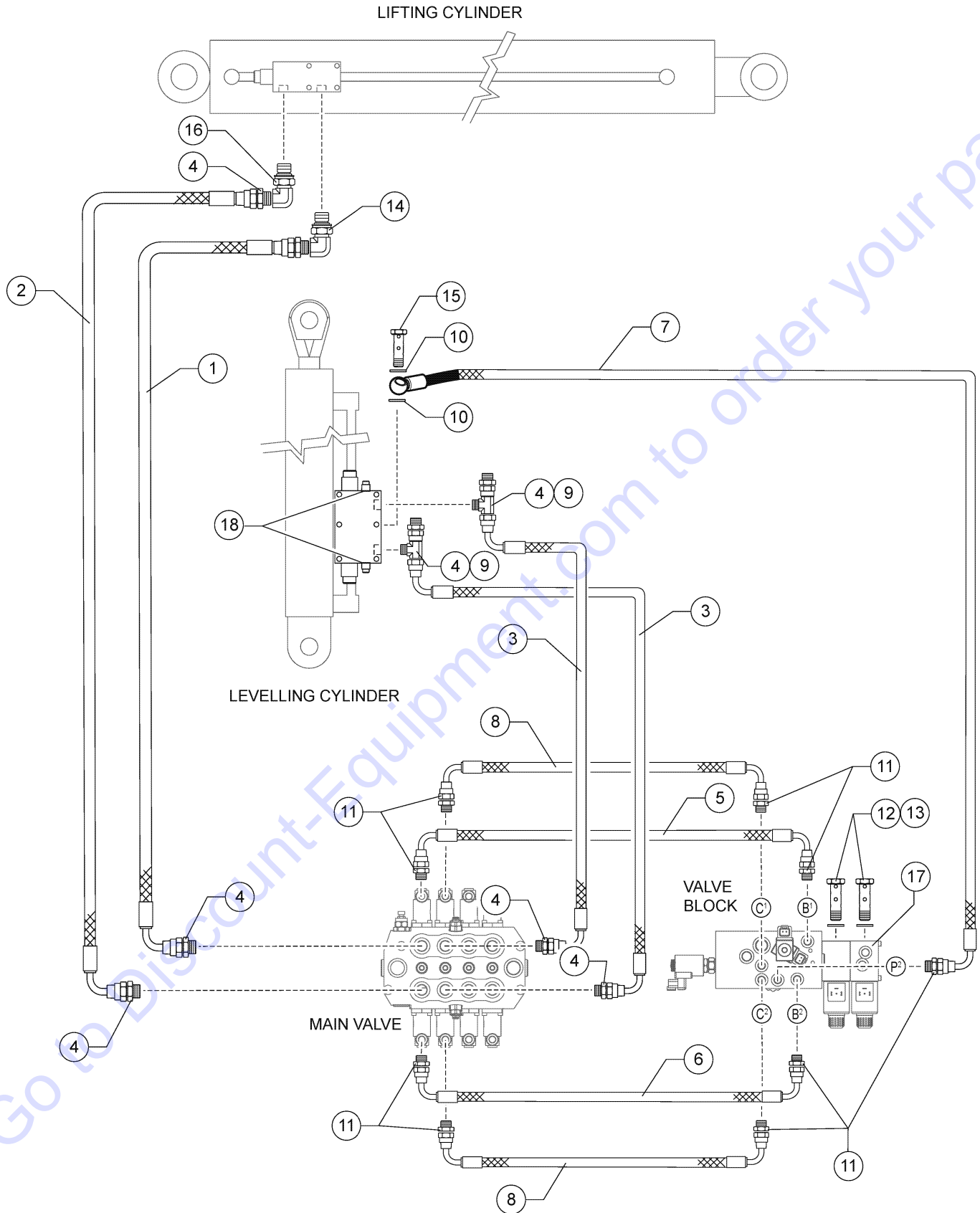
601.1 605536 Valve Block



Item	Part No.	Description	Qty.
1	07.0705.0095	Flow Reduction Valve.....	1
--	07.0704.0407	KNOB for 07.0705.0095	
2	07.0705.0094	VALVE,SOLND,BRK,DEUTZ TCD4.1.....	1
3	07.0705.0100	Continuous Oil Electrovalve.....	1
4	07.0704.0184	Solenoid.....	1
5	07.0704.0143	SOLENOID****.....	2
6	07.0705.0099	Solenoid.....	2
7	07.0705.0098	Lock/Release Electrovalve.....	1
8	07.0705.0097	Fork Overturning Electrovalve.....	1

Go to Discount-Equipment.com to order your parts

602.1 605537 Hydraulic System - Levelling Cylinder And Lifting Cylinder

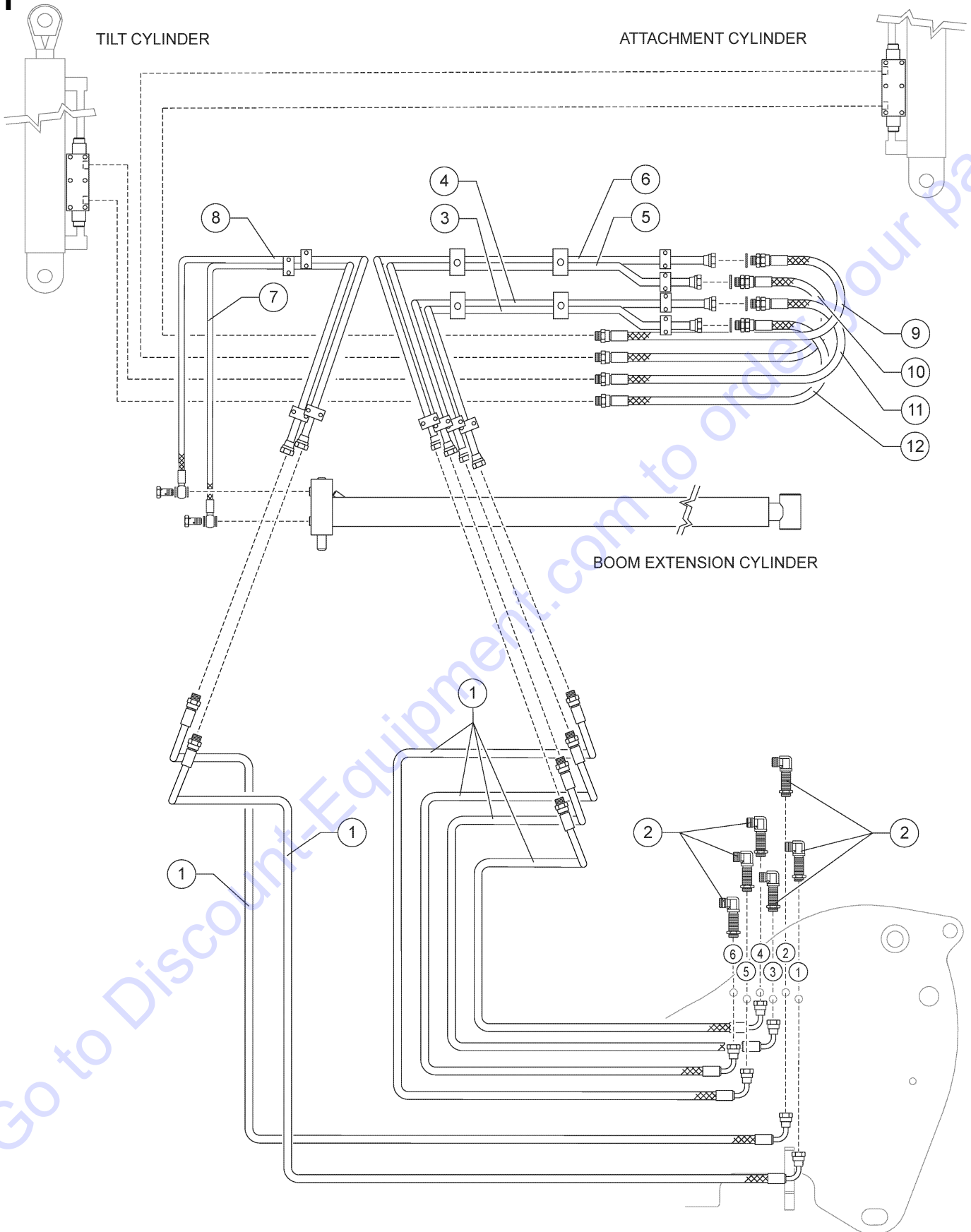


602.1 605537 Hydraulic System - Levelling Cylinder And Lifting Cylinder

Item	Part No.	Description	Qty.
1	04.0605.0189	Flexible Hose R2 X 1/2 LG.2050 FD F90 13/16-16 ORFS.....	1
2	04.0605.0186	Flexible Hose R2 X 1/2 LG.1950 FD F90 13/16-16 ORFS.....	1
3	04.0605.0661	HOSE.....	2
4	04.0607.0111	PIPE FITTING 1/2 BSPX13/16-16 ORFS.....	7
5	04.0605.0271	Hose R1 X 1/4 LG.1100 F90 F90 9/16-18 ORFS a 90°.....	1
6	04.0605.0225	Hose R1 X 1/4 LG.1000 F90 F90 9/16-18 ORFS a 90°.....	1
7	04.0605.0659	HOSE R1 X 1/4 LG 1350.....	1
8	04.0605.0453	HOSE, R1X1/4 900.....	2
9	04.0607.0109	PIPE FITTING,90 M-F 13/16-16	2
10	06.0442.0102	Copper Washer JC 17.....	2
11	04.0607.0113	PIPE FITTING 1/4 BSPX9/16-18 ORFS.....	7
12	05.0401.0016	SCREW, 1/4 BSP.....	2
13	06.0442.0101	WASHER.....	6
14	04.0607.0141	PIPE FITTING 90 1/2GASXM 13/16-16 ORFS.....	1
15	04.0600.0188	Drilled Screw 3/8".....	1
16	04.0607.0109	PIPE FITTING,90 M-F 13/16-16	1
17	04.4236.0068	Piloting Hydraulic Block.....	1
18	04.4239.0004	SAFETY VALVE.....	2

Go to Discount-Equipment.com to order your parts

603.1 605538 Hydraulic System - Rear Boom Connections

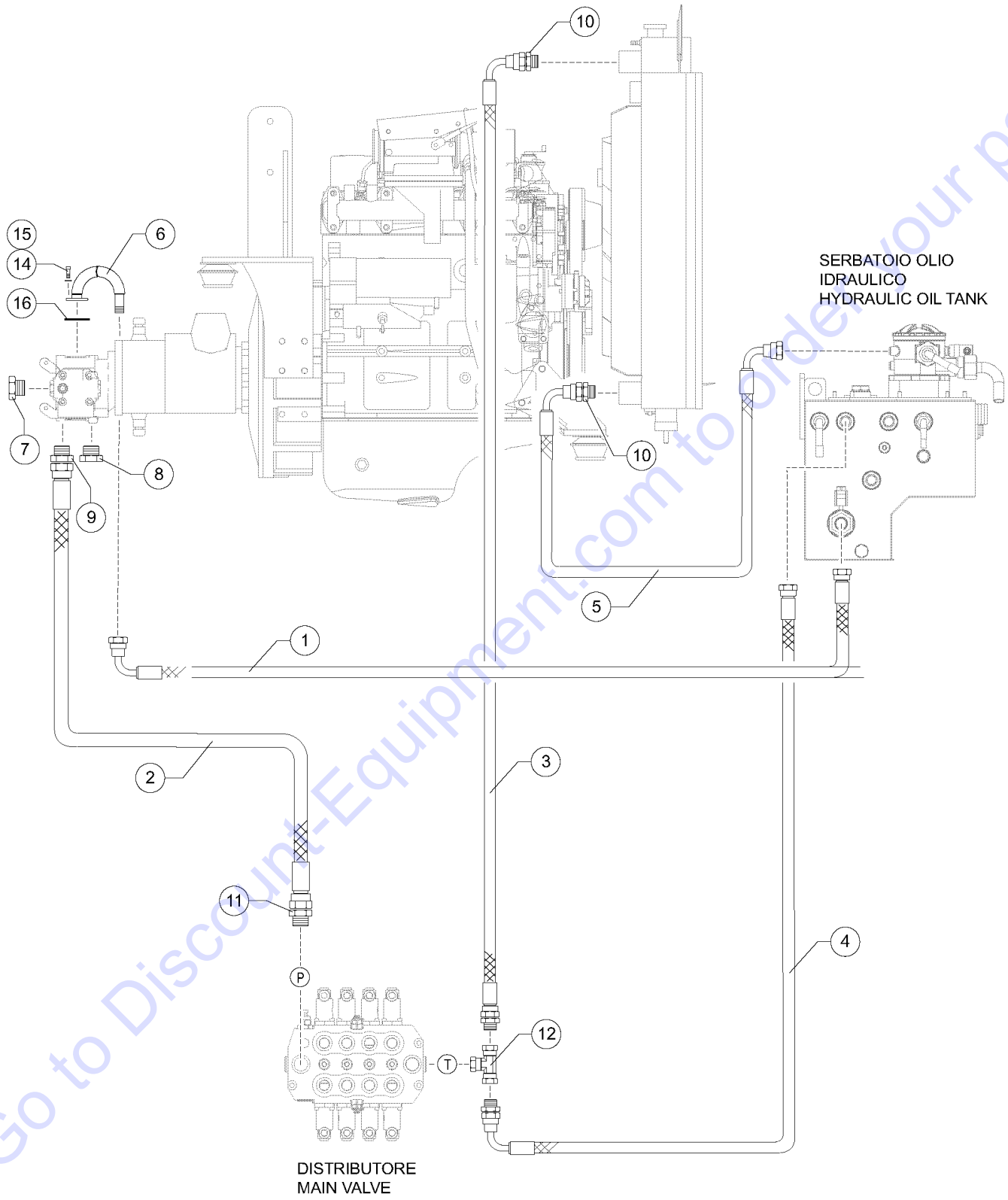


603.1 605538 Hydraulic System - Rear Boom Connections

Item	Part No.	Description	Qty.
1	04.0605.0626	Flexible Hose R2 X 1/2 LG. 1100 F90 13/16 MD 16 S DIN 24°6	6
2	04.0607.0124	PIPE FITTING 90 M-M 13/16-16 ORFS.....6	6
3	53.3402.2000	PIPE, 5519.....1	1
4	53.3402.2100	PIPE, 5519.....1	1
5	53.3402.2200	PIPE, 5519.....1	1
6	53.3402.2300	PIPE, 5519.....1	1
7	53.3402.1800	Pipe.....1 <i>07.4529.0082 Seal Ring</i>	1
8	53.3402.1900	PIPE, 5519.....1	1
9	04.0605.0614	HOSE ASSY, CYLINDER BLOCK....1	1
10	04.0605.0613	HOSE ASSY, CYLINDER BLOCK....1	1
11	04.0605.1040	Fork Movement Cylinder Pipe R2 X 1/2 6110 FD 13/16"-16 180° M.24X1,5.....1	1
12	04.0605.0612	CYLINDER PIPE/FORK MVMNT.....1	1

Go to Discount-Equipment.com to order your parts

604.1 605539 Hydraulic System - Casappa Pump Inlet And Radiator Entry

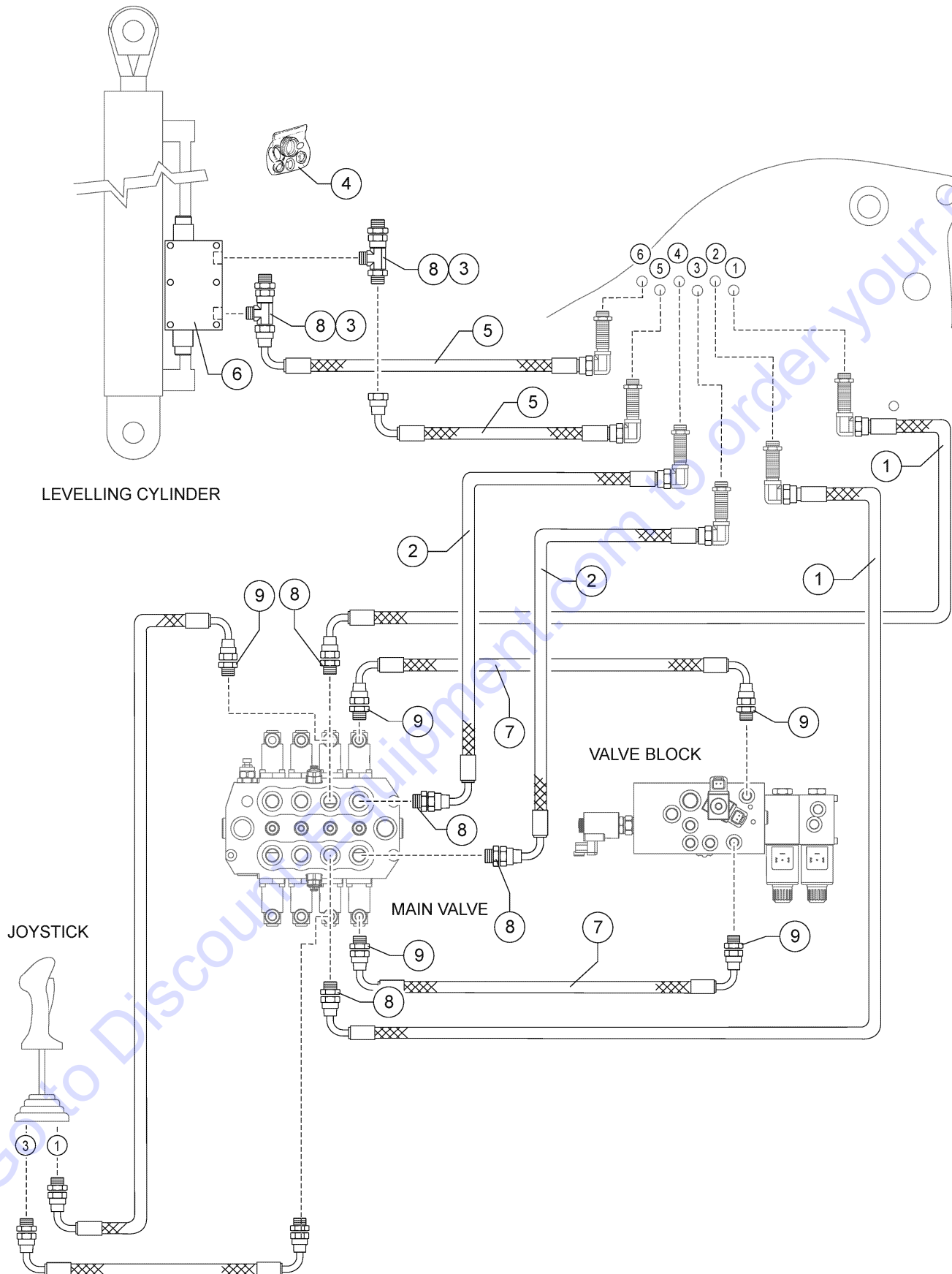


604.1 605539 Hydraulic System - Casappa Pump Inlet And Radiator Entry

Item	Part No.	Description	Qty.
1	09.0805.0088	HOSE R4 X 1-1/4 (DI30) LG 1000...1	
2	04.0605.0649	HOSE, ROCKMASTER X 3/4 LG-730 FD F90 1" 3.....1	
3	04.0605.0646	HOSE.....1	
4	04.0605.0647	HOSE R1 X 3/4 LG. 400 5519.....1	
5	04.0605.0650	HOSE, R1 X 3/4LG 2150 F90 FD 1" 3/16.....1	
6	53.3001.4900	PIPE,SUCTION LINE FOR MANIFOLD.....1	
7	04.0607.0113	PIPE FITTING 1/4 BSPX9/16-18 ORFS.....1	
8	04.0607.0111	PIPE FITTING 1/2 BSPX13/16-16 ORFS.....1	
9	04.0607.0107	PIPE FITTING 3/4"BSP X1"3/16-12 ORFS.....1	
10	04.0607.0130	PIPE FITTING 1 BSPX1-3/16-12 ORFS.....1	
11	04.0607.0119	PIPE FITTING1	
12	04.0607.0120	Pipe Fitting TMF+L 1" 3/16-12 ORFS.....1	
14	01.0003.0255	SCREW M10X25 UNI 5931 8.8 ZN.....4	
15	01.4032.0004	SPRING WASHER D10 ZN.....4	
16	06.0401.0123	O-RING.....1	

Go to Discount-Equipment.com to order your parts

605.1 605540 Hydraulic System - Main Valve - Attachments - Telescope Extension

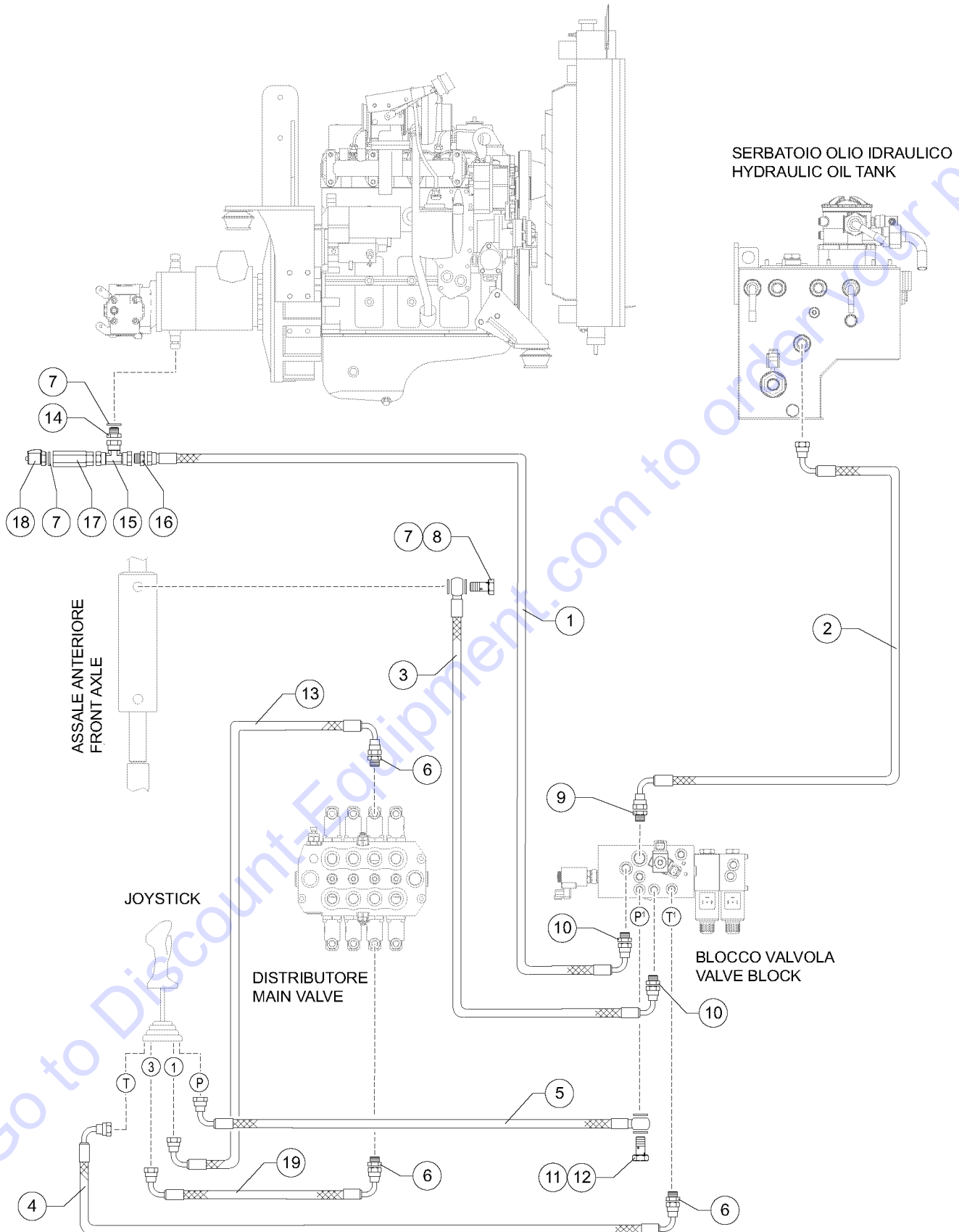


605.1 605540 Hydraulic System - Main Valve - Attachments - Telescope Extension

Item	Part No.	Description	Qty.
--			
1	04.0605.0184	FLEXIBLE HOSE.....	2
2	04.0605.0351	HOSE R2X1/2 LG 1800 F90-FD 13/16-16 ORFS.....	2
3	04.0607.0126	PIPE FITTING TMF+C 13/16-16 ORFS.....	2
4	07.0705.0082	SEAL KIT.....	1
5	04.0605.0658	Pipe R2 X 1/2 LG. 950 FD FD 13/16-16 ORFS.....	1
6	04.4239.0051	SAFETY VALVE.....	1
7	04.0605.0179	HOSE R1X1/4 LG 700 FD-F90 9/16-18 ORFS.....	2
8	04.0607.0111	PIPE FITTING 1/2 BSPX13/16-16 ORFS.....	6
9	04.0607.0113	PIPE FITTING 1/4 BSPX9/16-18 ORFS.....	6

Go to Discount-Equipment.com to order your parts

606.1 605541 Hydraulic System - Joystick - Negative Brake



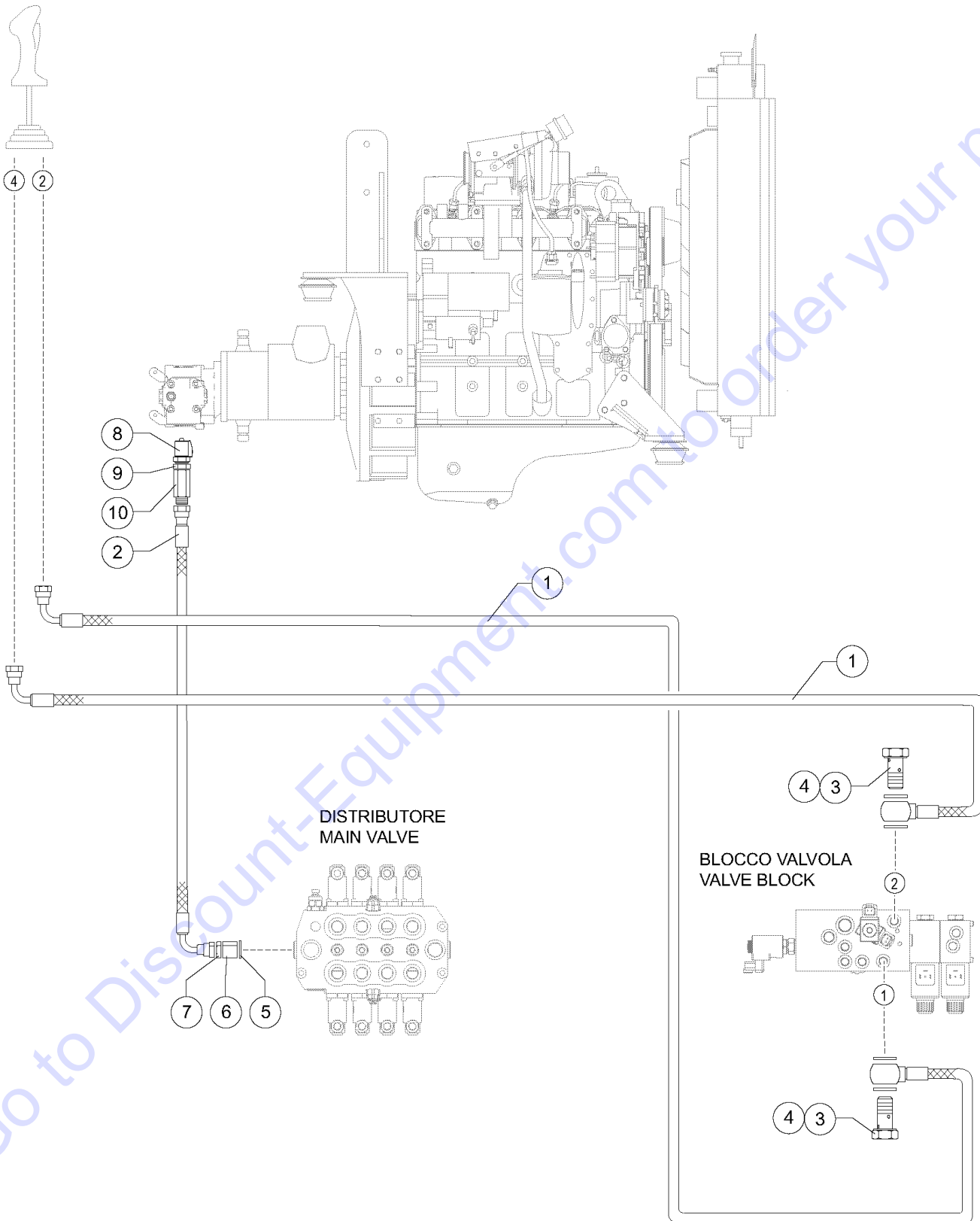
606.1 605541 Hydraulic System - Joystick - Negative Brake

Item	Part No.	Description	Qty.
1	04.0605.0651	HOSE, R1 X 1/4LG 1650 F90 F90 9/16-18 O.....	1
2	04.0605.0652	PIPE R1 X 3/8LG, 650 F90 FD 11/16.....	1
3	04.0605.0653	HOSE.....	1
4	04.0605.0654	Hose R1 X 1/4 LG. 500 FD FD 9/16.....	1
5	04.0605.0656	Hose R1 X 1/4 LG.450 1/4GAS FD9/16.....	1
6	04.0607.0113	PIPE FITTING 1/4 BSPX9/16-18 ORFS.....	3
7	06.0442.0055	WASHER,D.14/20X1.5.....	7
8	05.0401.0003	drilled Screw M14X1.5.....	1
9	04.0607.0110	PIPE FITTING 1/2BSP x 11/16-16 ORFS.....	1
10	04.0607.0114	PIPE FITTING 3/8 BSPX9/16-18 ORFS.....	2
11	06.0442.0101	WASHER.....	3
12	05.0401.0016	SCREW, 1/4 BSP.....	1
13	04.0605.0178	FLEXIBLE HOSE.....	1
14	04.0600.0068	Pipe Fitting M14X1.5X1/4 BSP	1
15	04.0600.0159	PIPE FITTING	1
16	04.0607.0149	Pipe Fitting 1/4BSP. V.60°X9/16-18 ORFS.....	1
17	04.0600.0160	PIPE FITTING.....	1
18	04.4210.0016	PRESSURE TUBE.....	2
19	04.0605.0245	HOSE.....	1

Go to Discount-Equipment.com to order your parts

607.1 605542 Hydraulic System - Main Valve Pressure

JOYSTICK

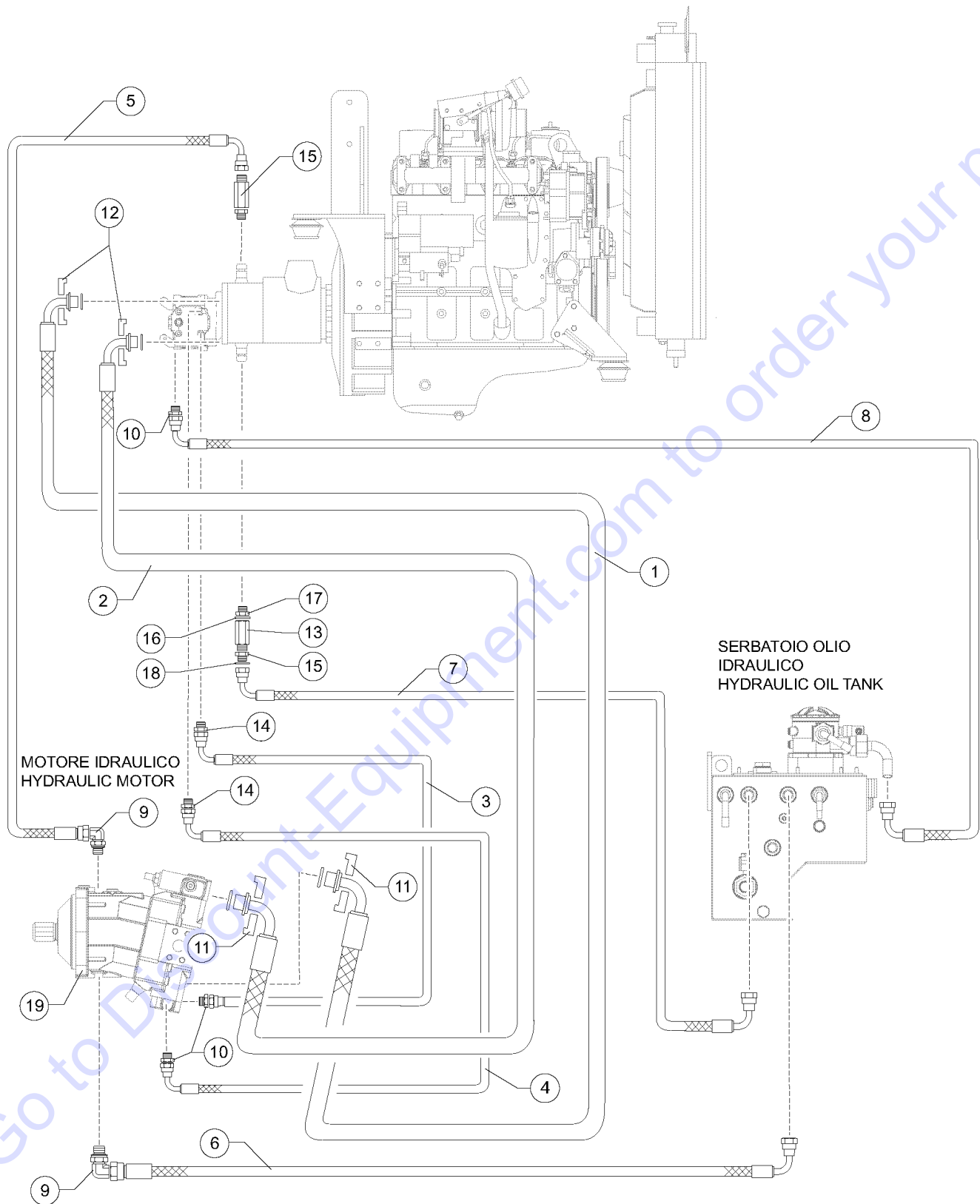


607.1 605542 Hydraulic System - Main Valve Pressure

Item	Part No.	Description	Qty.
1	04.0605.0655	Hose R1 X 1/4 LG. 1100 1/4GAS FD9/16.....	2
2	04.0605.0657	Pipe R2 X 1/4 LG. 1150 F90 FD 9/16.....	1
3	05.0401.0016	SCREW, 1/4 BSP.....	2
4	06.0442.0101	WASHER.....	6
5	06.0042.0105	Copper Washer JC 27 SP.2,5.....	1
6	04.0600.0009	Pipe Fitting GWR M 3/4" BSP X F 1/2" BSP.....	1
7	04.0607.0114	PIPE FITTING 3/8 BSPX9/16-18 ORFS.....	1
8	04.4210.0016	PRESSURE TUBE.....	1
9	04.0607.0113	PIPE FITTING 1/4 BSPX9/16-18 ORFS.....	1
10	04.0607.0214	Pipe Fitting F-F 1/4X9/16-18 ORFS.....	1

Go to Discount-Equipment.com to order your parts

608.1 605543 Hydraulic System - Hydrostatic Transmission

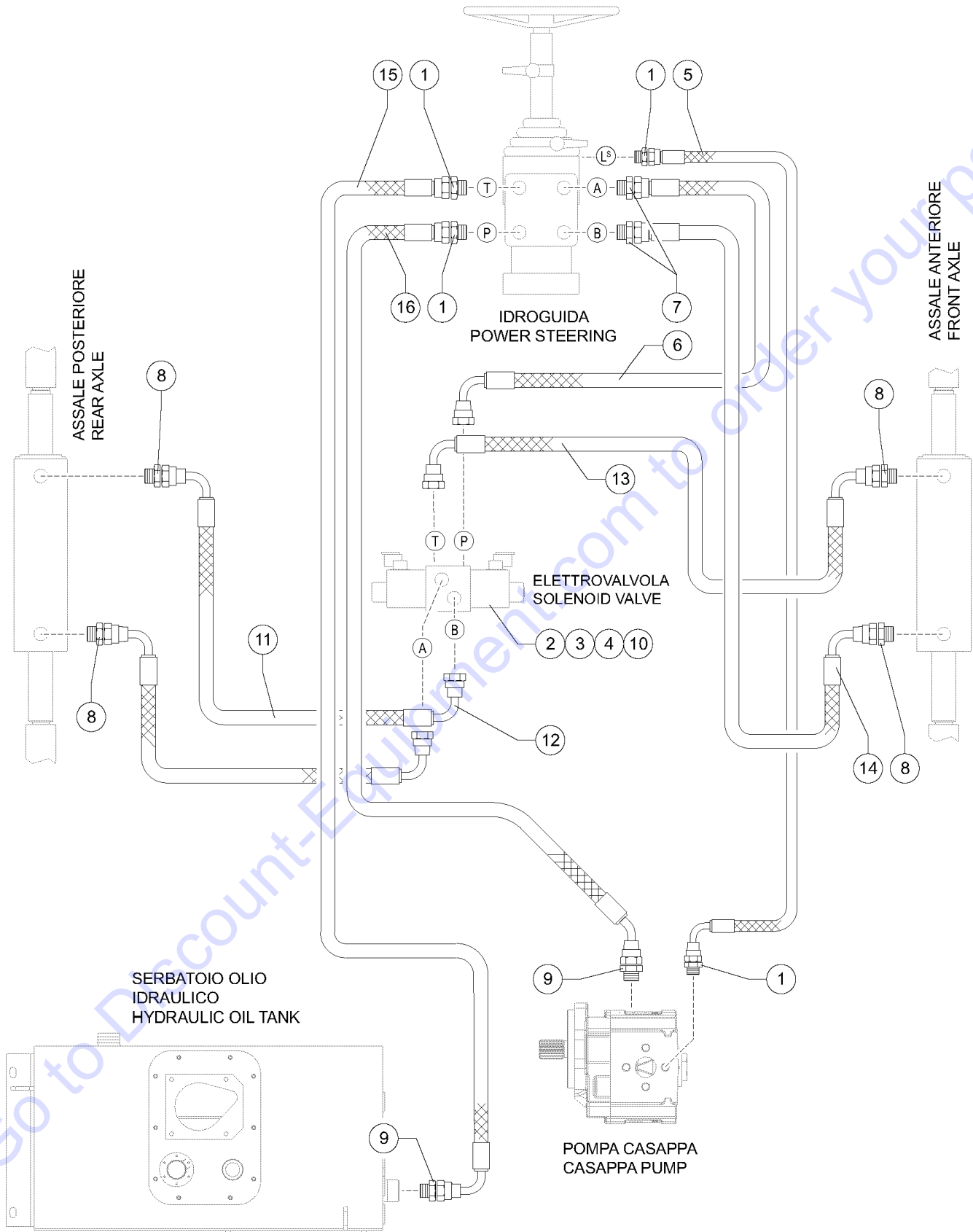


608.1 605543 Hydraulic System - Hydrostatic Transmission

Item	Part No.	Description	Qty.
1	04.4229.0048	HOSE, 5519.....	1
2	04.4229.0049	HOSE, 5519.....	1
3	04.0605.0281	HOSE FLEXIBLE 5519.....	1
4	04.0605.0645	HOSE, R1 X 1/4 LG. 850 F90 F90...	1
5	04.0605.0060	Pipe 1/4 LG 790 FD3/8 F901/4 F515HJ9JC040604-790.....	1
6	04.0605.0647	HOSE R1 X 3/4 LG. 400 5519.....	1
7	04.0605.0644	HOSE R1 X 3/4 LG. 600 5519.....	1
8	04.0605.0643	Pipe R4 X1" 1/4 LG.1550 F90 F90 1"11/16-18 ORFS.....	1
9	04.0607.0207	PIPE FITTING 90°M18 X 1.5 X 1" 3/16-12 ORFS.....	2
10	04.0600.0051	Nipple M33X2 X1 1/4 BSP.....	2
11	04.4223.0003	HALF FLANGE D47.....	1
12	04.4223.0004	PLATE/SEMI FLANGE.....	1
13	04.0605.0107	Pipe 1/4 LG 1300 FD1/4 F901/4.....	2
14	04.0607.0103	PIPE FITTING M12X1.5 X 9/16-18 ORFS.....	1
15	04.4259.0013	Check Valve 2,5 Bar.....	1
16	06.0442.0059	WASHER,JC 22.....	1
17	04.0600.0050	Pipe Fitting M22X1.5X3/4.....	1
18	06.0442.0105	WASHER,JC 27,SP2,5.....	1
19	04.4235.0035	Hydraulic Engine.....	1

Go to Discount-Equipment.com to order your parts

609.1 605544 Hydraulic System - Power Steering

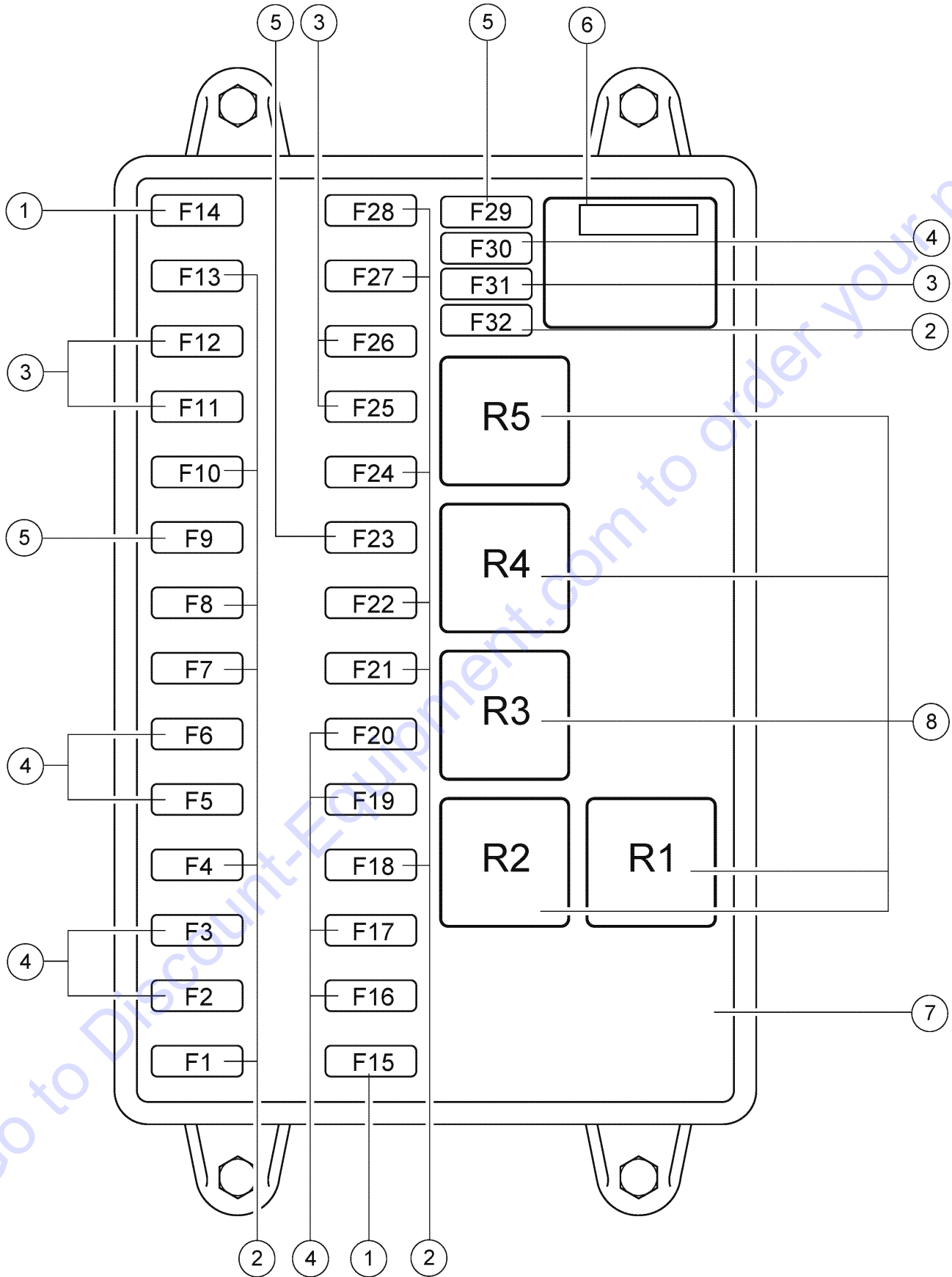


609.1 605544 Hydraulic System - Power Steering

Item	Part No.	Description	Qty.
1	04.0607.0113	PIPE FITTING 1/4 BSPX9/16-18 ORFS.....	4
2	04.4240.0052	SOLENOID VALVE.....	1
3	07.4529.0111	COIL, VALVE	2
4	01.0001.0028	Screw TCEI M 5X35 UNI5931 8.8ZNWMAR 29.....	4
5	04.0605.0641	Pipe R1 X 1/4 LG. 1300F90 F90 9/16-18 ORFS.....	1
6	04.0605.0637	Hose R2 X 3/8 1000 F45 11/16"-16 F90 11/16"-16 A 90°	1
7	04.0607.0110	PIPE FITTING 1/2BSP x 11/16-16 ORFS.....	2
8	04.0607.0137	Pipe Fitting 18X1.5 X 11/16-16 ORFS.....	4
9	04.0607.0111	PIPE FITTING 1/2 BSPX13/16-16 ORFS.....	2
10	01.0023.0052	STOP NUT M5 UNI 7473 6S ZN.....	4
11	04.0605.0419	FLEXIBLE HOSE.....	1
12	04.0605.0625	Pipe R2 X 3/8 LG.2300 F90 F90 " Special Height" A 180°.....	1
13	04.0605.0648	HOSE, R2 X 3/8LG 280 F90 F90 11/16 A 34.....	2
14	04.0605.0638	Hose R2 X 3/8 LG. 1250 F90 F45 11/16-18 ORFS 90°.....	1
15	04.0605.0640	Hose R1 X 1/2 LG. 1300 FD F45 13/16 ORFS.....	1
16	04.0605.0639	Pipe R2 X 1/2 LG. 1100 F90 F45 13/16 ORFS 270°.....	1

Go to Discount-Equipment.com to order your parts

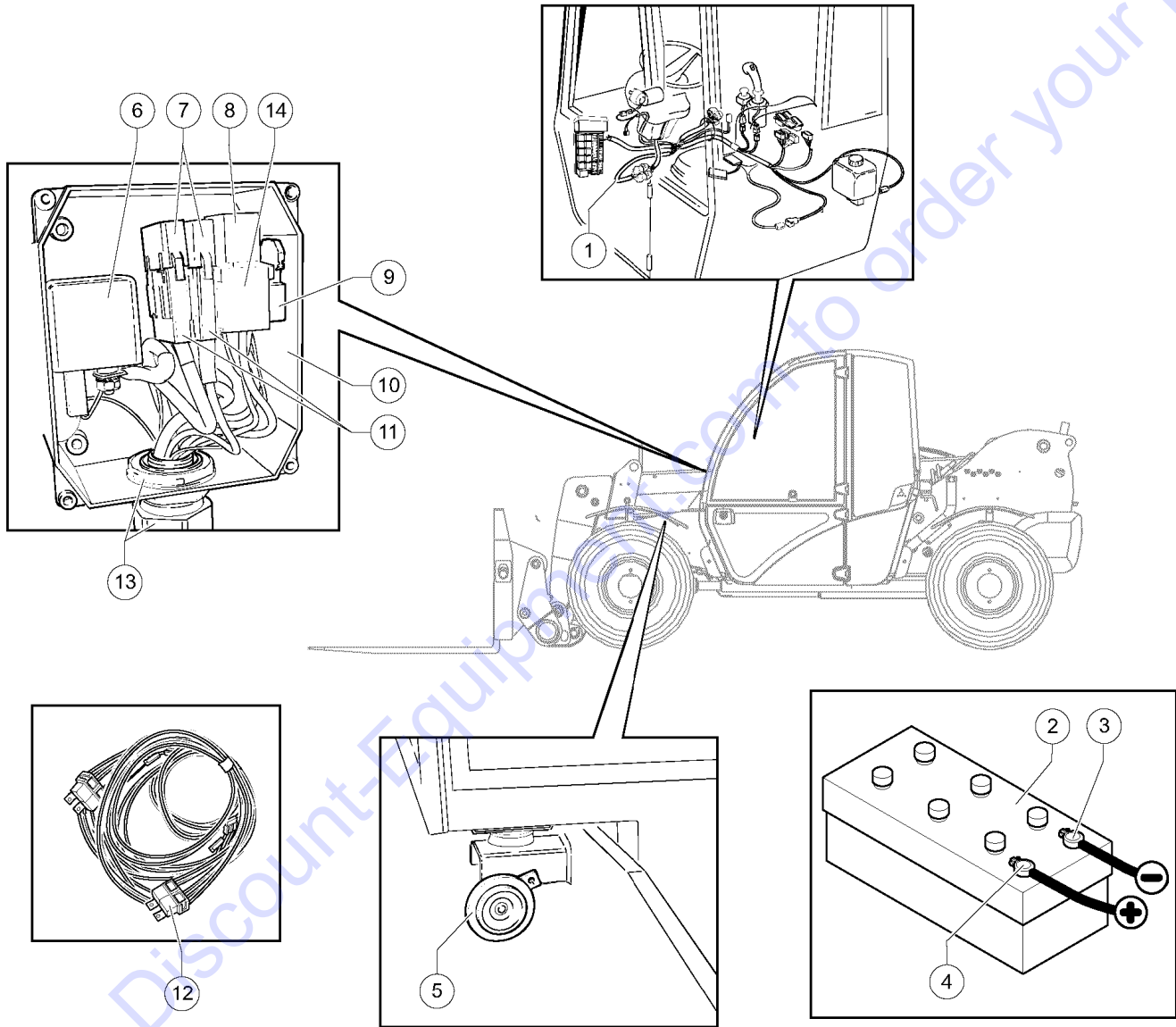
701.1 605545 Fuse Box



Item	Part No.	Description	Qty.
1	07.0703.0081	FUSE.....	2
2	07.0703.0080	Fuse 5A.....	13
3	634972	Fuse 7.5A.....	5
4	07.0703.0148	FUSE,10A.....	8
5	634973	Fuse 15A.....	3
6	634975	Fuse 20A	1
7	641135	HOUSING.....	1
8	56.0006.0002	RELAY,12V,20/30A.....	1

Go to Discount-Equipment.com to order your parts

702.1 605546 Electric Installation



Item	Part No.	Description	Qty.
1	55.0601.0058	Cab Electric System.....	1
2	56.0008.0002	BATTERY..... <i>For US Market Can Be Sold P.N. 129101 With Bracket P.N. 823269</i>	1
3	55.0602.0015	CABLE.....	1
4	55.0602.0014	CABLE, BATTERY+.....	1
5	56.0009.0003	HORN	1
6	07.4501.0059	RELAY, GLOW PLUG.....	1
7	07.0703.0060	FUSE, 50 AMP	2
8	07.0703.0192	RELAY	1
9	07.0703.0059	Support.....	1
10	07.0703.0176	PULL BOX.....	1
11	07.0703.0058	CONNECTOR.....	2
12	55.0600.0106	Chassis Electric System.....	1
13	07.0703.0066	STRAIN RELIEF.....	1
14	07.0703.0064	RELAY HOLDER.....	1

Go to Discount-Equipment.com to order your parts

Part Number Index

The Part Number Index is a numeric index of all part numbers included in this manual. The index shows what page(s) the part is used on.

Part Number	Page	Part Number	Page	Part Number	Page	Part Number	Page
01.0001.001057	01.4032.000715, 49	04.0607.012483	07.0703.007559
01.0001.002895	01.4032.000943	04.0607.012687	07.0703.007759
01.0001.010467	01.4041.000569	04.0607.013085	07.0703.008097
01.0001.015461	02.4102.001267	04.0607.013795	07.0703.008197
01.0001.015667	04.0220.005321	04.0607.013921	07.0703.008759
01.0001.015815, 65	04.0220.005521	04.0607.014167, 81	07.0703.008859
01.0001.020415	04.0227.005115	04.0607.014989	07.0703.008959
01.0001.020963, 65	04.0227.005461	04.0607.017421	07.0703.011359
01.0001.025247, 53, 61, 71	04.0227.006745, 47	04.0607.019421	07.0703.011661
01.0001.025415, 19, 45, 51, 61, 65	04.0600.000991	04.0607.020793	07.0703.014897
		04.0600.001967	04.0607.021491	07.0703.017699
01.0001.025619, 45, 61, 65	04.0600.004621	04.4210.001689, 91	07.0703.019299
01.0001.025747	04.0600.005093	04.4210.001867	07.0703.045559
01.0001.026015	04.0600.005193	04.4210.001967	07.0703.045759
01.0001.030673	04.0600.005521	04.4220.006321	07.0703.045859
01.0001.031065	04.0600.006889	04.4223.000393	07.0703.045959
01.0001.035519, 61, 65	04.0600.008167	04.4223.000493	07.0703.047259
01.0001.035647, 49	04.0600.008767	04.4224.000021	07.0703.047459
01.0001.035747, 49, 65	04.0600.015989	04.4227.000747	07.0703.047659
01.0001.040515	04.0600.016089	04.4229.004893	07.0703.047759
01.0001.040969	04.0600.018881	04.4229.004993	07.0703.047959
01.0001.050649	04.0605.006093	04.4235.003593	07.0703.050851, 55
01.0001.065951, 55	04.0605.010793	04.4236.002963	07.0703.050951, 55
01.0001.070315	04.0605.017889	04.4236.006881	07.0703.061059
01.0001.146545	04.0605.017987	04.4237.001063	07.0704.002363
01.0003.015765	04.0605.018487	04.4238.005849	07.0704.003263
01.0003.020315, 65	04.0605.018681	04.4238.005949	07.0704.003363
01.0003.020547	04.0605.018981	04.4239.000477, 81	07.0704.003463
01.0003.020875, 77	04.0605.022581	04.4239.000571, 73	07.0704.003563
01.0003.021071	04.0605.024589	04.4239.005177, 87	07.0704.003863
01.0003.025549, 85	04.0605.027181	04.4239.005275	07.0704.004263
01.0003.040549	04.0605.028193	04.4239.008321	07.0704.004563
01.0003.094457	04.0605.035187	04.4240.005295	07.0704.007863
01.0006.003317, 19	04.0605.041995	04.4259.001393	07.0704.011763
01.0006.004965	04.0605.045381	05.0401.000389	07.0704.011863
01.0019.010465	04.0605.061283	05.0401.000761	07.0704.011963
01.0023.005295	04.0605.061383	05.0401.001681, 89, 91	07.0704.013363
01.0023.005317, 19, 47, 67	04.0605.061483	05.4309.000161	07.0704.013463
01.0023.005415, 19, 45, 51, 63, 65	04.0605.062595	05.4309.000261	07.0704.013663
		04.0605.062683	05.4329.000361	07.0704.013763
01.0023.005545, 47, 49, 65	04.0605.063795	06.0042.010591	07.0704.013863
01.0023.005615, 65, 69	04.0605.063895	06.0401.012349, 85	07.0704.014379
01.0023.005765	04.0605.063995	06.0442.005461	07.0704.016963
01.0023.005851, 55	04.0605.064095	06.0442.005561, 89	07.0704.017363
01.0023.006217	04.0605.064195	06.0442.005993	07.0704.018479
01.0023.006457	04.0605.064393	06.0442.010181, 89, 91	07.0704.040779
01.0031.005467	04.0605.064493	06.0442.010221, 81	07.0705.008277, 87
01.0031.005517, 19, 45, 47, 51, 63, 65	04.0605.064593	06.0442.010321	07.0705.009479
		04.0605.064685	06.0442.010521, 93	07.0705.009579
01.0031.005647	04.0605.064785, 93	06.0442.010721	07.0705.009779
01.0031.005949	04.0605.064895	06.0442.011121	07.0705.009879
01.0031.006143	04.0605.064985	07.0501.002949	07.0705.009979
01.0031.006317	04.0605.065085	07.0700.000621	07.0705.010079
01.0031.009949	04.0605.065189	07.0700.000721	07.0709.003431
01.0031.015115	04.0605.065289	07.0700.002321	07.0709.005729, 39
01.0031.029815, 65	04.0605.065389	07.0700.002821	07.0709.006529, 39
01.0031.029919, 57, 61	04.0605.065489	07.0700.003247	07.0709.007029, 39
01.0031.030145	04.0605.065591	07.0700.003347	07.0709.007129, 39
01.0032.005549, 61	04.0605.065689	07.0700.003447	07.0709.008425, 35
01.0032.005749	04.0605.065791	07.0700.003547	07.0709.010429, 39
01.4001.000365	04.0605.065887	07.0700.003647	07.0709.011329, 39
01.4001.000943	04.0605.065981	07.0700.003747	07.0709.011729, 39
01.4001.001265	04.0605.066181	07.0700.003847	07.0709.011829, 39
01.4001.002515	04.0605.104083	07.0701.000749	07.0709.011929, 39
01.4001.004515	04.0607.010393	07.0701.020049	07.0709.012727
01.4001.005717	04.0607.010721, 85	07.0701.020949	07.0709.013027
01.4006.000565	04.0607.010981	07.0701.021061	07.0709.013427, 33, 41
01.4006.001617, 19	04.0607.011089, 95	07.0701.021149	07.0709.017129, 39
01.4019.000469	04.0607.011181, 85, 87, 95	07.0703.005259	07.0709.017427, 37
01.4031.000151, 55	04.0607.011381, 85, 87, 89, 91, 95	07.0703.005659	07.0709.018827
01.4031.000445			07.0703.005899	07.0709.021843
01.4032.000015	04.0607.011489, 91	07.0703.005999	07.0709.023537
01.4032.000261, 67	04.0607.011985	07.0703.006099	07.0709.024527, 37
01.4032.000319, 45, 61, 65	04.0607.012085	07.0703.006499	07.0709.024927
01.4032.000419, 49, 65, 85	04.0607.012121	07.0703.006699	07.0709.025237

Part Number Index (continued)

Part Number	Page	Part Number	Page	Part Number	Page	Part Number	Page
07.0709.0253	27, 37	07.0709.0345	31	07.0723.0169	51	09.0803.0062	65
07.0709.0254	27, 31, 37	07.0709.0346	31	07.0723.0172	53	09.0803.0088	61
07.0709.0255	27, 37	07.0709.0347	31	07.0723.0173	55	09.0803.0245	19, 45
07.0709.0256	27	07.0709.0349	31	07.0723.0174	51	09.0803.0259	47
07.0709.0257	27, 37	07.0709.0350	31	07.0723.0175	53	09.0803.0347	47
07.0709.0258	27	07.0709.0351	31	07.0723.0176	53	09.0803.0393	19
07.0709.0259	27	07.0709.0352	31	07.0723.0183	53	09.0803.0400	17, 19
07.0709.0260	27	07.0709.0359	27, 37	07.0723.0185	53	09.0803.0401	17, 19
07.0709.0261	29, 39	07.0709.0363	29, 39	07.0723.0188	53	09.0803.0406	67
07.0709.0262	29, 39	07.0709.0365	29, 39	07.0723.0190	51	09.0803.0510	15
07.0709.0263	29, 39	07.0709.0388	37	07.0723.0198	55	09.0804.0100	49
07.0709.0264	29, 39	07.0709.0417	33, 41	07.0723.0214	55	09.0805.0000	15, 61
07.0709.0265	29, 39	07.0709.0706	37	07.0723.0215	55	09.0805.0088	85
07.0709.0266	29, 39	07.0709.0709	27	07.0723.0217	57	09.0805.0094	47
07.0709.0267	29, 39	07.0709.0710	27	07.0723.0219	51	09.0806.0020	21
07.0709.0268	29, 39	07.0709.0711	31	07.0723.0221	51	09.4601.0049	49
07.0709.0269	29, 39	07.0709.0712	31	07.0723.0223	51	09.4604.0004	21
07.0709.0272	29, 39	07.0709.0747	25, 27, 35	07.0723.0229	51	09.4604.0047	21
07.0709.0273	29, 39	07.0709.0748	27	07.0723.0236	53	09.4604.0052	47
07.0709.0274	27, 29, 39	07.0709.0749	27	07.0723.0237	53	09.4604.0055	47
07.0709.0275	29, 39	07.0709.0750	27	07.0723.0345	53	09.4610.0024	51, 55
07.0709.0276	29, 39	07.0709.0751	27, 37	07.0723.0351	53	09.4610.0025	57
07.0709.0277	29, 39	07.0709.0752	27	07.0723.0352	57	09.4610.0027	51, 57
07.0709.0278	29, 39	07.0709.0753	29, 39	07.0723.0410	53	09.4616.0051	13
07.0709.0279	29, 39	07.0709.0754	29, 39	07.0723.0419	53	09.4616.0101	13
07.0709.0280	29, 39	07.0709.0756	29, 39	07.0723.0420	53	09.4618.0010	11
07.0709.0281	29, 39	07.0709.0757	29, 39	07.0723.0421	53	09.4618.0061	11
07.0709.0282	29, 39	07.0709.0758	29, 39	07.0723.0423	53	09.4618.0109	13
07.0709.0284	29, 39	07.0709.0760	37	07.0723.0425	53	09.4618.0205	11
07.0709.0285	33, 41	07.0709.0761	37	07.0723.0426	53	09.4618.0389	13
07.0709.0286	33, 41	07.0709.0762	37	07.0723.0428	53	09.4618.0641	11
07.0709.0287	43	07.0709.0763	37	07.0723.0429	53	09.4618.0643	11
07.0709.0289	43	07.0709.0764	29, 39	07.0723.0434	53	09.4618.0644	11
07.0709.0290	29, 39	07.0712.0048	45	07.0723.0441	53	09.4618.0776	11
07.0709.0291	29, 39	07.0712.0101	45	07.0723.0444	51	09.4618.0777	11
07.0709.0292	25	07.0712.0102	45	07.0723.0446	51	09.4618.0778	13
07.0709.0293	27	07.0712.0103	45	07.0723.0448	53	09.4618.0779	13
07.0709.0294	27	07.0712.0104	45	07.0723.0450	51	09.4618.0780	13
07.0709.0295	27	07.0713.0051	49	07.0723.0451	53, 55	09.4618.0782	11
07.0709.0296	27	07.0722.0053	49	07.0723.0452	53, 55	09.4618.0783	13
07.0709.0301	27	07.0723.0004	51, 55	07.0723.0453	53, 55	09.4618.0784	11
07.0709.0302	27	07.0723.0024	53, 55	07.0723.0454	51, 55	09.4618.1262	13
07.0709.0303	27	07.0723.0036	51	07.0723.0455	53	09.4627.0018	23
07.0709.0305	27	07.0723.0037	51	07.0723.0456	53, 55	09.4629.0018	23
07.0709.0306	27	07.0723.0039	55, 59	07.0723.0461	53	09.4632.0067	23
07.0709.0309	27	07.0723.0040	55	07.0723.0485	51	09.4632.0068	23
07.0709.0312	27	07.0723.0042	19, 53, 55	07.0723.0672	53	09.4635.0014	23
07.0709.0313	27	07.0723.0045	53	07.0723.0684	53	09.4635.0048	23
07.0709.0315	27	07.0723.0054	51, 57	07.0726.0102	19, 21	09.4636.0008	61
07.0709.0316	27	07.0723.0055	51, 57	07.0730.0013	61	09.4636.0018	61
07.0709.0317	27	07.0723.0057	53	07.0730.0017	61	09.4645.0030	47
07.0709.0319	27	07.0723.0059	51	07.0730.0019	61	09.4656.0012	47
07.0709.0320	27	07.0723.0074	55, 59	07.0730.0023	61	09.4661.0002	21
07.0709.0321	29, 39	07.0723.0075	53	07.0730.0025	61	09.4661.0016	15
07.0709.0322	29, 39	07.0723.0076	53, 55	07.0730.0051	47	09.4661.0020	15
07.0709.0323	29, 39	07.0723.0090	53	07.0730.0052	47	09.4661.0021	15
07.0709.0324	31	07.0723.0096	51	07.0730.0053	47	09.4661.0022	15
07.0709.0325	31	07.0723.0097	53, 55	07.0730.0054	47	09.4670.0000	15
07.0709.0326	31	07.0723.0104	59	07.0730.0055	47	09.4670.0002	45
07.0709.0327	31	07.0723.0111	55	07.0730.0056	47	09.4670.0004	49
07.0709.0328	31	07.0723.0114	51, 53	07.0730.0057	47	101613	49
07.0709.0329	31	07.0723.0133	51	07.0730.0058	47	130163	53
07.0709.0330	31	07.0723.0134	51	07.0738.0003	23	51.0111.8000	17
07.0709.0332	31	07.0723.0135	51	07.4501.0059	99	51.0201.2400	65
07.0709.0333	31	07.0723.0142	51, 55	07.4501.0139	49	51.0201.2500	65
07.0709.0334	31	07.0723.0144	53	07.4529.0027	61	51.0400.4300	67
07.0709.0335	31	07.0723.0149	51, 57	07.4529.0111	95	51.0600.2700	15
07.0709.0336	31	07.0723.0152	53	07.4529.0112	49	51.0600.4900	21
07.0709.0337	31	07.0723.0155	53	07.4529.0119	15	51.0800.3800	15
07.0709.0338	31	07.0723.0156	53	09.0803.0002	15	51.0802.4400	19
07.0709.0339	31	07.0723.0157	53	09.0803.0008	47	51.0803.5700	17
07.0709.0340	31	07.0723.0161	53	09.0803.0012	17, 19	51.0804.8400	65
07.0709.0341	31	07.0723.0163	53	09.0803.0025	15	51.0806.0000	17, 19
07.0709.0342	31	07.0723.0165	51	09.0803.0026	15	51.0806.1000	17, 19
07.0709.0343	31	07.0723.0166	53	09.0803.0027	47	51.0809.8900	49
07.0709.0344	31	07.0723.0168	51, 55	09.0803.0043	65	51.0810.0900	49

Part Number Index (continued)

Part Number	Page	Part Number	Page
51.0810.1000	49	56.0012.0074	15
51.0810.3200	19	56.0013.0000	21
51.0810.4100	45	56.0013.0028	21
51.0810.4200	19	56.0016.0073	59
51.0810.6100	17	56.0017.0015	59
51.0810.7300	19	58.1800.3300	51
51.0901.7900	19	629733	31
51.0902.7000	15	629735	31
51.0903.0400	19	630328	31
51.0903.1300	65	632070	31
51.0903.1700	17	632383	29, 39
51.0903.1800	17	633098	37
51.1000.1800	15	633110	37
51.1100.0020	51, 55	633160	37
51.1300.5400	69	633176	43
51.1301.4300	69	633204	25, 35
52.1100.7500	19	633529	27, 37
52.1200.0700	59	633531	27
52.1200.1100	59	633533	27, 37
52.1200.3700	59	633568	27
52.1200.3900	59	634391	27, 37
52.1200.4300	59	634392	27
53.0000.3200	71	634393	27
53.0100.2800	73	634397	33, 41
53.0300.1800	77	634546	29, 39
53.0400.1700	75	634561	27
53.3001.0500	67	634972	97
53.3001.4900	85	634973	97
53.3001.5000	47	634975	97
53.3001.5400	45	634981	49
53.3001.5500	45	635965	75
53.3100.0034	47	638548	29, 31, 39, 43
53.3200.0043	45	639327	31
53.3301.0005	21	639329	31
53.3402.1800	83	639637	27
53.3402.1900	83	639639	29, 39
53.3402.2000	83	639641	29, 39
53.3402.2100	83	639642	29, 39
53.3402.2200	83	639643	29, 39
53.3402.2300	83	639646	29, 39
54.0000.0017	65	639670	27, 29, 39
54.0000.0027	15	639830	27
54.0000.0068	69	639832	27
54.0000.0077	67	639992	77
54.0000.0192	65	639993	73
54.0000.0194	65	640096	71
54.0000.0196	65	640495	59
54.0000.0197	65	640496	59
54.0000.0199	65	640497	59
54.0001.0022	67	640987	59
54.0003.0016	65	640995	53
54.0100.0002	51, 55	641004	53
54.0100.0017	51, 55	641019	51, 53
54.0100.0027	69	641024	51, 53
54.0200.0000	65	641042	51, 53
54.0200.0001	65	641053	59
54.0202.0006	65	641065	59
54.0202.0007	65	641124	49
54.0702.0000	65	641135	97
54.0702.0001	65	82558	11
54.0702.0002	65	97664	11
54.0702.0005	65	97665	11
54.0702.0013	65	97666	11
54.0702.0014	17	97667	11
54.0800.0000	19	97668	11
55.0403.0046	23	97669	11
55.0403.0055	23	97670	11
55.0600.0106	99	97671	11
55.0601.0058	99	97672	11
55.0602.0014	99	97673	11
55.0602.0015	99	97674	11
56.0006.0002	97	97675	11
56.0008.0002	99	97676	11
56.0009.0003	99	97688	11
56.0010.0005	51	999058	49
56.0012.0049	59		

The Part Description Index is an alphabetical index of all part descriptions included in this manual. The index shows what page(s) the part is used on.

- 2**
 2ND TELESCOPIC ELEMENT GTH5519.....65
- A**
 AIR CONVEYOR (RADIATOR SHROUD).....45
 Air Filter Assembly.....47
 AIR FILTER CAP.....47
 AIR INLET.....15
 Air Inlet + Frame.....59
 ARM.....29, 39
 ARTICULATED TIE ROD.....33, 41
 ARTICULATION.....63
- B**
 Back-Up Ring.....31
 Back-up Ring.....31
 BALL.....31
 Ball Valve DN 1 1/221
 BALL-GRIP53
 BASKET,PLUG.....15
 BATTERY.....99
 BEARING.....27
 Bearing.....27, 29, 37, 39
 BEARING27, 37
 Bearing29, 39
 BELT, DOOR ASSY GTH5519.....53
 BELT,SEAT A5073.10451, 57
 Bevel Gear.....37
 BEVEL GEAR SET.....27
 BLEEDER VALVE,LONG31
 BODY.....63
 BOOM 1DEG ARM SECTION.....65
 Boom Lifting Cylinder.....71
 Both Side Adhesive Plate for Backflow Button
 NEH 5519 NEW.....13
 Bracket.....47
 BRAKE DISC.....31
 Brake Disc Internal.....31
 BRAKE PEDAL KIT.....61
 BRAKE RESERVOIR W/BACKET61
 BUSHING.....31, 43, 53
 Bushing.....29, 39, 43, 47
 Bushing BL16234.....61
 Bushing DB 45/52 LG.50.....65
 Bushing DB 50/58 LG.55.....65
 BUSHING M10X13.5.....65
 BUSHING M10X8.5.....65
- C**
 Cab Electric System.....99
 Cab Lateral Casing.....17
 Cab Structure.....51, 55
 CABLE.....99
 CABLE, BATTERY+.....99
 Cap Kit.....63
 CAP,HYDRAULIC FILTER.....21
 Capacity Both Side Adhesive Plate GTH-5519
 New.....13
 Cardan Shaft.....23, 29, 39
 CARDAN SHAFT ASSY KIT.....23
 Central Casing.....17
 Chain.....15
 Chassis Electric System.....99
 Chassis-Boom Joint Pin.....65
- Check Valve 2,5 Bar.....93
 Circlip.....29, 39
 CLAMP 64-67 M8.....47
 CLAMP DN 10/16 LG 9.....15
 CLAMP DN 15/25 LG 9.....61
 Clamp DN 50/70 LG12.....45, 47
 CLAMP S16 D32 HOLE 8.4.....47
 CLIP.....53
 CLUTCH DISC.....27
 Clutch Disc.....27
 COATING.....51, 55
 COIL, VALVE95
 Combined Oil/Water Radiator.....45
 Complete Frame.....17
 Complete Hydraulic Oil Filter21
 Complete Selector.....63
 Complete Throttle Pedal.....47
 COMPLETE WHEEL 16.5 AIR,RIGHT.....23
 Compression Spring.....47
 Connecting Sleeve.....47
 CONNECTOR.....99
 Continuous Oil Electrovalve.....79
 CONTROL LEVER.....63
 Control Valve.....63
 COPPER WASHER.....21
 Copper Washer JC 17.....21, 81
 Copper Washer JC 27 SP2,5.....91
 Copper Washer JC 33.....21
 Cosmetic - Genie GTH-5519.....11
 Counterweight.....15
 Cover.....27, 53, 55
 COVER, AIR FILTER.....53
 COVER, OIL TANK.....19, 21
 COVER,PARK BRAKE/RED.....59
 COVER,TOGGLE SWITCH.....59
 COVER,TOGGLE SWITCH PREHEATING...59
 Crinkle Washer UNI 8840.....47
 CRINKLE WASHER,DM.10.....53
 CROSS JOINT.....37
 Crown Wheel.....27
 Cursor.....63
 Cylinder.....33, 41
 CYLINDER GASKET KIT.....73
 CYLINDER PIPE/FORK MVMNT.....83
 CYLINDER,EXTENSION.....73
- D**
 Danger - Fall Hazard, No Riders.....11
 DASH, PANEL COVER.....59
 DASHBOARD.....59
 Dashboard.....59
 DASHBOARD,RIGHT SIDE.....59
 DECAL.....11
 Decal - Capacity of the Truck and
 Attachment.....11
 DECAL, (DO NOT OPEN WHEN RUN).....11
 DECAL, BOOM ANGLE INDICATOR.....11
 DECAL, SHEET VARIOUS.....13
 DECAL,BURN HAZARD.....11
 DECAL,COSMETIC,GTH-5519.....11
 DECAL,DANGER,CRUSH HAZARD.....11
 DECAL,DANGER,ELECTRICAL HAZARD.....11
 DECAL,DANGER,EXPLSION/BURN HAZ.....11
 DECAL,EMERGENCY EXIT HANDLE.....11
 DECAL,JOYSTICK FUNCTIONS.....13
 DECAL,SKIN INJECTION.....11
- DECAL,TIRE PREASURE.....11
 DECAL,UPPER DOOR UNLOCK SYS.....11
 DECAL,WARN,CRUSH HAZ MOVING PT.....11
 DECAL,WARN,EXPLSION/BURN HAZ.....11
 DECAL,WARN,FALLING OBJECT HAZ.....11
 DECAL,WARN,OVERTURN HAZARD.....11
 DECAL,WARN,READ MANUAL.....11
 DECAL,WARN,WEAR SEAT BELT.....11
 Diesel Engine.....49
 Diesel Fuel Filter.....49
 Diesel Fuel Filter Element.....49
 DIESEL TANK.....15
 DIFFERENTIAL BOX.....37
 DIFFERENTIAL CASE.....27, 37
 DIFFERENTIAL PINION.....37
 DISPLAY, GAUGES.....59
 DOOR COATING, 5519 LOWER DOOR.....53
 DOOR STOP KIT.....53
 DOWEL M12X25 UNI 5927 12.9 ZN.....69
 DOWEL27, 31, 37
 DRAIN PLUG M16.....15
 Drilled Screw 3/8".....81
 DRILLED SCREW, PRESSURE SWITCH.....61
- d**
 drilled Screw M14X1.5.....89
- E**
 Elastic Joint.....49
 ELEMENT,OIL FILTER,PERKINS***.....49
 ENGINE CASING FRAME.....19
 Engine Cover.....19
 Engine Cover Hinge.....19
 Engine Cover Lock Pin.....19
 Engine Housing.....19
 Engine Support Fan Side.....49
 Engine Support Left Flywheel Side.....49
 Engine Support Right Side TELELIFT 2506..49
 External Sound Proofing Panel.....53, 55
- F**
 Fan.....45
 Fan Guard Grid.....45
 Filter.....21
 Filter Body.....47
 FILTER51, 57
 Flange.....27, 37, 63
 Flashing Beacon.....51
 Flashing Beacon Bracket.....51
 FLAT WASHER D10 UNI 6593 ZN45
 FLAT WASHER D12 UNI 6593 ZN.....15
 FLAT WASHER D16 UNI 5714 ZN.....49
 FLAT WASHER D16 UNI 6592 ZN.....49
 FLAT WASHER D20 UNI 6592 ZN.....43
 FLAT WASHER D6 UNI 6592 ZN.....67
 FLAT WASHER D6 UNI 6593 ZN.....15, 65
 FLAT WASHER D8 UNI 6592 ZN.....17, 19, 45,
 47, 51, 63, 65
 FLAT WASHER D8 UNI 6593.....19, 57, 61
 FLAT WASHER D8X32 UNI 6593 ZN.....45
 FLEXIBLE HOSE.....87, 89, 95
 Flexible Hose R2 X 1/2 LG. 1100 F90 13/16 MD
 16 S DIN 24°83
 Flexible Hose R2 X 1/2 LG.1950 FD F90
 13/16-16 ORFS.....81

PIPE FITTING 90 M-M 13/16-16 ORFS.....83
 PIPE FITTING 90°M18 X 1.5 X 1" 3/16-12 ORFS.....93
 Pipe Fitting F-F 1/4X9/16-18 ORFS.....91
 Pipe Fitting GWR 1" 1/2 M x 1" F.....21
 Pipe Fitting GWR M 3/4" BSP X F 1/2" BSP.....91
 PIPE FITTING M12X1.5 X 9/16-18 ORFS.....93
 Pipe Fitting M14X1.5X1/4 BSP89
 Pipe Fitting M22X1.5X3/4.....93
 Pipe Fitting MFK 90 1/2 BSP.....67
 PIPE FITTING TMF+C 13/16-16 ORFS.....87
 PIPE FITTING TMF+L 1/2 BSP.....67
 Pipe Fitting TMF+L 1" 3/16-12 ORFS.....85
 PIPE FITTING,90 M-F 13/16-1681
 PIPE FITTING85, 89
 Pipe R1 X 1/4 LG. 1300F90 F90 9/16-18 ORFS.....95
 PIPE R1 X 3/8LG, 650 F90 FD 11/16.....89
 Pipe R2 X 1/2 LG. 1100 F90 F45 13/16 ORFS 270°.....95
 Pipe R2 X 1/2 LG. 950 FD FD 13/16-16 ORFS.....87
 Pipe R2 X 1/4 LG. 1150 F90 FD 9/16.....91
 Pipe R2 X 3/8 LG.2300 F90 F90 " Special Height" A 180°.....95
 Pipe R4 X1" 1/4 LG.1550 F90 F90 1"11/16-18 ORFS.....93
 PIPE, 5519.....83
 PIPE,SUCTION LINE FOR MANIFOLD.....85
 Piston.....31
 Pivot Pin.....29, 39
 PLAIN WASHER.....51
 Plain Washer D6x1853, 55
 PLANET GEAR CARRIER.....29, 39
 Plate.....53
 PLATE, BELT RETAINING 5519.....53
 PLATE/SEMI FLANGE.....93
 PLUG.....15, 25, 27, 29, 31, 35, 39, 43, 55, 59
 PLUG 1/2 BSP.....21
 PLUG 3/8" BSP.....21
 Plug TCEI BSP 3/4.....63
 PLUG,BREATHER.....27, 29, 39
 Polyurethane Complete Wheel.....23
 Power Steering.....61
 Pressure Port Decal TP1 GTH-5519 NEW.....13
 Pressure Port Decal TP2,TP3 GTH 5519 NEW.....11
 Pressure Port Decal TP4 GTH-5519 NEW.....13
 Pressure Switch.....61
 PRESSURE TUBE.....89, 91
 PROTECTIVE BRACKET.....65
 PULL BOX.....99
 Pump.....61
 PUMP A4VG56G 5519.....49
 Pump Hub.....49
 PUSH BUTTON.....63

Q

QUICK COUPLING, FEMALE 1/2.....67
 QUICK COUPLING, MALE 1/2.....67

R

Radiator Cap.....45
 Radiator Core.....45
 REAR FRAME LOCK (BLUE).....15
 REAR GLASS.....53
 Rear Steering Axle.....23

REAR WINDSCREEN WIPER KIT.....51
 RED PUSH BUTTON CAP.....63
 RELAY HOLDER.....99
 RELAY, GLOW PLUG.....99
 RELAY,12V,20/30A.....97
 RELAY99
 Removable Pedal.....47
 RETAINER.....59
 RIGHT SIDE GLASS51
 Right Side Grid.....55
 Rim 9.75 X 16.5".....23
 RING.....27
 Ring.....27, 29, 37, 39, 47
 Ring Gear Support.....29, 39
 RING GEAR29, 39
 RING NUT.....27
 Ring Nut.....31
 RING PIN.....67
 RUBBER.....51
 Rubber.....51
 Rubber Cap D37xH12xD8.....51
 Rubber Gasket.....21
 RUBBER HOSE.....15, 61
 RUBBER PLUG D.10.....51, 57
 RUBBER PLUG D25.....51, 57
 Rubber Protection.....63

S

Safety Sheet.....29, 39
 Safety Sheet37
 SAFETY VALVE.....71, 73, 77, 81, 87
 Safety Valve75
 Satellite Gear.....37
 Screening.....47
 SCREW.....29, 31, 39
 Screw.....27, 29, 31, 37, 39
 SCREW M10X25 UNI 5739 8.8 ZN.....19, 61, 65
 SCREW M10X25 UNI 5931 8.8 ZN.....49, 85
 SCREW M10X30 UNI 5933 10.9 ZN.....65
 SCREW M10X60 UNI 5737 8.8 ZN.....73
 SCREW M12X100 UNI 5737 8.8 ZN.....65
 SCREW M12X30 UNI 5739 8.8 ZN.....49
 SCREW M12X80 UNI 5737 8.8 ZN.....69
 SCREW M14X100UNI 5737 8.8 ZN.....65
 SCREW M24X160 UNI 5737 10.9 ZN.....15
 SCREW M6X20 UNI 5739 8.8 ZN.....67
 SCREW M6X25 UNI 5739 8.8 ZN.....15, 65
 SCREW M6X25 UNI 5931 8.8 ZN.....65
 SCREW M6X40 UNI 5739 8.8 ZN.....67
 SCREW M8X16 UNI 5739 8.8 ZN.....47, 53, 61, 71
 SCREW M8X20 UNI 5739 8.8 ZN...15, 19, 45, 51, 61, 65
 SCREW M8X20 UNI 8.8 ZN.....15, 65
 SCREW M8X25 UNI 5739 8.8 ZN...19, 45, 61, 65
 SCREW M8X25 UNI 5931 8.8 ZN.....47
 SCREW M8X30 UNI 5739 8.8 ZN.....47
 SCREW M8X40 UNI 5739 8.8 ZN.....45
 SCREW M8X45 UNI 5739 8.8 ZN.....15
 SCREW M8X50 UNI 5931 8.8 ZN.....71
 SCREW M8X70 UNI 5737 8.8 ZN.....63, 65
 Screw TCB 1BG3223.....55
 Screw TCEI M 5X35 UNI5931 8.8ZNMAR 29.....95
 Screw Tcei M 8X30 UNI 5931 8.8Zn.....57
 SCREW TCEI M8X40 UNI 5931 8.8 ZN.....75, 77

Screw TE M 5X10 UNI 5739 8.8 ZN.....15
 Screw TE M 8X40 UNI 5739 8.8 ZN.....15
 Screw TE M16X100 UNI 5737 8.8 ZN.....51, 55
 Screw TE M16X35 UNI 5739 8.8 ZN.....15
 Screw TE M20X130UNI 5737 10.9ZN.....43
 Screw TE M24X220UNI 5737 8.8 ZN.....17
 Screw TSPEI M 6X25UNI5933 8.8ZN.....17, 19
 Screw TSPEI M10x20 UNI 5933 10.9 ZN.....65
 Screw TSPEI M6X16 UNI 5933.....53
 Screw TSPEI M6x55 UNI 5933 10.9 ZN.....17, 19
 Screw TSPEI M8x40.....51
 Screw TSPEI M8X70.....51
 SCREW, 1/4 BSP.....81, 89, 91
 Screw, 10.9HCS 12MM-1.75X50.....29, 39
 SCREW, 12.9 SHCS 12-1.75X45.....27, 33, 41
 SCREW, 8.8 HCS 10MM-1.5X80Z.....65
 SCREW, 8.8 HCS 12MM-1.75X5027
 SCREW, 8.8 HCS 12MM1.75X60Z.....15
 SCREW, M 8X20 UNI 5739 8.8 ZN.....57
 SCREW, M6X20 DIN 933 YZ HCS.....53
 SCREW, M6X30DIN933 YZ HCS.....53
 SCREW,M10-1.5X90 12.9 SHCS.....53
 SCREW,M6-1.0X20MM FHSCS ZP.....53
 SCREW,PPH SMS 10X3/4ZAKEG.....55, 59
 SCREW,RING GEAR.....29, 39
 SCREW,STEERING ADJUST.....29, 39
 SCREW,TCB+M6X35.....53
 SCREW,TCEI M5X5053
 SCREW,TCEI,M16X50,UNI5931,8.8Z.....49
 SCREW,TE,M10X30 UNI 8.8 ZN.....47, 49
 SCREW,TE,M10X35 UNI 8.8 ZN.....47, 49, 65
 SCREW,TE,M6X16 UNI 8.8 ZN.....61
 SCREW,TPEI,M8X30.....51
 SCREW,TSPEI M8X25.....53
 SEAL.....27, 29, 31, 39, 51
 SEAL (1 PIECE = 3 METERS).....53
 SEAL / DIFFERENTIAL29, 39
 SEAL KIT.....49, 77, 87
 Seal Kit.....61
 SEAL KIT, LIFT CYLINDER.....71
 SEAL KIT,CYLINDER.....75
 SEAL KIT61
 SEAL,DIFFERENTIAL37
 Sealing Ring.....29, 39
 SEAL27, 29, 39
 Seat Support.....57
 SEAT, CUSHION BACK51, 55
 Seat, Non Suspension.....51, 55
 SEAT,BOTTOM CUSHION.....51, 55
 Secondary Air Filter Element.....47
 Shim.....27
 SHIM 0.10MM.....31
 SHIM 0.20MM.....31
 SHIM 0.30MM.....31
 SHIM 0.40MM.....31
 Shim Washer.....27, 29, 39
 SHIM,THICKNESS.....27, 37
 SHOCK ABSORBER, SEAT.....57
 SINGLE HOSE BRACKET D16.....65
 SNAP RING.....27, 29, 39
 Snap Ring.....27, 29, 31, 39
 SNAP RING (CIRCLIP).....25, 35
 SNAP RING27
 Solenoid.....79
 SOLENOID (07.0701.0290).....49
 SOLENOID VALVE.....95
 SOLENOID VALVE49
 SOLENOID****79

Part Description Index (continued)

Spacer.....27, 31, 37
 SPEED LEVER.....59
 Split Pin.....31
 Spring.....19, 31, 61
 SPRING SPLIT PIN.....15
 SPRING WASHER.....27
 SPRING WASHER D 8 ZN.....19, 45, 61, 65
 Spring Washer D10 UNI 1751 ZN.....49, 61
 SPRING WASHER D10 ZN.....19, 49, 65, 85
 Spring Washer D14 UNI 1751 ZN.....49
 SPRING WASHER D16 ZN.....15, 49
 Spring Washer D20 ZN43
 SPRING WASHER D24 ZN.....15
 SPRING WASHER D6 ZN.....61, 67
 Stainless Steel Exhaust Pipe.....47
 STAR WHEEL.....27
 Starting Switch.....59
 Steering Case.....29, 39
 Steering Column.....61
 STEERING WHEEL.....61
 STOP.....51, 53
 STOP NUT.....57
 STOP NUT M12 UNI 7473 6S ZN.....15, 65, 69
 STOP NUT M14 UNI 7473 6S ZN.....65
 STOP NUT M16 UNI 7473 6S ZN.....51, 55
 STOP NUT M5 UNI 7473 6S ZN.....95
 STOP NUT M6 UNI 7473 6S ZN.....17, 19, 47,
 67
 STOP PAD.....53
 STRAIN RELIEF.....99
 Stud.....29, 39
 STUD,DRIVE AXLE.....29, 39
 SUPPORT.....17, 19
 Support.....29, 39, 99
 SUPPORT, LEFT MUDGUARD.....17, 19
 SUPPORT,RADIATOR.....45
 SUPPORT/RUBBER DOOR.....21
 SUPPORT43
 SWITCH.....51, 59
 Switch.....59
 SWITCH COVER, CONTINUOUS FLOW.....59
 SWITCH COVER-HORN.....59
 SWITCH UPPER.....59
 SWITCH,COVER,FAN/GREEN.....59
 SWITCH,LOCK COVER.....59
 SWITCH,STEER SELECTOR.....59
 SWITCH/2 POS. MOMENTARY.....59

T

TANK FOR 2 POSITION SWITCH.....59
 TANK, WIPER W/ PUMP53
 TEMPERATURE SENSOR, HYDRAULIC
 OIL.....21
 THICKNESS.....27, 29, 37, 39
 Threaded Grubscrew.....31
 Throttle Cable.....47
 Tilt Cylinder.....75
 Tire 12-16.5" PR10.....23
 TOGGLE LEVER,COMPLETE.....53
 Twist Spring.....47

U

Universal Joint Cross.....23
 UPPER DOOR FRAME.....53
 UPPER DOOR FRAME WITH GLASS53
 UPPER DOOR GLASS GTH5519.....53
 Upper Glass.....51, 55

V

VALVE.....63
 VALVE CURSOR.....63
 Valve Vuc 3/4 8 Bar.....21
 VALVE, CARTRIDGE.....63
 VALVE,LOAD SENSE.....49
 VALVE,SOLND,BRK,DEUTZ TCD4.1.....79
 VIBRATION DAMPING.....45, 49

W

Warning - Crush Hazard, Overhead Parts.....11
 WASHER.....21, 31, 55, 59, 61, 81, 89, 91
 Washer.....49, 55
 WASHER D10.....65
 Washer D24 UNI 6592 ZN.....17
 WASHER D6.....17, 19
 Washer D6X12MM.....55
 WASHER D70/16, SP 8.....51, 55
 WASHER, D70/16, SP 4.....51, 55
 WASHER,CHMFRD,D16,UNI 6593,ZN.....51,
 55
 WASHER,D.14/20X1.5.....61, 89
 WASHER,D10 UNI 6592 ZN.....47
 WASHER,D10X20.....53
 WASHER,JC 22.....93
 WASHER,JC 27,SP.2,5.....21, 93
 WASHER27, 29, 37, 39, 69
 Water Temperature Gauge.....59
 WEAR PAD,100X25X15.....65
 WEAR PAD,100X60X12.....65
 WEAR PAD,200X60X15.....65
 WEAR PAD,200X60X20.....65
 WEAR PAD,60X60X12.....65
 WEATHERSTRIP,DOUBLE BULB.....53
 Wheel Hub.....29, 39
 Wheel Nut29, 39
 WHEEL STUD.....29, 39
 Windscreen Wiper Arm.....51
 WINDSCREEN WIPER BRUSH51
 WIPER ARM.....51
 WIPER BLADE.....51
 WIPER MOTOR.....51

Y

YELLOW PUSH BUTTON CAP.....63

This Page Intentionally Left Blank

Go to Discount-Equipment.com to order your parts

Fitting Cross References

Genie PN	Parker PN	Description	Genie PN	Parker PN	Description
12342	6-4 F5OX-S	CONNECTOR,STRAIGHT THREAD TO FLARE TUBE	42794	1 CR-S	ELBOW,90°,MALE PIPE
13757	4 R6X-S	RUN TEE,SWIVEL NUT,ORFS	42795	BV-0839	BALL VALVE
19685	12-10 C5OX-S	ELBOW,90°,STRAIGHT THREAD TO FLARE TUBE	42796	BV-0838	BALL VALVE
22664	12-10 C5OX	ELBOW,90°,STRAIGHT THREAD TO FLARE TUBE	42874	6-8 CLO-S	ELBOW,90°,MALE PIPE TO ORFS
27431	8-12 F5OX-S	CONNECTOR,STRAIGHT THREAD TO FLARE TUBE	42912	13943-6-4	HOSE END,90° FEMALE SWIVEL,JIC
28678	AS-B-33	SLEEVE,NYLON,1.81" ID	42920	BV-0840	BALL VALVE,90°
39871	6 WETX-WLN-S	UNION,90° BULKHEAD W/NUT,FLARE TUBE	42932	AS-B-17	SLEEVE,NYLON,1.22" ID
39872	4 R5OX-S	RUN TEE,STRAIGHT THREAD	42936	10243-2-4	HOSE END,FEMALE PIPE
39873	6 C5OX-S	ELBOW,90°,STRAIGHT THREAD TO FLARE TUBE	42953	1/2 DD-S	ELBOW,90°,FEMALE PIPE
39874	8-6 C5OX-S	ELBOW,90°,STRAIGHT THREAD TO FLARE TUBE	42956	6 WELO-WLNL-S	UNION,90° BULKHEAD W/NUT,ORFS
39875	4-6 C5OX-S	ELBOW,90°,STRAIGHT THREAD TO FLARE TUBE	45349	8 V5OX-S	ELBOW,45°,STRAIGHT THREAD TO FLARE TUBE
39876	6-8 C5OX-S	ELBOW,90°,STRAIGHT THREAD TO FLARE TUBE	45351	4 V5OX-S	ELBOW,45°,STRAIGHT THREAD TO FLARE TUBE
39877	4 F5OX-S	CONNECTOR,STRAIGHT THREAD TO FLARE TUBE	47223	10343-6-6	HOSE END,MALE,JIC
39878	6 F5OX-S	CONNECTOR,STRAIGHT THREAD TO FLARE TUBE	47419	PS690503-6-6	SWIVEL,90°,STRAIGHT THREAD TO 37° FLARE
39879	4-8 F5OX-S	CONNECTOR,STRAIGHT THREAD TO FLARE TUBE	48750	421-4	HOSE,1/4 INCH ID
39880	6-10 F5OX-S	CONNECTOR,STRAIGHT THREAD TO FLARE TUBE	48751	481TC-4	HOSE,1/4 INCH ID
39881	4-6 F5OX-S	CONNECTOR,STRAIGHT THREAD TO FLARE TUBE	48752	482TC-4	HOSE,1/4 INCH ID
39882	4-HP5ON-S	PLUG,STRAIGHT THREAD	48753	451TC-6	HOSE,3/8 INCH ID
39883	8-8 FTX-S	CONNECTOR,MALE PIPE TO FLARE TUBE	48754	482TC-6	HOSE,3/8 INCH ID
39885	269HB 12-12	ELBOW,90°,BEADED HOSE BARB TO MALE PIPE	48755	381-6	HOSE,3/8 INCH ID
39886	431-6	HOSE,3/8 INCH ID	48756	451TC-8	HOSE,1/2 INCH ID
39887	540N-2	HOSE,1/8 INCH ID	48757	482TC-8	HOSE,1/2 INCH ID
39888	801-8	HOSE,1/2 INCH ID	48758	381-8	HOSE,1/2 INCH ID
39889	801-12	HOSE,3/4 INCH ID	48759	381-10	HOSE,5/8 INCH ID
39890	10643-6-6	HOSE END,FEMALE SWIVEL,JIC	48760	451TC-10	HOSE,5/8 INCH ID
39891	13943-6-6	HOSE END,90° FEMALE SWIVEL,JIC	48761	482TC-12	HOSE,3/4 INCH ID
39892	13743-6-6	HOSE END,45° FEMALE SWIVEL,JIC	48762	451TC-12	HOSE,3/4 INCH ID
39894	30682-8-8	HOSE END,FEMALE SWIVEL,JIC	48763	772-12	HOSE,3/4 INCH ID
39895	30682-10-12	HOSE END,FEMALE SWIVEL,JIC	48764	881-16	HOSE,1 INCH ID
42286	8-8 CTX-S	ELBOW,90°,MALE PIPE TO FLARE TUBE	48765	772-16	HOSE,1 INCH ID
42756	8-12 CLO-S	ELBOW,90,MALE PIPE TO ORFS	48766	AS-B-15	SLEEVE,NYLON,1.06" ID
42757	8-12 FLO-S	CONNECTOR,MALE PIPE TO ORFS	48767	AS-B-22	SLEEVE,NYLON,1.42" ID
42758	4 JLO-S	UNION TEE,ORFS	48770	881-8	HOSE,1/2 INCH ID
42759	4-4 FLO-S	CONNECTOR,MALE PIPE TO ORFS			
42760	6-8 FLO-S	CONNECTOR,MALE PIPE TO ORFS			
42761	1J143-6-4	HOSE END,90° FEMALE SWIVEL,SEAL LOK			
42762	1J743-6-4	HOSE END,45° FEMALE SWIVEL,SEAL LOK			
42768	1JO43-4-4	HOSE END,MALE,SEAL LOK			
42776	801-8	HOSE,1/2 INCH ID			
42777	1J743-16-16	HOSE END,45° FEMALE SWIVEL,SEAL LOK			
42786	16 CLO-S	ELBOW,90°,MALE PIPE TO ORFS			
42787	16 R6LO-S	RUN TEE,SWIVEL NUT,ORFS			
42788	16-8 TRLO-BL-S	REDUCER,TUBE END TO SWIVEL,ORFS			
42789	6-6 CLO-S	ELBOW,90°,MALE PIPE TO ORFS			
42790	8-10 V5OLO-S	ELBOW,45°,STRAIGHT THREAD TO ORFS			
42791	3/4 CD-S	ELBOW,90°,MALE TO FEMALE PIPE			
42792	3/4 X 1/2 PTR-S	REDUCER,MALE TO FEMALE PIPE			
42793	1/2 CR-S	ELBOW,90°,MALE PIPE			

Fitting Cross References (Continued)

Genie PN	Parker PN	Description
48771	881-10	HOSE,5/8 INCH ID
48772	381-4	HOSE,1/4 INCH ID
48773	AS-B-13	SLEEVE,NYLON,.86" ID
48800	1JC43-4-4	HOSE END,FEMALE SWIVEL,SEAL LOK
48801	1J743-4-4	HOSE END,45° FEMALE SWIVEL,SEAL LOK
48802	1J943-4-4	HOSE END,90° FEMALE SWIVEL,SEAL LOK
48804	1JM43-4-4	HOSE END,MALE,SEAL LOK, NO O-RING
48805	10643-4-4	HOSE END,FEMALE SWIVEL,JIC
48806	13943-4-4	HOSE END,90° FEMALE SWIVEL,JIC
48807	1JS43-4-4	HOSE END,FEMALE SWIVEL,SEAL LOK
48808	3JC82-8-8	HOSE END,FEMALE SWIVEL,SEAL LOK
48809	3JC82-12-12	HOSE END,FEMALE SWIVEL,SEAL LOK
48810	1JC43-6-4	HOSE END,FEMALE SWIVEL,SEAL LOK
48811	1J943-6-4	HOSE END,90° FEMALE SWIVEL,SEAL LOK
48812	1JC43-6-6	HOSE END,FEMALE SWIVEL,SEAL LOK
48813	1J143-6-6	HOSE END,90° FEMALE SWIVEL,SEAL LOK
48814	1J543-6-6	HOSE END,90° FEMALE SWIVEL,SEAL LOK
48815	1J743-6-6	HOSE END,45° FEMALE SWIVEL,SEAL LOK
48816	1J943-6-6	HOSE END,90° FEMALE SWIVEL,SEAL LOK
48817	1JS43-6-8	HOSE END,FEMALE SWIVEL,SEAL LOK
48818	1J943-8-4	HOSE END,90° FEMALE SWIVEL,SEAL LOK
48819	1JC43-8-6	HOSE END,FEMALE SWIVEL,SEAL LOK
48820	1J743-8-6	HOSE END,45° FEMALE SWIVEL,SEAL LOK
48821	1J943-8-6	HOSE END,90° FEMALE SWIVEL,SEAL LOK
48822	1JC43-8-8	HOSE END,FEMALE SWIVEL,SEAL LOK
48823	1JS43-8-8	HOSE END,FEMALE SWIVEL,SEAL LOK
48824	1J143-8-8	HOSE END,90° FEMALE SWIVEL,SEAL LOK
48825	1J543-8-8	HOSE END,90° FEMALE SWIVEL,SEAL LOK
48826	1J743-8-8	HOSE END,45° FEMALE SWIVEL,SEAL LOK
48827	1J943-8-8	HOSE END,90° FEMALE SWIVEL,SEAL LOK
48828	1JC43-10-8	HOSE END,FEMALE SWIVEL,SEAL LOK
48829	1JS43-10-8	HOSE END,FEMALE SWIVEL,SEAL LOK
48830	1J743-10-8	HOSE END,45° FEMALE SWIVEL,SEAL LOK
48831	1J943-10-8	HOSE END,90° FEMALE SWIVEL,SEAL LOK
48833	1JC43-10-10	HOSE END,FEMALE SWIVEL,SEAL LOK
48834	1J943-10-10	HOSE END,90° FEMALE SWIVEL,SEAL LOK
48835	1JS43-10-12	HOSE END,FEMALE SWIVEL,SEAL LOK
48836	1JC43-12-8	HOSE END,FEMALE SWIVEL,SEAL LOK
48837	1JS43-12-8	HOSE END,FEMALE SWIVEL,SEAL LOK
48838	1J743-12-8	HOSE END,45° FEMALE SWIVEL,SEAL LOK
48839	1J943-12-8	HOSE END,90° FEMALE SWIVEL,SEAL LOK
48840	1J943-12-10	HOSE END,90° FEMALE SWIVEL,SEAL LOK
48841	1JC43-12-12	HOSE END,FEMALE SWIVEL,SEAL LOK
48842	1JO43-12-12	HOSE END,MALE,SEAL LOK
48843	1J143-12-12	HOSE END,90° FEMALE SWIVEL,SEAL LOK
48844	1J543-12-12	HOSE END,90° FEMALE SWIVEL,SEAL LOK
48845	1J743-12-12	HOSE END,45° FEMALE SWIVEL,SEAL LOK
48846	1J943-12-12	HOSE END,90° FEMALE SWIVEL,SEAL LOK

Genie PN	Parker PN	Description
48847	13943-12-12	HOSE END,90° FEMALE SWIVEL,JIC
48848	10543-12-12	HOSE END,MALE,STRAIGHT THREAD
48849	1JC71-12-12	HOSE END,FEMALE SWIVEL,SEAL LOK
48850	1JS71-12-12	HOSE END,FEMALE SWIVEL,SEAL LOK
48851	1J171-12-12	HOSE END,90° FEMALE SWIVEL,SEAL LOK
48852	1J771-12-12	HOSE END,45° FEMALE SWIVEL,SEAL LOK
48853	1J971-12-12	HOSE END,90° FEMALE SWIVEL,SEAL LOK
48854	1JC43-16-16	HOSE END,FEMALE SWIVEL,SEAL LOK
48855	1J943-16-16	HOSE END,90° FEMALE SWIVEL,SEAL LOK
48856	1J171-16-16	HOSE END,90° FEMALE SWIVEL,SEAL LOK
48857	1J971-16-16	HOSE END,90° FEMALE SWIVEL,SEAL LOK
48859	1JS43-8-4	HOSE END,FEMALE SWIVEL,SEAL LOK
48867	PD36BTL	DIAGNOSTIC NIPPLE,SEAL-LOK SWIVEL
48873	6 PNLO-S	PLUG,TUBE END,ORFS
48874	6 PNTX-S	PLUG,FLARE TUBE
48875	6 R6LO-S	RUN TEE,SWIVEL NUT,ORFS
48877	4 F5OLO-SW/.025	CONNECTOR,STRAIGHT THREAD TO ORFS, W/.025 ORI
48878	16-12 C5OLO-S	ELBOW,90°,STRAIGHT THREAD TO ORFS
48879	8 C6LO-S	ELBOW,90°,SWIVEL NUT ORFS
48880	PD6-285	CAP,DIAGNOSTIC NIPPLE
48881	6 HLO-S	UNION,ORFS
48883	8 P5ON-S	PLUG,STRAIGHT THREAD
48884	8M18F87OMLO-S	CONNECTOR,METRIC,STRAIGHT THREAD TO ORFS
48885	4 WGTX-WLN-S	CONNECTOR,BULKHEAD,FEMALE PIPE TO FLARE TUBE
48886	4 F5OLO-SW/2MM	CONNECTOR,MACHINED STRAIGHT THREAD TO ORFS
48887	4 CTX-S	ELBOW,90°,MALE PIPE TO FLARE TUBE
48888	10-12 V5OLO-S	ELBOW,45°,STRAIGHT THREAD TO ORFS
48890	4 S5OLO-S	BRANCH TEE,STRAIGHT THREAD TO ORFS
48891	4 S6LO-S	BRANCH TEE,SWIVEL NUT TO ORFS

Fitting Cross References (Continued)

Genie PN	Parker PN	Description	Genie PN	Parker PN	Description
48892	6 C6LO-S	ELBOW,90°,SWIVEL NUT ORFS	48938	8 R6LO-S	RUN TEE,SWIVEL NUT,ORFS
48893	6 F5OHAO-S	UNION,STRAIGHT THREAD	48939	8 S6LO-S	BRANCH TEE,SWIVEL NUT TO ORFS
48894	8 WLO-WLNL-S	UNION,BULKHEAD,ORFS	48940	8 WJLO-WLNL-S	RUN TEE, BULKHEAD,ORFS
48895	DT-370-MSMO-5	VALVE,CHECK	48941	8-4 TRLO-S	REDUCER,TUBE END TO SWIVEL,ORFS
48896	6 JLO-S	UNION,TEE,ORFS	48942	8-6 C5OLO-S	ELBOW,90°,STRAIGHT THREAD TO ORFS
48897	DT-750-MSMS-5	VALVE,CHECK	48943	8-6 F5OLO-S	CONNECTOR,STRAIGHT THREAD TO ORFS
48898	DT-750-MOMS-5	VALVE,CHECK	48944	8-8 FLO-S	CONNECTOR,MALE PIPE TO ORFS
48899	DT-620-MOMS-5	VALVE,CHECK	48945	8 FTX-S	CONNECTOR,MALE PIPE TO FLARE TUBE
48900	4-6 F5OLO-SW/.035	CONNECTOR,STRAIGHT THREAD TO ORFS, W/.035 ORI	48946	8-10 F5OLO-S	CONNECTOR,STRAIGHT THREAD TO ORFS
48902	16-1 AOE4G-S	ELBOW,90° LONG,FEMALE PIPE TO STRAIGHT THREAD	48947	8-12 C5OLO-S	ELBOW,90°,STRAIGHT THREAD TO ORFS
48903	1 FF-S	NIPPLE,PIPE	48948	8-12 F5OLO-S	CONNECTOR,STRAIGHT THREAD TO ORFS
48904	4 C5OLO-S	ELBOW,90°,STRAIGHT THREAD TO ORFS	48949	8-16 F5OLO-S	CONNECTOR,STRAIGHT THREAD TO ORFS
48905	4 F5OLO-S	CONNECTOR,STRAIGHT THREAD TO ORFS	48950	10 C5OLO-S	ELBOW,90°,STRAIGHT THREAD TO ORFS
48906	4 R5OLO-S	RUN TEE,STRAIGHT THREAD	48951	10 CC5OLO-S	ELBOW,90° LONG,STRAIGHT THREAD TO ORFS
48907	4 V5OLO-S	ELBOW,45°,STRAIGHT THREAD TO ORFS	48952	10 F5OLO-S	CONNECTOR,STRAIGHT THREAD TO ORFS
48908	4 R6LO-S	RUN TEE,SWIVEL NUT,ORFS	48953	10 R5OLO-S	RUN TEE,STRAIGHT THREAD
48909	4 WJLO-WLNL-S	RUN TEE, BULKHEAD,ORFS	48954	10 S5OLO-S	BRANCH TEE,STRAIGHT THREAD TO ORFS
48910	4 GTX-S W/.030	CONNECTOR,FEMALE PIPE TO FLARE TUBE	48955	10 R6LO-S	RUN TEE,SWIVEL NUT,ORFS
48911	4-6 C5OLO-S	ELBOW,90°,STRAIGHT THREAD TO ORFS	48956	10-4 TRLO-BL-S	REDUCER,TUBE END TO SWIVEL,ORFS
48912	4-6 F5OLO-S	CONNECTOR,STRAIGHT THREAD TO ORFS	48957	10-6 TRLO-BL-S	REDUCER,TUBE END TO SWIVEL,ORFS
48913	4-6 F5OLO-SW/.030	CONNECTOR,STRAIGHT THREAD TO ORFS, W/.030 ORI	48958	10-12 F5OLO-S	CONNECTOR,STRAIGHT THREAD TO ORFS
48914	4-8 F5OLO-S	CONNECTOR,STRAIGHT THREAD TO ORFS	48959	12 C5OLO-S	ELBOW,90°,STRAIGHT THREAD TO ORFS
48915	6 C5OLO-S	ELBOW,90°,STRAIGHT THREAD TO ORFS	48960	12 F5OLO-S	CONNECTOR,STRAIGHT THREAD TO ORFS
48916	6 F5OLO-S	CONNECTOR,STRAIGHT THREAD TO ORFS	48961	12 R5OLO-S	RUN TEE,STRAIGHT THREAD
48917	6 FF5OLO-S	CONNECTOR,LONG,STRAIGHT THREAD TO ORFS	48962	12 S5OLO-S	BRANCH TEE,STRAIGHT THREAD TO ORFS
48918	6 R5OLO-S	RUN TEE,STRAIGHT THREAD	48963	12 V5OLO-S	ELBOW,45°,STRAIGHT THREAD TO ORFS
48919	6 S5OLO-S	BRANCH TEE,STRAIGHT THREAD TO ORFS	48964	12 R6LO-S	RUN TEE,SWIVEL NUT,ORFS
48920	6 V5OLO-S	ELBOW,45°,STRAIGHT THREAD TO ORFS	48965	12 CLO-S	ELBOW,90°,MALE PIPE TO ORFS
48921	6 FLO-S	CONNECTOR,MALE PIPE TO ORFS	48966	12 FLO-S	CONNECTOR,MALE PIPE TO ORFS
48922	6-6 FLO-S	CONNECTOR,MALE PIPE TO ORFS	48967	12 JLO-S	UNION TEE,ORFS
48923	6 P5ON-S	PLUG,STRAIGHT THREAD	48968	12 WLO-WLNL-S	UNION,BULKHEAD,ORFS
48925	6 WELO-S	UNION,90° BULKHEAD,ORFS	48969	12 WJLO-WLNL-S	RUN TEE, BULKHEAD,ORFS
48926	6-4 C5OLO-S	ELBOW,90°,STRAIGHT THREAD TO ORFS	48970	12 WELO-WLNL-S	UNION,90° BULKHEAD W/NUT,ORFS
48927	6-4 F5OLO-S	CONNECTOR,STRAIGHT THREAD TO ORFS			
48928	6-4 V5OLO-S	ELBOW,45°,STRAIGHT THREAD TO ORFS			
48929	6-8 C5OLO-S	ELBOW,90°,STRAIGHT THREAD TO ORFS			
48930	6-8 F5OLO-S	CONNECTOR,STRAIGHT THREAD TO ORFS			
48931	6-10 F5OLO-S	CONNECTOR,STRAIGHT THREAD TO ORFS			
48932	8 C5OLO-S	ELBOW,90°,STRAIGHT THREAD TO ORFS			
48933	8 F5OLO-S	CONNECTOR,STRAIGHT THREAD TO ORFS			
48934	8 FF5OLO-S	CONNECTOR,LONG,STRAIGHT THREAD TO ORFS			
48935	8 R5OLO-S	RUN TEE,STRAIGHT THREAD			
48936	8 S5OLO-S	BRANCH TEE,STRAIGHT THREAD TO ORFS			
48937	8 V5OLO-S	ELBOW,45°,STRAIGHT THREAD TO ORFS			

Fitting Cross References (Continued)

Genie PN	Parker PN	Description	Genie PN	Parker PN	Description
48971	12 G5G5JG5-S	TEE,FEMALE STRAIGHT THREAD	49612	PKT02586	O-RING KIT (ORFS FITTINGS)
48972	12 XHL6-S	ADAPTER, 37° MALE TO SWIVEL ORFS	49613	PKT06276	PLUG AND CAP KIT-SERVICE,ORFS
48973	12-1/2 F5OG-S	ADAPTER,FEMALE PIPE TO STRAIGHT THREAD	49728	10143-12-12	HOSE END, MALE PIPE
48974	12-10 C5OLO-S	ELBOW,90°,STRAIGHT THREAD TO ORFS	49729	16-1 F5OG-S	ADAPTER,FEMALE PIPE TO STRAIGHT THREAD
48975	12-10 F5OLO-S	CONNECTOR,STRAIGHT THREAD TO ORFS	49814	12-8 FLO-S	CONNECTOR,MALE PIPE TO ORFS
48976	12-16 C5OLO-S	ELBOW,90°,STRAIGHT THREAD TO ORFS	49829	DT-500-MOMF-5	VALVE,CHECK
48977	12-16 F5OLO-S	CONNECTOR,STRAIGHT THREAD TO ORFS	49831	881-12	HOSE,3/4 INCH ID
48978	12-16 V5OLO-S	ELBOW,45°,STRAIGHT THREAD TO ORFS	49834	16 JLO-S	UNION TEE,ORFS
48980	12-16 FLO-S	CONNECTOR,MALE PIPE TO ORFS	49838	12-8 TRLO-BL-S	REDUCER,TUBE END TO SWIVEL,ORFS
48983	16 C5OLO-S	ELBOW,90°,STRAIGHT THREAD TO ORFS	49840	8 JLO-S	UNION TEE,ORFS
48984	16 F5OLO-S	CONNECTOR,STRAIGHT THREAD TO ORFS	49844	10-8 TRLO-BL-S	REDUCER,TUBE END TO SWIVEL,ORFS
48985	16 V5OLO-S	ELBOW,45°,STRAIGHT THREAD TO ORFS	49854	8 P5ON-S	PLUG,STRAIGHT THREAD
48986	16 FLO-S	CONNECTOR,MALE PIPE TO ORFS	49855	1JC43-16-12	HOSE END,FEMALE SWIVEL,SEAL LOK
48988	16 CD45-S	ELBOW,45°,MALE TO FEMALE PIPE	49859	4 P5ON-S	PLUG,STRAIGHT THREAD
48989	12 CD45-S	ELBOW,45°,MALE TO FEMALE PIPE	49861	4 FF5OLO-S	CONNECTOR, LONG, STRAIGHT THREAD TO ORFS
48990	8 CD45-S	ELBOW,45°,MALE TO FEMALE PIPE	49867	12-3/4 F5OG-S	ADAPTER, FEMALE PIPE TO STRAIGHT THREAD
48991	16-12 FLO-S	CONNECTOR,MALE PIPE TO ORFS	51152	6 R6X-S	RUN TEE,SWIVEL NUT,ORFS
48992	16-12 V5OLO-S	ELBOW,45°,STRAIGHT THREAD TO ORFS	51153	6-4 TRTX-S	REDUCER,TUBE END TO SWIVEL,ORFS
48993	XV501-12	BALL VALVE	51154	4-4 GTX	CONNECTOR,FEMALE PIPE TO FLARE TUBE
48994	XV501-16	BALL VALVE	51264	881-12	HOSE,3/4 INCH ID
48995	XV510P-12	BALL VALVE	51265	8 JLO-S	UNION TEE,ORFS
48996	XV510P-16	BALL VALVE	51508	6 BTX-S	NUT,FLARE TUBE
48997	PD341	DIAGNOSTIC NIPPLE, STRAIGHT THREAD	51580	12-8 TRLO-BL-S	TUBE END REDUCER,ORFS
48998	PD 361	DIAGNOSTIC NIPPLE, STRAIGHT THREAD	51628	6 R6X-S	RUN TEE,SWIVEL NUT,ORFS
48999	DT-500-MOMS-5	VALVE,CHECK	51735	3/8 HHP	PLUG,PIPE THREAD
49201	10 V5OLO-S	ELBOW,45°,STRAIGHT THREAD TO ORFS	51803	1J943-6-8	HOSE END,90° FEMALE SWIVEL,SEAL LOK
49202	1JC43-12-10	HOSE END,FEMALE SWIVEL,SEAL LOK	53023	125HBL-5-4	FITTING,HOSE BARB TO MALE PIPE
49203	10-8 V5OLO-S	ELBOW,45°,STRAIGHT THREAD TO ORFS	53497	PKT02585	O-RING KIT
49205	6 F5OHAO-S	UNION,STRAIGHT THREAD	53499	1JC71-16-16	HOSE END,FEMALE SWIVEL,SEAL LOK
49207	PD34BTL	DIAGNOSTIC NIPPLE,SEAL-LOK SWIVEL	53500	3-904	O-RING,STRAIGHT THREAD,-4
49209	8M18F870MX-S	CONNECTOR,METRIC,STRAIGHT THREAD TO FLARE TUBE	53501	3-906	O-RING,STRAIGHT THREAD,-6
49212	8 WGTX-WLN-S	CONNECTOR,BULKHEAD,FEMALE PIPE TO FLARE TUBE	53502	3-908	O-RING,STRAIGHT THREAD,-8
49213	30682-8-8	HOSE END,FEMALE SWIVEL,JIC	53503	3-910	O-RING,STRAIGHT THREAD,-10
49216	831-8	HOSE,1/2 INCH ID			
49217	33982-8-8	HOSE END,90° FEMALE SWIVEL,JIC			
49219	PS-B-35	SLEEVE,NYLON,2.19" ID			
49418	4-6 V5OLO-S	ELBOW,45°,STRAIGHT THREAD TO ORFS			
49511	DT370-MOMS-5	VALVE,CHECK			
49512	1 DD-S	ELBOW,90°,FEMALE PIPE			
49513	1 FF-S	NIPPLE,PIPE			
49514	10 HP5ON-S	PLUG,STRAIGHT THREAD			
49515	12-16 CLO-S	ELBOW,90°,MALE PIPE TO ORFS			
49517	6 HP5ON-S	PLUG,STRAIGHT THREAD			
49519	16-12 F5OLO-S	CONNECTOR,STRAIGHT THREAD TO ORFS			
49520	4 VTX-S	ELBOW,45°,MALE PIPE TO FLARE TUBE			
49530	16 C6LO-S	ELBOW,90°,SWIVEL NUT ORFS			

Fitting Cross References (Continued)

Genie PN	Parker PN	Description	Genie PN	Parker PN	Description
53535	3-912	O-RING,STRAIGHT THREAD,-12	61083	24 F5OLO-S	CONNECTOR,STRAIGHT THREAD TO ORFS
53536	4-PNLO-S	PLUG,TUBE END,ORFS	61086	20 R5OLO-S	RUN TEE,STRAIGHT THREAD
53537	6 PNLO-S	PLUG,TUBE END,ORFS	61090	24-20 F5OLO-S	CONNECTOR,STRAIGHT THREAD TO ORFS
53538	8 PNLO-S	PLUG,TUBE END,ORFS	61091	1J943 24-24	HOSE END,90° FEMALE SWIVEL,SEAL LOK
53539	10 PNLO-S	PLUG,TUBE END,ORFS	61093	1J978-12-12	HOSE END,90° FEMALE SWIVEL,JIC
53540	12 PNLO-S	PLUG,TUBE END,ORFS	61095	1JS43-20-16	HOSE END,FEMALE SWIVEL,SEAL LOK
53946	129HB-5-4	FITTING,90° HOSE BARB TO MALE PIPE	61100	811-24	HOSE,11/2 INCH ID
53951	8-1/4F5OG-S	ADAPTER,FEMALE PIPE TO STRAIGHT THREAD	61130	1JS43-24-24	HOSE END,FEMALE SWIVEL,SEAL LOK
53980	6 S6LO-S	BRANCH TEE,SWIVEL NUT TO ORFS	61131	1JS78 12-12	HOSE END,FEMALE SWIVEL,SEAL LOK
54132	4 C6LO-S	ELBOW,90°,SWIVEL NUT ORFS	61132	1J778-12-12	HOSE END,45° FEMALE SWIVEL,JIC
54135	11343-16-16	HOSE END,MALE SWIVEL,PIPE	61152	139HB-6-4	ELBOW,45°,BARB TO MALE PIPE
54283	8-10 C5OLO-S	ELBOW,90°,STRAIGHT THREAD TO ORFS	61251	BV-0750	BALL VALVE
54428	8M18C87OMLO-S	ELBOW, 90° METRIC, STRAIGHT THREAD TO ORFS	61259	4 CC5OLO-S	ELBOW,90° LONG,STRAIGHT THREAD TO ORFS
54803	FS-F-16-10	SLEEVE,FIRE,.96" ID	61260	20-12 TRLO-BL	REDUCER,TUBE END TO SWIVEL,ORFS
54954	10143-2-4	HOSE END, MALE PIPE	61262	12 C6LO-S	ELBOW,90°,SWIVEL NUT ORFS
55190	3/8 HP-S	PLUG,PIPE THREAD	61263	20 F5OHAO-S	UNION,STRAIGHT THREAD
55448	8 HLO-S	UNION,ORFS	61264	6-10 C5OLO-S	ELBOW,90°,STRAIGHT THREAD TO ORFS
55839	6 F65OX-S	CONNECTOR,STRAIGHT THREAD TO 37° SWIVEL	61265	6 WNLO-WLNL-S	UNION,BULKHEAD 45°,ORFS
55968	10 C5OX-S	ELBOW,90°,STRAIGHT THREAD TO FLARE TUBE	61268	4 WNLO-WLNL-S	UNION,BULKHEAD 45°,ORFS
56003	6 CC5OLO-S	ELBOW,90° LONG,STRAIGHT THREAD TO ORFS	61269	4 WLO-WLNL-S	UNION,BULKHEAD,ORFS
56166	BV-0837	BALL VALVE,90°	61272	12 AOEL6	ELBOW,90°,STRAIGHT THREAD TO ORFS SWIVEL
56188	10143-8-6	HOSE END, MALE PIPE	61316	482TC-16	HOSE,1 INCH ID
56233	2-011	O-RING,ORFS,-4	61321	6 JLO-S	UNION TEE,ORFS
56234	2-012	O-RING,ORFS,-6	61327	782-12	HOSE,3/4 INCH ID
56235	2-014	O-RING,ORFS,-8	61328	881-24	HOSE,11/2 INCH ID
56236	2-016	O-RING,ORFS,-10	61336	11943-20-24	HOSE END,90° FLANGE HEAD
56237	2-018	O-RING,ORFS,-12	61345	12 WJLO-WLNL-S	RUN TEE, BULKHEAD,ORFS
56238	2-021	O-RING,ORFS,-16	61346	8 WNLO-WLNL-S 4	UNION,BULKHEAD 45°,ORFS
56352	6 WLNL-S	LOCKNUT,BULKHEAD	61569	33782-8-8	HOSE END,45° FEMALE SWIVEL,JIC
56353	3J782-12-12	HOSE END,45° FEMALE SWIVEL,SEAL LOK	61610	12 FF5OLO-S	CONNECTOR,LONG,STRAIGHT THREAD TO ORFS
56354	3J982-12-12	HOSE END,90° FEMALE SWIVEL,SEAL LOK	61742	1/8 X 1.5 FFF	NIPPLE,PIPE
56604	10-8 F5OLO-S	CONNECTOR,STRAIGHT THREAD TO ORFS	63426	8 PNTX-S	PLUG,FLARE TUBE
56639	3JC82-10-10	HOSE END,FEMALE SWIVEL,SEAL LOK			
56640	3J982-10-10	HOSE END,90° FEMALE SWIVEL,SEAL LOK			
56655	3JC82-8-10	HOSE END,FEMALE SWIVEL,SEAL LOK			
56676	10-8 C5OLO-S	ELBOW,90°,STRAIGHT THREAD TO ORFS			
56776	471TC-6	HOSE,3/8 INCH ID			
56777	471TC-8	HOSE,1/2 INCH ID			
56789	811-16	HOSE,1 INCH ID			
57884	3/8 FF	NIPPLE,PIPE			
59335	6 FNL-S	CAP,TUBE END			
59342	4 FNL-S	CAP,TUBE END			
59371	8 HP5ON-S	PLUG,STRAIGHT THREAD			
60653	BV-0751	BALL VALVE			
60806	125HB-3-4	FITTING,HOSE BARB TO MALE PIPE			
61064	5-1/4 F5OG-S	ADAPTER,FEMALE PIPE TO STRAIGHT THREAD			
61079	4 WELO-WLNL-S	UNION,90° BULKHEAD W/NUT,ORFS			
61080	6 WLO-WLNL-S	UNION,BULKHEAD,ORFS			

Fitting Cross References (Continued)

Genie PN	Parker PN	Description
64271	4 WLO-WLNL-S	UNION,BULKHEAD,ORFS
64272	6 WLO-WLNL-S	UNION,BULKHEAD,ORFS
65776	8 F65OL-S	CONNECTOR,STRAIGHT THREAD TO ORFS SWIVEL
65880	6001012	O-RING KIT
66154	6 WTX-WLNS	UNION,BULKHEAD,FLARE TUBE
66155	6 WETX-S	UNION,BULKHEAD 90°,FLARE TUBE
66156	6 WLN-S	BULKHEAD LOCKNUT
66389	6-8 F5OX-S	CONNECTOR,STRAIGHT THREAD TO FLARE TUBE
66392	6 R5OX-S	RUN TEE,STRAIGHT THREAD
66396	811-12	HOSE,3/4 INCH ID
66829	H3174PP	CLAMP,TUBE
67217	4 KLO-S	UNION,CROSS,ORFS
67339	10-6 F5OX-S	CONNECTOR,STRAIGHT THREAD TO FLARE TUBE
67357	13943-8-6	HOSE END,90° FEMALE SWIVEL,JIC
67358	10 HP5ON-S	PLUG,STRAIGHT THREAD
67371	12 S6LO-S	BRANCH TEE,SWIVEL NUT TO ORFS
67498	4 FNL-S	CAP, TUBE END
67906	DC-370-F0F0-5	VALVE,CHECK
69316	8 FLO-S	CONNECTOR,MALE PIPE TO ORFS
69333	H3174PP	CLAMP,HYDRAULIC HOSE
69503	4 F65OX-S	CONNECTOR,STRAIGHT THREAD TO 37° SWIVEL
69775	8 FNL-S	CAP, TUBE END
71038	1/4X1/4F3HG-S	ADAPTER,CONVERSION
71196	12-8 F5OLO-S	CONNECTOR,STRAIGHT THREAD TO ORFS
71383	1/4 CD45-S	ELBOW,45°,MALE TO FEMALE PIPE
72270	12FNL-S	CAP, TUBE END
73436	60C-4	SLEEVE,COMPRESSION
73437	61C-4	NUT,COMPRESSION
73438	33482-4-4B	HOSE END,PUSH LOK,MALE
73767	1CD-S	ELBOW,90°,MALE TO FEMALE PIPE
73768	20-16-F5OG5-S	ADAPTER,FEMALE PIPE TO STRAIGHT THREAD
73769	16-20 F5OLO-S	CONNECTOR,STRAIGHT THREAD TO ORFS
74660	6-8 F42EDMLO-S	CONNECTOR,MALE BSPP TO ORFS
74661	8-8 F42EDMLO-S	CONNECTOR,MALE BSPP TO ORFS
75007	4 FLO-S	CONNECTOR,MALE PIPE TO ORFS
75008	1/8 HP-S	PLUG,PIPE THREAD
75014	1/2 HP-S	PLUG,PIPE THREAD
75042	8 WELO-WLNL-S	UNION,90° BULKHEAD W/NUT,ORFS
75043	3/4 FF-S	NIPPLE,PIPE
75254	24 F5OHAO-S	UNION,STRAIGHT THREAD
75255	12 F5OHAO-S	UNION,STRAIGHT THREAD
75256	XV506P-24	BALL VALVE
75574	4 WLNL-S	BULKHEAD LOCKNUT
75612	8 WJLO-WLNL-S	RUN TEE, BULKHEAD,ORFS
75613	12-8 F5OG5-S	ADAPTER,FEMALE PIPE TO STRAIGHT THREAD
75614	8 CC5OLO-S	ELBOW,90° LONG,STRAIGHT THREAD TO ORFS
75628	1JB43-4-4	HOSE END,BULKHEAD,SEAL LOK

Genie PN	Parker PN	Description
75631	801-6	HOSE,3/8 INCH ID
75654	20 F5OLO-S	CONNECTOR,STRAIGHT THREAD TO ORFS
75655	1J943-20-20	HOSE END,90° FEMALE SWIVEL,SEAL LOK
75656	881-20	HOSE,1-1/4 INCH ID
75971	8 F5OHAO-S	UNION,STRAIGHT THREAD
77307	1JB43-8-8	HOSE END,BULKHEAD,SEAL LOK
77309	8 WLNL-S	BULKHEAD LOCKNUT
77379	8M18C87OMX-S	ELBOW,90° METRIC,STRAIGHT THREAD TO FLARE TUBE
77703	3J982-8-8	HOSE END,90° FEMALE SWIVEL,SEAL LOK
77711	801-10	HOSE,5/8 INCH ID
77758	12 WNLO-WLNL-S	UNION,BULKHEAD 45°,ORFS
78091	6 C6X-S	ELBOW,90°,SWIVEL NUT TO FLARE TUBE
78684	30582-8-8B	HOSE END,PUSH LOK,MALE
78852	549-2	HOSE,1/8 INCH ID
78855	10657-4-2	HOSE END,FEMALE SWIVEL,JIC
79138	PS-B-37	SLEEVE,NYLON,2.38" ID
79476	1JS43-6-8	HOSE END,FEMALE SWIVEL,SEAL LOK
79847	12-3/4 A0EG-S	ELBOW,90°,STRAIGHT THREAD TO FEMALE PIPE
80044	8 CLO-S	ELBOW,90°,MALE PIPE TO ORFS
80502	8 F5OX-S	CONNECTOR,STRAIGHT THREAD TO FLARE TUBE
80503	8 C5OX-S	ELBOW,90°,STRAIGHT THREAD TO FLARE TUBE
81010	AS-B-27	SLEEVE,NYLON,1.63" ID
83052	821-6	HOSE,3/8 INCH ID
83053	821-8	HOSE,1/2 INCH ID
83054	821-12	HOSE,3/4 INCH ID
83055	30682-6-6	HOSE END,FEMALE SWIVEL,JIC
83056	30682-12-12	HOSE END,FEMALE SWIVEL,JIC
83057	33782-6-6	HOSE END,45° FEMALE SWIVEL,JIC
83058	33982-6-6	HOSE END,90° FEMALE SWIVEL,JIC
83060	33982-12-12	HOSE END,90° FEMALE SWIVEL,JIC
83063	13743-4-4	HOSE END,45° FEMALE SWIVEL,JIC

Fitting Cross References (Continued)

Genie PN	Parker PN	Description	Genie PN	Parker PN	Description
83064	13743-8-8	HOSE END,45° FEMALE SWIVEL,JIC	89449	6 WJLO-WLNL-S	RUN TEE, BULKHEAD,ORFS
83065	13743-12-12	HOSE END,45° FEMALE SWIVEL,JIC	89489	4 WJMLO-S	BRANCH TEE,BULKHEAD,ORFS
83066	13943-8-8	HOSE END,90° FEMALE SWIVEL,JIC	89551	1JB43-6-6	HOSE END,BULKHEAD,SEAL LOK
83067	14143-6-6	HOSE END,90° FEMALE SWIVEL,JIC	89552	1JB43-8-8	HOSE END,BULKHEAD,SEAL LOK
83068	14143-8-8	HOSE END,90° FEMALE SWIVEL,JIC	89593	20 C5OLO-S	ELBOW,90°,STRAIGHT THREAD TO ORFS
83069	14143-12-12	HOSE END,90° FEMALE SWIVEL,JIC	94161	8-8 CLO-S	ELBOW,90°,MALE PIPE TO ORFS
83070	772-8	HOSE,1/2 INCH ID	94358	351TC-12	HOSE,3/4 INCH ID
83071	10671-8-8	HOSE END,FEMALE SWIVEL,JIC	94418	20 FLO-S	CONNECTOR,MALE PIPE TO ORFS
83072	10671-12-12	HOSE END,FEMALE SWIVEL,JIC	96358	12 TX-S	SLEEVE,FLARE TUBE
83073	13771-8-8	HOSE END,45° FEMALE SWIVEL,JIC	96359	12 BTX-S	NUT,FLARE TUBE
83074	13771-12-12	HOSE END,45° FEMALE SWIVEL,JIC	96397	8 F5OX-S	CONNECTOR,STRAIGHT THREAD TO FLARE TUBE
83075	13971-8-8	HOSE END,90° FEMALE SWIVEL,JIC	96398	12-8 F5OX-S	CONNECTOR,STRAIGHT THREAD TO FLARE TUBE
83076	13971-12-12	HOSE END,90° FEMALE SWIVEL,JIC	96402	10343-6-6	HOSE END,MALE,JIC
83077	14171-8-8	HOSE END,90° FEMALE SWIVEL,JIC	96407	30382-6-6B	HOSE END,MALE,JIC
83078	14171-12-12	HOSE END,90° FEMALE SWIVEL,JIC			
83080	13943-16-16	HOSE END,90° FEMALE SWIVEL,JIC			
83103	10671-16-12	HOSE END,FEMALE SWIVEL,JIC			
83104	10671-10-12	HOSE END,FEMALE SWIVEL,JIC			
83112	1JC71-8-8	HOSE END,FEMALE SWIVEL,SEAL LOK			
83113	1JS71-16-12	HOSE END,FEMALE SWIVEL,SEAL LOK			
83114	1JS71-10-12	HOSE END,FEMALE SWIVEL,SEAL LOK			
83115	1J971-8-8	HOSE END,90° FEMALE SWIVEL,SEAL LOK			
83116	1J171-8-8	HOSE END,90° FEMALE SWIVEL,SEAL LOK			
83117	1J771-8-8	HOSE END,45° FEMALE SWIVEL,SEAL LOK			
83127	1J543-6-8	HOSE END,90° FEMALE SWIVEL,JIC			
83128	1JC43-6-8	HOSE END,FEMALE SWIVEL,SEAL LOK			
87033	12-6 TRLO-S	REDUCER,TUBE END TO SWIVEL,ORFS			
87034	3J782-8-8	HOSE END,45° FEMALE SWIVEL,SEAL LOK			
87172	12 HP5ON-S	PLUG,STRAIGHT THREAD			
87185	8 WNLO-WLNL-S	UNION,BULKHEAD 45°,ORFS			
87246	4 C6X-S	ELBOW,90°,SWIVEL NUT TO FLARE TUBE			
87679	6 LHP-S	FLANGE SEAL FITTING, MALE			
87681	6PLS N0702	BONDED SEAL			
88100	SR88100	ADAPTER,OIL DRAIN,GM 3.0L			
88311	1JS43-20-20	HOSE END,FEMALE SWIVEL,SEAL LOK			
88353	20 V5OLO-S	ELBOW,45°,STRAIGHT THREAD TO ORFS			
88474	10081-20	Crimp Shell, 1.25"			
88475	1988-20-24	HOSE END,90° FLANGE HEAD			
88476	JS88-24-24	HOSE END,FEMALE SWIVEL,SEAL LOK			
88477	1JC88-20-20	HOSE END,FEMALE SWIVEL,SEAL LOK			
88478	811-20	HOSE,1 1/4 INCH ID			
88936	20-16 F5OLO-S	CONNECTOR,STRAIGHT THREAD TO ORFS			
88937	20-16 FLO-S	CONNECTOR,MALE PIPE TO ORFS			
88938	1JC88-16-16	HOSE END,FEMALE SWIVEL,SEAL LOK			
88939	1J988-16-16	HOSE END,90° FEMALE SWIVEL,ORFS			
88940	811-16	HOSE,1 INCH ID			
88944	1J988-20-20	HOSE END,90° FEMALE SWIVEL,ORFS			
89403	16 VLO-S	ELBOW,45°,MALE PIPE TO ORFS			

PARTS FINDER

**Search Website
by Part Number**



**Search Manual
Library For Parts
Manual & Lookup Part
Numbers – Purchase
or Request Quote**

Search Manuals

Enter your information to help us find the right parts manual for your machine.

* Brand:

* Model:

* Serial:

* Part Number:

SEARCH

**Can't Find Part or
Manual? Request Help
by Manufacturer,
Model & Description**

Parts Order Form

Please fill in the following information to help us find the right part for your machine.

Manufacturer:	<input type="text"/>
Model:	<input type="text"/>
Description:	<input type="text"/>
Part Number:	<input type="text"/>
Quantity:	<input type="text"/>
Notes:	<input type="text"/>

Submit

Discount-Equipment.com is your online resource for quality parts & equipment.

Florida: **561-964-4949** Outside Florida TOLL FREE: **877-690-3101**

Need parts?

Click on this link: <http://www.discount-equipment.com/category/5443-parts/> and choose one of the options to help get the right parts and equipment you are looking for. Please have the machine model and serial number available in order to help us get you the correct parts. If you don't find the part on the website or on one of the online manuals, please fill out the request form and one of our experienced staff members will get back to you with a quote for the right part that your machine needs.

We sell worldwide for the brands: Genie, Terex, JLG, MultiQuip, Mikasa, Essick, Whiteman, Mayco, Toro Stone, Diamond Products, Generac Magnum, Airman, Haulotte, Barreto, Power Blanket, Nifty Lift, Atlas Copco, Chicago Pneumatic, Allmand, Miller Curber, Skyjack, Lull, Skytrak, Tsurumi, Husquvarna Target, Stow, Wacker, Sakai, Mi-T-M, Sullair, Basic, Dynapac, MBW, Weber, Bartell, Bennar Newman, Haulotte, Ditch Runner, Menegotti, Morrison, Contec, Buddy, Crown, Edco, Wyco, Bomag, Laymor, EZ Trench, Bil-Jax, F.S. Curtis, Gehl Pavers, Heli, Honda, ICS/PowerGrit, IHI, Partner, Imer, Clipper, MMD, Koshin, Rice, CH&E, General Equipment, Amida, Coleman, NAC, Gradall, Square Shooter, Kent, Stanley, Tamco, Toku, Hatz, Kohler, Robin, Wisconsin, Northrock, Oztec, Toker TK, Rol-Air, APT, Wylie, Ingersoll Rand / Doosan, Innovatech, Con X, Ammann, Mecalac, Makinex, Smith Surface Prep, Small Line, Wanco, Yanmar