



A TEREX BRAND



Parts Manual

Serial Number Range

GTH-5519

from SN 10242 to 16380

from SN 16383 to 17547

from SN 17566 to 17821

from SN 17826 to 18153

from SN 18169 to 18555

from SN 18587 to 19005

Part No. 645000

Rev H

March 2016

Go to Discount-Equipment.com to order your parts

PARTS FINDER

**Search Website
by Part Number**



**Search Manual
Library For Parts
Manual & Lookup Part
Numbers – Purchase
or Request Quote**

Search Manuals

Enter your information to help us find the right parts manual for your machine.

* Brand:

* Model:

* Serial:

* Part Number:

SEARCH

**Can't Find Part or
Manual? Request Help
by Manufacturer,
Model & Description**

Parts Order Form

Please fill in the following information to help us find the right part for your machine.

MANUFACTURER:

MODEL:

DESCRIPTION:

DATE:

TIME:

PHONE:

EMAIL:

ADDRESS:

CITY:

STATE:

ZIP:

NAME:

PHONE:

EMAIL:

REQUEST FOR QUOTE

Discount-Equipment.com is your online resource for quality parts & equipment.

Florida: **561-964-4949** Outside Florida TOLL FREE: **877-690-3101**

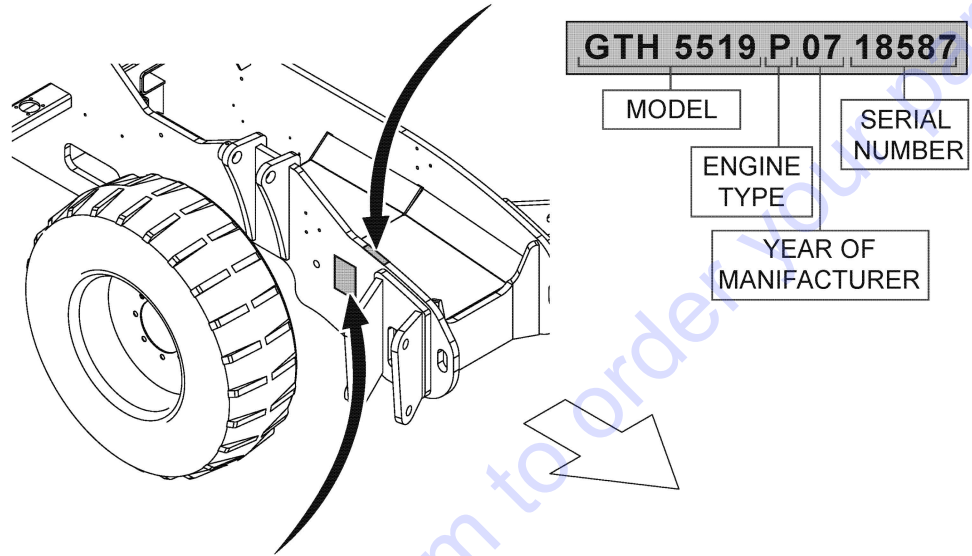
Need parts?

Click on this link: <http://www.discount-equipment.com/category/5443-parts/> and choose one of the options to help get the right parts and equipment you are looking for. Please have the machine model and serial number available in order to help us get you the correct parts. If you don't find the part on the website or on one of the online manuals, please fill out the request form and one of our experienced staff members will get back to you with a quote for the right part that your machine needs.

We sell worldwide for the brands: Genie, Terex, JLG, MultiQuip, Mikasa, Essick, Whiteman, Mayco, Toro Stone, Diamond Products, Generac Magnum, Airman, Haulotte, Barreto, Power Blanket, Nifty Lift, Atlas Copco, Chicago Pneumatic, Allmand, Miller Curber, Skyjack, Lull, Skytrak, Tsurumi, Husquvarna Target, Stow, Wacker, Sakai, Mi-T-M, Sullair, Basic, Dynapac, MBW, Weber, Bartell, Bennar Newman, Haulotte, Ditch Runner, Menegotti, Morrison, Contec, Buddy, Crown, Edco, Wyco, Bomag, Laymor, EZ Trench, Bil-Jax, F.S. Curtis, Gehl Pavers, Heli, Honda, ICS/PowerGrit, IHI, Partner, Imer, Clipper, MMD, Koshin, Rice, CH&E, General Equipment, Amida, Coleman, NAC, Gradall, Square Shooter, Kent, Stanley, Tamco, Toku, Hatz, Kohler, Robin, Wisconsin, Northrock, Oztec, Toker TK, Rol-Air, APT, Wylie, Ingersoll Rand / Doosan, Innovatech, Con X, Ammann, Mecalac, Makinex, Smith Surface Prep, Small Line, Wanco, Yanmar

Chassis serial number

(The chassis serial number is punched on the front right part of the chassis side member)



Machine data plate

(On machines destined for the Italian market, the machine data plate is installed in the driving cab, on the right, and is well-visible when the door is opened. On the machines destined for foreign markets, the data plate is applied on the front right side of the chassis)

TEREXLIFT s.r.l.	
MODELLO - MODEL - MODELE - TYP - MODELO	<input type="text"/>
ANNO DI COSTRUZIONE - YEAR OF CONSTRUCTION - ANNEE DE CONSTRUCTION BAUJAHR - AÑO DE FABRICACIÓN	<input type="text"/>
MATRICOLA - SERIAL N. - N. DE SERIE - FZ-IDENT NR. - NO. DE SERIE	<input type="text"/>
PESO MAX ASSALE ANT. - MAX FRONT AXLE WEIGHT - POIDS MAX ESSIEU AVANT ZUL. ACHSLAST VO. N. ST VZO - PESO MAX EJE ANTERIOR	<input type="text"/> kg
PESO MAX ASSALE POST. - MAX REAR AXLE WEIGHT - POIDS MAX ESSIEU ARRIERE ZUL. ACHSLAST HI. N. ST VZO - PESO MAX EJE POSTERIOR	<input type="text"/> kg
PESO TOTALE - TOTAL WEIGHT - POIDS TOTAL - ZUL. GESAMTGEWICHT N. ST VZO PESO TOTAL	<input type="text"/> kg
MATRICOLA MOTORE TERMICO - ENGINE SERIAL N. - N. MOTEUR THERMIQUE FABRIK NR. DIESEL MOTOR - NO. DE SERIE MOTOR TERMICO	<input type="text"/>
POTENZA MOTORE TERMICO - ENGINE POWER - PUISSANCE MOTEUR MOTORLEISTUNG - POTENCIA MOTOR	<input type="text"/> kW
CARICO STATICO VERT. GANCIO DI TRAINO-MAX.VERTICAL LOAD ON THE COUPLING HOOK-EFFORT VERTICAL MAXIMAL SUR LE CROCHET D'ATELAGE MAXIMALE STUTZLASTBEANSPRUCHUNG DES ZUGHAKENS IN VERTIKALER RICHTUNG- ESFUERZO VERTICAL SOBRE EL GANCHO DE TRACCION	<input type="text"/> kg
MASSA MAX. RIMORCHIABILE - MAX.DRAWBAR PULL AT THE COUPLING HOOK EFFORT THE TRACTION - MAXI AU CROCHET D'ATELAGE-MAXIMALE ZUGBEANSPRUCHUNG AM ZUGHAKEN-MAXIMO ESFUERZO DE TRACCION EN EL GANCHO DE TRACCION	<input type="text"/> kg
OMOLOGAZIONE	<input type="text"/>
FABBRICATO IN ITALIA - MADE IN ITALY	CE

Table of Contents

This manual is updated frequently. For the most up-to-date parts information, visit www.discount-equipment.com

How to Read Your Serial Number.....3
 Parts Stocking List.....7

Electronic Version

Click on any page number to view the figure.

100 Cab and Control Place Unit

101.1 0 604710 Dashboard.....10
 102.1 0 604711 Cab.....12
 103.1 0 604712 Cab-Door And Glasses.....14
 104.1 0 604712 Cab - Door And Glasses.....18
 105.1 0 604726 Hydraulic System.....22
 106.1 0 604727 Hydraulic System - Pilotages.....24

200 Frame Unit

201.1 0 604713 Frame.....26
 202.1 0 604714 Rear Frame Unit.....28
 203.1 0 604736 Label - Name Plate.....30
 204.1 0 604737 Label - Name Plate.....32

300 Transmission Unit

301.1 0 604717 Transmission And Wheels.....34
 302.1 0 604721 Hydraulic System - Negative Brake.....36
 303.1 0 604722 Power Steering System.....38
 304.1 0 604725 Hydraulic System - Transmission.....40
 305.1 0 604739 Front Axle - Differential Case.....42
 306.1 0 604740 Front Axle - Differential Gear.....44
 307.1 0 604741 Front Axle - Reduction Gear.....46
 308.1 0 604742 Front Axle - Brake.....48
 309.1 0 604743 Front Axle - Steering Cylinder.....50
 310.1 0 604744 Rear Axle - Differential Case.....52
 311.1 0 604745 Rear Axle - Differential Gear.....54
 312.1 0 604746 Rear Axle - Steering Axle.....56
 313.1 0 604747 Rear Axle - Steering Cylinder.....58
 314.1 0 604748 Rear Axle - Support.....60

400 Telescopic Boom Unit

401.1 0 604715 Arm.....62
 402.1 0 604716 Forks.....64
 403.1 0 604728 Hydraulic System - Implement Locking.....66
 404.1 0 604729 Hydraulic System - Fork Balancing.....68
 405.1 0 604730 Hydraulic System - Lifting And Boom Extension.....70
 406.1 0 604731 Hydraulic System - Auxiliary Circuits.....72
 407.1 0 604734 Hydraulic System - Parts.....74
 408.1 0 604735 Hydraulic System - Parts.....76

500 Diesel Engine Unit

501.1 0 604718 Diesel Engine - Hydraulic Pump.....78
 502.1 0 604719 Diesel Engine - Engine Cooling System.....80
 503.1 0 604720 Diesel Engine - Suction - Exhaust - Accelerator.....82
 504.1 0 604723 Hydraulic System - Tank and Exchanger...84
 505.1 0 604724 Suction System - Facilities Pump.....86

600 Electric Installation Unit

601.1 0 604733 Fuse Holding Box.....88
 602.1 0 604738 Electric Installation.....90

Indices

Part Number Index.....92
 Part Description Index.....96

Cross References

Required Parts

The following parts are required to perform maintenance procedures as outlined in the GTH 5519 Operator's and Service Manuals.

Description	Part No.
Diesel Fuel Filter.....	07.4501.0068
Engine Oil Filter.....	07.4501.0067
Hydraulic Oil Filter Cartridge	07.0700.0000
Engine Air Filter	07.4501.0063
Oil Filter Immersed in the Tank.....	09.4604.0004

Used Varnishes

Description	Type
Terex Grey.....	RAL 7012
Terex White	RAL 1013
Terex Matte Black for Cylinders.....	RAL 9005
Genie Blue.....	
Genie Grey	
Genie Mat Black for Cylinders.....	RAL 9005

Manuals

Terexlift offers the following support documents for these models:

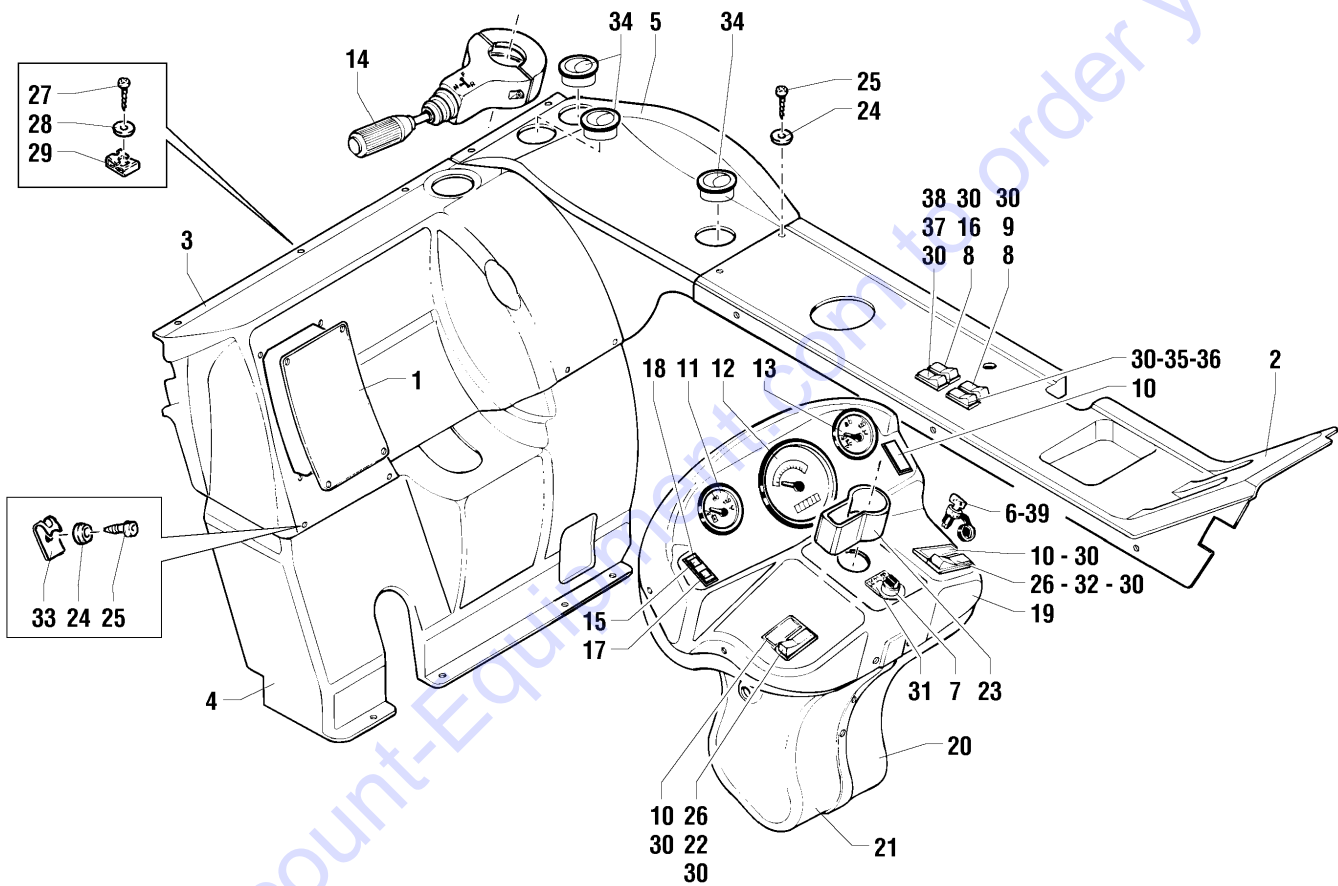
Title	Part No.
Genie GTH 5519 Operator's Manual, 1 st edition.....	57.0005.9200
Genie GTH 5519 Service Manual, 2 st edition	57.4401.8200

Part list abbreviations

ZN	Zinc-plated
RNFT	Reinforced
FLNG	Flanged
PSNT	Heavy type
OC	Eye
PSRT	Through-coupling
CNTF	Hole centre

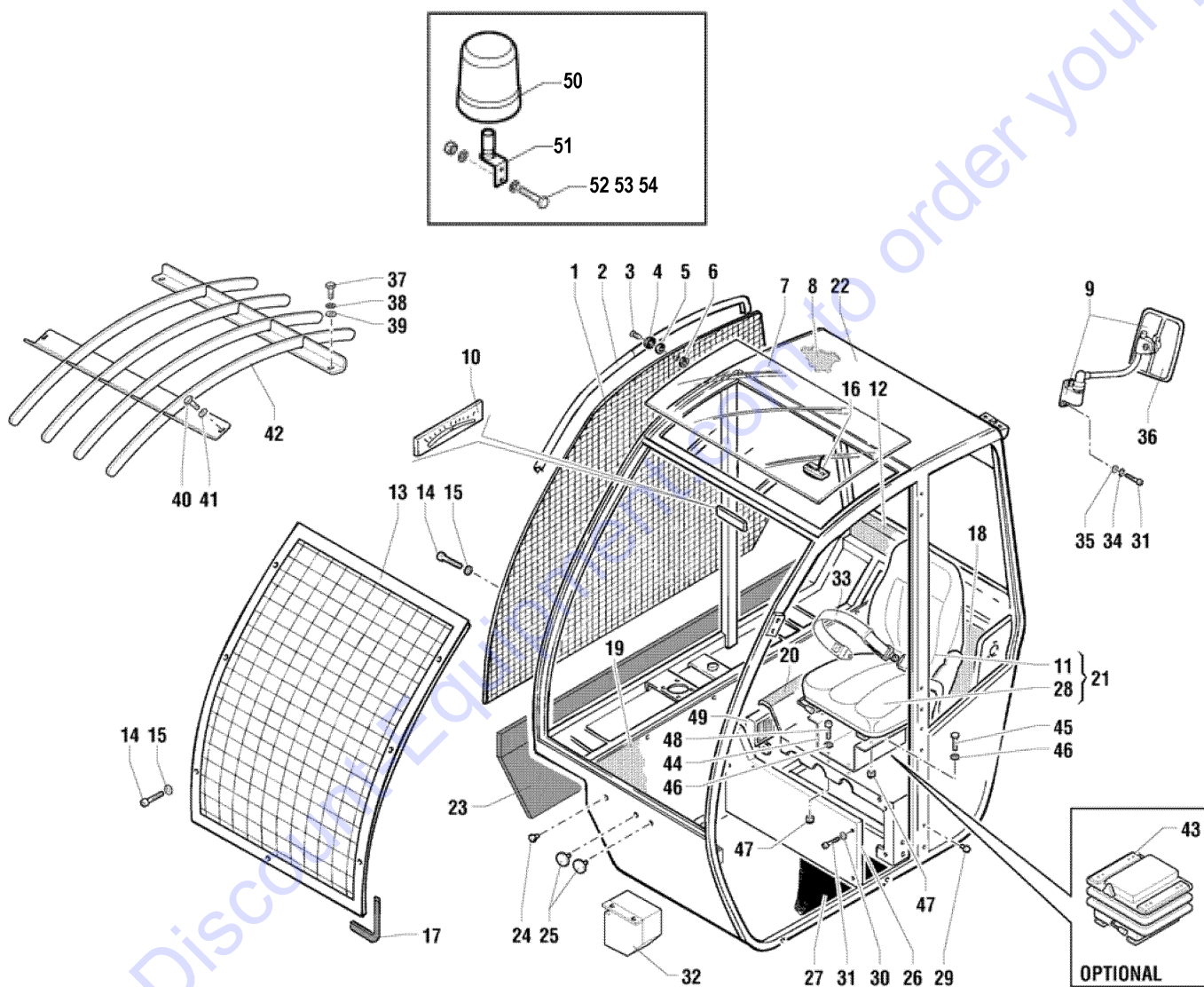
Go to Discount-Equipment.com to order your parts

101.1 604710 Dashboard



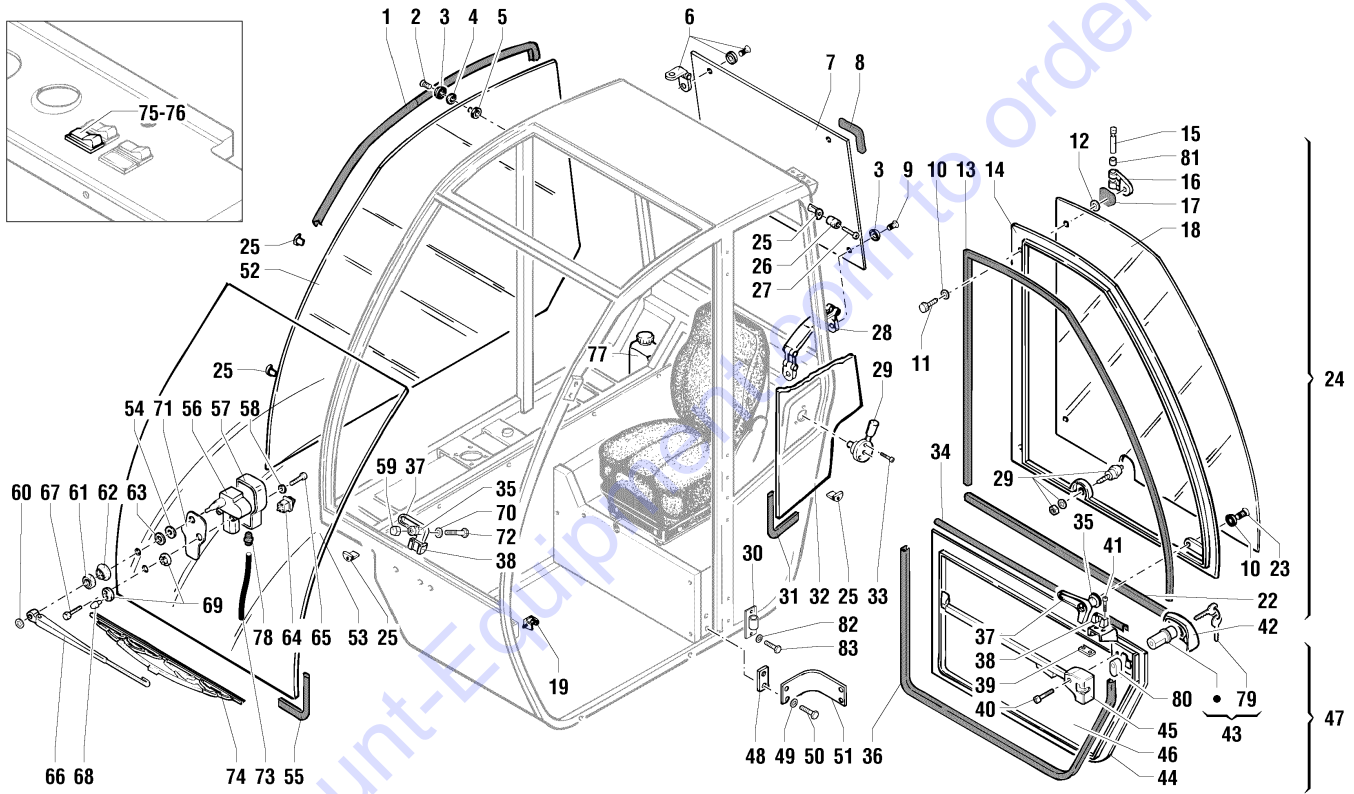
Item	Part No.	Description	Qty.	Item	Part No.	Description	Qty.
1	52.1200.1100	DASH, PANEL COVER.....	1	37	07.0703.0077	SWITCH,COVER,FAN/GREEN.....	1
2	52.1200.0700	DASHBOARD.....	1	38	07.0703.0088	SWITCH.....	1
3	52.1200.3900	DASHBOARD.....	1	39	56.0017.0015	KEY ONLY (1 PAIR).....	1
4	52.1200.3800	Dashboard.....	1				
5	52.1200.3700	DASHBOARD.....	1				
6	07.0703.0472	Starting Switch.....	1				
7	641065	SWITCH,STEER SELECTOR.....	1				
8	07.0703.0087	Switch.....	2				
9	07.0703.0455	COVER,PARK BRAKE/RED.....	1				
10	07.0703.0089	PLUG.....	2				
11	56.0016.0073	GAUGE, HYDRAULIC OIL TEMP, 5519.....	1				
12	641053	DISPLAY, GAUGES.....	1				
13	56.0016.0072	Indicator.....	1				
14	07.0703.0479	SPEED LEVER.....	1				
15	07.0703.0458	COVER,TOGGLE SWITCH PREHEATING.....	1				
16	07.0703.0473	SWITCH COVER, CONTINUOUS FLOW.....	1				
17	07.0703.0459	COVER,TOGGLE SWITCH.....	1				
18	07.0703.0457	PILOT LIGHT.....	1				
19	640495	Dashboard.....	1				
20	640496	DASHBOARD,RIGHT SIDE.....	1				
21	640497	LEFT SIDE, DASHBOARD.....	1				
22	07.0703.0477	SWITCH,LOCK COVER.....	1				
23	07.0703.0056	GUARD.....	1				
24	07.0723.0074	WASHER.....	18				
25	07.0723.0039	SCREW,PPH SMS 10X3/4ZAKEG.....	18				
26	07.0703.0476	SWITCH/2 POS. MOMENTARY.....	2				
27	07.0723.0039	SCREW,PPH SMS 10X3/4ZAKEG.....	12				
28	07.0723.0074	WASHER.....	12				
29	07.0723.0104	RETAINER.....	12				
30	07.0703.0052	TANK FOR 2 POSITION SWITCH...8					
31	07.0703.0113	NAME PLATE.....	1				
32	07.0703.0474	SWITCH COVER-HORN.....	1				
33	07.0723.0104	RETAINER.....	1				
34	07.0723.0192	Air Inlet.....	3				
35	07.0703.0611	Switch.....	1				
36	07.0703.0610	SWITCH UPPER.....	1				

102.1 604711 Cab



Item	Part No.	Description	Qty.	Item	Part No.	Description	Qty.
1	07.0723.0198	Right Side Grid.....	1	36	07.0723.0042	Mirror.....	1
2	07.0723.0049	Seal.....	2	37	01.0001.0503	Screw TE M 12x20.....	2
3	07.0723.0169	Screw TSPEI M8x40.....	2	38	01.4032.0005	SPRING WASHER D12 ZN	2
4	07.0723.0170	Washer.....	7	39	01.0031.0057	WASHER,D12 UNI 6592 ZN	2
5	07.0723.0096	RUBBER.....	2	40	01.0001.0252	SCREW M8X16 UNI 5739 8.8 ZN....	2
6	07.0723.0171	Rubber.....	2	41	01.0031.0299	FLAT WASHER D8 UNI 6593.....	2
7	07.0723.0168	Upper Glass.....	1	42	07.0723.0283	Grate.....	1
8	07.0723.0211	Coating.....	1	43	09.4610.0025	SHOCK ABSORBER, SEAT.....	1
9	07.0723.0024	MIRROR W/BRACKET, SINGLE	1	44	07.0723.0352	Seat Support.....	1
10	07.0723.0142	LEVEL GAUGE.....	1	45	01.0001.0010	SCREW, M 8X20 UNI 5739 8.8 ZN.....	4
11	07.0703.0508	SEAT, CUSHION BACK	1	46	01.0031.0299	FLAT WASHER D8 UNI 6593.....	8
12	641009	Coating.....	1	47	01.0023.0064	STOP NUT.....	8
13	07.0723.0196	GUARD.....	1	48	01.0003.0944	Screw Tcei M 8X30 UNI 5931 8.8Zn.....	4
14	07.0723.0039	SCREW,PPH SMS 10X3/4ZAKEG.....	19	49	07.0723.0149	FILTER	1
15	07.0723.0074	WASHER.....	19	50	56.0010.0005	Flashing Beacon.....	1
16	07.0723.0011	Roof Lamp.....	1	51	07.0723.0485	Flashing Beacon Bracket.....	1
17	07.0723.0197	Rubber Seal.....	4	52	01.0001.0254	SCREW M8X20 UNI 5739 8.8 ZN....	2
18	07.0723.0145	INTERIOR PANEL WITH POUCH.....	1	53	01.0031.0055	FLAT WASHER D8 UNI 6592 ZN	4
19	07.0723.0146	Coating.....	1	54	01.0023.0054	NUT,M8 UNI 7473 6S ZN.....	2
20	07.0723.0150	Coating.....	1				
21	09.4610.0017	SEAT..... <i>Optionals</i>	1				
21	09.4610.0024	Seat, Non Suspension..... <i>standard On Units</i>	1				
22	51.1100.0014	Frame.....	1				
23	07.0723.0213	External Sound-Proofing.....	1				
24	07.0723.0055	RUBBER PLUG D.10.....	1				
25	07.0723.0054	RUBBER PLUG D25.....	2				
26	07.0723.0214	Lock.....	1				
27	07.0723.0630	RUBBER CARPET.....	1				
28	07.0703.0509	SEAT,BOTTOM CUSHION.....	1				
29	07.0723.0215	PLUG.....	8				
30	07.0723.0076	Plain Washer D6x18	4				
31	07.0723.0040	Screw TCB 1BG3223.....	2				
32	07.0723.0217	GUARD.....	1				
33	07.0703.0465	SAFETY BELT.....	1				
33	09.4610.0027	BELT,SEAT A5073.104	1				
34	07.0723.0111	Washer.....	2				
35	07.0723.0173	Washer D6X12MM.....	2				

103.1 604712 Cab-Door And Glasses



103.1 604712 Cab-Door And Glasses

Item	Part No.	Description	Qty.	Item	Part No.	Description	Qty.
1	07.0723.0174	SEAL.....	1	42	07.0723.0156	HANDLE.....	1
2	07.0723.0169	Screw TSPEI M8x40.....	2	43	07.0723.0188	KEY SWITCH WITH 2 KEYS.....	1
3	07.0723.0170	Washer.....	7	44	07.0723.0184	Frame.....	1
4	07.0723.0096	RUBBER.....	2	45	07.0723.0157	HANDLE, INTERNAL DOOR.....	1
5	07.0723.0171	Rubber.....	2	46	07.0723.0189	Glass.....	1
6	07.0723.0270	Hinge.....	2	47	07.0723.0339	Lower Door.....	1
7	07.0723.0163	REAR GLASS.....	1	48	640996	Plate.....	1
8	07.0723.0190	SEAL.....	1	49	07.0723.0173	Washer D6X12MM.....	4
9	07.0723.0176	SCREW,TSPEI M8X25.....	2	50	07.0723.0175	SCREW, M6X20 DIN 933 YZ HCS.....	4
10	07.0723.0134	PLAIN WASHER.....	17	51	07.0723.0140	Stop Belt.....	1
11	07.0723.0177	Screw.....	4	52	07.0723.0165	RIGHT SIDE GLASS	1
12	07.0723.0178	Plain Washer.....	4	53	07.0723.0219	Front Side Glass.....	1
13	07.0723.0152	SEAL (1 PIECE = 3 METERS).....	1	54	07.0723.0223	Rubber.....	1
14	07.0723.0153	Frame.....	1	55	07.0723.0220	Seal.....	1
15	07.0723.0161	PIN.....	4	56	07.0723.0221	WIPER MOTOR.....	1
16	07.0723.0343	HINGE.....	4	57	07.0723.0228	Guard.....	1
17	07.0723.0154	SEAL.....	4	58	07.0723.0202	Washer.....	2
18	07.0723.0151	Glass.....	1	59	07.0723.0135	NUT.....	1
19	640995	CLIP.....	1	60	07.0723.0232	Plain Washer D8x16 UNI 6592.....	1
22	07.0723.0183	GASKET.....	1	61	07.0723.0231	Nut.....	1
23	07.0723.0182	Screw.....	2	62	07.0723.0230	Spacer.....	1
24	07.0723.0338	Upper Door.....	1	63	07.0723.0170	Washer.....	1
25	641042	GLASS STOP.....	16	64	07.0723.0229	SWITCH.....	1
26	07.0723.0236	STOP PAD.....	2	65	07.0723.0233	Screw.....	2
27	07.0723.0237	SCREW,M10-1.5X90 12.9 SHCS.....	1	66	07.0723.0036	WIPER ARM.....	1
28	07.0723.0164	Lever.....	2	67	07.0723.0175	SCREW, M6X20 DIN 933 YZ HCS.....	1
29	07.0723.0144	DOOR STOP KIT.....	1	68	07.0706.0061	Spray Nozzle.....	1
30	07.0723.0672	HINGE.....	4	69	07.0723.0225	Plastic Washer.....	2
31	07.0723.0190	SEAL.....	1	70	07.0723.0134	PLAIN WASHER.....	1
32	07.0723.0166	LEFT SIDE GLASS.....	1	71	07.0723.0222	Label.....	1
33	07.0723.0185	SCREW, M6X30DIN933 YZ HCS.....	3	72	07.0723.0133	Screw TSPEI M8X70.....	1
34	07.0723.0158	Seal.....	1	73	07.0723.0226	RUBBER HOSE	1
35	641020	BUSHING.....	1	74	07.0723.0037	WIPER BLADE.....	1
36	07.0723.0152	SEAL (1 PIECE = 3 METERS).....	1	75	07.0703.0088	SWITCH.....	1
37	641019	HANDLE.....	2	76	07.0703.0077	SWITCH,COVER,FAN/GREEN.....	1
38	641024	STOP.....	2	77	641004	TANK, WIPER W/ PUMP	1
39	07.0723.0172	Plate.....	1	78	07.0723.0227	PIPE FITTING.....	1
40	07.0723.0057	SCREW,M6-1.0X20MM FHSCS ZP.....	3	79	07.0723.0045	KEY.....	1
41	07.0723.0137	Screw.....	4				

103.1 604712 Cab-Door And Glasses
(continued)

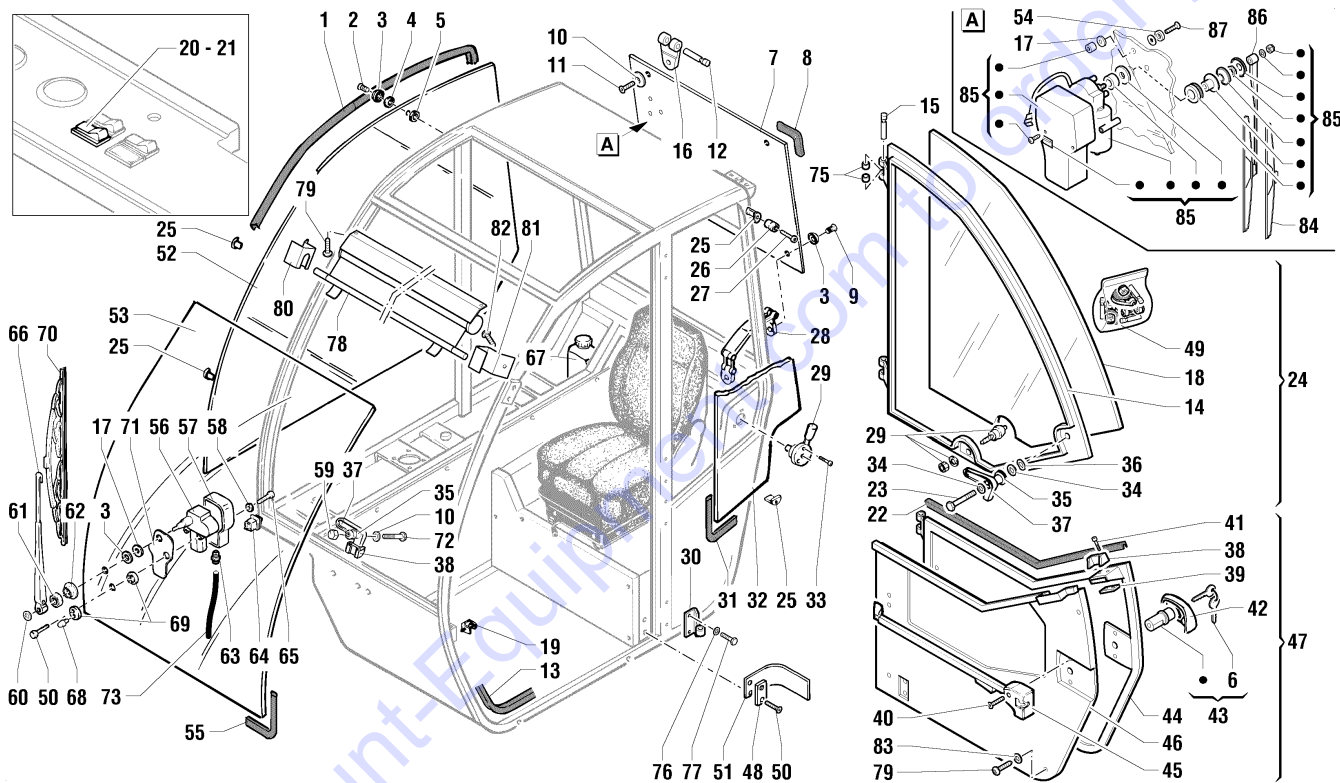
Item	Part No.	Description	Qty.
80	07.0723.0337	HANDLE EXTENSION.....	1
81	07.0723.0345	BUSHING.....	8
82	07.0723.0076	Plain Washer D6x18	8
83	07.0723.0040	Screw TCB 1BG3223.....	8

Go to Discount-Equipment.com to order your parts

This Page Intentionally Left Blank

Go to Discount-Equipment.com to order your parts

104.1 604712 Cab - Door And Glasses



104.1 604712 Cab - Door And Glasses

Item	Part No.	Description	Qty.	Item	Part No.	Description	Qty.
1	07.0723.0174	SEAL.....	1	40	07.0723.0057	SCREW,M6-1.0X20MM FHSCS ZP.....	3
2	07.0723.0169	Screw TSPEI M8x40.....	2	41	07.0723.0421	SCREW,TCB+M6X35.....	4
3	07.0723.0439	Washer.....	8	42	07.0723.0156	HANDLE.....	1
4	07.0723.0096	RUBBER.....	2	43	07.0723.0188	KEY SWITCH WITH 2 KEYS.....	1
5	07.0723.0171	Rubber.....	2	44	07.0723.0422	LOWER DOOR.....	1
6	07.0723.0045	KEY.....	1	44	07.0723.0423	LOWER DOOR/ GTH5519.....	1
7	07.0723.0432	REAR GLASS.....	1			(steel)	
8	07.0723.0190	SEAL.....	1	45	07.0723.0157	HANDLE, INTERNAL DOOR.....	1
9	07.0723.0441	SCREW,TCEI M5X50.....	2	46	07.0723.0420	DOOR COATING, 5519 LOWER DOOR.....	1
10	07.0723.0114	Nylon Washer.....	2	47	07.0723.0448	LOWER DOOR ASSY GTH5519 ****.....	1
11	07.0723.0176	SCREW,TSPEI M8X25.....	2	47	07.0723.0460	LOWER DOOR ASSY.....	1
12	07.0723.0442	Pin.....	2	48	07.0723.0419	PLATE, BELT RETAINING 5519.....	1
13	07.0723.0152	SEAL (1 PIECE = 3 METERS).....	1	49	58.1800.1300	Hinge.....	1
14	07.0723.0425	UPPER DOOR FRAME.....	1	50	07.0723.0175	SCREW, M6X20 DIN 933 YZ HCS.....	5
15	07.0723.0410	PIN,8X85.....	4	51	07.0723.0461	BELT, DOOR ASSY GTH5519.....	1
16	07.0723.0155	HINGE.....	2	52	07.0723.0165	RIGHT SIDE GLASS.....	1
17	07.0723.0223	Rubber.....	3	53	07.0723.0219	Front Side Glass.....	1
18	07.0723.0426	UPPER DOOR GLASS GTH5519.....	1	54	07.0740.0117	WASHER.....	2
19	640995	CLIP.....	1	55	07.0723.0220	Seal.....	1
20	07.0703.0088	SWITCH.....	1	56	07.0723.0221	WIPER MOTOR.....	1
21	07.0703.0077	SWITCH,COVER,FAN/GREEN.....	1	57	07.0723.0228	Guard.....	1
22	07.0723.0183	GASKET.....	1	58	07.0723.0202	Washer.....	2
23	01.0001.0252	SCREW M8X16 UNI 5739 8.8 ZN....	1	59	07.0723.0135	NUT.....	1
24	07.0723.0684	UPPER DOOR FRAME WITH GLASS.....	1	60	07.0723.0232	Plain Washer D8x16 UNI 6592.....	1
25	641042	GLASS STOP.....	16	61	07.0723.0231	Nut.....	1
26	07.0723.0236	STOP PAD.....	2	62	07.0723.0230	Spacer.....	1
27	07.0723.0237	SCREW,M10-1.5X90 12.9 SHCS.....	1	63	07.0723.0227	PIPE FITTING.....	1
28	07.0723.0434	TOGGLE LEVER,COMPLETE.....	2	64	07.0723.0229	SWITCH.....	1
29	07.0723.0144	DOOR STOP KIT.....	1	65	07.0723.0233	Screw.....	2
30	07.0723.0672	HINGE.....	4	66	07.0723.0036	WIPER ARM.....	1
31	07.0723.0190	SEAL.....	1	67	641004	TANK, WIPER W/ PUMP.....	1
32	07.0723.0166	LEFT SIDE GLASS.....	1	68	07.0723.0224	Spray Nozzle.....	1
33	07.0723.0185	SCREW, M6X30DIN933 YZ HCS.....	3	69	07.0723.0225	Plastic Washer.....	2
34	07.0723.0428	WASHER,D10X20.....	2	70	07.0723.0037	WIPER BLADE.....	1
35	641020	BUSHING.....	2	71	07.0723.0222	Label.....	1
36	07.0723.0429	CRINKLE WASHER,DM.10.....	1	72	07.0723.0133	Screw TSPEI M8X70.....	1
37	641019	HANDLE.....	2	73	07.0723.0226	RUBBER HOSE.....	1
38	641024	STOP.....	2				
39	07.0723.0172	Plate.....	1				

104.1 604712 Cab - Door And Glasses
(continued)

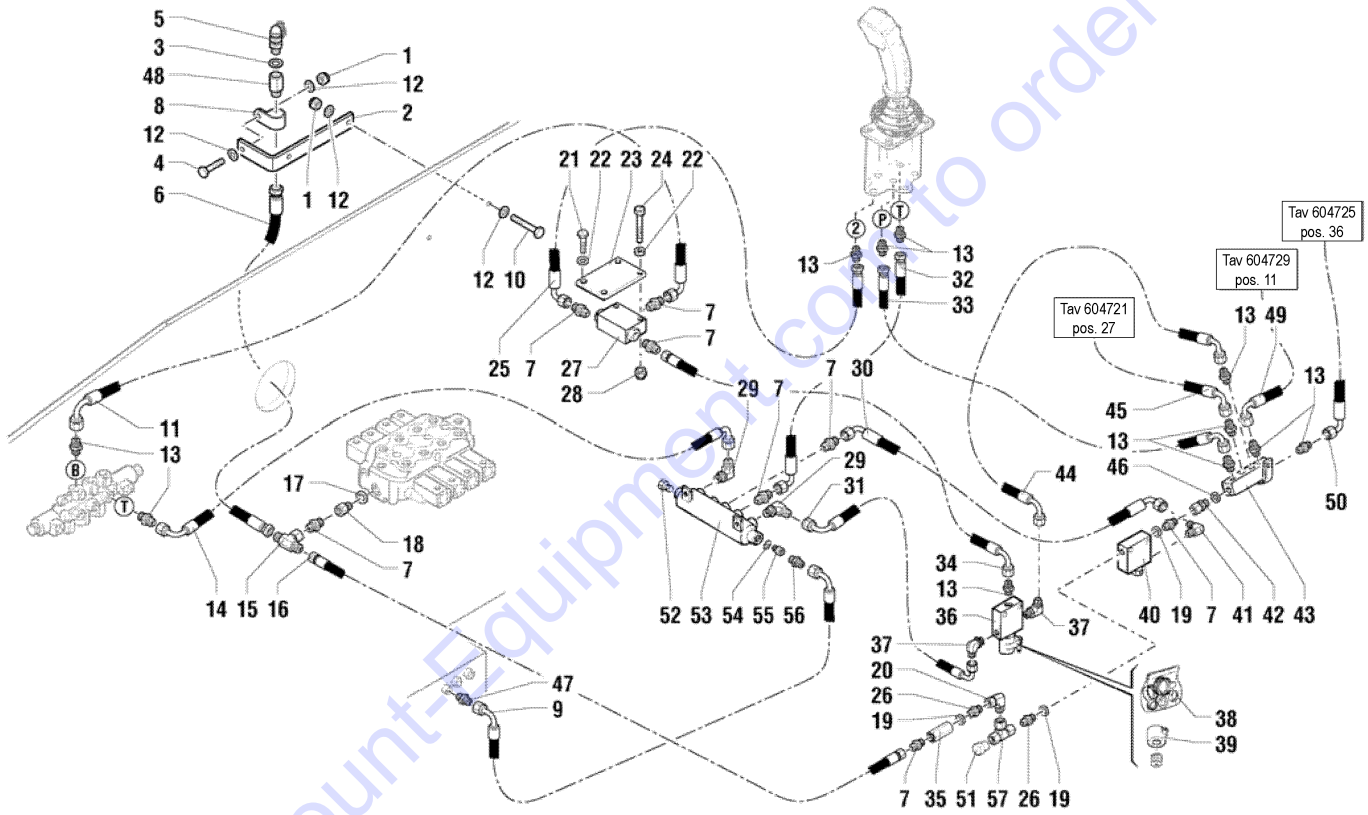
Item	Part No.	Description	Qty.
75	07.0723.0345	BUSHING.....	8
76	07.0723.0076	Plain Washer D6x18	8
77	07.0723.0040	Screw TCB 1BG3223.....	8
78	07.0723.0142	LEVEL GAUGE.....	1
79	07.0723.0039	SCREW,PPH SMS 10X3/4ZAKEG.....	7
80	07.0723.0407	BRACKET,RIGHT.....	1
81	07.0723.0408	BRACKET,LEFT.....	1
82	07.0723.0409	Screw.....	2
83	07.0723.0074	WASHER.....	3
84	07.0723.0446	WINDSCREEN WIPER BRUSH	1
85	07.0740.0247	REAR WIPER KIT.....	1
86	07.0723.0036	WIPER ARM.....	1
87	07.0723.0444	SCREW,TPEI,M8X30.....	2

Go to Discount-Equipment.com to order your parts

This Page Intentionally Left Blank

Go to Discount-Equipment.com to order your parts

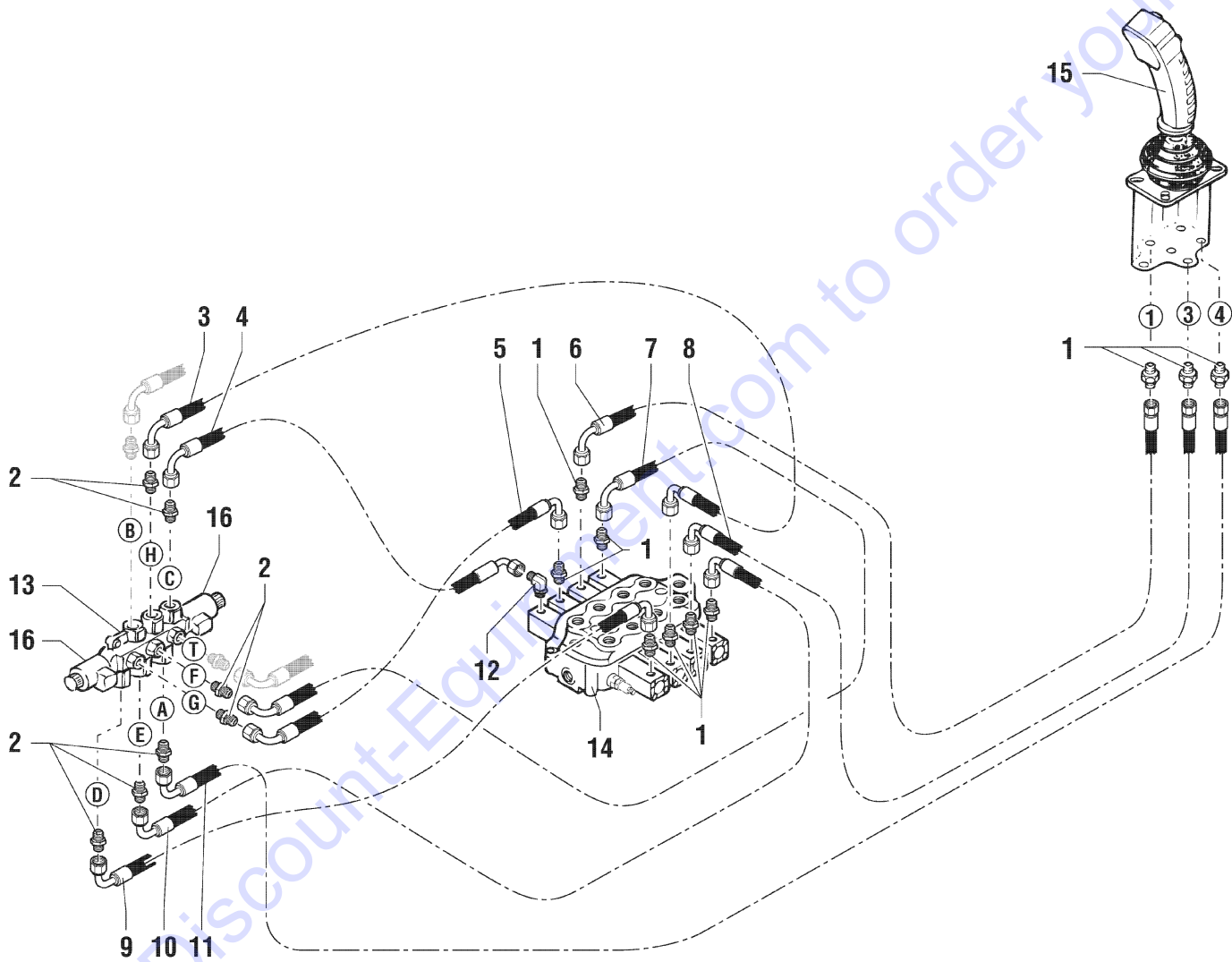
105.1 604726 Hydraulic System



105.1 604726 Hydraulic System

Item	Part No.	Description	Qty.	Item	Part No.	Description	Qty.
1	01.0023.0054	NUT,M8 UNI 7473 6S ZN.....	3	33	04.0605.0179	HOSE R1X1/4 LG 700 FD-F90 9/16-18 ORFS.....	2
2	51.0808.6000	Bracket.....	1	33	04.0605.0583	HOSE R1X1/4LG700 A.R.M.1/4 F90 9/16-18.....	1
3	06.0442.0054	WASHER.....	1	34	04.0605.0178	FLEXIBLE HOSE.....	1
4	01.0001.0256	SCREW M8X25 UNI 5739 8.8 ZN....	1	35	04.4239.0032	VALVE.....	1
5	04.4210.0016	PRESSURE TUBE.....	1	36	04.4240.0015	VALVE.....	1
6	04.0605.0507	Flexible Hose.....	1	37	04.0607.0112	PIPE FITTING M-M A 90 1/4 BSPX9/16-18 ORFS.....	2
7	04.0607.0114	PIPE FITTING 3/8 BSPX9/16-18 ORFS.....	6	38	07.4529.0028	Joint Kit.....	1
8	04.4227.0003	Clamp D16 D8.4	1	39	07.0704.0128	Solenoid.....	1
9	04.0605.0193	Flexible Hose.....	1	40	04.4225.0005	Valve.....	1
10	01.0001.0206	SCREW M8X55 UNI 5737 8.8 ZN....	2	41	04.0607.0140	Fitting 3/8 BSP X 9/16 ORFS.....	1
11	04.0605.0227	Flexible Hose.....	1	42	04.0600.0031	Pipe Fitting GMF 1/4" BSP.....	1
12	01.0031.0055	FLAT WASHER D8 UNI 6592 ZN	6	43	53.3001.0800	Manifold.....	1
13	04.4210.0024	PIPE FITTING.....	11	44	04.0605.0232	Flexible Hose.....	1
14	04.0605.0225	Hose R1 X 1/4 LG.1000 F90 F90 9/16-18 ORFS a 90°.....	1	45	04.0605.0366	Flexible Hose.....	1
15	04.0607.0131	PIPE FITTING TMF+C 9/16-18 ORFS.....	1	46	06.0442.0101	WASHER.....	1
16	04.0605.0229	Flexible Hose R2 X 1/4 LG. 900 FD FD 9/16-18 ORFS.....	1	47	04.0607.0139	PIPE FITTING.....	1
17	06.0442.0105	WASHER,JC 27,SP.2,5.....	1	48	04.0600.0160	PIPE FITTING.....	1
18	04.0600.0013	FITTING,GWR,3/4M X 3/8F.....	1	49	04.0605.0220	Flexible Hose.....	1
19	06.0442.0102	Copper Washer JC 17.....	3	50	04.0605.0213	Flexible Hose.....	1
20	04.0600.0025	Pipe Fitting MFK 90 1/4 BSP.....	1	51	04.0220.0051	PLUG 1/4" BSP.....	1
21	01.0001.0254	SCREW M8X20 UNI 5739 8.8 ZN....	2	52	04.0220.0059	PLUG 3/4 BSP.....	1
22	01.4032.0003	SPRING WASHER D 8 ZN	2	53	53.3000.1100	Manifold.....	1
23	51.0806.3500	Support.....	1	54	06.0442.0105	WASHER,JC 27,SP.2,5.....	2
24	01.0001.0106	SCREW M6X50 UNI 5737 8.8 ZN....	2	55	04.0600.0013	FITTING,GWR,3/4M X 3/8F.....	1
25	04.0605.0179	HOSE R1X1/4 LG 700 FD-F90 9/16-18 ORFS.....	1	56	04.0607.0117	PIPE FITTING 3/8BSPX11/16-16 ORFS.....	1
		<i>Up To Serial Number 14905</i>		57	04.0600.0159	PIPE FITTING	1
25	04.0605.0582	HOSE ASSEMBLY R1X1/4LG350 A.R.M.1/4-F90 9/16-18.....	1				
		<i>From serial Number 14906</i>					
26	04.0600.0021	PIPE FITTING 1/4X3/8 BSP.....	2				
27	04.4239.0019	Valve.....	1				
28	01.0023.0053	STOP NUT M6 UNI 7473 6S ZN	2				
29	04.0607.0140	Fitting 3/8 BSP X 9/16 ORFS.....	2				
30	04.0605.0185	Flexible Hose.....	1				
31	04.0605.0226	Flexible Hose.....	1				
32	04.0605.0178	FLEXIBLE HOSE.....	1				

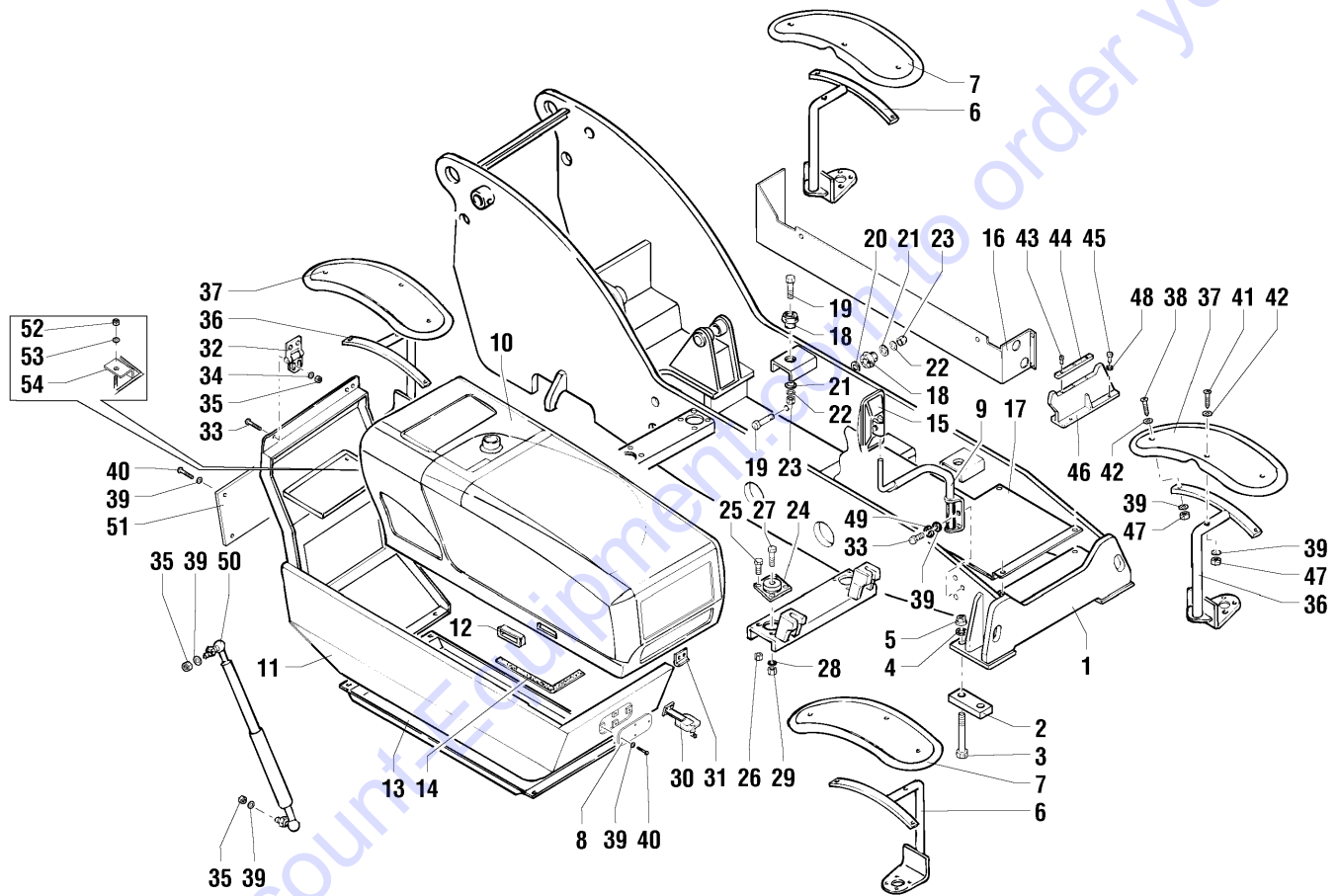
106.1 604727 Hydraulic System - Pilotages



106.1 604727 Hydraulic System - Pilotages

Item	Part No.	Description	Qty.
1	04.4210.0024	PIPE FITTING.....	10
2	04.0607.0114	PIPE FITTING 3/8 BSPX9/16-18 ORFS.....	7
3	04.0605.0223	Hose R1 X 1/4 LG. 800 F90-F90 9/16-18 ORFS.....	1
4	04.0605.0177	FLEXIBLE HOSE.....	1
5	04.0605.0181	Flexible Hose.....	1
6	04.0605.0180	Flexible Hose R1 X 1/4 LG.1000 FD F90 9/16-18 ORFS..... <i>Up To Serial Number 14905</i>	1
6	04.0605.0587	FLEXIBLE HOSE..... <i>From Serial Number 14906</i>	1
7	04.0605.0181	Flexible Hose.....	1
8	04.0605.0180	Flexible Hose R1 X 1/4 LG.1000 FD F90 9/16-18 ORFS..... <i>Up To Serial Number 14905</i>	1
8	04.0605.0587	FLEXIBLE HOSE..... <i>From Serial Number 14906</i>	1
9	04.0605.0220	Flexible Hose.....	1
10	04.0605.0220	Flexible Hose.....	4
11	04.0605.0211	Hose R1 X 1/4 LG.1350 FD F90 9/16-18 ORFS..... <i>Up To Serial Number 14905</i>	1
11	04.0605.0584	FLEXIBLE HOSE..... <i>From Serial Number 14906</i>	1
12	04.0607.0112	PIPE FITTING M-M A 90 1/4 BSPX9/16-18 ORFS.....	1
13	04.4240.0042	Solenoid Valve.....	1
14	04.4236.0029	Control Valve.....	1
15	04.4237.0010	Joystick.....	1
16	07.0704.0143	SOLENOID****	2

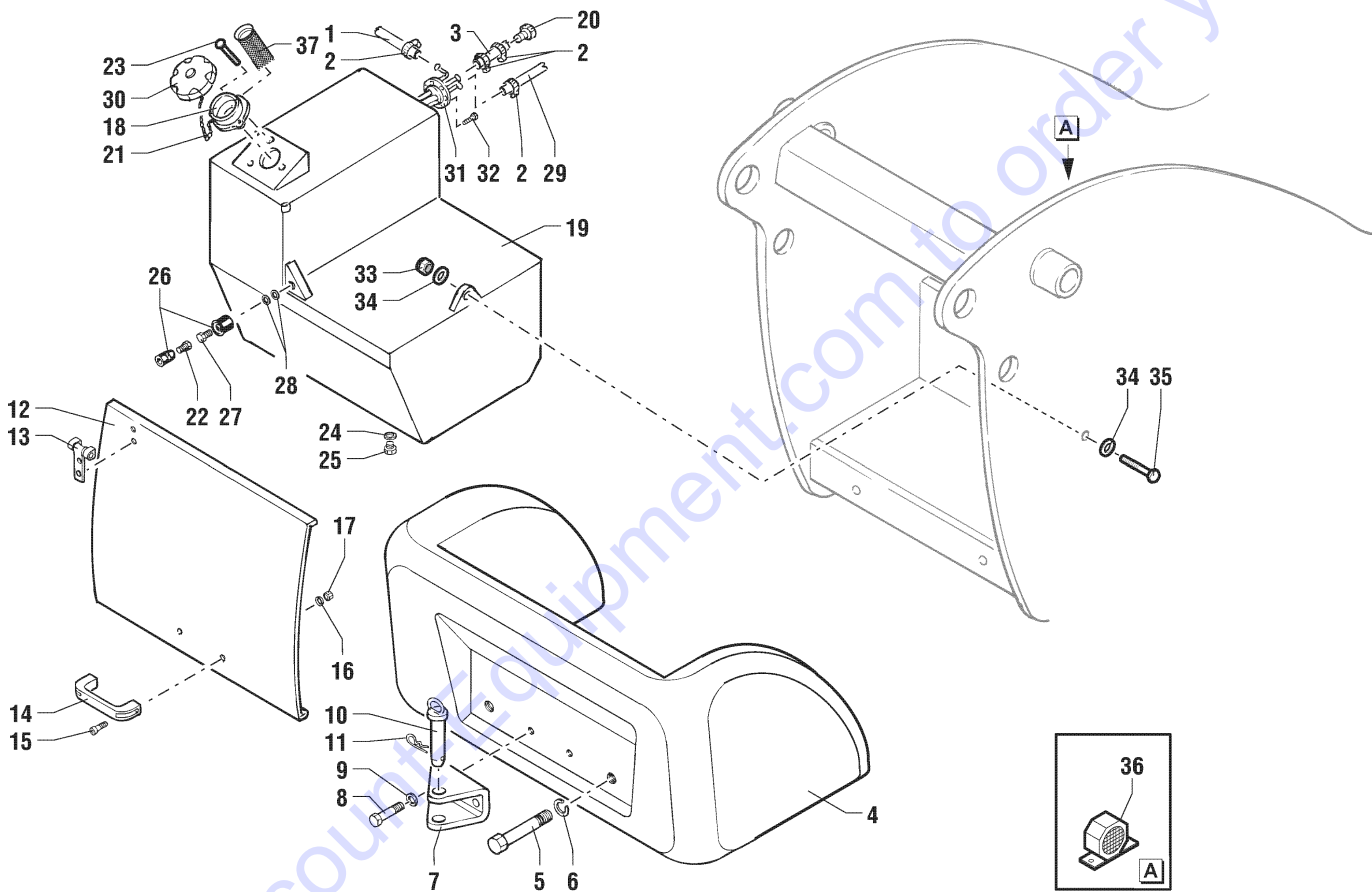
Go to DiscountEquipment.com to order your parts



201.1 604713 Frame

Item	Part No.	Description	Qty.	Item	Part No.	Description	Qty.
1	51.0111.1000	Frame.....	1	36	51.0806.0000	SUPPORT, LEFT MUDGUARD.....	2
2	51.0805.1900	Plate.....	2	37	09.0803.0228	Mud-Guard.....	2
3	01.4001.0057	Screw TE M24X220UNI 5737 8.8 ZN.....	4	38	01.0006.0033	Screw TSPEI M 6X25UNI5933 8.8ZN.....	8
4	01.0031.0063	Washer D24 UNI 6592 ZN.....	4	39	01.0031.0055	FLAT WASHER D8 UNI 6592 ZN	22
5	01.0023.0062	Nut M24 UNI 7473 6SZN.....	4	40	01.0001.0156	SCREW M6X20 UNI 5739 8.8 ZN ...	8
6	51.0806.1000	SUPPORT.....	2	41	01.4006.0016	Screw TSPEI M6x55 UNI 5933 10.9 ZN.....	3
7	09.0803.0229	Mud-Guard.....	2	42	09.0803.0012	WASHER D6.....	12
8	07.0726.0065	Hatch.....	1	43	01.0003.0203	SCREW M8X20 UNI 8.8 ZN.....	3
9	51.0802.4400	MIRROR SUPPORT.....	1	44	54.0702.0014	Pad 20X250.....	1
10	52.1100.7200	Guard.....	1	45	01.0001.0356	SCREW,TE,M10X30 UNI 8.8 ZN....	2
11	51.0902.5800	Guard.....	1	46	51.0803.5700	SUPPORT.....	1
12	09.0803.0005	Handle.....	1	47	01.0023.0053	STOP NUT M6 UNI 7473 6S ZN ...	12
13	51.0901.5500	Guard.....	1	48	01.0031.0301	FLAT WASHER D10 UNI 6593 ZN	2
14	09.0803.0245	GASKET.....2,1-meter		49	01.4032.0003	SPRING WASHER D 8 ZN	3
15	09.4610.0003	MIRROR-REAR VIEW MIRROR....	1	50	09.4610.0011	Cylinder.....	1
16	51.0902.5600	Guard.....	1	51	07.0726.0083	LOCK/PLATE.....	1
17	51.0902.5500	Guard.....	1	52	01.0023.0054	NUT,M8 UNI 7473 6S ZN.....	1
18	07.0723.0004	INSULATOR.....	4	53	01.0031.0055	FLAT WASHER D8 UNI 6592 ZN	1
19	01.0001.0659	Screw TE M16X100 UNI 5737 8.8 ZN.....	4	54	07.0726.0107	BATTERY HOLD DOWN BRACKET.....	1
20	54.0100.0002	WASHER D70/16, SP 8.....	2				
21	54.0100.0017	WASHER, ZN, D70/16, SP 4.....	4				
22	01.4031.0001	WASHER,CHMFRD,D16,UNI 6593,ZN.....	4				
23	01.0023.0058	STOP NUT M16 UNI 7473 6S ZN....	4				
24	09.4670.0004	VIBRATION DAMPING.....	4				
25	01.0001.0356	SCREW,TE,M10X30 UNI 8.8 ZN...16					
26	01.0023.0055	NUT,STOP,M10 UNI 7473 6S ZN.....	16				
27	01.4001.0012	SCREW M14X100UNI 5737 8.8 ZN.....	4				
28	01.0031.0058	FLAT WASHER D14 UNI 6592 ZN	4				
29	01.0023.0057	STOP NUT M14 UNI 7473 6S ZN....	4				
30	09.0803.0244	Lock.....	1				
31	09.0803.0024	COUPLING/HOOK(LATCH)/BRACKET.1					
32	09.0803.0000	Hinge.....	2				
33	01.0001.0256	SCREW M8X25 UNI 5739 8.8 ZN....7					
34	01.0031.0299	FLAT WASHER D8 UNI 6593.....	4				
35	01.0023.0054	NUT,M8 UNI 7473 6S ZN.....	6				

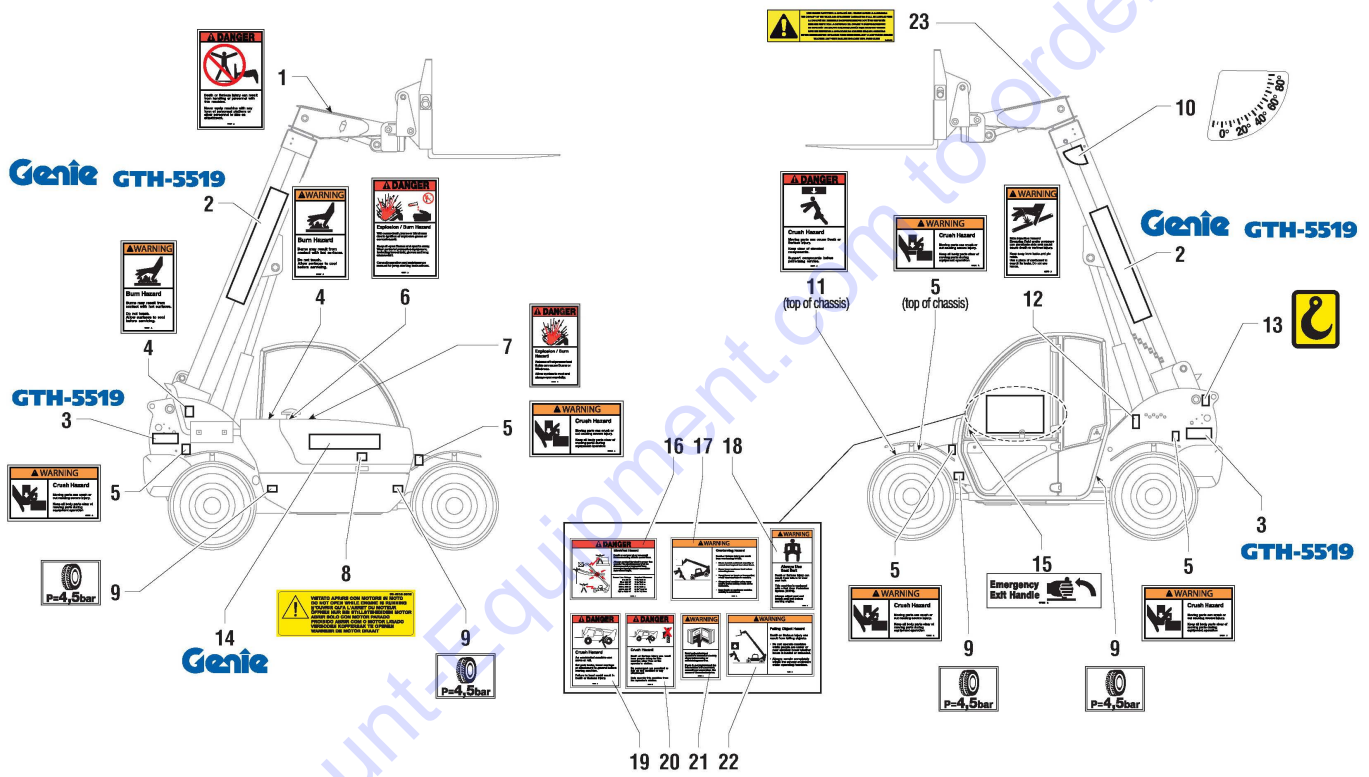
202.1 604714 Rear Frame Unit



202.1 604714 Rear Frame Unit

Item	Part No.	Description	Qty.	Item	Part No.	Description	Qty.
1	09.0805.0000	RUBBER HOSE.....	3	37	09.4661.0016	BASKET,PLUG.....	1
2	04.0227.0051	CLAMP DN 10/16 LG 9.....	4				
3	09.0805.0000	RUBBER HOSE.....	0,6-m				
4	51.1000.5200	COUNTERWEIGHT.....	1				
5	01.4001.0025	SCREW M24X160 UNI 5737 10.9 ZN.....	2				
6	01.4032.0000	SPRING WASHER D24 ZN.....	2				
7	51.0800.3800	Hitch.....	1				
8	01.0001.0702	Screw.....	2				
9	01.4032.0007	SPRING WASHER D16 ZN.....	2				
10	54.0000.0027	HITCH PIN.....	1				
11	09.0803.0026	SPRING SPLIT PIN.....	1				
12	51.0902.7000	REAR FRAME LOCK (BLUE).....	1				
13	09.0803.0025	Hinge.....	2				
14	09.0803.0002	HANDLE.....	1				
15	01.0003.0203	SCREW M8X20 UNI 8.8 ZN.....	2				
16	01.0031.0299	FLAT WASHER D8 UNI 6593.....	2				
17	01.0023.0054	NUT,M8 UNI 7473 6S ZN.....	2				
18	09.4661.0021	AIR INLET.....	1				
19	51.0600.2700	DIESEL TANK.....	1				
20	01.0001.0254	SCREW M8X20 UNI 5739 8.8 ZN....	1				
21	09.4661.0022	Chain.....	1				
22	01.0001.0204	Screw TE M 8X40 UNI 5739 8.8 ZN.....	1				
23	01.4001.0045	Screw TE M 5X10 UNI 5739 8.8 ZN.....	3				
24	07.4529.0119	O-Ring.....	1				
25	09.0803.0510	DRAIN PLUG M16.....	1				
26	09.4670.0000	KIT,DOOR LOCK.....	1				
27	01.0001.0158	SCREW M6X25 UNI 5739 8.8 ZN ...	1				
28	01.0031.0298	FLAT WASHER D6 UNI 6593 ZN	4				
29	09.0805.0000	RUBBER HOSE.....	3				
30	09.4661.0020	PLUG.....	1				
31	56.0012.0074	Fuel Gauge.....	1				
32	01.4001.0006	SCREW M4X10 UNI 5739 8.8 ZN....	6				
33	01.0023.0056	STOP NUT M12 UNI 7473 6S ZN....	1				
34	01.0031.0151	FLAT WASHER D12 UNI 6593 ZN.....	2				
35	01.0001.0405	SCREW, 8.8 HCS 12MM1.75X60Z.....	1				
36	56.0009.0009	ALARM.....	1				

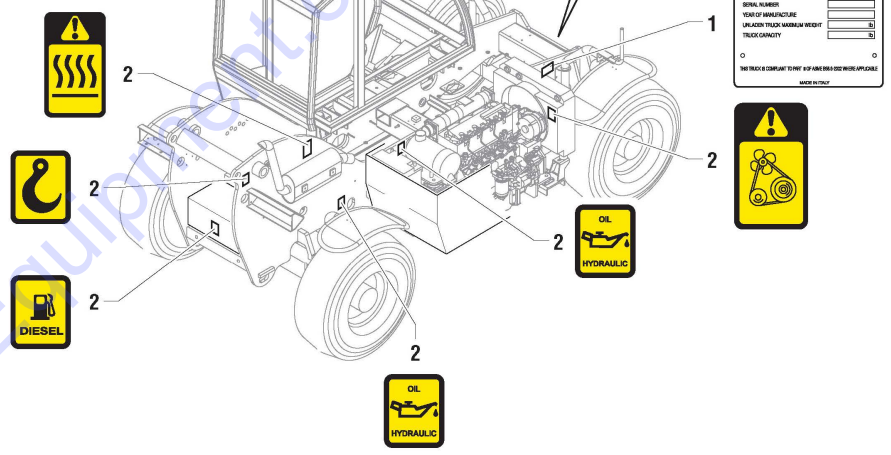
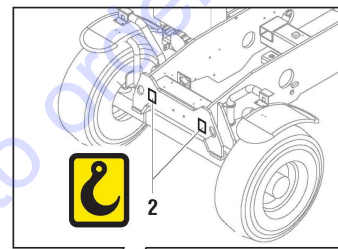
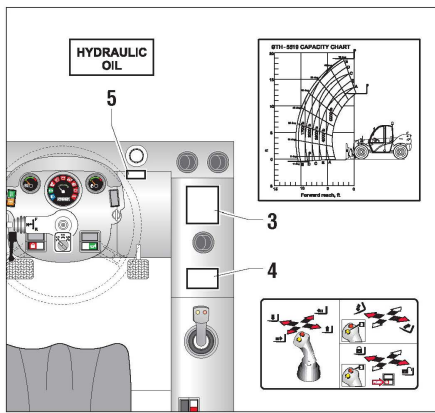
203.1 604736 Label - Name Plate



Item	Part No.	Description	Qty.
1	97673	Danger - Fall Hazard, No Riders.....	1
2	09.4618.0643	Cosmetic - Genie GTH-5519.....	2
3	09.4618.0644	DECAL,COSMETIC,GTH-5519.....	2
4	97667	DECAL,BURN HAZARD.....	2
5	97664	DECAL,WARN,CRUSH HAZ MOVING PT.....	5
6	97671	DECAL,DANGER,EXPLSION/BURN HAZ.....	1
7	97675	DECAL,WARN,EXPLSION/BURN HAZ.....	2
8	09.4618.0010	DECAL, (DO NOT OPEN WHEN RUN).....	1
9	09.4618.0061	DECAL,TIRE PREASURE.....	4
10	09.4618.0205	DECAL, BOOM ANGLE INDICATOR.....	1
11	97674	Warning - Crush Hazard, Overhead Parts.....	1
12	82558	DECAL,SKIN INJECTION.....	1
13	09.4618.0109	DECAL, SHEET VARIOUS.....	1
14	09.4618.0641	LABEL,GENIE DECAL.....	1
15	97688	DECAL,EMERGENCY EXIT HANDLE.....	1
16	97676	DECAL,DANGER,ELECTRICAL HAZARD.....	1
17	97668	DECAL,WARN,OVERTURN HAZARD.....	1
18	97665	DECAL,WARN,WEAR SEAT BELT.....	1
19	97670	DECAL,DANGER,CRUSH HAZARD.....	1
20	97672	DECAL,DANGER,CRUSH HAZARD.....	1
21	97666	DECAL,WARN,READ MANUAL.....	1
22	97669	DECAL,WARN,FALLING OBJECT HAZ.....	1
23	09.4618.0784	Decal - Capacity of the Truck and Attachment.....	1

Go to www.genieequipment.com to order your parts

204.1 604737 Label - Name Plate

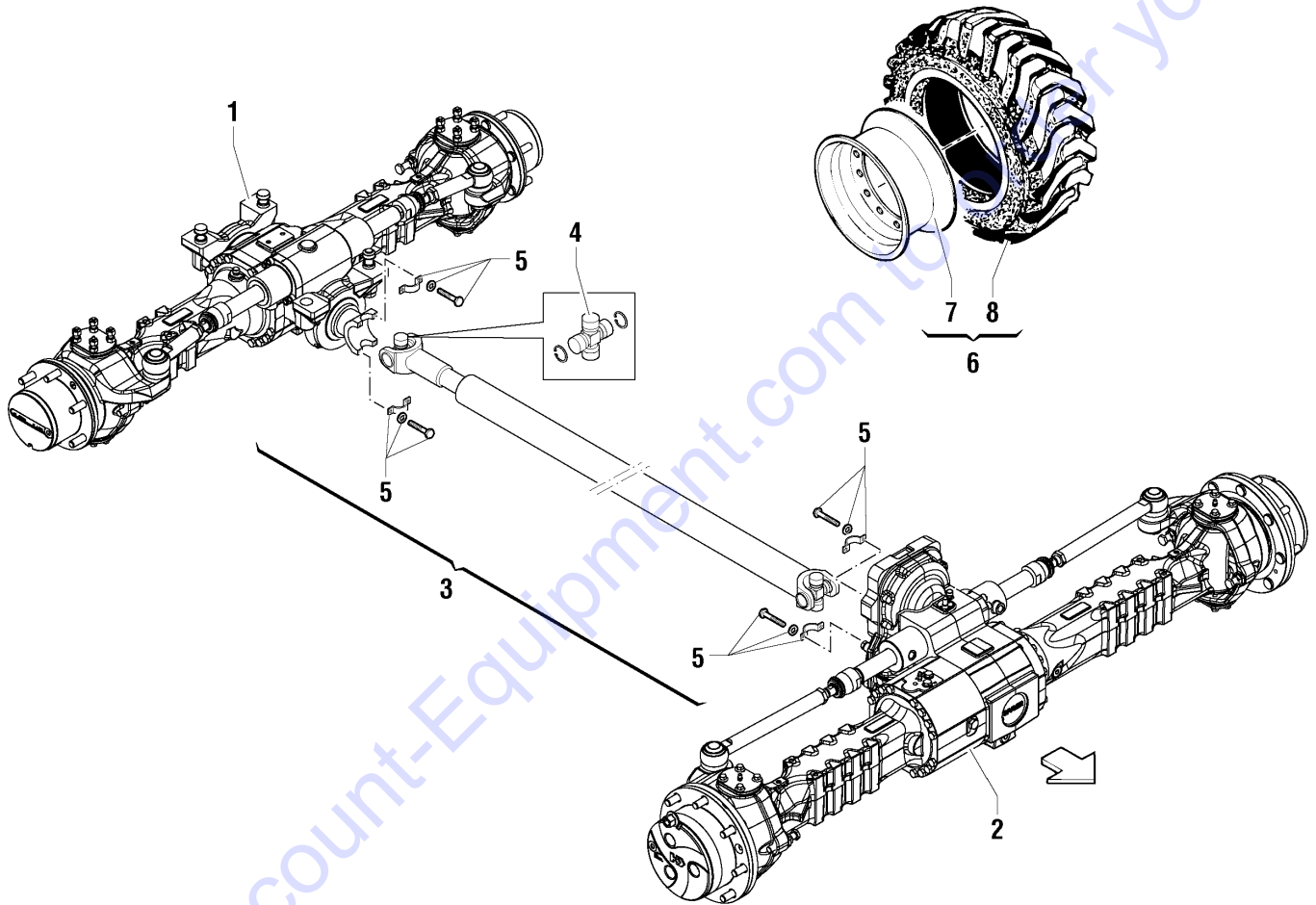


Go to Discount-Equipment.com to order your parts

Item	Part No.	Description	Qty.
1	09.4616.0101	Machine Data Plate.....	1
2	09.4618.0109	DECAL, SHEET VARIOUS.....	1
3	09.4618.0645	Label from SN 14976.....	1
3	09.4618.0679	Label to SN 14977.....	1
4	09.4618.0389	DECAL,JOYSTICK FUNCTIONS.....	1
5	09.4616.0051	Label - Hydraulic Oil.....	1

Go to Discount-Equipment.com to order your parts

301.1 604717 Transmission And Wheels



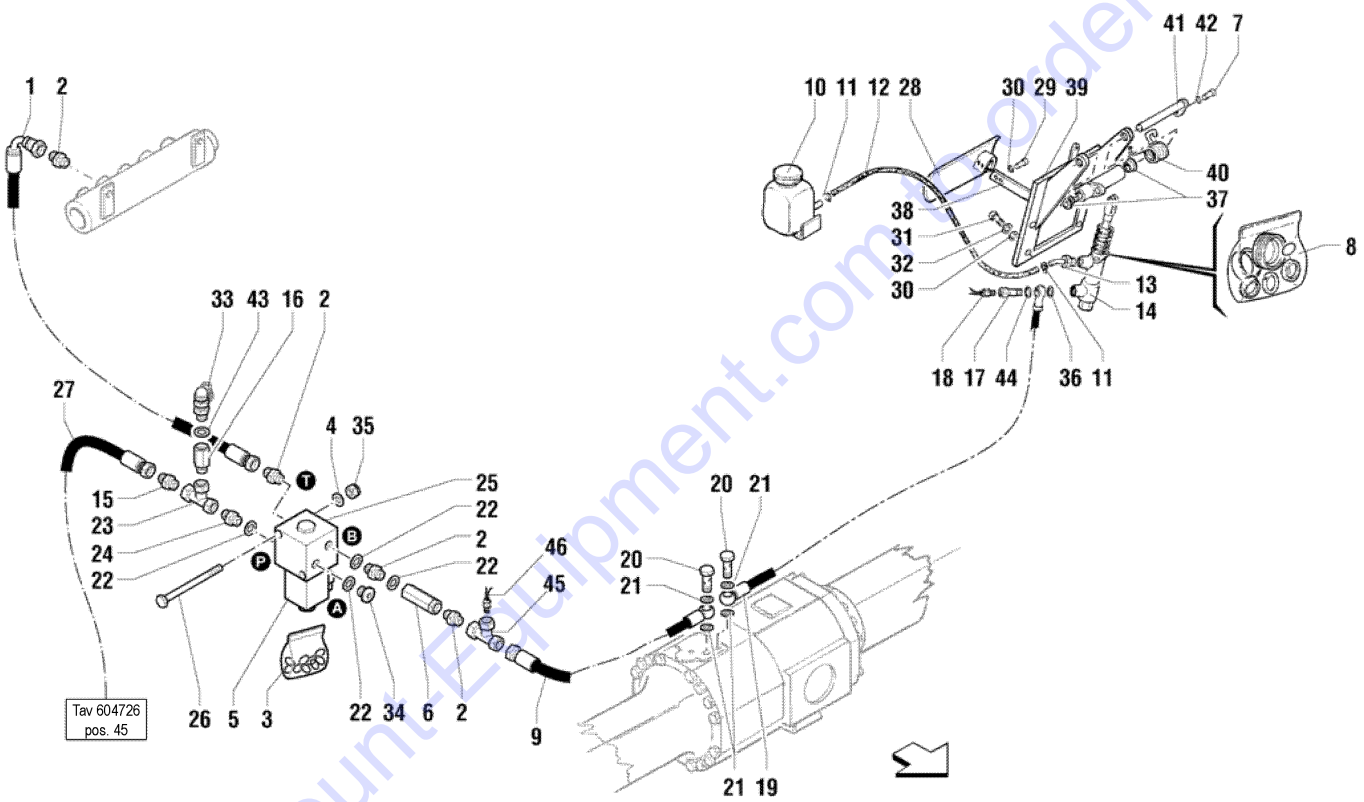
Go to Discount-Equipment.com for your parts

301.1 604717 Transmission And Wheels

Item	Part No.	Description	Qty.
1	09.4632.0054	Rear Axle.....	1
2	09.4632.0053	Front Axle.....	1
3	09.4635.0040	Cardan Shaft.....	1
4	07.0738.0002	STAR WHEEL.....	2
5	09.4635.0014	CARDAN SHAFT ASSY KIT.....	4
6	55.0403.0046	COMPLETE WHEEL 16.5 AIR,RIGHT.....	4
7	09.4629.0018	Rim 9.75 X 16.5".....	4
8	09.4627.0018	Tire 12-16.5" PR10.....	4

Go to Discount-Equipment.com to order your parts

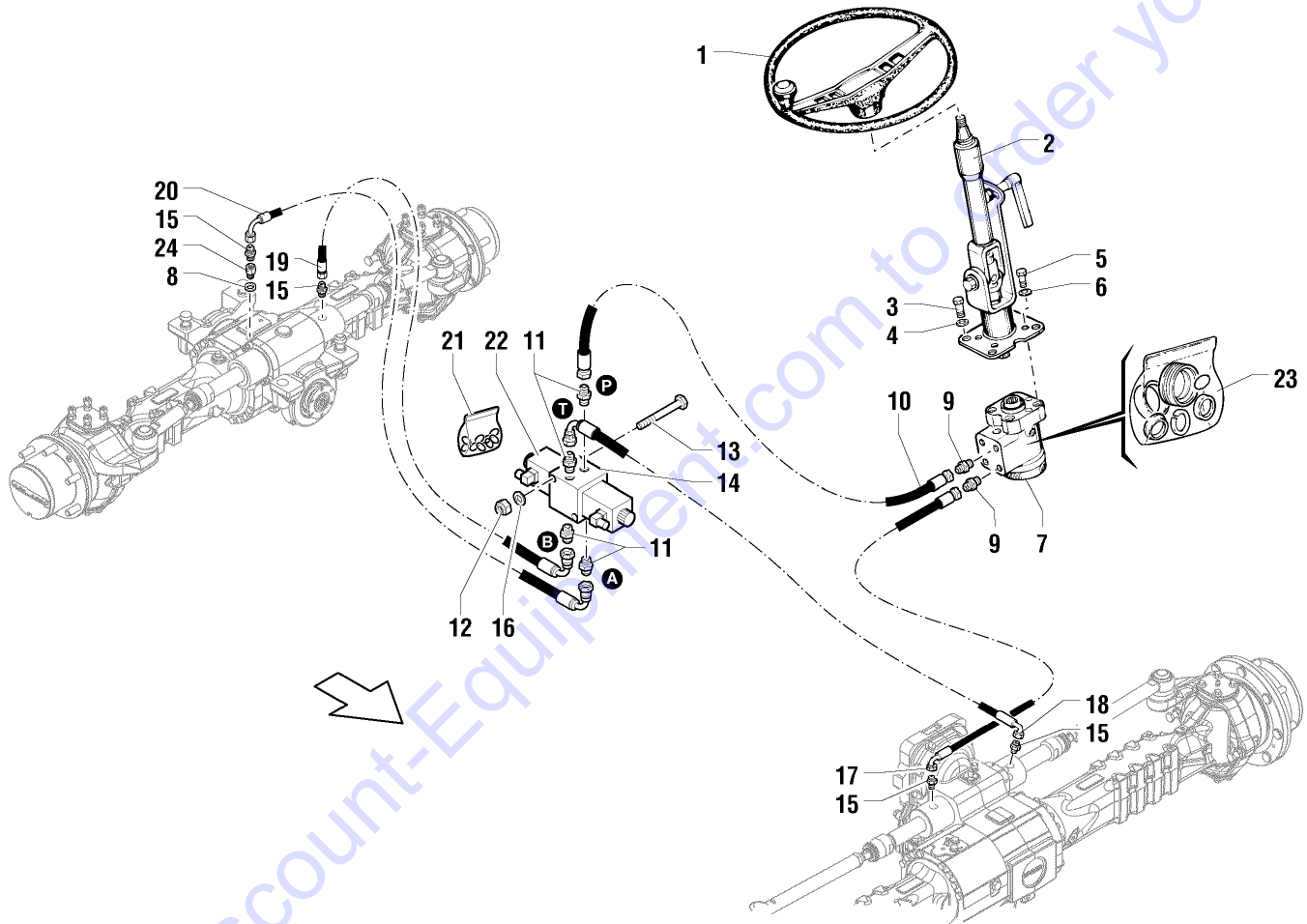
302.1 604721 Hydraulic System - Negative Brake



302.1 604721 Hydraulic System - Negative Brake

Item	Part No.	Description	Qty.	Item	Part No.	Description	Qty.
1	04.0605.0179	HOSE R1X1/4 LG 700 FD-F90 9/16-18 ORFS.....	1	29	01.0001.0252	SCREW M8X16 UNI 5739 8.8 ZN....	2
2	04.0607.0114	PIPE FITTING 3/8 BSPX9/16-18 ORFS.....	4	30	01.4032.0003	SPRING WASHER D 8 ZN	6
3	07.0728.0006	Joint Kit.....	1	31	01.0001.0254	SCREW M8X20 UNI 5739 8.8 ZN....	4
4	01.0031.0055	FLAT WASHER D8 UNI 6592 ZN <i>Up To Serial Number 16484</i>	2	32	01.0031.0299	FLAT WASHER D8 UNI 6593.....	4
4	01.0031.0298	FLAT WASHER D6 UNI 6593 ZN <i>From Serial Number 16485</i>	2	33	04.4210.0016	PRESSURE TUBE.....	1
5	07.0728.0007	COIL,SQUARE SOLENOID.....	1	34	04.0220.0053	PLUG 3/8" BSP.....	1
6	04.4239.0071	Valve.....	1	35	01.0023.0053	STOP NUT M6 UNI 7473 6S ZN <i>From Serial Number 16485</i>	2
7	01.0001.0154	SCREW,TE,M6X16 UNI 8.8 ZN....	1	35	01.0023.0054	NUT,M8 UNI 7473 6S ZN..... <i>Up To Serial Number 16484</i>	2
8	07.4529.0027	SEAL KIT	1	36	06.0442.0054	WASHER.....	1
9	04.0605.0217	Flexible Hose.....	1	37	07.0730.0013	Bushing BL16234.....	2
10	05.4309.0002	BRAKE RESERVOIR W/BRACKET	1	38		Lever..... <i>not available separately; order Brake Kit 07.0730.0025 for replacement</i>	1
11	04.0227.0054	CLAMP DN 15/25 LG 9.....	2	39	07.0730.0025	BRAKE PEDAL KIT..... <i>includes item 38</i>	1
12	09.0805.0000	RUBBER HOSE.....	1	40	07.0730.0023	Spring.....	1
13	09.0803.0088	KNURLED COUPLING	1	41	07.0730.0017	PIN.....	1
14	05.4309.0001	Pump.....	1	42	01.4032.0002	SPRING WASHER D6 ZN.....	1
15	04.0607.0149	Pipe Fitting 1/4BSP. V.60°X9/16-18 ORFS.....	1	43	01.0032.0058	WASHER.....	1
16	04.0600.0160	PIPE FITTING.....	1	44	06.0442.0055	WASHER,D.14/20X1.5.....	1
17	05.0401.0007	DRILLED SCREW, PRESSURE SWITCH.....	1	45	04.0607.0146	Pipe Fitting.....	1
18	05.4329.0003	Pressure Switch.....	1	46	56.0012.0027	SWITCH, NEGATIVE BRAKE.....	1
19	05.0400.0010	Flexible Hose.....	1				
20	05.0401.0003	drilled Screw M14X1.5.....	2				
21	06.0442.0055	WASHER,D.14/20X1.5.....	6				
22	06.0442.0102	Copper Washer JC 17.....	4				
23	04.0600.0159	PIPE FITTING	1				
24	04.0600.0021	PIPE FITTING 1/4X3/8 BSP.....	1				
25	04.4240.0045	Valve..... <i>Up To Serial Number 16484</i>	1				
25	04.4240.0054	Valve..... <i>From Serial Number 16485</i>	1				
26	01.0001.0106	SCREW M6X50 UNI 5737 8.8 ZN.... <i>From Serial Number 16485</i>	2				
26	01.4001.0010	Screw TE M8X100 UNI 5737 8.8 ZN..... <i>Up To Serial Number 16484</i>	2				
27		604726 pos. 45					
28	07.0730.0019	PEDAL.....	1				

303.1 604722 Power Steering System



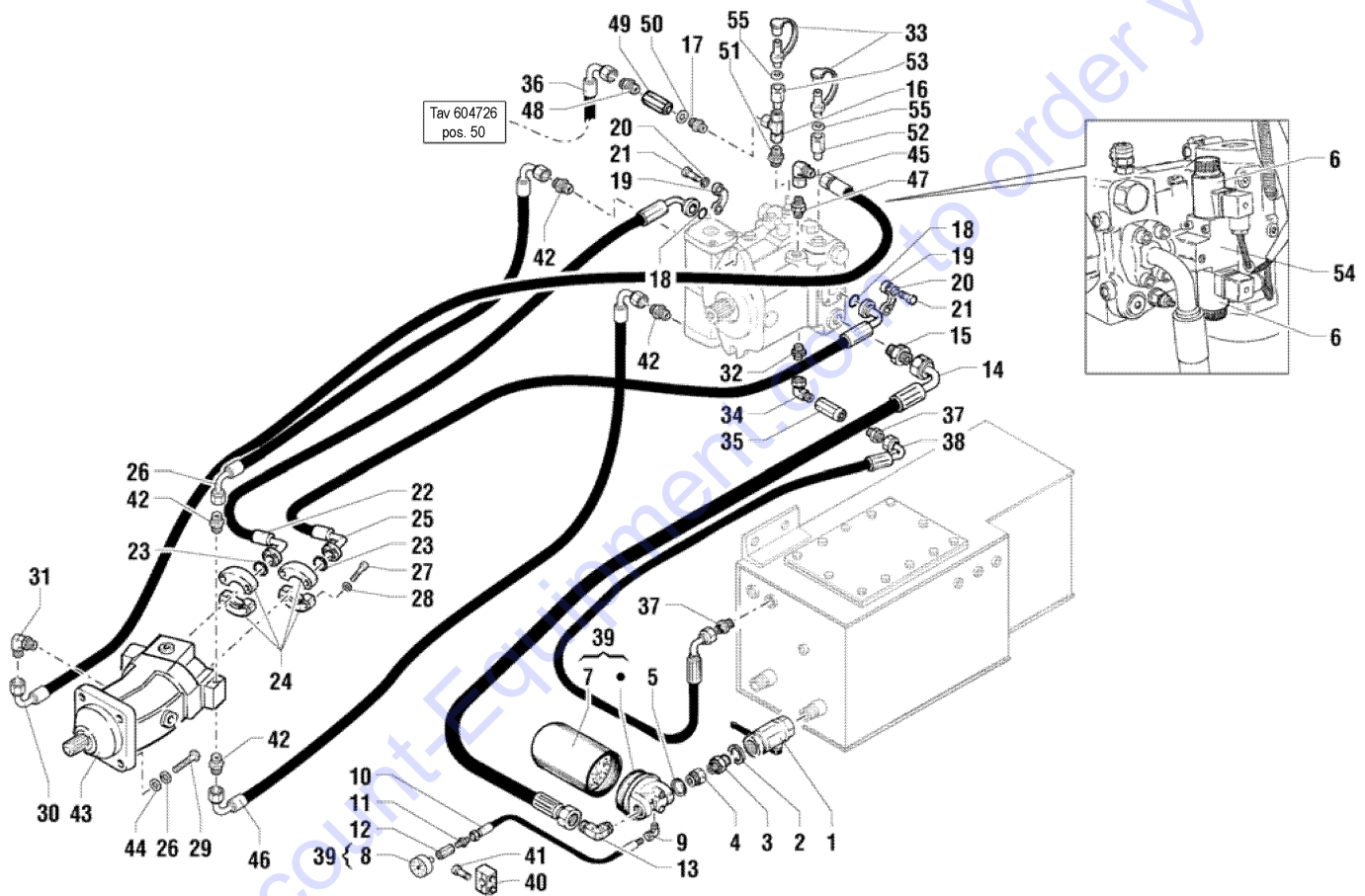
Go to Discount-Equipment.com to order your parts

303.1 604722 Power Steering System

Item	Part No.	Description	Qty.
1	09.4636.0008	STEERING WHEEL.....	1
2	07.0703.0116	Steering Column.....	1
3	01.0001.0256	SCREW M8X25 UNI 5739 8.8 ZN....	4
4	01.4032.0003	SPRING WASHER D 8 ZN	4
5	01.0001.0355	SCREW,TE,M10X25 UNI 8.8 ZN....	4
6	01.0032.0055	Spring Washer D10 UNI 1751 ZN....	4
7	09.4636.0003	POWER STEERING ORBITAL.....	1
7	09.4636.0012	POWER STEERING.....	1
8	06.0442.0057	Copper Washer JC 18 SP.2,5.....	1
9	04.0607.0110	PIPE FITTING 1/2BSP x 11/16-16 ORFS.....	2
10	04.0605.0418	Flexible Hose.....	1
11	04.0607.0117	PIPE FITTING 3/8BSPX11/16-16 ORFS.....	4
12	01.0023.0034	Stop Nut.....	2
13	01.0001.0106	SCREW M6X50 UNI 5737 8.8 ZN....	2
13	01.4001.0010	Screw TE M8X100 UNI 5737 8.8 ZN.....	2
14	04.4240.0037	Solenoid Valve..... <i>To choose the correct valve check the one assembled on the machine</i>	1
14	04.4240.0052	SOLENOID VALVE..... <i>To choose the correct valve check the one assembled on the machine</i>	1
15	04.0607.0137	Pipe Fitting 18X1.5 X 11/16-16 ORFS.....	4
16	01.0031.0055	FLAT WASHER D8 UNI 6592 ZN	2
17	04.0605.0200	Flexible Hose.....	1
18	04.0605.0417	Flexible Hose.....	1
19	04.0605.0419	FLEXIBLE HOSE.....	1
20	04.0605.0203	Flexible Hose.....	1
21	07.0728.0006	Joint Kit.....	1
22	07.0728.0005	Solenoid..... <i>Only for solenoid valve 04.4240.0037 (ATOS Brand)</i>	2
22	07.4529.0111	COIL, VALVE	2
		<i>Only for solenoid valve 04.4240.0052 (LC Brand)</i>	
23	992989	SEAL KIT.....	1
24	04.0600.0163	Pipe Fitting.....	1

Go to www.genieparts.com to order your parts

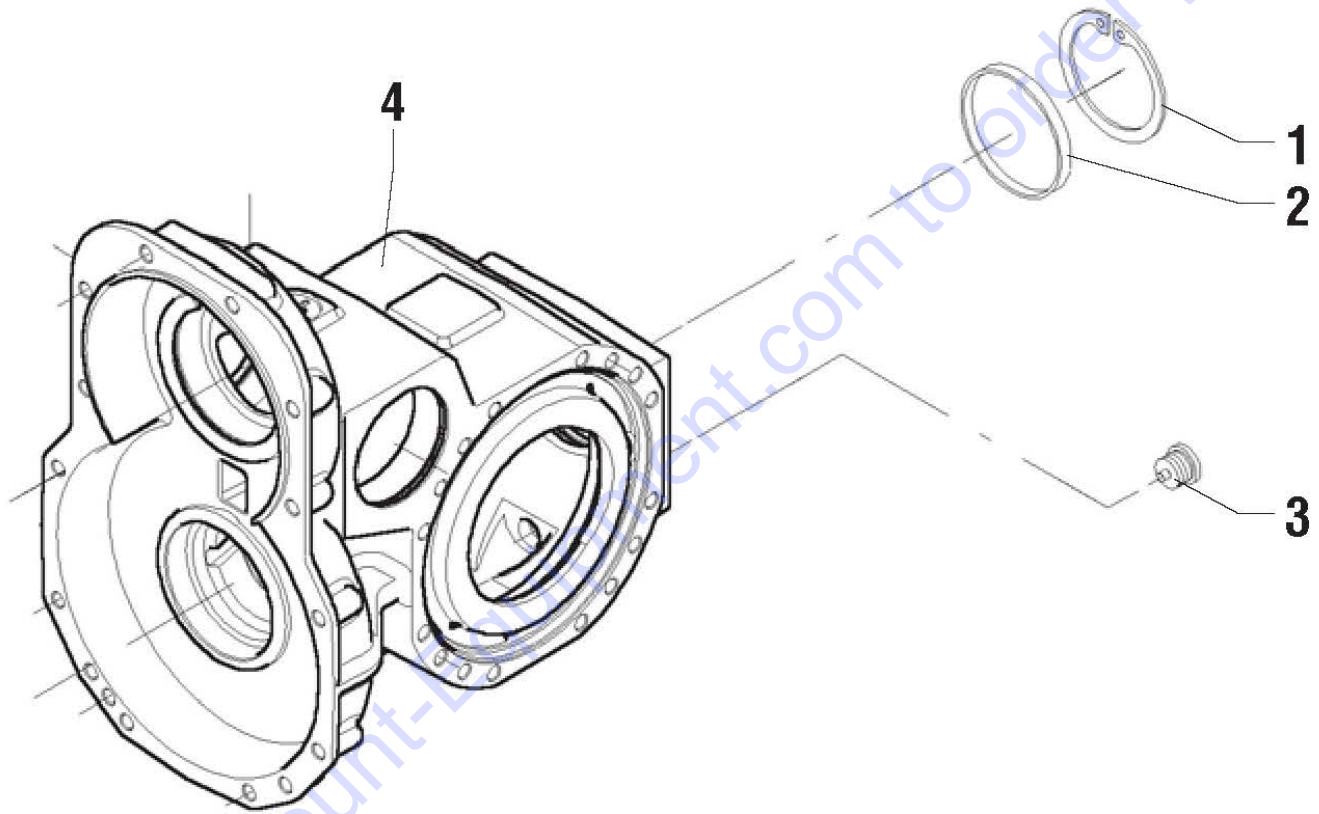
304.1 604725 Hydraulic System - Transmission



304.1 604725 Hydraulic System - Transmission

Item	Part No.	Description	Qty.	Item	Part No.	Description	Qty.
1	04.4224.0000	Ball Valve DN 1 1/2	1	38	04.0605.0209	Flexible Hose.....	1
2	06.0442.0111	WASHER.....	1	39	09.4604.0001	Complete Filter.....	1
3	04.0600.0057	Pipe Fitting.....	1	40	09.0803.0043	SINGLE HOSE BRACKET D16.....	1
4	04.0600.0042	Pipe Fitting.....	1	41	01.0003.0157	SCREW M6X25 UNI 5931 8.8 ZN....	2
5	06.0442.0109	WASHER.....	2	42	04.0607.0103	PIPE FITTING M12X1.5 X 9/16-18 ORFS.....	4
6	07.0701.0007	SOLENOID (07.0701.0290).....	2	43	04.4235.0018	Hydraulic Motor.....	1
7	07.0700.0000	Cartridge.....	1	44	01.0031.0059	FLAT WASHER D16 UNI 6592 ZN.....	4
8	07.0700.0001	Indicator.....	1	45	04.0607.0129	Pipe Fitting.....	1
9	04.0600.0044	Pipe Fitting.....	1	46	04.0605.0167	Flexible Hose.....	1
10	04.0602.0490	Flexible Hose.....	1	47	04.0607.0104	PIPE FITTING.....	1
11	04.0600.0045	Pipe Fitting.....	1	48	04.0607.0114	PIPE FITTING 3/8 BSPX9/16-18 ORFS.....	1
12	04.0600.0053	SLEEVE.....	1	49	04.4239.0032	VALVE.....	1
13	04.0607.0127	Pipe Fitting.....	1	50	06.0442.0102	Copper Washer JC 17.....	1
14	04.0605.0195	Flexible Hose.....	1	51	04.0600.0068	Pipe Fitting M14X1.5X1/4 BSP	1
15	04.0607.0143	Pipe Fitting M33X2 X1"11/16-12	1	52	04.0600.0165	Pipe Fitting.....	1
16	04.0600.0159	PIPE FITTING	1	53	04.0600.0160	PIPE FITTING.....	1
17	04.0600.0021	PIPE FITTING 1/4X3/8 BSP.....	1	54	07.0701.0196	Solenoid Valve.....	1
18	06.0401.0214	O-Ring.....	2	55	01.0032.0058	WASHER.....	2
19	04.4223.0004	PLATE/SEMI FLANGE.....	4				
20	01.0032.0055	Spring Washer D10 UNI 1751 ZN....	8				
21	01.0003.0257	Screw TCEI M10X35 UNI5931 8.8ZN	8				
22	04.4229.0035	Flexible Hose.....	1				
23	06.0401.0219	O-RING.....	2				
24	04.4223.0003	HALF FLANGE D47.....	4				
25	04.4229.0034	Flexible Hose.....	1				
26	04.0605.0204	Flexible Hose.....	1				
27	01.0003.0257	Screw TCEI M10X35 UNI5931 8.8ZN	8				
28	01.4032.0004	SPRING WASHER D10 ZN.....	8				
29	01.4001.0023	Screw TE M16X60 UNI 5737 8.8 ZN	4				
30	04.0605.0222	Flexible Hose.....	1				
31	04.0607.0105	Pipe Fitting.....	1				
32	04.0600.0050	Pipe Fitting M22X1.5X3/4.....	1				
33	04.4210.0016	PRESSURE TUBE.....	2				
34	04.0600.0038	Pipe Fitting.....	1				
35	04.4239.0013	Valve 3/4 PA 2.5.....	1				
36		604726 pos. 50					
37	04.0607.0107	PIPE FITTING 3/4"BSP X1"3/16-12 ORFS.....	2				

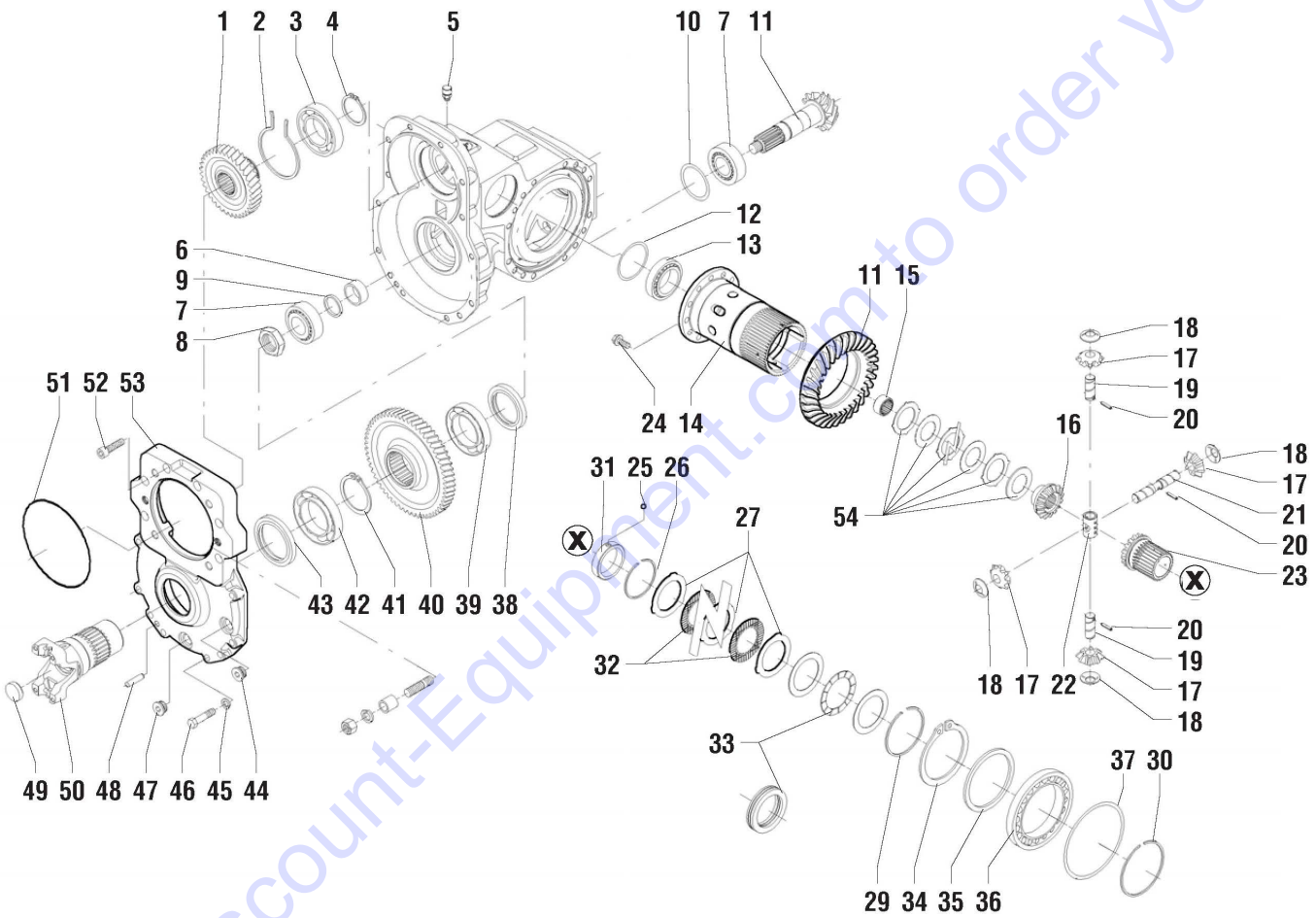
305.1 604739 Front Axle - Differential Case



Item	Part No.	Description	Qty.
1	633204	SNAP RING (CIRCLIP).....	1
2	07.0709.0084	PLUG.....	1
3	07.0709.0232	Plug.....	1
4	07.0709.0292	HOUSING.....	1

Go to Discount-Equipment.com to order your parts

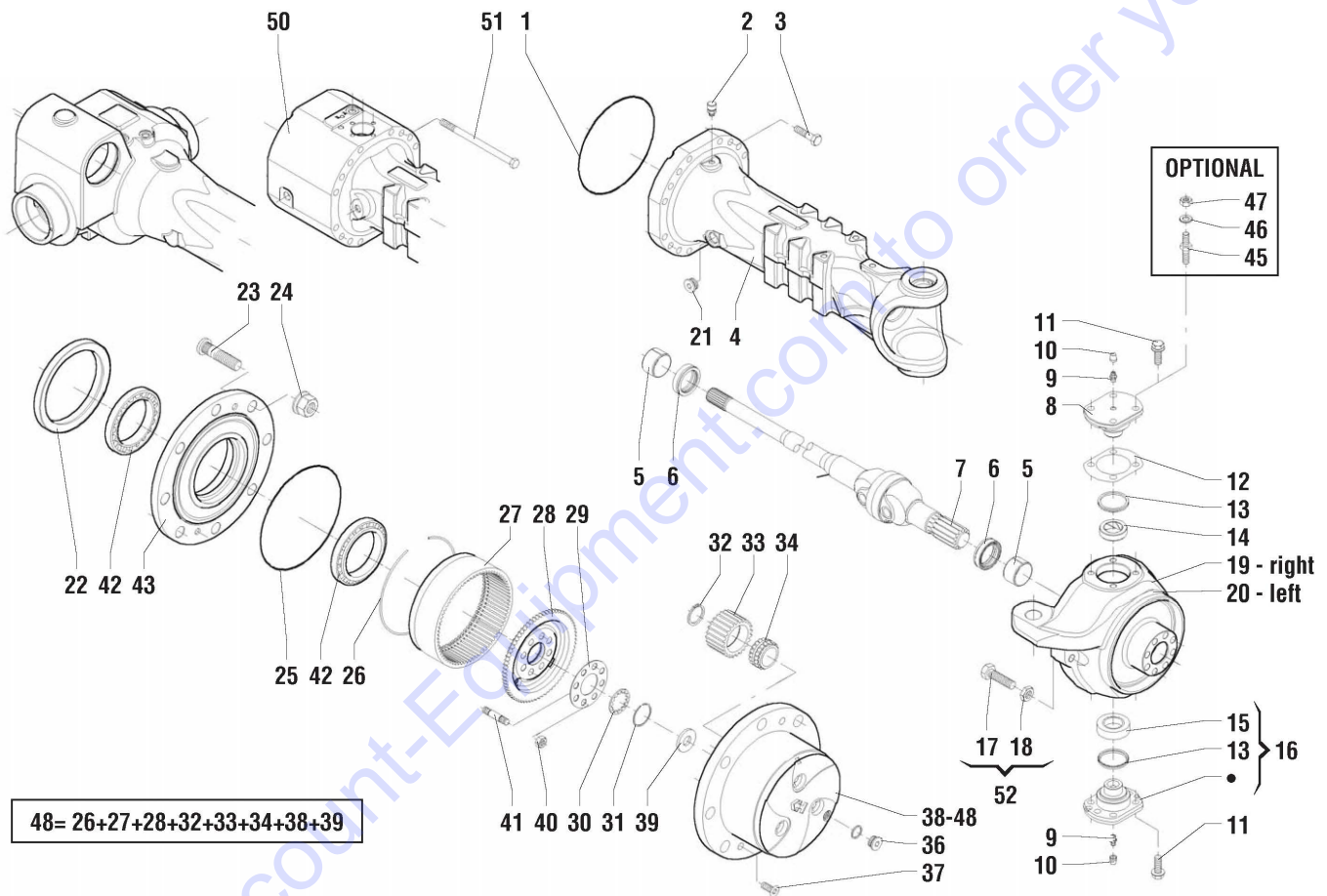
306.1 604740 Front Axle - Differential Gear



306.1 604740 Front Axle - Differential Gear

Item	Part No.	Description	Qty.	Item	Part No.	Description	Qty.
1	07.0709.0293	Gear.....	1	36	639637	Bearing.....	1
2	07.0709.0294	SNAP RING	1	37	07.0709.0309	Shim.....	1
3	07.0709.0130	BEARING.....	1	37	07.0709.0310	Shim.....	1
4	07.0709.0295	SNAP RING	1	37	07.0709.0311	Shim.....	1
5	639670	PLUG,BREATHER.....	1	38	07.0709.0312	SEAL	1
6	07.0709.0234	Spacer.....	1	39	07.0709.0313	BEARING.....	1
7	07.0709.0174	Bearing.....	2	40	07.0709.0314	Gear.....	1
8	07.0709.0296	RING NUT.....	1	41	07.0709.0315	SNAP RING.....	1
9	07.0709.0245	Ring.....	1	42	634561	BEARING.....	1
9	07.0709.0249	RING.....	1	43	07.0709.0316	SEAL.....	1
10	634391	SHIM,THICKNESS.....	1	44	07.0709.0274	PLUG.....	1
10	634392	SHIM,THICKNESS.....	1	45	07.0709.0188	SPRING WASHER.....	8
10	634393	SHIM,THICKNESS.....	1	46	639830	SCREW, 8.8 HCS 12MM-1.75X50	8
11	07.0709.0709	BEVEL GEAR SET.....	1	47	07.0709.0232	Plug.....	1
12	07.0709.0257	THICKNESS.....	1	48	639832	DOWEL	1
12	07.0709.0258	THICKNESS.....	1	49	07.0709.0317	PLUG.....	1
12	07.0709.0259	THICKNESS.....	1	50	07.0709.0710	Flange.....	1
12	07.0709.0260	THICKNESS.....	1	51	07.0709.0127	O-RING	1
13	633529	BEARING	1	52	07.0709.0134	SCREW, 12.9 SHCS 12-1.75X45.....	6
14	07.0709.0297	Differential Case.....	1	53	07.0709.0319	Cover.....	1
15	633946	Bushing.....	1	54	07.0709.0320	Clutch Disc.....	1
16	07.0709.0298	DIFFERENTIAL SIDE GEAR.....	1				
17	633534	Differential Pinion.....	4				
18	633533	WASHER	4				
19	07.0709.0253	Pin.....	2				
20	07.0709.0254	DOWEL	3				
21	07.0709.0255	Pin.....	1				
22	07.0709.0256	STAR WHEEL.....	1				
23	07.0709.0299	DIFFERENTIAL SIDE GEAR.....	1				
24	07.0709.0160	Screw.....	12				
25	635597	Sphere.....	1				
26	07.0709.0300	Snap Ring.....	1				
27	07.0709.0301	Intermediate Clutch Disc.....	8				
29	07.0709.0302	Snap Ring.....	1				
30	07.0709.0303	SNAP RING.....	1				
31	07.0709.0304	Bushin.....	1				
32	07.0709.0305	CLUTCH DISC.....	1				
33	07.0709.0306	Bearing.....	1				
34	07.0709.0307	Snap Ring.....	1				
35	07.0709.0308	Spacer.....	1				

307.1 604741 Front Axle - Reduction Gear

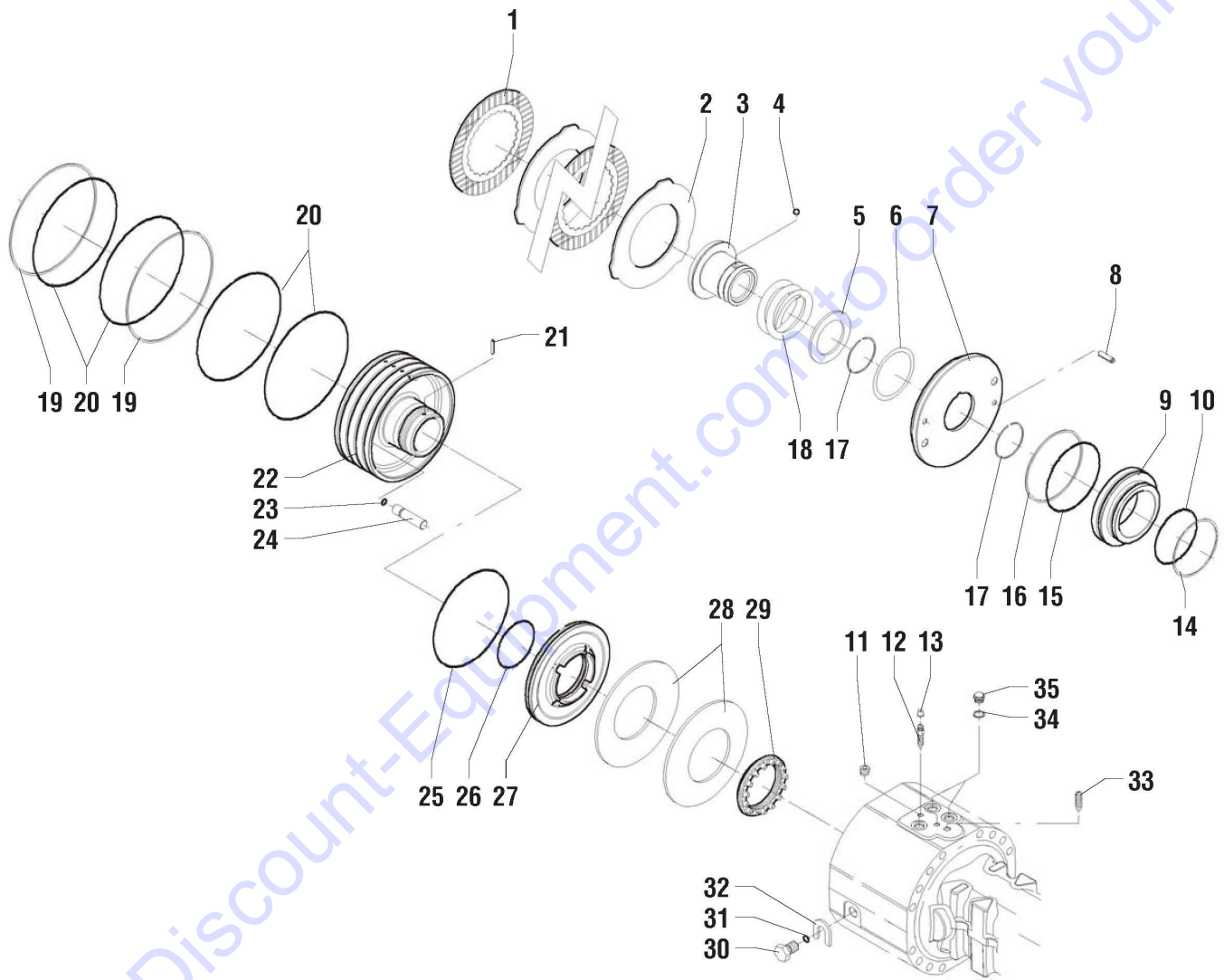


Go to Discount-Equipment.com to order your parts

307.1 604741 Front Axle - Reduction Gear

Item	Part No.	Description	Qty.	Item	Part No.	Description	Qty.
1	07.0709.0261	SEAL	2	40	07.0709.0280	Nut.....	16
2	639670	PLUG,BREATHER.....	1	41	07.0709.0281	Stud.....	16
3	07.0709.0262	Screw, 10.9HCS 12MM-1.75X50....	16	42	07.0709.0171	Bearing.....	4
4	07.0709.0263	ARM.....	1	43	07.0709.0282	Wheel Hub.....	2
5	07.0709.0264	Bushing.....	4	45	07.0709.0119	STUD,DRIVE AXLE.....	8
6	07.0709.0265	Sealing Ring.....	4	46	07.0709.0071	WASHER	8
7	07.0709.0266	Cardan Shaft.....	2	47	07.0709.0070	NUT.....	8
8	07.0709.0267	Pivot Pin.....	2	48	07.0709.0284	Support.....	2
9	633176	GREASE ZERK	4	50	07.0709.0322	ARM.....	1
10	638548	PLUG.....	4	51	07.0709.0323	Screw.....	16
11	07.0709.0057	SCREW,RING GEAR.....	12	52	07.0709.0365	SCREW,STEERING ADJUST.....	4
12	07.0709.0268	THICKNESS.....	2				
12	07.0709.0290	THICKNESS.....	2				
12	07.0709.0291	THICKNESS.....	2				
13	07.0709.0269	SEAL	2				
14	07.0709.0124	BUSHING.....	2				
15	07.0709.0270	Joint Box.....	2				
16	07.0709.0271	Pivot Pin.....	2				
17	634546	NUT.....	4				
18	07.0709.0104	SCREW.....	4				
19	07.0709.0272	HOUSING.....	1				
20	07.0709.0273	HOUSING.....	1				
21	07.0709.0274	PLUG.....	1				
22	07.0709.0363	SEAL.....	2				
23	07.0709.0117	WHEEL STUD.....	16				
24	07.0709.0118	Wheel Nut	16				
25	632383	SEAL / DIFFERENTIAL	2				
26	639646	Snap Ring.....	2				
27	639639	RING GEAR	2				
28	07.0709.0275	Ring Gear Support.....	2				
29	07.0709.0276	Safety Sheet.....	2				
30	07.0709.0277	Ring.....	2				
31	07.0709.0278	Circlip.....	2				
32	639641	SNAP RING.....	6				
33	639642	PINION,DIFFERENTIAL.....	6				
34	639643	Bearing	6				
36	07.0709.0113	PLUG.....	2				
37	07.0709.0065	SCREW.....	4				
38	07.0709.0321	PLANET GEAR CARRIER.....	2				
39	07.0709.0279	Shim Washer.....	2				

308.1 604742 Front Axle - Brake

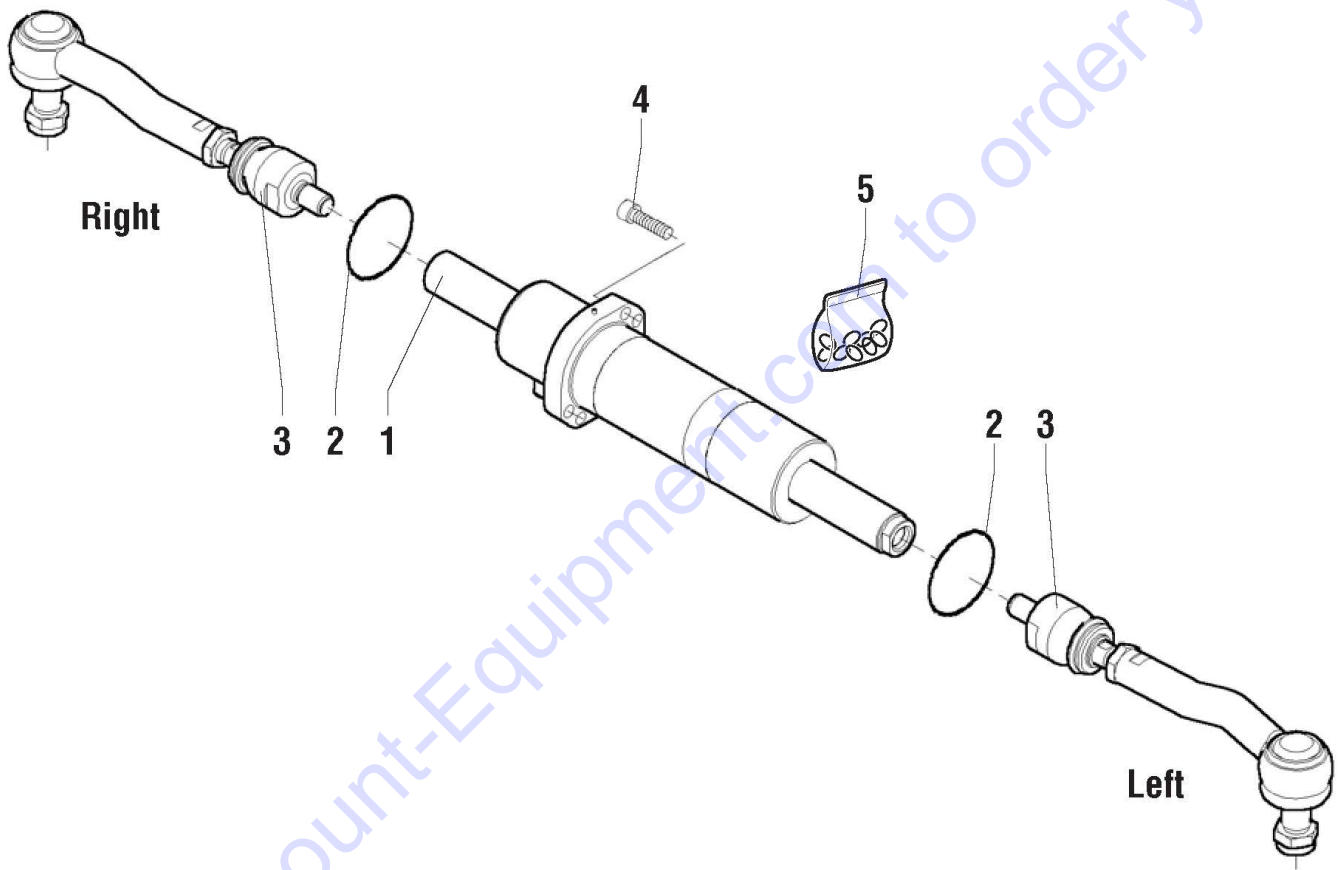


Go to Discount-Equipment.com to order your parts

Item	Part No.	Description	Qty.
1	07.0709.0324	BRAKE DISC.....	6
2	07.0709.0325	Brake Disc Internal.....	6
3	07.0709.0326	BUSHING.....	1
4	07.0709.0327	BALL.....	1
5	07.0709.0328	Spacer.....	1
6	629733	SHIM 0.10MM.....	2
6	629735	SHIM 0.30MM.....	2
6	639327	SHIM 0.40MM.....	2
6	639329	SHIM 0.20MM.....	2
7	07.0709.0329	BRAKE DISC.....	1
8	07.0709.0330	Split Pin.....	2
9	07.0709.0711	Piston.....	1
10	07.0709.0332	SEAL.....	1
11	632070	SCREW.....	1
12	630328	BLEEDER VALVE, LONG	2
13	638548	PLUG.....	2
14	07.0709.0333	Back-up Ring.....	1
15	07.0709.0334	SEAL.....	1
16	07.0709.0335	Back-up Ring.....	1
17	07.0709.0336	Snap Ring.....	2
18	07.0709.0337	Spring.....	1
19	07.0709.0338	Back-Up Ring.....	2
20	07.0709.0339	SEAL.....	4
21	07.0709.0254	DOWEL	1
22	07.0709.0340	Piston.....	1
23	07.0709.0341	O-RING.....	3
24	07.0709.0342	Pin.....	3
25	07.0709.0343	O-Ring.....	1
26	07.0709.0344	O-Ring.....	1
27	07.0709.0345	Piston.....	1
28	07.0709.0346	Spring.....	2
29	07.0709.0347	Ring Nut.....	1
30	07.0709.0712	Screw.....	2
31	07.0709.0034	SEAL.....	2
32	07.0709.0349	Spacer.....	2
33	07.0709.0350	Threaded Grubscrew.....	1
34	07.0709.0351	WASHER.....	2
35	07.0709.0352	SCREW.....	2

Go to www.GenieEquipment.com to order your parts

309.1 604743 Front Axle - Steering Cylinder



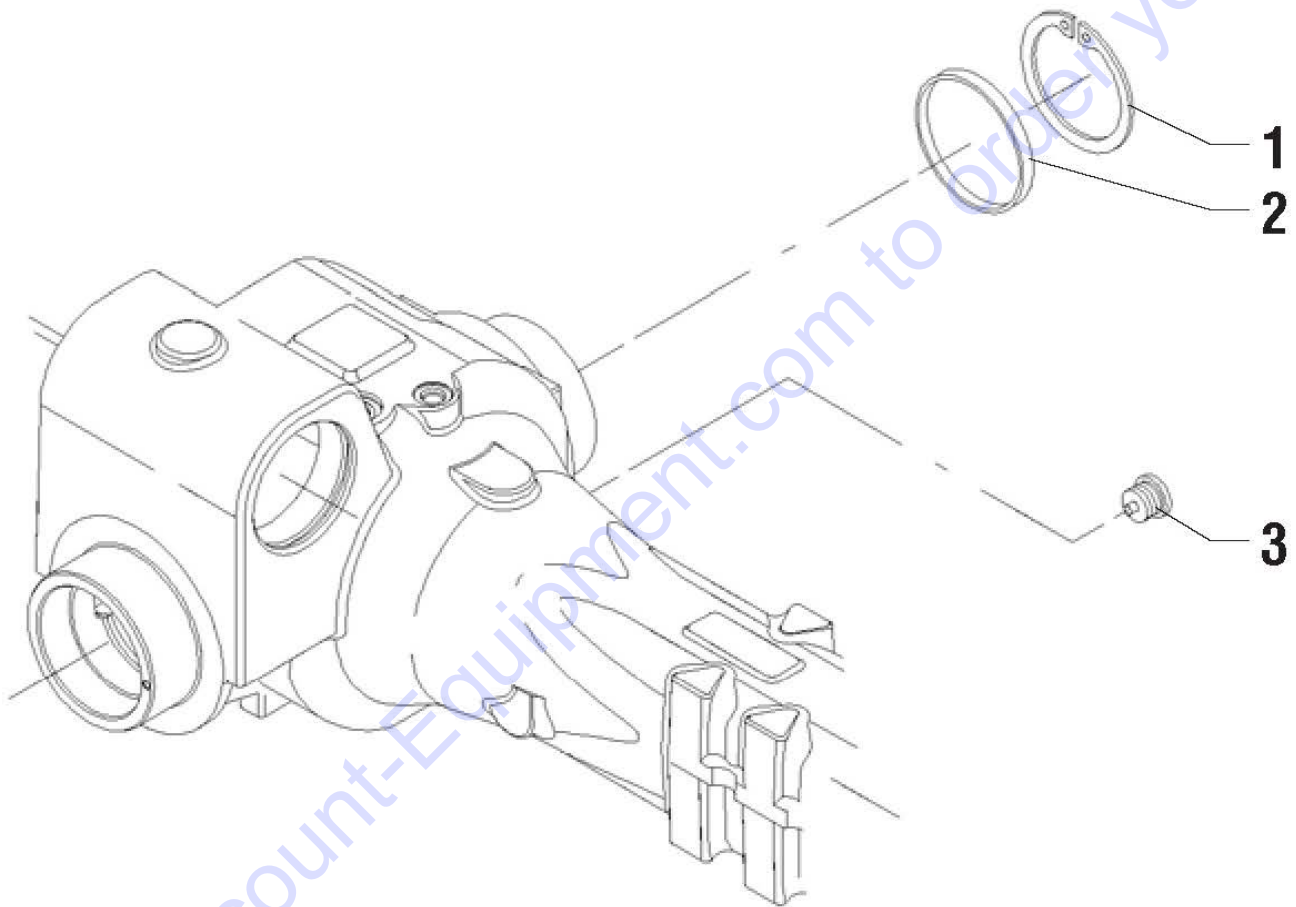
Go to Discount-Equipment.com to order your parts

309.1 604743 Front Axle - Steering Cylinder

Item	Part No.	Description	Qty.
1	07.0709.0285	Cylinder.....	1
2	634397	O-RING.....	2
3	07.0709.0286	ARTICULATED TIE ROD.....	2
4	07.0709.0134	SCREW, 12.9 SHCS 12-1.75X45.....	4
5	07.0709.0417	Gasket Kit.....	1

Go to Discount-Equipment.com to order your parts

310.1 604744 Rear Axle - Differential Case

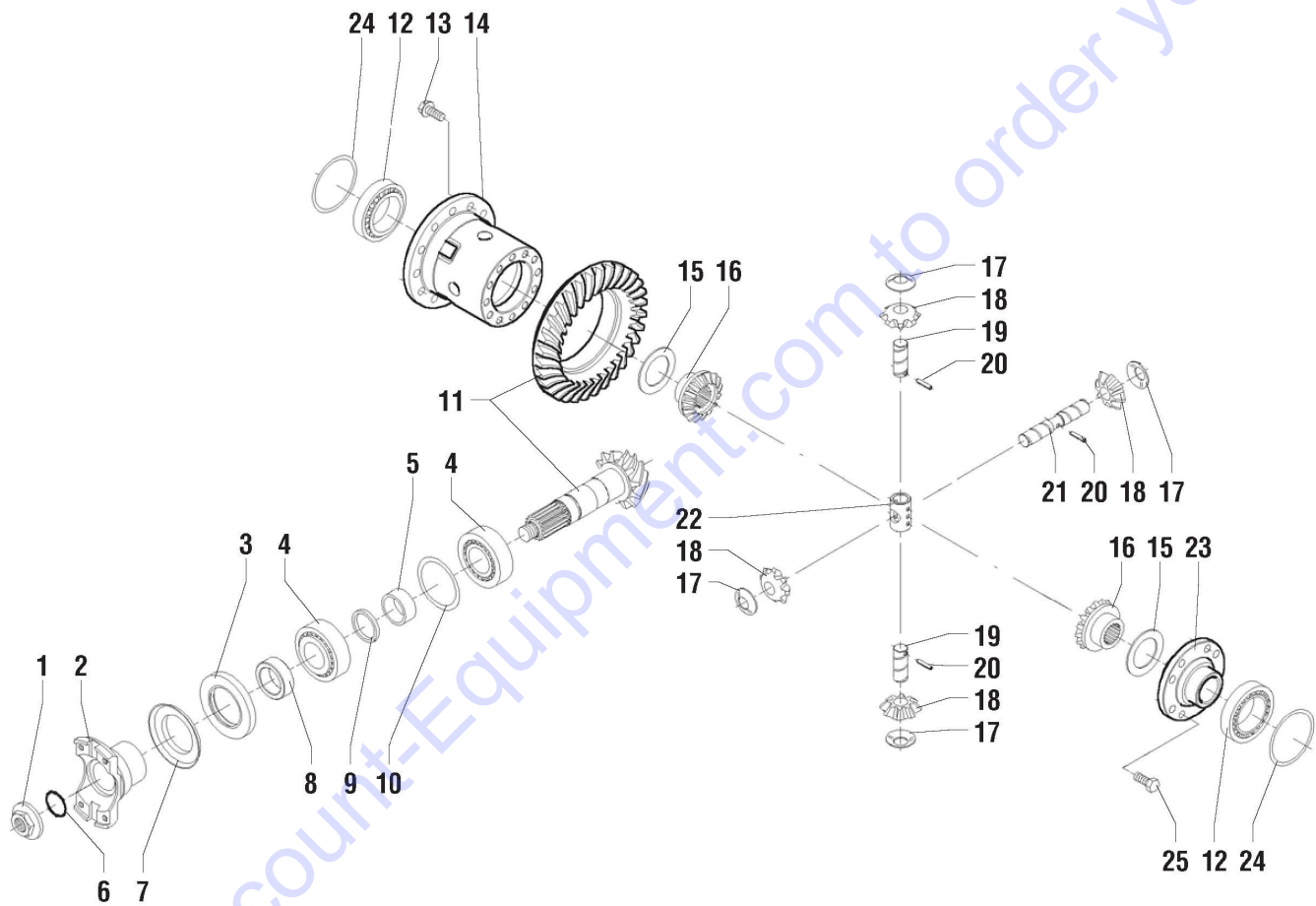


310.1 604744 Rear Axle - Differential Case

Item	Part No.	Description	Qty.
1	633204	SNAP RING (CIRCLIP).....	1
2	07.0709.0084	PLUG.....	1
3	07.0709.0232	Plug.....	1

Go to Discount-Equipment.com to order your parts

311.1 604745 Rear Axle - Differential Gear



Go to Discount-Equipment.com to order your parts

PARTS FINDER

**Search Website
by Part Number**



**Search Manual
Library For Parts
Manual & Lookup Part
Numbers – Purchase
or Request Quote**

Search Manuals

Enter your information to search for a manual or parts manual for your equipment.

* Brand:

* Model:

* Serial:

* Part Number:

SEARCH

**Can't Find Part or
Manual? Request Help
by Manufacturer,
Model & Description**

Parts Order Form

Please fill in the following information to request help finding a part or manual.

Manufacturer:

Model:

Description:

Part Number:

Quantity:

Price:

Submit

Discount-Equipment.com is your online resource for quality parts & equipment.

Florida: **561-964-4949** Outside Florida TOLL FREE: **877-690-3101**

Need parts?

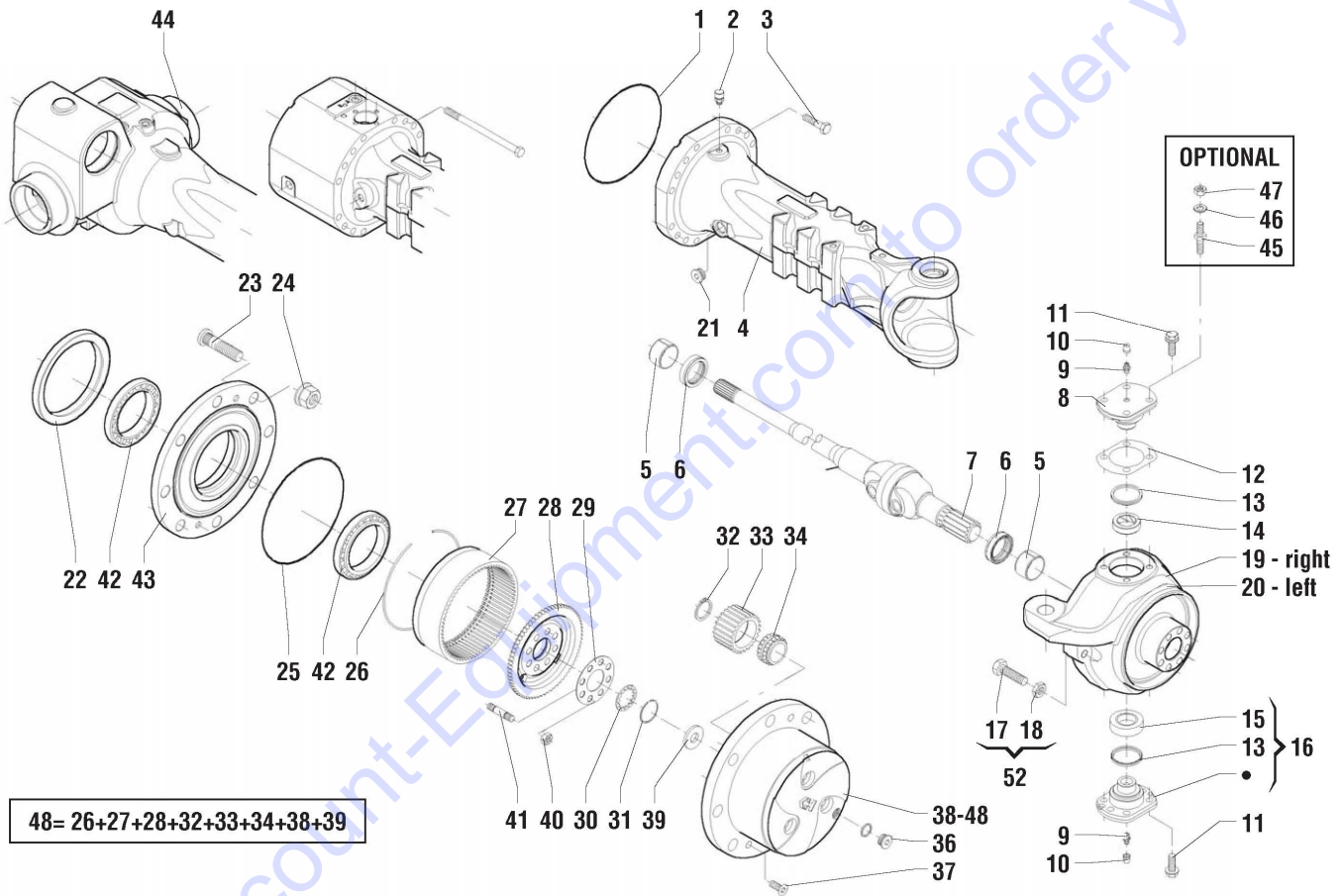
Click on this link: <http://www.discount-equipment.com/category/5443-parts/> and choose one of the options to help get the right parts and equipment you are looking for. Please have the machine model and serial number available in order to help us get you the correct parts. If you don't find the part on the website or on one of the online manuals, please fill out the request form and one of our experienced staff members will get back to you with a quote for the right part that your machine needs.

We sell worldwide for the brands: Genie, Terex, JLG, MultiQuip, Mikasa, Essick, Whiteman, Mayco, Toro Stone, Diamond Products, Generac Magnum, Airman, Haulotte, Barreto, Power Blanket, Nifty Lift, Atlas Copco, Chicago Pneumatic, Allmand, Miller Curber, Skyjack, Lull, Skytrak, Tsurumi, Husquvarna Target, Stow, Wacker, Sakai, Mi-T-M, Sullair, Basic, Dynapac, MBW, Weber, Bartell, Bennar Newman, Haulotte, Ditch Runner, Menegotti, Morrison, Contec, Buddy, Crown, Edco, Wyco, Bomag, Laymor, EZ Trench, Bil-Jax, F.S. Curtis, Gehl Pavers, Heli, Honda, ICS/PowerGrit, IHI, Partner, Imer, Clipper, MMD, Koshin, Rice, CH&E, General Equipment, Amida, Coleman, NAC, Gradall, Square Shooter, Kent, Stanley, Tamco, Toku, Hatz, Kohler, Robin, Wisconsin, Northrock, Oztec, Toker TK, Rol-Air, APT, Wylie, Ingersoll Rand / Doosan, Innovatech, Con X, Ammann, Mecalac, Makinex, Smith Surface Prep, Small Line, Wanco, Yanmar

311.1 604745 Rear Axle - Differential Gear

Item	Part No.	Description	Qty.	Item	Part No.	Description	Qty.
1	633160	Nut.....	1	24	07.0709.0258	THICKNESS.....	2
2	07.0709.0388	Flange.....	1	24	07.0709.0259	THICKNESS.....	2
3	633098	SEAL,DIFFERENTIAL	1	24	07.0709.0260	THICKNESS.....	2
4	07.0709.0174	Bearing.....	2	25	630694	Screw.....	8
5	07.0709.0234	Spacer.....	1				
6	633110	O-RING.....	1				
7	07.0709.0235	Safety Sheet	1				
8	07.0709.0168	Spacer.....	1				
9	07.0709.0236	Ring.....	1				
9	07.0709.0237	Ring.....	1				
9	07.0709.0238	Ring.....	1				
9	07.0709.0239	Ring.....	1				
9	07.0709.0240	Ring.....	1				
9	07.0709.0241	Ring.....	1				
9	07.0709.0242	Ring.....	1				
9	07.0709.0243	Ring.....	1				
9	07.0709.0244	Ring.....	1				
9	07.0709.0245	Ring.....	1				
9	07.0709.0246	Ring.....	1				
9	07.0709.0247	Ring.....	1				
9	07.0709.0248	Ring.....	1				
9	07.0709.0249	RING.....	1				
9	07.0709.0250	Ring.....	1				
10	634391	SHIM,THICKNESS.....	1				
10	634392	SHIM,THICKNESS.....	1				
10	634393	SHIM,THICKNESS.....	1				
11	07.0709.0251	Bevel Gear Set.....	1				
12	633529	BEARING	2				
13	07.0709.0057	SCREW,RING GEAR.....	12				
14	07.0709.0252	DIFFERENTIAL CASE.....	1				
15	633531	WASHER	2				
16	633944	Differential Side Gear.....	2				
17	633533	WASHER	4				
18	633534	Differential Pinion.....	4				
19	07.0709.0253	Pin.....	2				
20	07.0709.0254	DOWEL	3				
21	07.0709.0255	Pin.....	1				
22	07.0709.0706	CROSS JOINT.....	1				
23	636413	Cover.....	1				
24	07.0709.0257	THICKNESS.....	2				

312.1 604746 Rear Axle - Steering Axle

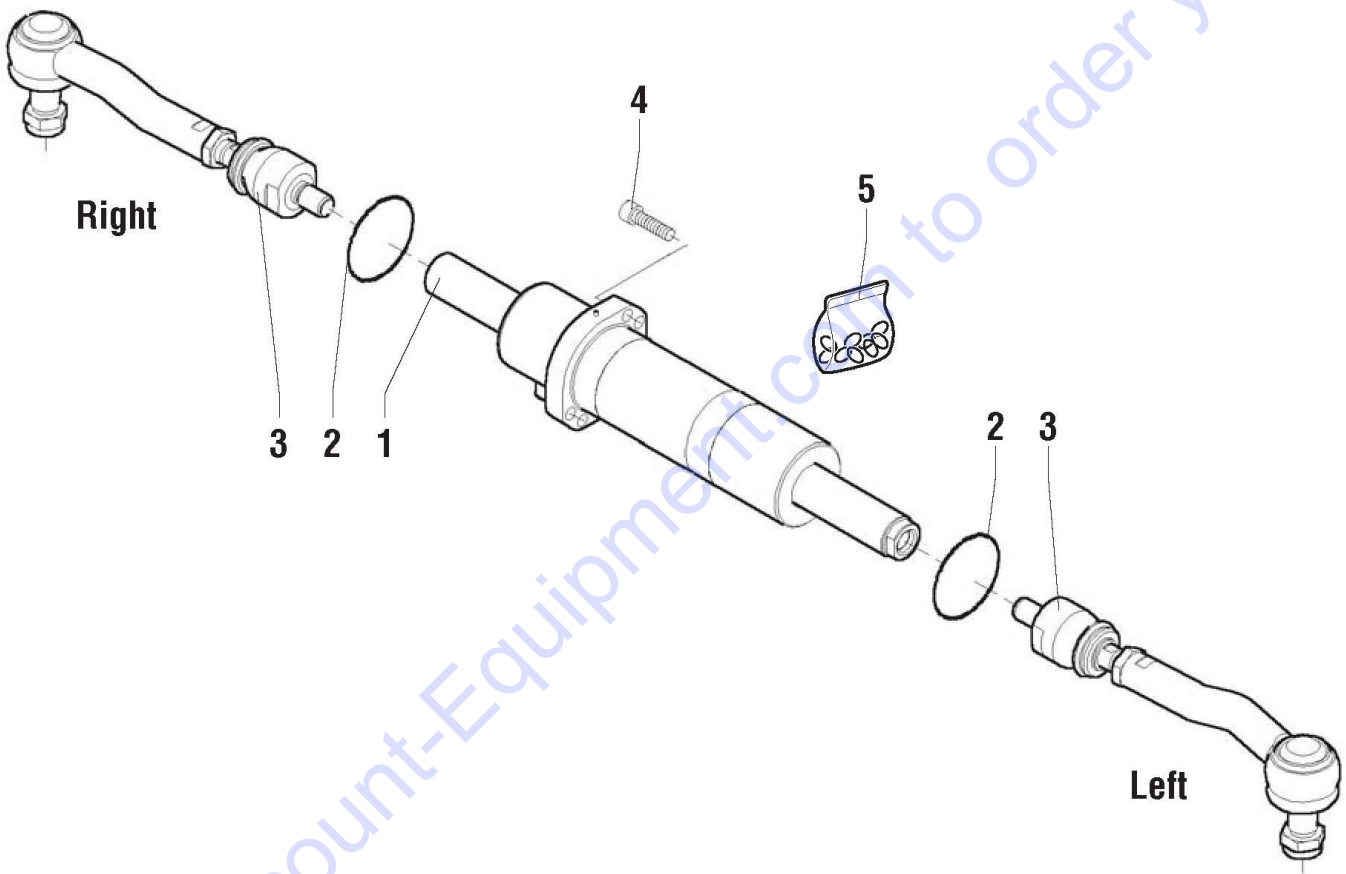


Go to Discount-Equipment.com to order your parts

312.1 604746 Rear Axle - Steering Axle

Item	Part No.	Description	Qty.	Item	Part No.	Description	Qty.
1	07.0709.0261	SEAL	1	40	07.0709.0280	Nut.....	16
2	639670	PLUG,BREATHER.....	1	41	07.0709.0281	Stud.....	16
3	07.0709.0262	Screw, 10.9HCS 12MM-1.75X50....	16	42	07.0709.0171	Bearing.....	4
4	07.0709.0707	Boom.....	1	43	07.0709.0282	Wheel Hub.....	2
5	07.0709.0264	Bushing.....	4	44	07.0709.0708	Arm.....	1
6	07.0709.0265	Sealing Ring.....	4	45	07.0709.0119	STUD,DRIVE AXLE.....	8
7	07.0709.0266	Cardan Shaft.....	2	46	07.0709.0071	WASHER	8
8	07.0709.0267	Pivot Pin.....	2	47	07.0709.0070	NUT.....	8
9	633176	GREASE ZERK	4	48	07.0709.0284	Support.....	2
10	638548	PLUG.....	4	52	07.0709.0365	SCREW,STEERING ADJUST.....	4
11	07.0709.0057	SCREW,RING GEAR.....	12				
12	07.0709.0268	THICKNESS.....	2				
12	07.0709.0290	THICKNESS.....	2				
12	07.0709.0291	THICKNESS.....	2				
13	07.0709.0269	SEAL	2				
14	07.0709.0124	BUSHING.....	2				
15	07.0709.0270	Joint Box.....	2				
16	07.0709.0271	Pivot Pin.....	2				
17	634546	NUT.....	4				
18	07.0709.0104	SCREW.....	4				
19	07.0709.0272	HOUSING.....	1				
20	07.0709.0273	HOUSING.....	1				
21	07.0709.0274	PLUG.....	1				
22	07.0709.0363	SEAL.....	2				
23	07.0709.0117	WHEEL STUD.....	16				
24	07.0709.0118	Wheel Nut	16				
25	632383	SEAL / DIFFERENTIAL	2				
26	639646	Snap Ring.....	2				
27	639639	RING GEAR	2				
28	07.0709.0275	Ring Gear Support.....	2				
29	07.0709.0276	Safety Sheet.....	2				
30	07.0709.0277	Ring.....	2				
31	07.0709.0278	Circlip.....	2				
32	639641	SNAP RING.....	6				
33	639642	PINION,DIFFERENTIAL.....	6				
34	07.0709.0136	Bearing.....	6				
36	07.0709.0113	PLUG.....	2				
37	07.0709.0065	SCREW.....	4				
38	07.0709.0066	Support.....	2				
39	07.0709.0279	Shim Washer.....	2				

313.1 604747 Rear Axle - Steering Cylinder

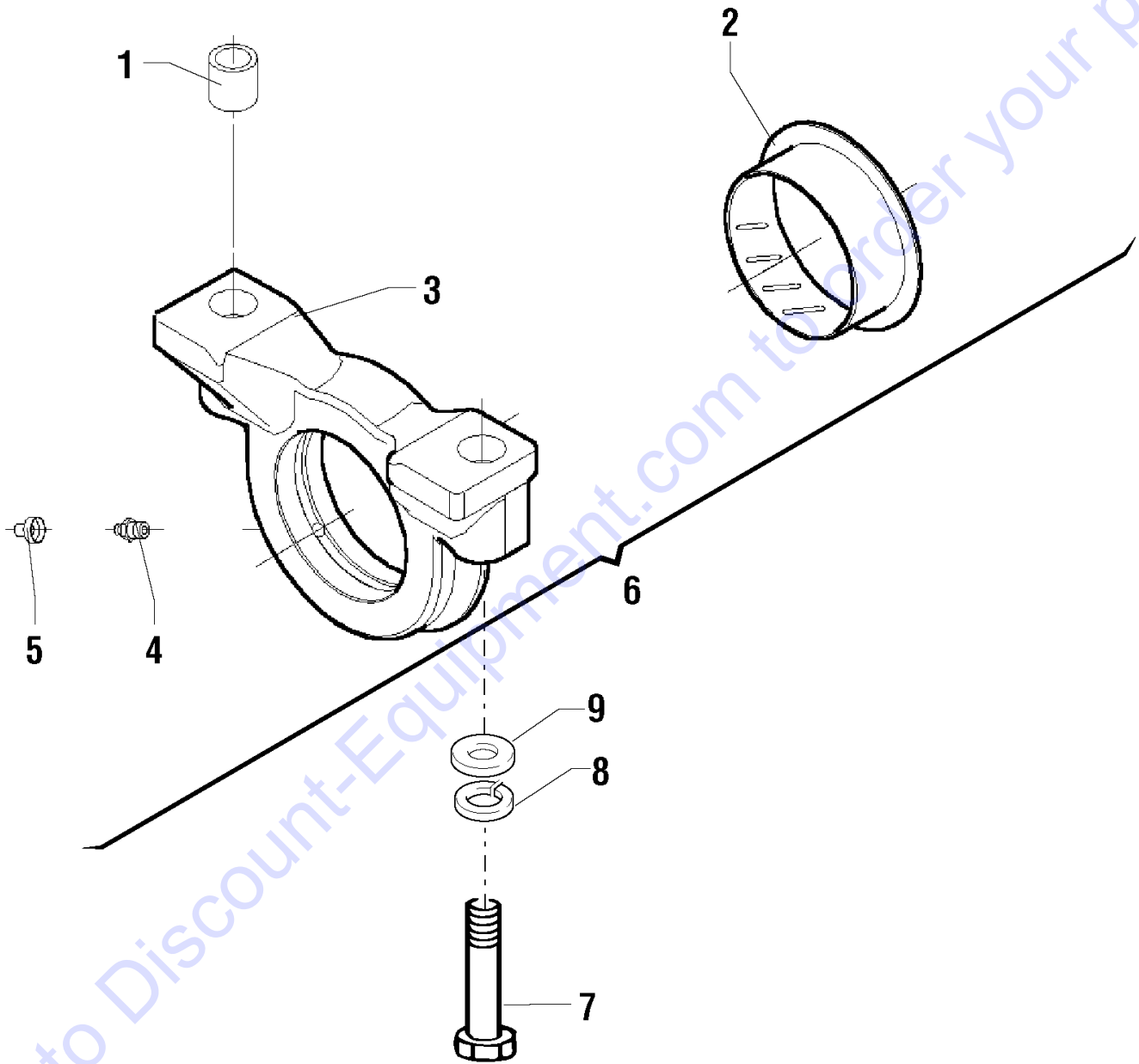


313.1 604747 Rear Axle - Steering Cylinder

Item	Part No.	Description	Qty.
1	07.0709.0285	Cylinder.....	1
2	634397	O-RING.....	2
3	07.0709.0286	ARTICULATED TIE ROD.....	2
4	07.0709.0134	SCREW, 12.9 SHCS 12-1.75X45.....	4
5	07.0709.0417	Gasket Kit.....	1

Go to Discount-Equipment.com to order your parts

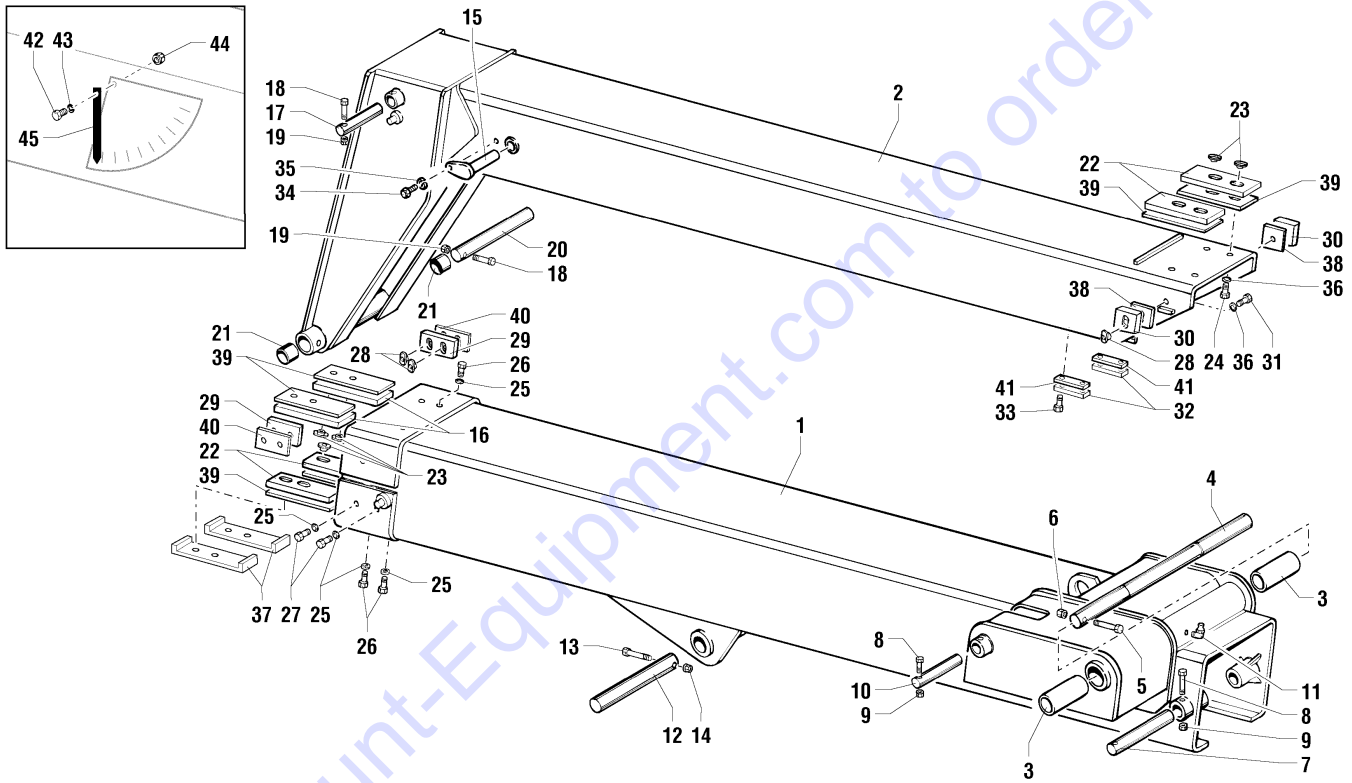
314.1 604748 Rear Axle - Support



Item	Part No.	Description	Qty.
1	07.0709.0218	BUSHING.....	4
2	07.0709.0287	Bushing.....	2
3	07.0709.0288	SUPPORT.....	2
4	633176	GREASE ZERK	2
5	638548	PLUG.....	2
6	07.0709.0289	SUPPORT	2
7	01.4001.0009	Screw TE M20X130UNI 5737 10.9ZN.....	4
8	01.4032.0009	Spring Washer D20 ZN	4
9	01.0031.0061	FLAT WASHER D20 UNI 6592 ZN.....	4

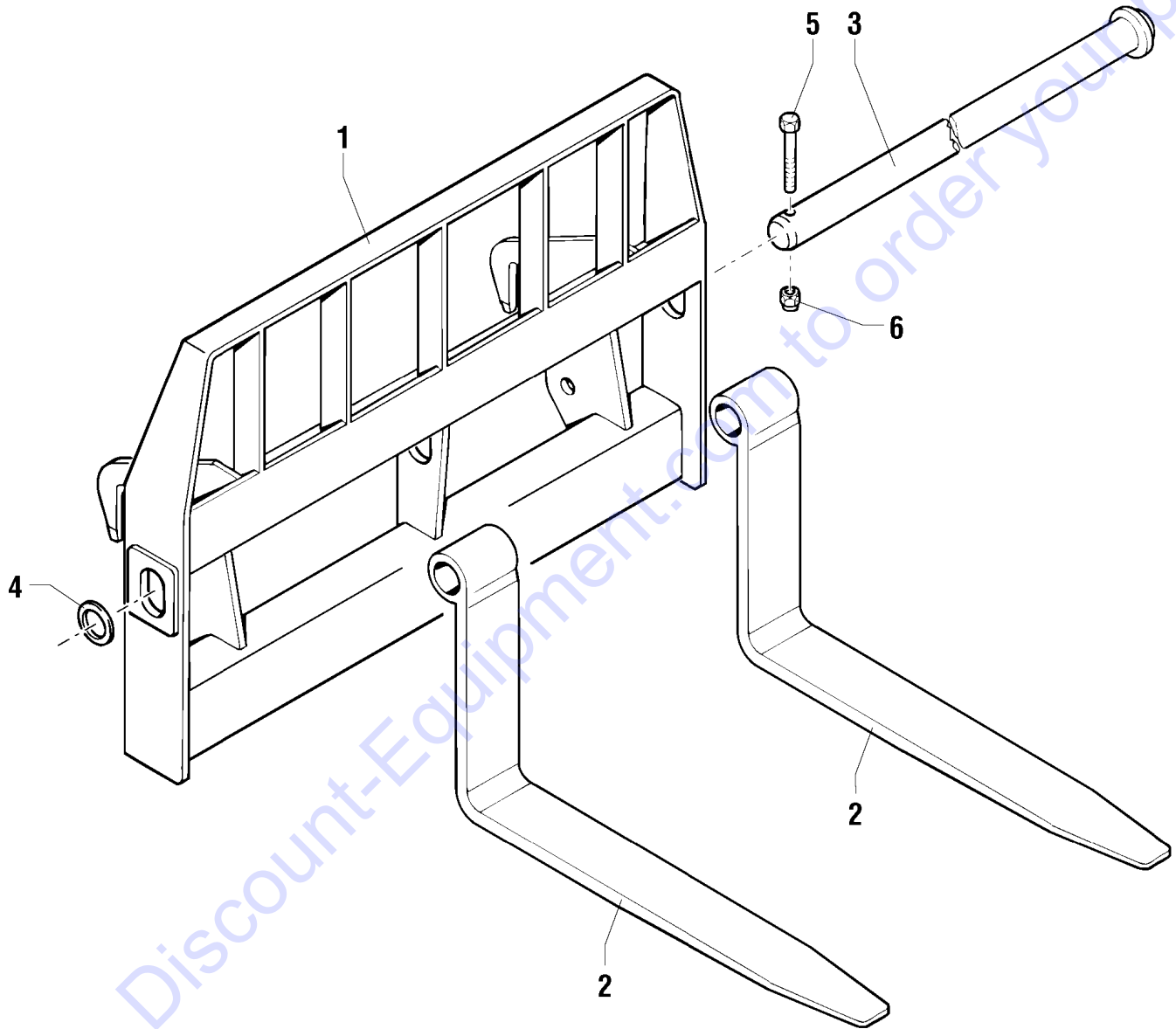
Go to Discount-Equipment.com to order your parts

401.1 604715 Arm



Item	Part No.	Description	Qty.	Item	Part No.	Description	Qty.
1	51.0200.9800	Basic Arm.....	1	38	51.0809.3900	THICKNESS/SHIM 3 STYLES ALL OK.....	2
2	51.0200.9900	Arm.....	1	39	51.0804.9000	SHIM/BOOM WEAR PAD.....	6
3	54.0201.0007	Bushing 50/60X100.....	2	40	51.0809.4000	WEAR PAD SHIM.....	2
4	54.0003.0003	Pin.....	1	41	51.0806.3800	Thickness.....	2
5	01.4001.0012	SCREW M14X100UNI 5737 8.8 ZN.....	1	42	01.0003.0944	Screw Tcei M 8X30 UNI 5931 8.8Zn.....	1
6	01.0023.0057	STOP NUT M14 UNI 7473 6S ZN....	1	43	01.0031.0055	FLAT WASHER D8 UNI 6592 ZN	1
7	54.0000.0017	PIN.....	1	44	01.0019.0104	NUT M8 UNI 5588 6S ZN.....	1
8	01.0001.0209	SCREW M8X70 UNI 5737 8.8 ZN....	2	45	51.0804.8400	NEEDLE FOR INCLINEOMETER....	1
9	01.0023.0054	NUT,M8 UNI 7473 6S ZN.....	2				
10	54.0002.0014	Pin.....	1				
11	02.0117.0101	GREASE NIPPLE G 1/8.....	1				
12	54.0000.0025	PIN.....	1				
13	01.4001.0003	SCREW M12X100 UNI 5737 8.8 ZN.....	1				
14	01.0023.0056	STOP NUT M12 UNI 7473 6S ZN....	1				
15	54.0003.0016	PIN.....	1				
16	54.0702.0013	WEAR PAD,200X60X15.....	2				
17	54.0000.0192	PIN.....	1				
18	01.0001.0310	SCREW, 8.8 HCS 10MM-1.5X80Z....	2				
19	01.0023.0055	NUT,STOP,M10 UNI 7473 6S ZN....	2				
20	54.0000.0020	Pin.....	1				
21	54.0201.0009	Bushing.....	2				
22	54.0702.0000	WEAR PAD,200X60X20.....	4				
23	54.0200.0001	BUSHING M10X13.5.....	12				
24	01.0006.0049	SCREW M10X30 UNI 5933 10.9 ZN.....	4				
25	01.0032.0055	Spring Washer D10 UNI 1751 ZN.....	16				
26	01.0001.0357	SCREW,TE,M10X35 UNI 8.8 ZN....	8				
27	01.0001.0356	SCREW,TE,M10X30 UNI 8.8 ZN....	8				
28	54.0200.0000	BUSHING M10X8.5	6				
29	54.0702.0001	WEAR PAD,100X60X12.....	2				
30	54.0702.0002	WEAR PAD,60X60X12.....	2				
31	01.0001.0088	Screw.....	2				
32	54.0702.0005	WEAR PAD,100X25X15.....	2				
33	01.0003.0203	SCREW M8X20 UNI 8.8 ZN.....	2				
34	01.0001.0254	SCREW M8X20 UNI 5739 8.8 ZN....	1				
35	01.4032.0003	SPRING WASHER D 8 ZN	1				
36	09.0803.0062	WASHER D10.....	6				
37	07.0726.0043	SLIDING BLOCK HOLDER.....	2				

402.1 604716 Forks

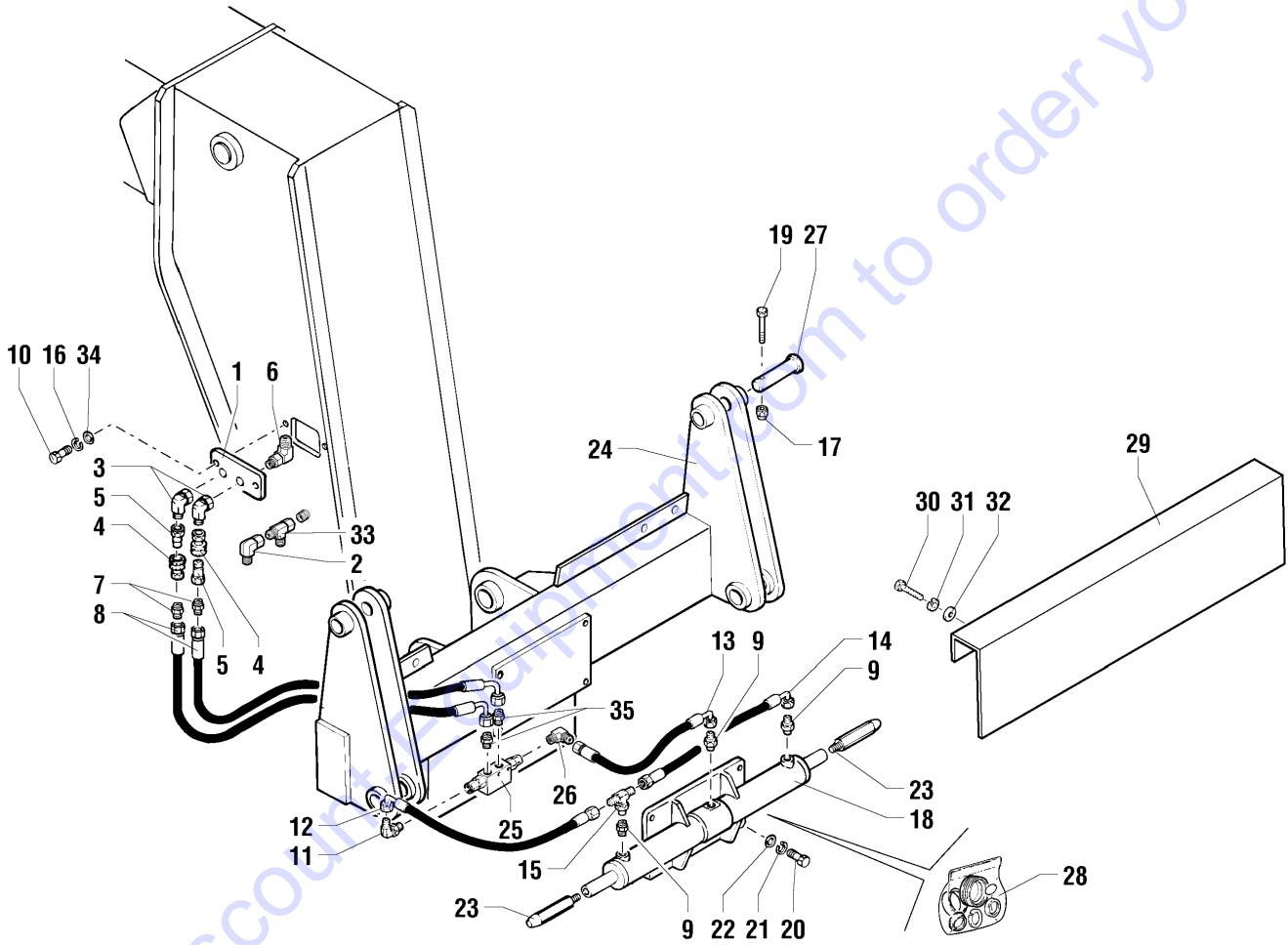


Go to Discount-Equipment.com to order your parts

Item	Part No.	Description	Qty.
1	51.1301.4300	FLOATING FORK CARRIAGE.....	1
2	51.1300.5400	FORK (4" WIDE X 48" LONG).....	2
3	54.0000.0068	PIN, FORK.....	1
4	54.0100.0027	WASHER	2
5	01.0001.0409	SCREW M12X80 UNI 5737 8.8 ZN.....	1
6	01.0023.0056	STOP NUT M12 UNI 7473 6S ZN....	1

Go to Discount-Equipment.com to order your parts

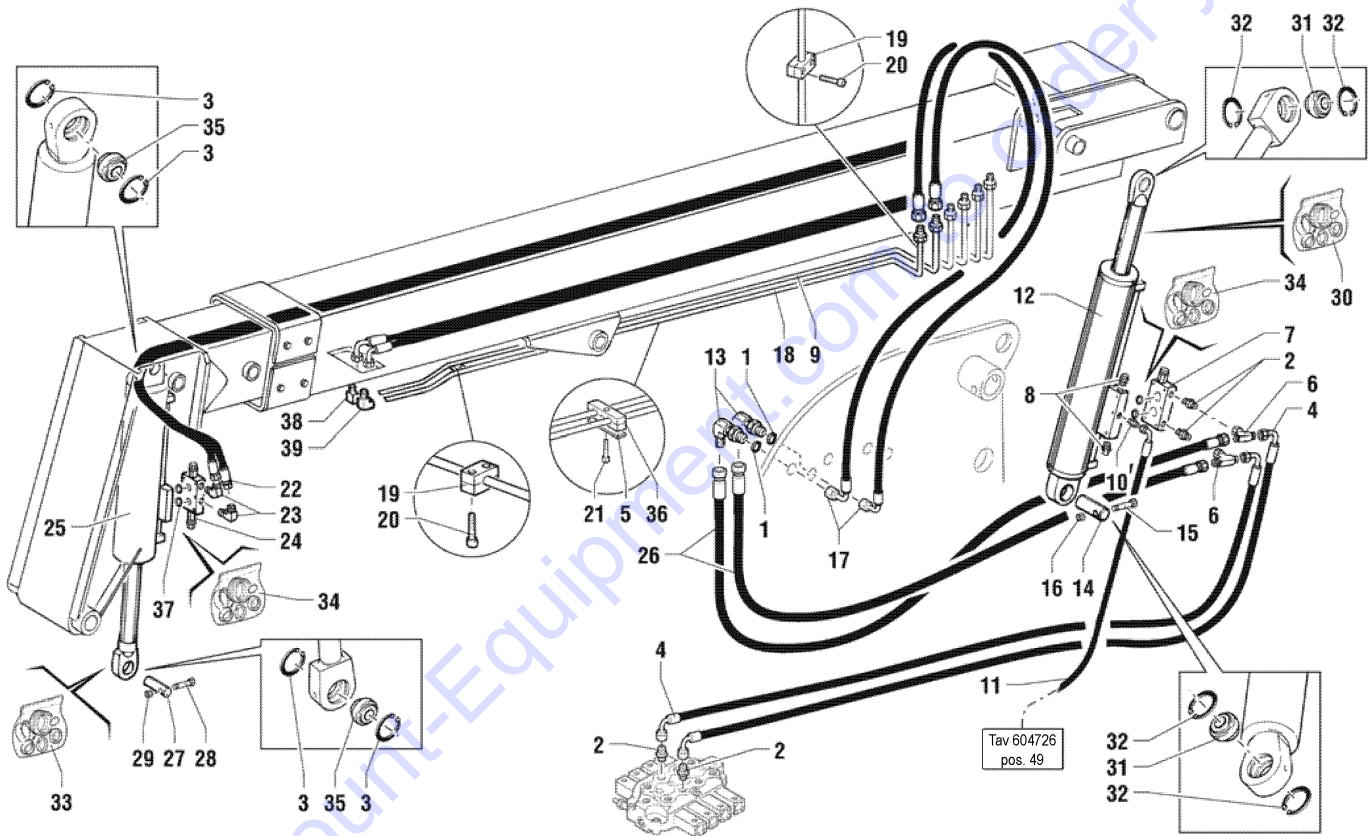
403.1 604728 Hydraulic System - Implement Locking



403.1 604728 Hydraulic System - Implement Locking

Item	Part No.	Description	Qty.	Item	Part No.	Description	Qty.
1	53.3001.0500	MANIFOLD, BOOM HOSES.....	1	33	04.0600.0081	PIPE FITTING TMF+L 1/2 BSP.....	1
2	04.0600.0019	Pipe Fitting MFK 90 1/2 BSP.....	1	34	01.0031.0054	FLAT WASHER D6 UNI 6592 ZN	2
3	04.0600.0087	PIPE FITTING 90.....	2	35	04.0607.0163	PIPE FITTING 1/4BSPX11/16-16 ORFS.....	2
4	04.4210.0019	QUICK COUPLING, FEMALE 1/2....	2				
5	04.4210.0018	QUICK COUPLING, MALE 1/2.....	2				
6	04.0607.0141	PIPE FITTING 90 1/2GASXM 13/16-16 ORFS.....	2				
7	04.0607.0110	PIPE FITTING 1/2BSP x 11/16-16 ORFS.....	2				
8	04.0605.0174	Hose R2 X 3/8 LG.600 FD F90 11/16-16 ORFS.....	2				
9	04.0607.0114	PIPE FITTING 3/8 BSPX9/16-18 ORFS.....	3				
10	01.0001.0156	SCREW M6X20 UNI 5739 8.8 ZN ...	2				
11	04.0607.0112	PIPE FITTING M-M A 90 1/4 BSPX9/16-18 ORFS.....	1				
12	04.0605.0114	FLEXIBLE HOSE.....	1				
13	04.0605.0113	HOSE R2X1/4 LG 405 FD-F90 9/16-18 ORFS.....	1				
14	04.0605.0112	FLEXIBLE HOSE 7.75 INCH	1				
15	04.0607.0131	PIPE FITTING TMF+C 9/16-18 ORFS.....	1				
16	01.4032.0002	SPRING WASHER D6 ZN.....	2				
17	01.0023.0053	STOP NUT M6 UNI 7473 6S ZN	1				
18	53.0500.0400	Cylinder.....	1				
19	01.0001.0104	SCREW M6X40 UNI 5739 8.8 ZN ...	1				
20	01.0001.0355	SCREW,TE,M10X25 UNI 8.8 ZN....	4				
21	01.0032.0055	Spring Washer D10 UNI 1751 ZN....	4				
22	01.0031.0301	FLAT WASHER D10 UNI 6593 ZN	4				
23	54.0001.0001	Pin.....	2				
24	51.0400.3000	Fork Coupling Attachment.....	1				
25	04.4239.0002	VALVE.....	1				
26	04.0607.0132	PIPE FITTING 45 M-M 1/4 BSPX9/16-18 ORFS.....	1				
27	54.0001.0022	PIN.....	1				
28	639395	SEAL KIT (53.0500.0602).....	1				
29	51.0903.1500	CYL PROTECTOR (SHIELD, GUARD).....	1				
30	01.0001.0254	SCREW M8X20 UNI 5739 8.8 ZN....	3				
31	01.4032.0003	SPRING WASHER D 8 ZN	3				
32	01.0031.0299	FLAT WASHER D8 UNI 6593.....	3				

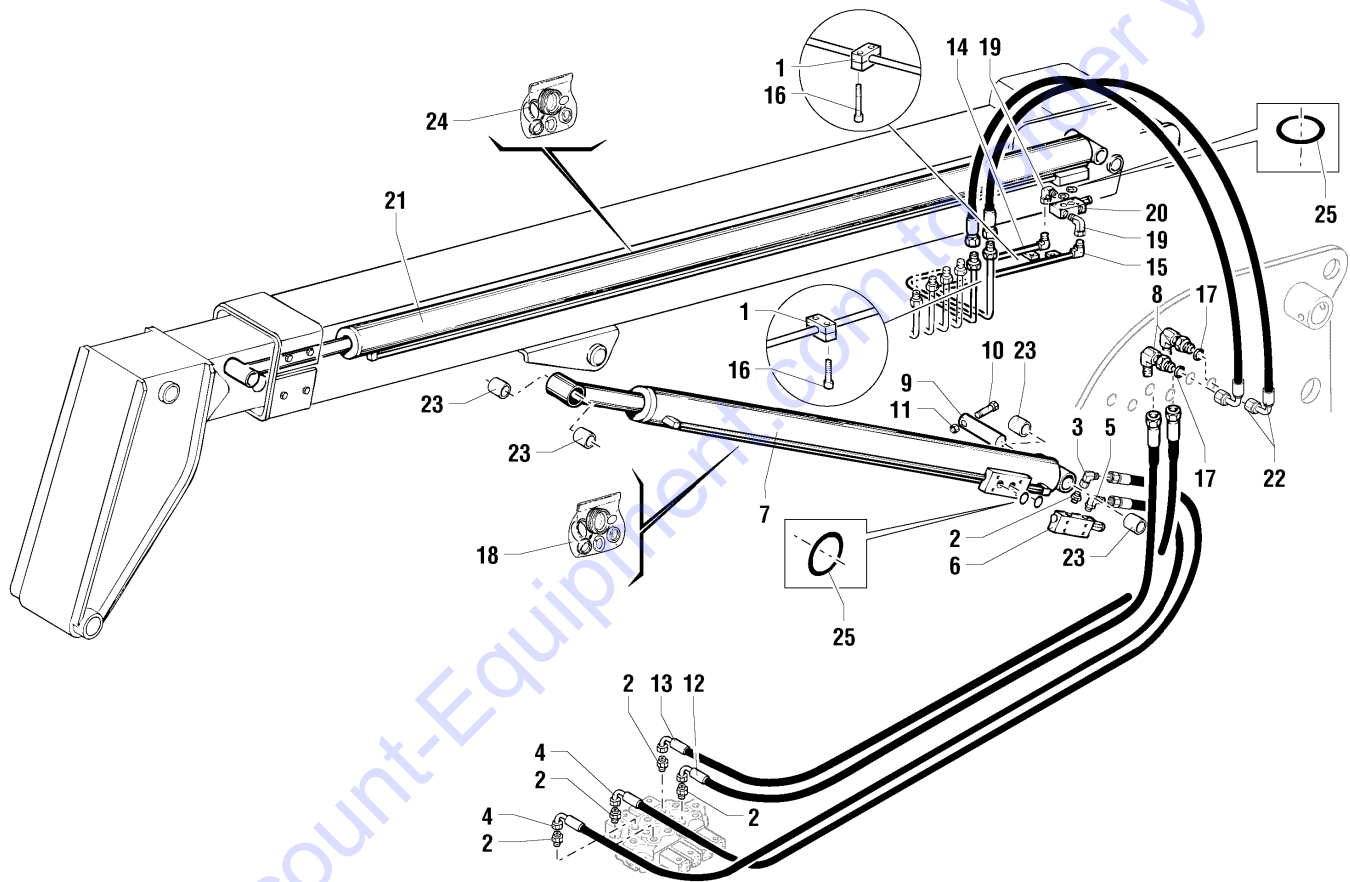
404.1 604729 Hydraulic System - Fork Balancing



404.1 604729 Hydraulic System - Fork Balancing

Item	Part No.	Description	Qty.	Item	Part No.	Description	Qty.
1	01.0031.0061	FLAT WASHER D20 UNI 6592 ZN.....	1	35	03.0000.0006	Ball Joint.....	2
2	04.0607.0111	PIPE FITTING 1/2 BSPX13/16-16 ORFS	4	36	09.0803.0060	CLAMP,DOUBLE,D16.....	1
3	632959	SNAP RING.....	4	37	07.4501.0105	ORING.....	2
4	04.0605.0187	Flexible Hose.....	2	38	04.0607.0150	Pipe Fitting 90° Long.....	2
5	09.0803.0061	LOCKING BRACKET,DOUBLE CLAMP.....	1	39	04.0607.0152	Pipe Fitting 90° Short.....	2
6	04.0607.0126	PIPE FITTING TMF+C 13/16-16 ORFS.....	2				
7	04.4239.0051	SAFETY VALVE.....	1				
8	04.4239.0004	SAFETY VALVE.....	2				
9	53.3401.2500	Pipe.....	1				
10	04.0607.0114	PIPE FITTING 3/8 BSPX9/16-18 ORFS.....	1				
11		604726 pos. 49					
12	53.0300.1100	Cylinder.....	1				
13	04.0607.0124	PIPE FITTING 90 M-M 13/16-16 ORFS.....	2				
14	54.0002.0013	Pin.....	1				
15	01.0001.0211	SCREW M8X80 UNI 5737 8.8 ZN....	1				
16	01.0023.0054	NUT,M8 UNI 7473 6S ZN.....	1				
17	04.0605.0194	Pipe R2 X 1/2 L=1100 F90-FD 13/16-16 ORFS.....	6				
18	53.3401.2600	Pipe.....	1				
19	09.0803.0043	SINGLE HOSE BRACKET D16.....	4				
20	01.0003.0157	SCREW M6X25 UNI 5931 8.8 ZN...8					
21	01.0001.0257	SCREW M8X30 UNI 5739 8.8 ZN....	1				
22	04.0605.0171	Flexible Hose.....	1				
23	04.0607.0141	PIPE FITTING 90 1/2GASXM 13/16-16 ORFS.....	2				
24	04.4239.0052	Safety Valve	1				
25	53.0400.0100	Cylinder.....	1				
26	04.0605.0097	Flexible Hose.....	2				
27	54.0000.0021	Pin.....	1				
28	01.0001.0310	SCREW, 8.8 HCS 10MM-1.5X80Z...1					
29	01.0023.0055	NUT,STOP,M10 UNI 7473 6S ZN....	1				
30	639992	GASKET/JOINT KIT.....	1				
31	07.0721.0019	BALL JOINT	2				
32	07.0721.0117	SNAP RING.....	4				
33	635965	SEAL KIT,CYLINDER.....	1				
34	07.0705.0085	SEAL KIT.....	4				

405.1 604730 Hydraulic System - Lifting And Boom Extension

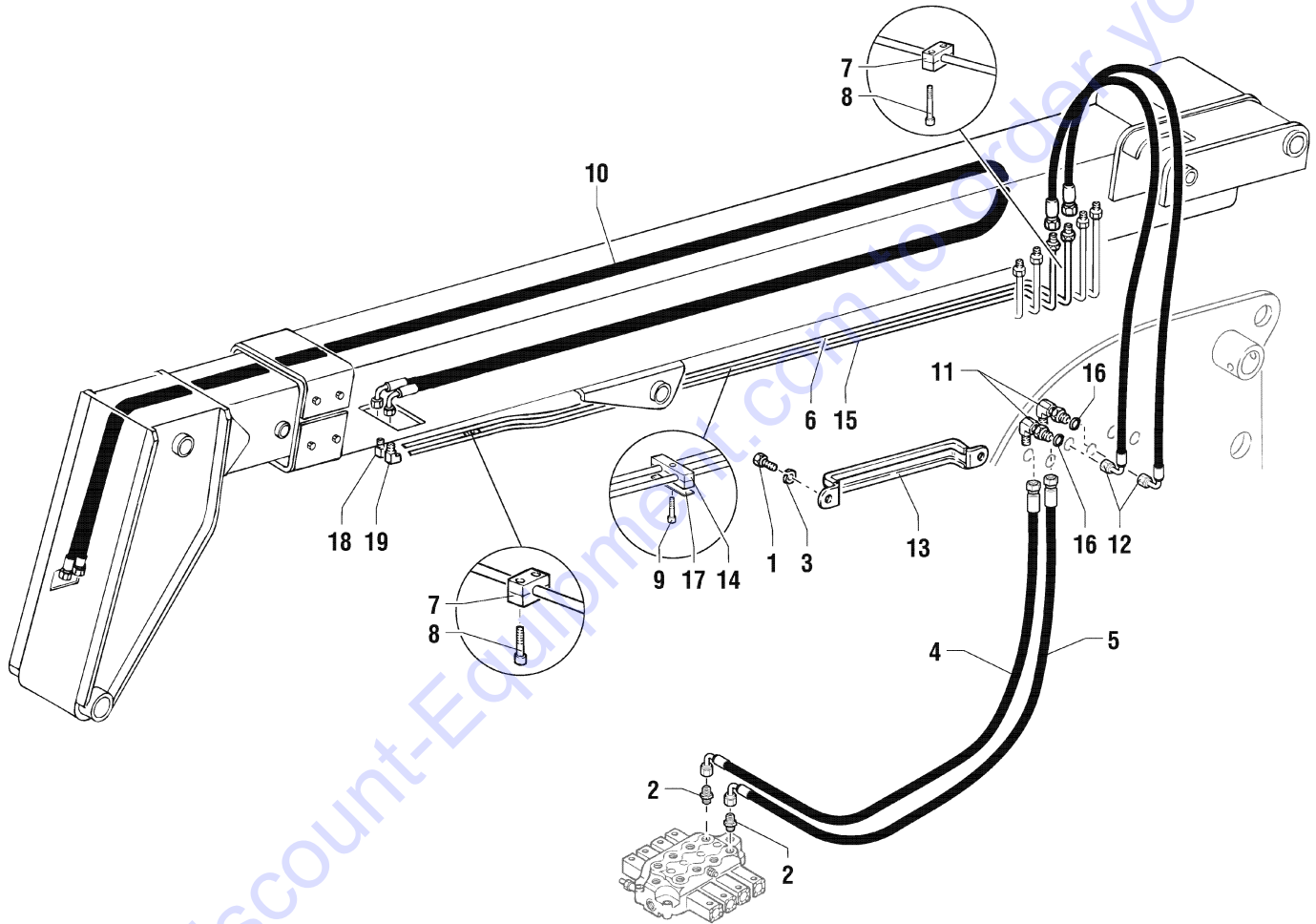


405.1 604730 Hydraulic System - Lifting And Boom Extension

Item	Part No.	Description	Qty.
1	09.0803.0043	SINGLE HOSE BRACKET D16.....	4
2	04.0607.0111	PIPE FITTING 1/2 BSPX13/16-16 ORFS	5
3	04.0607.0109	PIPE FITTING,90 M-F 13/16-16	1
4	04.0605.0189	Flexible Hose R2 X 1/2 LG.2050 FD F90 13/16-16 ORFS.....	2
5	04.0607.0138	Pipe Fitting.....	1
6	04.4239.0005	SAFETY VALVE.....	1
7	53.0000.0100	Lifting Jack.....	1
8	04.0607.0124	PIPE FITTING 90 M-M 13/16-16 ORFS.....	2
9	54.0000.0022	PIN.....	1
10	01.4001.0003	SCREW M12X100 UNI 5737 8.8 ZN.....	1
11	01.0023.0056	STOP NUT M12 UNI 7473 6S ZN....	1
12	04.0605.0184	FLEXIBLE HOSE.....	1
13	04.0605.0186	Flexible Hose R2 X 1/2 LG.1950 FD F90 13/16-16 ORFS.....	1
14	53.3401.2200	Pipe.....	1
15	53.3401.2100	Pipe.....	1
16	01.0003.0157	SCREW M6X25 UNI 5931 8.8 ZN....	8
17	01.0031.0061	FLAT WASHER D20 UNI 6592 ZN.....	2
18	640096	SEAL KIT, LIFT CYLINDER.....	1
19	04.0600.0087	PIPE FITTING 90.....	2
20	04.4239.0005	SAFETY VALVE.....	1
21	53.0100.0100	Extension Cylinder.....	1
22	04.0605.0194	Pipe R2 X 1/2 L=1100 F90-FD 13/16-16 ORFS.....	2
23	09.0801.0006	Bushing.....	4
24	639993	CYLINDER GASKET KIT.....	1
25	07.4529.0072	O-RING.....	4

Go to www.genieequipment.com to order your parts

406.1 604731 Hydraulic System - Auxiliary Circuits

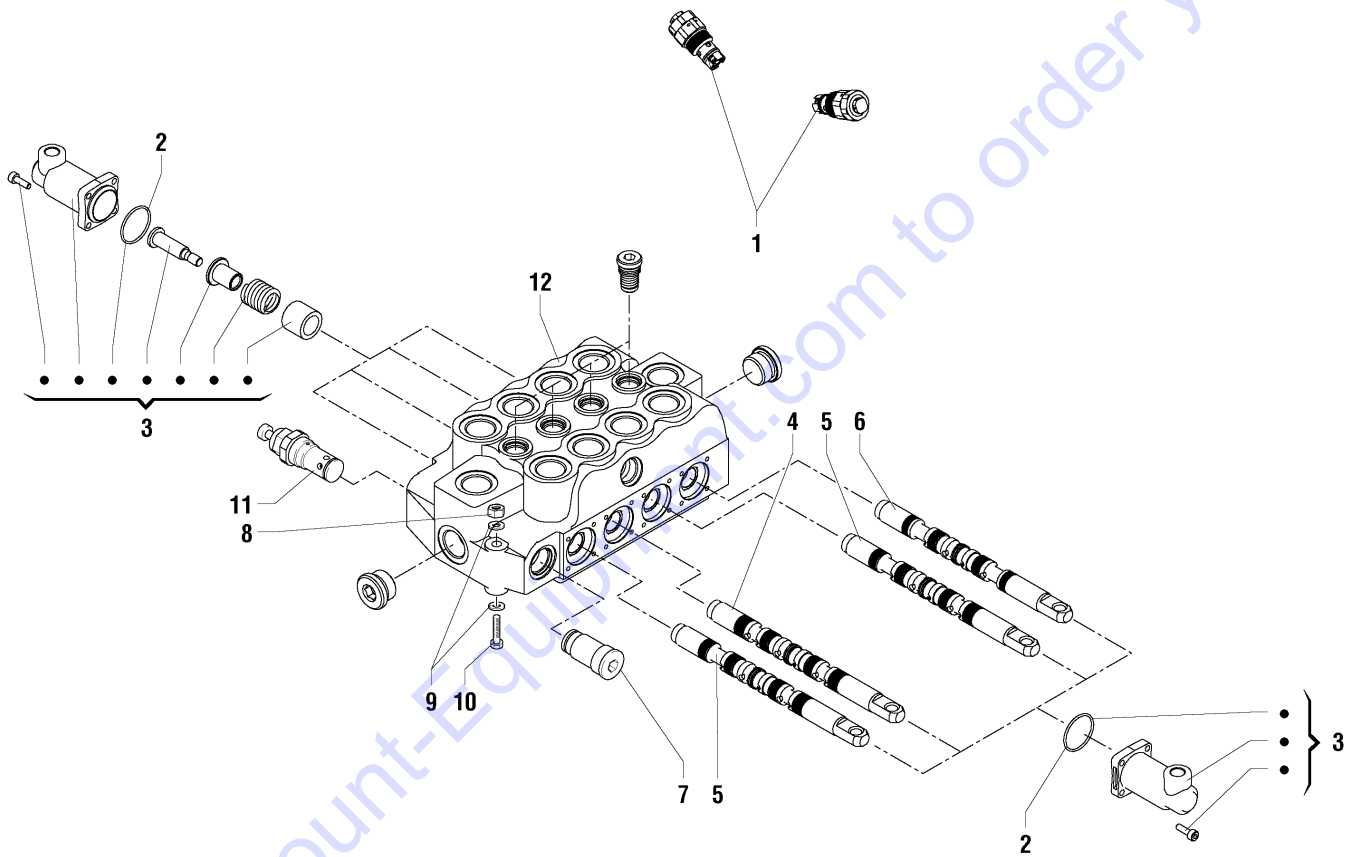


406.1 604731 Hydraulic System - Auxiliary Circuits

Item	Part No.	Description	Qty.
1	01.0001.0256	SCREW M8X25 UNI 5739 8.8 ZN....2	
2	04.0607.0111	PIPE FITTING 1/2 BSPX13/16-16 ORFS2	
3	01.0031.0055	FLAT WASHER D8 UNI 6592 ZN2	
4	04.0605.0184	FLEXIBLE HOSE.....1	
5	04.0605.0184	FLEXIBLE HOSE.....1	
6	53.3401.2300	Pipe.....1	
7	09.0803.0043	SINGLE HOSE BRACKET D16.....4	
8	01.0003.0157	SCREW M6X25 UNI 5931 8.8 ZN....8	
9	01.0001.0257	SCREW M8X30 UNI 5739 8.8 ZN....1	
10	04.0605.0239	Flexible Hose.....1	
11	04.0607.0124	PIPE FITTING 90 M-M 13/16-16 ORFS.....2	
12	04.0605.0194	Pipe R2 X 1/2 L=1100 F90-FD 13/16-16 ORFS.....2	
13	04.4227.0016	CLAMP D60 HOLE 10.5.....1	
14	09.0803.0060	CLAMP,DOUBLE,D16.....1	
15	53.3401.2400	Pipe.....1	
16	01.0031.0061	FLAT WASHER D20 UNI 6592 ZN.....2	
17	09.0803.0523	DOUBLE HOSE LOCKING PLATE D18.....1	
18	04.0607.0150	Pipe Fitting 90° Long.....1	
19	04.0607.0152	Pipe Fitting 90° Short.....1	

Go to Discount-Equipment.com to order your parts

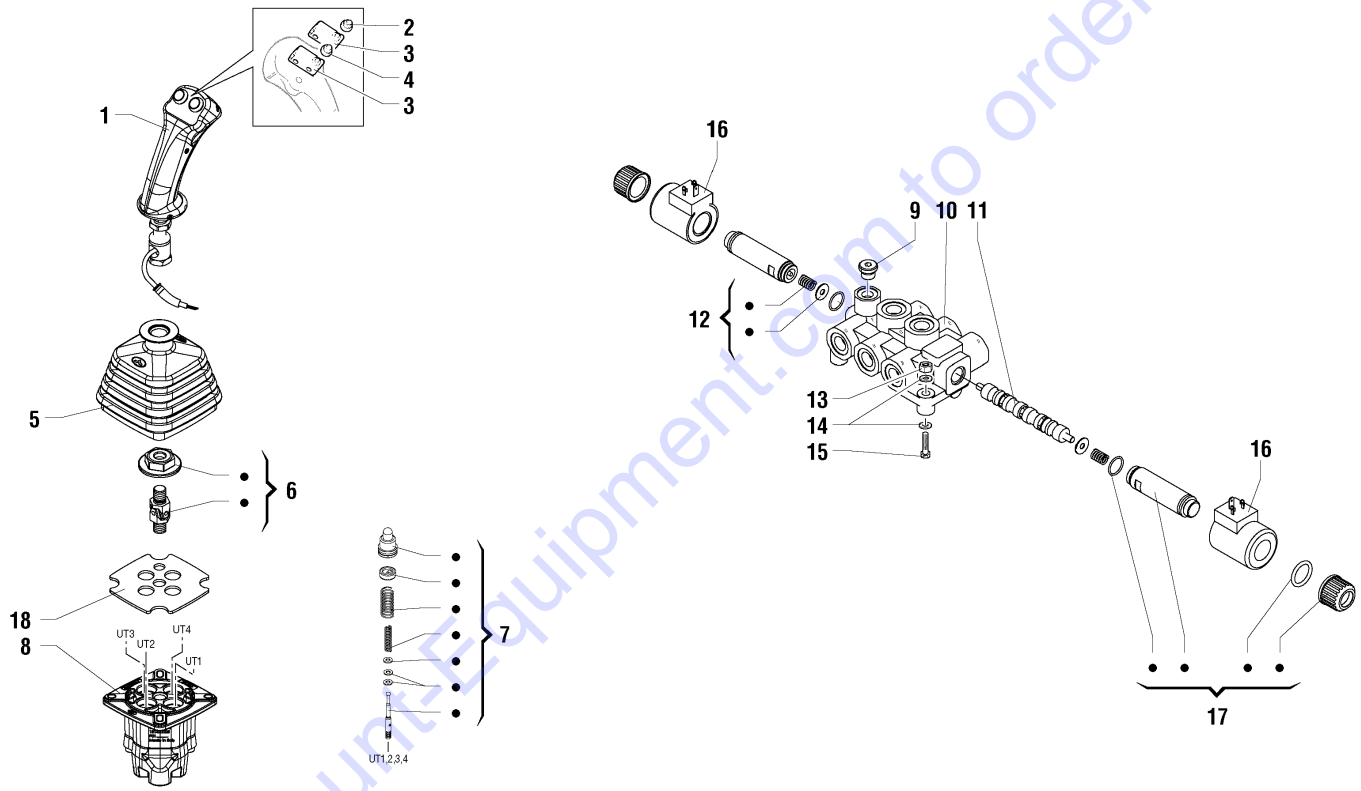
407.1 604734 Hydraulic System - Parts



Item	Part No.	Description	Qty.
1	07.0704.0038	VALVE, CARTRIDGE.....	2
2	07.0704.0078	O-RING.....	8
3	07.0704.0113	Cap Kit.....	4
4	07.0704.0033	Cursor.....	1
5	07.0704.0034	Cursor.....	2
6	07.0704.0035	VALVE CURSOR.....	1
7	07.0704.0045	Plug TCEI BSP 3/4.....	1
8	01.0023.0054	NUT,M8 UNI 7473 6S ZN.....	3
9	01.0031.0055	FLAT WASHER D8 UNI 6592 ZN	6
10	01.0001.0209	SCREW M8X70 UNI 5737 8.8 ZN....	3
11	07.0704.0042	VALVE.....	1
12	07.0704.0032	Main Valve Body.....	1

Go to Discount-Equipment.com to order your parts

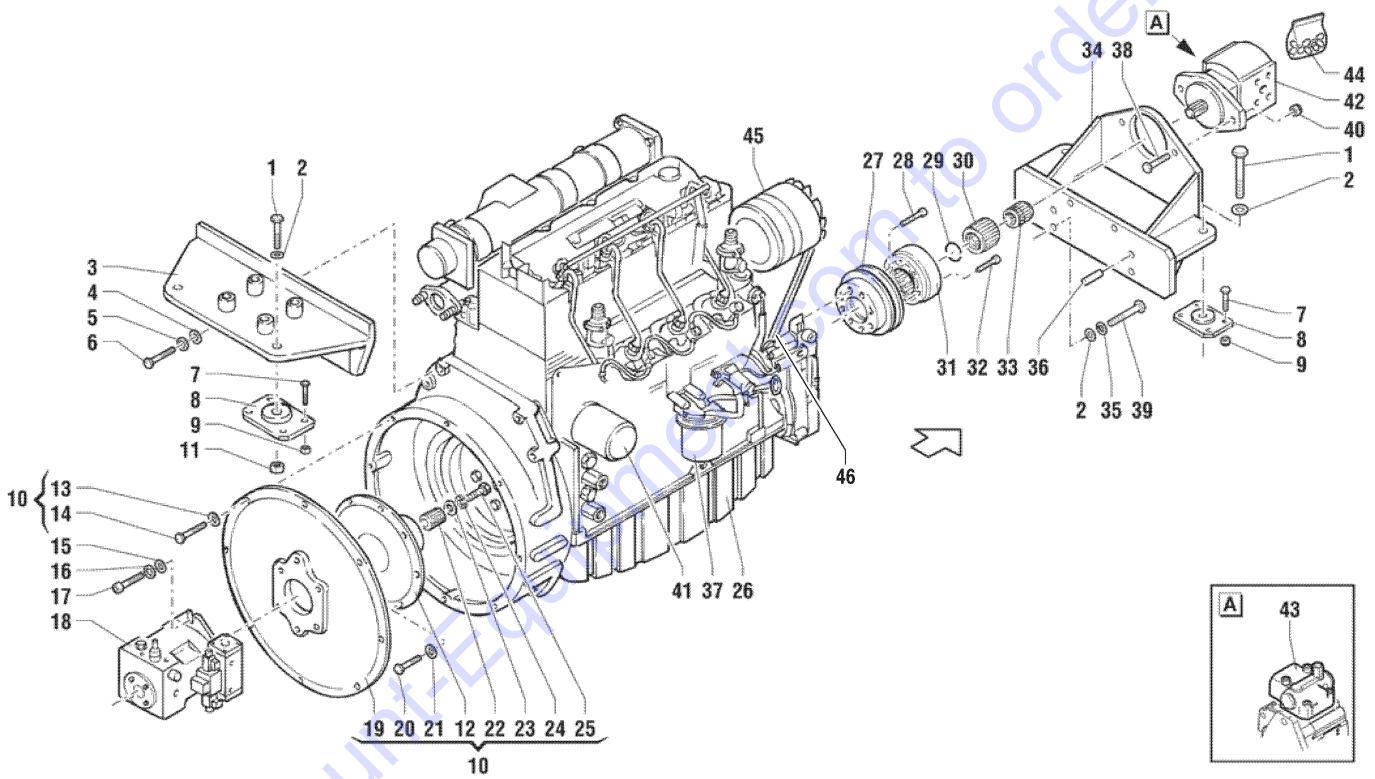
408.1 604735 Hydraulic System - Parts



Item	Part No.	Description	Qty.
1	07.0704.0133	CONTROL LEVER.....	1
2	07.0704.0118	RED PUSH BUTTON CAP.....	1
3	07.0704.0117	PUSH BUTTON.....	2
4	07.0704.0119	YELLOW PUSH BUTTON CAP.....	1
5	07.0704.0134	Rubber Protection.....	1
6	07.0704.0136	ARTICULATION.....	1
7	07.0704.0138	Complete Selector.....	4
8	07.0704.0137	BODY.....	1
9	07.0704.0037	Plug TCEI BSP 1/4.....	1
10	07.0704.0046	Control Valve.....	1
11	07.0704.0135	Cursor.....	1
12	07.0704.0040	Spring Kit.....	2
13	01.0023.0054	NUT,M8 UNI 7473 6S ZN.....	2
14	01.0031.0055	FLAT WASHER D8 UNI 6592 ZN	4
15	01.0001.0206	SCREW M8X55 UNI 5737 8.8 ZN....	2
16	07.0704.0120	Solenoid.....	2
17	07.0704.0049	Kit Solenoid Valve.....	2
18	07.0704.0169	Flange.....	1

Go to Discount-Equipment.com to order your parts

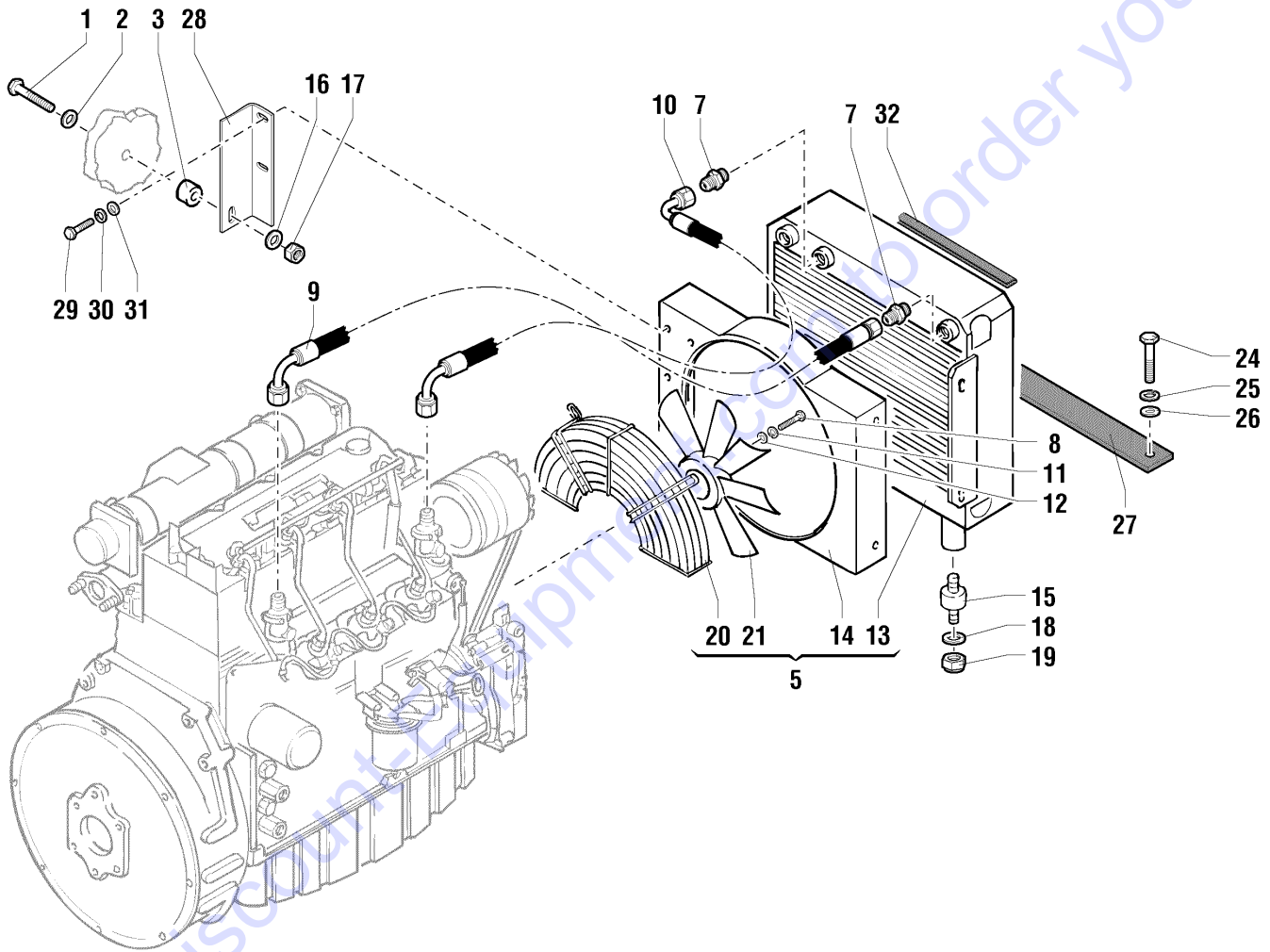
501.1 604718 Diesel Engine - Hydraulic Pump



501.1 604718 Diesel Engine - Hydraulic Pump

Item	Part No.	Description	Qty.	Item	Part No.	Description	Qty.
--	29557	CAP,OIL FILLER,DEUTZ,DIESEL***	1	34	51.0807.9800	Support	1
1	01.4001.0012	SCREW M14X100UNI 5737 8.8 ZN	4	35	01.4032.0006	SPRING WASHER D14 ZN	4
2	01.0031.0058	FLAT WASHER D14 UNI 6592 ZN	6	36	02.4102.0003	Split Pin	2
3	51.0806.1300	Support	1	37	29560	FILTER,FUEL/WTR SEP, DTZ 1008	1
4	01.0031.0301	FLAT WASHER D10 UNI 6593 ZN	2	38	01.0001.0402	SCREW,8.8 HCS 12MM1.75X45Z	2
5	01.4032.0004	SPRING WASHER D10 ZN	2	39	01.0001.0606	SCREW, 8.8 HCS 14MM2.0X40 Z	4
6	01.0001.0358	SCREW,TE,M10X40 UNI 8.8 ZN	2	40	01.0023.0056	STOP NUT M12 UNI 7473 6S ZN	2
7	01.0001.0356	SCREW,TE,M10X30 UNI 8.8 ZN	16	41	07.4501.0067	FILTER,OIL <i>For US Market Can Be Sold P.N. 49924</i>	1
8	09.4670.0004	VIBRATION DAMPING	4	42	04.4238.0036	Pump	1
9	01.0023.0055	NUT,STOP,M10 UNI 7473 6S ZN	16	43	07.0722.0053	VALVE,LOAD SENSE	1
10	09.0804.0100	JOINT ENGINE/PUMP	1	44	07.4529.0112	SEAL KIT	1
11	01.0023.0057	STOP NUT M14 UNI 7473 6S ZN	4	45	75393	ALTERNATOR, DEUTZ (55AMP) ***	1
12	641124	Elastic Joint	1	46	07.4501.0239	Belt	1
13	01.0032.0057	Spring Washer D14 UNI 1751 ZN	8				
14	01.0001.0356	SCREW,TE,M10X30 UNI 8.8 ZN	8				
15	01.0031.0099	FLAT WASHER D16 UNI 5714 ZN	1				
16	01.4032.0007	SPRING WASHER D16 ZN	1				
17	01.0003.0405	SCREW,TCEI,M16X50,UNI5931,8.8Z	1				
18	04.4238.0033	Pump	1				
19	07.0713.0051	HOUSING	1				
20	01.0001.0356	SCREW,TE,M10X30 UNI 8.8 ZN	8				
21	01.0032.0055	Spring Washer D10 UNI 1751 ZN	8				
22	634981	Pump Hub	1				
23	999058	WASHER	1				
24	01.0032.0057	Spring Washer D14 UNI 1751 ZN	1				
25	01.0001.0357	SCREW,TE,M10X35 UNI 8.8 ZN	1				
26	09.4601.0028	Diesel Engine	1				
27	54.0100.0066	Pulley	1				
28	01.0003.0262	SCREW M10X60 UNI 5931 8.8 ZN	8				
29	09.0804.1000	Snap Ring	1				
30	09.0804.1200	HALF-COUPLING	1				
31	09.0804.0900	Elastic Joint	1				
32	01.0003.0208	SCREW TCEI M8X40 UNI 5931 8.8 ZN	6				
33	09.0804.1100	HALF-COUPLING	1				

502.1 604719 Diesel Engine - Engine Cooling System

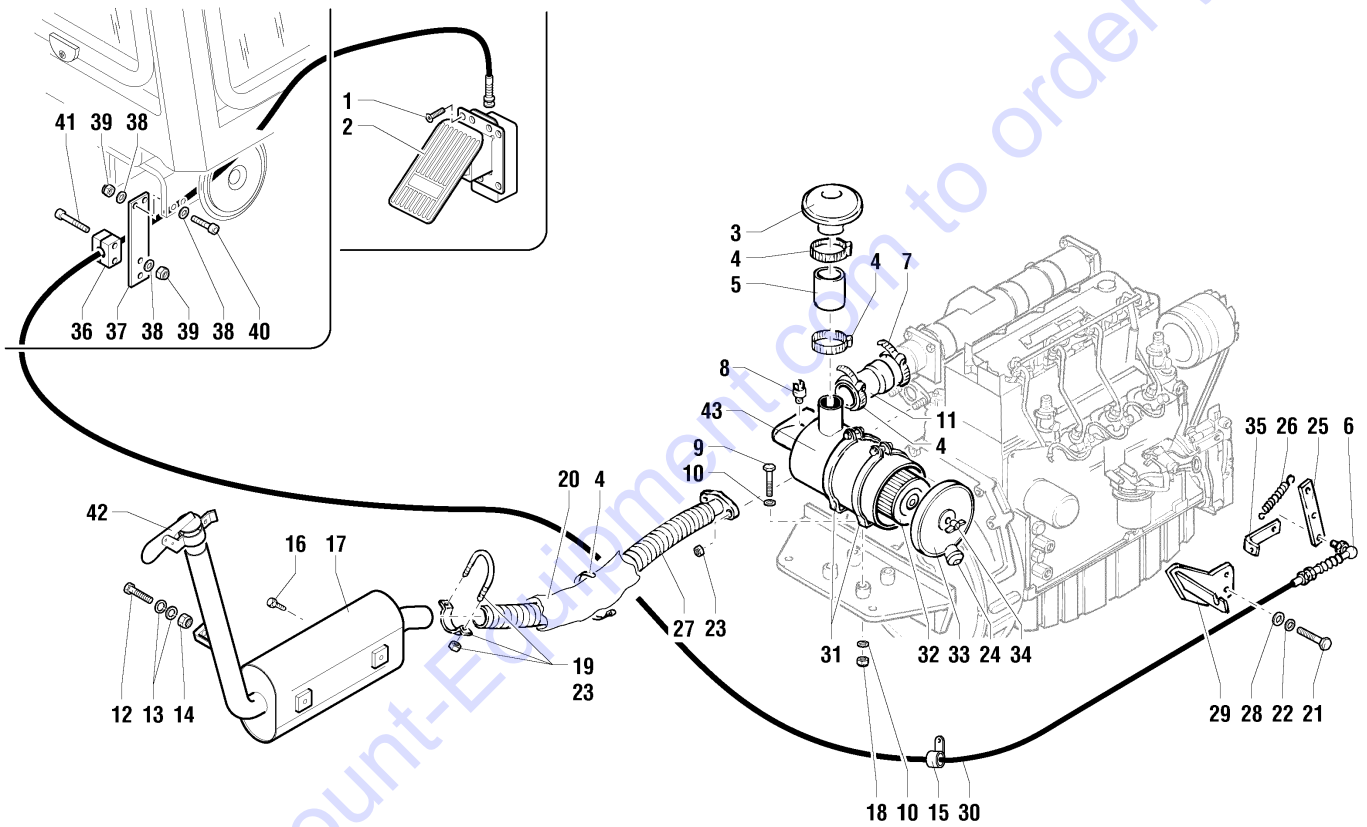


502.1 604719 Diesel Engine - Engine Cooling System

Item	Part No.	Description	Qty.
1	01.0001.0209	SCREW M8X70 UNI 5737 8.8 ZN....1	
2	01.4031.0004	FLAT WASHER D8X32 UNI 6593 ZN.....1	
3	09.4670.0001	ISOLATOR,VIBRATION.....1	
5	53.3200.0022	Complete Radiator.....1	
7	04.0607.0130	PIPE FITTING 1 BSPX1-3/16-12 ORFS.....2	
8	01.0001.0254	SCREW M8X20 UNI 5739 8.8 ZN....1	
9	04.0605.0216	Flexible Hose.....1	
10	04.0605.0215	Flexible Hose.....1	
11	01.4032.0003	SPRING WASHER D 8 ZN1	
12	01.0031.0055	FLAT WASHER D8 UNI 6592 ZN1	
13	07.0712.0046	OIL COOLER.....1	
14	07.0712.0047	AIR CONVEYOR (RADIATOR SHROUD).....1	
15	09.4670.0002	VIBRATION DAMPING.....1	
16	01.0031.0055	FLAT WASHER D8 UNI 6592 ZN1	
17	01.0023.0054	NUT,M8 UNI 7473 6S ZN.....1	
18	01.0031.0301	FLAT WASHER D10 UNI 6593 ZN1	
19	01.0023.0055	NUT,STOP,M10 UNI 7473 6S ZN....1	
20	07.0712.0006	Guard.....1	
21	07.0712.0048	Fan.....1	
24	01.0001.0154	SCREW,TE,M6X16 UNI 8.8 ZN....1	
25	01.4032.0002	SPRING WASHER D6 ZN.....1	
26	01.0031.0298	FLAT WASHER D6 UNI 6593 ZN1	
27	53.3302.0017	FOAM PAD INSULATOR.....1	
28	51.0806.8900	Bracket.....1	
29	01.0001.0158	SCREW M6X25 UNI 5739 8.8 ZN ...2	
30	01.4032.0002	SPRING WASHER D6 ZN.....2	
31	01.0031.0298	FLAT WASHER D6 UNI 6593 ZN2	
32	09.0803.0245	GASKET.....1,4-m	

Go to www.genie.com to order your parts

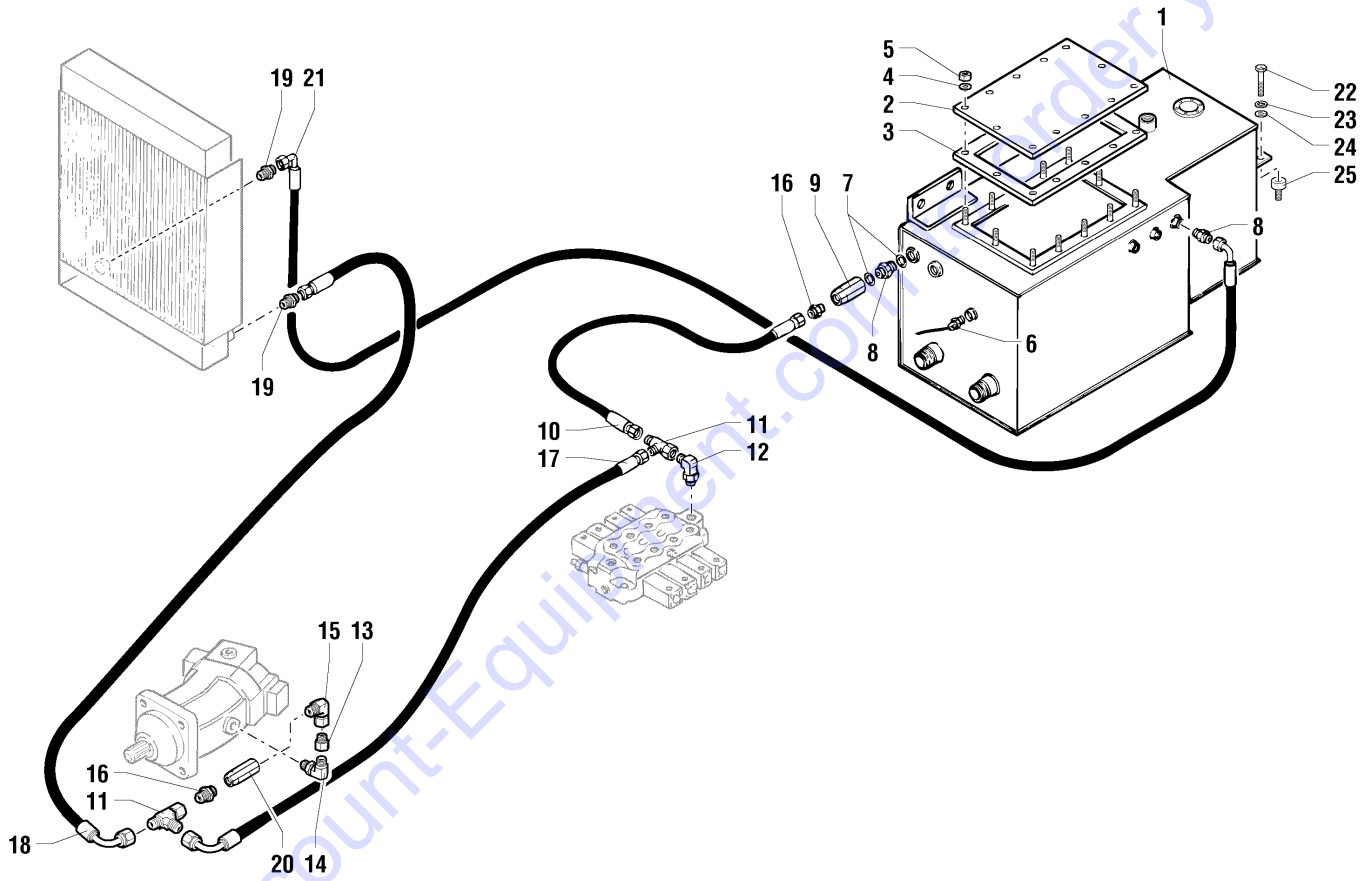
503.1 604720 Diesel Engine - Suction - Exhaust - Accelerator



503.1 604720 Diesel Engine - Suction - Exhaust - Accelerator

Item	Part No.	Description	Qty.	Item	Part No.	Description	Qty.
1	01.4006.0001	SCREW M6X16 UNI 10.9 ZN.....	4	32	07.4501.0063	CARTRIDGE/OUTER AIR CLEANER**.....	1
2	09.4656.0007	PEDAL..... <i>Up To Serial Number 13102</i>	1	33	07.4501.0064	Cover.....	1
2	09.4656.0009	PEDAL..... <i>From Serial Number 13103</i>	1	34	07.4501.0066	Screw.....	1
3	07.4501.0060	PRECLEANER.....	1	35	51.0806.2800	SPRING COUPLING.....	1
4	04.0227.0067	Clamp DN 50/70 LG12.....	7	36	09.0803.0064	SINGLE HOSE BRACKET D12.....	1
5	09.0805.0054	Rubber Hose.....	1	37	51.0809.1800	BRACKET.....	1
6	09.0803.0008	JOINT D6.....	1	38	01.0031.0054	FLAT WASHER D6 UNI 6592 ZN	6
7	04.4227.0000	CLAMP DN 60/80 LG12.....	1	39	01.0023.0053	STOP NUT M6 UNI 7473 6S ZN	4
8	07.4501.0061	Proximity Switch.....	1	40	01.0003.0157	SCREW M6X25 UNI 5931 8.8 ZN....	2
9	01.0001.0206	SCREW M8X55 UNI 5737 8.8 ZN....	4	41	01.0003.0159	SCREW,TCEI,M6X35 UNI 8.8 ZN....	2
10	01.4032.0003	SPRING WASHER D 8 ZN	6	42	09.0803.0027	Muffler Cap.....	1
11	09.0805.0053	Rubber Hose.....	1	43	09.4604.0032	Filter.....	1
12	01.0001.0357	SCREW,TE,M10X35 UNI 8.8 ZN....	1				
13	01.0031.0056	WASHER,D10 UNI 6592 ZN.....	2				
14	01.0023.0055	NUT,STOP,M10 UNI 7473 6S ZN....	1				
15	04.4227.0007	CLAMP S16 D32 HOLE 8.4.....	1				
16	01.0001.0356	SCREW,TE,M10X30 UNI 8.8 ZN....	2				
17	53.3100.0020	EXHAUST MUFFLER..... <i>Up To Serial Number 15421</i>	1				
17	53.3100.0033	MUFFLER..... <i>From Serial Number 15422</i>	1				
18	01.0023.0054	NUT,M8 UNI 7473 6S ZN.....	4				
19	09.0803.0109	Collar.....	1				
20	09.0803.0259	Screening.....	1				
21	01.0001.0506	SCREW M12X30 UNI 5739 8.8 ZN.....	2				
22	01.4032.0005	SPRING WASHER D12 ZN	2				
23	01.4032.0003	SPRING WASHER D 8 ZN	1				
24	07.4501.0065	Air Inlet.....	1				
25	51.0806.2700	Bracket.....	1				
26	09.0803.0251	Spring.....	1				
27	53.3001.0400	Manifold.....	1				
28	01.0031.0057	WASHER,D12 UNI 6592 ZN	2				
29	51.0806.2400	Support.....	1				
30	09.4645.0024	ACCELERATOR CABLE..... <i>Up To Serial Number 13102</i>	1				
30	09.4645.0028	CABLE..... <i>From Serial Number 13103</i>	1				
31	07.4501.0062	Clamp.....	2				

504.1 604723 Hydraulic System - Tank and Exchanger

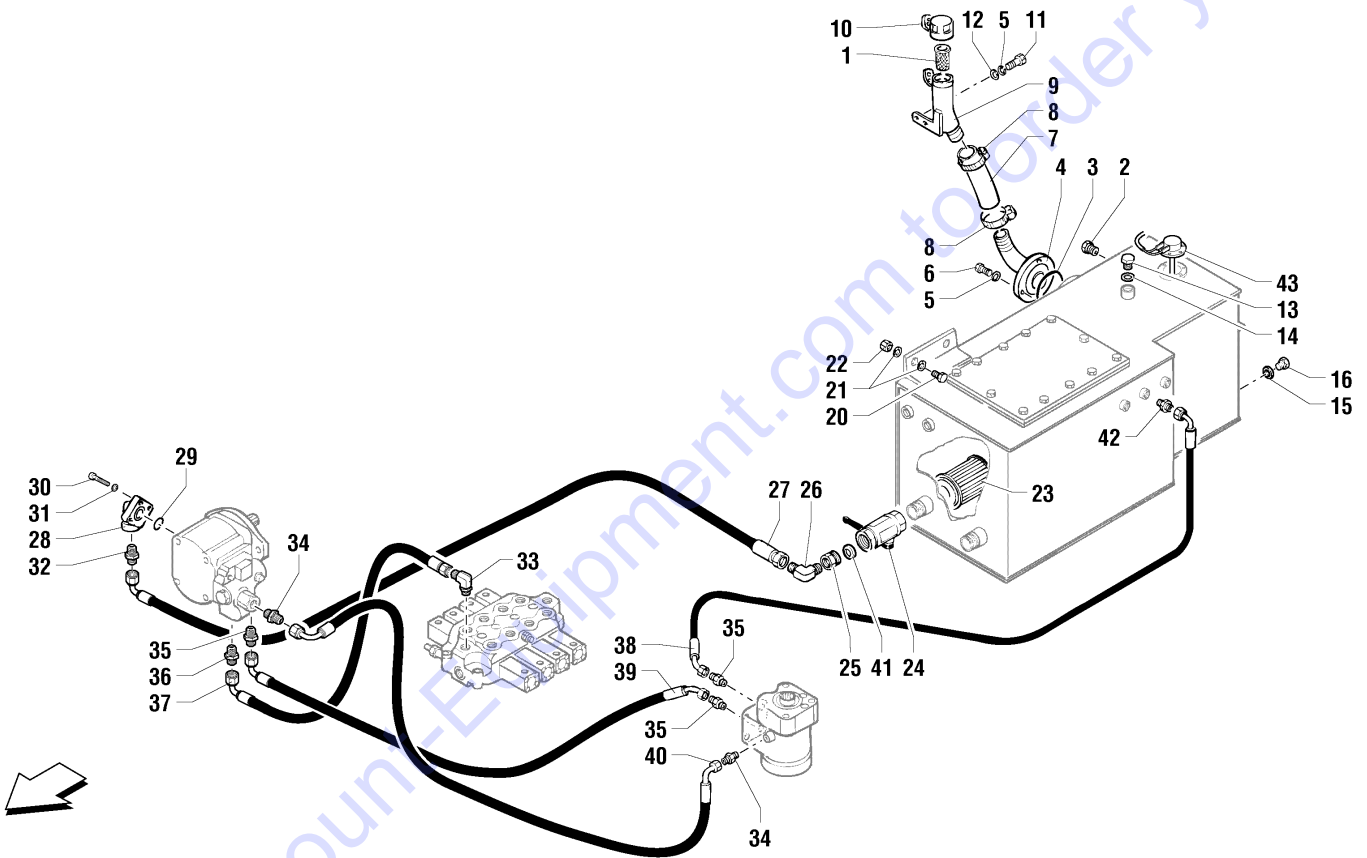


504.1 604723 Hydraulic System - Tank and Exchanger

Item	Part No.	Description	Qty.
1	51.0600.4100	Oil Tank.....	1
2	07.0726.0044	Hydraulic Oil Tank Inspection Door.....	1
3	53.3301.0002	GASKET.....	1
4	01.0031.0299	FLAT WASHER D8 UNI 6593.....	12
5	01.0023.0054	NUT,M8 UNI 7473 6S ZN.....	12
6	56.0013.0000	TEMPERATURE SENSOR, HYDRAULIC OIL.....	1
7	06.0442.0103	COPPER WASHER.....	2
8	04.0600.0046	PIPE FITTING 3/4X 3/4 BSP.....	4
9	04.4239.0013	Valve 3/4 PA 2.5.....	1
10	04.0605.0190	Flexible Hose.....	1
11	04.0607.0120	Pipe Fitting TMF+L 1" 3/16-12 ORFS.....	2
12	04.0607.0119	PIPE FITTING	2
13	04.0600.0009	Pipe Fitting GWR M 3/4" BSP X F 1/2" BSP.....	1
14	04.0600.0041	Pipe Fitting.....	1
15	04.0600.0038	Pipe Fitting.....	1
16	04.0607.0107	PIPE FITTING 3/4"BSP X1"3/16-12 ORFS.....	2
17	04.0605.0420	FLEXIBLE HOSE.....	1
18	04.0605.0205	FLEXIBLE HOSE.....	1
19	04.0607.0130	PIPE FITTING 1 BSPX1-3/16-12 ORFS.....	2
20	04.4239.0012	SAFETY VALVE.....	1
21	04.0605.0207	Flexible Hose.....	1
22	01.0001.0353	SCREW M10X20 UNI 5739 8.8 ZN.....	2
23	01.4032.0004	SPRING WASHER D10 ZN.....	2
24	01.0031.0301	FLAT WASHER D10 UNI 6593 ZN	2
25	09.0803.0232	Insulator M-F D=30/H=20 M10ART.TCVF 3020	2

Go to DiscosEquipment.com to order your parts

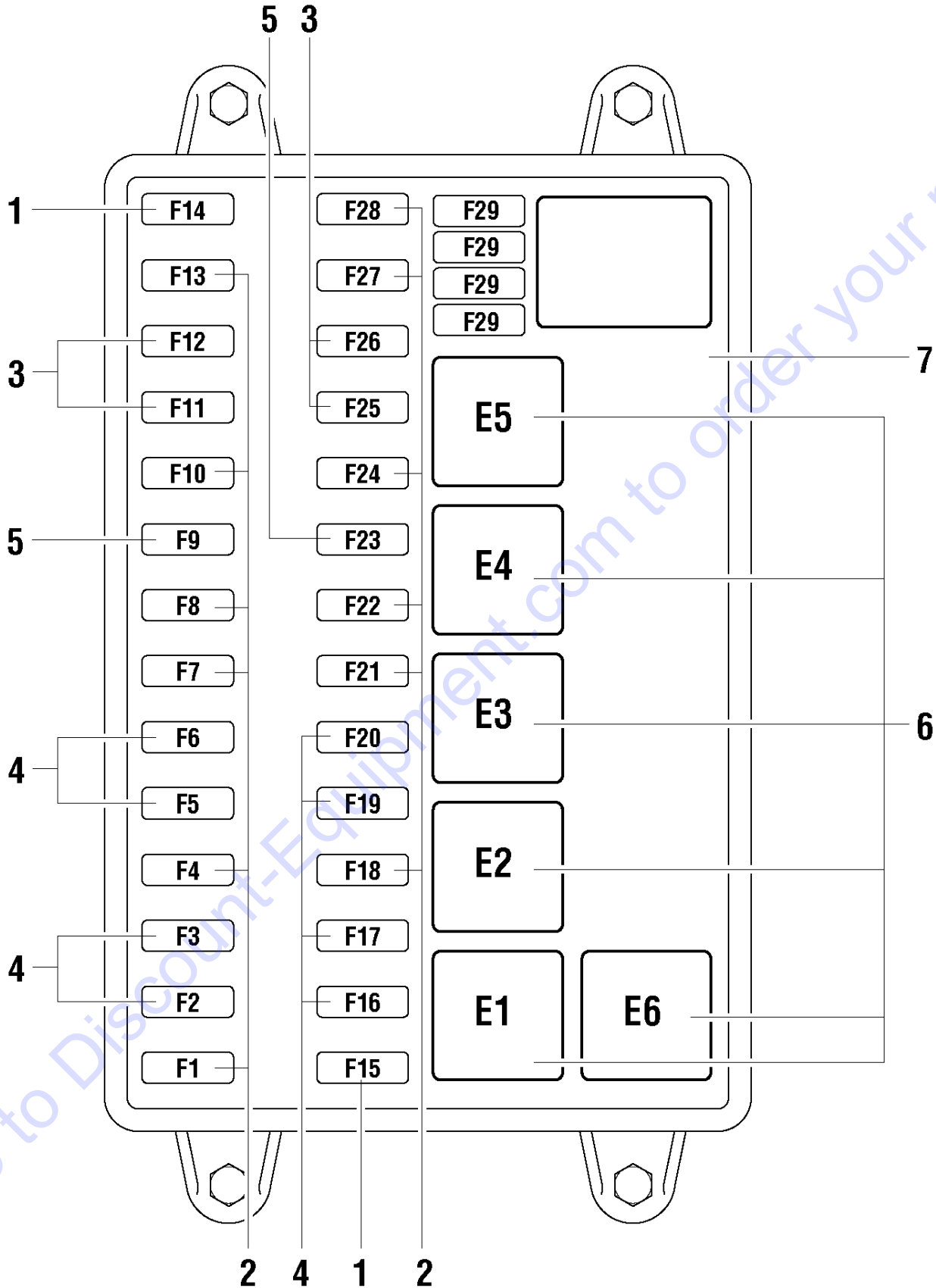
505.1 604724 Suction System - Facilities Pump



505.1 604724 Suction System - Facilities Pump

Item	Part No.	Description	Qty.	Item	Part No.	Description	Qty.
1	09.4661.0016	BASKET,PLUG.....	1	39	04.0605.0197	Flexible Hose.....	1
2	09.4661.0002	OIL LEVEL INDICATOR.....	1	40	04.0605.0231	Flexible Hose R1 X 1/4" Lg. 1400 F90 - F90 9/16"-18 ORFS.....	1
3	06.0401.0842	Seal.....	1	41	06.0442.0111	WASHER.....	1
4	53.3000.1300	Manifold.....	1	42	04.0605.0231	Flexible Hose R1 X 1/4" Lg. 1400 F90 - F90 9/16"-18 ORFS.....	1
5	01.4032.0002	SPRING WASHER D6 ZN.....	6	43	56.0013.0028	LEVEL INDICATOR	1
6	01.0001.0156	SCREW M6X20 UNI 5739 8.8 ZN ...	4				
7	09.0805.0007	Rubber Hose.....	0,3				
8	04.0227.0144	Clamp DN 55/59.....	2				
9	53.3001.0700	Manifold.....	1				
10	09.4661.0014	CAP, DIESEL FUEL TX5119***	1				
11	01.0001.0156	SCREW M6X20 UNI 5739 8.8 ZN ...	2				
12	01.0031.0298	FLAT WASHER D6 UNI 6593 ZN	2				
13	04.0220.0051	PLUG 1/4" BSP.....	1				
14	06.0442.0101	WASHER.....	1				
15	06.0442.0103	COPPER WASHER.....	1				
16	04.0220.0055	PLUG 1/2 BSP.....	1				
20	01.0001.1482	Screw TE M12X50 UNI 5737 8.8 ZN.....	2				
21	01.0031.0151	FLAT WASHER D12 UNI 6593 ZN.....	4				
22	01.0023.0056	STOP NUT M12 UNI 7473 6S ZN....	2				
23	09.4604.0004	Filter.....	1				
24	04.4224.0000	Ball Valve DN 1 1/2	1				
25	09.0806.0019	Pipe Fitting.....	1				
26	04.0607.0147	FITTING,90, 1"GAS X 1-7/16 M O	1				
27	04.0605.0206	Flexible Hose.....	1				
28	04.4223.0000	PIPE FITTING G3 1.....	1				
29	626804	Seal.....	1				
30	01.0001.0355	SCREW,TE,M10X25 UNI 8.8 ZN....	3				
31	01.0031.0056	WASHER,D10 UNI 6592 ZN.....	3				
32	04.0607.0142	PIPE FITTING 1" GASX1-7/16-12 ORFS.....	1				
33	04.0600.0030	Pipe Fitting.....	1				
34	04.0607.0113	PIPE FITTING 1/4 BSPX9/16-18 ORFS.....	2				
35	04.0607.0111	PIPE FITTING 1/2 BSPX13/16-16 ORFS	3				
36	04.0607.0107	PIPE FITTING 3/4"BSP X1"3/16-12 ORFS.....	1				
37	04.0605.0196	Flexible Hose.....	1				
38	04.0605.0198	Flexible Hose.....	1				

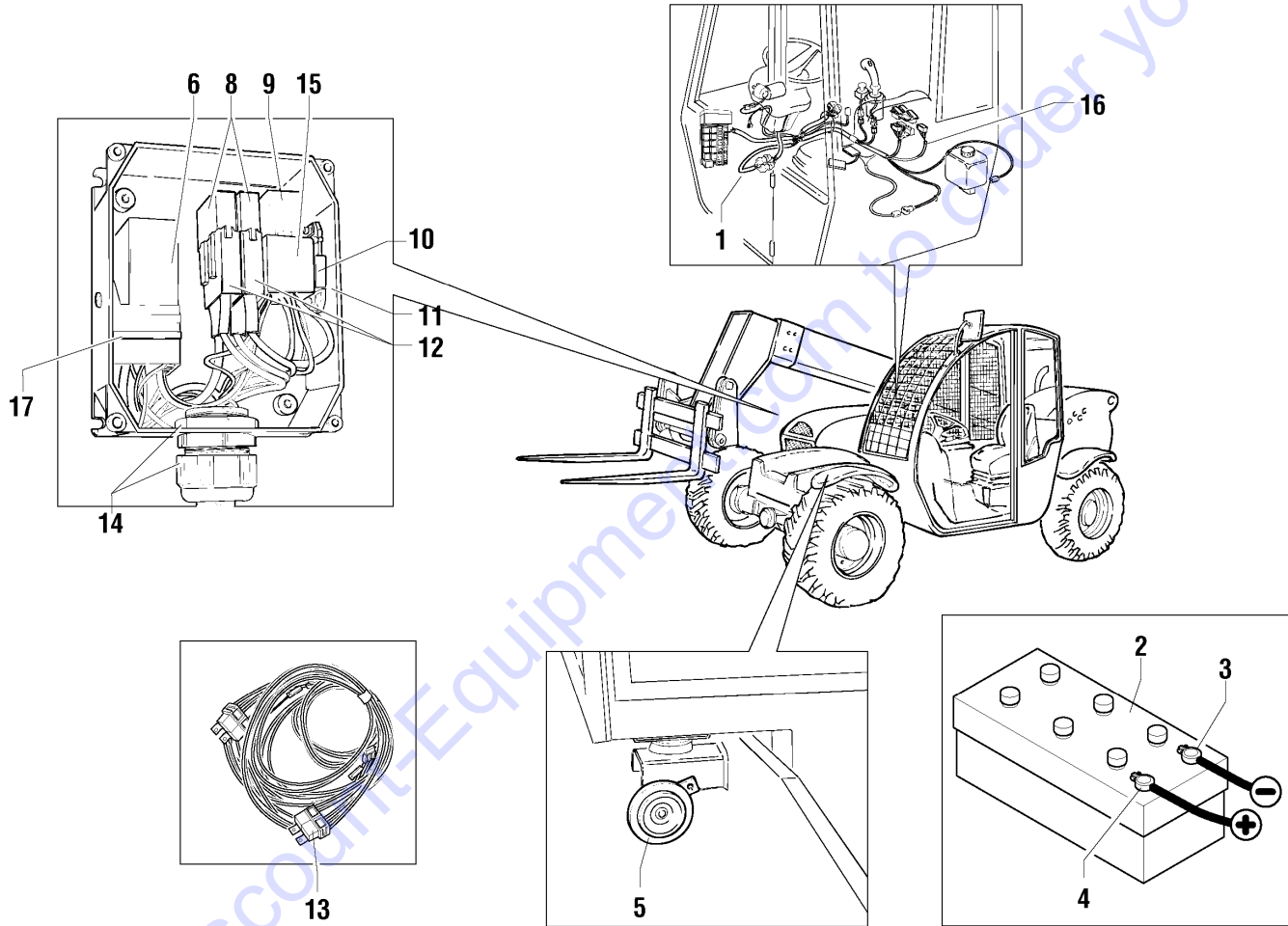
601.1 604733 Fuse Holding Box



Item	Part No.	Description	Qty.
1	07.0703.0081	FUSE.....	2
2	07.0703.0080	Fuse 5A.....	12
3	634972	Fuse 7.5A.....	4
4	07.0703.0079	FUSE.....	8
5	634973	Fuse 15A.....	2
6	07.0703.0179	Relay.....	6
7	641135	HOUSING.....	1

Go to Discount-Equipment.com to order your parts

602.1 604738 Electric Installation



Item	Part No.	Description	Qty.
1	55.0601.0029	Wiring Harness.....	1
2	56.0008.0003	Battery.....	1
3	55.0602.0015	CABLE.....	1
4	55.0602.0014	CABLE, BATTERY+.....	1
5	56.0009.0003	HORN	1
6	07.4501.0059	RELAY, GLOW PLUG.....	1
8	07.0703.0060	FUSE, 50 AMP	2
9	07.0703.0192	RELAY	1
10	07.0703.0177	Bracket.....	1
11	07.0703.0176	PULL BOX.....	1
12	07.0703.0058	CONNECTOR.....	2
13	55.0600.0068	Wiring Harness.....	1
14	07.0703.0066	STRAIN RELIEF.....	1
15	07.0703.0188	RELAY HOLDER.....	1
16	55.0602.0306	Parking Brake Kit.....	1
17	07.0703.0290	RELAY HOLDER.....	1

Go to Discount-Equipment.com to order your parts

Part Number Index

The Part Number Index is a numeric index of all part numbers included in this manual. The index shows what page(s) the part is used on.

Part Number	Page	Part Number	Page	Part Number	Page	Part Number	Page
01.0001.0010	13	01.4001.0006	29	04.0605.0194	69, 71, 73	04.4223.0000	87
01.0001.0088	63	01.4001.0009	61	04.0605.0195	41	04.4223.0003	41
01.0001.0104	67	01.4001.0010	37, 39	04.0605.0196	87	04.4223.0004	41
01.0001.0106	23, 37, 39	01.4001.0012	27, 63, 79	04.0605.0197	87	04.4224.0000	41, 87
01.0001.0154	37, 81	01.4001.0023	41	04.0605.0198	87	04.4225.0005	23
01.0001.0156	27, 67, 87	01.4001.0025	29	04.0605.0200	39	04.4227.0000	83
01.0001.0158	29, 81	01.4001.0045	29	04.0605.0203	39	04.4227.0003	23
01.0001.0204	29	01.4001.0057	27	04.0605.0204	41	04.4227.0007	83
01.0001.0206	23, 77, 83	01.4006.0001	83	04.0605.0205	85	04.4227.0016	73
01.0001.0209	63, 75, 81	01.4006.0016	27	04.0605.0206	87	04.4229.0034	41
01.0001.0211	69	01.4031.0001	27	04.0605.0207	85	04.4229.0035	41
01.0001.0252	13, 19–20, 37	01.4031.0004	81	04.0605.0209	41	04.4235.0018	41
01.0001.0254	13, 23, 29, 37, 63, 67, 81	01.4032.0000	29	04.0605.0211	25	04.4236.0029	25
01.0001.0256	23, 27, 39, 73	01.4032.0002	37, 67, 81, 87	04.0605.0213	23	04.4237.0010	25
01.0001.0257	69, 73	01.4032.0003	23, 27, 37, 39, 63, 67, 81, 83	04.0605.0215	81	04.4238.0033	79
01.0001.0310	63, 69	01.4032.0004	41, 79, 85	04.0605.0216	81	04.4238.0036	79
01.0001.0353	85	01.4032.0005	13, 83	04.0605.0217	37	04.4239.0002	67
01.0001.0355	39, 67, 87	01.4032.0006	79	04.0605.0220	23, 25	04.4239.0004	69
01.0001.0356	27, 63, 79, 83	01.4032.0007	29, 79	04.0605.0222	41	04.4239.0005	71
01.0001.0357	63, 79, 83	01.4032.0009	61	04.0605.0223	25	04.4239.0012	85
01.0001.0358	79	02.0117.0101	63	04.0605.0225	23	04.4239.0013	41, 85
01.0001.0402	79	02.4102.0003	79	04.0605.0226	23	04.4239.0019	23
01.0001.0405	29	03.0000.0006	69	04.0605.0227	23	04.4239.0032	23, 41
01.0001.0409	65	04.0220.0051	23, 87	04.0605.0229	23	04.4239.0051	69
01.0001.0503	13	04.0220.0053	37	04.0605.0231	87	04.4239.0052	69
01.0001.0506	83	04.0220.0055	87	04.0605.0232	23	04.4239.0071	37
01.0001.0606	79	04.0220.0059	23	04.0605.0239	73	04.4240.0015	23
01.0001.0659	27	04.0227.0051	29	04.0605.0366	23	04.4240.0037	39
01.0001.0702	29	04.0227.0054	37	04.0605.0417	39	04.4240.0042	25
01.0001.1482	87	04.0227.0067	83	04.0605.0418	39	04.4240.0045	37
01.0003.0157	41, 69, 71, 73, 83	04.0227.0144	87	04.0605.0419	39	04.4240.0052	39
01.0003.0159	83	04.0600.0009	85	04.0605.0420	85	04.4240.0054	37
01.0003.0203	27, 29, 63	04.0600.0013	23	04.0605.0507	23	05.0400.0010	37
01.0003.0208	79	04.0600.0019	67	04.0605.0582	23	05.0401.0003	37
01.0003.0257	41	04.0600.0021	23, 37, 41	04.0605.0583	23	05.0401.0007	37
01.0003.0262	79	04.0600.0025	23	04.0605.0584	25	05.4309.0001	37
01.0003.0405	79	04.0600.0030	87	04.0605.0587	25	05.4309.0002	37
01.0003.0944	13, 63	04.0600.0031	23	04.0607.0103	41	05.4329.0003	37
01.0006.0033	27	04.0600.0038	41, 85	04.0607.0104	41	06.0401.0214	41
01.0006.0049	63	04.0600.0041	85	04.0607.0105	41	06.0401.0219	41
01.0019.0104	63	04.0600.0042	41	04.0607.0107	41, 85, 87	06.0401.0842	87
01.0023.0034	39	04.0600.0044	41	04.0607.0109	71	06.0442.0054	23, 37
01.0023.0053	23, 27, 37, 67, 83	04.0600.0045	41	04.0607.0110	39, 67	06.0442.0055	37
01.0023.0054	13, 23, 27, 29, 37, 63, 69, 75, 77, 81, 83, 85	04.0600.0046	85	04.0607.0111	69, 71, 73, 87	06.0442.0057	39
01.0023.0055	27, 63, 69, 79, 81, 83	04.0600.0050	41	04.0607.0112	23, 25, 67	06.0442.0101	23, 87
01.0023.0056	29, 63, 65, 71, 79, 87	04.0600.0053	41	04.0607.0113	87	06.0442.0102	23, 37, 41
01.0023.0057	27, 63, 79	04.0600.0057	41	04.0607.0114	23, 25, 37, 41, 67, 69	06.0442.0103	85, 87
01.0023.0058	27	04.0600.0068	41	04.0607.0117	23, 39	06.0442.0105	23
01.0023.0062	27	04.0600.0081	67	04.0607.0119	85	06.0442.0109	41
01.0023.0064	13	04.0600.0087	67, 71	04.0607.0120	85	06.0442.0111	41, 87
01.0031.0054	67, 83	04.0600.0159	23, 37, 41	04.0607.0124	69, 71, 73	07.0700.0000	41
01.0031.0055	13, 23, 27, 37, 39, 63, 73, 75, 77, 81	04.0600.0160	23, 37, 41	04.0607.0126	69	07.0700.0001	41
01.0031.0056	83, 87	04.0600.0163	39	04.0607.0127	41	07.0701.0007	41
01.0031.0057	13, 83	04.0600.0165	41	04.0607.0129	41	07.0701.0196	41
01.0031.0058	27, 79	04.0602.0490	41	04.0607.0129	41	07.0703.0052	11
01.0031.0059	41	04.0605.0097	69	04.0607.0130	81, 85	07.0703.0056	11
01.0031.0061	61, 69, 71, 73	04.0605.0112	67	04.0607.0131	23, 67	07.0703.0058	91
01.0031.0063	27	04.0605.0113	67	04.0607.0132	67	07.0703.0060	91
01.0031.0099	79	04.0605.0114	67	04.0607.0137	39	07.0703.0066	91
01.0031.0151	29, 87	04.0605.0116	41	04.0607.0138	71	07.0703.0077	11, 15–16, 19–20
01.0031.0298	29, 37, 81, 87	04.0605.0167	41	04.0607.0139	23	07.0703.0079	89
01.0031.0299	13, 27, 29, 37, 67, 85	04.0605.0171	69	04.0607.0140	23	07.0703.0080	89
01.0032.0055	39, 41, 63, 67, 79	04.0605.0174	67	04.0607.0141	67, 69	07.0703.0081	89
01.0032.0057	79	04.0605.0177	25	04.0607.0142	87	07.0703.0087	11
01.0032.0058	37, 41	04.0605.0178	23	04.0607.0143	41	07.0703.0088	11, 15–16, 19–20
01.4001.0003	63, 71	04.0605.0179	23, 37	04.0607.0146	37	07.0703.0089	11
		04.0605.0180	25	04.0607.0147	87	07.0703.0113	11
		04.0605.0181	25	04.0607.0149	37	07.0703.0116	39
		04.0605.0184	71, 73	04.0607.0150	69, 73	07.0703.0176	91
		04.0605.0185	23	04.0607.0152	69, 73	07.0703.0177	91
		04.0605.0186	71	04.0607.0163	67	07.0703.0179	89
		04.0605.0187	69	04.4210.0016	23, 37, 41	07.0703.0188	91
		04.0605.0189	71	04.4210.0018	67	07.0703.0192	91
		04.0605.0190	85	04.4210.0019	67	07.0703.0290	91
		04.0605.0193	23	04.4210.0024	23, 25	07.0703.0455	11

Part Number Index (continued)

Part Number	Page	Part Number	Page	Part Number	Page	Part Number	Page
07.0703.0457	11	07.0709.0244	55	07.0709.0322	47	07.0723.0149	13
07.0703.0458	11	07.0709.0245	45, 55	07.0709.0323	47	07.0723.0150	13
07.0703.0459	11	07.0709.0246	55	07.0709.0324	49	07.0723.0151	15-16
07.0703.0465	13	07.0709.0247	55	07.0709.0325	49	07.0723.0152	15-16, 19-20
07.0703.0472	11	07.0709.0248	55	07.0709.0326	49	07.0723.0153	15-16
07.0703.0473	11	07.0709.0249	45, 55	07.0709.0327	49	07.0723.0154	15-16
07.0703.0474	11	07.0709.0250	55	07.0709.0328	49	07.0723.0155	19-20
07.0703.0476	11	07.0709.0251	55	07.0709.0329	49	07.0723.0156	15-16, 19-20
07.0703.0477	11	07.0709.0252	55	07.0709.0330	49	07.0723.0157	15-16, 19-20
07.0703.0479	11	07.0709.0253	45, 55	07.0709.0332	49	07.0723.0158	15-16
07.0703.0508	13	07.0709.0254	45, 49, 55	07.0709.0333	49	07.0723.0161	15-16
07.0703.0509	13	07.0709.0255	45, 55	07.0709.0334	49	07.0723.0163	15-16
07.0703.0610	11	07.0709.0256	45	07.0709.0335	49	07.0723.0164	15-16
07.0703.0611	11	07.0709.0257	45, 55	07.0709.0336	49	07.0723.0165	15-16, 19-20
07.0704.0032	75	07.0709.0258	45, 55	07.0709.0337	49	07.0723.0166	15-16, 19-20
07.0704.0033	75	07.0709.0259	45, 55	07.0709.0338	49	07.0723.0168	13
07.0704.0034	75	07.0709.0260	45, 55	07.0709.0339	49	07.0723.0169	13, 15-16, 19-20
07.0704.0035	75	07.0709.0261	47, 57	07.0709.0340	49	07.0723.0170	13, 15-16
07.0704.0037	77	07.0709.0262	47, 57	07.0709.0341	49	07.0723.0171	13, 15-16, 19-20
07.0704.0038	75	07.0709.0263	47	07.0709.0342	49	07.0723.0172	15-16, 19-20
07.0704.0040	77	07.0709.0264	47, 57	07.0709.0343	49	07.0723.0173	13, 15-16
07.0704.0042	75	07.0709.0265	47, 57	07.0709.0344	49	07.0723.0174	15-16, 19-20
07.0704.0045	75	07.0709.0266	47, 57	07.0709.0345	49	07.0723.0175	15-16, 19-20
07.0704.0046	77	07.0709.0267	47, 57	07.0709.0346	49	07.0723.0176	15-16, 19-20
07.0704.0049	77	07.0709.0268	47, 57	07.0709.0347	49	07.0723.0177	15-16
07.0704.0078	75	07.0709.0269	47, 57	07.0709.0349	49	07.0723.0178	15-16
07.0704.0113	75	07.0709.0270	47, 57	07.0709.0350	49	07.0723.0182	15-16
07.0704.0117	77	07.0709.0271	47, 57	07.0709.0351	49	07.0723.0183	15-16, 19-20
07.0704.0118	77	07.0709.0272	47, 57	07.0709.0352	49	07.0723.0184	15-16
07.0704.0119	77	07.0709.0273	47, 57	07.0709.0363	47, 57	07.0723.0185	15-16, 19-20
07.0704.0120	77	07.0709.0274	45, 47, 57	07.0709.0365	47, 57	07.0723.0188	15-16, 19-20
07.0704.0128	23	07.0709.0275	47, 57	07.0709.0388	55	07.0723.0189	15-16
07.0704.0133	77	07.0709.0276	47, 57	07.0709.0417	51, 59	07.0723.0190	15-16, 19-20
07.0704.0134	77	07.0709.0277	47, 57	07.0709.0706	55	07.0723.0192	11
07.0704.0135	77	07.0709.0278	47, 57	07.0709.0707	57	07.0723.0196	13
07.0704.0136	77	07.0709.0279	47, 57	07.0709.0708	57	07.0723.0197	13
07.0704.0137	77	07.0709.0280	47, 57	07.0709.0709	45	07.0723.0198	13
07.0704.0138	77	07.0709.0281	47, 57	07.0709.0710	45	07.0723.0202	15-16, 19-20
07.0704.0143	25	07.0709.0282	47, 57	07.0709.0711	49	07.0723.0211	13
07.0704.0169	77	07.0709.0284	47, 57	07.0709.0712	49	07.0723.0213	13
07.0705.0085	69	07.0709.0285	51, 59	07.0712.0006	81	07.0723.0214	13
07.0706.0061	15-16	07.0709.0286	51, 59	07.0712.0046	81	07.0723.0215	13
07.0709.0034	49	07.0709.0287	61	07.0712.0047	81	07.0723.0217	13
07.0709.0057	47, 55, 57	07.0709.0288	61	07.0712.0048	81	07.0723.0219	15-16, 19-20
07.0709.0065	47, 57	07.0709.0289	61	07.0713.0051	79	07.0723.0220	15-16, 19-20
07.0709.0066	57	07.0709.0290	47, 57	07.0721.0019	69	07.0723.0221	15-16, 19-20
07.0709.0070	47, 57	07.0709.0291	47, 57	07.0721.0117	69	07.0723.0222	15-16, 19-20
07.0709.0071	47, 57	07.0709.0292	43	07.0722.0053	79	07.0723.0223	15-16, 19-20
07.0709.0084	43, 53	07.0709.0293	45	07.0723.0004	27	07.0723.0224	19-20
07.0709.0104	47, 57	07.0709.0294	45	07.0723.0011	13	07.0723.0225	15-16, 19-20
07.0709.0113	47, 57	07.0709.0295	45	07.0723.0024	13	07.0723.0226	15-16, 19-20
07.0709.0117	47, 57	07.0709.0296	45	07.0723.0036	15-16, 19-20	07.0723.0227	15-16, 19-20
07.0709.0118	47, 57	07.0709.0297	45	07.0723.0037	15-16, 19-20	07.0723.0228	15-16, 19-20
07.0709.0119	47, 57	07.0709.0298	45	07.0723.0039	11, 13, 20	07.0723.0229	15-16, 19-20
07.0709.0124	47, 57	07.0709.0299	45	07.0723.0040	13, 16, 20	07.0723.0230	15-16, 19-20
07.0709.0127	45	07.0709.0300	45	07.0723.0042	13	07.0723.0231	15-16, 19-20
07.0709.0130	45	07.0709.0301	45	07.0723.0045	15-16, 19-20	07.0723.0232	15-16, 19-20
07.0709.0134	45, 51, 59	07.0709.0302	45	07.0723.0049	13	07.0723.0233	15-16, 19-20
07.0709.0136	57	07.0709.0303	45	07.0723.0054	13	07.0723.0236	15-16, 19-20
07.0709.0160	45	07.0709.0304	45	07.0723.0055	13	07.0723.0237	15-16, 19-20
07.0709.0168	55	07.0709.0305	45	07.0723.0057	15-16, 19-20	07.0723.0270	15-16
07.0709.0171	47, 57	07.0709.0306	45	07.0723.0074	11, 13, 20	07.0723.0283	13
07.0709.0174	45, 55	07.0709.0307	45	07.0723.0076	13, 16, 20	07.0723.0337	16
07.0709.0188	45	07.0709.0308	45	07.0723.0096	13, 15-16, 19-20	07.0723.0338	15-16
07.0709.0218	61	07.0709.0309	45	07.0723.0104	11	07.0723.0339	15-16
07.0709.0232	43, 45, 53	07.0709.0310	45	07.0723.0111	13	07.0723.0343	15-16
07.0709.0234	45, 55	07.0709.0311	45	07.0723.0114	19-20	07.0723.0345	16, 20
07.0709.0235	55	07.0709.0312	45	07.0723.0133	15-16, 19-20	07.0723.0352	13
07.0709.0236	55	07.0709.0313	45	07.0723.0134	15-16	07.0723.0407	20
07.0709.0237	55	07.0709.0314	45	07.0723.0135	15-16, 19-20	07.0723.0408	20
07.0709.0238	55	07.0709.0315	45	07.0723.0137	15-16	07.0723.0409	20
07.0709.0239	55	07.0709.0316	45	07.0723.0140	15-16	07.0723.0410	19-20
07.0709.0240	55	07.0709.0317	45	07.0723.0142	13, 20	07.0723.0419	19-20
07.0709.0241	55	07.0709.0319	45	07.0723.0144	15-16, 19-20	07.0723.0420	19-20
07.0709.0242	55	07.0709.0320	45	07.0723.0145	13	07.0723.0421	19-20
07.0709.0243	55	07.0709.0321	47	07.0723.0146	13	07.0723.0422	19-20

Part Number Index (continued)

Part Number	Page	Part Number	Page	Part Number	Page	Part Number	Page
07.0723.0423	19-20	09.0803.0510	29	51.0806.2700	83	55.0403.0046	35
07.0723.0425	19-20	09.0803.0523	73	51.0806.2800	83	55.0600.0068	91
07.0723.0426	19-20	09.0804.0100	79	51.0806.3500	23	55.0601.0029	91
07.0723.0428	19-20	09.0804.0900	79	51.0806.3800	63	55.0602.0014	91
07.0723.0429	19-20	09.0804.1000	79	51.0806.8900	81	55.0602.0015	91
07.0723.0432	19-20	09.0804.1100	79	51.0807.9800	79	55.0602.0306	91
07.0723.0434	19-20	09.0804.1200	79	51.0808.6000	23	56.0008.0003	91
07.0723.0439	19-20	09.0805.0000	29, 37	51.0809.1800	83	56.0009.0003	91
07.0723.0441	19-20	09.0805.0007	87	51.0809.3900	63	56.0009.0009	29
07.0723.0442	19-20	09.0805.0053	83	51.0809.4000	63	56.0010.0005	13
07.0723.0444	20	09.0805.0054	83	51.0901.5500	27	56.0012.0027	37
07.0723.0446	20	09.0806.0019	87	51.0902.5500	27	56.0012.0074	29
07.0723.0448	19-20	09.4601.0028	79	51.0902.5600	27	56.0013.0000	85
07.0723.0460	19-20	09.4604.0001	41	51.0902.5800	27	56.0013.0028	87
07.0723.0461	19-20	09.4604.0004	87	51.0902.7000	29	56.0016.0072	11
07.0723.0485	13	09.4604.0032	83	51.0903.1500	67	56.0016.0073	11
07.0723.0630	13	09.4610.0003	27	51.1000.5200	29	56.0017.0015	11
07.0723.0672	15-16, 19-20	09.4610.0011	27	51.1100.0014	13	58.1800.1300	19-20
07.0723.0684	19-20	09.4610.0017	13	51.1300.5400	65	626804	87
07.0726.0043	63	09.4610.0024	13	51.1301.4300	65	629733	49
07.0726.0044	85	09.4610.0025	13	52.1100.7200	27	629735	49
07.0726.0065	27	09.4610.0027	13	52.1200.0700	11	630328	49
07.0726.0083	27	09.4616.0051	33	52.1200.1100	11	630694	55
07.0726.0107	27	09.4616.0101	33	52.1200.3700	11	632070	49
07.0728.0005	39	09.4618.0010	31	52.1200.3800	11	632383	47, 57
07.0728.0006	37, 39	09.4618.0061	31	52.1200.3900	11	632959	69
07.0728.0007	37	09.4618.0109	31, 33	53.0000.0100	71	633098	55
07.0730.0013	37	09.4618.0205	31	53.0100.0100	71	633110	55
07.0730.0017	37	09.4618.0389	33	53.0300.1100	69	633160	55
07.0730.0019	37	09.4618.0641	31	53.0400.0100	69	633176	47, 57, 61
07.0730.0023	37	09.4618.0643	31	53.0500.0400	67	633204	43, 53
07.0730.0025	37	09.4618.0644	31	53.3000.1100	23	633529	45, 55
07.0738.0002	35	09.4618.0645	33	53.3000.1300	87	633531	55
07.0740.0117	19-20	09.4618.0679	33	53.3001.0400	83	633533	45, 55
07.0740.0247	20	09.4618.0784	31	53.3001.0500	67	633534	45, 55
07.4501.0059	91	09.4627.0018	35	53.3001.0700	87	633944	55
07.4501.0060	83	09.4629.0018	35	53.3001.0800	23	633946	45
07.4501.0061	83	09.4632.0053	35	53.3100.0020	83	634391	45, 55
07.4501.0062	83	09.4632.0054	35	53.3100.0033	83	634392	45, 55
07.4501.0063	83	09.4635.0014	35	53.3200.0022	81	634393	45, 55
07.4501.0064	83	09.4635.0040	35	53.3301.0002	85	634397	51, 59
07.4501.0065	83	09.4636.0003	39	53.3302.0017	81	634546	47, 57
07.4501.0066	83	09.4636.0008	39	53.3401.2100	71	634561	45
07.4501.0067	79	09.4636.0012	39	53.3401.2200	71	634972	89
07.4501.0105	69	09.4645.0024	83	53.3401.2300	73	634973	89
07.4501.0239	79	09.4645.0028	83	53.3401.2400	73	634981	79
07.4529.0027	37	09.4656.0007	83	53.3401.2500	69	635597	45
07.4529.0028	23	09.4656.0009	83	53.3401.2600	69	635965	69
07.4529.0072	71	09.4661.0002	87	54.0000.0017	63	636413	55
07.4529.0111	39	09.4661.0014	87	54.0000.0020	63	638548	47, 49, 57, 61
07.4529.0112	79	09.4661.0016	29, 87	54.0000.0021	69	639327	49
07.4529.0119	29	09.4661.0020	29	54.0000.0022	71	639329	49
09.0801.0006	71	09.4661.0021	29	54.0000.0025	63	639395	67
09.0803.0000	27	09.4661.0022	29	54.0000.0027	29	639637	45
09.0803.0002	29	09.4670.0000	29	54.0000.0068	65	639639	47, 57
09.0803.0005	27	09.4670.0001	81	54.0000.0192	63	639641	47, 57
09.0803.0008	83	09.4670.0002	81	54.0001.0001	67	639642	47, 57
09.0803.0012	27	09.4670.0004	27, 79	54.0001.0022	67	639643	47
09.0803.0024	27	29557	79	54.0002.0013	69	639646	47, 57
09.0803.0025	29	29560	79	54.0002.0014	63	639670	45, 47, 57
09.0803.0026	29	51.0111.1000	27	54.0003.0003	63	639830	45
09.0803.0027	83	51.0200.9800	63	54.0003.0016	63	639832	45
09.0803.0043	41, 69, 71, 73	51.0200.9900	63	54.0100.0002	27	639992	69
09.0803.0060	69, 73	51.0400.3000	67	54.0100.0017	27	639993	71
09.0803.0061	69	51.0600.2700	29	54.0100.0027	65	640096	71
09.0803.0062	63	51.0600.4100	85	54.0100.0066	79	640495	11
09.0803.0064	83	51.0800.3800	29	54.0200.0000	63	640496	11
09.0803.0088	37	51.0802.4400	27	54.0200.0001	63	640497	11
09.0803.0109	83	51.0803.5700	27	54.0201.0007	63	640995	15-16, 19-20
09.0803.0228	27	51.0804.8400	63	54.0201.0009	63	640996	15-16
09.0803.0229	27	51.0804.9000	63	54.0702.0000	63	641004	15-16, 19-20
09.0803.0232	85	51.0805.1900	27	54.0702.0001	63	641009	13
09.0803.0244	27	51.0806.0000	27	54.0702.0002	63	641019	15-16, 19-20
09.0803.0245	27, 81	51.0806.1000	27	54.0702.0005	63	641020	15-16, 19-20
09.0803.0251	83	51.0806.1300	79	54.0702.0013	63	641024	15-16, 19-20
09.0803.0259	83	51.0806.2400	83	54.0702.0014	27	641042	15-16, 19-20

<u>Part Number</u>	<u>Page</u>
641053	11
641065	11
641124	79
641135	89
75393	79
82558	31
97664	31
97665	31
97666	31
97667	31
97668	31
97669	31
97670	31
97671	31
97672	31
97673	31
97674	31
97675	31
97676	31
97688	31
992989	39
999058	79

Go to Discount-Equipment.com to order your parts

Part Description Index

The Part Description Index is an alphabetical index of all part descriptions included in this manual. The index shows what page(s) the part is used on.

- 6**
604726 pos. 45.....37
604726 pos. 49.....69
604726 pos. 50.....41
- A**
ACCELERATOR CABLE.....83
AIR CONVEYOR (RADIATOR SHROUD).....81
AIR INLET.....29
Air Inlet.....11, 83
ALARM.....29
ALTERNATOR, DEUTZ (55AMP) ***.....79
ARM.....47
Arm.....57, 63
ARTICULATED TIE ROD.....51, 59
ARTICULATION.....77
- B**
Back-Up Ring.....49
Back-up Ring.....49
BALL.....49
Ball Joint.....69
BALL JOINT69
Ball Valve DN 1 1/241, 87
Basic Arm.....63
BASKET,PLUG.....29, 87
Battery.....91
BATTERY HOLD DOWN BRACKET.....27
BEARING.....45
Bearing.....45, 47, 55, 57
BEARING45, 55
Bearing47
Belt.....79
BELT, DOOR ASSY GTH5519.....19-20
BELT,SEAT A5073.10413
BEVEL GEAR SET.....45
Bevel Gear Set.....55
BLEEDER VALVE, LONG49
BODY.....77
Boom.....57
BRACKET.....83
Bracket.....23, 81, 83, 91
BRACKET,LEFT.....20
BRACKET,RIGHT.....20
BRAKE DISC.....49
Brake Disc Internal.....49
BRAKE PEDAL KIT.....37
BRAKE RESERVOIR W/BRACKET37
Bushin.....45
BUSHING.....15-16, 19-20, 47, 49, 57, 61
Bushing.....45, 47, 57, 61, 63, 71
Bushing 50/60X100.....63
Bushing BL16234.....37
BUSHING M10X13.5.....63
BUSHING M10X8.563
- C**
CABLE.....83, 91
CABLE, BATTERY+.....91
Cap Kit.....75
CAP, DIESEL FUEL TX5119***87
CAP,OIL FILLER,DEUTZ,DIESEL ***.....79
Cardan Shaft.....35, 47, 57
CARDAN SHAFT ASSY KIT.....35
- Cartridge.....41
CARTRIDGE/OUTER AIR CLEANER**.....83
Chain.....29
Circlip.....47, 57
Clamp.....83
Clamp D16 D8.423
CLAMP D60 HOLE 10.5.....73
CLAMP DN 10/16 LG 9.....29
CLAMP DN 15/25 LG 9.....37
Clamp DN 50/70 LG12.....83
Clamp DN 55/59.....87
CLAMP DN 60/80 LG12.....83
CLAMP S16 D32 HOLE 8.4.....83
CLAMP,DOUBLE,D16.....69, 73
CLIP.....15-16, 19-20
CLUTCH DISC.....45
Clutch Disc.....45
Coating.....13
COIL, VALVE39
COIL,SQUARE SOLENOID.....37
Collar.....83
Complete Filter.....41
Complete Radiator.....81
Complete Selector.....77
COMPLETE WHEEL 16.5 AIR,RIGHT.....35
CONNECTOR.....91
CONTROL LEVER.....77
Control Valve.....25, 77
COPPER WASHER.....85, 87
Copper Washer JC 17.....23, 37, 41
Copper Washer JC 18 SP2,5.....39
Cosmetic - Genie GTH-5519.....31
COUNTERWEIGHT.....29
COUPLING/HOOK(LATCH)/BRACKET.....27
Cover.....45, 55, 83
COVER,PARK BRAKE/RED.....11
COVER,TOGGLE SWITCH.....11
COVER,TOGGLE SWITCH PREHEATING...11
CRINKLE WASHER,DM.10.....19-20
CROSS JOINT.....55
Cursor.....75, 77
CYL PROTECTOR (SHIELD, GUARD).....67
Cylinder.....27, 51, 59, 67, 69
CYLINDER GASKET KIT.....71
- D**
Danger - Fall Hazard, No Riders.....31
DASH, PANEL COVER.....11
DASHBOARD.....11
Dashboard.....11
DASHBOARD,RIGHT SIDE.....11
Decal - Capacity of the Truck and Attachment.....31
DECAL, (DO NOT OPEN WHEN RUN).....31
DECAL, BOOM ANGLE INDICATOR.....31
DECAL, SHEET VARIOUS.....31, 33
DECAL,BURN HAZARD.....31
DECAL,COSMETIC,GTH-5519.....31
DECAL,DANGER,CRUSH HAZARD.....31
DECAL,DANGER,ELECTRICAL HAZARD.....31
DECAL,DANGER,EXPLSION/BURN HAZ.....31
DECAL,EMERGENCY EXIT HANDLE.....31
DECAL,JOYSTICK FUNCTIONS.....33
DECAL,SKIN INJECTION.....31
DECAL,TIRE PREASURE.....31
DECAL,WARN,CRUSH HAZ MOVING PT....31
- DECAL,WARN,EXPLSION/BURN HAZ.....31
DECAL,WARN,FALLING OBJECT HAZ.....31
DECAL,WARN,OVERTURN HAZARD.....31
DECAL,WARN,READ MANUAL.....31
DECAL,WARN,WEAR SEAT BELT.....31
Diesel Engine.....79
DIESEL TANK.....29
DIFFERENTIAL CASE.....55
Differential Case.....45
Differential Pinion.....45, 55
DIFFERENTIAL SIDE GEAR.....45
Differential Side Gear.....55
DISPLAY, GAUGES.....11
DOOR COATING, 5519 LOWER DOOR.....19-20
DOOR STOP KIT.....15-16, 19-20
DOUBLE HOSE LOCKING PLATE D18.....73
DOWEL45, 49, 55
DRAIN PLUG M16.....29
DRILLED SCREW, PRESSURE SWITCH.....37
- d**
drilled Screw M14X1.5.....37
- E**
Elastic Joint.....79
EXHAUST MUFFLER.....83
Extension Cylinder.....71
External Sound-Proofing.....13
- F**
Fan.....81
Filter.....83, 87
FILTER,FUEL/WTR SEP, DTZ 1008.....79
FILTER,OIL.....79
FILTER13
Fitting 3/8 BSP X 9/16 ORFS.....23
FITTING,90, 1"GAS X 1-7/16 M O87
FITTING,GWR,3/4M X 3/8F.....23
Flange.....45, 55, 77
Flashing Beacon.....13
Flashing Beacon Bracket.....13
FLAT WASHER D10 UNI 6593 ZN27, 67, 79, 81, 85
FLAT WASHER D12 UNI 6593 ZN.....29, 87
FLAT WASHER D14 UNI 6592 ZN27, 79
FLAT WASHER D16 UNI 5714 ZN.....79
FLAT WASHER D16 UNI 6592 ZN.....41
FLAT WASHER D20 UNI 6592 ZN.....61, 69, 71, 73
FLAT WASHER D6 UNI 6592 ZN67, 83
FLAT WASHER D6 UNI 6593 ZN ...29, 37, 81, 87
FLAT WASHER D8 UNI 6592 ZN ...13, 23, 27, 37, 39, 63, 73, 75, 77, 81
FLAT WASHER D8 UNI 6593.....13, 27, 29, 37, 67, 85
FLAT WASHER D8X32 UNI 6593 ZN.....81
FLEXIBLE HOSE.....23, 25, 39, 67, 71, 73, 85
Flexible Hose.....23, 25, 37, 39, 41, 69, 73, 81, 85, 87
FLEXIBLE HOSE 7.75 INCH67
Flexible Hose R1 X 1/4 LG.1000 FD F90 9/16-18 ORFS.....25

Flexible Hose R1 X 1/4" Lg. 1400 F90 - F90 9/16"-18 ORFS.....87
 Flexible Hose R2 X 1/2 LG.1950 FD F90 13/16-16 ORFS.....71
 Flexible Hose R2 X 1/2 LG.2050 FD F90 13/16-16 ORFS.....71
 Flexible Hose R2 X 1/4 LG. 900 FD FD 9/16-18 ORFS.....23
 FLOATING FORK CARRIAGE.....65
 FOAM PAD INSULATOR.....81
 FORK (4" WIDE X 48" LONG).....65
 Fork Coupling Attachment.....67
 Frame.....13, 15-16, 27
 Front Axle.....35
 Front Side Glass.....15-16, 19-20
 Fuel Gauge.....29
 FUSE.....89
 Fuse 15A.....89
 Fuse 5A.....89
 Fuse 7.5A.....89
 FUSE, 50 AMP91

G

GASKET.....15-16, 19-20, 27, 81, 85
 Gasket Kit.....51, 59
 GASKET/JOINT KIT.....69
 GAUGE, HYDRAULIC OIL TEMP, 5519.....11
 Gear.....45
 Glass.....15-16
 GLASS STOP.....15-16, 19-20
 Grate.....13
 GREASE NIPPLE G 1/8.....63
 GREASE ZERK47, 57, 61
 GUARD.....11, 13
 Guard.....15-16, 19-20, 27, 81

H

HALF FLANGE D47.....41
 HALF-COUPLING.....79
 HANDLE.....15-16, 19-20, 29
 Handle.....27
 HANDLE EXTENSION.....16
 HANDLE, INTERNAL DOOR.....15-16, 19-20
 Hatch.....27
 HINGE.....15-16, 19-20
 Hinge.....15-16, 19-20, 27, 29
 Hitch.....29
 HITCH PIN.....29
 HORN91
 HOSE ASSEMBLY R1X1/4LG350 A.R.M.1/4-F90 9/16-18.....23
 Hose R1 X 1/4 LG.1000 F90 F90 9/16-18 ORFS a 90°.....23
 Hose R1 X 1/4 LG.1350 FD F90 9/16-18 ORFS.....25
 Hose R1 X 1/4 LG. 800 F90-F90 9/16-18 ORFS.....25
 HOSE R1X1/4 LG 700 FD-F90 9/16-18 ORFS.....23, 37
 HOSE R1X1/4LG700 A.R.M.1/4 F90 9/16-18.....23
 Hose R2 X 3/8 LG.600 FD F90 11/16-16 ORFS.....67
 HOSE R2X1/4 LG 405 FD-F90 9/16-18 ORFS.....67
 HOUSING.....43, 47, 57, 79, 89
 Hydraulic Motor.....41
 Hydraulic Oil Tank Inspection Door.....85

Indicator.....11, 41
 INSULATOR.....27
 Insulator M-F D=30/H=20 M10ART.TCVF 302085
 INTERIOR PANEL WITH POUCH.....13
 Intermediate Clutch Disc.....45
 ISOLATOR,VIBRATION.....81

J

Joint Box.....47, 57
 JOINT D6.....83
 JOINT ENGINE/PUMP79
 Joint Kit.....23, 37, 39
 Joystick.....25

K

KEY.....15-16, 19-20
 KEY ONLY (1 PAIR).....11
 KEY SWITCH WITH 2 KEYS.....15-16, 19-20
 Kit Solenoid Valve.....77
 KIT,DOOR LOCK.....29
 KNURLED COUPLING37

L

Label.....15-16, 19-20
 Label - Hydraulic Oil.....33
 Label from SN 14976.....33
 Label to SN 14977.....33
 LABEL,GENIE DECAL.....31
 LEFT SIDE GLASS.....15-16, 19-20
 LEFT SIDE, DASHBOARD.....11
 LEVEL GAUGE.....13, 20
 LEVEL INDICATOR87
 Lever.....15-16, 37
 Lifting Jack.....71
 Lock.....13, 27
 LOCK/PLATE.....27
 LOCKING BRACKET,DOUBLE CLAMP.....69
 LOWER DOOR.....19-20
 Lower Door.....15-16
 LOWER DOOR ASSY.....19-20
 LOWER DOOR ASSY GTH5519 ****19-20
 LOWER DOOR/ GTH5519.....19-20

M

Machine Data Plate.....33
 Main Valve Body.....75
 Manifold.....23, 83, 87
 MANIFOLD, BOOM HOSES.....67
 Mirror.....13
 MIRROR SUPPORT.....27
 MIRROR W/BRACKET, SINGLE13
 MIRROR-REAR VIEW MIRROR.....27
 Mud-Guard.....27
 MUFFLER.....83
 Muffler Cap.....83

N

NAME PLATE.....11
 NEEDLE FOR INCLINEOMETER.....63
 NUT.....15-16, 19-20, 47, 57
 Nut.....15-16, 19-20, 47, 55, 57
 Nut M24 UNI 7473 6SZN.....27
 NUT M8 UNI 5588 6S ZN.....63

NUT,M8 UNI 7473 6S ZN.....13, 23, 27, 29, 37, 63, 69, 75, 77, 81, 83, 85
 NUT,STOP,M10 UNI 7473 6S ZN.....27, 63, 69, 79, 81, 83
 Nylon Washer.....19-20

O

O-RING.....41, 49, 51, 55, 59, 71, 75
 O-Ring.....29, 41, 49
 O-RING45
 OIL COOLER.....81
 OIL LEVEL INDICATOR.....87
 Oil Tank.....85
 ORING.....69

P

Pad 20X250.....27
 Parking Brake Kit.....91
 PEDAL.....37, 83
 PILOT LIGHT.....11
 PIN.....15-16, 37, 63, 67, 71
 Pin.....19-20, 45, 49, 55, 63, 67, 69
 PIN, FORK.....65
 PIN,8X8519-20
 PINION,DIFFERENTIAL.....47, 57
 Pipe.....69, 71, 73
 PIPE FITTING.....15-16, 19-20, 23, 25, 37, 41
 Pipe Fitting.....37, 39, 41, 71, 85, 87
 PIPE FITTING 3/8BSPX11/16-16 ORFS.....23, 39
 PIPE FITTING 1 BSPX1-3/16-12 ORFS.....81, 85
 PIPE FITTING 1" GASX1-7/16-12 ORFS.....87
 PIPE FITTING 1/2 BSPX13/16-16 ORFS ...69, 71, 73, 87
 PIPE FITTING 1/2BSP x 11/16-16 ORFS...39, 67
 PIPE FITTING 1/4 BSPX9/16-18 ORFS.....87
 Pipe Fitting 1/4BSP.V.60°X9/16-18 ORFS.....37
 PIPE FITTING 1/4BSPX11/16-16 ORFS.....67
 PIPE FITTING 1/4X3/8 BSP.....23, 37, 41
 Pipe Fitting 18X1.5 X 11/16-16 ORFS.....39
 PIPE FITTING 3/4"BSP X1"3/16-12 ORFS.....41, 85, 87
 PIPE FITTING 3/4X 3/4 BSP.....85
 PIPE FITTING 3/8 BSPX9/16-18 ORFS.....23, 25, 37, 41, 67, 69
 PIPE FITTING 45 M-M 1/4 BSPX9/16-18 ORFS.....67
 PIPE FITTING 90.....67, 71
 PIPE FITTING 90 1/2GASXM 13/16-16 ORFS.....67, 69
 PIPE FITTING 90 M-M 13/16-16 ORFS.....69, 71, 73
 Pipe Fitting 90° Long.....69, 73
 Pipe Fitting 90° Short.....69, 73
 PIPE FITTING G3 1.....87
 Pipe Fitting GMF 1/4" BSP.....23
 Pipe Fitting GWR M 3/4" BSP X F 1/2" BSP.....85
 PIPE FITTING M-M A 90 1/4 BSPX9/16-18 ORFS.....23, 25, 67
 PIPE FITTING M12X1.5 X 9/16-18 ORFS.....41
 Pipe Fitting M14X1.5X1/4 BSP41
 Pipe Fitting M22X1.5X3/4.....41
 Pipe Fitting M33X2 X1"11/16-1241
 Pipe Fitting MFK 90 1/2 BSP.....67
 Pipe Fitting MFK 90 1/4 BSP.....23

Part Description Index (continued)

PIPE FITTING TMF+C 13/16-16 ORFS.....69
 PIPE FITTING TMF+C 9/16-18 ORFS.....23, 67
 PIPE FITTING TMF+L 1/2 BSP.....67
 Pipe Fitting TMF+L 1" 3/16-12 ORFS.....85
 PIPE FITTING,90 M-F 13/16-1671
 PIPE FITTING23, 37, 41, 85
 Pipe R2 X 1/2 L=1100 F90-FD 13/16-16
 ORFS.....69, 71, 73
 Piston.....49
 Pivot Pin.....47, 57
 PLAIN WASHER.....15-16
 Plain Washer.....15-16
 Plain Washer D6x1813, 16, 20
 Plain Washer D8x16 UNI 6592.....15-16, 19-20
 PLANET GEAR CARRIER.....47
 Plastic Washer.....15-16, 19-20
 Plate.....15-16, 19-20, 27
 PLATE, BELT RETAINING 5519.....19-20
 PLATE/SEMI FLANGE.....41
 PLUG.....11, 13, 29, 43, 45, 47, 49, 53, 57, 61
 Plug.....43, 45, 53
 PLUG 1/2 BSP.....87
 PLUG 1/4" BSP.....23, 87
 PLUG 3/4 BSP.....23
 PLUG 3/8" BSP.....37
 Plug TCEI BSP 1/4.....77
 Plug TCEI BSP 3/4.....75
 PLUG,BREATHING.....45, 47, 57
 POWER STEERING.....39
 POWER STEERING ORBITAL.....39
 PRECLEANER.....83
 Pressure Switch.....37
 PRESSURE TUBE.....23, 37, 41
 Proximity Switch.....83
 PULL BOX.....91
 Pulley.....79
 Pump.....37, 79
 Pump Hub.....79
 PUSH BUTTON.....77

Q

QUICK COUPLING, FEMALE 1/2.....67
 QUICK COUPLING, MALE 1/2.....67

R

Rear Axle.....35
 REAR FRAME LOCK (BLUE).....29
 REAR GLASS.....15-16, 19-20
 REAR WIPER KIT.....20
 RED PUSH BUTTON CAP.....77
 Relay.....89
 RELAY HOLDER.....91
 RELAY, GLOW PLUG.....91
 RELAY91
 RETAINER.....11
 RIGHT SIDE GLASS15-16, 19-20
 Right Side Grid.....13
 Rim 9.75 X 16.5".....35
 RING.....45, 55
 Ring.....45, 47, 55, 57
 Ring Gear Support.....47, 57
 RING GEAR47, 57
 RING NUT.....45
 Ring Nut.....49
 Roof Lamp.....13
 RUBBER.....13, 15-16, 19-20
 Rubber.....13, 15-16, 19-20
 RUBBER CARPET.....13

RUBBER HOSE.....29, 37
 Rubber Hose.....83, 87
 RUBBER HOSE15-16, 19-20
 RUBBER PLUG D.10.....13
 RUBBER PLUG D25.....13
 Rubber Protection.....77
 Rubber Seal.....13

S

SAFETY BELT.....13
 Safety Sheet.....47, 57
 Safety Sheet55
 SAFETY VALVE.....69, 71, 85
 Safety Valve69
 Screening.....83
 SCREW.....47, 49, 57
 Screw.....15-16, 19-20, 29, 45, 47, 49, 55, 63,
 83
 SCREW M10X20 UNI 5739 8.8 ZN.....85
 SCREW M10X30 UNI 5933 10.9 ZN.....63
 SCREW M10X60 UNI 5931 8.8 ZN.....79
 SCREW M12X100 UNI 5737 8.8 ZN.....63, 71
 SCREW M12X30 UNI 5739 8.8 ZN.....83
 SCREW M12X80 UNI 5737 8.8 ZN.....65
 SCREW M14X100UNI 5737 8.8 ZN.....27, 63,
 79
 SCREW M24X160 UNI 5737 10.9 ZN.....29
 SCREW M4X10 UNI 5739 8.8 ZN.....29
 SCREW M6X16 UNI 10.9 ZN.....83
 SCREW M6X20 UNI 5739 8.8 ZN27, 67, 87
 SCREW M6X25 UNI 5739 8.8 ZN29, 81
 SCREW M6X25 UNI 5931 8.8 ZN...41, 69, 71,
 73, 83
 SCREW M6X40 UNI 5739 8.8 ZN67
 SCREW M6X50 UNI 5737 8.8 ZN.....23, 37, 39
 SCREW M8X16 UNI 5739 8.8 ZN...13, 19-20,
 37
 SCREW M8X20 UNI 5739 8.8 ZN...13, 23, 29,
 37, 63, 67, 81
 SCREW M8X20 UNI 8.8 ZN.....27, 29, 63
 SCREW M8X25 UNI 5739 8.8 ZN...23, 27, 39,
 73
 SCREW M8X30 UNI 5739 8.8 ZN.....69, 73
 SCREW M8X55 UNI 5737 8.8 ZN.....23, 77, 83
 SCREW M8X70 UNI 5737 8.8 ZN.....63, 75, 81
 SCREW M8X80 UNI 5737 8.8 ZN.....69
 Screw TCB 1BG3223.....13, 16, 20
 Screw Tcei M 8X30 UNI 5931 8.8Zn.....13, 63
 Screw TCEI M10X35 UNI5931 8.8ZN41
 SCREW TCEI M8X40 UNI 5931 8.8 ZN.....79
 Screw TE M 12x20.....13
 Screw TE M 5X10 UNI 5739 8.8 ZN.....29
 Screw TE M 8X40 UNI 5739 8.8 ZN.....29
 Screw TE M12X50 UNI 5737 8.8 ZN.....87
 Screw TE M16X100 UNI 5737 8.8 ZN.....27
 Screw TE M16X60 UNI 5737 8.8 ZN41
 Screw TE M20X130UNI 5737 10.9ZN.....61
 Screw TE M24X220UNI 5737 8.8 ZN.....27
 Screw TE M8X100 UNI 5737 8.8 ZN.....37, 39
 Screw TSPEI M 6X25UNI5933 8.8ZN.....27
 Screw TSPEI M6x55 UNI 5933 10.9 ZN.....27
 Screw TSPEI M8x40.....13, 15-16, 19-20
 Screw TSPEI M8X70.....15-16, 19-20
 Screw, 10.9HCS 12MM-1.75X50.....47, 57
 SCREW, 12.9 SHCS 12-1.75X45.....45, 51, 59
 SCREW, 8.8 HCS 10MM-1.5X80Z.....63, 69
 SCREW, 8.8 HCS 12MM-1.75X5045
 SCREW, 8.8 HCS 12MM1.75X60Z.....29
 SCREW, 8.8 HCS 14MM2.0X40 Z.....79

SCREW, M 8X20 UNI 5739 8.8 ZN.....13
 SCREW, M6X20 DIN 933 YZ HCS.....15-16,
 19-20
 SCREW, M6X30DIN933 YZ HCS....15-16, 19-
 20
 SCREW,8.8 HCS 12MM1.75X45Z.....79
 SCREW,M10-1.5X90 12.9 SHCS.....15-16, 19-
 20
 SCREW,M6-1.0X20MM FHSCS ZP.....15-16,
 19-20
 SCREW,PPH SMS 10X3/4ZAKEG.....11, 13, 20
 SCREW,RING GEAR.....47, 55, 57
 SCREW,STEERING ADJUST.....47, 57
 SCREW,TCB+M6X35.....19-20
 SCREW,TCEI M5X5019-20
 SCREW,TCEI,M16X50,UNI5931,8.8Z.....79
 SCREW,TCEI,M6X35 UNI 8.8 ZN.....83
 SCREW,TE,M10X25 UNI 8.8 ZN.....39, 67, 87
 SCREW,TE,M10X30 UNI 8.8 ZN.....27, 63, 79,
 83
 SCREW,TE,M10X35 UNI 8.8 ZN.....63, 79, 83
 SCREW,TE,M10X40 UNI 8.8 ZN.....79
 SCREW,TE,M6X16 UNI 8.8 ZN.....37, 81
 SCREW,TPEI,M8X30.....20
 SCREW,TSPEI M8X25.....15-16, 19-20
 SEAL.....15-16, 19-20, 45, 47, 49, 57
 Seal.....13, 15-16, 19-20, 87
 SEAL (1 PIECE = 3 METERS)....15-16, 19-20
 SEAL / DIFFERENTIAL47, 57
 SEAL KIT.....39, 69, 79
 SEAL KIT (53.0500.0602).....67
 SEAL KIT, LIFT CYLINDER.....71
 SEAL KIT,CYLINDER.....69
 SEAL KIT37
 SEAL,DIFFERENTIAL55
 Sealing Ring.....47, 57
 SEAL45, 47, 57
 SEAT.....13
 Seat Support.....13
 SEAT, CUSHION BACK13
 Seat, Non Suspension.....13
 SEAT,BOTTOM CUSHION.....13
 Shim.....45
 SHIM 0.10MM.....49
 SHIM 0.20MM.....49
 SHIM 0.30MM.....49
 SHIM 0.40MM.....49
 Shim Washer.....47, 57
 SHIM,THICKNESS.....45, 55
 SHIM/BOOM WEAR PAD.....63
 SHOCK ABSORBER, SEAT.....13
 SINGLE HOSE BRACKET D12.....83
 SINGLE HOSE BRACKET D16.....41, 69, 71,
 73
 SLEEVE....41
 SLIDING BLOCK HOLDER.....63
 SNAP RING.....45, 47, 57, 69
 Snap Ring.....45, 47, 49, 57, 79
 SNAP RING (CIRCLIP).....43, 53
 SNAP RING45
 Solenoid.....23, 39, 77
 SOLENOID (07.0701.0290).....41
 SOLENOID VALVE.....39
 Solenoid Valve.....25, 39, 41
 SOLENOID****25
 Spacer.....15-16, 19-20, 45, 49, 55
 SPEED LEVER.....11
 Sphere.....45
 Split Pin.....49, 79

Spray Nozzle.....15-16, 19-20
 Spring.....37, 49, 83
 SPRING COUPLING.....83
 Spring Kit.....77
 SPRING SPLIT PIN.....29
 SPRING WASHER.....45
 SPRING WASHER D 8 ZN23, 27, 37, 39,
 63, 67, 81, 83
 Spring Washer D10 UNI 1751 ZN.....39, 41, 63,
 67, 79
 SPRING WASHER D10 ZN.....41, 79, 85
 SPRING WASHER D12 ZN13, 83
 Spring Washer D14 UNI 1751 ZN.....79
 SPRING WASHER D14 ZN.....79
 SPRING WASHER D16 ZN.....29, 79
 Spring Washer D20 ZN61
 SPRING WASHER D24 ZN.....29
 SPRING WASHER D6 ZN.....37, 67, 81, 87
 STAR WHEEL.....35, 45
 Starting Switch.....11
 Steering Column.....39
 STEERING WHEEL.....39
 STOP.....15-16, 19-20
 Stop Belt.....15-16
 STOP NUT.....13
 Stop Nut.....39
 STOP NUT M12 UNI 7473 6S ZN...29, 63, 65,
 71, 79, 87
 STOP NUT M14 UNI 7473 6S ZN.....27, 63, 79
 STOP NUT M16 UNI 7473 6S ZN.....27
 STOP NUT M6 UNI 7473 6S ZN23, 27, 37,
 67, 83
 STOP PAD.....15-16, 19-20
 STRAIN RELIEF.....91
 Stud.....47, 57
 STUD,DRIVE AXLE.....47, 57
 SUPPORT.....27, 61
 Support.....23, 47, 57, 79, 83
 SUPPORT, LEFT MUDGUARD.....27
 SUPPORT61
 SWITCH.....11, 15-16, 19-20
 Switch.....11
 SWITCH COVER, CONTINUOUS FLOW.....11
 SWITCH COVER-HORN.....11
 SWITCH UPPER.....11
 SWITCH, NEGATIVE BRAKE.....37
 SWITCH,COVER,FAN/GREEN.....11, 15-16,
 19-20
 SWITCH,LOCK COVER.....11
 SWITCH,STEER SELECTOR.....11
 SWITCH/2 POS. MOMENTARY.....11

T

TANK FOR 2 POSITION SWITCH.....11
 TANK, WIPER W/ PUMP15-16, 19-20
 TEMPERATURE SENSOR, HYDRAULIC
 OIL.....85
 THICKNESS.....45, 47, 55, 57
 Thickness.....63
 THICKNESS/SHIM 3 STYLES ALL OK.....63
 Threaded Grubscrew.....49
 Tire 12-16.5" PR10.....35
 TOGGLE LEVER,COMPLETE.....19-20

U

Upper Door.....15-16
 UPPER DOOR FRAME.....19-20

UPPER DOOR FRAME WITH GLASS19-
 20
 UPPER DOOR GLASS GTH5519.....19-20
 Upper Glass.....13

V

VALVE.....23, 41, 67, 75
 Valve.....23, 37
 Valve 3/4 PA 2.5.....41, 85
 VALVE CURSOR.....75
 VALVE, CARTRIDGE.....75
 VALVE,LOAD SENSE.....79
 VIBRATION DAMPING.....27, 79, 81

W

Warning - Crush Hazard, Overhead Parts.....31
 WASHER.....11, 13, 19-20, 23, 37, 41, 49, 79,
 87
 Washer.....13, 15-16, 19-20
 WASHER D10.....63
 Washer D24 UNI 6592 ZN.....27
 WASHER D6.....27
 Washer D6X12MM.....13, 15-16
 WASHER D70/16, SP 8.....27
 WASHER, ZN, D70/16, SP 4.....27
 WASHER,CHMFRD,D16,UNI 6593,ZN.....27
 WASHER,D.14/20X1.5.....37
 WASHER,D10 UNI 6592 ZN.....83, 87
 WASHER,D10X20.....19-20
 WASHER,D12 UNI 6592 ZN13, 83
 WASHER,JC 27,SP,2,5.....23
 WASHER45, 47, 55, 57, 65
 WEAR PAD SHIM.....63
 WEAR PAD,100X25X15.....63
 WEAR PAD,100X60X12.....63
 WEAR PAD,200X60X15.....63
 WEAR PAD,200X60X20.....63
 WEAR PAD,60X60X12.....63
 Wheel Hub.....47, 57
 Wheel Nut47, 57
 WHEEL STUD.....47, 57
 WINDSCREEN WIPER BRUSH20
 WIPER ARM.....15-16, 19-20
 WIPER BLADE.....15-16, 19-20
 WIPER MOTOR.....15-16, 19-20
 Wiring Harness.....91

Y

YELLOW PUSH BUTTON CAP.....77

Go to Discount-Equipment.com to buy your parts

California Proposition 65

Warning

The exhaust from this product contains chemicals known to the State of California to cause cancer, birth defects or other reproductive harm.

Distributed By:

PARTS FINDER

**Search Website
by Part Number**



**Search Manual
Library For Parts
Manual & Lookup Part
Numbers – Purchase
or Request Quote**

Search Manuals

Enter your information to help us find the right parts manual for your machine.

* Brand:

* Model:

* Serial:

* Part Number:

SEARCH

**Can't Find Part or
Manual? Request Help
by Manufacturer,
Model & Description**

Parts Order Form

Please fill in the following information to help us find the right part for your machine.

Manufacturer:	<input type="text"/>
Model:	<input type="text"/>
Description:	<input type="text"/>
Part Number:	<input type="text"/>
Quantity:	<input type="text"/>
Notes:	<input type="text"/>

Submit

Discount-Equipment.com is your online resource for quality parts & equipment.

Florida: **561-964-4949** Outside Florida TOLL FREE: **877-690-3101**

Need parts?

Click on this link: <http://www.discount-equipment.com/category/5443-parts/> and choose one of the options to help get the right parts and equipment you are looking for. Please have the machine model and serial number available in order to help us get you the correct parts. If you don't find the part on the website or on one of the online manuals, please fill out the request form and one of our experienced staff members will get back to you with a quote for the right part that your machine needs.

We sell worldwide for the brands: Genie, Terex, JLG, MultiQuip, Mikasa, Essick, Whiteman, Mayco, Toro Stone, Diamond Products, Generac Magnum, Airman, Haulotte, Barreto, Power Blanket, Nifty Lift, Atlas Copco, Chicago Pneumatic, Allmand, Miller Curber, Skyjack, Lull, Skytrak, Tsurumi, Husquvarna Target, Stow, Wacker, Sakai, Mi-T-M, Sullair, Basic, Dynapac, MBW, Weber, Bartell, Bennar Newman, Haulotte, Ditch Runner, Menegotti, Morrison, Contec, Buddy, Crown, Edco, Wyco, Bomag, Laymor, EZ Trench, Bil-Jax, F.S. Curtis, Gehl Pavers, Heli, Honda, ICS/PowerGrit, IHI, Partner, Imer, Clipper, MMD, Koshin, Rice, CH&E, General Equipment, Amida, Coleman, NAC, Gradall, Square Shooter, Kent, Stanley, Tamco, Toku, Hatz, Kohler, Robin, Wisconsin, Northrock, Oztec, Toker TK, Rol-Air, APT, Wylie, Ingersoll Rand / Doosan, Innovatech, Con X, Ammann, Mecalac, Makinex, Smith Surface Prep, Small Line, Wanco, Yanmar