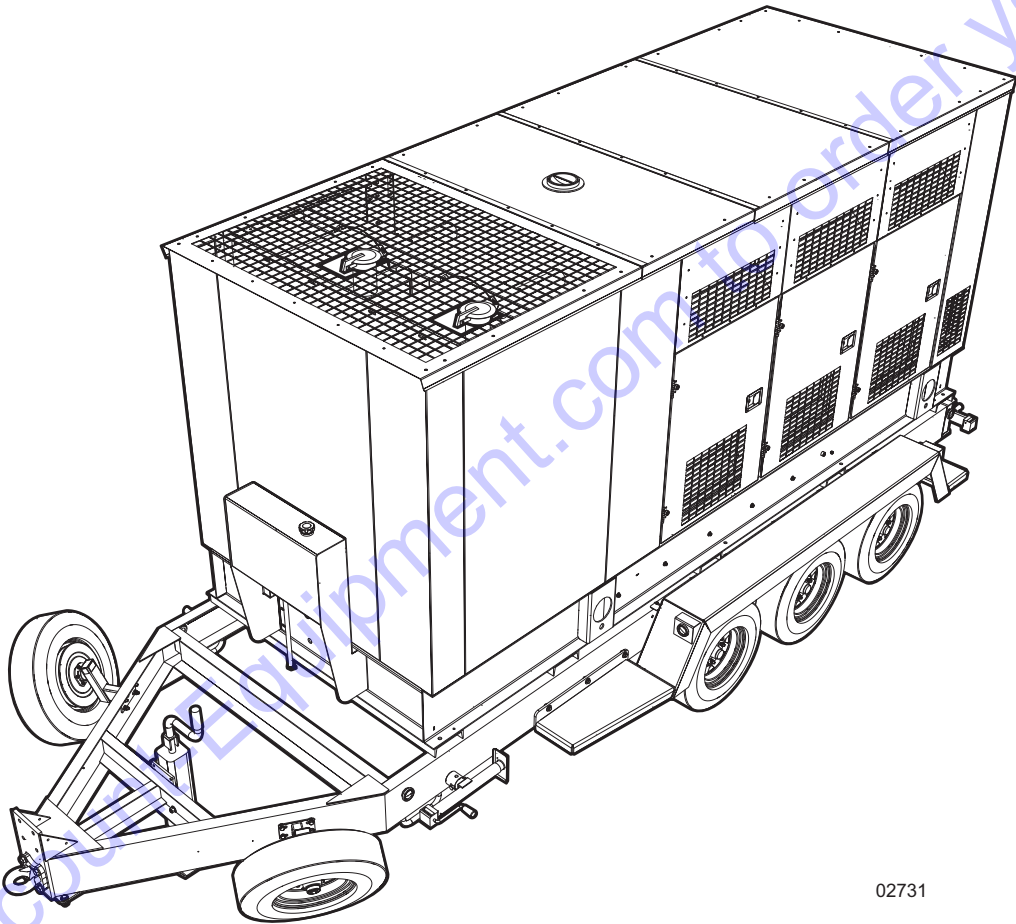


MGG280N2

Gaseous Generator Parts Manual



02731

MODEL NUMBER: _____

SERIAL NUMBER: _____

DATE PURCHASED: _____



www.discount-equipment.com

SAVE THIS MANUAL FOR FUTURE REFERENCE

PARTS FINDER

**Search Website
by Part Number**



**Search Manual
Library For Parts
Manual & Lookup Part
Numbers – Purchase
or Request Quote**

Search Manuals

Enter your information to help us find the right parts manual for your machine.

* Brand:

* Model:

* Serial:

* Part Number:

SEARCH

**Can't Find Part or
Manual? Request Help
by Manufacturer,
Model & Description**

Parts Order Form

Please fill in the following information to help us find the right part for your machine.

Manufacturer:	<input type="text"/>
Model:	<input type="text"/>
Description:	<input type="text"/>
Part Number:	<input type="text"/>
Quantity:	<input type="text"/>
Notes:	<input type="text"/>

Discount-Equipment.com is your online resource for quality parts & equipment.

Florida: **561-964-4949** Outside Florida TOLL FREE: **877-690-3101**

Need parts?

Click on this link: <http://www.discount-equipment.com/category/5443-parts/> and choose one of the options to help get the right parts and equipment you are looking for. Please have the machine model and serial number available in order to help us get you the correct parts. If you don't find the part on the website or on one of the online manuals, please fill out the request form and one of our experienced staff members will get back to you with a quote for the right part that your machine needs.

We sell worldwide for the brands: Genie, Terex, JLG, MultiQuip, Mikasa, Essick, Whiteman, Mayco, Toro Stone, Diamond Products, Generac Magnum, Airman, Haulotte, Barreto, Power Blanket, Nifty Lift, Atlas Copco, Chicago Pneumatic, Allmand, Miller Curber, Skyjack, Lull, Skytrak, Tsurumi, Husquvarna Target, Stow, Wacker, Sakai, Mi-T-M, Sullair, Basic, Dynapac, MBW, Weber, Bartell, Bennar Newman, Haulotte, Ditch Runner, Menegotti, Morrison, Contec, Buddy, Crown, Edco, Wyco, Bomag, Laymor, EZ Trench, Bil-Jax, F.S. Curtis, Gehl Pavers, Heli, Honda, ICS/PowerGrit, IHI, Partner, Imer, Clipper, MMD, Koshin, Rice, CH&E, General Equipment, Amida, Coleman, NAC, Gradall, Square Shooter, Kent, Stanley, Tamco, Toku, Hatz, Kohler, Robin, Wisconsin, Northrock, Oztec, Toker TK, Rol-Air, APT, Wylie, Ingersoll Rand / Doosan, Innovatech, Con X, Ammann, Mecalac, Makinex, Smith Surface Prep, Small Line, Wanco, Yanmar

 **WARNING**

CANCER AND REPRODUCTIVE HARM

www.P65Warnings.ca.gov.

(000393a)

 **WARNING**

Breathing diesel engine exhaust exposes you to chemicals known to the State of California to cause cancer and birth defects or other reproductive harm.

- Always start and operate the engine in a well-ventilated area.
- If in an enclosed area, vent the exhaust to the outside.
- Do not modify or tamper with the exhaust system.
- Do not idle the engine except as necessary.

For more information go to

www.P65Warnings.ca.gov/diesel.

(000394)

Introduction

This parts manual was prepared based on the information available at the time of publication and is subject to change without notice. Generac Mobile Products reserves the right to change parts at any time. To check whether a revised parts manual is available, contact Generac Mobile Products.

DO NOT MODIFY or use this equipment for any application other than which it was designed for. To keep your equipment fully operational, it is suggested you maintain a stock of commonly used maintenance or service parts. A recommended spare parts list can be found in the back of this manual.



⚠ WARNING

Consult Manual. Read and understand manual completely before using product. Failure to completely understand manual and product could result in death or serious injury. (000100a)

⚠ WARNING

Environmental Hazard. Always recycle batteries at an official recycling center in accordance with all local laws and regulations. Failure to do so could result in environmental damage, death or serious injury. (000228)

Engine Make: _____

Engine Serial Number: _____

Engine Model Number: _____

Table of Contents

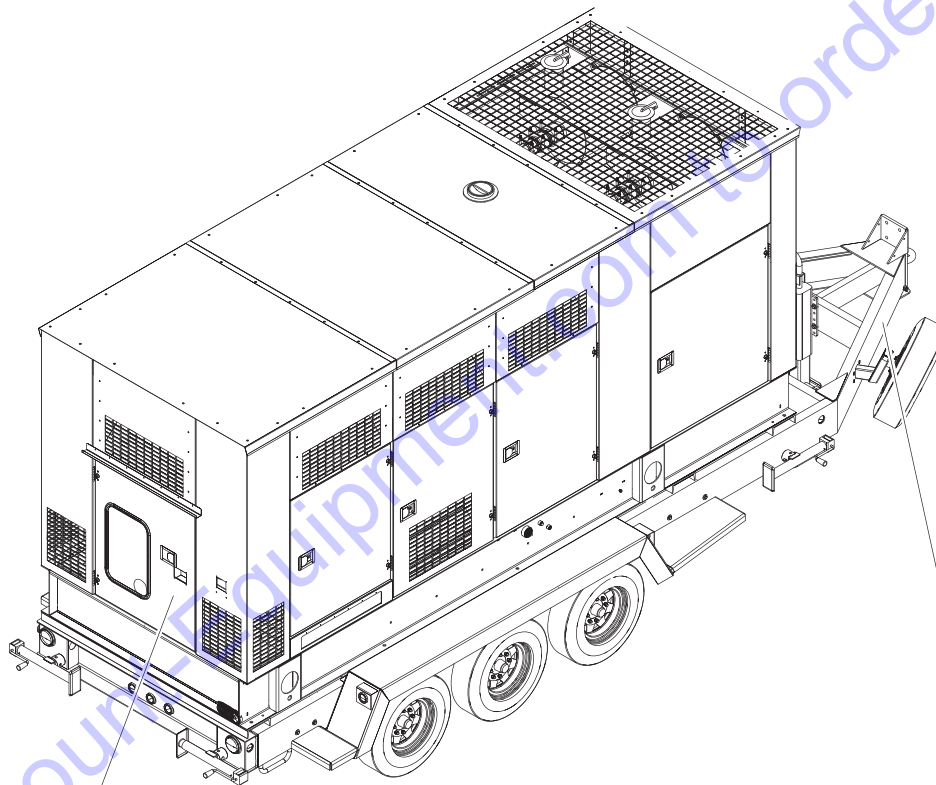
Introduction	iii
Parts Manual Instructions	1
Unit Decals - Exterior	2
Unit Decals - Left Side Interior	4
Enclosure Panels	10
Roof and Doors to Unit	12
Upper and Rear Panels to Unit	14
Left Side Door and Upper Panel Assembly	16
Enclosure Door Assembly	18
Right Door Assembly	20
Right Center Door Assembly	22
Control Door Assembly	24
Roof Assembly	26
Power Panel Door Assembly	28
Front Panel and Corner Assembly	30
Left and Right Panel Assembly	32
Front Center Panel Assembly	34
Front Left Panel Assembly	36
Front Corner Panel Assembly	38
Front Riser Panel Assembly	40
Rear Corner and Upper Panel Assembly	42
Control and Power Boxes to Unit	44
Control Box Assembly	46
Control Panel Assembly	48
Sub-panel Assembly	50
Power Panel Box Assembly	52
Power Panel and Lug Assembly	54
Air Filter Assembly	56
Exhaust System Assembly	58
Cooling System Assembly	60
Cooling System Hoses	62
Fuel System Assembly	64
Vaporizer Assembly	66
Oil Tank Assembly	68
Engine and Generator Assembly	70
Trailer and Skid Assembly	72
Recommended Spare Parts - Engine and Service Kits	74
Recommended Spare Parts - Electrical and Trailer	76

Parts Manual Instructions

Product illustrations are only representations. Products supplied may vary from the illustrations in this parts manual. Parts not shown in the illustration are indicated by a double dash (--) in the item column.

Please be prepared to provide the following information when ordering replacement parts: model number, serial number (on unit serial tag), part number, purchase order number (if applicable), shipping address, shipping method.

Refer to the illustration below to locate the unit ID tag and Vehicle Identification Number (VIN) tag on the unit. Important information, such as the unit serial number, model number, VIN and tire loading information are found on these tags. Record the information from these tags so it is available if the tags are lost or damaged. When ordering parts or requesting assistance, you may be asked to provide this information.



Unit ID Tag

Manufactured by Generac Mobile Products LLC

0000004442 0000000000

Quantity of Cycles	Model	Serial Number
Manufacturing Date	Weight (kg/lb)	MPA Frequency
1 ph. 1.0PF	2 ph. 0PF	3 ph. 1.0PF
KW		Rating
KVA		
V		
A		

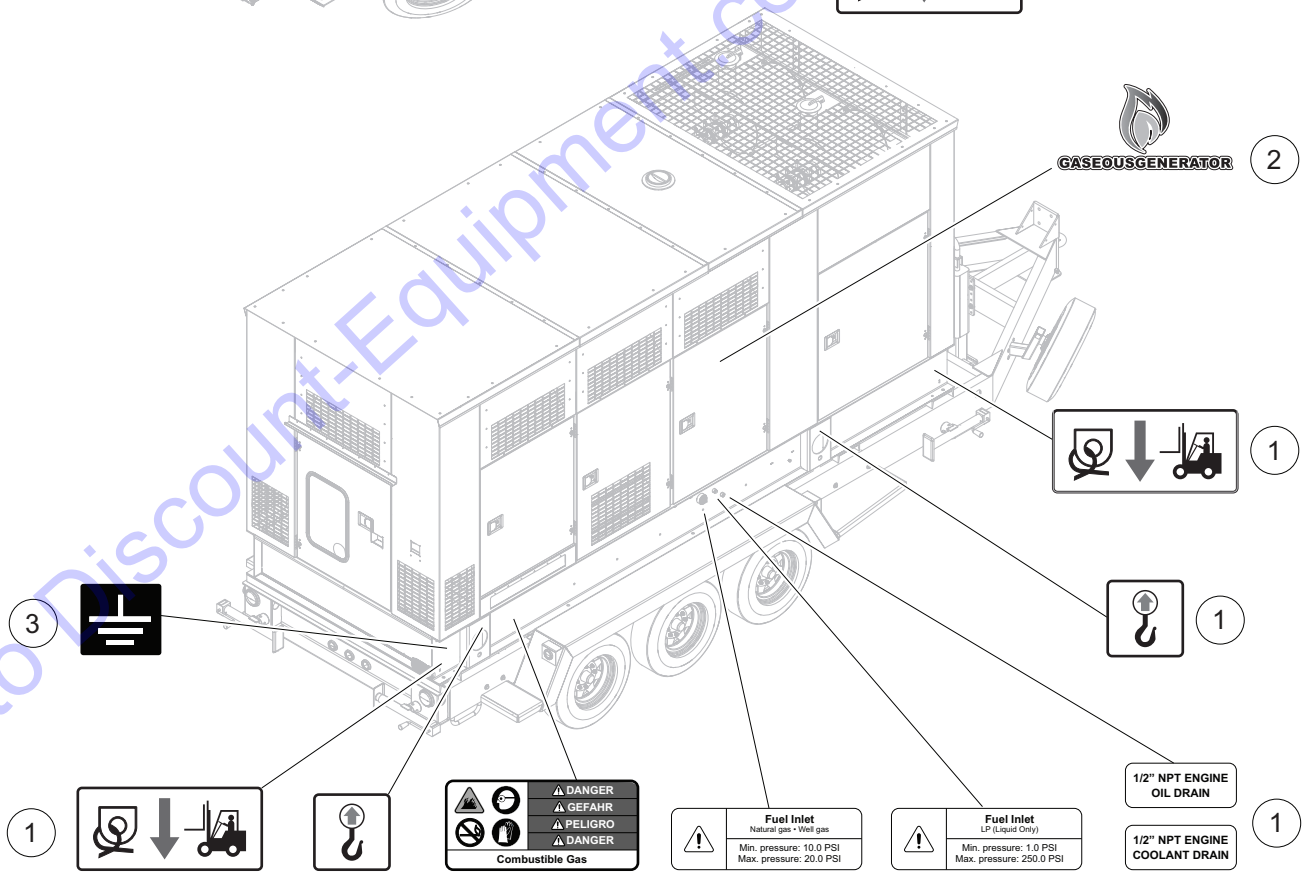
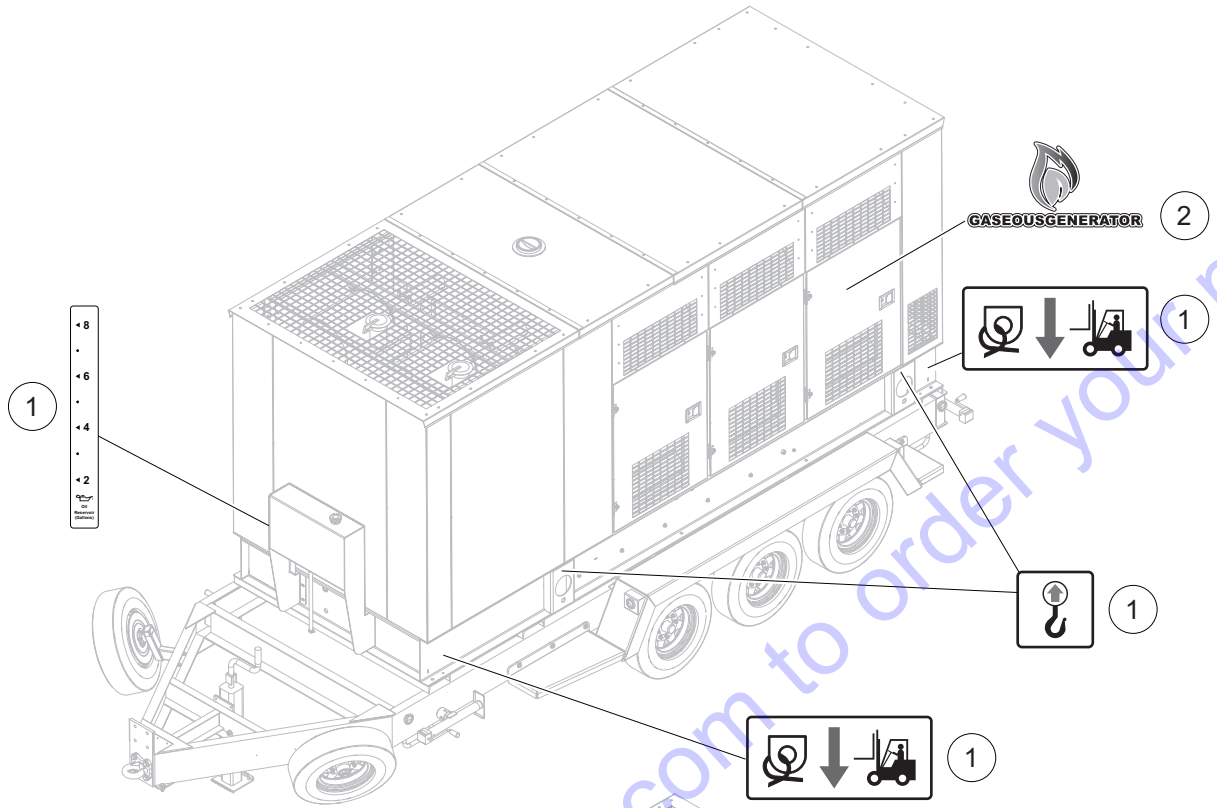
02/10/2018

VIN Tag

MANUFACTURED BY (FRANCOISE) FRN: Generac Mobile Products LLC	DATE: 00/0000	TIRE AND LOADING INFORMATION RENSEIGNEMENTS SUR LES PNEUS ET LE CHARGEMENT The weight of cargo should never exceed (500KG/1100LBS) or 20% of the GVW. Le poids de chargement ne doit jamais dépasser (500KG/1100LBS) ou 20% du GVW.
GOVERNMENT: 00000 (00000000)	COLD RET. PRESS. PSI: 35	
GAWR 17000LBS	TIRE / PNEU: R4M / JANITE	RECOMMENDED WEIGHT FOR CARRYING POIDS RECOMMANDÉ POUR LE CHARGEMENT MODEL: XX0000 TYPE: TRAILER
GVW 17000LBS	CONF. A PRODU: 44P4P5L4P5C1SCL1DUAL	
VIN: 00000000000000000000		

02730

UNIT DECALS - EXTERIOR



- 1
- 1
- 1
- 1
- 1
- 1
- 1

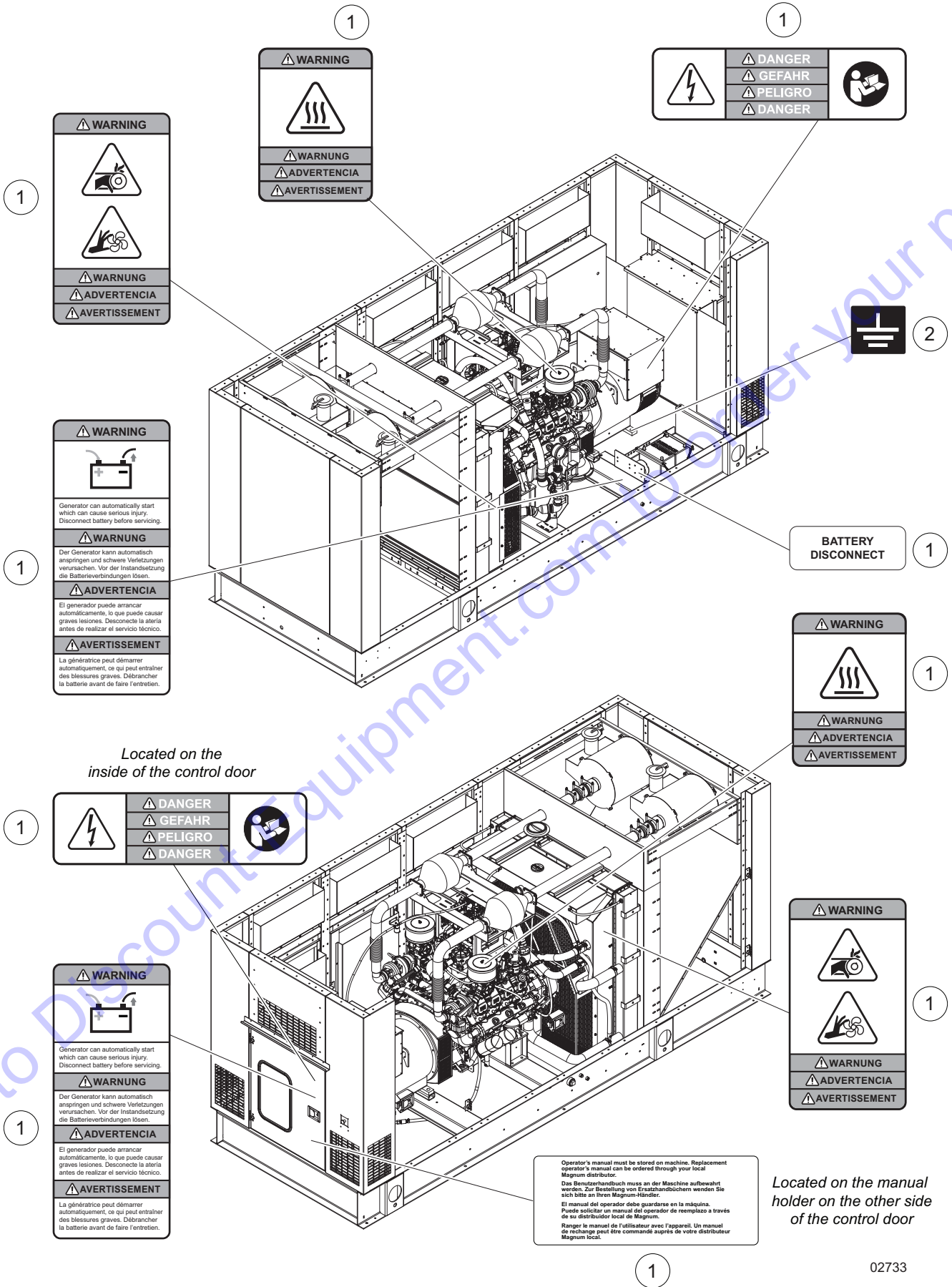
02732

UNIT DECALS - EXTERIOR

Item	Part No.	Qty	Description	Notes
1	38450	1	Decal set, safety	
2	34784	2	Decal, gaseous generator	
3	12142	1	Decal, ground	

Go to Discount-Equipment.com to order your parts

UNIT DECALS - LEFT SIDE INTERIOR



UNIT DECALS - LEFT SIDE INTERIOR

Item	Part No.	Qty	Description	Notes
1	38450	1	Decal set, safety	
2	12142	1	Decal, ground	

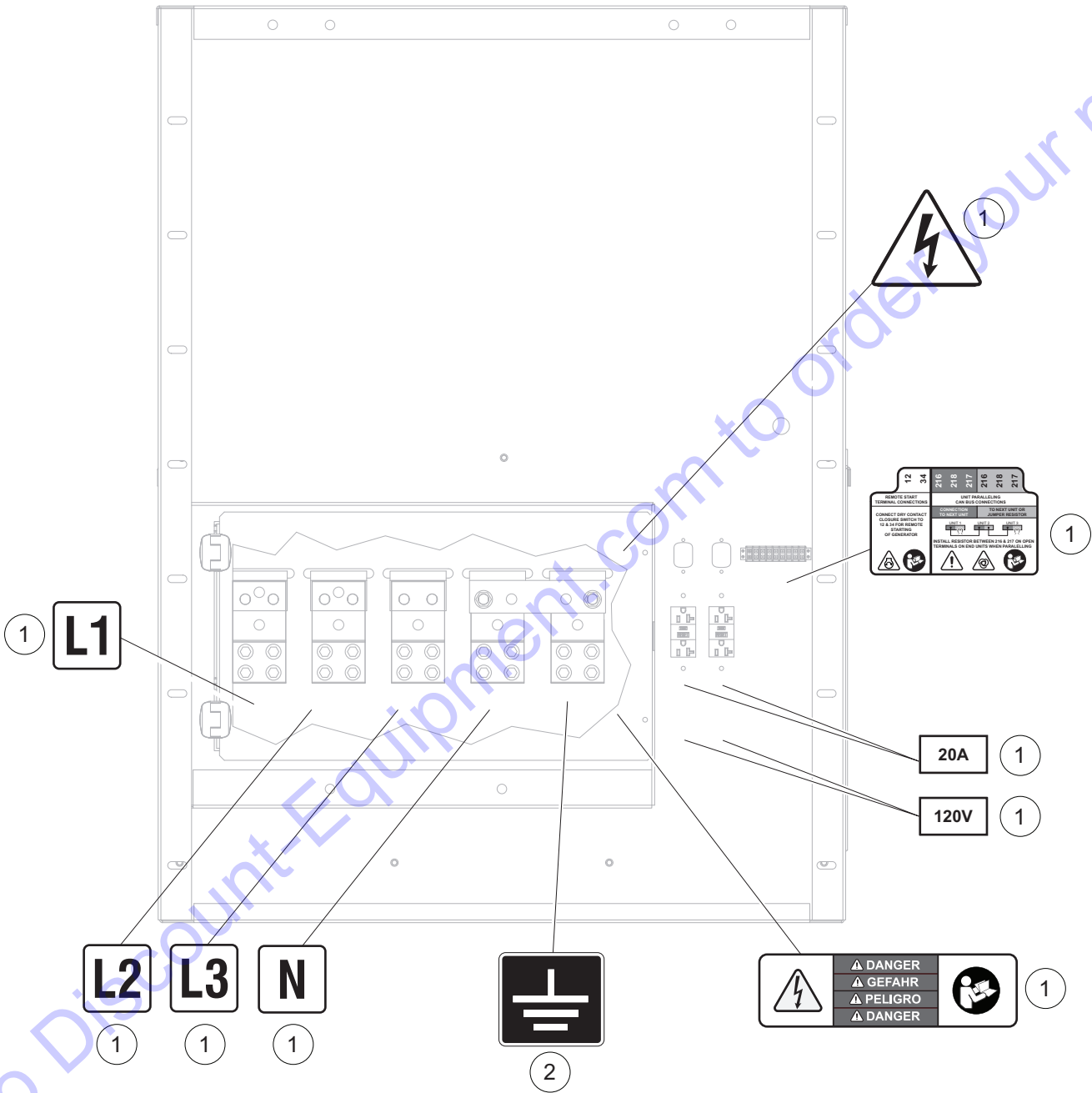
Go to Discount-Equipment.com to order your parts

UNIT DECALS - CONTROL PANEL

Item	Part No.	Qty	Description	Notes
1	38450	1	Decal set, safety	
2	37600	1	Decal, maintenance	

Go to Discount-Equipment.com to order your parts

UNIT DECALS - POWER PANEL



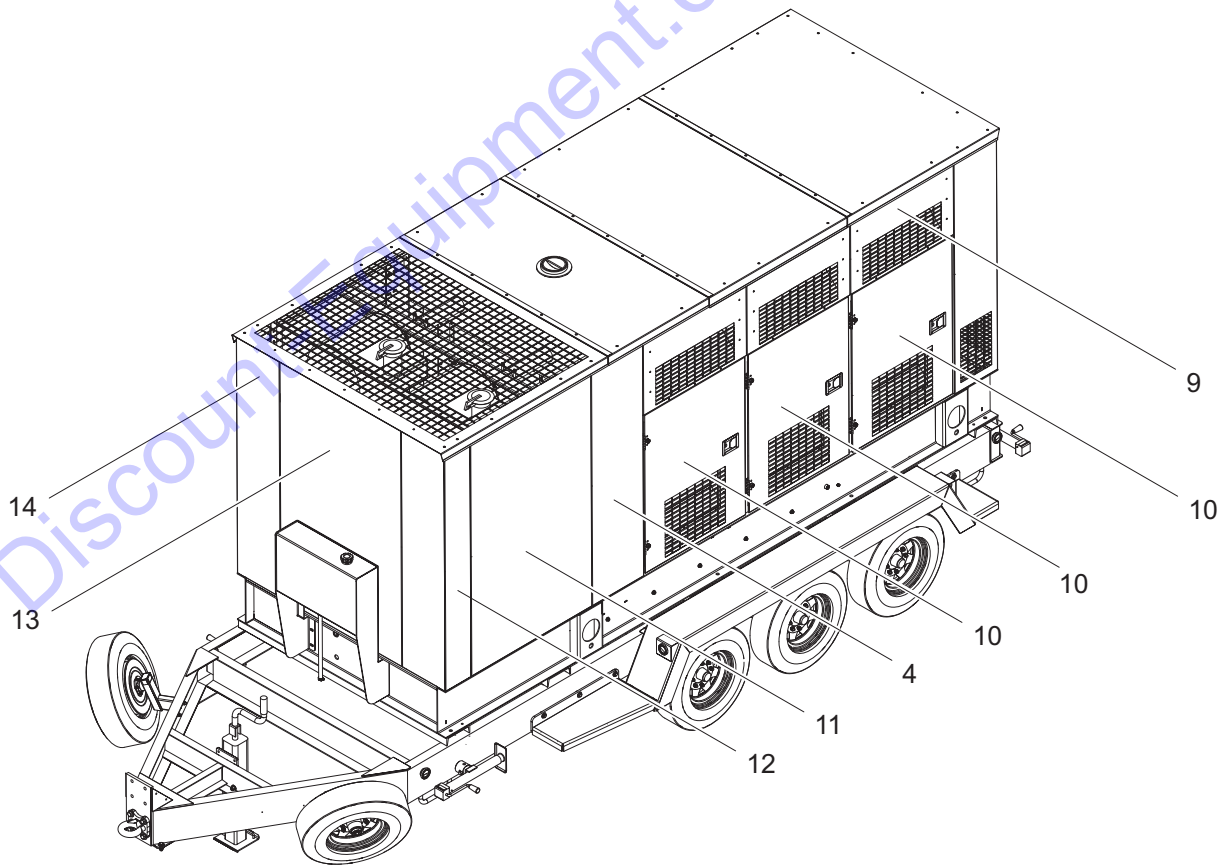
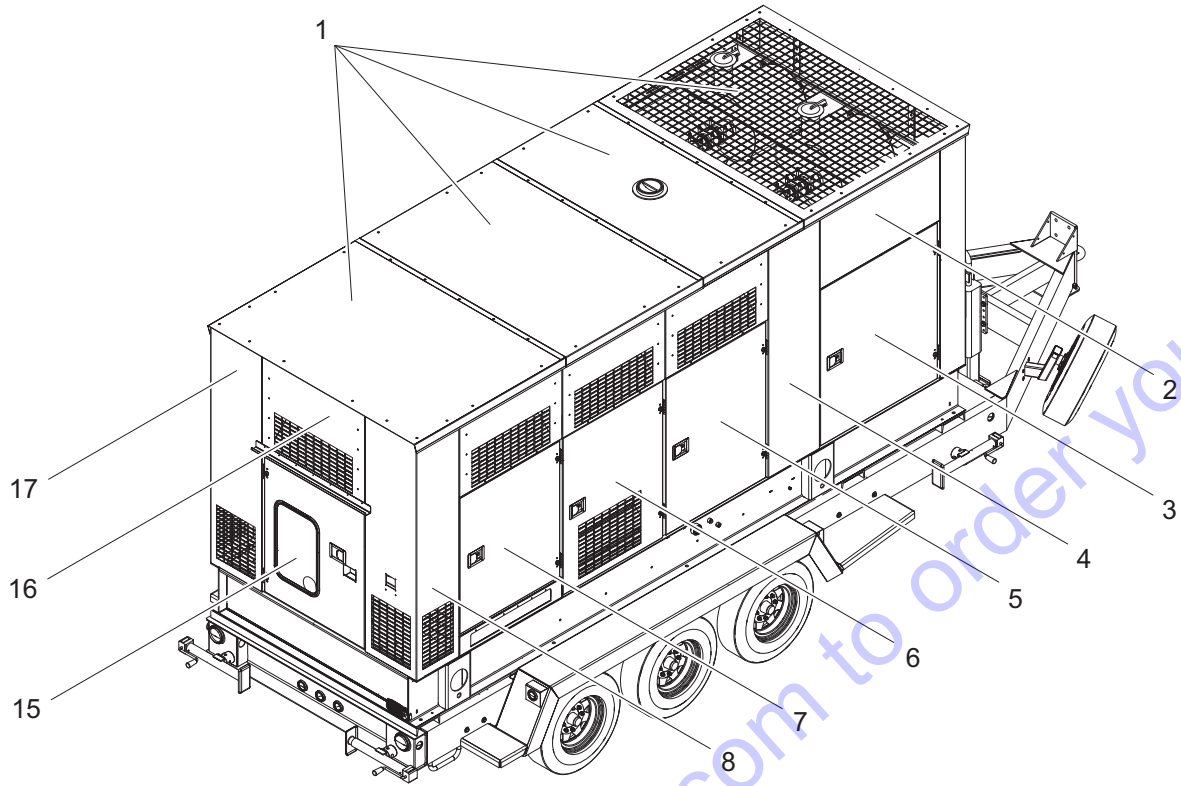
01799

UNIT DECALS - POWER PANEL

Item	Part No.	Qty	Description	Notes
1	38450	1	Decal set, safety	
2	12142	1	Decal, ground	

Go to Discount-Equipment.com to order your parts

ENCLOSURE PANELS

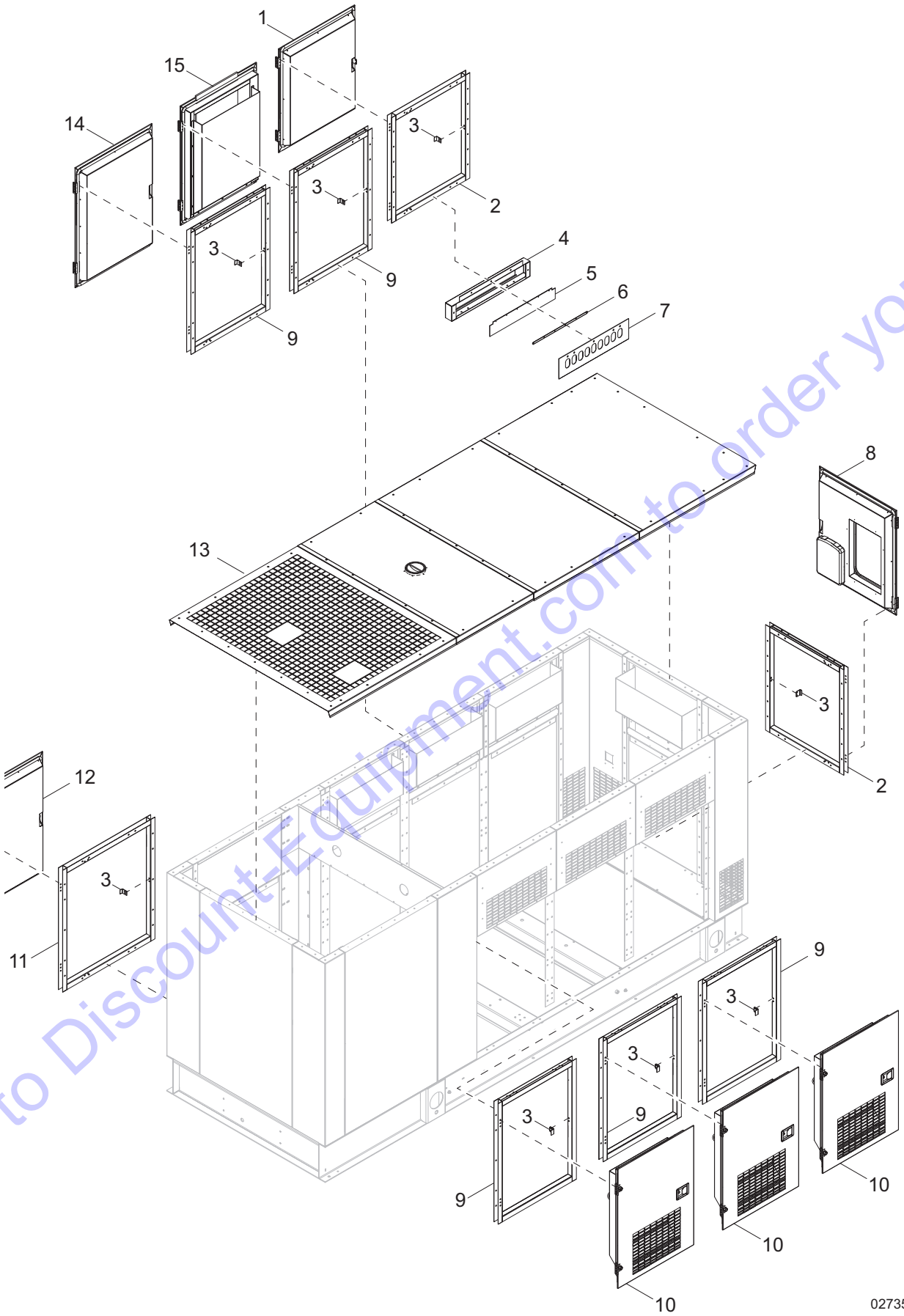


02734

ENCLOSURE PANELS

Item	Part No.	Qty	Description	Notes
1	Page 26	1	Roof Assembly	
2	Page 40	1	Front Riser Panel Assembly	
3	Page 18	1	Enclosure Door Assembly	
4	Page 32	2	Left and Right Panel Assembly	
5	Page 20	1	Right Door Assembly	
6	Page 22	1	Right Center Door Assembly	
7	Page 28	1	Power Panel Door Assembly	
8	Page 42	1	Rear Corner Assembly	
9	Page 16	6	Upper Panel Assembly	
10	Page 16	3	Left Side Door Assembly	
11	Page 36	1	Front Left Panel Assembly	
12	Page 38	1	Front Corner Panel Assembly	
13	Page 34	1	Front Center Panel Assembly	
14	Page 38	1	Front Corner Panel Assembly	
15	Page 24	1	Control Door Assembly	
16	Page 42	1	Rear Upper Panel Assembly	
17	Page 42	1	Rear Corner Assembly	

ROOF AND DOORS TO UNIT

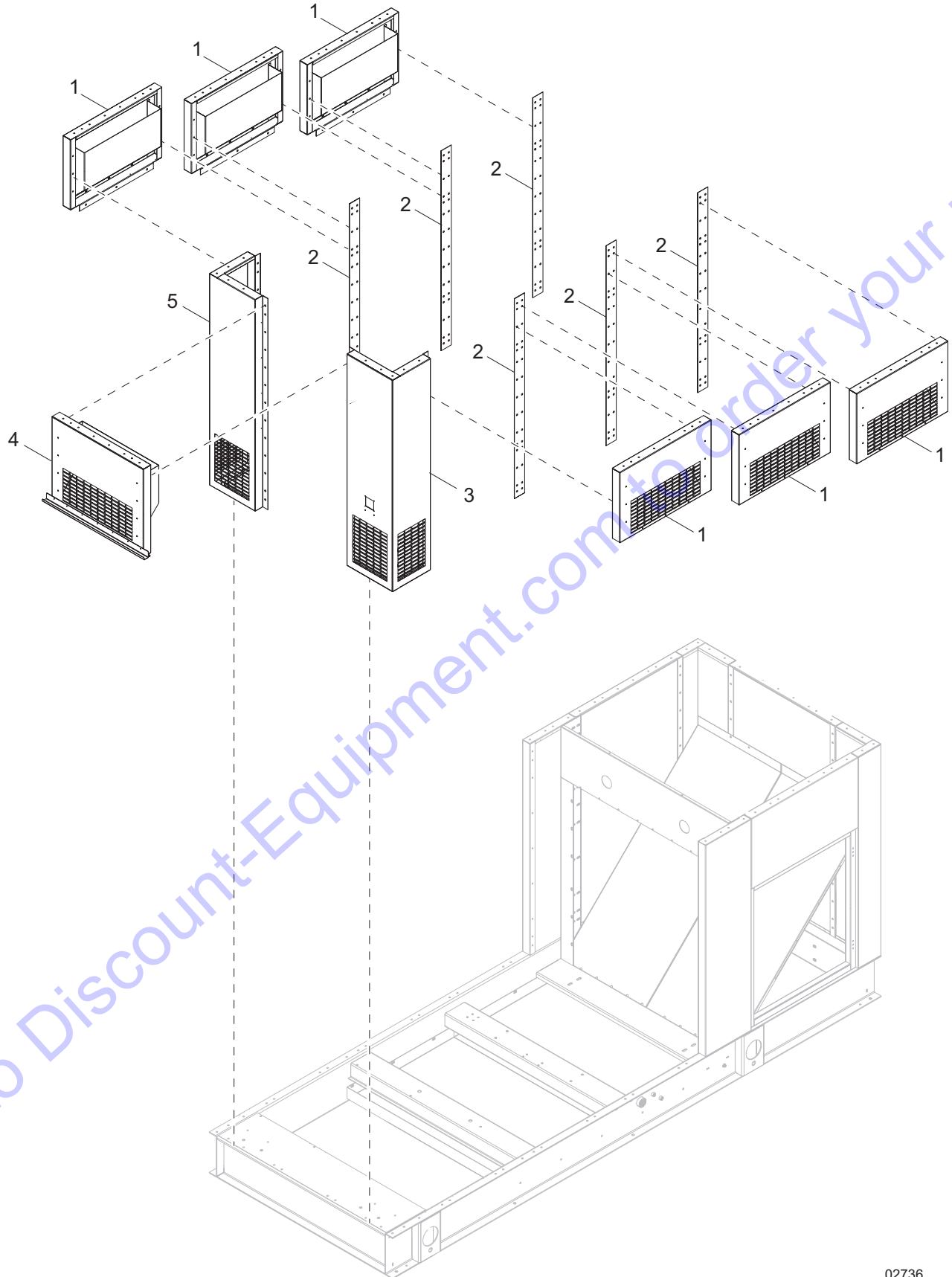


02735

ROOF AND DOORS TO UNIT

Item	Part No.	Qty	Description	Notes
1	Page 28	1	Assembly, power panel door	
2	EN3003A28W6B	2	Frame, control/power panel door	
3	HB6058A15L2B	8	Striker, door latch	
4	EN2000A04W6B	1	Panel, riser w/cable access	
5	38846	1	Weatherstrip, cable entry - EPDM	
6	EN8000A08	1	Mounting strip, weatherstrip	
7	EN8035G04	1	Guard, finger - Glastic	
8	Page 24	1	Assembly, control door	
9	EN3003A53W6B	5	Frame, left and right door	
10	Page 16	3	Assembly, left side door	
11	EH0440A04W6B	1	Frame, enclosure door	
12	Page 18	1	Assembly, enclosure door	
13	Page 26	1	Assembly, roof	
14	Page 20	1	Assembly, right door	
15	Page 22	1	Assembly, right center door	

UPPER AND REAR PANELS TO UNIT



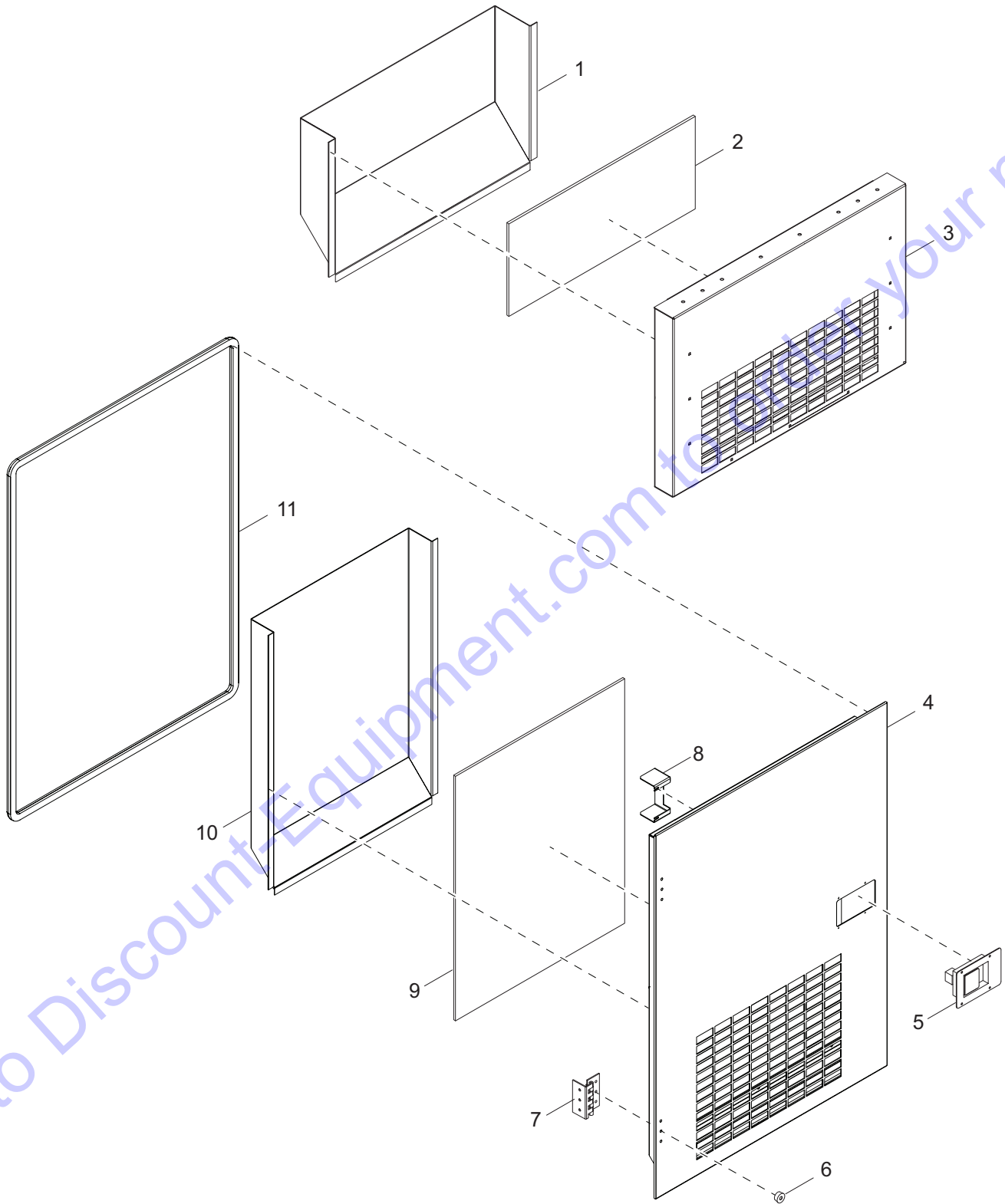
02736

UPPER AND REAR PANELS TO UNIT

Item	Part No.	Qty	Description	Notes
1	Page 16	6	Assembly, upper panel	
2	EN8000A21	6	Flat, door 72.00	
3	Page 42	1	Assembly, rear corner - right	
4	Page 42	1	Assembly, upper rear - top	
5	Page 42	1	Assembly, rear corner - left	

Go to Discount-Equipment.com to order your parts

LEFT SIDE DOOR AND UPPER PANEL ASSEMBLY



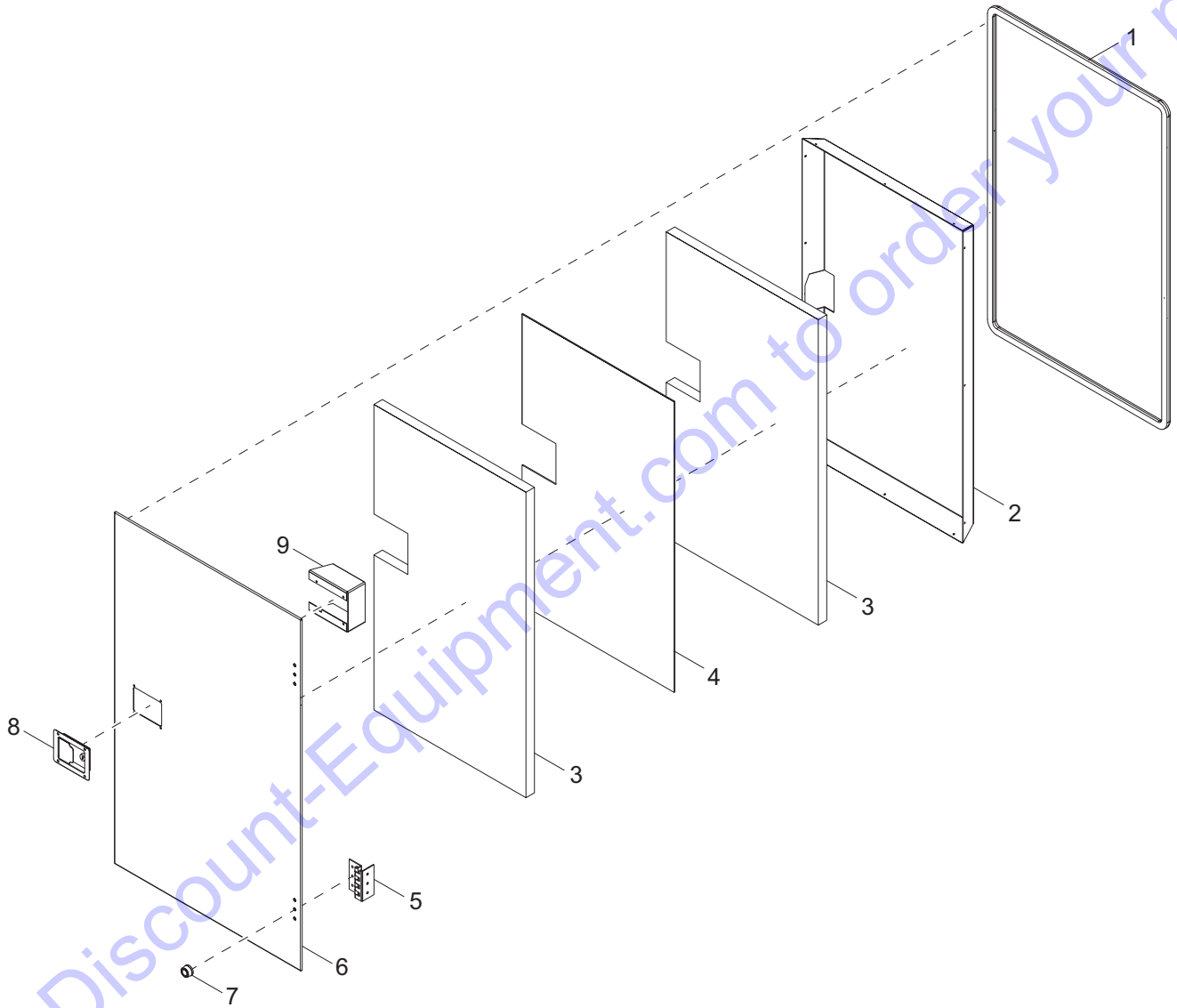
01804

LEFT SIDE DOOR AND UPPER PANEL ASSEMBLY

Item	Part No.	Qty	Description	Notes
1	EN8003A37L2B	1	Duct, upper panel intake	
2	MK1020A00	1	Insulation, acoustic	
3	EN2001A136W6B	1	Panel, upper panel	
4	EN3003A134W6B	1	Door, vented - internal duct, left	
5	HB2402A29	1	Handle, recess - lock, keyed	
6	RM1093A03	2	Bumper, door - rubber	
7	HW2409A20	2	Hinge, door, SS	
8	EN3003A135	1	Guard, pad latch	
9	MK1011A107	1	Foam, polydamp	
10	EN8003A32L2B	1	Duct, door intake	
11	36003	1	Weatherstrip, .83 x .76	

Go to Discount-Equipment.com to order your parts

ENCLOSURE DOOR ASSEMBLY



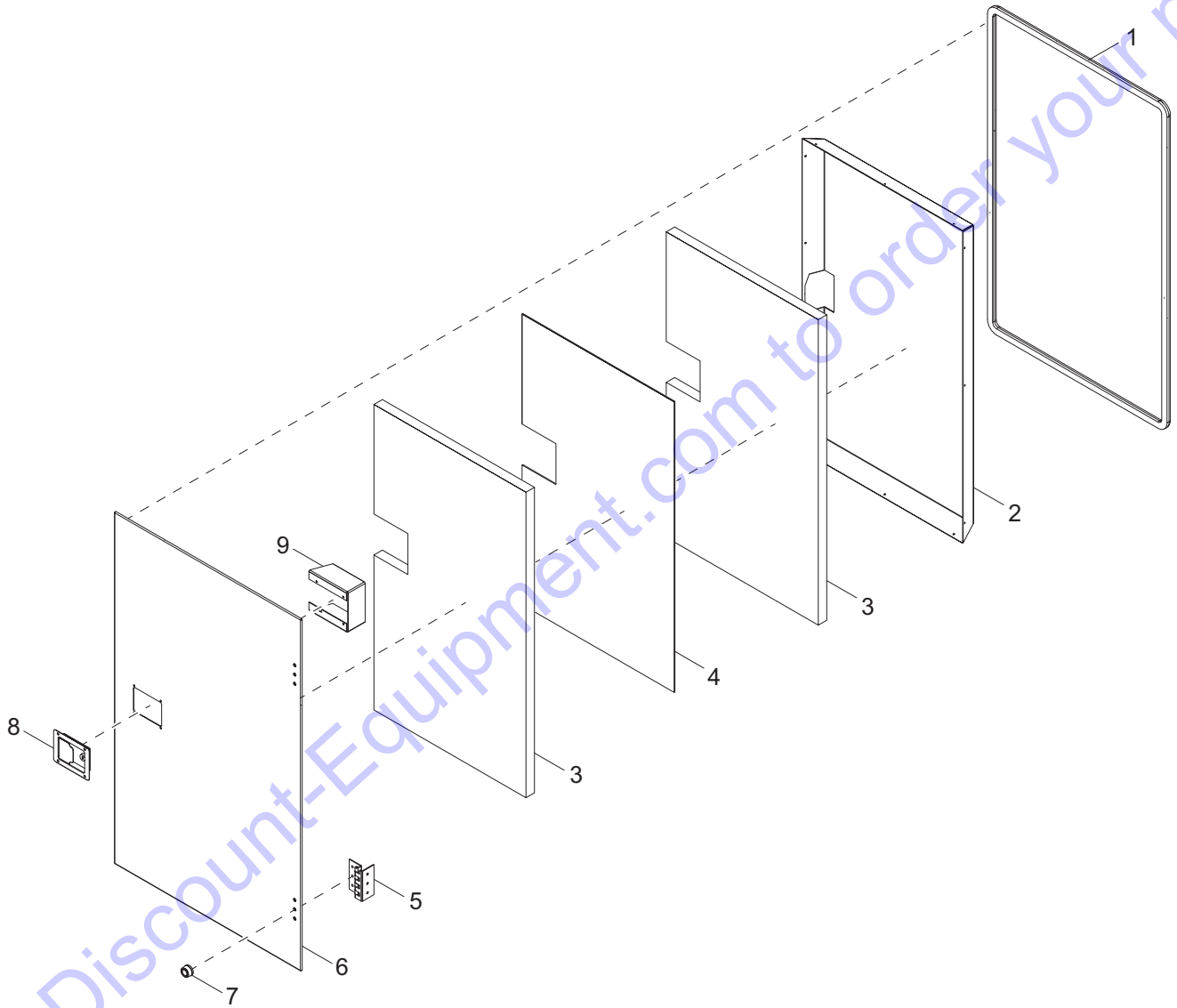
02737

ENCLOSURE DOOR ASSEMBLY

Item	Part No.	Qty	Description	Notes
1	36003	1	Weatherstrip, .830 x .760	
2	EN3023A04	1	Door, inner solid 30.0 x 48.0	
3	MK1020A00	2	Insulation, acoustic	
4	MK1021A00	1	Barrier, barium-sulfate, 1 lb	
5	HW2409A29	2	Hinge, door - weldnut, SS	
6	EN3021A04W6B	1	Door, outer solid 30.0 x 48.0	
7	RM1093A03	2	Bumper, door - rubber	
8	HB2402A29	1	Handle, recess lock, SS	
9	HB6058A16	1	Guard, pad latch	

Go to Discount-Equipment.com to order your parts

RIGHT DOOR ASSEMBLY



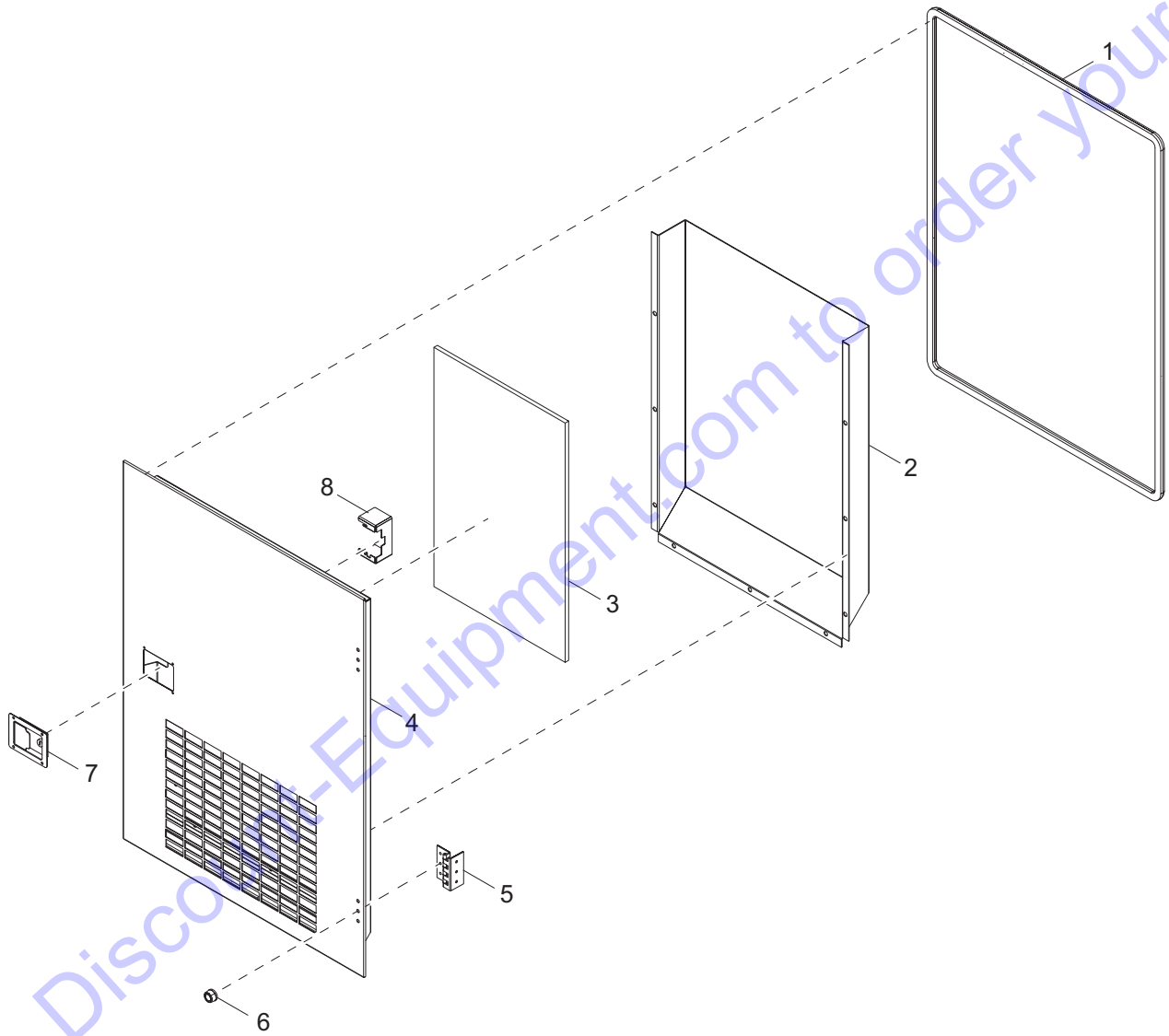
02738

RIGHT DOOR ASSEMBLY

Item	Part No.	Qty	Description	Notes
1	36003	1	Weatherstrip, .830 x .760	
2	EN3023A05	1	Door, inner solid 30.0 x 48.0	
3	MK1020A00	2	Insulation, acoustic	
4	MK1021A00	1	Barrier, barium-sulfate, 1 lb	
5	HW2409A29	2	Hinge, door - weldnut, SS	
6	EN3021A05W6B	1	Door, outer solid 30.0 x 48.0	
7	RM1093A03	2	Bumper, door - rubber	
8	HB2402A29	1	Handle, recess lock, SS	
9	HB6058A16	1	Guard, pad latch	

Go to Discount-Equipment.com to order your parts

RIGHT CENTER DOOR ASSEMBLY



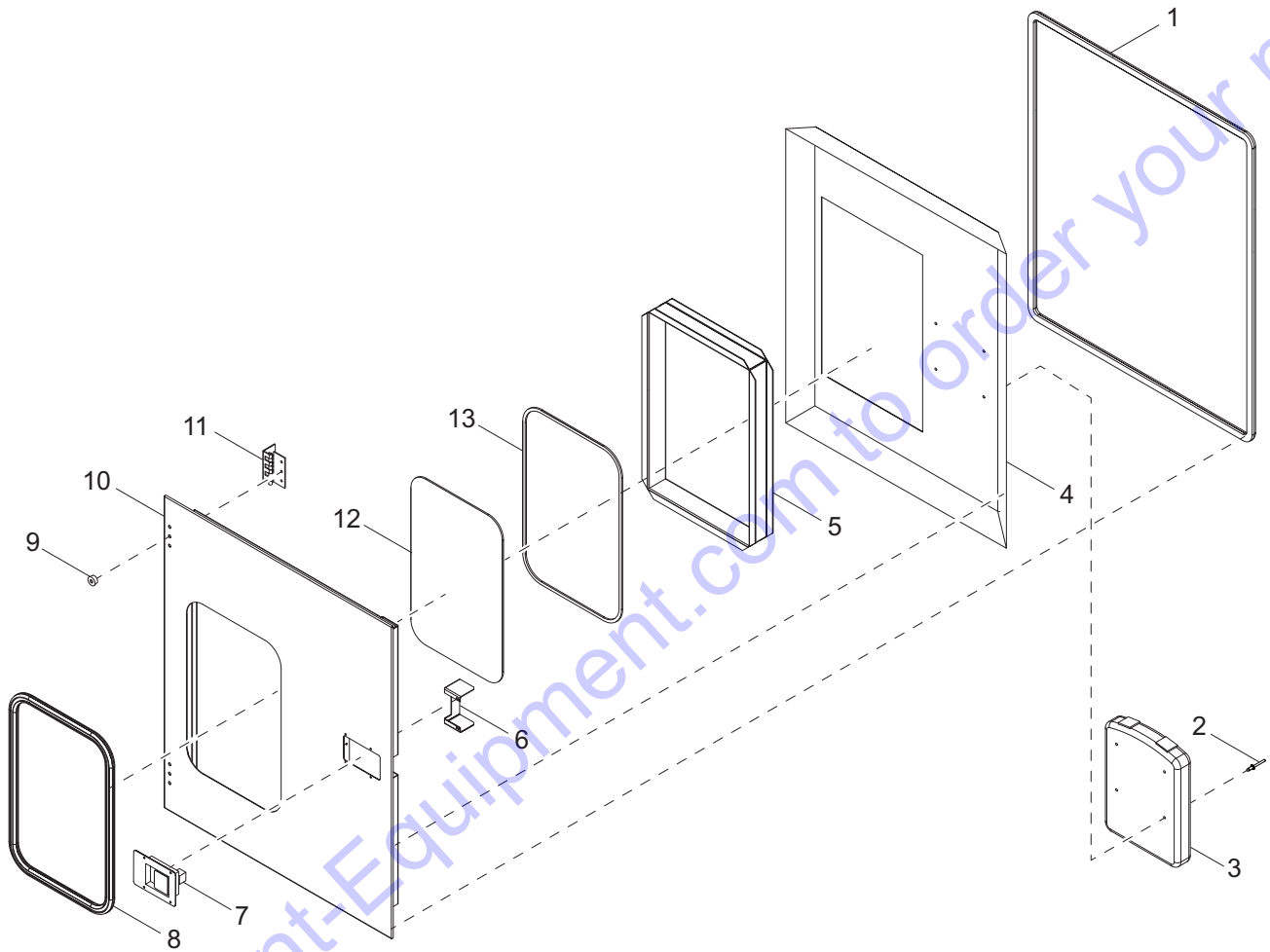
02739

RIGHT CENTER DOOR ASSEMBLY

Item	Part No.	Qty	Description	Notes
1	36003	1	Weatherstrip, .830 x .760	
2	EN8003A32L2B	1	Duct, door intake	
3	MK1011A107	1	Foam, polydamp - 19.0 x 30.0	
4	EN3003A136W6B	1	Door, outer solid 36.0 x 48.0 - right	
5	HW2409A29	2	Hinge, door - weldnut, SS	
6	RM1093A03	2	Bumper, door - rubber	
7	HB2402A29	1	Handle, recess lock, SS	
8	EN3003A135	1	Guard, pad latch	

Go to Discount-Equipment.com to order your parts

CONTROL DOOR ASSEMBLY



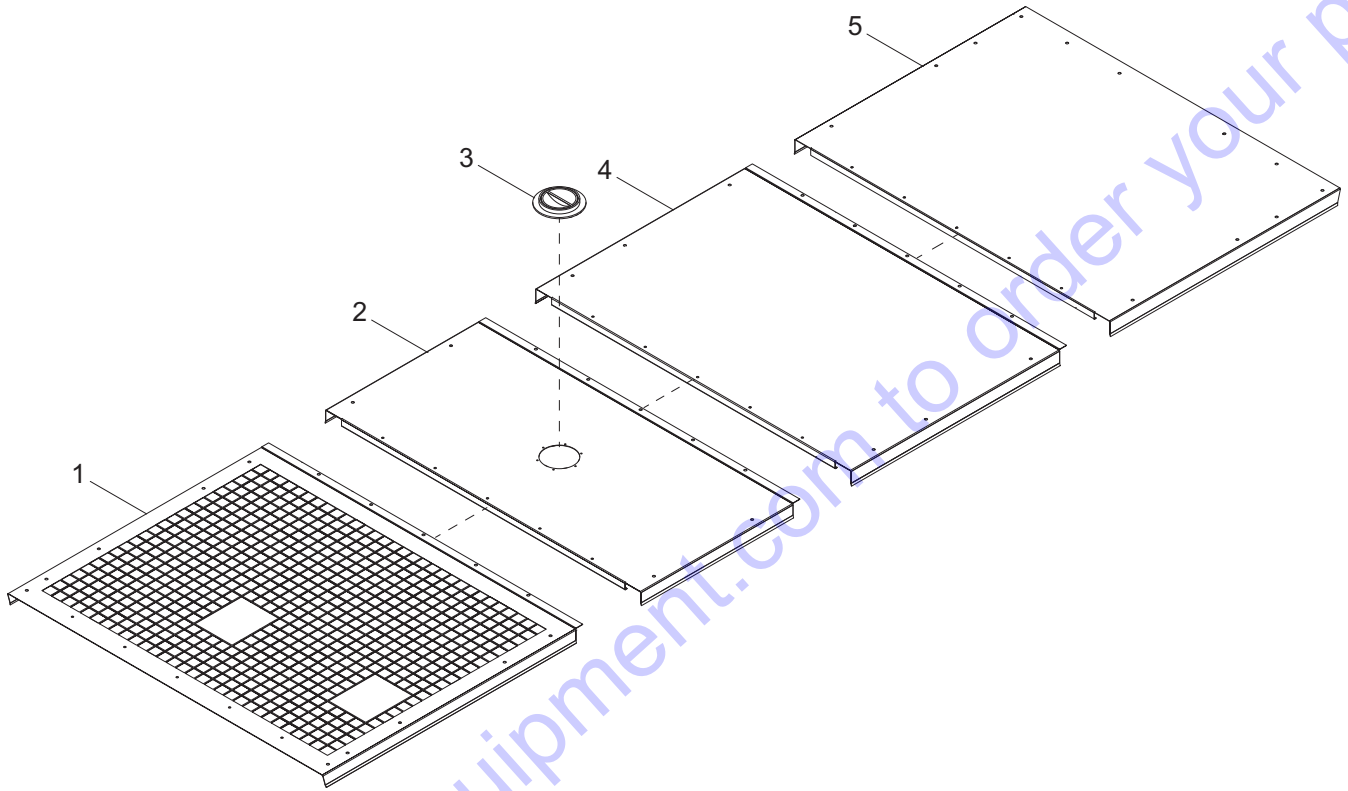
01809

CONTROL DOOR ASSEMBLY

Item	Part No.	Qty	Description	Notes
1	36003	1	Weatherstrip, .83 x .76	
2	HW7101A12	4	Rivet, .188 x .250 to .500 grip	
3	HB6058A16	1	Holder, manual	
4	EN3023A06	1	Door, inner	
5	EN3003A24	2	Trim, window, L-shaped	
6	HB6058A16	1	Guard, pad latch	
7	HB2402A29	1	Handle, recess - lock, keyed	
8	MK1019A03	1	Gasket, locking	
9	RM1093A03	2	Bumper, door - rubber	
10	EN3021A03W6B	1	Door, outer	
11	HW2409A29	2	Hinge, door, SS	
12	AP0001A01	1	Window	
13	MK1019A02	1	Gasket, locking	

Go to Discount-Equipment.com to order your parts

ROOF ASSEMBLY



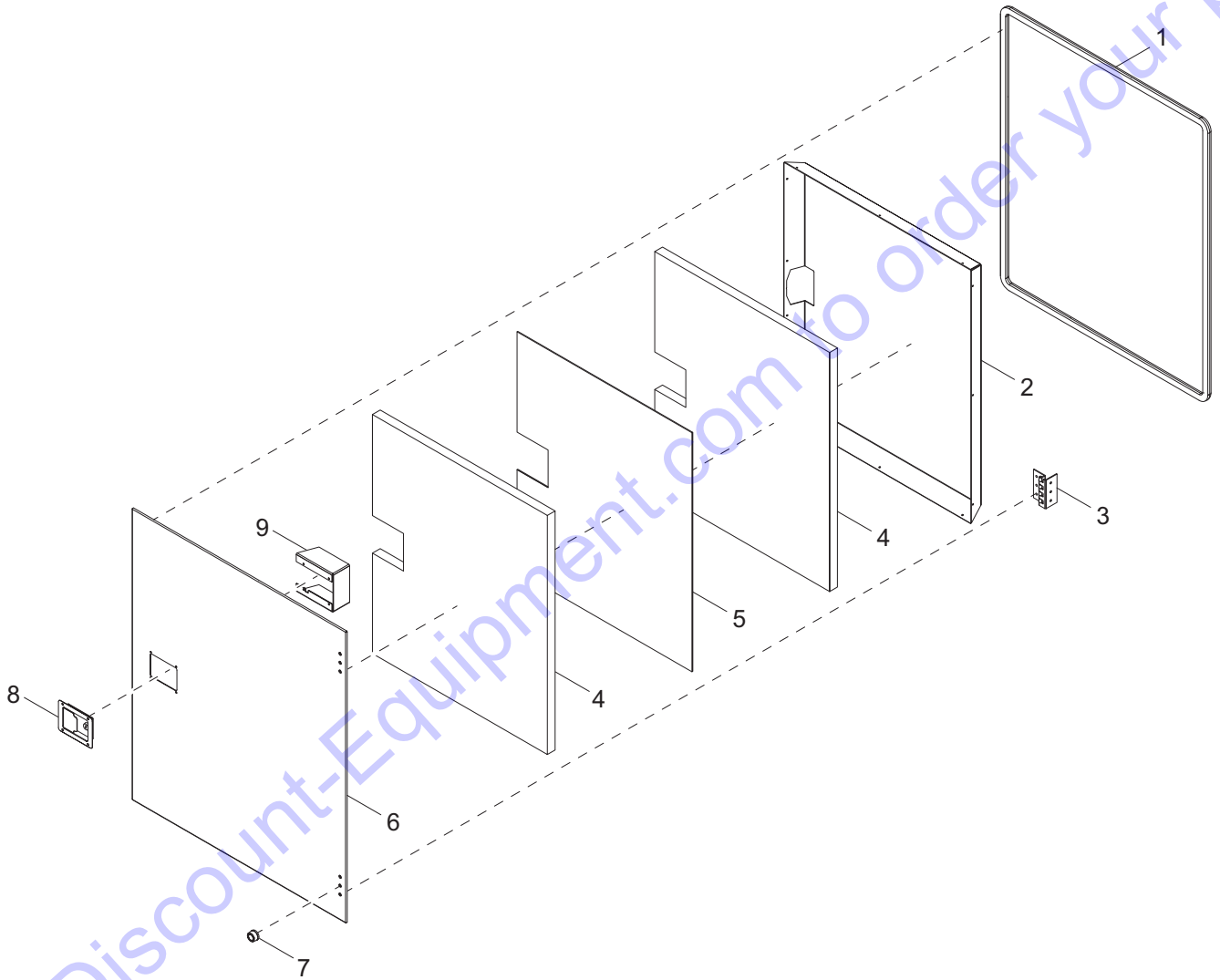
02740

ROOF ASSEMBLY

Item	Part No.	Qty	Description	Notes
1	EN4004A18W6B	1	Panel, roof end dis 59.50 x 72.00	
2	EN4004A19W6B	1	Panel, roof end w/ rad access 36.50 x 72.00	
3	50781	1	Plug, roof hole 6.00 dia	
4	EN4004A17W6B	1	Panel, roof 49.50 x 72.00	
5	EN4004A16W6B	1	Panel, roof end 52.50 x 72.00	

Go to Discount-Equipment.com to order your parts

POWER PANEL DOOR ASSEMBLY



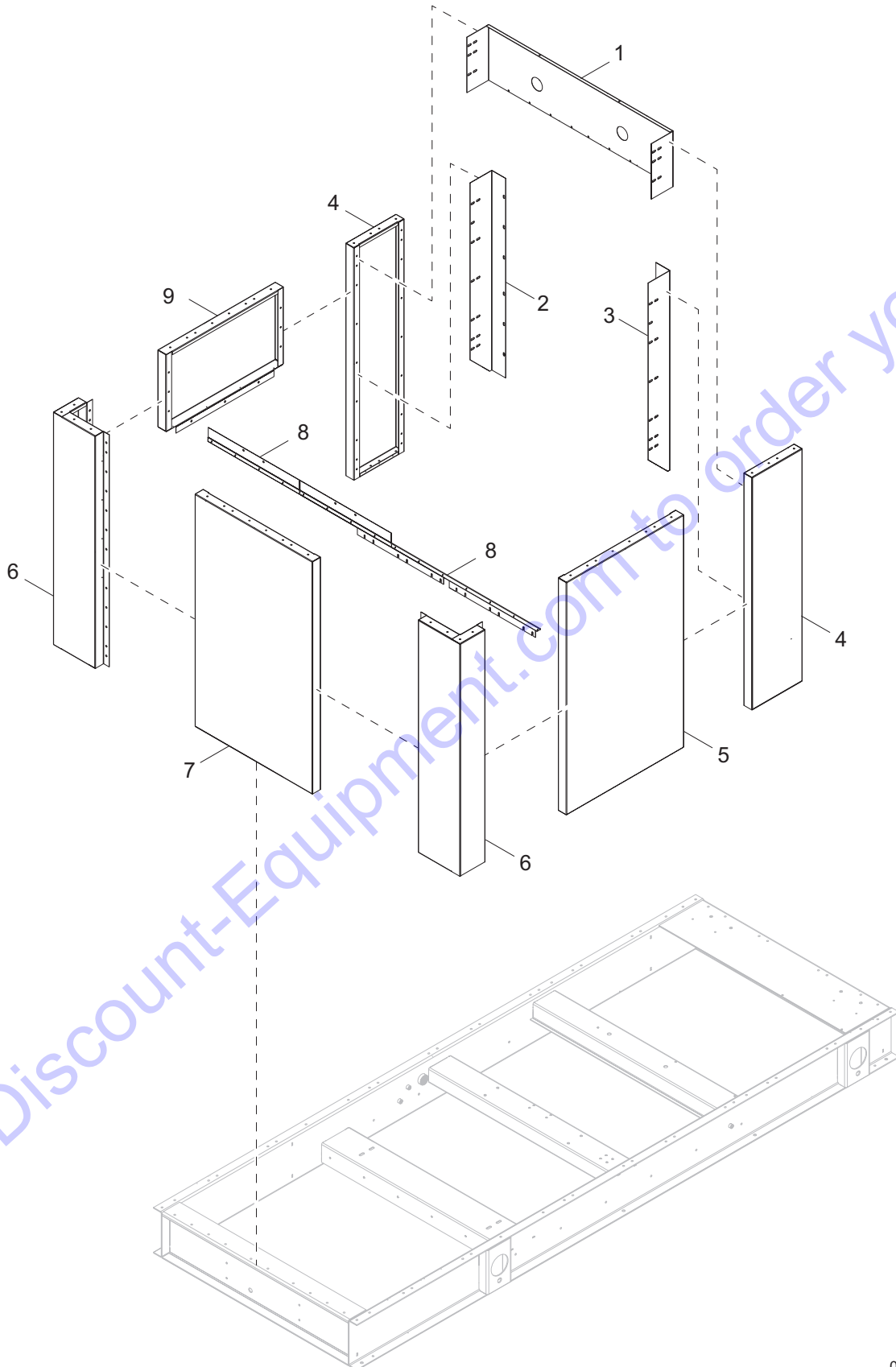
02741

POWER PANEL DOOR ASSEMBLY

Item	Part No.	Qty	Description	Notes
1	MK1010A13	1	Weatherstrip, .830 x .760	
2	EN3023A01	1	Door, inner solid 36.0 x 42.0	
3	HW2409A29	2	Hinge, door - weldnut, SS	
4	MK1020A00	2	Insulation, acoustic	
5	MK1021A00	1	Barrier, barium-sulfate, 1 lb	
6	EN3021A01W6B	1	Door, outer solid 36.0 x 42	
7	RM1093A03	2	Bumper, door - rubber	
8	HB2402A29	1	Handle, recess lock, SS	
9	HB6058A16	1	Guard, pad latch	

Go to Discount-Equipment.com to order your parts

FRONT PANEL AND CORNER ASSEMBLY



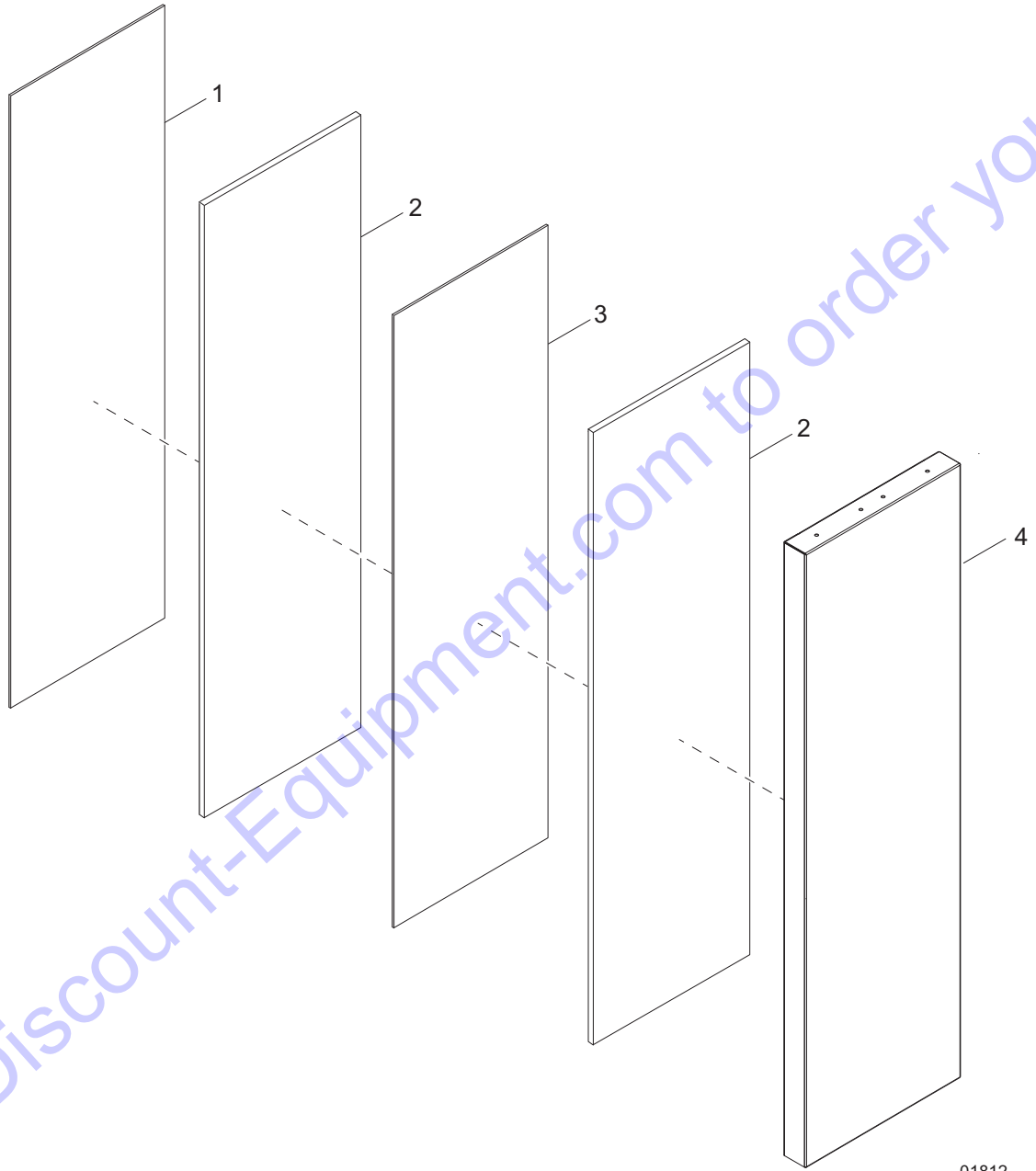
02742

FRONT PANEL AND CORNER ASSEMBLY

Item	Part No.	Qty	Description	Notes
1	EN7020A153W6B	1	Panel, radiator top - w/exhaust	
2	EN7020A151W6B	1	Panel, radiator - right	
3	EN7020A152W6B	1	Panel, radiator - left	
4	Page 32	2	Assembly, left and right panels	
5	Page 36	1	Assembly, front left panel	
6	Page 38	2	Assembly, front corner	
7	Page 34	1	Assembly, front center panel	
8	EN8507G26	2	Panel, DIS - lower	
9	Page 40	1	Assembly, front riser panel	

Go to Discount-Equipment.com to order your parts

LEFT AND RIGHT PANEL ASSEMBLY



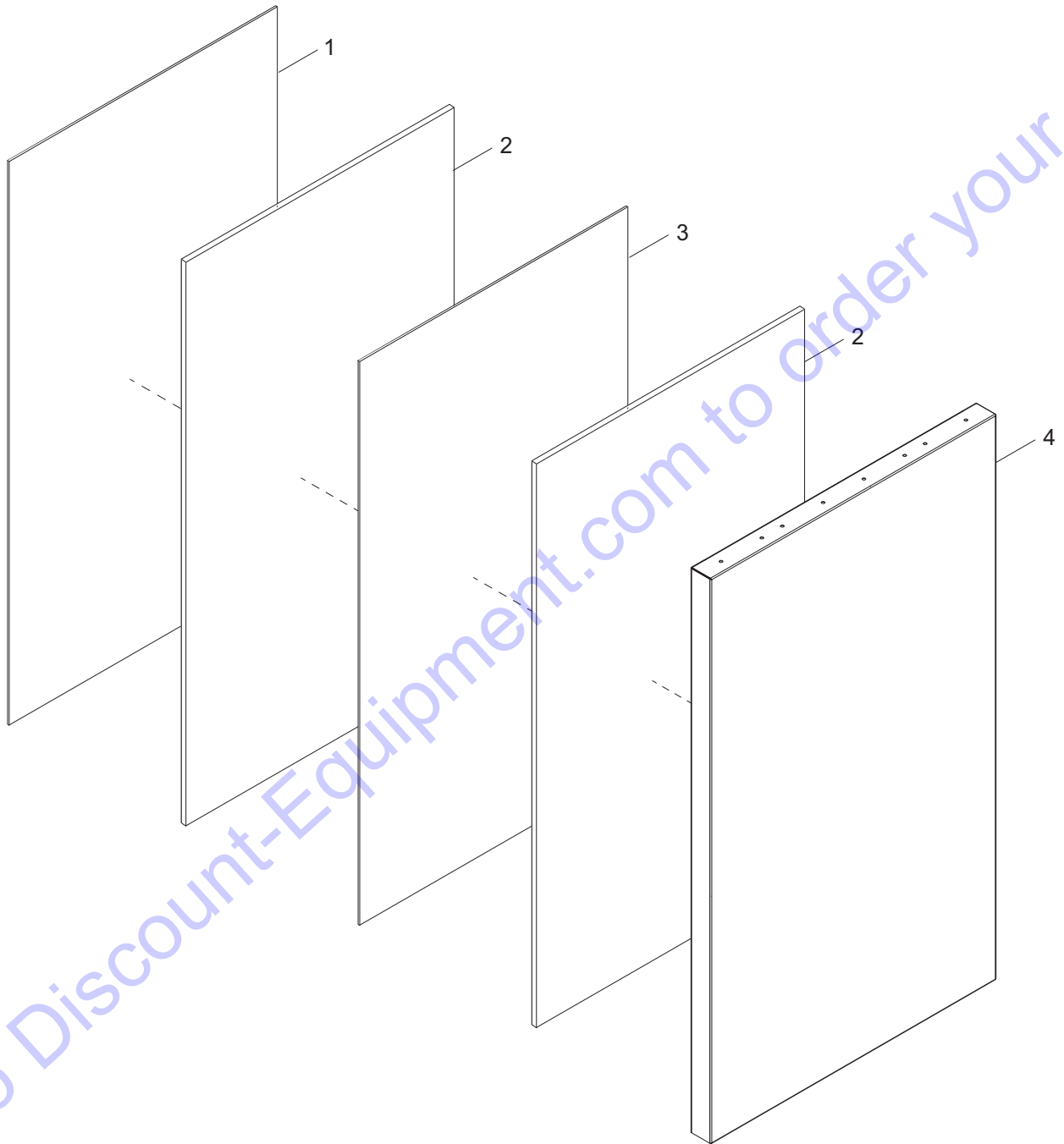
01812

LEFT AND RIGHT PANEL ASSEMBLY

Item	Part No.	Qty	Description	Notes
1	EN8550A49	1	Panel, perf 18.0 x 72.0	
2	MK1020A00	2	Insulation, acoustic	
3	MK1021A00	1	Barrier, barium - sulfate, 1 lb	
4	EN1000A60W6B	1	Panel, solid 21.0 x 72.0	

Go to Discount-Equipment.com to order your parts

FRONT CENTER PANEL ASSEMBLY



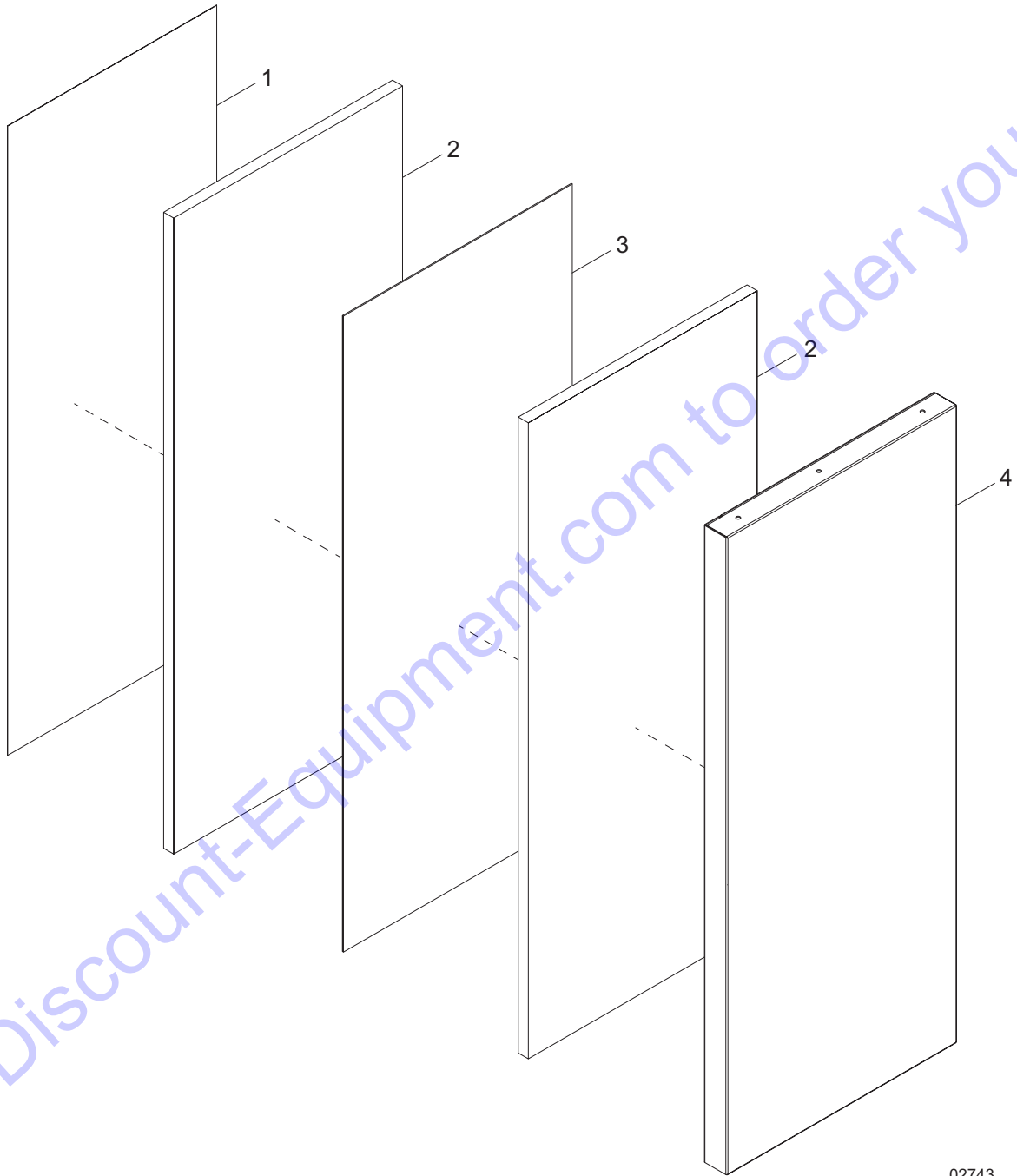
01811

FRONT CENTER PANEL ASSEMBLY

Item	Part No.	Qty	Description	Notes
1	EN8550A14	1	Panel, perf 42.0 x 72.0	
2	MK1020A00	2	Insulation, acoustic	
3	MK1021A00	1	Barrier, barium - sulfate, 1 lb	
4	EN1000A80W6B	1	Panel, solid 42.0 x 72.0	

Go to Discount-Equipment.com to order your parts

FRONT LEFT PANEL ASSEMBLY



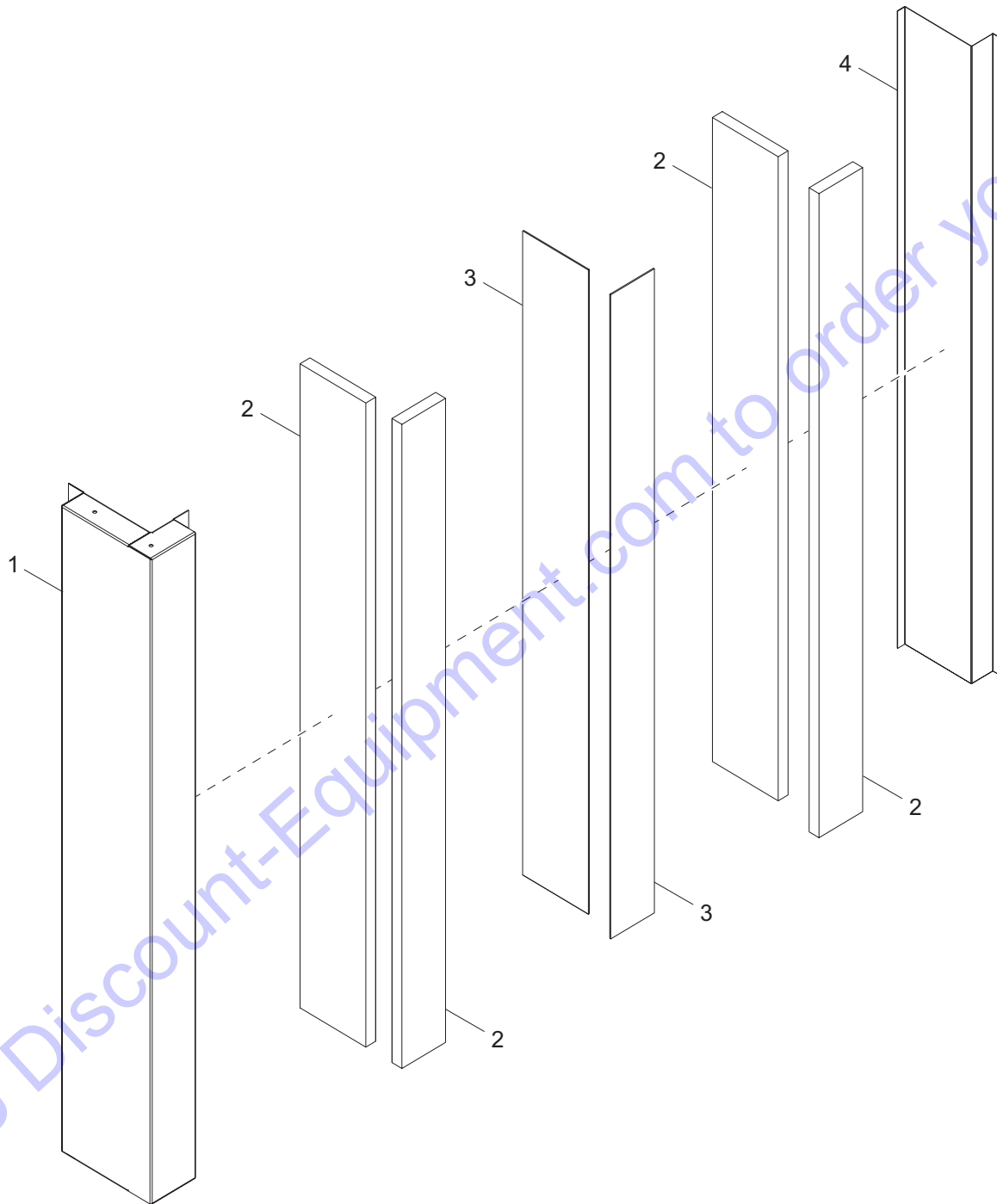
02743

FRONT LEFT PANEL ASSEMBLY

Item	Part No.	Qty	Description	Notes
1	EN8550A14	1	Panel, perf 30x72	
2	MK1020A00	2	Insulation - acoustic	
3	MK1021A00	1	Barrier, barium - sulfate, 1 lb	
4	EN1000A80W6B	1	Panel, solid - 42.0 x72.0	

Go to Discount-Equipment.com to order your parts

FRONT CORNER PANEL ASSEMBLY



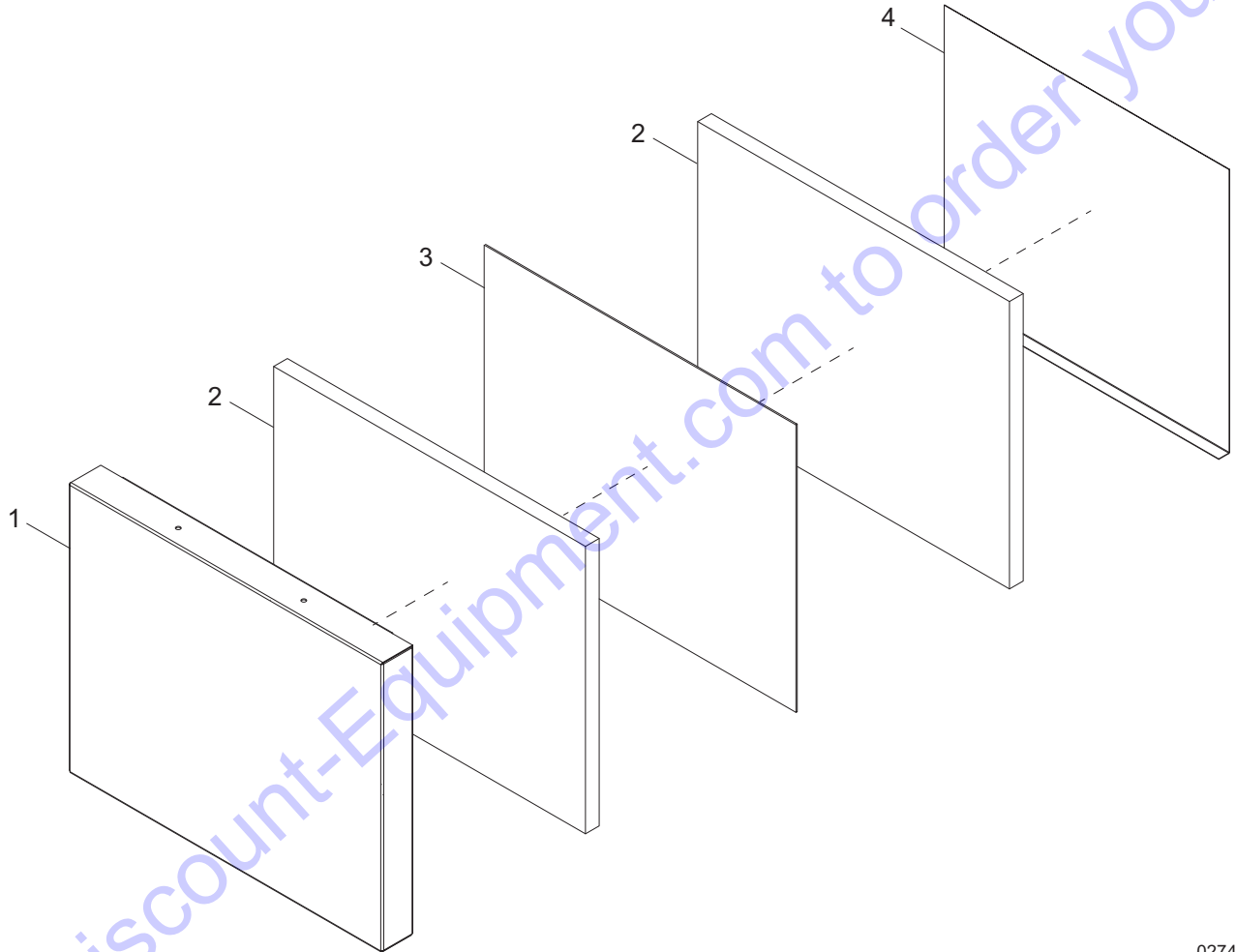
02744

FRONT CORNER PANEL ASSEMBLY

Item	Part No.	Qty	Description	Notes
1	EN9001A02W6B	1	Panel, corner 9.0 x 15.0 x 72.0	
2	MK1020A00	4	Insulation - acoustic	
3	MK1021A00	2	Barrier, barium - sulfate, 1 lb	
4	EN8550A29	1	Panel, perf corner 9.0 x 15.0 x 72.0	

Go to Discount-Equipment.com to order your parts

FRONT RISER PANEL ASSEMBLY



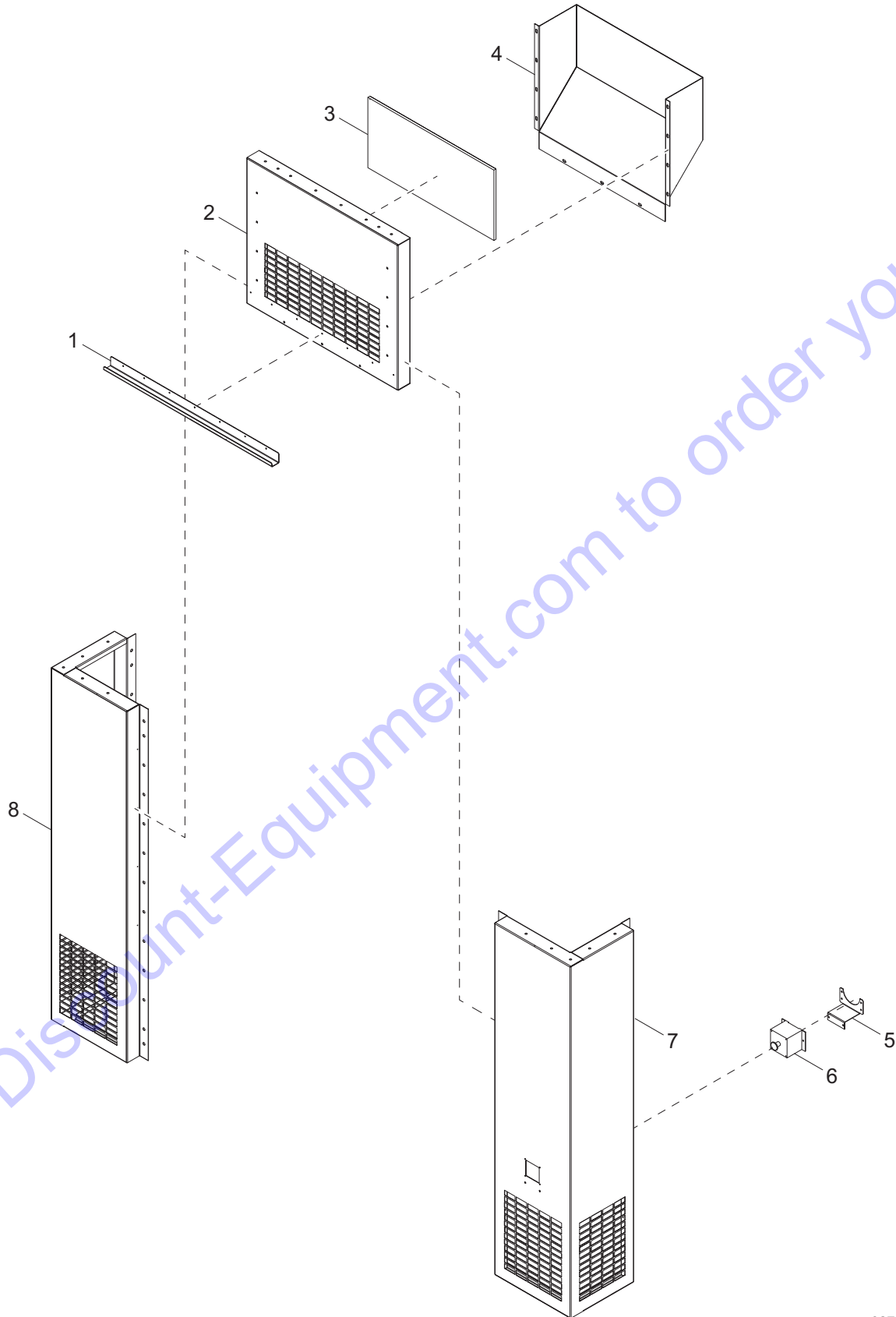
02745

FRONT RISER PANEL ASSEMBLY

Item	Part No.	Qty	Description	Notes
1	EH0593A10W6B	1	Panel, front riser 24.0 x 42.0	
2	MK1020A00	2	Insulation, acoustic	
3	MK1021A00	1	Barrier, barium. - sulfate, 1 lb	
4	EN8550A11	1	Panel, perf front riser	

Go to Discount-Equipment.com to order your parts

REAR CORNER AND UPPER PANEL ASSEMBLY



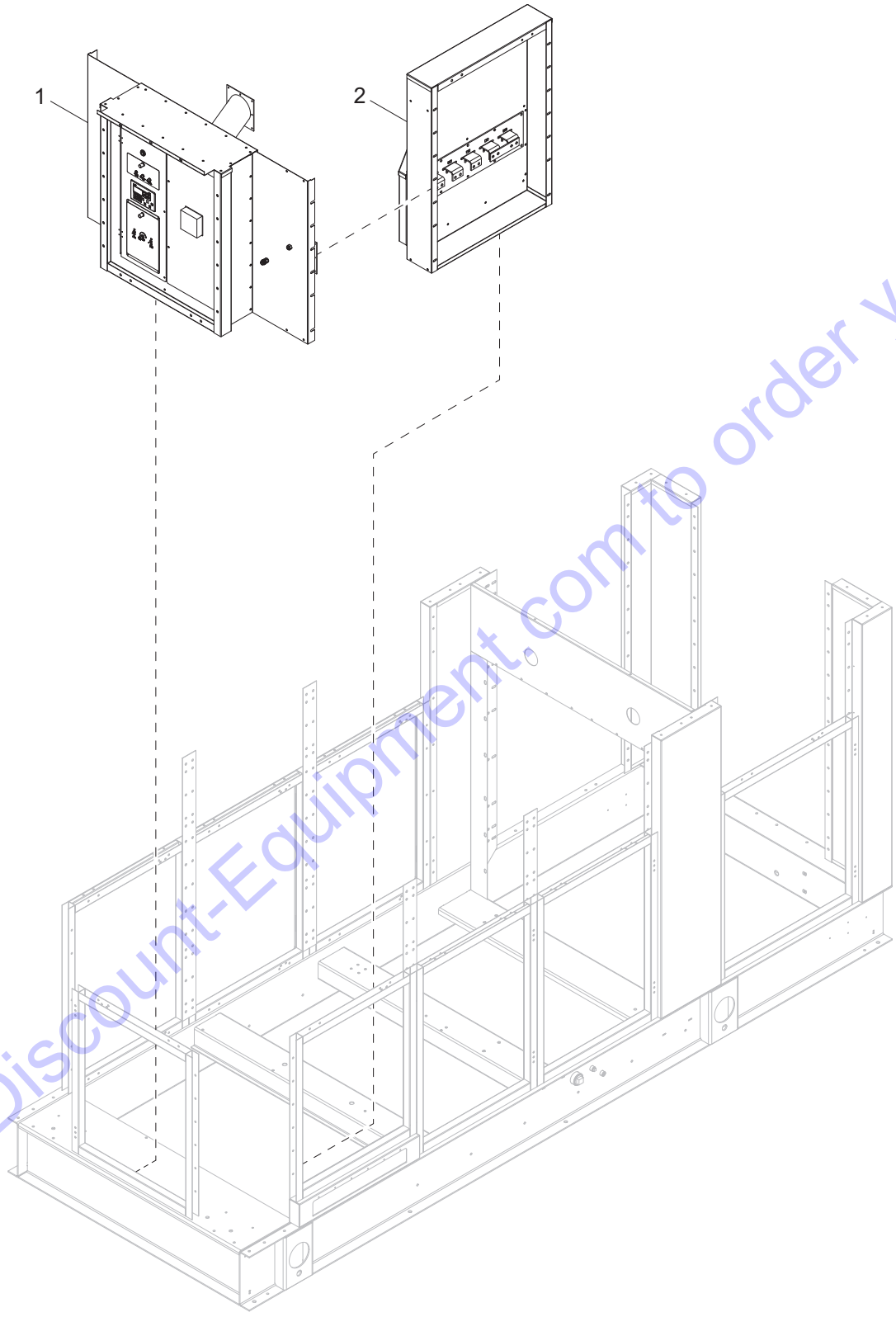
02746

REAR CORNER AND UPPER PANEL ASSEMBLY

Item	Part No.	Qty	Description	Notes
1	EN3003A46	1	Drip ledge	
2	EN2001S18	1	Panel, riser	
3	MK1011A107	1	Foam, polydamp	
4	EN8003A220L2B	1	Duct, intake riser w/ drip ledge	
5	HB6037A10L2B	1	Bracket, E-stop	
6	GZ061129F	1	Switch, E-stop	
7	EN9002A28W6B	1	Panel, corner vented w/e stop - right	
8	EN9002A13W6B	1	Panel, corner vented - left	

Go to Discount-Equipment.com to order your parts

CONTROL AND POWER BOXES TO UNIT



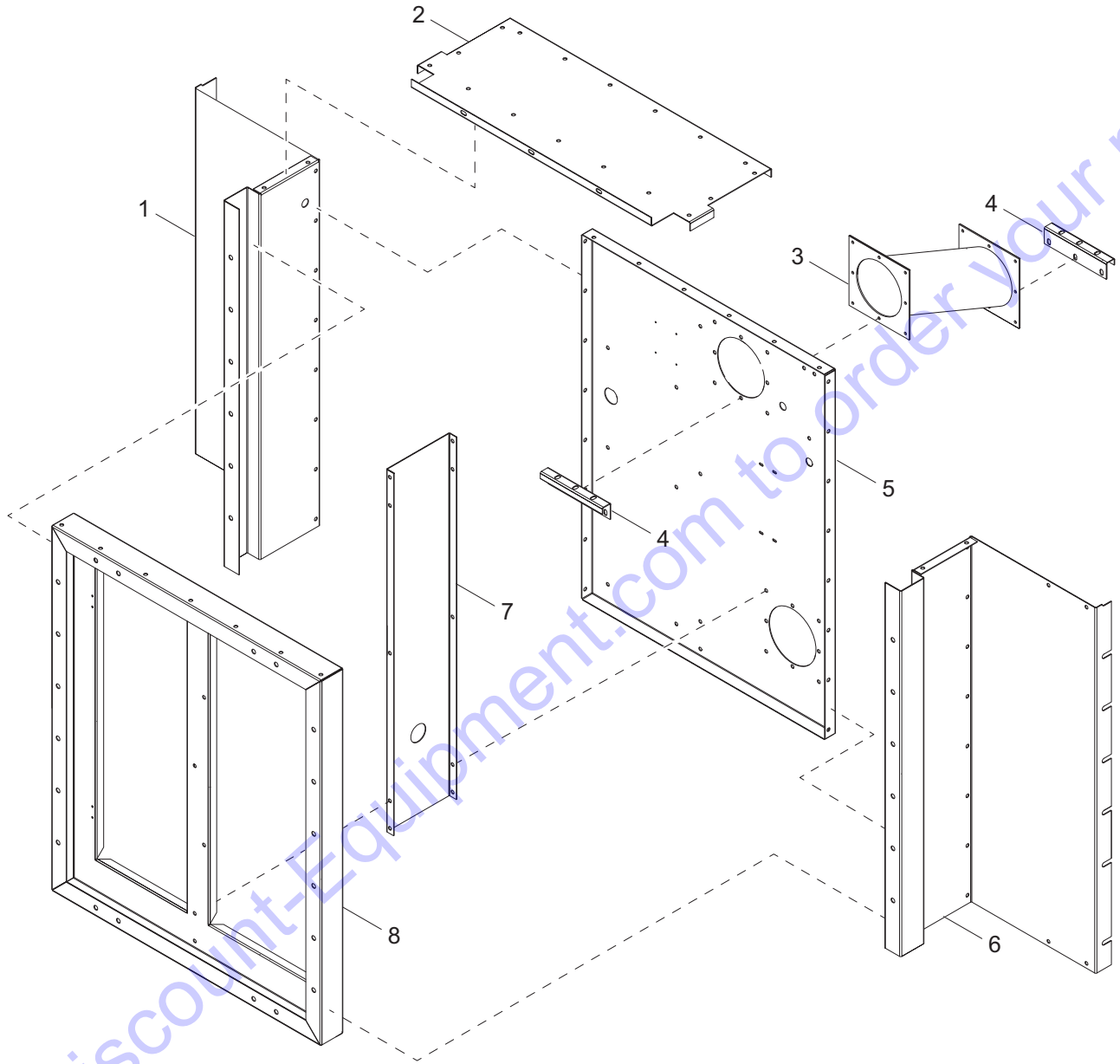
02747

CONTROL AND POWER BOXES TO UNIT

Item	Part No.	Qty	Description	Notes
1	page 48	1	Assembly, control box	
2	page 54	1	Assembly, power box	

Go to Discount-Equipment.com to order your parts

CONTROL BOX ASSEMBLY



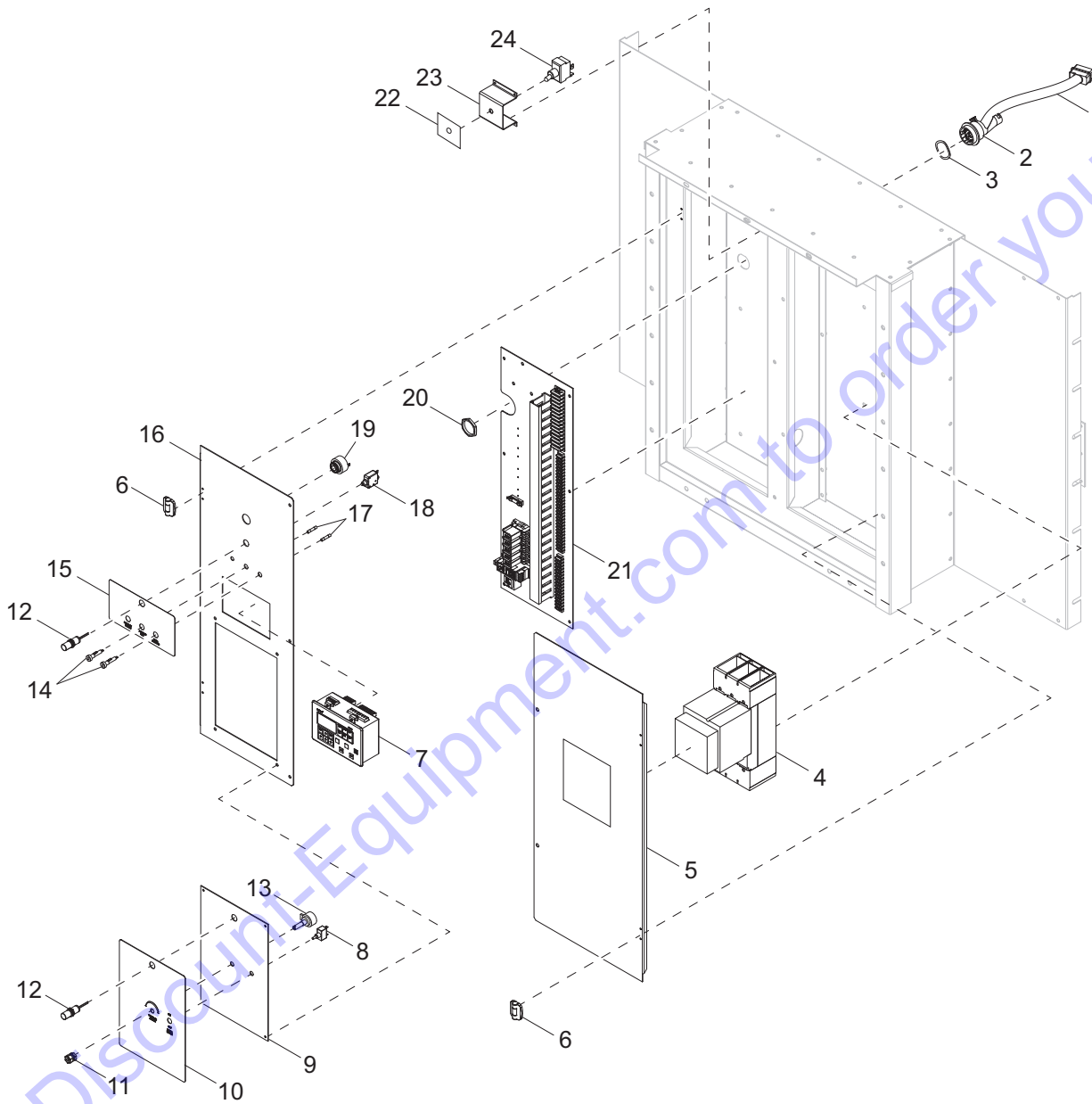
02748

CONTROL BOX ASSEMBLY

Item	Part No.	Qty	Description	Notes
1	EN8036S187L2B	1	Duct, intake - LH	
2	EN8036A183L2B	1	Cover, MLCB box	
3	WD4556A22	1	Wire way, 6.00 flex	
4	EH0575J86L2B	2	Bracket, mounting wire way,	
5	EN8036A181L2B	1	Panel, rear MLCB box	
6	EN8036S186L2B	1	Duct, intake - RH	
7	EN8036A182L2B	1	Partition, MLCB box	
8	EN8036A150L2B	1	Panel, control interface	

Go to Discount-Equipment.com to order your parts

CONTROL PANEL ASSEMBLY

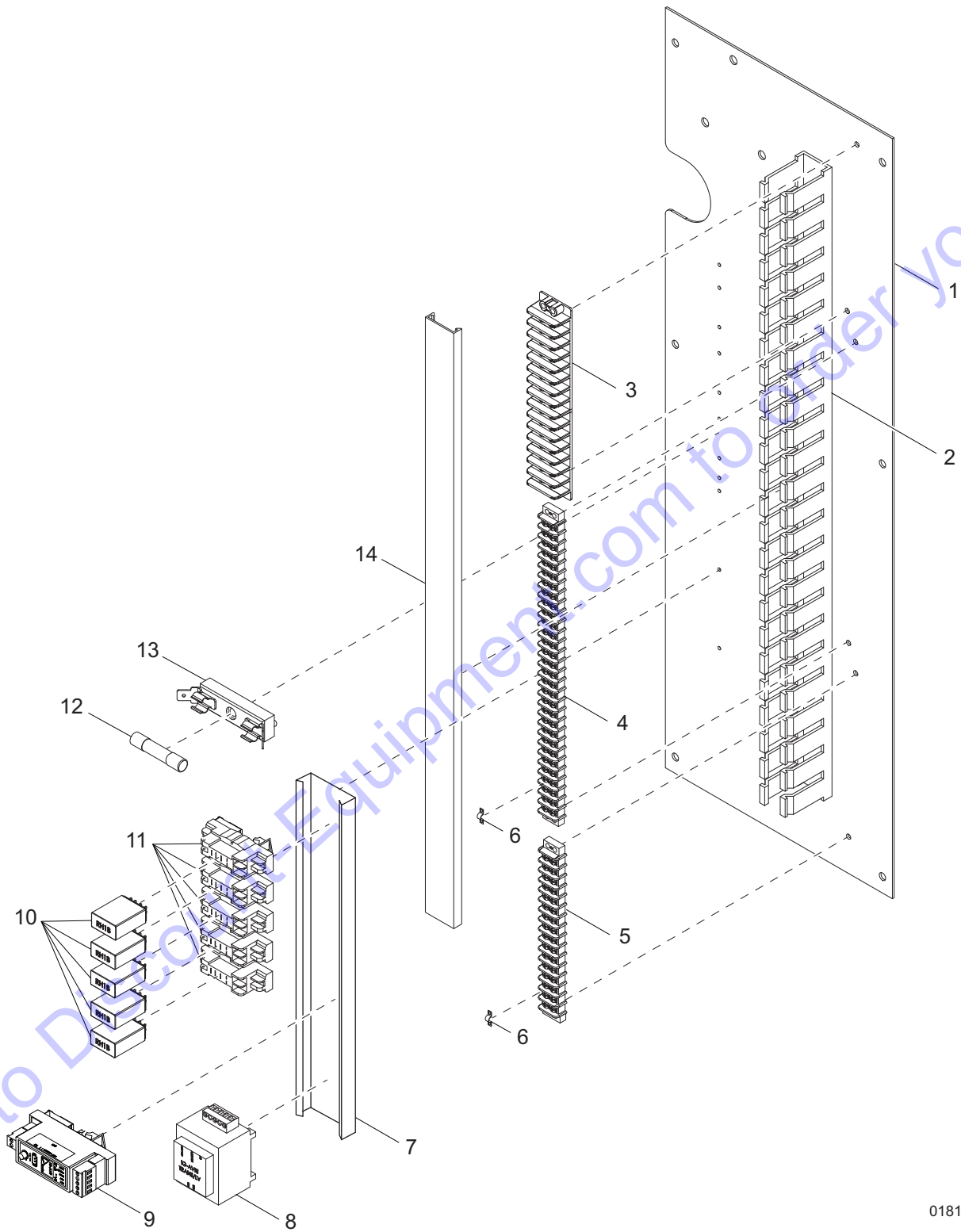


02749

CONTROL PANEL ASSEMBLY

Item	Part No.	Qty	Description	Notes
1	LD6205B54	1	Umbilical, CAN bus	
2	WD5053A02	1	Plug, strain relief	
3	WD5051A19	1	Washer, lock HDP20 series plug	
4	CK0070E74	1	Breaker, 400A , 3 pole - 600V	
5	EN8036A184L2B	1	Box, MLCB door	
6	35441	4	Hinge, detent - nylon	
7	35424	1	Controller, ignition	
8	50816	1	Switch, toggle 1pst, 2 poition	
9	EN8035A137L2B	1	Panel, control box	
10	LB0094F78	1	Label, lower control	
11	SP9158	1	Shaft lock, potentiometer	
12	DI0180A25	2	Lamp, LED miniature	
13	36015	1	Potentiometer, 1K, 2 watt	
14	FU0064A00	2	Fuse holder, Bussman HKP-HH	
15	LB0094H01	1	Label, control panel - upper	
16	EN8036A158L2B	1	Door, control panel	
17	50812	2	Fuse, 5A - 250V	
18	35451	1	Breaker, DC 15A	
19	WD5051A18	1	Nut, panel HDP20 series	
20	RM1092A17	1	Grommet, 1.50 - rubber	
21	Page 50	1	Assembly, sub-panel	
22	LB0300A23	1	Decal, fuel select	
23	EN8503A55	1	Bracket, switch mount	
24	SP9093	1	Switch, toggle, on-off-on, AC - 20A	

SUB-PANEL ASSEMBLY

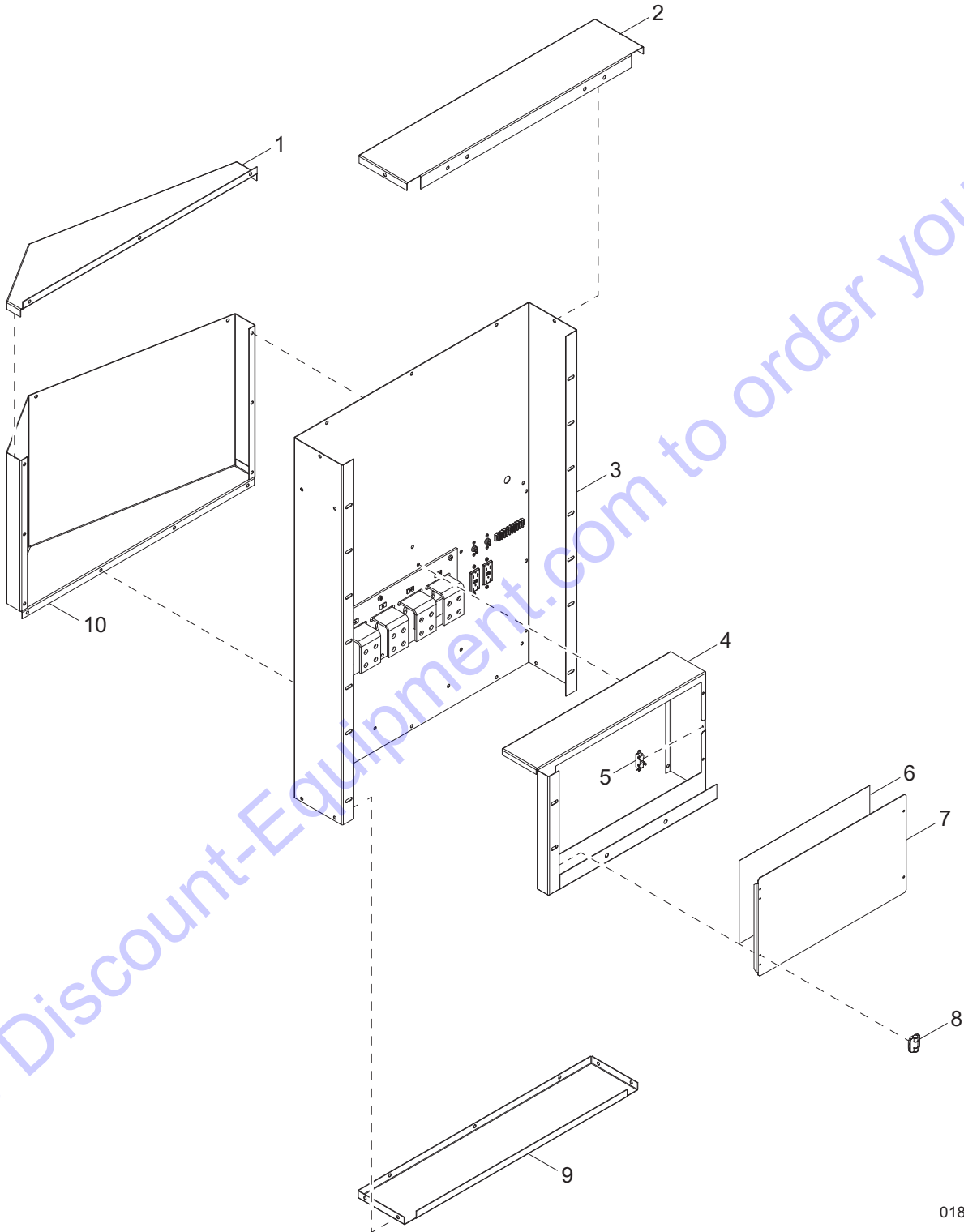


01818

SUB-PANEL ASSEMBLY

Item	Part No.	Qty	Description	Notes
1	EH0529B18L2C	1	Panel, sub - control box	
2	WD2257A01	4.25 ft	Duct, wire	
3	TB0068A03	1	Terminal, block - 14 position, 600V, 20A, 12-22 AWG	
4	TB0226A27	1	Terminal, strip - 30 position, 300V	
5	TB0226A09	1	Terminal, strip - 16 position, 300V	
6	TB0226A10	2	Jumper, terminal strip	
7	TB0178A00	1	Rail, din	
8	39774	1	Transformer, AVRI module	
9	EM0046A26	1	Interface, AVR	
10	35455	5	Relay, 10A/24V, DC	
11	38966	5	Relay, base - 10A, 1P	
	38967	5	Bail, relay base	incl with item 11
12	FU0066A04	1	Fuse, buss - ABC 10	
13	FU0082A00	1	Fuse block, DC - 1 pole	
14	WD2257A01	4.25 ft	Cover, wire duct	
--	10000045752	1	Harness, interface NG	

POWER PANEL BOX ASSEMBLY

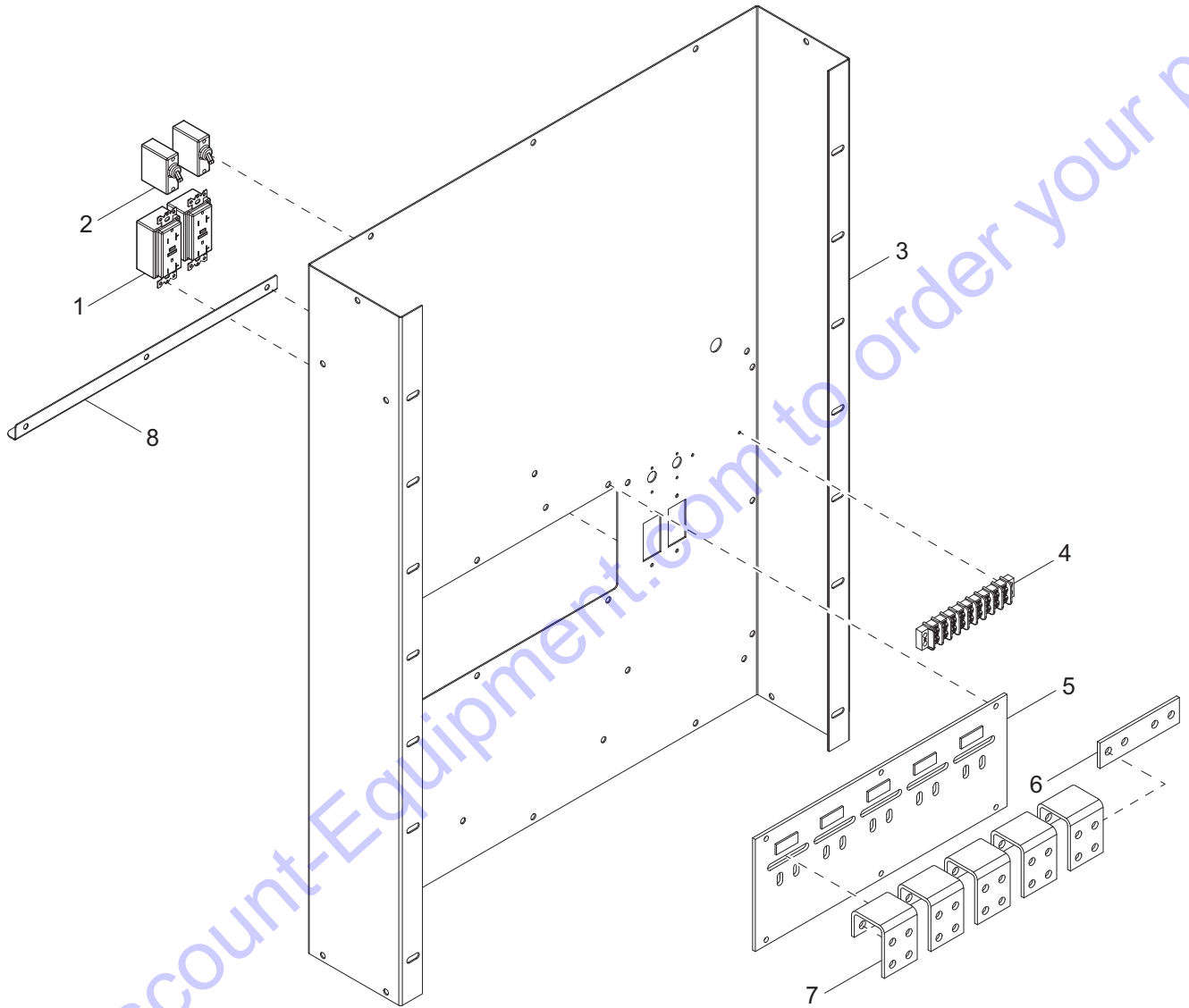


01819

POWER PANEL ASSEMBLY

Item	Part No.	Qty	Description	Notes
1	EN8036A161L2B	1	Cover, bus bar	
2	EN8036A193L2B	1	Lid, power panel - top	
3	Page 54	1	Assembly, power panel and lugs	
4	EN8036A175L2B	1	Box, bus bar - power panel	
5	35430	1	Switch, limit - E13-00J	
6	WD2503B80	1	Panel, glastic	
7	EN8036A176L2B	1	Door, bus bar box	
8	35441	2	Hinge, detent - nylon, black	
9	EN8036A195L2B	1	Lid, power panel - bottom	
10	EN8036A185L2B	1	Guard, power panel - bus bar	

POWER PANEL AND LUG ASSEMBLY



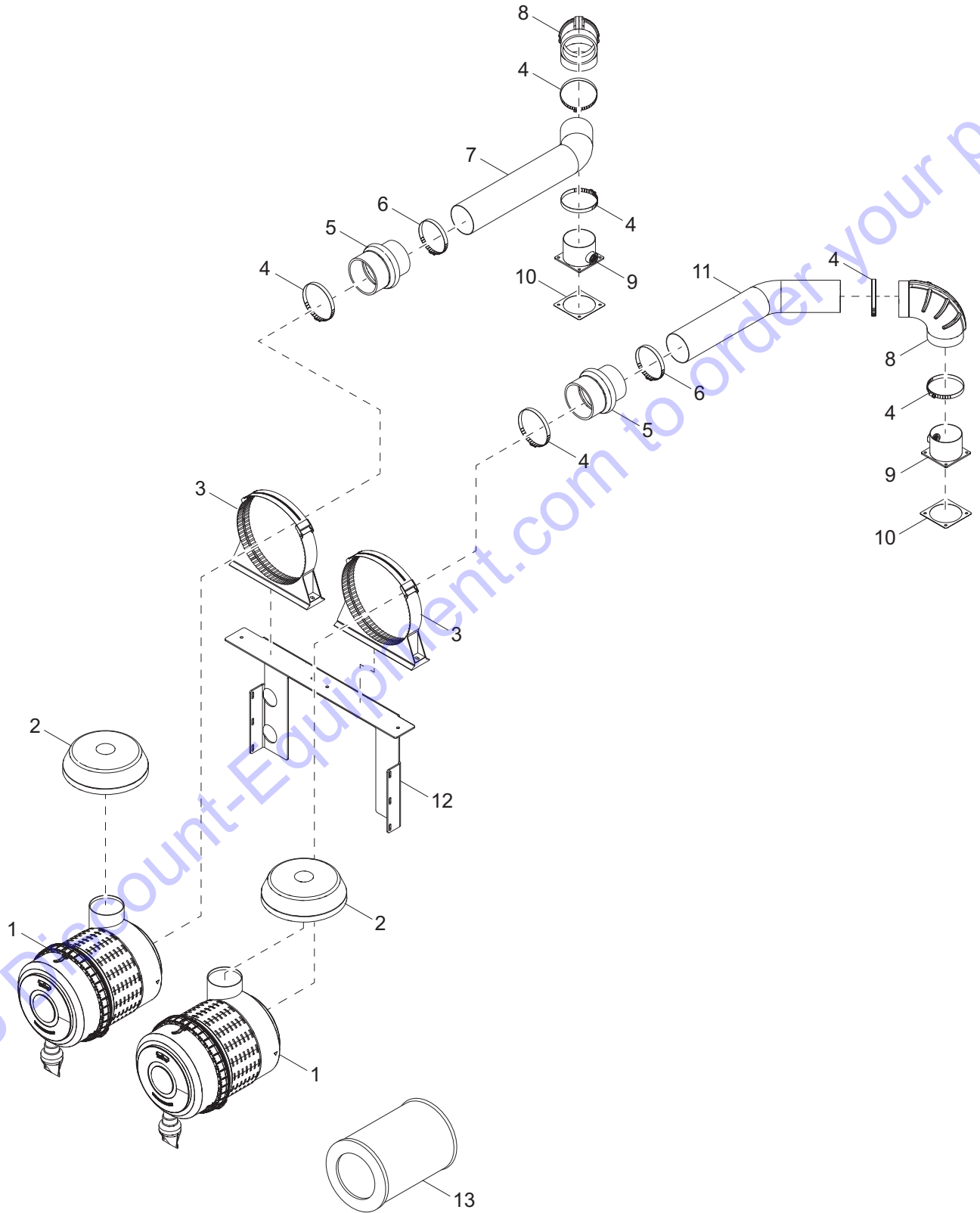
02750

POWER PANEL AND LUG ASSEMBLY

Item	Part No.	Qty	Description	Notes
1	WD1541A52	2	Receptacle, GFCI - 125V/20A	
2	CK0077A01	2	Breaker, 20A - magnetic single pole	
3	EN8036A196L2B	1	Box, power panel	
4	TB0226A26	1	Terminal, strip - 9 position, 300V	
5	EN8035G162	1	Plate, bus bar mounting	
6	WD2503A135	1	Jumper, bus bar	
7	WD2503B79	5	Bus bar, bent	
8	EN8036A197L2B	1	Bracket, stiffener	

Go to Discount-Equipment.com to order your parts

AIR FILTER ASSEMBLY



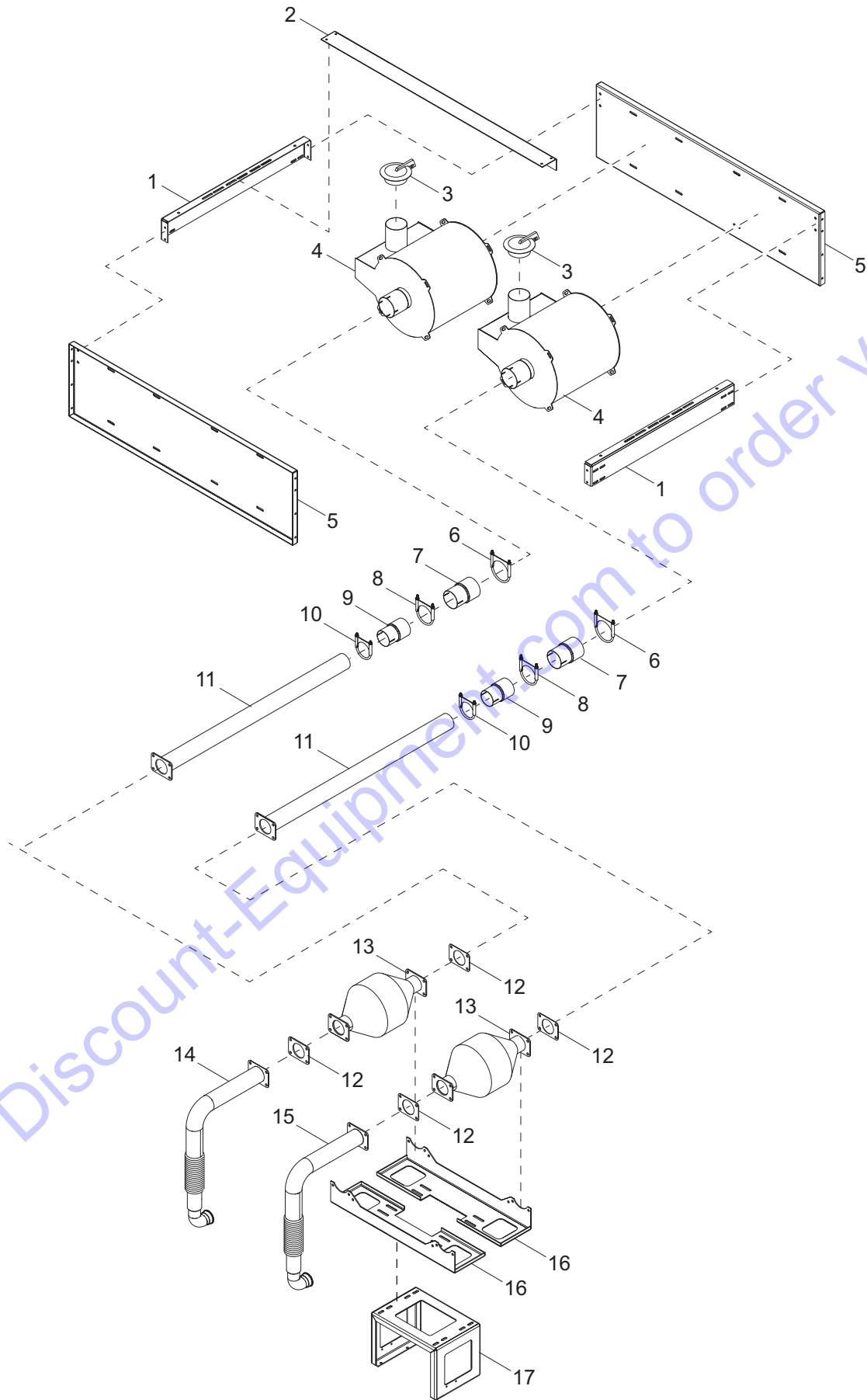
02751

AIR FILTER ASSEMBLY

Item	Part No.	Qty	Description	Notes
1	39125	2	Filter, air, two-stage	
2	EA0015A57	2	Cap, rain	
3	HW3512A55	2	Band, air filter	
4	HW6102A18	6	Clamp, hose #80, 3.50 - 5.50	
5	EA0005B75	2	Reducer, hump 4.50 to 4.00	
6	HW6102A15	2	Clamp, hose #64, 3.56 - 4.50	
7	AI0001A04	1	Tube, air filter - left	
8	EA0005B76	2	Elbow, 4.00 ID, 90 degree - rubber	
9	38806	2	Tube, air cleaner 4.00 OD w/flange	
10	HW9915A92	2	Gasket, air filter	
11	AI0001A05	1	Tube, air filter - right	
12	EA0015A61L2B	1	Bracket, air filter - dual stage	
13	10000007601	2	Element, air filter	

Go to Discount-Equipment.com to order your parts

EXHAUST SYSTEM ASSEMBLY

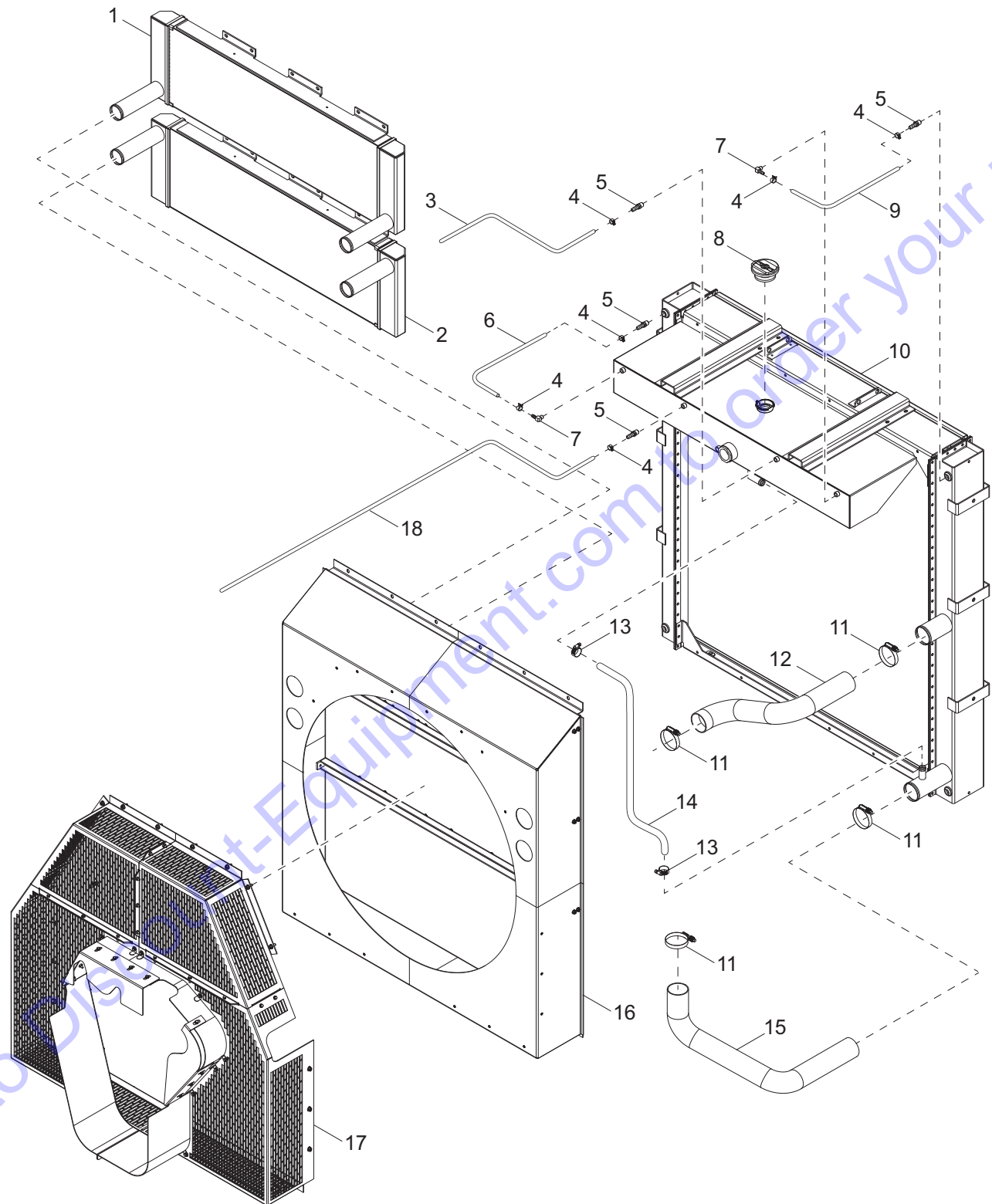


02752

EXHAUST SYSTEM ASSEMBLY

Item	Part No.	Qty	Description	Notes
1	ET1000A55G1C	2	Bracket, silencer - internal	
2	ET1000A150G1C	1	Bracket, silencer - internal, rear	
3	35513	2	Cap, rain 4.50	
4	ET0001A60	2	Silencer, CRT 4.50	
5	ET1000A54G1C	2	Bracket, silencer - internal, main	
6	HW3514A13	2	Clamp, guillotine 4.50	
7	HW2235A20	2	Reducer, 4.50 OD - 4.00 ID	
8	HW3514A08	2	Clamp, guillotine 4.00	
9	HW2235A22	2	Reducer, 4.00 OD - 3.50 ID	
10	HW3514A12	2	Clamp, guillotine 3.50	
11	ET0005A29	2	Pipe, exhaust - 3.50 OD	
12	36002	4	Gasket, catalyst	
13	35627	2	Catalyst	
14	ET0000A108G1C	1	Weldment, exhaust - left	
15	ET0000A109G1C	1	Weldment, exhaust - right	
16	10000005536	2	Bracket, upper catalyst	
17	ET1000A88L2B	2	Bracket, lower exhaust - catalyst	

COOLING SYSTEM ASSEMBLY



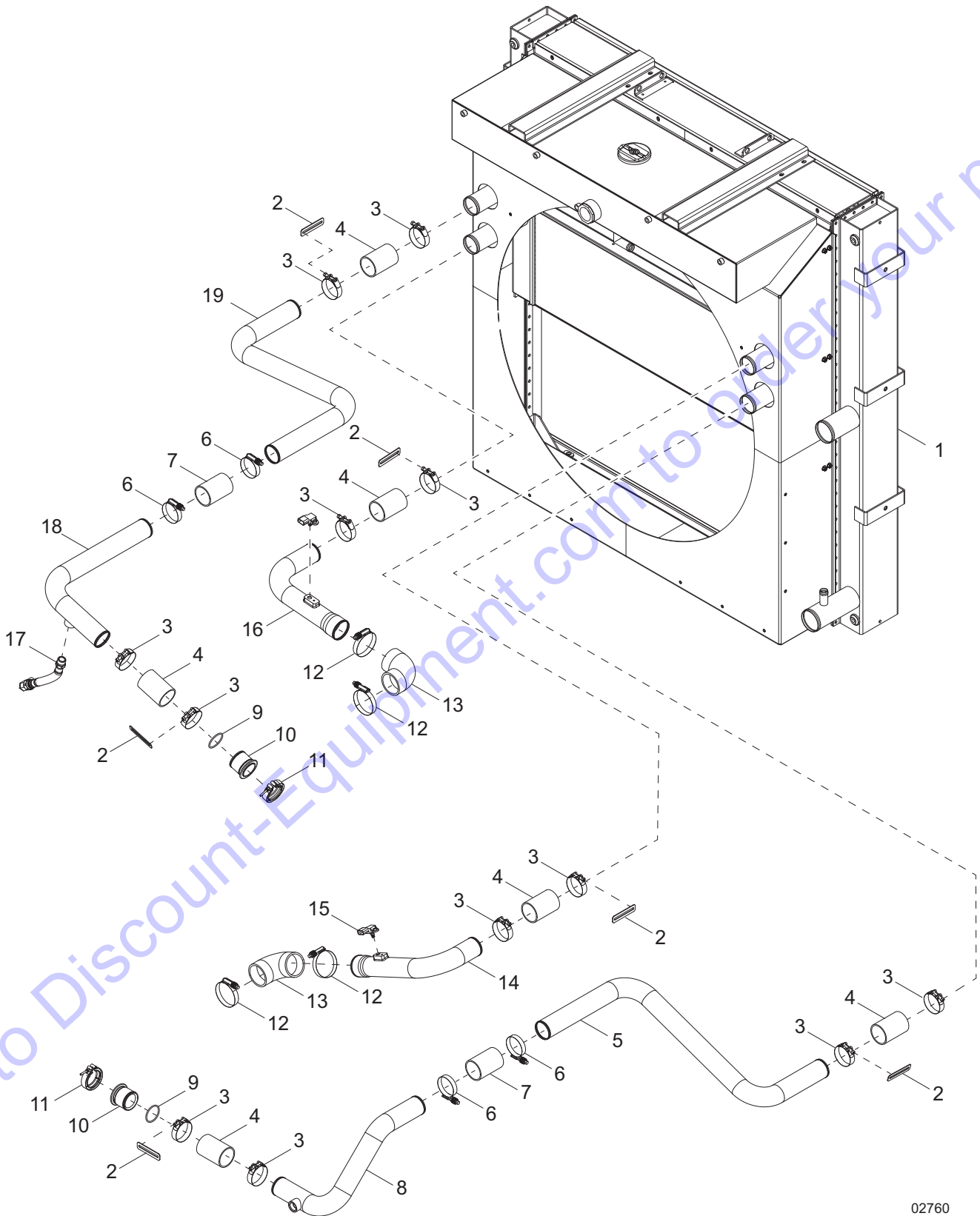
02753

COOLING SYSTEM ASSEMBLY

Item	Part No.	Qty	Description	Notes
1	EA009E40	1	Radiator, CAC 14.6L - upper	Contact mfg.
2	EA009E40	1	Radiator, CAC 14.6L - lower	Contact mfg.
3	EA009E40	1	Hose, air bleed - RH	Contact mfg.
4	EA009E40	6	Clamp, spring .250ID	Contact mfg.
5	EA009E40	4	Fitting, .375NPT x .250 barb - brass	Contact mfg.
6	EA009E40	1	Hose, air bleed - LH	Contact mfg.
7	EA009E40	2	Fitting, 90 degree .375NPT x .250 barb - brass	Contact mfg.
8	EA009E40	1	Cap, radiator 14.6L	Contact mfg.
9	EA009E40	1	Hose, air bleed - RH	Contact mfg.
10	EA009E40	1	Radiator	Contact mfg.
11	EA009E40	4	Clamp, hose 3.50	Contact mfg.
12	EA009E40	1	Hose, upper radiator	Contact mfg.
13	HW6102A00	2	Clamp, hose #10 (.562-1.062)	
14	EA009E40	1	Hose,	Contact mfg.
15	EA009E40	1	Hose, lower radiator	Contact mfg.
16	EA009E40	1	Guard, radiator	Contact mfg.
17	EA009E40	1	Guard, fan	Contact mfg.
18	EA009E40	1	Hose, air bleed - LH	Contact mfg.

Note: Engine/Radiator parts used in all Generac Mobile Products, LLC equipment carry the Original Equipment Manufacturer (OEM) warranty unless otherwise stated. OEM warranty parts must be purchased through an OEM dealer.

COOLING SYSTEM HOSES



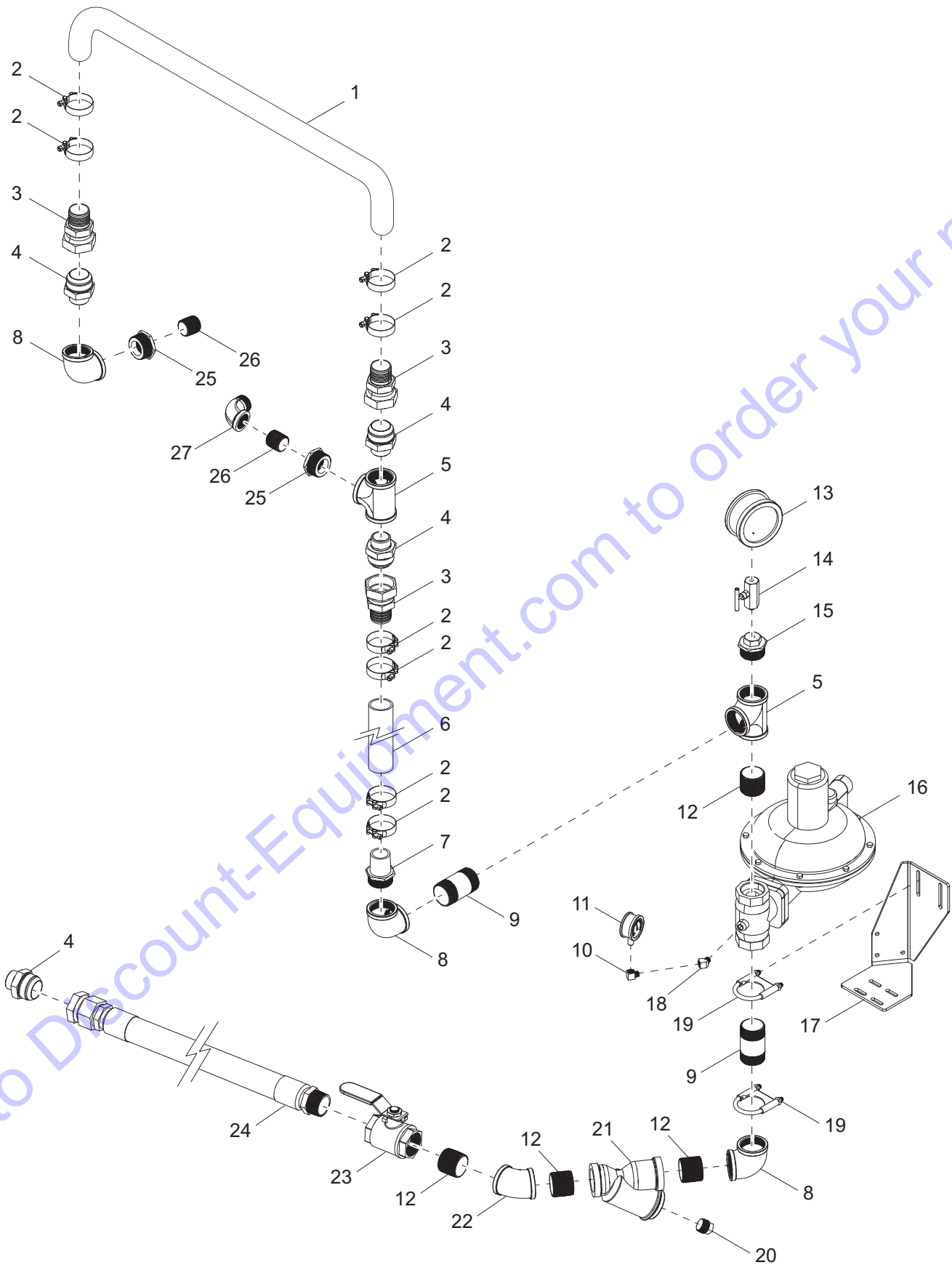
02760

COOLING SYSTEM HOSES

Item	Part No.	Qty	Description	Notes
1	EA0009E10	1	Radiator, 14.6L	Contact mfg
2	HB7111A00	6	Plate, charge air tie down	
3	HW6102A52	12	Clamp, t-bolt	Contact mfg
4	EA0009E10	6	Coupling, hose 14.6L	Contact mfg
5	EA0009E10	1	Piping, CAC - 5	Contact mfg
6	EA0009E10	4	Clamp, hose 3.00 in	Contact mfg
7	EA0009E10	2	Coupling, hose 14.6L	Contact mfg
8	EA0009E10	1	Piping, CAC - 4	Contact mfg
9	EA0009E10	2	O-ring, ferrule	Contact mfg
10	EA0009E10	2	Adapter, ferrule hose	Contact mfg
11	EA0009E10	2	Clamp, ferrule	Contact mfg
12	EA0009E10	4	Clamp, hose 3.50 in	Contact mfg
13	EA0009E10	2	Hose, 90 degree coupling	Contact mfg
14	EA0009E10	1	Piping, CAC - 3	Contact mfg
15	EA0009E10	2	Sensor, t-map	Contact mfg
16	EA0009E10	1	Piping, CAC - 6	Contact mfg
17	EA0009E10	1	Tube, crossover	Contact mfg
18	EA0009E10	1	Piping, CAC - 1	Contact mfg
19	EA0009E10	1	Piping CAC - 2	Contact mfg

Note: Engine parts used in all Generac Mobile Products, LLC equipment carry the Original Equipment Manufacturer (OEM) warranty unless otherwise stated. OEM warranty parts must be purchased through an OEM dealer.

FUEL SYSTEM ASSEMBLY

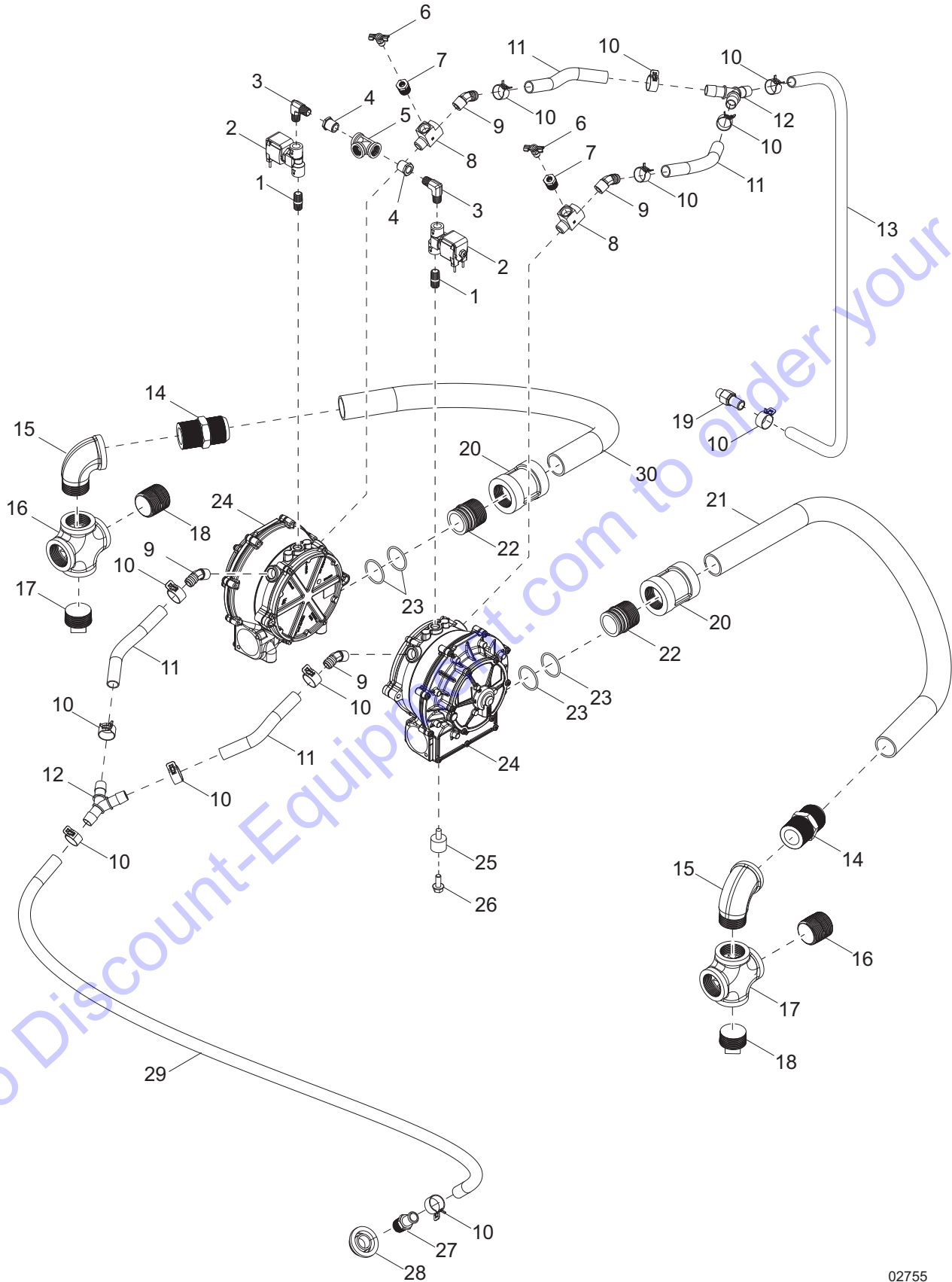


02754

FUEL SYSTEM ASSEMBLY

Item	Part No.	Qty	Description	Notes
1	EA0012A11	1	Fuel line, 2.00 ID LP/natural gas	
2	HW6102A51	8	Clamp, t-bolt 2.63 - 2.94	
3	HW4046H39	3	Fitting, #32FMJIC x 2.00 barb	
4	HW4046H37	4	Fitting, #32MJIC x 2.00MP adapter	
5	HW4046H21YZ	2	Fitting, 2.00NPT tee	
6	EA0012A11	5.0 ft	Fuel line, 2.00 ID LP/natural gas	
7	HW4046H93	1	Fitting, 2.00NPT x 2.00 nipple	
8	HW4046G65	3	Fitting, 2.00NPT 90 degree - black	
9	HW4046E39	2	Fitting, 2.00NPT x 2.00 nipple - black	
10	HW4046A90	1	Fitting .250NPT 90 degree elbow - brass	
11	10000005040	1	Gauge, pressure 2.50	
12	HW4046A52	4	Fitting, 2.00 closed nipple - black	
13	10000005015	1	Gauge, pressure 4.50/30"	
14	EA0110A04	1	Valve, needle	
15	HW4046H91	1	Fitting, 2.00NPT x .250NPT hex bushing	
16	38901	1	Regulator, gas	
17	HB6036A36L2B	1	Bracket, gas train - dual fuel	
18	10000004142	1	Fitting, .250NPT 45 degree elbow - brass	
19	HW3514A24	2	Clamp, guillotine single saddle 2.50	
20	HW4046B93	1	Fitting, 1.00 square head plug	
21	EA0041A01	1	Strainer, fuel 2.00NPT	
22	HW4046E74	1	Fitting, 2.00 45 degree elbow	
23	HW4046D24	1	Valve, 2.00 ball	
24	HB4005A10	1	Assembly, fuel line 2.00 ID - 350 PSI	
25	HW4046H20YZ	2	Fitting, 2.00NPT x 1.250NPT bushing - steel	
26	HW4046H13YZ	2	Fitting, 1.250NPT closed nipple	
27	HW4046G77	1	Fitting, 1.250 90 degree street elbow	

VAPORIZER ASSEMBLY

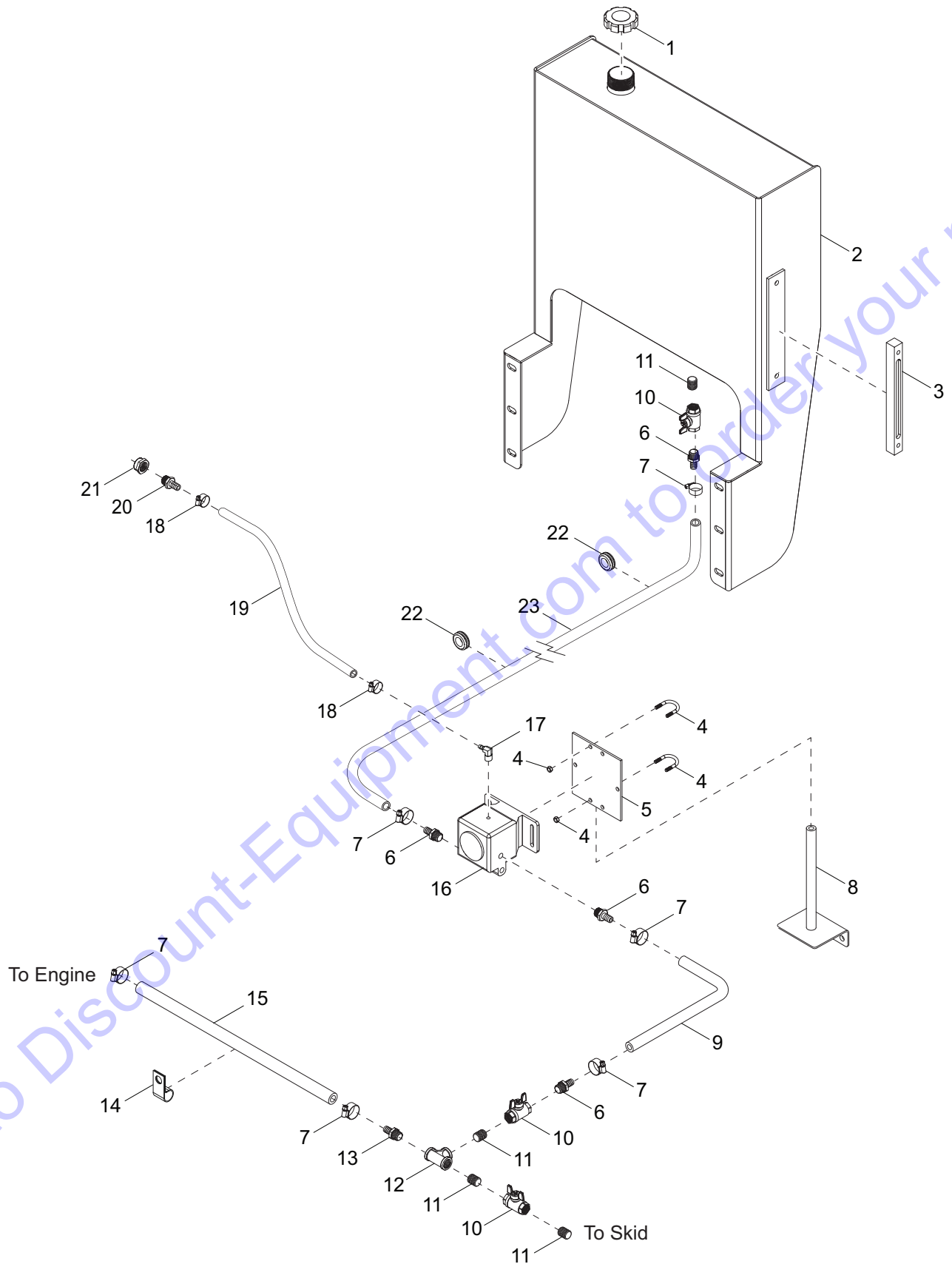


02755

VAPORIZER ASSEMBLY

Item	Part No.	Qty	Description	Notes
1	HW4046E100	2	Fitting, nipple .250NPT x close - brass	
2	HW9915A69	2	Lock-off, LP liquid 24V	
3	HW9915A71	2	Fitting, 90 degree .250 MPT - zinc	
4	HW4046F19	2	Fitting, bushing .250 x .375	
5	HW9915A70	1	Fitting, tee .250FNPT x .250FNPT x .250FNPT	
6	HW4046A54	2	Fitting, .375NPT x .125NPT - brass	
7	HW9915A78	2	Drain cock, .125NPT	
8	HW9915A75	2	Fitting, tee .375MPT x .375FPT x .375FPT - brass	
9	HW9915A72	4	Fitting, .625 hose .375MPT	
10	HW9915A77	12	Clamp, hose .875 spring	
11	69710	4	Hose, heater .625 ID - 60PSO	
12	HW9915A73	2	Fitting, hose .625 barb	
13	EA5053A79	1	Hose, .625 ID	
14	HW4046G94	2	Fitting, JIC 1.250 x 1.250NPT	
15	HW4046G77	2	Fitting, elbow 90 degree 1.250NPT	
16	69725	2	Fitting, adapter 1.25NPT	
17	HW4046H26YZ	2	Fitting, cross 1.25NPT	
18	HW4046H27YZ	2	Fitting, plug 1.25NPT sq head	
19	HW9915A74	1	Fitting, reducer .375 to .625 barb	
20	HW4046G64	2	Fitting, coupling 1.25 tapped	
21	32502022	1	Hose, vaporizer	
22	HW9915A81	2	Fitting, adapter 1.25 to vaporizer	
23	32501755	8	O-ring	
24	HW9915A80	2	Vaporizer ECI LPG two stage	
25	HW9915A79	4	Mount, vibration	
26	35000532	4	Screw, HD w/washer	
27	HW9915A76	1	Fitting, straight .625MNPT x .625 barb, brass	
28	WD4558A05	1	Adapter,	
29	69710	1	Hose, heater .625 ID - 60 PSO	
30	32502022	1	Hose, vaporizer	

OIL TANK ASSEMBLY

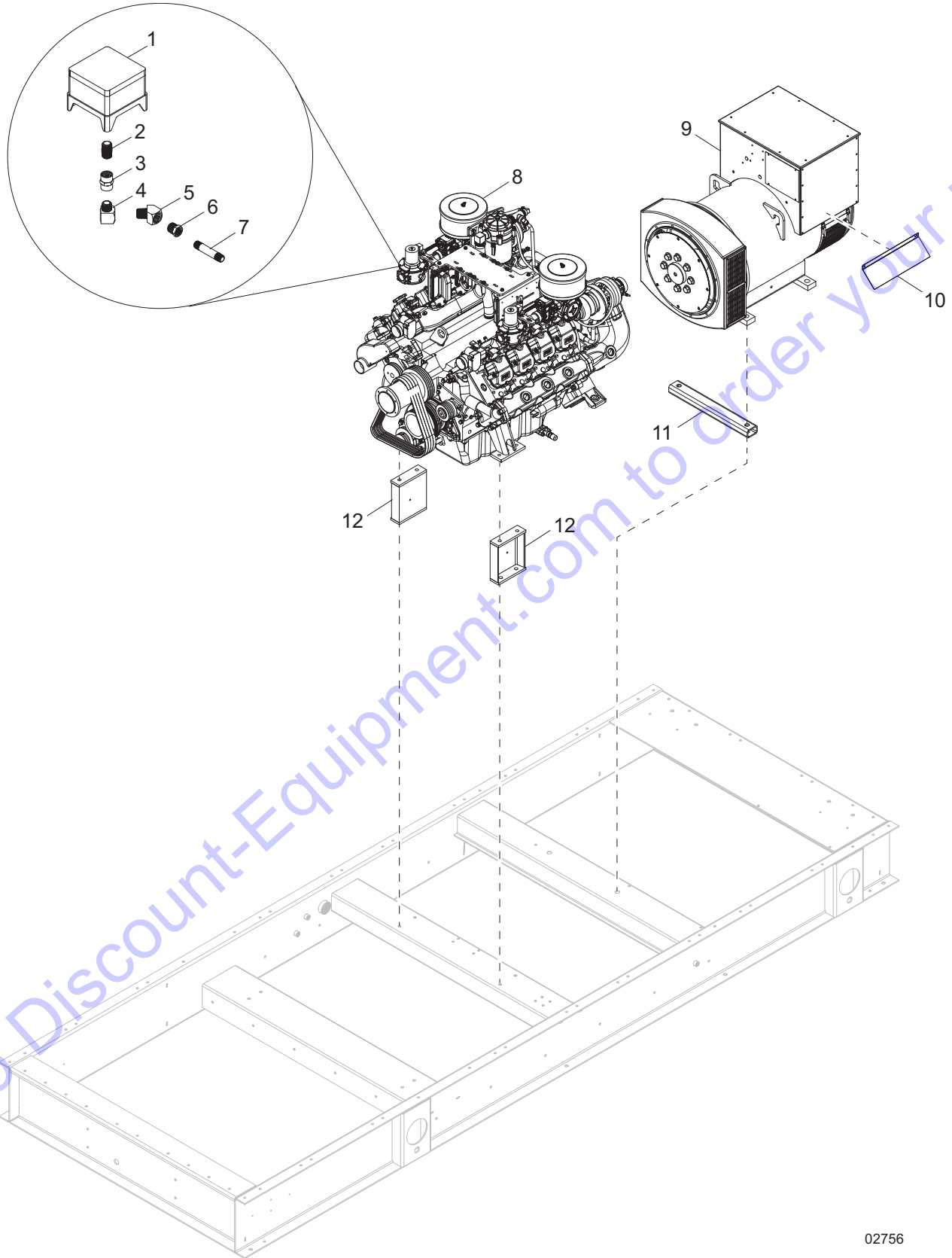


01829

OIL TANK ASSEMBLY

Item	Part No.	Qty	Description	Notes
1	EA0020A04	1	Cap, oil - fill/vent, 2.0	
2	38934	1	Oil tank, 16 gallon	
3	HB6152A05	1	Gauge, liquid level - 10.0	
4	85XU0025A12	2	U-bolt, .250 x .750 pipe	
5	HB6036A35L2B	1	Bracket, oil level controller	
6	HW4046A105	4	Fitting, .500NPT x .500 barb, brass	
7	HW6102A00	6	Clamp, hose .562 - 1.062	
8	HB6036A31	1	Bracket, oil level gauge	
9	36011	1.5 ft	Hose, .500, SAE100R6	
10	HW4046C61	3	Valve, ball - T-handle, .500NPT	
11	HW4046C10	4	Fitting nipple - .500NPT	
12	HW4046C72	1	Fitting, T - .500NPT	
13	HW4046A36	1	Fitting, .500MNPT x .625 barb, brass	
14	HW6102B39	2	Clamp, med duty - 1.0	
15	36012	2 ft	Hose, .625 SAE100R6	
16	31315	1	Controller, oil level	
17	HW4046A09	1	Fitting, 90° - .250NPT x .375 barb, brass	
18	HW6102A03	2	Clamp, hose - SAE008 (.437 - 1.0)	
19	EA0012A18	5 ft	Hose, .375	
20	HW4046A104	1	Fitting, .500NPT x .375 barb, brass	
21	HW4046B15	1	Fitting, M18 x 1.5M - .500NPT	
22	RM1099A06	2	Grommet, .880 ID x .190 GW x 1.25 GD	
23	36011	11.08 ft	Hose, .500, SAE100R6	

ENGINE AND GENERATOR ASSEMBLY



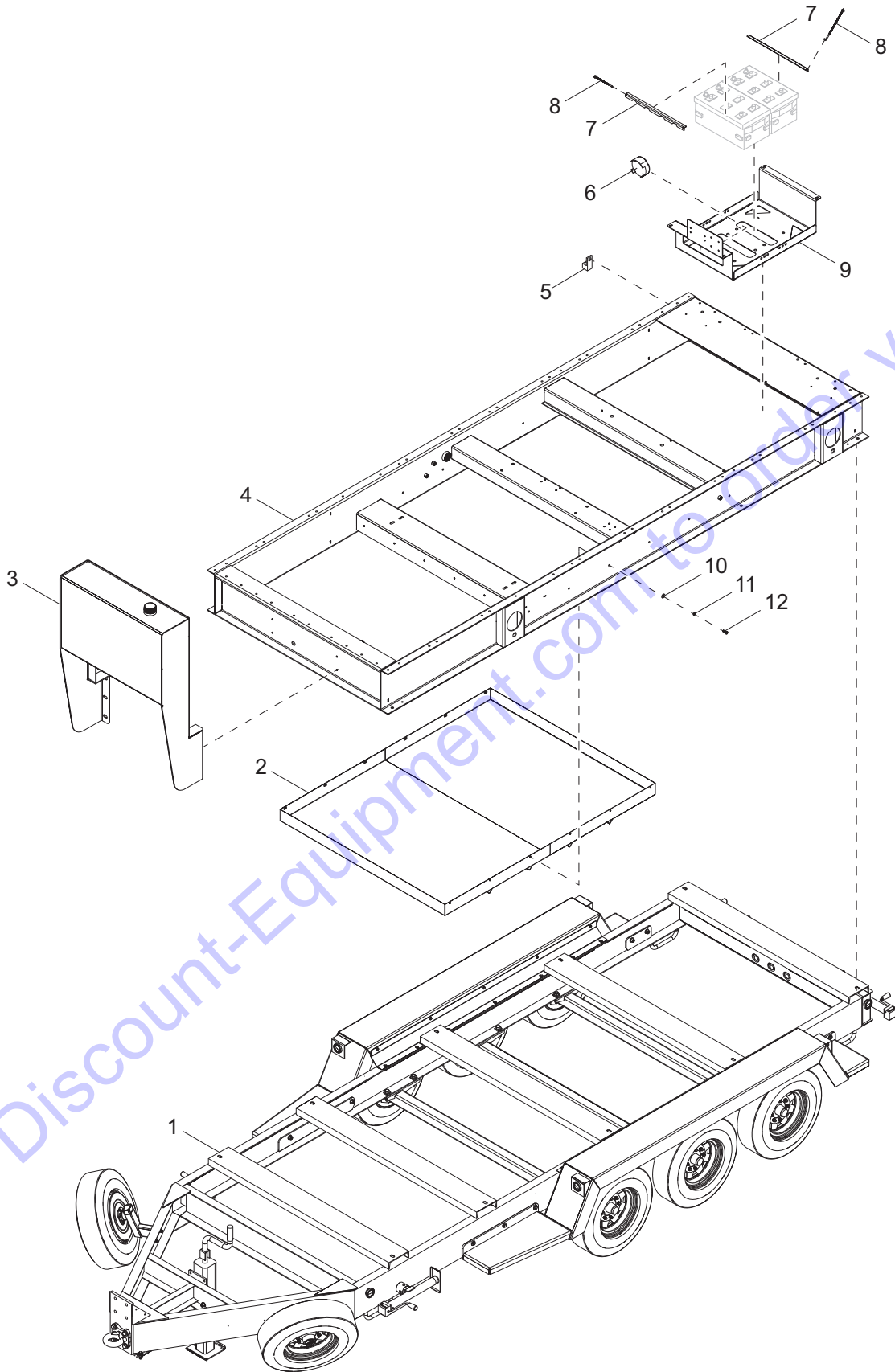
02756

ENGINE AND GENERATOR ASSEMBLY

Item	Part No.	Qty	Description	Notes
1	35434	1	Switch, gas pressure	
2	HW4046C15	1	Fitting, .250NPT close nipple - brass	
3	HW4046A43	1	Fitting, .250NPT coupler - brass	
4	HW4046A90	1	Fitting, .250NPT 90 degree street elbow - brass	
5	HW4046A85	1	Fitting, .250NPT 45 degree street elbow - brass	
6	HW4046A48	1	Fitting, .250NPT x .125NPT bushing - brass	
7	HW4046C98	1	Fitting, .125NPT x 2.00 nipple - BP	
8	53715	1	Engine, D146TIC	
9	39208	1	Generator, HCI434C	
10	EN6000S41L2B	1	Rain shield, alternator 17.00	
11	HB6072A44L2C	1	Mount, generator	
12	EH0645A04L2C	2	Mount, engine	

Note: Engine parts used in all Generac Mobile Products, LLC equipment carry the Original Equipment Manufacturer (OEM) warranty unless otherwise stated. OEM warranty parts must be purchased through an OEM dealer.

TRAILER AND SKID ASSEMBLY

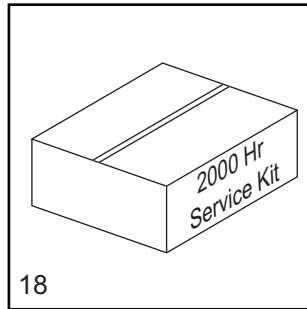
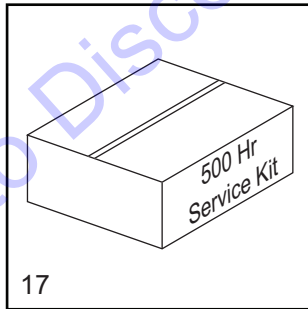
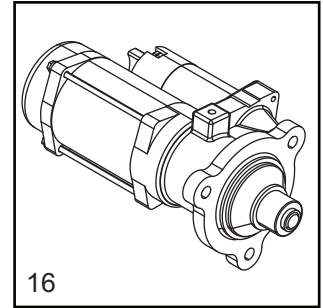
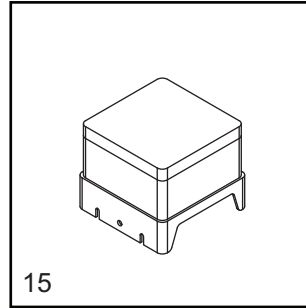
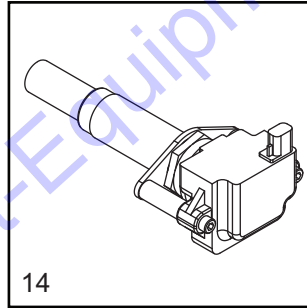
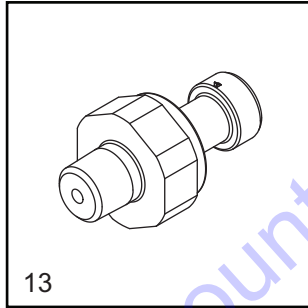
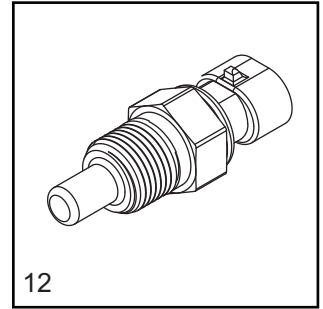
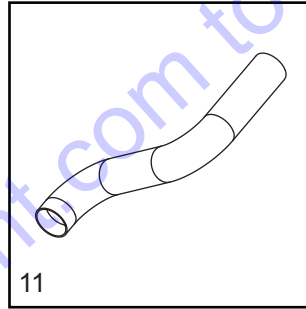
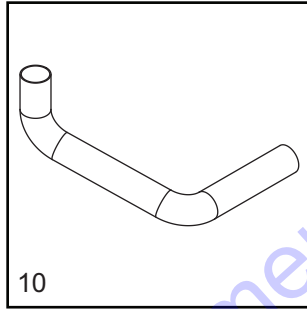
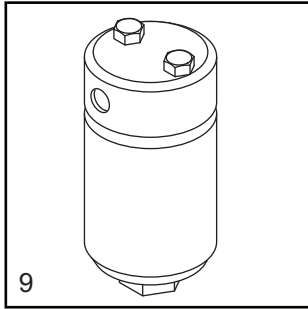
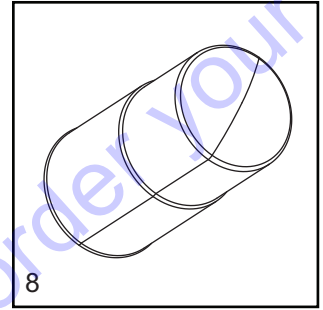
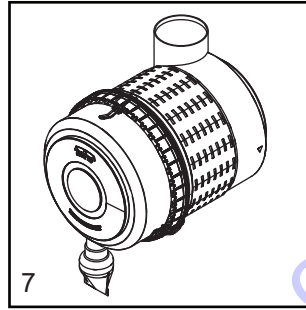
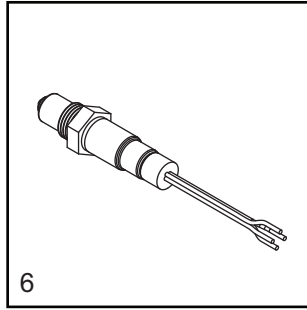
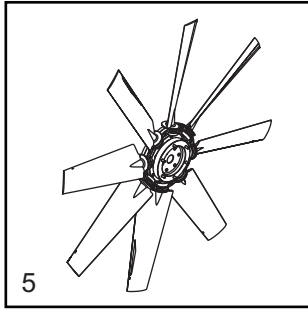
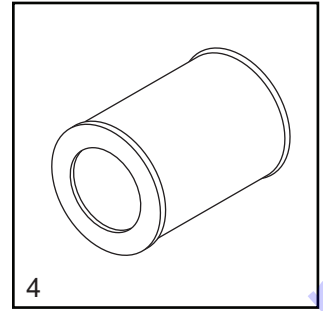
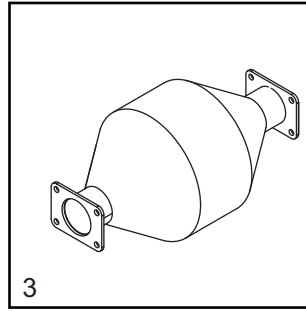
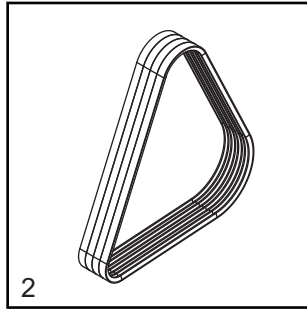
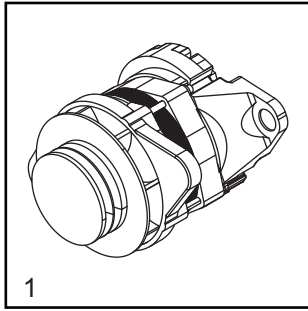


02757

TRAILER AND SKID ASSEMBLY

Item	Part No.	Qty	Description	Notes
1	MTG092	1	Trailer, MGG280N2	
2	HB6057A05L2C	1	Weldment, drip pan 108 gallon	
3	38934	1	Oil tank, 16 gallon	
4	BA0380A42L2B	1	Weldment, skid	
5	TB0004A47	1	Lug, ground - 1/0-14 AWG	
6	38921	1	Switch, battery disconnect	
7	38918	2	Bracket, battery tie down w/cutouts	
8	HA3608A00	4	Bolt, J hold down	
9	HB7016A35L2B	1	Rack, battery-dual	
10	HW1000A39	12	Washer, .375 flat - SS	
11	HW1001A39	12	Washer, .375 split lock	
12	10XN3816K16	12	Screw, .375-16 x 1.00 hex, G5	

RECOMMENDED SPARE PARTS - ENGINE AND SERVICE KITS



RECOMMENDED SPARE PARTS - ENGINE AND SERVICE KITS

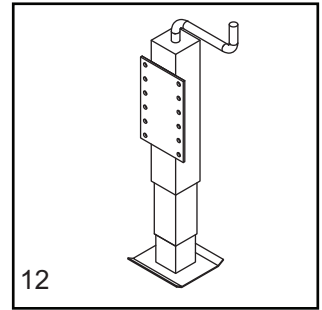
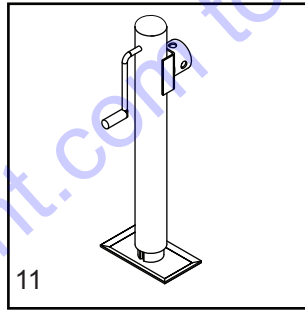
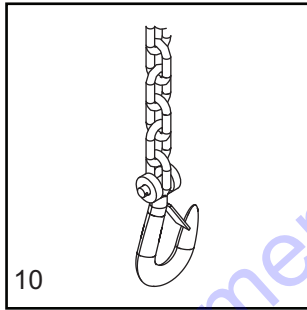
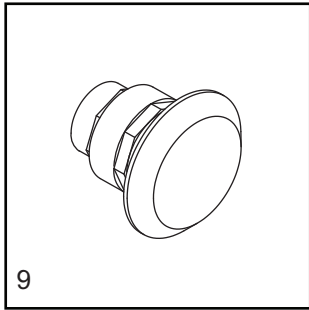
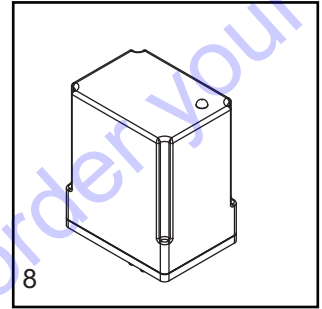
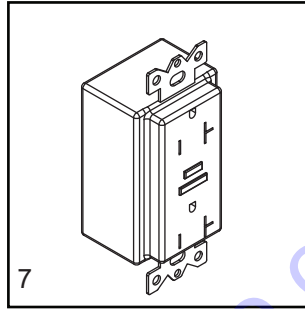
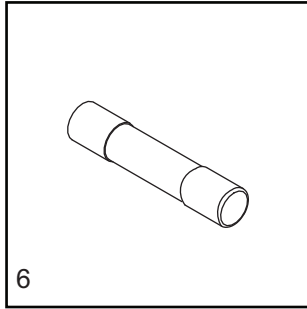
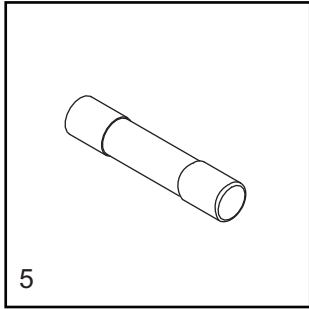
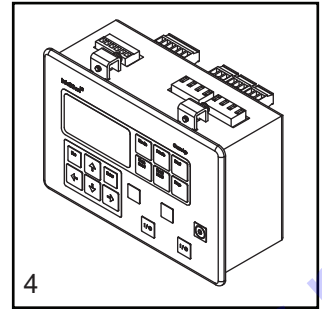
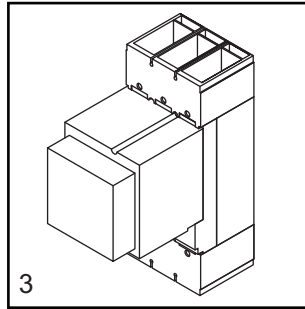
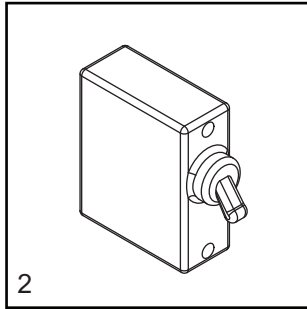
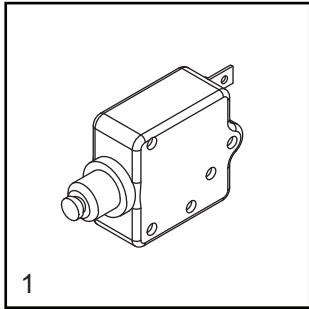
ENGINE

1. Alternator, engine.....	35702
2. Belt, fan	36082
3. Catalyst.....	35627
4. Element, air filter.....	10000007601
5. Engine Fan	69779
6. O2 sensor	35616
7. Filter Assembly, air.....	39125
8. Filter, oil	36043
9. Filter, LP.....	31318
10. Hose, radiator - lower	69761
11. Hose, radiator - upper	call
12. Sensor, low coolant	SP5500A05
13. Sensor, oil pressure.....	35434
14. Ignition coil w/boot	36079
15. Switch, pressure	35434
16. Starter	36056

SERVICE KITS

17. 500 hour kit.....	36070
18. 2000 hour kit.....	36071

RECOMMENDED SPARE PARTS - ELECTRICAL AND TRAILER



RECOMMENDED SPARE PARTS - ELECTRICAL AND TRAILER

ELECTRICAL

1. Breaker, DC, 15A.....	35451
2. Breaker 20 AMP.....	CK0077A01
3. Breaker, SD, 400A, 3P, 600V AC.....	CK0070E74
4. Controller, programmed.....	Call
5. Fuse, 10 amp.....	FU0066A04
6. Fuse, 5 amp.....	50812
7. Receptacle, 125V/20A GFI.....	WD1541A52
8. Regulator, voltage.....	39645
9. Switch, E-stop assembly.....	GZ061129F

TRAILER

10. Chain, safety.....	20159
11. Jack, side wind (rear).....	41133
12. Jack, top wind (tongue).....	24084B

Note: To order replacement controller, contact Generac Mobile Products with unit serial number.

PARTS FINDER

**Search Website
by Part Number**



**Search Manual
Library For Parts
Manual & Lookup Part
Numbers – Purchase
or Request Quote**

Search Manuals

Enter your information to help us find the right parts manual for your machine.

* Brand:

* Model:

* Serial:

* Part Number:

SEARCH

**Can't Find Part or
Manual? Request Help
by Manufacturer,
Model & Description**

Parts Order Form

Please fill in the following information to help us find the right part for your machine.

Manufacturer:	<input type="text"/>
Model:	<input type="text"/>
Description:	<input type="text"/>
Part Number:	<input type="text"/>
Quantity:	<input type="text"/>
Notes:	<input type="text"/>

Discount-Equipment.com is your online resource for quality parts & equipment.

Florida: **561-964-4949** Outside Florida TOLL FREE: **877-690-3101**

Need parts?

Click on this link: <http://www.discount-equipment.com/category/5443-parts/> and choose one of the options to help get the right parts and equipment you are looking for. Please have the machine model and serial number available in order to help us get you the correct parts. If you don't find the part on the website or on one of the online manuals, please fill out the request form and one of our experienced staff members will get back to you with a quote for the right part that your machine needs.

We sell worldwide for the brands: Genie, Terex, JLG, MultiQuip, Mikasa, Essick, Whiteman, Mayco, Toro Stone, Diamond Products, Generac Magnum, Airman, Haulotte, Barreto, Power Blanket, Nifty Lift, Atlas Copco, Chicago Pneumatic, Allmand, Miller Curber, Skyjack, Lull, Skytrak, Tsurumi, Husquvarna Target, Stow, Wacker, Sakai, Mi-T-M, Sullair, Basic, Dynapac, MBW, Weber, Bartell, Bennar Newman, Haulotte, Ditch Runner, Menegotti, Morrison, Contec, Buddy, Crown, Edco, Wyco, Bomag, Laymor, EZ Trench, Bil-Jax, F.S. Curtis, Gehl Pavers, Heli, Honda, ICS/PowerGrit, IHI, Partner, Imer, Clipper, MMD, Koshin, Rice, CH&E, General Equipment, Amida, Coleman, NAC, Gradall, Square Shooter, Kent, Stanley, Tamco, Toku, Hatz, Kohler, Robin, Wisconsin, Northrock, Oztec, Toker TK, Rol-Air, APT, Wylie, Ingersoll Rand / Doosan, Innovatech, Con X, Ammann, Mecalac, Makinex, Smith Surface Prep, Small Line, Wanco, Yanmar



www.discount-equipment.com

Go to Discount-Equipment.com to order your parts

Part No. A0000071709 Rev. A 02/27/2019

©2019 Generac Mobile Products, LLC
All rights reserved.
Specifications are subject to change without notice.
No reproduction allowed in any form without prior written consent
from Generac Mobile Products, LLC.

GENERAC | **MOBILE**