

# TELEHANDLER

**MODELS**

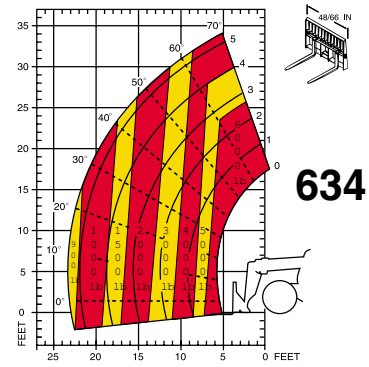
**634, 642,  
842 and 844**



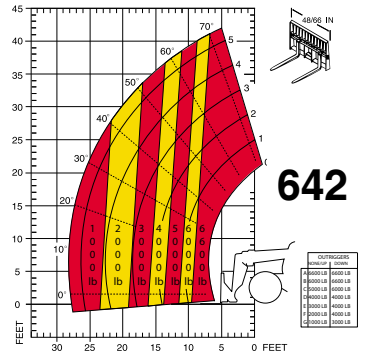
SHOWN WITH  
OPTIONAL EQUIPMENT



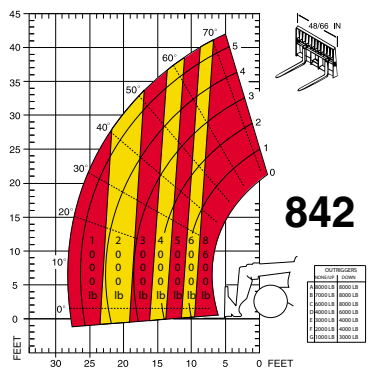
|  | Mustang 634   | Mustang 642   | Mustang 842   | Mustang 844   |
|--|---|---|---|---|
| <b>Capacities</b>                        |   |   |   |   |
| <b>Lift</b>                              |   |   |   |   |
| Lift Capacity (kg)                       | 6000 lbs. (2722)  | 6600 lbs. (2994)  | 8000 lbs. (3629)  | 8000 lbs. (3629)  |
| Lift Height (m)                          | 34' 3" (10.4)   | 42' (12.8)  | 42' (12.8)  | 44' (13.4)  |
| Lift Capacity at Max. Lift Height (kg)   | 4000 lbs. (1814)  | 6600 lbs. (2994)  | 7000 lbs. (3175)  | 7000 lbs. (3175)  |
| Max. Forward Reach (m)                   | 23' 3" (7.0)  | 28' 3" (8.6)  | 28' 3" (8.6)  | 30' 5" (9.3)  |
| Lift Capacity at Max. Forward Reach (kg) | 900 lbs. (408)  | 1000 lbs. (453)   | 1000 lbs. (453)   | 1000 lbs. (453)   |
| Max. Reach Below Ground (mm)             | 2' (610)  | 1' 2" (356)   | 1' 2" (356)   | 1' 4" (406)   |
| <b>Engine</b>                            |   |   |   |   |
| Manufacturer                             | John Deere  | John Deere  | John Deere  | John Deere  |
| Power (kW)                               | Std. 99 hp (74)   | Std. 99 hp (74)   | Std. 115 hp (86)  | Std. 115 hp (86)  |
| Optional Power (kW)                      | Opt. 115 hp (86)  | Opt. 115 hp (86)  | N/A   | N/A   |
| Aspiration                               | Turbo   | Turbo   | Turbo   | Turbo   |
| Model                                    | 4045T   | 4045T   | 4045T   | 4045T   |
| <b>Components</b>                        |   |   |   |   |
| Transmission - Power Shift               | Clark 3-Speed   | Clark 3-Speed   | Clark 3-Speed   | Clark 3-Speed   |
| Drive (Full-Time)                        | 4-Wheel   | 4-Wheel   | 4-Wheel   | 4-Wheel   |
| Steering                                 | 4-Wheel,<br>2-Wheel,<br>Crab  | 4-Wheel,<br>2-Wheel,<br>Crab  | 4-Wheel,<br>2-Wheel,<br>Crab  | 4-Wheel,<br>2-Wheel,<br>Crab  |
| Brakes (4-wheel) Hydraulic               | Internal Wet Disc   | Internal Wet Disc   | Internal Wet Disc   | Internal Wet Disc   |
| Parking Brake                            | SAHR (Spring Applied, Hydraulic Release)  | SAHR (Spring Applied, Hydraulic Release)  | SAHR (Spring Applied, Hydraulic Release)  | SAHR (Spring Applied, Hydraulic Release)  |
| Axle Manufacturer                        | Dana  | Dana  | Dana  | Dana  |
| <b>Hydraulic System</b>                  |   |   |   |   |
| Pump Type                                | Gear  | Gear  | Gear  | Gear  |
| Total Capacity (L/min)                   | 29 gpm (110)  | 40 gpm (151)  | 40 gpm (151)  | 40 gpm (151)  |
| System Pressure (bar)                    | 3000 psi (207)  | 3000 psi (207)  | 3000 psi (207)  | 3000 psi (207)  |
| Hydraulic Tank Capacity                  | 35 gal. (133)   | 47 gal. (178)   | 47 gal. (178)   | 47 gal. (178)   |
| <b>Specifications</b>                    |   |   |   |   |
| Approx. Weight (kg)                      | 15,100 lbs. (6850)  | 22,000 lbs. (9979)  | 23,350 lbs. (10,591)  | 23,500 lbs. (10,660)  |
| Length - Less forks (m)                  | 16' (4.9)   | 19' 1" (5.82)   | 19' 1" (5.82)   | 19' 10" (6.05)  |
| Width (m)                                | 7' 10" (2.4)  | 8' 2.4" (2.5)   | 8' 2.4" (2.5)   | 8' 2.4" (2.5)   |
| Ground Clearance (mm)                    | 1' 2" (355)   | 1' 4" (406)   | 1' 4" (406)   | 1' 4" (406)   |
| Wheel Base (m)                           | 9' 2" (2.8)   | 10' (3)   | 10' (3)   | 10' (3)   |
| Turning Radius (m)                       | 12' 6" (3.8)  | 13' 8" (4.2)  | 13' 8" (4.2)  | 13' 8" (4.2)  |
| Overall Height (m)                       | 7' 10" (2.4)  | 7' 8" (2.3)   | 7' 8" (2.3)   | 7' 8" (2.3)   |
| Frame Leveling                           | ±10°  | ±10°  | ±10°  | ±10°  |
| Fuel Capacity (L)                        | 29 gal. (110)   | 47 gal. (178)   | 47 gal. (178)   | 47 gal. (178)   |
| <b>Work Platform System (WPS):</b>       |   |   |   |   |
|  | Optional  | Optional  | Optional  | Optional  |
| <b>Radio Remote Boom Control</b>         |   |   |   |   |
|  | Optional  | Optional  | Optional  | Optional  |
| <b>Additional Options:</b>               |   |   |   |   |
|  | All-Weather Cab, Air Conditioning, Lights, Tire Options, Cold Start Kit, Clutch Cut-Out, Special Paint, Aux. Hydraulics, Centrifugal Pre-cleaner Package      | All-Weather Cab, Lights, Tire Options, Cold Start Kit, Clutch Cut-Out, Special Paint, Aux. Hydraulics, Special Paint, Outrigger Package and Centrifugal Pre-cleaner Package | All-Weather Cab, Lights, Tire Options, Cold Start Kit, Clutch Cut-Out, Special Paint, Aux. Hydraulics, Special Paint, Outrigger Package and Centrifugal Pre-cleaner Package | All-Weather Cab, Lights, Tire Options, Cold Start Kit, Clutch Cut-Out, Special Paint, Aux. Hydraulics, Special Paint, Outrigger Package and Centrifugal Pre-cleaner Package |
| <b>Tire Options:</b>                     |   |   |   |   |
|  | 15.00 x 19.5/12 PR<br><br>15.00 x 19.5/12 PR (Foam-Filled)<br><br>405/70 R20 (14.5 x R20) Radial Traction<br><br>405/70 R20 (14.5 x R20) Radial - Foam-Filled | 13.00 x 24/12 PR<br><br>13.00 x 24/12 PR (Foam-Filled)<br><br>13.00 x 24/12 PR - Rock   | 13.00 x 24/12 PR<br><br>13.00 x 24/12 PR (Foam-Filled)<br><br>13.00 x 24/12 PR - Rock   | 13.00 x 24/12 PR<br><br>13.00 x 24/12 PR (Foam-Filled)<br><br>13.00 x 24/12 PR - Rock   |



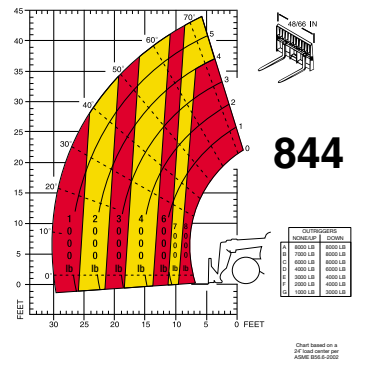
634



642



842



844

**CONTACT YOUR MUSTANG DEALER TODAY!**

**SAFETY IS NO ACCIDENT.** Mustang Manufacturing Company reminds you that before operating any piece of equipment, be sure to read and understand the operator's manual. U.S. OSHA regulations require that forklift operators be trained and certified. Additionally, be sure all safety devices and shields are securely in place and functioning properly. Mustang Manufacturing Company reserves the right to make changes in specifications and add improvements at any time without notice or obligation.



**MUSTANG**  
www.mustangmfg.com  
1880 Austin Road  
Owatonna, MN 55060-0547  
507-451-7112 Fax: 507-451-8209

© 2006 Mustang Manufacturing Company, Inc.  
All Rights Reserved.

TEL 634/642/842/844  
Rev. 8/2006 Printed in the U.S.A.