

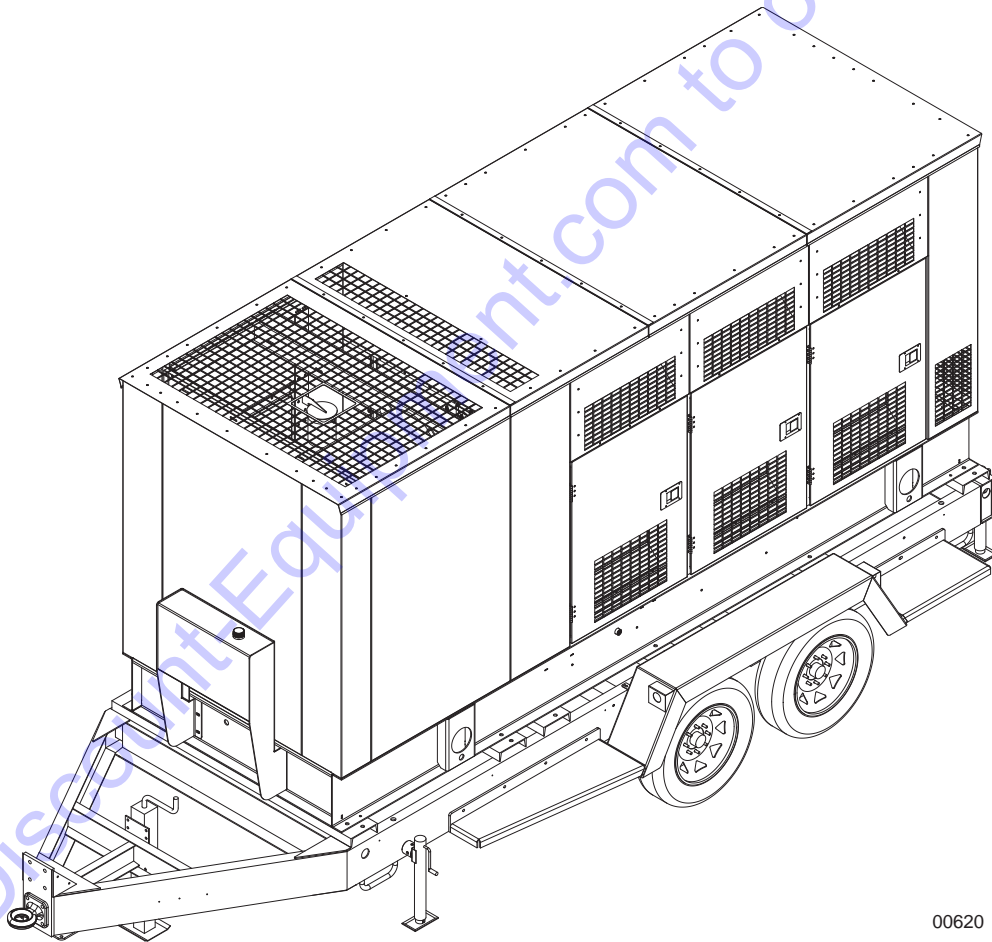
GENERAC®

**MOBILE
PRODUCTS**

GASEOUS GENERATOR

MGG210N2

PARTS MANUAL



00620

**Discount
Equipment**

www.discount-equipment.com

PARTS FINDER

**Search Website
by Part Number**



**Search Manual
Library For Parts
Manual & Lookup Part
Numbers – Purchase
or Request Quote**

Search Manuals

Enter your information to help us find the right parts manual for your machine.

* Brand:

* Model:

* Serial:

* Part Number:

SEARCH

**Can't Find Part or
Manual? Request Help
by Manufacturer,
Model & Description**

Parts Order Form

Please fill in the following information to help us find the right part for your machine.

Manufacturer:	<input type="text"/>
Model:	<input type="text"/>
Description:	<input type="text"/>
Part Number:	<input type="text"/>
Quantity:	<input type="text"/>
Notes:	<input type="text"/>

Submit

Discount-Equipment.com is your online resource for quality parts & equipment.

Florida: **561-964-4949** Outside Florida TOLL FREE: **877-690-3101**

Need parts?

Click on this link: <http://www.discount-equipment.com/category/5443-parts/> and choose one of the options to help get the right parts and equipment you are looking for. Please have the machine model and serial number available in order to help us get you the correct parts. If you don't find the part on the website or on one of the online manuals, please fill out the request form and one of our experienced staff members will get back to you with a quote for the right part that your machine needs.

We sell worldwide for the brands: Genie, Terex, JLG, MultiQuip, Mikasa, Essick, Whiteman, Mayco, Toro Stone, Diamond Products, Generac Magnum, Airman, Haulotte, Barreto, Power Blanket, Nifty Lift, Atlas Copco, Chicago Pneumatic, Allmand, Miller Curber, Skyjack, Lull, Skytrak, Tsurumi, Husquvarna Target, Stow, Wacker, Sakai, Mi-T-M, Sullair, Basic, Dynapac, MBW, Weber, Bartell, Bennar Newman, Haulotte, Ditch Runner, Menegotti, Morrison, Contec, Buddy, Crown, Edco, Wyco, Bomag, Laymor, EZ Trench, Bil-Jax, F.S. Curtis, Gehl Pavers, Heli, Honda, ICS/PowerGrit, IHI, Partner, Imer, Clipper, MMD, Koshin, Rice, CH&E, General Equipment, Amida, Coleman, NAC, Gradall, Square Shooter, Kent, Stanley, Tamco, Toku, Hatz, Kohler, Robin, Wisconsin, Northrock, Oztec, Toker TK, Rol-Air, APT, Wylie, Ingersoll Rand / Doosan, Innovatech, Con X, Ammann, Mecalac, Makinex, Smith Surface Prep, Small Line, Wanco, Yanmar

▲ WARNING

CALIFORNIA PROPOSITION 65 WARNING: Engine exhaust and some of its constituents are known to the state of California to cause cancer, birth defects, and other reproductive harm.

▲ WARNING

CALIFORNIA PROPOSITION 65 WARNING: This product contains or emits chemicals known to the state of California to cause cancer, birth defects, and other reproductive harm.

Introduction

This parts manual was prepared based on the information available at the time of publication and is subject to change without notice. Generac Mobile Products reserves the right to change parts at any time. To check whether a revised parts manual is available, contact Generac Mobile Products.

DO NOT MODIFY or use this equipment for any application other than which it was designed for. To keep your equipment fully operational, it is suggested you maintain a stock of commonly used maintenance or service parts. A recommended spare parts list can be found in the back of this manual.

Engine Make: _____

Engine Serial Number: _____

Engine Model Number: _____

Generator Make: _____

Generator Model Number: _____

Generator Serial Number: _____

Unit Model Number: _____

Unit Serial Number: _____

Dealer Name: _____

Dealer Phone Number: _____

Table of Contents

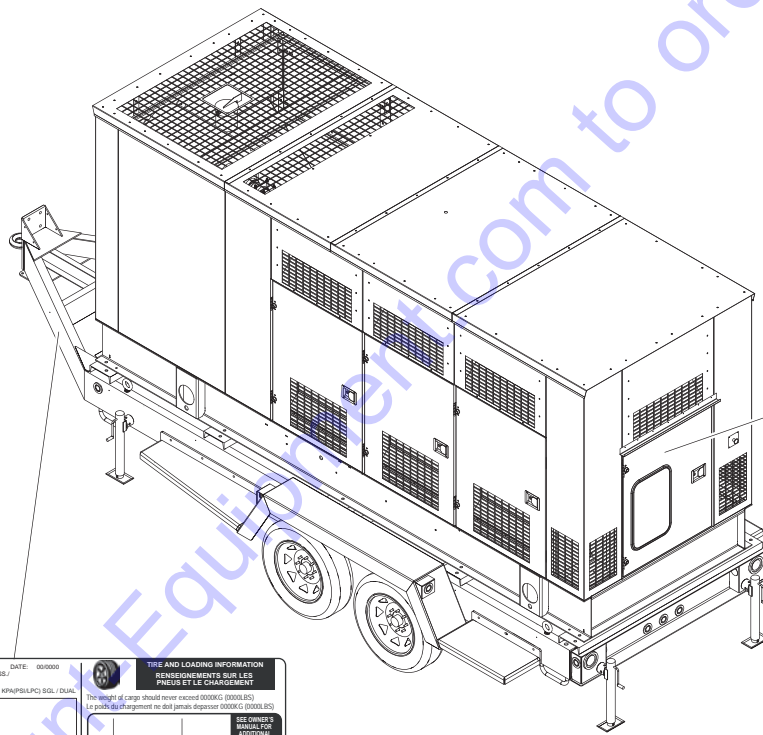
Introduction	iii
Parts Manual Instructions.....	1
Enclosure Panels.....	2
Unit Decals - Exterior.....	4
Unit Decals - Left Side Interior.....	6
Unit Decals - Right Side Interior	8
Unit Decals - Control Panel	10
Unit Decals - Power Panel.....	12
Doors and Roof to Unit	14
Upper and Rear Panels to Unit.....	16
Front Enclosure to Unit.....	18
Left Side Door and Upper Panel Assembly	20
Front Enclosure Door Assembly.....	22
Right Rear Door Assembly	24
Right Middle Door Assembly	26
Power Panel Door Assembly.....	28
Control Door Assembly.....	30
Roof Assembly	32
Front and Left Front Panel Assembly	34
Left and Right Panel Assembly	36
Front Upper Panel Assembly.....	38
Front Corner Panel Assembly	40
Rear Corner and Upper Panel Assembly	42
Control Box and Power Panel to Unit	44
Control Box Assembly	46
Control Panel Assembly	48
Sub-Panel Assembly	50
Power Panel Box Assembly	52
Power Panel and Lug Assembly.....	54
Air Filter Assembly.....	56
Exhaust System Assembly	58
Cooling System Assembly.....	60
Cooling System Hoses	62
Engine and Generator to Unit.....	64
Fuel System Assembly.....	66
Vaporizer Assembly.....	68
Oil Tank Assembly.....	70
Engine Assembly.....	72
Generator Assembly.....	74
Skid Assembly	76
Trailer Assembly.....	78
Axle Assembly	80
Recommended Spare Parts List.....	82

Parts Manual Instructions

Product illustrations are only representations. Products supplied may vary from the illustrations in this parts manual. Parts not shown in the illustration are indicated by a double dash (--) in the item column.

Please be prepared to provide the following information when ordering replacement parts: model number, serial number (on unit serial tag), part number, purchase order number (if applicable), shipping address, shipping method.

Refer to the illustration below to locate the unit ID tag and Vehicle Identification Number (VIN) tag on the unit. Important information, such as the unit serial number, model number, VIN and tire loading information are found on these tags. Record the information from these tags so it is available if the tags are lost or damaged. When ordering parts or requesting assistance, you may be asked to provide this information.



UNIT ID Tag

Manufactured by Magnum Power Products, LLC.,
a subsidiary of Generac Power Systems, Inc.
(800) 361-4442 (800) 326-6768

Country of Origin	Model	Serial Number
Manufacturing Code	Height (ft/inch)	SPM/Frequency
	Rating	
1 ph. 1.0PF	3 ph. 0.9PF	3 ph. 1.0PF
KW		
KVA		
V		
A		

© 2014 Magnum Power Products, LLC. All rights reserved. Form 1000-0004

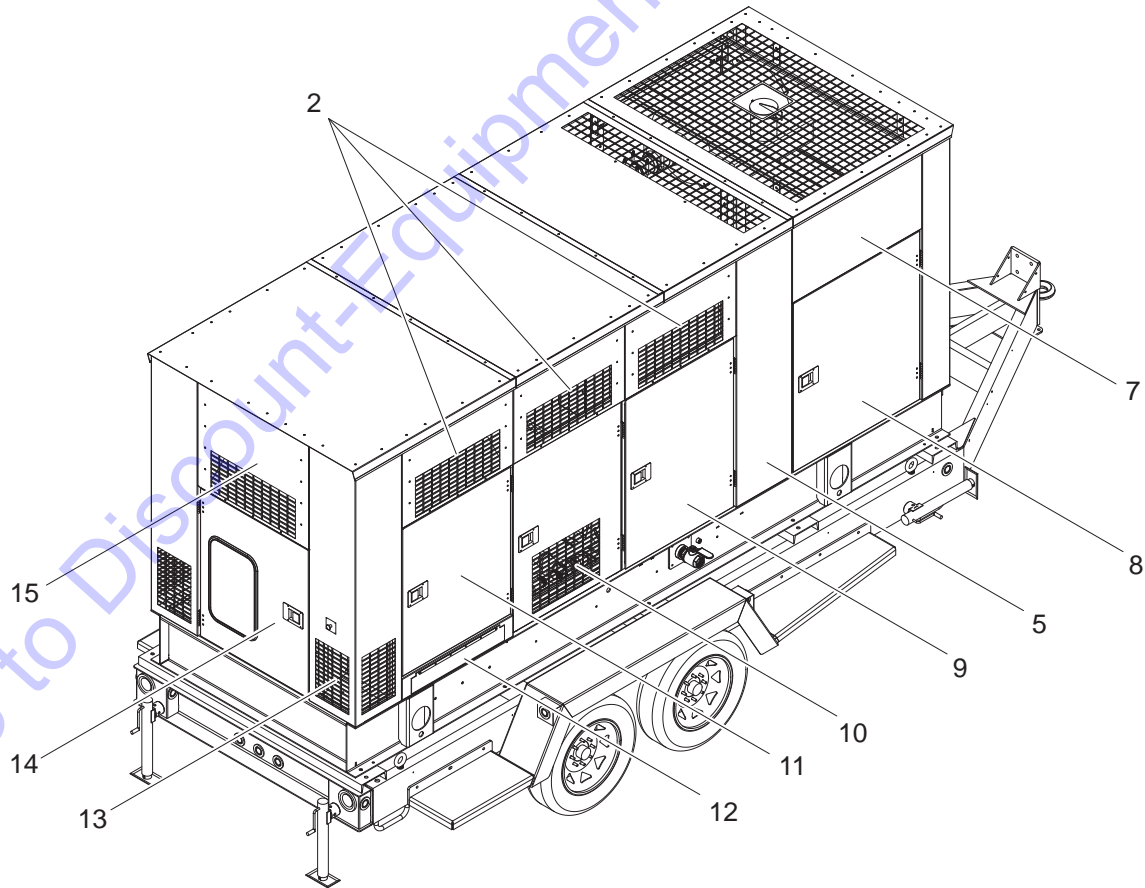
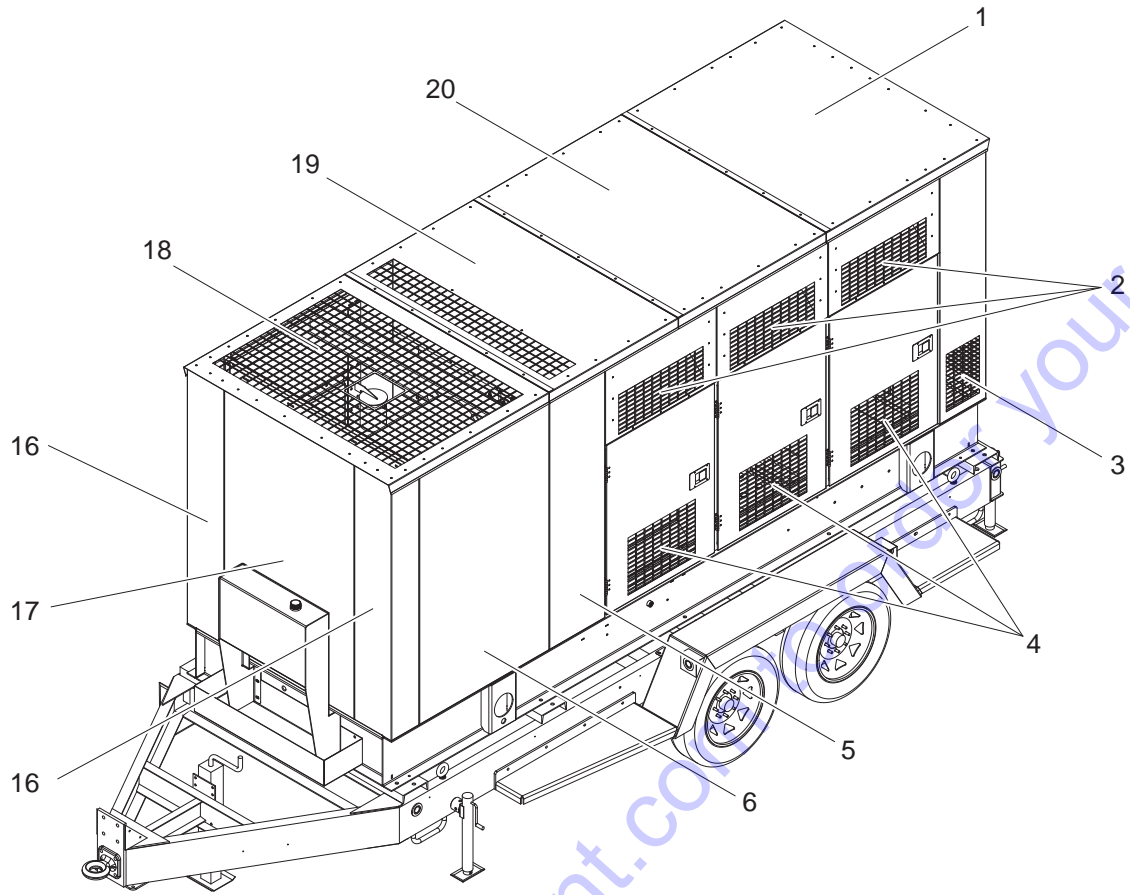
Located behind control door

VIN Tag

MANUFACTURED BY/FABRIQUE PAR: Generac Mobile Products, LLC CIVILIS/PRODUIT PAR: (00000) (00000000)	DATE: 000000	TIRE AND LOADING INFORMATION RENSEIGNEMENTS SUR LES PNEUS ET LE CHARGEMENT The weight of cargo should never exceed 5000KG (10000LBS) Le poids du chargement ne doit jamais dépasser 10000KG (22000LBS)
COULD NOT PRESS/ PRESS. DE		
QAWR/ PNEU	TIRE / PNEU	SEE OWNERS MANUAL FOR ADDITIONAL INFORMATION. VOYEZ LE MANUEL DE TOUTE LA FOURME POUR PLUS DE RENSEIGNEMENTS
REAR / AVANT	GENP-A-PRDID - APPROPRIATE SGL / OUAL	
EACH AXLE		
THIS VEHICLE CONFORMS TO ALL APPLICABLE FEDERAL REGULATIONS UNDER THE U.S. FEDERAL MOTOR VEHICLE SAFETY STANDARDS AND THE CANADIAN MOTOR VEHICLE SAFETY REGULATIONS SUBJECT TO THE LIMITS OF MANUFACTURE. CE VEHICULE EST CONFORME A TOUTES LES NORMES CANADIENNES ET AMERICAINES EN MATIERE DE SECURITE POUR LES VEHICULES AUTOMOBILES ET LES VEHICULES AUTOMOBILES EN MATIERE DE SECURITE.		
VIN: NLSV	000000000000000000	MODEL: XXX000 TYPE: TRAILER

01793

ENCLOSURE PANELS



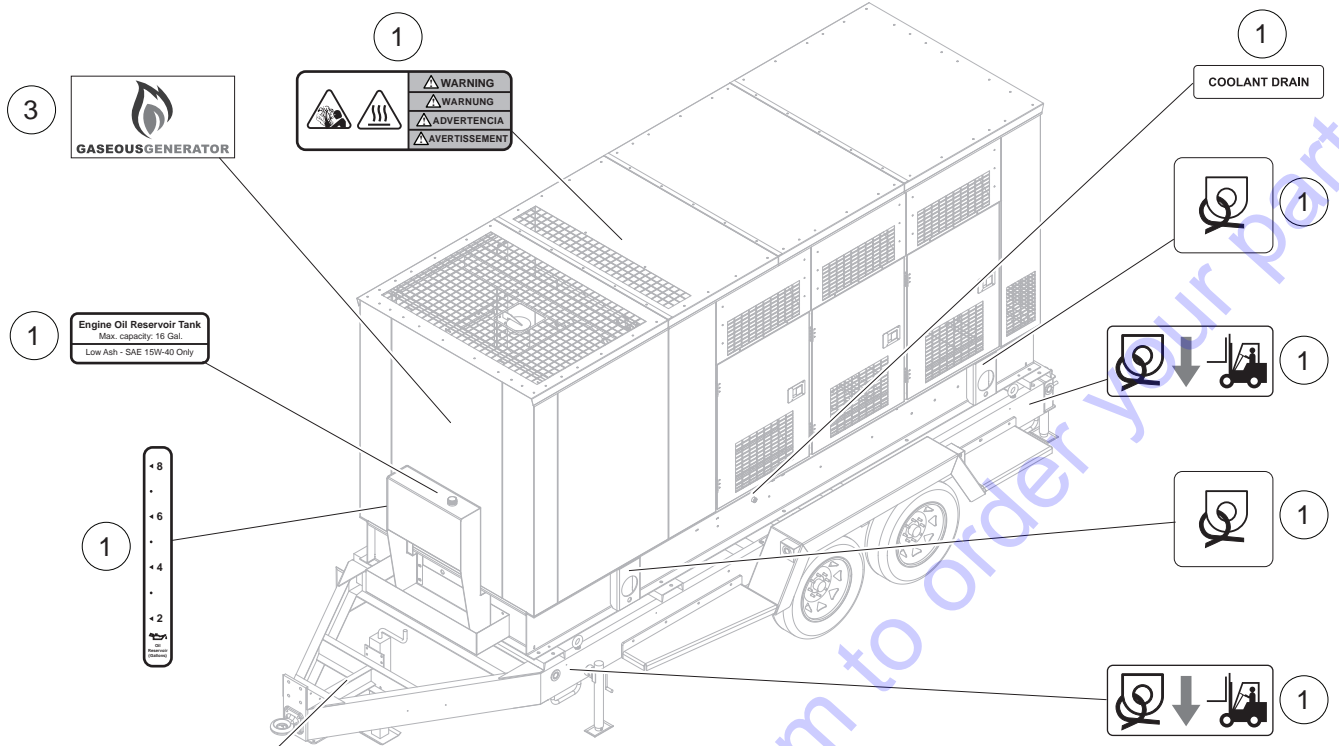
01794

ENCLOSURE PANELS

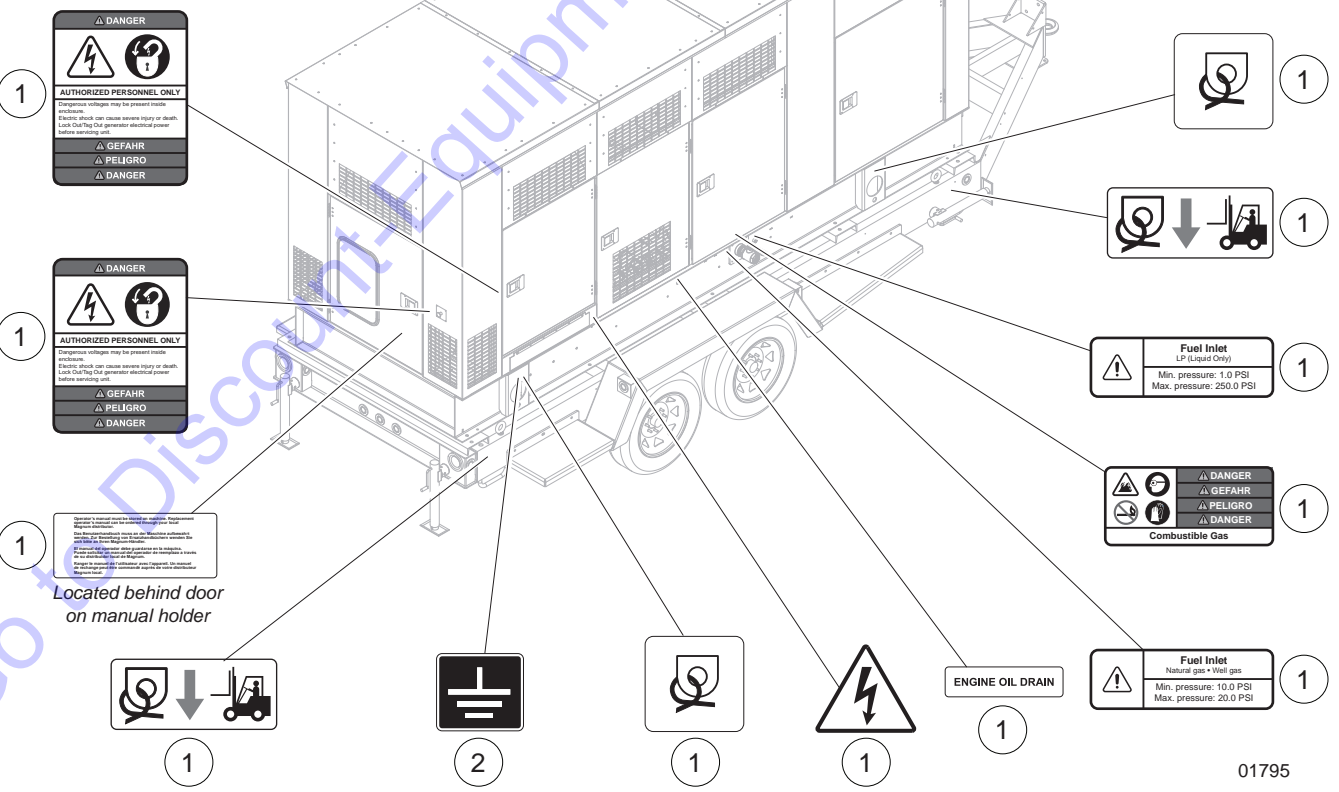
Item	Part No.	Qty	Description	Notes
1	Page 32	1	Panel, roof - rear	
2	Page 20	6	Panel, upper	
3	Page 16	1	Panel, left rear corner	
4	Page 20	3	Door, left	
5	Page 36	2	Panel, left/right	
6	Page 34	1	Panel, left front	
7	Page 38	1	Panel, upper front	
8	Page 22	1	Door, front enclosure	
9	Page 26	1	Door, right middle	
10	Page 24	1	Door, right rear	
11	Page 28	1	Door, power panel	
12	Page 14	1	Panel, receptacle access	
13	Page 42	1	Panel, right rear corner	
14	Page 30	1	Door, control	
15	Page 42	1	Panel, upper rear	
16	Page 40	2	Panel, front corner	
17	Page 34	1	Panel, front	
18	Page 32	1	Panel, roof - exhaust	
19	Page 32	1	Panel, roof - front	
20	Page 32	1	Panel, roof - middle	

Go to Discount-Equipment.com to order your parts

UNIT DECALS - EXTERIOR



TOWING INSTRUCTIONS	ABSCHLEPPANWEISUNGEN	INSTRUCCIONES PARA REMOLQUE	INSTRUCTIONS DE REMORQUAGE
1. Read operator's manual. 2. Attach hitch to the frame. *Tow vehicle weight must be within limits. 3. Securely attach trailer to tow vehicle. 4. Make sure brakes are properly adjusted. 5. Check brake lights.	1. Lesen des Bedienungsleiters. 2. Anschließen des Schlepphakens an den Rahmen. 3. Sicherung des Anhängers an das Zugsfahrzeug. 4. Sicherstellen, dass die Bremsen richtig eingestellt sind. 5. Prüfen der Bremslichter.	1. Leer el manual del operador. 2. Conectar el enganche al chasis de la "unidad". 3. Asegurar firmemente el remolque al vehículo. 4. Asegurar que los frenos estén correctamente ajustados. 5. Comprobar que las luces de freno estén encendidas.	1. Lire le manuel de l'opérateur. 2. Attacher le dispositif d'attelage au châssis central. 3. Assurer solidement le remorque au véhicule tracteur. 4. Vérifier le réglage de sécurité des freins. 5. Vérifier que les feux de freinage fonctionnent.



01795

UNIT DECALS - EXTERIOR

Item	Part No.	Qty	Description	Notes
1	34551	1	Decal set, safety	
2	12142	1	Decal, ground	
3	36140	1	Decal, gaseous generator	

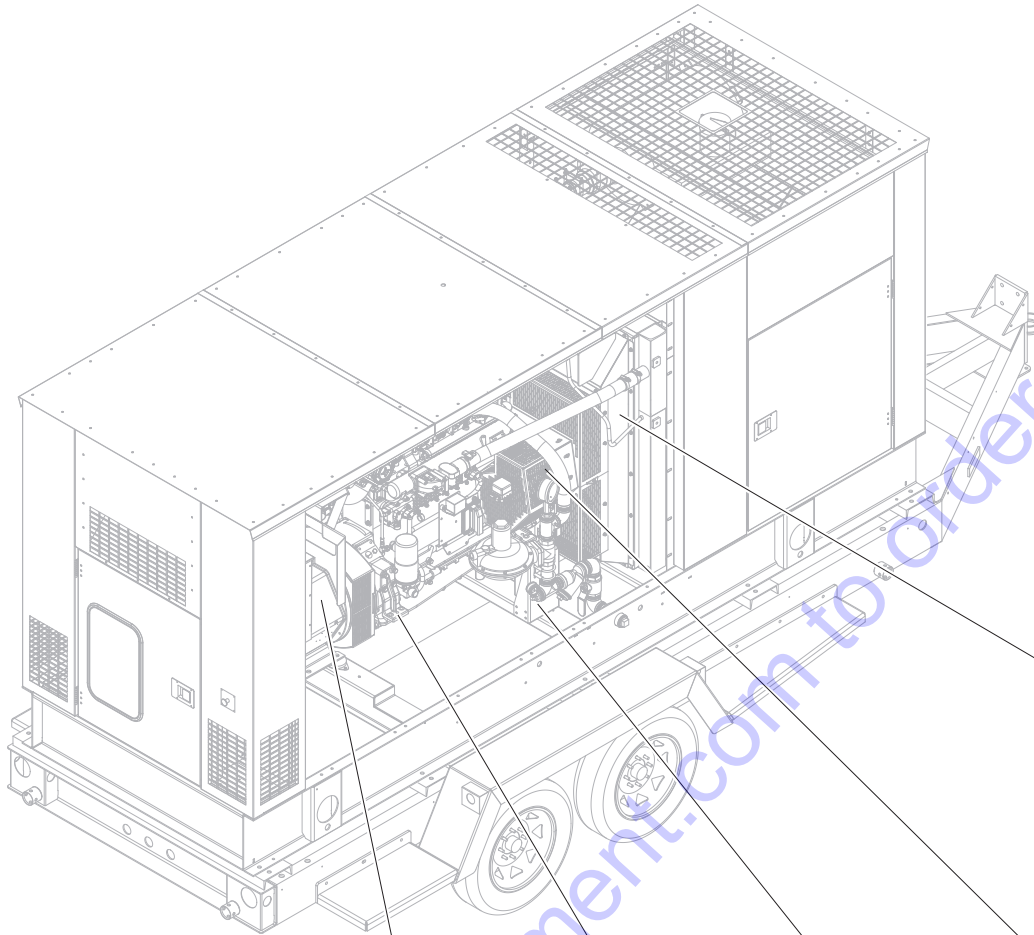
Go to Discount-Equipment.com to order your parts

UNIT DECALS - LEFT SIDE INTERIOR

Item	Part No.	Qty	Description	Notes
1	34551	1	Decal set, safety	

Go to Discount-Equipment.com to order your parts

UNIT DECALS - RIGHT SIDE INTERIOR



1

⚠ WARNING
⚠ WARNING
⚠ ADVERTENCIA
⚠ AVERTISSEMENT

1

1

⚠ WARNING
⚠ WARNING
⚠ ADVERTENCIA
⚠ AVERTISSEMENT

2

Located on engine mount

1

⚠ WARNING
Generator can automatically start which can cause serious injury. Disconnect battery before servicing.
⚠ WARNING
Der Generator kann automatisch anspringen und schwere Verletzungen verursachen. Vor der Instandsetzung die Batterieentladung lösen.
⚠ ADVERTENCIA
El generador puede arrancar automáticamente, lo que puede causar graves lesiones. Desconecte la batería antes de realizar el servicio técnico.
⚠ AVERTISSEMENT
La génératrice peut démarrer automatiquement, ce qui peut entraîner des blessures graves. Débranchez la batterie avant de faire l'entretien.

01797

UNIT DECALS - RIGHT SIDE INTERIOR

Item	Part No.	Qty	Description	Notes
1	34551	1	Decal set, safety	
2	12142	1	Decal, ground	

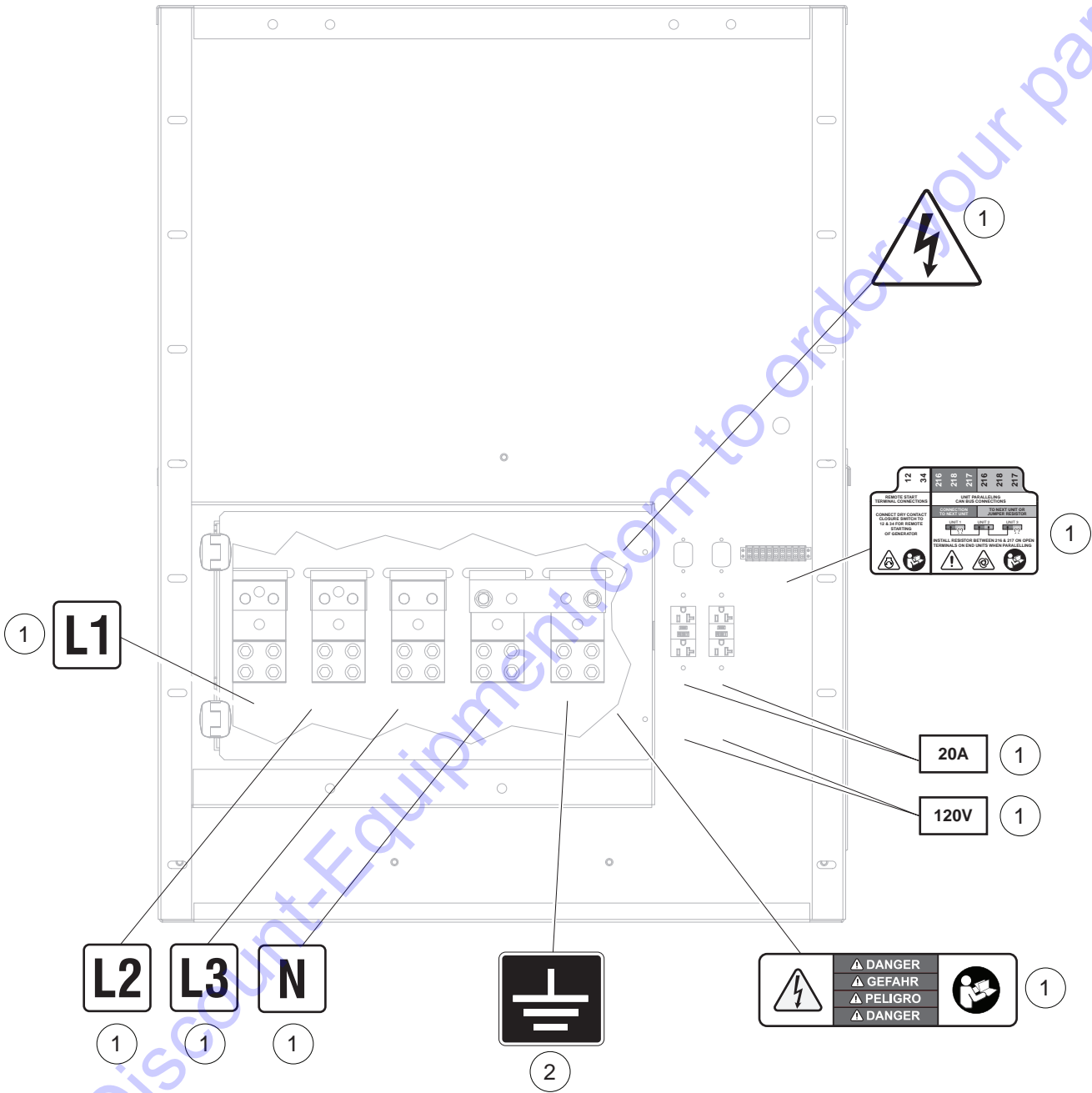
Go to Discount-Equipment.com to order your parts

UNIT DECALS - CONTROL PANEL

Item	Part No.	Qty	Description	Notes
1	34551	1	Decal set, safety	
2	37600	1	Decal, maintenance	

Go to Discount-Equipment.com to order your parts

UNIT DECALS - POWER PANEL



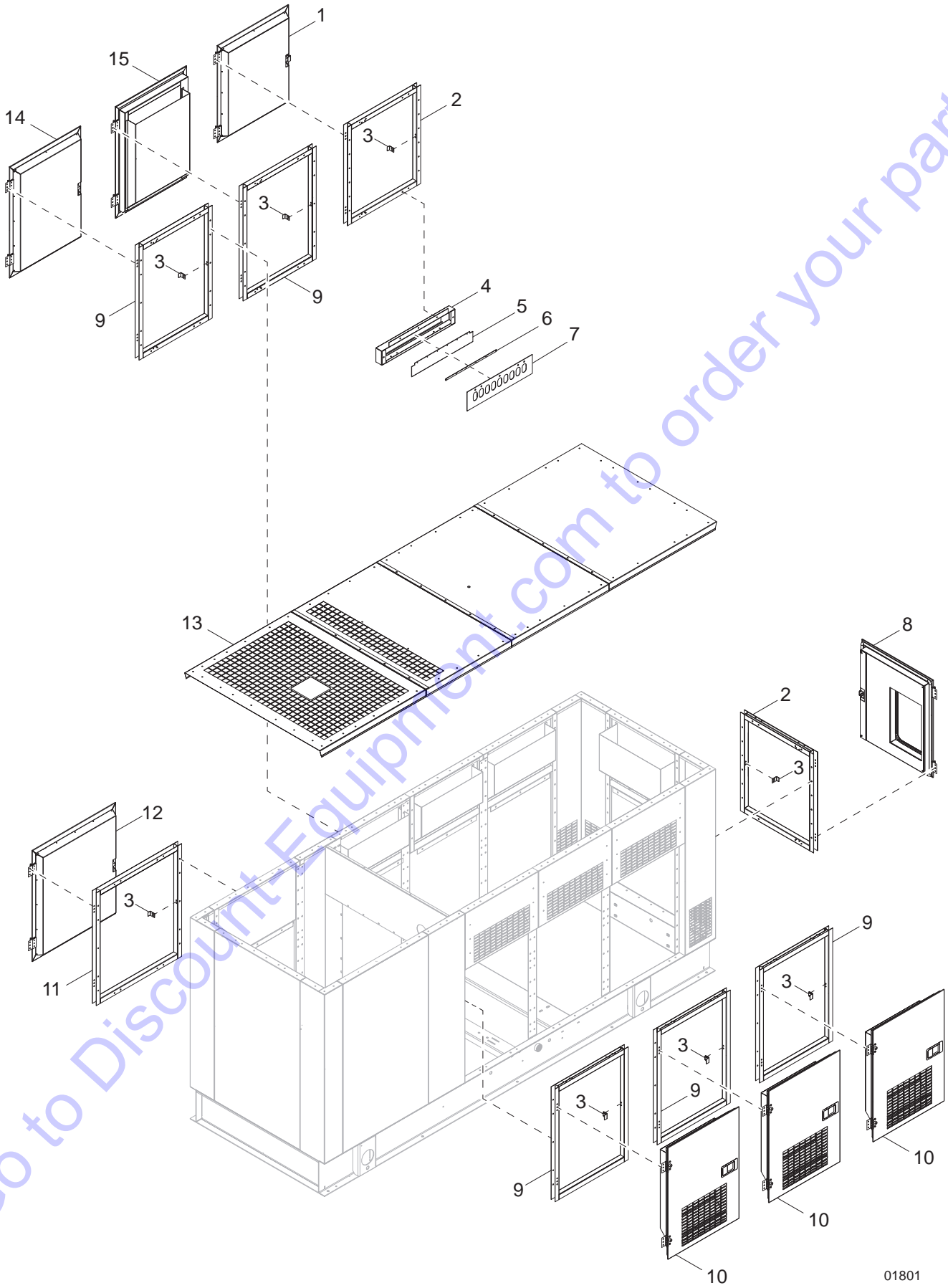
01799

UNIT DECALS - POWER PANEL

Item	Part No.	Qty	Description	Notes
1	34551	1	Decal set, safety	
2	12142	1	Decal, ground	

Go to Discount-Equipment.com to order your parts

DOORS AND ROOF TO UNIT



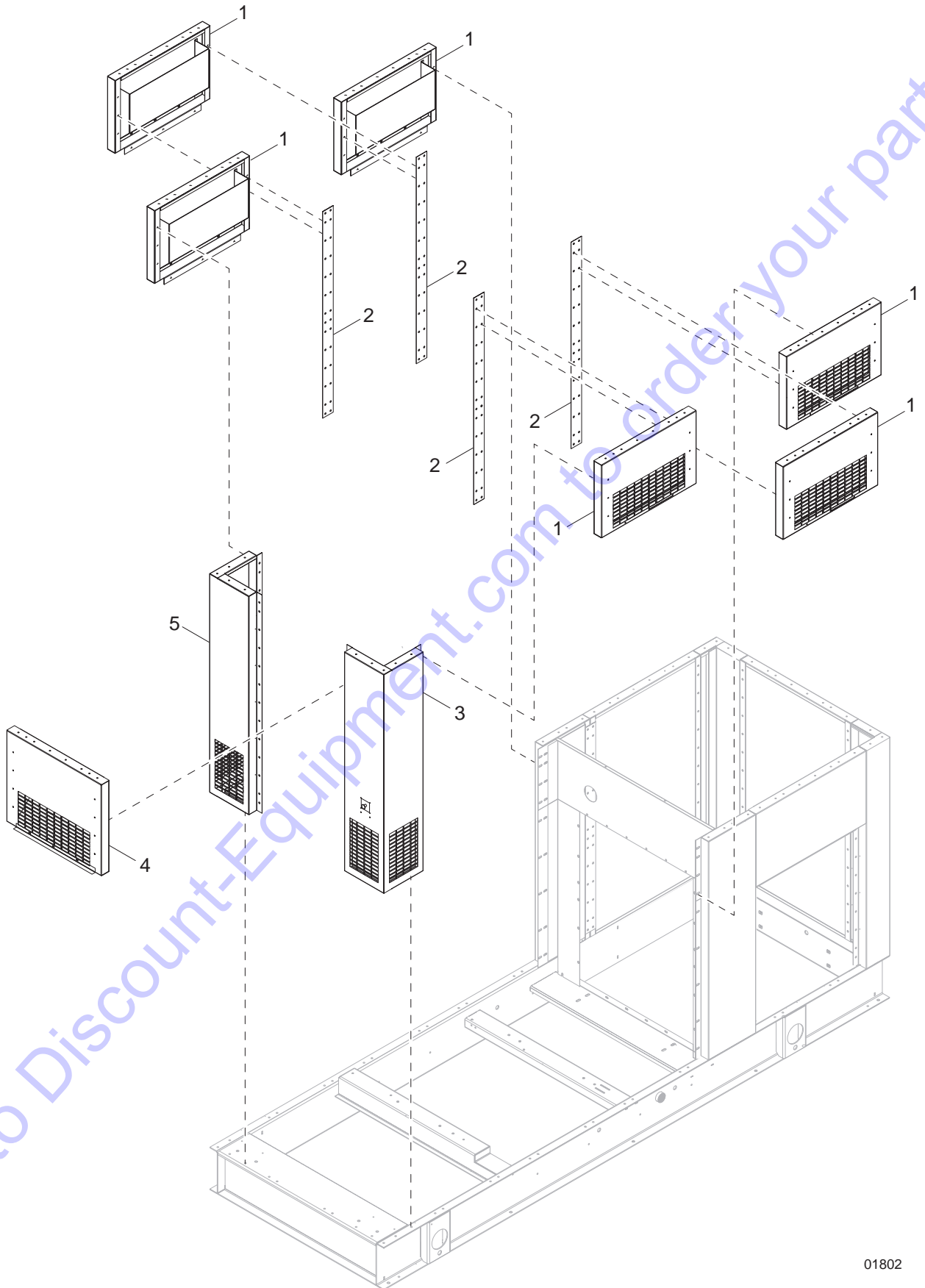
01801

DOORS AND ROOF TO UNIT

Item	Part No.	Qty	Description	Notes
1	Page 28	1	Assembly, power panel door	
2	38827	2	Frame, control/power panel door	
3	38832	8	Striker, door latch	
4	38843	1	Panel, riser, w/cable access	
5	38846	1	Weatherstrip, cable entry	
6	38845	1	Weatherstrip, MTG	
7	38844	1	Guard, finger, glastic	
8	Page 30	1	Assembly, control door	
9	38849	5	Frame, left and right door	
10	Page 20	3	Assembly, left door	
11	38817	1	Frame, front enclosure door	
12	Page 22	1	Assembly, front enclosure door	
13	Page 32	1	Assembly, roof	
14	Page 24	1	Assembly, right rear door	
15	Page 26	1	Assembly, right middle door	

Go to Discount-Equipment.com to order your parts

UPPER AND REAR PANELS TO UNIT



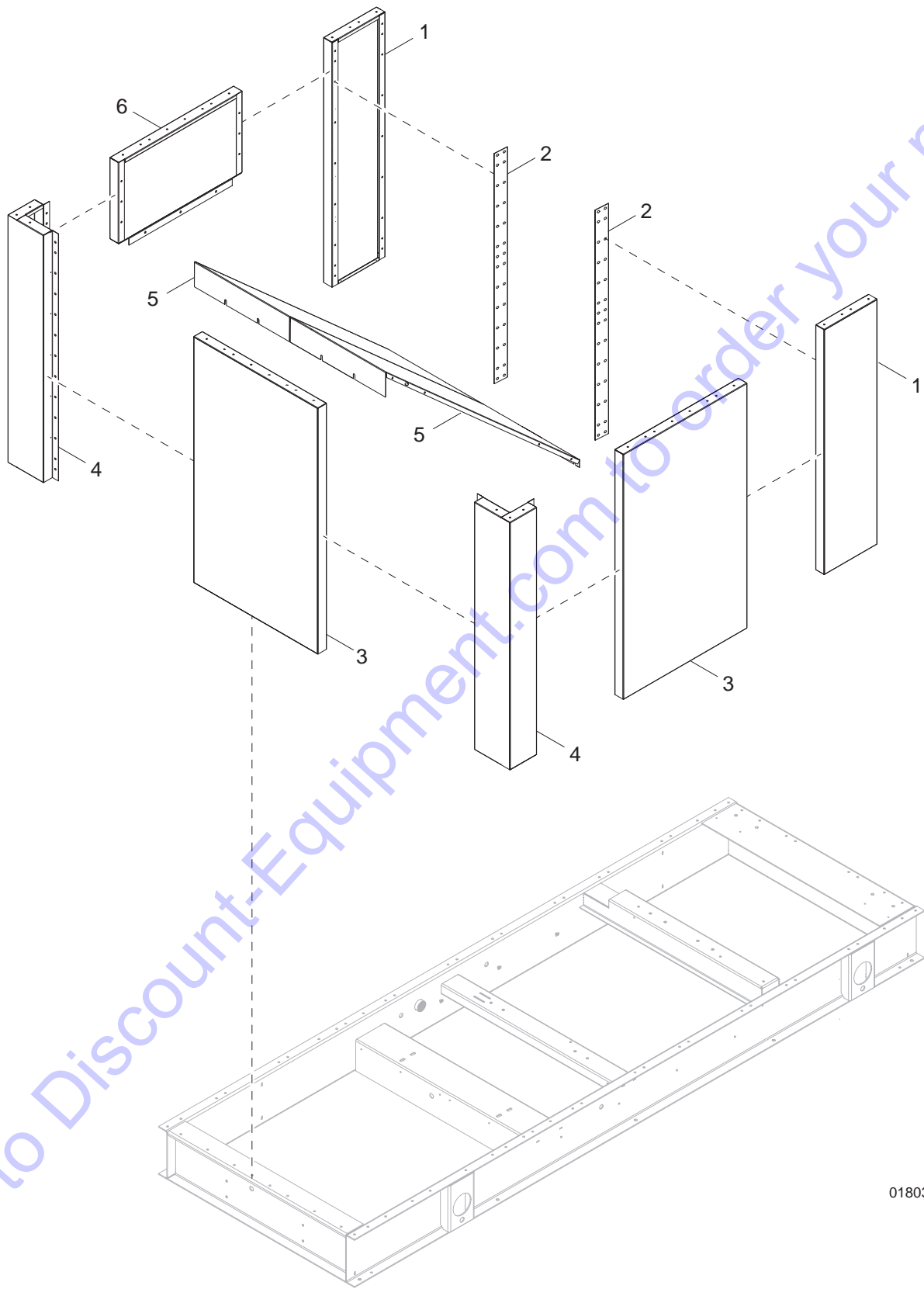
01802

UPPER AND REAR PANELS TO UNIT

Item	Part No.	Qty	Description	Notes
1	Page 20	6	Panel, upper	
2	38813	4	Flat, door - 72 in	
3	Page 42	1	Assembly, right rear corner panel	
4	Page 42	1	Assembly, upper rear panel	
5	38856	1	Panel, rear corner, vented - LH	

Go to Discount-Equipment.com to order your parts

FRONT ENCLOSURE TO UNIT



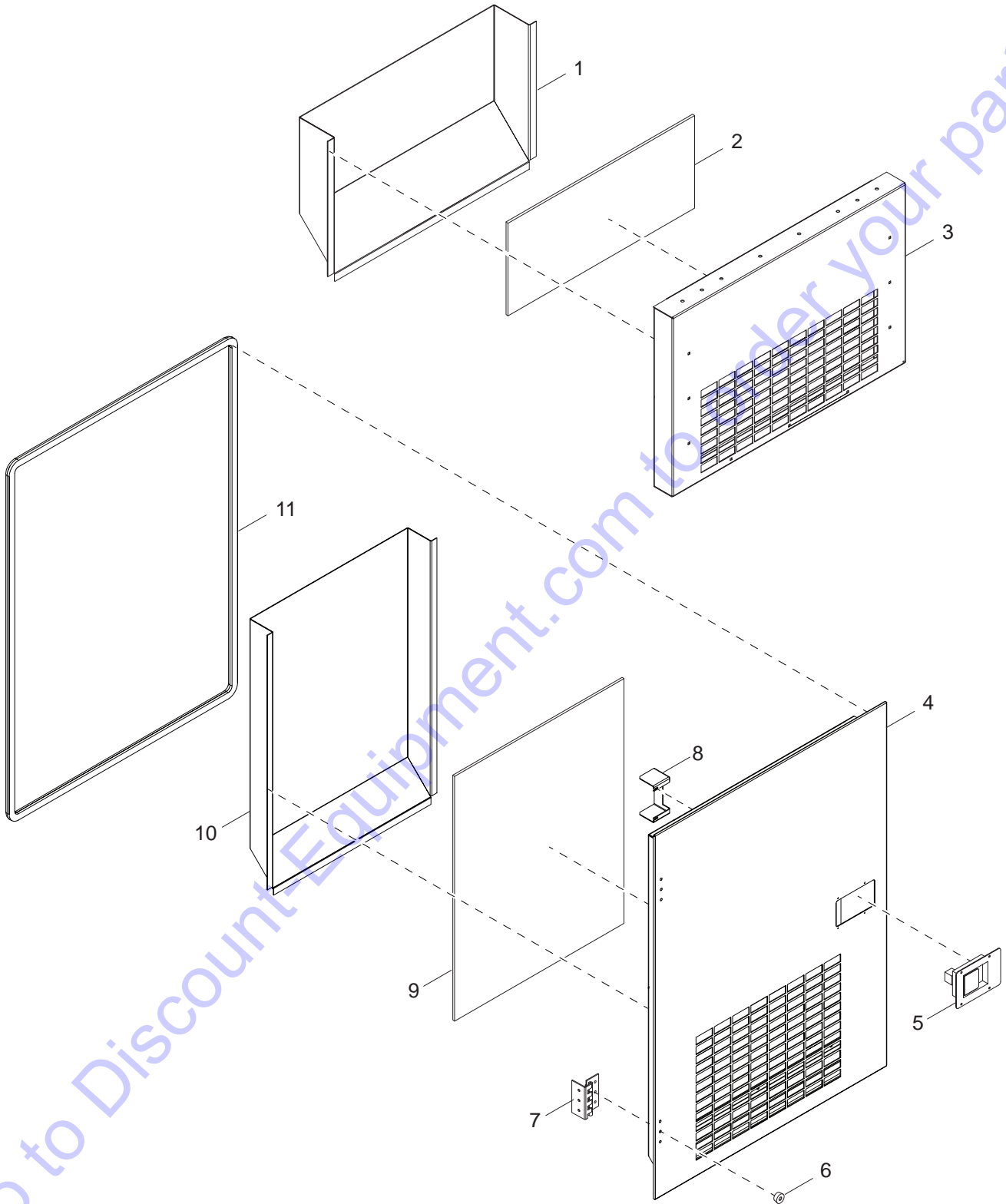
01803

FRONT ENCLOSURE TO UNIT

Item	Part No.	Qty	Description	Notes
1	Page 36	2	Assembly, left and right panel	
2	38813	2	Flat, door - 72 in	
3	Page 34	2	Assembly, front panel	
4	Page 40	2	Assembly, front corner panel	
5	38826	2	Plenum	
6	Page 38	1	Assembly, front upper panel	

Go to Discount-Equipment.com to order your parts

LEFT SIDE DOOR AND UPPER PANEL ASSEMBLY



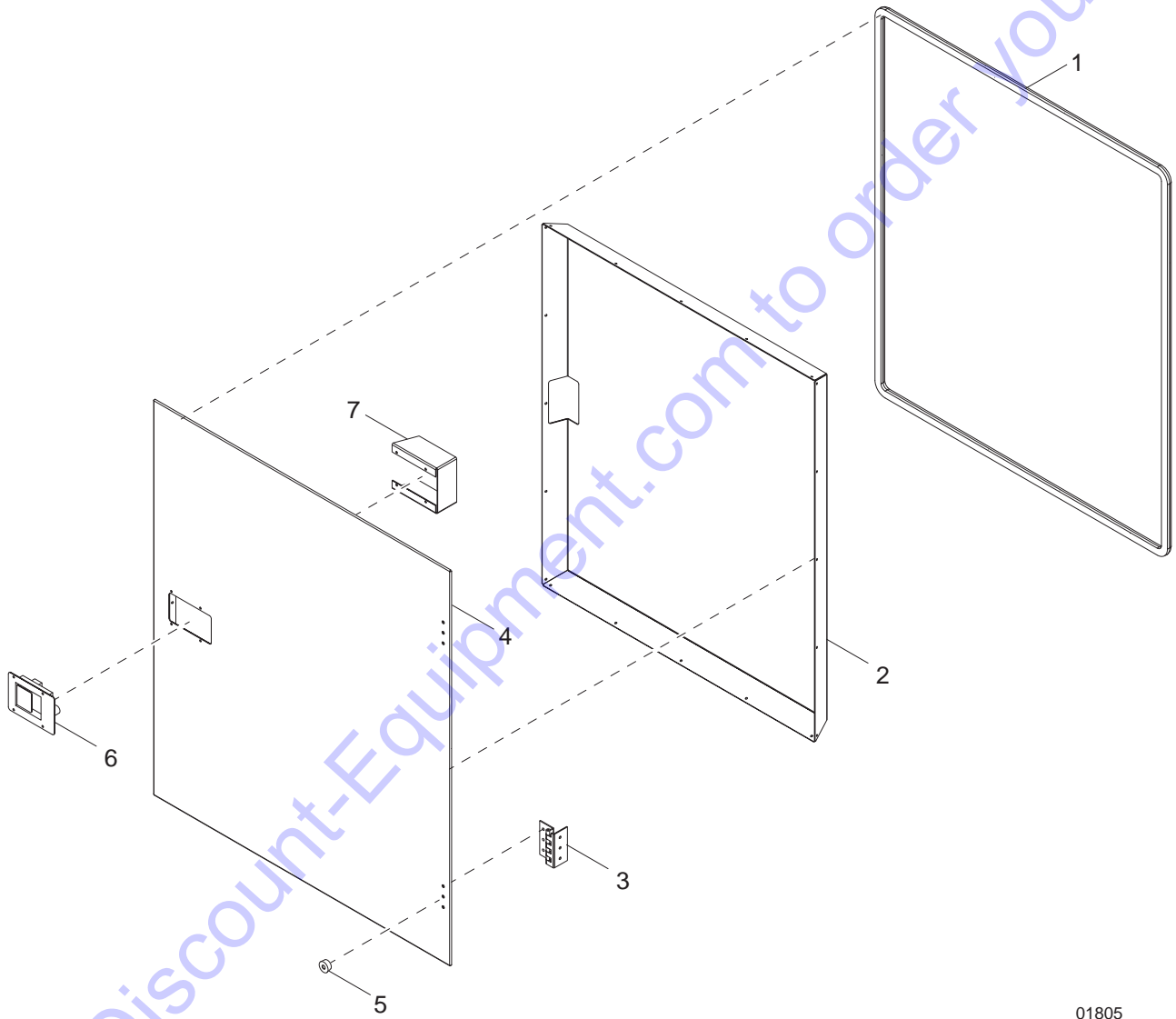
01804

LEFT SIDE DOOR AND UPPER PANEL ASSEMBLY

Item	Part No.	Qty	Description	Notes
1	38842	1	Duct, upper panel intake	
2	38812	1	Foam, polydamp - 11.0 x 30.0	
3	38841	1	Panel, upper panel	
4	38850	1	Door, vented - internal duct, left	
5	38866	1	Handle, recess - lock, keyed	
6	38831	2	Bumper, door - rubber	
7	35440	2	Hinge, door, SS	
8	38864	1	Guard, pad latch	
9	38812	1	Foam, polydamp - 19.0 x 30.0	
10	38854	1	Duct, door intake	
11	36003	1	Weatherstrip, .83 x .76	

Go to Discount-Equipment.com to order your parts

FRONT ENCLOSURE DOOR ASSEMBLY



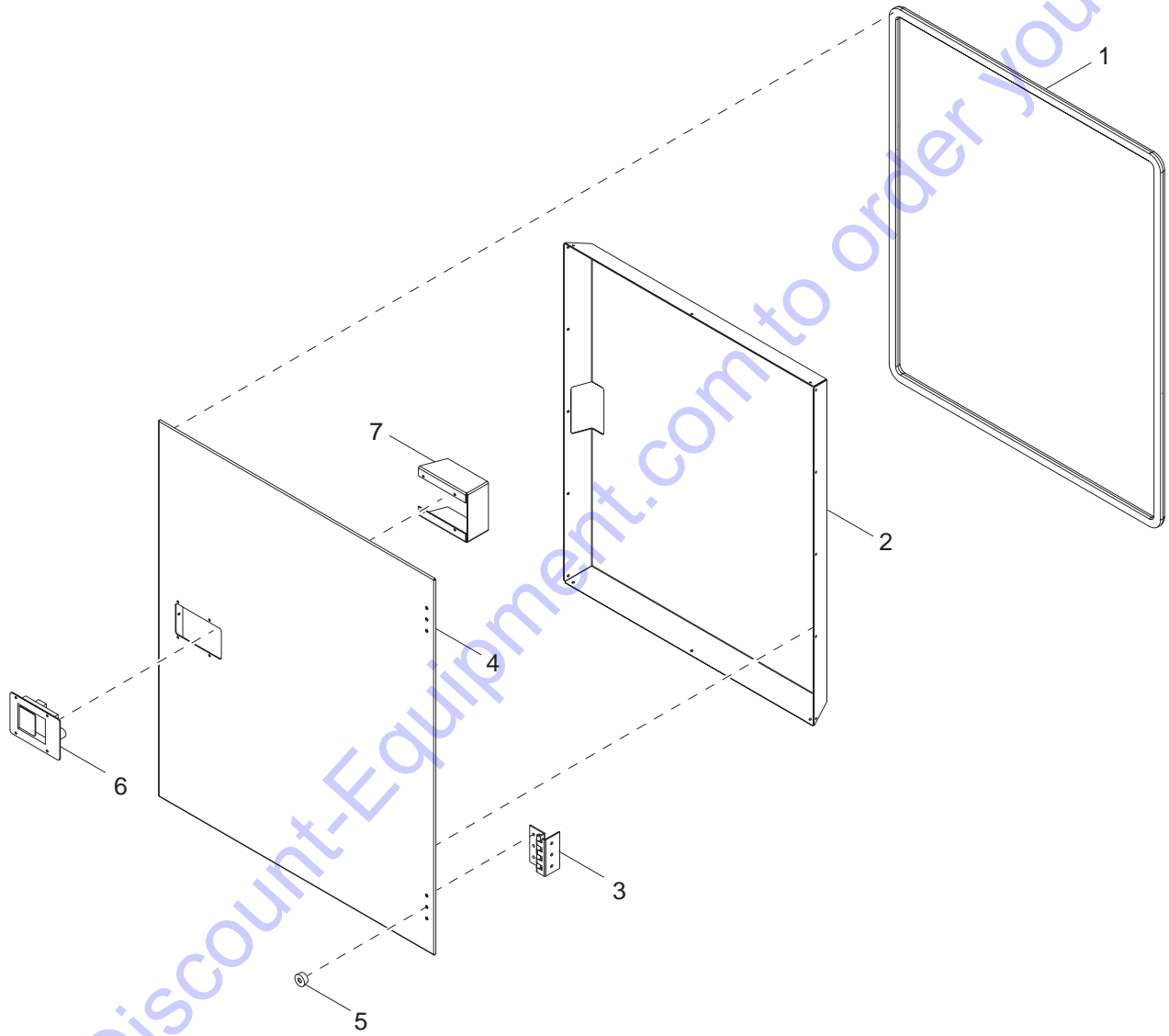
01805

FRONT ENCLOSURE DOOR ASSEMBLY

Item	Part No.	Qty	Description	Notes
1	36004	1	Weatherstrip, .25 x 2.0	
2	38816	1	Door, inner	
3	35440	2	Hinge, door, SS	
4	38815	1	Door, outer pad	
5	38831	2	Bumper, door - rubber	
6	38866	1	Handle, recess - lock, keyed	
7	38865	1	Guard, pad latch	

Go to Discount-Equipment.com to order your parts

RIGHT REAR DOOR ASSEMBLY



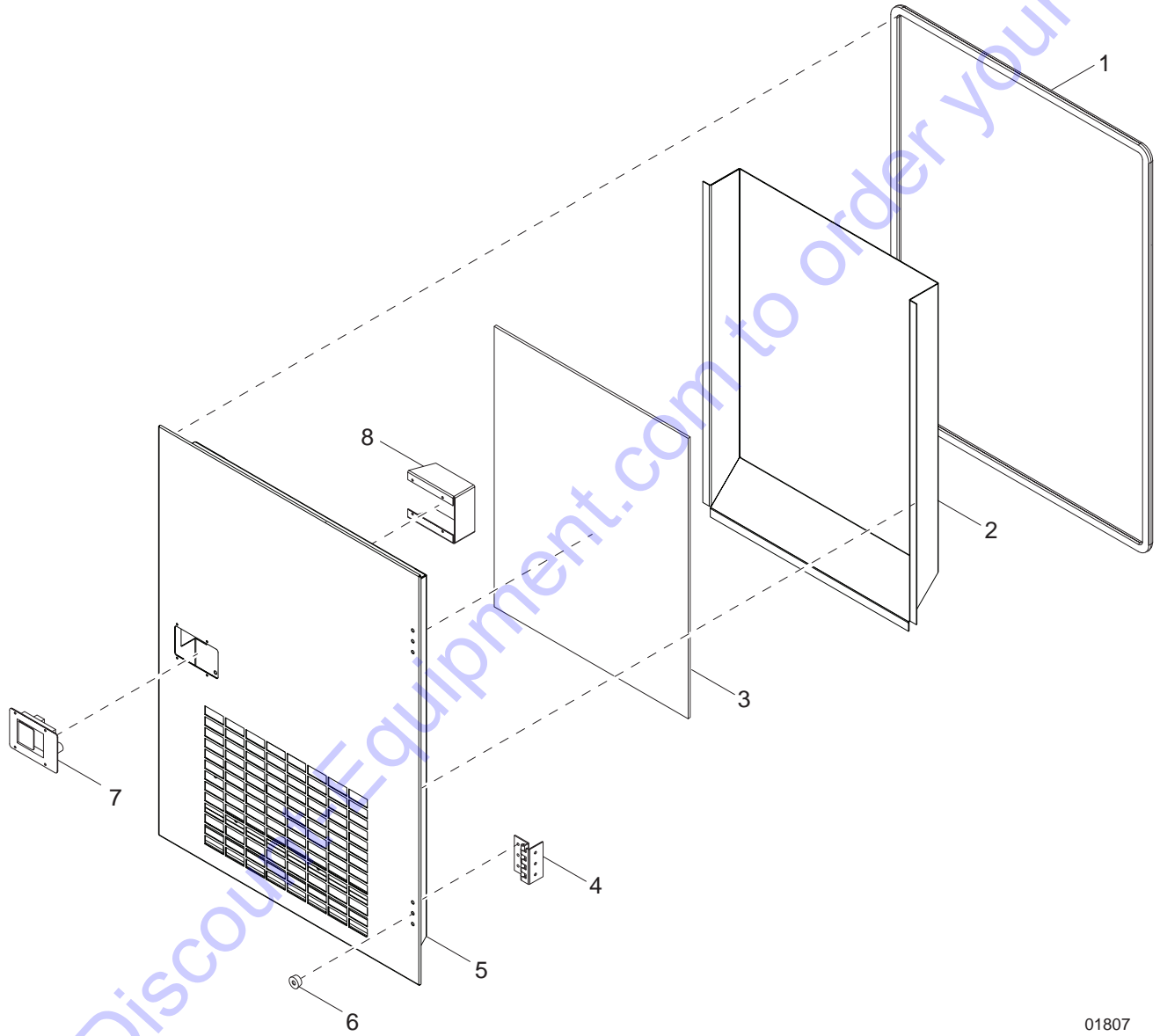
01808

RIGHT REAR DOOR ASSEMBLY

Item	Part No.	Qty	Description	Notes
1	36003	1	Weatherstrip, .83 x .76	
2	38853	1	Door, inner	
3	35440	2	Hinge, door, SS	
4	38852	1	Door, outer pad	
5	38831	2	Bumper, door - rubber	
6	38866	1	Handle, recess - lock, keyed	
7	38865	1	Guard, pad latch	

Go to Discount-Equipment.com to order your parts

RIGHT MIDDLE DOOR ASSEMBLY



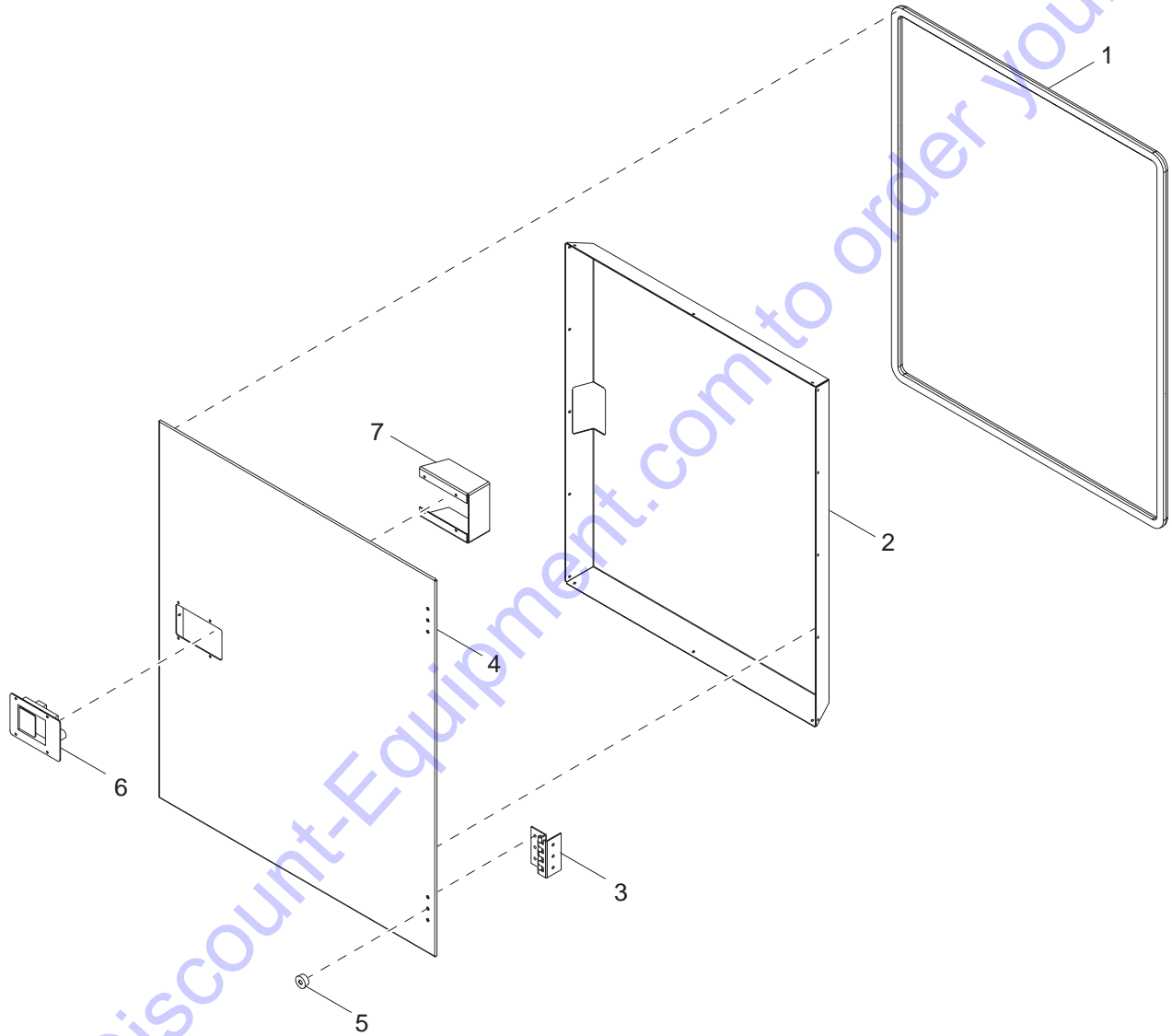
01807

RIGHT MIDDLE DOOR ASSEMBLY

Item	Part No.	Qty	Description	Notes
1	36003	1	Weatherstrip, .83 x .76	
2	38854	1	Duct, door intake	
3	38812	1	Foam, polydamp - 19.0 x 30.0	
4	35440	2	Hinge, door, SS	
5	38851	1	Door, vented - internal duct, right	
6	38831	2	Bumper, door - rubber	
7	38866	1	Handle, recess - lock, keyed	
8	38865	1	Guard, pad latch	

Go to Discount-Equipment.com to order your parts

POWER PANEL DOOR ASSEMBLY



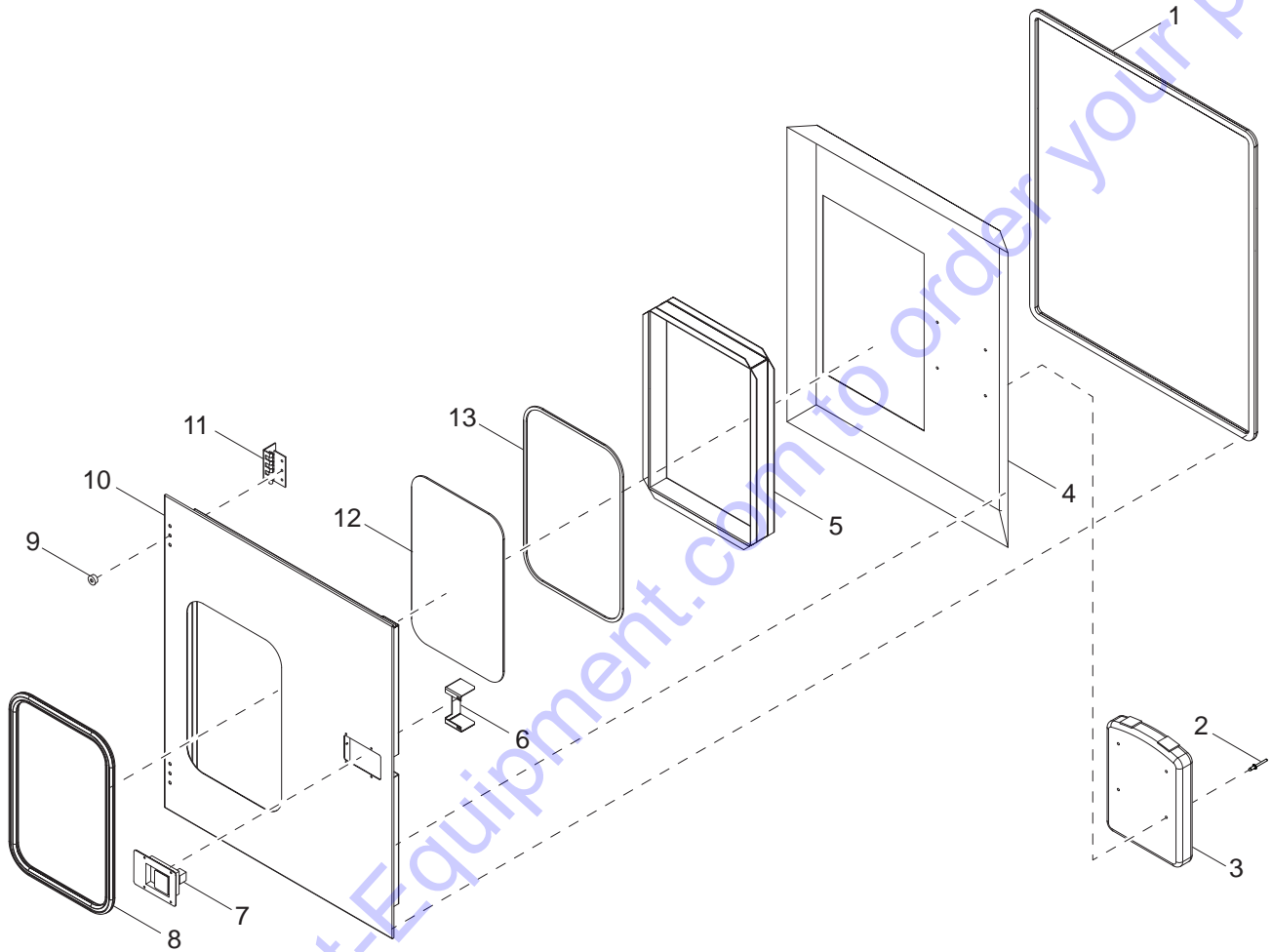
01808

POWER PANEL DOOR ASSEMBLY

Item	Part No.	Qty	Description	Notes
1	36003	1	Weatherstrip, .83 x .76	
2	38829	1	Door, inner	
3	35440	2	Hinge, door, SS	
4	38828	1	Door, outer pad	
5	38831	2	Bumper, door - rubber	
6	38866	1	Handle, recess - lock, keyed	
7	38865	1	Guard, pad latch - welded door	

Go to Discount-Equipment.com to order your parts

CONTROL DOOR ASSEMBLY



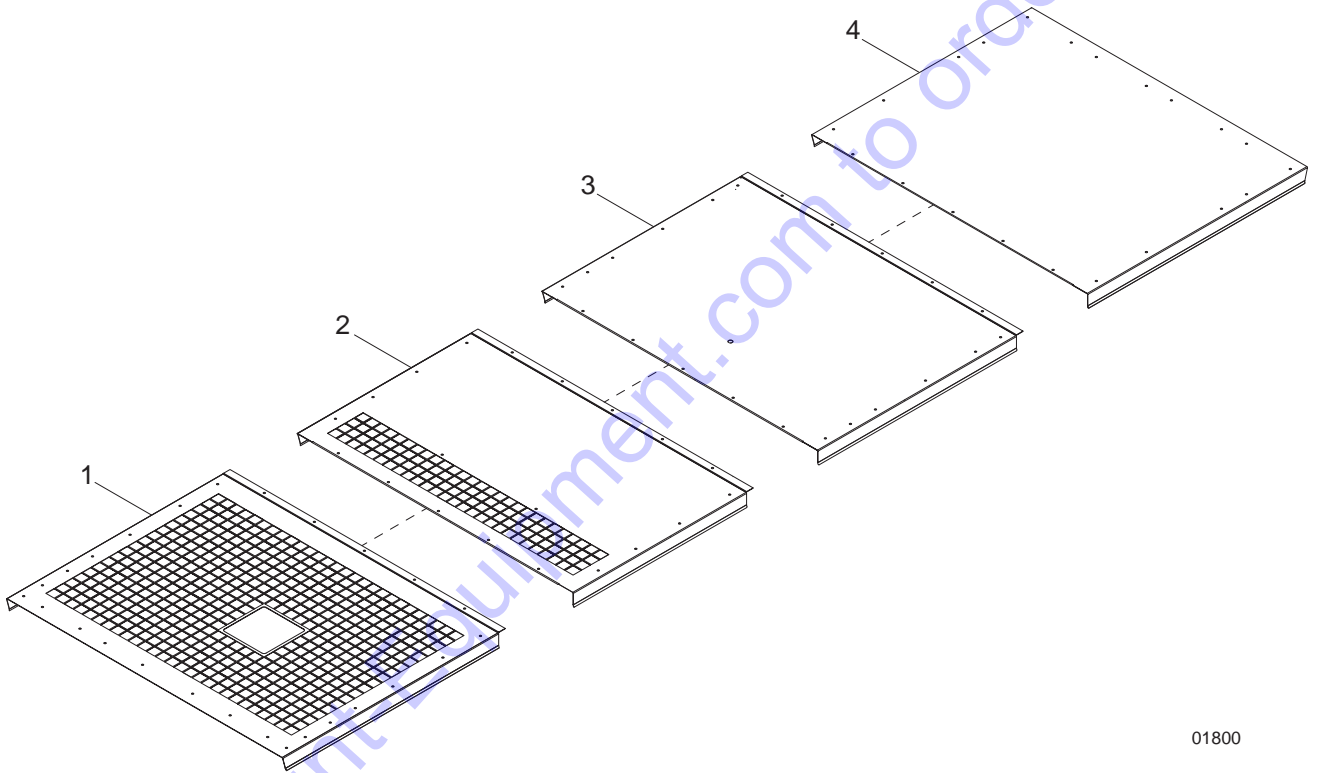
01809

CONTROL DOOR ASSEMBLY

Item	Part No.	Qty	Description	Notes
1	36003	1	Weatherstrip, .83 x .76	
2	53372	4	Rivet, .188 x .250 to .500 grip	
3	38837	1	Holder, manual	
4	52699	1	Door, inner	
5	38836	2	Trim, window, L-shaped	
6	38864	1	Guard, pad latch	
7	38866	1	Handle, recess - lock, keyed	
8	38835	1	Strip, window - lock	
9	38831	2	Bumper, door - rubber	
10	52698	1	Door, outer	
11	35440	2	Hinge, door, SS	
12	38833	1	Window	
13	38834	1	Gasket, locking	
--	38830	1	Kit, control door	

Go to Discount-Equipment.com to order your parts

ROOF ASSEMBLY



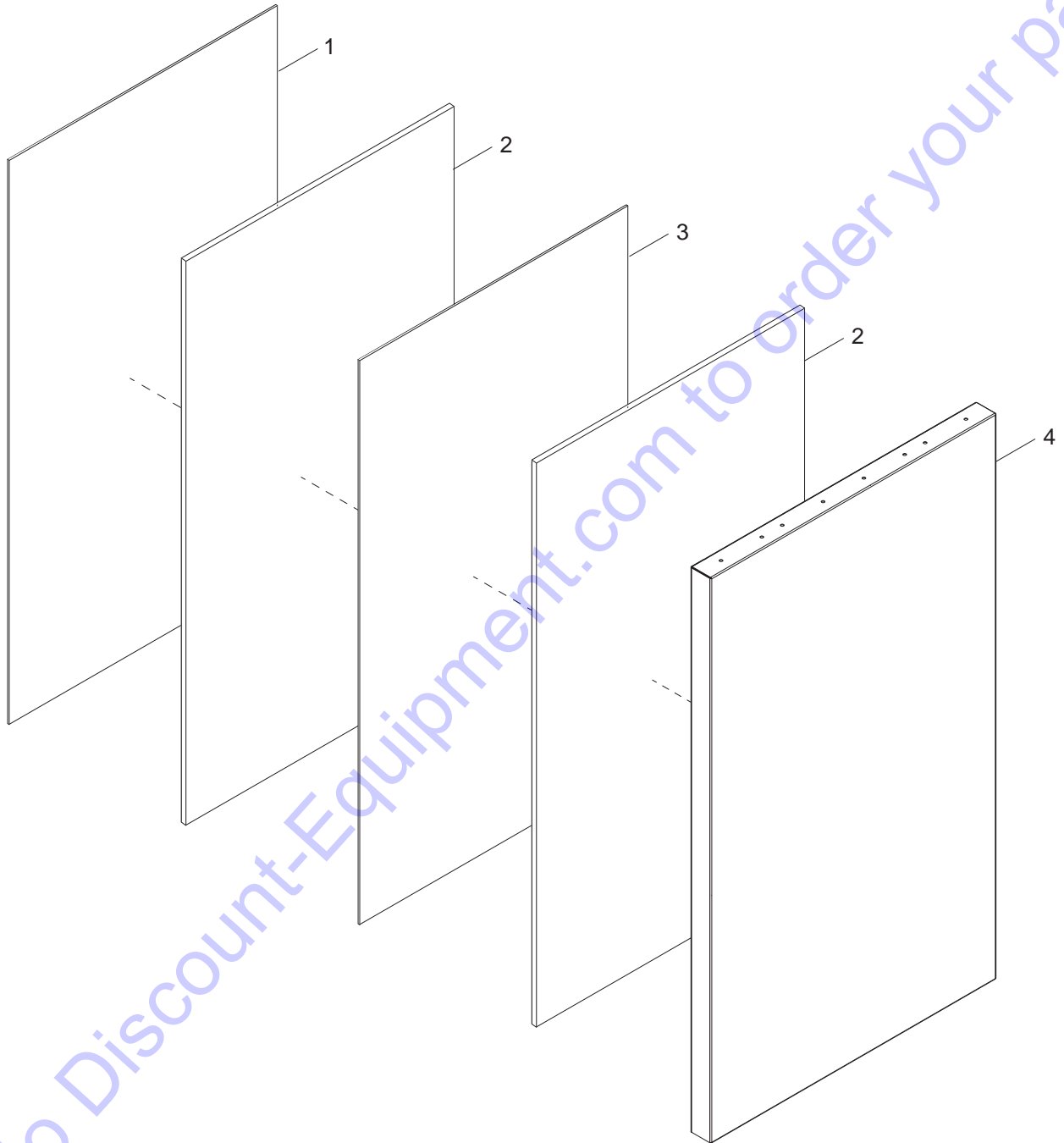
01800

ROOF ASSEMBLY

Item	Part No.	Qty	Description	Notes
1	38822	1	Panel, roof - exhaust, vented front	
2	38823	1	Panel, roof - vented middle	
3	38824	1	Panel, roof - middle	
4	38825	1	Panel, roof - rear	

Go to Discount-Equipment.com to order your parts

FRONT AND LEFT FRONT PANEL ASSEMBLY



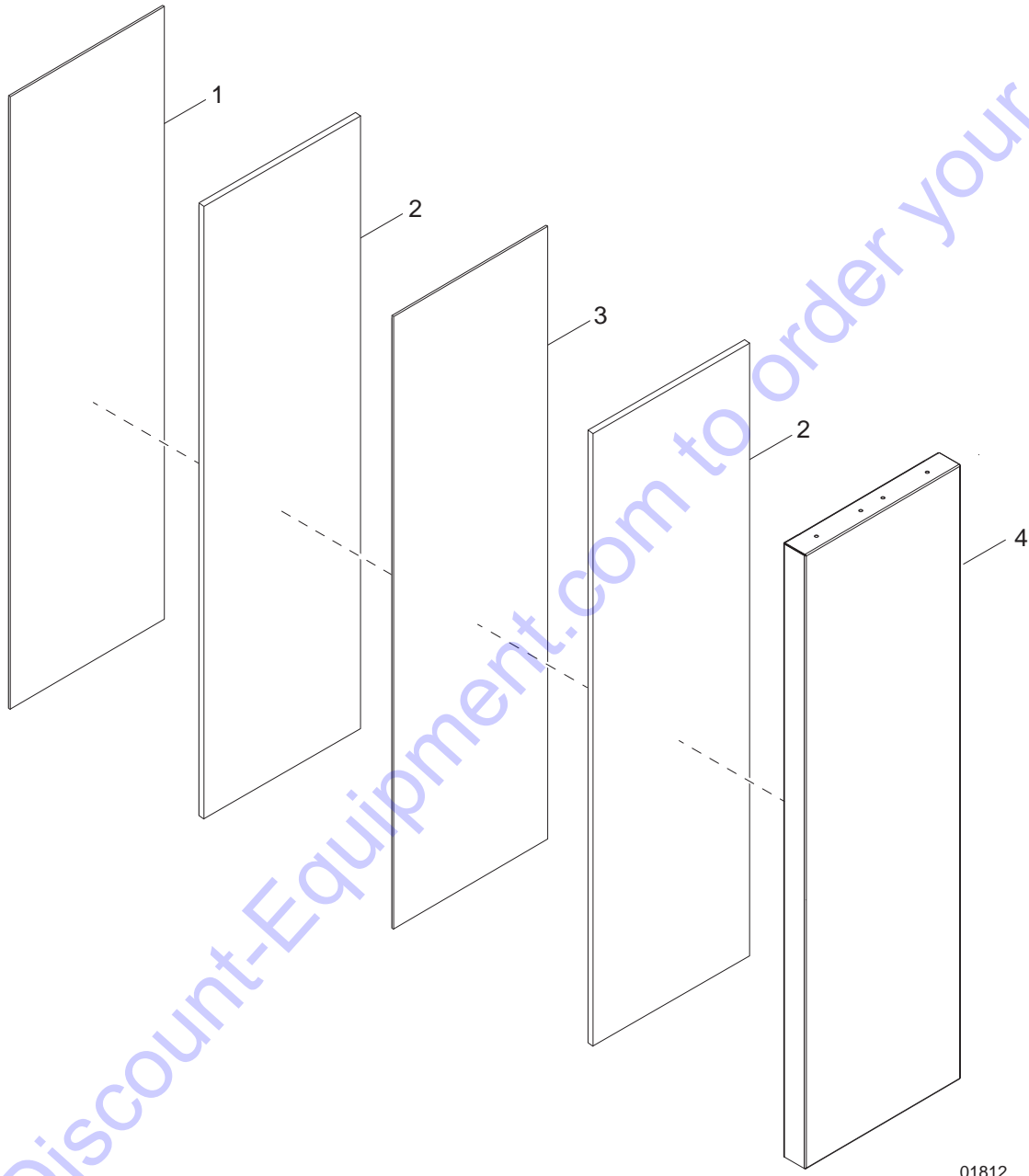
01811

FRONT AND LEFT FRONT PANEL ASSEMBLY

Item	Part No.	Qty	Description	Notes
1	38848	1	Panel, inside	
2	38810	2	Insulation, acoustic - 3PCF1.5	
3	38811	1	Barrier, bar. - sulfate, 1 lb	
4	38847	1	Panel, outside	

Go to Discount-Equipment.com to order your parts

LEFT AND RIGHT PANEL ASSEMBLY



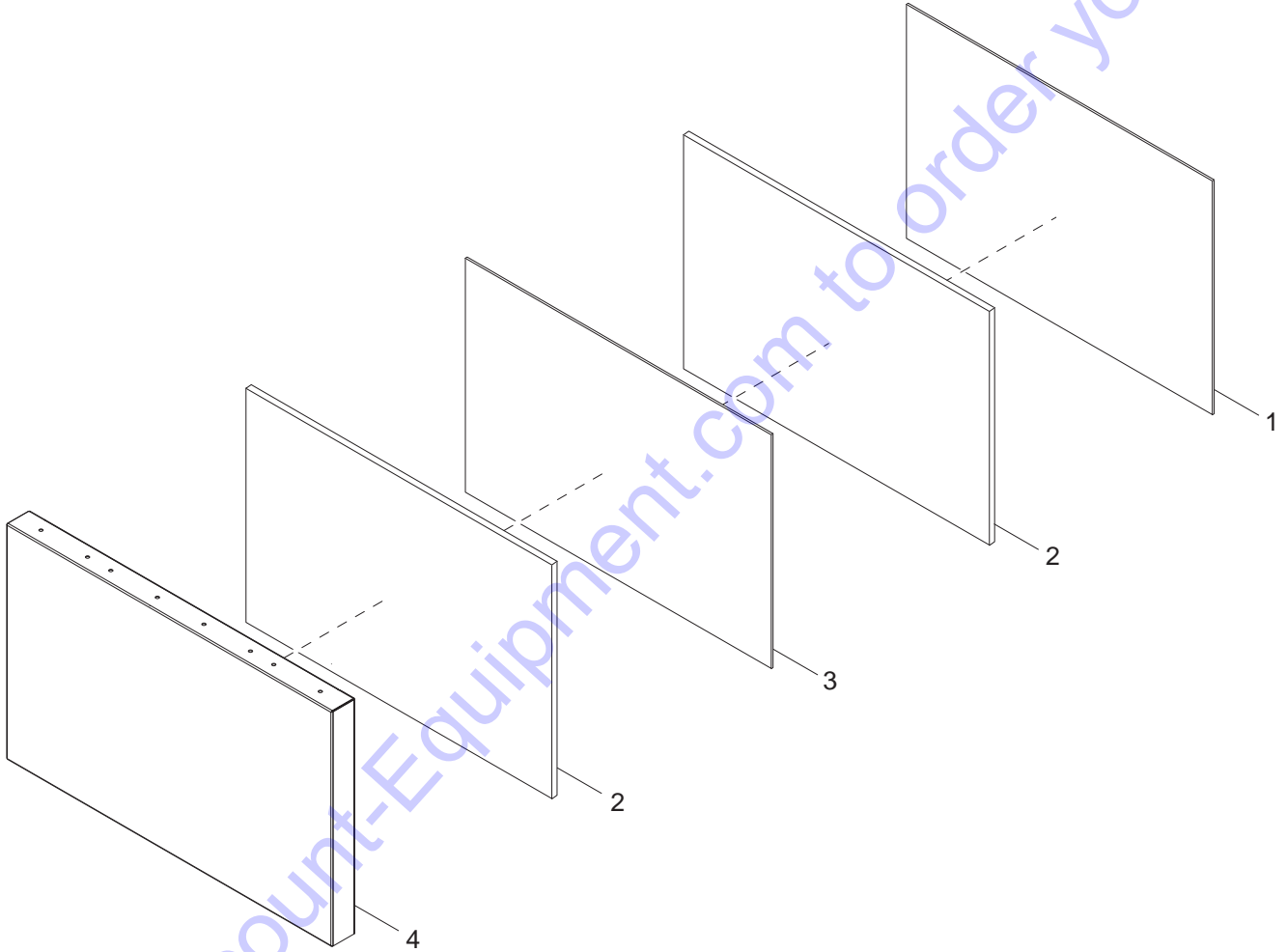
01812

LEFT AND RIGHT PANEL ASSEMBLY

Item	Part No.	Qty	Description	Notes
1	38858	1	Panel, inside	
2	38810	2	Insulation, acoustic - 3PCF1.5	
3	38811	1	Barrier, bar.-sulfate, 1 lb	
4	38857	1	Panel - outside	

Go to Discount-Equipment.com to order your parts

FRONT UPPER PANEL ASSEMBLY



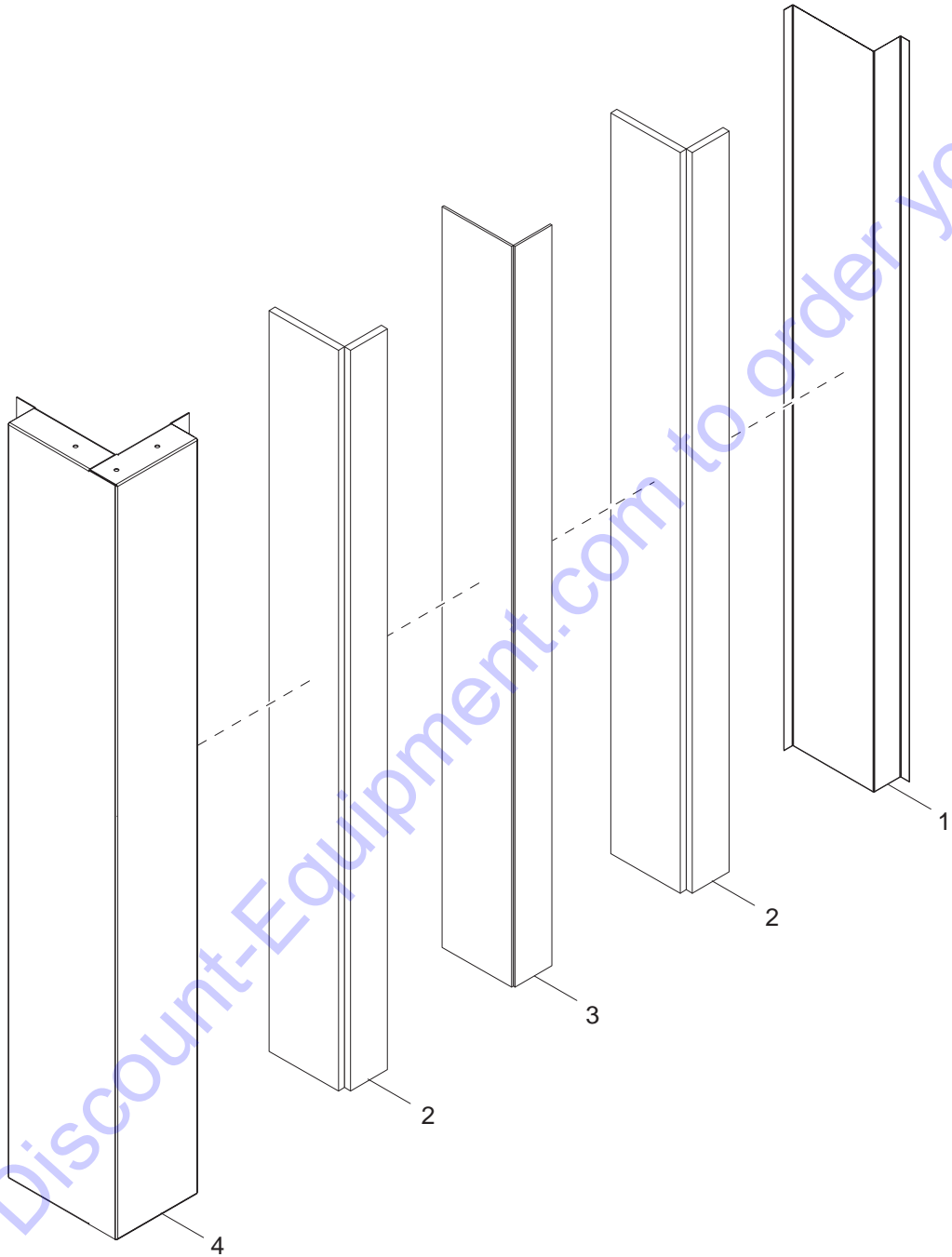
01813

FRONT UPPER PANEL ASSEMBLY

Item	Part No.	Qty	Description	Notes
1	38819	1	Panel, upper - inside	
2	38810	2	Insulation, acoustic - 3PCF1.5	
3	38811	1	Barrier, bar. - sulfate, 1 lb	
4	38818	1	Panel, upper - outside	

Go to Discount-Equipment.com to order your parts

FRONT CORNER PANEL ASSEMBLY



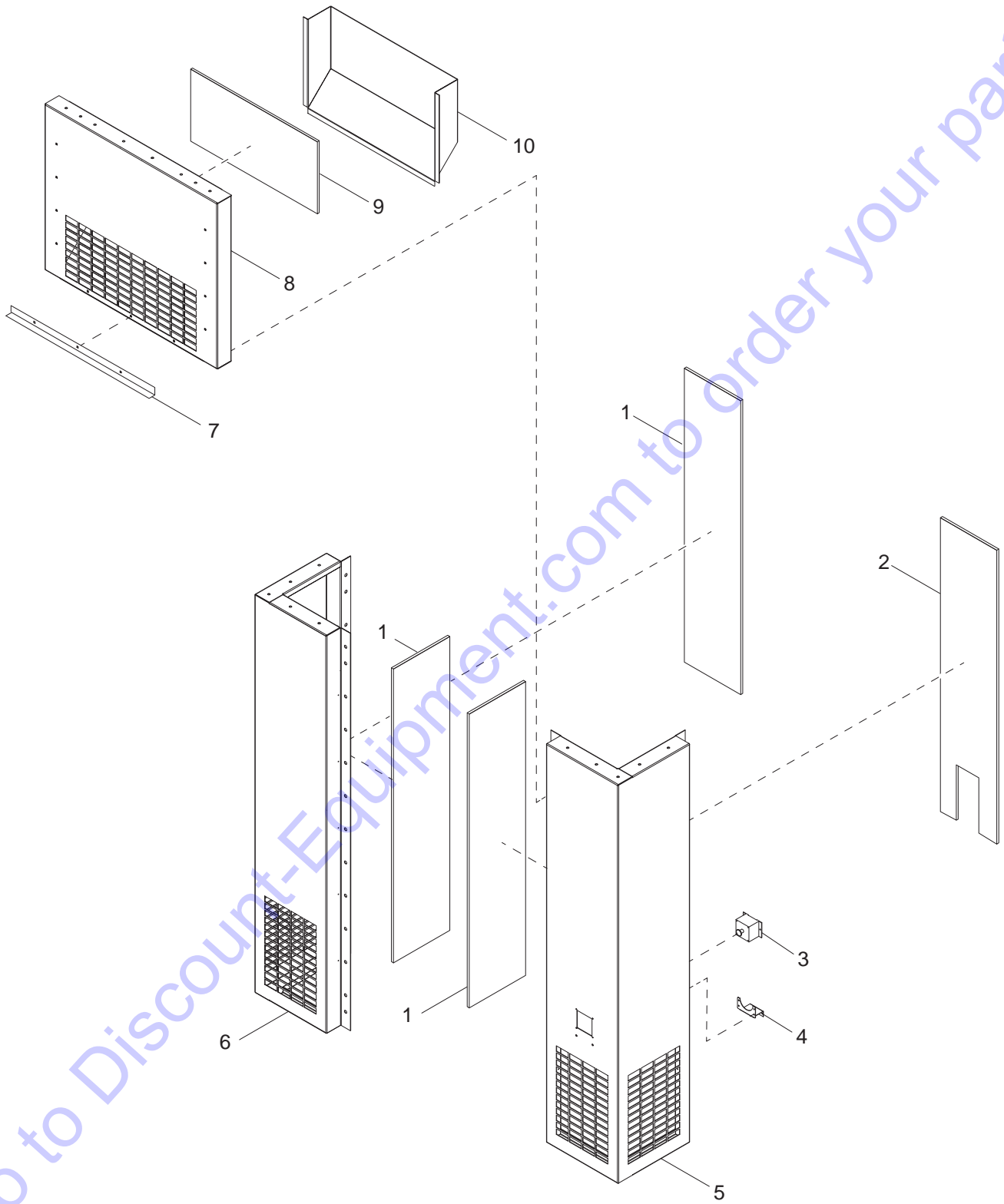
01814

FRONT CORNER PANEL ASSEMBLY

Item	Part No.	Qty	Description	Notes
1	38821	1	Panel, front corner - inside	
2	38810	2	Insulation, acoustic - 3PCF1.5	
3	38811	1	Barrier, bar. - sulfate, 1 lb	
4	38820	1	Panel, front corner	

Go to Discount-Equipment.com to order your parts

REAR CORNER AND UPPER PANEL ASSEMBLY



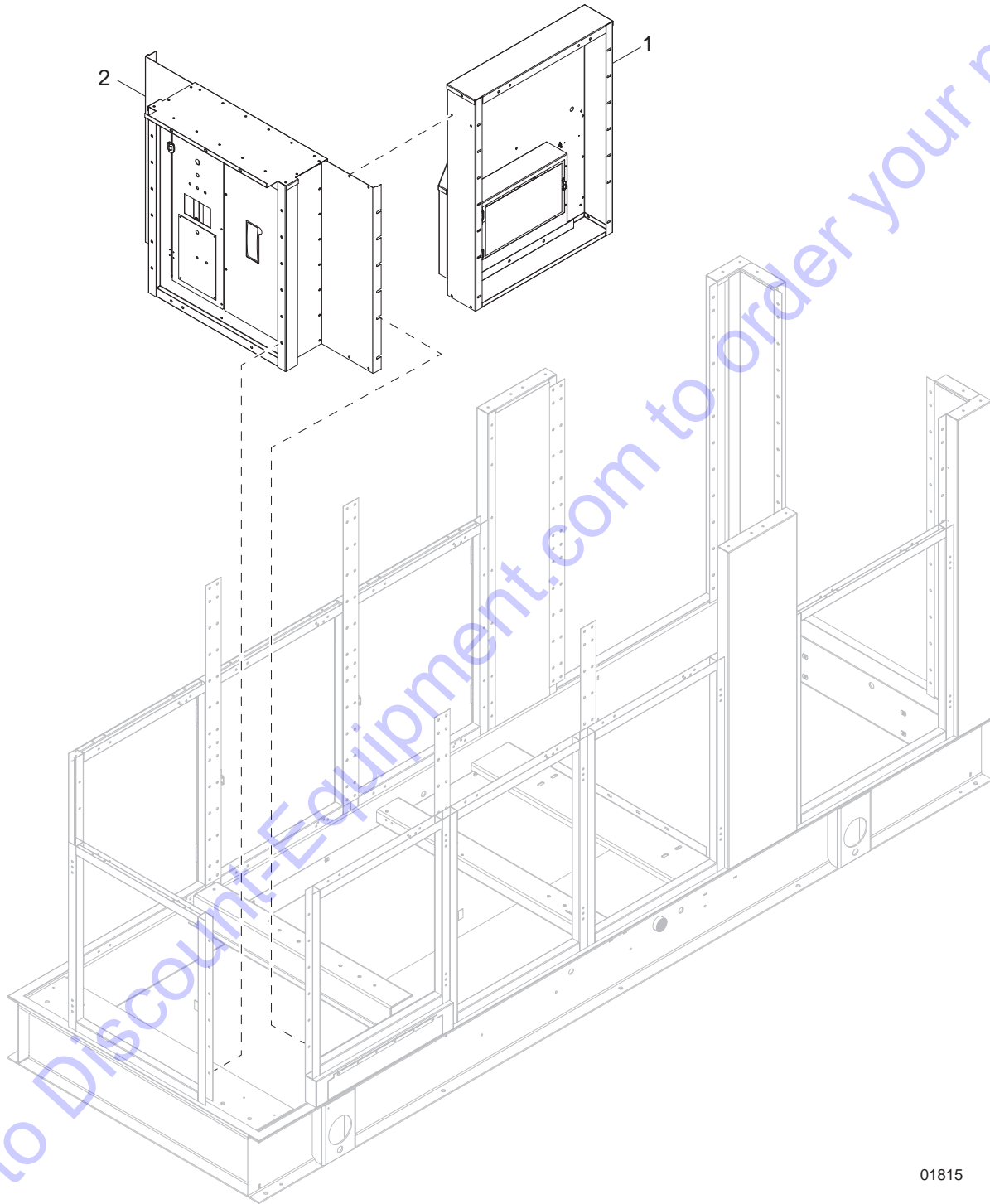
01838

REAR CORNER AND UPPER PANEL ASSEMBLY

Item	Part No.	Qty	Description	Notes
1	38812	3	Foam, polydamp 14.375 x 53.0	
2	38812	1	Foam, polydamp 14.750 x 53.0	
3	38977	1	Switch, E-stop - flush mount	
--	38978	1	Contactor, E-stop	
4	38979	1	Bracket, E-stop	
5	38856	1	Panel, rear corner, vented w/E-stop	
6	38855	1	Panel, rear corner, vented	
7	38840	1	Ledge, drip	
8	38838	1	Panel, upper, w/drip ledge	
9	38812	1	Foam, polydamp - 14.50 x 30.0	
10	38839	1	Duct, intake	

Go to Discount-Equipment.com to order your parts

CONTROL BOX AND POWER PANEL TO UNIT



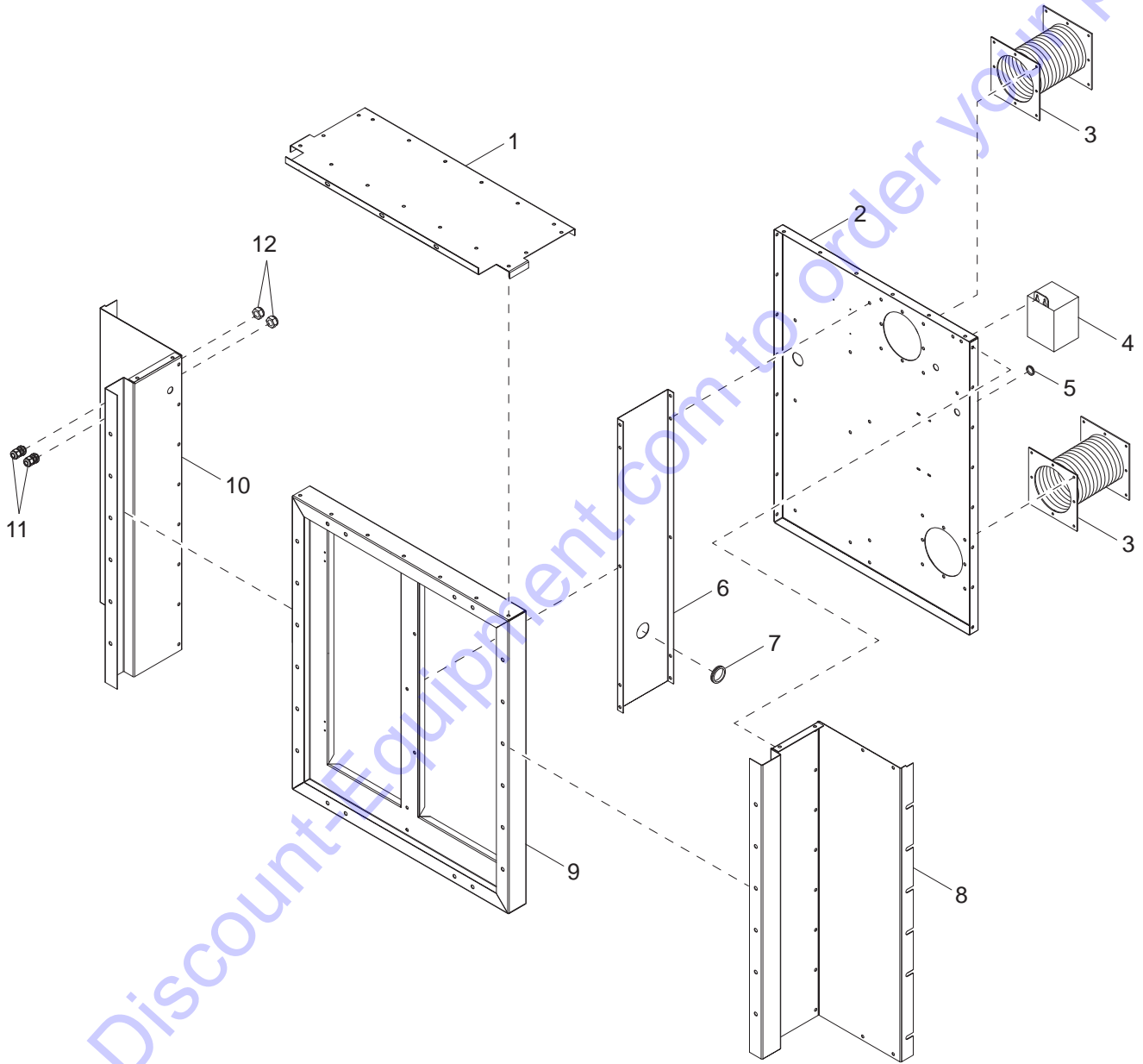
01815

CONTROL BOX AND POWER PANEL TO UNIT

Item	Part No.	Qty	Description	Notes
1	Page 52	1	Assembly, power panel box	
2	Page 46	1	Assembly, control box	

Go to Discount-Equipment.com to order your parts

CONTROL BOX ASSEMBLY



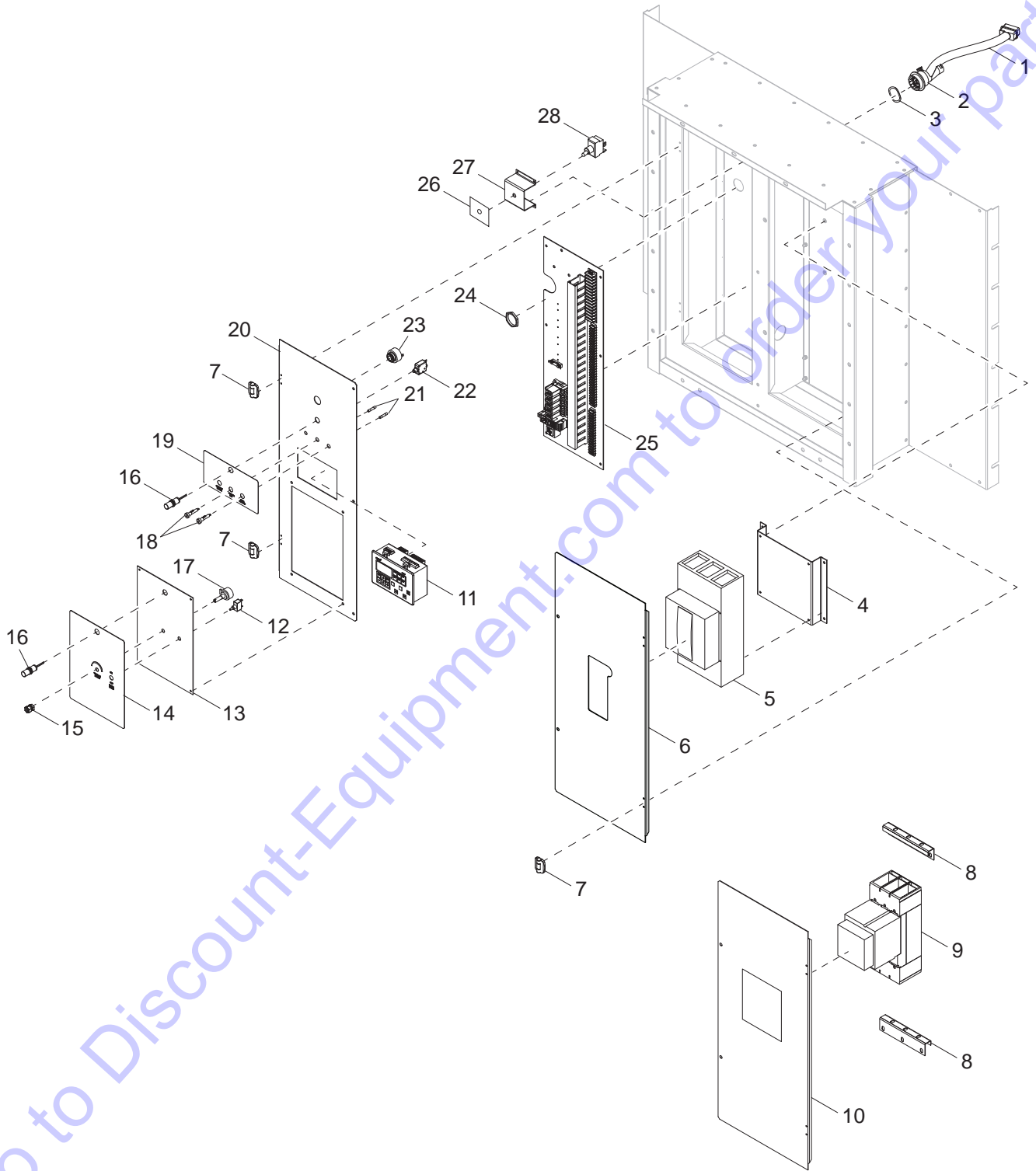
01816

CONTROL BOX ASSEMBLY

Item	Part No.	Qty	Description	Notes
1	38959	1	Cover, control box	
2	38957	1	Panel, rear	
3	38962	2	Wireway, flex - 6 in. ID	
4	39063	1	Transformer, buck - 500V	
5	38963	2	Grommet, .750 x .093, rubber	
6	38956	1	Partition, box	
7	38963	2	Grommet, .750 x .093, rubber	
8	38961	1	Duct, intake - right	
9	38955	1	Interface, control panel	
10	38960	1	Duct, intake - left	
11	39005	2	Cordgrip .500NPT, liquid tight	
12	39006	2	Nut, .500NPT nylock, liquid tight	

Go to Discount-Equipment.com to order your parts

CONTROL PANEL ASSEMBLY

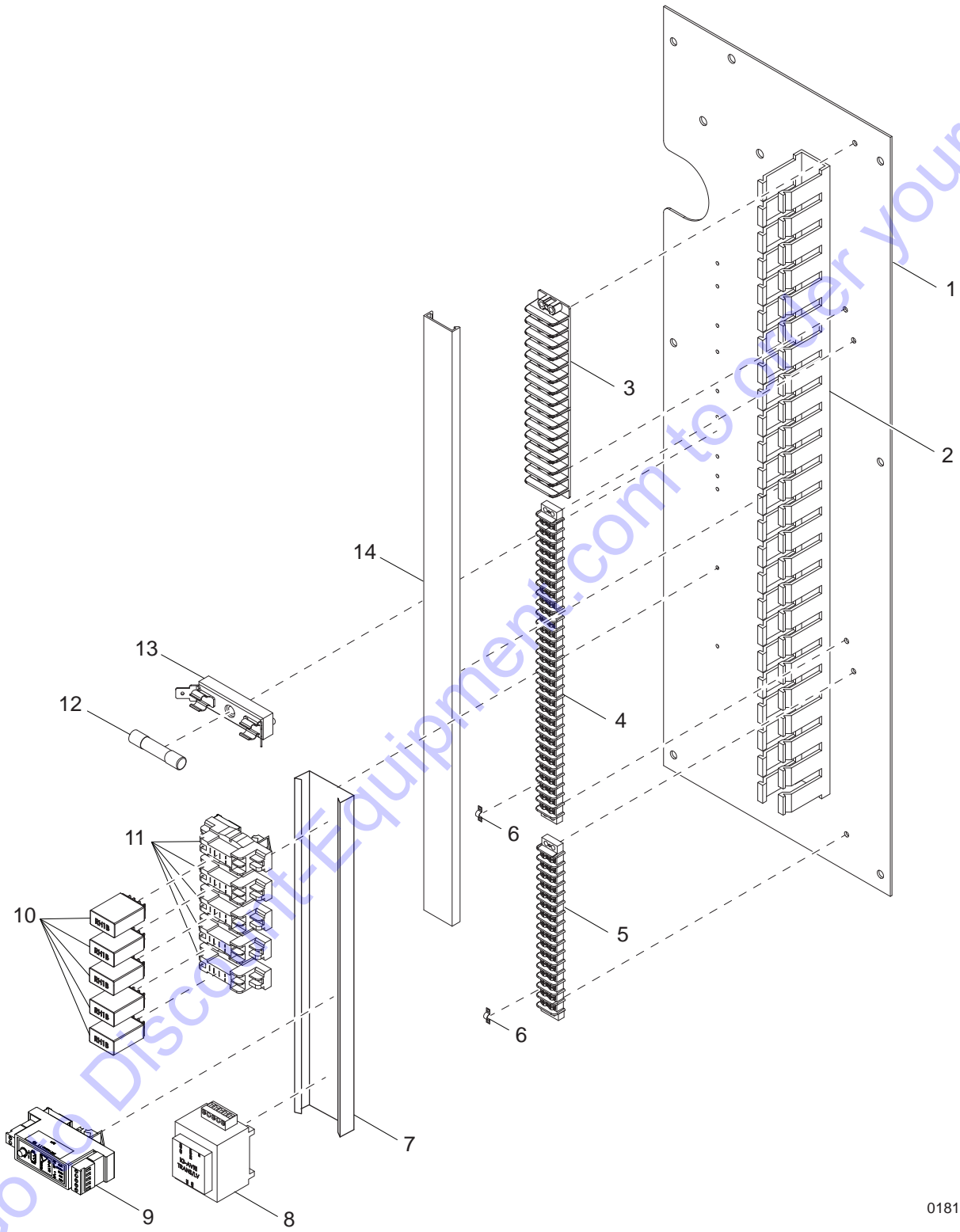


01817

CONTROL PANEL ASSEMBLY

Item	Part No.	Qty	Description	Notes
1	39088	1	Harness, CAN bus	
2	39014	1	Plug, strain relief	
3	39011	1	Washer, lock, HDP20 series plug	
4	52702	1	Bracket, P-frame breaker	Start SN: 10066988 End SN: 10067181
5	52701	1	Breaker, P-frame DC - 15A	Start SN: 10066988 End SN: 10067181
6	39330	1	Door, breaker box	Start SN: 10066988 End SN: 10067181
7	35441	4	Hinge, detent - nylon, black	
8	69700	2	Bracket, breaker	Start SN: 10067182
9	39089	1	Breaker, 400A, 3P, 600V	Start SN: 10067182 End SN: 10067391
	69701	1	Breaker, 400A, 600V - DC	Start SN: 10067392
10	38954	1	Door, breaker box	Start SN: 10067182
11	35424	1	Controller, IGNT	
12	50816	1	Switch, toggle - 2 position	
13	38953	1	Panel, control box	
14	38965	1	Decal, lower control panel	
15	38975	1	Shaft lock, potentiometer	
16	38976	2	Lamp, LED, miniature	
17	36015	1	Potentiometer, 1K ohm, 2 watt	
18	38969	2	Fuse holder, Bussman HKP-HH	
19	38964	1	Decal, upper control panel	
20	38952	1	Door, control panel	
21	50812	2	Fuse, 5A - 250V	
22	36013	1	Breaker, DC - 15A	
23	36017	1	Horn, alarm DC - 6-28V	
24	39013	1	Nut, panel, HDP20 series	
25	<i>Page 50</i>	1	Assembly, sub-panel	
26	39085	1	Decal, fuel select	
27	39084	1	Bracket, switch mount	
28	35437	1	Switch, toggle, on-off-on, AC - 20A	
--	39020	1	Kit, control box wire and terminals	
--	35535	1	Dongle, IGS	
--	39012	8	Plug, sealing, contact size 12-16	
--	39087	1	Kit, parallel termination	
--	69702	1	Harness, interface, NG, IGLC210	

SUB-PANEL ASSEMBLY

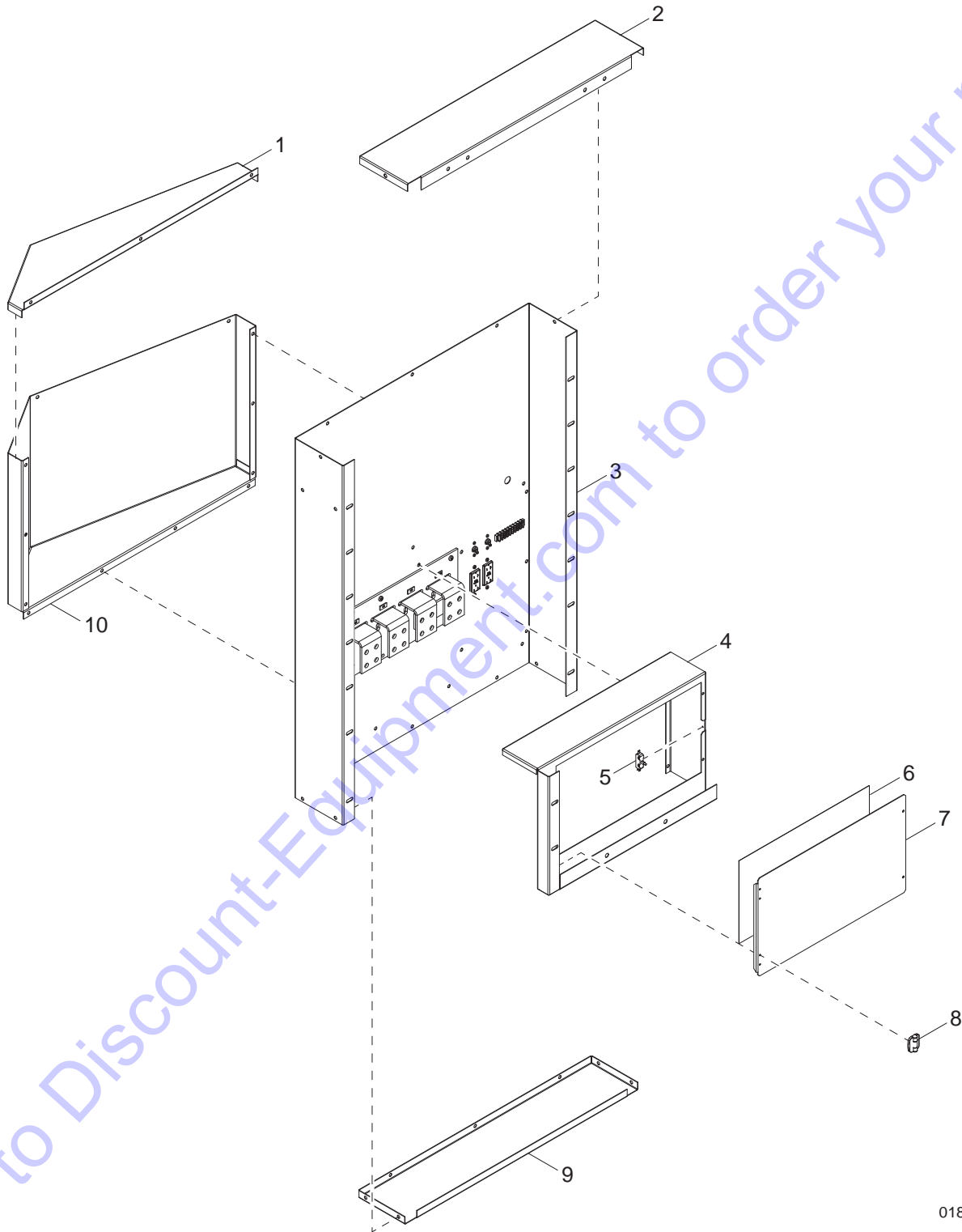


01818

SUB-PANEL ASSEMBLY

Item	Part No.	Qty	Description	Notes
1	38958	1	Panel, sub - control box	
2	39016	4.25 ft	Duct, wire	
3	38972	1	Terminal, block - 14 position, 600V, 20A, 12-22 AWG	
4	38971	1	Terminal, strip - 30 position, 300V	
5	38973	1	Terminal, strip - 16 position, 300V	
6	39015	2	Jumper, terminal strip	
7	69748	1	Rail, din	
8	39774	1	Transformer, AVRI module - GAC	
9	34592	1	Interface, AVR - GAC	
10	35455	5	Relay, 10A/24V, DC	
11	38966	5	Relay, base - 10A, 1P	
	38967	5	Bail, relay base	included with 38966
12	38970	1	Fuse, buss - ABC 10	
13	38968	1	Fuse block, DC - 1 pole	
14	39017	4.25 ft	Cover, wire duct	

POWER PANEL BOX ASSEMBLY



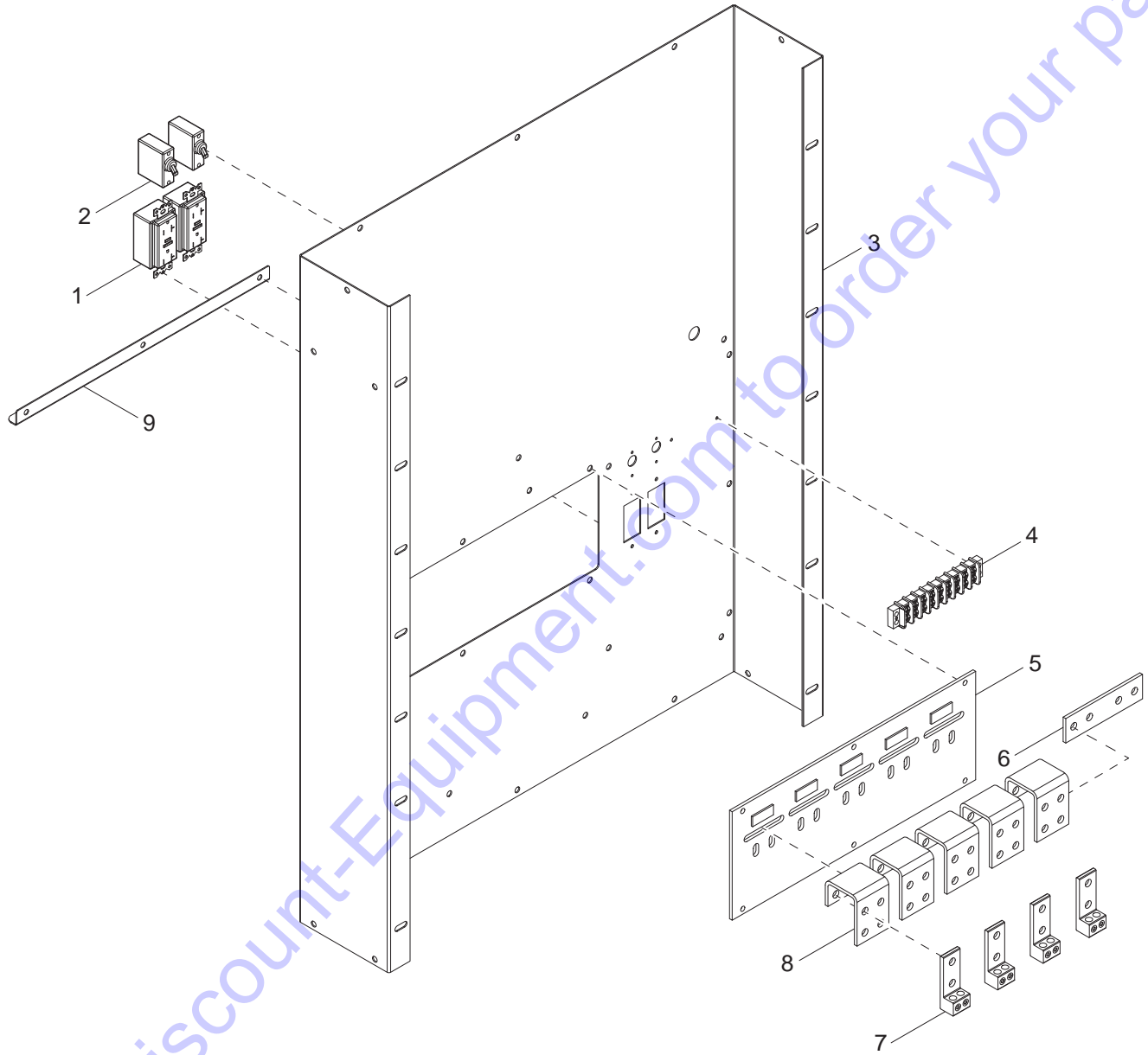
01819

POWER PANEL BOX ASSEMBLY

Item	Part No.	Qty	Description	Notes
1	39060	1	Cover, bus bar	
2	39057	1	Lid, power panel - top	
3	<i>Page 54</i>	1	Assembly, power panel and lugs	
4	39061	1	Box, bus bar - power panel	
5	35430	1	Switch, limit - E13-00J	
6	38927	1	Panel, glastic	
7	39062	1	Door, bus bar box	
8	35441	2	Hinge, detent - nylon, black	
9	39058	1	Lid, power panel - bottom	
10	39059	1	Guard, power panel - bus bar	

Go to Discount-Equipment.com to order your parts

POWER PANEL AND LUG ASSEMBLY



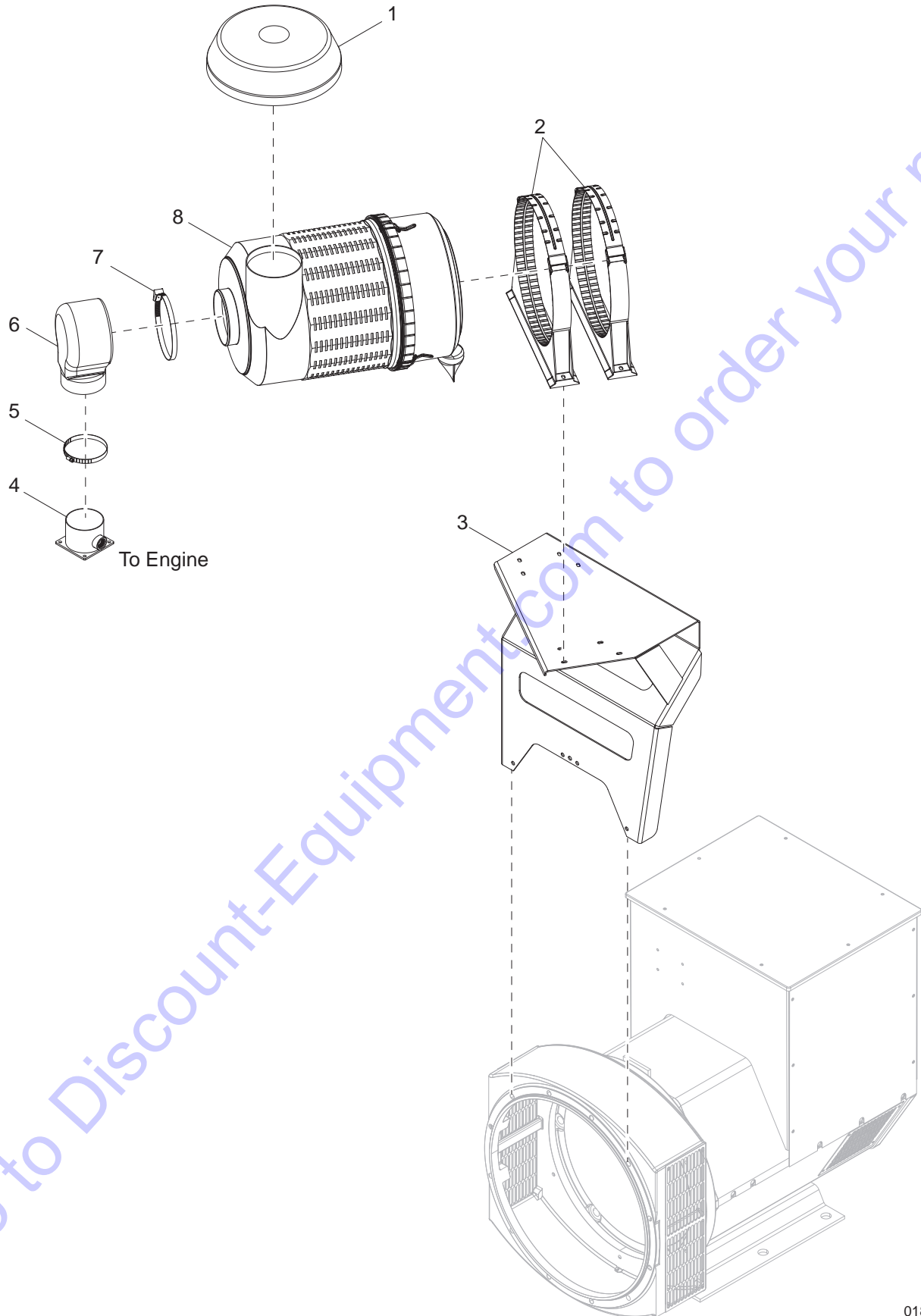
01820

POWER PANEL AND LUG ASSEMBLY

Item	Part No.	Qty	Description	Notes
1	39074	2	Receptacle, GFCI - 125V/20A	
2	39072	2	Breaker, 20A - magnetic single pole	
3	39055	1	Box, power panel	
4	38974	1	Terminal, strip - 9 position, 300V	
5	39064	1	Plate, bus bar mounting	
6	39066	1	Jumper, bus bar	
7	37565	4	Lug, terminal - dual, 2 hole	
8	39065	5	Bus bar, bent	
9	39056	1	Bracket, stiffener	
--	39079	1	Malleable, .500 female/female	
--	39083	1	Connector, wire 30-454	
--	39073	2	Rubber boot	
--	39078	1	Fitting, nipple - .500 chase	
--	39080	1	Fitting, bushing - .500 conduit	
--	39081	1	Fitting, nipple - .500 x 1.50 conduit	
--	39082	2	Nut, .500 lock conduit	

Go to Discount-Equipment.com to order your parts

AIR FILTER ASSEMBLY



Go to Discount-Equipment.com to order your parts

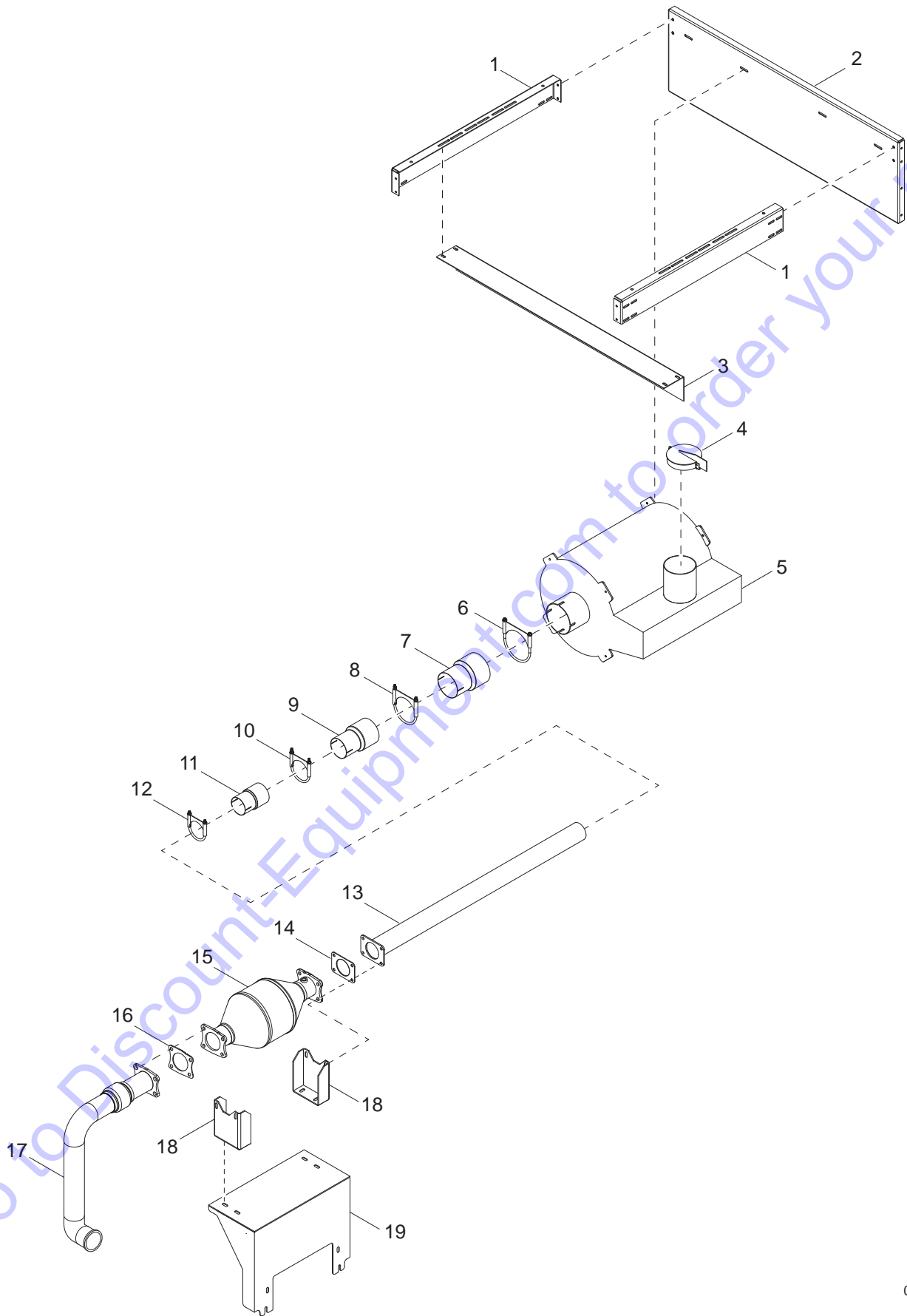
01822

AIR FILTER ASSEMBLY

Item	Part No.	Qty	Description	Notes
1	38804	1	Cap, rain - air filter	
2	38803	2	Band, mounting - air filter	
3	38805	1	Bracket, air filter	
4	38806	1	Tube, air filter - 4.0 OD, with flange	
5	38809	1	Clamp, hose - SAE064 (3.56-4.50)	
6	38807	1	Elbow, rubber - 90° cobrahead, 4.0 ID - 6.0 ID	
7	38808	1	Clamp, hose - SAE128 (6.50-8.50)	
8	35463	1	Filter, air - two stage	
--	53374	1	Assembly, air filter - two stage	

Go to Discount-Equipment.com to order your parts

EXHAUST SYSTEM ASSEMBLY



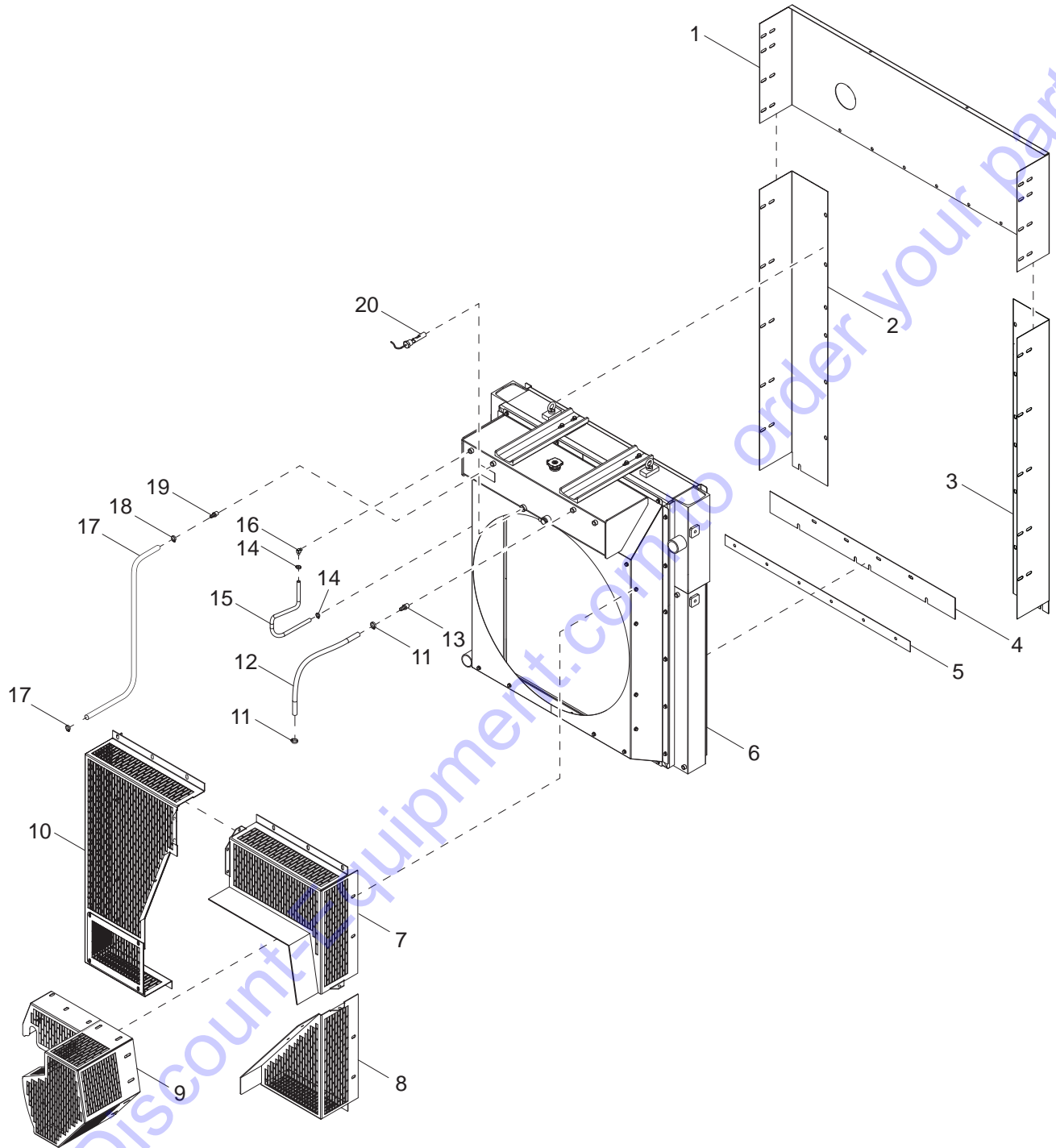
01823

EXHAUST SYSTEM ASSEMBLY

Item	Part No.	Qty	Description	Notes
1	38869	2	Bracket, silencer - side	
2	38868	1	Bracket, silencer - rear	
3	38867	1	Bracket, silencer - main	
4	35529	1	Cap, rain - 6.0	
5	35528	1	Silencer, CRT	
6	38877	1	Clamp, guillotine - 6.0	
7	38871	1	Reducer, 6.0 OD - 5.0 ID	
8	38876	1	Clamp, exhaust, 5.0 U-bolt	
9	38872	1	Reducer - 5.0 OD - 4.0 ID	
10	38875	1	Clamp, guillotine - 4.0	
11	38873	1	Reducer - 4.0 OD - 3.50 ID	
12	38874	1	Clamp, guillotine - 3.50	
13	38870	1	Pipe, exhaust - 3.50 OD	
14	36002	1	Gasket, catalyst	
15	35699	1	Catalyst	
16	35626	1	Gasket, catalyst muffler	
17	52707	1	Tube, exhaust - ASM in-line	
18	53375	2	Bracket, catalyst	
19	69703	1	Bracket, catalyst assembly	
--	52708	1	Sleeve, heat	
--	53376	1	Assembly, exhaust	

Go to Discount-Equipment.com to order your parts

COOLING SYSTEM ASSEMBLY

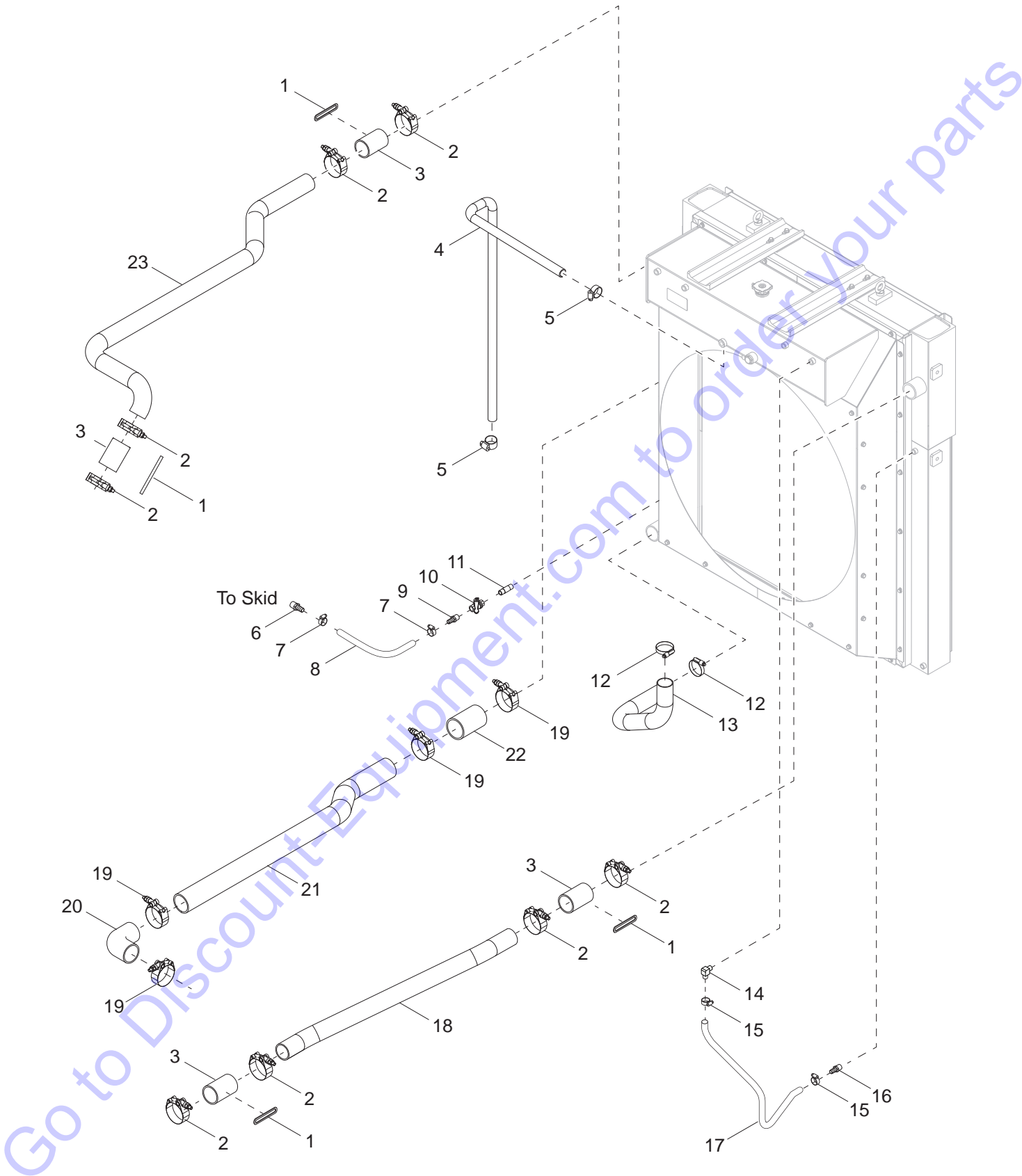


01824

COOLING SYSTEM ASSEMBLY

Item	Part No.	Qty	Description	Notes
1	38861	1	Bulkhead, top	
2	38859	1	Bulkhead, right	
3	38860	1	Bulkhead, left	
4	38862	1	Bulkhead, bottom	
5	38863		Spacer, bulkhead	As needed
6	69704	1	Radiator, D111L	
7	52710	1	Guard, fan/belt - right top	
8	69705	1	Guard, fan/belt - right bottom	
9	52711	1	Guard, alternator and timing wheel	
10	52712	1	Guard, fan/belt - left	
11	69706	2	Clamp, hose - SAE10 (562-1.062)	
12	52714	4 ft	Hose, heater - .375 ID	
13	69707	1	Fitting, strt - .250NPT x .375 barb	
14	69708	2	Clamp, hose .500	
15	52714	4 ft	Hose, heater	
16	69709	1	Fitting, 90° elbow - .250NPT x .375 barb	
17	69710	5 ft	Hose, heater .625ID, 60PSO	
18	69711	2	Clamp, hose .875 spring	
19	69712	1	Fitting, strt .500 x .625 barb, brass	
20	36016	1	Switch, low coolant - .375NPT	

COOLING SYSTEM HOSES

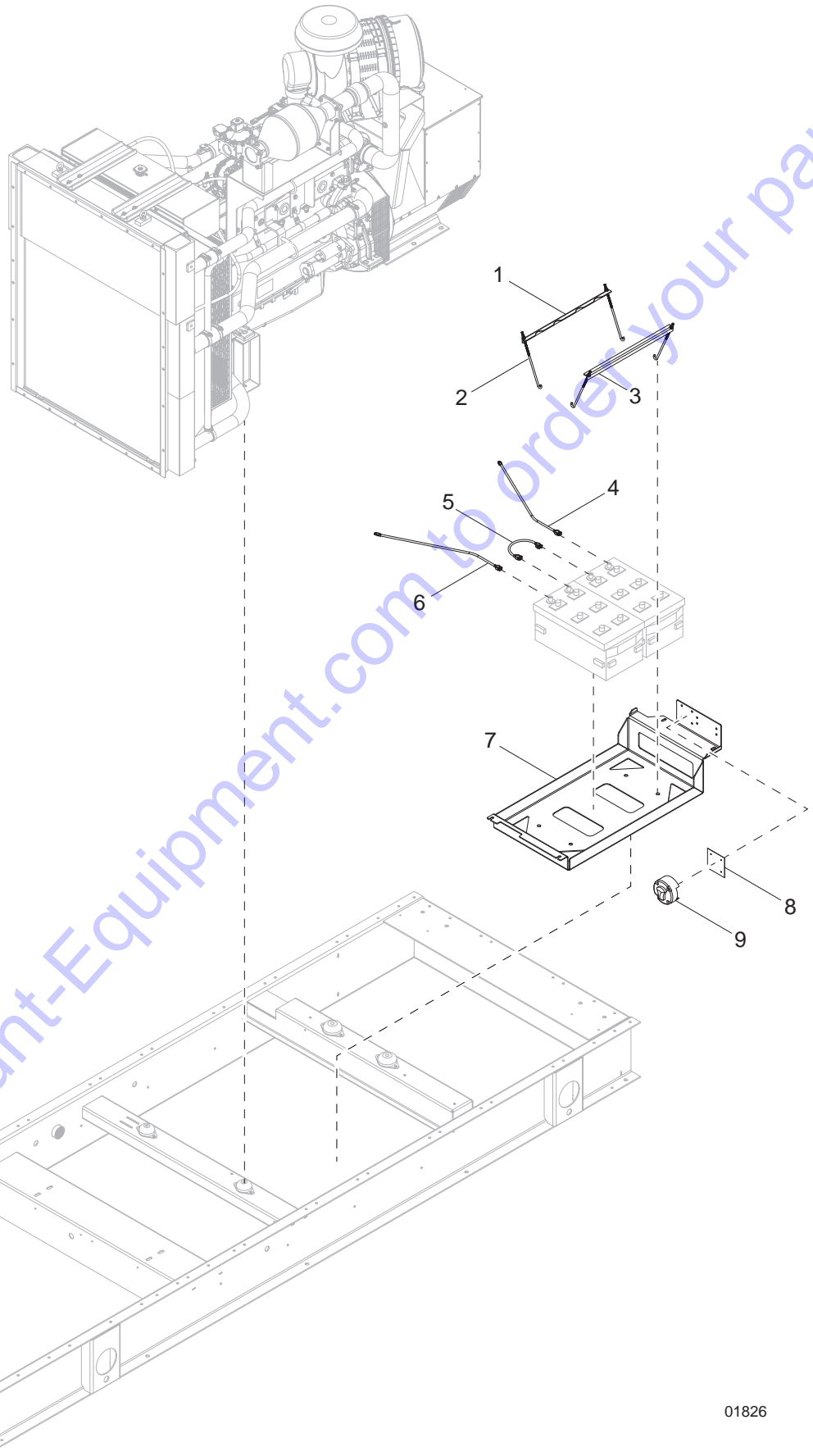


01825

COOLING SYSTEM HOSES

Item	Part No.	Qty	Description	Notes
1	38799	4	Plate, CAC tie down	
2	69747	8	Clamp, T-bolt 2.53-2.81	
3	52720	4	Hose, 2.50 ID x 3.0, silicone	
4	52718	8.33 ft	Hose, heater	
5	52717	2	Clamp, hose - SAE16 (.812-1.50)	
6	38931	1	Fitting, strt - .500NPT x .500 barb, brass	
7	38930	2	Clamp, hose - SAE010 (.562-1.062)	
8	36011	1.5 ft	Hose, .500 ID, SAE100R6	
9	38929	1	Fitting, strt - .250MNPT x .500 barb, brass	
10	38928	1	Valve, ball .250NPT - female/female, brass	
11	38914	1	Fitting, nipple - .250 x 2.0	
12	19336	2	Clamp, hose - SAE044 (2.312-3.25)	
13	52723	1	Hose, radiator - lower	
14	38947	1	Fitting, 90° elbow - .250NPT x .375 barb, brass	
15	69713	2	Clamp, hose	
16	69714	1	Fitting, nipple - .250NPT barb, brass	
17	52714	1	Hose, heater	
18	69715	1	Tube, CAC to intake, SS	
19	69716	4	Clamp, hose - constant torque (2.750-3.625)	
20	52722	1	Hose, 90° elbow - 3.0	
21	52721	1	Pipe, radiator inlet, SS	
22	69717	1	Hose, 3.0 ID x 4.0 lined, silicone	
23	52719	1	Tube, CAC to compressor	

ENGINE AND GENERATOR TO UNIT



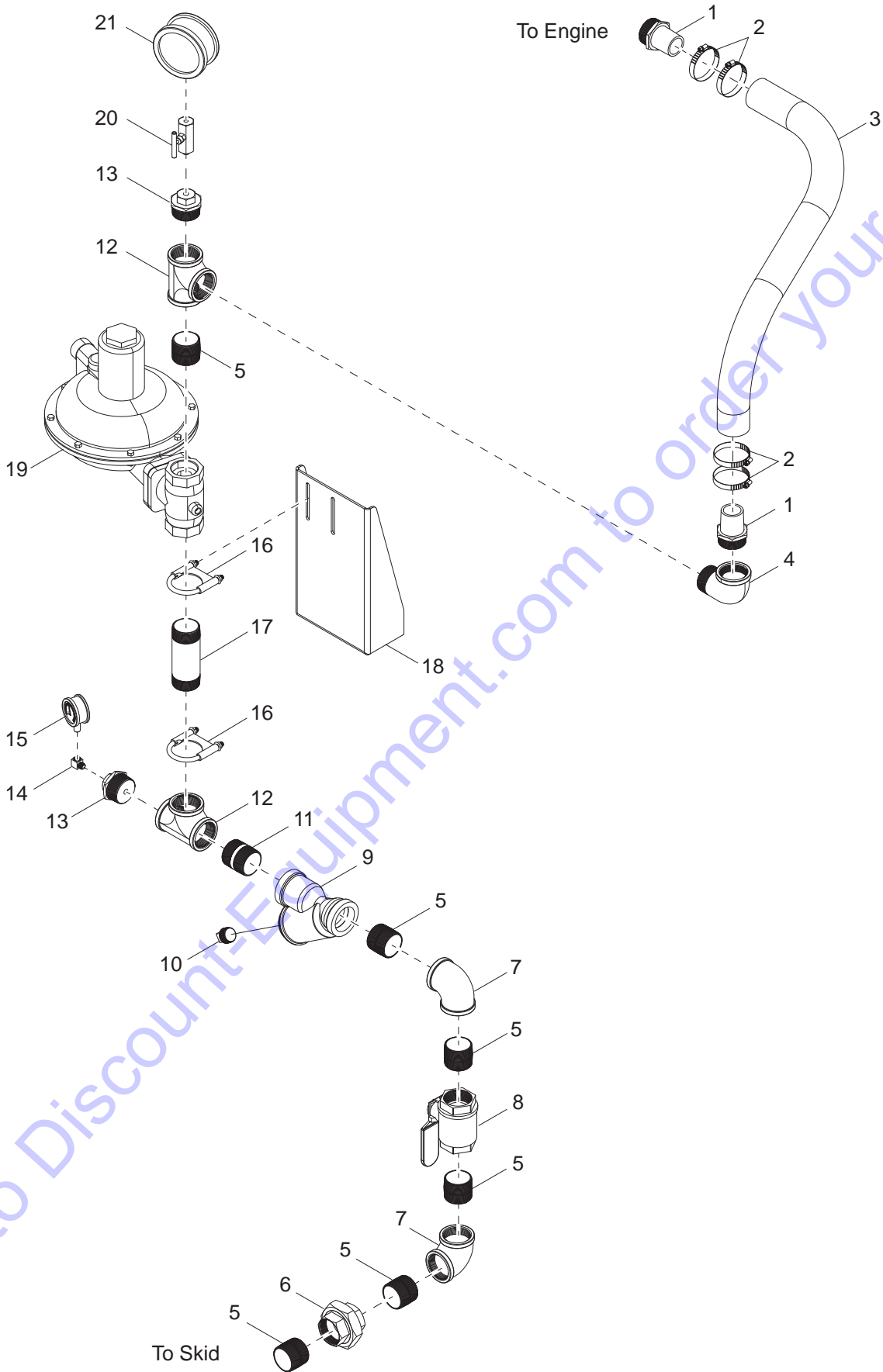
01826

ENGINE AND GENERATOR TO UNIT

Item	Part No.	Qty	Description	Notes
1	38918	1	Bracket, battery tie down w/cutouts	
2	38920	4	J-bolt, .250-20 x 12.0 long	
3	38919	1	Bracket, battery tie down	
4	38922	1	Cable, battery - negative, 43.0	
5	38924	1	Cable, positive and negative jumper	
6	38923	1	Cable, battery - positive, 43.0	
7	38917	1	Rack, battery - dual	
8	38926	1	Glastic, switch - disconnect	
9	38921	1	Switch, battery - disconnect	

Go to Discount-Equipment.com to order your parts

FUEL SYSTEM ASSEMBLY

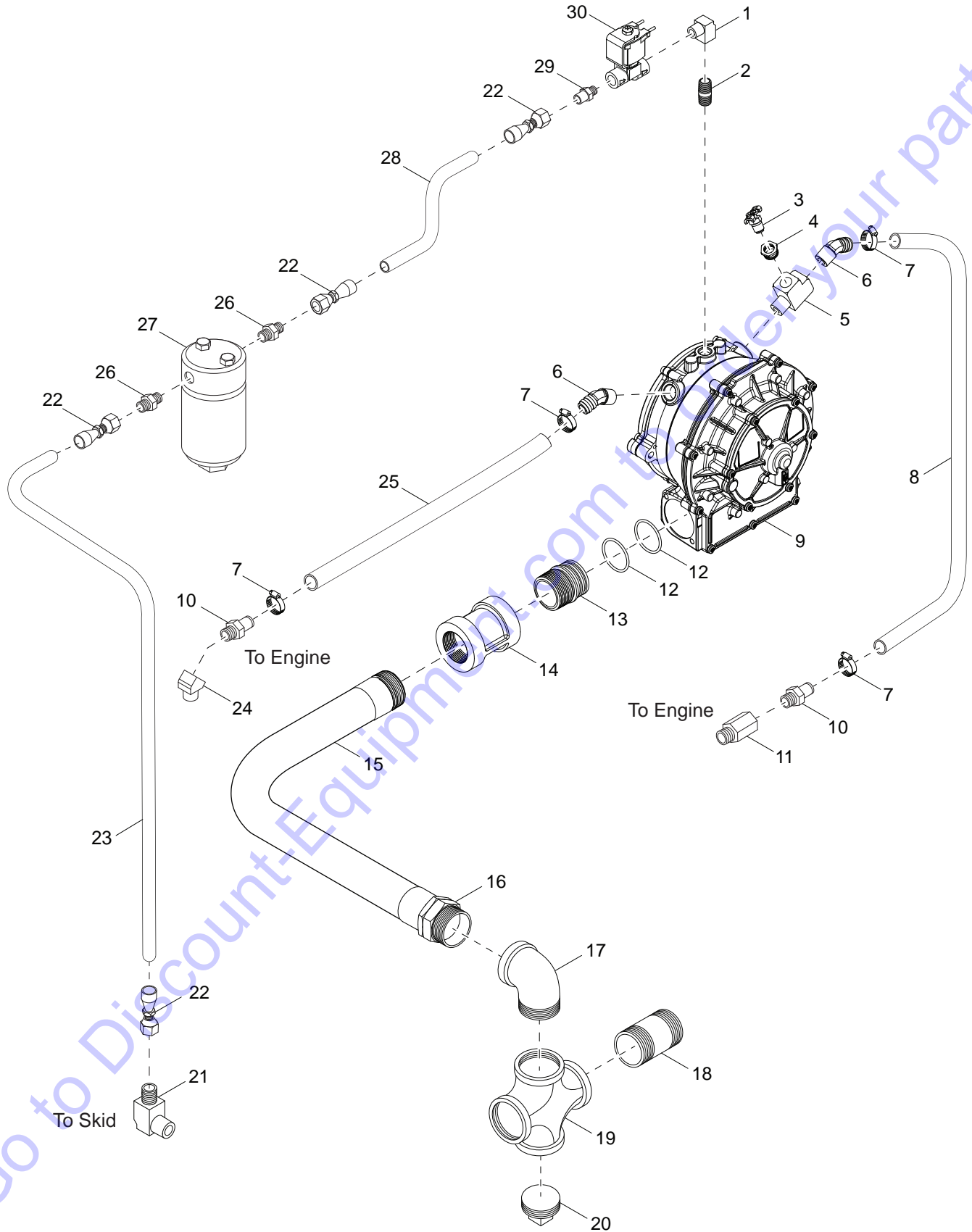


01827

FUEL SYSTEM ASSEMBLY

Item	Part No.	Qty	Description	Notes
1	38884	2	Fitting, nipple - 2.0NPT x 2.0	
2	38886	4	Clamp, hose - 1.125- 3.0	
3	38885	4 ft	Hose, fuel 2.0 ID	
4	38881	1	Fitting, 90° elbow - 2.0	
5	38896	6	Fitting, pipe nipple - 2.0	
6	38899	1	Fitting, ground joint union - 2.0	
7	38897	2	Fitting, 90° - 2.0NPT	
8	38900	1	Fitting, ball valve - 2.0	
9	38879	1	Strainer, fuel - 2.0NPT	
10	38880	1	Fitting, plug - 1.0NPT square head	
11	38895	1	Fitting, pipe nipple - 2.0NPT x 3.0	
12	38894	2	Fitting, T - 2.0NPT	
13	38892	2	Bushing, hex - 2.0NPT x 0.25NPT	
14	38887	1	Fitting, 90° elbow - 0.25NPT, brass	
15	37907	1	Gauge, pressure - 2.50	
16	38882	2	Clamp, guillotine - 2.50	
17	38893	1	Fitting, pipe nipple - 2.0NPT x 6.0	
18	38883	1	Bracket, gas train - duel fuel	
19	38901	1	Regulator, gas	
20	38903	1	Valve, needle - gas pressure	
21	38902	1	Gauge, pressure - 4.5/30 in	

VAPORIZER ASSEMBLY

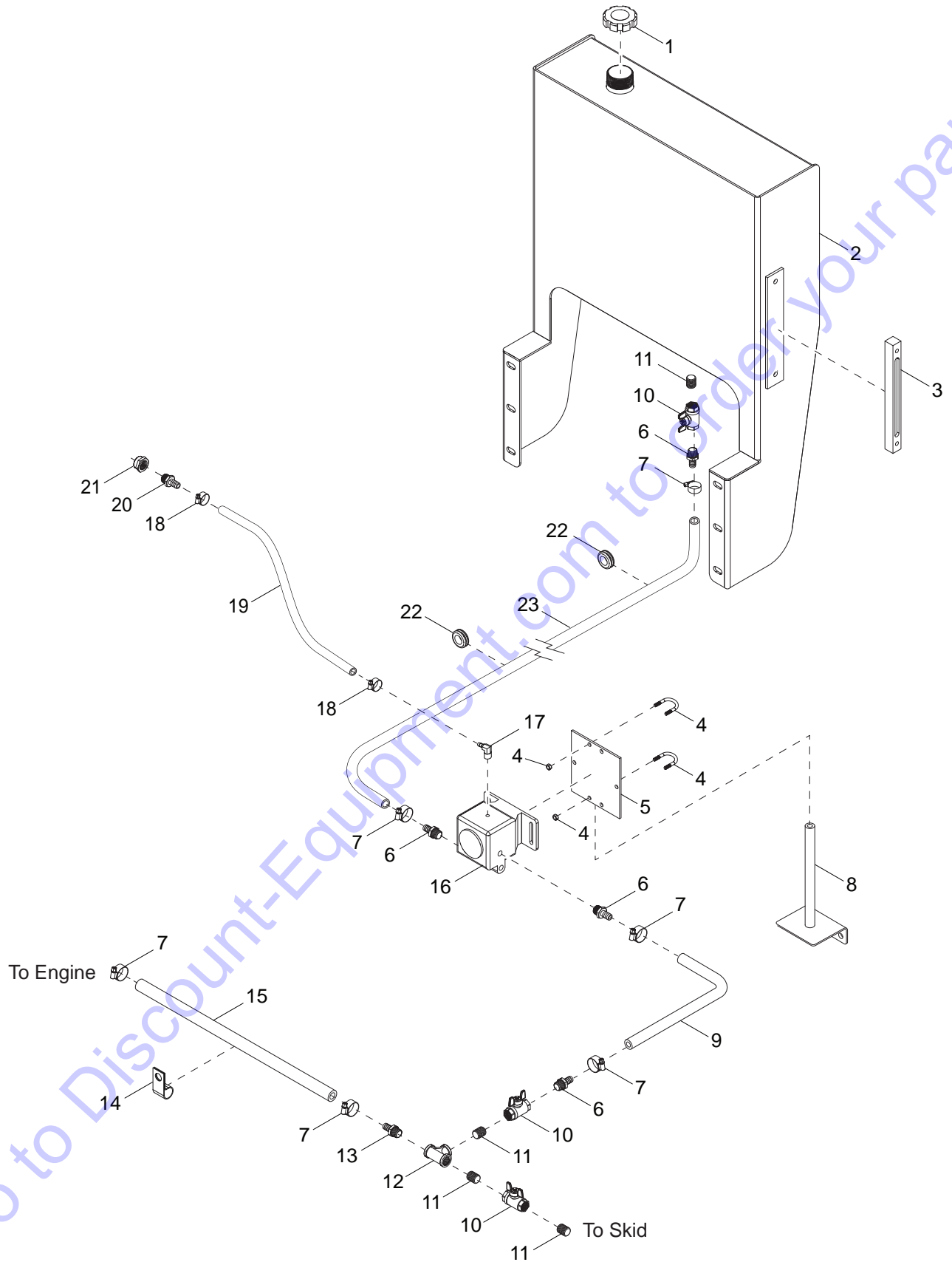


01828

VAPORIZER ASSEMBLY

Item	Part No.	Qty	Description	Notes
1	38887	1	Fitting, 90° elbow - .250NPT, brass	
2	38914	1	Fitting, nipple - .250 x 2.0	
3	69719	1	Drain cock, .125NPT	
4	69720	1	Bushing, .375NPT-.125NPT	
5	69721	2	Fitting, T - .325 street	
6	69749	2	Fitting, 45° elbow - .375NPT x .625 barb	
7	69711	4	Clamp, hose - .875 spring	
8	69710	5 ft	Hose, water - .625 ID, 60 PSO	
9	38909	1	Kit, vaporizer	
10	69722	1	Fitting, strt - .325 x .625 HB	
11	69723	1	Fitting, strt - .325FNPT x .500MNPT	
12	69724	2	O-ring, size 127	
13	69725	1	Adapter, 1.25MNPT	
14	69726	1	Coupler, 1.25NPT	
15	69727	2 ft	Hose, 1.25NPT	
16	69728	1	Adapter, 1.25MNPT	
17	69729	1	Fitting, 90° elbow - 1.25NPT	
18	69730	1	Fitting, nipple - 1.25NPT x 3.0	
19	69731	1	Fitting, cross - 1.25NPT	
20	69732	1	Fitting, plug - 1.25NPT, male	
21	38915	1	Fitting, 90° elbow, .25MNPT	
22	38911	4	Fitting, swivel hose nipple	
23	38913	9 ft	Hose, fuel - .375 ID	
24	69733	1	Fitting, 45° elbow	
25	69710	5 ft	Hose, heater - .625 ID, 60 PSO	
26	69734	2	Fitting, nipple - in-line filter	
27	31318	1	Filter, fuel LP in-line .250NPT	
28	38913	1 ft	Hose, fuel - .375 ID	
29	38910	1	Fitting, male pipe x male JIC	
30	69718	1	Lock-off, LP liquid, 24V	
--	38908	1	Assembly, LPL fuel train, duel fuel	
--	38904	1	Kit, diode .250 female	

OIL TANK ASSEMBLY

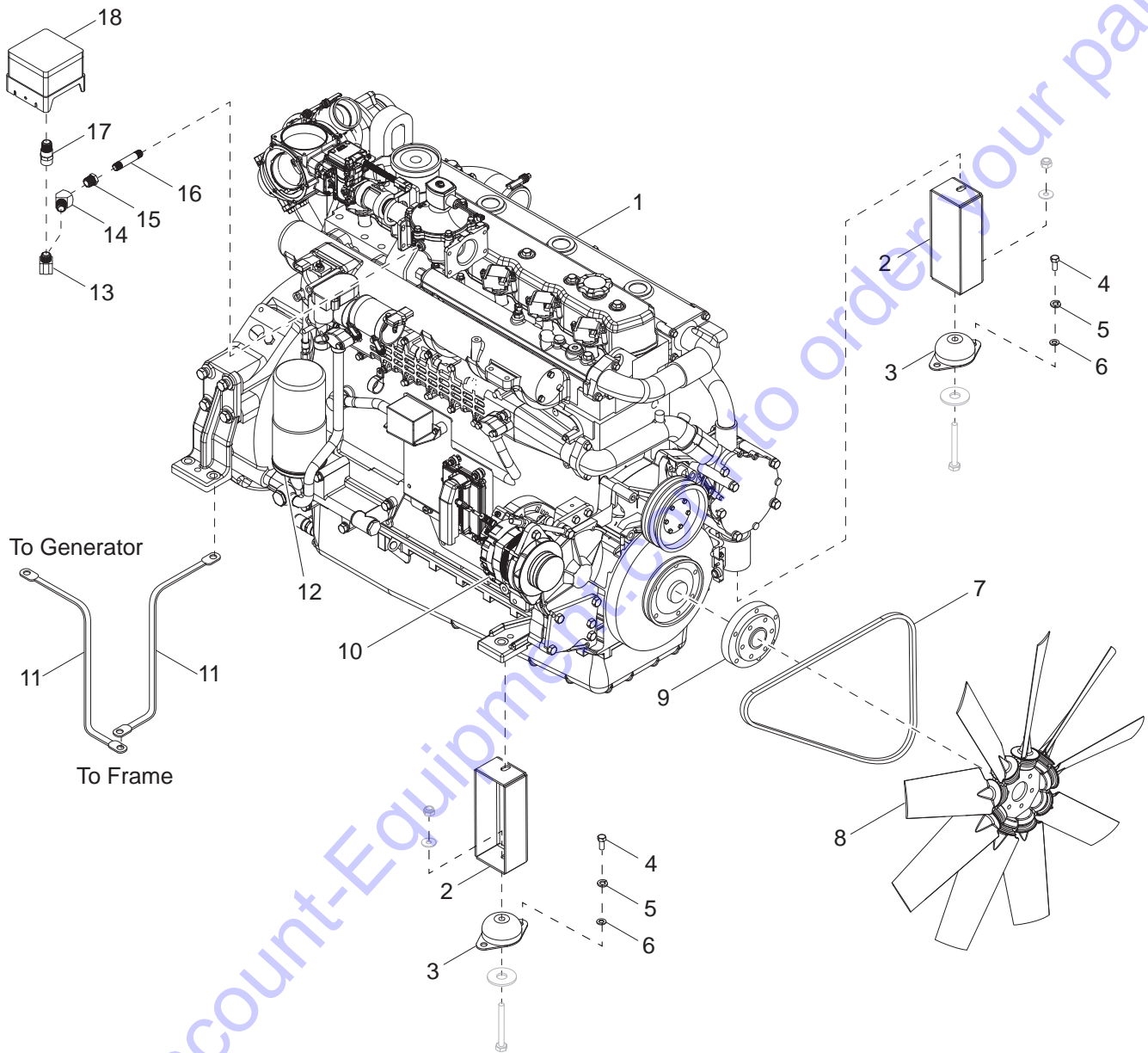


01829

OIL TANK ASSEMBLY

Item	Part No.	Qty	Description	Notes
1	38939	1	Cap, oil - fill/vent, 2.0	
2	38934	1	Oil tank, 16 gallon	
3	38940	1	Gauge, liquid level - 10.0	
4	38938	2	U-bolt, .250 x .750 pipe	
5	38937	1	Bracket, oil level controller	
6	38931	4	Fitting, .500NPT x .500 barb, brass	
7	38930	6	Clamp, hose .562 - 1.062	
8	38936	1	Bracket, oil level gauge	
9	36011	1.5 ft	Hose, .500, SAE100R6	
10	38943	3	Valve, ball - T-handle, .500NPT	
11	38942	4	Fitting nipple - .500NPT	
12	38941	1	Fitting, T - .500NPT	
13	38944	1	Fitting, .500MNPT x .625 barb, brass	
14	38948	2	Clamp, med duty - 1.0	
15	36012	5 ft	Hose, .625 SAE100R6	
16	31315	1	Controller, oil level	
17	38947	1	Fitting, 90° - .250NPT x .375 barb, brass	
18	38945	2	Clamp, hose - SAE008 (.437 - 1.0)	
19	38946	2 ft	Hose, .375	
20	38949	1	Fitting, .500NPT x .375 barb, brass	
21	38950	1	Fitting, M18 x 1.5M - .500NPT	
22	38951	2	Grommet, .880 ID x .190 GW x 1.25 GD	
23	36011	11.08 ft	Hose, .500, SAE100R6	

ENGINE ASSEMBLY



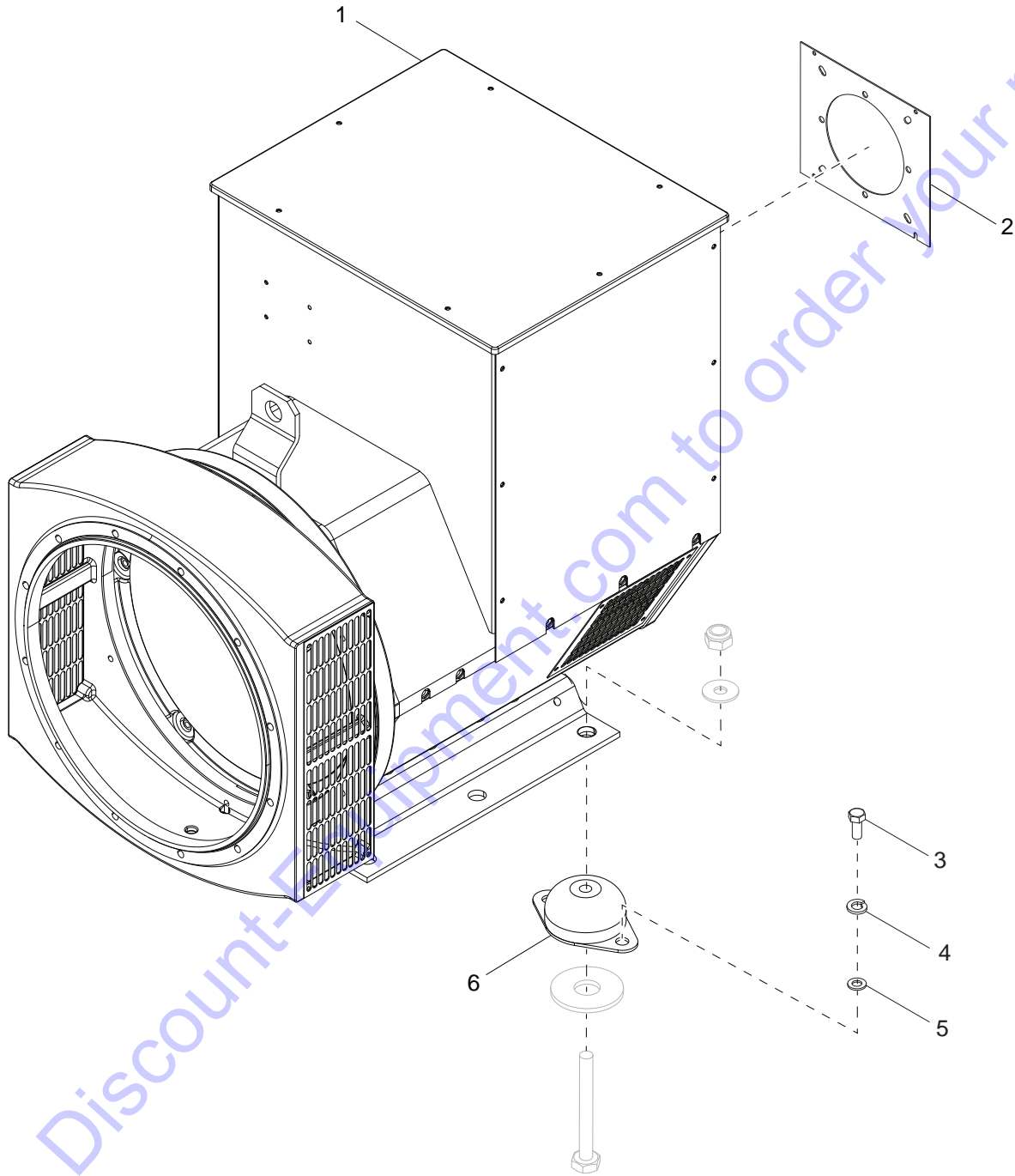
01830

ENGINE ASSEMBLY

Item	Part No.	Qty	Description	Notes
1	38790	1	Engine, D111TIC	
2	38797	2	Mount, engine 13.0	
3	35469	2	Vibro-mount, 925 lb	
4	38794	4	Screw, .375-16 x 1.0, hex, G5	
5	38795	4	Washer, .375 split lock	
6	38796	4	Washer, .375 flat	
7	35703	1	Belt, fan	
8	52713	1	Fan	
9	69735	1	Spacer, fan	
10	35702	1	Alternator	
11	38925	2	Cable, ground	
12	35666	1	Filter, oil	
13	38887	1	Fitting, 90° elbow - .250NPT, brass	
14	38890	1	Fitting, 45° elbow - .250NPT, brass	
15	38891	1	Fitting, coupler - .250NPT, brass	
16	38888	1	Fitting, pipe nipple - .125NPT x 2.0	
17	38889	1	Fitting, bushing - .250 x .125NPT, brass	
18	35434	1	Switch, gas pressure	

Go to Discount-Equipment.com to order your parts

GENERATOR ASSEMBLY



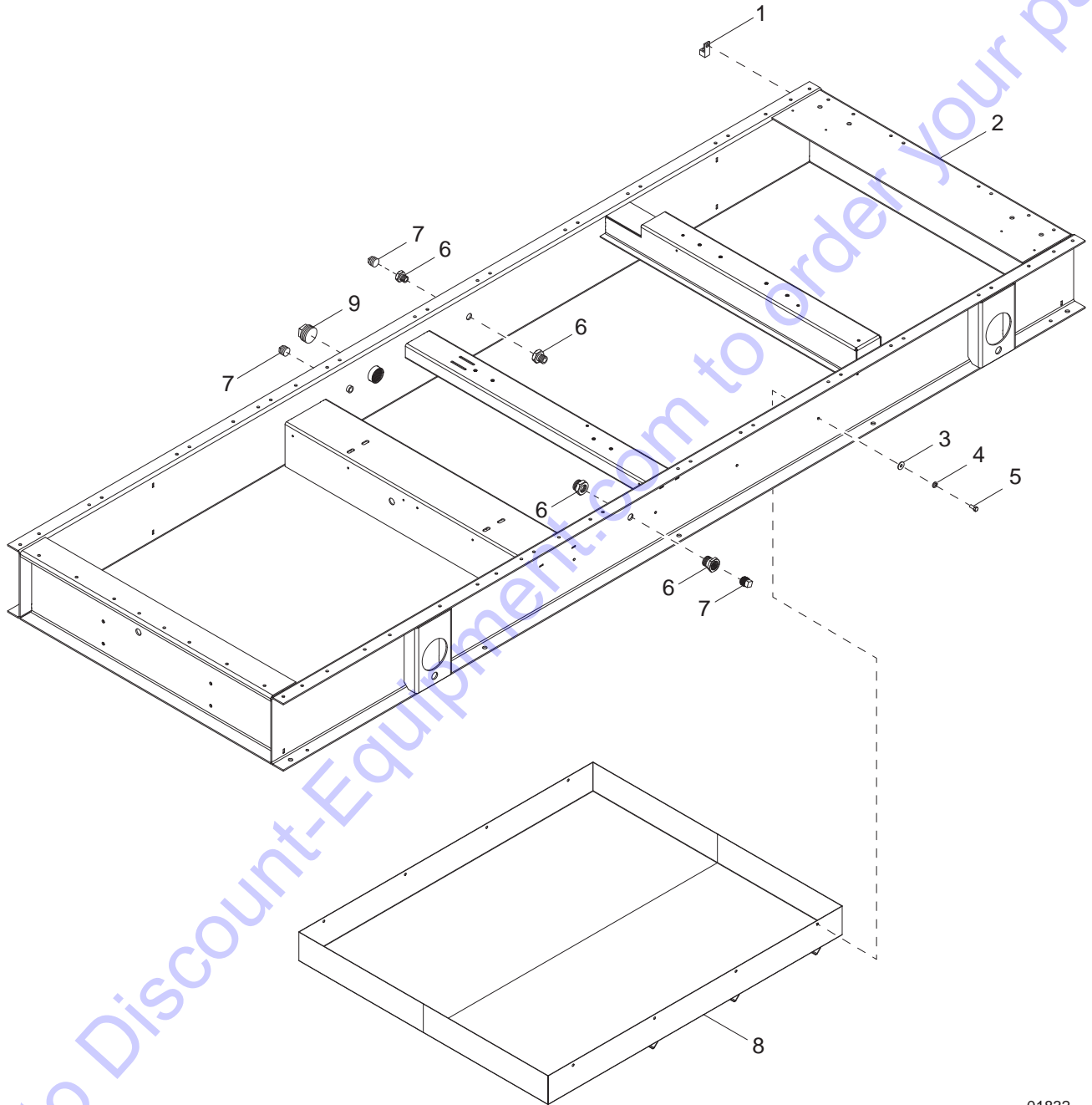
01831

GENERATOR ASSEMBLY

Item	Part No.	Qty	Description	Notes
1	38791	1	Generator, PMG - UCI274G	
2	38800	1	Panel, connect box, 6.0 flex wireway	
3	38794	4	Screw, .375-16 x 1.0, hex, G5	
4	38795	4	Washer, .375 split lock	
5	38796	4	Washer, .375 flat	
6	35470	2	Dome, Vibro-mount, 1250 lb	
--	39091	3	Leads, CT - 1.56 ID, 48 in	

Go to Discount-Equipment.com to order your parts

SKID ASSEMBLY



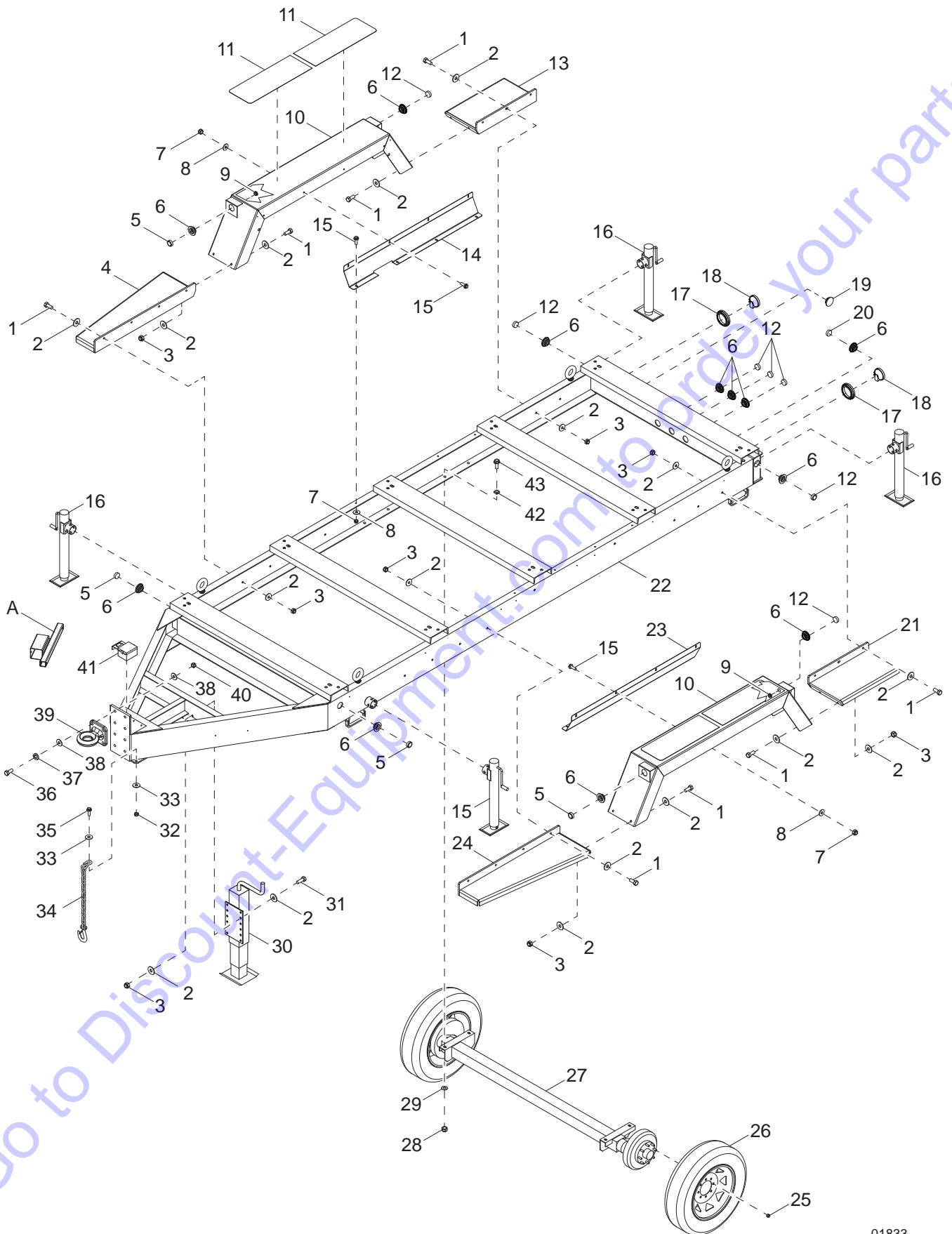
01832

SKID ASSEMBLY

Item	Part No.	Qty	Description	Notes
1	39092	1	Lug, ground - 1/0-14 AWG	
2	38792	1	Weldment, skid	
3	38796	8	Washer, .375 flat	
4	38795	8	Washer, .375 split lock	
5	38794	8	Screw, .375-16 x 1.0 hex, G5	
6	38932	2	Fitting, bulkhead - .500FPT, brass	
7	38933	3	Fitting, plug - .500NPT, square head	
8	38793	1	Drip pan	
9	38898	1	Fitting, plug - 2.0	

Go to Discount-Equipment.com to order your parts

TRAILER ASSEMBLY



01833

TRAILER ASSEMBLY

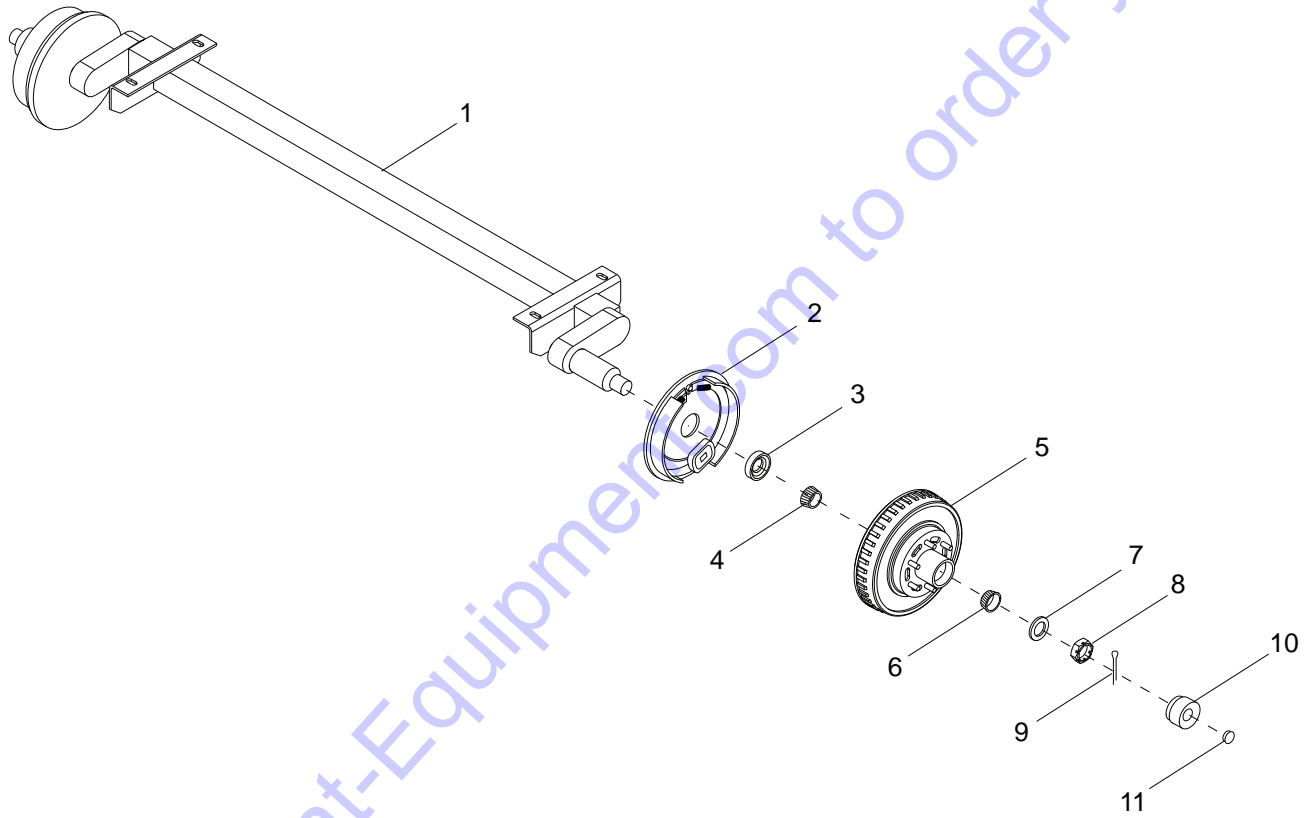
Item	Part No.	Qty	Description	Notes
1	60830	22	Screw, .500-13 x 1.75 std hex, SS	
2	60416	52	Washer, .500 flat 1.375/.090	
3	62221	26	Nut, .500-13 nylock, G5	
4	35337B	1	Weldment, front step - right	
5	66702	4	Light, clearance, 2.0, no grommet - amber LED	
6	66394	12	Grommet, sealed beam light, 2.0 - rubber	
7	60358	16	Nut, .375-16 nylock, G5	
8	60698	32	Washer, .375 flat .875/.040, SS	
9	29653	8	Grommet, .563 ID x .125TH x .813 ID hole	
10	27657B	2	Weldment, trailer fender - large	
11	22398	4	Pad, slip resistant - 10.0 x 28.0	
12	66703	7	Light, clearance 2.0, no grommet - red LED	
13	35339B	1	Weldment, rear step - right	
14	35345B	1	Shield, fender - right	
15	61036	16	Screw, .375-16 x 1.25 std hex, SS	
16	41133	4	Jack, side wind - 2000 lb - tube mounted	
17	10221	2	Grommet, rear light 4.50 - rubber	
18	10220	2	Light, rear tail/turn, round, no grommet	
19	62161	1	Plug, hole - 2.25 dia, black	
20	66395	1	Light, utility, 2.0, no grommet - clear	
21	35342B	1	Weldment, rear step - left	
22	35323B	1	Weldment, trailer frame	
23	35344B	1	Shield, fender - left	
24	35334B	1	Weldment, front step - left	
25	60096	32	Nut, .500-20 lug, G5	
26	22592	4	Wheel, ST235/80R16, 3500 lb	
27	<i>Page 80</i>	2	Assembly, axle	
28	60240	8	Nut, .625-11 nylock, G5	
29	60180	8	Washer, .625 flat 1.750/.10-.16	
30	24084B	1	Weldment, top wind jack, 12000 lb	
31	60484	4	Screw, .500-13 x 2.0 std hex, G5	
32	60668	2	Nut, .500-13 nylock, G8	
33	61096	4	Washer, .500 flat 1.375/.110	
34	20159	2	Chain, safety .375	
35	60118	2	Screw, .500-13 x 2.0 flg hex, G8	
36	60854	4	Screw, .750-10 x 3.50 std hex, G8	
37	60384	4	Washer, .750 split lock	
38	60081	8	Washer, M20 flat	
39	24081B	1	Ring, 3.0 draw bar - square mount	
40	60249	4	Nut, .750-10 hex, G8	
41	19417	1	Kit, breakaway	
42	60651	8	Washer, .625 square bevel structural, galv	
43	61078	8	Screw, .625-11 x 2.0 flg hex, G8	
--	68032	1	Harness, electric brake	
--	68034	1	Harness, trailer	
--	65593	1	Harness, adapter, trailer, 4 pin and 2 pin to electric brake to 6 pin	

OPTIONAL FEATURES

Spare Tire Group:

A	27288	1	Weldment, spare tire carrier
---	-------	---	------------------------------

AXLE ASSEMBLY



01834

AXLE ASSEMBLY

Item	Part No.	Qty	Description	Notes
1	35318	1	Axle, 7000 lb 73 in. frame, electric brake	
2	69736	2	Brake shoe - left, 7000 lb Torflex	
--	69737	2	Brake shoe - right, 7000 lb Torflex	
3	69738	2	Seal, 7000 lb Torflex	
4	69739	2	Bearing, inner 7000 lb Torflex	
5	69740	2	Hub, 7000 lb Torflex	
6	69741	2	Bearing, outer, 7000 lb Torflex	
7	69742	2	Washer, spindle 7000 lb Torflex	
8	69743	2	Nut, spindle 7000 lb Torflex	
9	69744	2	Pin, cotter	
10	69745	2	Cap, grease 7000 lb Torflex	
11	69746	2	Plug, grease cap 7000 lb Torflex	

Go to Discount-Equipment.com to order your parts

RECOMMENDED SPARE PARTS LIST

ENGINE

Alternator	35702
Belt, fan	35703
Catalyst gasket	35626
Element, air filter.....	38802
Filter, LPL fuel - in-line.....	31318
Filter, oil	35666
Gasket set	35643
Hose, radiator - lower	52723
Sensor - O ²	35616
Sensor, low coolant	36016
Spark plug	35610
Starter.....	35677
Thermostat (181°F, 83°C).....	35612

ELECTRICAL

Breaker, DC - 15A	36013
Breaker, 20A - single pole	39072
Breaker, P-frame (SN 10066988-67181).....	52701
Breaker, 400A, 3P, 600V (SN 10067182-67391).....	39089
Breaker, 400A, 3P, 600V LDL (SN 10067392 +)	69701
Controller, programmed.....	68366
Dongle, IGSNT	35535
Potentiometer, 1K OHM - 2 watt.....	36015
Receptacle, black - 125V/20A	39074
Relay, 10A	35455
Switch, E-stop.....	38977
Switch, gas pressure	35434
Switch, limit	35430
Switch, toggle - 2 pos	50816
Transformer, AVRI module GAC.....	39774

TRAILER

Jack, side wind - 2000 lb	41133
Jack, top wind -12000 lb	24084B

MAINTENANCE KITS

PM kit, general.....	35640
PM kit (Oil filter, valve cover gasket)	35638
PM kit, w/six spark plugs	35639

PARTS FINDER

**Search Website
by Part Number**



**Search Manual
Library For Parts
Manual & Lookup Part
Numbers – Purchase
or Request Quote**

Search Manuals

Enter your information to help us find the right parts manual for your machine.

* Brand:

* Model:

* Serial:

* Part Number:

SEARCH

**Can't Find Part or
Manual? Request Help
by Manufacturer,
Model & Description**

Parts Order Form

Please fill in the following information to help us find the right part for your machine.

Manufacturer:	<input type="text"/>
Model:	<input type="text"/>
Description:	<input type="text"/>
Part Number:	<input type="text"/>
Quantity:	<input type="text"/>
Notes:	<input type="text"/>

Submit

Discount-Equipment.com is your online resource for quality parts & equipment.

Florida: **561-964-4949** Outside Florida TOLL FREE: **877-690-3101**

Need parts?

Click on this link: <http://www.discount-equipment.com/category/5443-parts/> and choose one of the options to help get the right parts and equipment you are looking for. Please have the machine model and serial number available in order to help us get you the correct parts. If you don't find the part on the website or on one of the online manuals, please fill out the request form and one of our experienced staff members will get back to you with a quote for the right part that your machine needs.

We sell worldwide for the brands: Genie, Terex, JLG, MultiQuip, Mikasa, Essick, Whiteman, Mayco, Toro Stone, Diamond Products, Generac Magnum, Airman, Haulotte, Barreto, Power Blanket, Nifty Lift, Atlas Copco, Chicago Pneumatic, Allmand, Miller Curber, Skyjack, Lull, Skytrak, Tsurumi, Husquvarna Target, Stow, Wacker, Sakai, Mi-T-M, Sullair, Basic, Dynapac, MBW, Weber, Bartell, Bennar Newman, Haulotte, Ditch Runner, Menegotti, Morrison, Contec, Buddy, Crown, Edco, Wyco, Bomag, Laymor, EZ Trench, Bil-Jax, F.S. Curtis, Gehl Pavers, Heli, Honda, ICS/PowerGrit, IHI, Partner, Imer, Clipper, MMD, Koshin, Rice, CH&E, General Equipment, Amida, Coleman, NAC, Gradall, Square Shooter, Kent, Stanley, Tamco, Toku, Hatz, Kohler, Robin, Wisconsin, Northrock, Oztec, Toker TK, Rol-Air, APT, Wylie, Ingersoll Rand / Doosan, Innovatech, Con X, Ammann, Mecalac, Makinex, Smith Surface Prep, Small Line, Wanco, Yanmar



www.discount-equipment.com

Go to Discount-Equipment.com to order your parts