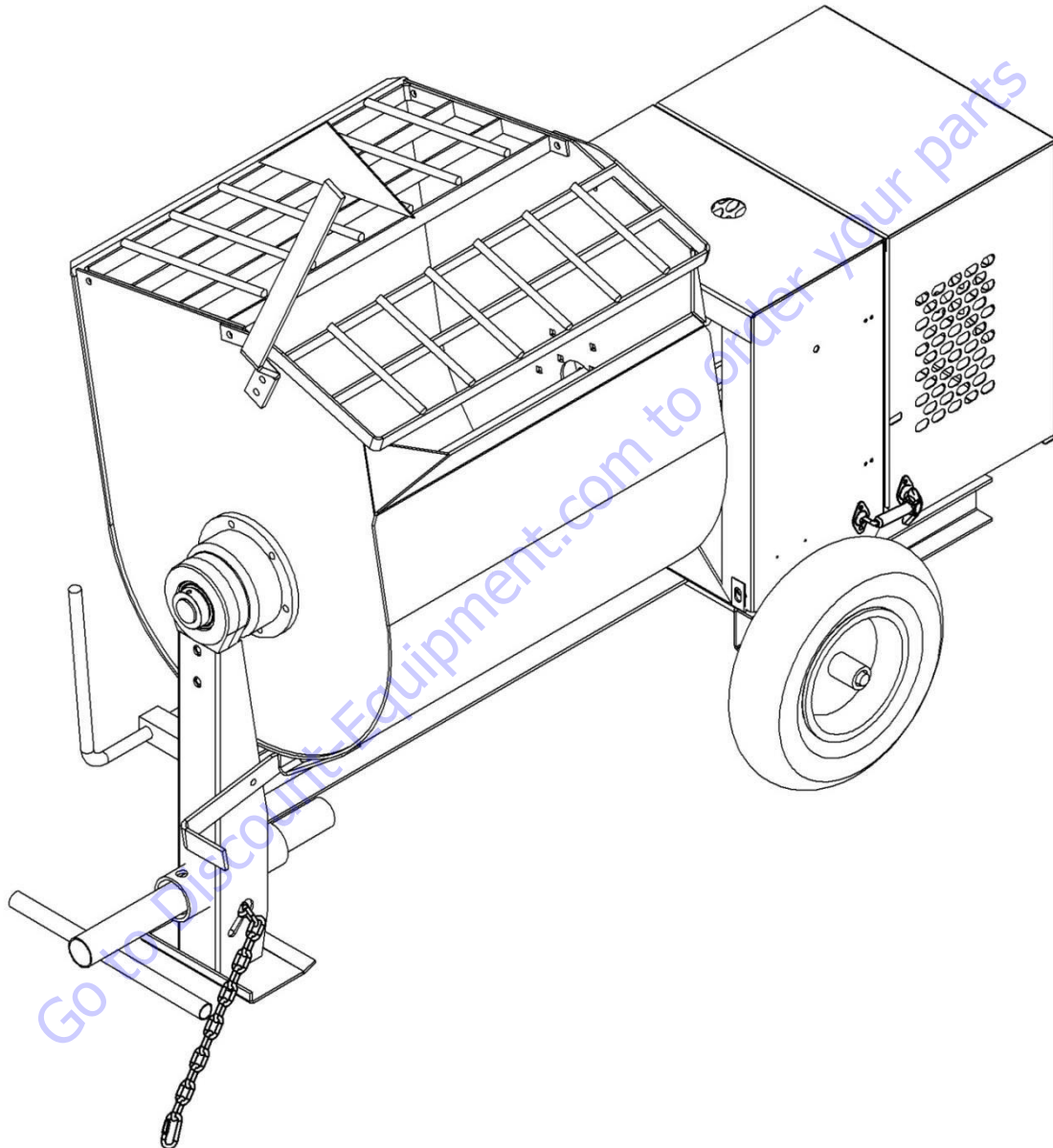


REPAIR PARTS MANUAL

SERIES	MM-Mech
BULLETIN No.	200078R6
SUPERSEDES	200078R5
DATE	Oct 2007
Last Rev: MAY 2020	

MORTAR MIXERS 4S – S4S



*When ordering parts please always specify the model and serial number of the mixers as a reference.



www.Discount-Equipment.com

PARTS FINDER

**Search Website
by Part Number**



**Search Manual
Library For Parts
Manual & Lookup Part
Numbers – Purchase
or Request Quote**

Search Manuals

Enter your model number and serial number to search for parts.

* Brand:

* Model:

* Serial:

SEARCH

**Can't Find Part or
Manual? Request Help
by Manufacturer,
Model & Description**

Parts Order Form

Please fill in as much information as possible to help us find the right part for you.

Manufacturer	
Model	
Serial	
Part Number	
Description	
Quantity	
Notes	
Submit	

Discount-Equipment.com is your online resource for quality parts & equipment.

Florida: **561-964-4949** Outside Florida TOLL FREE: **877-690-3101**

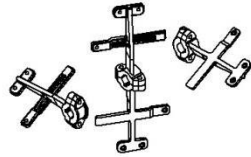
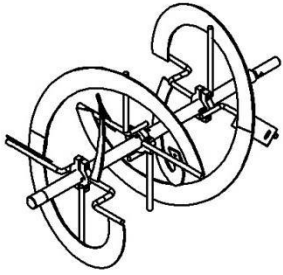
Need parts?

Click on this link: <http://www.discount-equipment.com/category/5443-parts/> and choose one of the options to help get the right parts and equipment you are looking for. Please have the machine model and serial number available in order to help us get you the correct parts. If you don't find the part on the website or on once of the online manuals, please fill out the request form and one of our experienced staff members will get back to you with a quote for the right part that your machine needs.

We sell worldwide for the brands: Genie, Terex, JLG, MultiQuip, Mikasa, Essick, Whiteman, Mayco, Toro Stone, Diamond Products, Generac Magnum, Airman, Haulotte, Barreto, Power Blanket, Nifty Lift, Atlas Copco, Chicago Pneumatic, Allmand, Miller Curber, Skyjack, Lull, Skytrak, Tsurumi, Husquvarna Target, , Stow, Wacker, Sakai, Mi-T- M, Sullair, Basic, Dynapac, MBW, Weber, Bartell, Bennar Newman, Haulotte, Ditch Runner, Menegotti, Morrison, Contec, Buddy, Crown, Edco, Wyco, Bomag, Laymor, Barreto, EZ Trench, Bil-Jax, F.S. Curtis, Gehl Pavers, Heli, Honda, ICS/PowerGrit, IHI, Partner, Imer, Clipper, MMD, Koshin, Rice, CH&E, General Equipment, ,AMida, Coleman, NAC, Gradall, Square Shooter, Kent, Stanley, Tamco, Toku, Hatz, Kohler, Robin, Wisconsin, Northrock, Oztec, Toker TK, Rol-Air, Small Line, Wanco, Yanmar

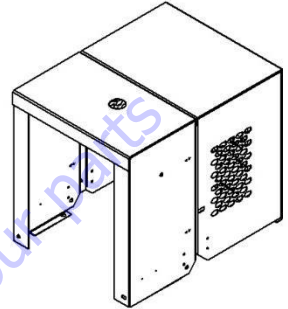
MORTAR MIXERS 4S

SPIRAL
Page 6

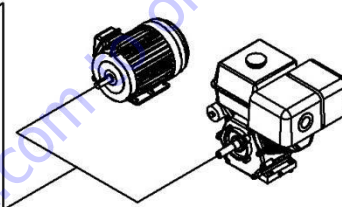
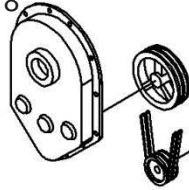


PADDLE
Page 7

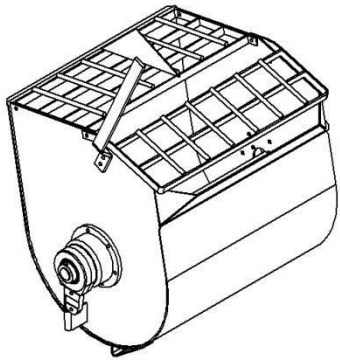
HOOD
Page 9



GEARBOX
Page 8

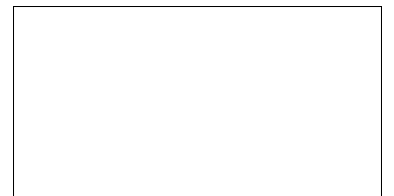
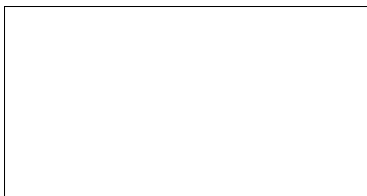
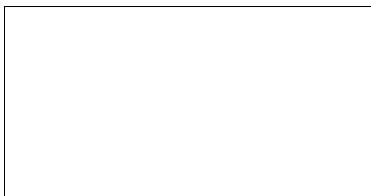
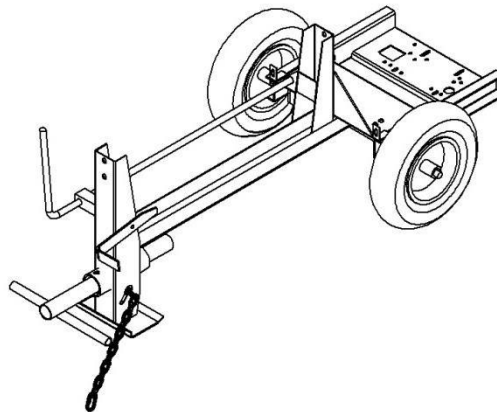


DRIVE
Page 10



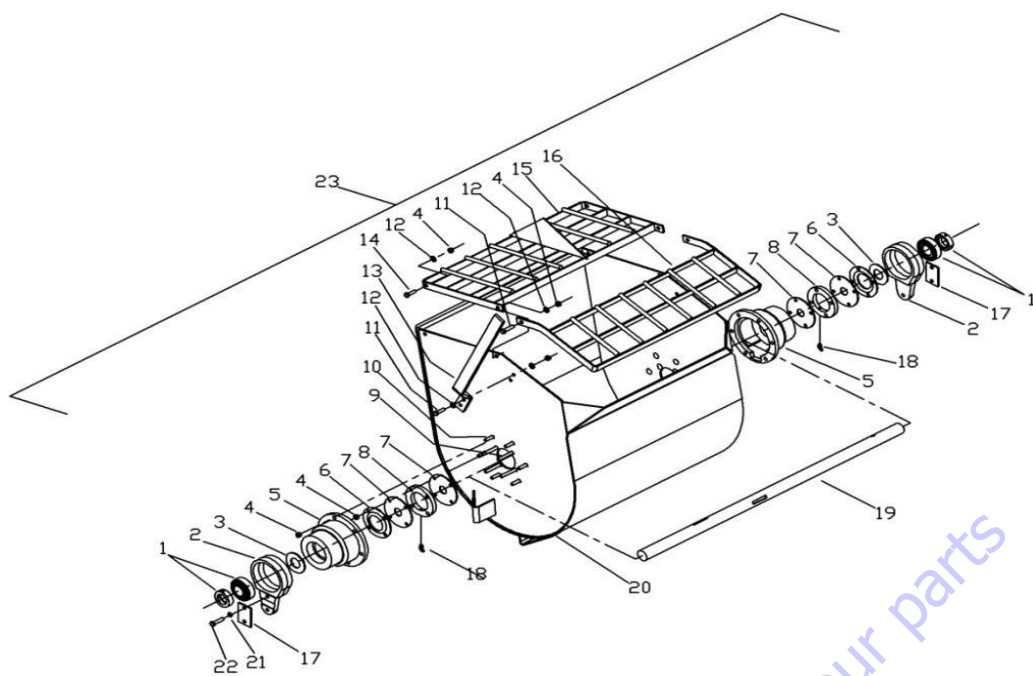
DRUM
Page 3

FRAME
Page 4



*When ordering parts please always specify the model and serial number of the mixers as a reference.

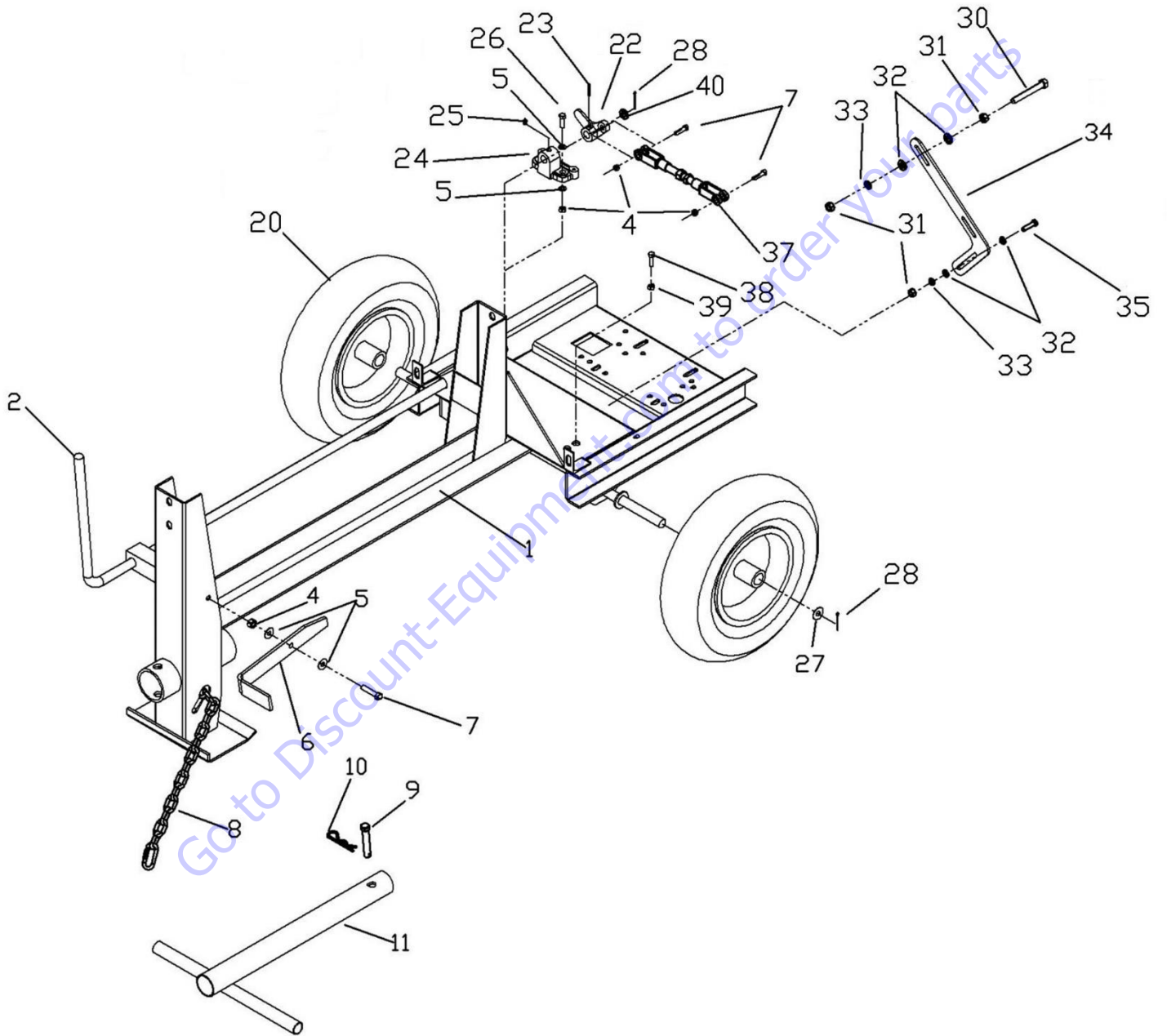
DRUM



DRUM ASSEMBLY					
#	SKU #	ID #	DESCRIPTION	4S	PRICELIST
1	0000BA20824	110450	BALL BEARING, 1746208-108 - 110450 - T175 (W/O GRS FITTING)	2	\$30.00
2	0200CH01TQ	496070	DRUM PIVOT 4S-S10S / MMP - T485 - 496070	2	\$55.00
3	0200HN01TQ	190854	SEAL FINGER (R2) 3.00 X 1.47 X .13 - T486 - 190854	2	\$5.00
4	TCCS038GAL	227830	HEX LOCK NUT 3/8" - 227830 - T114 - C142	26	\$1.25
5	0218FG02TQ	496080	DRUM TRUNNION, 4S-10S / MM8P (R3) - T487 - 496080	2	\$110.00
6	0218PL03TQ	496042	DRUM SEAL RING, 4S-10S (R4) MM8P - T488 - 496042	2	\$9.16
7	0200HN02TQ	192923	DRUM SEAL - 192923 - T551	4	\$12.00
8	0218FG01TQ	496177	DRUM SEAL PLATE 4S-10S / MM8P - T489 - 496177	2	\$29.76
9	TOCL038200	701011	BOLT, CARRIAGE 3/8 X 2 - 701011 - T562	8	\$1.08
10	TOCL038112	117771	CARRIAGE BOLT 3/8" X 1-1/2" GR2 ZP - 117771 - 117771 - T174	12	\$1.25
11	TOCD038112	226230	HEX BOLT 3/8" X 1-1/2" - T176 - C141 - 226230	4	\$1.25
12	RNPX038GAL	174986	PLAIN WASHER 3/8" - T112 - C139 - 174986 - 701032	6	\$1.08
13	0200CO01TQ	496224	DRUM DUMPING HANDLE LEVER W/ GRIP 4S-12S/MM8P (R1) - T168 - 496224	1	\$19.00
14	TOCD038114	226220	HEX BOLT HD, 3/8 X 1-1/4 HX GR5 - 226220 - 134990	2	\$1.25
15	N/A	496214	WA, FIXED GRILL 4S-6SR (R4)	1	\$165.00
16	N/A	496218	WA, GRILL, HINGED 4S-6SR (R4)	1	\$150.00
17	0218PL01TQ	496000	SHIM, 4S-10S 1/4" THK (R2) - 496000 - T555	2	\$10.00
18	0000GRH045	110689	DRUM BEARING, GREASE FITTING 45 DEG - T102 - 110689	2	\$2.50
19	N/A	496657	OLD MAIN SHAFT 4S/6S (INCLUDES KEYS) FOR OLD SPIRAL ONLY	1	\$234.68
19	N/A	496656	MAIN SHAFT 4S/6S 42-1/2" AFTER 2012 FROM S# 3A9S09M14B1168083 (W/ KEYS)	1	\$171.72
20	N/A	464990	BARE DRUM 4SR-S4SR	*	\$856.31
21	RNRX012GAL	176250	SPRING WASHER 1/2" - T112 - C145 - 176250 - T568	4	\$1.08
22	TOCD012112	226650	Bolt, Hex HD, 1/2" x 1-1/2" (TOCD012112)	4	\$1.25
23	N/A	702097	DRUM KIT, 4SR REPLACEMENT (INCLUDES PADDLES)	*	\$1,831.68
23	N/A	609996	DRUM KIT, S4SR REPLACEMENT (INCLUDES SPIRAL)	*	\$1,679.04

*When ordering parts please always specify the model and serial number of the mixers as a reference.

FRAME

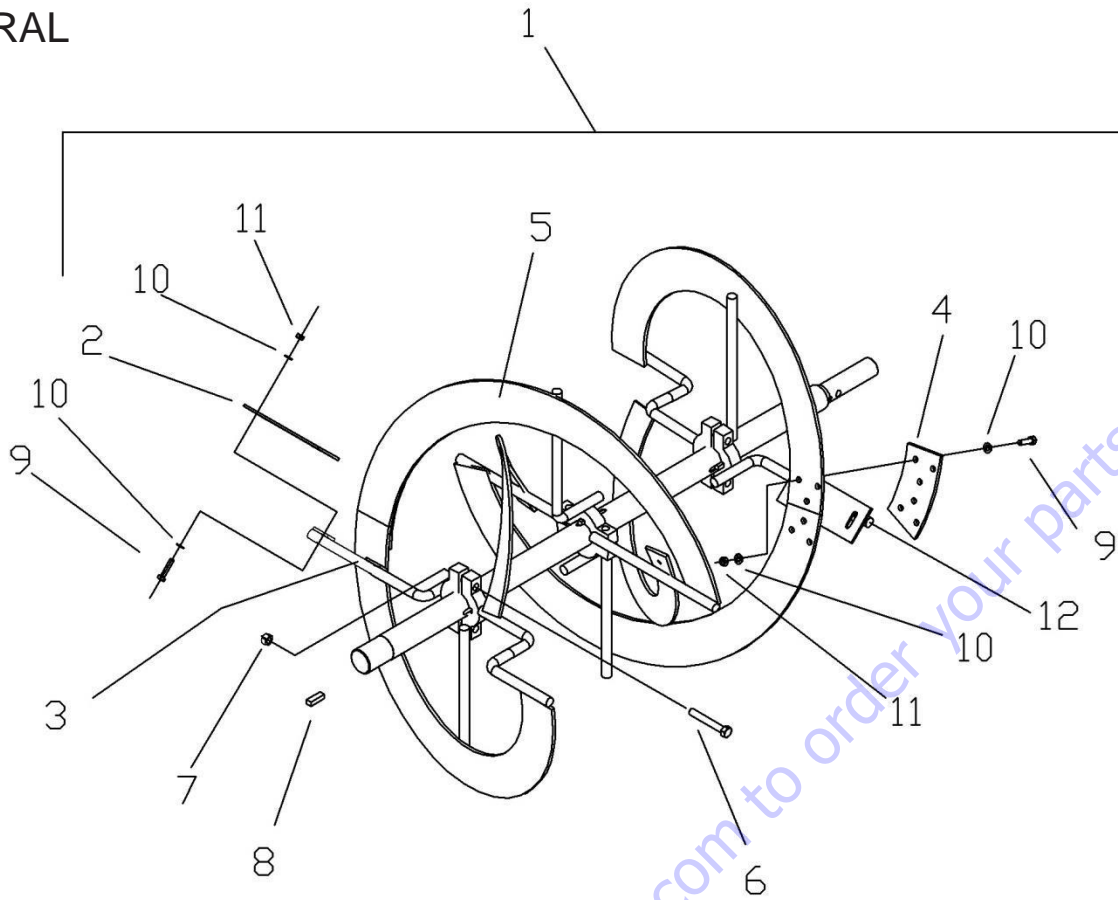


*When ordering parts please always specify the model and serial number of the mixers as a reference.

FRAME ASSEMBLY					
#	SKU #	PART #	DESCRIPTION	4S	PRICELIST
1	N/A	465130	WA, FRAME 4SR-S4SR (R6)	1	\$824.26
2	N/A	496190	LEVER 4S-6S (R3)	1	\$28.62
4	TCCS038GAL	227830	HEX LOCK NUT 3/8" - 227830 - T114 - C142	3	\$1.25
5	RNPX038GAL	174986	PLAIN WASHER 3/8" - T112 - C139 - 174986 - 701032	6	\$1.08
6	N/A	496244	PLATE, LATCH 4S-S10S (R1)	1	\$13.74
7	TOCD038112	226230	HEX BOLT 3/8" X 1-1/2" - T176 - C141 - 226230	1	\$1.25
8	CAD3516GAL	701012	5/16 SAFETY CHAIN W/ OVAL SNAPS T501 - 609686 - 701012 - CA03316GAL	1	\$35.00
9*	0000CR01LZ	702078	TOWING HITCH, LOCK PIN 3/4" - T121 - C169 - 496088 - 702078	1	\$10.00
9	TOFD058312-A	701031	TOWING HITCH, LOCK PIN 5/8" - T121-1 - 701031	1	\$10.00
10	0111SR01LZ	134955	3/6" COTTER PIN CP-85H - SR00036EXT - T110 - 134955	1	\$1.08
11	N/A	464966	DRAW BAR 4S/S4S	1	\$60.00
20	N/A	201675	WHEEL & TIRE ASSEY 4SR - 4.80 X 8" W/ 3/4" BORE - 201672 - 201640	2	\$50.00
22	N/A	496180	LEVER ARMS 4S	1	\$22.90
23	00PE056112	135282	PIN SPR SL STD 5/16 X 1 - 1/2" - 135282 - T683	1	\$1.70
24	N/A	496170	BRACKET, LEVER 4SR	1	\$42.00
25	0000GRH200	110680	FTG, GREASE ST 1/8 NPT - 110680 - C155	1	\$2.50
26	TOCD038200	226250	HEX BOLT HD, GR5 3/8" X 2" - 226250 - T145- C158	2	\$1.25
27	RNPX034GAL	174996	PLAIN WASHER 3/4" X 1-1/2 - 174996 - T108 - 248277	3	\$3.02
28	SC18112NOR	135810	PIN COTTER, 1/8 X 1-1/2 - 135810 - 135790 - T135	1	\$1.08
30	TOCD056300	701009	HEX BOLT HD 5/16" X 3" - 701009 - T201	2	\$1.08
31	TCCN056GAL	227820	HEX NUT 5/16" - 227820	6	\$1.08
32	RNPX056GAL	174990	PLAIN WASHER, 5/16 ID X 3/4 OD FL ZP - 174990	8	\$1.08
33	RNRX056GAL	176220	SPRING WASHER, 5/16" - 176220	4	\$1.08
34	N/A	464981	BELT GUIDE 4S	1	\$13.28
35	TOCD056100	225980	HEX BOLT, 5/16-18 X 1 HX GR2 CP NC - 225980	2	\$1.25
37	N/A	119225	TURNBUCKLE INCLUDES YOKES (OLD STYLE)	1	\$35.00
37	N/A	119225-A	TURNBUCKLE INCLUDE YOKES (NEW STYLE)	1	\$35.00
38	TOCD012300	226711	HEX BOLT HD 1/2" X 3" - 226711 - T481	1	\$3.00
39	TCCS012GAL	227854	HEX LOCK NUT 1/2" - T106 - 227854 - C304	1	\$1.25
40	RNPX058GAL	702028	WASHER, PLAIN 5/8 - 702028	1	1.08

*When ordering parts please always specify the model and serial number of the mixers as a reference.

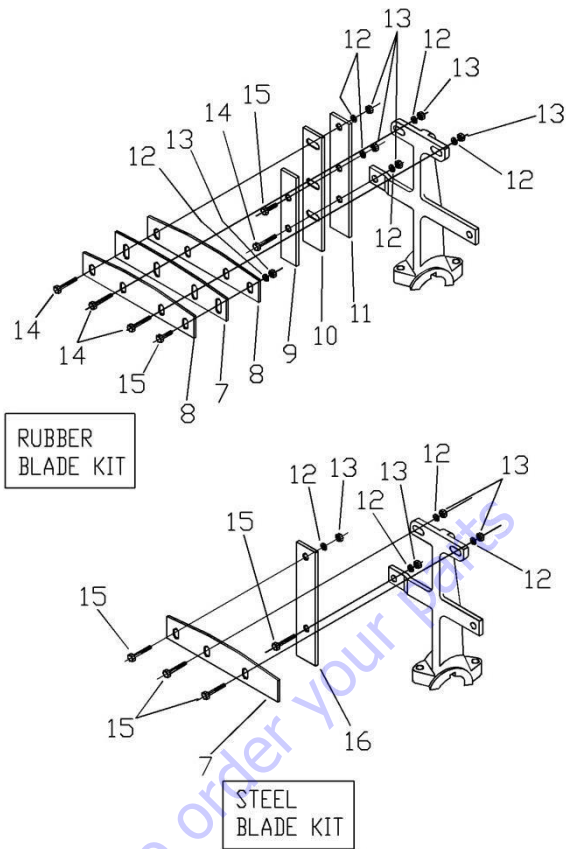
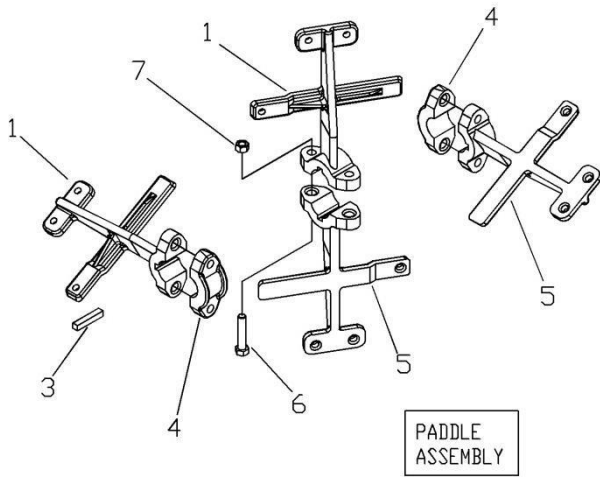
SPIRAL



SPIRAL ASSEMBLY					
#	SKU #	PART #	DESCRIPTION	4S	PRICELIST
1	N/A	702015	KIT ASSEY SPIRAL 4S/6S W/ MAIN SHAFT (FOR MACHINES BEFORE FEB 12,2013)	1	\$528.00
2	N/A	465680	SCRAPER, SPIRAL 4S/S6SR (R2)	2	\$9.61
3	1001RE02ED	702019	ARM BRACKET RIGHT S4S - S6SR - 702019	1	\$36.69
4	N/A	702022	SPIRAL LINK 4S - 6SR	2	\$20.46
5	1001ES01ED	465001	SPIRAL ASSEY 4S/6S (W/O SHAFT) (AFTER FEBRUARY 12, 2013) - 465001	1	\$432.00
6	TOCD012300	226711	HEX BOLT HD 1/2" X 3" - 226711 - T481	6	\$3.00
7	TCCS012GAL	227854	HEX LOCK NUT 1/2" - T106 - 227854 - C304	6	\$1.25
8	1000CC01ED	701013	KEY 3/8" X 1-3/4" - T572 - 701013	4	\$1.25
9	TOCD038114	226220	HEX BOLT HD, 3/8 X 1-1/4 HX GR5 - 226220 - 134990	14	\$1.25
10	RNPX038GAL	174986	PLAIN WASHER 3/8" - T112 - C139 - 174986 - 701032	28	\$1.08
11	TCCS038GAL	227830	HEX LOCK NUT 3/8" - 227830 - T114 - C142	14	\$1.25
12	1001RE01ED	702018	ARM BRACKET LEFT S4S-S6S - 702018	1	\$36.69

*When ordering parts please always specify the model and serial number of the mixers as a reference.

PADDLE ASSEMBLY



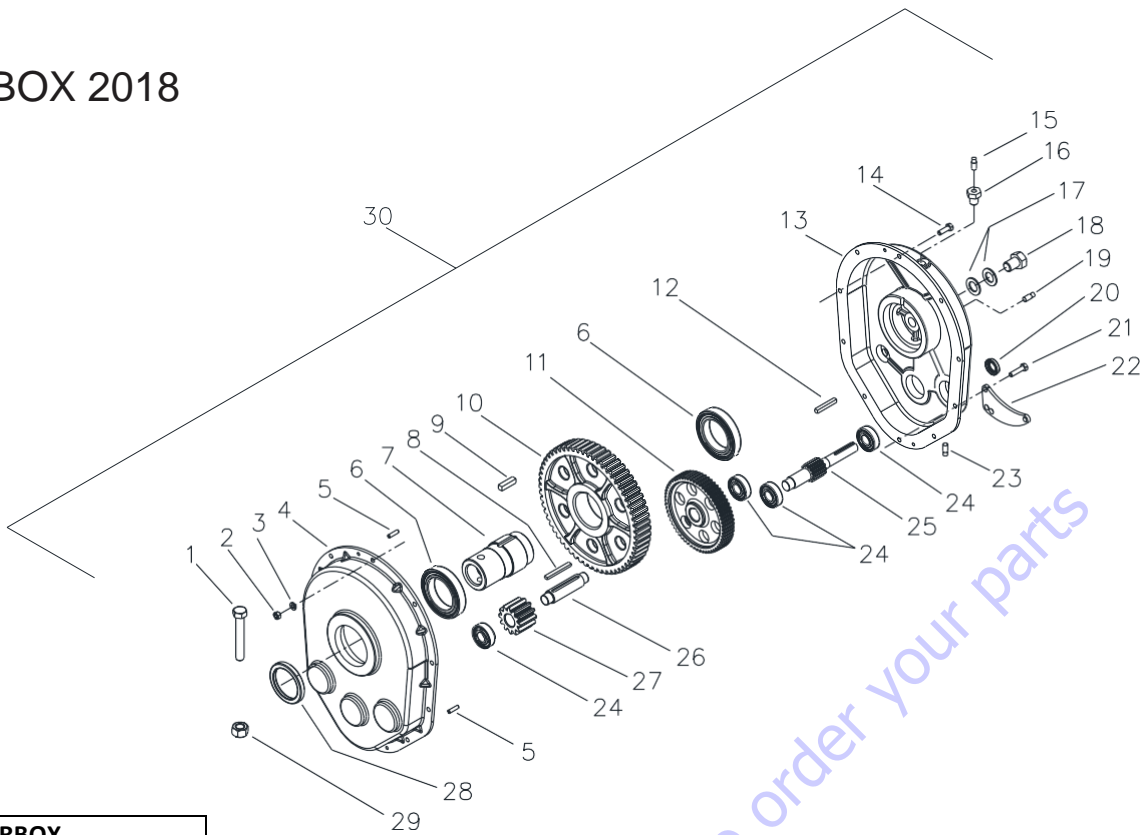
PADDLE ASSEMBLY					
#	SKU #	PART #	DESCRIPTION	4S	PRICELIST
*	N/A	610550	PADDLE KIT, 4-6S/MM6P	1	\$330.00
1	0218FG01AS	096019	END PADDLE & CENTRAL PADDLE LEFT 4S/6(P)/MM6P - T571 - 096019	2	\$65.00
3	1000CC01ED	701013	KEY 3/8" X 1-3/4" - T572 - 701013	4	\$1.25
4	0218FG02AS	096010	CAP PADDLE 4S-10S (R3) T573 - 096010	2	\$19.08
5	0218FG03AS	096018	END PADDLE & CENTRAL PADDLE RIGHT 6S - T574 - 096018	2	\$63.33
6	TOCD012300	226711	HEX BOLT HD 1/2" X 3" - 226711 - T481	6	\$3.00
7	TCCS012GAL	227854	HEX LOCK NUT 1/2" - T106 - 227854 - C304	6	\$1.25

STEEL BLADE KIT					
#	SKU #	PART #	DESCRIPTION	4S	PRICELIST
*	N/A	609803	STEEL BLADE KIT 4S & 6S	1	\$80.00
7	0218PL01AS	436280	BLADE, 4S-6S/MM6P TOP (R3) - T575 - 436280	4	\$15.57
16	0218PL02AS	436300	BLADE 4S-6SR/MM6P SIDE (R1) - T576 - 436300	2	\$9.16
12	RNPX038GAL	174986	PLAIN WASHER 3/8" - T112 - C139 - 174986 - 701032	12	\$1.08
13	TCCS038GAL	227830	HEX LOCK NUT 3/8" - 227830 - T114 - C142	10	\$1.25
15	TOCD038112	226230	HEX BOLT 3/8" X 1-1/2" - T176 - C141 - 226230	10	\$1.25

RUBBER BLADE KIT					
#	SKU #	PART #	DESCRIPTION	4S	PRICELIST
*	N/A	609802	RUBBER BLADE KIT 4S & 6S/P	1	\$100.00
7	0200HN01AS	190970	WIPER 4S/10S, MM4-35 (R5) - T577 - 190970	4	\$8.48
8	0218LA01AS	436290	BLADE, 4S-10S, TOP (R2) - T579 - 436290 - 496290	8	\$11.90
9	0218LA02AS	436320	BLADE, 4S-6SR/MM6P, SIDE (R2) - T580 - 436320	2	\$9.16
10	N/A	192680	WIPER 4S-6SR, MM6-36 (R4)	2	\$6.36
11	N/A	436310	BLADE, 4S-6SR, SIDE (R1)	2	\$9.16
12	RNPX038GAL	174986	PLAIN WASHER 3/8" - T112 - C139 - 174986 - 701032	44	\$1.08
13	TCCS038GAL	227830	HEX LOCK NUT 3/8" - 227830 - T114 - C142	22	\$1.25
14	TOCD038200	226250	HEX BOLT HD, GR5 3/8" X 2" - 226250 - T145- C158	12	\$1.25
15	TOCD038112	226230	HEX BOLT 3/8" X 1-1/2" - T176 - C141 - 226230	10	\$1.25

*When ordering parts please always specify the model and serial number of the mixers as a reference.

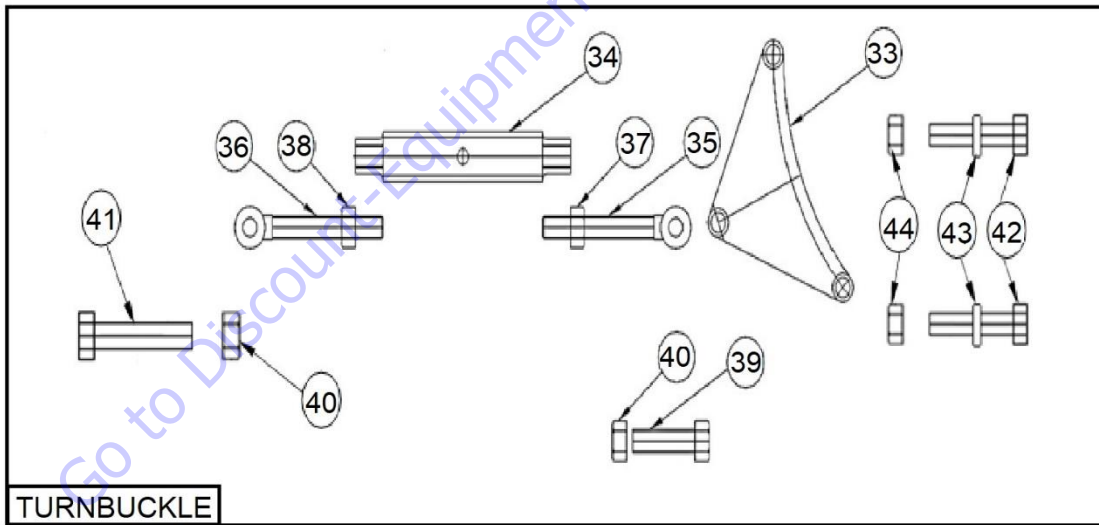
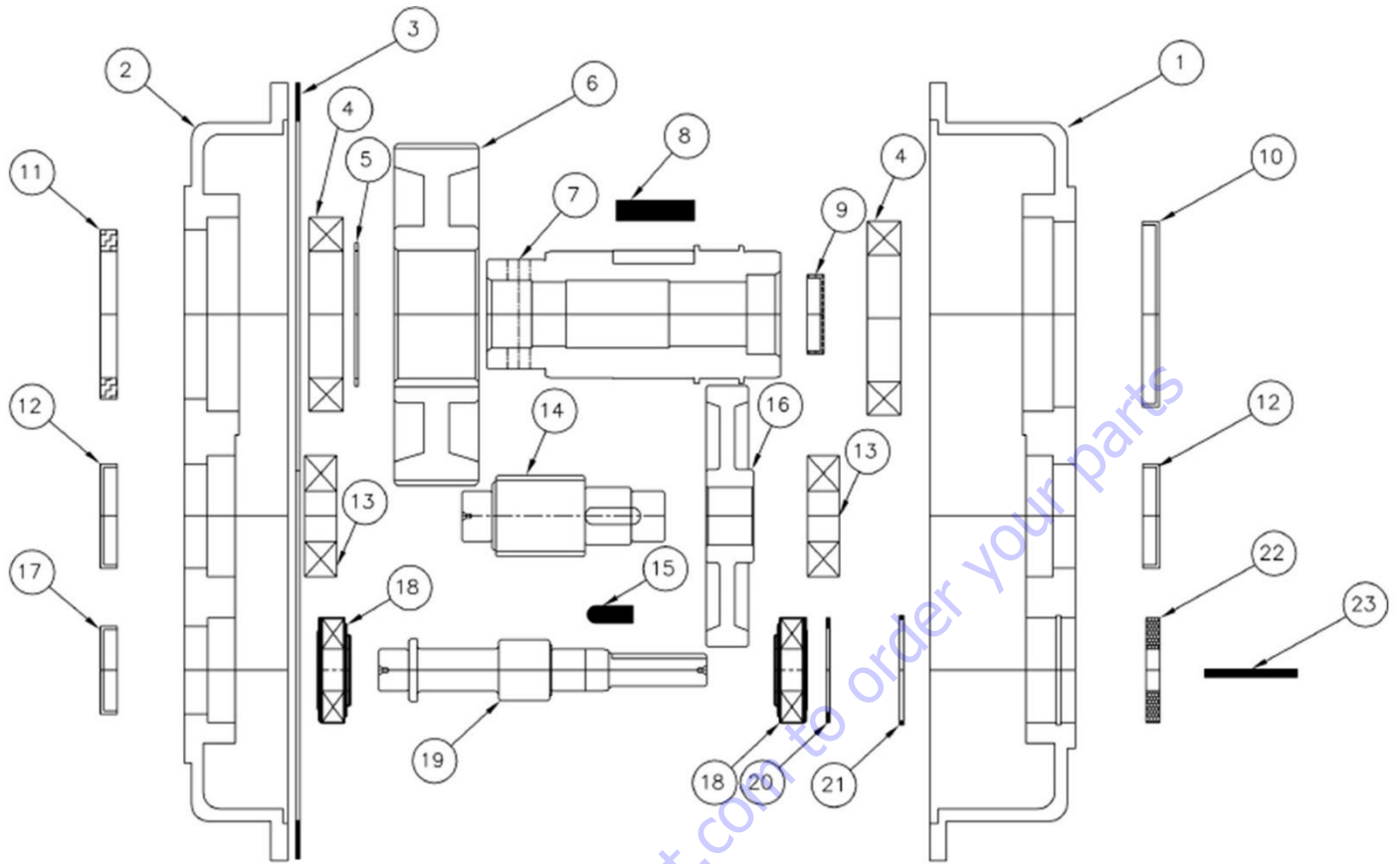
GEARBOX 2018



2018 GEARBOX					
#	SKU #	PART #	DESCRIPTION	4S	PRICELIST
1	TOCD012300	226711	HEX BOLT HD 1/2" X 3" - 226711 - T481	1	\$3.00
2	TCCN056GAL	227820	HEX NUT 5/16" - 227820	10	\$1.08
3	RNRX056GAL	176220	SPRING WASHER, 5/16" - 176220	10	\$1.08
4	N/A	496320	CASE G.R. FRONT HALF OLD STYLE (R4)	1	\$200.00
5	N/A	135470	PIN, SPR 1/4 X 5/8	2	\$1.08
6	N/A	110105	BRG, BALL 6013-2RS - 110105	2	\$47.70
7	N/A	496642	SLEEVE, G.R. (R1)	1	\$111.05
8	N/A	432290	KEY 1/4 X 2-1/2 (R2)	1	\$1.25
9	N/A	432150	KEY 3/8 X 1.38	1	\$1.25
10	N/A	496641	GEAR GR 60T 6DP (10 DIA)	1	\$228.96
11	N/A	496322	GEAR G.R. 60T, 10DP (6"DIA)	1	\$164.85
12	N/A	432050	KEY 3/16 X 1-5/8	1	\$1.25
13	N/A	496640	CASE G.R. REAR HALF (R1)	1	\$200.34
14	TOCD056100	225980	HEX BOLT, 5/16-18 X 1 HX GR2 CP NC - 225980	8	\$1.25
15	N/A	110550	GEARBOX BREATHER - 110550	1	\$2.12
16	N/A	187411	BUSHING, RDCR BLK 3/8 X 1/8 NPT	1	\$12.30
17	RNPX034GAL	174996	PLAIN WASHER 3/4" X 1-1/2 - 174996 - T108 - 248277	2	\$3.02
18	TOCD034100	227236	HEX BOLT 3/4 X 1 - 227236	1	\$1.25
19	N/A	185630	PLUG, 3/8 NPT PIPE BLACK	1	\$2.12
20	199380	199381	SEAL, OIL C/R 7440 - 199381	1	\$3.18
21	N/A	225990	BOLT, HEXHD PL 5/16UNC X1 1/4	2	\$1.08
22	N/A	496045	LINK GR LEVER, 4S-S12S (R2) FOR OLD STYLE GEARBOX	1	\$9.16
23	N/A	185632	PLUG, PIPE, MAGNETIC 3/8 NPT	1	\$9.33
24	0000BA6204	110410	BRG, BALL 6204 - 110410	4	\$10.18
25	N/A	496324	SHAFT PINION G.R. 12T 10 DP	1	\$100.74
26	N/A	496131	SHAFT G.R. PINION (R4)	1	\$61.82
27	N/A	496333	PINION GR 12T, 6DP (2" DIA)	1	\$57.24
28	N/A	199491	SEAL OIL C/R 24897	1	\$5.94
29	TCCS012GAL	227854	HEX LOCK NUT 1/2" - T106 - 227854 - C304	1	\$1.25
30	N/A	496645	*DISCONTINUED* - GEAR REDUCER OLD STYLE (OVAL SHAPED)	1	\$630.00

*When ordering parts please always specify the model and serial number of the mixers as a reference.

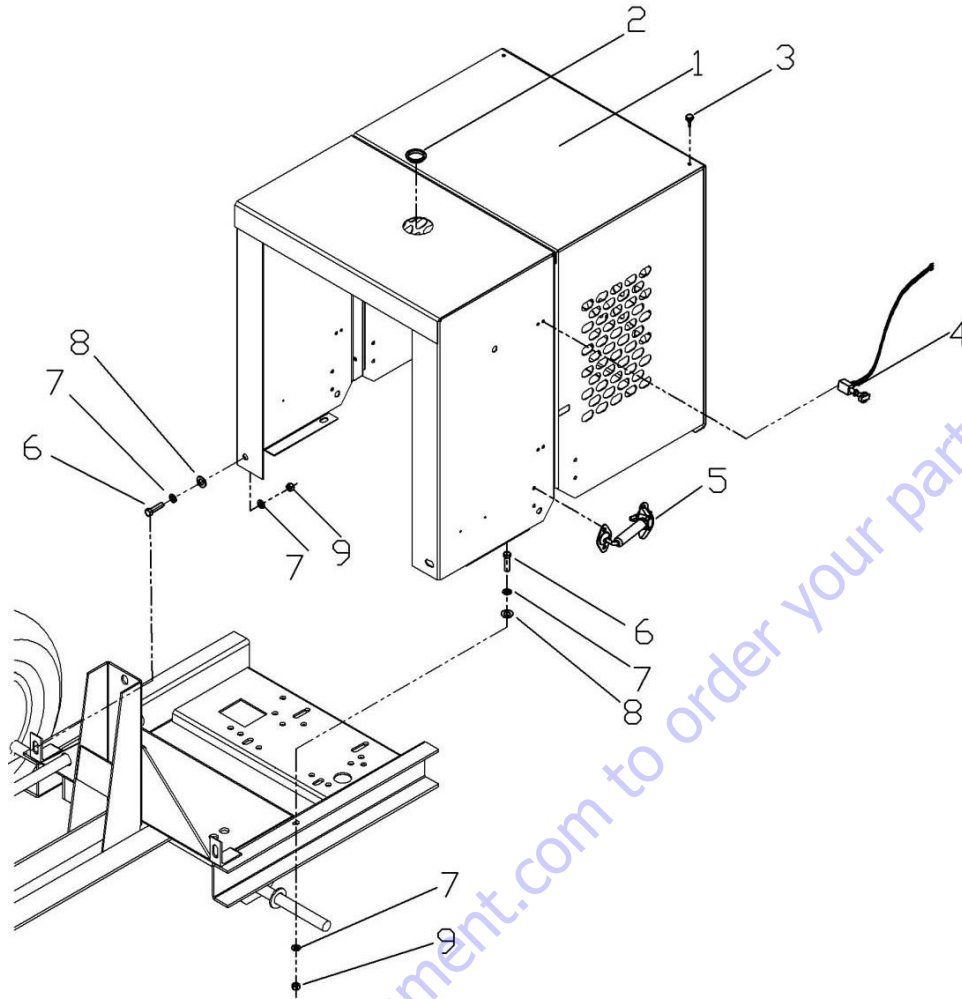
GEARBOX (AFTER 2019)



2019 GEARBOX					
#	SKU #	PART #	DESCRIPTION	4S	PRICELIST
1	N/A	702128	GEARBOX CASING - FRONT ALL MODELS (NEW GEARBOX)	1	\$200.00
2	N/A	702129	GEARBOX CASING - BACK ALL MODELS (NEW GEARBOX)	1	\$200.00
3	N/A	702130	GEARBOX LIQUID GASKET (ALL MODELS)	1	\$30.00
4	N/A	702131	OUTPUT BEARING (NEW GEARBOX)	2	\$45.00
5	N/A	702132	OUTUPT SPACER (NEW GEARBOX)	1	\$12.00
6	N/A	702133	OUTPUT GEAR Z65 (NEW GEARBOX)	1	\$158.66
7	N/A	702134	OUTPUT HUB (NEW GEARBOX)	1	\$84.62
8	N/A	702135	OUTPUT KEY (NEW GEARBOX)	1	\$1.75
9	N/A	702136	OUTPUT HUB END COVER DAI.47 (NEW GEARBOX)	1	\$20.00
10	N/A	702137	GEARBOX FRONT CASING END COVER DAI. 110 (NEW GEARBOX)	1	\$18.00
11	N/A	702138	OUTPUT OILSEAL 75X100X10 (NEW GEARBOX)	1	\$15.00
12	N/A	702139	INTERMEDIATE END COVER DAI. 62 (NEW GEARBOX)	2	\$18.00
13	N/A	702140	INTERMEDIATE BEARING -6306 (NEW GEARBOX)	2	\$26.00
14	N/A	702141	INTERMEDIATE PINION Z13 (NEW GEARBOX)	1	\$38.08
15	N/A	702142	INTERMEDIATE KEY - W 10 X L 27 (NEW GEARBOX)	1	\$1.75
16	N/A	702143	INTERMEDIATE GEAR Z70 (NEW GEARBOX)	1	\$48.66
17	N/A	702144	INPUT END COVER DAI. 52 (NEW GEARBOX)	1	\$18.00
18	N/A	702145	INPUT BEARINGS - 30305 (NEW GEARBOX)	2	\$30.00
19	N/A	702146	INPUT PINION Z14 (NEW GEARBOX)	1	\$29.62
20	N/A	702147	INPUT BEARINGS LOADING SPACER (NEW GEARBOX)	1	\$12.00
21	N/A	702148	CIRCLIP B62 HEAVY (NEW GEARBOX)	1	\$1.08
22	N/A	702149	INPUT OILSEAL - 25 X 62 X 10 (NEW GEARBOX)	1	\$12.00
23	N/A	702150	INPUT PINION KEY - 3/16 X 3/16 X L55 (NEW GEARBOX)	1	\$1.75
24	N/A	702151	HEX BOLTS - M8X35 (NEW GEARBOX)	6	\$2.00
25	N/A	702152	STUDS - M8 X 57 (NEW GEARBOX)	2	\$2.50
26	N/A	702153	HEX NUTS -M8 X 35 (NEW GEARBOX)	10	\$2.00
27	N/A	702154	SPRING WASHER - M8 (NEW GEARBOX)	8	\$2.00
28	N/A	702155	ALLEN HEAD DRAIN PLUG 3/8 BSP (NEW GEARBOX)	1	\$1.75
29	N/A	702156	HEX HEAD PLUG 3/8 BSP (NEW GEARBOX)	1	\$2.00
30	N/A	702157	SIGHT GLASS 3/8 BSP (NEW GEARBOX)	1	\$20.00
31	N/A	702158	BREATHER PLUG 3/8 BSP (NEW GEARBOX)	1	\$19.00
32	N/A	702159	STICKER- FILL OIL (NEW GEARBOX)	1	\$5.00
33	N/A	702160	BRACKET PLATES FOR TORQUE ARM (NEW GEARBOX)	2	\$12.00
34	N/A	702161	TURNBUCKLE (NEW GEARBOX)	1	\$43.40
35	N/A	702162	TORQUE ARM - RIGHT HAND - M12 (NEW GEARBOX)	1	\$3.00
36	N/A	702163	TORQUE ARM - LEFT HAND - M13 (NEW GEARBOX)	1	\$3.00
37	N/A	702164	HEX NUT - RIGHT HAND - M12 (NEW GEARBOX)	1	\$3.00
38	N/A	702165	HEX NUT - LEFT HAND - M12 (NEW GEARBOX)	1	\$3.00
39	TOCD038112	226230	HEX BOLT 3/8" X 1-1/2" - T176 - C141 - 226230	1	\$1.25
40	TCCS038GAL	227830	HEX LOCK NUT 3/8" - 227830 - T114 - C142	2	\$1.25
41	TOCD038200	226250	HEX BOLT HD, GR5 3/8" X 2" - 226250 - T145- C158	1	\$1.25
42	TOCD056200	701022	BOLT, HEX HD, 5/16 X 2" - 701022	2	\$1.25
43	RNRX056GAL	176220	SPRING WASHER, 5/16" - 176220	2	\$1.08
44	TCCN056GAL	227820	HEX NUT 5/16" - 227820	2	\$1.08
*	N/A	119225-A	TURNBUCKLE INCLUDE YOKES (NEW STYLE)	1	\$35.00
*	N/A	496645-A	NEW GEARBOX ASSEY W/ CONN. ROD & LINK LEVER AFTER 2018	1	\$630.00

*When ordering parts please always specify the model and serial number of the mixers as a reference.

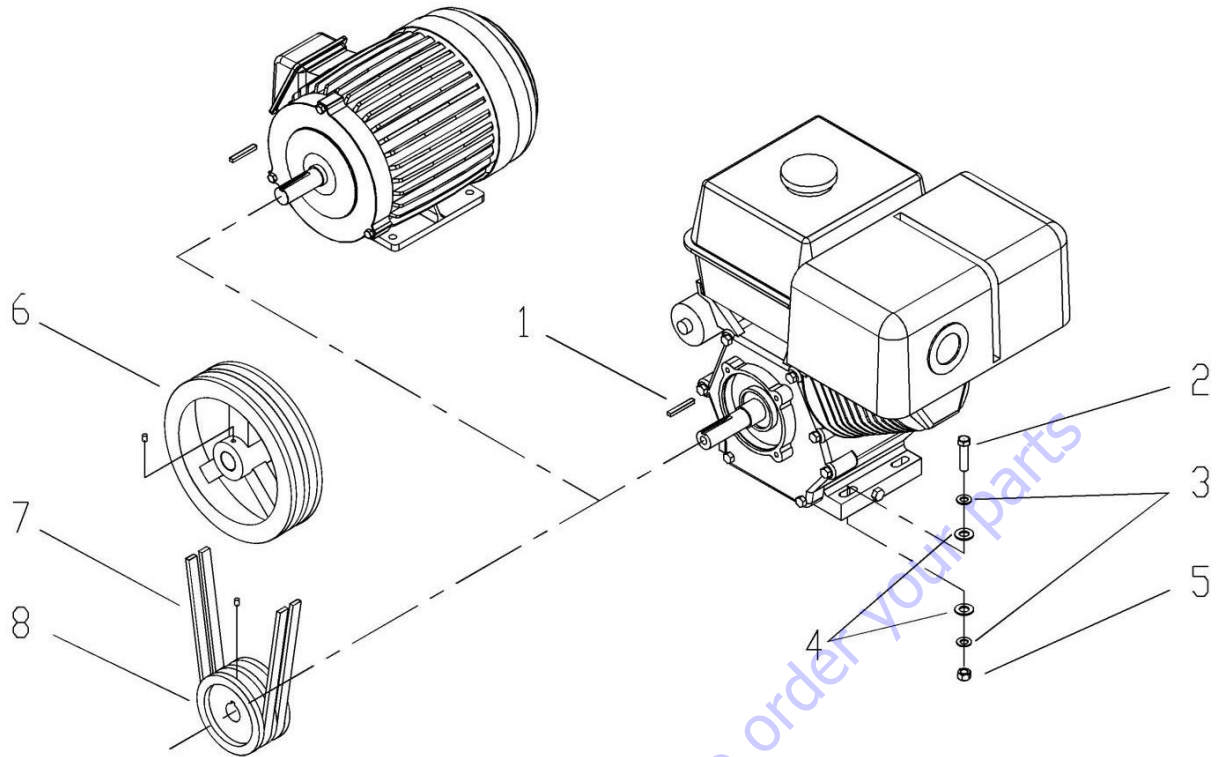
HOOD



SHROUD ASSEY					
#	SKU #	PART #	DESCRIPTION	4S	PRICELIST
1	N/A	464900	HOOD ASSEMBLY, 4S TYPE C	1	\$500.00
2	1000RF01GA	701008	PLUG 2" SNAP IN - 701008 - 174141 - 317333	1	\$1.08
3	0000RF01GA	201544	RUBBER SCREW 1/4" FOR SHROUD - T158 - C159 - 201544	4	\$3.15
4	1000KI04GA	701007	ENGINE KILL SWITCH ASSEY RED (WITH HARNESS) 701007 - T193	1	\$29.00
4	0200KI01GA	112500	ENGINE N.O KILL SWITCH RED (NO HARNESS) - 816769AS - 112500 - T195-1 - 290100	1	\$18.00
5	0000RF02GA	701004	SHROUD HOOK ASSEMBLY - T160 - C161 - 701004 - 201543	2	\$9.00
6	TOCD038112	226230	HEX BOLT 3/8" X 1-1/2" - T176 - C141 - 226230	4	\$1.25
7	RNPX038GAL	174986	PLAIN WASHER 3/8" - T112 - C139 - 174986 - 701032	8	\$1.08
8	RNPX012GAL	174470	PLAIN WASHER 1/2" - T105 - C172 - 174470 (GALVANIZED)	4	\$2.12
9	TCCS038GAL	227830	HEX LOCK NUT 3/8" - 227830 - T114 - C142	4	\$1.25

*When ordering parts please always specify the model and serial number of the mixers as a reference.

DRIVE



POWER ASSEY				GAS		ELECTRIC			
#	SKU #	PART #	DESCRIPTION	5HP	8HP	1.5HP	2HP	3HP	PRICELIST
1	N/A	432050	KEY 3/16 X 1-5/8	1	*	1	1	*	\$1.25
1	0200CC03TR	432340	KEY 1/4" X 1-7/8" - T202 - 432340	*	1	*	*	1	\$1.25
2	TOCD056200	701022	BOLT, HEX HD, 5/16 X 2" - 701022	4	*	*	*	*	\$1.25
2	TOCD038200	226250	HEX BOLT HD, GR5 3/8" X 2" - 226250 - T145- C158	*	4	*	*	*	\$1.25
2	TOCD056100	225980	HEX BOLT, 5/16-18 X 1 HX GR2 CP NC - 225980	*	*	4	*	*	\$1.25
2	TOCD038100	226210	HEX BOLT 3/8 X 1 - C138 - 226212	*	*	*	4	4	\$1.25
3	RNPX056GAL	174990	PLAIN WASHER, 5/16 ID X 3/4 OD FL ZP - 174990	8	*	8	8	8	\$1.08
3	RNPX038GAL	174986	PLAIN WASHER 3/8" - T112 - C139 - 174986 - 701032	*	8	*	*	*	\$1.08
4	RNPX012GAL	174470	PLAIN WASHER 1/2" - T105 - C172 - 174470 (GALVANIZED)	8	8	8	8	8	\$2.12
5	TCCS056GAL	227821	HEX LOCK NUT 5/16" - T148 - 227821	4	*	4	4	4	\$1.25
5	TCCS038GAL	227830	HEX LOCK NUT 3/8" - 227830 - T114 - C142	*	4	*	*	*	\$1.25
6	N/A	496160	PULLEY, 2AK104 X 3/4	1	1	1	1	1	\$89.29
7	0000BNA37C	702024-A	BELT-V A-37C - 702024-A (FOR NEW GEARBOX)	2	2	*	*	*	\$20.00
7	0000BNA40	702024	BELT-V A40 702024 - 236668 (FOR OLD GEARBOX)	2	2	2	2	2	\$25.00
7	SM00156EXT	701029	RETAINING OMEGA RING - 1-15/16" - 701029 - C151	*	*	2	2	2	\$6.47
7	0000BNA44	702013	BELT-V A44 - 702013 - 239592	*	*	2	2	2	\$25.00
8	POFG3340342R	702025	PULLEY ENGINE 2AK39 X 3/4" - 407790 - T154-1 - 702025	1	*	*	*	*	\$50.00
8	POFG3341002R	702010	PULLEY 3-3/4" CAL 1" X 2 GROOVES (2AK39X1) - 430990 - 702010	*	1	*	*	*	\$50.00
8	POFG4140582R	702026	PULLEY 4-1/4" CAL 5/8" X 2 GROOVES - 702026	*	*	1	*	*	\$50.00
8	POFG4140782R	702095	PULLEY 4-1/4" CAL 7/8" X 2 GROOVES - 702095	*	*	*	1	*	\$50.00
8	POFG4141182R	702011	PULLEY 4-1/4" CAL 1-1/8" 2 GROOVE 702011	*	*	*	*	1	\$50.00

*When ordering parts please always specify the model and serial number of the mixers as a reference.

PARTS FINDER

**Search Website
by Part Number**



**Search Manual
Library For Parts
Manual & Lookup Part
Numbers – Purchase
or Request Quote**

Search Manuals

Enter your information to search for manuals and parts.

* Brand:

* Model:

* Serial:

* Part Number:

SEARCH

**Can't Find Part or
Manual? Request Help
by Manufacturer,
Model & Description**

Parts Order Form

Please fill in the following information:

Manufacturer:

Model:

Description:

Quantity:

Part Number:

Part Name:

Part Description:

Part Location:

Part Condition:

Part Status:

Part Price:

Part Weight:

Part Dimensions:

Part Material:

Part Color:

Part Finish:

Part Notes:

Part Images:

Part Attachments:

Part Specifications:

Part Certifications:

Part Compliance:

Part Safety:

Part Environmental:

Part Other:

Submit

Discount-Equipment.com is your online resource for quality parts & equipment.

Florida: **561-964-4949** Outside Florida TOLL FREE: **877-690-3101**

Need parts?

Click on this link: <http://www.discount-equipment.com/category/5443-parts/> and choose one of the options to help get the right parts and equipment you are looking for. Please have the machine model and serial number available in order to help us get you the correct parts. If you don't find the part on the website or on once of the online manuals, please fill out the request form and one of our experienced staff members will get back to you with a quote for the right part that your machine needs.

We sell worldwide for the brands: Genie, Terex, JLG, MultiQuip, Mikasa, Essick, Whiteman, Mayco, Toro Stone, Diamond Products, Generac Magnum, Airman, Haulotte, Barreto, Power Blanket, Nifty Lift, Atlas Copco, Chicago Pneumatic, Allmand, Miller Curber, Skyjack, Lull, Skytrak, Tsurumi, Husquvarna Target, , Stow, Wacker, Sakai, Mi-T- M, Sullair, Basic, Dynapac, MBW, Weber, Bartell, Bennar Newman, Haulotte, Ditch Runner, Menegotti, Morrison, Contec, Buddy, Crown, Edco, Wyco, Bomag, Laymor, Barreto, EZ Trench, Bil-Jax, F.S. Curtis, Gehl Pavers, Heli, Honda, ICS/PowerGrit, IHI, Partner, Imer, Clipper, MMD, Koshin, Rice, CH&E, General Equipment, ,AMida, Coleman, NAC, Gradall, Square Shooter, Kent, Stanley, Tamco, Toku, Hatz, Kohler, Robin, Wisconsin, Northrock, Oztec, Toker TK, Rol-Air, Small Line, Wanco, Yanmar



www.Discount-Equipment.com

Go to Discount-Equipment.com to order your parts

*When ordering parts please always specify the model and serial number of the mixers as a reference.