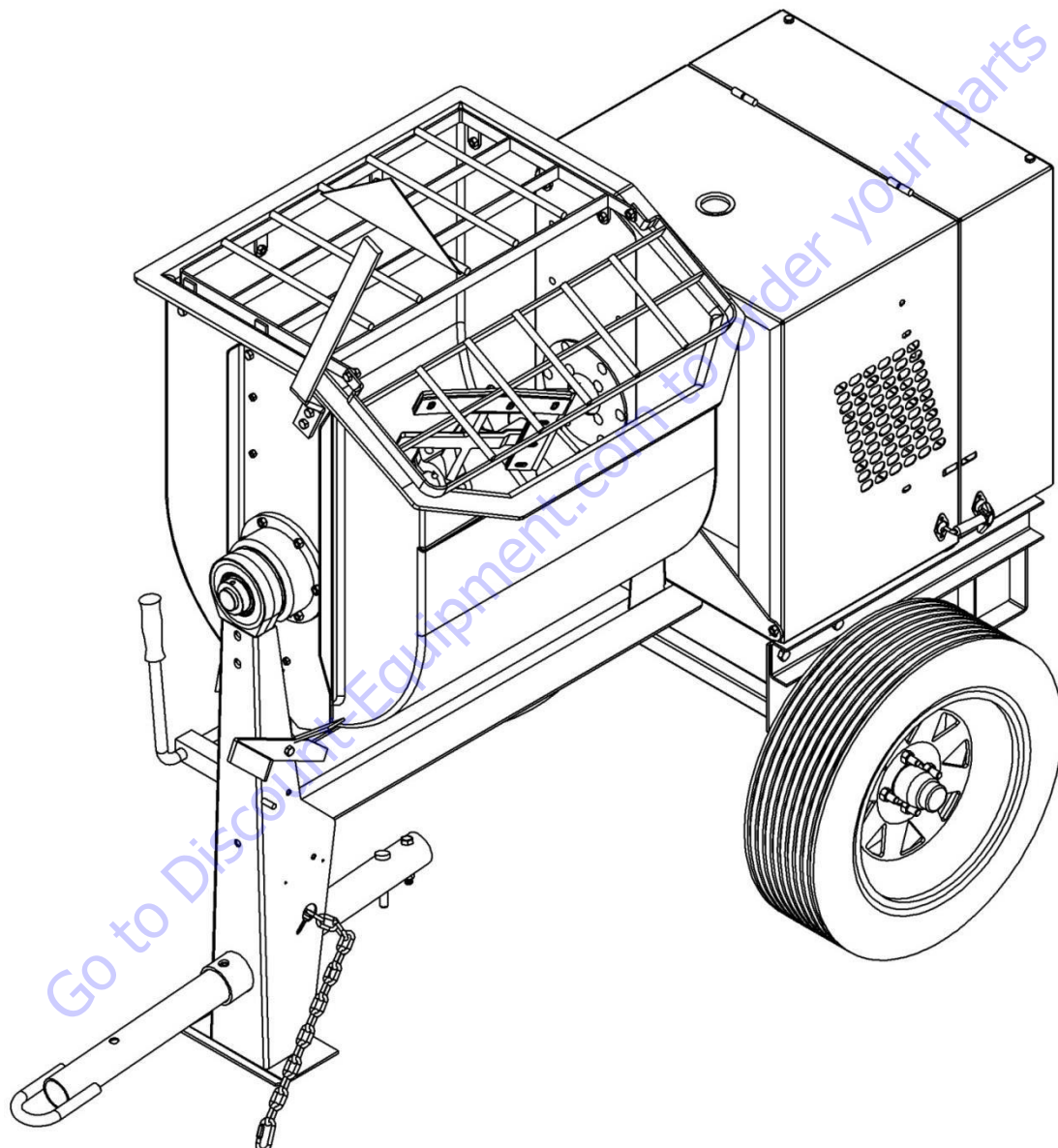


REPAIR PARTS MANUAL MORTAR & PLASTER MIXERS 6PR- 8PR

SERIES	MM-Mech
BULLETIN No.	200089R6
SUPERSEDES	200089R5
DATE	April 2015

Last Rev: MAY 2020

Rev. 20082020



CROWN
CONSTRUCTION EQUIPMENT

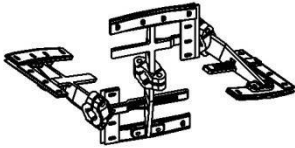
*When ordering parts please always specify the model and serial number of the mixers as a reference.

**Discount
Equipment**

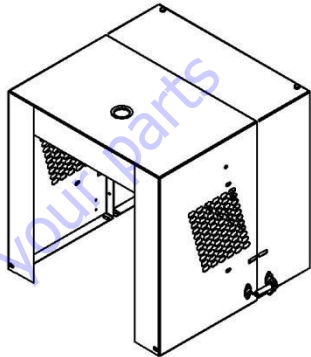
www.Discount-Equipment.com

MORTAR & PLASTER MIXERS 6PR, 8PR

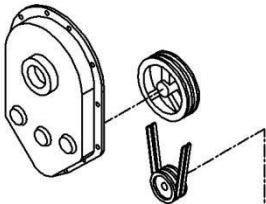
PADDLE
Page 6



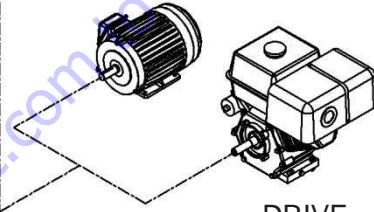
HOOD
Page 8



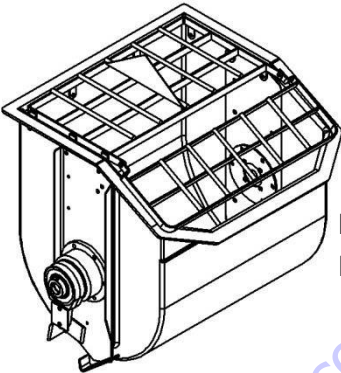
GEAR BOX
Page 7



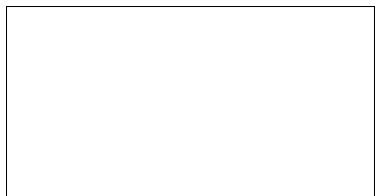
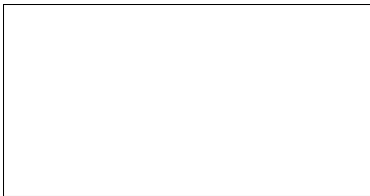
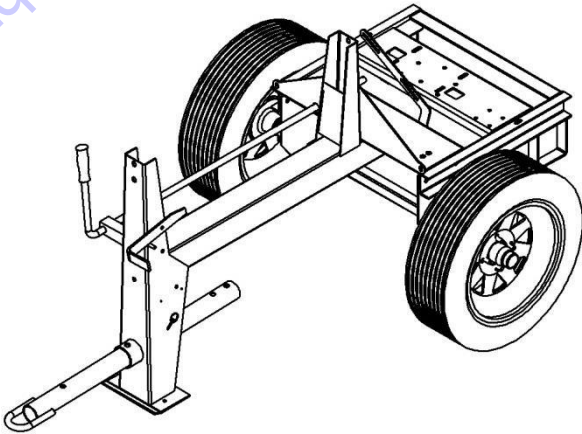
DRIVE
Page 9



DRUM
Page 3

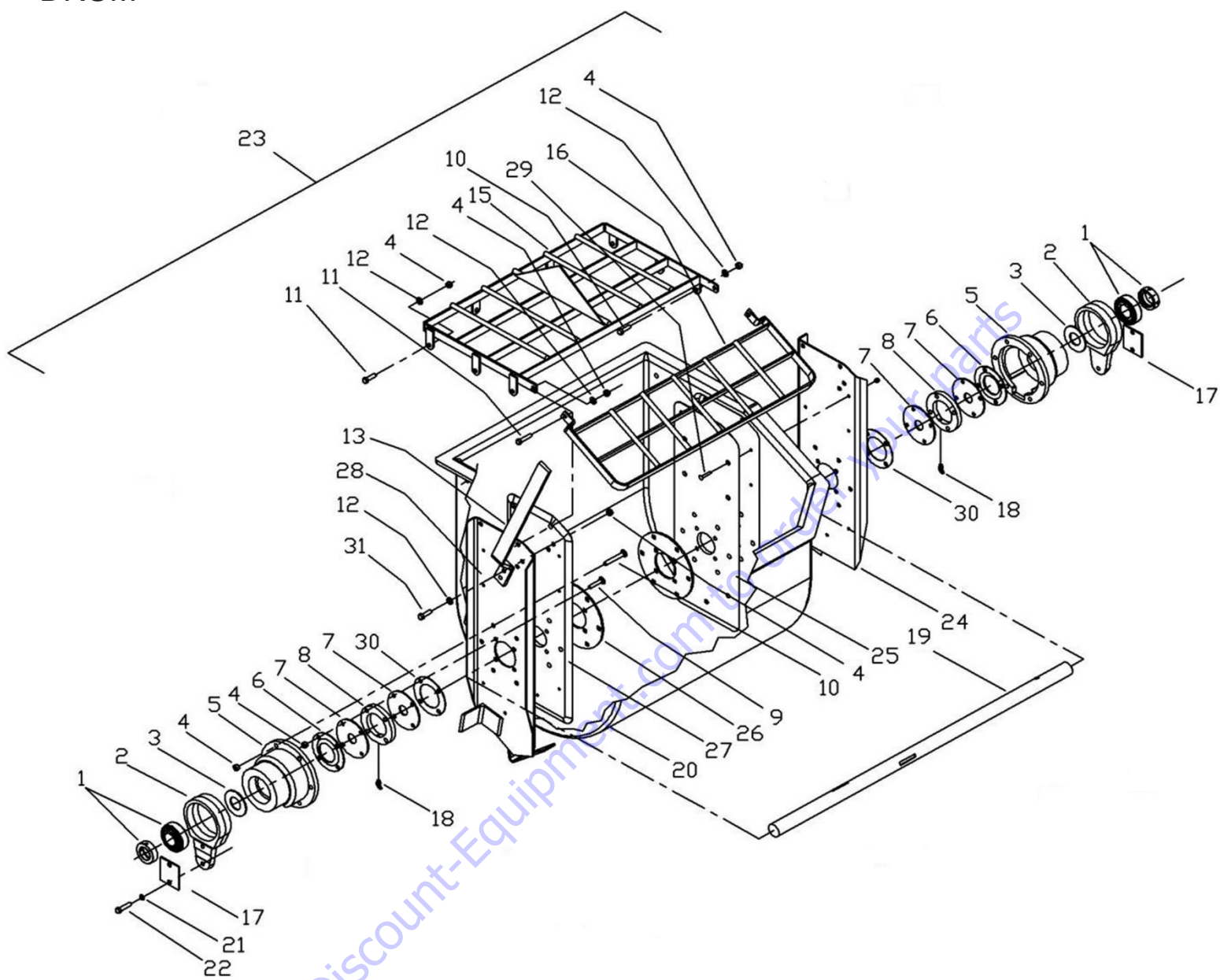


FRAME
Page 4



*When ordering parts please always specify the model and serial number of the mixers as a reference.

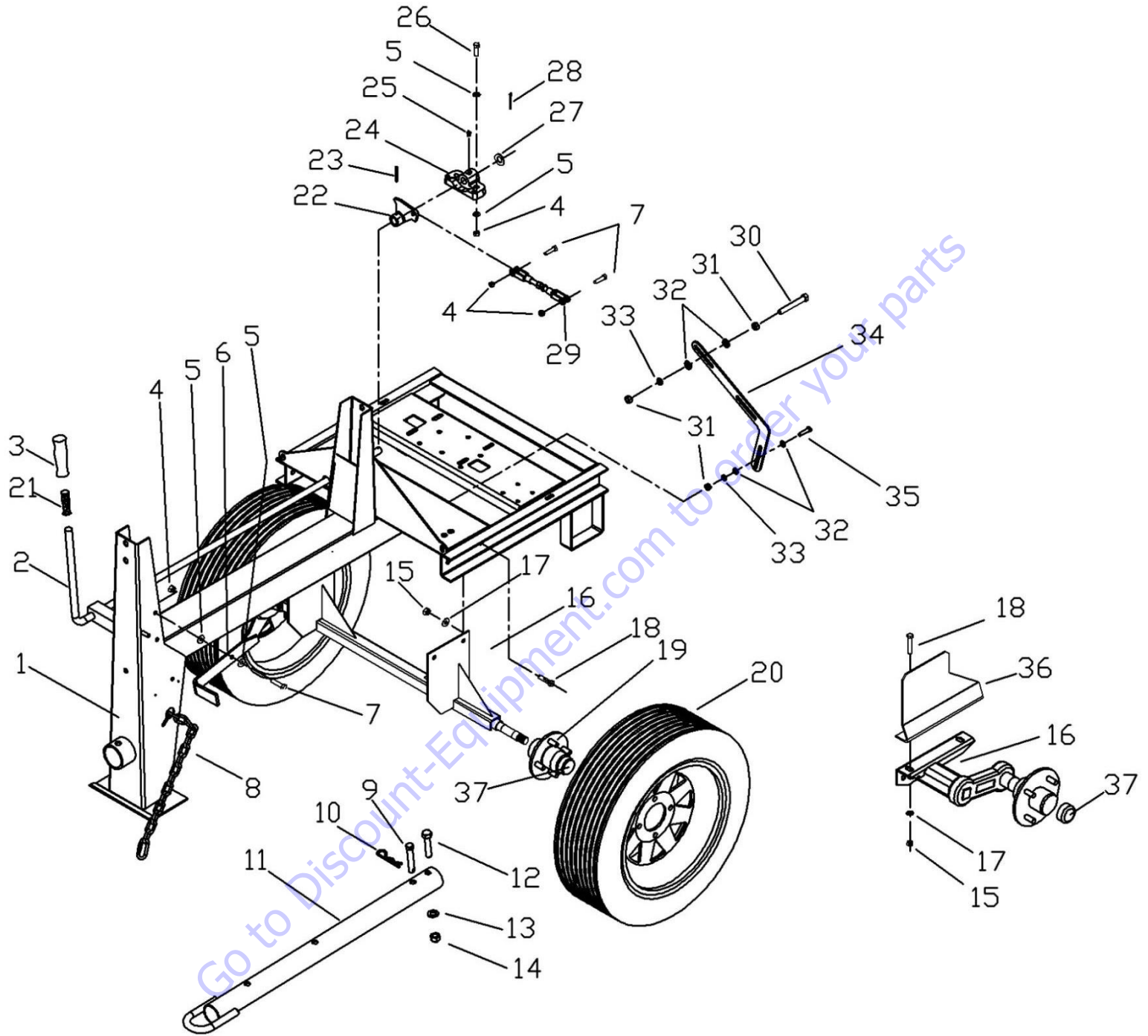
DRUM



DRUM ASSEMBLY						
#	SKU #	ID #	DESCRIPTION	6P	8P	PRICELIST
1	0000BA20824	110450	BALL BEARING, 1746208-108 - 110450 - T175 (W/O GRS FITTING)	2	2	\$30.00
2	0200CH01TQ	496070	DRUM PIVOT 4S-S10S / MMP - T485 - 496070	2	2	\$55.00
3	0200HN01TQ	190854	SEAL FINGER (R2) 3.00 X 1.47 X .13 - T486 - 190854	2	2	\$5.00
4	TCCS038GAL	227830	HEX LOCK NUT 3/8" - 227830 - T114 - C142	30	32	\$1.25
5	0218FG02TQ	496080	DRUM TRUNNION, 4S-10S / MM8P (R3) - T487 - 496080	2	2	\$110.00
6	0218PL03TQ	496042	DRUM SEAL RING, 4S-10S (R4) MM8P - T488 - 496042	2	2	\$9.16
7	0200HN02TQ	192923	DRUM SEAL - 192923 - T551	4	4	\$12.00
8	0218FG01TQ	496177	DRUM SEAL PLATE 4S-10S / MM8P - T489 - 496177	2	2	\$29.76
9	TOCL038200	701011	BOLT, CARRIAGE 3/8 X 2 - 701011 - T562	8	8	\$1.08
10	TOCL038112	117771	CARRIAGE BOLT 3/8" X 1-1/2" GR2 ZP - 117771 - 117771 - T174	12	12	\$1.25
11	TOCD038112	226230	HEX BOLT 3/8" X 1-1/2" - T176 - C141 - 226230	4	4	\$1.25
12	RNPX038GAL	174986	PLAIN WASHER 3/8" - T112 - C139 - 174986 - 701032	6	6	\$1.08
13	0200CO01TQ	496224	DRUM DUMPING HANDLE LEVER W/ GRIP 4S-12S/MM8P (R1) - T168 - 496224	1	1	\$19.00
14	TOCD038112	226230	HEX BOLT 3/8" X 1-1/2" - T176 - C141 - 226230	6	6	\$1.25
15	0218CO01RJ	412095	GRILL FIXED MM6P/6P - 412095 - T493	1	*	\$188.50
15	0225CO01RJ	412175	GRILL FIXED MM8P/8P - 412175 - T495	*	1	\$209.88
16	N/A	412099	WA, GRILL, HINGED 6P (R2)	1	*	\$160.00
16	N/A	412174	WA, GRILL, HINGED 6P (R2)	*	1	\$170.00
17	0218PL01TQ	496000	SHIM, 4S-10S 1/4" THK (R2) - 496000 - T555	2	2	\$10.00
18	0000GRH045	110689	DRUM BEARING, GREASE FITTING 45 DEG - T102 - 110689	2	2	\$2.50
19	0218CR01TQ-1	496230	MAIN SHAFT 6P & OLD 4S/6S KEY STYLE (OLD STYLE CROWN)	1	*	\$171.72
19	0225CR02TQ	412162	MAIN SHAFT 8P - 412162 (INCLUDE KEYS)	*	1	\$195.00
20	0218PC01TQ	201447	BARE DRUM 6PR/MM6P - T566 - 201447	1	*	\$350.00
20	0225PC02TQ	201448	BARE DRUM 8P/MM8P - T567 - 201448 - 412166	*	1	\$450.00
21	RNRX012GAL	176250	SPRING WASHER 1/2" - T112 - C145 - 176250 - T568	4	4	\$1.08
22	TOCD012112	226650	BOLT, HEX HD, 1/2" x 1-1/2" (TOCD012112)	4	4	\$1.25
23	N/A	609988	DRUM KIT ASSEY, 6PR REPLACEMENT	1	*	\$1,831.68
23	N/A	609989	DRUM KIT ASSEY, 8P REPLACEMENT	*	1	\$1,984.32
24	0218LA02TQ	412087	REAR OUTSIDE DRUM CHANNEL MM6P/6P - 412087 - T556	1	*	\$250.00
24	0225LA02TQ	412161	REAR OUTSIDE CHANNEL MM8P/8P - 412161 - T577	*	1	\$260.00
25	0218LA03TQ	257686	REAR INSIDE DRUM CHANNEL FILLER 6P/MM6P - 257686 - T560	1	*	\$139.92
25	0225LA03TQ	496352	REAR INSIDE DRUM CHANNEL FILLER MM8P/8P - 496352 - T561	*	1	\$139.92
26	0218PL02TQ	412184	INNER SEAL PLATE 6P/8P - 412184 - T563	2	2	\$15.90
27	0218LA04TQ	257685	FRONT DRUM FILLER PLATE DRILLED 6P/MM6P - 257685 - T564	1	*	\$139.92
27	0225LA04TQ	257684	FRONT DRUM FILLER PLATE DRILLED 8P/MM8P - 257685 - T565	*	1	\$139.92
28	0218LA01TQ	412086	FRONT OUTSIDE CHANNEL MM6P/6P - 412086 - T491	1	*	\$250.00
28	0225LA01TQ	412177	FRONT OUTSIDE CHANNEL MM8P/8P - 412177 - T492	*	1	\$260.00
29	TOCT014112	139790	BOLT ALLEN HD, 1/4" X 1-1/2" - T552 - 139790	14	14	\$1.25
30	0218AS01TQ	190751	GASKET 4-1/2" DIAM 0.06 THICK 8P/MM8P - T490 - 190751	2	2	\$3.00
31	TOCD038200	226250	HEX BOLT HD, GR5 3/8" X 2" - 226250 - T145 - C158	4	4	\$1.25

*When ordering parts please always specify the model and serial number of the mixers as a reference.

FRAME ASSEMBLY



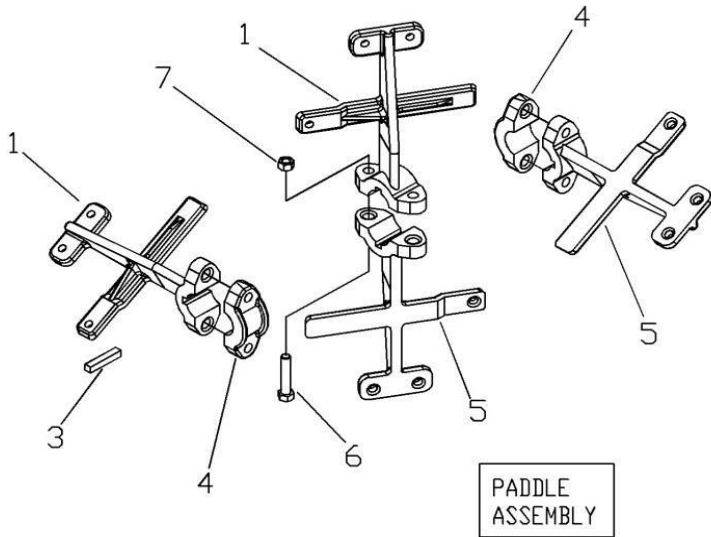
*When ordering parts please always specify the model and serial number of the mixers as a reference.

FRAME

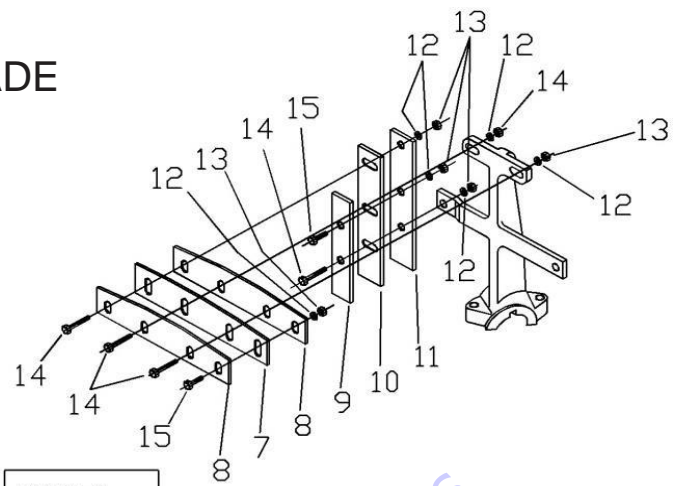
FRAME ASSEMBLY						
#	SKU #	PART #	DESCRIPTION	6P	8P	PRICELIST
1	0218CO01CH	412089	FRAME MM6P/6PR - 412089 - T499	1	*	\$1,000.63
1	0225CO01CH	412163	FRAME MM8P/8P - 412163 - T550	*	1	\$1,112.75
2	N/A	496319	LEVER, 6PR/10S-S10S (R4)	1	*	\$29.76
2	N/A	496206	LEVER, 8P/6SR-S6SR (R3)	*	1	\$28.62
3	0000RF01RJ	139350	CONTROL & DUMPING HANDLE GRIPS - 139350 - T166 (ROUND)	1	1	\$10.00
4	TCCS038GAL	227830	HEX LOCK NUT 3/8" - 227830 - T114 - C142	3	3	\$1.25
5	RNPX038GAL	174986	PLAIN WASHER 3/8" - T112 - C139 - 174986 - 701032	6	6	\$1.08
6	N/A	496244	PLATE, LATCH 4S-S10S (R1)	1	1	\$13.74
7	TOCD038112	226230	HEX BOLT 3/8" X 1-1/2" - T176 - C141 - 226230	1	1	\$1.25
8	CAD3516GAL	701012	5/16 SAFETY CHAIN W/ OVAL SNAPS T501 - 609686 - 701012 - CA03316GAL	1	1	\$35.00
9*	0000CR01LZ	702078	TOWING HITCH, LOCK PIN 3/4" - T121 - C169 - 496088 - 702078	1	1	\$10.00
9	TOFD058312-A	701031	TOWING HITCH, LOCK PIN 5/8" - T121-1 - 701031	1	1	\$10.00
10	0111SR01LZ	134955	3/6" COTTER PIN CP-85H - SR00036EXT - T110 - 134955	1	1	\$1.08
11*	0000CO01LZ	702056	PINTLE HITCH HORIZONTAL HOLE - T118 - 702056 - C192 (OBSOLETE)	1	1	\$80.00
11	0000CO03LZ	702069	PINTLE HITCH VERTICAL HOLE - 702069 - T118 - C193	1	1	\$80.00
11*	0000CO02LZ	702060	2" BALL HITCH HORIZONTAL HOLE - 702060 - T119 - C197 (OBSOLETE)	1	1	\$80.00
11	0000CO04LZ	702070	2" BALL HITCH VERTICAL HOLE - 702070 - T119	1	1	\$80.00
12*	TOFD034312	226272	TOWING HITCH, HEX HEAD SCREW 3/4" X 3-1/2" - T122 - C148 - 226272 - 701001	1	1	\$3.00
12	TOFD058312	701035	TOWING HITCH, HEX HEAD SCREW 5/8" X 3-1/2" - T122-1 - 701035	1	1	\$3.00
13*	RNRX034GAL	174510	TOWING HITCH, SPRING WASHER 3/4" - 174510 - T123	1	1	\$3.00
13	RNRX058GAL	701032	TOWING HITCH, SPRING WASHER 5/8" - T123-1 - 701032	1	1	\$3.00
14*	TCFN034GAL	701028	TOWING HITCH, HEX NUT, 3/4 NF - 701028 - T124 - C179 (2018)	1	1	\$5.00
14	TCFN058GAL	701033	TOWING HITCH, HEX NUT, 5/8 NF - T124-1 - 701033	1	1	\$5.00
15	TCCS012GAL	227854	HEX LOCK NUT 1/2" - T106 - 227854 - C304	4	4	\$1.25
16	0200CO06RD	464961	AXLE ASSEMBLY 6S-10S (AXLE W/HUBS) - 464961	1	1	\$500.00
16	N/A	702096	AXLE (NO HUBS) 6SR-10SR S# AFTER JUNE 09,2014	1	1	\$250.00
16*	DXA T1744440	607916	TORSION AXLE UPGRADE 6S-10S (OPTIONAL)	OPT	OPT	\$600.00
17	RNPX012GAL	174470	PLAIN WASHER 1/2" - T105 - C172 - 174470 (GALVANIZED)	4	4	\$2.12
18	TOCD012134	226660	HEX BOLT HD 1/2" X 1 3/4" - T189 - 226660	4	4	\$3.00
19	0200KI03RD	702071	WHEEL HUB ASSEY W/ 1" BRG L44643 & DUST CAP - 702071 - T129-1 - C135 (NEW)	2	2	\$75.00
20	0000CO02RD	431063	WHEEL & TIRE ASSY 4.8 X 12" - T137-12 - C137- 431063	2	2	\$95.00
20	0000CO01RD	431081	WHEEL & TIRE ASSY 165-80 R13" - T137 - 431081 - C136	*	*	\$115.00
21	0000RF02TQ	701023	ENGAGEMENT HANDLE CHILD HAND GRIP - T414 - 701023	1	1	\$3.33
22	0220FG02AC	496049	LEVER ARM, 6SR-S12S/MM12G (R3) LEVER ARM - T684 - 496049	1	1	\$17.63
23	00PE056112	135282	PIN SPR SL STD 5/16 X 1 - 1/2" - 135282 - T683	1	1	\$1.70
24	0220FG01AC	496048	BRACKET, LEVER 6SR-12S/MM12G (R2) - 496048 - T682	1	1	\$45.79
25	0000GRH200	110680	FTG, GREASE ST 1/8 NPT - 110680 - C155	1	1	\$2.50
26	TOCD038200	226250	HEX BOLT HD, GR5 3/8" X 2" - 226250 - T145- C158	2	2	\$1.25
27	RNPX034GAL	174996	PLAIN WASHER 3/4" X 1-1/2 - 174996 - T108 - 248277	1	1	\$3.02
28	SC18112NOR	135810	PIN COTTER, 1/8 X 1-1/2 - 135810 - 135790 - T135	1	1	\$1.08
29	0000RF10RD	702087	DUST CAP FOR WHEEL HUBS 1.98" (NEW) - 702087 - T136-1 - 464804 - P/N 25353844	2	2	\$8.00
29	0000RF06RD	ASK FOR #	DUST CAP FOR TORSION AXLE	OPT	OPT	\$8.00
30	TOCD056300	701009	HEX BOLT HD 5/16" X 3" - 701009 - T201	2	2	\$1.08
31	TCCN056GAL	227820	HEX NUT 5/16" - 227820	6	6	\$1.08
32	RNPX056GAL	174990	PLAIN WASHER, 5/16 ID X 3/4 OD FL ZP - 174990	8	8	\$1.08
33	RNRX056GAL	176220	SPRING WASHER, 5/16" - 176220	4	4	\$1.08
34	N/A	464933	GUIDE, BELT 6SR-12S (R2)	1	1	\$14.43
35	TOCD056100	225980	HEX BOLT, 5/16-18 X 1 HX GR2 CP NC - 225980	2	2	\$1.25
36	N/A	496204	AXLE BRACKET FOR 6S-10S-TORSION AXLE BRACKET LEFT & RIGHT	OPT	OPT	\$24.04
37	N/A	119225	TURNBUCKLE INCLUDES YOKES (OLD STYLE)	1	1	\$35.00
37	N/A	119225-A	TURNBUCKLE INCLUDE YOKES (NEW STYLE)	1	1	\$35.00
38	TOCD012300	226711	HEX BOLT HD 1/2" X 3" - 226711 - T481	1	1	\$3.00
39	TCCS012GAL	227854	HEX LOCK NUT 1/2" - T106 - 227854 - C304	1	1	\$1.25

*When ordering parts please always specify the model and serial number of the mixers as a reference.

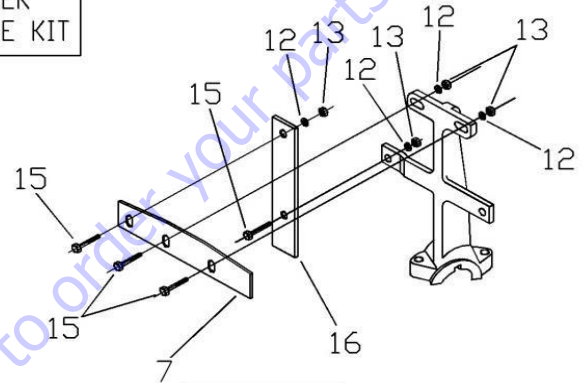
PADDLE/STEEL BLADE / RUBBER BLADE



PADDLE ASSEMBLY



RUBBER BLADE KIT



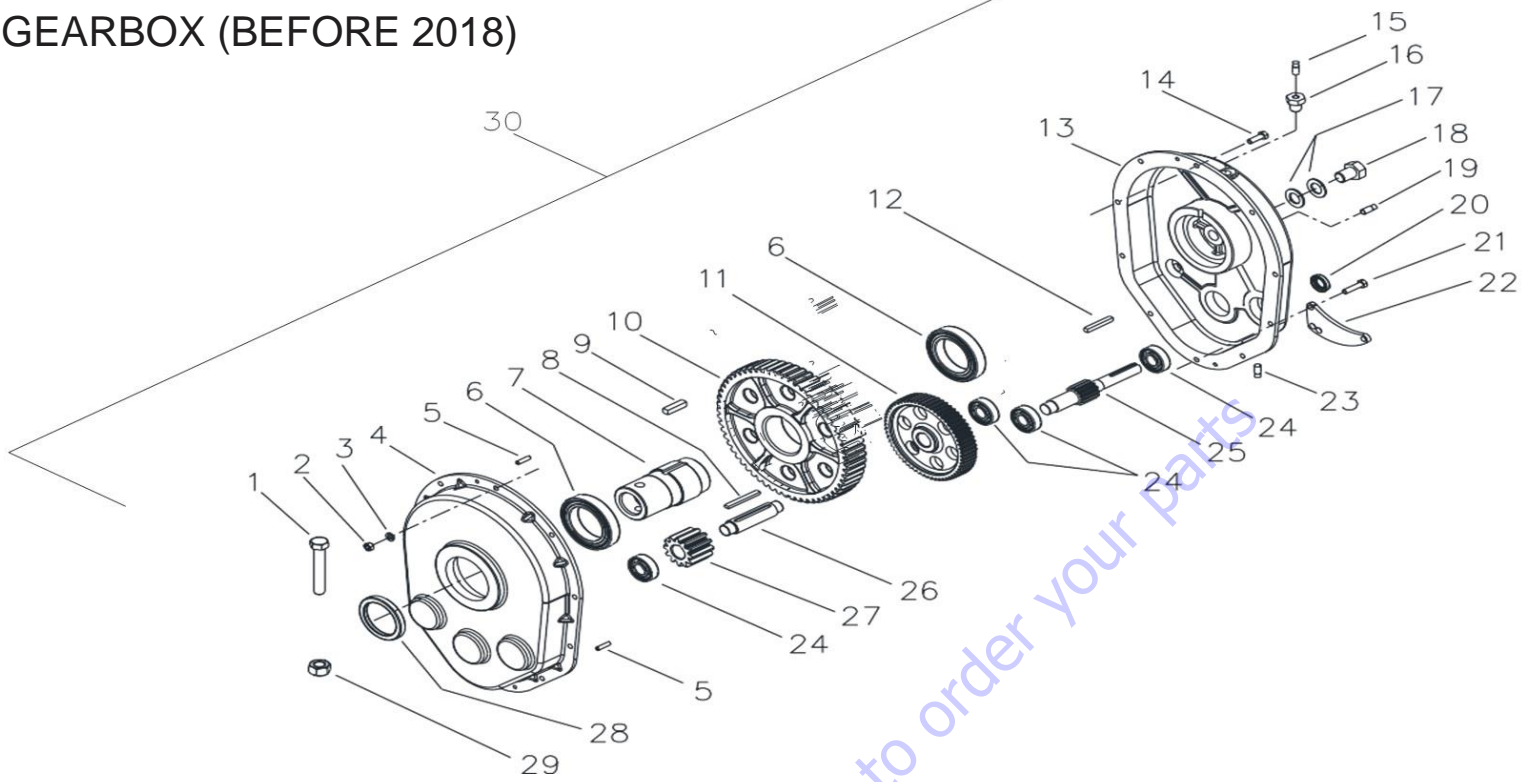
STEEL BLADE KIT

PADDLE ASSEMBLY				6P	8P	PRICELIST
#	SKU #	PART #	DESCRIPTION			
*	N/A	610550	PADDLE KIT, 4-6S/MM6P	1		\$330.00
*	N/A	610555	PADDLE KIT, 8-10S/MM8P		1	\$415.00
1	0218FG01AS	096019	END PADDLE & CENTRAL PADDLE LEFT 4S/6(P)/MM6P - T571 - 096019	2		\$65.00
1	0225FG01AS	096305	END & CENTRAL PADDLE 8S-10S/MM8P LEFT - T582 - 096305		2	\$75.00
3	1000CC01ED	701013	KEY 3/8" X 1-3/4" - T572 - 701013	4	4	\$1.25
4	0218FG02AS	096010	CAP PADDLE 4S-10S (R3) T573 - 096010	2	2	\$19.08
5	0225FG02AS	096304	END & CENTRAL PADDLE 8S-10S/MM8P RIGHT - T583 - 096304		2	\$75.00
5	0218FG03AS	096018	END PADDLE & CENTRAL PADDLE RIGHT 6S - T574 - 096018	2		\$63.33
6	TOCD012300	226711	HEX BOLT HD 1/2" X 3" - 226711 - T481	6	6	\$3.00
7	TCCS012GAL	227854	HEX LOCK NUT 1/2" - T106 - 227854 - C304	6	6	\$1.25

RUBBER BLADE KIT			DESCRIPTION	6P	8P	PRICELIST
*	N/A	609802	RUBBER BLADE KIT 4S & 6S/P	1		\$100.00
*	N/A	609910	RUBBER BLADE KIT 8S&P - 10S		1	\$105.00
7	0200HN01AS	190970	WIPER 4S/10S, MM4-35 (R5) - T577 - 190970	4	4	\$8.48
8	0218LA01AS	436290	BLADE,4S-10S, TOP (R2) - T579 - 436290 - 496290	8	8	\$11.90
9	0218LA02AS	436320	BLADE, 4S-6SR/MMP, SIDE (R2) - T580 - 436320	2		\$9.16
9	0225PL03AS	496099	BLADE, 8S-12SH/MM8P SIDE(R3) - T586 - 496099		2	\$9.16
10	N/A	192680	WIPER 4S-6SR, MM6-36 (R4)	2		\$6.36
10	0225HN01AS	190974	WIPER 8S-12S, SIDE M0564 (R3) - T587 - 190974		2	\$6.36
11	N/A	436310	BLADE, 4S-6SR, SIDE (R1)	2		\$9.16
11	0225PL04AS	496098	BLADE, 8S-12SH/MM8P SIDE (R3) - T588 - 496098		2	\$9.16
12	RNPX038GAL	174986	PLAIN WASHER 3/8" - T112 - C139 - 174986 - 701032	44	40	\$1.08
13	TCCS038GAL	227830	HEX LOCK NUT 3/8" - 227830 - T114 - C142	22	20	\$1.25
14	TOCD038200	226250	HEX BOLT HD, GR5 3/8" X 2" - 226250 - T145 - C158	12	14	\$1.25
15	TOCD038112	226230	HEX BOLT 3/8" X 1-1/2" - T176 - C141 - 226230	10	6	\$1.25

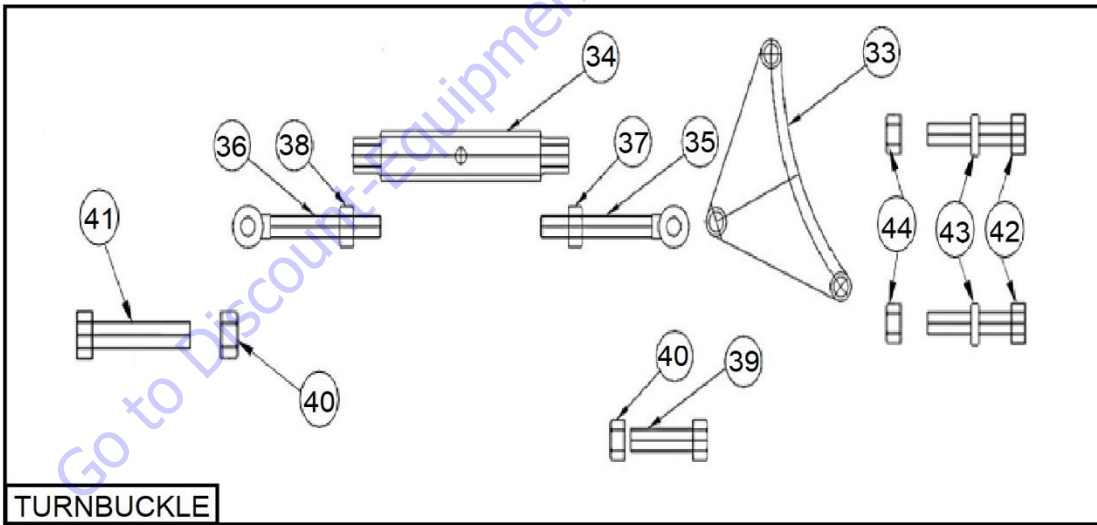
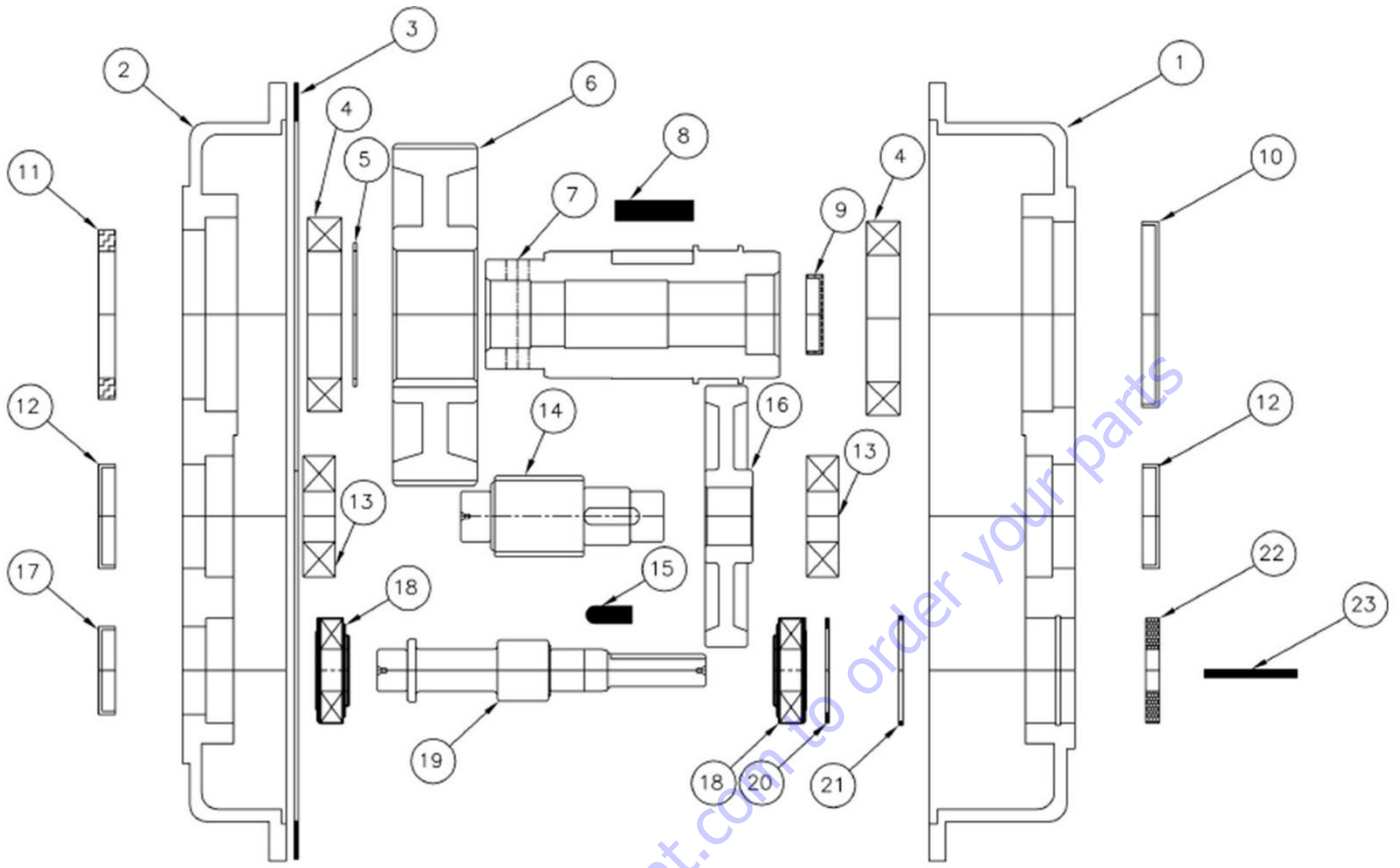
*When ordering parts please always specify the model and serial number of the mixers as a reference.

GEARBOX (BEFORE 2018)



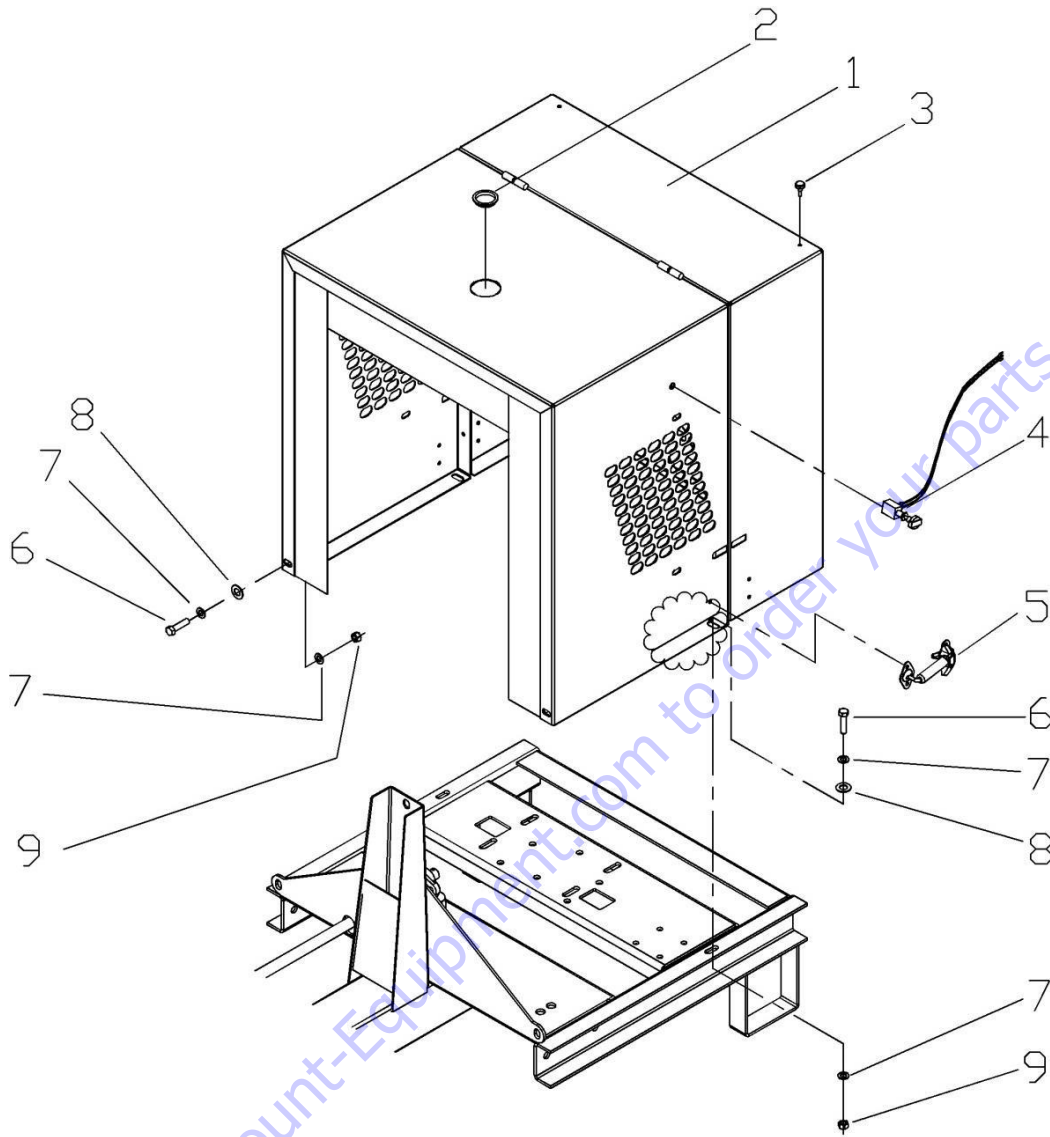
2018 GEARBOX						
#	SKU #	PART #	DESCRIPTION	6P	8P	PRICELIST
1	TOCD012300	226711	HEX BOLT HD 1/2" X 3" - 226711 - T481	1	1	\$3.00
2	TCCN056GAL	227820	HEX NUT 5/16" - 227820	10	10	\$1.08
3	RNRX056GAL	176220	SPRING WASHER, 5/16" - 176220	10	10	\$1.08
4	N/A	496320	CASE G.R. FRONT HALF OLD STYLE (R4)	1	1	\$200.00
5	N/A	135470	PIN, SPR 1/4 X 5/8	2	2	\$1.08
6	N/A	110105	BRG, BALL 6013-2RS - 110105	2	2	\$47.70
7	N/A	496642	SLEEVE, G.R. (R1)	1	1	\$111.05
8	N/A	432290	KEY 1/4 X 2-1/2 (R2)	1	1	\$1.25
9	N/A	432150	KEY 3/8 X 1.38	1	1	\$1.25
10	N/A	496641	GEAR GR 60T 6DP (10 DIA)	1	1	\$228.96
11	N/A	496322	GEAR G.R. 60T, 10DP (6"DIA)	1	1	\$164.85
12	N/A	432050	KEY 3/16 X 1-5/8	1	1	\$1.25
13	N/A	496640	CASE G.R. REAR HALF (R1)	1	1	\$200.34
14	TOCD056100	225980	HEX BOLT, 5/16-18 X 1 HX GR2 CP NC - 225980	8	8	\$1.25
15	N/A	110550	GEARBOX BREATHER - 110550	1	1	\$2.12
16	N/A	187411	BUSHING, RDCR BLK 3/8 X 1/8 NPT	1	1	\$12.30
17	RNPX034GAL	174996	PLAIN WASHER 3/4" X 1-1/2 - 174996 - T108 - 248277	2	2	\$3.02
18	TOCD034100	227236	HEX BOLT 3/4 X 1 - 227236	1	1	\$1.25
19	N/A	185630	PLUG, 3/8 NPT PIPE BLACK	1	1	\$2.12
20	199380	199381	SEAL, OIL C/R 7440 - 199381	1	1	\$3.18
21	N/A	225990	BOLT, HEXHD PL 5/16UNC X1 1/4	2	2	\$1.08
22	N/A	496045	LINK GR LEVER, 4S-S12S (R2) FOR OLD STYLE GEARBOX	1	1	\$9.16
23	N/A	185632	PLUG, PIPE, MAGNETIC 3/8 NPT	1	1	\$9.33
24	0000BA6204	110410	BRG, BALL 6204 - 110410	4	4	\$10.18
25	N/A	496324	SHAFT PINION G.R. 12T 10 DP	1	1	\$100.74
26	N/A	496131	SHAFT G.R. PINION (R4)	1	1	\$61.82
27	N/A	496333	PINION GR 12T, 6DP (2" DIA)	1	1	\$57.24
28	N/A	199491	SEAL OIL C/R 24897	1	1	\$5.94
29	TCCS012GAL	227854	HEX LOCK NUT 1/2" - T106 - 227854 - C304	1	1	\$1.25
30	N/A	496645	*DISCONTINUED* - GEAR REDUCER OLD STYLE (OVAL SHAPED)	1	1	\$630.00

GEARBOX (AFTER 2019)



2019 GEARBOX						
#	SKU #	PART #	DESCRIPTION	6P	8P	PRICELIST
1	N/A	702128	GEARBOX CASING - FRONT ALL MODELS (NEW GEARBOX)	1	1	\$200.00
2	N/A	702129	GEARBOX CASING - BACK ALL MODELS (NEW GEARBOX)	1	1	\$200.00
3	N/A	702130	GEARBOX LIQUID GASKET (ALL MODELS)	1	1	\$30.00
4	N/A	702131	OUTPUT BEARING (NEW GEARBOX)	2	2	\$45.00
5	N/A	702132	OUTUPT SPACER (NEW GEARBOX)	1	1	\$12.00
6	N/A	702133	OUTPUT GEAR Z65 (NEW GEARBOX)	1	1	\$158.66
7	N/A	702134	OUTPUT HUB (NEW GEARBOX)	1	1	\$84.62
8	N/A	702135	OUTPUT KEY (NEW GEARBOX)	1	1	\$1.75
9	N/A	702136	OUTPUT HUB END COVER DAI.47 (NEW GEARBOX)	1	1	\$20.00
10	N/A	702137	GEARBOX FRONT CASING END COVER DAI. 110 (NEW GEARBOX)	1	1	\$18.00
11	N/A	702138	OUTPUT OILSEAL 75X100X10 (NEW GEARBOX)	1	1	\$15.00
12	N/A	702139	INTERMEDIATE END COVER DAI. 62 (NEW GEARBOX)	2	2	\$18.00
13	N/A	702140	INTERMEDIATE BEARING -6306 (NEW GEARBOX)	2	2	\$26.00
14	N/A	702141	INTERMEDIATE PINION Z13 (NEW GEARBOX)	1	1	\$38.08
15	N/A	702142	INTERMEDIATE KEY - W 10 X L 27 (NEW GEARBOX)	1	1	\$1.75
16	N/A	702143	INTERMEDIATE GEAR Z70 (NEW GEARBOX)	1	1	\$48.66
17	N/A	702144	INPUT END COVER DAI. 52 (NEW GEARBOX)	1	1	\$18.00
18	N/A	702145	INPUT BEARINGS - 30305 (NEW GEARBOX)	2	2	\$30.00
19	N/A	702146	INPUT PINION Z14 (NEW GEARBOX)	1	1	\$29.62
20	N/A	702147	INPUT BEARINGS LOADING SPACER (NEW GEARBOX)	1	1	\$12.00
21	N/A	702148	CIRCLIP B62 HEAVY (NEW GEARBOX)	1	1	\$1.08
22	N/A	702149	INPUT OILSEAL - 25 X 62 X 10 (NEW GEARBOX)	1	1	\$12.00
23	N/A	702150	INPUT PINION KEY - 3/16 X 3/16 X L55 (NEW GEARBOX)	1	1	\$1.75
24	N/A	702151	HEX BOLTS - M8X35 (NEW GEARBOX)	6	6	\$2.00
25	N/A	702152	STUDS - M8 X 57 (NEW GEARBOX)	2	2	\$2.50
26	N/A	702153	HEX NUTS -M8 X 35 (NEW GEARBOX)	10	10	\$2.00
27	N/A	702154	SPRING WASHER - M8 (NEW GEARBOX)	8	8	\$2.00
28	N/A	702155	ALLEN HEAD DRAIN PLUG 3/8 BSP (NEW GEARBOX)	1	1	\$1.75
29	N/A	702156	HEX HEAD PLUG 3/8 BSP (NEW GEARBOX)	1	1	\$2.00
30	N/A	702157	SIGHT GLASS 3/8 BSP (NEW GEARBOX)	1	1	\$20.00
31	N/A	702158	BREATHER PLUG 3/8 BSP (NEW GEARBOX)	1	1	\$19.00
32	N/A	702159	STICKER- FILL OIL (NEW GEARBOX)	1	1	\$5.00
33	N/A	702160	BRACKET PLATES FOR TORQUE ARM (NEW GEARBOX)	2	2	\$12.00
34	N/A	702161	TURNBUCKLE (NEW GEARBOX)	1	1	\$43.40
35	N/A	702162	TORQUE ARM - RIGHT HAND - M12 (NEW GEARBOX)	1	1	\$3.00
36	N/A	702163	TORQUE ARM - LEFT HAND - M13 (NEW GEARBOX)	1	1	\$3.00
37	N/A	702164	HEX NUT - RIGHT HAND - M12 (NEW GEARBOX)	1	1	\$3.00
38	N/A	702165	HEX NUT - LEFT HAND - M12 (NEW GEARBOX)	1	1	\$3.00
39	TOCD038112	226230	HEX BOLT 3/8" X 1-1/2" - T176 - C141 - 226230	1	1	\$1.25
40	TCCS038GAL	227830	HEX LOCK NUT 3/8" - 227830 - T114 - C142	2	2	\$1.25
41	TOCD038200	226250	HEX BOLT HD, GR5 3/8" X 2" - 226250 - T145- C158	1	1	\$1.25
42	TOCD056200	701022	BOLT, HEX HD, 5/16 X 2" - 701022	2	2	\$1.25
43	RNRX056GAL	176220	SPRING WASHER, 5/16" - 176220	2	2	\$1.08
44	TCCN056GAL	227820	HEX NUT 5/16" - 227820	2	2	\$1.08
*	N/A	119225-A	TURNBUCKLE INCLUDE YOKES (NEW STYLE)	1	1	\$35.00
*	N/A	496645-A	NEW GEARBOX ASSEY W/ CONN. ROD & LINK LEVER AFTER 2018	1	1	\$630.00

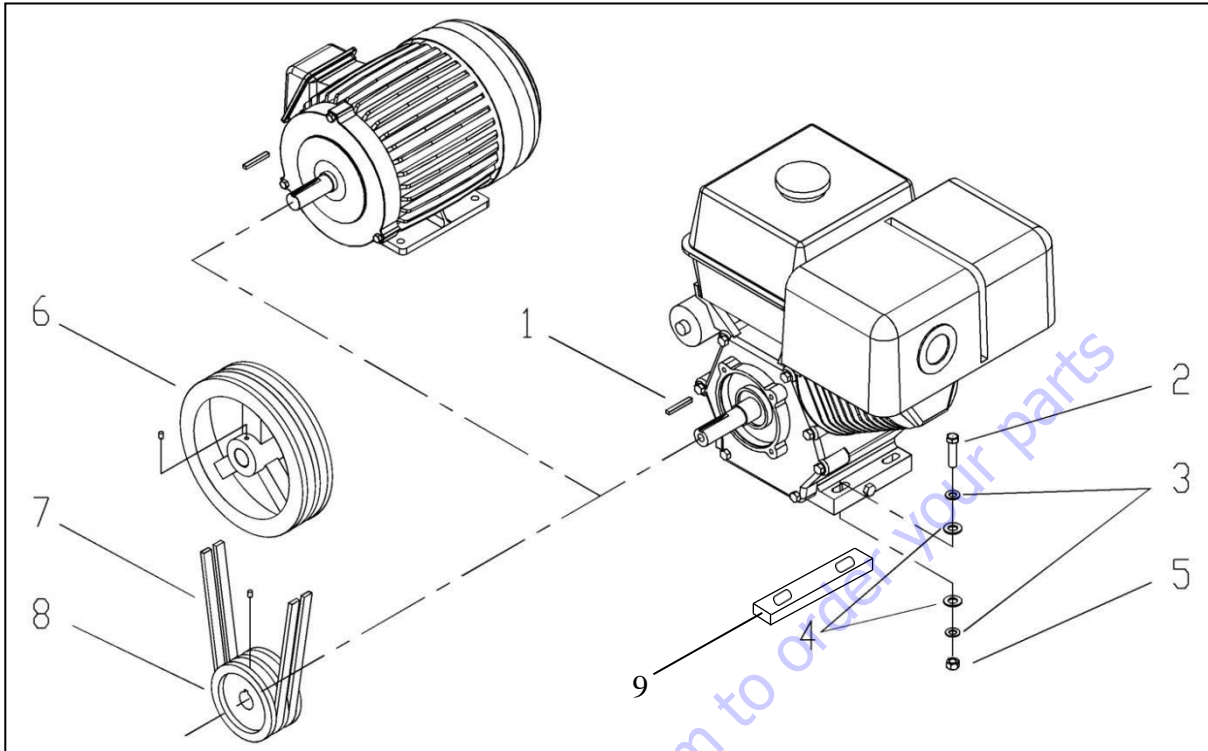
HOOD



SHROUD ASSEY

#	SKU #	PART #	DESCRIPTION	6P	8P	PRICELIST
1	N/A	702118	NEW BOXED HOOD 6S-10S S# 3A9S23M12F1168001 FROM 2014 - 464978	1	1	\$500.00
1	N/A	464978	OLD HOOD SHROUND 6S-10S (DISCONTINUED)	1	1	\$500.00
2	1000RF01GA	701008	PLUG 2" SNAP IN - 701008 - 174141 - 317333	1	1	\$1.08
3	0000RF01GA	201544	RUBBER SCREW 1/4" FOR SHROUD - T158 - C159 - 201544	4	4	\$3.15
4	1000KI04GA	701007	ENGINE KILL SWITCH ASSEY RED (WITH HARNESS) 701007 - T193	1	1	\$29.00
4	0200KI01GA	112500	ENGINE N.O KILL SWITCH RED (NO HARNESS) - 816769AS - 112500 - T195-1	1	1	\$18.00
5	0000RF02GA	701004	SHROUD HOOK ASSEMBLY - T160 - C161 - 701004 - 201543	2	2	\$9.00
6	TOCD038112	226230	HEX BOLT 3/8" X 1-1/2" - T176 - C141 - 226230	4	4	\$1.25
7	RNPX038GAL	174986	PLAIN WASHER 3/8" - T112 - C139 - 174986 - 701032	8	8	\$1.08
8	RNPX012GAL	174470	PLAIN WASHER 1/2" - T105 - C172 - 174470 (GALVANIZED)	4	4	\$2.12
9	TCCS038GAL	227830	HEX LOCK NUT 3/8" - 227830 - T114 - C142	4	4	\$1.25

DRIVE



POWER ASSEY			GASOLINE		ELECTRIC			PRICELIST		
#	SKU #	PART #	5HP	8HP	1.5HP	2HP	3HP			
1	N/A	432050	KEY 3/16 X 1-5/8		1	*	1	1	*	\$1.25
1	0200CC03TR	432340	KEY 1/4" X 1-7/8" - T202 - 432340		*	1	*	*	1	\$1.25
2	TOCD056200	701022	BOLT, HEX HD, 5/16 X 2" - 701022		4	*	*	*	*	\$1.25
2	TOCD038200	226250	HEX BOLT HD, GR5 3/8" X 2" - 226250 - T145- C158		*	4	*	*	*	\$1.25
2	TOCD056100	225980	HEX BOLT, 5/16-18 X 1 HX GR2 CP NC - 225980		*	*	4	*	*	\$1.25
2	TOCD038100	226210	HEX BOLT 3/8 X 1 - C138 - 226212		*	*	*	4	4	\$1.25
3	RNPX056GAL	174990	PLAIN WASHER, 5/16 ID X 3/4 OD FL ZP - 174990		8	*	8	8	8	\$1.08
3	RNPX038GAL	174986	PLAIN WASHER 3/8" - T112 - C139 - 174986 - 701032		*	8	*	*	*	\$1.08
4	RNPX012GAL	174470	PLAIN WASHER 1/2" - T105 - C172 - 174470 (GALVANIZED)		8	8	8	8	8	\$2.12
5	TCCS056GAL	227821	HEX LOCK NUT 5/16" - T148 - 227821		4	*	4	4	4	\$1.25
5	TCCS038GAL	227830	HEX LOCK NUT 3/8" - 227830 - T114 - C142		*	4	*	*	*	\$1.25
6	N/A	496160	PULLEY, 2AK104 X 3/4		1	1	1	1	1	\$89.29
7	0000BNA37C	702024-A	BELT-V A-37C - 702024-A (FOR NEW GEARBOX)		2	2	*	*	*	\$20.00
7	0000BNA40	702024	BELT-V A40 702024 - 236668 (FOR OLD GEARBOX)		2	2	2	2	2	\$25.00
7	SM00156EXT	701029	RETAINING OMEGA RING - 1-15/16" - 701029 - C151		*	*	2	2	2	\$6.47
7	0000BNA44	702013	BELT-V A44 - 702013 - 239592		*	*	2	2	2	\$25.00
8	POFG3340342R	702025	PULLEY ENGINE 2AK39 X 3/4" - 407790 - T154-1 - 702025		1	*	*	*	*	\$50.00
8	POFG3341002R	702010	PULLEY 3-3/4" CAL 1" X 2 GROOVES (2AK39X1) - 430990 - 702010 - T154		*	1	*	*	*	\$50.00
8	POFG4140582R	702026	PULLEY 4-1/4" CAL 5/8" X 2 GROOVES - 702026		*	*	1	*	*	\$50.00
8	POFG4140782R	702095	PULLEY 4-1/4" CAL 7/8" X 2 GROOVES - 702095		*	*	*	1	*	\$50.00
8	POFG4141182R	702011	PULLEY 4-1/4" CAL 1-1/8" 2 GROOVE 702011		*	*	*	*	1	\$50.00
9	N/A	702186	ENGINE SPACER 3/8X1X4		2	*	*	*	*	\$10.00

*When ordering parts please always specify the model and serial number of the mixers as a reference.

PARTS FINDER

**Search Website
by Part Number**



**Search Manual
Library For Parts
Manual & Lookup Part
Numbers – Purchase
or Request Quote**

Search Manuals

Enter your information to search for parts manuals and lookup part numbers.

* Brand:

* Model:

* Serial:

* Part Number:

SEARCH

**Can't Find Part or
Manual? Request Help
by Manufacturer,
Model & Description**

Parts Order Form

Please fill in the following information to request help finding a part or manual.

Manufacturer:

Model:

Description:

Quantity:

Part Number:

Part Name:

Part Description:

Part Location:

Part Condition:

Part Status:

Part Material:

Part Color:

Part Weight:

Part Dimensions:

Part Notes:

Submit

Discount-Equipment.com is your online resource for quality parts & equipment.

Florida: **561-964-4949** Outside Florida TOLL FREE: **877-690-3101**

Need parts?

Click on this link: <http://www.discount-equipment.com/category/5443-parts/> and choose one of the options to help get the right parts and equipment you are looking for. Please have the machine model and serial number available in order to help us get you the correct parts. If you don't find the part on the website or on one of the online manuals, please fill out the request form and one of our experienced staff members will get back to you with a quote for the right part that your machine needs.

We sell worldwide for the brands: Genie, Terex, JLG, MultiQuip, Mikasa, Essick, Whiteman, Mayco, Toro Stone, Diamond Products, Generac Magnum, Airman, Haulotte, Barreto, Power Blanket, Nifty Lift, Atlas Copco, Chicago Pneumatic, Allmand, Miller Curber, Skyjack, Lull, Skytrak, Tsurumi, Husquvarna Target, , Stow, Wacker, Sakai, Mi-T- M, Sullair, Basic, Dynapac, MBW, Weber, Bartell, Bennar Newman, Haulotte, Ditch Runner, Menegotti, Morrison, Contec, Buddy, Crown, Edco, Wyco, Bomag, Laymor, Barreto, EZ Trench, Bil-Jax, F.S. Curtis, Gehl Pavers, Heli, Honda, ICS/PowerGrit, IHI, Partner, Imer, Clipper, MMD, Koshin, Rice, CH&E, General Equipment, ,AMida, Coleman, NAC, Gradall, Square Shooter, Kent, Stanley, Tamco, Toku, Hatz, Kohler, Robin, Wisconsin, Northrock, Oztec, Toker TK, Rol-Air, Small Line, Wanco, Yanmar



www.Discount-Equipment.com

Go to Discount-Equipment.com to order your parts

*When ordering parts please always specify the model and serial number of the mixers as a reference.