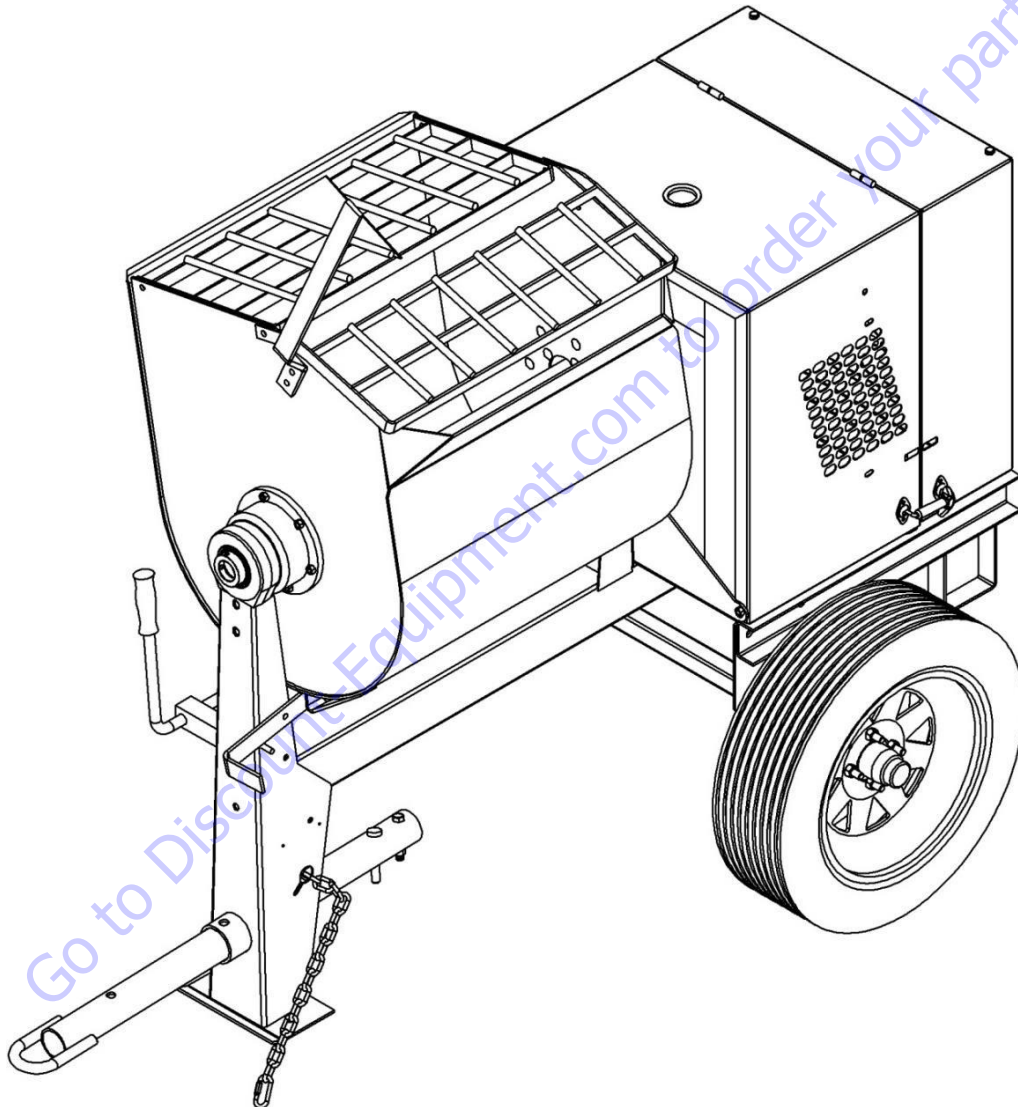


REPAIR PARTS MANUAL

SERIES	MM-Mech
BULLETIN No.	200089R6
SUPERSEDES	200089R5
DATE	Oct 2007
Last Rev: MAY 2020	

MORTAR MIXERS

6SR, S6S, 8S, S8S, 9S, 10S, S10S



CROWN
CONSTRUCTION EQUIPMENT

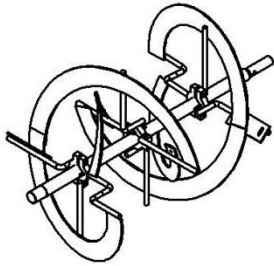
**Discount
Equipment**

www.Discount-Equipment.com

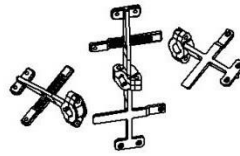
*When ordering parts please always specify the model and serial number of the mixers as a reference.

MORTAR MIXERS

6SR, S6S, 8S, S8S, 9S, 10S, S10S

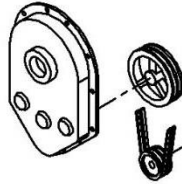


SPIRAL
Page 6

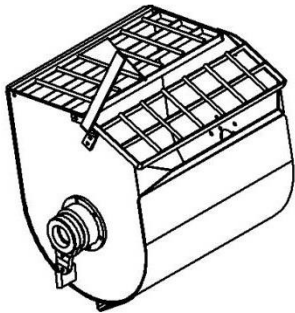
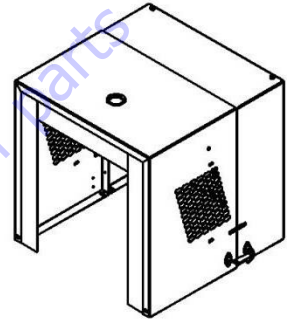


PADDLE
Page 7

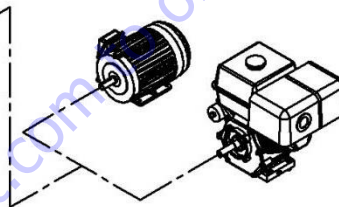
GEARBOX
Page 8



HOOD
Page 9

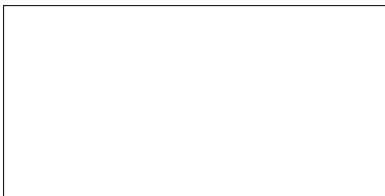
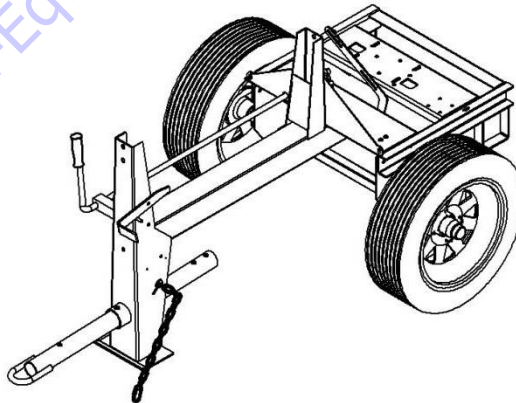


DRUM
Page 3



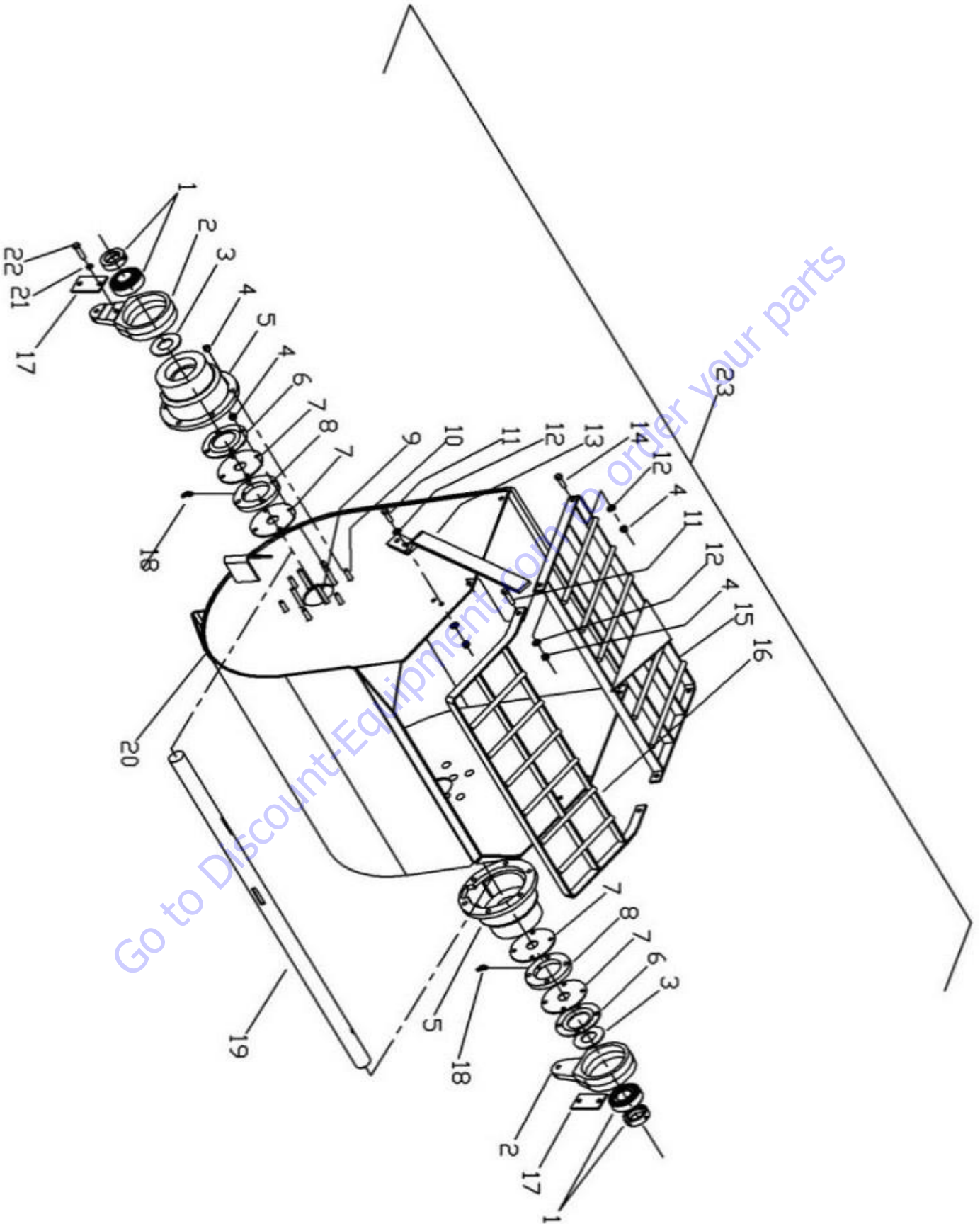
DRIVE
Page 10

FRAME
Page 4



*When ordering parts please always specify the model and serial number of the mixers as a reference.

DRUM

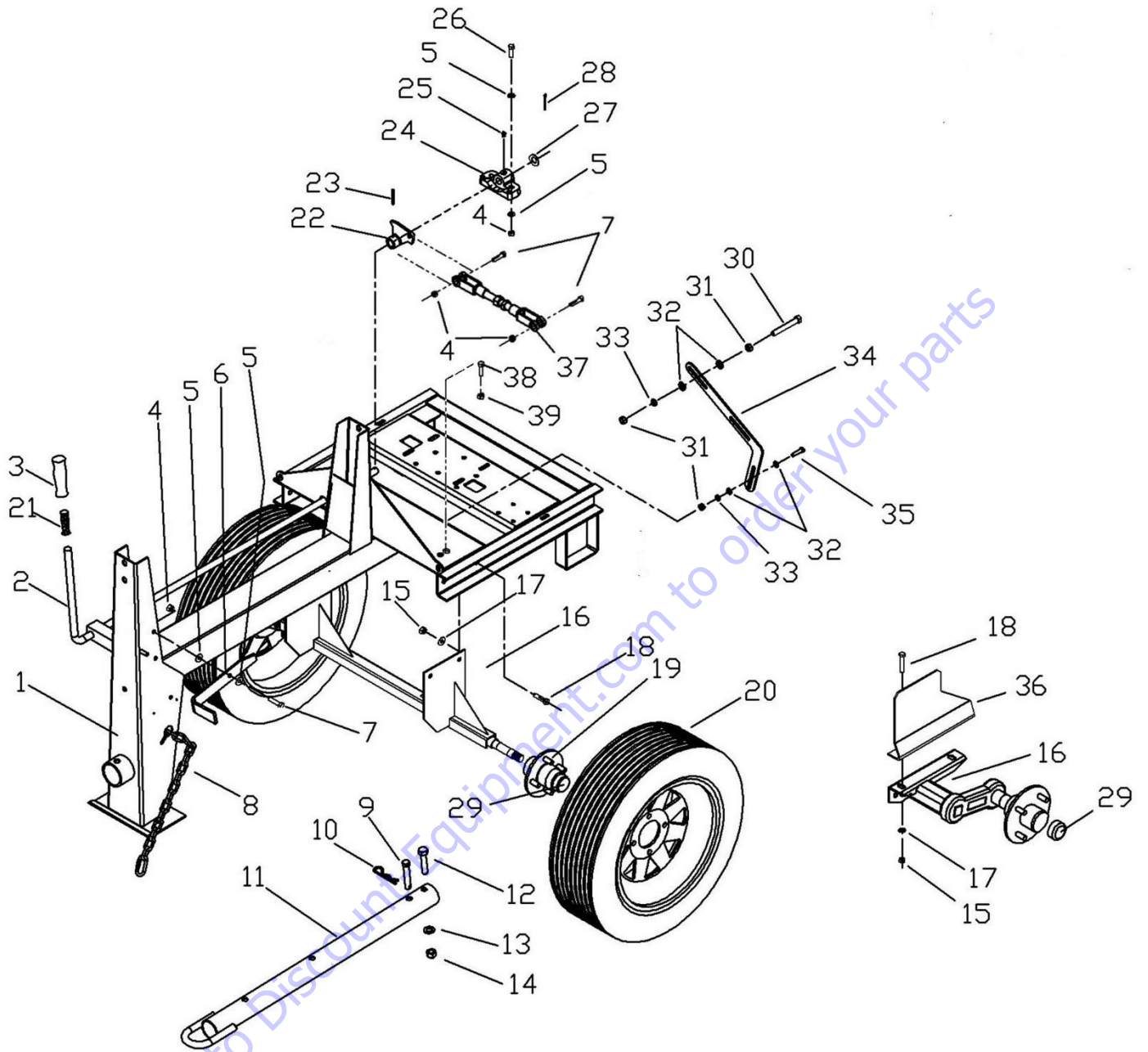


*When ordering parts please always specify the model and serial number of the mixers as a reference.

DRUM ASSEMBLY			DESCRIPTION	Applicable Models				PRICELIST
#	SKU #	ID #		6S	8S	9S	10S	
1	0000BA20824	110450	BALL BEARING, 1746208-108 - 110450 - T175 (W/O GRS FITTING)	2	2	2	2	\$30.00
2	0200CH01TQ	496070	DRUM PIVOT 4S-S10S / MMP - T485 - 496070	2	2	2	2	\$55.00
3	0200HN01TQ	190854	SEAL FINGER (R2) 3.00 X 1.47 X .13 - T486 - 190854	2	2	2	2	\$5.00
4	TCCS038GAL	227830	HEX LOCK NUT 3/8" - 227830 - T114 - C142	26	26	26	28	\$1.25
5	0218FG02TQ	496080	DRUM TRUNNION, 4S-10S / MM8P (R3) - T487 - 496080	2	2	2	2	\$110.00
6	0218PL03TQ	496042	DRUM SEAL RING, 4S-10S (R4) MM8P - T488 - 496042	2	2	2	2	\$9.16
7	0200HN02TQ	192923	DRUM SEAL - 192923 - T551	4	4	4	4	\$12.00
8	0218FG01TQ	496177	DRUM SEAL PLATE 4S-10S / MM8P - T489 - 496177	2	2	2	2	\$29.76
9	TOCL038200	701011	BOLT, CARRIAGE 3/8 X 2 - 701011 - T562	8	8	8	8	\$1.08
10	TOCL038112	117771	CARRIAGE BOLT 3/8" X 1-1/2" GR2 ZP - 117771 - 117771 - T174	12	12	12	12	\$1.25
11	TOCD038112	226230	HEX BOLT 3/8" X 1-1/2" - T176 - C141 - 226230	4	4	4	4	\$1.25
12	RNPX038GAL	174986	PLAIN WASHER 3/8" - T112 - C139 - 174986 - 701032	6	6	6	8	\$1.08
13	0200CO01TQ	496224	DRUM DUMPING HANDLE LEVER W/ GRIP 4S-12S/MM8P (R1) - 496224	1	1	1	1	\$19.00
14	TOCD038114	226220	HEX BOLT HD, 3/8 X 1-1/4 HX GR5 - 226220 - 134990	2	2	2	4	\$1.25
15	N/A	496370	WA, GRILL, FIXED 8S-S8S (R2)	*	1	*	*	\$195.00
15	N/A	496370-9S	WA, GRILL, FIXED 9S (R2)	*	*	1	*	\$200.00
15	N/A	496380	WA, GRILL, FIXED 10S (R2)	*	*	*	1	\$230.00
16	N/A	496375	WA, GRILL, HINGED 8S-S8S (R2)	*	1	*	*	\$160.00
16	N/A	496375-9S	WA, GRILL, HINGED 9S (R2)	*	*	1	*	\$170.00
16	N/A	496385	WA, GRILL, HINGED 10S (R2)	*	*	*	1	\$220.00
17	0218PL01TQ	496000	SHIM, 4S-10S 1/4" THK (R2) - 496000 - T555	2	2	2	2	\$10.00
18	0000GRH045	110689	DRUM BEARING, GREASE FITTING 45 DEG - T102 - 110689	2	2	2	2	\$2.50
19	N/A	496657	OLD MAIN SHAFT 4S/6S (INCLUDES KEYS) FOR OLD SPIRAL ONLY	1	*	*	*	\$234.68
19	N/A	496656	MAIN SHAFT 4S/6S 42-1/2" AFTER 2012 (INCLUDES KEYS)	1	*	*	*	\$171.72
19	N/A	496659	OLD MAIN SHAFT 8S (INCLUDES KEYS) FOR OLD SPIRAL ONLY	*	1	*	*	\$210.64
19	N/A	496658	MAIN SHAFT 8S 40-11/16" SINCE 2012 (INCLUDES KEYS)	*	1	*	*	\$228.96
19	N/A	496658 - 9S	MAIN SHAFT 9S 44-1/2" SINCE 2018 (INCLUDES KEYS)	*	*	1	*	\$230.00
19	N/A	496661	OLD MAIN SHAFT 10S (INCLUDES KEYS) FOR OLD SPIRAL ONLY	*	*	*	1	\$315.96
19	N/A	496660	MAIN SHAFT 10S 45-11/16" SINCE 2012 (INCLUDES KEYS)	*	*	*	1	\$263.30
20	N/A	496207	BARE DRUM 6SR-S6SR	1	*	*	*	\$856.31
20	N/A	496291	BARE DRUM 8S-S8S (R4)	*	1	*	*	\$989.11
20	N/A	496191-9S	BARE DRUM 9S S#3A9S61M10J11680001	*	*	1	*	\$1,000.00
20	N/A	496292	BARE DRUM 10S-S10S	*	*	*	1	\$1,100.00
21	RNRX012GAL	176250	SPRING WASHER 1/2" - T112 - C145 - 176250 - T568	4	4	4	4	\$1.08
22	TOCD012112	226650	Bolt, Hex HD, 1/2" x 1-1/2" (TOCD012112)	4	4	4	4	\$1.25
23	N/A	609980	DRUM KIT, 6SR REPLACEMENT (INCLUDES PADDLES)	1	*	*	*	\$1,831.68
23	N/A	609981	DRUM KIT, S6SR REPLACEMENT (INCLUDES SPIRAL)	1	*	*	*	\$1,679.04
23	N/A	609982	DRUM KIT, 8S REPLACEMENT (INCLUDES PADDLES)	*	1	*	*	\$2,279.42
23	N/A	609983	DRUM KIT, S8S REPLACEMENT (INCLUDES SPIRAL)	*	1	*	*	\$1,989.41
23	N/A	609982-9S	DRUM KIT, 9S REPLACEMENT (INCLUDES PADDLES)	*	*	1	*	\$2,000.00
23	N/A	609984	DRUM KIT, 10S REPLACEMENT (SHEAR PIN) (INCLUDES PADDLES)	*	*	*	1	\$2,320.61
23	N/A	609985	DRUM KIT, S10S REPLACEMENT (INCLUDES SPIRAL) - HST 8474.90 - MX	*	*	*	1	\$2,116.13

*When ordering parts please always specify the model and serial number of the mixers as a reference.

FRAME

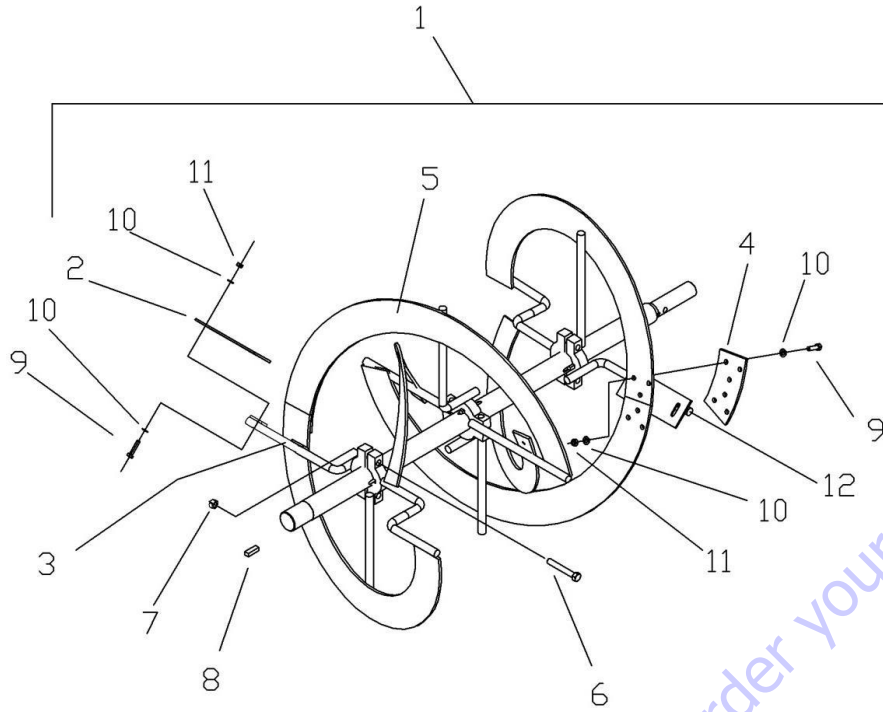


*When ordering parts please always specify the model and serial number of the mixers as a reference.

FRAME ASSEMBLY									
#	SKU #	PART #	DESCRIPTION	6S	8S	9S	10S	PRICELIST	
1	N/A	496127	WA, FRAME 6SR-S6SR (R6)	1	*	*	*	\$824.26	
1	N/A	465128	WA, FRAME 8S-S8S (R6)	*	1	*	*	\$1,112.75	
1	N/A	465128-9S	WA, FRAME 9S (R6)	*	*	1	*	\$1,121.90	
1	N/A	464925	WA, FRAME 10S/S10S (R6)	*	*	*	1	\$1,121.90	
2	N/A	496206	LEVER, 8P/6SR-S6SR (R3)	1	*	*	*	\$28.62	
2	N/A	496209	LEVER, 8S-S8S (R4)	*	1	*	*	\$24.04	
2	N/A	496209-9S	LEVER, 9S (R4)	*	*	1	*	\$25.00	
2	N/A	496319	LEVER, 6PR/10S-S10S (R4)	*	*	*	1	\$29.76	
3	0000RF01RJ	139350	CONTROL & DUMPING HANDLE GRIPS - 139350 - T166 (ROUND)	1	1	1	1	\$10.00	
4	TCCS038GAL	227830	HEX LOCK NUT 3/8" - 227830 - T114 - C142	3	3	3	3	\$1.25	
5	RNPX038GAL	174986	PLAIN WASHER 3/8" - T112 - C139 - 174986 - 701032	6	6	6	6	\$1.08	
6	N/A	496244	PLATE, LATCH 4S-S10S (R1)	1	1	1	1	\$13.74	
7	TOCD038112	226230	HEX BOLT 3/8" X 1-1/2" - T176 - C141 - 226230	1	1	1	1	\$1.25	
8	CAD3516GAL	701012	5/16 SAFETY CHAIN W/ OVAL SNAPS T501 - 609686 - 701012	1	1	1	1	\$35.00	
9*	0000CR01LZ	702078	TOWING HITCH, LOCK PIN 3/4" - T121 - C169 - 496088 - 702078	1	1	1	1	\$10.00	
9	TOFD058312-A	701031	TOWING HITCH, LOCK PIN 5/8" - T121-1 - 701031	1	1	1	1	\$10.00	
10	0111SR01LZ	134955	3/6" COTTER PIN CP-85H - SR00036EXT - T110 - 134955	1	1	1	1	\$1.08	
11*	0000CO01LZ	702056	PINTLE HITCH HORIZONTAL HOLE - T118 - 702056 - C192 (OBSOLETE)	1	1	1	1	\$80.00	
11	0000CO03LZ	702069	PINTLE HITCH VERTICAL HOLE - 702069 - T118 - C193	1	1	1	1	\$80.00	
11*	0000CO02LZ	702060	2" BALL HITCH HORIZONTAL HOLE - 702060 - T119 - C197 (OBSOLETE)	1	1	1	1	\$80.00	
11	0000CO04LZ	702070	2" BALL HITCH VERTICAL HOLE - 702070 - T119	1	1	1	1	\$80.00	
12*	TOFD034312	226272	TOWING HITCH, HEX HEAD SCREW 3/4" X 3-1/2" - T122 - C148 - 226272	1	1	1	1	\$3.00	
12	TOFD058312	701035	TOWING HITCH, HEX HEAD SCREW 5/8" X 3-1/2" - T122-1 - 701035	1	1	1	1	\$3.00	
13*	RNRX034GAL	174510	TOWING HITCH, SPRING WASHER 3/4" - 174510 - T123	1	1	1	1	\$3.00	
13	RNRX058GAL	701032	TOWING HITCH, SPRING WASHER 5/8" - T123-1 - 701032	1	1	1	1	\$3.00	
14*	TCFN034GAL	701028	TOWING HITCH, HEX NUT, 3/4 NF - 701028 - T124 - C179 (2018)	1	1	1	1	\$5.00	
14	TCFN058GAL	701033	TOWING HITCH, HEX NUT, 5/8 NF - T124-1 - 701033	1	1	1	1	\$5.00	
15	TCCS012GAL	227854	HEX LOCK NUT 1/2" - T106 - 227854 - C304	4	4	4	4	\$1.25	
16	0200CO06RD	464961	AXLE ASSEMBLY 6S-10S (AXLE W/HUBS) - 464961	1	1	1	1	\$500.00	
16	N/A	702096	AXLE (NO HUBS) 6SR-10SR S# AFTER JUNE 09,2014	1	1	1	1	\$250.00	
16*	DXA T1744440	607916	TORSION AXLE UPGRADE 6S-10S (OPTIONAL)	OPT	OPT	OPT	OPT	\$600.00	
17	RNPX012GAL	174470	PLAIN WASHER 1/2" - T105 - C172 - 174470 (GALVANIZED)	4	4	4	4	\$2.12	
18	TOCD012134	226660	HEX BOLT HD 1/2" X 1 3/4" - T189 - 226660	4	4	4	4	\$3.00	
19	0200KI03RD	702071	WHEEL HUB ASSEY W/ 1" BRG L44643 & DUST CAP - 702071 - T129-1	2	2	2	2	\$75.00	
20	0000CO02RD	431063	WHEEL & TIRE ASSY 4.8 X 12" - T137-12 - C137- 431063	2	2	*	*	\$95.00	
20	0000CO01RD	431081	WHEEL & TIRE ASSY 16S-80 R13" - T137 - 431081 - C136	*	*	2	2	\$115.00	
21	0000RF02TQ	701023	ENGAGEMENT HANDLE CHILD HAND GRIP - T414 - 701023	1	1	1	1	\$3.33	
22	0220FG02AC	496049	LEVER ARM, 6SR-S12S/MM12G (R3) LEVER ARM - T684 - 496049	1	1	1	1	\$17.63	
23	00PE056112	135282	PIN SPR SL STD 5/16 X 1 - 1/2" - 135282 - T683	1	1	1	1	\$1.70	
24	0220FG01AC	496048	BRACKET, LEVER 6SR-12S/MM12G (R2) - 496048 - T682	1	1	1	1	\$45.79	
25	0000GRH200	110680	FTG, GREASE ST 1/8 NPT - 110680 - C155	1	1	1	1	\$2.50	
26	TOCD038200	226250	HEX BOLT HD, GR5 3/8" X 2" - 226250 - T145- C158	2	2	2	2	\$1.25	
27	RNPX034GAL	174996	PLAIN WASHER 3/4" X 1-1/2 - 174996 - T108 - 248277	1	1	1	1	\$3.02	
28	SC18112NOR	135810	PIN COTTER, 1/8 X 1-1/2 - 135810 - 135790 - T135	1	1	1	1	\$1.08	
29	0000RF10RD	702087	DUST CAP FOR WHEEL HUBS 1.98" (NEW) - 702087 - T136-1 - 464804	2	2	2	2	\$8.00	
30	TOCD056300	701009	HEX BOLT HD 5/16" X 3" - 701009 - T201	2	2	2	2	\$1.08	
31	TCCN056GAL	227820	HEX NUT 5/16" - 227820	6	6	6	6	\$1.08	
32	RNPX056GAL	174990	PLAIN WASHER, 5/16 ID X 3/4 OD FL ZP - 174990	8	8	8	8	\$1.08	
33	RNRX056GAL	176220	SPRING WASHER, 5/16" - 176220	4	4	4	4	\$1.08	
34	N/A	464933	GUIDE, BELT 6SR-12S (R2)	1	1	1	1	\$14.43	
35	TOCD056100	225980	HEX BOLT, 5/16-18 X 1 HX GR2 CP NC - 225980	2	2	2	2	\$1.25	
36	N/A	496204	AXLE BRACKET FOR 6S-10S-TORSION AXLE BRACKET LEFT & RIGHT	OPT	OPT	OPT	OPT	\$24.04	
37	N/A	119225	TURNBUCKLE INCLUDES YOKES (OLD STYLE)	1	1	1	1	\$35.00	
37	N/A	119225-A	TURNBUCKLE INCLUDE YOKES (NEW STYLE)	1	1	1	1	\$35.00	
38	TOCD012300	226711	HEX BOLT HD 1/2" X 3" - 226711 - T481	1	1	1	1	\$3.00	
39	TCCS012GAL	227854	HEX LOCK NUT 1/2" - T106 - 227854 - C304	1	1	1	1	\$1.25	

*When ordering parts please always specify the model and serial number of the mixers as a reference.

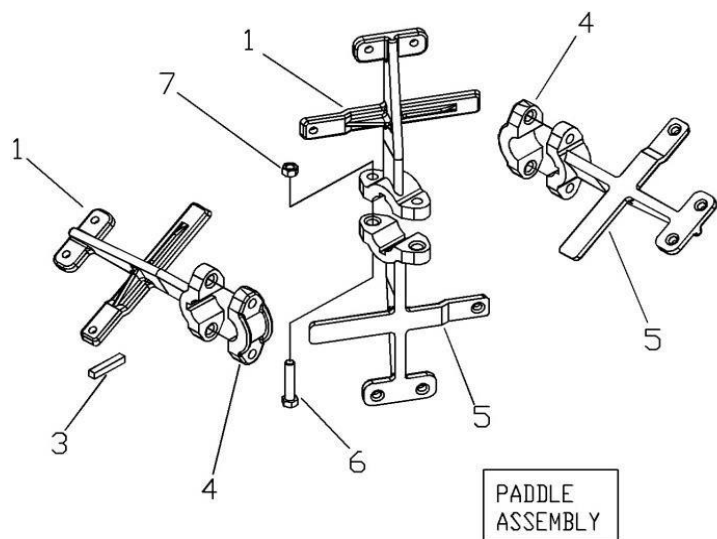
SPIRAL



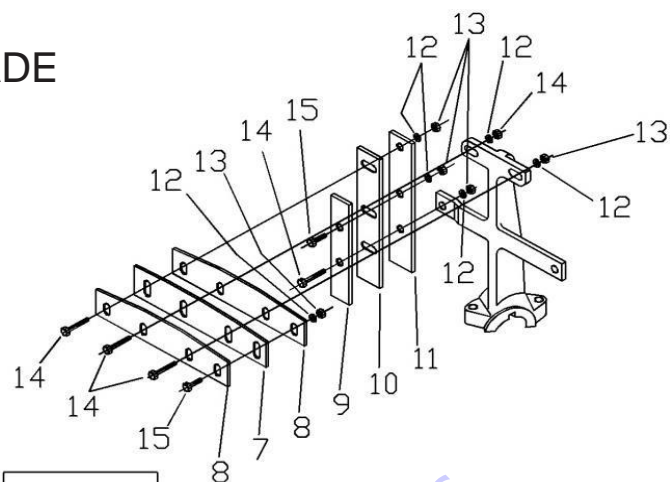
SPIRAL ASSEMBLY								
#	SKU #	PART #	DESCRIPTION	6S	8S	9S	10S	PRICELIST
1	N/A	702015	KIT ASSEY SPIRAL 4S/6S W/ MAIN SHAFT (FOR UNITS PRIOR FEB 12,2013)	1	*	*	*	\$528.00
1	N/A	702016	KIT ASSEY SPIRAL 8S W/ MAIN SHAFT (FOR UNITS PRIOR FEB 12,2013)	*	1	*	*	\$544.00
1	N/A	702017	KIT ASSEY SPIRAL 10S W/ MAIN SHAFT (FOR UNITS PRIOR FEB 12,2013)	*	*	*	1	\$576.00
2	N/A	465680	SCRAPER, SPIRAL 4S/6SR (R2)	2	*	*	*	\$9.61
2	N/A	496242	SCRAPER, S8S-S16SH SPIRAL (R3) & MM12/MM12G	*	2	2	2	\$15.57
3	1001RE02ED	702019	ARM BRACKET RIGHT S4S - S6SR - 702019	1	*	*	*	\$36.69
3	1006RE02ED	702021	ARM BRACKET RIGHT S8S - S10S - 702021	*	1	1	1	\$36.69
4	N/A	702022	SPIRAL LINK 4S - 6SR	2	*	*	*	\$20.46
4	N/A	702023	SPIRAL LINK 8S - 10S	*	2	2	2	\$20.46
5	1001ES01ED	465001	SPIRAL ASSEY 6S (W/O SHAFT) (AFTER FEBRUARY 12, 2013) - 465001	1	*	*	*	\$432.00
5	1006ES01ED	465002	SPIRAL ASSEY 8S (W/O SHAFT) (AFTER FEBRUARY 12, 2013) - 465002	*	1	*	*	\$446.40
5	1009ES01ED	465003	SPIRAL ASSEY 10S (W/O SHAFT) (AFTER FEBRUARY 12, 2013) - 465003	*	*	*	1	\$475.20
6	TOCD012300	226711	HEX BOLT HD 1/2" X 3" - 226711 - T481	6	6	6	6	\$3.00
7	TCCS012GAL	227854	HEX LOCK NUT 1/2" - T106 - 227854 - C304	6	6	6	6	\$1.25
8	1000CC01ED	701013	KEY 3/8" X 1-3/4" - T572 - 701013	4	4	4	4	\$1.25
9	TOCD038114	226220	HEX BOLT HD, 3/8 X 1-1/4 HX GR5 - 226220 - 134990	14	18	18	18	\$1.25
10	RNPX038GAL	174986	PLAIN WASHER 3/8" - T112 - C139 - 174986 - 701032	28	36	36	36	\$1.08
11	TCCS038GAL	227830	HEX LOCK NUT 3/8" - 227830 - T114 - C142	14	18	18	18	\$1.25
12	1001RE01ED	702018	ARM BRACKET LEFT S4S-S6S - 702018	1	*	*	*	\$36.69
12	1006RE01ED	702020	ARM BRACKET, LEFT 8S - 10S - 702020	*	1	2	1	\$36.69

*When ordering parts please always specify the model and serial number of the mixers as a reference.

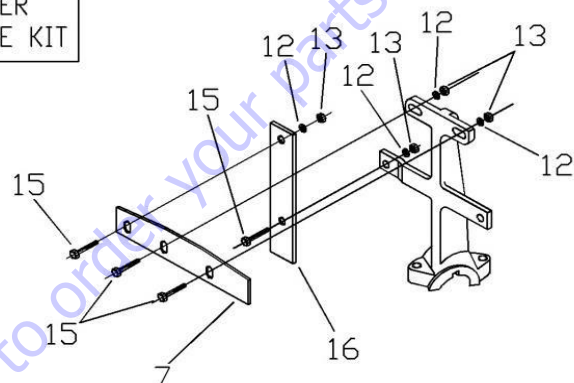
PADDLE/STEEL BLADE / RUBBER BLADE



PADDLE ASSEMBLY



RUBBER BLADE KIT



STEEL BLADE KIT

PADDLE ASSEMBLY							PRICELIST	
#	SKU #	PART #	DESCRIPTION	6S	8S	9S	10S	PRICELIST
*	N/A	610550	PADDLE KIT, 4-6S/MM6P	1				\$330.00
*	N/A	610555	PADDLE KIT, 8-10S/MM8P		1	1	1	\$415.00
1	0218FG01AS	096019	END PADDLE & CENTRAL PADDLE LEFT 4S/6(P)/MM6P - T571 - 096019	2				\$65.00
1	0225FG01AS	096305	END & CENTRAL PADDLE 8S-10S/MM8P LEFT - T582 - 096305		2	2	2	\$75.00
3	1000CC01ED	701013	KEY 3/8" X 1-3/4" - T572 - 701013	4	4	4	4	\$1.25
4	0218FG02AS	096010	CAP PADDLE 4S-10S (R3) T573 - 096010	2	2	2	2	\$19.08
5	0225FG02AS	096304	END & CENTRAL PADDLE 8S-10S/MM8P RIGHT - T583 - 096304		2	2	2	\$75.00
5	0218FG03AS	096018	END PADDLE & CENTRAL PADDLE RIGHT 6S - T574 - 096018	2				\$63.33
6	TOCD012300	226711	HEX BOLT HD 1/2" X 3" - 226711 - T481	6	6	6	6	\$3.00
7	TCCS012GAL	227854	HEX LOCK NUT 1/2" - T106 - 227854 - C304	6	6	6	6	\$1.25

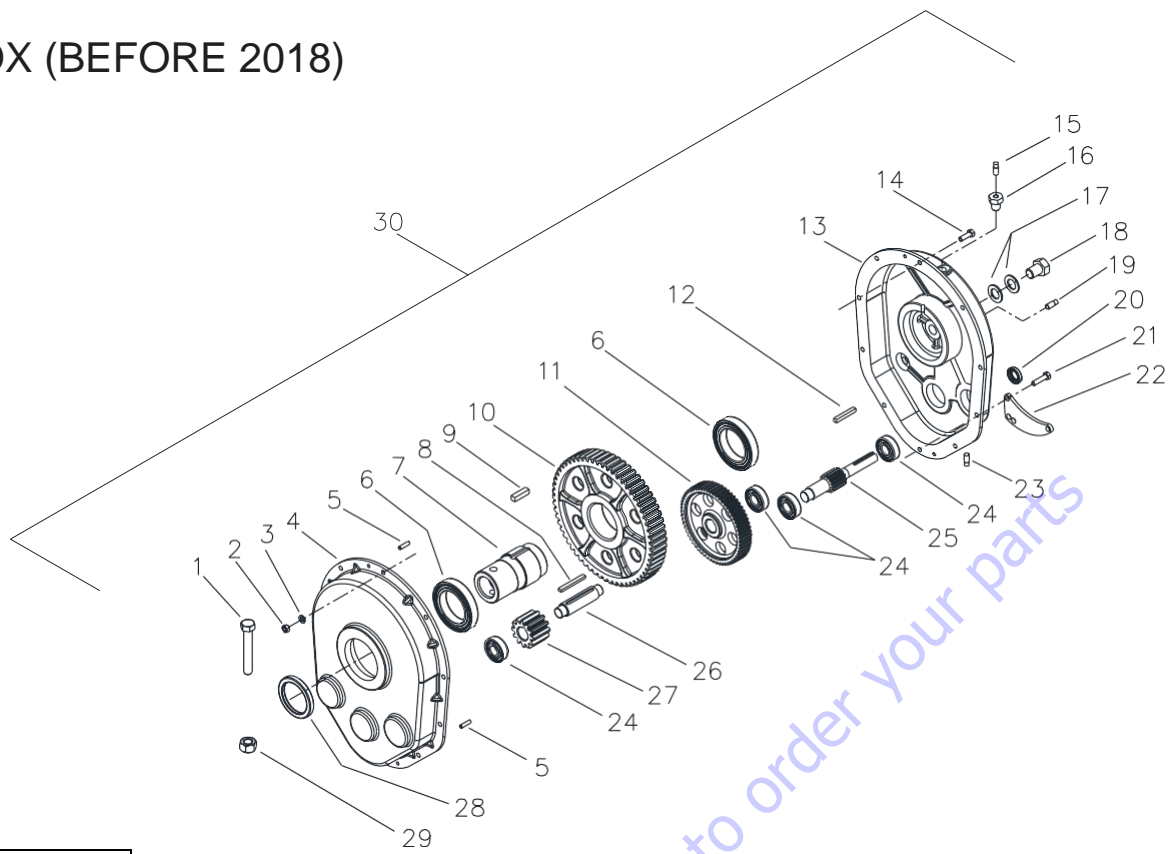
*When ordering parts please always specify the model and serial number of the mixers as a reference.

STEEL BLADE KIT			DESCRIPTION	6S	8S	9S	10S	PRICELIST
*	N/A	609803	STEEL BLADE KIT 4S & 6S	1				\$80.00
*	N/A	609909	STEEL BLADE KIT 8S&P, 10S		1	1	1	\$114.00
7	0218PL01AS	436280	BLADE, 4S-6S/MM6P TOP (R3) - T575 - 436280	4	4	4	4	\$15.57
7	N/A	496075	BLADE, 8S-12S, TOP STEEL R1		4	4	4	\$12.61
16	0218PL02AS	436300	BLADE 4S-6SR/MM6P SIDE (R1) - T576 - 436300	2				\$9.16
16	N/A	496076	BLADE, 8S-12S SIDE R1		2	2	2	\$14.43
12	RNPX038GAL	174986	PLAIN WASHER 3/8" - T112 - C139 - 174986 - 701032	12	28	28	28	\$1.08
13	TCCS038GAL	227830	HEX LOCK NUT 3/8" - 227830 - T114 - C142	10	14	14	14	\$1.25
15	TOCD038112	226230	HEX BOLT 3/8" X 1-1/2" - T176 - C141 - 226230	10	14	14	14	\$1.25

RUBBER BLADE KIT			DESCRIPTION	6S	8S	9S	10S	PRICELIST
*	N/A	609802	RUBBER BLADE KIT 4S & 6S/P	1				\$100.00
*	N/A	609910	RUBBER BLADE KIT 8S&P - 10S		1	1	1	\$105.00
7	0200HN01AS	190970	WIPER 4S/10S, MM4-35 (R5) - T577 - 190970	4	4	4	4	\$8.48
8	0218LA01AS	436290	BLADE,4S-10S, TOP (R2) - T579 - 436290 - 496290	8	8	8	8	\$11.90
9	0218LA02AS	436320	BLADE, 4S-6SR/MM6P, SIDE (R2) - T580 - 436320	2				\$9.16
9	0225PL03AS	496099	BLADE, 8S-12SH/MM8P SIDE(R3) - T586 - 496099		2	2	2	\$9.16
10	N/A	192680	WIPER 4S-6SR, MM6-36 (R4)	2				\$6.36
10	0225HN01AS	190974	WIPER 8S-12S, SIDE M0564 (R3) - T587 - 190974		2	2	2	\$6.36
11	N/A	436310	BLADE, 4S-6SR, SIDE (R1)	2				\$9.16
11	0225PL04AS	496098	BLADE, 8S-12SH/MM8P SIDE (R3) - T588 - 496098		2	2	2	\$9.16
12	RNPX038GAL	174986	PLAIN WASHER 3/8" - T112 - C139 - 174986 - 701032	44	40	40	40	\$1.08
13	TCCS038GAL	227830	HEX LOCK NUT 3/8" - 227830 - T114 - C142	22	20	20	20	\$1.25
14	TOCD038200	226250	HEX BOLT HD, GR5 3/8" X 2" - 226250 - T145- C158	12	14	14	14	\$1.25
15	TOCD038112	226230	HEX BOLT 3/8" X 1-1/2" - T176 - C141 - 226230	10	6	6	6	\$1.25

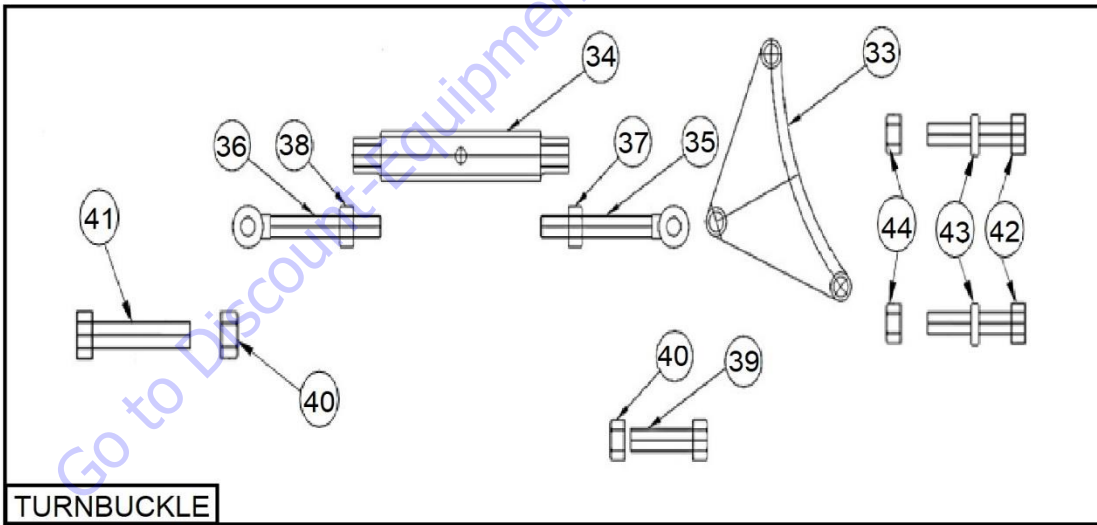
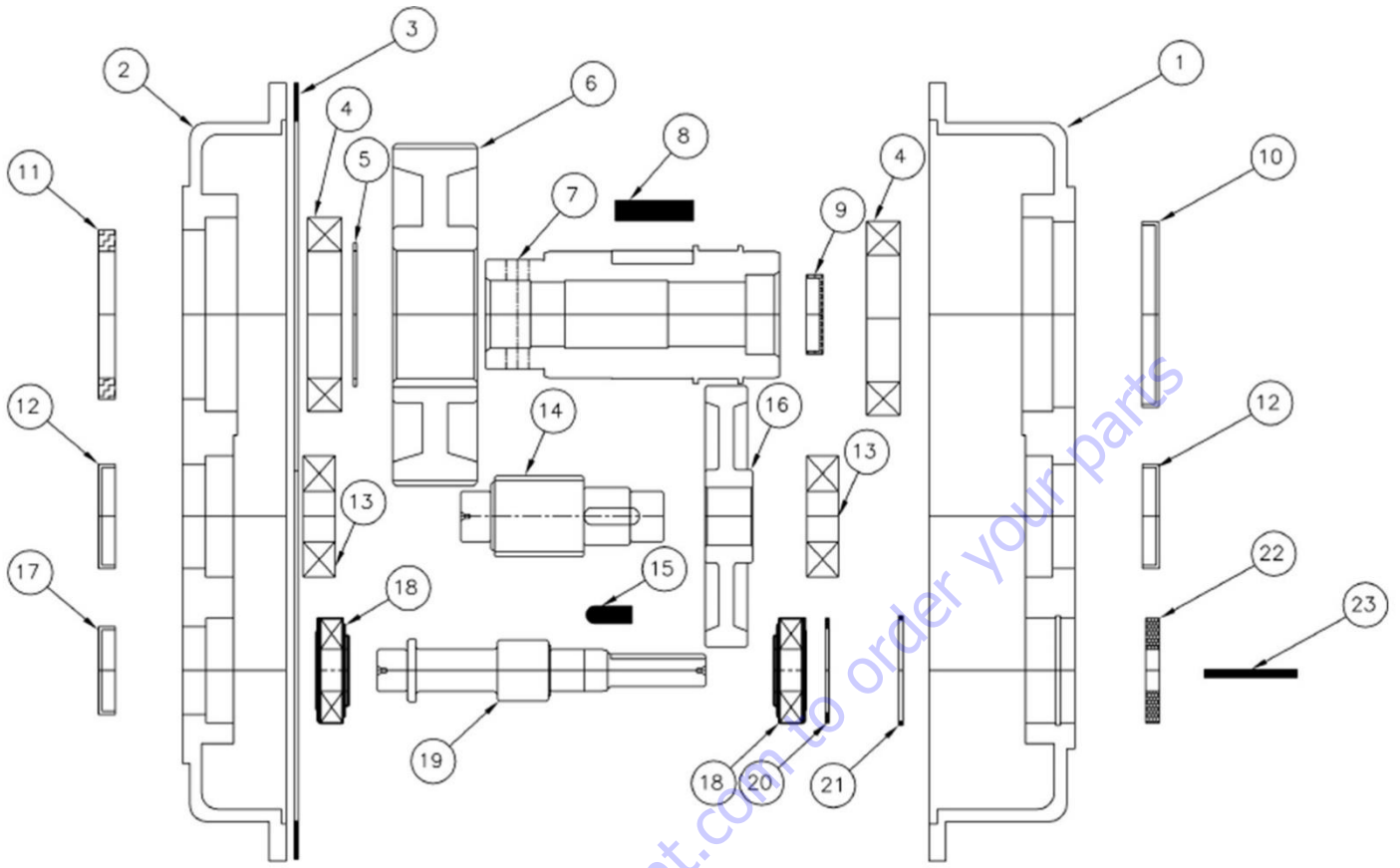
*When ordering parts please always specify the model and serial number of the mixers as a reference.

GEARBOX (BEFORE 2018)



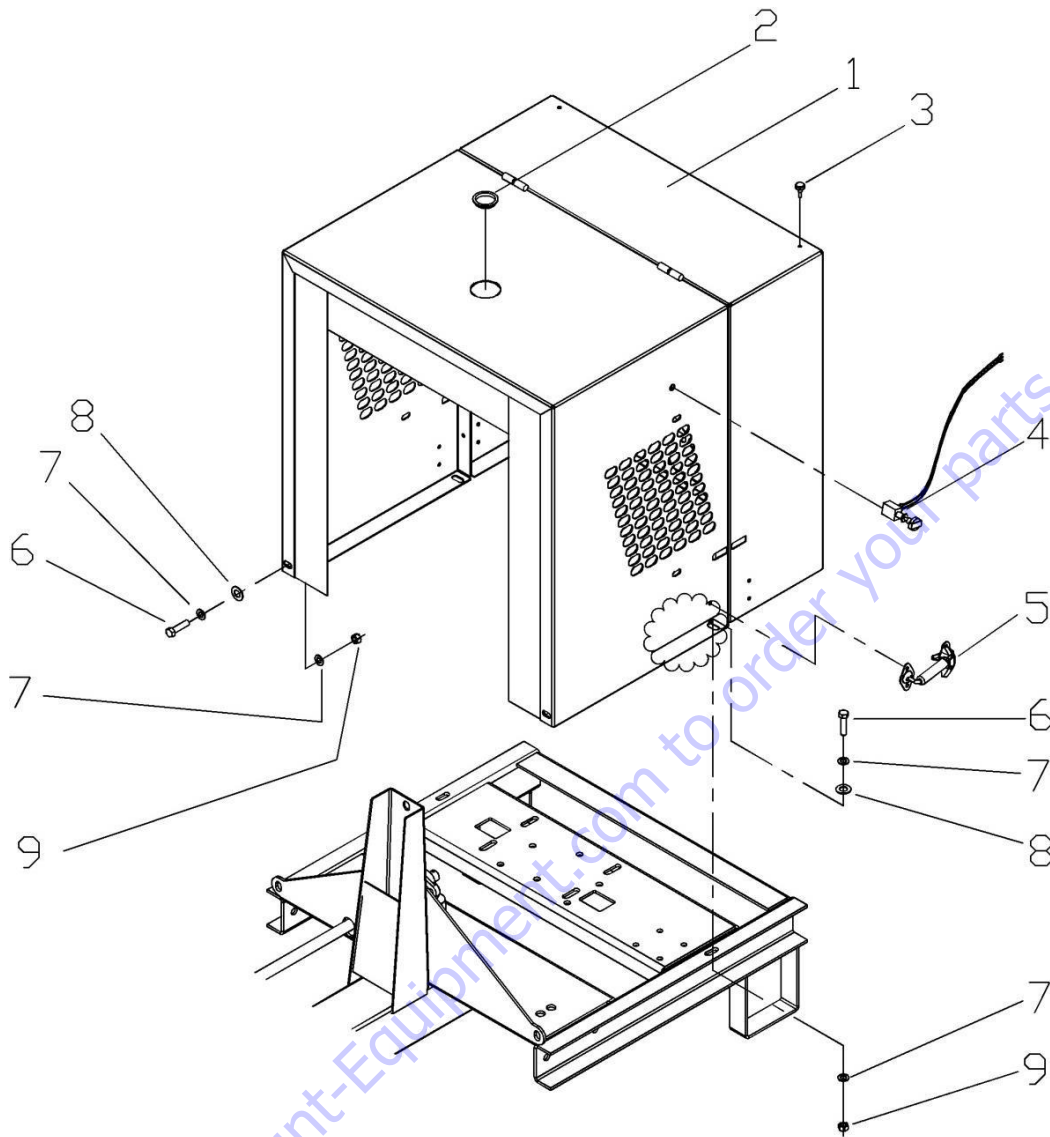
2018 GEARBOX								
#	SKU #	PART #	DESCRIPTION	6S	8S	9S	10S	PRICELIST
1	TOCD012300	226711	HEX BOLT HD 1/2" X 3" - 226711 - T481	1	1	1	1	\$3.00
2	TCCN056GAL	227820	HEX NUT 5/16" - 227820	10	10	10	10	\$1.08
3	RNRX056GAL	176220	SPRING WASHER, 5/16" - 176220	10	10	10	10	\$1.08
4	N/A	496320	CASE G.R. FRONT HALF OLD STYLE (R4)	1	1	1	1	\$200.00
5	N/A	135470	PIN, SPR 1/4 X 5/8	2	2	2	2	\$1.08
6	N/A	110105	BRG, BALL 6013-2RS - 110105	2	2	2	2	\$47.70
7	N/A	496642	SLEEVE, G.R. (R1)	1	1	1	1	\$111.05
8	N/A	432290	KEY 1/4 X 2-1/2 (R2)	1	1	1	1	\$1.25
9	N/A	432150	KEY 3/8 X 1.38	1	1	1	1	\$1.25
10	N/A	496641	GEAR GR 60T 6DP (10 DIA)	1	1	1	1	\$228.96
11	N/A	496322	GEAR G.R. 60T, 10DP (6" DIA)	1	1	1	1	\$164.85
12	N/A	432050	KEY 3/16 X 1-5/8	1	1	1	1	\$1.25
13	N/A	496640	CASE G.R. REAR HALF (R1)	1	1	1	1	\$200.34
14	TOCD056100	225980	HEX BOLT, 5/16-18 X 1 HX GR2 CP NC - 225980	8	8	8	8	\$1.25
15	N/A	110550	GEARBOX BREATHER - 110550	1	1	1	1	\$2.12
16	N/A	187411	BUSHING, RDCR BLK 3/8 X 1/8 NPT	1	1	1	1	\$12.30
17	RNPX034GAL	174996	PLAIN WASHER 3/4" X 1-1/2 - 174996 - T108 - 248277	2	2	2	2	\$3.02
18	TOCD034100	227236	HEX BOLT 3/4 X 1 - 227236	1	1	1	1	\$1.25
19	N/A	185630	PLUG, 3/8 NPT PIPE BLACK	1	1	1	1	\$2.12
20	199380	199381	SEAL, OIL C/R 7440 - 199381	1	1	1	1	\$3.18
21	N/A	225990	BOLT, HEXHD PL 5/16UNC X1 1/4	2	2	2	2	\$1.08
22	N/A	496045	LINK GR LEVER, 4S-S12S (R2) FOR OLD STYLE GEARBOX	1	1	1	1	\$9.16
23	N/A	185632	PLUG, PIPE, MAGNETIC 3/8 NPT	1	1	1	1	\$9.33
24	0000BA6204	110410	BRG, BALL 6204 - 110410	4	4	4	4	\$10.18
25	N/A	496324	SHAFT PINION G.R. 12T 10 DP	1	1	1	1	\$100.74
26	N/A	496131	SHAFT G.R. PINION (R4)	1	1	1	1	\$61.82
27	N/A	496333	PINION GR 12T, 6DP (2" DIA)	1	1	1	1	\$57.24
28	N/A	199491	SEAL OIL C/R 24897	1	1	1	1	\$5.94
29	TCCS012GAL	227854	HEX LOCK NUT 1/2" - T106 - 227854 - C304	1	1	1	1	\$1.25
30	N/A	496645	*DISCONTINUED* - GEAR REDUCER OLD STYLE (OVAL SHAPED)	1	1	1	1	\$630.00

GEARBOX (AFTER 2019)



2019 GEARBOX								
#	SKU #	PART #	DESCRIPTION	6S	8S	9S	10S	PRICELIST
1	N/A	702128	GEARBOX CASING - FRONT ALL MODELS (NEW GEARBOX)	1	1	1	1	\$200.00
2	N/A	702129	GEARBOX CASING - BACK ALL MODELS (NEW GEARBOX)	1	1	1	1	\$200.00
3	N/A	702130	GEARBOX LIQUID GASKET (ALL MODELS)	1	1	1	1	\$30.00
4	N/A	702131	OUTPUT BEARING (NEW GEARBOX)	2	2	2	2	\$45.00
5	N/A	702132	OUTUPT SPACER (NEW GEARBOX)	1	1	1	1	\$12.00
6	N/A	702133	OUTPUT GEAR Z65 (NEW GEARBOX)	1	1	1	1	\$158.66
7	N/A	702134	OUTPUT HUB (NEW GEARBOX)	1	1	1	1	\$84.62
8	N/A	702135	OUTPUT KEY (NEW GEARBOX)	1	1	1	1	\$1.75
9	N/A	702136	OUTPUT HUB END COVER DAI.47 (NEW GEARBOX)	1	1	1	1	\$20.00
10	N/A	702137	GEARBOX FRONT CASING END COVER DAI. 110 (NEW GEARBOX)	1	1	1	1	\$18.00
11	N/A	702138	OUTPUT OILSEAL 75X100X10 (NEW GEARBOX)	1	1	1	1	\$15.00
12	N/A	702139	INTERMEDIATE END COVER DAI. 62 (NEW GEARBOX)	2	2	2	2	\$18.00
13	N/A	702140	INTERMEDIATE BEARING -6306 (NEW GEARBOX)	2	2	2	2	\$26.00
14	N/A	702141	INTERMEDIATE PINION Z13 (NEW GEARBOX)	1	1	1	1	\$38.08
15	N/A	702142	INTERMEDIATE KEY - W 10 X L 27 (NEW GEARBOX)	1	1	1	1	\$1.75
16	N/A	702143	INTERMEDIATE GEAR Z70 (NEW GEARBOX)	1	1	1	1	\$48.66
17	N/A	702144	INPUT END COVER DAI. 52 (NEW GEARBOX)	1	1	1	1	\$18.00
18	N/A	702145	INPUT BEARINGS - 30305 (NEW GEARBOX)	2	2	2	2	\$30.00
19	N/A	702146	INPUT PINION Z14 (NEW GEARBOX)	1	1	1	1	\$29.62
20	N/A	702147	INPUT BEARINGS LOADING SPACER (NEW GEARBOX)	1	1	1	1	\$12.00
21	N/A	702148	CIRCLIP B62 HEAVY (NEW GEARBOX)	1	1	1	1	\$1.08
22	N/A	702149	INPUT OILSEAL - 25 X 62 X 10 (NEW GEARBOX)	1	1	1	1	\$12.00
23	N/A	702150	INPUT PINION KEY - 3/16 X 3/16 X L55 (NEW GEARBOX)	1	1	1	1	\$1.75
24	N/A	702151	HEX BOLTS - M8X35 (NEW GEARBOX)	6	6	6	6	\$2.00
25	N/A	702152	STUDS - M8 X 57 (NEW GEARBOX)	2	2	2	2	\$2.50
26	N/A	702153	HEX NUTS -M8 X 35 (NEW GEARBOX)	10	10	10	10	\$2.00
27	N/A	702154	SPRING WASHER - M8 (NEW GEARBOX)	8	8	8	8	\$2.00
28	N/A	702155	ALLEN HEAD DRAIN PLUG 3/8 BSP (NEW GEARBOX)	1	1	1	1	\$1.75
29	N/A	702156	HEX HEAD PLUG 3/8 BSP (NEW GEARBOX)	1	1	1	1	\$2.00
30	N/A	702157	SIGHT GLASS 3/8 BSP (NEW GEARBOX)	1	1	1	1	\$20.00
31	N/A	702158	BREATHER PLUG 3/8 BSP (NEW GEARBOX)	1	1	1	1	\$19.00
32	N/A	702159	STICKER- FILL OIL (NEW GEARBOX)	1	1	1	1	\$5.00
33	N/A	702160	BRACKET PLATES FOR TORQUE ARM (NEW GEARBOX)	2	2	2	2	\$12.00
34	N/A	702161	TURNBUCKLE (NEW GEARBOX)	1	1	1	1	\$43.40
35	N/A	702162	TORQUE ARM - RIGHT HAND - M12 (NEW GEARBOX)	1	1	1	1	\$3.00
36	N/A	702163	TORQUE ARM - LEFT HAND - M13 (NEW GEARBOX)	1	1	1	1	\$3.00
37	N/A	702164	HEX NUT - RIGHT HAND - M12 (NEW GEARBOX)	1	1	1	1	\$3.00
38	N/A	702165	HEX NUT - LEFT HAND - M12 (NEW GEARBOX)	1	1	1	1	\$3.00
39	TOCD038112	226230	HEX BOLT 3/8" X 1-1/2" - T176 - C141 - 226230	1	1	1	1	\$1.25
40	TCCS038GAL	227830	HEX LOCK NUT 3/8" - 227830 - T114 - C142	2	2	2	2	\$1.25
41	TOCD038200	226250	HEX BOLT HD, GR5 3/8" X 2" - 226250 - T145- C158	1	1	1	1	\$1.25
42	TOCD056200	701022	BOLT, HEX HD, 5/16 X 2" - 701022	2	2	2	2	\$1.25
43	RNRX056GAL	176220	SPRING WASHER, 5/16" - 176220	2	2	2	2	\$1.08
44	TCCN056GAL	227820	HEX NUT 5/16" - 227820	2	2	2	2	\$1.08
*	N/A	119225-A	TURNBUCKLE INCLUDE YOKES (NEW STYLE)	1	1	1	1	\$35.00
*	N/A	496645-A	NEW GEARBOX ASSEY W/ CONN. ROD & LINK LEVER AFTER 2018	1	1	1	1	\$630.00

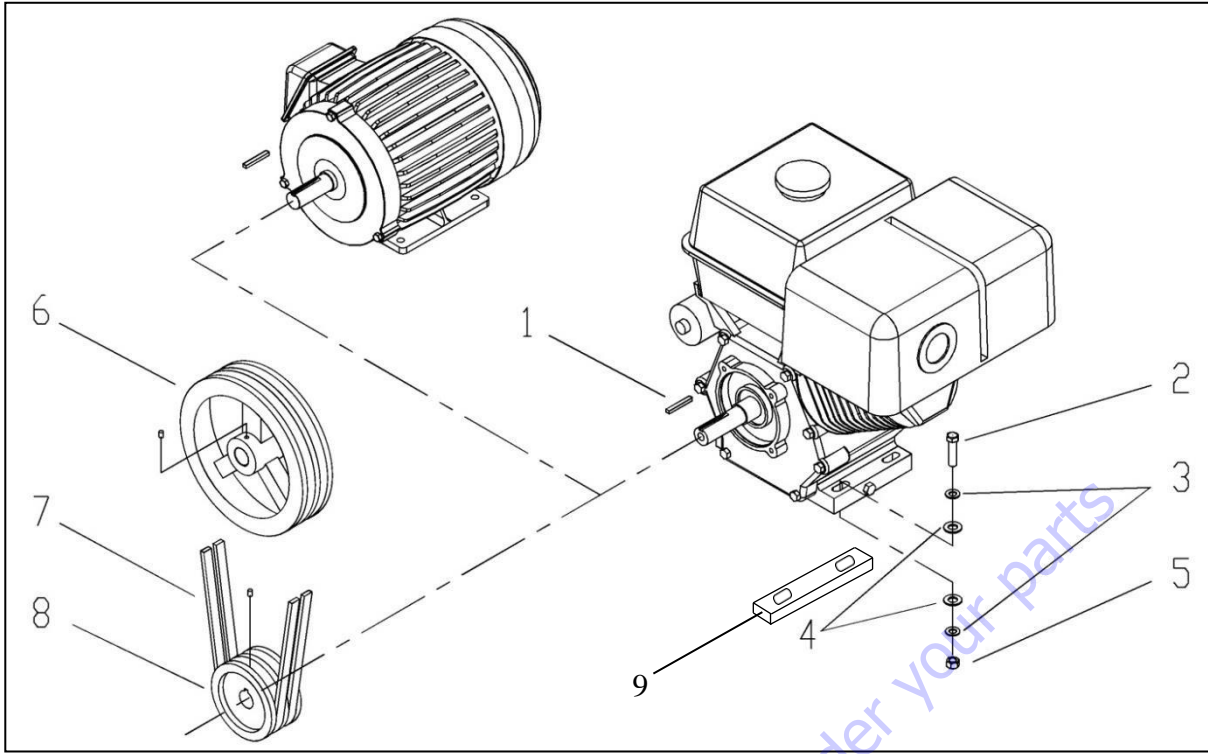
HOOD



SHROUD ASSEY

#	SKU #	PART #	DESCRIPTION	6S	8S	9S	10S	PRICELIST
1	N/A	702118	NEW BOXED HOOD 6S-10S S# 3A9S23M12F1168001 FROM 2014 - 464978	1	1	1	1	\$500.00
1	N/A	464978	OLD HOOD SHROUND 6S-10S (DISCONTINUED)	1	1	1	1	\$500.00
2	1000RF01GA	701008	PLUG 2" SNAP IN - 701008 - 174141 - 317333	1	1	1	1	\$1.08
3	0000RF01GA	201544	RUBBER SCREW 1/4" FOR SHROUD - T158 - C159 - 201544	4	4	4	4	\$3.15
4	1000KI04GA	701007	ENGINE KILL SWITCH ASSEY RED (WITH HARNESS) 701007 - T193	1	1	1	1	\$29.00
4	0200KI01GA	112500	ENGINE N.O KILL SWITCH RED (NO HARNESS) - 816769AS - 112500 - T195-1	1	1	1	1	\$18.00
5	0000RF02GA	701004	SHROUD HOOK ASSEMBLY - T160 - C161 - 701004 - 201543	2	2	2	2	\$9.00
6	TOCD038112	226230	HEX BOLT 3/8" X 1-1/2" - T176 - C141 - 226230	4	4	4	4	\$1.25
7	RNPX038GAL	174986	PLAIN WASHER 3/8" - T112 - C139 - 174986 - 701032	8	8	8	8	\$1.08
8	RNPX012GAL	174470	PLAIN WASHER 1/2" - T105 - C172 - 174470 (GALVANIZED)	4	4	4	4	\$2.12
9	TCCS038GAL	227830	HEX LOCK NUT 3/8" - 227830 - T114 - C142	4	4	4	4	\$1.25

DRIVE



POWER ASSEY				GASOLINE		ELECTRIC			
#	SKU #	PART #	DESCRIPTION	5HP	8HP	1.5HP	2HP	3HP	PRICELIST
1	N/A	432050	KEY 3/16 X 1-5/8	1	*	1	1	*	\$1.25
1	0200CC03TR	432340	KEY 1/4" X 1-7/8" - T202 - 432340	*	1	*	*	1	\$1.25
2	TOCD056200	701022	BOLT, HEX HD, 5/16 X 2" - 701022	4	*	*	*	*	\$1.25
2	TOCD038200	226250	HEX BOLT HD, GR5 3/8" X 2" - 226250 - T145- C158	*	4	*	*	*	\$1.25
2	TOCD056100	225980	HEX BOLT, 5/16-18 X 1 HX GR2 CP NC - 225980	*	*	4	*	*	\$1.25
2	TOCD038100	226210	HEX BOLT 3/8 X 1 - C138 - 226212	*	*	*	4	4	\$1.25
3	RNPX056GAL	174990	PLAIN WASHER, 5/16 ID X 3/4 OD FL ZP - 174990	8	*	8	8	8	\$1.08
3	RNPX038GAL	174986	PLAIN WASHER 3/8" - T112 - C139 - 174986 - 701032	*	8	*	*	*	\$1.08
4	RNPX012GAL	174470	PLAIN WASHER 1/2" - T105 - C172 - 174470 (GALVANIZED)	8	8	8	8	8	\$2.12
5	TCCS056GAL	227821	HEX LOCK NUT 5/16" - T148 - 227821	4	*	4	4	4	\$1.25
5	TCCS038GAL	227830	HEX LOCK NUT 3/8" - 227830 - T114 - C142	*	4	*	*	*	\$1.25
6	N/A	496160	PULLEY, 2AK104 X 3/4	1	1	1	1	1	\$89.29
7	0000BNA37C	702024-A	BELT-V A-37C - 702024-A (FOR NEW GEARBOX)	2	2	*	*	*	\$20.00
7	0000BNA40	702024	BELT-V A40 702024 - 236668 (FOR OLD GEARBOX)	2	2	2	2	2	\$25.00
7	SM00156EXT	701029	RETAINING OMEGA RING - 1-15/16" - 701029 - C151	*	*	2	2	2	\$6.47
7	0000BNA44	702013	BELT-V A44 - 702013 - 239592	*	*	2	2	2	\$25.00
8	POFG3340342R	702025	PULLEY ENGINE 2AK39 X 3/4" - 407790 - T154-1 - 702025	1	*	*	*	*	\$50.00
8	POFG3341002R	702010	PULLEY 3-3/4" CAL 1" X 2 GROOVES (2AK39X1) - 430990 - 702010 - T154	*	1	*	*	*	\$50.00
8	POFG4140582R	702026	PULLEY 4-1/4" CAL 5/8" X 2 GROOVES - 702026	*	*	1	*	*	\$50.00
8	POFG4140782R	702095	PULLEY 4-1/4" CAL 7/8" X 2 GROOVES - 702095	*	*	*	1	*	\$50.00
8	POFG4141182R	702011	PULLEY 4-1/4" CAL 1-1/8" 2 GROOVE 702011	*	*	*	*	1	\$50.00
9	N/A	702186	ENGINE SPACER 3/8X1X4	2	*	*	*	*	\$10.00

*When ordering parts please always specify the model and serial number of the mixers as a reference.



www.Discount-Equipment.com

Go to Discount-Equipment.com to order your parts

*When ordering parts please always specify the model and serial number of the mixers as a reference.