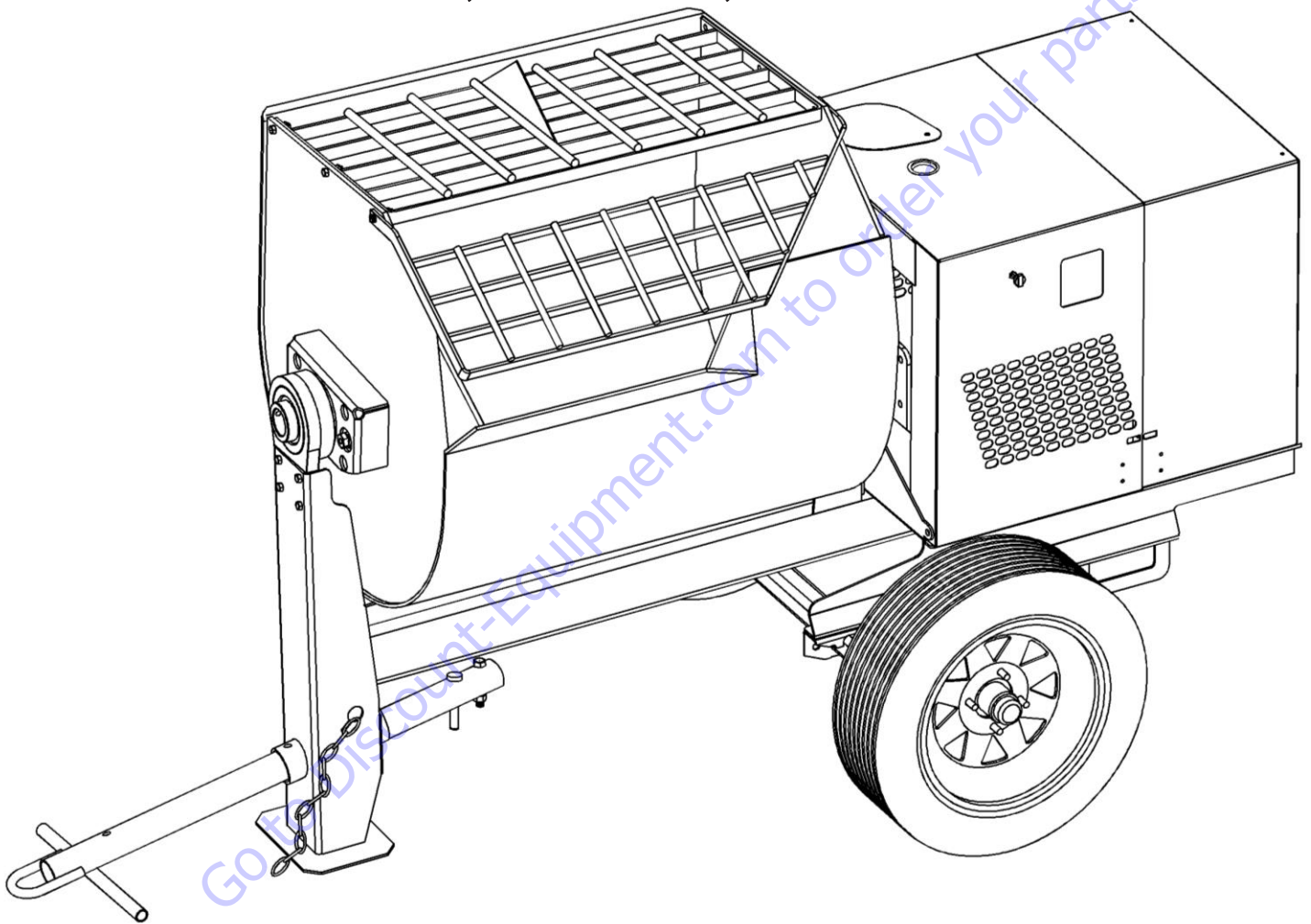


# REPAIR PARTS MANUAL

SERIES	12:16-SH
BULLETIN No.	200212R05
SUPERSEDES	200212R04
DATE	Oct 2007
Last Rev: February 2015	

## HYDRAULIC MIXERS 12-SH, S12-SH, S16-SH



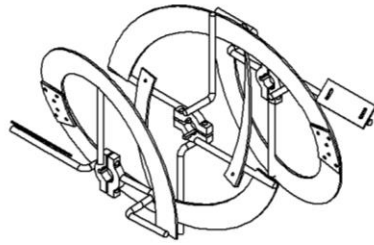
**CROWN**  
CONSTRUCTION EQUIPMENT

\*When ordering parts please always specify the model and serial number of the mixers as a reference. Printed in CANADA

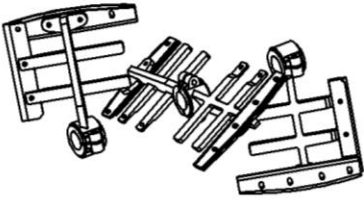


# HYDRAULIC MIXERS

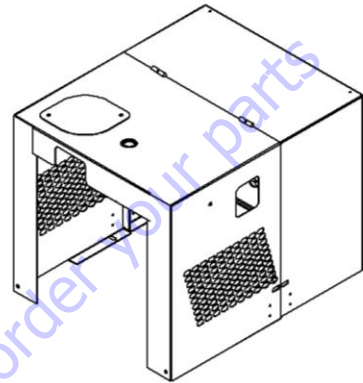
## 12-SH, S12-SH, S16-SH



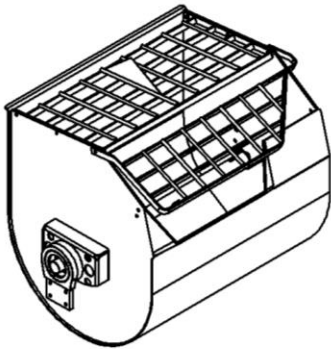
SPIRAL  
Page 6



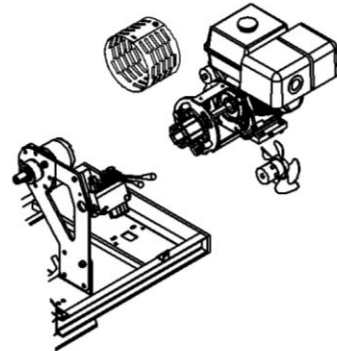
PADDLE  
Page 7



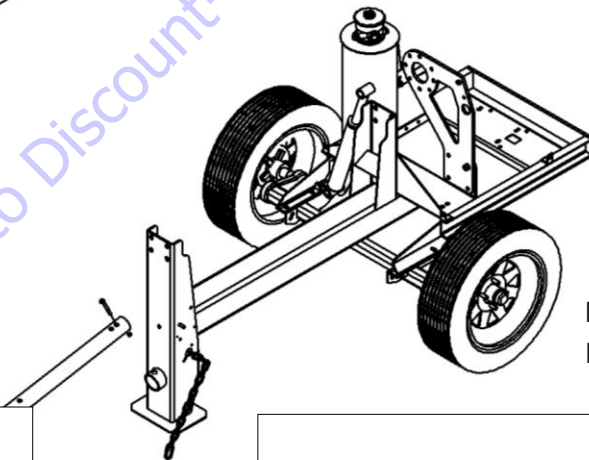
HOOD  
Page 8



DRUM  
Page 3



DRIVE  
Page 9

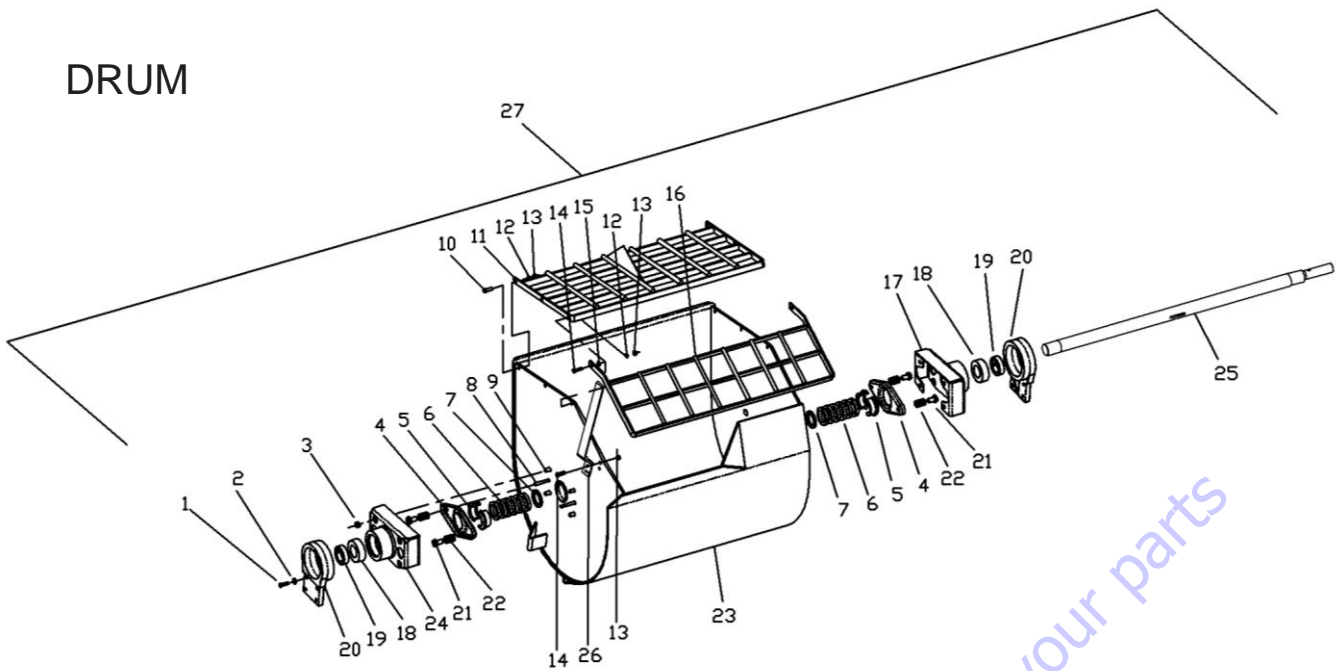


FRAME  
Page 4



\*When ordering parts please always specify the model and serial number of the mixers as a reference.

# DRUM

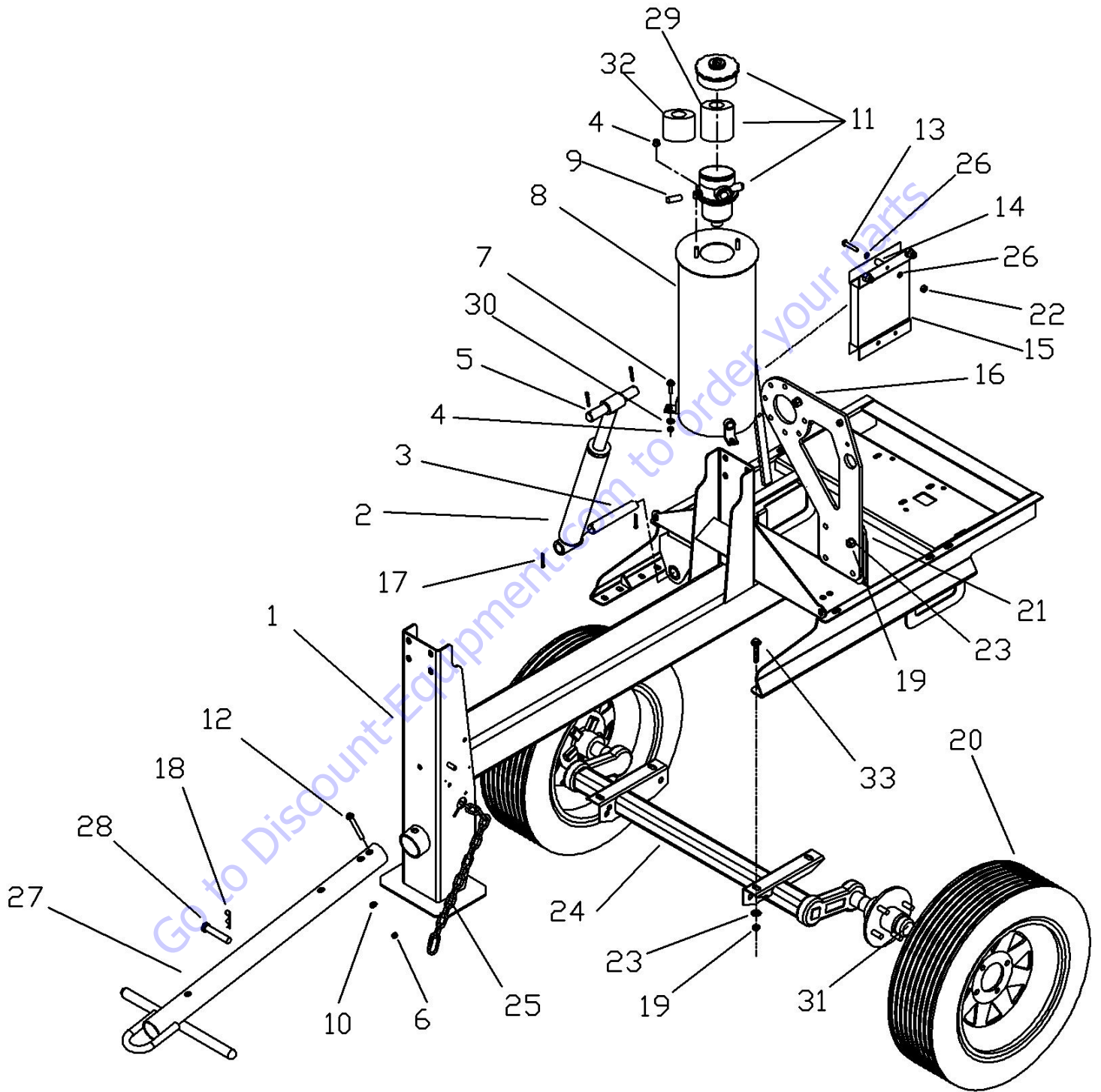


Ref	Part #	Description	12SH	S12SH	S16SH
1	226650	Bolt, HexHd, 1/2 x 1-1/2 (TOCD012112)	8	8	8
2	176250	Washer, Spring, 1/2 (RNRX012GAL)	8	8	8
3	227854	Nut, Hex 1/2, Top Lock Gr5 (TCCS012GAL)	8	8	8
4	496855	Spring Plate	2	2	2
5	465925	Gland, Half Packing	4	4	4
6	465920	Packing, Alb# 176 3/8 x 3/8 x 7.25L	12	12	12
7	465915	Packing Seal Ring	2	2	2
8	117831	Bolt, Carriage, 3/8 x 3 (TOCL038300)	4	4	4
9	118331	Bolt, Carriage, 1/2 x 1.5 (TOCL012112)	8	8	8
10	226220	Bolt, HexHd, 3/8 x 1-1/4 (TOCD038114)	4	4	4
11	496490	Grill, Fixed	1	1	*
	465024	Grill, Fixed	*	*	1
12	174986	Washer, Plain, 3/8 (RNPX038GAL)	6	6	6
13	227830	Nut, Hex Lock, 3/8 (TCCS038GAL)	8	8	8
14	226230	Bolt, HexHd, 3/8 x 1-1/2 (TOCD038112)	4	4	4
15	174470	Washer, Plain, 1/2 (RNPX012GAL)	2	2	2
16	496395	Grill, Hinged	1	1	*
	465036	Grill, Hinged	*	*	1
17	412861	Trunnion (c/wcylinder mount bushing)	1	1	1
18	110452	Ball Bearing, 3210 - 2RS JAF	2	2	2
19	410453	Bearing Lock Collar, (w/allen screw)	2	2	2
20	496071	Pivot	2	2	2
21	496860	T-Nut, 3/8-16	4	4	4
22	496861	Spring, Packing Compr	4	4	4
23	412865	Drum 12SH - S12SH	1	1	*
	412866	Drum S16SH	*	*	1
24	496850	Trunnion	1	1	1
25	496671	Old Main Shaft S16SH before February 2012 (Includes Keys)	*	*	1
	702090	Main Shaft S16SH since February 2012 (Includes Keys)	*	*	1
	496670	Old Main Shaft S12SH before February 2012 (Includes Keys)	*	1	*
	496672	Main Shaft 12SH since February 2012 (Includes Keys)	1	1	*
26	496224	Drum lever	1	1	1
27	610501	Drum Kit 12SH (includes Paddles)	1	*	*
	609999	Drum Kit S12SH (includes Spiral)	*	1	*
	609997	Drum Kit S16SH (includes Spiral)	*	*	1
	607779	Drum Kit 16SH (includes Paddles)	*	*	1

\*When ordering parts please always specify the model and serial number of the mixers as a reference.



# FRAME



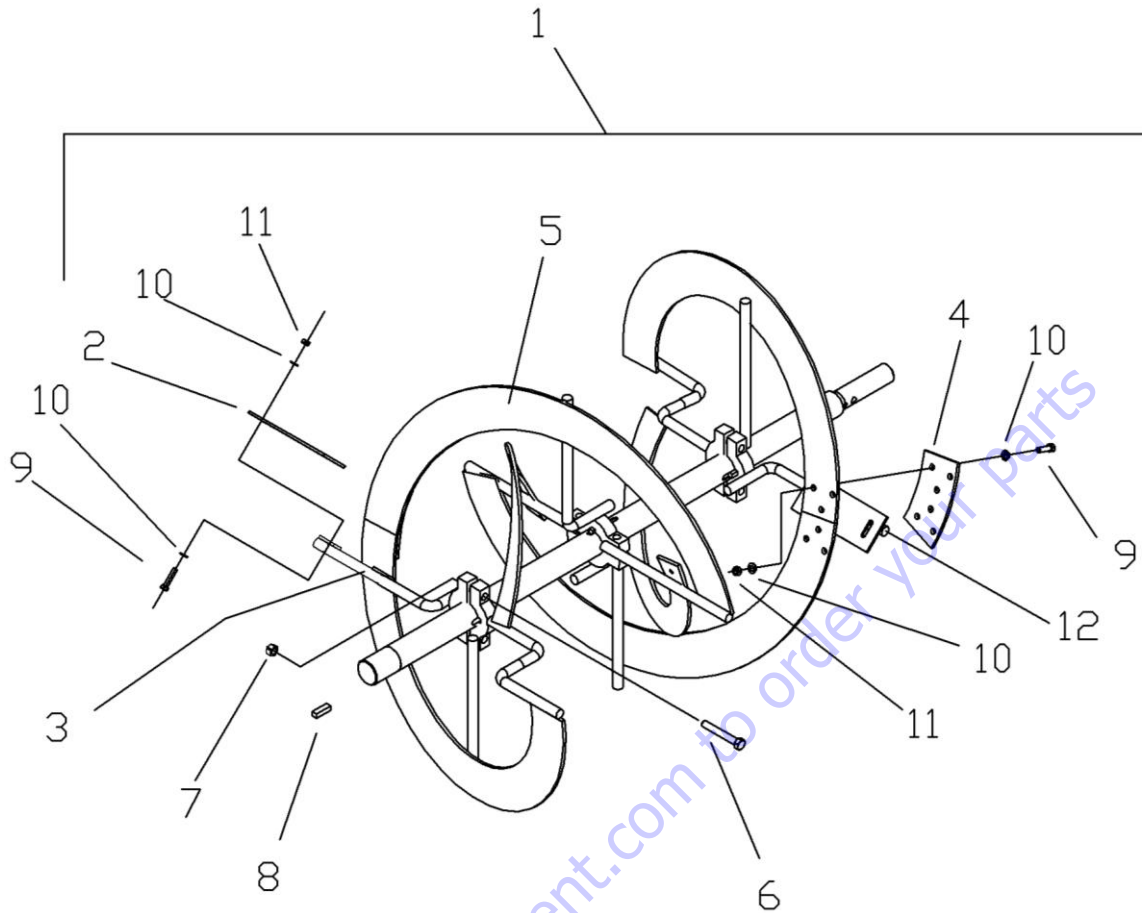
\*When ordering parts please always specify the model and serial number of the mixers as a reference.

# FRAME

Ref	Part #	Description	12SH	S12SH	S16SH
1	412863	Frame	1	1	*
	412862	Frame	*	*	1
2	412915	Cylinder, Hyd 2" x 10"	1	1	1
3	412855	Pin, Cylinder 1 x 6.5"	1	1	1
4	227830	Nut, Hex Lock, 3/8 (TCCS038GAL)	5	5	5
5	412826	Pin,Cylinder 1 x 5.5"	1	1	1
6	701028	Nut, 3/4 NF (TCFN034GAL)	1	1	1
7	226210	Bolt, HexHd, 3/8 x 1 (TOCD038100)	3	3	3
8	412801	Reservoir Assembly	1	1	1
9	412873	Filter Element, Breather 10 Micron	1	1	1
10	174510	Washer, Spring, 3/4 (RNRX034GAL)	1	1	1
11	412857	Filter, Assembly 10 Micron (includes #33)	1	1	1
12	226272	Bolt, HexHd, 3/4 x 3-1/2 NF (TOFD034312)	1	1	1
13	701009	Bolt, HexHd, 5/16 x 3 (TOCD056300)	2	2	2
14	412167	Spacer	2	2	2
15	412902	Hydraulic Oil Cooler	1	1	1
16	412810	Reaction Arm	1	1	1
17	135810	Cotter Pin, 1/8 x 1-1/2 (SC018112NOR)	3	3	3
18	134955	Hitch Pin Clip (SR00316EXT)	1	1	1
19	227854	Nut, Hex Lock 1/2 (TCCS012GAL)	8	8	8
20	431081	Wheel & Tire Assy. 5.5 x 13 (0000CO01RD)	2	2	2
21	226650	Bolt, HexHd 1/2 x 1-1/2 Gr5 (TOCD012112)	4	4	4
22	227821	Nut, Hex Lock, 5/16 (TCCS056GAL)	2	2	2
23	174470	Washer, Plain 1/2 (RNPX012GAL)	8	8	8
24	607916	Torsion Axle	1	1	1
25	701012	Safety Chain (CA03056GAL)	1	1	1
26	174990	Washer, Plain 5/16 (RNPX056GAL)	4	4	4
27	702076	Drawbar - Pintel (1000HY02LZ) since November 15, 2013	1	1	1
	702077	Drawbar - 2" Ball Hitch (1000HY01LZ) since November 15, 2013	opt	opt	opt
28	702078	Pin, Lock (0000CR01LZ)	1	1	1
29	412860	Filter Element, Oil 10 Micron 2" x 8"	1	1	1
30	174986	Washer Plain, 3/8 (RNPX038GAL)	6	6	6
31	702087	Dust Cap (0000RF06RD)	1	1	1
32	702088	Filter Element, Oil 10 Micron 2" x 5" (for old mixers)	1	1	1
33	226660	Bolt, HexHd, 1/2 x 1-3/4 (TOCD012134)	4	4	4

\*When ordering parts please always specify the model and serial number of the mixers as a reference.

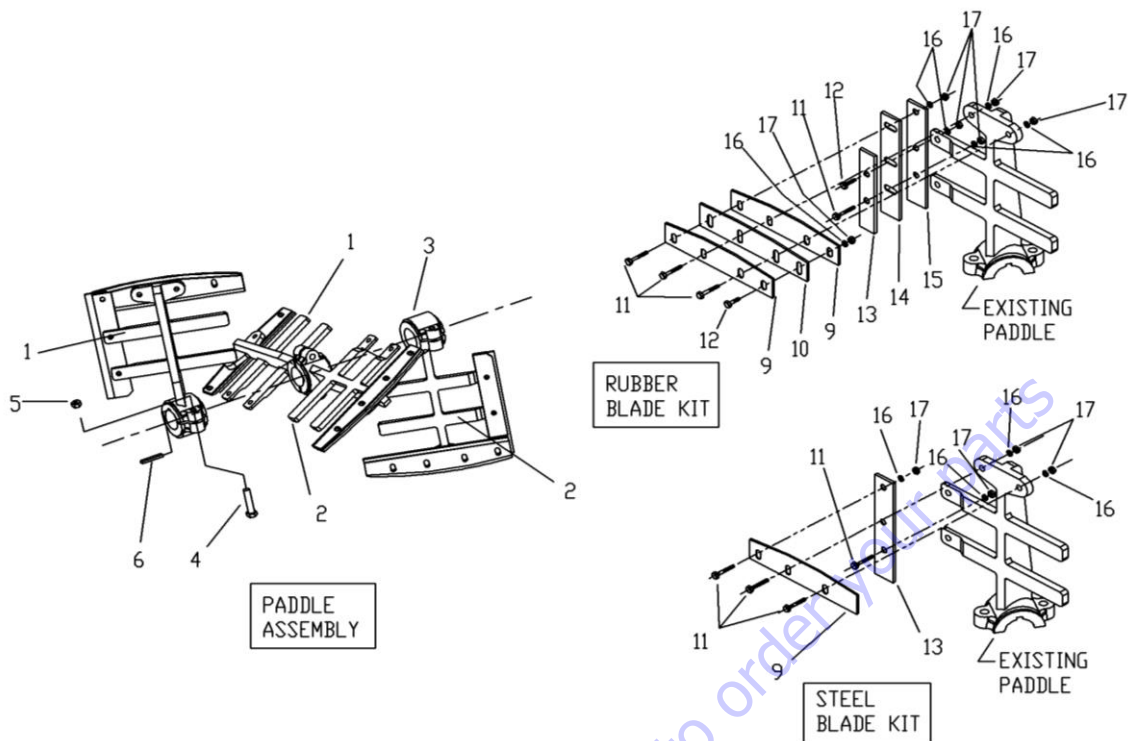
# SPIRAL



Ref	Part #	Description	12SH	S12SH	S16SH
1	702001	Spiral Kit with Main Shaft, S12SH (if your machine is before February 12, 2013)	*	1	*
	702082	Spiral Kit with Main Shaft, S16SH (if your machine is before February 12, 2013)	*	*	1
2	496242	Scraper S12S - S16S	*	2	2
3	702004	Bracket, Arm Right	*	1	1
4	702005	Spiral Link Plate	*	2	2
5	465004	Spiral Assembly S12SH without Main Shaft (if your machine is after February 12, 2013)	*	1	*
	465005	Spiral Assembly S16SH without Main Shaft (if your machine is after February 12, 2013)	*	*	1
6	120520	Bolt, HexHd, 1/2 x 3-1/2 (TOCD012312)	*	6	6
7	227854	Lock Nut, 1/2 (TCCS012GAL)	*	6	6
8	702098	Key, 3/8 x 2-3/4	*	4	4
9	226220	Bolt, HexHd, 3/8 x 1-1/4 (TOCD038114)	*	18	18
10	174986	Flat Washer, 3/8 (RNPX038GAL)	*	36	36
11	227830	Lock Nut, 3/8 (TCCS038GAL)	*	18	18
12	702003	Bracket, Arm Left	*	1	1

\*When ordering parts please always specify the model and serial number of the mixers as a reference.

# PADDLE - 610560

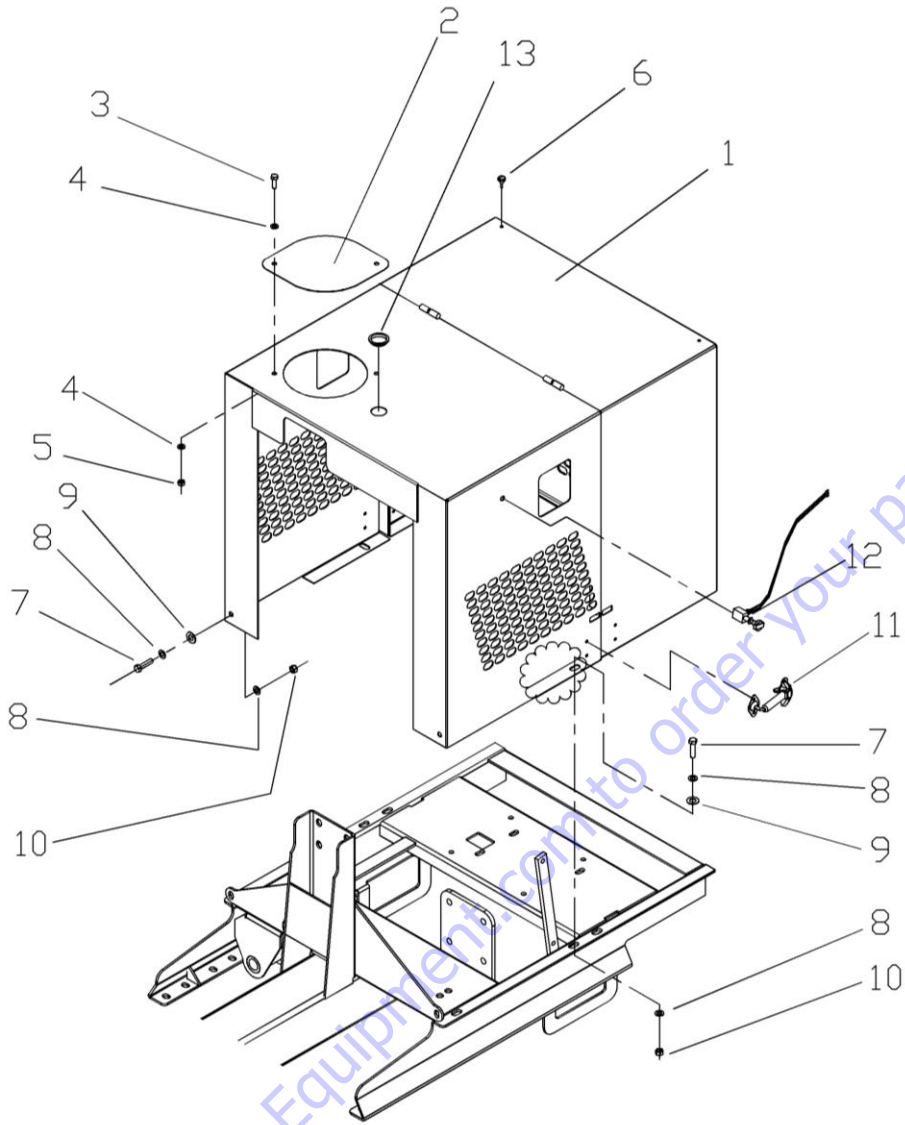


Ref	Part #	Description	12SH	S12SH	S16SH
Paddle Assembly 610560					
1	96125	Paddle LH	2	OPT	OPT
2	96124	Paddle RH	2	OPT	OPT
3	96126	Cap, Paddle	2	OPT	OPT
4	120520	Bolt, HexHd G5 PI 1/2 UNC x 3-1/2 (TOCD012312)	6	OPT	OPT
5	227854	Lock Nut, 1/2 (TCCS012GAL)	6	OPT	OPT
6	702098	Key 3/8 x 2-3/4	4	OPT	OPT
Rubber Blade Kit - 609804					
9	496097	Blade, Top	8	OPT	OPT
10	190973	Wiper, Top	4	OPT	OPT
11	226250	Bolt, HexHd, 3/8 x 2 (TOCD038200)	14	OPT	OPT
12	226230	Bolt, HexHd, 3/8 x 1-1/2 (TOCD038112)	6	OPT	OPT
13	496098	Blade, Side	2	OPT	OPT
14	190974	Wiper, Side	2	OPT	OPT
15	496099	Blade, Side	2	OPT	OPT
16	174986	Flat Washer, 3/8 (RNPX038GAL)	40	OPT	OPT
17	227830	Lock Nut, 3/8 (TCCS038GAL)	20	OPT	OPT
Steel Blade Kit - 609814					
9	496097	Blade, Top	4	OPT	OPT
11	226250	Bolt, HexHd, 3/8 x 2 (TOCD038200)	14	OPT	OPT
13	496098	Blade, Side	2	OPT	OPT
16	174986	Flat Washer, 3/8 (RNPX038GAL)	28	OPT	OPT
17	227830	Lock Nut, 3/8 (TCCS038GAL)	14	OPT	OPT

\*When ordering parts please always specify the model and serial number of the mixers as a reference.



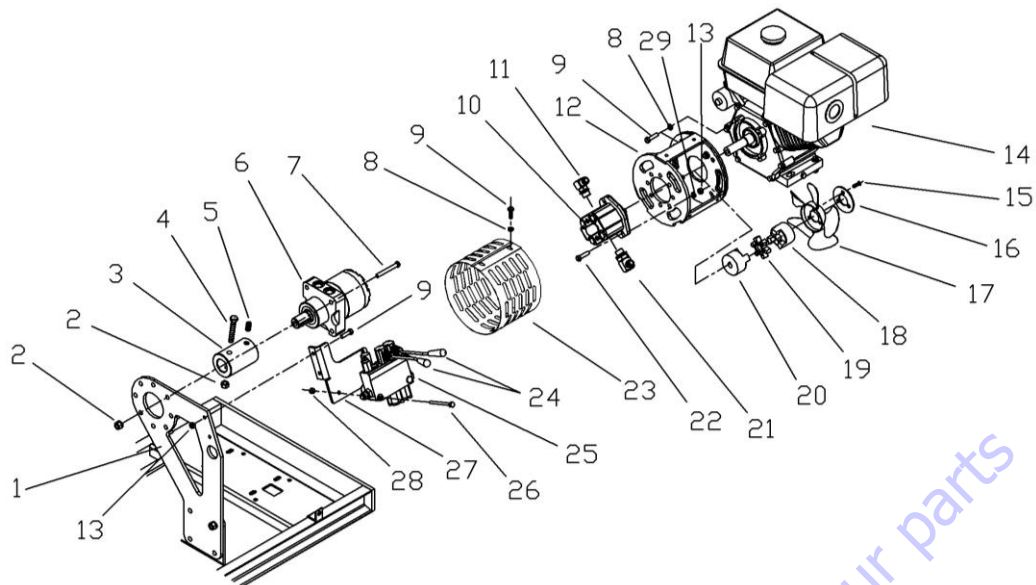
# HOOD



REF	Part #	Description	12SH	S12SH	S16SH
1	702006	Hyd. Hood (1013CO01GA) Starts from Serial No. 3A9S22M1XE1168001 Since November 27, 2014	1	1	1
	464735	Old Hood Assy	1	1	1
2	412825	Acces Cover	1	1	1
3	225980	Bolt, HexHd, 5/16 x 1 (TOCD056100)	2	2	2
4	174990	Flat Washer, 5/16 (RNPX056GAL)	4	4	4
5	227821	Lock Nut, 5/16 (TCCS056GAL)	2	2	2
6	201544	Rubber Bumper (0000RF01GA)	4	4	4
7	226230	Bolt, HexHd, 3/8 x 1-1/2 (TOCD038112)	4	4	4
8	174986	Flat Washer, 3/8 (RNPX038GAL)	8	8	8
9	174470	Flat Washer, 1/2 (RNPX012GAL)	4	4	4
10	227830	Lock Nut, 3/8 (TCCS038GAL)	4	4	4
11	701004	Hook (0000RF02GA)	2	2	2
12	701007	Complete, Push Stop (1000KI04GA)	1	1	1
13	701008	Snap (317333) (1000RF01GA)	1	1	1

\*When ordering parts please always specify the model and serial number of the mixers as a reference.

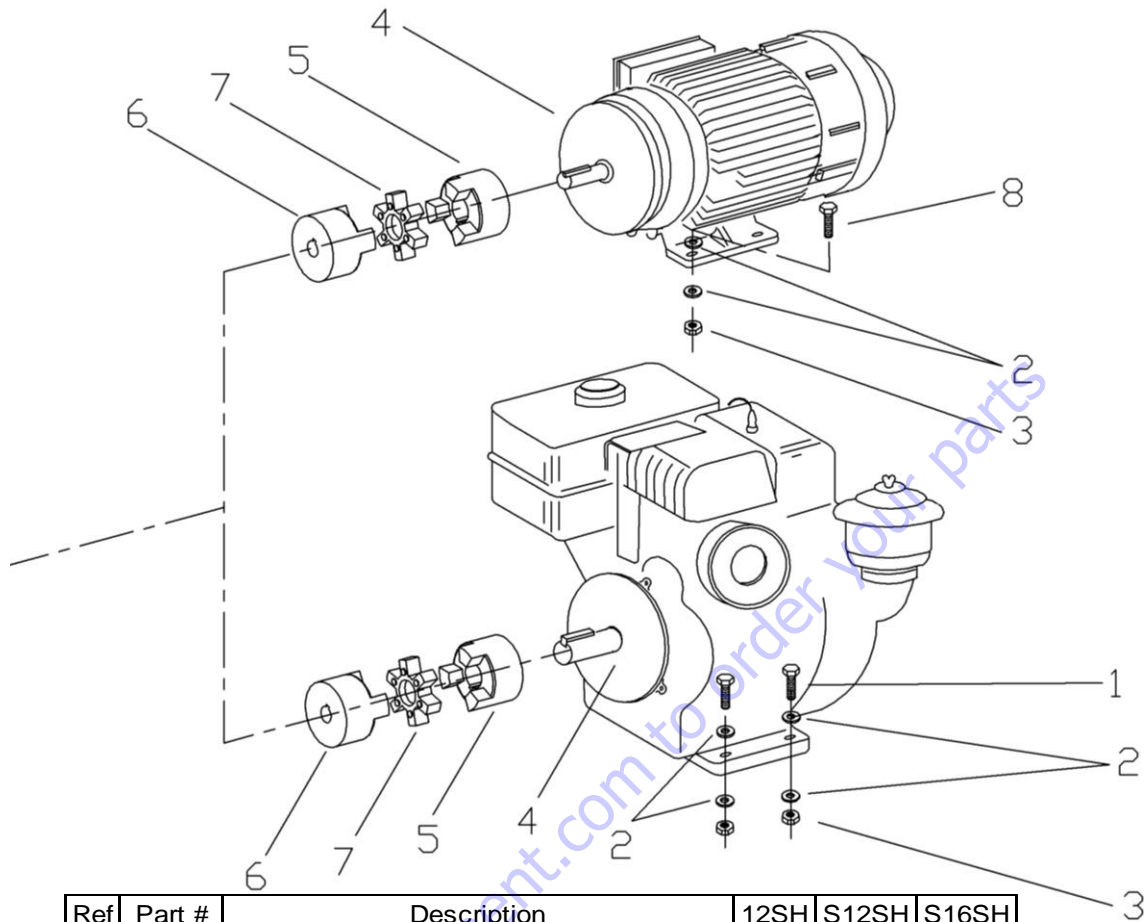
# DRIVE



Ref	Part #	Description	12SH	S12SH	S16SH
1	412810	Reaction Arm	1	1	1
2	227854	Nut, Hex Lock 1/2 (TCCS012GAL)	5	5	5
3	412814	Coupler, 1.5" W/P key	1	1	1
4	401006	Bolt 1/2 x 4 Gr5 (TOCD012400)	1	1	1
5	228028	Allen Screw, 5/16 x 3/8 (OPCR056038)	1	1	1
6	412950	Motor, Hyd 32.7 In3/Rev	1	1	1
7	226690	Bolt, HexHd, 1/2 x 2-1/2 (TOCD012212)	4	4	4
8	176230	Washer, Spring, 3/8 (RNRX038GAL)	6	6	6
9	226210	Bolt, HexHd, 3/8 x 1 (TOCD038100)	8	8	8
10	412927	Pump, Hyd. .366 In3 Rev, Gas Engine	a/r	a/r	a/r
	412928	Pump, Hyd. .659 In3 Rev, Elec Motor	a/r	a/r	a/r
11	412926	Adapter, 90°#10 ORB Male ~ #10 JIC	1	1	1
12	412800	Pump Mount W.A. ~ "A" Flange	1	1	1
	702008	Pump Mount W.A. Electric Motor (1017CO01PM)	1	1	1
13	227830	Nut, Hex, Lock 3/8 (TCCS038GAL)	4	4	4
14		Motor/Engine, See page 10	a/r	a/r	a/r
15	142532	SHCS 5/16 x 3/4, CSK	3	3	3
16	412815	Fan Collar, 2" BCD	1	1	1
17	412851	Fan, 8" CCW	1	1	1
18		Coupler, See page 10			
19		Insert, See page 10			
20		Coupler, See page 10			
21	412920	Adapter, 90°#12 ORB Male ~ #10 JIC	1	1	1
22	226250	Bolt, HexHd, 3/8 x 2 (TOCD038200)	2	2	2
23	412820	Guard, 9" Dia	1	1	1
	702009	Guard, Electric Motor (1017LA01PM)	1	1	1
24	485704	Lever, Valve Control	2	2	2
25	412914	Valve, 2 Spool Press Comp	1	1	1
26	701009	Bolt, HexHd, 5/16 x 3 (TOCD056300)	2	2	2
27	412818	Valve mounting Bracket	1	1	1
28	227821	Nut, Lock 5/16 (TCCS056GAL)	2	2	2
29	174986	Washer, Plain 3/8"	4	4	4

\*When ordering parts please always specify the model and serial number of the mixers as a reference.

# OPTIONS



Ref	Part #	Description	12SH	S12SH	S16SH
1	226240	Bolt, HexHd, 3/8 x 1-3/4 (TOCD038134)	4	4	4
2	174986	Washer, Plain 3/8 (RNRX038GAL)	8	8	8
3	227830	Nut, Hex, Lock, 3/8 (TCCS038GAL)	4	4	4
4	202020	Eng. Hon, 13Hp, GX390K1QA6	1	1	1
5	412856	Coupler, L100 x 1" Dia.	1	1	1
4	219991	Motor, 5 Hp, 1-115/230, Ext Shaft	1	1	*
5	412859	Coupler, L100 x 1.125" Dia.	1	1	*
4	219993	Motor, 7.5 Hp, 3-575, Ext Shaft, 1" C Fl	1	1	1
5	412871	Coupler, L100 x 1.375" Dia.	1	1	1
4	219999	Motor, 7.5 Hp, 1-115/230, 1" C Flg	1	1	1
5	412871	Coupler, L100 x 1.375" Dia.	1	1	1
4	220000	Motor, 7.5 Hp, 3-239/460, Ext Shaft	1	1	1
5	412871	Coupler, L100 x 1.375" Dia.	1	1	1
6	412853	Coupler, L100 x 5/8" Dia. Elec Motor	1	1	1
	702007	Coupler, L100 x 3/4" Dia. Gas Engine	1	1	1
7	412854	Insert, L099-100U Blue	1	1	1
8	226210	Bolt, HexHd, 3/8 x 1 (TOCD038100)	4	4	4

\*When ordering parts please always specify the model and serial number of the mixers as a reference.



# HYDRAULIC HOSES & FITTINGS

Part	Description	Qty	Location
412858	Detent Kit	1	Valve
412903	Hose, 3/4 x 16" #10 JIC ~ #10 JIC	1	Reservoir To Pump Btm
412904	Hose, 1/2 x 18" #10 JIC ~ #10 JIC	1	Valve To Pump - Side
412905	Hose, 3/8 x 72" #6 JIC ~ #6 JIC	2	Valve To Cylinder
412906	Hose, 1/2 x 24" #10 JIC ~ #10 JIC	2	Valve To Motor
412907	Hose, 1/2 x 18" #8 JIC ~ #8 JIC	2	Cooler To Valve & Filter
412909	Adapter, 90° #4 NPT ~ #6 JIC	2	Cylinder Valve
412910	Adapter, #8 ORB ~ #10 JIC	2	Valve
412911	Adapter, #12 ORB ~ #8 JIC	1	Valve
412912	Adapter, 45° #8 NPT ~ #8 JIC	1	Filter
412913	Adapter, 45° #8 NPT ~ #10 JIC	1	Reservoir ~ Btm
412916	Adapter, #8 ORB ~ #6 JIC	2	Valve
412917	Adapter, Plug #10	1	Valve
412918	Adapter, Plug #8	1	Valve
412919	Adapter, 90° #8 JIC Fern ~ #8 JIC Male	2	Filter
412922	Adapter, 45° #10 ORB ~ #10 JIC	2	Hyd. Motor (pdl/spri shft)
412925	Adapter, Hyd #8 ORB ~ #8 JIC	1	Valve
412932	Ftg, Plug, #8 NPT	2	Reservoir
485104	Adapter, 90° #10 JIC Fern ~ #10 JIC Male	1	Valve
485115	Screen, Sucton - 100 Mesh 1" NPT	1	Reservoir

\*When ordering parts please always specify the model and serial number of the mixers as a reference.



# PARTS FINDER

**Search Website  
by Part Number**



**Search Manual  
Library For Parts  
Manual & Lookup Part  
Numbers – Purchase  
or Request Quote**

**Search Manuals**

Enter your information to search for manuals and parts.

\* Brand:

\* Model:

\* Serial:

\* Part Number:

SEARCH

**Can't Find Part or  
Manual? Request Help  
by Manufacturer,  
Model & Description**

**Parts Order Form**

Please fill in the following information:

Manufacturer:

Model:

Description:

Quantity:

Part Number:

Part Name:

Part Description:

Part Location:

Part Condition:

Part Status:

Part Price:

Part Weight:

Part Dimensions:

Part Material:

Part Color:

Part Finish:

Part Notes:

Submit

Discount-Equipment.com is your online resource for quality parts & equipment.

Florida: **561-964-4949** Outside Florida TOLL FREE: **877-690-3101**

**Need parts?**

Click on this link: <http://www.discount-equipment.com/category/5443-parts/> and choose one of the options to help get the right parts and equipment you are looking for. Please have the machine model and serial number available in order to help us get you the correct parts. If you don't find the part on the website or on once of the online manuals, please fill out the request form and one of our experienced staff members will get back to you with a quote for the right part that your machine needs.

We sell worldwide for the brands: Genie, Terex, JLG, MultiQuip, Mikasa, Essick, Whiteman, Mayco, Toro Stone, Diamond Products, Generac Magnum, Airman, Haulotte, Barreto, Power Blanket, Nifty Lift, Atlas Copco, Chicago Pneumatic, Allmand, Miller Curber, Skyjack, Lull, Skytrak, Tsurumi, Husquvarna Target, , Stow, Wacker, Sakai, Mi-T- M, Sullair, Basic, Dynapac, MBW, Weber, Bartell, Bennar Newman, Haulotte, Ditch Runner, Menegotti, Morrison, Contec, Buddy, Crown, Edco, Wyco, Bomag, Laymor, Barreto, EZ Trench, Bil-Jax, F.S. Curtis, Gehl Pavers, Heli, Honda, ICS/PowerGrit, IHI, Partner, Imer, Clipper, MMD, Koshin, Rice, CH&E, General Equipment, ,AMida, Coleman, NAC, Gradall, Square Shooter, Kent, Stanley, Tamco, Toku, Hatz, Kohler, Robin, Wisconsin, Northrock, Oztec, Toker TK, Rol-Air, Small Line, Wanco, Yanmar



[www.Discount-Equipment.com](http://www.Discount-Equipment.com)

Go to [Discount-Equipment.com](http://Discount-Equipment.com) to order your parts