

Allmand™

Brighter. Warmer. Safer.

Portable
Industrial
Heaters

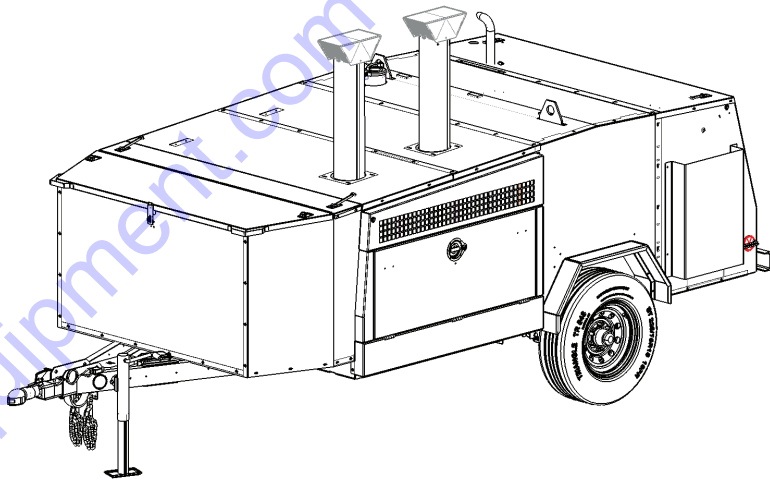
Portable
Light Towers

Portable
Light Stands

Solar Flashing
Arrow Boards



(en) Parts Manual
MAXI-HEAT® MH500iQ™



www.discount-equipment.com

Copyright © 2016 Allmand Bros., Inc.
Holdrege, NE, USA. All rights reserved.

Part No.: 107067
Revision: B

PARTS FINDER

**Search Website
by Part Number**



**Search Manual
Library For Parts
Manual & Lookup Part
Numbers – Purchase
or Request Quote**

Search Manuals

Enter your information to help us find the right parts manual for your machine.

* Brand:

* Model:

* Serial:

* Part Number:

SEARCH

**Can't Find Part or
Manual? Request Help
by Manufacturer,
Model & Description**

Parts Order Form

Please fill in the following information to help us find the right part for your machine.

Manufacturer:	<input type="text"/>
Model:	<input type="text"/>
Description:	<input type="text"/>
Part Number:	<input type="text"/>
Quantity:	<input type="text"/>
Notes:	<input type="text"/>

Submit

Discount-Equipment.com is your online resource for quality parts & equipment.

Florida: **561-964-4949** Outside Florida TOLL FREE: **877-690-3101**

Need parts?

Click on this link: <http://www.discount-equipment.com/category/5443-parts/> and choose one of the options to help get the right parts and equipment you are looking for. Please have the machine model and serial number available in order to help us get you the correct parts. If you don't find the part on the website or on one of the online manuals, please fill out the request form and one of our experienced staff members will get back to you with a quote for the right part that your machine needs.

We sell worldwide for the brands: Genie, Terex, JLG, MultiQuip, Mikasa, Essick, Whiteman, Mayco, Toro Stone, Diamond Products, Generac Magnum, Airman, Haulotte, Barreto, Power Blanket, Nifty Lift, Atlas Copco, Chicago Pneumatic, Allmand, Miller Curber, Skyjack, Lull, Skytrak, Tsurumi, Husquvarna Target, Stow, Wacker, Sakai, Mi-T-M, Sullair, Basic, Dynapac, MBW, Weber, Bartell, Bennar Newman, Haulotte, Ditch Runner, Menegotti, Morrison, Contec, Buddy, Crown, Edco, Wyco, Bomag, Laymor, EZ Trench, Bil-Jax, F.S. Curtis, Gehl Pavers, Heli, Honda, ICS/PowerGrit, IHI, Partner, Imer, Clipper, MMD, Koshin, Rice, CH&E, General Equipment, Amida, Coleman, NAC, Gradall, Square Shooter, Kent, Stanley, Tamco, Toku, Hatz, Kohler, Robin, Wisconsin, Northrock, Oztec, Toker TK, Rol-Air, APT, Wylie, Ingersoll Rand / Doosan, Innovatech, Con X, Ammann, Mecalac, Makinex, Smith Surface Prep, Small Line, Wanco, Yanmar

TABLE OF CONTENTS

1.0 TRAILER PARTS

Electric Brake Axle and Trailer Frame	(1.1)
Electric Brake Breakaway	(1.2)
Bulldog Hitch	(1.3)
Trailer Base Parts Group	(1.4)
Trailer Base Parts FCS Group	(1.5)
FCS Containment Tray Install Group	(1.6)
Left Door Group	(1.7)
Right Door Group	(1.8)
Fender	(1.9)
FCS Fender	(1.10)
Duct Box Group	(1.11)

2.0 BATTERY/FUEL TANK/ENGINE PARTS

Battery and Battery Cables	(2.1)
Non-FCS Battery Tray Install Group	(2.2)
Steel Fuel Tank Group	(2.3)
Double Wall Steel Fuel Tank Group	(2.4)
Poly Fuel Tank Group	(2.5)
Poly Fuel Tank Muffler Shield	(2.6)
Engine Isolator Mounts	(2.7)

3.0 CAT ENGINE AND GENERATOR GROUP

CAT C1.5 Engine Install Group	(3.1)
CAT Control Box Group	(3.2)
CAT C1.5 Block Heater	(3.3)
CAT C1.5 FCS Muffler Install Group	(3.4)
CAT C1.5 FCS Remote Oil Drain Group	(3.5)
CAT C1.5 FCS Fuel Filter Group	(3.6)
CAT Stamford 9kW Generator	(3.7)
CAT C1.5 Shocker Valve Group	(3.8)

TABLE OF CONTENTS

4.0 ISUZU ENGINE AND GENERATOR GROUP

Isuzu 3CE1 T4F Engine Install Group	(4.1)
Isuzu Control Box Group	(4.2)
Isuzu 3CE1 Block Heater	(4.3)
Isuzu 3CE1 FCS Muffler Install Group	(4.4)
Isuzu 3CE1 FCS Remote Oil Drain Group	(4.5)
Isuzu 3CE1 FCS Filter Deflector Group	(4.6)
Isuzu Stamford 9kW Generator	(4.7)
Isuzu 3CE1 Shocker Valve Group (Option)	(4.8)

5.0 MH500iQ HEATING UNIT PARTS

MH500iQ Install Group	(5.1)
MH500iQ Fuel/Water Separator Install Group	(5.2)
MH500iQ FCS Fuel/Water Separator Install Group	(5.3)
MH500iQ Junction Box Install Group	(5.4)
MH500iQ Junction Box	(5.5)
MH500iQ Heating Unit	(5.6)
MH500iQ Burner	(5.7)
MH500iQ Control Box	(5.8)
MH500iQ Strap and Clamp Ducting Group	(5.9)
MH500iQ Connecting Band Ducting Group	(5.10)

6.0 ELECTRICAL PARTS AND ACCESSORIES

Outlet Box Group	(6.1)
Tail Light and License Plate Bracket	(6.2)
Vin Package Group	(6.3)
ZTR GPS System	(6.4)
Smoke Spot Tester	(6.5)

TABLE OF CONTENTS

7.0 MAXI-HEAT MH500iQ DECALS

MH500iQ Right Side Decals	(7.1)
MH500iQ Left Side Decals	(7.2)
MH500iQ Roof Decals	(7.3)
MH500iQ Rear Decals	(7.4)
MH500iQ Rear Door Decals	(7.5)
MH500iQ Left Door Decals	(7.6)
MH500iQ Junction Box Decals	(7.7)
MH500iQ Breaker Box Decals	(7.8)
MH500iQ Control Box and Non-FCS Battery Decals	(7.9)
MH500iQ FCS Decals	(7.10)
MH500iQ Poly Fuel Tank Decals	(7.11)
MH500iQ Steel Fuel Tanks Decals	(7.12)
MH500iQ CSA Roof and Right Side Decals	(7.13)
MH500iQ CSA Rear Door Decals	(7.14)
MH500iQ CSA Left Door and Junction Box Decals	(7.15)
MH500iQ CSA Breaker Box and Battery Decals	(7.16)
MH500iQ Wordless Roof and Right Side Decals	(7.17)
MH500iQ Wordless Rear Door Decals	(7.18)
MH500iQ Wordless Left Door and Junction Box Decals	(7.19)
MH500iQ Wordless Breaker Box and Steel Tank Decals	(7.20)

8.0 MAXI-HEAT MH500iQ WIRING SCHEMATICS

Generator to Plug-In Wire Schematic	(8.1)
Plug-In Enclosure Wire Schematic	(8.2)
12V Work Lights Wire Schematic	(8.3)
CAT C1.5 Wire Schematic	(8.4)
Isuzu 3CE1 Wire Schematic	(8.5)
Fuel Level Senders Poly Tank Wire Schematic	(8.6)
Fuel Level Sender Steel Tank Wire Schematic	(8.7)
GPS ZTR System Wire Schematic	(8.8)

TABLE OF CONTENTS

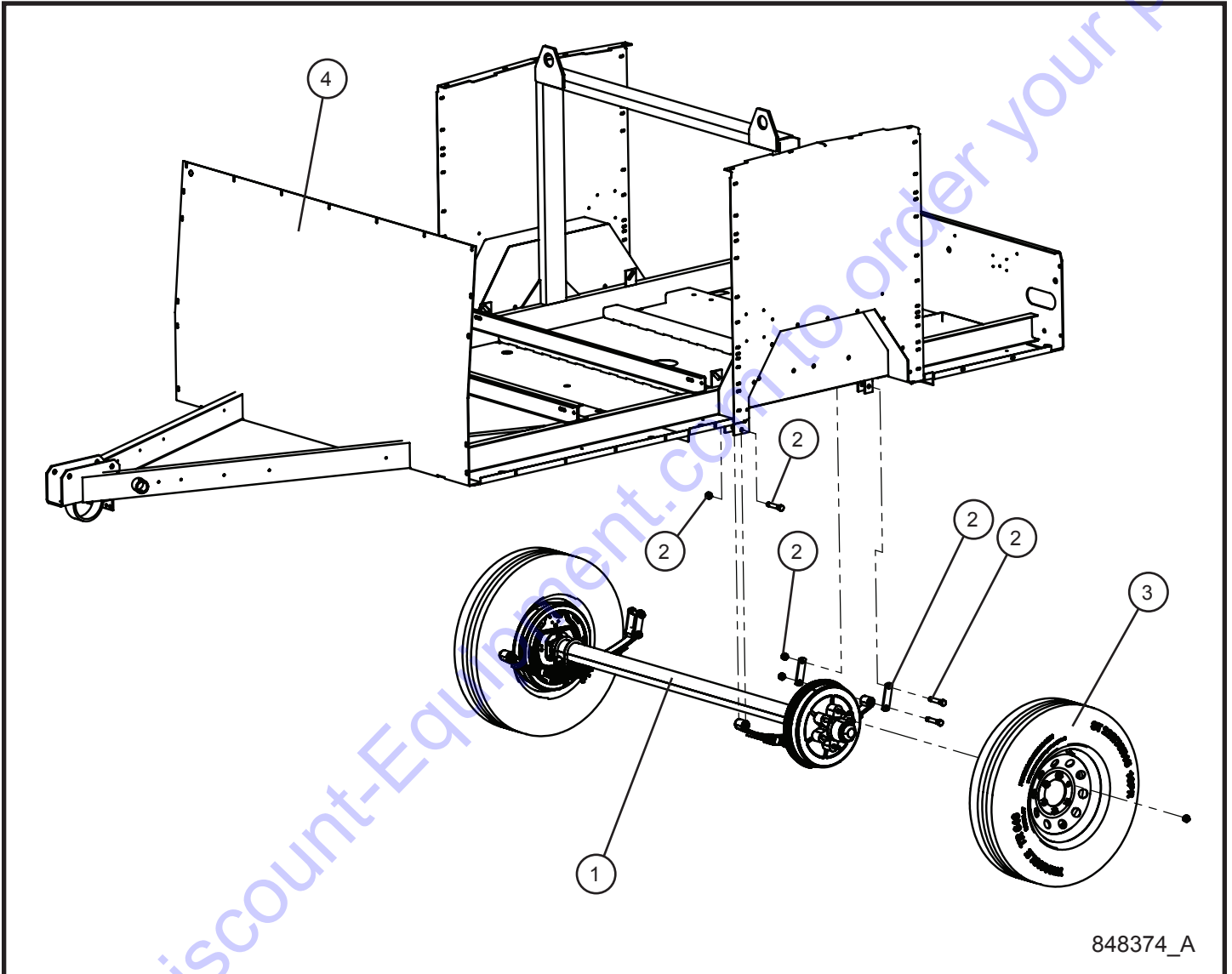
8.0 MAXI-HEAT MH500iQ WIRING SCHEMATICS (Continued)

Shocker Valve Harness Wire Schematic	(8.9)
Tail Light Harness Wire Schematic	(8.10)
License Plate Lamp Wire Schematic	(8.11)

Go to Discount-Equipment.com to order your parts

1.1 - Electric Brake Axle and Trailer Frame

SN 0001MH16 and UP



848374_A

Maxi-Heat® MH500iQ™

1.1 - Electric Brake Axle and Trailer Frame

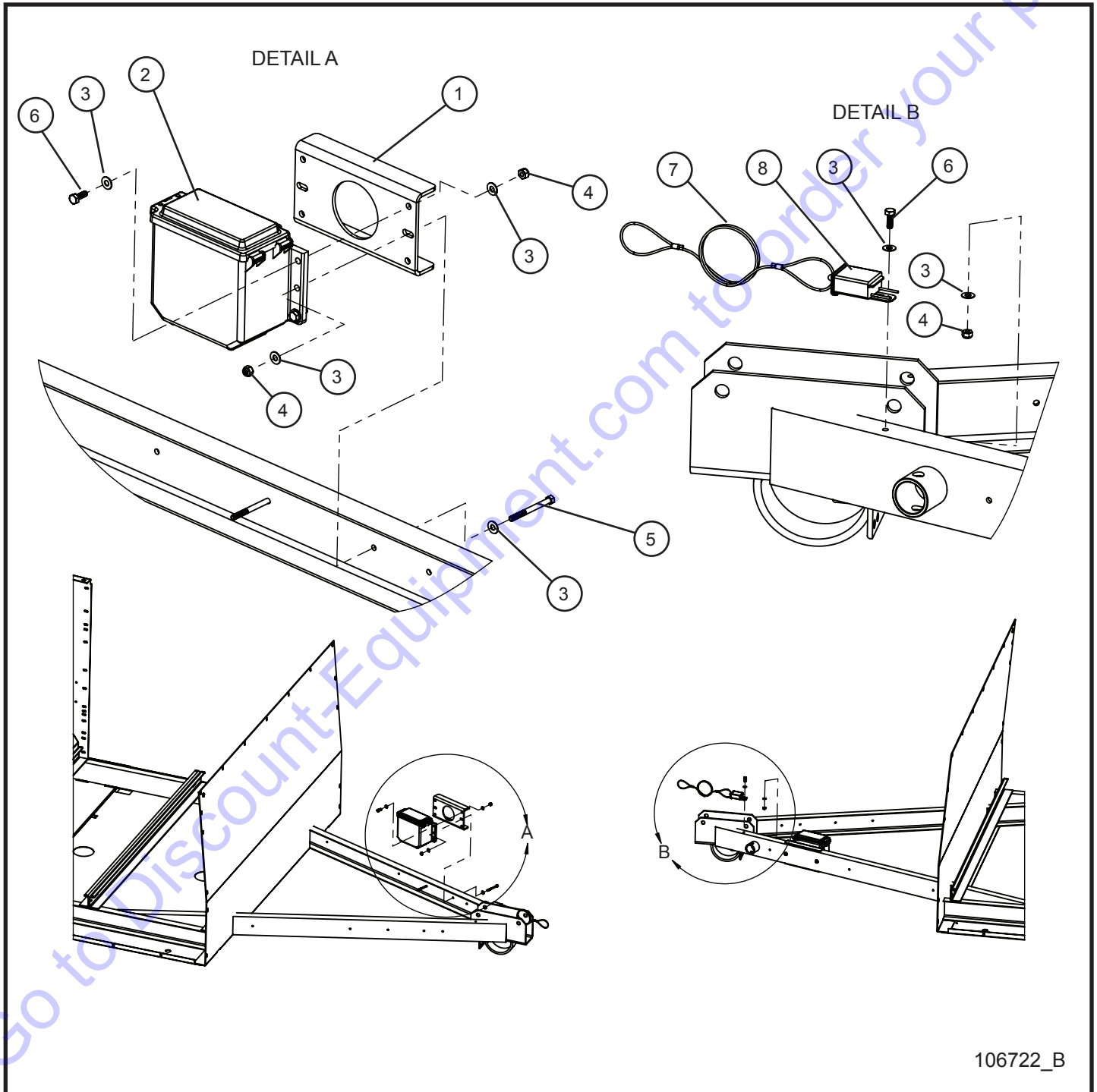
SN 0001MH16 and UP

Item	Part No.	Part Description	Qty.
1	830007	AXLE ELECTRIC BRAKE 6000 LBS. 70-7/8"/56"	1
2	102204	AXLE HARDWARE KIT	1
3	104925	15" TIRE WHEEL	2
	108296	16" TIRE WHEEL (FCS)	2
4	106735P	MH500iQ TRAILER FRAME	1
	108370P	MH500iQ (FCS) TRAILER FRAME	1

Go to Discount-Equipment.com to order your parts

1.2 - Electric Brake Breakaway

SN 0001MH16 and UP



106722_B

Maxi-Heat® MH500iQ™

1.2 - Electric Brake Breakaway

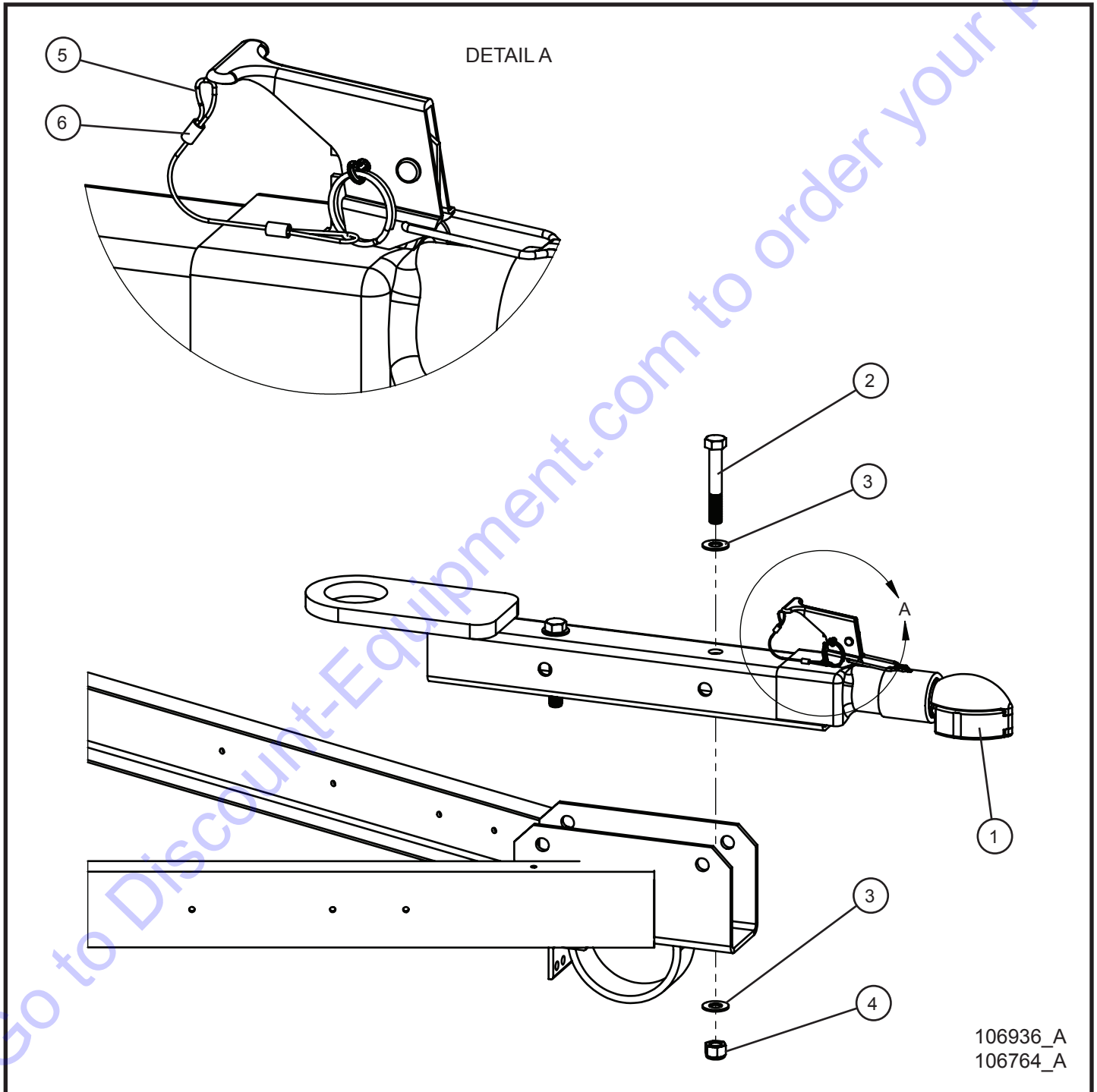
SN 0001MH16 and UP

Item	Part No.	Part Description	Qty.
1	106723P	BRACKET BREAKAWAY	1
2	107147	BREAKAWAY KIT ASSEMBLY	1
	106578	BREAKAWAY KIT ELECTRIC BRAKES	1
3	047009	1/4 FLAT WASHER SAE SS	14
4	044023	1/4-20 NYLOCK HEX NUT PL	7
5	046037	1/4-20 x 2 3/4 HEX HEAD CS GR5 PL	2
6	046010	1/4-20 x 3/4 HEX HEAD CS GR5 SS	5
7	107102	BREAKAWAY KIT REPLACEMENT PIN	1
8	107103	BREAKAWAY KIT REPLACEMENT RECEPTACLE	1

Go to Discount-Equipment.com to order your parts

1.3 - Bulldog Hitch

SN 0001MH16 and UP



Maxi-Heat® MH500iQ™

1.3 - Bulldog Hitch

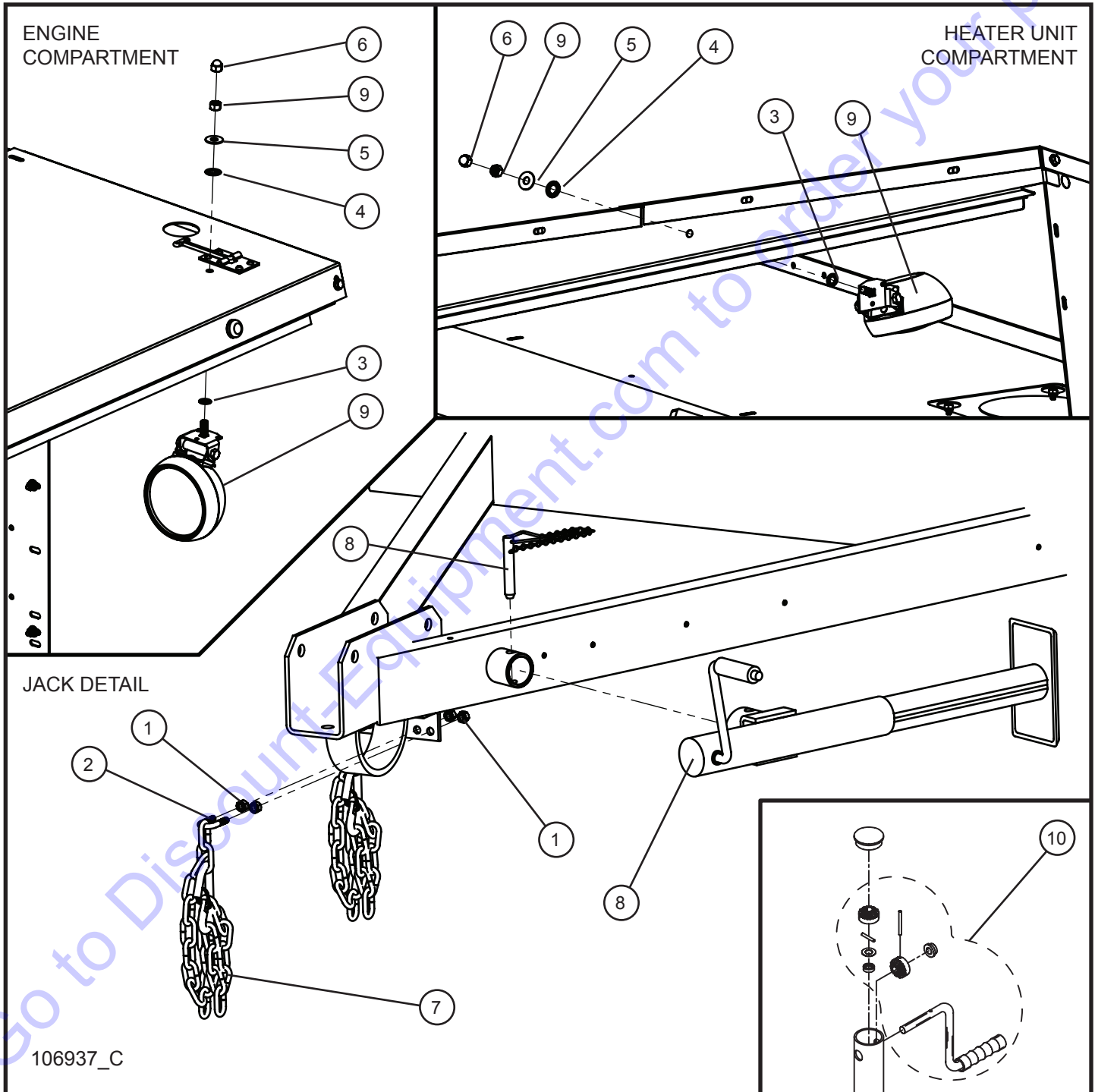
SN 0001MH16 and UP

Item	Part No.	Part Description	Qty.
1	102693P	HITCH COMBO 2-5/16" BULLDOG	1
	330016P	HITCH COMBO 2" BULLDOG	1
2	046248	5/8-11 x 4 HEX HEAD CS GR8 PL	2
3	047030	5/8 FLAT WASHER PL	4
4	044053	5/8-11 NYLOCK HEX NUT PL	2
5	021005	STEEL CABLE 1/16 x 9.0 GALVANIZED	1
6	022115	PARALLEL SPLICE NON INSULATED	2

Go to Discount-Equipment.com to order your parts

1.4 - Trailer Base Parts Group (1 of 5)

SN 0001MH16 and UP



Maxi-Heat® MH500iQ™

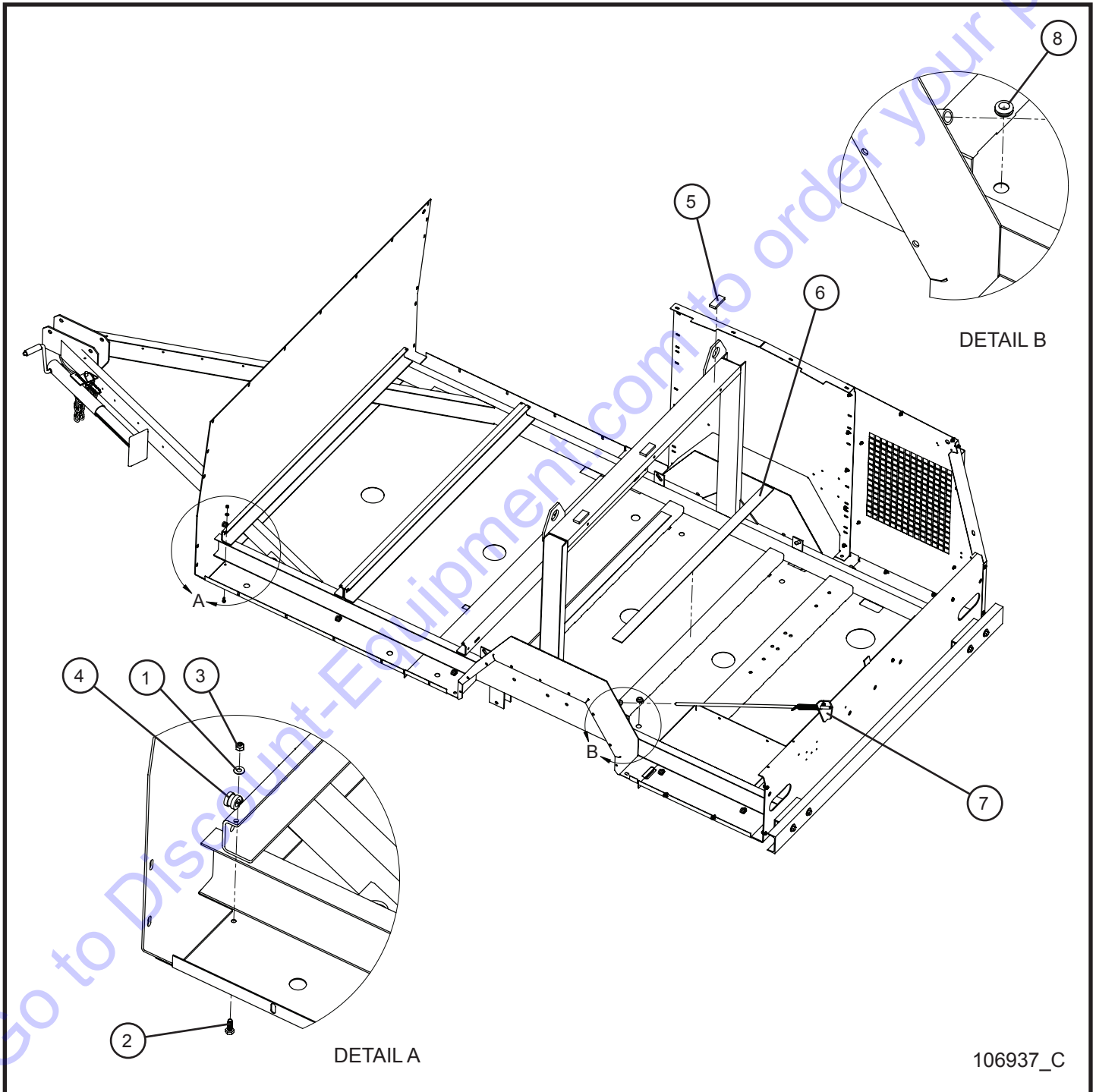
1.4 - Trailer Base Parts Group (1 of 5)

SN 0001MH16 and UP

Item	Part No.	Part Description	Qty.
1	044035	NUT HEX 3/8-16 ZINC	8
2	045085	3/8-16 U BOLT	2
3	043070	3/8 INT'L TOOTHLOCK WASHER PL	2
4	043090	1/2 INT'L TOOTHLOCK WASHER ZINC	2
5	047015	3/8 FLAT WASHER PL	2
6	044132	3/8-16 HEX ACORN NUT PL	2
7	049038	SAFETY CHAIN SINGLE CLASS IV	2
8	330011	SIDE CRANK JACK	1
9	352151	WORK LAMP 35 WATT / 12V	2
10	107299	JACK SIDE CRANK HANDLE AND GEAR KIT	1
NS	106863	WIRE SCHEMATIC 12V WORK LIGHTS	1
NS	106343	WORK LAMP HARNESS	1

1.4 - Trailer Base Parts Group (2 of 5)

SN 0001MH16 and UP



106937_C

Maxi-Heat® MH500iQ™

1.4 - Trailer Base Parts Group (2 of 5)

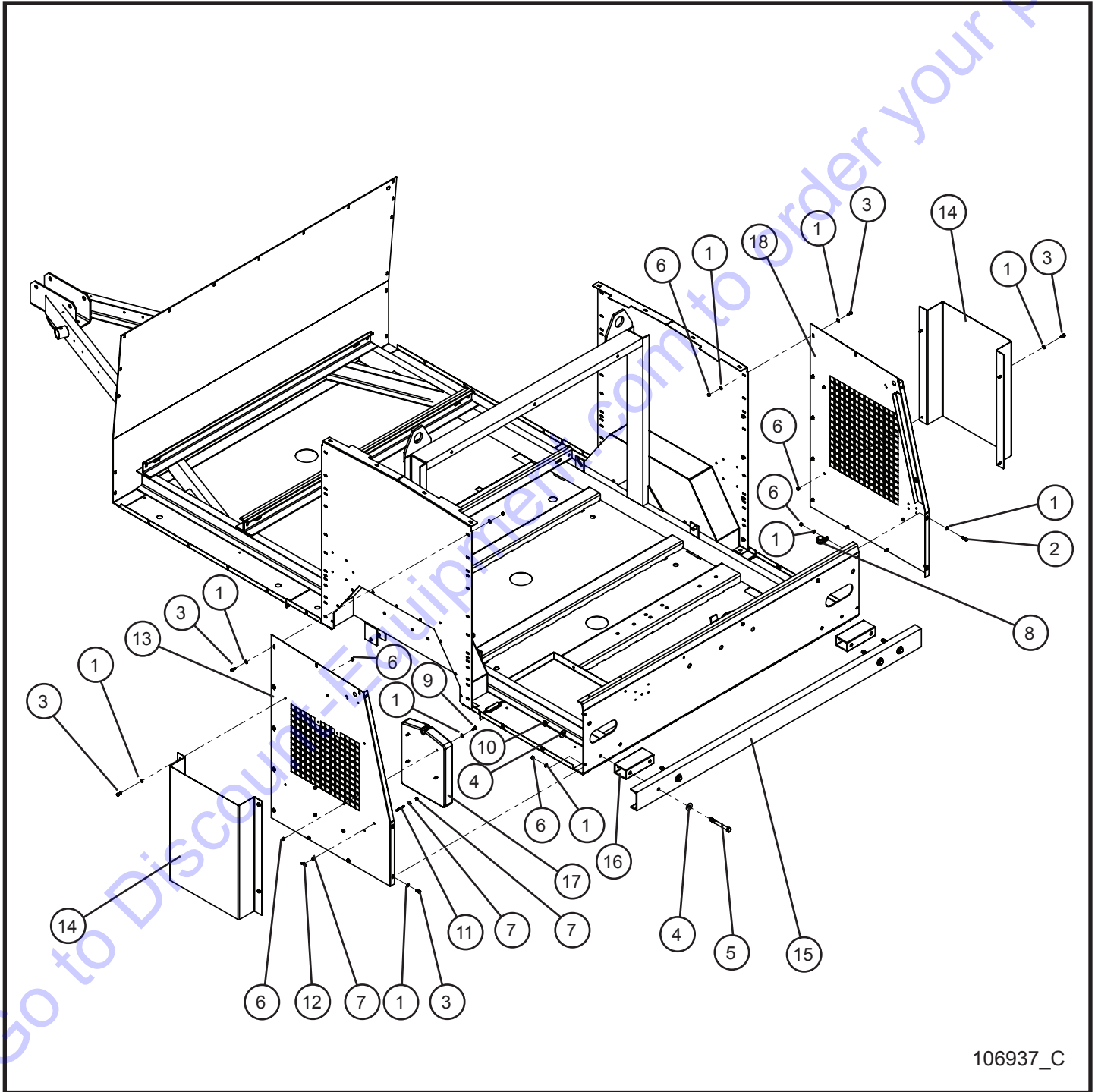
SN 0001MH16 and UP

Item	Part No.	Part Description	Qty.
1	047009	1/4 FLAT WASHER SAE	5
2	046010	1/4-20 x 3/4 HEX HEAD CS GR5 SS	5
3	044023	1/4-20 NYLOCK HEX NUT PL	5
4	310212	#10 CUSH CLAMP 1/4 HOLE	5
5	030007	FOAM RUBBER ADHESIVE TAPE x 3.0	3
6	030010	RUBBER SEAL 1/8 x 2 x 48.0	2
7	340058	GROUND ROD ASSEMBLY	1
8	711028	7/8 RUBBER GROMMET	1

Go to Discount-Equipment.com to order your parts

1.4 - Trailer Base Parts Group (3 of 5)

SN 0001MH16 and UP



106937_C

Maxi-Heat® MH500iQ™

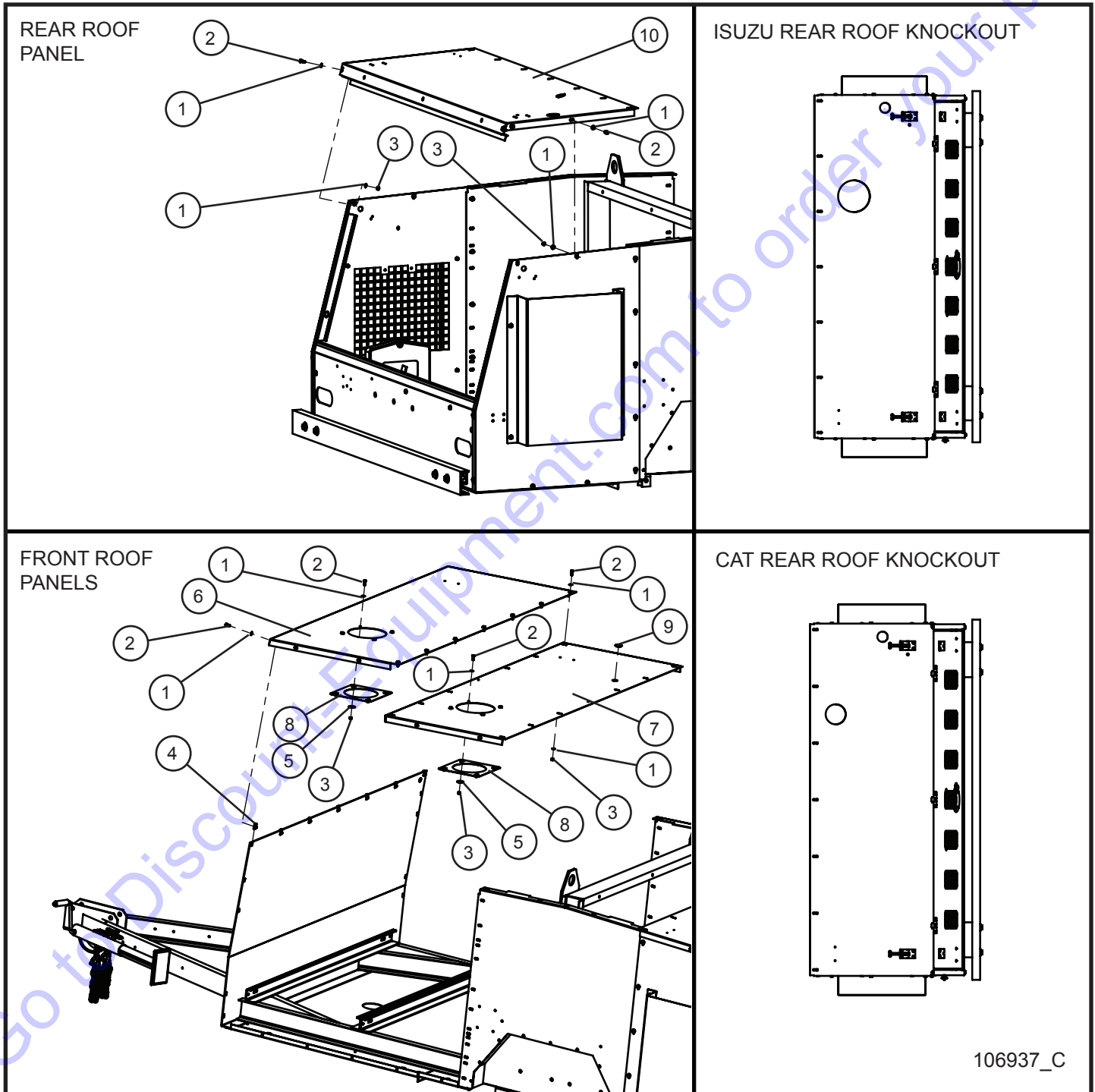
1.4 - Trailer Base Parts Group (3 of 5)

SN 0001MH16 and UP

Item	Part No.	Part Description	Qty.
1	047009	1/4 FLAT WASHER SAE SS	48
2	046015	1/4-20 x 1 HEX HEAD CS GR5 PL	1
3	046010	1/4-20 x 3/4 HEX HEAD CS GR5 SS	25
4	047102	1/2 FLAT WASHER SS	8
5	046225	1/2-13 x 4 1/2 HEX HEAD CS GR5 PL	4
6	044023	1/4-20 NYLOCK HEX NUT PL	30
7	044021	1/4-20 KEPS HEX NUT PL	3
8	022027	#16 CLAMP CUSH 1/4 HOLE	1
9	041050	1/4-20 x 3/4 PH-TRUSS HEAD MS SS MACHINE SCREW	4
10	044049	1/2-13 NYLOCK HEX NUT SS	4
11	045004	1/4-20 x 2 STUD PL	1
12	330494	NUT WING 1/4-20 PL	1
13	800230P	LEFT REAR PANEL MAXI HEAT	1
14	800231P	AIR INTAKE COVER PANEL MAXI HEAT	2
15	830130P	BUMPER REAR MAXI HEAT	1
16	466084P	BUMPER SPACER MAXI HEAT	2
17	848412	STORAGE BOX OPS MANUAL MAXI HEAT	1
18	101237P	AIR INLET PANEL C1.5 MAXI HEAT	1

1.4 - Trailer Base Parts Group (4 of 5)

SN 0001MH16 and UP



106937_C

Maxi-Heat® MH500iQ™

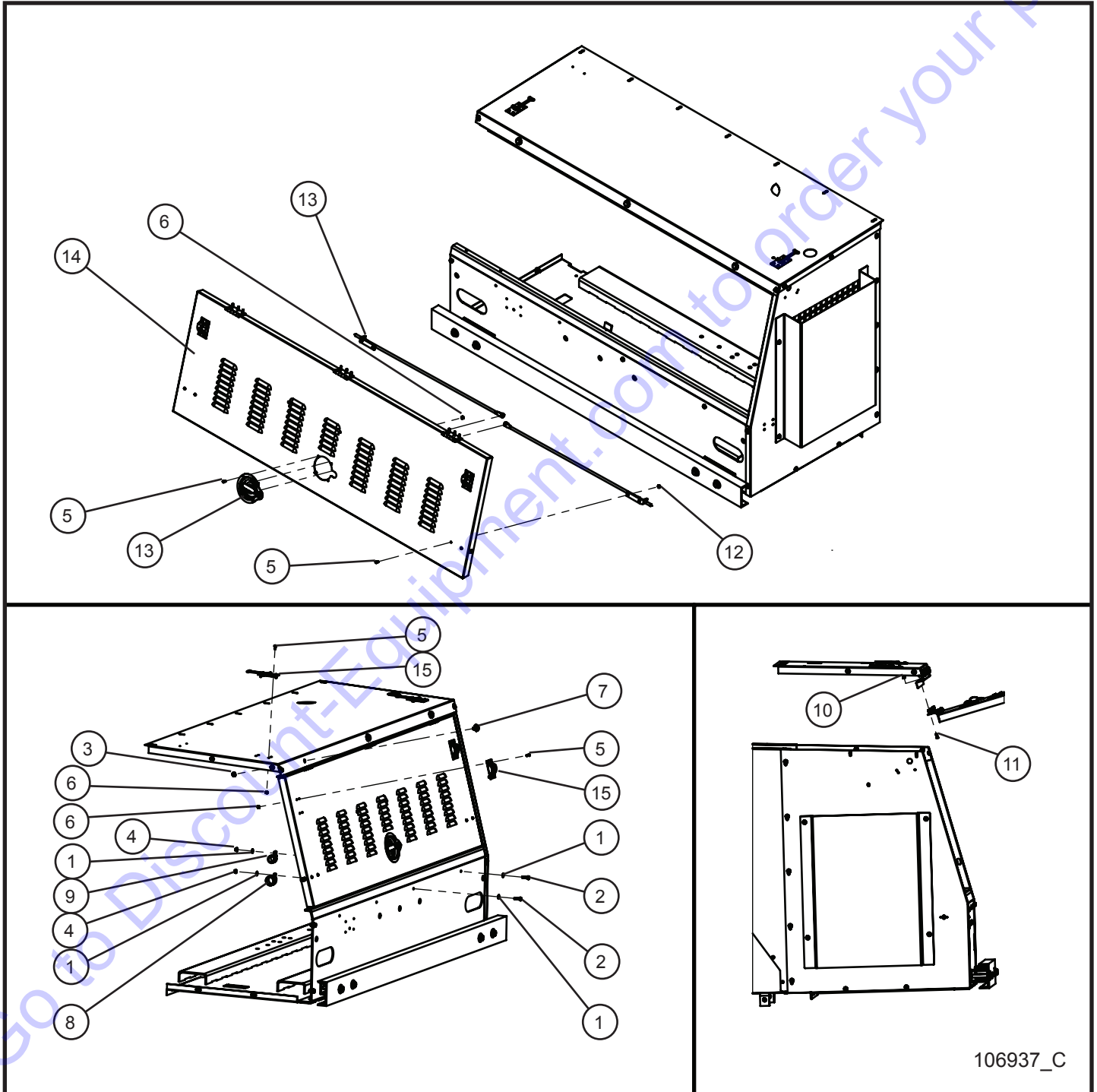
1.4 - Trailer Base Parts Group (4 of 5)

SN 0001MH16 and UP

Item	Part No.	Part Description	Qty.
1	047009	1/4 FLAT WASHER SAE SS	26
2	046010	1/4-20 x 3/4 HEX HEAD CS GR5	26
3	044023	1/4-20 NYLOCK HEX NUT PL	19
4	044106	1/4-20 TINNERMAN NUT	7
5	047007	1/4 x 1 1/4 x .056 FENDER WASHER	8
6	849054P	FRONT ROOF PANEL MAXI HEAT	1
7	849055P	MID FRONT ROOF PANEL MAXI HEAT	1
8	104873P	CHIMNEY VENT GRAB	2
9	103948	1" PLUG FLUSH MOUNT	1
10	101239P	REAR ROOF PANEL MAXI HEAT	1
11	848006	FOAM RUBBER .38 x .25 x 1.50	2

1.4 - Trailer Base Parts Group (5 of 5)

SN 0001MH16 and UP



106937_C

Maxi-Heat® MH500iQ™

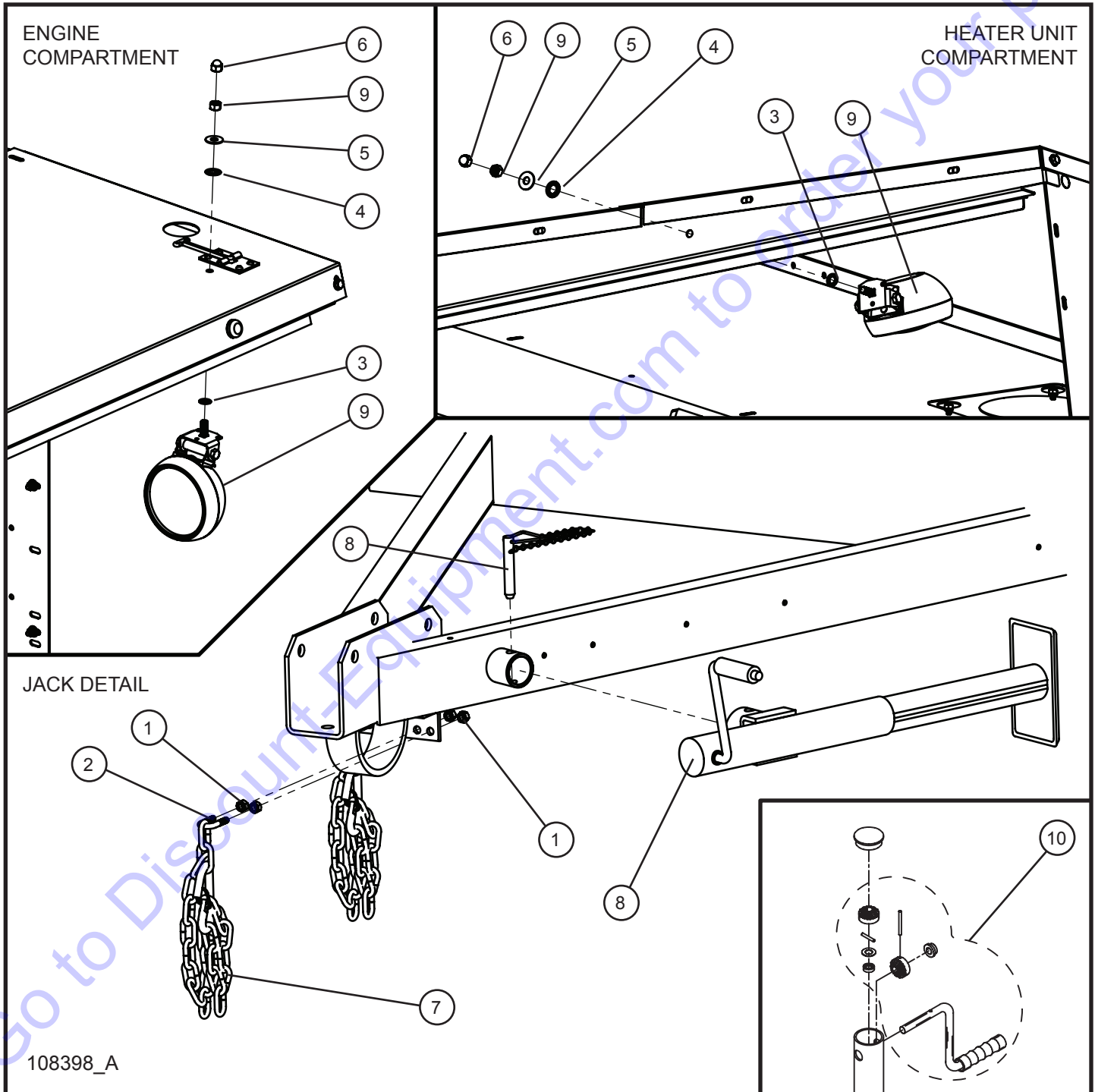
1.4 - Trailer Base Parts Group (5 of 5)

SN 0001MH16 and UP

Item	Part No.	Part Description	Qty.
1	047009	1/4 FLAT WASHER SAE SS	4
2	046015	1/4-20 x 1 HEX HEAD CS GR5 PL	2
3	044035	NUT HEX 3/8-16 ZINC	3
4	044021	1/4-20 KEPS HEX NUT	2
5	041024	#10-24 x 1/2 PH-ROUND HEAD MS SS	24
6	044019	#10-24 NYLOCK HEX NUT SS	20
7	330041	RUBBER BUMPER	3
8	920366	#16 CLAMP CUSH 3/8 HOLE	1
9	022027	#16 CLAMP CUSH 1/4 HOLE	1
10	044018	#10-24 NYLOCK HEX NUT PL	9
11	041032	#10-24 x 3/4 PHILLIPS-FLAT HEAD MS PL	9
12	044016	#10-24 KEPS HEX NUT PL	4
13	330045	DOOR LATCH	1
14	108772	REAR DOOR ASSEMBLY MH500iQ	1
	849044P	REAR DOOR MAXI HEAT (PANEL ONLY)	1
15	830155	DOOR POSITIVE MAXI HEAT	2

1.5 - Trailer Base Parts FCS Group (1 of 6)

SN 0001MH16 and UP



Maxi-Heat® MH500iQ™

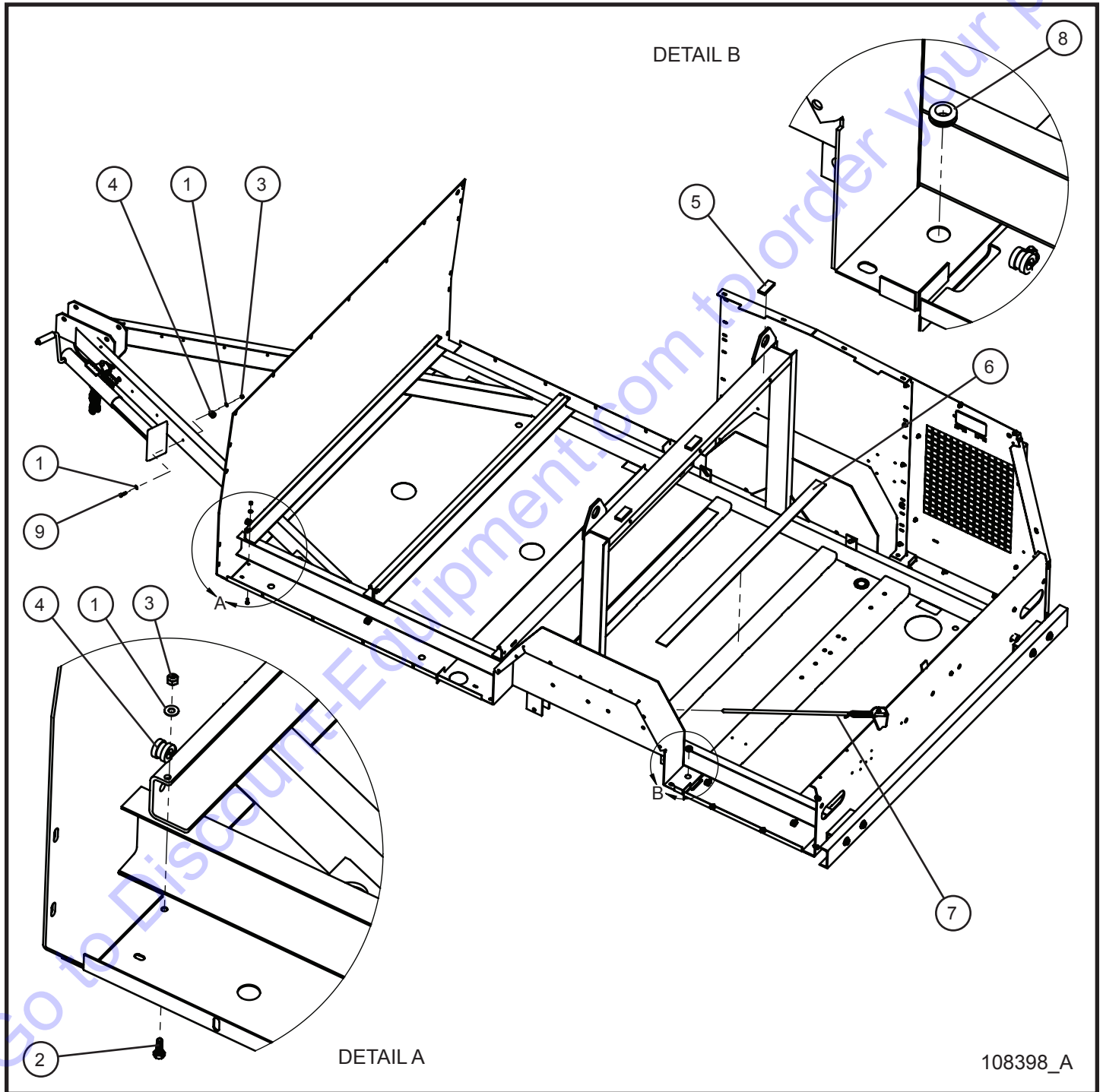
1.5 - Trailer Base Parts FCS Group (1 of 6)

SN 0001MH16 and UP

Item	Part No.	Part Description	Qty.
1	044035	NUT HEX 3/8-16 ZINC	8
2	045085	3/8-16 U BOLT	2
3	043070	3/8 INT'L TOOTHLOCK WASHER PL	2
4	043090	1/2 INT'L TOOTHLOCK WASHER ZINC	2
5	047015	3/8 FLAT WASHER PL	2
6	044132	3/8-16 HEX ACORN NUT PL	2
7	049038	SAFETY CHAIN SINGLE CLASS IV	2
8	330011	SIDE CRANK JACK	1
9	352151	WORK LAMP 35 WATT / 12V	2
10	107299	JACK SIDE CRANK HANDLE AND GEAR KIT	1
NS	106863	WIRE SCHEMATIC 12V WORK LIGHTS	1
NS	106343	WORK LAMP HARNESS	1

1.5 - Trailer Base Parts FCS Group (2 of 6)

SN 0001MH16 and UP



Maxi-Heat® MH500iQ™

1.5 - Trailer Base Parts FCS Group (2 of 6)

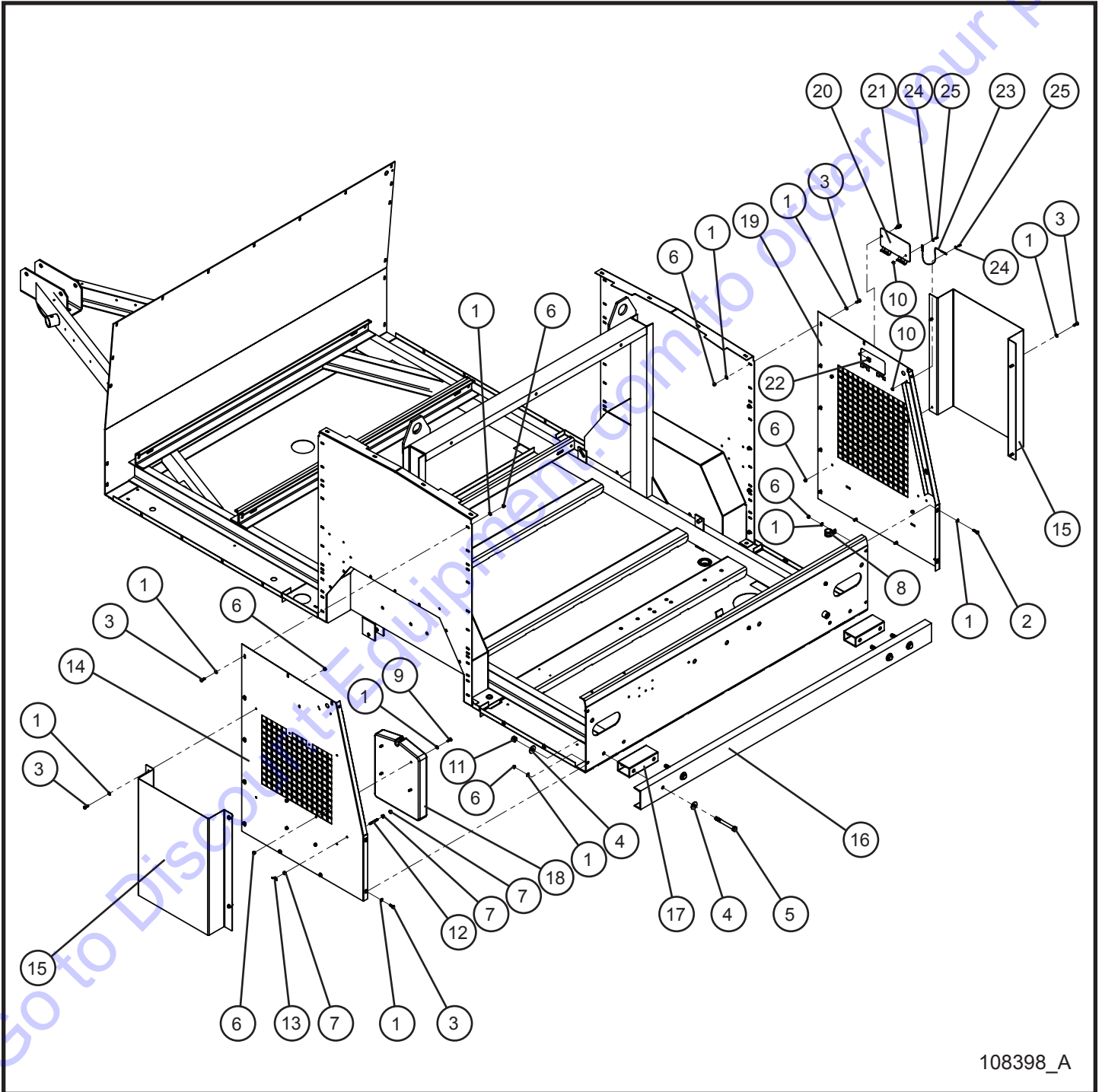
SN 0001MH16 and UP

Item	Part No.	Part Description	Qty.
1	047009	1/4 FLAT WASHER SAE	11
2	046010	1/4-20 x 3/4 HEX HEAD CS GR5 SS	5
3	044023	1/4-20 NYLOCK HEX NUT PL	8
4	310212	#10 CUSH CLAMP 1/4 HOLE	8
5	030007	FOAM RUBBER ADHESIVE TAPE x 3.0	3
6	030010	RUBBER SEAL 1/8 x 2 x 48.0	2
7	340058	GROUND ROD ASSEMBLY	1
8	711028	7/8 RUBBER GROMMET	1
9	046015	1/4-20 x 1 HEX HEAD CS GR5 PL	3

Go to Discount-Equipment.com to order your parts

1.5 - Trailer Base Parts FCS Group (3 of 6)

SN 0001MH16 and UP



108398_A

Maxi-Heat® MH500iQ™

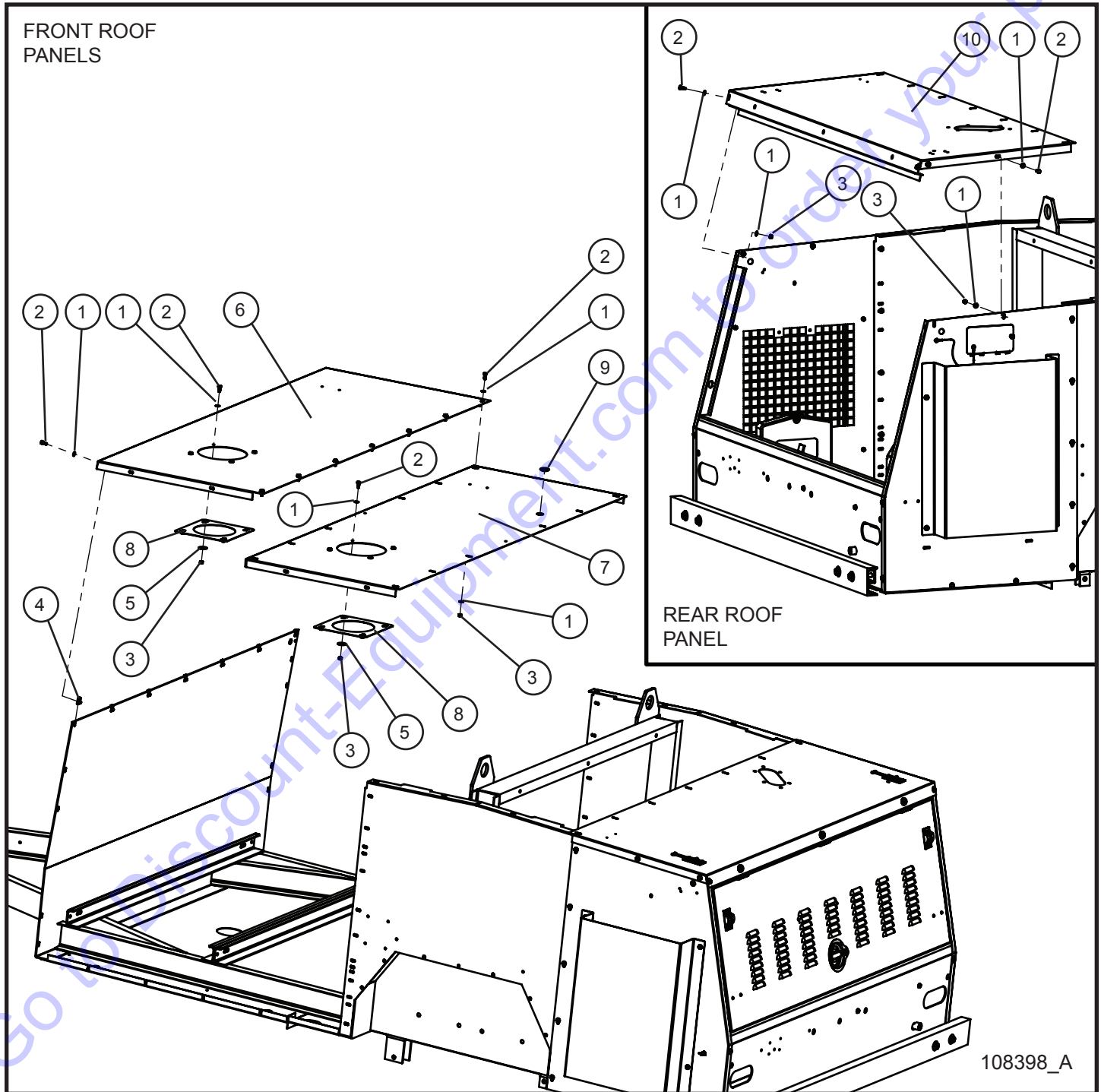
1.5 - Trailer Base Parts FCS Group (3 of 6)

SN 0001MH16 and UP

Item	Part No.	Part Description	Qty.
1	047009	1/4 FLAT WASHER SAE SS	40
2	046015	1/4-20 x 1 HEX HEAD CS GR5 PL	1
3	046010	1/4-20 x 3/4 HEX HEAD CS GR5 SS	21
4	047102	1/2 FLAT WASHER SS	8
5	046225	1/2-13 x 4 1/2 HEX HEAD CS GR5 PL	4
6	044023	1/4-20 NYLOCK HEX NUT PL	26
7	044021	1/4-20 KEPS HEX NUT PL	3
8	022027	#16 CLAMP CUSH 1/4 HOLE	1
9	041050	1/4-20 x 3/4 PH-TRUSS HEAD MS SS MACHINE SCREW	4
10	044016	#10-24 KEPS HEX NUT PL	2
11	044049	1/2-13 NYLOCK HEX NUT SS	4
12	045004	1/4-20 x 2 STUD PL	1
13	330494	NUT WING 1/4-20 PL	1
14	800230P	LEFT REAR PANEL MAXI HEAT	1
15	800231P	AIR INTAKE COVER PANEL MAXI HEAT	2
16	830130P	BUMPER REAR MAXI HEAT	1
17	466084P	SPACER BUMPER MAXI HEAT	2
18	848412	STORAGE BOX OPS MANUAL MAXI HEAT	1
19	108401P	AIR INLET PANEL MH500iQ	1
20	104816P	ACCESS PANEL RADIATOR CAP	1
21	102435	KNURLED SHMS W/ RETAINER	1
22	045216	1/4-20 TINNERMAN NUT	1
23	712061	STEEL LANYARD	1
24	047003	#10 FLAT WASHER SAE SS	2
25	041021	#10-24 x 1/2 PH-ROUND HEAD MS PL	2

1.5 - Trailer Base Parts FCS Group (4 of 6)

SN 0001MH16 and UP



Maxi-Heat® MH500iQ™

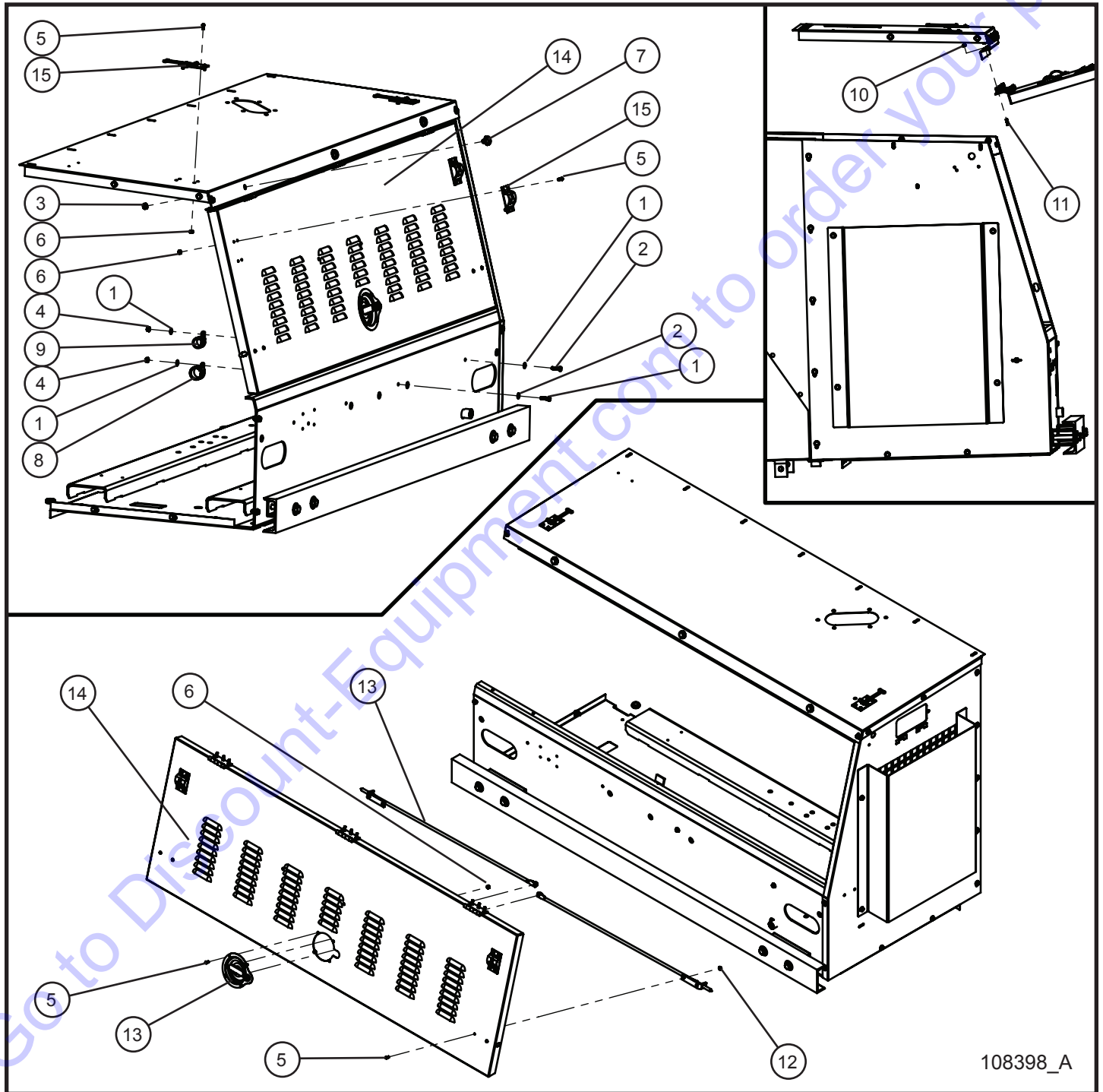
1.5 - Trailer Base Parts FCS Group (4 of 6)

SN 0001MH16 and UP

Item	Part No.	Part Description	Qty.
1	047009	1/4 FLAT WASHER SAE SS	26
2	046010	1/4-20 x 3/4 HEX HEAD CS GR5	26
3	044023	1/4-20 NYLOCK HEX NUT PL	19
4	044106	1/4-20 TINNERMAN NUT	7
5	047007	1/4 x 1 1/4 x .056 FENDER WASHER	8
6	849054P	FRONT ROOF PANEL MAXI HEAT	1
7	849055P	MID FRONT ROOF PANEL MAXI HEAT	1
8	108405P	CHIMNEY VENT PLATE MH500iQ FCS	2
9	103948	1" PLUG FLUSH MOUNT	1
10	108406P	ENGINE ROOF PANEL MH500iQ FCS	1
11	848006	FOAM RUBBER .38 x .25 x 1.50	2

1.5 - Trailer Base Parts FCS Group (5 of 6)

SN 0001MH16 and UP



108398_A

Maxi-Heat® MH500iQ™

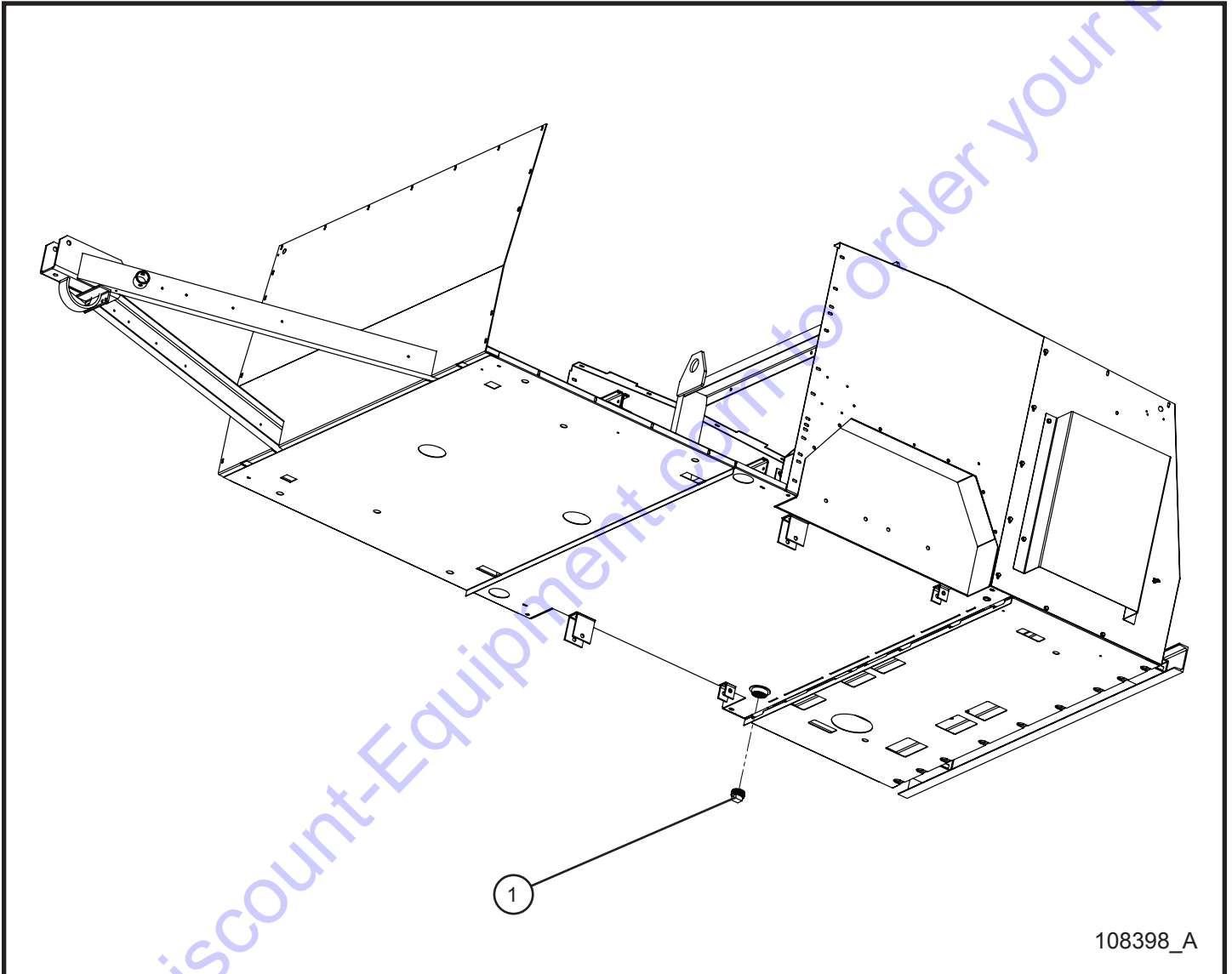
1.5 - Trailer Base Parts FCS Group (5 of 6)

SN 0001MH16 and UP

Item	Part No.	Part Description	Qty.
1	047009	1/4 FLAT WASHER SAE SS	4
2	046015	1/4-20 x 1 HEX HEAD CS GR5 PL	2
3	044035	NUT HEX 3/8-16 ZINC	3
4	044021	1/4-20 KEPS HEX NUT	2
5	041024	#10-24 x 1/2 PH-ROUND HEAD MS SS	24
6	044019	#10-24 NYLOCK HEX NUT SS	20
7	330041	RUBBER BUMPER	3
8	920366	#16 CLAMP CUSH 3/8 HOLE	1
9	022027	#16 CLAMP CUSH 1/4 HOLE	1
10	044018	#10-24 NYLOCK HEX NUT PL	9
11	041032	#10-24 x 3/4 PHILLIPS-FLAT HEAD MS PL	9
12	044016	#10-24 KEPS HEX NUT PL	4
13	330045	DOOR LATCH	1
14	108772	REAR DOOR ASSEMBLY MH500iQ	1
	849044P	REAR DOOR MAXI HEAT (PANEL ONLY)	1
15	830155	DOOR POSITIVE MAXI HEAT	2

1.5 - Trailer Base Parts FCS Group (6 of 6)

SN 0001MH16 and UP



108398_A

Maxi-Heat® MH500iQ™

1.5 - Trailer Base Parts FCS Group (6 of 6)

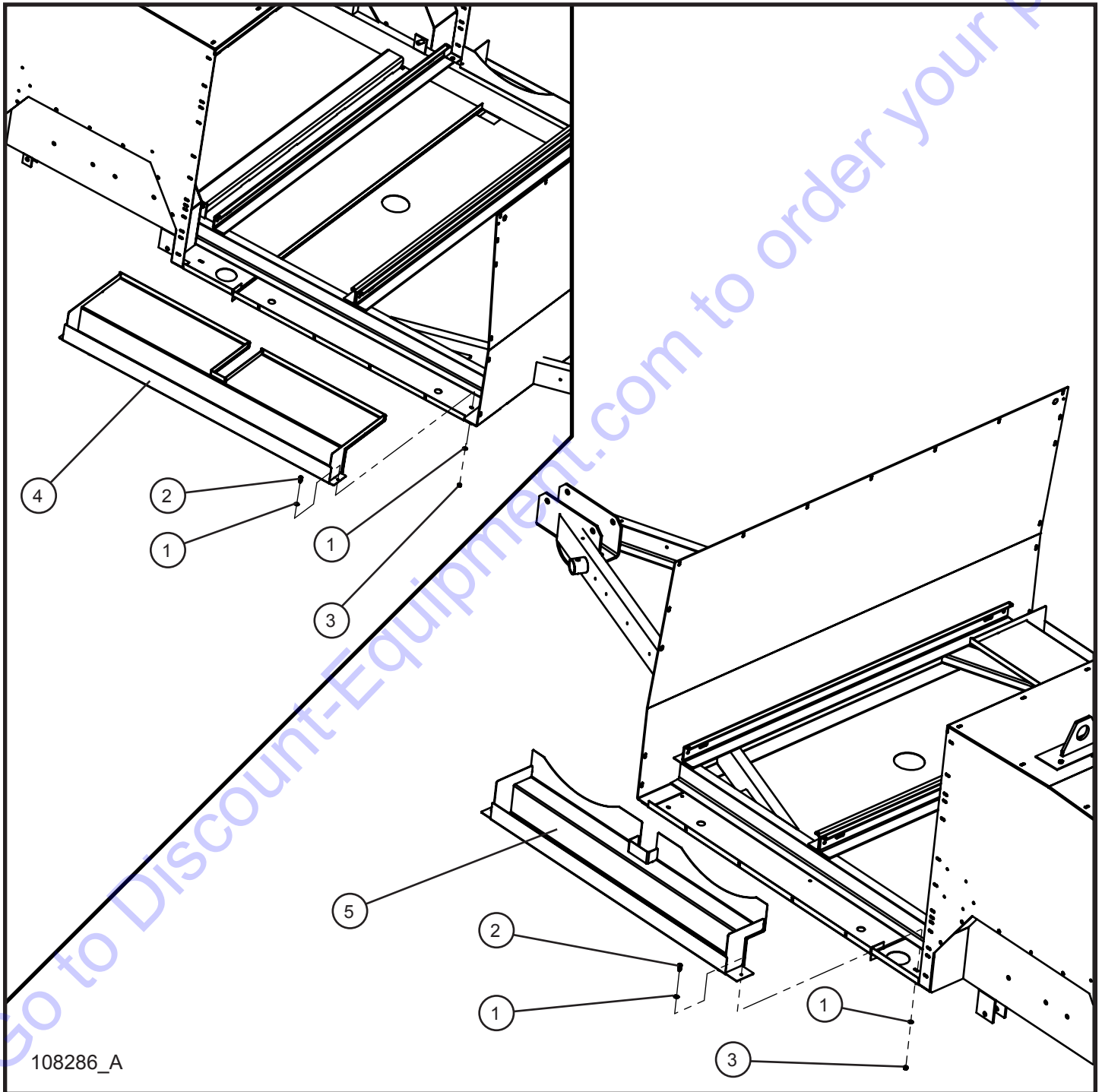
SN 0001MH16 and UP

Item	Part No.	Part Description	Qty.
1	101730	PLUG PIPE 1.5 NPT	1
2	108253	TFE PASTE PIPE THREAD	1

Go to Discount-Equipment.com to order your parts

1.6 - FCS Containment Tray Install Group (1 of 3)

SN 0001MH16 and UP



Maxi-Heat® MH500iQ™

1.6 - FCS Containment Tray Install Group (1 of 3)

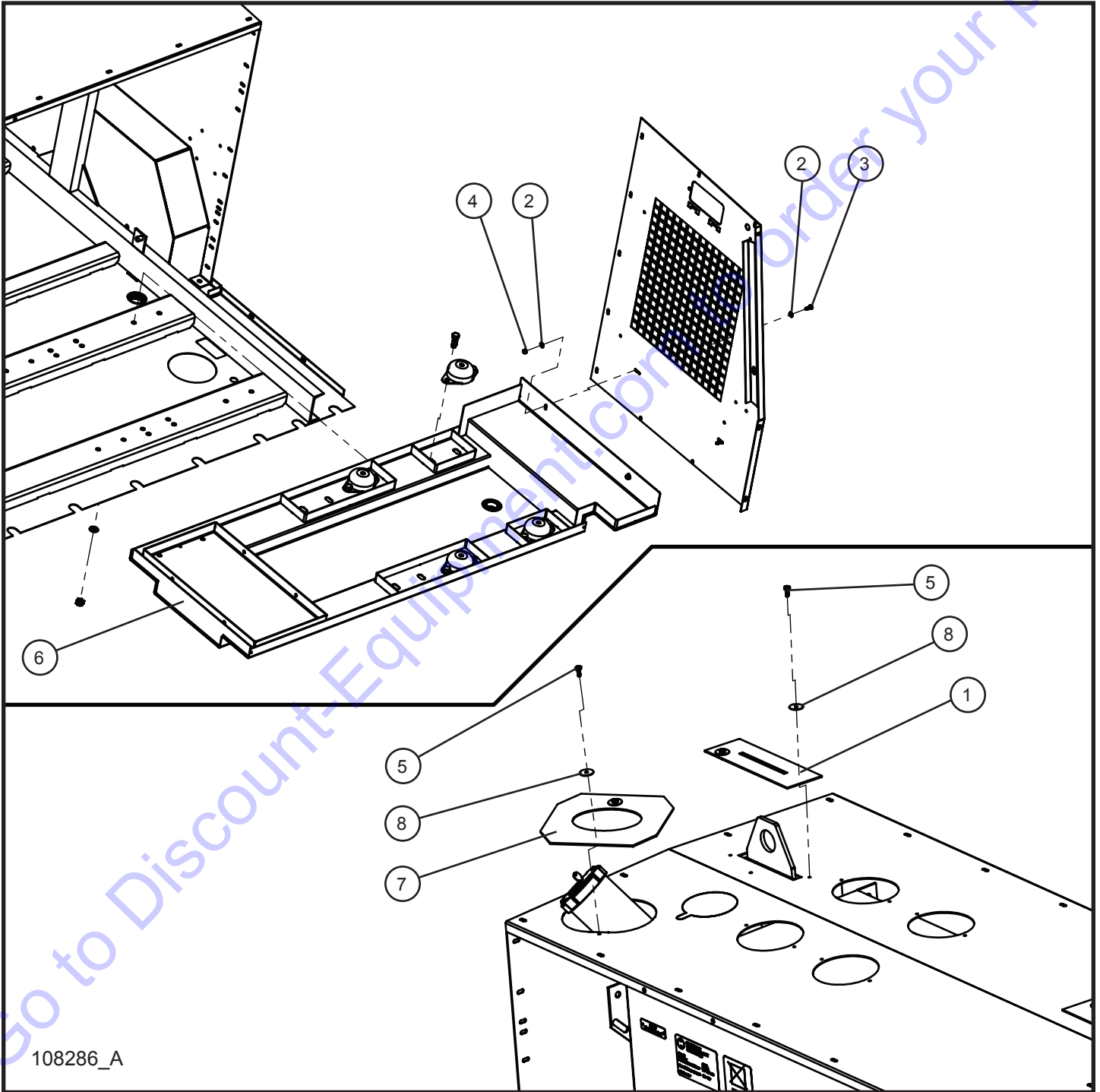
SN 0001MH16 and UP

Item	Part No.	Part Description	Qty.
1	047009	1/4 FLAT WASHER SAE SS	8
2	046010	1/4-20 x 3/4 HEX HEAD CS GR5 SS	4
3	044023	1/4-20 NYLOCK HEX NUT PL	4
4	108278P	TRAY WELDMENT BURNER EXHAUST	1
5	108281P	TRAY WELDMENT CONTAINMENT	1

Go to Discount-Equipment.com to order your parts

1.6 - FCS Containment Tray Install Group (2 of 3)

SN 0001MH16 and UP



Maxi-Heat® MH500iQ™

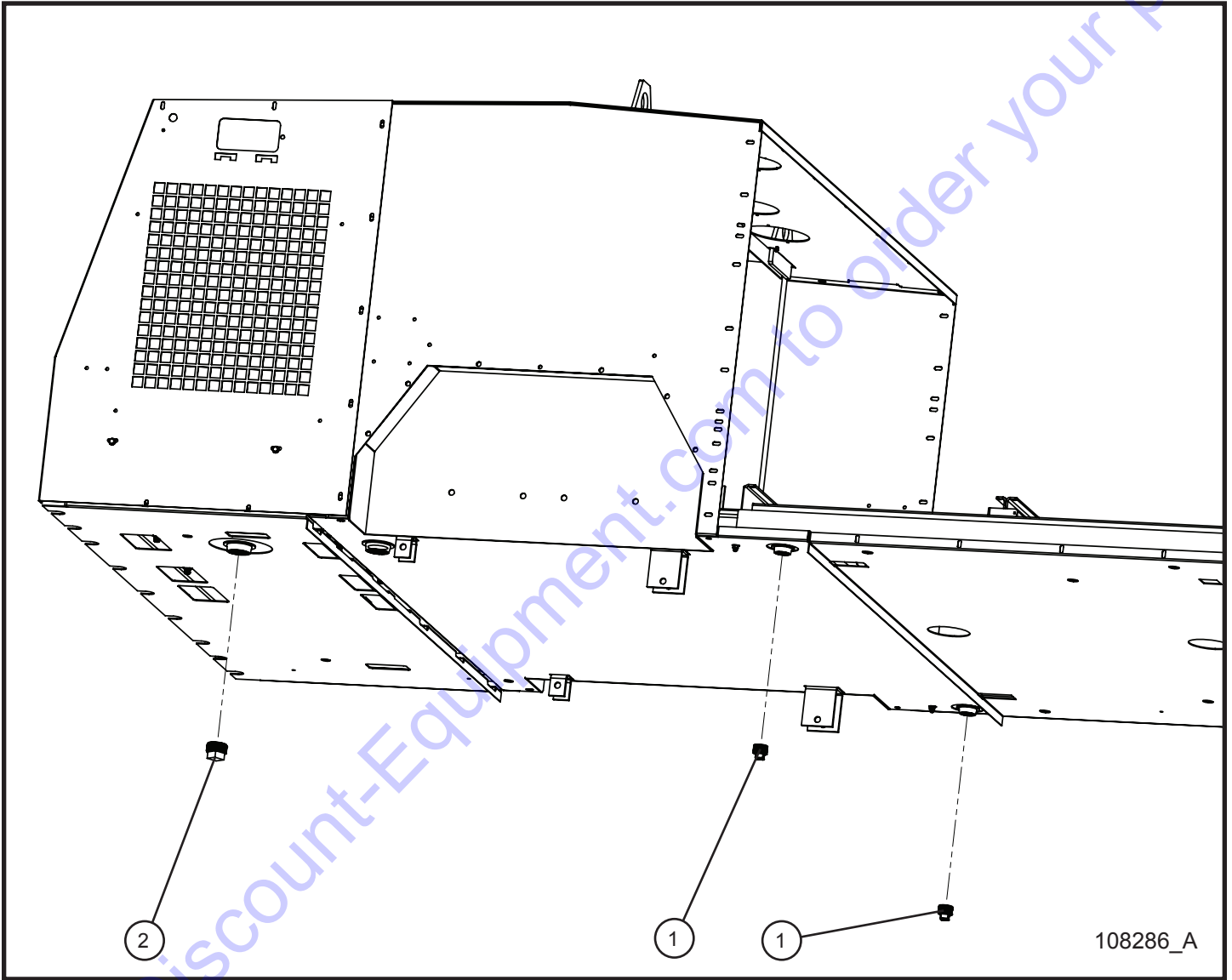
1.6 - FCS Containment Tray Install Group (2 of 3)

SN 0001MH16 and UP

Item	Part No.	Part Description	Qty.
1	108409	COVER LIFT POINT	2
2	047009	1/4 FLAT WASHER SAE SS	4
3	046010	1/4-20 x 3/4 HEX HEAD CS GR5 SS	2
4	044023	1/4-20 NYLOCK HEX NUT PL	2
5	041070	1/4-20 x 3/4 SL-HEX WASHER HEAD MS TP F	6
6	108268P	TRAY WELDMENT FCS ENGINE CONTAINMENT	1
7	108408	COVER FUEL NECK	1
8	047007	1/4 x 1 1/4 x .056 FENDER WASHER	6

1.6 - FCS Containment Tray Install Group (3 of 3)

SN 0001MH16 and UP



Maxi-Heat® MH500iQ™

1.6 - FCS Containment Tray Install Group (3 of 3)

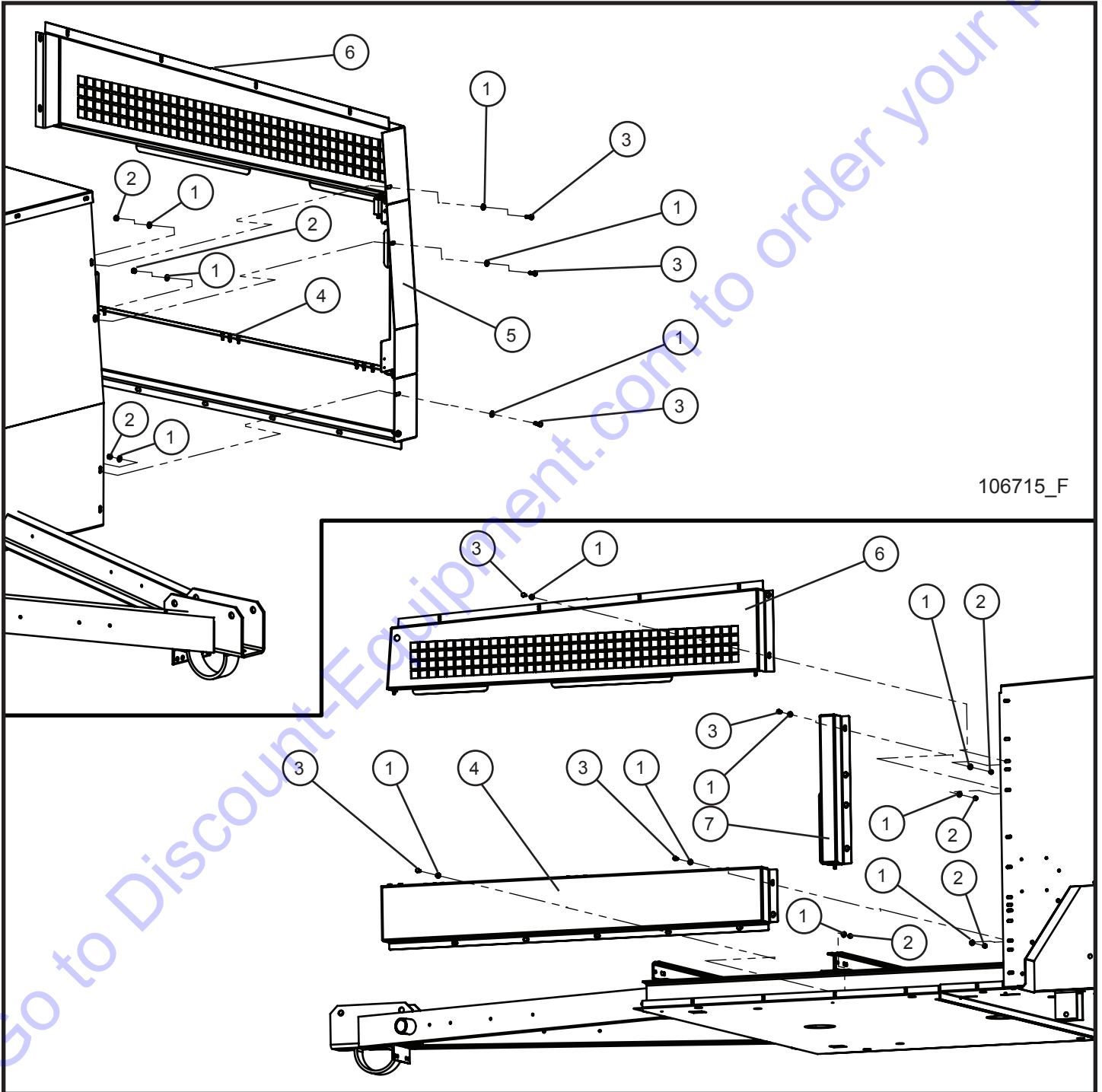
SN 0001MH16 and UP

Item	Part No.	Part Description	Qty.
1	026108	PLUG PIPE NPT	2
2	101730	PLUG PIPE 1.5 NPT	1
3	108253	TFE PASTE PIPE THREAD	1

Go to Discount-Equipment.com to order your parts

1.7 - Left Door Group (1 of 3)

SN 0001MH16 and UP



106715_F

Maxi-Heat® MH500iQ™

1.7 - Left Door Group (1 of 3)

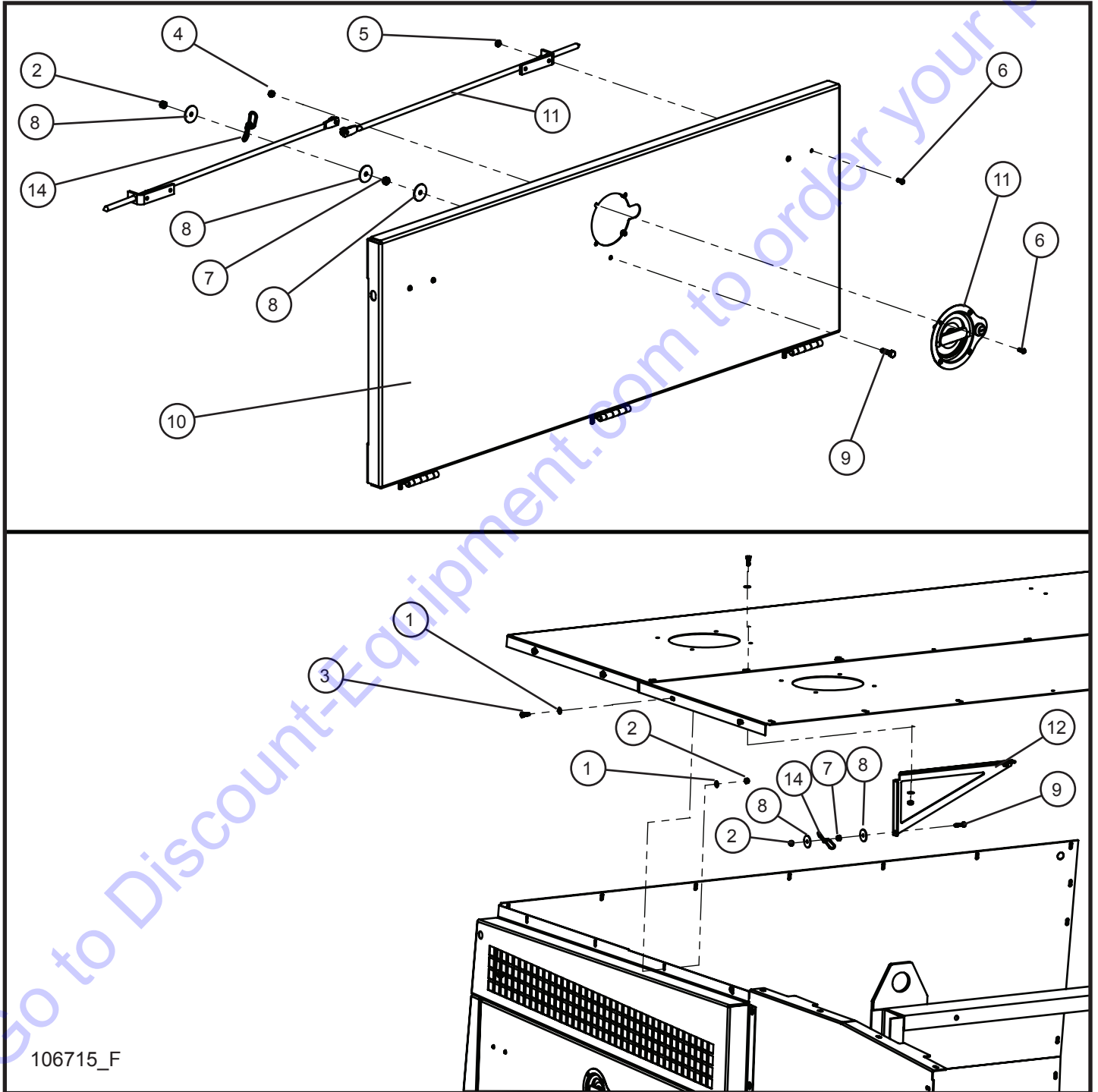
SN 0001MH16 and UP

Item	Part No.	Part Description	Qty.
1	047009	1/4 FLAT WASHER SAE SS	40
2	044023	1/4-20 NYLOCK HEX NUT PL	20
3	046010	1/4-20 x 3/4 HEX HEAD CS GR5 SS	20
4	106744P	LEFT SILL FRONT DOOR PANEL	1
5	106743P	PANEL FILLER FRONT LEFT EXHAUST DOOR	1
6	106742P	HEADER LEFT SIDE	1
7	106745P	PANEL FILLER REAR LEFT EXHAUST DOOR	1

Go to Discount-Equipment.com to order your parts

1.7 - Left Door Group (2 of 3)

SN 0001MH16 and UP



106715_F

Maxi-Heat® MH500iQ™

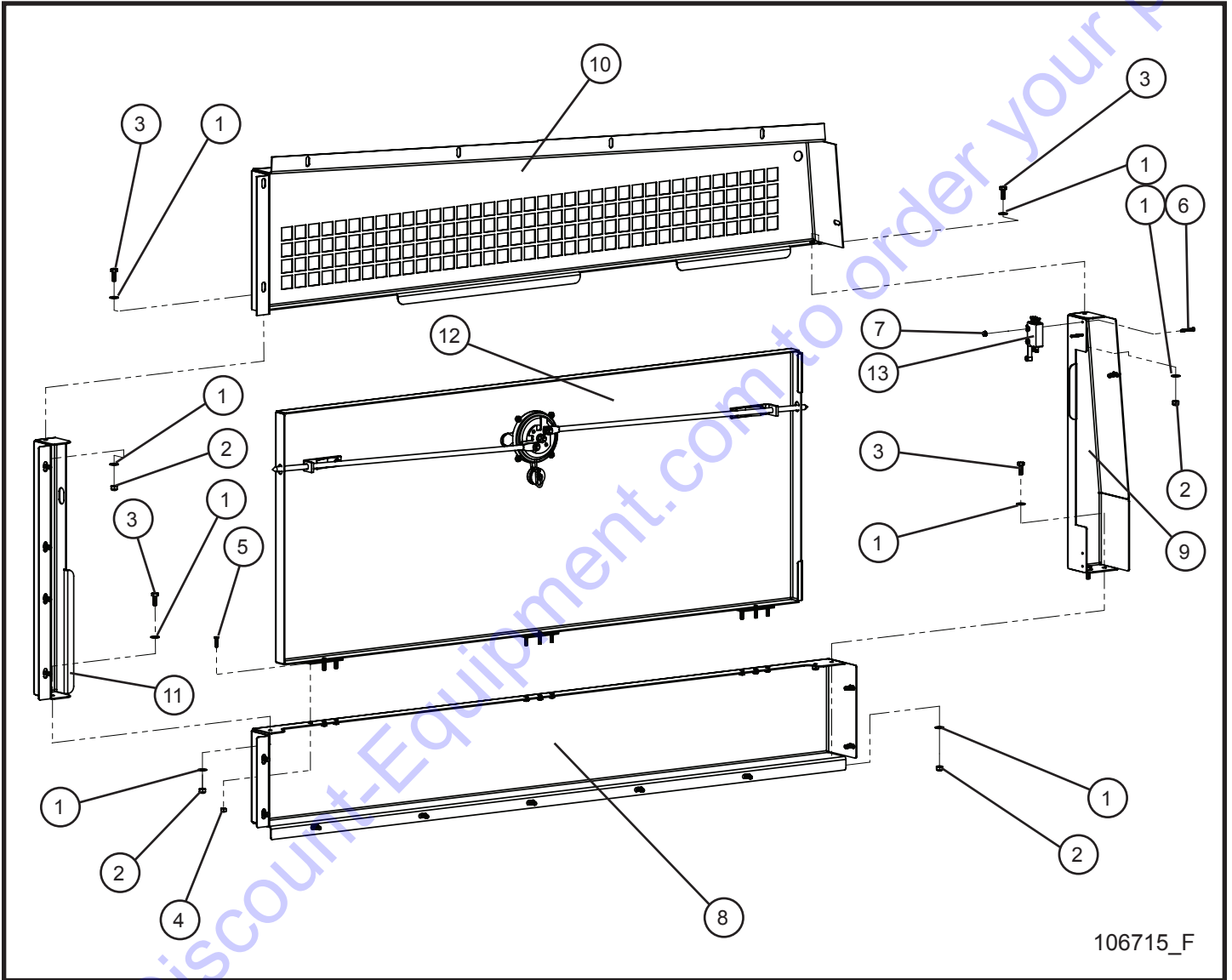
1.7 - Left Door Group (2 of 3)

SN 0001MH16 and UP

Item	Part No.	Part Description	Qty.
1	047009	1/4 FLAT WASHER SAE SS	8
2	044023	1/4-20 NYLOCK HEX NUT PL	6
3	046010	1/4-20 x 3/4 HEX HEAD CS GR5 SS	4
4	044019	#10-24 NYLOCK HEX NUT SS	4
5	044016	#10-24 KEPS HEX NUT PL	4
6	041024	#10-24 x 1/2 PH-ROUND HEAD MS SS	8
7	044021	1/4-20 KEPS HEX NUT PL	2
8	047007	1/4 x 1 1/4 x .056 FENDER WASHER	5
9	046015	1/4-20 x 1 HEX HEAD CS GR5 PL	2
10	108770	LEFT DOOR ASSEMBLY MH500iQ	1
	106748P	DOOR WELDMENT EXHAUST MAXI-HEAT (PANEL ONLY)	1
11	330045	DOOR LATCH	1
12	106746P	CHAIN BRACKET	1
13	848006	FOAM RUBBER .38 x .25 x 1.50	2
14	049016	CHAIN LINK DOUBLE LOOPED x 28.0	1

1.7 - Left Door Group (3 of 3)

SN 0001MH16 and UP



106715_F

Maxi-Heat® MH500iQ™

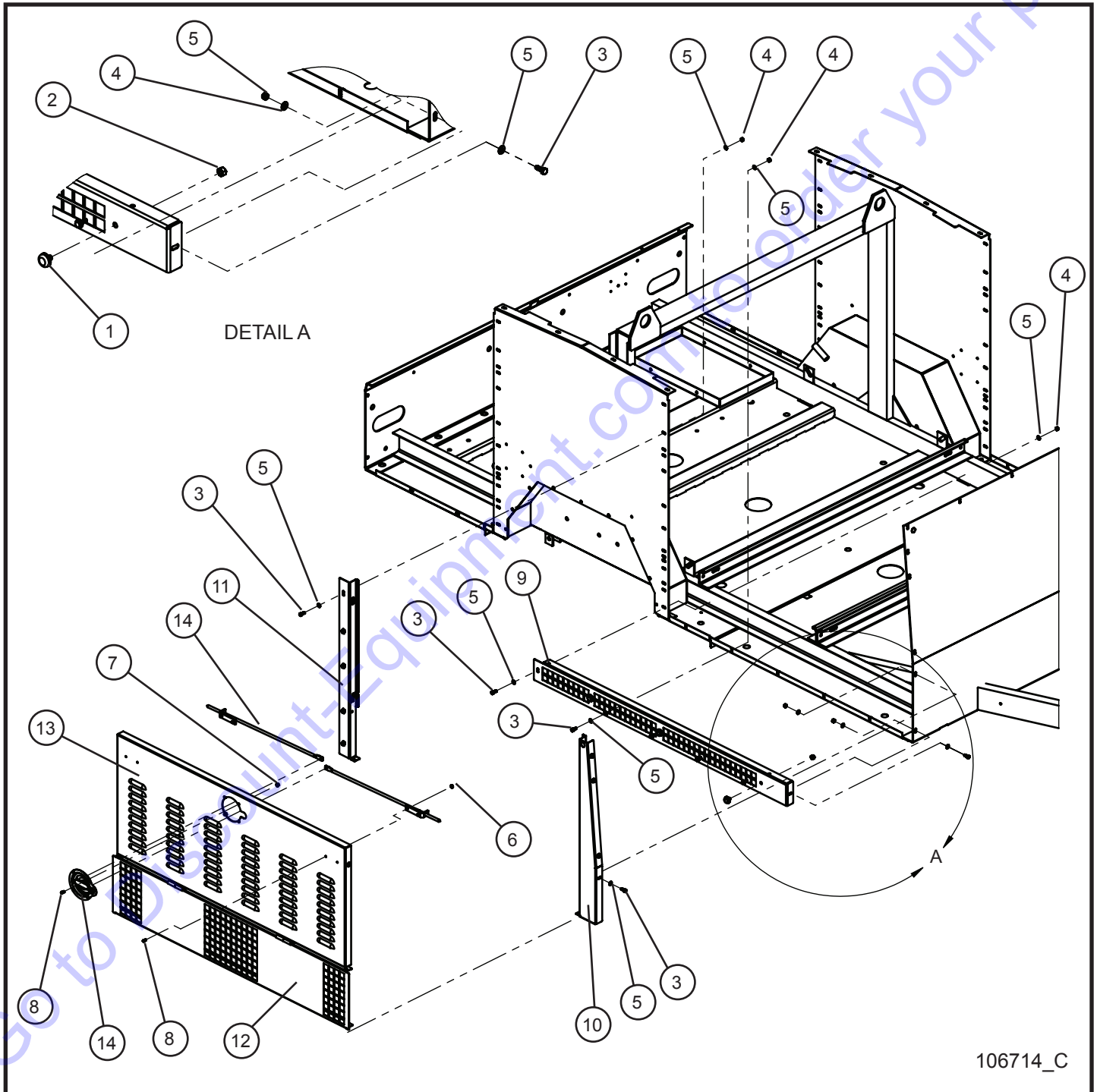
1.7 - Left Door Group (3 of 3)

SN 0001MH16 and UP

Item	Part No.	Part Description	Qty.
1	047009	1/4 FLAT WASHER SAE SS	8
2	044023	1/4-20 NYLOCK HEX NUT PL	4
3	046010	1/4-20 x 3/4 HEX HEAD CS GR5 SS	4
4	044019	#10-24 NYLOCK HEX NUT SS	9
5	041026	#10-24 x 3/4 SL-FLAT HEAD MS PL MACHINE SCREW	9
6	041006	#6-32 x 1 1/4 SL-ROUND HEAD MS PL	2
7	044004	#6-32 KEPS HEX NUT PL	2
8	106744P	LEFT SILL FRONT DOOR PANEL	1
9	106743P	PANEL FILLER FRONT LEFT EXHAUST DOOR	1
10	106742P	HEADER LEFT SIDE	1
11	106745P	PANEL FILLER REAR LEFT EXHAUST DOOR	1
12	108770	LEFT DOOR ASSEMBLY MH500iQ	1
	106748P	DOOR WELDMENT EXHAUST MAXI-HEAT (PANEL ONLY)	1
13	106350	ROCKER SWITCH DOUBLE PULL	1

1.8 - Right Door Group (1 of 3)

SN 0001MH16 and UP



Maxi-Heat® MH500iQ™

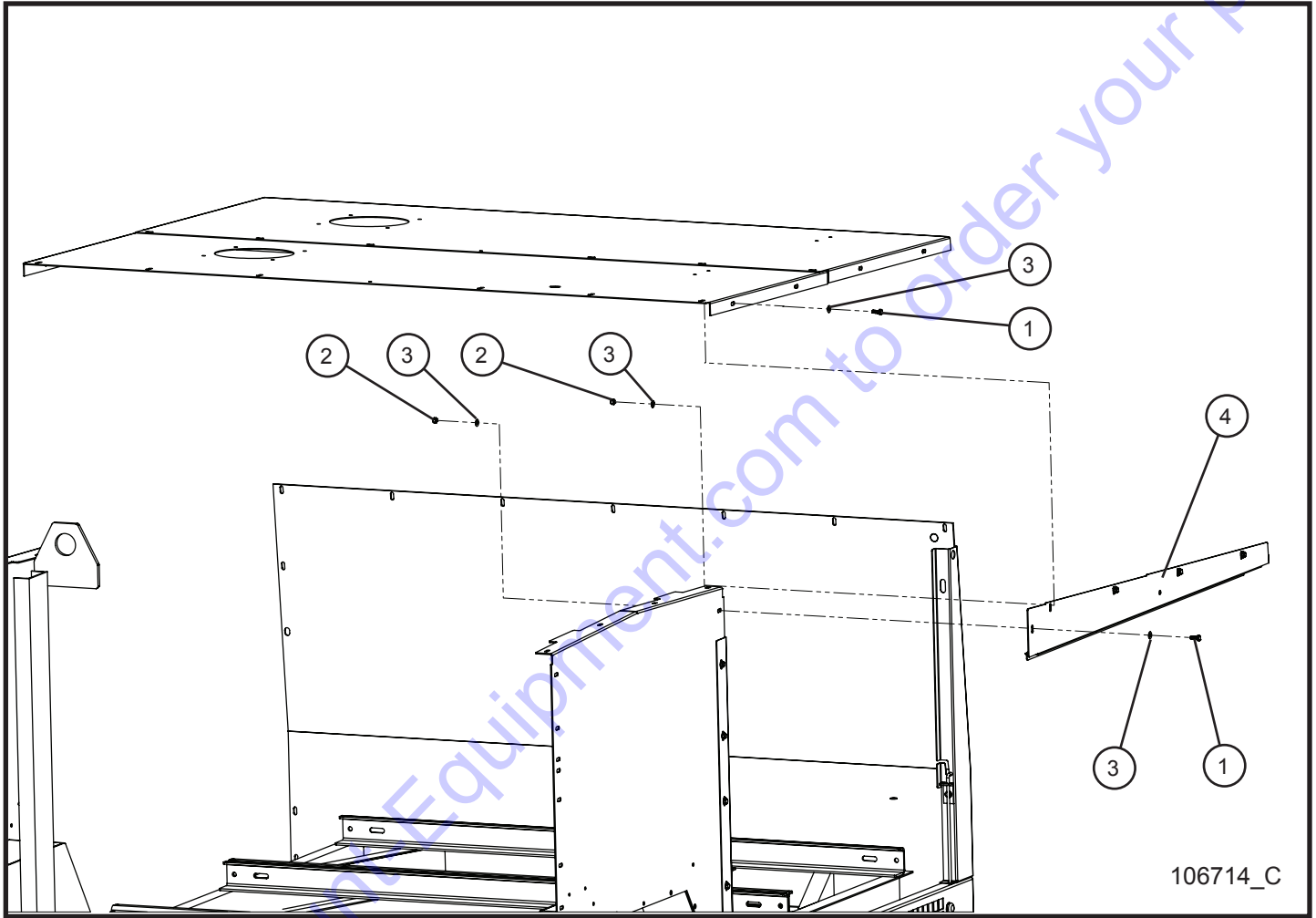
1.8 - Right Door Group (1 of 3)

SN 0001MH16 and UP

Item	Part No.	Part Description	Qty.
1	330041	RUBBER BUMPER	3
2	044035	NUT HEX 3/8-16 ZINC	3
3	046010	1/4-20 x 3/4 HEX HEAD CS GR5 SS	15
4	044023	1/4-20 NYLOCK HEX NUT PL	15
5	047009	1/4 FLAT WASHER SAE SS	30
6	044016	#10-24 KEPS HEX NUT PL	4
7	044019	#10-24 NYLOCK HEX NUT SS	4
8	041024	#10-24 x 1/2 PH-ROUND HEAD MS SS	8
9	106752P	RIGHT SILL FRONT DOOR PANEL	1
10	106749P	PANEL FILLER FRONT RIGHT BURNER DOOR	1
11	106750P	PANEL FILLER REAR RIGHT BURNER DOOR	1
12	106751P	PANEL REMOVABLE RIGHT DOOR MAXI HEAT	1
13	108771	RIGHT DOOR ASSEMBLY MH500iQ	1
	106753P	DOOR RIGHT WELDMENT FRONT (PANEL ONLY)	1
14	330045	DOOR LATCH	1

1.8 - Right Door Group (2 of 3)

SN 0001MH16 and UP



106714_C

Maxi-Heat® MH500iQ™

1.8 - Right Door Group (2 of 3)

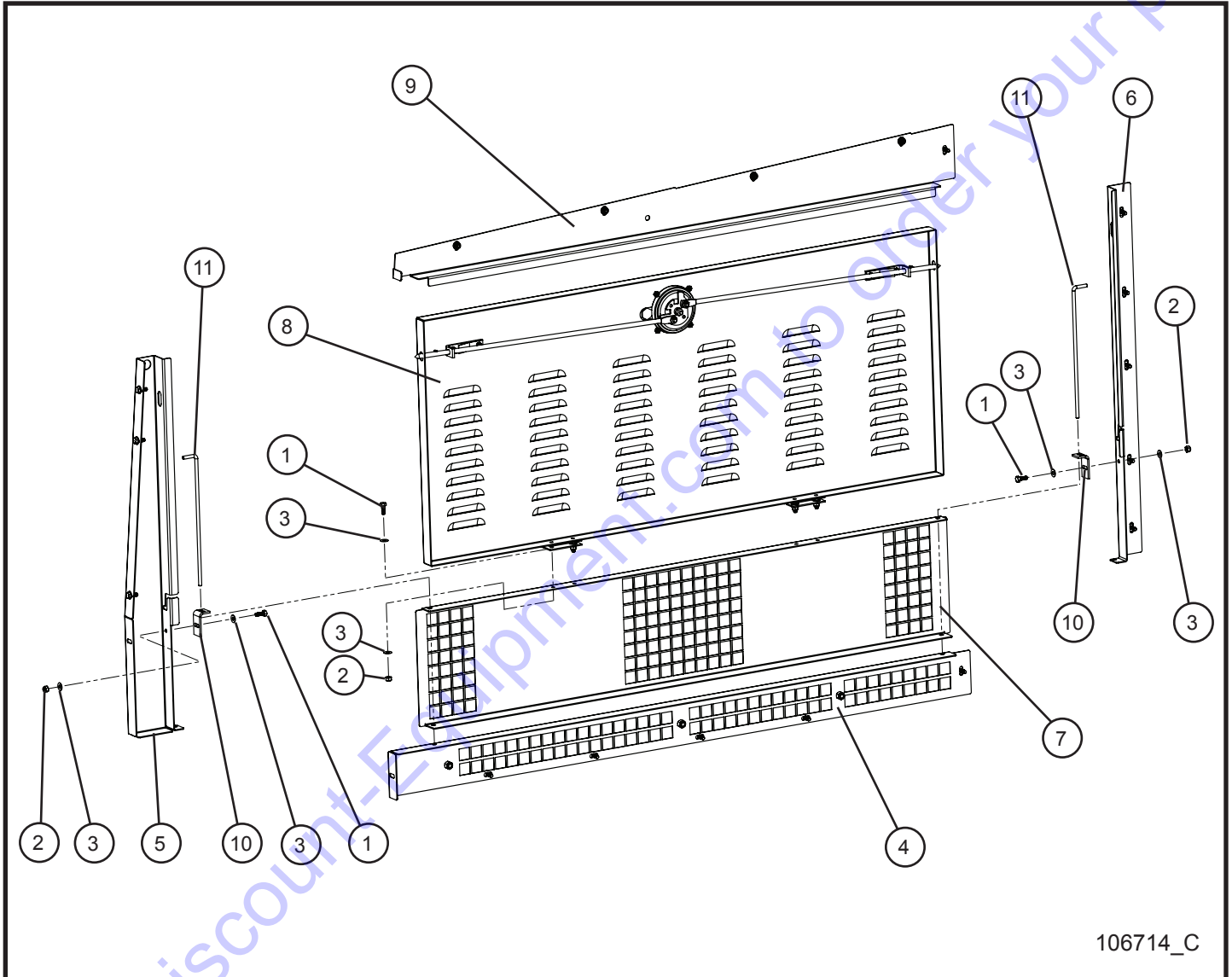
SN 0001MH16 and UP

Item	Part No.	Part Description	Qty.
1	046010	1/4-20 x 3/4 HEX HEAD CS GR5 SS	5
2	044023	1/4-20 NYLOCK HEX NUT PL	5
3	047009	1/4 FLAT WASHER SAE SS	10
4	106747P	PANEL FILLER TOP RIGHT BURNER DOOR	1
5	848006	FOAM RUBBER .38 x .25 x 1.50	2

Go to Discount-Equipment.com to order your parts

1.8 - Right Door Group (3 of 3)

SN 0001MH16 and UP



Maxi-Heat® MH500iQ™

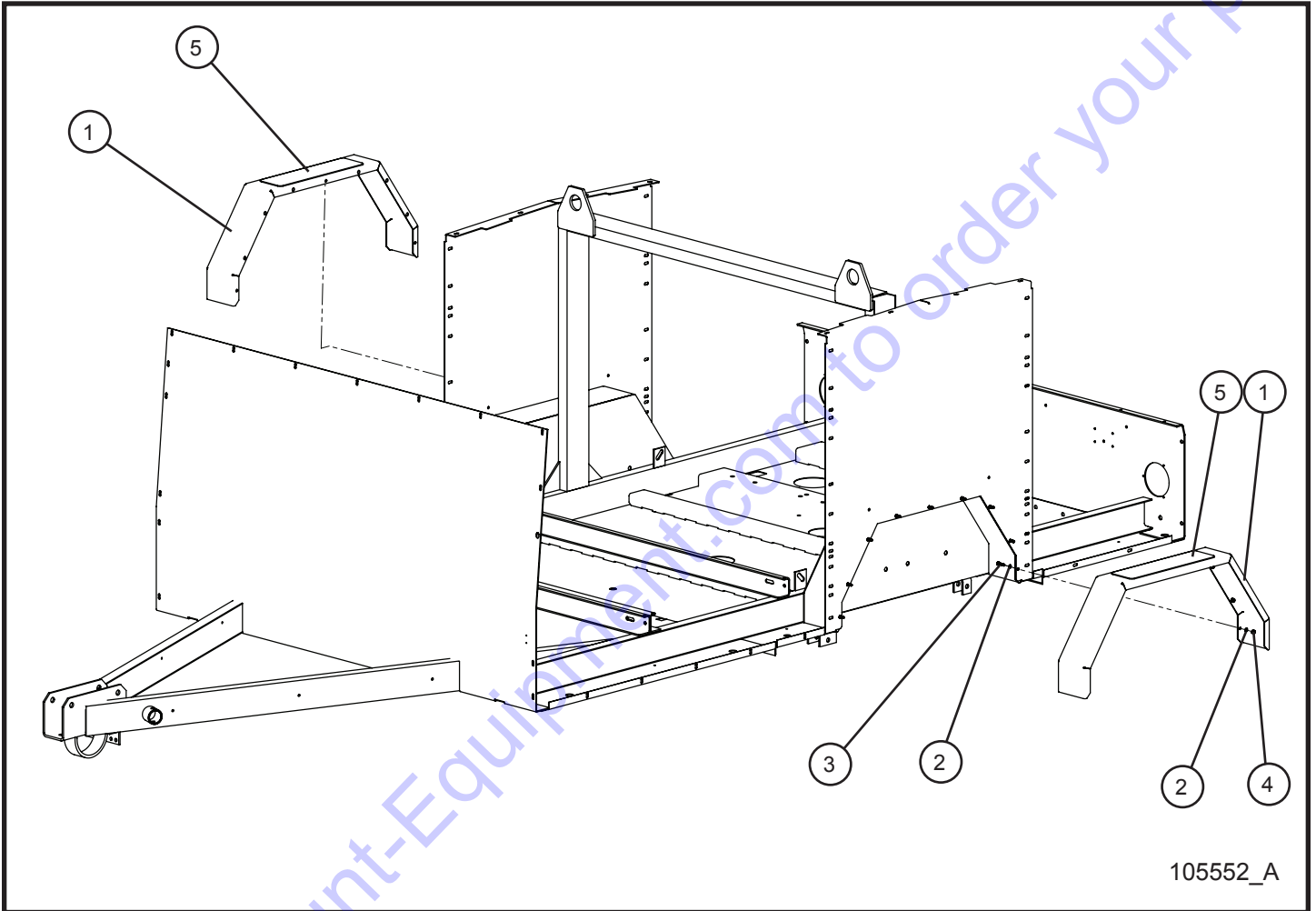
1.8 - Right Door Group (3 of 3)

SN 0001MH16 and UP

Item	Part No.	Part Description	Qty.
1	046010	1/4-20 x 3/4 HEX HEAD CS GR5 SS	6
2	044023	1/4-20 NYLOCK HEX NUT PL	6
3	047009	1/4 FLAT WASHER SAE SS	12
4	106752P	RIGHT SILL FRONT DOOR PANEL	1
5	106749P	PANEL FILLER FRONT RIGHT BURNER DOOR	1
6	106750P	PANEL FILLER REAR RIGHT BURNER DOOR	1
7	106751P	PANEL REMOVABLE RIGHT DOOR MAXI HEAT	1
8	108771	RIGHT DOOR ASSEMBLY MH500iQ	1
	106753P	DOOR RIGHT WELDMENT FRONT (PANEL ONLY)	1
9	106747P	PANEL FILLER TOP RIGHT BURNER DOOR	1
10	106755P	CLIP REMOVABLE PANEL	2
11	106717	PIN LOCK 11" 90° BEND-1/4	2

1.9 - Fenders

SN 0001MH16 and UP



105552_A

Maxi-Heat® MH500iQ™

1.9 - Fenders

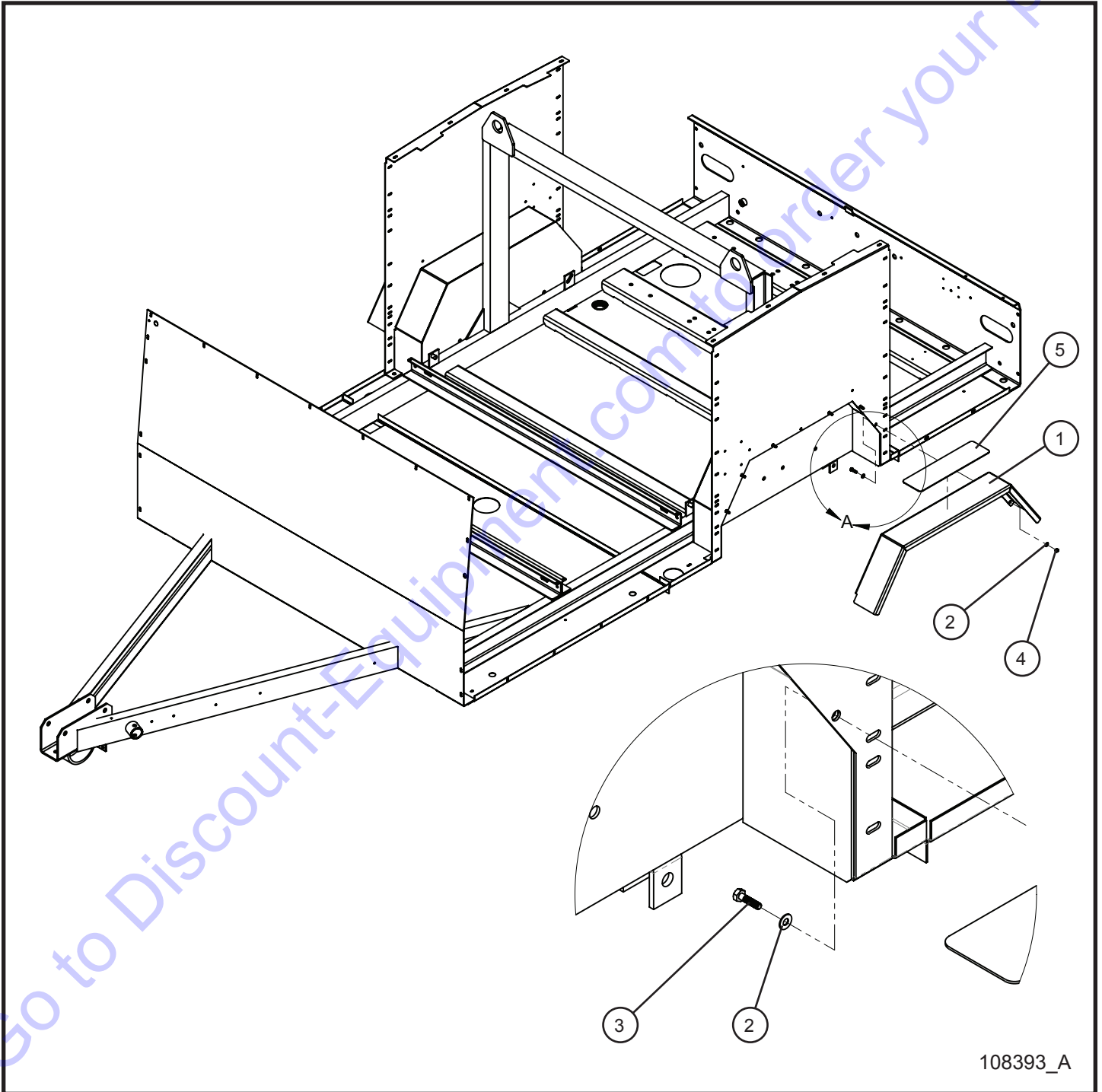
SN 0001MH16 and UP

Item	Part No.	Part Description	Qty.
1	848328P	FENDER OUTER	2
2	047009	1/4 FLAT WASHER SAE SS	36
3	046015	1/4-20 x 1 HEX HEAD CS GR5 PL	18
4	044023	1/4-20 NYLOCK HEX NUT PL	18
5	062006	ANTI SKID TAPE DIE CUT	2

Go to Discount-Equipment.com to order your parts

1.10 - FCS Fenders

SN 0001MH16 and UP



108393_A

Maxi-Heat® MH500iQ™

1.10 - FCS Fenders

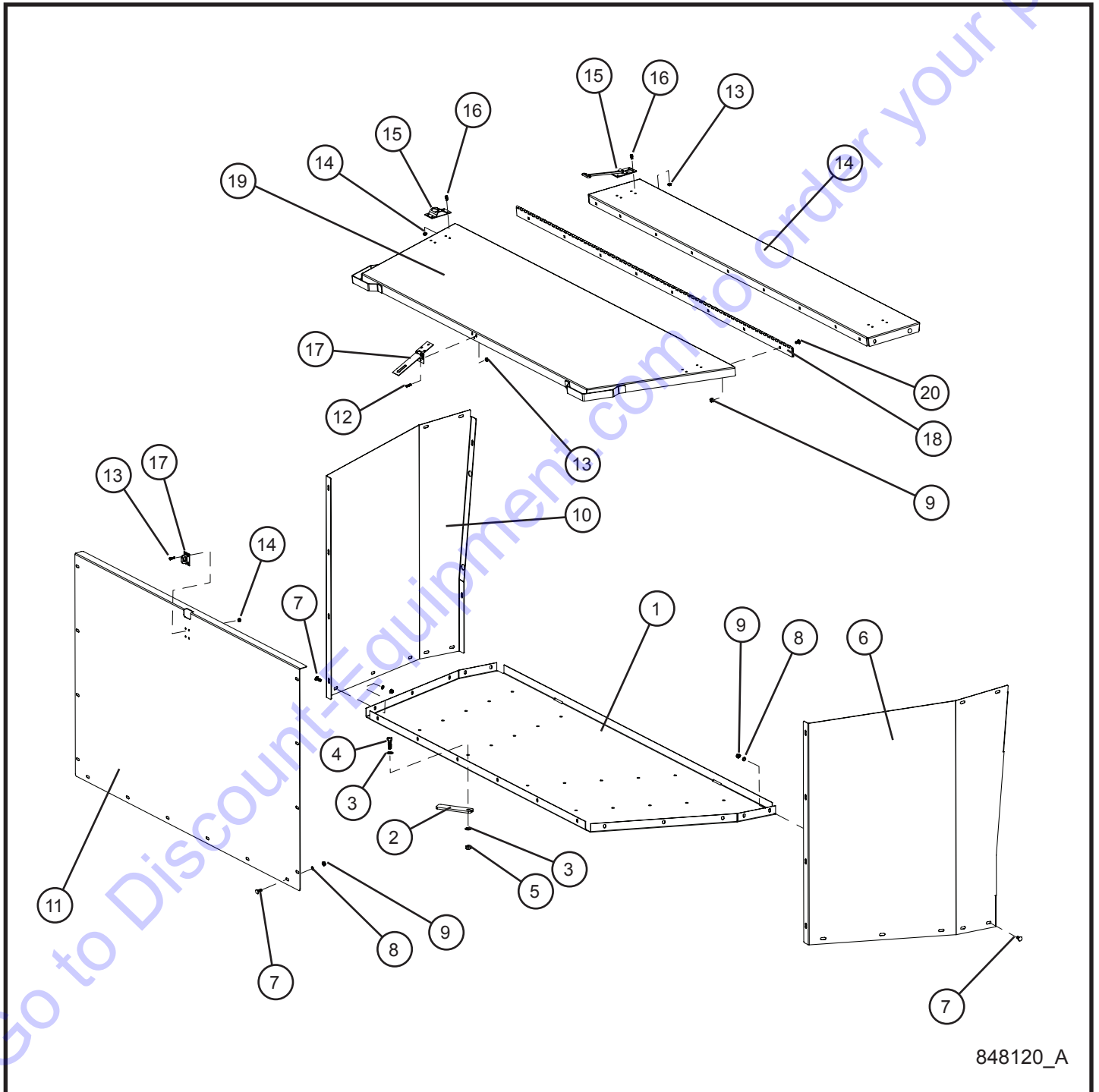
SN 0001MH16 and UP

Item	Part No.	Part Description	Qty.
1	108404P	OUTER FENDER WELDMENT	2
2	047009	1/4 FLAT WASHER SAE SS	24
3	046015	1/4-20 x 1 HEX HEAD CS GR5 PL	12
4	044023	1/4-20 NYLOCK HEX NUT PL	12
5	062006	ANTI SKID TAPE DIE CUT	2

Go to Discount-Equipment.com to order your parts

1.11 - Duct Box Group

SN 0001MH16 and UP



848120_A

Maxi-Heat® MH500iQ™

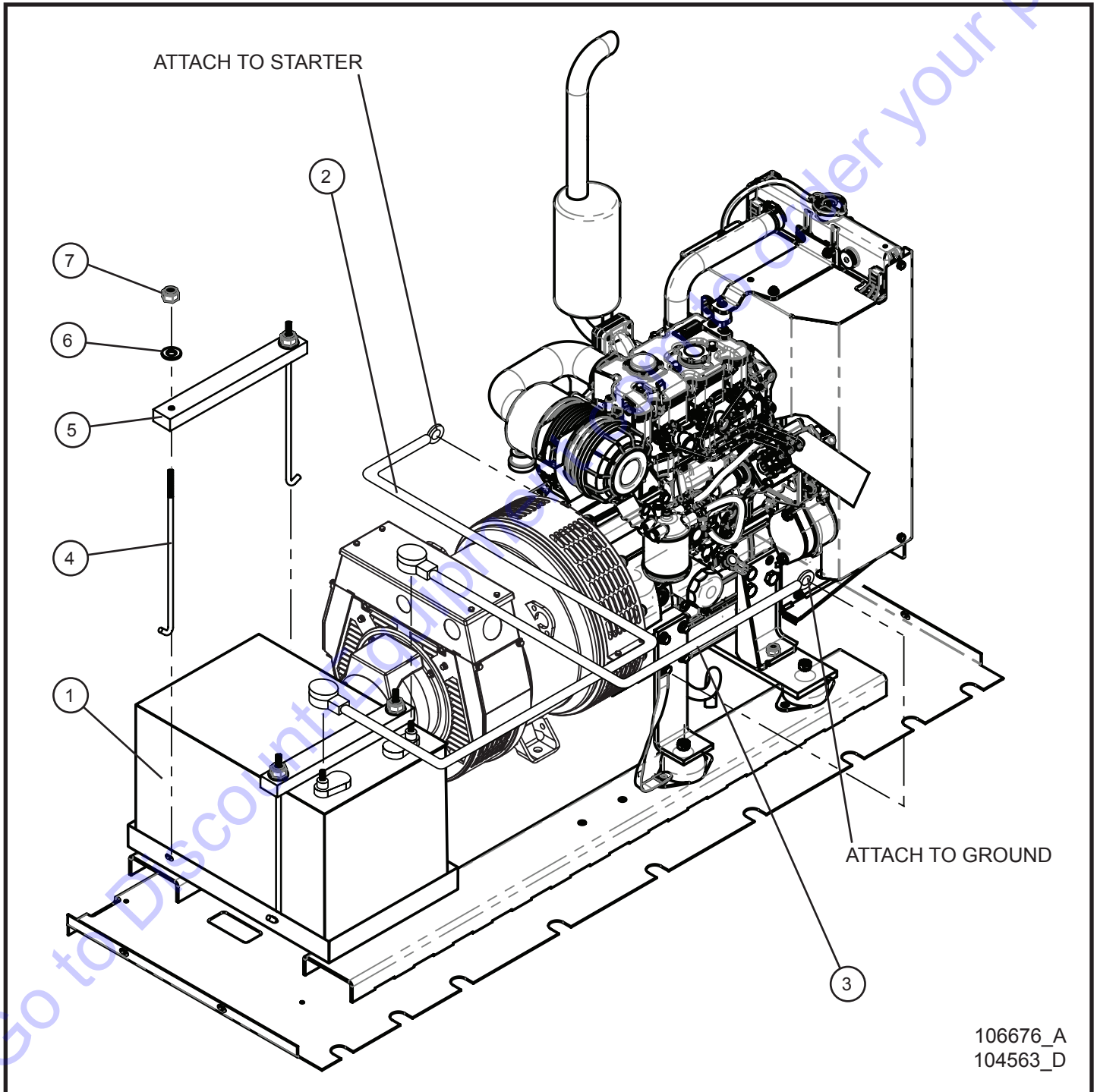
1.11 - Duct Box Group

SN 0001MH16 and UP

Item	Part No.	Part Description	Qty.
--	848120	DUCT STORAGE BOX COMPLETE	1
1	848121P	DUCT BOX BOTTOM PANEL	1
2	848954P	DUCT BOX MOUNT PLATE	4
3	047016	3/8 FLAT WASHER	8
4	046115	3/8-16 X 1-1/4 HEX HEAD CS GR5	4
5	044038	3/8-16 NYLOC HEX NUT	4
6	848124P	DUCT BOX LEFT SIDE PANEL	1
7	053006	1/4-20 X 3/4 CARRIAGE BOLT	28
8	047009	1/4 FLAT WASHER	28
9	044021	1/4-20 KEPS HEX NUT	45
10	848123P	DUCT BOX RIGHT SIDE PANEL	1
11	848122P	DUCT BOX FRONT PANEL	1
12	041026	#10-24 X 3/4 SLOTTED FLAT HEAD	7
13	044019	#10-24 NYLOC HEX NUT SS	23
14	848125P	DUCT BOX TOP PANEL	1
15	660170	DOOR HOLDER	2
16	041021	#10-24 X 1/2 PH-ROUND HEAD	16
17	830232	HASP	1
18	848129	HINGE	1
19	848128P	DUCT BOX LID	1
20	053005	1/4-20 X 1/2 CARRIAGE BOLT	17

2.1 - Battery and Battery Cables

SN 0001MH16 and UP



Maxi-Heat® MH500iQ™

2.1 - Battery and Battery Cables

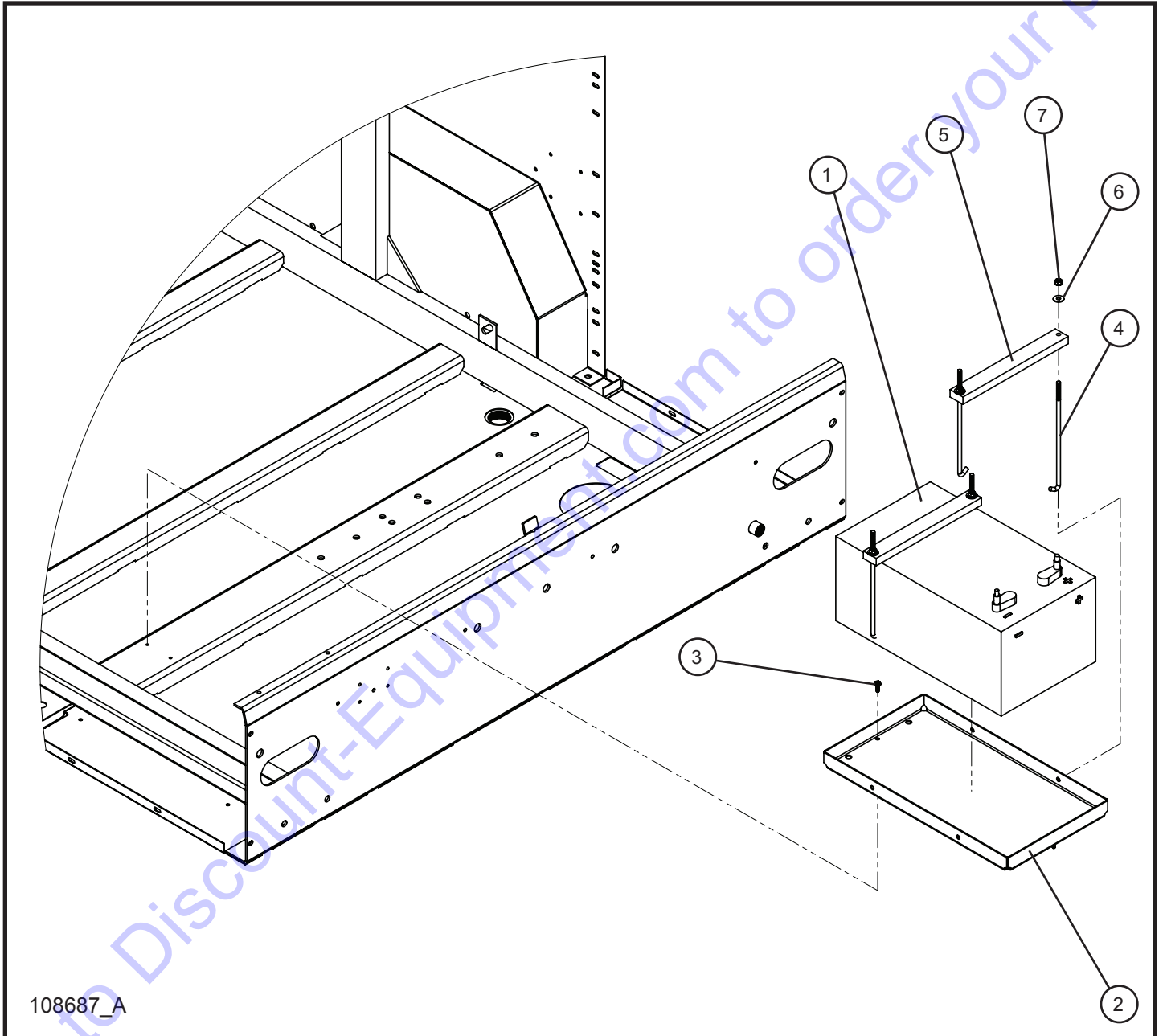
SN 0001MH16 and UP

Item	Part No.	Part Description	Qty.
1	N/A	BATTERY 8D	1
2	027026	BATTERY CABLE 2 GA 48" POSITIVE	1
3	713098	BATTERY CABLE 2 GA 36" NEGATIVE	1
4	433507	J-BOLT BATTERY HOLD DOWN	4
5	800243	NYLON BATTERY HOLD DOWN	2
6	047010	5/16 FLAT WASHER PL	4
7	044031	5/16-18 KEPS HEX NUT PL	4

Go to Discount-Equipment.com to order your parts

2.2 - Non-FCS Battery Tray Install Group

SN 0001MH16 and UP



108687_A

Maxi-Heat® MH500iQ™

2.2 - Non-FCS Battery Tray Install Group

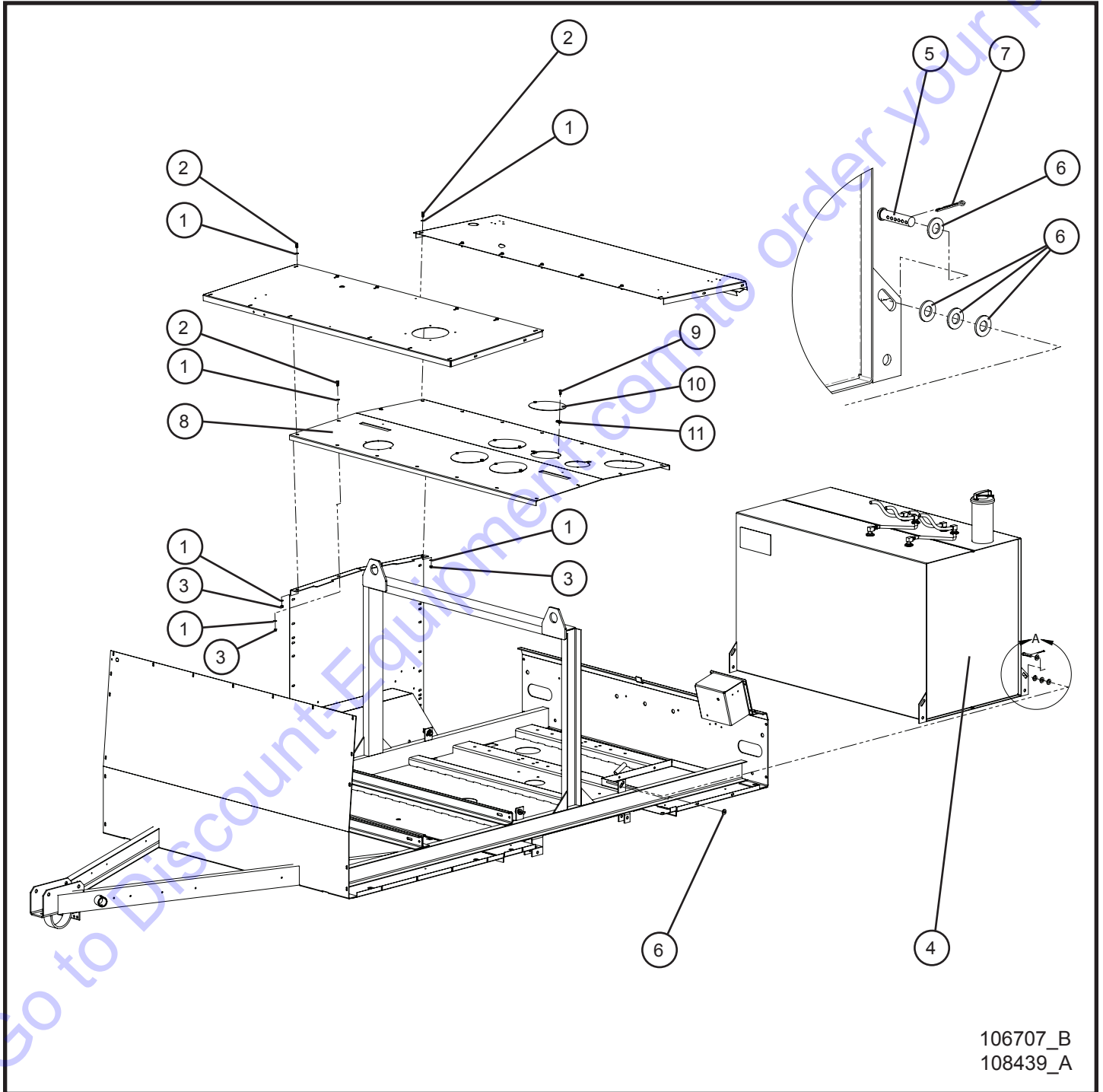
SN 0001MH16 and UP

Item	Part No.	Part Description	Qty.
1	N/A	BATTERY 8D	1
2	108379P	TRAY 8D BATTERY MH500iQ	1
3	041070	1/4-20 x 3/4 SL-HEX WASHER HEAD MS TP F	2
4	433507	J-BOLT BATTERY HOLD DOWN	4
5	800243	NYLON BATTERY HOLD DOWN	2
6	047010	5/16 FLAT WASHER PL	4
7	044031	5/16-18 KEPS HEX NUT PL	4

Go to Discount-Equipment.com to order your parts

2.3 - Steel Fuel Tank Group (1 of 2)

SN 0001MH16 and UP



106707_B
108439_A

Maxi-Heat® MH500iQ™

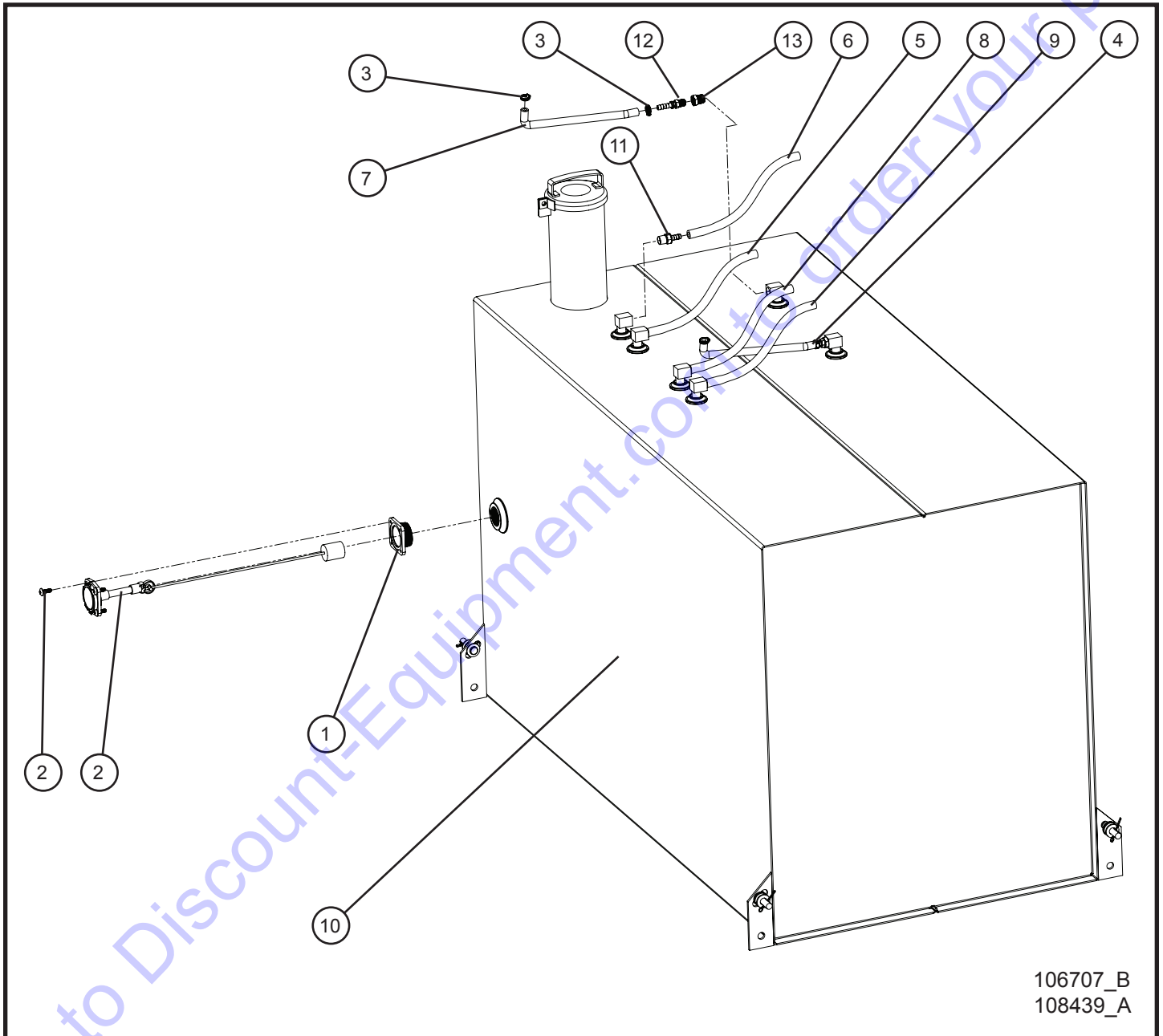
2.3 - Steel Fuel Tank Group (1 of 2)

SN 0001MH16 and UP

Item	Part No.	Part Description	Qty.
1	047009	1/4 FLAT WASHER SAE SS	36
2	046010	1/4-20 x 3/4 HEX HEAD CS GR5 SS	26
3	044023	1/4-20 NYLOCK HEX NUT PL	18
4	800244P	FUEL TANK STEEL-200 GAL MAXI HEAT	1
5	045402	1/2 x 2 CLEVIS PIN	4
6	047025	1/2 FLAT WASHER PL	20
7	045042	COTTER PIN 1/8 x 1 1/2"	4
8	107142P	ROOF PANEL MIDDLE MH500iQ	1
	108410P	ROOF PANEL MIDDLE MH500iQ FCS	1
9	041070	1/4-20 x 3/4 SL-HEX WASHER HEAD MS TP F	8
10	107132P	ACCESS COVER STEEL TANK	4
11	044106	1/4-20 TINNERMAN NUT (MH500iQ NON-FCS ONLY)	8

2.3 - Steel Fuel Tank Group (2 of 2)

SN 0001MH16 and UP



106707_B
108439_A

Maxi-Heat® MH500iQ™

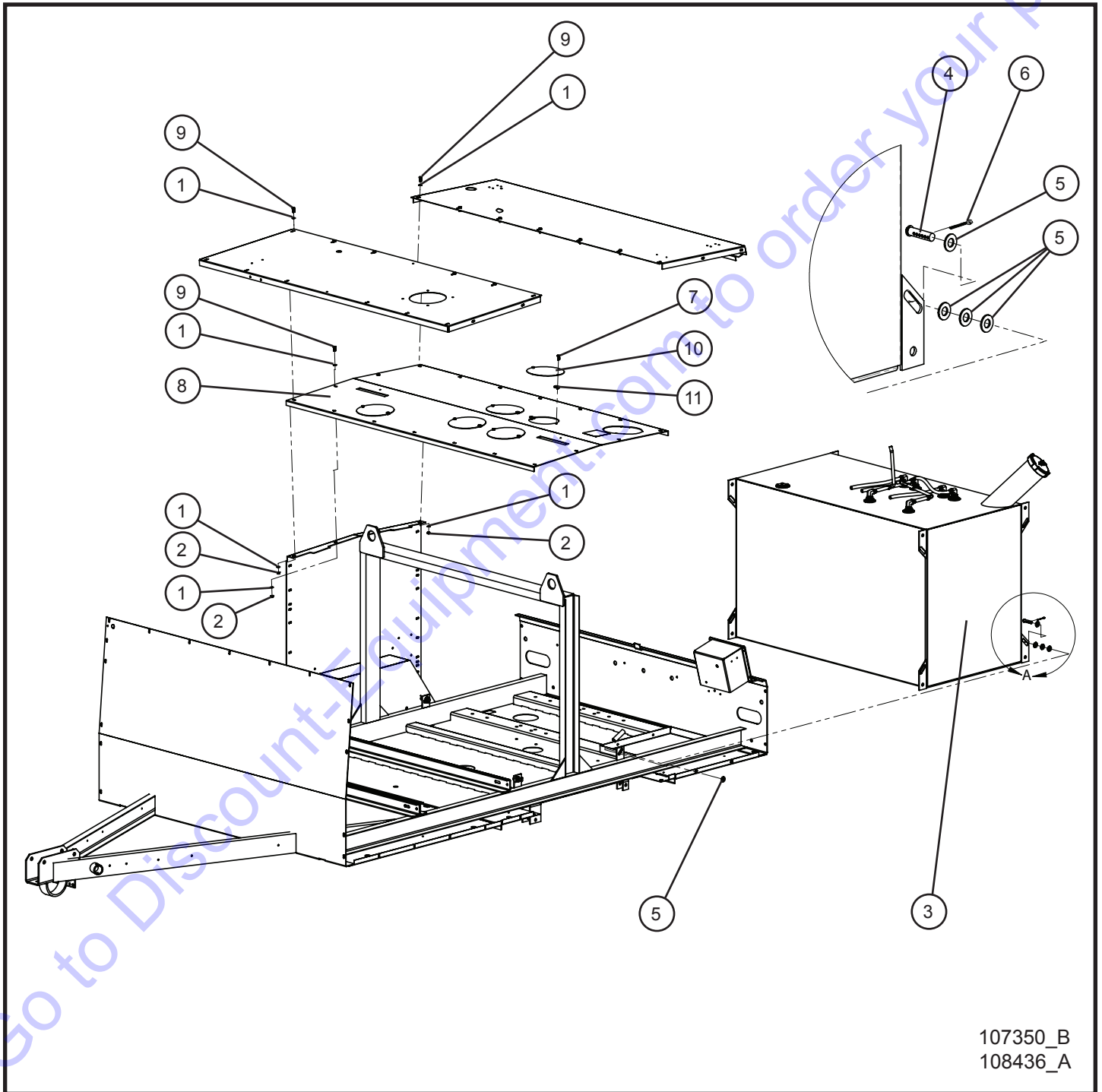
2.3 - Steel Fuel Tank Group (2 of 2)

SN 0001MH16 and UP

Item	Part No.	Part Description	Qty.
1	848967	GAUGE ADAPTER	1
2	848966	FUEL GAUGE STEEL TANK MAXI HEAT	1
3	433400	#4 HOSE CLAMP	4
4	081018	HOSE 5/16" FUEL LINE x 78.0	1
5	081017	3/8 YELLOW FUEL HOSE x 75.0	1
6	081017	3/8 YELLOW FUEL HOSE x 100.0	1
7	081018	HOSE 5/16" FUEL LINE x 64.0	1
8	101266	3/8 BLACK FUEL HOSE x 108.0	1
9	101266	3/8 BLACK FUEL HOSE x 72.0	1
10	800244P	FUEL TANK STEEL-200 GAL MAXI HEAT	1
11	106979	3/8 HOSE BARB 3/8 MALE NPTF	4
12	107163	5/16 BARB 1/4 NPT MALE HOSE FITTING	2
13	107162	3/8 MALE-1/4 FEMALE REDUCING BUSHING	2
14	108253	TFE PASTE PIPE THREAD	1

2.4 - Double Wall Steel Fuel Tank Group (1 of 2)

SN 0001MH16 and UP



107350_B
108436_A

Maxi-Heat® MH500iQ™

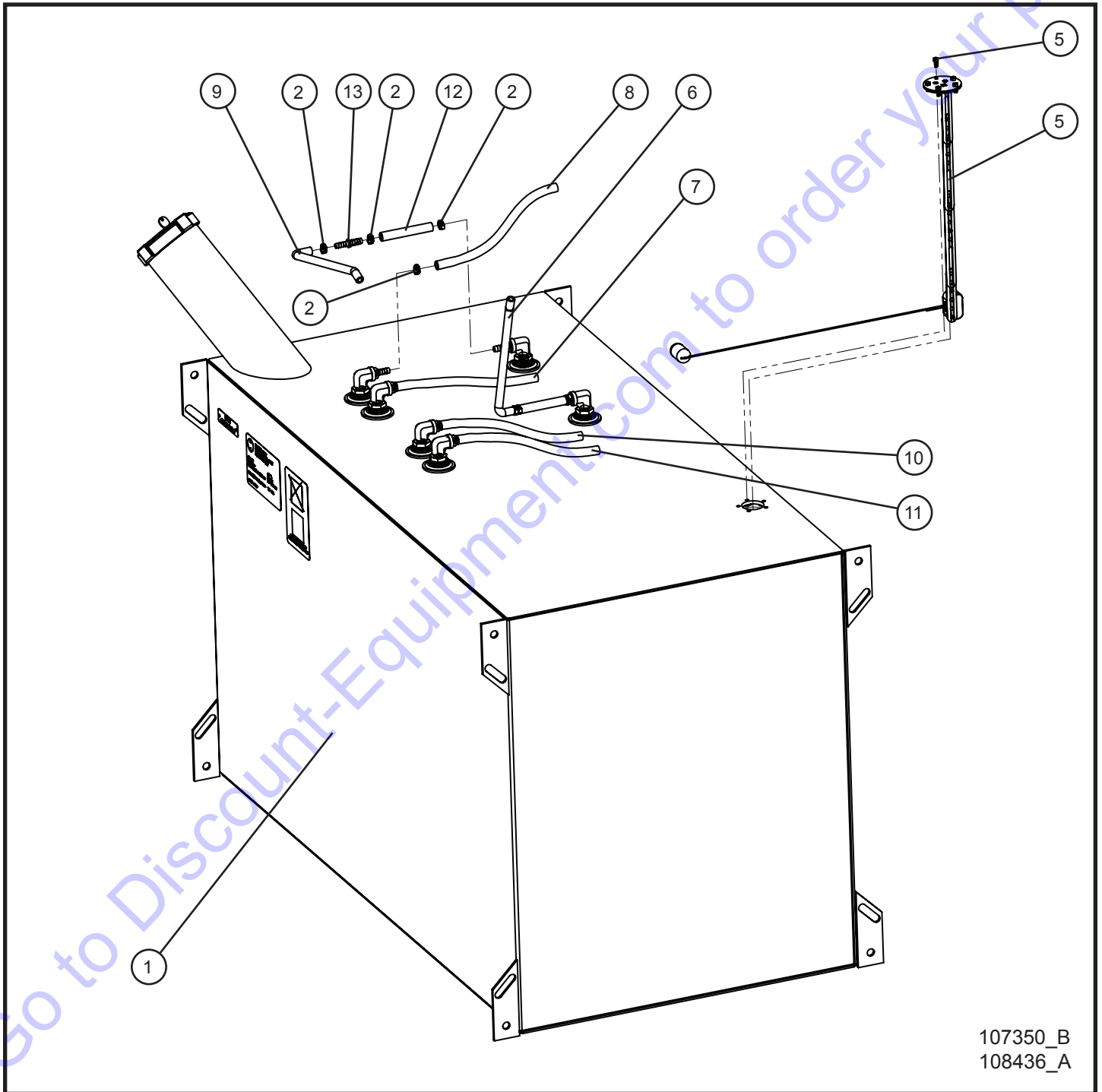
2.4 - Double Wall Steel Fuel Tank Group (1 of 2)

SN 0001MH16 and UP

Item	Part No.	Part Description	Qty.
1	047009	1/4 FLAT WASHER SAE SS	36
2	044023	1/4-20 NYLOCK HEX NUT PL	18
3	107105	DOUBLE WALL STEEL TANK	1
4	045402	1/2 x 2 CLEVIS PIN	4
5	047025	1/2 FLAT WASHER PL	20
6	045042	COTTER PIN 1/8 x 1 1/2"	4
7	041070	1/4-20 x 3/4 SL-HEX WASHER HEAD MS TP F	10
8	107142P	ROOF PANEL MIDDLE MH500iQ	1
	108410P	ROOF PANEL MIDDLE MH500iQ FCS	1
9	046010	1/4-20 x 3/4 HEX HEAD CS GR5 SS	18
10	107132P	ACCESS COVER STEEL TANK	5
11	044106	1/4-20 TINNERMAN NUT (MH500iQ NON-FCS ONLY)	8

2.4 - Double Wall Steel Fuel Tank Group (2 of 2)

SN 0001MH16 and UP



107350_B
108436_A

Maxi-Heat® MH500iQ™

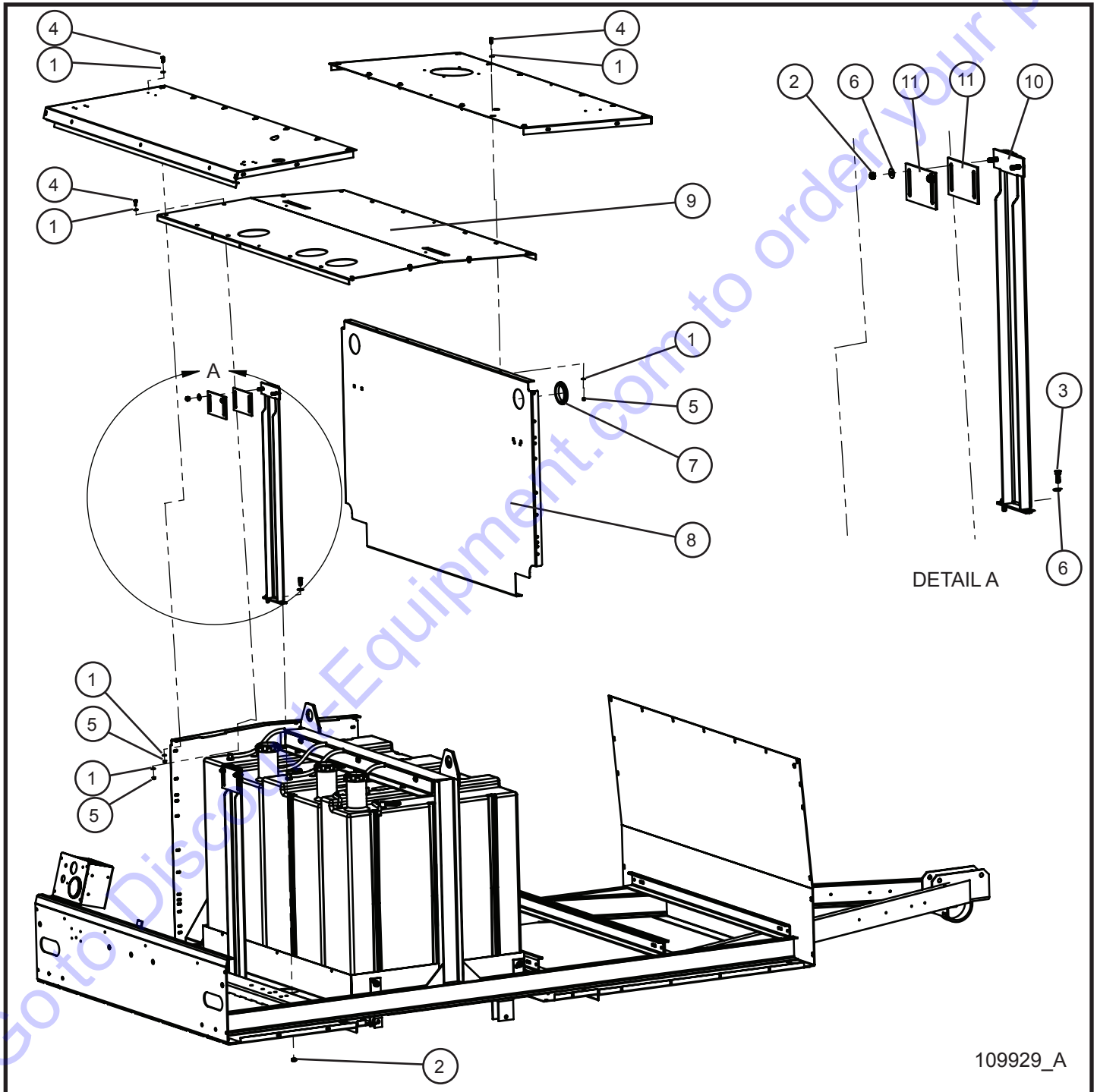
2.4 - Double Wall Steel Fuel Tank Group (2 of 2)

SN 0001MH16 and UP

Item	Part No.	Part Description	Qty.
1	107105	DOUBLE WALL STEEL TANK	1
2	433400	#4 HOSE CLAMP	10
3	107265	WIRE SCHEMATIC FUEL SENDER/GAUGE	1
4	107264	WIRE HARNESS FUEL SENDER/GAUGE	1
5	103206	FUEL SENDER ASSY MH1000 POLY	1
6	081018	HOSE 5/16" FUEL LINE x 78.0	1
7	081017	3/8 YELLOW FUEL HOSE x 75.0	1
8	081017	3/8 YELLOW FUEL HOSE x 100.0	1
9	081018	HOSE 5/16" FUEL LINE x 64.0	1
10	101266	3/8 BLACK FUEL HOSE x 108.0	1
11	101266	3/8 BLACK FUEL HOSE x 72.0	1
12	081017	3/8 BLACK FUEL HOSE x 8.00	2
13	107348	REDUCER COUPLER BARB 3/8 - 5/16	2

2.5 - Poly Fuel Tank Group (1 of 2)

SN 0001MH16 and UP



Maxi-Heat® MH500iQ™

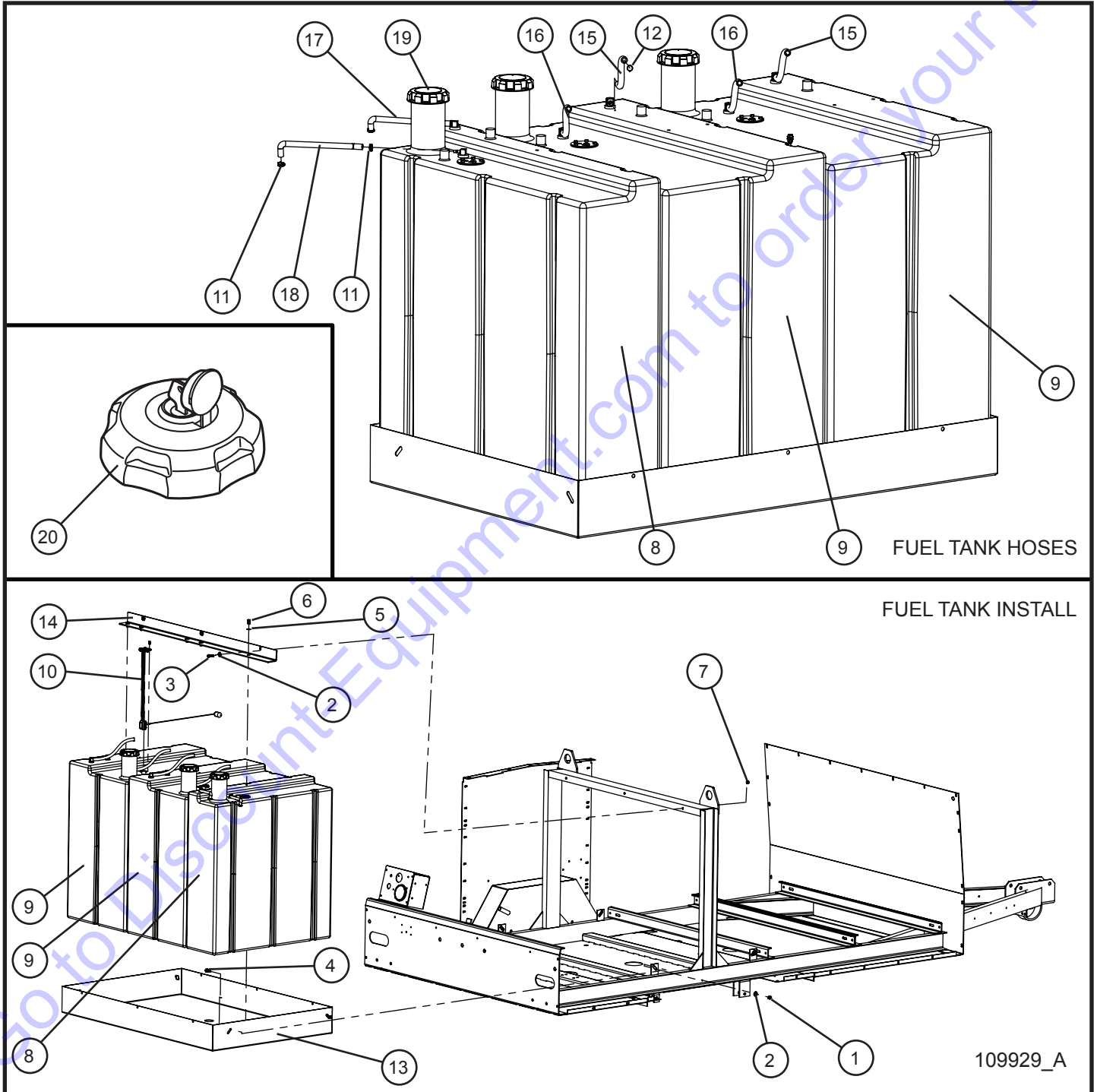
2.5 - Poly Fuel Tank Group (1 of 2)

SN 0001MH16 and UP

Item	Part No.	Part Description	Qty.
1	047009	1/4 FLAT WASHER SAE SS	36
2	044038	3/8-16 NYLOCK HEX NUT PL	8
3	046110	3/8-16 x 1 HEX HEAD CS GR5 PL	4
4	046010	1/4-20 x 3/4 HEX HEAD CS GR5 SS	18
5	044023	1/4-20 NYLOCK HEX NUT PL	18
6	047015	3/8 FLAT WASHER PL	8
7	100917	3" ID GROMMET	1
8	109938P	FIREWALL POLY FUEL TANK	1
9	109925P	ROOF PANEL FUEL COMPARTMENT	1
10	104833P	STIFFENER POLY FUEL TANK	2
11	104832P	SUPPORT CLIP POLY FUEL TANK	4
NS	103659	WIRE HARNESS POLY FUEL TANKS	1
NS	106859	WIRE SCHEMATIC FUEL LEVEL SENDER	1

2.5 - Poly Fuel Tank Group (2 of 2)

SN 0001MH16 and UP



Maxi-Heat® MH500iQ™

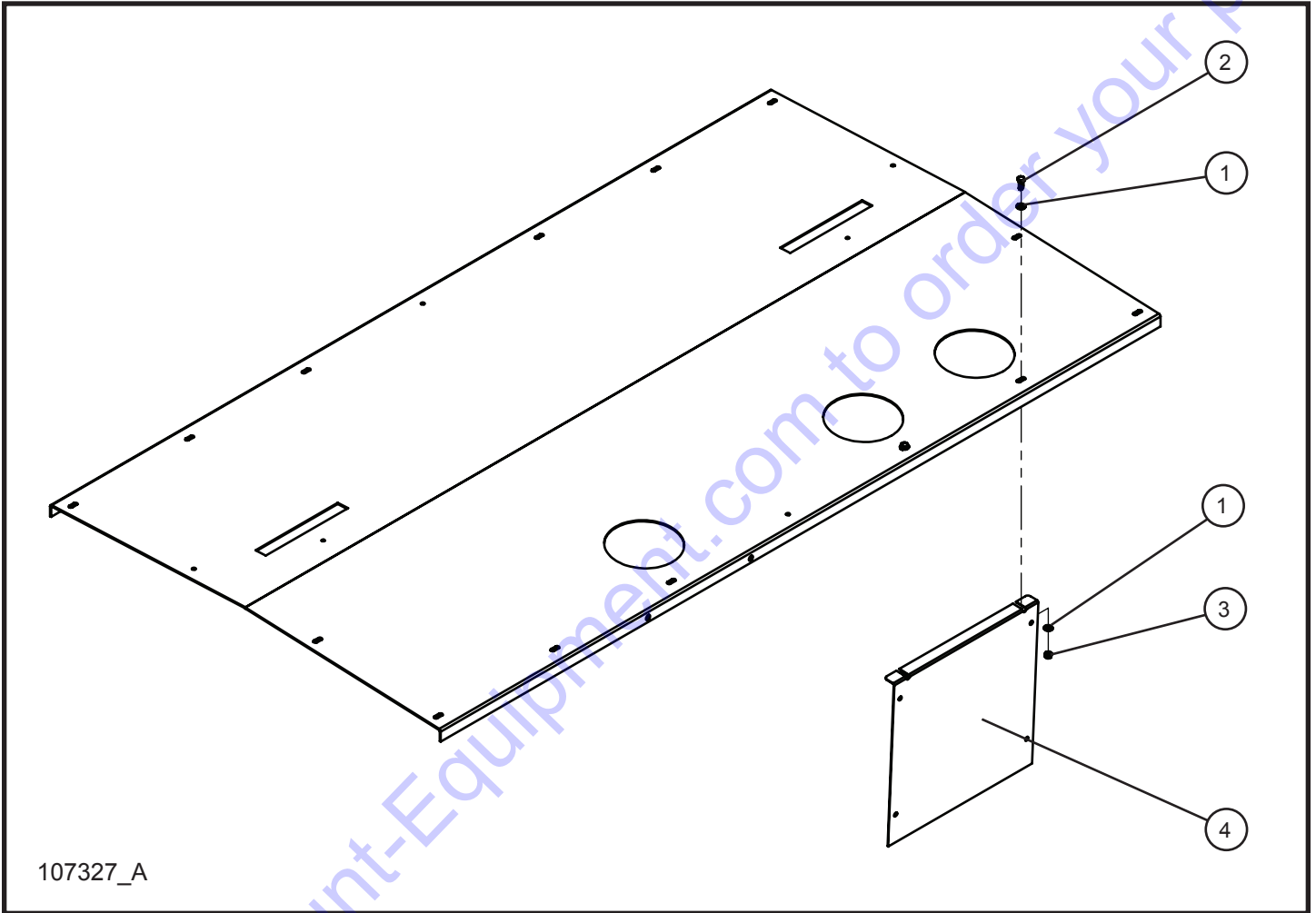
2.5 - Poly Fuel Tank Group (2 of 2)

SN 0001MH16 and UP

Item	Part No.	Part Description	Qty.
1	044038	3/8-16 NYLOCK HEX NUT PL	4
2	047015	3/8 FLAT WASHER PL	7
3	046115	3/8-16 x 1 1/4 HEX HEAD CS GR5 PL	3
4	100670	3/8-16 x 1 1/4 CARRIAGE BOLT	4
5	047016	3/8 FLAT WASHER SAE ZINC	5
6	046105	3/8-16 x 3/4 HEX HEAD CS GR8 PL	5
7	044036	3/8-16 KEPS HEX NUT	3
8	109926	TANK ASSEMBLY ENGINE 50 GAL	1
9	109928	TANK ASSEMBLY HEATER 105 GAL	2
10	103206	FUEL SENDER	3
11	433400	#4 HOSE CLAMP	4
12	101265	3/8 30R7 HOSE PINCH CLAMP	4
13	109927P	BOTTOM FUEL TANK CONTAINER	1
14	109930P	HOLD-DOWN POLY FUEL TANK	1
15	101266	3/8 BLACK FUEL HOSE x 108.0	2
16	081017	3/8 YELLOW FUEL HOSE x 108.0	2
17	081018	HOSE 5/16 FUEL LINE x 78.0	1
18	081018	HOSE 5/16 FUEL LINE x 64.0	1
19	340441	FUEL TANK CAP PLASTIC	3
20	103848	FUEL TANK CAP, LOCKING, VENTED, W KEYSSET (OPTION)	3

2.6 - Poly Fuel Tank Muffler Shield

SN 0001MH16 and UP



107327_A

Maxi-Heat® MH500iQ™

2.6 - Poly Fuel Tank Muffler Shield

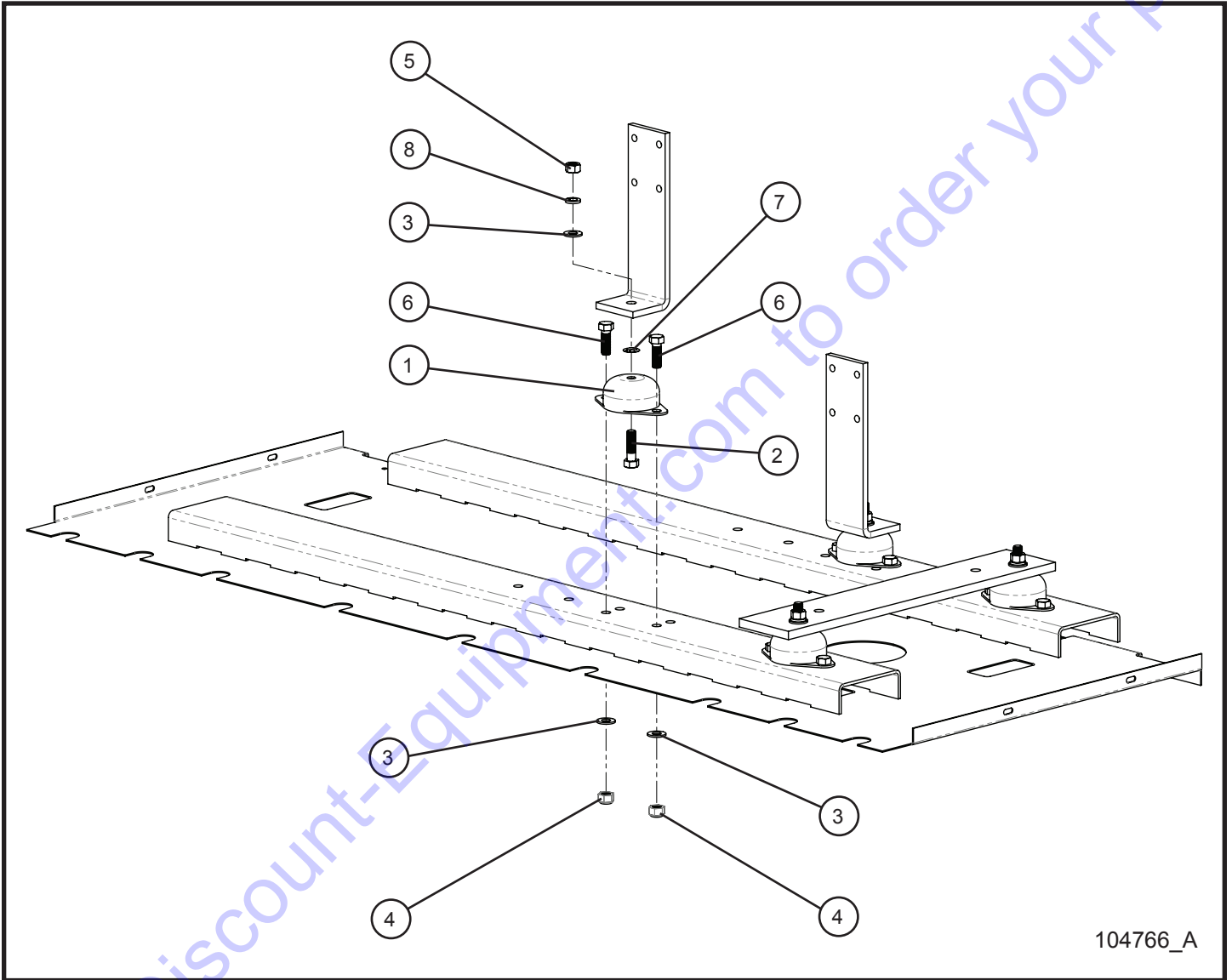
SN 0001MH16 and UP

Item	Part No.	Part Description	Qty.
1	047009	1/4 FLAT WASHER SAE SS	4
2	046010	1/4-20 x 3/4 HEX HEAD CS GR5 SS	2
3	044023	1/4-20 NYLOCK HEX NUT PL	2
4	109939P	MUFFLER SHIELD	1

Go to Discount-Equipment.com to order your parts

2.7 - Engine Isolator Mounts

SN 0001MH16 and UP



Maxi-Heat® MH500iQ™

2.7 - Engine Isolator Mounts

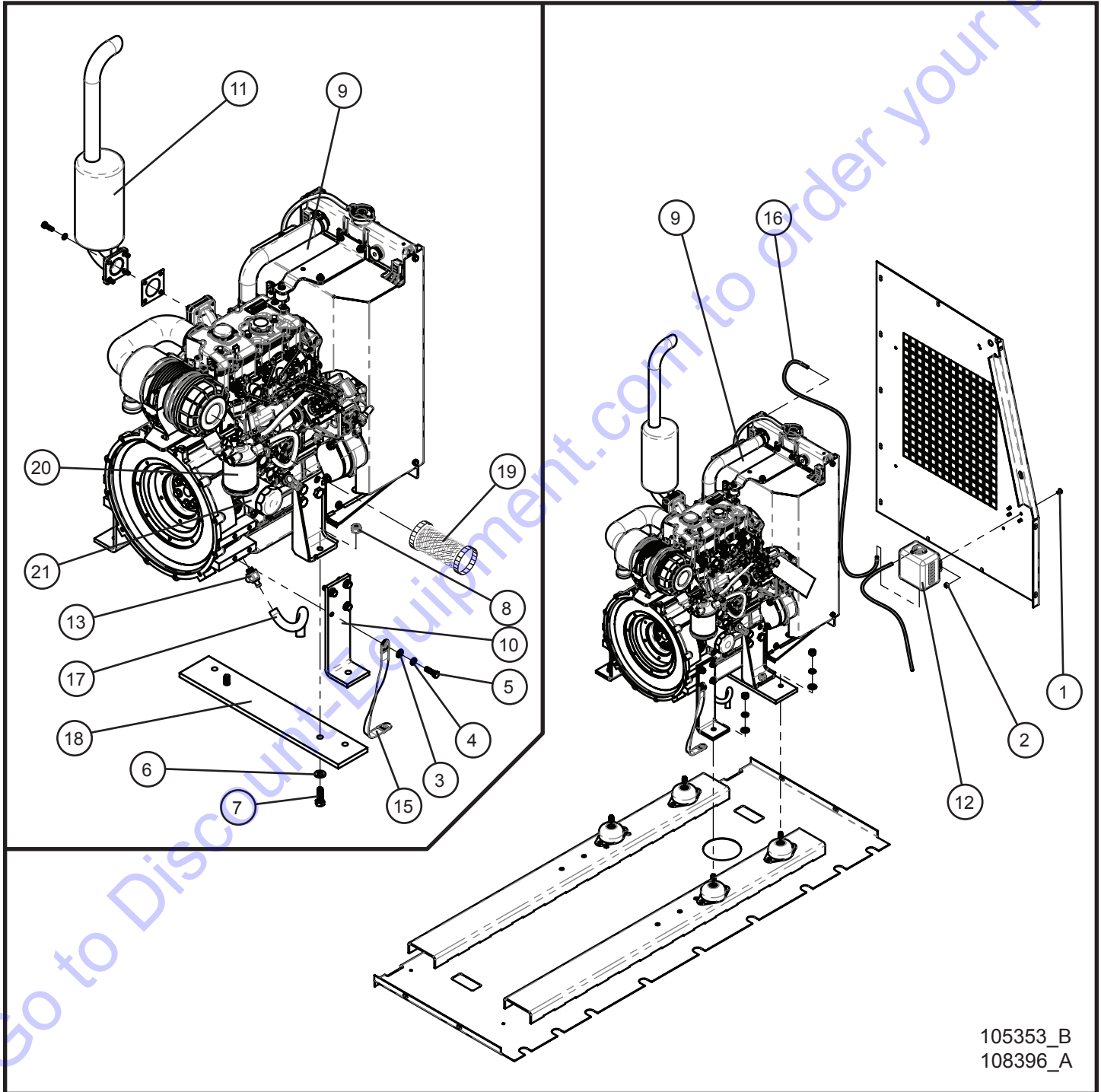
SN 0001MH16 and UP

Item	Part No.	Part Description	Qty.
1	848973	VIBRATION ISOLATOR DURO	4
2	046439	1/2-13 x 1 3/4 HEX HEAD CS GR8	4
3	047025	1/2 FLAT WASHER PL	12
4	044048	1/2-13 NYLOCK HEX NUT PL	8
5	044045	1/2-13 HEX NUT PL	4
6	046185	1/2-13 x 1 1/2 HEX HEAD CS GR5 PL	8
7	104225	1/2 PUSH NUT	4
8	043085	1/2 SPLITLOCK WASHER PL	4

Go to Discount-Equipment.com to order your parts

3.1 - CAT C1.5 Engine Install Group

SN 0001MH16 and UP



105353_B
108396_A

Maxi-Heat® MH500iQ™

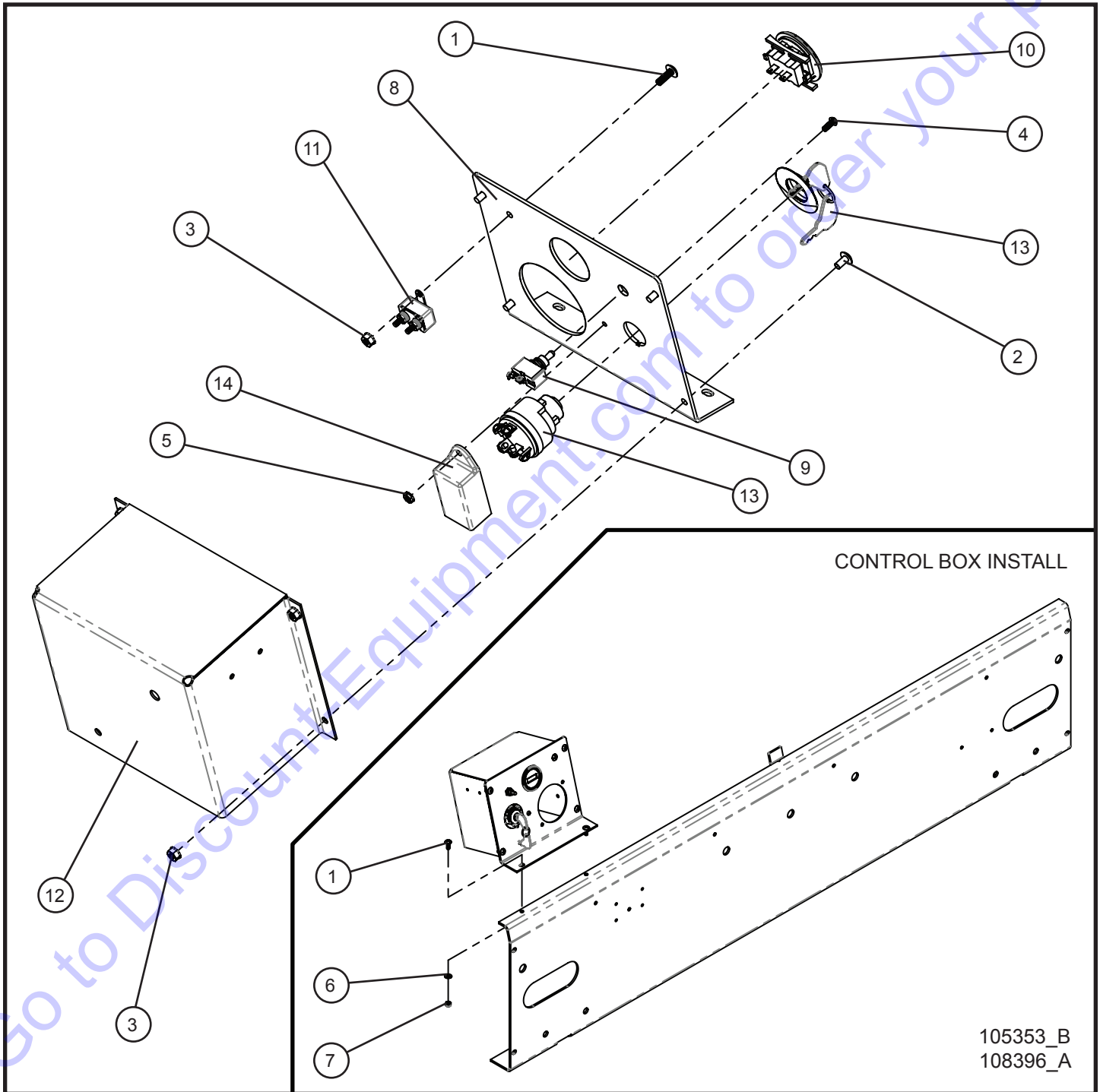
3.1 - CAT C1.5 Engine Install Group

SN 0001MH16 and UP

Item	Part No.	Part Description	Qty.
1	041078	1/4-20 x 1/2 PH-TRUSS HEAD MS SS	4
2	044021	1/4-20 KEPS HEX NUT PL	4
3	047016	3/8 FLAT WASHER SAE ZINC	8
4	043065	3/8 SPLITLOCK WASHER PL	8
5	046115	3/8-16 x 1 1/4 HEX HEAD CS GR5 PL	8
6	047025	1/2 FLAT WASHER PL	2
7	046185	1/2-13 x 1 1/2 HEX HEAD CS GR5 PL	2
8	044048	1/2-13 NYLOCK HEX NUT PL	2
9	103562	CAT ENGINE C1.5 60Hz PULL FAN EPA TIER 4 FINAL	1
10	101242P	MH CAT BELL HOUSING MOUNT	2
11	104867	MUFFLER CAT C1.5	1
12	650027	COOLANT RESERVOIR WITH BRACKET	1
13	651193	DRAIN VALVE FUMOTO M16 x 1.5	1
14	101338	WIRE HARNESS CAT C1.5	1
15	340105	GROUND STRAP	1
16	102268	HOSE 1/4" OVERFLOW COOLANT x 48.0	1
17	101266	HOSE 3/8 SAE 30R7 x 12.0	1
18	101241P	MAXI HEAT CAT C1.5 BRIDGE PLATE	1
19	102580	AIR FILTER CAT C1.5	1
20	103155	FUEL FILTER CAT C1.5	1
21	650304	OIL FILTER CAT C1.5	1
22	106710	SCHEMATIC CAT C1.5 INSTALL	1

3.2 - CAT Control Box Group (1 of 2)

SN 0001MH16 and UP



Maxi-Heat® MH500iQ™

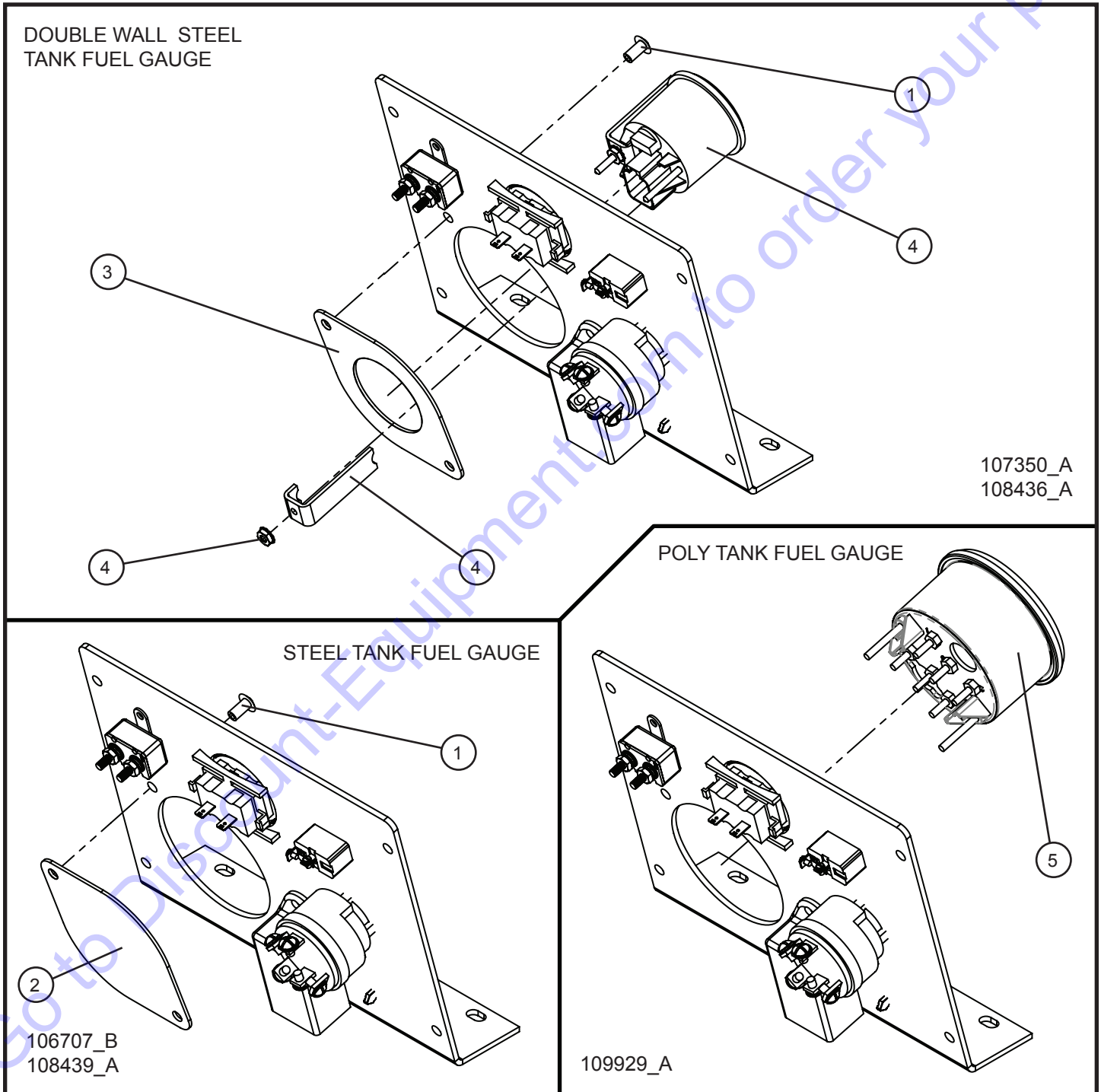
3.2 - CAT Control Box Group (1 of 2)

SN 0001MH16 and UP

Item	Part No.	Part Description	Qty.
1	041050	1/4-20 x 3/4 PH-TRUSS HEAD MS SS	3
2	041078	1/4-20 x 1/2 PH-TRUSS HEAD MS SS	4
3	044021	1/4-20 KEPS HEX NUT PL	5
4	041024	#10-24 x 1/2 PH-ROUND HEAD MS SS	1
5	044016	#10-24 KEPS HEX NUT PL	1
6	047009	1/4 FLAT WASHER SAE SS	2
7	044023	1/4-20 NYLOCK HEX NUT PL	2
8	109936P	MAXI HEAT CAT C1.5 GAUGE PANEL	1
9	340009	SWITCH 15A 125V	1
10	340014	HOUR METER DIGITAL	1
11	650139	CIRCUIT BREAKER 30 AMP	1
12	105815P	REAR COVER CAT CONTROL PANEL	1
13	920475	CAT IGNITION SWITCH W/ KEYS	1
	650307	CAT IGNITION KEY	1
14	650302	TIMER/AUTO SHUTDOWN	1

3.2 - CAT Control Box Group (2 of 2)

SN 0001MH16 and UP



Maxi-Heat® MH500iQ™

3.2 - CAT Control Box Group (2 of 2)

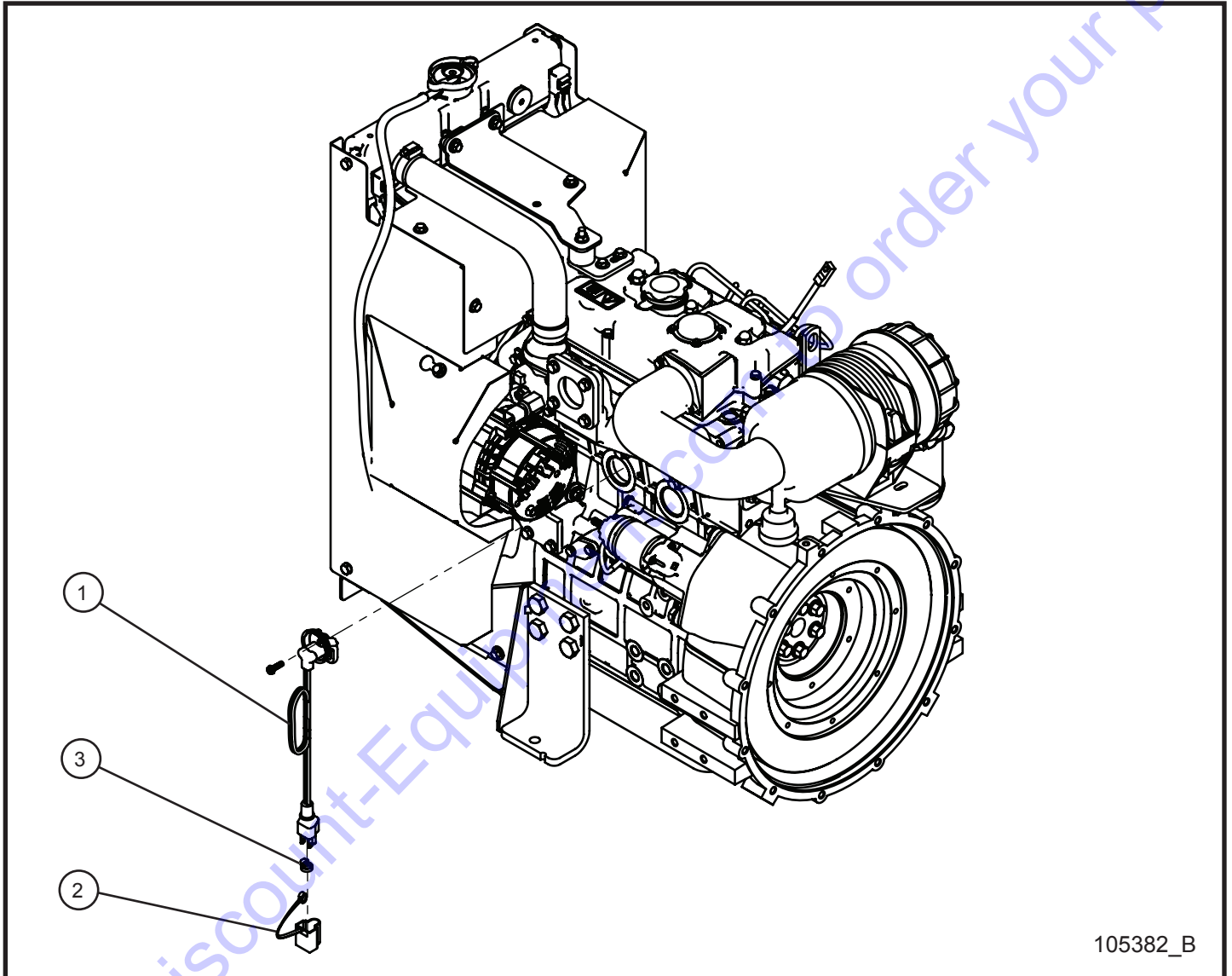
SN 0001MH16 and UP

Item	Part No.	Part Description	Qty.
1	045118	1/4 x 1/2 RIVET	2
2	106929P	COVER HOLE FUEL GAUGE	1
3	107343P	PLATE FUEL GAUGE MOUNT	1
4	104015	GAUGE FUEL 2"	1
5	103205	FUEL GAUGE 3-1 BEEDE MH-1000	1

Go to Discount-Equipment.com to order your parts

3.3 - CAT C1.5 Block Heater

SN 0001MH16 and UP



Maxi-Heat® MH500iQ™

3.3 - CAT C1.5 Block Heater

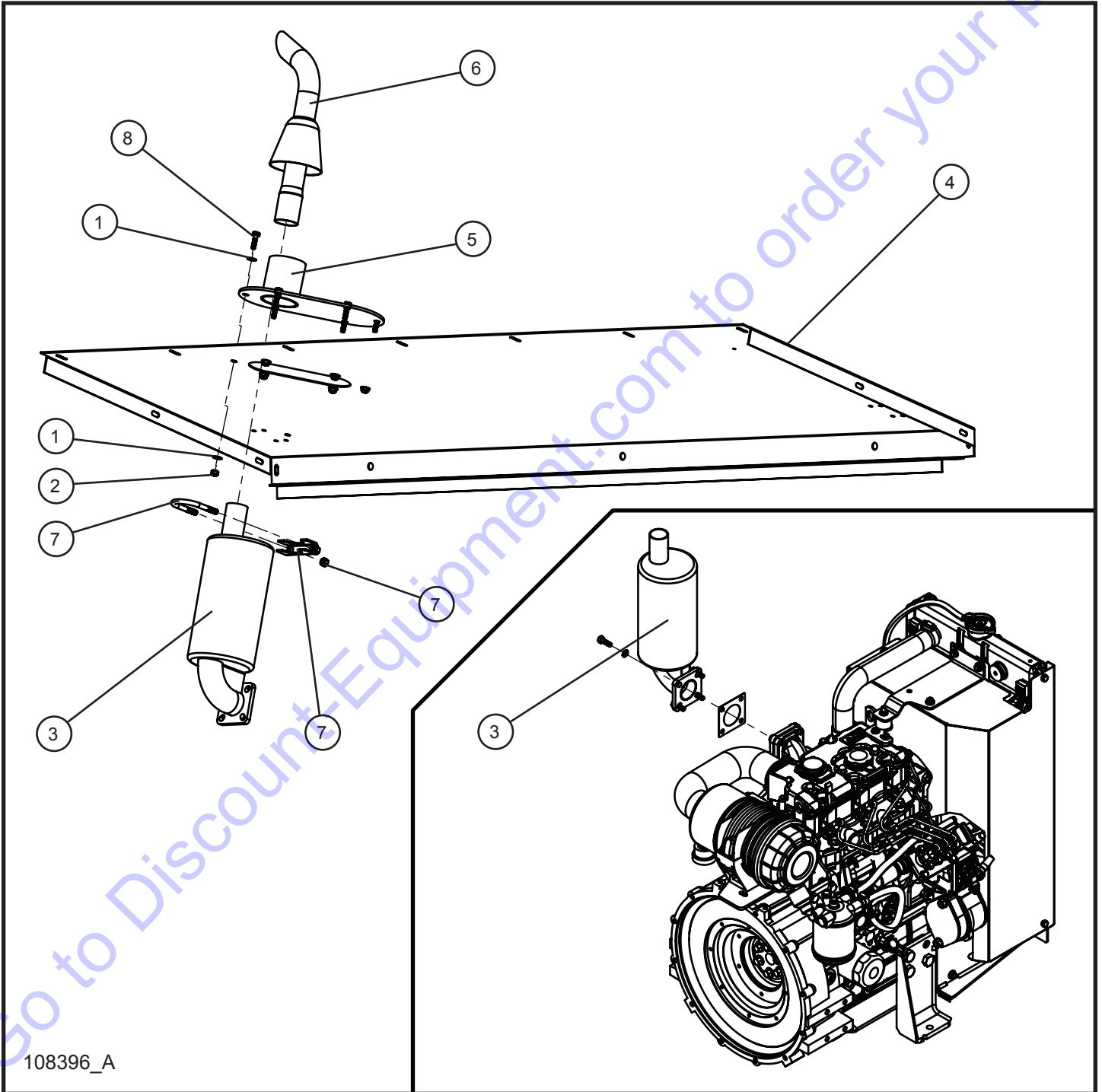
SN 0001MH16 and UP

Item	Part No.	Part Description	Qty.
1	103322	BLOCK HEATER CAT C1.5	1
2	105995	END COVER 120 VOLT CORD	1
3	068090	CABLE TIE 8"	1

Go to Discount-Equipment.com to order your parts

3.4 - CAT C1.5 FCS Muffler Install Group

SN 0001MH16 and UP



Maxi-Heat® MH500iQ™

3.4 - CAT C1.5 FCS Muffler Install Group

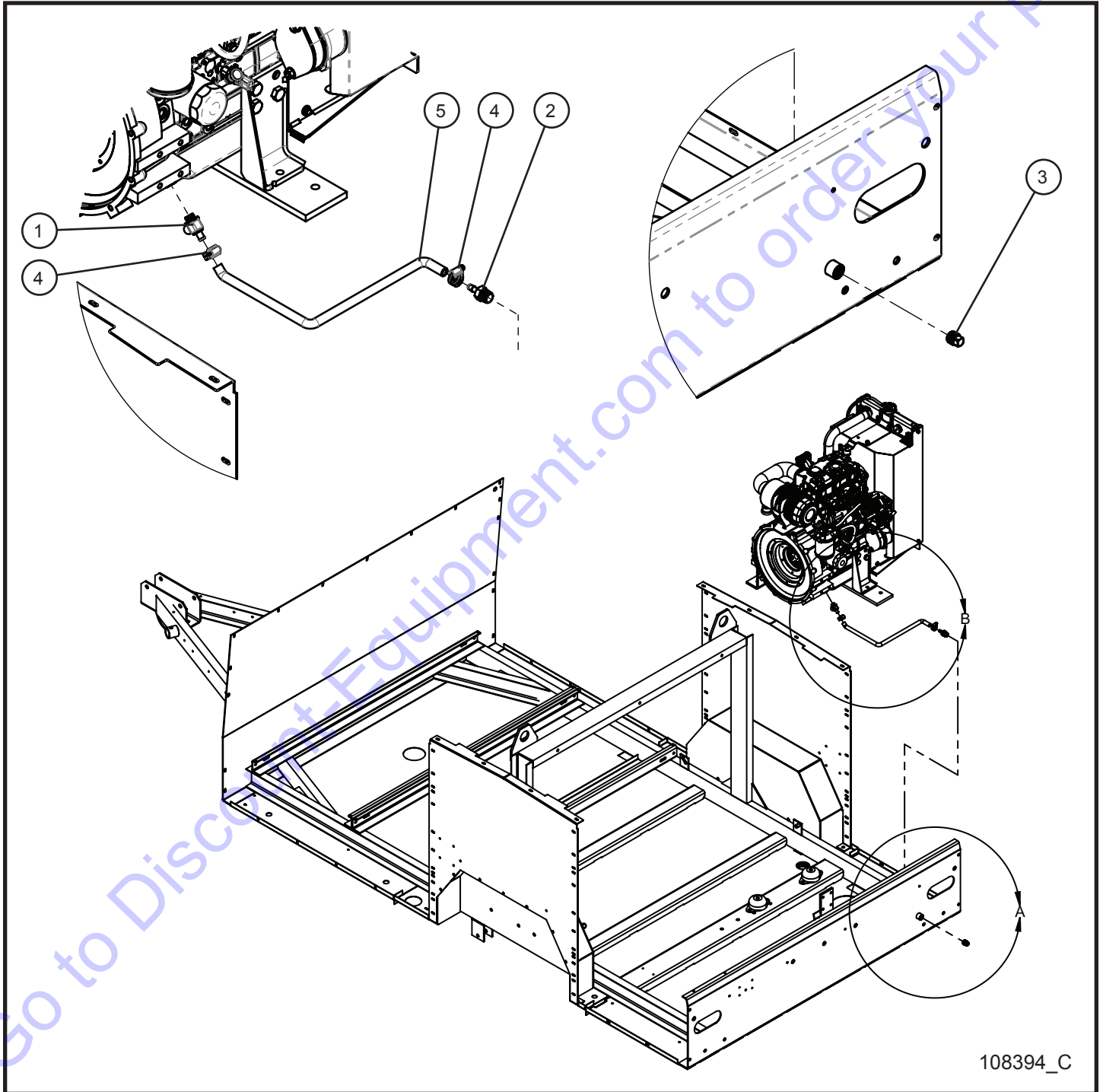
SN 0001MH16 and UP

Item	Part No.	Part Description	Qty.
1	047009	1/4 FLAT WASHER SAE SS	12
2	044023	1/4-20 NYLOCK HEX NUT PL	6
3	108364	MUFFLER CAT C1.5 CUT DOWN	1
4	108406P	ENGINE ROOF PANEL MH500iQ FCS	1
5	108427P	EXHAUST ADAPTER MH500iQ FCS	1
6	106253	TAILPIPE VERTICAL 1.5 DIA TUBE	1
7	340112	1-1/2 MUFFLER CLAMP THICK ZIEGLER	1
8	046015	1/4-20 x 1 HEX HEAD CS GR5 PL	6

Go to Discount-Equipment.com to order your parts

3.5 - CAT C1.5 FCS Remote Oil Drain Group

SN 0001MH16 and UP



108394_C

Maxi-Heat® MH500iQ™

3.5 - CAT C1.5 FCS Remote Oil Drain Group

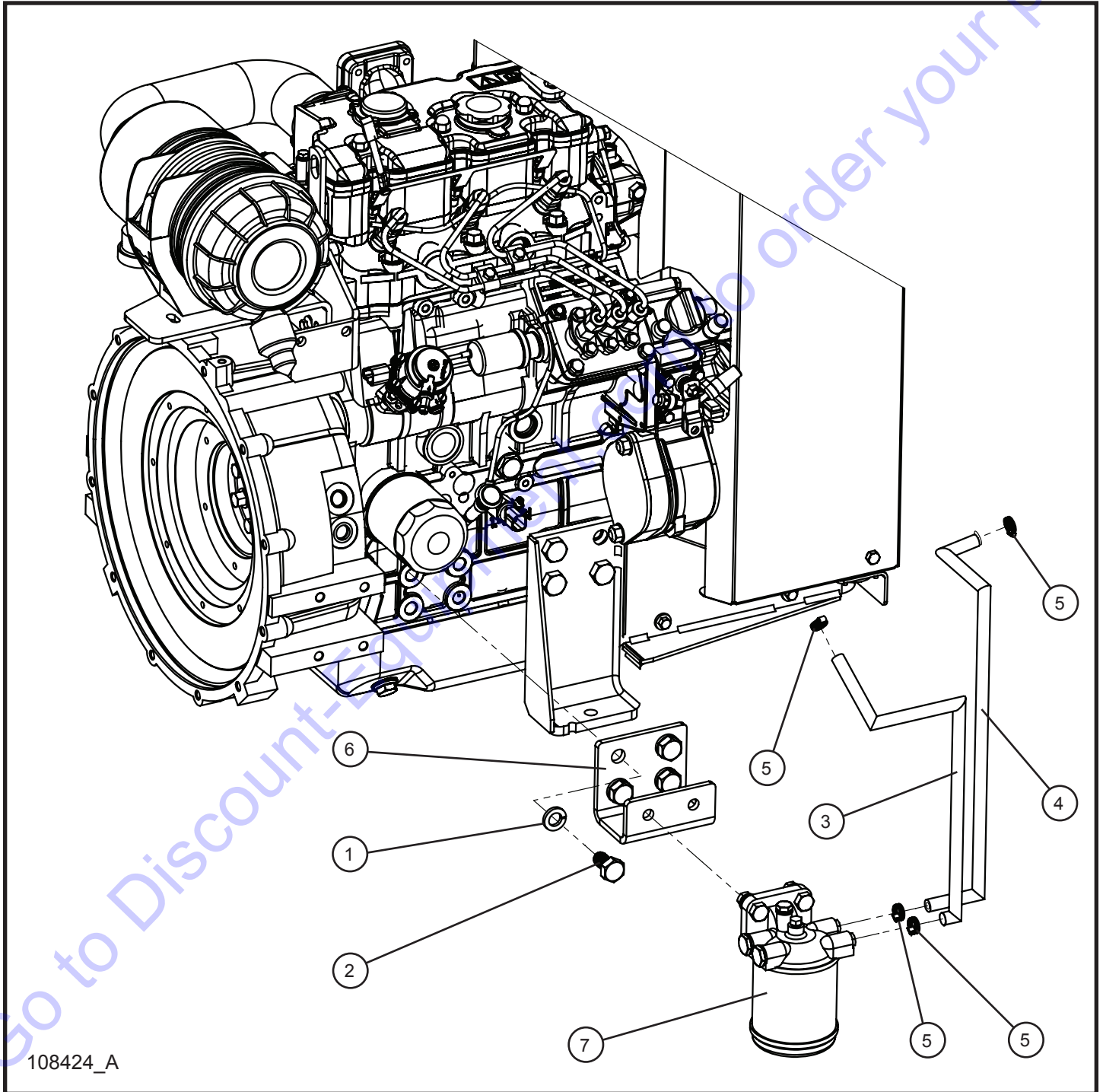
SN 0001MH16 and UP

Item	Part No.	Part Description	Qty.
1	651193	DRAIN VALVE FUMOTO M16 x 1.5	1
2	104381	FITTING HOSE BARB 1/2 NPT - 3/8 HOSE	1
3	026106	PLUG 1/2 NPT SQUARE HEAD	1
4	045037	HOSE CLAMP #8	2
5	081017	HOSE 3/8 YELLOW x 22.0	1
6	108253	TFE PASTE PIPE THREAD	1

Go to Discount-Equipment.com to order your parts

3.6 - CAT C1.5 FCS Fuel Filter Group

SN 0001MH16 and UP



Maxi-Heat® MH500iQ™

3.6 - CAT C1.5 FCS Fuel Filter Group

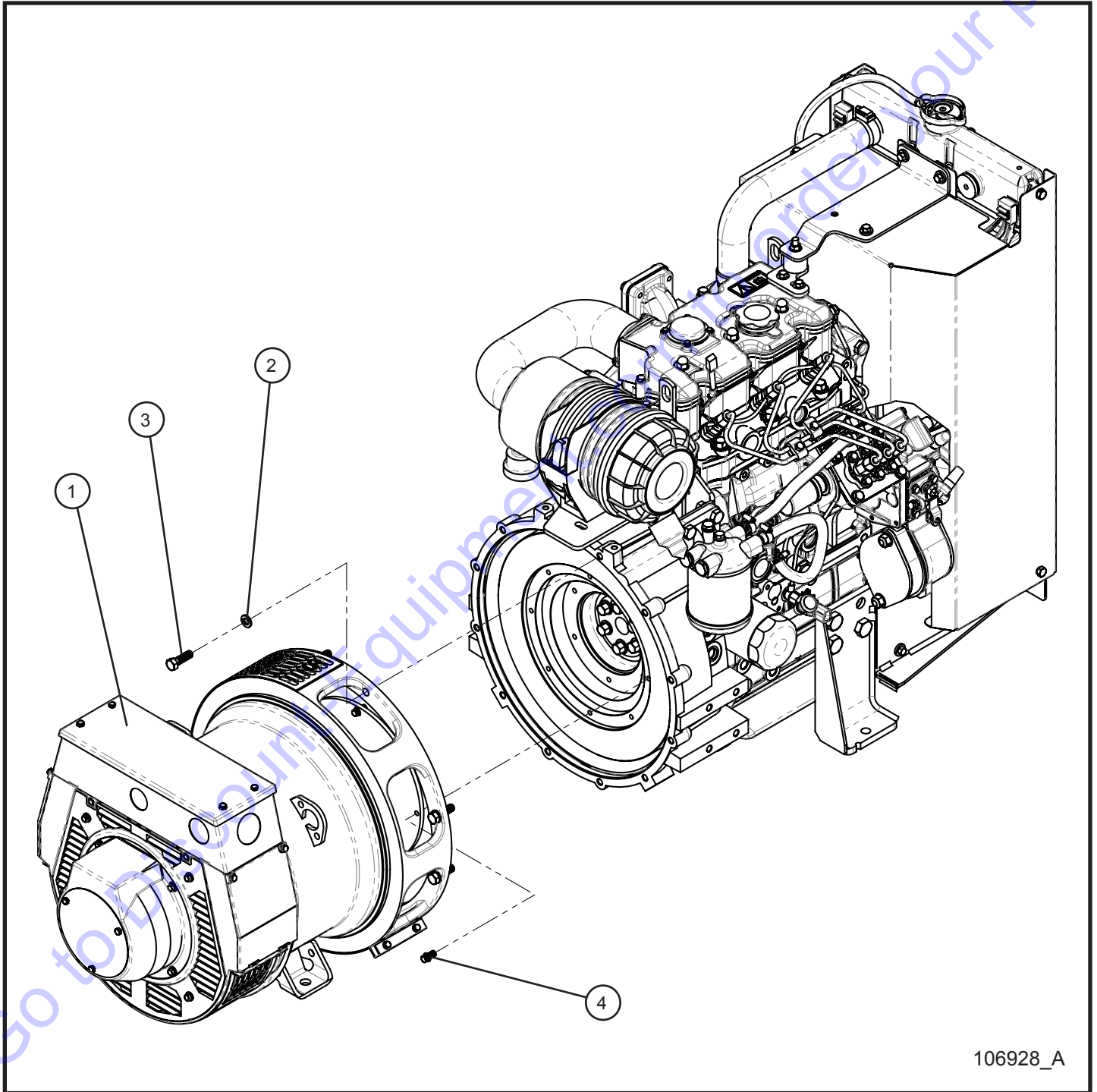
SN 0001MH16 and UP

Item	Part No.	Part Description	Qty.
1	043095	9/16 SPLITLOCK WASHER PL	4
2	046430	M14 x 1.5 x 25 HEX HEAD CS GR8.8 PL	4
3	081018	HOSE 5/16 FUEL LINE x 20.0	1
4	081018	HOSE 5/16 FUEL LINE x 22.0	1
5	433400	#4 HOSE CLAMP	4
6	108285P	BRACKET FUEL FILTER ENGINE CAT	1
7	103155	FUEL FILTER CAT C1.5	1

Go to Discount-Equipment.com to order your parts

3.7 - CAT Stamford (Cummins) 9kW Generator

SN 0001MH16 and UP



Maxi-Heat® MH500iQ™

3.7 - CAT Stamford (Cummins) 9kW Generator

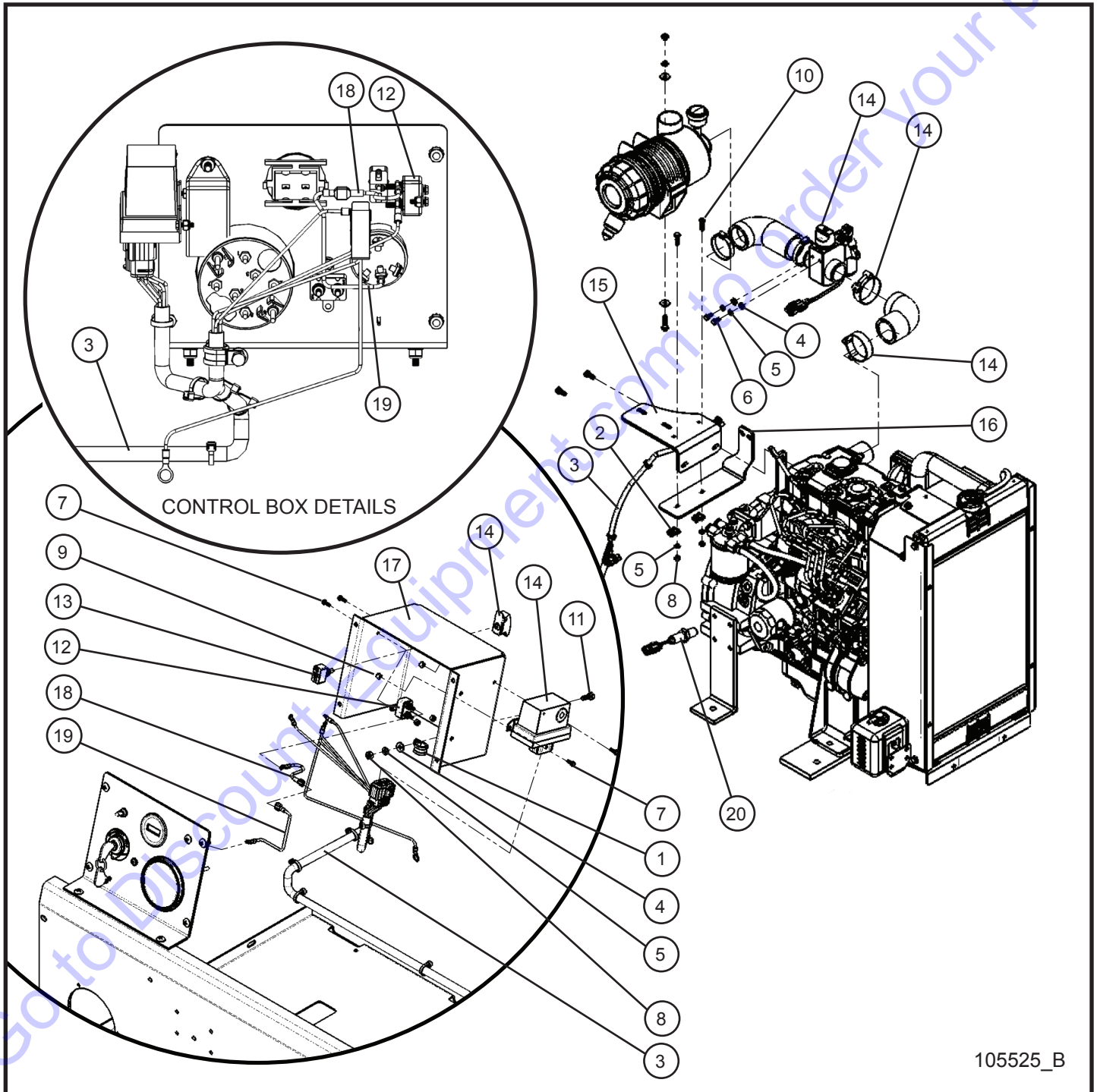
SN 0001MH16 and UP

Item	Part No.	Part Description	Qty.
1	102649	GENERATOR 9KW STAMFORD (CUMMINS) SAE 4/7.5 CAT	1
2	043065	3/8 SPLITLOCK WASHER PL	8
3	046115	3/8-16 x 1 1/4 HEX HEAD CS GR5 PL	8
4	046041	5/16-18 x 1/2" 12 PT FLANGE HEAD BOLT	8

Go to Discount-Equipment.com to order your parts

3.8 - CAT C1.5 Shocker Valve Group

SN 0001MH16 and UP



105525_B

Maxi-Heat® MH500iQ™

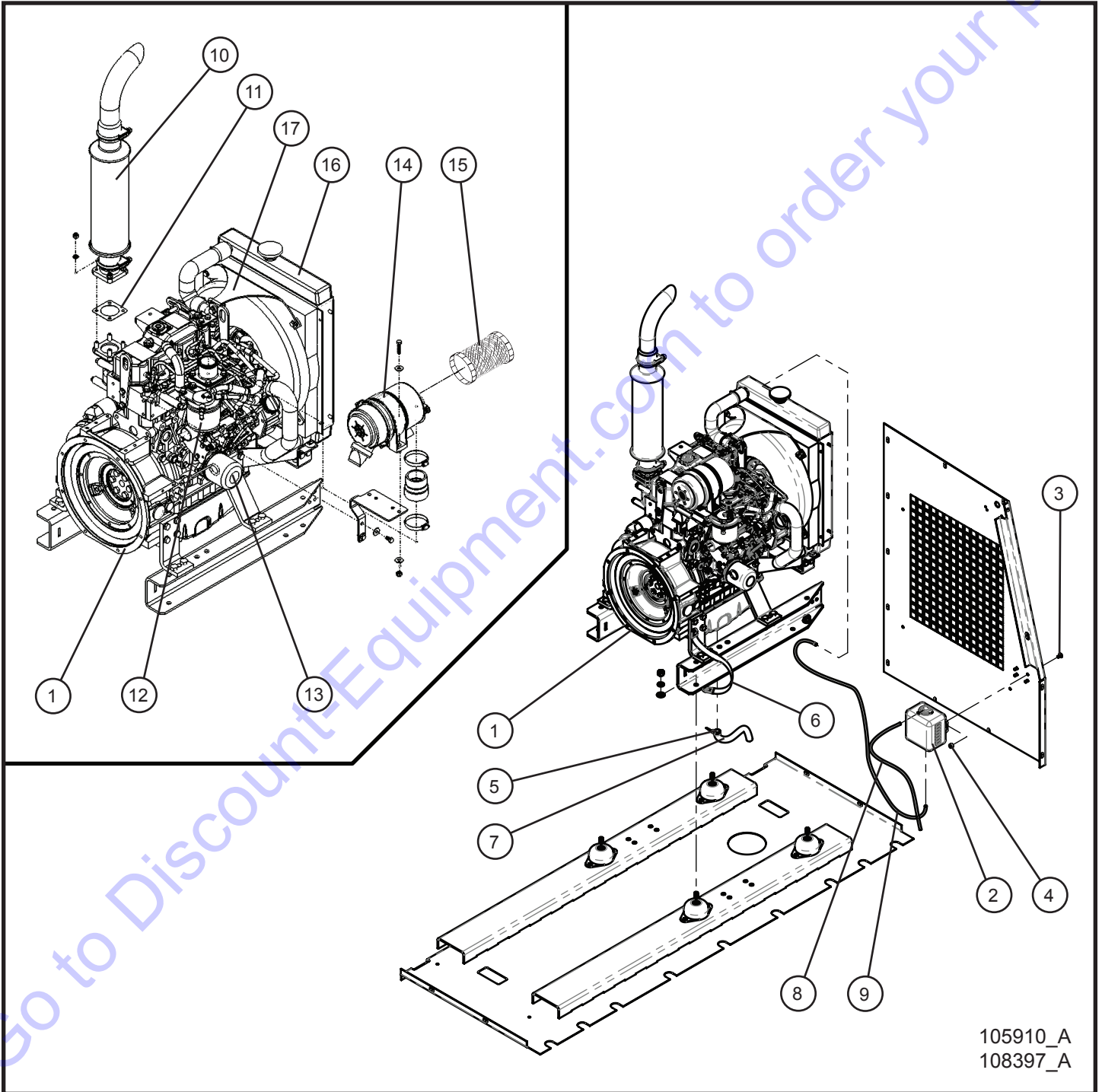
3.8 - CAT C1.5 Shocker Valve Group

SN 0001MH16 and UP

Item	Part No.	Part Description	Qty.
1	022021	#10 CLAMP CUSH	1
2	022016	#6 CUSH CLAMP 1/4 HOLE	2
3	105637	WIRING HARNESS SHOCKER VALVE MAXI HEAT	1
4	047005	1/4 FLAT WASHER PL	3
5	043020	1/4 SPLITLOCK WASHER	5
6	046006	1/4-20 x 5/8 HEX CS GR5 PL	2
7	041200	#8-32 x 1/2 HEX WASHER HEAD INDT	4
8	044020	1/4-20 HEX NUT PL	3
9	044013	#8-32 NYLOCK HEX NUT SS	4
10	046015	1/4-20 x 1 HEX HEAD CS GR5 PL	2
11	046004	1/4-28 x 3/4 HEX HEAD BOLT	1
12	105636	20 AMP BREAKER	1
13	340009	SWITCH 15A 125V	1
14	105705	SHOCKER 2" VALVE KIT	1
15	105523P	BRACKET, MOUNT AIR CLEANER/SHOCKER	1
16	105818P	BRACKET SHOCKER MOUNT	1
17	105815P	REAR COVER CAT CONTROL PANEL	1
18	105703	WIRE, POWER FEMALE SIDE	1
19	105704	WIRE, POWER MALE SIDE	1
20	105536	RPM SENSOR, 18MM x 1.5	1
NS	105684	SCHEMATIC SHOCKER VALVE HARNESS	1
NS	105702	SHOCKER SETUP INSTRUCTIONS	1

4.1 - Isuzu 3CE1 Engine Install Group

SN 0001MH16 and UP



105910_A
108397_A

Maxi-Heat® MH500iQ™

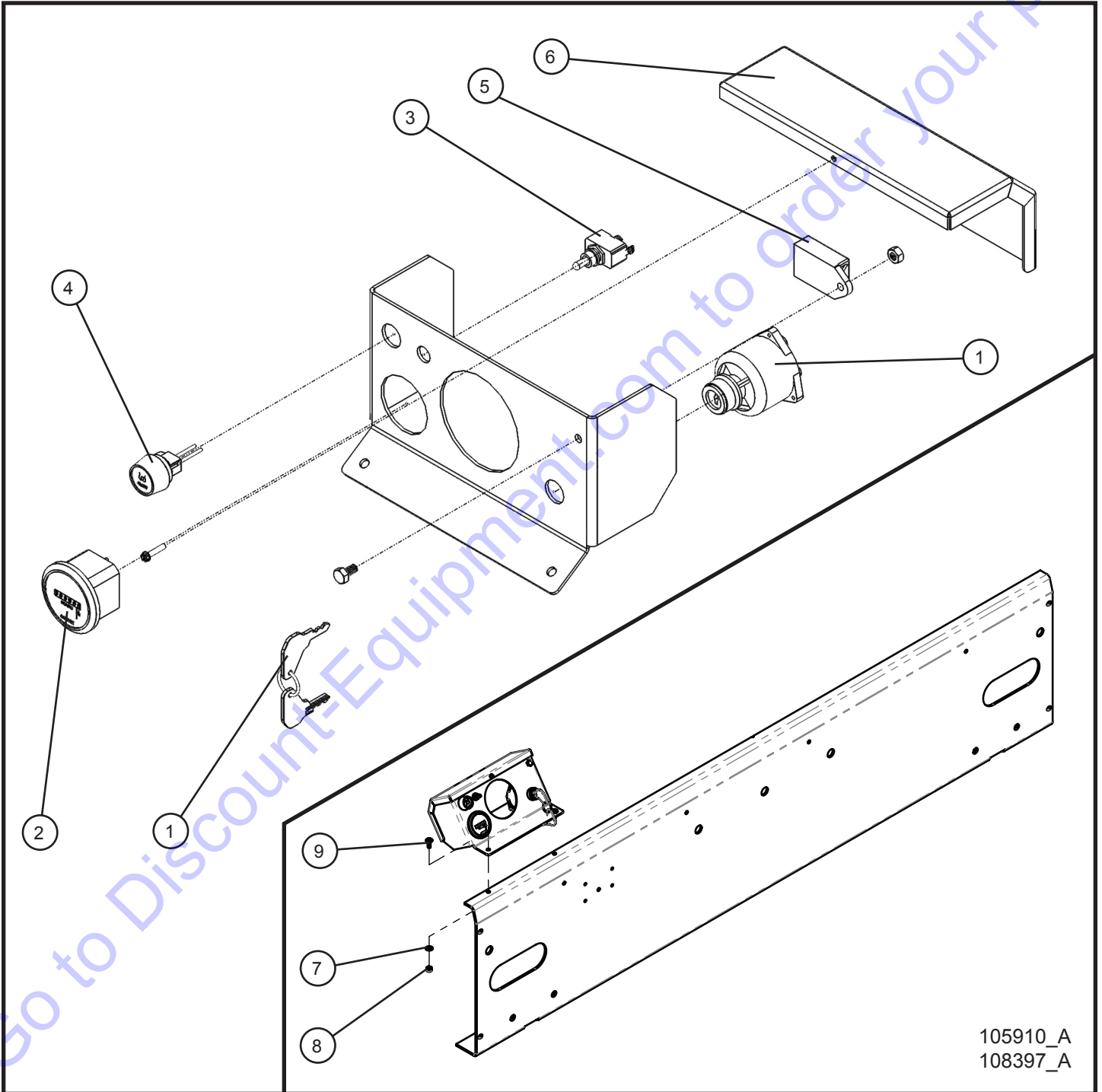
4.1 - Isuzu 3CE1 Engine Install Group

SN 0001MH16 and UP

Item	Part No.	Part Description	Qty.
1	105909	ENGINE ISUZU 3CE1 PULLER FAN (CONTROL BOX INCLUDED)	1
2	650027	RESERVOIR WITH BRACKET	1
3	041078	1/4-20 x 1/2 PH-TRUSS HEAD MS SS	4
4	044021	1/4-20 KEPS HEX NUT PL	4
5	068090	CABLE TIE 8"	1
6	340105	GROUND STRAP	1
7	848809	TUBING VINYL CLEAR x 6.5"	1
8	102268	HOSE 1/4" ID COOLANT OVERFLOW x 24.0	1
9	102268	HOSE 1/4" ID COOLANT OVERFLOW x 48.0	1
10	849013	MUFFLER ISUZU 3CE1	1
11	849014	MUFFLER GASKET ISUZU 3CE1	1
12	22-000310	FUEL FILTER ISUZU 3CE1	1
13	22-000309	OIL FILTER ISUZU 3CE1	1
14	650262	AIR CLEANER RADIAL SEAL	1
15	650290	AIR FILTER ISUZU 3CE1	1
16	22-000299	RADIATOR ISUZU 3CE1	1
17	102859	RADIATOR MOUNTING BRACKET KIT ISUZU 3CE1	1
18	102465	STARTER ISUZU 3CE1 (NOT SHOWN)	1
19	106709	WIRING SCHEMATIC ISUZU 3CE1 INSTALL	1

4.2 - Isuzu Control Box Group (1 of 2)

SN 0001MH16 and UP



105910_A
108397_A

Maxi-Heat® MH500iQ™

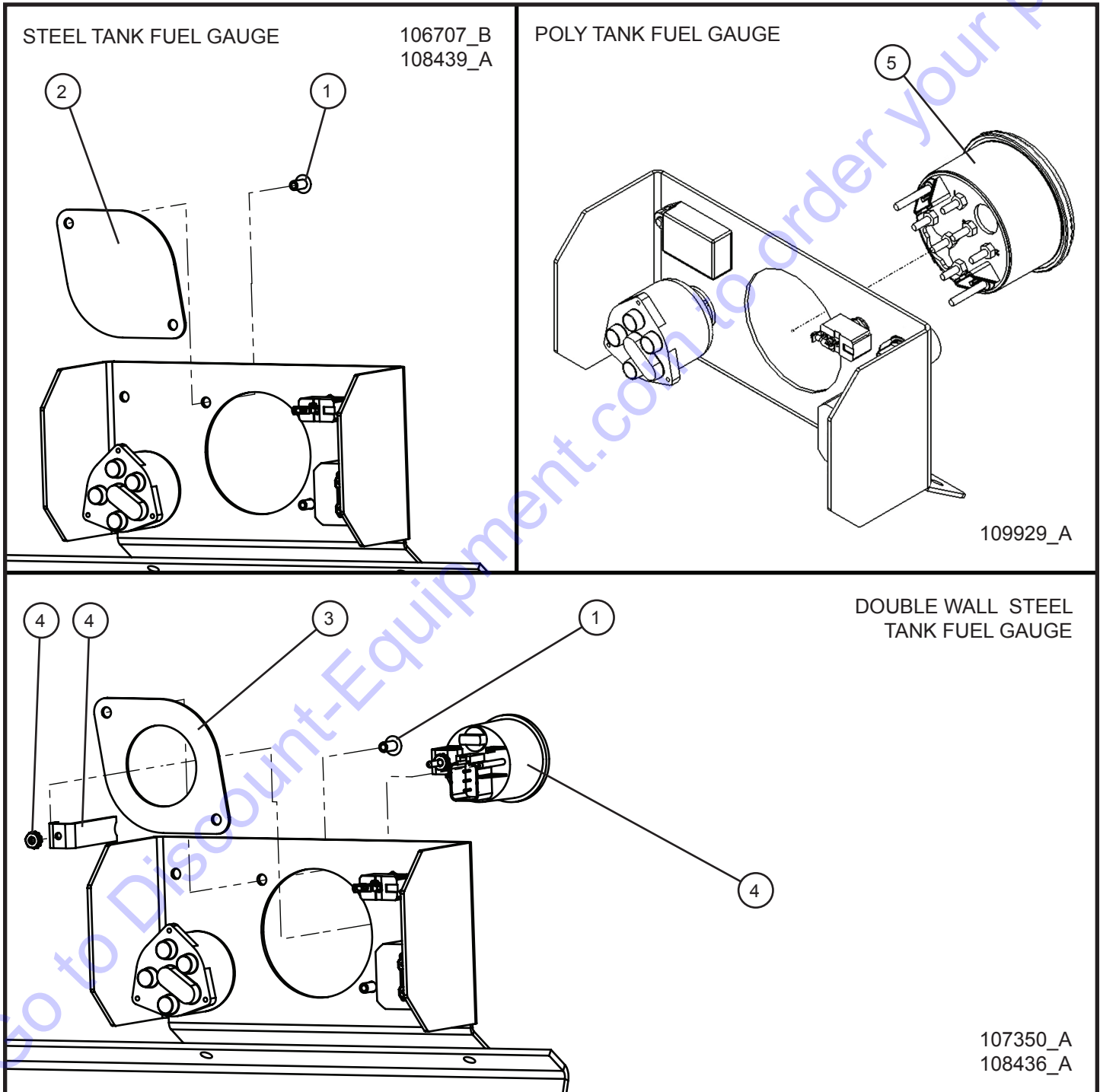
4.2 - Isuzu Control Box Group (1 of 2)

SN 0001MH16 and UP

Item	Part No.	Part Description	Qty.
1	922004	ISUZU IGNITION SWITCH ISUZU WITHOUT TUMBLER OR KEYS	1
	922005	ISUZU IGNITION TUMBLER WITH KEYS	1
	921441	ISUZU IGNITION KEY	1
2	340014	HOUR METER	1
3	340009	TOGGLE SWITCH 15A 125V	1
4	22-000328	GLOW PLUG INDICATOR	1
5	22-000315	GLOW PLUG TIMER	1
6	800233P	ISUZU CONTROL BOX COVER	1
7	047009	1/4 FLAT WASHER SAE SS	2
8	044023	1/4-20 NYLOCK HEX NUT PL	2
9	041050	1/4-20 x 3/4 PH-TRUSS HEAD MS SS	2

4.2 - Isuzu Control Box Group (2 of 2)

SN 0001MH16 and UP



Maxi-Heat® MH500iQ™

4.2 - Isuzu Control Box Group (2 of 2)

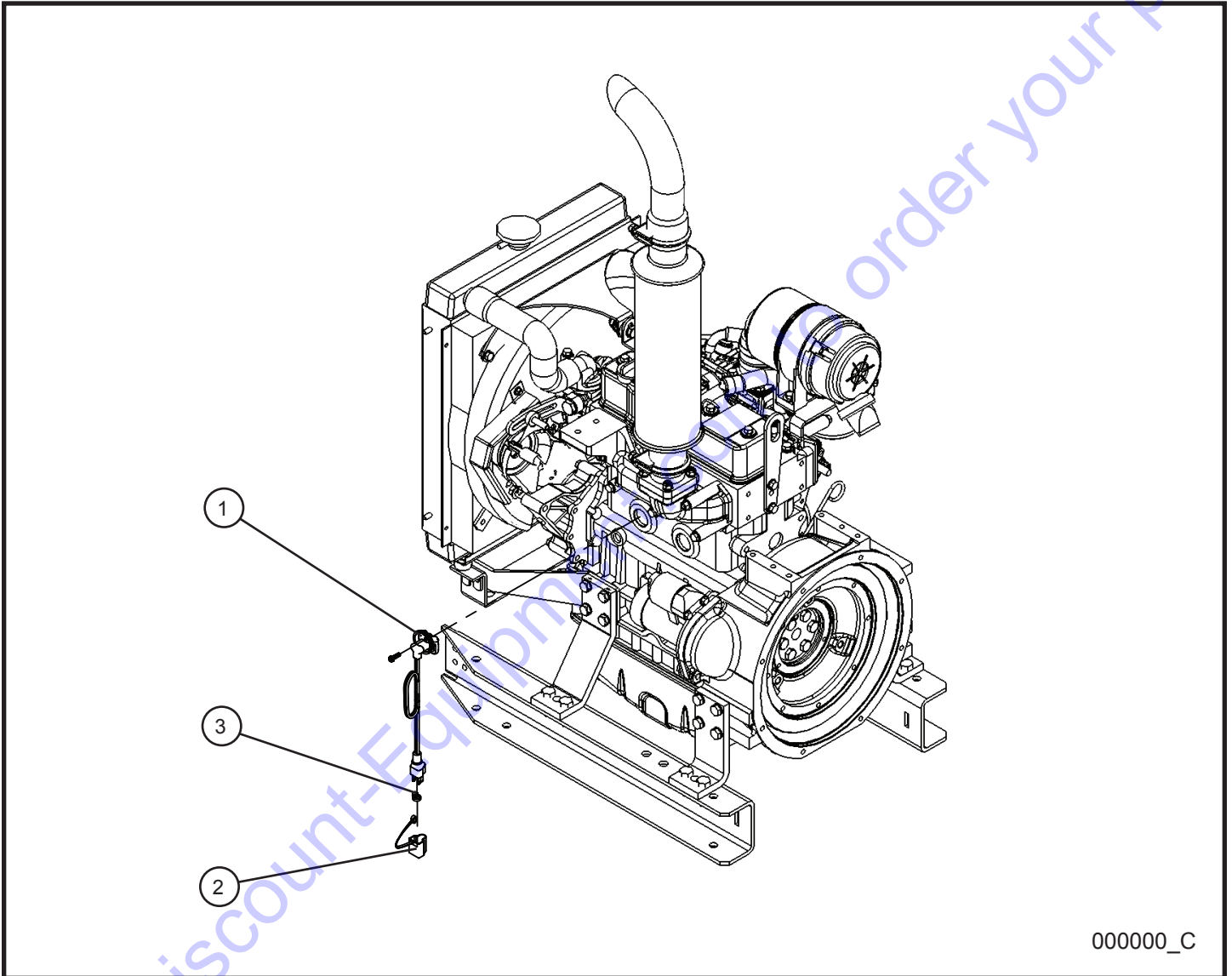
SN 0001MH16 and UP

Item	Part No.	Part Description	Qty.
1	045118	1/4 x 1/2 RIVET	2
2	106929P	COVER HOLE FUEL GAUGE	1
3	107343P	PLATE FUEL GAUGE MOUNT	1
4	104015	GAUGE FUEL 2"	1
5	103205	FUEL GAUGE 3-1 BEEDE MH-1000	1

Go to Discount-Equipment.com to order your parts

4.3 - Isuzu 3CE1 Block Heater

SN 0001MH16 and UP



Maxi-Heat® MH500iQ™

4.3 - Isuzu 3CE1 Block Heater

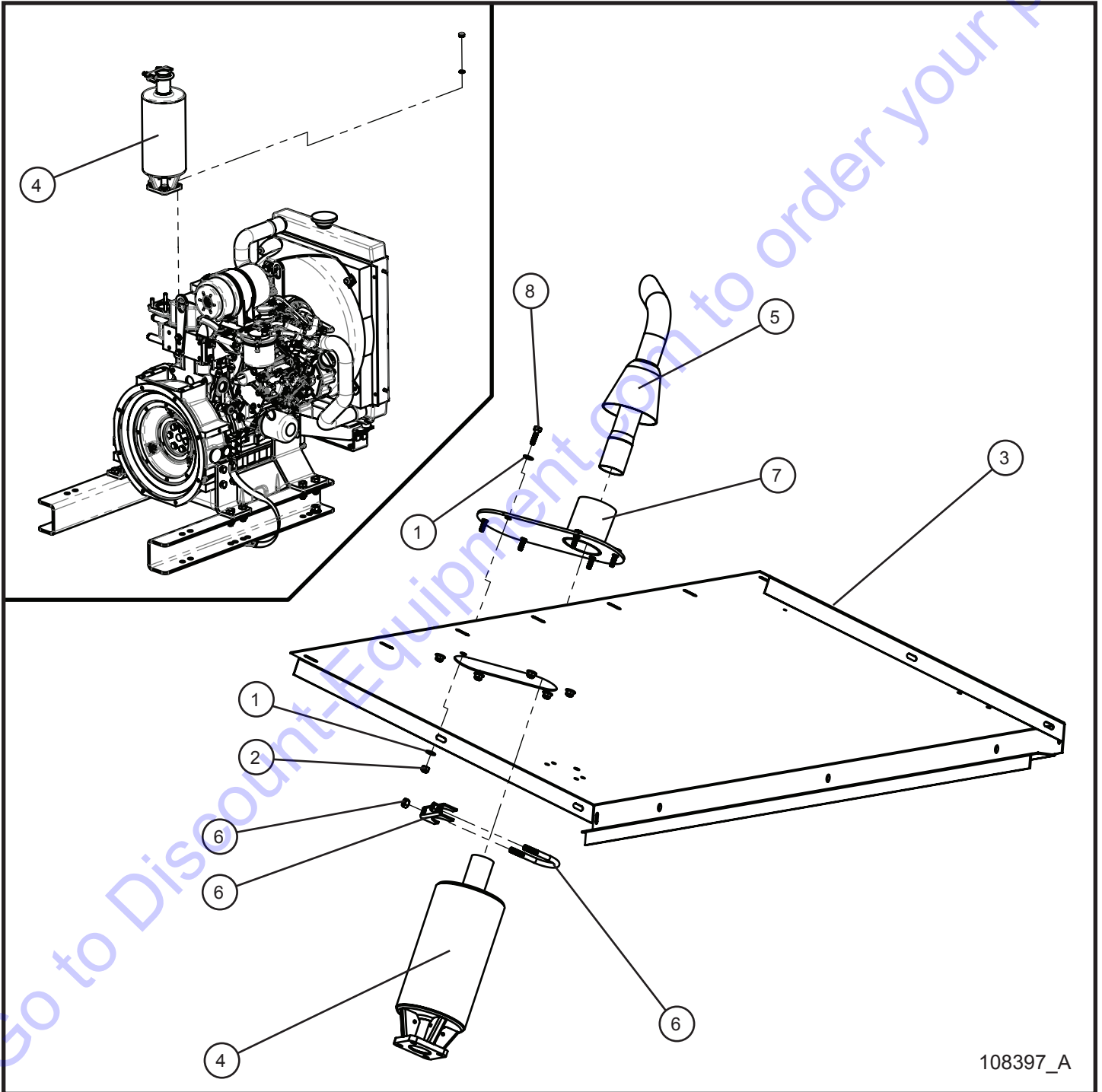
SN 0001MH16 and UP

Item	Part No.	Part Description	Qty.
1	352469	BLOCK HEATER ISUZU	1
2	105995	END COVER 120 VOLT CORD	1
3	068090	CABLE TIE 8"	1

Go to Discount-Equipment.com to order your parts

4.4 - Isuzu 3CE1 FCS Muffler Install Group

SN 0001MH16 and UP



Maxi-Heat® MH500iQ™

4.4 - Isuzu 3CE1 FCS Muffler Install Group

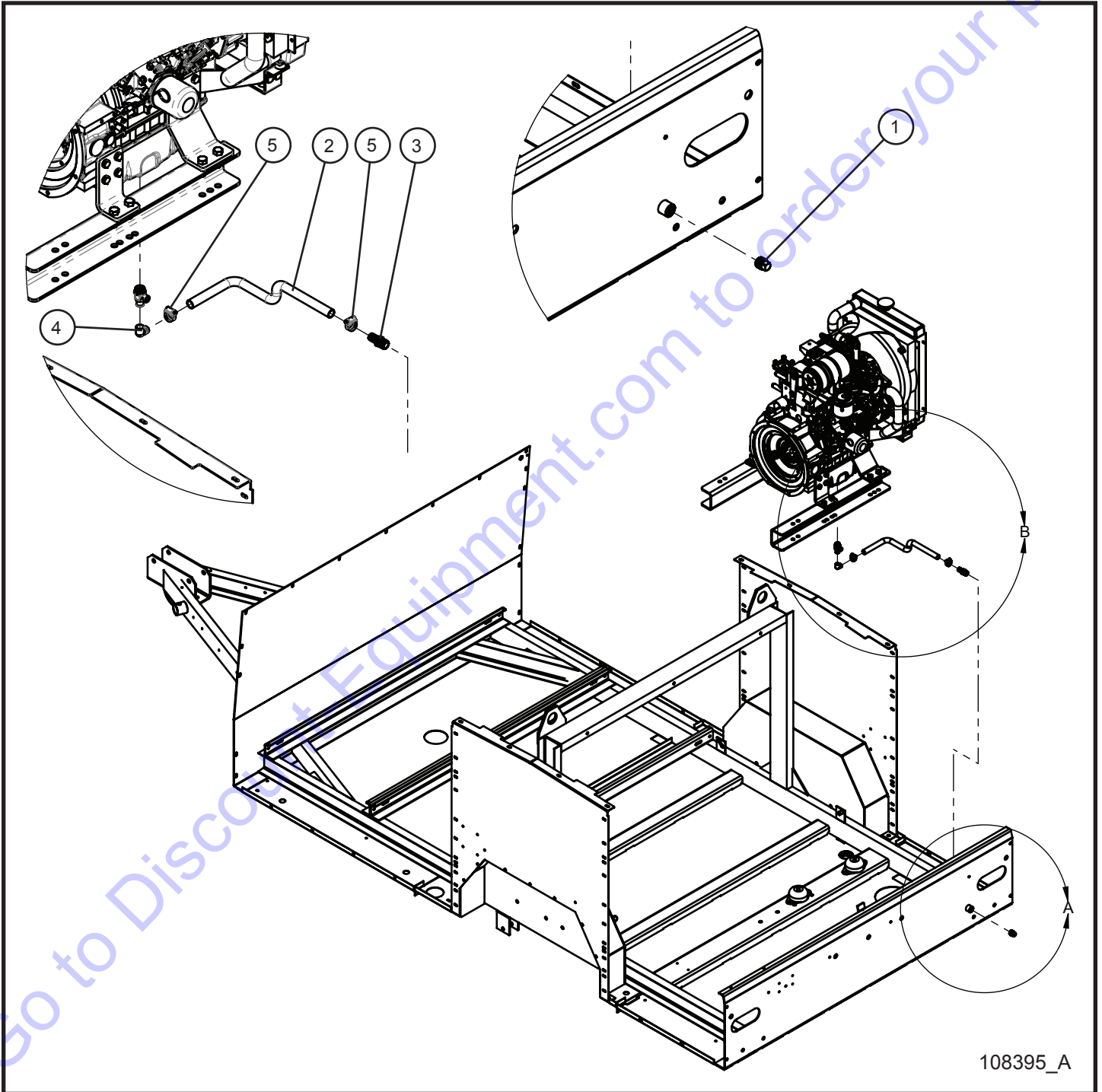
SN 0001MH16 and UP

Item	Part No.	Part Description	Qty.
1	047009	1/4 FLAT WASHER SAE SS	12
2	044023	1/4-20 NYLOCK HEX NUT PL	6
3	108406P	ENGINE ROOF PANEL MH500iQ FCS	1
4	108384	MUFFLER ISUZU 3CE1	1
5	106253	TAILPIPE VERTICAL 1.5 DIA TUBE	1
6	340112	1-1/2 MUFFLER CLAMP THICK ZIEGLER	1
7	108427P	EXHAUST ADAPTER MH500iQ FCS	1
8	046015	1/4-20 x 1 HEX HEAD CS GR5 PL	6

Go to Discount-Equipment.com to order your parts

4.5 - Isuzu 3CE1 FCS Remote Oil Drain Group

SN 0001MH16 and UP



Maxi-Heat® MH500iQ™

4.5 - Isuzu 3CE1 FCS Remote Oil Drain Group

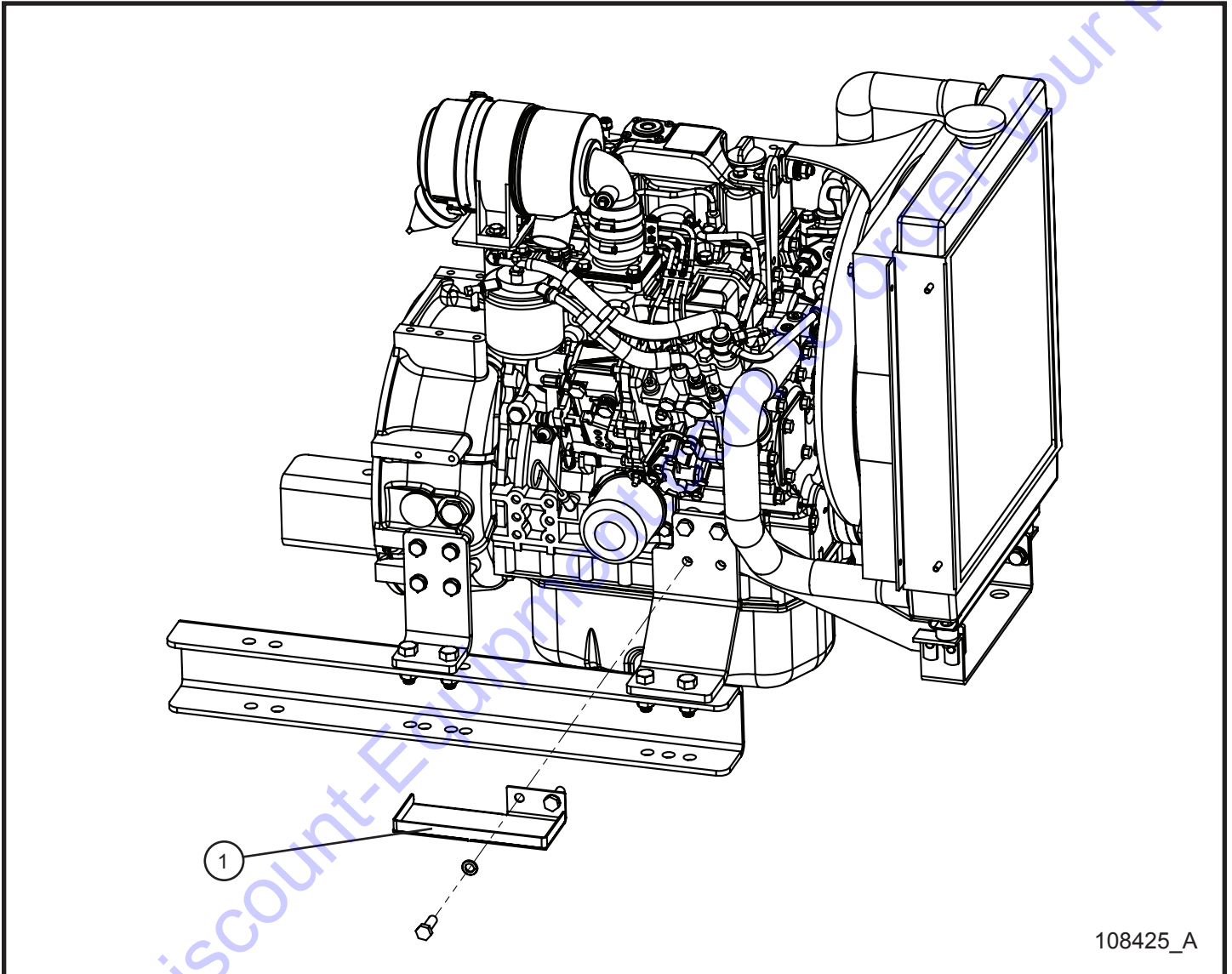
SN 0001MH16 and UP

Item	Part No.	Part Description	Qty.
1	026106	PLUG 1/2 NPT SQUARE HEAD	1
2	101266	TUBING VINYL CLEAR .63 x 19.0	1
3	108399	FITTING HOSE .5 NPT TO .63 BARB	1
4	108295	OIL DRAIN ELBOW FITTING	1
5	045037	HOSE CLAMP #8	2

Go to Discount-Equipment.com to order your parts

4.6 - Isuzu 3CE1 FCS Oil Filter Deflector

SN 0001MH16 and UP



108425_A

Maxi-Heat® MH500iQ™

4.6 - Isuzu 3CE1 FCS Oil Filter Deflector

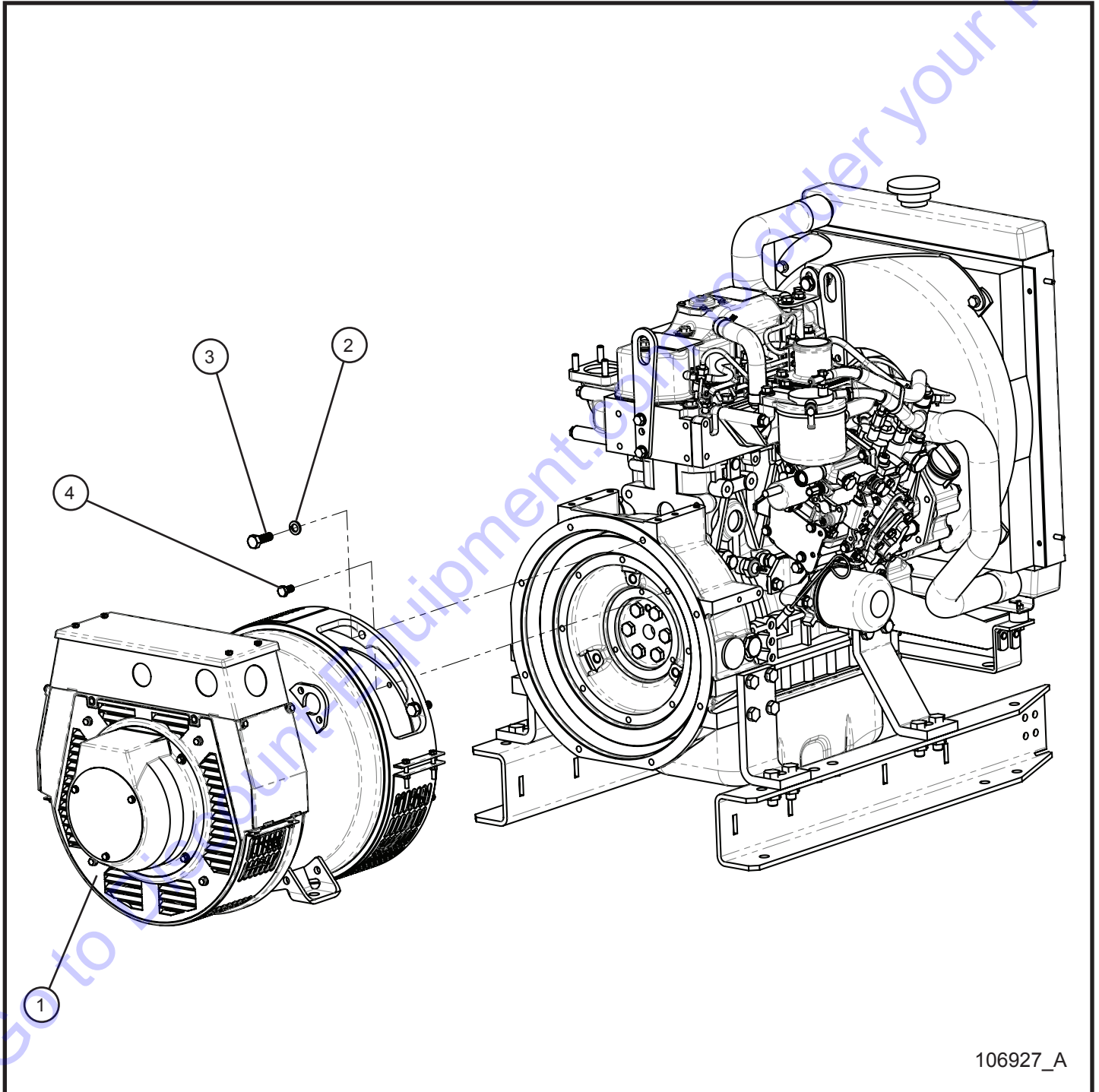
SN 0001MH16 and UP

Item	Part No.	Part Description	Qty.
1	108301P	WELDMENT DEFLECTOR ENGINE FILTER ISUZU	1

Go to Discount-Equipment.com to order your parts

4.7 - Isuzu Stamford (Cummins) 9kW Generator

SN 0001MH16 and UP



Maxi-Heat® MH500iQ™

4.7 - Isuzu Stamford (Cummins) 9kW Generator

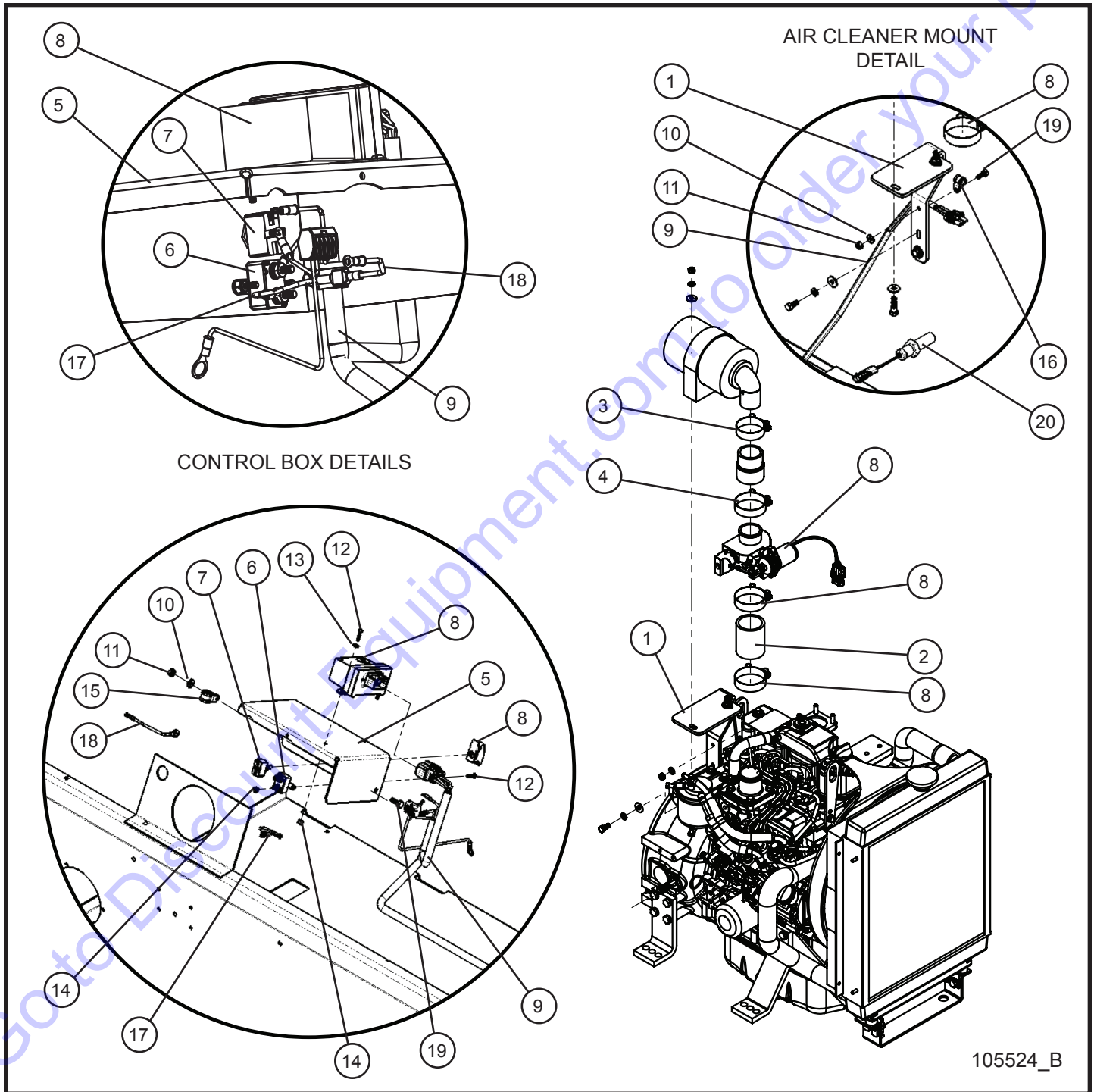
SN 0001MH16 and UP

Item	Part No.	Part Description	Qty.
1	102650	GENERATOR 9kW STAMFORD (CUMMINS) SAE 5/7.5 ISUZU	1
2	042151	M10 SPLITLOCK WASHER PL	8
3	042040	M10 x 1.5 x 30mm HEX HEAD CS GR8.8 PL	8
4	042027	M8 x 16mm x 1.25mm HEX HEAD CS GR10.9 PL	8

Go to Discount-Equipment.com to order your parts

4.8 - Isuzu 3CE1 Shocker Valve Group

SN 0001MH16 and UP



105524_B

Maxi-Heat® MH500iQ™

4.8 - Isuzu 3CE1 Shocker Valve Group

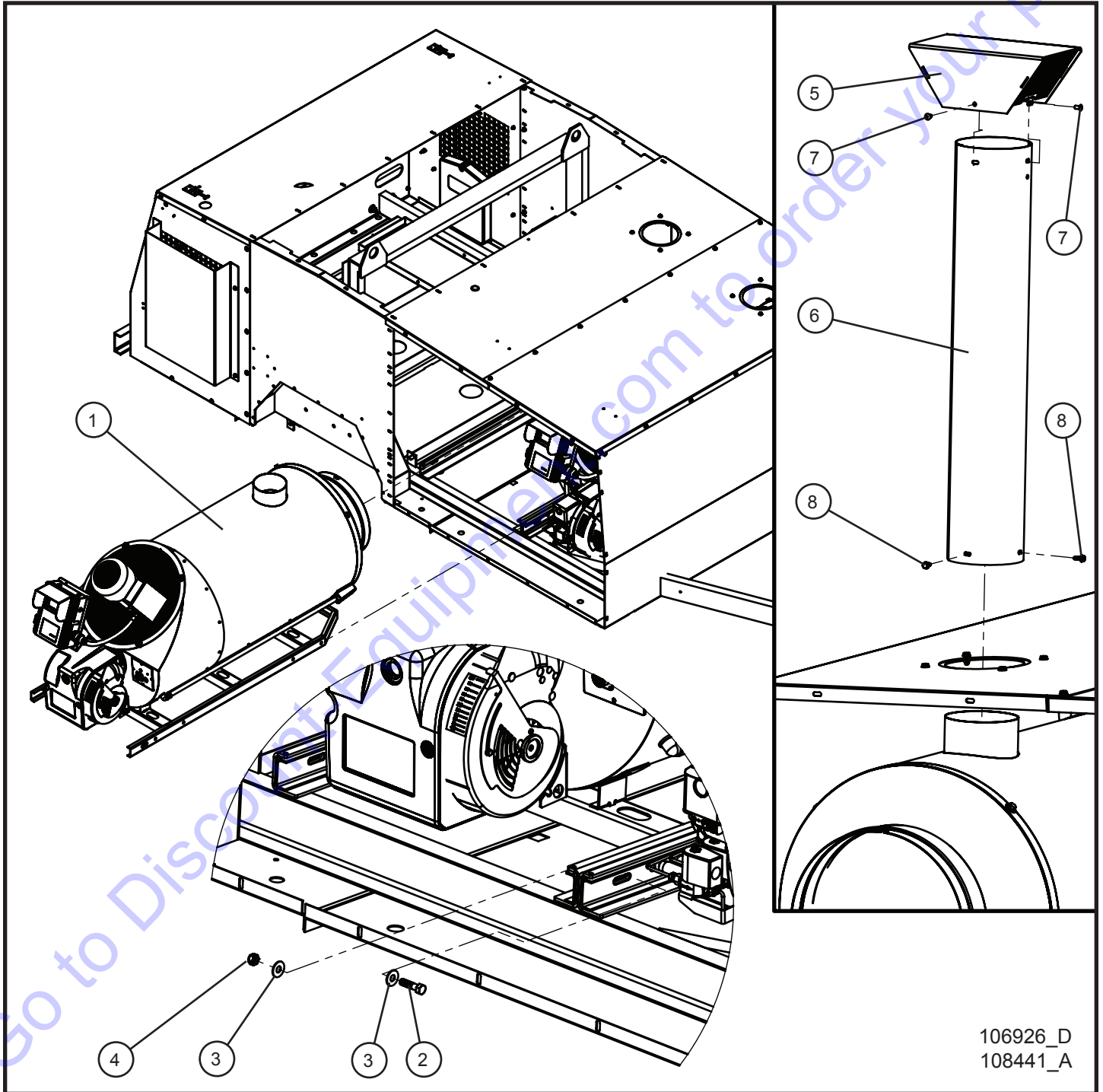
SN 0001MH16 and UP

Item	Part No.	Part Description	Qty.
1	105527P	MOUNT AIR CLEANER ISUZU 3CE1	1
2	105526	HOSE RUBBER AIR SYSTEM	1
3	105648	T-BOLT CLAMP, 1-3/4" STAINLESS STEEL	1
4	105649	T-BOLT CLAMP, 2" STAINLESS STEEL	1
5	105816P	REAR COVER ISUZU CONTROL	1
6	105636	20 AMP BREAKER	1
7	340009	SWITCH 15A 125V	1
8	105705	SHOCKER 2" VALVE KIT	1
9	105637	WIRING HARNESS SHOCKER VALVE MAXI HEAT	1
10	047005	1/4 FLAT WASHER PL	2
11	044021	1/4-20 KEPS HEX NUT PL	2
12	041201	#8-32 x 3/4 SL-ROUND HEAD MS PL	4
13	047004	#8 FLAT WASHER SAE ZC	2
14	044013	#8-32 NYLOCK HEX NUT SS	4
15	022022	#8 CUSH CLAMP 1/4 HOLE	1
16	022016	#6 CUSH CLAMP 1/4 HOLE	1
17	105703	WIRE, POWER FEMALE SIDE	1
18	105704	WIRE, POWER MALE SIDE	1
19	046004	1/4 x 28-3/4 HEX HEAD CS PL	2
20	105537	MAGNETIC SENSOR 3/4" x 16 WITH PLUG	1
NS	105684	SCHEMATIC SHOCKER VALVE HARNESS	1
NS	105702	SHOCKER SETUP INSTRUCTIONS	1

*NOTE: PARTS CALLED OUT IN SAME NUMBER ARE THE ASSEMBLY OF SHOCKER KIT.

5.1 - MH500iQ Install Group

SN 0001MH16 and UP



106926_D
108441_A

Maxi-Heat® MH500iQ™

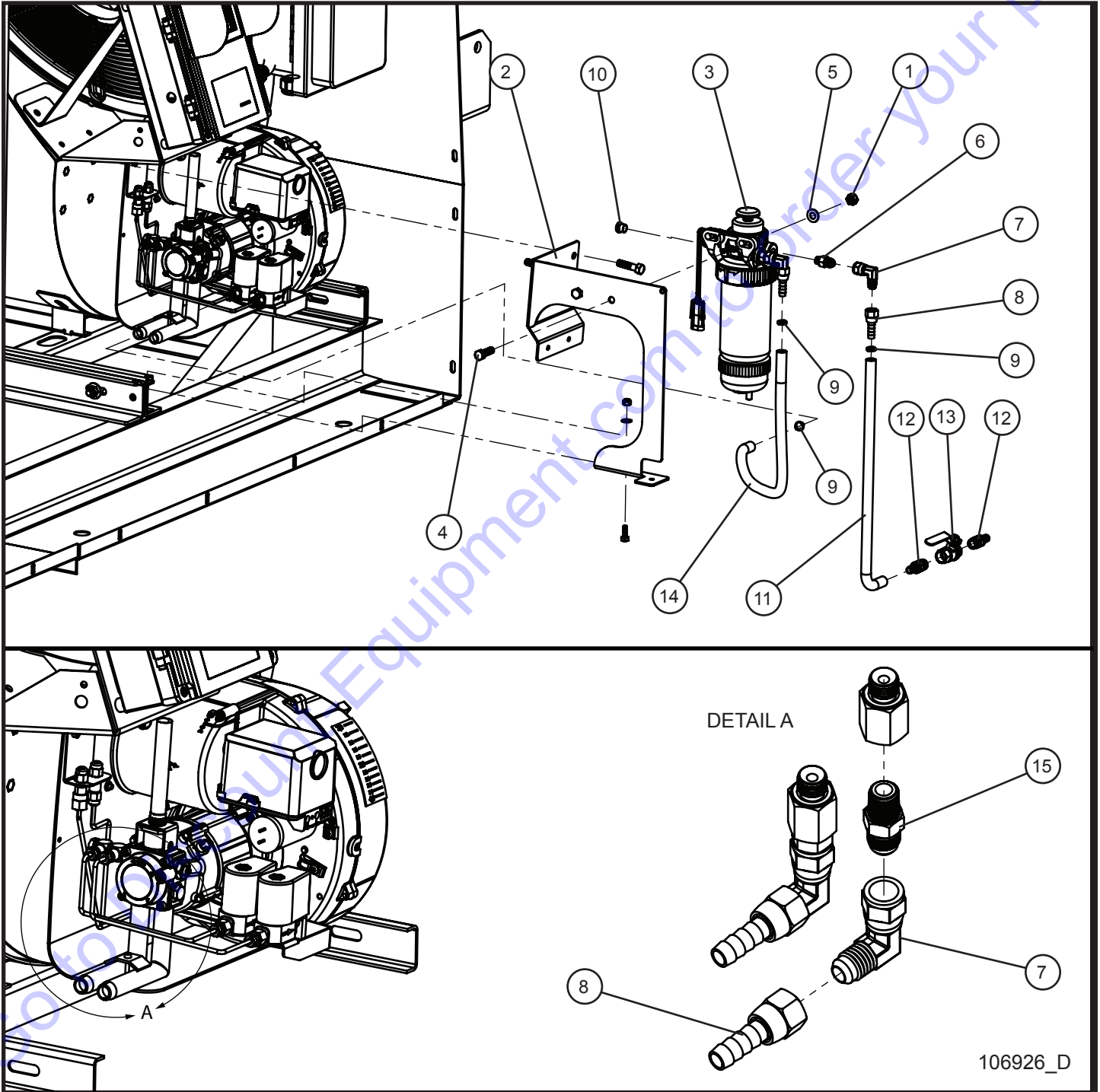
5.1 - MH500iQ Install Group

SN 0001MH16 and UP

Item	Part No.	Part Description	Qty.
1	106422	MH500iQ HEATING UNIT COMPLETE	2
	106424	MH500iQ BURNER COMPLETE	1
	106426	MH500iQ CONTROL BOX COMPLETE	1
2	046120	3/8-16 x 1 1/2 HEX HEAD CS GR5 PL	1
3	047015	3/8 FLAT WASHER PL	2
4	044038	3/8-16 NYLOCK HEX NUT PL	1
5	106499	CHIMNEY CAP MAXI HEAT	2
6	101236	CHIMNEY PIPE MAXI HEAT	2
7	045118	1/4 x 1/2 RIVET	8
8	101500	#10-16 HEX WASHER SELF DRILLING SCREW TP A	4
9	106858	WIRE SCHEMATIC PLUG-INS TO BURNERS	1
10	106849	12 VOLT WIRING ENCLOSURE-HEAT FUEL MH500iQ	2
11	107394	POWER CORD ENCLOSURE IQ CONTROLLER	2
12	106848	120 VOLT WIRING ENCLOSURE - IQ BURNER MH500iQ	2
13	108223	12 VOLT WIRING ENCLOSURE - IQ CONT MH500iQ	2
14	108222	EXHAUST DOOR SWITCH WIRES - FRONT MH500iQ	1
15	108221	EXHAUST DOOR SWITCH WIRES - BACK MH500iQ	1
16	106347	POWER SUPPLY CORD SHORE CONNECTION MH500iQ	2

5.2 - MH500iQ Fuel/Water Separator Install Group

SN 0001MH16 and UP



Maxi-Heat® MH500iQ™

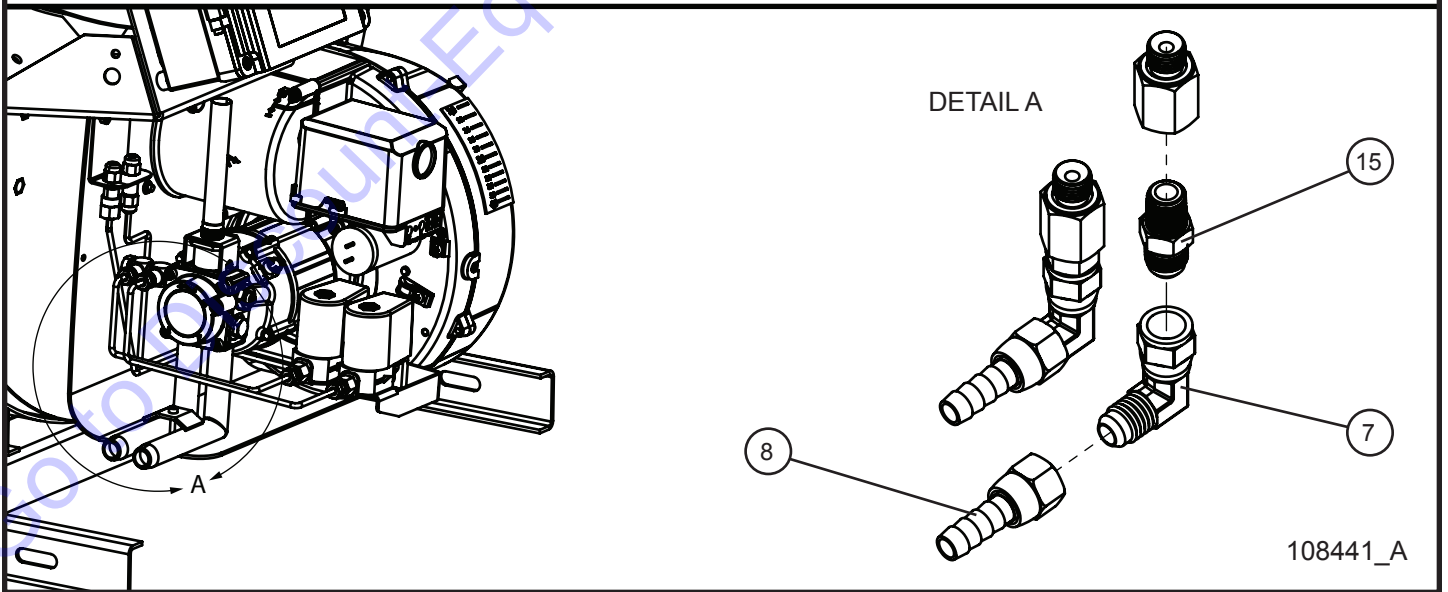
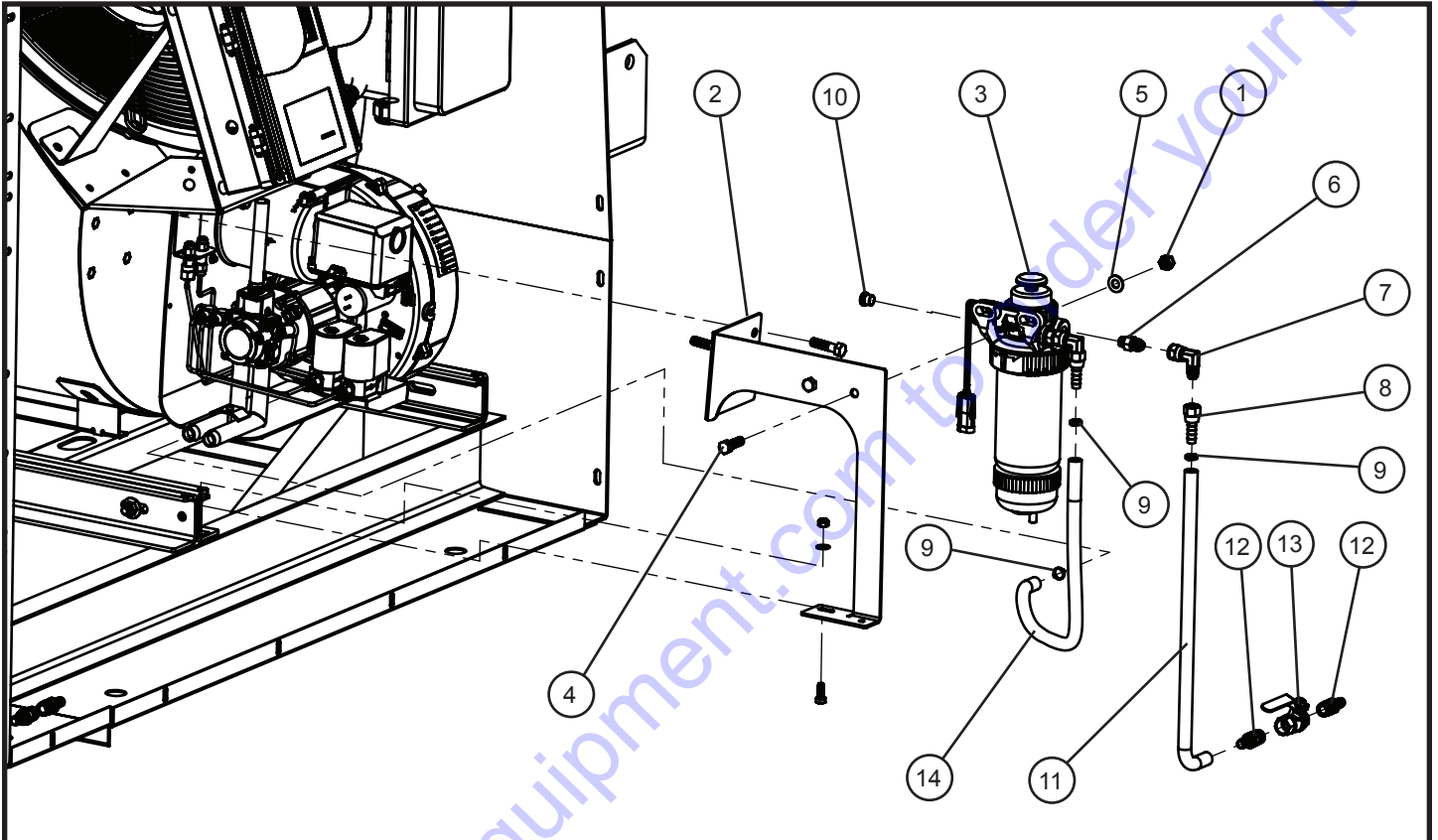
5.2 - MH500iQ Fuel/Water Separator Install Group

SN 0001MH16 and UP

Item	Part No.	Part Description	Qty.
1	044038	3/8-16 NYLOCK HEX NUT PL	4
2	106482P	MOUNT FUEL FILTER	2
3	106727	FUEL/WATER SEPARATOR 35 MICRON W/ HEATER	2
	100613	HEATING ELEMENT	2
	107222	35 MICRON FUEL FILTER	2
4	046115	3/8-16 x 1 1/4 HEX HEAD CS GR5 PL	4
5	047016	3/8 FLAT WASHER SAE ZINC	4
6	100655	STRAIGHT CONNECTOR 1/2-20 x 6 JIC	4
7	101263	90° SWIVEL FITTING 6 JIC	8
8	101293	3/8 HOSE BARB x 3/8 37° JIC FEM SWIVEL	8
9	101265	3/8 30R7 HOSE PINCH CLAMP	6
10	101267	PLUG HEX 1/2-20	2
11	101266	HOSE 3/8 SAE 30R7 x 18.0	2
12	433162	3/8 NPTM PUSH-LOK HOSE BARB	4
13	101268	VALVE BALL 3/8 NPT BRASS	2
14	101266	HOSE 3/8 SAE 30R7 x 36.0	2
15	108251	FITTING ADAPTER - 6JIC / 1/4 NPTF	4
16	108253	TFE PASTE PIPE THREAD	1

5.3 - MH500iQ FCS Fuel/Water Separator Install Group

SN 0001MH16 and UP



108441_A

Maxi-Heat® MH500iQ™

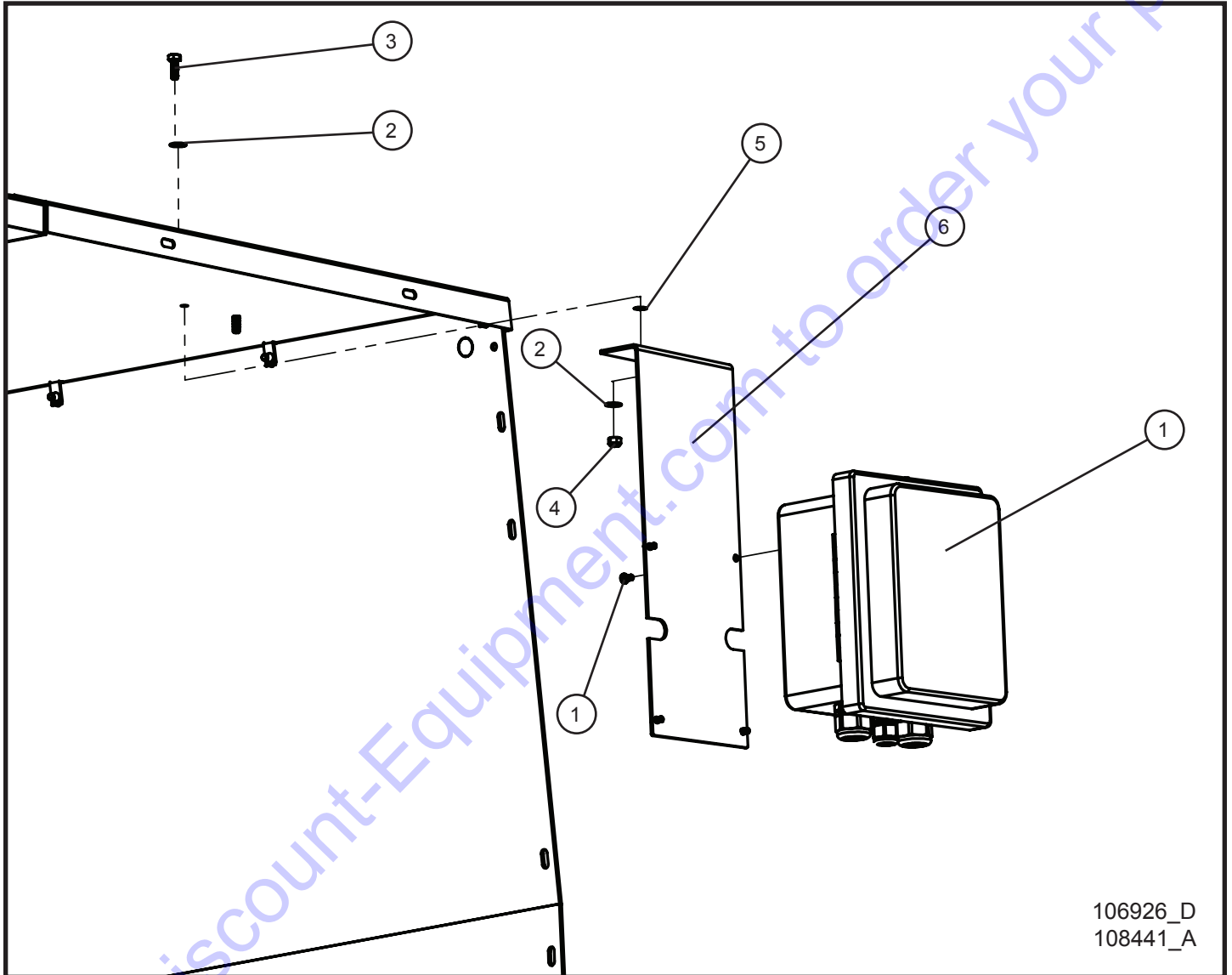
5.3 - MH500iQ FCS Fuel/Water Separator Install Group

SN 0001MH16 and UP

Item	Part No.	Part Description	Qty.
1	044038	3/8-16 NYLOCK HEX NUT PL	4
2	108292P	MOUNT FUEL FILTER FCS	2
3	106727	FUEL/WATER SEPARATOR 35 MICRON W/ HEATER	2
	100613	HEATING ELEMENT	2
	107222	35 MICRON FUEL FILTER	2
4	046115	3/8-16 x 1 1/4 HEX HEAD CS GR5 PL	4
5	047016	3/8 FLAT WASHER SAE ZINC	4
6	100655	STRAIGHT CONNECTOR 1/2-20 x 6 JIC	4
7	101263	90° SWIVEL FITTING 6 JIC	8
8	101293	3/8 HOSE BARB x 3/8 37° JIC FEM SWIVEL	8
9	101265	3/8 30R7 HOSE PINCH CLAMP	6
10	101267	PLUG HEX 1/2-20	2
11	101266	HOSE 3/8 SAE 30R7 x 18.0	2
12	433162	3/8 NPTM PUSH-LOK HOSE BARB	4
13	101268	VALVE BALL 3/8 NPT BRASS	2
14	101266	HOSE 3/8 SAE 30R7 x 36.0	2
15	108251	FITTING ADAPTER - 6JIC / 1/4 NPTF	4
16	108253	TFE PASTE PIPE THREAD	1

5.4 - MH500iQ Junction Box Install Group

SN 0001MH16 and UP



Maxi-Heat® MH500iQ™

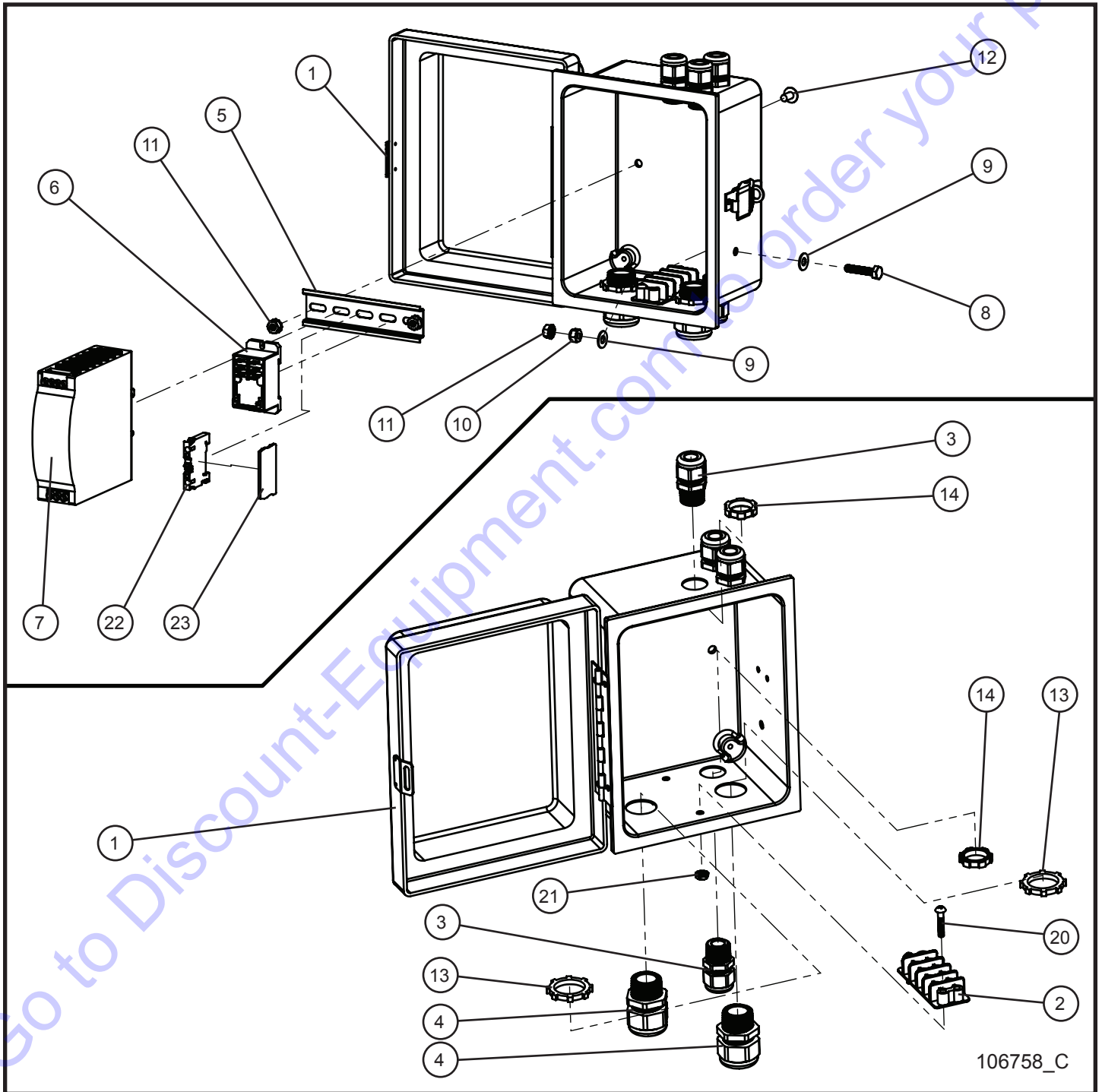
5.4 - MH500iQ Junction Box Install Group

SN 0001MH16 and UP

Item	Part No.	Part Description	Qty.
1	106758	JUNCTION BOX ASSEMBLY MH500iQ	2
2	047009	1/4 FLAT WASHER SAE SS	8
3	046010	1/4-20 x 3/4 HEX HEAD CS GR5 SS	4
4	044023	1/4-20 NYLOCK HEX NUT PL	4
5	101701	1/4 PUSH NUT	4
6	107579P	ENCLOSURE BRACKET WELDMENT	2
7	106858	WIRE SCHEMATIC PLUG-INS TO BURNERS	1
8	106849	12 VOLT WIRING ENCLOSURE-HEAT FUEL MH500iQ	2
9	107394	POWER CORD ENCLOSURE IQ CONTROLLER	2
10	106848	120 VOLT WIRING ENCLOSURE - IQ BURNER MH500iQ	2
11	108223	12 VOLT WIRING ENCLOSURE - IQ CONT MH500iQ	2
12	108222	EXHAUST DOOR SWITCH WIRES - FRONT MH500iQ	1
13	108221	EXHAUST DOOR SWITCH WIRES - BACK MH500iQ	1
14	106347	POWER SUPPLY CORD SHORE CONNECTION MH500iQ	2

5.5 - MH500iQ Junction Box

SN 0001MH16 and UP



106758_C

Maxi-Heat® MH500iQ™

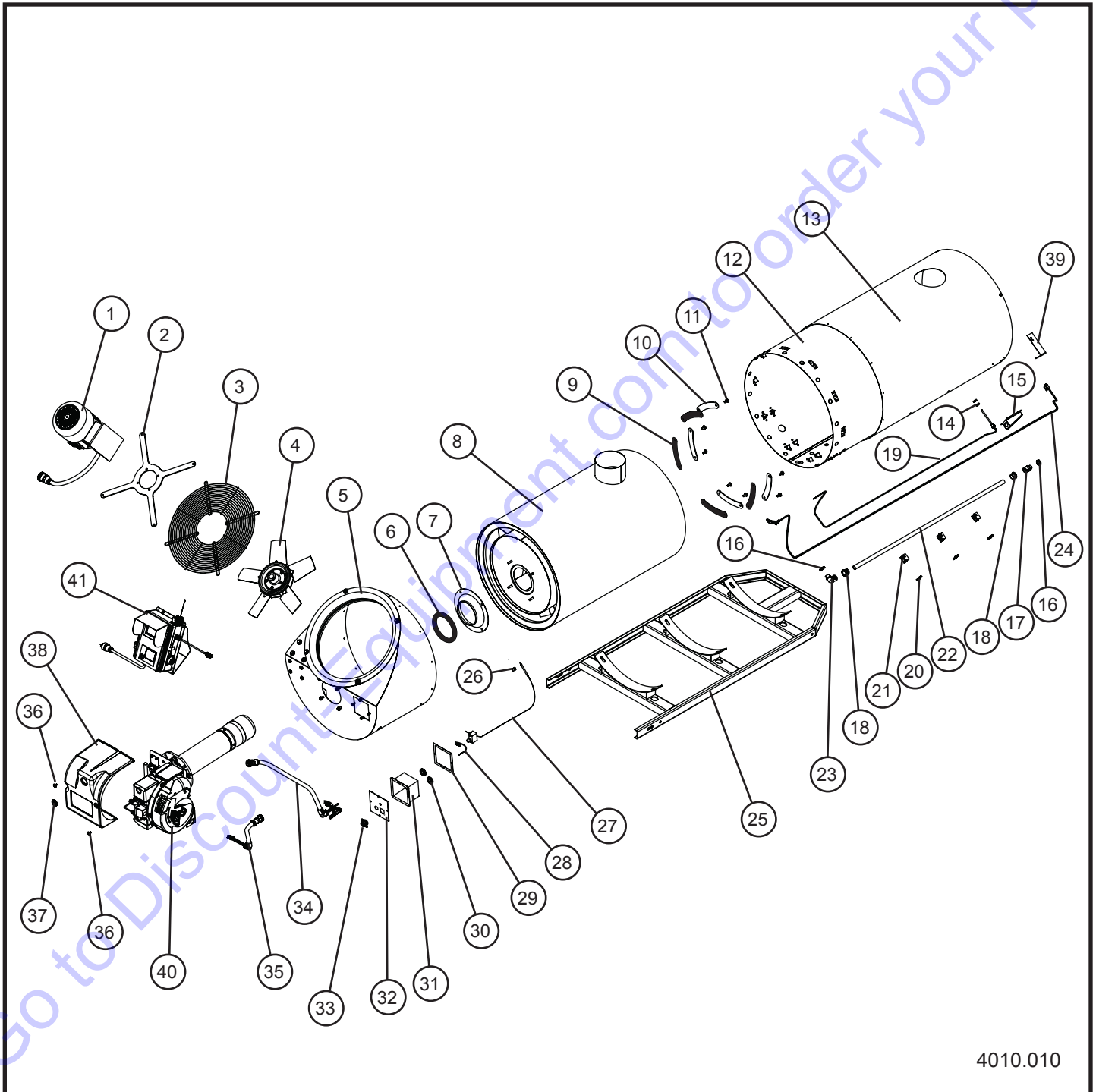
5.5 - MH500iQ Junction Box

SN 0001MH16 and UP

Item	Part No.	Part Description	Qty.
1	106736	JUNCTION BOX W/ RAISED LID	1
2	106730	SCREW TERMINAL BLOCK 4 GANG	1
3	105626	CORD GRIP 1/2" NYLON BLACK	4
4	105916	CORD GRIP 3/4" NYLON	2
5	105775	DIN RAIL 5"	1
6	101269	30 AMP AC POWER RELAY	1
7	106091	120VAC-12VDC POWER SUPPLY	1
8	046016	BOLT 1/4-20 x 1-1/4 FULLY THREADED GR5 PL	1
9	047009	1/4 FLAT WASHER SAE SS	2
10	044023	1/4-20 NYLOCK HEX NUT PL	1
11	044021	1/4-20 KEPS HEX NUT PL	3
12	041078	1/4-20 x 1/2 PH-TRUSS HEAD MS SS	2
13	022036	3/4 CORD GRIP NUT	2
14	022035	1/2 CORD GRIP NUT	4
15	106854	120V WIRE - POWER SUPPLY - RELAY TAB #4 MH500iQ	1
16	106855	120V WIRE - TERM STRIP TO POWER SUPPLY MH500iQ	1
17	106856	120V WIRE - TERM STRIP TO POWER SUPPLY MH500iQ	1
18	106857	120V WIRE - GROUND LUG - POWER SUPPLY MH500iQ	1
19	106858	WIRE SCHEMATIC PLUG-INS TO BURNERS	1
20	041030	#10-24 x 1 PH-ROUND HEAD MS PL	2
21	044016	#10-24 KEPS HEX NUT PL	2
22	107368	SPRING TERMINAL BLOCK GREY	1
23	107376	END PLATE 24-10 AWG	1

5.6 - MH500iQ Heating Unit

SN 0001MH16 and UP



4010.010

Maxi-Heat® MH500iQ™

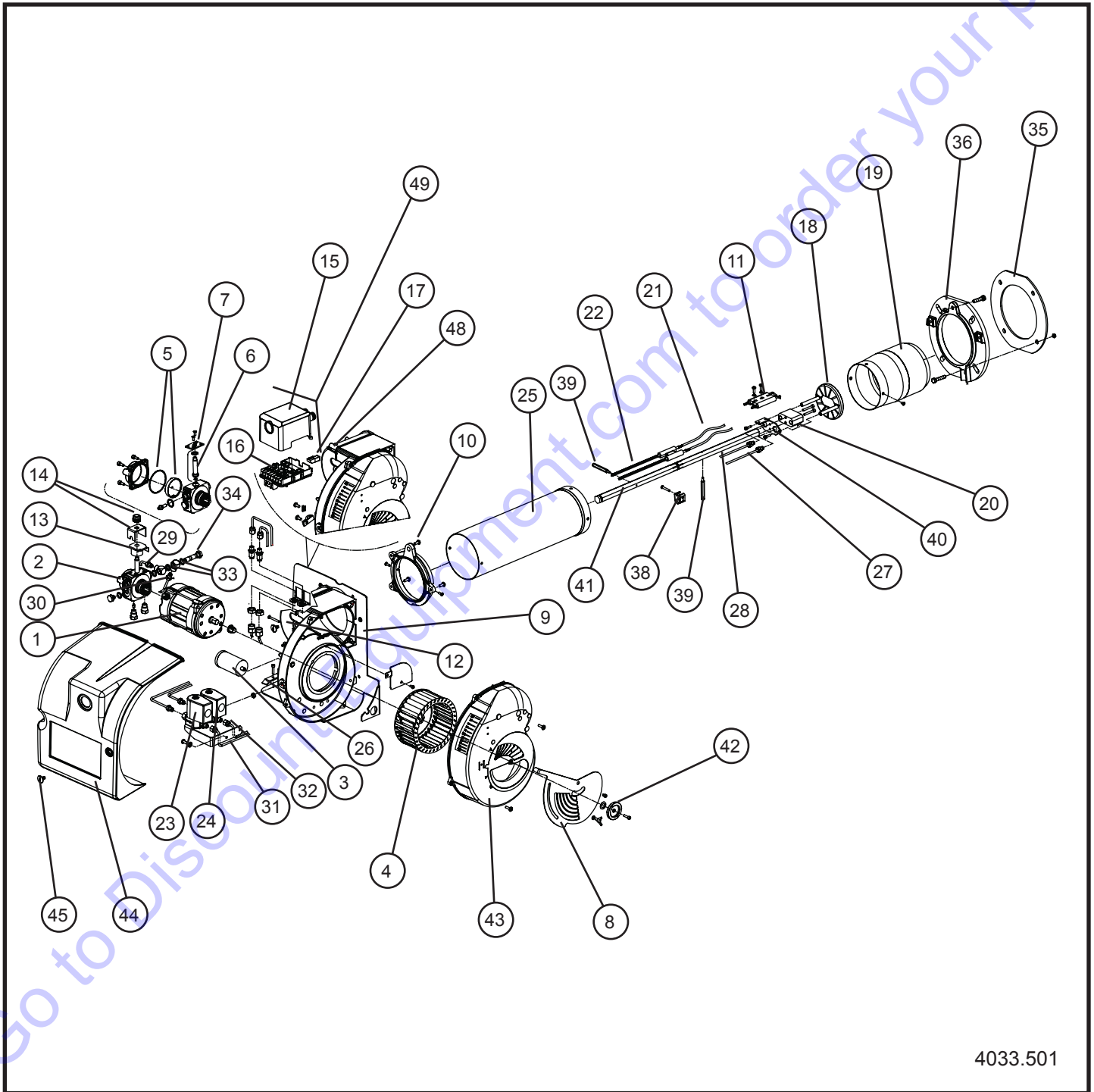
5.6 - MH500iQ Heating Unit

Item	Part No.	Part Description	Qty.
--	106422	MH500iQ HEATING UNIT COMPLETE	1
1	107194	MOTOR	1
2	***	MOTOR SUPPORT FLANGE	1
3	***	MOTOR GRID	1
4	107195	FAN	1
5	***	SUPPORT COMPLETE	1
6	107192	ROPE GASKET	1
7	107190	COMPENSATION FLANGE	1
8	***	COMBUSTION CHAMBER	1
9	107214	INSPECTION GASKET	4
10	107215	INSPECTION FLANGE	4
11	***	SCREW	7
12	***	INTERMEDIATE INSULATION CHAMBER	1
13	***	EXTERNAL VARNISHED CHAMBER	1
14	***	COCKPIT SENSOR NUT	2
15	***	SENSOR BOX	1
16	***	NUT	2
17	***	CONNECTION STRAIGHT	1
18	***	ADAPTOR	2
19	107209	TEMPERATURE SENSOR NTC	1
20	***	SUPPORT COVER	3
21	***	SUPPORT	3
22	***	PLASTIC CONDUIT	1
23	***	CONNECTION 90°	1
24	107218	LIMIT THERMOSTAT	1
25	***	GLIDE COMPLETE	1
26	***	CLIP	1
27	107210	SAFETY THERMOSTAT	1
28	***	THERMOSTAT FASE WIRE	1
29	***	THERMOSTAT BOX GASKET	1
30	***	STRAIN RELIEF	2
31	***	THERMOSTAT BOX	1
32	***	THERMOSTAT BOX PLATE	1
33	***	CONNECTOR	1
34	***	IQ BOX-PG WIRE	1
35	***	COMPLETE BURNER WIRE	1
36	***	COVER SCREW	2
37	***	COVER MEMBRANE	1
38	***	BURNER COVER	1
39	***	THERMOSTAT BRACKET	1
40	106424	MH500iQ BURNER COMPLETE	1
41	106426	MH500iQ CONTROL BOX COMPLETE	1
NS	107189	COMBUSTION CHAMBER ASSEMBLED	1
NS	107191	RIELLO BURNER	1
NS	107193	MOTOR AND FAN COMPLETE	1
NS	107196	COMMAND PANEL KIT	1
NS	107211	BOILER CONTROL BOX CABLES KIT	1
NS	107212	BURNER HOOD KIT	1
NS	107213	TP2 THERMOSTAT SERIES COMPLETE	1

*** - Contact Allmand for more part information.

5.7 - MH500iQ Burner

SN 0001MH16 and UP



4033.501

Maxi-Heat® MH500iQ™

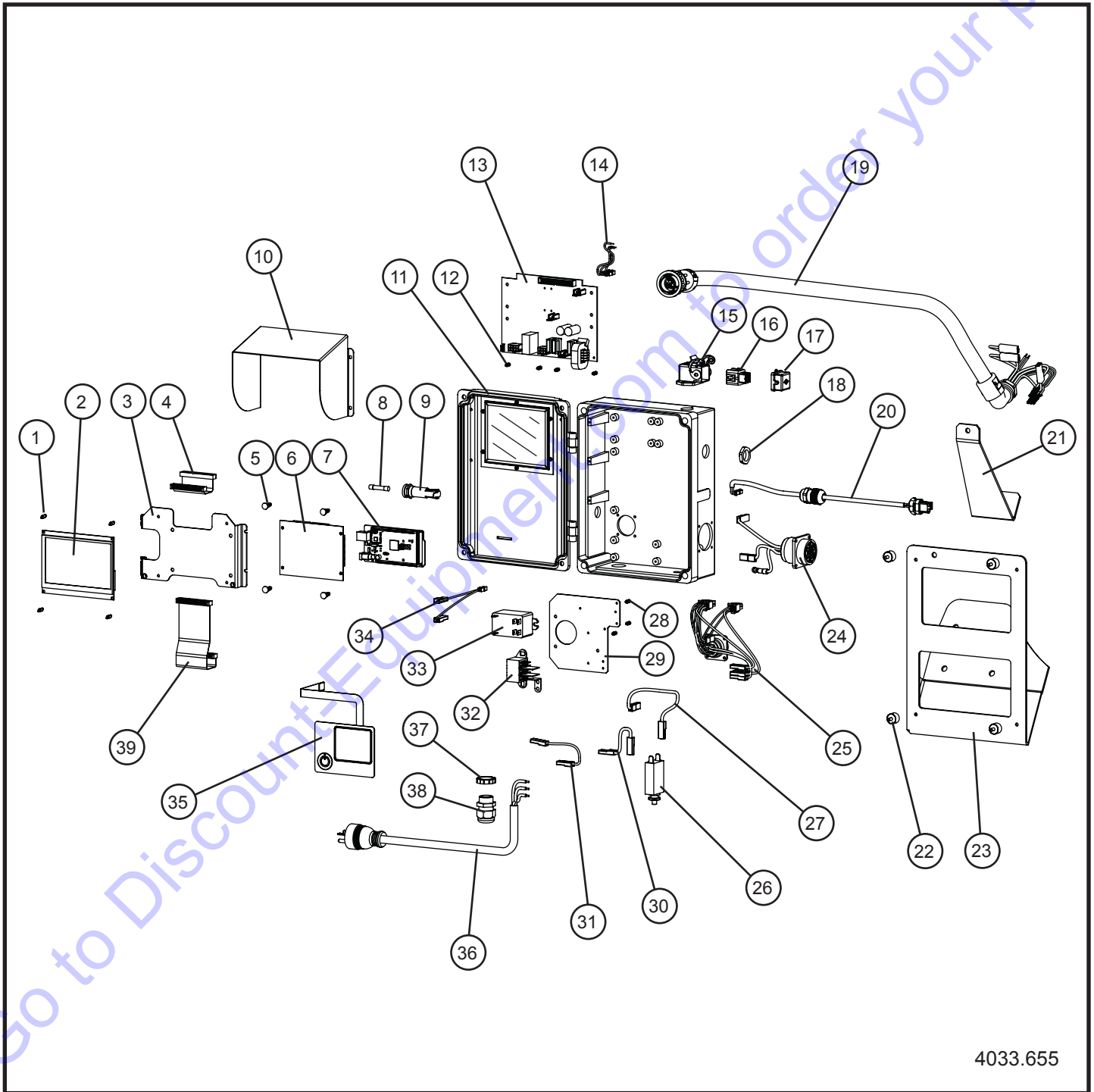
5.7 - MH500iQ Burner

Item	Part No.	Part Description	Qty.
--	106424	MH500iQ BURNER COMPLETE	1
1	***	MOTOR	1
2	107219	BURNER FUEL PUMP	1
3	***	CAPACITOR	1
4	***	FAN	1
5	***	FILTER-O-RING	1
6	***	NEEDLE VALVE	1
7	***	PLATE	1
8	***	AIR DAMPER	1
9	***	FRONT SHIELD	1
10	***	COLLAR	1
11	***	ELECTRODE ASSEMBLY	1
12	***	COVER	1
13	***	COIL	1
14	***	SHELL AND KNOB	1
15	***	CONTROL BOX	1
16	***	TERMINAL BOARD	1
17	***	PHOTOCELL	1
18	***	END RING AND DIFFUSER DISC	1
19	***	BLAST TUBE	1
20	***	NOZZLE HOLDER	1
21	***	ELECTRODE CONNECTION	2
22	***	INSULATOR	2
23	107220	SOLENOID VALVE	1
24	107221	NEEDLE VALVE	1
25	***	END CONE	1
26	***	U BOLT	1
27	***	TUBE	1
28	***	TUBE	1
29	***	TUBE	1
30	***	TUBE	1
31	***	TUBE	1
32	***	TUBE	1
33	***	CONNECTOR	1
34	***	BAR	1
35	***	GASKET	1
36	***	FLANGE	1
37	***	JOINT	1
38	***	ELECTRODE BRACKET	1
39	***	SPACER	2
40	***	SUPPORT	1
41	***	EXTENSION SLIDE BAR	1
42	***	SUPPORT FOR AIR DAMPER	1
43	***	AIR INTAKE	1
44	***	COVER	1
45	***	SCREW	2
46	107145	2.00 x 60A NOZZLE	1
47	107146	1.00 x 60w NOZZLE	1
48	042017	TORQUE SCREW M4 x 30	1
49	107233	IGNITOR TRANSFORMER COMPLETE (INCLUDES ITEMS 15, 16, & 17)	1

*** - Contact Allmand for more part information.

5.8 - MH500iQ Control Box

SN 0001MH16 and UP



4033.655

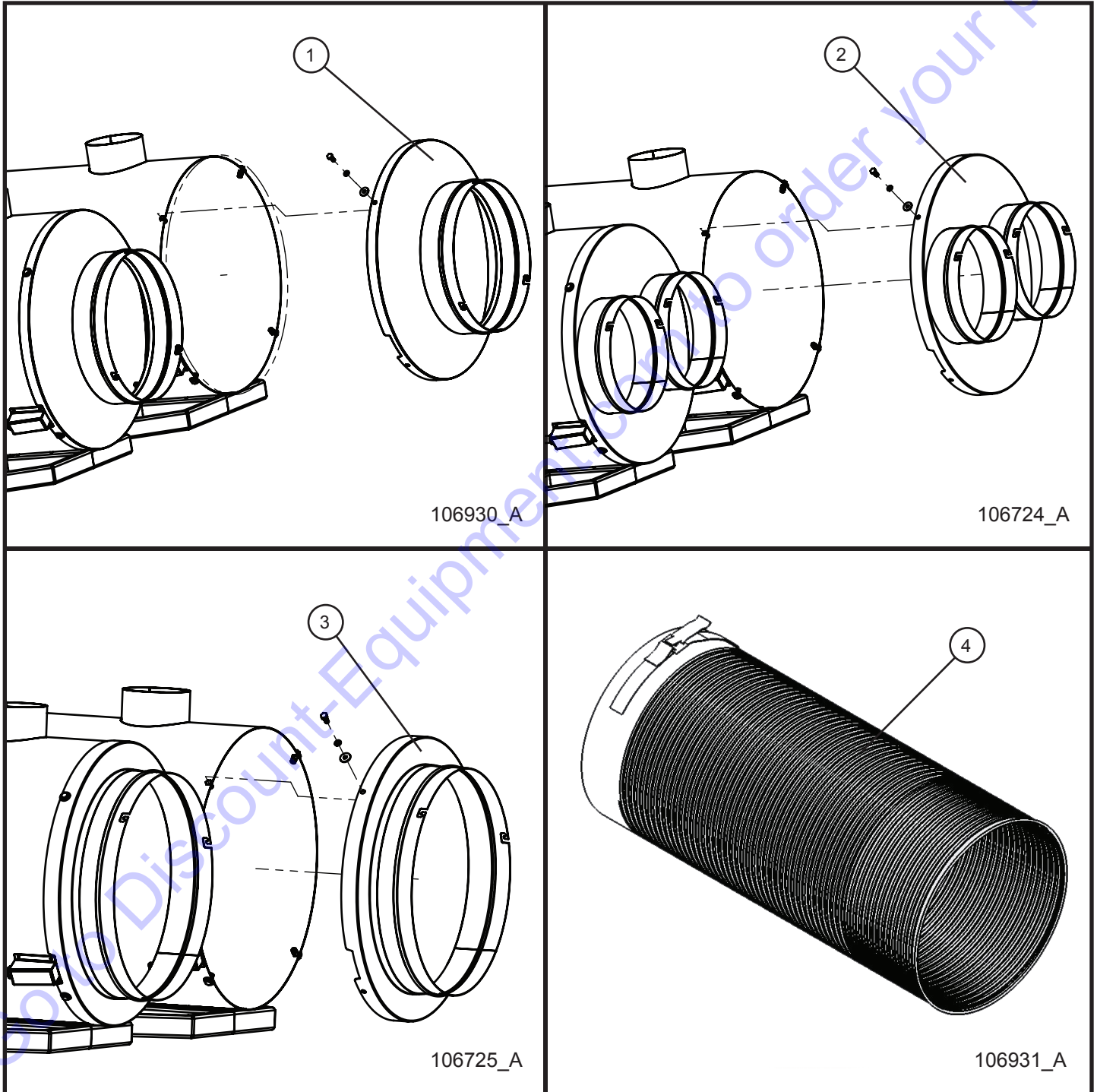
5.8 - MH500iQ Control Box

Item	Part No.	Part Description	Qty.
--	106426	MH500iQ CONTROL BOX COMPLETE	1
1	***	DISPLAY SPACER	4
2	107203	TFT TOUCH DISPLAY	1
3	***	DISPLAY BRACKET	1
4	***	DISPLAY WIRE	1
5	***	PC-BOARD SPACER	4
6	107205	INTERFACE BOARD	1
7	107204	MICROCONTROLLER	1
8	107202	FUSE	1
9	107199	FUSE HOUSING	1
10	***	SHADE	1
11	***	METAL BOX	1
12	***	SPACER	4
13	107208	PC-BOARD	1
14	***	AMBIENT THERMOSTAT COMPLETE WIRE	1
15	107198	THERMOSTAT 90° CONNECTION	1
16	***	THERMOSTAT PLUG	1
17	***	THERMOSTAT CAP	1
18	***	NUT	1
19	***	IQ BOX-PG WIRE	1
20	***	12V WIRE	1
21	***	SUPPORT BRACKET	1
22	***	SILENT BLOCK	4
23	***	BOX BRACKET	1
24	***	CONTROL BOX-MOTOR COMPLETE WIRE	1
25	***	CONTROL BOX-COMBUSTION CHAMBER COMPLETE WIRE	1
26	107200	MAGNETO-THERMIC INTERRUPTOR	1
27	***	CONTACTOR-INTERRUPTOR WIRE	1
28	***	SPACER	3
29	***	BOTTOM PLATE	1
30	***	TERMINAL-INTERRUPTOR WIRE	1
31	***	TERMINAL-FUSE WIRE	1
32	107206	TERMINAL PLUG	1
33	107207	RELAY	1
34	***	PC-BOARD-RELAY COMPLETE WIRE	1
35	107201	KEYBOARD LABEL	1
36	***	POWER CORD	1
37	***	NUT	1
38	***	STRAIN RELIEF	1
39	***	DISPLAY WIRE	1
NS	107197	CONTROL BOX CABLES KIT	1

*** - Contact Allmand for more part information.

5.9 - MH500iQ Strap and Clamp Ducting Group

SN 0001MH16 and UP



Maxi-Heat® MH500iQ™

5.9 - MH500iQ Strap and Clamp Ducting Group

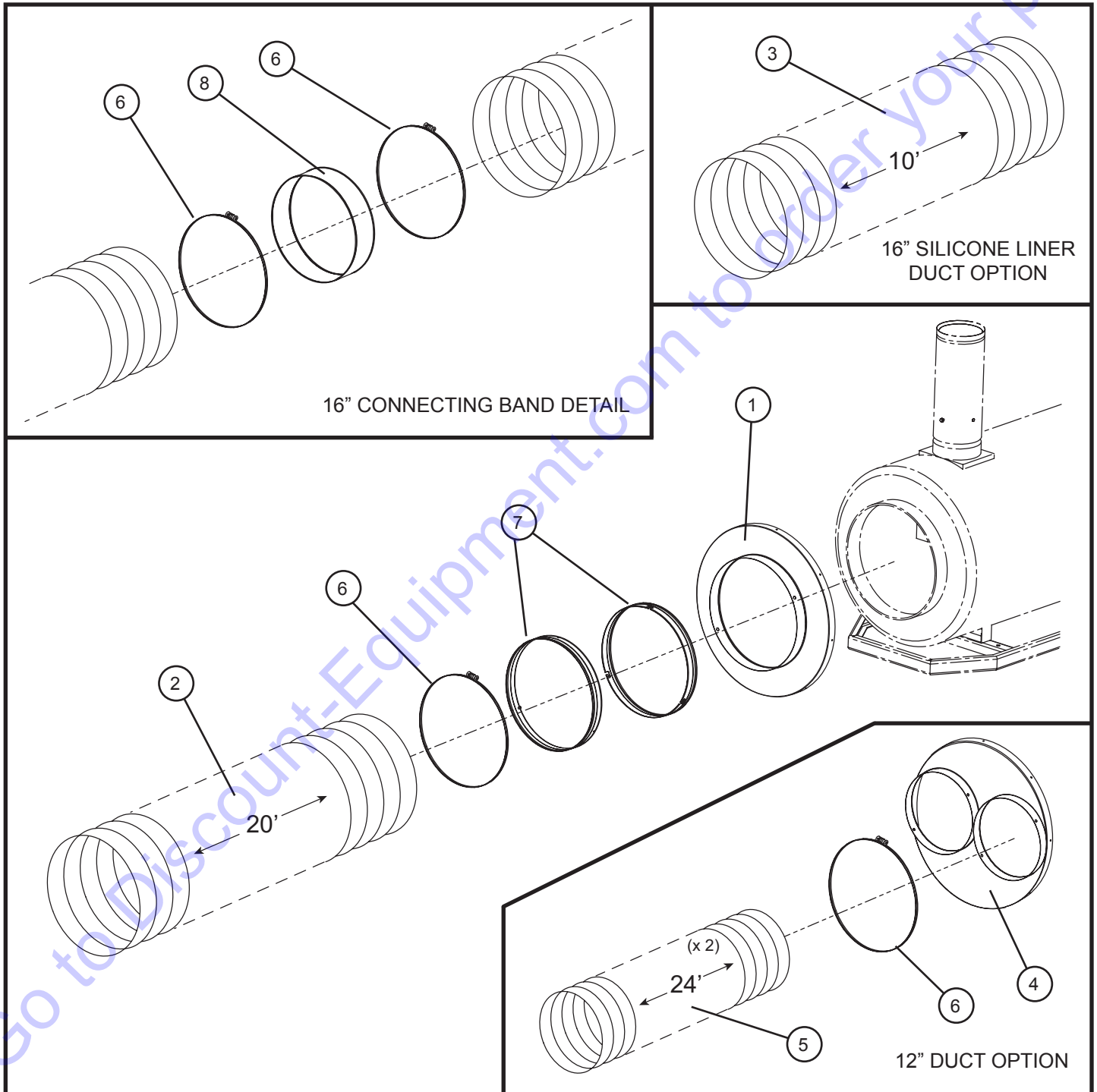
SN 0001MH16 and UP

Item	Part No.	Part Description	Qty.
1	106930	16" DUCT END CONE	2
2	106760	12" x 2 DUCT END CONE (OPTION)	2
3	106761	20" DUCT END CONE (OPTION)	2
4	106924	16" x 25' FLEXIBLE DUCTING W/ ADJUSTABLE CUFF (OPTION)	2
	106923	12" x 25' FLEXIBLE DUCTING W/ ADJUSTABLE CUFF (OPTION)	4
	106925	20" x 25' FLEXIBLE DUCTING W/ ADJUSTABLE CUFF (OPTION)	2

Go to Discount-Equipment.com to order your parts

5.10 - MH500iQ Connecting Band Ducting Group

SN 0001MH16 and UP



Maxi-Heat® MH500iQ™

5.10 - MH500iQ Connecting Band Ducting Group

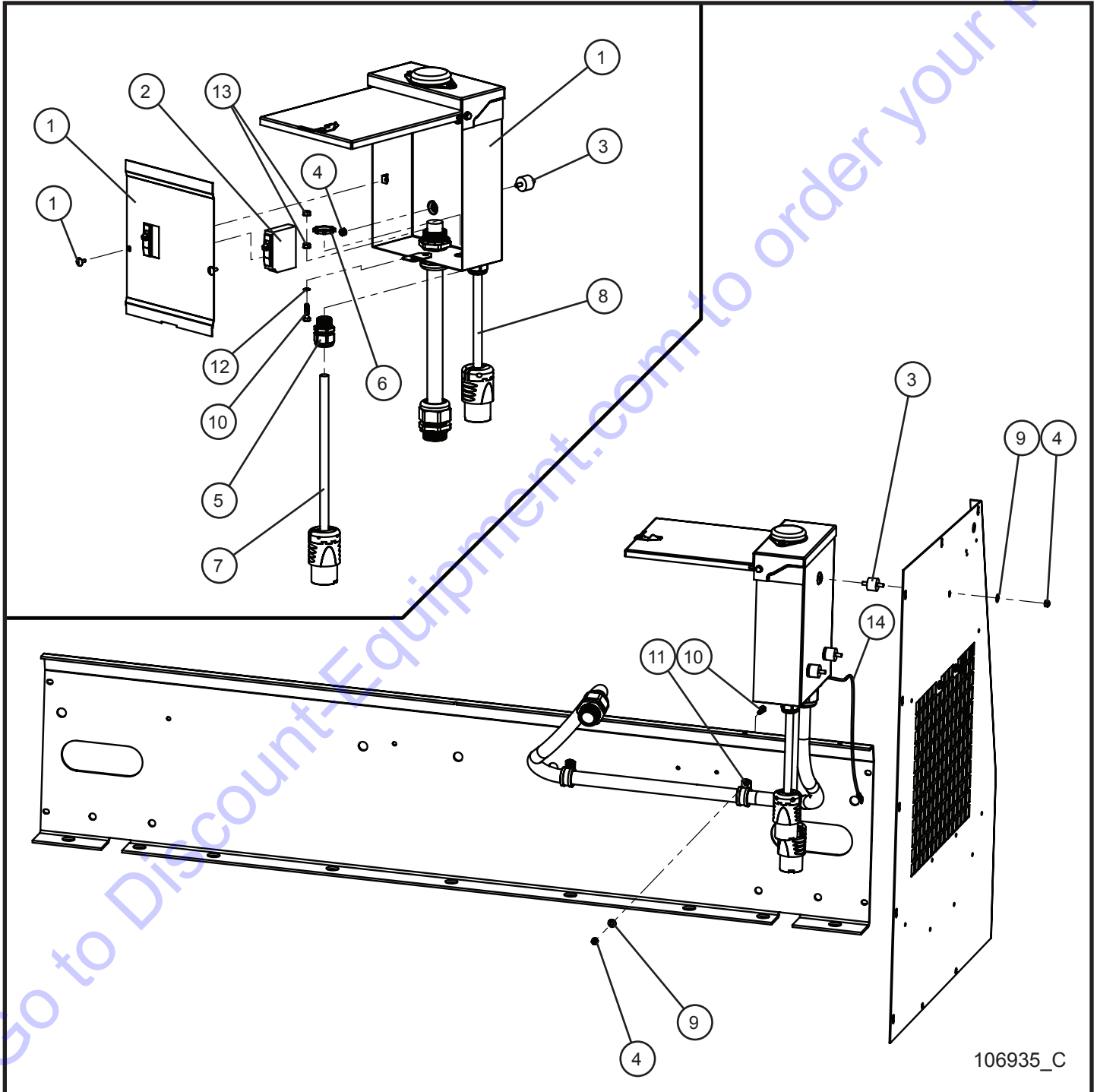
SN 0001MH16 and UP

Item	Part No.	Part Description	Qty.
1	106930	16" DUCT END CONE	1
2	848172	HEATER DUCT 16" x 20' (OPTION)	1
3	101181	HEATER DUCT 16" x 10' SILICONE LINER (OPTION)	1
4	106760	12" x 2 DUCT END CONE (OPTION)	1
5	848173	HEATER DUCT 12" x 24' (OPTION)	2
6	848176	16" SCREW CLAMP (OPTION)	1
7	848974	16" SLIP LOCK CONNECTOR (OPTION)	1
8	848976	16" CONNECTING BAND (OPTION)	1

Go to Discount-Equipment.com to order your parts

6.1 - Outlet Box Group (1 of 3)

SN 0001MH16 and UP



106935_C

Maxi-Heat® MH500iQ™

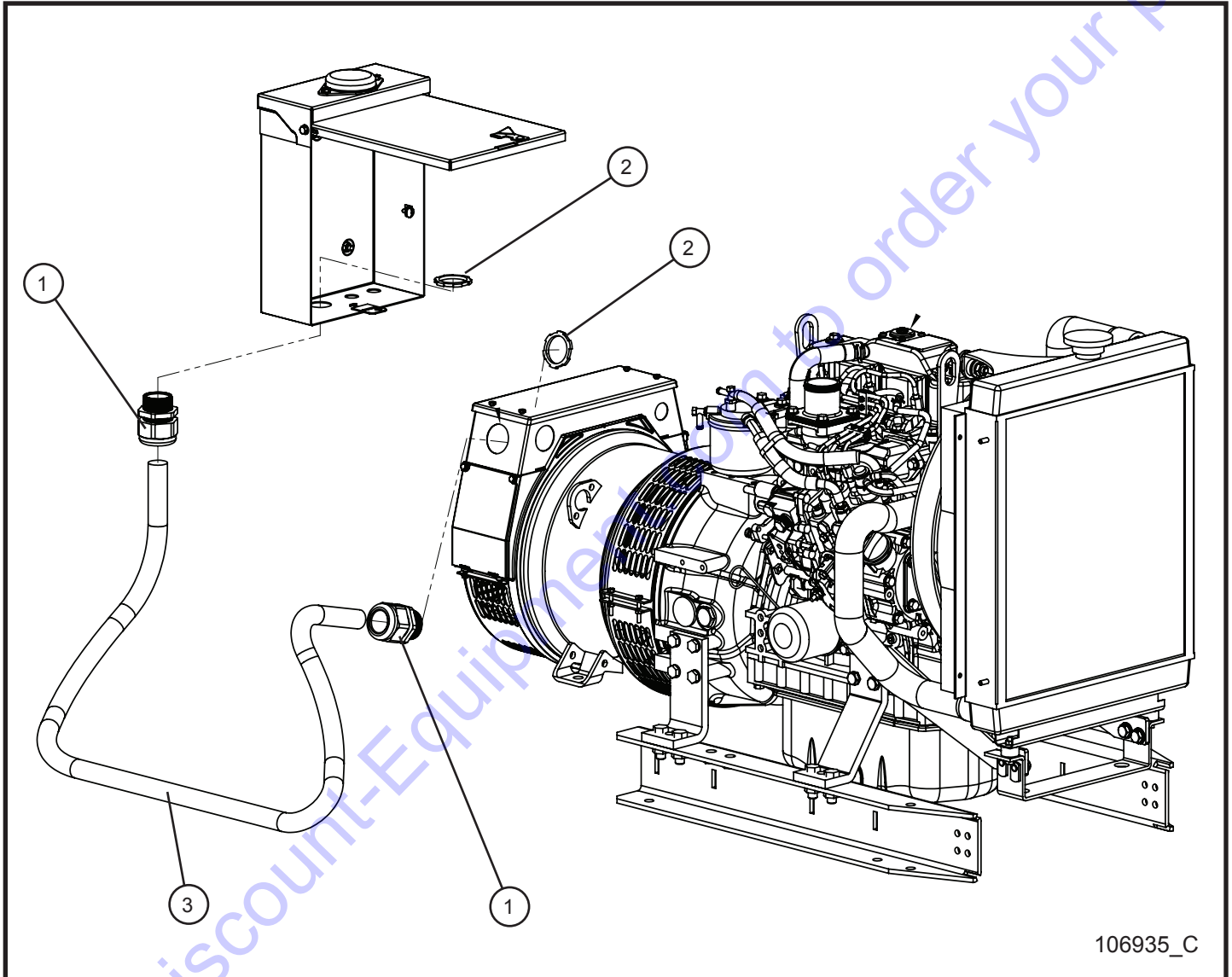
6.1 - Outlet Box Group (1 of 3)

SN 0001MH16 and UP

Item	Part No.	Part Description	Qty.
1	330055	OUTLET BOX LOAD BANK	1
2	330067	30A CIRCUIT BREAKER SP NON HID 130	2
3	330057	BOX MOUNT RUBBER	3
4	044023	1/4-20 NYLOCK HEX NUT	8
5	105916	3/4 NYLON CORD GRIP	2
6	022036	3/4 CORD GRIP NUT	2
7	106345	10/3 BURNER CORD LONG	1
8	106346	10/3 BURNER CORD SHORT	1
9	047009	1/4 FLAT WASHER SAE SS	5
10	046015	1/4-20 x 1 HEX HEAD CS GR5 PL	3
11	920366	#16 CUSH CLAMP W/ 3/8 HOLE	2
12	043050	1/4 INTL TOOTH LOCK WASHER	1
13	044021	1/4-20 KEPS HEX NUT PL	2
14	105595	WIRE GROUND	1
15	106351	WIRE SCHEMATIC GENERATOR TO NEMA PLUG-INS	1
16	848006	FOAM RUBBER .38 x .25 x 1.50 (NOT SHOWN)	1

6.1 - Outlet Box Group (2 of 3)

SN 0001MH16 and UP



Maxi-Heat® MH500iQ™

6.1 - Outlet Box Group (2 of 3)

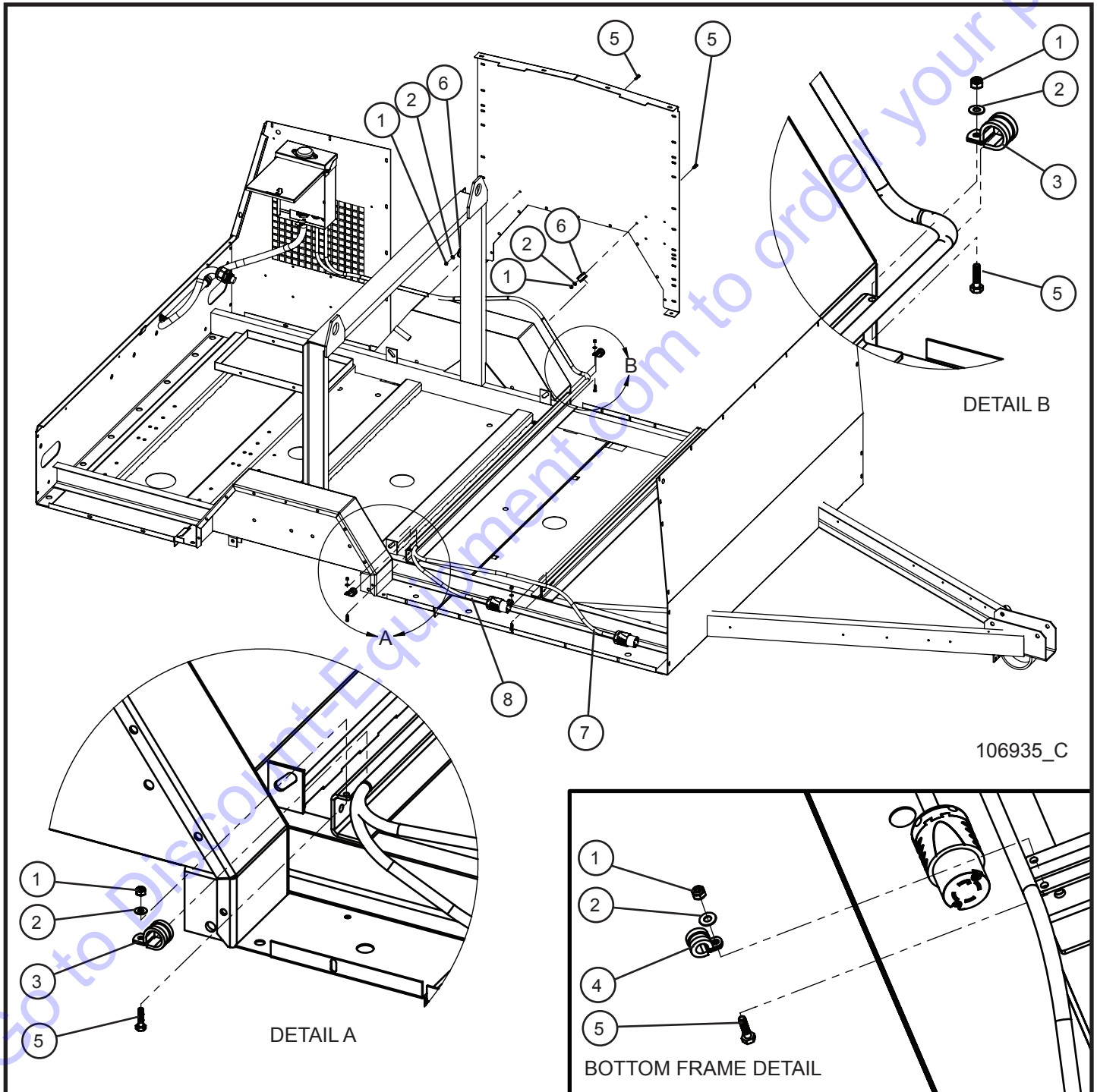
SN 0001MH16 and UP

Item	Part No.	Part Description	Qty.
1	105628	CORD GRIP 1-1/4 NYLON BLACK	2
2	350363	1-1/4 LOCK NUT	2
3	104764	GEN CORD OUTLET BOX	1

Go to Discount-Equipment.com to order your parts

6.1 - Outlet Box Group (3 of 3)

SN 0001MH16 and UP



Maxi-Heat® MH500iQ™

6.1 - Outlet Box Group (3 of 3)

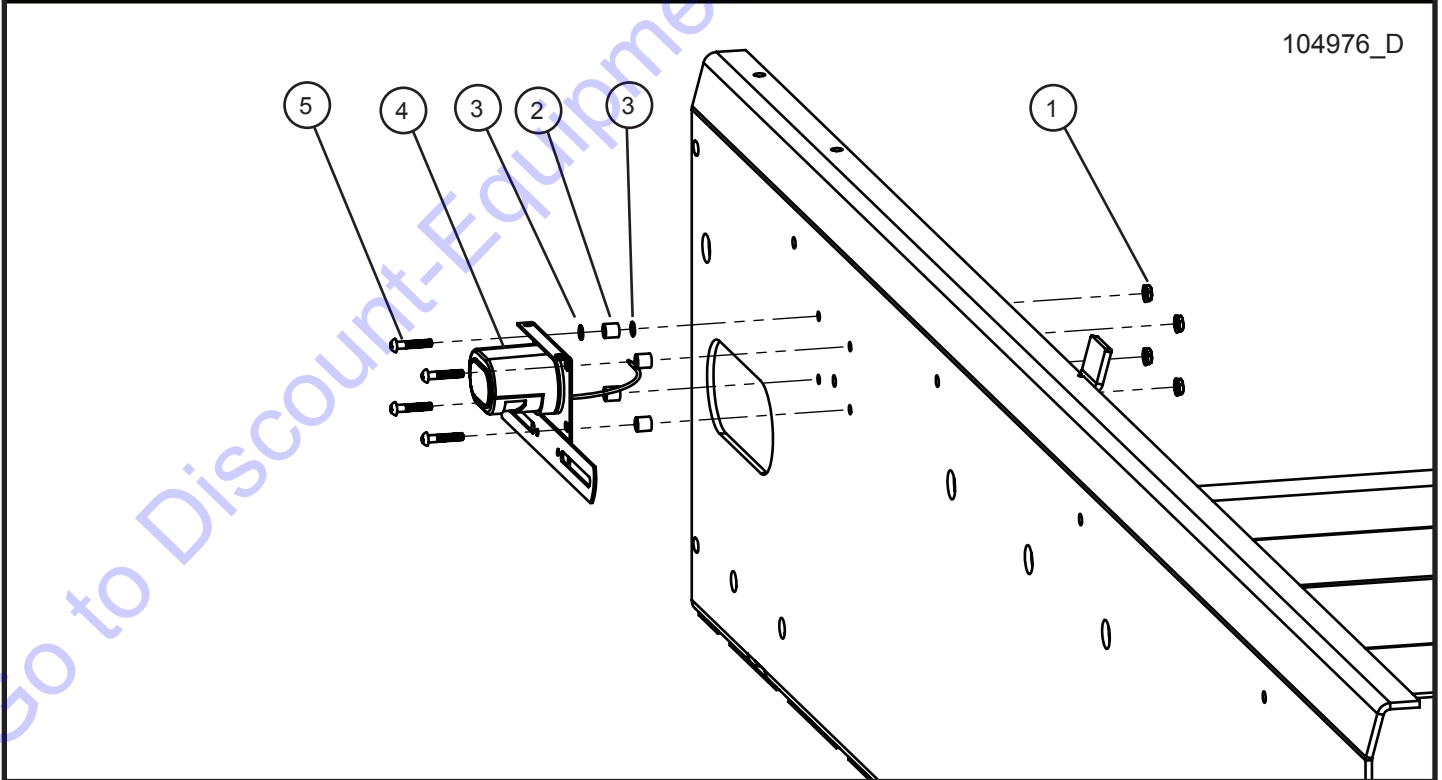
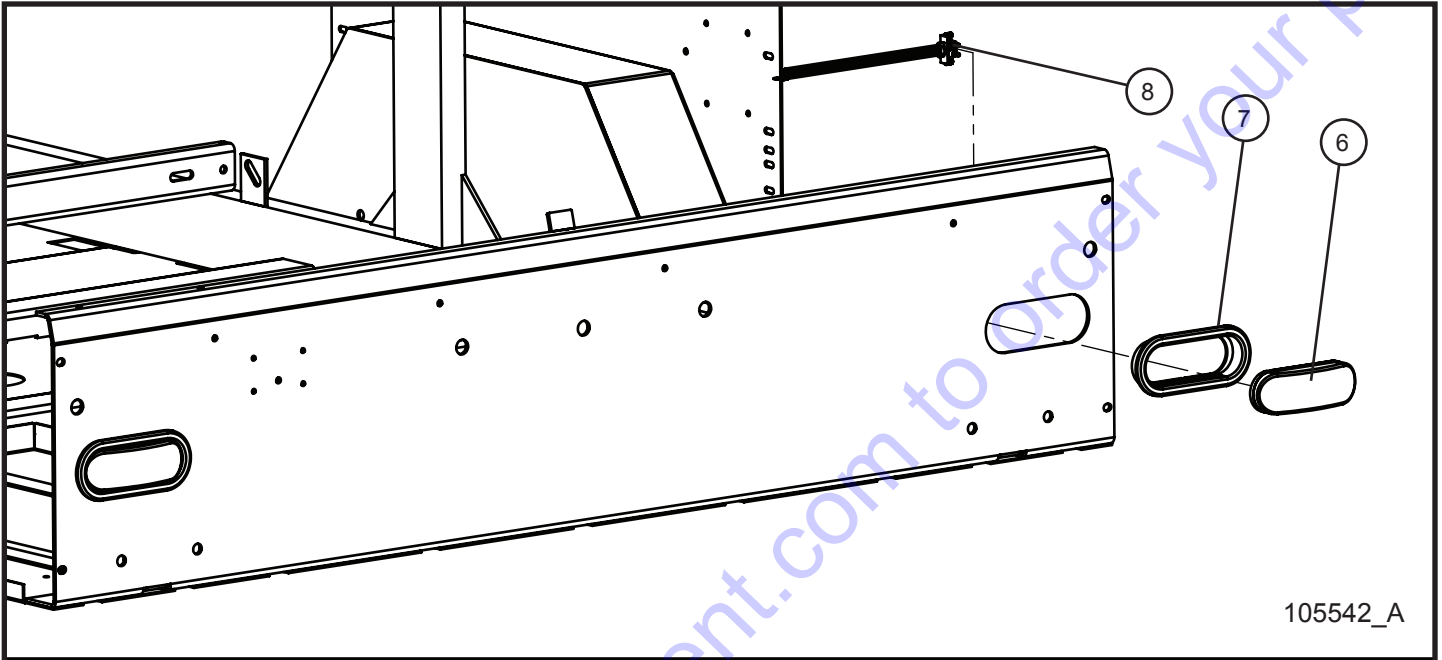
SN 0001MH16 and UP

Item	Part No.	Part Description	Qty.
1	044023	1/4-20 NYLOCK HEX NUT PL	5
2	047009	1/4 FLAT WASHER SAE SS	5
3	022027	#16 CUSH CLAMP 1/4 HOLE	2
4	310212	#10 CUSH CLAMP 1/4 HOLE	1
5	046015	1/4-20 x 1 HEX HEAD CS GR5 PL	5
6	920366	#16 CUSH CLAMP 3/8 HOLE	2
7	106345	BURNER CORD LONG	1
8	106346	BURNER CORD SHORT	1

Go to Discount-Equipment.com to order your parts

6.2 Tail Light and License Plate Bracket

SN 0001MH16 and UP



Maxi-Heat® MH500iQ™

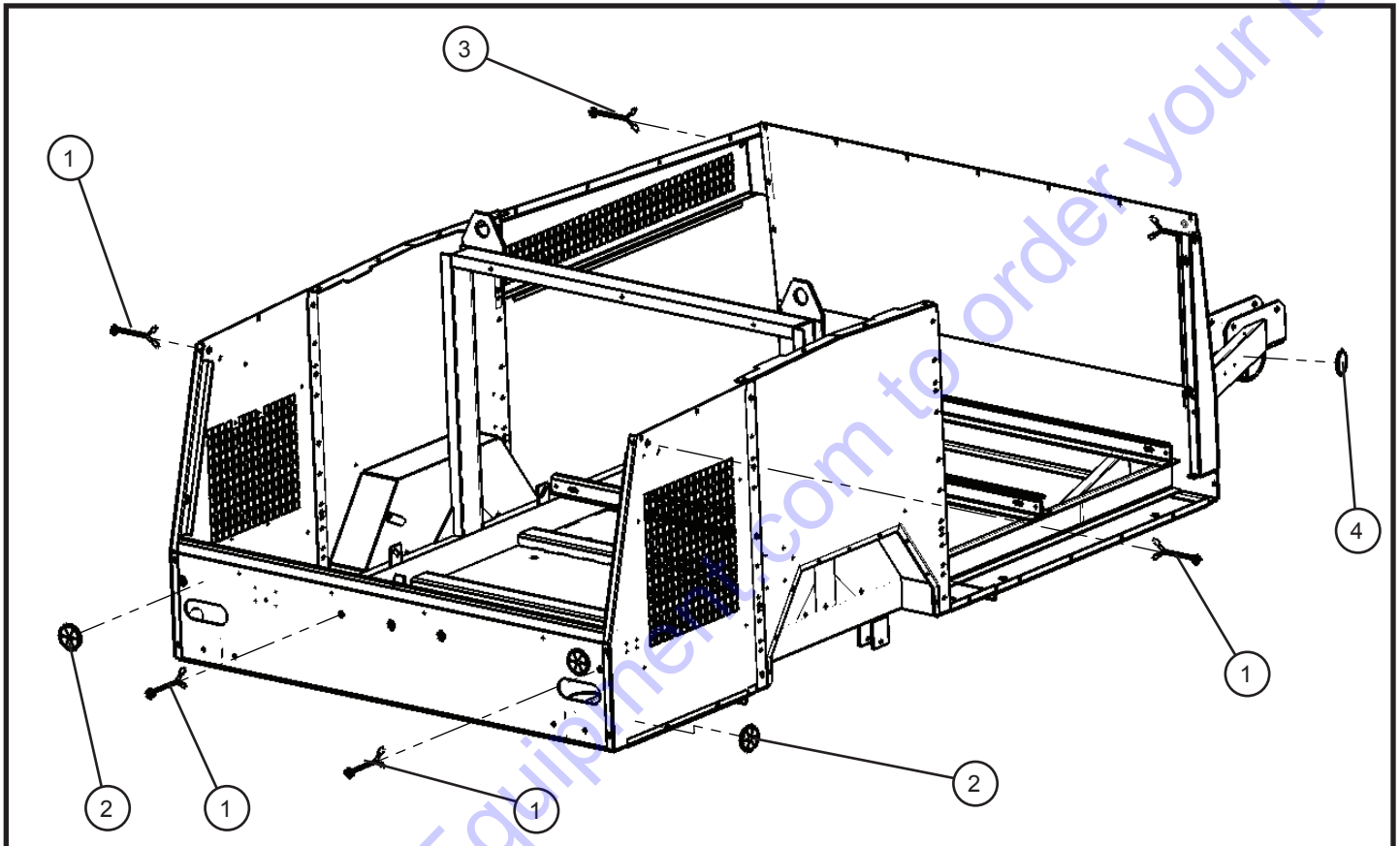
6.2 Tail Light and License Plate Bracket

SN 0001MH16 and UP

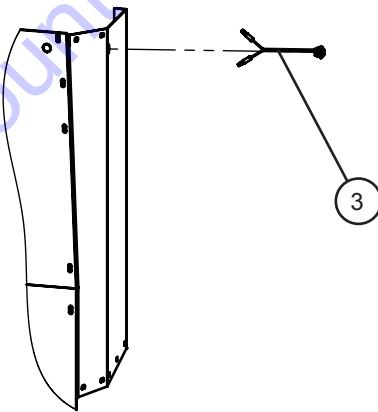
Item	Part No.	Part Description	Qty.
1	044016	#10-24 KEPS HEX NUT PL	4
2	022180	SPACER RICOHO	4
3	043015	#10 INT'L TOOTHLOCK WASHER PL	2
4	032035	LICENSE PLATE LAMP WITH BRACKET	1
5	041030	#10-24 x 1 PH-ROUND HEAD	4
6	102826	STOP, TAIL, TURN LAMP	2
7	102825	OVAL LAMP GROMMET	2
8	102827	ECONO 90 3-PRONG PIGTAIL	2
9	105299	WIRE SCHEMATIC LICENSE PLATE (NOT SHOWN)	1
10	106343	WIRE SCHEMATIC TAIL LIGHT HARNESS (NOT SHOWN)	1
11	106342	TAIL LIGHT HARNESS MAXI HEAT (NOT SHOWN)	1

6.3 - VIN Package Group

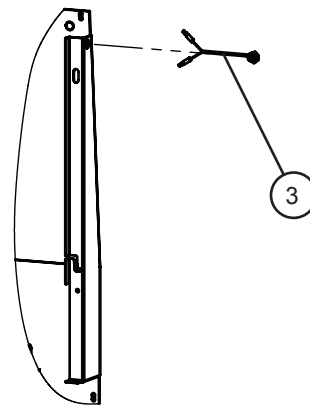
SN 0001MH16 and UP



RIGHT FRONT WITH DUCT BOX



RIGHT FRONT WITHOUT DUCT BOX



106687_A

Maxi-Heat® MH500iQ™

6.3 - VIN Package Group

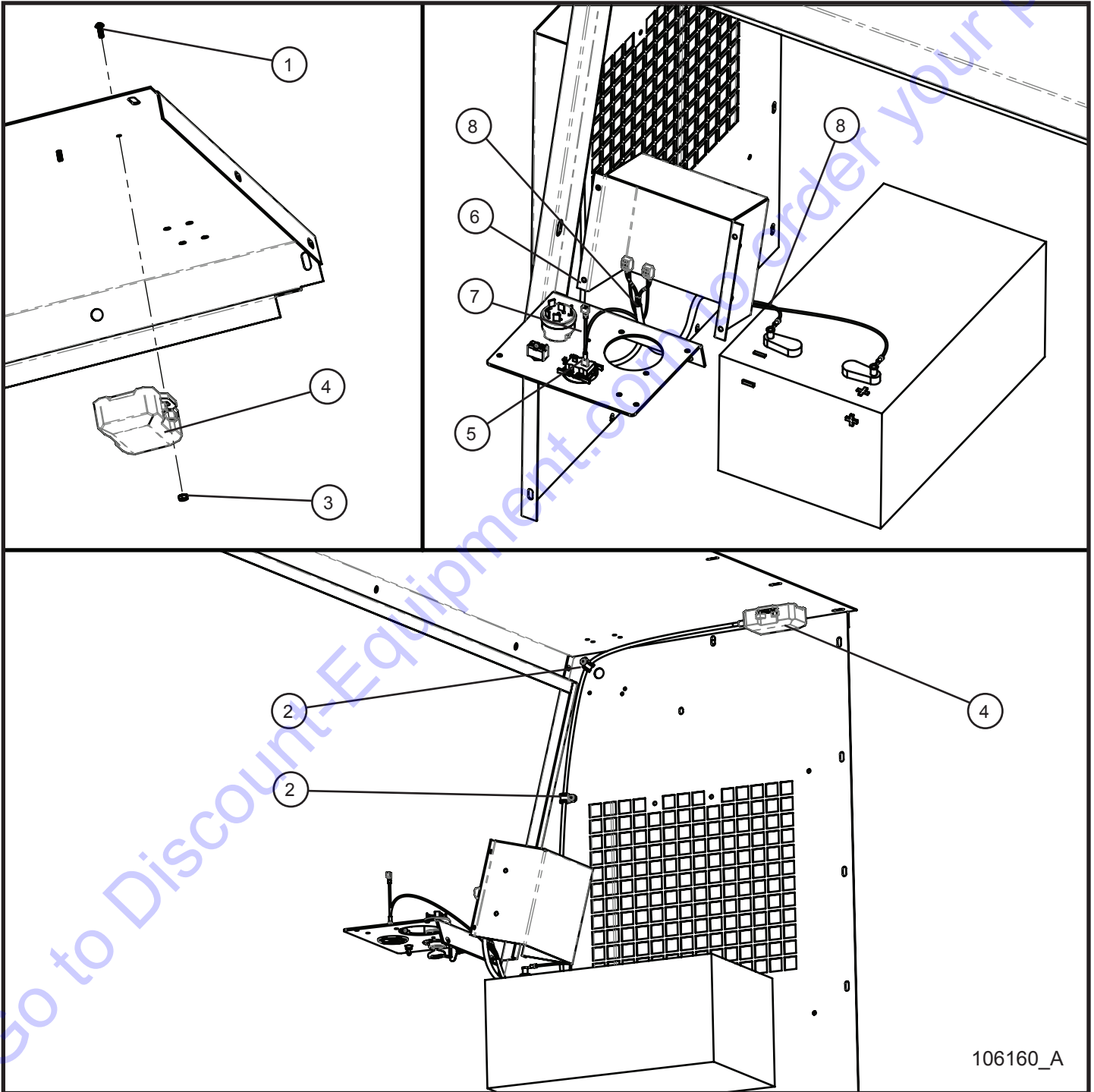
SN 0001MH16 and UP

Item	Part No.	Part Description	Qty.
1	106211	LIGHT LED MARKER RED	7
2	330037	REFLECTOR RED 3"	4
3	106212	LIGHT LED MARKER AMBER	2
4	330039	REFLECTOR RED 3"	2

Go to Discount-Equipment.com to order your parts

6.4 - ZTR GPS System

SN 0001MH16 and UP



106160_A

Maxi-Heat® MH500iQ™

6.4 - ZTR GPS System

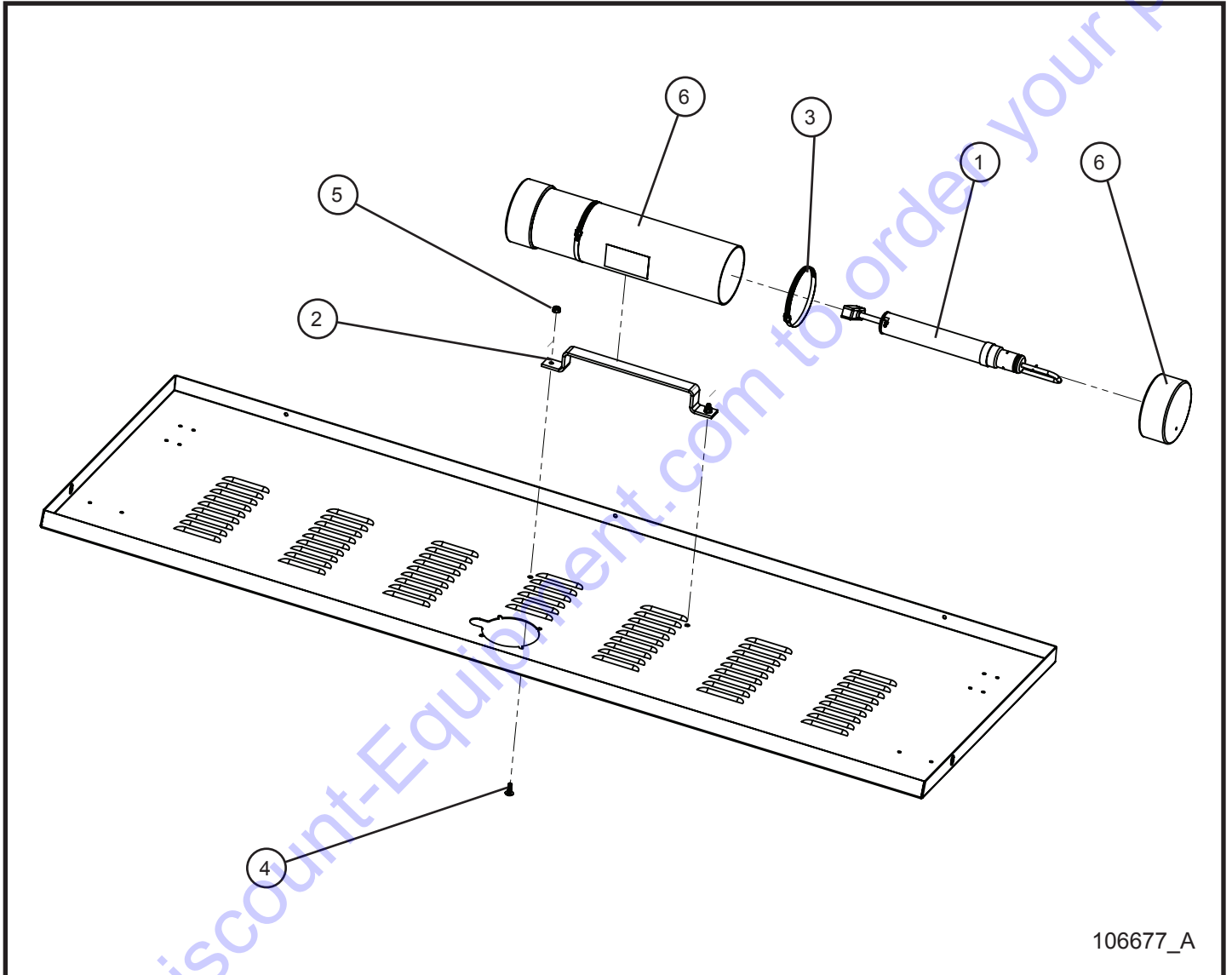
SN 0001MH16 and UP

Item	Part No.	Part Description	Qty.
1	041013	#8-32 x 1/2 PH-ROUND HEAD MS PL	2
2	022016	#6 CUSH CLAMP 1/4 HOLE	3
3	044003	#8-32 NC KEPS NUT	2
4	105650	ZTR GPS MODULE	1
5	022320	TERM SPADE FEMALE 14-16 AWG 1/4	1
6	022336	TERM SPADE MALE 14-16 AWB 1/4	1
7	020051	16 AWG WHITE x 3.0	1
8	106159	POWER CORD GPS MAXI HEAT	1
NS	105809	SCHEMATIC GPS ZTR SYSTEM	1

Go to Discount-Equipment.com to order your parts

6.5 - Smoke Spot Tester

SN 0001MH16 and UP



Maxi-Heat® MH500iQ™

6.5 - Smoke Spot Tester

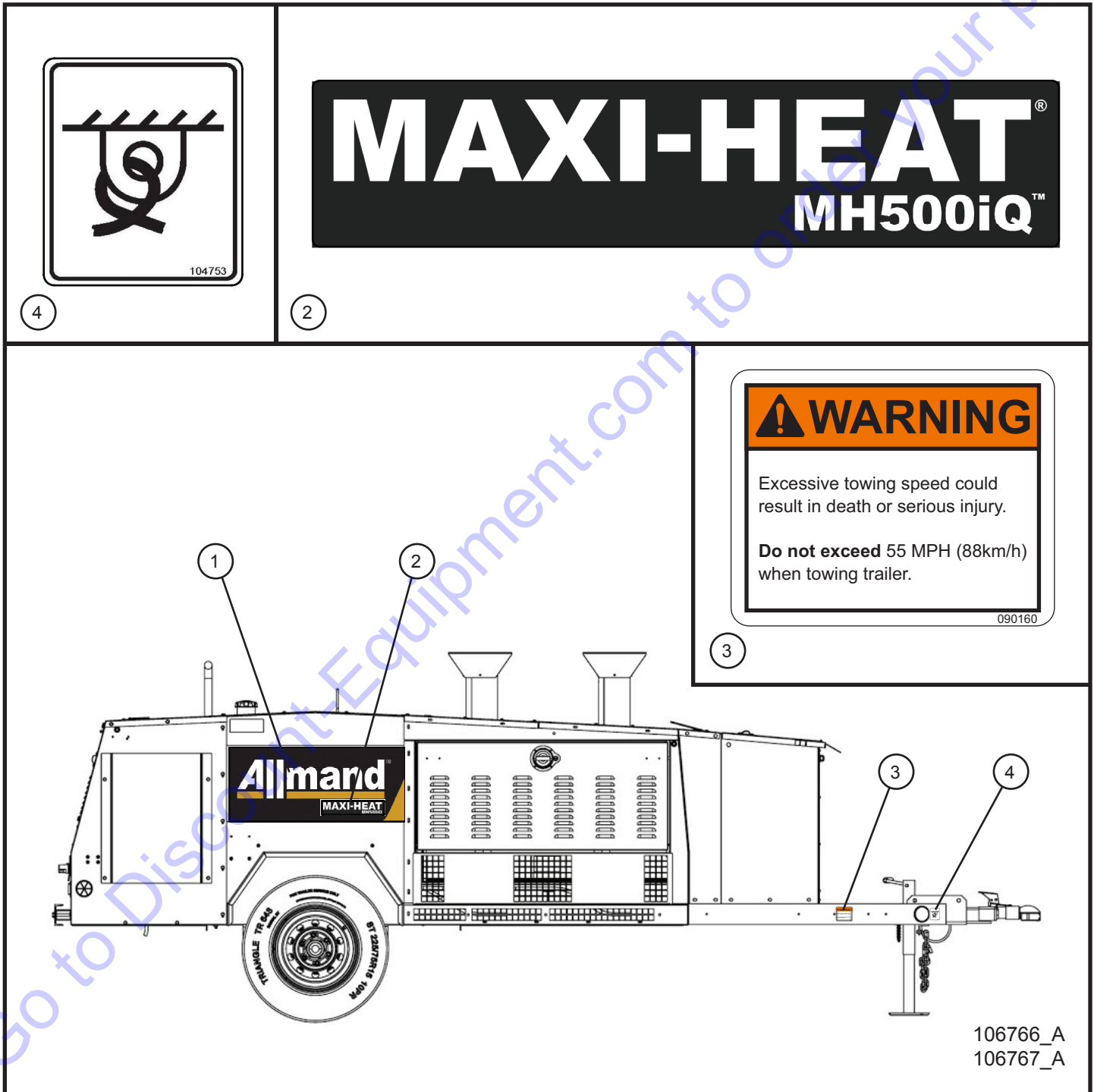
SN 0001MH16 and UP

Item	Part No.	Part Description	Qty.
1	848977	SMOKE SPOT TESTER MAXI HEAT	1
--	103474	SMOKE SPOT TESTER STORAGE CANISTER COMPLETE	1
2	104167P	CANISTER MOUNT SMOKE TESTER	1
3	045028	#72 HOSE CLAMP	2
4	041050	1/4-20 x 3/4 PH-TRUSS HEAD MS SS	2
5	044021	1/4-20 KEPS HEX NUT PL	2
6	104834	PLASTIC COMPONENTS SMOKE SPOT TESTER	1
NS	848978	PAPER & SMOKE SCALE TRUE SPOT SMOKE TESTER KIT	1

Go to Discount-Equipment.com to order your parts

7.1 - MH500iQ Right Side Decals

SN 0001MH16 and UP



Maxi-Heat® MH500iQ™

7.1 - MH500iQ Right Side Decals


SN 0001MH16 and UP

Item	Part No.	Part Description	Qty.
1	101243	LARGE ALLMAND GOLD BANNER	1
2	106827	MH500iQ DECAL	1
	108392	MH500iQ FCS DECAL	1
3	090160	EXCESS TOWING WARNING DECAL	1
4	104753	TIE DOWN POINT DECAL	1

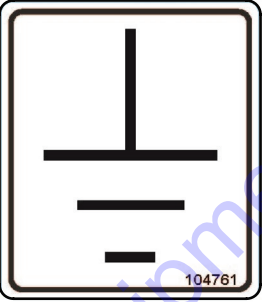
Go to Discount-Equipment.com to order your parts

7.2 - MH500iQ Left Side Decals

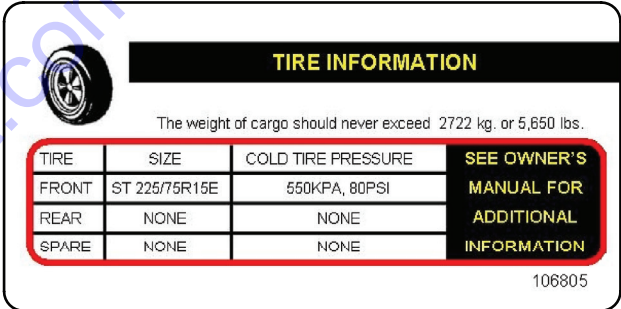
SN 0001MH16 and UP



104753



104761

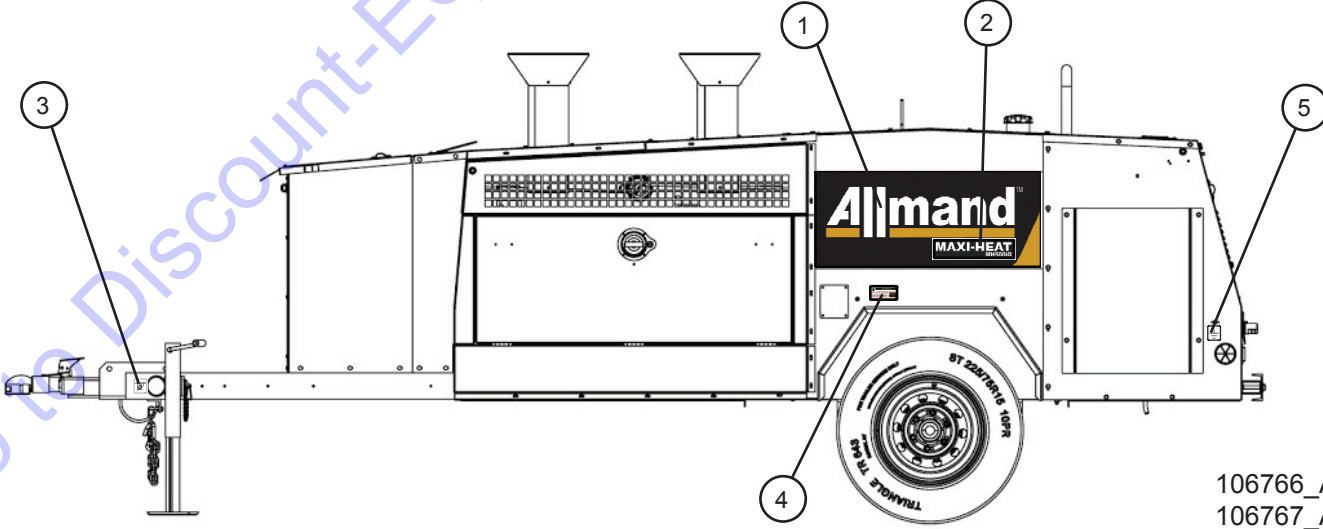


TIRE INFORMATION

The weight of cargo should never exceed 2722 kg. or 5,650 lbs.

TIRE	SIZE	COLD TIRE PRESSURE	SEE OWNER'S
FRONT	ST 225/75R15E	550KPA, 80PSI	MANUAL FOR
REAR	NONE	NONE	ADDITIONAL
SPARE	NONE	NONE	INFORMATION

106805



106766_A
106767_A

Maxi-Heat® MH500iQ™

7.2 - MH500iQ Left Side Decals

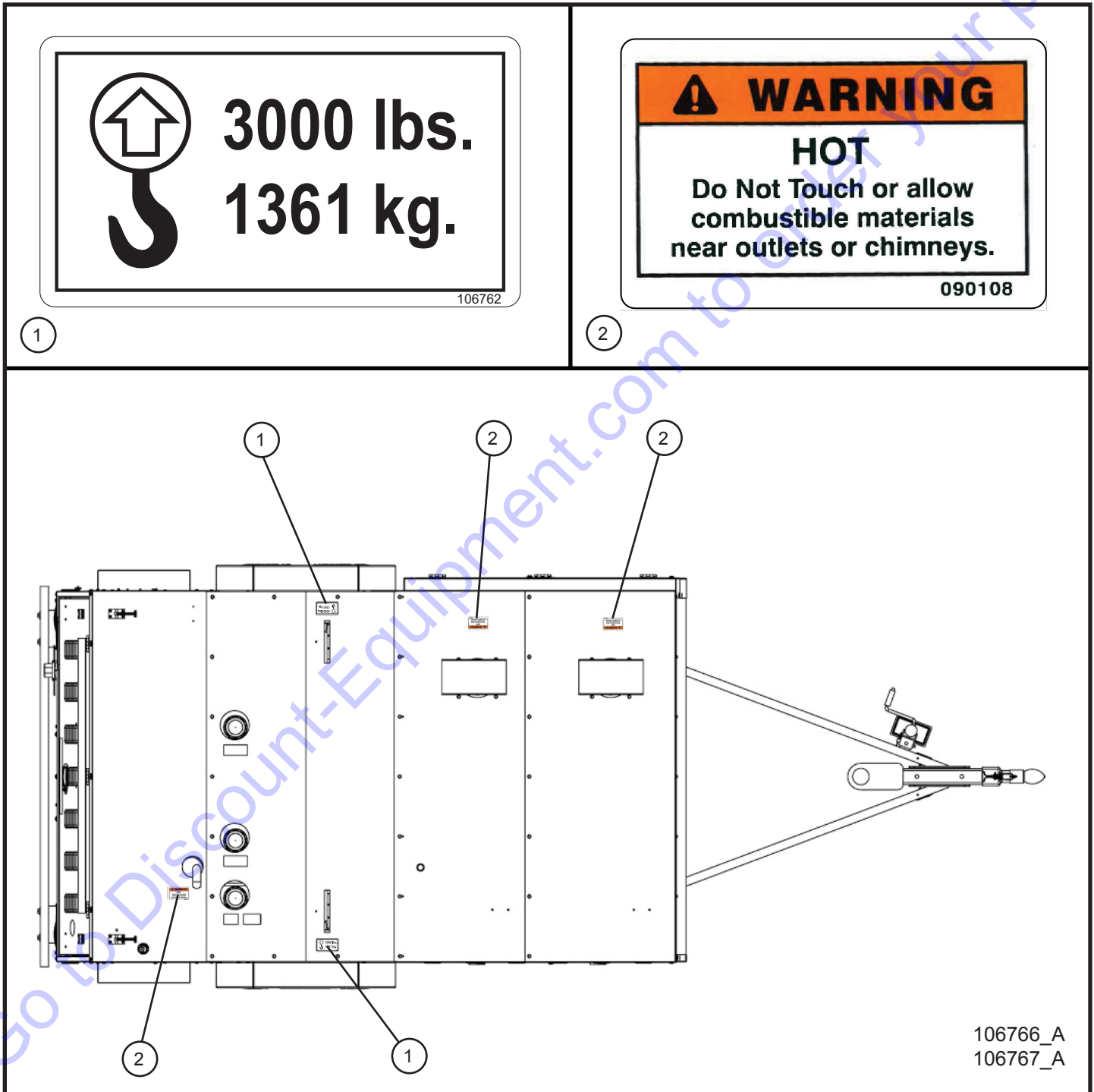
SN 0001MH16 and UP

Item	Part No.	Part Description	Qty.
1	101243	LARGE ALLMAND GOLD BANNER	1
2	106827	MH500iQ DECAL	1
	108392	MH500iQ FCS DECAL	1
3	104753	TIE DOWN POINT DECAL	1
4	106805	TIRE INFORMATION DECAL	1
	108360	TIRE INFORMATION MH500iQ FCS DECAL	1
5	104761	GROUND DECAL	1

Go to Discount-Equipment.com to order your parts

7.3 - MH500iQ Roof Decals

SN 0001MH16 and UP



Maxi-Heat® MH500iQ™

7.3 - MH500iQ Roof Decals

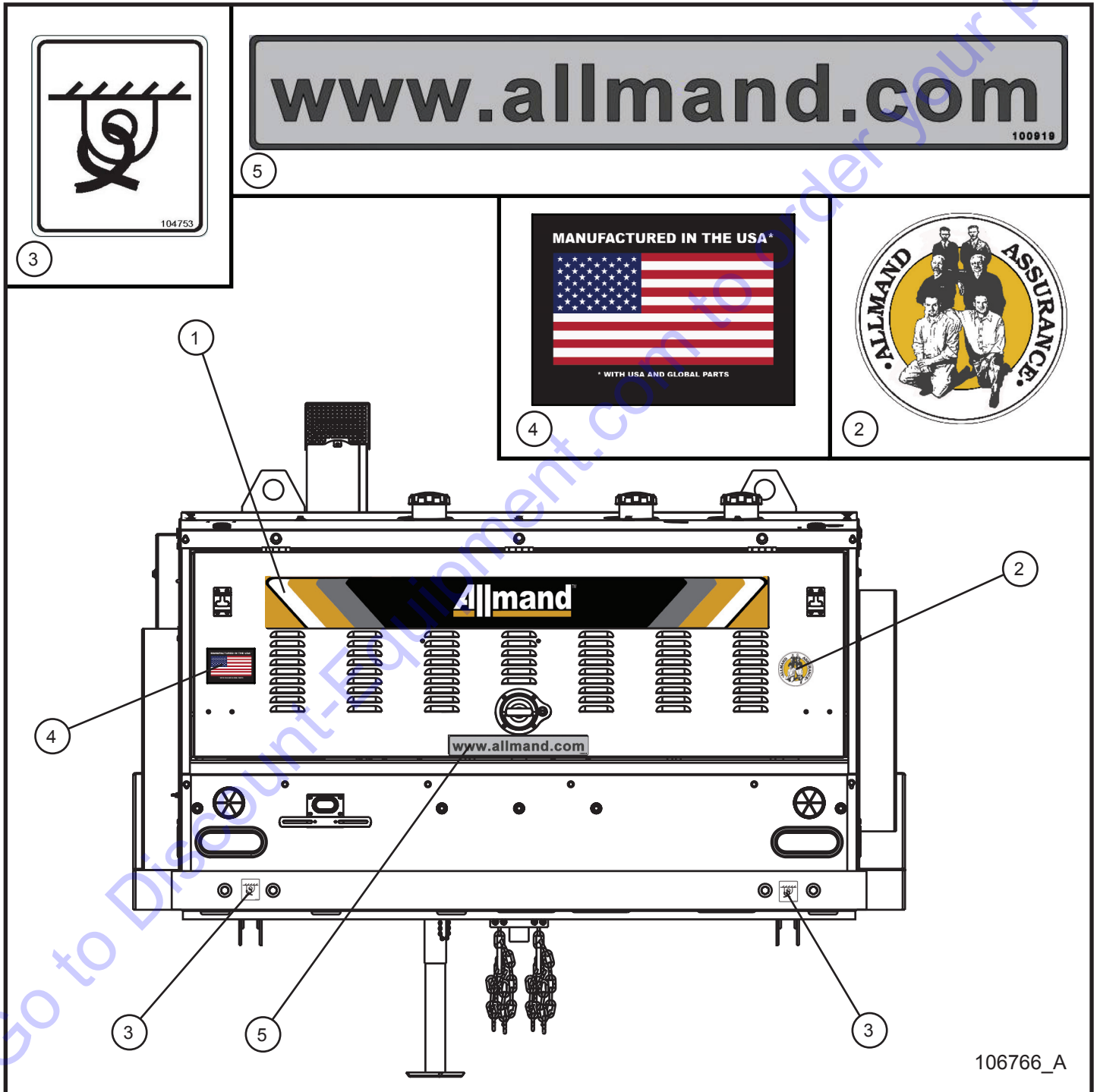
SN 0001MH16 and UP

Item	Part No.	Part Description	Qty.
1	106762	LIFTING WEIGHT DECAL	1
2	090108	HOT WARNING DECAL MAXI HEAT	1

Go to Discount-Equipment.com to order your parts

7.4 - MH500iQ Rear Decals

SN 0001MH16 and UP



Maxi-Heat® MH500iQ™

7.4 - MH500iQ Rear Decals

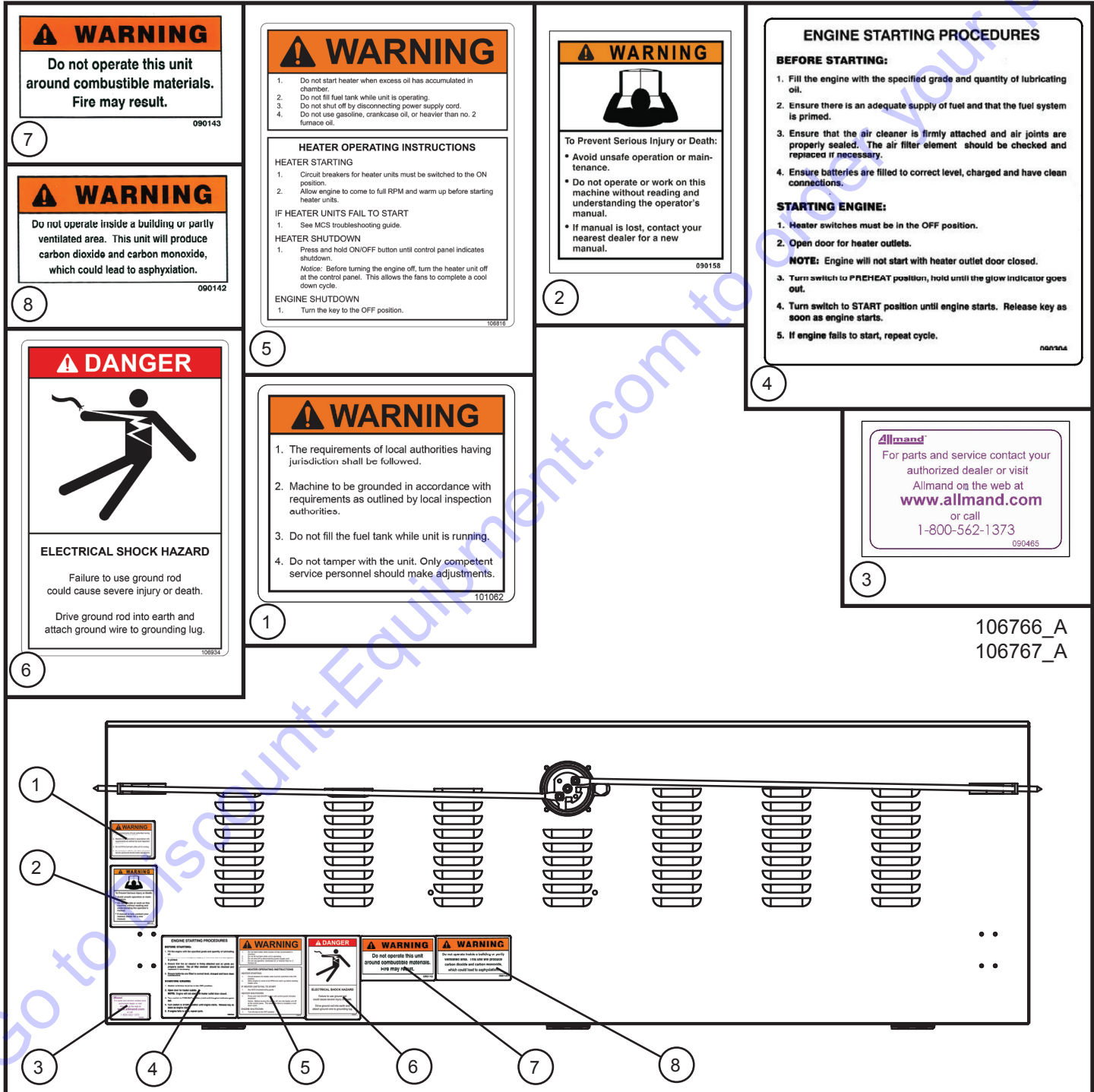
SN 0001MH16 and UP

Item	Part No.	Part Description	Qty.
1	101246	REAR PANEL GOLD DECAL	1
2	102088	3 GENERATIONS ALLMAND ASSURANCE DECAL	1
3	104753	TIE DOWN POINT DECAL	2
4	105467	MANUFACTURED IN THE USA	1
5	100919	WWW.ALLMAND.COM DECAL	1

Go to Discount-Equipment.com to order your parts

7.5 - MH500iQ Rear Door Decals

SN 0001MH16 and UP



WARNING

Do not operate this unit around combustible materials. Fire may result.

090143

7

WARNING

Do not operate inside a building or partly ventilated area. This unit will produce carbon dioxide and carbon monoxide, which could lead to asphyxiation.

090142

8

DANGER

ELECTRICAL SHOCK HAZARD

Failure to use ground rod could cause severe injury or death.

Drive ground rod into earth and attach ground wire to grounding lug.

109934

6

WARNING

- Do not start heater when excess oil has accumulated in chamber.
- Do not fill fuel tank while unit is operating.
- Do not shut off by disconnecting power supply cord.
- Do not use gasoline, crankcase oil, or heavier than no. 2 furnace oil.

HEATER OPERATING INSTRUCTIONS

HEATER STARTING

- Circuit breakers for heater units must be switched to the ON position.
- Allow engine to come to full RPM and warm up before starting heater units.

IF HEATER UNITS FAIL TO START

- See MCS troubleshooting guide.

HEATER SHUTDOWN

- Press and hold ON/OFF button until control panel indicates shutdown.

Notice: Before turning the engine off, turn the heater unit off at the control panel. This allows the fans to complete a cool down cycle.

ENGINE SHUTDOWN

- Turn the key to the OFF position.

109816

5

WARNING

- The requirements of local authorities having jurisdiction shall be followed.
- Machine to be grounded in accordance with requirements as outlined by local inspection authorities.
- Do not fill the fuel tank while unit is running.
- Do not tamper with the unit. Only competent service personnel should make adjustments.

101062

1

WARNING

To Prevent Serious Injury or Death:

- Avoid unsafe operation or maintenance.
- Do not operate or work on this machine without reading and understanding the operator's manual.
- If manual is lost, contact your nearest dealer for a new manual.

090158

2

ENGINE STARTING PROCEDURES

BEFORE STARTING:

- Fill the engine with the specified grade and quantity of lubricating oil.
- Ensure there is an adequate supply of fuel and that the fuel system is primed.
- Ensure that the air cleaner is firmly attached and air joints are properly sealed. The air filter element should be checked and replaced if necessary.
- Ensure batteries are filled to correct level, charged and have clean connections.

STARTING ENGINE:

- Heater switches must be in the OFF position.
- Open door for heater outlets.

NOTE: Engine will not start with heater outlet door closed.

- Turn switch to PREHEAT position, hold until the glow indicator goes out.
- Turn switch to START position until engine starts. Release key as soon as engine starts.
- If engine fails to start, repeat cycle.

nan/na

4

Allmand™

For parts and service contact your authorized dealer or visit Allmand on the web at www.allmand.com or call 1-800-562-1373

090465

3

106766_A
106767_A

Maxi-Heat® MH500iQ™

7.5 - MH500iQ Rear Door Decals

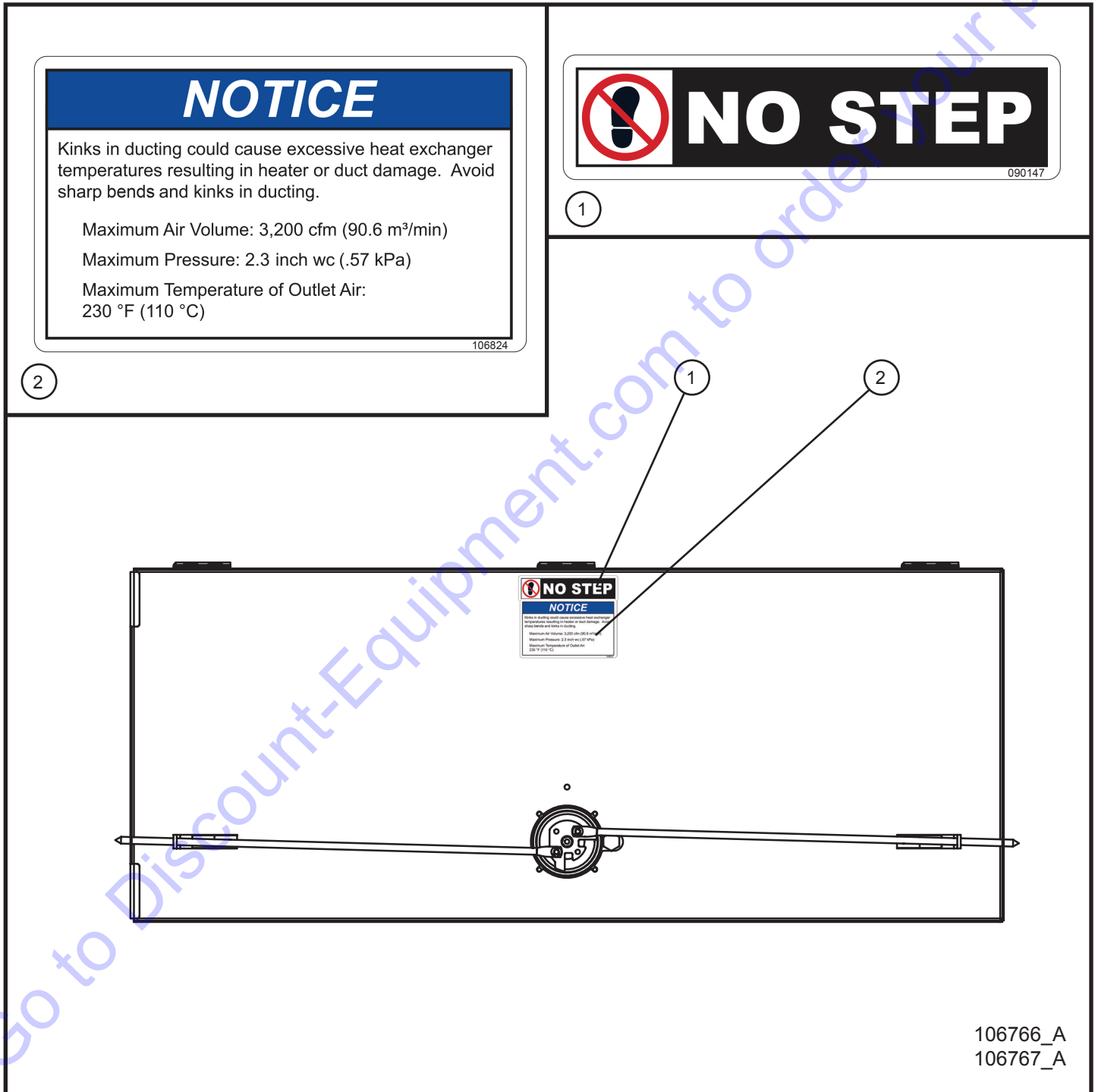
SN 0001MH16 and UP

Item	Part No.	Part Description	Qty.
1	101062	WARNING GENERAL STATEMENT DECAL	1
2	090158	OPERATOR MANUAL WARNING DECAL	1
3	090465	PARTS AND SERVICE DECAL	1
4	090304	ENGINE START PROCEDURES DECAL	1
5	106816	WARNING HEATER INSTRUCTIONS DECAL	1
6	106934	DANGER GROUND ROD FAILURE TO USE DECAL	1
7	090143	FIRE MAY RESULT WARNING DECAL	1
8	090142	ASPHYXIATION WARNING DECAL	1

Go to Discount-Equipment.com to Order your parts

7.6 - MH500iQ Left Door Decals

SN 0001MH16 and UP



106766_A
106767_A

Maxi-Heat® MH500iQ™

7.6 - MH500iQ Left Door Decals

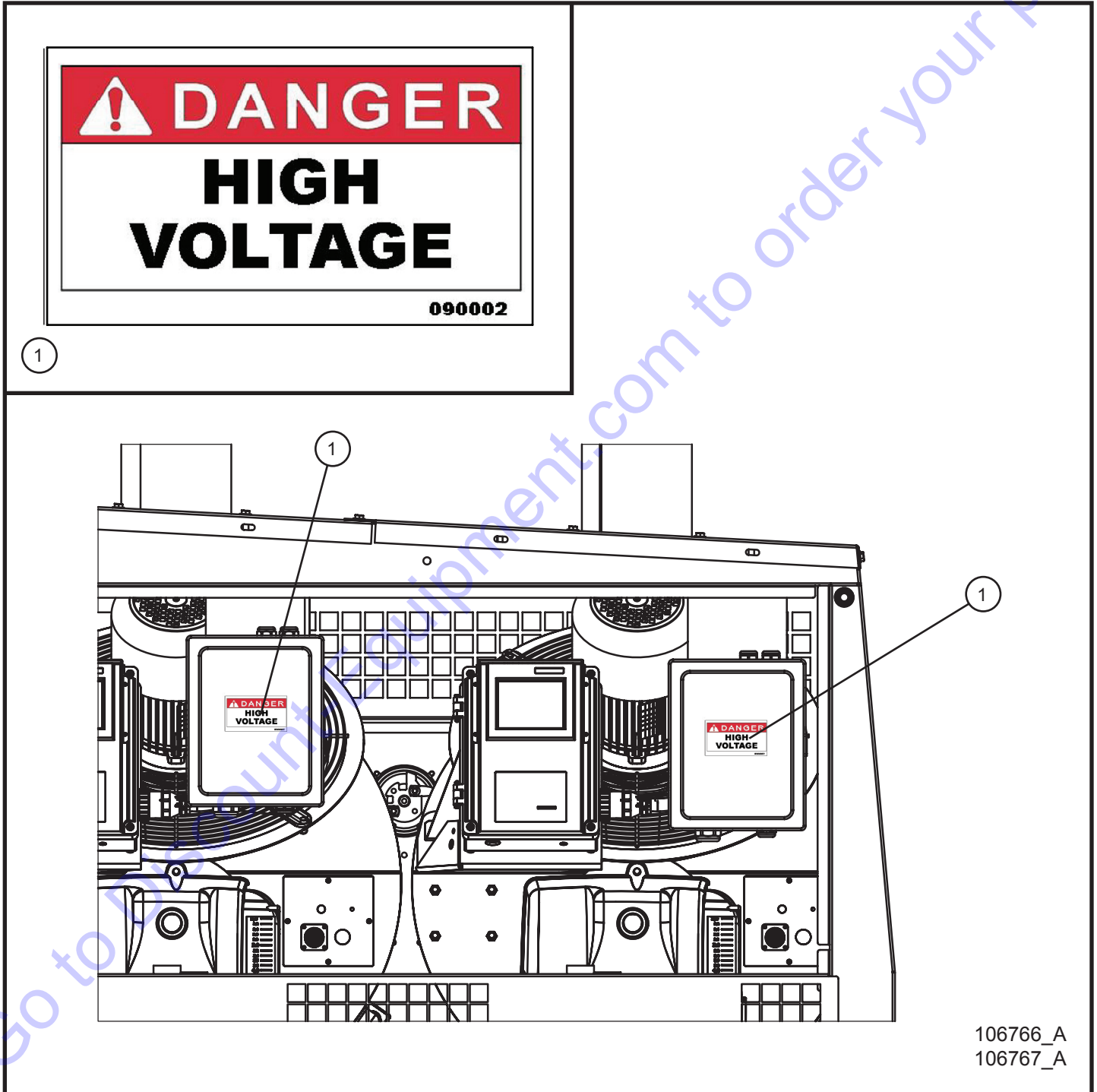
SN 0001MH16 and UP

Item	Part No.	Part Description	Qty.
1	090147	NO STEP DECAL	1
2	106824	NOTICE DUCT WORK DECAL	1

Go to Discount-Equipment.com to order your parts

7.7 - MH500iQ Junction Box Decals

SN 0001MH16 and UP



106766_A
106767_A

Maxi-Heat® MH500iQ™

7.7 - MH500iQ Junction Box Decals

SN 0001MH16 and UP

Item	Part No.	Part Description	Qty.
1	090002	HIGH VOLTAGE DANGER DECAL	2

Go to Discount-Equipment.com to order your parts

7.8 - MH500iQ Breaker Box Decals

SN 0001MH16 and UP

The diagram illustrates the MH500iQ Breaker Box with callouts for decal placement:

- 1**: Outside of Breaker Box - Points to the location of the main warning decal on the front panel.
- 2**: Inside of Breaker Box - Points to the locations of the terminal block identification decals on the interior panel.

OUTSIDE OF BREAKER BOX

HAZARDOUS VOLTAGE
 To prevent serious injury or death from electrocution:
 • Do not enter electrical compartment while engine is running.
 • Close cover before operating.
 • Keep components in good repair.
 090162

HAZARDOUS VOLTAGE
 To prevent serious injury or death from electrocution:
 • Do not enter electrical compartment while engine is running.
 • Close cover before operating.
 • Keep components in good repair.
 090162

INSIDE OF BREAKER BOX

1

2

106932

106932

106766_A
106767_A

Maxi-Heat® MH500iQ™

7.8 - MH500iQ Breaker Box Decals

SN 0001MH16 and UP

Item	Part No.	Part Description	Qty.
1	090162	HAZARDOUS VOLTAGE DANGER DECAL	1
2	106932	HEATER BREAKERS 1 & 2 DECAL SET	1

Go to Discount-Equipment.com to order your parts

7.9 - MH500iQ Control Box and Non-FCS Battery Decals

SN 0001MH16 and UP



Maxi-Heat® MH500iQ™

7.9 - MH500iQ Control Box and Non-FCS Battery Decals

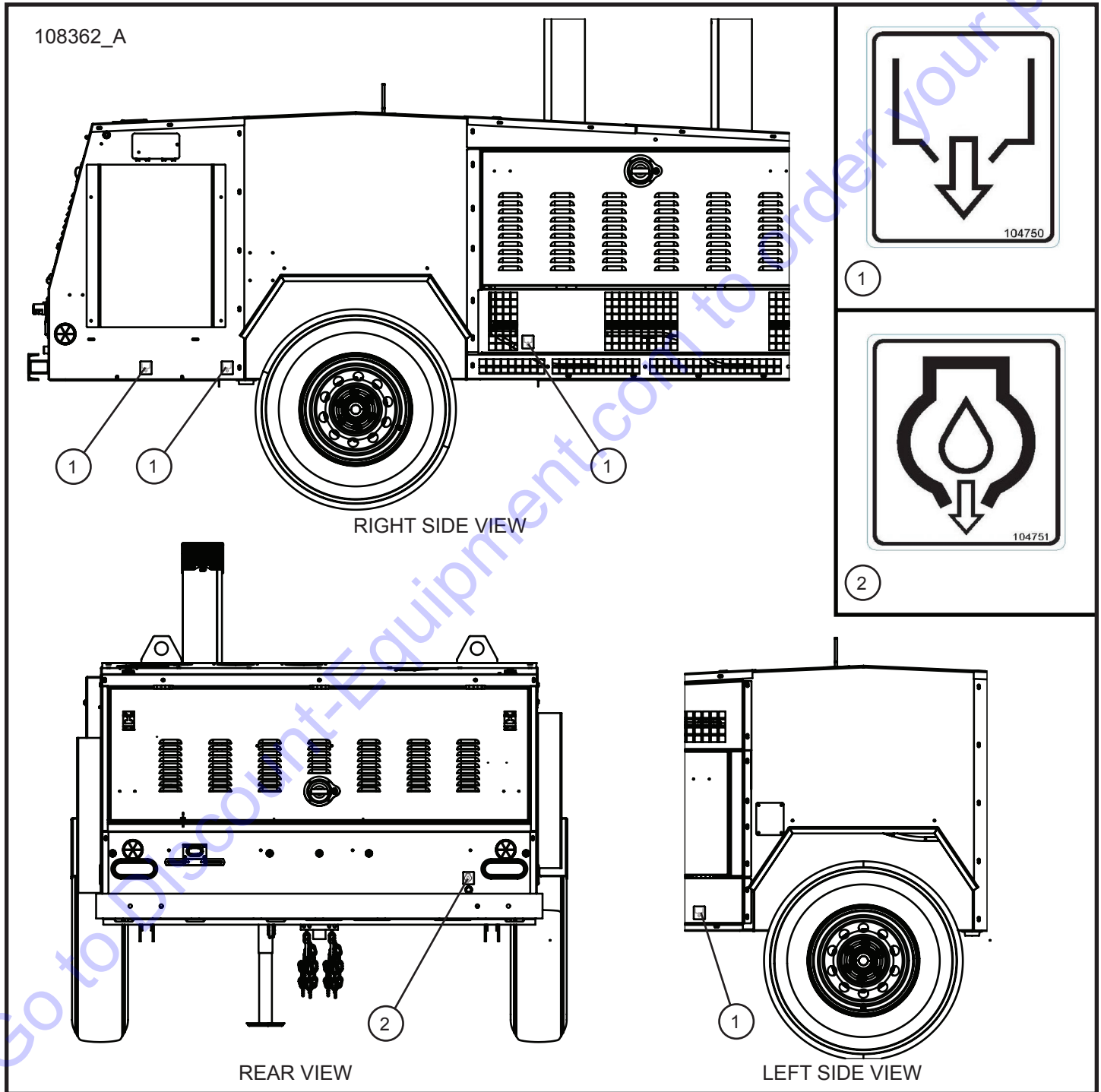
SN 0001MH16 and UP

Item	Part No.	Part Description	Qty.
1	090467	WORK LIGHT INTERIOR DECAL	1
2	090159	COMBUSTIBLE GAS WARNING DECAL	1

Go to Discount-Equipment.com to order your parts

7.10 - MH500iQ FCS Decals

SN 0001MH16 and UP



Maxi-Heat® MH500iQ™

7.10 - MH500iQ FCS Decals

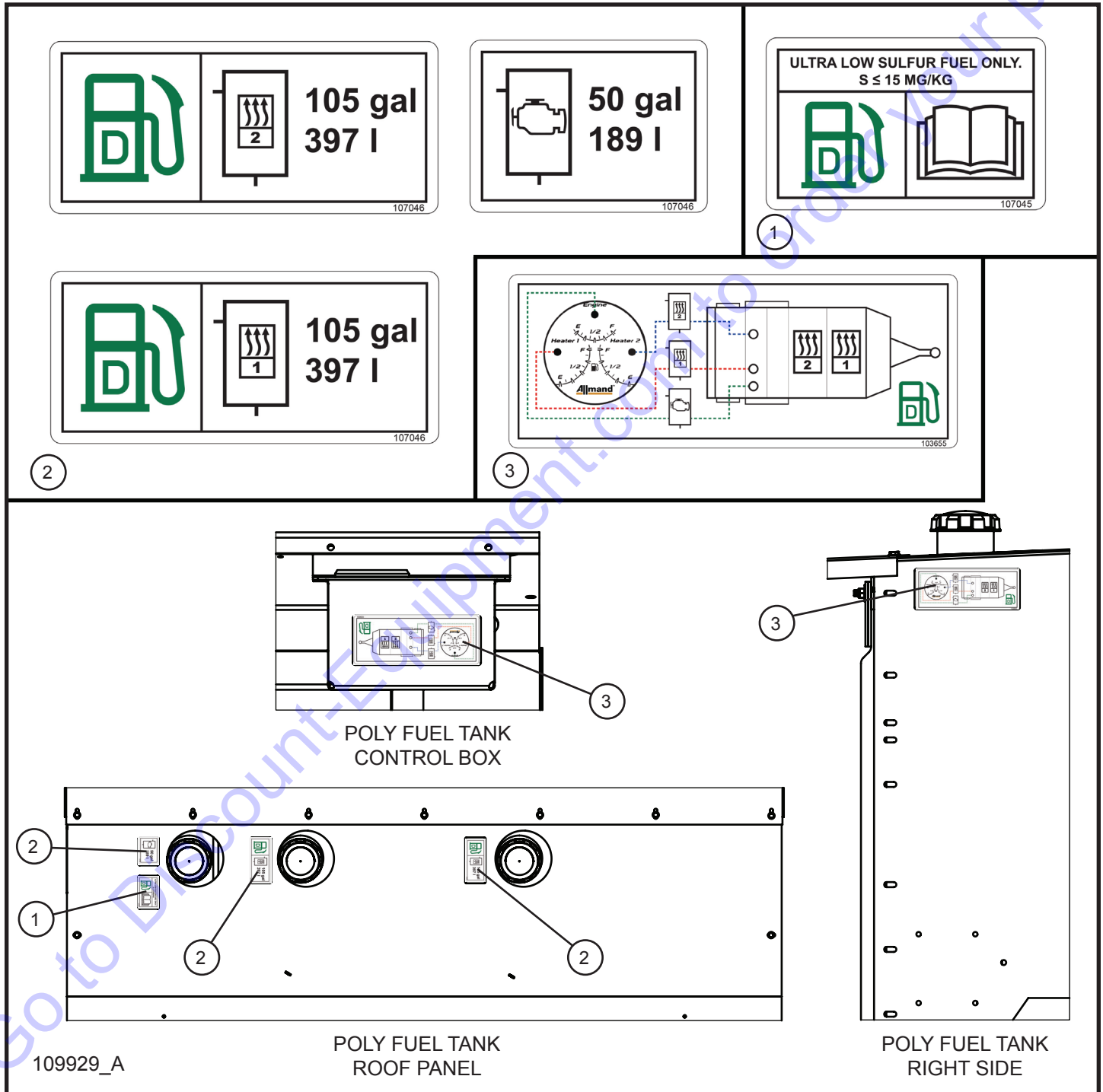
SN 0001MH16 and UP

Item	Part No.	Part Description	Qty.
1	104750	DRAIN FLUID CONTAINMENT DECAL	1
2	104751	DRAIN ENGINE OIL DECAL	1

Go to Discount-Equipment.com to order your parts

7.11 - MH500iQ Poly Fuel Tank Decals

SN 0001MH16 and UP



Maxi-Heat® MH500iQ™

7.11 - MH500iQ Poly Fuel Tank Decals

SN 0001MH16 and UP

Item	Part No.	Part Description	Qty.
1	107045	LOW SULFUR FUEL DECAL	1
2	107046	1, 2, ENGINE FUEL TANK DECAL SET	1
3	103655	DIESEL FUEL TANK DESIGNATION DECAL	2

Go to Discount-Equipment.com to order your parts

7.12 - MH500iQ Steel Fuel Tanks Decals

SN 0001MH16 and UP

ULTRA LOW SULFUR FUEL ONLY.
S ≤ 15 MG/KG

107045

WARNING

COMBUSTIBLE GAS
Can Cause Severe Burns or Blindness

- Keep sparks and open flame away from batteries

090159

AVERTISSEMENT

GAZ COMBUSTIBLE
Peut être source de brûlures graves ou de cécité

Garder les étincelles et les flammes nues à l'écart des batteries

105825

ALLMAND MAXI HEAT MH500iQ	
HEATING SECTION	SECTION CHAUFFAGE
UNIT HEATERS: 2 EA MCS MH500iQ	UNITÉS DE CHAUFFAGE: 2 MCS MH500iQ
MAXIMUM FUEL CONSUMPTION: 3.7 gph (13.8 Lph)	CONSOMMATION MAXIMALE DE CARBURANT: 13,38 L/h (3 gal/h)
MAXIMUM HEATER OUTPUT/ HEATER: 515,000 BTU/hr	SORTIE MAXIMALE DU CHAUFFAGE/CHAUFFAGE: 515,000 BTU/h
MAXIMUM TEMPERATURE OUTLET AIR: 230° F (110° C)	TEMPÉRATURE MAXIMALE DE LA SORTIE D'AIR: 110° C (230° F)
ELECTRICAL REQUIREMENTS: 115VAC, 60Hz, 24A	TENSION ELECTRIQUE REQUISE: 115 V c.a., 60 Hz, 24A
DIMENSIONS	DIMENSIONS
LENGTH: 16 ft (4.88m)	LONGUEUR: 4.88 m (16 pi)
HEIGHT: 6 ft (1.83m)	HAUTEUR: 1.83 m (6 pi)
WIDTH: 6 ft 8 in (2.03m)	LARGEUR: 2.03 m (6 pi 8 po)
WEIGHT (DRY): 4130 lbs (1873 kg)	POIDS (SEC): 1873 kg (4130 lbs)
WEIGHT (WET): 5650 lbs (2563 kg)	POIDS (HUMIDE): 2563 kg (5650 lbs)
POWER GENERATING	GÉNÉRATION D'ÉNERGIE
ENGINE: CAT C1.5 DIESEL ENGINE 18.8 HP (STANDARD)	MOTEUR: MOTEUR DIESEL CAT C1.5 18.8 HP (STANDARD)
SUZUKI 3CE1 DIESEL ENGINE 19.9 HP (OPTIONAL)	MOTEUR DIESEL SUZUKI 3CE1 19.9 HP (EN OPTION)
FUEL CONSUMPTION (ENGINE ONLY): 1.08 gph (4.09 Lph)	CONSOMMATION DE CARBURANT (MOTEUR UNIQUEMENT) 4,09 L/h (1,08 gal/h)
AC GENERATOR: CUMMINS 9KW 60Hz, 1PH, 1800 rpm	GÉNÉRATEUR À COURANT ALTERNATIF: CUMMINS 9KW 60Hz, 1PH, 1800 rpm
CLEARANCE TO COMBUSTIBLES	DÉGAGEMENT DES MATÉRIEAUX COMBUSTIBLES
SIDES: 2 ft (0.610m) MINIMUM	CÔTES: MINIMUM DE 0.610 m (2 pi)
FUEL SYSTEMS	CIRCUITS D'ALIMENTATION EN CARBURANT
FUEL CAPACITY: 290 US gal (946.35 L)	CONTENANCE DU RÉSERVOIR DE CARBURANT: 946.35 L (250 gal US)
TWO 100 gal (378.54 L) TANKS FOR HEATERS	DEUX RÉSERVOIRS DE 378.54 L (100 gal) POUR LES UNITÉS DE CHAUFFAGE
ONE 50 gal (189.27 L) TANK FOR ENGINE	UN RÉSERVOIR DE 189.27 L (50 gal) POUR LE MOTEUR
FUEL TYPE: NO. 1 DIESEL FUEL	TYPES DE CARBURANT: CARBURANT DIESEL N° 1

CSA FILE NO. 204930

(800) 562-1373 • www.allmand.com

108817

*DECALS ARE USED FOR BOTH TYPES OF STEEL FUEL TANKS

108397_A

SIDE OF STEEL FUEL TANK

STEEL FUEL TANK ROOF PANEL

Maxi-Heat® MH500iQ™

7.12 - MH500iQ Steel Fuel Tanks Decals

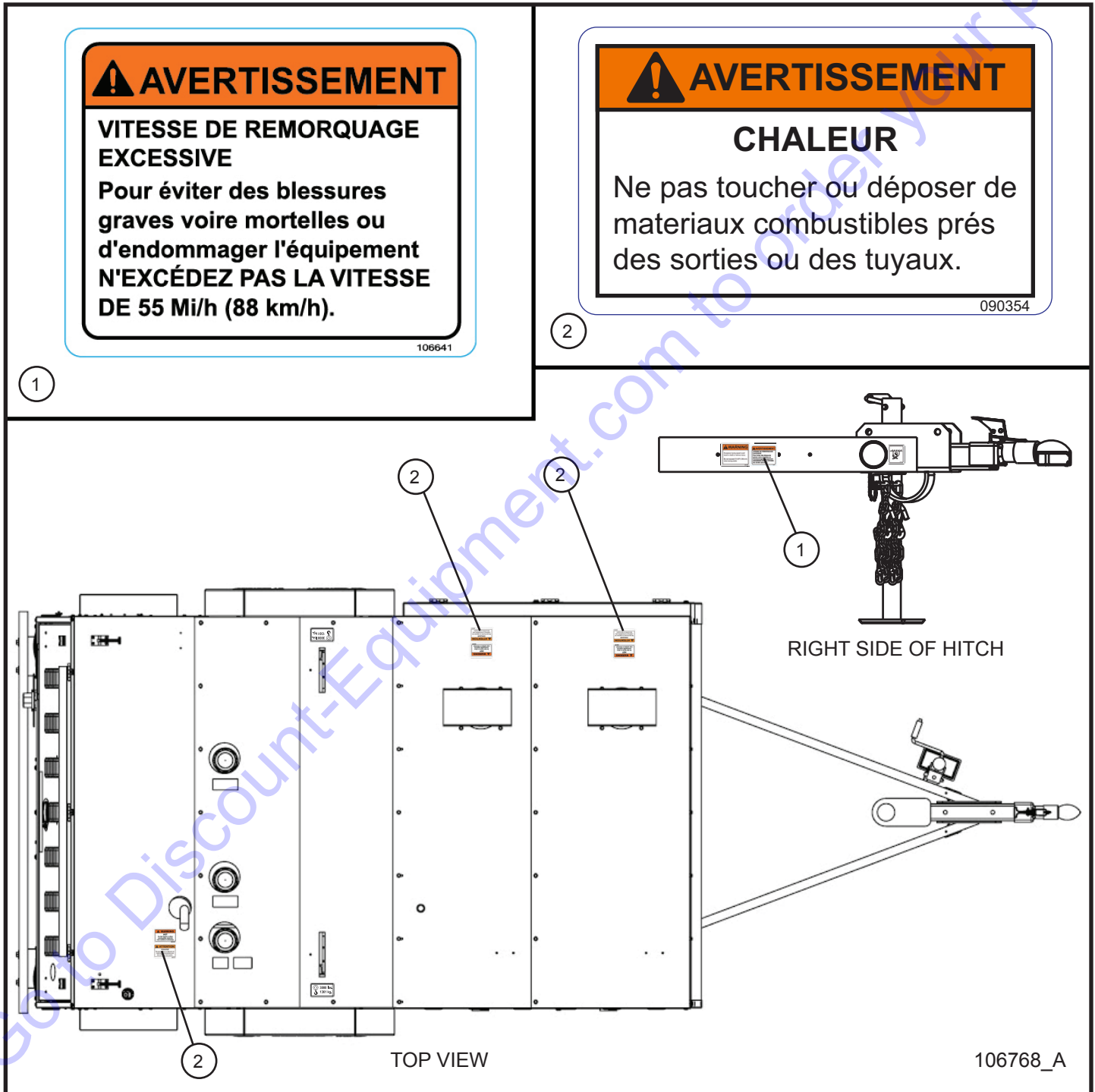
SN 0001MH16 and UP

Item	Part No.	Part Description	Qty.
1	107045	LOW SULFUR FUEL DECAL	1
2	090159	COMBUSTIBLE GAS WARNING DECAL	1
3	105825	COMBUSTIBLE GAS WARNING DECAL CSA (CSA ONLY)	1
4	108361	CSA RATING FCS DECAL (CSA ONLY)	1
	106817	CSA RATING NON-FCS DECAL (CSA ONLY)	1

Go to Discount-Equipment.com to order your parts

7.13 - MH500iQ CSA Roof and Right Side Decals

SN 0001MH16 and UP



Maxi-Heat® MH500iQ™

7.13 - MH500iQ CSA Roof and Right Side Decals

SN 0001MH16 and UP


Item	Part No.	Part Description	Qty.
1	106641	EXCESS TOWING WARNING DECAL CSA	1
2	090354	HOT WARNING DECAL CSA	3

Go to Discount-Equipment.com to order your parts

7.14 - MH500iQ CSA Rear Door Decals

SN 0001MH16 and UP

AVERTISSEMENT




Pour éviter des blessures graves, voire mortelles :

- Éviter un fonctionnement ou un entretien non sécuritaire.
- Ne pas faire fonctionner ou utiliser cette machine sans prendre connaissance et comprendre le Manuel de l'opérateur.
- Si le manuel est perdu, contacter le détaillant le plus proche pour en obtenir un nouveau.

106264

DANGER



RISQUE DE SECOUSSES ELECTRIQUES

Si vous n'utilisez pas de prise de terre, vous risquez de graves blessures ou la mort.

Positionner la prise de terre dans le terrain et la connecter à la prise de terre du châssis.

090357

INSTRUCTIONS POUR LE DEMARRAGE DU MOTEUR

AVANT LE DEMARRAGE

1. Ravitailler le moteur avec une qualité et une quantité correcte d'huile.
2. S'assurer que le carburant arrive et que le système soit enclenché.
3. S'assurer que le filtre à air soit bien serré et que les joints soient étanches. Le filtre à air, réf. 340036 doit être contrôlé et éventuellement remplacé.
4. S'assurer que les batteries soient remplies au niveau correct, et que leurs attaches soient propres.

DEMARRAGE DU MOTEUR

1. L'interrupteur doit être en position OFF.
2. Ouvrir les prises pour le réchauffage.

NOTE : Le moteur ne démarre pas si les prises de chauffage sont fermées.

3. Tourner l'interrupteur sur la position PREHEAT et le tenir jusqu'à ce que le témoin soit éteint.
4. Tourner l'interrupteur sur la position START, jusqu'à ce que le moteur ait démarré. Lâcher la clé, après le démarrage.
5. Si le moteur ne démarre pas, répéter le cycle.

090352

AVERTISSEMENT

1. Ne pas allumer l'unité de chauffage si du mazout en excès s'est accumulé dans le réservoir.
2. Ne pas remplir le réservoir de carburant pendant le fonctionnement de l'unité.
3. Ne pas éteindre l'unité en déconnectant le cordon d'alimentation.
4. Ne pas utiliser d'essence, d'huile de carter ou de mazout plus lourd que celui de catégorie n° 2.

MODE D'EMPLOI DE L'UNITÉ DE CHAUFFAGE

DEMARRAGE DE L'UNITÉ DE CHAUFFAGE

1. Les disjoncteurs de l'unité de chauffage doivent être en position ON (Marche).
2. Permettre au moteur d'atteindre sa vitesse maximale en tr/min et de se chauffer avant de démarrer les unités de chauffage.

SI LES UNITÉS DE CHAUFFAGE NE DÉMARRENT PAS

1. Voir le guide de dépannage MCS.

ARRÊT DE L'UNITÉ DE CHAUFFAGE

1. Appuyer et maintenir enfoncé le bouton ON/OFF (Marche-Arêt) jusqu'à ce que le panneau de commande indique que l'unité est éteinte.

Avs : Avant d'arrêter le moteur, arrêter l'unité de chauffage sur le panneau de commande. Cela permet aux ventilateurs de terminer leur cycle de refroidissement.

ARRÊT DU MOTEUR

1. Mettre la clé de contact sur OFF (Arrêt).

106271

AVERTISSEMENT

1. Les exigences des autorités locales compétentes doivent être respectées.
2. La machine doit être mise à la masse conformément à la réglementation des autorités d'inspection locales.
3. Ne pas remplir le réservoir de carburant pendant le fonctionnement de l'appareil.
4. Ne pas altérer l'appareil. Les modifications ne peuvent être effectuées que par du personnel d'entretien compétent.

106822

AVERTISSEMENT

NE PAS ACTIONNER CETTE UNITÉ EN PRESENCE DE MATÉRIAUX INFLAMMABLES. ILS POURRAIENT CAUSER DES INCENDIES.

090355

AVERTISSEMENT

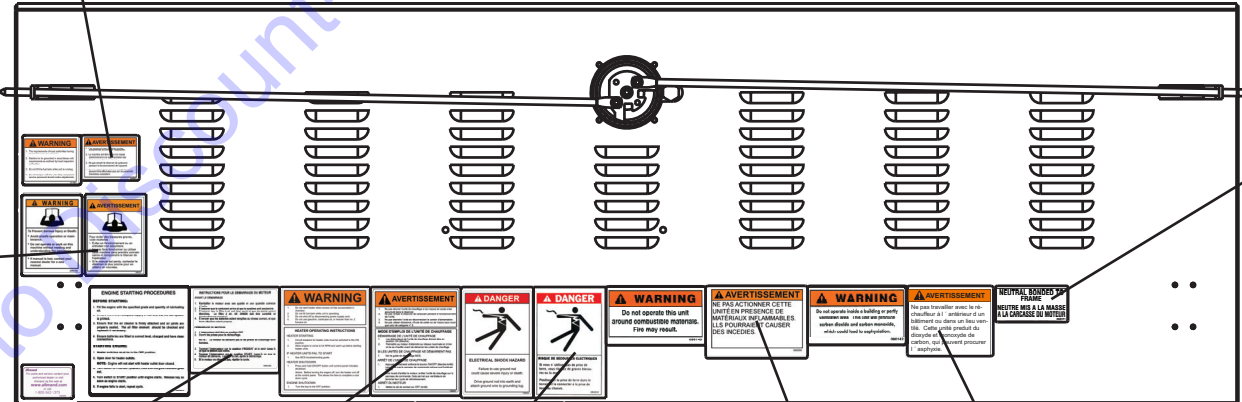
Ne pas travailler avec le réchauffeur à l'intérieur d'un bâtiment ou dans un lieu ventilé. Cette unité produit du dioxyde et monoxyde de carbone, qui peuvent procurer l'asphyxie.

090355

NEUTRAL BONDED TO FRAME

NEUTRE MIS A LA MASSE A LA CARCASSE DU MOTEUR

090371



106768_A

Maxi-Heat® MH500iQ™

7.14 - MH500iQ CSA Rear Door Decals

SN 0001MH16 and UP

Item	Part No.	Part Description	Qty.
1	106822	WARNING GENERAL STATEMENT DECAL CSA	1
2	105824	READ AND UNDERSTAND WARNING DECAL CSA	1
3	090352	ENGINE STARTING PROCEDURES DECAL CSA	1
4	106921	WARNING DECAL HEATER INSTRUCTIONS CSA	1
5	090357	ELECTRICAL SHOCK DANGER DECAL CSA	1
6	090356	WARNING DECAL FIRE MAY START CSA	1
7	090355	WARNING DECAL AXPHYXIATION CSA	1
8	090371	NEUTRAL BONDED DECAL	1

Go to Discount-Equipment.com to order your parts

7.15 - MH500iQ CSA Left Door and Junction Box Decals

SN 0001MH16 and UP

INSIDE LEFT DOOR (1)

JUNCTION BOXES (2)

AVIS

Des problèmes de torsions dans le réseau de ventilation peuvent résulter en températures excessives de l'échangeur thermique, susceptibles d'endommager le chauffage ou le réseau de ventilation. Éviter les coudes aigus et les torsions lors de l'installation du réseau de ventilation.

Volume d'air maximum : 3 200 pi³/min (90,6 m³/min)
 Pression maximale 2,3 po wc (0,57 kPa)
 Température maximale de la sortie d'air : 110 °C (230 °F)

106922

! DANGER :

HAUTE TENSION

105819

106768_A

Maxi-Heat® MH500iQ™

7.15 - MH500iQ CSA Left Door and Junction Box Decals

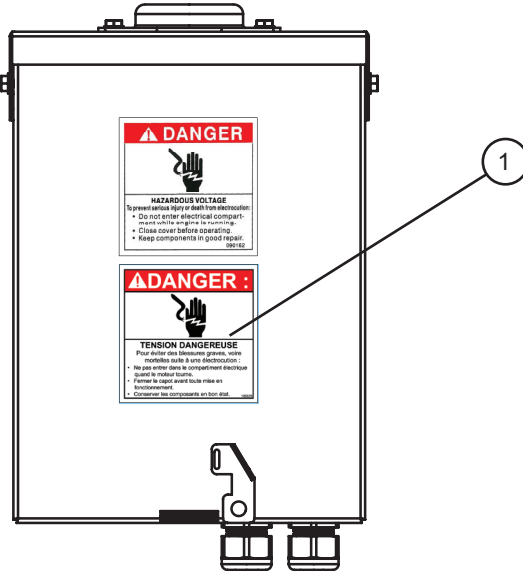
SN 0001MH16 and UP

Item	Part No.	Part Description	Qty.
1	106922	NOTICE DECAL DUCT WORK CSA	1
2	105819	HIGH VOLTAGE DANGER DECAL CSA	1

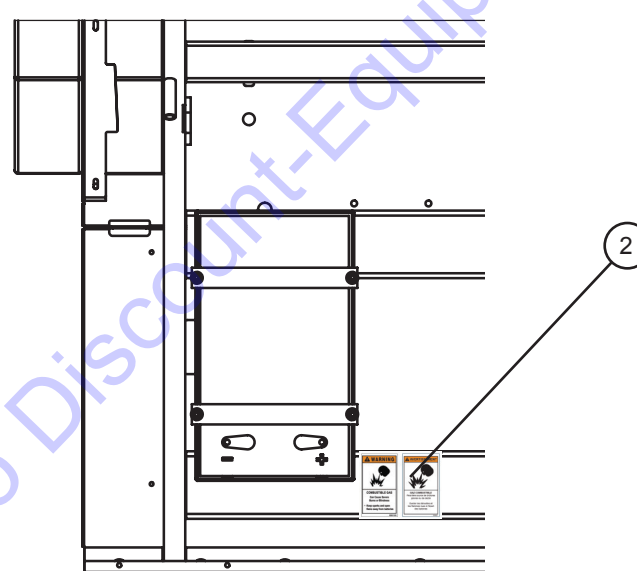
Go to Discount-Equipment.com to order your parts

7.16 - MH500iQ CSA Breaker Box and Battery Decals

SN 0001MH16 and UP




OUTSIDE OF BREAKER BOX



NON-FCS TOP VIEW OF BATTERY

! DANGER :



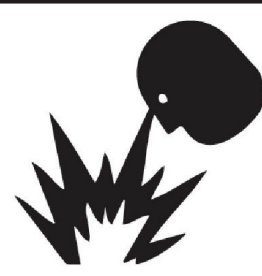
TENSION DANGEREUSE

Pour éviter des blessures graves, voire mortelles suite à une électrocution :

- Ne pas entrer dans le compartiment électrique quand le moteur tourne.
- Fermer le capot avant toute mise en fonctionnement.
- Conserver les composants en bon état.

105826

! AVERTISSEMENT



GAZ COMBUSTIBLE

Peut être source de brûlures graves ou de cécité

Garder les étincelles et les flammes nues à l'écart des batteries

105825

Maxi-Heat® MH500iQ™

7.16 - MH500iQ CSA Breaker Box and Battery Decals

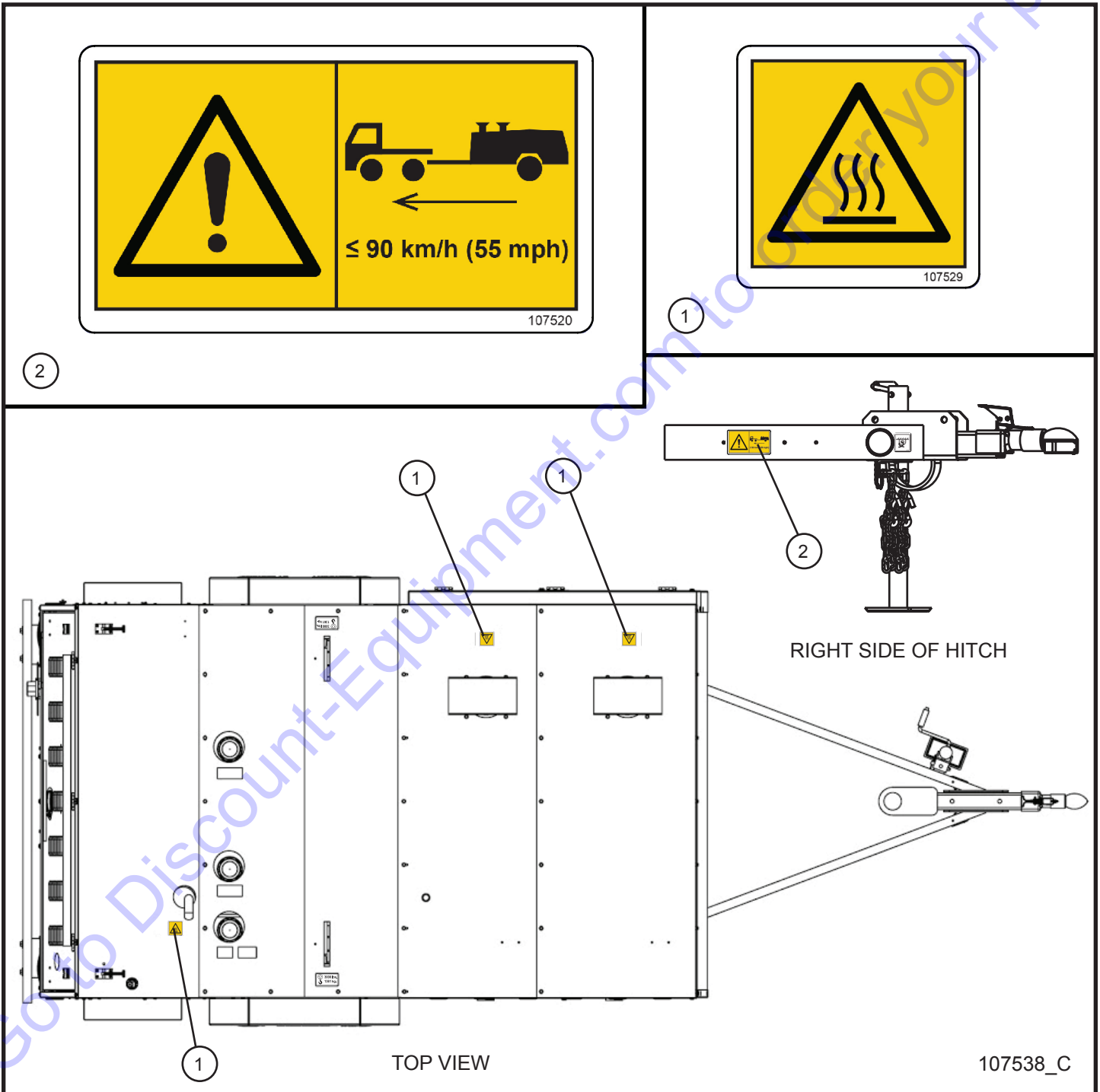
SN 0001MH16 and UP

Item	Part No.	Part Description	Qty.
1	105826	HAZARDOUS VOLTAGE DANGER DECAL CSA	1
2	105825	COMBUSTIBLE GAS WARNING DECAL CSA	1

Go to Discount-Equipment.com to order your parts

7.17 - MH500iQ Wordless Roof and Right Side Decals

SN 0001MH16 and UP



Maxi-Heat® MH500iQ™

7.17 - MH500iQ Wordless Roof and Right Side Decals

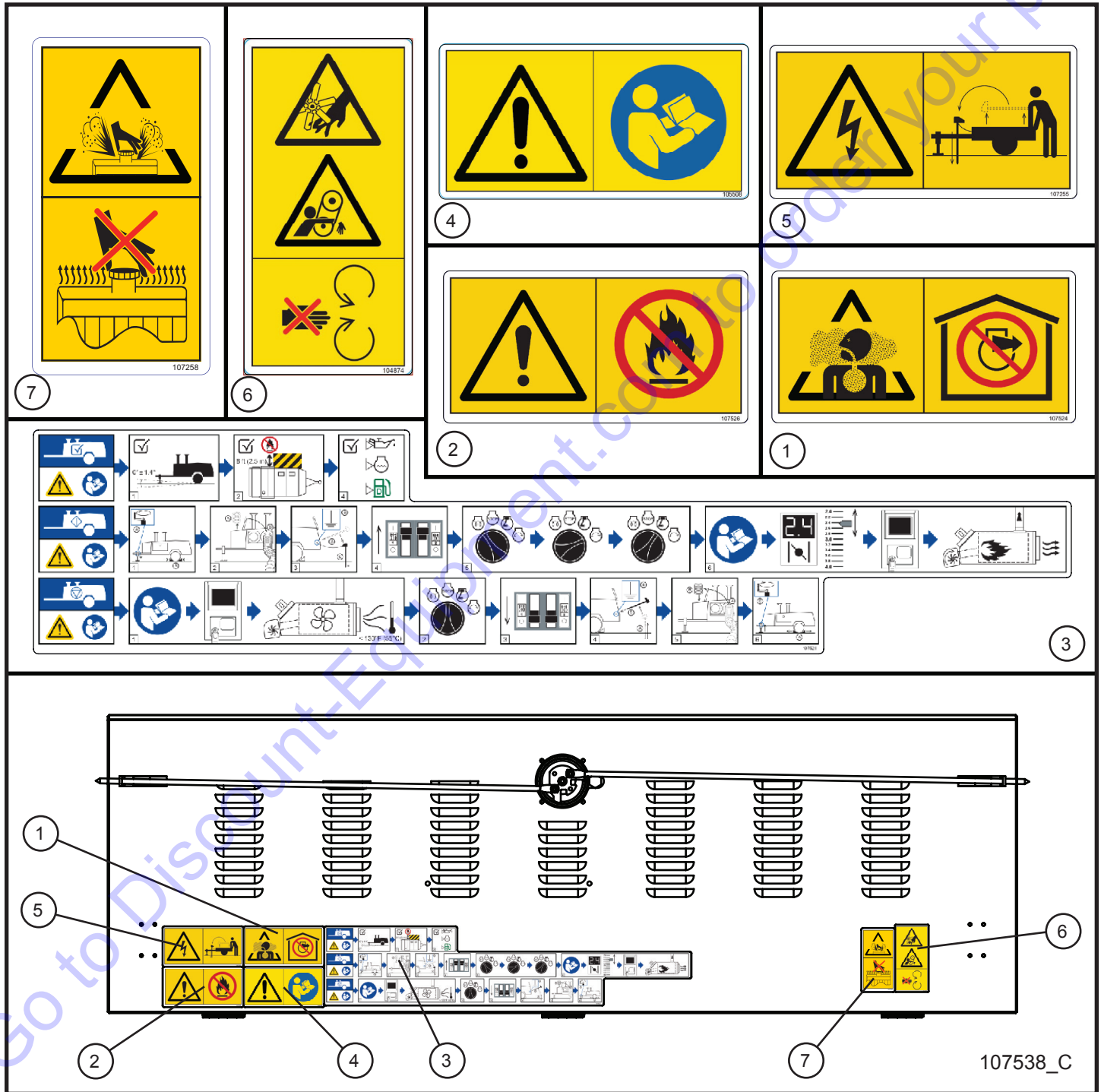
SN 0001MH16 and UP

Item	Part No.	Part Description	Qty.
1	107529	HOT SURFACE WORDLESS WARNING DECAL	3
2	107520	TOWING SPEED WORDLESS WARNING DECAL	1

Go to Discount-Equipment.com to order your parts

7.18 - MH500iQ Wordless Rear Door Decals

SN 0001MH16 and UP



Maxi-Heat® MH500iQ™

7.18 - MH500iQ Wordless Rear Door Decals

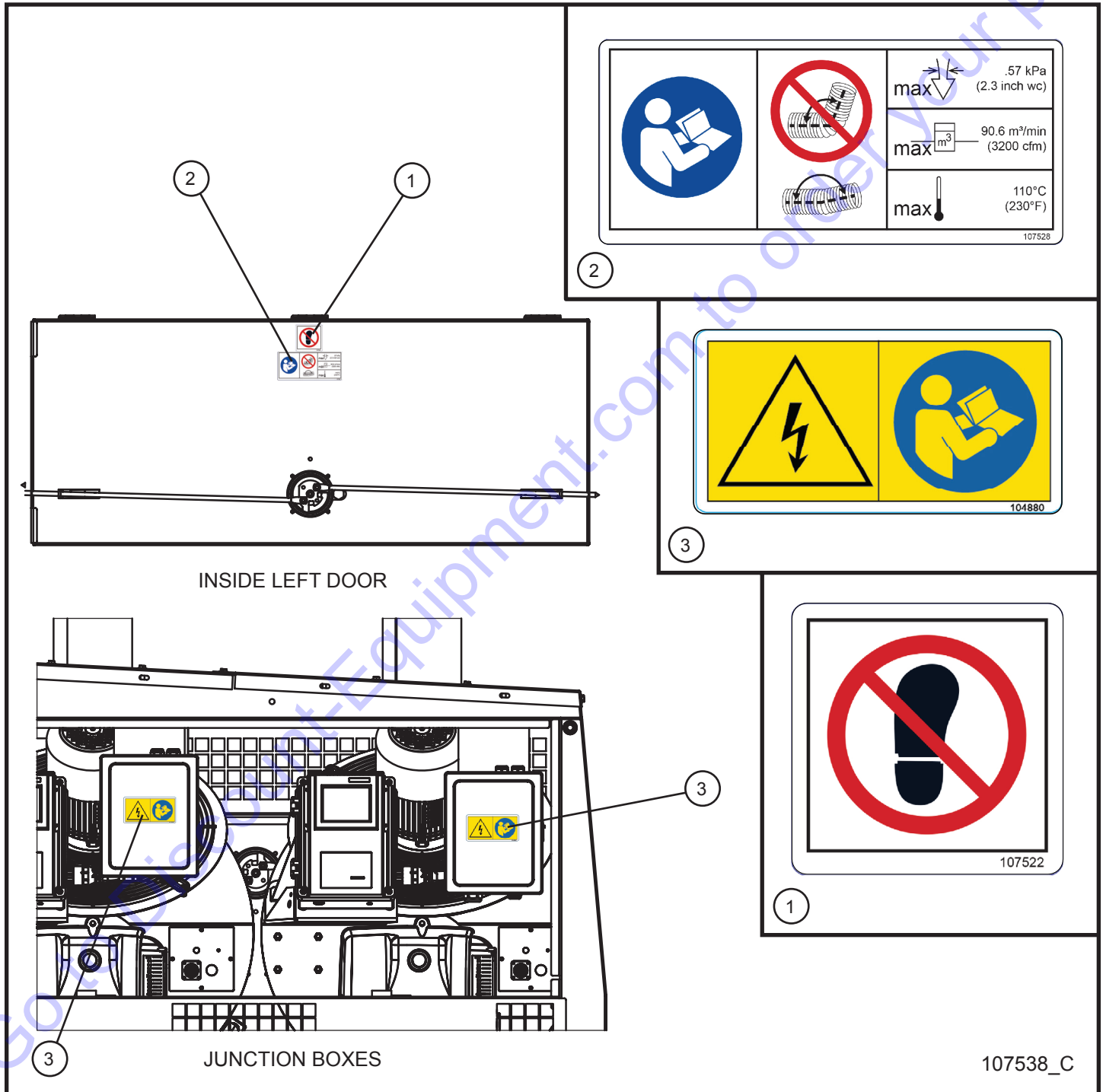
SN 0001MH16 and UP

Item	Part No.	Part Description	Qty.
1	107524	ASPHYXIATION WORDLESS WARNING DECAL	1
2	107526	COMBUSTIBLE MATERIAL WORDLESS WARNING DECAL	1
3	107521	WORDLESS OPERATOR DECAL	1
4	105508	READ MANUAL WORDLESS DECAL	1
5	107255	GROUND ROD WORDLESS WARNING DECAL	1
6	104874	FAN AND BELT WORDLESS WARNING DECAL	1
7	107258	HOT RADIATOR WORDLESS WARNING DECAL	1

Go to Discount-Equipment.com to order your parts

7.19 - MH500iQ Wordless Left Door and Junction Box Decals

SN 0001MH16 and UP



Maxi-Heat® MH500iQ™

7.19 - MH500iQ Wordless Left Door and Junction Box Decals

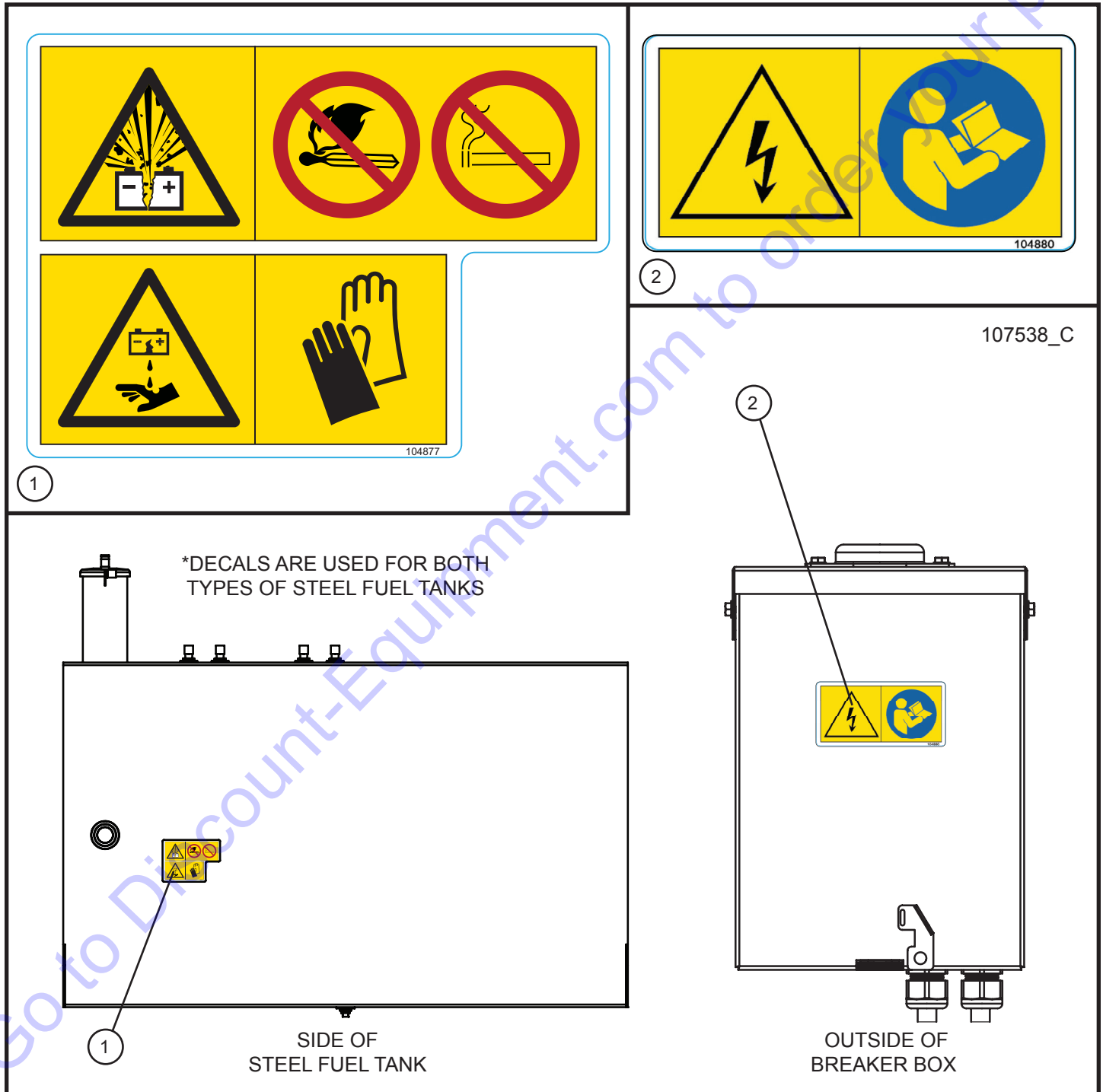
SN 0001MH16 and UP

Item	Part No.	Part Description	Qty.
1	107522	NO STEP WORDLESS DECAL	1
2	107528	HEATER DUCT NOTICE WORDLESS DECAL	1
3	104880	HIGH VOLTAGE WORDLESS WARNING DECAL	2

Go to Discount-Equipment.com to order your parts

7.20 - MH500iQ Wordless Breaker Box and Steel Tank Decals

SN 0001MH16 and UP



Maxi-Heat® MH500iQ™

7.20 - MH500iQ Wordless Breaker Box and Steel Tank Decals

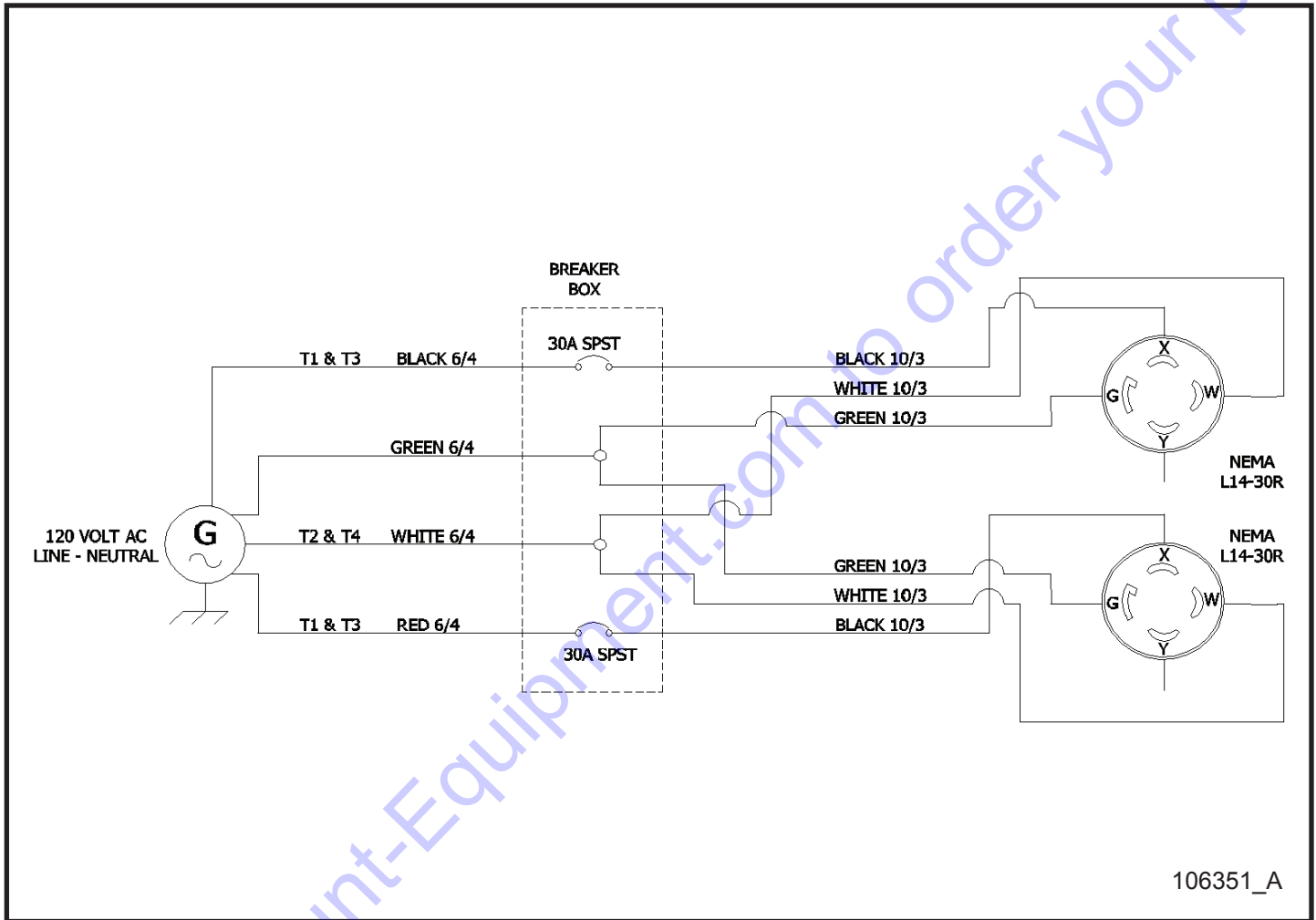
SN 0001MH16 and UP

Item	Part No.	Part Description	Qty.
1	104877	BATTERY WORDLESS WARNING DECAL	1
2	104880	HIGH VOLTAGE WORDLESS WARNING DECAL	1

Go to Discount-Equipment.com to order your parts

8.1 - Generator to Plug-In Wire Schematic

SN 0001MH16 and UP

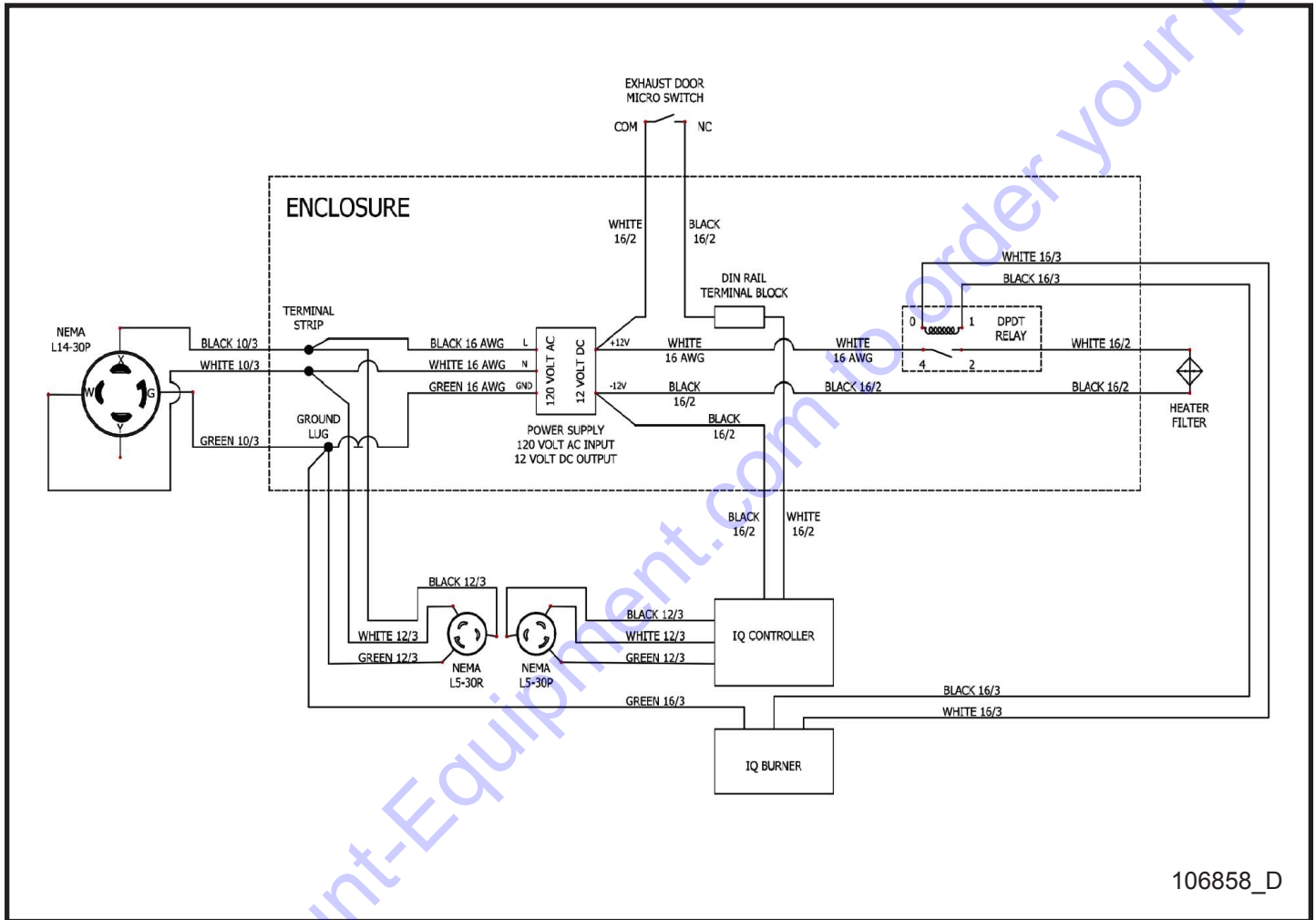


106351_A

Maxi-Heat® MH500iQ™

8.2 - Plug-In Enclosure Wire Schematic

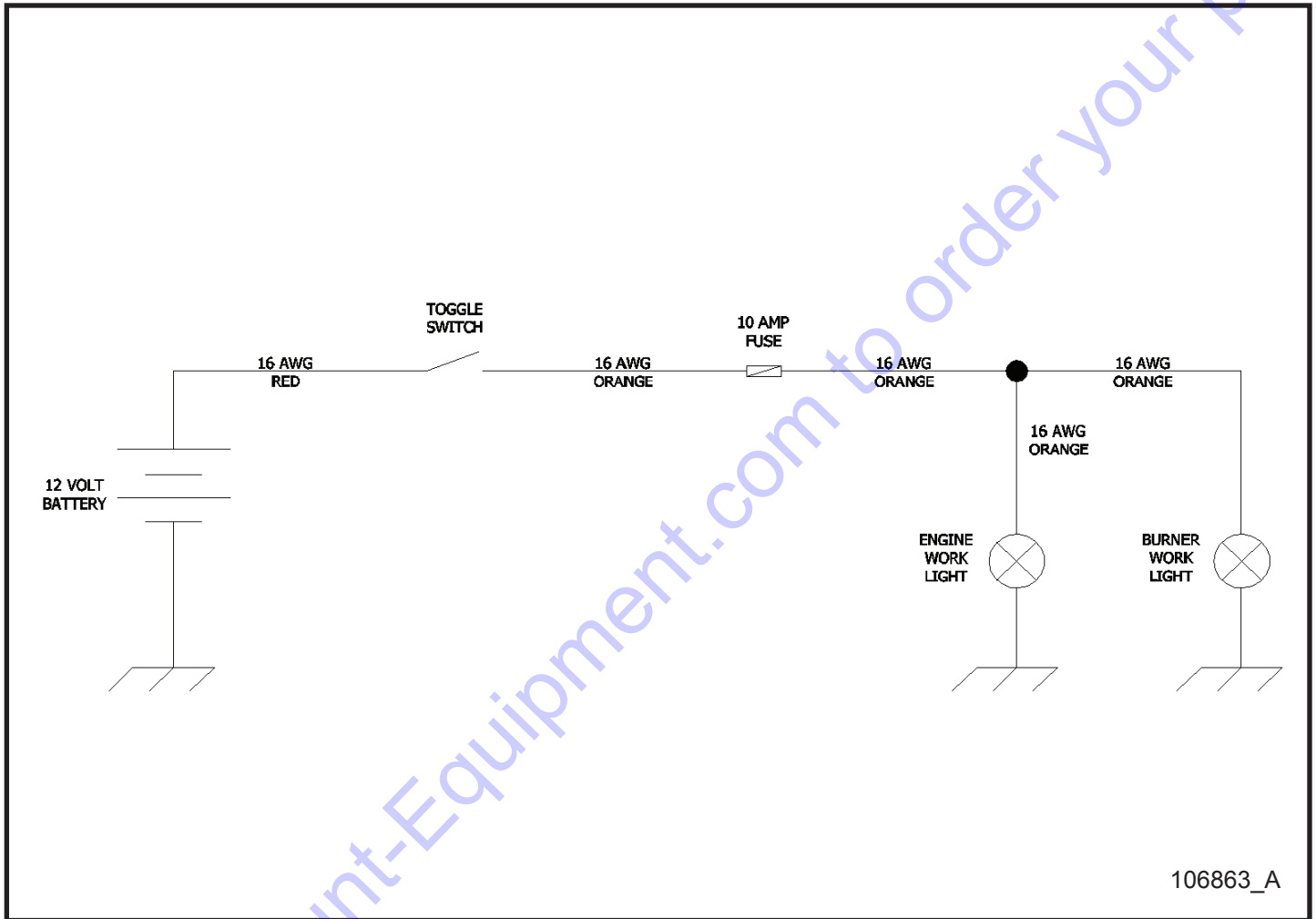
SN 0001MH16 and UP



106858_D

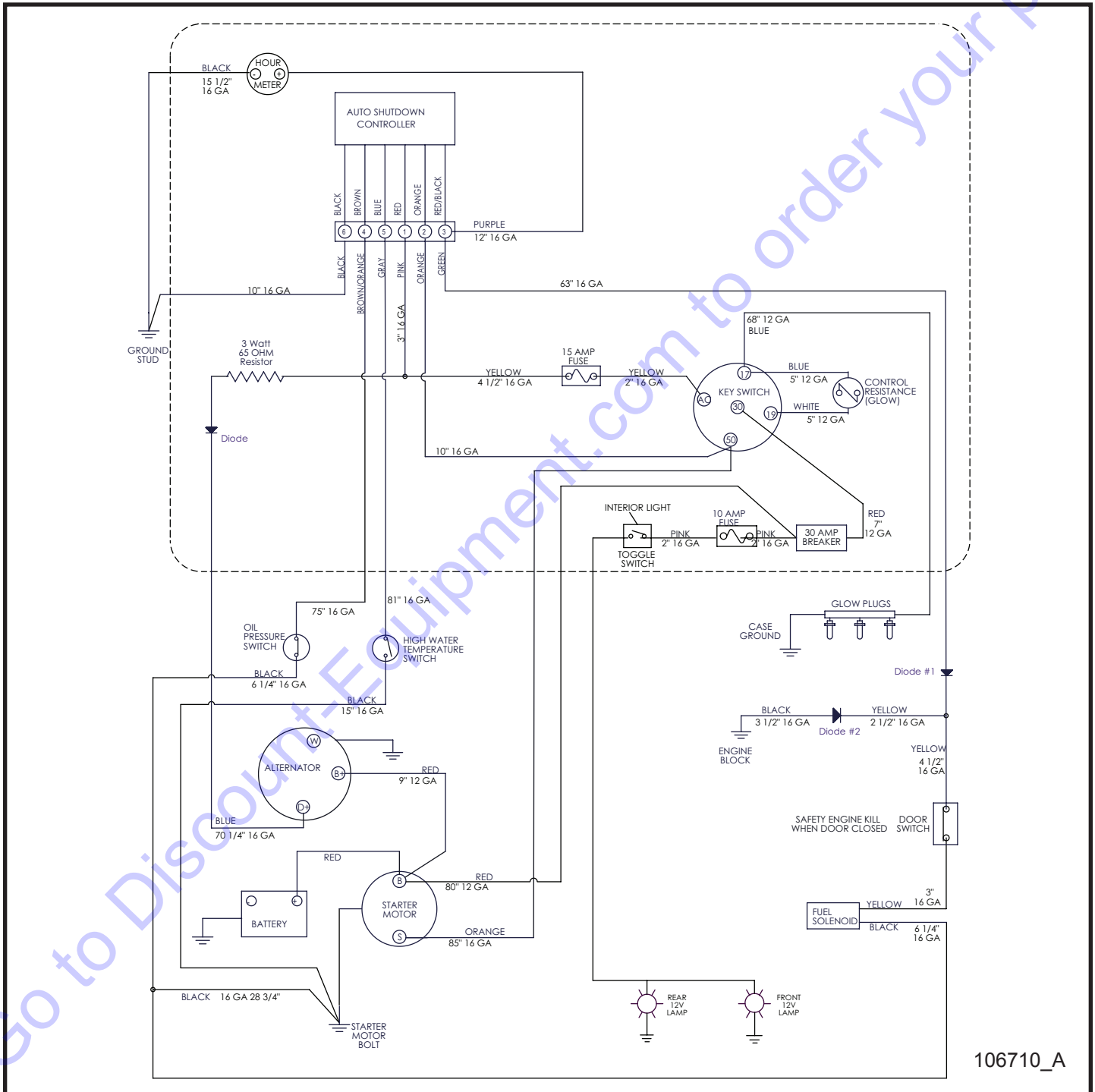
8.3 - 12V Work Lights Wire Schematic

SN 0001MH16 and UP



8.4 - CAT C1.5 Wire Schematic

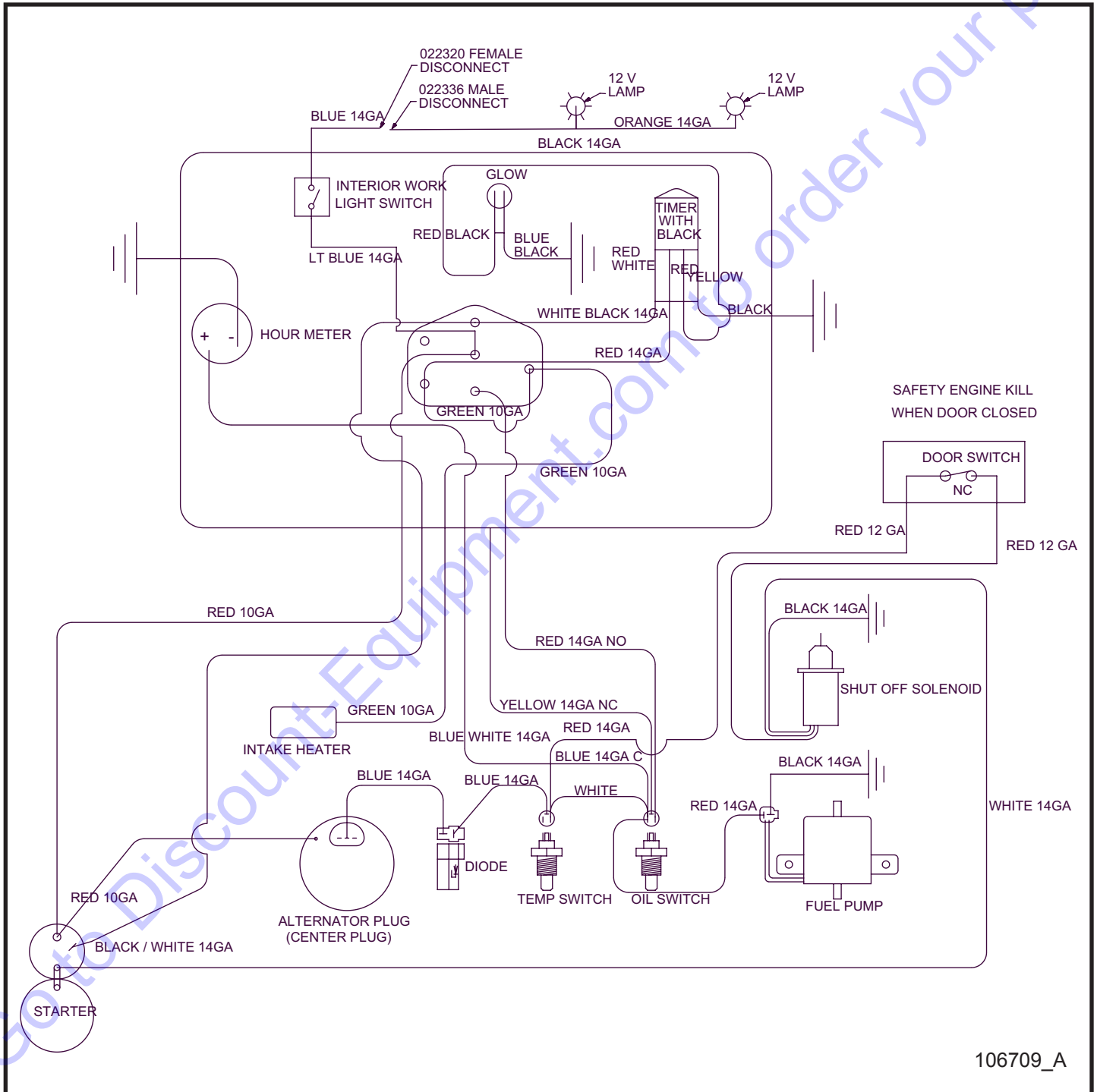
SN 0001MH16 and UP



106710_A

8.5 - Isuzu 3CE1 Wire Schematic

SN 0001MH16 and UP

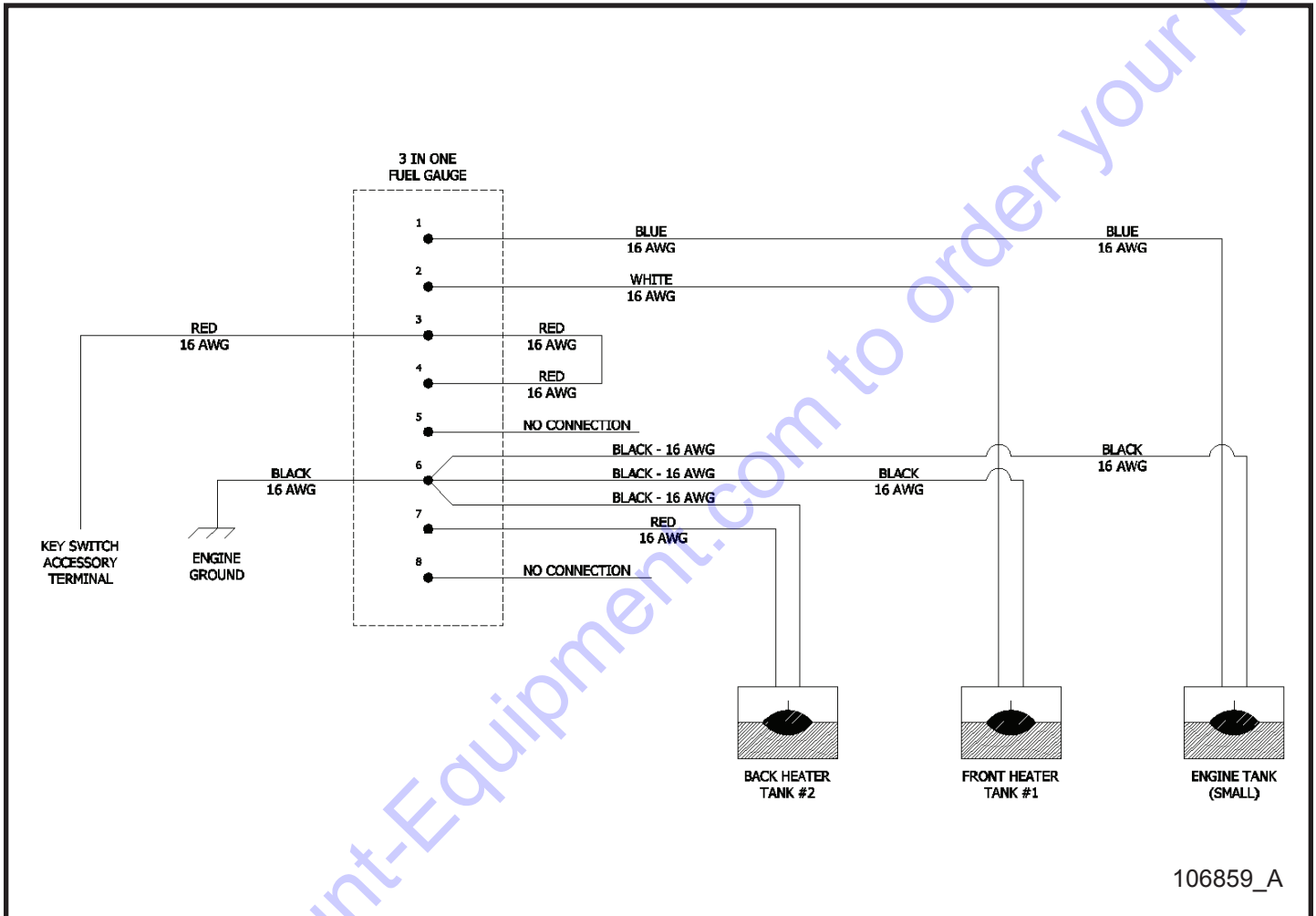


106709_A

Maxi-Heat® MH500iQ™

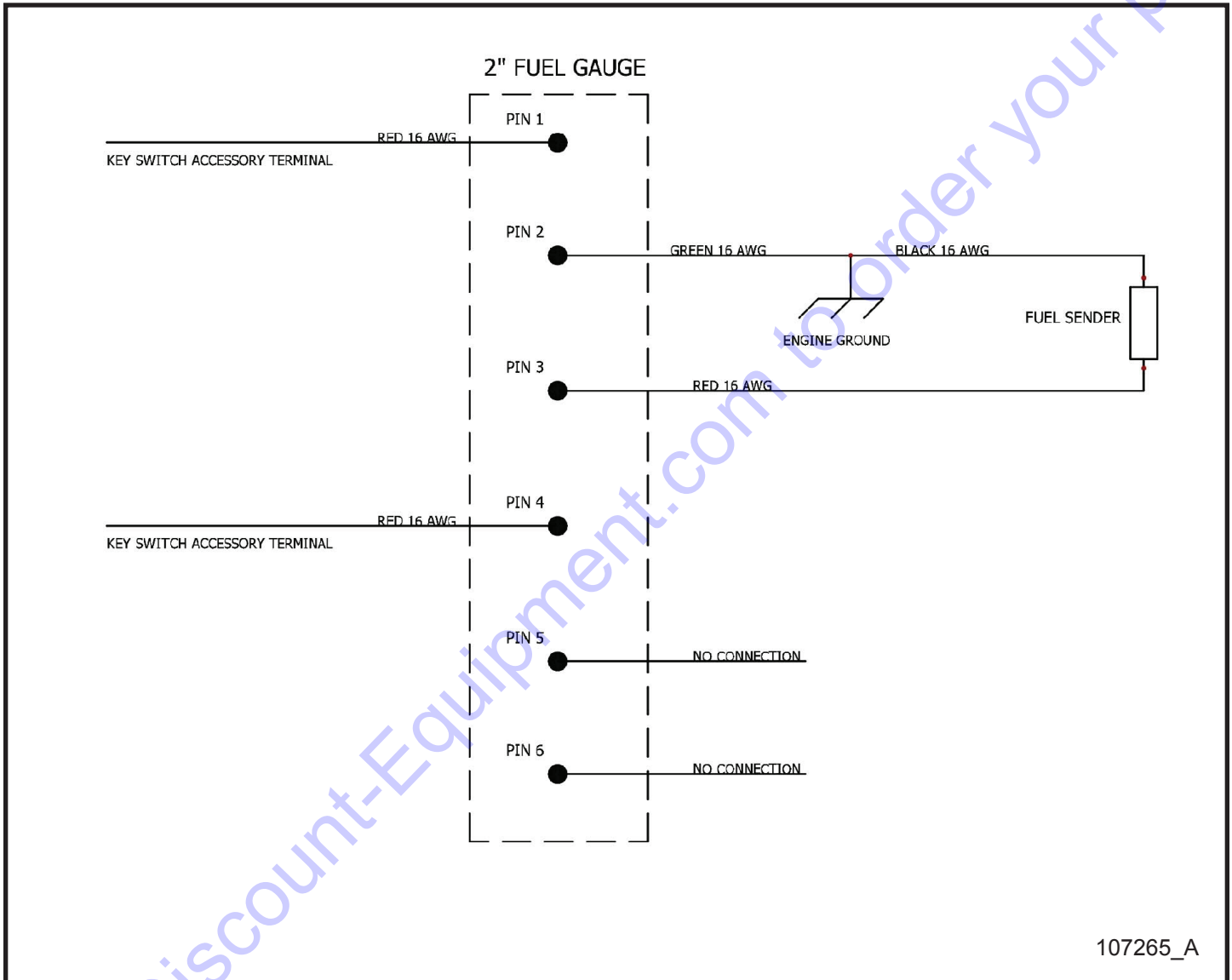
8.6 - Fuel Level Senders Poly Tank Wire Schematic

SN 0001MH16 and UP



8.7 - Fuel Level Sender Steel Tank Wire Schematic

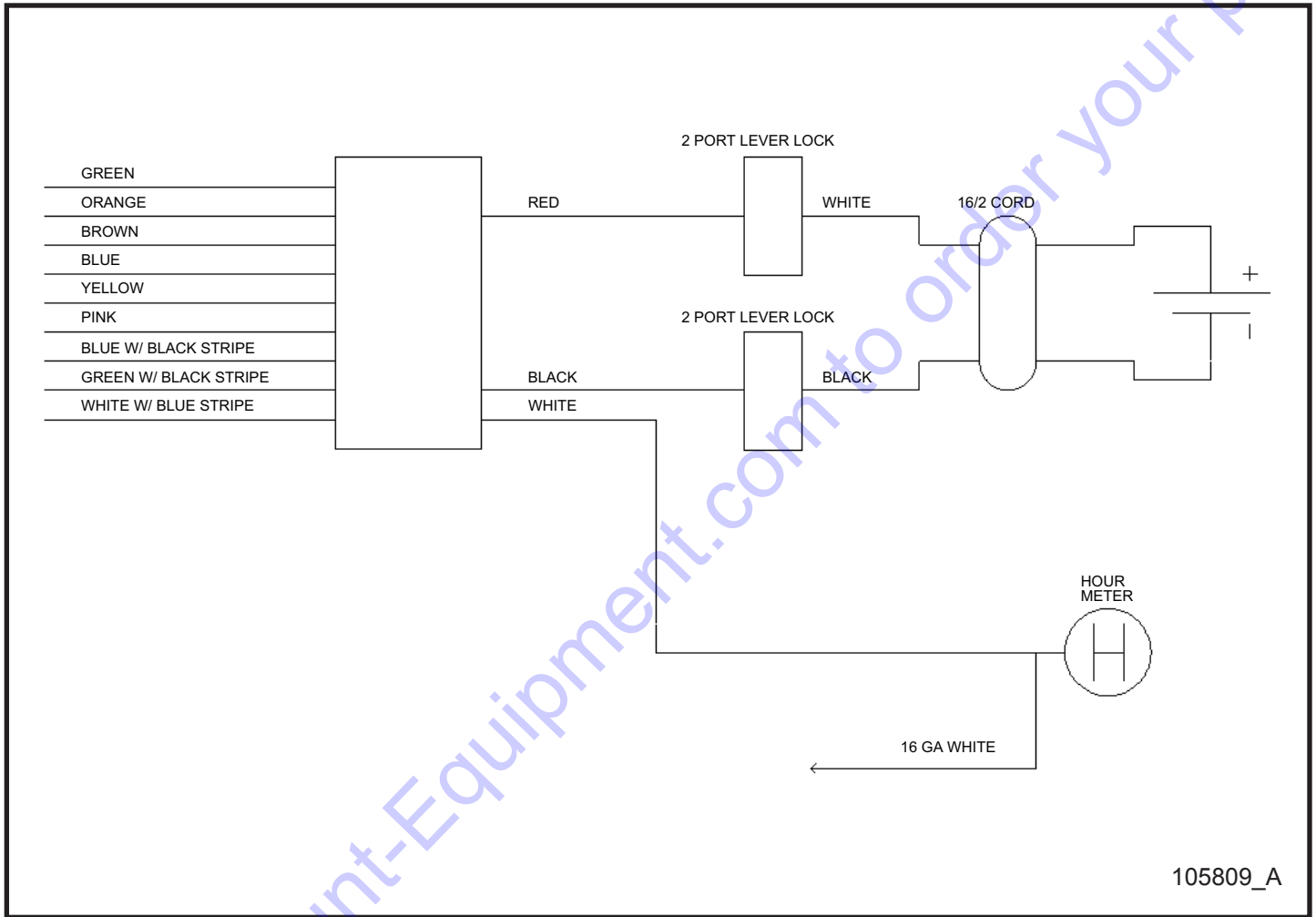
SN 0001MH16 and UP



Maxi-Heat® MH500iQ™

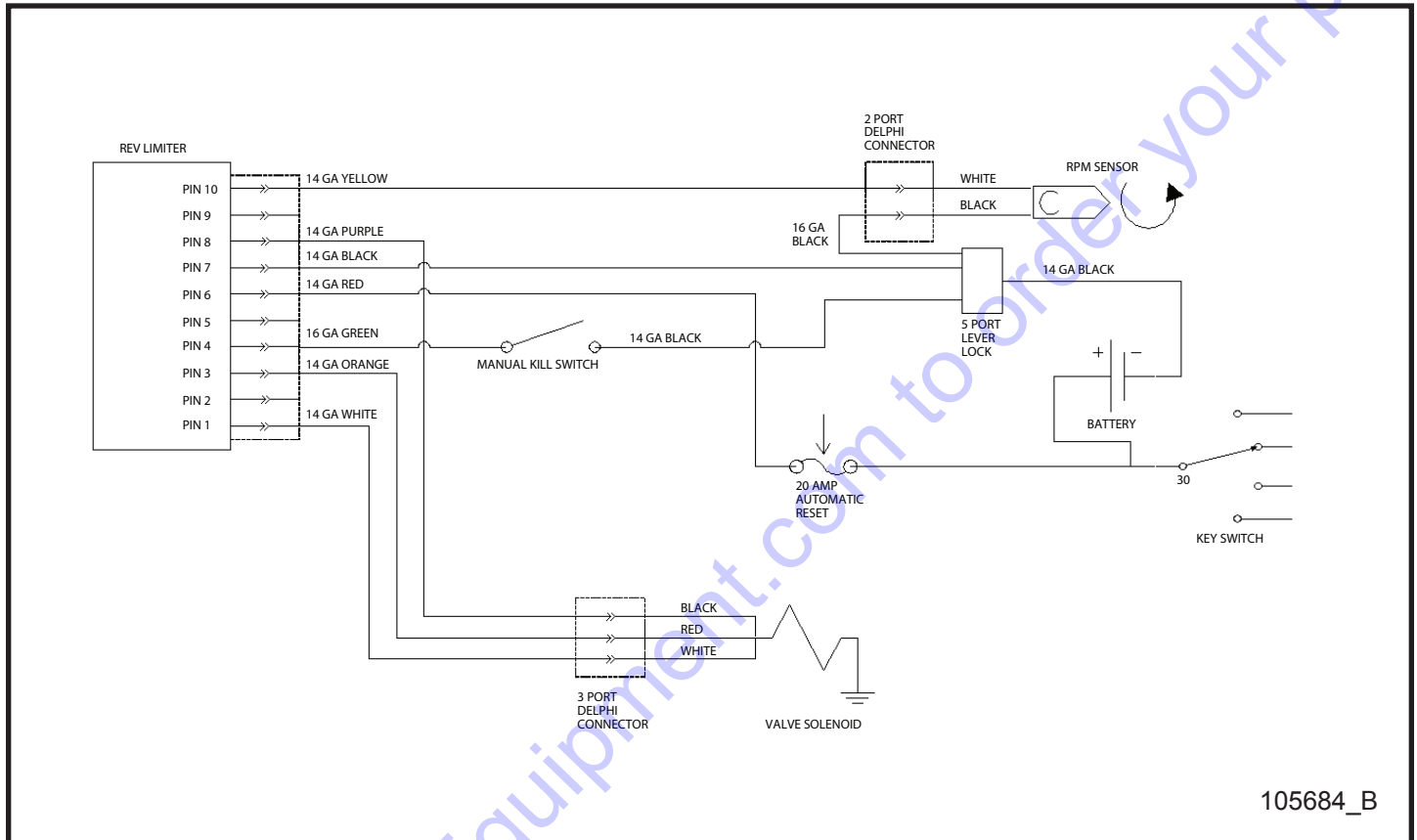
8.8 - GPS ZTR System Wire Schematic

SN 0001MH16 and UP



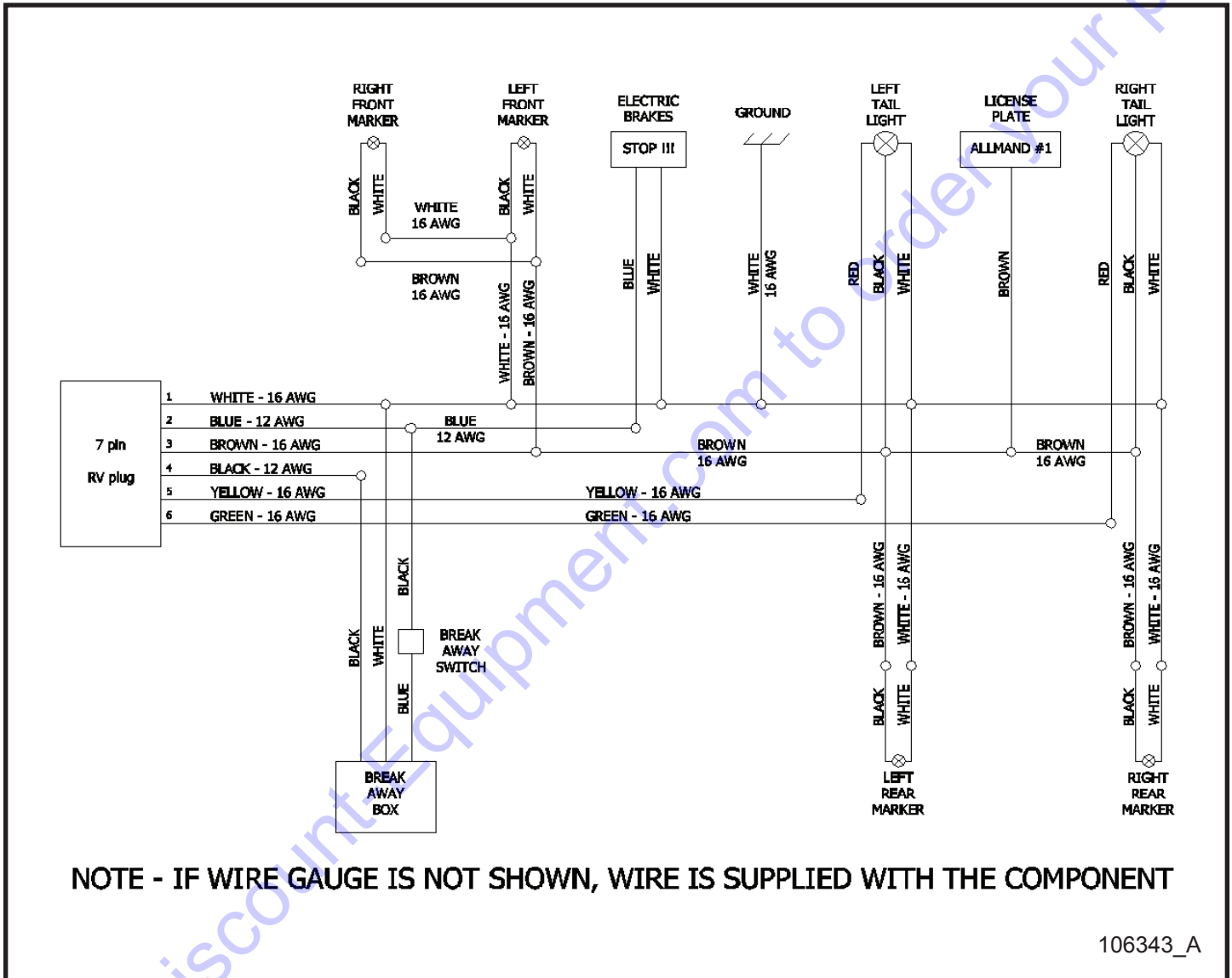
8.9 - Shocker Valve Harness Wire Schematic

SN 0001MH16 and UP



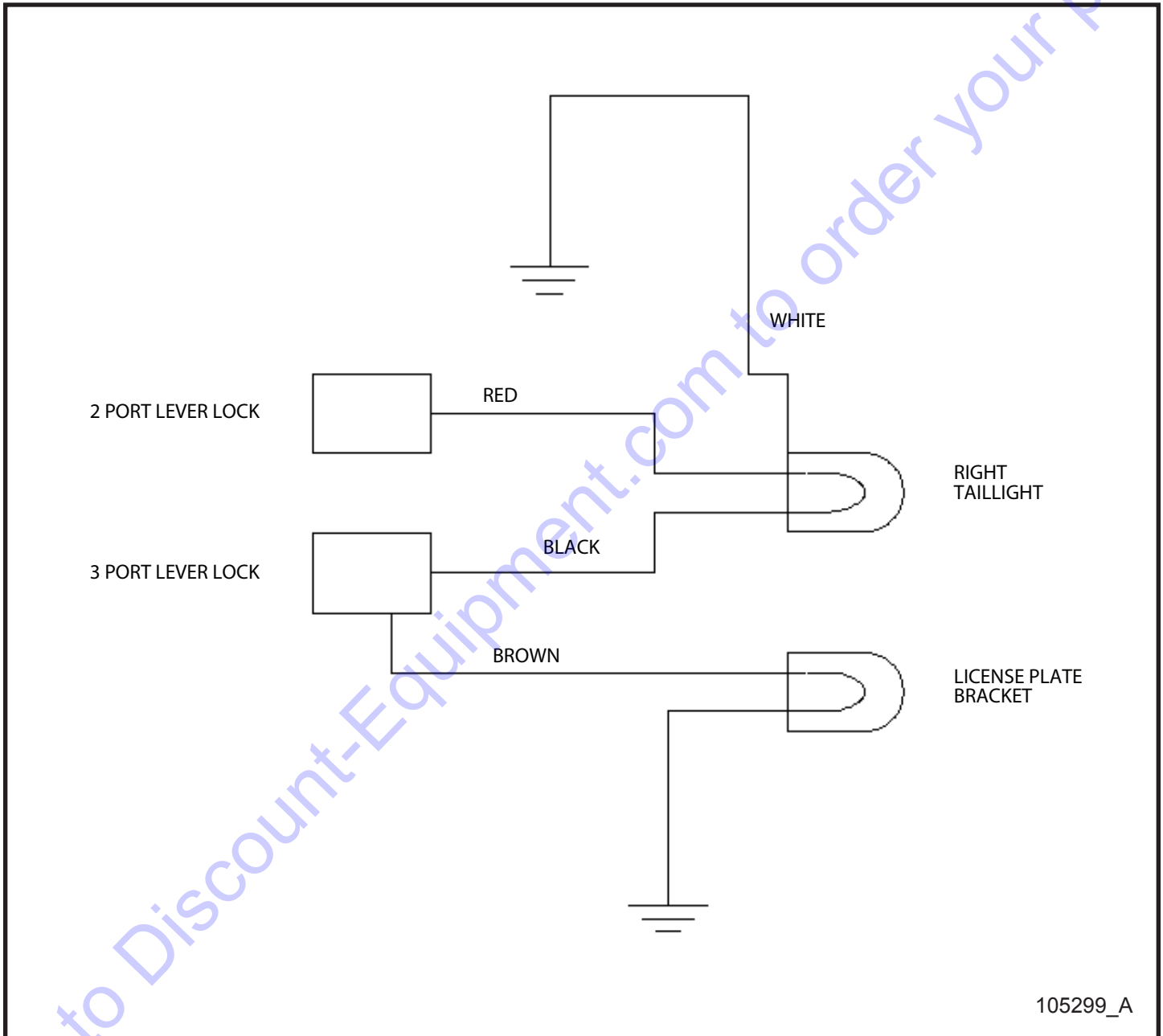
8.10 - Tail Light Harness Wire Schematic

SN 0001MH16 and UP



8.11 - License Plate Lamp Wire Schematic

SN 0001MH16 and UP



Allmand™

BRIGHTER. WARMER. SAFER.



www.discount-equipment.com



Reliability, performance, and integrity since 1938

13-0267

PARTS FINDER

**Search Website
by Part Number**



**Search Manual
Library For Parts
Manual & Lookup Part
Numbers – Purchase
or Request Quote**

Search Manuals

Enter your information to search for a manual or to purchase a manual or parts.

* Brand:

* Model:

* Serial:

* Part Number:

SEARCH

**Can't Find Part or
Manual? Request Help
by Manufacturer,
Model & Description**

Parts Order Form

Please fill in the following information to request help finding a part or manual.

Manufacturer:

Model:

Description:

Quantity:

Part Number:

Part Name:

Part Description:

Part Category:

Part Location:

Part Status:

Part Condition:

Part Material:

Part Color:

Part Weight:

Part Dimensions:

Part Price:

Part Availability:

Part Lead Time:

Part Notes:

Submit

Discount-Equipment.com is your online resource for quality parts & equipment.

Florida: **561-964-4949** Outside Florida TOLL FREE: **877-690-3101**

Need parts?

Click on this link: <http://www.discount-equipment.com/category/5443-parts/> and choose one of the options to help get the right parts and equipment you are looking for. Please have the machine model and serial number available in order to help us get you the correct parts. If you don't find the part on the website or on one of the online manuals, please fill out the request form and one of our experienced staff members will get back to you with a quote for the right part that your machine needs.

We sell worldwide for the brands: Genie, Terex, JLG, MultiQuip, Mikasa, Essick, Whiteman, Mayco, Toro Stone, Diamond Products, Generac Magnum, Airman, Haulotte, Barreto, Power Blanket, Nifty Lift, Atlas Copco, Chicago Pneumatic, Allmand, Miller Curber, Skyjack, Lull, Skytrak, Tsurumi, Husquvarna Target, Stow, Wacker, Sakai, Mi-T-M, Sullair, Basic, Dynapac, MBW, Weber, Bartell, Bennar Newman, Haulotte, Ditch Runner, Menegotti, Morrison, Contec, Buddy, Crown, Edco, Wyco, Bomag, Laymor, EZ Trench, Bil-Jax, F.S. Curtis, Gehl Pavers, Heli, Honda, ICS/PowerGrit, IHI, Partner, Imer, Clipper, MMD, Koshin, Rice, CH&E, General Equipment, Amida, Coleman, NAC, Gradall, Square Shooter, Kent, Stanley, Tamco, Toku, Hatz, Kohler, Robin, Wisconsin, Northrock, Oztec, Toker TK, Rol-Air, APT, Wylie, Ingersoll Rand / Doosan, Innovatech, Con X, Ammann, Mecalac, Makinex, Smith Surface Prep, Small Line, Wanco, Yanmar