



A TEREX BRAND



Parts Manual

Serial Number Range

GTH-1256

from SN GTH12M-401

Part No. 57.0411.0059GT

Rev B

June 2018

Go to Discount-Equipment.com to order your parts

PARTS FINDER

**Search Website
by Part Number**



**Search Manual
Library For Parts
Manual & Lookup Part
Numbers – Purchase
or Request Quote**

Search Manuals

Enter your information to search for a manual or to purchase a manual or parts.

* Brand:

* Model:

* Serial:

* Part Number:

SEARCH

**Can't Find Part or
Manual? Request Help
by Manufacturer,
Model & Description**

Parts Order Form

Please fill in the following information:

Manufacturer:

Model:

Description:

Quantity:

Part Number:

Part Name:

Part Description:

Part Category:

Part Location:

Part Status:

Part Condition:

Part Material:

Part Color:

Part Weight:

Part Dimensions:

Part Price:

Part Notes:

Submit

Discount-Equipment.com is your online resource for quality parts & equipment.

Florida: **561-964-4949** Outside Florida TOLL FREE: **877-690-3101**

Need parts?

Click on this link: <http://www.discount-equipment.com/category/5443-parts/> and choose one of the options to help get the right parts and equipment you are looking for. Please have the machine model and serial number available in order to help us get you the correct parts. If you don't find the part on the website or on one of the online manuals, please fill out the request form and one of our experienced staff members will get back to you with a quote for the right part that your machine needs.

We sell worldwide for the brands: Genie, Terex, JLG, MultiQuip, Mikasa, Essick, Whiteman, Mayco, Toro Stone, Diamond Products, Generac Magnum, Airman, Haulotte, Barreto, Power Blanket, Nifty Lift, Atlas Copco, Chicago Pneumatic, Allmand, Miller Curber, Skyjack, Lull, Skytrak, Tsurumi, Husquvarna Target, Stow, Wacker, Sakai, Mi-T-M, Sullair, Basic, Dynapac, MBW, Weber, Bartell, Bennar Newman, Haulotte, Ditch Runner, Menegotti, Morrison, Contec, Buddy, Crown, Edco, Wyco, Bomag, Laymor, EZ Trench, Bil-Jax, F.S. Curtis, Gehl Pavers, Heli, Honda, ICS/PowerGrit, IHI, Partner, Imer, Clipper, MMD, Koshin, Rice, CH&E, General Equipment, Amida, Coleman, NAC, Gradall, Square Shooter, Kent, Stanley, Tamco, Toku, Hatz, Kohler, Robin, Wisconsin, Northrock, Oztec, Toker TK, Rol-Air, APT, Wylie, Ingersoll Rand / Doosan, Innovatech, Con X, Ammann, Mecalac, Makinex, Smith Surface Prep, Small Line, Wanco, Yanmar

Genie
A TEREX BRAND
MODEL: xxx-xxxx
SERIAL NUMBER: GTH12M-401

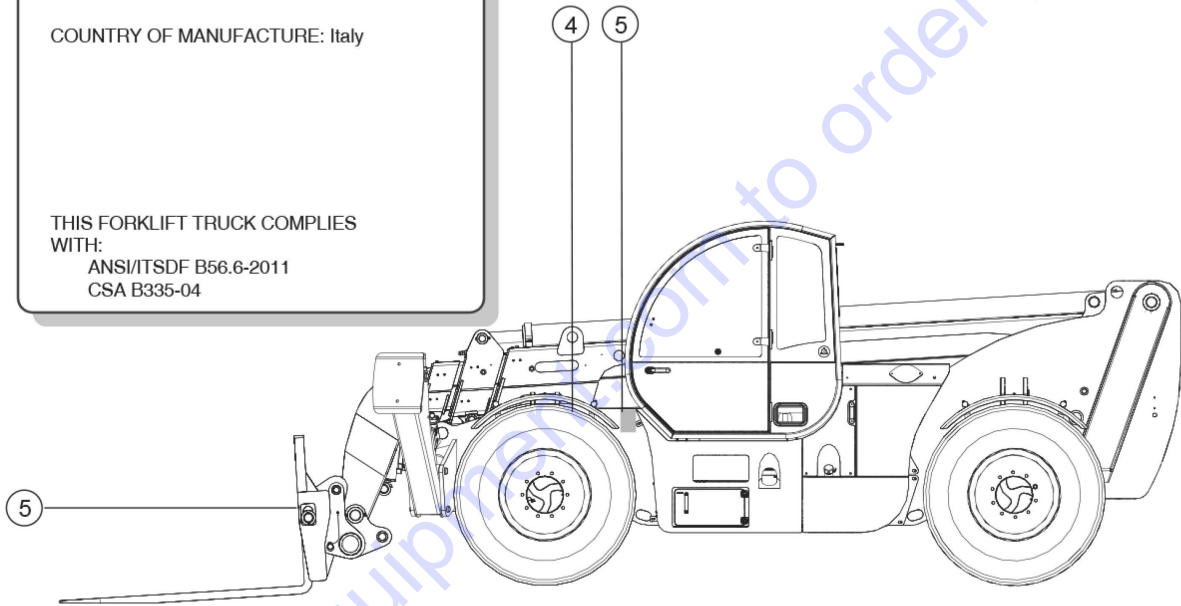
ATTACHMENT:
MANUFACTURE DATE: 2017
TOTAL TRUCK WEIGHT(LBS): xxxx kg
MAX LIFT CAPACITY(LBS): xxxx LBS

LIFT CAPACITY(LBS)
AT MAX LIFT HEIGHT: xxxx LBS
OUTRIGGERS UP: xx
OUTRIGGERS DOWN: xx

COUNTRY OF MANUFACTURE: Italy

THIS FORKLIFT TRUCK COMPLIES WITH:
ANSI/ITSDF B56.6-2011
CSA B335-04

GTH12 M 401



- 1 Model**
- 2 Facility code**
- 3 Sequence number**
- 4 Serial number**
- 5 Serial label**

Go to Discount-Equipment.com to order your parts

Table of Contents

This manual is updated frequently. For the most up-to-date parts information, visit www.discount-equipment.com

How to Read Your Serial Number.....3
 Parts Stocking List.....7

Electronic Version

Click on any page number to view the figure.

001 Parts Stocking List

001.1 Parts Stocking List.....10

100 Decals

101.1 610431 Decals, View 1.....12
 102.1 610432 Decals, View 2.....14

200 Drive Chassis Components

201.1 610435 Rear Chassis.....16
 202.1 610436 Left Chassis.....18
 203.1 610437 Right Chassis.....20
 204.1 610438 Outriggers.....22
 205.1 610439 Hydraulic Oil And Diesel Tanks.....24
 206.1 610440 Drive Chassis And Wheels.....26
 207.1 610441 Front Axle - Central Housing.....28
 208.1 610442 Front Axle - Differential.....30
 209.1 610443 Front Axle - Hub Reduction.....32
 210.1 610444 Front Axle - Brakes.....34
 211.1 610445 Front Axle - Steering.....36
 212.1 610446 Front Axle - Trunion.....38
 213.1 610447 Front And Rear Axle - Gear Box.....40
 214.1 610448 Rear Axle - Central Housing.....42
 215.1 610449 Rear Axle - Differential.....44
 216.1 610450 Rear Axle - Hub Reduction.....46
 217.1 610451 Rear Axle - Brakes.....48
 218.1 610452 Rear Axle - Steering.....50
 219.1 610453 Rear Axle - Trunion.....52

300 Engine Components

301.1 610455 Diesel Engine Components - View 1.....54
 302.1 610456 Diesel Engine Components - View 2.....56

303.1 610457 Diesel Engine Components - View 3.....58
 304.1 610458 Diesel Engine Components - View 4.....60
 305.1 610459 Diesel Engine Components - View 5.....62
 306.1 610460 Diesel Engine.....64
 307.1 610461 Air Filter.....66
 308.1 610462 Fuel Circuit.....68
 309.1 610463 Exhaust System And Accelerator.....70
 310.1 610464 Cooling System, Radiator (To SN GTH12M-402).....72
 310.2 610535 Cooling System, Radiator (From SN GTH12M-403).....74
 311.1 610465 Cooling System, Radiator Hoses.....76
 312.1 610466 Hydraulic Pumps.....78
 313.1 610467 DEF System - View 1.....80
 314.1 610468 DEF System - View 2.....82

400 Cab Component

401.1 610471 Cab, View 1 - Standard Version.....84
 402.1 610472 Cab, View 2 - Standard Version.....86
 403.1 610473 Cab, View 3 - Standard Version.....88
 404.1 610474 Cab, View 1 - Close Version.....90
 405.1 610475 Cab, View 2 - Close Version.....92
 406.1 610476 Cab, View 3 - Close Version.....94
 407.1 610477 Cab, View 4 - Close Version.....96

500 Boom Components

501.1 610481 Arm 1st - 2nd Telescopic Element.....98
 502.1 610482 Arm 3rd - 4th Telescopic Element.....100
 503.1 610483 Chain Unit 1st Boom Section.....102
 504.1 610484 Chain Unit 2nd Boom Section.....104
 505.1 610485 Chain Unit 3rd Boom Section.....106
 506.1 610486 Chain Unit 4th Boom Section.....108
 507.1 610487 Lifting Cylinder - Slave Cylinder - Tilting Cylinder.....110
 508.1 610488 Boom Extension Cylinder.....112
 509.1 610489 Left & Right Chassis Sway Cylinder - Rear Axle Locking Cylinder.....114
 510.1 610490 Coupling Unit.....116
 511.1 610491 Fork Frame.....118
 512.1 610492 Truss Boom 7 Feet, 4,400 LBS.....120
 513.1 610493 Rubbish Bucket.....122

600 Hydraulic System

601.1 610495 Fittings.....124
 602.1 610496 Boom Extension Cylinder.....126
 603.1 610497 Forks Tilt Cylinder - Forks Level Slave Cylinder.....128
 604.1 610498 Attachment Hydraulic Circuit.....130
 605.1 610499 Front Outriggers.....132

606.1 610500 Chassis Sway Cylinder.....	134
607.1 610501 Rear Axle Lock Cylinder.....	136
608.1 610502 Boom Lift Cylinder.....	138
609.1 610503 Power Steering.....	140
610.1 610504 Service Brake.....	142
611.1 610505 Parking Brake.....	144
612.1 610506 Gear Box.....	146
613.1 610507 Hydraulic Oil Radiator.....	148
614.1 610508 Hydraulic Oil Radiator Circuit.....	150
615.1 610509 Hydraulic Pumps.....	152
616.1 610510 Boom Hydraulic Control.....	154
617.1 610511 Transmission.....	156
618.1 610512 Test Port Manifold.....	158
619.1 610513 Primary Functions Manifold.....	160

700 Electric Installation

701.1 610515 Cabin Fuse - Relay Box.....	162
702.1 610516 Dashboard.....	164
703.1 610517 Wirings - View 1.....	166
704.1 610518 Wirings - View 2.....	168

800 Optionals

801.1 610521 Hydraulic Quick Couplig - Part 1.....	170
801.2 610522 Hydraulic Quick Coupling - Part 2.....	172
802.1 610523 Work Light.....	174
803.1 610524 Road Light - Part 1.....	176
803.2 610525 Road Light - Part 2.....	178
804.1 610526 Rear Video Camera.....	180
805.1 610527 Telematics.....	182
806.1 610528 Telematics M8.....	184
807.1 610529 Boom Line.....	186
808.1 610530 Rear Proximity Alarm.....	188
809.1 610531 Air Conditioning - Part 1.....	190
809.2 610532 Air Conditioning - Part 2.....	192
809.3 610533 Air Conditioning - Part 3.....	194
810.1 610534 Cold Weather.....	196

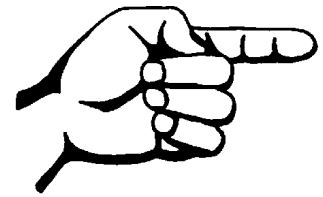
Indices

Part Number Index.....	198
Part Description Index.....	204

Cross References

Fittings Cross Reference.....	212
-------------------------------	-----

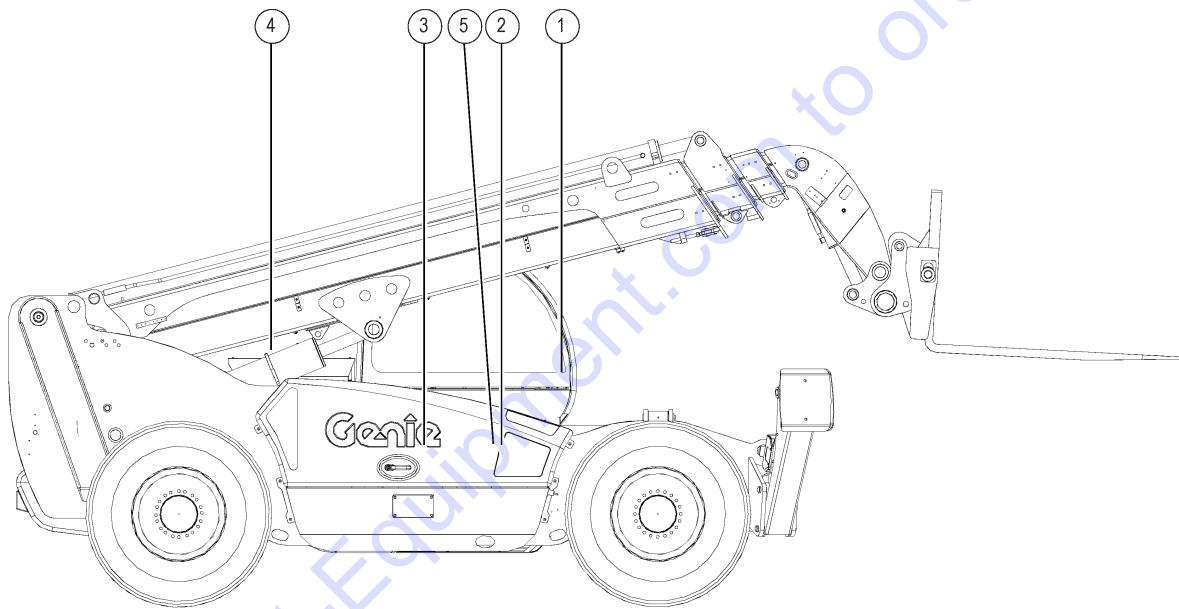
Please refer to section 001 for the Recommended Spare Parts List.



This page intentionally left blank.

Go to Discount-Equipment.com to order your parts

001.1 Parts Stocking List

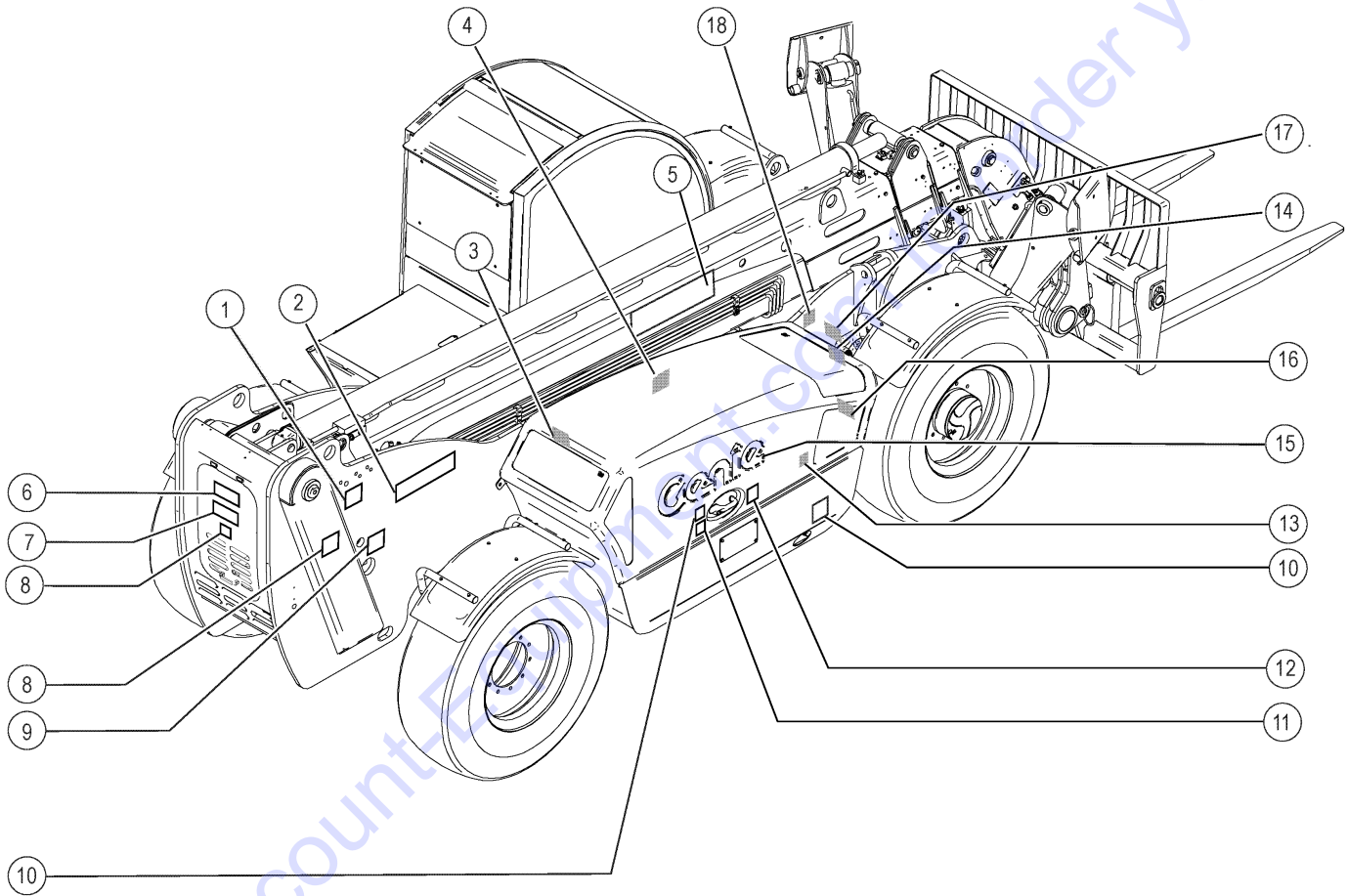


Go to Discount-Equipment.com to order your parts

Item	Part No.	Description	Qty.
1	57.0009.0737GT	OPERATOR'S MANUAL	
2	236266GT	FILTER,FUEL,DEUTZ TCD3.6	
--	823057GT	FILTER,FUEL,SPIN-ON,TCD3.6	
3	07.4501.0067GT	FILTER,OIL	
4	09.4604.0005GT	FILTER ASSY	
5	09.4604.0074GT	Air Filter	

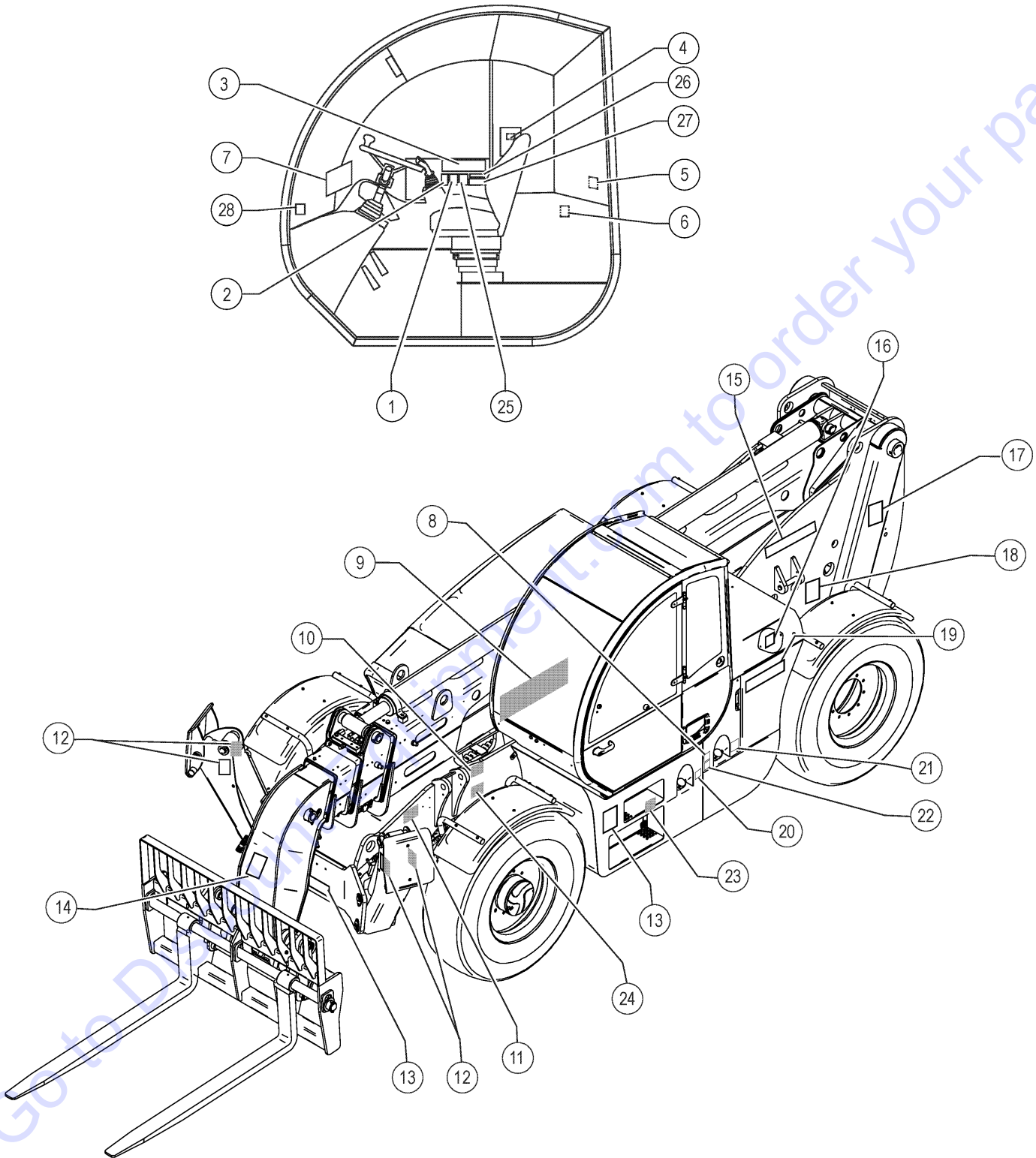
Go to Discount-Equipment.com to order your parts

101.1 610431 Decals, View 1



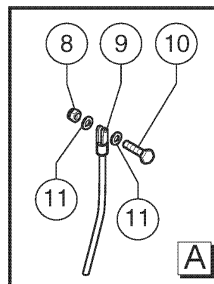
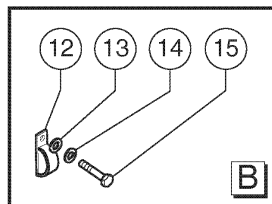
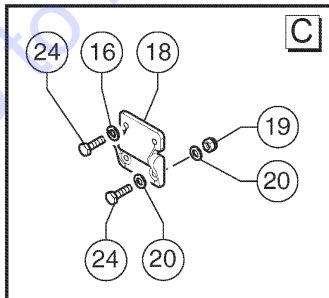
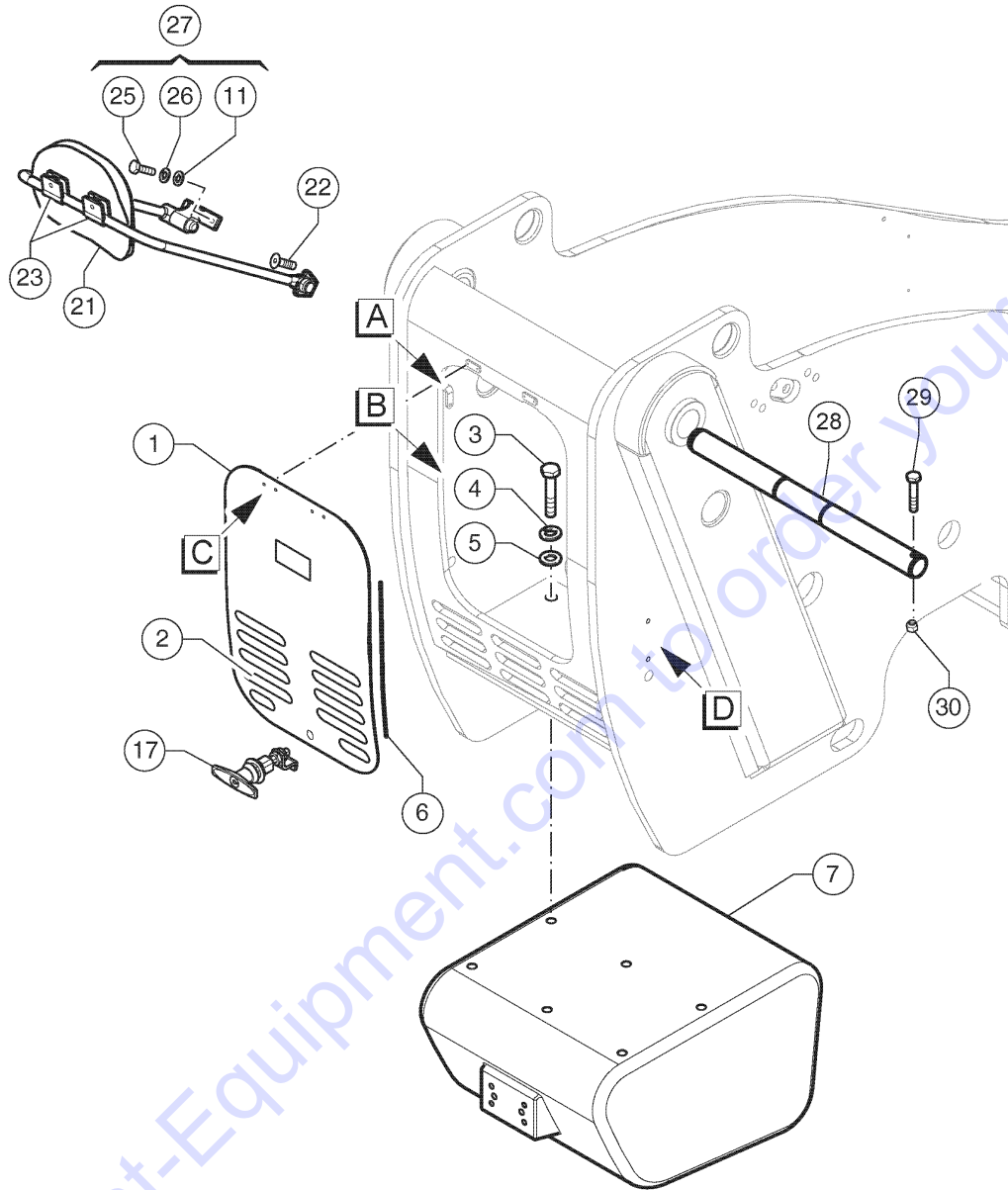
Item	Part No.	Description	Qty.
1	82558GT	DECAL,WARN,SKIN INJECTION HAZ*.....	1
2	094618.1767GT	Cosmetic - GTH-1256.....	1
3	237605GT	DECAL,WARNING,EXPLOSION/BURN HAZARD.....	1
4	237601GT	Danger - Explosion/Burn Hazard.....	1
5	094618.1765GT	Cosmetic - GTH-1256.....	1
6	094618.1625GT	DECAL,COSMETIC,GENIE.....	1
7	094618.1768GT	Cosmetic - GTH-1256.....	1
8	237598GT	DECAL,BODY CRUSH,ROLLING MACHINE.....	2
9	237970GT	DECAL,CRUSH HAZARD,TIRES.....	1
10	97667GT	DECAL,WARN,BURN HAZARD.....	2
11	28175GT	DECAL,WARNING-COMPART ACCESS.....	1
12	214418GT	DECAL, 2 DECAL COMBO.....	1
13	094618.1646GT	DECAL,INCHING VALVE.....	1
14	094618.1655GT	DECAL,NOTICE CUT OUT SWITCH.....	1
15	094618.1834GT	Cosmetic - Genie.....	1
16	094618.1638GT	Label - Tests Port..... <i>Only For Deutz Engine Version</i>	1
17	094618.1919GT	DECAL,CUT-OUT BATTERY.....	1
18	094618.2050GT	AIR FILTER GRID.....	1

102.1 610432 Decals, View 2



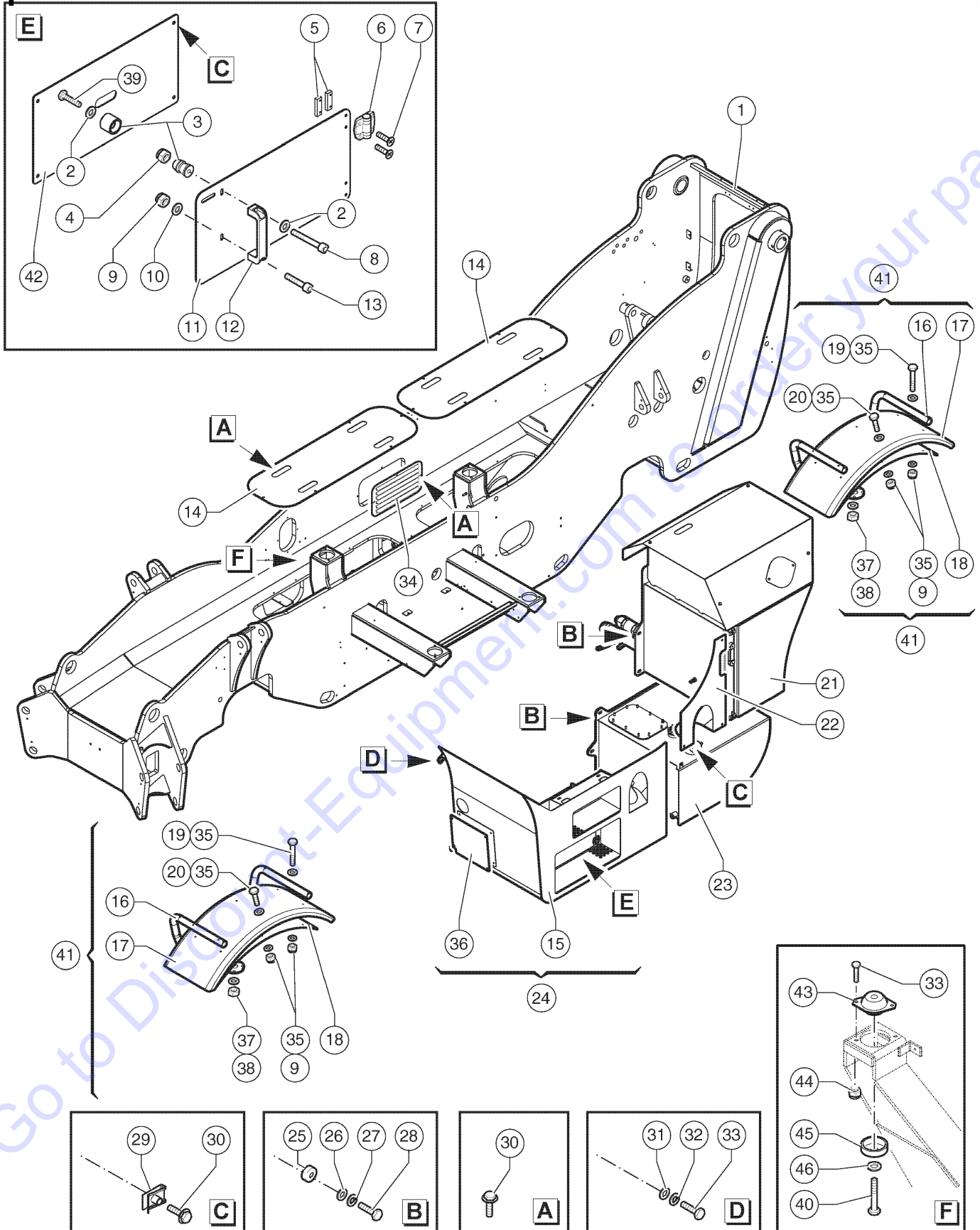
Item	Part No.	Description	Qty.	Item	Part No.	Description	Qty.
1	0946182035GT	Label, Notice - Driving Downhill.....	1	25	0946182039GT	DECAL, TRANSMISSION ERROR RESET INSTRUCTION.....	1
2	237606GT	Label - Single Controller.....	1	26	1280819GT	DECAL,WARNING,CANCER AND REPRODUCTIVE HARM, PROP 65.....	1
3	094618.1622GT	Danger/Warning – 7 Decal Combination.....	1	27	1280820GT	DECAL,FUEL,DIESEL EXHAUST, PROP 65.....	1
4	28236GT	DECAL,WARN,IMPROPER OPERATION..... <i>Open Cab</i>	1	28	28236GT	DECAL,WARN,IMPROPER OPERATION..... <i>Closed Cab</i>	1
5	094618.1418GT	DECAL,EMERGENCY EXIT.....	1				
6	094618.1399GT	DECAL,DOOR UNLOCK SYSTEM.....	1				
7a	094618.1823GT	Label - Load Chart, Standard Carriage on wheel.....	1				
7b	094618.1824GT	Label - Load Chart, Standard Carriage on stab.....	1				
7c	094618.1825GT	Label - Load Chart, Rotate Carriage on wheel.....	1				
7d	094618.1826GT	Label - Load Chart, Rotate Carriage on stab.....	1				
7e	094618.1830GT	Label - Load Chart, Rubbish Bucket on wheel.....	1				
7f	094618.1831GT	Label - Load Chart, Rubbish Bucket on stab.....	1				
7g	094618.1833GT	Label - Load Chart, 7 ft Truss Boom on wheel.....	1				
7h	094618.1832GT	Label - Load Chart, 7 ft Truss Boom on stab.....	1				
7i	094618.1843GT	Label - Load Chart, Shackle on wheel.....	1				
7l	094618.1844GT	Label - Load Chart, Shackle on stab.....	1				
8	826345GT	DECAL,ULS DIESEL ONLY,TIER 4.....	1				
9	094618.1766GT	Cosmetic - GTH-1256.....	1				
10	215267GT	Label - Product Registration.....	1				
11	094618.1828GT	Label – Transport and Lifting.....	1				
12	094618.1842GT	Warning - Crush Hazard, Stabilizers.....	4				
13	214418GT	DECAL, 2 DECAL COMBO.....	2				
14	215268GT	DECAL, FALL HAZARD.....	1				
15	094618.1767GT	Cosmetic - GTH-1256.....	1				
16	82366GT	DECAL, LABEL - CHEVRON RANDO.....	1				
17	237598GT	DECAL,BODY CRUSH,ROLLING MACHINE.....	1				
18	237970GT	DECAL,CRUSH HAZARD,TIRES.....	1				
19	094618.1621GT	Cosmetic - Genie.....	1				
20	1268754GT	DECAL,DEF Fill.....	1				
21	237971GT	Danger - Explosion/Burn Hazard, Fueling.....	1				
22	28159GT	DECAL,LABEL,DIESEL FUEL.....	1				
23	094618.1635GT	Danger – Explosion/Burn Hazard.....	1				
24	1272242GT	DECAL,MACHINE REGISTRATION/OWNER TRANSFER....	1				

201.1 610435 Rear Chassis



Item	Part No.	Description	Qty.
1	51.0903.5065GT	Cover.....	1
2	51.0903.5079GT	Protection Grid.....	1
3	01.4001.0177GT	Screw TE M24X100 UNI 5737 8.8 ZN....	6
4	01.4032.0000GT	SPRING WASHER D24 ZN.....	6
5	01.0031.0063GT	FLAT WASHER D24 UNI 6592 ZN.....	6
6	09.0803.0245GT	GASKET.....	51.2-Inch
7	51.1000.5212GT	Counterweight.....	1
8	01.0023.0054GT	NUT,M8 UNI 7473 6S ZN.....	3
9	51.0811.4481GT	Bracket.....	1
10	01.0001.0258GT	SCREW M8X35 UNI 5739 8.8 ZN.....	1
11	01.0031.0055GT	FLAT WASHER D8 UNI 6592 ZN.....	4
12	04.4227.0008GT	CLAMP S16 D12 HOLE 8.4.....	1
13	01.0031.0054GT	FLAT WASHER D6 UNI 6592 ZN.....	1
14	01.4032.0002GT	SPRING WASHER D6 ZN.....	1
15	01.0001.0154GT	SCREW M6X16 UNI 5739 8.8 ZN.....	1
16	01.4032.0001GT	WASHER,SPRING,D5 ZN.....	4
17	09.0803.0393GT	LOCK.....	1
18	09.0803.0706GT	Hinge.....	2
19	01.0023.0052GT	STOP NUT M5 UNI 7473 6S ZN.....	4
20	01.0031.0053GT	FLAT WASHER D5 UNI 6592 ZN.....	8
21	09.4610.0033GT	MIRROR,CONVEX.....	1
22	01.4006.0032GT	SCREW.....	2
23	09.0803.0651GT	LOCK CLIP.....	2
24	01.0001.1538GT	SCREW M5X16 UNI5737 8.8 ZN.....	8
25	01.0001.0256GT	SCREW M8X25 UNI 5739 8.8 ZN.....	2
26	01.4032.0003GT	SPRING WASHER D8 ZN.....	2
27	09.0803.0652GT	SUPPORT,MIRROR.....	1
28	54.0003.0176GT	PIN.....	1
29	01.4003.0004GT	Screw TCEI M.16X150 UNI 5931 12.9 ZN.....	1
30	01.0023.0058GT	NUT,STOP,M16 UNI 7473 6S ZN.....	1

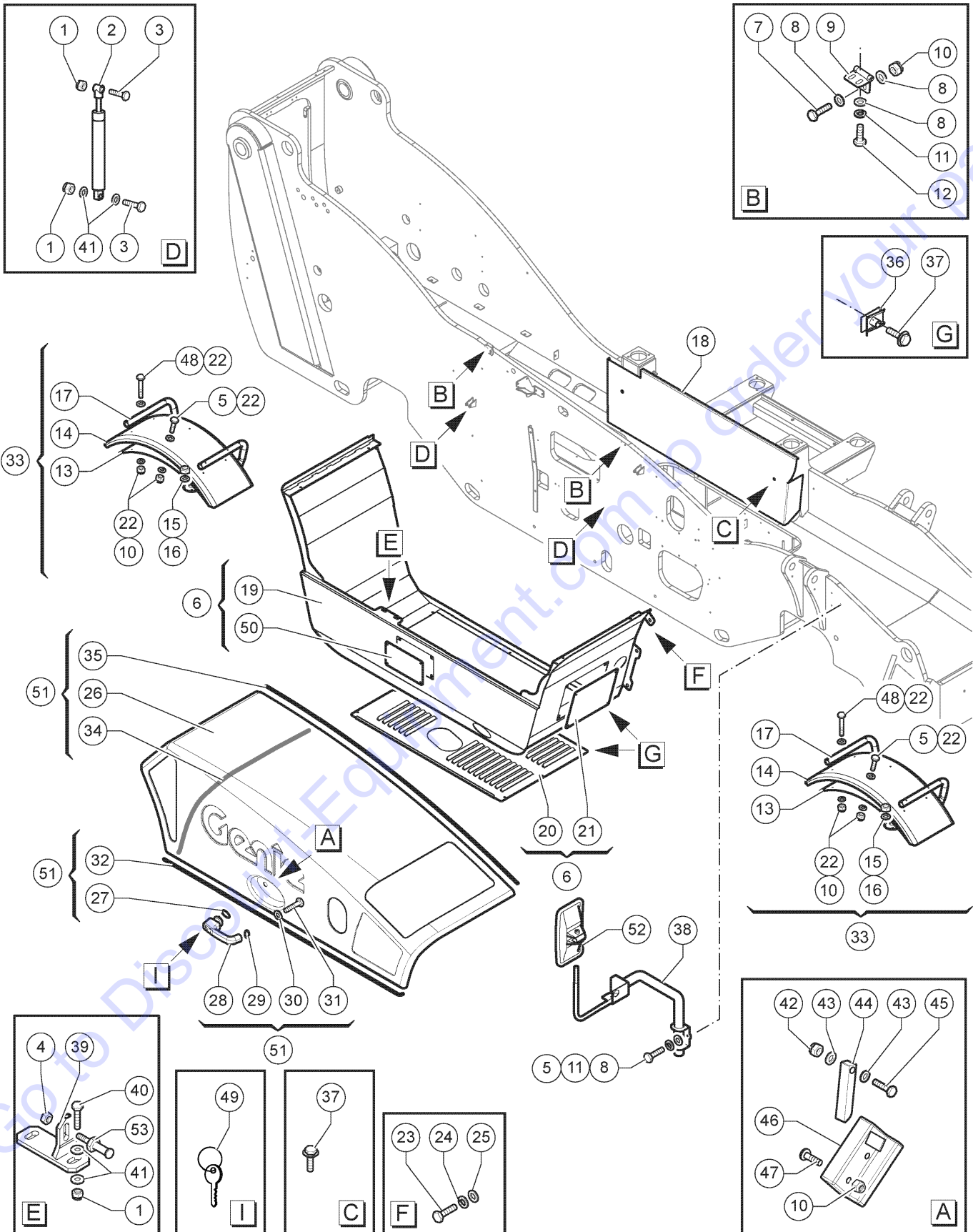
202.1 610436 Left Chassis



202.1 610436 Left Chassis

Item	Part No.	Description	Qty.	Item	Part No.	Description	Qty.
1	51.0113.9090GT	CHASSIS.....	1	44	01.0023.0055GT	NUT,STOP,M10 UNI 7473 6S ZN.....	8
2	01.0031.0054GT	FLAT WASHER D6 UNI 6592 ZN.....	2	45	54.0100.0020GT	VIBRATION DAMPING SUPPORT.....	4
3	09.4670.0000GT	KIT,DOOR LOCK.....	1	46	01.4032.0007GT	SPRING WASHER D16 ZN.....	4
4	01.0023.0053GT	STOP NUT M6 UNI 7473 6S ZN.....	1				
5	51.0811.4442GT	Hinge Fixing Plate.....	4				
6	09.0803.0278GT	HINGE.....	2				
7	01.4001.0062GT	SCREW M5X20 UNI 7687 ZN.....	8				
8	01.0003.0160GT	SCREW M6X40 UNI 5931 8.8 ZN.....	1				
9	01.0023.0054GT	NUT,M8 UNI 7473 6S ZN.....	12				
10	01.0031.0299GT	FLAT WASHER D8 UNI 6593 ZN.....	1				
11	51.0903.5196GT	COVER.....	1				
12	09.0803.0002GT	HANDLE.....	1				
13	01.0003.0205GT	SCREW M8X25 UNI 5931 8.8 ZN.....	1				
14	51.0903.5067GT	Cover.....	2				
15	51.0811.4672GT	LADDER.....	1				
16	51.0811.4929GT	Support.....	2				
17	09.0803.0371GT	Mudguard.....	2				
18	51.0811.4506GT	Locking Plate.....	2				
19	01.0001.0207GT	SCREW M8X60 UNI 5737 8.8 ZN.....	8				
20	01.0001.0254GT	SCREW M8X20 UNI 5739 8.8 ZN.....	4				
21	55.0240.0067GT	Hydraulic Oil Tank Assembly.....	1				
22	51.0903.5117GT	Cover.....	1				
23	55.0250.0027GT	Fuel Tank Assembly.....	1				
24	55.0409.0225GT	Ladder Assembly.....	1				
25	54.0100.0005GT	WASHER.....	10				
26	01.4031.0002GT	FLAT WASHER D14 UNI 6593 ZN.....	8				
27	01.4032.0006GT	SPRING WASHER D14 ZN.....	8				
28	01.0001.0605GT	SCREW M14X35 UNI 5739 8.8 ZN.....	8				
29	09.0803.0352GT	SPRING CLIP M8.....	3				
30	01.4001.0078GT	SCREW M8X20 DIN 6923 8.8 ZN.....	9				
31	01.0031.0301GT	FLAT WASHER D10 UNI 6593 ZN.....	4				
32	01.4032.0004GT	SPRING WASHER D10 ZN.....	5				
33	01.0001.0357GT	SCREW,TE,M10X35 UNI 8.8 ZN.....	12				
34	51.0903.5070GT	Protection Grid.....	1				
35	01.0031.0055GT	FLAT WASHER D8 UNI 6592 ZN.....	24				
36	51.0903.5198GT	COVER.....	1				
37	01.0023.0056GT	STOP NUT M12 UNI 7473 6S ZN.....	8				
38	01.0031.0057GT	WASHER,D12 UNI 6592 ZN.....	8				
39	01.0001.0154GT	SCREW M6X16 UNI 5739 8.8 ZN.....	1				
40	01.0001.0657GT	Screw TE M16X80 UNI 5737 8.8 ZN.....	4				
41	55.0409.0262GT	Mudguard ASSY.....	2				
42	51.0903.5197GT	COVER.....	1				
43	09.4670.0032GT	VIBRATION DAMPING.....	4				

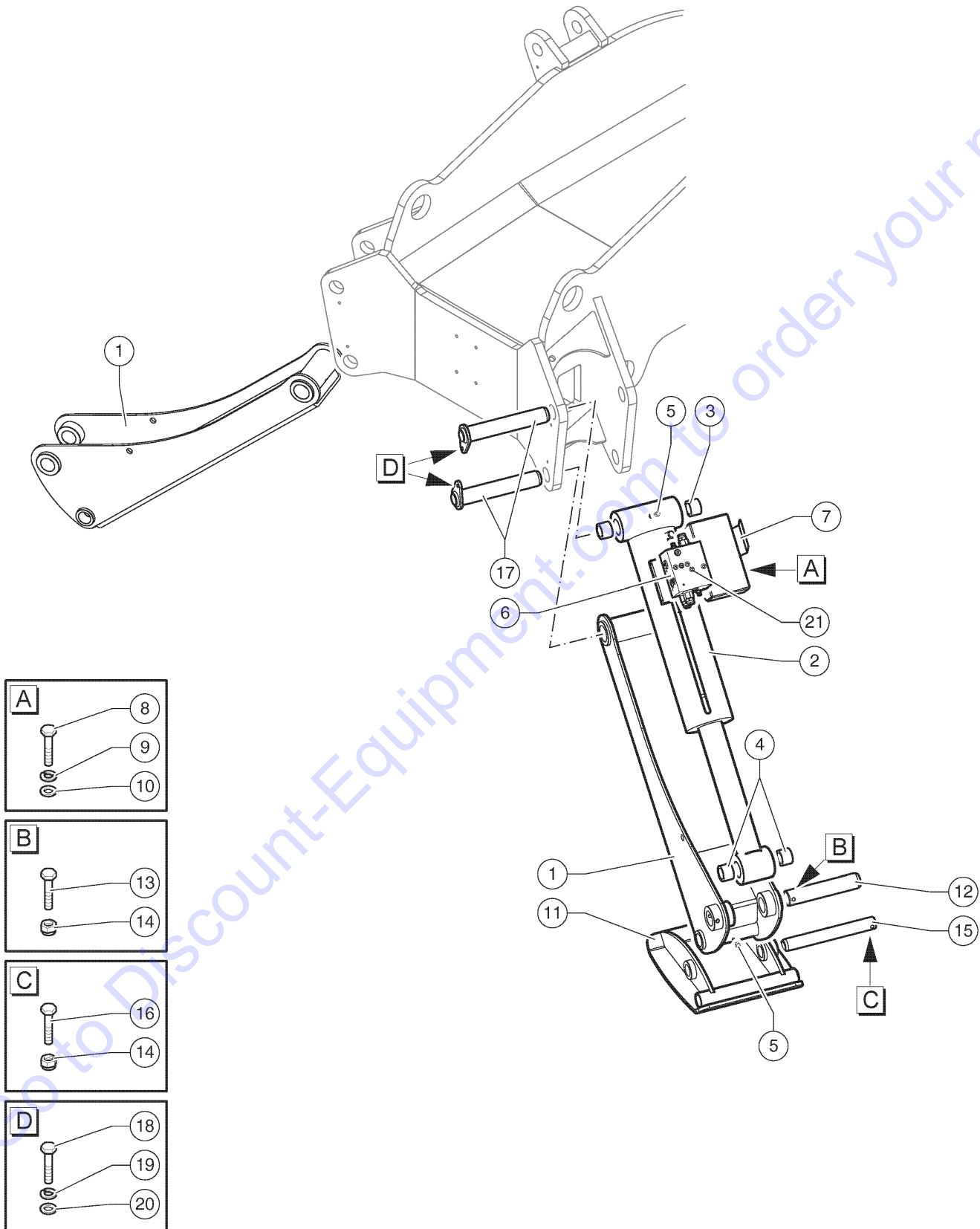
203.1 610437 Right Chassis



203.1 610437 Right Chassis

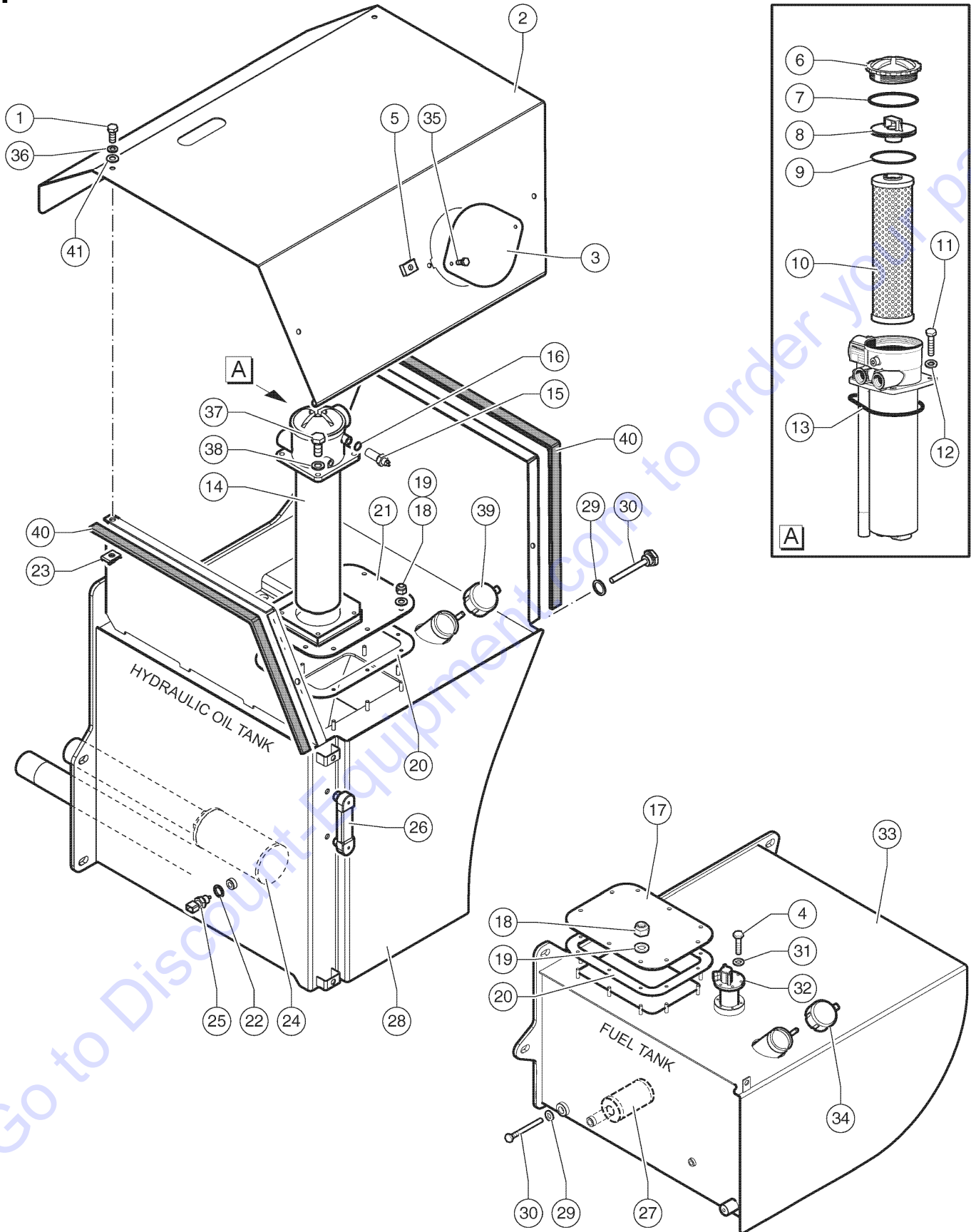
Item	Part No.	Description	Qty.	Item	Part No.	Description	Qty.
1	01.0023.0055GT	NUT,STOP,M10 UNI 7473 6S ZN.....	6	44	51.0811.4446GT	ENGINE COVER LOCK LEVER.....	1
2	09.0803.0830GT	Gas Spring.....	2	45	01.0001.0104GT	SCREW M6X40 UNI 5739 8.8 ZN.....	1
3	01.0001.0304GT	SCREW M10X50 UNI 5739 8.8 ZN.....	2	46	07.0740.0192GT	Engine Cover Lock.....	1
4	07.0740.0103GT	NUT M12X1.....	1	47	01.4006.0007GT	SCREW M8X40 UNI 5933 10.9 ZN.....	2
5	01.0001.0256GT	SCREW M8X25 UNI 5739 8.8 ZN.....	7	48	01.0001.0207GT	SCREW M8X60 UNI 5737 8.8 ZN.....	8
6	55.0409.0227GT	Engine Housing Assy.....	1	49	07.0703.0125GT	KEY ONLY, SWITCH/IGNITION.....	1
7	01.0001.0466GT	SCREW M8X50 UNI 5739 8.8 ZN.....	4	50	51.0903.5140GT	Cover.....	1
8	01.0031.0299GT	FLAT WASHER D8 UNI 6593 ZN.....	15	51	55.0409.0226GT	ENGINE COVER ASSY.....	1
9	09.0803.0000GT	Hinge.....	2	52	09.4610.0032GT	MIRROR.....	1
10	01.0023.0054GT	NUT,M8 UNI 7473 6S ZN.....	18	53	07.0740.0100GT	STOP PIN.....	1
11	01.4032.0003GT	SPRING WASHER D8 ZN.....	7				
12	01.0001.0254GT	SCREW M8X20 UNI 5739 8.8 ZN.....	4				
13	51.0811.4506GT	Locking Plate.....	2				
14	09.0803.0371GT	Mudguard.....	2				
15	01.0023.0056GT	STOP NUT M12 UNI 7473 6S ZN.....	8				
16	01.0031.0057GT	WASHER,D12 UNI 6592 ZN.....	12				
17	51.0811.4929GT	Support.....	2				
18	51.0903.5141GT	Cover.....	1				
19	51.0903.5200GT	LOWER ENGINE COVER.....	1				
20	51.0903.5201GT	BOTTOM ENGINE COVER.....	1				
21	51.0903.5146GT	Cover.....	1				
22	01.0031.0055GT	FLAT WASHER D8 UNI 6592 ZN.....	24				
23	01.0001.0356GT	SCREW M10X30 UNI 5739 8.8 ZN.....	6				
24	01.4032.0004GT	SPRING WASHER D10 ZN.....	6				
25	01.0031.0301GT	FLAT WASHER D10 UNI 6593 ZN.....	6				
26	52.1100.9128GT	ENGINE COVER ASSY.....	1				
27	07.0740.0048GT	GASKET.....	1				
28	09.0803.0808GT	HANDLE.....	1				
29	07.0740.0049GT	GASKET.....	1				
30	01.0031.0053GT	FLAT WASHER D5 UNI 6592 ZN.....	1				
31	01.0001.1438GT	SCREW M5X20 UNI 5739 8.8 ZN.....	1				
32	09.0803.0801GT	Gasket Strip.....	78-Inch				
33	55.0409.0262GT	Mudguard ASSY.....	2				
34	09.0805.0119GT	GASKET.....	53-Inch				
35	09.0803.0801GT	Gasket Strip.....	78-Inch				
36	09.0803.0352GT	SPRING CLIP M8.....	6				
37	01.4001.0078GT	SCREW M8X20 DIN 6923 8.8 ZN.....	10				
38	51.0811.4887GT	SUPPORT.....	1				
39	51.0811.4934GT	Bracket.....	1				
40	01.0001.0357GT	SCREW,TE,M10X35 UNI 8.8 ZN.....	2				
41	01.0031.0056GT	FLAT WASHER D10 UNI 6592 ZN.....	8				
42	01.0023.0053GT	STOP NUT M6 UNI 7473 6S ZN.....	1				
43	01.0031.0054GT	FLAT WASHER D6 UNI 6592 ZN.....	2				

204.1 610438 Outriggers



Item	Part No.	Description	Qty.
1	51.0500.1820GT	Outrigger.....	2
2	53.0800.2014GT	Outrigger Cylinder.....	2
3	09.0801.0000GT	Bushing.....	4
4	09.0801.0006GT	Bushing.....	4
5	02.0117.0101GT	GREASE NIPPLE G 1/8.....	4
6	04.4239.0141GT	VALVE.....	2
7	51.0903.5253GT	OUTRIGGER VALVE COVER.....	2
8	01.0001.0154GT	SCREW M6X16 UNI 5739 8.8 ZN.....	8
9	01.4032.0002GT	SPRING WASHER D6 ZN.....	8
10	01.0031.0054GT	FLAT WASHER D6 UNI 6592 ZN.....	8
11	51.0500.1821GT	Outrigger Feet.....	2
12	54.0000.0268GT	Pin.....	2
13	01.0001.0314GT	SCREW M10X100 UNI 5737 8.8 ZN.....	2
14	01.0023.0055GT	NUT,STOP,M10 UNI 7473 6S ZN.....	4
15	54.0000.0269GT	Pin.....	2
16	01.0001.0310GT	SCREW M10X80 UNI 5737 8.8 ZN.....	2
17	54.0004.0122GT	Pin.....	4
18	01.0001.0355GT	SCREW M10X25 UNI 5739 8.8 ZN.....	4
19	01.4032.0004GT	SPRING WASHER D10 ZN.....	4
20	01.0031.0056GT	FLAT WASHER D10 UNI 6592 ZN.....	4
21	01.0003.0261GT	SCREW M10X55 UNI 5931 8.8 ZN.....	8

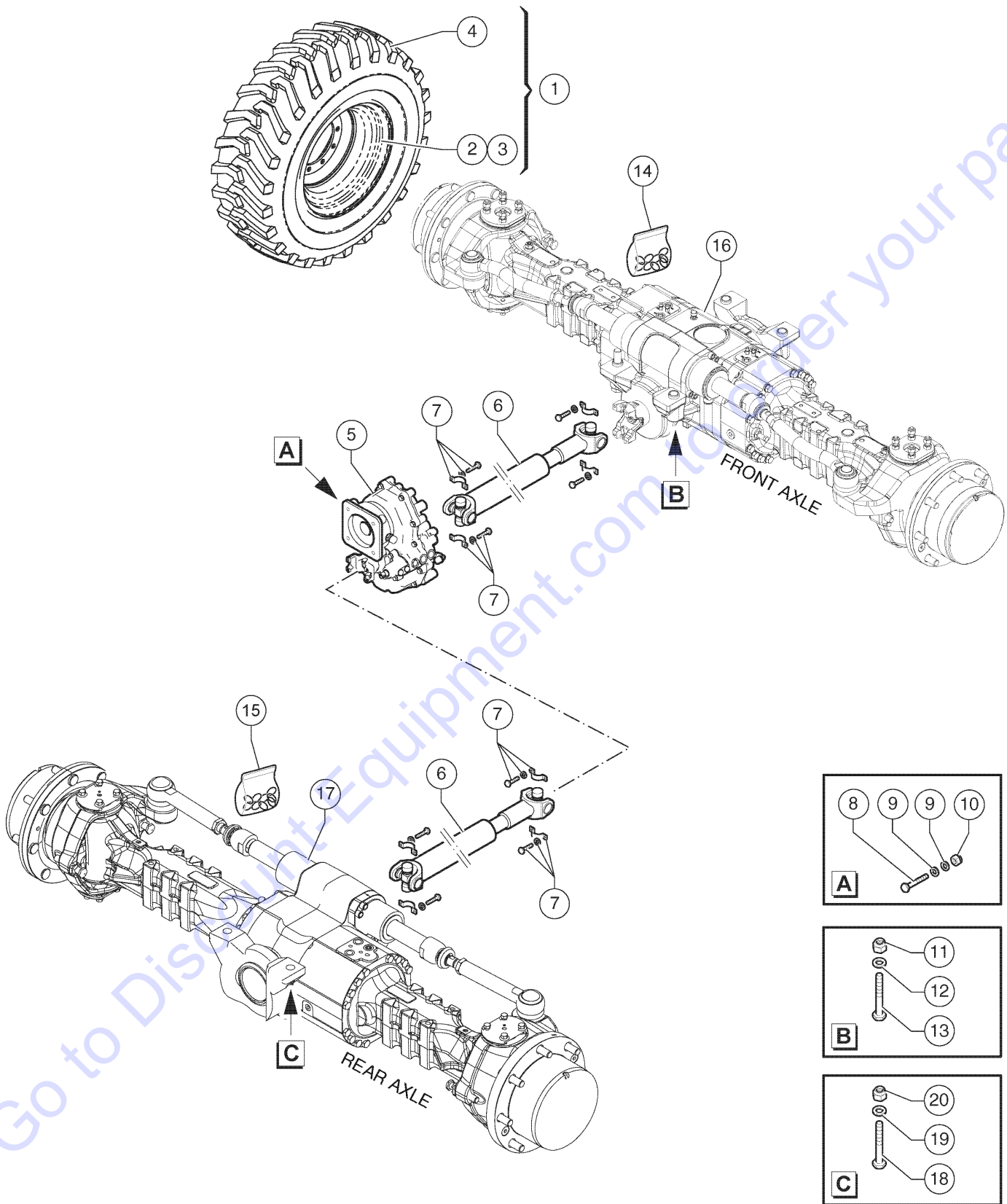
205.1 610439 Hydraulic Oil And Diesel Tanks



205.1 610439 Hydraulic Oil And Diesel Tanks

Item	Part No.	Description	Qty.
1	01.0001.0254GT	SCREW M8X20 UNI 5739 8.8 ZN.....	4
2	51.0903.5230GT	COVER.....	1
3	51.0903.4948GT	Cover.....	1
4	01.0001.0154GT	SCREW M6X16 UNI 5739 8.8 ZN.....	1
5	09.0803.0516GT	SPRING CLIP M6.....	2
6	07.0700.0006GT	CAP, HYDRAULIC FILTER.....	1
7	07.0700.0007GT	O-RING.....	1
8	07.0700.0049GT	Inlet Neck.....	1
9	07.0700.0050GT	O-RING 98X3.....	1
10	07.0700.0002GT	Oil Filter Cartridge.....	1
11	01.0001.0355GT	SCREW M10X25 UNI 5739 8.8 ZN.....	4
12	01.4032.0004GT	SPRING WASHER D10 ZN.....	4
13	07.0700.0051GT	O-RING 124X4,5.....	1
14	09.4604.0005GT	FILTER ASSY.....	1
15	56.0013.0006GT	PRESSURE SENSOR, HYDRAULIC OIL.....	1
16	06.0442.0101GT	BONDED RING 3/8".....	2
17	51.0903.4904GT	DOOR, INSPECTION, HYD TANK.....	1
18	01.0023.0054GT	NUT, M8 UNI 7473 6S ZN.....	20
19	01.0031.0055GT	FLAT WASHER D8 UNI 6592 ZN.....	20
20	53.3301.0005GT	Rubber Gasket.....	2
21	51.0903.5229GT	OIL TANK COVER.....	1
22	06.0442.0119GT	BONDED RING M14 (9/16).....	1
23	09.0803.0352GT	SPRING CLIP M8.....	4
24	09.4604.0000GT	FILTER, HYD. OIL TANK.....	1
25	56.0013.0040GT	TEMPERATURE SENSOR.....	1
26	09.4661.0005GT	Hydraulic Oil Level Indicator.....	1
27	09.4604.0072GT	Fuel Filter.....	1
28	51.0600.9328GT	OIL TANK.....	1
29	06.0442.0122GT	BONDED RING 1/2".....	2
30	09.4661.0030GT	FILTER, MAGNETIC.....	2
31	01.4032.0002GT	SPRING WASHER D6 ZN.....	1
32	56.0012.0085GT	FUEL GAUGE.....	1
33	51.0600.9317GT	Fuel Tank.....	1
34	09.4661.0026GT	Diesel Tank Cap.....	1
35	01.0001.0154GT	SCREW M6X16 UNI 5739 8.8 ZN.....	2
36	01.4032.0003GT	SPRING WASHER D8 ZN.....	4
37	01.0001.0355GT	SCREW M10X25 UNI 5739 8.8 ZN.....	4
38	01.4032.0004GT	SPRING WASHER D10 ZN.....	4
39	09.4661.0015GT	HYDRAULIC OIL TANK CAP.....	1
40	09.0803.0147GT	GASKET, ADHESIVE.....	118.2-inch
41	01.0031.0299GT	FLAT WASHER D8 UNI 6593 ZN.....	4

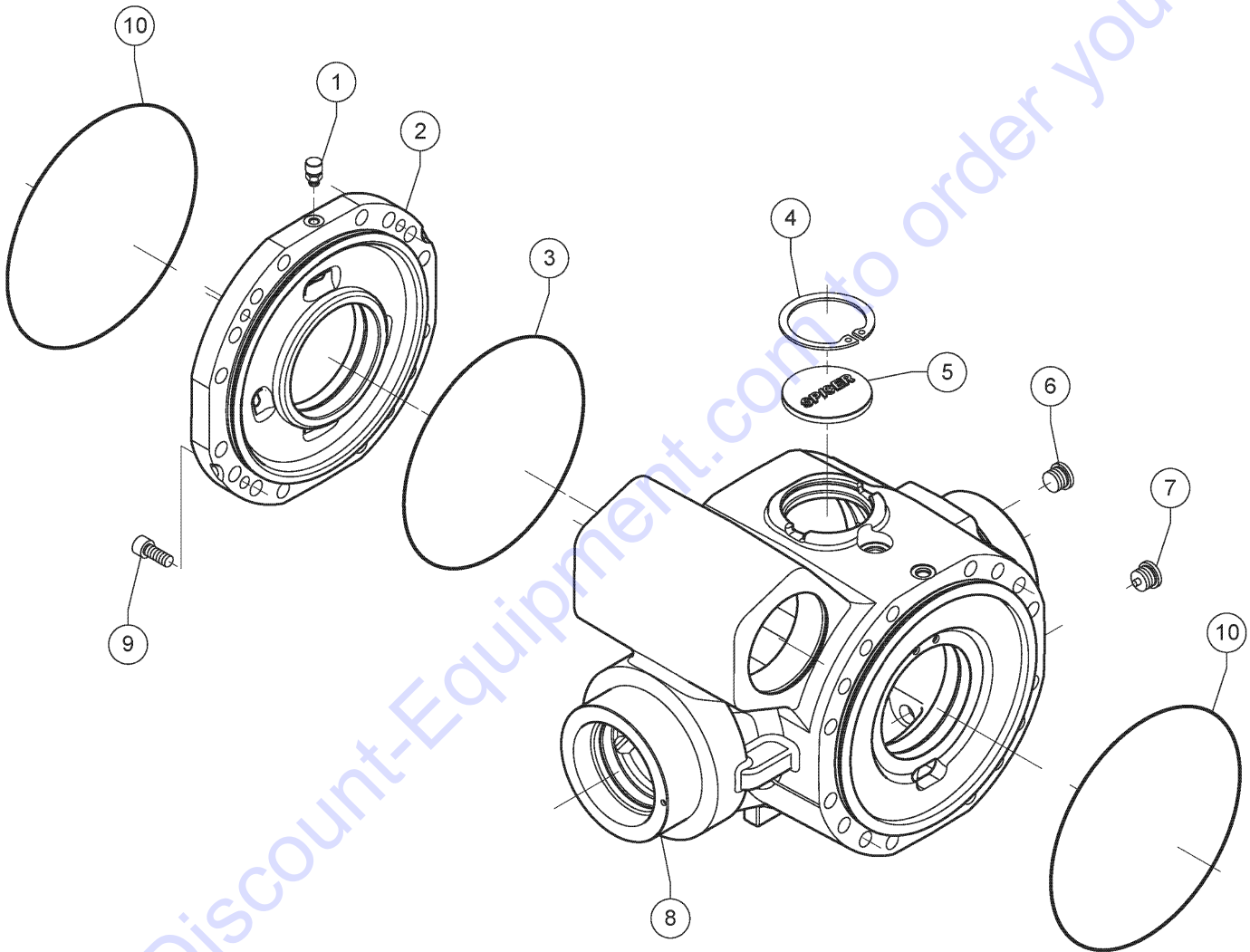
206.1 610440 Drive Chassis And Wheels



206.1 610440 Drive Chassis And Wheels

Item	Part No.	Description	Qty.
1	55.0403.0084GT	COMPLETE WHEEL.....	4
2	09.4629.0029GT	RIM 9.00 X 22.5.....	1
3	09.0803.0047GT	Valve.....	1
4	09.4627.0037GT	TIRE.....	1
5	09.4633.0036GT	GEAR BOX.....	1
6	09.4635.0061GT	DRIVE SHAFT	2
7	09.4635.0014GT	CARDAN SHAFT ASSY KIT.....	8
8	01.0023.0058GT	NUT,STOP,M16 UNI 7473 6S ZN.....	4
9	01.0031.0059GT	FLAT WASHER D16 UNI 6592 ZN.....	8
10	01.4001.0063GT	SCREW M16X130 UNI 5739 8.8 ZN.....	4
11	01.0023.0062GT	STOP NUT M24 UNI 7473 6S ZN.....	4
12	01.0031.0063GT	FLAT WASHER D24 UNI 6592 ZN.....	4
13	01.4001.0025GT	SCREW M24X160UNI 5737 10.9 ZN....	4
14	07.0709.0419GT	Joint Kit.....	1
15	07.0709.1380GT	GASKET KIT STEERING CYLINDER.....	1
16	09.4632.0114GT	FRONT AXLE.....	1
17	09.4632.0113GT	REAR AXLE.....	1
18	01.4001.0188GT	SCREW.....	4
19	01.0031.0061GT	FLAT WASHER D20 UNI 6592 ZN.....	4
20	01.0023.0060GT	STOP NUT M20 UNI 7473 6S ZN.....	4

207.1 610441 Front Axle - Central Housing

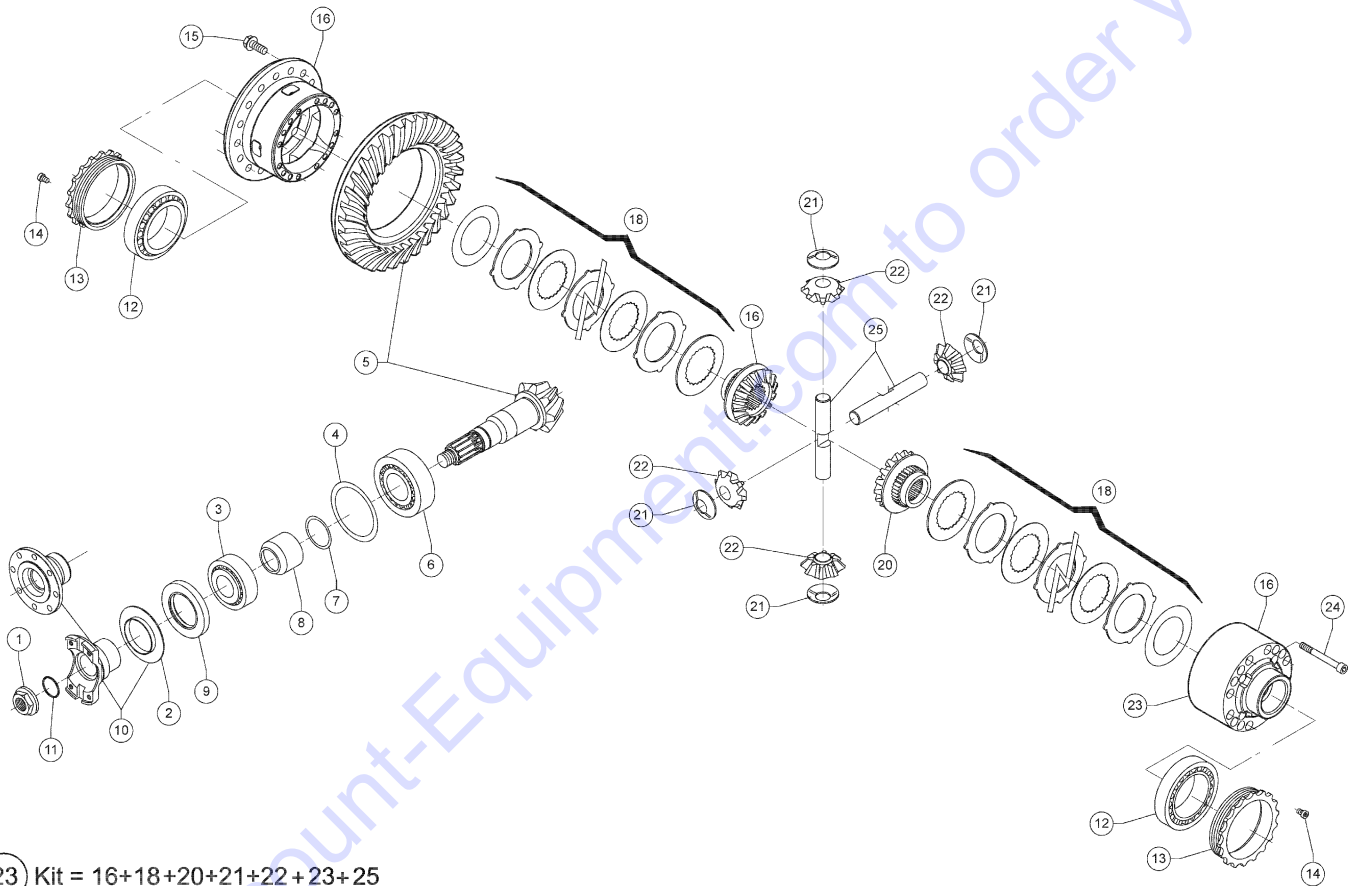


207.1 610441 Front Axle - Central Housing

Item	Part No.	Description	Qty.
1	07.0709.1417GT	VENT.....	1
2	07.0709.1385GT	COVER.....	1
3	637633GT	O - RING.....	1
4	07.0709.0441GT	SNAP RING.....	1
5	07.0709.0084GT	PLUG.....	1
6	07.0709.1418GT	PLUG.....	1
7	07.0709.1419GT	PLUG.....	1
8	07.0709.1257GT	HOUSING.....	1
9	07.0709.1386GT	BOLT.....	4
10	07.0709.1387GT	O-RING.....	2

Go to Discount-Equipment.com to order your parts

208.1 610442 Front Axle - Differential

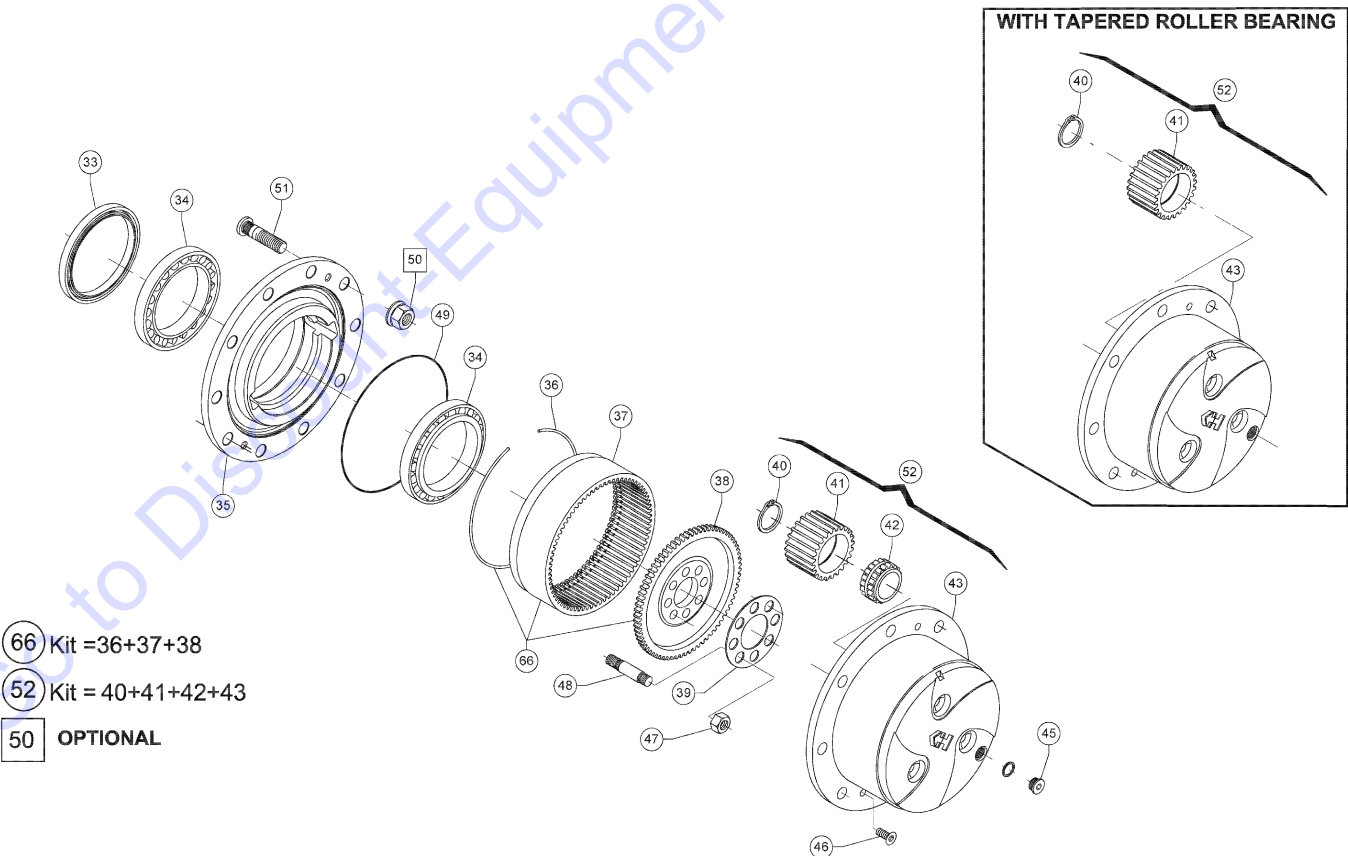
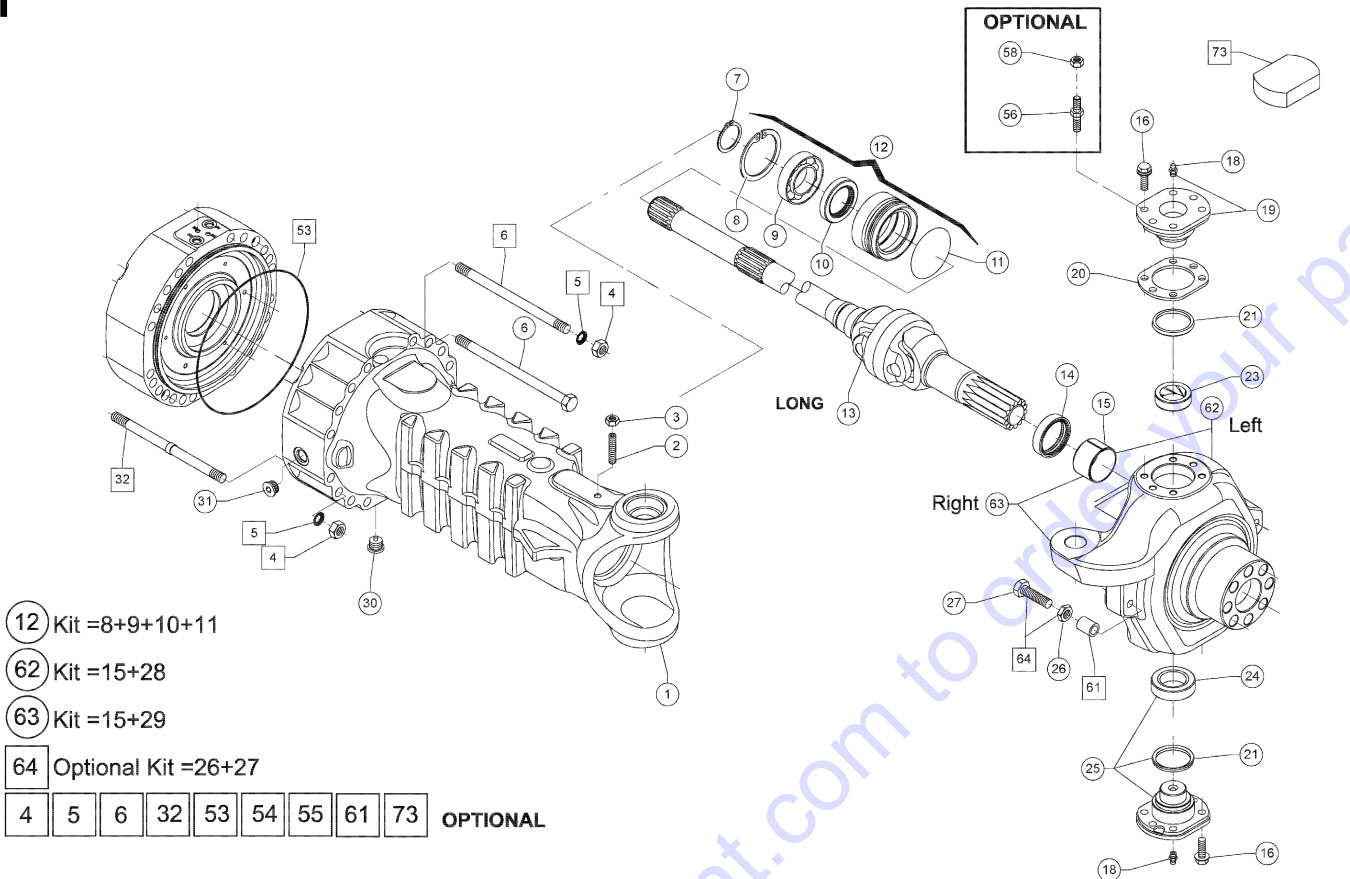


208.1 610442 Front Axle - Differential

Item	Part No.	Description	Qty.
1	631378GT	NUT.....	1
2	637588GT	LOCKING PLATE.....	1
3	638535GT	BEARING.....	1
4	07.0709.1388GT	SHIM KIT.....	1
5	07.0709.1420GT	BEVAL GEAR SET.....	1
6	638543GT	BEARING.....	1
7	07.0709.1031GT	RING KIT.....	1
8	07.0709.1032GT	SPACER.....	1
9	07.0709.1259GT	SEAL.....	1
10	07.0709.0782GT	FLANGE.....	1
11	637586GT	O-RING.....	1
12	07.0709.1300GT	Bearing.....	2
13	07.0709.1010GT	Ring Nut.....	2
14	07.0709.0884GT	Screw.....	2
15	07.0709.0057GT	SCREW,RING GEAR.....	16
16	07.0709.1260GT	DIFFERENTIAL CARRIER.....	1
18	07.0709.0969GT	Clitch Disc.....	2
20	07.0709.0779GT	Differential Side Gear.....	2
21	07.0709.1302GT	Washer.....	4
22	638527GT	Differential Pinion.....	4
23	07.0709.1421GT	DIFFERENTIAL KIT.....	1
24	07.0709.0973GT	Screw.....	15
25	07.0709.0972GT	PIN.....	2

Go to Discount-Equipment.com to order your parts

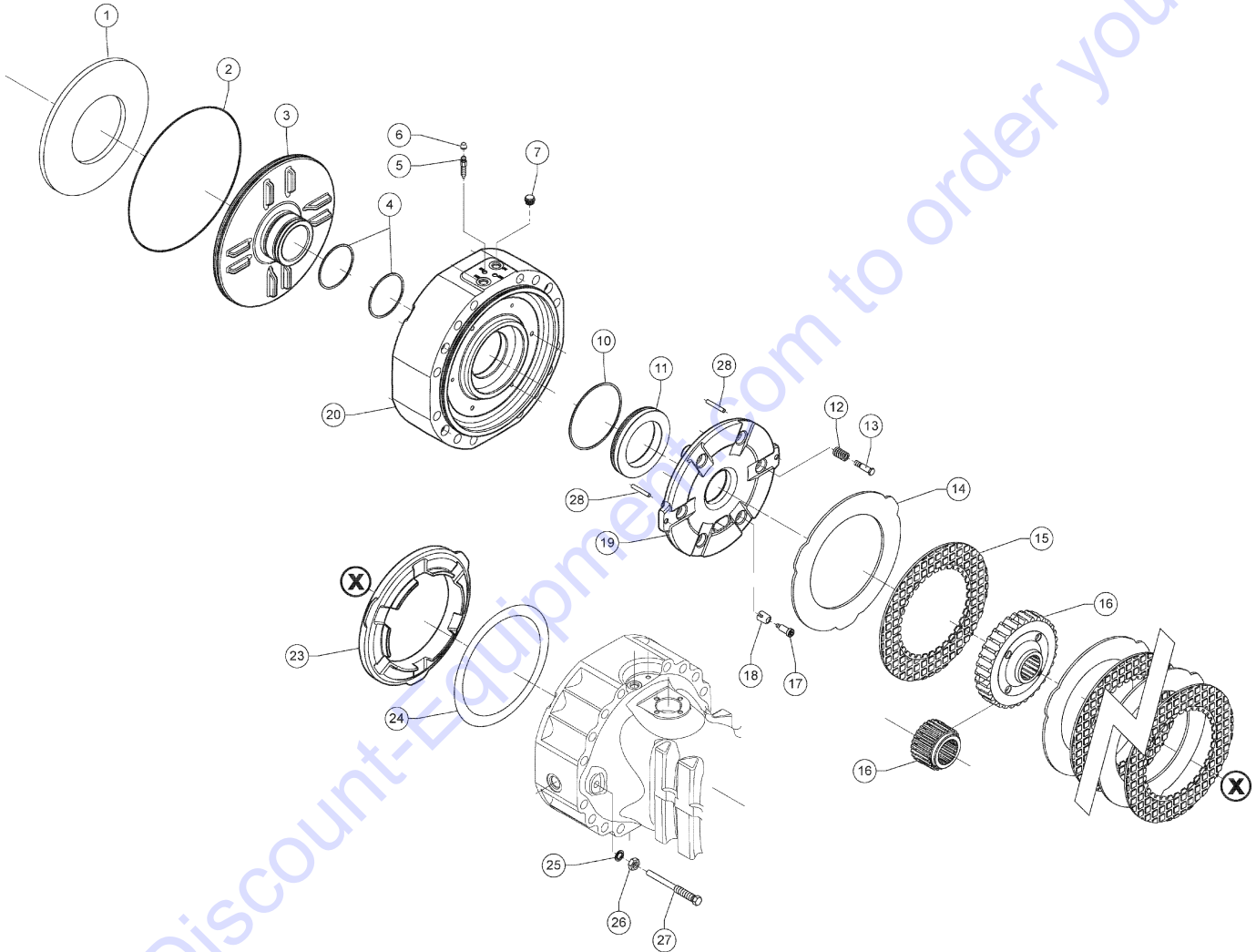
209.1 610443 Front Axle - Hub Reduction



209.1 610443 Front Axle - Hub Reduction

Item	Part No.	Description	Qty.	Item	Part No.	Description	Qty.
1	07.0709.1422GT	AXLE CASE.....	2	49	07.0709.0475GT	O-RING.....	2
2	07.0709.0462GT	SCREW.....	2	50	07.0709.0224GT	NUT,WHEEL.....	20
3	633174GT	NUT.....	2	51	07.0709.0144GT	STUD,WHEEL.....	20
4	07.0709.0397GT	Nut.....	8	52	07.0709.1273GT	PLANET GEAR CARRIER.....	2
5	07.0709.0202GT	Washer.....	8	53	07.0709.1387GT	O-RING.....	2
6	07.0709.0394GT	Screw.....	24	56	07.0709.0119GT	STUD,DRIVE AXLE.....	8
7	633203GT	SNAP RING.....	2	58	07.0709.1407GT	NUT.....	8
8	07.0709.0441GT	SNAP RING.....	2	61	07.0709.0068GT	Spacer.....	4
9	633202GT	BEARING.....	2	62	07.0709.1427GT	STEERING CASE.....	1
10	630846GT	SEAL.....	2	63	07.0709.1428GT	STEERING CASE.....	1
11	640216GT	O-RING.....	2	64	07.0709.0365GT	SCREW,STEERING ADJUST.....	4
12	640720GT	BUSHING.....	2	66	07.0709.1047GT	SUPPORT.....	2
13	07.0709.1423GT	DOUBLE UNIVERSAL JOINT.....	2	73	07.0709.0060GT	Cover.....	2
14	07.0709.0472GT	SEAL.....	2				
15	07.0709.0465GT	BUSHING.....	1				
16	633070GT	SCREW.....	16				
18	633176GT	GREASE NIPPLE.....	2				
19	07.0709.0499GT	PIN.....	2				
20	07.0709.1263GT	SHIM KIT.....	1				
21	07.0709.0469GT	DUST EXCLUDER.....	2				
23	07.0709.0466GT	BUSHING.....	2				
24	07.0709.0470GT	SEAL,DUST EXCLUDER.....	2				
25	07.0709.0500GT	PIN.....	2				
26	634546GT	NUT.....	4				
27	07.0709.0104GT	SCREW.....	4				
30	07.0709.1419GT	PLUG.....	2				
31	07.0709.1418GT	PLUG.....	2				
32	07.0709.1424GT	STUD.....	8				
33	07.0709.1307GT	Seal.....	2				
34	638559GT	BEARING.....	4				
35	07.0709.0474GT	WHEEL HUB.....	2				
36	07.0709.0483GT	SNAP RING.....	2				
37	07.0709.1046GT	RING GEAR.....	2				
38	07.0709.0477GT	SUPPORT.....	2				
39	07.0709.0484GT	PLATE,LOCKING.....	2				
40	07.0709.0796GT	SNAP RING.....	3				
41	07.0709.0797GT	PINION,DIFFERENTIAL.....	6				
42	07.0709.0798GT	BEARING.....	6				
43	07.0709.1272GT	PLANET GEAR CARRIER.....	1				
45	07.0709.0113GT	PLUG.....	2				
46	07.0709.0065GT	SCREW.....	4				
47	07.0709.0975GT	NUT.....	16				
48	07.30709.1425GT	STUD.....	16				

210.1 610444 Front Axle - Brakes

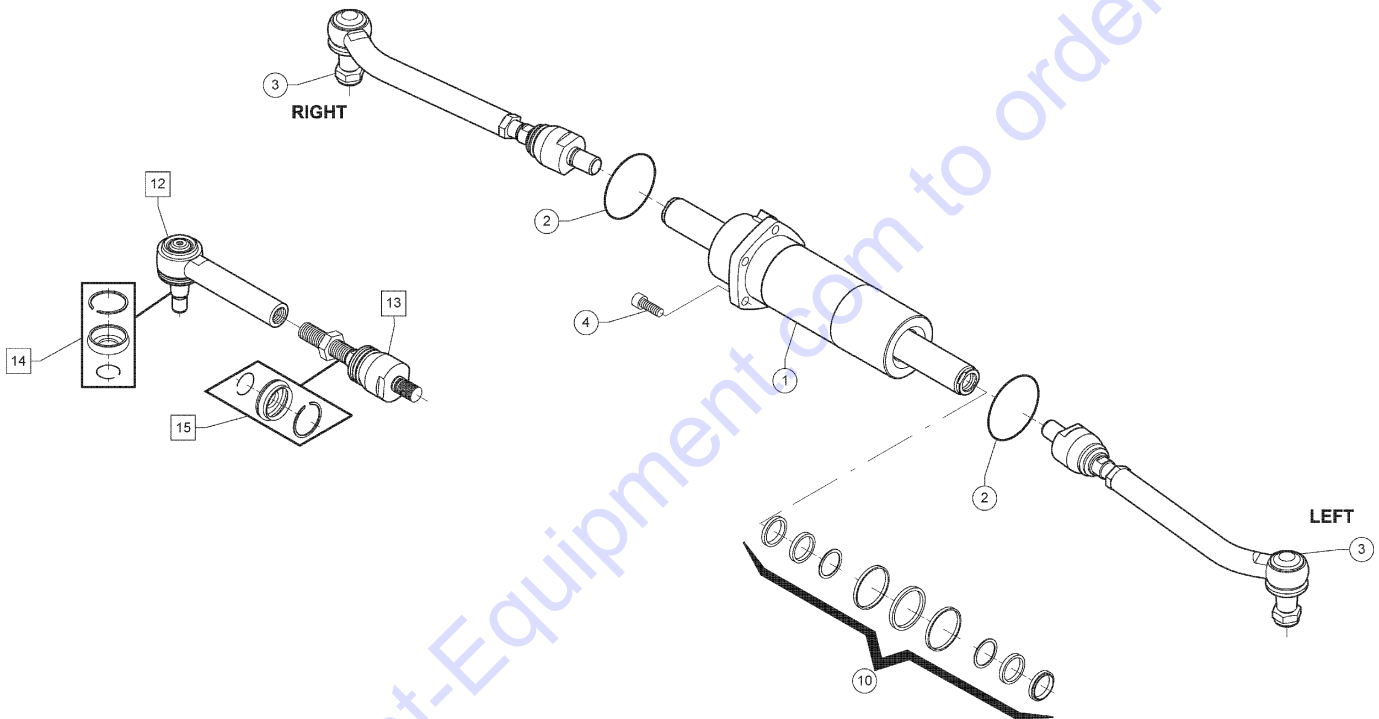


Go to Discount-Equipment.com to order your parts

Item	Part No.	Description	Qty.
1	07.0709.0804GT	SPRING.....	2
2	07.0709.1387GT	O-RING.....	2
3	07.0709.1429GT	PISTON.....	2
4	07.0709.1430GT	SEAL.....	4
5	630328GT	BLEEDER VALVE, LONG.....	4
6	638548GT	PLUG.....	4
7	639808GT	PLUG.....	4
10	07.0709.1431GT	SEAL.....	2
11	07.0709.1432GT	PISTON.....	2
12	637622GT	SPRING.....	6
13	07.0709.0408GT	Adjusting Screw.....	6
14	07.0709.1310GT	Intermediate Brake Disc.....	6
15	07.0709.0818GT	BRAKE DISC.....	6
16	07.0709.0819GT	Reduction Bushing.....	2
17	07.0709.0953GT	SCREW, ADJUSTING.....	6
18	07.0709.0106GT	SPRING.....	6
19	07.0709.1311GT	Intermediate Brake Disc.....	2
20	07.0709.1392GT	COVER.....	2
23	07.0709.1433GT	SPACER.....	2
24	07.0709.1394GT	SHIM KIT.....	1
25	07.0709.0149GT	WASHER.....	4
26	638566GT	NUT.....	4
27	07.0709.1022GT	SCREW.....	4
28	07.0709.1014GT	DOWEL.....	4

Go to Discount-Equipment.com to order your parts

211.1 610445 Front Axle - Steering

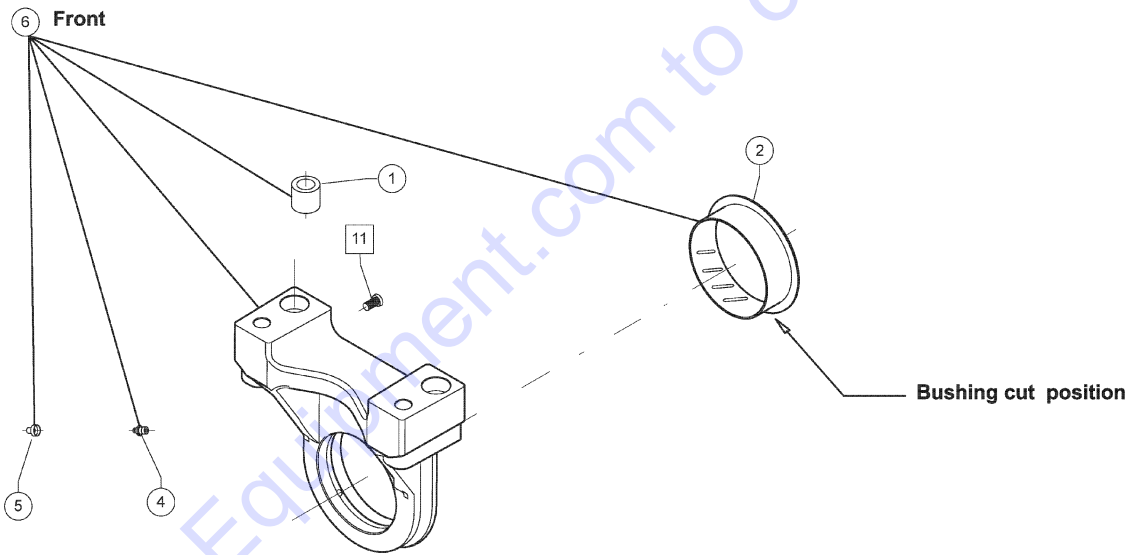


12	13	14	15	OPTIONAL
----	----	----	----	----------

Item	Part No.	Description	Qty.
1	07.0709.1277GT	CYLINDER.....	1
2	638552GT	O-RING.....	2
3	07.0709.1434GT	BAR.....	2
4	637846GT	SCREW.....	5
10	07.0709.0419GT	Joint Kit.....	1
12	07.0709.1435GT	90 DEGREE JOINT.....	1
13	07.0709.1436GT	AXIAL JOINT.....	1
14	07.0709.1414GT	RUBBER BOOT & LOCKING RING KIT.....	1
15	07.0709.1415GT	RUBBER BOOT & LOCKING RING KIT.....	1

Go to Discount-Equipment.com to order your parts

212.1 610446 Front Axle - Trunion

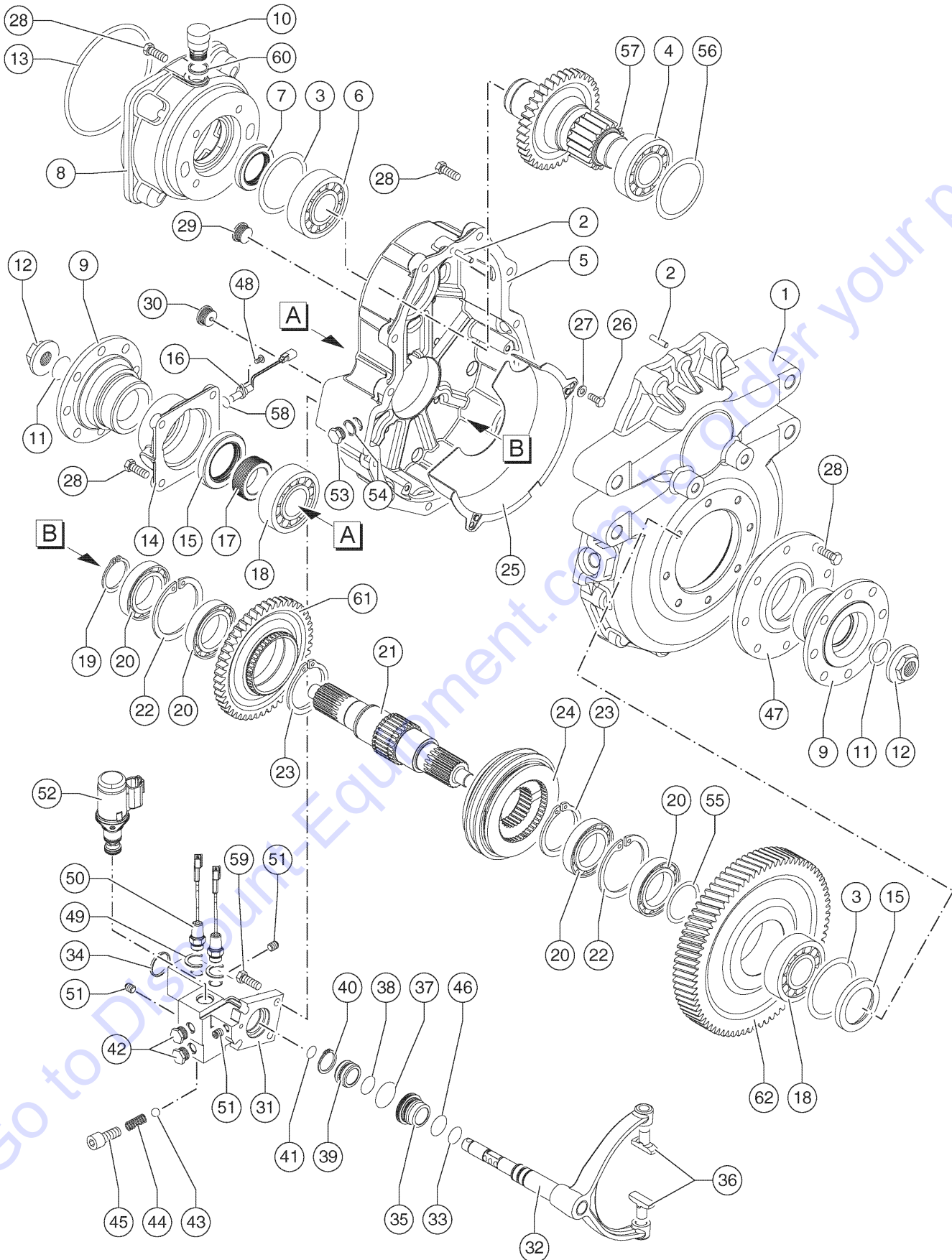


6 Trunion kit Front=1+2+3+4+5

Item	Part No.	Description	Qty.
1	07.0709.0051GT	BUSHING.....	4
2	637413GT	BUSHING.....	2
4	633176GT	GREASE NIPPLE.....	2
5	638548GT	PLUG.....	2
6	07.0709.1316GT	Support.....	2
11	07.0709.1416GT	BOLT.....	2

Go to Discount-Equipment.com to order your parts

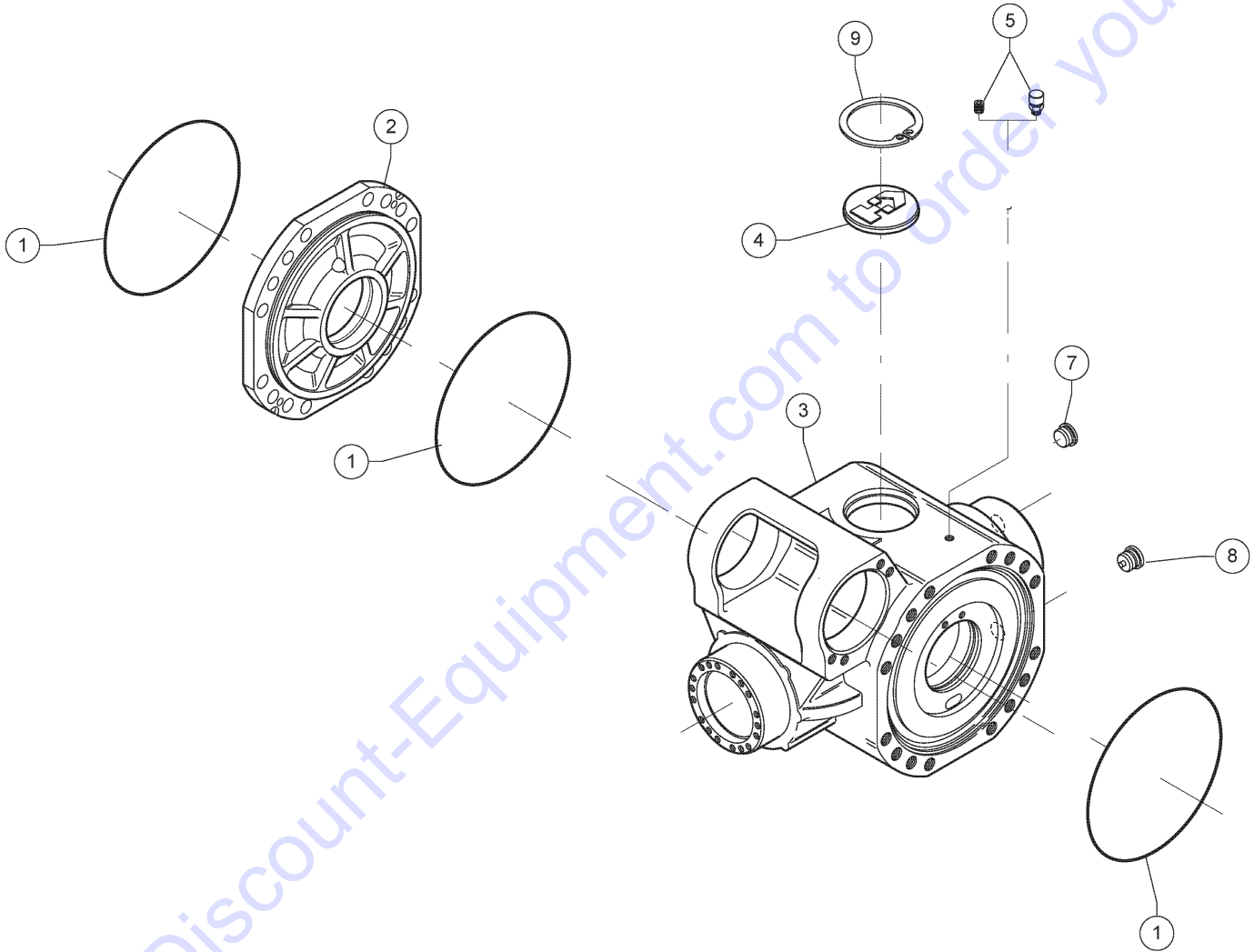
213.1 610447 Front And Rear Axle - Gear Box



213.1 610447 Front And Rear Axle - Gear Box

Item	Part No.	Description	Qty.	Item	Part No.	Description	Qty.
1	07.0709.0847GT	HOUSING.....	1	40	07.0709.0867GT	SNAP RING.....	2
2	639785GT	DOWEL.....	2	41	07.0709.0868GT	O-RING.....	2
3	629733GT	SHIM THICKNESS.....	1	42	639808GT	PLUG.....	2
3	629735GT	SHIM/THICKNESS.....	1	43	07.0709.0327GT	BALL.....	1
3	639327GT	THICKNESS.....	1	44	635596GT	SPRING.....	1
3	639328GT	THICKNESS.....	1	45	07.0709.1359GT	PLUG.....	1
3	639329GT	THICKNESS.....	1	46	07.0709.0870GT	O-RING.....	1
4	07.0709.0848GT	BEARING.....	1	47	639783GT	COVER.....	1
5	07.0709.0849GT	COVER.....	1	48	07.0709.1368GT	SCREW.....	1
6	633202GT	BEARING.....	1	49	07.0709.1292GT	Washer.....	1
7	639790GT	SEAL.....	1	49	07.0709.1293GT	Washer.....	1
8	07.0709.0850GT	COVER.....	1	49	07.0709.1294GT	Washer.....	1
9	07.0709.0079GT	Flange.....	2	49	07.0709.1295GT	Washer.....	1
10	07.0709.0076GT	PLUG/STOPPER.....	1	49	07.0709.1296GT	Washer.....	1
11	633161GT	O-RING.....	2	49	07.0709.1297GT	Washer.....	1
12	07.0709.1290GT	Nut.....	2	49	07.0709.1360GT	Washer.....	1
13	07.0709.0127GT	O-RING.....	1	49	07.0709.1361GT	Washer.....	1
14	07.0709.1352GT	COVER.....	1	50	07.0709.1065GT	Security Microswitch.....	2
15	07.0709.1291GT	Seal.....	2	51	07.0709.1362GT	PLUG.....	3
16	07.0709.1353GT	SENSOR.....	1	52	07.0709.1363GT	VALVE.....	1
17	07.0709.0853GT	GEAR.....	1	53	07.0709.0422GT	SCREW.....	1
18	07.0709.0443GT	BEARING.....	2	54	639818GT	WASHER.....	2
19	633203GT	SNAP RING.....	1	55	07.0709.1364GT	SHIM KIT.....	1
20	07.0709.0854GT	BEARING.....	4	56	639306GT	SHIM 0.20MM.....	1
21	07.0709.0855GT	SHAFT.....	1	56	639307GT	SHIM 0.30MM.....	1
22	07.0709.0856GT	SNAP RING.....	2	57	07.0709.0879GT	Input Shaft.....	1
23	07.0709.0857GT	SNAP RING.....	2	58	639810GT	SEAL.....	1
24	07.0709.1354GT	SYNCHRONIZER.....	1	59	07.0709.1365GT	SCREW.....	4
25	07.0709.0720GT	GUARD.....	1	60	633072GT	Sealing Washer.....	1
26	639792GT	SCREW.....	2	61	07.0709.1366GT	GEAR.....	1
27	07.0709.0718GT	WASHER.....	2	62	07.0709.1367GT	GEAR.....	1
28	07.0709.0939GT	Screw.....	12				
29	633208GT	PLUG.....	1				
30	628275GT	PLUG.....	1				
31	07.0709.1355GT	COVER.....	1				
32	07.0709.1356GT	SELECTOR SHAFT.....	1				
33	637576GT	O-RING.....	1				
34	07.0709.0861GT	SEAL.....	1				
35	07.0709.0862GT	BUSHING.....	1				
36	07.0709.1357GT	SLIDING PIN.....	2				
37	07.0709.0864GT	O-RING.....	1				
38	07.0709.0865GT	O-RING.....	1				
39	07.0709.1358GT	PISTON.....	1				

214.1 610448 Rear Axle - Central Housing



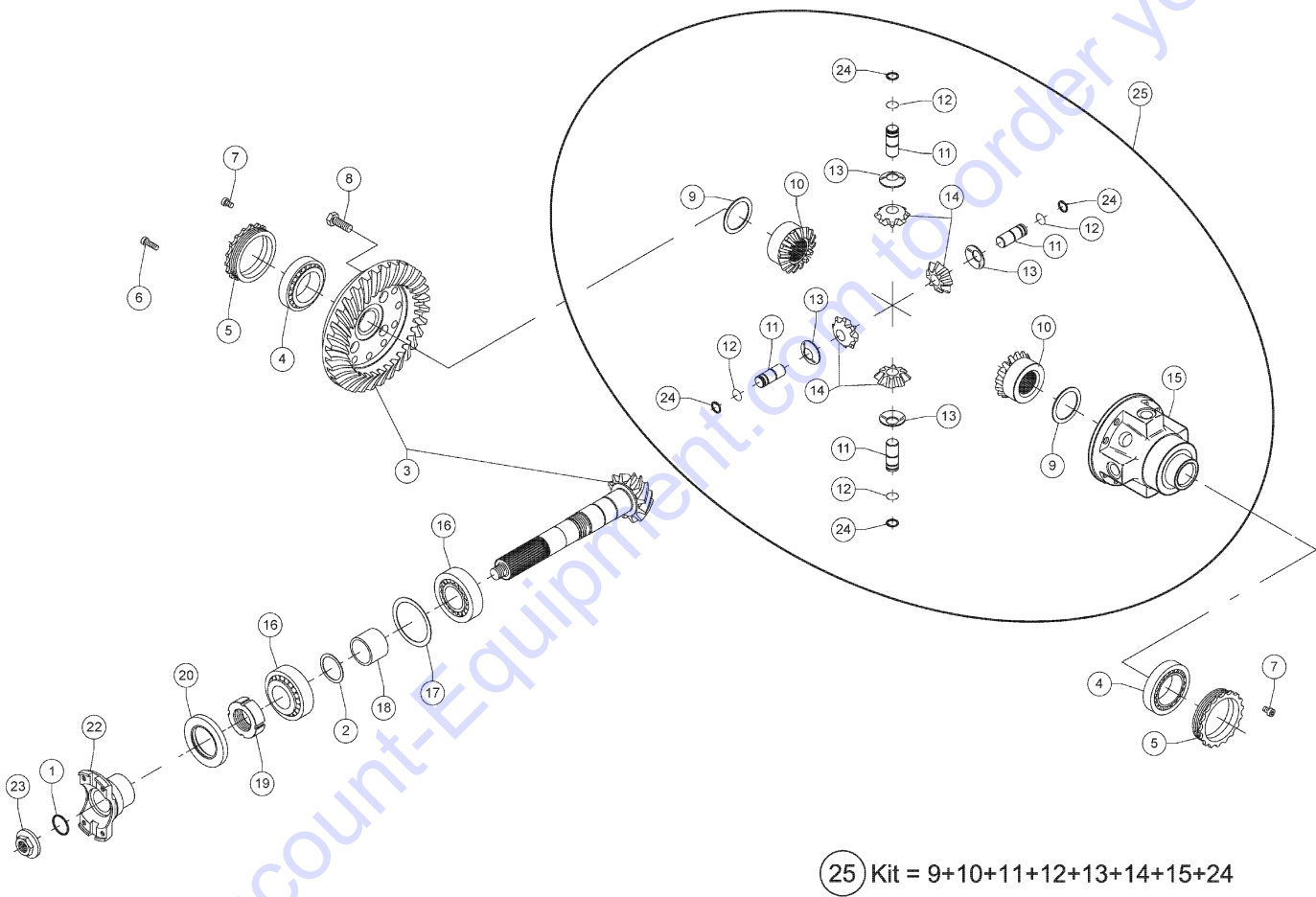
Go to Discount-Equipment.com to order your parts

214.1 610448 Rear Axle - Central Housing

Item	Part No.	Description	Qty.
1	632383GT	SEAL.....	3
2	07.0709.1381GT	COVER.....	1
3	07.0709.1398GT	HOUSING.....	1
4	07.0709.0084GT	PLUG.....	1
5	07.0709.1399GT	PLUG.....	1
7	07.0709.0113GT	PLUG.....	1
8	07.0709.0371GT	PLUG,MAGNET.....	1
9	07.0709.0441GT	SNAP RING.....	1

Go to Discount-Equipment.com to order your parts

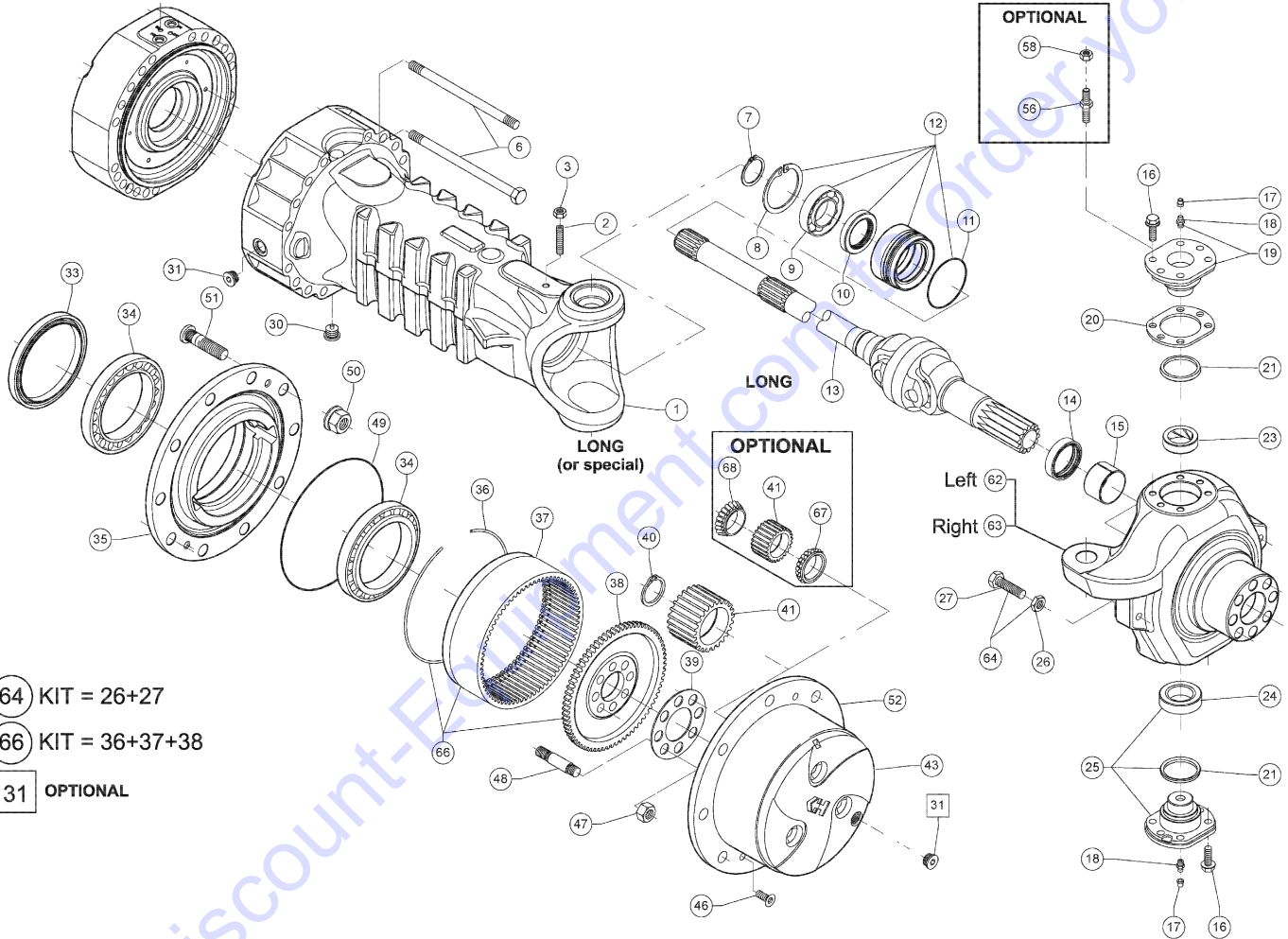
215.1 610449 Rear Axle - Differential



215.1 610449 Rear Axle - Differential

Item	Part No.	Description	Qty.
1	639652GT	O-RING.....	1
2	07.0709.1397GT	SHIM KIT.....	1
3	07.0709.1400GT	BEVEL GEAR SET.....	1
4	07.0709.1401GT	TAPER ROLLER BEARING.....	2
5	639664GT	Ring Nut.....	2
6	07.0709.1402GT	CYLINDER BOLT.....	4
7	07.0709.0884GT	Screw.....	2
8	07.0709.0057GT	SCREW,RING GEAR.....	12
9	639684GT	WASHER.....	2
10	639685GT	GEAR,DIFFERENTIAL SIDE.....	2
11	07.0709.0722GT	Pin.....	4
12	639661GT	Snap Ring.....	4
13	639662GT	WASHER,FRICTION.....	4
14	639659GT	GEAR,SATELLITE.....	4
15	639686GT	CASE,DIFFERENTIAL.....	1
16	626544GT	BEARING.....	2
17	07.0709.1396GT	SHIM KIT.....	1
18	639653GT	Spacer.....	1
19	630693GT	Ring Nut.....	1
20	07.0709.1280GT	SEAL.....	1
22	07.0709.0426GT	Flange.....	1
23	07.0709.1290GT	Nut.....	1
24	639651GT	Snap Ring.....	4
25	07.0709.1403GT	DIFFERENTIAL KIT.....	1

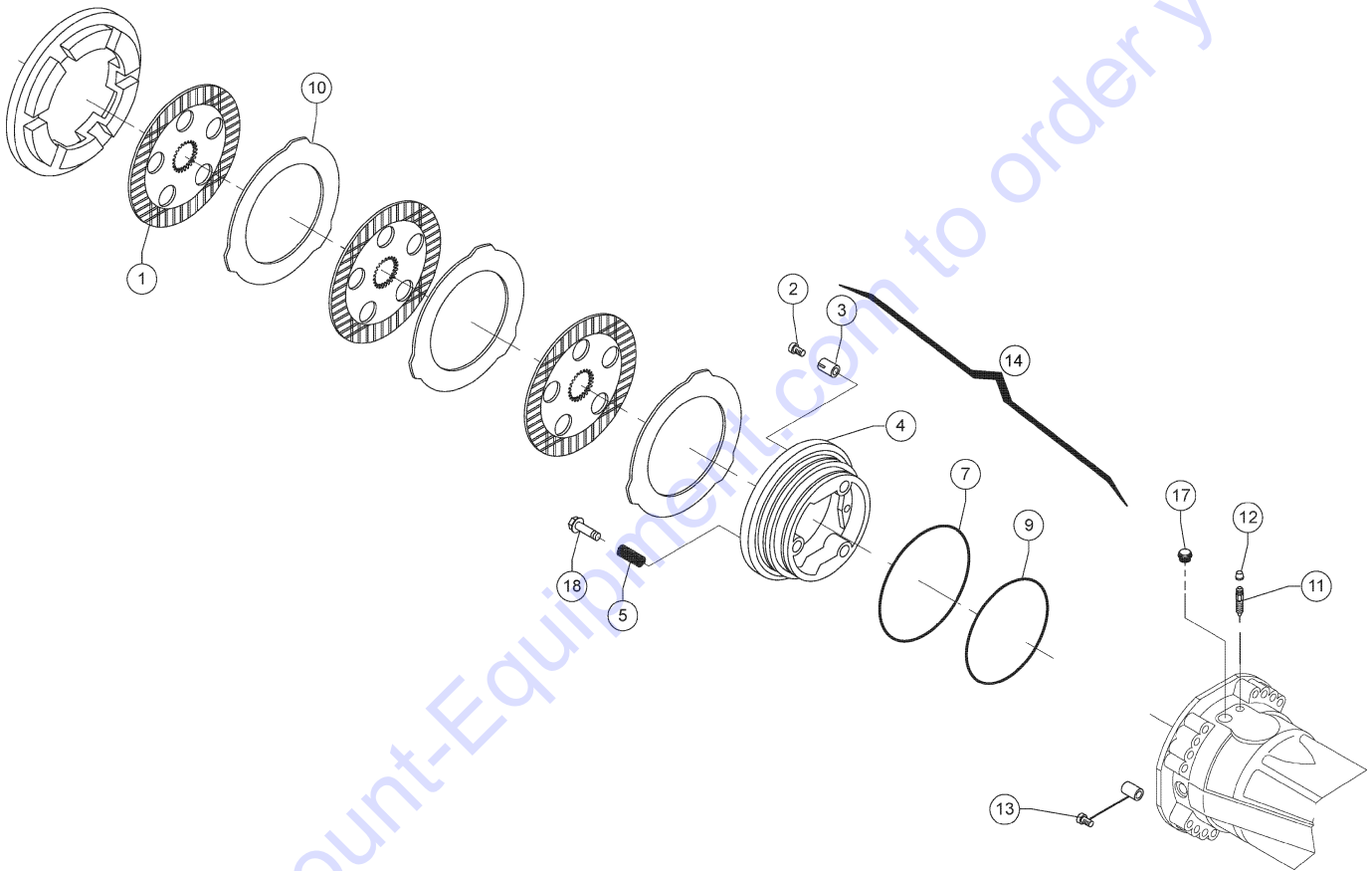
216.1 610450 Rear Axle - Hub Reduction



216.1 610450 Rear Axle - Hub Reduction

Item	Part No.	Description	Qty.	Item	Part No.	Description	Qty.
1	07.0709.1281GT	AXLE.....	2	56	07.0709.0119GT	STUD,DRIVE AXLE.....	8
2	07.0709.0462GT	SCREW.....	2	58	07.0709.1407GT	NUT.....	8
3	633174GT	NUT.....	2	62	07.0709.1274GT	STEERING CASE KIT LH.....	1
6	07.0709.1282GT	SCREW.....	32	63	07.0709.1276GT	STEERING CASE KIT RH.....	1
7	633203GT	SNAP RING.....	2	64	07.0709.0365GT	SCREW,STEERING ADJUST.....	4
8	07.0709.0441GT	SNAP RING.....	2	66	07.0709.1285GT	RING GEAR SUPPORT KIT.....	2
9	633202GT	BEARING.....	2	67	07.0709.0493GT	BEARING.....	6
10	630846GT	SEAL.....	2	68	07.0709.0492GT	BEARING.....	6
11	640216GT	O-RING.....	2				
12	640720GT	BUSHING.....	2				
13	07.0709.1404GT	DOUBLE UNIVERSAL JOINT.....	2				
14	07.0709.0472GT	SEAL.....	2				
15	07.0709.0465GT	BUSHING.....	1				
16	633070GT	SCREW.....	4				
17	638548GT	PLUG.....	2				
18	633176GT	GREASE NIPPLE.....	2				
19	07.0709.0499GT	PIN.....	2				
20	07.0709.1263GT	SHIM KIT.....	1				
21	07.0709.0469GT	DUST EXCLUDER.....	2				
23	07.0709.0466GT	BUSHING.....	2				
24	07.0709.0470GT	SEAL,DUST EXCLUDER.....	2				
25	07.0709.0500GT	PIN.....	2				
26	634546GT	NUT.....	4				
27	07.0709.0104GT	SCREW.....	4				
30	07.0709.0371GT	PLUG,MAGNET.....	2				
31	07.0709.0113GT	PLUG.....	4				
33	07.0709.1267GT	SEAL.....	2				
34	07.0709.1405GT	ROLLER BEARING.....	4				
35	07.0709.1269GT	WHEEL HUB.....	2				
36	07.0709.0483GT	SNAP RING.....	2				
37	07.0709.1046GT	RING GEAR.....	2				
38	07.0709.1270GT	RING GEAR SUPPORT.....	2				
39	07.0709.1271GT	LOCKING PLATE.....	2				
40	07.0709.0478GT	SNAP RING.....	3				
41	07.0709.0479GT	DIFFERENTIAL PINION.....	6				
43	07.0709.0480GT	SUPPORT.....	1				
46	07.0709.0065GT	SCREW.....	4				
47	637567GT	Nut.....	20				
48	07.0709.1406GT	STUD.....	20				
49	07.0709.0475GT	O-RING.....	2				
50	07.0709.0224GT	NUT,WHEEL.....	20				
51	07.0709.0144GT	STUD,WHEEL.....	20				
52	07.0709.1284GT	PLANET GEAR CARRIER KIT.....	2				

217.1 610451 Rear Axle - Brakes

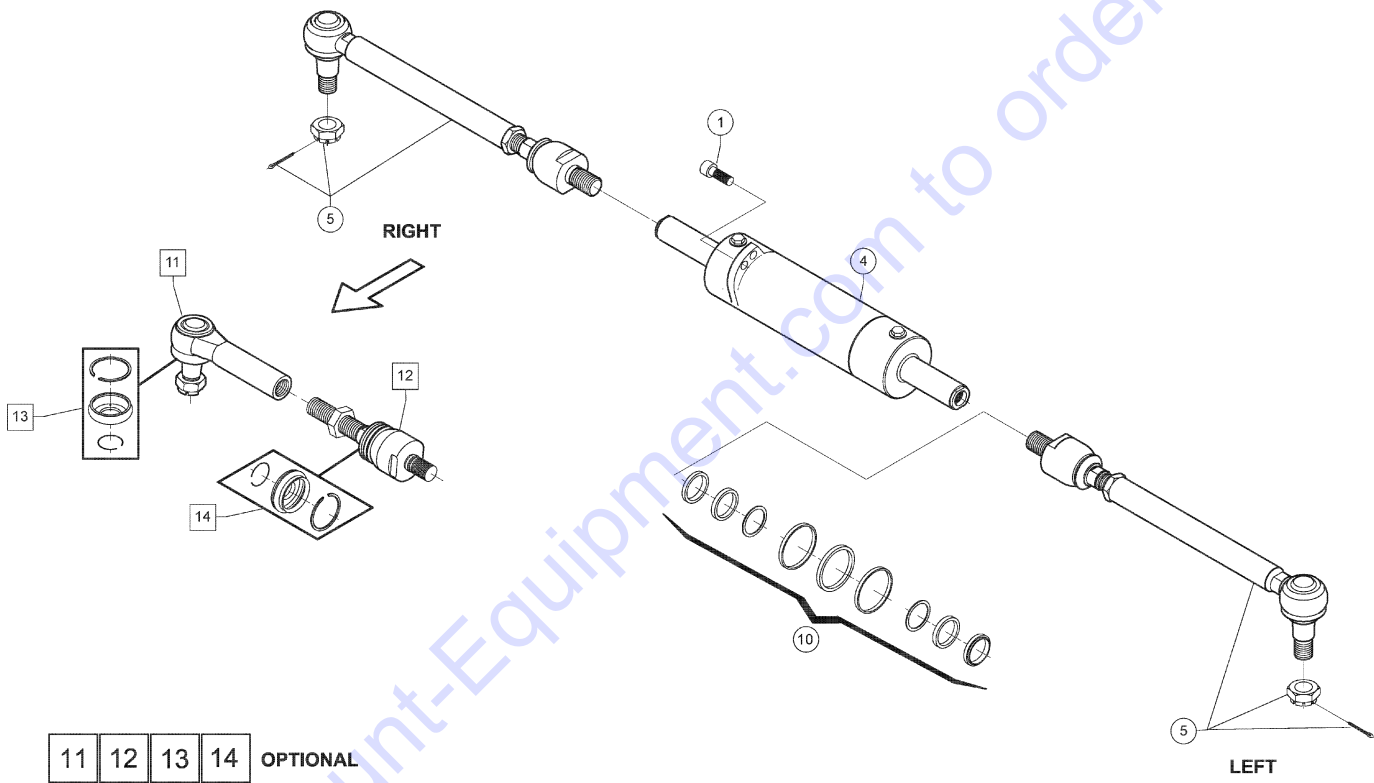


Go to Discount-Equipment.com to order your parts

Item	Part No.	Description	Qty.
1	07.0709.0946GT	DISC.....	8
2	07.0709.0840GT	Adjusting Screw.....	6
3	07.0709.0106GT	SPRING.....	6
4	07.0709.1408GT	PISTON.....	2
5	637622GT	SPRING.....	6
7	07.0709.1409GT	O-RING.....	2
9	07.0709.1410GT	O-RING.....	2
10	639683GT	BRAKE DISC,INTERMEDIATE.....	10
11	630328GT	BLEEDER VALVE, LONG.....	2
12	638548GT	PLUG.....	2
13	07.0709.1007GT	SCREW.....	2
14	07.0709.1437GT	PISTON.....	2
17	639808GT	PLUG.....	2
18	07.0709.0408GT	Adjusting Screw.....	6

Go to Discount-Equipment.com to order your parts

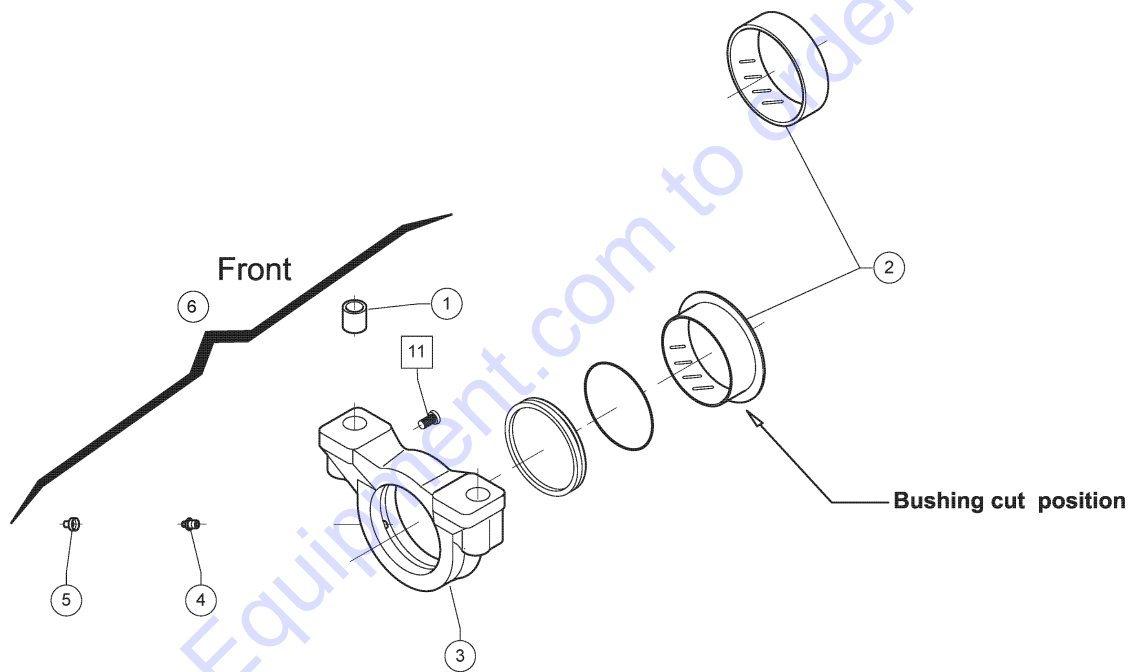
218.1 610452 Rear Axle - Steering



Item	Part No.	Description	Qty.
1	639671GT	Screw.....	4
4	07.0709.1287GT	CYLINDER.....	1
5	07.0709.1411GT	BAR.....	2
10	07.0709.1380GT	GASKET KIT STEERING CYLINDER.....	1
11	07.0709.1412GT	90 DEGREE JOINT.....	1
12	07.0709.1413GT	AXIAL JOINT.....	1
13	07.0709.1414GT	RUBBER BOOT & LOCKING RING KIT.....	1
14	07.0709.1415GT	RUBBER BOOT & LOCKING RING KIT.....	1

Go to Discount-Equipment.com to order your parts

219.1 610453 Rear Axle - Trunion

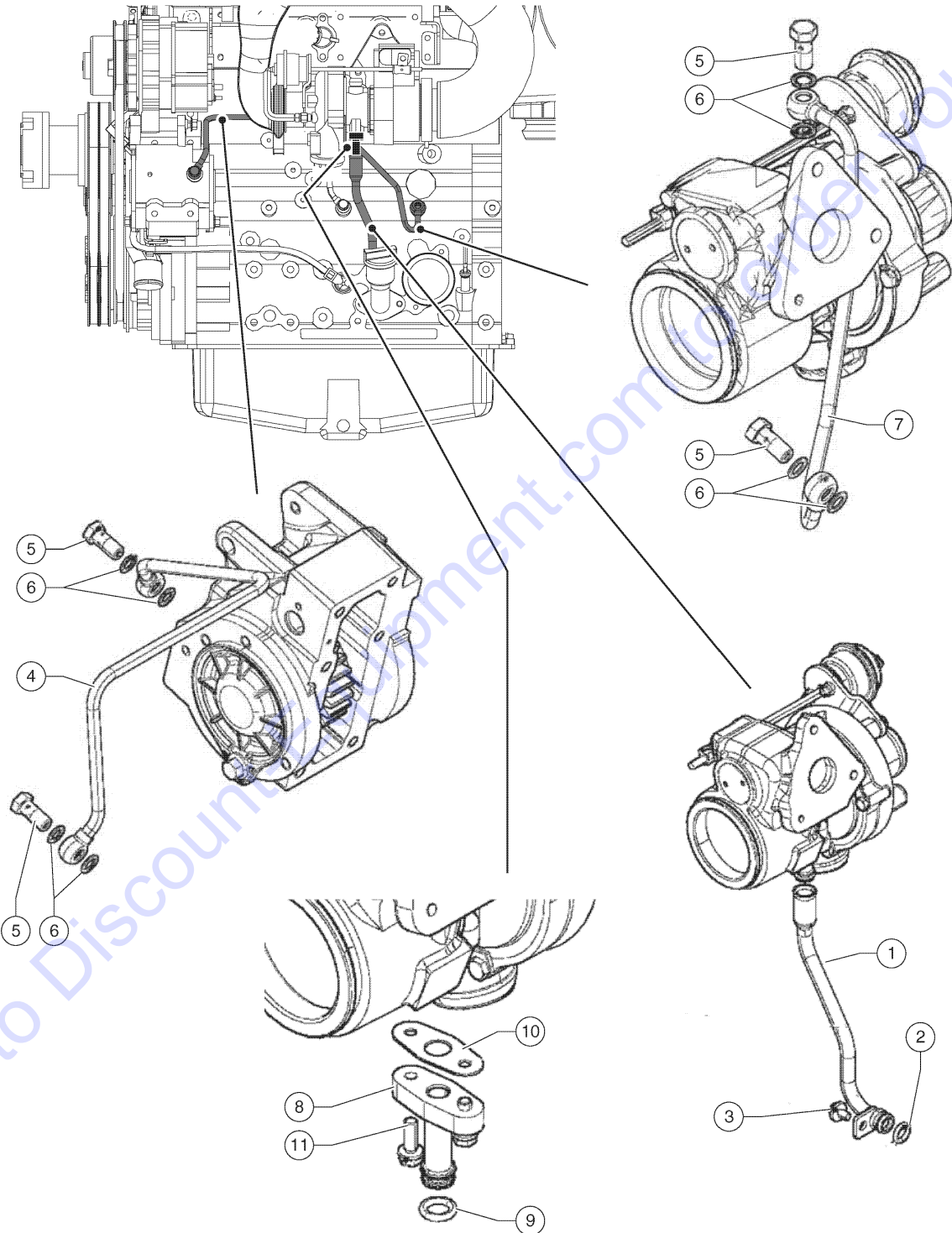


6 Trunion kit Front=1+2+3+4+5+ 11

Item	Part No.	Description	Qty.
1	07.0709.0218GT	BUSHING.....	4
2	637850GT	Bushing.....	2
4	633176GT	GREASE NIPPLE.....	2
5	638548GT	PLUG.....	2
6	09.4632.0002GT	Support.....	2
11	07.0709.1416GT	BOLT.....	2

Go to Discount-Equipment.com to order your parts

301.1 610455 Diesel Engine Components - View 1

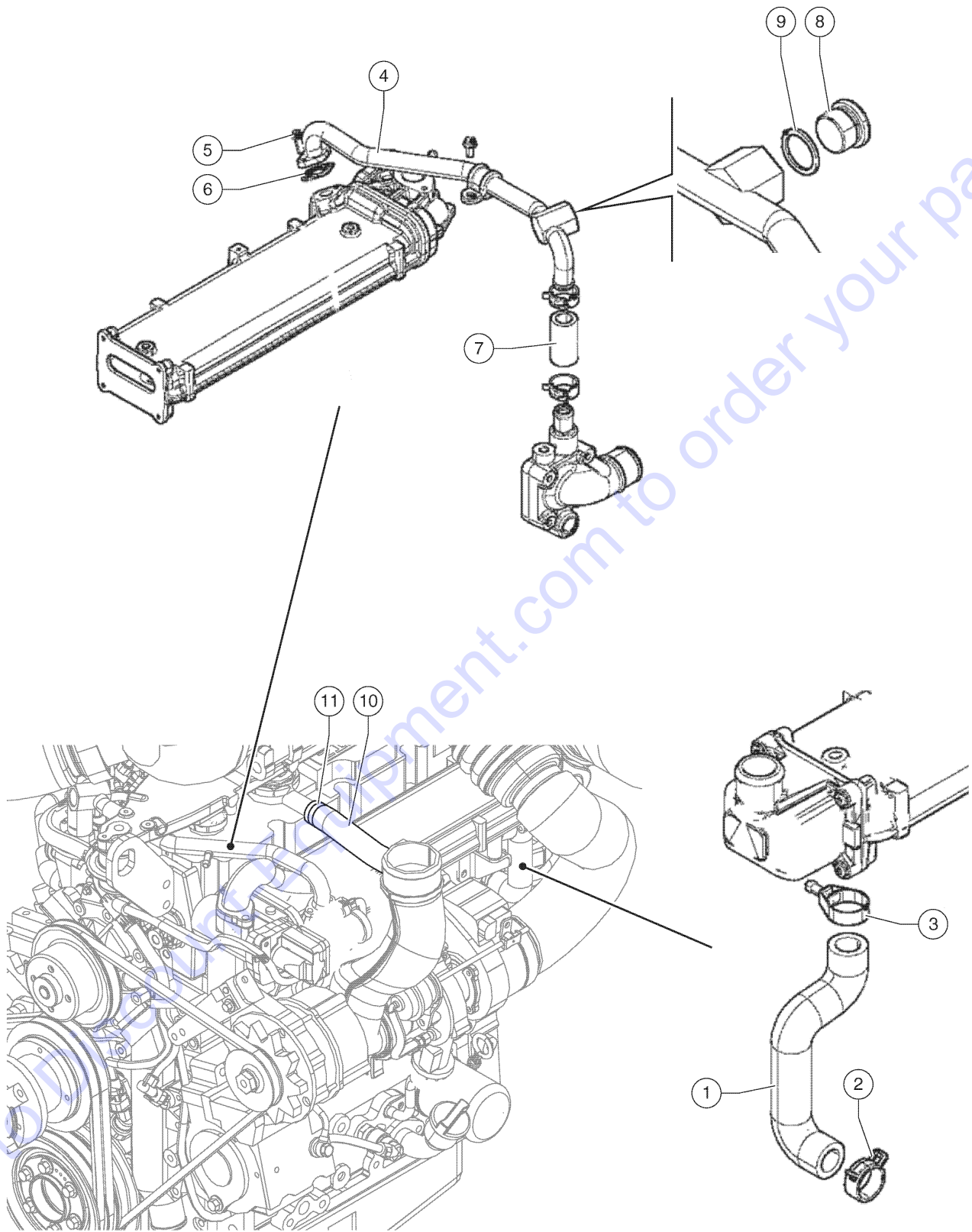


301.1 610455 Diesel Engine Components - View 1

Item	Part No.	Description	Qty.
1	07.4501.0368GT	PIPE.....	1
2	07.4501.0369GT	RING.....	1
3	07.4501.0385GT	SCREW.....	1
4	07.4501.0363GT	OIL PIPE.....	1
5	07.4501.0361GT	SCREW.....	4
6	07.4501.0362GT	WASHER.....	8
7	07.4501.0360GT	OIL PIPE.....	1
8	07.4501.0364GT	FLANGE.....	1
9	07.4501.0365GT	RING.....	1
10	07.4501.0366GT	GASKET.....	1
11	07.4501.0367GT	SCREW.....	2

Go to Discount-Equipment.com to order your parts

302.1 610456 Diesel Engine Components - View 2

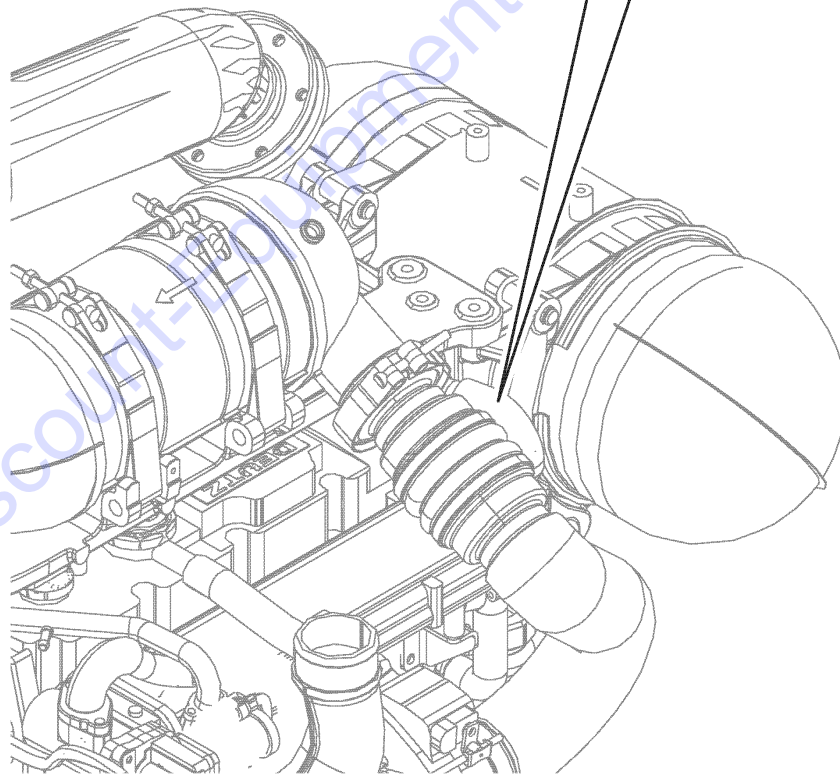
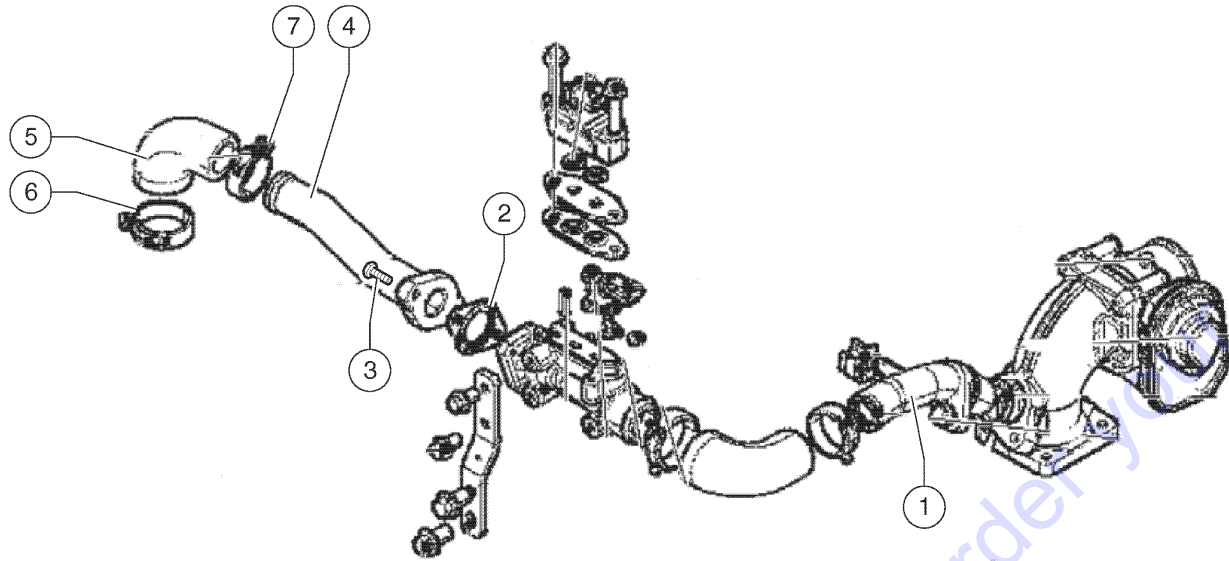


302.1 610456 Diesel Engine Components - View 2

Item	Part No.	Description	Qty.
1	1257328GT	PIPE,MAN,EXHAUST,TCD 3.6,T4F.....1	1
2	07.4501.0371GT	CLAMP.....1	1
3	07.4501.0374GT	CLAMP.....1	1
4	1257635GT	HOSE,COOLANT,EGR,TCD 3.6,T4F.....1	1
5	07.4501.0381GT	SCREW.....2	2
6	1257636GT	GSKT,HOSE,COOL,EGR,TCD 3.6,T4F...1	1
7	07.4501.0382GT	MANIFOLD.....1	1
8	07.4501.0388GT	PLUG.....1	1
9	07.4501.0389GT	RING.....1	1
10	07.4501.0359GT	RUBBER PIPE.....1	1
11	07.4501.0358GT	CLAMP.....1	1

Go to Discount-Equipment.com to order your parts

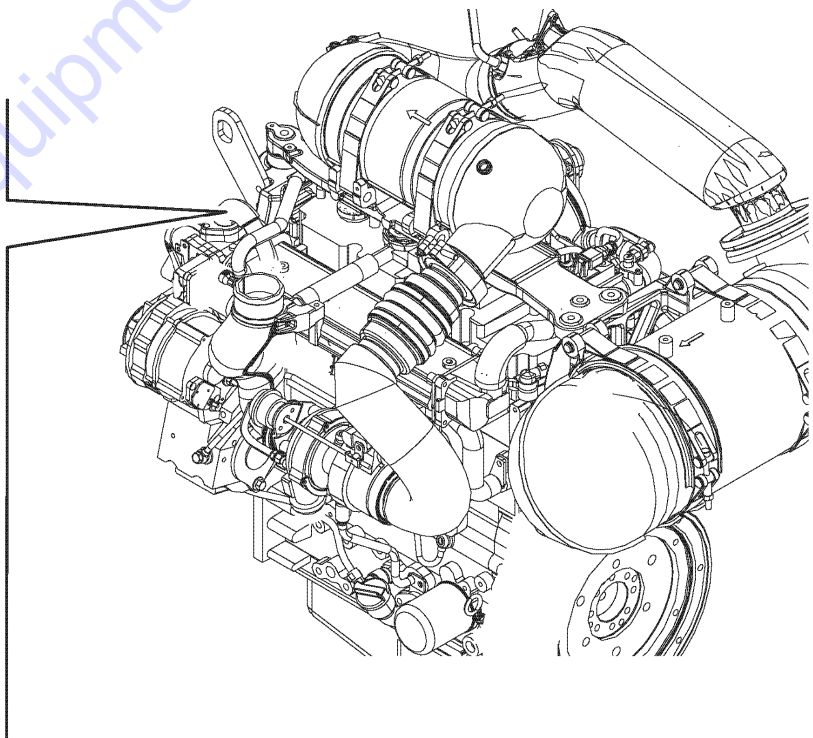
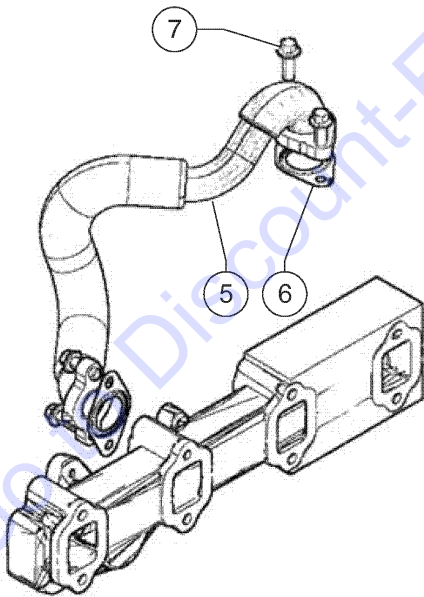
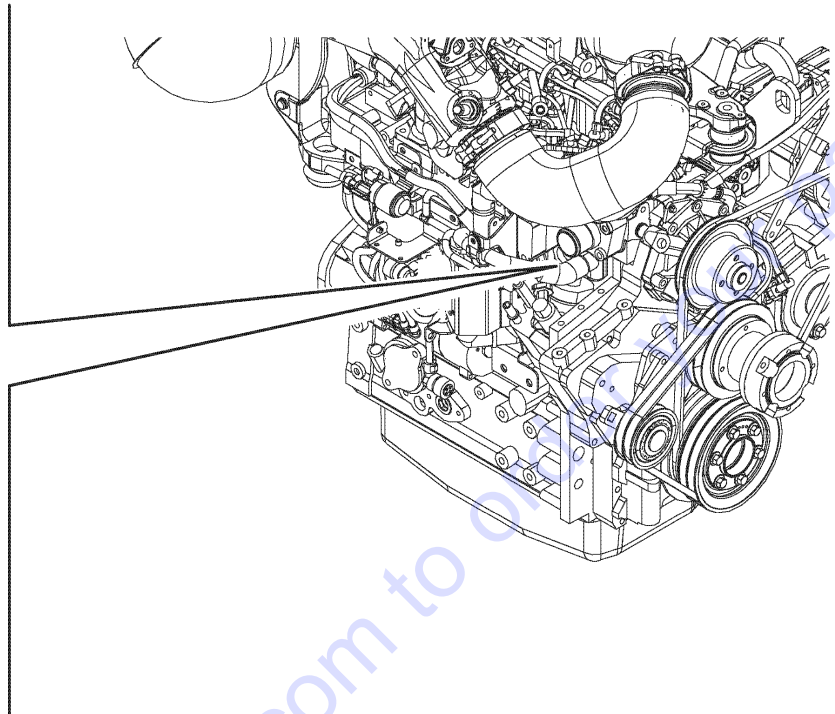
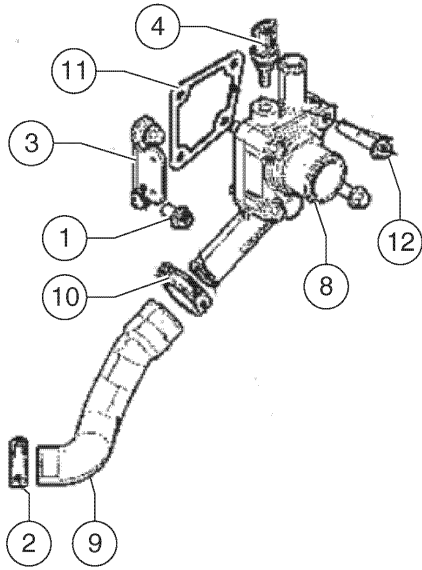
303.1 610457 Diesel Engine Components - View 3



Item	Part No.	Description	Qty.
1	07.4501.0375GT	GAS PIPE.....	1
2	1257642GT	GSKT,PIPE,MAN,EXST,TCD3.6,T4F.....	1
3	07.4501.0376GT	SCREW.....	3
4	07.4501.0377GT	EXHAUST PIPE.....	1
5	07.4501.0378GT	EXHAUST PIPE.....	2
6	07.4501.0379GT	CLAMP.....	2
7	07.4501.0380GT	CLAMP.....	2

Go to Discount-Equipment.com to order your parts

304.1 610458 Diesel Engine Components - View 4

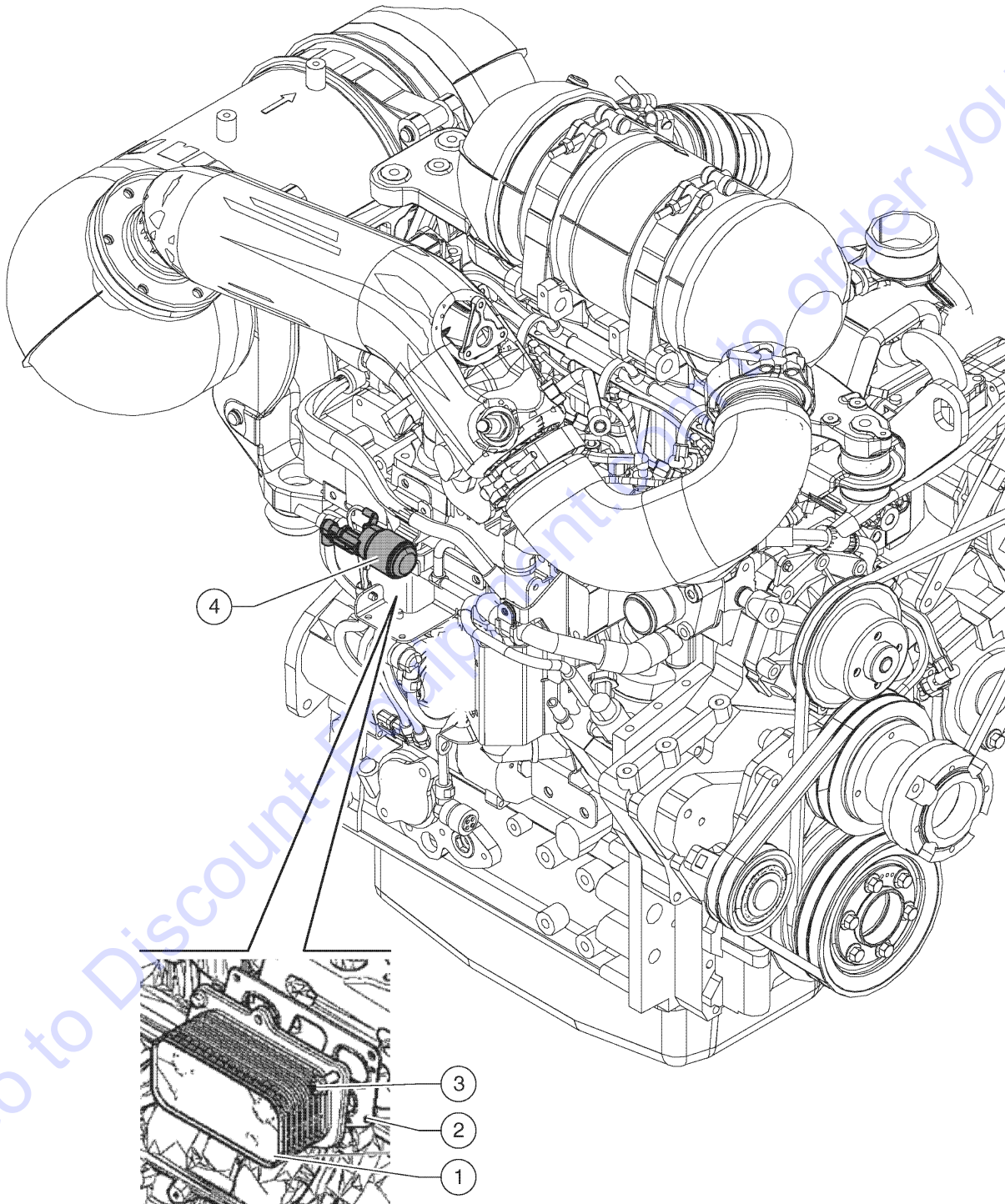


304.1 610458 Diesel Engine Components - View 4

Item	Part No.	Description	Qty.
1	07.4501.0398GT	SCREW.....	2
2	07.4501.0371GT	CLAMP.....	4
3	07.4501.0397GT	BRACKET.....	1
4	825693GT	COOLANT TEMP SENSOR,TD2.9.....	1
5	07.4501.0372GT	COMPENSATOR.....	1
6	1257642GT	GSKT,PIPE,MAN,EXST,TCD3.6,T4F.....	1
7	07.4501.0373GT	SCREW.....	1
8	07.4501.0393GT	HOUSING.....	1
9	07.4501.0394GT	HOSE.....	1
10	07.4501.0395GT	CLAMP.....	1
11	1257337GT	GASKET,THERMOSTAT.....	1
12	07.4501.0396	SCREW.....	4

Go to Discount-Equipment.com to order your parts

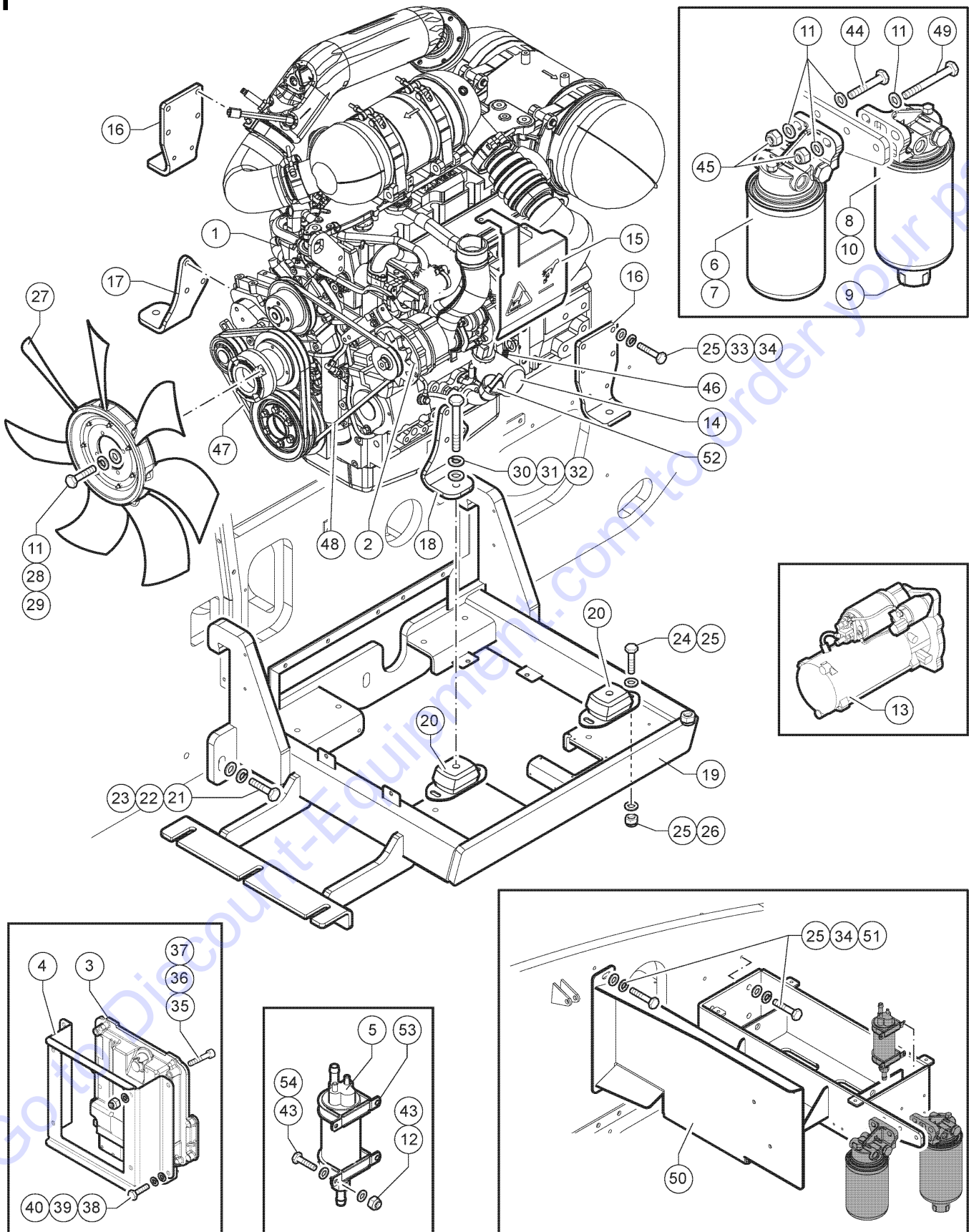
305.1 610459 Diesel Engine Components - View 5



Item	Part No.	Description	Qty.
1	07.4501.0384GT	OIL REFRIGERANT.....	1
2	07.4501.0355GT	GASKET.....	1
3	07.4501.0119GT	SCREW.....	4
4	07.4501.0316GT	RELAY.....	1

Go to Discount-Equipment.com to order your parts

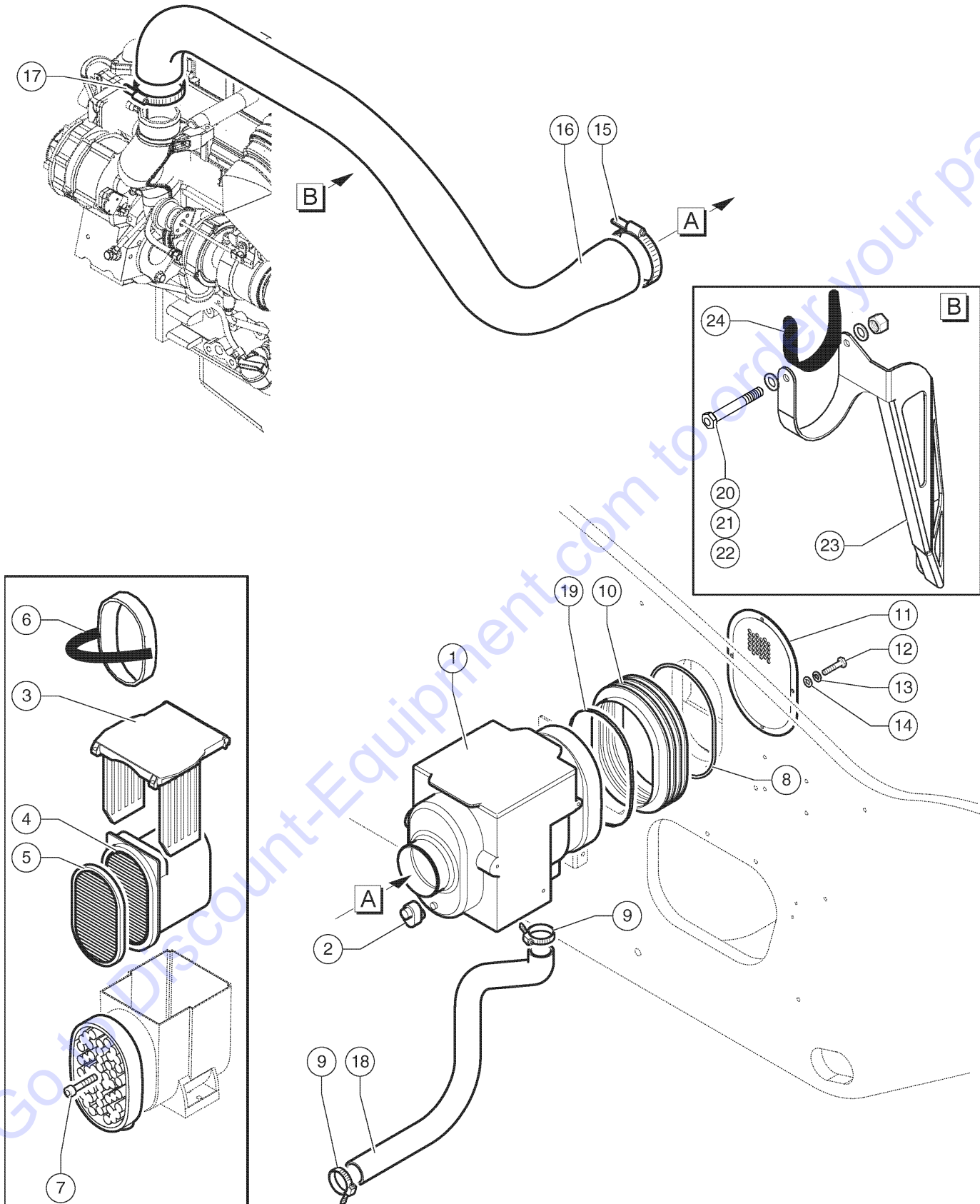
306.1 610460 Diesel Engine



306.1 610460 Diesel Engine

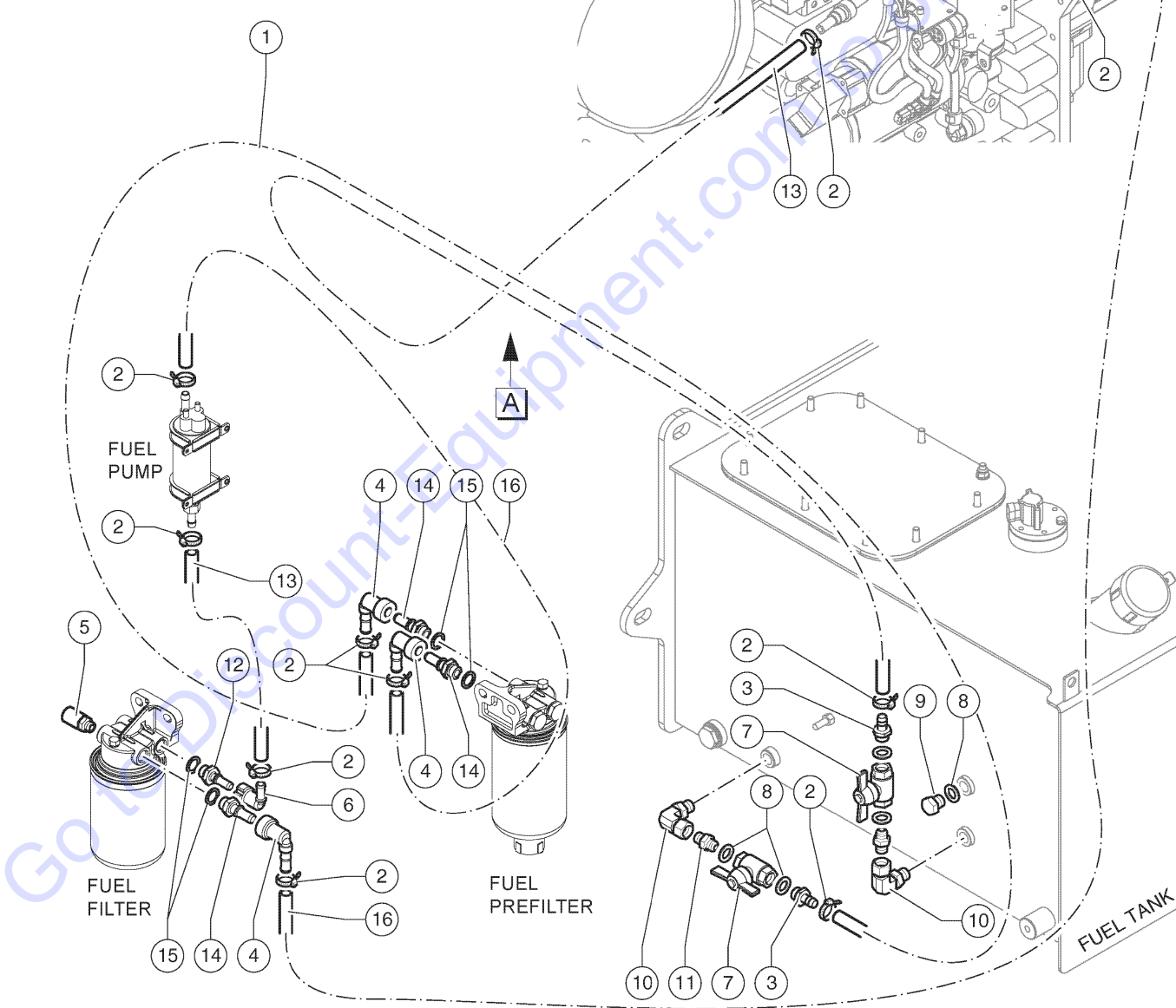
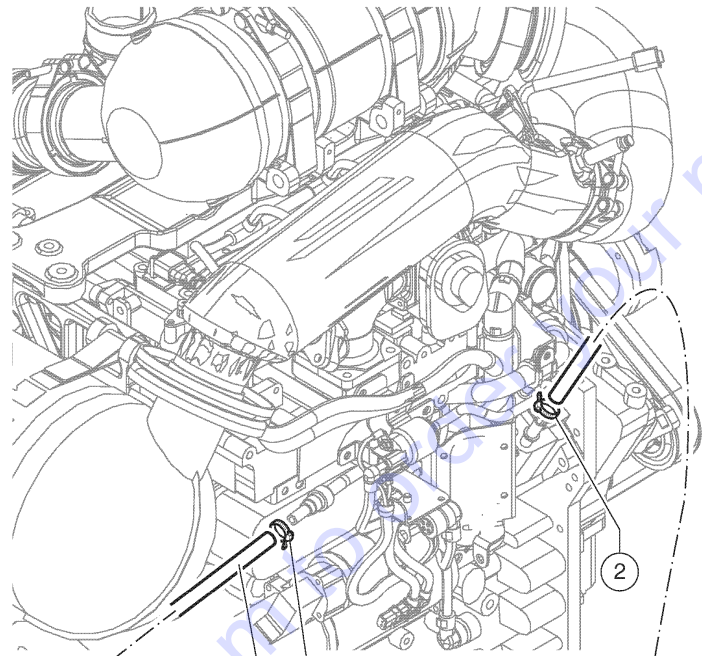
Item	Part No.	Description	Qty.	Item	Part No.	Description	Qty.
1	094601.0083GT	TCD 3.6 TIER4 FINAL ENGINE DEUTZ.....1 <i>The Complete Engine is sell together the Exhaust System</i>	1	38	01.0001.0154GT	SCREW M6X16 UNI 5739 8.8 ZN.....4	4
2	074501.0312GT	Alternator.....1 <i>For USA Market Buy p.n. 1257344GT</i>	1	39	01.4032.0002GT	SPRING WASHER D6 ZN.....4	4
3		Deutz Engine Control Unit.....1 <i>Please Communicate The Engine Serial Number</i>	1	40	01.0031.0308GT	FLAT WASHER D6 UNI ISO 7093 ZN.....4	4
4	51.0811.4448GT	SUPPORT,CONTROL UNIT.....1	1	43	01.0031.0053GT	FLAT WASHER D5 UNI 6592 ZN.....12	12
5	074501.0351GT	FUEL PUMP.....1	1	44	01.0001.0257GT	SCREW M8X30 UNI 5739 8.8 ZN.....2	2
6	074501.0352GT	FUEL FILTER CARTRIDGE.....1 <i>For USA Market Buy p.n. 823057GT</i>	1	45	01.0023.0054GT	NUT,M8 UNI 7473 6S ZN.....3	3
7	236266GT	FILTER,FUEL,DEUTZ TCD3.6.....1	1	46	074501.0383GT	DIPSTICK OIL.....1	1
8	074501.0285GT	Fuel Pre-Filter Cartridge.....1 <i>For USA Market Buy p.n. 236260GT</i>	1	47	074501.0353GT	V-BELT.....2	2
9	074501.0291GT	SENSOR.....1	1	48	074501.0311GT	V-BELT.....1 <i>For USA Market Buy p.n. 236267GT</i>	1
10	074501.0303GT	Complete Fuel Pre-Filter.....1	1	49	01.0001.0466GT	SCREW M8X50 UNI 5739 8.8 ZN.....1	1
11	01.0031.0055GT	FLAT WASHER D8 UNI 6592 ZN.....10	10	50	51.0811.4860GT	BATTERY AND AIR FILTER SUPPORT.....1	1
12	01.0023.0052GT	STOP NUT M5 UNI 7473 6S ZN.....4	4	51	01.0001.0402GT	SCREW M12X45 UNI 5737 8.8 ZN.....4	4
13	074501.0390GT	STARTER,TCD3.6 T4F.....1	1	52	1257352GT	CAP,OIL FILLER,TCD 3.6,T4F.....1	1
14	074501.0067GT	FILTER,OIL.....1 <i>For USA Market Buy p.n. 49924GT</i>	1	53	074501.0354GT	CLAMP.....2	2
15	51.0903.5298GT	PROTECTION.....1	1	54	01.0001.1438GT	SCREW M5X20 UNI 5739 8.8 ZN.....4	4
16	51.0811.4501GT	FRONT ENGINE SUPPORT.....2	2				
17	51.0811.4502GT	LEFT REAR ENGINE SUPPORT.....1	1				
18	51.0811.4503GT	RIGHT REAR ENGINE SUPPORT.....1	1				
19	51.0811.4616GT	DEUTZ ENGINE SUPPORT.....1	1				
20	094670.0027GT	Insulator.....4	4				
21	01.0001.0851GT	SCREW M20X60 UNI 5737 8.8 ZN.....3	3				
22	01.0031.0061GT	FLAT WASHER D20 UNI 6592 ZN.....3	3				
23	01.4032.0009GT	SPRING WASHER D20 ZN.....3	3				
24	01.0001.0508GT	SCREW M12X40 UNI 5739 8.8 ZN.....8	8				
25	01.0031.0057GT	WASHER,D12 UNI 6592 ZN.....34	34				
26	01.0023.0056GT	STOP NUT M12 UNI 7473 6S ZN.....8	8				
27	070712.0249GT	FAN.....1	1				
28	01.0001.0258GT	SCREW M8X35 UNI 5739 8.8 ZN.....4	4				
29	01.4032.0003GT	SPRING WASHER D8 ZN.....4	4				
30	01.0031.0059GT	FLAT WASHER D16 UNI 6592 ZN.....4	4				
31	01.4032.0007GT	SPRING WASHER D16 ZN.....4	4				
32	01.4001.0209GT	SCREW,HHC,M16-2X50,10,9,ZN.....4	4				
33	01.0001.0401GT	SCREW M12X40 UNI 5737 8.8 ZN.....14	14				
34	01.4032.0005GT	SPRING WASHER D12 ZN.....18	18				
35	01.0003.0159GT	SCREW M6X35 UNI 5931 8.8 ZN.....4	4				
36	01.0031.0298GT	FLAT WASHER D6 UNI 6593 ZN.....4	4				
37	01.0023.0053GT	STOP NUT M6 UNI 7473 6S ZN.....4	4				

307.1 610461 Air Filter



Item	Part No.	Description	Qty.
1	09.4604.0074GT	Air Filter.....	1
2	09.4604.0076GT	Sensor.....	1
3	07.4501.0225GT	Air Filter Cover.....	1
4	07.4501.0223GT	Air Filter Element.....	1
5	07.4501.0224GT	Air Filter Secondary Element.....	1
6	07.4501.0342GT	Locking Bracket.....	1
7	07.4501.0190GT	Screw.....	1
8	51.0811.4623GT	STOP RING.....	1
9	04.0227.0058GT	CLAMP DN 40/60 LG12.....	2
10	53.3302.0037GT	Rubber Below.....	1
11	51.0903.5215GT	AIR FILTER GRID.....	1
12	01.0001.0154GT	SCREW M6X16 UNI 5739 8.8 ZN.....	1
13	01.4032.0002GT	SPRING WASHER D6 ZN.....	1
14	01.0031.0054GT	FLAT WASHER D6 UNI 6592 ZN.....	1
15	04.4227.0031GT	CLAMP 110/130.....	1
16	53.3001.6815GT	MANIFOLD.....	1
17	04.0227.0502GT	Clamp 70/90.....	1
18	09.0805.0185GT	Hose D40.....	39.37-inch
19	04.4227.0034GT	Clamp 240/260.....	1
20	01.0001.0217GT	SCREW,TE,M8X110 UNI 8.8 ZN.....	1
21	01.0031.0299GT	FLAT WASHER D8 UNI 6593 ZN.....	2
22	01.0023.0054GT	NUT,M8 UNI 7473 6S ZN.....	1
23	51.0811.4923GT	BRACKET.....	1
24	09.0803.0905GT	GASKET.....	1

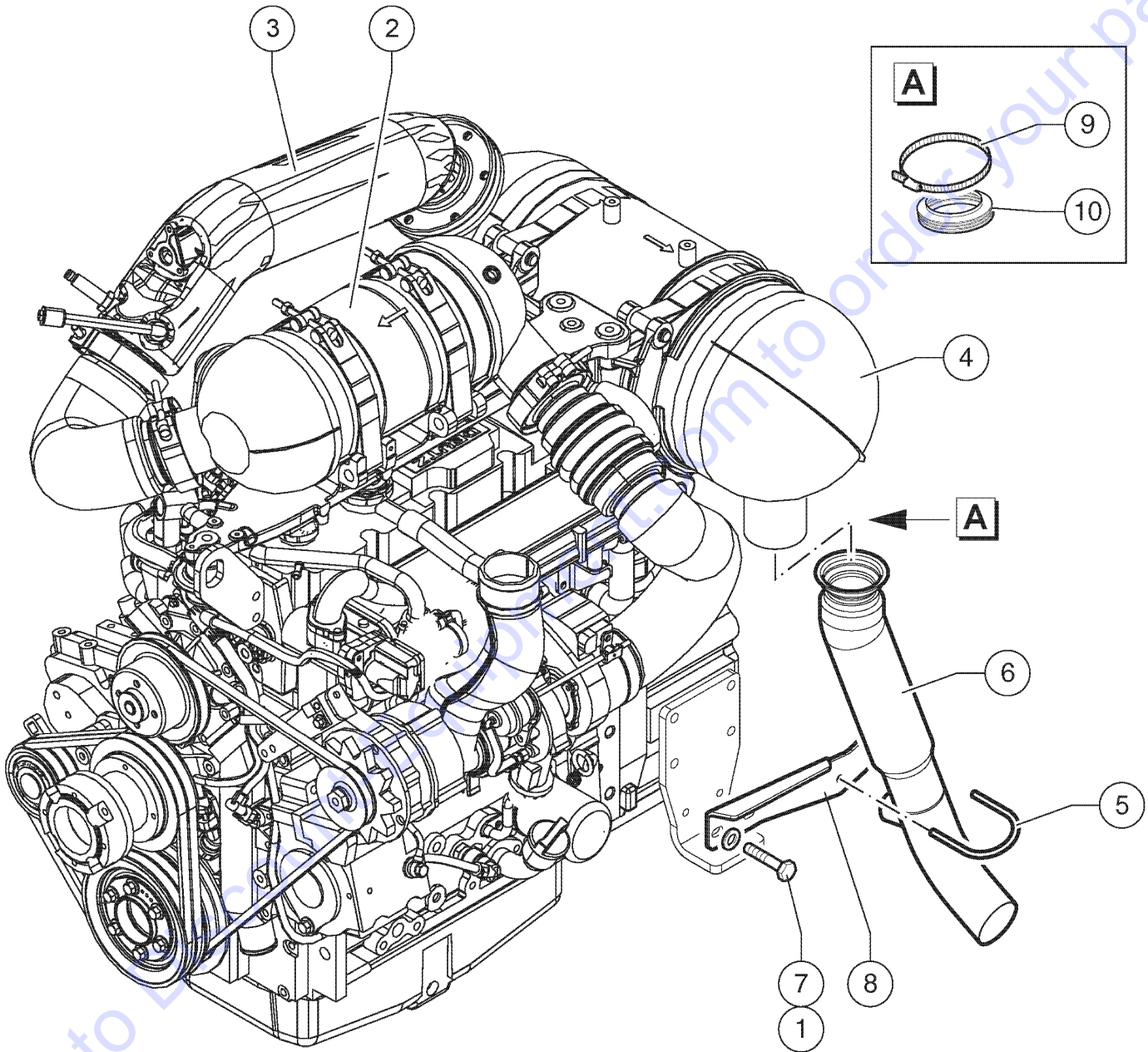
308.1 610462 Fuel Circuit



Item	Part No.	Description	Qty.
1	09.0805.0194GT	Hose D15-23.....	157.48-Inch
2	04.0227.0051GT	CLAMP DN 10/16 LG 9.....	14
3	04.0600.0162GT	Hose Adapter.....	2
4	09.0805.0147GT	PIPE FITTING,PUMP,FUEL.....	3
5	07.4501.0290GT	Sensor.....	1
6	09.0805.0146GT	GAS/OIL QUICK CONNECTOR.....	1
7	04.4224.0011GT	Ball Valve.....	3
8	06.0442.0120GT	BONDED RING 3/8".....	5
9	04.0220.0053GT	PLUG 3/8" BSP.....	1
10	04.0600.0088GT	PIPE FITTING.....	2
11	04.0600.0029GT	PIPE FITTING 3/8X3/8 BSP.....	2
12	09.0803.0838GT	FITTING.....	1
13	09.0805.0171GT	HOSE.....	17.71-Inch
14	09.0803.0837GT	FITTING.....	3
15	06.0443.0002GT	BONDED RING.....	4
16	09.0805.0070GT	HOSE.....	15.75-Inch

Go to Discount-Equipment.com to order your parts

309.1 610463 Exhaust System And Accelerator

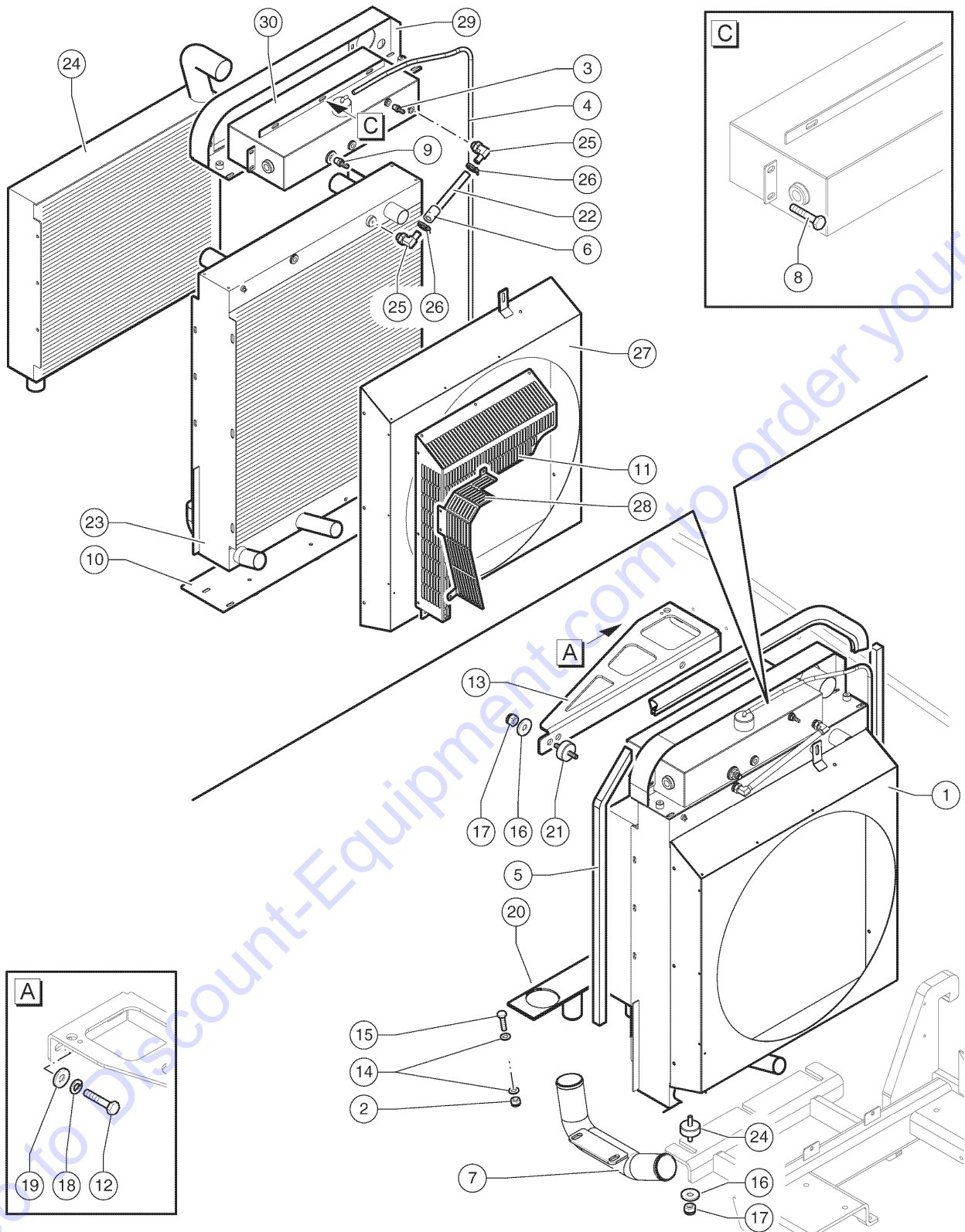


309.1 610463 Exhaust System And Accelerator

Item	Part No.	Description	Qty.
1	01.0001.0254GT	SCREW M8X20 UNI 5739 8.8 ZN.....	2
2	07.4501.0356GT	DOC.....	1
3	1257378GT	PIPE,MIXING,TCD3.6 T4F.....	1
4	07.4501.0357GT	SCR.....	1
5	51.0811.4694GT	BRACKET.....	1
6	53.3001.6820GT	EXHAUST TUBE.....	1
7	01.0031.0299GT	FLAT WASHER D8 UNI 6593 ZN.....	4
8	51.0811.4693GT	EXHAUST MANIFOLD SUPPORT.....	1
9	07.0501.0053GT	CLAMP.....	1
10	07.4501.0206GT	SEAL.....	1

Go to Discount-Equipment.com to order your parts

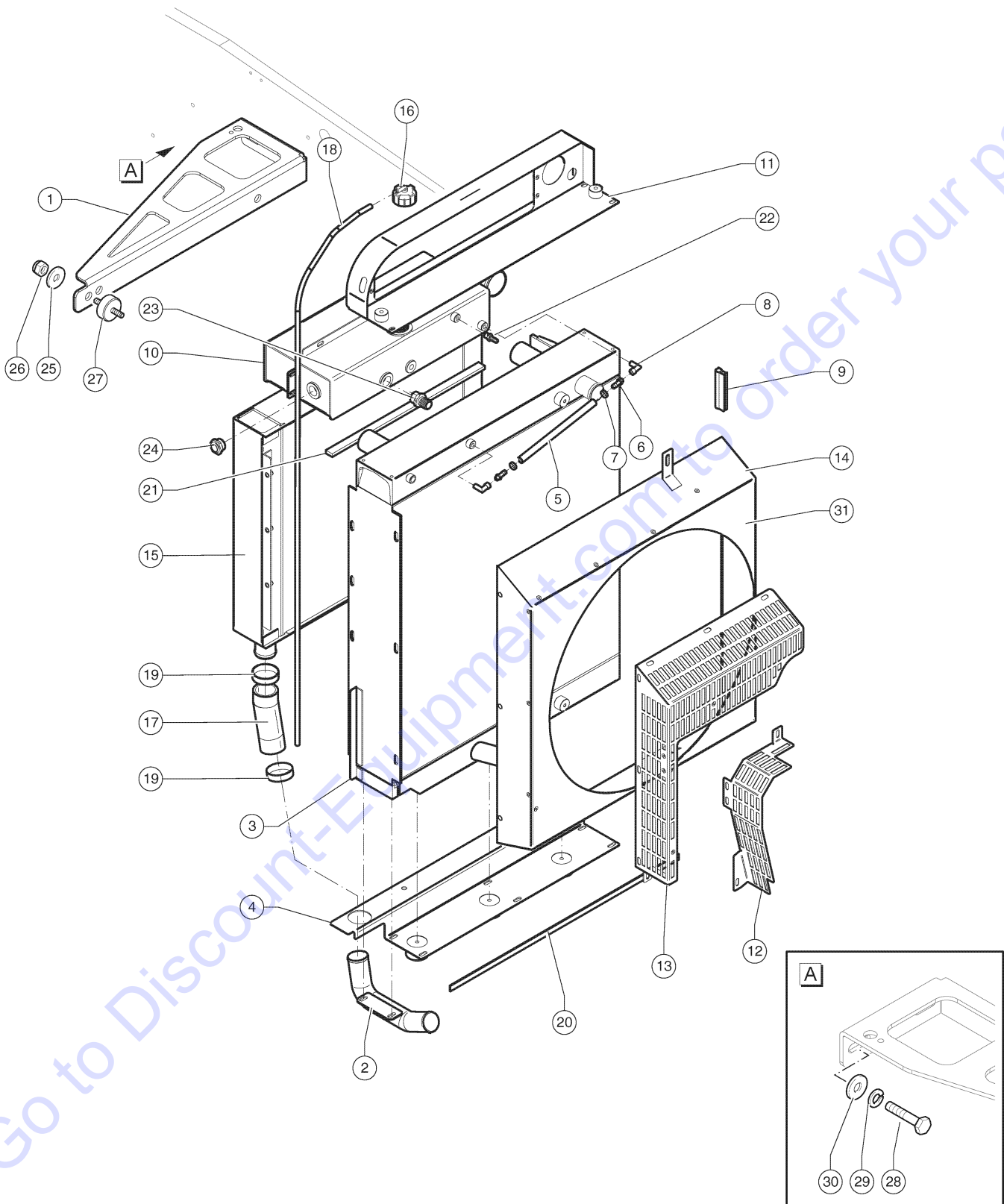
310.1 610464 Cooling System, Radiator (To SN GTH12M-402)



310.1 610464 Cooling System, Radiator (To SN GTH12M-402)

Item	Part No.	Description	Qty.
1	53.3200.0080GT	COMPLETE RADIATOR.....	1
2	01.0023.0054GT	NUT,M8 UNI 7473 6S ZN.....	5
3	09.0806.0008GT	DOOR RUBBER/PIPE FITTING.....	1
4	07.0712.0303GT	HOSE.....	1
5	07.0712.0304GT	Rubber.....	.43-Inch
6	07.0712.0300GT	FITTING.....	1
7	07.0712.0271GT	HOSE.....	1
8	07.0712.0298GT	HEXAGON FLANGE BOLTS DIN 6921 M6 X 16.....	4
9	07.0712.0290GT	SHUT VALVE 1/4 NPT.....	1
10	07.0712.0306GT	Intercooler Support.....	1
11	07.0712.0309GT	PROTECTION FAN.....	1
12	01.0001.0356GT	SCREW M10X30 UNI 5739 8.8 ZN.....	2
13	51.0811.4748GT	RADIATOR SUPPORT.....	.39-Inch
14	01.0031.0055GT	FLAT WASHER D8 UNI 6592 ZN.....	10
15	01.0001.0256GT	SCREW M8X25 UNI 5739 8.8 ZN.....	5
16	01.4031.0003GT	FLAT WASHER D12 UNI 6593 ZN.....	10
17	01.0023.0055GT	NUT,STOP,M10 UNI 7473 6S ZN.....	10
18	01.0001.0071GT	Spring Washer.....	2
19	54.0100.0005GT	WASHER.....	2
20	51.0811.4922GT	SUPPORT.....	1
21	09.4670.0028GT	SHOCK ABSORBER.....	5
22	07.0712.0299GT	RADIATOR HOSE.....	1
23	07.0712.0312GT	Radiator.....	1
24	07.0712.0311GT	Heat Exchanger.....	1
25	07.0712.0302GT	FITTING 90° 1/8.....	2
26	07.0712.0301GT	CLAMP 15/8.....	2
27	07.0712.0310GT	SHROUD,RADIATOR.....	1
28	07.0712.0308GT	GRID.....	1
29	07.0712.0307GT	PROFILE.....	1
30	07.0712.0305GT	Water Tank.....	1

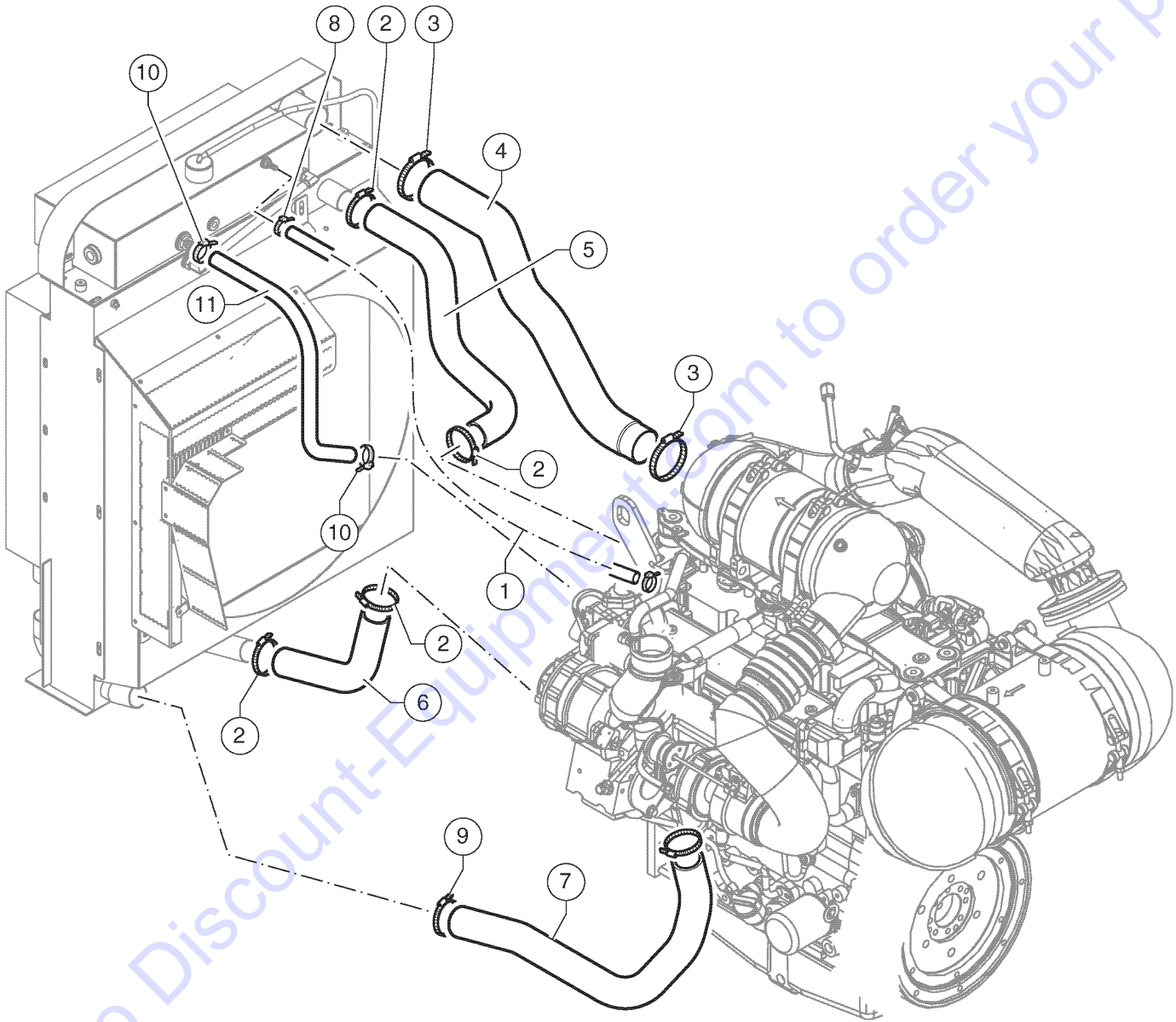
310.2 610535 Cooling System, Radiator (From SN GTH12M-403)



310.2 610535 Cooling System, Radiator (From SN GTH12M-403)

Item	Part No.	Description	Qty.
1	51.0811.4748GT	RADIATOR SUPPORT.....	1
2	07.0712.0271GT	HOSE.....	1
3	07.0712.0283GT	WATER COOLER.....	1
4	07.0712.0284GT	LOWER RADIATOR BRACKET.....	1
5	07.0712.0299GT	RADIATOR HOSE.....	1
6	07.0712.0300GT	FITTING.....	2
7	07.0712.0301GT	CLAMP 15/8.....	2
8	07.0712.0302GT	FITTING 90° 1/8.....	2
9	07.0712.0304GT	Rubber.....	1
10	07.0712.0305GT	Water Tank.....	1
11	07.0712.0307GT	PROFILE.....	1
12	07.0712.0308GT	GRID.....	1
13	07.0712.0309GT	PROTECTION FAN.....	1
14	07.0712.0310GT	SHROUD,RADIATOR.....	1
15	07.0712.0311GT	Heat Exchanger.....	1
16	07.0712.0324GT	CAP 1 BAR.....	1
17	07.0712.0325GT	PIPE.....	1
18	07.0712.0326GT	RUBBER PIPE.....	1
19	07.0712.0327GT	CLAMP.....	2
20	07.0712.0328GT	GASKET.....	1
21	07.0712.0330GT	GASKET.....	1
22	09.0806.0008GT	DOOR RUBBER/PIPE FITTING.....	1
23	09.0806.0073GT	FITTING.....	1
24	09.4661.0034GT	OPTICAL LEVEL 3/4".....	1
25	01.4031.0003GT	FLAT WASHER D12 UNI 6593 ZN.....	10
26	01.0023.0055GT	NUT,STOP,M10 UNI 7473 6S ZN.....	10
27	09.4670.0028GT	SHOCK ABSORBER.....	5
28	01.0001.0356GT	SCREW M10X30 UNI 5739 8.8 ZN.....	2
29	01.0001.0071GT	Spring Washer.....	2
30	54.0100.0005GT	WASHER.....	2
31	53.3200.0087GT	COMPLETE RADIATOR.....	1

311.1 610465 Cooling System, Radiator Hoses

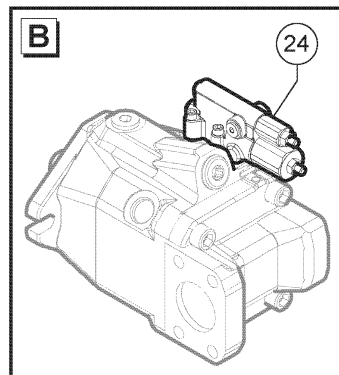
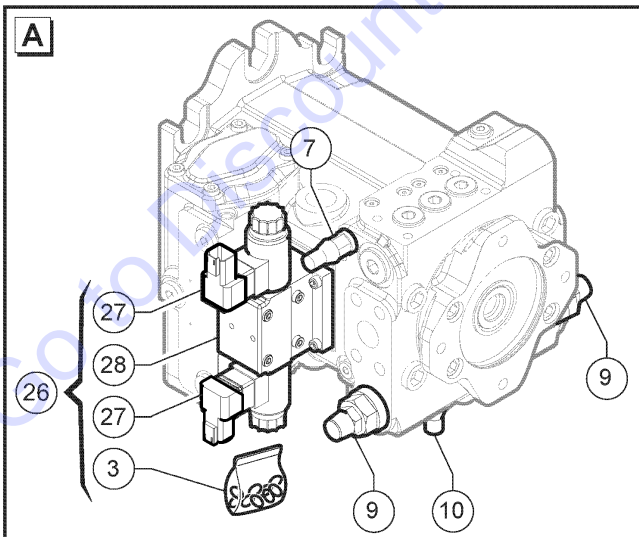
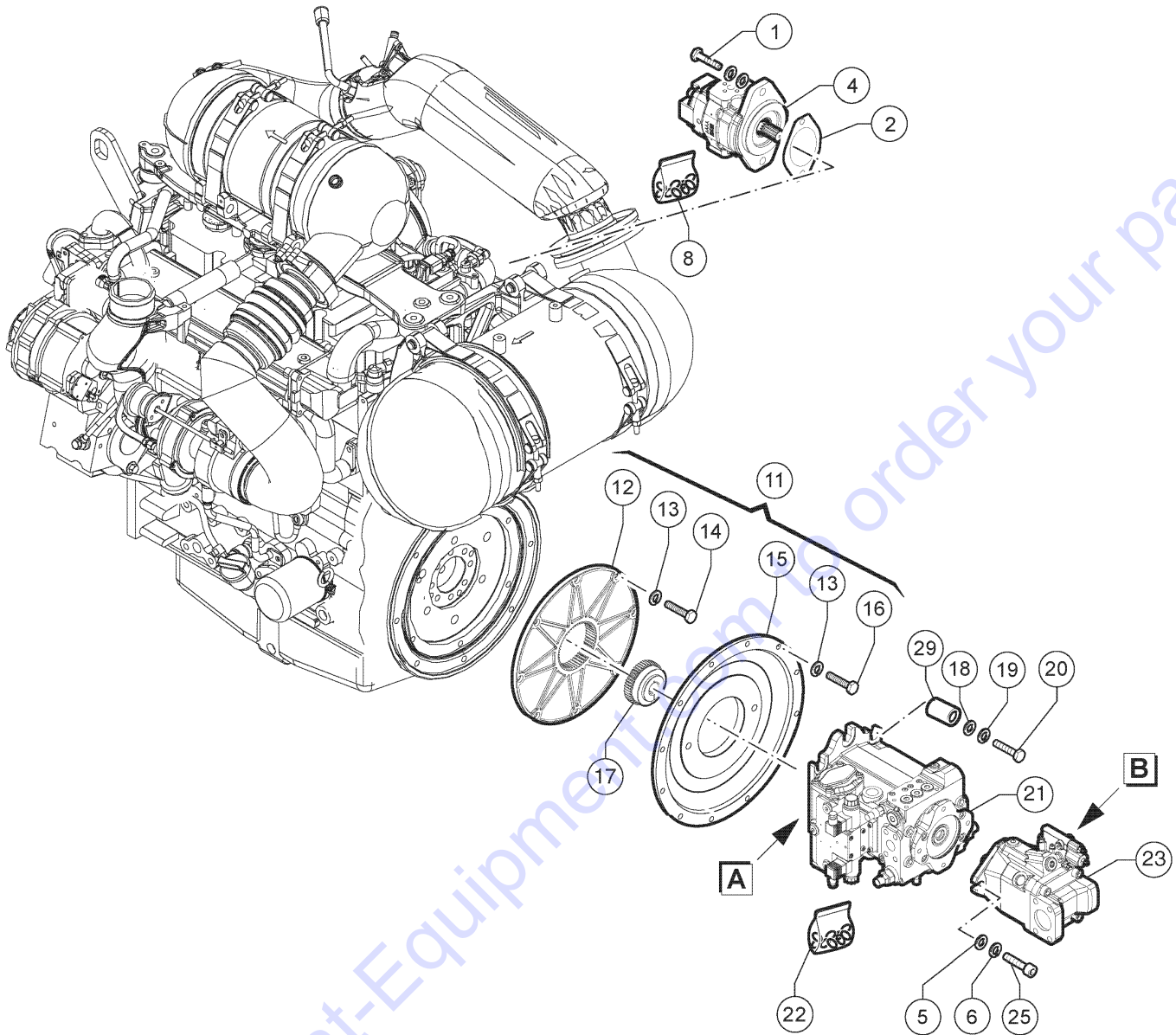


311.1 610465 Cooling System, Radiator Hoses

Item	Part No.	Description	Qty.
1	09.0805.0208GT	RUBBER MANIFOLD.....	1
2	04.0227.0058GT	CLAMP DN 40/60 LG12.....	4
3	04.0227.0152GT	Clamp 80/85.....	2
4	09.0805.0206GT	RUBBER MANIFOLD.....	1
5	53.3001.6812GT	RADIATOR MANIFOLD.....	1
6	53.3001.6797GT	RADIATOR MANIFOLD.....	1
7	09.0805.0207GT	RUBBER MANIFOLD.....	1
8	04.0227.0051GT	CLAMP DN 10/16 LG 9.....	2
9	04.0227.0144GT	Clamp DN 55/59.....	2
10	04.0227.0068GT	CLAMP DN 22/32 LG 9.....	2
11	53.3001.6810GT	COLLECTOR.....	1

Go to Discount-Equipment.com to order your parts

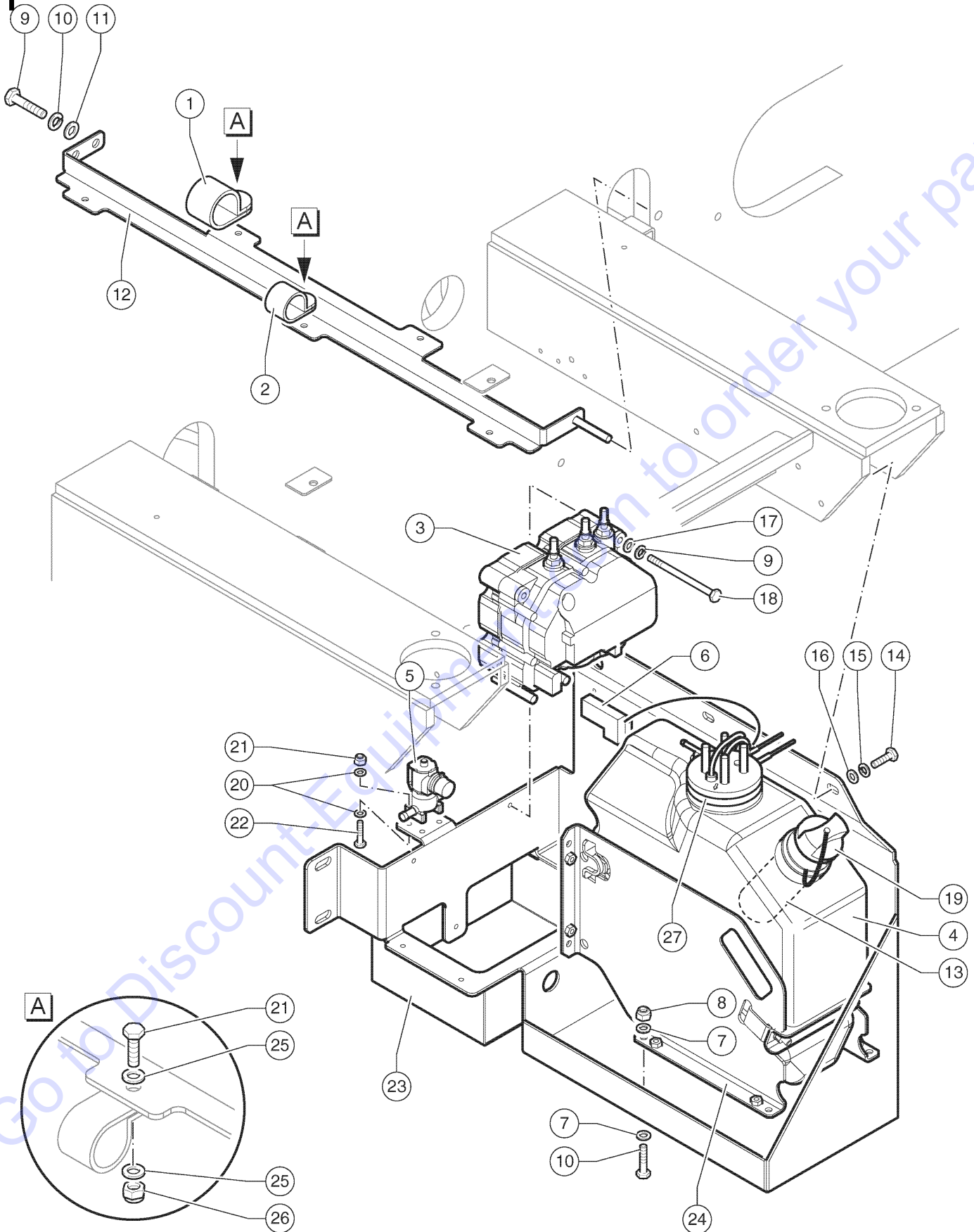
312.1 610466 Hydraulic Pumps



312.1 610466 Hydraulic Pumps

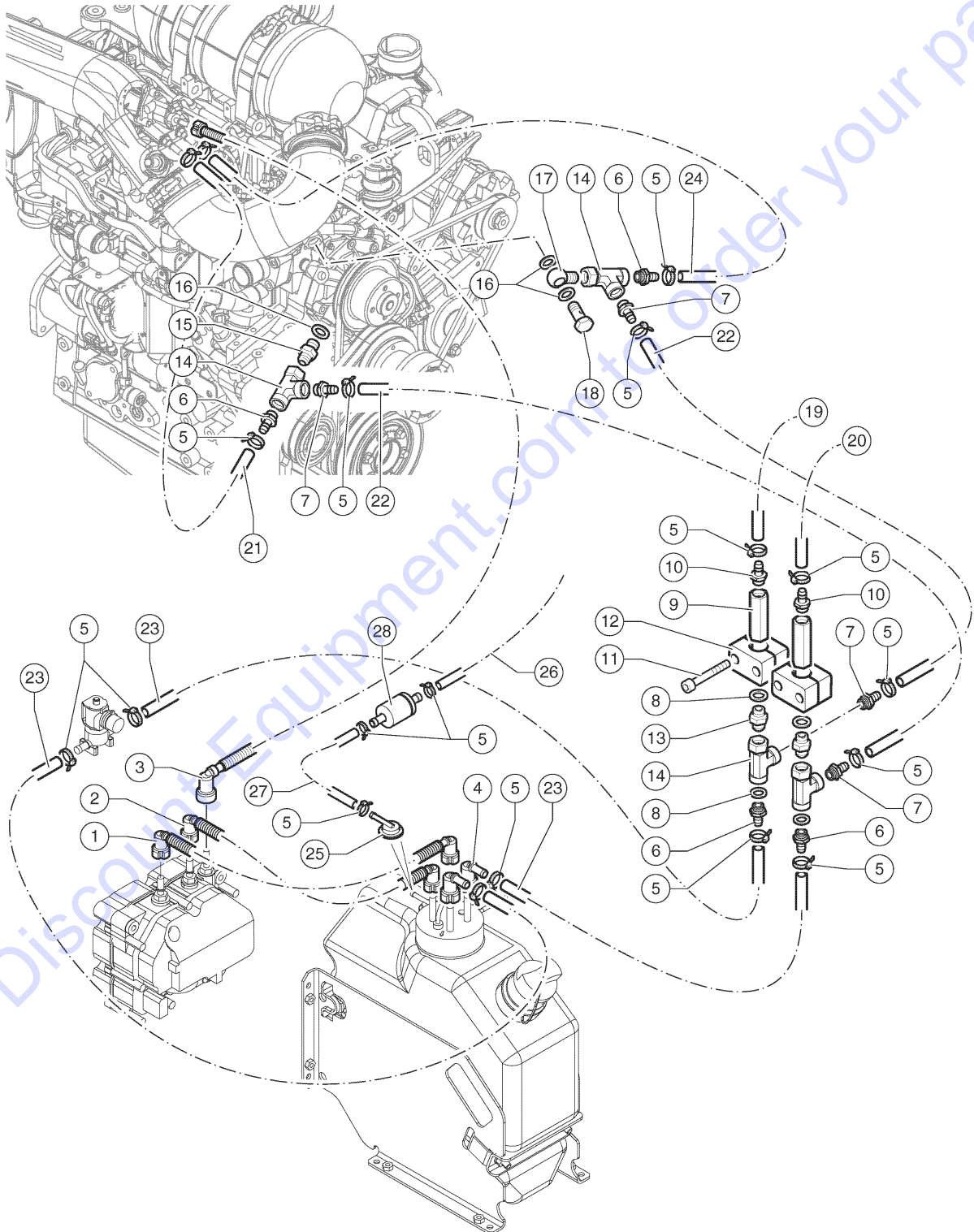
Item	Part No.	Description	Qty.
1	01.4001.0204GT	SCREW HEXAGON FLANGE HEAD BOLT 10 X 25.....	2
2	09.0803.0904GT	GASKET.....	1
3	07.0701.0342GT	Solenoid Valve Seal Kit.....	1
4	04.4238.0098GT	Hydraulic Pump 2.....	1
5	01.0031.0097GT	FLAT WASHER D12 UNI 5714 ZN.....	2
6	01.4032.0005GT	SPRING WASHER D12 ZN.....	2
7	07.0701.0217GT	Pressure Override Valve.....	1
8	07.4529.0208GT	Seal Kit Hydraulic Pump 2.....	1
9	07.0701.0247GT	MAX PRESSURE VALVE.....	2
10	07.0701.0216GT	PRESSURE RELIEF VALVE.....	1
11	09.0804.3421GT	KIT/PUMP COUPLING.....	1
12	07.0713.0058GT	FLANGE.....	1
13	01.4032.0004GT	SPRING WASHER D10 ZN.....	22
14	01.0001.0358GT	SCREW M10X40 UNI 5739 8.8 ZN.....	8
15	07.0713.0070GT	COVER.....	1
16	01.0001.0355GT	SCREW M10X25 UNI 5739 8.8 ZN.....	14
17	07.0713.0069GT	Pump Hub.....	1
18	01.0031.0099GT	FLAT WASHER D16 UNI 5714 ZN.....	4
19	01.4032.0007GT	SPRING WASHER D16 ZN.....	4
20	01.0001.1506GT	SCREW M16X40 UNI 5739 8.8 ZN.....	4
21	04.4238.0109GT	Hydraulic Pump 4.....	1
22	07.0701.0213GT	Seal Kit Pump 4.....	1
23	04.4238.0093GT	Hydraulic Pump 5.....	1
24	07.0701.0276GT	Control Valve.....	1
25	01.0003.0306GT	Screw TCEI M12X40 UNI 5931 8.8ZN.....	2
26	07.0701.0327GT	Complete Solenoid Valve With Inching Device.....	1
27	07.0701.0242GT	SOLENOID.....	2
28	07.0701.0291GT	VALVE BLOCK.....	1
29	52.0900.9344GT	SPACER.....	4

313.1 610467 DEF System - View 1



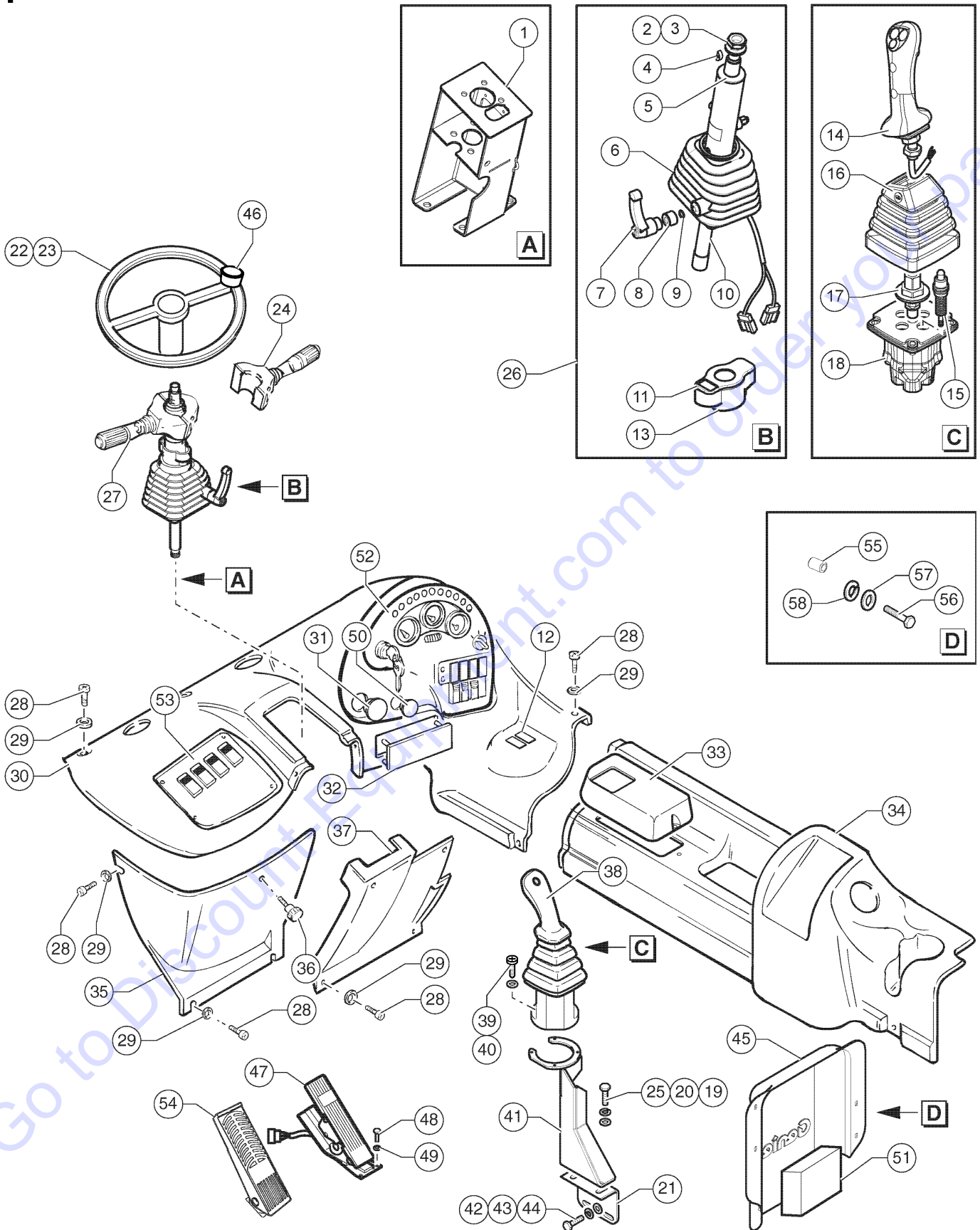
Item	Part No.	Description	Qty.
1	04.4227.0016GT	CLAMP D60 HOLE 10.5.....	2
2	04.4227.0014GT	CLAMP D22.....	3
3	1257797GT	ASSY,MODULE,SUPPLY,DEF,TCD3.6....	1
--	1257785GT	FILTER,SM,DEF,TCD 3.6	
4	07.0501.0098GT	TANK.....	1
5	1260900GT	VALVE,DEF COOLANT,TCD3.6,T4F.....	1
6	1257786GT	MODULE,CAN INT,DEF,TCD3.6,T4F....	1
7	01.4031.0004GT	FLAT WASHER D8X32 UNI 6593 ZN....	8
8	01.0023.0054GT	NUT,M8 UNI 7473 6S ZN.....	4
9	01.4032.0003GT	SPRING WASHER D8 ZN.....	8
10	01.0001.0254GT	SCREW M8X20 UNI 5739 8.8 ZN.....	6
11	01.0031.0299GT	FLAT WASHER D8 UNI 6593 ZN.....	2
12	51.0811.4753GT	HOSES HEATER SUPPORT.....	1
13	07.0501.0102GT	FILTER.....	1
14	01.0001.0355GT	SCREW M10X25 UNI 5739 8.8 ZN.....	5
15	01.4032.0004GT	SPRING WASHER D10 ZN.....	5
16	01.0031.0301GT	FLAT WASHER D10 UNI 6593 ZN.....	5
17	01.0031.0055GT	FLAT WASHER D8 UNI 6592 ZN.....	3
18	01.0001.0213GT	Screw TE M 8X90 UNI 5737 8.8 ZN....	3
19	07.0501.0103GT	CAP.....	1
20	01.0031.0054GT	FLAT WASHER D6 UNI 6592 ZN.....	4
21	01.0001.0156GT	SCREW M6X20 UNI 5739 8.8 ZN.....	8
22	01.4032.0002GT	SPRING WASHER D6 ZN.....	8
23	51.0811.4681GT	TANK SUPPORT.....	1
24	07.0501.0099GT	BRACKET.....	1
25	01.0031.0054GT	FLAT WASHER D6 UNI 6592 ZN.....	8
26	01.0023.0053GT	STOP NUT M6 UNI 7473 6S ZN.....	4
27	07.0501.0100GT	CLAMP.....	1

314.1 610468 DEF System - View 2



Item	Part No.	Description	Qty.
1	09.0805.0209GT	HOSE.....	1
2	09.0805.0210GT	HOSE.....	1
3	09.0805.0211GT	HOSE.....	1
4	09.0805.0147GT	PIPE FITTING,PUMP,FUEL.....	2
5	04.0227.0051GT	CLAMP DN 10/16 LG 9.....	15
6	04.0600.0276GT	Hose Adaprter 3/8" BSP x D10.....	4
7	04.0600.0179GT	HOSE ADAPTER 3/8" GASXD17.....	4
8	06.0442.0122GT	BONDED RING 1/2".....	2
9	04.0600.0156GT	Pipe Fitting.....	2
10	04.0600.0197GT	HOSE ADAPTER 1/2 GAS D18.....	2
11	01.0003.0157GT	SCREW M6X25 UNI 5931 8.8 ZN.....	4
12	09.0803.0043GT	SINGLE HOSE BRACKET D16.....	2
13	04.0600.0017GT	PIPE FITTING 1/2X1/2 BSP.....	2
14	04.0600.0273GT	Pipe Fitting 3/8" - 1/2".....	4
15	04.0600.0086GT	Pipe Fitting.....	1
16	06.0442.0059GT	WASHER,JC 22.....	3
17	05.0401.0013GT	PIPE FITTING.....	1
18	04.0600.0171GT	CONNECTOR.....	1
19		See 400 Cab Components, Figure 610477 - Position 31	
20		See 400 Cab Components, Figure 610477 - Position 32	
21	09.0805.0070GT	HOSE.....	1
22	09.0805.0194GT	Hose D15-23.....	1
23	09.0805.0171GT	HOSE.....	1
24	09.0805.0070GT	HOSE.....	1
25	07.0501.0104GT	VALVE.....	1
26	09.0805.0225GT	RUBBER PIPE.....	15.74-Inch
27	09.0805.0225GT	RUBBER PIPE.....	7.87-Inch
28	07.0501.0101GT	FILTER.....	1

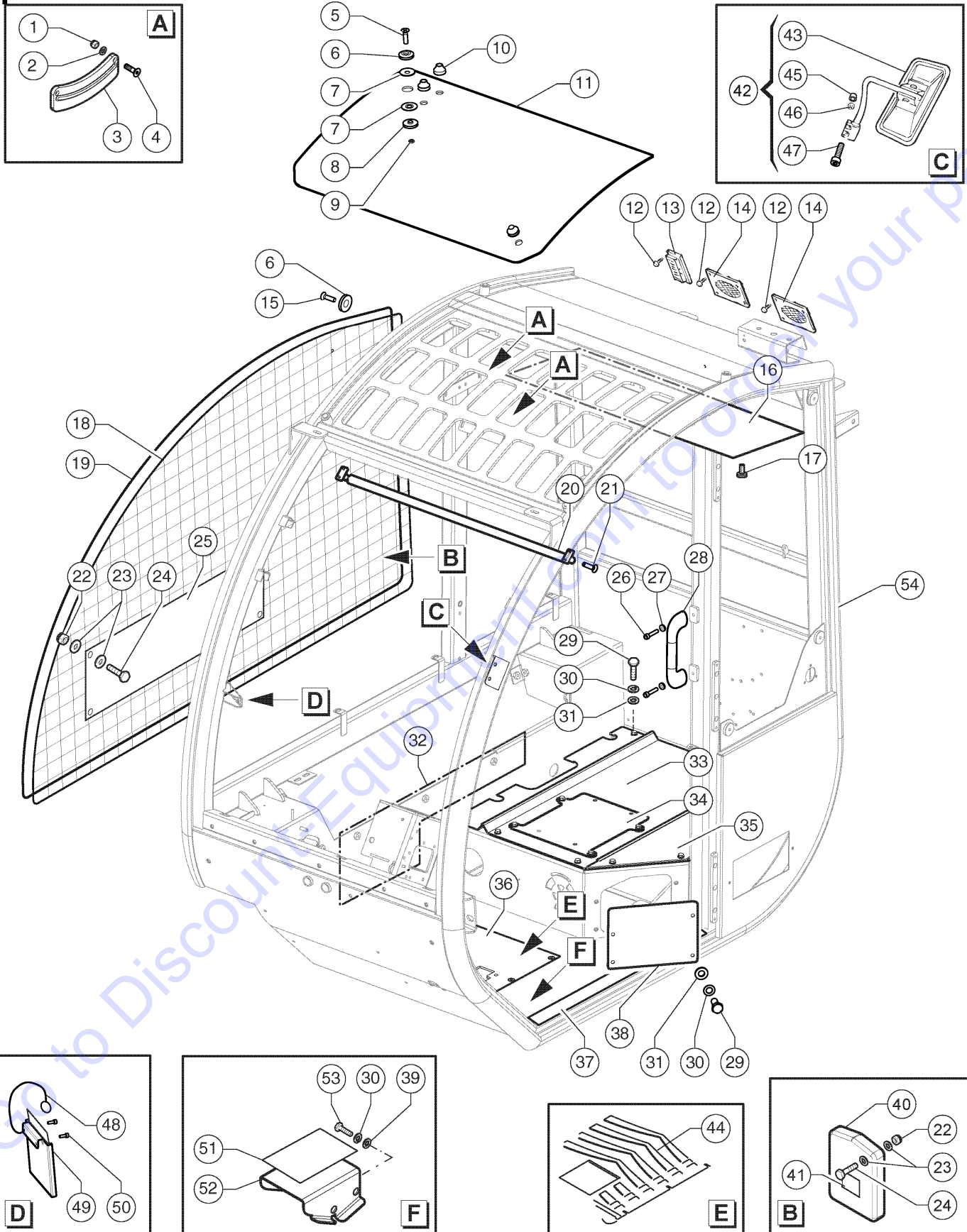
401.1 610471 Cab, View 1 - Standard Version



401.1 610471 Cab, View 1 - Standard Version

Item	Part No.	Description	Qty.	Item	Part No.	Description	Qty.
1	51.0811.4076GT	Steering Support.....	1	42	01.0001.0355GT	SCREW M10X25 UNI 5739 8.8 ZN.....	2
2	07.0703.0707GT	Nut M18X1,5 UNI 5589 12 ZN.....	1	43	01.4032.0004GT	SPRING WASHER D10 ZN.....	2
3	07.0703.0709GT	FLAT WASHER 18X34X3 UNI16592 12 ZN.....	1	44	01.0031.0056GT	FLAT WASHER D10 UNI 6592 ZN.....	2
4	07.0703.0708GT	Locking Tab.....	1	45	52.1200.5537GT	Cover.....	1
5	07.0703.0712GT	Protective Cap.....	1	46	09.0636.0003GT	Steering wheel knob.....	1
6	56.0016.0157GT	Rubber Boot.....	1	47	09.4656.0017GT	ACCELERATOR PEDAL.....	1
7	07.0703.0605GT	HANDLE,STEER COLUMN.....	1	48	01.0001.0102GT	SCREW M6X30 UNI 5739 8.8 ZN.....	3
8	07.0703.0710GT	Spacer.....	1	49	01.4032.0002GT	SPRING WASHER D6 ZN.....	3
9	07.0703.0713GT	O-Ring.....	1	50	07.0723.0635GT	Cap D22.....	1
10	09.4636.0038GT	Steering Column.....	1	51	56.0021.0177GT	Transmission Control Unit..... <i>Control Unit With Software Preloaded</i>	1
11	56.0016.0199GT	Steering Column Upper Cover.....	1	52		See 700 Electric Installation, Figure 610401 - Pos. 2	
12	07.0703.0423GT	PLUG.....	2	53		See 700 Electric Installation, Figure 610401 - Pos. 24	
13	56.0016.0156GT	Connectors Cover.....	1	54		See 600 Hydraulic System, Figure 610388 - Pos. 5	
14	07.0704.0488GT	HANDLE.....	1	55	51.0811.4924GT	SPACER.....	4
15	07.0704.0478GT	Elbow Kit.....	4	56	01.4001.0194GT	SCREW, PHILLIPS, RHM.....	4
16	07.0704.0476GT	Rubber Boot.....	1	57	01.4031.0007GT	FLAT WASHER D4 UNI 6592.....	4
17	07.0704.0489GT	KINEMATIC KIT.....	1	58	01.4032.0011GT	SPRING WASHER D4 ZN.....	4
18	07.0704.0137GT	BODY.....	1				
19	01.4032.0003GT	SPRING WASHER D8 ZN.....	2				
20	01.0001.0252GT	SCREW M8X16 UNI 5739 8.8 ZN.....	2				
21	51.0811.4842GT	SUPPORT.....	1				
22	09.0636.0002GT	Steering Wheel.....	1				
23	09.0636.0001GT	CENTRAL CAP WITH HORN.....	1				
24	7-125-06GT	SWITCH, TURN SIGNAL.....	1				
25	01.0031.0055GT	FLAT WASHER D8 UNI 6592 ZN.....	2				
26	55.0602.1071GT	STEERING ASSY..... <i>Assembly Without Right Control Lever</i>	1				
27	56.0016.0196GT	Left Control Lever.....	1				
28	07.0740.0116GT	SCREW FE TGS T+ M6X25 UNI 7689 ZN.....	15				
29	09.0803.0012GT	WASHER D6.....	15				
30	52.1200.5531GT	DASHBOARD,FRONT.....	1				
31	07.0723.0634GT	Cap D30.....	1				
32	07.0740.0143GT	COVER,RADIO HOUSING.....	1				
33	52.1200.5530GT	Cover.....	1				
34	52.1200.5529GT	Right Dashboard.....	1				
35	52.1200.5532GT	DASHBOARD,LOWER.....	1				
36	07.0740.0152GT	KNOB.....	1				
37	52.1200.5533GT	DASHBOARD,CENTRAL.....	1				
38	04.4237.0014GT	JOYSTICK.....	1				
39	01.4001.0122GT	SCREW M5X20 UNI 7687 8.8 ZN.....	4				
40	01.0031.0054GT	FLAT WASHER D6 UNI 6592 ZN.....	4				
41	51.0811.4843GT	JOYSTICK SUPPORT.....	1				

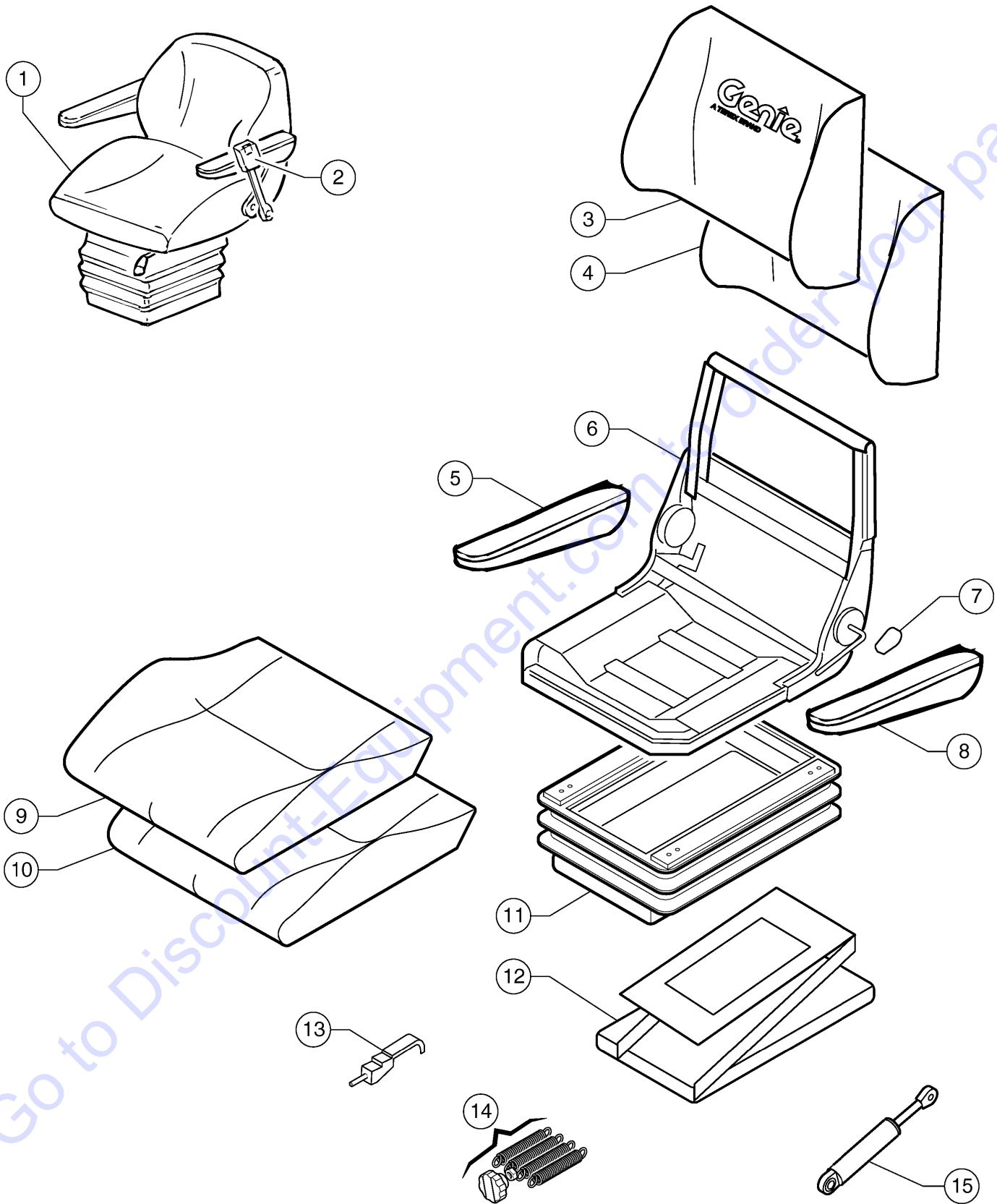
402.1 610472 Cab, View 2 - Standard Version



402.1 610472 Cab, View 2 - Standard Version

Item	Part No.	Description	Qty.	Item	Part No.	Description	Qty.
1	01.0023.0051GT	NUT,STOP,M4 UNI 7473 6S ZN.....	4	44	09.0803.0692GT	FLOOR MAT,RUBBER.....	1
2	01.4031.0007GT	FLAT WASHER D4 UNI 6592.....	4	45	07.0740.0014GT	NUT,PROTECTION.....	2
3	09.4610.0057GT	BUBBLE LEVEL.....	2	46	01.0023.0054GT	NUT,M8 UNI 7473 6S ZN.....	2
4	01.4001.0061GT	SCREW M4X20 UNI 7687 ZN.....	4	47	01.0003.0203GT	SCREW M8X20 UNI 5931 8.8 ZN.....	2
5	07.0740.0432GT	Screw TSPIC M8X30.....	1	48	09.0803.0512GT	LANYARD.....	1
6	07.0740.0416GT	WASHER D8.5.....	10	49	51.0811.4570GT	SUPPORT,LOAD CHARTS.....	1
7	07.0740.0460GT	GASKET.....	2	50	01.0001.0156GT	SCREW M6X20 UNI 5739 8.8 ZN.....	2
8	07.0740.0434GT	WASHER.....	1	51	53.3303.0002GT	ADHESIVE STRIP.....	9-Inch
9	07.0740.0435GT	NUT M8.....	1	52	51.0811.4725GT	SUPPORT,FOOT.....	1
10	07.0740.0461GT	GROMMET.....	3	53	01.0001.0256GT	SCREW M8X25 UNI 5739 8.8 ZN.....	2
11	07.0740.0462GT	GLASS,ROOF.....	1	54	51.1100.0036GT	CAB STRUCTURE.....	1
12	01.4001.0116GT	SCREW TCB T 3.9X16 UNI 6954.....	10				
13	07.0740.0084GT	CEILING LIGHT.....	1				
14	07.0740.0082GT	COVER,SPEAKER.....	2				
15	07.0740.0458GT	SCREW,TSPIC M8X16.....	9				
16	07.0740.0020GT	ROOF COVERING.....	1				
17	07.0740.0027GT	CAP.....	4				
18	55.0902.0060GT	PROTECTION GRID.....	1				
19	07.0740.0457GT	GASKET.....	1				
20	07.0740.0236GT	SUNSHIELD CURTAIN KIT.....	1				
21	07.0740.0128GT	SCREW.....	4				
22	01.0023.0053GT	STOP NUT M6 UNI 7473 6S ZN.....	8				
23	01.0031.0298GT	FLAT WASHER D6 UNI 6593 ZN.....	16				
24	01.0001.0154GT	SCREW M6X16 UNI 5739 8.8 ZN.....	8				
25	51.0811.4726GT	PLATE,DECAL.....	1				
26	07.0740.0445GT	SCREW,TCEI.....	2				
27	07.0740.0446GT	WASHER.....	2				
28	07.0740.0444GT	HANDLE.....	1				
29	01.0001.0254GT	SCREW M8X20 UNI 5739 8.8 ZN.....	16				
30	01.4032.0003GT	SPRING WASHER D8 ZN.....	18				
31	01.0031.0299GT	FLAT WASHER D8 UNI 6593 ZN.....	16				
32	07.0740.0021GT	COVERING.....	1				
33	51.0811.4377GT	SUPPORT,SEAT.....	1				
34	51.0811.4378GT	SUPPORT,SEAT.....	1				
35	51.0811.4079GT	COVER.....	1				
36	51.0811.4733GT	Cover.....	1				
37	07.0740.0018GT	Non-Skid Coating.....	28-Inch				
38	51.0811.4086GT	COVER.....	1				
39	01.0031.0055GT	FLAT WASHER D8 UNI 6592 ZN.....	2				
40	24514GT	BOX,INSTRUCTION STORAGE.....	1				
41	28236GT	DECAL,WARN,IMPROPER OPERATION.....	1				
42	07.0740.0097GT	Complete Mirror.....	1				
43	07.0740.0202GT	COMPLETE MIRROR.....	1				

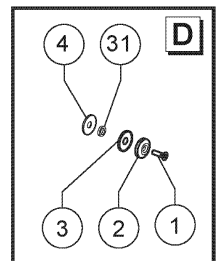
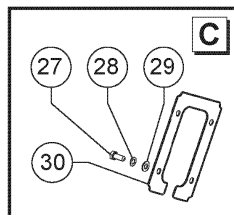
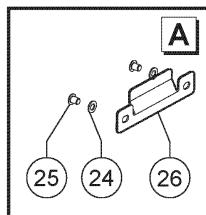
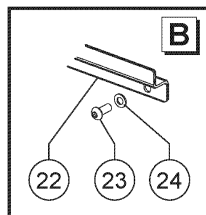
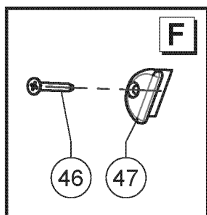
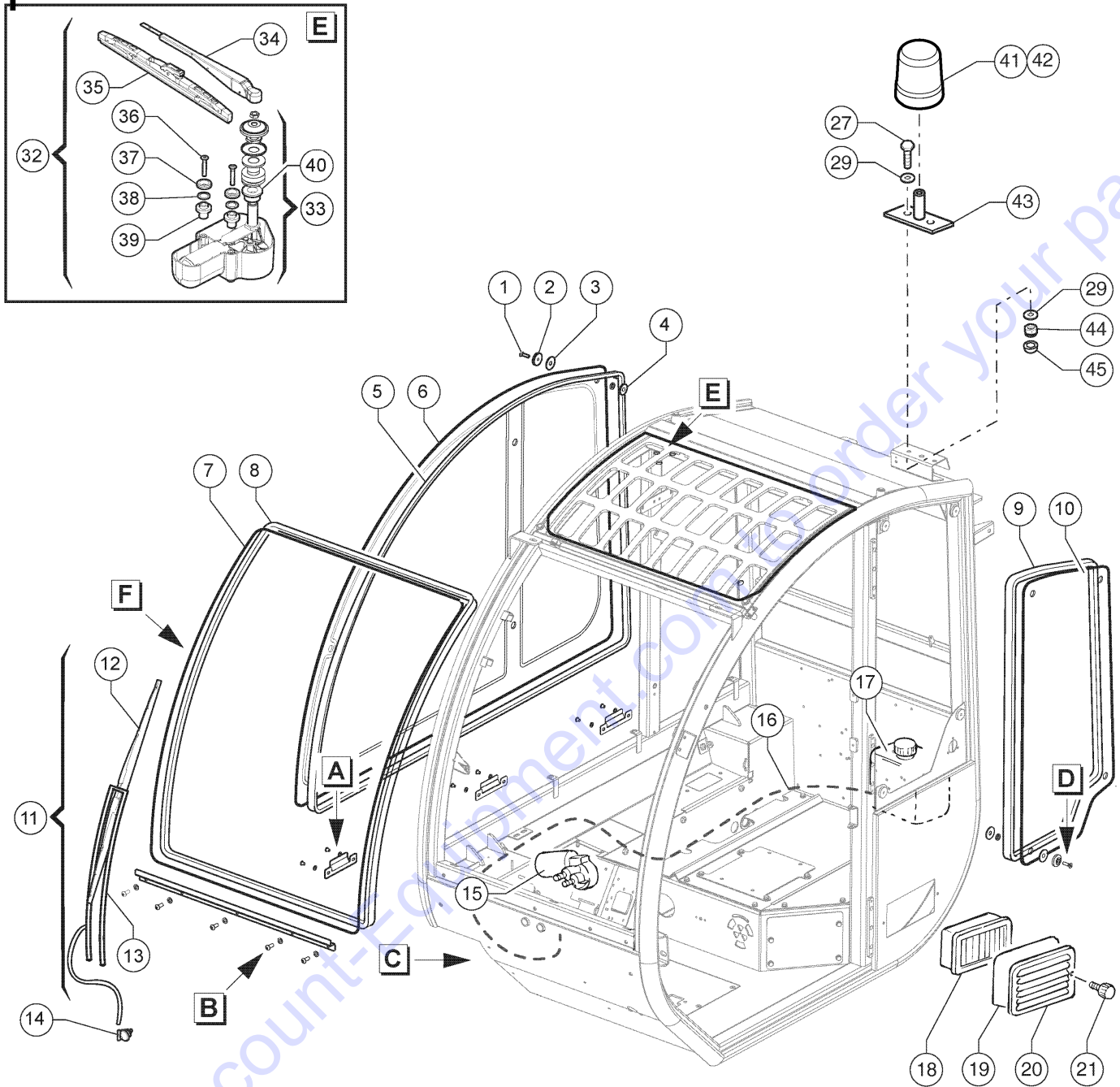
403.1 610473 Cab, View 3 - Standard Version



Item	Part No.	Description	Qty.
1	09.4610.0050GT	SEAT.....	1
2	09.4610.0051GT	Safety Belt Kit.....	1
3	07.0740.0472GT	Back Cover Assembly.....	1
4	07.0740.0474GT	Back Foam Kit.....	1
5	07.0740.0480GT	Right Armrest Kit.....	1
6	07.0740.0367GT	Seat Frame Assembly.....	1
7	07.0740.0476GT	Knob Kit.....	1
8	07.0740.0479GT	SEAT ARMREST,LEFT.....	1
9	07.0740.0473GT	Seat Cover Assembly.....	1
10	07.0740.0475GT	Seat Foam Kit.....	1
11	07.0740.0477GT	Suspension Cover Kit.....	1
12	07.0740.0478GT	Seat Suspension Kit.....	1
13	07.0740.0485GT	Height Adjuster Kit.....	1
14	07.0740.0370GT	Weight Adjuster Kit.....	1
15	07.0740.0486GT	KIT,SEAT DAMPER.....	1

Go to Discount-Equipment.com to order your parts

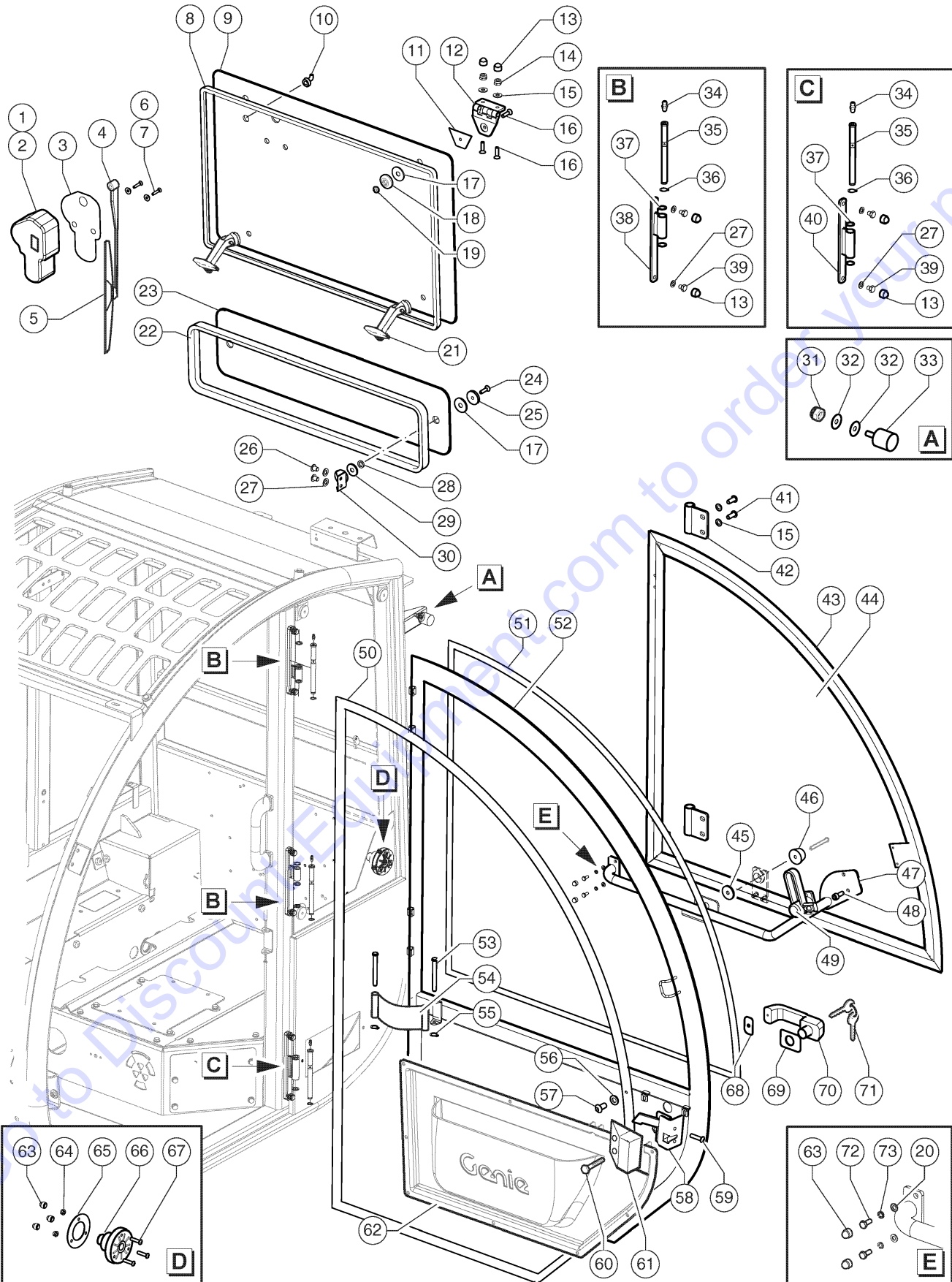
404.1 610474 Cab, View 1 - Close Version



404.1 610474 Cab, View 1 - Close Version

Item	Part No.	Description	Qty.	Item	Part No.	Description	Qty.
1	07.0740.0415GT	Screw TSPEI M8X30 UNI 5933.....	12	44	01.0023.0054GT	NUT,M8 UNI 7473 6S ZN.....	2
2	07.0740.0416GT	WASHER D8.5.....	12	45	07.0740.0014GT	NUT,PROTECTION.....	2
3	07.0740.0417GT	GASKET.....	12	46	07.0744.0001GT	SCREW.....	2
4	07.0740.0419GT	GASKET.....	12	47	07.0744.0002GT	GLASS LOCKING BRACKET.....	2
5	07.0740.0466GT	Seal.....	1				
6	07.0740.0465GT	GLASS,RIGHT,FRONT.....	1				
7	07.0740.0464GT	GLASS,FRONT WINDSHIELD.....	1				
8	07.0740.0463GT	Seal.....	1				
9	07.0740.0414GT	Seal.....	1				
10	07.0740.0413GT	GLASS,LEFT REAR.....	1				
11	07.0740.0449GT	Wiper Kit.....	1				
12	07.0740.0089GT	WIPER BLADE.....	1				
13	07.0740.0088GT	Wiper arm.....	1				
14	07.0740.0470GT	GROMMET.....	1				
15	07.0740.0072GT	Wiper motor.....	1				
16	09.0803.0554GT	Water Hose D4 LG.200 Inch.....	1				
17	07.0740.0098GT	TANK.....	1				
18	07.0740.0066GT	AIR FILTER.....	1				
19	07.0740.0091GT	GASKET.....	28-Inch				
20	51.0811.4724GT	AIR GRID.....	1				
21	07.0740.0152GT	KNOB.....	2				
22	07.0744.0003GT	BRACKET,WINDSHIELD,FRNT,LWR.....	1				
23	07.0740.0467GT	Screw TBEI M8X20.....	5				
24	07.0740.0425GT	PLAIN WASHER D15.....	11				
25	07.0740.0428GT	Screw TBEI M8X10.....	6				
26	07.0740.0469GT	BRACKET,GLASS,RIGHT,LOWER.....	3				
27	01.0001.0254GT	SCREW M8X20 UNI 5739 8.8 ZN.....	6				
28	01.4032.0003GT	SPRING WASHER D8 ZN.....	4				
29	01.0031.0055GT	FLAT WASHER D8 UNI 6592 ZN.....	8				
30	07.0740.0070GT	HOSE GUIDE.....	1				
31	07.0740.0418GT	WASHER,TEFLON D20.....	4				
32	09.0803.0715GT	Roof Wiper Kit.....	1				
33	07.0740.0506GT	Wiper Motor Kit.....	1				
		<i>Excluded Item 36,37,38,39,40</i>					
34	07.0740.0508GT	Arm.....	1				
35	07.0740.0509GT	Blade.....	1				
36	07.0740.0507GT	Screw TSPEI M6X35 UNI 5933.....	2				
37	07.0740.0502GT	Spicer D24.....	2				
38	07.0740.0503GT	Seal D16.....	2				
39	07.0740.0504GT	Bushing.....	2				
40	07.0740.0505GT	Bushing.....	1				
41	56.0010.0005GT	Flashing Beacon.....	1				
42	07.0703.0384GT	BULB.....	1				
43	07.0740.0010GT	Flashing Beacon Bracket.....	1				

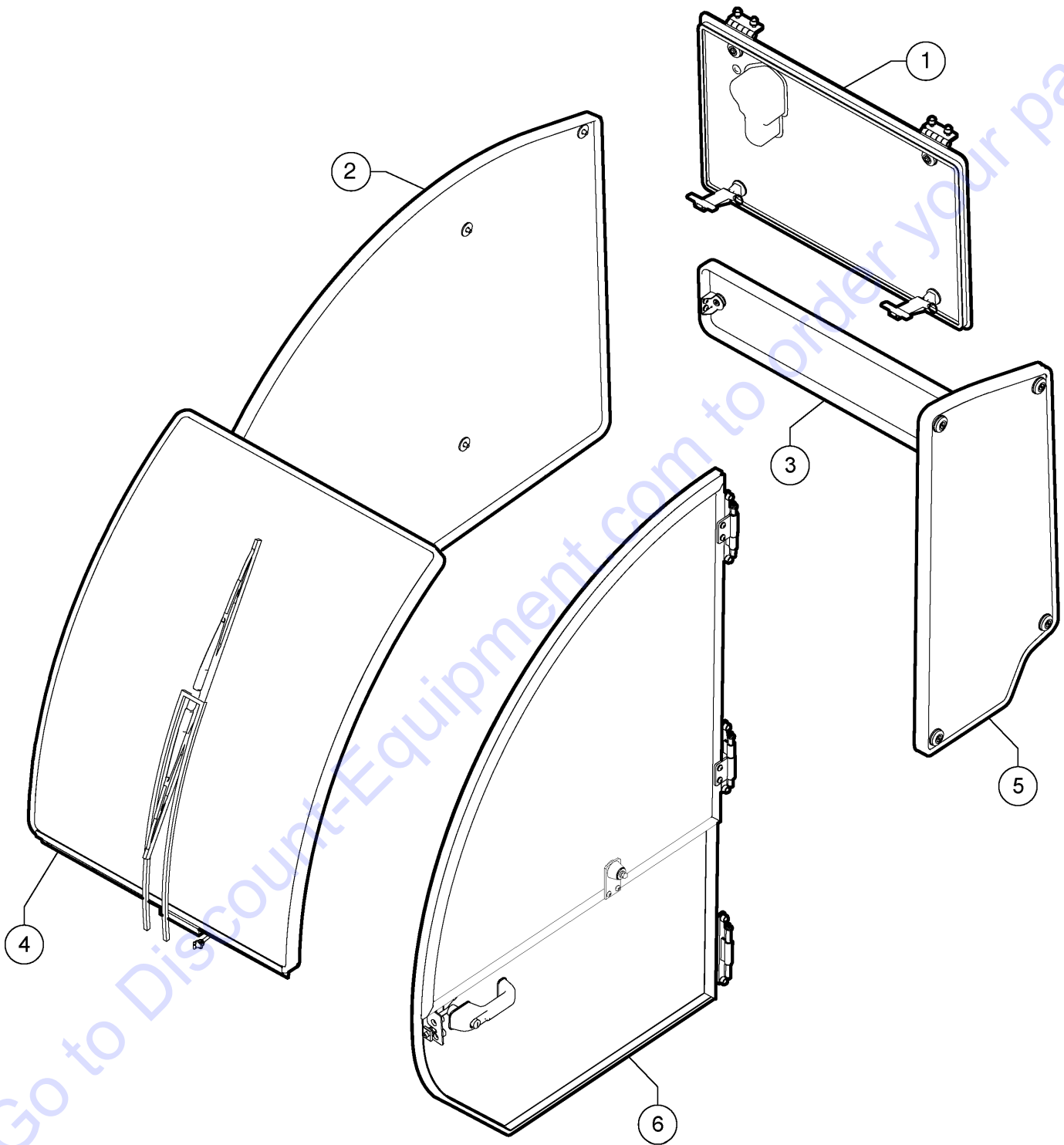
405.1 610475 Cab, View 2 - Close Version



405.1 610475 Cab, View 2 - Close Version

Item	Part No.	Description	Qty.	Item	Part No.	Description	Qty.
1	07.0740.0439GT	Wiper Motor.....	1	44	07.0740.0279GT	Glass.....	1
2	07.0723.0229GT	SWITCH.....	1	45	07.0740.0494GT	Spacer.....	1
3	07.0740.0438GT	Film.....	1	46	07.0740.0030GT	LOCK,DOOR.....	1
4	07.0740.0156GT	WIPER ARM.....	1	47	07.0740.0272GT	HANDLE.....	1
5	07.0740.0248GT	WIPER BLADE.....	1	48	07.0740.0447GT	Screw TCEI M6X16 8.8 ZN.....	2
6	07.0740.0483GT	Screw TSPEI M6X30 UNI 5933.....	2	49	07.0740.0029GT	HANDLE.....	1
7	07.0740.0484GT	Washer D6.....	2	50	07.0740.0058GT	DOOR SEAL.....	1
8	07.0740.0437GT	Seal.....	1	51	07.0740.0052GT	ADHESIVE GASKET.....	1
9	07.0740.0436GT	Rear Upper Glass.....	1	52	51.1100.0039GT	Door Frame.....	1
10	07.0740.0461GT	GROMMET.....	1	53	07.0740.0491GT	PIN,DOOR FRAME BELT.....	2
11	07.0740.0433GT	Gasket.....	2	54	07.0740.0490GT	Belt.....	1
12	07.0740.0431GT	Hinge.....	2	55	07.0740.0492GT	LOCK RING.....	2
13	07.0740.0423GT	Nut Cover M8.....	10	56	07.0740.0497GT	Plain Washer D6 UNI 6592.....	10
14	07.0740.0429GT	NUT,M8 UNI CL8 ZN.....	4	57	07.0740.0496GT	Screw TBEI M6X12.....	10
15	07.0740.0026GT	WASHER.....	8	58	07.0740.0051GT	DOOR LOCK.....	1
16	07.0740.0432GT	Screw TSPIC M8X30.....	6	59	01.4006.0007GT	SCREW M8X40 UNI 5933 10.9 ZN.....	2
17	07.0740.0417GT	GASKET.....	4	60	01.4001.0116GT	SCREW TCB T 3.9X16 UNI 6954.....	2
18	07.0740.0434GT	WASHER.....	2	61	52.1200.5534GT	DOOR LOCK COVER.....	1
19	07.0740.0435GT	NUT M8.....	2	62	52.1200.5535GT	COATING.....	1
20	01.0031.0054GT	FLAT WASHER D6 UNI 6592 ZN.....	2	63	07.0740.0422GT	Nut Cover M6.....	5
21	07.0740.0076GT	Handle.....	2	64	07.0740.0005GT	Stop nut.....	3
22	07.0740.0427GT	Seal.....	1	65	07.0740.0106GT	GASKET,RUBBER.....	1
23	07.0740.0426GT	Rear Lower Glass.....	1	66	07.0740.0104GT	DOOR CATCH.....	1
24	07.0740.0415GT	Screw TSPEI M8X30 UNI 5933.....	2	67	07.0740.0105GT	SCREW M6X30.....	3
25	07.0740.0416GT	WASHER D8.5.....	2	68	07.0740.0049GT	GASKET.....	1
26	07.0740.0428GT	Screw TBEI M8X10.....	4	69	07.0740.0048GT	GASKET.....	1
27	07.0740.0425GT	PLAIN WASHER D15.....	10	70	09.0803.0808GT	HANDLE.....	1
28	07.0740.0418GT	WASHER,TEFLON D20.....	2	71	07.0723.0571GT	KEY.....	1
29	07.0740.0419GT	GASKET.....	2	72	01.0001.0154GT	SCREW M6X16 UNI 5739 8.8 ZN.....	2
30	07.0740.0453GT	Bracket.....	2	73	01.4032.0002GT	SPRING WASHER D6 ZN.....	2
31	01.0023.0054GT	NUT,M8 UNI 7473 6S ZN.....	1				
32	01.0031.0299GT	FLAT WASHER D8 UNI 6593 ZN.....	2				
33	07.0740.0015GT	BUMP STOP,RUBBER.....	1				
34	07.0740.0488GT	Greaser.....	3				
35	07.0740.0489GT	Locking Pin.....	3				
36	07.0740.0454GT	Keeper Ring D11.....	3				
37	07.0740.0487GT	Washer D12.....	6				
38	07.0740.0420GT	Hinge.....	2				
39	07.0740.0424GT	Screw TE M8X10.....	6				
40	07.0740.0421GT	Hinge.....	1				
41	07.0740.0467GT	Screw TBEI M8X20.....	4				
42	07.0740.0455GT	Hinge.....	2				
43	51.0811.4092GT	FRAME.....	1				

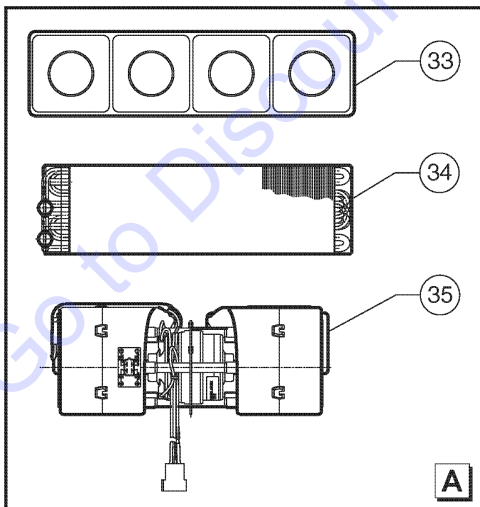
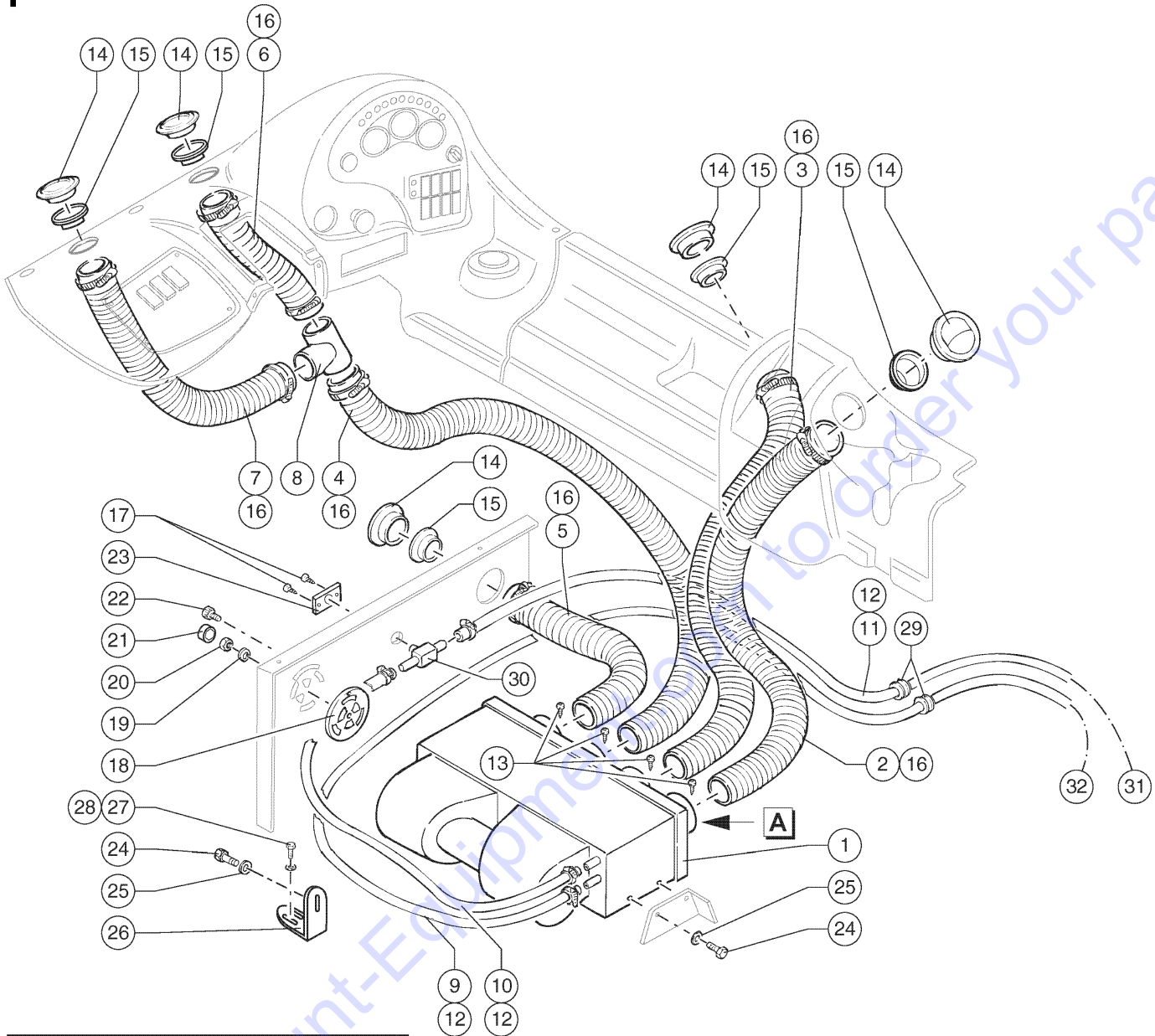
406.1 610476 Cab, View 3 - Close Version



Item	Part No.	Description	Qty.
1	07.0740.0411GT	Upper Rear Glass Kit.....	1
2	07.0740.0409GT	Right Glass Kit.....	1
3	07.0740.0410GT	REAR LOWER GLASS KIT.....	1
4	07.0740.0408GT	Front Glass Kit.....	1
5	07.0740.0407GT	Left Glass Kit.....	1
6	07.0740.0412GT	Door Glass Kit.....	1

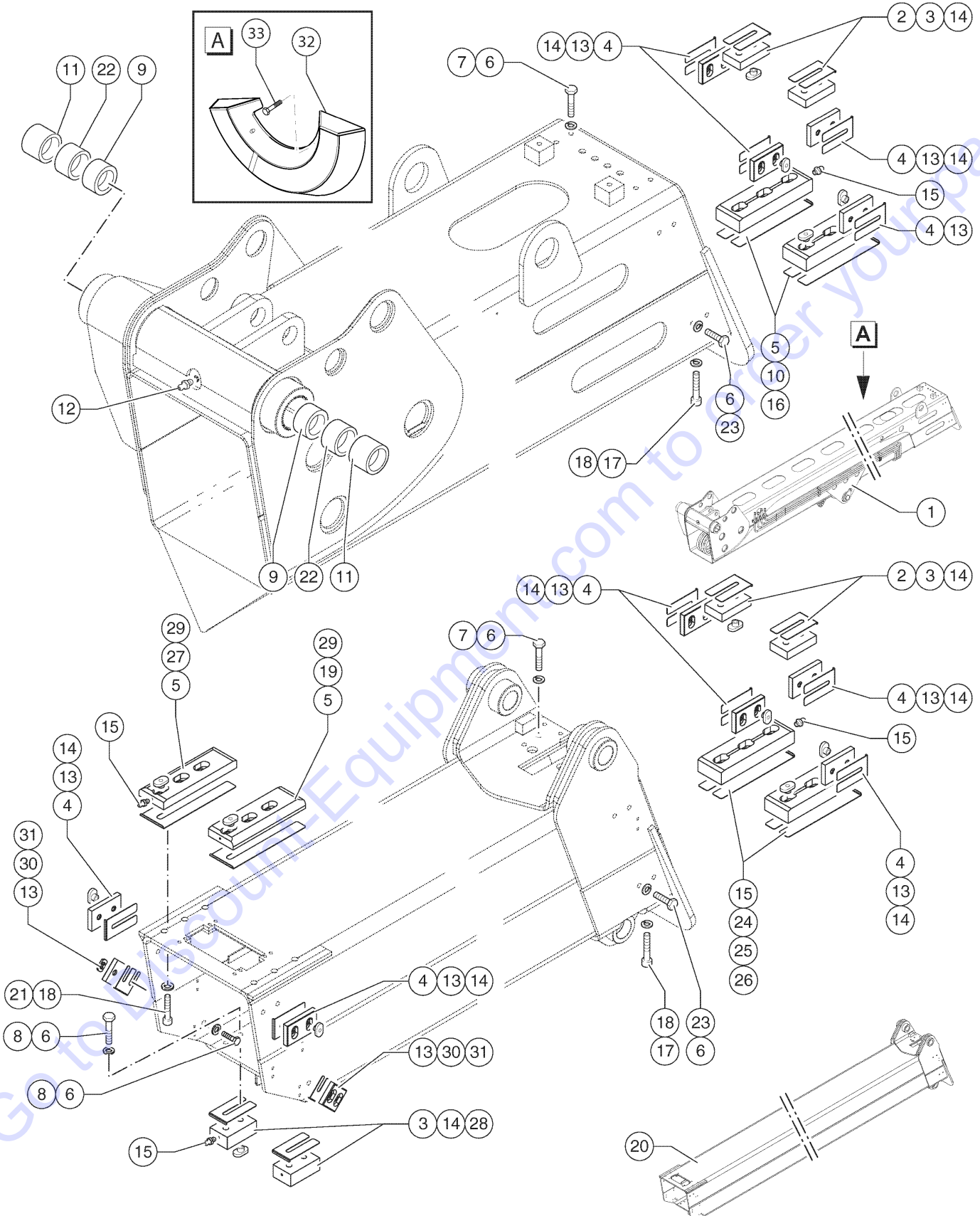
Go to Discount-Equipment.com to order your parts

407.1 610477 Cab, View 4 - Close Version



Item	Part No.	Description	Qty.
1	07.0740.0119GT	HEATER.....	1
2	07.0740.0120GT	Air Hose.....	30.0-Inch
3	07.0740.0120GT	Air Hose.....	26.0-Inch
4	07.0740.0120GT	Air Hose.....	60.0-Inch
5	07.0740.0120GT	Air Hose.....	13.0-Inch
6	07.0740.0120GT	Air Hose.....	12.6-Inch
7	07.0740.0120GT	Air Hose.....	16.0-Inch
8	07.0740.0121GT	3-WAY FITTING.....	1
9	07.0740.0122GT	Heater pipe 15x23.....	237.0-Inch
10	07.0740.0122GT	Heater pipe 15x23.....	31.5-Inch
11	07.0740.0122GT	Heater pipe 15x23.....	198.0-Inch
12	07.0740.0123GT	MEB HOSE CLAMP,19X28.....	4
13	07.0740.0124GT	SCREW KN TC+ 3.5x16 ZN.....	4
14	07.0740.0125GT	AIR INLET D76.....	5
15	07.0740.0126GT	REDUCER,D48.5.....	5
16	07.0740.0127GT	CLAMP,HOSE,MEB,40-60 H12.....	8
17	07.0740.0128GT	SCREW.....	2
18	07.0740.0129GT	AIR INLET.....	1
19	07.0740.0006GT	WASHER 6.4X12.....	1
20	07.0740.0005GT	Stop nut.....	1
21	07.0740.0028GT	HEX HEAD CAP.....	1
22	07.0740.0130GT	KNOB.....	1
23	07.0740.0219GT	LABEL.....	1
24	07.0740.0118GT	SCREW.....	2
25	07.0740.0016GT	WASHER 6.5X18.....	2
26	07.0740.0132GT	Heater Support.....	1
27	07.0740.0012GT	WASHER.....	2
28	07.0740.0071GT	Screw.....	2
29	07.0740.0133GT	GROMMET,RUBBER D31.....	2
30	07.0740.0218GT	WATER TAP,D16.....	1
31		See 300 Engine Components, Figure 610468 - Position 19	
32		See 300 Engine Components, Figure 610468 - Position 20	
33	07.0740.0361GT	AIR OUTLET.....	1
34	07.0740.0359GT	HEATER CORE.....	1
35	07.0740.0360GT	Electrical Fan.....	1

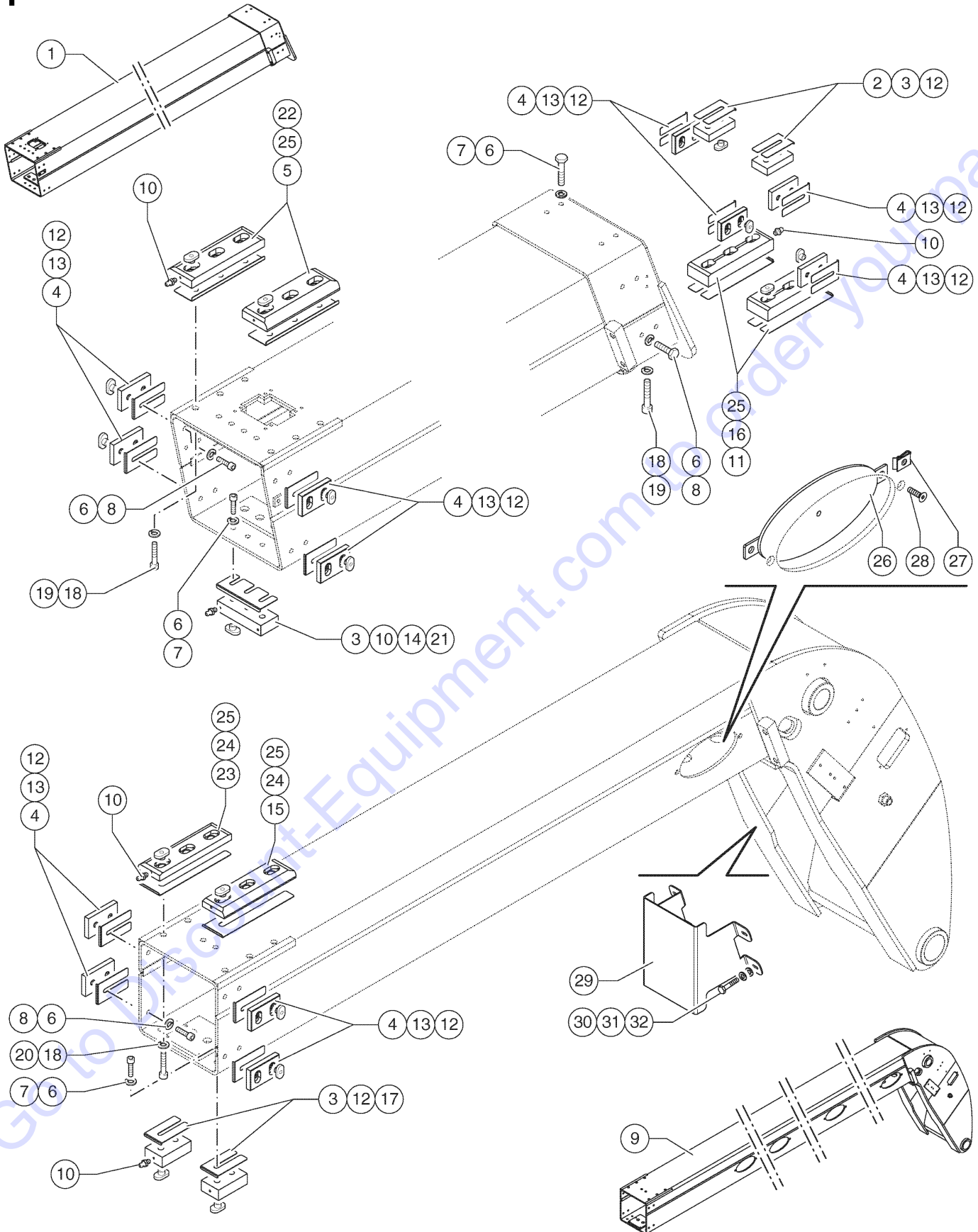
501.1 610481 Arm 1st - 2nd Telescopic Element



501.1 610481 Arm 1st - 2nd Telescopic Element

Item	Part No.	Description	Qty.
1	51.0201.3950GT	1st Telescope Boom.....	1
2	54.0705.0077GT	WEAR PAD.....	4
3	54.0200.0001GT	BUSHING M10X13.5.....	10
4	54.0705.0072GT	WEAR PAD,60X60X14.....	10
5	51.0811.4604GT	PAD SHIM 250X85.....	2
6	01.0031.0056GT	FLAT WASHER D10 UNI 6592 ZN.....	36
7	01.0001.0357GT	SCREW,TE,M10X35 UNI 8.8 ZN.....	20
8	01.0001.0355GT	SCREW M10X25 UNI 5739 8.8 ZN.....	16
9	54.0201.0005GT	BUSHING,D80/90X100.....	2
10	54.0200.0004GT	BUSHING M14.....	6
11	54.0201.0006GT	Bushing 80/90X100.....	2
12	02.0117.0101GT	GREASE NIPPLE G 1/8.....	1
13	54.0200.0000GT	BUSHING M10X8.5.....	24
14	51.0811.4131GT	SHIM, WEAR PAD,100X60X1.....	16
15	02.0117.0051GT	GREASE NIPPLE M6.....	8
16	54.0705.0026GT	Front Pad.....	2
17	01.0003.0354GT	SCREW M14X45 UNI 5931 8.8 ZN.....	14
18	01.0031.0058GT	FLAT WASHER D14 UNI 6592 ZN.....	16
19	54.0705.0027GT	Rear Pad.....	1
20	51.0201.3961GT	2nd Telescope Boom.....	1
21	01.4003.0050GT	Screw TCEI 14 X 35 LG. 8.8 ZN UNI 5931.....	6
22	52.0900.9338GT	Spacer.....	2
23	01.0001.0356GT	SCREW M10X30 UNI 5739 8.8 ZN.....	16
24	54.0705.0025GT	Front Pad 250x55x33.....	2
25	54.0200.0007GT	BUSHING M14.....	6
26	51.0811.4607GT	Pad Shim.....	2
27	54.0705.0028GT	Rear Pad.....	1
28	54.0705.0074GT	WEAR PAD.....	2
29	54.0200.0006GT	PAD FIXING BUSHING M14.....	6
30	54.0705.0073GT	WEAR PAD.....	2
31	51.0811.4133GT	SHIM, WEAR PAD,60X60X1.....	2
32	09.0803.0357GT	BOOM LEVEL INDICATOR.....	1
33	01.4003.0000GT	SCREW M4X16 UNI 5931 8.8 ZN.....	2

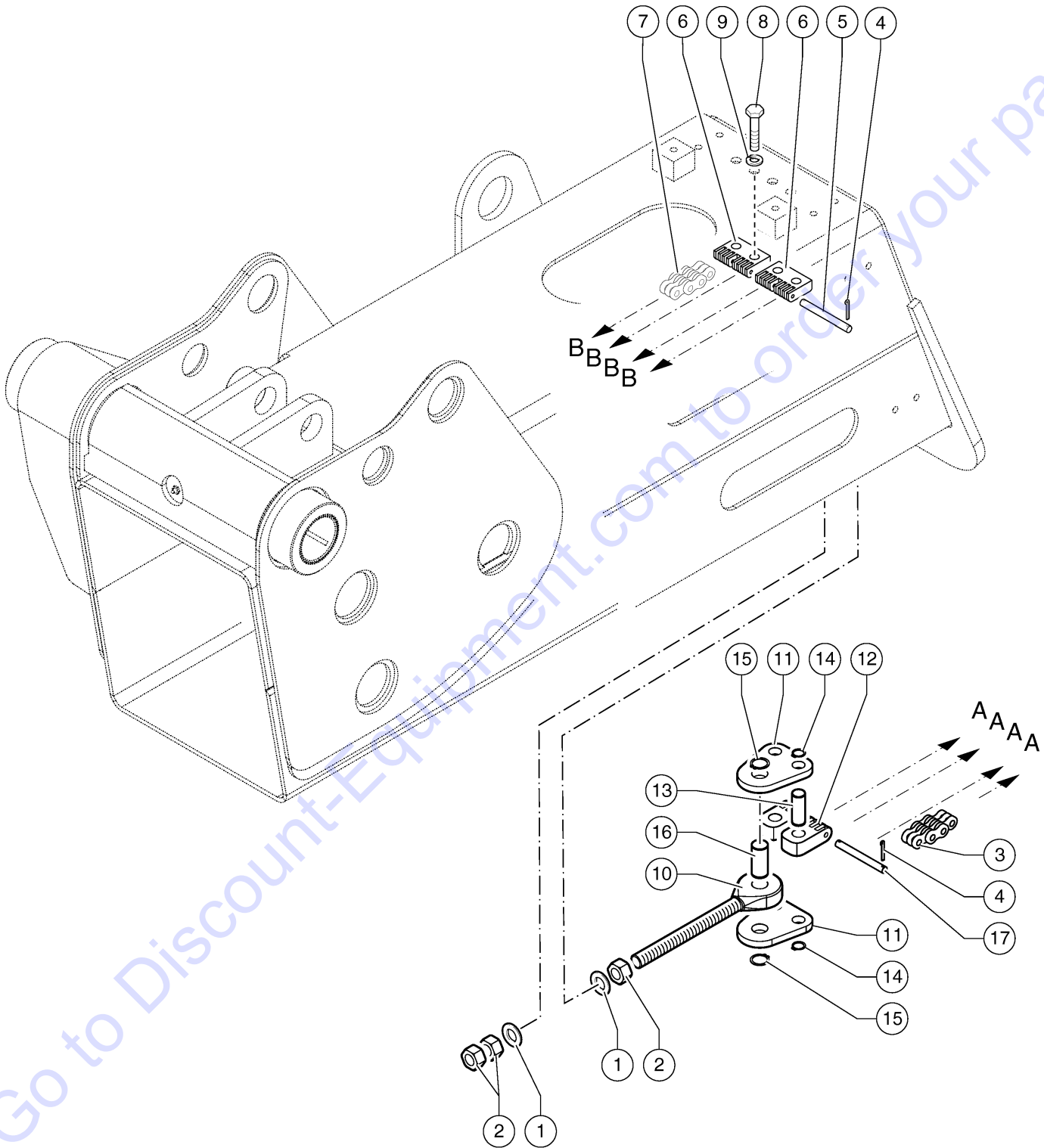
502.1 610482 Arm 3rd - 4th Telescopic Element



502.1 610482 Arm 3rd - 4th Telescopic Element

Item	Part No.	Description	Qty.
1	51.0201.3952GT	3rd Telescope Boom.....	1
2	54.0705.0078GT	WEAR PAD.....	2
3	54.0200.0001GT	BUSHING M10X13.5.....	3
4	54.0705.0072GT	WEAR PAD,60X60X14.....	8
5	51.0811.4132GT	SHIM, WEAR PAD,60X250X1.....	2
6	01.0031.0056GT	FLAT WASHER D10 UNI 6592 ZN.....	16
7	01.0001.0356GT	SCREW M10X30 UNI 5739 8.8 ZN.....	7
8	01.0001.0353GT	SCREW M10X20 UNI 5739 8.8 ZN.....	16
9	51.0201.3953GT	4th Telescope Boom.....	1
10	02.0117.0051GT	GREASE NIPPLE M6.....	10
11	51.0811.4136GT	Pad Shim 200X60X1.....	2
12	51.0811.4131GT	SHIM, WEAR PAD,100X60X1.....	10
13	54.0200.0000GT	BUSHING M10X8.5.....	24
14	51.0811.4137GT	Pad Shim 100X50X1.....	1
15	51.0811.4606GT	RIGHT PAD SHIM.....	1
16	54.0705.0024GT	Front Pad 200x60x33.....	2
17	54.0705.0058GT	Pad 100x60x33.....	2
18	01.0031.0058GT	FLAT WASHER D14 UNI 6592 ZN.....	12
19	01.0003.0353GT	SCREW M14X40 UNI 5931 8.8 ZN.....	6
20	01.4003.0049GT	SCREW M14X25 UNI 5931 8.8 ZN.....	6
21	54.0705.0075GT	WEAR PAD.....	1
22	54.0705.0029GT	WEAR PAD.....	2
23	51.0811.4605GT	SHIM,WEAR PAD 250X75.....	1
24	54.0705.0030GT	WEAR PAD.....	2
25	54.0200.0006GT	PAD FIXING BUSHING M14.....	12
26	51.0811.4242GT	Cover.....	4
27	09.0803.0516GT	SPRING CLIP M6.....	8
28	01.4006.0011GT	SCREW M6X20 UNI 5933 10.9 ZN.....	8
29	51.0903.5147GT	Cover.....	1
30	01.0001.0254GT	SCREW M8X20 UNI 5739 8.8 ZN.....	4
31	01.0031.0055GT	FLAT WASHER D8 UNI 6592 ZN.....	4
32	01.4032.0003GT	SPRING WASHER D8 ZN.....	4

503.1 610483 Chain Unit 1st Boom Section



503.1 610483 Chain Unit 1st Boom Section

Item	Part No.	Description	Qty.
1	01.0031.0100GT	FLAT WASHER D18 UNI 5714 ZN.....	4
2	01.0019.0186GT	Nut M22 UNI 5588 8G ZN.....	6
3	09.0803.0710GT	Fleyer Chain 1" - 6X6 - 199 ST.....	2
4	09.0803.0257GT	COTTER PIN D2X25 UNI 1336 ZN.....	16
5	07.0726.0054GT	PIN.....	4
6	54.0300.0019GT	CHAIN PIVOT PLATE.....	2
7	09.0803.0708GT	FLEYER CHAIN 3/4"-6 X 6-261 STEPS.....	2
8	01.4001.0069GT	SCREW M16X40 UNI 5737 10.9 ZN.....	4
9	01.0031.0099GT	FLAT WASHER D16 UNI 5714 ZN.....	4
10	54.0300.0041GT	Stretch Chain Terminal.....	2
11	54.0300.0036GT	Chain, Pivot Plate.....	2
12	54.0300.0034GT	CHAIN TERMINAL.....	2
13	54.0000.0253GT	PIN.....	2
14	02.4126.0004GT	SEEGER.....	4
15	02.4126.0003GT	SNAP RING.....	2
16	54.0000.0254GT	Pin.....	1
17	54.0002.0018GT	PIN.....	4

PARTS FINDER

**Search Website
by Part Number**



**Search Manual
Library For Parts
Manual & Lookup Part
Numbers – Purchase
or Request Quote**

Search Manuals

Enter your information to help us find the right parts manual for your machine.

* Brand:

* Model:

* Serial:

* Part Number:

SEARCH

**Can't Find Part or
Manual? Request Help
by Manufacturer,
Model & Description**

Parts Order Form

Please fill in the following information to help us find the right part for your machine.

Manufacturer:	<input type="text"/>
Model:	<input type="text"/>
Description:	<input type="text"/>
Part Number:	<input type="text"/>
Quantity:	<input type="text"/>
Notes:	<input type="text"/>

Submit

Discount-Equipment.com is your online resource for quality parts & equipment.

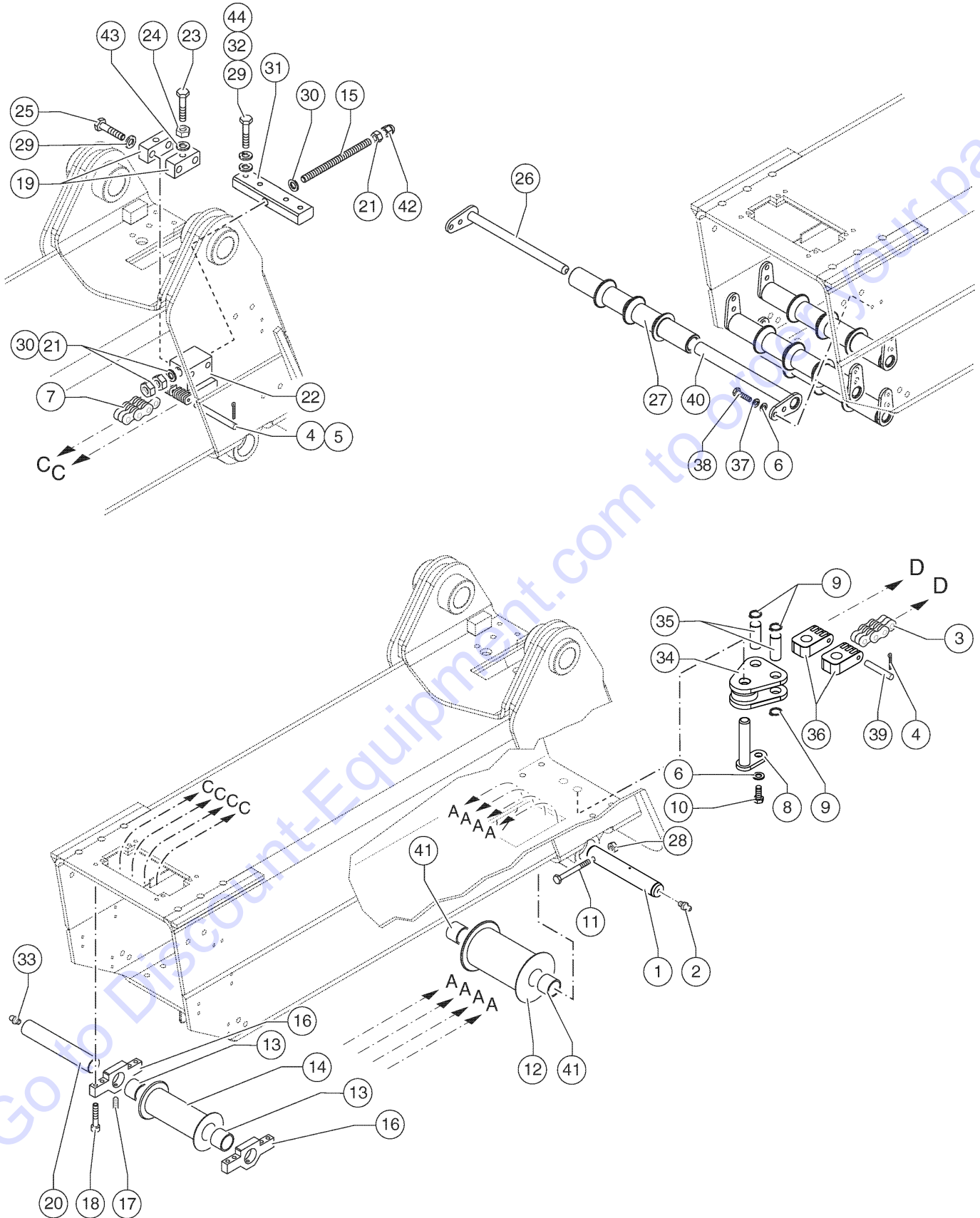
Florida: **561-964-4949** Outside Florida TOLL FREE: **877-690-3101**

Need parts?

Click on this link: <http://www.discount-equipment.com/category/5443-parts/> and choose one of the options to help get the right parts and equipment you are looking for. Please have the machine model and serial number available in order to help us get you the correct parts. If you don't find the part on the website or on one of the online manuals, please fill out the request form and one of our experienced staff members will get back to you with a quote for the right part that your machine needs.

We sell worldwide for the brands: Genie, Terex, JLG, MultiQuip, Mikasa, Essick, Whiteman, Mayco, Toro Stone, Diamond Products, Generac Magnum, Airman, Haulotte, Barreto, Power Blanket, Nifty Lift, Atlas Copco, Chicago Pneumatic, Allmand, Miller Curber, Skyjack, Lull, Skytrak, Tsurumi, Husquvarna Target, Stow, Wacker, Sakai, Mi-T-M, Sullair, Basic, Dynapac, MBW, Weber, Bartell, Bennar Newman, Haulotte, Ditch Runner, Menegotti, Morrison, Contec, Buddy, Crown, Edco, Wyco, Bomag, Laymor, EZ Trench, Bil-Jax, F.S. Curtis, Gehl Pavers, Heli, Honda, ICS/PowerGrit, IHI, Partner, Imer, Clipper, MMD, Koshin, Rice, CH&E, General Equipment, Amida, Coleman, NAC, Gradall, Square Shooter, Kent, Stanley, Tamco, Toku, Hatz, Kohler, Robin, Wisconsin, Northrock, Oztec, Toker TK, Rol-Air, APT, Wylie, Ingersoll Rand / Doosan, Innovatech, Con X, Ammann, Mecalac, Makinex, Smith Surface Prep, Small Line, Wanco, Yanmar

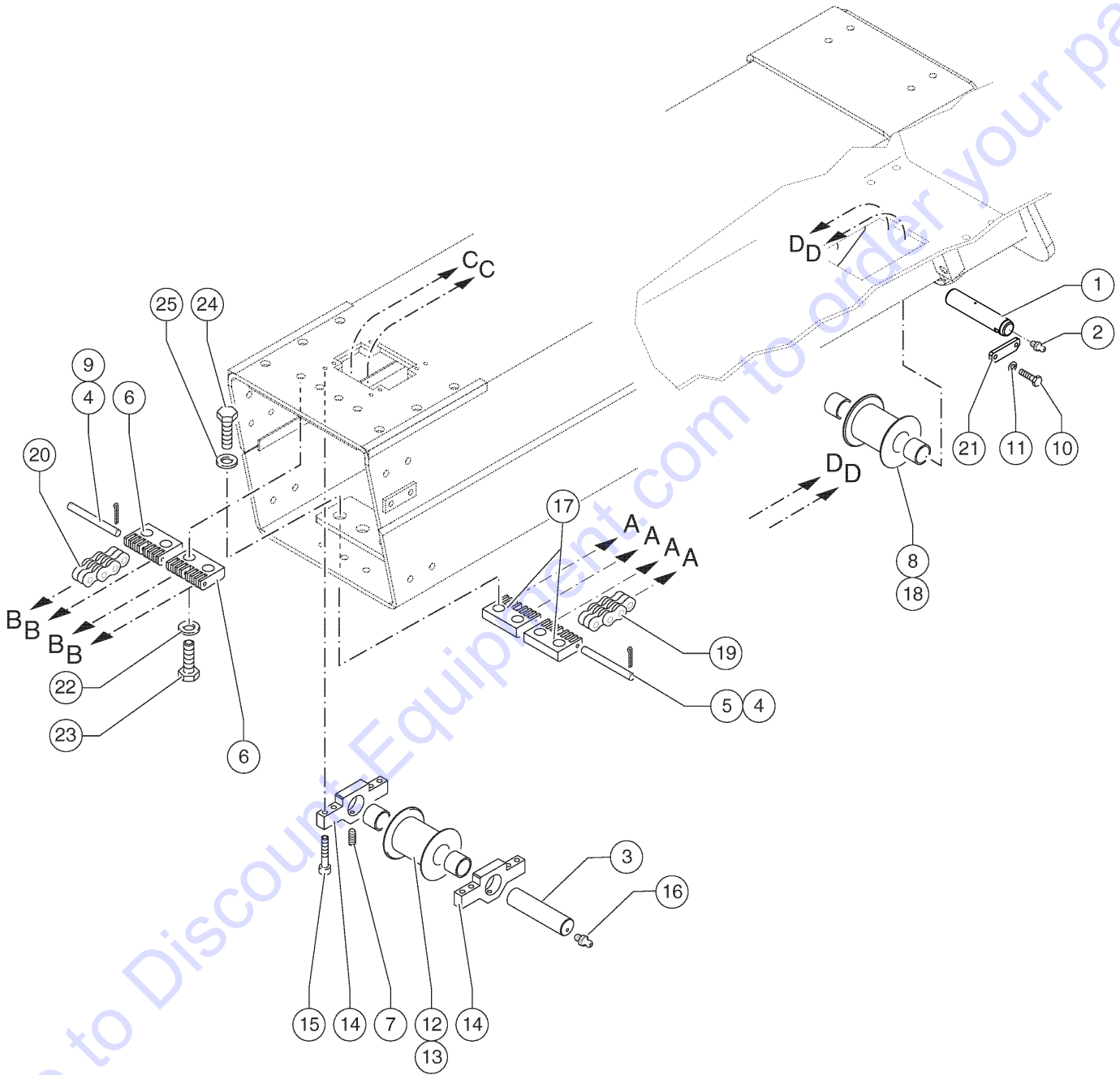
504.1 610484 Chain Unit 2nd Boom Section



504.1 610484 Chain Unit 2nd Boom Section

Item	Part No.	Description	Qty.	Item	Part No.	Description	Qty.
1	54.0001.0083GT	Pulley Front Pin.....	1	44	01.4032.0004GT	SPRING WASHER D10 ZN.....	4
2	02.0117.0051GT	GREASE NIPPLE M6.....	4				
3	09.0803.0709GT	FLEYER CHAIN 1"-6 X 6-201 STEPS....	2				
4	09.0803.0257GT	COTTER PIN D2X25 UNI 1336 ZN.....	4				
5	07.0726.0054GT	PIN.....	2				
6	01.0031.0055GT	FLAT WASHER D8 UNI 6592 ZN.....	9				
7	09.0803.0708GT	FLEYER CHAIN 3/4"-6 X 6-261 STEPS.....	2				
8	54.0004.0113GT	Chain Tie Bar Pin.....	1				
9	02.4126.0004GT	SEEGER.....	4				
10	01.0001.0254GT	SCREW M8X20 UNI 5739 8.8 ZN.....	12				
11	01.4001.0003GT	SCREW M12X100 UNI 5737 8.8 ZN.....	1				
12	54.0400.0043GT	Front Pulley.....	1				
13	54.0201.0090GT	BUSHING D.35/45.....	4				
14	54.0400.0048GT	Rear Pulley.....	1				
15	54.0300.0043GT	THREADED ROAD.....	1				
16	51.0811.4559GT	Pulley Support.....	2				
17	01.4041.0000GT	DOWEL M8X16 UNI 5927 12.9 ZN.....	4				
18	01.4003.0034GT	SCREW M10X40 UNI 5931 12.9 ZN.....	8				
19	54.0300.0021GT	Stretch Chain Block.....	2				
20	54.0001.0077GT	Rear Pulley Pin.....	1				
21	01.0019.0179GT	NUT M18 UNI 5589 8G ZN.....	3				
22	54.0300.0042GT	Stretch Chain Terminal.....	1				
23	01.4001.0040GT	Screw TE M12X50 UNI 5737 10.9ZN....	2				
24	01.0019.0106GT	NUT M12 UNI 5588 6SZN.....	2				
25	01.4001.0011GT	Screw TE M12X40 UNI 5737 10.9ZN....	4				
26	51.0811.4366GT	PULLEY HOLDER.....	4				
27	54.0705.0036GT	Nylon Pulley.....	4				
28	01.0023.0056GT	STOP NUT M12 UNI 7473 6S ZN.....	1				
29	01.0031.0057GT	WASHER,D12 UNI 6592 ZN.....	8				
30	01.0031.0100GT	FLAT WASHER D18 UNI 5714 ZN.....	2				
31	54.0300.0028GT	Stretch Chain support.....	1				
32	01.4001.0108GT	SCREW M12X60 UNI 5737 10.9 ZN.....	4				
33	02.0117.0119GT	GREASE NIPPLE G 1/8.....	1				
34	54.0300.0033GT	Chain Tensioner.....	1				
35	54.0000.0253GT	PIN.....	2				
36	54.0300.0034GT	CHAIN TERMINAL.....	2				
37	01.4032.0003GT	SPRING WASHER D8 ZN.....	8				
38	01.0003.0203GT	SCREW M8X20 UNI 5931 8.8 ZN.....	8				
39	54.0002.0018GT	PIN.....	2				
40	51.0811.4367GT	PULLEY HOLDER.....	4				
41	54.0201.0080GT	Bushing D.30/40.....	2				
42	01.4019.0026GT	NUT M18 UNI 5721 ZN.....	2				
43	01.0031.0097GT	FLAT WASHER D12 UNI 5714 ZN.....	2				

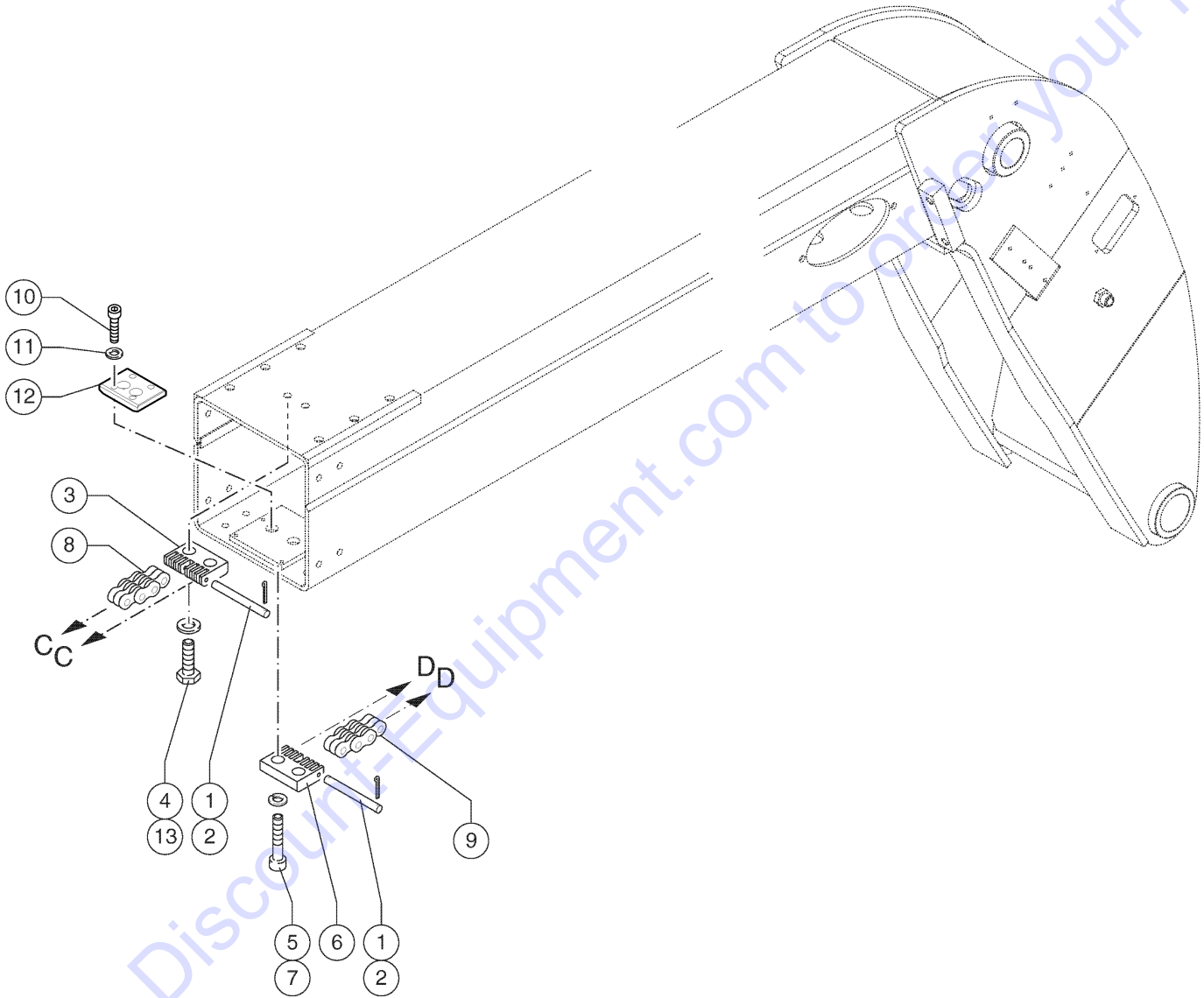
505.1 610485 Chain Unit 3rd Boom Section



505.1 610485 Chain Unit 3rd Boom Section

Item	Part No.	Description	Qty.
1	54.0001.0082GT	PIN.....	1
2	02.0117.0051GT	GREASE NIPPLE M6.....	1
3	54.0001.0076GT	Rear Pulley Pin.....	1
4	09.0803.0257GT	COTTER PIN D2X25 UNI 1336 ZN.....	8
5	54.0002.0018GT	PIN.....	2
6	54.0300.0020GT	Chain Terminal.....	2
7	01.4041.0000GT	DOWEL M8X16 UNI 5927 12.9 ZN.....	4
8	54.0201.0079GT	Bushing D=40/50 - 40.....	2
9	07.0726.0054GT	PIN.....	2
10	01.0001.0256GT	SCREW M8X25 UNI 5739 8.8 ZN.....	2
11	01.0031.0055GT	FLAT WASHER D8 UNI 6592 ZN.....	2
12	54.0400.0047GT	Pulley.....	1
13	54.0201.0089GT	Bushing.....	2
14	51.0811.0000GT	Pulley Support.....	2
15	01.4003.0051GT	SCREW M8X30 UNI 5931 12.9 ZN.....	8
16	02.0117.0119GT	GREASE NIPPLE G 1/8.....	1
17	54.0300.0032GT	Anchor Boom Chain 1" - 6X6.....	2
18	54.0400.0042GT	Boom Chain Pulley.....	1
19	09.0803.0710GT	Fleyer Chain 1" - 6X6 - 199 ST.....	4
20	09.0803.0708GT	FLEYER CHAIN 3/4"-6 X 6-261 STEPS.....	4
21	51.0811.4424GT	Pulley Pin Lock Plate.....	1
22	01.0031.0099GT	FLAT WASHER D16 UNI 5714 ZN.....	4
23	01.4001.0209GT	SCREW,HHC,M16-2X50,10,9,ZN.....	4
24	01.4001.0041GT	SCREW M20X45 UNI 5739 10.9 ZN.....	4
25	01.0031.0061GT	FLAT WASHER D20 UNI 6592 ZN.....	4

506.1 610486 Chain Unit 4th Boom Section

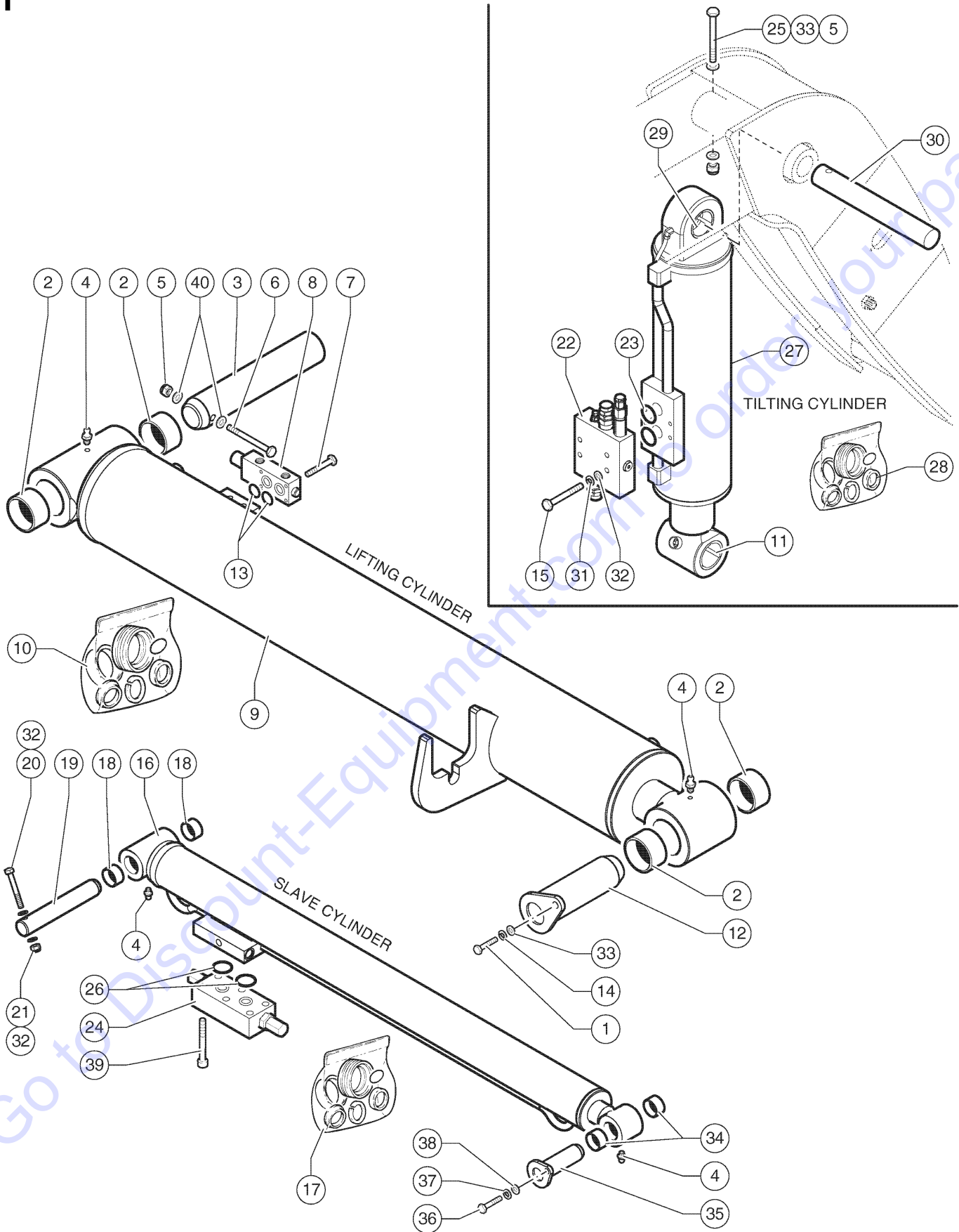


506.1 610486 Chain Unit 4th Boom Section

Item	Part No.	Description	Qty.
1	09.0803.0257GT	COTTER PIN D2X25 UNI 1336 ZN.....	8
2	54.0002.0018GT	PIN.....	2
3	54.0300.0020GT	Chain Terminal.....	1
4	01.4001.0209GT	SCREW,HHC,M16-2X50,10,9,ZN.....	2
5	01.0031.0061GT	FLAT WASHER D20 UNI 6592 ZN.....	2
6	54.0300.0032GT	Anchor Boom Chain 1" - 6X6.....	1
7	01.4001.0041GT	SCREW M20X45 UNI 5739 10.9 ZN.....	2
8	09.0803.0709GT	FLEYER CHAIN 1"-6 X 6-201 STEPS.....	2
9	09.0803.0708GT	FLEYER CHAIN 3/4"-6 X 6-261 STEPS.....	2
10	01.4003.0041GT	SCREW M8X16 DIN 7984 8.8 ZN.....	4
11	01.4032.0003GT	SPRING WASHER D8 ZN.....	8
12	54.0705.0076GT	PAD.....	1
13	01.0031.0099GT	FLAT WASHER D16 UNI 5714 ZN.....	2

Go to Discount-Equipment.com to order your parts

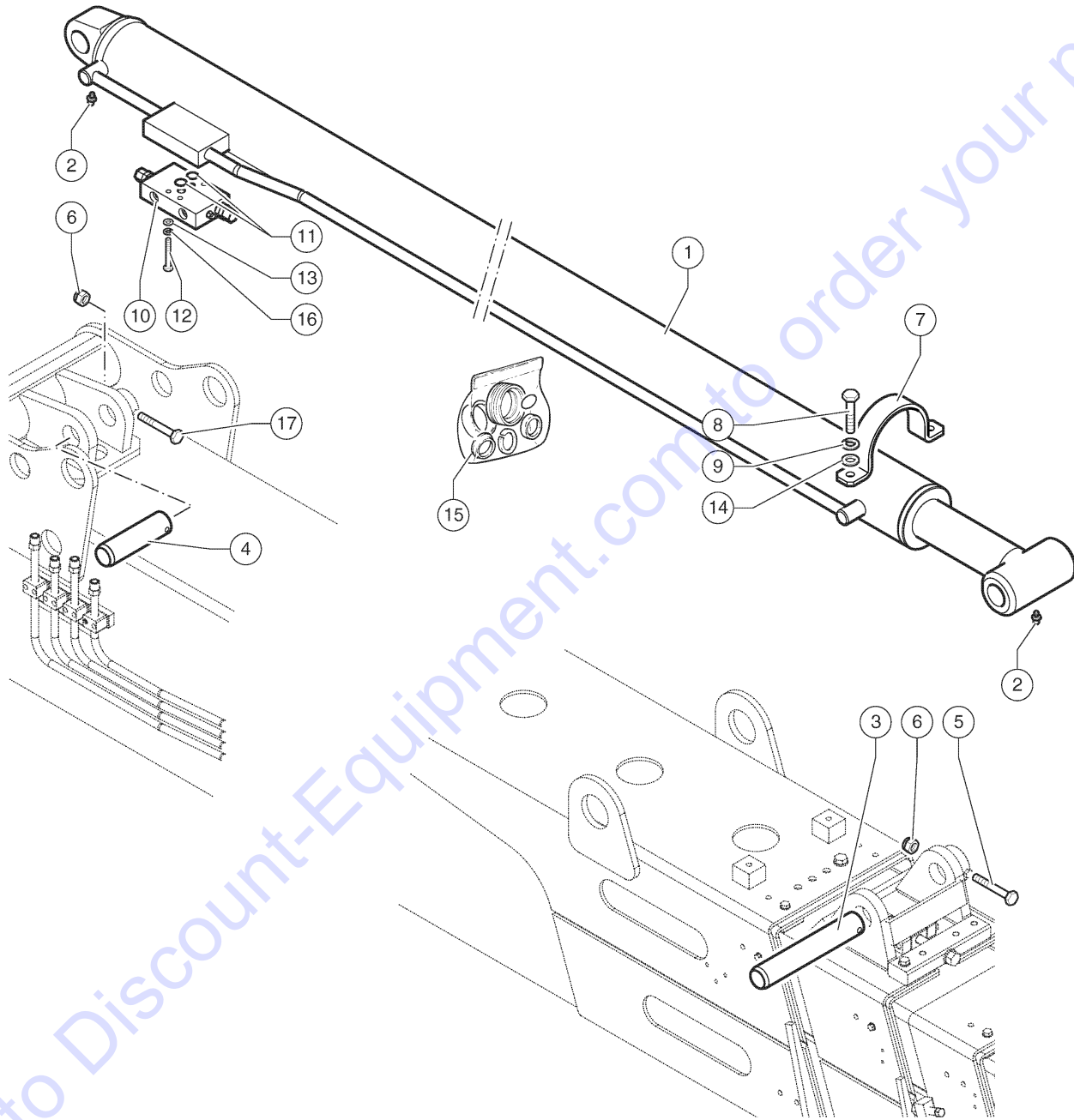
507.1 610487 Lifting Cylinder - Slave Cylinder - Tilting Cylinder



507.1 610487 Lifting Cylinder - Slave Cylinder - Tilting Cylinder

Item	Part No.	Description	Qty.
1	01.0001.0401GT	SCREW M12X40 UNI 5737 8.8 ZN.....	2
2	54.0201.0091GT	Bushing.....	4
3	54.0000.0270GT	Lifting Cylinder Foot Pin.....	1
4	02.0117.0101GT	GREASE NIPPLE G 1/8.....	4
5	01.0023.0057GT	STOP NUT M14 UNI 7473 6S ZN.....	2
6	01.0001.1497GT	SCREW M14X150 UNI 5737 8.8 ZN.....	1
7	01.0003.0210GT	SCREW M8X50 UNI 5931 8.8 ZN.....	4
8	04.4239.0001GT	SAFETY VALVE.....	1
9	53.0000.3817GT	Lifting Cylinder.....	1
10	07.4529.0196GT	Seals Kit Lifting Cylinder.....	1
11	54.0201.0092GT	Bushing.....	2
12	54.0003.0180GT	Lifting Cylinder Head Pin.....	1
13	07.0705.0101GT	O-ring.....	2
14	01.4032.0005GT	SPRING WASHER D12 ZN.....	2
15	01.0001.0306GT	SCREW M10X60 UNI 5737 8.8 ZN.....	4
16	53.0300.2213GT	Fork Levelling Cylinder.....	1
17	07.4529.0194GT	Seals Kit Levelling Cylinder.....	1
18	09.0801.0038GT	Bushing.....	2
19	54.0000.0271GT	Slave Cylinder Foot Pin.....	1
20	01.0001.0310GT	SCREW M10X80 UNI 5737 8.8 ZN.....	1
21	01.0023.0055GT	NUT,STOP,M10 UNI 7473 6S ZN.....	1
22	04.4239.0142GT	VALVE.....	1
23	07.0701.0331GT	SEAL.....	2
24	04.4239.0051GT	SAFETY VALVE.....	1
25	01.4001.0003GT	SCREW M12X100 UNI 5737 8.8 ZN.....	1
26	07.0722.0037GT	O-ring.....	2
27	53.0400.1818GT	Tilt Cylinder.....	1
28	07.4529.0195GT	Seals Kit Tilt Cylinder.....	2
29	54.0201.0093GT	Bushing.....	1
30	54.0002.0066GT	Pin.....	1
31	01.4032.0004GT	SPRING WASHER D10 ZN.....	4
32	01.0031.0056GT	FLAT WASHER D10 UNI 6592 ZN.....	4
33	01.0031.0057GT	WASHER,D12 UNI 6592 ZN.....	3
34	09.0801.0039GT	Bushing.....	2
35	54.0003.0179GT	Slave Cylinder Head Pin.....	1
36	01.0001.0256GT	SCREW M8X25 UNI 5739 8.8 ZN.....	1
37	01.4032.0003GT	SPRING WASHER D8 ZN.....	1
38	01.0031.0055GT	FLAT WASHER D8 UNI 6592 ZN.....	1
39	01.0003.0208GT	SCREW,TCEI,M8X40 UNI 8.8ZN.....	6
40	01.0031.0058GT	FLAT WASHER D14 UNI 6592 ZN.....	2

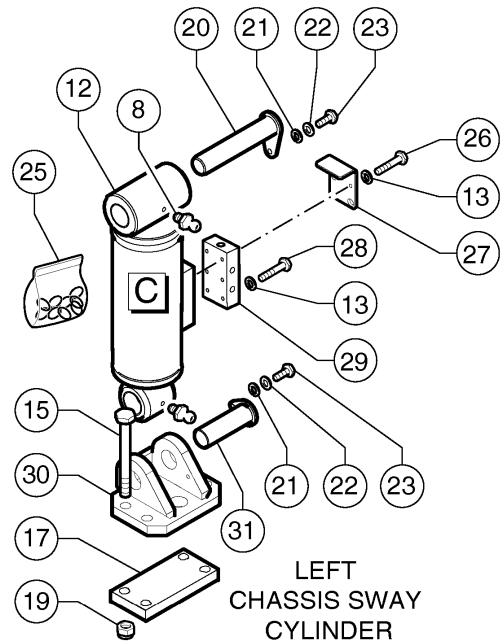
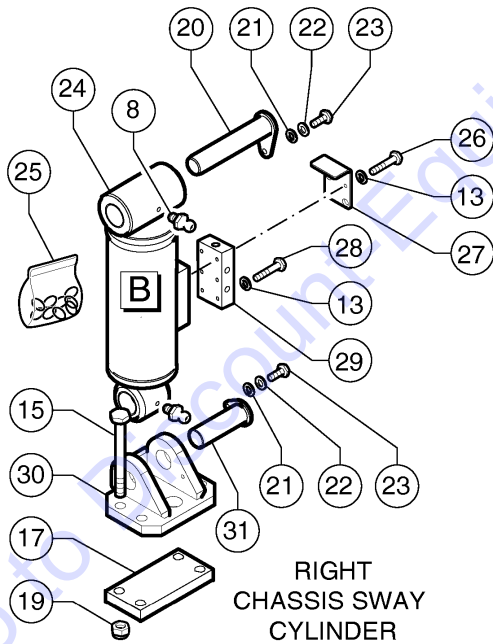
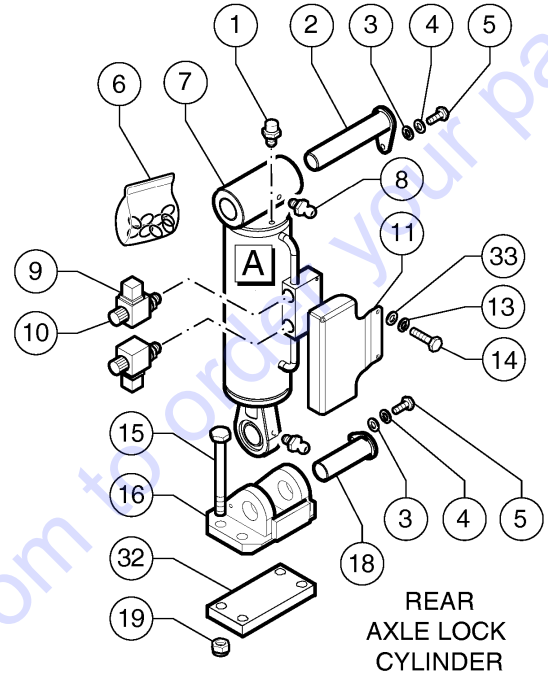
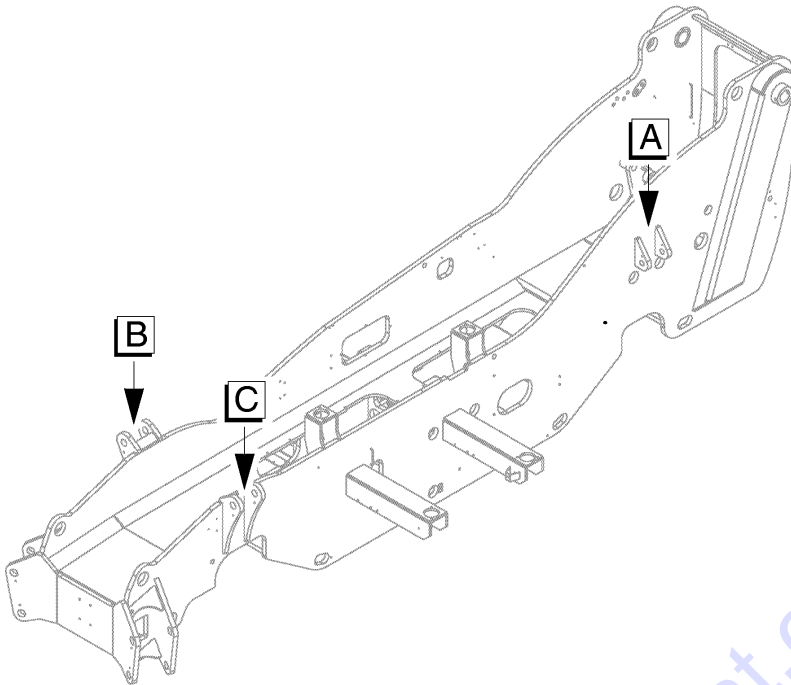
508.1 610488 Boom Extension Cylinder



508.1 610488 Boom Extension Cylinder

Item	Part No.	Description	Qty.
1	53.0100.3220GT	2nd Telescope Extension Cilinder.....	1
2	02.0117.0101GT	GREASE NIPPLE G 1/8.....	2
3	54.0001.0092GT	2nd Telescope Extension Cylinder Foot Pin.....	1
4	54.0001.0085GT	2nd Telescope Extension Cylinder Head Pin.....	1
5	01.0001.0314GT	SCREW M10X100 UNI 5737 8.8 ZN.....	1
6	01.0023.0055GT	NUT,STOP,M10 UNI 7473 6S ZN.....	4
7	51.0811.4558GT	2nd Telescope Extension Cylinder Collar.....	1
8	01.0001.0606GT	SCREW M14X40 UNI 5739 8.8 ZN.....	2
9	01.4032.0006GT	SPRING WASHER D14 ZN.....	2
10	04.4239.0041GT	SAFETY VALVE.....	1
11	07.4529.0071GT	O-RING.....	2
12	01.0001.0308GT	SCREW M10X70 UNI 5737 8.8 ZN.....	4
13	01.0031.0056GT	FLAT WASHER D10 UNI 6592 ZN.....	4
14	01.0031.0058GT	FLAT WASHER D14 UNI 6592 ZN.....	2
15	07.4529.0197GT	Seal kit Extension Cylinder.....	1
16	01.4032.0004GT	SPRING WASHER D10 ZN.....	4
17	01.4001.0008GT	SCREW M10X90 UNI 5737 8.8 ZN.....	1

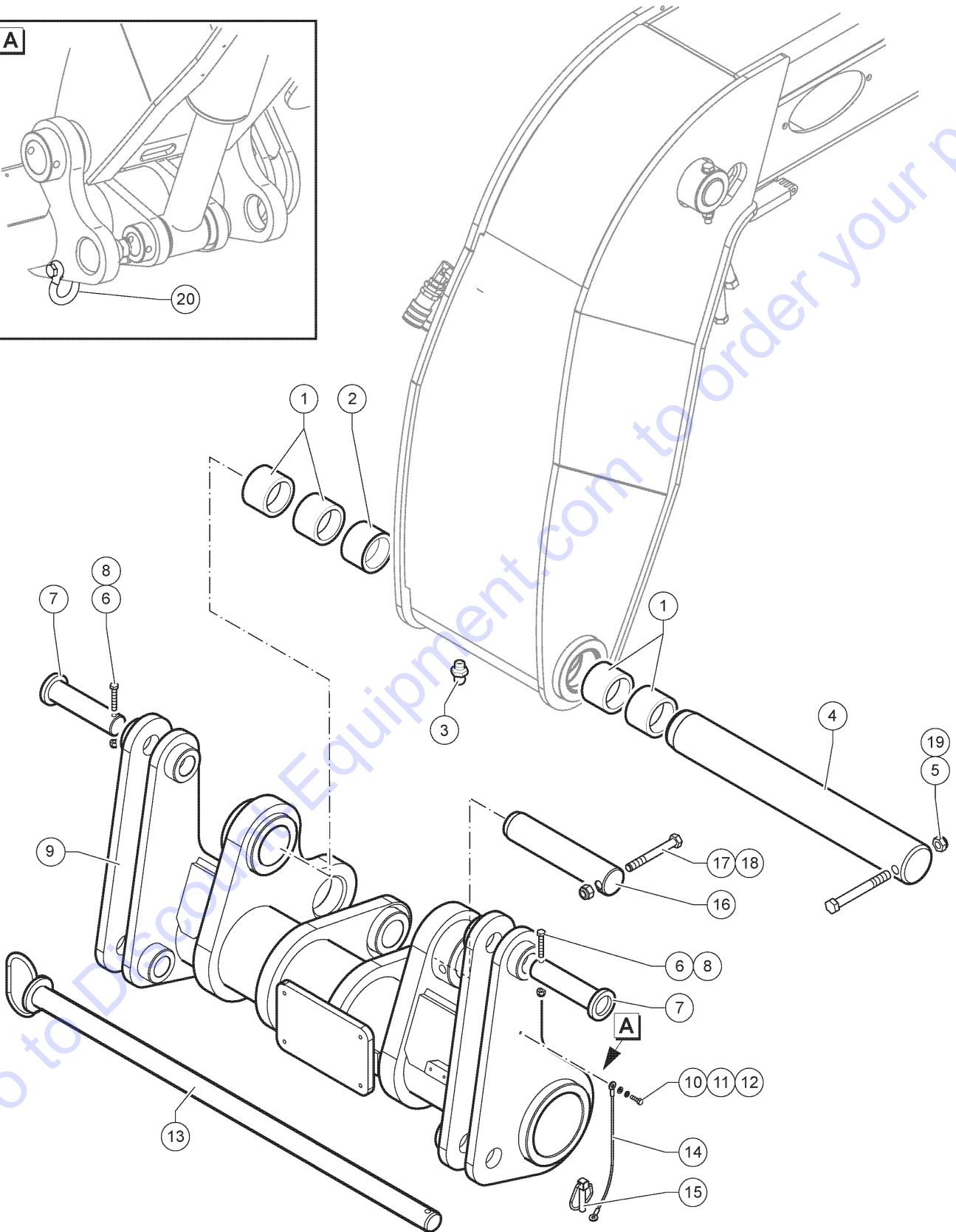
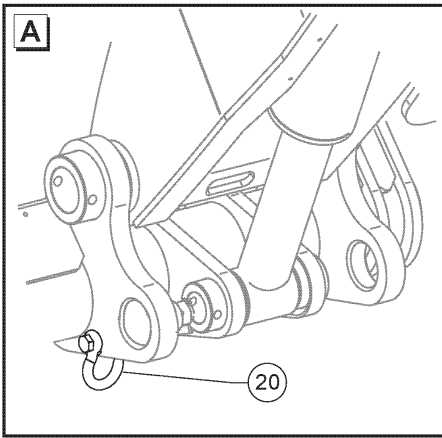
509.1 610489 Left & Right Chassis Sway Cylinder - Rear Axle Locking Cylinder



509.1 610489 Left & Right Chassis Sway Cylinder - Rear Axle Locking Cylinder

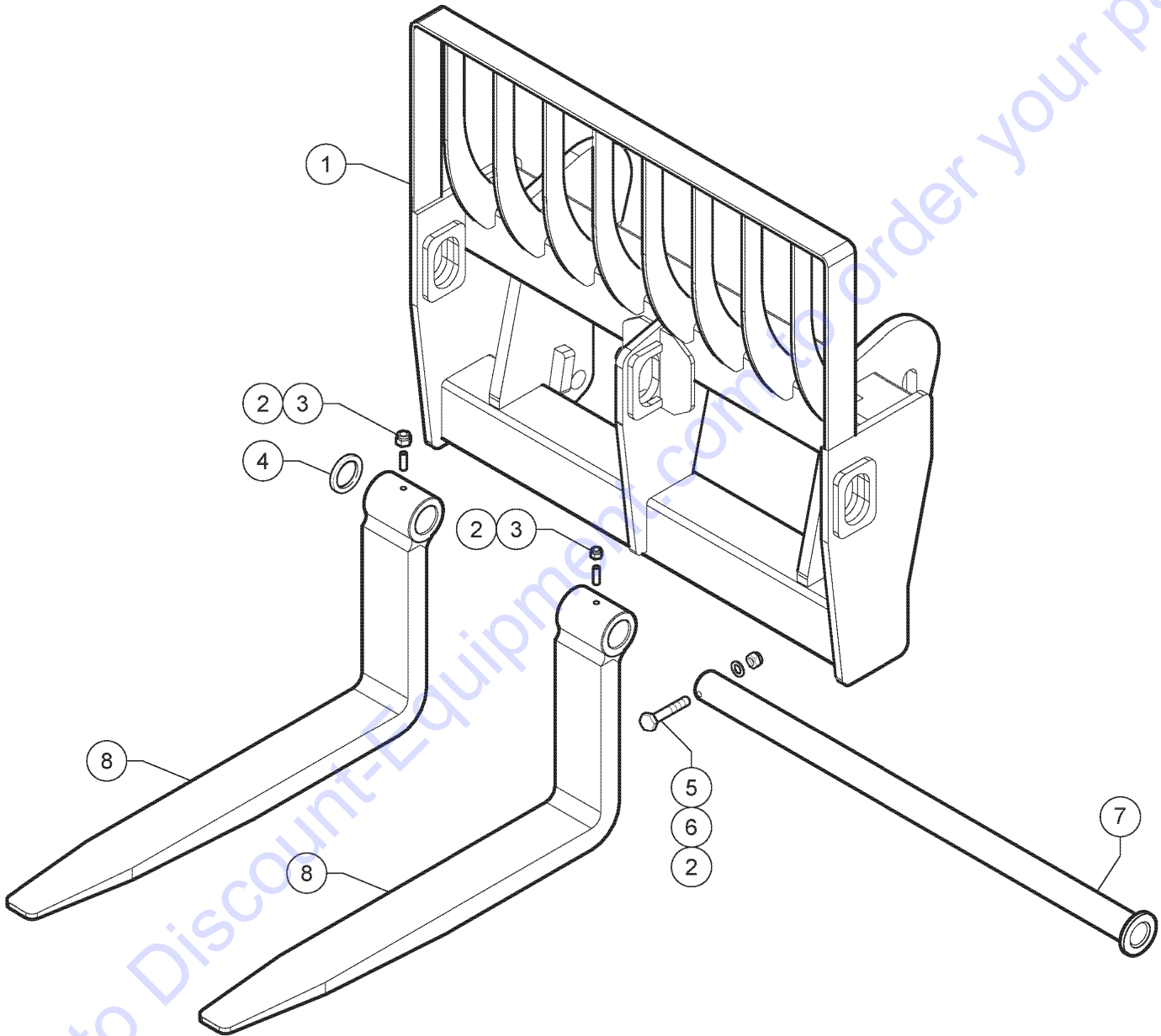
Item	Part No.	Description	Qty.
1	04.0600.0092GT	SCREW,BLEEDER M8X1.25.....	1
2	54.0004.0117GT	Pin.....	1
3	01.0031.0055GT	FLAT WASHER D8 UNI 6592 ZN.....	2
4	01.4032.0003GT	SPRING WASHER D8 ZN.....	2
5	01.0001.0256GT	SCREW M8X25 UNI 5739 8.8 ZN.....	2
6	07.4529.0170GT	Seal Kit.....	1
7	53.0700.0304GT	Rear Axle Locking Cylinder.....	1
8	02.0117.0101GT	GREASE NIPPLE G 1/8.....	8
9	04.4240.0041GT	SOLENOID.....	2
10	04.4240.0024GT	CARTRIDGE.....	2
11	51.0903.5136GT	Valve Protection Cover.....	1
12	53.0600.1812GT	Left Chassis Sway Cylinder.....	1
13	01.4032.0002GT	SPRING WASHER D6 ZN.....	14
14	01.4001.0106GT	SCREW M6X16 DIN 6923 8.8 ZN.....	2
15	01.4001.0027GT	Screw TE M22X280 UNI 5737 8.8 ZN...	12
16	51.0811.4588GT	Bracket.....	1
17	51.0811.4587GT	Plate.....	2
18	54.0004.0118GT	Pin.....	1
19	01.4023.0000GT	STOP NUT M22 UNI 7473 6S ZN.....	12
20	54.0004.0116GT	Pin.....	2
21	01.0031.0056GT	FLAT WASHER D10 UNI 6592 ZN.....	4
22	01.4032.0004GT	SPRING WASHER D10 ZN.....	4
23	01.0001.0355GT	SCREW M10X25 UNI 5739 8.8 ZN.....	4
24	53.0600.1811GT	Right Chassis Sway Cylinder.....	1
25	07.4529.0166GT	Seal Kit.....	2
26	01.0001.0106GT	SCREW M6X50 UNI 5737 8.8 ZN.....	4
27	51.0903.5135GT	Valve Protection Cover.....	2
28	01.4001.0046GT	SCREW M6X45 UNI 5739 8.8 ZN.....	8
29	04.4239.0080GT	SAFETY VALVE.....	2
30	51.0811.4586GT	Bracket.....	2
31	54.0004.0115GT	Pin.....	2
32	51.0811.4589GT	PLATE.....	1
33	01.0031.0054GT	FLAT WASHER D6 UNI 6592 ZN.....	2

510.1 610490 Coupling Unit



Item	Part No.	Description	Qty.
1	54.0201.0088GT	Bushing.....	4
2	52.0900.9337GT	Spacer.....	1
3	02.0117.0119GT	GREASE NIPPLE G 1/8.....	1
4	54.0002.0075GT	Pin.....	1
5	01.4001.0032GT	Screw TE M16 X 140 ZN UNI 5737.....	1
6	01.0023.0054GT	NUT,M8 UNI 7473 6S ZN.....	2
7	54.0002.0071GT	Pin.....	2
8	01.0003.0210GT	SCREW M8X50 UNI 5931 8.8 ZN.....	2
9	51.0400.5021GT	Fork Coupling Attachment.....	1
10	01.0001.0156GT	SCREW M6X20 UNI 5739 8.8 ZN.....	1
11	01.4032.0002GT	SPRING WASHER D6 ZN.....	1
12	01.0031.0054GT	FLAT WASHER D6 UNI 6592 ZN.....	1
13	54.0000.0265GT	Attachment Locking Pin.....	1
14	09.0803.0406GT	LANYARD,PIN.....	1
15	02.4102.0015GT	Lock Clip.....	1
16	54.0002.0079GT	Pin.....	1
17	01.0001.0562GT	Screw TE M14X120UNI 5737 8.8 ZN.....	1
18	01.0023.0057GT	STOP NUT M14 UNI 7473 6S ZN.....	1
19	01.0023.0058GT	NUT,STOP,M16 UNI 7473 6S ZN.....	1
20	1264504GT	Shackle.....	1

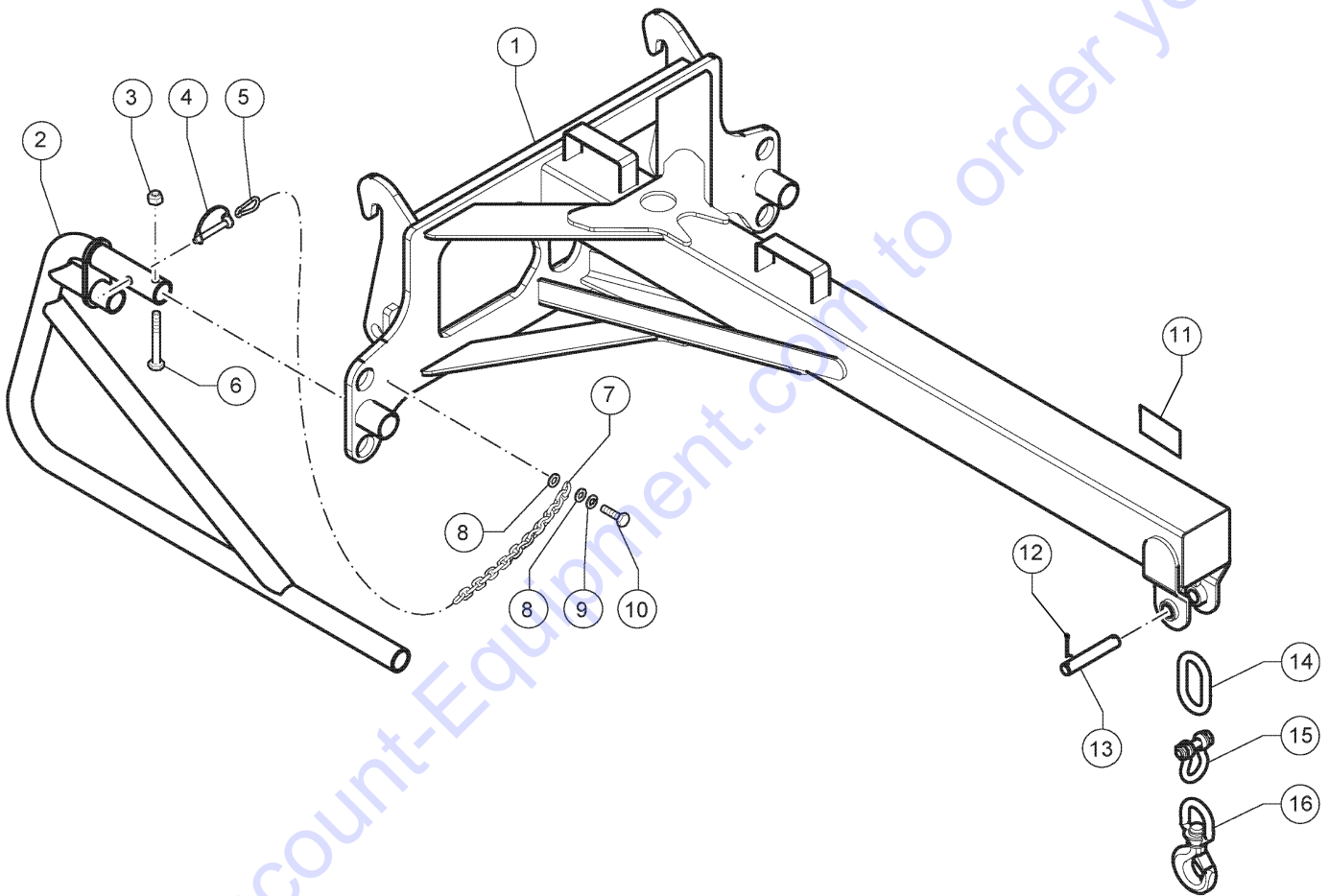
511.1 610491 Fork Frame



Item	Part No.	Description	Qty.
1	51.1301.9145GT	Floating Fork Mounting Plate 48".....1	1
1	51.1301.9149GT	Floating Fork Mounting Plate 60".....1 <i>Optional</i>	1
1	51.1301.9150GT	Floating Fork Mounting Plate 72".....1 <i>Optional</i>	1
2	01.0023.0056GT	STOP NUT M12 UNI 7473 6S ZN.....3	3
3	01.4041.0004GT	Dowel M12X40 UNI 5927 12.9 ZN.....2	2
4	54.0100.0076GT	PLAIN WASHER,D110-70 SP0.8.....1	1
5	01.0001.0410GT	Screw TE M12X90 UNI 5737 8.8 ZN.....2	2
6	01.0031.0057GT	WASHER,D12 UNI 6592 ZN.....2	2
7	54.0004.0119GT	Pin 48".....1	1
7	54.0004.0120GT	Pin 60".....1 <i>Optional</i>	1
7	54.0004.0121GT	Pin 72".....1 <i>Optional</i>	1
8	822207GT	FORK, 48" INDIVIDUAL, 1544.....2	2
8	822208GT	FORK, 60" INDIVIDUAL, 1544.....2 <i>Optional</i>	2
8	822209GT	FORK, 72" INDIVIDUAL, 1544.....2 <i>Optional</i>	2

Go to Discount-Equipment.com to order your parts

512.1 610492 Truss Boom 7 Feet, 4,400 LBS

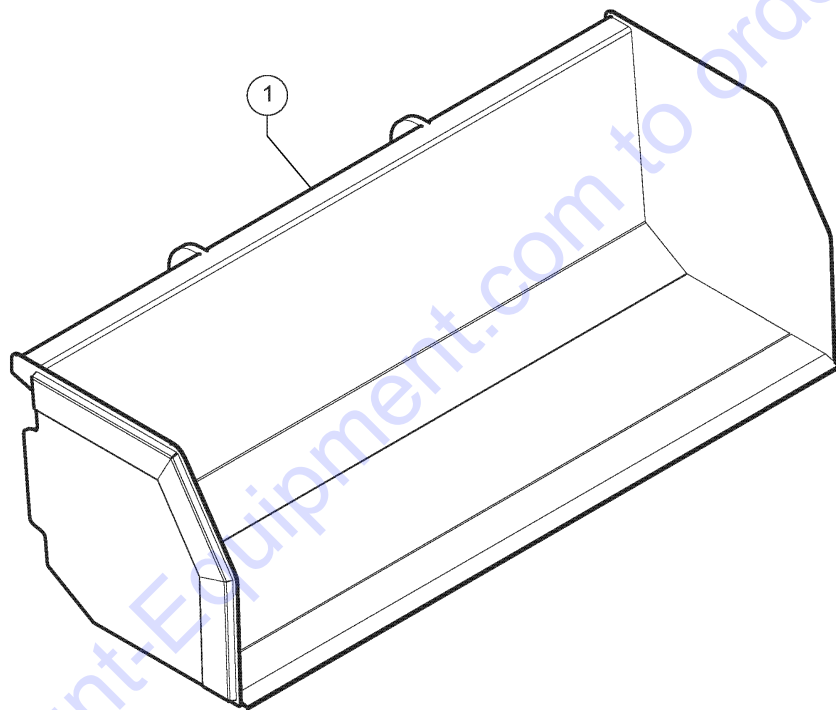


512.1 610492 Truss Boom 7 Feet, 4,400 LBS

Item	Part No.	Description	Qty.
1	51.1301.9135GT	Attachement Chassis.....	1
2	51.1301.9106GT	Support Bracket.....	2
3	01.0023.0055GT	NUT,STOP,M10 UNI 7473 6S ZN.....	2
4	09.0803.0623GT	Lock Clip D10X80.....	3
5	09.0803.0344GT	Spring Catch 4X40 ZN.....	2
6	01.0001.0308GT	SCREW M10X70 UNI 5737 8.8 ZN.....	2
7	09.0803.0055GT	CHAIN.....	8-inch
8	01.0031.0054GT	FLAT WASHER D6 UNI 6592 ZN.....	4
9	01.4032.0002GT	SPRING WASHER D6 ZN.....	2
10	01.0001.0156GT	SCREW M6X20 UNI 5739 8.8 ZN.....	2
11	09.4616.0147GT	Max Load Plate.....	1
12	02.0112.0155GT	Cotter Pin 4X 45 UNI 1336 ZN.....	2
13	54.0002.0041GT	Pin.....	1
14	09.4621.0020GT	Master Link.....	1
15	09.4621.0013GT	Shackle.....	1
16	09.4621.0010GT	Swivel Hook.....	1

Go to Discount-Equipment.com to order your parts

513.1 610493 Rubbish Bucket

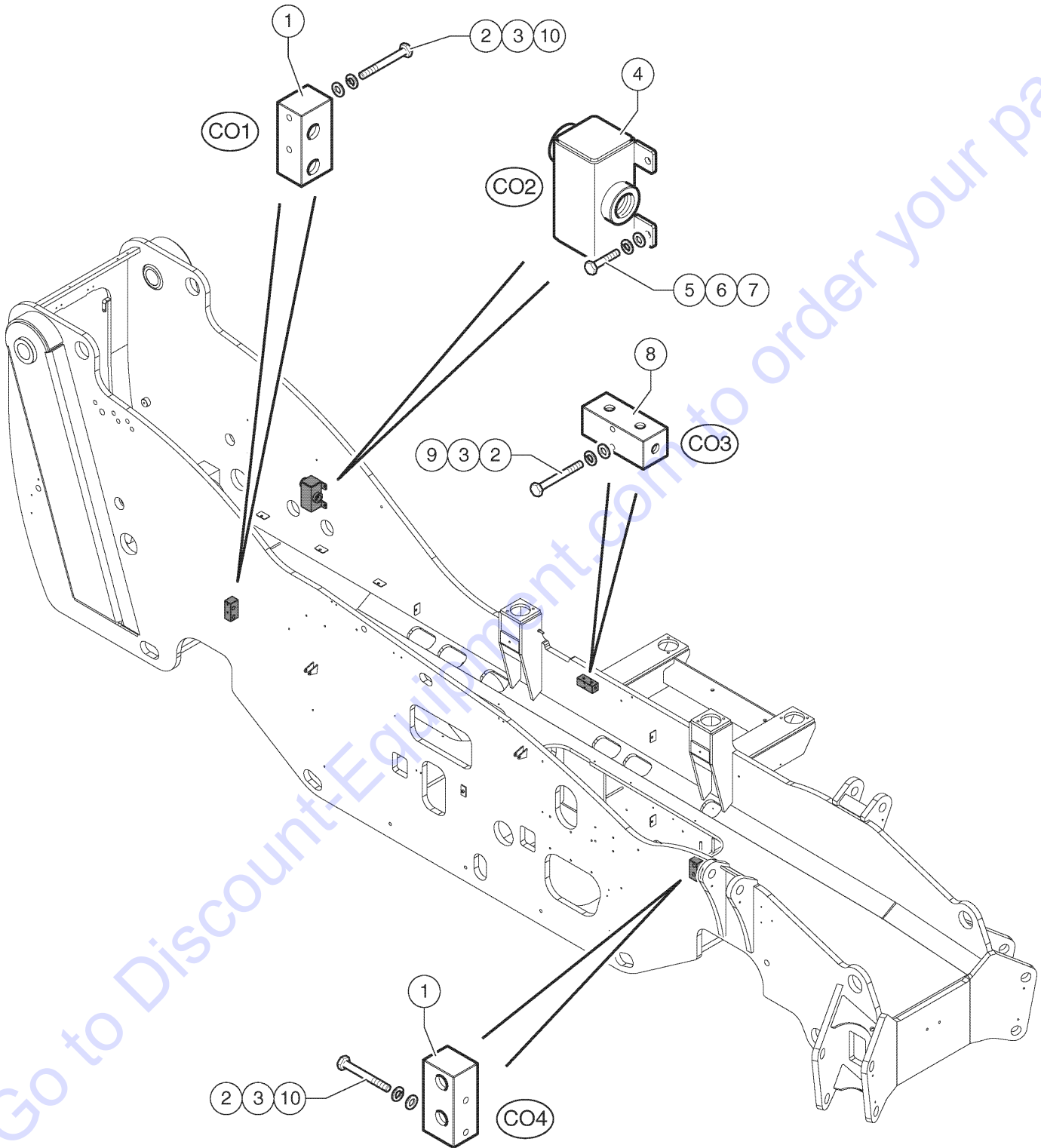


Go to Discount-Equipment.com to order your parts

Item	Part No.	Description	Qty.
1	51.1301.9133GT	Rubbish Bucket.....	1

Go to Discount-Equipment.com to order your parts

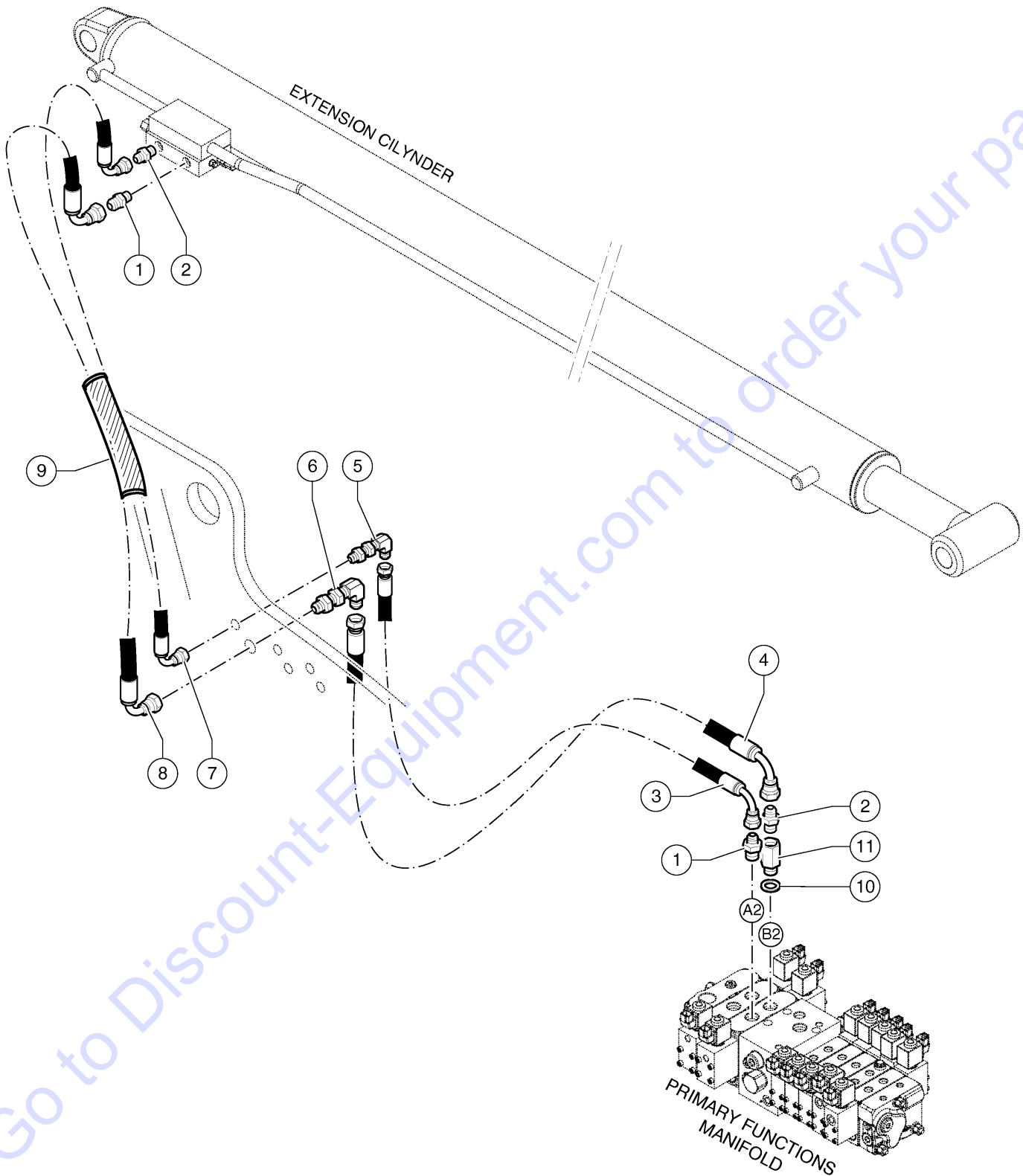
601.1 610495 Fittings



Item	Part No.	Description	Qty.
1	53.3001.6826GT	MANIFOLD.....	2
2	01.4032.0002GT	SPRING WASHER D6 ZN.....	6
3	01.0031.0054GT	FLAT WASHER D6 UNI 6592 ZN.....	6
4	53.3001.6824GT	Manifold.....	1
5	01.0001.0254GT	SCREW M8X20 UNI 5739 8.8 ZN.....	2
6	01.4032.0003GT	SPRING WASHER D8 ZN.....	2
7	01.0031.0055GT	FLAT WASHER D8 UNI 6592 ZN.....	2
8	53.3001.6825GT	Manifold.....	1
9	01.0001.0106GT	SCREW M6X50 UNI 5737 8.8 ZN.....	2
10	01.0001.0108GT	SCREW M6X60 UNI 5737 8.8 ZN.....	4

Go to Discount-Equipment.com to order your parts

602.1 610496 Boom Extension Cylinder

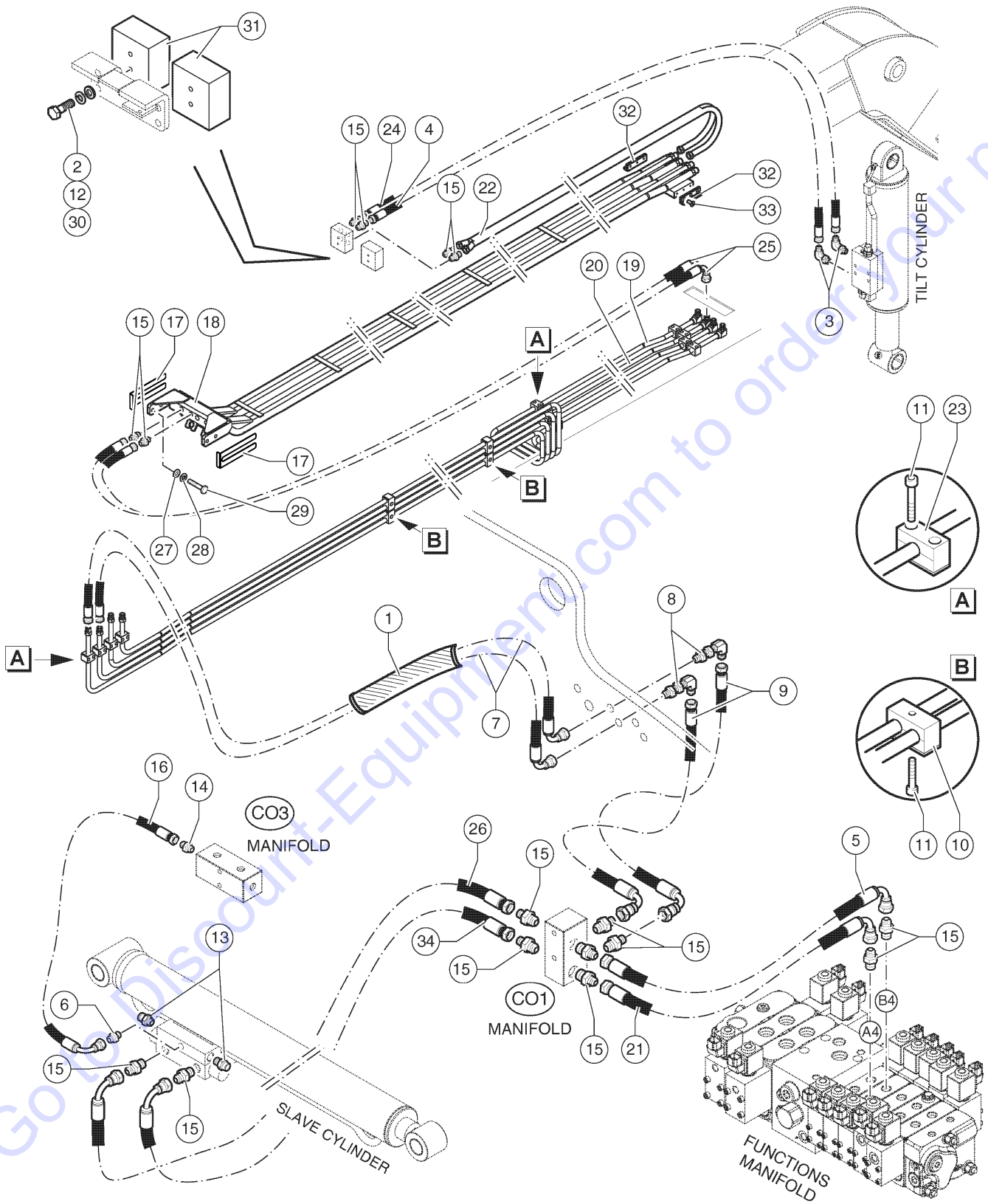


602.1 610496 Boom Extension Cylinder

Item	Part No.	Description	Qty.
1	04.0607.0121GT	PIPE FITTING 3/4 BSPX13/16-16 ORFS.....	2
2	04.0607.0107GT	PIPE FITTING 3/4BSP X1"3/16-12 ORFS.....	2
3	04.0605.0896GT	HOSE R2X1/2 3300 F90 13/16-16 FD 13/16-16.....	1
4	04.0605.1671GT	Flexible Hose R2 (300BAR) X 3/4 3350 F90 FD 13/16"-12.....	1
5	04.0607.0124GT	PIPE FITTING 90 M-M 13/16-16 ORFS..	1
6	04.0607.0853GT	Pipe Fitting M 1"3/16-12 . X M 1"3/16"-12 ORFS.....	1
7	04.0605.1498GT	HOSE R2X1-2 LG1400 F90-F90 13/16-16 ORFS 270ø.....	1
8	04.0605.1496GT	HOSE 2X3-4 LG1400 F90-F90 1"3/16 A 270ø.....	1
9	09.0803.0835GT	HOSES PROTECTION.....	1
10	06.0442.0124GT	BONDED RING 3/4.....	1
11	04.0600.0271GT	Pipe Fitting CMF 3/4BSP LG.35.....	1

Go to Discount-Equipment.com to order your parts

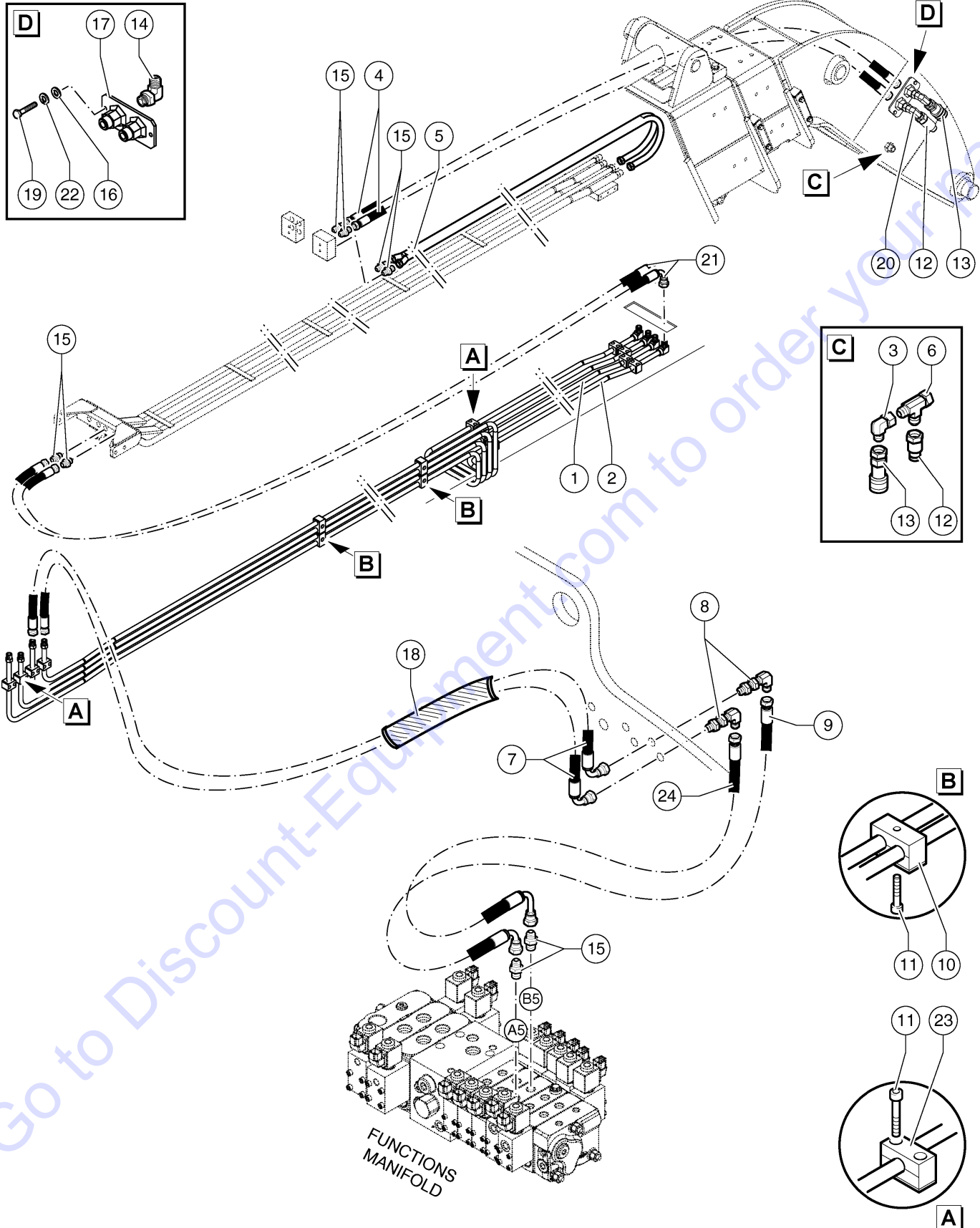
603.1 610497 Forks Tilt Cylinder - Forks Level Slave Cylinder



603.1 610497 Forks Tilt Cylinder - Forks Level Slave Cylinder

Item	Part No.	Description	Qty.	Item	Part No.	Description	Qty.
1	09.0803.0835GT	HOSES PROTECTION.....	1	34	04.0605.1734GT	Flexible Hose R2 (300 BAR) X 1/2 850 F90 ALTA (56) X FD 13/16"-16.....	1
2	01.4032.0002GT	SPRING WASHER D6 ZN.....	4				
3	04.0607.0141GT	PIPE FITTING 90 1/2GASXM 13/16-16 ORFS.....	2				
4	04.0605.1476GT	Flexible Hose R2 X 1/2" 350 Bar Lg. 3550 FD - FD 13/16"-16 ORFS.....	1				
5	04.0605.1669GT	Flexible Hose R2 (300BAR) X 1/2 1900 F90 Hight FD 13/16"-16.....	1				
6	04.0607.0114GT	PIPE FITTING 3/8 BSPX9/16-18 ORFS.....	1				
7	04.0605.1628GT	PIPE R2 X 1/2 1300 FD F90 13/16"-16 ORFS	2				
8	04.0607.0124GT	PIPE FITTING 90 M-M 13/16-16 ORFS..	2				
9	04.0605.0891GT	Flexible Hose R2 X 1/2" Lg. 1450 FD - F90 13/16"-16 ORFS.....	2				
10	09.0803.0060GT	CLAMP,DOUBLE,D16.....	4				
11	01.0003.0157GT	SCREW M6X25 UNI 5931 8.8 ZN.....	28				
12	01.0031.0054GT	FLAT WASHER D6 UNI 6592 ZN.....	4				
13	04.4239.0004GT	SAFETY VALVE.....	2				
14	04.0607.0113GT	PIPE FITTING 1/4 BSPX9/16-18 ORFS.....	1				
15	04.0607.0111GT	PIPE FITTING 1/2 BSPX13/16-16 ORFS.....	16				
16	04.0605.1646GT	Flexible Hose R1 X 1/4" LG. 3050 FD - F90 9/16-18 ORFS.....	1				
17	51.0811.4057GT	Shim.....	6				
18	53.3402.4061GT	Iron Hoses.....	1				
19	52.0900.9339GT	Iron Hose With Pipe Fitting.....	1				
20	52.0900.9340GT	Iron Hose With Pipe Fitting.....	1				
21	04.0605.0184GT	FLEXIBLE HOSE.....	1				
22	04.0605.1479GT	Twin Hoses MTKH X 1/2" Lg. 2550 FD - FD 13/16"-16 ORFS.....	1				
23	09.0803.0043GT	SINGLE HOSE BRACKET D16.....	12				
24	04.0605.1545GT	Flexible Hose ETERNITY/2 X 1/2 3500 FD FD 13/16"-16.....	1				
25	04.0605.1480GT	Flexible Hose R2 X 1/2" 300 Bar Lg. 4820 FD - F90 13/16"-16 ORFS.....	2				
26	04.0605.0600GT	HOSE R2X1/2 LG750 F90 FD 13/16-16 ORFS.....	1				
27	01.0031.0057GT	WASHER,D12 UNI 6592 ZN.....	4				
28	01.4032.0005GT	SPRING WASHER D12 ZN.....	4				
29	01.0001.0506GT	SCREW M12X30 UNI 5739 8.8 ZN.....	4				
30	01.0001.0156GT	SCREW M6X20 UNI 5739 8.8 ZN.....	4				
31	54.0600.0006GT	HOSES BLOCK.....	2				
32	54.0702.0080GT	WEAR PAD,BRONZE.....	2				
33	01.4006.0011GT	SCREW M6X20 UNI 5933 10.9 ZN.....	6				

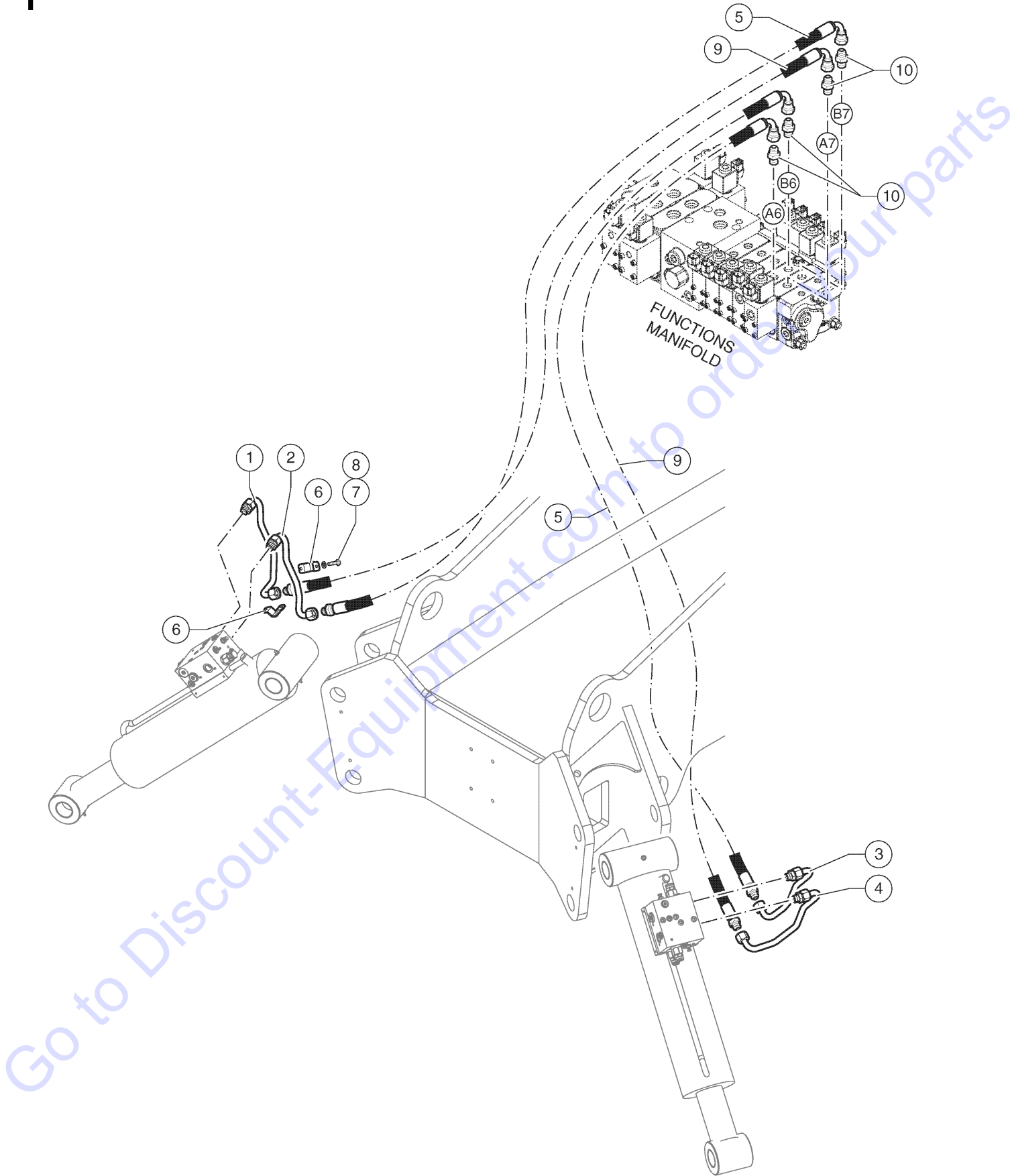
604.1 610498 Attachment Hydraulic Circuit



604.1 610498 Attachment Hydraulic Circuit

Item	Part No.	Description	Qty.
1	52.0900.9341GT	Iron Hose With Pipe Fitting.....	1
2	52.0900.9342GT	IRON PIPE.....	1
3	04.0600.0019GT	Pipe Fitting MFK 90 1/2 BSP.....	1
4	04.0605.1476GT	Flexible Hose R2 X 1/2" 350 Bar Lg. 3550 FD - FD 13/16"-16 ORFS.....	2
5	04.0605.1479GT	Twin Hoses MTKH X 1/2" Lg. 2550 FD - FD 13/16"-16 ORFS.....	1
6	04.0600.0081GT	PIPE FITTING TMF+L 1/2 BSP.....	1
7	04.0605.1628GT	PIPE R2 X 1/2 1300 FD F90 13/16"-16 ORFS	2
8	04.0607.0124GT	PIPE FITTING 90 M-M 13/16-16 ORFS..	2
9	04.0605.0896GT	HOSE R2X1/2 3300 F90 13/16-16 FD 13/16-16.....	1
10	09.0803.0060GT	CLAMP,DOUBLE,D16.....	4
11	01.0003.0157GT	SCREW M6X25 UNI 5931 8.8 ZN.....	28
12	04.4210.0018GT	QUICK COUPLING, MALE 1/2.....	3
13	04.4210.0019GT	QUICK COUPLING, FEMALE 1/2.....	3
14	04.0607.0141GT	PIPE FITTING 90 1/2GASXM 13/16-16 ORFS.....	2
15	04.0607.0111GT	PIPE FITTING 1/2 BSPX13/16-16 ORFS.....	8
16	01.0031.0054GT	FLAT WASHER D6 UNI 6592 ZN.....	2
17	53.3001.0500GT	MANIFOLD, BOOM HOSES.....	1
18	09.0803.0835GT	HOSES PROTECTION.....	1
19	01.0001.0156GT	SCREW M6X20 UNI 5739 8.8 ZN.....	2
20	04.0600.0087GT	PIPE FITTING 90.....	2
21	04.0605.1480GT	Flexible Hose R2 X 1/2" 300 Bar Lg. 4820 FD - F90 13/16"-16 ORFS.....	2
22	01.4032.0002GT	SPRING WASHER D6 ZN.....	2
23	09.0803.0043GT	SINGLE HOSE BRACKET D16.....	12
24	04.0605.1731GT	HOSE R2 X 1/2 3350 SF F90 ALTA 13/16"-16 (300 BAR).....	1

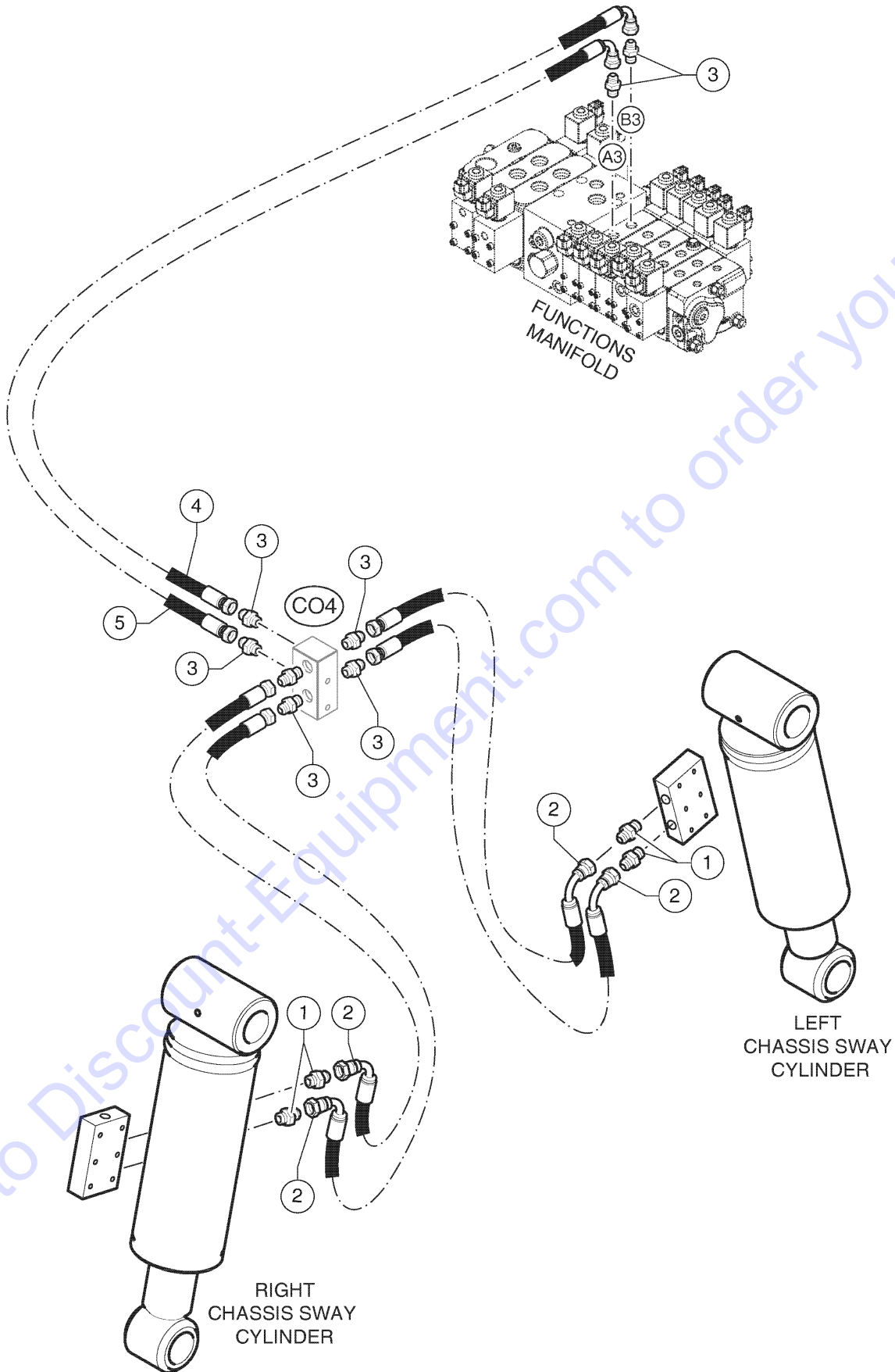
605.1 610499 Front Outriggers



Item	Part No.	Description	Qty.
1	53.3402.4089GT	IRON PIPE.....	1
2	53.3402.4088GT	IRON PIPE.....	1
3	53.3402.4086GT	IRON PIPE.....	1
4	53.3402.4087GT	IRON PIPE.....	1
5	04.0605.1732GT	HOSE R2 (300 BAR) X 1/2 5300 F90 ALTA 13/16"-16 MD 16.....	2
6	51.0811.4776GT	BRACKET.....	4
7	01.0001.0107GT	SCREW M6x12 UNI 5739 8.8 ZN.....	8
8	01.4032.0002GT	SPRING WASHER D6 ZN.....	8
9	04.0605.1792GT	HOSE R2 (300 BAR) X 1/2 5300 F90 MD 16.....	2
10	04.0607.0111GT	PIPE FITTING 1/2 BSPX13/16-16 ORFS.....	4

Go to Discount-Equipment.com to order your parts

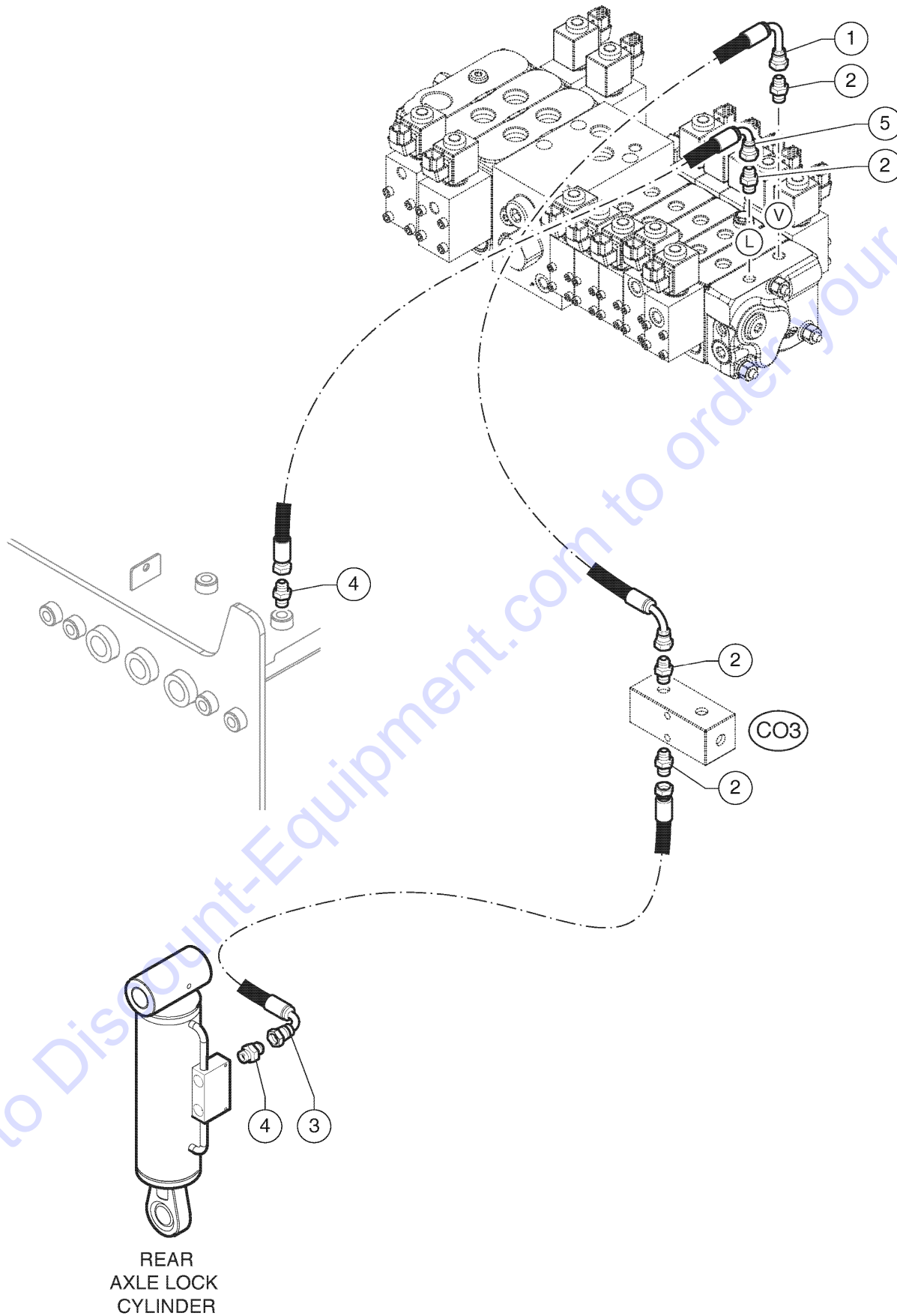
606.1 610500 Chassis Sway Cylinder



Item	Part No.	Description	Qty.
1	04.0607.0114GT	PIPE FITTING 3/8 BSPX9/16-18 ORFS.....	4
2	04.0605.0731GT	HOSE R2X1/4 LG1200 F90 FD 9/16 ORFS.....	4
3	04.0607.0167GT	PIPE FITTING 1/2BSPX 9/16-18 ORFS.....	8
4	04.0605.1655GT	Hose R1 X 1/4 LG.3000 FD- F90 9/16-18 ORFS.....	1
5	04.0605.1666GT	HOSE R2 (300 BAR) X 1/4 3300 F90 ALTA SF 9/16"-18.....	1

Go to Discount-Equipment.com to order your parts

607.1 610501 Rear Axle Lock Cylinder



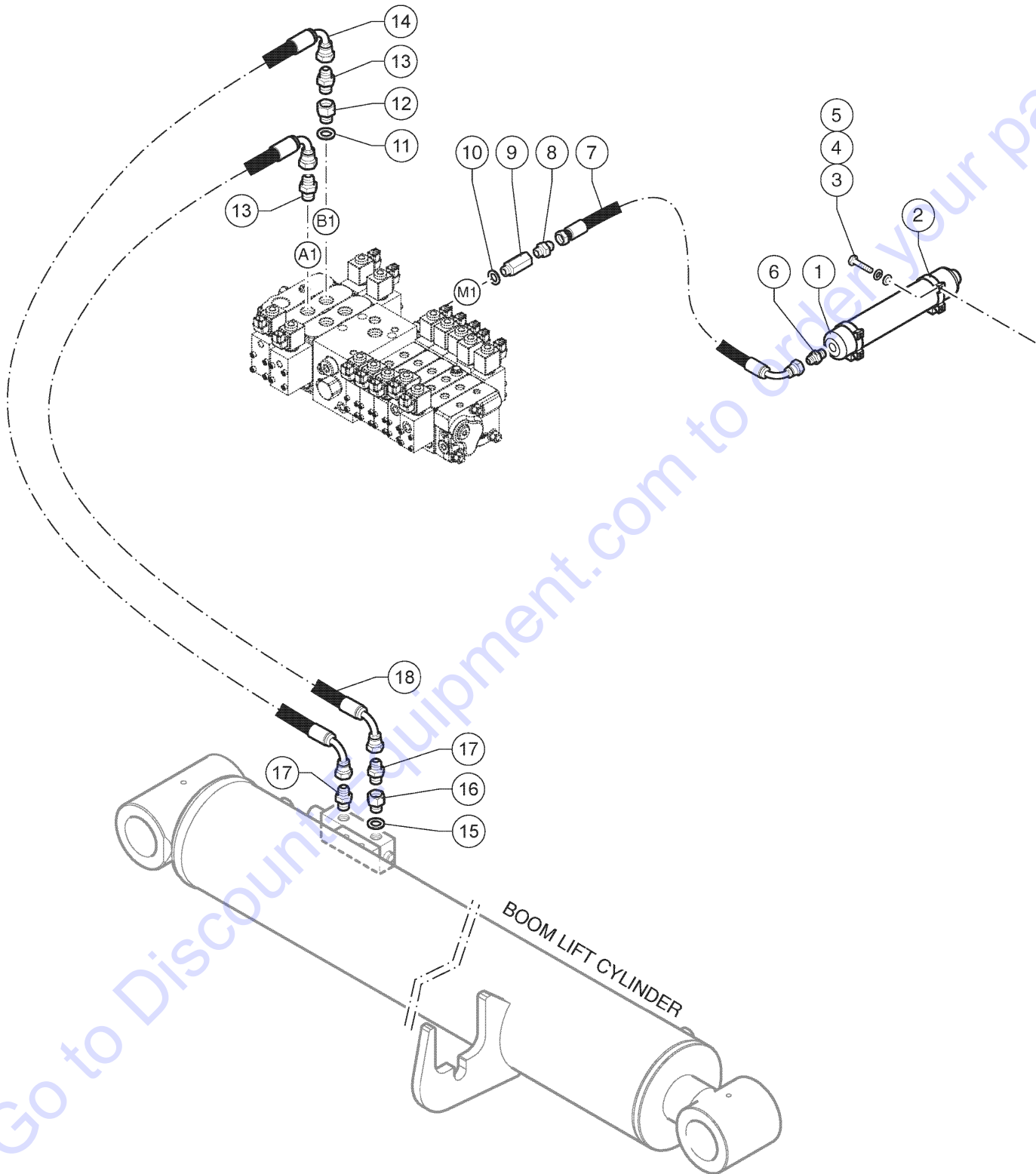
REAR
AXLE LOCK
CYLINDER

607.1 610501 Rear Axle Lock Cylinder

Item	Part No.	Description	Qty.
1	04.0605.1775GT	Flexible Hose R1 X 1/4 1850 F90 ALTA F90 9/16"-18 90°.....	1
2	04.0607.0113GT	PIPE FITTING 1/4 BSPX9/16-18 ORFS.....	3
3	04.0605.0770GT	HOSE R1X1/4 L 2400 90 FEM STR FEM 9/16-18.....	1
4	04.0607.0114GT	PIPE FITTING 3/8 BSPX9/16-18 ORFS.....	2
5	04.0605.0178GT	HOSE R1X1/4 LG 350 F90 - FD 9/16-16.....	1

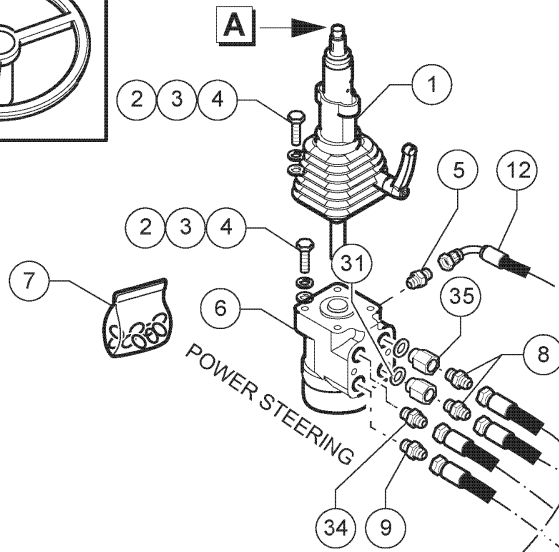
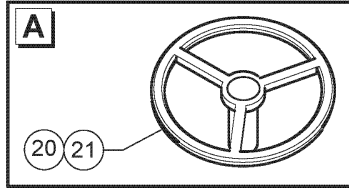
Go to Discount-Equipment.com to order your parts

608.1 610502 Boom Lift Cylinder

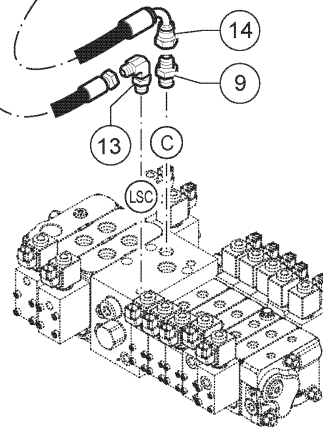
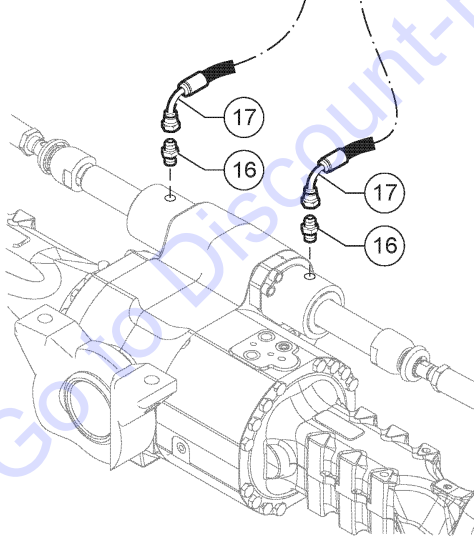
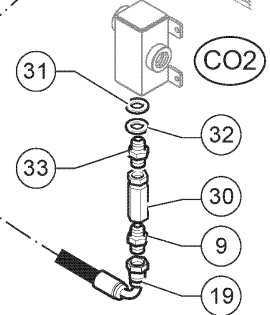
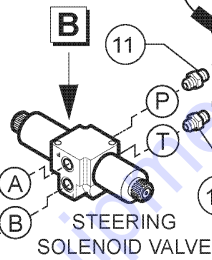
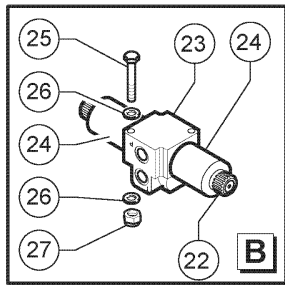
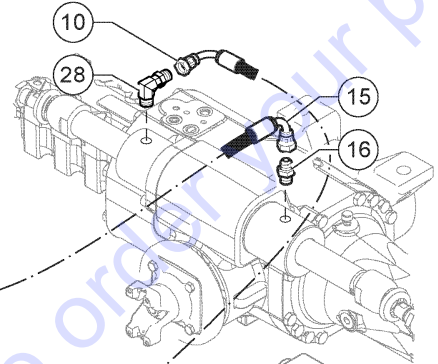


Item	Part No.	Description	Qty.
1	05.4329.0027GT	ACCUMULATOR 0.5 L.....	1
2	04.4227.0016GT	CLAMP D60 HOLE 10.5.....	2
3	01.4032.0003GT	SPRING WASHER D8 ZN.....	2
4	01.0031.0055GT	FLAT WASHER D8 UNI 6592 ZN.....	2
5	01.0001.0254GT	SCREW M8X20 UNI 5739 8.8 ZN.....	2
6	04.0607.0167GT	PIPE FITTING 1/2BSPX 9/16-18 ORFS.....	1
7	04.0605.0230GT	HOSE R2 (300 BAR)X 1/4" LG 900 F90 - FD 9/16-18 ORFS.....	1
8	04.0607.0113GT	PIPE FITTING 1/4 BSPX9/16-18 ORFS.....	1
9	04.0600.0069GT	PIPE FITTING CMF 1/4 ES LG 40.....	1
10	06.0442.0117GT	BONDED RING 1/4".....	1
11	06.0442.0124GT	BONDED RING 3/4.....	1
12	04.0600.0271GT	Pipe Fitting CMF 3/4BSP LG.35.....	1
13	04.0607.0107GT	PIPE FITTING 3/4BSP X1"3/16-12 ORFS.....	2
14	04.0605.1729GT	Flexible Hose R2 (300BAR) X 3/4.....	1
15	06.0442.0122GT	BONDED RING 1/2".....	1
16	04.0600.0091GT	PIPE FITTING CMF1/2 ES LG 25.....	1
17	04.0607.0102GT	PIPE FITTING 1/2BSPX1-3/16-12ORFS.....	2
18	04.0605.1730GT	Flexible Hose R2 (300BAR) X 3/4 2400 F90 F90 1 3/16"-12 A 90°.....	1

609.1 610503 Power Steering



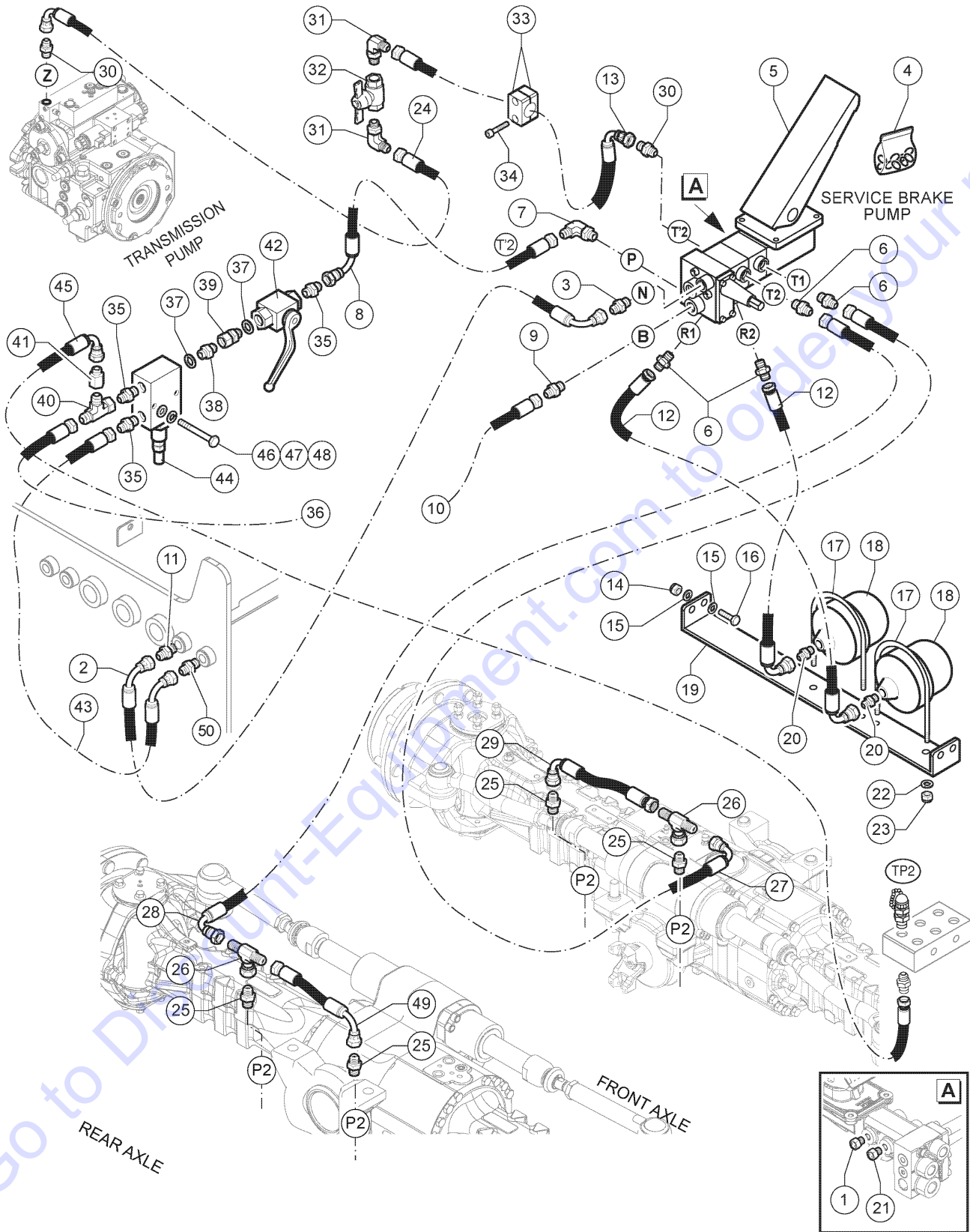
FRONT AXLE STEERING CYLINDER



REAR AXLE STEERING CYLINDER

Item	Part No.	Description	Qty.	Item	Part No.	Description	Qty.
1	55.0602.1071GT	STEERING ASSY.....	1	34	04.0607.0102GT	PIPE FITTING 1/2BSPX1-3/16-12ORFS.....	1
2	01.0001.0355GT	SCREW M10X25 UNI 5739 8.8 ZN.....	7	35	04.0600.0091GT	PIPE FITTING CMF1/2 ES LG 25.....	2
3	01.4032.0004GT	SPRING WASHER D10 ZN.....	7				
4	01.0031.0056GT	FLAT WASHER D10 UNI 6592 ZN.....	7				
5	04.0607.0113GT	PIPE FITTING 1/4 BSPX9/16-18 ORFS.....	1				
6	09.4636.0017GT	POWER STEERING.....	1				
7	07.4529.0118GT	Seal Kit.....	1				
8	04.0607.0110GT	PIPE FITTING 1/2BSP x 11/16-16 ORFS.....	2				
9	04.0607.0111GT	PIPE FITTING 1/2 BSPX13/16-16 ORFS.....	3				
10	04.0605.0431GT	HOSE R2X3/8 LG 1100 F90 FD 11/16-16 ORFS.....	1				
11	04.0607.0114GT	PIPE FITTING 3/8 BSPX9/16-18 ORFS.....	4				
12	04.0605.1442GT	PIPE FITTING R2X1/4 LG950 FD F90 9/16 ORFS.....	1				
13	04.0607.0112GT	PIPE FITTING M-M A 90 1/4 BSPX9/16-18 ORFS.....	1				
14	04.0605.1658GT	HOSE R2 (300 BAR) X 1/2 3550 SF F90 13/16"-16.....	1				
15	04.0605.1507GT	HOSE R2 (300BAR)X 3/8 LG.2000 - FD F90 11/16-16 ORFS.....	1				
16	04.0607.0193GT	Pipe Fitting 3/4-16UNF/ 11/16-16ORFS..	3				
17	04.0605.0756GT	Flexible Hose R2 X 1/2 LG 3100 FD F90 13/16-16.....	2				
18	04.0605.1627GT	HOSE R2X3/8 LG 1200 FD-F90 11/16-16 ORFS.....	1				
19	04.0605.1789GT	HOSE R1 X 3/4" Lg.3400 SF - F90 13/16"-16 ORFS.....	1				
20	09.0636.0002GT	Steering Wheel.....	1				
21	09.0636.0001GT	CENTRAL CAP WITH HORN.....	1				
22	07.0701.0344GT	LOCKNUT.....	2				
23	04.4240.0052GT	SOLENOID VALVE.....	1				
24	07.4529.0111GT	COIL, VALVE.....	2				
25	01.0001.0104GT	SCREW M6X40 UNI 5739 8.8 ZN.....	2				
26	01.0031.0054GT	FLAT WASHER D6 UNI 6592 ZN.....	4				
27	01.0023.0053GT	STOP NUT M6 UNI 7473 6S ZN.....	2				
28	04.0607.0849GT	Pipe Fitting M-M A 90 3/4"-16 UNF X 11/16"-16 ORFS.....	1				
29	04.0605.1774GT	Flexible Hose R2 X 1/4 2300 FD MD 9/16"-18.....	1				
30	04.4239.0013GT	Valve 3/4 PA 2.5.....	1				
31	06.0442.0122GT	BONDED RING 1/2".....	3				
32	06.0442.0124GT	BONDED RING 3/4.....	1				
33	04.0600.0027GT	Pipe Fitting 1/2X 3/4 BSP.....	1				

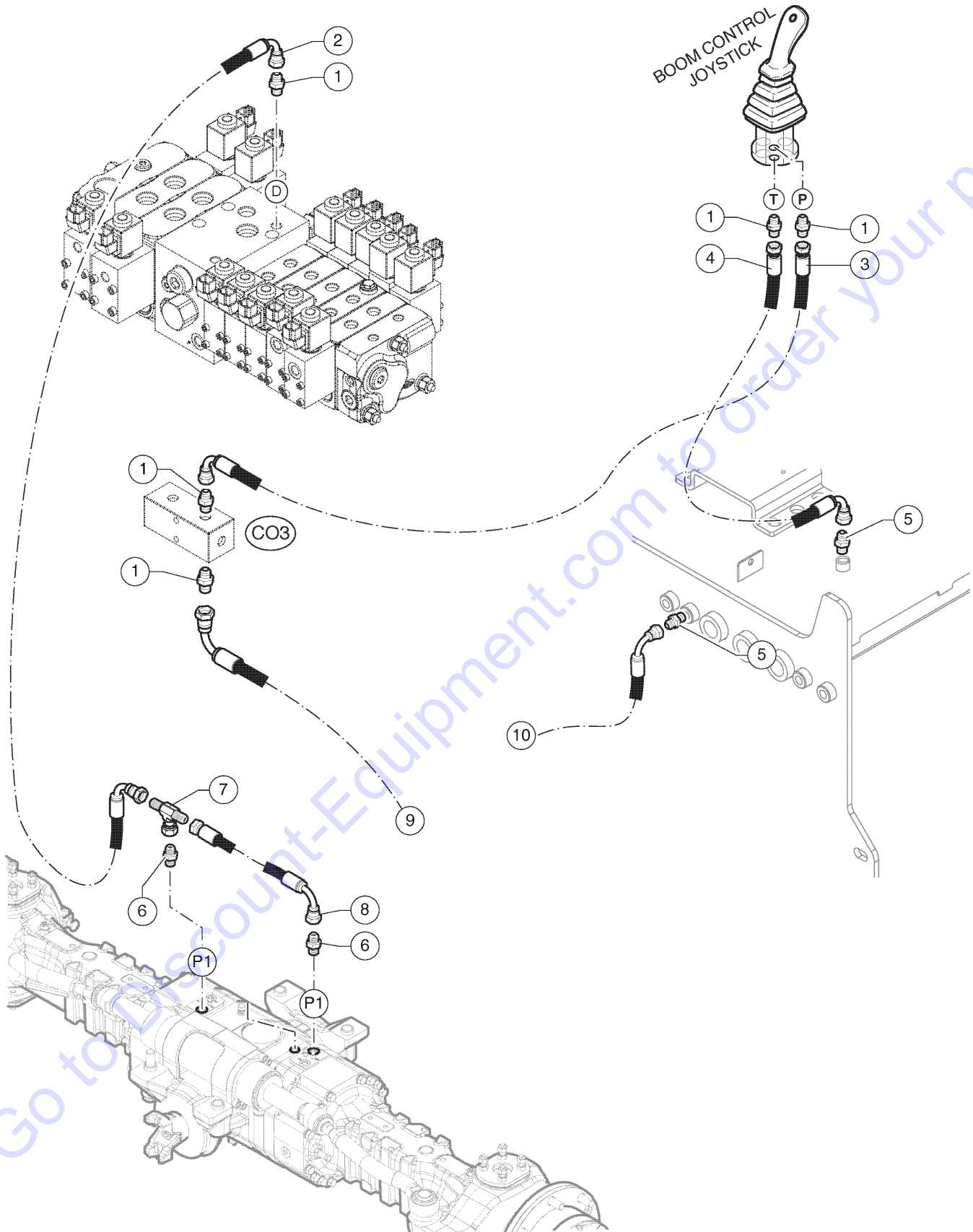
610.1 610504 Service Brake



610.1 610504 Service Brake

Item	Part No.	Description	Qty.	Item	Part No.	Description	Qty.
1	05.4329.0001GT	PRESSURE SWITCH..... <i>Stop Lights Activation</i>	1	34	01.0001.0102GT	SCREW M6X30 UNI 5739 8.8 ZN.....	2
2	04.0605.1656GT	HOSE R1 X 3/8 2300 F90 SF 11/16"-16.....	1	35	04.0607.0145GT	PIPE FITTING 3/8BSPX13/16-18 ORFS.....	3
3	04.0607.0137GT	PIPE FITTING 18X1.5X11/16 ORFS.....	1	36		See 600 Hydraulic System, Figure 610509 - Position 7	
4	07.0730.0077GT	SEAL KIT.....	1	37	06.0442.0120GT	BONDED RING 3/8".....	2
5	05.4309.0000GT	PUMP BRAKE.....	1	38	04.0600.0029GT	PIPE FITTING 3/8X3/8 BSP.....	1
6	04.0607.0153GT	PIPE FITTING 14X1.5X9/16-18 ORFS....	4	39	04.0600.0090GT	PIPE FITTING GMF 3/8" BSP.....	1
7	04.0607.0141GT	PIPE FITTING 90 1/2GASXM 13/16-16 ORFS.....	1	40	04.0607.0122GT	PIPE FITTING TMF+L 13/16-16 ORFS...1	
8	04.0605.1098GT	Flexible Hose R2 X 1/2 2000 F90 FD13/16.....	1	41	04.0607.0797GT	PIPE FITTING F 13/16-16 ORFS-M 9/16-18 ORFS.....	1
9	04.0607.0111GT	PIPE FITTING 1/2 BSPX13/16-16 ORFS.....	1	42	04.4224.0008GT	Manual Ball Valve.....	1
10		See 600 Hydraulic System, Figure 610508 - Position 8		43	04.0605.1099GT	Flexible Hose R1 X 1/2 2400 FD F90 13/16"-16.....	1
11	04.0607.0117GT	PIPE FITTING 3/8BSPX11/16-16 ORFS.....	1	44	04.4225.0001GT	VALVE.....	1
12	04.0605.0230GT	HOSE R2 (300 BAR)X 1/4" LG 900 F90 - FD 9/16-18 ORFS.....	2	45	04.0605.1791GT	HOSE R2 X 1/4 1350 F90 FD.....	1
13	04.0605.0766GT	Flexible Hose R2 X 1/4 LG. 2600 FD - F90 9/16"-18 ORFS.....	1	46	01.0001.0106GT	SCREW M6X50 UNI 5737 8.8 ZN.....	2
14	01.0023.0054GT	NUT,M8 UNI 7473 6S ZN.....	4	47	01.0031.0054GT	FLAT WASHER D6 UNI 6592 ZN.....	2
15	01.0031.0055GT	FLAT WASHER D8 UNI 6592 ZN.....	8	48	01.4032.0002GT	SPRING WASHER D6 ZN.....	2
16	01.0001.0258GT	SCREW M8X35 UNI 5739 8.8 ZN.....	4	49	04.0605.1795GT	HOSE R2(300 BAR) X 1/4 LG.500 F90 FD 9/16-18 ORFS.....	1
17	51.0800.8100GT	U-BOLT.....	2	50	04.0607.0145GT	PIPE FITTING 3/8BSPX13/16-18 ORFS.....	1
18	05.4329.0029GT	ACCUMULATOR 0.5 L.....	2				
19	51.0811.4699GT	Support Accumulator.....	1				
20	04.0607.0855GT	PIPE FITTING M18X1,5 M 9/16-18 ORFS.....	2				
21	05.4329.0002GT	PROXIMITY SWITCH.....	1				
22	01.0031.0056GT	FLAT WASHER D10 UNI 6592 ZN.....	4				
23	01.0023.0055GT	NUT,STOP,M10 UNI 7473 6S ZN.....	4				
24	04.0605.0455GT	HOSE R2X1/4 LG 600 F90 FD 9/16-18 ORFS.....	1				
25	04.0607.0813GT	PIPE FITTING, M14X1.5X9/16 ORFS....	4				
26	04.0607.0131GT	PIPE FITTING TMF+C 9/16-18 ORFS....	2				
27	04.0605.1793GT	HOSE R2 X 1/4 1850 F90 SF 9/16"-18 ORFS.....	1				
28	04.0605.1796GT	HOSE R2(300BAR) X 1/4 3400 F90 FD 9/16 ORFS.....	1				
29	04.0605.0422GT	HOSE R2X1/4 LG 400 F90-FD 9/16-18 ORFS.....	1				
30	04.0607.0180GT	PIPE FITTING M10X1- 9/16-18 ORFS...2					
31	04.0607.0112GT	PIPE FITTING M-M A 90 1/4 BSPX9/16-18 ORFS.....	2				
32	04.4224.0012GT	Ball Valve.....	1				
33	09.0803.0397GT	Clamp D18.....	2				

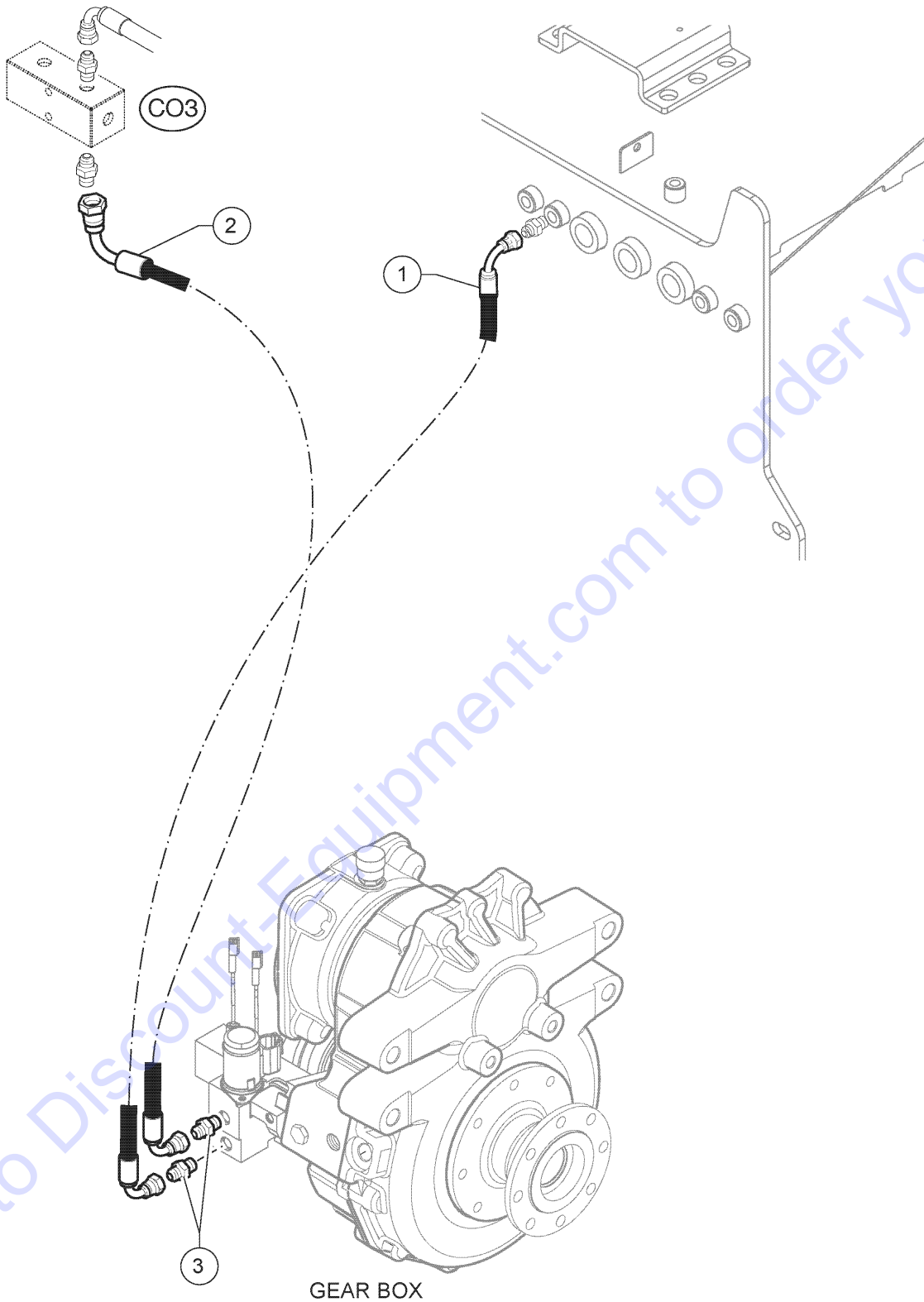
611.1 610505 Parking Brake



Item	Part No.	Description	Qty.
1	04.0607.0113GT	PIPE FITTING 1/4 BSPX9/16-18 ORFS.....	5
2	04.0605.1794GT	HOSE R2 (300 BAR) X 1/4 3900 F90(HIGH) F90 9/16-18 A 180°.....	1
3	04.0605.0179GT	HOSE R1X1/4 LG 700 FD-F90 9/16-18 ORFS.....	1
4	04.0605.0252GT	Flexible Hose.....	1
5	04.0607.0114GT	PIPE FITTING 3/8 BSPX9/16-18 ORFS.....	2
6	04.0607.0813GT	PIPE FITTING, M14X1.5X9/16 ORFS.....	2
7	04.0607.0131GT	PIPE FITTING TMF+C 9/16-18 ORFS.....	1
8	04.0605.0422GT	HOSE R2X1/4 LG 400 F90-FD 9/16-18 ORFS.....	1
9		See 600 Hydraulic System, Figure 610506 - Position 2	
10		See 600 Hydraulic System, Figure 610506 - Position 1	

Go to Discount-Equipment.com to order your parts

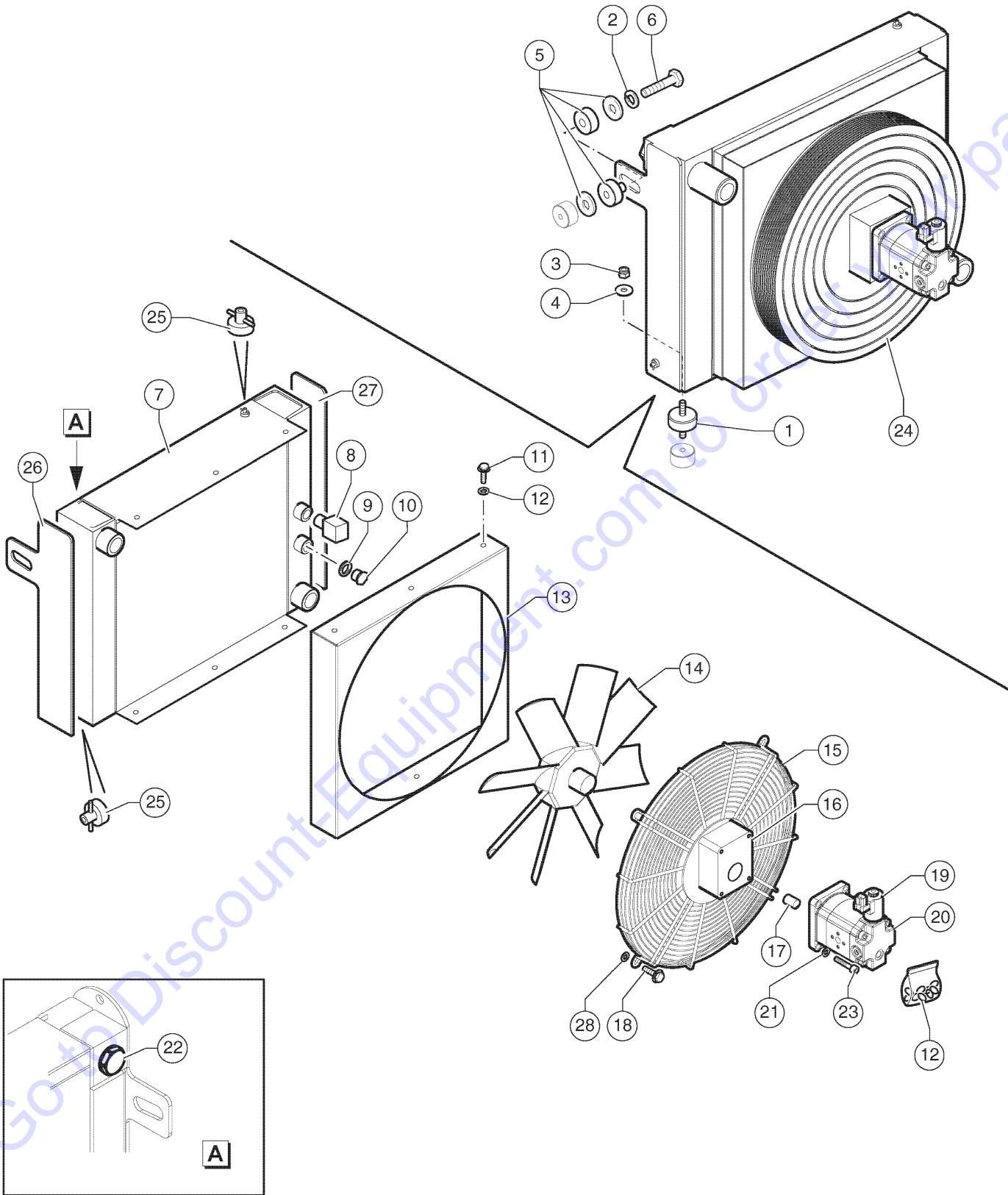
612.1 610506 Gear Box



Item	Part No.	Description	Qty.
1	04.0605.0772GT	Hose R1 X ¼ LG.2000 FD-F90 9/16-18 ORFS.....	1
2	04.0605.0685GT	Hose R1 X 1/4 Lg. 650 R1 X 1/4 LG. 650 FD F90 9/16-18 ORFS.....	1
3	04.0607.0813GT	PIPE FITTING, M14X1.5X9/16 ORFS.....	2

Go to Discount-Equipment.com to order your parts

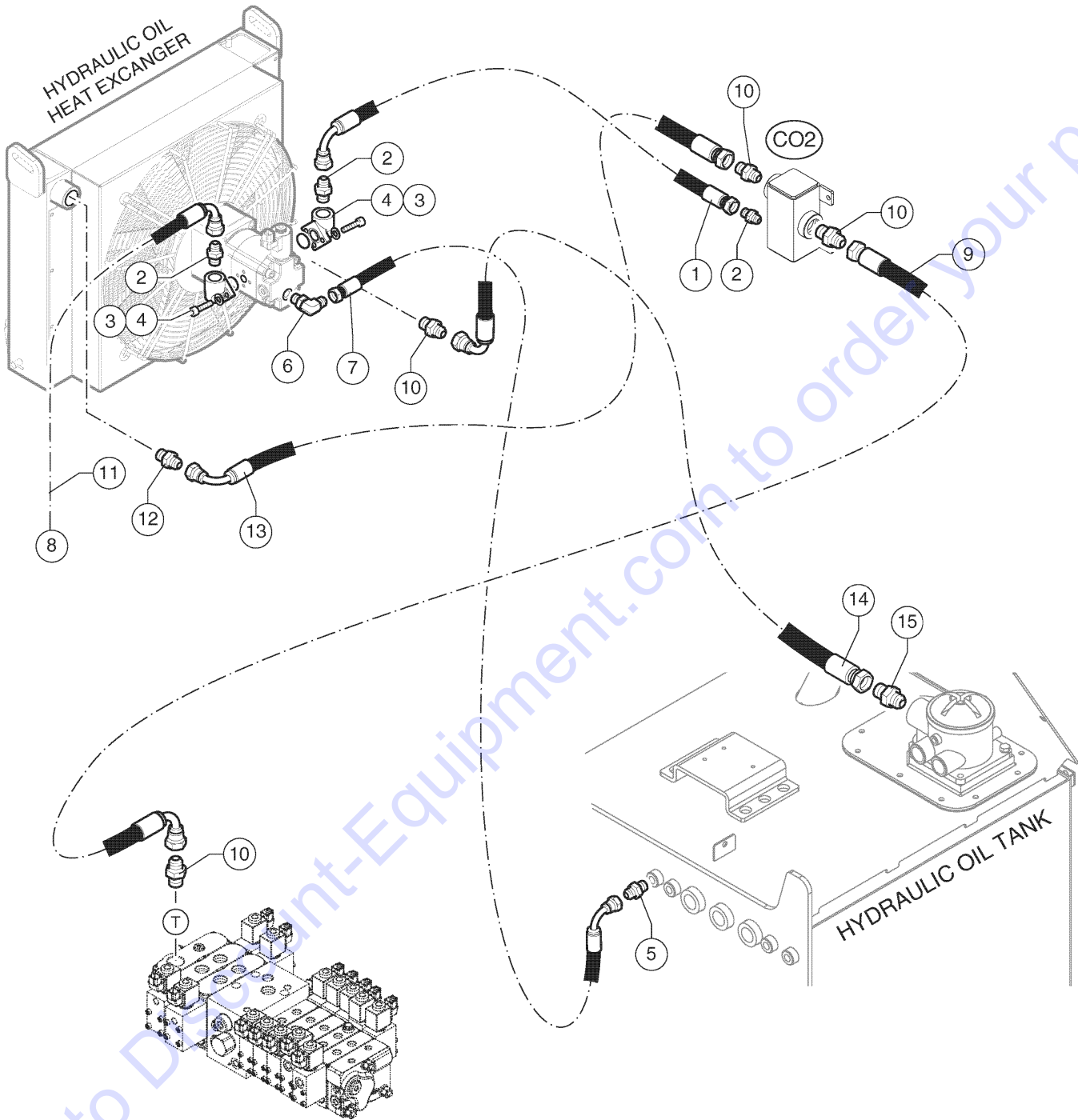
613.1 610507 Hydraulic Oil Radiator



613.1 610507 Hydraulic Oil Radiator

Item	Part No.	Description	Qty.
1	09.4670.0028GT	SHOCK ABSORBER.....	2
2	01.4032.0005GT	SPRING WASHER D12 ZN.....	4
3	01.0023.0055GT	NUT,STOP,M10 UNI 7473 6S ZN.....	2
4	01.0031.0302GT	SPRING WASHER D10 ZN.....	4
5	07.0723.0360GT	VIBRATION DAMPING KIT.....	2
6	01.4001.0089GT	SCREW M12X70 UNI 5737 8.8 ZN.....	2
7	07.0712.0297GT	OIL COOLER.....	1
8	56.0014.0091GT	THERMOSTAT.....	1
9	06.0442.0122GT	BONDED RING 1/2".....	1
10	04.0220.0055GT	PLUG 1/2 BSP.....	1
11	07.0712.0289GT	SCREW M6X16 UNI 5933.....	6
12	07.4529.0209GT	SEAL KIT.....	1
13	07.0712.0296GT	FAN SHROUD.....	1
14	07.0712.0293GT	FAN.....	1
15	07.0712.0292GT	RADIATOR GRID.....	1
16	07.0712.0286GT	SUPPORT.....	1
17	07.0712.0285GT	JOINT.....	1
18	07.0712.0288GT	HEXAGON FLANGE BOLTS DIN 6921 M8X30.....	4
19	07.0722.0070GT	SOLENOID.....	1
20	04.4235.0059GT	Oil Cooler Fan Motor.....	1
21	07.0722.0068GT	WASHER D10 HV300.....	4
22	07.0712.0291GT	BY-PASS VALVE.....	4
23	07.0722.0069GT	SCREW M10X135 UNI 5931 12.9.....	4
24	53.3200.0079GT	OIL RADIATOR.....	1
25	07.0712.0290GT	SHUT VALVE 1/4 NPT.....	2
26	07.0712.0294GT	LEFT ASSY SUPPORT.....	1
27	07.0712.0295GT	RIGHT ASSY SUPPORT.....	1
28	07.0712.0287GT	FLAT WASHER D8 UNI 6593.....	4

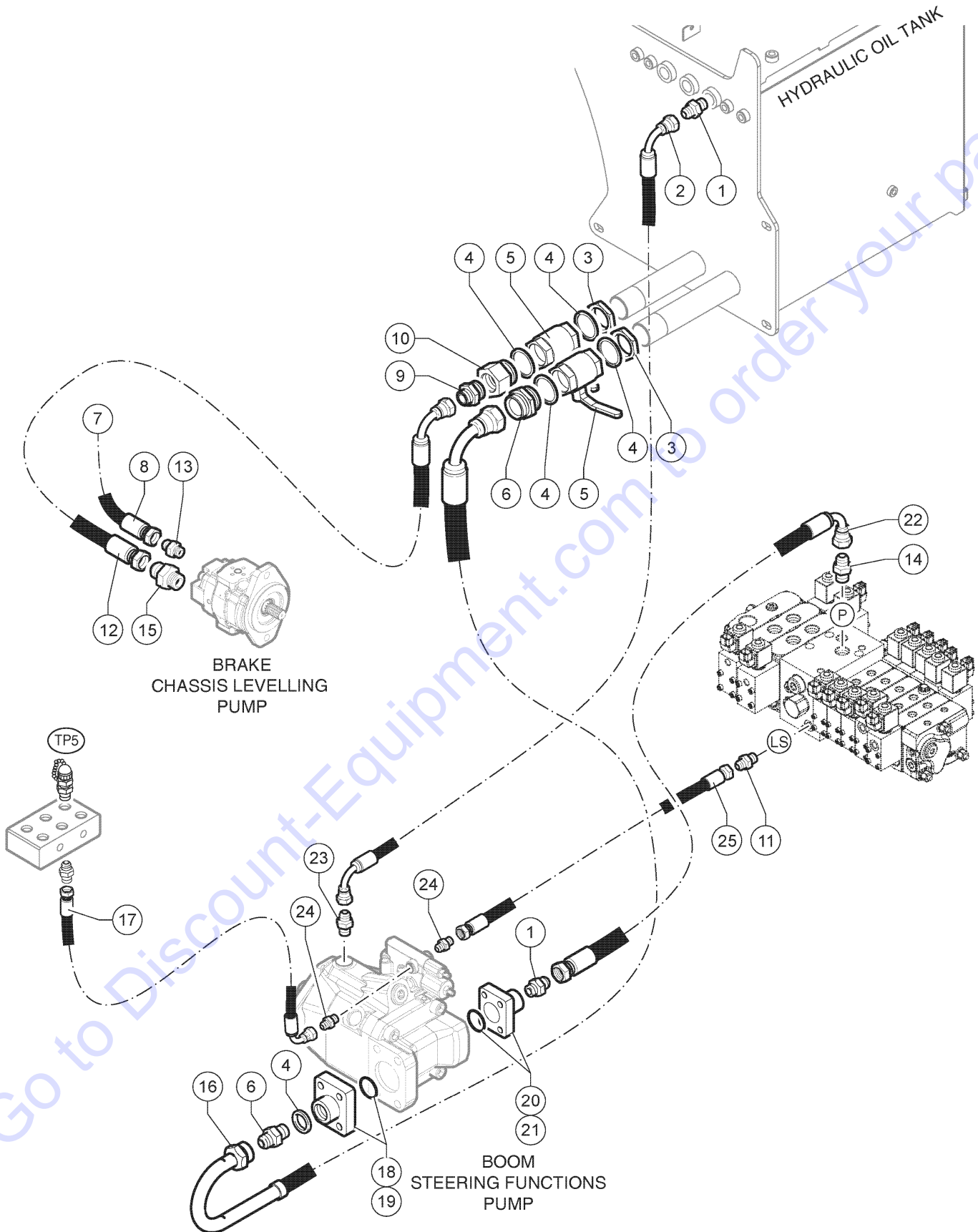
614.1 610508 Hydraulic Oil Radiator Circuit



614.1 610508 Hydraulic Oil Radiator Circuit

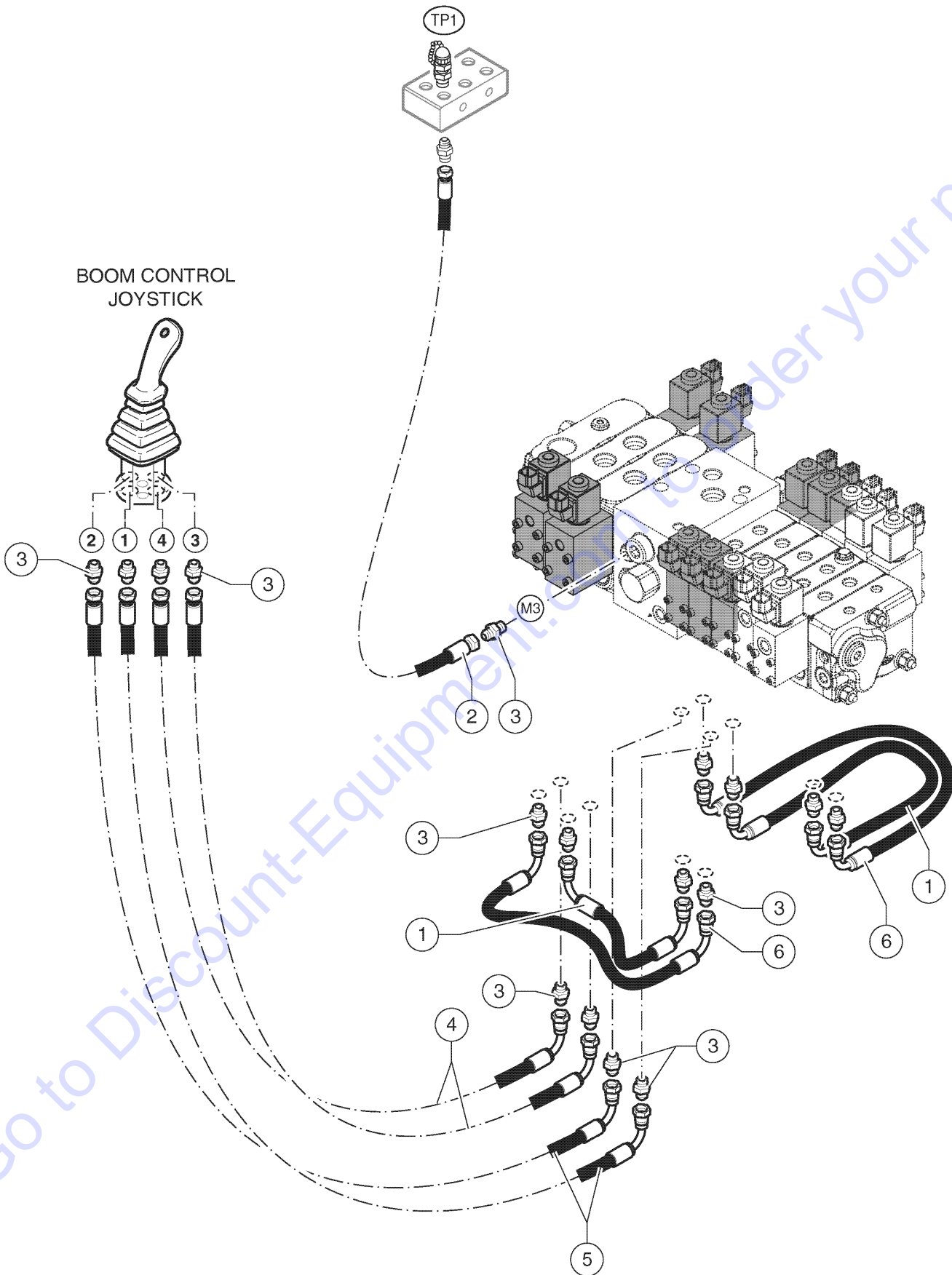
Item	Part No.	Description	Qty.
1	04.0605.1647GT	HOSE R1X1/2 850 F90 SF 13/16 ORFS.....	1
2	04.0607.0111GT	PIPE FITTING 1/2 BSPX13/16-16 ORFS.....	3
3	04.4223.0002GT	PIPE FITTING G1 12..... <i>Pipe Fitting with O-Ring and Screws</i>	2
4	900007GT	O-RING.....	2
5	04.0607.0114GT	PIPE FITTING 3/8 BSPX9/16-18 ORFS.....	1
6	04.0607.0112GT	PIPE FITTING M-M A 90 1/4 BSPX9/16-18 ORFS.....	1
7	04.0605.1648GT	Flexible Hose R1 X 1/4 LG 2250 FD F90 9/16 ORFS.....	1
8		See 600 Hydraulic System, Figure 610504 - Position 10	
9	04.0605.1644GT	Flexible Hose R4 X 1" LG. 850 F90-FD 1 7/16"-12 ORFS.....	1
10	04.0607.0142GT	PIPE FITTING 1" GASX1-7/16-12 ORFS.....	4
11	04.0605.1659GT	HOSE R2X1/2 4500 SF F90 13/16"-16...2	
12	04.0607.0174GT	PIPE FITTING 1"BSPX1"11/16-12 ORFS.....	1
13	04.0605.1727GT	Flexible Hose R4 X 1 1200 F90 FD 1 7/16"-12.....	1
14	04.0605.1726GT	Flexible Hose R4 X 1-1/4 LG. 2800 F90-FD 1" 11/16"-12 ORFS.....	1
15	04.0607.0190GT	Pipe Fitting 1"1/4BSP-1"11/16-12ORFS.....	1

615.1 610509 Hydraulic Pumps



Item	Part No.	Description	Qty.
1	04.0607.0130GT	PIPE FITTING 1 BSPX1-3/16-12 ORFS.....	1
2	04.0605.1653GT	HOSE R4X3/4 2700 F90 F90 1 3/16"-12 A 45°.....	1
3	01.4019.0024GT	NUT.....	2
4	06.0442.0132GT	BONDED RING 2".....	5
5	04.4224.0001GT	BALL VALVE.....	2
6	04.0600.0094GT	PIPE FITTING 2X2 BSP.....	2
7		See 600 Hydraulic System, Figure 610504 - Position 36	
8	04.0605.1790GT	CONDOTTA R2 (300BAR) X 1/2 1800 F45 FD 13/16"-16.....	1
9	04.0607.0168GT	Pipe Fitting 1"1/2BSP-1"7/16-12ORFS....	1
10	04.0600.0243GT	Pipe Fitting GWR M 2" BSP X F1 1/2" BSP.....	1
11	04.0607.0153GT	PIPE FITTING 14X1.5X9/16-18 ORFS....	1
12	04.0605.1728GT	HOSE R4X1 2550 F90 SF 1 7/16"-12....	1
13	04.0607.0111GT	PIPE FITTING 1/2 BSPX13/16-16 ORFS.....	1
14	04.0607.0107GT	PIPE FITTING 3/4BSP X1"3/16-12 ORFS.....	1
15	04.0607.0196GT	PIPE FITTING 3/4"BSP/1"7/16-12 ORFS.....	1
16	04.0602.0608GT	Flexible Hose R4 X 2 2000.....	1
17	04.0605.0426GT	HOSE R2X1/4 650 SD SF 9/16-18 ORFS.....	1
18	04.0600.0136GT	Pipe Fitting Kit RD2-MF/FG200-N..... <i>Pipe Fitting With O-Ring and Screws</i>	1
19	06.0401.1501GT	O-RING.....	1
20	04.4223.0010GT	Pipe Fitting Kit RD2-MC/FG100-N..... <i>Pipe Fitting With O-Ring and Screws</i>	1
21	900026GT	O-RING.....	1
22	04.0605.1668GT	HOSE R2X3/4 3500 F90 SF 1 3/16"-12..	1
23	48975GT	CONN,520120-12-10.....	1
24	04.0607.0228GT	Pipe Fitting 7/16-20 UNF X 9/16-18 ORFS.....	2
25	04.0605.1445GT	HOSE R2(300 BAR)X1/4 3400.....	1

616.1 610510 Boom Hydraulic Control

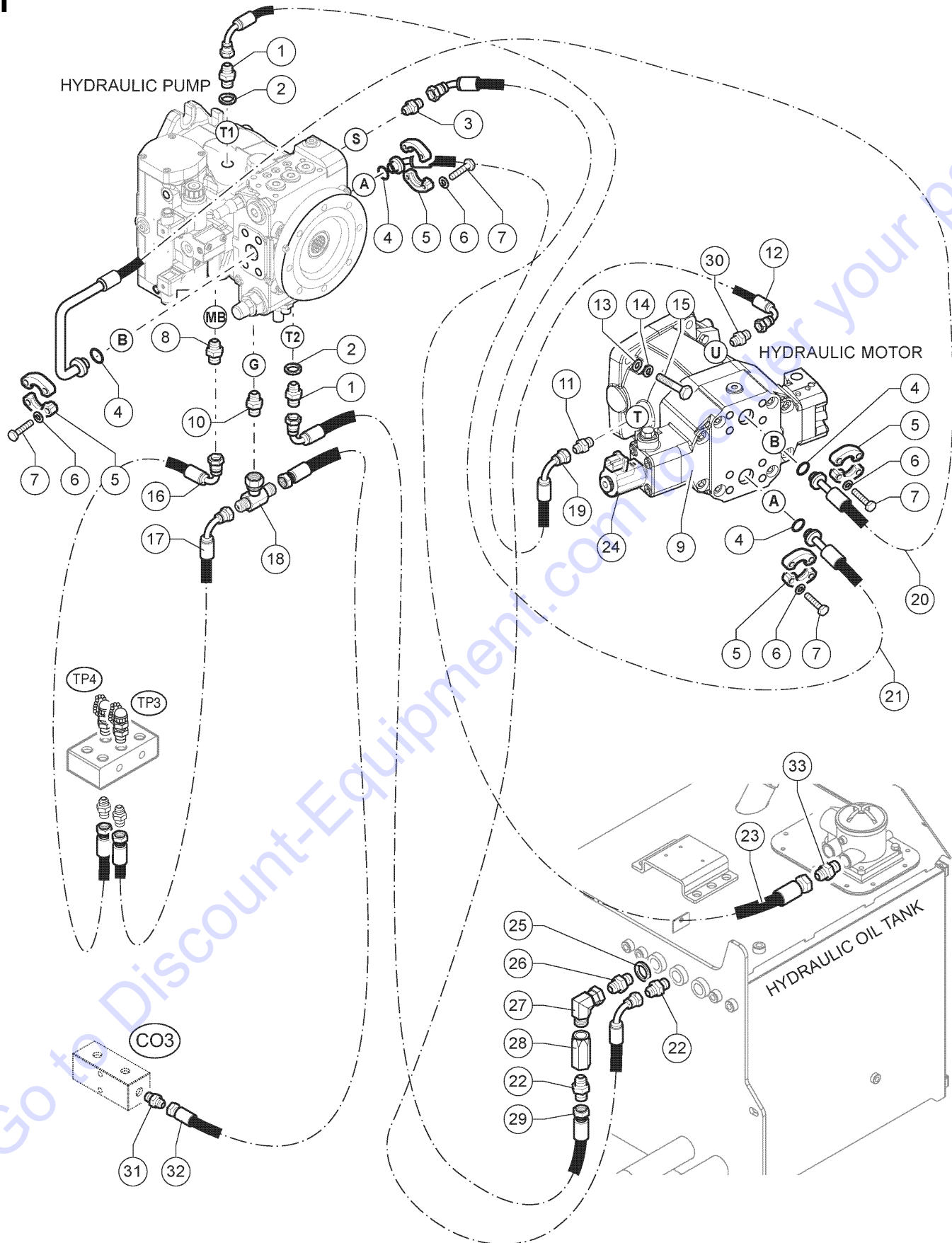


616.1 610510 Boom Hydraulic Control

Item	Part No.	Description	Qty.
1	04.0605.1667GT	Flexible Hose R1 X 1/4 LG.250 F90 F90 9/16 ORFS.....	2
2	04.0605.1657GT	HOSE R2X1/4 4150 SF SF 9/16"-18.....	1
3	04.0607.0113GT	PIPE FITTING 1/4 BSPX9/16-18 ORFS.....	17
4	04.0605.1358GT	HOSE R1X1/4 LG 2600 F90 FD 9/16-18.....	2
5	04.0605.0853GT	HOSE R1X1/4 2850 F90 FD 9/16-18.....	2
6	04.0605.1380GT	HOSE R1X1/4 LG 350 F90 F90 9/16 ORFS.....	2

Go to Discount-Equipment.com to order your parts

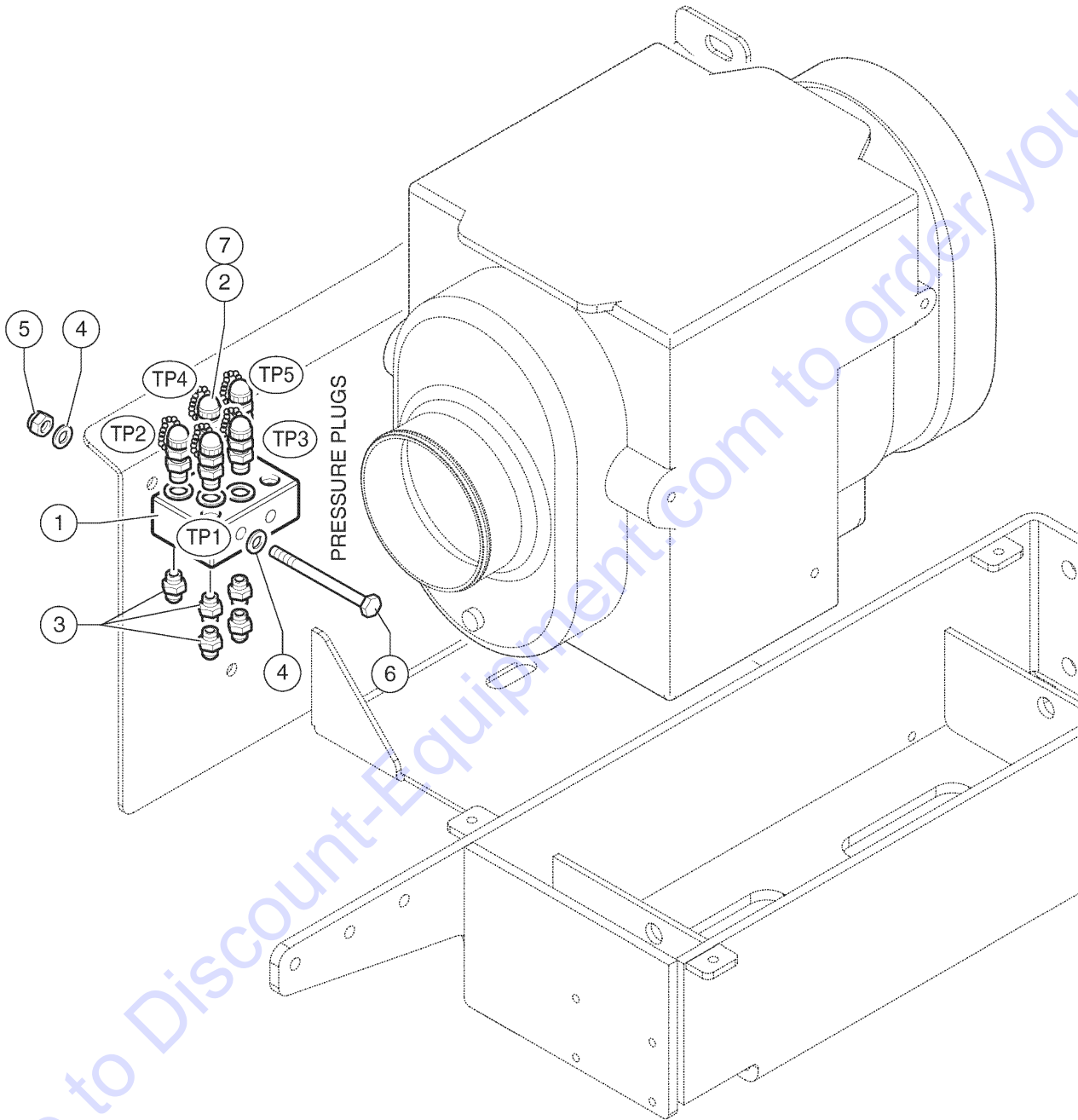
617.1 610511 Transmission



Item	Part No.	Description	Qty.	Item	Part No.	Description	Qty.
1	04.0607.0183GT	Pipe Fitting M26X1,5X 1"7/16-12 ORFS.....	2	31	04.0607.0113GT	PIPE FITTING 1/4 BSPX9/16-18 ORFS.....	1
2	06.0442.0124GT	BONDED RING 3/4.....	2	32	04.0605.1649GT	HOSE R1X1/4 1950 FD FD 9/16-19.....	1
3	04.0607.0188GT	PIPE FITTING M42X2X1"11/16-12 ORFS.....	1	33	04.0607.0174GT	PIPE FITTING 1"BSPX1"11/16-12 ORFS.....	1
4	06.0401.0219GT	O-RING.....	4				
5	04.4223.0003GT	HALF FLANGE D47.....	8				
6	01.4032.0005GT	SPRING WASHER D12 ZN.....	16				
7	01.0001.0401GT	SCREW M12X40 UNI 5737 8.8 ZN.....	16				
8	04.0607.0103GT	PIPE FITTING M12X1.5 X 9/16-18 ORFS.....	1				
9	04.4235.0061GT	Transmission Hydraulic Motor.....	1				
10	04.0607.0855GT	PIPE FITTING M18X1,5 M 9/16-18 ORFS.....	1				
11	04.0607.0856GT	Pipe Fitting M27X2 X M 1 7/16"-12 ORFS.....	1				
12	04.0605.1643GT	Flexible Hose R4 X 1" LG. 1850 F90 F90 1 7/16"-12 ORFS A180.....	1				
13	01.0031.0059GT	FLAT WASHER D16 UNI 6592 ZN.....	4				
14	01.4032.0007GT	SPRING WASHER D16 ZN.....	4				
15	01.0001.0651GT	Screw TE M16X50 UNI 5737 8.8 ZN.....	4				
16	04.0605.1623GT	HOSE ETERNITY/2 (450 BAR)X 1/4 850 SF F90 9/16"-18 ORFS.....	1				
17	04.0605.0956GT	Hose R1 X 1/4 LG.950 - FD F90 9/16-18 ORFS.....	1				
18	04.0607.0131GT	PIPE FITTING TMF+C 9/16-18 ORFS.....	1				
19	04.0605.0752GT	Flexible Hose R4 X 1" LG 800 F90 FD 1" 7/16-12.....	1				
20	04.4229.0082GT	HOSE BM6K 1"X1100 FLD D47 Special.....	1				
21	04.4229.0084GT	Flexible Hose BM6K 1 900 F45 D.47 FLD D47.....	1				
22	04.0607.0142GT	PIPE FITTING 1" GASX1-7/16-12 ORFS.....	2				
23	04.0605.1651GT	HOSE R4 X 1-1/4 3400 FD F45 1 11/16"-12.....	1				
24	07.0701.0289GT	Solenoid 12V.....	1				
24A	1281127GT	NUT, PLASTIC LOCK, SOLENOID 07.0701.0289 for 07.0701.0289	1				
25	06.0442.0125GT	BONDED RING 1".....	1				
26	04.0600.0066GT	PIPE FITTING 1X1 BSP.....	1				
27	04.0600.0113GT	Pipe Fitting 90° BSP.....	1				
28	04.4239.0034GT	SAFETY VALVE.....	1				
29	04.0605.1333GT	HOSE R4X1 3000 F90 FD 1 7/16-12 ORFS.....	1				
30	04.0607.0863GT	Pipe Fitting M33x2(ISO6149-2) 1 7/16"-12 ORFS.....	1				

Go to www.genie.com to order your parts

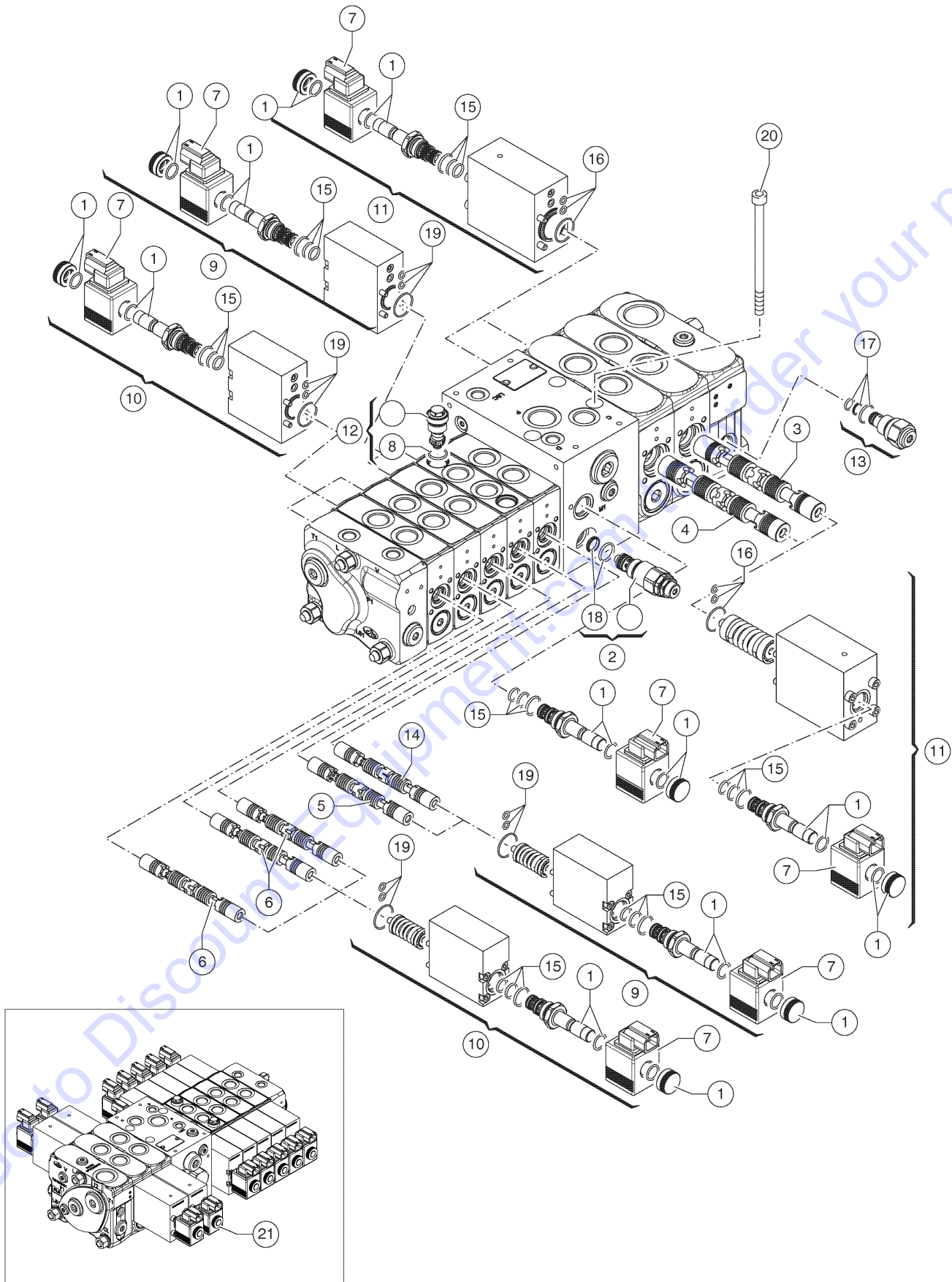
618.1 610512 Test Port Manifold



Item	Part No.	Description	Qty.
1	53.3001.6813GT	TEST PORTS MANIFOLD.....	1
2	04.4210.0016GT	PRESSURE PLUG M14X1.5.....	5
3	04.0607.0153GT	PIPE FITTING 14X1.5X9/16-18 ORFS....	5
4	01.0031.0055GT	FLAT WASHER D8 UNI 6592 ZN.....	5
5	01.0023.0054GT	NUT,M8 UNI 7473 6S ZN.....	2
6	01.0001.0209GT	SCREW M8X70 UNI 5737 8.8 ZN.....	2
7	54.0100.0093GT	FLAT WASHER D.16 1/4-19 BSPP GAS CIL 50100.....	4

Go to Discount-Equipment.com to order your parts

619.1 610513 Primary Functions Manifold

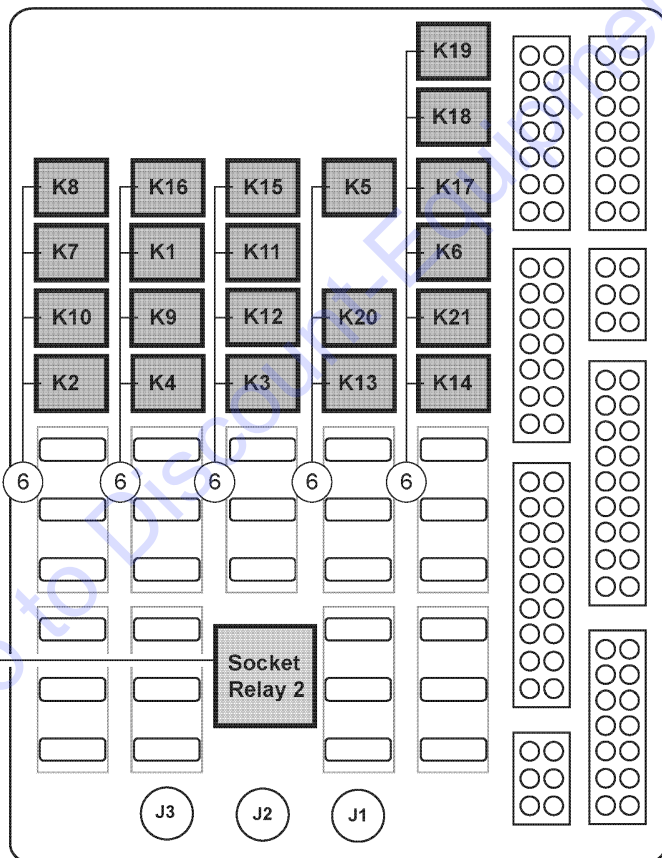
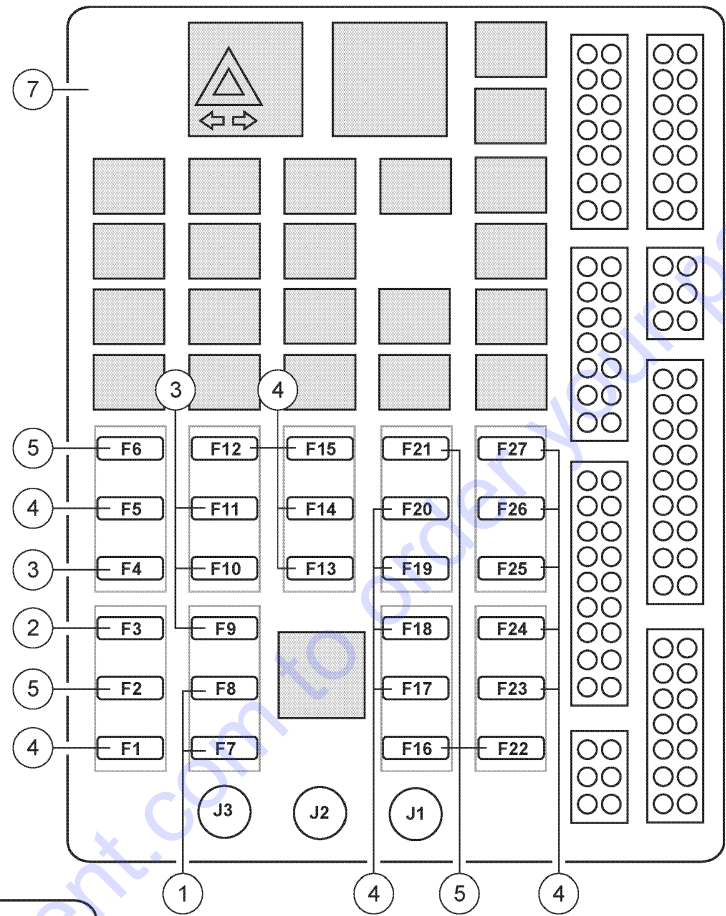


619.1 610513 Primary Functions Manifold

Item	Part No.	Description	Qty.
1	07.0704.0454GT	VALVE.....	11
2	07.0704.0466GT	Valve.....	1
3	07.0704.0455GT	SPOOL.....	1
4	07.0704.0456GT	SPOOL.....	1
5	07.0704.0457GT	Spool.....	1
6	07.0704.0458GT	Spool.....	3
7	07.0704.0460GT	Spool.....	11
8	07.0704.0482GT	O-Ring.....	2
9	07.0704.0461GT	Command Kit.....	4
10	07.0704.0462GT	Command Kit.....	6
11	07.0704.0463GT	Command Kit.....	4
12	07.0704.0464GT	VALVE.....	2
13	07.0704.0465GT	Regulator.....	1
14	07.0704.0459GT	Spool.....	1
15	07.0704.0485GT	O-Ring Kit.....	15
16	07.0704.0483GT	O-Ring Kit.....	2
17	07.0704.0486GT	Seal Kit.....	1
18	07.0704.0484GT	Seal Kit.....	1
19	07.0704.0481GT	O-Ring Kit.....	4
20	01.4003.0073GT	SCREW M10x110 UNI 5931 8.8 ZN.....	3
21	04.4236.0112GT	MAIN VALVE.....	1

Go to Discount-Equipment.com to order your parts

701.1 610515 Cabin Fuse - Relay Box

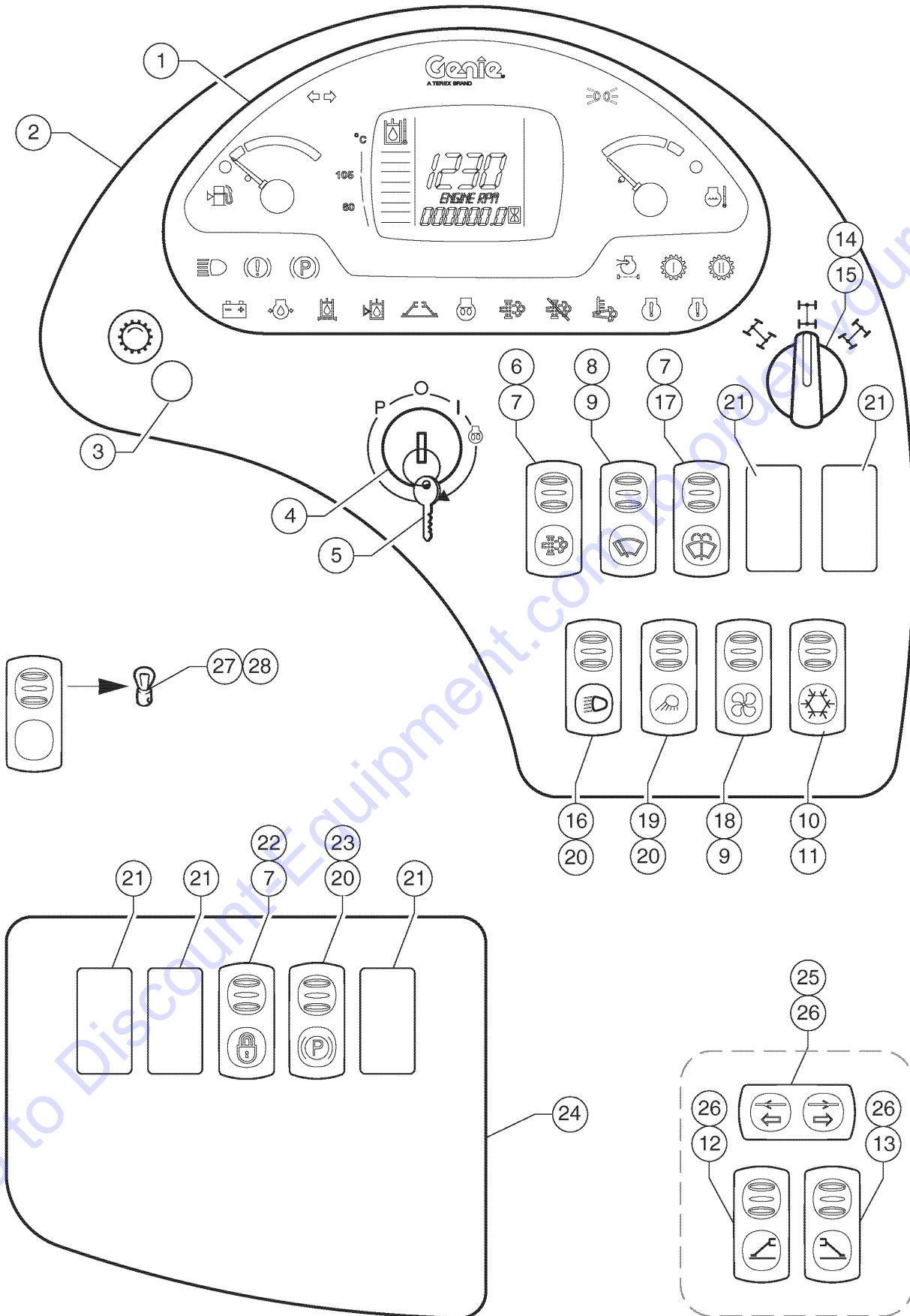


701.1 610515 Cabin Fuse - Relay Box

Item	Part No.	Description	Qty.
1	637650GT	Fuse 3A.....	2
2	07.0703.0193GT	Fuse 5A.....	1
3	634972GT	Fuse 7.5A.....	4
4	634974GT	Fuse 10A.....	15
5	634973GT	Fuse 15A.....	5
6	07.0703.0486GT	RELAY.....	21
7	56.0021.0176GT	CONTROL UNIT.....	1
8	07.0703.0486GT	RELAY.....	1

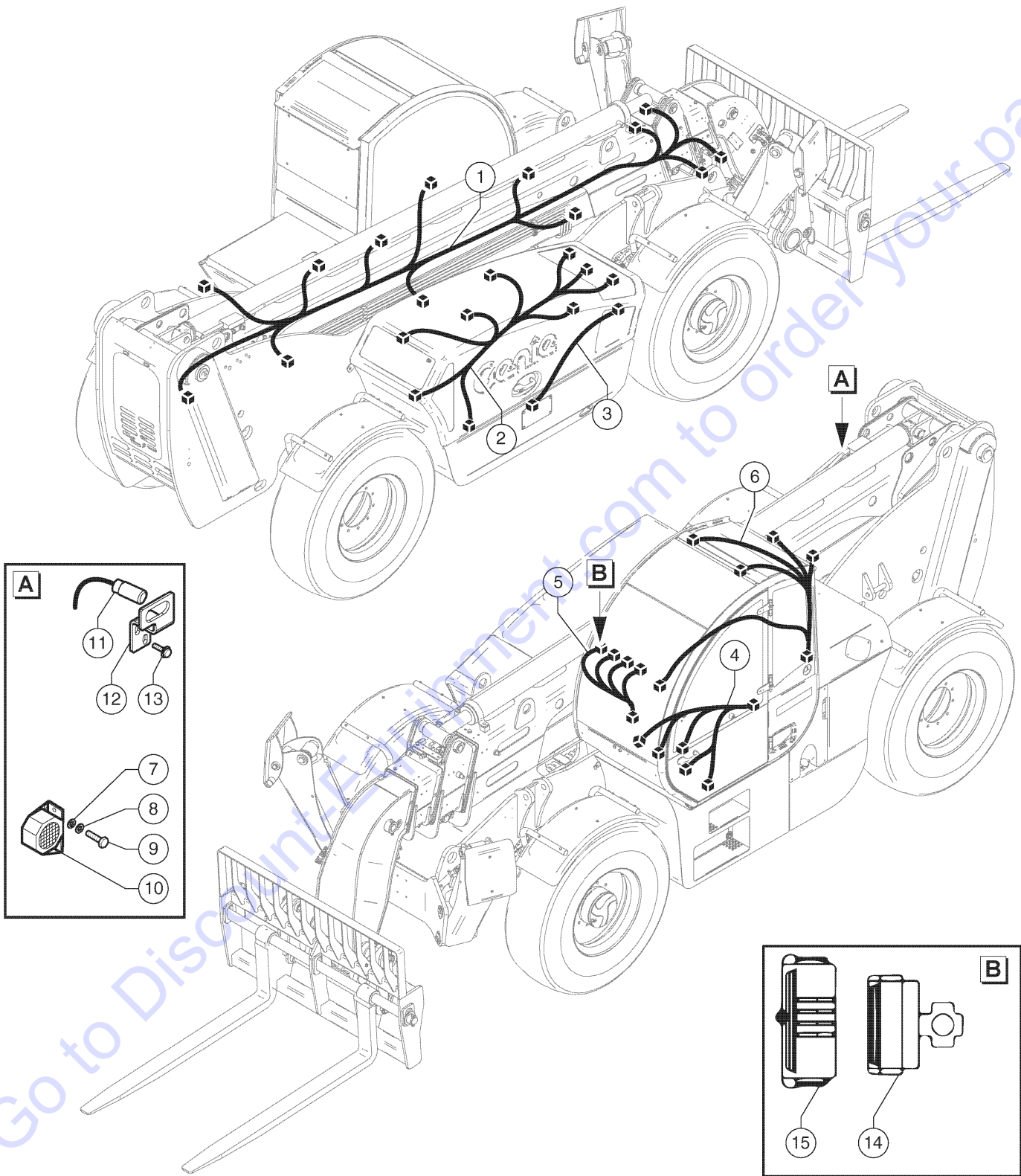
Go to Discount-Equipment.com to order your parts

702.1 610516 Dashboard



Item	Part No.	Description	Qty.
1	56.0016.0188GT	Instrument Panel.....	1
2	56.0015.0015GT	PLATE,DASH SUPPORT,RIGHT.....	1
3	56.0017.0141GT	SWITCH TYCO.....	1
4	07.0703.0472GT	Starting Switch.....	1
5	09.0803.0685GT	KEY.....	1
6	56.0017.0116GT	Switch Key, Dpf.....	1
7	56.0017.0127GT	SWITCH.....	3
8	56.0017.0114GT	SWITCH COVER..... <i>Option</i>	1
9	56.0017.0129GT	SWITCH BODY.....	2
10	56.0017.0053GT	Air Condition Switch Cover..... <i>Option</i>	1
11	56.0017.0128GT	SWITCH BODY.....	1
12	56.0017.0135GT	SWITCH COVER.....	1
13	56.0017.0136GT	SWITCH COVER.....	1
14	07.0703.0429GT	KNOB, STEERING MODE SELECTOR..	1
15	07.0703.0577GT	SWITCH.....	1
16	56.0017.0145GT	SWITCH KEY, ROAD LIGHT..... <i>Option</i>	1
17	56.0017.0038GT	SWITCH COVER..... <i>Option</i>	1
18	56.0017.0054GT	SWITCH COVER..... <i>Option</i>	1
19	56.0017.0051GT	SWITCH COVER..... <i>Option</i>	1
20	56.0017.0107GT	SWITCH.....	3
21	56.0017.0039GT	Cap.....	5
22	56.0017.0063GT	SWITCH COVER..... <i>Option</i>	1
23	56.0017.0046GT	SWITCH COVER.....	1
24	56.0015.0014GT	PLATE,DASH SUPPORT,LEFT.....	1
25	56.0017.0117GT	SWITCH KEY, ATTACH LOCK OIL.....	1
26	56.0017.0112GT	SWITCH.....	3
27	07.0703.0725GT	SWITCH BULB 12V - 0.03A - 0.36W.....	1
28	07.0703.0101GT	SWITCH BULB LIGHT 12V - 1,2W.....	1

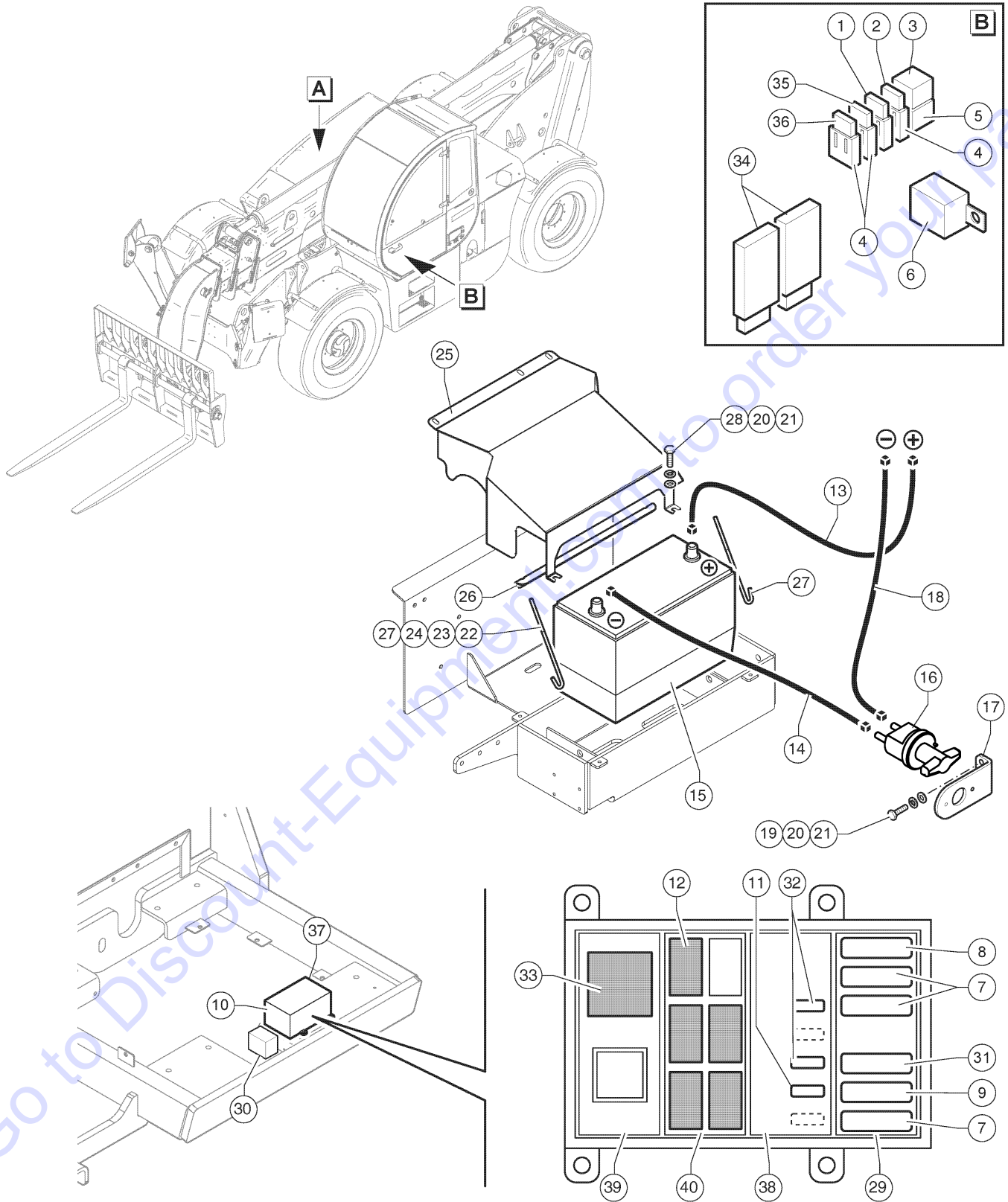
703.1 610517 Wirings - View 1



Item	Part No.	Description	Qty.
1	55.0602.0952GT	Chassis Line.....	1
2	55.0602.1053GT	Engine Line.....	1
3	55.0602.1055GT	Alternator Cable.....	1
4	55.0602.1062GT	Driving Line.....	1
5	55.0602.1060GT	Dashboard Line.....	1
6	55.0602.1061GT	Lateral Cabin Line.....	1
7	01.0031.0054GT	FLAT WASHER D6 UNI 6592 ZN.....	2
8	01.4032.0002GT	SPRING WASHER D6 ZN.....	2
9	01.0001.0156GT	SCREW M6X20 UNI 5739 8.8 ZN.....	2
10	56.0009.0009GT	ALARM.....	1
11	56.0012.0000GT	PROXIMITY SENSOR.....	1
12	51.0811.4571GT	SUPPORT,BOOM SENSOR.....	1
13	01.4001.0165GT	SCREW M8X16 DIN 6923 8.8 ZN.....	2
14	56.0002.0336GT	18 Ways Ground Connector.....	1
15	56.0002.0335GT	18 Ways Ground Collector.....	1

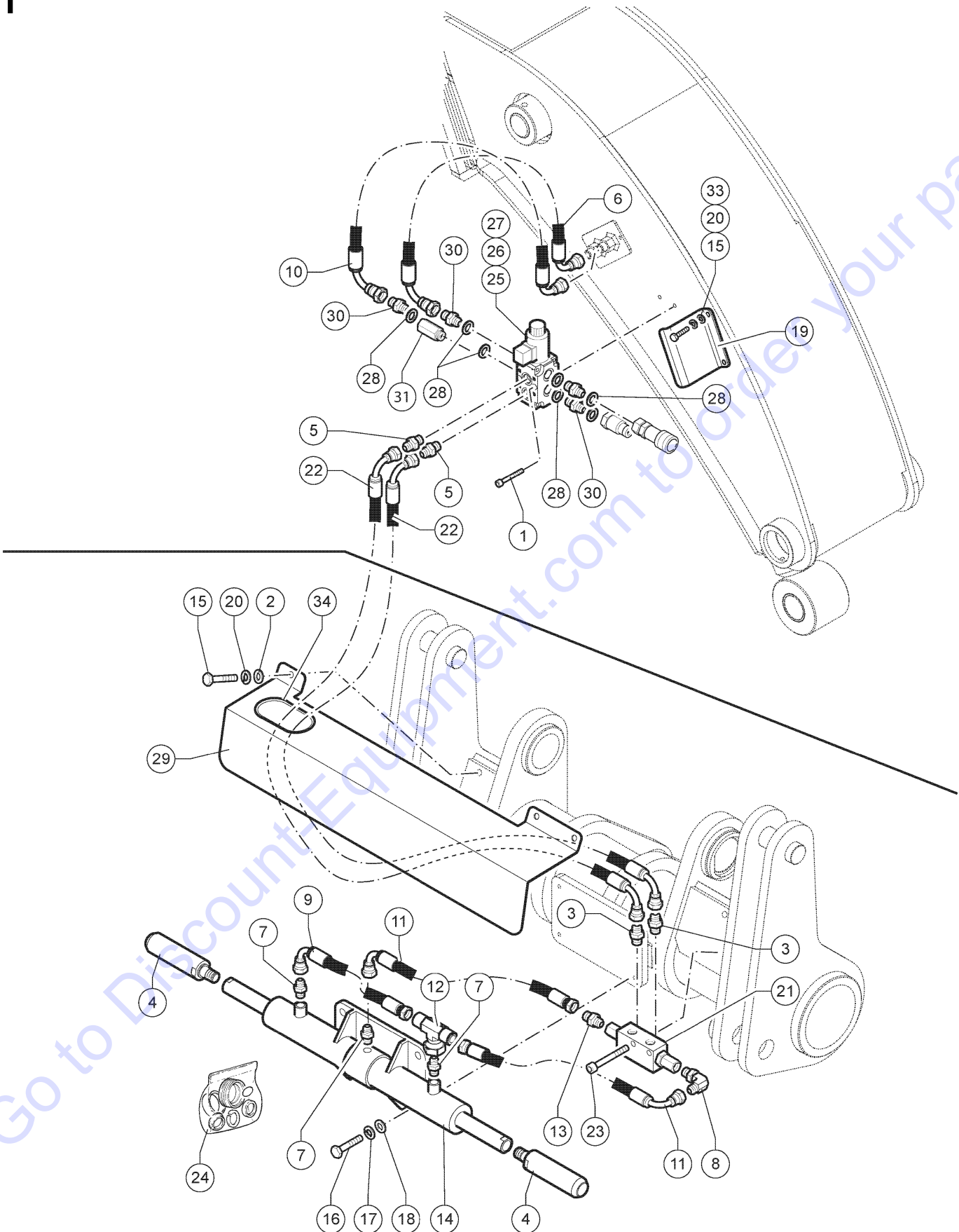
Go to Discount-Equipment.com to order your parts

704.1 610518 Wirings - View 2



Item	Part No.	Description	Qty.
1	07.0703.0656GT	Fuse 1A.....	1
2	634972GT	Fuse 7.5A.....	1
3	07.0703.0486GT	RELAY.....	1
4	56.0005.0009GT	FUSE HOLDER.....	2
5	56.0005.0014GT	Relay Support.....	1
6	07.0703.0535GT	RELAY.....	1
7	07.0703.0069GT	FUSE,MAXI,30A.....	3
8	56.0005.0000GT	FUSE, MAXI,40A.....	1
9	56.0005.0037GT	FUSE,MAXI,20A.....	1
10	56.0006.0043GT	Fuse Box.....	1
11	56.0005.0039GT	FUSE,MINI,15A.....	1
12	56.0002.0347GT	RELAY.....	5
13	55.0602.1054GT	Battery Positive Cable.....	1
14	55.0602.1056GT	Battery Negative Cable.....	1
15	30143GT	BATTERY,12V,1000 CCA GRP 31.....	1
16	56.0008.5218GT	Battery Cut-Out Switch.....	1
17	51.0811.4477GT	BRACKET,BATTERY CUT-OUT SW.....	1
18	55.0602.1057GT	Negative Cable.....	1
19	01.0001.0256GT	SCREW M8X25 UNI 5739 8.8 ZN.....	2
20	01.4032.0003GT	SPRING WASHER D8 ZN.....	6
21	01.0031.0055GT	FLAT WASHER D8 UNI 6592 ZN.....	6
22	01.4023.0010GT	NUT, WING, M6 UNI 7473-7474 6S.....	2
23	01.4032.0002GT	SPRING WASHER D6 ZN.....	2
24	01.0031.0298GT	FLAT WASHER D6 UNI 6593 ZN.....	2
25	51.0903.5308GT	BATTERY PROTECTION.....	1
26	51.0811.4351GT	BRACKET,BATTERY LOCKING.....	1
27	51.0811.4230GT	ROD,BATTERY HOLD DOWN.....	2
28	01.0001.1554GT	SCREW-WING M8x15-4.8 ZN.....	4
29	56.0006.0042GT	MAXI FUSE SUPPORT.....	1
30	56.0006.0040GT	RELAY.....	1
31	07.0703.0229GT	Fuse MAXI 100A.....	1
32	56.0005.0038GT	FUSE,MINI,5A.....	2
33	56.0002.0346GT	RELAY.....	1
34	639982GT	RELAIS SUPPORT.....	2
35	634973GT	Fuse 15A.....	1
36	637650GT	Fuse 3A.....	1
37	56.0006.0044GT	COVER.....	1
38	56.0005.0040GT	MINI FUSE SUPPORT.....	1
39	56.0005.0041GT	SUPPORT.....	1
40	56.0006.0041GT	MINI RELAY SUPPORT.....	1

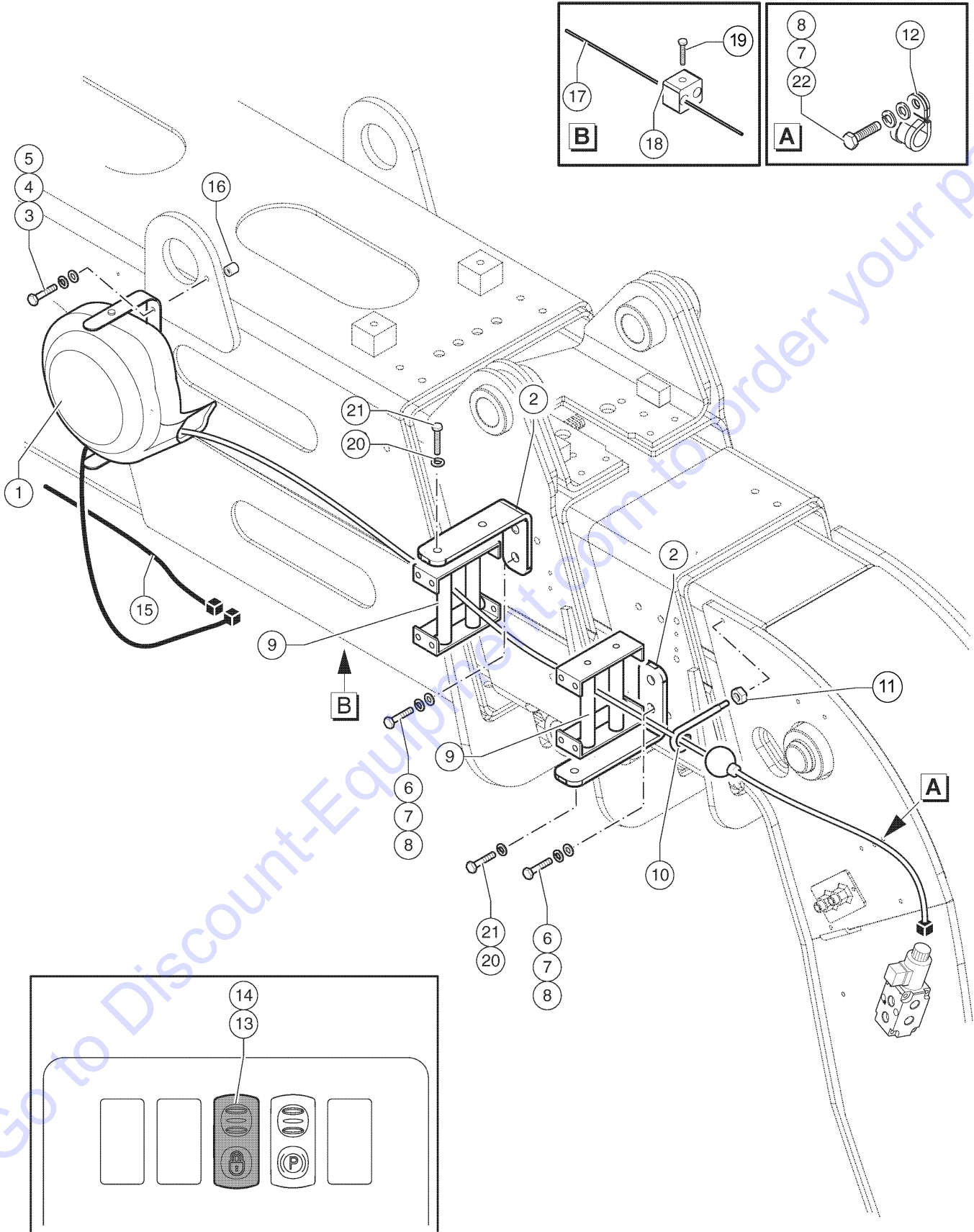
801.1 610521 Hydraulic Quick Couplig - Part 1



801.1 610521 Hydraulic Quick Couplig - Part 1

Item	Part No.	Description	Qty.
1	01.4003.0036GT	SCREW M8X65 UNI 5931 8.8 ZN.....	2
2	01.0031.0299GT	FLAT WASHER D8 UNI 6593 ZN.....	3
3	04.0607.0163GT	PIPE FITTING 1/4BSPX11/16-16 ORFS.....	2
4	54.0001.0042GT	Pin.....	2
5	04.0607.0110GT	PIPE FITTING 1/2BSP x 11/16-16 ORFS.....	2
6	04.0602.0613GT	HOSE R2X1/2 500 F90 F90 BSP A 270°.....	1
7	04.0607.0114GT	PIPE FITTING 3/8 BSPX9/16-18 ORFS.....	3
8	04.0607.0112GT	PIPE FITTING M-M A 90 1/4 BSPX9/16-18 ORFS.....	1
9	04.0605.1815GT	HOSE R2 X 1/4 400 FD F90 9/16"-18....	1
10	04.0602.0615GT	HOSE R2X1/2 430 F90 BSP F90 BSP A 270°.....	1
11	04.0605.1814GT	HOSE R2 X 1/4 200 FD F90 9/16"-18....	2
12	04.0607.0131GT	PIPE FITTING TMF+C 9/16-18 ORFS....	1
13	04.0607.0113GT	PIPE FITTING 1/4 BSPX9/16-18 ORFS.....	1
14	53.0500.0605GT	Cylinder.....	1
15	01.0001.0254GT	SCREW M8X20 UNI 5739 8.8 ZN.....	5
16	01.0001.0356GT	SCREW M10X30 UNI 5739 8.8 ZN.....	4
17	01.4032.0004GT	SPRING WASHER D10 ZN.....	4
18	01.0031.0301GT	FLAT WASHER D10 UNI 6593 ZN.....	4
19	51.0811.4492GT	BRACKET.....	1
20	01.4032.0003GT	SPRING WASHER D8 ZN.....	5
21	04.4239.0002GT	VALVE.....	1
22	04.0605.1632GT	Flexible Hose R2 X 3/8 1500 F90 F90 11/16"-16 A 90°.....	2
23	01.0003.0160GT	SCREW M6X40 UNI 5931 8.8 ZN.....	2
24	07.4529.0107GT	SET OF GASKETS.....	1
25	04.4240.0075GT	SOLENOID VALVE ASSY 6 WAY.....	1
26	07.0701.0316GT	SOLENOID.....	2
27	07.0701.0317GT	SINGLE VALVE BODY.....	2
28	06.0442.0122GT	BONDED RING 1/2".....	6
29	51.0903.5232GT	Guard.....	1
30	04.0600.0017GT	PIPE FITTING 1/2X1/2 BSP.....	4
31	04.0600.0091GT	PIPE FITTING CMF1/2 ES LG 25.....	1
33	01.0031.0055GT	FLAT WASHER D8 UNI 6592 ZN.....	2
34	09.0803.0557GT	Gasket.....	15,75-m

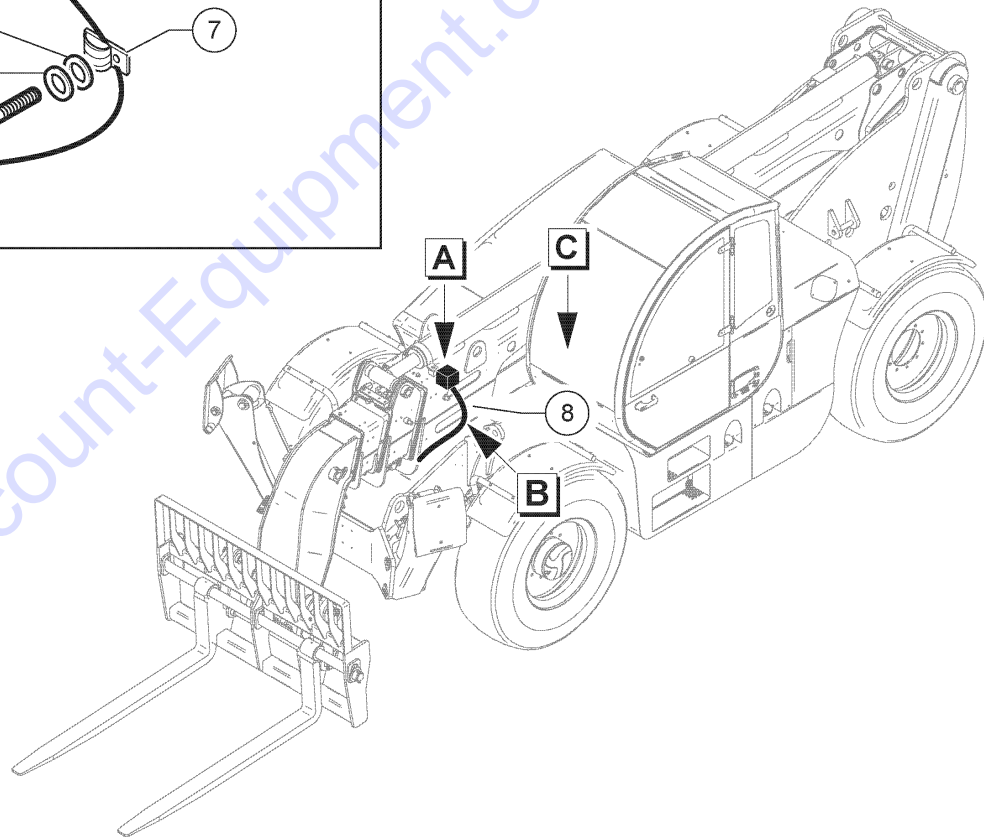
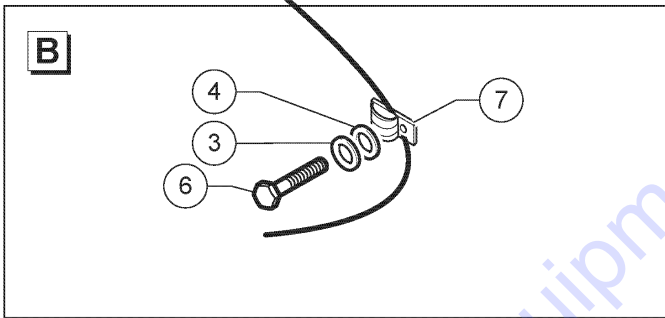
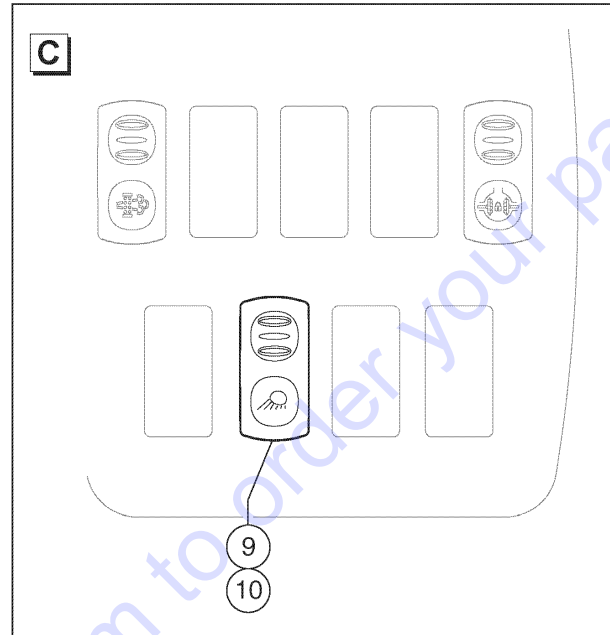
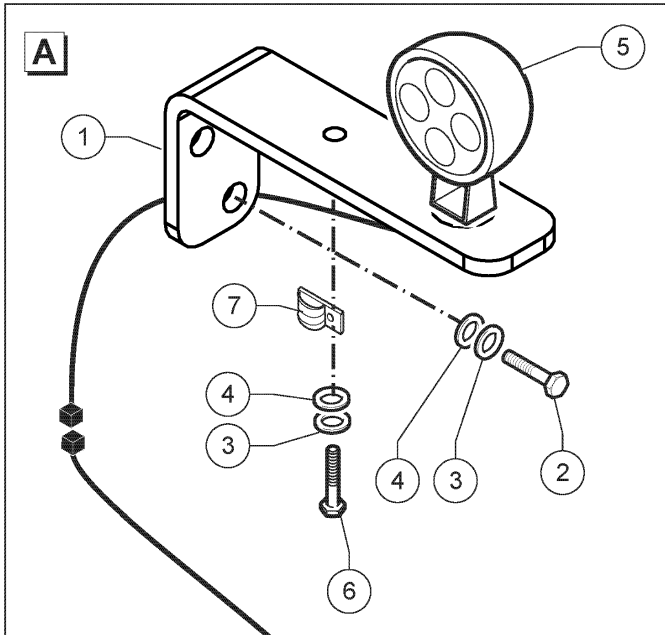
801.2 610522 Hydraulic Quick Coupling - Part 2



801.2 610522 Hydraulic Quick Coupling - Part 2

Item	Part No.	Description	Qty.
1	56.0023.0052GT	Cable Reel.....	1
2	51.0811.4499GT	Bracket.....	2
3	01.0001.0158GT	SCREW M6X25 UNI 5739 8.8 ZN.....	2
4	01.0031.0298GT	FLAT WASHER D6 UNI 6593 ZN.....	2
5	01.4032.0002GT	SPRING WASHER D6 ZN.....	2
6	01.0001.0254GT	SCREW M8X20 UNI 5739 8.8 ZN.....	4
7	01.4032.0003GT	SPRING WASHER D8 ZN.....	5
8	01.0031.0055GT	FLAT WASHER D8 UNI 6592 ZN.....	5
9	56.0023.0028GT	Cable Guide.....	2
10	51.0811.4775GT	BRACKET.....	1
11	01.0019.0105GT	NUT M10 UNI 5588 6S ZN.....	1
12	04.4227.0003GT	CLAMP D16 HOLE 8.4.....	1
13	56.0017.0063GT	SWITCH COVER.....	1
14	56.0017.0127GT	SWITCH.....	1
15	55.0602.1101GT	Electrical Line.....	1
16	54.0101.0004GT	Spacer.....	2
17	51.0811.4618GT	Electric Line Fixing Bar.....	1
18	09.0803.0674GT	Clamp D8.....	5
19	01.0003.0155GT	SCREW M6X20 UNI 5931 8.8 ZN.....	5
20	01.4032.0004GT	SPRING WASHER D10 ZN.....	4
21	01.0001.0355GT	SCREW M10X25 UNI 5739 8.8 ZN.....	4
22	01.0001.0252GT	SCREW M8X16 UNI 5739 8.8 ZN.....	1

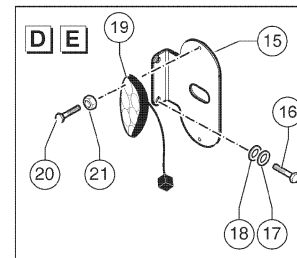
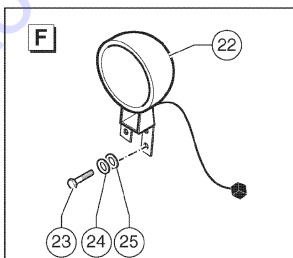
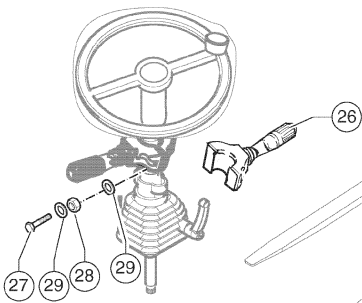
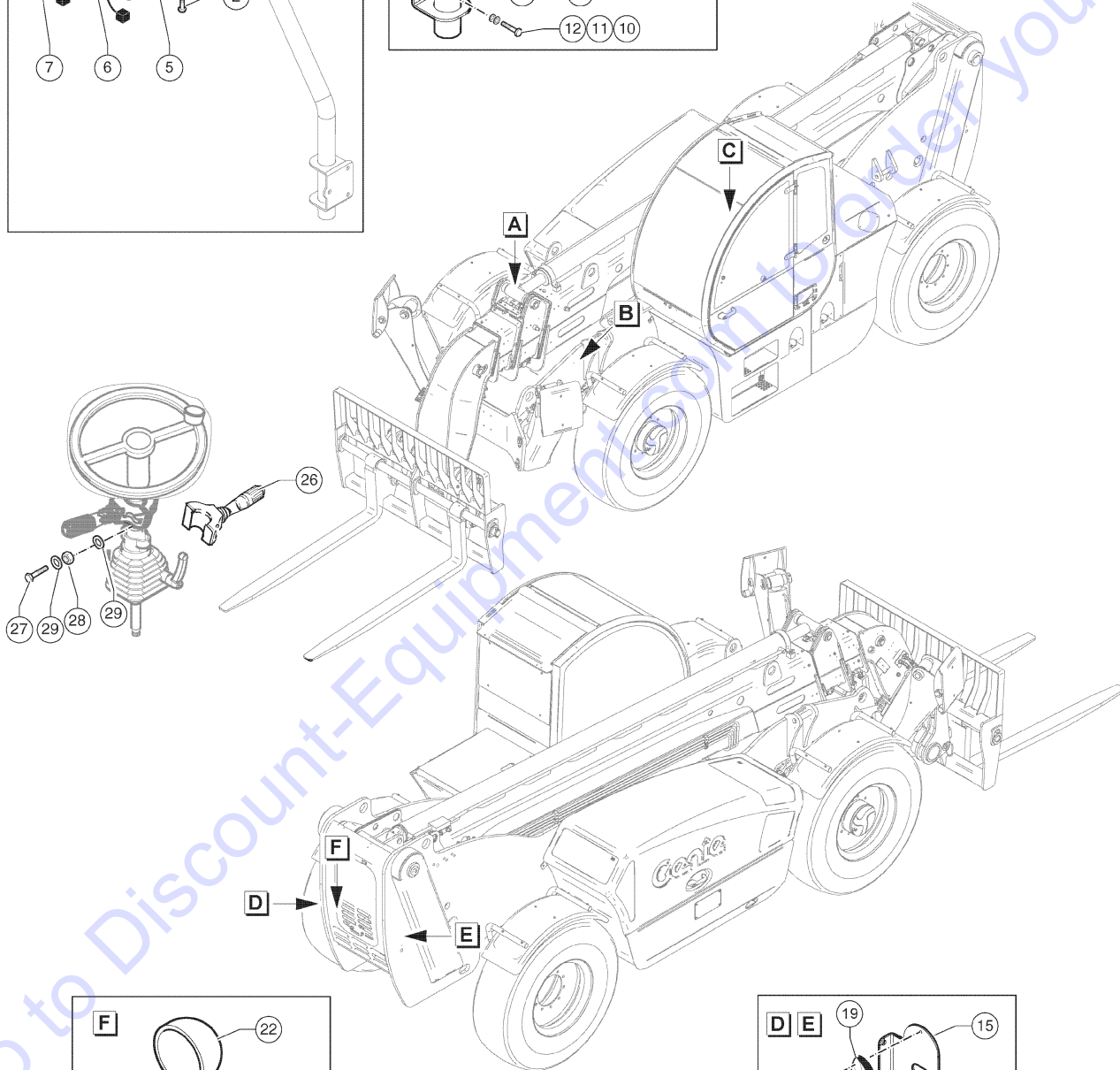
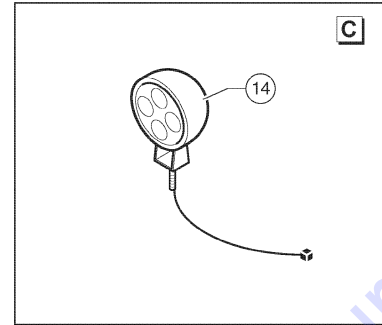
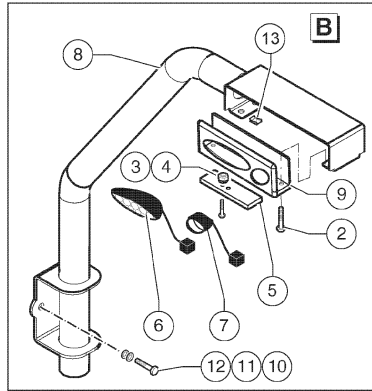
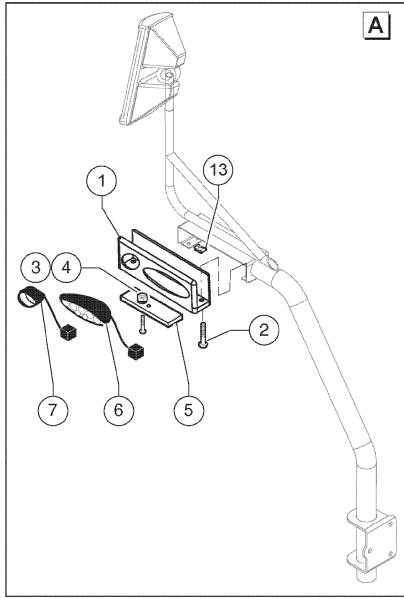
802.1 610523 Work Light



Item	Part No.	Description	Qty.
1	51.0811.4891GT	BRACKET.....	1
2	01.0001.0156GT	SCREW M6X20 UNI 5739 8.8 ZN.....	2
3	01.4032.0002GT	SPRING WASHER D6 ZN.....	6
4	01.0031.0054GT	FLAT WASHER D6 UNI 6592 ZN.....	6
5	1258527GT	HARNES,LIGHT,LED,CLEAR,5"ROUND.	1
6	01.0001.0154GT	SCREW M6X16 UNI 5739 8.8 ZN.....	4
7	124728GT	CLAMP,0.44,#7X1/4,RUB CUSH.....	4
8	55.0602.1101GT	Electrical Line.....	1
9	56.0017.0107GT	SWITCH.....	1
10	56.0017.0045GT	SWITCH COVER.....	1

Go to Discount-Equipment.com to order your parts

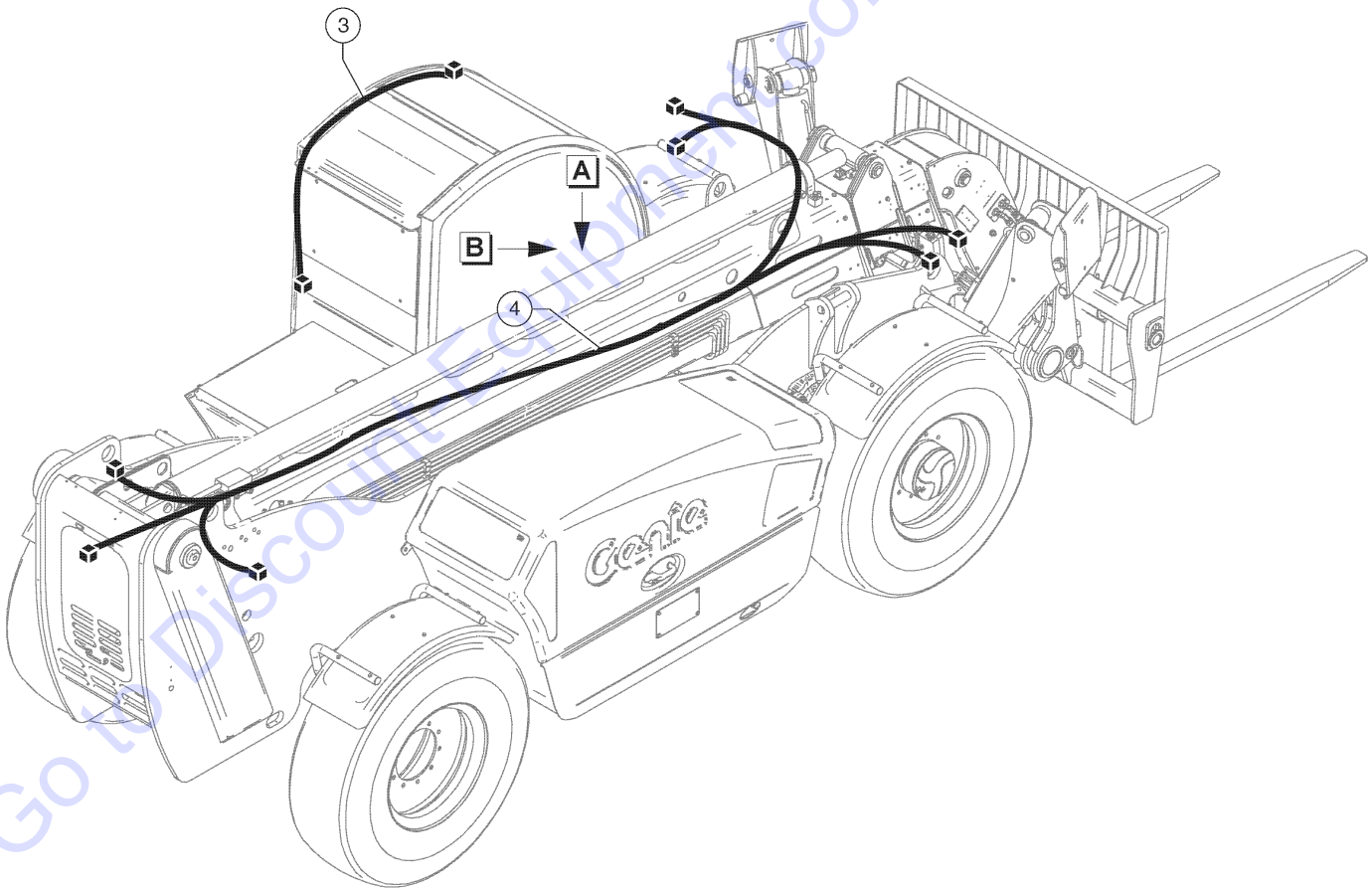
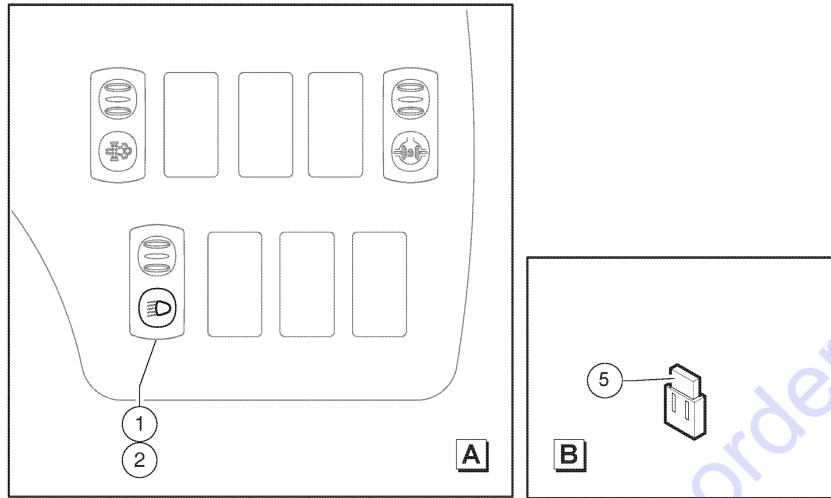
803.1 610524 Road Light - Part 1



803.1 610524 Road Light - Part 1

Item	Part No.	Description	Qty.
1	1254565GT	FORMING,COVER,ENG,ROAD LIGHT...1	
2	824227GT	SCREW, BHC, 1/4-20 X 1, ZAG.....8	
3	1257047GT	SCREW,BHS,10-32X1,F835,ZAG.....4	
4	1256804GT	NUT,10-32,ZAG.....4	
5	1258715GT	SPACER,LIGHT MOUNT,.500".....2	
6	1253241GT	HARNESS,LIGHT,DRIVE,CLEAR,3LED.2	
7	1255647GT	HARNESS,LIGHT,TURN SIGNAL,AMBR.....2	
8	51.0811.4888GT	ROAD LIGHT SUPPORT (FRONT LEFT).....1	
9	1254564GT	FORMING,COVER,CAB,ROAD LIGHT...1	
10	01.0001.0256GT	SCREW M8X25 UNI 5739 8.8 ZN.....3	
11	01.4032.0003GT	SPRING WASHER D8 ZN.....3	
12	01.0031.0055GT	FLAT WASHER D8 UNI 6592 ZN.....3	
13	56912GT	SPRING CLIP,1/4-20,.025-.15X.54,ZAG.....8	
14	1258527GT	HARNESS,LIGHT,LED,CLEAR,5"ROUND.1	
15	51.0811.4890GT	REAR ROAD LIGHT SUPPORT.....2	
16	01.0001.0355GT	SCREW M10X25 UNI 5739 8.8 ZN.....4	
17	01.4032.0004GT	SPRING WASHER D10 ZN.....4	
18	01.0031.0056GT	FLAT WASHER D10 UNI 6592 ZN.....4	
19	229677GT	HARNESS, TAILLIGHT LED.....2	
20	824215GT	SCREW,PHPM,10-32X.75,ZAG.....4	
21	824032GT	NUT,TL FLG,10-32,F,ZAG.....4	
22	237934GT	HARNESS, BACKUP LIGHT.....1	
23	01.0001.0154GT	SCREW M6X16 UNI 5739 8.8 ZN.....3	
24	01.4032.0002GT	SPRING WASHER D6 ZN.....3	
25	01.0031.0054GT	FLAT WASHER D6 UNI 6592 ZN.....3	
26	7-125-06GT	SWITCH, TURN SIGNAL.....1	
27	01.0003.0964GT	SCREW,HHC,M5x60,UNI 5931,8.8,ZAG.....2	
28	01.0023.0052GT	STOP NUT M5 UNI 7473 6S ZN.....2	
29	01.0031.0053GT	FLAT WASHER D5 UNI 6592 ZN.....4	

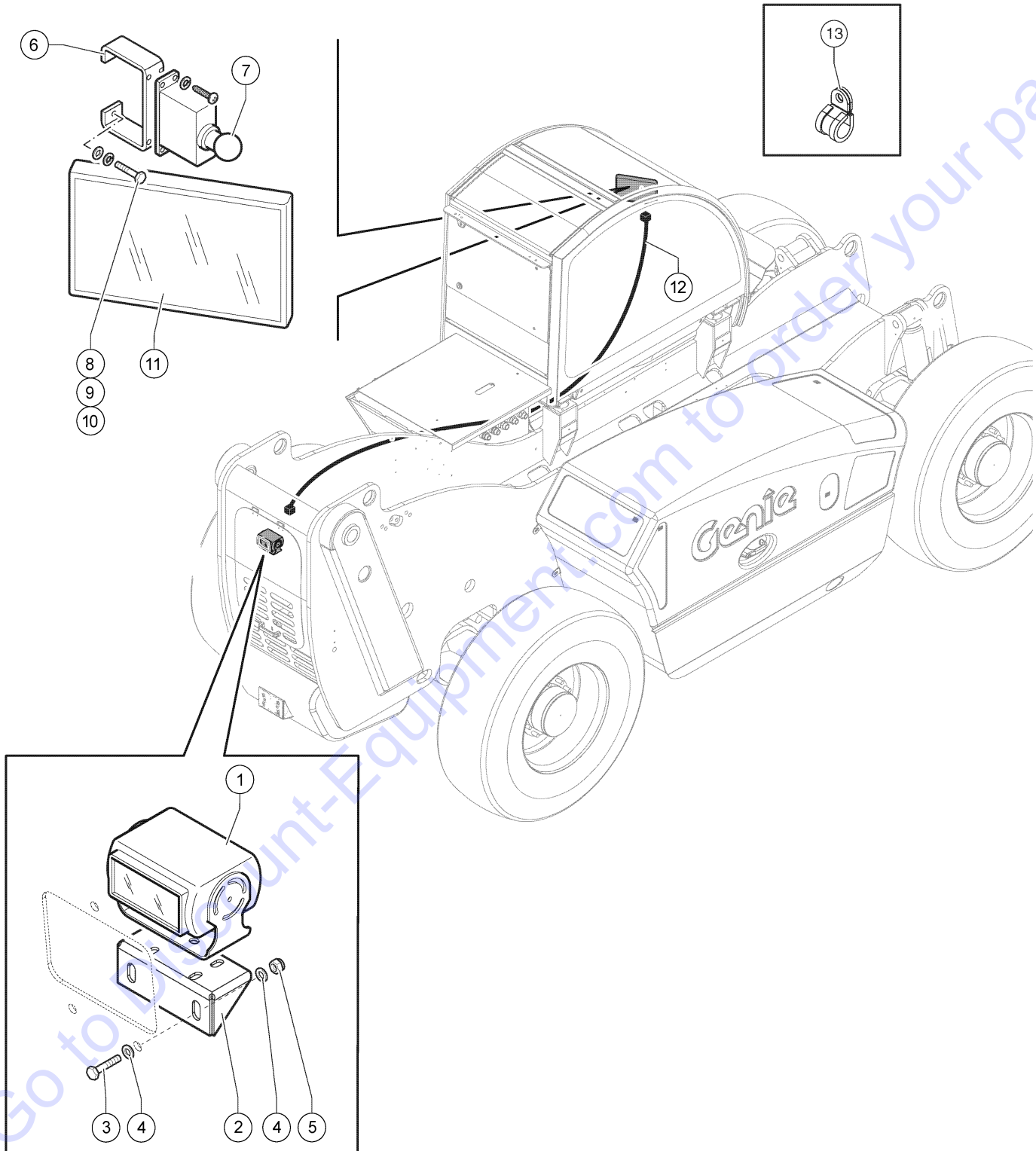
803.2 610525 Road Light - Part 2



Item	Part No.	Description	Qty.
1	56.0017.0107GT	SWITCH.....	1
2	56.0017.0145GT	SWITCH KEY, ROAD LIGHT.....	1
3	55.0602.1061GT	Lateral Cabin Line.....	1
4	55.0602.0952GT	Chassis Line.....	1
5	1253240GT	RELAY, FLASHER, LED, 12V(AUTO).....	1

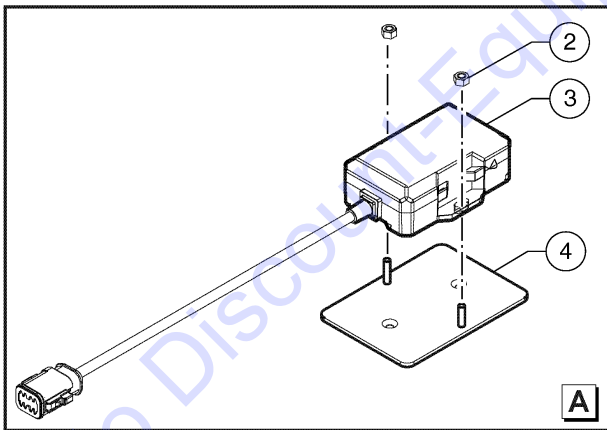
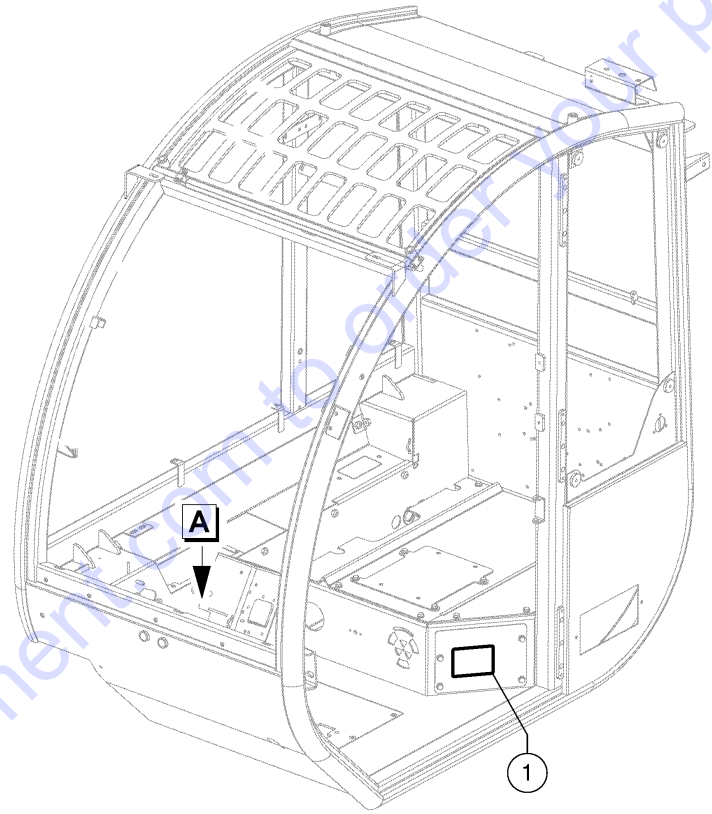
Go to Discount-Equipment.com to order your parts

804.1 610526 Rear Video Camera



Item	Part No.	Description	Qty.
1	56.00160172GT	Camera.....	1
2	51.0811.4662GT	SUPPORT.....	1
3	01.0001.0154GT	SCREW M6X16 UNI 5739 8.8 ZN.....	2
4	01.0031.0298GT	FLAT WASHER D6 UNI 6593 ZN.....	4
5	01.0023.0053GT	STOP NUT M6 UNI 7473 6S ZN.....	2
6	51.0811.4539GT	Display Bracket.....	1
7	56.00160174GT	Display Support.....	1
8	01.0001.0254GT	SCREW M8X20 UNI 5739 8.8 ZN.....	2
9	01.4032.0003GT	SPRING WASHER D8 ZN.....	2
10	01.0031.0055GT	FLAT WASHER D8 UNI 6592 ZN.....	2
11	56.00160173GT	Display Kit.....	1
12	56.0000.0083GT	Wiring Harness.....	1
13	04.4227.0008GT	CLAMP S16 D12 HOLE 8.4.....	3

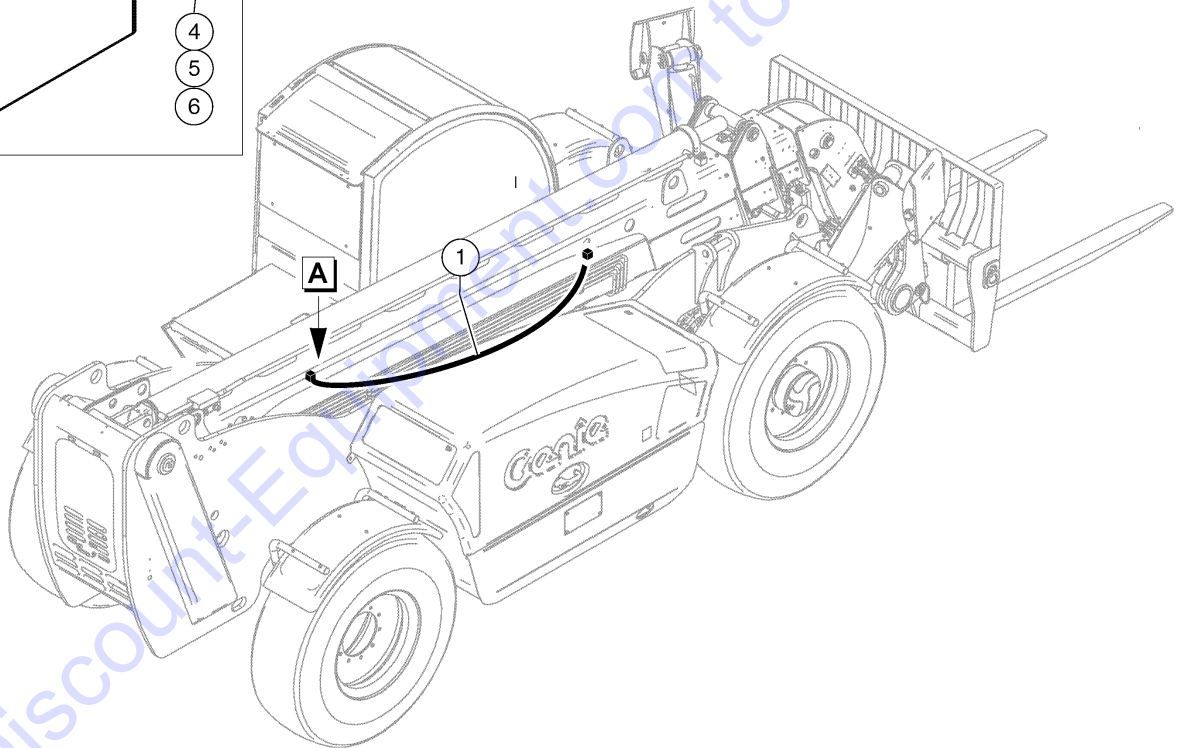
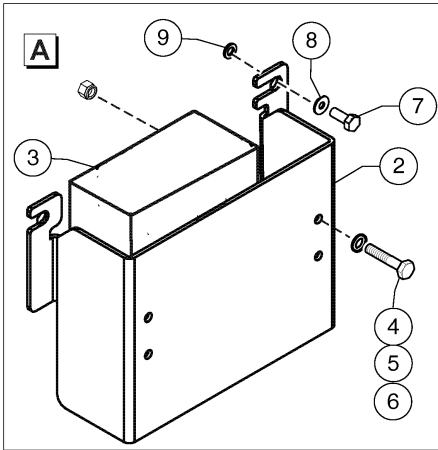
Go to Discount-Equipment.com to order your parts



Item	Part No.	Description	Qty.
1	1262435GT	DECAL,TELEMATICS,UR.....	1
2	1261777GT	NUT,8-32, URI TELEMATICS.....	2
3	1261360GT	MODULE,TELEMATICS,ZTR,M6H.....	1
4	1262434GT	BRACKET KIT.....	1

Go to Discount-Equipment.com to order your parts

806.1 610528 Telematics M8

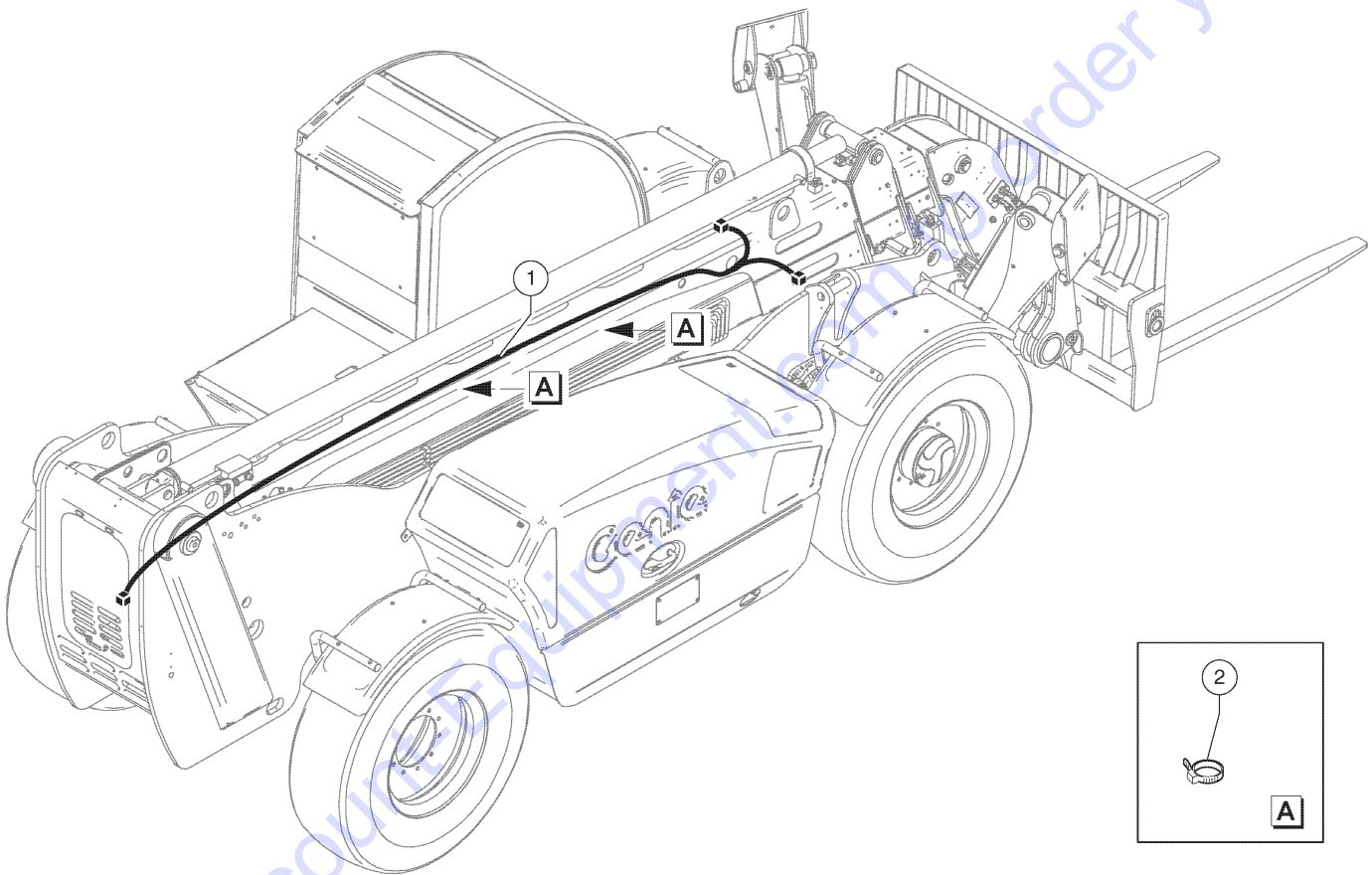


Go to DiscountEquipment.com to order your parts

Item	Part No.	Description	Qty.
1	55.0602.1092GT	TELEMATICS ZTR M8 WIRING.....	1
2	51.0811.4880GT	ZTR M8 SUPPORT.....	1
3	1271765GT	MODULE TELEMATICS M8.....	1
4	01.0001.1438GT	SCREW M5X20 UNI 5739 8.8 ZN.....	4
5	01.0031.0053GT	FLAT WASHER D5 UNI 6592 ZN.....	4
6	01.0023.0052GT	STOP NUT M5 UNI 7473 6S ZN.....	4
7	01.0001.0254GT	SCREW M8X20 UNI 5739 8.8 ZN.....	2
8	01.0031.0299GT	FLAT WASHER D8 UNI 6593 ZN.....	2
9	01.4032.0003GT	SPRING WASHER D8 ZN.....	2

Go to Discount-Equipment.com to order your parts

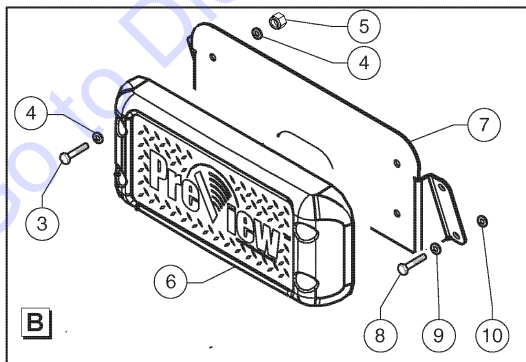
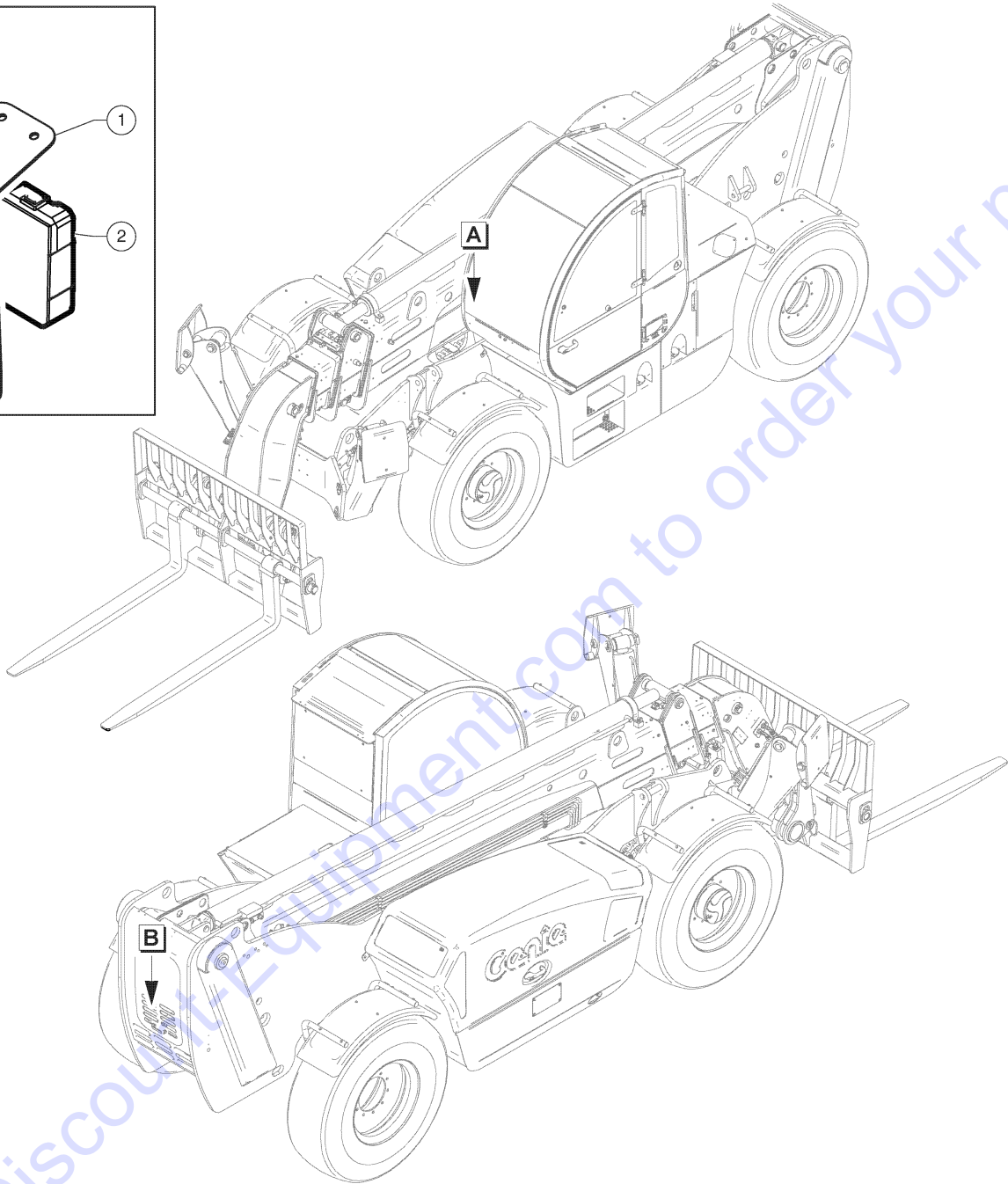
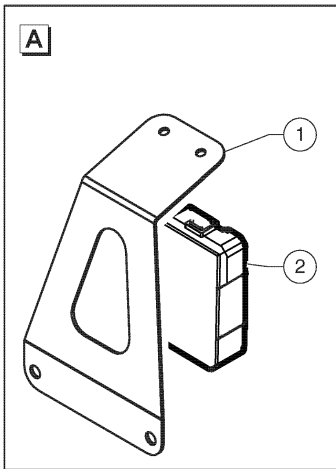
807.1 610529 Boom Line



Item	Part No.	Description	Qty.
1	55.0602.1101GT	Electrical Line.....	1
2	04.0227.0501GT	PVC Clamp D9X185.....	30

Go to Discount-Equipment.com to order your parts

808.1 610530 Rear Proximity Alarm

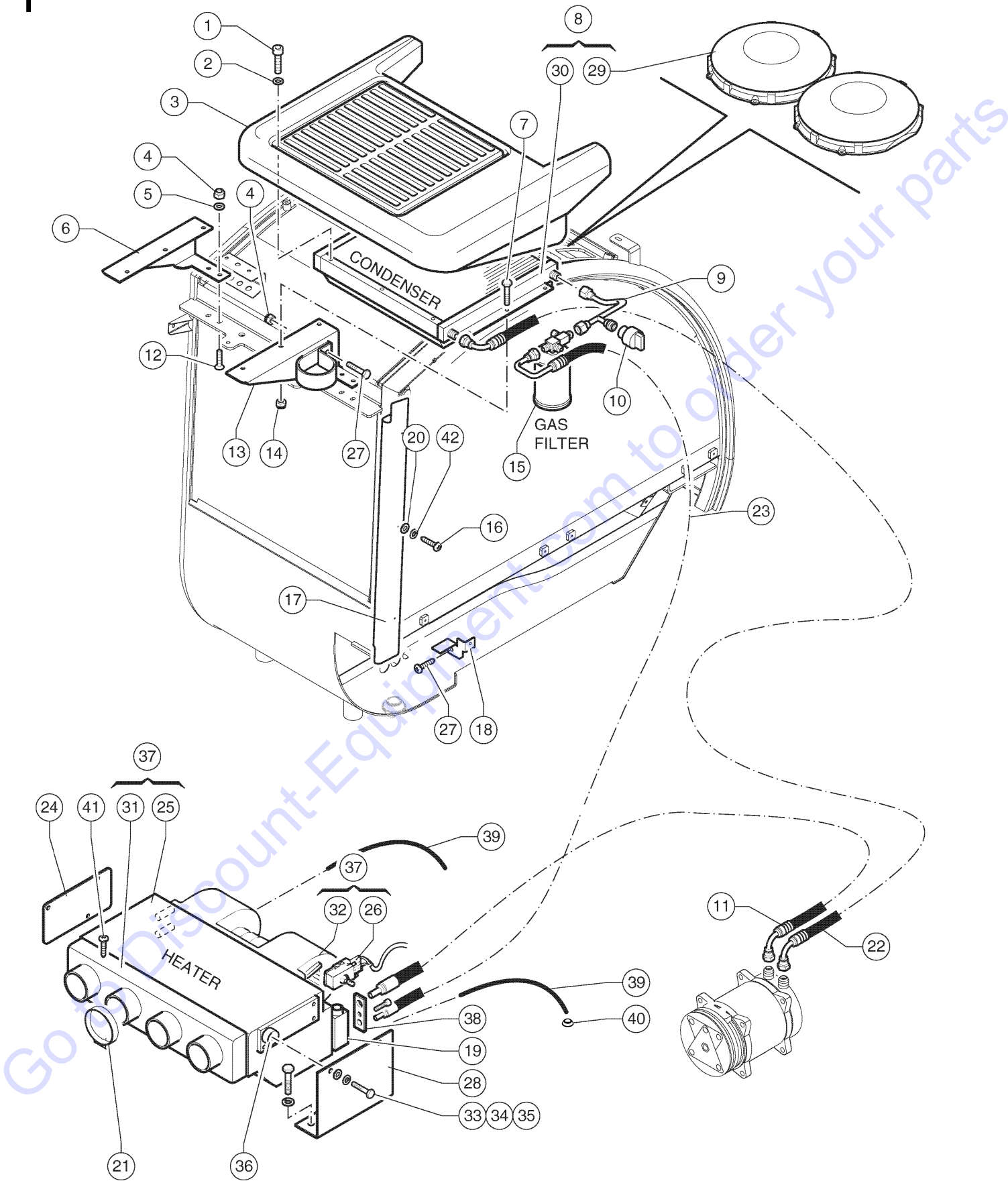


808.1 610530 Rear Proximity Alarm

Item	Part No.	Description	Qty.
1	51.0811.4876GT	DISPLAY SUPPORT.....	1
2	1257988GT	DISPLAY,LED,REAR PROX ALARM.....	1
3	01.4003.0037GT	SCREW M5X20 UNI 5931 8.8 ZN.....	4
4	01.0031.0053GT	FLAT WASHER D5 UNI 6592 ZN.....	8
5	01.0023.0052GT	STOP NUT M5 UNI 7473 6S ZN.....	4
6	1257987GT	SENSOR,REAR PROXIMITY ALARM.....	1
7	51.0811.4837GT	SENSOR SUPPORT.....	1
8	01.0001.0156GT	SCREW M6X20 UNI 5739 8.8 ZN.....	4
9	01.4032.0002GT	SPRING WASHER D6 ZN.....	4
10	01.0031.0298GT	FLAT WASHER D6 UNI 6593 ZN.....	4

Go to Discount-Equipment.com to order your parts

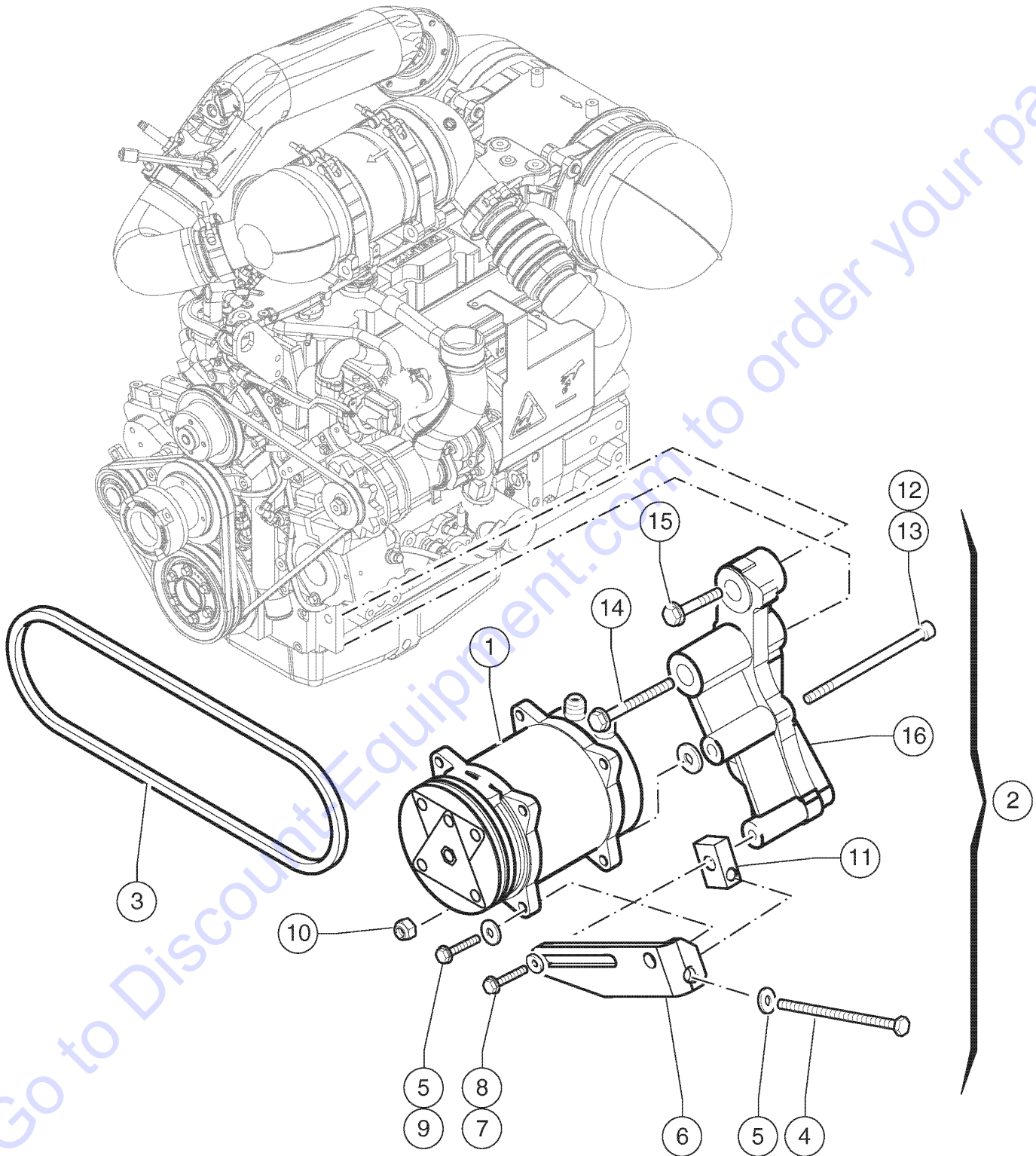
809.1 610531 Air Conditioning - Part 1



809.1 610531 Air Conditioning - Part 1

Item	Part No.	Description	Qty.
1	01.0001.0004GT	SCREW M6X20 UNI 5931 8.8 ZN.....	6
2	01.0031.0054GT	FLAT WASHER D6 UNI 6592 ZN.....	10
3	56.0014.0103GT	Guard.....	1
4	01.0023.0054GT	NUT,M8 UNI 7473 6S ZN.....	5
5	01.0031.0055GT	FLAT WASHER D8 UNI 6592 ZN.....	4
6	07.0740.0268GT	Left Bracket.....	1
7	01.0001.0099GT	Screw TE M 4X16.....	6
8	07.0740.0263GT	CONDENSER.....	1
9	07.0740.0260GT	HOSE 5/16.....	1
10	07.0740.0390GT	Pressure Switch.....	1
11	07.0740.0523GT	HOSE.....	1
12	01.4006.0010GT	Screw TSPEI M8X30 UNI5933 10.9 ZN..	4
13	07.0740.0269GT	Right Bracket.....	1
14	01.0001.0035GT	STOP NUT M4.....	6
15	07.0740.0254GT	FILTER.....	1
16	01.0003.0947GT	SCREW M4X10 UNI 5931 8.8 ZN.....	3
17	51.0903.5295GT	HOSES PROTECTION.....	1
18	07.0740.0257GT	Bracket.....	1
19	09.0610.0973GT	VALVE.....	1
20	07.0723.0074GT	WASHER.....	3
21	04.0227.0058GT	CLAMP DN 40/60 LG12.....	4
22	07.0740.0524GT	HOSE.....	1
23	07.0740.0262GT	HOSE.....	1
24	51.0811.4103GT	BRACKET, SUPPORT.....	1
25	07.0740.0386GT	Heater.....	1
26	07.0740.0398GT	Temperature Switch.....	1
27	01.0001.0256GT	SCREW M8X25 UNI 5739 8.8 ZN.....	2
28	51.0811.4102GT	BRACKET, SUPPORT.....	1
29	07.0740.0396GT	Fan.....	2
30	07.0740.0395GT	Condenser.....	1
31	07.0740.0385GT	Heater Cover.....	1
32	07.0740.0389GT	Fan Heater.....	1
33	01.0001.0158GT	SCREW M6X25 UNI 5739 8.8 ZN.....	4
34	01.4032.0002GT	SPRING WASHER D6 ZN.....	4
35	01.0031.0298GT	FLAT WASHER D6 UNI 6593 ZN.....	4
36	54.0101.0026GT	SPACER.....	4
37	56.0014.0029GT	COMPLETE HEATER.....	1
38	07.0740.0392GT	Plate.....	1
39	09.0805.0070GT	HOSE.....	19,7-Inch
40	09.0803.0549GT	Rubber D.41X9.....	1
41	01.0003.0963GT	SCREW M4,2X16 UNI 6954 10.9 ZN....	6
42	01.4031.0007GT	FLAT WASHER D4 UNI 6592.....	3

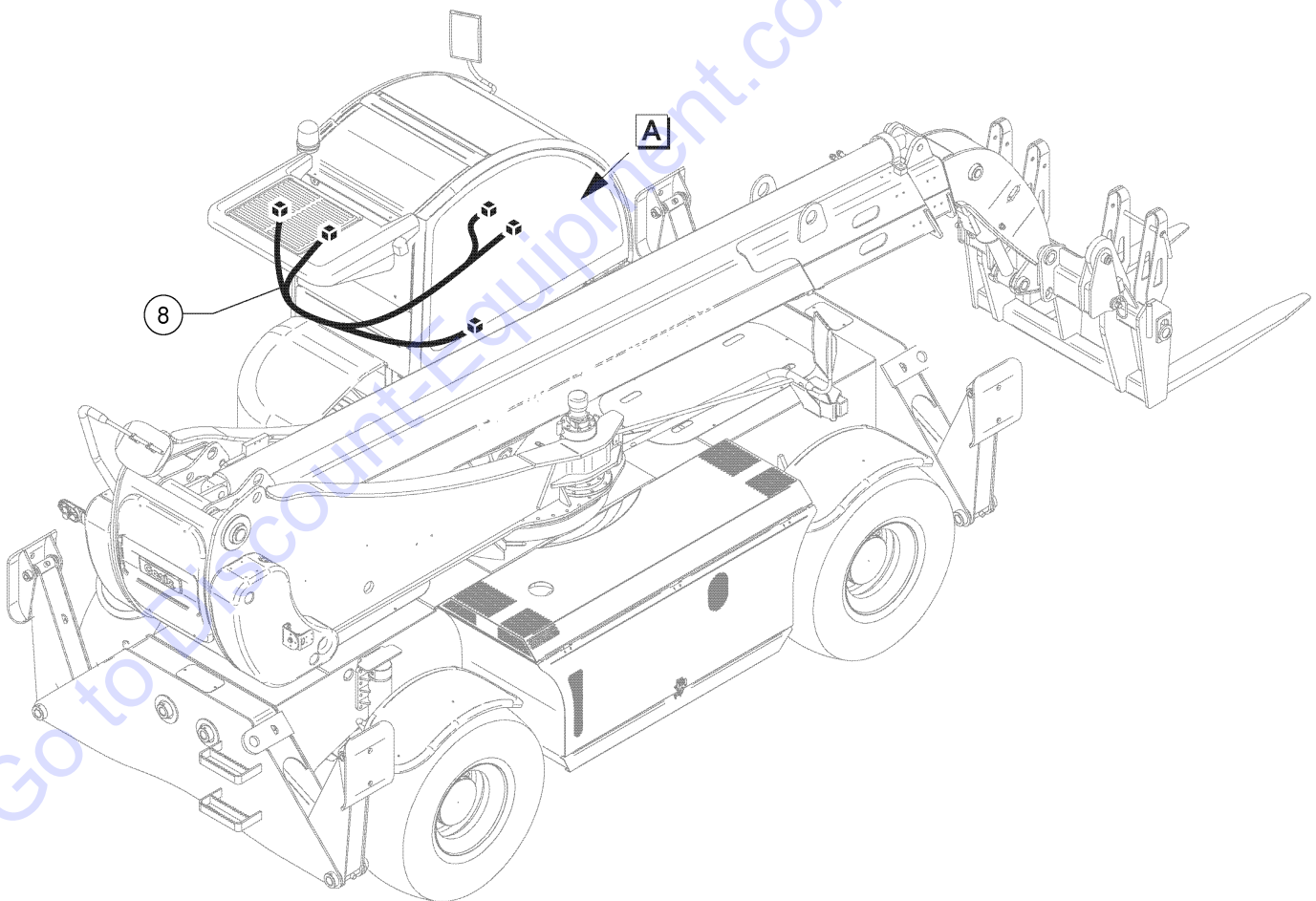
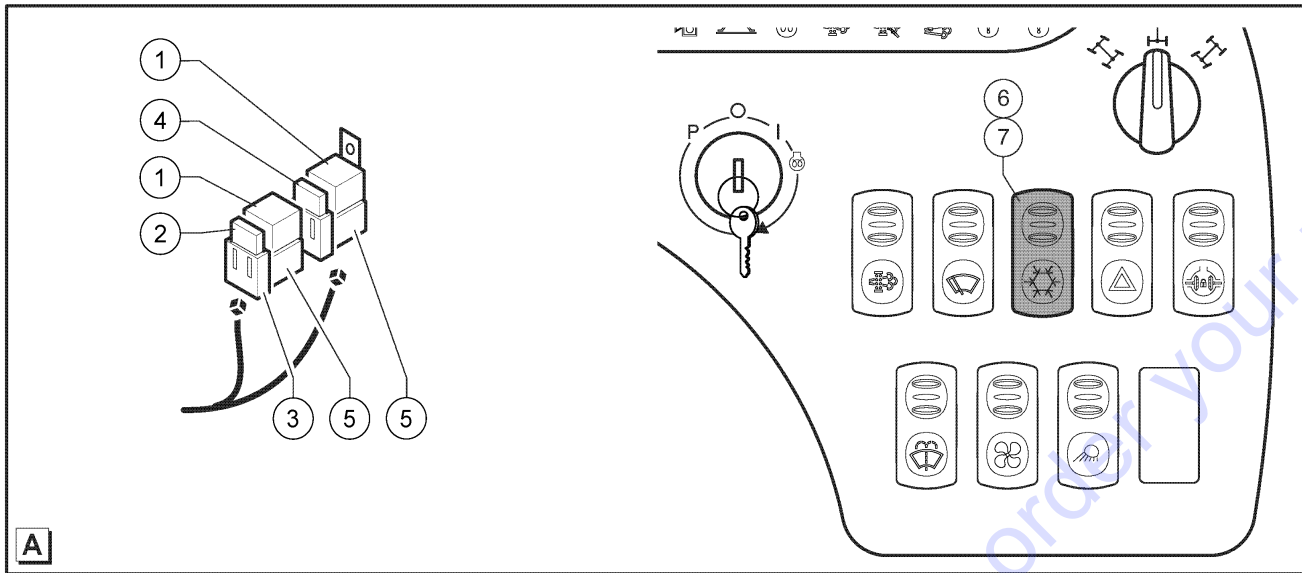
809.2 610532 Air Conditioning - Part 2



Item	Part No.	Description	Qty.
1	56.0014.0031GT	Compressor A/C DELPHI ART 015200/1 SP15 OR.RO.E132/2 12V.....	1
2	09.4604.0075GT	Compressor Installation Kit..... <i>Includes Positions From 3 to 16</i>	1
3	215757GT	BELT, A/C, DEUTZ TCD3.6.....	1
4	07.0501.0119GT	HEXAGON BOLT M8 X130 8.8 A4C.....	1
5	07.0501.0120GT	PLAIN WASHER 8,4 ST A4C.....	2
6	07.0501.0118GT	CLAMPING STRAP.....	1
7	216073GT	BOLT, HEX, 8MMX130MM.....	1
8	07.4501.0118GT	DOMED WASHER.....	1
9	07.0501.0122GT	TORX-HEAD BOLT.....	1
10	216076GT	NUT, HEX, 10MM, DEUTZ A/C.....	1
11	216078GT	THREADED PIECE, DEUTZ, A/C.....	1
12	216068GT	SCREW, SHC, 10MM X 125MM.....	1
13	216067GT	BUSHING, 10MM X 8.5MM.....	1
14	07.0501.0117GT	HEXAGON BOLT F-M16 X 120 10.9 ZNAL-A.....	1
15	216072GT	BOLT, HEX, FLANGE, 16MMX70MM.....	1
16	07.0501.0121GT	BRACKET.....	1

Go to Discount-Equipment.com to order your parts

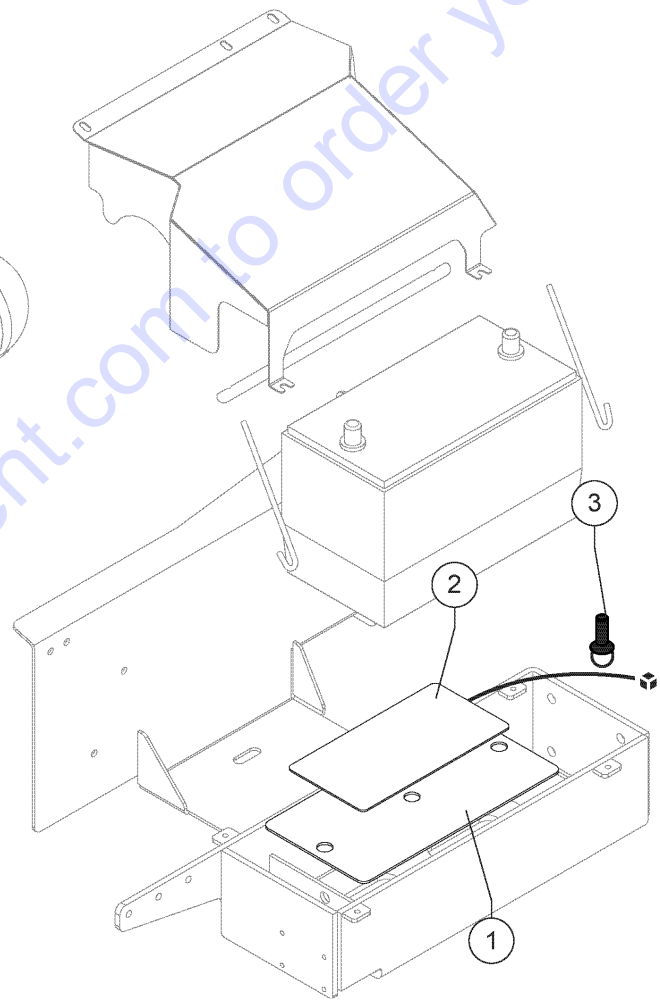
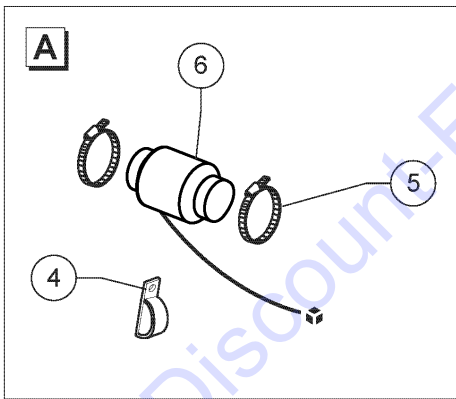
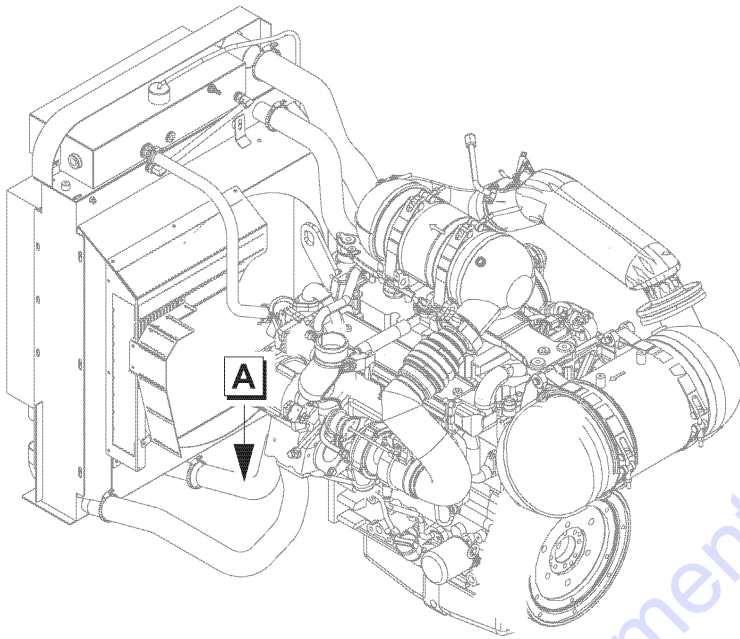
809.3 610533 Air Conditioning - Part 3



Item	Part No.	Description	Qty.
1	07.0703.0486GT	RELAY.....	2
2	07.0703.0148GT	FUSE,10A.....	1
3	56.0005.0009GT	FUSE HOLDER.....	2
4	634976GT	FUSE.....	1
5	07.0703.0188GT	RELAY HOLDER.....	2
6	07.0703.0431GT	SWITCH.....	1
7	07.0703.0462GT	Air Conditioning Glass Switch.....	1
8	55.0602.0778GT	Air Conditioning Complete Wiring.....	1

Go to Discount-Equipment.com to order your parts

810.1 610534 Cold Weather



Item	Part No.	Description	Qty.
1	51.0811.4494GT	HEATER SUPPORT.....	1
2	09.0803.0795GT	BATTERY HEATER.....	1
3	105214GT	CABLE TIE MOUNT, WINGED.....	2
4	04.0227.0501GT	PVC Clamp D9X185.....	5
5	45435GT	CLAMP,HOSE,2.50"***.....	2
6	161373GT	BLOCK HEATER, DEUTZ TCD3.6.....	1

Go to Discount-Equipment.com to order your parts

Part Number Index

The Part Number Index is a numeric index of all part numbers included in this manual. The index shows what page(s) the part is used on.

Part Number	Page	Part Number	Page	Part Number	Page	Part Number	Page
01.0001.0004GT191	01.0003.0964GT177	01.4001.0106GT115	04.0227.0152GT77
01.0001.0035GT191	01.0019.0105GT173	01.4001.0108GT105	04.0227.0501GT187, 197
01.0001.0071GT73, 75	01.0019.0106GT105	01.4001.0116GT87, 93	04.0227.0502GT67
01.0001.0099GT191	01.0019.0179GT105	01.4001.0122GT85	04.0600.0017GT83, 171
01.0001.0102GT85, 143	01.0019.0186GT103	01.4001.0165GT167	04.0600.0019GT131
01.0001.0104GT21, 141	01.0023.0051GT87	01.4001.0177GT17	04.0600.0027GT141
01.0001.0106GT115, 125, 143	01.0023.0052GT17, 65, 177, 185, 189	01.4001.0188GT27	04.0600.0029GT69, 143
01.0001.0107GT133	01.0023.0053GT19, 21, 65, 81, 87, 141, 181	01.4001.0194GT85	04.0600.0066GT157
01.0001.0108GT125	01.0023.0054GT17, 19, 21, 25, 65, 67, 73, 81, 87, 91, 93, 117, 143, 159, 191	01.4001.0204GT79	04.0600.0069GT139
01.0001.0154GT17, 19, 23, 25, 65, 67, 87, 93, 175, 177, 181	01.0023.0055GT19, 21, 23, 73, 75, 111, 113, 121, 143, 149	01.4001.0209GT65, 107, 109	04.0600.0081GT131
01.0001.0156GT81, 87, 117, 121, 129, 131, 167, 175, 189	01.0023.0056GT19, 21, 65, 105, 119	01.4003.0000GT99	04.0600.0086GT83
01.0001.0158GT173, 191	01.0023.0057GT111, 117	01.4003.0004GT109	04.0600.0087GT131
01.0001.0207GT19, 21	01.0023.0058GT17, 27, 117	01.4003.0036GT171	04.0600.0088GT69
01.0001.0209GT159	01.0023.0060GT27	01.4003.0037GT189	04.0600.0090GT143
01.0001.0213GT81	01.0023.0062GT27	01.4003.0041GT109	04.0600.0091GT139, 141, 171
01.0001.0217GT67	01.0031.0053GT17, 21, 65, 177, 185, 189	01.4003.0049GT101	04.0600.0092GT115
01.0001.0252GT85, 173	01.0031.0054GT17, 19, 21, 23, 67, 81, 85, 93, 115, 117, 121, 125, 129, 131, 141, 143, 167, 175, 177, 191	01.4003.0050GT99	04.0600.0094GT153
01.0001.0254GT19, 21, 25, 71, 81, 87, 91, 101, 105, 125, 139, 171, 173, 181, 185	01.0031.0055GT17, 19, 21, 25, 65, 73, 81, 85, 87, 91, 101, 105, 125, 139, 171, 173, 181, 185	01.4003.0051GT107	04.0600.0113GT157
01.0001.0256GT17, 21, 73, 87, 107, 111, 115, 169, 177, 191	01.0031.0056GT21, 23, 85, 99, 101, 111, 113, 115, 141, 143, 177	01.4003.0055GT107	04.0600.0136GT153
01.0001.0257GT65	01.0031.0057GT19, 21, 65, 105, 111, 119, 129	01.4003.0073GT161	04.0600.0156GT83
01.0001.0258GT17, 65, 143	01.0031.0058GT99, 101, 111, 113	01.4006.0007GT21, 93	04.0600.0162GT69
01.0001.0304GT21	01.0031.0059GT27, 65, 157	01.4006.0010GT191	04.0600.0171GT83
01.0001.0306GT111	01.0031.0061GT27, 65, 107, 109	01.4006.0011GT101, 129	04.0600.0179GT83
01.0001.0308GT113, 121	01.0031.0063GT17, 27	01.4006.0032GT17	04.0600.0197GT83
01.0001.0310GT23, 111	01.0031.0066GT17, 19, 21, 25, 65, 73, 81, 85, 87, 91, 101, 105, 107, 111, 115, 125, 139, 143, 159, 169, 171, 173, 177, 181, 191	01.4019.0024GT153	04.0600.0243GT153
01.0001.0314GT23, 113	01.0031.0056GT21, 23, 85, 99, 101, 111, 113, 115, 141, 143, 177	01.4019.0026GT105	04.0600.0271GT127, 139
01.0001.0353GT101	01.0031.0057GT19, 21, 65, 105, 111, 119, 129	01.4023.0000GT115	04.0600.0273GT83
01.0001.0355GT23, 25, 79, 81, 85, 99, 115, 141, 173, 177	01.0031.0058GT99, 101, 111, 113	01.4023.0010GT169	04.0600.0276GT83
01.0001.0356GT21, 73, 75, 99, 101, 171	01.0031.0059GT27, 65, 157	01.4031.0002GT19	04.0602.0608GT153
01.0001.0357GT19, 21, 99	01.0031.0061GT27, 65, 107, 109	01.4031.0003GT73, 75	04.0602.0613GT171
01.0001.0358GT79	01.0031.0063GT17, 27	01.4031.0004GT81	04.0602.0615GT171
01.0001.0401GT65, 111, 157	01.0031.0066GT17, 19, 21, 25, 65, 73, 81, 85, 87, 91, 101, 105, 107, 111, 115, 125, 139, 143, 159, 169, 171, 173, 177, 181, 185	01.4031.0007GT85, 87, 191	04.0605.0178GT137
01.0001.0402GT65	01.0031.0069GT79, 105	01.4032.0000GT17	04.0605.0179GT145
01.0001.0410GT119	01.0031.0097GT79, 105	01.4032.0001GT17	04.0605.0184GT129
01.0001.0466GT21, 65	01.0031.0099GT79, 103, 107, 109	01.4032.0002GT17, 23, 25, 65, 67, 81, 85, 93, 115, 117, 121, 125, 129, 131, 133, 143, 167, 169, 173, 175, 177, 189, 191	04.0605.0230GT139, 143
01.0001.0506GT129	01.0031.0100GT103, 105	01.4032.0003GT17, 21, 25, 65, 81, 85, 87, 91, 101, 105, 109, 111, 115, 125, 139, 169, 171, 173, 177, 181, 185	04.0605.0252GT145
01.0001.0508GT65	01.0031.0109GT65, 87, 169, 173, 181, 189, 191	01.4032.0004GT19, 21, 23, 25, 79, 81, 85, 105, 111, 113, 115, 141, 171, 173, 177	04.0605.0422GT143, 145
01.0001.0562GT117	01.0031.0298GT181, 189, 191	01.4032.0005GT65, 79, 111, 129, 149, 157	04.0605.0426GT153
01.0001.0605GT19	01.0031.0299GT19, 21, 25, 67, 71, 81, 87, 93, 171, 185	01.4032.0006GT19, 113	04.0605.0431GT141
01.0001.0606GT113	01.0031.0301GT19, 21, 81, 171	01.4032.0007GT19, 65, 79, 157	04.0605.0455GT143
01.0001.0651GT157	01.0031.0302GT149	01.4032.0009GT65	04.0605.0600GT129
01.0001.0657GT19	01.0031.0308GT65	01.4032.0011GT85	04.0605.0685GT147
01.0001.0851GT65	01.4001.0003GT105, 111	01.4041.0000GT105, 107	04.0605.0731GT135
01.0001.1438GT21, 65, 185	01.4001.0008GT113	01.4041.0004GT119	04.0605.0752GT157
01.0001.1497GT111	01.4001.0011GT105	02.0112.0155GT121	04.0605.0756GT141
01.0001.1506GT79	01.4001.0025GT27	02.0117.0051GT99, 101, 105, 107	04.0605.0766GT143
01.0001.1538GT17	01.4001.0027GT115	02.0117.0101GT23, 99, 111, 113, 115	04.0605.0770GT137
01.0001.1554GT169	01.4001.0032GT117	02.0117.0119GT105, 107, 117	04.0605.0772GT147
01.0003.0155GT173	01.4001.0040GT105	02.4102.0015GT117	04.0605.0853GT155
01.0003.0157GT83, 129, 131	01.4001.0041GT107, 109	02.4126.0003GT103	04.0605.0891GT129
01.0003.0159GT65	01.4001.0046GT115	02.4126.0004GT103, 105	04.0605.0896GT127, 131
01.0003.0160GT19, 171	01.4001.0061GT87	04.0220.0053GT69	04.0605.0956GT157
01.0003.0203GT87, 105	01.4001.0062GT19	04.0220.0055GT149	04.0605.1098GT143
01.0003.0205GT19	01.4001.0063GT27	04.0227.0051GT69, 77, 83	04.0605.1099GT143
01.0003.0208GT111	01.4001.0069GT103	04.0227.0058GT67, 77, 191	04.0605.1333GT157
01.0003.0210GT111, 117	01.4001.0078GT19, 21	04.0227.0068GT77	04.0605.1358GT155
01.0003.0261GT23	01.4001.0089GT149	04.0227.0144GT77	04.0605.1380GT155
01.0003.0306GT79					04.0605.1442GT141
01.0003.0353GT101					04.0605.1445GT153
01.0003.0354GT99					04.0605.1476GT129, 131
01.0003.0947GT191					04.0605.1479GT129, 131
01.0003.0963GT191					04.0605.1480GT129, 131
						04.0605.1496GT127
						04.0605.1498GT127
						04.0605.1507GT141
						04.0605.1545GT129
						04.0605.1623GT157
						04.0605.1627GT141
						04.0605.1628GT129, 131
						04.0605.1632GT171
						04.0605.1643GT157
						04.0605.1644GT151
						04.0605.1646GT129
						04.0605.1647GT151
						04.0605.1648GT151

Part Number	Page	Part Number	Page	Part Number	Page	Part Number	Page
04.0605.1649GT	157	04.0607.0856GT	157	07.0700.0002GT	25	07.0709.0076GT	41
04.0605.1651GT	157	04.0607.0863GT	157	07.0700.0006GT	25	07.0709.0079GT	41
04.0605.1653GT	153	04.4210.0016GT	159	07.0700.0007GT	25	07.0709.0084GT	29, 43
04.0605.1655GT	135	04.4210.0018GT	131	07.0700.0049GT	25	07.0709.0104GT	33, 47
04.0605.1656GT	143	04.4210.0019GT	131	07.0700.0050GT	25	07.0709.0106GT	35, 49
04.0605.1657GT	155	04.4223.0002GT	151	07.0700.0051GT	25	07.0709.0113GT	33, 43, 47
04.0605.1658GT	141	04.4223.0003GT	157	07.0701.0213GT	79	07.0709.0119GT	33, 47
04.0605.1659GT	151	04.4223.0010GT	153	07.0701.0216GT	79	07.0709.0127GT	41
04.0605.1666GT	135	04.4224.0001GT	153	07.0701.0217GT	79	07.0709.0144GT	33, 47
04.0605.1667GT	155	04.4224.0008GT	143	07.0701.0242GT	79	07.0709.0149GT	35
04.0605.1668GT	153	04.4224.0011GT	69	07.0701.0247GT	79	07.0709.0202GT	33
04.0605.1669GT	129	04.4224.0012GT	143	07.0701.0276GT	79	07.0709.0218GT	53
04.0605.1671GT	127	04.4225.0001GT	143	07.0701.0289GT	157	07.0709.0224GT	33, 47
04.0605.1726GT	151	04.4227.0003GT	173	07.0701.0291GT	79	07.0709.0327GT	41
04.0605.1727GT	151	04.4227.0008GT	17, 181	07.0701.0316GT	171	07.0709.0365GT	33, 47
04.0605.1728GT	153	04.4227.0014GT	81	07.0701.0317GT	171	07.0709.0371GT	33, 47
04.0605.1729GT	139	04.4227.0016GT	81, 139	07.0701.0327GT	79	07.0709.0394GT	43
04.0605.1730GT	139	04.4227.0031GT	67	07.0701.0331GT	111	07.0709.0397GT	33
04.0605.1731GT	131	04.4227.0034GT	67	07.0701.0342GT	79	07.0709.0408GT	35, 49
04.0605.1732GT	133	04.4229.0082GT	157	07.0701.0344GT	141	07.0709.0419GT	27, 37
04.0605.1734GT	129	04.4229.0084GT	157	07.0703.0069GT	169	07.0709.0422GT	41
04.0605.1774GT	141	04.4235.0059GT	149	07.0703.0101GT	165	07.0709.0426GT	45
04.0605.1775GT	137	04.4235.0061GT	157	07.0703.0125GT	21	07.0709.0441GT	29, 33, 43, 47
04.0605.1789GT	141	04.4236.0112GT	161	07.0703.0148GT	195	07.0709.0443GT	41
04.0605.1790GT	153	04.4237.0014GT	85	07.0703.0188GT	195	07.0709.0462GT	33, 47
04.0605.1791GT	143	04.4238.0093GT	79	07.0703.0193GT	163	07.0709.0465GT	33, 47
04.0605.1792GT	133	04.4238.0098GT	79	07.0703.0229GT	169	07.0709.0466GT	33, 47
04.0605.1793GT	143	04.4238.0109GT	79	07.0703.0384GT	91	07.0709.0469GT	33, 47
04.0605.1794GT	145	04.4239.0001GT	111	07.0703.0423GT	85	07.0709.0470GT	33, 47
04.0605.1795GT	143	04.4239.0002GT	171	07.0703.0429GT	165	07.0709.0472GT	33, 47
04.0605.1796GT	143	04.4239.0004GT	129	07.0703.0431GT	195	07.0709.0474GT	33
04.0605.1814GT	171	04.4239.0013GT	141	07.0703.0462GT	195	07.0709.0475GT	33, 47
04.0605.1815GT	171	04.4239.0034GT	157	07.0703.0472GT	165	07.0709.0477GT	33
04.0607.0102GT	139, 141	04.4239.0041GT	113	07.0703.0485GT	163	07.0709.0478GT	47
04.0607.0103GT	157	04.4239.0051GT	111	07.0703.0486GT	163, 169, 195	07.0709.0479GT	47
04.0607.0107GT	127, 139, 153	04.4239.0080GT	115	07.0703.0535GT	169	07.0709.0480GT	47
04.0607.0110GT	141, 171	04.4239.0141GT	23	07.0703.0577GT	165	07.0709.0483GT	33, 47
04.0607.0111GT	129, 131, 133, 141, 143, 151, 153	04.4239.0142GT	111	07.0703.0605GT	85	07.0709.0484GT	33
04.0607.0112GT	141, 143, 151, 171	04.4240.0024GT	115	07.0703.0656GT	169	07.0709.0492GT	47
04.0607.0113GT	129, 137, 139, 141, 145, 155, 157, 171	04.4240.0041GT	115	07.0703.0707GT	85	07.0709.0493GT	47
04.0607.0114GT	129, 135, 137, 141, 145, 151, 171	04.4240.0052GT	141	07.0703.0708GT	85	07.0709.0499GT	33, 47
04.0607.0117GT	143	04.4240.0075GT	171	07.0703.0709GT	85	07.0709.0500GT	33, 47
04.0607.0121GT	127	05.0401.0013GT	83	07.0703.0710GT	85	07.0709.0718GT	41
04.0607.0122GT	143	05.4309.0000GT	143	07.0703.0712GT	85	07.0709.0720GT	41
04.0607.0124GT	127, 129, 131	05.4329.0001GT	143	07.0703.0713GT	85	07.0709.0722GT	45
04.0607.0130GT	153	05.4329.0002GT	143	07.0703.0725GT	165	07.0709.0779GT	31
04.0607.0131GT	143, 145, 157, 171	05.4329.0027GT	139	07.0704.0137GT	85	07.0709.0782GT	31
04.0607.0137GT	143	05.4329.0029GT	143	07.0704.0454GT	161	07.0709.0796GT	33
04.0607.0141GT	129, 131, 143	06.0401.0219GT	157	07.0704.0455GT	161	07.0709.0797GT	33
04.0607.0142GT	151, 157	06.0401.1501GT	153	07.0704.0456GT	161	07.0709.0798GT	33
04.0607.0145GT	143	06.0442.0059GT	83	07.0704.0457GT	161	07.0709.0804GT	35
04.0607.0153GT	143, 153, 159	06.0442.0101GT	25	07.0704.0458GT	161	07.0709.0818GT	35
04.0607.0163GT	171	06.0442.0117GT	139	07.0704.0459GT	161	07.0709.0819GT	35
04.0607.0167GT	135, 139	06.0442.0119GT	25	07.0704.0460GT	161	07.0709.0840GT	49
04.0607.0168GT	153	06.0442.0120GT	69, 143	07.0704.0461GT	161	07.0709.0847GT	41
04.0607.0174GT	151, 157	06.0442.0122GT	25, 83, 139, 141, 149, 171	07.0704.0462GT	161	07.0709.0848GT	41
04.0607.0180GT	143	06.0442.0124GT	127, 139, 141, 157	07.0704.0463GT	161	07.0709.0849GT	41
04.0607.0183GT	157	06.0442.0125GT	157	07.0704.0464GT	161	07.0709.0850GT	41
04.0607.0188GT	157	06.0442.0132GT	153	07.0704.0465GT	161	07.0709.0853GT	41
04.0607.0190GT	151	06.0443.0002GT	69	07.0704.0466GT	161	07.0709.0854GT	41
04.0607.0193GT	141	07.0501.0053GT	71	07.0704.0476GT	85	07.0709.0855GT	41
04.0607.0196GT	153	07.0501.0098GT	81	07.0704.0478GT	85	07.0709.0856GT	41
04.0607.0228GT	153	07.0501.0099GT	81	07.0704.0481GT	161	07.0709.0857GT	41
04.0607.0797GT	143	07.0501.0100GT	81	07.0704.0482GT	161	07.0709.0861GT	41
04.0607.0813GT	143, 145, 147	07.0501.0101GT	83	07.0704.0483GT	161	07.0709.0862GT	41
04.0607.0849GT	141	07.0501.0102GT	81	07.0704.0484GT	161	07.0709.0864GT	41
04.0607.0853GT	127	07.0501.0103GT	81	07.0704.0485GT	161	07.0709.0865GT	41
04.0607.0855GT	143, 157	07.0501.0104GT	83	07.0704.0486GT	161	07.0709.0867GT	41
		07.0501.0117GT	193	07.0704.0488GT	85	07.0709.0868GT	41
		07.0501.0118GT	193	07.0704.0489GT	85	07.0709.0870GT	41
		07.0501.0119GT	193	07.0705.0101GT	111	07.0709.0879GT	41
		07.0501.0120GT	193	07.0709.0051GT	39	07.0709.0884GT	31, 45
		07.0501.0121GT	193	07.0709.0057GT	31, 45	07.0709.0939GT	41
		07.0501.0122GT	193	07.0709.0060GT	33	07.0709.0946GT	49
				07.0709.0065GT	33, 47	07.0709.0953GT	35
				07.0709.0068GT	33	07.0709.0969GT	31

Part Number Index (continued)

Part Number	Page	Part Number	Page	Part Number	Page	Part Number	Page
07.0709.0972GT31	07.0709.1402GT45	07.0722.0068GT149	07.0740.0262GT191
07.0709.0973GT31	07.0709.1403GT45	07.0722.0069GT149	07.0740.0263GT191
07.0709.0975GT33	07.0709.1404GT47	07.0722.0070GT149	07.0740.0268GT191
07.0709.1007GT49	07.0709.1405GT47	07.0723.0074GT191	07.0740.0269GT191
07.0709.1010GT31	07.0709.1406GT47	07.0723.0229GT93	07.0740.0272GT93
07.0709.1014GT35	07.0709.1407GT33, 47	07.0723.0360GT149	07.0740.0279GT93
07.0709.1022GT35	07.0709.1408GT49	07.0723.0571GT93	07.0740.0359GT97
07.0709.1031GT31	07.0709.1409GT49	07.0723.0634GT85	07.0740.0360GT97
07.0709.1032GT31	07.0709.1410GT49	07.0723.0635GT85	07.0740.0361GT97
07.0709.1046GT33, 47	07.0709.1411GT51	07.0726.0054GT103, 105, 107	07.0740.0367GT89
07.0709.1047GT33	07.0709.1412GT51	07.0730.0077GT143	07.0740.0370GT89
07.0709.1065GT41	07.0709.1413GT51	07.0740.0005GT93, 97	07.0740.0385GT191
07.0709.1257GT29	07.0709.1414GT37, 51	07.0740.0006GT97	07.0740.0386GT191
07.0709.1259GT31	07.0709.1415GT37, 51	07.0740.0010GT91	07.0740.0389GT191
07.0709.1260GT31	07.0709.1416GT39, 53	07.0740.0012GT97	07.0740.0390GT191
07.0709.1263GT33, 47	07.0709.1417GT29	07.0740.0014GT87, 91	07.0740.0392GT191
07.0709.1267GT47	07.0709.1418GT29, 33	07.0740.0015GT93	07.0740.0395GT191
07.0709.1269GT47	07.0709.1419GT29, 33	07.0740.0016GT97	07.0740.0396GT191
07.0709.1270GT47	07.0709.1420GT31	07.0740.0018GT87	07.0740.0398GT191
07.0709.1271GT47	07.0709.1421GT31	07.0740.0020GT87	07.0740.0407GT95
07.0709.1272GT33	07.0709.1422GT33	07.0740.0021GT87	07.0740.0408GT95
07.0709.1273GT33	07.0709.1423GT33	07.0740.0026GT93	07.0740.0409GT95
07.0709.1274GT47	07.0709.1424GT33	07.0740.0027GT87	07.0740.0410GT95
07.0709.1276GT47	07.0709.1427GT33	07.0740.0028GT97	07.0740.0411GT95
07.0709.1277GT37	07.0709.1428GT33	07.0740.0029GT93	07.0740.0412GT95
07.0709.1280GT45	07.0709.1429GT35	07.0740.0030GT93	07.0740.0413GT91
07.0709.1281GT47	07.0709.1430GT35	07.0740.0048GT21, 93	07.0740.0414GT91
07.0709.1282GT47	07.0709.1431GT35	07.0740.0049GT21, 93	07.0740.0415GT91, 93
07.0709.1284GT47	07.0709.1432GT35	07.0740.0051GT93	07.0740.0416GT87, 91, 93
07.0709.1285GT47	07.0709.1433GT35	07.0740.0052GT93	07.0740.0417GT91, 93
07.0709.1287GT51	07.0709.1434GT37	07.0740.0058GT93	07.0740.0418GT91, 93
07.0709.1290GT41, 45	07.0709.1435GT37	07.0740.0066GT91	07.0740.0419GT91, 93
07.0709.1291GT41	07.0709.1436GT37	07.0740.0070GT91	07.0740.0420GT93
07.0709.1292GT41	07.0709.1437GT49	07.0740.0071GT97	07.0740.0421GT93
07.0709.1293GT41	07.0712.0249GT65	07.0740.0072GT91	07.0740.0422GT93
07.0709.1294GT41	07.0712.0271GT73, 75	07.0740.0076GT93	07.0740.0423GT93
07.0709.1295GT41	07.0712.0283GT75	07.0740.0082GT87	07.0740.0424GT93
07.0709.1296GT41	07.0712.0284GT75	07.0740.0084GT87	07.0740.0425GT91, 93
07.0709.1297GT41	07.0712.0285GT149	07.0740.0088GT91	07.0740.0426GT93
07.0709.1300GT31	07.0712.0286GT149	07.0740.0089GT91	07.0740.0427GT93
07.0709.1302GT31	07.0712.0287GT149	07.0740.0091GT91	07.0740.0428GT91, 93
07.0709.1307GT33	07.0712.0288GT149	07.0740.0097GT87	07.0740.0429GT93
07.0709.1310GT35	07.0712.0289GT149	07.0740.0098GT91	07.0740.0431GT93
07.0709.1311GT35	07.0712.0290GT73, 149	07.0740.0100GT21	07.0740.0432GT87, 93
07.0709.1316GT39	07.0712.0291GT149	07.0740.0103GT21	07.0740.0433GT93
07.0709.1352GT41	07.0712.0292GT149	07.0740.0104GT93	07.0740.0434GT87, 93
07.0709.1353GT41	07.0712.0293GT149	07.0740.0105GT93	07.0740.0435GT87, 93
07.0709.1354GT41	07.0712.0294GT149	07.0740.0106GT93	07.0740.0436GT93
07.0709.1355GT41	07.0712.0295GT149	07.0740.0116GT85	07.0740.0437GT93
07.0709.1356GT41	07.0712.0296GT149	07.0740.0118GT97	07.0740.0438GT93
07.0709.1357GT41	07.0712.0297GT149	07.0740.0119GT97	07.0740.0439GT93
07.0709.1358GT41	07.0712.0298GT73	07.0740.0120GT97	07.0740.0444GT87
07.0709.1359GT41	07.0712.0299GT73, 75	07.0740.0121GT97	07.0740.0445GT87
07.0709.1360GT41	07.0712.0300GT73, 75	07.0740.0122GT97	07.0740.0446GT87
07.0709.1361GT41	07.0712.0301GT73, 75	07.0740.0123GT97	07.0740.0447GT93
07.0709.1362GT41	07.0712.0302GT73, 75	07.0740.0124GT97	07.0740.0449GT91
07.0709.1363GT41	07.0712.0303GT73	07.0740.0125GT97	07.0740.0453GT93
07.0709.1364GT41	07.0712.0304GT73, 75	07.0740.0126GT97	07.0740.0454GT93
07.0709.1365GT41	07.0712.0305GT73, 75	07.0740.0127GT97	07.0740.0455GT93
07.0709.1366GT41	07.0712.0306GT73	07.0740.0128GT87, 97	07.0740.0457GT87
07.0709.1367GT41	07.0712.0307GT73, 75	07.0740.0129GT97	07.0740.0458GT87
07.0709.1368GT41	07.0712.0308GT73, 75	07.0740.0130GT97	07.0740.0460GT87
07.0709.1380GT27, 51	07.0712.0309GT73, 75	07.0740.0132GT97	07.0740.0461GT87, 93
07.0709.1381GT43	07.0712.0310GT73, 75	07.0740.0133GT97	07.0740.0462GT87
07.0709.1385GT29	07.0712.0311GT73, 75	07.0740.0143GT85	07.0740.0463GT91
07.0709.1386GT29	07.0712.0312GT73	07.0740.0152GT85, 91	07.0740.0464GT91
07.0709.1387GT29, 33, 35	07.0712.0324GT75	07.0740.0156GT93	07.0740.0465GT91
07.0709.1388GT31	07.0712.0325GT75	07.0740.0192GT21	07.0740.0466GT91
07.0709.1392GT35	07.0712.0326GT75	07.0740.0202GT87	07.0740.0467GT91, 93
07.0709.1394GT35	07.0712.0327GT75	07.0740.0218GT97	07.0740.0469GT91
07.0709.1396GT45	07.0712.0328GT75	07.0740.0219GT97	07.0740.0470GT91
07.0709.1397GT45	07.0712.0330GT75	07.0740.0236GT87	07.0740.0472GT89
07.0709.1398GT43	07.0713.0058GT79	07.0740.0248GT93	07.0740.0473GT89
07.0709.1399GT43	07.0713.0069GT79	07.0740.0254GT191	07.0740.0474GT89
07.0709.1400GT45	07.0713.0070GT79	07.0740.0257GT191	07.0740.0475GT89
07.0709.1401GT45	07.0722.0037GT111	07.0740.0260GT191	07.0740.0476GT89

Part Number	Page	Part Number	Page	Part Number	Page	Part Number	Page
07.0740.0477GT89	07.4501.0381GT57	09.0803.0838GT69	09.4656.0017GT85
07.0740.0478GT89	07.4501.0382GT57	09.0803.0904GT79	09.4661.0005GT25
07.0740.0479GT89	07.4501.0383GT65	09.0803.0905GT67	09.4661.0015GT25
07.0740.0480GT89	07.4501.0384GT63	09.0804.3421GT79	09.4661.0026GT25
07.0740.0483GT93	07.4501.0385GT55	09.0805.0070GT69, 83, 191	09.4661.0030GT25
07.0740.0484GT93	07.4501.0388GT57	09.0805.0119GT21	09.4661.0034GT75
07.0740.0485GT89	07.4501.0389GT57	09.0805.0146GT69	09.4670.0000GT19
07.0740.0486GT89	07.4501.0390GT65	09.0805.0147GT69, 83	09.4670.0027GT65
07.0740.0487GT93	07.4501.0393GT61	09.0805.0171GT69, 83	09.4670.0028GT73, 75, 149
07.0740.0488GT93	07.4501.0394GT61	09.0805.0185GT67	09.4670.0032GT19
07.0740.0489GT93	07.4501.0395GT61	09.0805.0194GT69, 83	105214GT197
07.0740.0490GT93	07.4501.039661	09.0805.0206GT77	124728GT175
07.0740.0491GT93	07.4501.0397GT61	09.0805.0207GT77	1253240GT179
07.0740.0492GT93	07.4501.0398GT61	09.0805.0208GT77	1253241GT177
07.0740.0494GT93	07.4529.0071GT113	09.0805.0209GT83	1254564GT177
07.0740.0496GT93	07.4529.0107GT171	09.0805.0210GT83	1254565GT177
07.0740.0497GT93	07.4529.0111GT141	09.0805.0211GT83	1255647GT177
07.0740.0502GT91	07.4529.0118GT141	09.0805.0225GT83	1256804GT177
07.0740.0503GT91	07.4529.0166GT115	09.0806.0008GT73, 75	1257047GT177
07.0740.0504GT91	07.4529.0170GT115	09.0806.0073GT75	1257328GT57
07.0740.0505GT91	07.4529.0194GT111	09.4601.0083GT65	1257337GT61
07.0740.0506GT91	07.4529.0195GT111	09.4604.0000GT25	1257352GT65
07.0740.0507GT91	07.4529.0196GT111	09.4604.0005GT11, 25	1257378GT71
07.0740.0508GT91	07.4529.0197GT113	09.4604.0072GT25	1257635GT57
07.0740.0509GT91	07.4529.0208GT79	09.4604.0074GT11, 67	1257636GT57
07.0740.0523GT191	07.4529.0209GT149	09.4604.0075GT193	1257642GT59, 61
07.0740.0524GT191	09.0610.0973GT191	09.4604.0076GT67	1257785GT81
07.0744.0001GT91	09.0636.0001GT85, 141	09.4610.0032GT21	1257786GT81
07.0744.0002GT91	09.0636.0002GT85, 141	09.4610.0033GT17	1257797GT81
07.0744.0003GT91	09.0636.0003GT85	09.4610.0050GT89	1257987GT189
07.30709.1425GT33	09.0801.0000GT23	09.4610.0051GT89	1257988GT189
07.4501.0067GT11, 65	09.0801.0006GT23	09.4610.0057GT87	1258527GT175, 177
07.4501.0118GT193	09.0801.0038GT111	09.4616.0147GT121	1258715GT177
07.4501.0119GT63	09.0801.0039GT111	09.4618.1399GT15	1260900GT81
07.4501.0190GT67	09.0803.0000GT21	09.4618.1418GT15	1261360GT183
07.4501.0206GT71	09.0803.0002GT19	09.4618.1621GT15	1261777GT183
07.4501.0223GT67	09.0803.0012GT85	09.4618.1622GT15	1262434GT183
07.4501.0224GT67	09.0803.0043GT83, 129, 131	09.4618.1625GT13	1262435GT183
07.4501.0225GT67	09.0803.0047GT27	09.4618.1635GT15	1264504GT117
07.4501.0285GT65	09.0803.0055GT121	09.4618.1638GT13	1268754GT15
07.4501.0290GT69	09.0803.0060GT129, 131	09.4618.1646GT13	1271765GT185
07.4501.0291GT65	09.0803.0147GT25	09.4618.1655GT13	1272242GT15
07.4501.0303GT65	09.0803.0245GT17	09.4618.1765GT13	1280819GT15
07.4501.0311GT65	09.0803.0257GT103, 105, 107, 109	09.4618.1766GT15	1280820GT15
07.4501.0312GT65	09.0803.0278GT19	09.4618.1767GT13, 15	1281127GT157
07.4501.0316GT63	09.0803.0344GT121	09.4618.1768GT13	161373GT197
07.4501.0342GT67	09.0803.0352GT19, 21, 25	09.4618.1823GT15	214418GT13, 15
07.4501.0351GT65	09.0803.0357GT99	09.4618.1824GT15	215267GT15
07.4501.0352GT65	09.0803.0371GT19, 21	09.4618.1825GT15	215268GT15
07.4501.0353GT65	09.0803.0393GT17	09.4618.1826GT15	215757GT193
07.4501.0354GT65	09.0803.0397GT143	09.4618.1828GT15	216067GT193
07.4501.0355GT63	09.0803.0406GT117	09.4618.1830GT15	216068GT193
07.4501.0356GT71	09.0803.0512GT87	09.4618.1831GT15	216072GT193
07.4501.0357GT71	09.0803.0516GT25, 101	09.4618.1832GT15	216073GT193
07.4501.0358GT57	09.0803.0549GT191	09.4618.1833GT15	216076GT193
07.4501.0359GT57	09.0803.0554GT91	09.4618.1834GT13	216078GT193
07.4501.0360GT55	09.0803.0557GT171	09.4618.1842GT15	229677GT177
07.4501.0361GT55	09.0803.0623GT121	09.4618.1843GT15	236266GT11, 65
07.4501.0362GT55	09.0803.0651GT17	09.4618.1844GT15	237598GT13, 15
07.4501.0363GT55	09.0803.0652GT17	09.4618.1919GT13	237601GT13
07.4501.0364GT55	09.0803.0674GT173	09.4618.2035GT15	237605GT13
07.4501.0365GT55	09.0803.0685GT165	09.4618.2039GT15	237606GT15
07.4501.0366GT55	09.0803.0692GT87	09.4618.2050GT13	237934GT177
07.4501.0367GT55	09.0803.0706GT17	09.4621.0010GT121	237970GT13, 15
07.4501.0368GT55	09.0803.0708GT103, 105, 107, 109	09.4621.0013GT121	237971GT15
07.4501.0369GT55	09.0803.0709GT105, 109	09.4621.0020GT121	24514GT87
07.4501.0371GT57, 61	09.0803.0710GT103, 107	09.4627.0037GT27	28159GT15
07.4501.0372GT61	09.0803.0715GT91	09.4629.0029GT27	28175GT13
07.4501.0373GT61	09.0803.0795GT197	09.4632.0002GT53	28236GT15, 87
07.4501.0374GT57	09.0803.0801GT21	09.4632.0113GT27	30143GT169
07.4501.0375GT59	09.0803.0808GT21, 93	09.4632.0114GT27	45435GT197
07.4501.0376GT59	09.0803.0830GT21	09.4633.0036GT27	48975GT153
07.4501.0377GT59	09.0803.0835GT127, 129, 131	09.4635.0014GT27	51.0113.9090GT19
07.4501.0378GT59	09.0803.0837GT69	09.4635.0061GT27	51.0201.3950GT99
07.4501.0379GT59			09.4636.0017GT141	51.0201.3952GT101
07.4501.0380GT59			09.4636.0038GT85	51.0201.3953GT101

Part Number Index (continued)

Part Number	Page	Part Number	Page	Part Number	Page	Part Number	Page
51.0201.3961GT99	51.0811.4887GT21	53.3001.6824GT125	54.0300.0041GT103
51.0400.5021GT117	51.0811.4888GT177	53.3001.6825GT125	54.0300.0042GT105
51.0500.1820GT23	51.0811.4890GT177	53.3001.6826GT125	54.0300.0043GT105
51.0500.1821GT23	51.0811.4891GT175	53.3200.0079GT149	54.0400.0042GT107
51.0600.9317GT25	51.0811.4922GT73	53.3200.0080GT73	54.0400.0043GT105
51.0600.9328GT25	51.0811.4923GT67	53.3200.0087GT75	54.0400.0047GT107
51.0800.8100GT143	51.0811.4924GT85	53.3301.0005GT25	54.0400.0048GT105
51.0811.0000GT107	51.0811.4929GT19, 21	53.3302.0037GT67	54.0600.0006GT129
51.0811.4057GT129	51.0811.4934GT21	53.3303.0002GT87	54.0702.0080GT129
51.0811.4076GT85	51.0903.4904GT25	53.3402.4061GT129	54.0705.0024GT101
51.0811.4079GT87	51.0903.4948GT25	53.3402.4086GT133	54.0705.0025GT99
51.0811.4086GT87	51.0903.5065GT17	53.3402.4087GT133	54.0705.0026GT99
51.0811.4092GT93	51.0903.5067GT19	53.3402.4088GT133	54.0705.0027GT99
51.0811.4102GT191	51.0903.5070GT19	53.3402.4089GT133	54.0705.0028GT99
51.0811.4103GT191	51.0903.5079GT17	54.0000.0253GT103, 105	54.0705.0029GT101
51.0811.4131GT99, 101	51.0903.5117GT19	54.0000.0254GT103	54.0705.0030GT101
51.0811.4132GT101	51.0903.5135GT115	54.0000.0265GT117	54.0705.0036GT105
51.0811.4133GT99	51.0903.5136GT115	54.0000.0268GT23	54.0705.0058GT101
51.0811.4136GT101	51.0903.5140GT21	54.0000.0269GT23	54.0705.0072GT99, 101
51.0811.4137GT101	51.0903.5141GT21	54.0000.0270GT111	54.0705.0073GT99
51.0811.4230GT169	51.0903.5146GT21	54.0000.0271GT111	54.0705.0074GT99
51.0811.4242GT101	51.0903.5147GT101	54.0001.0042GT171	54.0705.0075GT101
51.0811.4351GT169	51.0903.5196GT19	54.0001.0076GT107	54.0705.0076GT109
51.0811.4366GT105	51.0903.5197GT19	54.0001.0077GT105	54.0705.0077GT99
51.0811.4367GT105	51.0903.5198GT19	54.0001.0082GT107	54.0705.0078GT101
51.0811.4377GT87	51.0903.5200GT21	54.0001.0083GT105	55.0240.0067GT19
51.0811.4378GT87	51.0903.5201GT21	54.0001.0085GT113	55.0250.0027GT19
51.0811.4424GT107	51.0903.5215GT67	54.0001.0092GT113	55.0403.0084GT27
51.0811.4442GT19	51.0903.5229GT25	54.0002.0018GT103, 105, 107, 109	55.0409.0225GT19
51.0811.4446GT21	51.0903.5230GT25	54.0002.0041GT121	55.0409.0226GT21
51.0811.4448GT65	51.0903.5232GT171	54.0002.0066GT111	55.0409.0227GT21
51.0811.4477GT169	51.0903.5253GT23	54.0002.0071GT117	55.0409.0262GT19, 21
51.0811.4481GT17	51.0903.5295GT191	54.0002.0075GT117	55.0602.0778GT195
51.0811.4492GT171	51.0903.5298GT65	54.0002.0079GT117	55.0602.0952GT167, 179
51.0811.4494GT197	51.0903.5308GT169	54.0003.0176GT17	55.0602.1053GT167
51.0811.4499GT173	51.1000.5212GT17	54.0003.0179GT111	55.0602.1054GT169
51.0811.4501GT65	51.1100.0036GT87	54.0003.0180GT111	55.0602.1055GT167
51.0811.4502GT65	51.1301.9106GT121	54.0004.0113GT105	55.0602.1056GT169
51.0811.4503GT65	51.1301.9133GT123	54.0004.0115GT115	55.0602.1057GT169
51.0811.4506GT19, 21	51.1301.9135GT121	54.0004.0116GT115	55.0602.1060GT167
51.0811.4539GT181	51.1301.9145GT119	54.0004.0117GT115	55.0602.1061GT167, 179
51.0811.4558GT113	51.1301.9149GT119	54.0004.0118GT115	55.0602.1062GT167
51.0811.4559GT105	51.1301.9150GT119	54.0004.0119GT119	55.0602.1071GT85, 141
51.0811.4570GT87	52.0900.9337GT117	54.0004.0120GT119	55.0602.1092GT185
51.0811.4571GT167	52.0900.9338GT99	54.0004.0121GT119	55.0602.1101GT173, 175, 187
51.0811.4586GT115	52.0900.9339GT129	54.0004.0122GT23	55.0902.0060GT87
51.0811.4587GT115	52.0900.9340GT129	54.0100.0005GT19, 73, 75	56.0000.0083GT181
51.0811.4588GT115	52.0900.9341GT131	54.0100.0020GT19	56.0002.0335GT167
51.0811.4589GT115	52.0900.9342GT131	54.0100.0076GT119	56.0002.0336GT167
51.0811.4604GT99	52.0900.9344GT79	54.0100.0093GT159	56.0002.0346GT169
51.0811.4605GT101	52.1100.9128GT21	54.0101.0004GT173	56.0002.0347GT169
51.0811.4606GT101	52.1200.5529GT85	54.0101.0026GT191	56.0005.0000GT169
51.0811.4607GT99	52.1200.5530GT85	54.0101.0027GT99, 101	56.0005.0009GT169, 195
51.0811.4616GT65	52.1200.5531GT85	54.0200.0000GT99, 101	56.0005.0014GT169
51.0811.4618GT173	52.1200.5532GT85	54.0200.0001GT99, 101	56.0005.0037GT169
51.0811.4623GT67	52.1200.5533GT85	54.0200.0004GT99	56.0005.0038GT169
51.0811.4626GT181	52.1200.5534GT93	54.0200.0006GT99, 101	56.0005.0039GT169
51.0811.4627GT19	52.1200.5535GT93	54.0200.0007GT99	56.0005.0040GT169
51.0811.4628GT81	52.1200.5536GT93	54.0201.0005GT99	56.0005.0041GT169
51.0811.4633GT71	52.1200.5537GT85	54.0201.0006GT99	56.0006.0040GT169
51.0811.4634GT71	53.0000.3817GT111	54.0201.0079GT107	56.0006.0041GT169
51.0811.4635GT143	53.0100.3220GT113	54.0201.0080GT105	56.0006.0042GT169
51.0811.4636GT91	53.0300.2213GT111	54.0201.0088GT117	56.0006.0043GT169
51.0811.4637GT87	53.0400.1818GT111	54.0201.0089GT107	56.0006.0044GT169
51.0811.4638GT87	53.0500.0605GT171	54.0201.0090GT105	56.0008.5218GT169
51.0811.4639GT87	53.0600.1811GT115	54.0201.0091GT111	56.0008.5219GT169
51.0811.4640GT73, 75	53.0600.1812GT115	54.0201.0092GT111	56.0009.0009GT167
51.0811.4641GT81	53.0700.0304GT115	54.0201.0093GT111	56.0010.0005GT91
51.0811.4642GT173	53.0800.2014GT23	54.0300.0019GT103	56.0012.0000GT167
51.0811.4643GT133	53.3001.0500GT131	54.0300.0020GT107, 109	56.0012.0085GT25
51.0811.4644GT189	53.3001.6797GT77	54.0300.0021GT105	56.0013.0006GT25
51.0811.4645GT85	53.3001.6810GT77	54.0300.0022GT105	56.0013.0040GT25
51.0811.4646GT85	53.3001.6812GT77	54.0300.0028GT105	56.0014.0029GT191
51.0811.4647GT65	53.3001.6813GT159	54.0300.0032GT107, 109	56.0014.0031GT193
51.0811.4648GT189	53.3001.6815GT67	54.0300.0033GT105	56.0014.0091GT149
51.0811.4649GT189	53.3001.6817GT71	54.0300.0034GT103, 105	56.0014.0103GT191
51.0811.4650GT185	53.3001.6820GT71	54.0300.0036GT103	56.0015.0014GT165

Part Number	Page	Part Number	Page
56.0015.0015GT	165	639307GT	41
56.0016.0156GT	85	639327GT	41
56.0016.0157GT	85	639328GT	41
56.0016.0172GT	181	639329GT	41
56.0016.0173GT	181	639651GT	45
56.0016.0174GT	181	639652GT	45
56.0016.0188GT	165	639653GT	45
56.0016.0196GT	85	639659GT	45
56.0016.0199GT	85	639661GT	45
56.0017.0038GT	165	639662GT	45
56.0017.0039GT	165	639664GT	45
56.0017.0045GT	175	639671GT	51
56.0017.0046GT	165	639683GT	49
56.0017.0051GT	165	639684GT	45
56.0017.0053GT	165	639685GT	45
56.0017.0054GT	165	639686GT	45
56.0017.0063GT	165, 173	639783GT	41
56.0017.0107GT	165, 175, 179	639785GT	41
56.0017.0112GT	165	639790GT	41
56.0017.0114GT	165	639792GT	41
56.0017.0116GT	165	639808GT	35, 41, 49
56.0017.0117GT	165	639810GT	41
56.0017.0127GT	165, 173	639818GT	41
56.0017.0128GT	165	639982GT	169
56.0017.0129GT	165	640216GT	33, 47
56.0017.0135GT	165	640720GT	33, 47
56.0017.0136GT	165	7-125-06GT	85, 177
56.0017.0141GT	165	822207GT	119
56.0017.0145GT	165, 179	822208GT	119
56.0021.0176GT	163	822209GT	119
56.0021.0177GT	85	823057GT	11
56.0023.0028GT	173	82366GT	15
56.0023.0052GT	173	824032GT	177
56912GT	177	824215GT	177
57.0009.0737GT	11	824227GT	177
626544GT	45	82558GT	13
628275GT	41	825693GT	61
629733GT	41	826345GT	15
629735GT	41	900007GT	151
630328GT	35, 49	900026GT	153
630693GT	45	97667GT	13
630846GT	33, 47		
631378GT	31		
632383GT	43		
633070GT	33, 47		
633072GT	41		
633161GT	41		
633174GT	33, 47		
633176GT	33, 39, 47, 53		
633202GT	33, 41, 47		
633203GT	33, 41, 47		
633208GT	41		
634546GT	33, 47		
634972GT	163, 169		
634973GT	163, 169		
634974GT	163		
634976GT	195		
635596GT	41		
637413GT	39		
637567GT	47		
637576GT	41		
637586GT	31		
637588GT	31		
637622GT	35, 49		
637633GT	29		
637650GT	163, 169		
637846GT	37		
637850GT	53		
638527GT	31		
638535GT	31		
638543GT	31		
638548GT	35, 39, 47, 49, 53		
638552GT	37		
638559GT	33		
638566GT	35		
639306GT	41		

Go to www.Genie-Unit-Equipment.com to order your parts

Part Description Index

The Part Description Index is an alphabetical index of all part descriptions included in this manual. The index shows what page(s) the part is used on.

- 1**
- 18 Ways Ground Collector.....167
 - 18 Ways Ground Connector.....167
 - 1st Telescope Boom.....99
- 2**
- 2nd Telescope Boom.....99
 - 2nd Telescope Extension Cilinder.....113
 - 2nd Telescope Extension Cylinder Collar....113
 - 2nd Telescope Extension Cylinder Foot Pin.....113
 - 2nd Telescope Extension Cylinder Head Pin.....113
- 3**
- 3-WAY FITTING.....97
 - 3rd Telescope Boom.....101
- 4**
- 4th Telescope Boom.....101
- 9**
- 90 DEGREE JOINT.....37, 51
- A**
- ACCELERATOR PEDAL.....85
 - ACCUMULATOR 0.5 L.....139, 143
 - ADHESIVE GASKET.....93
 - ADHESIVE STRIP.....87
 - Adjusting Screw.....35, 49
 - Air Condition Switch Cover.....165
 - Air Conditioning Complete Wiring.....195
 - Air Conditioning Glass Switch.....195
 - AIR FILTER.....91
 - Air Filter.....11, 67
 - Air Filter Cover.....67
 - Air Filter Element.....67
 - AIR FILTER GRID.....13, 67
 - Air Filter Secondary Element.....67
 - AIR GRID.....91
 - Air Hose.....97
 - AIR INLET.....97
 - AIR INLET D76.....97
 - AIR OUTLET.....97
 - ALARM.....167
 - Alternator.....65
 - Alternator Cable.....167
 - Anchor Boom Chain 1" - 6X6.....107, 109
 - Arm.....91
 - ASSY,MODULE,SUPPLY,DEF,TCD3.6.....81
 - Attachement Chassis.....121
 - Attachment Locking Pin.....117
 - AXIAL JOINT.....37, 51
 - AXLE.....47
 - AXLE CASE.....33
- B**
- Back Cover Assembly.....89
 - Back Foam Kit.....89
 - BALL.....41
 - BALL VALVE.....153
 - Ball Valve.....69, 143
- C**
- CAB STRUCTURE.....87
 - Cable Guide.....173
 - Cable Reel.....173
 - CABLE TIE MOUNT, WINGED.....197
- BAR.....37, 51
 - BATTERY AND AIR FILTER SUPPORT.....65
 - Battery Cut-Out Switch.....169
 - BATTERY HEATER.....197
 - Battery Negative Cable.....169
 - Battery Positive Cable.....169
 - BATTERY PROTECTION.....169
 - BATTERY,12V,1000 CCA GRP 31.....169
 - BEARING.....31, 33, 41, 45, 47
 - Bearing.....31
 - Belt.....93
 - BELT, A/C, DEUTZ TCD3.6.....193
 - BEVAL GEAR SET.....31
 - BEVEL GEAR SET.....45
 - Blade.....91
 - BLEEDER VALVE, LONG.....35, 49
 - BLOCK HEATER, DEUTZ TCD3.6.....197
 - BODY.....85
 - BOLT.....29, 39, 53
 - BOLT, HEX, 8MMX130MM.....193
 - BOLT, HEX, FLANGE, 16MMX70MM.....193
 - BONDED RING.....69
 - BONDED RING 1".....157
 - BONDED RING 1/2".....25, 83, 139, 141, 149, 171
 - BONDED RING 1/4".....139
 - BONDED RING 2".....153
 - BONDED RING 3/4".....127, 139, 141, 157
 - BONDED RING 3/8".....25, 69, 143
 - BONDED RING M14 (9/16).....25
 - Boom Chain Pulley.....107
 - BOOM LEVEL INDICATOR.....99
 - BOTTOM ENGINE COVER.....21
 - BOX,INSTRUCTION STORAGE.....87
 - BRACKET..61, 67, 71, 81, 133, 171, 173, 175, 193
 - Bracket.....17, 21, 93, 115, 173, 191
 - BRACKET KIT.....183
 - BRACKET,SUPPORT.....191
 - BRACKET,BATTERY CUT-OUT SW.....169
 - BRACKET,BATTERY LOCKING.....169
 - BRACKET,GLASS,RIGHT,LOWER.....91
 - BRACKET,WINDSHIELD,FRNT,LWR.....91
 - BRAKE DISC.....35
 - BRAKE DISC,INTERMEDIATE.....49
 - BUBBLE LEVEL.....87
 - BULB.....91
 - BUMP STOP,RUBBER.....93
 - BUSHING.....33, 39, 41, 47, 53
 - Bushing.....23, 53, 91, 107, 111, 117
 - Bushing 80/90X100.....99
 - Bushing D.30/40.....105
 - BUSHING D.35/45.....105
 - Bushing D=40/50 - 40.....107
 - BUSHING M10X13.5.....99, 101
 - BUSHING M10X8.5.....99, 101
 - BUSHING M14.....99
 - BUSHING, 10MM X 8.5MM.....193
 - BUSHING,D80/90X100.....99
 - BY-PASS VALVE.....149
- Camera.....181
 - CAP.....81, 87
 - Cap.....165
 - CAP 1 BAR.....75
 - Cap D22.....85
 - Cap D30.....85
 - CAP,HYDRAULIC FILTER.....25
 - CAP,OIL FILLER,TCD 3.6,T4F.....65
 - CARDAN SHAFT ASSY KIT.....27
 - CARTRIDGE.....115
 - CASE,DIFFERENTIAL.....45
 - CEILING LIGHT.....87
 - CENTRAL CAP WITH HORN.....85, 141
 - CHAIN.....121
 - CHAIN PIVOT PLATE.....103
 - Chain Tensioner.....105
 - CHAIN TERMINAL.....103, 105
 - Chain Terminal.....107, 109
 - Chain Tie Bar Pin.....105
 - Chain, Pivot Plate.....103
 - CHASSIS.....19
 - Chassis Line.....167, 179
 - CLAMP.....57, 59, 61, 65, 71, 75, 81
 - CLAMP 110/130.....67
 - CLAMP 15/8.....73, 75
 - Clamp 240/260.....67
 - Clamp 70/90.....67
 - Clamp 80/85.....77
 - CLAMP D16 HOLE 8.4.....173
 - Clamp D18.....143
 - CLAMP D22.....81
 - CLAMP D60 HOLE 10.5.....81, 139
 - Clamp D8.....173
 - CLAMP DN 10/16 LG 9.....69, 77, 83
 - CLAMP DN 22/32 LG 9.....77
 - CLAMP DN 40/60 LG12.....67, 77, 191
 - Clamp DN 55/59.....77
 - CLAMP S16 D12 HOLE 8.4.....17, 181
 - CLAMP,0.44,#7X1/4,RUB CUSH.....175
 - CLAMP,DOUBLE,D16.....129, 131
 - CLAMP,HOSE,2.50****.....197
 - CLAMP,HOSE,MEB,40-60 H12.....97
 - CLAMPING STRAP.....193
 - Clitch Disc.....31
 - COATING.....93
 - COIL, VALVE.....141
 - COLLECTOR.....77
 - Command Kit.....161
 - COMPENSATOR.....61
 - Complete Fuel Pre-Filter.....65
 - COMPLETE HEATER.....191
 - COMPLETE MIRROR.....87
 - Complete Mirror.....87
 - COMPLETE RADIATOR.....73, 75
 - Complete Solenoid Valve With Inching Device.....79
 - COMPLETE WHEEL.....27
 - Compressor A/C DELPHI ART 015200/1 SP15 OR.RO.E132/2 12V.....193
 - Compressor Installation Kit.....193
 - CONDENSER.....191
 - Condenser.....191
 - CONDOTTA R2 (300BAR) X 1/2 1800 F45 FD 13/16"-16.....153
 - CONN,520120-12-10.....153
 - CONNECTOR.....83
 - Connectors Cover.....85

CONTROL UNIT.....163
 Control Valve.....79
 COOLANT TEMP SENSOR,TD2.9.....61
 Cosmetic - Genie.....13, 15
 Cosmetic - GTH-1256.....13, 15
 Cotter Pin 4X 45 UNI 1336 ZN.....121
 COTTER PIN D2X25 UNI 1336 ZN...103, 105,
 107, 109
 Counterweight.....17
 COVER.....19, 25, 29, 35, 41, 43, 79, 87, 169
 Cover.....17, 19, 21, 25, 33, 85, 87, 101
 COVER,RADIO HOUSING.....85
 COVER,SPEAKER.....87
 COVERING.....87
 CYLINDER.....37, 51
 Cylinder.....171
 CYLINDER BOLT.....45

D

Danger - Explosion/Burn Hazard.....13
 Danger - Explosion/Burn Hazard, Fueling.....15
 Danger - Explosion/Burn Hazard.....15
 Danger/Warning - 7 Decal Combination.....15
 Dashboard Line.....167
 DASHBOARD,CENTRAL.....85
 DASHBOARD,FRONT.....85
 DASHBOARD,LOWER.....85
 DECAL, 2 DECAL COMBO.....13, 15
 DECAL, FALL HAZARD.....15
 DECAL, LABEL - CHEVRON RANDO.....15
 DECAL, TRANSMISSION ERROR RESET
 INSTRUCTION.....15
 DECAL,BODY CRUSH,ROLLING
 MACHINE.....13, 15
 DECAL,COSMETIC,GENIE.....13
 DECAL,CRUSH HAZARD,TIRES.....13, 15
 DECAL,CUT-OUT BATTERY.....13
 DECAL,DEF Fill.....15
 DECAL,DOOR UNLOCK SYSTEM.....15
 DECAL,EMERGENCY EXIT.....15
 DECAL,FUEL,DIESEL EXHAUST, PROP
 65.....15
 DECAL,INCHING VALVE.....13
 DECAL,LABEL,DIESEL FUEL.....15
 DECAL,MACHINE REGISTRATION/OWNER
 TRANSFER.....15
 DECAL,NOTICE CUT OUT SWITCH.....13
 DECAL,TELEMATICS,UR.....183
 DECAL,ULS DIESEL ONLY,TIER 4.....15
 DECAL,WARN,BURN HAZARD.....13
 DECAL,WARN,IMPROPER OPERATION...15,
 87
 DECAL,WARN,SKIN INJECTION HAZ*.....13
 DECAL,WARNING,CANCER AND
 REPRODUCTIVE HARM, PROP 65.....15
 DECAL,WARNING,EXPLOSION/BURN
 HAZARD.....13
 DECAL,WARNING-COMPART ACCESS.....13
 Deutz Engine Control Unit.....65
 DEUTZ ENGINE SUPPORT.....65
 Diesel Tank Cap.....25
 DIFFERENTIAL CARRIER.....31
 DIFFERENTIAL KIT.....31, 45
 DIFFERENTIAL PINION.....47
 Differential Pinion.....31
 Differential Side Gear.....31
 DIPSTICK OIL.....65
 DISC.....49
 Display Bracket.....181

Display Kit.....181
 DISPLAY SUPPORT.....189
 Display Support.....181
 DISPLAY,LED,REAR PROX ALARM.....189
 DOC.....71
 DOMED WASHER.....193
 DOOR CATCH.....93
 Door Frame.....93
 Door Glass Kit.....95
 DOOR LOCK.....93
 DOOR LOCK COVER.....93
 DOOR RUBBER/PIPE FITTING.....73, 75
 DOOR SEAL.....93
 DOOR,INSPECTION,HYD TANK.....25
 DOUBLE UNIVERSAL JOINT.....33, 47
 DOWEL.....35, 41
 Dowel M12X40 UNI 5927 12.9 ZN.....119
 DOWEL M8X16 UNI 5927 12.9 ZN.....105, 107
 DRIVE SHAFT27
 Driving Line.....167
 DUST EXCLUDER.....33, 47

E

Elbow Kit.....85
 Electric Line Fixing Bar.....173
 Electrical Fan.....97
 Electrical Line.....173, 175, 187
 ENGINE COVER ASSY.....21
 Engine Cover Lock.....21
 ENGINE COVER LOCK LEVER.....21
 Engine Housing Assy.....21
 Engine Line.....167
 EXHAUST MANIFOLD SUPPORT.....71
 EXHAUST PIPE.....59
 EXHAUST TUBE.....71

F

FAN.....65, 149
 Fan.....191
 Fan Heater.....191
 FAN SHROUD.....149
 Film.....93
 FILTER.....81, 83, 191
 FILTER ASSY.....11, 25
 FILTER, HYD. OIL TANK.....25
 FILTER,FUEL,DEUTZ TCD3.6.....11, 65
 FILTER,FUEL,SPIN-ON,TCD3.6.....11
 FILTER,MAGNETIC.....25
 FILTER,OIL.....11, 65
 FILTER,SM,DEF,TCD 3.6.....81
 FITTING.....69, 73, 75
 FITTING 90° 1/8.....73, 75
 FLANGE.....31, 55, 79
 Flange.....41, 45
 Flashing Beacon.....91
 Flashing Beacon Bracket.....91
 FLAT WASHER 18X34X3 UNI16592 12
 ZN.....85
 FLAT WASHER D.16 1/4-19 BSPP GAS CIL
 50100.....159
 FLAT WASHER D10 UNI 6592 ZN.....21, 23,
 85, 99, 101, 111, 113, 115, 141, 143, 177
 FLAT WASHER D10 UNI 6593 ZN.....19, 21,
 81, 171
 FLAT WASHER D12 UNI 5714 ZN.....79, 105
 FLAT WASHER D12 UNI 6593 ZN.....73, 75
 FLAT WASHER D14 UNI 6592 ZN.....99, 101,
 111, 113

FLAT WASHER D14 UNI 6593 ZN.....19
 FLAT WASHER D16 UNI 5714 ZN.....79, 103,
 107, 109
 FLAT WASHER D16 UNI 6592 ZN.....27, 65,
 157
 FLAT WASHER D18 UNI 5714 ZN.....103, 105
 FLAT WASHER D20 UNI 6592 ZN.....27, 65,
 107, 109
 FLAT WASHER D24 UNI 6592 ZN.....17, 27
 FLAT WASHER D4 UNI 6592.....85, 87, 191
 FLAT WASHER D5 UNI 6592 ZN.....17, 21, 65,
 177, 185, 189
 FLAT WASHER D6 UNI 6592 ZN.....17, 19, 21,
 23, 67, 81, 85, 93, 115, 117, 121, 125, 129,
 131, 141, 143, 167, 175, 177, 191
 FLAT WASHER D6 UNI 6593 ZN.....65, 87,
 169, 173, 181, 189, 191
 FLAT WASHER D6 UNI ISO 7093 ZN.....65
 FLAT WASHER D8 UNI 6592 ZN.....17, 19, 21,
 25, 65, 73, 81, 85, 87, 91, 101, 105, 107, 111,
 115, 125, 139, 143, 159, 169, 171, 173, 177,
 181, 191
 FLAT WASHER D8 UNI 6593.....149
 FLAT WASHER D8 UNI 6593 ZN.....19, 21, 25,
 67, 71, 81, 87, 93, 171, 185
 FLAT WASHER D8X32 UNI 6593 ZN.....81
 FLEXIBLE HOSE.....129
 Flexible Hose.....145
 Flexible Hose BM6K 1 900 F45 D.47 FLD
 D47.....157
 Flexible Hose ETERNITY/2 X 1/2 3500 FD FD
 13/16"-16.....129
 Flexible Hose R1 X 1/2 2400 FD F90
 13/16"-16.....143
 Flexible Hose R1 X 1/4 1850 F90 ALTA F90
 9/16"-18 90°.....137
 Flexible Hose R1 X 1/4 LG 2250 FD F90 9/16
 ORFS.....151
 Flexible Hose R1 X 1/4 LG.250 F90 F90 9/16
 ORFS.....155
 Flexible Hose R1 X 1/4" LG. 3050 FD - F90
 9/16-18 ORFS.....129
 Flexible Hose R2 (300 BAR) X 1/2 850 F90
 ALTA (56) X FD 13/16"-16.....129
 Flexible Hose R2 (300BAR) X 1/2 1900 F90
 High FD 13/16"-16.....129
 Flexible Hose R2 (300BAR) X 3/4.....139
 Flexible Hose R2 (300BAR) X 3/4 2400 F90 F90
 1 3/16"-12 A 90°.....139
 Flexible Hose R2 (300BAR) X 3/4 3350 F90 FD
 13/16"-12.....127
 Flexible Hose R2 X 1/2 2000 F90
 FD13/16.....143
 Flexible Hose R2 X 1/2 LG 3100 FD F90
 13/16-16.....141
 Flexible Hose R2 X 1/2" 300 Bar Lg. 4820 FD -
 F90 13/16"-16 ORFS.....129, 131
 Flexible Hose R2 X 1/2" 350 Bar Lg. 3550 FD -
 FD 13/16"-16 ORFS.....129, 131
 Flexible Hose R2 X 1/2" Lg. 1450 FD - F90
 13/16"-16 ORFS.....129
 Flexible Hose R2 X 1/4 2300 FD MD
 9/16"-18.....141
 Flexible Hose R2 X 1/4 LG. 2600 FD - F90
 9/16"-18 ORFS.....143
 Flexible Hose R2 X 3/8 1500 F90 F90 11/16"-16
 A 90°.....171
 Flexible Hose R4 X 1 1200 F90 FD 1
 7/16"-12.....151

Part Description Index (continued)

PIPE FITTING 1" GASX1-7/16-12 ORFS..151, 157	PIPE FITTING M42X2X1"11/16-12 ORFS..157	REAR AXLE.....27
Pipe Fitting 1"1/2BSP-1"7/16-12ORFS.....153	Pipe Fitting MFK 90 1/2 BSP.....131	Rear Axle Locking Cylinder.....115
Pipe Fitting 1"1/4BSP-1"11/16-12ORFS.....151	PIPE FITTING R2X1/4 LG950 FD F90 9/16 ORFS.....141	Rear Lower Glass.....93
PIPE FITTING 1" BSPX1"11/16-12 ORFS.....151, 157	PIPE FITTING TMF+C 9/16-18 ORFS.....143, 145, 157, 171	REAR LOWER GLASS KIT.....95
PIPE FITTING 1/2 BSPX13/16-16 ORFS..129, 131, 133, 141, 143, 151, 153	PIPE FITTING TMF+L 1/2 BSP.....131	Rear Pad.....99
PIPE FITTING 1/2BSP x 11/16-16 ORFS.....141, 171	PIPE FITTING TMF+L 13/16-16 ORFS.....143	Rear Pulley.....105
PIPE FITTING 1/2BSPX 9/16-18 ORFS....135, 139	PIPE FITTING, M14X1.5X9/16 ORFS.....143, 145, 147	Rear Pulley Pin.....105, 107
PIPE FITTING 1/2BSPX1-3/16-12ORFS...139, 141	PIPE FITTING,PUMP,FUEL.....69, 83	REAR ROAD LIGHT SUPPORT.....177
Pipe Fitting 1/2X 3/4 BSP.....141	PIPE R2 X 1/2 1300 FD F90 13/16"-16 ORFS129, 131	Rear Upper Glass.....93
PIPE FITTING 1/2X1/2 BSP.....83, 171	PIPE,MAN,EXHAUST,TCO 3.6,T4F.....57	REDUCER,D48.5.....97
PIPE FITTING 1/4 BSPX9/16-18 ORFS....129, 137, 139, 141, 145, 155, 157, 171	PIPE,MIXING,TCO3.6 T4F.....71	Reduction Bushing.....35
PIPE FITTING 1/4BSPX11/16-16 ORFS.....171	PISTON.....35, 41, 49	Regulator.....161
PIPE FITTING 14X1.5X9/16-18 ORFS.....143, 153, 159	PLAIN WASHER 8,4 ST A4C.....193	RELAIS SUPPORT.....169
PIPE FITTING 18X1.5X11/16 ORFS.....143	PLAIN WASHER D15.....91, 93	RELAY.....63, 163, 169, 195
PIPE FITTING 1X1 BSP.....157	Plain Washer D6 UNI 6592.....93	RELAY HOLDER.....195
PIPE FITTING 2X2 BSP.....153	PLAIN WASHER,D110-70 SP0.8.....119	Relay Support.....169
PIPE FITTING 3/4 BSPX13/16-16 ORFS....127	PLANET GEAR CARRIER.....33	RELAY, FLASHER, LED, 12V(AUTO).....179
PIPE FITTING 3/4"BSP/1"7/16-12 ORFS....153	PLANET GEAR CARRIER KIT.....47	Right Armrest Kit.....89
Pipe Fitting 3/4-16UNF/ 11/16-16ORFS.....141	PLATE.....115	RIGHT ASSY SUPPORT.....149
PIPE FITTING 3/4BSP X1"3/16-12 ORFS.....127, 139, 153	Plate.....115, 191	Right Bracket.....191
PIPE FITTING 3/8 BSPX9/16-18 ORFS....129, 135, 137, 141, 145, 151, 171	PLATE,DASH SUPPORT,LEFT.....165	Right Chassis Sway Cylinder.....115
Pipe Fitting 3/8" - 1/2".....83	PLATE,DASH SUPPORT,RIGHT.....165	Right Dashboard.....85
PIPE FITTING 3/8BSPX11/16-16 ORFS.....143	PLATE,DECAL.....87	Right Glass Kit.....95
PIPE FITTING 3/8BSPX13/16-18 ORFS.....143	PLATE,LOCKING.....33	RIGHT PAD SHIM.....101
PIPE FITTING 3/8X3/8 BSP.....69, 143	PLUG.....29, 33, 35, 39, 41, 43, 47, 49, 53, 57, 85	RIGHT REAR ENGINE SUPPORT.....65
Pipe Fitting 7/16-20 UNF X 9/16-18 ORFS.....153	PLUG 1/2 BSP.....149	RIM 9.00 X 22.5.....27
PIPE FITTING 90.....131	PLUG 3/8" BSP.....69	RING.....55, 57
PIPE FITTING 90 1/2GASXM 13/16-16 ORFS.....129, 131, 143	PLUG,MAGNET.....43, 47	RING GEAR.....33, 47
PIPE FITTING 90 M-M 13/16-16 ORFS....127, 129, 131	PLUG/STOPPER.....41	RING GEAR SUPPORT.....47
Pipe Fitting 90° BSP.....157	POWER STEERING.....141	RING GEAR SUPPORT KIT.....47
PIPE FITTING CMF 1/4 ES LG 40.....139	Pressure Override Valve.....79	RING KIT.....31
Pipe Fitting CMF 3/4BSP LG.35.....127, 139	PRESSURE PLUG M14X1.5.....159	Ring Nut.....31, 45
PIPE FITTING CMF1/2 ES LG 25.....139, 141, 171	PRESSURE RELIEF VALVE.....79	ROAD LIGHT SUPPORT (FRONT LEFT)...177
PIPE FITTING F 13/16-16 ORFS-M 9/16-18 ORFS.....143	PRESSURE SENSOR, HYDRAULIC OIL.....25	ROD,BATTERY HOLD DOWN.....169
PIPE FITTING G1 12.....151	PRESSURE SWITCH.....143	ROLLER BEARING.....47
PIPE FITTING GMF 3/8" BSP.....143	Pressure Switch.....191	ROOF COVERING.....87
Pipe Fitting GWR M 2" BSP X F1 1/2" BSP.....153	PROFILE.....73, 75	Roof Wiper Kit.....91
Pipe Fitting Kit RD2-MC/FG100-N.....153	PROTECTION.....65	Rubber.....73, 75
Pipe Fitting Kit RD2-MF/FG200-N.....153	PROTECTION FAN.....73, 75	Rubber Below.....67
Pipe Fitting M 1"3/16-12 . X M 1"3/16"-12 ORFS.....127	PROTECTION GRID.....87	Rubber Boot.....85
PIPE FITTING M-M A 90 1/4 BSPX9/16-18 ORFS.....141, 143, 151, 171	Protection Grid.....17, 19	RUBBER BOOT & LOCKING RING KIT.....37, 51
Pipe Fitting M-M A 90 3/4"-16 UNF X 11/16"-16 ORFS.....141	Protective Cap.....85	Rubber D.41X9.....191
PIPE FITTING M10X1- 9/16-18 ORFS.....143	PROXIMITY SENSOR.....167	Rubber Gasket.....25
PIPE FITTING M12X1.5 X 9/16-18 ORFS...157	PROXIMITY SWITCH.....143	RUBBER MANIFOLD.....77
PIPE FITTING M18X1,5 M 9/16-18 ORFS.....143, 157	Pulley.....107	RUBBER PIPE.....57, 75, 83
Pipe Fitting M26X1,5X 1"7/16-12 ORFS.....157	Pulley Front Pin.....105	Rubbish Bucket.....123
Pipe Fitting M27X2 X M 1 7/16"-12 ORFS...157	PULLEY HOLDER.....105	
Pipe Fitting M33x2(ISO6149-2) 1 7/16"-12 ORFS.....157	Pulley Pin Lock Plate.....107	
	Pulley Support.....105, 107	
	PUMP BRAKE.....143	
	Pump Hub.....79	
	PVC Clamp D9X185.....187, 197	
	Q	
	QUICK COUPLING, FEMALE 1/2.....131	
	QUICK COUPLING, MALE 1/2.....131	
	R	
	Radiator.....73	
	RADIATOR GRID.....149	
	RADIATOR HOSE.....73, 75	
	RADIATOR MANIFOLD.....77	
	RADIATOR SUPPORT.....73, 75	
		S
		Safety Belt Kit.....89
		SAFETY VALVE.....111, 113, 115, 129, 157
		SCR.....71
		SCREW.....17, 27, 33, 35, 37, 41, 47, 49, 55, 57, 59, 61, 63, 87, 91, 97
		Screw.....31, 33, 41, 45, 51, 67, 97
		SCREW FE TGS T+ M6X25 UNI 7689 ZN...85
		SCREW HEXAGON FLANGE HEAD BOLT 10 X 25.....79
		SCREW KN TC+ 3.5x16 ZN.....97
		SCREW M10X100 UNI 5737 8.8 ZN.....23, 113
		SCREW M10x110 UNI 5931 8.8 ZN.....161
		SCREW M10X135 UNI 5931 12.9.....149
		SCREW M10X20 UNI 5739 8.8 ZN.....101
		SCREW M10X25 UNI 5739 8.8 ZN.....23, 25, 79, 81, 85, 99, 115, 141, 173, 177
		SCREW M10X30 UNI 5739 8.8 ZN.....21, 73, 75, 99, 101, 171
		SCREW M10X40 UNI 5739 8.8 ZN.....79
		SCREW M10X40 UNI 5931 12.9 ZN.....105

SCREW M10X50 UNI 5739 8.8 ZN.....21	SCREW M8X35 UNI 5739 8.8 ZN...17, 65, 143	Security Microswitch.....41
SCREW M10X55 UNI 5931 8.8 ZN.....23	SCREW M8X40 UNI 5933 10.9 ZN.....21, 93	See 300 Engine Components, Figure 610468 - Position 19.....97
SCREW M10X60 UNI 5737 8.8 ZN.....111	SCREW M8X50 UNI 5739 8.8 ZN.....21, 65	See 300 Engine Components, Figure 610468 - Position 20.....97
SCREW M10X70 UNI 5737 8.8 ZN.....113, 121	SCREW M8X50 UNI 5931 8.8 ZN.....111, 117	See 400 Cab Components, Figure 610477 - Position 31.....83
SCREW M10X80 UNI 5737 8.8 ZN.....23, 111	SCREW M8X60 UNI 5737 8.8 ZN.....19, 21	See 400 Cab Components, Figure 610477 - Position 32.....83
SCREW M10X90 UNI 5737 8.8 ZN.....113	SCREW M8X65 UNI 5931 8.8 ZN.....171	See 400 Cab Components, Figure 610477 - Position 32.....83
SCREW M12X100 UNI 5737 8.8 ZN...105, 111	SCREW M8X70 UNI 5737 8.8 ZN.....159	See 600 Hydraulic System, Figure 610388 - Pos. 5.....85
SCREW M12X30 UNI 5739 8.8 ZN.....129	Screw TBEI M6X12.....93	See 600 Hydraulic System, Figure 610504 - Position 10.....151
SCREW M12X40 UNI 5737 8.8 ZN.....65, 111, 157	Screw TBEI M8X10.....91, 93	See 600 Hydraulic System, Figure 610504 - Position 10.....151
SCREW M12X40 UNI 5739 8.8 ZN.....65	Screw TBEI M8X20.....91, 93	See 600 Hydraulic System, Figure 610506 - Position 1.....145
SCREW M12X45 UNI 5737 8.8 ZN.....65	SCREW TCB T 3.9X16 UNI 6954.....87, 93	See 600 Hydraulic System, Figure 610506 - Position 2.....145
SCREW M12X60 UNI 5737 10.9 ZN.....105	Screw TCEI 14 X 35 LG. 8.8 ZN UNI 5931.....99	See 600 Hydraulic System, Figure 610508 - Position 8.....143
SCREW M12X70 UNI 5737 8.8 ZN.....149	Screw TCEI M.16X150 UNI 5931 12.9 ZN.....17	See 600 Hydraulic System, Figure 610509 - Position 7.....143
SCREW M14X150 UNI 5737 8.8 ZN.....111	Screw TCEI M12X40 UNI 5931 8.8ZN.....79	See 700 Electric Installation, Figure 610401 - Pos. 2.....85
SCREW M14X25 UNI 5931 8.8 ZN.....101	Screw TCEI M6X16 8.8 ZN.....93	See 700 Electric Installation, Figure 610401 - Pos. 24.....85
SCREW M14X35 UNI 5739 8.8 ZN.....19	Screw TE M 4X16.....191	SEEGER.....103, 105
SCREW M14X40 UNI 5739 8.8 ZN.....113	Screw TE M 8X90 UNI 5737 8.8 ZN.....81	SELECTOR SHAFT.....41
SCREW M14X40 UNI 5931 8.8 ZN.....101	Screw TE M12X40 UNI 5737 10.9ZN.....105	SENSOR.....41, 65
SCREW M14X45 UNI 5931 8.8 ZN.....99	Screw TE M12X50 UNI 5737 10.9ZN.....105	Sensor.....67, 69
SCREW M16X130 UNI 5739 8.8 ZN.....27	Screw TE M12X90 UNI 5737 8.8 ZN.....119	SENSOR SUPPORT.....189
SCREW M16X40 UNI 5737 10.9 ZN.....103	Screw TE M14X120UNI 5737 8.8 ZN.....117	SENSOR,REAR PROXIMITY ALARM.....189
SCREW M16X40 UNI 5739 8.8 ZN.....79	Screw TE M16 X 140 ZN UNI 5737.....117	SET OF GASKETS.....171
SCREW M20X45 UNI 5739 10.9 ZN...107, 109	Screw TE M16X50 UNI 5737 8.8 ZN.....157	Shackle.....117, 121
SCREW M20X60 UNI 5737 8.8 ZN.....65	Screw TE M16X80 UNI 5737 8.8 ZN.....19	SHAFT.....41
SCREW M24X160UNI 5737 10.9 ZN.....27	Screw TE M22X280 UNI 5737 8.8 ZN...115	Shim.....129
SCREW M4,2X16 UNI 6954 10.9 ZN.....191	Screw TE M24X100 UNI 5737 8.8 ZN...17	SHIM 0.20MM.....41
SCREW M4X10 UNI 5931 8.8 ZN.....191	Screw TE M8X10.....93	SHIM 0.30MM.....41
SCREW M4X16 UNI 5931 8.8 ZN.....99	Screw TSPEI M6X30 UNI 5933.....93	SHIM KIT.....31, 33, 35, 41, 45, 47
SCREW M4X20 UNI 7687 ZN.....87	Screw TSPEI M6X35 UNI 5933.....91	SHIM THICKNESS.....41
SCREW M5X16 UNI5737 8.8 ZN.....17	Screw TSPEI M8X30 UNI 5933.....91, 93	SHIM, WEAR PAD,100X60X1.....99, 101
SCREW M5X20 UNI 5739 8.8 ZN...21, 65, 185	Screw TSPEI M8X30 UNI5933 10.9 ZN.....191	SHIM, WEAR PAD,60X250X1.....101
SCREW M5X20 UNI 5931 8.8 ZN.....189	Screw TSPIC M8X30.....87, 93	SHIM, WEAR PAD,60X60X1.....99
SCREW M5X20 UNI 7687 8.8 ZN.....85	SCREW, BHC, 1/4-20 X 1, ZAG.....177	SHIM, WEAR PAD 250X75.....101
SCREW M5X20 UNI 7687 ZN.....19	SCREW, PHILLIPS, RHM.....85	SHIM/THICKNESS.....41
SCREW M6x12 UNI 5739 8.8 ZN.....133	SCREW, SHC, 10MM X 125MM.....193	SHOCK ABSORBER.....73, 75, 149
SCREW M6X16 DIN 6923 8.8 ZN.....115	SCREW,ADJUSTING.....35	SHROUD,RADIATOR.....73, 75
SCREW M6X16 UNI 5739 8.8 ZN...17, 19, 23, 25, 65, 67, 87, 93, 175, 177, 181	SCREW,BHS,10-32X1,F835,ZAG.....177	SHUT VALVE 1/4 NPT.....73, 149
SCREW M6X16 UNI 5933.....149	SCREW,BLEEDER M8X1.25.....115	SINGLE HOSE BRACKET D16.....83, 129, 131
SCREW M6X20 UNI 5739 8.8 ZN.....81, 87, 117, 121, 129, 131, 167, 175, 189	SCREW,HHC,M16-2X50,10,9,ZN.....65, 107, 109	SINGLE VALVE BODY.....171
SCREW M6X20 UNI 5931 8.8 ZN.....173, 191	SCREW,HHC,M5x60,UNI 5931,8.8,ZAG.....177	Slave Cylinder Foot Pin.....111
SCREW M6X20 UNI 5933 10.9 ZN.....101, 129	SCREW,PHPM,10-32X.75,ZAG.....177	Slave Cylinder Head Pin.....111
SCREW M6X25 UNI 5739 8.8 ZN.....173, 191	SCREW,RING GEAR.....31, 45	SLIDING PIN.....41
SCREW M6X25 UNI 5931 8.8 ZN.....83, 129, 131	SCREW,STEERING ADJUST.....33, 47	SNAP RING.....29, 33, 41, 43, 47, 103
SCREW M6X30.....93	SCREW,TCEI.....87	Snap Ring.....45
SCREW M6X30 UNI 5739 8.8 ZN.....85, 143	SCREW,TCEI,M8X40 UNI 8.8ZN.....111	SOLENOID.....79, 115, 149, 171
SCREW M6X35 UNI 5931 8.8 ZN.....65	SCREW,TE,M10X35 UNI 8.8 ZN.....19, 21, 99	Solenoid 12V.....157
SCREW M6X40 UNI 5739 8.8 ZN.....21, 141	SCREW,TE,M8X110 UNI 8.8 ZN.....67	SOLENOID VALVE.....141
SCREW M6X40 UNI 5931 8.8 ZN.....19, 171	SCREW,TSPEC M8X16.....87	SOLENOID VALVE ASSY 6 WAY.....171
SCREW M6X45 UNI 5739 8.8 ZN.....115	SCREW-WING M8x15-4.8 ZN.....169	Solenoid Valve Seal Kit.....79
SCREW M6X50 UNI 5737 8.8 ZN.....115, 125, 143	SEAL.....31, 33, 35, 41, 43, 45, 47, 71, 111	SPACER.....31, 35, 79, 85, 191
SCREW M6X60 UNI 5737 8.8 ZN.....125	Seal.....33, 41, 91, 93	Spacer.....33, 45, 85, 93, 99, 117, 173
SCREW M8X16 DIN 6923 8.8 ZN.....167	Seal D16.....91	SPACER,LIGHT MOUNT,500".....177
SCREW M8X16 DIN 7984 8.8 ZN.....109	SEAL KIT.....143, 149	Spicer D24.....91
SCREW M8X16 UNI 5739 8.8 ZN.....85, 173	Seal Kit.....115, 141, 161	SPOOL.....161
SCREW M8X20 DIN 6923 8.8 ZN.....19, 21	Seal kit Extension Cylinder.....113	Spool.....161
SCREW M8X20 UNI 5739 8.8 ZN...19, 21, 25, 71, 81, 87, 91, 101, 105, 125, 139, 171, 173, 181, 185	Seal Kit Hydraulic Pump 2.....79	SPRING.....35, 41, 49
SCREW M8X20 UNI 5931 8.8 ZN.....87, 105	Seal Kit Pump 4.....79	Spring Catch 4X40 ZN.....121
SCREW M8X25 UNI 5739 8.8 ZN...17, 21, 73, 87, 107, 111, 115, 169, 177, 191	SEAL,DUST EXCLUDER.....33, 47	
SCREW M8X25 UNI 5931 8.8 ZN.....19	Sealing Washer.....41	
SCREW M8X30 UNI 5739 8.8 ZN.....65	Seals Kit Levelling Cylinder.....111	
SCREW M8X30 UNI 5931 12.9 ZN.....107	Seals Kit Lifting Cylinder.....111	
	Seals Kit Tilt Cylinder.....111	
	SEAT.....89	
	SEAT ARMREST,LEFT.....89	
	Seat Cover Assembly.....89	
	Seat Foam Kit.....89	
	Seat Frame Assembly.....89	
	Seat Suspension Kit.....89	

Part Description Index (continued)

- SPRING CLIP M6.....25, 101
 SPRING CLIP M8.....19, 21, 25
 SPRING CLIP,1/4-20,.025-.15X.54,ZAG.....177
 Spring Washer.....73, 75
 SPRING WASHER D10 ZN.....19, 21, 23, 25,
 79, 81, 85, 105, 111, 113, 115, 141, 149, 171,
 173, 177
 SPRING WASHER D12 ZN...65, 79, 111, 129,
 149, 157
 SPRING WASHER D14 ZN.....19, 113
 SPRING WASHER D16 ZN.....19, 65, 79, 157
 SPRING WASHER D20 ZN.....65
 SPRING WASHER D24 ZN.....17
 SPRING WASHER D4 ZN.....85
 SPRING WASHER D6 ZN...17, 23, 25, 65, 67,
 81, 85, 93, 115, 117, 121, 125, 129, 131, 133,
 143, 167, 169, 173, 175, 177, 189, 191
 SPRING WASHER D8 ZN...17, 21, 25, 65, 81,
 85, 87, 91, 101, 105, 109, 111, 115, 125, 139,
 169, 171, 173, 177, 181, 185
 STARTER,TCD3.6 T4F.....65
 Starting Switch.....165
 STEERING ASSY.....85, 141
 STEERING CASE.....33
 STEERING CASE KIT LH.....47
 STEERING CASE KIT RH.....47
 Steering Column.....85
 Steering Column Upper Cover.....85
 Steering Support.....85
 Steering Wheel.....85, 141
 Steering wheel knob.....85
 Stop nut.....93, 97
 STOP NUT M12 UNI 7473 6S ZN...19, 21, 65,
 105, 119
 STOP NUT M14 UNI 7473 6S ZN.....111, 117
 STOP NUT M20 UNI 7473 6S ZN.....27
 STOP NUT M22 UNI 7473 6S ZN.....115
 STOP NUT M24 UNI 7473 6S ZN.....27
 STOP NUT M4.....191
 STOP NUT M5 UNI 7473 6S ZN...17, 65, 177,
 185, 189
 STOP NUT M6 UNI 7473 6S ZN.....19, 21, 65,
 81, 87, 141, 181
 STOP PIN.....21
 STOP RING.....67
 Stretch Chain Block.....105
 Stretch Chain support.....105
 Stretch Chain Terminal.....103, 105
 STUD.....33, 47
 STUD,DRIVE AXLE.....33, 47
 STUD,WHEEL.....33, 47
 SUNSHIELD CURTAIN KIT.....87
 SUPPORT.....21, 33, 47, 73, 85, 149, 169, 181
 Support.....19, 21, 39, 53
 Support Accumulator.....143
 Support Bracket.....121
 SUPPORT,BOOM SENSOR.....167
 SUPPORT,CONTROL UNIT.....65
 SUPPORT,FOOT.....87
 SUPPORT,LOAD CHARTS.....87
 SUPPORT,MIRROR.....17
 SUPPORT,SEAT.....87
 Suspension Cover Kit.....89
 SWITCH.....93, 165, 173, 175, 179, 195
 SWITCH BODY.....165
 SWITCH BULB 12V - 0.03A - 0.36W.....165
 SWITCH BULB LIGHT 12V - 1,2W.....165
 SWITCH COVER.....165, 173, 175
 SWITCH KEY, ATTACH LOCK OIL.....165
 Switch Key, Dpf.....165
 SWITCH KEY, ROAD LIGHT.....165, 179
 SWITCH TYCO.....165
 SWITCH, TURN SIGNAL.....85, 177
 Swivel Hook.....121
 SYNCHRONIZER.....41
- T**
- TANK.....81, 91
 TANK SUPPORT.....81
 TAPER ROLLER BEARING.....45
 TCD 3.6 TIER4 FINAL ENGINE DEUTZ.....65
 TELEMATICS ZTR M8 WIRING.....185
 TEMPERATURE SENSOR.....25
 Temperature Switch.....191
 TEST PORTS MANIFOLD.....159
 THERMOSTAT.....149
 THICKNESS.....41
 THREADED PIECE, DEUTZ, A/C.....193
 THREADED ROAD.....105
 Tilt Cylinder.....111
 TIRE.....27
 TORX-HEAD BOLT.....193
 Transmission Control Unit.....85
 Transmission Hydraulic Motor.....157
 Twin Hoses MTKH X 1/2" Lg. 2550 FD - FD
 13/16"-16 ORFS.....129, 131
- U**
- U-BOLT.....143
 Upper Rear Glass Kit.....95
- V**
- V-BELT.....65
 VALVE.....23, 41, 83, 111, 143, 161, 171, 191
 Valve.....27, 161
 Valve 3/4 PA 2.5.....141
 VALVE BLOCK.....79
 Valve Protection Cover.....115
 VALVE,DEF COOLANT,TCD3.6,T4F.....81
 VENT.....29
 VIBRATION DAMPING.....19
 VIBRATION DAMPING KIT.....149
 VIBRATION DAMPING SUPPORT.....19
- W**
- Warning - Crush Hazard, Stabilizers.....15
 WASHER.....19, 35, 41, 45, 55, 73, 75, 87, 93,
 97, 191
 Washer.....31, 33, 41
 WASHER 6.4X12.....97
 WASHER 6.5X18.....97
 WASHER D10 HV300.....149
 Washer D12.....93
 WASHER D6.....85
 Washer D6.....93
 WASHER D8.5.....87, 91, 93
 WASHER,D12 UNI 6592 ZN...19, 21, 65, 105,
 111, 119, 129
 WASHER, FRICTION.....45
 WASHER,JC 22.....83
 WASHER,SPRING,D5 ZN.....17
 WASHER,TEFLON D20.....91, 93
 WATER COOLER.....75
 Water Hose D4 LG.200 Inch.....91
 Water Tank.....73, 75
 WATER TAP,D16.....97
- Z**
- ZTR M8 SUPPORT.....185
- WEAR PAD.....99, 101
 WEAR PAD,60X60X14.....99, 101
 WEAR PAD,BRONZE.....129
 Weight Adjuster Kit.....89
 WHEEL HUB.....33, 47
 WIPER ARM.....93
 Wiper arm.....91
 WIPER BLADE.....91, 93
 Wiper Kit.....91
 Wiper Motor.....93
 Wiper motor.....91
 Wiper Motor Kit.....91
 Wiring Harness.....181

This Page Intentionally Left Blank

Go to Discount-Equipment.com to order your parts

Fitting Cross References

Genie PN	Parker PN	Description	Genie PN	Parker PN	Description
12342	6-4 F5OX-S	CONNECTOR,STRAIGHT THREAD TO FLARE TUBE	42794	1 CR-S	ELBOW,90°,MALE PIPE
13757	4 R6X-S	RUN TEE,SWIVEL NUT,ORFS	42795	BV-0839	BALL VALVE
19685	12-10 C5OX-S	ELBOW,90°,STRAIGHT THREAD TO FLARE TUBE	42796	BV-0838	BALL VALVE
22664	12-10 C5OX	ELBOW,90°,STRAIGHT THREAD TO FLARE TUBE	42874	6-8 CLO-S	ELBOW,90°,MALE PIPE TO ORFS
27431	8-12 F5OX-S	CONNECTOR,STRAIGHT THREAD TO FLARE TUBE	42912	13943-6-4	HOSE END,90° FEMALE SWIVEL,JIC
28678	AS-B-33	SLEEVE,NYLON,1.81" ID	42920	BV-0840	BALL VALVE,90°
39871	6 WETX-WLN-S	UNION,90° BULKHEAD W/NUT,FLARE TUBE	42932	AS-B-17	SLEEVE,NYLON,1.22" ID
39872	4 R5OX-S	RUN TEE,STRAIGHT THREAD	42936	10243-2-4	HOSE END,FEMALE PIPE
39873	6 C5OX-S	ELBOW,90°,STRAIGHT THREAD TO FLARE TUBE	42953	1/2 DD-S	ELBOW,90°,FEMALE PIPE
39874	8-6 C5OX-S	ELBOW,90°,STRAIGHT THREAD TO FLARE TUBE	42956	6 WELO-WLNL-S	UNION,90° BULKHEAD W/NUT,ORFS
39875	4-6 C5OX-S	ELBOW,90°,STRAIGHT THREAD TO FLARE TUBE	45349	8 V5OX-S	ELBOW,45°,STRAIGHT THREAD TO FLARE TUBE
39876	6-8 C5OX-S	ELBOW,90°,STRAIGHT THREAD TO FLARE TUBE	45351	4 V5OX-S	ELBOW,45°,STRAIGHT THREAD TO FLARE TUBE
39877	4 F5OX-S	CONNECTOR,STRAIGHT THREAD TO FLARE TUBE	47223	10343-6-6	HOSE END,MALE,JIC
39878	6 F5OX-S	CONNECTOR,STRAIGHT THREAD TO FLARE TUBE	47419	PS690503-6-6	SWIVEL,90°,STRAIGHT THREAD TO 37° FLARE
39879	4-8 F5OX-S	CONNECTOR,STRAIGHT THREAD TO FLARE TUBE	48750	421-4	HOSE,1/4 INCH ID
39880	6-10 F5OX-S	CONNECTOR,STRAIGHT THREAD TO FLARE TUBE	48751	481TC-4	HOSE,1/4 INCH ID
39881	4-6 F5OX-S	CONNECTOR,STRAIGHT THREAD TO FLARE TUBE	48752	482TC-4	HOSE,1/4 INCH ID
39882	4-HP5ON-S	PLUG,STRAIGHT THREAD	48753	451TC-6	HOSE,3/8 INCH ID
39883	8-8 FTX-S	CONNECTOR,MALE PIPE TO FLARE TUBE	48754	482TC-6	HOSE,3/8 INCH ID
39885	269HB 12-12	ELBOW,90°,BEADED HOSE BARB TO MALE PIPE	48755	381-6	HOSE,3/8 INCH ID
39886	431-6	HOSE,3/8 INCH ID	48756	451TC-8	HOSE,1/2 INCH ID
39887	540N-2	HOSE,1/8 INCH ID	48757	482TC-8	HOSE,1/2 INCH ID
39888	801-8	HOSE,1/2 INCH ID	48758	381-8	HOSE,1/2 INCH ID
39889	801-12	HOSE,3/4 INCH ID	48759	381-10	HOSE,5/8 INCH ID
39890	10643-6-6	HOSE END,FEMALE SWIVEL,JIC	48760	451TC-10	HOSE,5/8 INCH ID
39891	13943-6-6	HOSE END,90° FEMALE SWIVEL,JIC	48761	482TC-12	HOSE,3/4 INCH ID
39892	13743-6-6	HOSE END,45° FEMALE SWIVEL,JIC	48762	451TC-12	HOSE,3/4 INCH ID
39894	30682-8-8	HOSE END,FEMALE SWIVEL,JIC	48763	772-12	HOSE,3/4 INCH ID
39895	30682-10-12	HOSE END,FEMALE SWIVEL,JIC	48764	881-16	HOSE,1 INCH ID
42286	8-8 CTX-S	ELBOW,90°,MALE PIPE TO FLARE TUBE	48765	772-16	HOSE,1 INCH ID
42756	8-12 CLO-S	ELBOW,90,MALE PIPE TO ORFS	48766	AS-B-15	SLEEVE,NYLON,1.06" ID
42757	8-12 FLO-S	CONNECTOR,MALE PIPE TO ORFS	48767	AS-B-22	SLEEVE,NYLON,1.42" ID
42758	4 JLO-S	UNION TEE,ORFS	48770	881-8	HOSE,1/2 INCH ID
42759	4-4 FLO-S	CONNECTOR,MALE PIPE TO ORFS			
42760	6-8 FLO-S	CONNECTOR,MALE PIPE TO ORFS			
42761	1J143-6-4	HOSE END,90° FEMALE SWIVEL,SEAL LOK			
42762	1J743-6-4	HOSE END,45° FEMALE SWIVEL,SEAL LOK			
42768	1JO43-4-4	HOSE END,MALE,SEAL LOK			
42776	801-8	HOSE,1/2 INCH ID			
42777	1J743-16-16	HOSE END,45° FEMALE SWIVEL,SEAL LOK			
42786	16 CLO-S	ELBOW,90°,MALE PIPE TO ORFS			
42787	16 R6LO-S	RUN TEE,SWIVEL NUT,ORFS			
42788	16-8 TRLO-BL-S	REDUCER,TUBE END TO SWIVEL,ORFS			
42789	6-6 CLO-S	ELBOW,90°,MALE PIPE TO ORFS			
42790	8-10 V5OLO-S	ELBOW,45°,STRAIGHT THREAD TO ORFS			
42791	3/4 CD-S	ELBOW,90°,MALE TO FEMALE PIPE			
42792	3/4 X 1/2 PTR-S	REDUCER,MALE TO FEMALE PIPE			
42793	1/2 CR-S	ELBOW,90°,MALE PIPE			

Fitting Cross References (Continued)

Genie PN	Parker PN	Description	Genie PN	Parker PN	Description
48771	881-10	HOSE,5/8 INCH ID	48847	13943-12-12	HOSE END,90° FEMALE SWIVEL,JIC
48772	381-4	HOSE,1/4 INCH ID	48848	10543-12-12	HOSE END,MALE,STRAIGHT THREAD
48773	AS-B-13	SLEEVE,NYLON,.86" ID	48849	1JC71-12-12	HOSE END,FEMALE SWIVEL,SEAL LOK
48800	1JC43-4-4	HOSE END,FEMALE SWIVEL,SEAL LOK	48850	1JS71-12-12	HOSE END,FEMALE SWIVEL,SEAL LOK
48801	1J743-4-4	HOSE END,45° FEMALE SWIVEL,SEAL LOK	48851	1J171-12-12	HOSE END,90° FEMALE SWIVEL,SEAL LOK
48802	1J943-4-4	HOSE END,90° FEMALE SWIVEL,SEAL LOK	48852	1J771-12-12	HOSE END,45° FEMALE SWIVEL,SEAL LOK
48804	1JM43-4-4	HOSE END,MALE,SEAL LOK, NO O-RING	48853	1J971-12-12	HOSE END,90° FEMALE SWIVEL,SEAL LOK
48805	10643-4-4	HOSE END,FEMALE SWIVEL,JIC	48854	1JC43-16-16	HOSE END,FEMALE SWIVEL,SEAL LOK
48806	13943-4-4	HOSE END,90° FEMALE SWIVEL,JIC	48855	1J943-16-16	HOSE END,90° FEMALE SWIVEL,SEAL LOK
48807	1JS43-4-4	HOSE END,FEMALE SWIVEL,SEAL LOK	48856	1J171-16-16	HOSE END,90° FEMALE SWIVEL,SEAL LOK
48808	3JC82-8-8	HOSE END,FEMALE SWIVEL,SEAL LOK	48857	1J971-16-16	HOSE END,90° FEMALE SWIVEL,SEAL LOK
48809	3JC82-12-12	HOSE END,FEMALE SWIVEL,SEAL LOK	48859	1JS43-8-4	HOSE END,FEMALE SWIVEL,SEAL LOK
48810	1JC43-6-4	HOSE END,FEMALE SWIVEL,SEAL LOK	48867	PD36BTL	DIAGNOSTIC NIPPLE,SEAL-LOK SWIVEL
48811	1J943-6-4	HOSE END,90° FEMALE SWIVEL,SEAL LOK	48873	6 PNLO-S	PLUG,TUBE END,ORFS
48812	1JC43-6-6	HOSE END,FEMALE SWIVEL,SEAL LOK	48874	6 PNTX-S	PLUG,FLARE TUBE
48813	1J143-6-6	HOSE END,90° FEMALE SWIVEL,SEAL LOK	48875	6 R6LO-S	RUN TEE,SWIVEL NUT,ORFS
48814	1J543-6-6	HOSE END,90° FEMALE SWIVEL,SEAL LOK	48877	4 F5OLO-SW/.025	CONNECTOR,STRAIGHT THREAD TO ORFS, W/.025 ORI
48815	1J743-6-6	HOSE END,45° FEMALE SWIVEL,SEAL LOK	48878	16-12 C5OLO-S	ELBOW,90°,STRAIGHT THREAD TO ORFS
48816	1J943-6-6	HOSE END,90° FEMALE SWIVEL,SEAL LOK	48879	8 C8LO-S	ELBOW,90°,SWIVEL NUT ORFS
48817	1JS43-6-8	HOSE END,FEMALE SWIVEL,SEAL LOK	48880	PD6-285	CAP,DIAGNOSTIC NIPPLE
48818	1J943-8-4	HOSE END,90° FEMALE SWIVEL,SEAL LOK	48881	6 HLO-S	UNION,ORFS
48819	1JC43-8-6	HOSE END,FEMALE SWIVEL,SEAL LOK	48883	8 P5ON-S	PLUG,STRAIGHT THREAD
48820	1J743-8-6	HOSE END,45° FEMALE SWIVEL,SEAL LOK	48884	8M18F87OMLO-S	CONNECTOR,METRIC,STRAIGHT THREAD TO ORFS
48821	1J943-8-6	HOSE END,90° FEMALE SWIVEL,SEAL LOK	48885	4 WGTX-WLN-S	CONNECTOR,BULKHEAD,FEMALE PIPE TO FLARE TUBE
48822	1JC43-8-8	HOSE END,FEMALE SWIVEL,SEAL LOK	48886	4 F5OLO-SW/2MM	CONNECTOR,MACHINED STRAIGHT THREAD TO ORFS
48823	1JS43-8-8	HOSE END,FEMALE SWIVEL,SEAL LOK	48887	4 CTX-S	ELBOW,90°,MALE PIPE TO FLARE TUBE
48824	1J143-8-8	HOSE END,90° FEMALE SWIVEL,SEAL LOK	48888	10-12 V5OLO-S	ELBOW,45°,STRAIGHT THREAD TO ORFS
48825	1J543-8-8	HOSE END,90° FEMALE SWIVEL,SEAL LOK	48890	4 S5OLO-S	BRANCH TEE,STRAIGHT THREAD TO ORFS
48826	1J743-8-8	HOSE END,45° FEMALE SWIVEL,SEAL LOK	48891	4 S8LO-S	BRANCH TEE,SWIVEL NUT TO ORFS
48827	1J943-8-8	HOSE END,90° FEMALE SWIVEL,SEAL LOK			
48828	1JC43-10-8	HOSE END,FEMALE SWIVEL,SEAL LOK			
48829	1JS43-10-8	HOSE END,FEMALE SWIVEL,SEAL LOK			
48830	1J743-10-8	HOSE END,45° FEMALE SWIVEL,SEAL LOK			
48831	1J943-10-8	HOSE END,90° FEMALE SWIVEL,SEAL LOK			
48833	1JC43-10-10	HOSE END,FEMALE SWIVEL,SEAL LOK			
48834	1J943-10-10	HOSE END,90° FEMALE SWIVEL,SEAL LOK			
48835	1JS43-10-12	HOSE END,FEMALE SWIVEL,SEAL LOK			
48836	1JC43-12-8	HOSE END,FEMALE SWIVEL,SEAL LOK			
48837	1JS43-12-8	HOSE END,FEMALE SWIVEL,SEAL LOK			
48838	1J743-12-8	HOSE END,45° FEMALE SWIVEL,SEAL LOK			
48839	1J943-12-8	HOSE END,90° FEMALE SWIVEL,SEAL LOK			
48840	1J943-12-10	HOSE END,90° FEMALE SWIVEL,SEAL LOK			
48841	1JC43-12-12	HOSE END,FEMALE SWIVEL,SEAL LOK			
48842	1JO43-12-12	HOSE END,MALE,SEAL LOK			
48843	1J143-12-12	HOSE END,90° FEMALE SWIVEL,SEAL LOK			
48844	1J543-12-12	HOSE END,90° FEMALE SWIVEL,SEAL LOK			
48845	1J743-12-12	HOSE END,45° FEMALE SWIVEL,SEAL LOK			
48846	1J943-12-12	HOSE END,90° FEMALE SWIVEL,SEAL LOK			

Fitting Cross References (Continued)

Genie PN	Parker PN	Description	Genie PN	Parker PN	Description
48892	6 C6LO-S	ELBOW,90°,SWIVEL NUT ORFS	48938	8 R6LO-S	RUN TEE,SWIVEL NUT,ORFS
48893	6 F5OHAO-S	UNION,STRAIGHT THREAD	48939	8 S6LO-S	BRANCH TEE,SWIVEL NUT TO ORFS
48894	8 WLO-WLNL-S	UNION,BULKHEAD,ORFS	48940	8 WJLO-WLNL-S	RUN TEE, BULKHEAD,ORFS
48895	DT-370-MSMO-5	VALVE,CHECK	48941	8-4 TRLO-S	REDUCER,TUBE END TO SWIVEL,ORFS
48896	6 JLO-S	UNION,TEE,ORFS	48942	8-6 C5OLO-S	ELBOW,90°,STRAIGHT THREAD TO ORFS
48897	DT-750-MSMS-5	VALVE,CHECK	48943	8-6 F5OLO-S	CONNECTOR,STRAIGHT THREAD TO ORFS
48898	DT-750-MOMS-5	VALVE,CHECK	48944	8-8 FLO-S	CONNECTOR,MALE PIPE TO ORFS
48899	DT-620-MOMS-5	VALVE,CHECK	48945	8 FTX-S	CONNECTOR,MALE PIPE TO FLARE TUBE
48900	4-6 F5OLO-SW/.035	CONNECTOR,STRAIGHT THREAD TO ORFS, W/.035 ORI	48946	8-10 F5OLO-S	CONNECTOR,STRAIGHT THREAD TO ORFS
48902	16-1 AOE4G-S	ELBOW,90° LONG,FEMALE PIPE TO STRAIGHT THREAD	48947	8-12 C5OLO-S	ELBOW,90°,STRAIGHT THREAD TO ORFS
48903	1 FF-S	NIPPLE,PIPE	48948	8-12 F5OLO-S	CONNECTOR,STRAIGHT THREAD TO ORFS
48904	4 C5OLO-S	ELBOW,90°,STRAIGHT THREAD TO ORFS	48949	8-16 F5OLO-S	CONNECTOR,STRAIGHT THREAD TO ORFS
48905	4 F5OLO-S	CONNECTOR,STRAIGHT THREAD TO ORFS	48950	10 C5OLO-S	ELBOW,90°,STRAIGHT THREAD TO ORFS
48906	4 R5OLO-S	RUN TEE,STRAIGHT THREAD	48951	10 CC5OLO-S	ELBOW,90° LONG,STRAIGHT THREAD TO ORFS
48907	4 V5OLO-S	ELBOW,45°,STRAIGHT THREAD TO ORFS	48952	10 F5OLO-S	CONNECTOR,STRAIGHT THREAD TO ORFS
48908	4 R6LO-S	RUN TEE,SWIVEL NUT,ORFS	48953	10 R5OLO-S	RUN TEE,STRAIGHT THREAD
48909	4 WJLO-WLNL-S	RUN TEE, BULKHEAD,ORFS	48954	10 S5OLO-S	BRANCH TEE,STRAIGHT THREAD TO ORFS
48910	4 GTX-S W/.030	CONNECTOR,FEMALE PIPE TO FLARE TUBE	48955	10 R6LO-S	RUN TEE,SWIVEL NUT,ORFS
48911	4-6 C5OLO-S	ELBOW,90°,STRAIGHT THREAD TO ORFS	48956	10-4 TRLO-BL-S	REDUCER,TUBE END TO SWIVEL,ORFS
48912	4-6 F5OLO-S	CONNECTOR,STRAIGHT THREAD TO ORFS	48957	10-6 TRLO-BL-S	REDUCER,TUBE END TO SWIVEL,ORFS
48913	4-6 F5OLO-SW/.030	CONNECTOR,STRAIGHT THREAD TO ORFS, W/.030 ORI	48958	10-12 F5OLO-S	CONNECTOR,STRAIGHT THREAD TO ORFS
48914	4-8 F5OLO-S	CONNECTOR,STRAIGHT THREAD TO ORFS	48959	12 C5OLO-S	ELBOW,90°,STRAIGHT THREAD TO ORFS
48915	6 C5OLO-S	ELBOW,90°,STRAIGHT THREAD TO ORFS	48960	12 F5OLO-S	CONNECTOR,STRAIGHT THREAD TO ORFS
48916	6 F5OLO-S	CONNECTOR,STRAIGHT THREAD TO ORFS	48961	12 R5OLO-S	RUN TEE,STRAIGHT THREAD
48917	6 FF5OLO-S	CONNECTOR,LONG,STRAIGHT THREAD TO ORFS	48962	12 S5OLO-S	BRANCH TEE,STRAIGHT THREAD TO ORFS
48918	6 R5OLO-S	RUN TEE,STRAIGHT THREAD	48963	12 V5OLO-S	ELBOW,45°,STRAIGHT THREAD TO ORFS
48919	6 S5OLO-S	BRANCH TEE,STRAIGHT THREAD TO ORFS	48964	12 R6LO-S	RUN TEE,SWIVEL NUT,ORFS
48920	6 V5OLO-S	ELBOW,45°,STRAIGHT THREAD TO ORFS	48965	12 CLO-S	ELBOW,90°,MALE PIPE TO ORFS
48921	6 FLO-S	CONNECTOR,MALE PIPE TO ORFS	48966	12 FLO-S	CONNECTOR,MALE PIPE TO ORFS
48922	6-6 FLO-S	CONNECTOR,MALE PIPE TO ORFS	48967	12 JLO-S	UNION TEE,ORFS
48923	6 P5ON-S	PLUG,STRAIGHT THREAD	48968	12 WLO-WLNL-S	UNION,BULKHEAD,ORFS
48925	6 WELO-S	UNION,90° BULKHEAD,ORFS	48969	12 WJLO-WLNL-S	RUN TEE, BULKHEAD,ORFS
48926	6-4 C5OLO-S	ELBOW,90°,STRAIGHT THREAD TO ORFS	48970	12 WELO-WLNL-S	UNION,90° BULKHEAD W/NUT,ORFS
48927	6-4 F5OLO-S	CONNECTOR,STRAIGHT THREAD TO ORFS			
48928	6-4 V5OLO-S	ELBOW,45°,STRAIGHT THREAD TO ORFS			
48929	6-8 C5OLO-S	ELBOW,90°,STRAIGHT THREAD TO ORFS			
48930	6-8 F5OLO-S	CONNECTOR,STRAIGHT THREAD TO ORFS			
48931	6-10 F5OLO-S	CONNECTOR,STRAIGHT THREAD TO ORFS			
48932	8 C5OLO-S	ELBOW,90°,STRAIGHT THREAD TO ORFS			
48933	8 F5OLO-S	CONNECTOR,STRAIGHT THREAD TO ORFS			
48934	8 FF5OLO-S	CONNECTOR,LONG,STRAIGHT THREAD TO ORFS			
48935	8 R5OLO-S	RUN TEE,STRAIGHT THREAD			
48936	8 S5OLO-S	BRANCH TEE,STRAIGHT THREAD TO ORFS			
48937	8 V5OLO-S	ELBOW,45°,STRAIGHT THREAD TO ORFS			

Fitting Cross References (Continued)

Genie PN	Parker PN	Description	Genie PN	Parker PN	Description
48971	12 G5G5JG5-S	TEE,FEMALE STRAIGHT THREAD	49612	PKT02586	O-RING KIT (ORFS FITTINGS)
48972	12 XHL6-S	ADAPTER, 37° MALE TO SWIVEL ORFS	49613	PKT06276	PLUG AND CAP KIT-SERVICE,ORFS
48973	12-1/2 F5OG-S	ADAPTER,FEMALE PIPE TO STRAIGHT THREAD	49728	10143-12-12	HOSE END, MALE PIPE
48974	12-10 C5OLO-S	ELBOW,90°,STRAIGHT THREAD TO ORFS	49729	16-1 F5OG-S	ADAPTER,FEMALE PIPE TO STRAIGHT THREAD
48975	12-10 F5OLO-S	CONNECTOR,STRAIGHT THREAD TO ORFS	49814	12-8 FLO-S	CONNECTOR,MALE PIPE TO ORFS
48976	12-16 C5OLO-S	ELBOW,90°,STRAIGHT THREAD TO ORFS	49829	DT-500-MOMF-5	VALVE,CHECK
48977	12-16 F5OLO-S	CONNECTOR,STRAIGHT THREAD TO ORFS	49831	881-12	HOSE,3/4 INCH ID
48978	12-16 V5OLO-S	ELBOW,45°,STRAIGHT THREAD TO ORFS	49834	16 JLO-S	UNION TEE,ORFS
48980	12-16 FLO-S	CONNECTOR,MALE PIPE TO ORFS	49838	12-8 TRLO-BL-S	REDUCER,TUBE END TO SWIVEL,ORFS
48983	16 C5OLO-S	ELBOW,90°,STRAIGHT THREAD TO ORFS	49840	8 JLO-S	UNION TEE,ORFS
48984	16 F5OLO-S	CONNECTOR,STRAIGHT THREAD TO ORFS	49844	10-8 TRLO-BL-S	REDUCER,TUBE END TO SWIVEL,ORFS
48985	16 V5OLO-S	ELBOW,45°,STRAIGHT THREAD TO ORFS	49854	8 P5ON-S	PLUG,STRAIGHT THREAD
48986	16 FLO-S	CONNECTOR,MALE PIPE TO ORFS	49855	1JC43-16-12	HOSE END,FEMALE SWIVEL,SEAL LOK
48988	16 CD45-S	ELBOW,45°,MALE TO FEMALE PIPE	49859	4 P5ON-S	PLUG,STRAIGHT THREAD
48989	12 CD45-S	ELBOW,45°,MALE TO FEMALE PIPE	49861	4 FF5OLO-S	CONNECTOR, LONG, STRAIGHT THREAD TO ORFS
48990	8 CD45-S	ELBOW,45°,MALE TO FEMALE PIPE	49867	12-3/4 F5OG-S	ADAPTER, FEMALE PIPE TO STRAIGHT THREAD
48991	16-12 FLO-S	CONNECTOR,MALE PIPE TO ORFS	51152	6 R6X-S	RUN TEE,SWIVEL NUT,ORFS
48992	16-12 V5OLO-S	ELBOW,45°,STRAIGHT THREAD TO ORFS	51153	6-4 TRTX-S	REDUCER,TUBE END TO SWIVEL,ORFS
48993	XV501-12	BALL VALVE	51154	4-4 GTX	CONNECTOR,FEMALE PIPE TO FLARE TUBE
48994	XV501-16	BALL VALVE	51264	881-12	HOSE,3/4 INCH ID
48995	XV510P-12	BALL VALVE	51265	8 JLO-S	UNION TEE,ORFS
48996	XV510P-16	BALL VALVE	51508	6 BTX-S	NUT,FLARE TUBE
48997	PD341	DIAGNOSTIC NIPPLE, STRAIGHT THREAD	51580	12-8 TRLO-BL-S	TUBE END REDUCER,ORFS
48998	PD 361	DIAGNOSTIC NIPPLE, STRAIGHT THREAD	51628	6 R6X-S	RUN TEE,SWIVEL NUT,ORFS
48999	DT-500-MOMS-5	VALVE,CHECK	51735	3/8 HHP	PLUG,PIPE THREAD
49201	10 V5OLO-S	ELBOW,45°,STRAIGHT THREAD TO ORFS	51803	1J943-6-8	HOSE END,90° FEMALE SWIVEL,SEAL LOK
49202	1JC43-12-10	HOSE END,FEMALE SWIVEL,SEAL LOK	53023	125HBL-5-4	FITTING,HOSE BARB TO MALE PIPE
49203	10-8 V5OLO-S	ELBOW,45°,STRAIGHT THREAD TO ORFS	53497	PKT02585	O-RING KIT
49205	6 F5OHAO-S	UNION,STRAIGHT THREAD	53499	1JC71-16-16	HOSE END,FEMALE SWIVEL,SEAL LOK
49207	PD34BTL	DIAGNOSTIC NIPPLE,SEAL-LOK SWIVEL	53500	3-904	O-RING,STRAIGHT THREAD,-4
49209	8M18F870MX-S	CONNECTOR,METRIC,STRAIGHT THREAD TO FLARE TUBE	53501	3-906	O-RING,STRAIGHT THREAD,-6
49212	8 WGTX-WLN-S	CONNECTOR,BULKHEAD,FEMALE PIPE TO FLARE TUBE	53502	3-908	O-RING,STRAIGHT THREAD,-8
49213	30682-8-8	HOSE END,FEMALE SWIVEL,JIC	53503	3-910	O-RING,STRAIGHT THREAD,-10
49216	831-8	HOSE,1/2 INCH ID			
49217	33982-8-8	HOSE END,90° FEMALE SWIVEL,JIC			
49219	PS-B-35	SLEEVE,NYLON,2.19" ID			
49418	4-6 V5OLO-S	ELBOW,45°,STRAIGHT THREAD TO ORFS			
49511	DT370-MOMS-5	VALVE,CHECK			
49512	1 DD-S	ELBOW,90°,FEMALE PIPE			
49513	1 FF-S	NIPPLE,PIPE			
49514	10 HP5ON-S	PLUG,STRAIGHT THREAD			
49515	12-16 CLO-S	ELBOW,90°,MALE PIPE TO ORFS			
49517	6 HP5ON-S	PLUG,STRAIGHT THREAD			
49519	16-12 F5OLO-S	CONNECTOR,STRAIGHT THREAD TO ORFS			
49520	4 VTX-S	ELBOW,45°,MALE PIPE TO FLARE TUBE			
49530	16 C6LO-S	ELBOW,90°,SWIVEL NUT ORFS			

Fitting Cross References (Continued)

Genie PN	Parker PN	Description	Genie PN	Parker PN	Description
53535	3-912	O-RING,STRAIGHT THREAD,-12	61083	24 F5OLO-S	CONNECTOR,STRAIGHT THREAD TO ORFS
53536	4-PNLO-S	PLUG,TUBE END,ORFS	61086	20 R5OLO-S	RUN TEE,STRAIGHT THREAD
53537	6 PNLO-S	PLUG,TUBE END,ORFS	61090	24-20 F5OLO-S	CONNECTOR,STRAIGHT THREAD TO ORFS
53538	8 PNLO-S	PLUG,TUBE END,ORFS	61091	1J943 24-24	HOSE END,90° FEMALE SWIVEL,SEAL LOK
53539	10 PNLO-S	PLUG,TUBE END,ORFS	61093	1J978-12-12	HOSE END,90° FEMALE SWIVEL,JIC
53540	12 PNLO-S	PLUG,TUBE END,ORFS	61095	1JS43-20-16	HOSE END,FEMALE SWIVEL,SEAL LOK
53946	129HB-5-4	FITTING,90° HOSE BARB TO MALE PIPE	61100	811-24	HOSE,11/2 INCH ID
53951	8-1/4F5OG-S	ADAPTER,FEMALE PIPE TO STRAIGHT THREAD	61130	1JS43-24-24	HOSE END,FEMALE SWIVEL,SEAL LOK
53980	6 S6LO-S	BRANCH TEE,SWIVEL NUT TO ORFS	61131	1JS78 12-12	HOSE END,FEMALE SWIVEL,SEAL LOK
54132	4 C6LO-S	ELBOW,90°,SWIVEL NUT ORFS	61132	1J778-12-12	HOSE END,45° FEMALE SWIVEL,JIC
54135	11343-16-16	HOSE END,MALE SWIVEL,PIPE	61152	139HB-6-4	ELBOW,45°,BARB TO MALE PIPE
54283	8-10 C5OLO-S	ELBOW,90°,STRAIGHT THREAD TO ORFS	61251	BV-0750	BALL VALVE
54428	8M18C870MLO-S	ELBOW, 90° METRIC, STRAIGHT THREAD TO ORFS	61259	4 CC5OLO-S	ELBOW,90° LONG,STRAIGHT THREAD TO ORFS
54803	FS-F-16-10	SLEEVE,FIRE,.96" ID	61260	20-12 TRLO-BL	REDUCER,TUBE END TO SWIVEL,ORFS
54954	10143-2-4	HOSE END, MALE PIPE	61262	12 C6LO-S	ELBOW,90°,SWIVEL NUT ORFS
55190	3/8 HP-S	PLUG,PIPE THREAD	61263	20 F5OHAO-S	UNION,STRAIGHT THREAD
55448	8 HLO-S	UNION,ORFS	61264	6-10 C5OLO-S	ELBOW,90°,STRAIGHT THREAD TO ORFS
55839	6 F65OX-S	CONNECTOR,STRAIGHT THREAD TO 37° SWIVEL	61265	6 WNLO-WLNL-S	UNION,BULKHEAD 45°,ORFS
55968	10 C5OX-S	ELBOW,90°,STRAIGHT THREAD TO FLARE TUBE	61268	4 WNLO-WLNL-S	UNION,BULKHEAD 45°,ORFS
56003	6 CC5OLO-S	ELBOW,90° LONG,STRAIGHT THREAD TO ORFS	61269	4 WLO-WLNL-S	UNION,BULKHEAD,ORFS
56166	BV-0837	BALL VALVE,90°	61272	12 AOEL6	ELBOW,90°,STRAIGHT THREAD TO ORFS SWIVEL
56188	10143-8-6	HOSE END, MALE PIPE	61316	482TC-16	HOSE,1 INCH ID
56233	2-011	O-RING,ORFS,-4	61321	6 JLO-S	UNION TEE,ORFS
56234	2-012	O-RING,ORFS,-6	61327	782-12	HOSE,3/4 INCH ID
56235	2-014	O-RING,ORFS,-8	61328	881-24	HOSE,11/2 INCH ID
56236	2-016	O-RING,ORFS,-10	61336	11943-20-24	HOSE END,90° FLANGE HEAD
56237	2-018	O-RING,ORFS,-12	61345	12 WJLO-WLNL-S	RUN TEE, BULKHEAD,ORFS
56238	2-021	O-RING,ORFS,-16	61346	8 WNLO-WLNL-S 4	UNION,BULKHEAD 45°,ORFS
56352	6 WLNL-S	LOCKNUT,BULKHEAD	61569	33782-8-8	HOSE END,45° FEMALE SWIVEL,JIC
56353	3J782-12-12	HOSE END,45° FEMALE SWIVEL,SEAL LOK	61610	12 FF5OLO-S	CONNECTOR,LONG,STRAIGHT THREAD TO ORFS
56354	3J982-12-12	HOSE END,90° FEMALE SWIVEL,SEAL LOK	61742	1/8 X 1.5 FFF	NIPPLE,PIPE
56604	10-8 F5OLO-S	CONNECTOR,STRAIGHT THREAD TO ORFS	63426	8 PNTX-S	PLUG,FLARE TUBE
56639	3JC82-10-10	HOSE END,FEMALE SWIVEL,SEAL LOK			
56640	3J982-10-10	HOSE END,90° FEMALE SWIVEL,SEAL LOK			
56655	3JC82-8-10	HOSE END,FEMALE SWIVEL,SEAL LOK			
56676	10-8 C5OLO-S	ELBOW,90°,STRAIGHT THREAD TO ORFS			
56776	471TC-6	HOSE,3/8 INCH ID			
56777	471TC-8	HOSE,1/2 INCH ID			
56789	811-16	HOSE,1 INCH ID			
57884	3/8 FF	NIPPLE,PIPE			
59335	6 FNL-S	CAP,TUBE END			
59342	4 FNL-S	CAP,TUBE END			
59371	8 HP5ON-S	PLUG,STRAIGHT THREAD			
60653	BV-0751	BALL VALVE			
60806	125HB-3-4	FITTING,HOSE BARB TO MALE PIPE			
61064	5-1/4 F5OG-S	ADAPTER,FEMALE PIPE TO STRAIGHT THREAD			
61079	4 WELO-WLNL-S	UNION,90° BULKHEAD W/NUT,ORFS			
61080	6 WLO-WLNL-S	UNION,BULKHEAD,ORFS			

Fitting Cross References (Continued)

Genie PN	Parker PN	Description	Genie PN	Parker PN	Description
64271	4 WLO-WLNL-S	UNION,BULKHEAD,ORFS	75631	801-6	HOSE,3/8 INCH ID
64272	6 WLO-WLNL-S	UNION,BULKHEAD,ORFS	75654	20 F5OLO-S	CONNECTOR,STRAIGHT THREAD TO ORFS
65776	8 F65OL-S	CONNECTOR,STRAIGHT THREAD TO ORFS SWIVEL	75655	1J943-20-20	HOSE END,90° FEMALE SWIVEL,SEAL LOK
65880	6001012	O-RING KIT	75656	881-20	HOSE,1-1/4 INCH ID
66154	6 WTX-WLNS	UNION,BULKHEAD,FLARE TUBE	75971	8 F5OHAO-S	UNION,STRAIGHT THREAD
66155	6 WETX-S	UNION,BULKHEAD 90°,FLARE TUBE	77307	1JB43-8-8	HOSE END,BULKHEAD,SEAL LOK
66156	6 WLNL-S	BULKHEAD LOCKNUT	77309	8 WLNL-S	BULKHEAD LOCKNUT
66389	6-8 F5OX-S	CONNECTOR,STRAIGHT THREAD TO FLARE TUBE	77379	8M18C87OMX-S	ELBOW,90° METRIC,STRAIGHT THREAD TO FLARE TUBE
66392	6 R5OX-S	RUN TEE,STRAIGHT THREAD	77703	3J982-8-8	HOSE END,90° FEMALE SWIVEL,SEAL LOK
66396	811-12	HOSE,3/4 INCH ID	77711	801-10	HOSE,5/8 INCH ID
66829	H3174PP	CLAMP,TUBE	77758	12 WNLO-WLNL-S	UNION,BULKHEAD 45°,ORFS
67217	4 KLO-S	UNION,CROSS,ORFS	78091	6 C6X-S	ELBOW,90°,SWIVEL NUT TO FLARE TUBE
67339	10-6 F5OX-S	CONNECTOR,STRAIGHT THREAD TO FLARE TUBE	78684	30582-8-8B	HOSE END,PUSH LOK,MALE
67357	13943-8-6	HOSE END,90° FEMALE SWIVEL,JIC	78852	549-2	HOSE,1/8 INCH ID
67358	10 HP5ON-S	PLUG,STRAIGHT THREAD	78855	10657-4-2	HOSE END,FEMALE SWIVEL,JIC
67371	12 S6LO-S	BRANCH TEE,SWIVEL NUT TO ORFS	79138	PS-B-37	SLEEVE,NYLON,2.38" ID
67498	4 FNL-S	CAP, TUBE END	79476	1JS43-6-8	HOSE END,FEMALE SWIVEL,SEAL LOK
67906	DC-370-F0F0-5	VALVE,CHECK	79847	12-3/4 A0EG-S	ELBOW,90°,STRAIGHT THREAD TO FEMALE PIPE
69316	8 FLO-S	CONNECTOR,MALE PIPE TO ORFS	80044	8 CLO-S	ELBOW,90°,MALE PIPE TO ORFS
69333	H3174PP	CLAMP,HYDRAULIC HOSE	80502	8 F5OX-S	CONNECTOR,STRAIGHT THREAD TO FLARE TUBE
69503	4 F65OX-S	CONNECTOR,STRAIGHT THREAD TO 37° SWIVEL	80503	8 C5OX-S	ELBOW,90°,STRAIGHT THREAD TO FLARE TUBE
69775	8 FNL-S	CAP, TUBE END	81010	AS-B-27	SLEEVE,NYLON,1.63" ID
71038	1/4X1/4F3HG-S	ADAPTER,CONVERSION	83052	821-6	HOSE,3/8 INCH ID
71196	12-8 F5OLO-S	CONNECTOR,STRAIGHT THREAD TO ORFS	83053	821-8	HOSE,1/2 INCH ID
71383	1/4 CD45-S	ELBOW,45°,MALE TO FEMALE PIPE	83054	821-12	HOSE,3/4 INCH ID
72270	12FNL-S	CAP, TUBE END	83055	30682-6-6	HOSE END,FEMALE SWIVEL,JIC
73436	60C-4	SLEEVE,COMPRESSION	83056	30682-12-12	HOSE END,FEMALE SWIVEL,JIC
73437	61C-4	NUT,COMPRESSION	83057	33782-6-6	HOSE END,45° FEMALE SWIVEL,JIC
73438	33482-4-4B	HOSE END,PUSH LOK,MALE	83058	33982-6-6	HOSE END,90° FEMALE SWIVEL,JIC
73767	1CD-S	ELBOW,90°,MALE TO FEMALE PIPE	83060	33982-12-12	HOSE END,90° FEMALE SWIVEL,JIC
73768	20-16-F5OG5-S	ADAPTER,FEMALE PIPE TO STRAIGHT THREAD	83063	13743-4-4	HOSE END,45° FEMALE SWIVEL,JIC
73769	16-20 F5OLO-S	CONNECTOR,STRAIGHT THREAD TO ORFS			
74660	6-8 F42EDMLO-S	CONNECTOR,MALE BSPP TO ORFS			
74661	8-8 F42EDMLO-S	CONNECTOR,MALE BSPP TO ORFS			
75007	4 FLO-S	CONNECTOR,MALE PIPE TO ORFS			
75008	1/8 HP-S	PLUG,PIPE THREAD			
75014	1/2 HP-S	PLUG,PIPE THREAD			
75042	8 WELO-WLNL-S	UNION,90° BULKHEAD W/NUT,ORFS			
75043	3/4 FF-S	NIPPLE,PIPE			
75254	24 F5OHAO-S	UNION,STRAIGHT THREAD			
75255	12 F5OHAO-S	UNION,STRAIGHT THREAD			
75256	XV506P-24	BALL VALVE			
75574	4 WLNL-S	BULKHEAD LOCKNUT			
75612	8 WJLO-WLNL-S	RUN TEE, BULKHEAD,ORFS			
75613	12-8 F5OG5-S	ADAPTER,FEMALE PIPE TO STRAIGHT THREAD			
75614	8 CC5OLO-S	ELBOW,90° LONG,STRAIGHT THREAD TO ORFS			
75628	1JB43-4-4	HOSE END,BULKHEAD,SEAL LOK			

Fitting Cross References (Continued)

Genie PN	Parker PN	Description	Genie PN	Parker PN	Description
83064	13743-8-8	HOSE END,45° FEMALE SWIVEL,JIC	89449	6 WJLO-WLNL-S	RUN TEE, BULKHEAD,ORFS
83065	13743-12-12	HOSE END,45° FEMALE SWIVEL,JIC	89489	4 WJMLO-S	BRANCH TEE,BULKHEAD,ORFS
83066	13943-8-8	HOSE END,90° FEMALE SWIVEL,JIC	89551	1JB43-6-6	HOSE END,BULKHEAD,SEAL LOK
83067	14143-6-6	HOSE END,90° FEMALE SWIVEL,JIC	89552	1JB43-8-8	HOSE END,BULKHEAD,SEAL LOK
83068	14143-8-8	HOSE END,90° FEMALE SWIVEL,JIC	89593	20 C5OLO-S	ELBOW,90°,STRAIGHT THREAD TO ORFS
83069	14143-12-12	HOSE END,90° FEMALE SWIVEL,JIC	94161	8-8 CLO-S	ELBOW,90°,MALE PIPE TO ORFS
83070	772-8	HOSE,1/2 INCH ID	94358	351TC-12	HOSE,3/4 INCH ID
83071	10671-8-8	HOSE END,FEMALE SWIVEL,JIC	94418	20 FLO-S	CONNECTOR,MALE PIPE TO ORFS
83072	10671-12-12	HOSE END,FEMALE SWIVEL,JIC	96358	12 TX-S	SLEEVE,FLARE TUBE
83073	13771-8-8	HOSE END,45° FEMALE SWIVEL,JIC	96359	12 BTX-S	NUT,FLARE TUBE
83074	13771-12-12	HOSE END,45° FEMALE SWIVEL,JIC	96397	8 F5OX-S	CONNECTOR,STRAIGHT THREAD TO FLARE TUBE
83075	13971-8-8	HOSE END,90° FEMALE SWIVEL,JIC	96398	12-8 F5OX-S	CONNECTOR,STRAIGHT THREAD TO FLARE TUBE
83076	13971-12-12	HOSE END,90° FEMALE SWIVEL,JIC	96402	10343-6-6	HOSE END,MALE,JIC
83077	14171-8-8	HOSE END,90° FEMALE SWIVEL,JIC	96407	30382-6-6B	HOSE END,MALE,JIC
83078	14171-12-12	HOSE END,90° FEMALE SWIVEL,JIC			
83080	13943-16-16	HOSE END,90° FEMALE SWIVEL,JIC			
83103	10671-16-12	HOSE END,FEMALE SWIVEL,JIC			
83104	10671-10-12	HOSE END,FEMALE SWIVEL,JIC			
83112	1JC71-8-8	HOSE END,FEMALE SWIVEL,SEAL LOK			
83113	1JS71-16-12	HOSE END,FEMALE SWIVEL,SEAL LOK			
83114	1JS71-10-12	HOSE END,FEMALE SWIVEL,SEAL LOK			
83115	1J971-8-8	HOSE END,90° FEMALE SWIVEL,SEAL LOK			
83116	1J171-8-8	HOSE END,90° FEMALE SWIVEL,SEAL LOK			
83117	1J771-8-8	HOSE END,45° FEMALE SWIVEL,SEAL LOK			
83127	1J543-6-8	HOSE END,90° FEMALE SWIVEL,JIC			
83128	1JC43-6-8	HOSE END,FEMALE SWIVEL,SEAL LOK			
87033	12-6 TRLO-S	REDUCER,TUBE END TO SWIVEL,ORFS			
87034	3J782-8-8	HOSE END,45° FEMALE SWIVEL,SEAL LOK			
87172	12 HP5ON-S	PLUG,STRAIGHT THREAD			
87185	8 WNLO-WLNL-S	UNION,BULKHEAD 45°,ORFS			
87246	4 C6X-S	ELBOW,90°,SWIVEL NUT TO FLARE TUBE			
87679	6 LHP-S	FLANGE SEAL FITTING, MALE			
87681	6PLS N0702	BONDED SEAL			
88100	SR88100	ADAPTER,OIL DRAIN,GM 3.0L			
88311	1JS43-20-20	HOSE END,FEMALE SWIVEL,SEAL LOK			
88353	20 V5OLO-S	ELBOW,45°,STRAIGHT THREAD TO ORFS			
88474	10081-20	Crimp Shell, 1.25"			
88475	1988-20-24	HOSE END,90° FLANGE HEAD			
88476	JS88-24-24	HOSE END,FEMALE SWIVEL,SEAL LOK			
88477	1JC88-20-20	HOSE END,FEMALE SWIVEL,SEAL LOK			
88478	811-20	HOSE,11/4 INCH ID			
88936	20-16 F5OLO-S	CONNECTOR,STRAIGHT THREAD TO ORFS			
88937	20-16 FLO-S	CONNECTOR,MALE PIPE TO ORFS			
88938	1JC88-16-16	HOSE END,FEMALE SWIVEL,SEAL LOK			
88939	1J988-16-16	HOSE END,90° FEMALE SWIVEL,ORFS			
88940	811-16	HOSE,1 INCH ID			
88944	1J988-20-20	HOSE END,90° FEMALE SWIVEL,ORFS			
89403	16 VLO-S	ELBOW,45°,MALE PIPE TO ORFS			

California Proposition 65



WARNING

Operating, servicing and maintaining this equipment can expose you to chemicals including engine exhaust, carbon monoxide, phthalates, and lead, which are known to the State of California to cause cancer and birth defects or other reproductive harm. These chemicals can be emitted from or contained in other various parts and systems, fluids and some component wear by-products. To minimize exposure, avoid breathing exhaust, do not idle the engine except as necessary, service your equipment and vehicle in a well-ventilated area and wear gloves or wash your hands frequently when servicing your equipment or vehicle and after operation. For more information go to www.P65Warnings.ca.gov/passenger-vehicle.

Distributed By:

Go to Discount-Equipment.com to order your parts

PARTS FINDER

**Search Website
by Part Number**



**Search Manual
Library For Parts
Manual & Lookup Part
Numbers – Purchase
or Request Quote**

Search Manuals

Enter your information to help us find the right parts manual for your machine.

* Brand:

* Model:

* Serial:

* Part Number:

SEARCH

**Can't Find Part or
Manual? Request Help
by Manufacturer,
Model & Description**

Parts Order Form

Please fill in the following information to help us find the right part for your machine.

Manufacturer:	<input type="text"/>
Model:	<input type="text"/>
Description:	<input type="text"/>
Part Number:	<input type="text"/>
Quantity:	<input type="text"/>
Notes:	<input type="text"/>

Submit

Discount-Equipment.com is your online resource for quality parts & equipment.

Florida: **561-964-4949** Outside Florida TOLL FREE: **877-690-3101**

Need parts?

Click on this link: <http://www.discount-equipment.com/category/5443-parts/> and choose one of the options to help get the right parts and equipment you are looking for. Please have the machine model and serial number available in order to help us get you the correct parts. If you don't find the part on the website or on one of the online manuals, please fill out the request form and one of our experienced staff members will get back to you with a quote for the right part that your machine needs.

We sell worldwide for the brands: Genie, Terex, JLG, MultiQuip, Mikasa, Essick, Whiteman, Mayco, Toro Stone, Diamond Products, Generac Magnum, Airman, Haulotte, Barreto, Power Blanket, Nifty Lift, Atlas Copco, Chicago Pneumatic, Allmand, Miller Curber, Skyjack, Lull, Skytrak, Tsurumi, Husquvarna Target, Stow, Wacker, Sakai, Mi-T-M, Sullair, Basic, Dynapac, MBW, Weber, Bartell, Bennar Newman, Haulotte, Ditch Runner, Menegotti, Morrison, Contec, Buddy, Crown, Edco, Wyco, Bomag, Laymor, EZ Trench, Bil-Jax, F.S. Curtis, Gehl Pavers, Heli, Honda, ICS/PowerGrit, IHI, Partner, Imer, Clipper, MMD, Koshin, Rice, CH&E, General Equipment, Amida, Coleman, NAC, Gradall, Square Shooter, Kent, Stanley, Tamco, Toku, Hatz, Kohler, Robin, Wisconsin, Northrock, Oztec, Toker TK, Rol-Air, APT, Wylie, Ingersoll Rand / Doosan, Innovatech, Con X, Ammann, Mecalac, Makinex, Smith Surface Prep, Small Line, Wanco, Yanmar