



A TEREX BRAND



Parts Manual

Serial Number Range

GTH™-1256

From SN GTH12M-301 to
GTH12M-400

Part No. 57.0411.0057GT

Rev E

June 2018

Go to Discount-Equipment.com to order your parts

PARTS FINDER

**Search Website
by Part Number**



**Search Manual
Library For Parts
Manual & Lookup Part
Numbers – Purchase
or Request Quote**

Search Manuals

Enter your information to help us find the right parts manual for your machine.

* Brand:

* Model:

* Serial:

* Part Number:

SEARCH

**Can't Find Part or
Manual? Request Help
by Manufacturer,
Model & Description**

Parts Order Form

Please fill in the following information to help us find the right part for your machine.

Manufacturer:	<input type="text"/>
Model:	<input type="text"/>
Description:	<input type="text"/>
Part Number:	<input type="text"/>
Quantity:	<input type="text"/>
Notes:	<input type="text"/>

Submit

Discount-Equipment.com is your online resource for quality parts & equipment.

Florida: **561-964-4949** Outside Florida TOLL FREE: **877-690-3101**

Need parts?

Click on this link: <http://www.discount-equipment.com/category/5443-parts/> and choose one of the options to help get the right parts and equipment you are looking for. Please have the machine model and serial number available in order to help us get you the correct parts. If you don't find the part on the website or on one of the online manuals, please fill out the request form and one of our experienced staff members will get back to you with a quote for the right part that your machine needs.

We sell worldwide for the brands: Genie, Terex, JLG, MultiQuip, Mikasa, Essick, Whiteman, Mayco, Toro Stone, Diamond Products, Generac Magnum, Airman, Haulotte, Barreto, Power Blanket, Nifty Lift, Atlas Copco, Chicago Pneumatic, Allmand, Miller Curber, Skyjack, Lull, Skytrak, Tsurumi, Husquvarna Target, Stow, Wacker, Sakai, Mi-T-M, Sullair, Basic, Dynapac, MBW, Weber, Bartell, Bennar Newman, Haulotte, Ditch Runner, Menegotti, Morrison, Contec, Buddy, Crown, Edco, Wyco, Bomag, Laymor, EZ Trench, Bil-Jax, F.S. Curtis, Gehl Pavers, Heli, Honda, ICS/PowerGrit, IHI, Partner, Imer, Clipper, MMD, Koshin, Rice, CH&E, General Equipment, Amida, Coleman, NAC, Gradall, Square Shooter, Kent, Stanley, Tamco, Toku, Hatz, Kohler, Robin, Wisconsin, Northrock, Oztec, Toker TK, Rol-Air, APT, Wylie, Ingersoll Rand / Doosan, Innovatech, Con X, Ammann, Mecalac, Makinex, Smith Surface Prep, Small Line, Wanco, Yanmar

Genie
A TEREX BRAND
MODEL: xxx-xxxx
SERIAL NUMBER: GTH12M-301

ATTACHMENT:
MANUFACTURE DATE: 2017
TOTAL TRUCK WEIGHT(LBS): xxxx kg
MAX LIFT CAPACITY(LBS): xxxx LBS

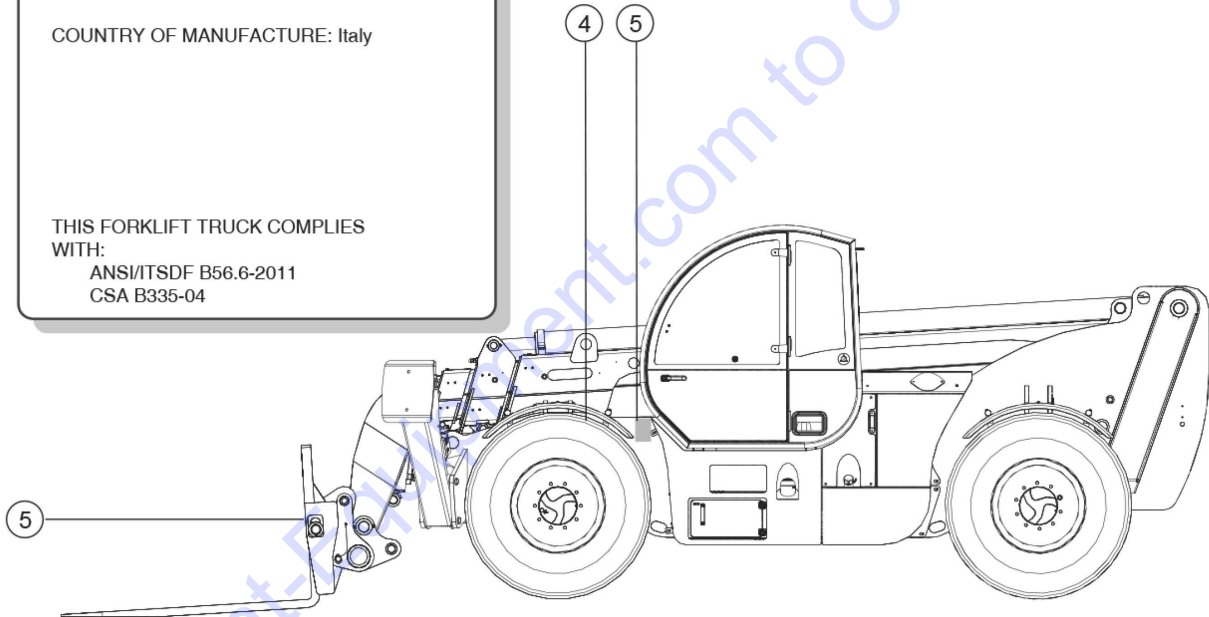
LIFT CAPACITY(LBS)
AT MAX LIFT HEIGHT: xxxx LBS
OUTRIGGERS UP: xx
OUTRIGGERS DOWN: xx

COUNTRY OF MANUFACTURE: Italy

THIS FORKLIFT TRUCK COMPLIES WITH:
ANSI/ITSDF B56.6-2011
CSA B335-04

GTH12 **M** **301**

① ② ③



- 1 Model
- 2 Facility code
- 3 Sequence number

- 4 Serial number
- 5 Serial label

Go to DiscountForklift.com to order your parts

Table of Contents

This manual is updated frequently. For the most up-to-date parts information, visit www.discount-equipment.com

How to Read Your Serial Number.....3
 Parts Stocking List.....7

Electronic Version

Click on any page number to view the figure.

001 Parts Stocking List

001.1 Parts Stocking List.....10

100 Decals

101.1 610200 Decals, View 1.....12
 102.1 610201 Decals, View 2.....14

200 Drive Chassis Components

201.1 610203 Rear Chassis.....16
 202.1 610204 Left Chassis.....18
 203.1 610205 Right Chassis.....20
 204.1 610206 Outriggers.....22
 205.1 610207 Hydraulic Oil And Diesel Tanks.....24
 206.1 610208 Drive Chassis And Wheels.....26
 207.1 610209 Front Axle - Differential.....28
 208.1 610210 Front Axle - Brakes.....30
 209.1 610211 Front And Rear Axle - Central Housing.....32
 210.1 610212 Front And Rear Axle - Hub Reduction.....34
 211.1 610213 Front And Rear Axle - Steering Cylinder.....36
 212.1 610214 Front And Rear Axle - Trunion.....38
 213.1 610215 Front And Rear Axle - Gear Box.....40
 214.1 610216 Rear Axle - Differential.....42
 215.1 610217 Rear Axle - Brakes.....44

300 Engine Components

301.1 610292 Diesel Engine Components - View 1.....46
 302.1 610293 Diesel Engine Components - View 2.....48
 303.1 610294 Diesel Engine Components - View 3.....50
 304.1 610295 Diesel Engine Components - View 4.....52
 305.1 610296 Diesel Engine Components - View 5.....54
 306.1 610220 Diesel Engine.....56

307.1 610221 Air Filter.....58
 308.1 610222 Fuel Circuit.....60
 309.1 610223 Exhaust System And Accelerator.....62
 310.1 610224 Cooling System, Radiator.....64
 311.1 610225 Cooling System, Radiator Hoses.....66
 312.1 610226 Hydraulic Pumps.....68
 313.1 610227 DEF System - View 1.....70
 314.1 610228 DEF System - View 2.....72

400 Cab Component

401.1 610229 Cab, View 1 - Standard Version.....74
 402.1 610230 Cab, View 2 - Standard Version.....76
 403.1 610231 Cab, View 3 - Standard Version.....78
 404.1 610232 Cab, View 1 - Close Version.....80
 405.1 610233 Cab, View 2 - Close Version.....82
 406.1 610234 Cab, View 3 - Close Version.....84
 407.1 610235 Cab, View 4 - Close Version.....86

500 Boom Components

501.1 610238 Arm 1st - 2nd Telescopic Element.....88
 502.1 610239 Arm 3rd - 4th Telescopic Element.....90
 503.1 610240 Chain Unit 1st Boom Section.....92
 504.1 610241 Chain Unit 2nd Boom Section.....94
 505.1 610242 Chain Unit 3rd Boom Section.....96
 506.1 610243 Chain Unit 4th Boom Section.....98
 507.1 610245 Lifting Cylinder - Slave Cylinder - Tilting Cylinder.....100
 508.1 610246 Boom Extension Cylinder.....102
 509.1 610247 Left & Right Chassis Sway Cylinder - Rear Axle Locking Cylinder.....104
 510.1 610248 Coupling Unit.....106
 511.1 610249 Fork Frame.....108
 512.1 610250 Truss Boom 7 Feet, 4,400 LBS.....110
 513.1 610251 Rubbish Bucket.....112

600 Hydraulic System

601.1 610254 Fittings.....114
 602.1 610255 Boom Extension Cylinder.....116
 603.1 610256 Forks Tilt Cylinder - Forks Level Slave Cylinder.....118
 604.1 610257 Attachment Hydraulic Circuit.....120
 605.1 610258 Front Outriggers.....122
 606.1 610259 Chassis Sway Cylinder.....124
 607.1 610260 Rear Axle Lock Cylinder.....126
 608.1 610261 Boom Lift Cylinder.....128
 609.1 610262 Power Steering.....130
 610.1 610263 Service Brake.....132
 611.1 610264 Parking Brake.....134

612.1 610265 Gear Box.....	136
613.1 610266 Hydraulic Oil Radiator.....	138
614.1 610267 Hydraulic Oil Radiator Circuit.....	140
615.1 610268 Hydraulic Pumps.....	142
616.1 610269 Boom Hydraulic Control.....	144
617.1 610270 Transmission.....	146
618.1 610271 Test Port Manifold.....	148
619.1 610272 Primary Functions Manifold.....	150

700 Electric Installation

701.1 610275 Cabin Fuse - Relay Box.....	152
702.1 610276 Dashboard.....	154
703.1 610277 Wirings - View 1.....	156
704.1 610278 Wirings - View 2.....	158

800 Optionals

801.1 610281 Hydraulic Quick Couplig - Part 1.....	160
801.2 610282 Hydraulic Quick Coupling - Part 2.....	162
802.1 610283 Work Light.....	164
803.1 610284 Road Light - Part 1.....	166
803.2 610285 Road Light - Part 2.....	168
804.1 610286 Rear Video Camera.....	170
805.1 610287 Telematics.....	172
806.1 610288 Telematics M8.....	174
807.1 610289 Boom Line.....	176
808.1 610290 Rear Proximity Alarm.....	178
809.1 610297 Air Conditioning - Part 1.....	180
809.2 610298 Air Conditioning - Part 2.....	182
809.3 610299 Air Conditioning - Part 3.....	184
810.1 610300 Cold Weather.....	186

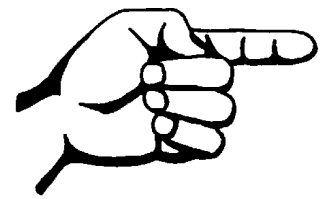
Indices

Part Number Index.....	188
Part Description Index.....	194

Cross References

Fittings Cross Reference.....	202
-------------------------------	-----

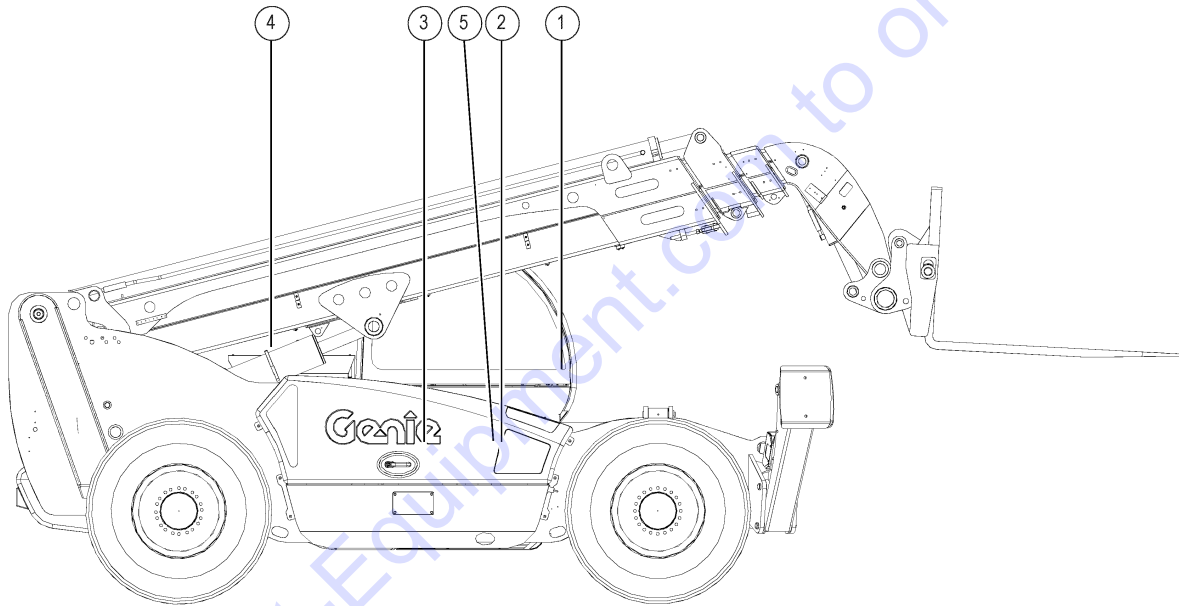
Please refer to section 001 for the Recommended Spare Parts List.



This page intentionally left blank.

Go to Discount-Equipment.com to order your parts

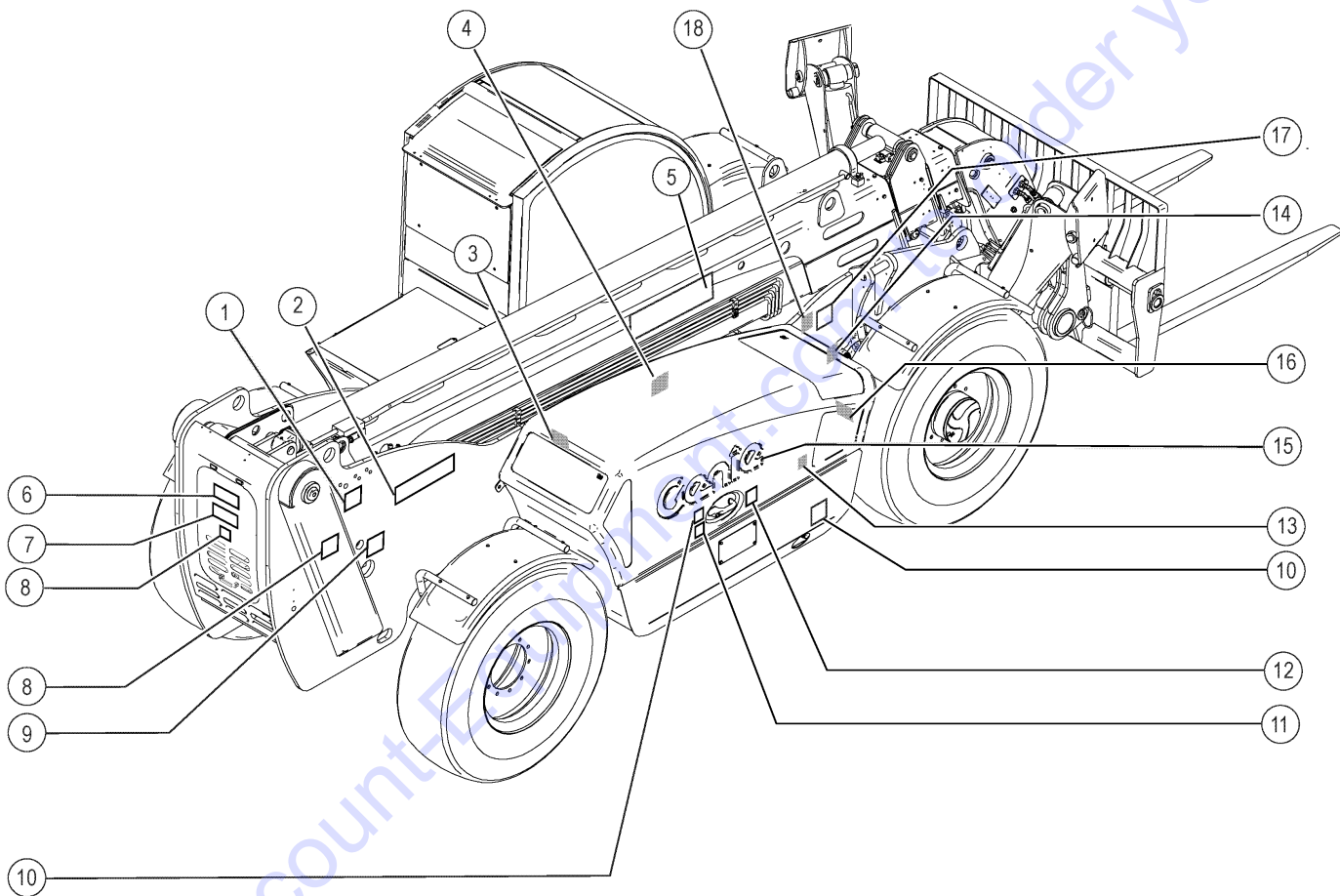
001.1 Parts Stocking List



Item	Part No.	Description	Qty.
1	57.0009.0731GT	OPERATOR'S MANUAL	
2	236266GT	FILTER,FUEL,DEUTZ TCD3.6	
--	823057GT	FILTER,FUEL,SPIN-ON,TCD3.6	
3	07.4501.0067GT	FILTER,OIL	
4	09.4604.0005GT	FILTER ASSY	
5	09.4604.0074GT	Air Filter	

Go to Discount-Equipment.com to order your parts

101.1 610200 Decals, View 1

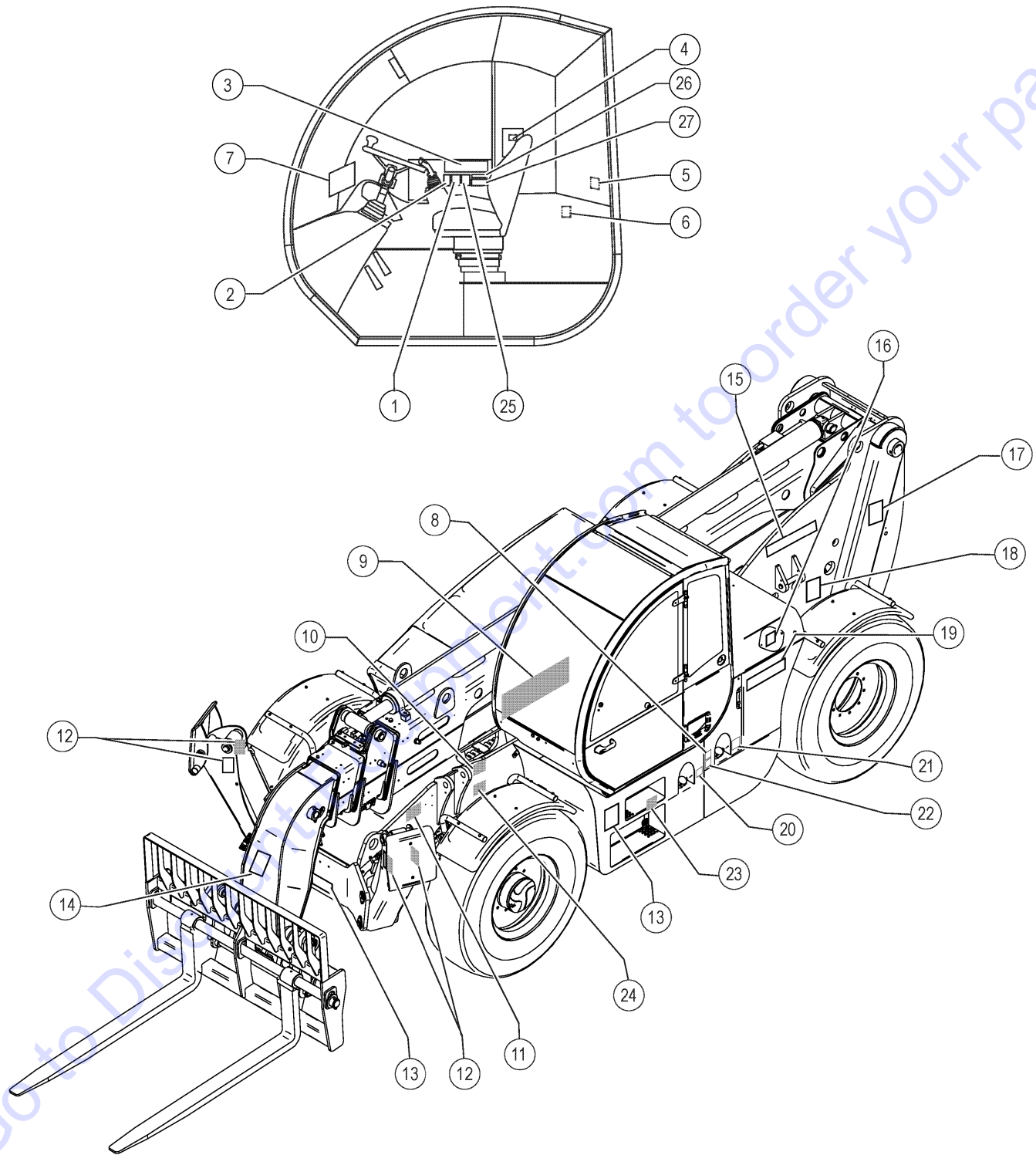


Go to DiscountParts.com to order your parts

Item	Part No.	Description	Qty.
1	82558GT	DECAL,WARN,SKIN INJECTION HAZ*.....	1
2	094618.1767GT	Cosmetic - GTH-1256.....	1
3	237605GT	DECAL,WARNING,EXPLOSION/BURN HAZARD.....	1
4	237601GT	Danger - Explosion/Burn Hazard.....	1
5	094618.1765GT	Cosmetic - GTH-1256.....	1
6	094618.1625GT	DECAL,COSMETIC,GENIE.....	1
7	094618.1768GT	Cosmetic - GTH-1256.....	1
8	237598GT	DECAL,BODY CRUSH,ROLLING MACHINE.....	2
9	237970GT	DECAL,CRUSH HAZARD,TIRES.....	1
10	97667GT	DECAL,WARN,BURN HAZARD.....	2
11	28175GT	DECAL,WARNING-COMPART ACCESS.....	1
12	214418GT	DECAL, 2 DECAL COMBO.....	1
13	094618.1646GT	DECAL,INCHING VALVE.....	1
14	094618.1655GT	DECAL,NOTICE CUT OUT SWITCH.....	1
15	094618.1834GT	Cosmetic - Genie.....	1
16	094618.1638GT	Label - Tests Port..... <i>Only For Deutz Engine Version</i>	1
17	094618.1919GT	DECAL,CUT-OUT BATTERY.....	1
18	094618.2050GT	AIR FILTER GRID.....	1
18	094618.2051GT	DECAL AIR FILTER GRID (FRENCH).....	1

Go to Discount-Equipment.com to order your parts

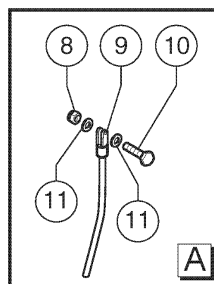
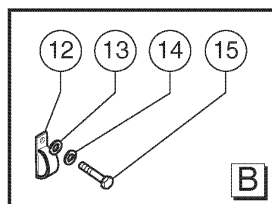
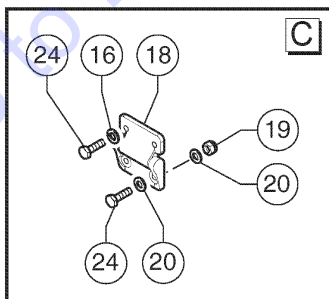
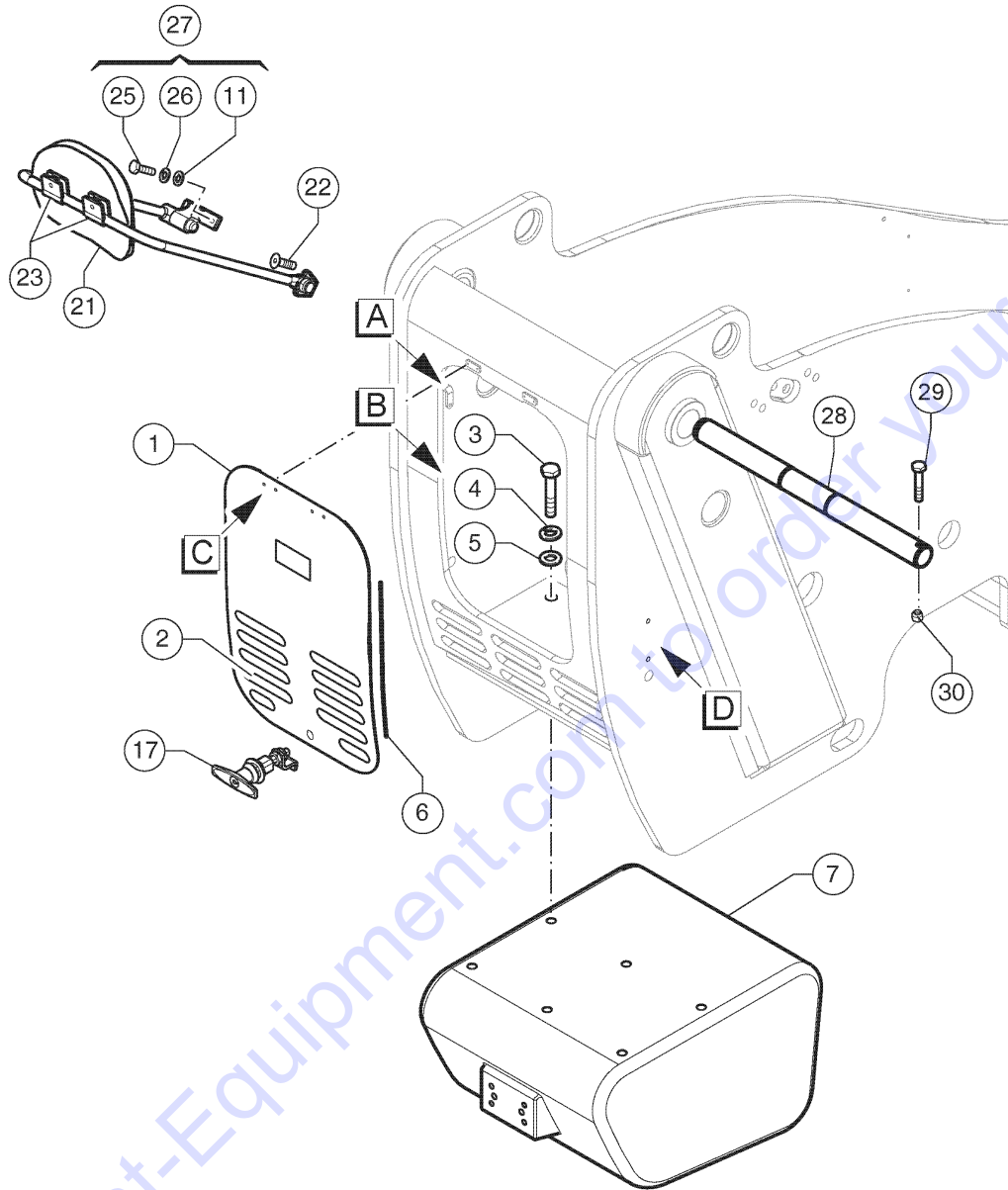
102.1 610201 Decals, View 2



Item	Part No.	Description	Qty.	Item	Part No.	Description	Qty.
1	0946182035GT	Label, Notice - Driving Downhill.....	1	25	0946182039GT	DECAL, TRANSMISSION ERROR RESET INSTRUCTION.....	1
2	237606GT	Label - Single Controller.....	1	26	1280819GT	DECAL,WARNING,CANCER AND REPRODUCTIVE HARM, PROP 65.....	1
3	094618.1622GT	Danger/Warning – 7 Decal Combination.....	1	27	1280820GT	DECAL,FUEL,DIESEL EXHAUST, PROP 65.....	1
4	28236GT	DECAL,WARN,IMPROPER OPERATION.....	1				
5	094618.1418GT	DECAL,EMERGENCY EXIT.....	1				
6	094618.1399GT	DECAL,DOOR UNLOCK SYSTEM.....	1				
7a	094618.1823GT	Label - Load Chart, Standard Carriage on wheel.....	1				
7b	094618.1824GT	Label - Load Chart, Standard Carriage on stab.....	1				
7c	094618.1825GT	Label - Load Chart, Rotate Carriage on wheel.....	1				
7d	094618.1826GT	Label - Load Chart, Rotate Carriage on stab.....	1				
7e	094618.1830GT	Label - Load Chart, Rubbish Bucket on wheel.....	1				
7f	094618.1831GT	Label - Load Chart, Rubbish Bucket on stab.....	1				
7g	094618.1833GT	Label - Load Chart, 7 ft Truss Boom on wheel.....	1				
7h	094618.1832GT	Label - Load Chart, 7 ft Truss Boom on stab.....	1				
7i	094618.1843GT	Label - Load Chart, Shackle on wheel.....	1				
7l	094618.1844GT	Label - Load Chart, Shackle on stab.....	1				
8	826345GT	DECAL,ULS DIESEL ONLY,TIER 4.....	1				
9	094618.1766GT	Cosmetic - GTH-1256.....	1				
10	215267GT	Label - Product Registration.....	1				
11	094618.1828GT	Label – Transport and Lifting.....	1				
12	094618.1842GT	Warning - Crush Hazard, Stabilizers.....	4				
13	214418GT	DECAL, 2 DECAL COMBO.....	2				
14	215268GT	DECAL, FALL HAZARD.....	1				
15	094618.1767GT	Cosmetic - GTH-1256.....	1				
16	82366GT	DECAL, LABEL - CHEVRON RANDO.....	1				
17	237598GT	DECAL,BODY CRUSH,ROLLING MACHINE.....	1				
18	237970GT	DECAL,CRUSH HAZARD,TIRES.....	1				
19	094618.1621GT	Cosmetic - Genie.....	1				
20	1268754GT	DECAL,DEF Fill.....	1				
21	237971GT	Danger - Explosion/Burn Hazard, Fueling.....	1				
22	28159GT	DECAL,LABEL,DIESEL FUEL.....	1				
23	094618.1635GT	Danger – Explosion/Burn Hazard.....	1				
24	1272242GT	DECAL,MACHINE REGISTRATION/OWNER TRANSFER.....	1				

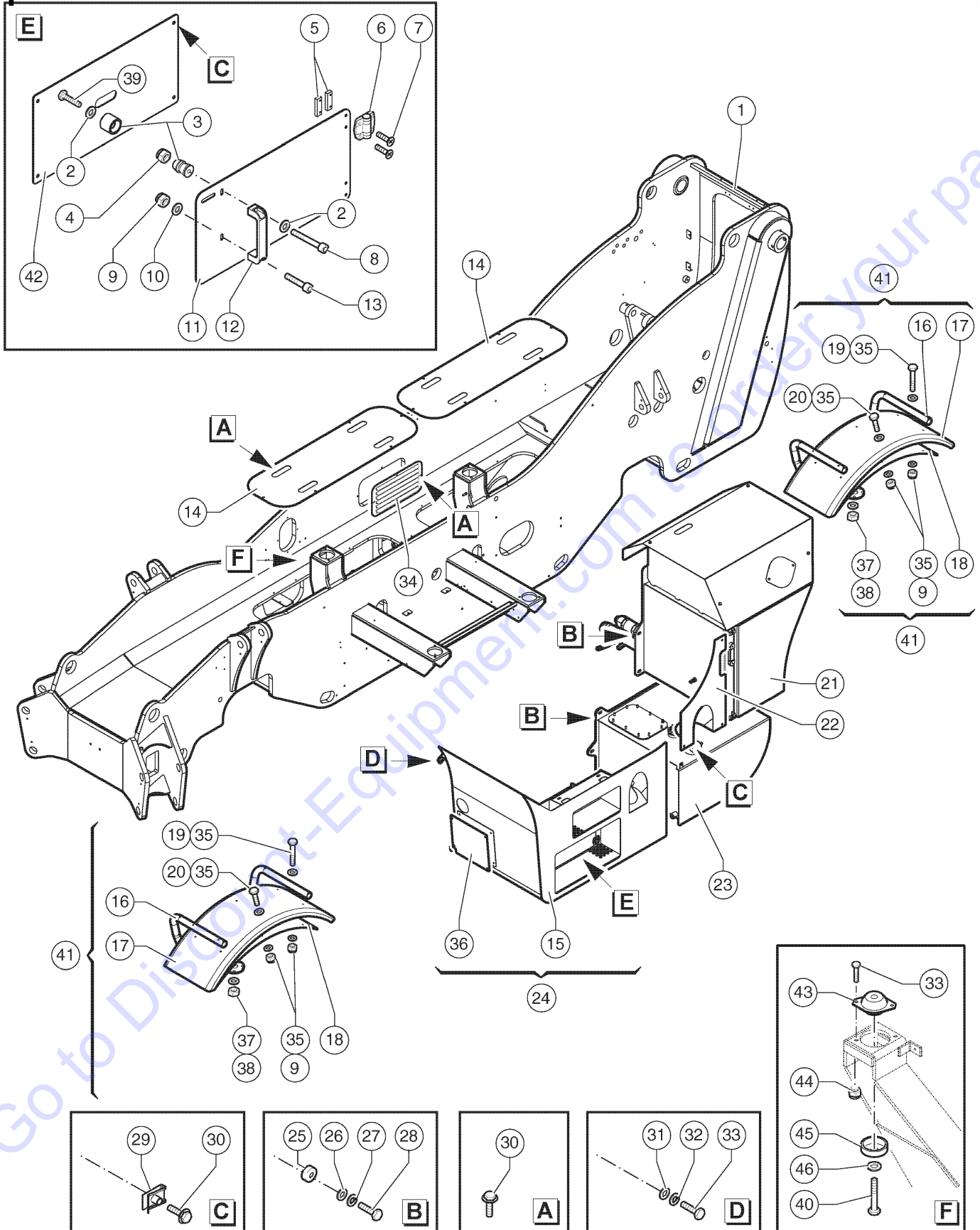


201.1 610203 Rear Chassis



Item	Part No.	Description	Qty.
1	51.0903.5065GT	Cover.....	1
2	51.0903.5079GT	Protection Grid.....	1
3	01.4001.0177GT	Screw TE M24X100 UNI 5737 8.8 ZN....	6
4	01.4032.0000GT	SPRING WASHER D24 ZN.....	6
5	01.0031.0063GT	FLAT WASHER D24 UNI 6592 ZN.....	6
6	09.0803.0245GT	GASKET.....	51.2-Inch
7	51.1000.5212GT	Counterweight.....	1
8	01.0023.0054GT	NUT,M8 UNI 7473 6S ZN.....	3
9	51.0811.4481GT	Bracket.....	1
10	01.0001.0258GT	SCREW M8X35 UNI 5739 8.8 ZN.....	1
11	01.0031.0055GT	FLAT WASHER D8 UNI 6592 ZN.....	4
12	04.4227.0008GT	CLAMP S16 D12 HOLE 8.4.....	1
13	01.0031.0054GT	FLAT WASHER D6 UNI 6592 ZN.....	1
14	01.4032.0002GT	SPRING WASHER D6 ZN.....	1
15	01.0001.0154GT	SCREW M6X16 UNI 5739 8.8 ZN.....	1
16	01.4032.0001GT	WASHER,SPRING,D5 ZN.....	4
17	09.0803.0393GT	LOCK.....	1
18	09.0803.0706GT	Hinge.....	2
19	01.0023.0052GT	STOP NUT M5 UNI 7473 6S ZN.....	4
20	01.0031.0053GT	FLAT WASHER D5 UNI 6592 ZN.....	8
21	09.4610.0033GT	MIRROR,CONVEX.....	1
22	01.4006.0032GT	SCREW.....	2
23	09.0803.0651GT	LOCK CLIP.....	2
24	01.0001.1538GT	SCREW M5X16 UNI5737 8.8 ZN.....	8
25	01.0001.0256GT	SCREW M8X25 UNI 5739 8.8 ZN.....	2
26	01.4032.0003GT	SPRING WASHER D8 ZN.....	2
27	09.0803.0652GT	SUPPORT,MIRROR.....	1
28	54.0003.0176GT	PIN.....	1
29	01.4003.0004GT	Screw TCEI M.16X150 UNI 5931 12.9 ZN.....	1
30	01.0023.0058GT	NUT,STOP,M16 UNI 7473 6S ZN.....	1

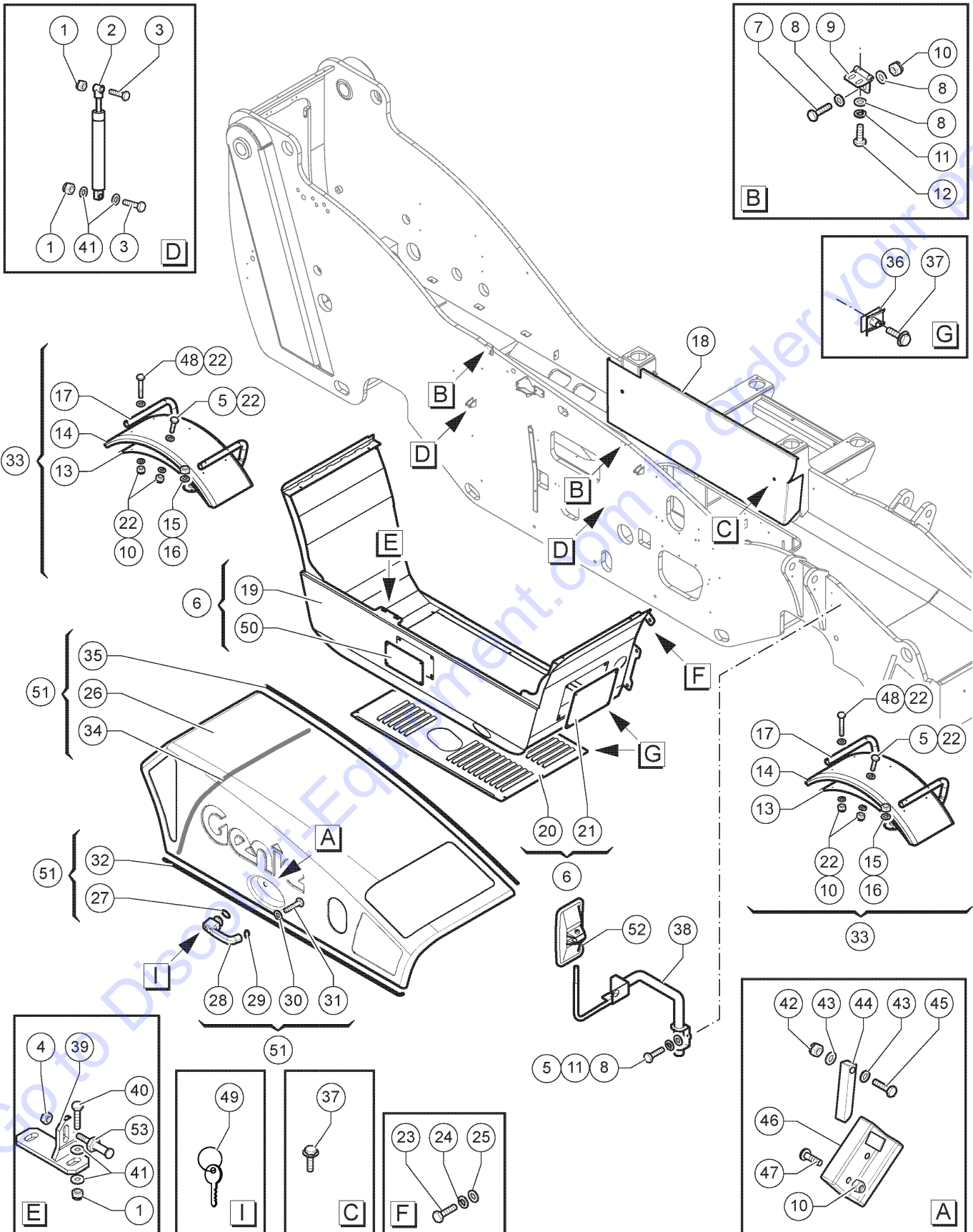
202.1 610204 Left Chassis



202.1 610204 Left Chassis

Item	Part No.	Description	Qty.	Item	Part No.	Description	Qty.
1	51.0113.9090GT	CHASSIS.....	1	44	01.0023.0055GT	NUT,STOP,M10 UNI 7473 6S ZN.....	8
2	01.0031.0054GT	FLAT WASHER D6 UNI 6592 ZN.....	2	45	54.0100.0020GT	VIBRATION DAMPING SUPPORT.....	4
3	09.4670.0000GT	KIT,DOOR LOCK.....	1	46	01.4032.0007GT	SPRING WASHER D16 ZN.....	4
4	01.0023.0053GT	STOP NUT M6 UNI 7473 6S ZN.....	1				
5	51.0811.4442GT	Hinge Fixing Plate.....	4				
6	09.0803.0278GT	HINGE.....	2				
7	01.4001.0062GT	SCREW M5X20 UNI 7687 ZN.....	8				
8	01.0003.0160GT	SCREW M6X40 UNI 5931 8.8 ZN.....	1				
9	01.0023.0054GT	NUT,M8 UNI 7473 6S ZN.....	12				
10	01.0031.0299GT	FLAT WASHER D8 UNI 6593 ZN.....	1				
11	51.0903.5196GT	COVER.....	1				
12	09.0803.0002GT	HANDLE.....	1				
13	01.0003.0205GT	SCREW M8X25 UNI 5931 8.8 ZN.....	1				
14	51.0903.5067GT	Cover.....	2				
15	51.0811.4672GT	LADDER.....	1				
16	51.0811.4597GT	Support.....	2				
17	09.0803.0371GT	Mudguard.....	2				
18	51.0811.4506GT	Locking Plate.....	2				
19	01.0001.0207GT	SCREW M8X60 UNI 5737 8.8 ZN.....	8				
20	01.0001.0254GT	SCREW M8X20 UNI 5739 8.8 ZN.....	4				
21	55.0240.0067GT	Hydraulic Oil Tank Assembly.....	1				
22	51.0903.5117GT	Cover.....	1				
23	55.0250.0027GT	Fuel Tank Assembly.....	1				
24	55.0409.0225GT	Ladder Assembly.....	1				
25	54.0100.0005GT	WASHER.....	10				
26	01.4031.0002GT	FLAT WASHER D14 UNI 6593 ZN.....	8				
27	01.4032.0006GT	SPRING WASHER D14 ZN.....	8				
28	01.0001.0605GT	SCREW M14X35 UNI 5739 8.8 ZN.....	8				
29	09.0803.0352GT	SPRING CLIP M8.....	3				
30	01.4001.0078GT	SCREW M8X20 DIN 6923 8.8 ZN.....	9				
31	01.0031.0301GT	FLAT WASHER D10 UNI 6593 ZN.....	4				
32	01.4032.0004GT	SPRING WASHER D10 ZN.....	5				
33	01.0001.0357GT	SCREW,TE,M10X35 UNI 8.8 ZN.....	12				
34	51.0903.5070GT	Protection Grid.....	1				
35	01.0031.0055GT	FLAT WASHER D8 UNI 6592 ZN.....	24				
36	51.0903.5198GT	COVER.....	1				
37	01.0023.0056GT	STOP NUT M12 UNI 7473 6S ZN.....	8				
38	01.0031.0057GT	WASHER,D12 UNI 6592 ZN.....	8				
39	01.0001.0154GT	SCREW M6X16 UNI 5739 8.8 ZN.....	1				
40	01.0001.0657GT	Screw TE M16X80 UNI 5737 8.8 ZN.....	4				
41	55.0409.0210GT	Mudguard ASSY.....	2				
42	51.0903.5197GT	COVER.....	1				
43	09.4670.0032GT	VIBRATION DAMPING.....	4				

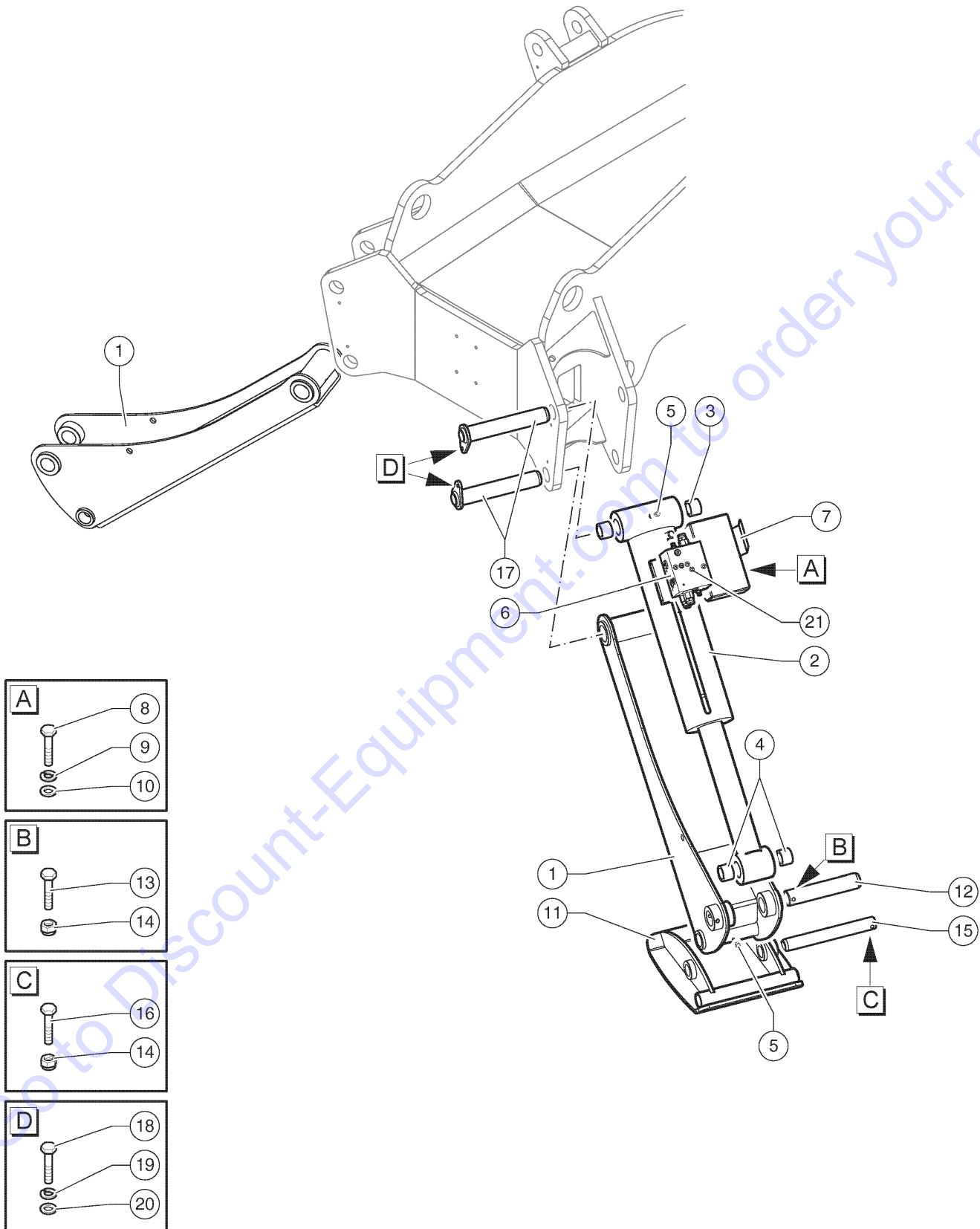
203.1 610205 Right Chassis



203.1 610205 Right Chassis

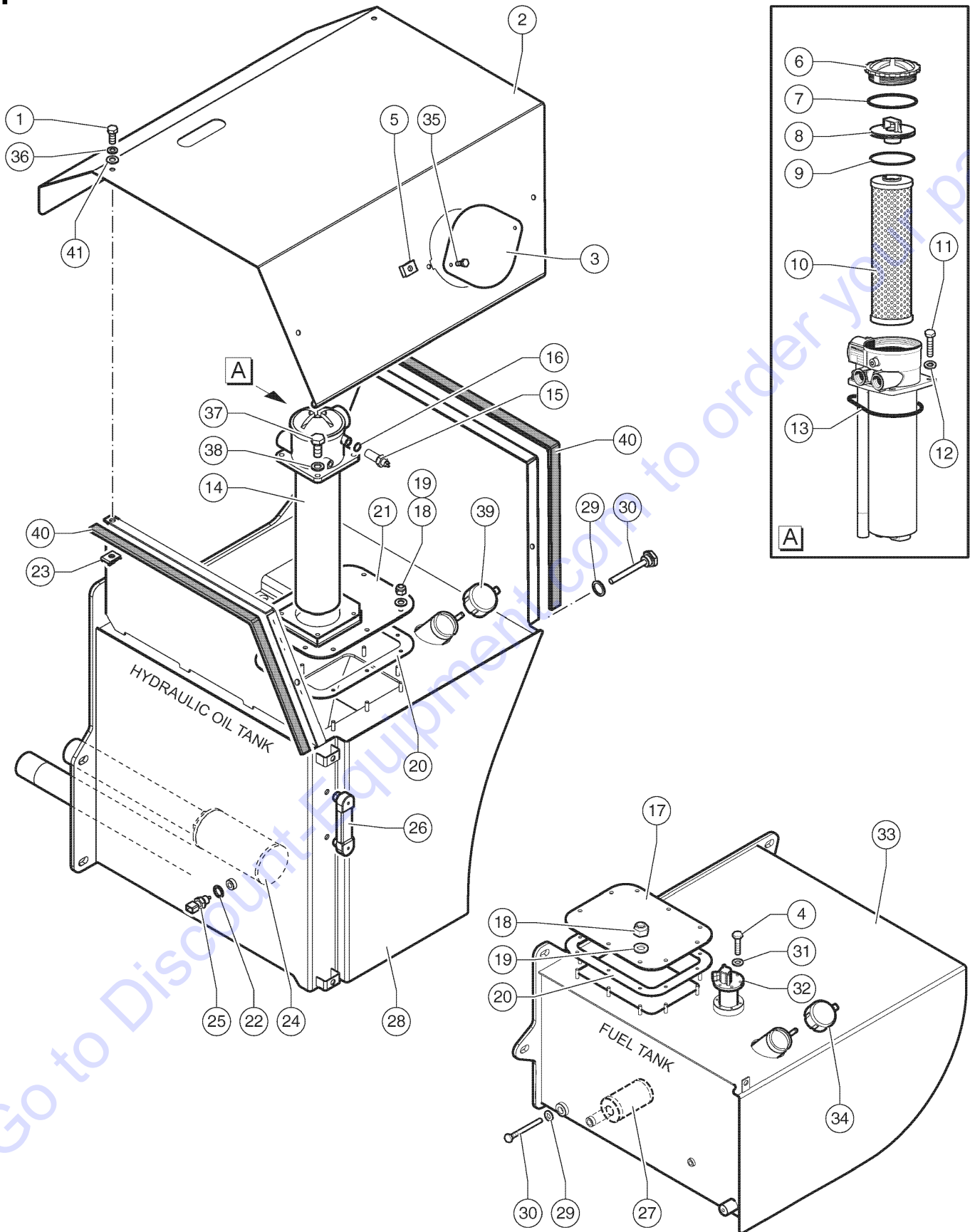
Item	Part No.	Description	Qty.	Item	Part No.	Description	Qty.
1	01.0023.0055GT	NUT,STOP,M10 UNI 7473 6S ZN.....	6	44	51.0811.4446GT	ENGINE COVER LOCK LEVER.....	1
2	09.0803.0830GT	Gas Spring.....	2	45	01.0001.0104GT	SCREW M6X40 UNI 5739 8.8 ZN.....	1
3	01.0001.0304GT	SCREW M10X50 UNI 5739 8.8 ZN.....	2	46	07.0740.0192GT	Engine Cover Lock.....	1
4	07.0740.0103GT	NUT M12X1.....	1	47	01.4006.0007GT	SCREW M8X40 UNI 5933 10.9 ZN.....	2
5	01.0001.0256GT	SCREW M8X25 UNI 5739 8.8 ZN.....	7	48	01.0001.0209GT	SCREW M8X70 UNI 5737 8.8 ZN.....	8
6	55.0409.0227GT	Engine Housing Assy.....	1	49	07.0703.0125GT	KEY ONLY, SWITCH/IGNITION.....	1
7	01.0001.0466GT	SCREW M8X50 UNI 5739 8.8 ZN.....	4	50	51.0903.5140GT	Cover.....	1
8	01.0031.0299GT	FLAT WASHER D8 UNI 6593 ZN.....	15	51	55.0409.0226GT	ENGINE COVER ASSY.....	1
9	09.0803.0000GT	Hinge.....	2	52	09.4610.0032GT	MIRROR.....	1
10	01.0023.0054GT	NUT,M8 UNI 7473 6S ZN.....	18	53	07.0740.0100GT	STOP PIN.....	1
11	01.4032.0003GT	SPRING WASHER D8 ZN.....	7				
12	01.0001.0254GT	SCREW M8X20 UNI 5739 8.8 ZN.....	4				
13	51.0811.4506GT	Locking Plate.....	2				
14	09.0803.0371GT	Mudguard.....	2				
15	01.0023.0056GT	STOP NUT M12 UNI 7473 6S ZN.....	8				
16	01.0031.0057GT	WASHER,D12 UNI 6592 ZN.....	12				
17	51.0811.4597GT	Support.....	2				
18	51.0903.5141GT	Cover.....	1				
19	51.0903.5200GT	LOWER ENGINE COVER.....	1				
20	51.0903.5201GT	BOTTOM ENGINE COVER.....	1				
21	51.0903.5146GT	Cover.....	1				
22	01.0031.0055GT	FLAT WASHER D8 UNI 6592 ZN.....	24				
23	01.0001.0356GT	SCREW M10X30 UNI 5739 8.8 ZN.....	6				
24	01.4032.0004GT	SPRING WASHER D10 ZN.....	6				
25	01.0031.0301GT	FLAT WASHER D10 UNI 6593 ZN.....	6				
26	52.1100.9128GT	ENGINE COVER ASSY.....	1				
27	07.0740.0048GT	GASKET.....	1				
28	09.0803.0808GT	HANDLE.....	1				
29	07.0740.0049GT	GASKET.....	1				
30	01.0031.0053GT	FLAT WASHER D5 UNI 6592 ZN.....	1				
31	01.0001.1438GT	SCREW M5X20 UNI 5739 8.8 ZN.....	1				
32	09.0803.0801GT	Gasket Strip.....	78-Inch				
33	55.0409.0210GT	Mudguard ASSY.....	2				
34	09.0805.0119GT	GASKET.....	53-Inch				
35	09.0803.0801GT	Gasket Strip.....	78-Inch				
36	09.0803.0352GT	SPRING CLIP M8.....	6				
37	01.4001.0078GT	SCREW M8X20 DIN 6923 8.8 ZN.....	10				
38	51.0811.4887GT	SUPPORT.....	1				
39	51.0811.4934GT	Bracket.....	1				
40	01.0001.0357GT	SCREW,TE,M10X35 UNI 8.8 ZN.....	2				
41	01.0031.0056GT	FLAT WASHER D10 UNI 6592 ZN.....	8				
42	01.0023.0053GT	STOP NUT M6 UNI 7473 6S ZN.....	1				
43	01.0031.0054GT	FLAT WASHER D6 UNI 6592 ZN.....	2				

204.1 610206 Outriggers



Item	Part No.	Description	Qty.
1	51.0500.1820GT	Outrigger.....	2
2	53.0800.2014GT	Outrigger Cylinder.....	2
3	09.0801.0000GT	Bushing.....	4
4	09.0801.0006GT	Bushing.....	4
5	02.0117.0101GT	GREASE NIPPLE G 1/8.....	4
6	04.4239.0141GT	VALVE.....	2
7	51.0903.5253GT	OUTRIGGER VALVE COVER.....	2
8	01.0001.0154GT	SCREW M6X16 UNI 5739 8.8 ZN.....	8
9	01.4032.0002GT	SPRING WASHER D6 ZN.....	8
10	01.0031.0054GT	FLAT WASHER D6 UNI 6592 ZN.....	8
11	51.0500.1821GT	Outrigger Feet.....	2
12	54.0000.0268GT	Pin.....	2
13	01.0001.0314GT	SCREW M10X100 UNI 5737 8.8 ZN.....	2
14	01.0023.0055GT	NUT,STOP,M10 UNI 7473 6S ZN.....	4
15	54.0000.0269GT	Pin.....	2
16	01.0001.0310GT	SCREW M10X80 UNI 5737 8.8 ZN.....	2
17	54.0004.0122GT	Pin.....	4
18	01.0001.0355GT	SCREW M10X25 UNI 5739 8.8 ZN.....	4
19	01.4032.0004GT	SPRING WASHER D10 ZN.....	4
20	01.0031.0056GT	FLAT WASHER D10 UNI 6592 ZN.....	4
21	01.0003.0261GT	SCREW M10X55 UNI 5931 8.8 ZN.....	8

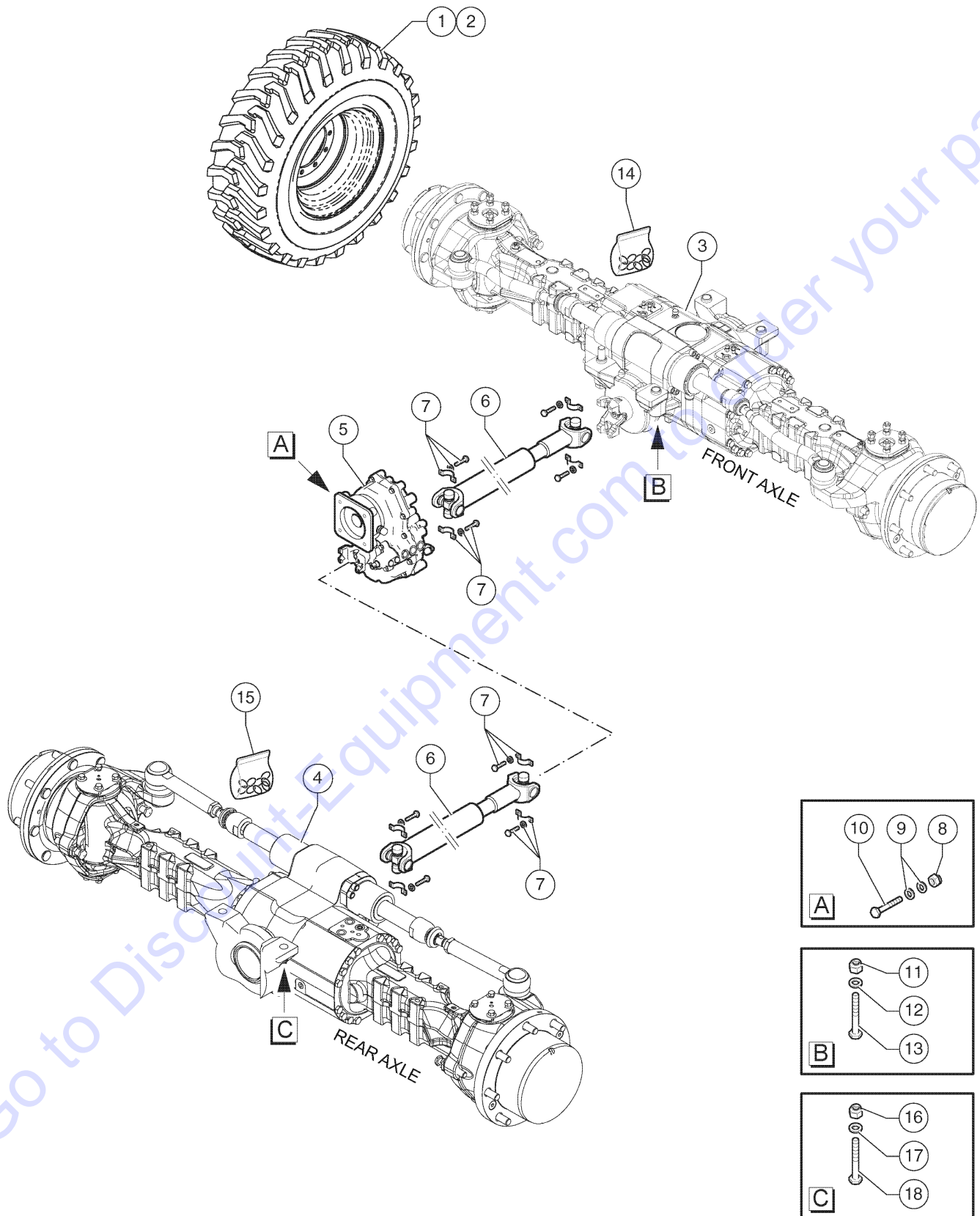
205.1 610207 Hydraulic Oil And Diesel Tanks



205.1 610207 Hydraulic Oil And Diesel Tanks

Item	Part No.	Description	Qty.
1	01.0001.0254GT	SCREW M8X20 UNI 5739 8.8 ZN.....	4
2	51.0903.5230GT	COVER.....	1
3	51.0903.4948GT	Cover.....	1
4	01.0001.0154GT	SCREW M6X16 UNI 5739 8.8 ZN.....	1
5	09.0803.0516GT	SPRING CLIP M6.....	2
6	07.0700.0006GT	CAP, HYDRAULIC FILTER.....	1
7	07.0700.0007GT	O-RING.....	1
8	07.0700.0049GT	Inlet Neck.....	1
9	07.0700.0050GT	O-RING 98X3.....	1
10	07.0700.0002GT	Oil Filter Cartridge.....	1
11	01.0001.0355GT	SCREW M10X25 UNI 5739 8.8 ZN.....	4
12	01.4032.0004GT	SPRING WASHER D10 ZN.....	4
13	07.0700.0051GT	O-RING 124X4,5.....	1
14	09.4604.0005GT	FILTER ASSY.....	1
15	56.0013.0006GT	PRESSURE SENSOR, HYDRAULIC OIL.....	1
16	06.0442.0101GT	BONDED RING 3/8".....	2
17	51.0903.4904GT	DOOR, INSPECTION, HYD TANK.....	1
18	01.0023.0054GT	NUT, M8 UNI 7473 6S ZN.....	20
19	01.0031.0055GT	FLAT WASHER D8 UNI 6592 ZN.....	20
20	53.3301.0005GT	Rubber Gasket.....	2
21	51.0903.5229GT	OIL TANK COVER.....	1
22	06.0442.0119GT	BONDED RING M14 (9/16).....	1
23	09.0803.0352GT	SPRING CLIP M8.....	4
24	09.4604.0000GT	FILTER, HYD. OIL TANK.....	1
25	56.0013.0040GT	TEMPERATURE SENSOR.....	1
26	09.4661.0005GT	Hydraulic Oil Level Indicator.....	1
27	09.4604.0072GT	Fuel Filter.....	1
28	51.0600.9328GT	OIL TANK.....	1
29	06.0442.0122GT	BONDED RING 1/2".....	2
30	09.4661.0030GT	FILTER, MAGNETIC.....	2
31	01.4032.0002GT	SPRING WASHER D6 ZN.....	1
32	56.0012.0085GT	FUEL GAUGE.....	1
33	51.0600.9317GT	Fuel Tank.....	1
34	09.4661.0026GT	Diesel Tank Cap.....	1
35	01.0001.0154GT	SCREW M6X16 UNI 5739 8.8 ZN.....	2
36	01.4032.0003GT	SPRING WASHER D8 ZN.....	4
37	01.0001.0355GT	SCREW M10X25 UNI 5739 8.8 ZN.....	4
38	01.4032.0004GT	SPRING WASHER D10 ZN.....	4
39	09.4661.0015GT	HYDRAULIC OIL TANK CAP.....	1
40	09.0803.0147GT	GASKET, ADHESIVE.....	118.2-inch
41	01.0031.0299GT	FLAT WASHER D8 UNI 6593 ZN.....	4

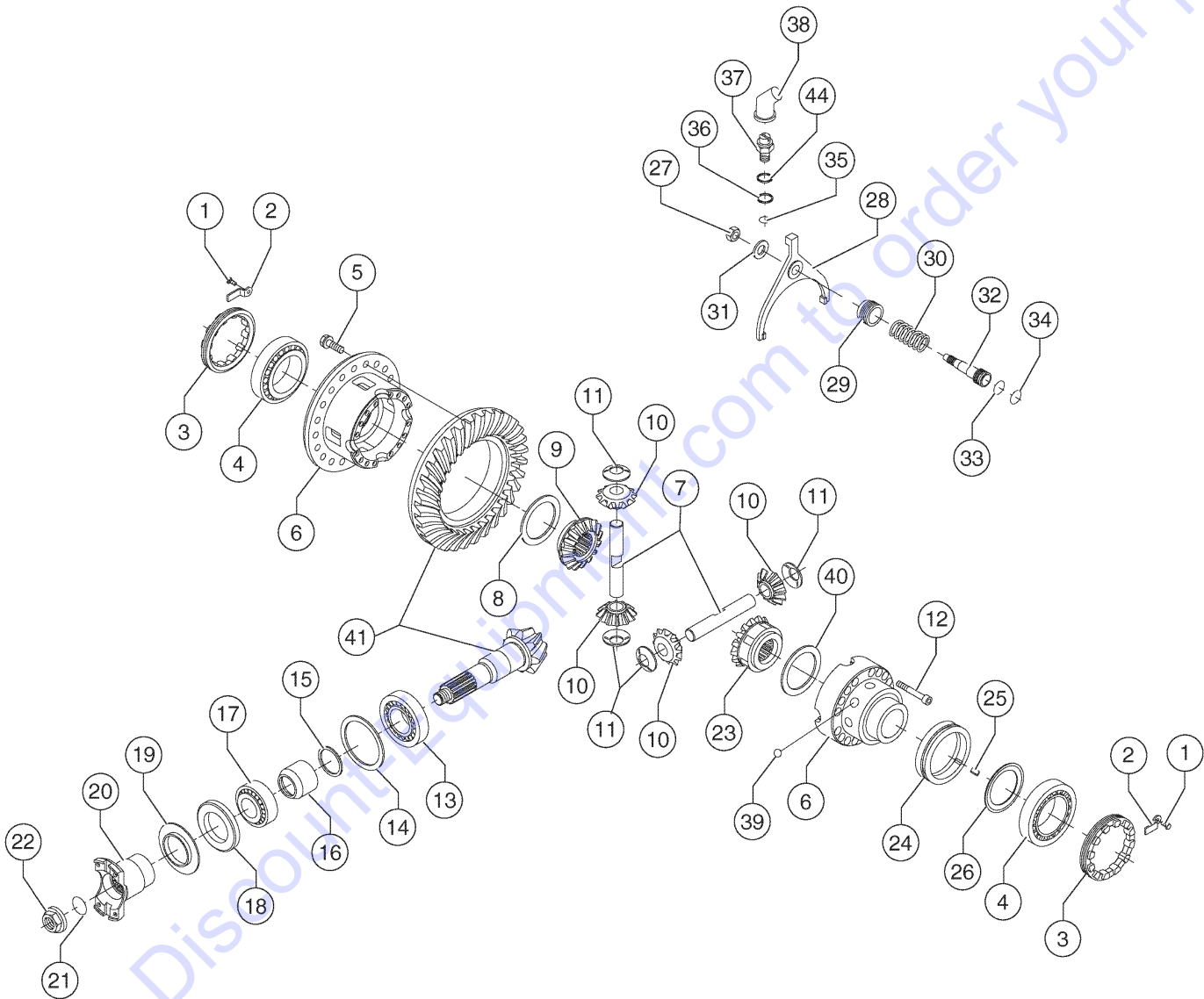
206.1 610208 Drive Chassis And Wheels



206.1 610208 Drive Chassis And Wheels

Item	Part No.	Description	Qty.
1	161964GT	WHEEL/TIRE,RT FOAM FILL LEFT.....2 <i>RT, Foam-filled, left</i>	2
1	161998GT	WHEEL/TIRE,RT FOAM FILL RIGHT.....2 <i>RT, Foam-filled, right</i>	2
2	161973GT	TIRE,17.5X25,22PR.....4 <i>for 162337, 162338</i>	4
2	161974GT	WHEEL,17.5-25.....4 <i>for 162337, 162338</i>	4
2	162337GT	WHEEL/TIRE,RT AIR FILL RIGHT.....2 <i>RT, Air-filled, right</i>	2
2	162338GT	WHEEL/TIRE,RT AIR FILL LEFT.....2 <i>RT, Air-filled, left</i>	2
3	09.4632.0093GT	AXLE,FRONT.....1	1
4	09.4632.0066GT	AXLE,REAR.....1	1
5	09.4633.0036GT	GEAR BOX.....1	1
6	09.4635.0055GT	DRIVE SHAFT.....2	2
7	09.4635.0014GT	CARDAN SHAFT ASSY KIT.....8	8
8	01.0023.0058GT	NUT,STOP,M16 UNI 7473 6S ZN.....4	4
9	01.0031.0059GT	FLAT WASHER D16 UNI 6592 ZN.....8	8
10	01.4001.0063GT	SCREW M16X130 UNI 5739 8.8 ZN.....4	4
11	01.0023.0062GT	STOP NUT M24 UNI 7473 6S ZN.....8	8
12	01.0031.0063GT	FLAT WASHER D24 UNI 6592 ZN.....8	8
13	01.4001.0025GT	SCREW M24X160UNI 5737 10.9 ZN.....8	8
14	823392GT	Front Axle Seal Kit.....1 <i>INCLUDES ALL O-RINGS, SEALS AND BACKUP RINGS FROM HUB TO HUB FOR AXLE PN 09.4632.0093</i>	1
15	823394GT	Rear Axle Seal Kit.....1 <i>INCLUDES ALL O-RINGS, SEALS AND BACKUP RINGS FROM HUB TO HUB FOR AXLE PN 09.4632.0066</i>	1
16	01.0023.0060GT	STOP NUT M20 UNI 7473 6S ZN.....4	4
17	01.0031.0061GT	FLAT WASHER D20 UNI 6592 ZN.....4	4
18	01.4001.0188GT	SCREW.....4	4

207.1 610209 Front Axle - Differential

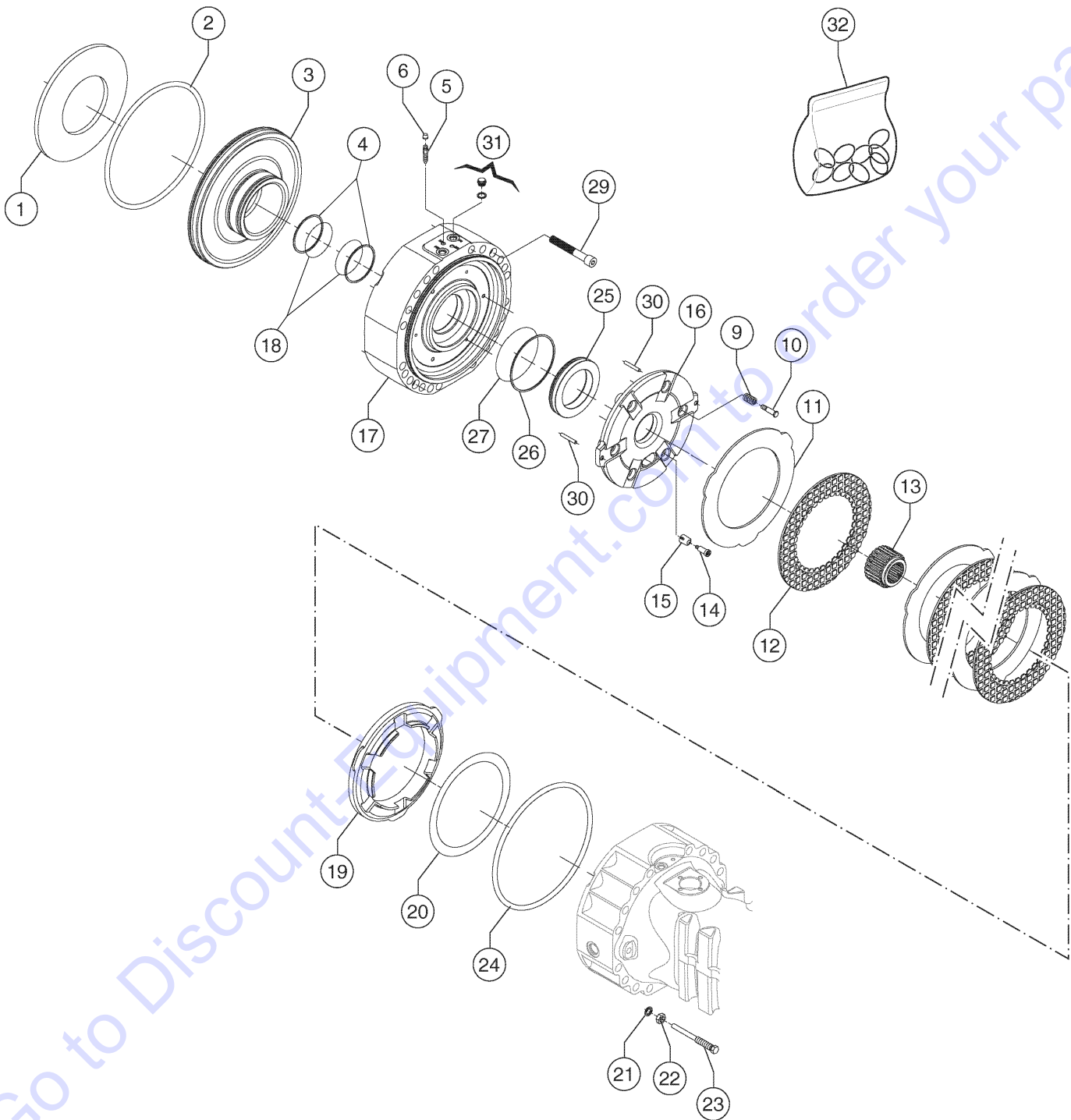


207.1 610209 Front Axle - Differential

Item	Part No.	Description	Qty.	Item	Part No.	Description	Qty.
1	07.0709.0966GT	SCREW.....	4	41	07.0709.0772GT	BEVEL GEAR SET.....	1
2	07.0709.1025GT	Locking Plate.....	2	44	07.0709.0873GT	WASHER.....	1
3	07.0709.0141GT	RING NUT.....	2				
4	903073GT	BEARING.....	2				
5	07.0709.0057GT	SCREW,RING GEAR.....	20				
6	07.0709.1026GT	Differential Case.....	1				
7	07.0709.0972GT	PIN.....	2				
8	07.0709.1027GT	WASHER.....	1				
9	07.0709.1028GT	Differential Side Gear.....	1				
10	07.0709.1029GT	Differential Pinion.....	4				
11	07.0709.0970GT	WASHER.....	4				
12	07.0709.1030GT	SCREW.....	15				
13	638543GT	BEARING.....	1				
14	07.0709.0143GT	SHIM 0.15MM.....	1				
14	629736GT	SHIM.....	1				
14	629737GT	SHIM.....	1				
14	629738GT	SHIM.....	1				
15	07.0709.1031GT	RING KIT.....	1				
16	07.0709.1032GT	SPACER.....	1				
17	638535GT	BEARING.....	1				
18	637589GT	SEAL.....	1				
19	637588GT	LOCKING PLATE.....	1				
20	07.0709.0782GT	FLANGE.....	1				
21	637586GT	O-RING.....	1				
22	631378GT	NUT.....	1				
23	07.0709.1033GT	Differential Side Gear.....	1				
24	07.0709.1034GT	SLEEVE.....	1				
25	639906GT	KEY.....	1				
26	07.0709.1035GT	WASHER.....	1				
27	07.0709.1036GT	NUT.....	1				
28	07.0709.1037GT	Selector Fork.....	1				
29	07.0709.1038GT	RING NUT.....	1				
30	07.0709.1039GT	SPRING.....	1				
31	07.0709.0228GT	SPRING WASHER.....	1				
32	07.0709.1040GT	PISTON.....	1				
33	07.0709.0123GT	SEAL HURTH.....	1				
34	07.0709.1041GT	GASKET.....	1				
35	637577GT	O-RING.....	1				
36	637584GT	WASHER.....	1				
37	07.0709.0356GT	Security Switch.....	1				
38	637582GT	BOOT.....	1				
39	639905GT	DETENT BALL.....	8				
40	07.0709.1062GT	WASHER.....	1				

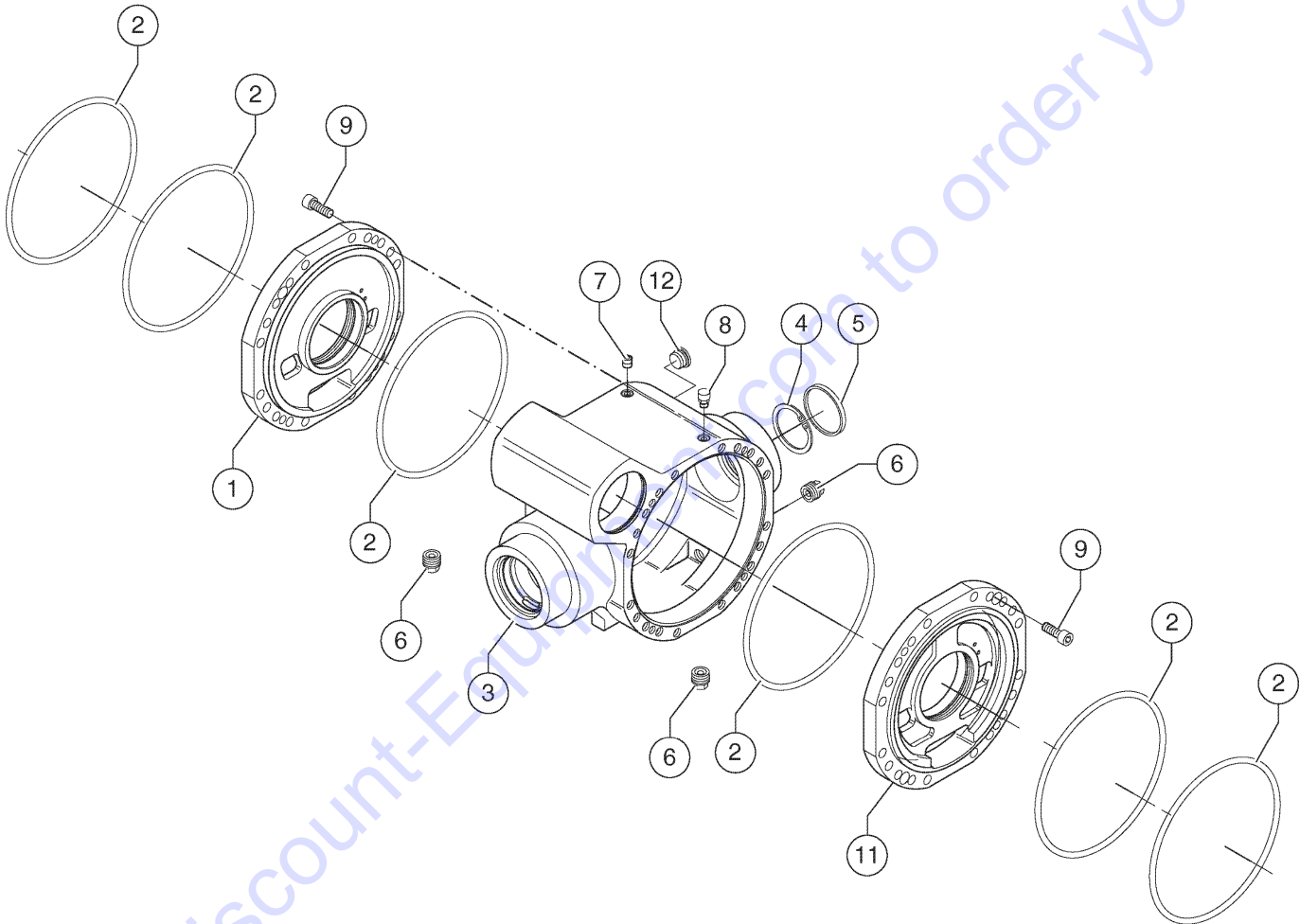
Go to www.genie-equipment.com to order your parts

208.1 610210 Front Axle - Brakes



Item	Part No.	Description	Qty.
1	07.0709.0804GT	SPRING.....	2
2	07.0709.0806GT	O-RING.....	2
3	07.0709.1020GT	PISTON.....	2
4	07.0709.0809GT	RING.....	4
5	633560GT	BLEEDING SCREW.....	4
6	638548GT	PLUG.....	4
9	637622GT	SPRING.....	6
10	07.0709.0408GT	Adjusting Screw.....	6
11	07.0709.0817GT	Intermediate Brake Disc.....	6
12	07.0709.0818GT	BRAKE DISC.....	6
13	07.0709.0819GT	Reduction Bushing.....	2
14	07.0709.0953GT	SCREW,ADJUSTING.....	6
15	07.0709.0106GT	SPRING.....	6
16	07.0709.1021GT	Intermediate Brake Disc.....	2
17	07.0709.1019GT	COVER.....	2
18	07.0709.0810GT	SEAL.....	4
19	07.0709.1016GT	SPACER.....	2
20	07.0709.1011GT	SHIM 0.20MM.....	2
20	07.0709.1012GT	SHIM 0.30MM.....	2
20	07.0709.1013GT	SHIM 0.50MM.....	2
21	07.0709.0149GT	WASHER.....	4
22	638566GT	NUT.....	4
23	07.0709.1022GT	SCREW.....	4
24	07.0709.0822GT	O-RING.....	2
25	07.0709.0811GT	PISTON.....	2
26	07.0709.0813GT	RING.....	2
27	07.0709.0812GT	O-RING.....	2
29	07.0709.1048GT	SCREW.....	4
30	07.0709.1014GT	DOWEL.....	4
31	639808GT	PLUG.....	4
32	823391GT	KIT,BRAKE,FRONT AXLE..... <i>INCLUDES ALL O-RINGS, SPRINGS AND BACKUP RINGS THAT NEED TO BE REPLACED WHEN BRAKES ARE REPLACED.</i>	1

209.1 610211 Front And Rear Axle - Central Housing

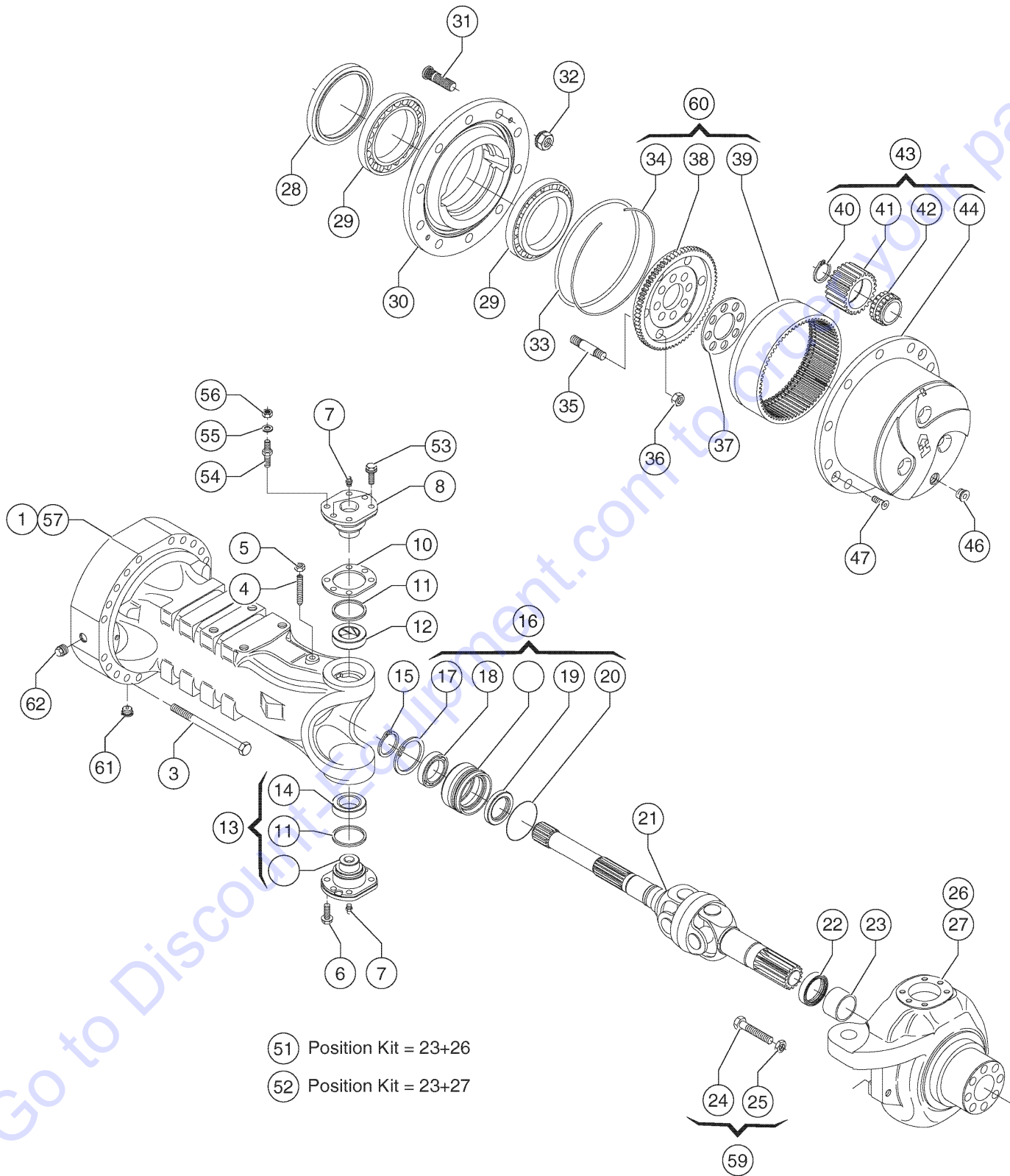


209.1 610211 Front And Rear Axle - Central Housing

Item	Part No.	Description	Qty.
1	07.0709.0829GT	COVER,DASH..... <i>Only For Rear Axle</i>	2
1	07.0709.1018GT	COVER..... <i>Only For Front Axle</i>	1
2	07.0709.0822GT	O-RING.....	4
3	07.0709.1023GT	HOUSING..... <i>Only For Front Axle</i>	1
3	07.0709.1050GT	HOUSING..... <i>Only For Rear Axle</i>	1
4	07.0709.0441GT	SNAP RING.....	1
5	07.0709.0084GT	PLUG.....	1
6	07.0709.0747GT	Magnet Plug..... <i>Only For Front Axle</i>	1
6	628275GT	PLUG..... <i>Only For Rear Axle</i>	1
7	07.0709.0140GT	PLUG..... <i>Only For Rear Axle</i>	1
8	07.0709.1051GT	VENT..... <i>Only For Rear Axle</i>	1
8	631293GT	VENT..... <i>Only For Front Axle</i>	1
9	07.0709.1057GT	SCREW..... <i>Only For Rear Axle</i>	4
9	637846GT	SCREW..... <i>Only For Front Axle</i>	4
11	07.0709.1024GT	COVER..... <i>Only For Front Axle</i>	1
12	07.0709.0113GT	PLUG..... <i>Only For Rear Axle</i>	1
12	07.0709.0921GT	PLUG..... <i>Only For Front Axle</i>	1

Go to Discount-Equipment.com to order your parts

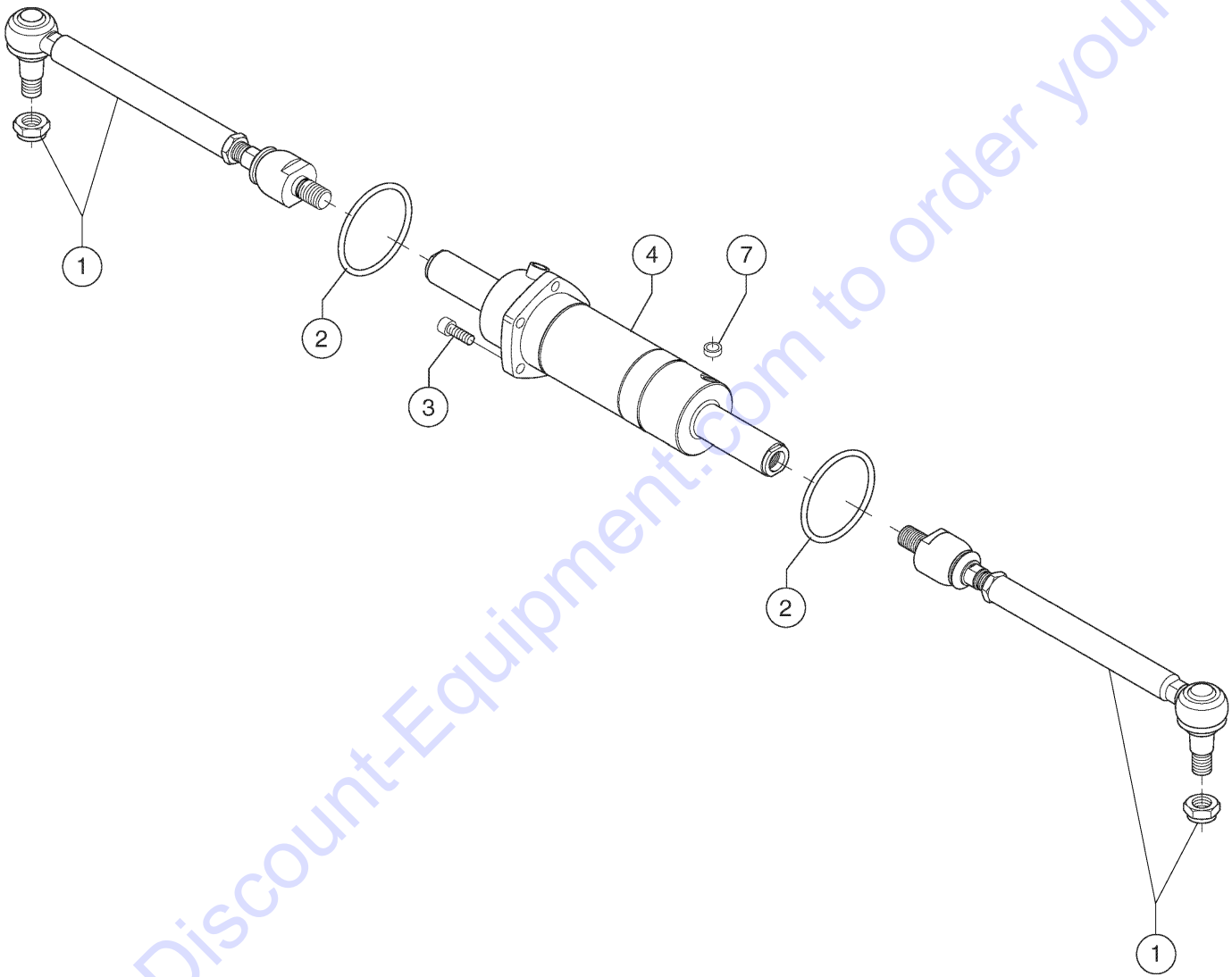
210.1 610212 Front And Rear Axle - Hub Reduction



210.1 610212 Front And Rear Axle - Hub Reduction

Item	Part No.	Description	Qty.	Item	Part No.	Description	Qty.
1	07.0709.1043GT	Left & Right Axle Case..... <i>Only For Front Axle - To Axle SN S-ITA-767344</i>	2	34	07.0709.0483GT	SNAP RING.....	2
1	07.0709.1052GT	AXLE CASE,LEFT..... <i>Only For Rear Axle</i>	1	35	07.0709.0974GT	STUD.....	16
1	07.0709.1205GT	AXLE CASE..... <i>Only For Front Axle - From Axle SN S-ITA-767345</i>	2	36	07.0709.0975GT	NUT.....	16
3	07.0709.1017GT	SCREW..... <i>Only For Front Axle</i>	40	37	07.0709.0484GT	PLATE,LOCKING.....	2
3	07.0709.1053GT	SCREW..... <i>Only For Rear Axle</i>	40	38	07.0709.0794GT	SUPPORT.....	2
4	07.0709.0787GT	SCREW.....	2	39	07.0709.0795GT	RING GEAR..... <i>Only For Rear Axle</i>	2
5	633174GT	NUT.....	2	39	07.0709.1046GT	RING GEAR..... <i>Only For Front Axle</i>	2
6	07.0709.0057GT	SCREW,RING GEAR.....	12	40	07.0709.0796GT	SNAP RING.....	8
7	633176GT	GREASE NIPPLE.....	4	41	07.0709.0797GT	PINION,DIFFERENTIAL.....	8
8	07.0709.0788GT	PIVOT PIN.....	2	42	07.0709.0798GT	BEARING.....	8
10	07.0709.0485GT	SHIM 0.15MM.....	2	43	07.0709.0799GT	SUPPORT.....	2
10	07.0709.0486GT	SHIM 0.20MM.....	2	44	07.0709.0800GT	SUPPORT.....	2
10	07.0709.0487GT	SHIM 0.50MM.....	2	46	07.0709.0113GT	PLUG.....	4
11	07.0709.0469GT	DUST EXCLUDER.....	2	47	07.0709.0065GT	SCREW.....	4
12	07.0709.0789GT	BUSHING.....	2	51	07.0709.0976GT	KIT,STEERING CASE,RIGHT.....	1
13	07.0709.1305GT	Pivot Pin.....	2	52	07.0709.0801GT	KIT,STEERING CASE,LEFT.....	1
14	07.0709.0470GT	SEAL,DUST EXCLUDER.....	2	53	07.0709.1054GT	SCREW..... <i>Only For Rear Axle</i>	4
15	633203GT	SNAP RING.....	2	53	633070GT	SCREW..... <i>Only For Front Axle</i>	4
16	640720GT	BUSHING.....	2	54	07.0709.0119GT	STUD,DRIVE AXLE..... <i>Only For Front Axle</i>	8
17	07.0709.0441GT	SNAP RING.....	2	54	07.0709.1055GT	STUD..... <i>Only For Rear Axle</i>	8
18	633202GT	BEARING.....	2	55	07.0709.0071GT	WASHER.....	8
19	630846GT	SEAL.....	2	56	07.0709.0070GT	NUT.....	8
20	640216GT	O-RING.....	2	57	07.0709.0837GT	AXLE CASE,RIGHT..... <i>Only For Rear Axle</i>	1
21	07.0709.0791GT	JOINT..... <i>Only For Front Axle</i>	2	59	07.0709.0365GT	SCREW,STEERING ADJUST.....	4
21	07.0709.0836GT	JOINT..... <i>Only For Rear Axle</i>	2	60	07.0709.0803GT	SUPPORT..... <i>Only For Rear Axle</i>	2
22	07.0709.0472GT	SEAL.....	2	60	07.0709.1047GT	SUPPORT..... <i>Only For Front Axle</i>	2
23	07.0709.0465GT	BUSHING.....	1	61	07.0709.0371GT	PLUG,MAGNET..... <i>Only For Front Axle</i>	2
24	07.0709.0104GT	SCREW.....	4	61	07.0709.0747GT	Magnet Plug..... <i>Only For Rear Axle</i>	2
25	634546GT	NUT.....	4	62	07.0709.0921GT	PLUG..... <i>Only For Rear Axle</i>	2
26	07.0709.1044GT	STEERING CASE,RIGHT.....	1				
27	07.0709.1045GT	STEERING CASE,LEFT.....	1				
28	07.0709.0363GT	SEAL.....	2				
29	638559GT	BEARING.....	4				
30	07.0709.0474GT	WHEEL HUB.....	2				
31	07.0709.0144GT	STUD,WHEEL.....	20				
32	07.0709.0224GT	NUT,WHEEL.....	20				
33	07.0709.0475GT	O-RING.....	2				

211.1 610213 Front And Rear Axle - Steering Cylinder

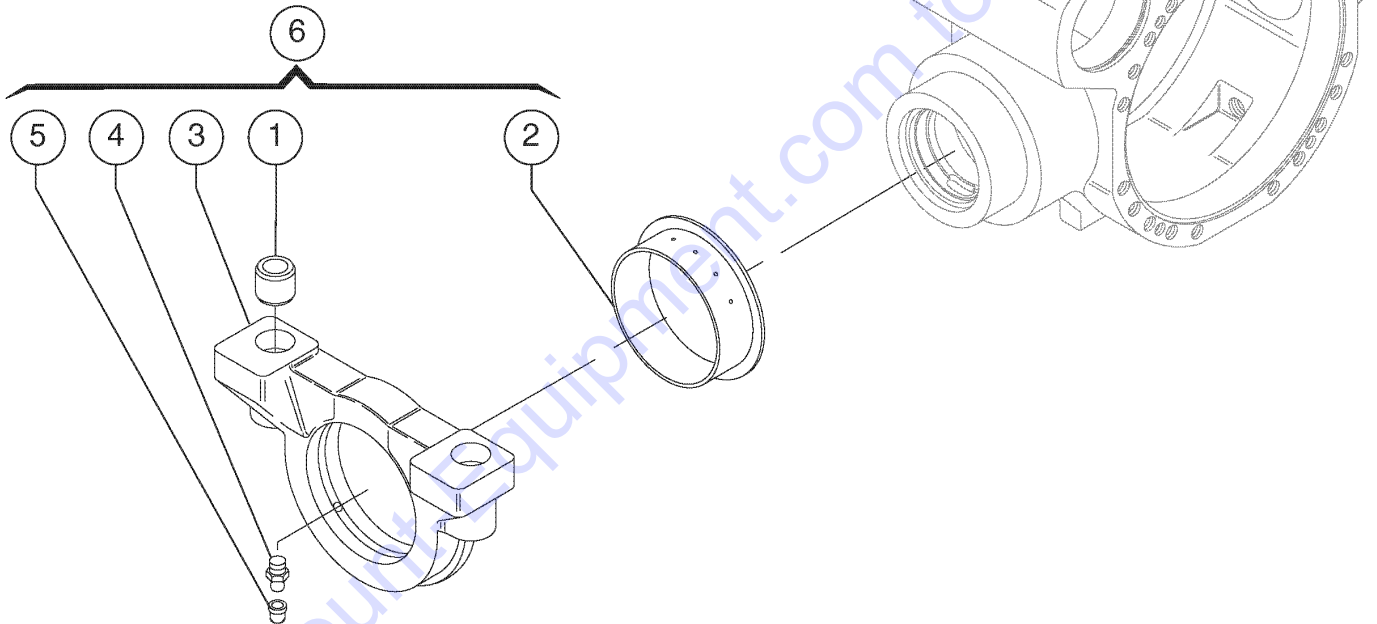


211.1 610213 Front And Rear Axle - Steering Cylinder

Item	Part No.	Description	Qty.
1	07.0709.0823GT	TIE ROD,ARTICULATED..... <i>Only For Rear Axle</i>	2
1	07.0709.1049GT	TIE ROD,ARTICULATED..... <i>Only For Front Axle</i>	2
2	638552GT	O-RING.....	2
3	07.0709.1057GT	SCREW..... <i>Only For Rear Axle</i>	5
3	637846GT	SCREW..... <i>Only For Front Axle</i>	5
4	07.0709.0824GT	CYLINDER.....	1
--	07.0709.0980GT	Seal Kit <i>for 07.0709.0824GT</i>	
7	07.0709.0826GT	PLUG.....	1

Go to Discount-Equipment.com to order your parts

212.1 610214 Front And Rear Axle - Trunion

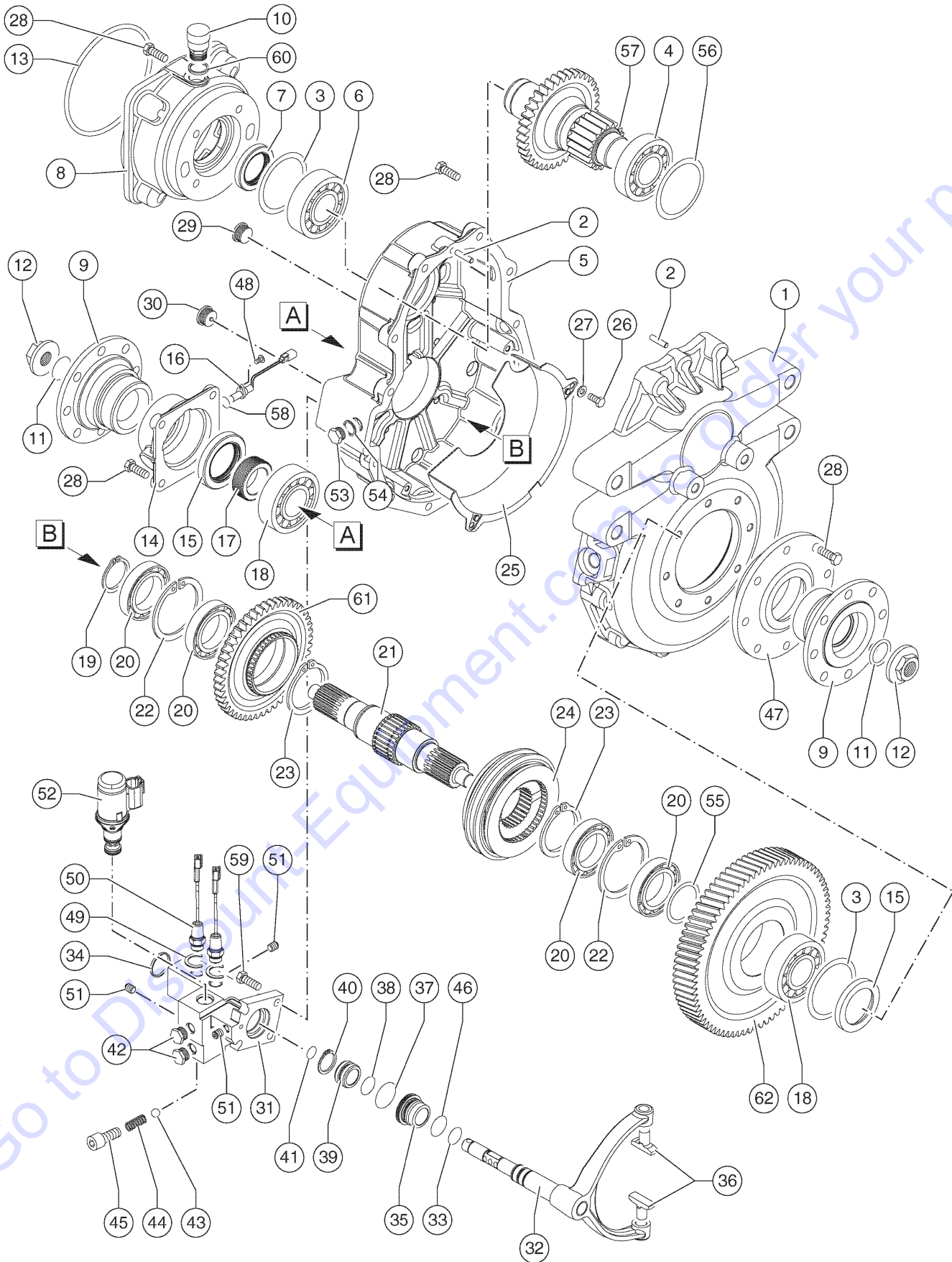


212.1 610214 Front And Rear Axle - Trunion

Item	Part No.	Description	Qty.
1	07.0709.0051GT	BUSHING.....	4
2	637413GT	BUSHING.....	2
3	07.0709.0827GT	SUPPORT.....	2
4	633176GT	GREASE NIPPLE.....	2
5	638548GT	PLUG.....	2
6	07.0709.0828GT	SUPPORT.....	2

Go to Discount-Equipment.com to order your parts

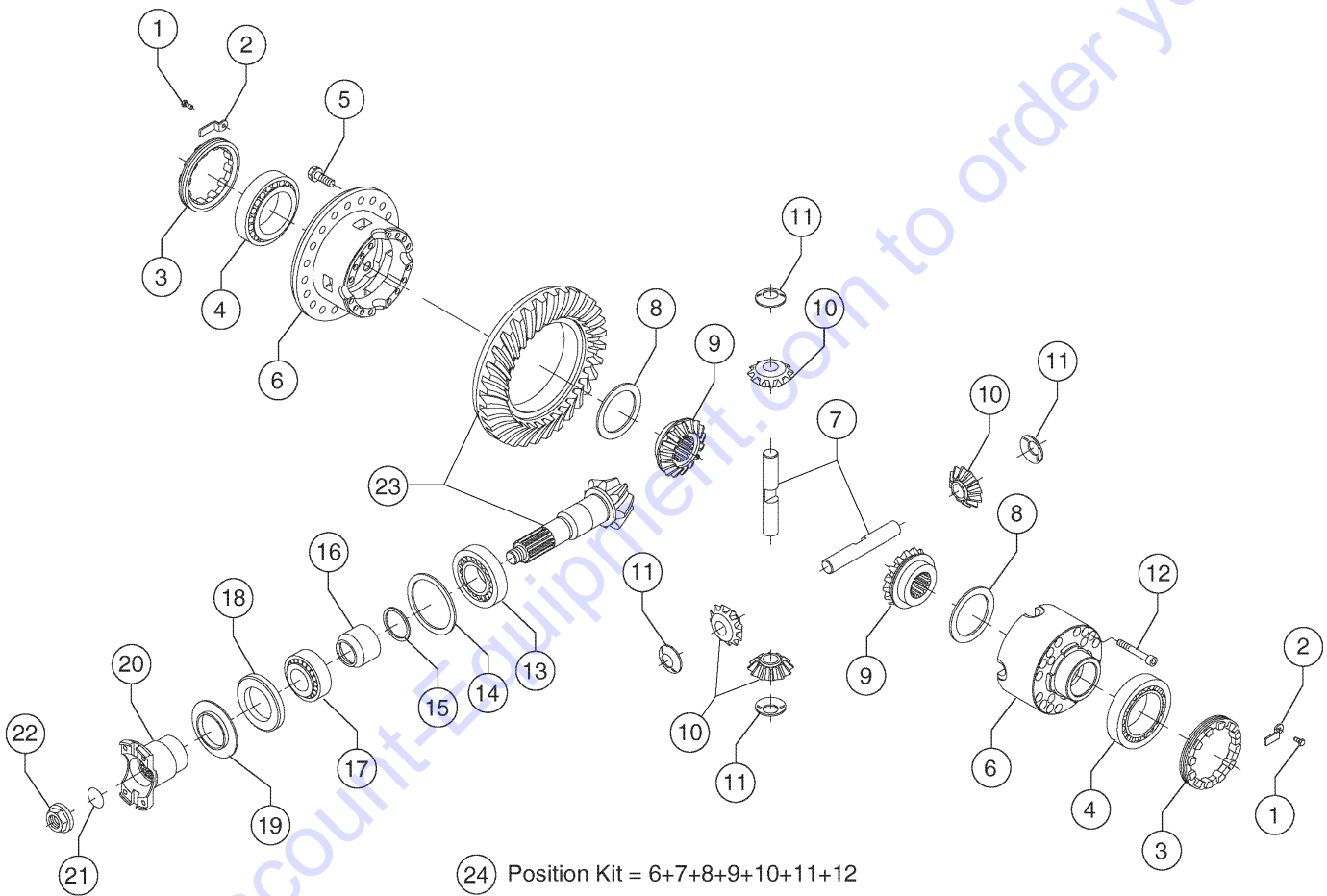
213.1 610215 Front And Rear Axle - Gear Box



213.1 610215 Front And Rear Axle - Gear Box

Item	Part No.	Description	Qty.	Item	Part No.	Description	Qty.
1	07.0709.0847GT	HOUSING.....	1	40	07.0709.0867GT	SNAP RING.....	2
2	639785GT	DOWEL.....	2	41	07.0709.0868GT	O-RING.....	2
3	629733GT	SHIM THICKNESS.....	1	42	639808GT	PLUG.....	2
3	629735GT	SHIM/THICKNESS.....	1	43	07.0709.0327GT	BALL.....	1
3	639327GT	THICKNESS.....	1	44	635596GT	SPRING.....	1
3	639328GT	THICKNESS.....	1	45	07.0709.1359GT	PLUG.....	1
3	639329GT	THICKNESS.....	1	46	07.0709.0870GT	O-RING.....	1
4	07.0709.0848GT	BEARING.....	1	47	639783GT	COVER.....	1
5	07.0709.0849GT	COVER.....	1	48	07.0709.1368GT	SCREW.....	1
6	633202GT	BEARING.....	1	49	07.0709.1292GT	Washer.....	1
7	639790GT	SEAL.....	1	49	07.0709.1293GT	Washer.....	1
8	07.0709.0850GT	COVER.....	1	49	07.0709.1294GT	Washer.....	1
9	07.0709.0079GT	Flange.....	2	49	07.0709.1295GT	Washer.....	1
10	07.0709.0076GT	PLUG/STOPPER.....	1	49	07.0709.1296GT	Washer.....	1
11	633161GT	O-RING.....	2	49	07.0709.1297GT	Washer.....	1
12	07.0709.1290GT	Nut.....	2	49	07.0709.1360GT	Washer.....	1
13	07.0709.0127GT	O-RING.....	1	49	07.0709.1361GT	Washer.....	1
14	07.0709.1352GT	COVER.....	1	50	07.0709.1065GT	Security Microswitch.....	2
15	07.0709.1291GT	Seal.....	2	51	07.0709.1362GT	PLUG.....	3
16	07.0709.1353GT	SENSOR.....	1	52	07.0709.1363GT	VALVE.....	1
17	07.0709.0853GT	GEAR.....	1	53	07.0709.0422GT	SCREW.....	1
18	07.0709.0443GT	BEARING.....	2	54	639818GT	WASHER.....	2
19	633203GT	SNAP RING.....	1	55	07.0709.1364GT	SHIM KIT.....	1
20	07.0709.0854GT	BEARING.....	4	56	639306GT	SHIM 0.20MM.....	1
21	07.0709.0855GT	SHAFT.....	1	56	639307GT	SHIM 0.30MM.....	1
22	07.0709.0856GT	SNAP RING.....	2	57	07.0709.0879GT	Input Shaft.....	1
23	07.0709.0857GT	SNAP RING.....	2	58	639810GT	SEAL.....	1
24	07.0709.1354GT	SYNCHRONIZER.....	1	59	07.0709.1365GT	SCREW.....	4
25	07.0709.0720GT	GUARD.....	1	60	633072GT	Sealing Washer.....	1
26	639792GT	SCREW.....	2	61	07.0709.1366GT	GEAR.....	1
27	07.0709.0718GT	WASHER.....	2	62	07.0709.1367GT	GEAR.....	1
28	07.0709.0939GT	Screw.....	12				
29	633208GT	PLUG.....	1				
30	628275GT	PLUG.....	1				
31	07.0709.1355GT	COVER.....	1				
32	07.0709.1356GT	SELECTOR SHAFT.....	1				
33	637576GT	O-RING.....	1				
34	07.0709.0861GT	SEAL.....	1				
35	07.0709.0862GT	BUSHING.....	1				
36	07.0709.1357GT	SLIDING PIN.....	2				
37	07.0709.0864GT	O-RING.....	1				
38	07.0709.0865GT	O-RING.....	1				
39	07.0709.1358GT	PISTON.....	1				

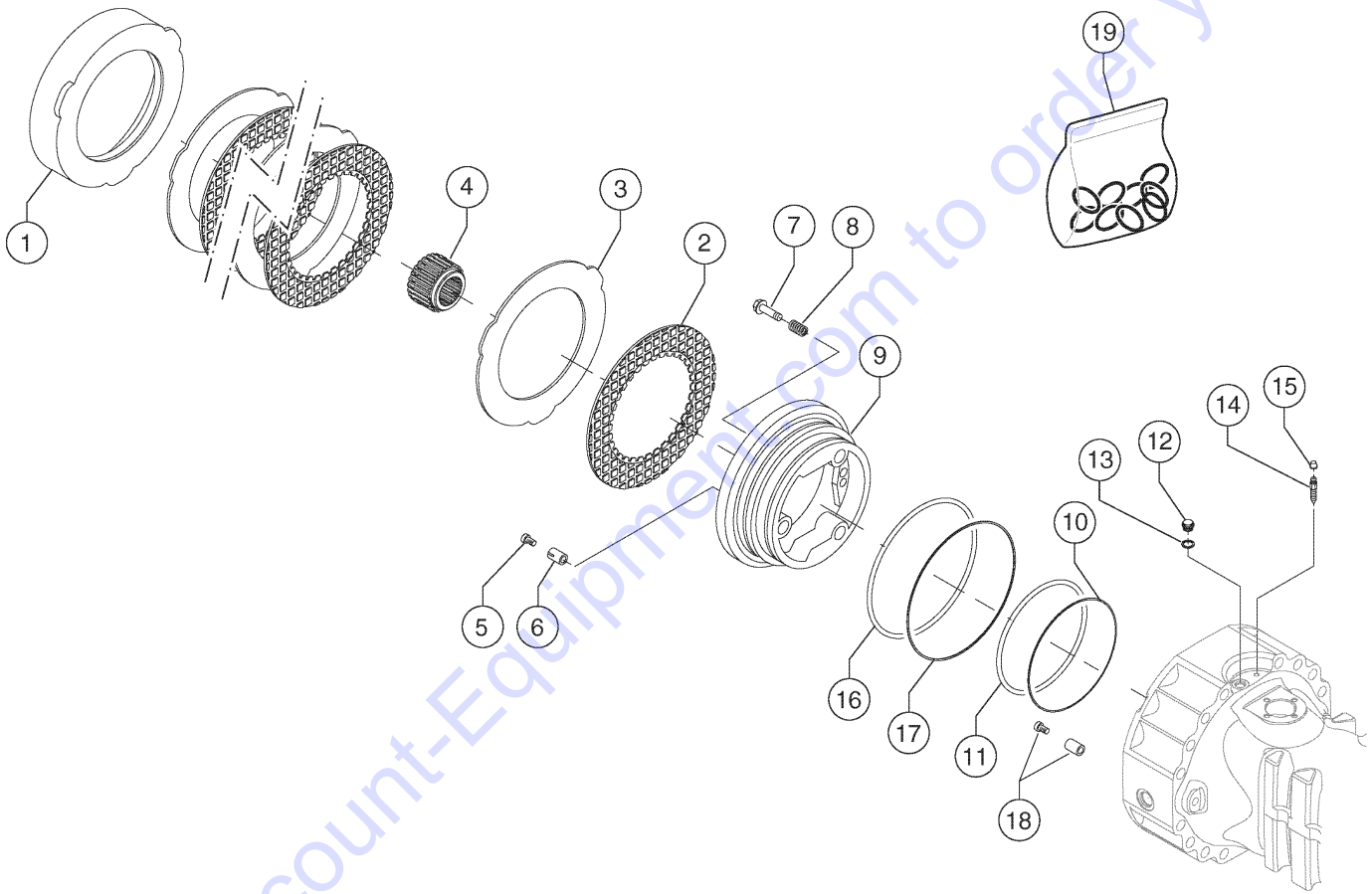
214.1 610216 Rear Axle - Differential



214.1 610216 Rear Axle - Differential

Item	Part No.	Description	Qty.
1	07.0709.0966GT	SCREW.....	4
2	07.0709.1025GT	Locking Plate.....	2
3	07.0709.0141GT	RING NUT.....	2
4	903073GT	BEARING.....	2
5	07.0709.0057GT	SCREW,RING GEAR.....	20
6	07.0709.0830GT	DIFFERENTIAL FLANGE,REAR.....	1
7	07.0709.0831GT	PIN.....	2
8	631286GT	WASHER.....	2
9	638526GT	SIDE GEAR,DIFFERENTIAL.....	2
10	07.0709.1029GT	Differential Pinion.....	4
11	07.0709.0832GT	WASHER.....	4
12	07.0709.0833GT	SCREW.....	15
13	638543GT	BEARING.....	1
14	07.0709.0143GT	SHIM 0.15MM.....	1
14	629736GT	SHIM.....	1
14	629737GT	SHIM.....	1
14	629738GT	SHIM.....	1
15	07.0709.0010GT	SHIM 0.15MM.....	1
15	07.0709.0011GT	SHIM 0.20MM.....	1
15	07.0709.0012GT	SHIM 0.30MM.....	1
15	07.0709.0013GT	SHIM 0.40MM.....	1
15	07.0709.0014GT	SHIM 0.50MM.....	1
16	07.0709.0781GT	SPACER.....	1
17	638535GT	BEARING.....	1
18	637589GT	SEAL.....	1
19	637588GT	LOCKING PLATE.....	1
20	07.0709.0782GT	FLANGE.....	1
21	637586GT	O-RING.....	1
22	631378GT	NUT.....	1
23	07.0709.0834GT	BEVEL GEAR SET.....	1
24	07.0709.0835GT	POSITION KIT,DIFFERENTIAL,REAR....	1

215.1 610217 Rear Axle - Brakes

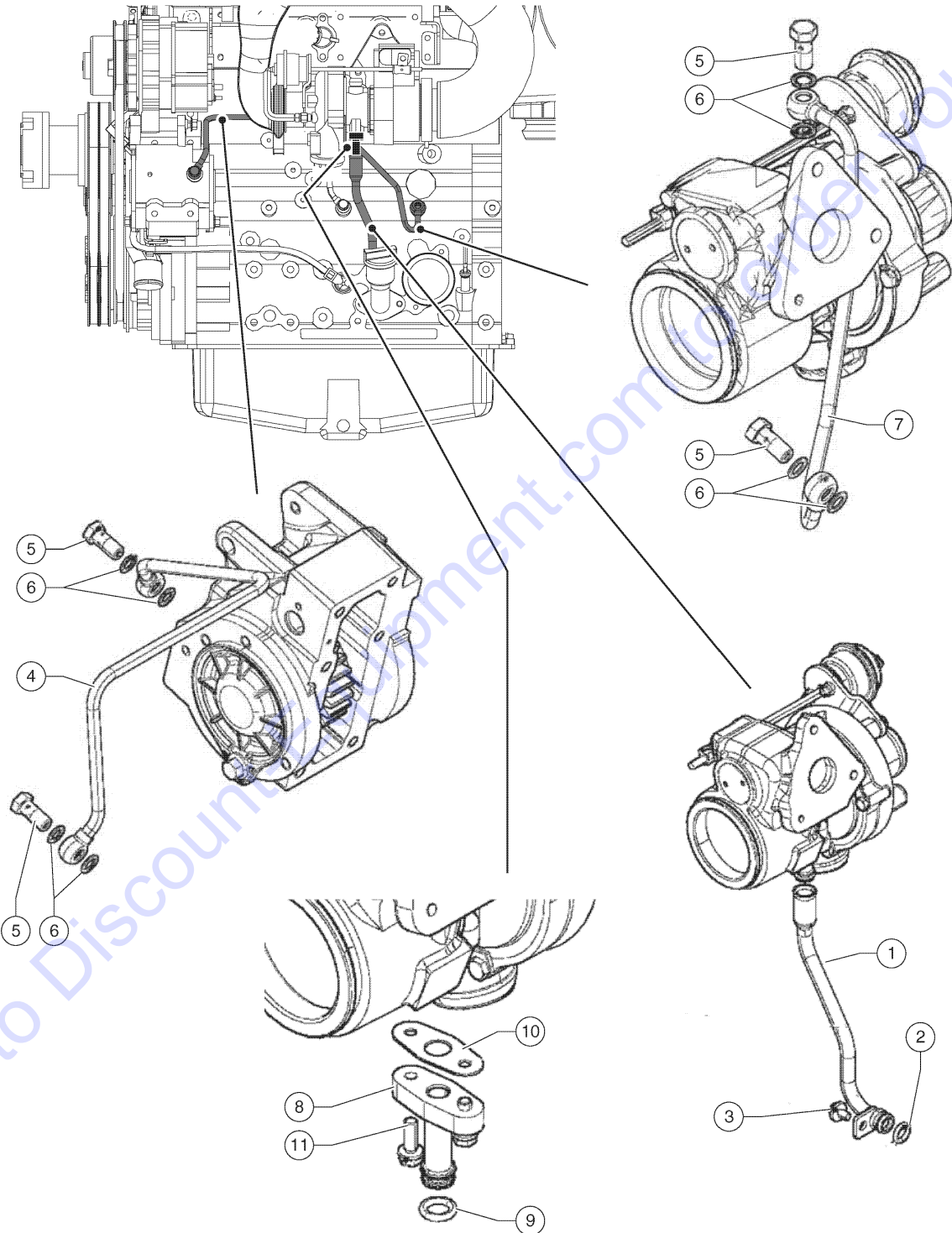


Go to Discount-Equipment.com to order your parts

Item	Part No.	Description	Qty.
1	07.0709.0838GT	SPACER.....	2
2	07.0709.0818GT	BRAKE DISC.....	6
3	07.0709.0817GT	Intermediate Brake Disc.....	6
4	07.0709.0819GT	Reduction Bushing.....	2
5	07.0709.0840GT	Adjusting Screw.....	6
6	07.0709.0106GT	SPRING.....	6
7	07.0709.0408GT	Adjusting Screw.....	6
8	637622GT	SPRING.....	6
9	07.0709.1056GT	PISTON.....	2
10	07.0709.0842GT	RING.....	2
11	07.0709.0843GT	O-RING.....	2
12	07.0709.0352GT	SCREW.....	2
13	07.0709.0351GT	WASHER.....	2
14	633560GT	BLEEDING SCREW.....	2
15	638548GT	PLUG.....	2
16	07.0709.0844GT	O-RING.....	2
17	07.0709.0845GT	RING.....	2
18	07.0709.0846GT	SCREW.....	2
19	823393GT	KIT,BRAKE,REAR AXLE..... <i>INCLUDES ALL O-RINGS, SPRINGS AND BACKUP RINGS THAT NEED TO BE REPLACED WHEN BRAKES ARE REPLACED.</i>	1

Go to Discount-Equipment.com to order your parts

301.1 610292 Diesel Engine Components - View 1

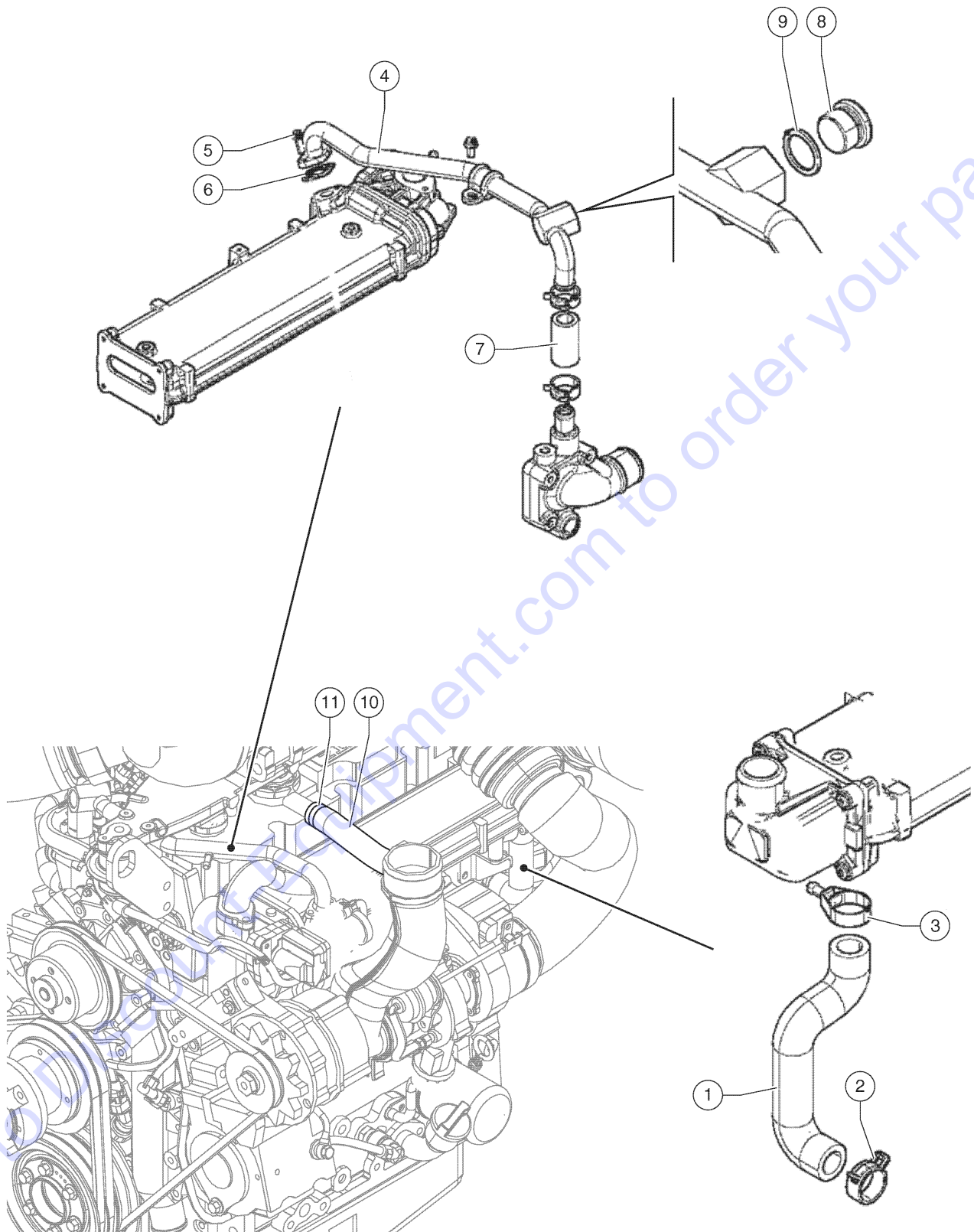


301.1 610292 Diesel Engine Components - View 1

Item	Part No.	Description	Qty.
1	07.4501.0368GT	PIPE.....	1
2	07.4501.0369GT	RING.....	1
3	07.4501.0385GT	SCREW.....	1
4	07.4501.0363GT	OIL PIPE.....	1
5	07.4501.0361GT	SCREW.....	4
6	07.4501.0362GT	WASHER.....	8
7	07.4501.0360GT	OIL PIPE.....	1
8	07.4501.0364GT	FLANGE.....	1
9	07.4501.0365GT	RING.....	1
10	07.4501.0366GT	GASKET.....	1
11	07.4501.0367GT	SCREW.....	2

Go to Discount-Equipment.com to order your parts

302.1 610293 Diesel Engine Components - View 2

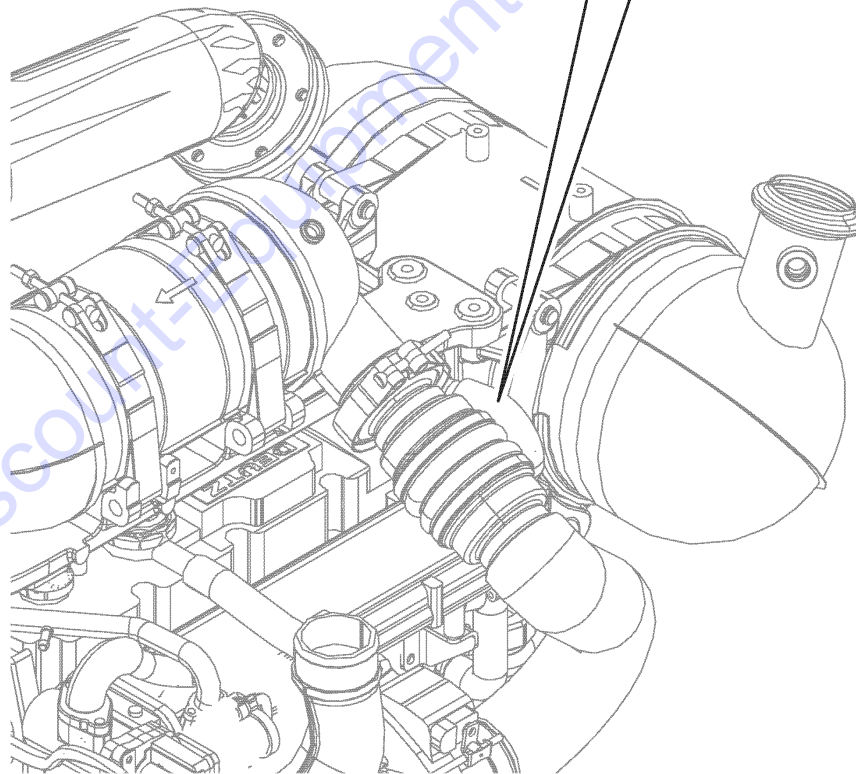
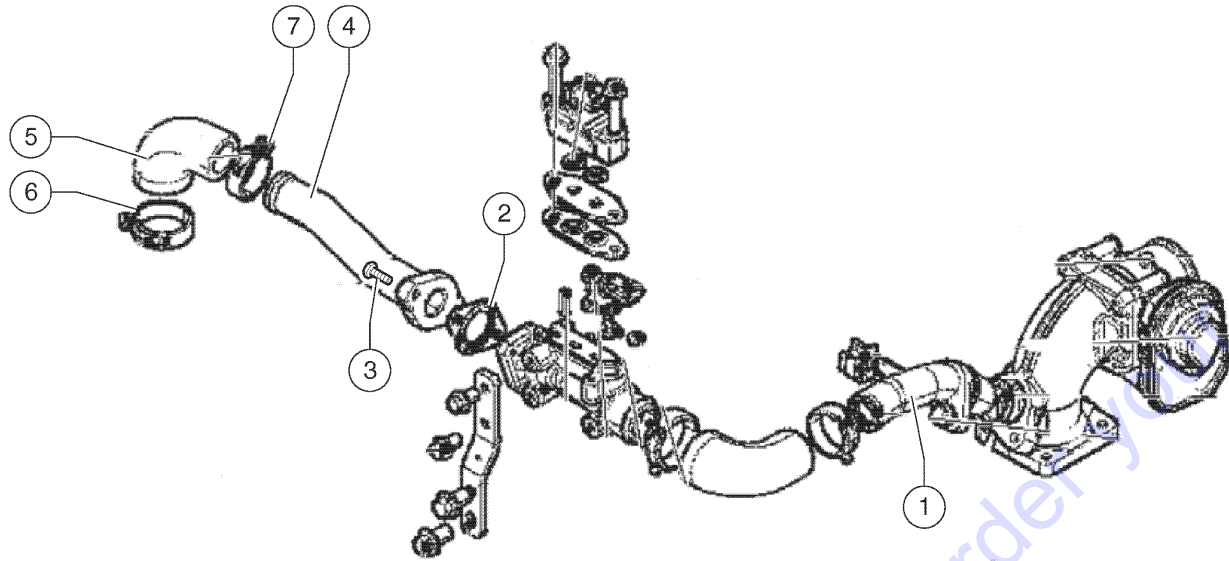


302.1 610293 Diesel Engine Components - View 2

Item	Part No.	Description	Qty.
1	1257328GT	PIPE,MAN,EXHAUST,TCD 3.6,T4F.....1	1
2	07.4501.0371GT	CLAMP.....1	1
3	07.4501.0374GT	CLAMP.....1	1
4	1257635GT	HOSE,COOLANT,EGR,TCD 3.6,T4F.....1	1
5	07.4501.0381GT	SCREW.....2	2
6	1257636GT	GSKT,HOSE,COOL,EGR,TCD 3.6,T4F...1	1
7	07.4501.0382GT	MANIFOLD.....1	1
8	07.4501.0388GT	PLUG.....1	1
9	07.4501.0389GT	RING.....1	1
10	07.4501.0359GT	RUBBER PIPE.....1	1
11	07.4501.0358GT	CLAMP.....1	1

Go to Discount-Equipment.com to order your parts

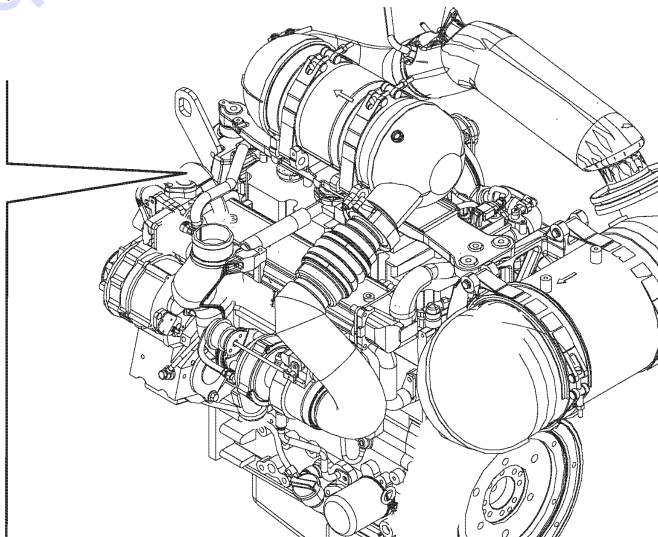
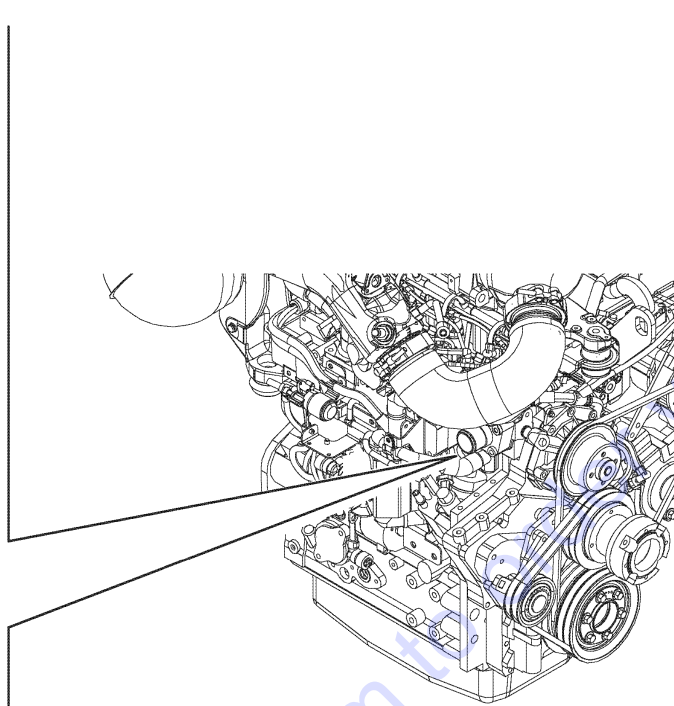
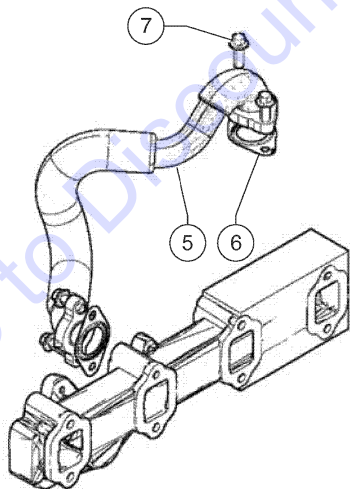
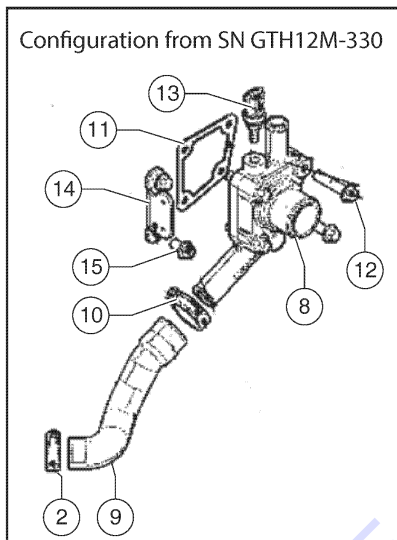
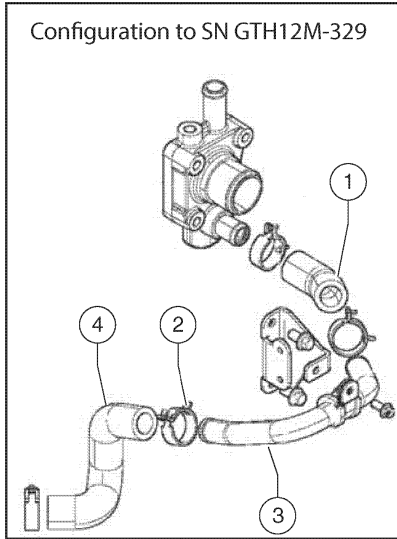
303.1 610294 Diesel Engine Components - View 3



Item	Part No.	Description	Qty.
1	07.4501.0375GT	GAS PIPE.....	1
2	1257642GT	GSKT,PIPE,MAN,EXST,TCD3.6,T4F.....	1
3	07.4501.0376GT	SCREW.....	3
4	07.4501.0377GT	EXHAUST PIPE.....	1
5	07.4501.0378GT	EXHAUST PIPE.....	2
6	07.4501.0379GT	CLAMP.....	2
7	07.4501.0380GT	CLAMP.....	2

Go to Discount-Equipment.com to order your parts

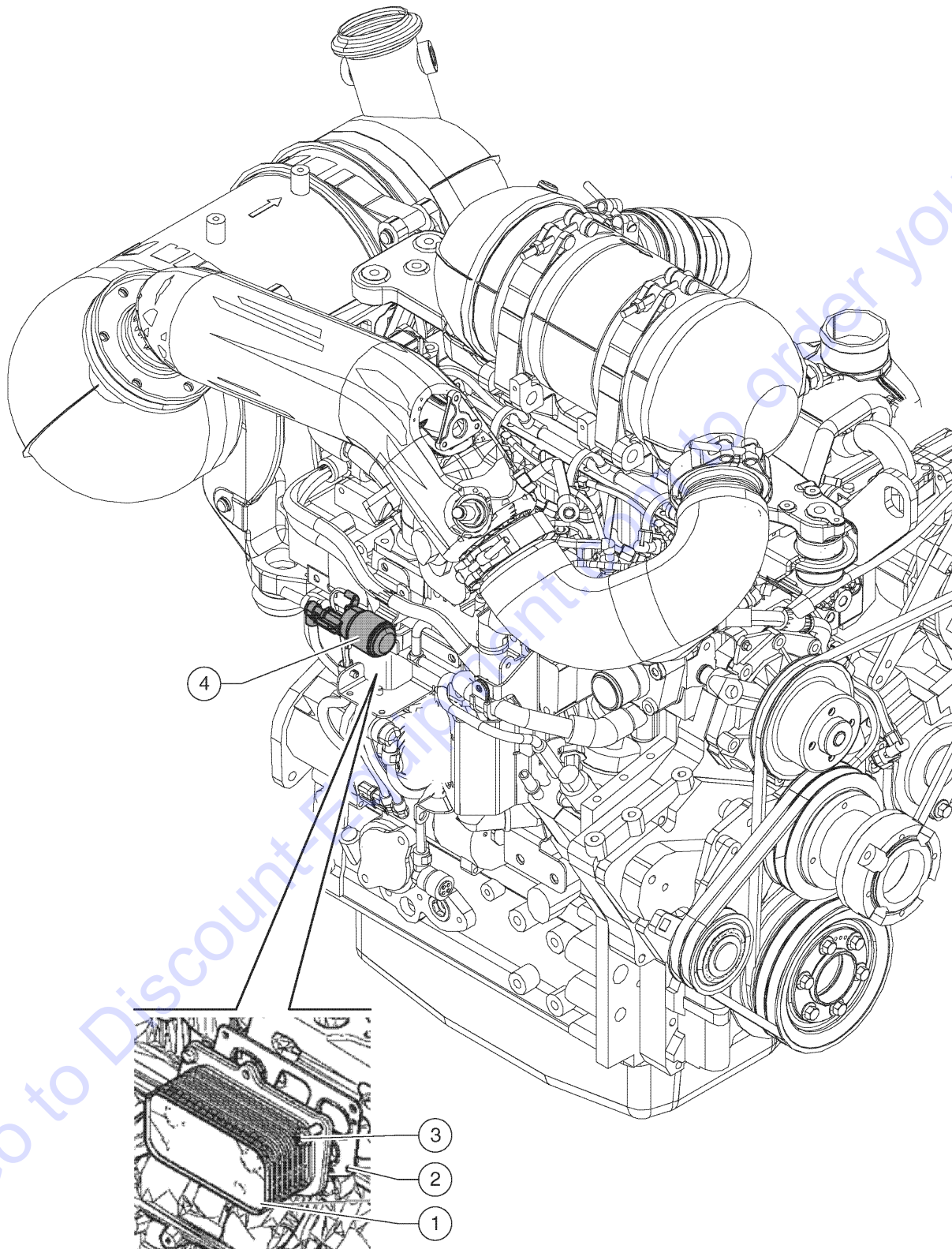
304.1 610295 Diesel Engine Components - View 4



304.1 610295 Diesel Engine Components - View 4

Item	Part No.	Description	Qty.
1	07.4501.0370GT	ELBOW..... <i>To SN GTH12M-329</i>	1
2	07.4501.0371GT	CLAMP.....	4
3	07.4501.0386GT	MANIFOLD..... <i>To SN GTH12M-329</i>	1
4	07.4501.0387GT	HOSE..... <i>To SN GTH12M-329</i>	1
5	07.4501.0372GT	COMPENSATOR.....	1
6	1257642GT	GSKT,PIPE,MAN,EXST,TCD3.6,T4F.....	1
7	07.4501.0373GT	SCREW.....	1
8	07.4501.0393GT	HOUSING..... <i>From SN GTH12M-330</i>	1
9	07.4501.0394GT	HOSE..... <i>From SN GTH12M-330</i>	1
10	07.4501.0395GT	CLAMP..... <i>From SN GTH12M-330</i>	1
11	1257337GT	GASKET,THERMOSTAT..... <i>From SN GTH12M-330</i>	1
12	07.4501.0396	SCREW..... <i>From SN GTH12M-330</i>	4
13	825693GT	COOLANT TEMP SENSOR,TD2.9..... <i>From SN GTH12M-330</i>	1
14	07.4501.0397GT	BRACKET..... <i>From SN GTH12M-330</i>	1
15	07.4501.0398GT	SCREW..... <i>From SN GTH12M-330</i>	2

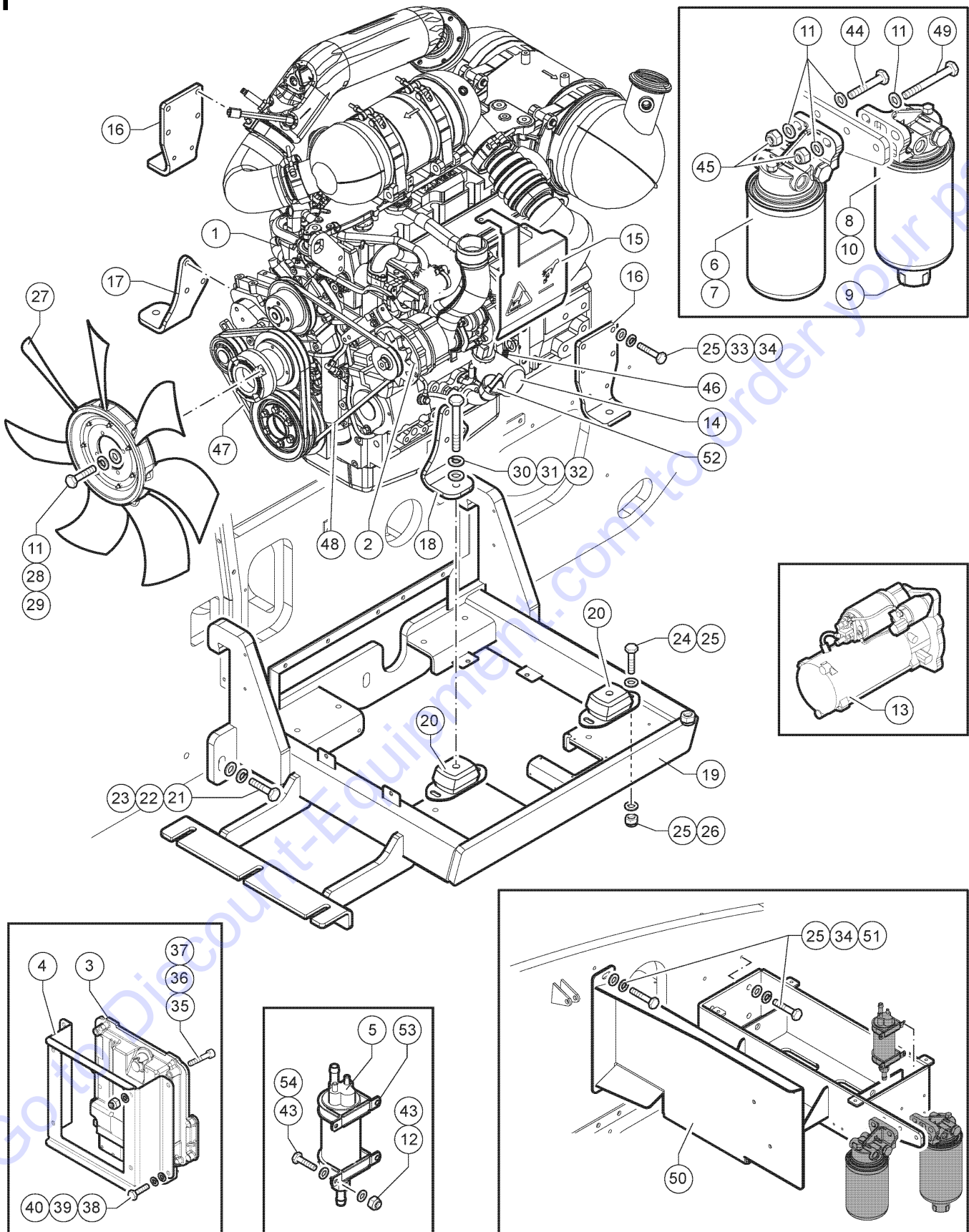
305.1 610296 Diesel Engine Components - View 5



Item	Part No.	Description	Qty.
1	07.4501.0384GT	OIL REFRIGERANT.....	1
2	07.4501.0355GT	GASKET.....	1
3	07.4501.0119GT	SCREW.....	4
4	07.4501.0316GT	RELAY.....	1

Go to Discount-Equipment.com to order your parts

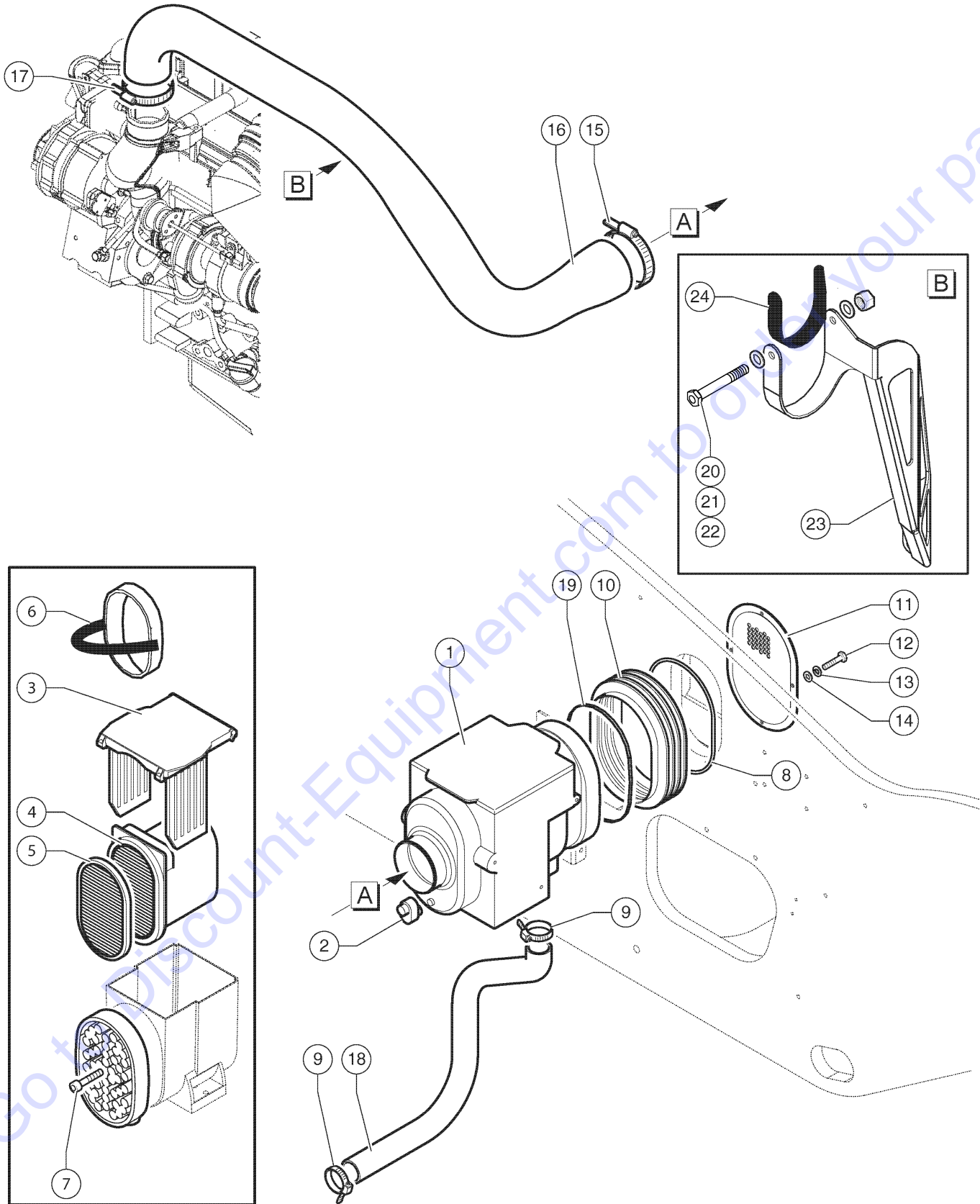
306.1 610220 Diesel Engine



306.1 610220 Diesel Engine

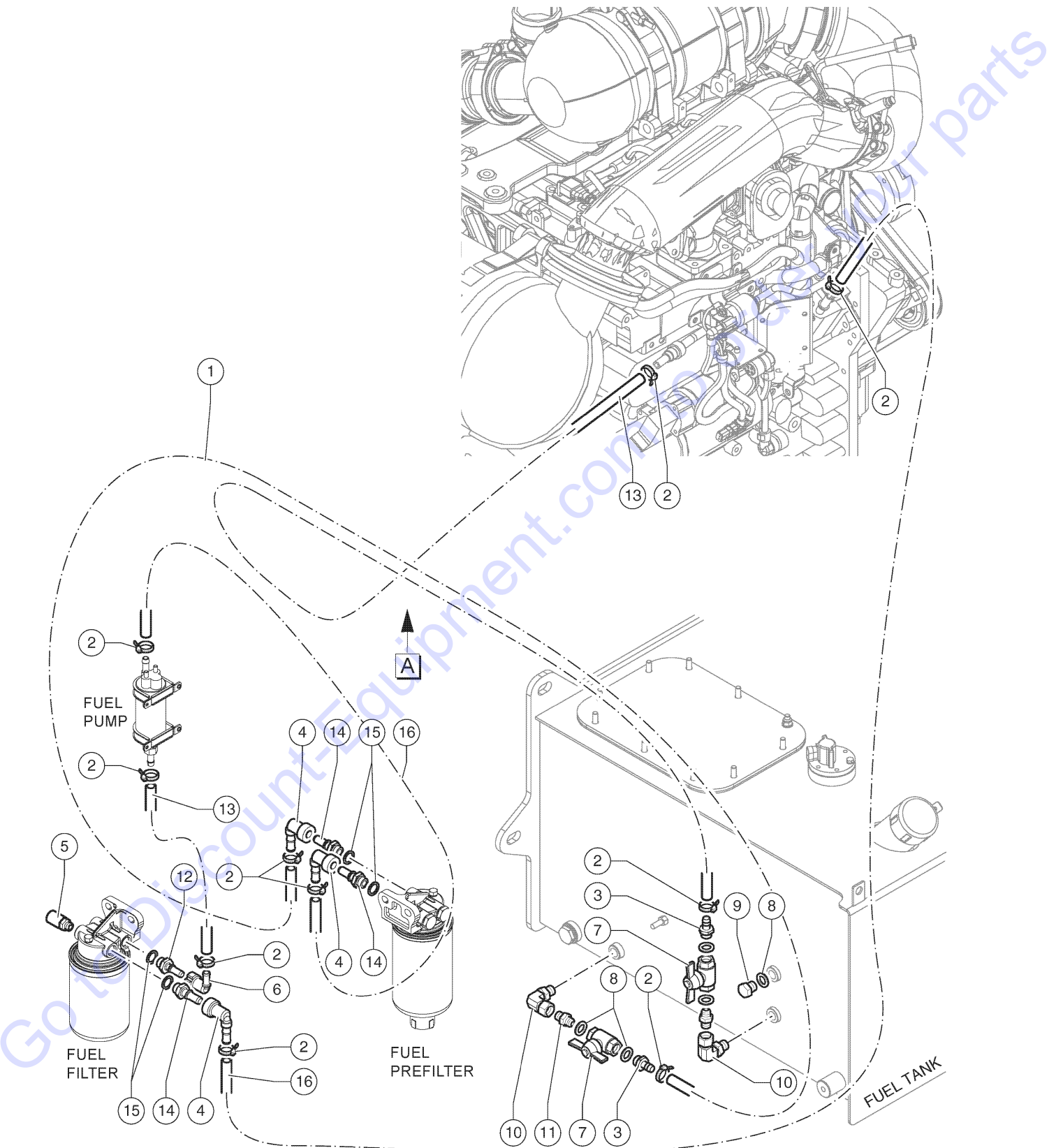
Item	Part No.	Description	Qty.	Item	Part No.	Description	Qty.
1	094601.0083GT	TCD 3.6 TIER4 FINAL ENGINE DEUTZ.....1 <i>The Complete Engine is sell together the Exhaust System</i>		38	01.0001.0154GT	SCREW M6X16 UNI 5739 8.8 ZN.....4	
2	074501.0312GT	Alternator.....1 <i>For USA Market Buy p.n. 1257344GT</i>		39	01.4032.0002GT	SPRING WASHER D6 ZN.....4	
3		Deutz Engine Control Unit.....1 <i>Please Communicate The Engine Serial Number</i>		40	01.0031.0308GT	FLAT WASHER D6 UNI ISO 7093 ZN.....4	
4	51.0811.4448GT	SUPPORT,CONTROL UNIT.....1		41	01.4001.0045GT	Screw TE M 5X10 UNI 5739 8.8 ZN.....4	
5	074501.0351GT	FUEL PUMP.....1		42	01.4032.0001GT	WASHER,SPRING,D5 ZN.....4	
6	074501.0352GT	FUEL FILTER CARTRIDGE.....1 <i>For USA Market Buy p.n. 823057GT</i>		43	01.0031.0053GT	FLAT WASHER D5 UNI 6592 ZN.....12	
7	236266GT	FILTER,FUEL,DEUTZ TCD3.6.....1		44	01.0001.0257GT	SCREW M8X30 UNI 5739 8.8 ZN.....2	
8	074501.0285GT	Fuel Pre-Filter Cartridge.....1 <i>For USA Market Buy p.n. 236260GT</i>		45	01.0023.0054GT	NUT,M8 UNI 7473 6S ZN.....3	
9	074501.0291GT	SENSOR.....1		46	074501.0383GT	DIPSTICK OIL.....1	
10	074501.0303GT	Complete Fuel Pre-Filter.....1		47	074501.0353GT	V-BELT.....2	
11	01.0031.0055GT	FLAT WASHER D8 UNI 6592 ZN.....10		48	074501.0311GT	V-BELT.....1 <i>For USA Market Buy p.n. 236267GT</i>	
12	01.0023.0052GT	STOP NUT M5 UNI 7473 6S ZN.....4		49	01.0001.0466GT	SCREW M8X50 UNI 5739 8.8 ZN.....1	
13	074501.0390GT	STARTER,TCD3.6 T4F.....1		50	51.0811.4860GT	BATTERY AND AIR FILTER SUPPORT.....1	
14	074501.0067GT	FILTER,OIL.....1 <i>For USA Market Buy p.n. 49924GT</i>		51	01.0001.0402GT	SCREW M12X45 UNI 5737 8.8 ZN.....4	
15	51.0903.5298GT	PROTECTION.....1		52	1257352GT	CAP,OIL FILLER,TCD 3.6,T4F.....1	
16	51.0811.4501GT	FRONT ENGINE SUPPORT.....2		53	074501.0354GT	CLAMP.....2	
17	51.0811.4502GT	LEFT REAR ENGINE SUPPORT.....1		54	01.0001.1438GT	SCREW M5X20 UNI 5739 8.8 ZN.....4	
18	51.0811.4503GT	RIGHT REAR ENGINE SUPPORT.....1					
19	51.0811.4616GT	DEUTZ ENGINE SUPPORT.....1					
20	094670.0027GT	Insulator.....4					
21	01.0001.0851GT	SCREW M20X60 UNI 5737 8.8 ZN.....3					
22	01.0031.0061GT	FLAT WASHER D20 UNI 6592 ZN.....3					
23	01.4032.0009GT	SPRING WASHER D20 ZN.....3					
24	01.0001.0508GT	SCREW M12X40 UNI 5739 8.8 ZN.....8					
25	01.0031.0057GT	WASHER,D12 UNI 6592 ZN.....34					
26	01.0023.0056GT	STOP NUT M12 UNI 7473 6S ZN.....8					
27	070712.0249GT	FAN.....1					
28	01.0001.0258GT	SCREW M8X35 UNI 5739 8.8 ZN.....4					
29	01.4032.0003GT	SPRING WASHER D8 ZN.....4					
30	01.0031.0059GT	FLAT WASHER D16 UNI 6592 ZN.....4					
31	01.4032.0007GT	SPRING WASHER D16 ZN.....4					
32	01.4001.0209GT	SCREW,HHC,M16-2X50,10,9,ZN.....4					
33	01.0001.0401GT	SCREW M12X40 UNI 5737 8.8 ZN.....14					
34	01.4032.0005GT	SPRING WASHER D12 ZN.....18					
35	01.0003.0159GT	SCREW M6X35 UNI 5931 8.8 ZN.....4					
36	01.0031.0298GT	FLAT WASHER D6 UNI 6593 ZN.....4					
37	01.0023.0053GT	STOP NUT M6 UNI 7473 6S ZN.....4					

307.1 610221 Air Filter



Item	Part No.	Description	Qty.
1	09.4604.0074GT	Air Filter.....	1
2	09.4604.0076GT	Sensor.....	1
3	07.4501.0225GT	Air Filter Cover.....	1
4	07.4501.0223GT	Air Filter Element.....	1
5	07.4501.0224GT	Air Filter Secondary Element.....	1
6	07.4501.0342GT	Locking Bracket.....	1
7	07.4501.0190GT	Screw.....	1
8	51.0811.4623GT	STOP RING.....	1
9	04.0227.0058GT	CLAMP DN 40/60 LG12.....	2
10	53.3302.0037GT	Rubber Below.....	1
11	51.0903.5215GT	AIR FILTER GRID.....	1
12	01.0001.0154GT	SCREW M6X16 UNI 5739 8.8 ZN.....	1
13	01.4032.0002GT	SPRING WASHER D6 ZN.....	1
14	01.0031.0054GT	FLAT WASHER D6 UNI 6592 ZN.....	1
15	04.4227.0031GT	CLAMP 110/130.....	1
16	53.3001.6815GT	MANIFOLD.....	1
17	04.0227.0502GT	Clamp 70/90.....	1
18	09.0805.0185GT	Hose D40.....	39.37-inch
19	04.4227.0034GT	Clamp 240/260.....	1
20	01.0001.0217GT	SCREW,TE,M8X110 UNI 8.8 ZN.....	1
21	01.0031.0299GT	FLAT WASHER D8 UNI 6593 ZN.....	2
22	01.0023.0054GT	NUT,M8 UNI 7473 6S ZN.....	1
23	51.0811.4923GT	BRACKET.....	1
24	09.0803.0905GT	GASKET.....	1

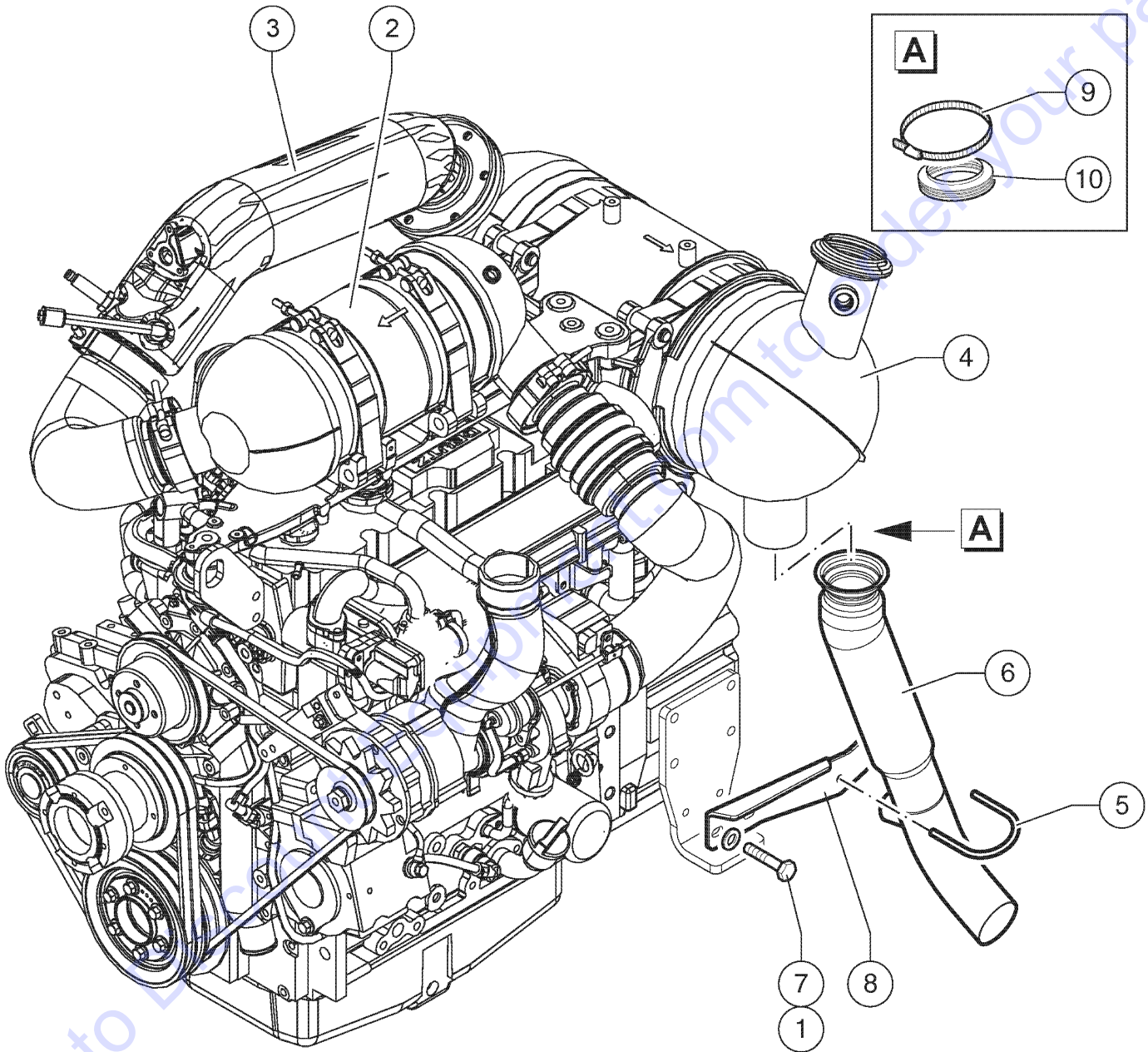
308.1 610222 Fuel Circuit



Item	Part No.	Description	Qty.
1	09.0805.0194GT	Hose D15-23.....	157.48-Inch
2	04.0227.0051GT	CLAMP DN 10/16 LG 9.....	14
3	04.0600.0162GT	Hose Adapter.....	2
4	09.0805.0147GT	PIPE FITTING,PUMP,FUEL.....	3
5	07.4501.0290GT	Sensor.....	1
6	09.0805.0146GT	GAS/OIL QUICK CONNECTOR.....	1
7	04.4224.0011GT	Ball Valve.....	3
8	06.0442.0120GT	BONDED RING 3/8".....	5
9	04.0220.0053GT	PLUG 3/8" BSP.....	1
10	04.0600.0088GT	PIPE FITTING.....	2
11	04.0600.0029GT	PIPE FITTING 3/8X3/8 BSP.....	2
12	09.0803.0838GT	FITTING.....	1
13	09.0805.0171GT	HOSE.....	17.71-Inch
14	09.0803.0837GT	FITTING.....	3
15	06.0443.0002GT	BONDED RING.....	4
16	T09.0805.0070GT	FLEXIBLE HOSE,D12X18(1EACH-1METER).	15.75-Inch

Go to Discount-Equipment.com to order your parts

309.1 610223 Exhaust System And Accelerator

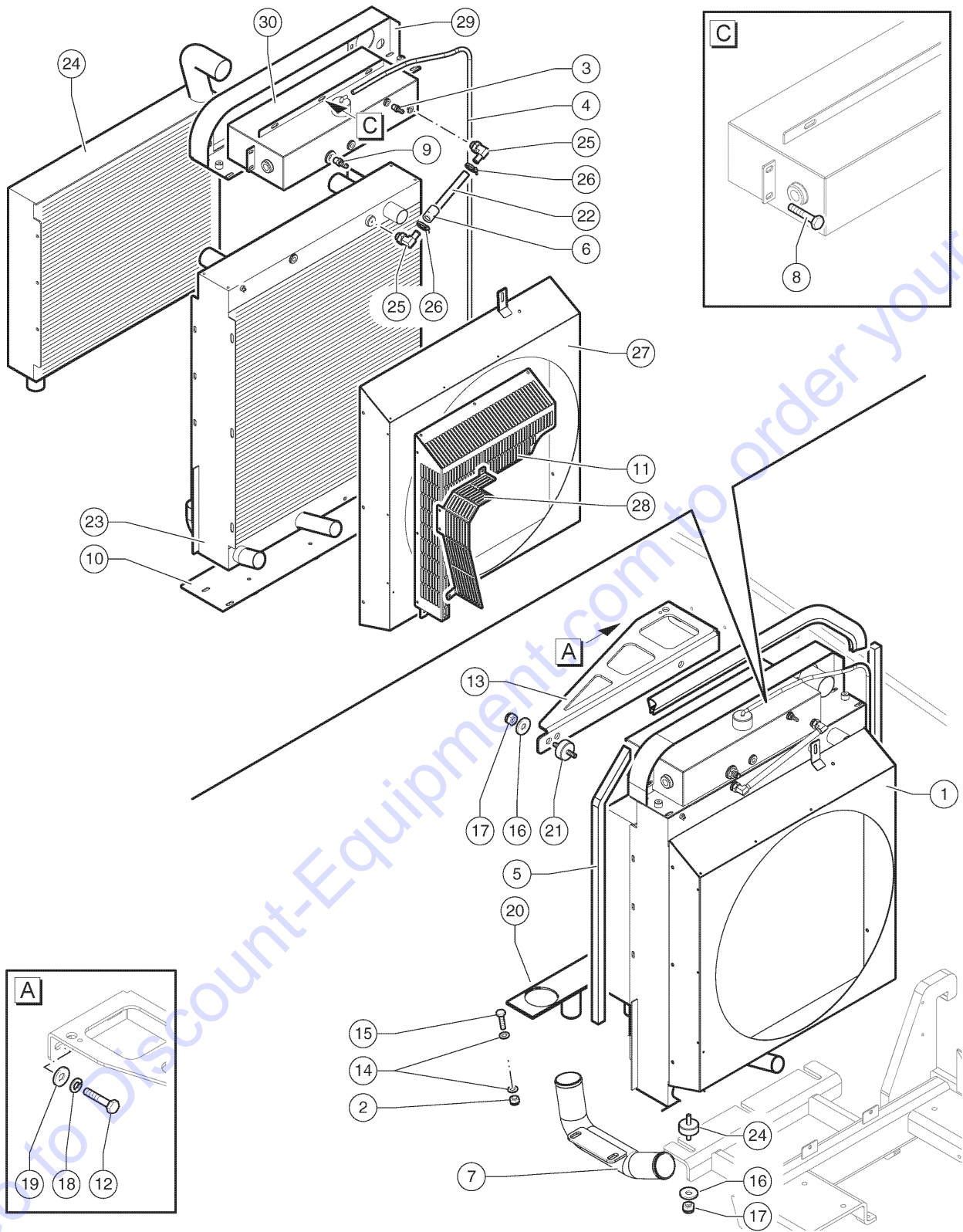


309.1 610223 Exhaust System And Accelerator

Item	Part No.	Description	Qty.
1	01.0001.0254GT	SCREW M8X20 UNI 5739 8.8 ZN.....	2
2	07.4501.0356GT	DOC.....	1
3	1257378GT	PIPE,MIXING,TCD3.6 T4F.....	1
4	07.4501.0357GT	SCR.....	1
5	51.0811.4694GT	BRACKET.....	1
6	53.3001.6820GT	EXHAUST TUBE.....	1
7	01.0031.0299GT	FLAT WASHER D8 UNI 6593 ZN.....	4
8	51.0811.4693GT	EXHAUST MANIFOLD SUPPORT.....	1
9	07.0501.0053GT	CLAMP.....	1
10	07.4501.0206GT	SEAL.....	1

Go to Discount-Equipment.com to order your parts

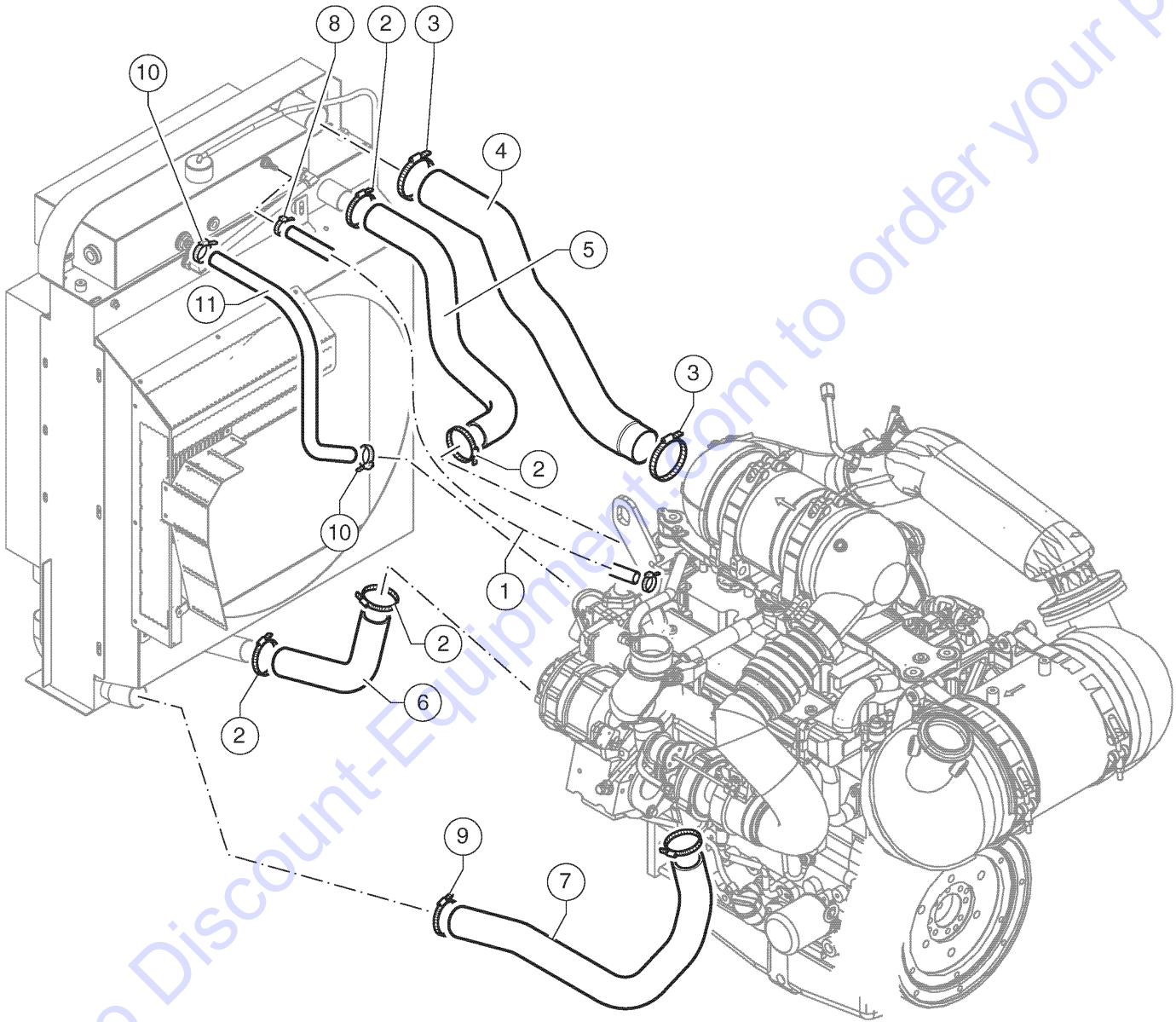
310.1 610224 Cooling System, Radiator



310.1 610224 Cooling System, Radiator

Item	Part No.	Description	Qty.
1	53.3200.0080GT	COMPLETE RADIATOR.....	1
2	01.0023.0054GT	NUT,M8 UNI 7473 6S ZN.....	5
3	09.0806.0008GT	DOOR RUBBER/PIPE FITTING.....	1
4	07.0712.0303GT	HOSE.....	1
5	07.0712.0304GT	Rubber.....	.43-Inch
6	07.0712.0300GT	FITTING.....	1
7	07.0712.0271GT	HOSE.....	1
8	07.0712.0298GT	HEXAGON FLANGE BOLTS DIN 6921 M6 X 16.....	4
9	07.0712.0290GT	SHUT VALVE 1/4 NPT.....	1
10	07.0712.0306GT	Intercooler Support.....	1
11	07.0712.0309GT	PROTECTION FAN.....	1
12	01.0001.0356GT	SCREW M10X30 UNI 5739 8.8 ZN.....	2
13	51.0811.4748GT	RADIATOR SUPPORT.....	.39-Inch
14	01.0031.0055GT	FLAT WASHER D8 UNI 6592 ZN.....	10
15	01.0001.0256GT	SCREW M8X25 UNI 5739 8.8 ZN.....	5
16	01.4031.0003GT	FLAT WASHER D12 UNI 6593 ZN.....	10
17	01.0023.0055GT	NUT,STOP,M10 UNI 7473 6S ZN.....	10
18	01.0001.0071GT	Spring Washer.....	2
19	54.0100.0005GT	WASHER.....	2
20	51.0811.4922GT	SUPPORT.....	1
21	09.4670.0028GT	SHOCK ABSORBER.....	5
22	07.0712.0299GT	RADIATOR HOSE.....	1
23	07.0712.0312GT	Radiator.....	1
24	07.0712.0311GT	Heat Exchanger.....	1
25	07.0712.0302GT	FITTING 90° 1/8.....	2
26	07.0712.0301GT	CLAMP 15/8.....	2
27	07.0712.0310GT	SHROUD,RADIATOR.....	1
28	07.0712.0308GT	GRID.....	1
29	07.0712.0307GT	PROFILE.....	1
30	07.0712.0305GT	Water Tank.....	1

311.1 610225 Cooling System, Radiator Hoses

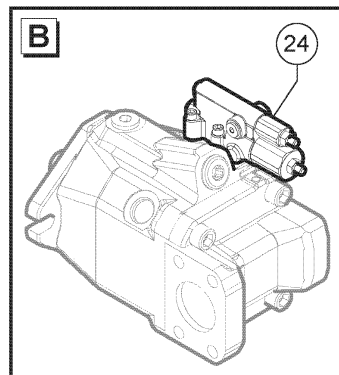
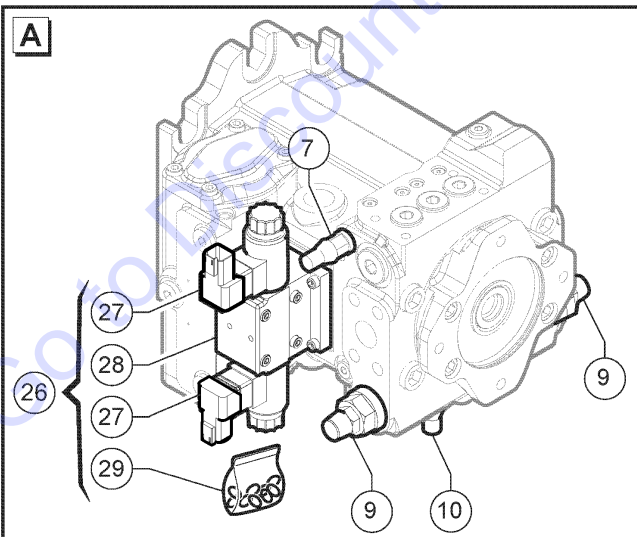
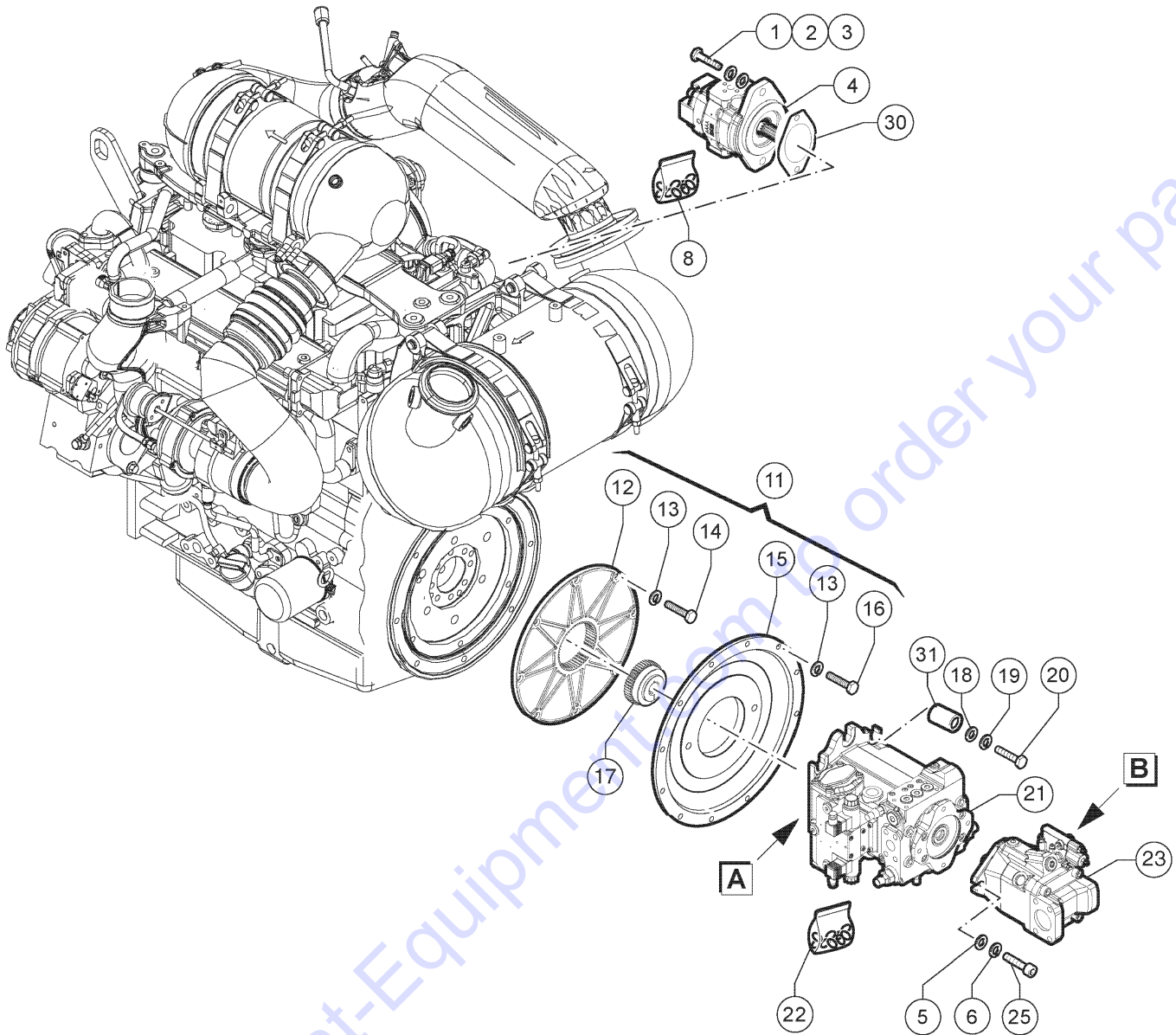


311.1 610225 Cooling System, Radiator Hoses

Item	Part No.	Description	Qty.
1	09.0805.0208GT	RUBBER MANIFOLD.....	1
2	04.0227.0058GT	CLAMP DN 40/60 LG12.....	4
3	04.0227.0152GT	Clamp 80/85.....	2
4	09.0805.0206GT	RUBBER MANIFOLD.....	1
5	53.3001.6812GT	RADIATOR MANIFOLD.....	1
6	53.3001.6797GT	RADIATOR MANIFOLD.....	1
7	09.0805.0207GT	RUBBER MANIFOLD.....	1
8	04.0227.0051GT	CLAMP DN 10/16 LG 9.....	2
9	04.0227.0144GT	Clamp DN 55/59.....	2
10	04.0227.0068GT	CLAMP DN 22/32 LG 9.....	2
11	53.3001.6810GT	COLLECTOR.....	1

Go to Discount-Equipment.com to order your parts

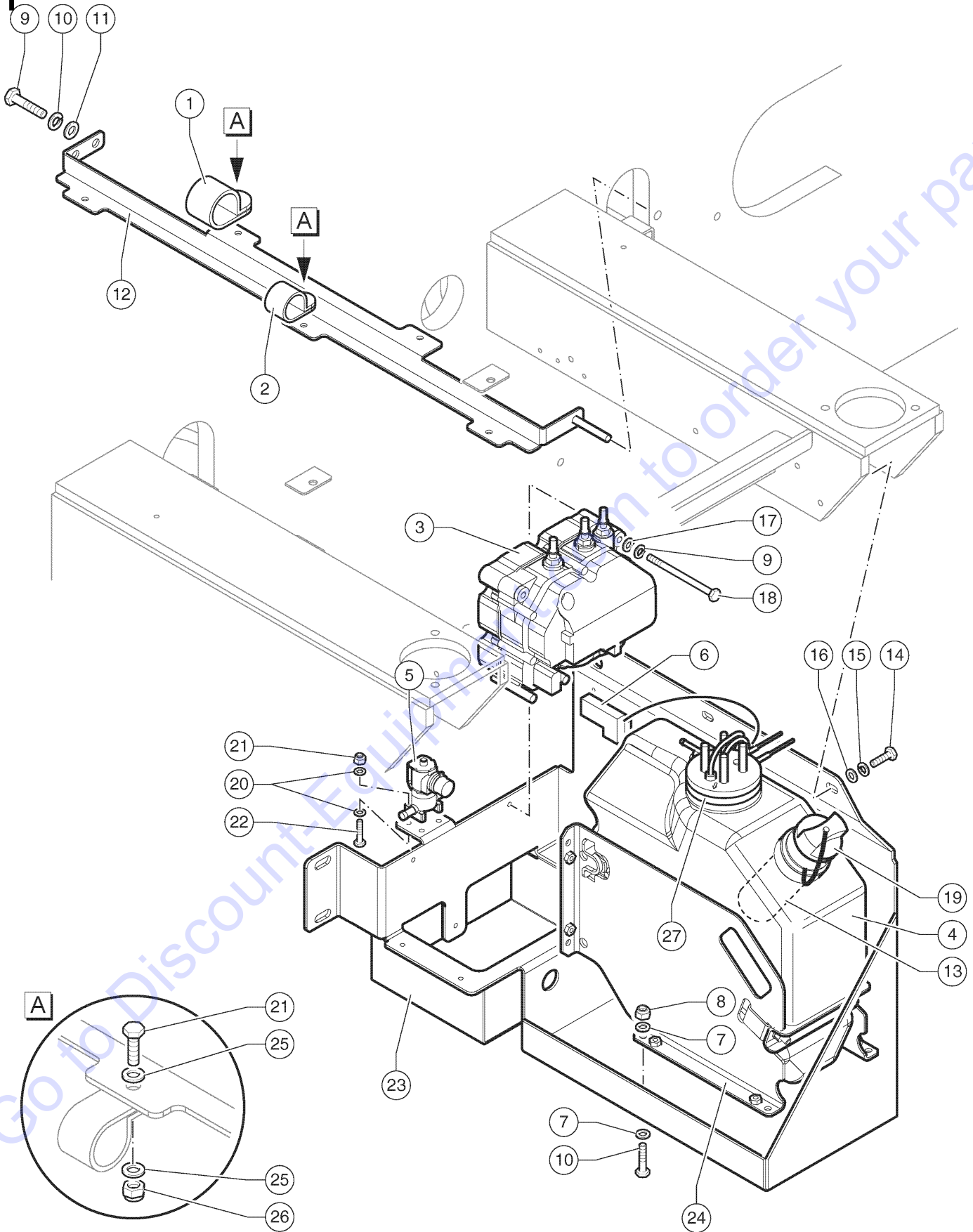
312.1 610226 Hydraulic Pumps



312.1 610226 Hydraulic Pumps

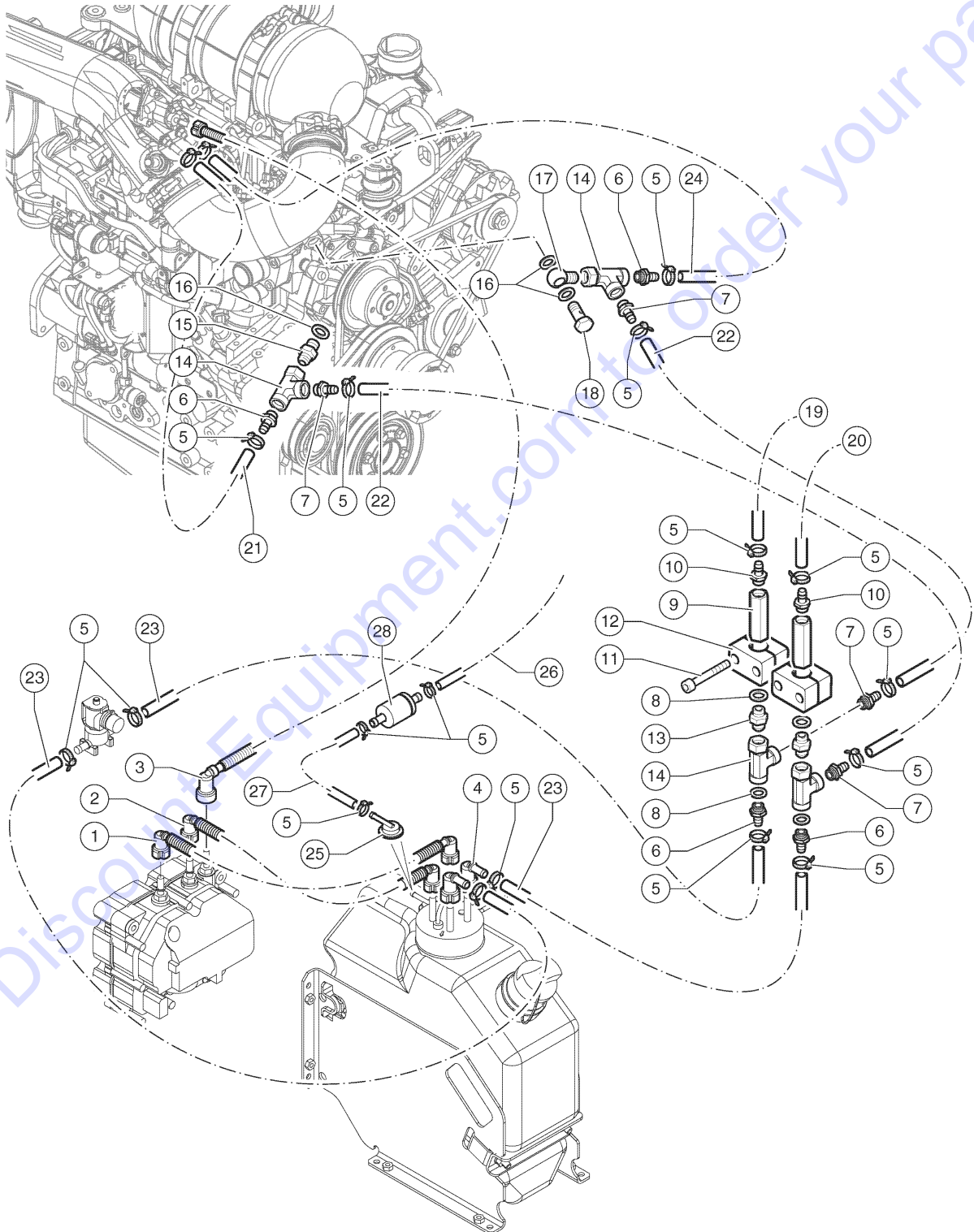
Item	Part No.	Description	Qty.
1	01.0001.0353GT	SCREW M10X20 UNI 5739 8.8 ZN.....	2
2	01.4032.0004GT	SPRING WASHER D10 ZN.....	2
3	01.0031.0056GT	FLAT WASHER D10 UNI 6592 ZN.....	2
4	04.4238.0098GT	Hydraulic Pump 2.....	1
5	01.0031.0097GT	FLAT WASHER D12 UNI 5714 ZN.....	2
6	01.4032.0005GT	SPRING WASHER D12 ZN.....	2
7	07.0701.0217GT	Pressure Override Valve.....	1
8	07.4529.0208GT	Seal Kit Hydraulic Pump 2.....	1
9	07.0701.0247GT	MAX PRESSURE VALVE.....	2
10	07.0701.0216GT	PRESSURE RELIEF VALVE.....	1
11	09.0804.3421GT	KIT/PUMP COUPLING.....	1
12	07.0713.0058GT	FLANGE.....	1
13	01.4032.0004GT	SPRING WASHER D10 ZN.....	22
14	01.0001.0358GT	SCREW M10X40 UNI 5739 8.8 ZN.....	8
15	07.0713.0070GT	COVER.....	1
16	01.0001.0355GT	SCREW M10X25 UNI 5739 8.8 ZN.....	14
17	07.0713.0069GT	Pump Hub.....	1
18	01.0031.0099GT	FLAT WASHER D16 UNI 5714 ZN.....	4
19	01.4032.0007GT	SPRING WASHER D16 ZN.....	4
20	01.0001.1506GT	SCREW M16X40 UNI 5739 8.8 ZN.....	4
21	04.4238.0109GT	Hydraulic Pump 4.....	1
22	07.0701.0213GT	Seal Kit Pump 4.....	1
23	04.4238.0093GT	Hydraulic Pump 5.....	1
24	07.0701.0276GT	Control Valve.....	1
25	01.0003.0306GT	Screw TCEI M12X40 UNI 5931 8.8ZN....	2
26	07.0701.0327GT	Complete Solenoid Valve With Inching Device.....	1
27	07.0701.0242GT	SOLENOID.....	2
28	07.0701.0291GT	VALVE BLOCK.....	1
29	07.0701.0342GT	Solenoid Valve Seal Kit.....	1
30	09.0803.0904GT	GASKET.....	1
31	52.0900.9344GT	SPACER.....	4

313.1 610227 DEF System - View 1



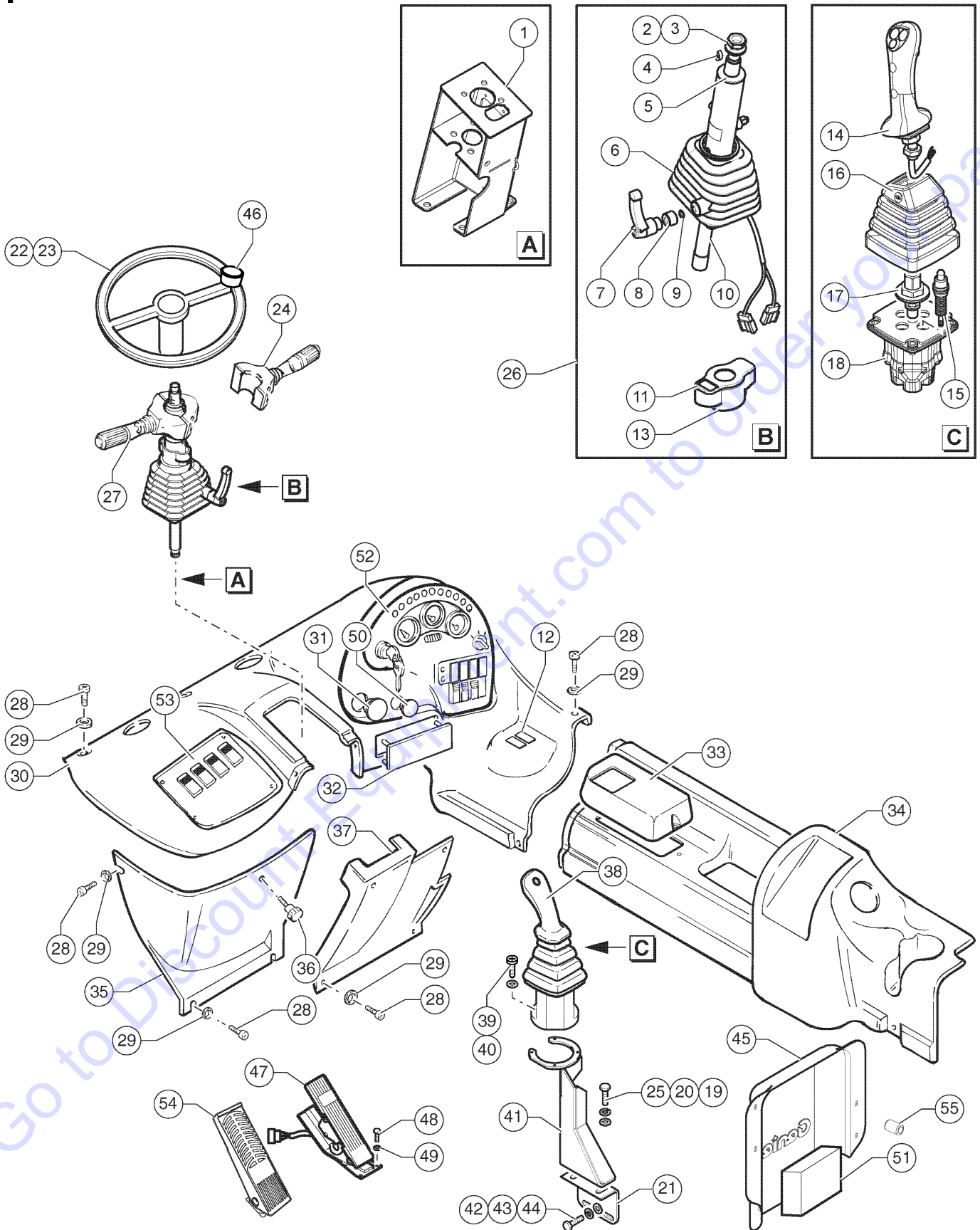
Item	Part No.	Description	Qty.
1	04.4227.0016GT	CLAMP D60 HOLE 10.5.....	2
2	04.4227.0014GT	CLAMP D22.....	3
3	1257797GT	ASSY,MODULE,SUPPLY,DEF,TCD3.6....	1
--	1257785GT	FILTER,SM,DEF,TCD 3.6	
4	07.0501.0098GT	TANK.....	1
5	1260900GT	VALVE,DEF COOLANT,TCD3.6,T4F.....	1
6	1257786GT	MODULE,CAN INT,DEF,TCD3.6,T4F....	1
7	01.4031.0004GT	FLAT WASHER D8X32 UNI 6593 ZN....	8
8	01.0023.0054GT	NUT,M8 UNI 7473 6S ZN.....	4
9	01.4032.0003GT	SPRING WASHER D8 ZN.....	8
10	01.0001.0254GT	SCREW M8X20 UNI 5739 8.8 ZN.....	6
11	01.0031.0299GT	FLAT WASHER D8 UNI 6593 ZN.....	2
12	51.0811.4753GT	HOSES HEATER SUPPORT.....	1
13	07.0501.0102GT	FILTER.....	1
14	01.0001.0355GT	SCREW M10X25 UNI 5739 8.8 ZN.....	5
15	01.4032.0004GT	SPRING WASHER D10 ZN.....	5
16	01.0031.0301GT	FLAT WASHER D10 UNI 6593 ZN.....	5
17	01.0031.0055GT	FLAT WASHER D8 UNI 6592 ZN.....	3
18	01.0001.0213GT	Screw TE M 8X90 UNI 5737 8.8 ZN....	3
19	07.0501.0103GT	CAP.....	1
20	01.0031.0054GT	FLAT WASHER D6 UNI 6592 ZN.....	4
21	01.0001.0156GT	SCREW M6X20 UNI 5739 8.8 ZN.....	8
22	01.4032.0002GT	SPRING WASHER D6 ZN.....	8
23	51.0811.4681GT	TANK SUPPORT.....	1
24	07.0501.0099GT	BRACKET.....	1
25	01.0031.0054GT	FLAT WASHER D6 UNI 6592 ZN.....	8
26	01.0023.0053GT	STOP NUT M6 UNI 7473 6S ZN.....	4
27	07.0501.0100GT	CLAMP.....	1

314.1 610228 DEF System - View 2



Item	Part No.	Description	Qty.
1	09.0805.0209GT	HOSE.....	1
2	09.0805.0210GT	HOSE.....	1
3	09.0805.0211GT	HOSE.....	1
4	09.0805.0147GT	PIPE FITTING,PUMP,FUEL.....	2
5	04.0227.0051GT	CLAMP DN 10/16 LG 9.....	15
6	04.0600.0276GT	Hose Adaprter 3/8" BSP x D10.....	4
7	04.0600.0179GT	HOSE ADAPTER 3/8" GASXD17.....	4
8	06.0442.0122GT	BONDED RING 1/2".....	2
9	04.0600.0156GT	Pipe Fitting.....	2
10	04.0600.0197GT	HOSE ADAPTER 1/2 GAS D18.....	2
11	01.0003.0157GT	SCREW M6X25 UNI 5931 8.8 ZN.....	4
12	09.0803.0043GT	SINGLE HOSE BRACKET D16.....	2
13	04.0600.0017GT	PIPE FITTING 1/2X1/2 BSP.....	2
14	04.0600.0273GT	Pipe Fitting 3/8" - 1/2".....	4
15	04.0600.0086GT	Pipe Fitting.....	1
16	06.0442.0059GT	WASHER,JC 22.....	3
17	05.0401.0013GT	PIPE FITTING.....	1
18	04.0600.0171GT	CONNECTOR.....	1
19		See 400 Cab Components, Figure 610235 - Position 31	
20		See 400 Cab Components, Figure 610235 - Position 32	
21	09.0805.0070GT	HOSE.....	1
22	09.0805.0194GT	Hose D15-23.....	1
23	09.0805.0171GT	HOSE.....	1
24	09.0805.0070GT	HOSE.....	1
25	07.0501.0104GT	VALVE.....	1
26	09.0805.0225GT	RUBBER PIPE.....	15.74-Inch
27	09.0805.0225GT	RUBBER PIPE.....	7.87-Inch
28	07.0501.0101GT	FILTER.....	1

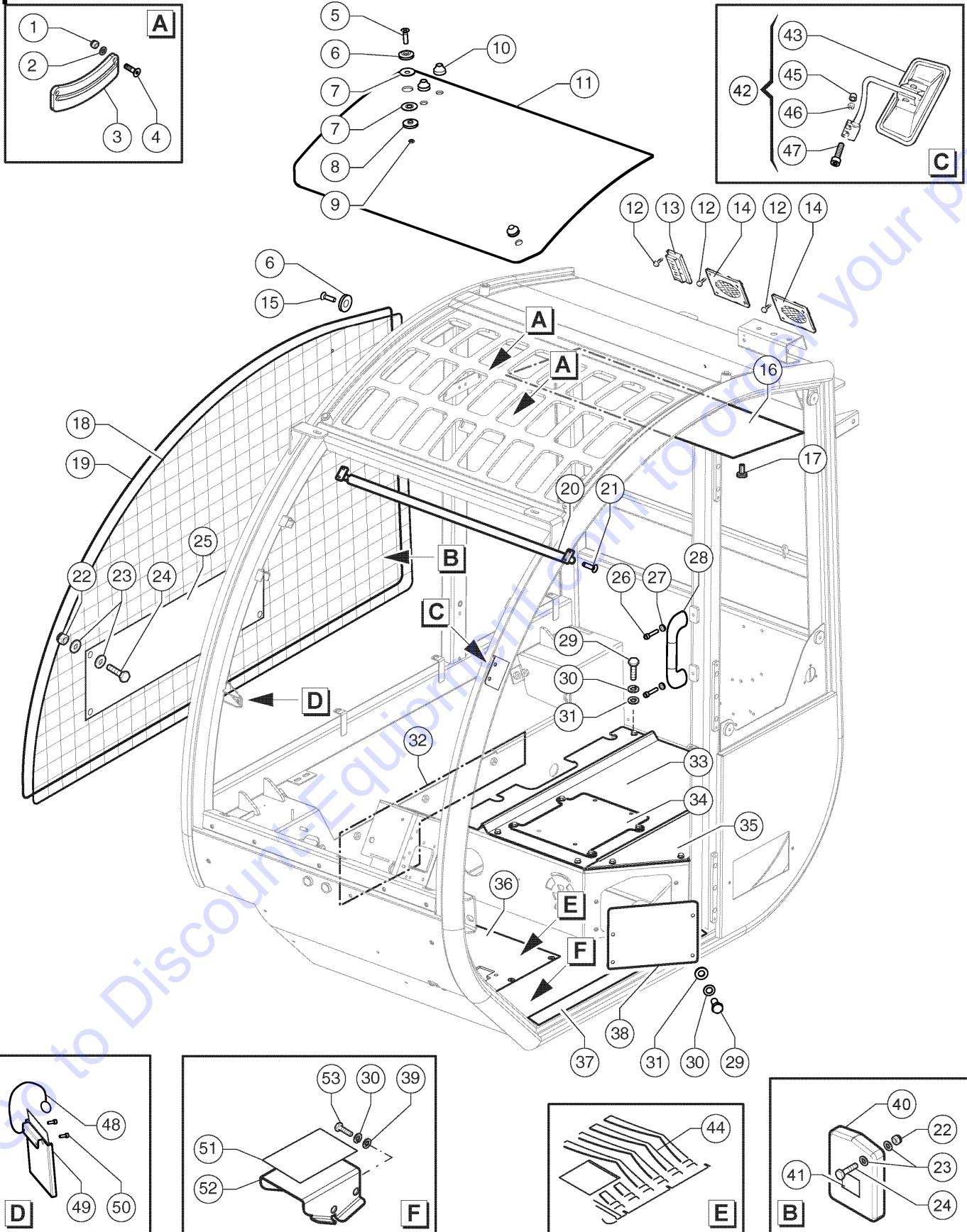
401.1 610229 Cab, View 1 - Standard Version



401.1 610229 Cab, View 1 - Standard Version

Item	Part No.	Description	Qty.	Item	Part No.	Description	Qty.
1	51.0811.4076GT	Steering Support.....	1	42	01.0001.0355GT	SCREW M10X25 UNI 5739 8.8 ZN.....	2
2	07.0703.0707GT	Nut M18X1,5 UNI 5589 12 ZN.....	1	43	01.4032.0004GT	SPRING WASHER D10 ZN.....	2
3	07.0703.0709GT	FLAT WASHER 18X34X3 UNI16592 12 ZN.....	1	44	01.0031.0056GT	FLAT WASHER D10 UNI 6592 ZN.....	2
4	07.0703.0708GT	Locking Tab.....	1	45	52.1200.5537GT	Cover.....	1
5	07.0703.0712GT	Protective Cap.....	1	46	09.0636.0003GT	Steering wheel knob.....	1
6	56.0016.0157GT	Rubber Boot.....	1	47	09.4656.0017GT	ACCELERATOR PEDAL.....	1
7	07.0703.0605GT	HANDLE,STEER COLUMN.....	1	48	01.0001.0102GT	SCREW M6X30 UNI 5739 8.8 ZN.....	3
8	07.0703.0710GT	Spacer.....	1	49	01.4032.0002GT	SPRING WASHER D6 ZN.....	3
9	07.0703.0713GT	O-Ring.....	1	50	07.0723.0635GT	Cap D22.....	1
10	09.4636.0038GT	Steering Column.....	1	51	56.0021.0160GT	Transmission Control Unit..... <i>Control Unit With Software Preloaded</i>	1
11	56.0016.0199GT	Steering Column Upper Cover.....	1	52		See 700 Electric Installation, Figure 610276 - Pos. 2	
12	07.0703.0423GT	PLUG.....	2	53		See 700 Electric Installation, Figure 610276 Pos. 24	
13	56.0016.0156GT	Connectors Cover.....	1	54		See 600 Hydraulic System, Figure 610263 - Pos. 5	
14	07.0704.0488GT	HANDLE.....	1	55	51.0811.4924GT	SPACER.....	4
15	07.0704.0478GT	Elbow Kit.....	4				
16	07.0704.0476GT	Rubber Boot.....	1				
17	07.0704.0489GT	KINEMATIC KIT.....	1				
18	07.0704.0137GT	BODY.....	1				
19	01.4032.0003GT	SPRING WASHER D8 ZN.....	2				
20	01.0001.0252GT	SCREW M8X16 UNI 5739 8.8 ZN.....	2				
21	51.0811.4842GT	SUPPORT.....	1				
22	09.0636.0002GT	Steering Wheel.....	1				
23	09.0636.0001GT	CENTRAL CAP WITH HORN.....	1				
24	7-125-06GT	SWITCH, TURN SIGNAL.....	1				
25	01.0031.0055GT	FLAT WASHER D8 UNI 6592 ZN.....	2				
26	55.0602.1071GT	STEERING ASSY..... <i>Assembly Without Right Control Lever</i>	1				
27	56.0016.0196GT	Left Control Lever.....	1				
28	07.0740.0116GT	SCREW FE TGS T+ M6X25 UNI 7689 ZN.....	15				
29	09.0803.0012GT	WASHER D6.....	15				
30	52.1200.5531GT	DASHBOARD,FRONT.....	1				
31	07.0723.0634GT	Cap D30.....	1				
32	07.0740.0143GT	COVER,RADIO HOUSING.....	1				
33	52.1200.5530GT	Cover.....	1				
34	52.1200.5529GT	Right Dashboard.....	1				
35	52.1200.5532GT	DASHBOARD,LOWER.....	1				
36	07.0740.0152GT	KNOB.....	1				
37	52.1200.5533GT	DASHBOARD,CENTRAL.....	1				
38	04.4237.0014GT	JOYSTICK.....	1				
39	01.4001.0122GT	SCREW M5X20 UNI 7687 8.8 ZN.....	4				
40	01.0031.0054GT	FLAT WASHER D6 UNI 6592 ZN.....	4				
41	51.0811.4843GT	JOYSTICK SUPPORT.....	1				

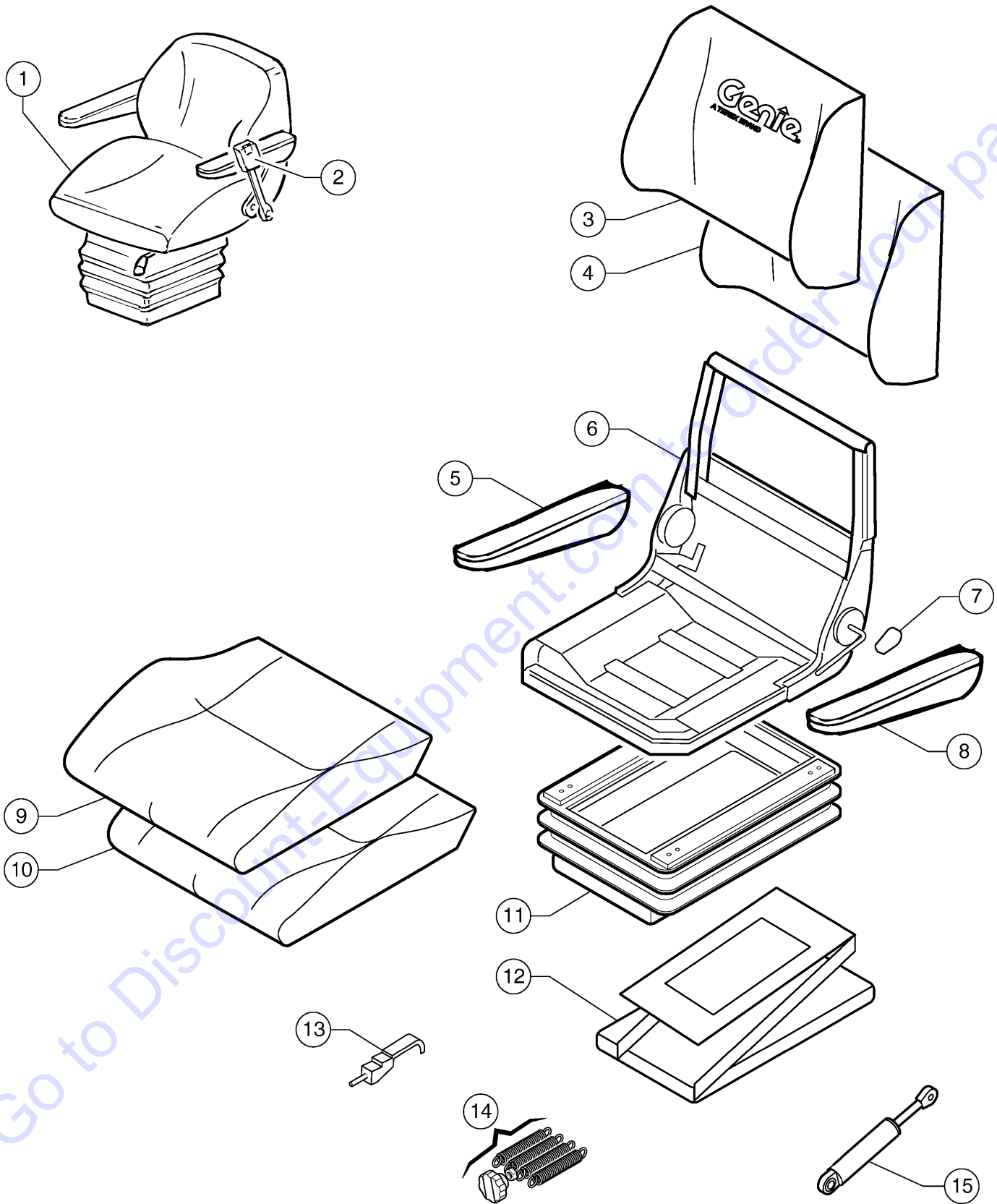
402.1 610230 Cab, View 2 - Standard Version



402.1 610230 Cab, View 2 - Standard Version

Item	Part No.	Description	Qty.	Item	Part No.	Description	Qty.
1	01.0023.0051GT	NUT,STOP,M4 UNI 7473 6S ZN.....	4	44	09.0803.0692GT	FLOOR MAT,RUBBER.....	1
2	01.4031.0007GT	FLAT WASHER D4 UNI 6592.....	4	45	07.0740.0014GT	NUT,PROTECTION.....	2
3	09.4610.0057GT	BUBBLE LEVEL.....	2	46	01.0023.0054GT	NUT,M8 UNI 7473 6S ZN.....	2
4	01.4001.0061GT	SCREW M4X20 UNI 7687 ZN.....	4	47	01.0003.0203GT	SCREW M8X20 UNI 5931 8.8 ZN.....	2
5	07.0740.0432GT	Screw TSPIC M8X30.....	1	48	09.0803.0512GT	LANYARD.....	1
6	07.0740.0416GT	WASHER D8.5.....	10	49	51.0811.4570GT	SUPPORT,LOAD CHARTS.....	1
7	07.0740.0460GT	GASKET.....	2	50	01.0001.0156GT	SCREW M6X20 UNI 5739 8.8 ZN.....	2
8	07.0740.0434GT	WASHER.....	1	51	53.3303.0002GT	ADHESIVE STRIP.....	9-Inch
9	07.0740.0435GT	NUT M8.....	1	52	51.0811.4725GT	SUPPORT,FOOT.....	1
10	07.0740.0461GT	GROMMET.....	3	53	01.0001.0256GT	SCREW M8X25 UNI 5739 8.8 ZN.....	2
11	07.0740.0462GT	GLASS,ROOF.....	1				
12	01.4001.0116GT	SCREW TCB T 3.9X16 UNI 6954.....	10				
13	07.0740.0084GT	CEILING LIGHT.....	1				
14	07.0740.0082GT	COVER,SPEAKER.....	2				
15	07.0740.0458GT	SCREW,TSPIC M8X16.....	9				
16	07.0740.0020GT	ROOF COVERING.....	1				
17	07.0740.0027GT	CAP.....	4				
18	55.0902.0060GT	PROTECTION GRID.....	1				
19	07.0740.0457GT	GASKET.....	1				
20	07.0740.0236GT	SUNSHIELD CURTAIN KIT.....	1				
21	07.0740.0128GT	SCREW.....	4				
22	01.0023.0053GT	STOP NUT M6 UNI 7473 6S ZN.....	8				
23	01.0031.0298GT	FLAT WASHER D6 UNI 6593 ZN.....	16				
24	01.0001.0154GT	SCREW M6X16 UNI 5739 8.8 ZN.....	8				
25	51.0811.4726GT	PLATE,DECAL.....	1				
26	07.0740.0445GT	SCREW,TCEI.....	2				
27	07.0740.0446GT	WASHER.....	2				
28	07.0740.0444GT	HANDLE.....	1				
29	01.0001.0254GT	SCREW M8X20 UNI 5739 8.8 ZN.....	16				
30	01.4032.0003GT	SPRING WASHER D8 ZN.....	18				
31	01.0031.0299GT	FLAT WASHER D8 UNI 6593 ZN.....	16				
32	07.0740.0021GT	COVERING.....	1				
33	51.0811.4377GT	SUPPORT,SEAT.....	1				
34	51.0811.4676GT	SUPPORT,SEAT.....	1				
35	51.0811.4079GT	COVER.....	1				
36	51.0811.4733GT	Cover.....	1				
37	07.0740.0018GT	Non-Skid Coating.....	28-Inch				
38	51.0811.4086GT	COVER.....	1				
39	01.0031.0055GT	FLAT WASHER D8 UNI 6592 ZN.....	2				
40	24514GT	BOX,INSTRUCTION STORAGE.....	1				
41	28236GT	DECAL,WARN,IMPROPER OPERATION.....	1				
42	07.0740.0097GT	Complete Mirror.....	1				
43	07.0740.0202GT	COMPLETE MIRROR.....	1				

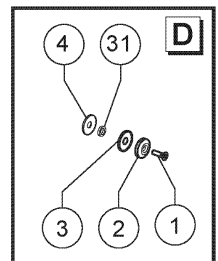
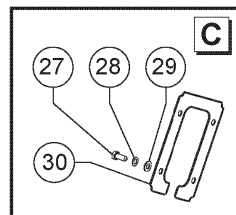
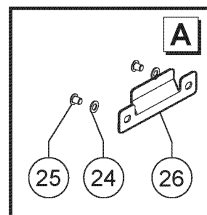
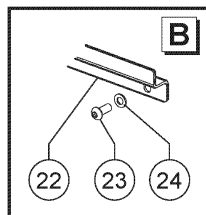
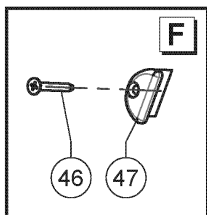
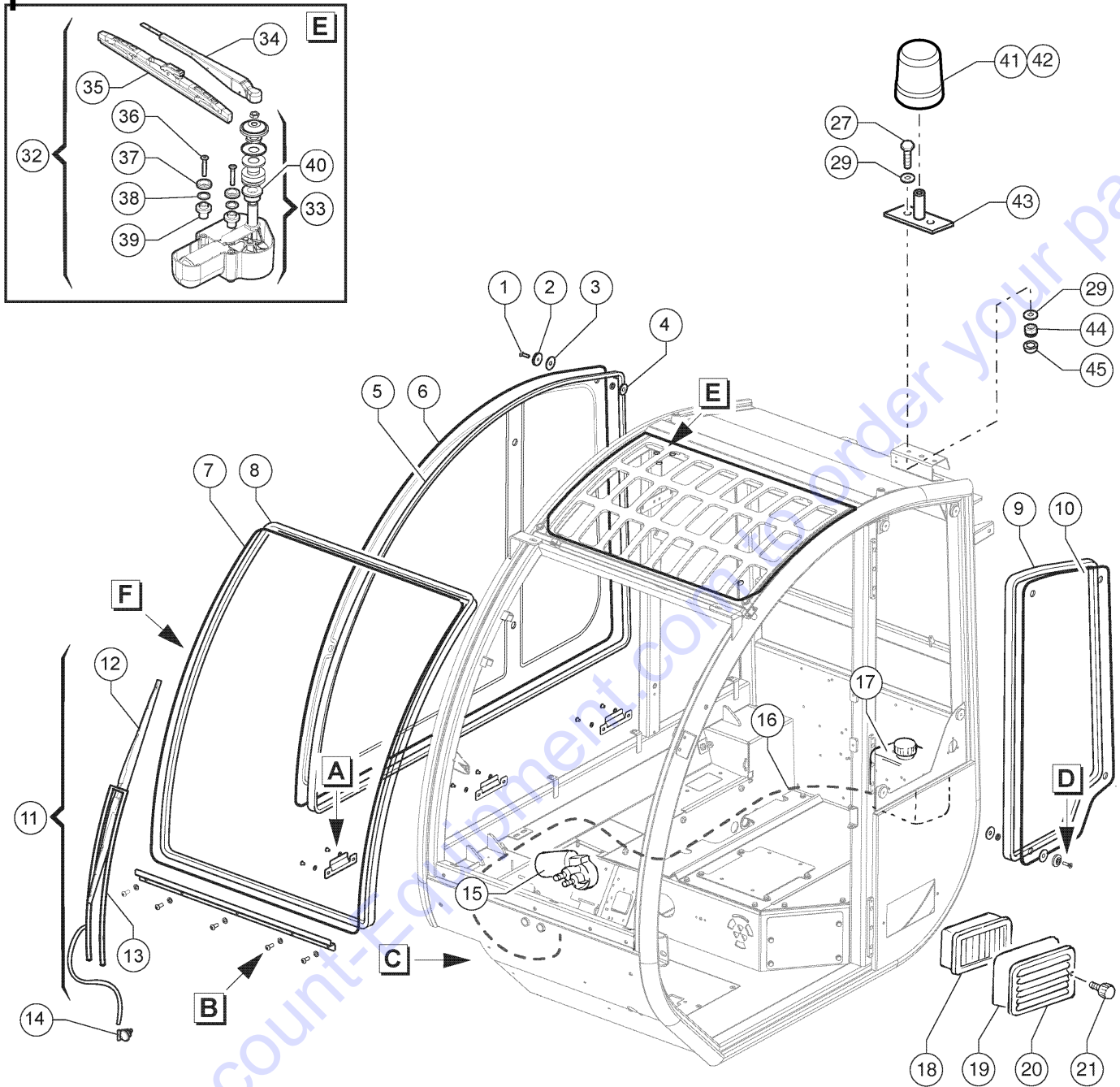
403.1 610231 Cab, View 3 - Standard Version



Item	Part No.	Description	Qty.
1	09.4610.0050GT	SEAT.....	1
2	09.4610.0051GT	Safety Belt Kit.....	1
3	07.0740.0472GT	Back Cover Assembly.....	1
4	07.0740.0474GT	Back Foam Kit.....	1
5	07.0740.0480GT	Right Armrest Kit.....	1
6	07.0740.0367GT	Seat Frame Assembly.....	1
7	07.0740.0476GT	Knob Kit.....	1
8	07.0740.0479GT	SEAT ARMREST,LEFT.....	1
9	07.0740.0473GT	Seat Cover Assembly.....	1
10	07.0740.0475GT	Seat Foam Kit.....	1
11	07.0740.0477GT	Suspension Cover Kit.....	1
12	07.0740.0478GT	Seat Suspension Kit.....	1
13	07.0740.0485GT	Height Adjuster Kit.....	1
14	07.0740.0370GT	Weight Adjuster Kit.....	1
15	07.0740.0486GT	KIT,SEAT DAMPER.....	1

Go to Discount-Equipment.com to order your parts

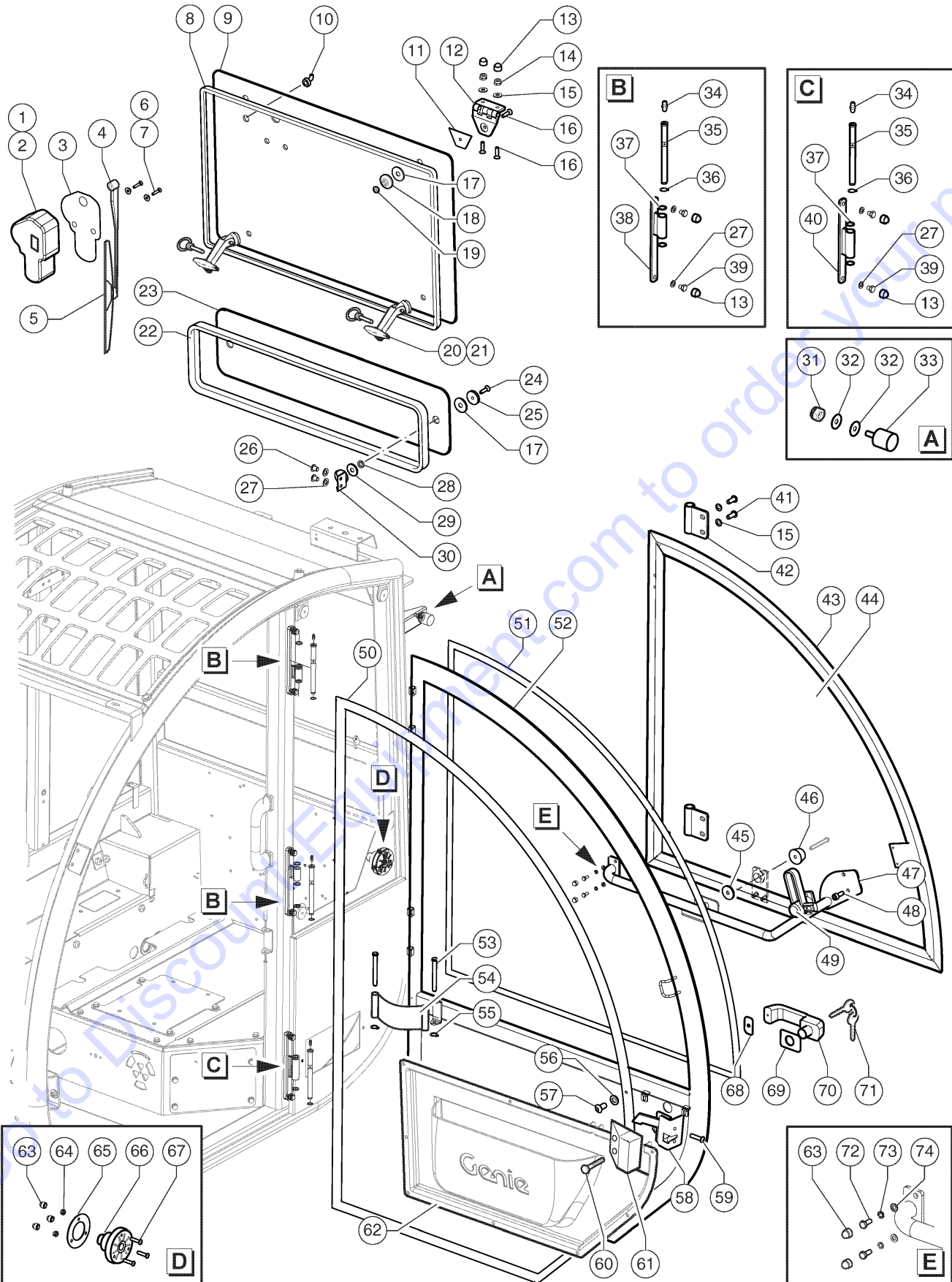
404.1 610232 Cab, View 1 - Close Version



404.1 610232 Cab, View 1 - Close Version

Item	Part No.	Description	Qty.	Item	Part No.	Description	Qty.
1	07.0740.0415GT	Screw TSPEI M8X30 UNI 5933.....	12	44	01.0023.0054GT	NUT,M8 UNI 7473 6S ZN.....	2
2	07.0740.0416GT	WASHER D8.5.....	12	45	07.0740.0014GT	NUT,PROTECTION.....	2
3	07.0740.0417GT	GASKET.....	12	46	07.0744.0001GT	SCREW.....	2
4	07.0740.0419GT	GASKET.....	12	47	07.0744.0002GT	GLASS LOCKING BRACKET.....	2
5	07.0740.0466GT	Seal.....	1				
6	07.0740.0465GT	GLASS,RIGHT,FRONT.....	1				
7	07.0740.0464GT	GLASS,FRONT WINDSHIELD.....	1				
8	07.0740.0463GT	Seal.....	1				
9	07.0740.0414GT	Seal.....	1				
10	07.0740.0413GT	GLASS,LEFT REAR.....	1				
11	07.0740.0449GT	Wiper Kit.....	1				
12	07.0740.0089GT	WIPER BLADE.....	1				
13	07.0740.0088GT	Wiper arm.....	1				
14	07.0740.0470GT	GROMMET.....	1				
15	07.0740.0072GT	Wiper motor.....	1				
16	09.0803.0554GT	Water Hose D4 LG.200 Inch.....	1				
17	07.0740.0098GT	TANK.....	1				
18	07.0740.0066GT	AIR FILTER.....	1				
19	07.0740.0091GT	GASKET.....	28-Inch				
20	51.0811.4724GT	AIR GRID.....	1				
21	07.0740.0152GT	KNOB.....	2				
22	07.0744.0003GT	BRACKET,WINDSHIELD,FRNT,LWR.....	1				
23	07.0740.0467GT	Screw TBEI M8X20.....	5				
24	07.0740.0425GT	PLAIN WASHER D15.....	11				
25	07.0740.0428GT	Screw TBEI M8X10.....	6				
26	07.0740.0469GT	BRACKET,GLASS,RIGHT,LOWER.....	3				
27	01.0001.0254GT	SCREW M8X20 UNI 5739 8.8 ZN.....	6				
28	01.4032.0003GT	SPRING WASHER D8 ZN.....	4				
29	01.0031.0055GT	FLAT WASHER D8 UNI 6592 ZN.....	8				
30	07.0740.0070GT	HOSE GUIDE.....	1				
31	07.0740.0418GT	WASHER,TEFLON D20.....	4				
32	09.0803.0715GT	Roof Wiper Kit.....	1				
33	07.0740.0506GT	Wiper Motor Kit.....	1				
		<i>Excluded Item 36,37,38,39,40</i>					
34	07.0740.0508GT	Arm.....	1				
35	07.0740.0509GT	Blade.....	1				
36	07.0740.0507GT	Screw TSPEI M6X35 UNI 5933.....	2				
37	07.0740.0502GT	Spicer D24.....	2				
38	07.0740.0503GT	Seal D16.....	2				
39	07.0740.0504GT	Bushing.....	2				
40	07.0740.0505GT	Bushing.....	1				
41	56.0010.0005GT	Flashing Beacon.....	1				
42	07.0703.0384GT	BULB.....	1				
43	07.0740.0010GT	Flashing Beacon Bracket.....	1				

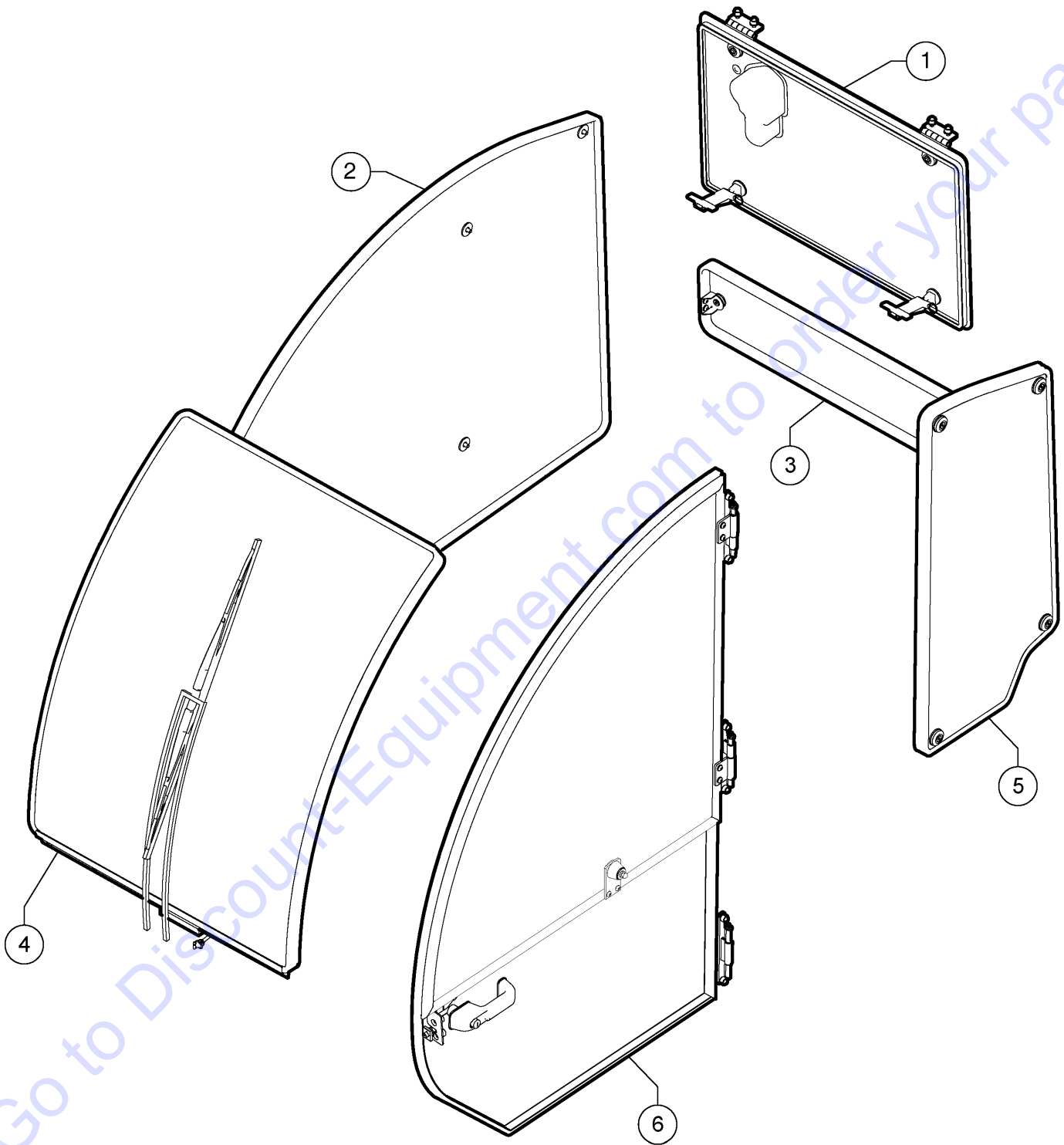
405.1 610233 Cab, View 2 - Close Version



405.1 610233 Cab, View 2 - Close Version

Item	Part No.	Description	Qty.	Item	Part No.	Description	Qty.
1	07.0740.0439GT	Wiper Motor.....	1	44	07.0740.0279GT	Glass.....	1
2	07.0723.0229GT	SWITCH.....	1	45	07.0740.0494GT	Spacer.....	1
3	07.0740.0438GT	Film.....	1	46	07.0740.0030GT	LOCK,DOOR.....	1
4	07.0740.0156GT	WIPER ARM.....	1	47	07.0740.0272GT	HANDLE.....	1
5	07.0740.0248GT	WIPER BLADE.....	1	48	07.0740.0447GT	Screw TCEI M6X16 8.8 ZN.....	2
6	07.0740.0483GT	Screw TSPEI M6X30 UNI 5933.....	2	49	07.0740.0029GT	HANDLE.....	1
7	07.0740.0484GT	Washer D6.....	2	50	07.0740.0058GT	DOOR SEAL.....	1
8	07.0740.0437GT	Seal.....	1	51	07.0740.0052GT	ADHESIVE GASKET.....	1
9	07.0740.0436GT	Rear Upper Glass.....	1	52	51.1100.0039GT	Door Frame.....	1
10	07.0740.0461GT	GROMMET.....	1	53	07.0740.0491GT	PIN,DOOR FRAME BELT.....	2
11	07.0740.0433GT	Gasket.....	2	54	07.0740.0490GT	Belt.....	1
12	07.0740.0431GT	Hinge.....	2	55	07.0740.0492GT	LOCK RING.....	2
13	07.0740.0423GT	Nut Cover M8.....	10	56	07.0740.0497GT	Plain Washer D6 UNI 6592.....	10
14	07.0740.0429GT	NUT,M8 UNI CL8 ZN.....	4	57	07.0740.0496GT	Screw TBEI M6X12.....	10
15	07.0740.0026GT	WASHER.....	8	58	07.0740.0051GT	DOOR LOCK.....	1
16	07.0740.0432GT	Screw TSPIC M8X30.....	6	59	01.4006.0007GT	SCREW M8X40 UNI 5933 10.9 ZN.....	2
17	07.0740.0417GT	GASKET.....	4	60	01.4001.0116GT	SCREW TCB T 3.9X16 UNI 6954.....	2
18	07.0740.0434GT	WASHER.....	2	61	52.1200.5534GT	DOOR LOCK COVER.....	1
19	07.0740.0435GT	NUT M8.....	2	62	52.1200.5535GT	COATING.....	1
20	07.0740.0217GT	PLUG.....	2	63	07.0740.0422GT	Nut Cover M6.....	5
21	07.0740.0076GT	Handle.....	2	64	07.0740.0005GT	Stop nut.....	3
22	07.0740.0427GT	Seal.....	1	65	07.0740.0106GT	GASKET,RUBBER.....	1
23	07.0740.0426GT	Rear Lower Glass.....	1	66	07.0740.0104GT	DOOR CATCH.....	1
24	07.0740.0415GT	Screw TSPEI M8X30 UNI 5933.....	2	67	07.0740.0105GT	SCREW M6X30.....	3
25	07.0740.0416GT	WASHER D8.5.....	2	68	07.0740.0049GT	GASKET.....	1
26	07.0740.0428GT	Screw TBEI M8X10.....	4	69	07.0740.0048GT	GASKET.....	1
27	07.0740.0425GT	PLAIN WASHER D15.....	10	70	07.0740.0050GT	HANDLE.....	1
28	07.0740.0418GT	WASHER,TEFLON D20.....	2	71	07.0723.0571GT	KEY.....	1
29	07.0740.0419GT	GASKET.....	2	72	01.0001.0154GT	SCREW M6X16 UNI 5739 8.8 ZN.....	2
30	07.0740.0453GT	Bracket.....	2	73	01.4032.0002GT	SPRING WASHER D6 ZN.....	2
31	01.0023.0054GT	NUT,M8 UNI 7473 6S ZN.....	1	74	01.0031.0054GT	FLAT WASHER D6 UNI 6592 ZN.....	2
32	01.0031.0299GT	FLAT WASHER D8 UNI 6593 ZN.....	2				
33	07.0740.0015GT	BUMP STOP,RUBBER.....	1				
34	07.0740.0488GT	Greaser.....	3				
35	07.0740.0489GT	Locking Pin.....	3				
36	07.0740.0454GT	Keeper Ring D11.....	3				
37	07.0740.0487GT	Washer D12.....	6				
38	07.0740.0420GT	Hinge.....	2				
39	07.0740.0424GT	Screw TE M8X10.....	6				
40	07.0740.0421GT	Hinge.....	1				
41	07.0740.0467GT	Screw TBEI M8X20.....	4				
42	07.0740.0455GT	Hinge.....	2				
43	51.0811.4092GT	FRAME.....	1				

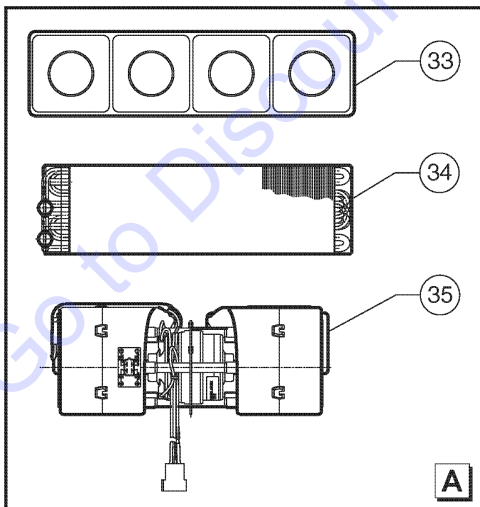
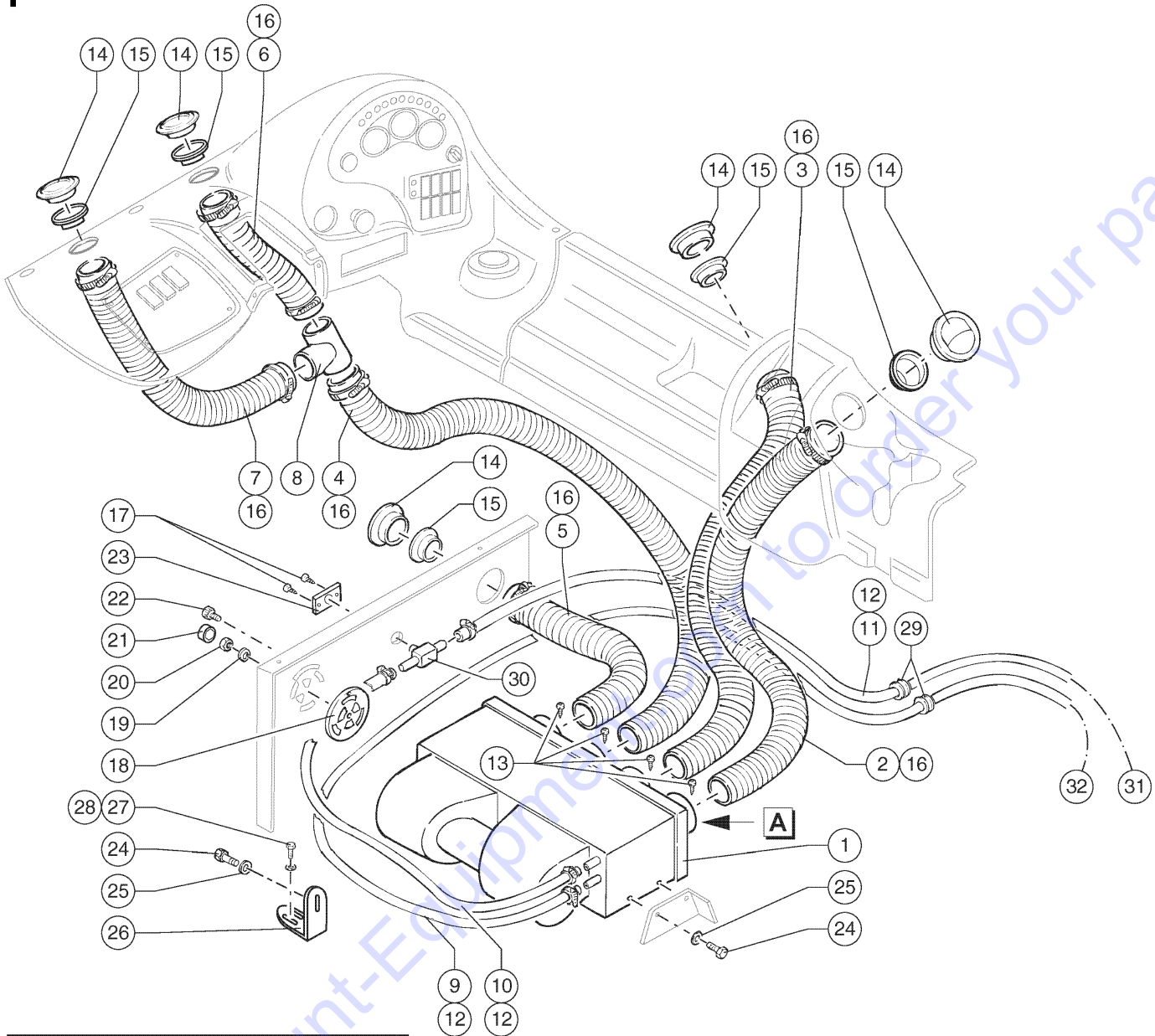
406.1 610234 Cab, View 3 - Close Version



Item	Part No.	Description	Qty.
1	07.0740.0411GT	Upper Rear Glass Kit.....	1
2	07.0740.0409GT	Right Glass Kit.....	1
3	07.0740.0410GT	REAR LOWER GLASS KIT.....	1
4	07.0740.0408GT	Front Glass Kit.....	1
5	07.0740.0407GT	Left Glass Kit.....	1
6	07.0740.0412GT	Door Glass Kit.....	1

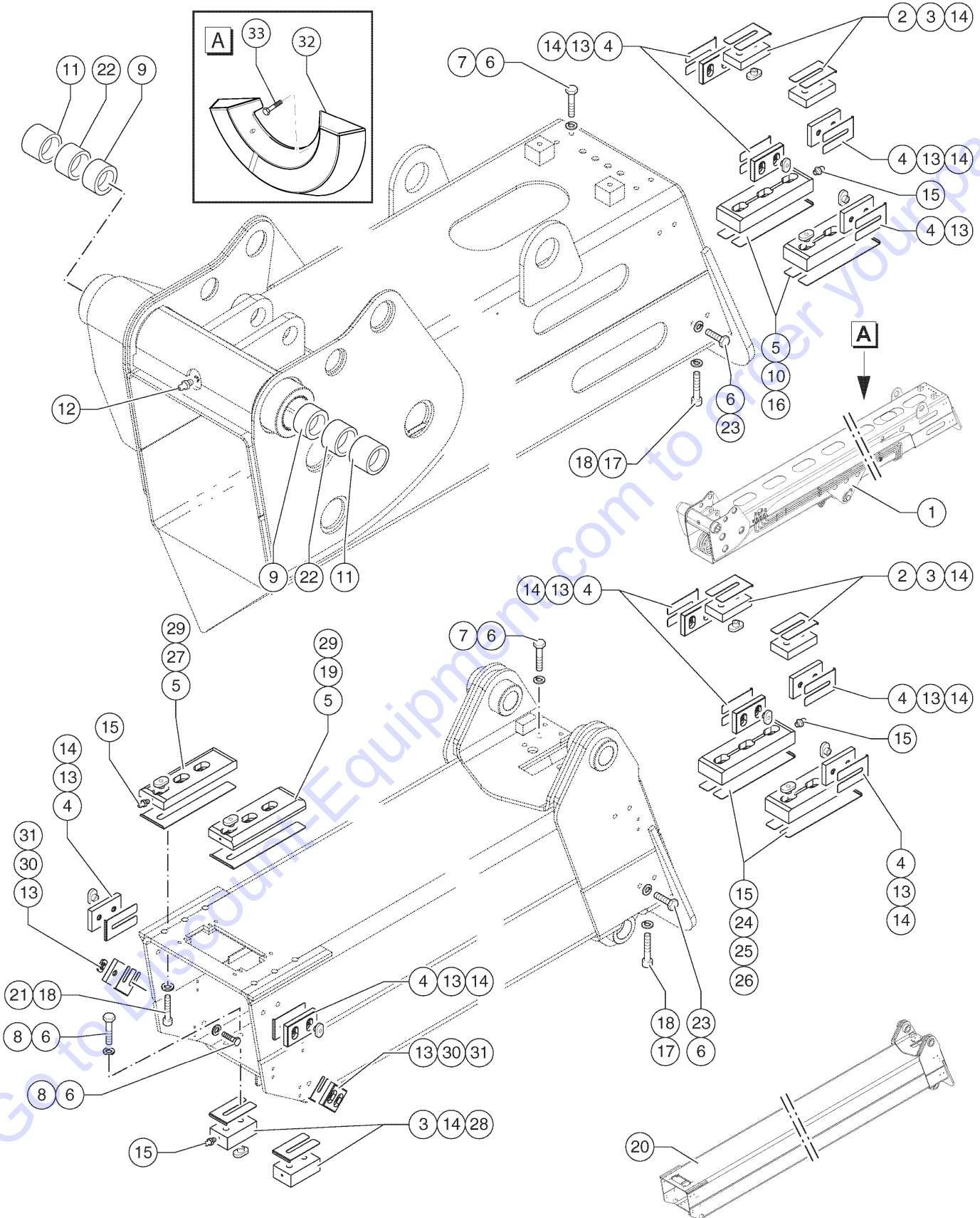
Go to Discount-Equipment.com to order your parts

407.1 610235 Cab, View 4 - Close Version



Item	Part No.	Description	Qty.
1	07.0740.0119GT	HEATER.....	1
2	07.0740.0120GT	Air Hose.....	30.0-Inch
3	07.0740.0120GT	Air Hose.....	26.0-Inch
4	07.0740.0120GT	Air Hose.....	60.0-Inch
5	07.0740.0120GT	Air Hose.....	13.0-Inch
6	07.0740.0120GT	Air Hose.....	12.6-Inch
7	07.0740.0120GT	Air Hose.....	16.0-Inch
8	07.0740.0121GT	3-WAY FITTING.....	1
9	07.0740.0122GT	Heater pipe 15x23.....	237.0-Inch
10	07.0740.0122GT	Heater pipe 15x23.....	31.5-Inch
11	07.0740.0122GT	Heater pipe 15x23.....	198.0-Inch
12	07.0740.0123GT	MEB HOSE CLAMP,19X28.....	4
13	07.0740.0124GT	SCREW KN TC+ 3.5x16 ZN.....	4
14	07.0740.0125GT	AIR INLET D76.....	5
15	07.0740.0126GT	REDUCER,D48.5.....	5
16	07.0740.0127GT	CLAMP,HOSE,MEB,40-60 H12.....	8
17	07.0740.0128GT	SCREW.....	2
18	07.0740.0129GT	AIR INLET.....	1
19	07.0740.0006GT	WASHER 6.4X12.....	1
20	07.0740.0005GT	Stop nut.....	1
21	07.0740.0028GT	HEX HEAD CAP.....	1
22	07.0740.0130GT	KNOB.....	1
23	07.0740.0219GT	LABEL.....	1
24	07.0740.0118GT	SCREW.....	2
25	07.0740.0016GT	WASHER 6.5X18.....	2
26	07.0740.0132GT	Heater Support.....	1
27	07.0740.0012GT	WASHER.....	2
28	07.0740.0071GT	Screw.....	2
29	07.0740.0133GT	GROMMET,RUBBER D31.....	2
30	07.0740.0218GT	WATER TAP,D16.....	1
31		See 300 Engine Components, Figure 610228 - Position 19	
32		See 300 Engine Components, Figure 610228 - Position 20	
33	07.0740.0361GT	AIR OUTLET.....	1
34	07.0740.0359GT	HEATER CORE.....	1
35	07.0740.0360GT	Electrical Fan.....	1

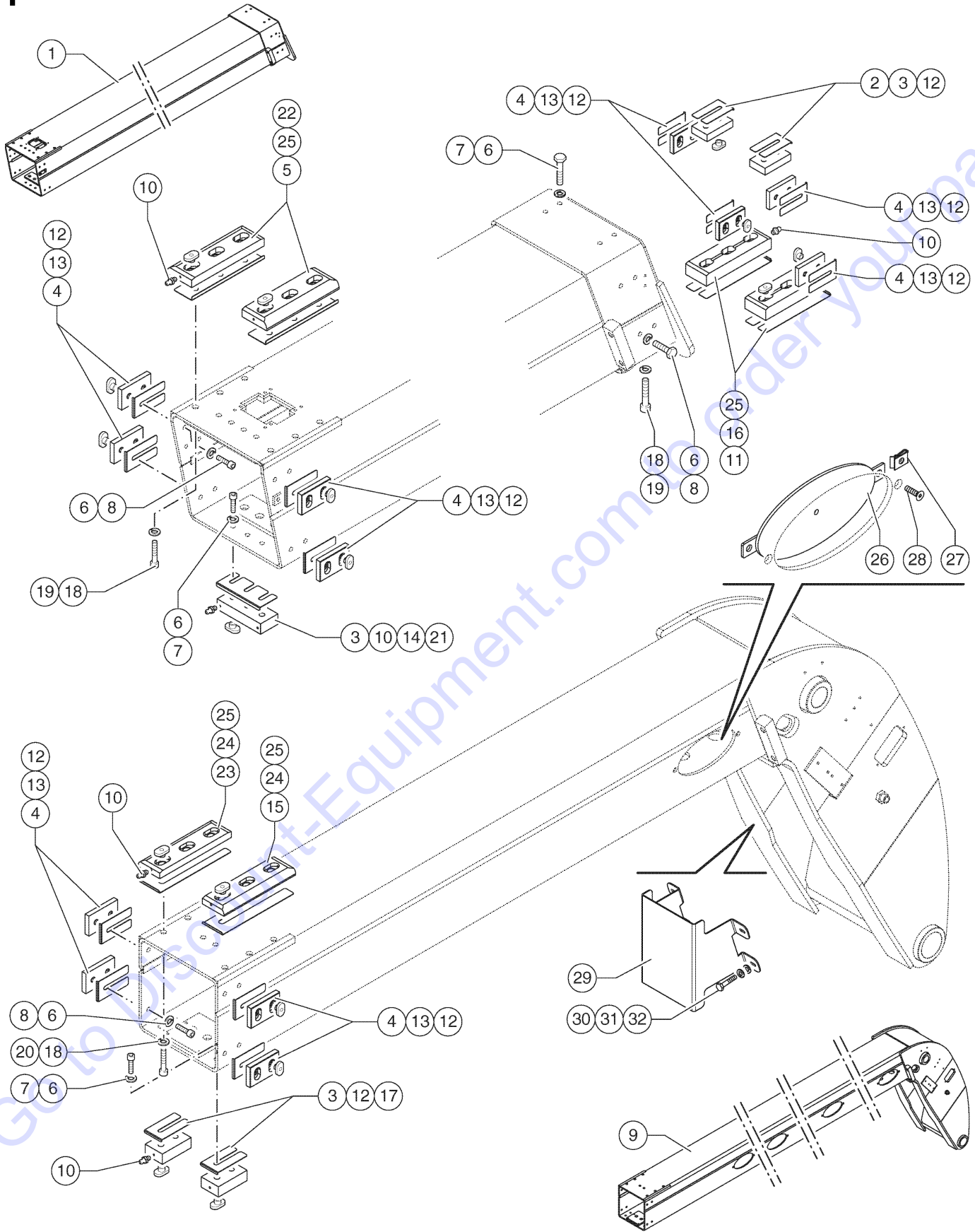
501.1 610238 Arm 1st - 2nd Telescopic Element



501.1 610238 Arm 1st - 2nd Telescopic Element

Item	Part No.	Description	Qty.
1	51.0201.3950GT	1st Telescope Boom.....	1
2	54.0705.0077GT	WEAR PAD.....	4
3	54.0200.0001GT	BUSHING M10X13.5.....	10
4	54.0705.0072GT	WEAR PAD,60X60X14.....	10
5	51.0811.4604GT	PAD SHIM 250X85.....	2
6	01.0031.0056GT	FLAT WASHER D10 UNI 6592 ZN.....	36
7	01.0001.0357GT	SCREW,TE,M10X35 UNI 8.8 ZN.....	20
8	01.0001.0355GT	SCREW M10X25 UNI 5739 8.8 ZN.....	16
9	54.0201.0005GT	BUSHING,D80/90X100.....	2
10	54.0200.0004GT	BUSHING M14.....	6
11	54.0201.0006GT	Bushing 80/90X100.....	2
12	02.0117.0101GT	GREASE NIPPLE G 1/8.....	1
13	54.0200.0000GT	BUSHING M10X8.5.....	24
14	51.0811.4131GT	SHIM, WEAR PAD,100X60X1.....	16
15	02.0117.0051GT	GREASE NIPPLE M6.....	8
16	54.0705.0026GT	Front Pad.....	2
17	01.0003.0354GT	SCREW M14X45 UNI 5931 8.8 ZN.....	14
18	01.0031.0058GT	FLAT WASHER D14 UNI 6592 ZN.....	16
19	54.0705.0027GT	Rear Pad.....	1
20	51.0201.3961GT	2nd Telescope Boom.....	1
21	01.4003.0050GT	Screw TCEI 14 X 35 LG. 8.8 ZN UNI 5931.....	6
22	52.0900.9338GT	Spacer.....	2
23	01.0001.0356GT	SCREW M10X30 UNI 5739 8.8 ZN.....	16
24	54.0705.0025GT	Front Pad 250x55x33.....	2
25	54.0200.0007GT	BUSHING M14.....	6
26	51.0811.4607GT	Pad Shim.....	2
27	54.0705.0028GT	Rear Pad.....	1
28	54.0705.0074GT	WEAR PAD.....	2
29	54.0200.0006GT	PAD FIXING BUSHING M14.....	6
30	54.0705.0073GT	WEAR PAD.....	2
31	51.0811.4133GT	SHIM, WEAR PAD,60X60X1.....	2
32	09.0803.0357GT	BOOM LEVEL INDICATOR.....	1
33	01.4003.0000GT	SCREW M4X16 UNI 5931 8.8 ZN.....	2

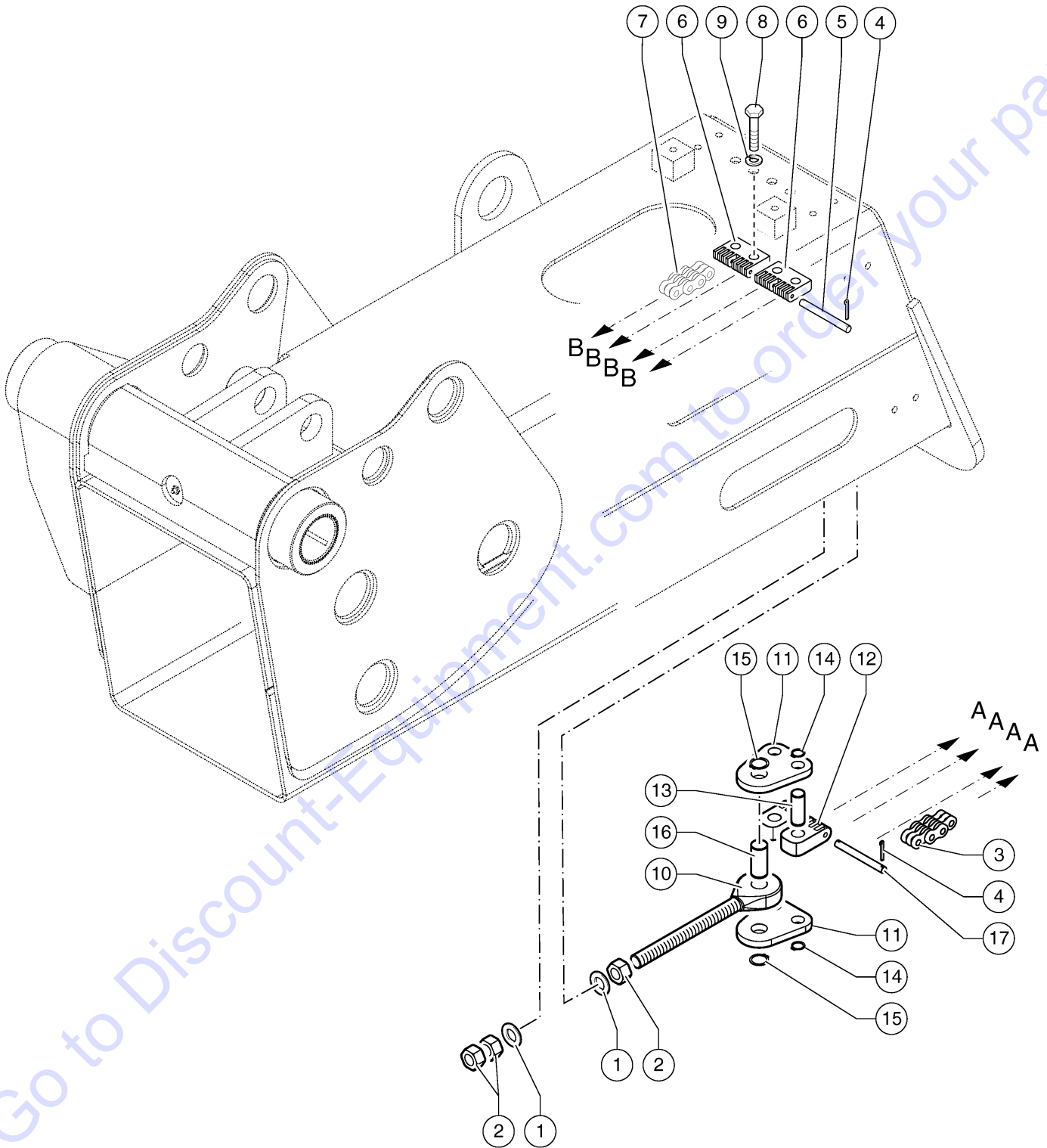
502.1 610239 Arm 3rd - 4th Telescopic Element



502.1 610239 Arm 3rd - 4th Telescopic Element

Item	Part No.	Description	Qty.
1	51.0201.3952GT	3rd Telescope Boom.....	1
2	54.0705.0078GT	WEAR PAD.....	2
3	54.0200.0001GT	BUSHING M10X13.5.....	3
4	54.0705.0072GT	WEAR PAD,60X60X14.....	8
5	51.0811.4132GT	SHIM, WEAR PAD,60X250X1.....	2
6	01.0031.0056GT	FLAT WASHER D10 UNI 6592 ZN.....	16
7	01.0001.0356GT	SCREW M10X30 UNI 5739 8.8 ZN.....	7
8	01.0001.0353GT	SCREW M10X20 UNI 5739 8.8 ZN.....	16
9	51.0201.3953GT	4th Telescope Boom.....	1
10	02.0117.0051GT	GREASE NIPPLE M6.....	10
11	51.0811.4136GT	Pad Shim 200X60X1.....	2
12	51.0811.4131GT	SHIM, WEAR PAD,100X60X1.....	10
13	54.0200.0000GT	BUSHING M10X8.5.....	24
14	51.0811.4137GT	Pad Shim 100X50X1.....	1
15	51.0811.4606GT	RIGHT PAD SHIM.....	1
16	54.0705.0024GT	Front Pad 200x60x33.....	2
17	54.0705.0058GT	Pad 100x60x33.....	2
18	01.0031.0058GT	FLAT WASHER D14 UNI 6592 ZN.....	12
19	01.0003.0353GT	SCREW M14X40 UNI 5931 8.8 ZN.....	6
20	01.4003.0049GT	SCREW M14X25 UNI 5931 8.8 ZN.....	6
21	54.0705.0075GT	WEAR PAD.....	1
22	54.0705.0029GT	WEAR PAD.....	2
23	51.0811.4605GT	SHIM,WEAR PAD 250X75.....	1
24	54.0705.0030GT	WEAR PAD.....	2
25	54.0200.0006GT	PAD FIXING BUSHING M14.....	12
26	51.0811.4242GT	Cover.....	4
27	09.0803.0516GT	SPRING CLIP M6.....	8
28	01.4006.0011GT	SCREW M6X20 UNI 5933 10.9 ZN.....	8
29	51.0903.5147GT	Cover.....	1
30	01.0001.0254GT	SCREW M8X20 UNI 5739 8.8 ZN.....	4
31	01.0031.0055GT	FLAT WASHER D8 UNI 6592 ZN.....	4
32	01.4032.0003GT	SPRING WASHER D8 ZN.....	4

503.1 610240 Chain Unit 1st Boom Section

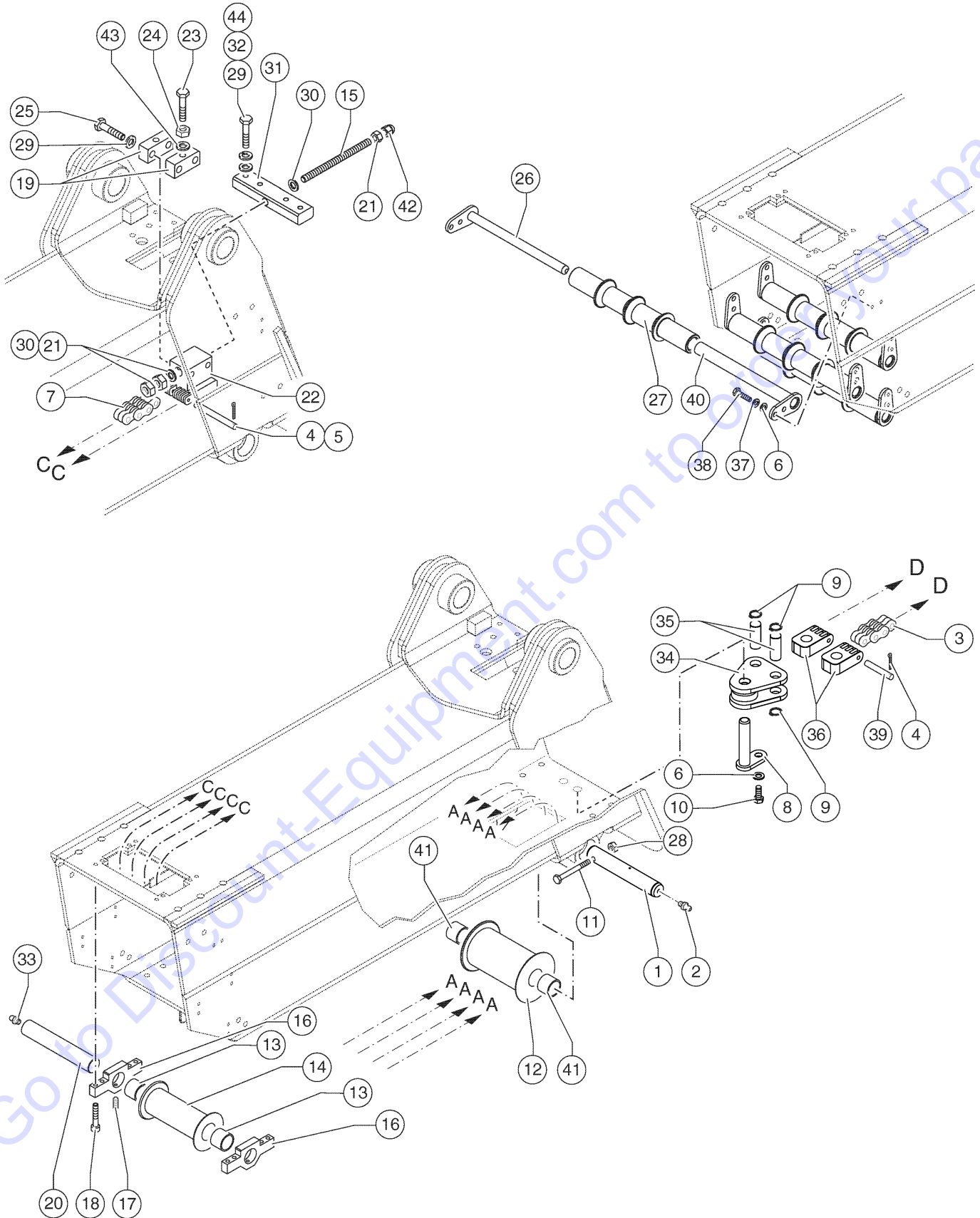


503.1 610240 Chain Unit 1st Boom Section

Item	Part No.	Description	Qty.
1	01.0031.0100GT	FLAT WASHER D18 UNI 5714 ZN.....	4
2	01.0019.0186GT	Nut M22 UNI 5588 8G ZN.....	6
3	09.0803.0710GT	Fleyer Chain 1" - 6X6 - 199 ST.....	2
4	09.0803.0257GT	COTTER PIN D2X25 UNI 1336 ZN.....	16
5	07.0726.0054GT	PIN.....	4
6	54.0300.0019GT	CHAIN PIVOT PLATE.....	2
7	09.0803.0708GT	FLEYER CHAIN 3/4"-6 X 6-261 STEPS.....	2
8	01.4001.0069GT	SCREW M16X40 UNI 5737 10.9 ZN.....	4
9	01.0031.0099GT	FLAT WASHER D16 UNI 5714 ZN.....	4
10	54.0300.0041GT	Stretch Chain Terminal.....	2
11	54.0300.0036GT	Chain, Pivot Plate.....	2
12	54.0300.0034GT	CHAIN TERMINAL.....	2
13	54.0000.0253GT	PIN.....	2
14	02.4126.0004GT	SEEGER.....	4
15	02.4126.0003GT	SNAP RING.....	2
16	54.0000.0254GT	Pin.....	1
17	54.0002.0018GT	PIN.....	4

Go to Discount-Equipment.com to order your parts

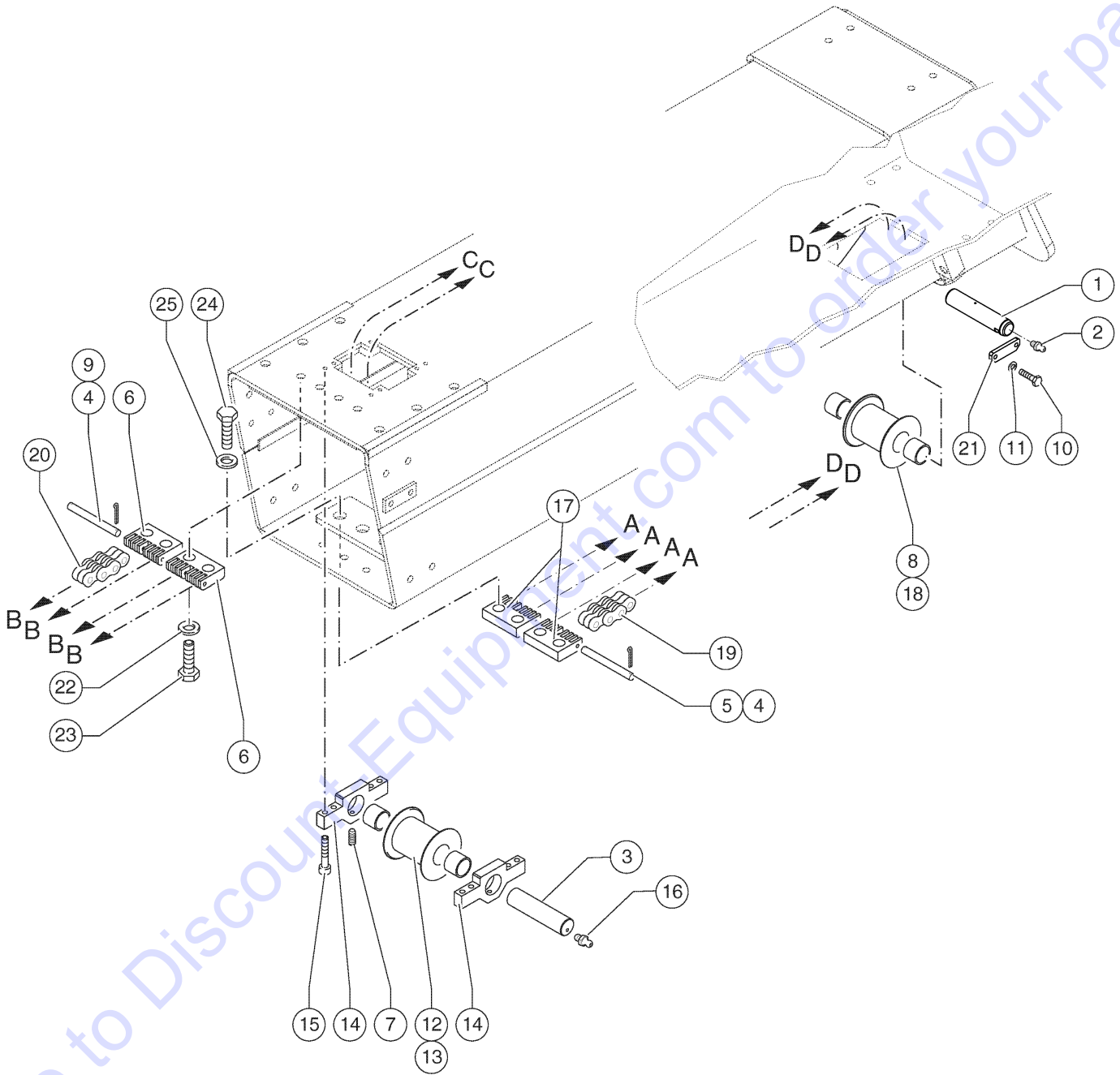
504.1 610241 Chain Unit 2nd Boom Section



504.1 610241 Chain Unit 2nd Boom Section

Item	Part No.	Description	Qty.	Item	Part No.	Description	Qty.
1	54.0001.0083GT	Pulley Front Pin.....	1	44	01.4032.0004GT	SPRING WASHER D10 ZN.....	4
2	02.0117.0051GT	GREASE NIPPLE M6.....	4				
3	09.0803.0709GT	FLEYER CHAIN 1"-6 X 6-201 STEPS....	2				
4	09.0803.0257GT	COTTER PIN D2X25 UNI 1336 ZN.....	4				
5	07.0726.0054GT	PIN.....	2				
6	01.0031.0055GT	FLAT WASHER D8 UNI 6592 ZN.....	9				
7	09.0803.0708GT	FLEYER CHAIN 3/4"-6 X 6-261 STEPS.....	2				
8	54.0004.0113GT	Chain Tie Bar Pin.....	1				
9	02.4126.0004GT	SEEGER.....	4				
10	01.0001.0254GT	SCREW M8X20 UNI 5739 8.8 ZN.....	12				
11	01.4001.0003GT	SCREW M12X100 UNI 5737 8.8 ZN.....	1				
12	54.0400.0043GT	Front Pulley.....	1				
13	54.0201.0090GT	BUSHING D.35/45.....	4				
14	54.0400.0048GT	Rear Pulley.....	1				
15	54.0300.0043GT	THREADED ROAD.....	1				
16	51.0811.4559GT	Pulley Support.....	2				
17	01.4041.0000GT	DOWEL M8X16 UNI 5927 12.9 ZN.....	4				
18	01.4003.0034GT	SCREW M10X40 UNI 5931 12.9 ZN.....	8				
19	54.0300.0021GT	Stretch Chain Block.....	2				
20	54.0001.0077GT	Rear Pulley Pin.....	1				
21	01.0019.0179GT	NUT M18 UNI 5589 8G ZN.....	3				
22	54.0300.0042GT	Stretch Chain Terminal.....	1				
23	01.4001.0040GT	Screw TE M12X50 UNI 5737 10.9ZN....	2				
24	01.0019.0106GT	NUT M12 UNI 5588 6SZN.....	2				
25	01.4001.0208GT	SCREW,HHC,M12-1,75X40,10,9,ZN.....	4				
26	51.0811.4366GT	PULLEY HOLDER.....	4				
27	54.0705.0036GT	Nylon Pulley.....	4				
28	01.0023.0056GT	STOP NUT M12 UNI 7473 6S ZN.....	1				
29	01.0031.0057GT	WASHER,D12 UNI 6592 ZN.....	8				
30	01.0031.0100GT	FLAT WASHER D18 UNI 5714 ZN.....	2				
31	54.0300.0028GT	Stretch Chain support.....	1				
32	01.4001.0108GT	SCREW M12X60 UNI 5737 10.9 ZN.....	4				
33	02.0117.0119GT	GREASE NIPPLE G 1/8.....	1				
34	54.0300.0033GT	Chain Tensioner.....	1				
35	54.0000.0253GT	PIN.....	2				
36	54.0300.0034GT	CHAIN TERMINAL.....	2				
37	01.4032.0003GT	SPRING WASHER D8 ZN.....	8				
38	01.0003.0203GT	SCREW M8X20 UNI 5931 8.8 ZN.....	8				
39	54.0002.0018GT	PIN.....	2				
40	51.0811.4367GT	PULLEY HOLDER.....	4				
41	54.0201.0080GT	Bushing D.30/40.....	2				
42	01.4019.0026GT	NUT M18 UNI 5721 ZN.....	2				
43	01.0031.0097GT	FLAT WASHER D12 UNI 5714 ZN.....	2				

505.1 610242 Chain Unit 3rd Boom Section

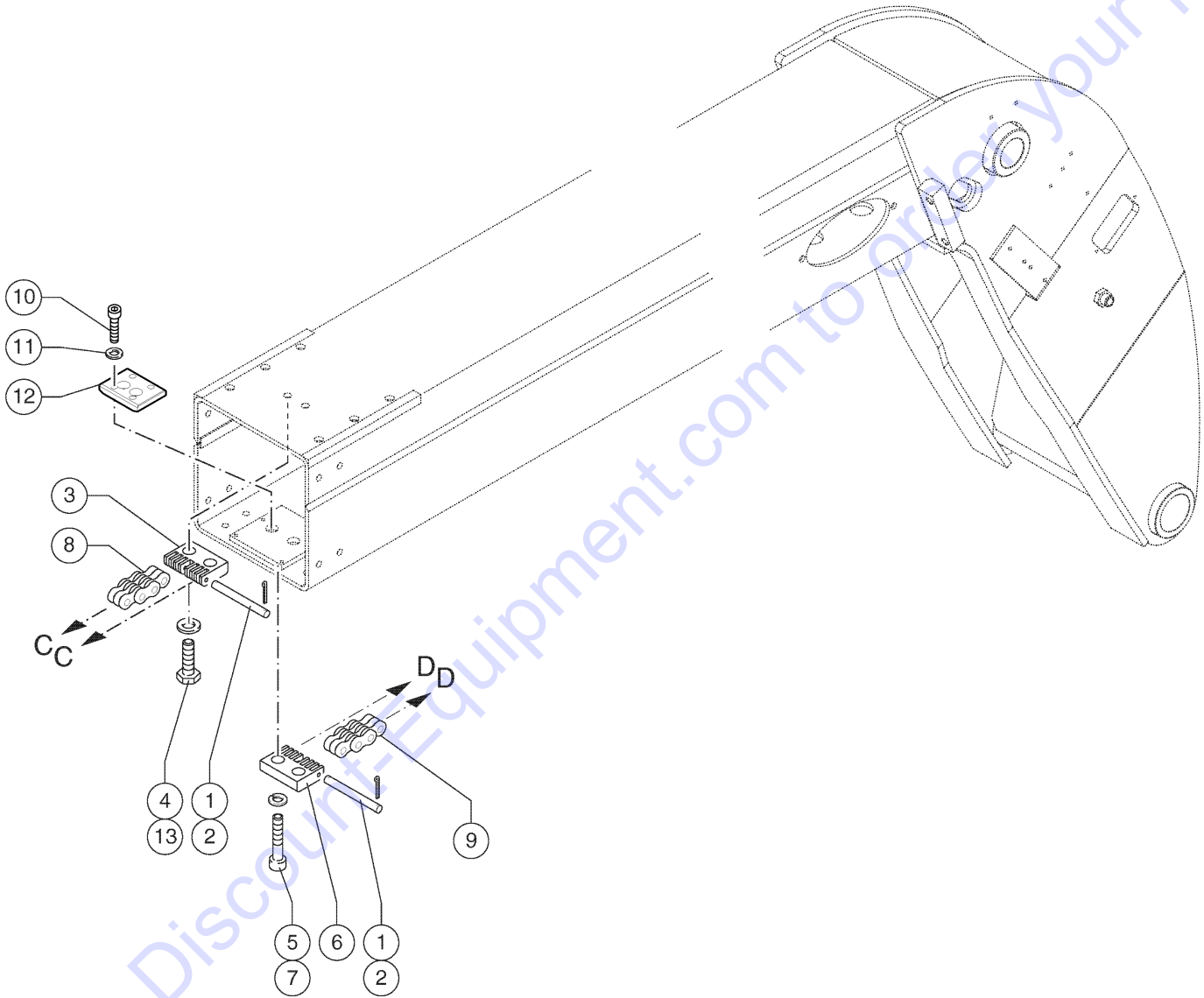


505.1 610242 Chain Unit 3rd Boom Section

Item	Part No.	Description	Qty.
1	54.0001.0082GT	PIN.....	1
2	02.0117.0051GT	GREASE NIPPLE M6.....	1
3	54.0001.0076GT	Rear Pulley Pin.....	1
4	09.0803.0257GT	COTTER PIN D2X25 UNI 1336 ZN.....	8
5	54.0002.0018GT	PIN.....	2
6	54.0300.0020GT	Chain Terminal.....	2
7	01.4041.0000GT	DOWEL M8X16 UNI 5927 12.9 ZN.....	4
8	54.0201.0079GT	Bushing D=40/50 - 40.....	2
9	07.0726.0054GT	PIN.....	2
10	01.0001.0256GT	SCREW M8X25 UNI 5739 8.8 ZN.....	2
11	01.0031.0055GT	FLAT WASHER D8 UNI 6592 ZN.....	2
12	54.0400.0047GT	Pulley.....	1
13	54.0201.0089GT	Bushing.....	2
14	51.0811.0000GT	Pulley Support.....	2
15	01.4003.0051GT	SCREW M8X30 UNI 5931 12.9 ZN.....	8
16	02.0117.0119GT	GREASE NIPPLE G 1/8.....	1
17	54.0300.0032GT	Anchor Boom Chain 1" - 6X6.....	2
18	54.0400.0042GT	Boom Chain Pulley.....	1
19	09.0803.0710GT	Fleyer Chain 1" - 6X6 - 199 ST.....	4
20	09.0803.0708GT	FLEYER CHAIN 3/4"-6 X 6-261 STEPS.....	4
21	51.0811.4424GT	Pulley Pin Lock Plate.....	1
22	01.0031.0099GT	FLAT WASHER D16 UNI 5714 ZN.....	4
23	01.4001.0209GT	SCREW,HHC,M16-2X50,10,9,ZN.....	4
24	01.4001.0041GT	SCREW M20X45 UNI 5739 10.9 ZN.....	4
25	01.0031.0061GT	FLAT WASHER D20 UNI 6592 ZN.....	4

Go to Discount-Equipment.com to order your parts

506.1 610243 Chain Unit 4th Boom Section



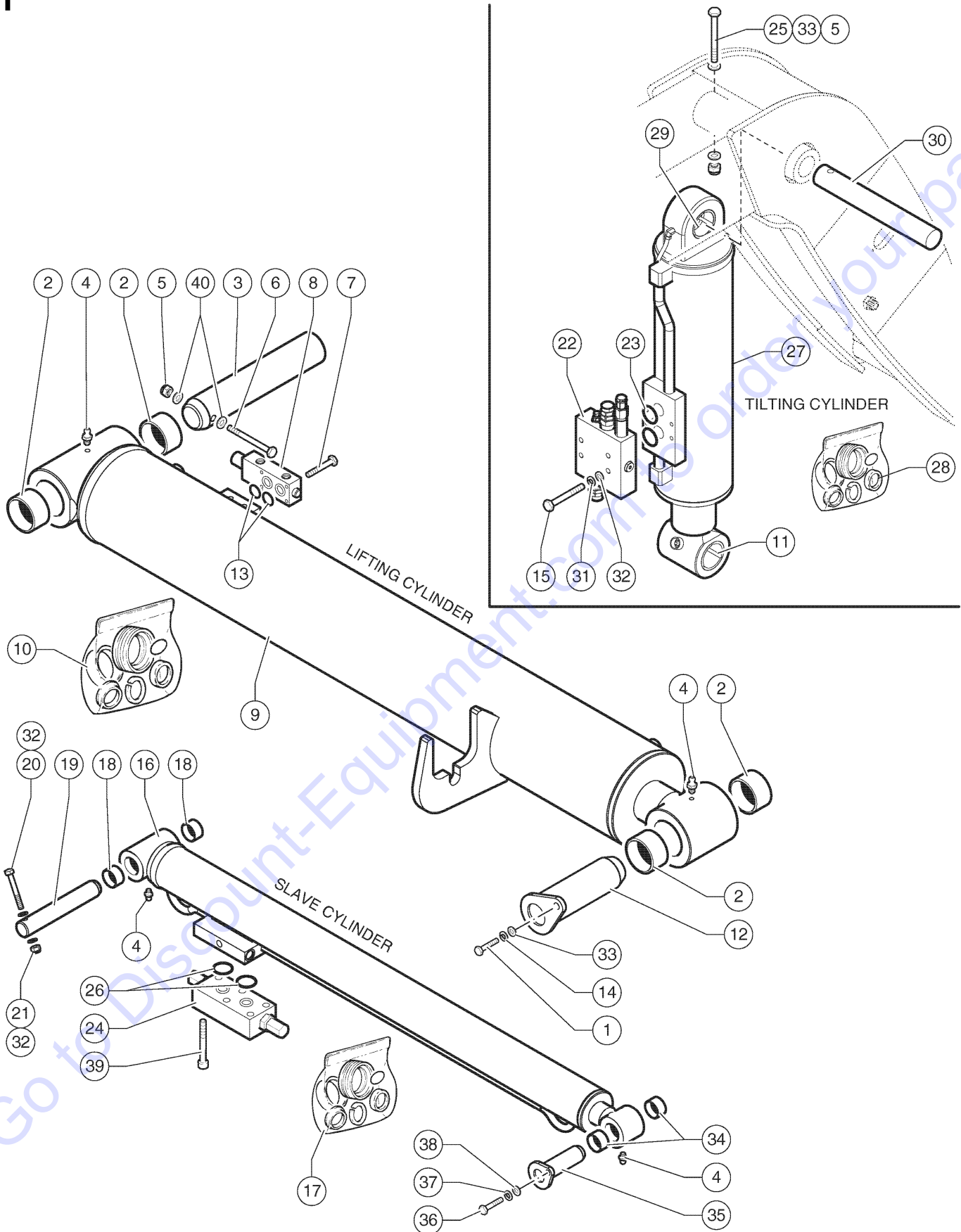
Go to DiscountEquipment.com to order your parts

506.1 610243 Chain Unit 4th Boom Section

Item	Part No.	Description	Qty.
1	09.0803.0257GT	COTTER PIN D2X25 UNI 1336 ZN.....	8
2	54.0002.0018GT	PIN.....	2
3	54.0300.0020GT	Chain Terminal.....	1
4	01.4001.0209GT	SCREW,HHC,M16-2X50,10,9,ZN.....	2
5	01.0031.0061GT	FLAT WASHER D20 UNI 6592 ZN.....	2
6	54.0300.0032GT	Anchor Boom Chain 1" - 6X6.....	1
7	01.4001.0041GT	SCREW M20X45 UNI 5739 10.9 ZN.....	2
8	09.0803.0709GT	FLEYER CHAIN 1"-6 X 6-201 STEPS.....	2
9	09.0803.0708GT	FLEYER CHAIN 3/4"-6 X 6-261 STEPS.....	2
10	01.4003.0041GT	SCREW M8X16 DIN 7984 8.8 ZN.....	4
11	01.4032.0003GT	SPRING WASHER D8 ZN.....	8
12	54.0705.0076GT	PAD.....	1
13	01.0031.0099GT	FLAT WASHER D16 UNI 5714 ZN.....	2

Go to Discount-Equipment.com to order your parts

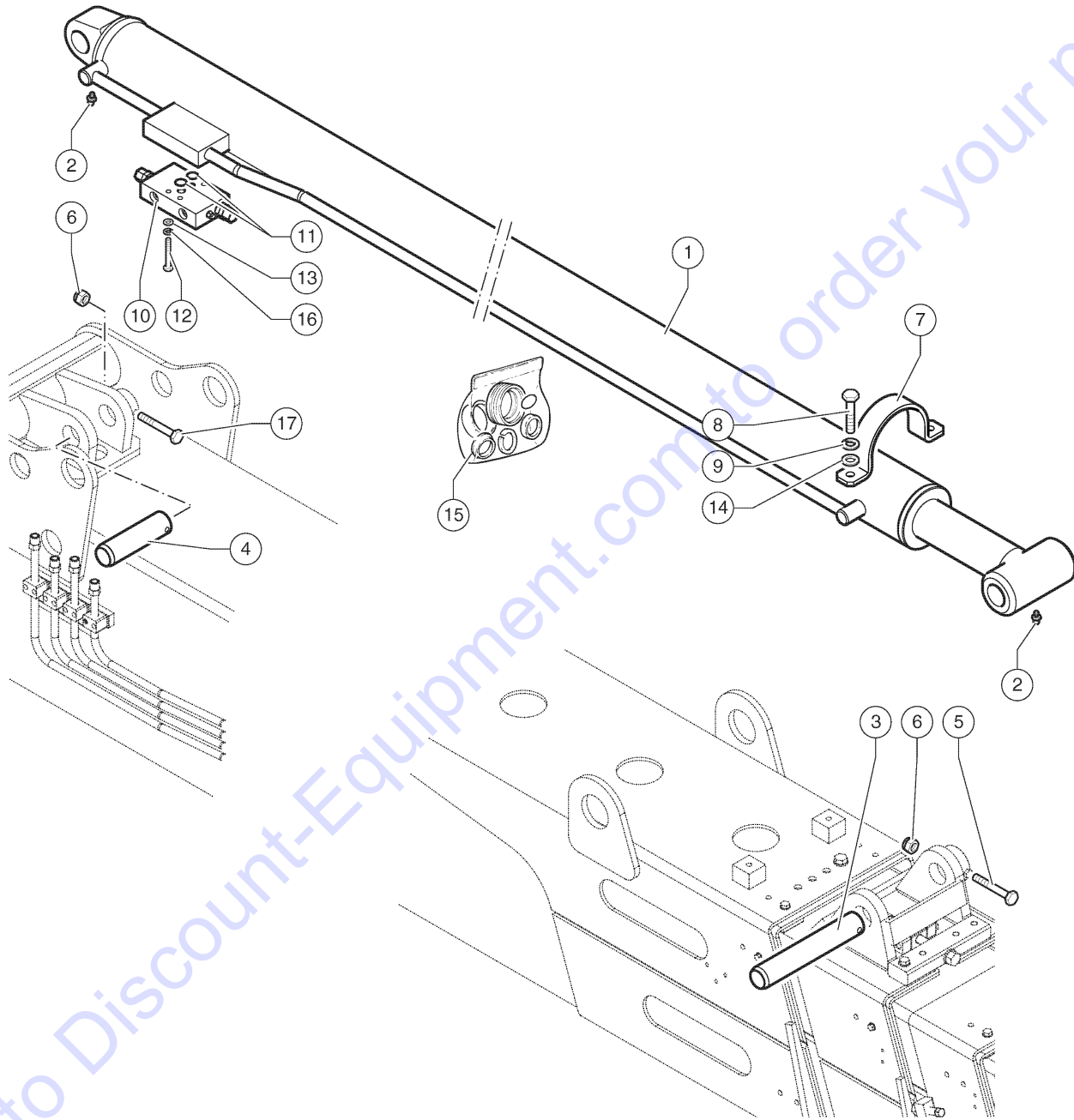
507.1 610245 Lifting Cylinder - Slave Cylinder - Tilting Cylinder



507.1 610245 Lifting Cylinder - Slave Cylinder - Tilting Cylinder

Item	Part No.	Description	Qty.
1	01.0001.0401GT	SCREW M12X40 UNI 5737 8.8 ZN.....	2
2	54.0201.0091GT	Bushing.....	4
3	54.0000.0270GT	Lifting Cylinder Foot Pin.....	1
4	02.0117.0101GT	GREASE NIPPLE G 1/8.....	4
5	01.0023.0057GT	STOP NUT M14 UNI 7473 6S ZN.....	2
6	01.0001.1497GT	SCREW M14X150 UNI 5737 8.8 ZN.....	1
7	01.0003.0210GT	SCREW M8X50 UNI 5931 8.8 ZN.....	4
8	04.4239.0001GT	SAFETY VALVE.....	1
9	53.0000.3817GT	Lifting Cylinder.....	1
10	07.4529.0196GT	Seals Kit Lifting Cylinder.....	1
11	54.0201.0092GT	Bushing.....	2
12	54.0003.0180GT	Lifting Cylinder Head Pin.....	1
13	07.0705.0101GT	O-ring.....	2
14	01.4032.0005GT	SPRING WASHER D12 ZN.....	2
15	01.0001.0306GT	SCREW M10X60 UNI 5737 8.8 ZN.....	4
16	53.0300.2213GT	Fork Levelling Cylinder.....	1
17	07.4529.0194GT	Seals Kit Levelling Cylinder.....	1
18	09.0801.0038GT	Bushing.....	2
19	54.0000.0271GT	Slave Cylinder Foot Pin.....	1
20	01.0001.0310GT	SCREW M10X80 UNI 5737 8.8 ZN.....	1
21	01.0023.0055GT	NUT,STOP,M10 UNI 7473 6S ZN.....	1
22	04.4239.0142GT	VALVE.....	1
23	07.0701.0331GT	SEAL.....	2
24	04.4239.0051GT	SAFETY VALVE.....	1
25	01.4001.0003GT	SCREW M12X100 UNI 5737 8.8 ZN.....	1
26	07.0722.0037GT	O-ring.....	2
27	53.0400.1818GT	Tilt Cylinder.....	1
28	07.4529.0195GT	Seals Kit Tilt Cylinder.....	2
29	54.0201.0093GT	Bushing.....	1
30	54.0002.0066GT	Pin.....	1
31	01.4032.0004GT	SPRING WASHER D10 ZN.....	4
32	01.0031.0056GT	FLAT WASHER D10 UNI 6592 ZN.....	4
33	01.0031.0057GT	WASHER,D12 UNI 6592 ZN.....	3
34	09.0801.0039GT	Bushing.....	2
35	54.0003.0179GT	Slave Cylinder Head Pin.....	1
36	01.0001.0256GT	SCREW M8X25 UNI 5739 8.8 ZN.....	1
37	01.4032.0003GT	SPRING WASHER D8 ZN.....	1
38	01.0031.0055GT	FLAT WASHER D8 UNI 6592 ZN.....	1
39	01.0003.0208GT	SCREW,TCEI,M8X40 UNI 8.8ZN.....	6
40	01.0031.0058GT	FLAT WASHER D14 UNI 6592 ZN.....	2

508.1 610246 Boom Extension Cylinder



508.1 610246 Boom Extension Cylinder

Item	Part No.	Description	Qty.
1	53.0100.3220GT	2nd Telescope Extension Cilinder.....	1
2	02.0117.0101GT	GREASE NIPPLE G 1/8.....	2
3	54.0001.0092GT	2nd Telescope Extension Cylinder Foot Pin.....	1
4	54.0001.0085GT	2nd Telescope Extension Cylinder Head Pin.....	1
5	01.0001.0314GT	SCREW M10X100 UNI 5737 8.8 ZN.....	1
6	01.0023.0055GT	NUT,STOP,M10 UNI 7473 6S ZN.....	4
7	51.0811.4558GT	2nd Telescope Extension Cylinder Collar.....	1
8	01.0001.0606GT	SCREW M14X40 UNI 5739 8.8 ZN.....	2
9	01.4032.0006GT	SPRING WASHER D14 ZN.....	2
10	04.4239.0041GT	SAFETY VALVE.....	1
11	07.4529.0071GT	O-RING.....	2
12	01.0001.0308GT	SCREW M10X70 UNI 5737 8.8 ZN.....	4
13	01.0031.0056GT	FLAT WASHER D10 UNI 6592 ZN.....	4
14	01.0031.0058GT	FLAT WASHER D14 UNI 6592 ZN.....	2
15	07.4529.0197GT	Seal kit Extension Cylinder.....	1
16	01.4032.0004GT	SPRING WASHER D10 ZN.....	4
17	01.4001.0008GT	SCREW M10X90 UNI 5737 8.8 ZN.....	1

PARTS FINDER

**Search Website
by Part Number**



**Search Manual
Library For Parts
Manual & Lookup Part
Numbers – Purchase
or Request Quote**

Search Manuals

Enter your information to help us find the right parts manual for your machine.

* Brand:

* Model:

* Serial:

* Part Number:

SEARCH

**Can't Find Part or
Manual? Request Help
by Manufacturer,
Model & Description**

Parts Order Form

Please fill in the following information to help us find the right part for your machine.

Manufacturer:	<input type="text"/>
Model:	<input type="text"/>
Description:	<input type="text"/>
Part Number:	<input type="text"/>
Quantity:	<input type="text"/>
Notes:	<input type="text"/>

Discount-Equipment.com is your online resource for quality parts & equipment.

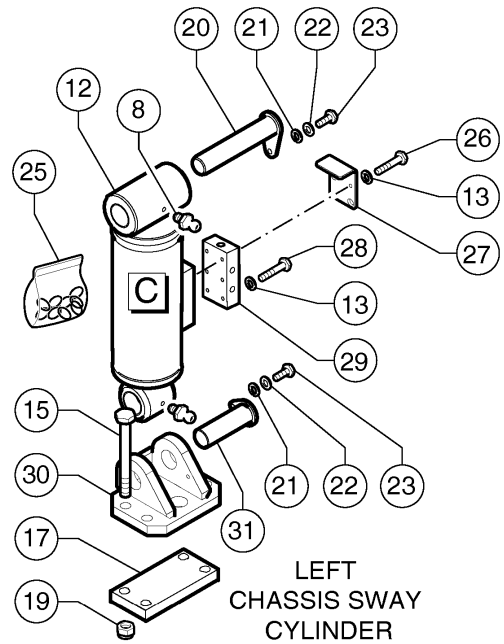
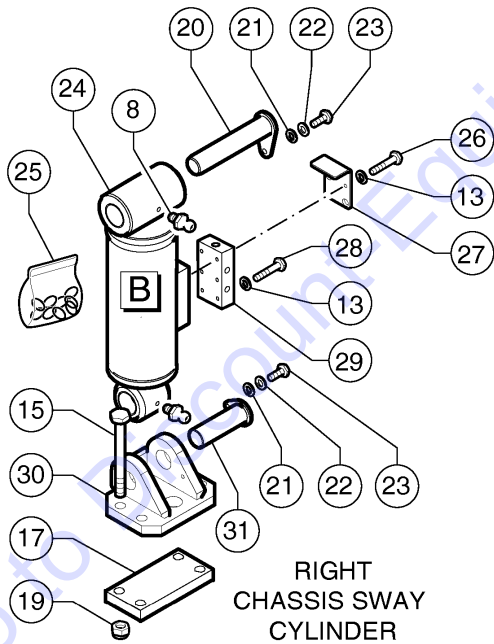
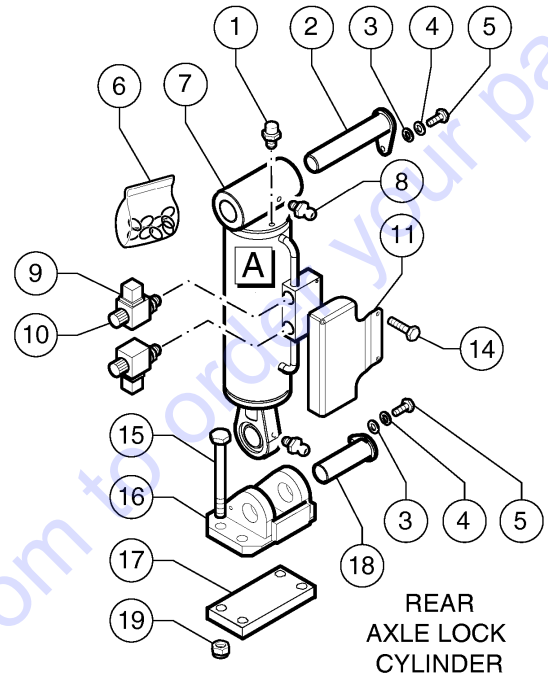
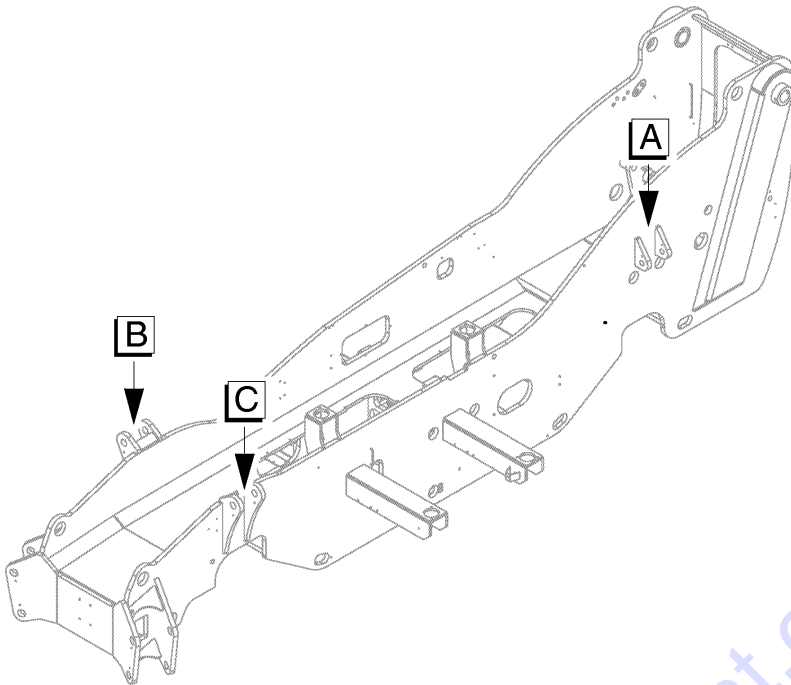
Florida: **561-964-4949** Outside Florida TOLL FREE: **877-690-3101**

Need parts?

Click on this link: <http://www.discount-equipment.com/category/5443-parts/> and choose one of the options to help get the right parts and equipment you are looking for. Please have the machine model and serial number available in order to help us get you the correct parts. If you don't find the part on the website or on one of the online manuals, please fill out the request form and one of our experienced staff members will get back to you with a quote for the right part that your machine needs.

We sell worldwide for the brands: Genie, Terex, JLG, MultiQuip, Mikasa, Essick, Whiteman, Mayco, Toro Stone, Diamond Products, Generac Magnum, Airman, Haulotte, Barreto, Power Blanket, Nifty Lift, Atlas Copco, Chicago Pneumatic, Allmand, Miller Curber, Skyjack, Lull, Skytrak, Tsurumi, Husquvarna Target, Stow, Wacker, Sakai, Mi-T-M, Sullair, Basic, Dynapac, MBW, Weber, Bartell, Bennar Newman, Haulotte, Ditch Runner, Menegotti, Morrison, Contec, Buddy, Crown, Edco, Wyco, Bomag, Laymor, EZ Trench, Bil-Jax, F.S. Curtis, Gehl Pavers, Heli, Honda, ICS/PowerGrit, IHI, Partner, Imer, Clipper, MMD, Koshin, Rice, CH&E, General Equipment, Amida, Coleman, NAC, Gradall, Square Shooter, Kent, Stanley, Tamco, Toku, Hatz, Kohler, Robin, Wisconsin, Northrock, Oztec, Toker TK, Rol-Air, APT, Wylie, Ingersoll Rand / Doosan, Innovatech, Con X, Ammann, Mecalac, Makinex, Smith Surface Prep, Small Line, Wanco, Yanmar

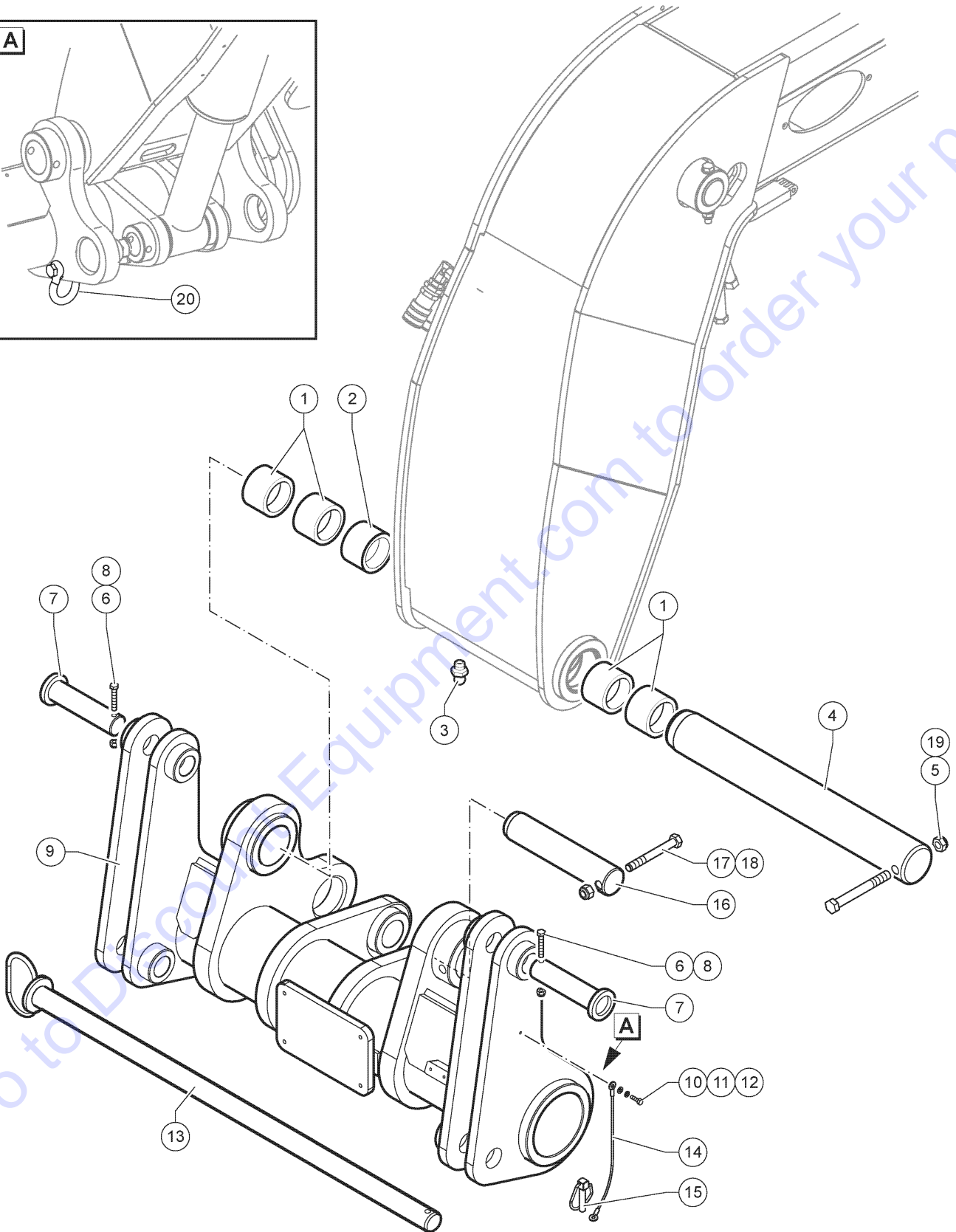
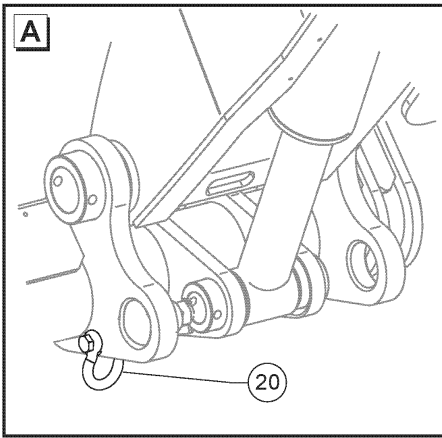
509.1 610247 Left & Right Chassis Sway Cylinder - Rear Axle Locking Cylinder



509.1 610247 Left & Right Chassis Sway Cylinder - Rear Axle Locking Cylinder

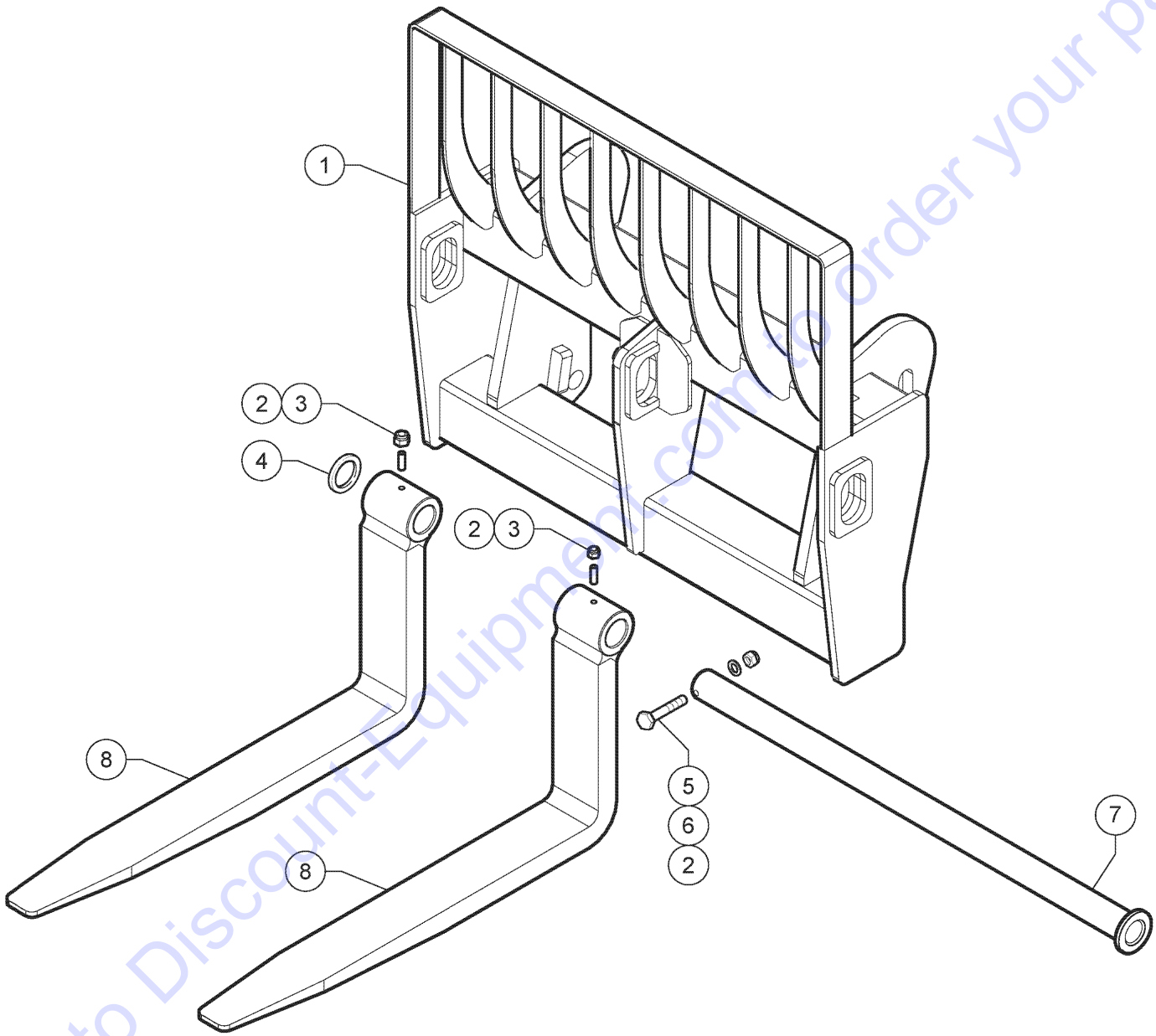
Item	Part No.	Description	Qty.
1	04.0600.0092GT	SCREW,BLEEDER M8X1.25.....	1
2	54.0004.0117GT	Pin.....	1
3	01.0031.0055GT	FLAT WASHER D8 UNI 6592 ZN.....	2
4	01.4032.0003GT	SPRING WASHER D8 ZN.....	2
5	01.0001.0256GT	SCREW M8X25 UNI 5739 8.8 ZN.....	2
6	07.4529.0170GT	Seal Kit.....	1
7	53.0700.0304GT	Rear Axle Locking Cylinder.....	1
8	02.0117.0101GT	GREASE NIPPLE G 1/8.....	8
9	04.4240.0041GT	SOLENOID.....	2
10	04.4240.0024GT	CARTRIDGE.....	2
11	51.0903.5136GT	Valve Protection Cover.....	1
12	53.0600.1812GT	Left Chassis Sway Cylinder.....	1
13	01.4032.0002GT	SPRING WASHER D6 ZN.....	14
14	01.4001.0106GT	SCREW M6X16 DIN 6923 8.8 ZN.....	2
15	01.4001.0027GT	Screw TE M22X280 UNI 5737 8.8 ZN...12	12
16	51.0811.4599GT	Bracket.....	1
17	51.0811.4587GT	Plate.....	3
18	54.0004.0118GT	Pin.....	1
19	01.4023.0000GT	STOP NUT M22 UNI 7473 6S ZN.....	12
20	54.0004.0116GT	Pin.....	2
21	01.0031.0056GT	FLAT WASHER D10 UNI 6592 ZN.....	4
22	01.4032.0004GT	SPRING WASHER D10 ZN.....	4
23	01.0001.0355GT	SCREW M10X25 UNI 5739 8.8 ZN.....	4
24	53.0600.1811GT	Right Chassis Sway Cylinder.....	1
25	07.4529.0166GT	Seal Kit.....	2
26	01.0001.0106GT	SCREW M6X50 UNI 5737 8.8 ZN.....	4
27	51.0903.5135GT	Valve Protection Cover.....	2
28	01.4001.0046GT	SCREW M6X45 UNI 5739 8.8 ZN.....	8
29	04.4239.0080GT	SAFETY VALVE.....	2
30	51.0811.4586GT	Bracket.....	2
31	54.0004.0115GT	Pin.....	2

510.1 610248 Coupling Unit



Item	Part No.	Description	Qty.
1	54.0201.0088GT	Bushing.....	4
2	52.0900.9337GT	Spacer.....	1
3	02.0117.0119GT	GREASE NIPPLE G 1/8.....	1
4	54.0002.0075GT	Pin.....	1
5	01.4001.0032GT	Screw TE M16 X 140 ZN UNI 5737.....	1
6	01.0023.0054GT	NUT,M8 UNI 7473 6S ZN.....	2
7	54.0002.0071GT	Pin.....	2
8	01.0003.0210GT	SCREW M8X50 UNI 5931 8.8 ZN.....	2
9	51.0400.5021GT	Fork Coupling Attachment.....	1
10	01.0001.0156GT	SCREW M6X20 UNI 5739 8.8 ZN.....	1
11	01.4032.0002GT	SPRING WASHER D6 ZN.....	1
12	01.0031.0054GT	FLAT WASHER D6 UNI 6592 ZN.....	1
13	54.0000.0265GT	Attachment Locking Pin.....	1
14	09.0803.0406GT	LANYARD,PIN.....	1
15	02.4102.0015GT	Lock Clip.....	1
16	54.0002.0079GT	Pin.....	1
17	01.0001.0562GT	Screw TE M14X120UNI 5737 8.8 ZN.....	1
18	01.0023.0057GT	STOP NUT M14 UNI 7473 6S ZN.....	1
19	01.0023.0058GT	NUT,STOP,M16 UNI 7473 6S ZN.....	1
20	1264504GT	Shackle.....	1

511.1 610249 Fork Frame

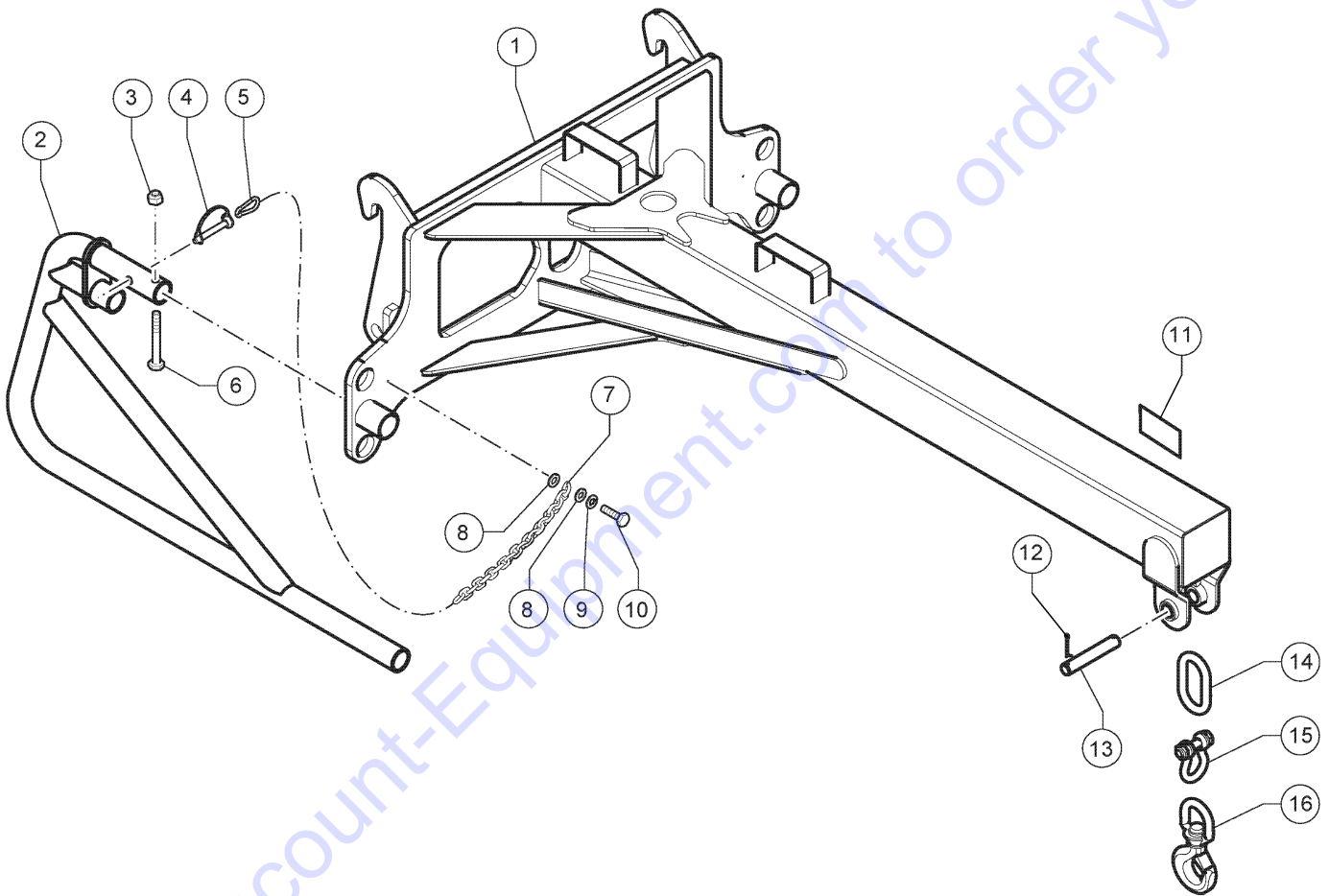


Go to Discount-Equipment.com to order your parts

Item	Part No.	Description	Qty.
1	51.1301.9145GT	Floating Fork Mounting Plate 48".....1	1
1	51.1301.9149GT	Floating Fork Mounting Plate 60".....1 <i>Optional</i>	1
1	51.1301.9150GT	Floating Fork Mounting Plate 72".....1 <i>Optional</i>	1
2	01.0023.0056GT	STOP NUT M12 UNI 7473 6S ZN.....3	3
3	01.4041.0004GT	Dowel M12X40 UNI 5927 12.9 ZN.....2	2
4	54.0100.0076GT	PLAIN WASHER,D110-70 SP0.8.....1	1
5	01.0001.0410GT	Screw TE M12X90 UNI 5737 8.8 ZN.....2	2
6	01.0031.0057GT	WASHER,D12 UNI 6592 ZN.....2	2
7	54.0004.0119GT	Pin 48".....1	1
7	54.0004.0120GT	Pin 60".....1 <i>Optional</i>	1
7	54.0004.0121GT	Pin 72".....1 <i>Optional</i>	1
8	822207GT	FORK, 48" INDIVIDUAL, 1544.....2	2
8	822208GT	FORK, 60" INDIVIDUAL, 1544.....2 <i>Optional</i>	2
8	822209GT	FORK, 72" INDIVIDUAL, 1544.....2 <i>Optional</i>	2

Go to Discount-Equipment.com to order your parts

512.1 610250 Truss Boom 7 Feet, 4,400 LBS

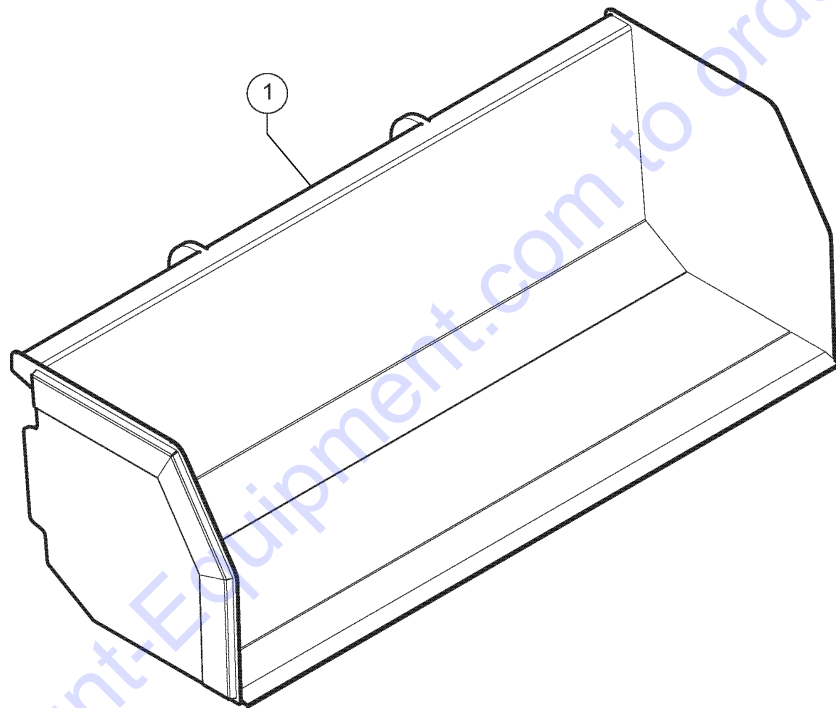


512.1 610250 Truss Boom 7 Feet, 4,400 LBS

Item	Part No.	Description	Qty.
1	51.1301.9135GT	Attachement Chassis.....	1
2	51.1301.9106GT	Support Bracket.....	2
3	01.0023.0055GT	NUT,STOP,M10 UNI 7473 6S ZN.....	2
4	09.0803.0623GT	Lock Clip D10X80.....	3
5	09.0803.0344GT	Spring Catch 4X40 ZN.....	2
6	01.0001.0308GT	SCREW M10X70 UNI 5737 8.8 ZN.....	2
7	09.0803.0055GT	CHAIN.....	8-inch
8	01.0031.0054GT	FLAT WASHER D6 UNI 6592 ZN.....	4
9	01.4032.0002GT	SPRING WASHER D6 ZN.....	2
10	01.0001.0156GT	SCREW M6X20 UNI 5739 8.8 ZN.....	2
11	09.4616.0147GT	Max Load Plate.....	1
12	02.0112.0155GT	Cotter Pin 4X 45 UNI 1336 ZN.....	2
13	54.0002.0041GT	Pin.....	1
14	09.4621.0020GT	Master Link.....	1
15	09.4621.0013GT	Shackle.....	1
16	09.4621.0010GT	Swivel Hook.....	1

Go to Discount-Equipment.com to order your parts

513.1 610251 Rubbish Bucket

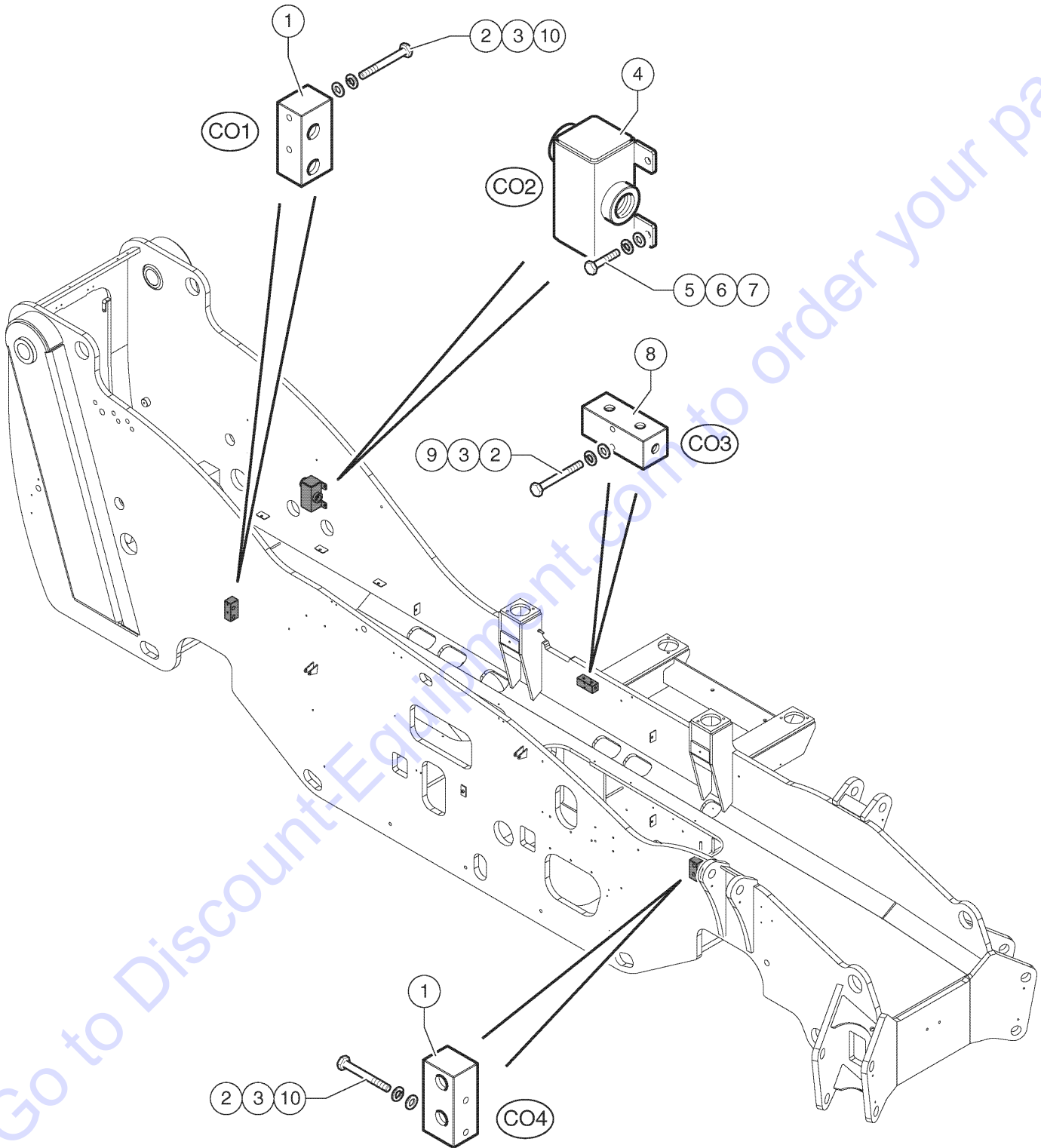


Go to Discount-Equipment.com to order your parts

Item	Part No.	Description	Qty.
1	51.1301.9133GT	Rubbish Bucket.....	1

Go to Discount-Equipment.com to order your parts

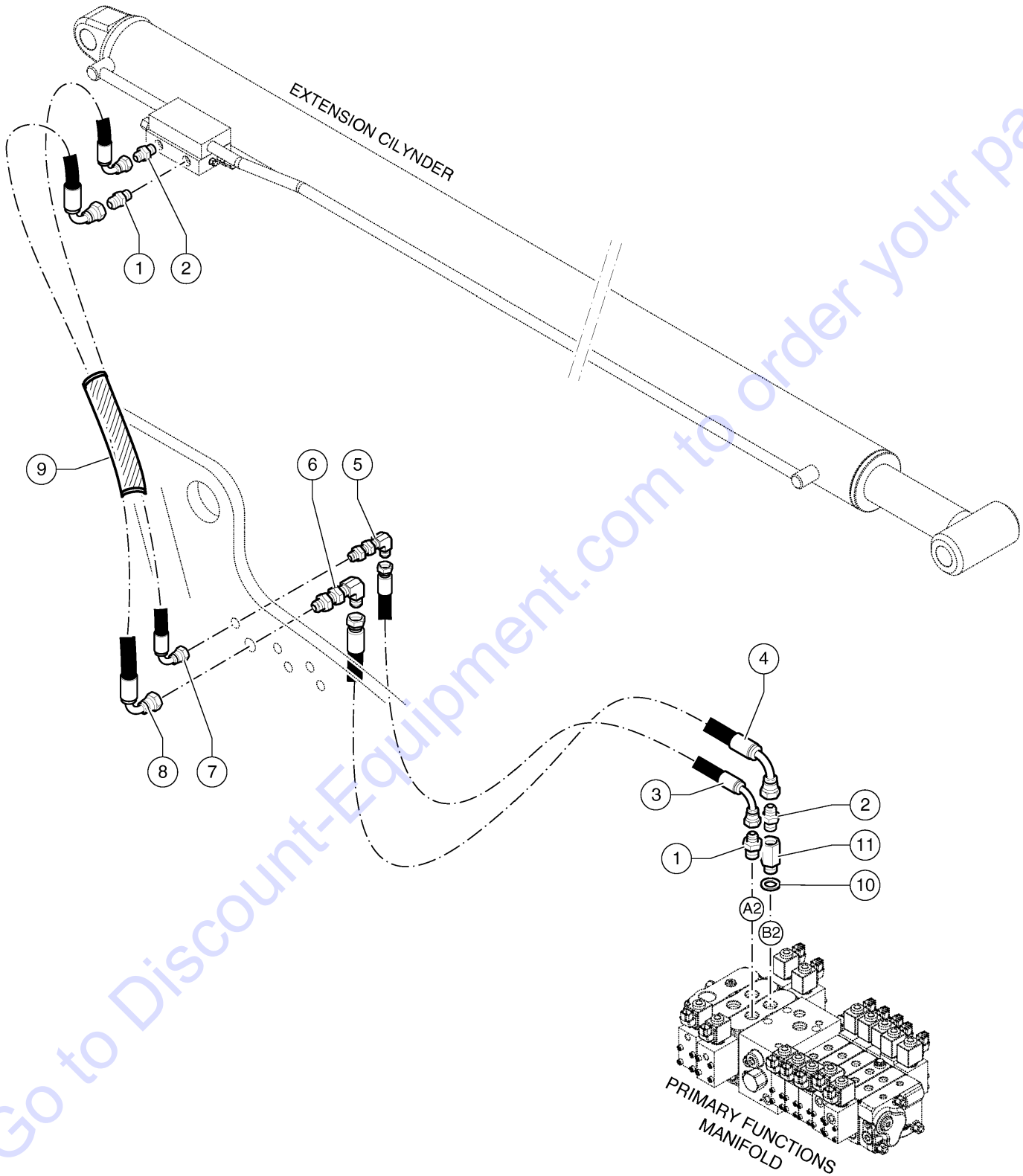
601.1 610254 Fittings



Item	Part No.	Description	Qty.
1	53.3001.6826GT	MANIFOLD.....	2
2	01.4032.0002GT	SPRING WASHER D6 ZN.....	6
3	01.0031.0054GT	FLAT WASHER D6 UNI 6592 ZN.....	6
4	53.3001.6824GT	Manifold.....	1
5	01.0001.0254GT	SCREW M8X20 UNI 5739 8.8 ZN.....	2
6	01.4032.0003GT	SPRING WASHER D8 ZN.....	2
7	01.0031.0055GT	FLAT WASHER D8 UNI 6592 ZN.....	2
8	53.3001.6825GT	Manifold.....	1
9	01.0001.0106GT	SCREW M6X50 UNI 5737 8.8 ZN.....	2
10	01.0001.0108GT	SCREW M6X60 UNI 5737 8.8 ZN.....	4

Go to Discount-Equipment.com to order your parts

602.1 610255 Boom Extension Cylinder

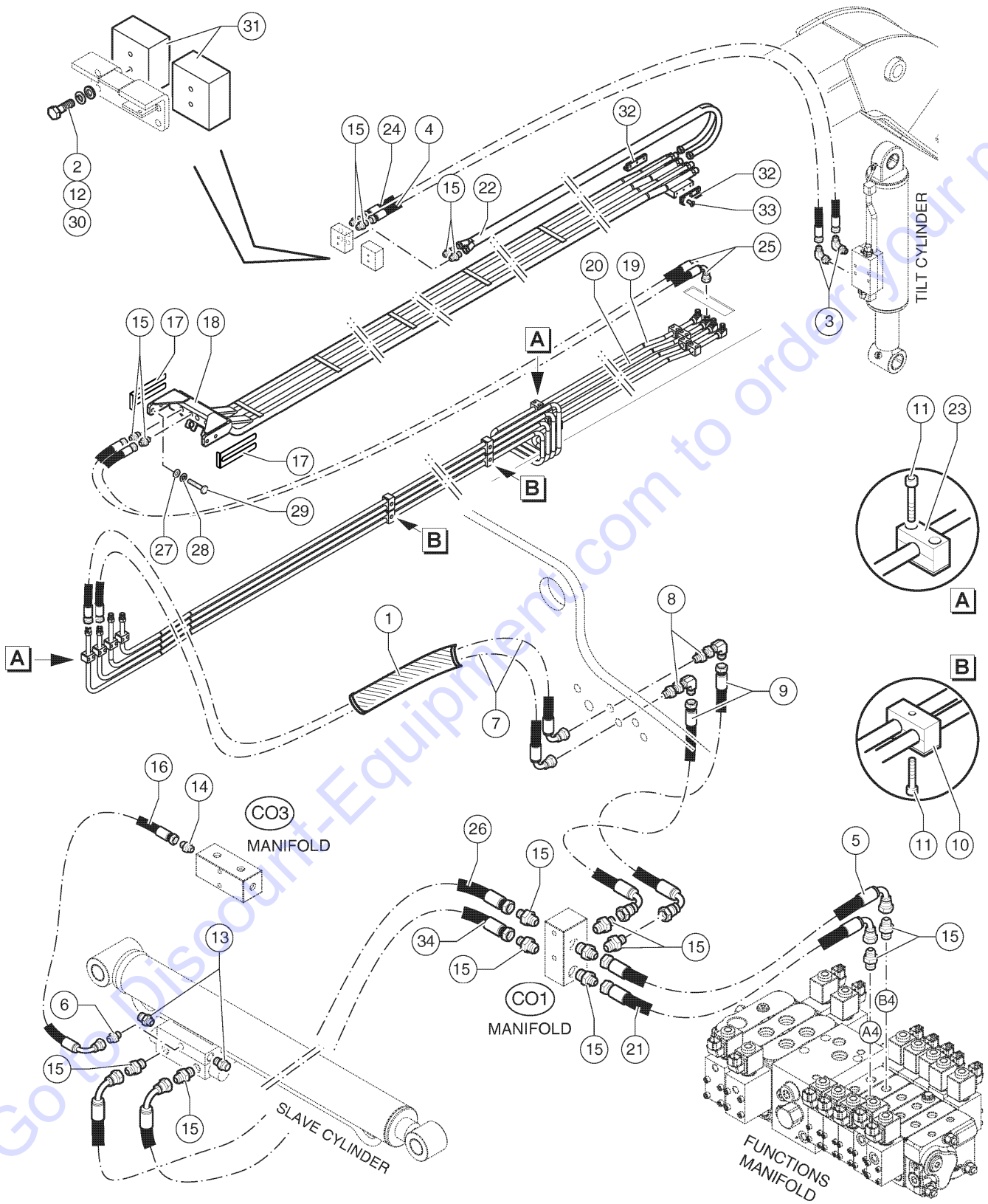


602.1 610255 Boom Extension Cylinder

Item	Part No.	Description	Qty.
1	04.0607.0121GT	PIPE FITTING 3/4 BSPX13/16-16 ORFS.....	2
2	04.0607.0107GT	PIPE FITTING 3/4BSP X1"3/16-12 ORFS.....	2
3	04.0605.0896GT	HOSE R2X1/2 3300 F90 13/16-16 FD 13/16-16.....	1
4	04.0605.1671GT	Flexible Hose R2 (300BAR) X 3/4 3350 F90 FD 13/16"-12.....	1
5	04.0607.0124GT	PIPE FITTING 90 M-M 13/16-16 ORFS..	1
6	04.0607.0853GT	Pipe Fitting M 1"3/16-12 . X M 1"3/16"-12 ORFS.....	1
7	04.0605.1498GT	HOSE R2X1-2 LG1400 F90-F90 13/16-16 ORFS 270ø.....	1
8	04.0605.1496GT	HOSE 2X3-4 LG1400 F90-F90 1"3/16 A 270ø.....	1
9	09.0803.0835GT	HOSES PROTECTION.....	1
10	06.0442.0124GT	BONDED RING 3/4.....	1
11	04.0600.0271GT	Pipe Fitting CMF 3/4BSP LG.35.....	1

Go to Discount-Equipment.com to order your parts

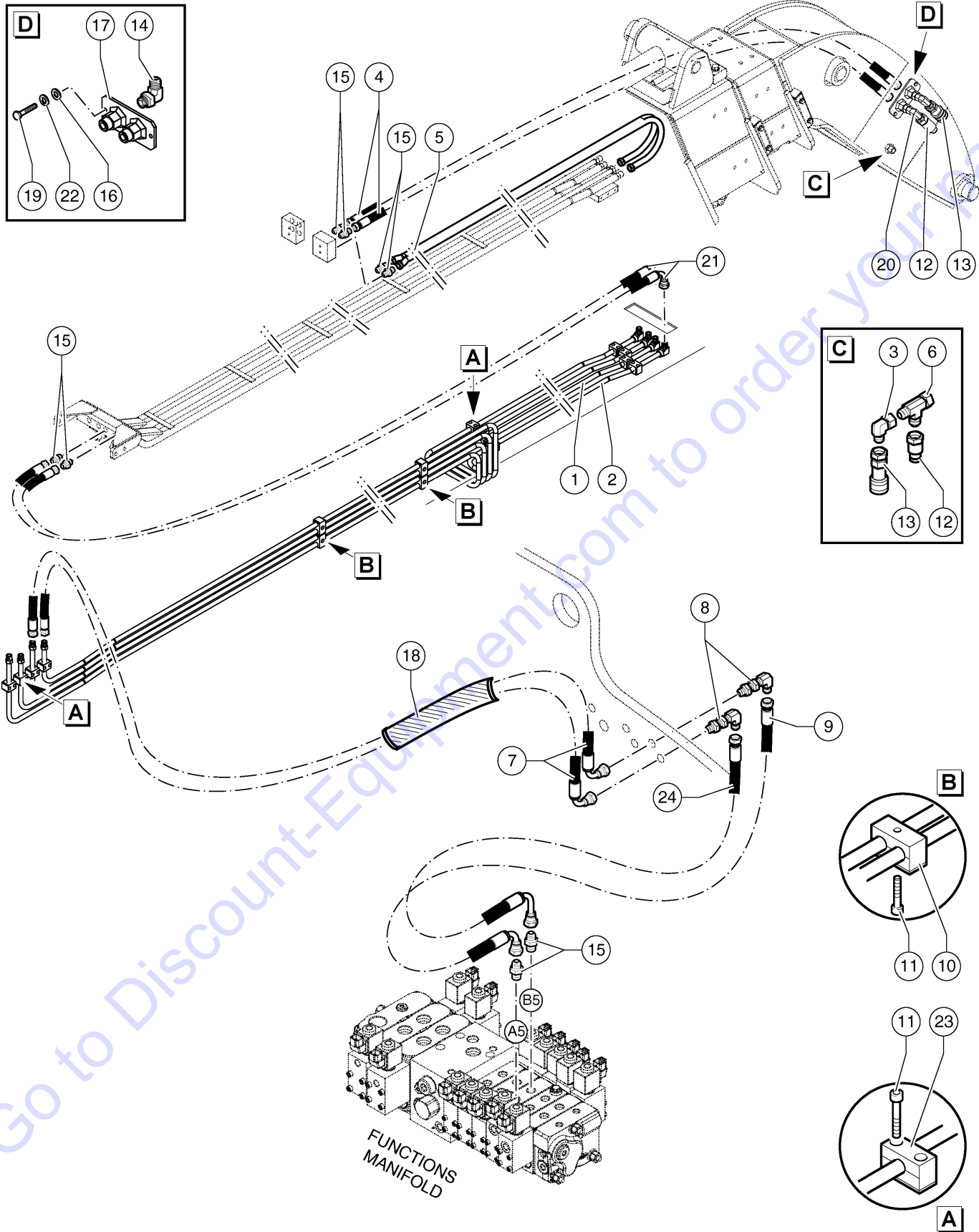
603.1 610256 Forks Tilt Cylinder - Forks Level Slave Cylinder



603.1 610256 Forks Tilt Cylinder - Forks Level Slave Cylinder

Item	Part No.	Description	Qty.	Item	Part No.	Description	Qty.
1	09.0803.0835GT	HOSES PROTECTION.....	1	34	04.0605.1734GT	Flexible Hose R2 (300 BAR) X 1/2 850 F90 ALTA (56) X FD 13/16"-16.....	1
2	01.4032.0002GT	SPRING WASHER D6 ZN.....	4				
3	04.0607.0141GT	PIPE FITTING 90 1/2GASXM 13/16-16 ORFS.....	2				
4	04.0605.1476GT	Flexible Hose R2 X 1/2" 350 Bar Lg. 3550 FD - FD 13/16"-16 ORFS.....	1				
5	04.0605.1669GT	Flexible Hose R2 (300BAR) X 1/2 1900 F90 Hight FD 13/16"-16.....	1				
6	04.0607.0114GT	PIPE FITTING 3/8 BSPX9/16-18 ORFS.....	1				
7	04.0605.1628GT	PIPE R2 X 1/2 1300 FD F90 13/16"-16 ORFS	2				
8	04.0607.0124GT	PIPE FITTING 90 M-M 13/16-16 ORFS..	2				
9	04.0605.0891GT	Flexible Hose R2 X 1/2" Lg. 1450 FD - F90 13/16"-16 ORFS.....	2				
10	09.0803.0060GT	CLAMP,DOUBLE,D16.....	4				
11	01.0003.0157GT	SCREW M6X25 UNI 5931 8.8 ZN.....	28				
12	01.0031.0054GT	FLAT WASHER D6 UNI 6592 ZN.....	4				
13	04.4239.0004GT	SAFETY VALVE.....	2				
14	04.0607.0113GT	PIPE FITTING 1/4 BSPX9/16-18 ORFS.....	1				
15	04.0607.0111GT	PIPE FITTING 1/2 BSPX13/16-16 ORFS.....	16				
16	04.0605.1646GT	Flexible Hose R1 X 1/4" LG. 3050 FD - F90 9/16-18 ORFS.....	1				
17	51.0811.4057GT	Shim.....	6				
18	53.3402.4061GT	Iron Hoses.....	1				
19	52.0900.9339GT	Iron Hose With Pipe Fitting.....	1				
20	52.0900.9340GT	Iron Hose With Pipe Fitting.....	1				
21	04.0605.0184GT	FLEXIBLE HOSE.....	1				
22	04.0605.1479GT	Twin Hoses MTKH X 1/2" Lg. 2550 FD - FD 13/16"-16 ORFS.....	1				
23	09.0803.0043GT	SINGLE HOSE BRACKET D16.....	12				
24	04.0605.1545GT	Flexible Hose ETERNITY/2 X 1/2 3500 FD FD 13/16"-16.....	1				
25	04.0605.1480GT	Flexible Hose R2 X 1/2" 300 Bar Lg. 4820 FD - F90 13/16"-16 ORFS.....	2				
26	04.0605.0600GT	HOSE R2X1/2 LG750 F90 FD 13/16-16 ORFS.....	1				
27	01.0031.0057GT	WASHER,D12 UNI 6592 ZN.....	4				
28	01.4032.0005GT	SPRING WASHER D12 ZN.....	4				
29	01.0001.0506GT	SCREW M12X30 UNI 5739 8.8 ZN.....	4				
30	01.0001.0156GT	SCREW M6X20 UNI 5739 8.8 ZN.....	4				
31	54.0600.0006GT	HOSES BLOCK.....	2				
32	54.0702.0080GT	WEAR PAD,BRONZE.....	2				
33	01.4006.0011GT	SCREW M6X20 UNI 5933 10.9 ZN.....	6				

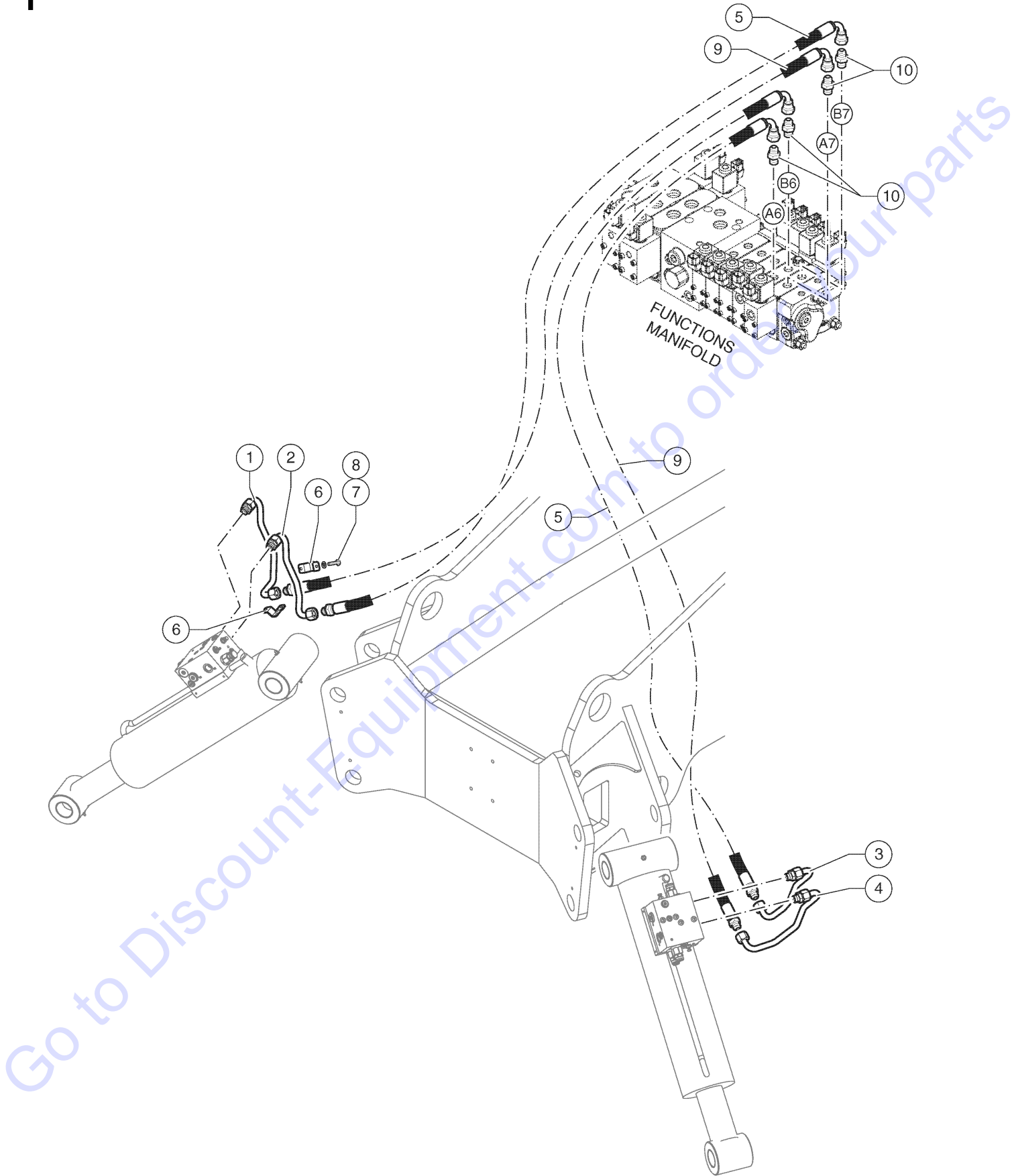
604.1 610257 Attachment Hydraulic Circuit



604.1 610257 Attachment Hydraulic Circuit

Item	Part No.	Description	Qty.
1	52.0900.9341GT	Iron Hose With Pipe Fitting.....	1
2	52.0900.9342GT	IRON PIPE.....	1
3	04.0600.0019GT	Pipe Fitting MFK 90 1/2 BSP.....	1
4	04.0605.1476GT	Flexible Hose R2 X 1/2" 350 Bar Lg. 3550 FD - FD 13/16"-16 ORFS.....	2
5	04.0605.1479GT	Twin Hoses MTKH X 1/2" Lg. 2550 FD - FD 13/16"-16 ORFS.....	1
6	04.0600.0081GT	PIPE FITTING TMF+L 1/2 BSP.....	1
7	04.0605.1628GT	PIPE R2 X 1/2 1300 FD F90 13/16"-16 ORFS	2
8	04.0607.0124GT	PIPE FITTING 90 M-M 13/16-16 ORFS..	2
9	04.0605.0896GT	HOSE R2X1/2 3300 F90 13/16-16 FD 13/16-16.....	1
10	09.0803.0060GT	CLAMP,DOUBLE,D16.....	4
11	01.0003.0157GT	SCREW M6X25 UNI 5931 8.8 ZN.....	28
12	04.4210.0018GT	QUICK COUPLING, MALE 1/2.....	3
13	04.4210.0019GT	QUICK COUPLING, FEMALE 1/2.....	3
14	04.0607.0141GT	PIPE FITTING 90 1/2GASXM 13/16-16 ORFS.....	2
15	04.0607.0111GT	PIPE FITTING 1/2 BSPX13/16-16 ORFS.....	8
16	01.0031.0054GT	FLAT WASHER D6 UNI 6592 ZN.....	2
17	53.3001.0500GT	MANIFOLD, BOOM HOSES.....	1
18	09.0803.0835GT	HOSES PROTECTION.....	1
19	01.0001.0156GT	SCREW M6X20 UNI 5739 8.8 ZN.....	2
20	04.0600.0087GT	PIPE FITTING 90.....	2
21	04.0605.1480GT	Flexible Hose R2 X 1/2" 300 Bar Lg. 4820 FD - F90 13/16"-16 ORFS.....	2
22	01.4032.0002GT	SPRING WASHER D6 ZN.....	2
23	09.0803.0043GT	SINGLE HOSE BRACKET D16.....	12
24	04.0605.1731GT	HOSE R2 X 1/2 3350 SF F90 ALTA 13/16"-16 (300 BAR).....	1

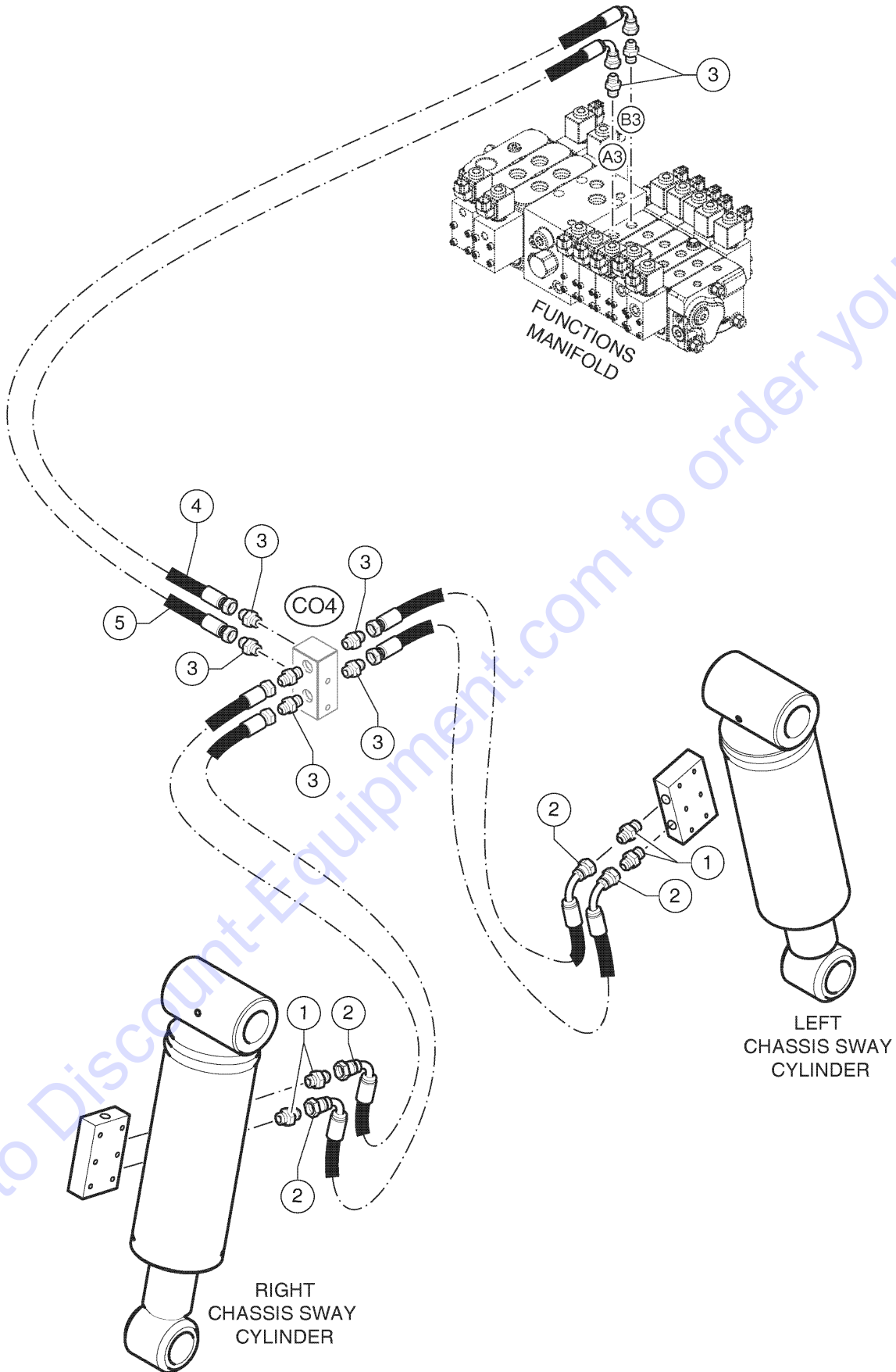
605.1 610258 Front Outriggers



Item	Part No.	Description	Qty.
1	53.3402.4089GT	IRON PIPE.....	1
2	53.3402.4088GT	IRON PIPE.....	1
3	53.3402.4086GT	IRON PIPE.....	1
4	53.3402.4087GT	IRON PIPE.....	1
5	04.0605.1732GT	HOSE R2 (300 BAR) X 1/2 5300 F90 ALTA 13/16"-16 MD 16.....	2
6	51.0811.4776GT	BRACKET.....	4
7	01.0001.0107GT	SCREW M6x12 UNI 5739 8.8 ZN.....	8
8	01.4032.0002GT	SPRING WASHER D6 ZN.....	8
9	04.0605.1792GT	HOSE R2 (300 BAR) X 1/2 5300 F90 MD 16.....	2
10	04.0607.0111GT	PIPE FITTING 1/2 BSPX13/16-16 ORFS.....	4

Go to Discount-Equipment.com to order your parts

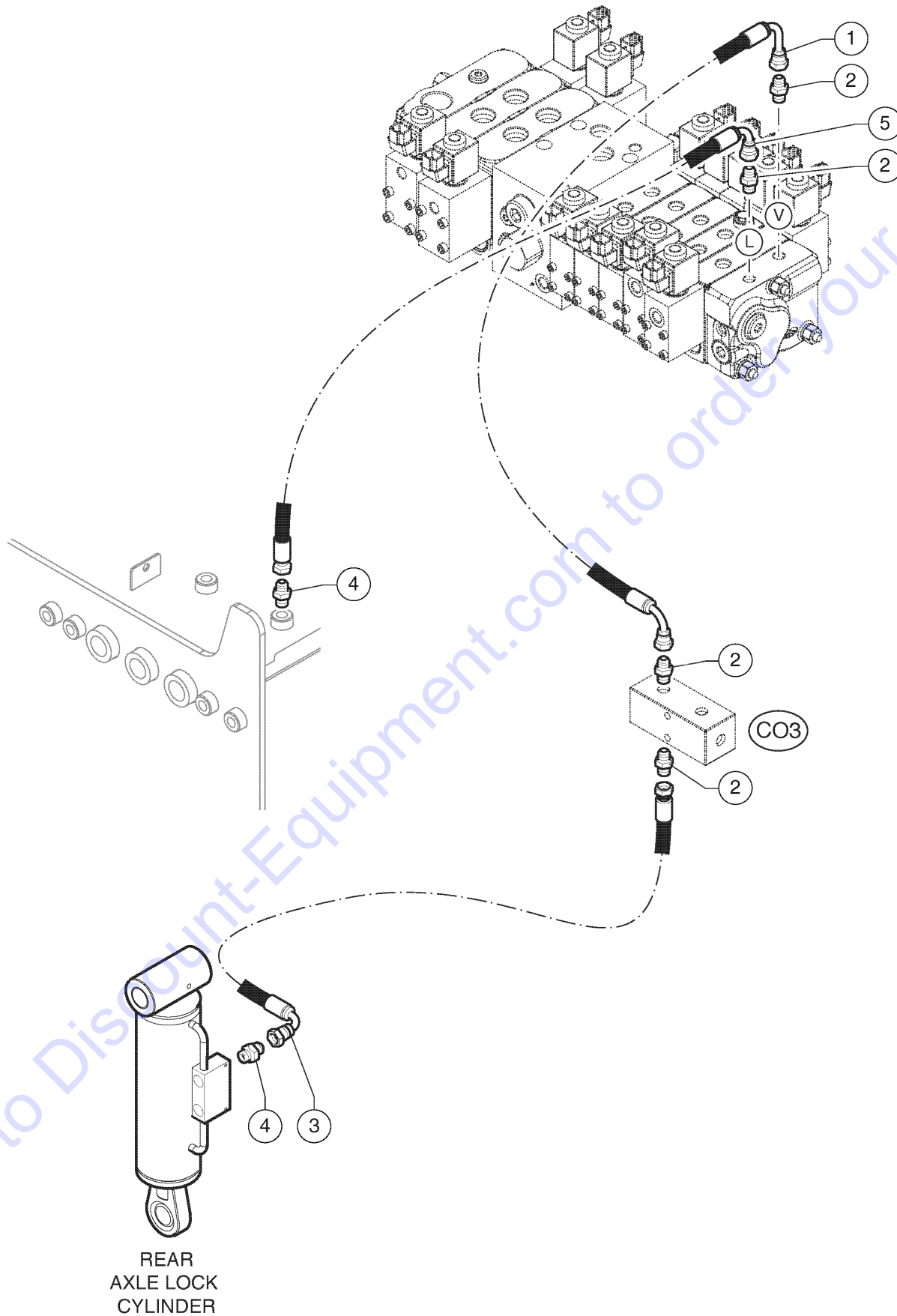
606.1 610259 Chassis Sway Cylinder



Item	Part No.	Description	Qty.
1	04.0607.0114GT	PIPE FITTING 3/8 BSPX9/16-18 ORFS.....	4
2	04.0605.0731GT	HOSE R2X1/4 LG1200 F90 FD 9/16 ORFS.....	4
3	04.0607.0167GT	PIPE FITTING 1/2BSPX 9/16-18 ORFS.....	8
4	04.0605.1655GT	Hose R1 X 1/4 LG.3000 FD- F90 9/16-18 ORFS.....	1
5	04.0605.1666GT	HOSE R2 (300 BAR) X 1/4 3300 F90 ALTA SF 9/16"-18.....	1

Go to Discount-Equipment.com to order your parts

607.1 610260 Rear Axle Lock Cylinder



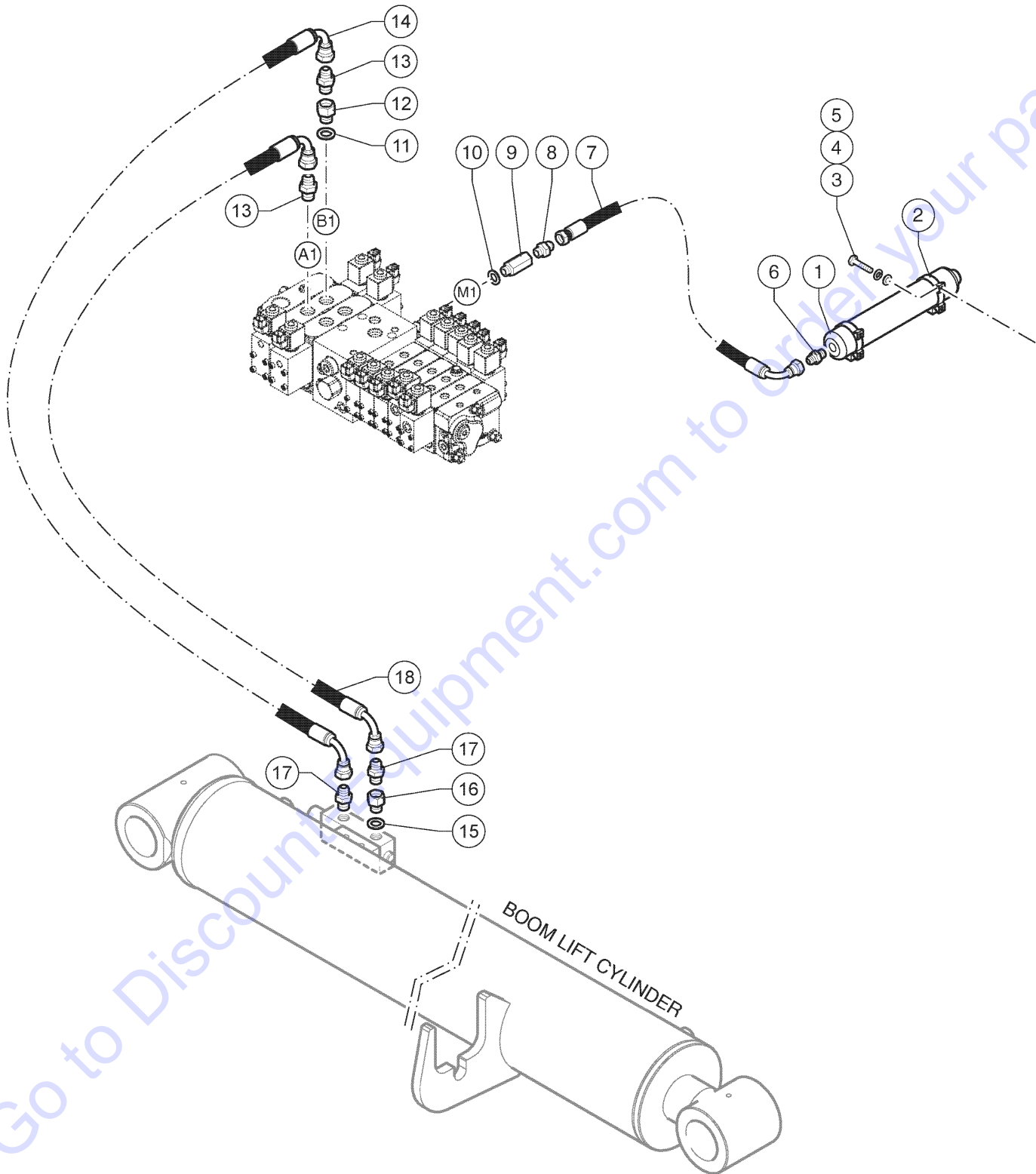
REAR
AXLE LOCK
CYLINDER

607.1 610260 Rear Axle Lock Cylinder

Item	Part No.	Description	Qty.
1	04.0605.1775GT	Flexible Hose R1 X 1/4 1850 F90 ALTA F90 9/16"-18 90°.....	1
2	04.0607.0113GT	PIPE FITTING 1/4 BSPX9/16-18 ORFS.....	3
3	04.0605.0770GT	HOSE R1X1/4 L 2400 90 FEM STR FEM 9/16-18.....	1
4	04.0607.0114GT	PIPE FITTING 3/8 BSPX9/16-18 ORFS.....	2
5	04.0605.0178GT	HOSE R1X1/4 LG 350 F90 - FD 9/16-16.....	1

Go to Discount-Equipment.com to order your parts

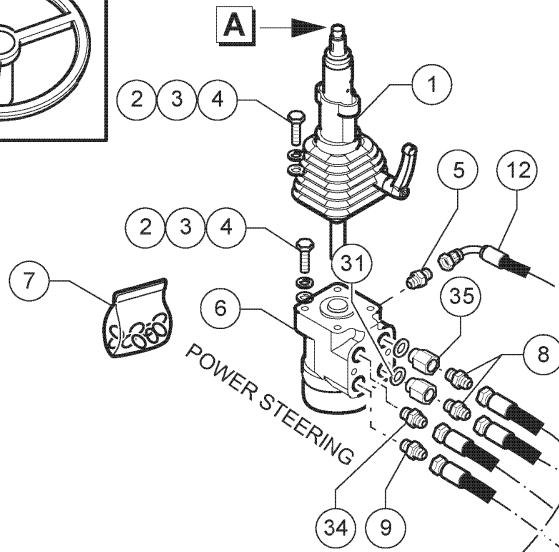
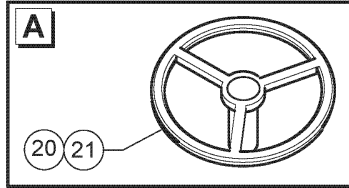
608.1 610261 Boom Lift Cylinder



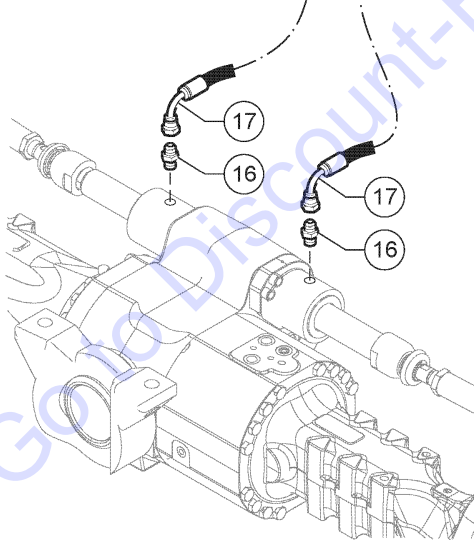
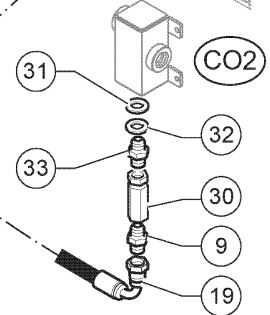
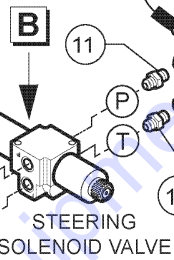
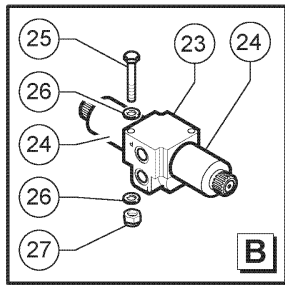
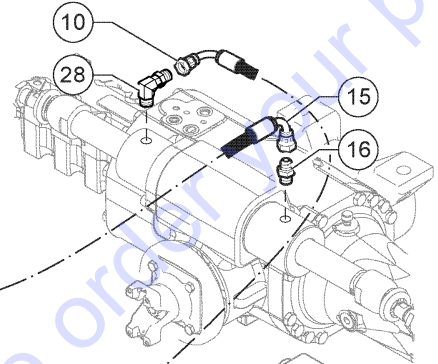
Item	Part No.	Description	Qty.
1	05.4329.0027GT	ACCUMULATOR 0.5 L.....	1
2	04.4227.0016GT	CLAMP D60 HOLE 10.5.....	2
3	01.4032.0003GT	SPRING WASHER D8 ZN.....	2
4	01.0031.0055GT	FLAT WASHER D8 UNI 6592 ZN.....	2
5	01.0001.0254GT	SCREW M8X20 UNI 5739 8.8 ZN.....	2
6	04.0607.0167GT	PIPE FITTING 1/2BSPX 9/16-18 ORFS.....	1
7	04.0605.0230GT	HOSE R2 (300 BAR)X 1/4" LG 900 F90 - FD 9/16-18 ORFS.....	1
8	04.0607.0113GT	PIPE FITTING 1/4 BSPX9/16-18 ORFS.....	1
9	04.0600.0069GT	PIPE FITTING CMF 1/4 ES LG 40.....	1
10	06.0442.0117GT	BONDED RING 1/4".....	1
11	06.0442.0124GT	BONDED RING 3/4.....	1
12	04.0600.0271GT	Pipe Fitting CMF 3/4BSP LG.35.....	1
13	04.0607.0107GT	PIPE FITTING 3/4BSP X1"3/16-12 ORFS.....	2
14	04.0605.1729GT	Flexible Hose R2 (300BAR) X 3/4.....	1
15	06.0442.0122GT	BONDED RING 1/2".....	1
16	04.0600.0091GT	PIPE FITTING CMF1/2 ES LG 25.....	1
17	04.0607.0102GT	PIPE FITTING 1/2BSPX1-3/16-12ORFS.....	2
18	04.0605.1730GT	Flexible Hose R2 (300BAR) X 3/4 2400 F90 F90 1 3/16"-12 A 90°.....	1

Go to Discount-Equipment.com to order your parts

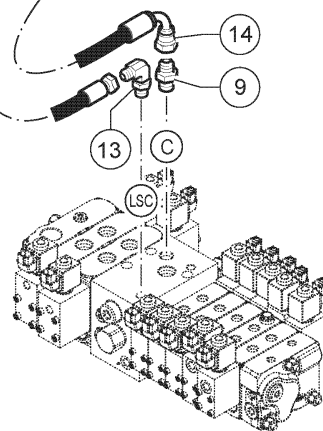
609.1 610262 Power Steering



FRONT AXLE STEERING CYLINDER



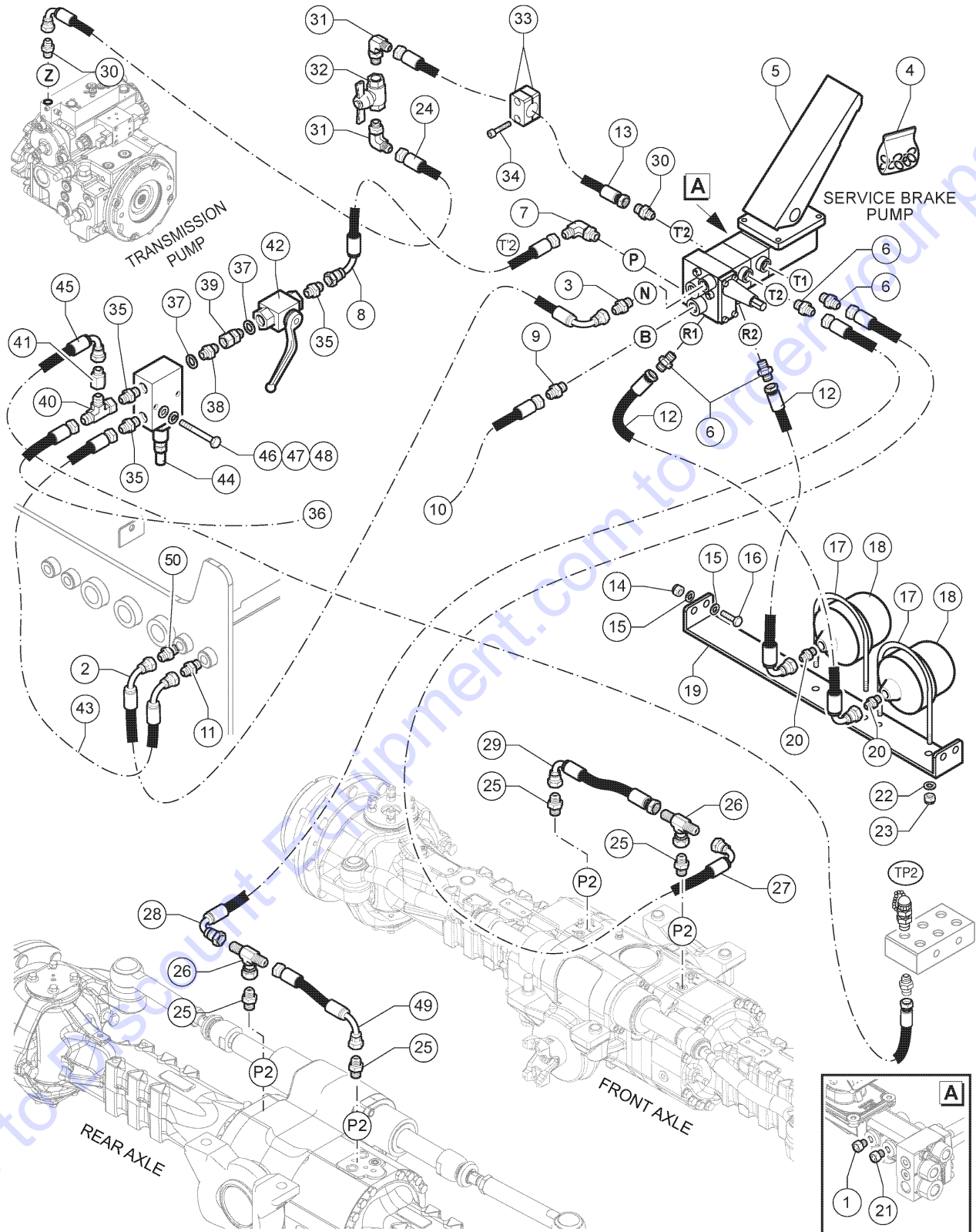
REAR AXLE STEERING CYLINDER



Item	Part No.	Description	Qty.	Item	Part No.	Description	Qty.
1	55.0602.1071GT	STEERING ASSY.....	1	35	04.0600.0091GT	PIPE FITTING CMF1/2 ES LG 25.....	2
2	01.0001.0355GT	SCREW M10X25 UNI 5739 8.8 ZN.....	7				
3	01.4032.0004GT	SPRING WASHER D10 ZN.....	7				
4	01.0031.0056GT	FLAT WASHER D10 UNI 6592 ZN.....	7				
5	04.0607.0113GT	PIPE FITTING 1/4 BSPX9/16-18 ORFS.....	1				
6	09.4636.0017GT	POWER STEERING.....	1				
7	07.4529.0118GT	Seal Kit.....	1				
8	04.0607.0110GT	PIPE FITTING 1/2BSP x 11/16-16 ORFS.....	2				
9	04.0607.0111GT	PIPE FITTING 1/2 BSPX13/16-16 ORFS.....	3				
10	04.0605.0431GT	HOSE R2X3/8 LG 1100 F90 FD 11/16-16 ORFS.....	1				
11	04.0607.0114GT	PIPE FITTING 3/8 BSPX9/16-18 ORFS.....	4				
12	04.0605.1442GT	PIPE FITTING R2X1/4 LG950 FD F90 9/16 ORFS.....	1				
13	04.0607.0112GT	PIPE FITTING M-M A 90 1/4 BSPX9/16-18 ORFS.....	1				
14	04.0605.1658GT	HOSE R2 (300 BAR) X 1/2 3550 SF F90 13/16"-16.....	1				
15	04.0605.1507GT	HOSE R2 (300BAR)X 3/8 LG.2000 - FD F90 11/16-16 ORFS.....	1				
16	04.0607.0193GT	Pipe Fitting 3/4-16UNF/ 11/16-16ORFS..	3				
17	04.0605.1506GT	Flexible Hose R2 (300BAR)X 3/8 3400 FD F90 11/16"-16.....	2				
18	04.0605.1627GT	HOSE R2X3/8 LG 1200 FD-F90 11/16-16 ORFS.....	1				
19	04.0605.1789GT	HOSE R1 X 3/4" Lg.3400 SF - F90 13/16"-16 ORFS.....	1				
20	09.0636.0002GT	Steering Wheel.....	1				
21	09.0636.0001GT	CENTRAL CAP WITH HORN.....	1				
23	04.4240.0052GT	SOLENOID VALVE.....	1				
24	07.4529.0111GT	COIL, VALVE.....	2				
25	01.0001.0104GT	SCREW M6X40 UNI 5739 8.8 ZN.....	2				
26	01.0031.0054GT	FLAT WASHER D6 UNI 6592 ZN.....	4				
27	01.0023.0053GT	STOP NUT M6 UNI 7473 6S ZN.....	2				
28	04.0607.0849GT	Pipe Fitting M-M A 90 3/4"-16 UNF X 11/16"-16 ORFS.....	1				
29	04.0605.1774GT	Flexible Hose R2 X 1/4 2300 FD MD 9/16"-18.....	1				
30	04.4239.0013GT	Valve 3/4 PA 2.5.....	1				
31	06.0442.0122GT	BONDED RING 1/2".....	3				
32	06.0442.0124GT	BONDED RING 3/4.....	1				
33	04.0600.0027GT	Pipe Fitting 1/2X 3/4 BSP.....	1				
34	04.0607.0102GT	PIPE FITTING 1/2BSPX1-3/16-12ORFS.....	1				

Go to www.genie.com to order your parts

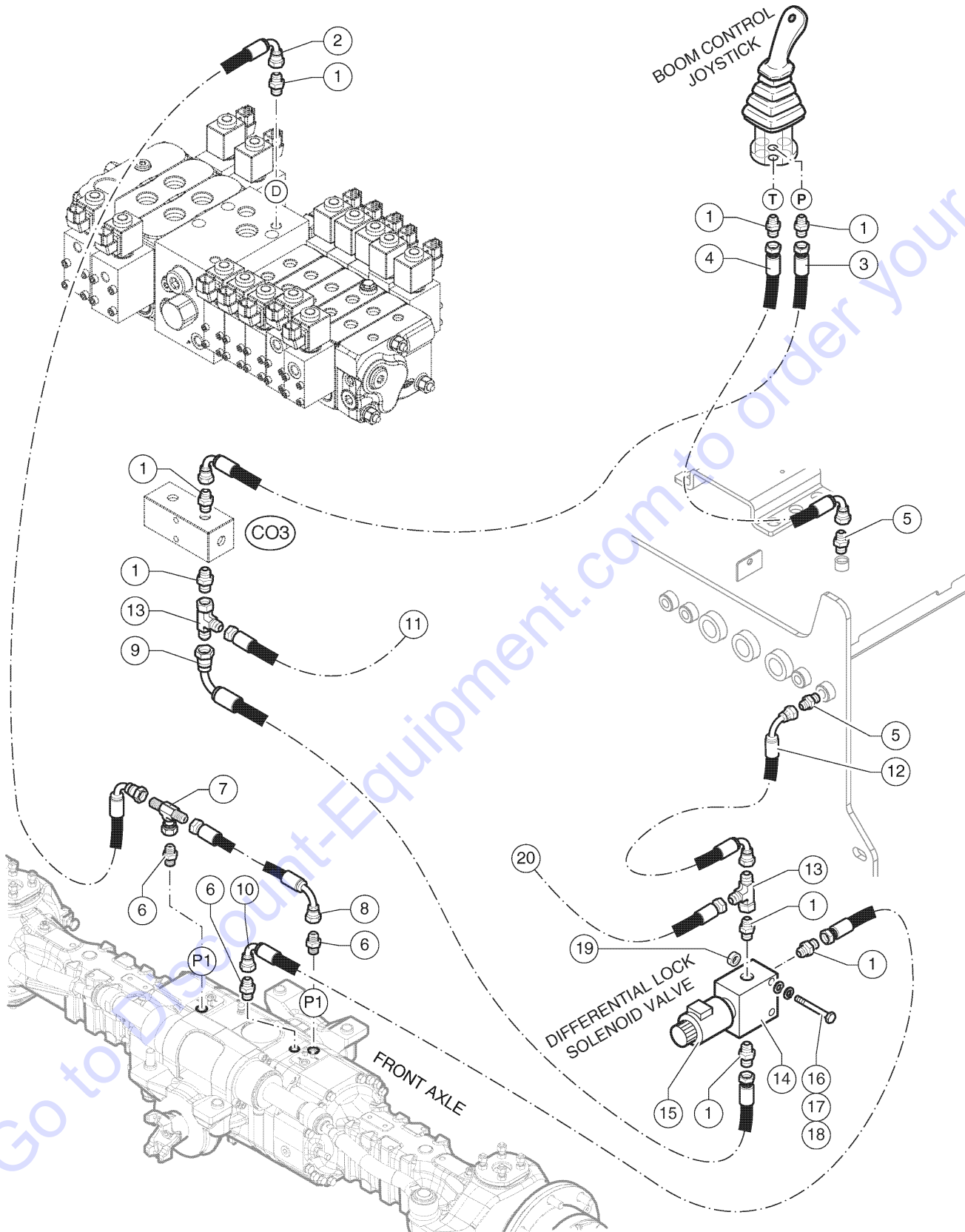
610.1 610263 Service Brake



610.1 610263 Service Brake

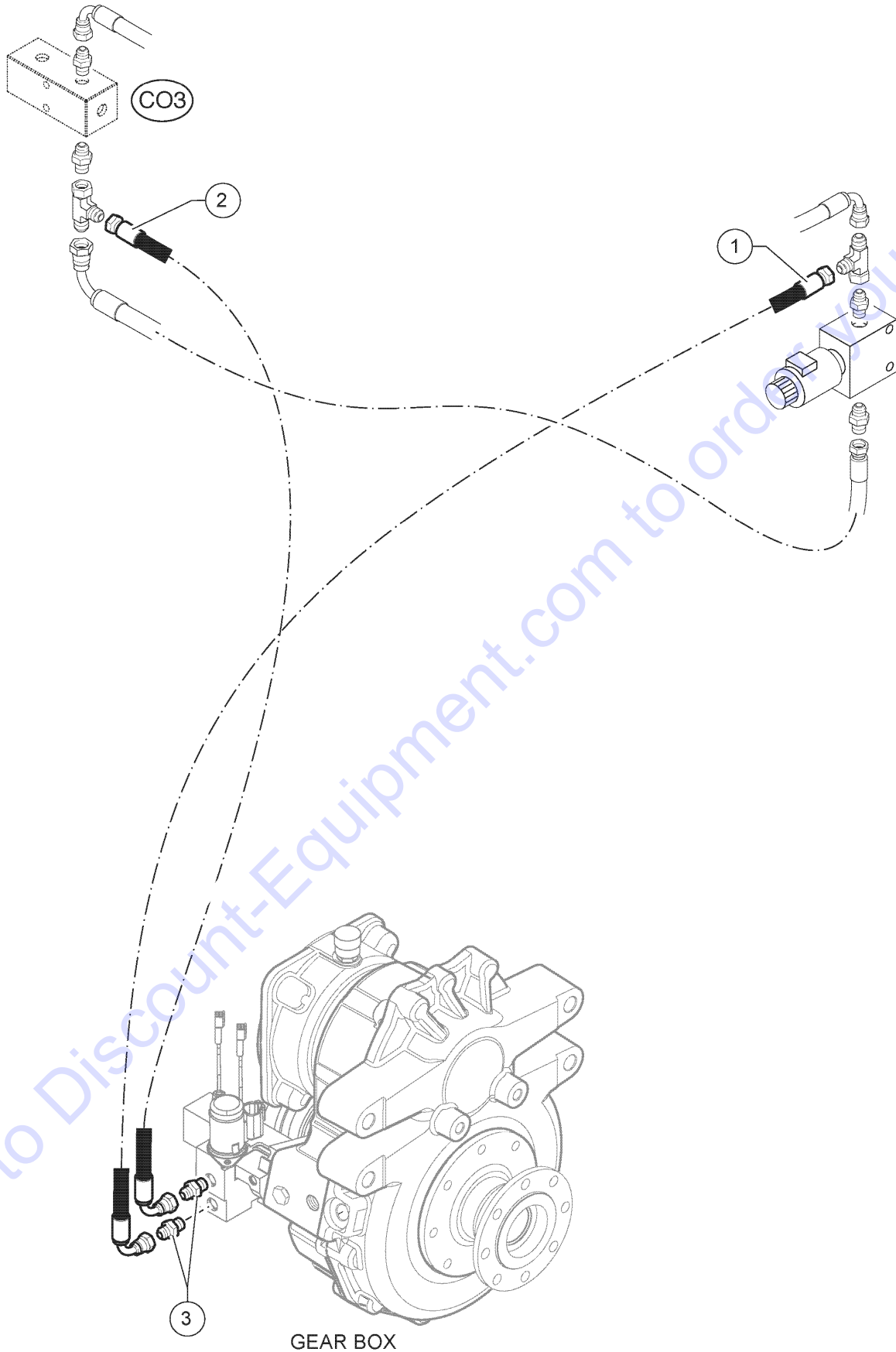
Item	Part No.	Description	Qty.	Item	Part No.	Description	Qty.
1	05.4329.0001GT	PRESSURE SWITCH..... <i>Stop Lights Activation</i>	1	34	01.0001.0102GT	SCREW M6X30 UNI 5739 8.8 ZN.....	2
2	04.0605.1656GT	HOSE R1 X 3/8 2300 F90 SF 11/16"-16.....	1	35	04.0607.0145GT	PIPE FITTING 3/8BSPX13/16-18 ORFS.....	3
3	04.0607.0137GT	PIPE FITTING 18X1.5X11/16 ORFS.....	1	36		See 600 Hydraulic System, Figure 610268 - Position 7	
4	07.0730.0077GT	SEAL KIT.....	1	37	06.0442.0120GT	BONDED RING 3/8".....	2
5	05.4309.0000GT	PUMP BRAKE.....	1	38	04.0600.0029GT	PIPE FITTING 3/8X3/8 BSP.....	1
6	04.0607.0153GT	PIPE FITTING 14X1.5X9/16-18 ORFS....	4	39	04.0600.0090GT	PIPE FITTING GMF 3/8" BSP.....	1
7	04.0607.0141GT	PIPE FITTING 90 1/2GASXM 13/16-16 ORFS.....	1	40	04.0607.0122GT	PIPE FITTING TMF+L 13/16-16 ORFS...1	
8	04.0605.1098GT	Flexible Hose R2 X 1/2 2000 F90 FD13/16.....	1	41	04.0607.0797GT	PIPE FITTING F 13/16-16 ORFS-M 9/16-18 ORFS.....	1
9	04.0607.0111GT	PIPE FITTING 1/2 BSPX13/16-16 ORFS.....	1	42	04.4224.0008GT	Manual Ball Valve.....	1
10		See 600 Hydraulic System, Figure 610267 - Position 8		43	04.0605.1099GT	Flexible Hose R1 X 1/2 2400 FD F90 13/16"-16.....	1
11	04.0607.0117GT	PIPE FITTING 3/8BSPX11/16-16 ORFS.....	1	44	04.4225.0001GT	VALVE.....	1
12	04.0605.0230GT	HOSE R2 (300 BAR)X 1/4" LG 900 F90 - FD 9/16-18 ORFS.....	2	45	04.0605.1791GT	HOSE R2 X 1/4 1350 F90 FD.....	1
13	04.0605.0766GT	Flexible Hose R2 X 1/4 LG. 2600 FD - F90 9/16"-18 ORFS.....	1	46	01.0001.0106GT	SCREW M6X50 UNI 5737 8.8 ZN.....	2
14	01.0023.0054GT	NUT,M8 UNI 7473 6S ZN.....	4	47	01.0031.0054GT	FLAT WASHER D6 UNI 6592 ZN.....	2
15	01.0031.0055GT	FLAT WASHER D8 UNI 6592 ZN.....	8	48	01.4032.0002GT	SPRING WASHER D6 ZN.....	2
16	01.0001.0258GT	SCREW M8X35 UNI 5739 8.8 ZN.....	4	49	04.0605.1795GT	HOSE R2(300 BAR) X 1/4 LG.500 F90 FD 9/16-18 ORFS.....	1
17	51.0800.8100GT	U-BOLT.....	2	50	04.0607.0145GT	PIPE FITTING 3/8BSPX13/16-18 ORFS.....	1
18	05.4329.0029GT	ACCUMULATOR 0.5 L.....	2				
19	51.0811.4699GT	Support Accumulator.....	1				
20	04.0607.0855GT	PIPE FITTING M18X1,5 M 9/16-18 ORFS.....	2				
21	05.4329.0002GT	PROXIMITY SWITCH.....	1				
22	01.0031.0056GT	FLAT WASHER D10 UNI 6592 ZN.....	4				
23	01.0023.0055GT	NUT,STOP,M10 UNI 7473 6S ZN.....	4				
24	04.0605.0455GT	HOSE R2X1/4 LG 600 F90 FD 9/16-18 ORFS.....	1				
25	04.0607.0813GT	PIPE FITTING, M14X1.5X9/16 ORFS....	4				
26	04.0607.0131GT	PIPE FITTING TMF+C 9/16-18 ORFS....	2				
27	04.0605.1793GT	HOSE R2 X 1/4 1850 F90 SF 9/16"-18 ORFS.....	1				
28	04.0605.1796GT	HOSE R2(300BAR) X 1/4 3400 F90 FD 9/16 ORFS.....	1				
29	04.0605.0422GT	HOSE R2X1/4 LG 400 F90-FD 9/16-18 ORFS.....	1				
30	04.0607.0180GT	PIPE FITTING M10X1- 9/16-18 ORFS...2					
31	04.0607.0112GT	PIPE FITTING M-M A 90 1/4 BSPX9/16-18 ORFS.....	2				
32	04.4224.0012GT	Ball Valve.....	1				
33	09.0803.0397GT	Clamp D18.....	2				

611.1 610264 Parking Brake



Item	Part No.	Description	Qty.
1	04.0607.0113GT	PIPE FITTING 1/4 BSPX9/16-18 ORFS.....	8
2	04.0605.1794GT	HOSE R2 (300 BAR) X 1/4 3900 F90(HIGH) F90 9/16-18 A 180°.....	1
3	04.0605.0179GT	HOSE R1X1/4 LG 700 FD-F90 9/16-18 ORFS.....	1
4	04.0605.0252GT	Flexible Hose.....	1
5	04.0607.0114GT	PIPE FITTING 3/8 BSPX9/16-18 ORFS.....	2
6	04.0607.0813GT	PIPE FITTING, M14X1.5X9/16 ORFS.....	3
7	04.0607.0131GT	PIPE FITTING TMF+C 9/16-18 ORFS.....	1
8	04.0605.0422GT	HOSE R2X1/4 LG 400 F90-FD 9/16-18 ORFS.....	1
9	04.0605.0685GT	Hose R1 X 1/4 Lg. 650 R1 X 1/4 LG. 650 FD F90 9/16-18 ORFS.....	1
10	04.0605.0368GT	Flexible Hose R1 X 1/4 LG.1800 FD F90 9/16-18 ORFS.....	1
11		See 600 Hydraulic System, Figure 610265 - Position 2	
12	04.0605.0772GT	Hose R1 X 1/4 LG.2000 FD-F90 9/16-18 ORFS.....	1
13	04.0607.0115GT	PIPE FITTING TMF+L 9/16-18 ORFS.....	2
14	04.4240.0015GT	VALVE.....	2
15	07.0705.0093GT	SOLENOID.....	2
16	01.4032.0002GT	SPRING WASHER D6 ZN.....	2
17	01.0001.0106GT	SCREW M6X50 UNI 5737 8.8 ZN.....	2
18	01.0031.0054GT	FLAT WASHER D6 UNI 6592 ZN.....	2
19	54.0101.0002GT	SPACER D 22/8,5 LG8.....	2
20		See 600 Hydraulic System, Figure 610265 - Position 1	

612.1 610265 Gear Box

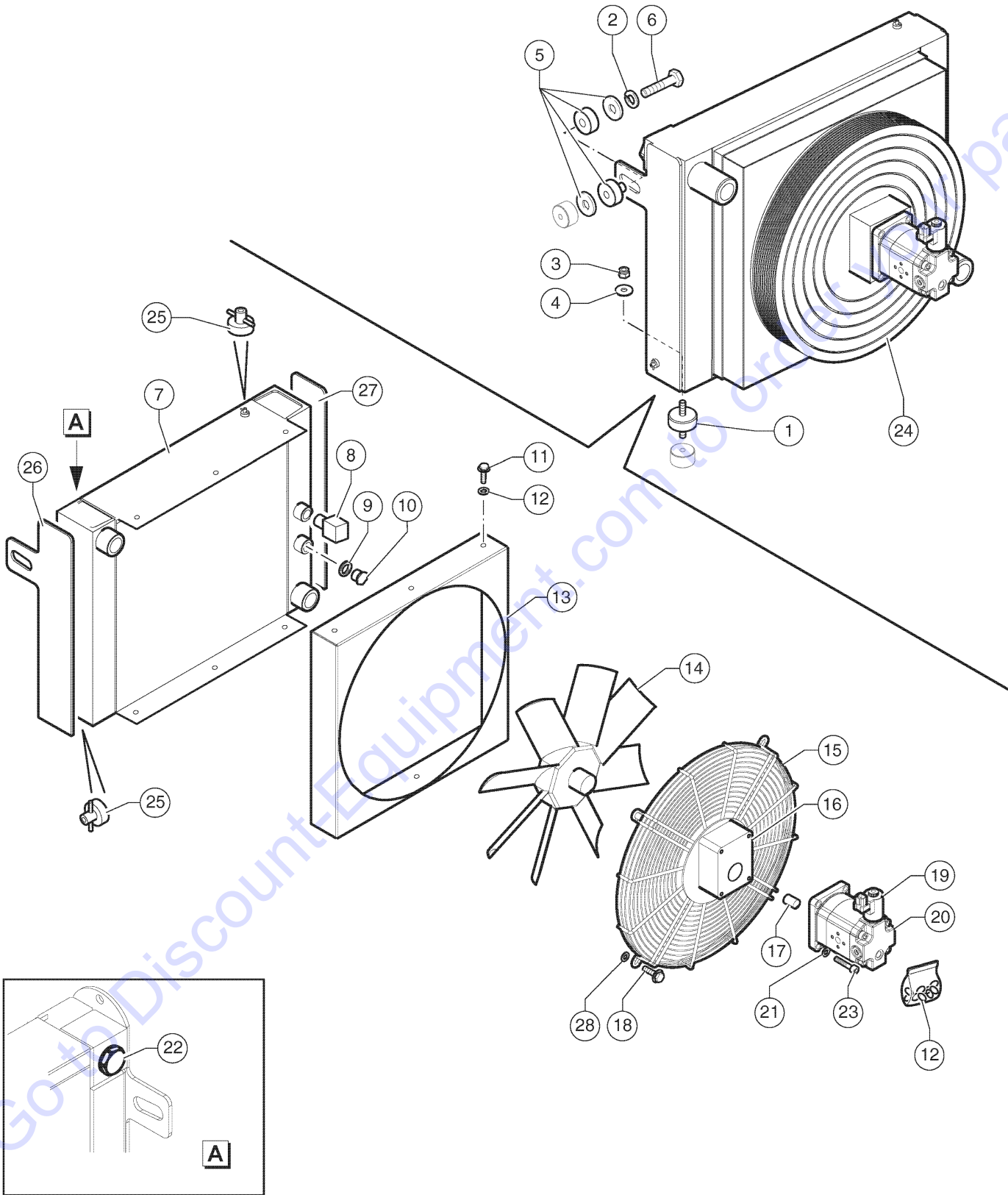


Go to Discount-Equipment.com to order your parts

Item	Part No.	Description	Qty.
1	04.0605.0219GT	Flexible Hose.....	1
2	04.0605.0530GT	Flexible Hose R1 X 1/4 700 FD-FD 9/16-18 ORFS.....	1
3	04.0607.0813GT	PIPE FITTING, M14X1.5X9/16 ORFS.....	2

Go to Discount-Equipment.com to order your parts

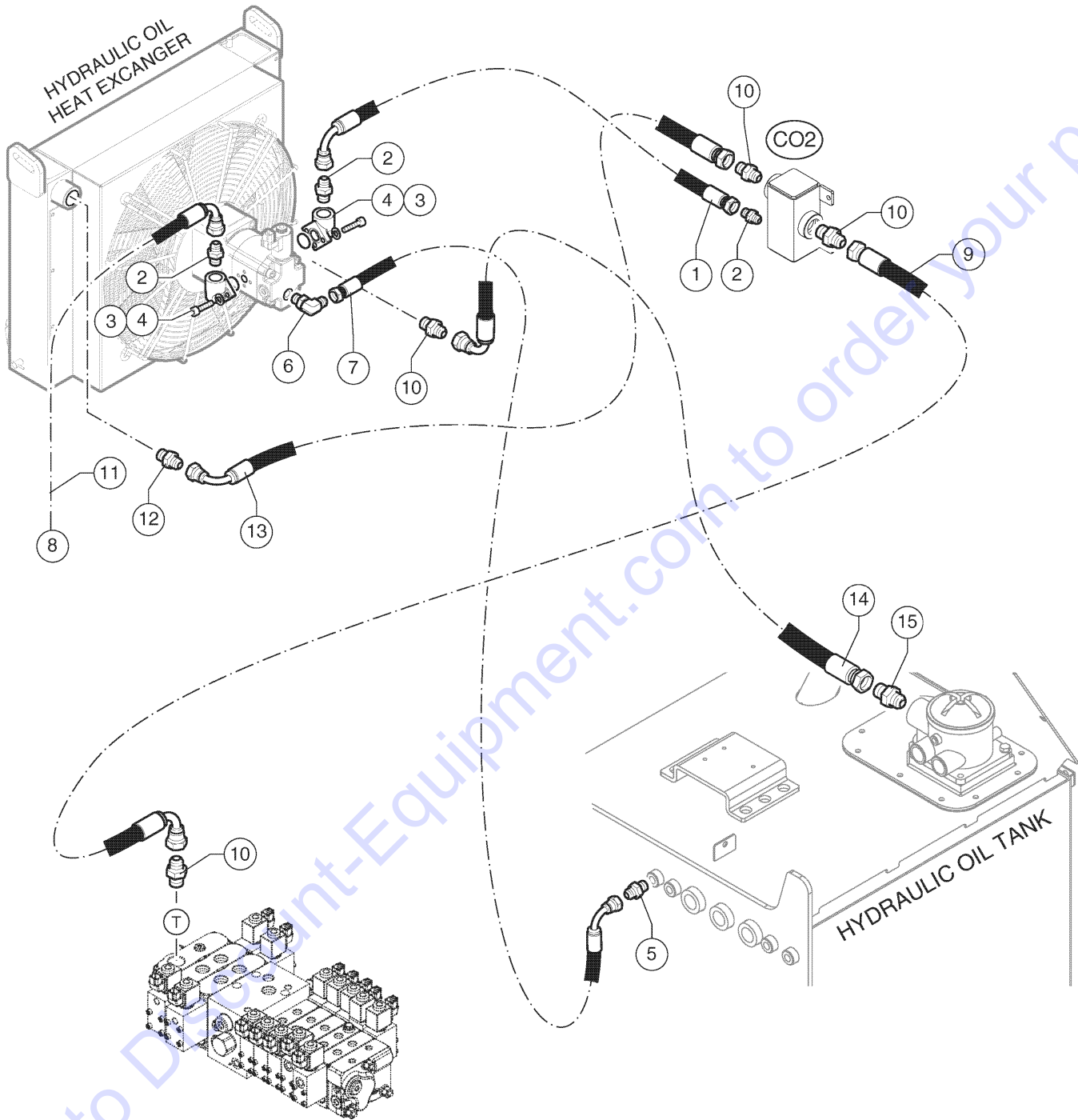
613.1 610266 Hydraulic Oil Radiator



613.1 610266 Hydraulic Oil Radiator

Item	Part No.	Description	Qty.
1	09.4670.0028GT	SHOCK ABSORBER.....	2
2	01.4032.0005GT	SPRING WASHER D12 ZN.....	4
3	01.0023.0055GT	NUT,STOP,M10 UNI 7473 6S ZN.....	2
4	01.0031.0302GT	SPRING WASHER D10 ZN.....	4
5	07.0723.0360GT	VIBRATION DAMPING KIT.....	2
6	01.4001.0089GT	SCREW M12X70 UNI 5737 8.8 ZN.....	2
7	07.0712.0297GT	OIL COOLER.....	1
8	56.0014.0091GT	THERMOSTAT.....	1
9	06.0442.0122GT	BONDED RING 1/2".....	1
10	04.0220.0055GT	PLUG 1/2 BSP.....	1
11	07.0712.0289GT	SCREW M6X16 UNI 5933.....	6
12	07.4529.0209GT	SEAL KIT.....	1
13	07.0712.0296GT	FAN SHROUD.....	1
14	07.0712.0293GT	FAN.....	1
15	07.0712.0292GT	RADIATOR GRID.....	1
16	07.0712.0286GT	SUPPORT.....	1
17	07.0712.0285GT	JOINT.....	1
18	07.0712.0288GT	HEXAGON FLANGE BOLTS DIN 6921 M8X30.....	4
19	07.0722.0070GT	SOLENOID.....	1
20	04.4235.0056GT	Oil Cooler Fan Motor.....	1
21	07.0722.0068GT	WASHER D10 HV300.....	4
22	07.0712.0291GT	BY-PASS VALVE.....	4
23	07.0722.0069GT	SCREW M10X135 UNI 5931 12.9.....	4
24	53.3200.0079GT	OIL RADIATOR.....	1
25	07.0712.0290GT	SHUT VALVE 1/4 NPT.....	2
26	07.0712.0294GT	LEFT ASSY SUPPORT.....	1
27	07.0712.0295GT	RIGHT ASSY SUPPORT.....	1
28	07.0712.0287GT	FLAT WASHER D8 UNI 6593.....	4

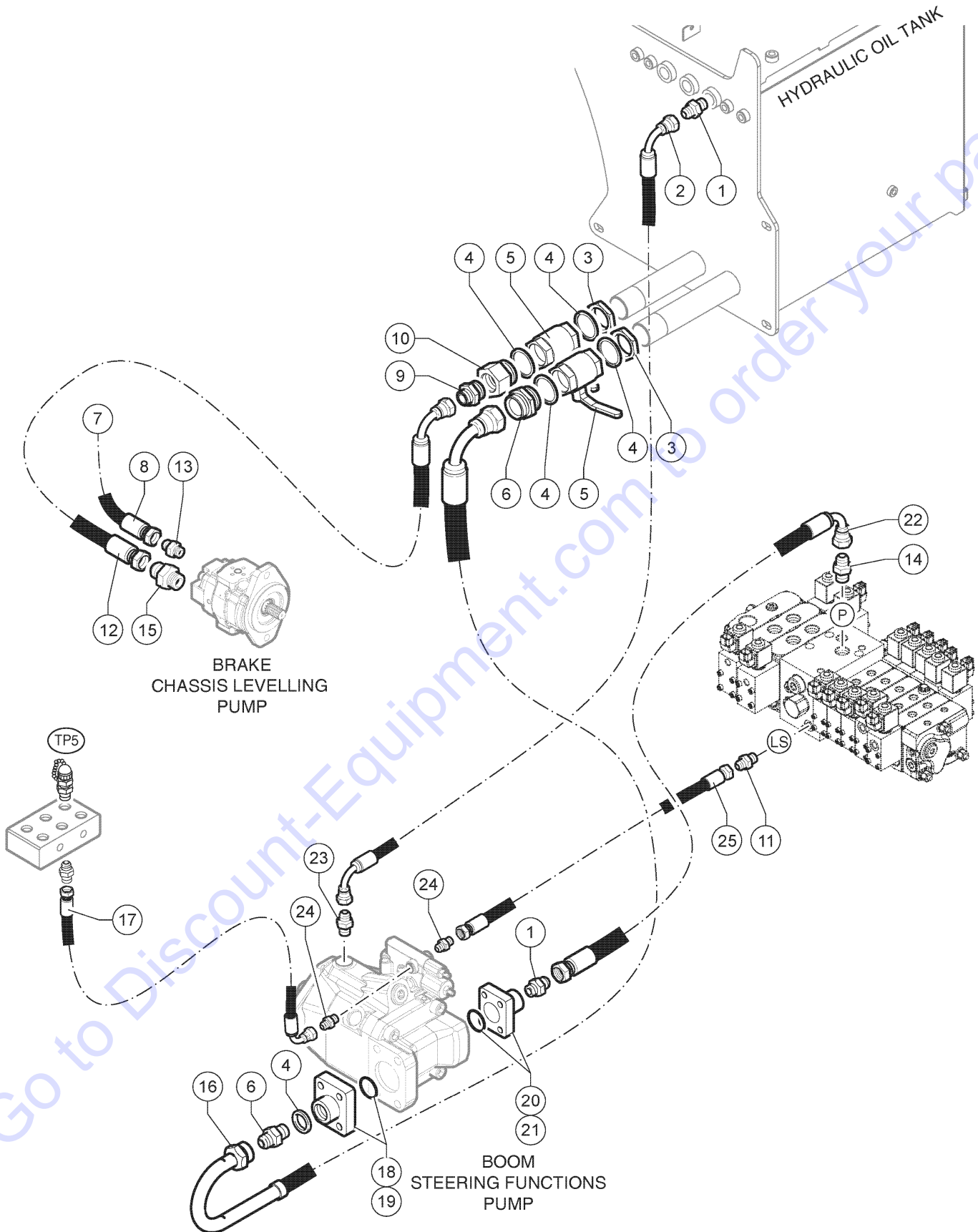
614.1 610267 Hydraulic Oil Radiator Circuit



614.1 610267 Hydraulic Oil Radiator Circuit

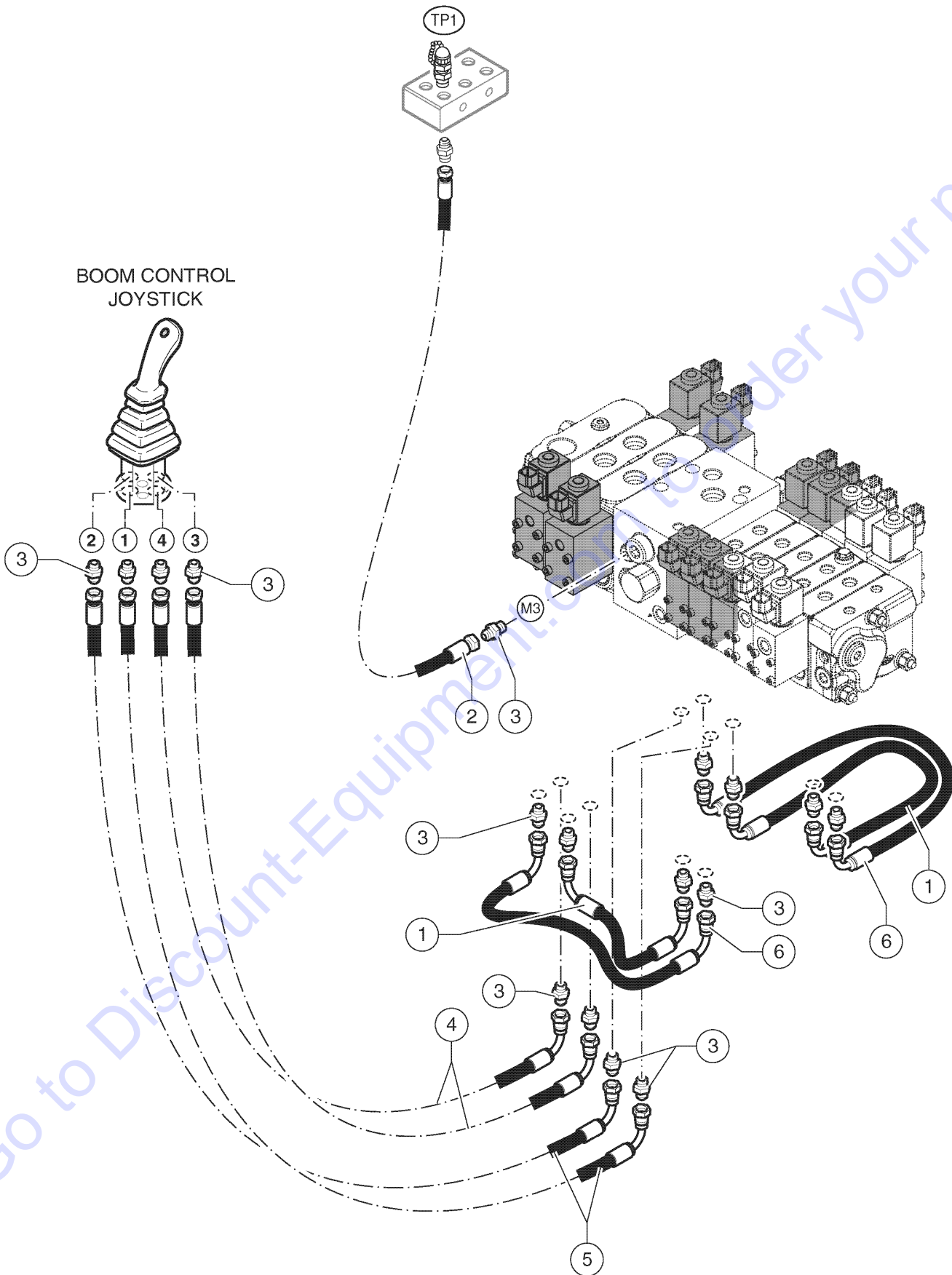
Item	Part No.	Description	Qty.
1	04.0605.1647GT	HOSE R1X1/2 850 F90 SF 13/16 ORFS.....	1
2	04.0607.0111GT	PIPE FITTING 1/2 BSPX13/16-16 ORFS.....	3
3	04.4223.0002GT	PIPE FITTING G1 12..... <i>Pipe Fitting with O-Ring and Screws</i>	2
4	900007GT	O-RING.....	2
5	04.0607.0114GT	PIPE FITTING 3/8 BSPX9/16-18 ORFS.....	1
6	04.0607.0112GT	PIPE FITTING M-M A 90 1/4 BSPX9/16-18 ORFS.....	1
7	04.0605.1648GT	Flexible Hose R1 X 1/4 LG 2250 FD F90 9/16 ORFS.....	1
8		See 600 Hydraulic System, Figure 610263 - Position 10	
9	04.0605.1644GT	Flexible Hose R4 X 1" LG. 850 F90-FD 1 7/16"-12 ORFS.....	1
10	04.0607.0142GT	PIPE FITTING 1" GASX1-7/16-12 ORFS.....	4
11	04.0605.1659GT	HOSE R2X1/2 4500 SF F90 13/16"-16...2	
12	04.0607.0174GT	PIPE FITTING 1"BSPX1"11/16-12 ORFS.....	1
13	04.0605.1727GT	Flexible Hose R4 X 1 1200 F90 FD 1 7/16"-12.....	1
14	04.0605.1726GT	Flexible Hose R4 X 1-1/4 LG. 2800 F90-FD 1" 11/16"-12 ORFS.....	1
15	04.0607.0190GT	Pipe Fitting 1"1/4BSP-1"11/16-12ORFS.....	1

615.1 610268 Hydraulic Pumps



Item	Part No.	Description	Qty.
1	04.0607.0130GT	PIPE FITTING 1 BSPX1-3/16-12 ORFS.....	1
2	04.0605.1653GT	HOSE R4X3/4 2700 F90 F90 1 3/16"-12 A 45°.....	1
3	01.4019.0024GT	NUT.....	2
4	06.0442.0132GT	BONDED RING 2".....	5
5	04.4224.0001GT	BALL VALVE.....	2
6	04.0600.0094GT	PIPE FITTING 2X2 BSP.....	2
7		See 600 Hydraulic System, Figure 610263 - Position 36	
8	04.0605.1790GT	CONDOTTA R2 (300BAR) X 1/2 1800 F45 FD 13/16"-16.....	1
9	04.0607.0168GT	Pipe Fitting 1"1/2BSP-1"7/16-12ORFS....	1
10	04.0600.0243GT	Pipe Fitting GWR M 2" BSP X F1 1/2" BSP.....	1
11	04.0607.0153GT	PIPE FITTING 14X1.5X9/16-18 ORFS....	1
12	04.0605.1728GT	HOSE R4X1 2550 F90 SF 1 7/16"-12....	1
13	04.0607.0111GT	PIPE FITTING 1/2 BSPX13/16-16 ORFS.....	1
14	04.0607.0107GT	PIPE FITTING 3/4BSP X1"3/16-12 ORFS.....	1
15	04.0607.0196GT	PIPE FITTING 3/4"BSP/1"7/16-12 ORFS.....	1
16	04.0602.0608GT	Flexible Hose R4 X 2 2000.....	1
17	04.0605.0426GT	HOSE R2X1/4 650 SD SF 9/16-18 ORFS.....	1
18	04.0600.0136GT	Pipe Fitting Kit RD2-MF/FG200-N..... <i>Pipe Fitting With O-Ring and Screws</i>	1
19	06.0401.1501GT	O-RING.....	1
20	04.4223.0010GT	Pipe Fitting Kit RD2-MC/FG100-N..... <i>Pipe Fitting With O-Ring and Screws</i>	1
21	900026GT	O-RING.....	1
22	04.0605.1668GT	HOSE R2X3/4 3500 F90 SF 1 3/16"-12..	1
23	48975GT	CONN,520120-12-10.....	1
24	04.0607.0228GT	Pipe Fitting 7/16-20 UNF X 9/16-18 ORFS.....	2
25	04.0605.1445GT	HOSE R2(300 BAR)X1/4 3400.....	1

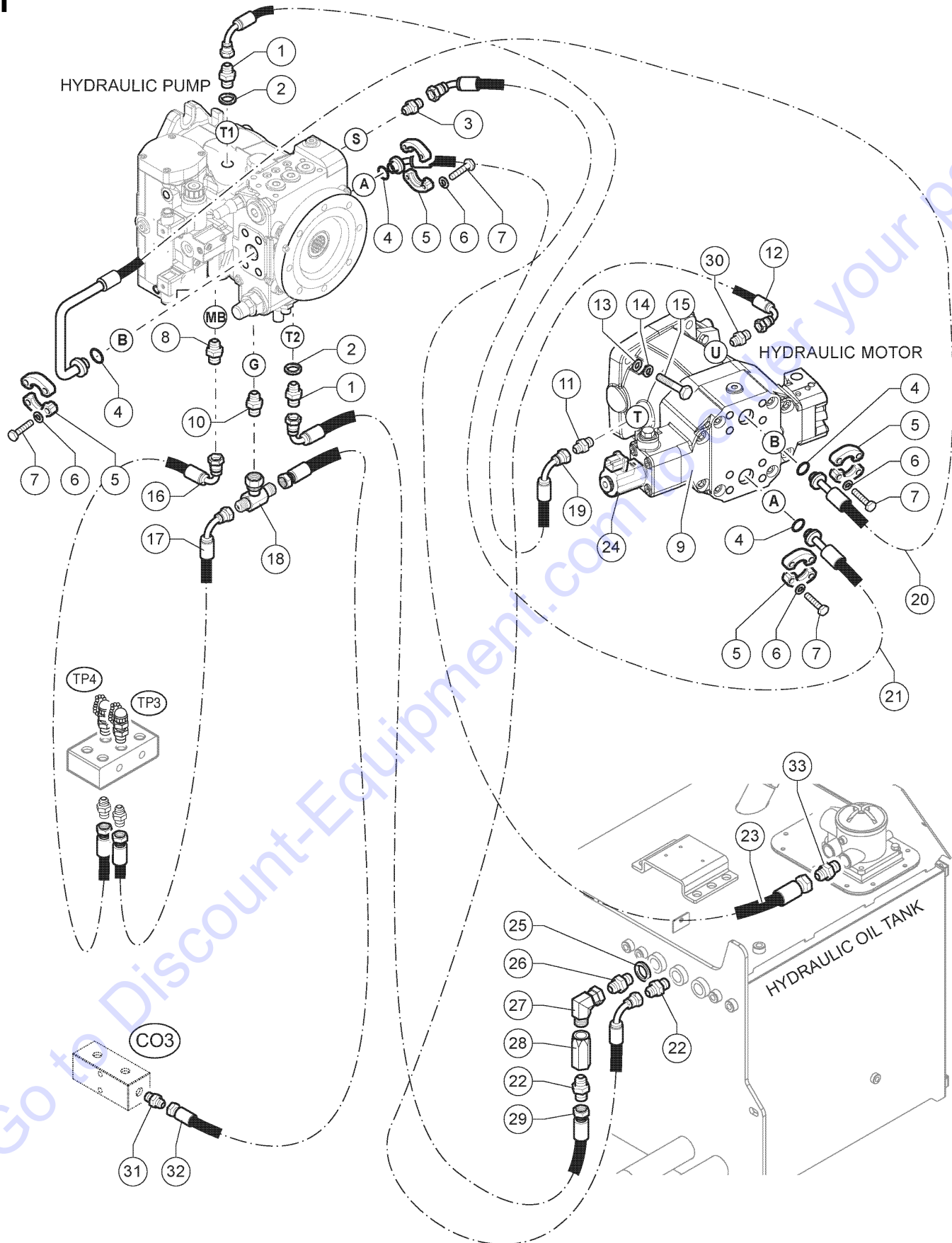
616.1 610269 Boom Hydraulic Control



Item	Part No.	Description	Qty.
1	04.0605.1667GT	Flexible Hose R1 X 1/4 LG.250 F90 F90 9/16 ORFS.....	2
2	04.0605.1657GT	HOSE R2X1/4 4150 SF SF 9/16"-18.....	1
3	04.0607.0113GT	PIPE FITTING 1/4 BSPX9/16-18 ORFS.....	17
4	04.0605.1358GT	HOSE R1X1/4 LG 2600 F90 FD 9/16-18.....	2
5	04.0605.0853GT	HOSE R1X1/4 2850 F90 FD 9/16-18.....	2
6	04.0605.1380GT	HOSE R1X1/4 LG 350 F90 F90 9/16 ORFS.....	2

Go to Discount-Equipment.com to order your parts

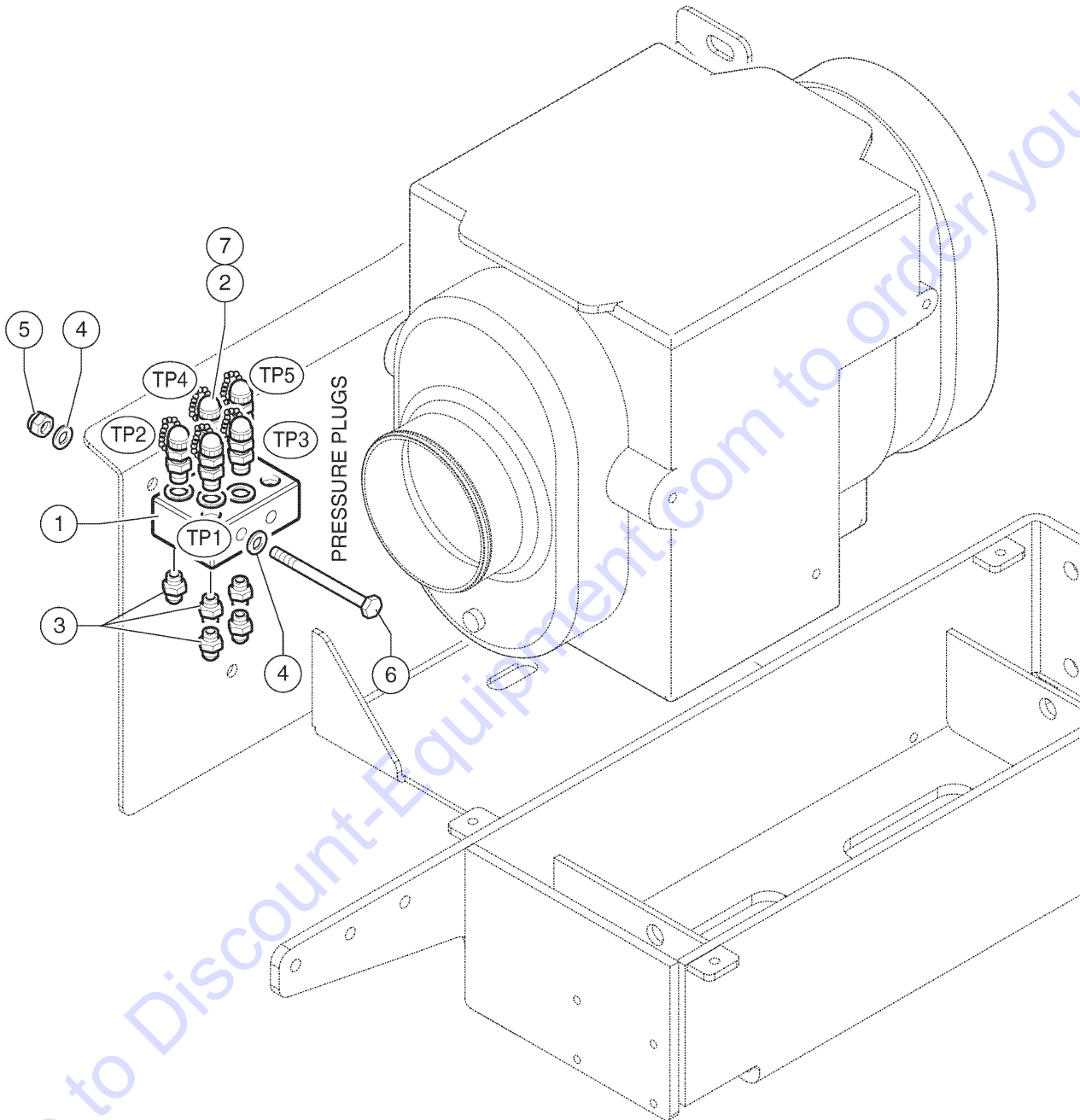
617.1 610270 Transmission



Item	Part No.	Description	Qty.	Item	Part No.	Description	Qty.
1	04.0607.0183GT	Pipe Fitting M26X1,5X 1"7/16-12 ORFS.....	2	31	04.0607.0113GT	PIPE FITTING 1/4 BSPX9/16-18 ORFS.....	1
2	06.0442.0124GT	BONDED RING 3/4.....	2	32	04.0605.1649GT	HOSE R1X1/4 1950 FD FD 9/16-19.....	1
3	04.0607.0188GT	PIPE FITTING M42X2X1"11/16-12 ORFS.....	1	33	04.0607.0174GT	PIPE FITTING 1"BSPX1"11/16-12 ORFS.....	1
4	06.0401.0219GT	O-RING.....	4				
5	04.4223.0003GT	HALF FLANGE D47.....	8				
6	01.4032.0005GT	SPRING WASHER D12 ZN.....	16				
7	01.0001.0401GT	SCREW M12X40 UNI 5737 8.8 ZN.....	16				
8	04.0607.0103GT	PIPE FITTING M12X1.5 X 9/16-18 ORFS.....	1				
9	04.4235.0061GT	Transmission Hydraulic Motor.....	1				
10	04.0607.0855GT	PIPE FITTING M18X1,5 M 9/16-18 ORFS.....	1				
11	04.0607.0856GT	Pipe Fitting M27X2 X M 1 7/16"-12 ORFS.....	1				
12	04.0605.1643GT	Flexible Hose R4 X 1" LG. 1850 F90 F90 1 7/16"-12 ORFS A180.....	1				
13	01.0031.0059GT	FLAT WASHER D16 UNI 6592 ZN.....	4				
14	01.4032.0007GT	SPRING WASHER D16 ZN.....	4				
15	01.0001.0651GT	Screw TE M16X50 UNI 5737 8.8 ZN.....	4				
16	04.0605.1623GT	HOSE ETERNITY/2 (450 BAR)X 1/4 850 SF F90 9/16"-18 ORFS.....	1				
17	04.0605.0956GT	Hose R1 X 1/4 LG.950 - FD F90 9/16-18 ORFS.....	1				
18	04.0607.0131GT	PIPE FITTING TMF+C 9/16-18 ORFS.....	1				
19	04.0605.0752GT	Flexible Hose R4 X 1" LG 800 F90 FD 1" 7/16-12.....	1				
20	04.4229.0082GT	HOSE BM6K 1"X1100 FLD D47 Special.....	1				
21	04.4229.0084GT	Flexible Hose BM6K 1 900 F45 D.47 FLD D47.....	1				
22	04.0607.0142GT	PIPE FITTING 1" GASX1-7/16-12 ORFS.....	2				
23	04.0605.1651GT	HOSE R4 X 1-1/4 3400 FD F45 1 11/16"-12.....	1				
24	07.0701.0289GT	Solenoid 12V.....	1				
24A	1281127GT	NUT, PLASTIC LOCK, SOLENOID 07.0701.0289 for 07.0701.0289	1				
25	06.0442.0125GT	BONDED RING 1".....	1				
26	04.0600.0066GT	PIPE FITTING 1X1 BSP.....	1				
27	04.0600.0113GT	Pipe Fitting 90° BSP.....	1				
28	04.4239.0034GT	SAFETY VALVE.....	1				
29	04.0605.1333GT	HOSE R4X1 3000 F90 FD 1 7/16-12 ORFS.....	1				
30	04.0607.0863GT	Pipe Fitting M33x2(ISO6149-2) 1 7/16"-12 ORFS.....	1				

Go to www.genie.com to order your parts

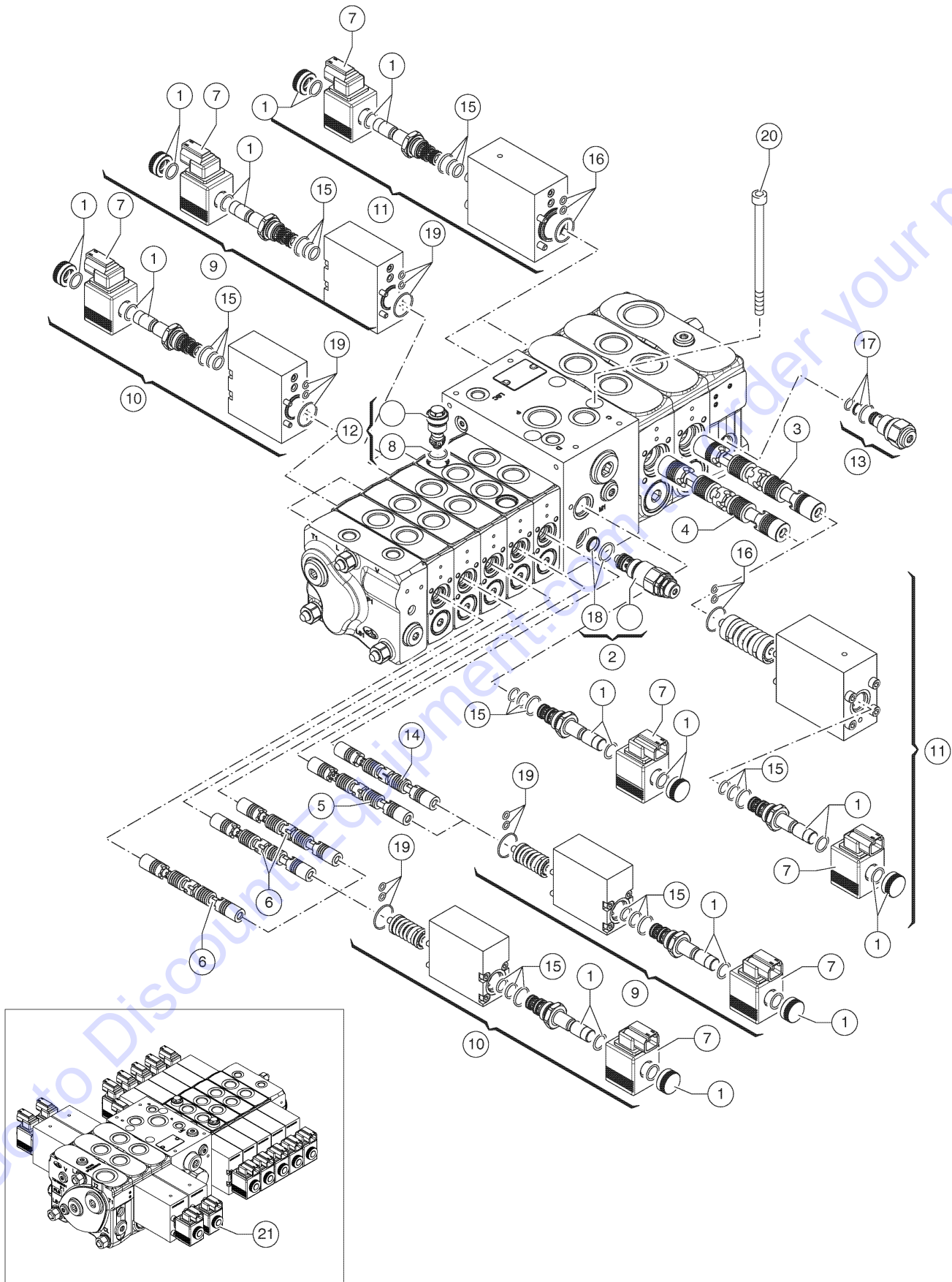
618.1 610271 Test Port Manifold



Item	Part No.	Description	Qty.
1	53.3001.6813GT	TEST PORTS MANIFOLD.....	2
2	04.4210.0016GT	PRESSURE PLUG M14X1.5.....	5
3	04.0607.0153GT	PIPE FITTING 14X1.5X9/16-18 ORFS....	5
4	01.0031.0055GT	FLAT WASHER D8 UNI 6592 ZN.....	5
5	01.0023.0054GT	NUT,M8 UNI 7473 6S ZN.....	2
6	01.0001.0209GT	SCREW M8X70 UNI 5737 8.8 ZN.....	2
7	54.0100.0093GT	FLAT WASHER D.16 1/4-19 BSPP GAS CIL 50100.....	4

Go to Discount-Equipment.com to order your parts

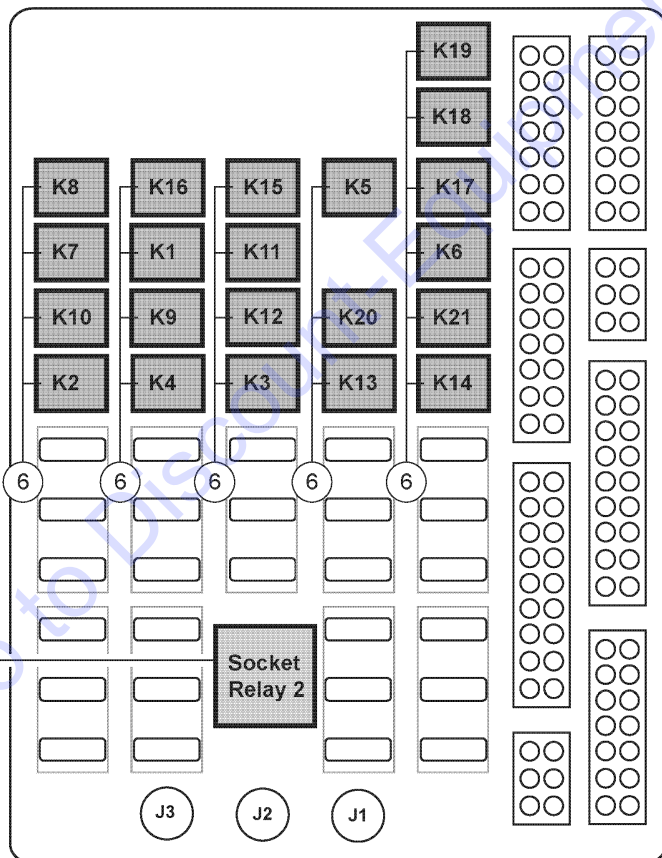
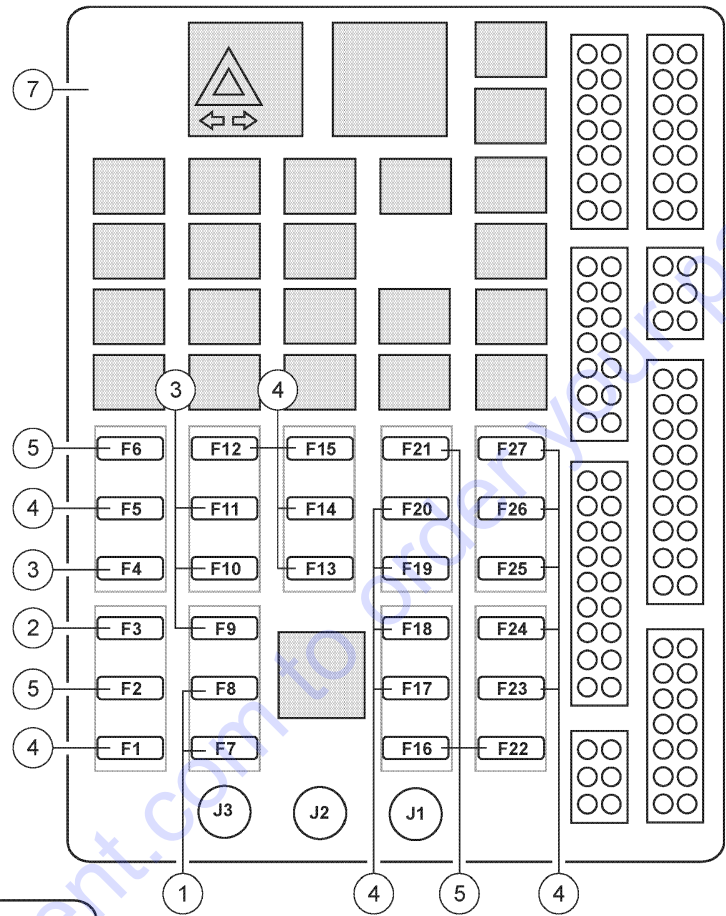
619.1 610272 Primary Functions Manifold



619.1 610272 Primary Functions Manifold

Item	Part No.	Description	Qty.
1	07.0704.0454GT	VALVE.....	11
2	07.0704.0466GT	Valve.....	1
3	07.0704.0455GT	SPOOL.....	1
4	07.0704.0456GT	SPOOL.....	1
5	07.0704.0457GT	Spool.....	1
6	07.0704.0458GT	Spool.....	3
7	07.0704.0460GT	Spool.....	11
8	07.0704.0482GT	O-Ring.....	2
9	07.0704.0461GT	Command Kit.....	4
10	07.0704.0462GT	Command Kit.....	6
11	07.0704.0463GT	Command Kit.....	4
12	07.0704.0464GT	VALVE.....	2
13	07.0704.0465GT	Regulator.....	1
14	07.0704.0459GT	Spool.....	1
15	07.0704.0485GT	O-Ring Kit.....	15
16	07.0704.0483GT	O-Ring Kit.....	2
17	07.0704.0486GT	Seal Kit.....	1
18	07.0704.0484GT	Seal Kit.....	1
19	07.0704.0481GT	O-Ring Kit.....	4
20	01.4003.0073GT	SCREW M10x110 UNI 5931 8.8 ZN.....	3
21	04.4236.0112GT	MAIN VALVE.....	1

701.1 610275 Cabin Fuse - Relay Box

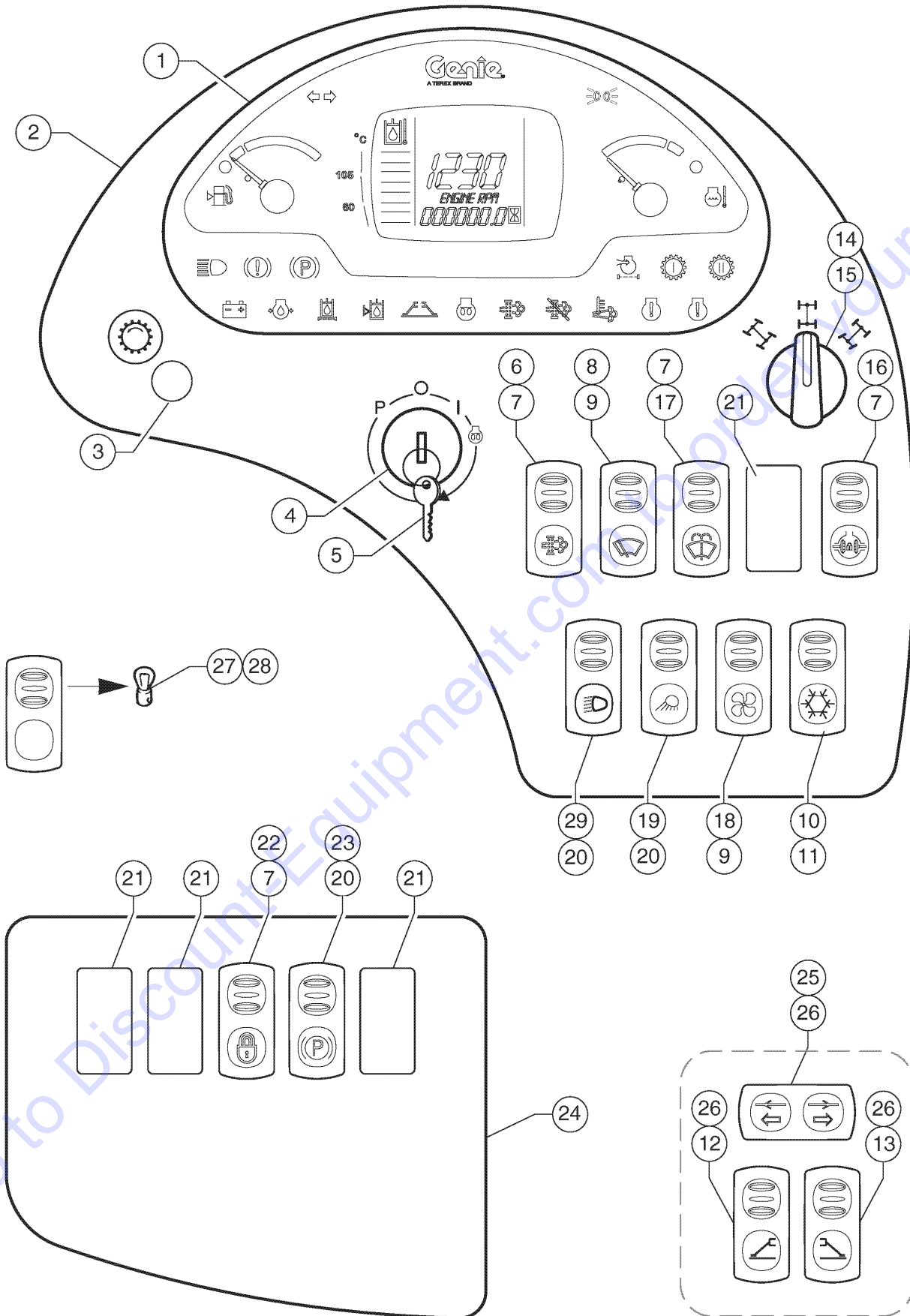


701.1 610275 Cabin Fuse - Relay Box

Item	Part No.	Description	Qty.
1	637650GT	Fuse 3A.....	2
2	07.0703.0193GT	Fuse 5A.....	1
3	634972GT	Fuse 7.5A.....	4
4	634974GT	Fuse 10A.....	15
5	634973GT	Fuse 15A.....	5
6	07.0703.0486GT	RELAY.....	21
7	56.0021.0176GT	CONTROL UNIT.....	1
8	07.0703.0486GT	RELAY.....	1

Go to Discount-Equipment.com to order your parts

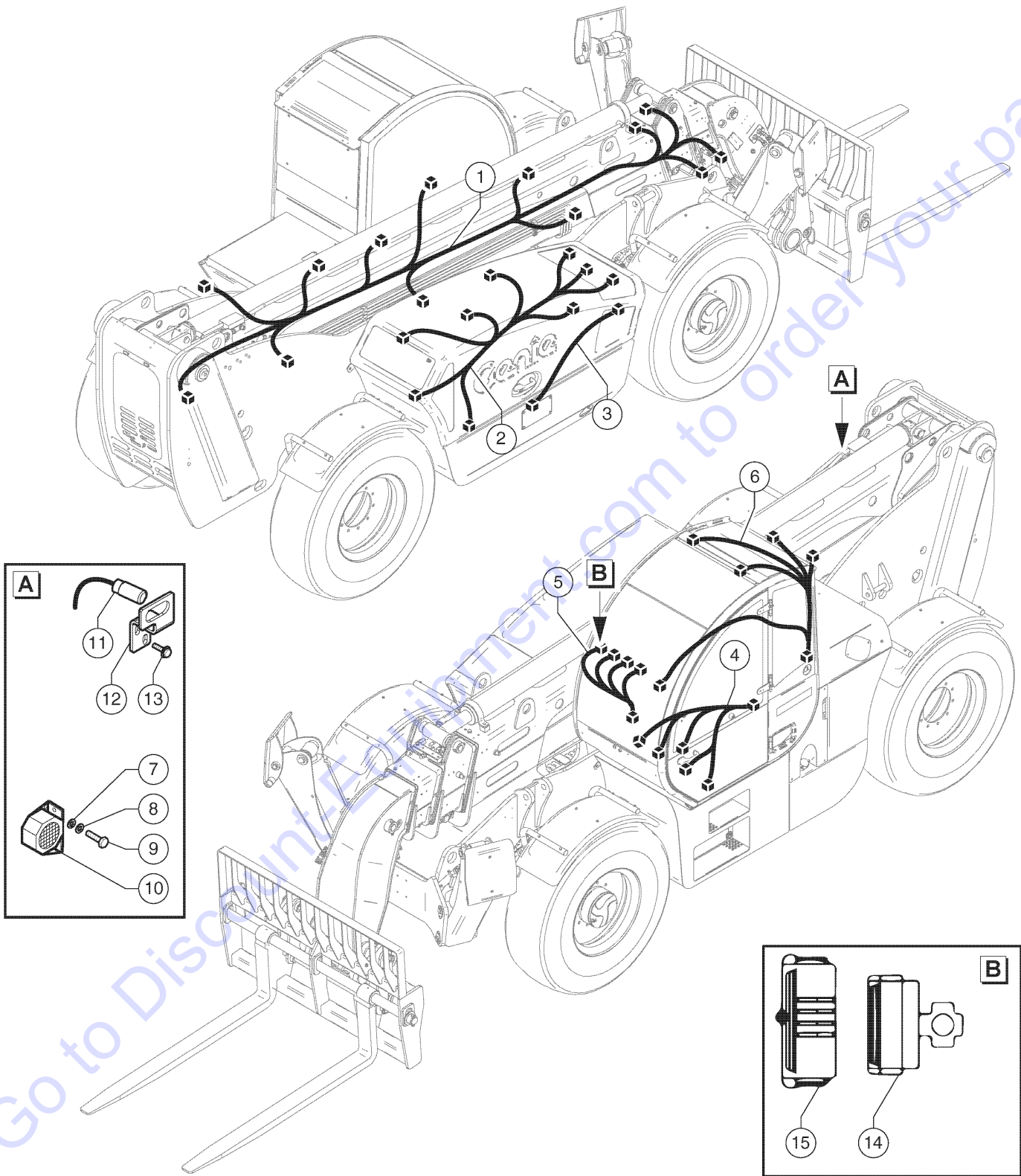
702.1 610276 Dashboard



Item	Part No.	Description	Qty.
1	56.0016.0188GT	Instrument Panel.....	1
2	56.0015.0015GT	PLATE,DASH SUPPORT,RIGHT.....	1
3	56.0017.0141GT	SWITCH TYCO.....	1
4	07.0703.0472GT	Starting Switch.....	1
5	09.0803.0685GT	KEY.....	1
6	56.0017.0116GT	Switch Key, Dpf.....	1
7	56.0017.0127GT	SWITCH.....	4
8	56.0017.0114GT	SWITCH COVER..... <i>Option</i>	1
9	56.0017.0129GT	SWITCH BODY.....	2
10	56.0017.0053GT	Air Condition Switch Cover..... <i>Option</i>	1
11	56.0017.0128GT	SWITCH BODY.....	1
12	56.0017.0135GT	SWITCH COVER.....	1
13	56.0017.0136GT	SWITCH COVER.....	1
14	07.0703.0429GT	KNOB, STEERING MODE SELECTOR..	1
15	07.0703.0577GT	SWITCH.....	1
16	56.0017.0121GT	Switch Key, Diff Lock.....	1
17	56.0017.0038GT	SWITCH COVER..... <i>Option</i>	1
18	56.0017.0054GT	SWITCH COVER..... <i>Option</i>	1
19	56.0017.0051GT	SWITCH COVER..... <i>Option</i>	1
20	56.0017.0107GT	SWITCH.....	3
21	56.0017.0039GT	Cap.....	5
22	56.0017.0063GT	SWITCH COVER..... <i>Option</i>	1
23	56.0017.0046GT	SWITCH COVER.....	1
24	56.0015.0014GT	PLATE,DASH SUPPORT,LEFT.....	1
25	56.0017.0117GT	SWITCH KEY, ATTACH LOCK OIL.....	1
26	56.0017.0112GT	SWITCH.....	3
27	07.0703.0725GT	SWITCH BULB 12V - 0.03A - 0.36W.....	1
28	07.0703.0101GT	SWITCH BULB LIGHT 12V - 1,2W.....	1
29	56.0017.0145GT	SWITCH KEY, ROAD LIGHT..... <i>Option</i>	1

Go to DiscoParts.com to order your parts

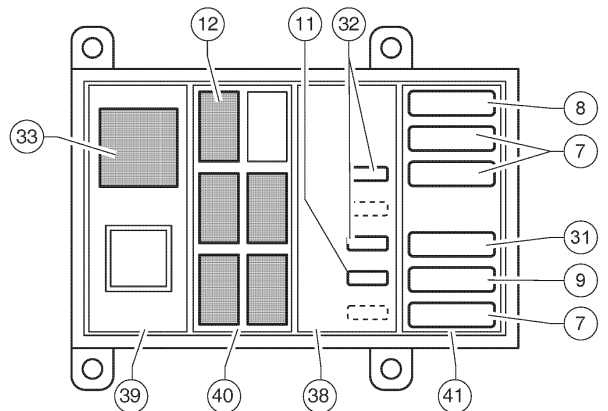
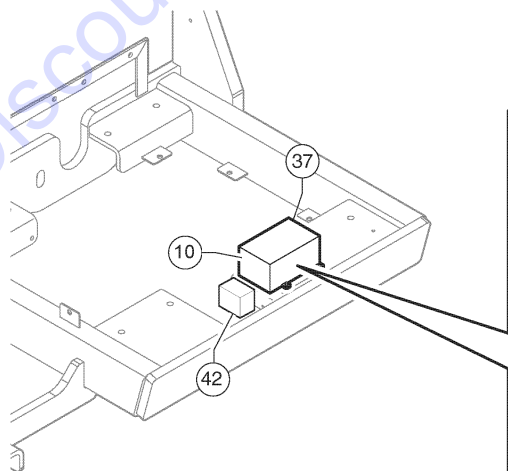
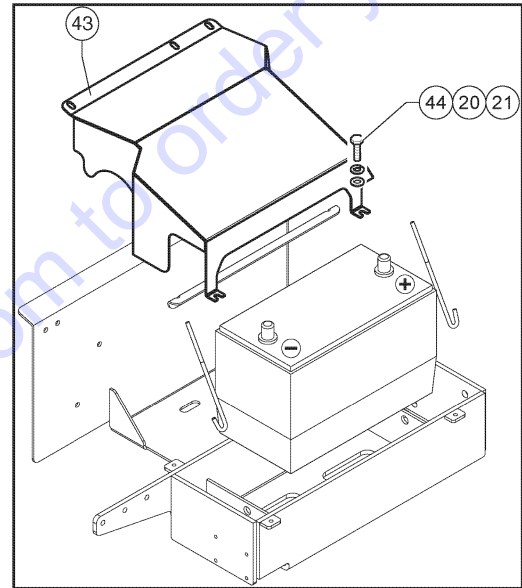
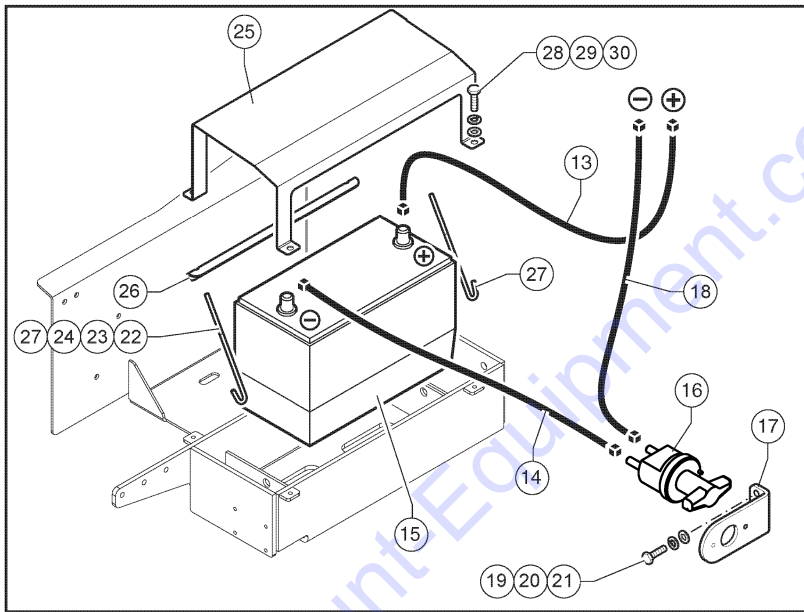
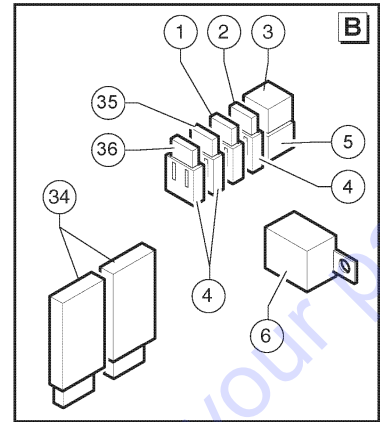
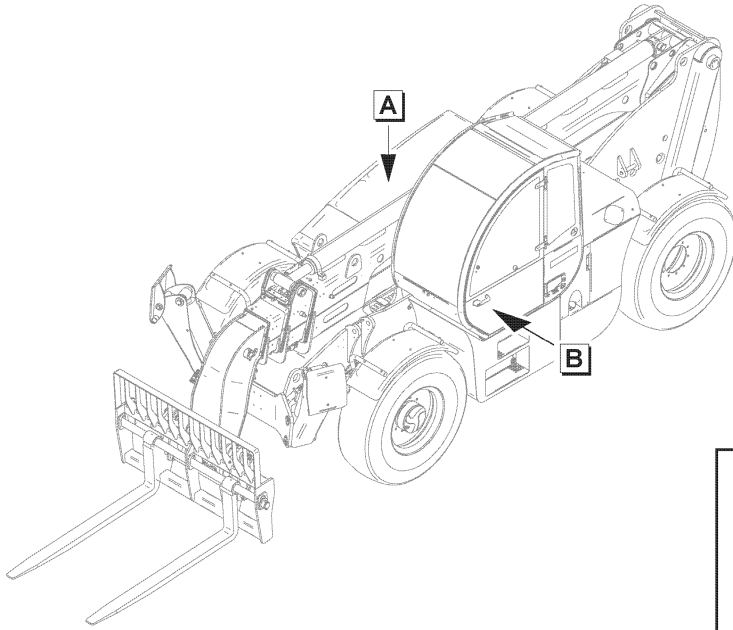
703.1 610277 Wirings - View 1



Item	Part No.	Description	Qty.
1	55.0602.0952GT	Chassis Line.....	1
2	55.0602.1053GT	Engine Line.....	1
3	55.0602.1055GT	Alternator Cable.....	1
4	55.0602.1062GT	Driving Line.....	1
5	55.0602.1060GT	Dashboard Line.....	1
6	55.0602.1061GT	Lateral Cabin Line.....	1
7	01.0031.0054GT	FLAT WASHER D6 UNI 6592 ZN.....	2
8	01.4032.0002GT	SPRING WASHER D6 ZN.....	2
9	01.0001.0156GT	SCREW M6X20 UNI 5739 8.8 ZN.....	2
10	56.0009.0009GT	ALARM.....	1
11	56.0012.0000GT	PROXIMITY SENSOR.....	1
12	51.0811.4571GT	SUPPORT,BOOM SENSOR.....	1
13	01.4001.0165GT	SCREW M8X16 DIN 6923 8.8 ZN.....	2
14	56.0002.0336GT	18 Ways Ground Connector.....	1
15	56.0002.0335GT	18 Ways Ground Collector.....	1

Go to Discount-Equipment.com to order your parts

704.1 610278 Wirings - View 2

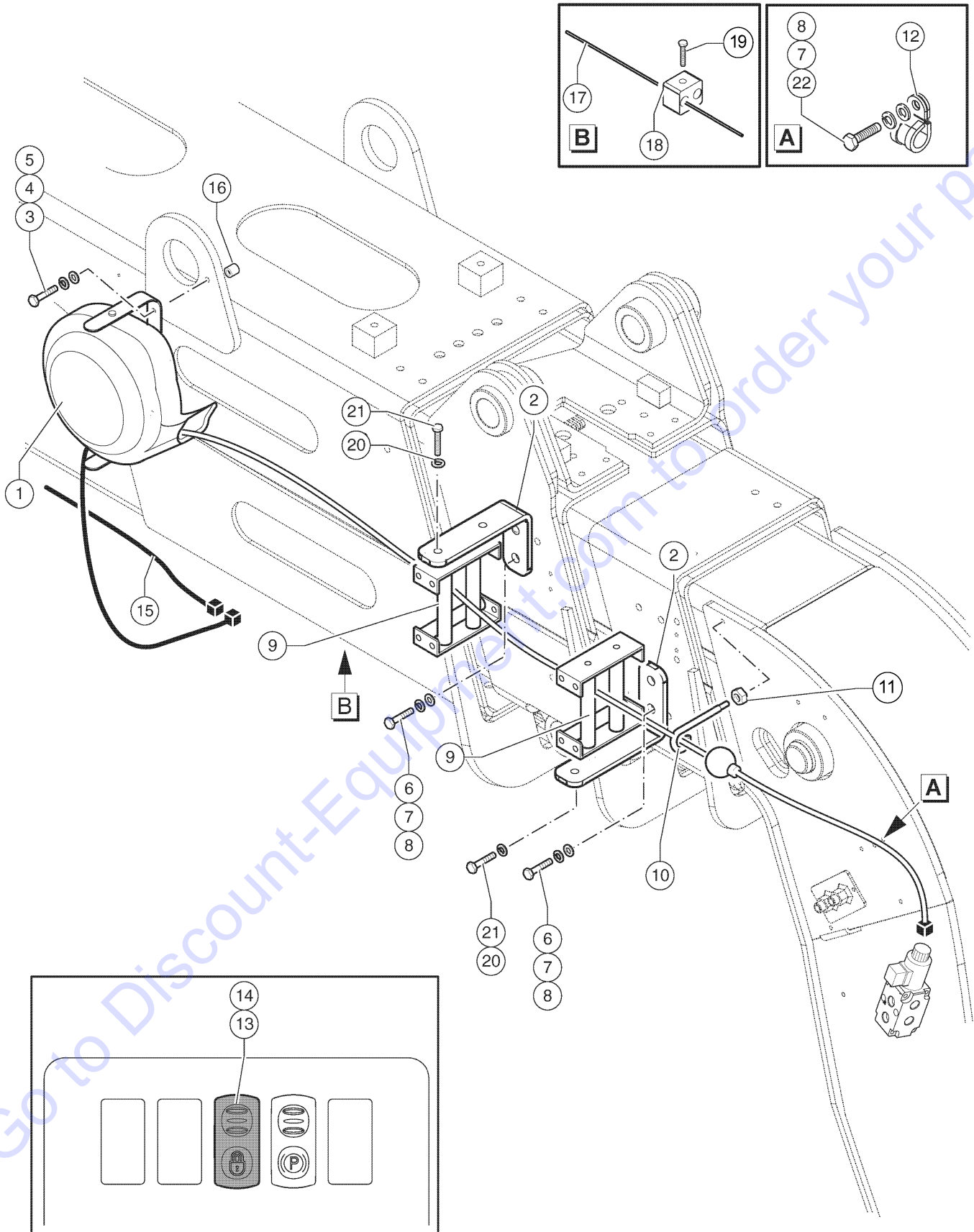


Item	Part No.	Description	Qty.	Item	Part No.	Description	Qty.
1	07.0703.0656GT	Fuse 1A.....	1	36	637650GT	Fuse 3A.....	1
2	634972GT	Fuse 7.5A.....	1	37	56.0006.0044GT	COVER.....	1
3	07.0703.0486GT	RELAY.....	1	38	56.0005.0040GT	MINI FUSE SUPPORT.....	1
4	56.0005.0009GT	FUSE HOLDER.....	2	39	56.0005.0041GT	SUPPORT.....	1
5	56.0005.0014GT	Relay Support.....	1	40	56.0006.0041GT	MINI RELAY SUPPORT.....	1
6	07.0703.0535GT	RELAY.....	1	41	56.0006.0042GT	MAXI FUSE SUPPORT.....	1
7	07.0703.0069GT	FUSE,MAXI,30A.....	3	42	56.0006.0040GT	RELAY.....	1
8	56.0005.0000GT	FUSE, MAXI,40A.....	1	43	51.0903.5308GT	BATTERY PROTECTION..... <i>For SN GTH12M-331; From SN GTH12M-334 To SN GTH12M-336; From SN GTH12M-338</i>	1
9	56.0005.0037GT	FUSE,MAXI,20A.....	1	44	01.0001.1554GT	SCREW-WING M8x15-4.8 ZN..... <i>For SN GTH12M-331; From SN GTH12M-334 To SN GTH12M-336; From SN GTH12M-338</i>	4
10	56.0006.0043GT	Fuse Box.....	1				
11	56.0005.0039GT	FUSE,MINI,15A.....	1				
12	56.0002.0347GT	RELAY.....	5				
13	55.0602.1054GT	Battery Positive Cable.....	1				
14	55.0602.1056GT	Battery Negative Cable.....	1				
15	30143GT	BATTERY,12V,1000 CCA GRP 31.....	1				
16	56.0008.5218GT	Battery Cut-Out Switch.....	1				
17	51.0811.4477GT	BRACKET,BATTERY CUT-OUT SW.....	1				
18	55.0602.1057GT	Negative Cable.....	1				
19	01.0001.0256GT	SCREW M8X25 UNI 5739 8.8 ZN.....	2				
20	01.4032.0003GT	SPRING WASHER D8 ZN.....	8				
21	01.0031.0055GT	FLAT WASHER D8 UNI 6592 ZN.....	8				
22	01.4023.0010GT	NUT, WING, M6 UNI 7473-7474 6S.....	2				
23	01.4032.0002GT	SPRING WASHER D6 ZN.....	2				
24	01.0031.0298GT	FLAT WASHER D6 UNI 6593 ZN.....	2				
25	51.0903.5279GT	BATTERY PROTECTION..... <i>To SN GTH12M-330; From SN GTH12M-332 To SN GTH12M-333; For SN GTH12M-337</i>	1				
26	51.0811.4351GT	BRACKET,BATTERY LOCKING.....	1				
27	51.0811.4230GT	ROD,BATTERY HOLD DOWN.....	2				
28	01.0001.0357GT	SCREW,TE,M10X35 UNI 8.8 ZN..... <i>To SN GTH12M-330; From SN GTH12M-332 To SN GTH12M-333; For SN GTH12M-337</i>	3				
29	01.4032.0004GT	SPRING WASHER D10 ZN..... <i>To SN GTH12M-330; From SN GTH12M-332 To SN GTH12M-333; For SN GTH12M-337</i>	3				
30	01.0031.0301GT	FLAT WASHER D10 UNI 6593 ZN..... <i>To SN GTH12M-330; From SN GTH12M-332 To SN GTH12M-333; For SN GTH12M-337</i>	3				
31	07.0703.0229GT	Fuse MAXI 100A.....	1				
32	56.0005.0038GT	FUSE,MINI,5A.....	2				
33	56.0002.0346GT	RELAY.....	1				
34	639982GT	RELAIS SUPPORT.....	2				
35	634973GT	Fuse 15A.....	1				

801.1 610281 Hydraulic Quick Couplig - Part 1

Item	Part No.	Description	Qty.
1	01.4003.0036GT	SCREW M8X65 UNI 5931 8.8 ZN.....	2
2	01.0031.0299GT	FLAT WASHER D8 UNI 6593 ZN.....	3
3	04.0607.0163GT	PIPE FITTING 1/4BSPX11/16-16 ORFS.....	2
4	54.0001.0042GT	Pin.....	2
5	04.0607.0110GT	PIPE FITTING 1/2BSP x 11/16-16 ORFS.....	2
6	04.0602.0613GT	HOSE R2X1/2 500 F90 F90 BSP A 270°.....	1
7	04.0607.0114GT	PIPE FITTING 3/8 BSPX9/16-18 ORFS.....	3
8	04.0607.0112GT	PIPE FITTING M-M A 90 1/4 BSPX9/16-18 ORFS.....	1
9	04.0605.1815GT	HOSE R2 X 1/4 400 FD F90 9/16"-18....	1
10	04.0602.0615GT	HOSE R2X1/2 430 F90 BSP F90 BSP A 270°.....	1
11	04.0605.1814GT	HOSE R2 X 1/4 200 FD F90 9/16"-18....	2
12	04.0607.0131GT	PIPE FITTING TMF+C 9/16-18 ORFS....	1
13	04.0607.0113GT	PIPE FITTING 1/4 BSPX9/16-18 ORFS.....	1
14	53.0500.0605GT	Cylinder.....	1
15	01.0001.0254GT	SCREW M8X20 UNI 5739 8.8 ZN.....	5
16	01.0001.0356GT	SCREW M10X30 UNI 5739 8.8 ZN.....	4
17	01.4032.0004GT	SPRING WASHER D10 ZN.....	4
18	01.0031.0301GT	FLAT WASHER D10 UNI 6593 ZN.....	4
19	51.0811.4492GT	BRACKET.....	1
20	01.4032.0003GT	SPRING WASHER D8 ZN.....	5
21	04.4239.0002GT	VALVE.....	1
22	04.0605.1632GT	Flexible Hose R2 X 3/8 1500 F90 F90 11/16"-16 A 90°.....	2
23	01.0003.0160GT	SCREW M6X40 UNI 5931 8.8 ZN.....	2
24	07.4529.0107GT	SET OF GASKETS.....	1
25	04.4240.0075GT	SOLENOID VALVE ASSY 6 WAY.....	1
26	07.0701.0316GT	SOLENOID.....	2
27	07.0701.0317GT	SINGLE VALVE BODY.....	2
28	06.0442.0122GT	BONDED RING 1/2".....	7
29	51.0903.5232GT	Guard.....	1
30	04.0600.0017GT	PIPE FITTING 1/2X1/2 BSP.....	4
31	04.0600.0091GT	PIPE FITTING CMF1/2 ES LG 25.....	1
33	01.0031.0055GT	FLAT WASHER D8 UNI 6592 ZN.....	2
34	09.0803.0557GT	Gasket.....	15,75-m

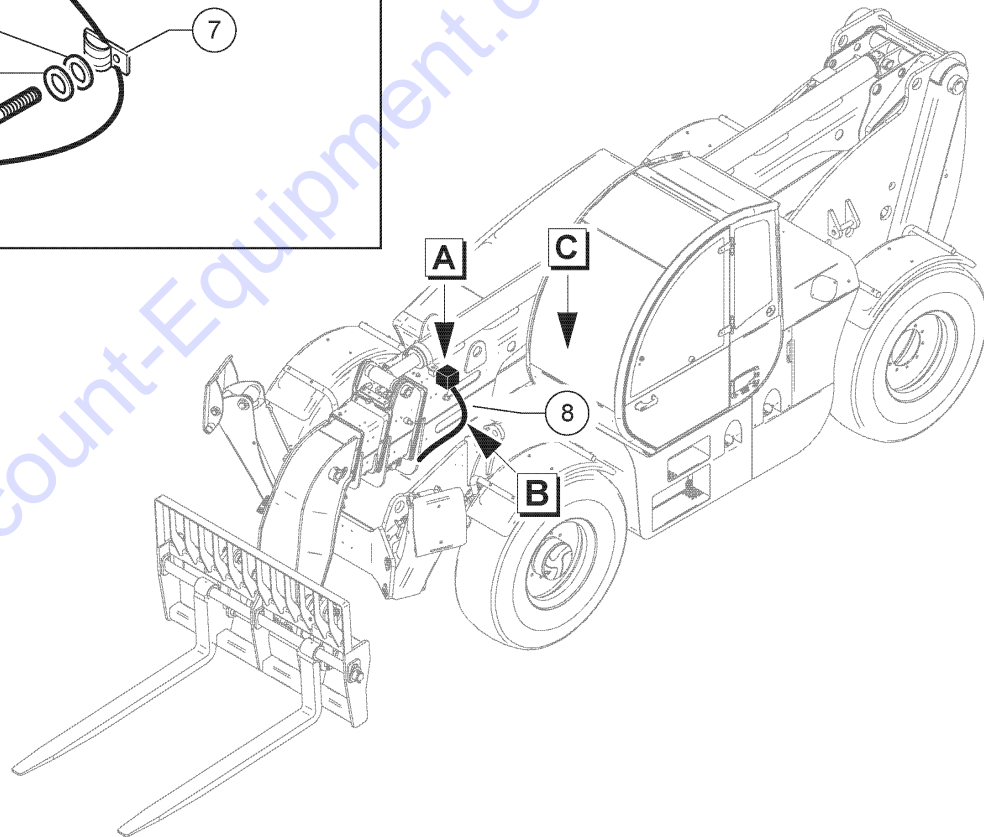
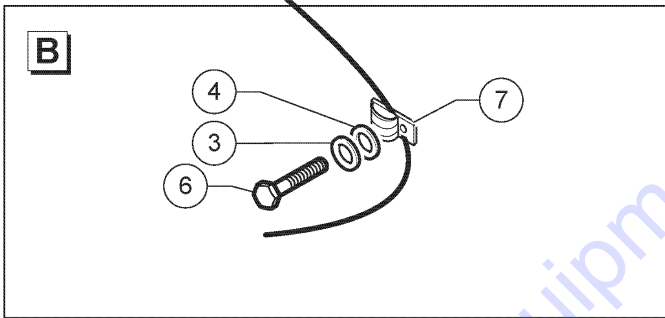
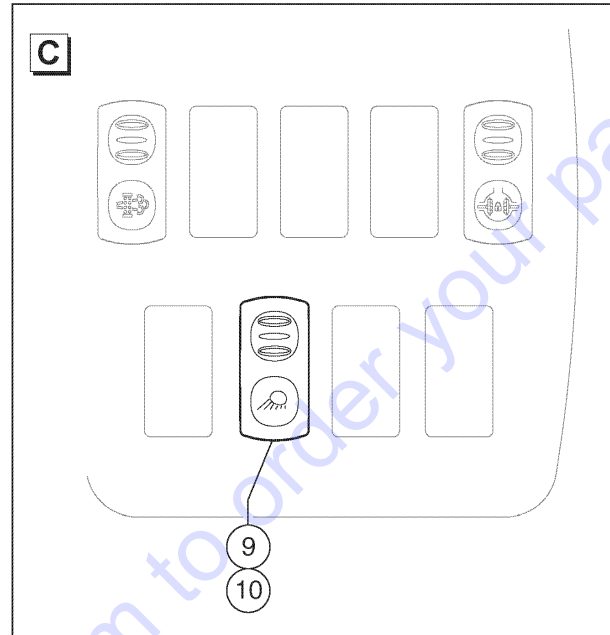
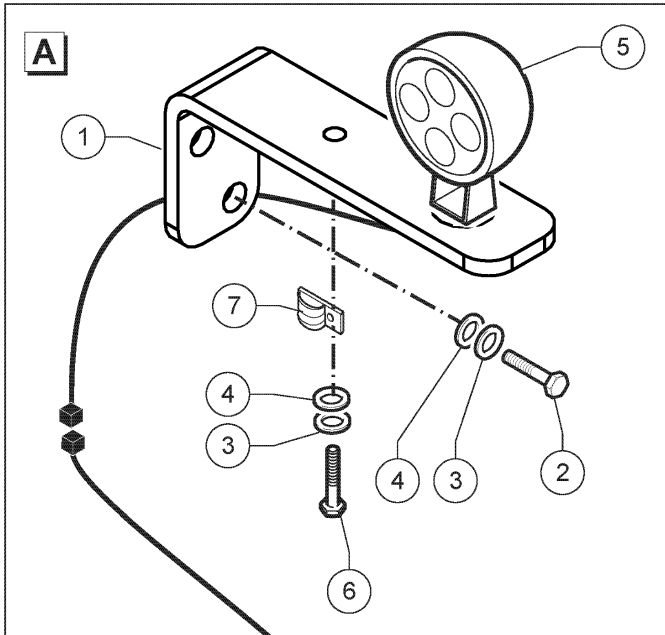
801.2 610282 Hydraulic Quick Coupling - Part 2



801.2 610282 Hydraulic Quick Coupling - Part 2

Item	Part No.	Description	Qty.
1	56.0023.0052GT	Cable Reel.....	1
2	51.0811.4499GT	Bracket.....	2
3	01.0001.0158GT	SCREW M6X25 UNI 5739 8.8 ZN.....	2
4	01.0031.0298GT	FLAT WASHER D6 UNI 6593 ZN.....	2
5	01.4032.0002GT	SPRING WASHER D6 ZN.....	2
6	01.0001.0254GT	SCREW M8X20 UNI 5739 8.8 ZN.....	4
7	01.4032.0003GT	SPRING WASHER D8 ZN.....	5
8	01.0031.0055GT	FLAT WASHER D8 UNI 6592 ZN.....	5
9	56.0023.0028GT	Cable Guide.....	2
10	51.0811.4775GT	BRACKET.....	1
11	01.0019.0105GT	NUT M10 UNI 5588 6S ZN.....	1
12	04.4227.0003GT	CLAMP D16 HOLE 8.4.....	1
13	56.0017.0063GT	SWITCH COVER.....	1
14	56.0017.0127GT	SWITCH.....	1
15	55.0602.1101GT	Electrical Line.....	1
16	54.0101.0004GT	Spacer.....	2
17	51.0811.4618GT	Electric Line Fixing Bar.....	1
18	09.0803.0674GT	Clamp D8.....	5
19	01.0003.0155GT	SCREW M6X20 UNI 5931 8.8 ZN.....	5
20	01.4032.0004GT	SPRING WASHER D10 ZN.....	4
21	01.0001.0355GT	SCREW M10X25 UNI 5739 8.8 ZN.....	4
22	01.0001.0252GT	SCREW M8X16 UNI 5739 8.8 ZN.....	1

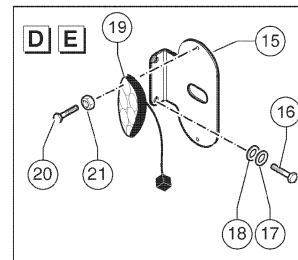
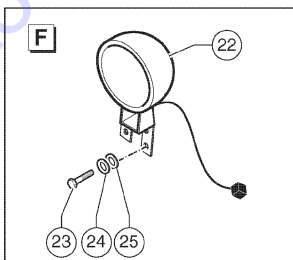
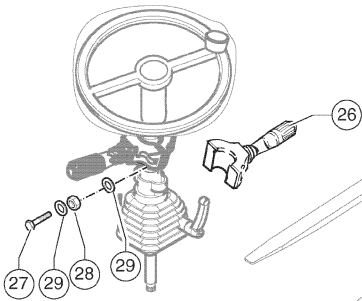
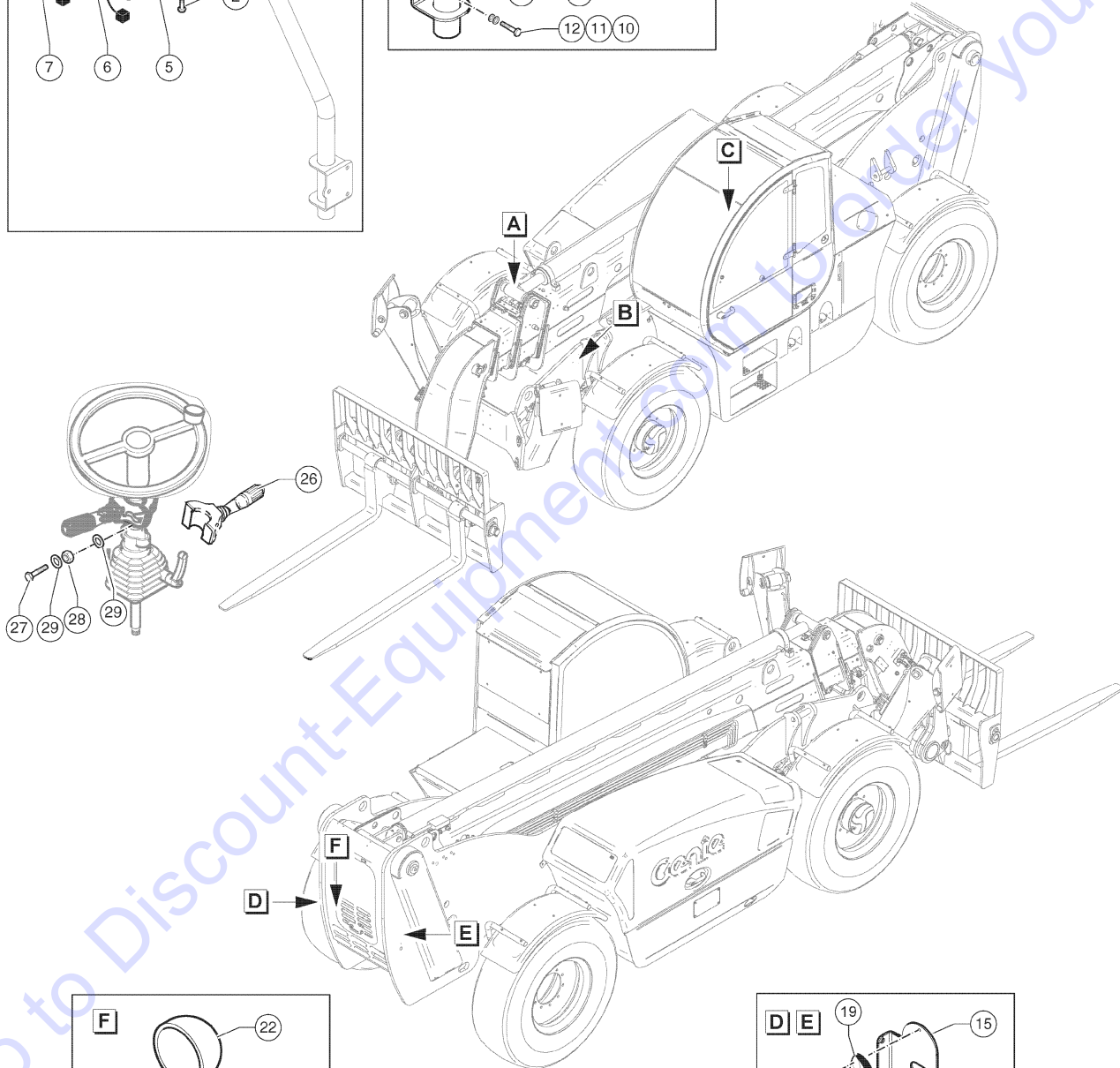
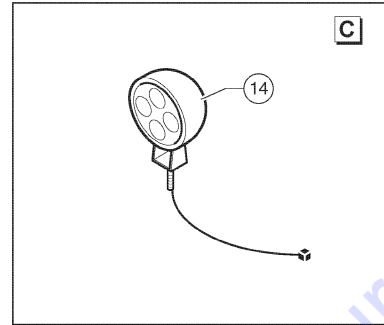
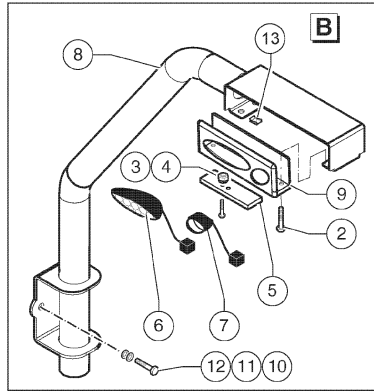
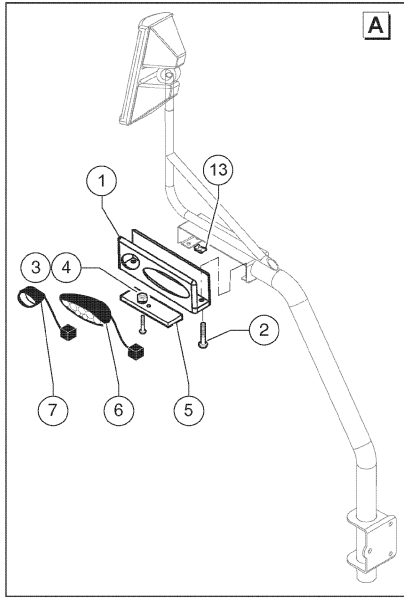
802.1 610283 Work Light



Item	Part No.	Description	Qty.
1	51.0811.4891GT	BRACKET.....	1
2	01.0001.0156GT	SCREW M6X20 UNI 5739 8.8 ZN.....	2
3	01.4032.0002GT	SPRING WASHER D6 ZN.....	6
4	01.0031.0054GT	FLAT WASHER D6 UNI 6592 ZN.....	6
5	1258527GT	HARNES, LIGHT, LED, CLEAR, 5" ROUND.	1
6	01.0001.0154GT	SCREW M6X16 UNI 5739 8.8 ZN.....	4
7	124728GT	CLAMP, 0.44, #7X1/4, RUB CUSH.....	4
8	55.0602.1101GT	Electrical Line.....	1
9	56.0017.0107GT	SWITCH.....	1
10	56.0017.0045GT	SWITCH COVER.....	1

Go to Discount-Equipment.com to order your parts

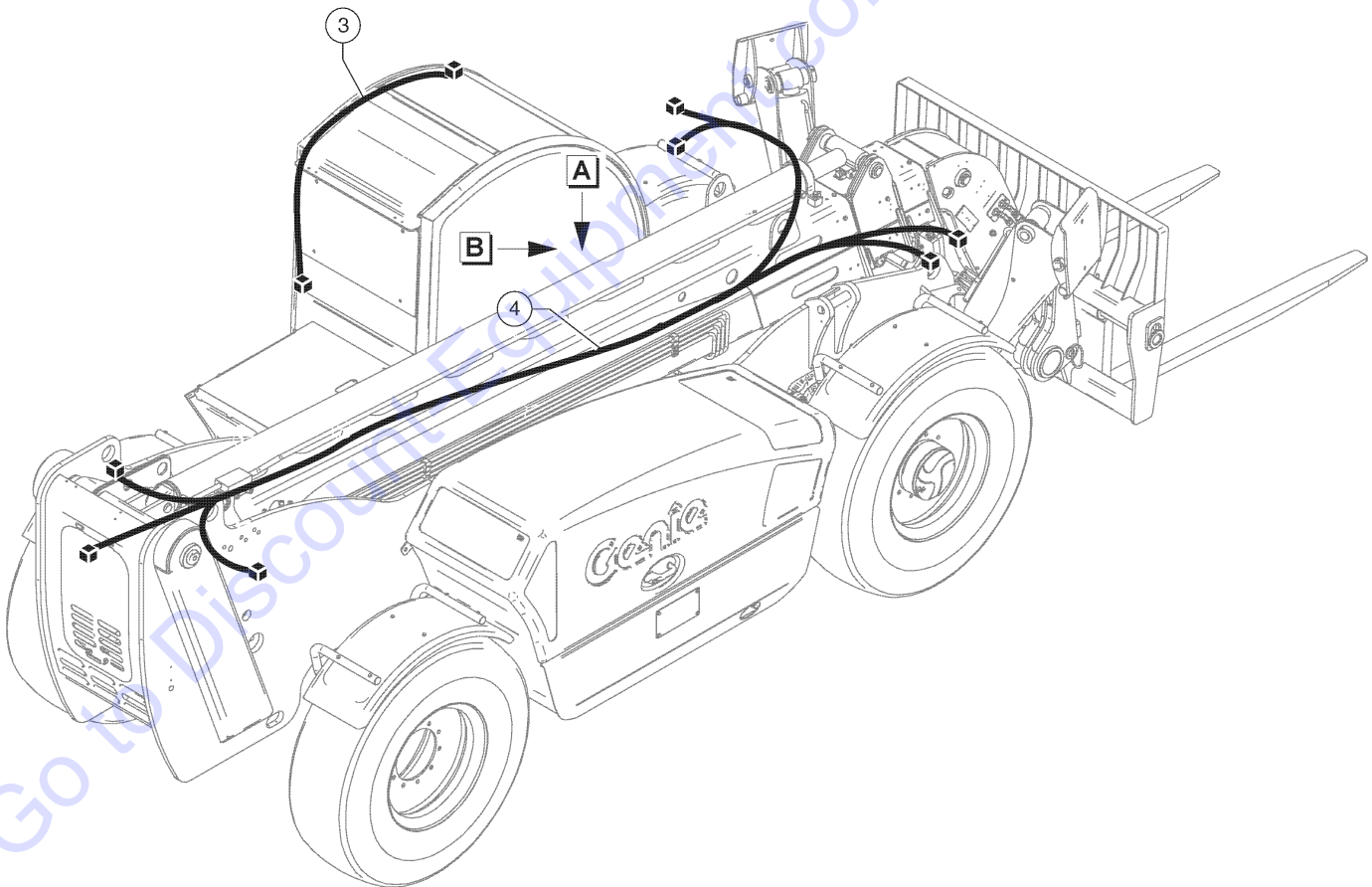
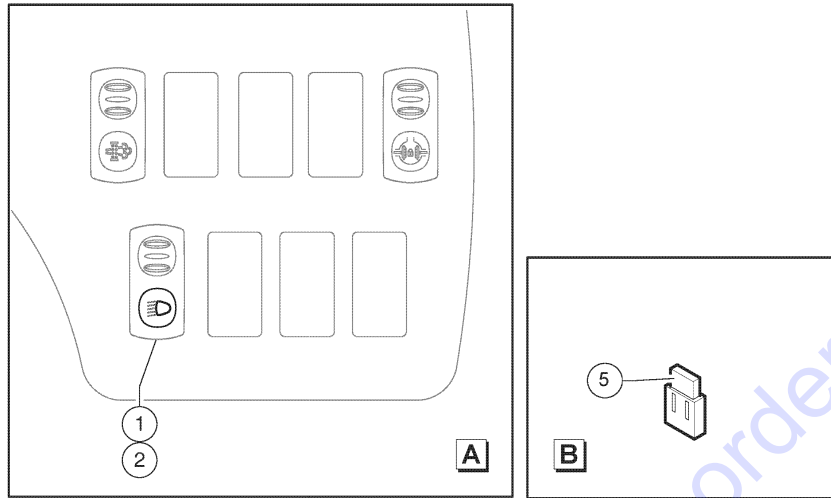
803.1 610284 Road Light - Part 1



803.1 610284 Road Light - Part 1

Item	Part No.	Description	Qty.
1	1254565GT	FORMING,COVER,ENG,ROAD LIGHT...1	
2	824227GT	SCREW, BHC, 1/4-20 X 1, ZAG.....8	
3	1257047GT	SCREW,BHS,10-32X1,F835,ZAG.....4	
4	1256804GT	NUT,10-32,ZAG.....4	
5	1258715GT	SPACER,LIGHT MOUNT,.500".....2	
6	1253241GT	HARNESS,LIGHT,DRIVE,CLEAR,3LED.2	
7	1255647GT	HARNESS,LIGHT,TURN SIGNAL,AMBR.....2	
8	51.0811.4888GT	ROAD LIGHT SUPPORT (FRONT LEFT).....1	
9	1254564GT	FORMING,COVER,CAB,ROAD LIGHT...1	
10	01.0001.0256GT	SCREW M8X25 UNI 5739 8.8 ZN.....3	
11	01.4032.0003GT	SPRING WASHER D8 ZN.....3	
12	01.0031.0055GT	FLAT WASHER D8 UNI 6592 ZN.....3	
13	56912GT	SPRING CLIP,1/4-20,.025-.15X.54,ZAG.....8	
14	1258527GT	HARNESS,LIGHT,LED,CLEAR,5"ROUND.1	
15	51.0811.4890GT	REAR ROAD LIGHT SUPPORT.....2	
16	01.0001.0355GT	SCREW M10X25 UNI 5739 8.8 ZN.....4	
17	01.4032.0004GT	SPRING WASHER D10 ZN.....4	
18	01.0031.0056GT	FLAT WASHER D10 UNI 6592 ZN.....4	
19	229677GT	HARNESS, TAILLIGHT LED.....2	
20	824215GT	SCREW,PHPM,10-32X.75,ZAG.....4	
21	824032GT	NUT,TL FLG,10-32,F,ZAG.....4	
22	237934GT	HARNESS, BACKUP LIGHT.....1	
23	01.0001.0154GT	SCREW M6X16 UNI 5739 8.8 ZN.....3	
24	01.4032.0002GT	SPRING WASHER D6 ZN.....3	
25	01.0031.0054GT	FLAT WASHER D6 UNI 6592 ZN.....3	
26	7-125-06GT	SWITCH, TURN SIGNAL.....1	
27	01.0003.0964GT	SCREW,HHC,M5x60,UNI 5931,8.8,ZAG.....2	
28	01.0023.0052GT	STOP NUT M5 UNI 7473 6S ZN.....2	
29	01.0031.0053GT	FLAT WASHER D5 UNI 6592 ZN.....4	

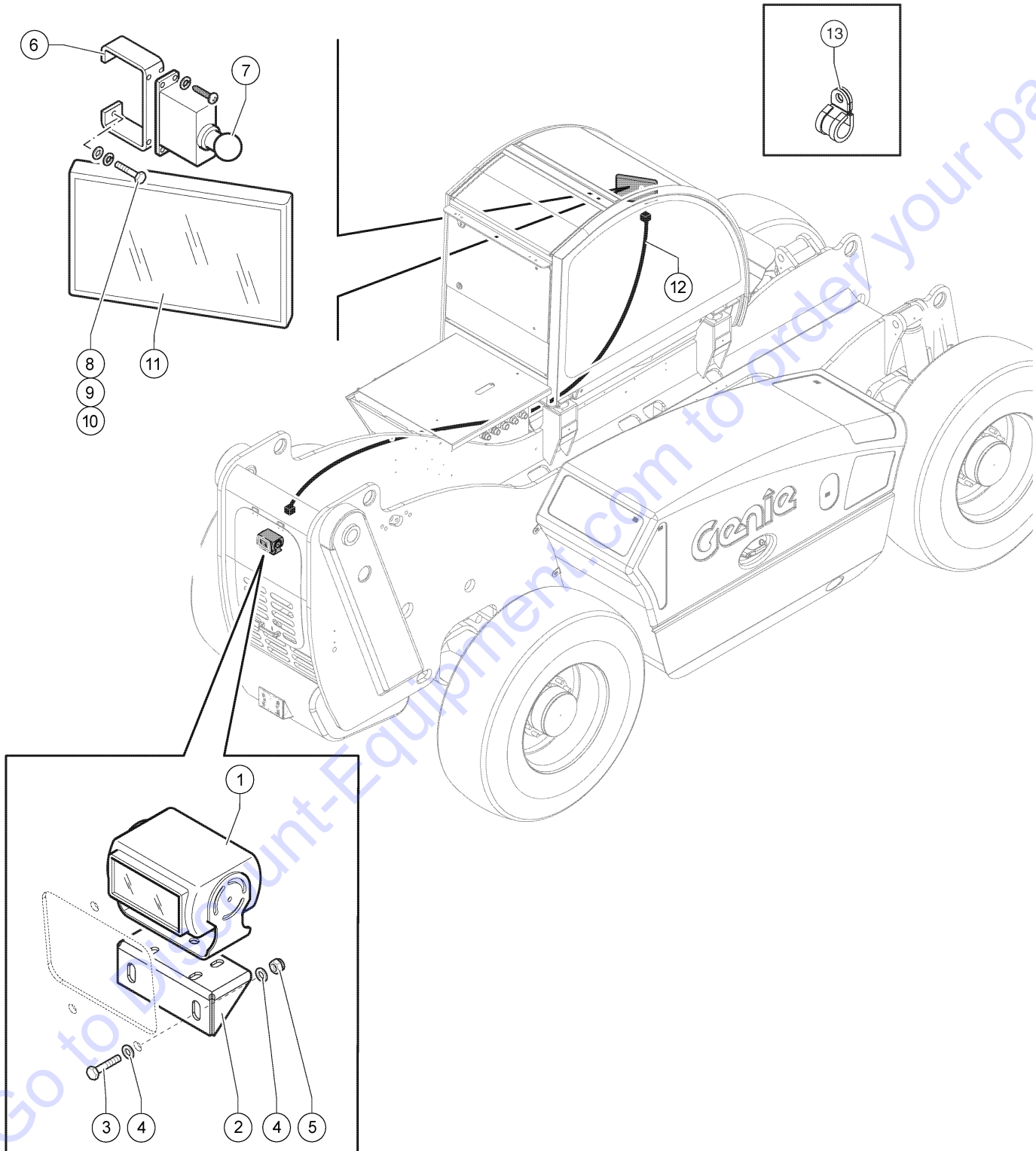
803.2 610285 Road Light - Part 2



Item	Part No.	Description	Qty.
1	56.0017.0107GT	SWITCH.....	1
2	56.0017.0145GT	SWITCH KEY, ROAD LIGHT.....	1
3	55.0602.1061GT	Lateral Cabin Line.....	1
4	55.0602.0952GT	Chassis Line.....	1
5	1253240GT	RELAY, FLASHER, LED, 12V(AUTO).....	1

Go to Discount-Equipment.com to order your parts

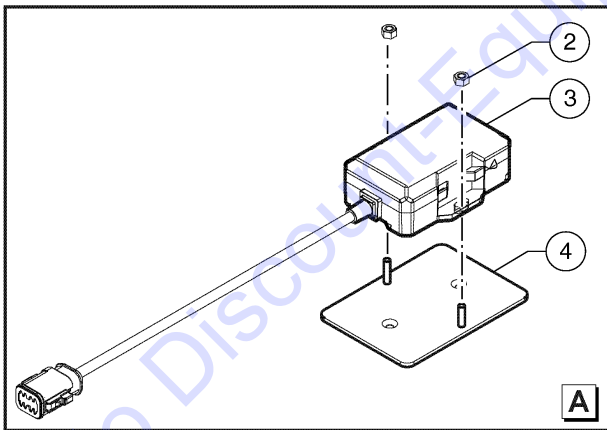
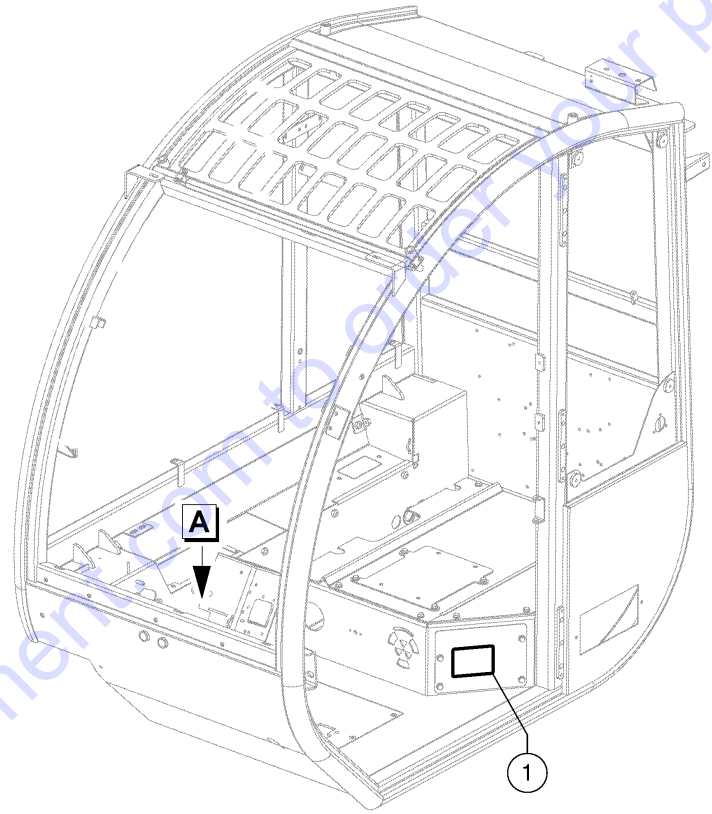
804.1 610286 Rear Video Camera



Item	Part No.	Description	Qty.
1	56.0016.0172GT	Camera.....	1
2	51.0811.4662GT	SUPPORT.....	1
3	01.0001.0154GT	SCREW M6X16 UNI 5739 8.8 ZN.....	2
4	01.0031.0298GT	FLAT WASHER D6 UNI 6593 ZN.....	4
5	01.0023.0053GT	STOP NUT M6 UNI 7473 6S ZN.....	2
6	51.0811.4539GT	Display Bracket.....	1
7	56.0016.0174GT	Display Support.....	1
8	01.0001.0254GT	SCREW M8X20 UNI 5739 8.8 ZN.....	2
9	01.4032.0003GT	SPRING WASHER D8 ZN.....	2
10	01.0031.0055GT	FLAT WASHER D8 UNI 6592 ZN.....	2
11	56.0016.0173GT	Display Kit.....	1
12	56.0000.0083GT	Wiring Harness.....	1
13	04.4227.0008GT	CLAMP S16 D12 HOLE 8.4.....	3

Go to Discount-Equipment.com to order your parts

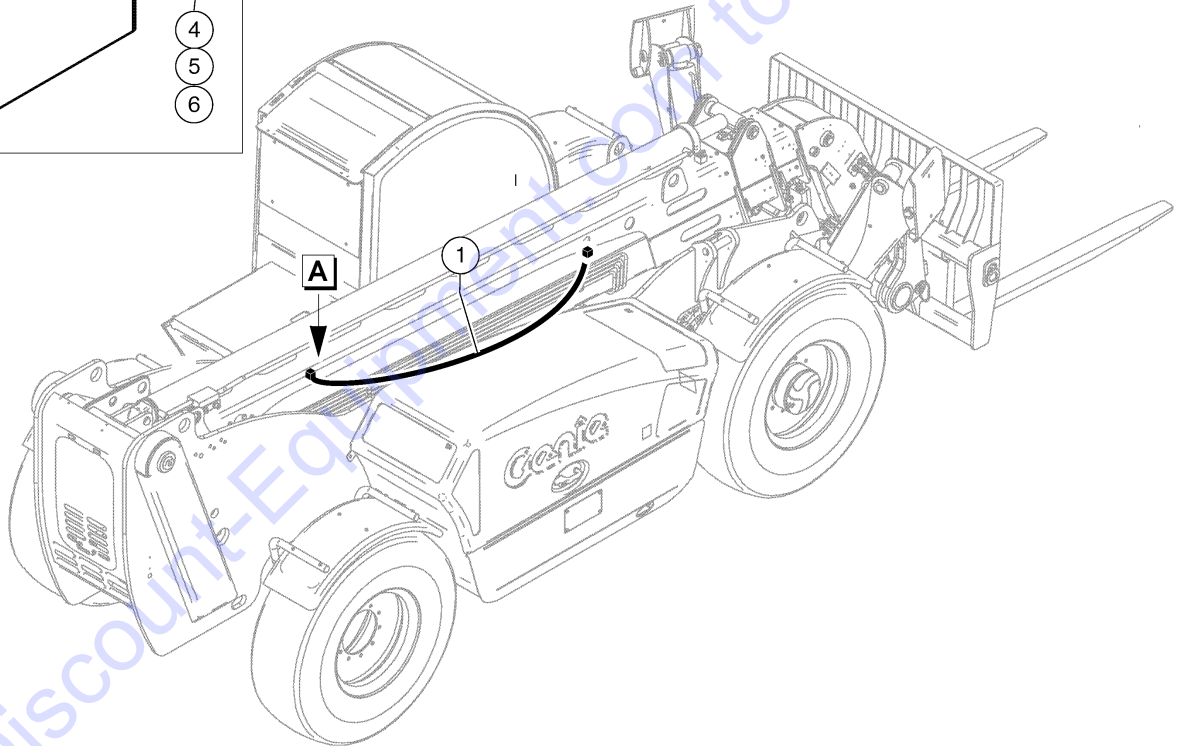
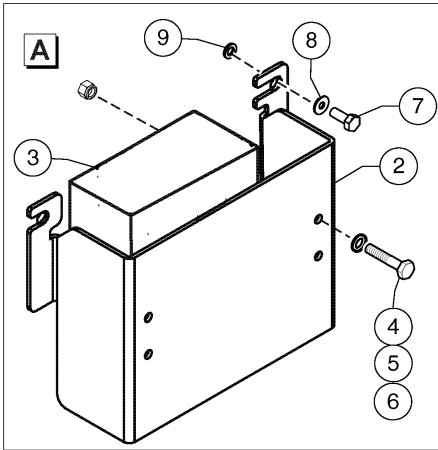
805.1 610287 Telematics



Item	Part No.	Description	Qty.
1	1262435GT	DECAL,TELEMATICS,UR.....	1
2	1261777GT	NUT,8-32, URI TELEMATICS.....	2
3	1261360GT	MODULE,TELEMATICS,ZTR,M6H.....	1
4	1262434GT	BRACKET KIT.....	1

Go to Discount-Equipment.com to order your parts

806.1 610288 Telematics M8

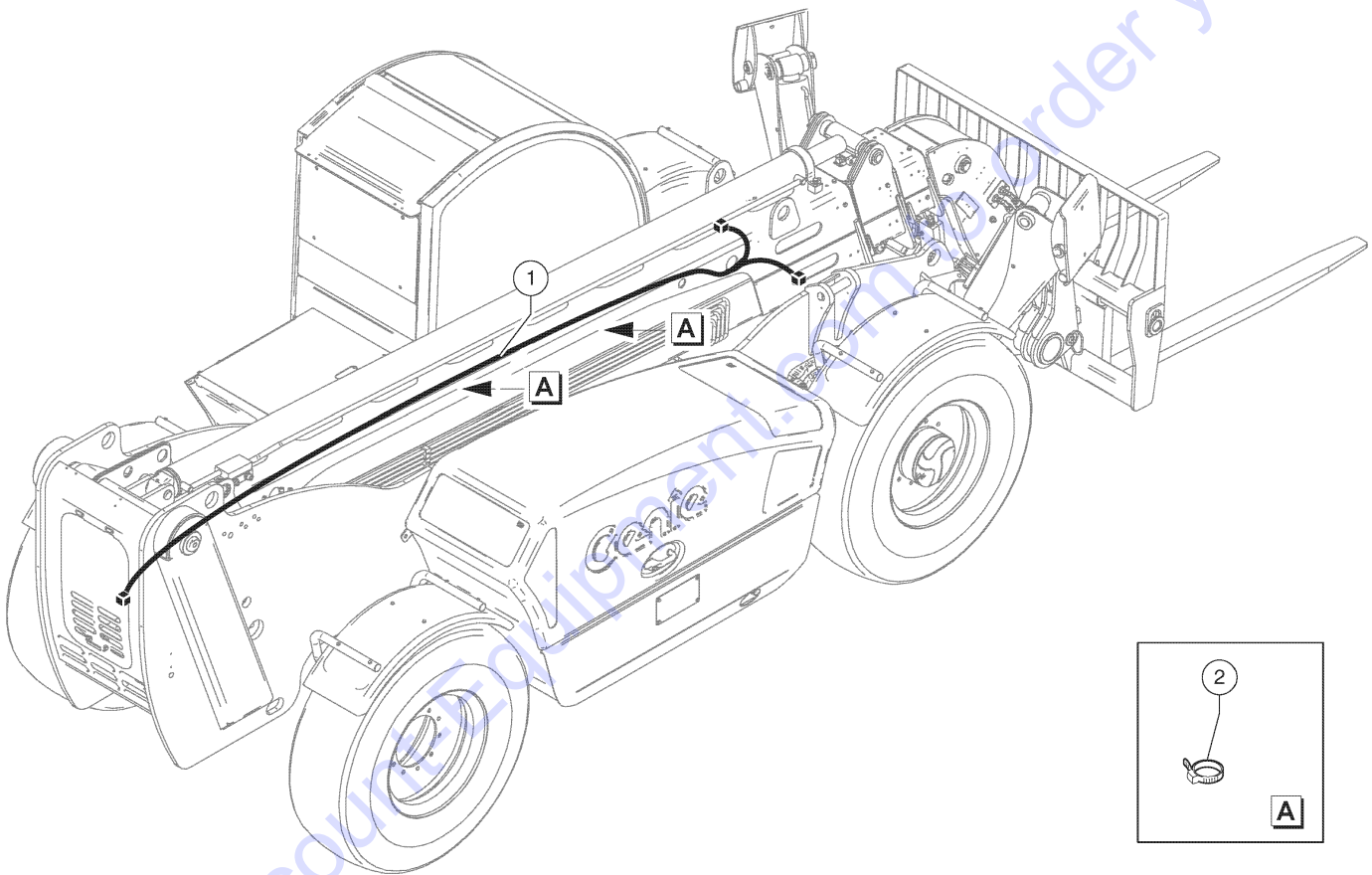


Go to DiscountEquipment.com to order your parts

Item	Part No.	Description	Qty.
1	55.0602.1092GT	TELEMATICS ZTR M8 WIRING.....	1
2	51.0811.4880GT	ZTR M8 SUPPORT.....	1
3	1271765GT	MODULE TELEMATICS M8.....	1
4	01.0001.1438GT	SCREW M5X20 UNI 5739 8.8 ZN.....	4
5	01.0031.0053GT	FLAT WASHER D5 UNI 6592 ZN.....	4
6	01.0023.0052GT	STOP NUT M5 UNI 7473 6S ZN.....	4
7	01.0001.0254GT	SCREW M8X20 UNI 5739 8.8 ZN.....	2
8	01.0031.0299GT	FLAT WASHER D8 UNI 6593 ZN.....	2
9	01.4032.0003GT	SPRING WASHER D8 ZN.....	2

Go to Discount-Equipment.com to order your parts

807.1 610289 Boom Line

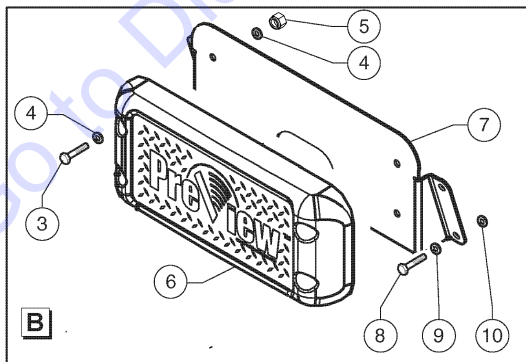
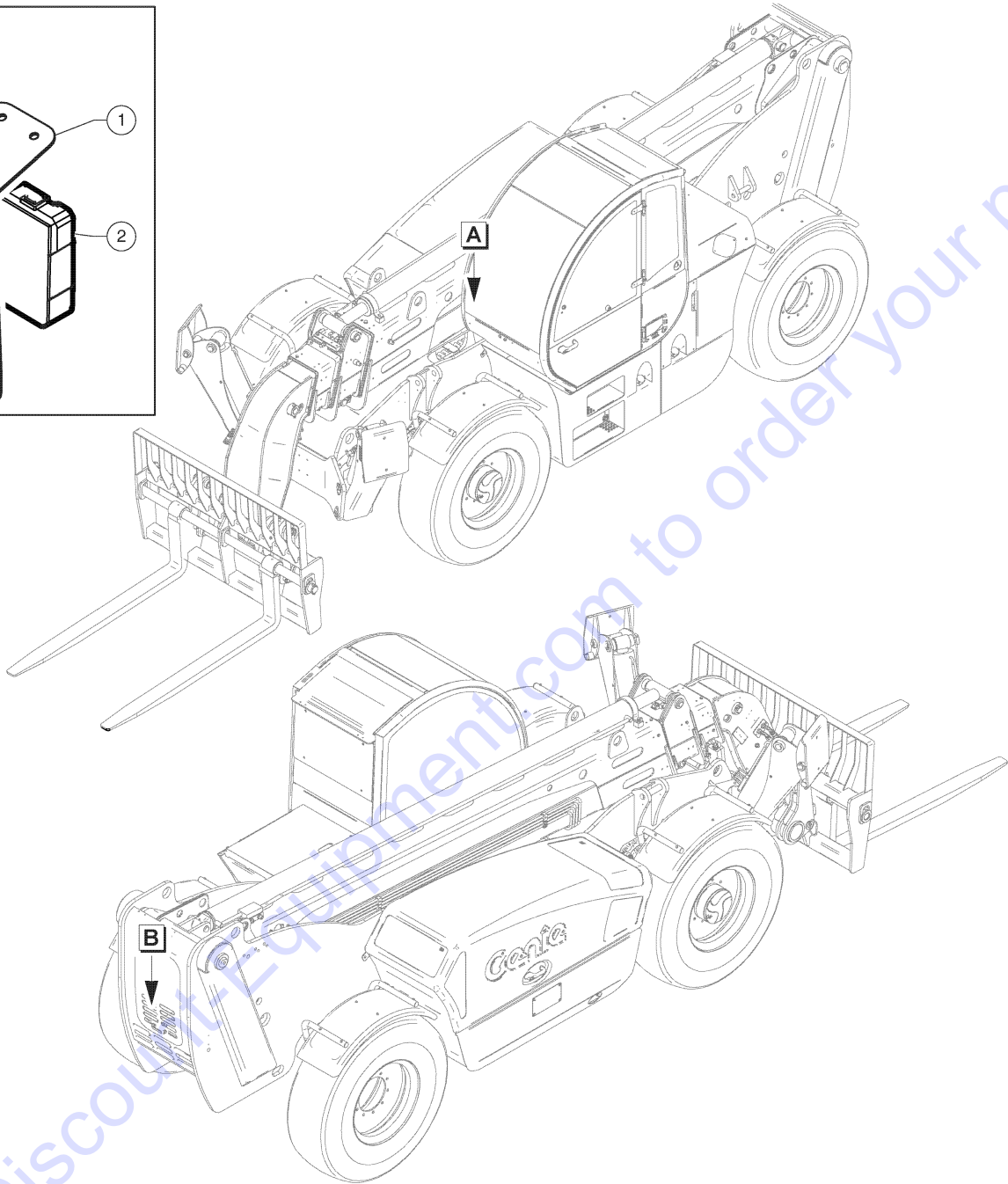
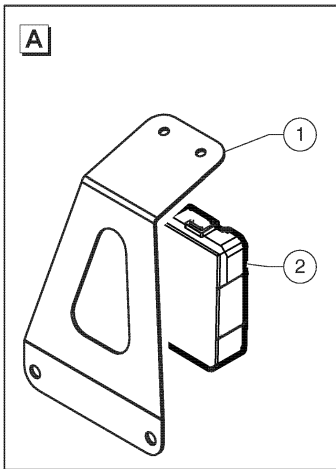


Go to Discounted Equipment.com to order your parts

Item	Part No.	Description	Qty.
1	55.0602.1101GT	Electrical Line.....	1
2	04.0227.0501GT	PVC Clamp D9X185.....	30

Go to Discount-Equipment.com to order your parts

808.1 610290 Rear Proximity Alarm

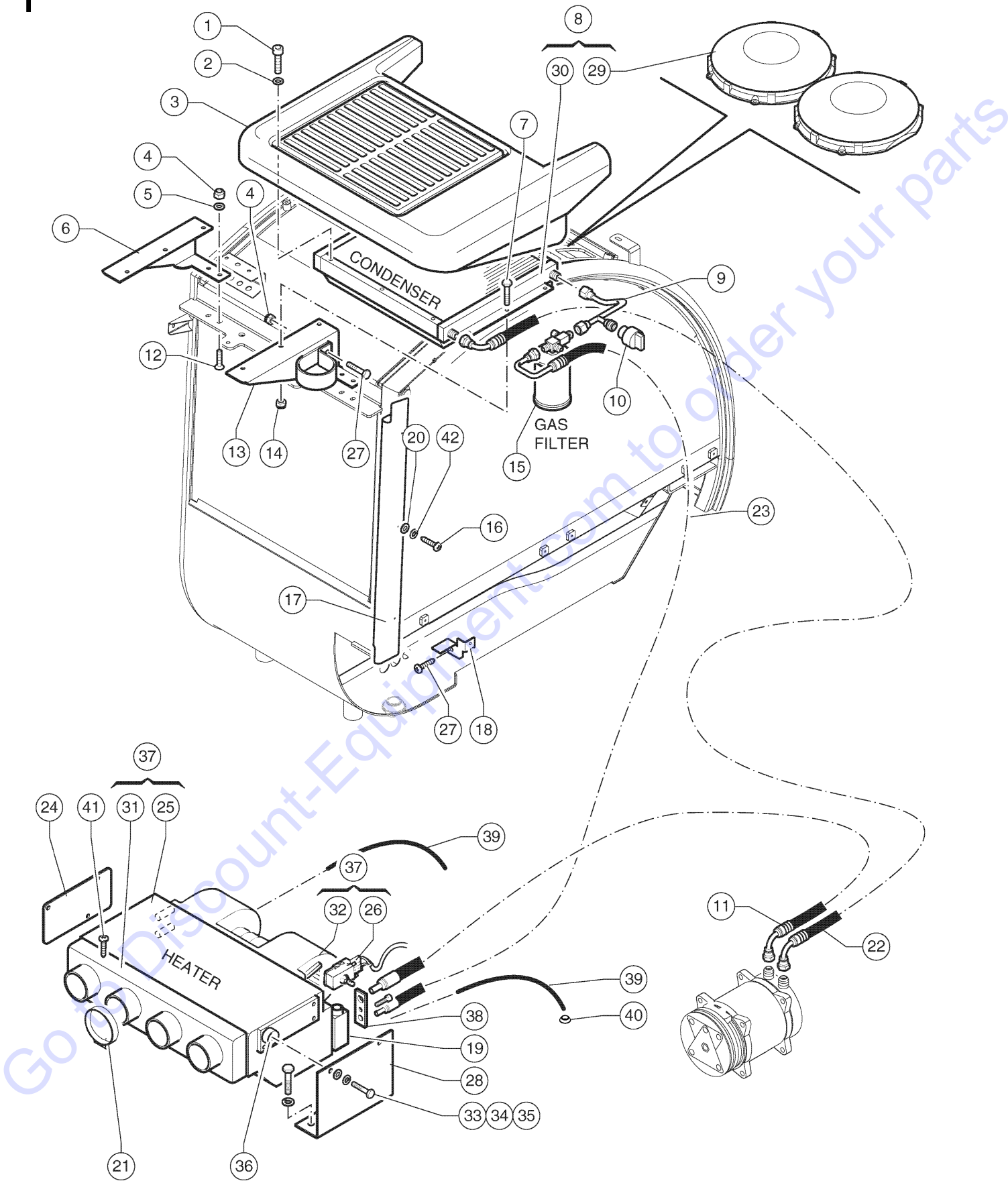


808.1 610290 Rear Proximity Alarm

Item	Part No.	Description	Qty.
1	51.0811.4876GT	DISPLAY SUPPORT.....	1
2	1257988GT	DISPLAY,LED,REAR PROX ALARM.....	1
3	01.4003.0037GT	SCREW M5X20 UNI 5931 8.8 ZN.....	4
4	01.0031.0053GT	FLAT WASHER D5 UNI 6592 ZN.....	8
5	01.0023.0052GT	STOP NUT M5 UNI 7473 6S ZN.....	4
6	1257987GT	SENSOR,REAR PROXIMITY ALARM.....	1
7	51.0811.4837GT	SENSOR SUPPORT.....	1
8	01.0001.0156GT	SCREW M6X20 UNI 5739 8.8 ZN.....	4
9	01.4032.0002GT	SPRING WASHER D6 ZN.....	4
10	01.0031.0298GT	FLAT WASHER D6 UNI 6593 ZN.....	4

Go to Discount-Equipment.com to order your parts

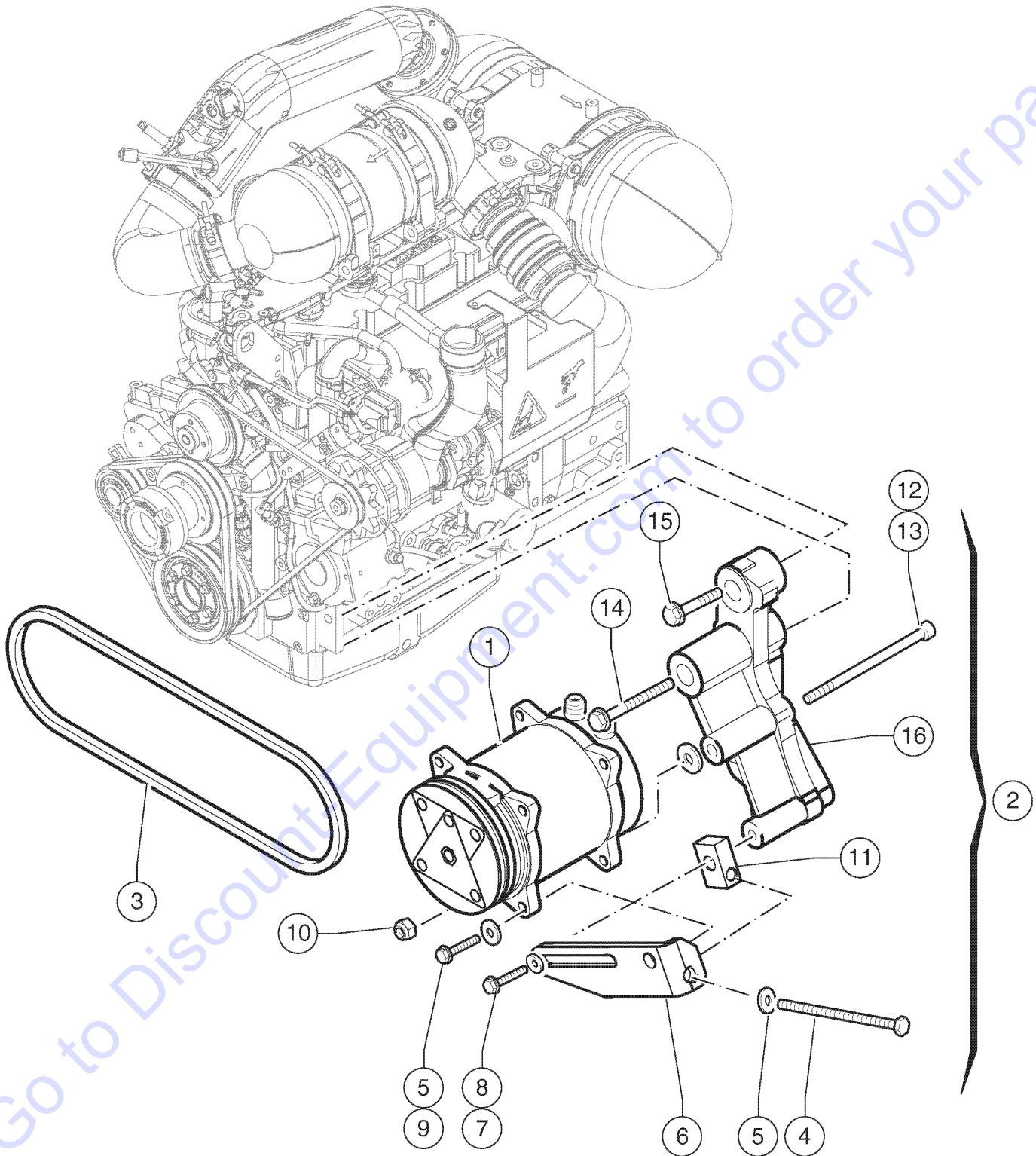
809.1 610297 Air Conditioning - Part 1



809.1 610297 Air Conditioning - Part 1

Item	Part No.	Description	Qty.
1	01.0001.0004GT	SCREW M6X20 UNI 5931 8.8 ZN.....	6
2	01.0031.0054GT	FLAT WASHER D6 UNI 6592 ZN.....	10
3	56.0014.0103GT	Guard.....	1
4	01.0023.0054GT	NUT,M8 UNI 7473 6S ZN.....	5
5	01.0031.0055GT	FLAT WASHER D8 UNI 6592 ZN.....	4
6	07.0740.0268GT	Left Bracket.....	1
7	01.0001.0099GT	Screw TE M 4X16.....	6
8	07.0740.0263GT	CONDENSER.....	1
9	07.0740.0260GT	HOSE 5/16.....	1
10	07.0740.0390GT	Pressure Switch.....	1
11	07.0740.0523GT	HOSE.....	1
12	01.4006.0010GT	Screw TSPEI M8X30 UNI5933 10.9 ZN..	4
13	07.0740.0269GT	Right Bracket.....	1
14	01.0001.0035GT	STOP NUT M4.....	6
15	07.0740.0254GT	FILTER.....	1
16	01.0003.0947GT	SCREW M4X10 UNI 5931 8.8 ZN.....	3
17	51.0903.5295GT	HOSES PROTECTION.....	1
18	07.0740.0257GT	Bracket.....	1
19	09.0610.0973GT	VALVE.....	1
20	07.0723.0074GT	WASHER.....	3
21	04.0227.0058GT	CLAMP DN 40/60 LG12.....	4
22	07.0740.0524GT	HOSE.....	1
23	07.0740.0262GT	HOSE.....	1
24	51.0811.4103GT	BRACKET, SUPPORT.....	1
25	07.0740.0386GT	Heater.....	1
26	07.0740.0398GT	Temperature Switch.....	1
27	01.0001.0256GT	SCREW M8X25 UNI 5739 8.8 ZN.....	2
28	51.0811.4102GT	BRACKET, SUPPORT.....	1
29	07.0740.0396GT	Fan.....	2
30	07.0740.0395GT	Condenser.....	1
31	07.0740.0385GT	Heater Cover.....	1
32	07.0740.0389GT	Fan Heater.....	1
33	01.0001.0158GT	SCREW M6X25 UNI 5739 8.8 ZN.....	4
34	01.4032.0002GT	SPRING WASHER D6 ZN.....	4
35	01.0031.0298GT	FLAT WASHER D6 UNI 6593 ZN.....	4
36	54.0101.0026GT	SPACER.....	4
37	56.0014.0029GT	COMPLETE HEATER.....	1
38	07.0740.0392GT	Plate.....	1
39	09.0805.0070GT	HOSE.....	19,7-Inch
40	09.0803.0549GT	Rubber D.41X9.....	1
41	01.0003.0963GT	SCREW M4,2X16 UNI 6954 10.9 ZN....	6
42	01.4031.0007GT	FLAT WASHER D4 UNI 6592.....	3

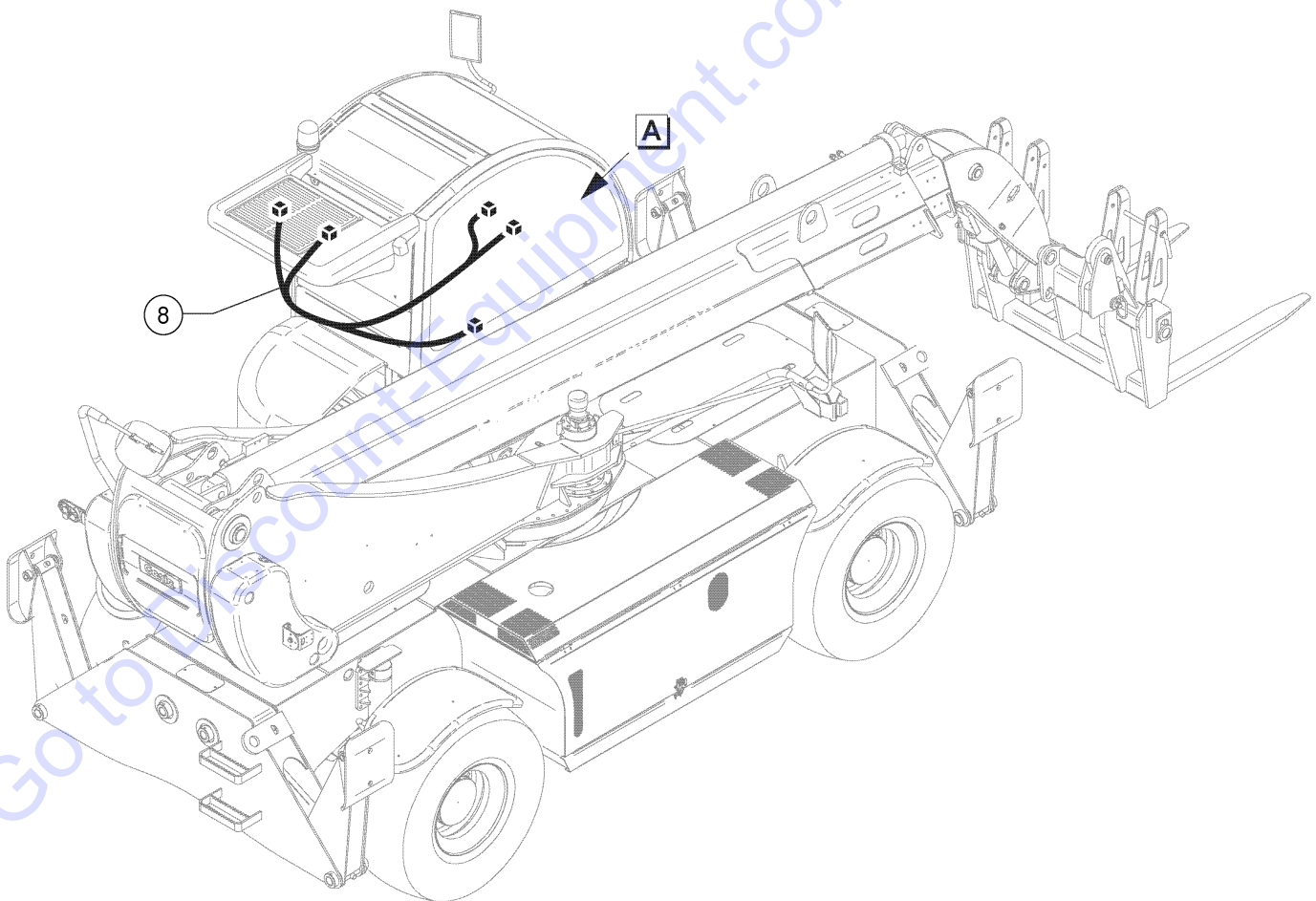
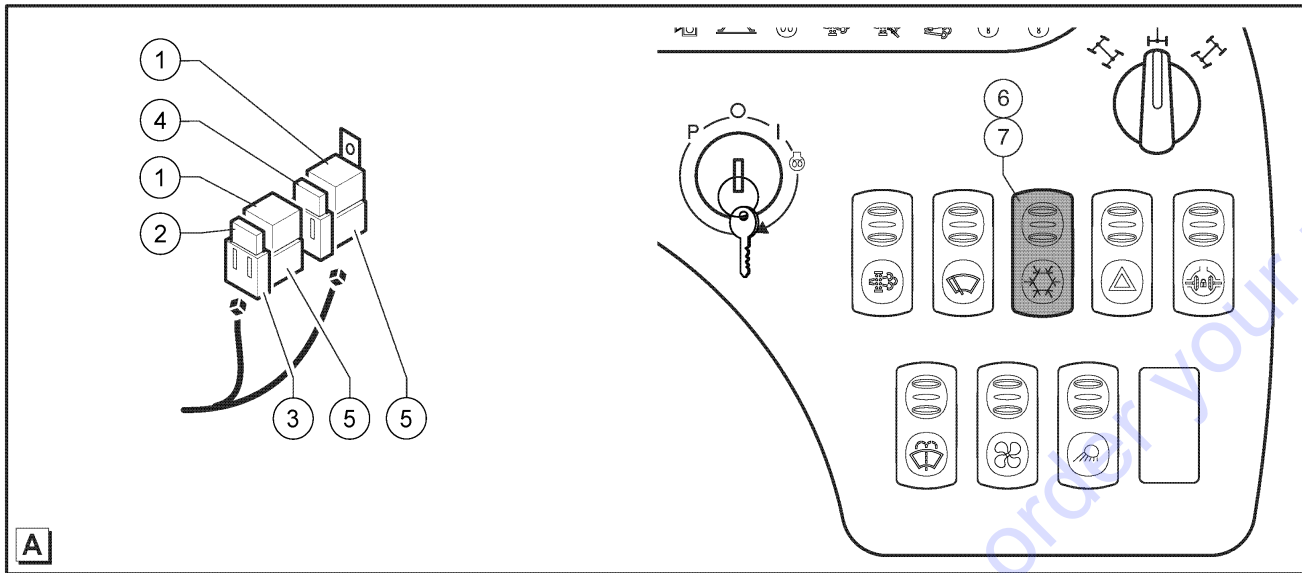
809.2 610298 Air Conditioning - Part 2



Item	Part No.	Description	Qty.
1	56.0014.0031GT	Compressor A/C DELPHI ART 015200/1 SP15 OR.RO.E132/2 12V.....	1
2	09.4604.0075GT	Compressor Installation Kit..... <i>Includes Positions From 3 to 16</i>	1
3	215757GT	BELT, A/C, DEUTZ TCD3.6.....	1
4	07.0501.0119GT	HEXAGON BOLT M8 X130 8.8 A4C.....	1
5	07.0501.0120GT	PLAIN WASHER 8,4 ST A4C.....	2
6	07.0501.0118GT	CLAMPING STRAP.....	1
7	216073GT	BOLT, HEX, 8MMX130MM.....	1
8	07.4501.0118GT	DOMED WASHER.....	1
9	07.0501.0122GT	TORX-HEAD BOLT.....	1
10	216076GT	NUT, HEX, 10MM, DEUTZ A/C.....	1
11	216078GT	THREADED PIECE, DEUTZ, A/C.....	1
12	216068GT	SCREW, SHC, 10MM X 125MM.....	1
13	216067GT	BUSHING, 10MM X 8.5MM.....	1
14	07.0501.0117GT	HEXAGON BOLT F-M16 X 120 10.9 ZNAL-A.....	1
15	216072GT	BOLT, HEX, FLANGE, 16MMX70MM....	1
16	07.0501.0121GT	BRACKET.....	1

Go to Discount-Equipment.com to order your parts

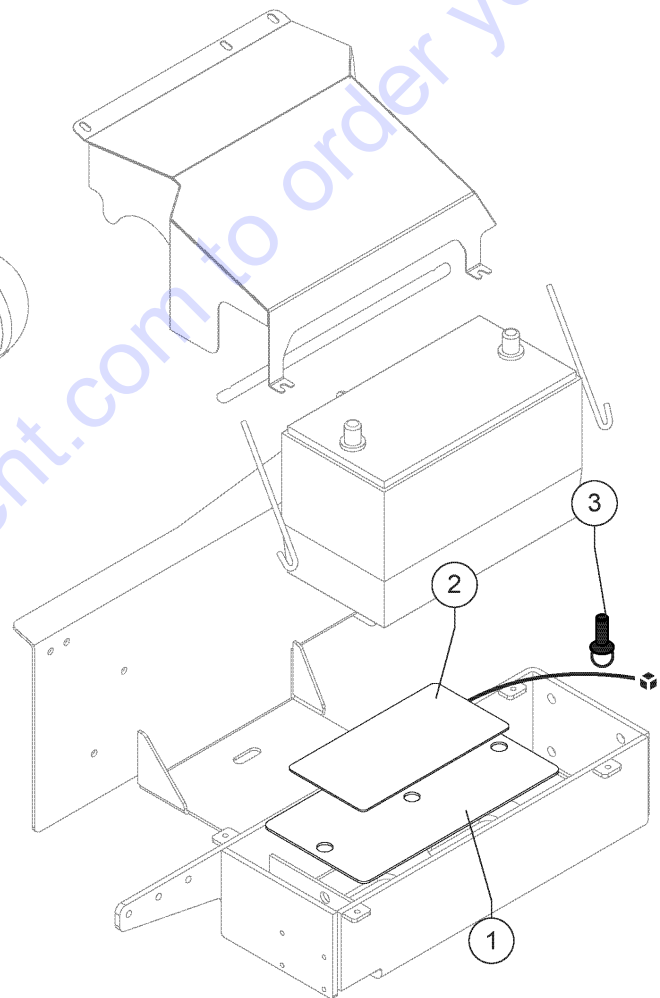
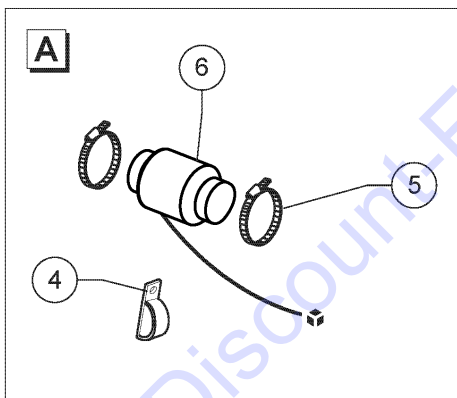
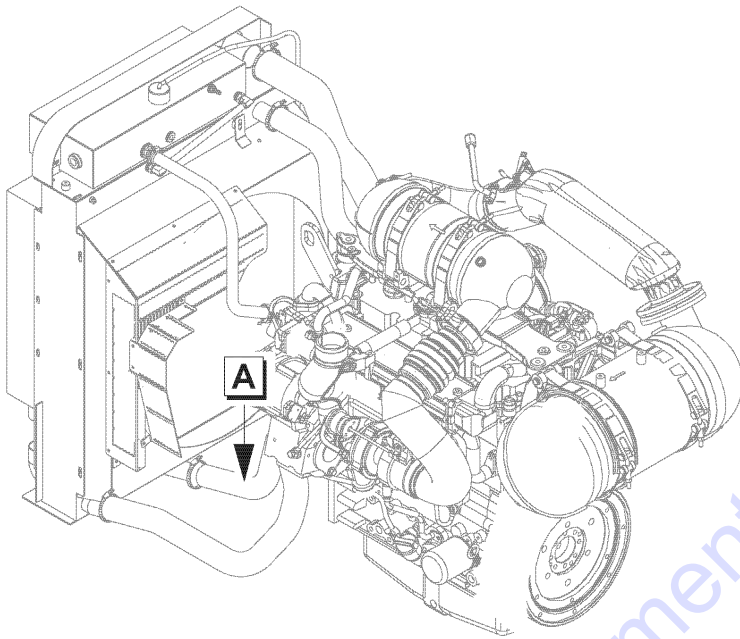
809.3 610299 Air Conditioning - Part 3



Item	Part No.	Description	Qty.
1	07.0703.0486GT	RELAY.....	2
2	07.0703.0148GT	FUSE,10A.....	1
3	56.0005.0009GT	FUSE HOLDER.....	2
4	634976GT	FUSE.....	1
5	07.0703.0188GT	RELAY HOLDER.....	2
6	07.0703.0431GT	SWITCH.....	1
7	07.0703.0462GT	Air Conditioning Glass Switch.....	1
8	55.0602.0778GT	Air Conditioning Complete Wiring.....	1

Go to Discount-Equipment.com to order your parts

810.1 610300 Cold Weather



Item	Part No.	Description	Qty.
1	51.0811.4494GT	HEATER SUPPORT.....	1
2	09.0803.0795GT	BATTERY HEATER.....	1
3	105214GT	CABLE TIE MOUNT, WINGED.....	2
4	04.0227.0501GT	PVC Clamp D9X185.....	5
5	45435GT	CLAMP,HOSE,2.50"***.....	2
6	161373GT	BLOCK HEATER, DEUTZ TCD3.6.....	1

Go to Discount-Equipment.com to order your parts

Part Number Index

The Part Number Index is a numeric index of all part numbers included in this manual. The index shows what page(s) the part is used on.

Part Number	Page	Part Number	Page	Part Number	Page	Part Number	Page
01.0001.0004GT	181	01.0003.0963GT	181	01.4001.0078GT	19, 21	04.0227.0152GT	67
01.0001.0035GT	181	01.0003.0964GT	167	01.4001.0089GT	139	04.0227.0501GT	177, 187
01.0001.0071GT	65	01.0019.0105GT	163	01.4001.0106GT	105	04.0227.0502GT	59
01.0001.0099GT	181	01.0019.0106GT	95	01.4001.0108GT	95	04.0600.0017GT	73, 161
01.0001.0102GT	75, 133	01.0019.0179GT	95	01.4001.0116GT	77, 83	04.0600.0019GT	121
01.0001.0104GT	21, 131	01.0019.0186GT	93	01.4001.0122GT	75	04.0600.0027GT	131
01.0001.0106GT	105, 115, 133, 135	01.0023.0051GT	77	01.4001.0165GT	157	04.0600.0029GT	61, 133
01.0001.0107GT	123	01.0023.0052GT	17, 57, 167, 175, 179	01.4001.0177GT	17	04.0600.0066GT	147
01.0001.0108GT	115	01.0023.0053GT	19, 21, 57, 71, 77, 131, 171	01.4001.0188GT	27	04.0600.0069GT	129
01.0001.0154GT	17, 19, 23, 25, 57, 59, 77, 83, 165, 167, 171	01.0023.0054GT	17, 19, 21, 25, 57, 59, 65, 71, 77, 81, 83, 107, 133, 149, 181	01.4001.0209GT	57, 97, 99	04.0600.0081GT	121
01.0001.0156GT	71, 77, 107, 111, 119, 121, 157, 165, 179	01.0023.0055GT	19, 21, 23, 65, 101, 103, 111, 133, 139	01.4003.0000GT	89	04.0600.0086GT	73
01.0001.0158GT	163, 181	01.0023.0056GT	19, 21, 57, 95, 109	01.4003.0004GT	17	04.0600.0087GT	121
01.0001.0207GT	19	01.0023.0057GT	101, 107	01.4003.0036GT	161	04.0600.0088GT	61
01.0001.0209GT	21, 149	01.0023.0058GT	17, 27, 107	01.4003.0037GT	179	04.0600.0090GT	133
01.0001.0213GT	71	01.0023.0060GT	27	01.4003.0041GT	99	04.0600.0091GT	129, 131, 161
01.0001.0217GT	59	01.0023.0062GT	27	01.4003.0049GT	91	04.0600.0092GT	105
01.0001.0252GT	75, 163	01.0031.0053GT	17, 21, 57, 167, 175, 179	01.4003.0050GT	89	04.0600.0094GT	143
01.0001.0254GT	19, 21, 25, 63, 71, 77, 81, 91, 95, 115, 129, 161, 163, 171, 175	01.0031.0054GT	17, 19, 21, 23, 59, 71, 75, 83, 107, 111, 115, 119, 121, 131, 133, 135, 157, 165, 167, 181	01.4003.0051GT	97	04.0600.0113GT	147
01.0001.0256GT	17, 21, 65, 77, 97, 101, 105, 159, 167, 181	01.0031.0055GT	17, 19, 21, 25, 57, 65, 71, 75, 77, 81, 91, 95, 97, 101, 105, 115, 129, 133, 149, 159, 161, 163, 167, 171, 181	01.4003.0073GT	151	04.0600.0136GT	143
01.0001.0257GT	57	01.0031.0056GT	21, 23, 69, 75, 89, 91, 101, 103, 105, 131, 133, 167	01.4006.0007GT	21, 83	04.0600.0156GT	73
01.0001.0258GT	17, 57, 133	01.0031.0057GT	19, 21, 57, 95, 101, 109, 119	01.4006.0010GT	181	04.0600.0162GT	61
01.0001.0304GT	21	01.0031.0058GT	89, 91, 101, 103	01.4006.0011GT	91, 119	04.0600.0171GT	73
01.0001.0306GT	101	01.0031.0059GT	27, 57, 147	01.4006.0032GT	17	04.0600.0179GT	73
01.0001.0308GT	103, 111	01.0031.0061GT	27, 57, 97, 99	01.4019.0024GT	143	04.0600.0197GT	73
01.0001.0310GT	23, 101	01.0031.0063GT	17, 27	01.4019.0026GT	95	04.0600.0243GT	143
01.0001.0314GT	23, 103	01.0031.0097GT	69, 95	01.4023.0000GT	105	04.0600.0271GT	117, 129
01.0001.0353GT	69, 91	01.0031.0099GT	69, 93, 97, 99	01.4023.0001GT	159	04.0600.0273GT	73
01.0001.0355GT	23, 25, 69, 71, 75, 89, 105, 131, 163, 167	01.0031.0100GT	93, 95	01.4031.0002GT	19	04.0600.0276GT	73
01.0001.0356GT	21, 65, 89, 91, 161	01.0031.0298GT	57, 77, 159, 163, 171, 179, 181	01.4031.0003GT	65	04.0602.0608GT	143
01.0001.0357GT	19, 21, 89, 159	01.0031.0299GT	19, 21, 25, 59, 63, 71, 77, 83, 161, 175	01.4031.0004GT	71	04.0602.0613GT	161
01.0001.0358GT	69	01.0031.0301GT	19, 21, 71, 159, 161	01.4031.0007GT	77, 181	04.0602.0615GT	161
01.0001.0401GT	57, 101, 147	01.0031.0302GT	139	01.4031.0008GT	17	04.0605.0178GT	127
01.0001.0402GT	57	01.0031.0308GT	57	01.4032.0000GT	17	04.0605.0179GT	135
01.0001.0410GT	109	01.0031.0308GT	57	01.4032.0001GT	17, 57	04.0605.0184GT	119
01.0001.0466GT	21, 57	01.0031.0308GT	57	01.4032.0002GT	17, 23, 25, 57, 59, 71, 75, 83, 105, 107, 111, 115, 119, 121, 123, 133, 135, 157, 159, 163, 165, 167, 179, 181	04.0605.0219GT	137
01.0001.0466GT	21, 57	01.0031.0308GT	57	01.4032.0003GT	17, 21, 25, 57, 71, 75, 77, 81, 91, 95, 99, 101, 105, 115, 129, 159, 161, 163, 167, 171, 175	04.0605.0230GT	129, 133
01.0001.0506GT	119	01.0031.0308GT	57	01.4032.0004GT	19, 21, 23, 25, 69, 71, 75, 95, 101, 103, 105, 131, 159, 161, 163, 167	04.0605.0252GT	135
01.0001.0508GT	57	01.0031.0308GT	57	01.4032.0006GT	19, 103	04.0605.0368GT	135
01.0001.0562GT	107	01.0031.0308GT	57	01.4032.0007GT	19, 57, 69, 147	04.0605.0422GT	133, 135
01.0001.0605GT	19	01.0031.0308GT	57	01.4032.0009GT	57	04.0605.0426GT	143
01.0001.0606GT	103	01.0031.0308GT	57	01.4041.0000GT	95, 97	04.0605.0431GT	131
01.0001.0651GT	147	01.0031.0308GT	57	01.4041.0004GT	109	04.0605.0455GT	133
01.0001.0657GT	19	01.0031.0308GT	57	02.0112.0155GT	111	04.0605.0530GT	137
01.0001.0851GT	57	01.0031.0308GT	57	02.0117.0051GT	89, 91, 95, 97	04.0605.0600GT	119
01.0001.1438GT	21, 57, 175	01.0031.0308GT	57	02.0117.0101GT	23, 89, 101, 103, 105	04.0605.0685GT	135
01.0001.1497GT	101	01.0031.0308GT	57	02.0117.0119GT	95, 97, 107	04.0605.0731GT	125
01.0001.1506GT	69	01.0031.0308GT	57	02.4126.0003GT	93	04.0605.0752GT	147
01.0001.1538GT	17	01.0031.0308GT	57	02.4126.0004GT	93, 95	04.0605.0766GT	133
01.0001.1554GT	159	01.0031.0308GT	57	04.0220.0053GT	61	04.0605.0770GT	127
01.0003.0155GT	163	01.0031.0308GT	57	04.0220.0055GT	139	04.0605.0772GT	135
01.0003.0157GT	73, 119, 121	01.0031.0308GT	57	04.0227.0051GT	61, 67, 73	04.0605.0853GT	145
01.0003.0159GT	57	01.0031.0308GT	57	04.0227.0058GT	59, 67, 181	04.0605.0891GT	119
01.0003.0160GT	19, 161	01.0031.0308GT	57	04.0227.0068GT	67	04.0605.0896GT	117, 121
01.0003.0203GT	77, 95	01.0031.0308GT	57	04.0227.0144GT	67	04.0605.0956GT	147
01.0003.0205GT	19	01.0031.0308GT	57			04.0605.1098GT	133
01.0003.0208GT	101	01.0031.0308GT	57			04.0605.1099GT	133
01.0003.0210GT	101, 107	01.0031.0308GT	57			04.0605.1333GT	147
01.0003.0261GT	23	01.0031.0308GT	57			04.0605.1358GT	145
01.0003.0306GT	69	01.0031.0308GT	57			04.0605.1380GT	145
01.0003.0353GT	91	01.0031.0308GT	57			04.0605.1442GT	131
01.0003.0354GT	89	01.0031.0308GT	57			04.0605.1445GT	143
01.0003.0947GT	181	01.0031.0308GT	57			04.0605.1476GT	119, 121
		01.0031.0308GT	57			04.0605.1479GT	119, 121
		01.0031.0308GT	57			04.0605.1480GT	119, 121
		01.0031.0308GT	57			04.0605.1496GT	117
		01.0031.0308GT	57			04.0605.1498GT	117
		01.0031.0308GT	57			04.0605.1506GT	131
		01.0031.0308GT	57			04.0605.1507GT	131
		01.0031.0308GT	57			04.0605.1545GT	119
		01.0031.0308GT	57			04.0605.1623GT	147
		01.0031.0308GT	57			04.0605.1627GT	131
		01.0031.0308GT	57			04.0605.1628GT	119, 121
		01.0031.0308GT	57			04.0605.1632GT	161
		01.0031.0308GT	57			04.0605.1643GT	147
		01.0031.0308GT	57			04.0605.1644GT	141

Part Number	Page	Part Number	Page	Part Number	Page	Part Number	Page
04.0605.1646GT119	04.0607.0813GT133, 135, 137	07.0501.0118GT183	07.0709.0010GT43
04.0605.1647GT141	04.0607.0849GT131	07.0501.0119GT183	07.0709.0011GT43
04.0605.1648GT141	04.0607.0853GT117	07.0501.0120GT183	07.0709.0012GT43
04.0605.1649GT147	04.0607.0855GT133, 147	07.0501.0121GT183	07.0709.0013GT43
04.0605.1651GT147	04.0607.0856GT147	07.0501.0122GT183	07.0709.0014GT43
04.0605.1653GT143	04.0607.0863GT147	07.0700.0002GT25	07.0709.0051GT39
04.0605.1655GT125	04.4210.0016GT149	07.0700.0006GT25	07.0709.0057GT29, 35, 43
04.0605.1656GT133	04.4210.0018GT121	07.0700.0007GT25	07.0709.0065GT35
04.0605.1657GT145	04.4210.0019GT121	07.0700.0049GT25	07.0709.0070GT35
04.0605.1658GT131	04.4223.0002GT141	07.0700.0050GT25	07.0709.0071GT35
04.0605.1659GT141	04.4223.0003GT147	07.0700.0051GT25	07.0709.0076GT41
04.0605.1666GT125	04.4223.0010GT143	07.0701.0213GT69	07.0709.0079GT41
04.0605.1667GT145	04.4224.0001GT143	07.0701.0216GT69	07.0709.0084GT33
04.0605.1668GT143	04.4224.0008GT133	07.0701.0217GT69	07.0709.0104GT35
04.0605.1669GT119	04.4224.0011GT61	07.0701.0242GT69	07.0709.0106GT31, 45
04.0605.1671GT117	04.4224.0012GT133	07.0701.0247GT69	07.0709.0113GT33, 35
04.0605.1726GT141	04.4225.0001GT133	07.0701.0276GT69	07.0709.0119GT35
04.0605.1727GT141	04.4227.0003GT163	07.0701.0289GT147	07.0709.0123GT29
04.0605.1728GT143	04.4227.0008GT17, 171	07.0701.0291GT69	07.0709.0127GT41
04.0605.1729GT129	04.4227.0014GT71	07.0701.0316GT161	07.0709.0140GT33
04.0605.1730GT129	04.4227.0016GT71, 129	07.0701.0317GT161	07.0709.0141GT29, 43
04.0605.1731GT121	04.4227.0031GT59	07.0701.0327GT69	07.0709.0143GT29, 43
04.0605.1732GT123	04.4227.0034GT59	07.0701.0331GT101	07.0709.0144GT35
04.0605.1734GT119	04.4229.0082GT147	07.0701.0342GT69	07.0709.0149GT31
04.0605.1774GT131	04.4229.0084GT147	07.0703.0069GT159	07.0709.0224GT35
04.0605.1775GT127	04.4235.0056GT139	07.0703.0101GT155	07.0709.0228GT29
04.0605.1789GT131	04.4235.0061GT147	07.0703.0125GT21	07.0709.0327GT41
04.0605.1790GT143	04.4236.0112GT151	07.0703.0148GT185	07.0709.0351GT45
04.0605.1791GT133	04.4237.0014GT75	07.0703.0188GT185	07.0709.0352GT45
04.0605.1792GT123	04.4238.0093GT69	07.0703.0193GT153	07.0709.0356GT29
04.0605.1793GT133	04.4238.0098GT69	07.0703.0229GT159	07.0709.0363GT35
04.0605.1794GT135	04.4238.0109GT69	07.0703.0384GT81	07.0709.0365GT35
04.0605.1795GT133	04.4239.0001GT101	07.0703.0423GT75	07.0709.0371GT35
04.0605.1796GT133	04.4239.0002GT161	07.0703.0429GT155	07.0709.0408GT31, 45
04.0605.1814GT161	04.4239.0004GT119	07.0703.0431GT185	07.0709.0422GT41
04.0605.1815GT161	04.4239.0013GT131	07.0703.0462GT185	07.0709.0441GT33, 35
04.0607.0102GT129, 131	04.4239.0034GT147	07.0703.0472GT155	07.0709.0443GT41
04.0607.0103GT147	04.4239.0041GT103	07.0703.0485GT153	07.0709.0465GT35
04.0607.0107GT117, 129, 143	04.4239.0051GT101	07.0703.0486GT153, 159, 185	07.0709.0469GT35
04.0607.0110GT131, 161	04.4239.0080GT105	07.0703.0535GT159	07.0709.0470GT35
04.0607.0111GT119, 121, 123, 131, 133, 141, 143	04.4239.0141GT23	07.0703.0577GT155	07.0709.0472GT35
04.0607.0112GT131, 133, 141, 161	04.4239.0142GT101	07.0703.0605GT75	07.0709.0474GT35
04.0607.0113GT119, 127, 129, 131, 135, 145, 147, 161	04.4240.0015GT135	07.0703.0656GT159	07.0709.0475GT35
04.0607.0114GT119, 125, 127, 131, 135, 141, 161	04.4240.0024GT105	07.0703.0707GT75	07.0709.0483GT35
04.0607.0115GT135	04.4240.0041GT105	07.0703.0708GT75	07.0709.0484GT35
04.0607.0117GT133	04.4240.0052GT131	07.0703.0709GT75	07.0709.0485GT35
04.0607.0121GT117	04.4240.0075GT161	07.0703.0710GT75	07.0709.0486GT35
04.0607.0122GT133	05.0401.0013GT73	07.0703.0712GT75	07.0709.0487GT35
04.0607.0124GT117, 119, 121	05.4309.0000GT133	07.0703.0713GT75	07.0709.0718GT41
04.0607.0130GT143	05.4329.0001GT133	07.0703.0725GT155	07.0709.0720GT41
04.0607.0131GT133, 135, 147, 161	05.4329.0002GT133	07.0704.0137GT75	07.0709.0747GT33, 35
04.0607.0137GT133	05.4329.0027GT129	07.0704.0454GT151	07.0709.0772GT29
04.0607.0141GT119, 121, 133	05.4329.0029GT133	07.0704.0455GT151	07.0709.0781GT43
04.0607.0142GT141, 147	06.0401.0219GT147	07.0704.0456GT151	07.0709.0782GT29, 43
04.0607.0145GT133	06.0401.1501GT143	07.0704.0457GT151	07.0709.0787GT35
04.0607.0153GT133, 143, 149	06.0442.0059GT73	07.0704.0458GT151	07.0709.0788GT35
04.0607.0163GT161	06.0442.0101GT25	07.0704.0459GT151	07.0709.0789GT35
04.0607.0167GT125, 129	06.0442.0117GT129	07.0704.0460GT151	07.0709.0791GT35
04.0607.0168GT143	06.0442.0119GT25	07.0704.0461GT151	07.0709.0794GT35
04.0607.0174GT141, 147	06.0442.0120GT61, 133	07.0704.0462GT151	07.0709.0795GT35
04.0607.0180GT133	06.0442.0122GT25, 73, 129, 131, 139, 161	07.0704.0463GT151	07.0709.0796GT35
04.0607.0183GT147	06.0442.0124GT117, 129, 131, 147	07.0704.0464GT151	07.0709.0797GT35
04.0607.0188GT147	06.0442.0125GT147	07.0704.0465GT151	07.0709.0798GT35
04.0607.0190GT141	06.0442.0132GT143	07.0704.0466GT151	07.0709.0799GT35
04.0607.0193GT131	06.0443.0002GT61	07.0704.0476GT75	07.0709.0800GT35
04.0607.0196GT143	07.0501.0053GT63	07.0704.0478GT75	07.0709.0801GT35
04.0607.0228GT143	07.0501.0098GT71	07.0704.0481GT151	07.0709.0803GT35
04.0607.0797GT133	07.0501.0099GT71	07.0704.0482GT151	07.0709.0804GT31
		07.0501.0100GT71	07.0704.0483GT151	07.0709.0806GT31
		07.0501.0101GT73	07.0704.0484GT151	07.0709.0809GT31
		07.0501.0102GT71	07.0704.0485GT151	07.0709.0810GT31
		07.0501.0103GT71	07.0704.0486GT151	07.0709.0811GT31
		07.0501.0104GT73	07.0704.0488GT75	07.0709.0812GT31
		07.0501.0117GT183	07.0704.0489GT75	07.0709.0813GT31
				07.0705.0093GT135	07.0709.0817GT31, 45
				07.0705.0101GT101	07.0709.0818GT31, 45

Part Number Index (continued)

Part Number	Page	Part Number	Page	Part Number	Page	Part Number	Page
07.0709.0819GT31, 45	07.0709.1037GT29	07.0712.0310GT65	07.0740.0202GT77
07.0709.0822GT31, 33	07.0709.1038GT29	07.0712.0311GT65	07.0740.0217GT83
07.0709.0823GT37	07.0709.1039GT29	07.0712.0312GT65	07.0740.0218GT87
07.0709.0824GT37	07.0709.1040GT29	07.0713.0058GT69	07.0740.0219GT87
07.0709.0826GT37	07.0709.1041GT29	07.0713.0069GT69	07.0740.0236GT77
07.0709.0827GT39	07.0709.1043GT35	07.0713.0070GT69	07.0740.0248GT83
07.0709.0828GT39	07.0709.1044GT35	07.0722.0037GT101	07.0740.0254GT181
07.0709.0829GT33	07.0709.1045GT35	07.0722.0068GT139	07.0740.0257GT181
07.0709.0830GT43	07.0709.1046GT35	07.0722.0069GT139	07.0740.0260GT181
07.0709.0831GT43	07.0709.1047GT35	07.0722.0070GT139	07.0740.0262GT181
07.0709.0832GT43	07.0709.1048GT31	07.0723.0074GT181	07.0740.0263GT181
07.0709.0833GT43	07.0709.1049GT37	07.0723.0229GT83	07.0740.0268GT181
07.0709.0834GT43	07.0709.1050GT33	07.0723.0360GT139	07.0740.0269GT181
07.0709.0835GT43	07.0709.1051GT33	07.0723.0571GT83	07.0740.0272GT83
07.0709.0836GT35	07.0709.1052GT35	07.0723.0634GT75	07.0740.0279GT83
07.0709.0837GT35	07.0709.1053GT35	07.0723.0635GT75	07.0740.0359GT87
07.0709.0838GT45	07.0709.1054GT35	07.0726.0054GT93, 95, 97	07.0740.0360GT87
07.0709.0840GT45	07.0709.1055GT35	07.0730.0077GT133	07.0740.0361GT87
07.0709.0842GT45	07.0709.1056GT45	07.0740.0005GT83, 87	07.0740.0367GT79
07.0709.0843GT45	07.0709.1057GT33, 37	07.0740.0006GT87	07.0740.0370GT79
07.0709.0844GT45	07.0709.1062GT29	07.0740.0010GT81	07.0740.0385GT181
07.0709.0845GT45	07.0709.1065GT41	07.0740.0012GT87	07.0740.0386GT181
07.0709.0846GT45	07.0709.1205GT35	07.0740.0014GT77, 81	07.0740.0389GT181
07.0709.0847GT41	07.0709.1290GT41	07.0740.0015GT83	07.0740.0390GT181
07.0709.0848GT41	07.0709.1291GT41	07.0740.0016GT87	07.0740.0392GT181
07.0709.0849GT41	07.0709.1292GT41	07.0740.0018GT77	07.0740.0395GT181
07.0709.0850GT41	07.0709.1293GT41	07.0740.0020GT77	07.0740.0396GT181
07.0709.0853GT41	07.0709.1294GT41	07.0740.0021GT77	07.0740.0398GT181
07.0709.0854GT41	07.0709.1295GT41	07.0740.0026GT83	07.0740.0407GT85
07.0709.0855GT41	07.0709.1296GT41	07.0740.0027GT77	07.0740.0408GT85
07.0709.0856GT41	07.0709.1297GT41	07.0740.0028GT87	07.0740.0409GT85
07.0709.0857GT41	07.0709.1305GT35	07.0740.0029GT83	07.0740.0410GT85
07.0709.0861GT41	07.0709.1352GT41	07.0740.0030GT83	07.0740.0411GT85
07.0709.0862GT41	07.0709.1353GT41	07.0740.0048GT21, 83	07.0740.0412GT85
07.0709.0864GT41	07.0709.1354GT41	07.0740.0049GT21, 83	07.0740.0413GT81
07.0709.0865GT41	07.0709.1355GT41	07.0740.0050GT83	07.0740.0414GT81
07.0709.0867GT41	07.0709.1356GT41	07.0740.0051GT83	07.0740.0415GT81, 83
07.0709.0868GT41	07.0709.1357GT41	07.0740.0052GT83	07.0740.0416GT77, 81, 83
07.0709.0870GT41	07.0709.1358GT41	07.0740.0058GT83	07.0740.0417GT81, 83
07.0709.0873GT29	07.0709.1359GT41	07.0740.0066GT81	07.0740.0418GT81, 83
07.0709.0879GT41	07.0709.1360GT41	07.0740.0070GT81	07.0740.0419GT81, 83
07.0709.0921GT33, 35	07.0709.1361GT41	07.0740.0071GT87	07.0740.0420GT83
07.0709.0939GT41	07.0709.1362GT41	07.0740.0072GT81	07.0740.0421GT83
07.0709.0953GT31	07.0709.1363GT41	07.0740.0076GT83	07.0740.0422GT83
07.0709.0966GT29, 43	07.0709.1364GT41	07.0740.0082GT77	07.0740.0423GT83
07.0709.0970GT29	07.0709.1365GT41	07.0740.0084GT77	07.0740.0424GT83
07.0709.0972GT29	07.0709.1366GT41	07.0740.0088GT81	07.0740.0425GT81, 83
07.0709.0974GT35	07.0709.1367GT41	07.0740.0089GT81	07.0740.0426GT83
07.0709.0975GT35	07.0709.1368GT41	07.0740.0091GT81	07.0740.0427GT83
07.0709.0976GT35	07.0712.0249GT57	07.0740.0097GT77	07.0740.0428GT81, 83
07.0709.0980GT37	07.0712.0271GT65	07.0740.0098GT81	07.0740.0429GT83
07.0709.1011GT31	07.0712.0285GT139	07.0740.0100GT21	07.0740.0431GT83
07.0709.1012GT31	07.0712.0286GT139	07.0740.0103GT21	07.0740.0432GT77, 83
07.0709.1013GT31	07.0712.0287GT139	07.0740.0104GT83	07.0740.0433GT83
07.0709.1014GT31	07.0712.0288GT139	07.0740.0105GT83	07.0740.0434GT77, 83
07.0709.1016GT31	07.0712.0289GT139	07.0740.0106GT83	07.0740.0435GT77, 83
07.0709.1017GT35	07.0712.0290GT65, 139	07.0740.0116GT75	07.0740.0436GT83
07.0709.1018GT33	07.0712.0291GT139	07.0740.0118GT87	07.0740.0437GT83
07.0709.1019GT31	07.0712.0292GT139	07.0740.0119GT87	07.0740.0438GT83
07.0709.1020GT31	07.0712.0293GT139	07.0740.0120GT87	07.0740.0439GT83
07.0709.1021GT31	07.0712.0294GT139	07.0740.0121GT87	07.0740.0444GT77
07.0709.1022GT31	07.0712.0295GT139	07.0740.0122GT87	07.0740.0445GT77
07.0709.1023GT33	07.0712.0296GT139	07.0740.0123GT87	07.0740.0446GT77
07.0709.1024GT33	07.0712.0297GT139	07.0740.0124GT87	07.0740.0447GT83
07.0709.1025GT29, 43	07.0712.0298GT65	07.0740.0125GT87	07.0740.0449GT81
07.0709.1026GT29	07.0712.0299GT65	07.0740.0126GT87	07.0740.0453GT83
07.0709.1027GT29	07.0712.0300GT65	07.0740.0127GT87	07.0740.0454GT83
07.0709.1028GT29	07.0712.0301GT65	07.0740.0128GT77, 87	07.0740.0455GT83
07.0709.1029GT29, 43	07.0712.0302GT65	07.0740.0129GT87	07.0740.0457GT77
07.0709.1030GT29	07.0712.0303GT65	07.0740.0130GT87	07.0740.0458GT77
07.0709.1031GT29	07.0712.0304GT65	07.0740.0132GT87	07.0740.0460GT77
07.0709.1032GT29	07.0712.0305GT65	07.0740.0133GT87	07.0740.0461GT77, 83
07.0709.1033GT29	07.0712.0306GT65	07.0740.0143GT75	07.0740.0462GT77
07.0709.1034GT29	07.0712.0307GT65	07.0740.0152GT75, 81	07.0740.0463GT81
07.0709.1035GT29	07.0712.0308GT65	07.0740.0156GT83	07.0740.0464GT81
07.0709.1036GT29	07.0712.0309GT65	07.0740.0192GT21	07.0740.0465GT81

Part Number	Page	Part Number	Page	Part Number	Page	Part Number	Page
07.0740.0466GT81	07.4501.0372GT53	09.0803.0710GT93, 97	09.4633.0036GT27
07.0740.0467GT81, 83	07.4501.0373GT53	09.0803.0715GT81	09.4635.0014GT27
07.0740.0469GT81	07.4501.0374GT49	09.0803.0795GT187	09.4635.0055GT27
07.0740.0470GT81	07.4501.0375GT51	09.0803.0801GT21	09.4636.0017GT131
07.0740.0472GT79	07.4501.0376GT51	09.0803.0808GT21	09.4636.0038GT75
07.0740.0473GT79	07.4501.0377GT51	09.0803.0830GT21	09.4656.0017GT75
07.0740.0474GT79	07.4501.0378GT51	09.0803.0835GT117, 119, 121	09.4661.0005GT25
07.0740.0475GT79	07.4501.0379GT51	09.0803.0837GT61	09.4661.0015GT25
07.0740.0476GT79	07.4501.0380GT51	09.0803.0838GT61	09.4661.0026GT25
07.0740.0477GT79	07.4501.0381GT49	09.0803.0904GT69	09.4661.0030GT25
07.0740.0478GT79	07.4501.0382GT49	09.0803.0905GT59	09.4670.0000GT19
07.0740.0479GT79	07.4501.0383GT57	09.0804.3421GT69	09.4670.0027GT57
07.0740.0480GT79	07.4501.0384GT55	09.0805.0070GT73, 181	09.4670.0028GT65, 139
07.0740.0483GT83	07.4501.0385GT47	09.0805.0119GT21	09.4670.0032GT19
07.0740.0484GT83	07.4501.0386GT53	09.0805.0146GT61	105214GT187
07.0740.0485GT79	07.4501.0387GT53	09.0805.0147GT61, 73	124728GT165
07.0740.0486GT79	07.4501.0388GT49	09.0805.0171GT61, 73	1253240GT169
07.0740.0487GT83	07.4501.0389GT49	09.0805.0185GT59	1253241GT167
07.0740.0488GT83	07.4501.0390GT57	09.0805.0194GT61, 73	1254564GT167
07.0740.0489GT83	07.4501.0393GT53	09.0805.0206GT67	1254565GT167
07.0740.0490GT83	07.4501.0394GT53	09.0805.0207GT67	1255647GT167
07.0740.0491GT83	07.4501.0395GT53	09.0805.0208GT67	1256804GT167
07.0740.0492GT83	07.4501.039653	09.0805.0209GT73	1257047GT167
07.0740.0494GT83	07.4501.0397GT53	09.0805.0210GT73	1257328GT49
07.0740.0496GT83	07.4501.0398GT53	09.0805.0211GT73	1257337GT53
07.0740.0497GT83	07.4529.0071GT103	09.0805.0225GT73	1257352GT57
07.0740.0502GT81	07.4529.0107GT161	09.0806.0008GT65	1257378GT63
07.0740.0503GT81	07.4529.0111GT131	09.4601.0083GT57	1257635GT49
07.0740.0504GT81	07.4529.0118GT131	09.4604.0000GT25	1257636GT49
07.0740.0505GT81	07.4529.0166GT105	09.4604.0005GT11, 25	1257642GT51, 53
07.0740.0506GT81	07.4529.0170GT105	09.4604.0072GT25	1257785GT71
07.0740.0507GT81	07.4529.0194GT101	09.4604.0074GT11, 59	1257786GT71
07.0740.0508GT81	07.4529.0195GT101	09.4604.0075GT183	1257797GT71
07.0740.0509GT81	07.4529.0196GT101	09.4604.0076GT59	1257987GT179
07.0740.0523GT181	07.4529.0197GT103	09.4610.0032GT21	1257988GT179
07.0740.0524GT181	07.4529.0208GT69	09.4610.0033GT17	1258527GT165, 167
07.0744.0001GT81	07.4529.0209GT139	09.4610.0050GT79	1258715GT167
07.0744.0002GT81	09.0610.0973GT181	09.4610.0051GT79	1260900GT71
07.0744.0003GT81	09.0636.0001GT75, 131	09.4610.0057GT77	1261360GT173
07.4501.0067GT11, 57	09.0636.0002GT75, 131	09.4616.0147GT111	1261777GT173
07.4501.0118GT183	09.0636.0003GT75	09.4618.1399GT15	1262434GT173
07.4501.0119GT55	09.0801.0000GT23	09.4618.1418GT15	1262435GT173
07.4501.0190GT59	09.0801.0006GT23	09.4618.1621GT15	1264504GT107
07.4501.0206GT63	09.0801.0038GT101	09.4618.1622GT15	1268754GT15
07.4501.0223GT59	09.0801.0039GT101	09.4618.1625GT13	1271765GT175
07.4501.0224GT59	09.0803.0000GT21	09.4618.1635GT15	1272242GT15
07.4501.0225GT59	09.0803.0002GT19	09.4618.1638GT13	1280819GT15
07.4501.0285GT57	09.0803.0012GT75	09.4618.1646GT13	1280820GT15
07.4501.0290GT61	09.0803.0043GT73, 119, 121	09.4618.1655GT13	1281127GT147
07.4501.0291GT57	09.0803.0055GT111	09.4618.1765GT13	161373GT187
07.4501.0303GT57	09.0803.0060GT119, 121	09.4618.1766GT15	161964GT27
07.4501.0311GT57	09.0803.0147GT25	09.4618.1767GT13, 15	161973GT27
07.4501.0312GT57	09.0803.0245GT17	09.4618.1768GT13	161974GT27
07.4501.0316GT55	09.0803.0257GT93, 95, 97, 99	09.4618.1823GT15	161998GT27
07.4501.0342GT59	09.0803.0278GT19	09.4618.1824GT15	162337GT27
07.4501.0351GT57	09.0803.0344GT111	09.4618.1825GT15	162338GT27
07.4501.0352GT57	09.0803.0352GT19, 21, 25	09.4618.1826GT15	214418GT13, 15
07.4501.0353GT57	09.0803.0357GT89	09.4618.1828GT15	215267GT15
07.4501.0354GT57	09.0803.0371GT19, 21	09.4618.1830GT15	215268GT15
07.4501.0355GT55	09.0803.0393GT17	09.4618.1831GT15	215757GT183
07.4501.0356GT63	09.0803.0397GT133	09.4618.1832GT15	216067GT183
07.4501.0357GT63	09.0803.0406GT107	09.4618.1833GT15	216068GT183
07.4501.0358GT49	09.0803.0512GT77	09.4618.1834GT13	216072GT183
07.4501.0359GT49	09.0803.0516GT25, 91	09.4618.1842GT15	216073GT183
07.4501.0360GT47	09.0803.0549GT181	09.4618.1843GT15	216076GT183
07.4501.0361GT47	09.0803.0554GT81	09.4618.1844GT15	216078GT183
07.4501.0362GT47	09.0803.0557GT161	09.4618.1919GT13	229677GT167
07.4501.0363GT47	09.0803.0623GT111	09.4618.2035GT15	236266GT11, 57
07.4501.0364GT47	09.0803.0651GT17	09.4618.2039GT15	237598GT13, 15
07.4501.0365GT47	09.0803.0652GT17	09.4618.2050GT13	237601GT13
07.4501.0366GT47	09.0803.0674GT163	09.4618.2051GT13	237605GT13
07.4501.0367GT47	09.0803.0685GT155	09.4621.0010GT111	237606GT15
07.4501.0368GT47	09.0803.0692GT77	09.4621.0013GT111	237934GT167
07.4501.0369GT47	09.0803.0706GT17	09.4621.0020GT111	237970GT13, 15
07.4501.0370GT53	09.0803.0708GT93, 95, 97, 99	09.4632.0066GT27	237971GT15
07.4501.0371GT49, 53	09.0803.0709GT95, 99	09.4632.0093GT27	24514GT77

Part Number Index (continued)

Part Number	Page	Part Number	Page	Part Number	Page	Part Number	Page
28159GT	15	51.0811.4748GT	65	53.0700.0304GT	105	54.0300.0019GT	93
28175GT	13	51.0811.4753GT	71	53.0800.2014GT	23	54.0300.0020GT	97, 99
28236GT	15, 77	51.0811.4775GT	163	53.3001.0500GT	121	54.0300.0021GT	95
30143GT	159	51.0811.4776GT	123	53.3001.6797GT	67	54.0300.0028GT	95
45435GT	187	51.0811.4837GT	179	53.3001.6810GT	67	54.0300.0032GT	97, 99
48975GT	143	51.0811.4842GT	75	53.3001.6812GT	67	54.0300.0033GT	95
51.0113.9090GT	19	51.0811.4843GT	75	53.3001.6813GT	149	54.0300.0034GT	93, 95
51.0201.3950GT	89	51.0811.4860GT	57	53.3001.6815GT	59	54.0300.0036GT	93
51.0201.3952GT	91	51.0811.4876GT	179	53.3001.6820GT	63	54.0300.0041GT	93
51.0201.3953GT	91	51.0811.4880GT	175	53.3001.6824GT	115	54.0300.0042GT	95
51.0201.3961GT	89	51.0811.4887GT	21	53.3001.6825GT	115	54.0300.0043GT	95
51.0400.5021GT	107	51.0811.4888GT	167	53.3001.6826GT	115	54.0400.0042GT	97
51.0500.1820GT	23	51.0811.4890GT	167	53.3200.0079GT	139	54.0400.0043GT	95
51.0500.1821GT	23	51.0811.4891GT	165	53.3200.0080GT	65	54.0400.0047GT	97
51.0600.9317GT	25	51.0811.4922GT	65	53.3301.0005GT	25	54.0400.0048GT	95
51.0600.9328GT	25	51.0811.4923GT	59	53.3302.0037GT	59	54.0600.0006GT	119
51.0800.8100GT	133	51.0811.4924GT	75	53.3303.0002GT	77	54.0702.0080GT	119
51.0811.0000GT	97	51.0811.4934GT	21	53.3402.4061GT	119	54.0705.0024GT	91
51.0811.4057GT	119	51.0903.4904GT	25	53.3402.4086GT	123	54.0705.0025GT	89
51.0811.4076GT	75	51.0903.4948GT	25	53.3402.4087GT	123	54.0705.0026GT	89
51.0811.4079GT	77	51.0903.5065GT	17	53.3402.4088GT	123	54.0705.0027GT	89
51.0811.4086GT	77	51.0903.5067GT	19	53.3402.4089GT	123	54.0705.0028GT	89
51.0811.4092GT	83	51.0903.5070GT	19	54.0000.0253GT	93, 95	54.0705.0029GT	91
51.0811.4102GT	181	51.0903.5079GT	17	54.0000.0254GT	93	54.0705.0030GT	91
51.0811.4103GT	181	51.0903.5117GT	19	54.0000.0265GT	107	54.0705.0036GT	95
51.0811.4131GT	89, 91	51.0903.5135GT	105	54.0000.0268GT	23	54.0705.0058GT	91
51.0811.4132GT	91	51.0903.5136GT	105	54.0000.0269GT	23	54.0705.0072GT	89, 91
51.0811.4133GT	89	51.0903.5140GT	21	54.0000.0270GT	101	54.0705.0073GT	89
51.0811.4136GT	91	51.0903.5141GT	21	54.0000.0271GT	101	54.0705.0074GT	89
51.0811.4137GT	91	51.0903.5146GT	21	54.0001.0042GT	161	54.0705.0075GT	91
51.0811.4230GT	159	51.0903.5147GT	91	54.0001.0076GT	97	54.0705.0076GT	99
51.0811.4242GT	91	51.0903.5196GT	19	54.0001.0077GT	95	54.0705.0077GT	89
51.0811.4351GT	159	51.0903.5197GT	19	54.0001.0082GT	97	54.0705.0078GT	91
51.0811.4366GT	95	51.0903.5198GT	19	54.0001.0083GT	95	55.0240.0067GT	19
51.0811.4367GT	95	51.0903.5200GT	21	54.0001.0085GT	103	55.0250.0027GT	19
51.0811.4377GT	77	51.0903.5201GT	21	54.0001.0092GT	103	55.0409.0210GT	19, 21
51.0811.4424GT	97	51.0903.5215GT	59	54.0002.0018GT	93, 95, 97, 99	55.0409.0225GT	19
51.0811.4442GT	19	51.0903.5229GT	25	54.0002.0041GT	111	55.0409.0226GT	21
51.0811.4446GT	21	51.0903.5230GT	25	54.0002.0066GT	101	55.0409.0227GT	21
51.0811.4448GT	57	51.0903.5232GT	161	54.0002.0071GT	107	55.0602.0778GT	185
51.0811.4477GT	159	51.0903.5253GT	23	54.0002.0075GT	107	55.0602.0952GT	157, 169
51.0811.4481GT	17	51.0903.5279GT	159	54.0002.0079GT	107	55.0602.1053GT	157
51.0811.4492GT	161	51.0903.5295GT	181	54.0003.0176GT	17	55.0602.1054GT	159
51.0811.4494GT	187	51.0903.5298GT	57	54.0003.0179GT	101	55.0602.1055GT	157
51.0811.4499GT	163	51.0903.5308GT	159	54.0003.0180GT	101	55.0602.1056GT	159
51.0811.4501GT	57	51.1000.5212GT	17	54.0004.0113GT	95	55.0602.1057GT	159
51.0811.4502GT	57	51.1100.0039GT	83	54.0004.0115GT	105	55.0602.1060GT	157
51.0811.4503GT	57	51.1301.9106GT	111	54.0004.0116GT	105	55.0602.1061GT	157, 169
51.0811.4506GT	19, 21	51.1301.9133GT	113	54.0004.0117GT	105	55.0602.1062GT	157
51.0811.4539GT	171	51.1301.9135GT	111	54.0004.0118GT	105	55.0602.1071GT	75, 131
51.0811.4558GT	103	51.1301.9145GT	109	54.0004.0119GT	109	55.0602.1092GT	175
51.0811.4559GT	95	51.1301.9149GT	109	54.0004.0120GT	109	55.0602.1101GT	163, 165, 177
51.0811.4570GT	77	51.1301.9150GT	109	54.0004.0121GT	109	55.0902.0060GT	77
51.0811.4571GT	157	52.0900.9337GT	107	54.0004.0122GT	23	56.0000.0083GT	171
51.0811.4586GT	105	52.0900.9338GT	89	54.0100.0005GT	19, 65	56.0002.0335GT	157
51.0811.4587GT	105	52.0900.9339GT	119	54.0100.0020GT	19	56.0002.0336GT	157
51.0811.4597GT	19, 21	52.0900.9340GT	119	54.0100.0076GT	109	56.0002.0346GT	159
51.0811.4599GT	105	52.0900.9341GT	121	54.0100.0093GT	149	56.0002.0347GT	159
51.0811.4604GT	89	52.0900.9342GT	121	54.0101.0002GT	135	56.0005.0000GT	159
51.0811.4605GT	91	52.0900.9344GT	69	54.0101.0004GT	163	56.0005.0009GT	159, 185
51.0811.4606GT	91	52.1100.9128GT	21	54.0101.0026GT	181	56.0005.0014GT	159
51.0811.4607GT	89	52.1200.5529GT	75	54.0200.0000GT	89, 91	56.0005.0037GT	159
51.0811.4616GT	57	52.1200.5530GT	75	54.0200.0001GT	89, 91	56.0005.0038GT	159
51.0811.4618GT	163	52.1200.5531GT	75	54.0200.0004GT	89	56.0005.0039GT	159
51.0811.4623GT	59	52.1200.5532GT	75	54.0200.0006GT	89, 91	56.0005.0040GT	159
51.0811.4662GT	171	52.1200.5533GT	75	54.0200.0007GT	89	56.0005.0041GT	159
51.0811.4672GT	19	52.1200.5534GT	83	54.0201.0005GT	89	56.0006.0040GT	159
51.0811.4676GT	77	52.1200.5535GT	83	54.0201.0006GT	89	56.0006.0041GT	159
51.0811.4681GT	71	52.1200.5537GT	75	54.0201.0079GT	97	56.0006.0042GT	159
51.0811.4693GT	63	53.0000.3817GT	101	54.0201.0080GT	95	56.0006.0043GT	159
51.0811.4694GT	63	53.0100.3220GT	103	54.0201.0088GT	107	56.0006.0044GT	159
51.0811.4699GT	133	53.0300.2213GT	101	54.0201.0089GT	97	56.0008.5218GT	159
51.0811.4724GT	81	53.0400.1818GT	101	54.0201.0090GT	95	56.0009.0009GT	157
51.0811.4725GT	77	53.0500.0605GT	161	54.0201.0091GT	101	56.0010.0005GT	81
51.0811.4726GT	77	53.0600.1811GT	105	54.0201.0092GT	101	56.0012.0000GT	157
51.0811.4733GT	77	53.0600.1812GT	105	54.0201.0093GT	101	56.0012.0085GT	25

Part Number	Page	Part Number	Page
56.0013.0006GT25	637622GT31, 45
56.0013.0040GT25	637650GT153, 159
56.0014.0029GT181	637846GT33, 37
56.0014.0031GT183	638526GT43
56.0014.0091GT139	638535GT29, 43
56.0014.0103GT181	638543GT29, 43
56.0015.0014GT155	638548GT31, 39, 45
56.0015.0015GT155	638552GT37
56.0016.0156GT75	638559GT35
56.0016.0157GT75	638566GT31
56.0016.0172GT171	639306GT41
56.0016.0173GT171	639307GT41
56.0016.0174GT171	639327GT41
56.0016.0188GT155	639328GT41
56.0016.0196GT75	639329GT41
56.0016.0199GT75	639783GT41
56.0017.0038GT155	639785GT41
56.0017.0039GT155	639790GT41
56.0017.0045GT165	639792GT41
56.0017.0046GT155	639808GT31, 41
56.0017.0051GT155	639810GT41
56.0017.0053GT155	639818GT41
56.0017.0054GT155	639905GT29
56.0017.0063GT155, 163	639906GT29
56.0017.0107GT155, 165, 169	639982GT159
56.0017.0112GT155	640216GT35
56.0017.0114GT155	640720GT35
56.0017.0116GT155	7-125-06GT75, 167
56.0017.0117GT155	822207GT109
56.0017.0121GT155	822208GT109
56.0017.0127GT155, 163	822209GT109
56.0017.0128GT155	823057GT11
56.0017.0129GT155	823391GT31
56.0017.0135GT155	823392GT27
56.0017.0136GT155	823393GT45
56.0017.0141GT155	823394GT27
56.0017.0145GT155, 169	823666GT15
56.0021.0160GT75	824032GT167
56.0021.0176GT153	824215GT167
56.0023.0028GT163	824227GT167
56.0023.0052GT163	82558GT13
56912GT167	825693GT53
57.0009.0731GT11	826345GT15
628275GT33, 41	900007GT141
629733GT41	900026GT143
629735GT41	903073GT29, 43
629736GT29, 43	97667GT13
629737GT29, 43	T09.0805.0070GT61
629738GT29, 43		
630846GT35		
631286GT43		
631293GT33		
631378GT29, 43		
633070GT35		
633072GT41		
633161GT41		
633174GT35		
633176GT35, 39		
633202GT35, 41		
633203GT35, 41		
633208GT41		
633560GT31, 45		
634546GT35		
634972GT153, 159		
634973GT153, 159		
634974GT153		
634976GT185		
635596GT41		
637413GT39		
637576GT41		
637577GT29		
637582GT29		
637584GT29		
637586GT29, 43		
637588GT29, 43		
637589GT29, 43		

Go to www.genieequipment.com to order your parts

Part Description Index

The Part Description Index is an alphabetical index of all part descriptions included in this manual. The index shows what page(s) the part is used on.

- 1**
- 18 Ways Ground Collector.....157
18 Ways Ground Connector.....157
1st Telescope Boom.....89
- 2**
- 2nd Telescope Boom.....89
2nd Telescope Extension Cilinder.....103
2nd Telescope Extension Cylinder Collar....103
2nd Telescope Extension Cylinder Foot Pin.....103
2nd Telescope Extension Cylinder Head Pin.....103
- 3**
- 3-WAY FITTING.....87
3rd Telescope Boom.....91
- 4**
- 4th Telescope Boom.....91
- A**
- ACCELERATOR PEDAL.....75
ACCUMULATOR 0.5 L.....129, 133
ADHESIVE GASKET.....83
ADHESIVE STRIP.....77
Adjusting Screw.....31, 45
Air Condition Switch Cover.....155
Air Conditioning Complete Wiring.....185
Air Conditioning Glass Switch.....185
AIR FILTER.....81
Air Filter.....11, 59
Air Filter Cover.....59
Air Filter Element.....59
AIR FILTER GRID.....13, 59
Air Filter Secondary Element.....59
AIR GRID.....81
Air Hose.....87
AIR INLET.....87
AIR INLET D76.....87
AIR OUTLET.....87
ALARM.....157
Alternator.....57
Alternator Cable.....157
Anchor Boom Chain 1" - 6X6.....97, 99
Arm.....81
ASSY,MODULE,SUPPLY,DEF,TCD3.6.....71
Attachement Chassis.....111
Attachment Locking Pin.....107
AXLE CASE.....35
AXLE CASE,LEFT.....35
AXLE CASE,RIGHT.....35
AXLE,FRONT.....27
AXLE,REAR.....27
- B**
- Back Cover Assembly.....79
Back Foam Kit.....79
BALL.....41
BALL VALVE.....143
Ball Valve.....61, 133
BATTERY AND AIR FILTER SUPPORT.....57
Battery Cut-Out Switch.....159
BATTERY HEATER.....187
Battery Negative Cable.....159
Battery Positive Cable.....159
BATTERY PROTECTION.....159
BATTERY,12V,1000 CCA GRP 31.....159
BEARING.....29, 35, 41, 43
Belt.....83
BELT, A/C, DEUTZ TCD3.6.....183
BEVEL GEAR SET.....29, 43
Blade.....81
BLEEDING SCREW.....31, 45
BLOCK HEATER, DEUTZ TCD3.6.....187
BODY.....75
BOLT, HEX, 8MMX130MM.....183
BOLT, HEX, FLANGE, 16MMX70MM.....183
BONDED RING.....61
BONDED RING 1".....147
BONDED RING 1/2".....25, 73, 129, 131, 139, 161
BONDED RING 1/4".....129
BONDED RING 2".....143
BONDED RING 3/4".....117, 129, 131, 147
BONDED RING 3/8".....25, 61, 133
BONDED RING M14 (9/16).....25
Boom Chain Pulley.....97
BOOM LEVEL INDICATOR.....89
BOOT.....29
BOTTOM ENGINE COVER.....21
BOX,INSTRUCTION STORAGE.....77
BRACKET..53, 59, 63, 71, 123, 161, 163, 165, 183
Bracket.....17, 21, 83, 105, 163, 181
BRACKET KIT.....173
BRACKET,SUPPORT.....181
BRACKET,BATTERY CUT-OUT SW.....159
BRACKET,BATTERY LOCKING.....159
BRACKET,GLASS,RIGHT,LOWER.....81
BRACKET,WINDSHIELD,FRNT,LWR.....81
BRAKE DISC.....31, 45
BUBBLE LEVEL.....77
BULB.....81
BUMP STOP,RUBBER.....83
BUSHING.....35, 39, 41
Bushing.....23, 81, 97, 101, 107
Bushing 80/90X100.....89
Bushing D.30/40.....95
BUSHING D.35/45.....95
Bushing D=40/50 - 40.....97
BUSHING M10X13.5.....89, 91
BUSHING M10X8.5.....89, 91
BUSHING M14.....89
BUSHING, 10MM X 8.5MM.....183
BUSHING,D80/90X100.....89
BY-PASS VALVE.....139
- C**
- Cable Guide.....163
Cable Reel.....163
CABLE TIE MOUNT, WINGED.....187
Camera.....171
CAP.....71, 77
Cap.....155
Cap D22.....75
Cap D30.....75
CAP,HYDRAULIC FILTER.....25
CAP,OIL FILLER,TCD 3.6,T4F.....57
CARDAN SHAFT ASSY KIT.....27
CARTRIDGE.....105
CEILING LIGHT.....77
CENTRAL CAP WITH HORN.....75, 131
CHAIN.....111
CHAIN PIVOT PLATE.....93
Chain Tensioner.....95
CHAIN TERMINAL.....93, 95
Chain Terminal.....97, 99
Chain Tie Bar Pin.....95
Chain, Pivot Plate.....93
CHASSIS.....19
Chassis Line.....157, 169
CLAMP.....49, 51, 53, 57, 63, 71
CLAMP 110/130.....59
CLAMP 15/8.....65
Clamp 240/260.....59
Clamp 70/90.....59
Clamp 80/85.....67
CLAMP D16 HOLE 8.4.....163
Clamp D18.....133
CLAMP D22.....71
CLAMP D60 HOLE 10.5.....71, 129
Clamp D8.....163
CLAMP DN 10/16 LG 9.....61, 67, 73
CLAMP DN 22/32 LG 9.....67
CLAMP DN 40/60 LG12.....59, 67, 181
Clamp DN 55/59.....67
CLAMP S16 D12 HOLE 8.4.....17, 171
CLAMP,0.44,#7X1/4,RUB CUSH.....165
CLAMP,DOUBLE,D16.....119, 121
CLAMP,HOSE,2.50****.....187
CLAMP,HOSE,MEB,40-60 H12.....87
CLAMPING STRAP.....183
COATING.....83
COIL, VALVE.....131
COLLECTOR.....67
Command Kit.....151
COMPENSATOR.....53
Complete Fuel Pre-Filter.....57
COMPLETE HEATER.....181
COMPLETE MIRROR.....77
Complete Mirror.....77
COMPLETE RADIATOR.....65
Complete Solenoid Valve With Inching Device.....69
Compressor A/C DELPHI ART 015200/1 SP15 OR.RO.E132/2 12V.....183
Compressor Installation Kit.....183
CONDENSER.....181
Condenser.....181
CONDOTTA R2 (300BAR) X 1/2 1800 F45 FD 13/16"-16.....143
CONN,520120-12-10.....143
CONNECTOR.....73
Connectors Cover.....75
CONTROL UNIT.....153
Control Valve.....69
COOLANT TEMP SENSOR,TD2.9.....53
Cosmetic - Genie.....13, 15
Cosmetic - GTH-1256.....13, 15
Cotter Pin 4X 45 UNI 1336 ZN.....111
COTTER PIN D2X25 UNI 1336 ZN.....93, 95, 97, 99
Counterweight.....17
COVER.....19, 25, 31, 33, 41, 69, 77, 159
Cover.....17, 19, 21, 25, 75, 77, 91

COVER,DASH.....33
 COVER,RADIO HOUSING.....75
 COVER,SPEAKER.....77
 COVERING.....77
 CYLINDER.....37
 Cylinder.....161

D

Danger - Explosion/Burn Hazard.....13
 Danger - Explosion/Burn Hazard, Fueling.....15
 Danger - Explosion/Burn Hazard.....15
 Danger/Warning - 7 Decal Combination.....15
 Dashboard Line.....157
 DASHBOARD,CENTRAL.....75
 DASHBOARD,FRONT.....75
 DASHBOARD,LOWER.....75
 DECAL AIR FILTER GRID (FRENCH).....13
 DECAL, 2 DECAL COMBO.....13, 15
 DECAL, FALL HAZARD.....15
 DECAL, LABEL - CHEVRON RANDO.....15
 DECAL, TRANSMISSION ERROR RESET INSTRUCTION.....15
 DECAL,BODY CRUSH,ROLLING MACHINE.....13, 15
 DECAL,COSMETIC,GENIE.....13
 DECAL,CRUSH HAZARD,TIRES.....13, 15
 DECAL,CUT-OUT BATTERY.....13
 DECAL,DEF Fill.....15
 DECAL,DOOR UNLOCK SYSTEM.....15
 DECAL,EMERGENCY EXIT.....15
 DECAL,FUEL,DIESEL EXHAUST, PROP 65.....15
 DECAL,INCHING VALVE.....13
 DECAL,LABEL,DIESEL FUEL.....15
 DECAL,MACHINE REGISTRATION/OWNER TRANSFER.....15
 DECAL,NOTICE CUT OUT SWITCH.....13
 DECAL,TELEMATICS,UR.....173
 DECAL,ULS DIESEL ONLY,TIER 4.....15
 DECAL,WARN,BURN HAZARD.....13
 DECAL,WARN,IMPROPER OPERATION...15, 77
 DECAL,WARN,SKIN INJECTION HAZ*.....13
 DECAL,WARNING,CANCER AND REPRODUCTIVE HARM, PROP 65.....15
 DECAL,WARNING,EXPLOSION/BURN HAZARD.....13
 DECAL,WARNING-COMPART ACCESS.....13
 DETENT BALL.....29
 Deutz Engine Control Unit.....57
 DEUTZ ENGINE SUPPORT.....57
 Diesel Tank Cap.....25
 Differential Case.....29
 DIFFERENTIAL FLANGE,REAR.....43
 Differential Pinion.....29, 43
 Differential Side Gear.....29
 DIPSTICK OIL.....57
 Display Bracket.....171
 Display Kit.....171
 DISPLAY SUPPORT.....179
 Display Support.....171
 DISPLAY,LED,REAR PROX ALARM.....179
 DOC.....63
 DOMED WASHER.....183
 DOOR CATCH.....83
 Door Frame.....83
 Door Glass Kit.....85
 DOOR LOCK.....83
 DOOR LOCK COVER.....83

DOOR RUBBER/PIPE FITTING.....65
 DOOR SEAL.....83
 DOOR,INSPECTION,HYD TANK.....25
 DOWEL.....31, 41
 Dowel M12X40 UNI 5927 12.9 ZN.....109
 DOWEL M8X16 UNI 5927 12.9 ZN.....95, 97
 DRIVE SHAFT.....27
 Driving Line.....157
 DUST EXCLUDER.....35

E

ELBOW.....53
 Elbow Kit.....75
 Electric Line Fixing Bar.....163
 Electrical Fan.....87
 Electrical Line.....163, 165, 177
 ENGINE COVER ASSY.....21
 Engine Cover Lock.....21
 ENGINE COVER LOCK LEVER.....21
 Engine Housing Assy.....21
 Engine Line.....157
 EXHAUST MANIFOLD SUPPORT.....63
 EXHAUST PIPE.....51
 EXHAUST TUBE.....63

F

FAN.....57, 139
 Fan.....181
 Fan Heater.....181
 FAN SHROUD.....139
 Film.....83
 FILTER.....71, 73, 181
 FILTER ASSY.....11, 25
 FILTER, HYD. OIL TANK.....25
 FILTER,FUEL,DEUTZ TCD3.6.....11, 57
 FILTER,FUEL,SPIN-ON,TCD3.6.....11
 FILTER,MAGNETIC.....25
 FILTER,OIL.....11, 57
 FILTER,SM,DEF,TCD 3.6.....71
 FITTING.....61, 65
 FITTING 90° 1/8.....65
 FLANGE.....29, 43, 47, 69
 Flange.....41
 Flashing Beacon.....81
 Flashing Beacon Bracket.....81
 FLAT WASHER 18X34X3 UNI16592 12 ZN.....75
 FLAT WASHER D.16 1/4-19 BSPP GAS CIL 50100.....149
 FLAT WASHER D10 UNI 6592 ZN.....21, 23, 69, 75, 89, 91, 101, 103, 105, 131, 133, 167
 FLAT WASHER D10 UNI 6593 ZN.....19, 21, 71, 159, 161
 FLAT WASHER D12 UNI 5714 ZN.....69, 95
 FLAT WASHER D12 UNI 6593 ZN.....65
 FLAT WASHER D14 UNI 6592 ZN.....89, 91, 101, 103
 FLAT WASHER D14 UNI 6593 ZN.....19
 FLAT WASHER D16 UNI 5714 ZN.....69, 93, 97, 99
 FLAT WASHER D16 UNI 6592 ZN.....27, 57, 147
 FLAT WASHER D18 UNI 5714 ZN.....93, 95
 FLAT WASHER D20 UNI 6592 ZN.....27, 57, 97, 99
 FLAT WASHER D24 UNI 6592 ZN.....17, 27
 FLAT WASHER D4 UNI 6592.....77, 181

FLAT WASHER D5 UNI 6592 ZN.....17, 21, 57, 167, 175, 179
 FLAT WASHER D6 UNI 6592 ZN.....17, 19, 21, 23, 59, 71, 75, 83, 107, 111, 115, 119, 121, 131, 133, 135, 157, 165, 167, 181
 FLAT WASHER D6 UNI 6593 ZN.....57, 77, 159, 163, 171, 179, 181
 FLAT WASHER D6 UNI ISO 7093 ZN.....57
 FLAT WASHER D8 UNI 6592 ZN.....17, 19, 21, 25, 57, 65, 71, 75, 77, 81, 91, 95, 97, 101, 105, 115, 129, 133, 149, 159, 161, 163, 167, 171, 181
 FLAT WASHER D8 UNI 6593.....139
 FLAT WASHER D8 UNI 6593 ZN.....19, 21, 25, 59, 63, 71, 77, 83, 161, 175
 FLAT WASHER D8X32 UNI 6593 ZN.....71
 FLEXIBLE HOSE.....119
 Flexible Hose.....135, 137
 Flexible Hose BM6K 1 900 F45 D.47 FLD D47.....147
 Flexible Hose ETERNITY/2 X 1/2 3500 FD FD 13/16"-16.....119
 Flexible Hose R1 X 1/2 2400 FD F90 13/16"-16.....133
 Flexible Hose R1 X 1/4 1850 F90 ALTA F90 9/16"-18 90°.....127
 Flexible Hose R1 X 1/4 700 FD-FD 9/16-18 ORFS.....137
 Flexible Hose R1 X 1/4 LG 2250 FD F90 9/16 ORFS.....141
 Flexible Hose R1 X 1/4 LG.1800 FD F90 9/16-18 ORFS.....135
 Flexible Hose R1 X 1/4 LG.250 F90 F90 9/16 ORFS.....145
 Flexible Hose R1 X 1/4" LG. 3050 FD - F90 9/16-18 ORFS.....119
 Flexible Hose R2 (300 BAR) X 1/2 850 F90 ALTA (56) X FD 13/16"-16.....119
 Flexible Hose R2 (300BAR) X 1/2 1900 F90 High FD 13/16"-16.....119
 Flexible Hose R2 (300BAR) X 3/4.....129
 Flexible Hose R2 (300BAR) X 3/4 2400 F90 F90 1 3/16"-12 A 90°.....129
 Flexible Hose R2 (300BAR) X 3/4 3350 F90 FD 13/16"-12.....117
 Flexible Hose R2 (300BAR)X 3/8 3400 FD F90 11/16"-16.....131
 Flexible Hose R2 X 1/2 2000 F90 FD13/16.....133
 Flexible Hose R2 X 1/2" 300 Bar Lg. 4820 FD - F90 13/16"-16 ORFS.....119, 121
 Flexible Hose R2 X 1/2" 350 Bar Lg. 3550 FD - FD 13/16"-16 ORFS.....119, 121
 Flexible Hose R2 X 1/2" Lg. 1450 FD - F90 13/16"-16 ORFS.....119
 Flexible Hose R2 X 1/4 2300 FD MD 9/16"-18.....131
 Flexible Hose R2 X 1/4 LG. 2600 FD - F90 9/16"-18 ORFS.....133
 Flexible Hose R2 X 3/8 1500 F90 F90 11/16"-16 A 90°.....161
 Flexible Hose R4 X 1 1200 F90 FD 1 7/16"-12.....141
 Flexible Hose R4 X 1" LG 800 F90 FD 1" 7/16-12.....147
 Flexible Hose R4 X 1" LG. 1850 F90 F90 1 7/16"-12 ORFS A180.....147
 Flexible Hose R4 X 1" LG. 850 F90-FD 1 7/16"-12 ORFS.....141

Part Description Index (continued)

- Flexible Hose R4 X 1-1/4 LG. 2800 F90-FD 1"
11/16"-12 ORFS.....141
- Flexible Hose R4 X 2 2000.....143
- F L E X I B L E
HOSE,D12X18(1EACH-1METER).....61
- Fleyer Chain 1" - 6X6 - 199 ST.....93, 97
- FLEAYER CHAIN 1"-6 X 6-201 STEPS.....95, 99
- FLEAYER CHAIN 3/4"-6 X 6-261 STEPS.....93,
95, 97, 99
- Floating Fork Mounting Plate 48".....109
- Floating Fork Mounting Plate 60".....109
- Floating Fork Mounting Plate 72".....109
- FLOOR MAT,RUBBER.....77
- Fork Coupling Attachment.....107
- Fork Levelling Cylinder.....101
- FORK, 48" INDIVIDUAL, 1544.....109
- FORK, 60" INDIVIDUAL, 1544.....109
- FORK, 72" INDIVIDUAL, 1544.....109
- FORMING,COVER,CAB,ROAD LIGHT.....167
- FORMING,COVER,ENG,ROAD LIGHT.....167
- FRAME.....83
- Front Axle Seal Kit.....27
- FRONT ENGINE SUPPORT.....57
- Front Glass Kit.....85
- Front Pad.....89
- Front Pad 200x60x33.....91
- Front Pad 250x55x33.....89
- Front Pulley.....95
- Fuel Filter.....25
- FUEL FILTER CARTRIDGE.....57
- FUEL GAUGE.....25
- Fuel Pre-Filter Cartridge.....57
- FUEL PUMP.....57
- Fuel Tank.....25
- Fuel Tank Assembly.....19
- FUSE.....185
- Fuse 10A.....153
- Fuse 15A.....153, 159
- Fuse 1A.....159
- Fuse 3A.....153, 159
- Fuse 5A.....153
- Fuse 7.5A.....153, 159
- Fuse Box.....159
- FUSE HOLDER.....159, 185
- Fuse MAXI 100A.....159
- FUSE, MAXI,40A.....159
- FUSE,10A.....185
- FUSE,MAXI,20A.....159
- FUSE,MAXI,30A.....159
- FUSE,MINI,15A.....159
- FUSE,MINI,5A.....159
- G**
- GAS PIPE.....51
- Gas Spring.....21
- GAS/OIL QUICK CONNECTOR.....61
- GASKET.....17, 21, 29, 47, 55, 59, 69, 77, 81,
83
- Gasket.....83, 161
- Gasket Strip.....21
- GASKET,ADHESIVE.....25
- GASKET,RUBBER.....83
- GASKET,THERMOSTAT.....53
- GEAR.....41
- GEAR BOX.....27
- Glass.....83
- GLASS LOCKING BRACKET.....81
- GLASS,FRONT WINDSHIELD.....81
- GLASS,LEFT REAR.....81
- GLASS,RIGHT,FRONT.....81
- GLASS,ROOF.....77
- GREASE NIPPLE.....35, 39
- GREASE NIPPLE G 1/8.....23, 89, 95, 97, 101,
103, 105, 107
- GREASE NIPPLE M6.....89, 91, 95, 97
- Greaser.....83
- GRID.....65
- GROMMET.....77, 81, 83
- GROMMET,RUBBER D31.....87
- GSKT,HOSE,COOL,EGR,TC3.6,T4F.....49
- GSKT,PIPE,MAN,EXST,TC3.6,T4F.....51, 53
- GUARD.....41
- Guard.....161, 181
- H**
- HALF FLANGE D47.....147
- HANDLE.....19, 21, 75, 77, 83
- Handle.....83
- HANDLE,STEER COLUMN.....75
- HARNESS, BACKUP LIGHT.....167
- HARNESS, TAILLIGHT LED.....167
- HARNESS,LIGHT,DRIVE,CLEAR,3LED.....167
- HARNESS,LIGHT,LED,CLEAR,5"ROUND.165,
167
- HARNESS,LIGHT,TURN SIGNAL,AMBR.....167
- Heat Exchanger.....65
- HEATER.....87
- Heater.....181
- HEATER CORE.....87
- Heater Cover.....181
- Heater pipe 15x23.....87
- HEATER SUPPORT.....187
- Heater Support.....87
- Height Adjuster Kit.....79
- HEX HEAD CAP.....87
- HEXAGON BOLT F-M16 X 120 10.9
ZNAL-A.....183
- HEXAGON BOLT M8 X130 8.8 A4C.....183
- HEXAGON FLANGE BOLTS DIN 6921 M6 X
16.....65
- HEXAGON FLANGE BOLTS DIN 6921
M8X30.....139
- HINGE.....19
- Hinge.....17, 21, 83
- Hinge Fixing Plate.....19
- HOSE.....53, 61, 65, 73, 181
- HOSE 2X3-4 LG1400 F90-F90 1 3/16 A
270ø.....117
- HOSE 5/16.....181
- Hose Adapter 3/8" BSP x D10.....73
- Hose Adapter.....61
- HOSE ADAPTER 1/2 GAS D18.....73
- HOSE ADAPTER 3/8" GASXD17.....73
- HOSE BM6K 1"x1100 FLD D47 Special.....147
- Hose D15-23.....61, 73
- Hose D40.....59
- HOSE ETERNITY/2 (450 BAR)X 1/4 850 SF
F90 9/16"-18 ORFS.....147
- HOSE GUIDE.....81
- Hose R1 X 1/4 Lg. 650 R1 X 1/4 LG. 650 FD
F90 9/16-18 ORFS.....135
- Hose R1 X 1/4 LG.3000 FD- F90 9/16-18
ORFS.....125
- Hose R1 X 1/4 LG.950 - FD F90 9/16-18
ORFS.....147
- HOSE R1 X 3/4" Lg.3400 SF - F90 13/16"-16
ORFS.....131
- HOSE R1 X 3/8 2300 F90 SF 11/16"-16.....133
- Hose R1 X 3/4 LG.2000 FD-F90 9/16-18
ORFS.....135
- HOSE R1X1/2 850 F90 SF 13/16 ORFS.....141
- HOSE R1X1/4 1950 FD FD 9/16-19.....147
- HOSE R1X1/4 2850 F90 FD 9/16-18.....145
- HOSE R1X1/4 L 2400 90 FEM STR FEM
9/16-18.....127
- HOSE R1X1/4 LG 2600 F90 FD 9/16-18.....145
- HOSE R1X1/4 LG 350 F90 - FD 9/16-16.....127
- HOSE R1X1/4 LG 350 F90 F90 9/16
ORFS.....145
- HOSE R1X1/4 LG 700 FD-F90 9/16-18
ORFS.....135
- HOSE R2 (300 BAR) X 1/2 3550 SF F90
13/16"-16.....131
- HOSE R2 (300 BAR) X 1/2 5300 F90 ALTA
13/16"-16 MD 16.....123
- HOSE R2 (300 BAR) X 1/2 5300 F90 MD
16.....123
- HOSE R2 (300 BAR) X 1/4 3300 F90 ALTA SF
9/16"-18.....125
- HOSE R2 (300 BAR) X 1/4 3900 F90(HIGH)
F90 9/16-18 A 180°.....135
- HOSE R2 (300 BAR)X 1/4" LG 900 F90 - FD
9/16-18 ORFS.....129, 133
- HOSE R2 (300BAR)X 3/8 LG.2000 - FD F90
11/16-16 ORFS.....131
- HOSE R2 X 1/2 3350 SF F90 ALTA 13/16"-16
(300 BAR).....121
- HOSE R2 X 1/4 1350 F90 FD.....133
- HOSE R2 X 1/4 1850 F90 SF 9/16"-18
ORFS.....133
- HOSE R2 X 1/4 200 FD F90 9/16"-18.....161
- HOSE R2 X 1/4 400 FD F90 9/16"-18.....161
- HOSE R2(300 BAR) X 1/4 LG.500 F90 FD
9/16-18 ORFS.....133
- HOSE R2(300 BAR)X1/4 3400.....143
- HOSE R2(300BAR) X 1/4 3400 F90 FD 9/16
ORFS.....133
- HOSE R2X1-2 LG1400 F90-F90 13/16-16 ORFS
270ø.....117
- HOSE R2X1/2 3300 F90 13/16-16 FD
13/16-16.....117, 121
- HOSE R2X1/2 430 F90 BSP F90 BSP A
270°.....161
- HOSE R2X1/2 4500 SF F90 13/16"-16.....141
- HOSE R2X1/2 500 F90 F90 BSP A 270°.....161
- HOSE R2X1/2 LG750 F90 FD 13/16-16
ORFS.....119
- HOSE R2X1/4 4150 SF SF 9/16"-18.....145
- HOSE R2X1/4 650 SD SF 9/16-18 ORFS...143
- HOSE R2X1/4 LG 400 F90-FD 9/16-18
ORFS.....133, 135
- HOSE R2X1/4 LG 600 F90 FD 9/16-18
ORFS.....133
- HOSE R2X1/4 LG1200 F90 FD 9/16
ORFS.....125
- HOSE R2X3/4 3500 F90 SF 1 3/16"-12.....143
- HOSE R2X3/8 LG 1100 F90 FD 11/16-16
ORFS.....131
- HOSE R2X3/8 LG 1200 FD-F90 11/16-16
ORFS.....131
- HOSE R4 X 1-1/4 3400 FD F45 1
11/16"-12.....147
- HOSE R4X1 2550 F90 SF 1 7/16"-12.....143
- HOSE R4X1 3000 F90 FD 1 7/16-12
ORFS.....147
- HOSE R4X3/4 2700 F90 F90 1 3/16"-12 A
45°.....143

HOSE,COOLANT,EGR,TCD 3.6,T4F.....49
 HOSES BLOCK.....119
 HOSES HEATER SUPPORT.....71
 HOSES PROTECTION.....117, 119, 121, 181
 HOUSING.....33, 41, 53
 Hydraulic Oil Level Indicator.....25
 Hydraulic Oil Tank Assembly.....19
 HYDRAULIC OIL TANK CAP.....25
 Hydraulic Pump 2.....69
 Hydraulic Pump 4.....69
 Hydraulic Pump 5.....69

I

Inlet Neck.....25
 Input Shaft.....41
 Instrument Panel.....155
 Insulator.....57
 Intercooler Support.....65
 Intermediate Brake Disc.....31, 45
 Iron Hose With Pipe Fitting.....119, 121
 Iron Hoses.....119
 IRON PIPE.....121, 123

J

JOINT.....35, 139
 JOYSTICK.....75
 JOYSTICK SUPPORT.....75

K

Keeper Ring D11.....83
 KEY.....29, 83, 155
 KEY ONLY, SWITCH/IGNITION.....21
 KINEMATIC KIT.....75
 KIT,BRAKE,FRONT AXLE.....31
 KIT,BRAKE,REAR AXLE.....45
 KIT,DOOR LOCK.....19
 KIT,SEAT DAMPER.....79
 KIT,STEERING CASE,LEFT.....35
 KIT,STEERING CASE,RIGHT.....35
 KIT/PUMP COUPLING.....69
 KNOB.....75, 81, 87
 Knob Kit.....79
 KNOB, STEERING MODE SELECTOR.....155

L

LABEL.....87
 Label - Load Chart, 7 ft Truss Boom on
 stab.....15
 Label - Load Chart, 7 ft Truss Boom on
 wheel.....15
 Label - Load Chart, Rotate Carriage on
 stab.....15
 Label - Load Chart, Rotate Carriage on
 wheel.....15
 Label - Load Chart, Rubbish Bucket on
 stab.....15
 Label - Load Chart, Rubbish Bucket on
 wheel.....15
 Label - Load Chart, Shackle on stab.....15
 Label - Load Chart, Shackle on wheel.....15
 Label - Load Chart, Standard Carriage on
 stab.....15
 Label - Load Chart, Standard Carriage on
 wheel.....15
 Label - Product Registration.....15
 Label - Single Controller.....15
 Label - Tests Port.....13

Label - Transport and Lifting.....15
 Label, Notice - Driving Downhill.....15
 LADDER.....19
 Ladder Assembly.....19
 LANYARD.....77
 LANYARD,PIN.....107
 Lateral Cabin Line.....157, 169
 Left & Right Axle Case.....35
 LEFT ASSY SUPPORT.....139
 Left Bracket.....181
 Left Chassis Sway Cylinder.....105
 Left Control Lever.....75
 Left Glass Kit.....85
 LEFT REAR ENGINE SUPPORT.....57
 Lifting Cylinder.....101
 Lifting Cylinder Foot Pin.....101
 Lifting Cylinder Head Pin.....101
 LOCK.....17
 LOCK CLIP.....17
 Lock Clip.....107
 Lock Clip D10X80.....111
 LOCK RING.....83
 LOCK,DOOR.....83
 Locking Bracket.....59
 Locking Pin.....83
 LOCKING PLATE.....29, 43
 Locking Plate.....19, 21, 29, 43
 Locking Tab.....75
 LOWER ENGINE COVER.....21

M

Magnet Plug.....33, 35
 MAIN VALVE.....151
 MANIFOLD.....49, 53, 59, 115
 Manifold.....115
 MANIFOLD, BOOM HOSES.....121
 Manual Ball Valve.....133
 Master Link.....111
 Max Load Plate.....111
 MAX PRESSURE VALVE.....69
 MAXI FUSE SUPPORT.....159
 MEB HOSE CLAMP,19X28.....87
 MINI FUSE SUPPORT.....159
 MINI RELAY SUPPORT.....159
 MIRROR.....21
 MIRROR,CONVEX.....17
 MODULE TELEMATICS M8.....175
 MODULE,CAN INT,DEF,TCD3.6,T4F.....71
 MODULE,TELEMATICS,ZTR,M6H.....173
 Mudguard.....19, 21
 Mudguard ASSY.....19, 21

N

Negative Cable.....159
 Non-Skid Coating.....77
 NUT.....29, 31, 35, 43, 143
 Nut.....41
 Nut Cover M6.....83
 Nut Cover M8.....83
 NUT M10 UNI 5588 6S ZN.....163
 NUT M12 UNI 5588 6SZN.....95
 NUT M12X1.....21
 NUT M18 UNI 5589 8G ZN.....95
 NUT M18 UNI 5721 ZN.....95
 Nut M18X1,5 UNI 5589 12 ZN.....75
 Nut M22 UNI 5588 8G ZN.....93
 NUT M8.....77, 83
 NUT, HEX, 10MM, DEUTZ A/C.....183

NUT, PLASTIC LOCK, SOLENOID
 07.0701.0289.....147
 NUT, WING, M6 UNI 7473-7474 6S.....159
 NUT,10-32,ZAG.....167
 NUT,8-32, URI TELEMATICS.....173
 NUT,M8 UNI 7473 6S ZN.....17, 19, 21, 25, 57,
 59, 65, 71, 77, 81, 83, 107, 133, 149, 181
 NUT,M8 UNI CL8 ZN.....83
 NUT,PROTECTION.....77, 81
 NUT,STOP,M10 UNI 7473 6S ZN.....19, 21, 23,
 65, 101, 103, 111, 133, 139
 NUT,STOP,M16 UNI 7473 6S ZN.....17, 27, 107
 NUT,STOP,M4 UNI 7473 6S ZN.....77
 NUT,TL FLG,10-32,F,ZAG.....167
 NUT,WHEEL.....35
 Nylon Pulley.....95

O

O-RING.....25, 29, 31, 33, 35, 37, 41, 43, 45,
 103, 141, 143, 147
 O-Ring.....75, 151
 O-ring.....101
 O-RING 124X4,5.....25
 O-RING 98X3.....25
 O-Ring Kit.....151
 OIL COOLER.....139
 Oil Cooler Fan Motor.....139
 Oil Filter Cartridge.....25
 OIL PIPE.....47
 OIL RADIATOR.....139
 OIL REFRIGERANT.....55
 OIL TANK.....25
 OIL TANK COVER.....25
 OPERATOR'S MANUAL.....11
 Outrigger.....23
 Outrigger Cylinder.....23
 Outrigger Feet.....23
 OUTRIGGER VALVE COVER.....23

P

PAD.....99
 Pad 100x60x33.....91
 PAD FIXING BUSHING M14.....89, 91
 Pad Shim.....89
 Pad Shim 100X50X1.....91
 Pad Shim 200X60X1.....91
 PAD SHIM 250X85.....89
 PIN.....17, 29, 43, 93, 95, 97, 99
 Pin.....23, 93, 101, 105, 107, 111, 161
 Pin 48".....109
 Pin 60".....109
 Pin 72".....109
 PIN,DOOR FRAME BELT.....83
 PINION,DIFFERENTIAL.....35
 PIPE.....47
 PIPE FITTING.....61, 73
 Pipe Fitting.....73
 PIPE FITTING 1 BSPX1-3/16-12 ORFS.....143
 PIPE FITTING 1" GASX1-7/16-12 ORFS..141,
 147
 Pipe Fitting 1"1/2BSP-1"7/16-12ORFS.....143
 Pipe Fitting 1"1/4BSP-1"11/16-12ORFS.....141
 PIPE FITTING 1"BSPX1"11/16-12
 ORFS.....141, 147
 PIPE FITTING 1/2 BSPX13/16-16 ORFS..119,
 121, 123, 131, 133, 141, 143
 PIPE FITTING 1/2BSP x 11/16-16
 ORFS.....131, 161

Part Description Index (continued)

PIPE FITTING 1/2BSPX 9/16-18 ORFS....125, 129	PIPE FITTING, M14X1.5X9/16 ORFS.....133, 135, 137	REDUCER,D48.5.....87
PIPE FITTING 1/2BSPX1-3/16-12ORFS...129, 131	PIPE FITTING,PUMP,FUEL.....61, 73	Reduction Bushing.....31, 45
Pipe Fitting 1/2X 3/4 BSP.....131	PIPE R2 X 1/2 1300 FD F90 13/16"-16 ORFS119, 121	Regulator.....151
PIPE FITTING 1/2X1/2 BSP.....73, 161	PIPE,MAN,EXHAUST,TC D 3.6,T4F.....49	RELAIS SUPPORT.....159
PIPE FITTING 1/4 BSPX9/16-18 ORFS....119, 127, 129, 131, 135, 145, 147, 161	PIPE,MIXING,TC D3.6 T4F.....63	RELAY.....55, 153, 159, 185
PIPE FITTING 1/4BSPX11/16-16 ORFS.....161	PISTON.....29, 31, 41, 45	RELAY HOLDER.....185
PIPE FITTING 14X1.5X9/16-18 ORFS.....133, 143, 149	PIVOT PIN.....35	Relay Support.....159
PIPE FITTING 18X1.5X11/16 ORFS.....133	Pivot Pin.....35	RELAY, FLASHER, LED, 12V(AUTO).....169
PIPE FITTING 1X1 BSP.....147	PLAIN WASHER 8,4 ST A4C.....183	Right Armrest Kit.....79
PIPE FITTING 2X2 BSP.....143	PLAIN WASHER D15.....81, 83	RIGHT ASSY SUPPORT.....139
PIPE FITTING 3/4 BSPX13/16-16 ORFS....117	Plain Washer D6 UNI 6592.....83	Right Bracket.....181
PIPE FITTING 3/4"BSP/1"7/16-12 ORFS....143	PLAIN WASHER,D110-70 SP0.8.....109	Right Chassis Sway Cylinder.....105
Pipe Fitting 3/4-16UNF/ 11/16-16ORFS.....131	Plate.....105, 181	Right Dashboard.....75
PIPE FITTING 3/4BSP X1"3/16-12 ORFS.....117, 129, 143	PLATE,DASH SUPPORT,LEFT.....155	Right Glass Kit.....85
PIPE FITTING 3/8 BSPX9/16-18 ORFS....119, 125, 127, 131, 135, 141, 161	PLATE,DASH SUPPORT,RIGHT.....155	RIGHT PAD SHIM.....91
Pipe Fitting 3/8" - 1/2".....73	PLATE,DECAL.....77	RIGHT REAR ENGINE SUPPORT.....57
PIPE FITTING 3/8BSPX11/16-16 ORFS.....133	PLATE,LOCKING.....35	RING.....31, 45, 47, 49
PIPE FITTING 3/8BSPX13/16-18 ORFS.....133	PLUG.....31, 33, 35, 37, 39, 41, 45, 49, 75, 83	RING GEAR.....35
PIPE FITTING 3/8X3/8 BSP.....61, 133	PLUG 1/2 BSP.....139	RING KIT.....29
Pipe Fitting 7/16-20 UNF X 9/16-18 ORFS.....143	PLUG 3/8" BSP.....61	RING NUT.....29, 43
PIPE FITTING 90.....121	PLUG,MAGNET.....35	ROAD LIGHT SUPPORT (FRONT LEFT)...167
PIPE FITTING 90 1/2GASXM 13/16-16 ORFS.....119, 121, 133	PLUG/STOPPER.....41	ROD,BATTERY HOLD DOWN.....159
PIPE FITTING 90 M-M 13/16-16 ORFS....117, 119, 121	POSITION KIT,DIFFERENTIAL,REAR.....43	ROOF COVERING.....77
Pipe Fitting 90° BSP.....147	POWER STEERING.....131	Roof Wiper Kit.....81
PIPE FITTING CMF 1/4 ES LG 40.....129	Pressure Override Valve.....69	Rubber.....65
Pipe Fitting CMF 3/4BSP LG.35.....117, 129	PRESSURE PLUG M14X1.5.....149	Rubber Below.....59
PIPE FITTING CMF1/2 ES LG 25.....129, 131, 161	PRESSURE RELIEF VALVE.....69	Rubber Boot.....75
PIPE FITTING F 13/16-16 ORFS-M 9/16-18 ORFS.....133	PRESSURE SENSOR, HYDRAULIC OIL.....25	Rubber D.41X9.....181
PIPE FITTING G1 12.....141	PRESSURE SWITCH.....133	Rubber Gasket.....25
PIPE FITTING GMF 3/8" BSP.....133	Pressure Switch.....181	RUBBER MANIFOLD.....67
Pipe Fitting GWR M 2" BSP X F1 1/2" BSP.....143	PROFILE.....65	RUBBER PIPE.....49, 73
Pipe Fitting Kit RD2-MC/FG100-N.....143	PROTECTION.....57	Rubbish Bucket.....113
Pipe Fitting Kit RD2-MF/FG200-N.....143	PROTECTION FAN.....65	
Pipe Fitting M 1"3/16-12 . X M 1"3/16"-12 ORFS.....117	PROTECTION GRID.....77	S
PIPE FITTING M-M A 90 1/4 BSPX9/16-18 ORFS.....131, 133, 141, 161	Protection Grid.....17, 19	Safety Belt Kit.....79
Pipe Fitting M-M A 90 3/4"-16 UNF X 11/16"-16 ORFS.....131	Protective Cap.....75	SAFETY VALVE.....101, 103, 105, 119, 147
PIPE FITTING M10X1- 9/16-18 ORFS.....133	PROXIMITY SENSOR.....157	SCR.....63
PIPE FITTING M12X1.5 X 9/16-18 ORFS....147	PROXIMITY SWITCH.....133	SCREW.....17, 27, 29, 31, 33, 35, 37, 41, 43, 45, 47, 49, 51, 53, 55, 77, 81, 87
PIPE FITTING M18X1.5 M 9/16-18 ORFS.....133, 147	Pulley.....97	Screw.....41, 59, 87
Pipe Fitting M26X1,5X 1"7/16-12 ORFS.....147	Pulley Front Pin.....95	SCREW FE TGS T+ M6X25 UNI 7689 ZN....75
Pipe Fitting M27X2 X M 1 7/16"-12 ORFS...147	PULLEY HOLDER.....95	SCREW KN TC+ 3.5x16 ZN.....87
Pipe Fitting M33x2(ISO6149-2) 1 7/16"-12 ORFS.....147	Pulley Pin Lock Plate.....97	SCREW M10X100 UNI 5737 8.8 ZN.....23, 103
PIPE FITTING M42X2X1"11/16-12 ORFS....147	Pulley Support.....95, 97	SCREW M10x110 UNI 5931 8.8 ZN.....151
Pipe Fitting MFK 90 1/2 BSP.....121	PUMP BRAKE.....133	SCREW M10X135 UNI 5931 12.9.....139
PIPE FITTING R2X1/4 LG950 FD F90 9/16 ORFS.....131	Pump Hub.....69	SCREW M10X20 UNI 5739 8.8 ZN.....69, 91
PIPE FITTING TMF+C 9/16-18 ORFS.....133, 135, 147, 161	PVC Clamp D9X185.....177, 187	SCREW M10X25 UNI 5739 8.8 ZN.....23, 25, 69, 71, 75, 89, 105, 131, 163, 167
PIPE FITTING TMF+L 1/2 BSP.....121		SCREW M10X30 UNI 5739 8.8 ZN.....21, 65, 89, 91, 161
PIPE FITTING TMF+L 13/16-16 ORFS.....133	Q	SCREW M10X40 UNI 5739 8.8 ZN.....69
PIPE FITTING TMF+L 9/16-18 ORFS.....135	QUICK COUPLING, FEMALE 1/2.....121	SCREW M10X40 UNI 5931 12.9 ZN.....95
	QUICK COUPLING, MALE 1/2.....121	SCREW M10X50 UNI 5739 8.8 ZN.....21
	R	SCREW M10X55 UNI 5931 8.8 ZN.....23
	Radiator.....65	SCREW M10X60 UNI 5737 8.8 ZN.....101
	RADIATOR GRID.....139	SCREW M10X70 UNI 5737 8.8 ZN.....103, 111
	RADIATOR HOSE.....65	SCREW M10X80 UNI 5737 8.8 ZN.....23, 101
	RADIATOR MANIFOLD.....67	SCREW M10X90 UNI 5737 8.8 ZN.....103
	RADIATOR SUPPORT.....65	SCREW M12X100 UNI 5737 8.8 ZN.....95, 101
	Rear Axle Locking Cylinder.....105	SCREW M12X30 UNI 5739 8.8 ZN.....119
	Rear Axle Seal Kit.....27	SCREW M12X40 UNI 5737 8.8 ZN.....57, 101, 147
	Rear Lower Glass.....83	SCREW M12X40 UNI 5739 8.8 ZN.....57
	REAR LOWER GLASS KIT.....85	SCREW M12X45 UNI 5737 8.8 ZN.....57
	Rear Pad.....89	SCREW M12X60 UNI 5737 10.9 ZN.....95
	Rear Pulley.....95	SCREW M12X70 UNI 5737 8.8 ZN.....139
	Rear Pulley Pin.....95, 97	SCREW M14X150 UNI 5737 8.8 ZN.....101
	REAR ROAD LIGHT SUPPORT.....167	SCREW M14X25 UNI 5931 8.8 ZN.....91
	Rear Upper Glass.....83	SCREW M14X35 UNI 5739 8.8 ZN.....19

SCREW M14X40 UNI 5739 8.8 ZN.....103	Screw TE M 8X90 UNI 5737 8.8 ZN.....71	See 600 Hydraulic System, Figure 610265 - Position 1.....135
SCREW M14X40 UNI 5931 8.8 ZN.....91	Screw TE M12X50 UNI 5737 10.9ZN.....95	See 600 Hydraulic System, Figure 610265 - Position 2.....135
SCREW M14X45 UNI 5931 8.8 ZN.....89	Screw TE M12X90 UNI 5737 8.8 ZN.....109	See 600 Hydraulic System, Figure 610267 - Position 8.....133
SCREW M16X130 UNI 5739 8.8 ZN.....27	Screw TE M14X120UNI 5737 8.8 ZN.....107	See 600 Hydraulic System, Figure 610268 - Position 7.....133
SCREW M16X40 UNI 5737 10.9 ZN.....93	Screw TE M16 X 140 ZN UNI 5737.....107	See 700 Electric Installation, Figure 610276 - Pos. 2.....75
SCREW M16X40 UNI 5739 8.8 ZN.....69	Screw TE M16X50 UNI 5737 8.8 ZN.....147	See 700 Electric Installation, Figure 610276 Pos. 24.....75
SCREW M20X45 UNI 5739 10.9 ZN.....97, 99	Screw TE M16X80 UNI 5737 8.8 ZN.....19	SEEGER.....93, 95
SCREW M20X60 UNI 5737 8.8 ZN.....57	Screw TE M22X280 UNI 5737 8.8 ZN.....105	Selector Fork.....29
SCREW M24X160UNI 5737 10.9 ZN.....27	Screw TE M24X100 UNI 5737 8.8 ZN.....17	SELECTOR SHAFT.....41
SCREW M4,2X16 UNI 6954 10.9 ZN.....181	Screw TE M8X10.....83	SENSOR.....41, 57
SCREW M4X10 UNI 5931 8.8 ZN.....181	Screw TSPEI M6X30 UNI 5933.....83	Sensor.....59, 61
SCREW M4X16 UNI 5931 8.8 ZN.....89	Screw TSPEI M6X35 UNI 5933.....81	SENSOR SUPPORT.....179
SCREW M4X20 UNI 7687 ZN.....77	Screw TSPEI M8X30 UNI 5933.....81, 83	SENSOR,REAR PROXIMITY ALARM.....179
SCREW M5X16 UNI5737 8.8 ZN.....17	Screw TSPEI M8X30 UNI5933 10.9 ZN.....181	SET OF GASKETS.....161
SCREW M5X20 UNI 5739 8.8 ZN.....21, 57, 175	Screw TSPIC M8X30.....77, 83	Shackle.....107, 111
SCREW M5X20 UNI 5931 8.8 ZN.....179	SCREW, BHC, 1/4-20 X 1, ZAG.....167	SHAFT.....41
SCREW M5X20 UNI 7687 8.8 ZN.....75	SCREW, SHC, 10MM X 125MM.....183	SHIM.....29, 43
SCREW M5X20 UNI 7687 ZN.....19	SCREW,ADJUSTING.....31	Shim.....119
SCREW M6x12 UNI 5739 8.8 ZN.....123	SCREW,BHS,10-32X1,F835,ZAG.....167	SHIM 0.15MM.....29, 35, 43
SCREW M6X16 DIN 6923 8.8 ZN.....105	SCREW,BLEEDER M8X1.25.....105	SHIM 0.20MM.....31, 35, 41, 43
SCREW M6X16 UNI 5739 8.8 ZN.....17, 19, 23, 25, 57, 59, 77, 83, 165, 167, 171	SCREW,HHC,M12-1,75X40,10,9,ZN.....95	SHIM 0.30MM.....31, 41, 43
SCREW M6X16 UNI 5933.....139	SCREW,HHC,M16-2X50,10,9,ZN.....57, 97, 99	SHIM 0.40MM.....43
SCREW M6X20 UNI 5739 8.8 ZN.....71, 77, 107, 111, 119, 121, 157, 165, 179	SCREW,HHC,M5x60,UNI 5931,8.8,ZAG.....167	SHIM 0.50MM.....31, 35, 43
SCREW M6X20 UNI 5931 8.8 ZN.....163, 181	SCREW,PHPM,10-32X.75,ZAG.....167	SHIM KIT.....41
SCREW M6X20 UNI 5933 10.9 ZN.....91, 119	SCREW,RING GEAR.....29, 35, 43	SHIM THICKNESS.....41
SCREW M6X25 UNI 5739 8.8 ZN.....163, 181	SCREW,STEERING ADJUST.....35	SHIM, WEAR PAD,100X60X1.....89, 91
SCREW M6X25 UNI 5931 8.8 ZN.....73, 119, 121	SCREW,TCEI.....77	SHIM, WEAR PAD,60X250X1.....91
SCREW M6X30.....83	SCREW,TCEI,M8X40 UNI 8.8ZN.....101	SHIM, WEAR PAD,60X60X1.....89
SCREW M6X30 UNI 5739 8.8 ZN.....75, 133	SCREW,TE,M10X35 UNI 8.8 ZN.....19, 21, 89, 159	SHIM,WEAR PAD 250X75.....91
SCREW M6X35 UNI 5931 8.8 ZN.....57	SCREW,TE,M8X110 UNI 8.8 ZN.....59	SHIM/THICKNESS.....41
SCREW M6X40 UNI 5739 8.8 ZN.....21, 131	SCREW,TSPIC M8X16.....77	SHOCK ABSORBER.....65, 139
SCREW M6X40 UNI 5931 8.8 ZN.....19, 161	SCREW-WING M8x15-4.8 ZN.....159	SHROUD,RADIATOR.....65
SCREW M6X45 UNI 5739 8.8 ZN.....105	SEAL.....29, 31, 35, 41, 43, 63, 101	SHUT VALVE 1/4 NPT.....65, 139
SCREW M6X50 UNI 5737 8.8 ZN.....105, 115, 133, 135	Seal.....41, 81, 83	SIDE GEAR,DIFFERENTIAL.....43
SCREW M6X60 UNI 5737 8.8 ZN.....115	Seal D16.....81	SINGLE HOSE BRACKET D16.....73, 119, 121
SCREW M8X16 DIN 6923 8.8 ZN.....157	SEAL HURTH.....29	SINGLE VALVE BODY.....161
SCREW M8X16 DIN 7984 8.8 ZN.....99	SEAL KIT.....133, 139	Slave Cylinder Foot Pin.....101
SCREW M8X16 UNI 5739 8.8 ZN.....75, 163	Seal Kit.....37, 105, 131, 151	Slave Cylinder Head Pin.....101
SCREW M8X20 DIN 6923 8.8 ZN.....19, 21	Seal kit Extension Cylinder.....103	SLEEVE.....29
SCREW M8X20 UNI 5739 8.8 ZN.....19, 21, 25, 63, 71, 77, 81, 91, 95, 115, 129, 161, 163, 171, 175	Seal Kit Hydraulic Pump 2.....69	SLIDING PIN.....41
SCREW M8X20 UNI 5931 8.8 ZN.....77, 95	Seal Kit Pump 4.....69	SNAP RING.....33, 35, 41, 93
SCREW M8X25 UNI 5739 8.8 ZN.....17, 21, 65, 77, 97, 101, 105, 159, 167, 181	SEAL,DUST EXCLUDER.....35	SOLENOID.....69, 105, 135, 139, 161
SCREW M8X25 UNI 5931 8.8 ZN.....19	Sealing Washer.....41	Solenoid 12V.....147
SCREW M8X30 UNI 5739 8.8 ZN.....57	Seals Kit Levelling Cylinder.....101	SOLENOID VALVE.....131
SCREW M8X30 UNI 5931 12.9 ZN.....97	Seals Kit Lifting Cylinder.....101	SOLENOID VALVE ASSY 6 WAY.....161
SCREW M8X35 UNI 5739 8.8 ZN.....17, 57, 133	Seals Kit Tilt Cylinder.....101	Solenoid Valve Seal Kit.....69
SCREW M8X40 UNI 5933 10.9 ZN.....21, 83	SEAT.....79	SPACER.....29, 31, 43, 45, 69, 75, 181
SCREW M8X50 UNI 5739 8.8 ZN.....21, 57	SEAT ARMREST,LEFT.....79	Spacer.....75, 83, 89, 107, 163
SCREW M8X50 UNI 5931 8.8 ZN.....101, 107	Seat Cover Assembly.....79	SPACER D 22/8.5 LG8.....135
SCREW M8X60 UNI 5737 8.8 ZN.....19	Seat Foam Kit.....79	SPACER,LIGHT MOUNT,.500".....167
SCREW M8X65 UNI 5931 8.8 ZN.....161	Seat Frame Assembly.....79	Spicer D24.....81
SCREW M8X70 UNI 5737 8.8 ZN.....21, 149	Seat Suspension Kit.....79	SPOOL.....151
Screw TBEI M6X12.....83	Security Microswitch.....41	Spool.....151
Screw TBEI M8X10.....81, 83	Security Switch.....29	SPRING.....29, 31, 41, 45
Screw TBEI M8X20.....81, 83	See 300 Engine Components, Figure 610228 - Position 19.....87	Spring Catch 4X40 ZN.....111
SCREW TCB T 3.9X16 UNI 6954.....77, 83	See 300 Engine Components, Figure 610228 - Position 20.....87	SPRING CLIP M6.....25, 91
Screw TCEI 14 X 35 LG. 8.8 ZN UNI 5931.....89	See 400 Cab Components, Figure 610235 - Position 31.....73	SPRING CLIP M8.....19, 21, 25
Screw TCEI M.16X150 UNI 5931 12.9 ZN.....17	See 400 Cab Components, Figure 610235 - Position 32.....73	SPRING CLIP,1/4-20,.025-.15X.54,ZAG.....167
Screw TCEI M12X40 UNI 5931 8.8ZN.....69	See 600 Hydraulic System, Figure 610263 - Pos. 5.....75	SPRING WASHER.....29
Screw TCEI M6X16 8.8 ZN.....83	See 600 Hydraulic System, Figure 610263 - Position 10.....141	Spring Washer.....65
Screw TE M 4X16.....181	See 600 Hydraulic System, Figure 610263 - Position 36.....143	SPRING WASHER D10 ZN.....19, 21, 23, 25, 69, 71, 75, 95, 101, 103, 105, 131, 139, 159, 161, 163, 167
Screw TE M 5X10 UNI 5739 8.8 ZN.....57		

Part Description Index (continued)

SPRING WASHER D12 ZN...57, 69, 101, 119, 139, 147
 SPRING WASHER D14 ZN.....19, 103
 SPRING WASHER D16 ZN.....19, 57, 69, 147
 SPRING WASHER D20 ZN.....57
 SPRING WASHER D24 ZN.....17
 SPRING WASHER D6 ZN...17, 23, 25, 57, 59, 71, 75, 83, 105, 107, 111, 115, 119, 121, 123, 133, 135, 157, 159, 163, 165, 167, 179, 181
 SPRING WASHER D8 ZN...17, 21, 25, 57, 71, 75, 77, 81, 91, 95, 99, 101, 105, 115, 129, 159, 161, 163, 167, 171, 175
 STARTER,TCD3.6 T4F.....57
 Starting Switch.....155
 STEERING ASSY.....75, 131
 STEERING CASE,LEFT.....35
 STEERING CASE,RIGHT.....35
 Steering Column.....75
 Steering Column Upper Cover.....75
 Steering Support.....75
 Steering Wheel.....75, 131
 Steering wheel knob.....75
 Stop nut.....83, 87
 STOP NUT M12 UNI 7473 6S ZN...19, 21, 57, 95, 109
 STOP NUT M14 UNI 7473 6S ZN.....101, 107
 STOP NUT M20 UNI 7473 6S ZN.....27
 STOP NUT M22 UNI 7473 6S ZN.....105
 STOP NUT M24 UNI 7473 6S ZN.....27
 STOP NUT M4.....181
 STOP NUT M5 UNI 7473 6S ZN...17, 57, 167, 175, 179
 STOP NUT M6 UNI 7473 6S ZN.....19, 21, 57, 71, 77, 131, 171
 STOP PIN.....21
 STOP RING.....59
 Stretch Chain Block.....95
 Stretch Chain support.....95
 Stretch Chain Terminal.....93, 95
 STUD.....35
 STUD,DRIVE AXLE.....35
 STUD,WHEEL.....35
 SUNSHIELD CURTAIN KIT.....77
 SUPPORT.....21, 35, 39, 65, 75, 139, 159, 171
 Support.....19, 21
 Support Accumulator.....133
 Support Bracket.....111
 SUPPORT,BOOM SENSOR.....157
 SUPPORT,CONTROL UNIT.....57
 SUPPORT,FOOT.....77
 SUPPORT,LOAD CHARTS.....77
 SUPPORT,MIRROR.....17
 SUPPORT,SEAT.....77
 Suspension Cover Kit.....79
 SWITCH.....83, 155, 163, 165, 169, 185
 SWITCH BODY.....155
 SWITCH BULB 12V - 0.03A - 0.36W.....155
 SWITCH BULB LIGHT 12V - 1,2W.....155
 SWITCH COVER.....155, 163, 165
 SWITCH KEY, ATTACH LOCK OIL.....155
 Switch Key, Diff Lock.....155
 Switch Key, Dpf.....155
 SWITCH KEY, ROAD LIGHT.....155, 169
 SWITCH TYCO.....155
 SWITCH, TURN SIGNAL.....75, 167
 Swivel Hook.....111
 SYNCHRONIZER.....41

T

TANK.....71, 81
 TANK SUPPORT.....71
 TCD 3.6 TIER4 FINAL ENGINE DEUTZ.....57
 TELEMATICS ZTR M8 WIRING.....175
 TEMPERATURE SENSOR.....25
 Temperature Switch.....181
 TEST PORTS MANIFOLD.....149
 THERMOSTAT.....139
 THICKNESS.....41
 THREADED PIECE, DEUTZ, A/C.....183
 THREADED ROAD.....95
 TIE ROD,ARTICULATED.....37
 Tilt Cylinder.....101
 TIRE,17.5X25,22PR.....27
 TORX-HEAD BOLT.....183
 Transmission Control Unit.....75
 Transmission Hydraulic Motor.....147
 Twin Hoses MTKH X 1/2" Lg. 2550 FD - FD 13/16"-16 ORFS.....119, 121

U

U-BOLT.....133
 Upper Rear Glass Kit.....85

V

V-BELT.....57
 VALVE.....23, 41, 73, 101, 133, 135, 151, 161, 181
 Valve.....151
 Valve 3/4 PA 2.5.....131
 VALVE BLOCK.....69
 Valve Protection Cover.....105
 VALVE,DEF COOLANT,TCD3.6,T4F.....71
 VENT.....33
 VIBRATION DAMPING.....19
 VIBRATION DAMPING KIT.....139
 VIBRATION DAMPING SUPPORT.....19

W

Warning - Crush Hazard, Stabilizers.....15
 WASHER.....19, 29, 31, 35, 41, 43, 45, 47, 65, 77, 83, 87, 181
 Washer.....41
 WASHER 6.4X12.....87
 WASHER 6.5X18.....87
 WASHER D10 HV300.....139
 Washer D12.....83
 WASHER D6.....75
 Washer D6.....83
 WASHER D8.5.....77, 81, 83
 WASHER,D12 UNI 6592 ZN.....19, 21, 57, 95, 101, 109, 119
 WASHER,JC 22.....73
 WASHER,SPRING,D5 ZN.....17, 57
 WASHER,TEFLON D20.....81, 83
 Water Hose D4 LG.200 Inch.....81
 Water Tank.....65
 WATER TAP,D16.....87
 WEAR PAD.....89, 91
 WEAR PAD,60X60X14.....89, 91
 WEAR PAD,BRONZE.....119
 Weight Adjuster Kit.....79
 WHEEL HUB.....35
 WHEEL,17.5-25.....27
 WHEEL/TIRE,RT AIR FILL LEFT.....27
 WHEEL/TIRE,RT AIR FILL RIGHT.....27

WHEEL/TIRE,RT FOAM FILL LEFT.....27
 WHEEL/TIRE,RT FOAM FILL RIGHT.....27
 WIPER ARM.....83
 Wiper arm.....81
 WIPER BLADE.....81, 83
 Wiper Kit.....81
 Wiper Motor.....83
 Wiper motor.....81
 Wiper Motor Kit.....81
 Wiring Harness.....171

Z

ZTR M8 SUPPORT.....175

This Page Intentionally Left Blank

Go to Discount-Equipment.com to order your parts

Fitting Cross References

Genie PN	Parker PN	Description	Genie PN	Parker PN	Description
12342	6-4 F5OX-S	CONNECTOR,STRAIGHT THREAD TO FLARE TUBE	42794	1 CR-S	ELBOW,90°,MALE PIPE
13757	4 R6X-S	RUN TEE,SWIVEL NUT,ORFS	42795	BV-0839	BALL VALVE
19685	12-10 C5OX-S	ELBOW,90°,STRAIGHT THREAD TO FLARE TUBE	42796	BV-0838	BALL VALVE
22664	12-10 C5OX	ELBOW,90°,STRAIGHT THREAD TO FLARE TUBE	42874	6-8 CLO-S	ELBOW,90°,MALE PIPE TO ORFS
27431	8-12 F5OX-S	CONNECTOR,STRAIGHT THREAD TO FLARE TUBE	42912	13943-6-4	HOSE END,90° FEMALE SWIVEL,JIC
28678	AS-B-33	SLEEVE,NYLON,1.81" ID	42920	BV-0840	BALL VALVE,90°
39871	6 WETX-WLN-S	UNION,90° BULKHEAD W/NUT,FLARE TUBE	42932	AS-B-17	SLEEVE,NYLON,1.22" ID
39872	4 R5OX-S	RUN TEE,STRAIGHT THREAD	42936	10243-2-4	HOSE END,FEMALE PIPE
39873	6 C5OX-S	ELBOW,90°,STRAIGHT THREAD TO FLARE TUBE	42953	1/2 DD-S	ELBOW,90°,FEMALE PIPE
39874	8-6 C5OX-S	ELBOW,90°,STRAIGHT THREAD TO FLARE TUBE	42956	6 WELO-WLNL-S	UNION,90° BULKHEAD W/NUT,ORFS
39875	4-6 C5OX-S	ELBOW,90°,STRAIGHT THREAD TO FLARE TUBE	45349	8 V5OX-S	ELBOW,45°,STRAIGHT THREAD TO FLARE TUBE
39876	6-8 C5OX-S	ELBOW,90°,STRAIGHT THREAD TO FLARE TUBE	45351	4 V5OX-S	ELBOW,45°,STRAIGHT THREAD TO FLARE TUBE
39877	4 F5OX-S	CONNECTOR,STRAIGHT THREAD TO FLARE TUBE	47223	10343-6-6	HOSE END,MALE,JIC
39878	6 F5OX-S	CONNECTOR,STRAIGHT THREAD TO FLARE TUBE	47419	PS690503-6-6	SWIVEL,90°,STRAIGHT THREAD TO 37° FLARE
39879	4-8 F5OX-S	CONNECTOR,STRAIGHT THREAD TO FLARE TUBE	48750	421-4	HOSE,1/4 INCH ID
39880	6-10 F5OX-S	CONNECTOR,STRAIGHT THREAD TO FLARE TUBE	48751	481TC-4	HOSE,1/4 INCH ID
39881	4-6 F5OX-S	CONNECTOR,STRAIGHT THREAD TO FLARE TUBE	48752	482TC-4	HOSE,1/4 INCH ID
39882	4-HP5ON-S	PLUG,STRAIGHT THREAD	48753	451TC-6	HOSE,3/8 INCH ID
39883	8-8 FTX-S	CONNECTOR,MALE PIPE TO FLARE TUBE	48754	482TC-6	HOSE,3/8 INCH ID
39885	269HB 12-12	ELBOW,90°,BEADED HOSE BARB TO MALE PIPE	48755	381-6	HOSE,3/8 INCH ID
39886	431-6	HOSE,3/8 INCH ID	48756	451TC-8	HOSE,1/2 INCH ID
39887	540N-2	HOSE,1/8 INCH ID	48757	482TC-8	HOSE,1/2 INCH ID
39888	801-8	HOSE,1/2 INCH ID	48758	381-8	HOSE,1/2 INCH ID
39889	801-12	HOSE,3/4 INCH ID	48759	381-10	HOSE,5/8 INCH ID
39890	10643-6-6	HOSE END,FEMALE SWIVEL,JIC	48760	451TC-10	HOSE,5/8 INCH ID
39891	13943-6-6	HOSE END,90° FEMALE SWIVEL,JIC	48761	482TC-12	HOSE,3/4 INCH ID
39892	13743-6-6	HOSE END,45° FEMALE SWIVEL,JIC	48762	451TC-12	HOSE,3/4 INCH ID
39894	30682-8-8	HOSE END,FEMALE SWIVEL,JIC	48763	772-12	HOSE,3/4 INCH ID
39895	30682-10-12	HOSE END,FEMALE SWIVEL,JIC	48764	881-16	HOSE,1 INCH ID
42286	8-8 CTX-S	ELBOW,90°,MALE PIPE TO FLARE TUBE	48765	772-16	HOSE,1 INCH ID
42756	8-12 CLO-S	ELBOW,90,MALE PIPE TO ORFS	48766	AS-B-15	SLEEVE,NYLON,1.06" ID
42757	8-12 FLO-S	CONNECTOR,MALE PIPE TO ORFS	48767	AS-B-22	SLEEVE,NYLON,1.42" ID
42758	4 JLO-S	UNION TEE,ORFS	48770	881-8	HOSE,1/2 INCH ID
42759	4-4 FLO-S	CONNECTOR,MALE PIPE TO ORFS			
42760	6-8 FLO-S	CONNECTOR,MALE PIPE TO ORFS			
42761	1J143-6-4	HOSE END,90° FEMALE SWIVEL,SEAL LOK			
42762	1J743-6-4	HOSE END,45° FEMALE SWIVEL,SEAL LOK			
42768	1JO43-4-4	HOSE END,MALE,SEAL LOK			
42776	801-8	HOSE,1/2 INCH ID			
42777	1J743-16-16	HOSE END,45° FEMALE SWIVEL,SEAL LOK			
42786	16 CLO-S	ELBOW,90°,MALE PIPE TO ORFS			
42787	16 R8LO-S	RUN TEE,SWIVEL NUT,ORFS			
42788	16-8 TRLO-BL-S	REDUCER,TUBE END TO SWIVEL,ORFS			
42789	6-6 CLO-S	ELBOW,90°,MALE PIPE TO ORFS			
42790	8-10 V5OLO-S	ELBOW,45°,STRAIGHT THREAD TO ORFS			
42791	3/4 CD-S	ELBOW,90°,MALE TO FEMALE PIPE			
42792	3/4 X 1/2 PTR-S	REDUCER,MALE TO FEMALE PIPE			
42793	1/2 CR-S	ELBOW,90°,MALE PIPE			

Fitting Cross References (Continued)

Genie PN	Parker PN	Description
48771	881-10	HOSE,5/8 INCH ID
48772	381-4	HOSE,1/4 INCH ID
48773	AS-B-13	SLEEVE,NYLON,.86" ID
48800	1JC43-4-4	HOSE END,FEMALE SWIVEL,SEAL LOK
48801	1J743-4-4	HOSE END,45° FEMALE SWIVEL,SEAL LOK
48802	1J943-4-4	HOSE END,90° FEMALE SWIVEL,SEAL LOK
48804	1JM43-4-4	HOSE END,MALE,SEAL LOK, NO O-RING
48805	10643-4-4	HOSE END,FEMALE SWIVEL,JIC
48806	13943-4-4	HOSE END,90° FEMALE SWIVEL,JIC
48807	1JS43-4-4	HOSE END,FEMALE SWIVEL,SEAL LOK
48808	3JC82-8-8	HOSE END,FEMALE SWIVEL,SEAL LOK
48809	3JC82-12-12	HOSE END,FEMALE SWIVEL,SEAL LOK
48810	1JC43-6-4	HOSE END,FEMALE SWIVEL,SEAL LOK
48811	1J943-6-4	HOSE END,90° FEMALE SWIVEL,SEAL LOK
48812	1JC43-6-6	HOSE END,FEMALE SWIVEL,SEAL LOK
48813	1J143-6-6	HOSE END,90° FEMALE SWIVEL,SEAL LOK
48814	1J543-6-6	HOSE END,90° FEMALE SWIVEL,SEAL LOK
48815	1J743-6-6	HOSE END,45° FEMALE SWIVEL,SEAL LOK
48816	1J943-6-6	HOSE END,90° FEMALE SWIVEL,SEAL LOK
48817	1JS43-6-8	HOSE END,FEMALE SWIVEL,SEAL LOK
48818	1J943-8-4	HOSE END,90° FEMALE SWIVEL,SEAL LOK
48819	1JC43-8-6	HOSE END,FEMALE SWIVEL,SEAL LOK
48820	1J743-8-6	HOSE END,45° FEMALE SWIVEL,SEAL LOK
48821	1J943-8-6	HOSE END,90° FEMALE SWIVEL,SEAL LOK
48822	1JC43-8-8	HOSE END,FEMALE SWIVEL,SEAL LOK
48823	1JS43-8-8	HOSE END,FEMALE SWIVEL,SEAL LOK
48824	1J143-8-8	HOSE END,90° FEMALE SWIVEL,SEAL LOK
48825	1J543-8-8	HOSE END,90° FEMALE SWIVEL,SEAL LOK
48826	1J743-8-8	HOSE END,45° FEMALE SWIVEL,SEAL LOK
48827	1J943-8-8	HOSE END,90° FEMALE SWIVEL,SEAL LOK
48828	1JC43-10-8	HOSE END,FEMALE SWIVEL,SEAL LOK
48829	1JS43-10-8	HOSE END,FEMALE SWIVEL,SEAL LOK
48830	1J743-10-8	HOSE END,45° FEMALE SWIVEL,SEAL LOK
48831	1J943-10-8	HOSE END,90° FEMALE SWIVEL,SEAL LOK
48833	1JC43-10-10	HOSE END,FEMALE SWIVEL,SEAL LOK
48834	1J943-10-10	HOSE END,90° FEMALE SWIVEL,SEAL LOK
48835	1JS43-10-12	HOSE END,FEMALE SWIVEL,SEAL LOK
48836	1JC43-12-8	HOSE END,FEMALE SWIVEL,SEAL LOK
48837	1JS43-12-8	HOSE END,FEMALE SWIVEL,SEAL LOK
48838	1J743-12-8	HOSE END,45° FEMALE SWIVEL,SEAL LOK
48839	1J943-12-8	HOSE END,90° FEMALE SWIVEL,SEAL LOK
48840	1J943-12-10	HOSE END,90° FEMALE SWIVEL,SEAL LOK
48841	1JC43-12-12	HOSE END,FEMALE SWIVEL,SEAL LOK
48842	1JO43-12-12	HOSE END,MALE,SEAL LOK
48843	1J143-12-12	HOSE END,90° FEMALE SWIVEL,SEAL LOK
48844	1J543-12-12	HOSE END,90° FEMALE SWIVEL,SEAL LOK
48845	1J743-12-12	HOSE END,45° FEMALE SWIVEL,SEAL LOK
48846	1J943-12-12	HOSE END,90° FEMALE SWIVEL,SEAL LOK

Genie PN	Parker PN	Description
48847	13943-12-12	HOSE END,90° FEMALE SWIVEL,JIC
48848	10543-12-12	HOSE END,MALE,STRAIGHT THREAD
48849	1JC71-12-12	HOSE END,FEMALE SWIVEL,SEAL LOK
48850	1JS71-12-12	HOSE END,FEMALE SWIVEL,SEAL LOK
48851	1J171-12-12	HOSE END,90° FEMALE SWIVEL,SEAL LOK
48852	1J771-12-12	HOSE END,45° FEMALE SWIVEL,SEAL LOK
48853	1J971-12-12	HOSE END,90° FEMALE SWIVEL,SEAL LOK
48854	1JC43-16-16	HOSE END,FEMALE SWIVEL,SEAL LOK
48855	1J943-16-16	HOSE END,90° FEMALE SWIVEL,SEAL LOK
48856	1J171-16-16	HOSE END,90° FEMALE SWIVEL,SEAL LOK
48857	1J971-16-16	HOSE END,90° FEMALE SWIVEL,SEAL LOK
48859	1JS43-8-4	HOSE END,FEMALE SWIVEL,SEAL LOK
48867	PD36BTL	DIAGNOSTIC NIPPLE,SEAL-LOK SWIVEL
48873	6 PNLO-S	PLUG,TUBE END,ORFS
48874	6 PNTX-S	PLUG,FLARE TUBE
48875	6 R6LO-S	RUN TEE,SWIVEL NUT,ORFS
48877	4 F5OLO-SW/.025	CONNECTOR,STRAIGHT THREAD TO ORFS, W/.025 ORI
48878	16-12 C5OLO-S	ELBOW,90°,STRAIGHT THREAD TO ORFS
48879	8 C8LO-S	ELBOW,90°,SWIVEL NUT ORFS
48880	PD6-285	CAP,DIAGNOSTIC NIPPLE
48881	6 HLO-S	UNION,ORFS
48883	8 P5ON-S	PLUG,STRAIGHT THREAD
48884	8M18F87OMLO-S	CONNECTOR,METRIC,STRAIGHT THREAD TO ORFS
48885	4 WGTX-WLN-S	CONNECTOR,BULKHEAD,FEMALE PIPE TO FLARE TUBE
48886	4 F5OLO-SW/2MM	CONNECTOR,MACHINED STRAIGHT THREAD TO ORFS
48887	4 CTX-S	ELBOW,90°,MALE PIPE TO FLARE TUBE
48888	10-12 V5OLO-S	ELBOW,45°,STRAIGHT THREAD TO ORFS
48890	4 S5OLO-S	BRANCH TEE,STRAIGHT THREAD TO ORFS
48891	4 S8LO-S	BRANCH TEE,SWIVEL NUT TO ORFS

Fitting Cross References (Continued)

Genie PN	Parker PN	Description	Genie PN	Parker PN	Description
48892	6 C6LO-S	ELBOW,90°,SWIVEL NUT ORFS	48938	8 R6LO-S	RUN TEE,SWIVEL NUT,ORFS
48893	6 F5OHAO-S	UNION,STRAIGHT THREAD	48939	8 S6LO-S	BRANCH TEE,SWIVEL NUT TO ORFS
48894	8 WLO-WLNL-S	UNION,BULKHEAD,ORFS	48940	8 WJLO-WLNL-S	RUN TEE, BULKHEAD,ORFS
48895	DT-370-MSMO-5	VALVE,CHECK	48941	8-4 TRLO-S	REDUCER,TUBE END TO SWIVEL,ORFS
48896	6 JLO-S	UNION,TEE,ORFS	48942	8-6 C5OLO-S	ELBOW,90°,STRAIGHT THREAD TO ORFS
48897	DT-750-MSMS-5	VALVE,CHECK	48943	8-6 F5OLO-S	CONNECTOR,STRAIGHT THREAD TO ORFS
48898	DT-750-MOMS-5	VALVE,CHECK	48944	8-8 FLO-S	CONNECTOR,MALE PIPE TO ORFS
48899	DT-620-MOMS-5	VALVE,CHECK	48945	8 FTX-S	CONNECTOR,MALE PIPE TO FLARE TUBE
48900	4-6 F5OLO-SW/.035	CONNECTOR,STRAIGHT THREAD TO ORFS, W/.035 ORI	48946	8-10 F5OLO-S	CONNECTOR,STRAIGHT THREAD TO ORFS
48902	16-1 AOE4G-S	ELBOW,90° LONG,FEMALE PIPE TO STRAIGHT THREAD	48947	8-12 C5OLO-S	ELBOW,90°,STRAIGHT THREAD TO ORFS
48903	1 FF-S	NIPPLE,PIPE	48948	8-12 F5OLO-S	CONNECTOR,STRAIGHT THREAD TO ORFS
48904	4 C5OLO-S	ELBOW,90°,STRAIGHT THREAD TO ORFS	48949	8-16 F5OLO-S	CONNECTOR,STRAIGHT THREAD TO ORFS
48905	4 F5OLO-S	CONNECTOR,STRAIGHT THREAD TO ORFS	48950	10 C5OLO-S	ELBOW,90°,STRAIGHT THREAD TO ORFS
48906	4 R5OLO-S	RUN TEE,STRAIGHT THREAD	48951	10 CC5OLO-S	ELBOW,90° LONG,STRAIGHT THREAD TO ORFS
48907	4 V5OLO-S	ELBOW,45°,STRAIGHT THREAD TO ORFS	48952	10 F5OLO-S	CONNECTOR,STRAIGHT THREAD TO ORFS
48908	4 R6LO-S	RUN TEE,SWIVEL NUT,ORFS	48953	10 R5OLO-S	RUN TEE,STRAIGHT THREAD
48909	4 WJLO-WLNL-S	RUN TEE, BULKHEAD,ORFS	48954	10 S5OLO-S	BRANCH TEE,STRAIGHT THREAD TO ORFS
48910	4 GTX-S W/.030	CONNECTOR,FEMALE PIPE TO FLARE TUBE	48955	10 R6LO-S	RUN TEE,SWIVEL NUT,ORFS
48911	4-6 C5OLO-S	ELBOW,90°,STRAIGHT THREAD TO ORFS	48956	10-4 TRLO-BL-S	REDUCER,TUBE END TO SWIVEL,ORFS
48912	4-6 F5OLO-S	CONNECTOR,STRAIGHT THREAD TO ORFS	48957	10-6 TRLO-BL-S	REDUCER,TUBE END TO SWIVEL,ORFS
48913	4-6 F5OLO-SW/.030	CONNECTOR,STRAIGHT THREAD TO ORFS, W/.030 ORI	48958	10-12 F5OLO-S	CONNECTOR,STRAIGHT THREAD TO ORFS
48914	4-8 F5OLO-S	CONNECTOR,STRAIGHT THREAD TO ORFS	48959	12 C5OLO-S	ELBOW,90°,STRAIGHT THREAD TO ORFS
48915	6 C5OLO-S	ELBOW,90°,STRAIGHT THREAD TO ORFS	48960	12 F5OLO-S	CONNECTOR,STRAIGHT THREAD TO ORFS
48916	6 F5OLO-S	CONNECTOR,STRAIGHT THREAD TO ORFS	48961	12 R5OLO-S	RUN TEE,STRAIGHT THREAD
48917	6 FF5OLO-S	CONNECTOR,LONG,STRAIGHT THREAD TO ORFS	48962	12 S5OLO-S	BRANCH TEE,STRAIGHT THREAD TO ORFS
48918	6 R5OLO-S	RUN TEE,STRAIGHT THREAD	48963	12 V5OLO-S	ELBOW,45°,STRAIGHT THREAD TO ORFS
48919	6 S5OLO-S	BRANCH TEE,STRAIGHT THREAD TO ORFS	48964	12 R6LO-S	RUN TEE,SWIVEL NUT,ORFS
48920	6 V5OLO-S	ELBOW,45°,STRAIGHT THREAD TO ORFS	48965	12 CLO-S	ELBOW,90°,MALE PIPE TO ORFS
48921	6 FLO-S	CONNECTOR,MALE PIPE TO ORFS	48966	12 FLO-S	CONNECTOR,MALE PIPE TO ORFS
48922	6-6 FLO-S	CONNECTOR,MALE PIPE TO ORFS	48967	12 JLO-S	UNION TEE,ORFS
48923	6 P5ON-S	PLUG,STRAIGHT THREAD	48968	12 WLO-WLNL-S	UNION,BULKHEAD,ORFS
48925	6 WELO-S	UNION,90° BULKHEAD,ORFS	48969	12 WJLO-WLNL-S	RUN TEE, BULKHEAD,ORFS
48926	6-4 C5OLO-S	ELBOW,90°,STRAIGHT THREAD TO ORFS	48970	12 WELO-WLNL-S	UNION,90° BULKHEAD W/NUT,ORFS
48927	6-4 F5OLO-S	CONNECTOR,STRAIGHT THREAD TO ORFS			
48928	6-4 V5OLO-S	ELBOW,45°,STRAIGHT THREAD TO ORFS			
48929	6-8 C5OLO-S	ELBOW,90°,STRAIGHT THREAD TO ORFS			
48930	6-8 F5OLO-S	CONNECTOR,STRAIGHT THREAD TO ORFS			
48931	6-10 F5OLO-S	CONNECTOR,STRAIGHT THREAD TO ORFS			
48932	8 C5OLO-S	ELBOW,90°,STRAIGHT THREAD TO ORFS			
48933	8 F5OLO-S	CONNECTOR,STRAIGHT THREAD TO ORFS			
48934	8 FF5OLO-S	CONNECTOR,LONG,STRAIGHT THREAD TO ORFS			
48935	8 R5OLO-S	RUN TEE,STRAIGHT THREAD			
48936	8 S5OLO-S	BRANCH TEE,STRAIGHT THREAD TO ORFS			
48937	8 V5OLO-S	ELBOW,45°,STRAIGHT THREAD TO ORFS			

Fitting Cross References (Continued)

Genie PN	Parker PN	Description	Genie PN	Parker PN	Description
48971	12 G5G5JG5-S	TEE,FEMALE STRAIGHT THREAD	49612	PKT02586	O-RING KIT (ORFS FITTINGS)
48972	12 XHL6-S	ADAPTER, 37° MALE TO SWIVEL ORFS	49613	PKT06276	PLUG AND CAP KIT-SERVICE,ORFS
48973	12-1/2 F5OG-S	ADAPTER,FEMALE PIPE TO STRAIGHT THREAD	49728	10143-12-12	HOSE END, MALE PIPE
48974	12-10 C5OLO-S	ELBOW,90°,STRAIGHT THREAD TO ORFS	49729	16-1 F5OG-S	ADAPTER,FEMALE PIPE TO STRAIGHT THREAD
48975	12-10 F5OLO-S	CONNECTOR,STRAIGHT THREAD TO ORFS	49814	12-8 FLO-S	CONNECTOR,MALE PIPE TO ORFS
48976	12-16 C5OLO-S	ELBOW,90°,STRAIGHT THREAD TO ORFS	49829	DT-500-MOMF-5	VALVE,CHECK
48977	12-16 F5OLO-S	CONNECTOR,STRAIGHT THREAD TO ORFS	49831	881-12	HOSE,3/4 INCH ID
48978	12-16 V5OLO-S	ELBOW,45°,STRAIGHT THREAD TO ORFS	49834	16 JLO-S	UNION TEE,ORFS
48980	12-16 FLO-S	CONNECTOR,MALE PIPE TO ORFS	49838	12-8 TRLO-BL-S	REDUCER,TUBE END TO SWIVEL,ORFS
48983	16 C5OLO-S	ELBOW,90°,STRAIGHT THREAD TO ORFS	49840	8 JLO-S	UNION TEE,ORFS
48984	16 F5OLO-S	CONNECTOR,STRAIGHT THREAD TO ORFS	49844	10-8 TRLO-BL-S	REDUCER,TUBE END TO SWIVEL,ORFS
48985	16 V5OLO-S	ELBOW,45°,STRAIGHT THREAD TO ORFS	49854	8 P5ON-S	PLUG,STRAIGHT THREAD
48986	16 FLO-S	CONNECTOR,MALE PIPE TO ORFS	49855	1JC43-16-12	HOSE END,FEMALE SWIVEL,SEAL LOK
48988	16 CD45-S	ELBOW,45°,MALE TO FEMALE PIPE	49859	4 P5ON-S	PLUG,STRAIGHT THREAD
48989	12 CD45-S	ELBOW,45°,MALE TO FEMALE PIPE	49861	4 FF5OLO-S	CONNECTOR, LONG, STRAIGHT THREAD TO ORFS
48990	8 CD45-S	ELBOW,45°,MALE TO FEMALE PIPE	49867	12-3/4 F5OG-S	ADAPTER, FEMALE PIPE TO STRAIGHT THREAD
48991	16-12 FLO-S	CONNECTOR,MALE PIPE TO ORFS	51152	6 R6X-S	RUN TEE,SWIVEL NUT,ORFS
48992	16-12 V5OLO-S	ELBOW,45°,STRAIGHT THREAD TO ORFS	51153	6-4 TRTX-S	REDUCER,TUBE END TO SWIVEL,ORFS
48993	XV501-12	BALL VALVE	51154	4-4 GTX	CONNECTOR,FEMALE PIPE TO FLARE TUBE
48994	XV501-16	BALL VALVE	51264	881-12	HOSE,3/4 INCH ID
48995	XV510P-12	BALL VALVE	51265	8 JLO-S	UNION TEE,ORFS
48996	XV510P-16	BALL VALVE	51508	6 BTX-S	NUT,FLARE TUBE
48997	PD341	DIAGNOSTIC NIPPLE, STRAIGHT THREAD	51580	12-8 TRLO-BL-S	TUBE END REDUCER,ORFS
48998	PD 361	DIAGNOSTIC NIPPLE, STRAIGHT THREAD	51628	6 R6X-S	RUN TEE,SWIVEL NUT,ORFS
48999	DT-500-MOMS-5	VALVE,CHECK	51735	3/8 HHP	PLUG,PIPE THREAD
49201	10 V5OLO-S	ELBOW,45°,STRAIGHT THREAD TO ORFS	51803	1J943-6-8	HOSE END,90° FEMALE SWIVEL,SEAL LOK
49202	1JC43-12-10	HOSE END,FEMALE SWIVEL,SEAL LOK	53023	125HBL-5-4	FITTING,HOSE BARB TO MALE PIPE
49203	10-8 V5OLO-S	ELBOW,45°,STRAIGHT THREAD TO ORFS	53497	PKT02585	O-RING KIT
49205	6 F5OHAO-S	UNION,STRAIGHT THREAD	53499	1JC71-16-16	HOSE END,FEMALE SWIVEL,SEAL LOK
49207	PD34BTL	DIAGNOSTIC NIPPLE,SEAL-LOK SWIVEL	53500	3-904	O-RING,STRAIGHT THREAD,-4
49209	8M18F870MX-S	CONNECTOR,METRIC,STRAIGHT THREAD TO FLARE TUBE	53501	3-906	O-RING,STRAIGHT THREAD,-6
49212	8 WGTX-WLN-S	CONNECTOR,BULKHEAD,FEMALE PIPE TO FLARE TUBE	53502	3-908	O-RING,STRAIGHT THREAD,-8
49213	30682-8-8	HOSE END,FEMALE SWIVEL,JIC	53503	3-910	O-RING,STRAIGHT THREAD,-10
49216	831-8	HOSE,1/2 INCH ID			
49217	33982-8-8	HOSE END,90° FEMALE SWIVEL,JIC			
49219	PS-B-35	SLEEVE,NYLON,2.19" ID			
49418	4-6 V5OLO-S	ELBOW,45°,STRAIGHT THREAD TO ORFS			
49511	DT370-MOMS-5	VALVE,CHECK			
49512	1 DD-S	ELBOW,90°,FEMALE PIPE			
49513	1 FF-S	NIPPLE,PIPE			
49514	10 HP5ON-S	PLUG,STRAIGHT THREAD			
49515	12-16 CLO-S	ELBOW,90°,MALE PIPE TO ORFS			
49517	6 HP5ON-S	PLUG,STRAIGHT THREAD			
49519	16-12 F5OLO-S	CONNECTOR,STRAIGHT THREAD TO ORFS			
49520	4 VTX-S	ELBOW,45°,MALE PIPE TO FLARE TUBE			
49530	16 C6LO-S	ELBOW,90°,SWIVEL NUT ORFS			

Fitting Cross References (Continued)

Genie PN	Parker PN	Description	Genie PN	Parker PN	Description
53535	3-912	O-RING,STRAIGHT THREAD,-12	61083	24 F5OLO-S	CONNECTOR,STRAIGHT THREAD TO ORFS
53536	4-PNLO-S	PLUG,TUBE END,ORFS	61086	20 R5OLO-S	RUN TEE,STRAIGHT THREAD
53537	6 PNLO-S	PLUG,TUBE END,ORFS	61090	24-20 F5OLO-S	CONNECTOR,STRAIGHT THREAD TO ORFS
53538	8 PNLO-S	PLUG,TUBE END,ORFS	61091	1J943 24-24	HOSE END,90° FEMALE SWIVEL,SEAL LOK
53539	10 PNLO-S	PLUG,TUBE END,ORFS	61093	1J978-12-12	HOSE END,90° FEMALE SWIVEL,JIC
53540	12 PNLO-S	PLUG,TUBE END,ORFS	61095	1JS43-20-16	HOSE END,FEMALE SWIVEL,SEAL LOK
53946	129HB-5-4	FITTING,90° HOSE BARB TO MALE PIPE	61100	811-24	HOSE,11/2 INCH ID
53951	8-1/4F5OG-S	ADAPTER,FEMALE PIPE TO STRAIGHT THREAD	61130	1JS43-24-24	HOSE END,FEMALE SWIVEL,SEAL LOK
53980	6 S6LO-S	BRANCH TEE,SWIVEL NUT TO ORFS	61131	1JS78 12-12	HOSE END,FEMALE SWIVEL,SEAL LOK
54132	4 C6LO-S	ELBOW,90°,SWIVEL NUT ORFS	61132	1J778-12-12	HOSE END,45° FEMALE SWIVEL,JIC
54135	11343-16-16	HOSE END,MALE SWIVEL,PIPE	61152	139HB-6-4	ELBOW,45°,BARB TO MALE PIPE
54283	8-10 C5OLO-S	ELBOW,90°,STRAIGHT THREAD TO ORFS	61251	BV-0750	BALL VALVE
54428	8M18C870MLO-S	ELBOW, 90° METRIC, STRAIGHT THREAD TO ORFS	61259	4 CC5OLO-S	ELBOW,90° LONG,STRAIGHT THREAD TO ORFS
54803	FS-F-16-10	SLEEVE,FIRE,.96" ID	61260	20-12 TRLO-BL	REDUCER,TUBE END TO SWIVEL,ORFS
54954	10143-2-4	HOSE END, MALE PIPE	61262	12 C6LO-S	ELBOW,90°,SWIVEL NUT ORFS
55190	3/8 HP-S	PLUG,PIPE THREAD	61263	20 F5OHAO-S	UNION,STRAIGHT THREAD
55448	8 HLO-S	UNION,ORFS	61264	6-10 C5OLO-S	ELBOW,90°,STRAIGHT THREAD TO ORFS
55839	6 F65OX-S	CONNECTOR,STRAIGHT THREAD TO 37° SWIVEL	61265	6 WNLO-WLNL-S	UNION,BULKHEAD 45°,ORFS
55968	10 C5OX-S	ELBOW,90°,STRAIGHT THREAD TO FLARE TUBE	61268	4 WNLO-WLNL-S	UNION,BULKHEAD 45°,ORFS
56003	6 CC5OLO-S	ELBOW,90° LONG,STRAIGHT THREAD TO ORFS	61269	4 WLO-WLNL-S	UNION,BULKHEAD,ORFS
56166	BV-0837	BALL VALVE,90°	61272	12 AOEL6	ELBOW,90°,STRAIGHT THREAD TO ORFS SWIVEL
56188	10143-8-6	HOSE END, MALE PIPE	61316	482TC-16	HOSE,1 INCH ID
56233	2-011	O-RING,ORFS,-4	61321	6 JLO-S	UNION TEE,ORFS
56234	2-012	O-RING,ORFS,-6	61327	782-12	HOSE,3/4 INCH ID
56235	2-014	O-RING,ORFS,-8	61328	881-24	HOSE,11/2 INCH ID
56236	2-016	O-RING,ORFS,-10	61336	11943-20-24	HOSE END,90° FLANGE HEAD
56237	2-018	O-RING,ORFS,-12	61345	12 WJLO-WLNL-S	RUN TEE, BULKHEAD,ORFS
56238	2-021	O-RING,ORFS,-16	61346	8 WNLO-WLNL-S 4	UNION,BULKHEAD 45°,ORFS
56352	6 WLNL-S	LOCKNUT,BULKHEAD	61569	33782-8-8	HOSE END,45° FEMALE SWIVEL,JIC
56353	3J782-12-12	HOSE END,45° FEMALE SWIVEL,SEAL LOK	61610	12 FF5OLO-S	CONNECTOR,LONG,STRAIGHT THREAD TO ORFS
56354	3J982-12-12	HOSE END,90° FEMALE SWIVEL,SEAL LOK	61742	1/8 X 1.5 FFF	NIPPLE,PIPE
56604	10-8 F5OLO-S	CONNECTOR,STRAIGHT THREAD TO ORFS	63426	8 PNTX-S	PLUG,FLARE TUBE
56639	3JC82-10-10	HOSE END,FEMALE SWIVEL,SEAL LOK			
56640	3J982-10-10	HOSE END,90° FEMALE SWIVEL,SEAL LOK			
56655	3JC82-8-10	HOSE END,FEMALE SWIVEL,SEAL LOK			
56676	10-8 C5OLO-S	ELBOW,90°,STRAIGHT THREAD TO ORFS			
56776	471TC-6	HOSE,3/8 INCH ID			
56777	471TC-8	HOSE,1/2 INCH ID			
56789	811-16	HOSE,1 INCH ID			
57884	3/8 FF	NIPPLE,PIPE			
59335	6 FNL-S	CAP, TUBE END			
59342	4 FNL-S	CAP, TUBE END			
59371	8 HP5ON-S	PLUG,STRAIGHT THREAD			
60653	BV-0751	BALL VALVE			
60806	125HB-3-4	FITTING,HOSE BARB TO MALE PIPE			
61064	5-1/4 F5OG-S	ADAPTER,FEMALE PIPE TO STRAIGHT THREAD			
61079	4 WELO-WLNL-S	UNION,90° BULKHEAD W/NUT,ORFS			
61080	6 WLO-WLNL-S	UNION,BULKHEAD,ORFS			

Fitting Cross References (Continued)

Genie PN	Parker PN	Description	Genie PN	Parker PN	Description
64271	4 WLO-WLNL-S	UNION,BULKHEAD,ORFS	75631	801-6	HOSE,3/8 INCH ID
64272	6 WLO-WLNL-S	UNION,BULKHEAD,ORFS	75654	20 F5OLO-S	CONNECTOR,STRAIGHT THREAD TO ORFS
65776	8 F65OL-S	CONNECTOR,STRAIGHT THREAD TO ORFS SWIVEL	75655	1J943-20-20	HOSE END,90° FEMALE SWIVEL,SEAL LOK
65880	6001012	O-RING KIT	75656	881-20	HOSE,1-1/4 INCH ID
66154	6 WTX-WLNS	UNION,BULKHEAD,FLARE TUBE	75971	8 F5OHAO-S	UNION,STRAIGHT THREAD
66155	6 WETX-S	UNION,BULKHEAD 90°,FLARE TUBE	77307	1JB43-8-8	HOSE END,BULKHEAD,SEAL LOK
66156	6 WLNL-S	BULKHEAD LOCKNUT	77309	8 WLNL-S	BULKHEAD LOCKNUT
66389	6-8 F5OX-S	CONNECTOR,STRAIGHT THREAD TO FLARE TUBE	77379	8M18C87OMX-S	ELBOW,90° METRIC,STRAIGHT THREAD TO FLARE TUBE
66392	6 R5OX-S	RUN TEE,STRAIGHT THREAD	77703	3J982-8-8	HOSE END,90° FEMALE SWIVEL,SEAL LOK
66396	811-12	HOSE,3/4 INCH ID	77711	801-10	HOSE,5/8 INCH ID
66829	H3174PP	CLAMP,TUBE	77758	12 WNLO-WLNL-S	UNION,BULKHEAD 45°,ORFS
67217	4 KLO-S	UNION,CROSS,ORFS	78091	6 C6X-S	ELBOW,90°,SWIVEL NUT TO FLARE TUBE
67339	10-6 F5OX-S	CONNECTOR,STRAIGHT THREAD TO FLARE TUBE	78684	30582-8-8B	HOSE END,PUSH LOK,MALE
67357	13943-8-6	HOSE END,90° FEMALE SWIVEL,JIC	78852	549-2	HOSE,1/8 INCH ID
67358	10 HP5ON-S	PLUG,STRAIGHT THREAD	78855	10657-4-2	HOSE END,FEMALE SWIVEL,JIC
67371	12 S6LO-S	BRANCH TEE,SWIVEL NUT TO ORFS	79138	PS-B-37	SLEEVE,NYLON,2.38" ID
67498	4 FNL-S	CAP, TUBE END	79476	1JS43-6-8	HOSE END,FEMALE SWIVEL,SEAL LOK
67906	DC-370-F0F0-5	VALVE,CHECK	79847	12-3/4 A0EG-S	ELBOW,90°,STRAIGHT THREAD TO FEMALE PIPE
69316	8 FLO-S	CONNECTOR,MALE PIPE TO ORFS	80044	8 CLO-S	ELBOW,90°,MALE PIPE TO ORFS
69333	H3174PP	CLAMP,HYDRAULIC HOSE	80502	8 F5OX-S	CONNECTOR,STRAIGHT THREAD TO FLARE TUBE
69503	4 F65OX-S	CONNECTOR,STRAIGHT THREAD TO 37° SWIVEL	80503	8 C5OX-S	ELBOW,90°,STRAIGHT THREAD TO FLARE TUBE
69775	8 FNL-S	CAP, TUBE END	81010	AS-B-27	SLEEVE,NYLON,1.63" ID
71038	1/4X1/4F3HG-S	ADAPTER,CONVERSION	83052	821-6	HOSE,3/8 INCH ID
71196	12-8 F5OLO-S	CONNECTOR,STRAIGHT THREAD TO ORFS	83053	821-8	HOSE,1/2 INCH ID
71383	1/4 CD45-S	ELBOW,45°,MALE TO FEMALE PIPE	83054	821-12	HOSE,3/4 INCH ID
72270	12FNL-S	CAP, TUBE END	83055	30682-6-6	HOSE END,FEMALE SWIVEL,JIC
73436	60C-4	SLEEVE,COMPRESSION	83056	30682-12-12	HOSE END,FEMALE SWIVEL,JIC
73437	61C-4	NUT,COMPRESSION	83057	33782-6-6	HOSE END,45° FEMALE SWIVEL,JIC
73438	33482-4-4B	HOSE END,PUSH LOK,MALE	83058	33982-6-6	HOSE END,90° FEMALE SWIVEL,JIC
73767	1CD-S	ELBOW,90°,MALE TO FEMALE PIPE	83060	33982-12-12	HOSE END,90° FEMALE SWIVEL,JIC
73768	20-16-F5OG5-S	ADAPTER,FEMALE PIPE TO STRAIGHT THREAD	83063	13743-4-4	HOSE END,45° FEMALE SWIVEL,JIC
73769	16-20 F5OLO-S	CONNECTOR,STRAIGHT THREAD TO ORFS			
74660	6-8 F42EDMLO-S	CONNECTOR,MALE BSPP TO ORFS			
74661	8-8 F42EDMLO-S	CONNECTOR,MALE BSPP TO ORFS			
75007	4 FLO-S	CONNECTOR,MALE PIPE TO ORFS			
75008	1/8 HP-S	PLUG,PIPE THREAD			
75014	1/2 HP-S	PLUG,PIPE THREAD			
75042	8 WELO-WLNL-S	UNION,90° BULKHEAD W/NUT,ORFS			
75043	3/4 FF-S	NIPPLE,PIPE			
75254	24 F5OHAO-S	UNION,STRAIGHT THREAD			
75255	12 F5OHAO-S	UNION,STRAIGHT THREAD			
75256	XV506P-24	BALL VALVE			
75574	4 WLNL-S	BULKHEAD LOCKNUT			
75612	8 WJLO-WLNL-S	RUN TEE, BULKHEAD,ORFS			
75613	12-8 F5OG5-S	ADAPTER,FEMALE PIPE TO STRAIGHT THREAD			
75614	8 CC5OLO-S	ELBOW,90° LONG,STRAIGHT THREAD TO ORFS			
75628	1JB43-4-4	HOSE END,BULKHEAD,SEAL LOK			

Fitting Cross References (Continued)

Genie PN	Parker PN	Description	Genie PN	Parker PN	Description
83064	13743-8-8	HOSE END,45° FEMALE SWIVEL,JIC	89449	6 WJLO-WLNL-S	RUN TEE, BULKHEAD,ORFS
83065	13743-12-12	HOSE END,45° FEMALE SWIVEL,JIC	89489	4 WJMLO-S	BRANCH TEE,BULKHEAD,ORFS
83066	13943-8-8	HOSE END,90° FEMALE SWIVEL,JIC	89551	1JB43-6-6	HOSE END,BULKHEAD,SEAL LOK
83067	14143-6-6	HOSE END,90° FEMALE SWIVEL,JIC	89552	1JB43-8-8	HOSE END,BULKHEAD,SEAL LOK
83068	14143-8-8	HOSE END,90° FEMALE SWIVEL,JIC	89593	20 C5OLO-S	ELBOW,90°,STRAIGHT THREAD TO ORFS
83069	14143-12-12	HOSE END,90° FEMALE SWIVEL,JIC	94161	8-8 CLO-S	ELBOW,90°,MALE PIPE TO ORFS
83070	772-8	HOSE,1/2 INCH ID	94358	351TC-12	HOSE,3/4 INCH ID
83071	10671-8-8	HOSE END,FEMALE SWIVEL,JIC	94418	20 FLO-S	CONNECTOR,MALE PIPE TO ORFS
83072	10671-12-12	HOSE END,FEMALE SWIVEL,JIC	96358	12 TX-S	SLEEVE,FLARE TUBE
83073	13771-8-8	HOSE END,45° FEMALE SWIVEL,JIC	96359	12 BTX-S	NUT,FLARE TUBE
83074	13771-12-12	HOSE END,45° FEMALE SWIVEL,JIC	96397	8 F5OX-S	CONNECTOR,STRAIGHT THREAD TO FLARE TUBE
83075	13971-8-8	HOSE END,90° FEMALE SWIVEL,JIC	96398	12-8 F5OX-S	CONNECTOR,STRAIGHT THREAD TO FLARE TUBE
83076	13971-12-12	HOSE END,90° FEMALE SWIVEL,JIC	96402	10343-6-6	HOSE END,MALE,JIC
83077	14171-8-8	HOSE END,90° FEMALE SWIVEL,JIC	96407	30382-6-6B	HOSE END,MALE,JIC
83078	14171-12-12	HOSE END,90° FEMALE SWIVEL,JIC			
83080	13943-16-16	HOSE END,90° FEMALE SWIVEL,JIC			
83103	10671-16-12	HOSE END,FEMALE SWIVEL,JIC			
83104	10671-10-12	HOSE END,FEMALE SWIVEL,JIC			
83112	1JC71-8-8	HOSE END,FEMALE SWIVEL,SEAL LOK			
83113	1JS71-16-12	HOSE END,FEMALE SWIVEL,SEAL LOK			
83114	1JS71-10-12	HOSE END,FEMALE SWIVEL,SEAL LOK			
83115	1J971-8-8	HOSE END,90° FEMALE SWIVEL,SEAL LOK			
83116	1J171-8-8	HOSE END,90° FEMALE SWIVEL,SEAL LOK			
83117	1J771-8-8	HOSE END,45° FEMALE SWIVEL,SEAL LOK			
83127	1J543-6-8	HOSE END,90° FEMALE SWIVEL,JIC			
83128	1JC43-6-8	HOSE END,FEMALE SWIVEL,SEAL LOK			
87033	12-6 TRLO-S	REDUCER,TUBE END TO SWIVEL,ORFS			
87034	3J782-8-8	HOSE END,45° FEMALE SWIVEL,SEAL LOK			
87172	12 HP5ON-S	PLUG,STRAIGHT THREAD			
87185	8 WNLO-WLNL-S	UNION,BULKHEAD 45°,ORFS			
87246	4 C6X-S	ELBOW,90°,SWIVEL NUT TO FLARE TUBE			
87679	6 LHP-S	FLANGE SEAL FITTING, MALE			
87681	6PLS N0702	BONDED SEAL			
88100	SR88100	ADAPTER,OIL DRAIN,GM 3.0L			
88311	1JS43-20-20	HOSE END,FEMALE SWIVEL,SEAL LOK			
88353	20 V5OLO-S	ELBOW,45°,STRAIGHT THREAD TO ORFS			
88474	10081-20	Crimp Shell, 1.25"			
88475	1988-20-24	HOSE END,90° FLANGE HEAD			
88476	JS88-24-24	HOSE END,FEMALE SWIVEL,SEAL LOK			
88477	1JC88-20-20	HOSE END,FEMALE SWIVEL,SEAL LOK			
88478	811-20	HOSE,11/4 INCH ID			
88936	20-16 F5OLO-S	CONNECTOR,STRAIGHT THREAD TO ORFS			
88937	20-16 FLO-S	CONNECTOR,MALE PIPE TO ORFS			
88938	1JC88-16-16	HOSE END,FEMALE SWIVEL,SEAL LOK			
88939	1J988-16-16	HOSE END,90° FEMALE SWIVEL,ORFS			
88940	811-16	HOSE,1 INCH ID			
88944	1J988-20-20	HOSE END,90° FEMALE SWIVEL,ORFS			
89403	16 VLO-S	ELBOW,45°,MALE PIPE TO ORFS			

California Proposition 65



WARNING

Operating, servicing and maintaining this equipment can expose you to chemicals including engine exhaust, carbon monoxide, phthalates, and lead, which are known to the State of California to cause cancer and birth defects or other reproductive harm. These chemicals can be emitted from or contained in other various parts and systems, fluids and some component wear by-products. To minimize exposure, avoid breathing exhaust, do not idle the engine except as necessary, service your equipment and vehicle in a well-ventilated area and wear gloves or wash your hands frequently when servicing your equipment or vehicle and after operation. For more information go to www.P65Warnings.ca.gov/passenger-vehicle.

Distributed By:

Go to Discount-Equipment.com to order your parts

PARTS FINDER

**Search Website
by Part Number**



**Search Manual
Library For Parts
Manual & Lookup Part
Numbers – Purchase
or Request Quote**

Search Manuals

Enter your information to help us find the right parts manual for your machine.

* Brand:

* Model:

* Serial:

* Part Number:

SEARCH

**Can't Find Part or
Manual? Request Help
by Manufacturer,
Model & Description**

Parts Order Form

Please fill in the following information to help us find the right part for your machine.

Manufacturer:	<input type="text"/>
Model:	<input type="text"/>
Description:	<input type="text"/>
Part Number:	<input type="text"/>
Quantity:	<input type="text"/>
Notes:	<input type="text"/>

Submit

Discount-Equipment.com is your online resource for quality parts & equipment.

Florida: **561-964-4949** Outside Florida TOLL FREE: **877-690-3101**

Need parts?

Click on this link: <http://www.discount-equipment.com/category/5443-parts/> and choose one of the options to help get the right parts and equipment you are looking for. Please have the machine model and serial number available in order to help us get you the correct parts. If you don't find the part on the website or on one of the online manuals, please fill out the request form and one of our experienced staff members will get back to you with a quote for the right part that your machine needs.

We sell worldwide for the brands: Genie, Terex, JLG, MultiQuip, Mikasa, Essick, Whiteman, Mayco, Toro Stone, Diamond Products, Generac Magnum, Airman, Haulotte, Barreto, Power Blanket, Nifty Lift, Atlas Copco, Chicago Pneumatic, Allmand, Miller Curber, Skyjack, Lull, Skytrak, Tsurumi, Husquvarna Target, Stow, Wacker, Sakai, Mi-T-M, Sullair, Basic, Dynapac, MBW, Weber, Bartell, Bennar Newman, Haulotte, Ditch Runner, Menegotti, Morrison, Contec, Buddy, Crown, Edco, Wyco, Bomag, Laymor, EZ Trench, Bil-Jax, F.S. Curtis, Gehl Pavers, Heli, Honda, ICS/PowerGrit, IHI, Partner, Imer, Clipper, MMD, Koshin, Rice, CH&E, General Equipment, Amida, Coleman, NAC, Gradall, Square Shooter, Kent, Stanley, Tamco, Toku, Hatz, Kohler, Robin, Wisconsin, Northrock, Oztec, Toker TK, Rol-Air, APT, Wylie, Ingersoll Rand / Doosan, Innovatech, Con X, Ammann, Mecalac, Makinex, Smith Surface Prep, Small Line, Wanco, Yanmar