



A TEREX BRAND



Parts Manual

Serial Number Range

GTH-1256

from SN GTH1215M-001 to
GTH1216M-249

from SN GTH12M-250 to SN
GTH12M-280

Part No. 645059

Rev H

June 2018

Go to Discount-Equipment.com to order your parts

PARTS FINDER

**Search Website
by Part Number**



**Search Manual
Library For Parts
Manual & Lookup Part
Numbers – Purchase
or Request Quote**

Search Manuals

Enter your information to help us find the right parts manual for your machine.

* Brand:

* Model:

* Serial:

* Part Number:

SEARCH

**Can't Find Part or
Manual? Request Help
by Manufacturer,
Model & Description**

Parts Order Form

Please fill in the following information to help us find the right part for your machine.

| | |
|---------------|----------------------|
| Manufacturer: | <input type="text"/> |
| Model: | <input type="text"/> |
| Description: | <input type="text"/> |
| Part Number: | <input type="text"/> |
| Quantity: | <input type="text"/> |
| Notes: | <input type="text"/> |

Submit

Discount-Equipment.com is your online resource for quality parts & equipment.

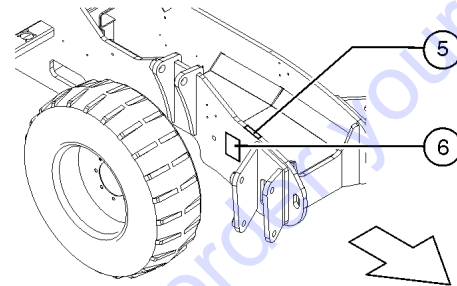
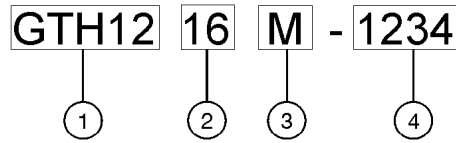
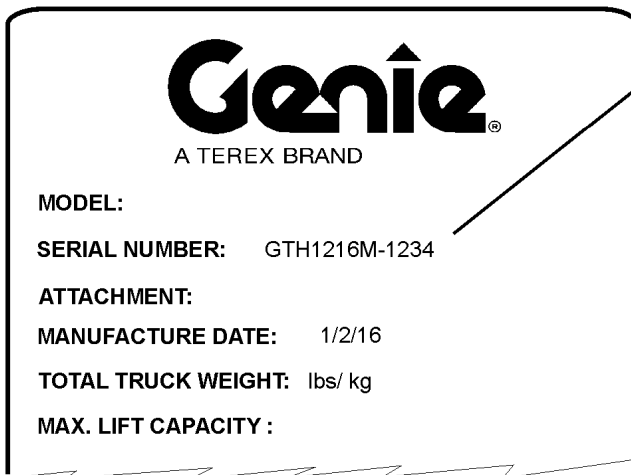
Florida: **561-964-4949** Outside Florida TOLL FREE: **877-690-3101**

Need parts?

Click on this link: <http://www.discount-equipment.com/category/5443-parts/> and choose one of the options to help get the right parts and equipment you are looking for. Please have the machine model and serial number available in order to help us get you the correct parts. If you don't find the part on the website or on one of the online manuals, please fill out the request form and one of our experienced staff members will get back to you with a quote for the right part that your machine needs.

We sell worldwide for the brands: Genie, Terex, JLG, MultiQuip, Mikasa, Essick, Whiteman, Mayco, Toro Stone, Diamond Products, Generac Magnum, Airman, Haulotte, Barreto, Power Blanket, Nifty Lift, Atlas Copco, Chicago Pneumatic, Allmand, Miller Curber, Skyjack, Lull, Skytrak, Tsurumi, Husquvarna Target, Stow, Wacker, Sakai, Mi-T-M, Sullair, Basic, Dynapac, MBW, Weber, Bartell, Bennar Newman, Haulotte, Ditch Runner, Menegotti, Morrison, Contec, Buddy, Crown, Edco, Wyco, Bomag, Laymor, EZ Trench, Bil-Jax, F.S. Curtis, Gehl Pavers, Heli, Honda, ICS/PowerGrit, IHI, Partner, Imer, Clipper, MMD, Koshin, Rice, CH&E, General Equipment, Amida, Coleman, NAC, Gradall, Square Shooter, Kent, Stanley, Tamco, Toku, Hatz, Kohler, Robin, Wisconsin, Northrock, Oztec, Toker TK, Rol-Air, APT, Wylie, Ingersoll Rand / Doosan, Innovatech, Con X, Ammann, Mecalac, Makinex, Smith Surface Prep, Small Line, Wanco, Yanmar

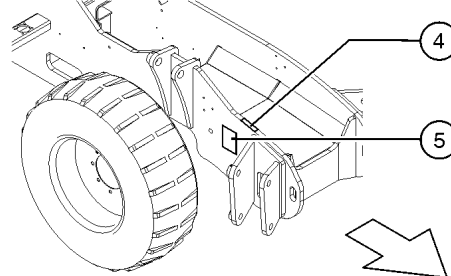
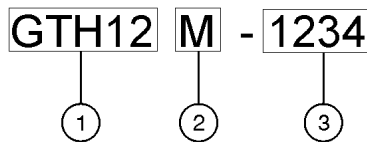
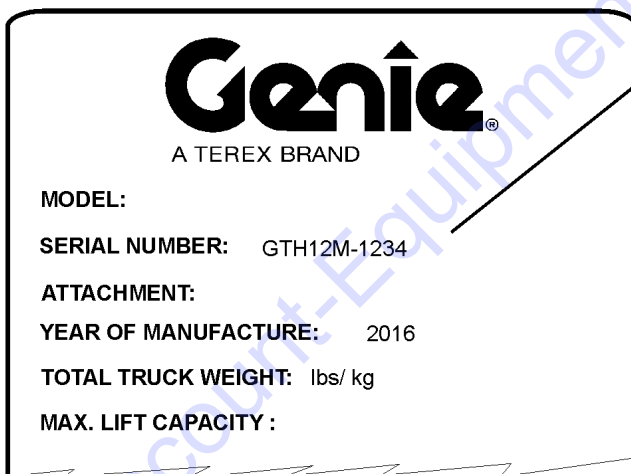
To August 31, 2016



- 1 Model
- 2 Model year
- 3 Facility code
- 4 Sequence number

- 5 Serial number (stamped on chassis)
- 6 Serial label

From September 1, 2016



- 1 Model
- 2 Facility code
- 3 Sequence number

Machine data plate
 (On machines destined for the Italian market, the machine data plate is installed in the driving cab, on the right, and is well-visible when the door is opened. On the machines destined for foreign markets, the data plate is applied on the front right side of the chassis)

- 4 Serial number (stamped on chassis)
- 5 Serial label

Table of Contents

This manual is updated frequently. For the most up-to-date parts information, visit www.discount-equipment.com

| | |
|-------------------------------------|---|
| How to Read Your Serial Number..... | 3 |
| Parts Stocking List..... | 7 |

Electronic Version

Click on any page number to view the figure.

100 Decals

| | |
|----------------------------------|----|
| 101.1 608600 Decals, View 1..... | 10 |
| 102.1 608601 Decals, View 2..... | 12 |

200 Drive Chassis Components

| | |
|---|----|
| 201.1 608603 Rear Chassis..... | 14 |
| 202.1 608604 Left Chassis..... | 16 |
| 203.1 608605 Right Chassis..... | 18 |
| 204.1 608606 Outriggers..... | 20 |
| 205.1 608607 Hydraulic Oil And Diesel Tanks..... | 22 |
| 206.1 608608 Drive Chassis And Wheels..... | 24 |
| 207.1 608609 Front Axle - Differential..... | 26 |
| 208.1 608610 Front Axle - Brakes..... | 28 |
| 209.1 608611 Front And Rear Axle - Central Housing..... | 30 |
| 210.1 608612 Front And Rear Axle - Hub Reduction..... | 32 |
| 211.1 608613 Front And Rear Axle - Steering Cylinder..... | 34 |
| 212.1 608614 Front And Rear Axle - Trunion..... | 36 |
| 213.1 608615 Front And Rear Axle - Gear Box..... | 38 |
| 214.1 608616 Rear Axle - Differential..... | 40 |
| 215.1 608617 Rear Axle - Brakes..... | 42 |

300 Engine Components

| | |
|--|----|
| 301.1 608622 Diesel Engine - Deutz Version..... | 44 |
| 301.2 608632 Diesel Engine - Perkins Version..... | 46 |
| 302.1 608623 Air Filter..... | 48 |
| 303.1 608624 Fuel Circuit - Deutz Version..... | 50 |
| 303.2 608654 Fuel Circuit - Perkins Version..... | 52 |
| 304.1 608625 Exhaust System - Deutz Version..... | 54 |
| 304.2 608655 Exhaust System - Perkins Version..... | 56 |
| 305.1 608626 Cooling System, Radiator - Deutz Version..... | 58 |

| | |
|--|----|
| 306.1 608627 Cooling System, Radiator Hoses - Deutz Version..... | 60 |
| 307.1 608656 Cooling System, Radiator - Perkins Version..... | 62 |
| 308.1 608657 Cooling System, Radiator Hoses - Perkins Version..... | 64 |
| 309.1 608628 Hydraulic Pumps..... | 66 |

400 Cab Components

| | |
|--|----|
| 401.1 608633 Cab, View 1 - Standard Version..... | 68 |
| 402.1 608634 Cab, View 2 - Standard Version..... | 70 |
| 403.1 608635 Cab, View 3 - Standard Version..... | 72 |
| 404.1 608636 Cab, View 1 - Close Version..... | 74 |
| 405.1 608637 Cab, View 2 - Close Version..... | 76 |
| 406.1 608638 Cab, View 3 - Close Version..... | 78 |
| 407.1 608639 Cab, View 4 - Close Version..... | 80 |

500 Boom Components

| | |
|---|-----|
| 501.1 608644 Arm 1st - 2nd Telescopic Element..... | 82 |
| 502.1 608645 Arm 3rd - 4th Telescopic Element..... | 84 |
| 503.1 608646 Chain Unit 1st Boom Section..... | 86 |
| 504.1 608647 Chain Unit 2nd Boom Section..... | 88 |
| 505.1 608648 Chain Unit 3rd Boom Section..... | 90 |
| 506.1 608649 Chain Unit 4th Boom Section..... | 92 |
| 507.1 608650 Stop Spacer Boom Section..... | 94 |
| 508.1 608651 Lifting Cylinder - Slave Cylinder - Tilting Cylinder..... | 96 |
| 509.1 608652 Boom Extension Cylinder..... | 98 |
| 510.1 608653 Left & Right Chassis Sway Cylinder - Rear Axle Locking Cylinder..... | 100 |

550 Fork and Frame Components

| | |
|---|-----|
| 551.1 608658 Coupling Unit..... | 102 |
| 552.1 608659 Fork Frame..... | 104 |
| 553.1 608660 Truss Boom 7 Feet, 4,400 LBS..... | 106 |
| 554.1 608661 Truss Boom 14 Feet, 2,000 LBS..... | 108 |

600 Hydraulic System

| | |
|--|-----|
| 601.1 608666 Boom Extension Cylinder..... | 110 |
| 602.1 608667 Forks Tilt Cylinder - Forks Level Slave Cylinder..... | 112 |
| 603.1 608668 Attachment Hydraulic Circuit..... | 114 |
| 604.1 608669 Front Outriggers - To S.N. GTH1216M-180.116 | |
| 604.2 608693 Front Outriggers - From S.N. GTH1216M-181..... | 118 |
| 605.1 608670 Chassis Sway Cylinder..... | 120 |
| 606.1 608671 Rear Axle Lock Cylinder..... | 122 |
| 607.1 608672 Boom Lift Cylinder..... | 124 |
| 608.1 608673 Power Steering..... | 126 |
| 609.1 608674 Service Brake..... | 128 |

| | |
|--|-----|
| 610.1 608675 Parking Brake..... | 130 |
| 611.1 608676 Gear Box..... | 132 |
| 612.1 608677 Hydraulic Oil Radiator..... | 134 |
| 613.1 608678 Hydraulic Oil Radiator Circuit..... | 136 |
| 614.1 608679 Hydraulic Pumps..... | 138 |
| 615.1 608680 Boom Hydraulic Control..... | 140 |
| 616.1 608681 Transmission..... | 142 |
| 618.1 608683 Primary Functions Manifold..... | 144 |
| 619.1 608684 Auxiliary Functions Manifold..... | 146 |
| 620.1 608685 Outriggers Functions Manifold..... | 148 |

700 Electric Installation

| | |
|--|-----|
| 701.1 608689 Cabin Fuse-Relay Box..... | 150 |
| 702.1 608690 Dashboard..... | 152 |
| 703.1 608691 Wirings - View 1..... | 154 |
| 704.1 608692 Wirings - View 2..... | 156 |

800 Optionals

| | |
|--|-----|
| 801.1 608618 Air Conditioning - Deutz Engine - Part 1..... | 158 |
| 802.1 608619 Air Conditioning - Perkins Engine - Part 1..... | 160 |
| 803.1 608620 Air Conditioning - Part 2..... | 162 |
| 804.1 608621 Air Conditioning - Part 3..... | 164 |
| 805.1 608629 Hydraulic Coupling - Part 1..... | 166 |
| 806.1 608630 Hydraulic Coupling - Part 2..... | 168 |
| 807.1 608631 Rear Video Camera..... | 170 |
| 808.1 608602 Telematics..... | 172 |
| 809.1 608640 Road Lights - Part 1..... | 174 |
| 810.1 608641 Road Lights - Part 2..... | 176 |
| 811.1 608642 Work Lights - Part 1..... | 178 |
| 812.1 608643 Work Lights - Part 2..... | 180 |

Indices

| | |
|-----------------------------|-----|
| Part Number Index..... | 182 |
| Part Description Index..... | 188 |

Cross References

| | |
|-------------------------------|-----|
| Fittings Cross Reference..... | 196 |
|-------------------------------|-----|

Required Parts

The following parts are required to perform maintenance procedures as outlined in the *Genie GTH-1256 Operator's and Service Manuals*.

| Description | Part No. |
|--|--------------------|
| Diesel Fuel Filter (Deutz Engine)..... | 07.4501.0202 (n.2) |
| Diesel Fuel Filter (Perkins Engine)..... | 07.4501.0194 (n.1) |
| Diesel Fuel Pre-Filter (Deutz Engine)..... | 07.4501.0201 |
| Diesel Fuel Pre-Filter (Perkins Engine)..... | 07.4501.0240 |
| Engine Oil Filter (Deutz Engine)..... | 07.4501.0203 |
| Engine Oil Filter (Perkins Engine)..... | 638243 |
| Engine Air Filter Primary Cartridge..... | 07.4501.0223 |
| Engine Air Filter Secondary Cartridge..... | 07.4501.0224 |
| Hydraulic Oil Filter Cartridge..... | 07.0700.0002 |
| Hydraulic Oil Filter Immersed in the Tank... | 09.4604.0000 |

Recommended Parts

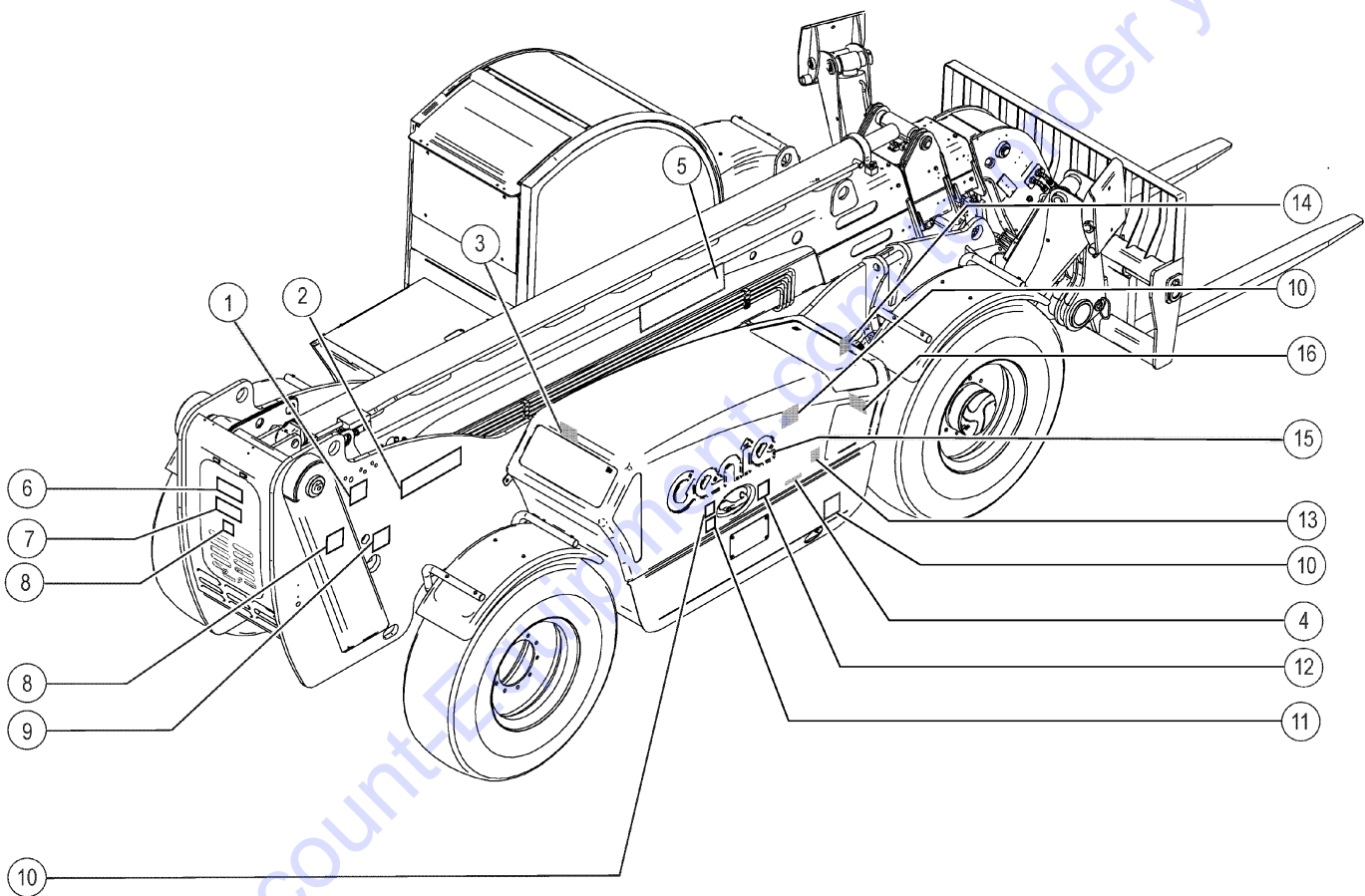
| Description | Type |
|--|----------|
| Terex Grey..... | RAL 7012 |
| Terex White..... | RAL 1013 |
| Terex Matte Black for Cylinders..... | RAL 9005 |
| Genie Blue..... | |
| Genie Grey..... | |
| Genie Traffic Black for Cylinders..... | RAL 9017 |

Genie also offers the following support documents:

| | |
|---|--------------|
| Genie GTH 1256 | |
| Operator's Manual, 1 st edition..... | 57.0009.0662 |
| Genie GTH 1256 | |
| Service Manual, 1 st edition..... | 57.4400.9216 |

Go to Discount-Equipment.com to order your parts

101.1 608600 Decals, View 1

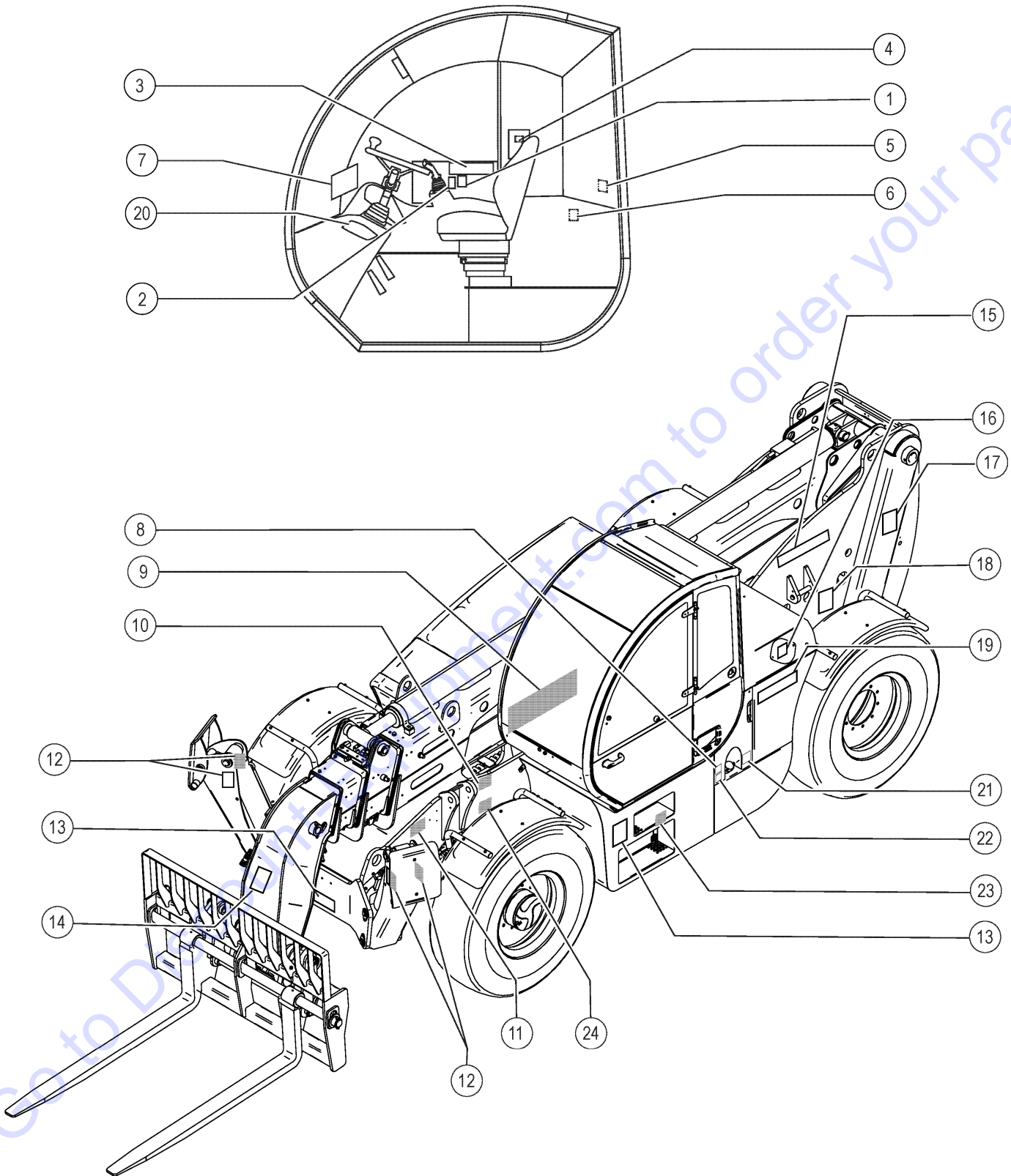


Go to DiscountParts.com to order your parts

| Item | Part No. | Description | Qty. |
|------|---------------|---|------|
| 1 | 82558GT | DECAL,WARN,SKIN INJECTION HAZ*..... | 1 |
| 2 | 094618.1767GT | Cosmetic - GTH-1256..... | 1 |
| 3 | 237605GT | DECAL,WARNING,EXPLOSION/BURN HAZARD..... | 1 |
| 4 | 094618.1672GT | Label - Tests Port - Perkins Engine Version..... <i>Only For Perkins Engine Version</i> | 1 |
| 5 | 094618.1765GT | Cosmetic - GTH-1256..... | 1 |
| 6 | 094618.1625GT | DECAL,COSMETIC,GENIE..... | 1 |
| 7 | 094618.1768GT | Cosmetic - GTH-1256..... | 1 |
| 8 | 237598GT | DECAL,BODY CRUSH,ROLLING MACHINE..... | 2 |
| 9 | 237970GT | DECAL,CRUSH HAZARD,TIRES..... | 1 |
| 10 | 97667GT | DECAL,WARN,BURN HAZARD..... | 3 |
| 11 | 28175GT | DECAL,WARNING-COMPART ACCESS..... | 1 |
| 12 | 214418GT | DECAL, 2 DECAL COMBO..... | 1 |
| 13 | 094618.1646GT | DECAL,INCHING VALVE..... | 1 |
| 14 | 094618.1655GT | DECAL,NOTICE CUT OUT SWITCH..... | 1 |
| 15 | 094618.1834GT | Cosmetic - Genie..... | 1 |
| 16 | 094618.1638GT | LABEL - TESTS PORT..... <i>Only For Deutz Engine Version</i> | 1 |

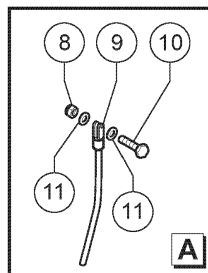
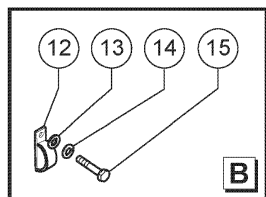
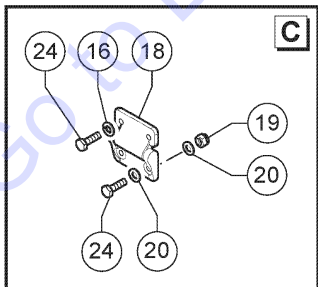
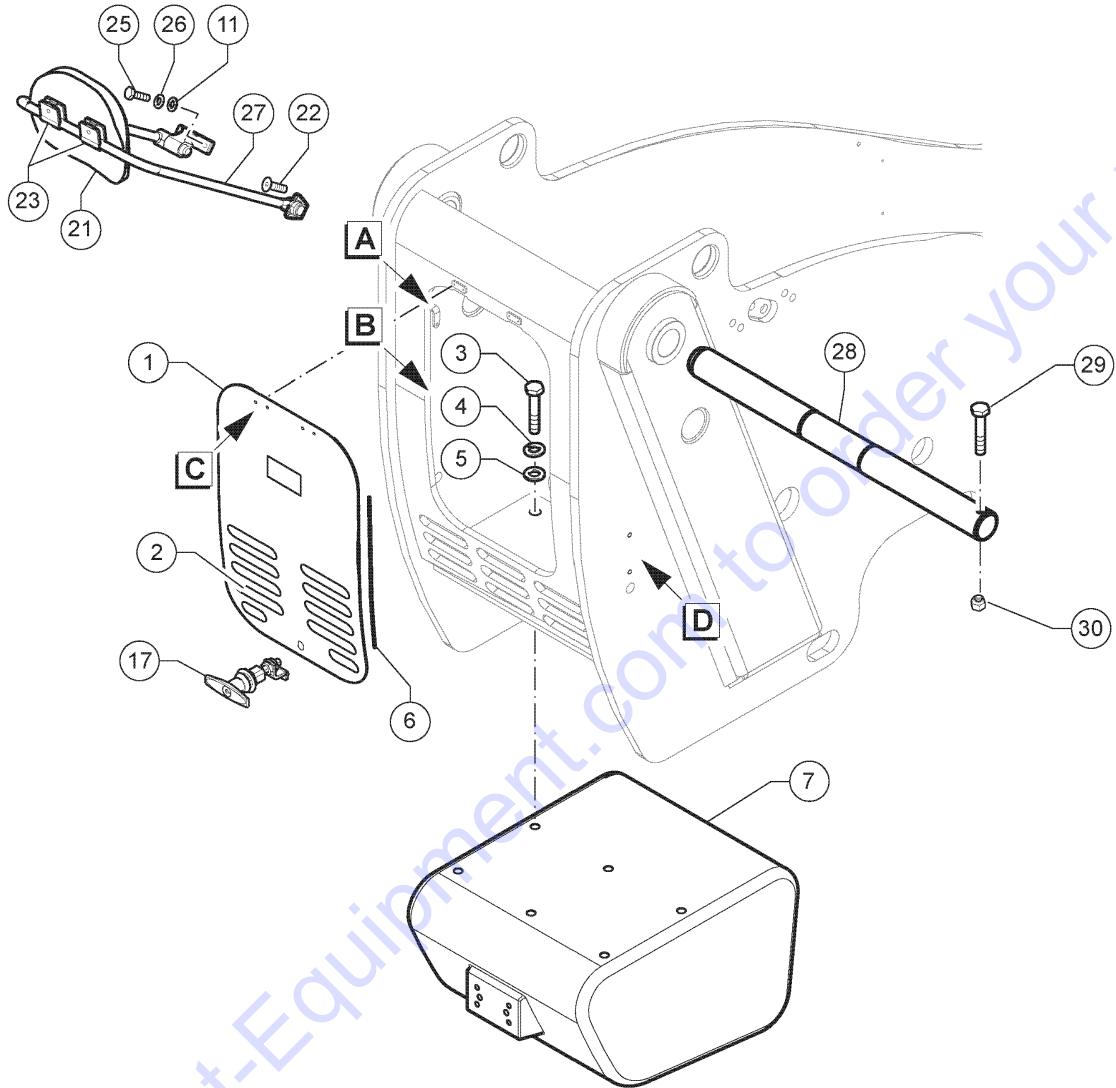
Go to Discount-Equipment.com to order your parts

102.1 608601 Decals, View 2



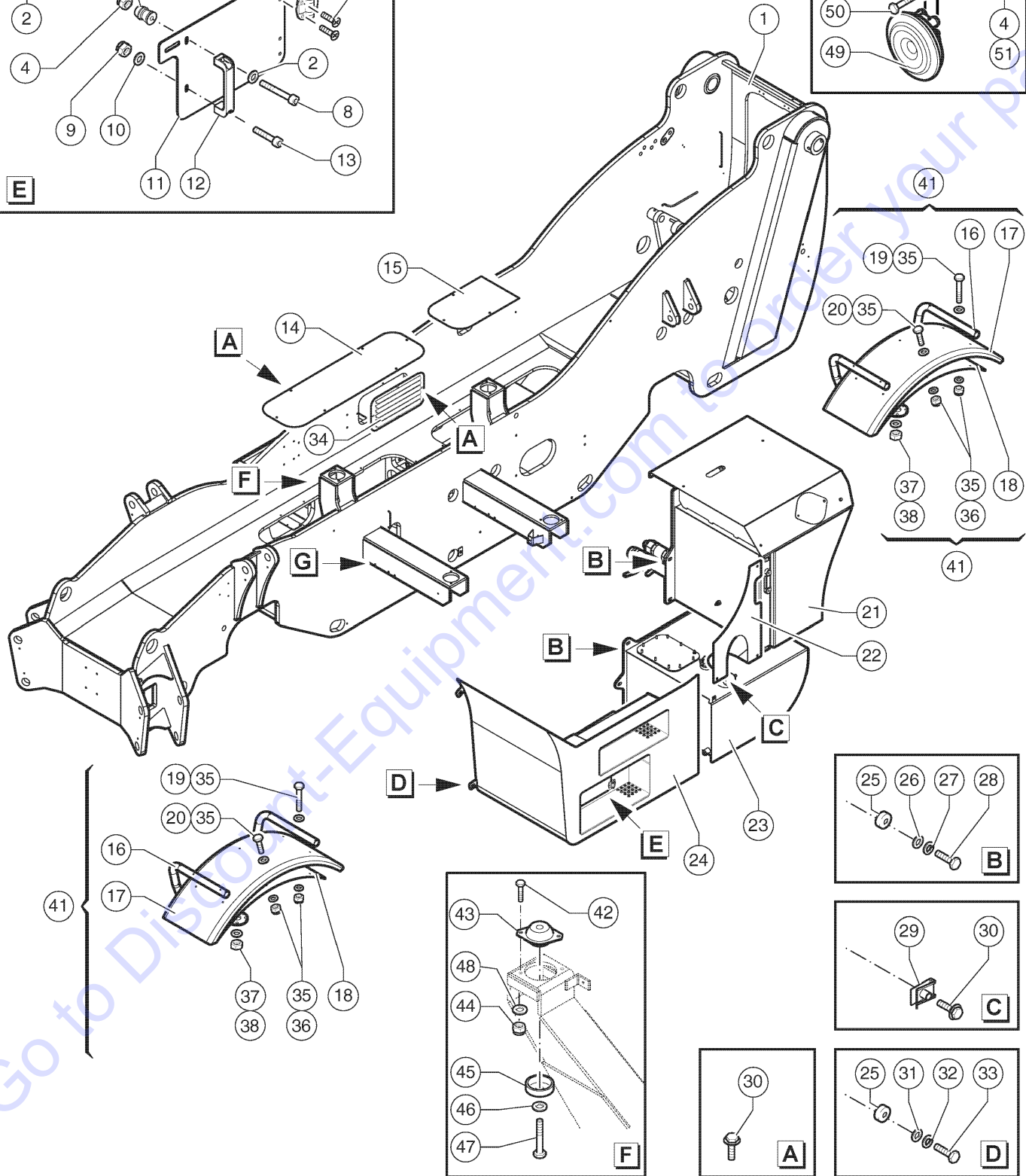
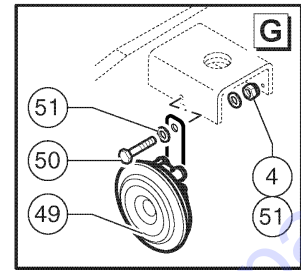
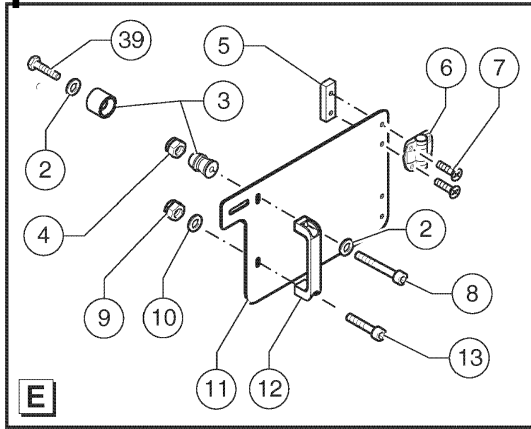
| Item | Part No. | Description | Qty. |
|------|---------------|--|------|
| 1 | 094618.1619GT | Notice - Driving Downhill..... | 1 |
| 2 | 237606GT | Label - Single Controller..... | 1 |
| 3 | 094618.1622GT | Danger/Warning – 7 Decal Combination..... | 1 |
| 4 | 28236GT | DECAL,WARN,IMPROPER OPERATION..... | 1 |
| 5 | 094618.1418GT | DECAL,EMERGENCY EXIT..... | 1 |
| 6 | 094618.1399GT | DECAL,DOOR UNLOCK SYSTEM..... | 1 |
| 7a | 094618.1823GT | Label - Load Chart, Standard Carriage on wheel..... | 1 |
| 7b | 094618.1824GT | Label - Load Chart, Standard Carriage on stab..... | 1 |
| 7c | 094618.1825GT | Label - Load Chart, Rotate Carriage on wheel..... | 1 |
| 7d | 094618.1826GT | Label - Load Chart, Rotate Carriage on stab..... | 1 |
| 7e | 094618.1830GT | Label - Load Chart, Rubbish Bucket on wheel..... | 1 |
| 7f | 094618.1831GT | Label - Load Chart, Rubbish Bucket on stab..... | 1 |
| 7g | 094618.1833GT | Label - Load Chart, 7 ft Truss Boom on wheel..... | 1 |
| 7h | 094618.1832GT | Label - Load Chart, 7 ft Truss Boom on stab..... | 1 |
| 7i | 094618.1843GT | Label - Load Chart, Shackle on wheel..... | 1 |
| 7l | 094618.1844GT | Label - Load Chart, Shackle on stab..... | 1 |
| 8 | 826345GT | DECAL,ULS DIESEL ONLY,TIER 4..... | 1 |
| 9 | 094618.1766GT | Cosmetic - GTH-1256..... | 1 |
| 10 | 215267GT | Label - Product Registration..... | 1 |
| 11 | 094618.1828GT | Label – Transport and Lifting..... | 1 |
| 12 | 094618.1842GT | WARNING - CRUSH HAZARD, STABILIZERS..... | 4 |
| 13 | 214418GT | DECAL, 2 DECAL COMBO..... | 2 |
| 14 | 215268GT | DECAL, FALL HAZARD..... | 1 |
| 15 | 094618.1767GT | Cosmetic - GTH-1256..... | 1 |
| 16 | 82366GT | DECAL, LABEL - CHEVRON RANDO..... | 1 |
| 17 | 237598GT | DECAL,BODY CRUSH,ROLLING MACHINE..... | 1 |
| 18 | 237970GT | DECAL,CRUSH HAZARD,TIRES..... | 1 |
| 19 | 094618.1621GT | Cosmetic - Genie..... | 1 |
| 20 | 094618.1845GT | DECAL - SHIFT ON FLY..... | 1 |
| 21 | 237971GT | Danger - Explosion/Burn Hazard, Fueling..... | 1 |
| 22 | 28159GT | DECAL,LABEL,DIESEL FUEL..... | 1 |
| 23 | 094618.1635GT | Danger – Explosion/Burn Hazard..... | 1 |
| 24 | 1272242GT | DECAL,MACHINE REGISTRATION/OWNER TRANSFER.... | 1 |

201.1 608603 Rear Chassis



| Item | Part No. | Description | Qty. |
|------|----------------|--|------|
| 1 | 51.0903.5065GT | Cover..... | 1 |
| 2 | 51.0903.5079GT | Protection Grid..... | 1 |
| 3 | 01.4001.0177GT | Screw TE M24X100 UNI 5737 8.8 ZN.... | 6 |
| 4 | 01.4032.0000GT | SPRING WASHER D24 ZN..... | 6 |
| 5 | 01.0031.0063GT | FLAT WASHER D24 UNI 6592 ZN..... | 6 |
| 6 | 07.0740.0091GT | GASKET.....51,2-Inch | |
| 7 | 51.1000.5212GT | Counterweight..... | 1 |
| 8 | 01.0023.0054GT | NUT,M8 UNI 7473 6S ZN..... | 3 |
| 9 | 51.0811.4481GT | Bracket..... | 1 |
| 10 | 01.0001.0257GT | SCREW M8X30 UNI 5739 8.8 ZN..... | 1 |
| 11 | 01.0031.0055GT | FLAT WASHER D8 UNI 6592 ZN..... | 4 |
| 12 | 04.4227.0008GT | CLAMP S16 D12 HOLE 8.4..... | 1 |
| 13 | 01.0031.0054GT | FLAT WASHER D6 UNI 6592 ZN..... | 1 |
| 14 | 01.4032.0002GT | SPRING WASHER D6 ZN..... | 1 |
| 15 | 01.0001.0154GT | SCREW M6X16 UNI 5739 8.8 ZN..... | 1 |
| 16 | 01.4032.0001GT | WASHER,SPRING,D5 ZN..... | 4 |
| 17 | 09.0803.0393GT | Lock..... | 1 |
| 18 | 09.0803.0706GT | Hinge..... | 2 |
| 19 | 01.0023.0052GT | STOP NUT M5 UNI 7473 6S ZN..... | 4 |
| 20 | 01.0031.0053GT | FLAT WASHER D5 UNI 6592 ZN..... | 8 |
| 21 | 09.4610.0033GT | MIRROR,CONVEX..... | 1 |
| 22 | 01.4006.0001GT | SCREW M6X16 UNI 5933 10.9 ZN..... | 2 |
| 23 | 09.0803.0651GT | LOCK CLIP..... | 2 |
| 24 | 01.0001.1538GT | SCREW M5X16 UNI5737 8.8 ZN..... | 8 |
| 25 | 01.0001.0254GT | SCREW M8X20 UNI 5739 8.8 ZN..... | 2 |
| 26 | 01.4032.0003GT | SPRING WASHER D8 ZN..... | 2 |
| 27 | 09.0803.0652GT | SUPPORT,MIRROR..... | 1 |
| 28 | 54.0003.0176GT | PIN..... | 1 |
| 29 | 01.4003.0004GT | Screw TCEI M.16X150 UNI 5931 12.9 ZN..... | 1 |
| 30 | 01.0023.0058GT | NUT,STOP,M16 UNI 7473 6S ZN..... | 1 |

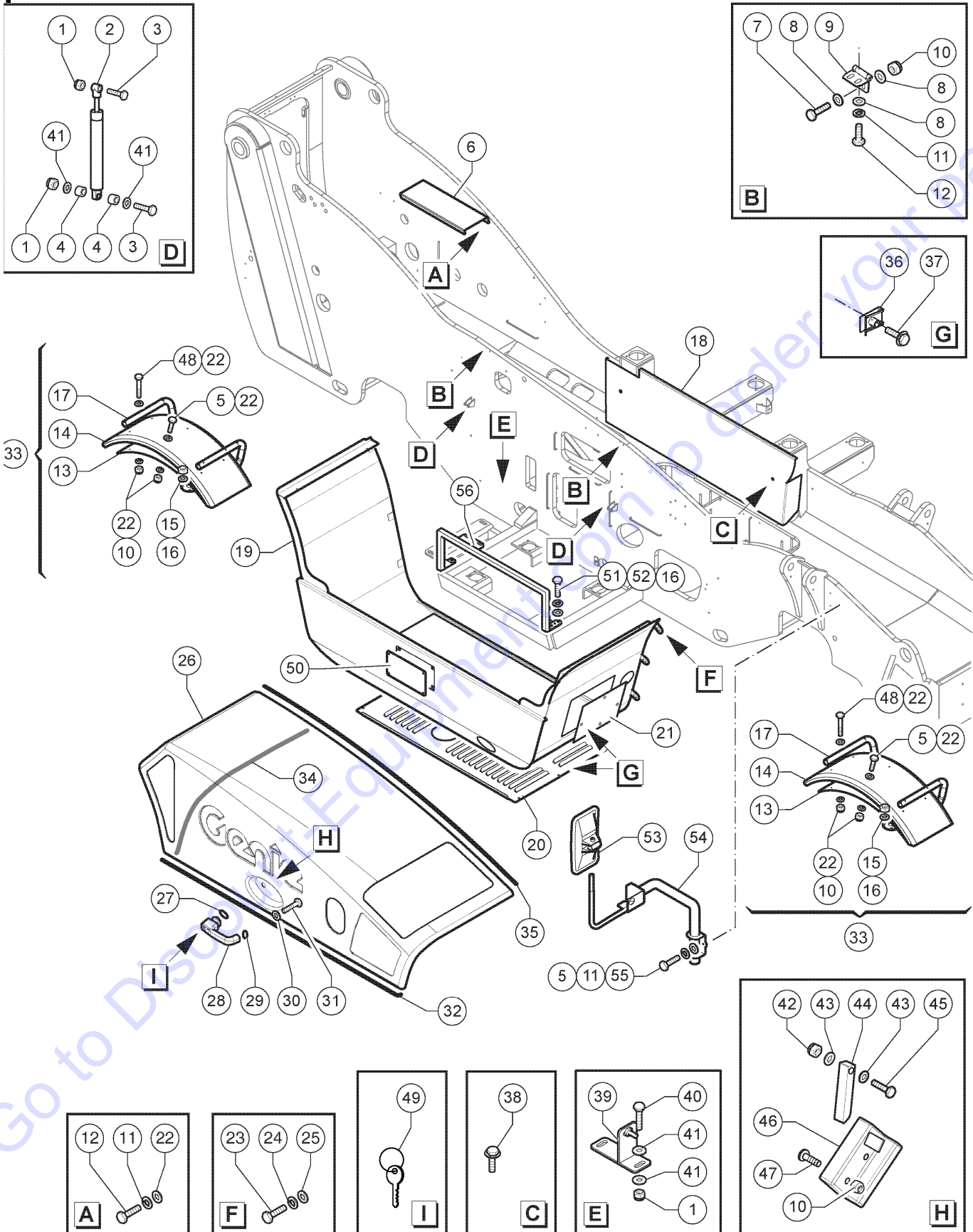
202.1 608604 Left Chassis



202.1 608604 Left Chassis

| Item | Part No. | Description | Qty. | Item | Part No. | Description | Qty. |
|------|----------------|-----------------------------------|------|------|----------------|--------------------------------------|------|
| 1 | 51.0113.9079GT | Chassis..... | 1 | 45 | 54.0100.0020GT | VIBRATION DAMPING SUPPORT..... | 4 |
| 2 | 01.0031.0054GT | FLAT WASHER D6 UNI 6592 ZN..... | 2 | 46 | 01.4032.0007GT | SPRING WASHER D16 ZN..... | 4 |
| 3 | 09.4670.0000GT | KIT,DOOR LOCK..... | 1 | 47 | 01.0001.0657GT | Screw TE M16X80 UNI 5737 8.8 ZN..... | 4 |
| 4 | 01.0023.0053GT | STOP NUT M6 UNI 7473 6S ZN..... | 2 | 48 | 01.4031.0001GT | FLAT WASHER D16 UNI 6593 ZN..... | 8 |
| 5 | 51.0811.4442GT | Hinge Fixing Plate..... | 4 | 49 | 56.0009.0003GT | HORN..... | 1 |
| 6 | 09.0803.0278GT | Hinge..... | 2 | 50 | 01.0001.1458GT | SCREW M6X35 UNI 5739 8.8 ZN..... | 1 |
| 7 | 01.4001.0062GT | SCREW M5X20 UNI 7687 ZN..... | 8 | 51 | 01.0031.0298GT | FLAT WASHER D6 UNI 6593 ZN..... | 2 |
| 8 | 01.0003.0160GT | SCREW M6X40 UNI 5931 8.8 ZN..... | 1 | | | | |
| 9 | 01.0023.0054GT | NUT,M8 UNI 7473 6S ZN..... | 1 | | | | |
| 10 | 01.0031.0299GT | FLAT WASHER D8 UNI 6593 ZN..... | 1 | | | | |
| 11 | 51.0903.4910GT | COVER..... | 1 | | | | |
| 12 | 09.0803.0002GT | Handle..... | 1 | | | | |
| 13 | 01.0003.0205GT | SCREW M8X25 UNI 5931 8.8 ZN..... | 1 | | | | |
| 14 | 51.0903.5067GT | Cover..... | 1 | | | | |
| 15 | 51.0903.5068GT | Cover..... | 1 | | | | |
| 16 | 51.0811.4597GT | Support..... | 2 | | | | |
| 17 | 09.0803.0371GT | Mudguard..... | 2 | | | | |
| 18 | 51.0811.4506GT | Locking Plate..... | 2 | | | | |
| 19 | 01.0001.0209GT | SCREW M8X70 UNI 5737 8.8 ZN..... | 8 | | | | |
| 20 | 01.0001.0256GT | SCREW M8X25 UNI 5739 8.8 ZN..... | 4 | | | | |
| 21 | 55.0240.0060GT | Hydraulic Oil Tank Assembly..... | 1 | | | | |
| 22 | 51.0903.5117GT | Cover..... | 1 | | | | |
| 23 | 55.0250.0027GT | Fuel Tank Assembly..... | 1 | | | | |
| 24 | 55.0409.0203GT | LADDER ASSY..... | 1 | | | | |
| 25 | 53.3302.0029GT | SHIM..... | 10 | | | | |
| 26 | 01.4031.0002GT | FLAT WASHER D14 UNI 6593 ZN..... | 8 | | | | |
| 27 | 01.4032.0006GT | SPRING WASHER D14 ZN..... | 8 | | | | |
| 28 | 01.0001.0605GT | SCREW M14X35 UNI 5739 8.8 ZN..... | 8 | | | | |
| 29 | 09.0803.0352GT | SPRING CLIP M8..... | 3 | | | | |
| 30 | 01.4001.0078GT | SCREW M8X20 DIN 6923 8.8 ZN..... | 9 | | | | |
| 31 | 01.0031.0301GT | FLAT WASHER D10 UNI 6593 ZN..... | 4 | | | | |
| 32 | 01.4032.0004GT | SPRING WASHER D10 ZN..... | 5 | | | | |
| 33 | 01.0001.0355GT | SCREW M10X25 UNI 5739 8.8 ZN..... | 4 | | | | |
| 34 | 51.0903.5070GT | Protection Grid..... | 1 | | | | |
| 35 | 01.0031.0055GT | FLAT WASHER D8 UNI 6592 ZN..... | 24 | | | | |
| 36 | 01.0023.0054GT | NUT,M8 UNI 7473 6S ZN..... | 12 | | | | |
| 37 | 01.0023.0056GT | STOP NUT M12 UNI 7473 6S ZN..... | 8 | | | | |
| 38 | 01.0031.0057GT | WASHER,D12 UNI 6592 ZN..... | 8 | | | | |
| 39 | 01.0001.0154GT | SCREW M6X16 UNI 5739 8.8 ZN..... | 1 | | | | |
| 41 | 55.0409.0210GT | Mudguard ASSY..... | 2 | | | | |
| 42 | 01.0001.0357GT | SCREW,TE,M10X35 UNI 8.8 ZN..... | 8 | | | | |
| 43 | 09.4670.0032GT | VIBRATION DAMPING..... | 4 | | | | |
| 44 | 01.0023.0055GT | NUT,STOP,M10 UNI 7473 6S ZN..... | 8 | | | | |

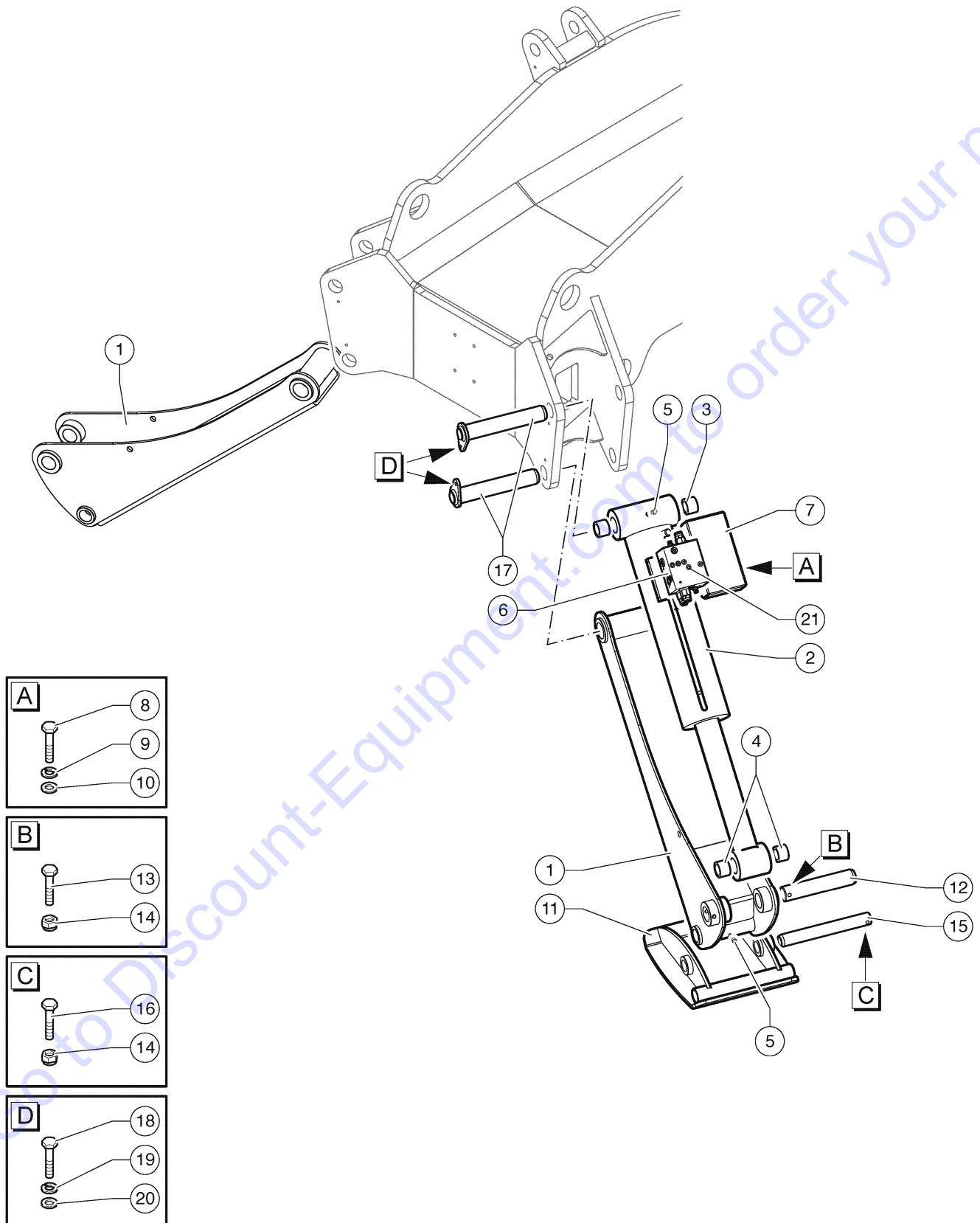
203.1 608605 Right Chassis



203.1 608605 Right Chassis

| Item | Part No. | Description | Qty. | Item | Part No. | Description | Qty. |
|------|----------------|-----------------------------------|---------|------|----------------|-----------------------------------|------|
| 1 | 01.0023.0055GT | NUT,STOP,M10 UNI 7473 6S ZN..... | 4 | 44 | 51.0811.4446GT | ENGINE COVER LOCK LEVER..... | 1 |
| 2 | 09.0803.0826GT | Gas Spring..... | 2 | 45 | 01.0001.0104GT | SCREW M6X40 UNI 5739 8.8 ZN..... | 1 |
| 3 | 01.0001.0304GT | SCREW M10X50 UNI 5739 8.8 ZN..... | 2 | 46 | 07.0740.0192GT | Engine Cover Lock..... | 1 |
| 4 | 54.0101.0002GT | SPACER D 22/8.5 LG8..... | 2 | 47 | 01.4006.0007GT | SCREW M8X40 UNI 5933 10.9 ZN..... | 2 |
| 5 | 01.0001.0256GT | SCREW M8X25 UNI 5739 8.8 ZN..... | 7 | 48 | 01.0001.0209GT | SCREW M8X70 UNI 5737 8.8 ZN..... | 8 |
| 6 | 51.0903.5075GT | Protection..... | 1 | 49 | 07.0703.0125GT | KEY ONLY, SWITCH/IGNITION..... | 1 |
| 7 | 01.0001.0466GT | SCREW M8X50 UNI 5739 8.8 ZN..... | 4 | 50 | 51.0903.5146GT | Cover..... | 1 |
| 8 | 01.0031.0299GT | FLAT WASHER D8 UNI 6593 ZN..... | 12 | 51 | 01.0001.0401GT | SCREW M12X40 UNI 5737 8.8 ZN..... | 4 |
| 9 | 09.0803.0278GT | Hinge..... | 2 | 52 | 01.4032.0005GT | SPRING WASHER D12 ZN..... | 4 |
| 10 | 01.0023.0054GT | NUT,M8 UNI 7473 6S ZN..... | 18 | 53 | 09.4610.0032GT | MIRROR..... | 1 |
| 11 | 01.4032.0003GT | SPRING WASHER D8 ZN..... | 9 | 54 | 51.0811.4591GT | Support..... | 1 |
| 12 | 01.0001.0254GT | SCREW M8X20 UNI 5739 8.8 ZN..... | 6 | 55 | 01.0031.0299GT | FLAT WASHER D8 UNI 6593 ZN..... | 3 |
| 13 | 51.0811.4506GT | Locking Plate..... | 2 | 56 | 51.0811.4534GT | Cover Engine Bracket..... | 1 |
| 14 | 09.0803.0371GT | Mudguard..... | 2 | | | | |
| 15 | 01.0023.0056GT | STOP NUT M12 UNI 7473 6S ZN..... | 8 | | | | |
| 16 | 01.0031.0057GT | WASHER,D12 UNI 6592 ZN..... | 12 | | | | |
| 17 | 51.0811.4597GT | Support..... | 2 | | | | |
| 18 | 51.0903.5141GT | Cover..... | 1 | | | | |
| 19 | 51.0903.5138GT | Engine Housing..... | 1 | | | | |
| 20 | 51.0903.5139GT | Cover..... | 1 | | | | |
| 21 | 51.0903.5146GT | Cover..... | 1 | | | | |
| 22 | 01.0031.0055GT | FLAT WASHER D8 UNI 6592 ZN..... | 26 | | | | |
| 23 | 01.0001.0356GT | SCREW M10X30 UNI 5739 8.8 ZN..... | 6 | | | | |
| 24 | 01.4032.0004GT | SPRING WASHER D10 ZN..... | 6 | | | | |
| 25 | 01.0031.0301GT | FLAT WASHER D10 UNI 6593 ZN..... | 6 | | | | |
| 26 | 52.1100.9117GT | Engine Cover..... | 1 | | | | |
| 27 | 07.0740.0048GT | GASKET..... | 1 | | | | |
| 28 | 09.0803.0808GT | HANDLE..... | 1 | | | | |
| 29 | 07.0740.0049GT | GASKET..... | 1 | | | | |
| 30 | 01.0031.0053GT | FLAT WASHER D5 UNI 6592 ZN..... | 1 | | | | |
| 31 | 01.0001.1438GT | SCREW M5X20 UNI 5739 8.8 ZN..... | 1 | | | | |
| 32 | 09.0803.0245GT | GASKET..... | 72-Inch | | | | |
| 33 | 55.0409.0210GT | Mudguard ASSY..... | 2 | | | | |
| 34 | 09.0803.0574GT | GASKET..... | 71-Inch | | | | |
| 35 | 09.0803.0801GT | Gasket Strip..... | 83-Inch | | | | |
| 36 | 09.0803.0516GT | SPRING CLIP M6..... | 6 | | | | |
| 37 | 01.4001.0106GT | SCREW M6X16 DIN 6923 8.8 ZN..... | 6 | | | | |
| 38 | 01.4001.0078GT | SCREW M8X20 DIN 6923 8.8 ZN..... | 2 | | | | |
| 39 | 51.0811.4473GT | Bracket..... | 1 | | | | |
| 40 | 01.0001.0357GT | SCREW,TE,M10X35 UNI 8.8 ZN..... | 2 | | | | |
| 41 | 01.0031.0056GT | FLAT WASHER D10 UNI 6592 ZN..... | 8 | | | | |
| 42 | 01.0023.0053GT | STOP NUT M6 UNI 7473 6S ZN..... | 1 | | | | |
| 43 | 01.0031.0054GT | FLAT WASHER D6 UNI 6592 ZN..... | 2 | | | | |

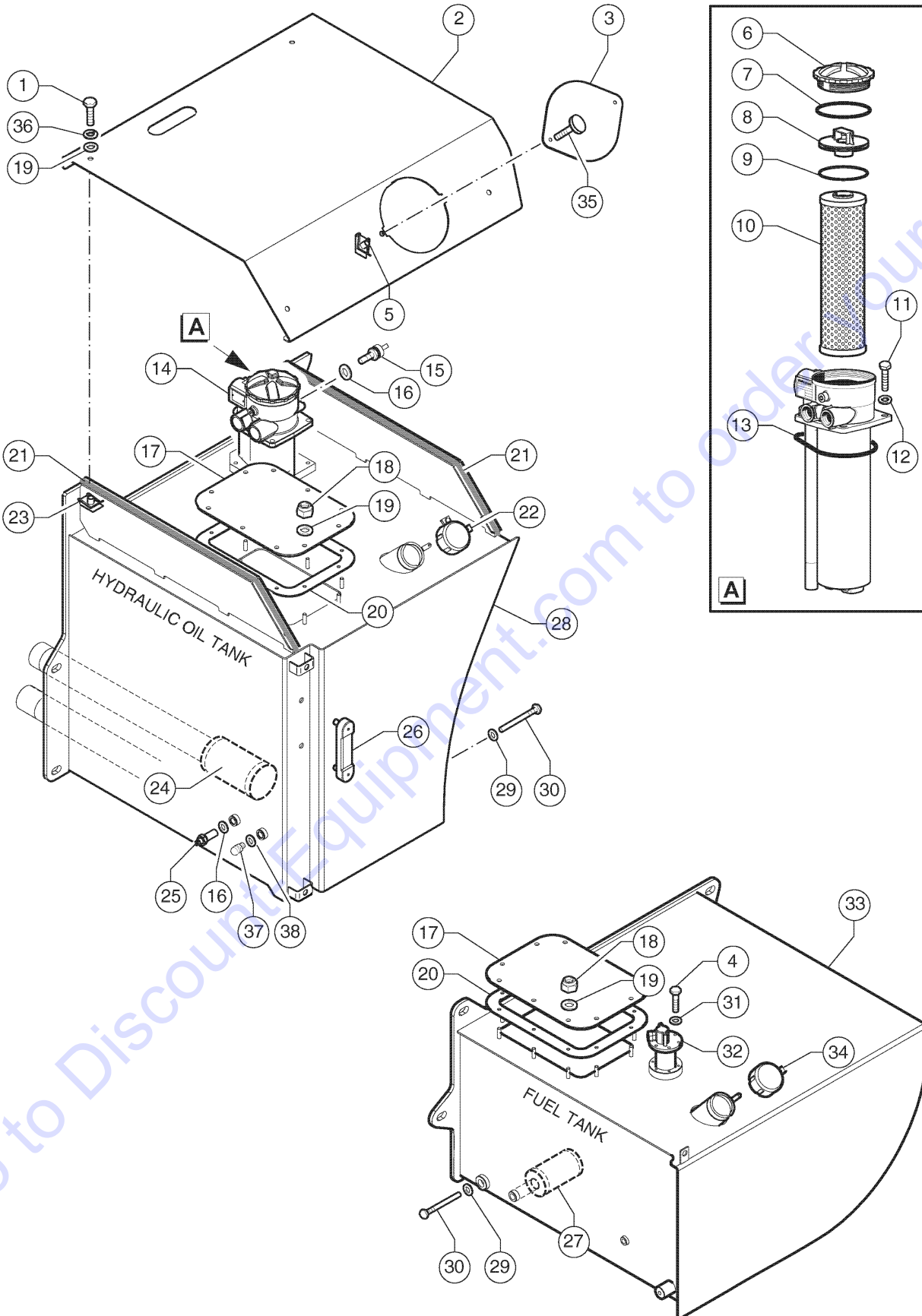
204.1 608606 Outriggers



| Item | Part No. | Description | Qty. |
|------|----------------|--|------|
| 1 | 51.0500.1820GT | Outrigger..... | 2 |
| 2 | 53.0800.2014GT | Outrigger Cylinder..... | 2 |
| 3 | 09.0801.0000GT | Bushing..... | 2 |
| 4 | 09.0801.0006GT | Bushing..... | 2 |
| 5 | 02.0117.0101GT | GREASE NIPPLE G 1/8..... | 8 |
| 6 | 04.4239.0138GT | Valve..... | 2 |
| 7 | 51.0903.5134GT | Outrigger Valve Protecction..... To S.N. GTH1216M-180 | 2 |
| 7 | 51.0903.5266GT | Outrigger Valve Protecction..... From S.N. GTH1216M-181 | 2 |
| 8 | 01.0001.0154GT | SCREW M6X16 UNI 5739 8.8 ZN..... | 4 |
| 9 | 01.4032.0002GT | SPRING WASHER D6 ZN..... | 4 |
| 10 | 01.0031.0054GT | FLAT WASHER D6 UNI 6592 ZN..... | 4 |
| 11 | 51.0500.1821GT | Outrigger Feet..... | 2 |
| 12 | 54.0000.0268GT | Pin..... | 2 |
| 13 | 01.0001.0314GT | SCREW M10X100 UNI 5737 8.8 ZN..... | 2 |
| 14 | 01.0023.0055GT | NUT,STOP,M10 UNI 7473 6S ZN..... | 4 |
| 15 | 54.0000.0269GT | Pin..... | 2 |
| 16 | 01.0001.0310GT | SCREW M10X80 UNI 5737 8.8 ZN..... | 2 |
| 17 | 54.0004.0122GT | Pin..... | 4 |
| 18 | 01.0001.0355GT | SCREW M10X25 UNI 5739 8.8 ZN..... | 4 |
| 19 | 01.4032.0004GT | SPRING WASHER D10 ZN..... | 4 |
| 20 | 01.0031.0056GT | FLAT WASHER D10 UNI 6592 ZN..... | 4 |
| 21 | 01.0003.0958GT | Screw TCEI M10 X 85 LG. 8.8 ZN UNI 5931..... | 8 |

Go to Discount-Equipment.com to order your parts

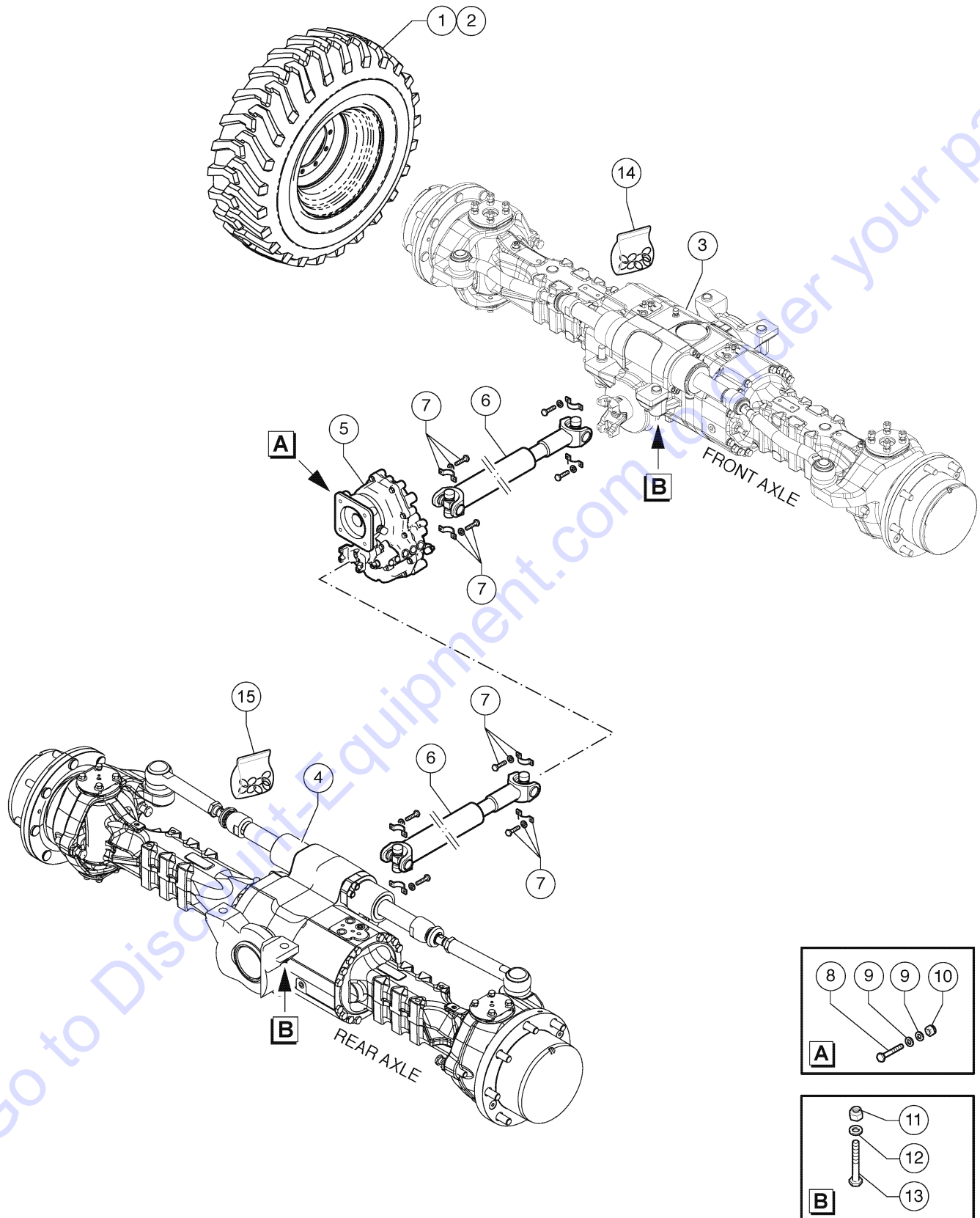
205.1 608607 Hydraulic Oil And Diesel Tanks



205.1 608607 Hydraulic Oil And Diesel Tanks

| Item | Part No. | Description | Qty. |
|------|----------------|--|------------|
| 1 | 01.0001.0254GT | SCREW M8X20 UNI 5739 8.8 ZN..... | 4 |
| 2 | 51.0903.5058GT | COVER,OIL TANK,UPPER..... | 1 |
| 3 | 51.0903.4948GT | Cover..... | 1 |
| 4 | 01.0001.0154GT | SCREW M6X16 UNI 5739 8.8 ZN..... | 1 |
| 5 | 09.0803.0516GT | SPRING CLIP M6..... | 2 |
| 6 | 07.0700.0006GT | CAP,HYDRAULIC FILTER..... | 1 |
| 7 | 07.0700.0007GT | O-RING..... | 1 |
| 8 | 07.0700.0049GT | Inlet Neck..... | 1 |
| 9 | 07.0700.0050GT | O-RING 98X3..... | 1 |
| 10 | 07.0700.0002GT | Oil Filter Cartridge..... | 1 |
| 11 | 01.0001.0355GT | SCREW M10X25 UNI 5739 8.8 ZN..... | 4 |
| 12 | 01.4032.0004GT | SPRING WASHER D10 ZN..... | 4 |
| 13 | 07.0700.0051GT | O-RING 124X4,5..... | 1 |
| 14 | 09.4604.0005GT | FILTER ASSY..... | 1 |
| 15 | 56.0013.0006GT | PRESSURE SENSOR, HYDRAULIC OIL..... | 1 |
| 16 | 06.0442.0120GT | BONDED RING 3/8"..... | 2 |
| 17 | 51.0903.4904GT | DOOR,INSPECTION,HYD TANK..... | 2 |
| 18 | 01.0023.0054GT | NUT,M8 UNI 7473 6S ZN..... | 20 |
| 19 | 01.0031.0055GT | FLAT WASHER D8 UNI 6592 ZN..... | 24 |
| 20 | 53.3301.0005GT | Rubber Gasket..... | 2 |
| 21 | 09.0803.0147GT | GASKET,ADHESIVE..... | 118.2-inch |
| 22 | 09.4661.0015GT | HYDRAULIC OIL TANK CAP..... | 1 |
| 23 | 09.0803.0352GT | SPRING CLIP M8..... | 4 |
| 24 | 09.4604.0000GT | FILTER, HYD. OIL TANK..... | 1 |
| 25 | 56.0013.0000GT | TEMPERATURE SENSOR, HYDRAULIC OIL..... | 1 |
| 26 | 09.4661.0005GT | Hydraulic Oil Level Indicator..... | 1 |
| 27 | 09.4604.0072GT | Fuel Filter..... | 1 |
| 28 | 51.0600.9318GT | Hydraulic Oil Tank..... | 1 |
| 29 | 06.0442.0122GT | BONDED RING 1/2"..... | 2 |
| 30 | 09.4661.0030GT | FILTER,MAGNETIC..... | 2 |
| 31 | 01.4032.0002GT | SPRING WASHER D6 ZN..... | 1 |
| 32 | 56.0012.0085GT | FUEL GAUGE..... | 1 |
| 33 | 51.0600.9317GT | Fuel Tank..... | 1 |
| 34 | 09.4661.0026GT | Diesel Tank Cap..... | 1 |
| 35 | 09.0803.0578GT | SCREW M6X16 INOX..... | 2 |
| 36 | 01.4032.0003GT | SPRING WASHER D8 ZN..... | 4 |
| 37 | 04.4220.0007GT | Plug TE M M14 X 1.5..... | 1 |
| 38 | 06.0442.0119GT | BONDED RING M14 (9/16)..... | 1 |

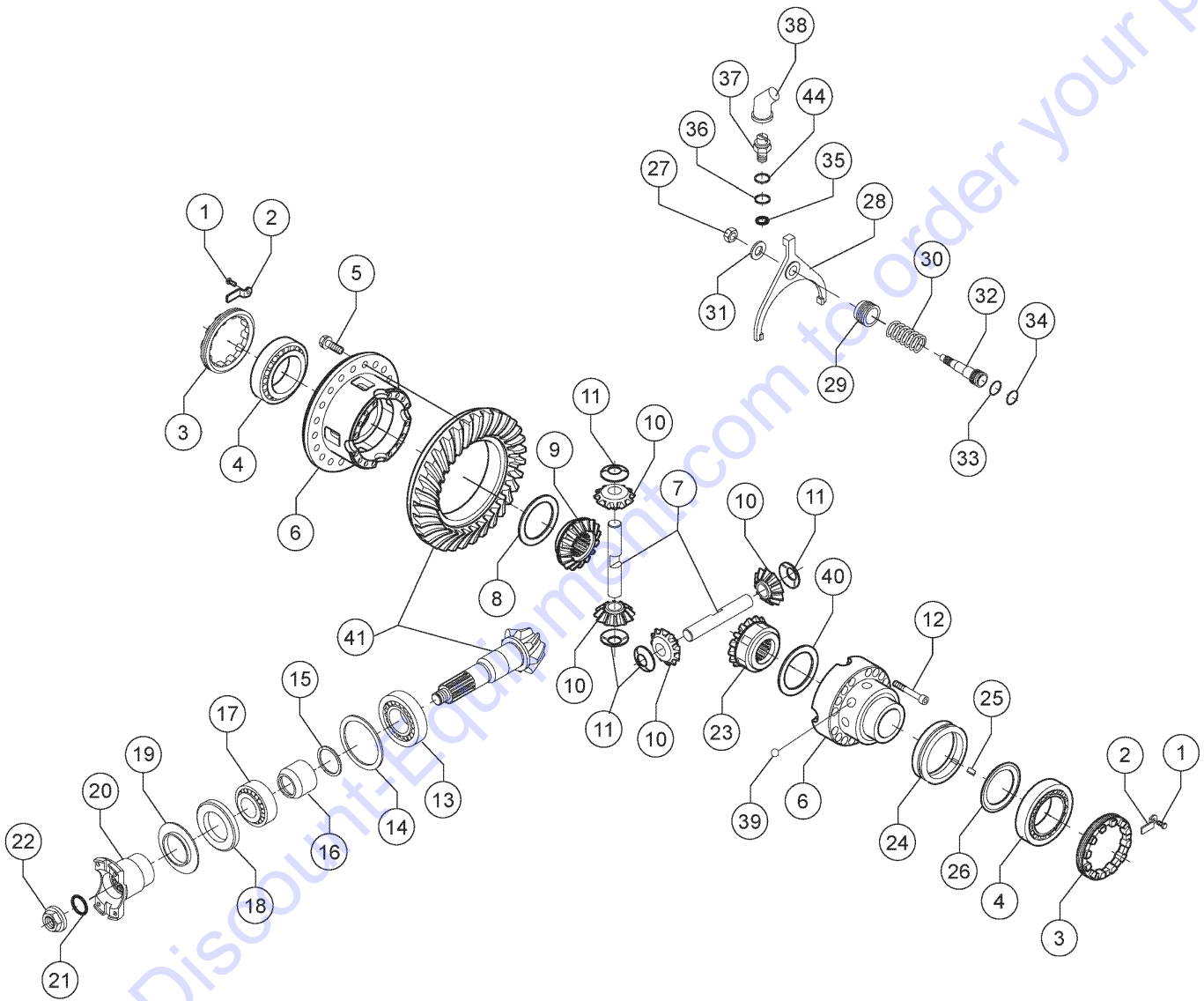
206.1 608608 Drive Chassis And Wheels



206.1 608608 Drive Chassis And Wheels

| Item | Part No. | Description | Qty. |
|------|----------------|---|------|
| 1 | 161964GT | WHEEL/TIRE,RT FOAM FILL LEFT.....2 <i>RT, Foam-filled, left</i> | 2 |
| 1 | 161998GT | WHEEL/TIRE,RT FOAM FILL RIGHT.....2 <i>RT, Foam-filled, right</i> | 2 |
| 2 | 161973GT | TIRE,17.5X25,22PR.....4 <i>for 162337, 162338</i> | 4 |
| 2 | 161974GT | WHEEL,17.5-25.....4 <i>for 162337, 162338</i> | 4 |
| 2 | 162337GT | WHEEL/TIRE,RT AIR FILL RIGHT.....2 <i>RT, Air-filled, right</i> | 2 |
| 2 | 162338GT | WHEEL/TIRE,RT AIR FILL LEFT.....2 <i>RT, Air-filled, left</i> | 2 |
| 3 | 09.4632.0093GT | AXLE,FRONT.....1 | 1 |
| 4 | 09.4632.0066GT | AXLE,REAR.....1 | 1 |
| 5 | 09.4633.0021GT | GEAR BOX.....1 | 1 |
| 6 | 09.4635.0055GT | DRIVE SHAFT.....2 | 2 |
| 7 | 09.4635.0014GT | CARDAN SHAFT ASSY KIT.....8 | 8 |
| 8 | 01.0023.0058GT | NUT,STOP,M16 UNI 7473 6S ZN.....4 | 4 |
| 9 | 01.0031.0059GT | FLAT WASHER D16 UNI 6592 ZN.....8 | 8 |
| 10 | 01.4001.0186GT | Screw TE M16 X 130 8.8 ZN UNI 5737...4 | 4 |
| 11 | 01.0023.0062GT | STOP NUT M24 UNI 7473 6S ZN.....8 | 8 |
| 12 | 01.0031.0063GT | FLAT WASHER D24 UNI 6592 ZN.....8 | 8 |
| 13 | 01.4001.0025GT | SCREW M24X160UNI 5737 10.9 ZN.....8 | 8 |
| 14 | 823392GT | Front Axle Seal Kit.....1 <i>INCLUDES ALL O-RINGS, SEALS AND BACKUP RINGS FROM HUB TO HUB FOR AXLE PN 09.4632.0093</i> | 1 |
| 15 | 823394GT | Rear Axle Seal Kit.....1 <i>INCLUDES ALL O-RINGS, SEALS AND BACKUP RINGS FROM HUB TO HUB FOR AXLE PN 09.4632.0066</i> | 1 |

207.1 608609 Front Axle - Differential

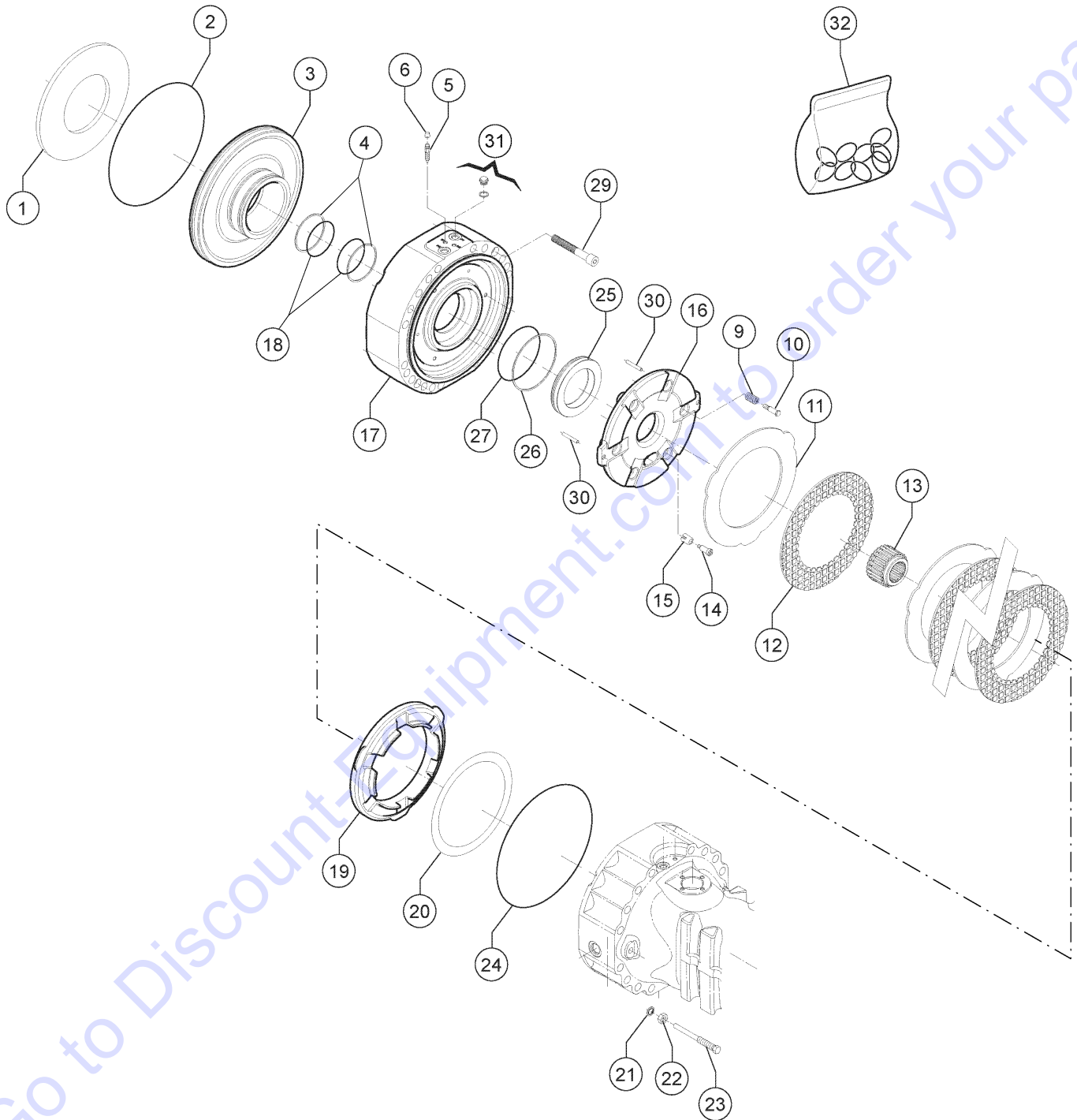


43 Position Kit = 6+7+8+9+10+11+12+23+40

207.1 608609 Front Axle - Differential

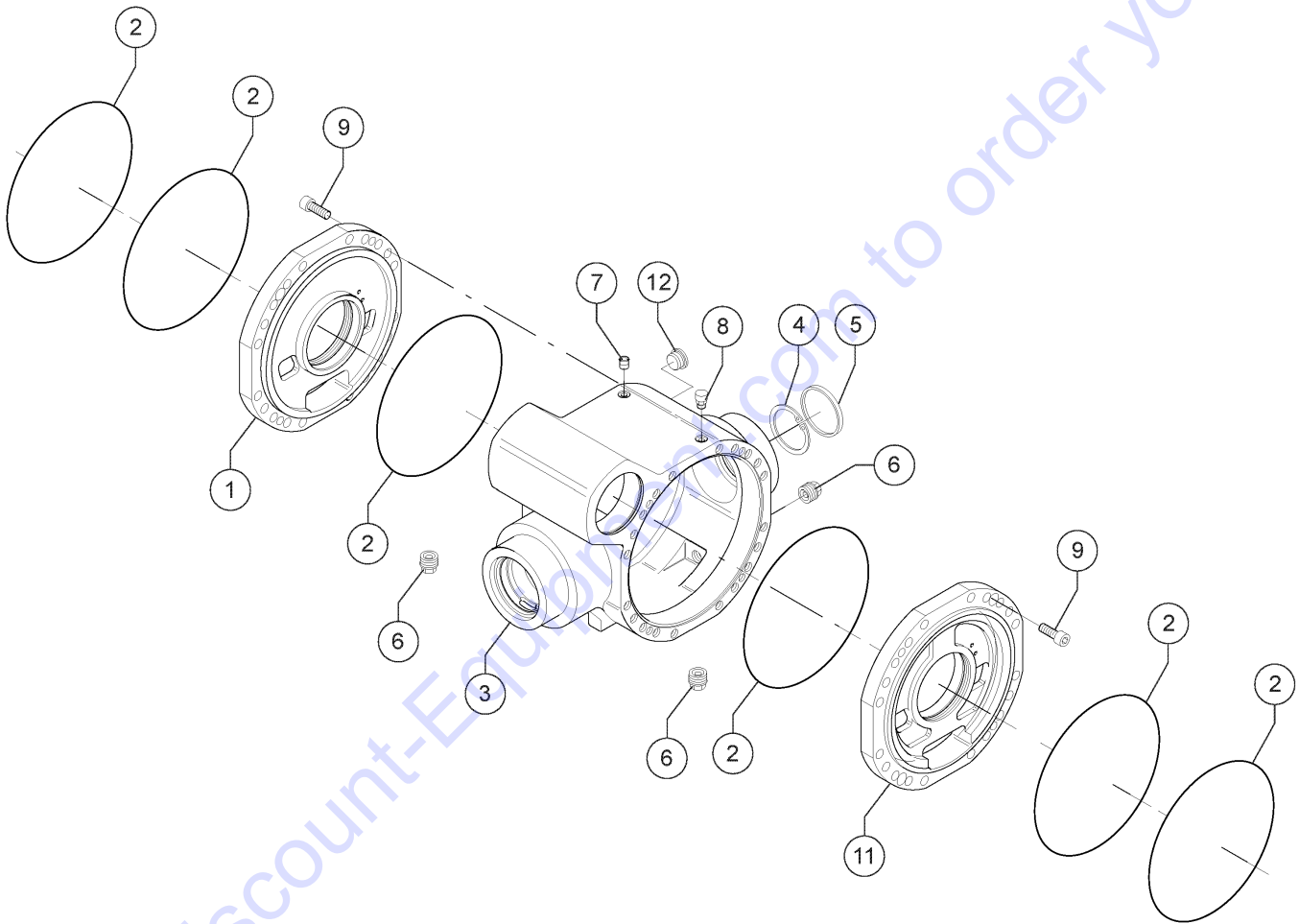
| Item | Part No. | Description | Qty. | Item | Part No. | Description | Qty. |
|------|----------------|-----------------------------|------|------|----------------|------------------------------------|------|
| 1 | 07.0709.0966GT | SCREW..... | 4 | 41 | 07.0709.0772GT | Bevel Gear Set..... | 1 |
| 2 | 07.0709.1025GT | Locking Plate..... | 2 | 43 | 07.0709.1042GT | KIT,DIFFERENTIAL POSITION,FRNT.... | 1 |
| 3 | 07.0709.0141GT | Ring Nut..... | 2 | 44 | 07.0709.0873GT | Washer..... | 1 |
| 4 | 903073GT | Bearing..... | 2 | | | | |
| 5 | 07.0709.0057GT | SCREW,RING GEAR..... | 20 | | | | |
| 6 | 07.0709.1026GT | Differential Case..... | 1 | | | | |
| 7 | 07.0709.0972GT | PIN..... | 2 | | | | |
| 8 | 07.0709.1027GT | Washer..... | 1 | | | | |
| 9 | 07.0709.1028GT | Differential Side Gear..... | 1 | | | | |
| 10 | 07.0709.1029GT | Differential Pinion..... | 4 | | | | |
| 11 | 07.0709.0970GT | Washer..... | 4 | | | | |
| 12 | 07.0709.1030GT | Screw..... | 15 | | | | |
| 13 | 638543GT | Bearing..... | 1 | | | | |
| 14 | 07.0709.0143GT | SHIM 0.15MM..... | 1 | | | | |
| 14 | 629736GT | SHIM..... | 1 | | | | |
| 14 | 629737GT | SHIM..... | 1 | | | | |
| 14 | 629738GT | SHIM..... | 1 | | | | |
| 15 | 07.0709.1031GT | RING KIT..... | 1 | | | | |
| 16 | 07.0709.1032GT | Spacer..... | 1 | | | | |
| 17 | 638535GT | Bearing..... | 1 | | | | |
| 18 | 637589GT | SEAL..... | 1 | | | | |
| 19 | 637588GT | LOCKING PLATE..... | 1 | | | | |
| 20 | 07.0709.0782GT | Flange..... | 1 | | | | |
| 21 | 637586GT | O-Ring..... | 1 | | | | |
| 22 | 631378GT | Nut..... | 1 | | | | |
| 23 | 07.0709.1033GT | Differential Side Gear..... | 1 | | | | |
| 24 | 07.0709.1034GT | Sleeve..... | 1 | | | | |
| 25 | 639906GT | Key..... | 1 | | | | |
| 26 | 07.0709.1035GT | Washer..... | 1 | | | | |
| 27 | 07.0709.1036GT | Nut..... | 1 | | | | |
| 28 | 07.0709.1037GT | Selector Fork..... | 1 | | | | |
| 29 | 07.0709.1038GT | Ring Nut..... | 1 | | | | |
| 30 | 07.0709.1039GT | Spring..... | 1 | | | | |
| 31 | 07.0709.0228GT | Spring Washer..... | 1 | | | | |
| 32 | 07.0709.1040GT | Piston..... | 1 | | | | |
| 33 | 07.0709.0123GT | SEAL HURTH..... | 1 | | | | |
| 34 | 07.0709.1041GT | Gasket..... | 1 | | | | |
| 35 | 637577GT | O-Ring..... | 1 | | | | |
| 36 | 637584GT | Washer..... | 1 | | | | |
| 37 | 07.0709.0356GT | Security Switch..... | 1 | | | | |
| 38 | 637582GT | Boot..... | 1 | | | | |
| 39 | 639905GT | DETENT BALL..... | 8 | | | | |
| 40 | 07.0709.1062GT | Washer..... | 1 | | | | |

208.1 608610 Front Axle - Brakes



| Item | Part No. | Description | Qty. |
|------|----------------|---|------|
| 1 | 07.0709.0804GT | Spring..... | 2 |
| 2 | 07.0709.0806GT | O-Ring..... | 2 |
| 3 | 07.0709.1020GT | Piston..... | 2 |
| 4 | 07.0709.0809GT | Ring..... | 4 |
| 5 | 633560GT | Bleeding Screw..... | 4 |
| 6 | 638548GT | Plug..... | 4 |
| 9 | 637622GT | SPRING..... | 6 |
| 10 | 07.0709.0408GT | Adjusting Screw..... | 6 |
| 11 | 07.0709.0817GT | Intermediate Brake Disc..... | 6 |
| 12 | 07.0709.0818GT | Brake Disc..... | 6 |
| 13 | 07.0709.0819GT | Reduction Bushing..... | 2 |
| 14 | 07.0709.0953GT | SCREW,ADJUSTING..... | 6 |
| 15 | 07.0709.0106GT | SPRING..... | 6 |
| 16 | 07.0709.1021GT | Intermediate Brake Disc..... | 2 |
| 17 | 07.0709.1019GT | Cover..... | 2 |
| 18 | 07.0709.0810GT | Seal..... | 4 |
| 19 | 07.0709.1016GT | Spacer..... | 2 |
| 20 | 07.0709.1011GT | SHIM 0.20MM..... | 2 |
| 20 | 07.0709.1012GT | SHIM 0.30MM..... | 2 |
| 20 | 07.0709.1013GT | SHIM 0.50MM..... | 2 |
| 21 | 07.0709.0149GT | WASHER..... | 4 |
| 22 | 638566GT | NUT..... | 4 |
| 23 | 07.0709.1022GT | Screw..... | 4 |
| 24 | 07.0709.0822GT | O-Ring..... | 2 |
| 25 | 07.0709.0811GT | Piston..... | 2 |
| 26 | 07.0709.0813GT | Ring..... | 2 |
| 27 | 07.0709.0812GT | O-Ring..... | 2 |
| 29 | 07.0709.1048GT | Screw..... | 4 |
| 30 | 07.0709.1014GT | Dowel..... | 4 |
| 31 | 639808GT | PLUG..... | 4 |
| 32 | 823391GT | KIT,BRAKE,FRONT AXLE..... <i>INCLUDES ALL O-RINGS, SPRINGS AND BACKUP RINGS THAT NEED TO BE REPLACED WHEN BRAKES ARE REPLACED.</i> | 1 |

209.1 608611 Front And Rear Axle - Central Housing

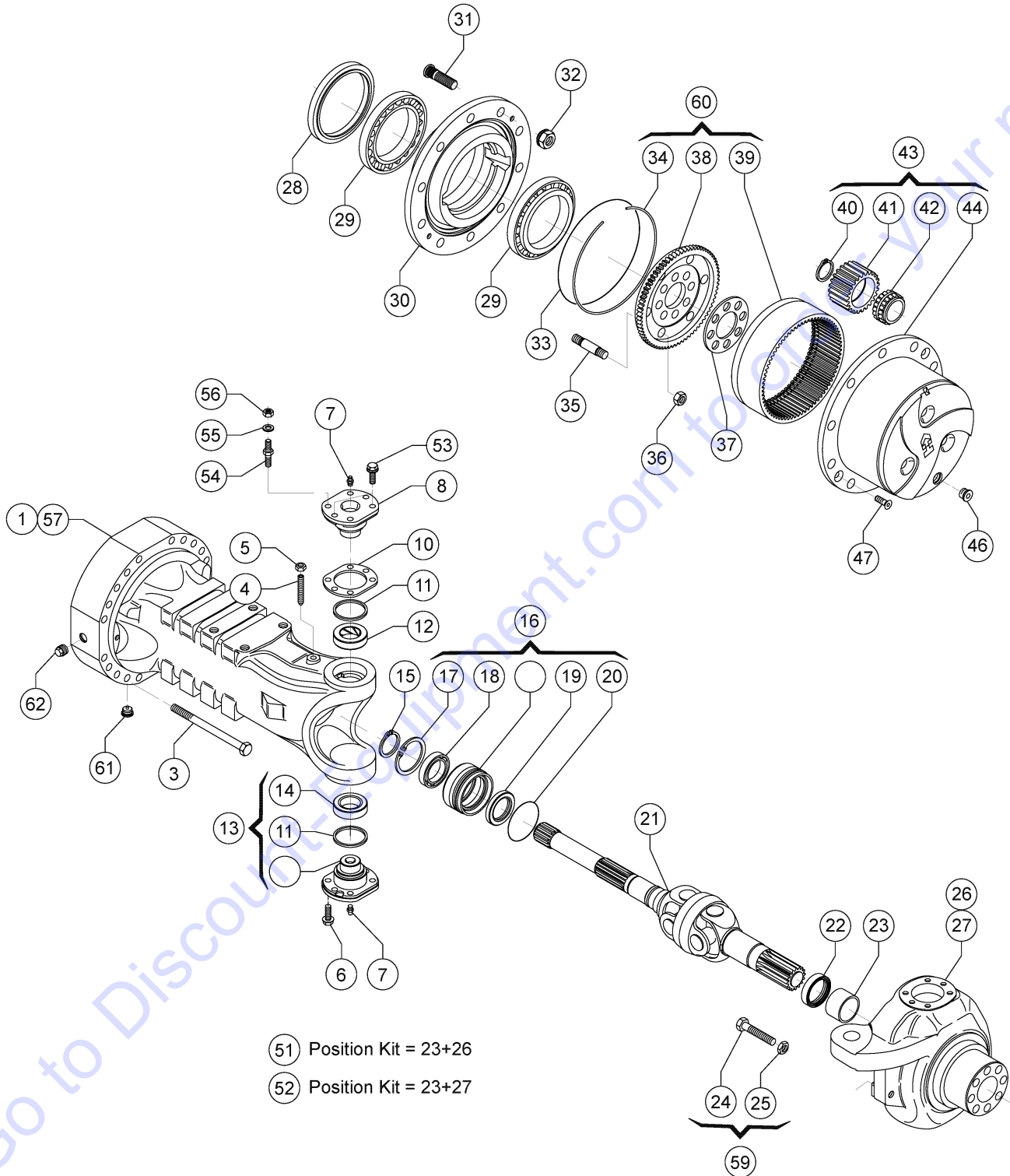


209.1 608611 Front And Rear Axle - Central Housing

| Item | Part No. | Description | Qty. |
|------|----------------|--|------|
| 1 | 07.0709.0829GT | COVER,DASH..... <i>Only For Rear Axle</i> | 2 |
| 1 | 07.0709.1018GT | Cover..... <i>Only For Front Axle</i> | 1 |
| 2 | 07.0709.0822GT | O-Ring..... | 4 |
| 3 | 07.0709.1023GT | HOUSING..... <i>Only For Front Axle</i> | 1 |
| 3 | 07.0709.1050GT | Housing..... <i>Only For Rear Axle</i> | 1 |
| 4 | 07.0709.0441GT | Snap Ring..... | 1 |
| 5 | 07.0709.0084GT | Plug..... | 1 |
| 6 | 07.0709.0747GT | Magnet Plug..... <i>Only For Front Axle</i> | 1 |
| 6 | 628275GT | PLUG..... <i>Only For Rear Axle</i> | 1 |
| 7 | 07.0709.0140GT | Plug..... <i>Only For Rear Axle</i> | 1 |
| 8 | 07.0709.1051GT | Vent..... <i>Only For Rear Axle</i> | 1 |
| 8 | 631293GT | Vent..... <i>Only For Front Axle</i> | 1 |
| 9 | 07.0709.1057GT | Screw..... <i>Only For Rear Axle</i> | 4 |
| 9 | 637846GT | Screw..... <i>Only For Front Axle</i> | 4 |
| 11 | 07.0709.1024GT | Cover..... <i>Only For Front Axle</i> | 1 |
| 12 | 07.0709.0113GT | PLUG..... <i>Only For Rear Axle</i> | 1 |
| 12 | 07.0709.0921GT | PLUG..... <i>Only For Front Axle</i> | 1 |

Go to Discount-Equipment.com to order your parts

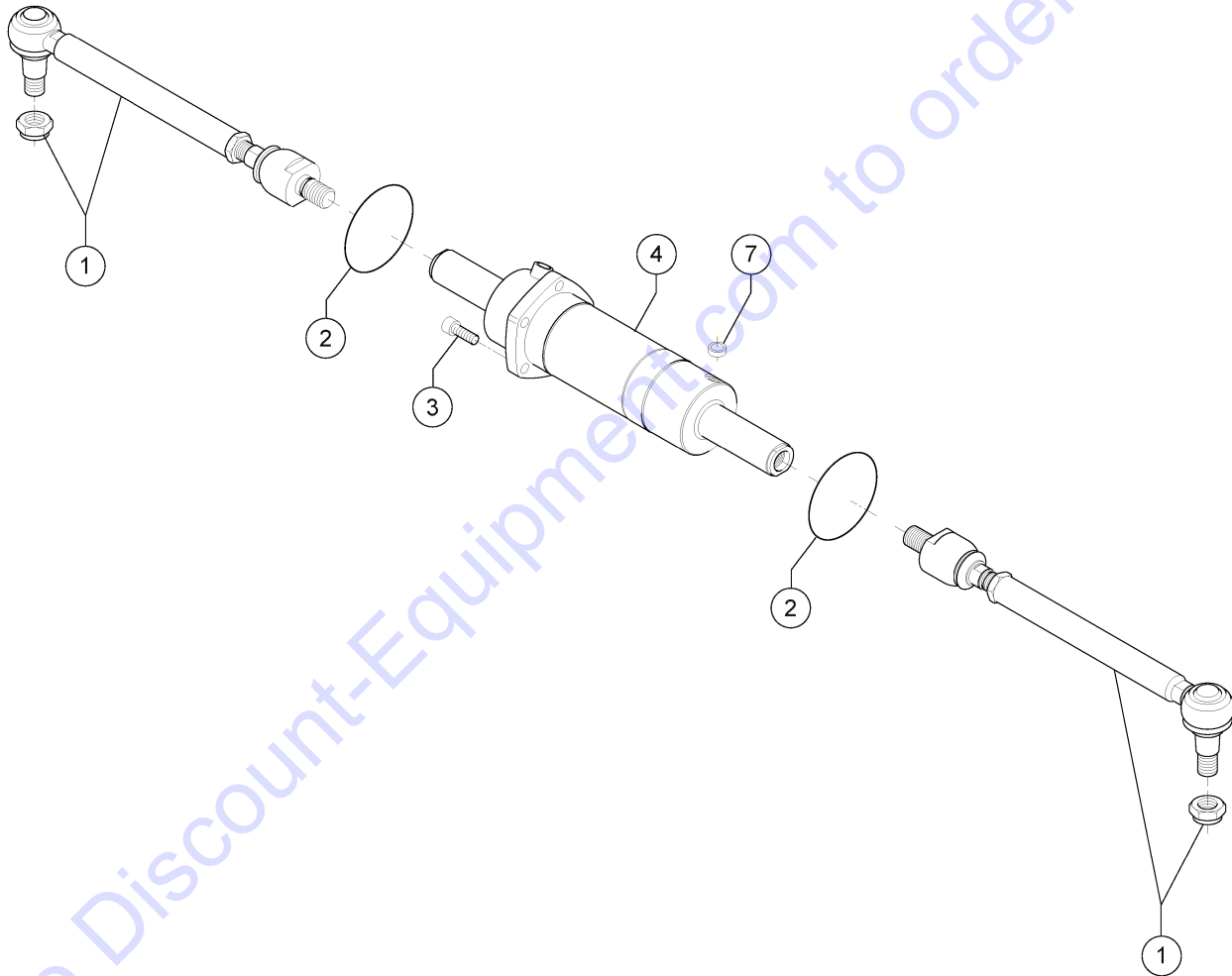
210.1 608612 Front And Rear Axle - Hub Reduction



210.1 608612 Front And Rear Axle - Hub Reduction

| Item | Part No. | Description | Qty. | Item | Part No. | Description | Qty. |
|------|----------------|---|------|------|----------------|--|------|
| 1 | 07.0709.1043GT | Left & Right Axle Case..... <i>Only For Front Axle - To Axle SN S-ITA-767344</i> | 2 | 34 | 07.0709.0483GT | SNAP RING..... | 2 |
| 1 | 07.0709.1052GT | AXLE CASE,LEFT..... <i>Only For Rear Axle</i> | 1 | 35 | 07.0709.0974GT | STUD..... | 16 |
| 1 | 07.0709.1205GT | AXLE CASE..... <i>Only For Front Axle - From Axle SN S-ITA-767345</i> | 2 | 36 | 07.0709.0975GT | NUT..... | 16 |
| 3 | 07.0709.1017GT | SCREW..... <i>Only For Front Axle</i> | 40 | 37 | 07.0709.0484GT | PLATE,LOCKING..... | 2 |
| 3 | 07.0709.1053GT | SCREW..... <i>Only For Rear Axle</i> | 40 | 38 | 07.0709.0794GT | SUPPORT..... | 2 |
| 4 | 07.0709.0787GT | SCREW..... | 2 | 39 | 07.0709.0795GT | RING GEAR..... <i>Only For Rear Axle</i> | 2 |
| 5 | 633174GT | NUT..... | 2 | 39 | 07.0709.1046GT | RING GEAR..... <i>Only For Front Axle</i> | 2 |
| 6 | 07.0709.0057GT | SCREW,RING GEAR..... | 12 | 40 | 07.0709.0796GT | SNAP RING..... | 8 |
| 7 | 633176GT | GREASE NIPPLE..... | 4 | 41 | 07.0709.0797GT | PINION,DIFFERENTIAL..... | 8 |
| 8 | 07.0709.0788GT | PIVOT PIN..... | 2 | 42 | 07.0709.0798GT | BEARING..... | 8 |
| 10 | 07.0709.0485GT | SHIM 0.15MM..... | 2 | 43 | 07.0709.0799GT | SUPPORT..... | 2 |
| 10 | 07.0709.0486GT | SHIM 0.20MM..... | 2 | 44 | 07.0709.0800GT | SUPPORT..... | 2 |
| 10 | 07.0709.0487GT | SHIM 0.50MM..... | 2 | 46 | 07.0709.0113GT | PLUG..... | 4 |
| 11 | 07.0709.0469GT | DUST EXCLUDER..... | 2 | 47 | 07.0709.0065GT | SCREW..... | 4 |
| 12 | 07.0709.0789GT | BUSHING..... | 2 | 51 | 07.0709.0976GT | KIT,STEERING CASE,RIGHT..... | 1 |
| 13 | 07.0709.1305GT | Pivot Pin..... | 2 | 52 | 07.0709.0801GT | KIT,STEERING CASE,LEFT..... | 1 |
| 14 | 07.0709.0470GT | SEAL,DUST EXCLUDER..... | 2 | 53 | 07.0709.1054GT | SCREW..... <i>Only For Rear Axle</i> | 4 |
| 15 | 633203GT | SNAP RING..... | 2 | 53 | 633070GT | SCREW..... <i>Only For Front Axle</i> | 4 |
| 16 | 640720GT | BUSHING..... | 2 | 54 | 07.0709.0119GT | STUD,DRIVE AXLE..... <i>Only For Front Axle</i> | 8 |
| 17 | 07.0709.0441GT | SNAP RING..... | 2 | 54 | 07.0709.1055GT | STUD..... <i>Only For Rear Axle</i> | 8 |
| 18 | 633202GT | BEARING..... | 2 | 55 | 07.0709.0071GT | WASHER..... | 8 |
| 19 | 630846GT | SEAL..... | 2 | 56 | 07.0709.0070GT | NUT..... | 8 |
| 20 | 640216GT | O-RING..... | 2 | 57 | 07.0709.0837GT | AXLE CASE,RIGHT..... <i>Only For Rear Axle</i> | 1 |
| 21 | 07.0709.0791GT | JOINT..... <i>Only For Front Axle</i> | 2 | 59 | 07.0709.0365GT | SCREW,STEERING ADJUST..... | 4 |
| 21 | 07.0709.0836GT | JOINT..... <i>Only For Rear Axle</i> | 2 | 60 | 07.0709.0803GT | SUPPORT..... <i>Only For Rear Axle</i> | 2 |
| 22 | 07.0709.0472GT | SEAL..... | 2 | 60 | 07.0709.1047GT | SUPPORT..... <i>Only For Front Axle</i> | 2 |
| 23 | 07.0709.0465GT | BUSHING..... | 1 | 61 | 07.0709.0371GT | PLUG,MAGNET..... <i>Only For Front Axle</i> | 2 |
| 24 | 07.0709.0104GT | SCREW..... | 4 | 61 | 07.0709.0747GT | Magnet Plug..... <i>Only For Rear Axle</i> | 2 |
| 25 | 634546GT | NUT..... | 4 | 62 | 07.0709.0921GT | PLUG..... <i>Only For Rear Axle</i> | 2 |
| 26 | 07.0709.1044GT | STEERING CASE,RIGHT..... | 1 | | | | |
| 27 | 07.0709.1045GT | STEERING CASE,LEFT..... | 1 | | | | |
| 28 | 07.0709.0363GT | SEAL..... | 2 | | | | |
| 29 | 638559GT | BEARING..... | 4 | | | | |
| 30 | 07.0709.0474GT | WHEEL HUB..... | 2 | | | | |
| 31 | 07.0709.0144GT | STUD,WHEEL..... | 20 | | | | |
| 32 | 07.0709.0224GT | NUT,WHEEL..... | 20 | | | | |
| 33 | 07.0709.0475GT | O-RING..... | 2 | | | | |

211.1 608613 Front And Rear Axle - Steering Cylinder

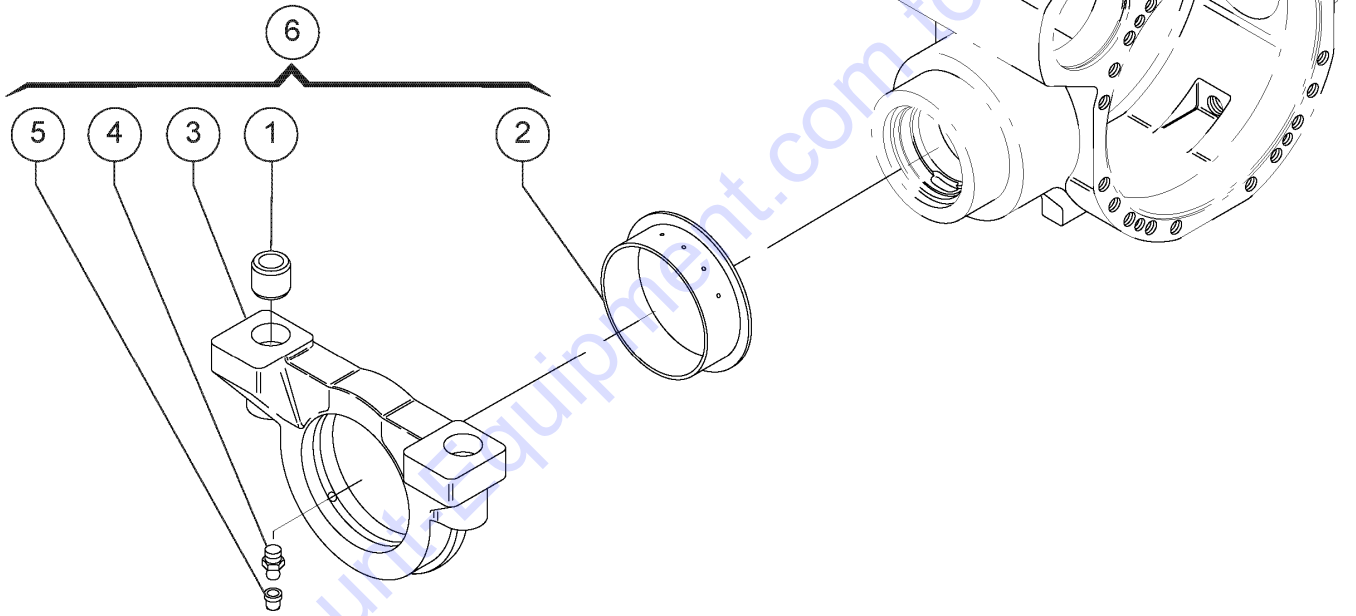


211.1 608613 Front And Rear Axle - Steering Cylinder

| Item | Part No. | Description | Qty. |
|------|----------------|--------------------------------|------|
| 1 | 07.0709.0823GT | TIE ROD,ARTICULATED..... | 2 |
| 1 | 07.0709.1049GT | TIE ROD,ARTICULATED..... | 2 |
| 2 | 638552GT | O-Ring..... | 2 |
| 3 | 07.0709.1057GT | Screw..... | 5 |
| 3 | 637846GT | Screw..... | 5 |
| 4 | 07.0709.0824GT | Cylinder..... | 1 |
| -- | 07.0709.0980GT | Seal Kit for 07.0709.0824GT | |
| 7 | 07.0709.0826GT | Plug..... | 1 |

Go to Discount-Equipment.com to order your parts

212.1 608614 Front And Rear Axle - Trunion

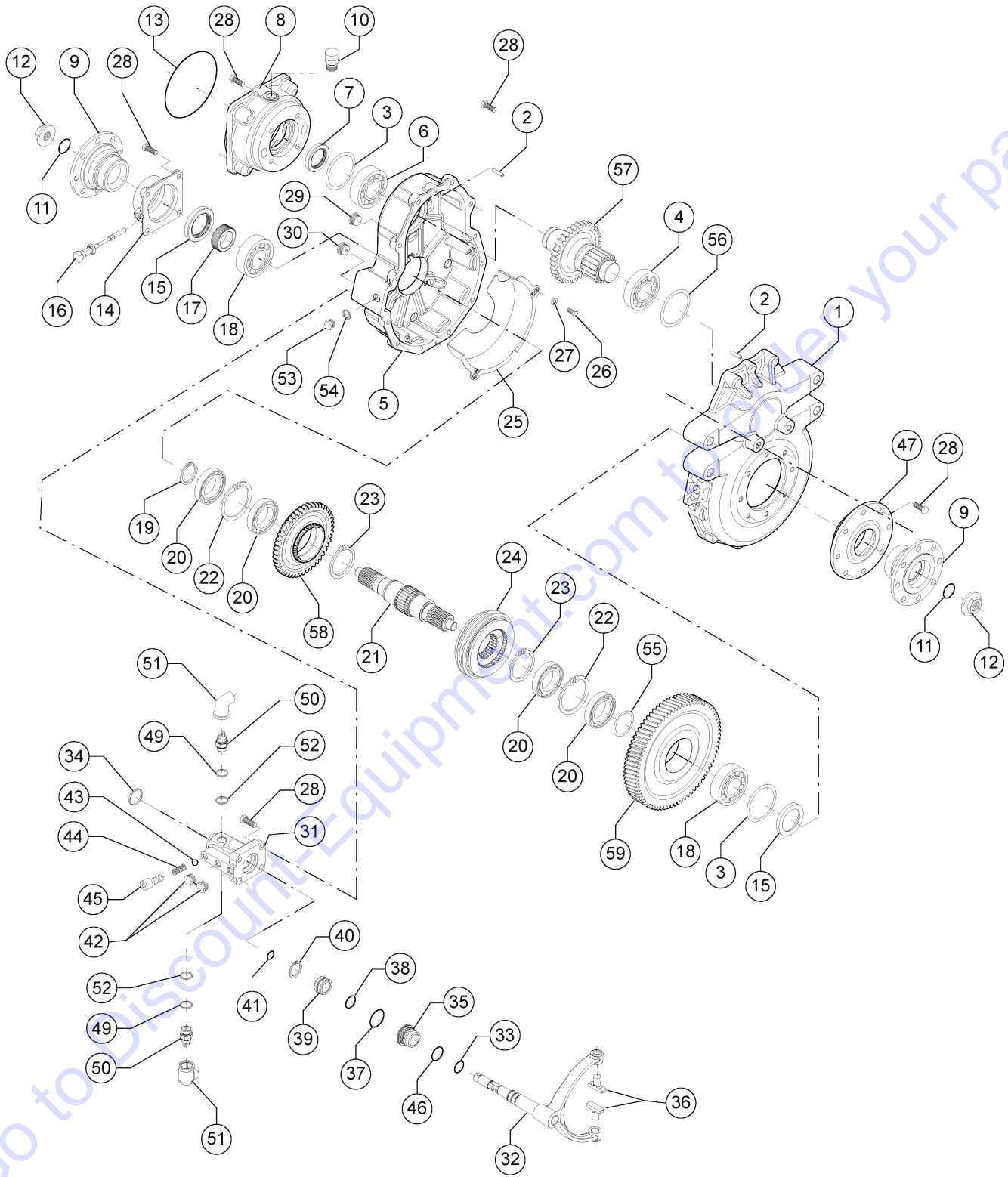


212.1 608614 Front And Rear Axle - Trunion

| Item | Part No. | Description | Qty. |
|------|----------------|--------------------|------|
| 1 | 07.0709.0051GT | Bushing..... | 4 |
| 2 | 637413GT | Bushing..... | 2 |
| 3 | 07.0709.0827GT | Support..... | 2 |
| 4 | 633176GT | GREASE NIPPLE..... | 2 |
| 5 | 638548GT | Plug..... | 2 |
| 6 | 07.0709.0828GT | Support..... | 2 |

Go to Discount-Equipment.com to order your parts

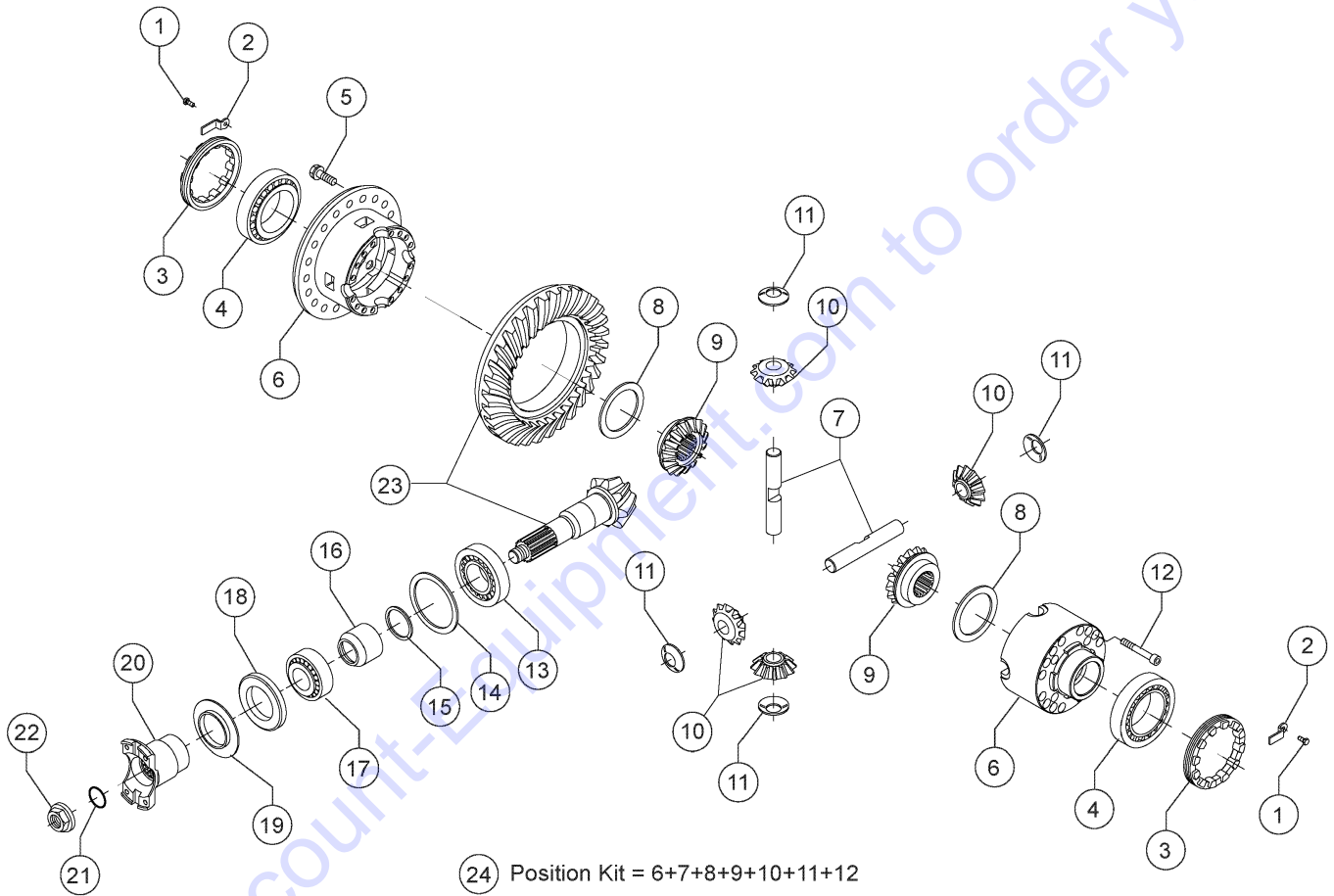
213.1 608615 Front And Rear Axle - Gear Box



213.1 608615 Front And Rear Axle - Gear Box

| Item | Part No. | Description | Qty. | Item | Part No. | Description | Qty. |
|------|----------------|-----------------------|------|------|----------------|---------------------------|------|
| 1 | 07.0709.0847GT | Housing..... | 1 | 40 | 07.0709.0867GT | Snap Ring..... | 2 |
| 2 | 639785GT | Dowel..... | 2 | 41 | 07.0709.0868GT | O-Ring..... | 2 |
| 3 | 629733GT | SHIM THICKNESS..... | 1 | 42 | 07.0709.1061GT | Plug..... | 2 |
| 3 | 629735GT | SHIM/THICKNESS..... | 1 | 43 | 07.0709.0327GT | BALL..... | 1 |
| 3 | 639327GT | THICKNESS..... | 1 | 44 | 635596GT | Spring..... | 1 |
| 3 | 639328GT | THICKNESS..... | 1 | 45 | 07.0709.0869GT | Security Dowel..... | 1 |
| 3 | 639329GT | THICKNESS..... | 1 | 46 | 07.0709.0870GT | O-Ring..... | 1 |
| 4 | 07.0709.0848GT | Bearing..... | 1 | 47 | 639783GT | Cover..... | 1 |
| 5 | 07.0709.0849GT | Cover..... | 1 | 49 | 07.0709.0941GT | Washer..... | 2 |
| 6 | 633202GT | Bearing..... | 1 | 50 | 07.0709.1065GT | Security Microswitch..... | 2 |
| 7 | 639790GT | Seal..... | 1 | 51 | 07.0709.0942GT | Boot..... | 2 |
| 8 | 07.0709.0850GT | Cover..... | 1 | 52 | 07.0709.0873GT | Washer..... | 1 |
| 9 | 07.0709.1058GT | Flange..... | 2 | 53 | 07.0709.0422GT | Screw..... | 2 |
| 10 | 639779GT | Vent..... | 1 | 54 | 639818GT | Washer..... | 2 |
| 11 | 633161GT | O-Ring..... | 2 | 55 | 07.0709.0010GT | SHIM 0.15MM..... | 1 |
| 12 | 639802GT | Nut..... | 2 | 55 | 07.0709.0011GT | SHIM 0.20MM..... | 1 |
| 13 | 07.0709.0127GT | O-RING..... | 1 | 55 | 07.0709.0012GT | SHIM 0.30MM..... | 1 |
| 14 | 07.0709.0851GT | Cover..... | 1 | 55 | 07.0709.0013GT | SHIM 0.40MM..... | 1 |
| 15 | 07.0709.1059GT | Seal..... | 2 | 56 | 639306GT | SHIM 0.20MM..... | 1 |
| 16 | 56.00120047GT | Proximity Switch..... | 1 | 56 | 639307GT | SHIM 0.30MM..... | 1 |
| 17 | 07.0709.0853GT | Gear..... | 1 | 57 | 07.0709.0879GT | Input Shaft..... | 1 |
| 18 | 07.0709.0443GT | Bearing..... | 2 | 58 | 07.0709.0880GT | Gear..... | 1 |
| 19 | 633203GT | Snap Ring..... | 1 | 59 | 07.0709.0881GT | Gear..... | 1 |
| 20 | 07.0709.0854GT | Bearing..... | 4 | | | | |
| 21 | 07.0709.0855GT | Shaft..... | 1 | | | | |
| 22 | 07.0709.0856GT | Snap Ring..... | 2 | | | | |
| 23 | 07.0709.0857GT | Snap Ring..... | 2 | | | | |
| 24 | 07.0709.0858GT | Gear..... | 1 | | | | |
| 25 | 07.0709.0720GT | Guard..... | 1 | | | | |
| 26 | 639792GT | Screw..... | 2 | | | | |
| 27 | 07.0709.0718GT | Washer..... | 2 | | | | |
| 28 | 07.0709.1060GT | Screw..... | 12 | | | | |
| 29 | 633208GT | Plug..... | 1 | | | | |
| 30 | 628275GT | PLUG..... | 1 | | | | |
| 31 | 07.0709.0859GT | Cylinder..... | 1 | | | | |
| 32 | 07.0709.0860GT | Selector Shaft..... | 1 | | | | |
| 33 | 637576GT | O-Ring..... | 1 | | | | |
| 34 | 07.0709.0861GT | Seal..... | 1 | | | | |
| 35 | 07.0709.0862GT | BUSHING..... | 1 | | | | |
| 36 | 07.0709.0863GT | Sliding Guide..... | 2 | | | | |
| 37 | 07.0709.0864GT | O-Ring..... | 1 | | | | |
| 38 | 07.0709.0865GT | O-Ring..... | 1 | | | | |
| 39 | 07.0709.0866GT | Piston..... | 1 | | | | |

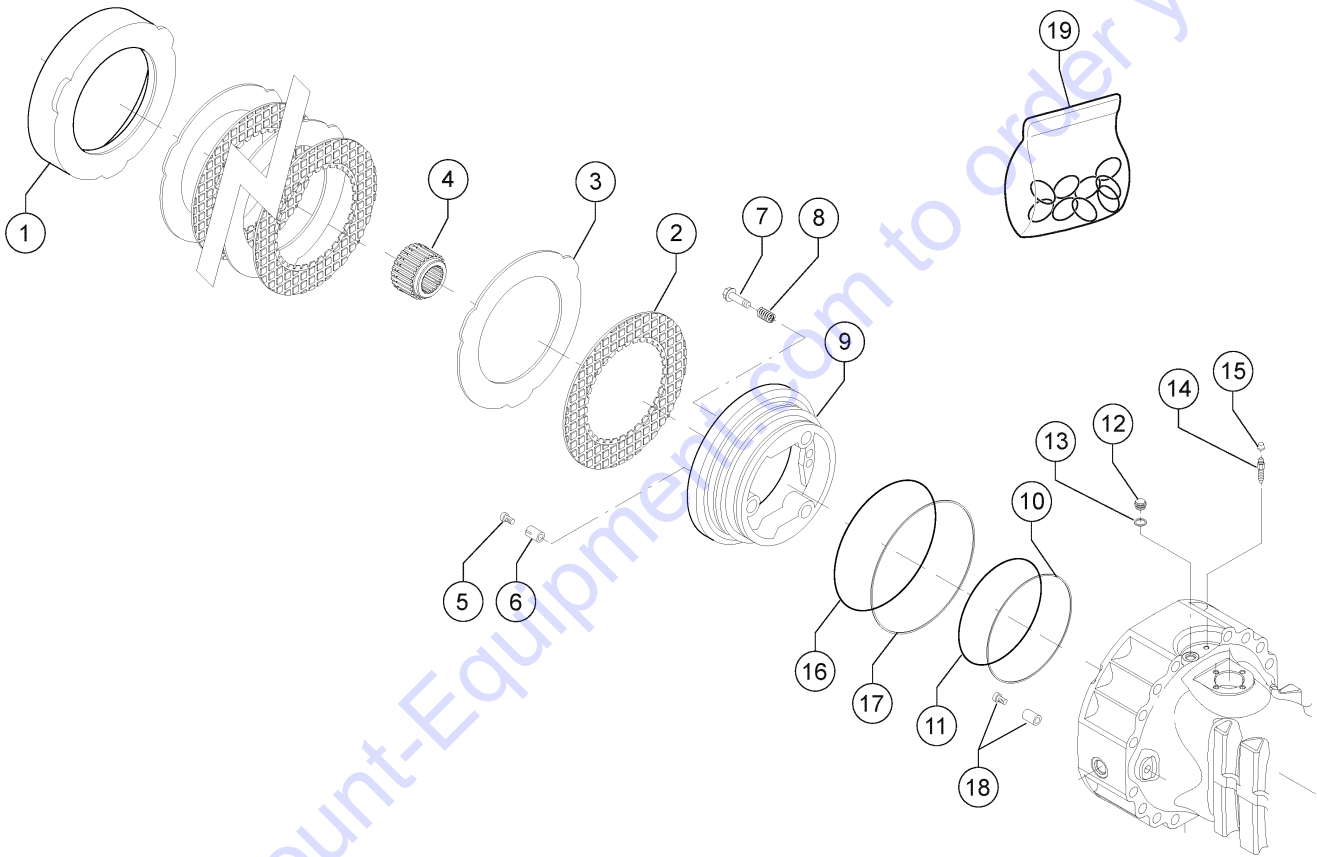
214.1 608616 Rear Axle - Differential



214.1 608616 Rear Axle - Differential

| Item | Part No. | Description | Qty. |
|------|----------------|------------------------------------|------|
| 1 | 07.0709.0966GT | SCREW..... | 4 |
| 2 | 07.0709.1025GT | Locking Plate..... | 2 |
| 3 | 07.0709.0141GT | Ring Nut..... | 2 |
| 4 | 903073GT | Bearing..... | 2 |
| 5 | 07.0709.0057GT | SCREW,RING GEAR..... | 20 |
| 6 | 07.0709.0830GT | DIFFERENTIAL FLANGE,REAR..... | 1 |
| 7 | 07.0709.0831GT | Pin..... | 2 |
| 8 | 631286GT | Washer..... | 2 |
| 9 | 638526GT | SIDE GEAR,DIFFERENTIAL..... | 2 |
| 10 | 07.0709.1029GT | Differential Pinion..... | 4 |
| 11 | 07.0709.0832GT | Washer..... | 4 |
| 12 | 07.0709.0833GT | Screw..... | 15 |
| 13 | 638543GT | Bearing..... | 1 |
| 14 | 07.0709.0143GT | SHIM 0.15MM..... | 1 |
| 14 | 629736GT | SHIM..... | 1 |
| 14 | 629737GT | SHIM..... | 1 |
| 14 | 629738GT | SHIM..... | 1 |
| 15 | 07.0709.0010GT | SHIM 0.15MM..... | 1 |
| 15 | 07.0709.0011GT | SHIM 0.20MM..... | 1 |
| 15 | 07.0709.0012GT | SHIM 0.30MM..... | 1 |
| 15 | 07.0709.0013GT | SHIM 0.40MM..... | 1 |
| 15 | 07.0709.0014GT | SHIM 0.50MM..... | 1 |
| 16 | 07.0709.0781GT | Spacer..... | 1 |
| 17 | 638535GT | Bearing..... | 1 |
| 18 | 637589GT | SEAL..... | 1 |
| 19 | 637588GT | LOCKING PLATE..... | 1 |
| 20 | 07.0709.0782GT | Flange..... | 1 |
| 21 | 637586GT | O-Ring..... | 1 |
| 22 | 631378GT | Nut..... | 1 |
| 23 | 07.0709.0834GT | Bevel Gear Set..... | 1 |
| 24 | 07.0709.0835GT | POSITION KIT,DIFFERENTIAL,REAR.... | 1 |

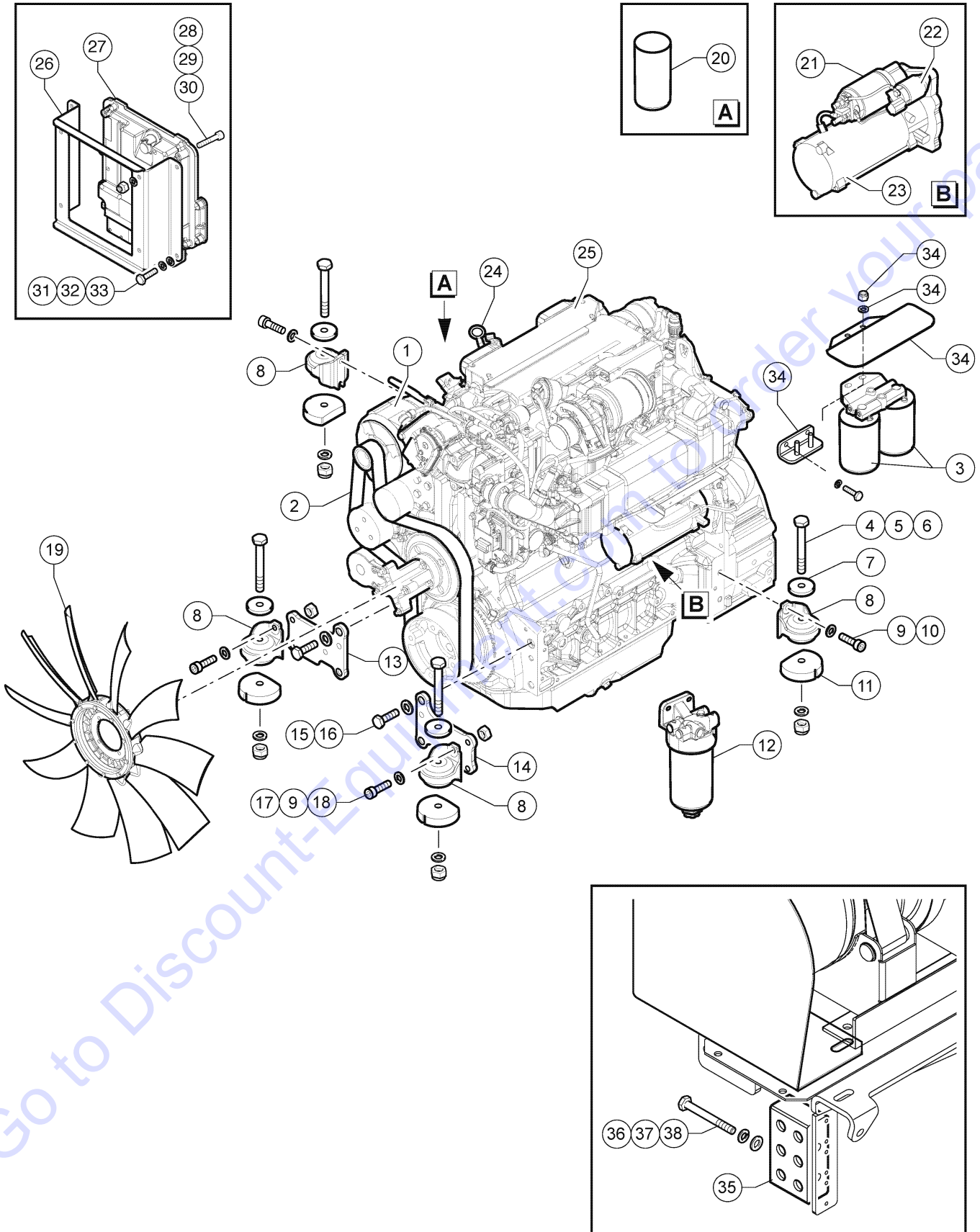
215.1 608617 Rear Axle - Brakes



| Item | Part No. | Description | Qty. |
|------|----------------|--|------|
| 1 | 07.0709.0838GT | Spacer..... | 2 |
| 2 | 07.0709.0818GT | Brake Disc..... | 6 |
| 3 | 07.0709.0817GT | Intermediate Brake Disc..... | 6 |
| 4 | 07.0709.0819GT | Reduction Bushing..... | 2 |
| 5 | 07.0709.0840GT | Adjusting Screw..... | 6 |
| 6 | 07.0709.0106GT | SPRING..... | 6 |
| 7 | 07.0709.0408GT | Adjusting Screw..... | 6 |
| 8 | 637622GT | SPRING..... | 6 |
| 9 | 07.0709.1056GT | Piston..... | 2 |
| 10 | 07.0709.0842GT | Ring..... | 2 |
| 11 | 07.0709.0843GT | O-Ring..... | 2 |
| 12 | 07.0709.0352GT | Screw..... | 2 |
| 13 | 07.0709.0351GT | Washer..... | 2 |
| 14 | 633560GT | Bleeding Screw..... | 2 |
| 15 | 638548GT | Plug..... | 2 |
| 16 | 07.0709.0844GT | O-RING..... | 2 |
| 17 | 07.0709.0845GT | Ring..... | 2 |
| 18 | 07.0709.0846GT | Screw..... | 2 |
| 19 | 823393GT | KIT,BRAKE,REAR AXLE..... INCLUDES ALL O-RINGS, SPRINGS AND BACKUP RINGS THAT NEED TO BE REPLACED WHEN BRAKES ARE REPLACED. | 1 |

Go to Discount-Equipment.com to order your parts

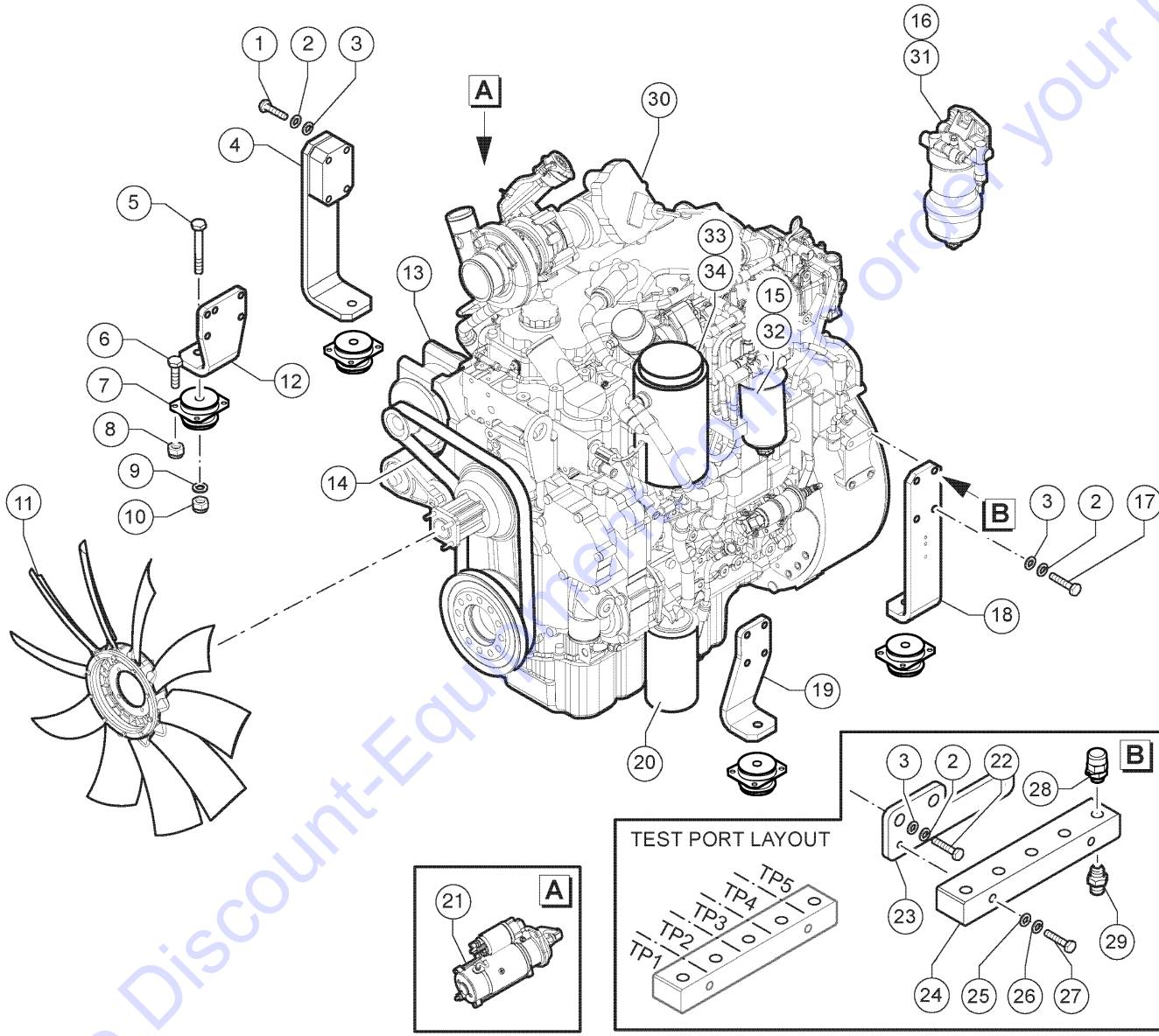
301.1 608622 Diesel Engine - Deutz Version



301.1 608622 Diesel Engine - Deutz Version

| Item | Part No. | Description | Qty. |
|------|----------------|---|------|
| 1 | 07.4501.0199GT | Alternator..... | 1 |
| 2 | 07.4501.0197GT | Belt..... | 1 |
| 3 | 07.4501.0202GT | Fuel Filter Cartridge..... | 2 |
| 4 | 49383GT | SCREW,HHC,M12 X 120..... | 4 |
| 5 | 01.0031.0097GT | FLAT WASHER D12 UNI 5714 ZN..... | 4 |
| 6 | 01.0023.0056GT | STOP NUT M12 UNI 7473 6S ZN..... | 4 |
| 7 | 07.4501.0213GT | Washer..... | 4 |
| 8 | 07.4501.0211GT | ENGINE MOUNT,DEUTZ..... | 4 |
| 9 | 07.4501.0218GT | Plain Washer..... | 8 |
| 10 | 07.4501.0221GT | Screw TCEI..... | 4 |
| 11 | 07.4501.0212GT | Spacer..... | 4 |
| 12 | 07.4501.0201GT | Fuel Pre-Filter Cartridge..... | 1 |
| 13 | 07.4501.0220GT | Bracket..... | 1 |
| 14 | 07.4501.0214GT | Bracket..... | 1 |
| 15 | 07.4501.0215GT | Screw TE..... | 4 |
| 16 | 07.4501.0216GT | Washer..... | 4 |
| 17 | 07.4501.0217GT | Screw TCEI..... | 4 |
| 18 | 07.4501.0219GT | Nut..... | 4 |
| 19 | 09.4605.0019GT | Fan..... | 1 |
| 20 | 07.4501.0203GT | Engine Oli Filter Cartridge..... | 1 |
| 21 | 07.4501.0204GT | Relay..... | 1 |
| 22 | 07.4501.0205GT | Relay..... | 1 |
| 23 | 07.4501.0200GT | Start Motor..... | 1 |
| 24 | 07.4501.0229GT | Dipstick..... | 1 |
| 25 | 09.4601.0073GT | Deutz Engine With DPF System..... <i>The Complete Engine is sell together the Exhaust System</i> | 1 |
| 26 | 51.0811.4448GT | SUPPORT,CONTROL UNIT..... | 1 |
| 27 | | Deutz Engine Control Unit..... <i>Please Communicate The Engine Serial Number</i> | 1 |
| 28 | 01.0003.0159GT | SCREW M6X35 UNI 5931 8.8 ZN..... | 4 |
| 29 | 01.0031.0298GT | FLAT WASHER D6 UNI 6593 ZN..... | 4 |
| 30 | 01.0023.0053GT | STOP NUT M6 UNI 7473 6S ZN..... | 4 |
| 31 | 01.0001.0154GT | SCREW M6X16 UNI 5739 8.8 ZN..... | 4 |
| 32 | 01.4032.0002GT | SPRING WASHER D6 ZN..... | 4 |
| 33 | 01.0031.0308GT | FLAT WASHER D6 UNI ISO 7093 ZN..... | 4 |
| 34 | 51.0903.5110GT | Protection..... | 1 |
| 35 | 53.3001.6753GT | BULKHEAD,TESTPORTS..... | 1 |
| 36 | 01.0001.0206GT | SCREW M8X55 UNI 5737 8.8 ZN..... | 1 |
| 37 | 01.0031.0055GT | FLAT WASHER D8 UNI 6592 ZN..... | 1 |
| 38 | 01.4032.0003GT | SPRING WASHER D8 ZN..... | 1 |

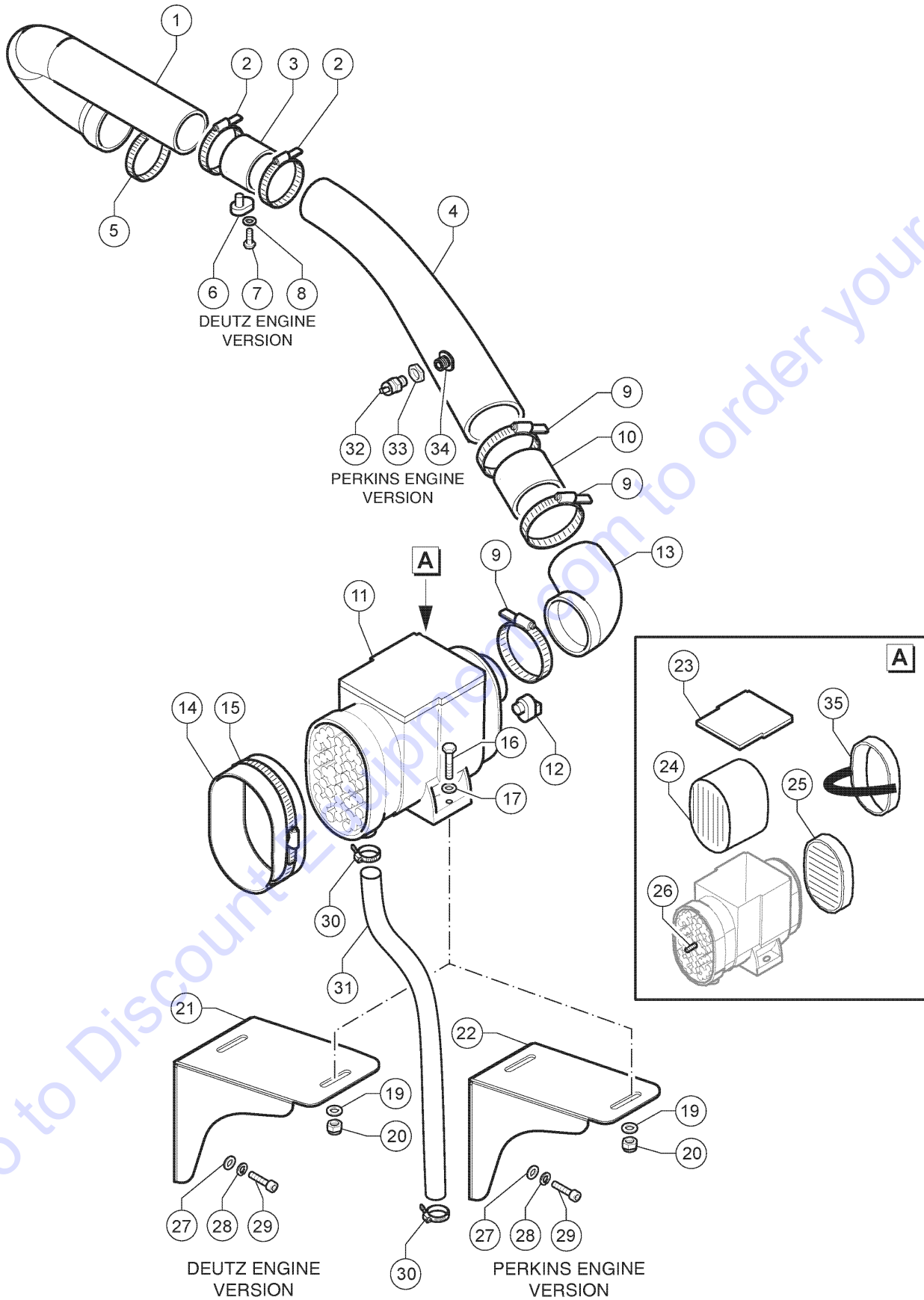
301.2 608632 Diesel Engine - Perkins Version



301.2 608632 Diesel Engine - Perkins Version

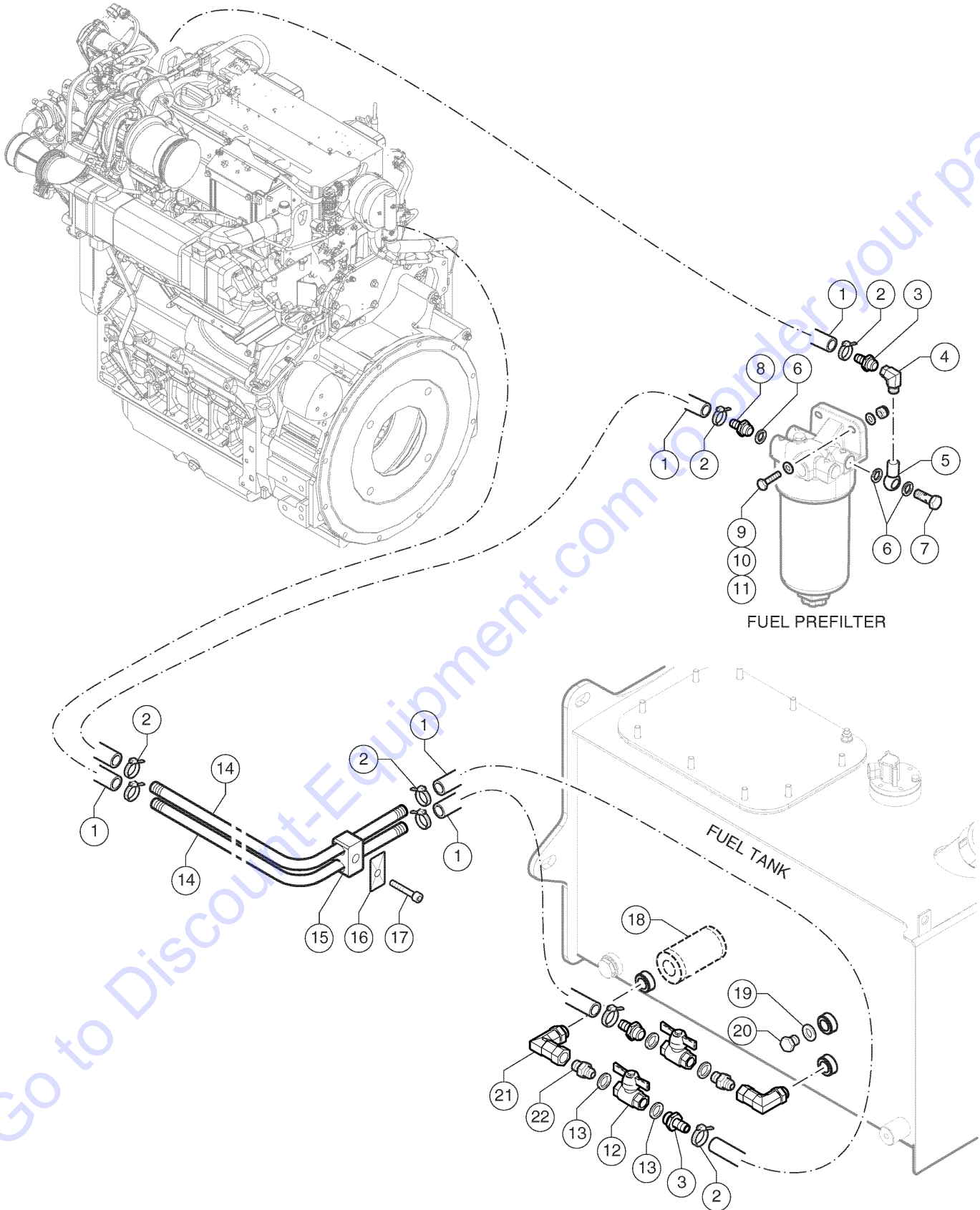
| Item | Part No. | Description | Qty. |
|------|----------------|---|------|
| 1 | 01.0001.0409GT | SCREW M12X80 UNI 5737 8.8 ZN..... | 4 |
| 2 | 01.4032.0005GT | SPRING WASHER D12 ZN..... | 8 |
| 3 | 01.0031.0097GT | FLAT WASHER D12 UNI 5714 ZN..... | 8 |
| 4 | 51.0802.0700GT | ENGINE SUPPORT,RIGHT..... | 1 |
| 5 | 01.4001.0012GT | SCREW M14X100UNI 5737 8.8 ZN..... | 4 |
| 6 | 01.0001.0356GT | SCREW M10X30 UNI 5739 8.8 ZN..... | 16 |
| 7 | 09.4670.0004GT | VIBRATION DAMPING..... | 4 |
| 8 | 01.0023.0056GT | STOP NUT M12 UNI 7473 6S ZN..... | 16 |
| 9 | 01.0031.0058GT | FLAT WASHER D14 UNI 6592 ZN..... | 4 |
| 10 | 01.0023.0057GT | STOP NUT M14 UNI 7473 6S ZN..... | 4 |
| 11 | 09.4605.0026GT | Fan..... | 1 |
| 12 | 51.0811.4466GT | Engine Support..... | 1 |
| 13 | 07.4501.0230GT | ALTERNATOR,12V 120A,PERKINS..... | 1 |
| 14 | 07.4501.0196GT | Fan Belt..... | 1 |
| 15 | 07.4501.0346GT | FUEL FILTER CARTRIDGE..... | 1 |
| 16 | 07.4501.0240GT | Fuel Pre-Filter..... | 1 |
| 17 | 01.0001.0401GT | SCREW M12X40 UNI 5737 8.8 ZN..... | 2 |
| 18 | 51.0802.0600GT | ENGINE SUPPORT,LEFT..... | 1 |
| 19 | 51.0811.4467GT | Engine Support..... | 1 |
| 20 | 638243GT | Oil Filter..... | 1 |
| 21 | 07.4501.0195GT | Starter Motor..... | 1 |
| 22 | 01.0001.1482GT | Screw TE M12X50 UNI 5737 8.8 ZN..... | 2 |
| 23 | 51.0811.4538GT | Bracket..... | 1 |
| 24 | 53.3001.6753GT | BULKHEAD,TESTPORTS..... | 1 |
| 25 | 01.0031.0055GT | FLAT WASHER D8 UNI 6592 ZN..... | 2 |
| 26 | 01.4032.0003GT | SPRING WASHER D8 ZN..... | 2 |
| 27 | 01.0001.0206GT | SCREW M8X55 UNI 5737 8.8 ZN..... | 2 |
| 28 | 04.4210.0005GT | TEST PORT MCS M14X1,5..... | 5 |
| 29 | 04.0607.0153GT | PIPE FITTING 14X1.5X9/16-18 ORFS...5 | 5 |
| 30 | 09.4601.0076GT | Perkins Engine 1204E-E44TA..... <i>The Complete Engine is sell together the Exhaust System</i> | 1 |
| 31 | 07.4501.0194GT | FUEL PRE-FILTER CARTRIDGE..... | 1 |
| 32 | 07.4501.0293GT | FUEL FILTER CARTRIDGE..... | 1 |
| 33 | 07.4501.0344GT | CRANKCASE BREATHER..... | 1 |
| 34 | 07.4501.0345GT | CARTRIDGE, CRANKCASE BREATHER..... | 1 |

302.1 608623 Air Filter



| Item | Part No. | Description | Qty. | Item | Part No. | Description | Qty. |
|------|----------------|---|------|------|----------------|--|---------|
| 1 | 09.0805.0156GT | Rubber Manifold..... <i>Deutz Engine Version</i> | 1 | 30 | 04.0227.0057GT | Clamp DN 32/50 LG12..... | 2 |
| 1 | 09.0805.0161GT | Rubber Manifold..... <i>Perkins Engine Version</i> | 1 | 31 | 09.0805.0185GT | Hose D40..... | 20-Inch |
| 2 | 04.0227.0502GT | Clamp 70/90..... | 2 | 32 | 07.4501.0232GT | Temperature Sensor..... <i>Perkins Engine Version</i> | 1 |
| 3 | 53.3001.6754GT | Air Intake Manifold..... <i>Deutz Engine Version</i> | 1 | 33 | 01.4019.0023GT | Nut M24 6S UNI 5589 ZN..... <i>Perkins Engine Version</i> | 1 |
| 3 | 53.3001.6760GT | Air Intake Manifold..... <i>Perkins Engine Version</i> | 1 | 34 | 54.0200.0009GT | Lock Bushing..... <i>Perkins Engine Version</i> | 1 |
| 4 | 09.0805.0179GT | Rubber Manifold..... <i>Deutz Engine Version</i> | 1 | 35 | 07.4501.0342GT | Locking Bracket..... | 1 |
| 4 | 09.0805.0188GT | Rubber Manifold..... <i>Perkins Engine Version</i> | 1 | | | | |
| 5 | 04.0227.0064GT | Clamp 90/110..... <i>Perkins Engine Version</i> | 1 | | | | |
| 5 | 04.4227.0000GT | CLAMP DN 60/80 LG12..... <i>Deutz Engine Version</i> | 1 | | | | |
| 6 | 07.4501.0227GT | Temperature Sensor..... <i>Deutz Engine Version</i> | 1 | | | | |
| 7 | 01.4001.0026GT | SCREW M6X10 UNI 5739 8.8 ZN..... <i>Deutz Engine Version</i> | 1 | | | | |
| 8 | 01.4032.0002GT | SPRING WASHER D6 ZN..... <i>Deutz Engine Version</i> | 1 | | | | |
| 9 | 04.4227.0031GT | CLAMP 110/130..... | 3 | | | | |
| 10 | 53.3001.6771GT | Air Intake Manifold..... | 1 | | | | |
| 11 | 09.4604.0074GT | Air Filter..... | 1 | | | | |
| 12 | 09.4604.0045GT | SENSOR..... <i>Perkins Engine Version</i> | 1 | | | | |
| 12 | 09.4604.0076GT | Sensor..... <i>Deutz Engine Version</i> | 1 | | | | |
| 13 | 09.0805.0178GT | Rubber Manifold..... | 1 | | | | |
| 14 | 09.0805.0180GT | Rubber Manifold..... | 1 | | | | |
| 15 | 04.4227.0034GT | Clamp 240/260..... | 1 | | | | |
| 16 | 01.0001.1465GT | SCREW M8X40 UNI 5739 8.8 ZN..... | 2 | | | | |
| 17 | 01.0031.0055GT | FLAT WASHER D8 UNI 6592 ZN..... | 2 | | | | |
| 19 | 01.4031.0004GT | FLAT WASHER D8X32 UNI 6593 ZN..... | 2 | | | | |
| 20 | 01.0023.0054GT | NUT,M8 UNI 7473 6S ZN..... | 2 | | | | |
| 21 | 51.0811.4497GT | Air Filter Support..... <i>Deutz Engine Version</i> | 1 | | | | |
| 22 | 51.0811.4498GT | Air Filter Support..... <i>Perkins Engine Version</i> | 1 | | | | |
| 23 | 07.4501.0225GT | Air Filter Cover..... | 1 | | | | |
| 24 | 07.4501.0223GT | Air Filter Element..... | 1 | | | | |
| 25 | 07.4501.0224GT | Air Filter Secondary Element..... | 1 | | | | |
| 26 | 07.4501.0190GT | Screw..... | 1 | | | | |
| 27 | 01.0031.0056GT | FLAT WASHER D10 UNI 6592 ZN..... | 3 | | | | |
| 28 | 01.4032.0004GT | SPRING WASHER D10 ZN..... | 3 | | | | |
| 29 | 01.0003.0256GT | SCREW M10X30 UNI 5931 8.8 ZN..... | 3 | | | | |

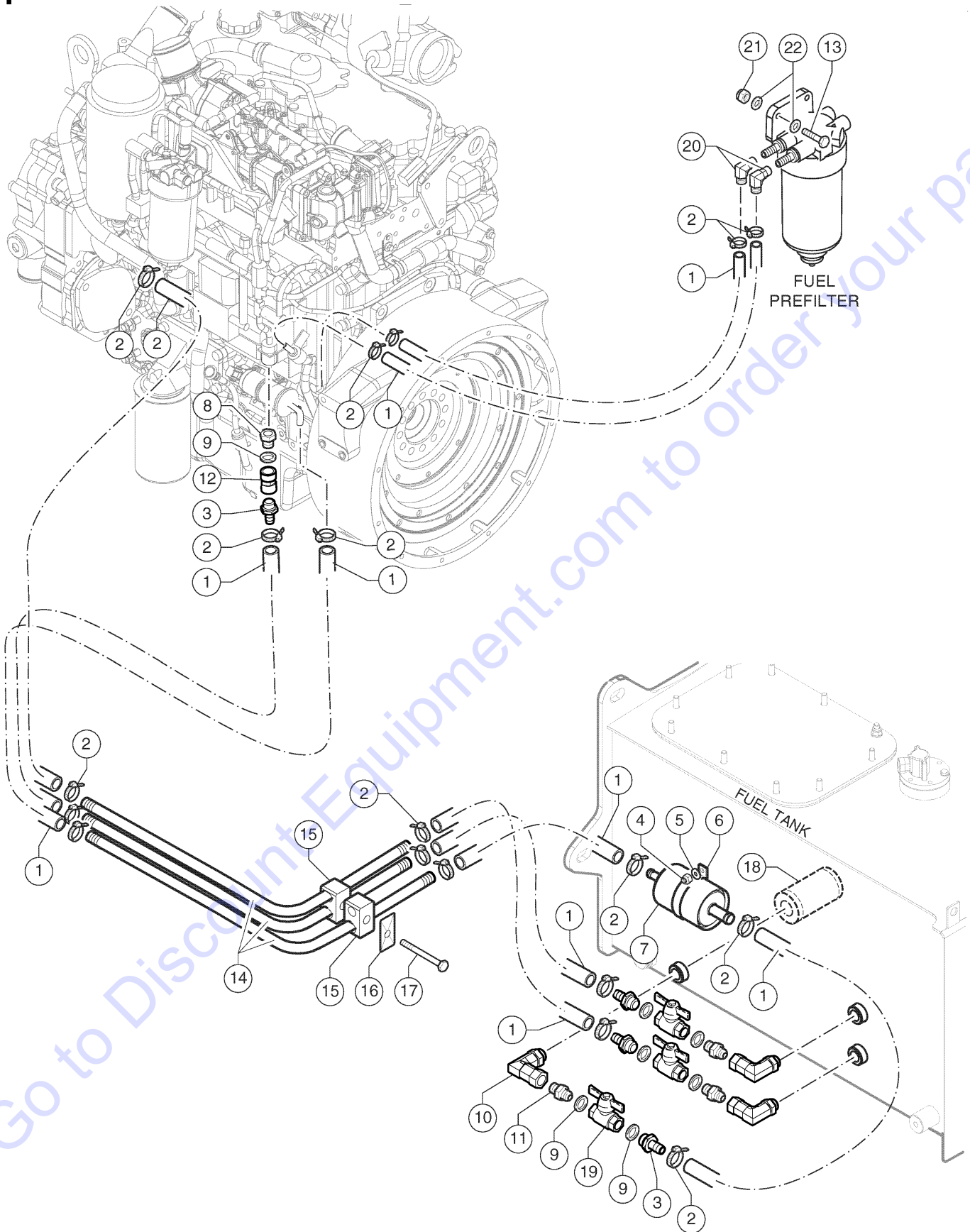
303.1 608624 Fuel Circuit - Deutz Version



303.1 608624 Fuel Circuit - Deutz Version

| Item | Part No. | Description | Qty. |
|------|----------------|--|------|
| 1 | 09.0805.0070GT | HOSE.....157.48-Inch | |
| 2 | 04.0227.0051GT | CLAMP DN 10/16 LG 9.....8 | |
| 3 | 04.0600.0162GT | Hose Adapter.....7 | |
| 4 | 04.0600.0161GT | FITTING,90 DEGREE.....1 | |
| 5 | 09.0806.0055GT | Fitting.....1 | |
| 6 | 06.0442.0129GT | BONDED RING M16.....3 | |
| 7 | 09.0806.0054GT | Screw Fitting M16x1.5.....1 | |
| 8 | 07.4501.0228GT | Hose Adapter.....1 | |
| 9 | 01.0001.1476GT | SCREW,TE,M10X45 UNI 8.8 ZN.....2 | |
| 10 | 01.4031.0004GT | FLAT WASHER D8X32 UNI 6593 ZN....4 | |
| 11 | 01.0023.0055GT | NUT,STOP,M10 UNI 7473 6S ZN.....2 | |
| 12 | 04.4224.0011GT | Ball Valve.....3 | |
| 13 | 06.0442.0120GT | BONDED RING 3/8".....4 | |
| 14 | 53.3402.4054GT | Pipe.....2 | |
| 15 | 09.0803.0045GT | DOUBLE HOSE BRACKET D14.....2 | |
| 16 | 09.0803.0523GT | DOUBLE HOSE LOCKING PLATE D18.....2 | |
| 17 | 01.0001.1465GT | SCREW M8X40 UNI 5739 8.8 ZN.....2 | |
| 18 | 09.4604.0072GT | Fuel Filter.....1 | |
| 19 | 06.0442.0120GT | BONDED RING 3/8".....1 | |
| 20 | 04.0220.0053GT | PLUG 3/8" BSP.....1 | |
| 21 | 04.0600.0088GT | PIPE FITTING.....2 | |
| 22 | 04.0600.0029GT | PIPE FITTING 3/8X3/8 BSP.....2 | |

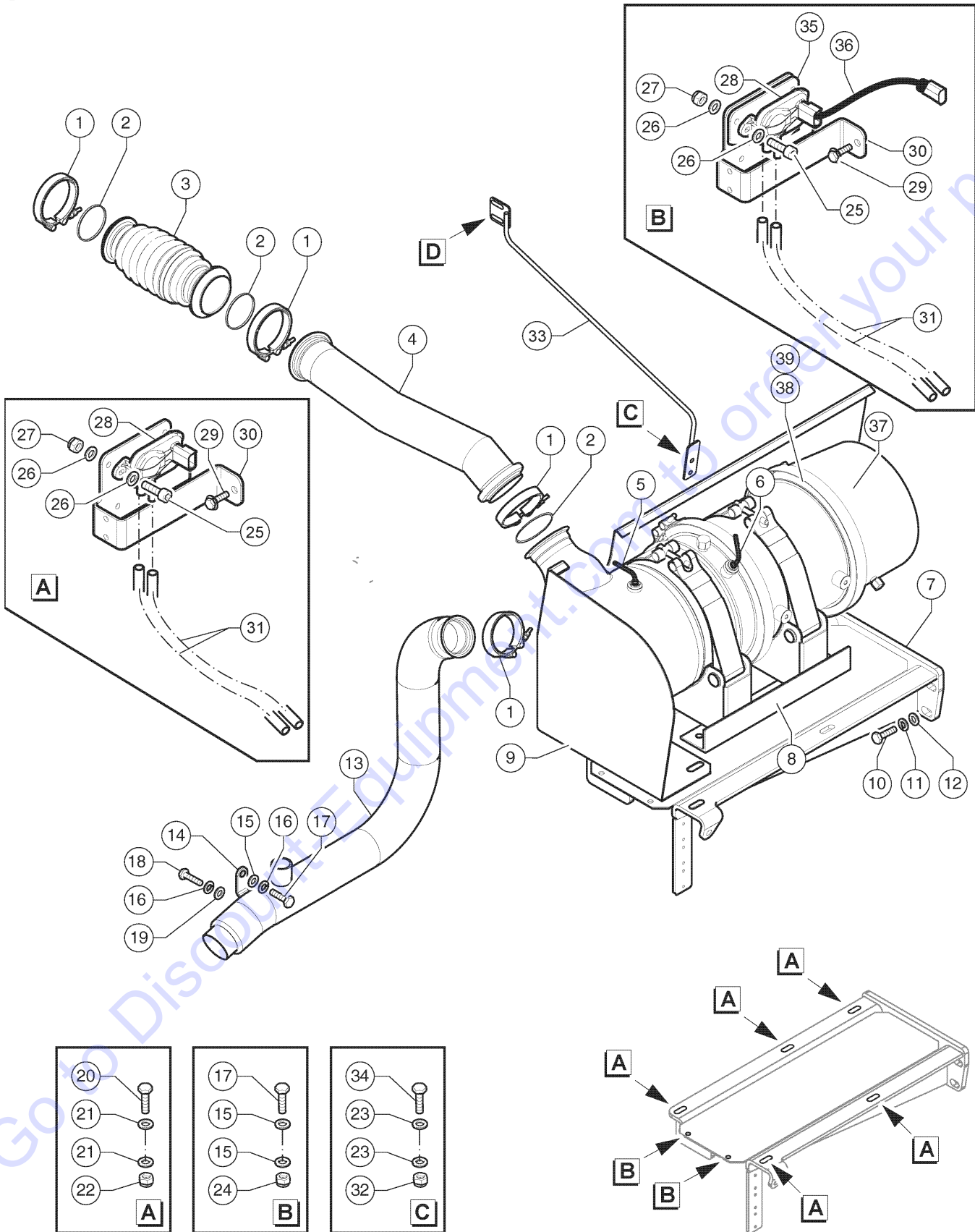
303.2 608654 Fuel Circuit - Perkins Version



303.2 608654 Fuel Circuit - Perkins Version

| Item | Part No. | Description | Qty. |
|------|----------------|---|------|
| 1 | 09.0805.0070GT | HOSE.....200-Inch | |
| 2 | 04.0227.0051GT | CLAMP DN 10/16 LG 9.....12 | |
| 3 | 04.0600.0162GT | Hose Adapter.....4 | |
| 4 | 01.0023.0054GT | NUT,M8 UNI 7473 6S ZN.....1 | |
| 5 | 01.0031.0299GT | FLAT WASHER D8 UNI 6593 ZN.....1 | |
| 6 | 04.4227.0016GT | CLAMP D60 HOLE 10.5.....1 | |
| 7 | 07.4501.0278GT | Fuel Filter.....1 | |
| 8 | 04.0607.0818GT | Pipe Fitting 11/16"-16 BSP X M 3/8 BSP.....1 | |
| 9 | 06.0442.0120GT | BONDED RING 3/8".....7 | |
| 10 | 04.0600.0088GT | PIPE FITTING.....3 | |
| 11 | 04.0600.0029GT | PIPE FITTING 3/8X3/8 BSP.....3 | |
| 12 | 09.0806.0053GT | Pipe Fitting.....1 | |
| 13 | 01.0001.1476GT | SCREW,TE,M10X45 UNI 8.8 ZN.....2 | |
| 14 | 53.3402.4054GT | Pipe.....3 | |
| 15 | 09.0803.0045GT | DOUBLE HOSE BRACKET D14.....3 | |
| 16 | 09.0803.0523GT | DOUBLE HOSE LOCKING PLATE D18.....1 | |
| 17 | 01.0001.1465GT | SCREW M8X40 UNI 5739 8.8 ZN.....1 | |
| 18 | 09.4604.0072GT | Fuel Filter.....1 | |
| 19 | 04.4224.0011GT | Ball Valve.....3 | |
| 20 | 09.0805.0190GT | Fitting 90°.....2 | |
| 21 | 01.0023.0055GT | NUT,STOP,M10 UNI 7473 6S ZN.....2 | |
| 22 | 01.4031.0004GT | FLAT WASHER D8X32 UNI 6593 ZN.....4 | |

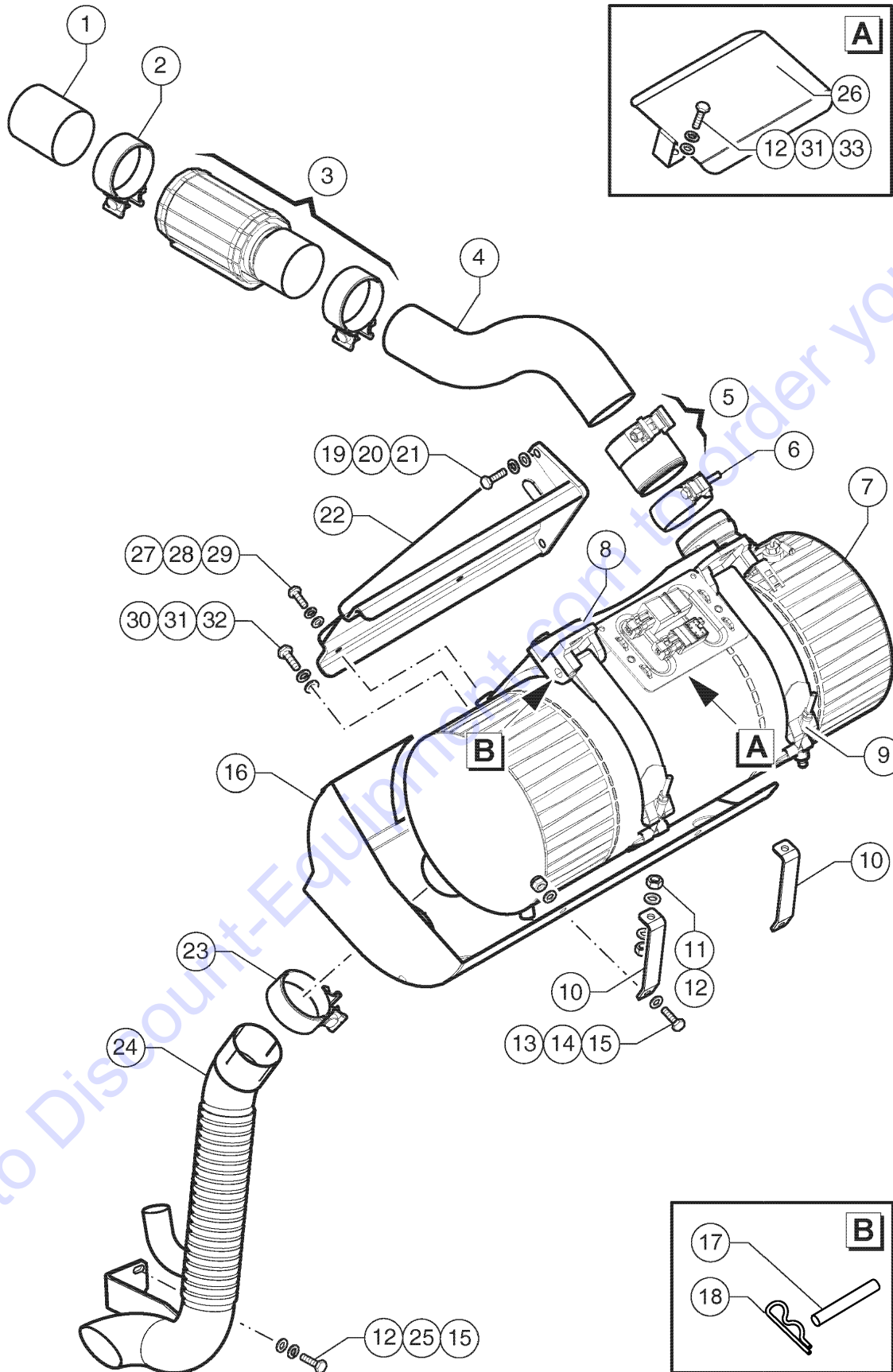
304.1 608625 Exhaust System - Deutz Version



304.1 608625 Exhaust System - Deutz Version

| Item | Part No. | Description | Qty. |
|------|----------------|--|------|
| 1 | 07.4501.0207GT | Clamp..... | 4 |
| 2 | 07.4501.0206GT | Seal..... | 3 |
| 3 | 07.4501.0391GT | HOSE,EXHAUST..... | 1 |
| 4 | 55.0208.0100GT | HOSE,EXHAUST..... | 1 |
| 5 | 07.4501.0251GT | Temperature Sensor..... | 1 |
| 6 | 07.4501.0252GT | Temperature Sensor..... | 1 |
| 7 | 51.0811.4451GT | SUPPORT,DPF,DEUTZ..... | 1 |
| 8 | 07.4501.0208GT | Dpf Bracket..... | 1 |
| 9 | 51.0811.4471GT | HEAT SHIELD,EXHAUST,DEUTZ..... | 1 |
| 10 | 01.0001.0506GT | SCREW M12X30 UNI 5739 8.8 ZN..... | 4 |
| 11 | 01.4032.0005GT | SPRING WASHER D12 ZN..... | 4 |
| 12 | 01.0031.0097GT | FLAT WASHER D12 UNI 5714 ZN..... | 4 |
| 13 | 55.0208.0108GT | HOSE,EXHAUST..... | 1 |
| 14 | 51.0811.4500GT | BRACKET,HOSE..... | 1 |
| 15 | 01.0031.0299GT | FLAT WASHER D8 UNI 6593 ZN..... | 5 |
| 16 | 01.4032.0003GT | SPRING WASHER D8 ZN..... | 2 |
| 17 | 01.0001.0256GT | SCREW M8X25 UNI 5739 8.8 ZN..... | 3 |
| 18 | 01.0001.0254GT | SCREW M8X20 UNI 5739 8.8 ZN..... | 1 |
| 19 | 01.0031.0055GT | FLAT WASHER D8 UNI 6592 ZN..... | 1 |
| 20 | 01.4001.0180GT | Screw Te M10 X35 10.9Zn Uni 5737..... | 5 |
| 21 | 01.0031.0301GT | FLAT WASHER D10 UNI 6593 ZN..... | 10 |
| 22 | 01.0023.0055GT | NUT,STOP,M10 UNI 7473 6S ZN..... | 5 |
| 23 | 01.0031.0308GT | FLAT WASHER D6 UNI ISO 7093 ZN..... | 8 |
| 24 | 01.0023.0054GT | NUT,M8 UNI 7473 6S ZN..... | 2 |
| 25 | 01.0003.0159GT | SCREW M6X35 UNI 5931 8.8 ZN..... | 2 |
| 26 | 01.0031.0054GT | FLAT WASHER D6 UNI 6592 ZN..... | 4 |
| 27 | 01.0023.0053GT | STOP NUT M6 UNI 7473 6S ZN..... | 2 |
| 28 | 07.4501.0209GT | Dpf Pressure Sensor..... <i>For Machines With Configuration A</i> | 1 |
| 28 | 07.4501.0336GT | Dpf Pressure Sensor..... <i>For Machines With Configuration B</i> | 1 |
| 29 | 01.4001.0165GT | SCREW M8X16 DIN 6923 8.8 ZN..... | 2 |
| 30 | 51.0811.4489GT | Bracket..... | 1 |
| 31 | 07.4501.0300GT | Sensor Kit..... | 1 |
| 32 | 01.0023.0053GT | STOP NUT M6 UNI 7473 6S ZN..... | 4 |
| 33 | 51.0811.4530GT | Hose Bracket..... | 1 |
| 34 | 01.0001.0158GT | SCREW M6X25 UNI 5739 8.8 ZN..... | 4 |
| 35 | 07.4501.0337GT | BRACKET..... <i>For Machines With Configuration B</i> | 1 |
| 36 | 07.4501.0338GT | WIRING..... <i>For Machines With Configuration B</i> | 1 |
| 37 | 07.4501.0401GT | PARTICULATE FILTER..... <i>Included Items 38 and 39</i> | 1 |
| 38 | 07.4501.0402GT | CLAMP..... | 2 |
| 39 | 07.4501.0403GT | GASKET..... | 2 |

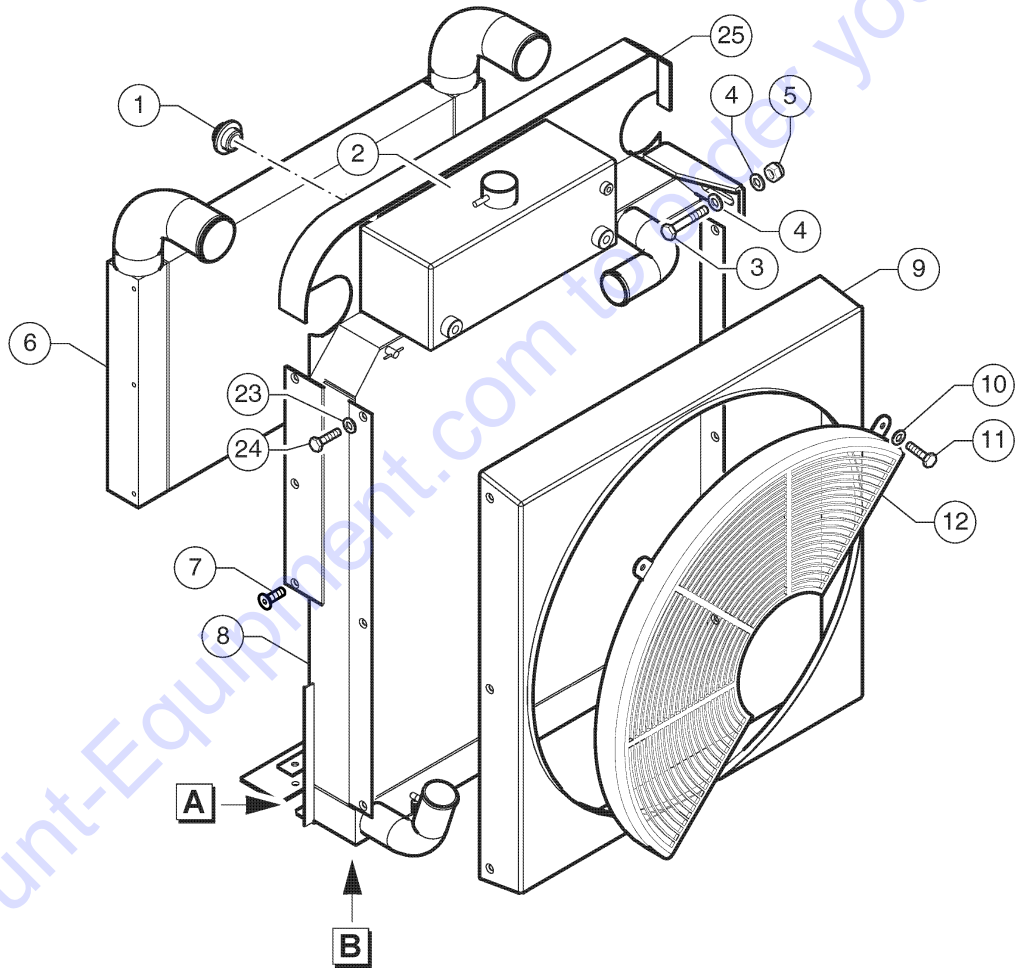
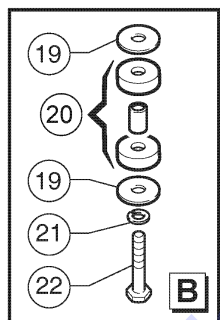
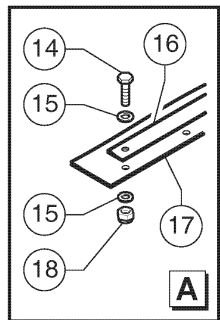
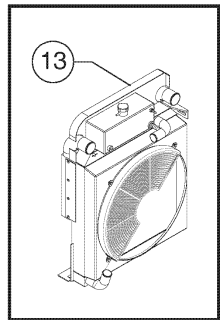
304.2 608655 Exhaust System - Perkins Version



304.2 608655 Exhaust System - Perkins Version

| Item | Part No. | Description | Qty. |
|------|----------------|-----------------------------------|------|
| 1 | 07.4501.0234GT | Flange..... | 1 |
| 2 | 07.4501.0235GT | Clamp..... | 1 |
| 3 | 07.4501.0236GT | Flange Kit..... | 1 |
| 4 | 53.3001.6762GT | HOSE,GAS..... | 1 |
| 5 | 07.4501.0237GT | Flange Kit..... | 1 |
| 6 | 07.4501.0238GT | Clamp..... | 1 |
| 7 | 07.4501.0231GT | DPF,COMPLETE,PERKINS..... | 1 |
| 8 | 07.4501.0242GT | Bracket Support..... | 1 |
| 9 | 07.4501.0243GT | Bracket Clamp..... | 2 |
| 10 | 51.0811.4465GT | Bracket..... | 2 |
| 11 | 01.0019.0104GT | NUT M8 UNI 5588 6S ZN..... | 4 |
| 12 | 01.0031.0055GT | FLAT WASHER D8 UNI 6592 ZN..... | 8 |
| 13 | 01.0023.0054GT | NUT,M8 UNI 7473 6S ZN..... | 2 |
| 14 | 01.0031.0299GT | FLAT WASHER D8 UNI 6593 ZN..... | 4 |
| 15 | 01.0001.0257GT | SCREW M8X30 UNI 5739 8.8 ZN..... | 6 |
| 16 | 51.0811.4464GT | Heat Isolator..... | 1 |
| 17 | 07.4501.0244GT | Pin..... | 2 |
| 18 | 07.4501.0245GT | Clip..... | 2 |
| 19 | 01.0001.0506GT | SCREW M12X30 UNI 5739 8.8 ZN..... | 4 |
| 20 | 01.4032.0005GT | SPRING WASHER D12 ZN..... | 4 |
| 21 | 01.0031.0097GT | FLAT WASHER D12 UNI 5714 ZN..... | 4 |
| 22 | 51.0811.4462GT | SUPPORT,DPF,PERKINS..... | 1 |
| 23 | 04.0227.0151GT | Clamp D73/79..... | 1 |
| 24 | 53.3001.6763GT | HOSE,EXHAUST..... | 1 |
| 25 | 01.4032.0003GT | SPRING WASHER D8 ZN..... | 2 |
| 26 | 51.0811.4540GT | Protection..... | 1 |
| 27 | 01.0001.0356GT | SCREW M10X30 UNI 5739 8.8 ZN..... | 4 |
| 28 | 01.4032.0004GT | SPRING WASHER D10 ZN..... | 4 |
| 29 | 01.0031.0056GT | FLAT WASHER D10 UNI 6592 ZN..... | 4 |
| 30 | 01.0001.0256GT | SCREW M8X25 UNI 5739 8.8 ZN..... | 2 |
| 31 | 01.4032.0003GT | SPRING WASHER D8 ZN..... | 4 |
| 32 | 01.0031.0299GT | FLAT WASHER D8 UNI 6593 ZN..... | 2 |
| 33 | 01.0001.0252GT | SCREW M8X16 UNI 5739 8.8 ZN..... | 2 |

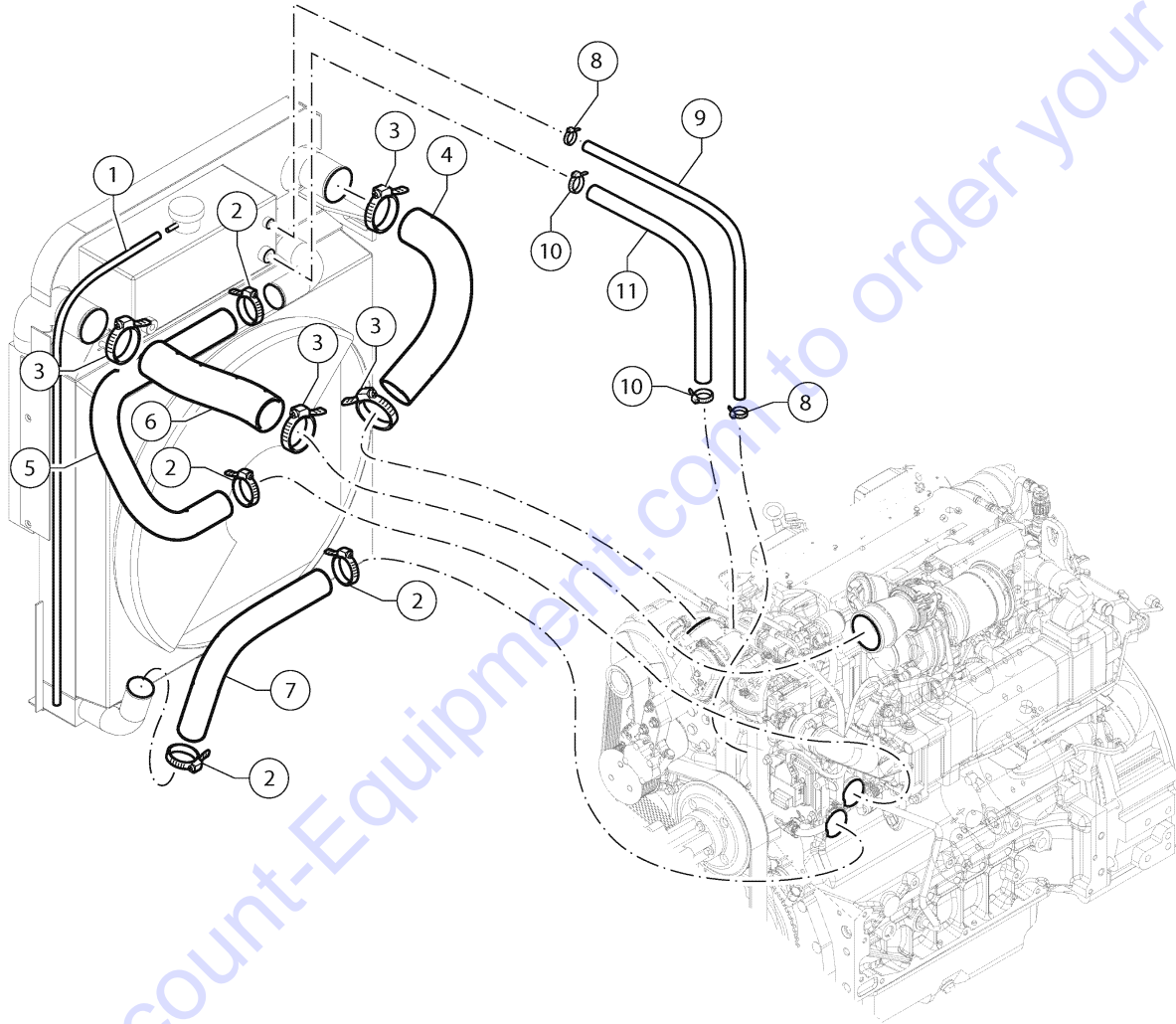
305.1 608626 Cooling System, Radiator - Deutz Version



305.1 608626 Cooling System, Radiator - Deutz Version

| Item | Part No. | Description | Qty. |
|------|----------------|------------------------------------|------|
| 1 | 09.4661.0025GT | INDICATOR,OPTICAL LEVEL.....1-Inch | 1 |
| 2 | 07.0712.0220GT | Water Tank..... | 1 |
| 3 | 01.0001.0308GT | SCREW M10X70 UNI 5737 8.8 ZN..... | 1 |
| 4 | 01.0031.0301GT | FLAT WASHER D10 UNI 6593 ZN..... | 2 |
| 5 | 01.0023.0055GT | NUT,STOP,M10 UNI 7473 6S ZN..... | 1 |
| 6 | 07.0712.0222GT | Heat Exchanger Deutz..... | 1 |
| 7 | 01.4006.0001GT | SCREW M6X16 UNI 5933 10.9 ZN..... | 6 |
| 8 | 07.0712.0211GT | Radiator Deutz..... | 1 |
| 9 | 07.0712.0221GT | SHROUD,RADIATOR..... | 1 |
| 10 | 01.0031.0299GT | FLAT WASHER D8 UNI 6593 ZN..... | 3 |
| 11 | 01.0001.0256GT | SCREW M8X25 UNI 5739 8.8 ZN..... | 3 |
| 12 | 07.0712.0218GT | Cage Fan Deutz..... | 1 |
| 13 | 53.3200.0074GT | Radiator, Deutz..... | 1 |
| 14 | 01.0001.0158GT | SCREW M6X25 UNI 5739 8.8 ZN..... | 5 |
| 15 | 01.0031.0298GT | FLAT WASHER D6 UNI 6593 ZN..... | 10 |
| 16 | 51.0811.4480GT | Plate..... | 1 |
| 17 | 51.0811.4479GT | ISOLATOR,RUBBER MOUNT..... | 1 |
| 18 | 01.0023.0053GT | STOP NUT M6 UNI 7473 6S ZN..... | 5 |
| 19 | 01.4031.0003GT | FLAT WASHER D12 UNI 6593 ZN..... | 3 |
| 20 | 07.0723.0360GT | VIBRATION DAMPING KIT..... | 3 |
| 21 | 01.4032.0005GT | SPRING WASHER D12 ZN..... | 3 |
| 22 | 01.4001.0089GT | SCREW M12X70 UNI 5737 8.8 ZN..... | 3 |
| 23 | 01.0031.0298GT | FLAT WASHER D6 UNI 6593 ZN..... | 6 |
| 24 | 01.4001.0106GT | SCREW M6X16 DIN 6923 8.8 ZN..... | 6 |
| 25 | 07.0712.0219GT | PROFILE..... | 1 |

306.1 608627 Cooling System, Radiator Hoses - Deutz Version

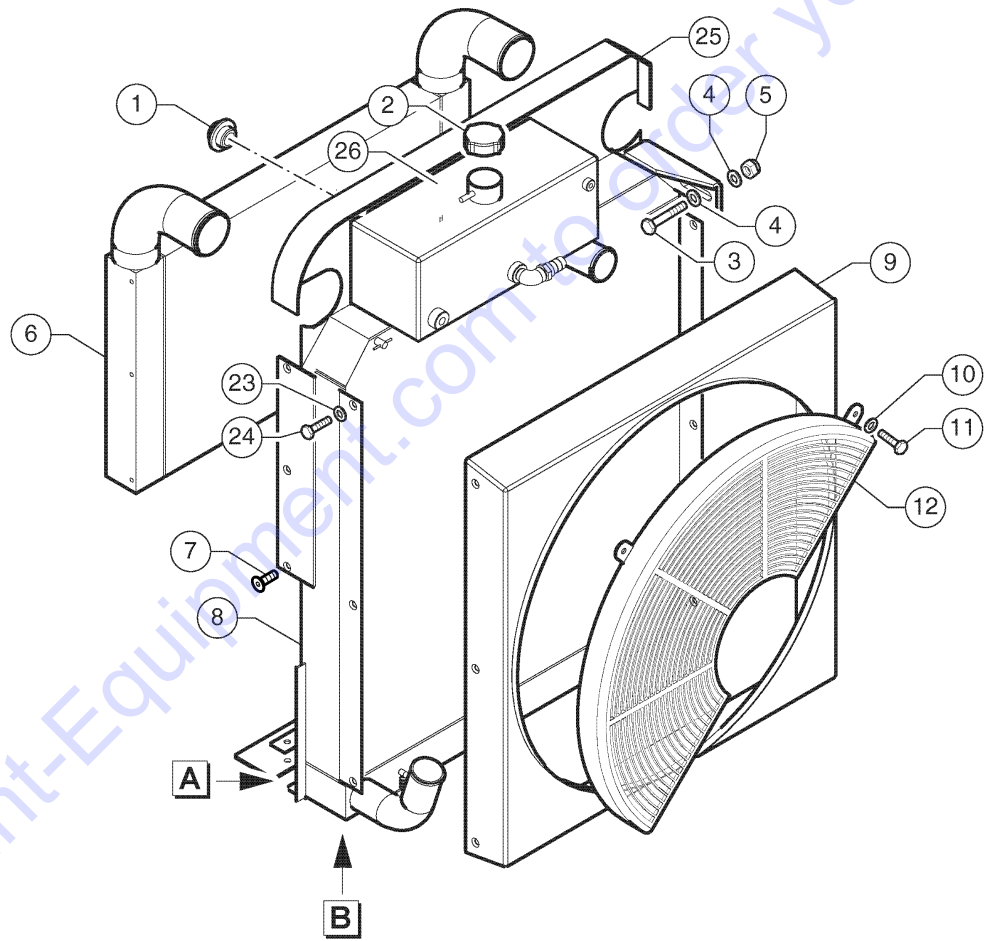
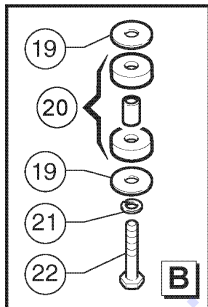
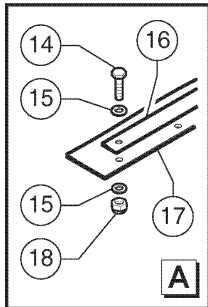
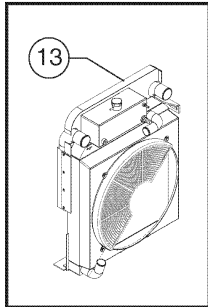


306.1 608627 Cooling System, Radiator Hoses - Deutz Version

| Item | Part No. | Description | Qty. |
|------|----------------|------------------------------------|------|
| 1 | 07.07120189GT | Rubber Hose.....60-Inch | |
| 2 | 04.0227.0058GT | CLAMP DN 40/60 LG12.....4 | |
| 3 | 04.0227.0152GT | Clamp 80/85.....4 | |
| 4 | 09.0805.0173GT | HOSE,RADIATOR,DEUTZ.....1 | |
| 5 | 09.0805.0177GT | HOSE,RADIATOR,DEUTZ.....1 | |
| 6 | 09.0805.0184GT | HOSE,RADIATOR,DEUTZ.....15,56-Inch | |
| 7 | 09.0805.0176GT | HOSE,RADIATOR,DEUTZ.....1 | |
| 8 | 04.0227.0051GT | CLAMP DN 10/16 LG 9.....2 | |
| 9 | 09.0805.0000GT | RUBBER HOSE.....25,6-Inch | |
| 10 | 04.0227.0068GT | CLAMP DN 22/32 LG 9.....2 | |
| 11 | 09.0805.0036GT | RUBBER HOSE.....19,7-Inch | |

Go to Discount-Equipment.com to order your parts

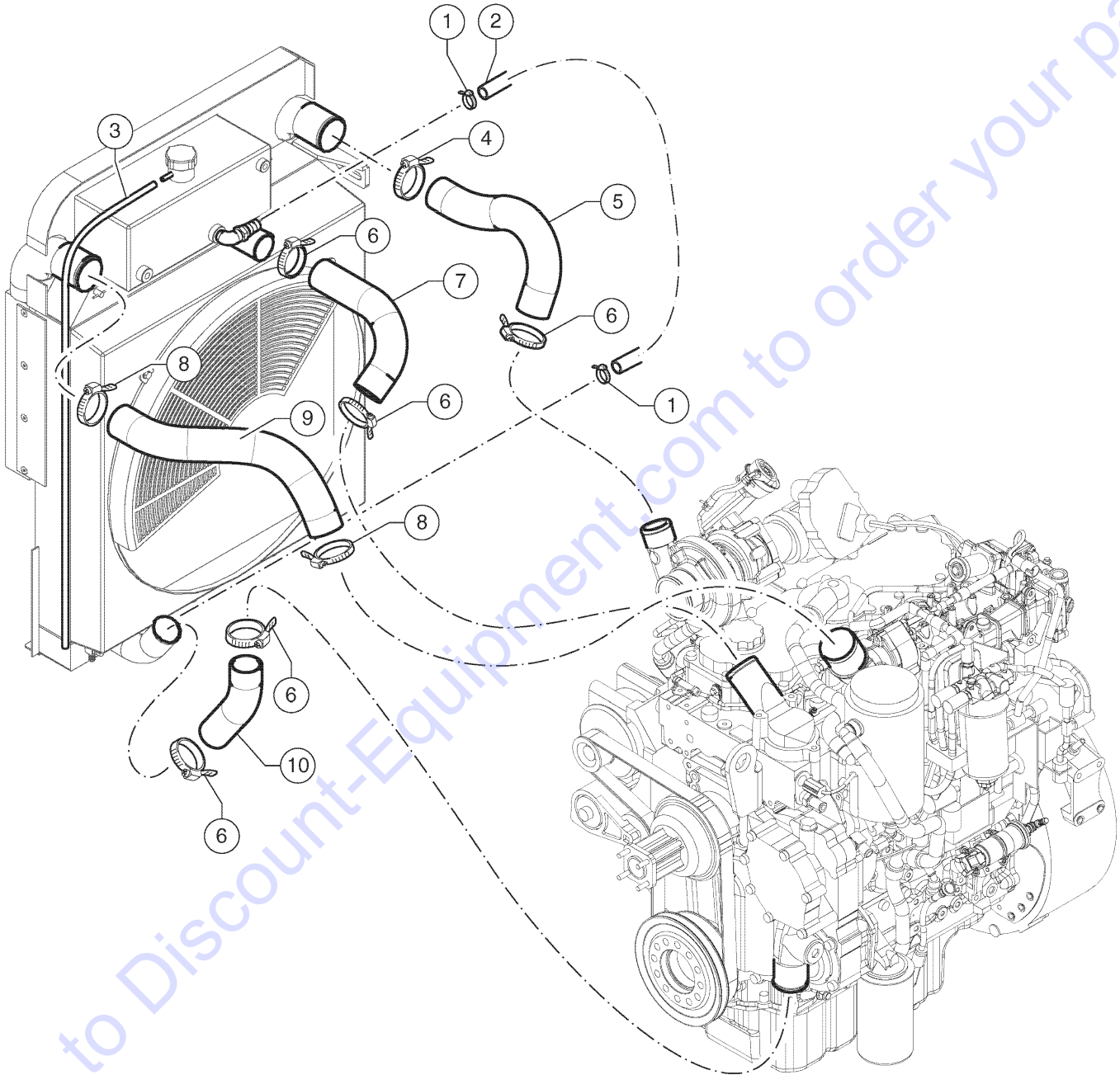
307.1 608656 Cooling System, Radiator - Perkins Versione



307.1 608656 Cooling System, Radiator - Perkins Versione

| Item | Part No. | Description | Qty. |
|------|----------------|-----------------------------------|------|
| 1 | 09.4661.0025GT | INDICATOR,OPTICAL LEVEL..... | 1 |
| 2 | 07.0712.0175GT | CAP,RADIATOR,DEUTZ..... | 1 |
| 3 | 01.0001.0308GT | SCREW M10X70 UNI 5737 8.8 ZN..... | 1 |
| 4 | 01.0031.0301GT | FLAT WASHER D10 UNI 6593 ZN..... | 2 |
| 5 | 01.0023.0055GT | NUT,STOP,M10 UNI 7473 6S ZN..... | 1 |
| 6 | 07.0712.0225GT | Heat Exchanger..... | 1 |
| 7 | 01.4006.0001GT | SCREW M6X16 UNI 5933 10.9 ZN..... | 6 |
| 8 | 07.0712.0226GT | Heat Exchanger..... | 1 |
| 9 | 07.0712.0221GT | SHROUD,RADIATOR..... | 1 |
| 10 | 01.0031.0299GT | FLAT WASHER D8 UNI 6593 ZN..... | 3 |
| 11 | 01.0001.0256GT | SCREW M8X25 UNI 5739 8.8 ZN..... | 3 |
| 12 | 07.0712.0224GT | Protective Grid..... | 1 |
| 13 | 53.3200.0073GT | Radiator..... | 1 |
| 14 | 01.0001.0158GT | SCREW M6X25 UNI 5739 8.8 ZN..... | 5 |
| 15 | 01.0031.0298GT | FLAT WASHER D6 UNI 6593 ZN..... | 10 |
| 16 | 51.0811.4480GT | PLATE..... | 1 |
| 17 | 51.0811.4479GT | ISOLATOR,RUBBER MOUNT..... | 1 |
| 18 | 01.0023.0053GT | STOP NUT M6 UNI 7473 6S ZN..... | 5 |
| 19 | 01.4031.0003GT | FLAT WASHER D12 UNI 6593 ZN..... | 3 |
| 20 | 07.0723.0360GT | VIBRATION DAMPING KIT..... | 3 |
| 21 | 01.4032.0005GT | SPRING WASHER D12 ZN..... | 3 |
| 22 | 01.4001.0089GT | SCREW M12X70 UNI 5737 8.8 ZN..... | 3 |
| 23 | 01.0031.0298GT | FLAT WASHER D6 UNI 6593 ZN..... | 6 |
| 24 | 01.4001.0106GT | SCREW M6X16 DIN 6923 8.8 ZN..... | 6 |
| 25 | 07.0712.0219GT | PROFILE..... | 1 |
| 26 | 07.0712.0223GT | WATER TANK..... | 1 |

308.1 608657 Cooling System, Radiator Hoses - Perkins Version

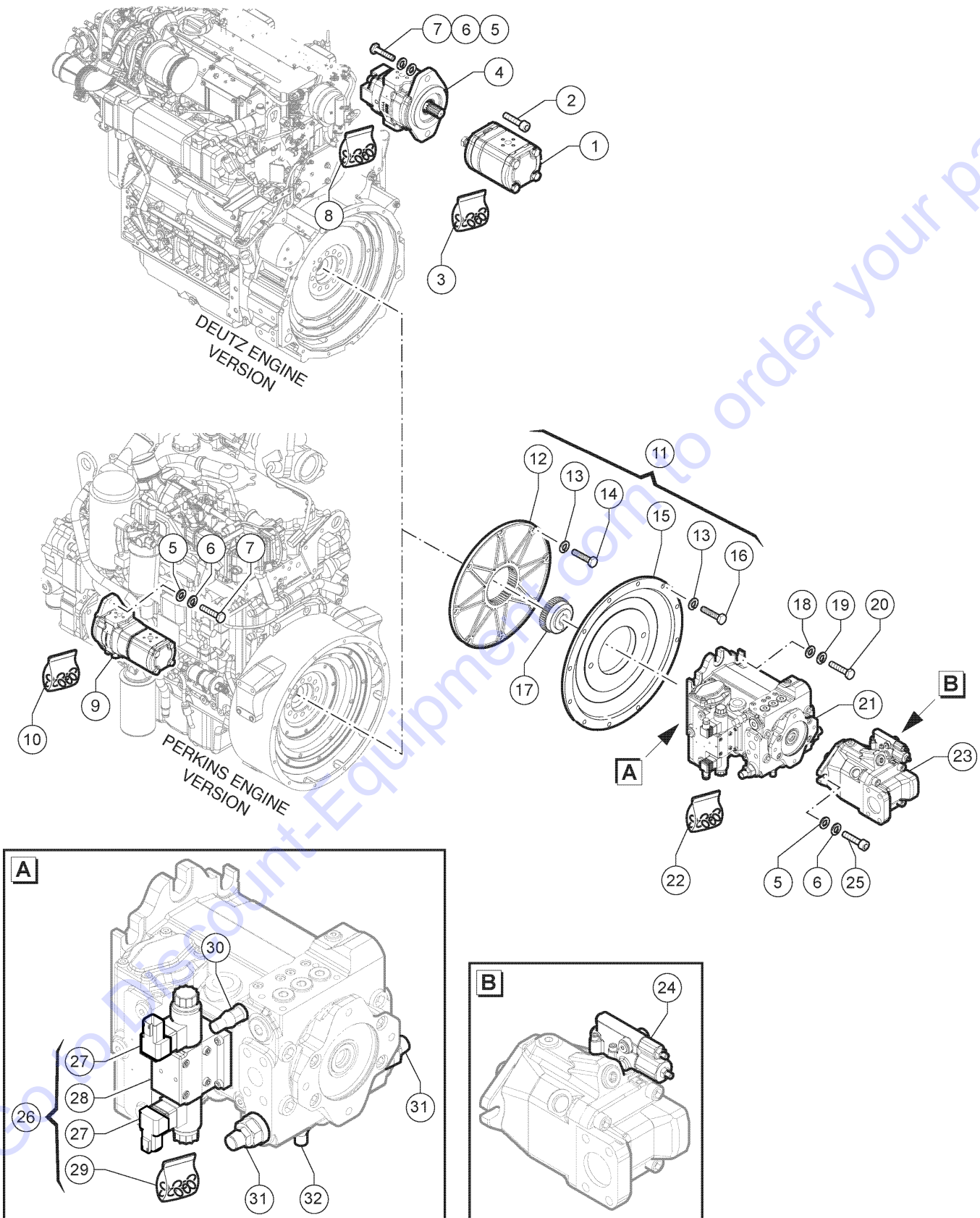


308.1 608657 Cooling System, Radiator Hoses - Perkins Version

| Item | Part No. | Description | Qty. |
|------|----------------|---------------------------|---------|
| 1 | 04.0227.0068GT | CLAMP DN 22/32 LG 9..... | 2 |
| 2 | 09.0805.0036GT | RUBBER HOSE..... | 70-Inch |
| 3 | 07.0712.0189GT | Rubber Hose..... | 60-Inch |
| 4 | 04.4227.0001GT | CLAMP DN 80/100 LG12..... | 1 |
| 5 | 09.0805.0162GT | Rubber Manifold..... | 1 |
| 6 | 04.0227.0067GT | Clamp DN 50/70 LG12..... | 5 |
| 7 | 53.3001.6751GT | HOSE..... | 1 |
| 8 | 04.4227.0000GT | CLAMP DN 60/80 LG12..... | 2 |
| 9 | 09.0805.0169GT | Rubber Manifold..... | 1 |
| 10 | 09.0805.0170GT | Rubber Manifold..... | 1 |

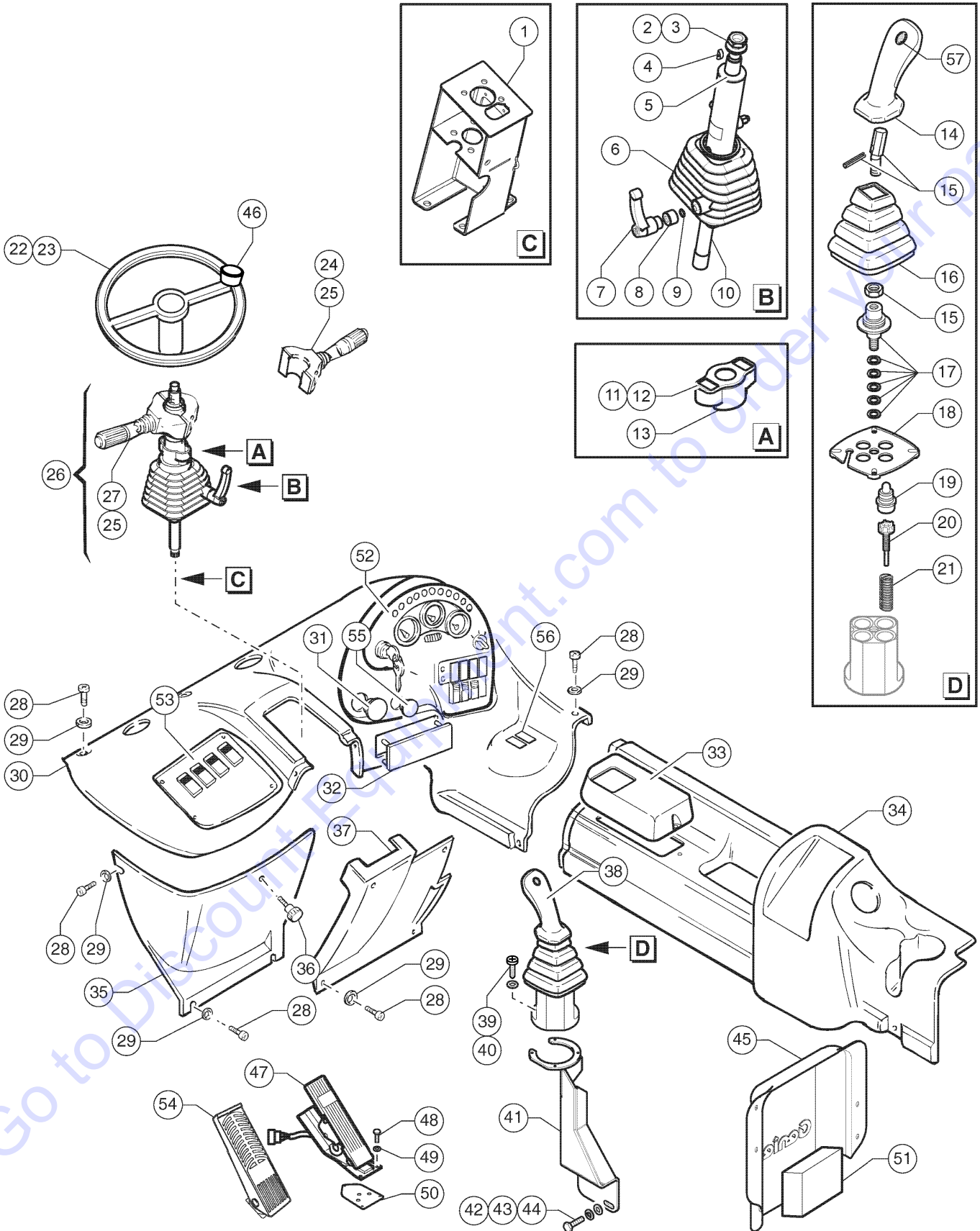
Go to Discount-Equipment.com to order your parts

309.1 608628 Hydraulic Pumps



| Item | Part No. | Description | Qty. |
|------|----------------|--|------|
| 1 | 04.4238.0092GT | Hydraulic Pump 1..... | 1 |
| 2 | 01.0003.0210GT | SCREW M8X50 UNI 5931 8.8 ZN..... | 3 |
| 3 | 07.0722.0063GT | Seal Kit Hydraulic Pump 1..... <i>Kit for PN 04.4238.0092</i> | 1 |
| 4 | 04.4238.0089GT | Hydraulic Pump 2..... | 1 |
| 5 | 01.0031.0097GT | FLAT WASHER D12 UNI 5714 ZN..... | 6 |
| 6 | 01.4032.0005GT | SPRING WASHER D12 ZN..... | 6 |
| 7 | 01.0001.0507GT | SCREW M12X35 UNI 5739 8.8 ZN..... | 4 |
| 8 | 07.0722.0065GT | Seal Kit Hydraulic Pump 2..... <i>Kit for PN 04.4238.0089</i> | 1 |
| 9 | 04.4238.0091GT | Hydraulic Pump 3..... | 2 |
| 10 | 07.0722.0064GT | Seal Kit Hydraulic Pump 3..... | 1 |
| 11 | 09.0804.3421GT | KIT/PUMP COUPLING..... | 1 |
| 12 | 07.0713.0058GT | Flange..... | 1 |
| 13 | 01.4032.0004GT | SPRING WASHER D10 ZN..... | 22 |
| 14 | 01.0001.0358GT | SCREW M10X40 UNI 5739 8.8 ZN..... | 8 |
| 15 | 07.0713.0070GT | Cover..... | 1 |
| 16 | 01.0001.0355GT | SCREW M10X25 UNI 5739 8.8 ZN..... | 14 |
| 17 | 07.0713.0069GT | Pump Hub..... | 1 |
| 18 | 01.0031.0099GT | FLAT WASHER D16 UNI 5714 ZN..... | 4 |
| 19 | 01.4032.0007GT | SPRING WASHER D16 ZN..... | 4 |
| 20 | 01.0001.1506GT | SCREW M16X40 UNI 5739 8.8 ZN..... | 4 |
| 21 | 04.4238.0094GT | Hydraulic Pump 4..... | 1 |
| 22 | 07.0701.0213GT | Seal Kit Pump 4..... <i>Kit for PN 04.4238.0094</i> | 1 |
| 23 | 04.4238.0093GT | Hydraulic Pump 5..... | 1 |
| 24 | 07.0701.0276GT | Control Valve..... | 1 |
| 25 | 01.0003.0306GT | Screw TCEI M12X40 UNI 5931 8.8ZN..... | 2 |
| 26 | 07.0701.0327GT | Complete Solenoid Valve With Inching Device..... | 1 |
| 27 | 07.0701.0242GT | SOLENOID..... | 2 |
| 28 | 07.0701.0291GT | Valve Block..... | 1 |
| 29 | 07.0701.0342GT | Solenoid Valve Seal Kit..... | 1 |
| 30 | 07.0701.0217GT | Pressure Override Valve..... | 1 |
| 31 | 07.0701.0247GT | MAX PRESSURE VALVE..... | 1 |
| 32 | 07.0701.0216GT | PRESSURE RELIEF VALVE..... | 1 |

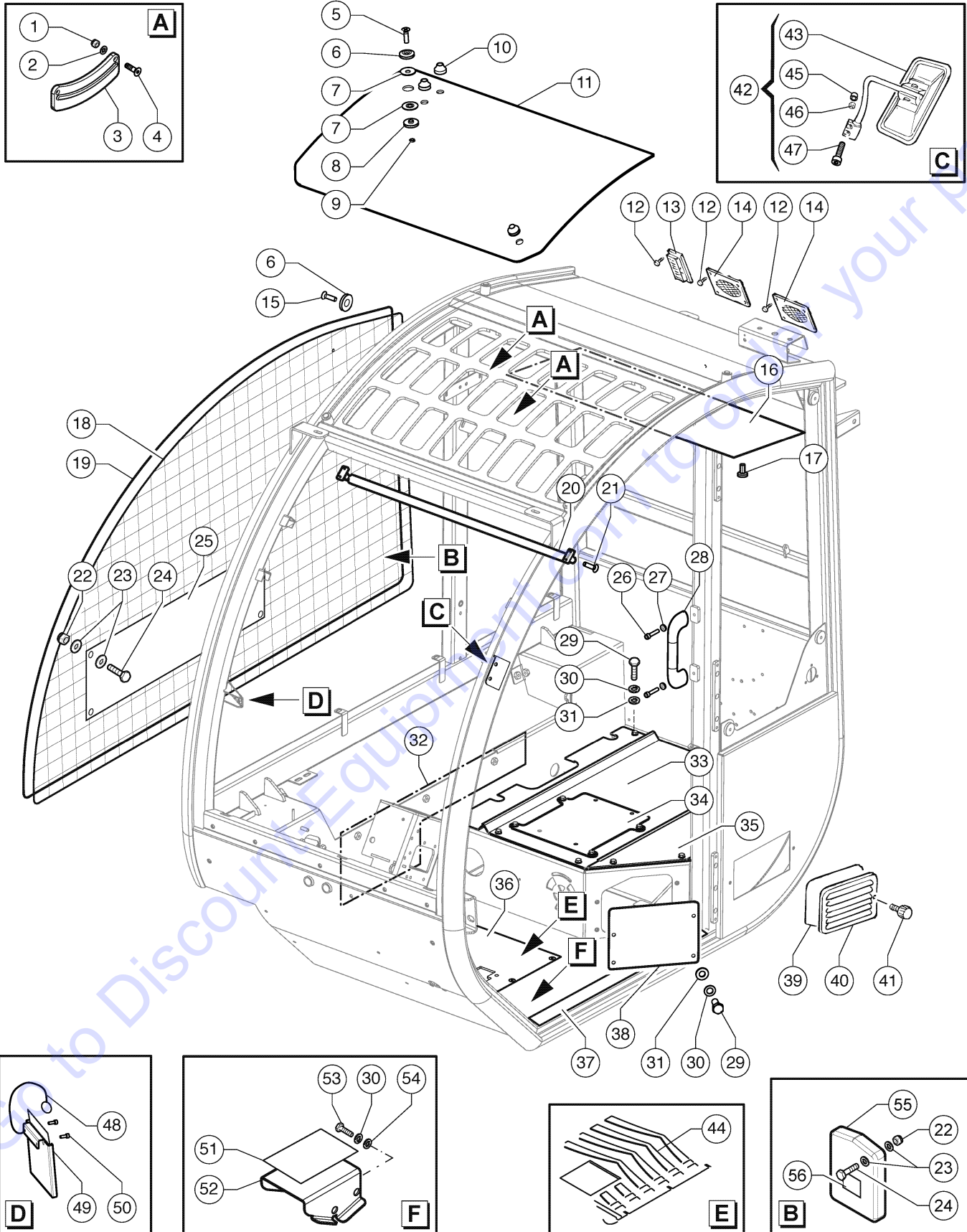
401.1 608633 Cab, View 1 - Standard Version



401.1 608633 Cab, View 1 - Standard Version

| Item | Part No. | Description | Qty. | Item | Part No. | Description | Qty. |
|------|----------------|--|------|------|----------------|---|------|
| 1 | 51.0811.4076GT | Steering Support..... | 1 | 40 | 01.0031.0054GT | FLAT WASHER D6 UNI 6592 ZN..... | 4 |
| 2 | 07.0703.0707GT | Nut M18X1,5 UNI 5589 12 ZN..... | 1 | 41 | 51.0811.4455GT | Joystick Support..... | 1 |
| 3 | 07.0703.0709GT | FLAT WASHER 18X34X3 UNI16592 12 ZN..... | 1 | 42 | 01.0001.0355GT | SCREW M10X25 UNI 5739 8.8 ZN..... | 2 |
| 4 | 07.0703.0708GT | Locking Tab..... | 1 | 43 | 01.4032.0004GT | SPRING WASHER D10 ZN..... | 2 |
| 5 | 07.0703.0712GT | Protective Cap..... | 1 | 44 | 01.0031.0056GT | FLAT WASHER D10 UNI 6592 ZN..... | 2 |
| 6 | 56.0016.0157GT | Rubber Boot..... | 1 | 45 | 52.1200.5537GT | Cover..... | 1 |
| 7 | 07.0703.0605GT | HANDLE,STEER COLUMN..... | 1 | 46 | 09.0636.0003GT | Steering wheel knob..... | 1 |
| 8 | 07.0703.0710GT | Spacer..... | 1 | 47 | 09.4656.0006GT | ACCELERATOR PEDAL..... <i>To S.N. GTH1216M-182</i> | 1 |
| 9 | 07.0703.0713GT | O-Ring..... | 1 | 47 | 09.4656.0017GT | ACCELERATOR PEDAL..... <i>From S.N. GTH1216M-183</i> | 1 |
| 10 | 09.4636.0034GT | Steering Column..... | 1 | 48 | 01.0001.0156GT | SCREW M6X20 UNI 5739 8.8 ZN..... <i>To S.N. GTH1216M-182</i> | 3 |
| 11 | 56.0016.0158GT | Steering Column Upper Cover..... <i>With Only Left Control Lever</i> | 1 | 48 | 01.4006.0011GT | SCREW M6X20 UNI 5933 10.9 ZN..... <i>From S.N. GTH1216M-183</i> | 2 |
| 12 | 56.0016.0159GT | Steering Column Upper Cover..... <i>With Left and Right Control Lever</i> | 1 | 49 | 01.0031.0298GT | FLAT WASHER D6 UNI 6593 ZN..... | 3 |
| 13 | 56.0016.0156GT | Connectors Cover..... | 1 | 50 | 51.0811.4657GT | BRACKET..... <i>To S.N. GTH1216M-182</i> | 1 |
| 14 | 07.0701.0282GT | Handle..... | 1 | 50 | 51.0811.4735GT | Bracket..... <i>From S.N. GTH1216M-183 To S.N. GTH1216M-206</i> | 1 |
| 15 | 07.0701.0277GT | Bent Lever Kit..... | 1 | 51 | 56.0021.0152GT | Transmission Control Unit..... <i>Control Unit With Software Preloaded</i> | 1 |
| 16 | 07.0701.0278GT | Rubber Boot..... | 1 | 52 | | See 700 Electric Installation, Figure 608690 - Position 2 | |
| 17 | 07.0701.0279GT | Cardan Kit..... | 1 | 53 | | See 700 Electric Installation, Figure 608690 - Position 24 | |
| 18 | 07.0701.0280GT | Retaining Plate..... | 1 | 54 | | See 600 Hydraulic System, Figure 608674 - Position 5 | |
| 19 | 07.0701.0286GT | Plunger Kit Composed Of 4 Plungers..... | 1 | 55 | 07.0723.0635GT | Cap D22..... | 1 |
| 20 | 07.0701.0287GT | Regulating Unit..... | 4 | 56 | 07.0703.0423GT | PLUG..... | 2 |
| 21 | 07.0701.0281GT | Return Springs Kit Composed Of 4 Springs..... | 1 | 57 | 07.0701.0341GT | KIT BUTTONS..... | 1 |
| 22 | 09.0636.0002GT | Steering Wheel..... | 1 | | | | |
| 23 | 09.0636.0001GT | CENTRAL CAP WITH HORN..... | 1 | | | | |
| 24 | 56.0016.0167GT | Right Control Lever..... | 1 | | | | |
| 25 | 56.0016.0160GT | Rubber Boot..... | 2 | | | | |
| 26 | 09.0636.0000GT | STEERING COLUMN,COMPLETE..... <i>Assembly Without Right Control Lever</i> | 1 | | | | |
| 27 | 56.0016.0177GT | Left Control Lever..... | 1 | | | | |
| 28 | 07.0740.0116GT | SCREW FE TGS T+ M6X25 UNI 7689 ZN..... | 15 | | | | |
| 29 | 09.0803.0012GT | WASHER D6..... | 15 | | | | |
| 30 | 52.1200.5531GT | DASHBOARD,FRONT..... | 1 | | | | |
| 31 | 07.0723.0634GT | Cap D30..... | 1 | | | | |
| 32 | 07.0740.0143GT | COVER,RADIO HOUSING..... | 1 | | | | |
| 33 | 52.1200.5530GT | Cover..... | 1 | | | | |
| 34 | 52.1200.5529GT | Right Dashboard..... | 1 | | | | |
| 35 | 52.1200.5532GT | DASHBOARD,LOWER..... | 1 | | | | |
| 36 | 07.0740.0152GT | KNOB..... | 1 | | | | |
| 37 | 52.1200.5533GT | DASHBOARD,CENTRAL..... | 1 | | | | |
| 38 | 56.0016.0145GT | Joystick..... | 1 | | | | |
| 39 | 01.4001.0122GT | SCREW M5X20 UNI 7687 8.8 ZN..... | 4 | | | | |

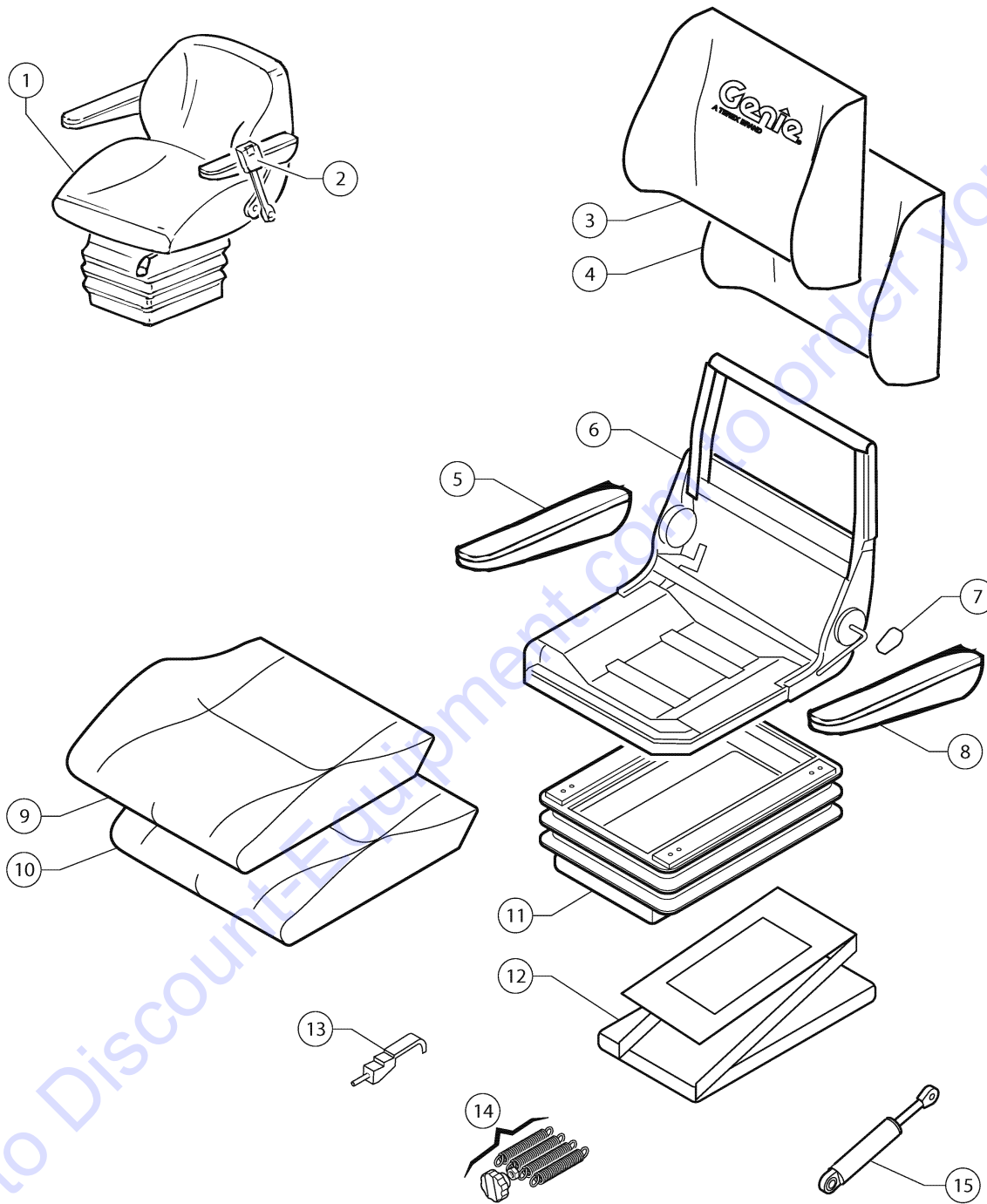
402.1 608634 Cab, View 2 - Standard Version



402.1 608634 Cab, View 2 - Standard Version

| Item | Part No. | Description | Qty. | Item | Part No. | Description | Qty. |
|------|----------------|--|---------|------|----------------|---|------|
| 1 | 01.0023.0051GT | NUT,STOP,M4 UNI 7473 6S ZN..... | 4 | 41 | 07.0740.0152GT | KNOB..... | 2 |
| 2 | 01.4031.0007GT | FLAT WASHER D4 UNI 6592..... | 4 | 42 | 07.0740.0097GT | Complete Mirror..... | 1 |
| 3 | 09.4610.0057GT | BUBBLE LEVEL..... | 2 | 43 | 07.0740.0202GT | COMPLETE MIRROR..... | 1 |
| 4 | 01.4001.0061GT | SCREW M4X20 UNI 7687 ZN..... | 4 | 44 | 09.0803.0692GT | FLOOR MAT,RUBBER..... | 1 |
| 5 | 07.0740.0432GT | Screw TSPIC M8X30..... | 1 | 45 | 07.0740.0014GT | NUT,PROTECTION..... | 2 |
| 6 | 07.0740.0416GT | WASHER D8.5..... | 10 | 46 | 01.0023.0054GT | NUT,M8 UNI 7473 6S ZN..... | 2 |
| 7 | 07.0740.0460GT | GASKET..... | 2 | 47 | 01.0003.0203GT | SCREW M8X20 UNI 5931 8.8 ZN..... | 2 |
| 8 | 07.0740.0434GT | WASHER..... | 1 | 48 | 09.0803.0512GT | LANYARD..... | 1 |
| 9 | 07.0740.0435GT | NUT M8..... | 1 | 49 | 51.0811.4570GT | SUPPORT,LOAD CHARTS..... | 1 |
| 10 | 07.0740.0461GT | GROMMET..... | 3 | 50 | 01.0001.0156GT | SCREW M6X20 UNI 5739 8.8 ZN..... | 2 |
| 11 | 07.0740.0462GT | GLASS,ROOF..... | 1 | 51 | 53.3303.0002GT | ADHESIVE STRIP.....9-Inch | |
| 12 | 01.4001.0116GT | SCREW TCB T 3.9X16 UNI 6954..... | 10 | 52 | 51.0811.4483GT | SUPPORT,FOOT..... | 1 |
| 13 | 07.0740.0084GT | CEILING LIGHT..... | 1 | 53 | 01.0001.0256GT | SCREW M8X25 UNI 5739 8.8 ZN..... | 2 |
| 14 | 07.0740.0082GT | COVER,SPEAKER..... | 2 | 54 | 01.0031.0055GT | FLAT WASHER D8 UNI 6592 ZN..... | 2 |
| 15 | 07.0740.0458GT | SCREW,TSPIC M8X16..... | 9 | 55A | 44743GT | MANUAL BOX W/DECALS*** <i>USA/Canada/Australia</i> | 1 |
| 16 | 07.0740.0020GT | ROOF COVERING..... | 1 | 55B | 24514GT | BOX,INSTRUCTION STORAGE <i>Europe/Asia/South America (decal required; refer to Section100)</i> | |
| 17 | 07.0740.0027GT | CAP..... | 4 | 56 | 28236GT | DECAL,WARN,IMPROPER OPERATION..... | 1 |
| 18 | 55.0902.0060GT | PROTECTION GRID..... | 1 | | | | |
| 19 | 07.0740.0457GT | GASKET..... | 1 | | | | |
| 20 | 07.0740.0236GT | SUNSHIELD CURTAIN KIT..... | 1 | | | | |
| 21 | 07.0740.0128GT | SCREW..... | 4 | | | | |
| 22 | 01.0023.0053GT | STOP NUT M6 UNI 7473 6S ZN..... | 8 | | | | |
| 23 | 01.0031.0298GT | FLAT WASHER D6 UNI 6593 ZN..... | 16 | | | | |
| 24 | 01.0001.0154GT | SCREW M6X16 UNI 5739 8.8 ZN..... | 8 | | | | |
| 25 | 51.0811.4726GT | PLATE,DECAL..... | 1 | | | | |
| 26 | 07.0740.0445GT | SCREW,TCEI..... | 2 | | | | |
| 27 | 07.0740.0446GT | WASHER..... | 2 | | | | |
| 28 | 07.0740.0444GT | HANDLE..... | 1 | | | | |
| 29 | 01.0001.0254GT | SCREW M8X20 UNI 5739 8.8 ZN..... | 16 | | | | |
| 30 | 01.4032.0003GT | SPRING WASHER D8 ZN..... | 18 | | | | |
| 31 | 01.0031.0299GT | FLAT WASHER D8 UNI 6593 ZN..... | 16 | | | | |
| 32 | 07.0740.0021GT | COVERING..... | 1 | | | | |
| 33 | 51.0811.4377GT | SUPPORT,SEAT..... | 1 | | | | |
| 34 | 51.0811.4378GT | SUPPORT,SEAT..... | 1 | | | | |
| 35 | 51.0811.4079GT | COVER..... | 1 | | | | |
| 36 | 07.0740.0517GT | COVER..... <i>To S.N. GTH1216M-206</i> | 1 | | | | |
| 36 | 51.0811.4733GT | Cover..... <i>From S.N. GTH1216M-207 To S.N. GTH12M-280</i> | 1 | | | | |
| 37 | 07.0740.0018GT | Non-Skid Coating..... | 28-Inch | | | | |
| 38 | 51.0811.4086GT | COVER..... | 1 | | | | |
| 39 | 07.0740.0091GT | GASKET..... | 28-Inch | | | | |
| 40 | 07.0740.0067GT | Air grille..... | 1 | | | | |

403.1 608635 Cab, View 3 - Standard Version

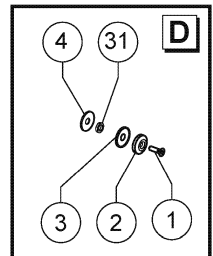
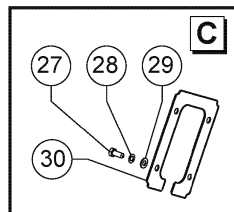
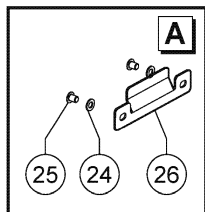
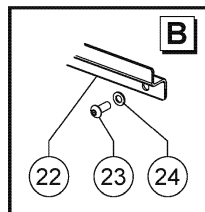
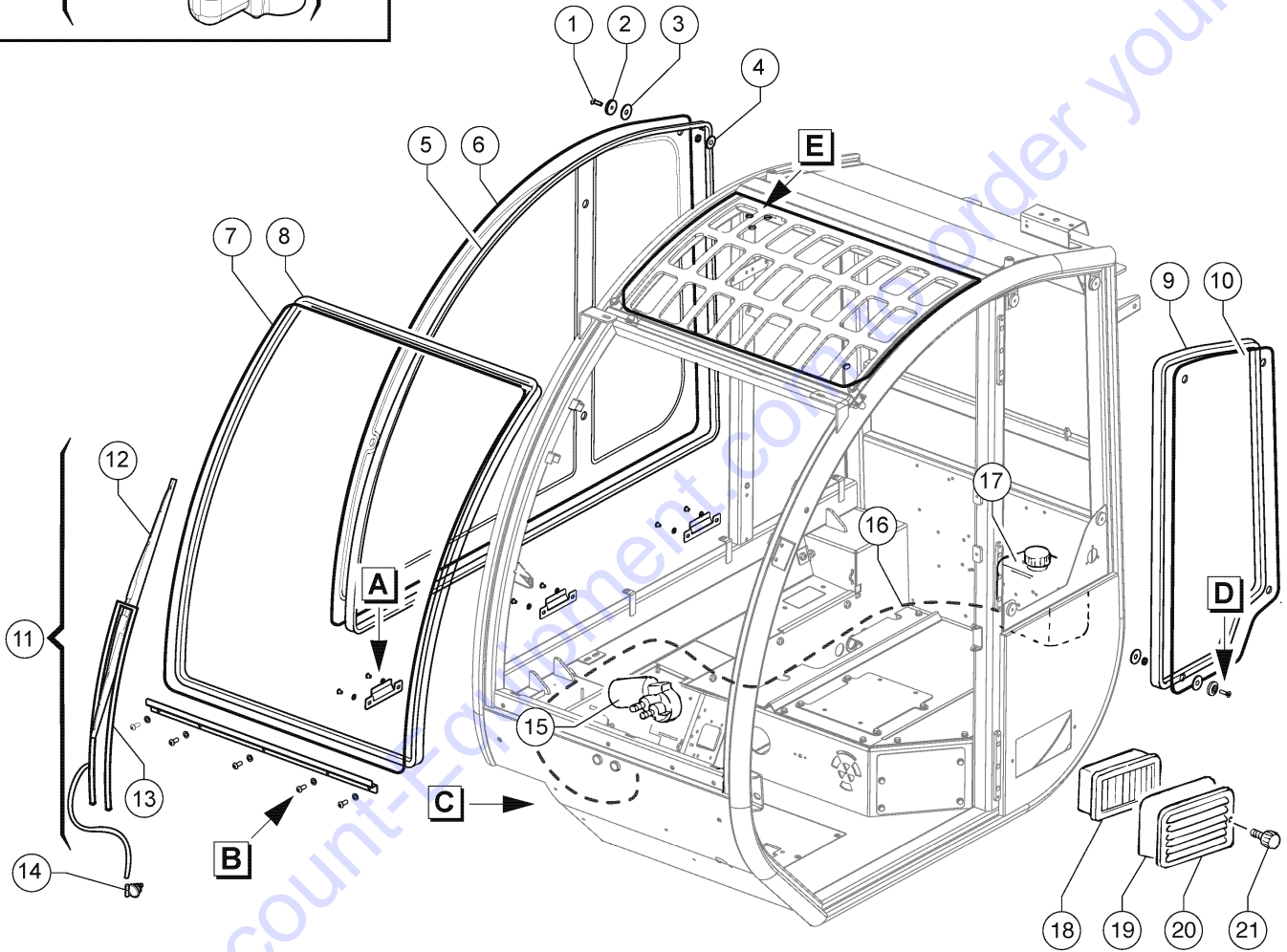
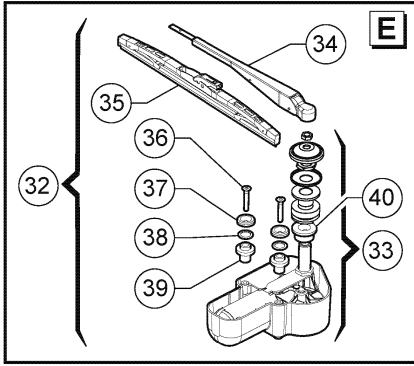


403.1 608635 Cab, View 3 - Standard Version

| Item | Part No. | Description | Qty. |
|------|----------------|---------------------------|------|
| 1 | 09.4610.0050GT | SEAT..... | 1 |
| 2 | 09.4610.0051GT | Safety Belt Kit..... | 1 |
| 3 | 07.0740.0472GT | Back Cover Assembly..... | 1 |
| 4 | 07.0740.0474GT | Back Foam Kit..... | 1 |
| 5 | 07.0740.0480GT | Right Armrest Kit..... | 1 |
| 6 | 07.0740.0367GT | Seat Frame Assembly..... | 1 |
| 7 | 07.0740.0476GT | Knob Kit..... | 1 |
| 8 | 07.0740.0479GT | SEAT ARMREST,LEFT..... | 1 |
| 9 | 07.0740.0473GT | Seat Cover Assembly..... | 1 |
| 10 | 07.0740.0475GT | Seat Foam Kit..... | 1 |
| 11 | 07.0740.0477GT | Suspension Cover Kit..... | 1 |
| 12 | 07.0740.0478GT | Seat Suspension Kit..... | 1 |
| 13 | 07.0740.0485GT | Height Adjuster Kit..... | 1 |
| 14 | 07.0740.0370GT | Weight Adjuster Kit..... | 1 |
| 15 | 07.0740.0486GT | KIT,SEAT DAMPER..... | 1 |

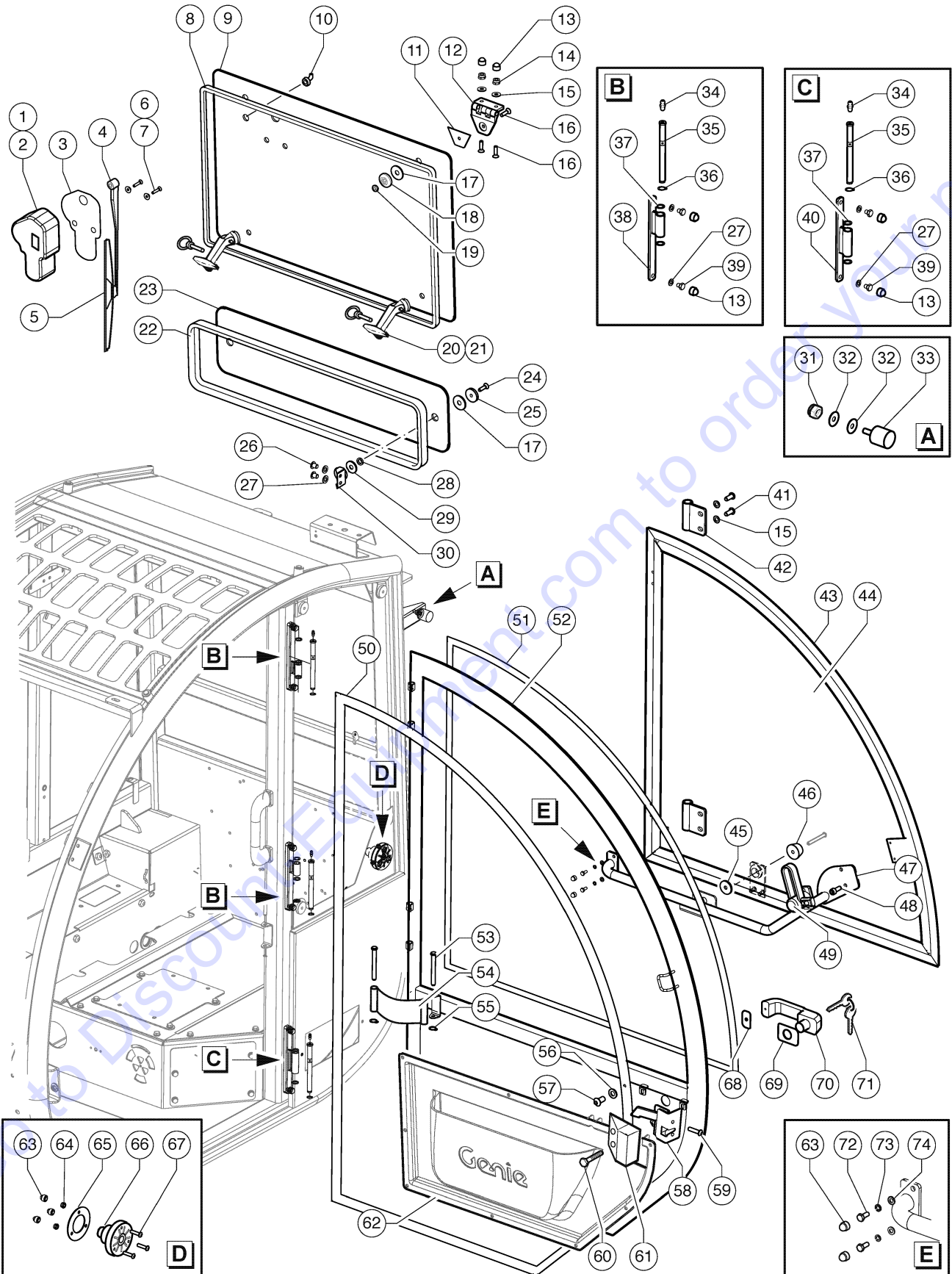
Go to Discount-Equipment.com to order your parts

404.1 608636 Cab, View 1 - Close Version



| Item | Part No. | Description | Qty. |
|------|----------------|---|---------|
| 1 | 07.0740.0415GT | Screw TSPEI M8X30 UNI 5933..... | 12 |
| 2 | 07.0740.0416GT | Washer D8.5..... | 12 |
| 3 | 07.0740.0417GT | Gasket..... | 12 |
| 4 | 07.0740.0419GT | GASKET..... | 12 |
| 5 | 07.0740.0466GT | Seal..... | 1 |
| 6 | 07.0740.0465GT | GLASS,RIGHT,FRONT..... | 1 |
| 7 | 07.0740.0464GT | GLASS,FRONT WINDSHIELD..... | 1 |
| 8 | 07.0740.0463GT | Seal..... | 1 |
| 9 | 07.0740.0414GT | Seal..... | 1 |
| 10 | 07.0740.0413GT | GLASS,LEFT REAR..... | 1 |
| 11 | 07.0740.0449GT | Wiper Kit..... | 1 |
| 12 | 07.0740.0089GT | WIPER BLADE..... | 1 |
| 13 | 07.0740.0088GT | Wiper arm..... | 1 |
| 14 | 07.0740.0470GT | Grommet..... | 1 |
| 15 | 07.0740.0072GT | Wiper motor..... | 1 |
| 16 | 09.0803.0554GT | Water Hose D4 LG.200 Inch..... | 1 |
| 17 | 07.0740.0098GT | TANK..... | 1 |
| 18 | 07.0740.0066GT | AIR FILTER..... | 1 |
| 19 | 07.0740.0091GT | GASKET..... | 28-Inch |
| 20 | 07.0740.0067GT | Air grille..... | 1 |
| 21 | 07.0740.0152GT | KNOB..... | 2 |
| 22 | 07.0740.0468GT | BRACKET,WINDSHIELD,FRNT,LWR..... | 1 |
| 23 | 07.0740.0467GT | Screw TBEI M8X20..... | 5 |
| 24 | 07.0740.0425GT | Plain Washer D15..... | 11 |
| 25 | 07.0740.0428GT | Screw TBEI M8X10..... | 6 |
| 26 | 07.0740.0469GT | BRACKET,GLASS,RIGHT,LOWER..... | 3 |
| 27 | 01.0001.0254GT | SCREW M8X20 UNI 5739 8.8 ZN..... | 4 |
| 28 | 01.4032.0003GT | SPRING WASHER D8 ZN..... | 4 |
| 29 | 01.0031.0055GT | FLAT WASHER D8 UNI 6592 ZN..... | 4 |
| 30 | 07.0740.0070GT | HOSE GUIDE..... | 1 |
| 31 | 07.0740.0418GT | WASHER,TEFLON D20..... | 4 |
| 32 | 09.0803.0715GT | Roof Wiper Kit..... | 1 |
| 33 | 07.0740.0506GT | Wiper Motor Kit..... <i>Excluded Item 36,37,38,39,40</i> | 1 |
| 34 | 07.0740.0508GT | Arm..... | 1 |
| 35 | 07.0740.0509GT | Blade..... | 1 |
| 36 | 07.0740.0507GT | Screw TSPEI M6X35 UNI 5933..... | 2 |
| 37 | 07.0740.0502GT | Spicer D24..... | 2 |
| 38 | 07.0740.0503GT | Seal D16..... | 2 |
| 39 | 07.0740.0504GT | Bushing..... | 2 |
| 40 | 07.0740.0505GT | Bushing..... | 1 |

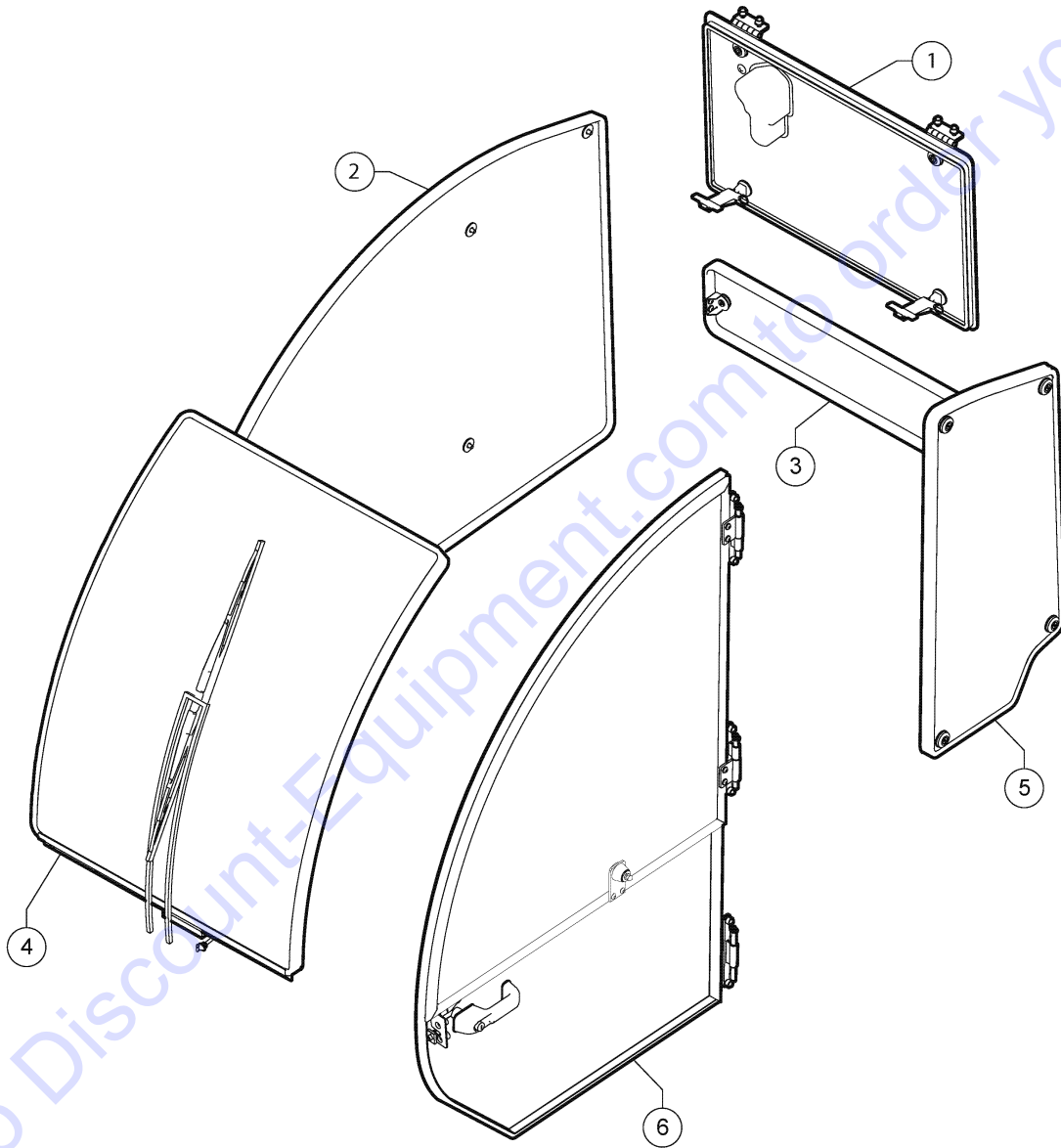
405.1 608637 Cab, View 2 - Close Version



405.1 608637 Cab, View 2 - Close Version

| Item | Part No. | Description | Qty. | Item | Part No. | Description | Qty. |
|------|----------------|---------------------------------|------|------|----------------|-----------------------------------|------|
| 1 | 07.0740.0439GT | Wiper Motor..... | 1 | 44 | 07.0740.0279GT | Glass..... | 1 |
| 2 | 07.0723.0229GT | Switch..... | 1 | 45 | 07.0740.0494GT | Spacer..... | 1 |
| 3 | 07.0740.0438GT | Film..... | 1 | 46 | 07.0740.0030GT | LOCK,DOOR..... | 1 |
| 4 | 07.0740.0156GT | Wiper Arm..... | 1 | 47 | 07.0740.0272GT | HANDLE..... | 1 |
| 5 | 07.0740.0248GT | WIPER BLADE..... | 1 | 48 | 07.0740.0447GT | Screw TCEI M6X16 8.8 ZN..... | 2 |
| 6 | 07.0740.0483GT | Screw TSPEI M6X30 UNI 5933..... | 2 | 49 | 07.0740.0029GT | HANDLE..... | 1 |
| 7 | 07.0740.0484GT | Washer D6..... | 2 | 50 | 07.0740.0058GT | DOOR SEAL..... | 1 |
| 8 | 07.0740.0437GT | Seal..... | 1 | 51 | 07.0740.0052GT | ADHESIVE GASKET..... | 1 |
| 9 | 07.0740.0436GT | Rear Upper Glass..... | 1 | 52 | 51.1100.0039GT | Door Frame..... | 1 |
| 10 | 07.0740.0461GT | Grommet..... | 1 | 53 | 07.0740.0491GT | PIN,DOOR FRAME BELT..... | 2 |
| 11 | 07.0740.0433GT | Gasket..... | 2 | 54 | 07.0740.0490GT | Belt..... | 1 |
| 12 | 07.0740.0431GT | Hinge..... | 2 | 55 | 07.0740.0492GT | LOCK RING..... | 2 |
| 13 | 07.0740.0423GT | Nut Cover M8..... | 10 | 56 | 07.0740.0497GT | Plain Washer D6 UNI 6592..... | 10 |
| 14 | 07.0740.0429GT | NUT,M8 UNI CL8 ZN..... | 4 | 57 | 07.0740.0496GT | Screw TBEI M6X12..... | 10 |
| 15 | 07.0740.0026GT | WASHER..... | 8 | 58 | 07.0740.0051GT | DOOR LOCK..... | 1 |
| 16 | 07.0740.0432GT | Screw TSPIC M8X30..... | 6 | 59 | 01.4006.0007GT | SCREW M8X40 UNI 5933 10.9 ZN..... | 2 |
| 17 | 07.0740.0417GT | Gasket..... | 4 | 60 | 01.4001.0116GT | SCREW TCB T 3.9X16 UNI 6954..... | 2 |
| 18 | 07.0740.0434GT | Washer..... | 2 | 61 | 07.0740.0053GT | COVER,DOOR LOCK..... | 1 |
| 19 | 07.0740.0435GT | NUT M8..... | 2 | 62 | 52.1200.5535GT | COATING..... | 1 |
| 20 | 07.0740.0217GT | PLUG..... | 2 | 63 | 07.0740.0422GT | Nut Cover M6..... | 5 |
| 21 | 07.0740.0076GT | Handle..... | 2 | 64 | 07.0740.0005GT | Stop nut..... | 3 |
| 22 | 07.0740.0427GT | Seal..... | 1 | 65 | 07.0740.0106GT | GASKET,RUBBER..... | 1 |
| 23 | 07.0740.0426GT | Rear Lower Glass..... | 1 | 66 | 07.0740.0104GT | DOOR CATCH..... | 1 |
| 24 | 07.0740.0415GT | Screw TSPEI M8X30 UNI 5933..... | 2 | 67 | 07.0740.0105GT | SCREW M6X30..... | 3 |
| 25 | 07.0740.0416GT | Washer D8.5..... | 2 | 68 | 07.0740.0049GT | GASKET..... | 1 |
| 26 | 07.0740.0428GT | Screw TBEI M8X10..... | 4 | 69 | 07.0740.0048GT | GASKET..... | 1 |
| 27 | 07.0740.0425GT | Plain Washer D15..... | 10 | 70 | 07.0740.0050GT | Handle..... | 1 |
| 28 | 07.0740.0418GT | WASHER,TEFLON D20..... | 2 | 71 | 07.0723.0571GT | KEY..... | 1 |
| 29 | 07.0740.0419GT | GASKET..... | 2 | 72 | 01.0001.0154GT | SCREW M6X16 UNI 5739 8.8 ZN..... | 2 |
| 30 | 07.0740.0453GT | Bracket..... | 2 | 73 | 01.4032.0002GT | SPRING WASHER D6 ZN..... | 2 |
| 31 | 01.0023.0054GT | NUT,M8 UNI 7473 6S ZN..... | 1 | 74 | 01.0031.0054GT | FLAT WASHER D6 UNI 6592 ZN..... | 2 |
| 32 | 01.0031.0299GT | FLAT WASHER D8 UNI 6593 ZN..... | 2 | | | | |
| 33 | 07.0740.0015GT | BUMP STOP,RUBBER..... | 1 | | | | |
| 34 | 07.0740.0488GT | Greaser..... | 3 | | | | |
| 35 | 07.0740.0489GT | Locking Pin..... | 3 | | | | |
| 36 | 07.0740.0454GT | Keeper Ring D11..... | 3 | | | | |
| 37 | 07.0740.0487GT | Washer D12..... | 6 | | | | |
| 38 | 07.0740.0420GT | Hinge..... | 2 | | | | |
| 39 | 07.0740.0424GT | Screw TE M8X10..... | 6 | | | | |
| 40 | 07.0740.0421GT | Hinge..... | 1 | | | | |
| 41 | 07.0740.0467GT | Screw TBEI M8X20..... | 4 | | | | |
| 42 | 07.0740.0455GT | Hinge..... | 2 | | | | |
| 43 | 51.0811.4092GT | Frame..... | 1 | | | | |

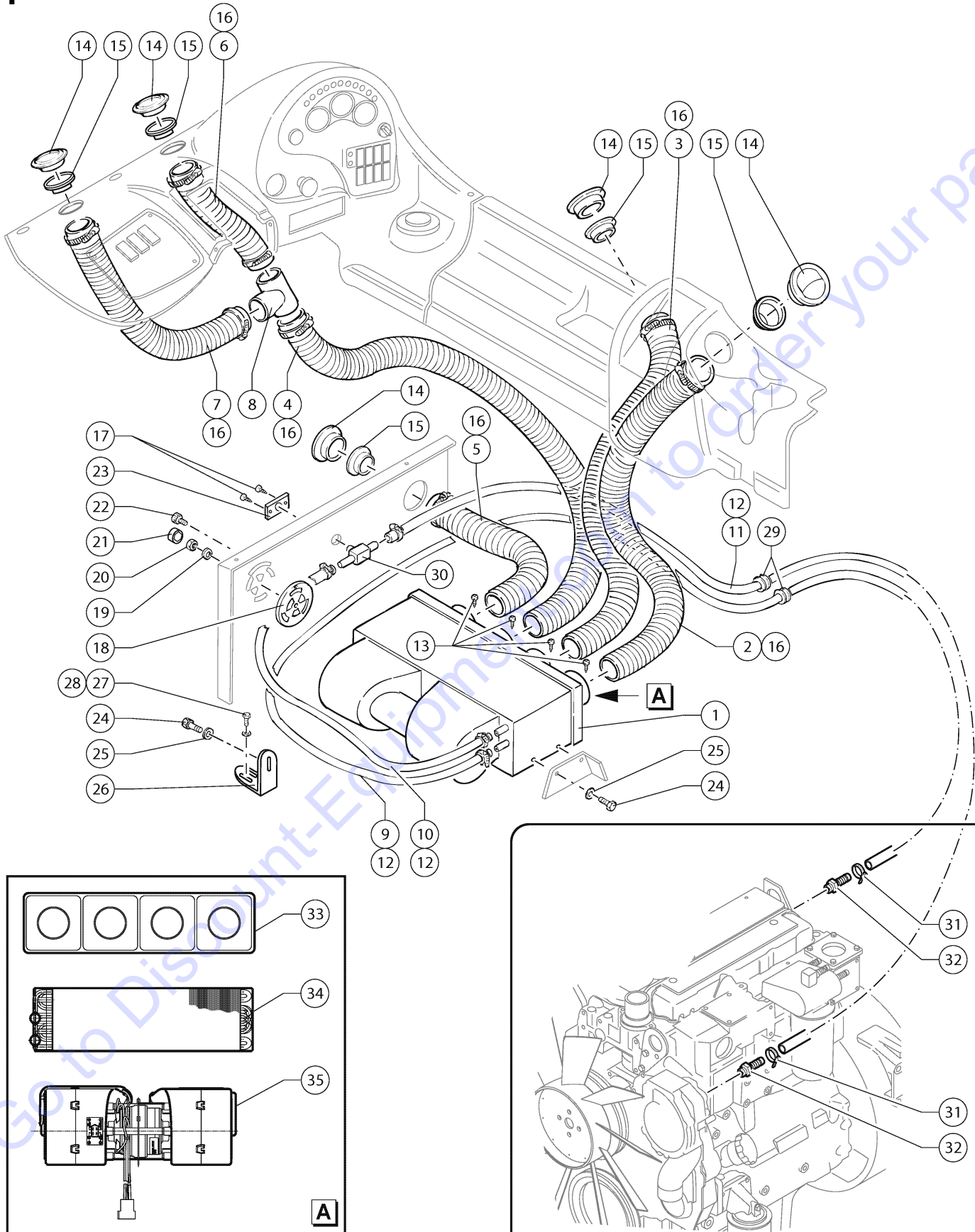
406.1 608638 Cab, View 3 - Close Version



| Item | Part No. | Description | Qty. |
|------|----------------|---------------------------|------|
| 1 | 07.0740.0411GT | Upper Rear Glass Kit..... | 1 |
| 2 | 07.0740.0409GT | Right Glass Kit..... | 1 |
| 3 | 07.0740.0410GT | REAR LOWER GLASS KIT..... | 1 |
| 4 | 07.0740.0408GT | Front Glass Kit..... | 1 |
| 5 | 07.0740.0407GT | Left Glass Kit..... | 1 |
| 6 | 07.0740.0412GT | Door Glass Kit..... | 1 |

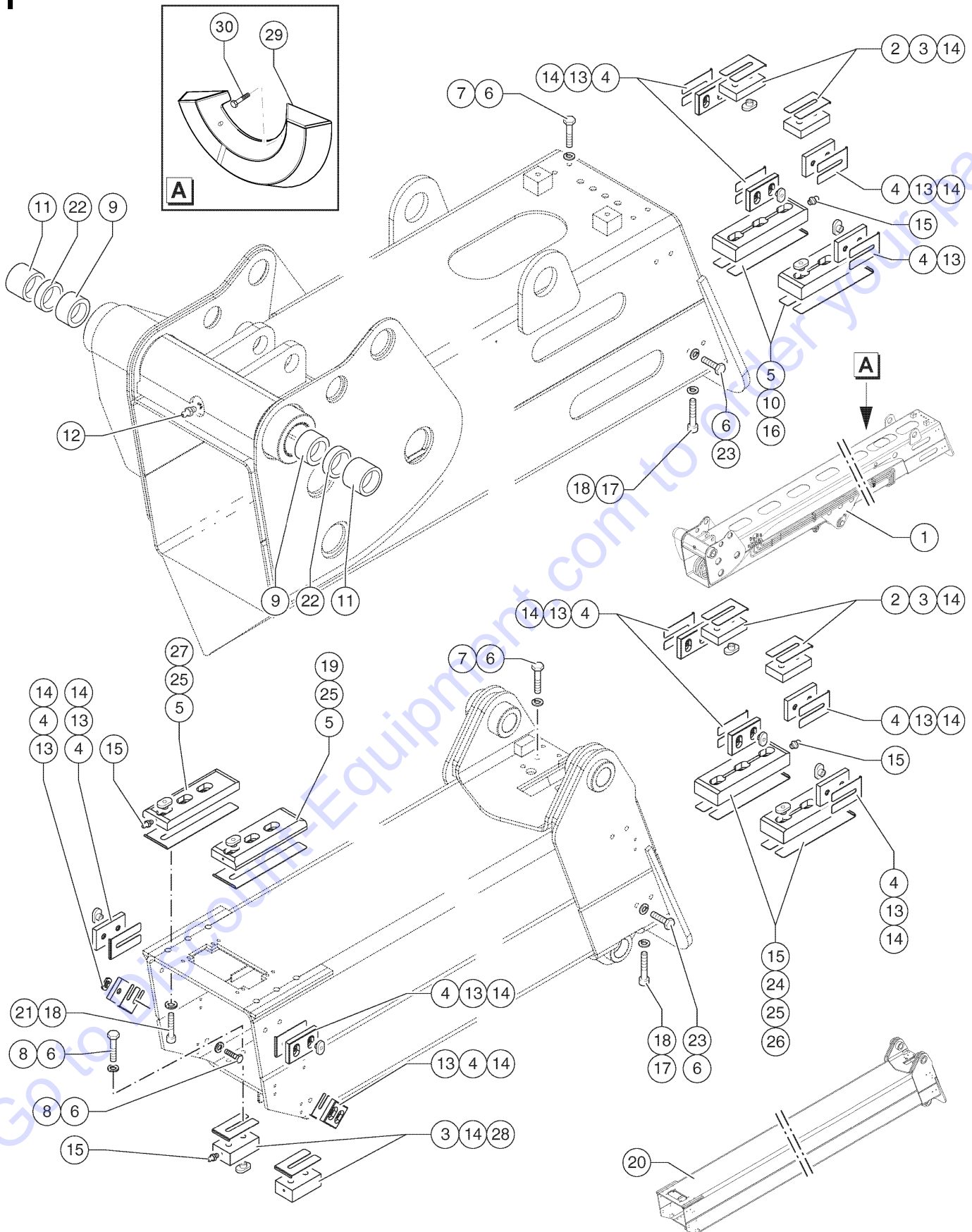
Go to Discount-Equipment.com to order your parts

407.1 608639 Cab, View 4 - Close Version



| Item | Part No. | Description | Qty. |
|------|----------------|---|------------|
| 1 | 07.0740.0119GT | HEATER..... | 1 |
| 2 | 07.0740.0120GT | Air Hose..... | 30,0-Inch |
| 3 | 07.0740.0120GT | Air Hose..... | 26,0-Inch |
| 4 | 07.0740.0120GT | Air Hose..... | 60,0-Inch |
| 5 | 07.0740.0120GT | Air Hose..... | 13,0-Inch |
| 6 | 07.0740.0120GT | Air Hose..... | 12,6-Inch |
| 7 | 07.0740.0120GT | Air Hose..... | 16,0-Inch |
| 8 | 07.0740.0121GT | 3-WAY FITTING..... | 1,0 |
| 9 | 07.0740.0122GT | Heater pipe 15x23..... | 237,0-Inch |
| 10 | 07.0740.0122GT | Heater pipe 15x23..... | 31,5-Inch |
| 11 | 07.0740.0122GT | Heater pipe 15x23..... | 198,0-Inch |
| 12 | 07.0740.0123GT | MEB HOSE CLAMP,19X28..... | 4 |
| 13 | 07.0740.0124GT | SCREW KN TC+ 3.5x16 ZN..... | 4 |
| 14 | 07.0740.0125GT | AIR INLET D76..... | 5 |
| 15 | 07.0740.0126GT | REDUCER,D48.5..... | 5 |
| 16 | 07.0740.0127GT | CLAMP,HOSE,MEB,40-60 H12..... | 8 |
| 17 | 07.0740.0128GT | SCREW..... | 2 |
| 18 | 07.0740.0129GT | AIR INLET..... | 1 |
| 19 | 07.0740.0006GT | WASHER 6.4X12..... | 1 |
| 20 | 07.0740.0005GT | Stop nut..... | 1 |
| 21 | 07.0740.0028GT | HEX HEAD CAP..... | 1 |
| 22 | 07.0740.0130GT | KNOB..... | 1 |
| 23 | 07.0740.0219GT | LABEL..... | 1 |
| 24 | 07.0740.0118GT | SCREW..... | 2 |
| 25 | 07.0740.0016GT | WASHER 6.5X18..... | 2 |
| 26 | 07.0740.0132GT | Heater Support..... | 1 |
| 27 | 07.0740.0012GT | WASHER..... | 2 |
| 28 | 07.0740.0071GT | Screw..... | 2 |
| 29 | 07.0740.0133GT | GROMMET,RUBBER D31..... | 2 |
| 30 | 07.0740.0218GT | WATER TAP,D16..... | 1 |
| 31 | 04.0227.0068GT | CLAMP DN 22/32 LG 9..... | 2 |
| 32 | 04.0600.0197GT | HOSE ADAPTER 1/2 GAS D18..... <i>Perkins Version</i> | 2 |
| 32 | 09.0806.0042GT | ADAPTER,REDUCTION,HOSE..... <i>Deutz Version</i> | 2 |
| 33 | 07.0740.0361GT | AIR OUTLET..... | 1 |
| 34 | 07.0740.0359GT | HEATER CORE..... | 1 |
| 35 | 07.0740.0360GT | Electrical Fan..... | 1 |

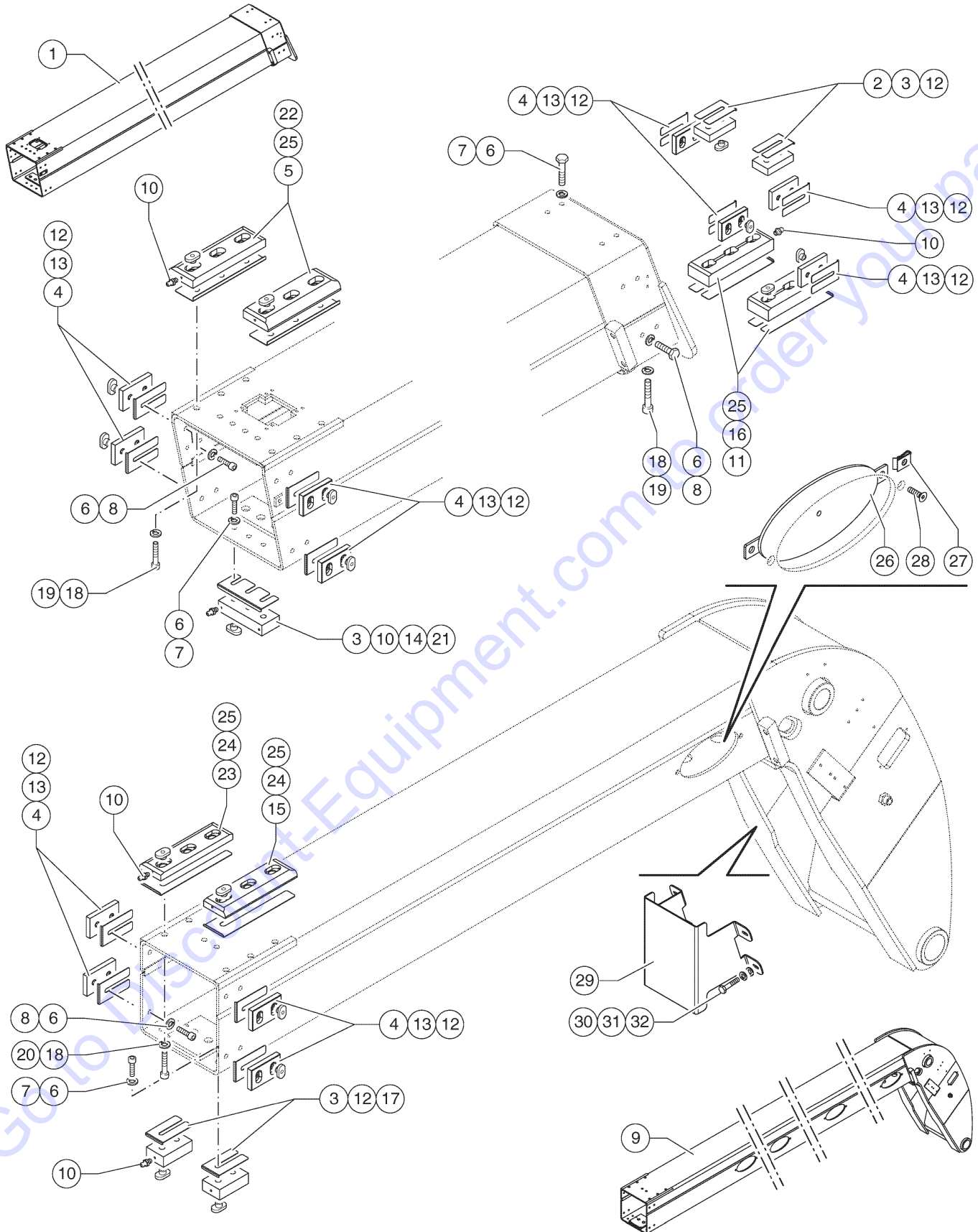
501.1 608644 Arm 1st - 2nd Telescopic Element



501.1 608644 Arm 1st - 2nd Telescopic Element

| Item | Part No. | Description | Qty. |
|------|----------------|--|------|
| 1 | 51.0201.3950GT | 1st Telescope Boom..... | 1 |
| 2 | 54.0702.0086GT | WEAR PAD..... | 4 |
| 3 | 54.0200.0001GT | BUSHING M10X13.5..... | 10 |
| 4 | 54.0703.0011GT | WEAR PAD..... | 12 |
| 5 | 51.0811.4604GT | PAD SHIM 250X85..... | 2 |
| 6 | 01.0031.0056GT | FLAT WASHER D10 UNI 6592 ZN..... | 36 |
| 7 | 01.0001.0357GT | SCREW,TE,M10X35 UNI 8.8 ZN..... | 20 |
| 8 | 01.0001.0355GT | SCREW M10X25 UNI 5739 8.8 ZN..... | 16 |
| 9 | 54.0201.0005GT | BUSHING,D80/90X100..... | 2 |
| 10 | 54.0200.0004GT | BUSHING M14..... | 6 |
| 11 | 54.0201.0006GT | Bushing 80/90X100..... | 2 |
| 12 | 02.0117.0101GT | GREASE NIPPLE G 1/8..... | 1 |
| 13 | 54.0200.0000GT | BUSHING M10X8.5..... | 24 |
| 14 | 51.0811.4131GT | SHIM, WEAR PAD,100X60X1..... | 18 |
| 15 | 02.0117.0051GT | GREASE NIPPLE M6..... | 8 |
| 16 | 54.0702.0097GT | Front Pad 250x600x38..... | 2 |
| 17 | 01.0003.0354GT | SCREW M14X45 UNI 5931 8.8 ZN..... | 14 |
| 18 | 01.0031.0058GT | FLAT WASHER D14 UNI 6592 ZN..... | 16 |
| 19 | 54.0702.0098GT | Rear Pad..... | 1 |
| 20 | 51.0201.3961GT | 2nd Telescope Boom..... | 1 |
| 21 | 01.4003.0050GT | Screw TCEI 14 X 35 LG. 8.8 ZN UNI 5931..... | 6 |
| 22 | 52.0900.0300GT | BUSHING D88/ 82X15..... | 2 |
| 23 | 01.0001.0356GT | SCREW M10X30 UNI 5739 8.8 ZN..... | 16 |
| 24 | 54.0703.0023GT | Front Pad 250x55x33..... | 2 |
| 25 | 54.0200.0007GT | BUSHING M14..... | 12 |
| 26 | 51.0811.4407GT | Pad Shim 55X250 - SP.1..... | 2 |
| 27 | 54.0702.0099GT | Rear Pad..... | 1 |
| 28 | 54.0705.0074GT | WEAR PAD..... | 2 |
| 29 | 09.0803.0357GT | BOOM LEVEL INDICATOR..... | 1 |
| 30 | 01.4003.0000GT | SCREW M4X16 UNI 5931 8.8 ZN..... | 2 |

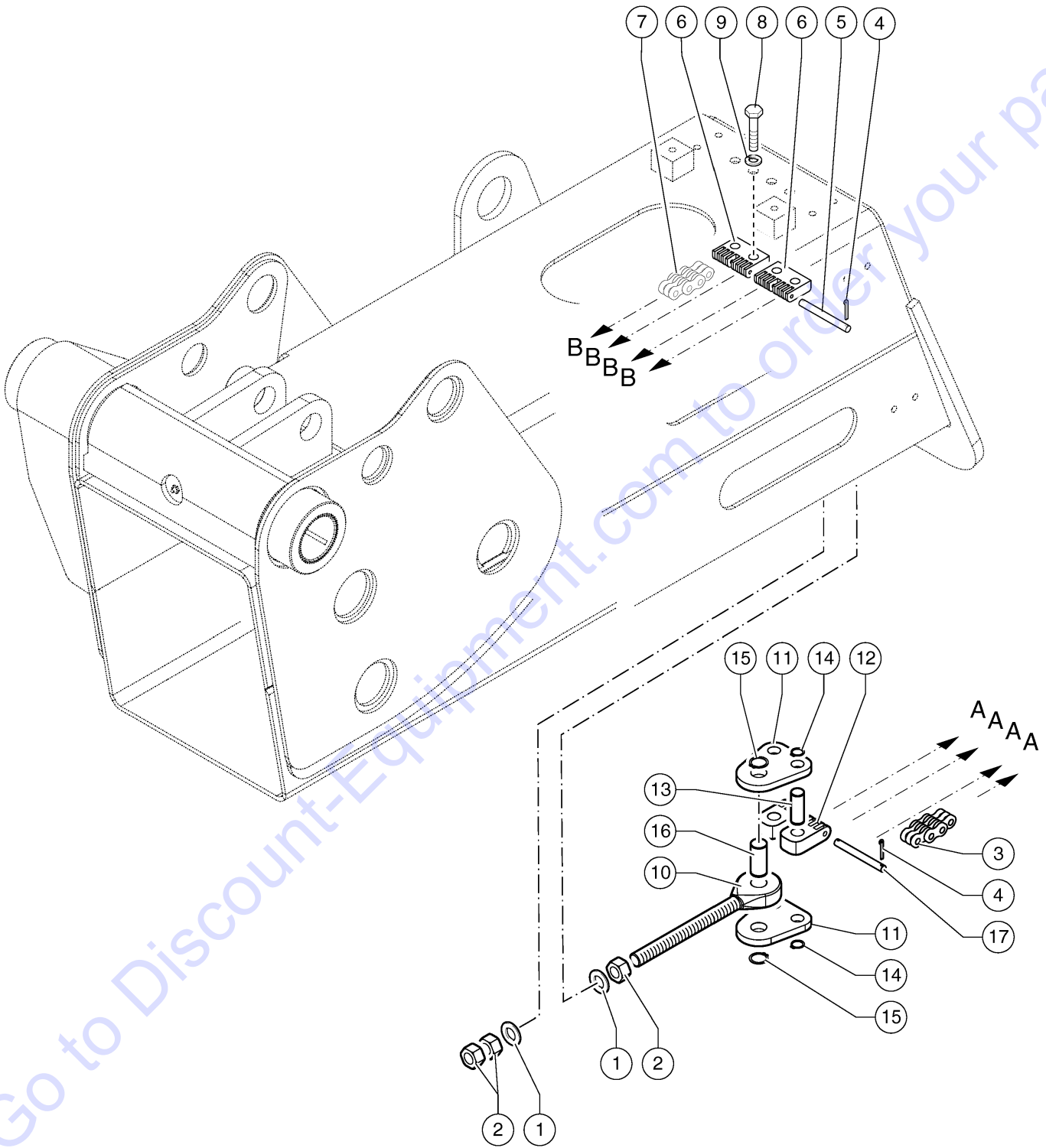
502.1 608645 Arm 3rd - 4th Telescopic Element



502.1 608645 Arm 3rd - 4th Telescopic Element

| Item | Part No. | Description | Qty. |
|------|----------------|-----------------------------------|------|
| 1 | 51.0201.3952GT | 3rd Telescope Boom..... | 1 |
| 2 | 54.0702.0087GT | WEAR PAD..... | 2 |
| 3 | 54.0200.0001GT | BUSHING M10X13.5..... | 3 |
| 4 | 54.0703.0011GT | WEAR PAD..... | 8 |
| 5 | 51.0811.4132GT | SHIM, WEAR PAD,60X250X1..... | 2 |
| 6 | 01.0031.0056GT | FLAT WASHER D10 UNI 6592 ZN..... | 16 |
| 7 | 01.0001.0356GT | SCREW M10X30 UNI 5739 8.8 ZN..... | 7 |
| 8 | 01.0001.0353GT | SCREW M10X20 UNI 5739 8.8 ZN..... | 16 |
| 9 | 51.0201.3953GT | 4th Telescope Boom..... | 1 |
| 10 | 02.0117.0051GT | GREASE NIPPLE M6..... | 10 |
| 11 | 51.0811.4136GT | Pad Shim 200X60X1..... | 2 |
| 12 | 51.0811.4131GT | SHIM, WEAR PAD,100X60X1..... | 10 |
| 13 | 54.0200.0000GT | BUSHING M10X8.5..... | 24 |
| 14 | 51.0811.4137GT | Pad Shim 100X50X1..... | 1 |
| 15 | 51.0811.4606GT | RIGHT PAD SHIM..... | 1 |
| 16 | 54.0703.0021GT | Front Pad 200x60x33..... | 2 |
| 17 | 54.0703.0018GT | Rear Bottom Pad 100x60x33..... | 2 |
| 18 | 01.0031.0058GT | FLAT WASHER D14 UNI 6592 ZN..... | 12 |
| 19 | 01.0003.0353GT | SCREW M14X40 UNI 5931 8.8 ZN..... | 6 |
| 20 | 01.4003.0049GT | SCREW M14X25 UNI 5931 8.8 ZN..... | 6 |
| 21 | 54.0703.0020GT | Rear bottom pad 150x60x33..... | 1 |
| 22 | 54.0702.0100GT | WEAR PAD..... | 2 |
| 23 | 51.0811.4605GT | SHIM,WEAR PAD 250X75..... | 1 |
| 24 | 54.0702.0101GT | WEAR PAD..... | 2 |
| 25 | 54.0200.0006GT | PAD FIXING BUSHING M14..... | 12 |
| 26 | 51.0811.4242GT | Cover..... | 4 |
| 27 | 09.0803.0516GT | SPRING CLIP M6..... | 8 |
| 28 | 01.4006.0011GT | SCREW M6X20 UNI 5933 10.9 ZN..... | 8 |
| 29 | 51.0903.5147GT | Cover..... | 1 |
| 30 | 01.0001.0254GT | SCREW M8X20 UNI 5739 8.8 ZN..... | 4 |
| 31 | 01.0031.0055GT | FLAT WASHER D8 UNI 6592 ZN..... | 4 |
| 32 | 01.4032.0003GT | SPRING WASHER D8 ZN..... | 4 |

503.1 608646 Chain Unit 1st Boom Section

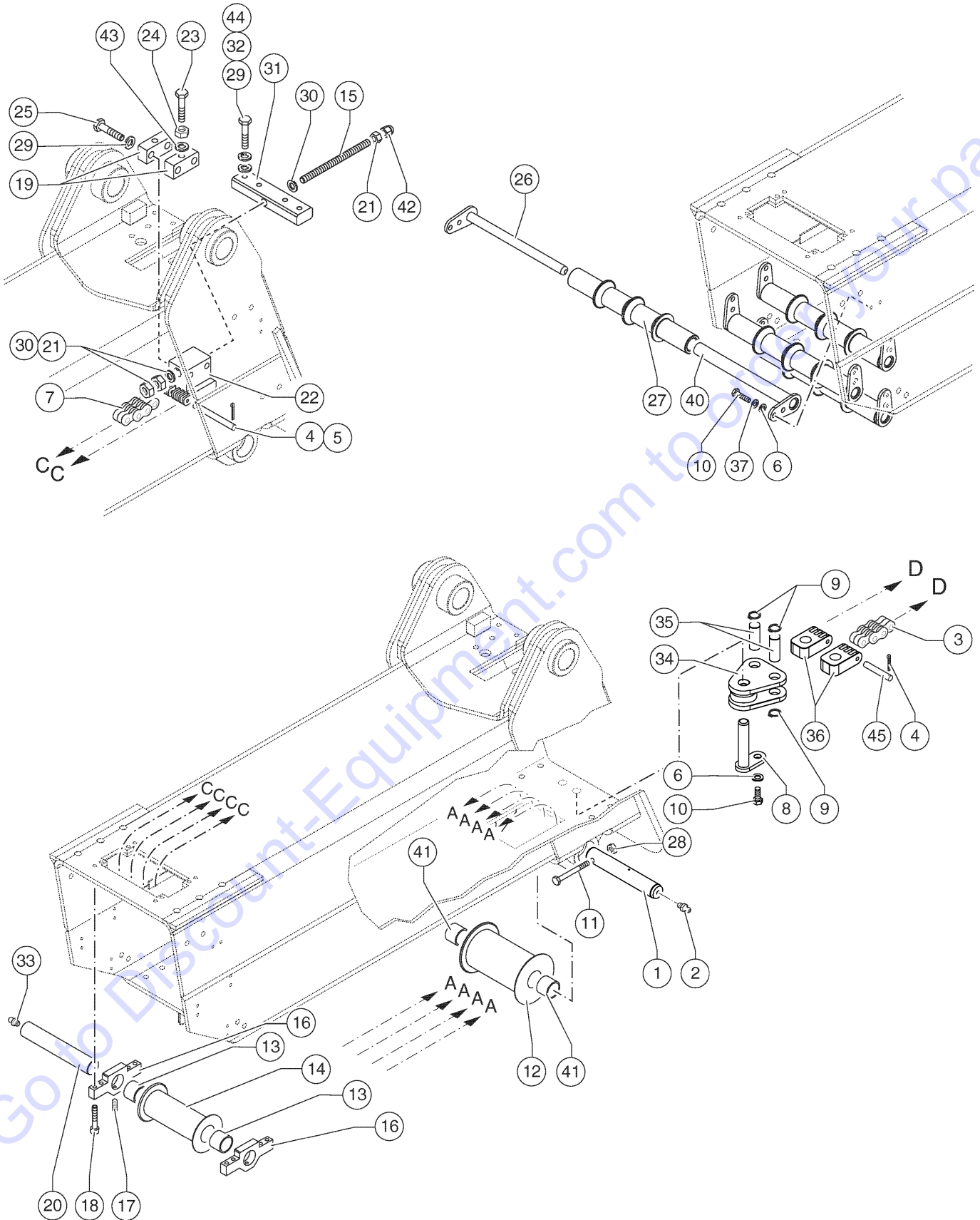


503.1 608646 Chain Unit 1st Boom Section

| Item | Part No. | Description | Qty. |
|------|----------------|---|------|
| 1 | 01.0031.0100GT | FLAT WASHER D18 UNI 5714 ZN..... | 4 |
| 2 | 01.0019.0186GT | Nut M22 UNI 5588 8G ZN..... | 6 |
| 3 | 09.0803.0710GT | Fleyer Chain 1" - 6X6 - 199 ST..... | 2 |
| 4 | 09.0803.0257GT | COTTER PIN D2X25 UNI 1336 ZN..... | 16 |
| 5 | 07.0726.0054GT | PIN..... | 4 |
| 6 | 54.0300.0019GT | CHAIN PIVOT PLATE..... | 2 |
| 7 | 09.0803.0708GT | FLEYER CHAIN 3/4"-6 X 6-261 STEPS..... | 2 |
| 8 | 01.4001.0069GT | SCREW M16X40 UNI 5737 10.9 ZN..... | 4 |
| 9 | 01.0031.0099GT | FLAT WASHER D16 UNI 5714 ZN..... | 4 |
| 10 | 54.0300.0041GT | Stretch Chain Terminal..... | 2 |
| 11 | 54.0300.0036GT | Chain, Pivot Plate..... | 2 |
| 12 | 54.0300.0034GT | CHAIN TERMINAL..... | 2 |
| 13 | 54.0000.0253GT | PIN..... | 2 |
| 14 | 02.4126.0004GT | SEEGER..... | 4 |
| 15 | 02.4126.0003GT | Snap Ring..... | 2 |
| 16 | 54.0000.0254GT | Pin..... | 1 |
| 17 | 54.0002.0018GT | PIN..... | 4 |

Go to Discount-Equipment.com to order your parts

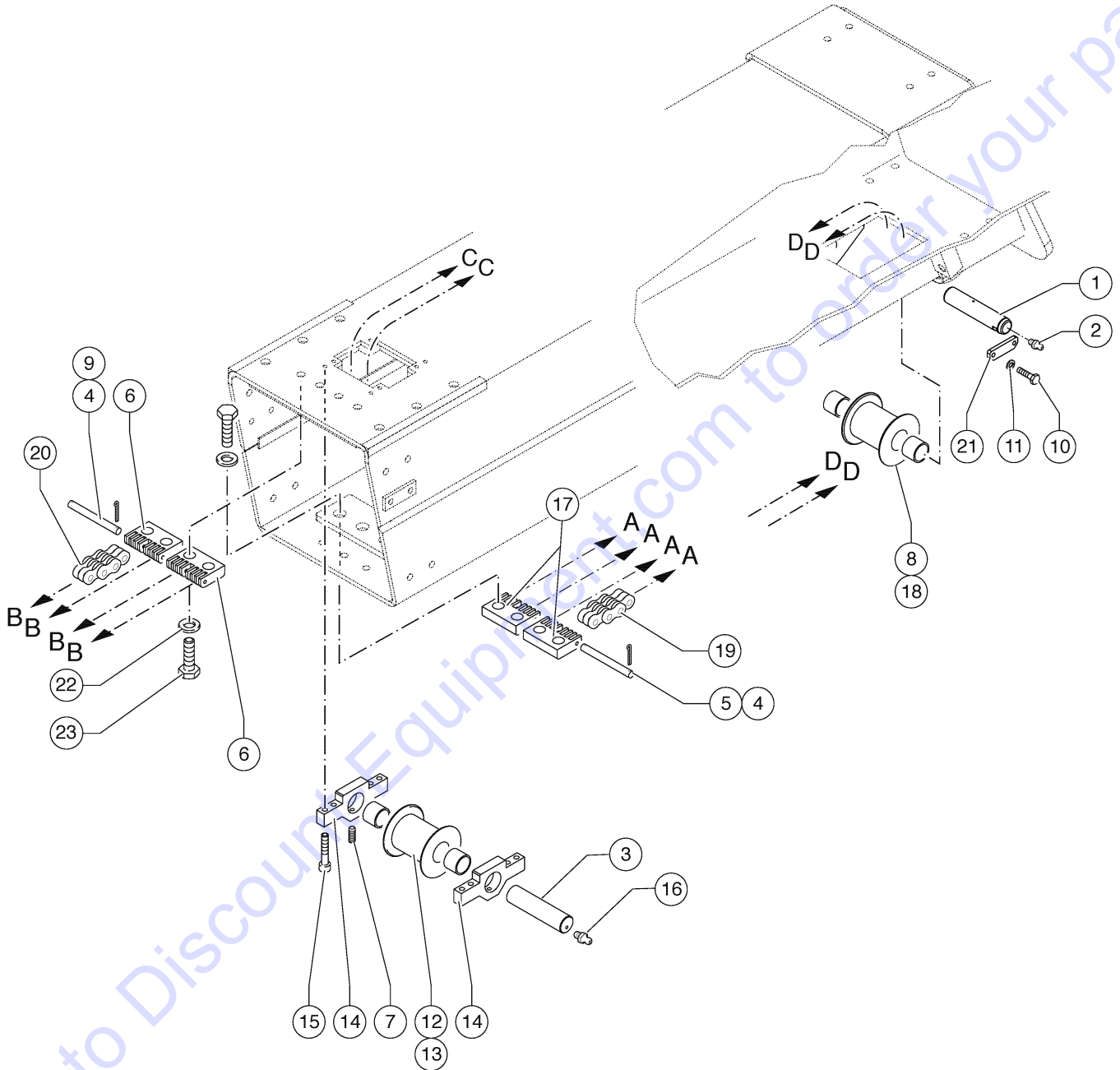
504.1 608647 Chain Unit 2nd Boom Section



504.1 608647 Chain Unit 2nd Boom Section

| Item | Part No. | Description | Qty. |
|------|----------------|---|------|
| 1 | 54.0001.0082GT | PIN..... | 1 |
| 2 | 02.0117.0051GT | GREASE NIPPLE M6..... | 4 |
| 3 | 09.0803.0709GT | FLEYER CHAIN 1"-6 X 6-201 STEPS..... | 2 |
| 4 | 09.0803.0257GT | COTTER PIN D2X25 UNI 1336 ZN..... | 4 |
| 5 | 07.0726.0054GT | PIN..... | 2 |
| 6 | 01.0031.0055GT | FLAT WASHER D8 UNI 6592 ZN..... | 3 |
| 7 | 09.0803.0708GT | FLEYER CHAIN 3/4"-6 X 6-261 STEPS..... | 2 |
| 8 | 54.0004.0113GT | Chain Tie Bar Pin..... | 1 |
| 9 | 02.4126.0004GT | SEEGER..... | 4 |
| 10 | 01.0001.0254GT | SCREW M8X20 UNI 5739 8.8 ZN..... | 20 |
| 11 | 01.4001.0003GT | SCREW M12X100 UNI 5737 8.8 ZN..... | 1 |
| 12 | 54.0400.0043GT | Front Pulley..... | 1 |
| 13 | 54.0201.0090GT | BUSHING D.35/45..... | 4 |
| 14 | 54.0400.0048GT | Rear Pulley..... | 1 |
| 15 | 54.0300.0043GT | THREADED ROAD..... | 1 |
| 16 | 51.0811.4559GT | Pulley Support..... | 2 |
| 17 | 01.4041.0000GT | DOWEL M8X16 UNI 5927 12.9 ZN..... | 4 |
| 18 | 01.4003.0034GT | SCREW M10X40 UNI 5931 12.9 ZN..... | 8 |
| 19 | 54.0300.0021GT | Stretch Chain Block..... | 2 |
| 20 | 54.0001.0077GT | Rear Pulley Pin..... | 1 |
| 21 | 01.0019.0179GT | NUT M18 UNI 5589 8G ZN..... | 3 |
| 22 | 54.0300.0042GT | Stretch Chain Terminal..... | 1 |
| 23 | 01.4001.0040GT | Screw TE M12X50 UNI 5737 10.9ZN..... | 2 |
| 24 | 01.0019.0106GT | NUT M12 UNI 5588 6SZN..... | 2 |
| 25 | 01.4001.0011GT | Screw TE M12X40 UNI 5737 10.9ZN..... | 4 |
| 26 | 51.0811.4366GT | PULLEY HOLDER..... | 4 |
| 27 | 54.0702.0095GT | Nylon Pulley..... | 4 |
| 28 | 01.0023.0056GT | STOP NUT M12 UNI 7473 6S ZN..... | 1 |
| 29 | 01.0031.0057GT | WASHER,D12 UNI 6592 ZN..... | 8 |
| 30 | 01.0031.0100GT | FLAT WASHER D18 UNI 5714 ZN..... | 2 |
| 31 | 54.0300.0028GT | Stretch Chain support..... | 1 |
| 32 | 01.4001.0038GT | Screw TE M 8X12 UNI 5739 8.8 ZN..... | 4 |
| 33 | 02.0117.0119GT | GREASE NIPPLE G 1/8..... | 1 |
| 34 | 54.0300.0033GT | Chain Tensioner..... | 1 |
| 35 | 54.0000.0253GT | PIN..... | 2 |
| 36 | 54.0300.0034GT | CHAIN TERMINAL..... | 2 |
| 37 | 01.4032.0003GT | SPRING WASHER D8 ZN..... | 2 |
| 40 | 51.0811.4367GT | PULLEY HOLDER..... | 4 |
| 41 | 54.0201.0080GT | Bushing D.30/40..... | 2 |
| 42 | 01.4019.0026GT | NUT M18 UNI 5721 ZN..... | 2 |
| 43 | 01.0031.0097GT | FLAT WASHER D12 UNI 5714 ZN..... | 2 |
| 44 | 01.4032.0004GT | SPRING WASHER D10 ZN..... | 4 |
| 45 | 54.0002.0018GT | PIN..... | 2 |

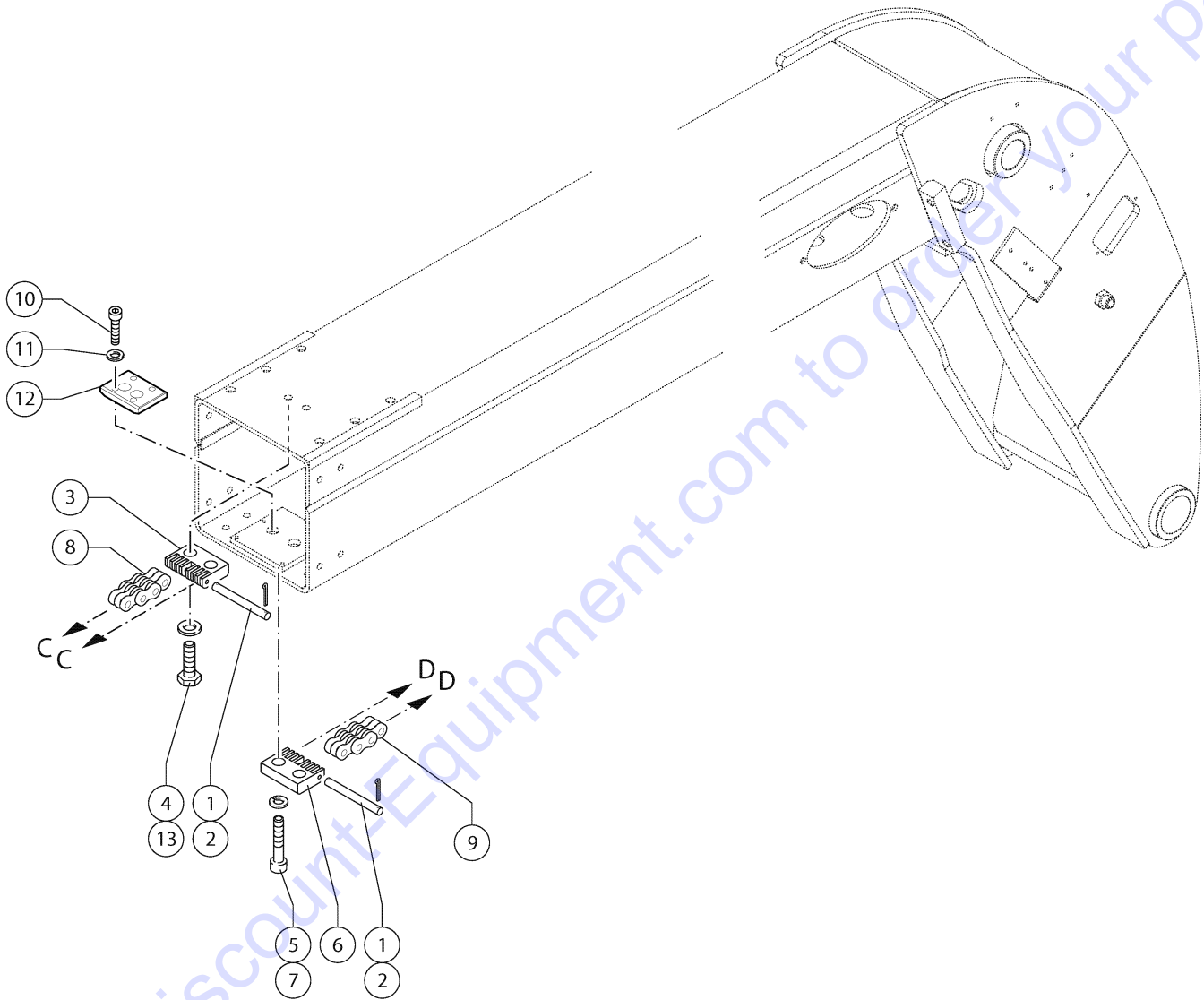
505.1 608648 Chain Unit 3rd Boom Section



505.1 608648 Chain Unit 3rd Boom Section

| Item | Part No. | Description | Qty. |
|------|----------------|---|------|
| 1 | 54.0001.0082GT | PIN..... | 1 |
| 2 | 02.0117.0051GT | GREASE NIPPLE M6..... | 1 |
| 3 | 54.0001.0076GT | Rear Pulley Pin..... | 1 |
| 4 | 09.0803.0257GT | COTTER PIN D2X25 UNI 1336 ZN..... | 8 |
| 5 | 54.0002.0018GT | PIN..... | 2 |
| 6 | 54.0300.0020GT | Chain Terminal..... | 2 |
| 7 | 01.4041.0000GT | DOWEL M8X16 UNI 5927 12.9 ZN..... | 4 |
| 8 | 54.0201.0079GT | Bushing D=40/50 - 40..... | 2 |
| 9 | 07.0726.0054GT | PIN..... | 2 |
| 10 | 01.0001.0256GT | SCREW M8X25 UNI 5739 8.8 ZN..... | 2 |
| 11 | 01.0031.0055GT | FLAT WASHER D8 UNI 6592 ZN..... | 2 |
| 12 | 54.0400.0047GT | Pulley..... | 1 |
| 13 | 54.0201.0089GT | Bushing..... | 2 |
| 14 | 51.0811.0000GT | Pulley Support..... | 2 |
| 15 | 01.4003.0051GT | SCREW M8X30 UNI 5931 12.9 ZN..... | 8 |
| 16 | 02.0117.0119GT | GREASE NIPPLE G 1/8..... | 1 |
| 17 | 54.0300.0032GT | Anchor Boom Chain 1" - 6X6..... | 2 |
| 18 | 54.0400.0042GT | Boom Chain Pulley..... | 1 |
| 19 | 09.0803.0710GT | Fleyer Chain 1" - 6X6 - 199 ST..... | 4 |
| 20 | 09.0803.0708GT | FLEYER CHAIN 3/4"-6 X 6-261 STEPS..... | 4 |
| 21 | 51.0811.4424GT | Pulley Pin Lock Plate..... | 1 |
| 22 | 01.0031.0099GT | FLAT WASHER D16 UNI 5714 ZN..... | 4 |
| 23 | 01.4001.0125GT | SCREW M16X45 UNI 5737 10.9 ZN..... | 4 |

506.1 608649 Chain Unit 4th Boom Section

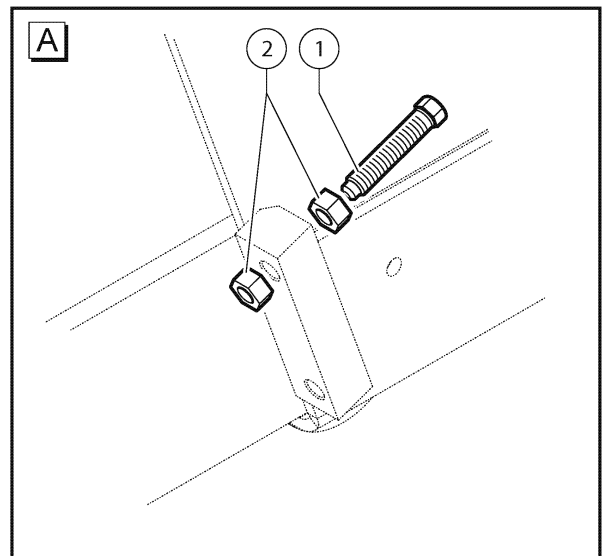
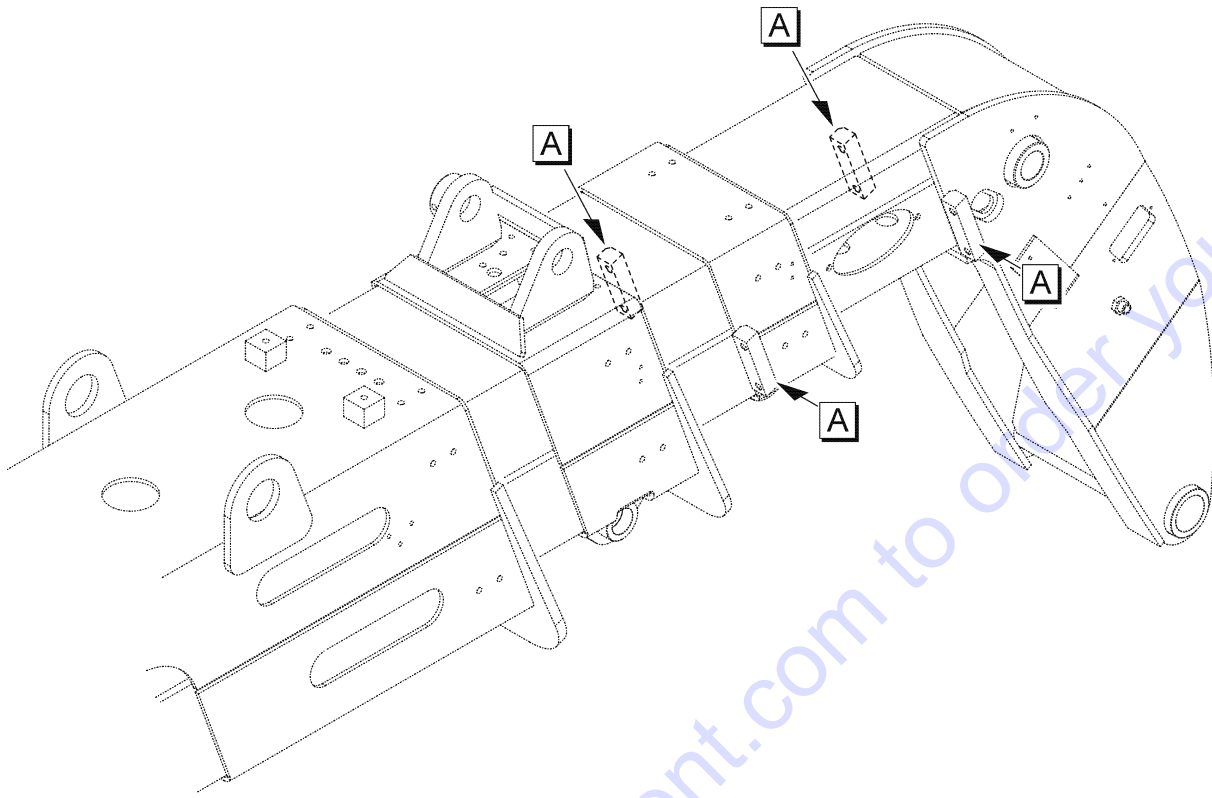


506.1 608649 Chain Unit 4th Boom Section

| Item | Part No. | Description | Qty. |
|------|----------------|--|------|
| 1 | 09.0803.0257GT | COTTER PIN D2X25 UNI 1336 ZN..... | 8 |
| 2 | 54.0002.0018GT | PIN..... | 2 |
| 3 | 54.0300.0020GT | Chain Terminal..... | 1 |
| 4 | 01.0001.1537GT | SCREW M16X50 UNI 5737 10.9 ZN..... | 2 |
| 5 | 01.0031.0061GT | FLAT WASHER D20 UNI 6592 ZN..... | 2 |
| 6 | 54.0300.0032GT | Anchor Boom Chain 1" - 6X6..... | 1 |
| 7 | 01.4001.0041GT | SCREW M20X45 UNI 5739 10.9 ZN..... | 2 |
| 8 | 09.0803.0709GT | FLEYER CHAIN 1"-6 X 6-201 STEPS..... | 2 |
| 9 | 09.0803.0708GT | FLEYER CHAIN 3/4"-6 X 6-261 STEPS..... | 2 |
| 10 | 01.4003.0041GT | SCREW M8X16 DIN 7984 8.8 ZN..... | 4 |
| 11 | 01.4032.0003GT | SPRING WASHER D8 ZN..... | 8 |
| 12 | 54.0703.0019GT | Pad 135x100x22..... | 1 |
| 13 | 01.0031.0099GT | FLAT WASHER D16 UNI 5714 ZN..... | 2 |

Go to Discount-Equipment.com to order your parts

507.1 608650 Stop Spacer Boom Section



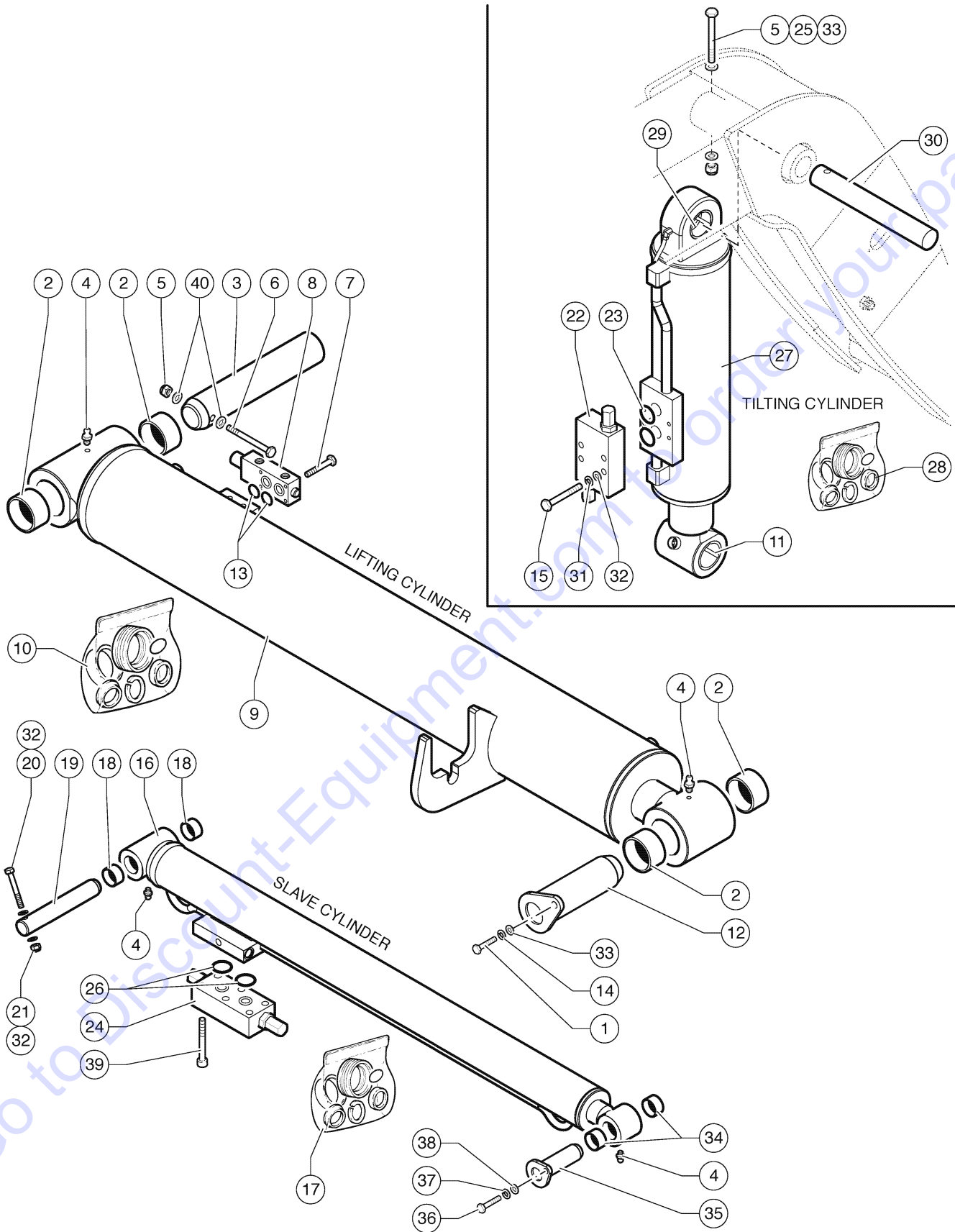
Go to Discount-Equipment.com to order your parts

507.1 608650 Stop Spacer Boom Section

| Item | Part No. | Description | Qty. |
|------|----------------|------------------------------------|------|
| 1 | 01.4001.0175GT | Screw TEM16X80 DIN 564 8.8ZN.....8 | |
| 2 | 01.0019.0108GT | Nut M16 UNI 5588 6S ZN.....16 | |

Go to Discount-Equipment.com to order your parts

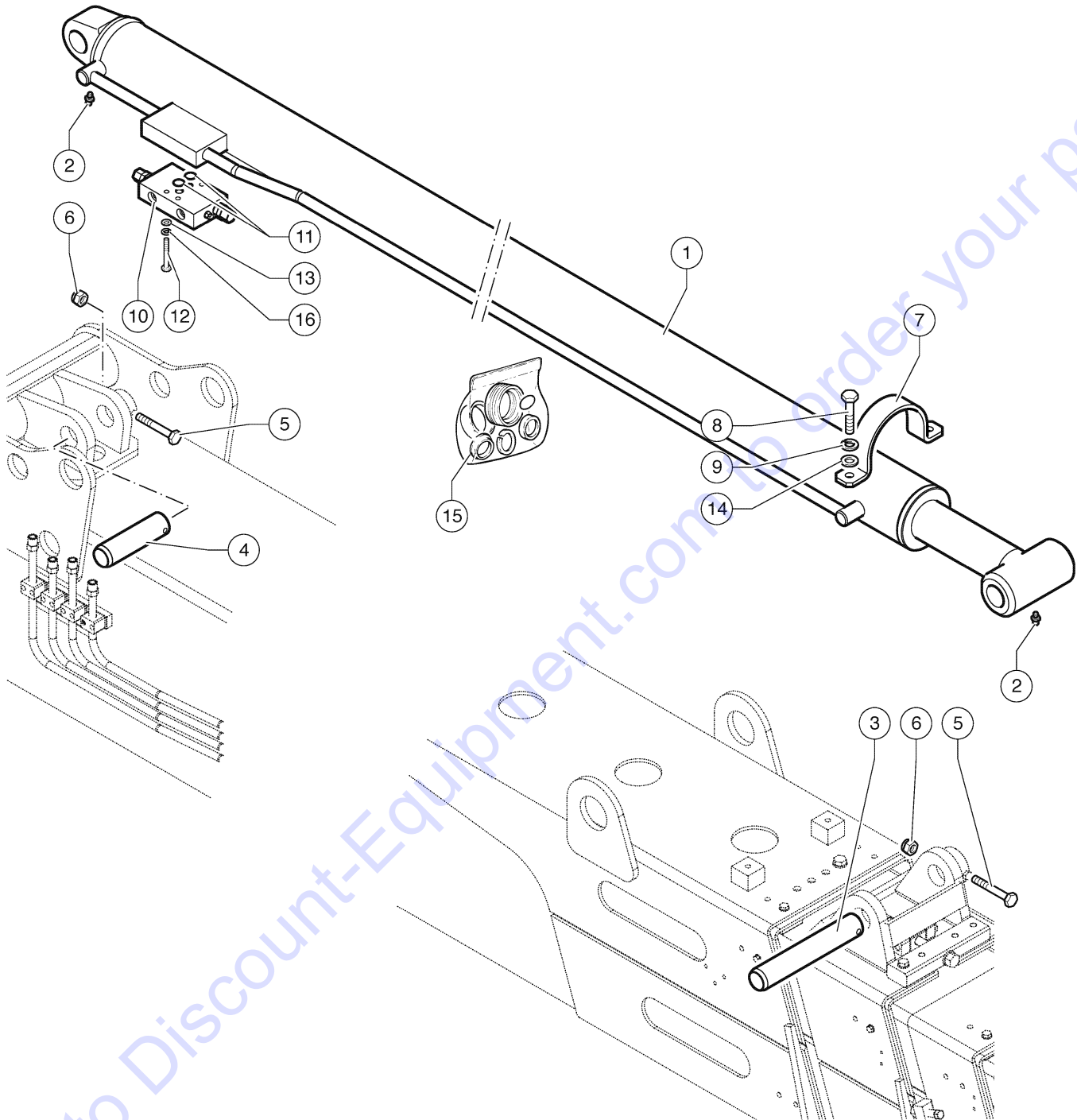
508.1 608651 Lifting Cylinder - Slave Cylinder - Tilting Cylinder



508.1 608651 Lifting Cylinder - Slave Cylinder - Tilting Cylinder

| Item | Part No. | Description | Qty. |
|------|----------------|------------------------------------|------|
| 1 | 01.0001.0401GT | SCREW M12X40 UNI 5737 8.8 ZN..... | 2 |
| 2 | 54.0201.0091GT | Bushing..... | 4 |
| 3 | 54.0000.0270GT | Lifting Cylinder Foot Pin..... | 1 |
| 4 | 02.0117.0101GT | GREASE NIPPLE G 1/8..... | 4 |
| 5 | 01.0023.0057GT | STOP NUT M14 UNI 7473 6S ZN..... | 2 |
| 6 | 01.0001.1497GT | SCREW M14X150 UNI 5737 8.8 ZN..... | 1 |
| 7 | 01.0003.0210GT | SCREW M8X50 UNI 5931 8.8 ZN..... | 4 |
| 8 | 04.4239.0001GT | SAFETY VALVE..... | 1 |
| 9 | 53.0000.3817GT | Lifting Cylinder..... | 1 |
| 10 | 07.4529.0196GT | Seals Kit Lifting Cylinder..... | 1 |
| 11 | 54.0201.0092GT | Bushing..... | 2 |
| 12 | 54.0003.0180GT | Lifting Cylinder Head Pin..... | 1 |
| 13 | 07.0705.0101GT | O-ring..... | 2 |
| 14 | 01.4032.0005GT | SPRING WASHER D12 ZN..... | 2 |
| 15 | 01.0001.0306GT | SCREW M10X60 UNI 5737 8.8 ZN..... | 4 |
| 16 | 53.0300.2213GT | Fork Levelling Cylinder..... | 1 |
| 17 | 07.4529.0194GT | Seals Kit Levelling Cylinder..... | 1 |
| 18 | 09.0801.0038GT | Bushing..... | 2 |
| 19 | 54.0000.0271GT | Slave Cylinder Foot Pin..... | 1 |
| 20 | 01.0001.0310GT | SCREW M10X80 UNI 5737 8.8 ZN..... | 1 |
| 21 | 01.0023.0055GT | NUT,STOP,M10 UNI 7473 6S ZN..... | 1 |
| 22 | 04.4239.0142GT | VALVE..... | 1 |
| 23 | 07.0701.0331GT | SEAL..... | 2 |
| 24 | 04.4239.0051GT | SAFETY VALVE..... | 1 |
| 25 | 01.4001.0003GT | SCREW M12X100 UNI 5737 8.8 ZN..... | 1 |
| 26 | 07.0722.0037GT | O-ring..... | 2 |
| 27 | 53.0400.1818GT | Tilt Cylinder..... | 1 |
| 28 | 07.4529.0195GT | Seals Kit Tilt Cylinder..... | 2 |
| 29 | 54.0201.0093GT | Bushing..... | 1 |
| 30 | 54.0002.0066GT | Pin..... | 1 |
| 31 | 01.4032.0004GT | SPRING WASHER D10 ZN..... | 4 |
| 32 | 01.0031.0056GT | FLAT WASHER D10 UNI 6592 ZN..... | 4 |
| 33 | 01.0031.0057GT | WASHER,D12 UNI 6592 ZN..... | 3 |
| 34 | 09.0801.0039GT | Bushing..... | 2 |
| 35 | 54.0003.0179GT | Slave Cylinder Head Pin..... | 1 |
| 36 | 01.0001.0256GT | SCREW M8X25 UNI 5739 8.8 ZN..... | 1 |
| 37 | 01.4032.0003GT | SPRING WASHER D8 ZN..... | 1 |
| 38 | 01.0031.0055GT | FLAT WASHER D8 UNI 6592 ZN..... | 1 |
| 39 | 01.0003.0208GT | SCREW,TCEI,M8X40 UNI 8.8ZN..... | 6 |
| 40 | 01.0031.0058GT | FLAT WASHER D14 UNI 6592 ZN..... | 2 |

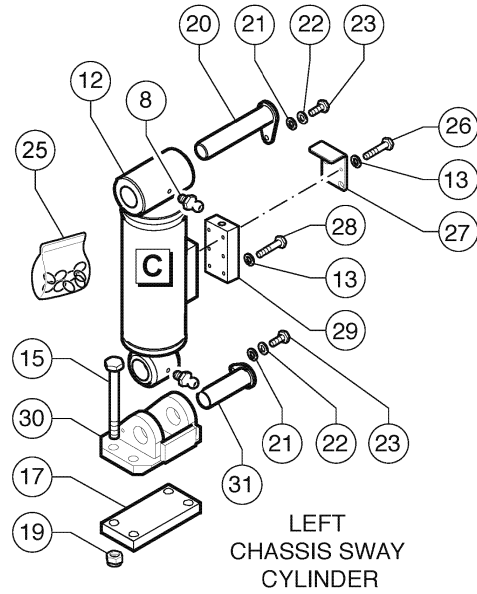
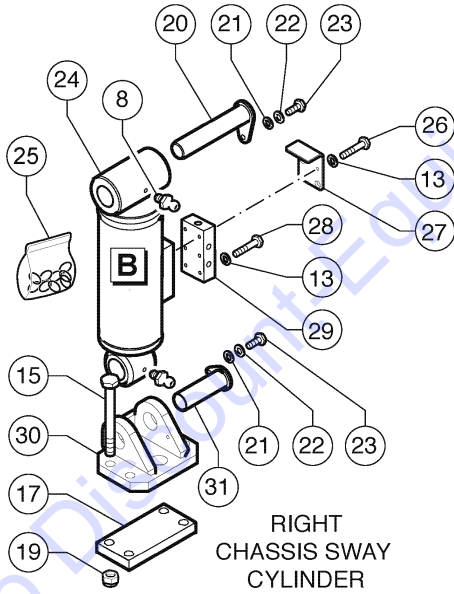
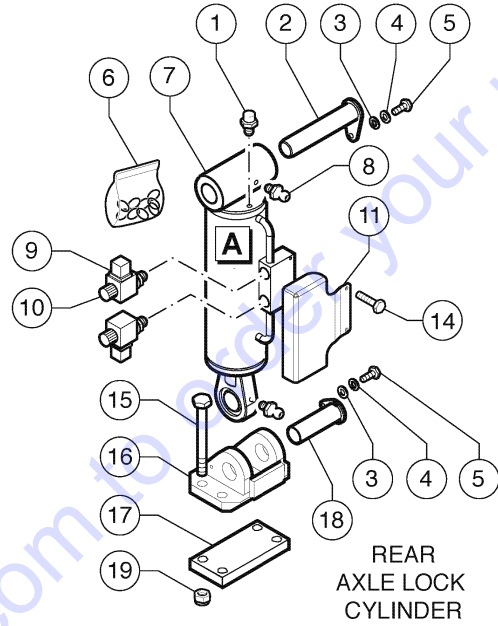
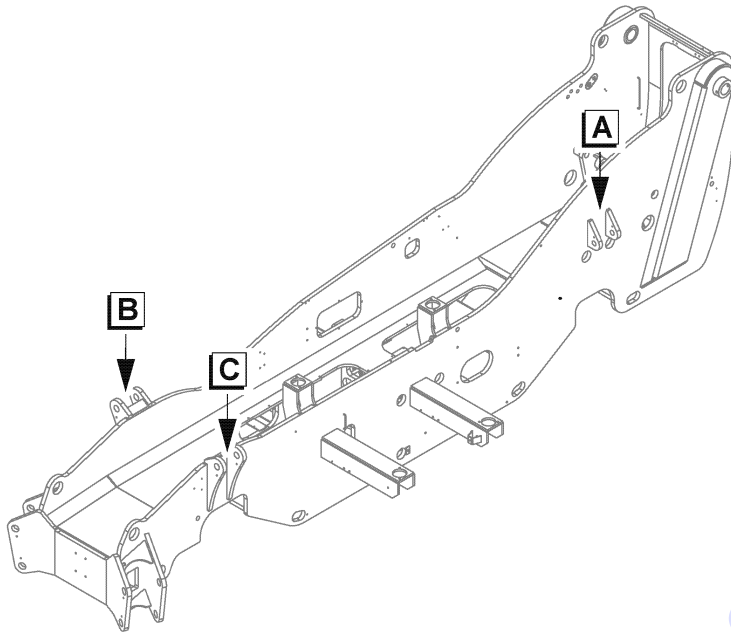
509.1 608652 Boom Extension Cylinder



509.1 608652 Boom Extension Cylinder

| Item | Part No. | Description | Qty. |
|------|----------------|---|------|
| 1 | 53.0100.3220GT | 2nd Telescope Extension Cilinder..... | 1 |
| 2 | 02.0117.0101GT | GREASE NIPPLE G 1/8..... | 2 |
| 3 | 54.0001.0092GT | 2nd Telescope Extension Cylinder Foot Pin..... | 1 |
| 4 | 54.0001.0085GT | 2nd Telescope Extension Cylinder Head Pin..... | 1 |
| 5 | 01.0001.0314GT | SCREW M10X100 UNI 5737 8.8 ZN..... | 2 |
| 6 | 01.0023.0055GT | NUT,STOP,M10 UNI 7473 6S ZN..... | 4 |
| 7 | 51.0811.4558GT | 2nd Telescope Extension Cylinder Collar..... | 1 |
| 8 | 01.0001.0606GT | SCREW M14X40 UNI 5739 8.8 ZN..... | 2 |
| 9 | 01.4032.0006GT | SPRING WASHER D14 ZN..... | 2 |
| 10 | 04.4239.0041GT | SAFETY VALVE..... | 1 |
| 11 | 07.4529.0071GT | O-RING..... | 2 |
| 12 | 01.0001.0308GT | SCREW M10X70 UNI 5737 8.8 ZN..... | 4 |
| 13 | 01.0031.0056GT | FLAT WASHER D10 UNI 6592 ZN..... | 4 |
| 14 | 01.0031.0058GT | FLAT WASHER D14 UNI 6592 ZN..... | 2 |
| 15 | 07.4529.0197GT | Seal kit Extension Cylinder..... | 1 |
| 16 | 01.4032.0004GT | SPRING WASHER D10 ZN..... | 4 |

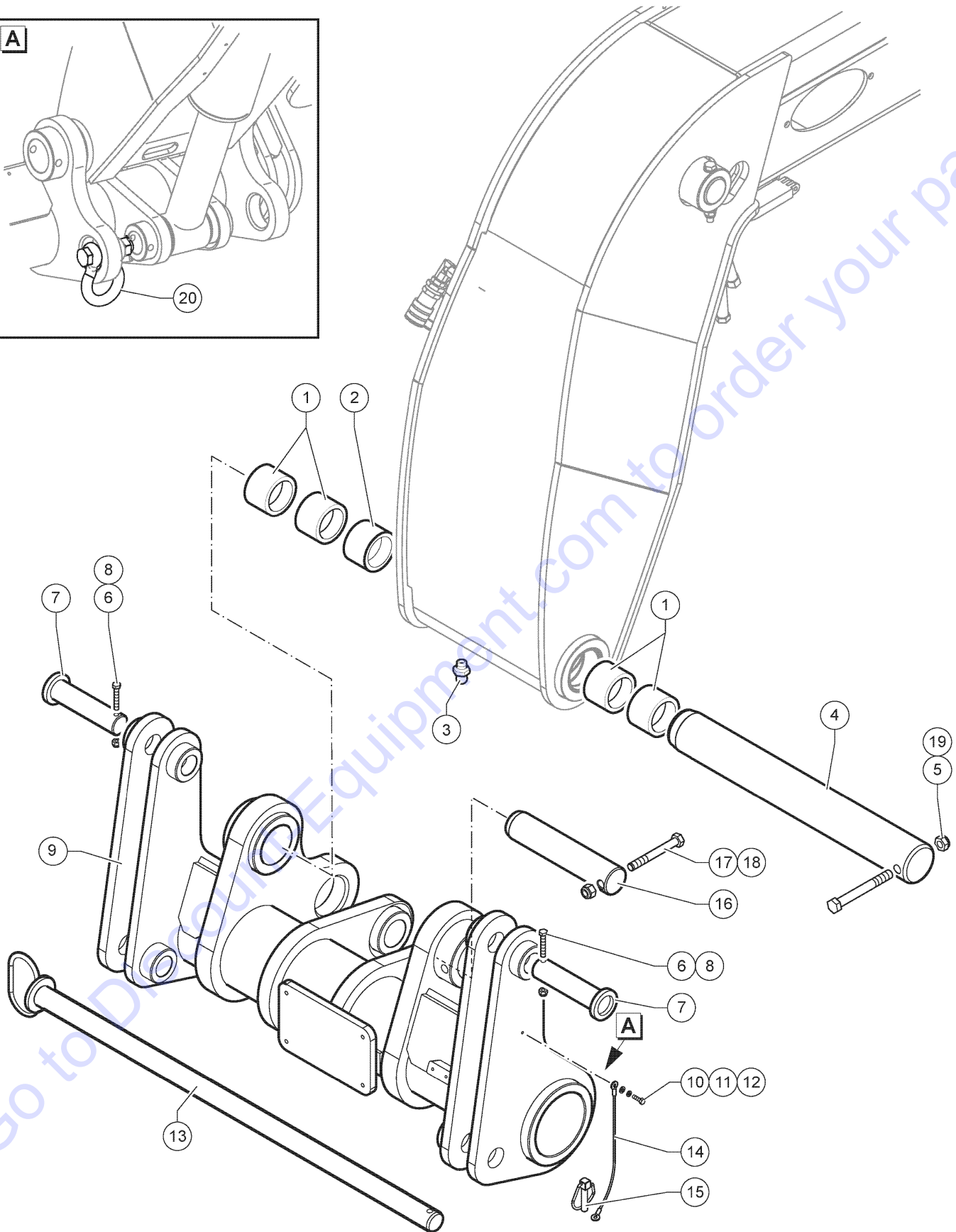
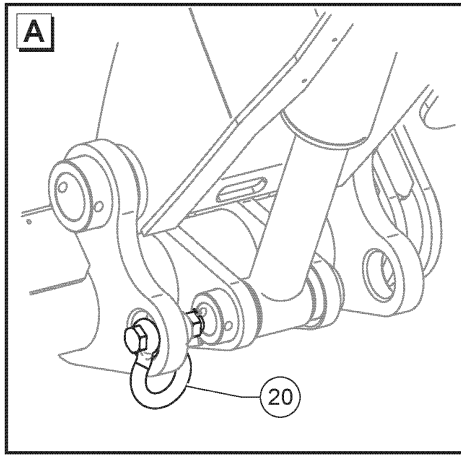
510.1 608653 Left & Right Chassis Sway Cylinder - Rear Axle Locking Cylinder



510.1 608653 Left & Right Chassis Sway Cylinder - Rear Axle Locking Cylinder

| Item | Part No. | Description | Qty. |
|------|----------------|---------------------------------------|------|
| 1 | 04.0600.0092GT | SCREW,BLEEDER M8X1.25..... | 1 |
| 2 | 54.0004.0117GT | Pin..... | 1 |
| 3 | 01.0031.0055GT | FLAT WASHER D8 UNI 6592 ZN..... | 2 |
| 4 | 01.4032.0003GT | SPRING WASHER D8 ZN..... | 2 |
| 5 | 01.0001.0256GT | SCREW M8X25 UNI 5739 8.8 ZN..... | 2 |
| 6 | 07.4529.0170GT | Seal Kit..... | 1 |
| 7 | 53.0700.0304GT | Rear Axle Locking Cylinder..... | 1 |
| 8 | 02.0117.0101GT | GREASE NIPPLE G 1/8..... | 8 |
| 9 | 04.4240.0041GT | SOLENOID..... | 2 |
| 10 | 04.4240.0024GT | CARTRIDGE..... | 2 |
| 11 | 51.0903.5136GT | Valve Protection Cover..... | 1 |
| 12 | 53.0600.1812GT | Left Chassis Sway Cylinder..... | 1 |
| 13 | 01.4032.0002GT | SPRING WASHER D6 ZN..... | 14 |
| 14 | 01.4001.0106GT | SCREW M6X16 DIN 6923 8.8 ZN..... | 2 |
| 15 | 01.4001.0027GT | Screw TE M22X280 UNI 5737 8.8 ZN...12 | 12 |
| 16 | 51.0811.4599GT | Bracket..... | 1 |
| 17 | 51.0811.4587GT | Plate..... | 3 |
| 18 | 54.0004.0118GT | Pin..... | 1 |
| 19 | 01.4023.0000GT | STOP NUT M22 UNI 7473 6S ZN..... | 12 |
| 20 | 54.0004.0116GT | Pin..... | 2 |
| 21 | 01.0031.0056GT | FLAT WASHER D10 UNI 6592 ZN..... | 4 |
| 22 | 01.4032.0004GT | SPRING WASHER D10 ZN..... | 4 |
| 23 | 01.0001.0355GT | SCREW M10X25 UNI 5739 8.8 ZN..... | 4 |
| 24 | 53.0600.1811GT | Right Chassis Sway Cylinder..... | 1 |
| 25 | 07.4529.0166GT | Seal Kit..... | 2 |
| 26 | 01.0001.0106GT | SCREW M6X50 UNI 5737 8.8 ZN..... | 4 |
| 27 | 51.0903.5135GT | Valve Protection Cover..... | 2 |
| 28 | 01.4001.0046GT | SCREW M6X45 UNI 5739 8.8 ZN..... | 8 |
| 29 | 04.4239.0080GT | SAFETY VALVE..... | 2 |
| 30 | 51.0811.4586GT | Bracket..... | 2 |
| 31 | 54.0004.0115GT | Pin..... | 2 |

551.1 608658 Coupling Unit



| Item | Part No. | Description | Qty. |
|------|----------------|--------------------------------------|------|
| 1 | 54.0201.0088GT | Bushing..... | 4 |
| 2 | 52.0900.9337GT | Spacer..... | 1 |
| 3 | 02.0117.0119GT | GREASE NIPPLE G 1/8..... | 1 |
| 4 | 54.0002.0075GT | Pin..... | 1 |
| 5 | 01.4001.0032GT | Screw TE M16 X 140 ZN UNI 5737..... | 1 |
| 6 | 01.0023.0054GT | NUT,M8 UNI 7473 6S ZN..... | 2 |
| 7 | 54.0002.0071GT | Pin..... | 2 |
| 8 | 01.0003.0210GT | SCREW M8X50 UNI 5931 8.8 ZN..... | 2 |
| 9 | 51.0400.5021GT | Fork Coupling Attachment..... | 1 |
| 10 | 01.0001.0156GT | SCREW M6X20 UNI 5739 8.8 ZN..... | 1 |
| 11 | 01.4032.0002GT | SPRING WASHER D6 ZN..... | 1 |
| 12 | 01.0031.0054GT | FLAT WASHER D6 UNI 6592 ZN..... | 1 |
| 13 | 54.0000.0265GT | Attachment Locking Pin..... | 1 |
| 14 | 09.0803.0406GT | LANYARD,PIN..... | 1 |
| 15 | 02.4102.0015GT | Lock Clip..... | 1 |
| 16 | 54.0002.0079GT | Pin..... | 1 |
| 17 | 01.0001.0562GT | Screw TE M14X120UNI 5737 8.8 ZN..... | 1 |
| 18 | 01.0023.0057GT | STOP NUT M14 UNI 7473 6S ZN..... | 1 |
| 19 | 01.0023.0058GT | NUT,STOP,M16 UNI 7473 6S ZN..... | 1 |
| 20 | 1264504GT | Shackle..... | 1 |

Go to Discount-Equipment.com to order your parts

PARTS FINDER

**Search Website
by Part Number**



**Search Manual
Library For Parts
Manual & Lookup Part
Numbers – Purchase
or Request Quote**

Search Manuals

Enter your information to help us find the right parts manual for your machine.

* Brand:

* Model:

* Serial:

* Part Number:

SEARCH

**Can't Find Part or
Manual? Request Help
by Manufacturer,
Model & Description**

Parts Order Form

Please fill in the following information to help us find the right part for your machine.

| | |
|---------------|----------------------|
| Manufacturer: | <input type="text"/> |
| Model: | <input type="text"/> |
| Description: | <input type="text"/> |
| Part Number: | <input type="text"/> |
| Quantity: | <input type="text"/> |
| Notes: | <input type="text"/> |

REQUEST HELP

Discount-Equipment.com is your online resource for quality parts & equipment.

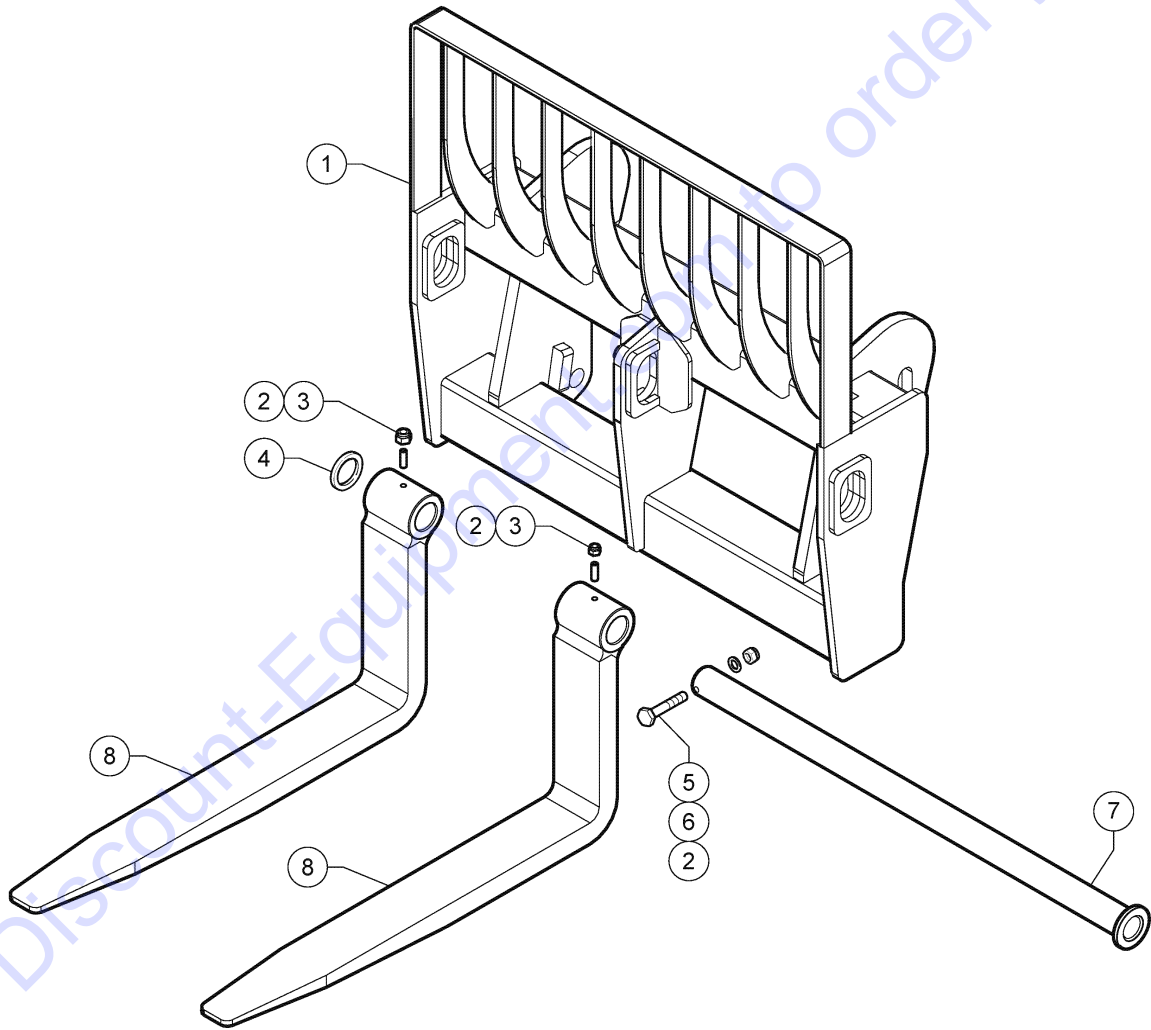
Florida: **561-964-4949** Outside Florida TOLL FREE: **877-690-3101**

Need parts?

Click on this link: <http://www.discount-equipment.com/category/5443-parts/> and choose one of the options to help get the right parts and equipment you are looking for. Please have the machine model and serial number available in order to help us get you the correct parts. If you don't find the part on the website or on one of the online manuals, please fill out the request form and one of our experienced staff members will get back to you with a quote for the right part that your machine needs.

We sell worldwide for the brands: Genie, Terex, JLG, MultiQuip, Mikasa, Essick, Whiteman, Mayco, Toro Stone, Diamond Products, Generac Magnum, Airman, Haulotte, Barreto, Power Blanket, Nifty Lift, Atlas Copco, Chicago Pneumatic, Allmand, Miller Curber, Skyjack, Lull, Skytrak, Tsurumi, Husquvarna Target, Stow, Wacker, Sakai, Mi-T-M, Sullair, Basic, Dynapac, MBW, Weber, Bartell, Bennar Newman, Haulotte, Ditch Runner, Menegotti, Morrison, Contec, Buddy, Crown, Edco, Wyco, Bomag, Laymor, EZ Trench, Bil-Jax, F.S. Curtis, Gehl Pavers, Heli, Honda, ICS/PowerGrit, IHI, Partner, Imer, Clipper, MMD, Koshin, Rice, CH&E, General Equipment, Amida, Coleman, NAC, Gradall, Square Shooter, Kent, Stanley, Tamco, Toku, Hatz, Kohler, Robin, Wisconsin, Northrock, Oztec, Toker TK, Rol-Air, APT, Wylie, Ingersoll Rand / Doosan, Innovatech, Con X, Ammann, Mecalac, Makinex, Smith Surface Prep, Small Line, Wanco, Yanmar

552.1 608659 Fork Frame

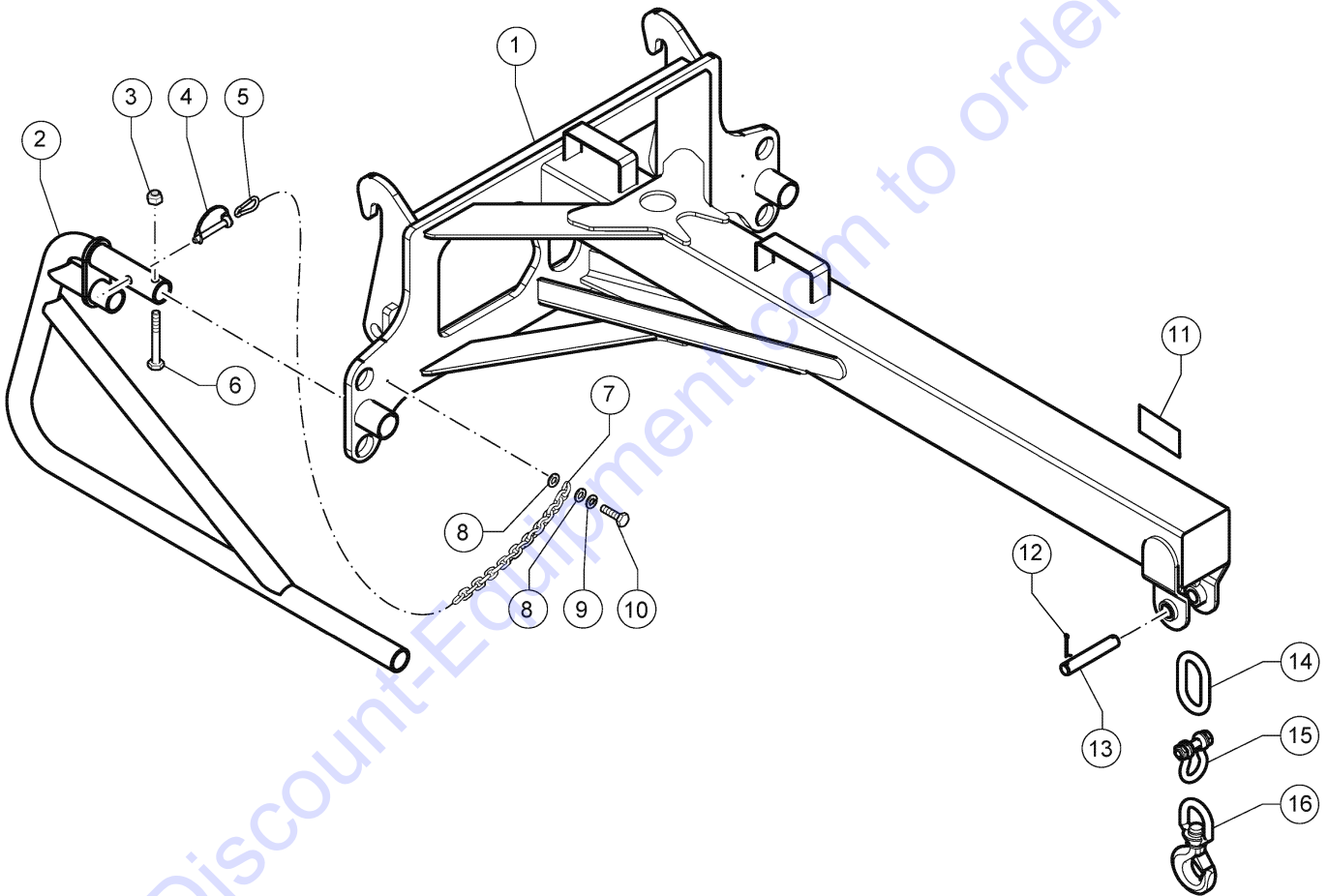


Go to Discount-Equipment.com to order your parts

| Item | Part No. | Description | Qty. |
|------|----------------|--|------|
| 1 | | Floating Fork Mounting Plate 72".....1 <i>No longer available, must order carriage 55.0750.0090GT</i> | |
| 1 | 51.1301.9125GT | Floating Fork Mounting Plate 48".....1 | |
| 1 | 51.1301.9126GT | Floating Fork Mounting Plate 60".....1 <i>Optional</i> | |
| 2 | 01.0023.0056GT | STOP NUT M12 UNI 7473 6S ZN.....3 | |
| 3 | 01.4041.0004GT | Dowel M12X40 UNI 5927 12.9 ZN.....2 | |
| 4 | 54.0100.0076GT | PLAIN WASHER,D110-70 SP0.8.....1 | |
| 5 | 01.0001.0410GT | Screw TE M12X90 UNI 5737 8.8 ZN.....2 | |
| 6 | 01.0031.0057GT | WASHER,D12 UNI 6592 ZN.....2 | |
| 7 | 54.0004.0119GT | Pin 48".....1 | |
| 7 | 54.0004.0120GT | Pin 60".....1 <i>Optional</i> | |
| 7 | 54.0004.0121GT | Pin 72".....1 <i>Optional</i> | |
| 8 | 822207GT | FORK, 48" INDIVIDUAL, 1544.....2 | |
| 8 | 822208GT | FORK, 60" INDIVIDUAL, 1544.....2 <i>Optional</i> | |
| 8 | 822209GT | FORK, 72" INDIVIDUAL, 1544.....2 <i>Optional</i> | |

Go to Discount-Equipment.com to order your parts

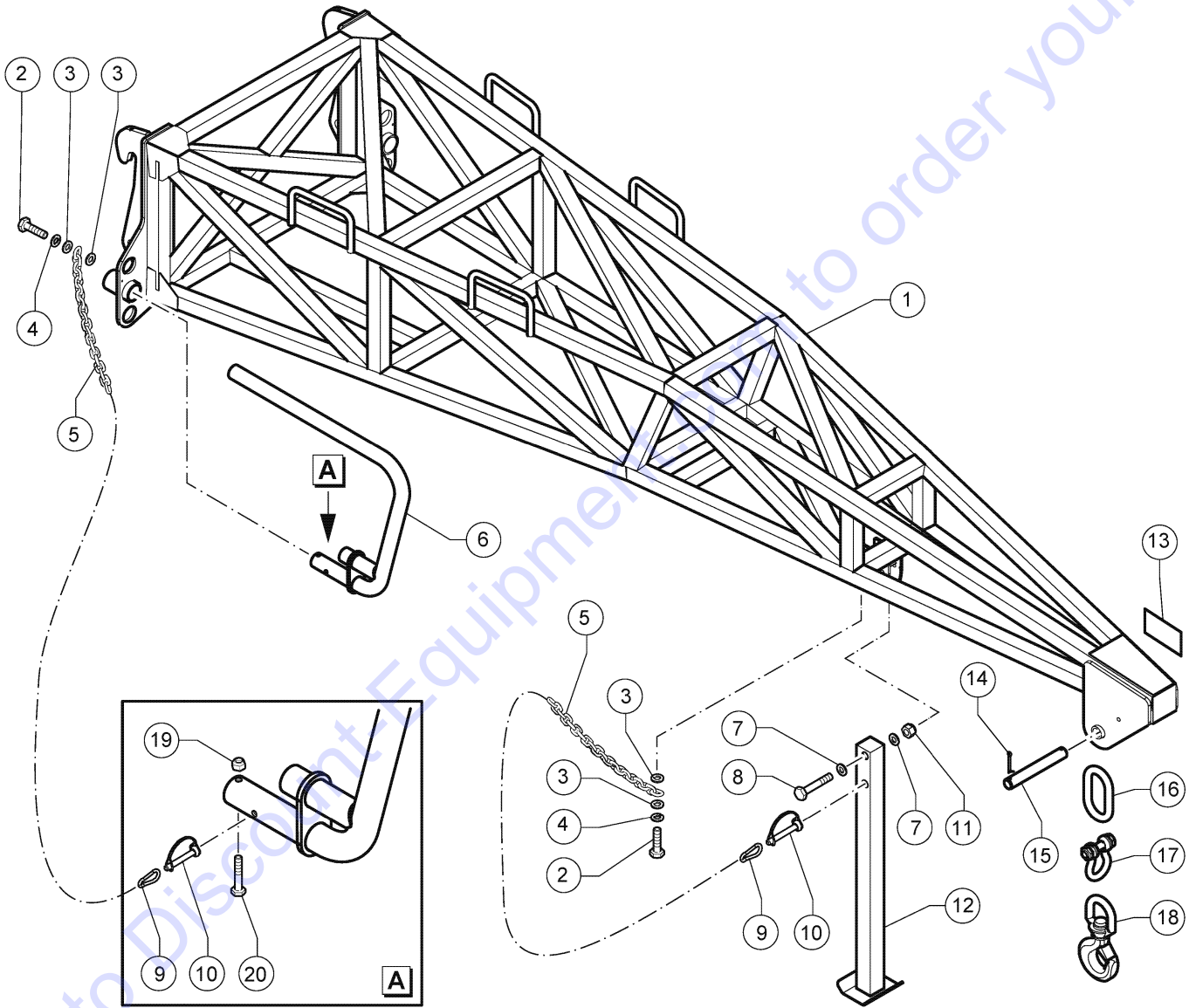
553.1 608660 Truss Boom 7 Feet, 4,400 LBS



| Item | Part No. | Description | Qty. |
|------|----------------|-----------------------------------|--------|
| 1 | 51.1301.9135GT | Attachement Chassis..... | 1 |
| 2 | 51.1301.9106GT | Support Bracket..... | 2 |
| 3 | 01.0023.0055GT | NUT,STOP,M10 UNI 7473 6S ZN..... | 2 |
| 4 | 09.0803.0623GT | Lock Clip D10X80..... | 3 |
| 5 | 09.0803.0344GT | Spring Catch 4X40 ZN..... | 2 |
| 6 | 01.0001.0308GT | SCREW M10X70 UNI 5737 8.8 ZN..... | 2 |
| 7 | 09.0803.0055GT | CHAIN..... | 8-inch |
| 8 | 01.0031.0054GT | FLAT WASHER D6 UNI 6592 ZN..... | 4 |
| 9 | 01.4032.0002GT | SPRING WASHER D6 ZN..... | 2 |
| 10 | 01.0001.0156GT | SCREW M6X20 UNI 5739 8.8 ZN..... | 2 |
| 11 | 09.4616.0147GT | Max Load Plate..... | 1 |
| 12 | 02.0112.0155GT | Cotter Pin 4X 45 UNI 1336 ZN..... | 2 |
| 13 | 54.0002.0041GT | Pin..... | 1 |
| 14 | 09.4621.0020GT | Master Link..... | 1 |
| 15 | 09.4621.0013GT | Shackle..... | 1 |
| 16 | 09.4621.0010GT | Swivel Hook..... | 1 |

Go to Discount-Equipment.com to order your parts

554.1 608661 Truss Boom 14 Feet, 2,000 LBS

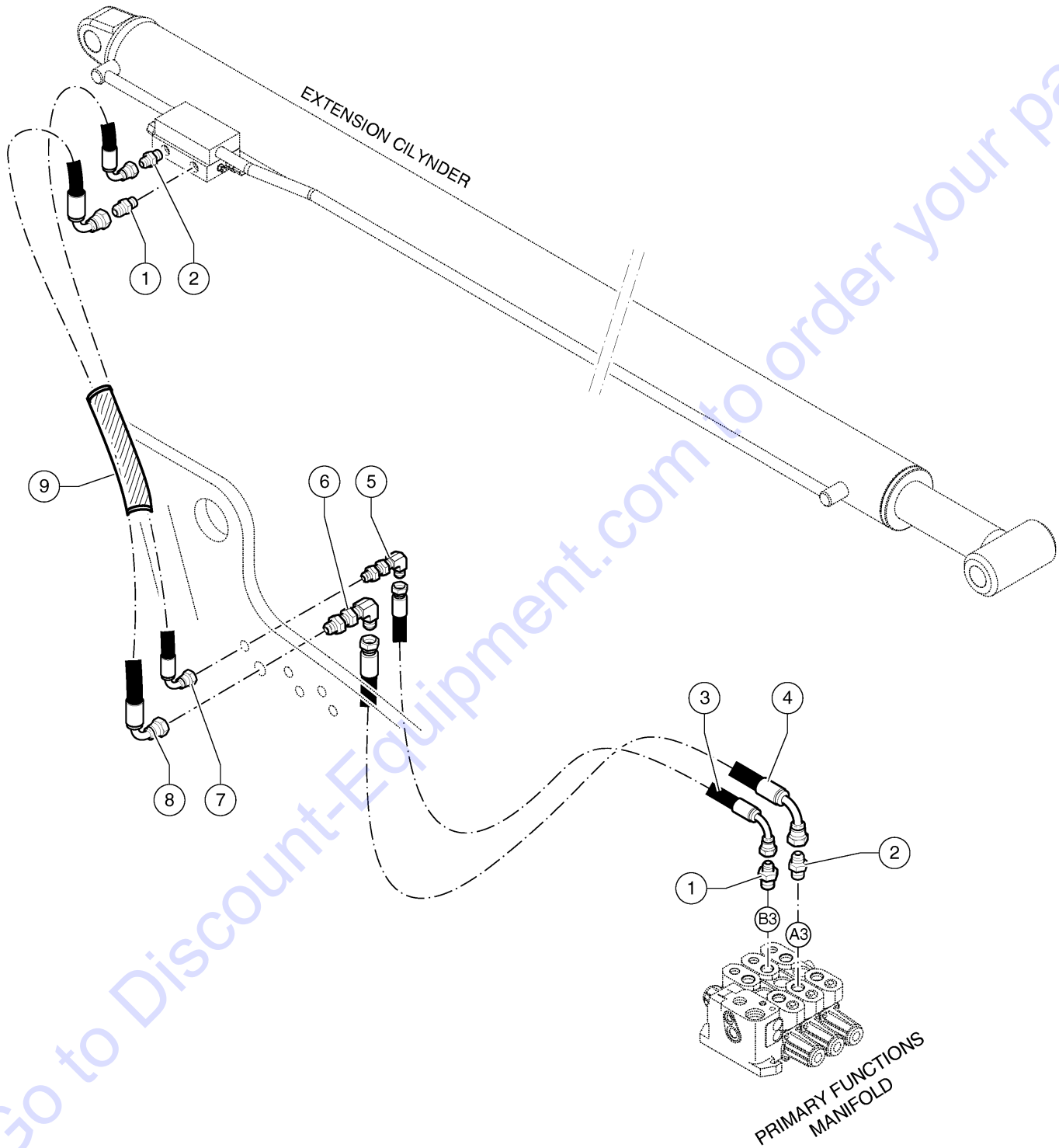


554.1 608661 Truss Boom 14 Feet, 2,000 LBS

| Item | Part No. | Description | Qty. |
|------|----------------|--------------------------------------|--------|
| 1 | 51.1301.9134GT | Attachement Chassis..... | 1 |
| 2 | 01.0001.0156GT | SCREW M6X20 UNI 5739 8.8 ZN..... | 3 |
| 3 | 01.0031.0054GT | FLAT WASHER D6 UNI 6592 ZN..... | 6 |
| 4 | 01.4032.0002GT | SPRING WASHER D6 ZN..... | 3 |
| 5 | 09.0803.0055GT | CHAIN..... | 8-inch |
| 6 | 51.1301.9078GT | Support Bracket..... | 2 |
| 7 | 01.0031.0057GT | WASHER,D12 UNI 6592 ZN..... | 2 |
| 8 | 01.0001.0410GT | Screw TE M12X90 UNI 5737 8.8 ZN..... | 1 |
| 9 | 09.0803.0344GT | Spring Catch 4X40 ZN..... | 3 |
| 10 | 09.0803.0623GT | Lock Clip D10X80..... | 3 |
| 11 | 01.0023.0056GT | STOP NUT M12 UNI 7473 6S ZN..... | 1 |
| 12 | 51.1301.9091GT | Front Support Bracket..... | 1 |
| 13 | 09.4616.0146GT | Max Load Plate..... | 1 |
| 14 | 02.0112.0155GT | Cotter Pin 4X 45 UNI 1336 ZN..... | 2 |
| 15 | 54.0002.0042GT | Pin..... | 1 |
| 16 | 09.4621.0020GT | Master Link..... | 1 |
| 17 | 09.4621.0013GT | Shackle..... | 1 |
| 18 | 09.4621.0010GT | Swivel Hook..... | 1 |
| 19 | 01.0023.0055GT | NUT,STOP,M10 UNI 7473 6S ZN..... | 2 |
| 20 | 01.0001.0308GT | SCREW M10X70 UNI 5737 8.8 ZN..... | 2 |

Go to Discount-Equipment.com to order your parts

601.1 608666 Boom Extension Cylinder

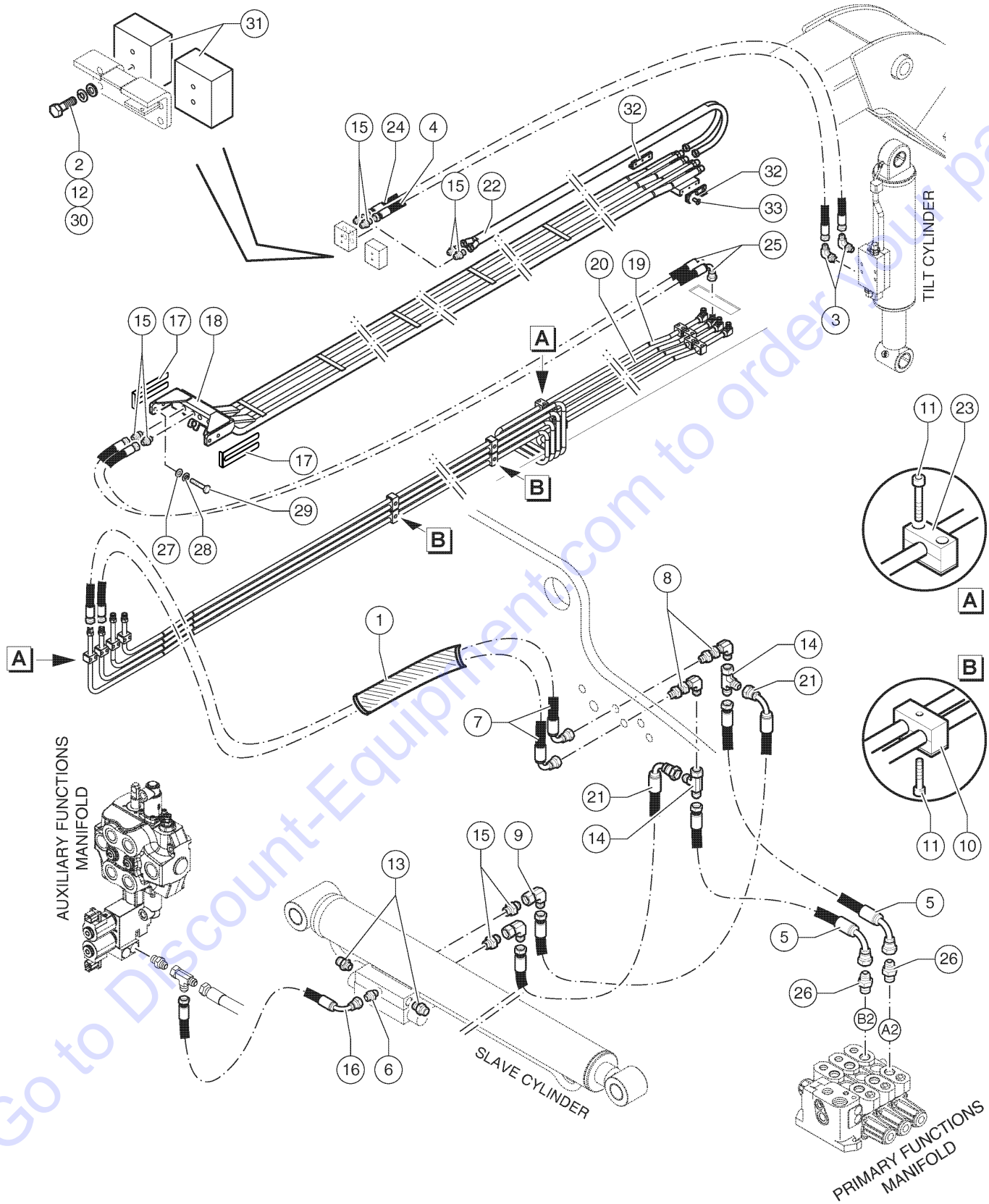


601.1 608666 Boom Extension Cylinder

| Item | Part No. | Description | Qty. |
|------|----------------|--|------|
| 1 | 04.0607.0121GT | PIPE FITTING 3/4 BSPX13/16-16 ORFS..... | 2 |
| 2 | 04.0607.0107GT | PIPE FITTING 3/4BSP X1"3/16-12 ORFS..... | 2 |
| 3 | 04.0605.0833GT | Flexible Hose R2 X 1/2" Lg. 2450 FD - F90 13/16"-16 ORFS..... | 1 |
| 4 | 04.0605.1338GT | Flexible Hose R2 X 3/4" 300 Bar Lg. 2450 FD - F90 1"3/16-12 ORFS..... | 1 |
| 5 | 04.0607.0124GT | PIPE FITTING 90 M-M 13/16-16 ORFS.. | 1 |
| 6 | 04.0607.0205GT | PIPE FITTING 90 M-M 1"3/16-12 ORFS..... | 2 |
| 7 | 04.0605.1498GT | HOSE R2X1-2 LG1400 F90-F90 13/16-16 ORFS 270ø..... | 1 |
| 8 | 04.0605.1496GT | HOSE 2X3-4 LG1400 F90-F90 1"3/16 A 270ø..... | 1 |
| 9 | 09.0803.0835GT | HOSES PROTECTION..... | 1 |

Go to Discount-Equipment.com to order your parts

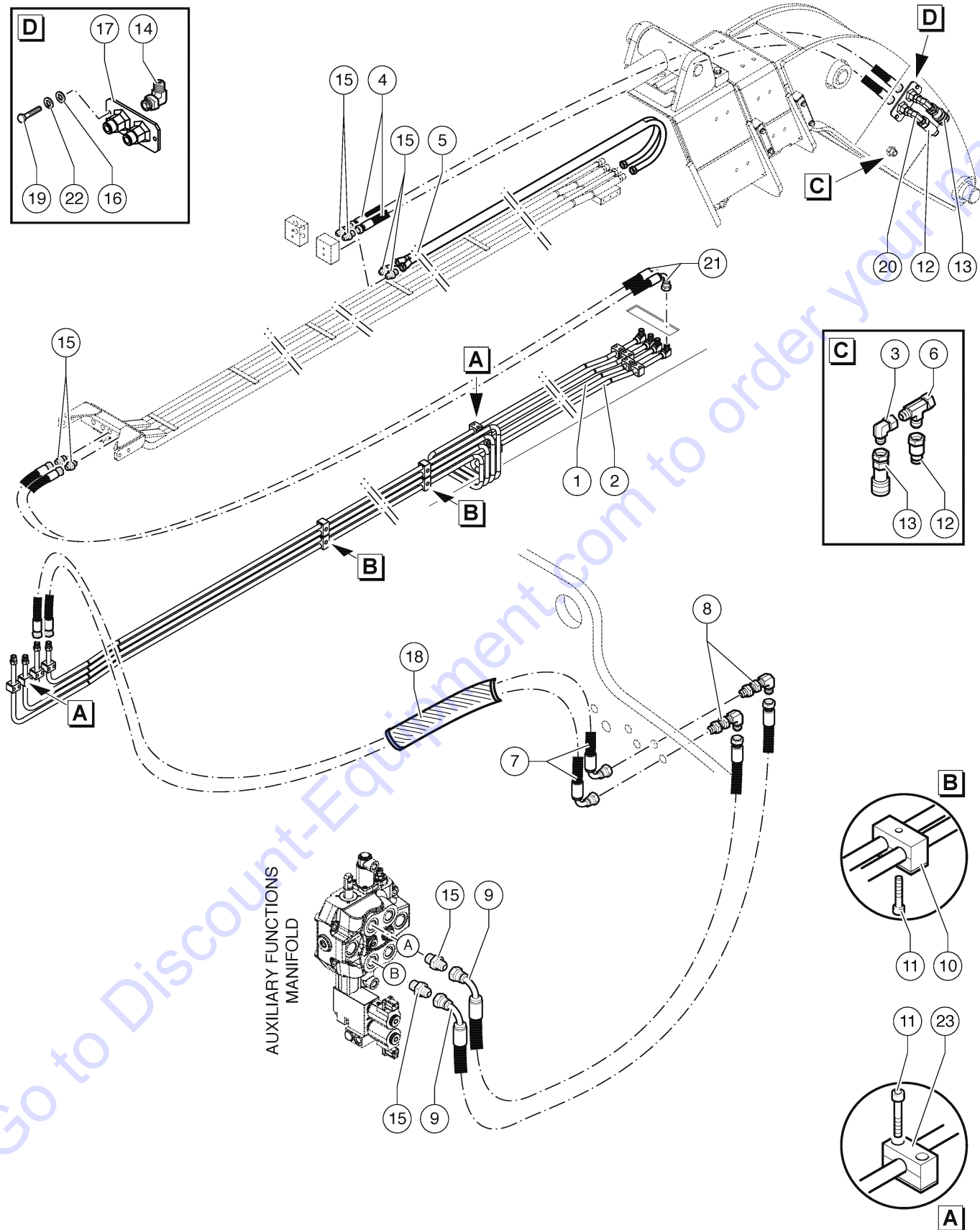
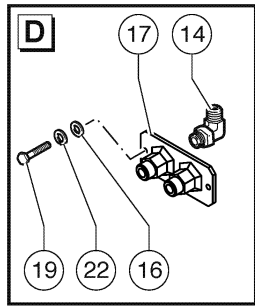
602.1 608667 Forks Tilt Cylinder - Forks Level Slave Cylinder



602.1 608667 Forks Tilt Cylinder - Forks Level Slave Cylinder

| Item | Part No. | Description | Qty. |
|------|----------------|--|------|
| 1 | 09.0803.0835GT | HOSES PROTECTION..... | 1 |
| 2 | 01.4032.0002GT | SPRING WASHER D6 ZN..... | 4 |
| 3 | 04.0607.0141GT | PIPE FITTING 90 1/2GASXM 13/16-16 ORFS..... | 2 |
| 4 | 04.0605.1476GT | Flexible Hose R2 X 1/2" 350 Bar Lg. 3550 FD - FD 13/16"-16 ORFS..... | 2 |
| 5 | 04.0605.0832GT | Flexible Hose R2 X 1/2 L 2350 STR FEM 90 FEM 13/16-16..... | 2 |
| 6 | 04.0607.0114GT | PIPE FITTING 3/8 BSPX9/16-18 ORFS..... | 1 |
| 7 | 04.0605.1628GT | PIPE R2 X 1/2 1300 FD F90 13/16"-16 ORFS | 2 |
| 8 | 04.0607.0124GT | PIPE FITTING 90 M-M 13/16-16 ORFS.. | 2 |
| 9 | 04.0607.0109GT | PIPE FITTING,90 M-F 13/16-16..... | 2 |
| 10 | 09.0803.0060GT | CLAMP,DOUBLE,D16..... | 4 |
| 11 | 01.0003.0157GT | SCREW M6X25 UNI 5931 8.8 ZN..... | 28 |
| 12 | 01.0031.0054GT | FLAT WASHER D6 UNI 6592 ZN..... | 2 |
| 13 | 04.4239.0004GT | SAFETY VALVE..... | 2 |
| 14 | 04.0607.0122GT | PIPE FITTING TMF+L 13/16-16 ORFS.. | 2 |
| 15 | 04.0607.0111GT | PIPE FITTING 1/2 BSPX13/16-16 ORFS..... | 8 |
| 16 | 04.0605.0621GT | Flexible Hose R1 X 1/4" Lg. 2200 F90 - FD 9/16"-18 ORFS..... | 1 |
| 17 | 51.0811.4057GT | Shim..... | 6 |
| 18 | 53.3402.4061GT | Iron Hoses..... | 1 |
| 19 | 52.0900.9339GT | Iron Hose With Pipe Fitting..... | 1 |
| 20 | 52.0900.9340GT | Iron Hose With Pipe Fitting..... | 1 |
| 21 | 04.0605.0188GT | Flexible Hose R2 X 1/2" 280 Bar Lg. 1700 FD - F90 13/16"-16 ORFS..... | 2 |
| 22 | 04.0605.1479GT | Twin Hoses MTKH X 1/2" Lg. 2550 FD - FD 13/16"-16 ORFS..... | 1 |
| 23 | 09.0803.0043GT | SINGLE HOSE BRACKET D16..... | 12 |
| 24 | 04.0605.1545GT | Flexible Hose ETERNITY/2 X 1/2 3500 FD FD 13/16"-16..... | 1 |
| 25 | 04.0605.1480GT | Flexible Hose R2 X 1/2" 300 Bar Lg. 4820 FD - F90 13/16"-16 ORFS..... | 2 |
| 26 | 04.0607.0121GT | PIPE FITTING 3/4 BSPX13/16-16 ORFS..... | 2 |
| 27 | 01.0031.0057GT | WASHER,D12 UNI 6592 ZN..... | 4 |
| 28 | 01.4032.0005GT | SPRING WASHER D12 ZN..... | 4 |
| 29 | 01.0001.0506GT | SCREW M12X30 UNI 5739 8.8 ZN..... | 4 |
| 30 | 01.0001.0156GT | SCREW M6X20 UNI 5739 8.8 ZN..... | 4 |
| 31 | 54.0600.0006GT | HOSES BLOCK..... | 2 |
| 32 | 54.0702.0080GT | WEAR PAD,BRONZE..... | 2 |
| 33 | 01.4006.0011GT | SCREW M6X20 UNI 5933 10.9 ZN..... | 6 |

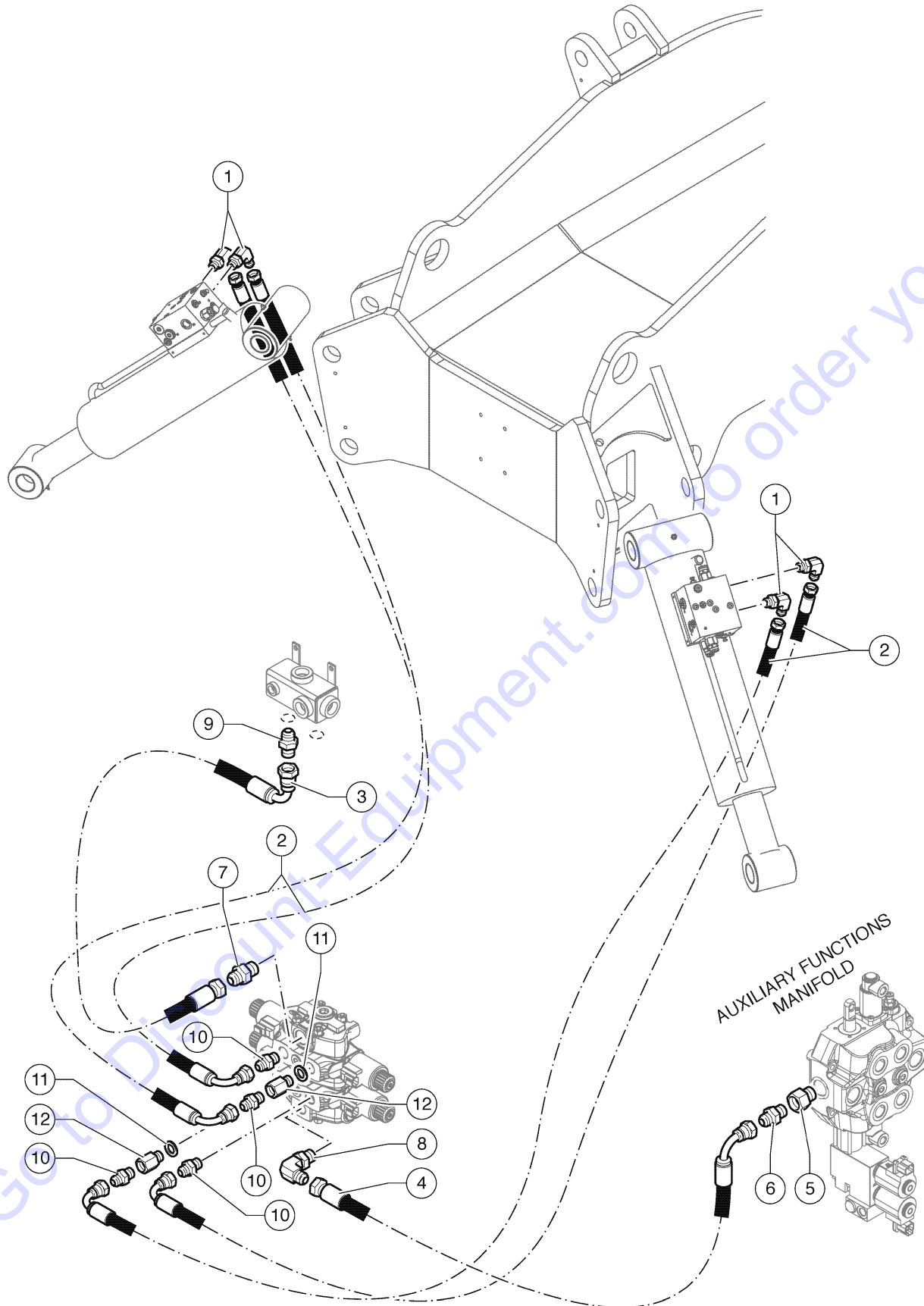
603.1 608668 Attachment Hydraulic Circuit



603.1 608668 Attachment Hydraulic Circuit

| Item | Part No. | Description | Qty. |
|------|----------------|--|------|
| 1 | 52.0900.9341GT | Iron Hose With Pipe Fitting..... | 1 |
| 2 | 52.0900.9328GT | Iron Hose With Pipe Fitting..... | 1 |
| 3 | 04.0600.0019GT | Pipe Fitting MFK 90 1/2 BSP..... | 1 |
| 4 | 04.0605.1476GT | Flexible Hose R2 X 1/2" 350 Bar Lg. 3550 FD - FD 13/16"-16 ORFS..... | 2 |
| 5 | 04.0605.1479GT | Twin Hoses MTKH X 1/2" Lg. 2550 FD - FD 13/16"-16 ORFS..... | 1 |
| 6 | 04.0600.0081GT | PIPE FITTING TMF+L 1/2 BSP..... | 1 |
| 7 | 04.0605.1627GT | HOSE R2X3/8 LG 1200 FD-F90 11/16-16 ORFS..... | 2 |
| 8 | 04.0607.0124GT | PIPE FITTING 90 M-M 13/16-16 ORFS. | 2 |
| 9 | 04.0605.0402GT | Flexible Hose R2 X1/2 L 2700 STR FEM 90 FEM 13/16-16 ORFS..... | 2 |
| 10 | 09.0803.0060GT | CLAMP,DOUBLE,D16..... | 4 |
| 11 | 01.0003.0157GT | SCREW M6X25 UNI 5931 8.8 ZN..... | 28 |
| 12 | 04.4210.0018GT | QUICK COUPLING, MALE 1/2..... | 2 |
| 13 | 04.4210.0019GT | QUICK COUPLING, FEMALE 1/2..... | 2 |
| 14 | 04.0607.0141GT | PIPE FITTING 90 1/2GASXM 13/16-16 ORFS..... | 2 |
| 15 | 04.0607.0111GT | PIPE FITTING 1/2 BSPX13/16-16 ORFS..... | 8 |
| 16 | 01.0031.0054GT | FLAT WASHER D6 UNI 6592 ZN..... | 2 |
| 17 | 53.3001.0500GT | MANIFOLD, BOOM HOSES..... | 1 |
| 18 | 09.0803.0835GT | HOSES PROTECTION..... | 1 |
| 19 | 01.0001.0156GT | SCREW M6X20 UNI 5739 8.8 ZN..... | 2 |
| 20 | 04.0600.0087GT | PIPE FITTING 90..... | 2 |
| 21 | 04.0605.1480GT | Flexible Hose R2 X 1/2" 300 Bar Lg. 4820 FD - F90 13/16"-16 ORFS..... | 2 |
| 22 | 01.4032.0002GT | SPRING WASHER D6 ZN..... | 2 |
| 23 | 09.0803.0043GT | SINGLE HOSE BRACKET D16..... | 12 |

604.1 608669 Front Outriggers - To S.N. GTH1216M-180

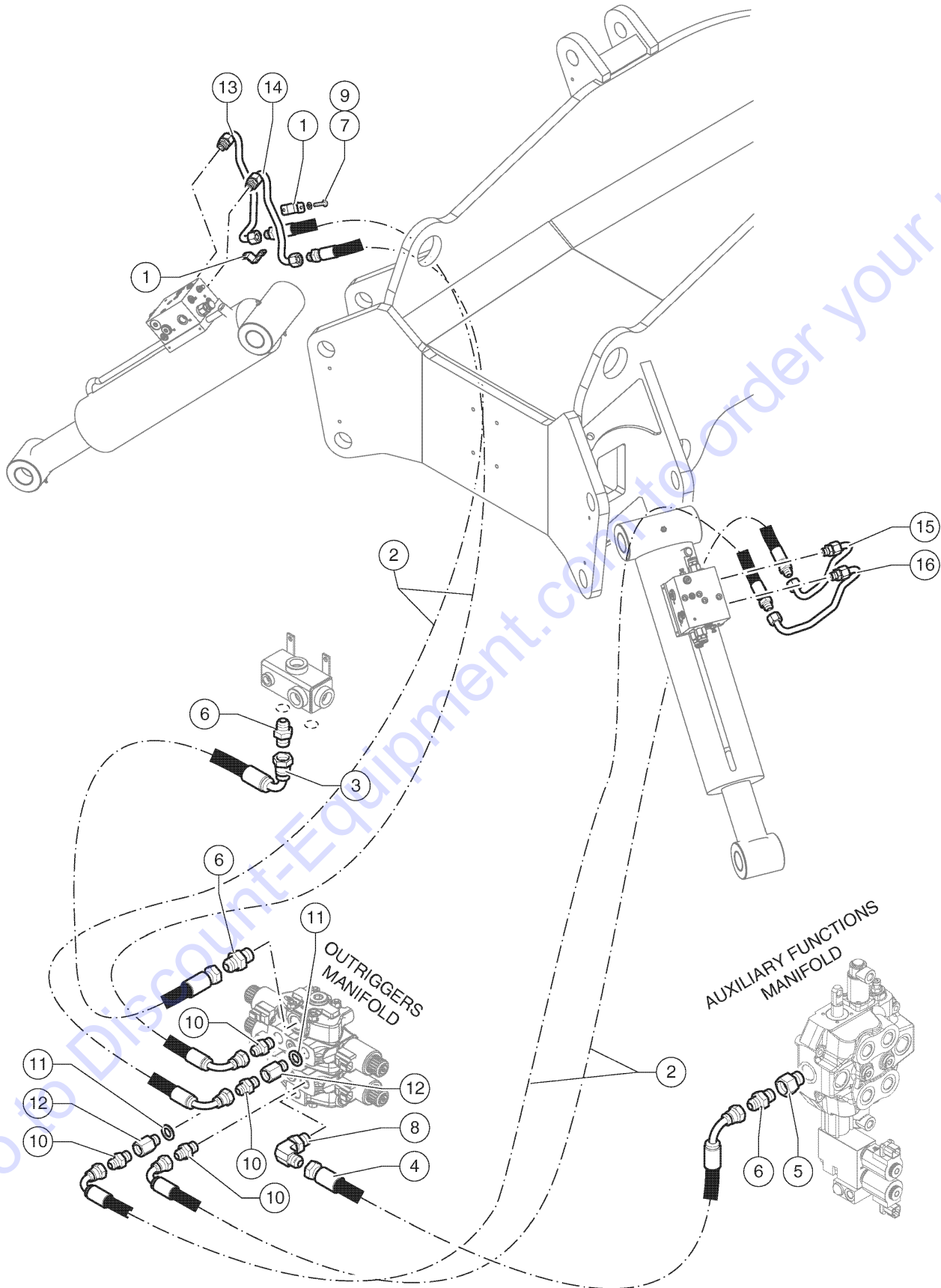


604.1 608669 Front Outriggers - To S.N. GTH1216M-180

| Item | Part No. | Description | Qty. |
|------|----------------|---|------|
| 1 | 04.0607.0141GT | PIPE FITTING 90 1/2GASXM 13/16-16 ORFS..... | 4 |
| 2 | 04.0605.0704GT | Flexible Hose R2 X 1/2 LG.1000 FD F90 13/16 ORFS..... | 4 |
| 3 | 04.0605.1542GT | Flexible Hose..... | 1 |
| 4 | 04.0605.1157GT | Flexible Hose R2 X 1/2 5000 F90 FD 13/16"-16 ORFS..... | 1 |
| 5 | 04.4239.0136GT | Carry Over Valve..... | 1 |
| 6 | 04.0607.0107GT | PIPE FITTING 3/4BSP X1"3/16-12 ORFS..... | 1 |
| 7 | 04.0607.0107GT | PIPE FITTING 3/4BSP X1"3/16-12 ORFS..... | 1 |
| 8 | 04.0607.0141GT | PIPE FITTING 90 1/2GASXM 13/16-16 ORFS..... | 1 |
| 9 | 04.0607.0107GT | PIPE FITTING 3/4BSP X1"3/16-12 ORFS..... | 1 |
| 10 | 04.0607.0111GT | PIPE FITTING 1/2 BSPX13/16-16 ORFS..... | 4 |
| 11 | 06.0442.0122GT | BONDED RING 1/2"..... | 2 |
| 12 | 04.0600.0091GT | PIPE FITTING CMF1/2 ES LG 25..... | 2 |

Go to Discount-Equipment.com to order your parts

604.2 608693 Front Outriggers - From S.N. GTH1216M-181

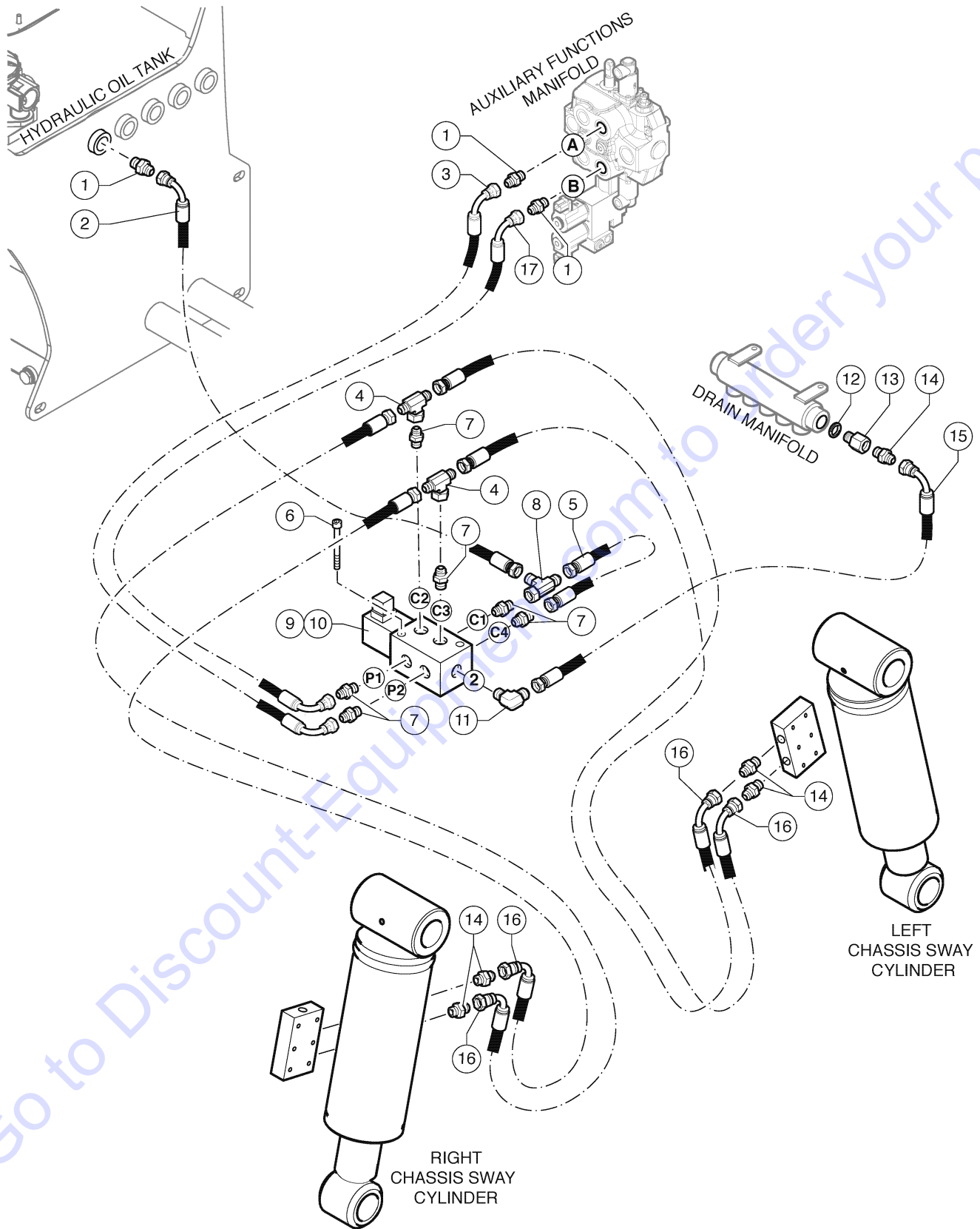


604.2 608693 Front Outriggers - From S.N. GTH1216M-181

| Item | Part No. | Description | Qty. |
|------|----------------|--|------|
| 1 | 51.0811.4776GT | BRACKET..... | 4 |
| 2 | 04.0605.1758GT | Flexible Hose R2 X 1/2 LG.1300 FD 13/16-16- MD16 DIN24..... | 4 |
| 3 | 04.0605.1542GT | Flexible Hose..... | 1 |
| 4 | 04.0605.1157GT | Flexible Hose R2 X 1/2 5000 F90 FD 13/16"-16 ORFS..... | 1 |
| 5 | 04.4239.0136GT | Carry Over Valve..... | 1 |
| 6 | 04.0607.0107GT | PIPE FITTING 3/4BSP X1"3/16-12 ORFS..... | 3 |
| 7 | 01.0001.0107GT | SCREW M6x12 UNI 5739 8.8 ZN..... | 8 |
| 8 | 04.0607.0141GT | PIPE FITTING 90 1/2GASXM 13/16-16 ORFS..... | 1 |
| 9 | 01.4032.0002GT | SPRING WASHER D6 ZN..... | 18 |
| 10 | 04.0607.0111GT | PIPE FITTING 1/2 BSPX13/16-16 ORFS..... | 4 |
| 11 | 06.0442.0122GT | BONDED RING 1/2"..... | 2 |
| 12 | 04.0600.0091GT | PIPE FITTING CMF1/2 ES LG 25..... | 2 |
| 13 | 53.3402.4089GT | IRON PIPE..... | 1 |
| 14 | 53.3402.4088GT | IRON PIPE..... | 1 |
| 15 | 53.3402.4086GT | IRON PIPE..... | 1 |
| 16 | 53.3402.4087GT | IRON PIPE..... | 1 |

Go to Discount-Equipment.com to order your parts

605.1 608670 Chassis Sway Cylinder

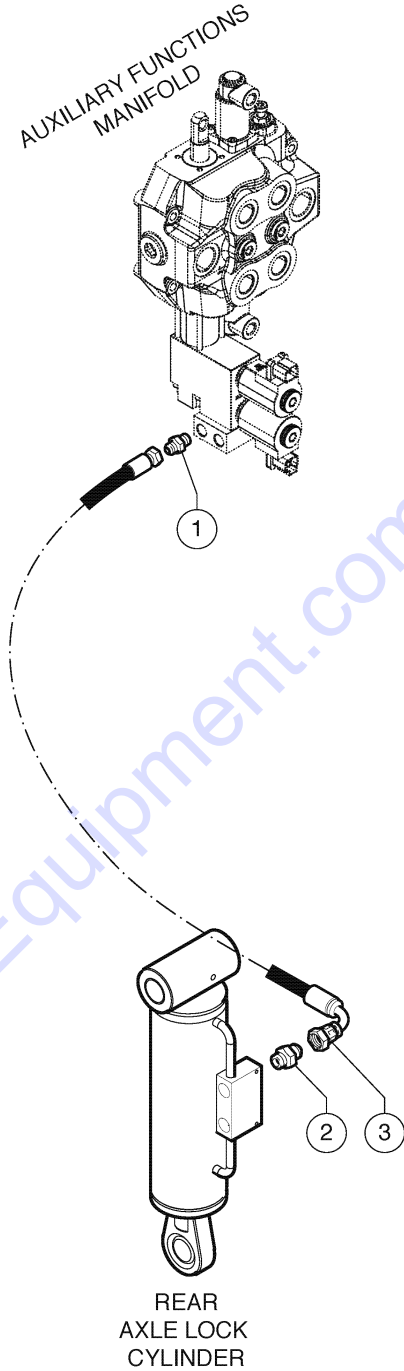
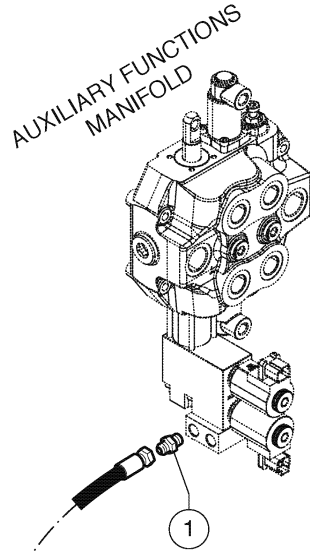


605.1 608670 Chassis Sway Cylinder

| Item | Part No. | Description | Qty. |
|------|----------------|---|------|
| 1 | 04.0607.0167GT | PIPE FITTING 1/2BSPX 9/16-18 ORFS..... | 3 |
| 2 | 04.0605.1358GT | HOSE R1X1/4 LG 2600 F90 FD 9/16-18..... | 1 |
| 3 | 04.0605.1329GT | Flexible Hose R2 X 1/4 L 3200 90 FEM STR FEM 9/16"-18 ORFS..... | 1 |
| 4 | 04.0607.0131GT | PIPE FITTING TMF+C 9/16-18 ORFS..... | 2 |
| 5 | 04.0605.0192GT | Flexible Hose R1 X 1/4 LG. 400 FD F90 9/16-18 ORFS | 1 |
| 6 | 01.4003.0016GT | Screw TCEI M5X50 UNI 5931 12.9 ZN..... | 2 |
| 7 | 04.0607.0113GT | PIPE FITTING 1/4 BSPX9/16-18 ORFS..... | 6 |
| 8 | 04.0607.0115GT | PIPE FITTING TMF+L 9/16-18 ORFS..... | 1 |
| 9 | 04.4240.0049GT | Solenoid Valve..... | 1 |
| 10 | 07.0701.0314GT | Solenoid..... | 1 |
| 11 | 04.0607.0112GT | PIPE FITTING M-M A 90 1/4 BSPX9/16-18 ORFS..... | 1 |
| 12 | 06.0442.0124GT | BONDED RING 3/4..... | 1 |
| 13 | 04.0600.0013GT | FITTING,GWR,3/4M X 3/8F..... | 1 |
| 14 | 04.0607.0114GT | PIPE FITTING 3/8 BSPX9/16-18 ORFS..... | 5 |
| 15 | 04.0605.0235GT | FLEXIBLE HOSE..... | 1 |
| 16 | 04.0605.0731GT | HOSE R2X1/4 LG1200 F90 FD 9/16 ORFS..... | 4 |
| 17 | 04.0605.1538GT | Flexible Hose R2 X 1/4 3050 F90 F90 9/16"-18 ORFS..... | 1 |

Go to Discount-Equipment.com to order your parts

606.1 608671 Rear Axle Lock Cylinder



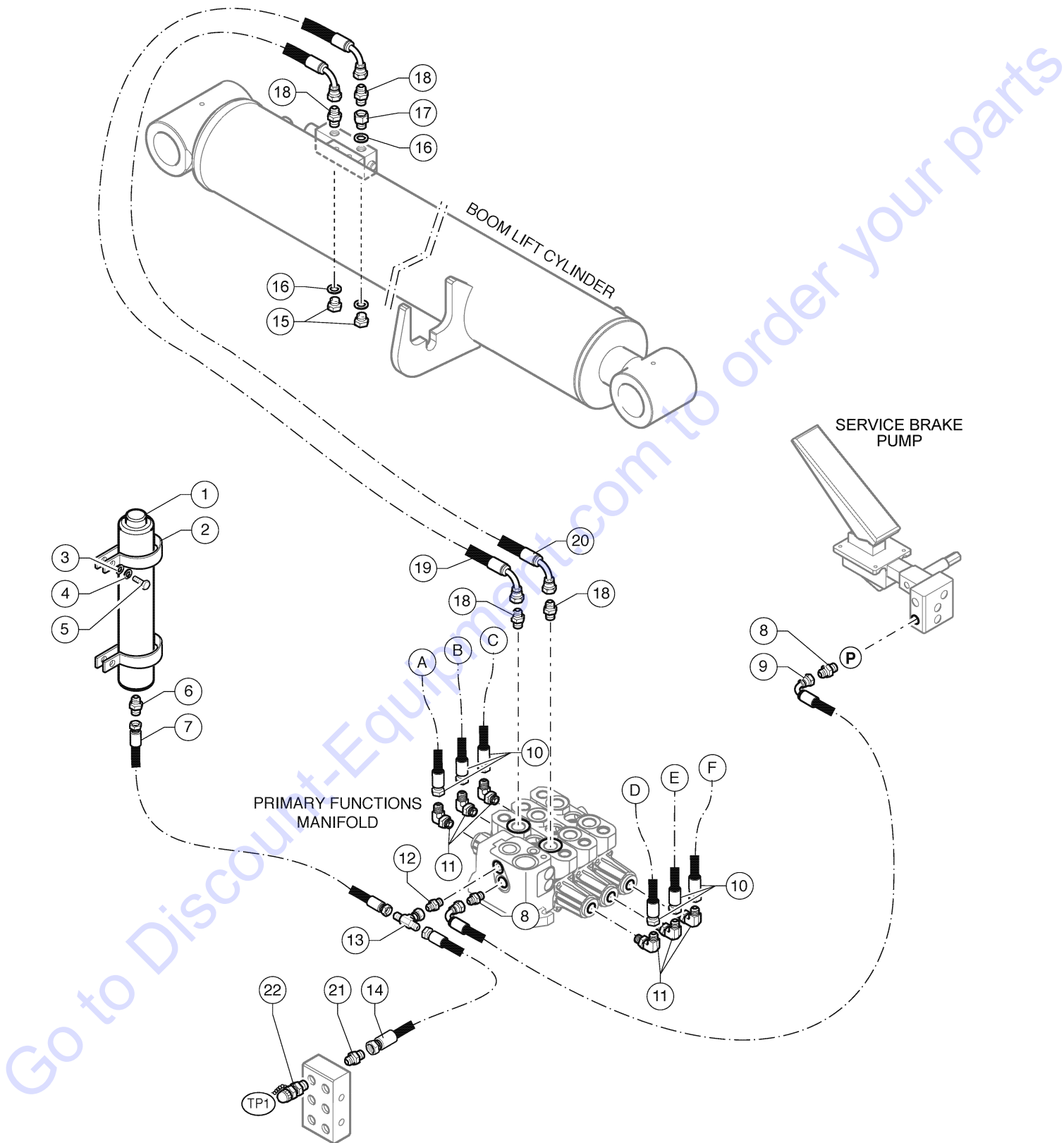
Go to Discount-Equipment.com to order your parts

REAR
AXLE LOCK
CYLINDER

| Item | Part No. | Description | Qty. |
|------|----------------|--|------|
| 1 | 04.0607.0113GT | PIPE FITTING 1/4 BSPX9/16-18 ORFS..... | 1 |
| 2 | 04.0607.0114GT | PIPE FITTING 3/8 BSPX9/16-18 ORFS..... | 1 |
| 3 | 04.0605.0179GT | HOSE R1X1/4 LG 700 FD-F90 9/16-18 ORFS..... | 1 |

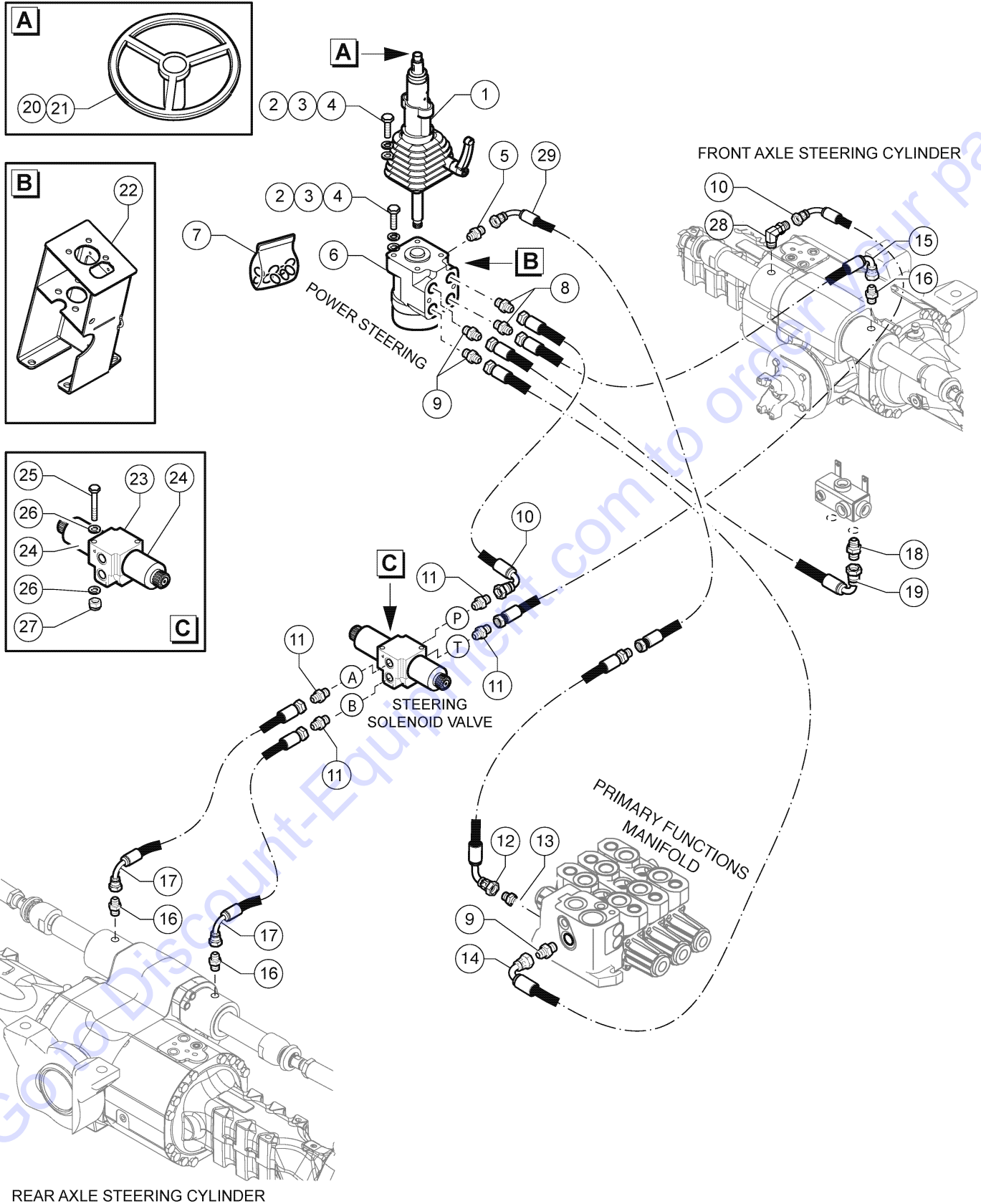
Go to Discount-Equipment.com to order your parts

607.1 608672 Boom Lift Cylinder



| Item | Part No. | Description | Qty. |
|------|---------------|--|------|
| A | | To Drawing 608660 Position C | |
| B | | To Drawing 608660 Position A | |
| C | | To Drawing 608660 Position E | |
| D | | To Drawing 608660 Position D | |
| E | | To Drawing 608660 Position B | |
| F | | To Drawing 608660 Position F | |
| 1 | 054329.0027GT | ACCUMULATOR 0.5 L..... | 1 |
| 2 | 044227.0016GT | CLAMP D60 HOLE 10.5..... | 2 |
| 3 | 014032.0003GT | SPRING WASHER D8 ZN..... | 2 |
| 4 | 010031.0055GT | FLAT WASHER D8 UNI 6592 ZN..... | 2 |
| 5 | 010001.0254GT | SCREW M8X20 UNI 5739 8.8 ZN..... | 2 |
| 6 | 040607.0167GT | PIPE FITTING 1/2BSPX 9/16-18 ORFS..... | 1 |
| 7 | 040605.0229GT | Flexible Hose R2 X 1/4 LG. 900 FD FD 9/16-18 ORFS..... | 1 |
| 8 | 040607.0111GT | PIPE FITTING 1/2 BSPX13/16-16 ORFS..... | 2 |
| 9 | 040605.0756GT | Flexible Hose R2 X 1/2 LG 3100 FD F90 13/16-16..... | 1 |
| 10 | 040605.0180GT | HOSE R1X1/4 LG 1000 F90 FD 9/16-18..... | 6 |
| 11 | 040607.0112GT | PIPE FITTING M-M A 90 1/4 BSPX9/16-18 ORFS..... | 6 |
| 12 | 040607.0113GT | PIPE FITTING 1/4 BSPX9/16-18 ORFS..... | 1 |
| 13 | 040607.0131GT | PIPE FITTING TMF+C 9/16-18 ORFS..... | 1 |
| 14 | 040605.0764GT | Flexible Hose R2 X 1/4 2900 FD FD 9/16"-18 ORFS..... | 1 |
| 15 | 040220.0059GT | PLUG 3/4 BSP..... | 2 |
| 16 | 060442.0124GT | BONDED RING 3/4..... | 3 |
| 17 | 040600.0007GT | FITTING,CMF,G3/4,ES LG45..... | 1 |
| 18 | 040607.0107GT | PIPE FITTING 3/4BSP X1"3/16-12 ORFS..... | 4 |
| 19 | 040605.1311GT | Flexible Hose ETERNITY R2 X 3/4" Lg. 1850 F90 - F90 1"3/16-12 OR..... | 1 |
| 20 | 040605.1338GT | Flexible Hose R2 X 3/4" 300 Bar Lg. 2450 FD - F90 1"3/16-12 ORFS..... | 1 |
| 21 | 040607.0153GT | PIPE FITTING 14X1.5X9/16-18 ORFS.... | 1 |
| 22 | 044210.0016GT | PRESSURE PLUG M14X1.5..... | 1 |

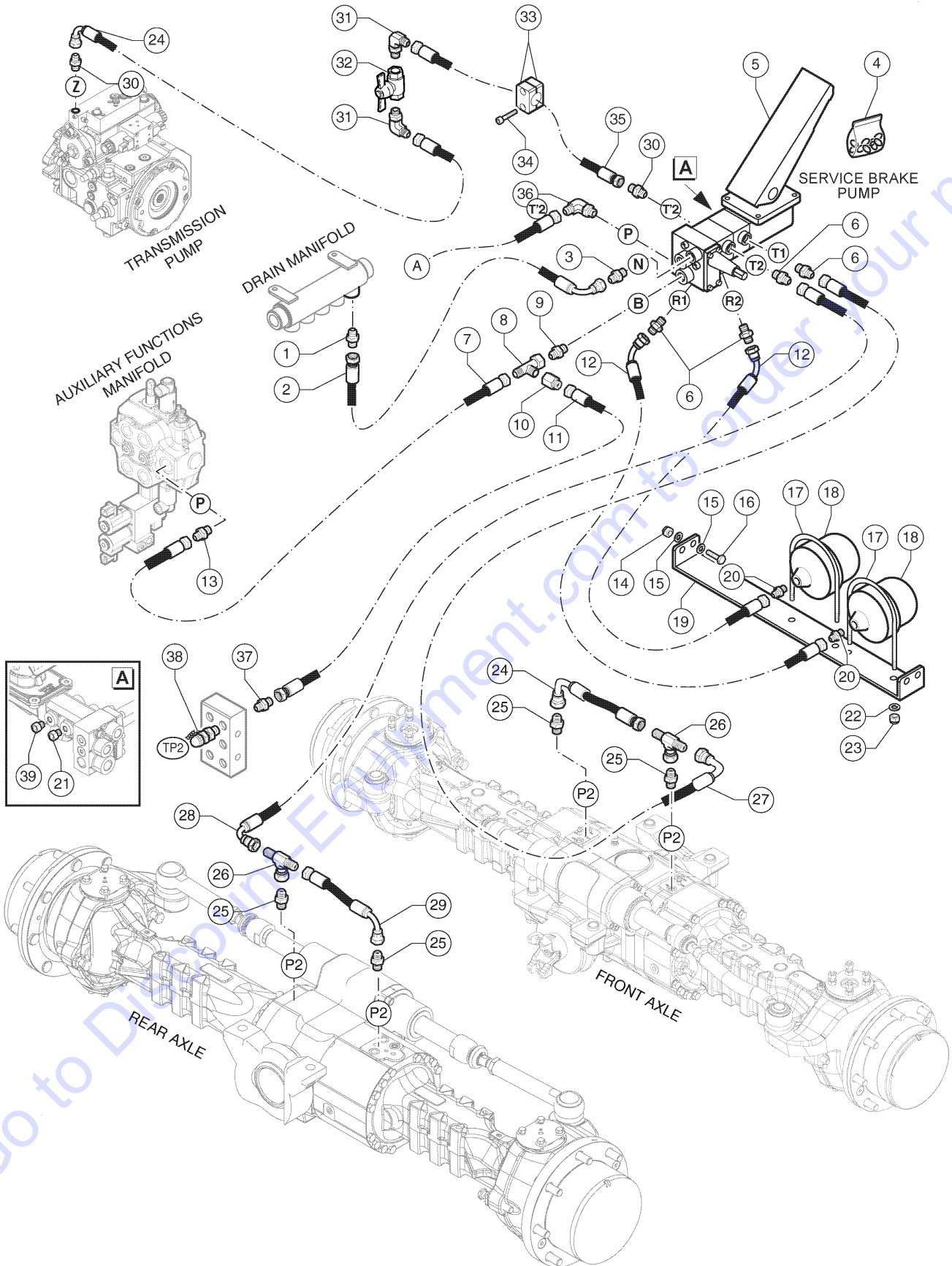
608.1 608673 Power Steering



REAR AXLE STEERING CYLINDER

| Item | Part No. | Description | Qty. |
|------|----------------|--|------|
| 1 | 09.0636.0000GT | STEERING COLUMN,COMPLETE..... | 1 |
| 2 | 01.0001.0355GT | SCREW M10X25 UNI 5739 8.8 ZN..... | 7 |
| 3 | 01.4032.0004GT | SPRING WASHER D10 ZN..... | 7 |
| 4 | 01.0031.0056GT | FLAT WASHER D10 UNI 6592 ZN..... | 7 |
| 5 | 04.0607.0113GT | PIPE FITTING 1/4 BSPX9/16-18 ORFS..... | 1 |
| 6 | 09.4636.0017GT | Power Steering..... | 1 |
| 7 | 07.4529.0118GT | Seal Kit..... | 1 |
| 8 | 04.0607.0110GT | PIPE FITTING 1/2BSP x 11/16-16 ORFS..... | 2 |
| 9 | 04.0607.0111GT | PIPE FITTING 1/2 BSPX13/16-16 ORFS..... | 3 |
| 10 | 04.0605.0360GT | Flexible Hose R2 X 3/8" Lg. 1200 FD - F90 11/16"-16 ORFS..... | 2 |
| 11 | 04.0607.0114GT | PIPE FITTING 3/8 BSPX9/16-18 ORFS..... | 4 |
| 12 | 04.0605.1441GT | Pipe Fitting R2 X 1/4 LG. 2100 F90 MD 9/16 ORFS..... | 1 |
| 13 | 04.0607.0113GT | PIPE FITTING 1/4 BSPX9/16-18 ORFS..... | 1 |
| 14 | 04.0605.1440GT | Flexible Hose R2 X 1/2 LG 3150 FD F90 13/16 ORFS..... | 1 |
| 15 | 04.0605.0440GT | HOSE R2X3/8 LG 1900 F90-FD 11/16-16 ORFS..... | 1 |
| 16 | 04.0607.0193GT | Pipe Fitting 3/4-16UNF/ 11/16-16ORFS.. | 3 |
| 17 | 04.0605.0322GT | Pipe R2 X 1/2 L=2900 FD-F90 13/16-16 ORFS..... | 2 |
| 18 | 04.0607.0111GT | PIPE FITTING 1/2 BSPX13/16-16 ORFS..... | 1 |
| 19 | 04.0605.1540GT | Flexible Hose R1 X 1/2 4500 F90 FD 13/16"-16 ORFS..... | 1 |
| 20 | 09.0636.0002GT | Steering wheel..... | 1 |
| 21 | 09.0636.0001GT | CENTRAL CAP WITH HORN..... | 1 |
| 22 | 51.0811.4076GT | Steering Support..... | 1 |
| 23 | 04.4240.0052GT | SOLENOID VALVE..... | 1 |
| 24 | 07.4529.0111GT | COIL, VALVE..... | 2 |
| 25 | 01.0001.0104GT | SCREW M6X40 UNI 5739 8.8 ZN..... | 2 |
| 26 | 01.0031.0054GT | FLAT WASHER D6 UNI 6592 ZN..... | 4 |
| 27 | 01.0023.0053GT | STOP NUT M6 UNI 7473 6S ZN..... | 2 |
| 28 | 04.0607.0849GT | Pipe Fitting M-M A 90 3/4"-16 UNF X 11/16"-16 ORFS..... | 1 |
| 29 | 04.0605.1442GT | PIPE FITTING R2X1/4 LG950 FD F90 9/16 ORFS..... | 1 |

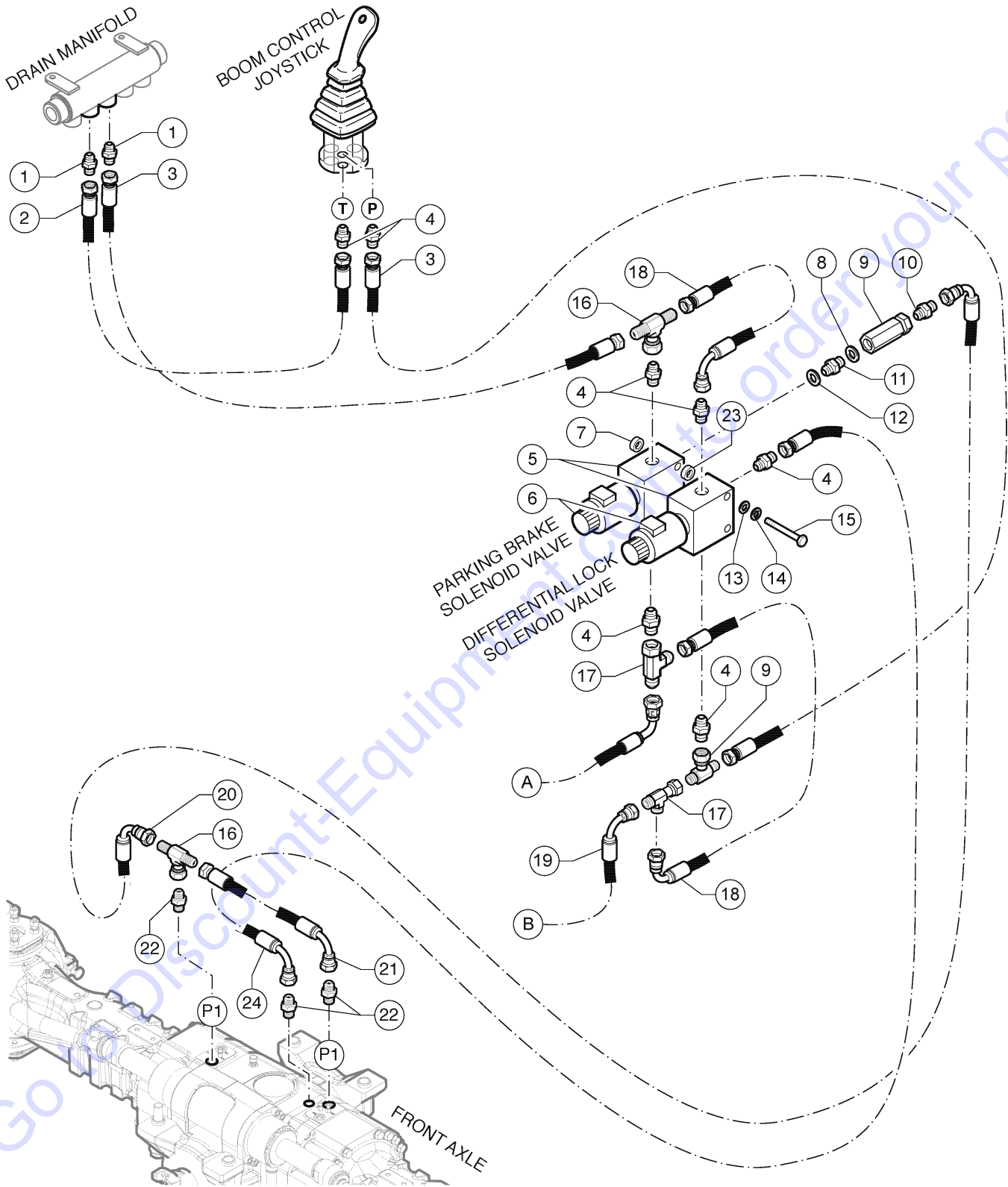
609.1 608674 Service Brake



609.1 608674 Service Brake

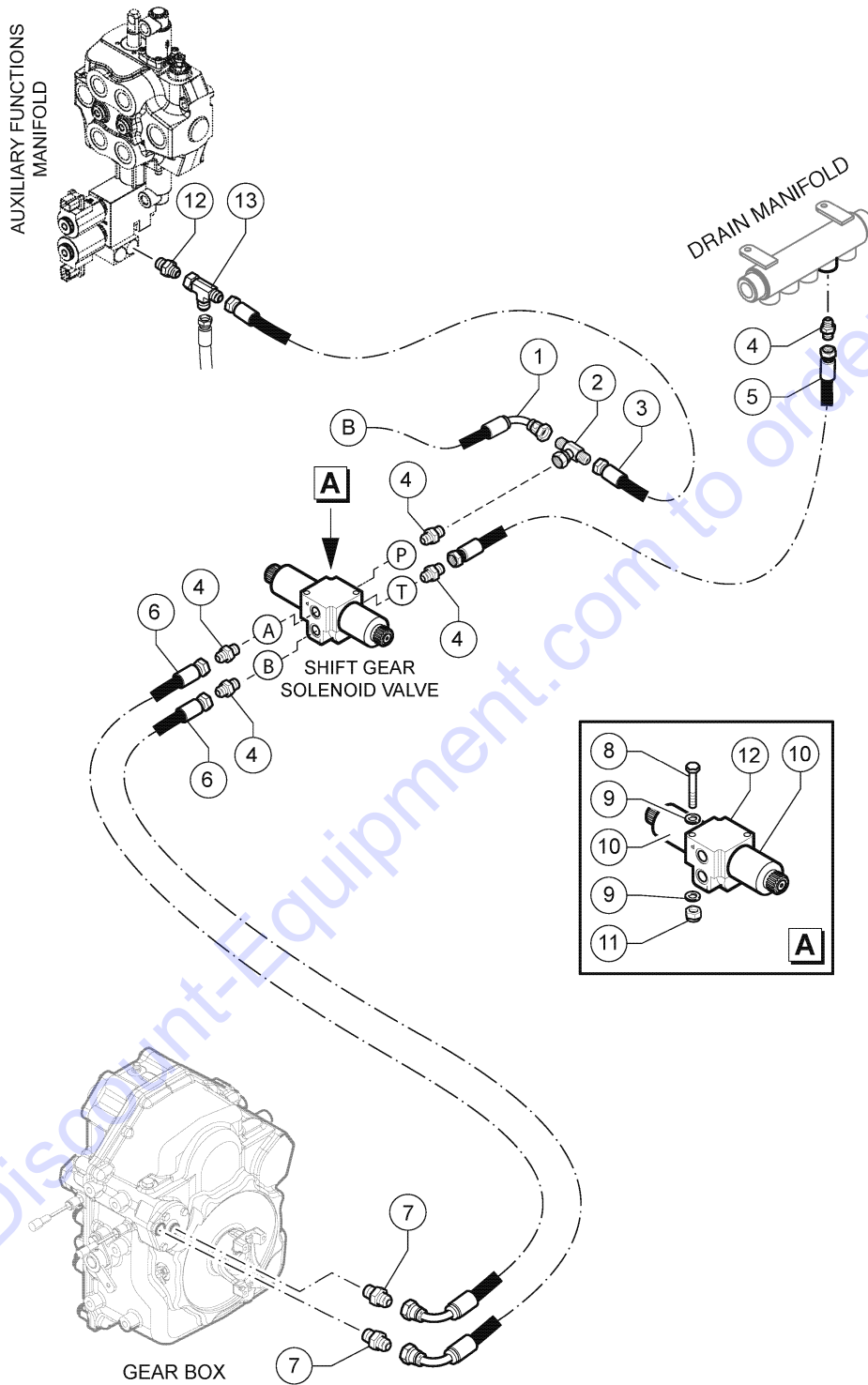
| Item | Part No. | Description | Qty. | Item | Part No. | Description | Qty. |
|------|----------------|--|------|------|----------------|---|------|
| A | | See 600 Hydraulic System, Figure 608679 - Position B | | 33 | 09.0803.0397GT | Clamp D18..... | 2 |
| 1 | 04.0607.0117GT | PIPE FITTING 3/8BSPX11/16-16 ORFS..... | 1 | 34 | 01.0001.0102GT | SCREW M6X30 UNI 5739 8.8 ZN..... | 2 |
| 2 | 04.0605.1626GT | HOSE R1X3/8 1100 F90 FD 11/16-16 ORFS..... | 1 | 35 | 04.0605.0766GT | Flexible Hose R2 X 1/4 LG. 2600 FD - F90 9/16"-18 ORFS..... | 1 |
| 3 | 04.0607.0137GT | PIPE FITTING 18X1.5X11/16 ORFS..... | 1 | 36 | 04.0607.0141GT | PIPE FITTING 90 1/2GASXM 13/16-16 ORFS..... | 1 |
| 4 | 07.0730.0077GT | SEAL KIT..... | 1 | 37 | 04.0607.0153GT | PIPE FITTING 14X1.5X9/16-18 ORFS.... | 1 |
| 5 | 05.4309.0000GT | Pump Brake..... | 1 | 38 | 04.4210.0016GT | PRESSURE PLUG M14X1.5..... | 1 |
| 6 | 04.0607.0153GT | PIPE FITTING 14X1.5X9/16-18 ORFS.... | 4 | 39 | 05.4329.0001GT | PRESSURE SWITCH..... <i>Stop Lights Activation</i> | 1 |
| 7 | 04.0605.0413GT | Flexible Hose R2 X 1/2" Lg. 3200 F90 - Fd 13/16"-16 Orfs..... | 1 | | | | |
| 8 | 04.0607.0122GT | PIPE FITTING TMF+L 13/16-16 ORFS...1 | | | | | |
| 9 | 04.0607.0111GT | PIPE FITTING 1/2 BSPX13/16-16 ORFS..... | 1 | | | | |
| 10 | 04.0607.0797GT | PIPE FITTING F 13/16-16 ORFS-M 9/16-18 ORFS..... | 1 | | | | |
| 11 | 04.0605.1444GT | Flexible Hose R2 X 1/4" 2600 FD FD....1 | | | | | |
| 12 | 04.0605.0423GT | Flexible Hose R2 X 1/4 LG. 700 F90 FD 9/16-18 ORFS | 2 | | | | |
| 13 | 04.0607.0121GT | PIPE FITTING 3/4 BSPX13/16-16 ORFS..... | 1 | | | | |
| 14 | 01.0023.0054GT | NUT,M8 UNI 7473 6S ZN..... | 4 | | | | |
| 15 | 01.0031.0055GT | FLAT WASHER D8 UNI 6592 ZN..... | 8 | | | | |
| 16 | 01.0001.0258GT | SCREW M8X35 UNI 5739 8.8 ZN..... | 4 | | | | |
| 17 | 51.0800.8100GT | U-Bolt..... | 2 | | | | |
| 18 | 05.4329.0000GT | ACCUMULATOR,BRAKE..... | 2 | | | | |
| 19 | 51.0811.4454GT | SUPPORT,ACCUMULATOR..... | 1 | | | | |
| 20 | 04.0607.0855GT | PIPE FITTING M18X1,5 M 9/16-18 ORFS..... | 2 | | | | |
| 21 | 05.4329.0002GT | PROXIMITY SWITCH..... <i>Low Pressure Service Brake Oil Indicator Light</i> | 1 | | | | |
| 22 | 01.0031.0056GT | FLAT WASHER D10 UNI 6592 ZN..... | 4 | | | | |
| 23 | 01.0023.0055GT | NUT,STOP,M10 UNI 7473 6S ZN..... | 4 | | | | |
| 24 | 04.0605.0422GT | HOSE R2X1/4 LG 400 F90-FD 9/16-18 ORFS..... | 2 | | | | |
| 25 | 04.0607.0813GT | PIPE FITTING, M14X1.5X9/16 ORFS.... | 4 | | | | |
| 26 | 04.0607.0131GT | PIPE FITTING TMF+C 9/16-18 ORFS.... | 2 | | | | |
| 27 | 04.0605.1327GT | Flexible Hose R2 X 1/4 1800 F90 9/16"-18 FD 9/16"-18..... | 1 | | | | |
| 28 | 04.0605.1328GT | Flexible Hose..... | 1 | | | | |
| 29 | 04.0605.0428GT | Flexible Hose..... | 1 | | | | |
| 30 | 04.0607.0180GT | PIPE FITTING M10X1- 9/16-18 ORFS.... | 2 | | | | |
| 31 | 04.0607.0112GT | PIPE FITTING M-M A 90 1/4 BSPX9/16-18 ORFS..... | 2 | | | | |
| 32 | 04.4224.0012GT | Ball Valve..... | 1 | | | | |

610.1 608675 Parking Brake



| Item | Part No. | Description | Qty. |
|------|----------------|--|------|
| A | | See 600 Hydraulic System, Figure 608676 - Position B | |
| B | | See 600 Hydraulic System, Figure 608681 - Position A1 | |
| 1 | 04.0607.0117GT | PIPE FITTING 3/8BSPX11/16-16 ORFS..... | 1 |
| 2 | 04.0605.1341GT | Flexible Hose R1 X 1/4 900 FD-FD 9/16"-18..... | 1 |
| 3 | 04.0605.0530GT | Flexible Hose R1 X 1/4 700 FD-FD 9/16-18 ORFS..... | 2 |
| 4 | 04.0607.0113GT | PIPE FITTING 1/4 BSPX9/16-18 ORFS..... | 7 |
| 5 | 04.4240.0015GT | VALVE..... | 2 |
| 6 | 07.0705.0093GT | SOLENOID..... | 2 |
| 7 | 54.0101.0002GT | SPACER D 22/8.5 LG8..... | 2 |
| 8 | 06.0442.0120GT | BONDED RING 3/8"..... | 1 |
| 9 | 04.4239.0015GT | SAFETY VALVE..... | 1 |
| 10 | 04.0607.0114GT | PIPE FITTING 3/8 BSPX9/16-18 ORFS..... | 1 |
| 11 | 04.0600.0021GT | PIPE FITTING 1/4X3/8 BSP..... | 1 |
| 12 | 06.0442.0117GT | BONDED RING 1/4"..... | 1 |
| 13 | 01.0031.0054GT | FLAT WASHER D6 UNI 6592 ZN..... | 2 |
| 14 | 01.4032.0002GT | SPRING WASHER D6 ZN..... | 2 |
| 15 | 01.4001.0056GT | Screw TE M6X100 UNI 5737 8.8 ZN..... | 2 |
| 16 | 04.0607.0131GT | PIPE FITTING TMF+C 9/16-18 ORFS..... | 3 |
| 17 | 04.0607.0115GT | PIPE FITTING TMF+L 9/16-18 ORFS..... | 2 |
| 18 | 04.0605.1625GT | FLEXIBLE HOSE R1 X 1/4 LG. 400 FD F90 9/16-18 ORFS..... | 2 |
| 19 | 04.0605.0846GT | Flexible Hose R1 X 1/4 L 1500 90 FEM STR FEM 9/16-18..... | 1 |
| 20 | 04.0605.1271GT | Flexible Hose R2 X 1/4 1200 F90 F90 9/16"-18 A 90°..... | 1 |
| 21 | 04.0605.0422GT | HOSE R2X1/4 LG 400 F90-FD 9/16-18 ORFS..... | 1 |
| 22 | 04.0607.0813GT | PIPE FITTING, M14X1.5X9/16 ORFS..... | 3 |
| 23 | 54.0101.0000GT | SPACER,TEFLON,D22/8.5 LG.15..... | 2 |
| 24 | 04.0605.0368GT | Flexible Hose R1 X 1/4 LG.1800 FD F90 9/16-18 ORFS..... | 1 |

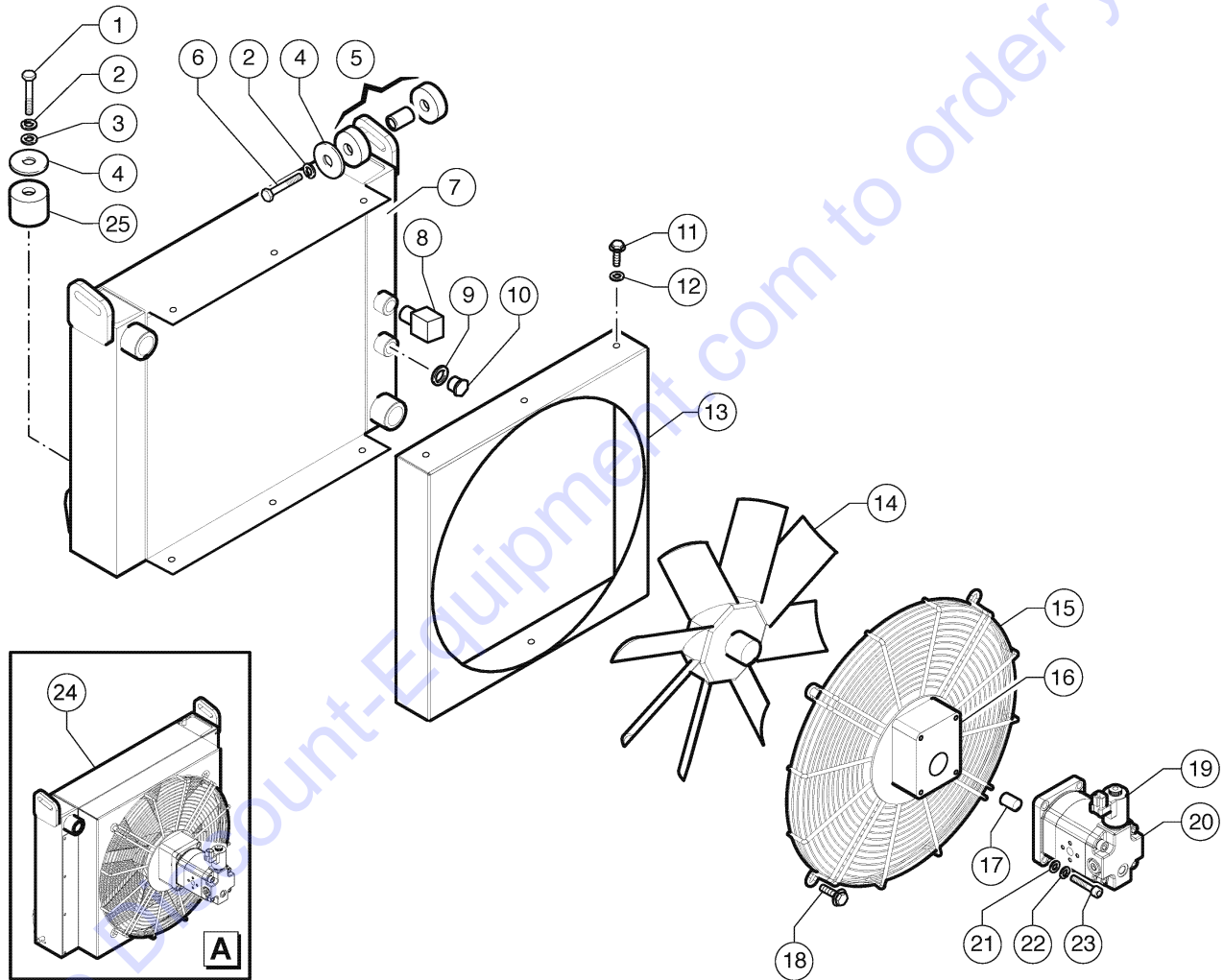
611.1 608676 Gear Box



| Item | Part No. | Description | Qty. |
|------|----------------|---|------|
| B | | To Drawing 608675 Position A | |
| 1 | 04.0605.0846GT | Flexible Hose R1 X 1/4 L 1500 90 FEM STR FEM 9/16-18..... | 1 |
| 2 | 04.0607.0131GT | PIPE FITTING TMF+C 9/16-18 ORFS..... | 1 |
| 3 | 04.0605.1335GT | Flexible Hose R1 X 1/4 L 1600 STR FEM STR FEM 9/16"-18 ORFS..... | 1 |
| 4 | 04.0607.0114GT | PIPE FITTING 3/8 BSPX9/16-18 ORFS..... | 5 |
| 5 | 04.0605.1144GT | Flexible Hose R1 X 1/4 L 1500 STR FEM STR FEM 9/16"-18..... | 1 |
| 6 | 04.0605.0556GT | HOSE R1X1/4 LG 800 FD F90 9/16-18 ORFS..... | 2 |
| 7 | 04.0607.0813GT | PIPE FITTING, M14X1.5X9/16 ORFS..... | 2 |
| 8 | 01.0001.0104GT | SCREW M6X40 UNI 5739 8.8 ZN..... | 2 |
| 9 | 01.0031.0054GT | FLAT WASHER D6 UNI 6592 ZN..... | 4 |
| 10 | 07.4529.0111GT | COIL, VALVE..... | 2 |
| 11 | 01.0023.0053GT | STOP NUT M6 UNI 7473 6S ZN..... | 2 |
| 12 | 04.4240.0055GT | SOLENOID VALVE..... | 1 |
| 13 | 04.0607.0115GT | PIPE FITTING TMF+L 9/16-18 ORFS..... | 1 |

Go to Discount-Equipment.com to order your parts

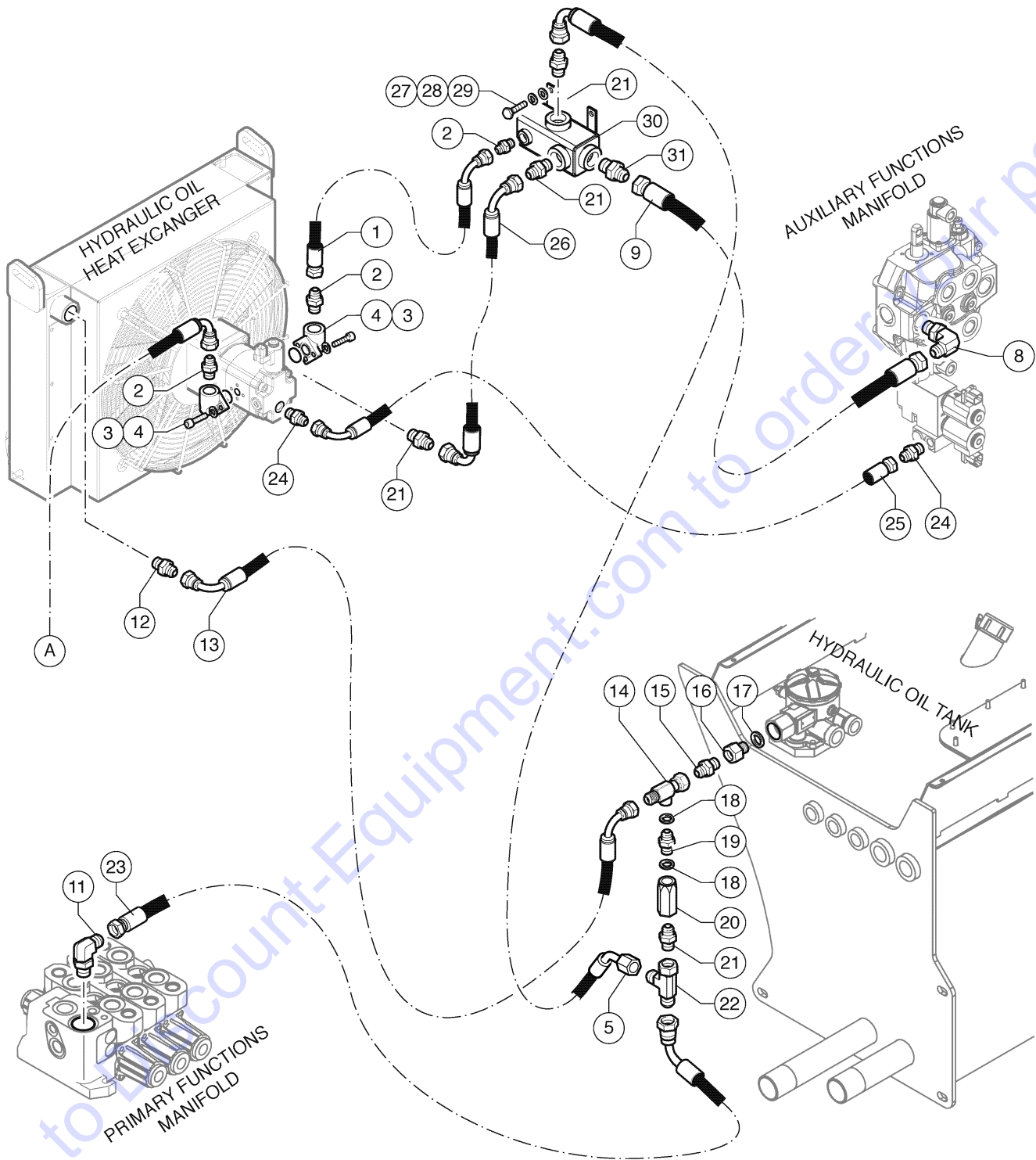
612.1 608677 Hydraulic Oil Radiator



612.1 608677 Hydraulic Oil Radiator

| Item | Part No. | Description | Qty. |
|------|-----------------|---------------------------------------|------|
| 1 | 01.4001.0089GT | SCREW M12X70 UNI 5737 8.8 ZN..... | 2 |
| 2 | 01.4032.0005GT | SPRING WASHER D12 ZN..... | 4 |
| 3 | 01.0031.0057GT | WASHER,D12 UNI 6592 ZN..... | 2 |
| 4 | 01.4031.0003GT | FLAT WASHER D12 UNI 6593 ZN..... | 4 |
| 5 | 07.0723.00360GT | VIBRATION DAMPING KIT..... | 2 |
| 6 | 01.0001.0308GT | SCREW M10X70 UNI 5737 8.8 ZN..... | 2 |
| 7 | 07.0712.0233GT | Oil Cooler..... | 1 |
| 8 | 56.0014.0091GT | THERMOSTAT..... | 1 |
| 9 | 06.0442.0122GT | BONDED RING 1/2"..... | 1 |
| 10 | 04.0220.0055GT | PLUG 1/2 BSP..... | 1 |
| 11 | 01.4001.0106GT | SCREW M6X16 DIN 6923 8.8 ZN..... | 6 |
| 12 | 01.0031.0308GT | FLAT WASHER D6 UNI ISO 7093 ZN..... | 6 |
| 13 | 07.0712.0232GT | Shroud Oil Cooler..... | 1 |
| 14 | 07.0712.0227GT | Fan Oil Cooler..... | 1 |
| 15 | 07.0712.0231GT | Cage Fan Oil Cooler..... | 1 |
| 16 | 07.0712.0199GT | SUPPORT..... | 1 |
| 17 | 07.0712.0198GT | Joint..... | 1 |
| 18 | 01.4001.0078GT | SCREW M8X20 DIN 6923 8.8 ZN..... | 4 |
| 19 | 07.0722.0067GT | Solenoid..... | 1 |
| 20 | 04.4235.0049GT | Hydraulic Motor..... | 1 |
| 21 | 01.0031.0055GT | FLAT WASHER D8 UNI 6592 ZN..... | 4 |
| 22 | 01.4032.0003GT | SPRING WASHER D8 ZN..... | 4 |
| 23 | 01.0003.0944GT | Screw Tcei M 8X30 UNI 5931 8.8Zn..... | 4 |
| 24 | 53.3200.0075GT | Oil Cooler..... | 1 |
| 25 | 09.4670.0024GT | Shock Absorber..... | 2 |

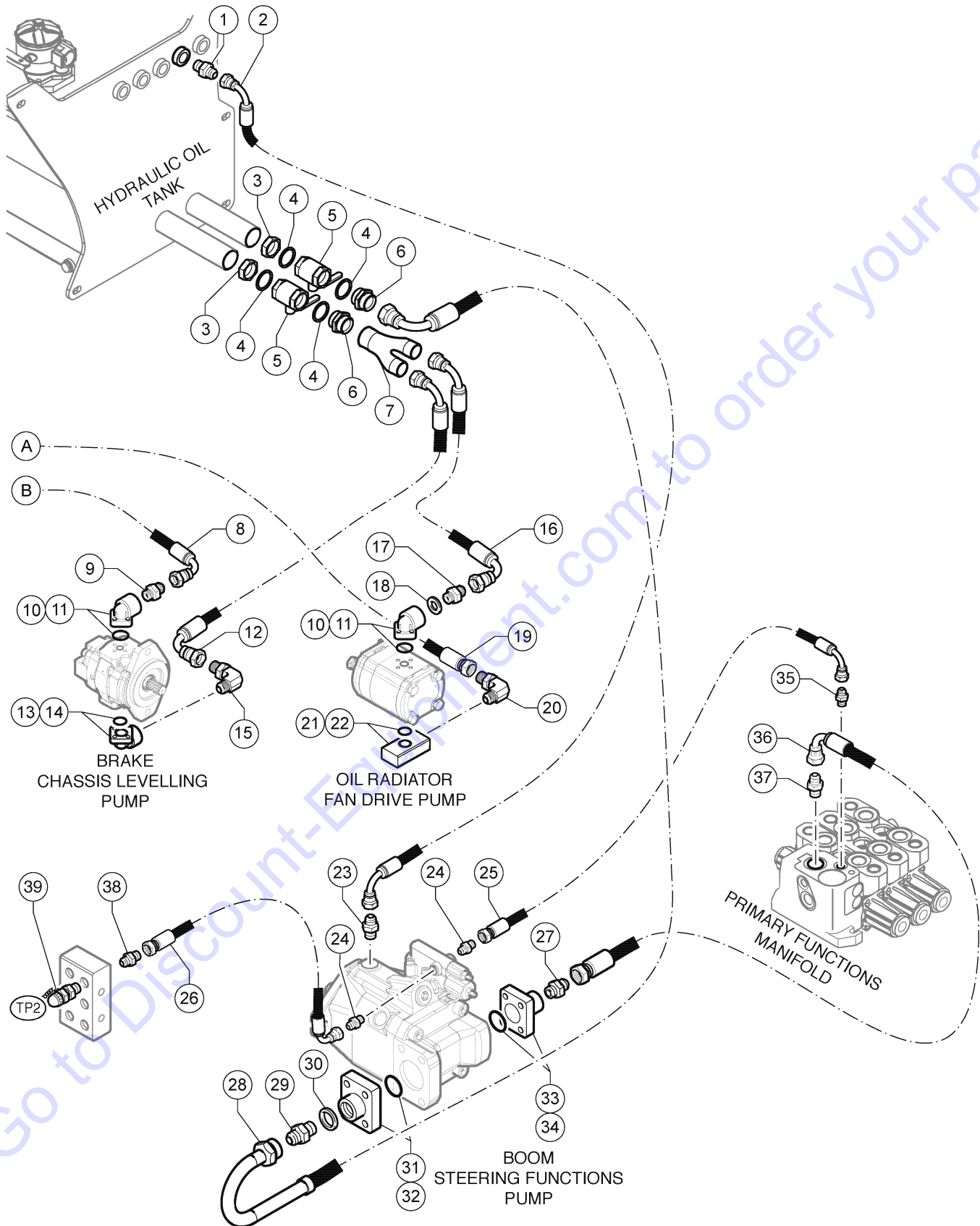
613.1 608678 Hydraulic Oil Radiator Circuit



613.1 608678 Hydraulic Oil Radiator Circuit

| Item | Part No. | Description | Qty. |
|------|----------------|---|------|
| A | | To Drawing 608679 Position A - Deutz Version | |
| 1 | 04.0605.1332GT | Flexible Hose R1 X 1/2 L 700 90 FEM STR FEM 13/16"-16 ORFS..... | 1 |
| 2 | 04.0607.0111GT | PIPE FITTING 1/2 BSPX13/16-16 ORFS..... | 3 |
| 3 | 04.4223.0002GT | PIPE FITTING G1 12..... <i>Pipe Fitting with O-Ring and Screws</i> | 2 |
| 4 | 900007GT | O-Ring..... | 2 |
| 5 | 04.0605.1600GT | Flexible Hose R4 X 1 1850 F90 F90 1 7/16"-12 ORFS..... | 1 |
| 8 | 04.0607.0119GT | PIPE FITTING..... | 1 |
| 9 | 04.0605.1601GT | Flexible Hose R4 X 3/4 750 FD FD 1"3/16-12 ORFS..... | 1 |
| 11 | 04.0607.0147GT | FITTING,90, 1"GAS X 1-7/16 M O | 2 |
| 12 | 04.0607.0174GT | PIPE FITTING 1"BSPX1"11/16-12 ORFS..... | 1 |
| 13 | 04.0605.1346GT | Flexible Hose R4 X 1-1/4 L 2400 90 FEM 90 FEM 1 11/16"-12 ORFS..... | 1 |
| 14 | 04.0607.0176GT | Pipe Fitting TMF+L 1"11/16-12 ORFS..... | 1 |
| 15 | 04.0607.0190GT | Pipe Fitting 1"1/4BSP-1"11/16-12ORFS..... | 1 |
| 16 | 04.0600.0261GT | Pipe Fitting M 1 1/4" BSP X F 1 1/4" BSP..... | 1 |
| 17 | 06.0442.0126GT | BONDED RING 1"1/4..... | 1 |
| 18 | 06.0442.0125GT | BONDED RING 1"..... | 2 |
| 19 | 04.0600.0066GT | PIPE FITTING 1X1 BSP..... | 1 |
| 20 | 04.4239.0077GT | SAFETY VALVE..... | 1 |
| 21 | 04.0607.0142GT | PIPE FITTING 1" GASX1-7/16-12 ORFS..... | 4 |
| 22 | 04.0607.0160GT | Pipe Fitting TMF+L 1"7/16 ORFS..... | 1 |
| 23 | 04.0605.1343GT | Flexible Hose R4 X 1 L 800 STR FEM 45 FEM 1 7/16"-12 ORFS..... | 1 |
| 24 | 04.0607.0113GT | PIPE FITTING 1/4 BSPX9/16-18 ORFS..... | 2 |
| 25 | 04.0605.1044GT | HOSE R1X1/4 LG 1300 F90 9/16-18 FD 9/16-18..... | 1 |
| 26 | 04.0605.1606GT | Flexible Hose R4 X 1" Lg. 450 F90 - F90 1"7/16-12 ORFS a 90°..... | 1 |
| 27 | 01.0001.0353GT | SCREW M10X20 UNI 5739 8.8 ZN..... | 2 |
| 28 | 01.4032.0004GT | SPRING WASHER D10 ZN..... | 2 |
| 29 | 01.0031.0056GT | FLAT WASHER D10 UNI 6592 ZN..... | 2 |
| 30 | 53.3001.6793GT | Tank Line Manifold..... | 1 |
| 31 | 04.0607.0130GT | PIPE FITTING 1 BSPX1-3/16-12 ORFS..... | 1 |

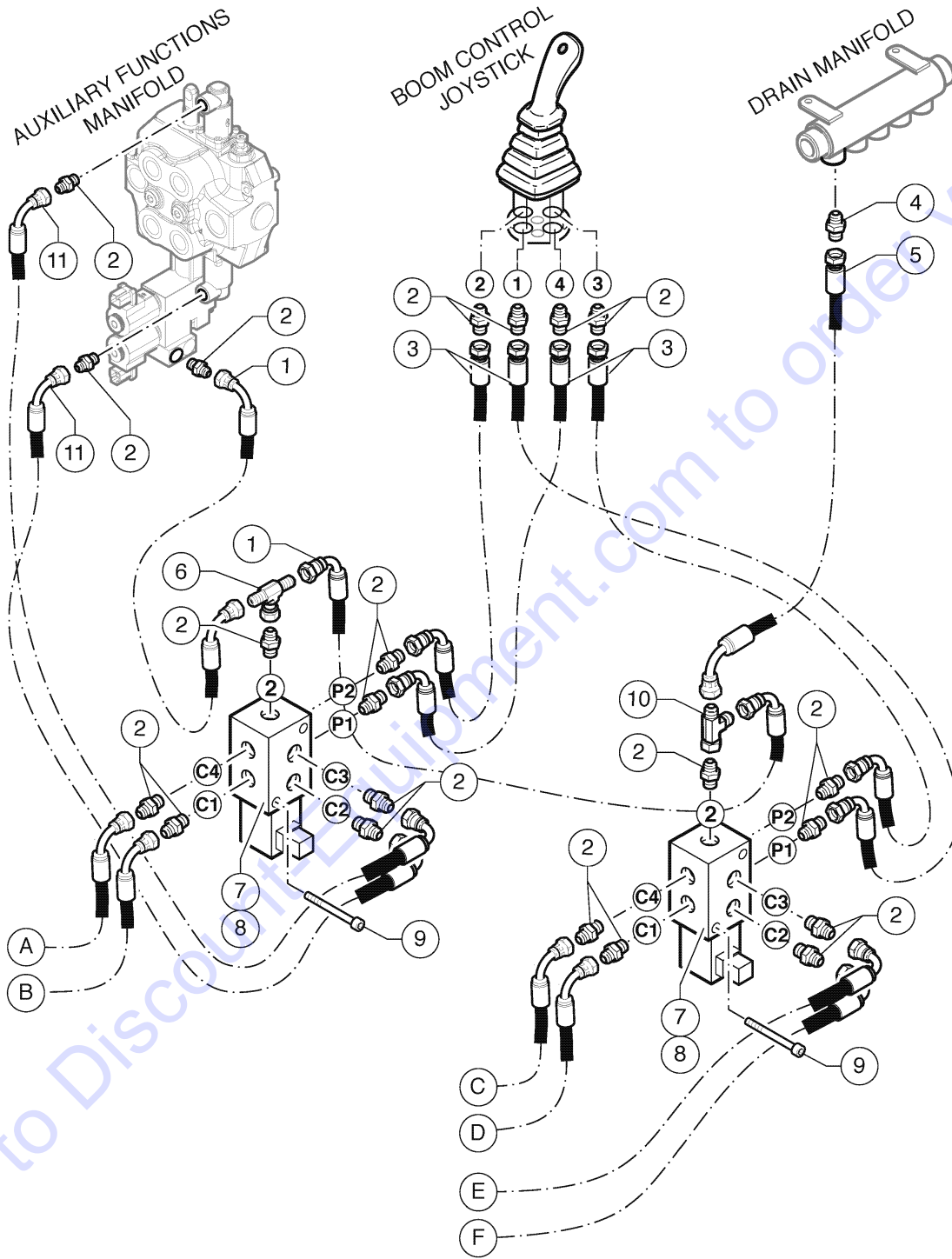
614.1 608679 Hydraulic Pumps



614.1 608679 Hydraulic Pumps

| Item | Part No. | Description | Qty. | Item | Part No. | Description | Qty. |
|------|----------------|--|------|------|----------------|---|------|
| A | | To Drawing 608678 Position A | | 31 | 04.0600.0136GT | Pipe Fitting Kit RD2-MF/FG200-N.....1 <i>Pipe Fitting With O-Ring and Screws</i> | 1 |
| B | | To Drawing 608674 Position A | | 32 | 06.0401.1501GT | O-Ring.....1 | 1 |
| 1 | 04.0607.0130GT | PIPE FITTING 1 BSPX1-3/16-12 ORFS.....1 | 1 | 33 | 04.4223.0010GT | Pipe Fitting Kit RD2-MC/FG100-N.....1 <i>Pipe Fitting With O-Ring and Screws</i> | 1 |
| 2 | 04.0605.1337GT | Flexible Hose R4 X 3/4 2600 F90 F90 1 3/16"-12 ORFS A 45.....1 | 1 | 34 | 900026GT | O-Ring.....1 | 1 |
| 3 | 01.4019.0020GT | NUT 2" DIN 431 6S ZN.....2 | 2 | 35 | 04.0607.0113GT | PIPE FITTING 1/4 BSPX9/16-18 ORFS.....1 | 1 |
| 4 | 06.0442.0132GT | BONDED RING 2".....4 | 4 | 36 | 04.0605.1338GT | Flexible Hose R2 X 3/4" 300 Bar Lg. 2450 FD - F90 1"3/16-12 ORFS.....1 | 1 |
| 5 | 04.4224.0001GT | BALL VALVE.....2 | 2 | 37 | 04.0607.0107GT | PIPE FITTING 3/4BSP X1"3/16-12 ORFS.....1 | 1 |
| 6 | 04.0600.0094GT | PIPE FITTING 2X2 BSP.....2 | 2 | 38 | 04.0607.0153GT | PIPE FITTING 14X1.5X9/16-18 ORFS....1 | 1 |
| 7 | 53.3001.6768GT | Pipe Fitting.....1 | 1 | 39 | 04.4210.0016GT | PRESSURE PLUG M14X1.5.....1 | 1 |
| 8 | 04.0605.1443GT | Flexible Hose R2 X 1/2 3500 F90 F45 13/16"-16 A 90° ORFS.....1 | 1 | | | | |
| 9 | 04.0607.0111GT | PIPE FITTING 1/2 BSPX13/16-16 ORFS.....1 | 1 | | | | |
| 10 | 04.4223.0002GT | PIPE FITTING G1 12.....2 <i>Pipe Fitting With O-Ring and Screws</i> | 2 | | | | |
| 11 | 900007GT | O-Ring.....2 | 2 | | | | |
| 12 | 04.0602.0611GT | Flexible Hose R4 X 1 800 F45 F90 BSP.....1 | 1 | | | | |
| 13 | 04.4223.0001GT | PIPE FITTING G2 34.....1 <i>Pipe Fitting With O-Ring and Screws</i> | 1 | | | | |
| 14 | 900075GT | O-Ring.....1 | 1 | | | | |
| 15 | 04.0600.0106GT | Pipe Fitting 90°.....1 | 1 | | | | |
| 16 | 04.0602.0612GT | Flexible Hose R4 X 3/4 1400 F90 1" BSP F90 3/4" BSP A 180.....1 | 1 | | | | |
| 17 | 04.0600.0027GT | Pipe Fitting 1/2X 3/4 BSP.....1 | 1 | | | | |
| 18 | 06.0442.0122GT | BONDED RING 1/2".....1 | 1 | | | | |
| 19 | 04.0605.1355GT | Flexible Hose R2 X 1/2 3500 F90 FD 13/16"-16.....1 | 1 | | | | |
| 20 | 04.0607.0847GT | Pipe Fitting 90° M3/8 X M13/16"-16 ORFS.....1 | 1 | | | | |
| 21 | 04.4223.0014GT | Pipe Fitting Kit EG3-EA/FG38-N.....1 <i>Pipe Fitting With O-Ring and Screws</i> | 1 | | | | |
| 22 | 07.0722.0066GT | O-Ring.....1 | 1 | | | | |
| 23 | 04.0607.0158GT | Pipe Fitting 7/8-14 UNFX 1"3/16-12 ORFS.....1 | 1 | | | | |
| 24 | 04.0607.0228GT | Pipe Fitting 7/16-20 UNF X 9/16-18 ORFS.....2 | 2 | | | | |
| 25 | 04.0605.0531GT | Flexible Hose R2 X 1/4 LG. 2500 F90 FD 9/16-18 ORFS.....1 | 1 | | | | |
| 26 | 04.0605.0422GT | HOSE R2X1/4 LG 400 F90-FD 9/16-18 ORFS.....1 | 1 | | | | |
| 27 | 04.0607.0130GT | PIPE FITTING 1 BSPX1-3/16-12 ORFS.....1 | 1 | | | | |
| 28 | 04.0602.0608GT | Flexible Hose R4 X 2 2000.....1 | 1 | | | | |
| 29 | 04.0600.0094GT | PIPE FITTING 2X2 BSP.....1 | 1 | | | | |
| 30 | 06.0442.0132GT | BONDED RING 2".....1 | 1 | | | | |

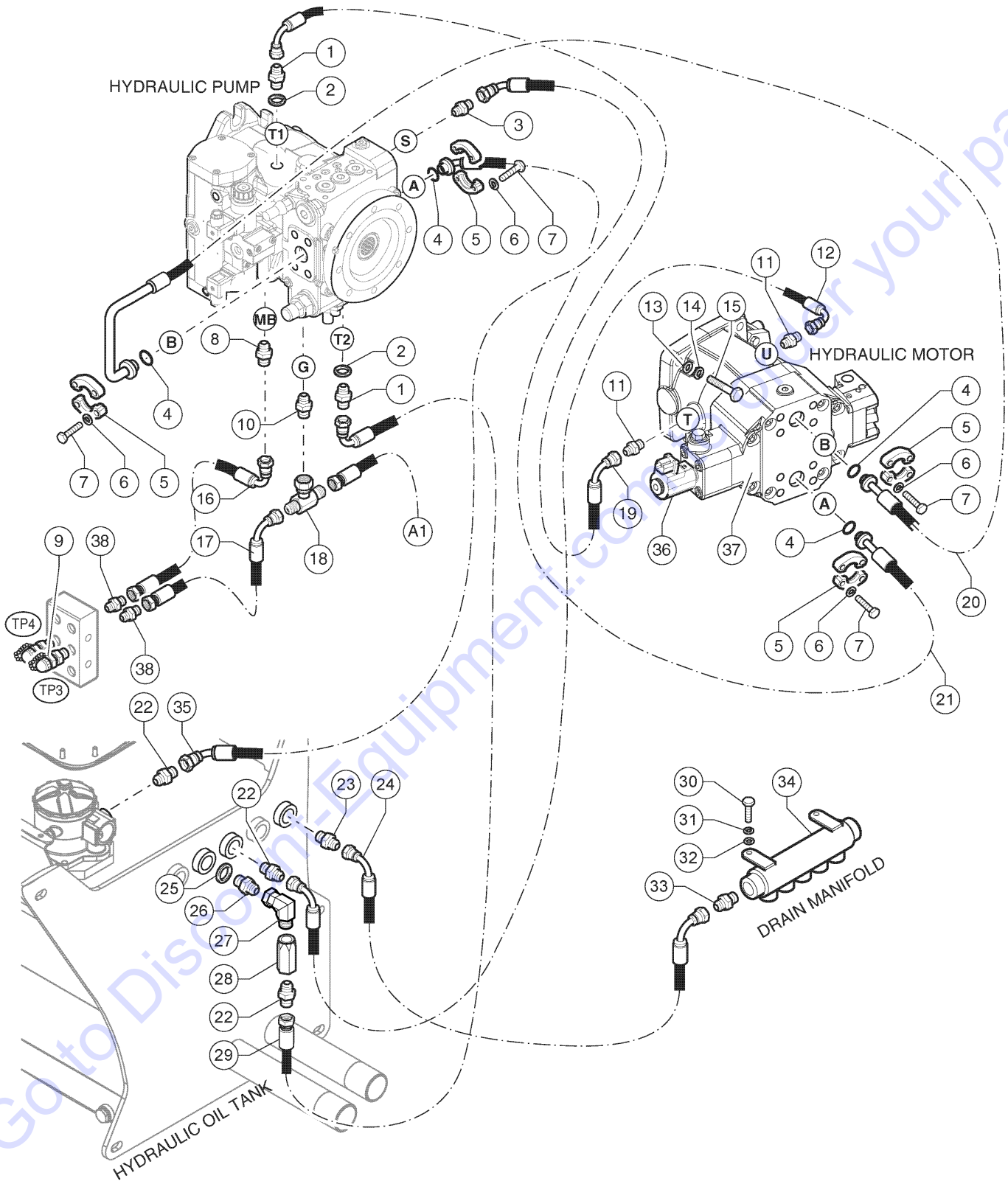
615.1 608680 Boom Hydraulic Control



| Item | Part No. | Description | Qty. |
|------|----------------|--|------|
| A | | To Drawing 608672 Position B | |
| B | | To Drawing 608672 Position E | |
| C | | To Drawing 608672 Position A | |
| D | | To Drawing 608672 Position D | |
| E | | To Drawing 608672 Position C | |
| F | | To Drawing 608672 Position F | |
| 1 | 04.0605.1356GT | Flexible Hose R1 X 1/4 300 F90 F90 9/16"-18 A 180..... | 2 |
| 2 | 04.0607.0113GT | PIPE FITTING 1/4 BSPX9/16-18 ORFS..... | 21 |
| 3 | 04.0605.0770GT | HOSE R1X1/4 L 2400 90 FEM STR FEM 9/16-18..... | 4 |
| 4 | 04.0607.0114GT | PIPE FITTING 3/8 BSPX9/16-18 ORFS..... | 1 |
| 5 | 04.0605.0368GT | Flexible Hose R1 X 1/4 LG.1800 FD F90 9/16-18 ORFS..... | 1 |
| 6 | 04.0607.0131GT | PIPE FITTING TMF+C 9/16-18 ORFS..... | 1 |
| 7 | 04.4240.0049GT | Solenoid Valve..... | 2 |
| 8 | 07.0701.0314GT | Solenoid..... | 2 |
| 9 | 01.4003.0063GT | Screw TCEI M5X45 8.8 ZN..... | 4 |
| 10 | 04.0607.0115GT | PIPE FITTING TMF+L 9/16-18 ORFS..... | 1 |
| 11 | 04.0605.1339GT | Flexible Hose R1 X 1/4 450 F90 F90 9/16"-18 ORFS..... | 2 |

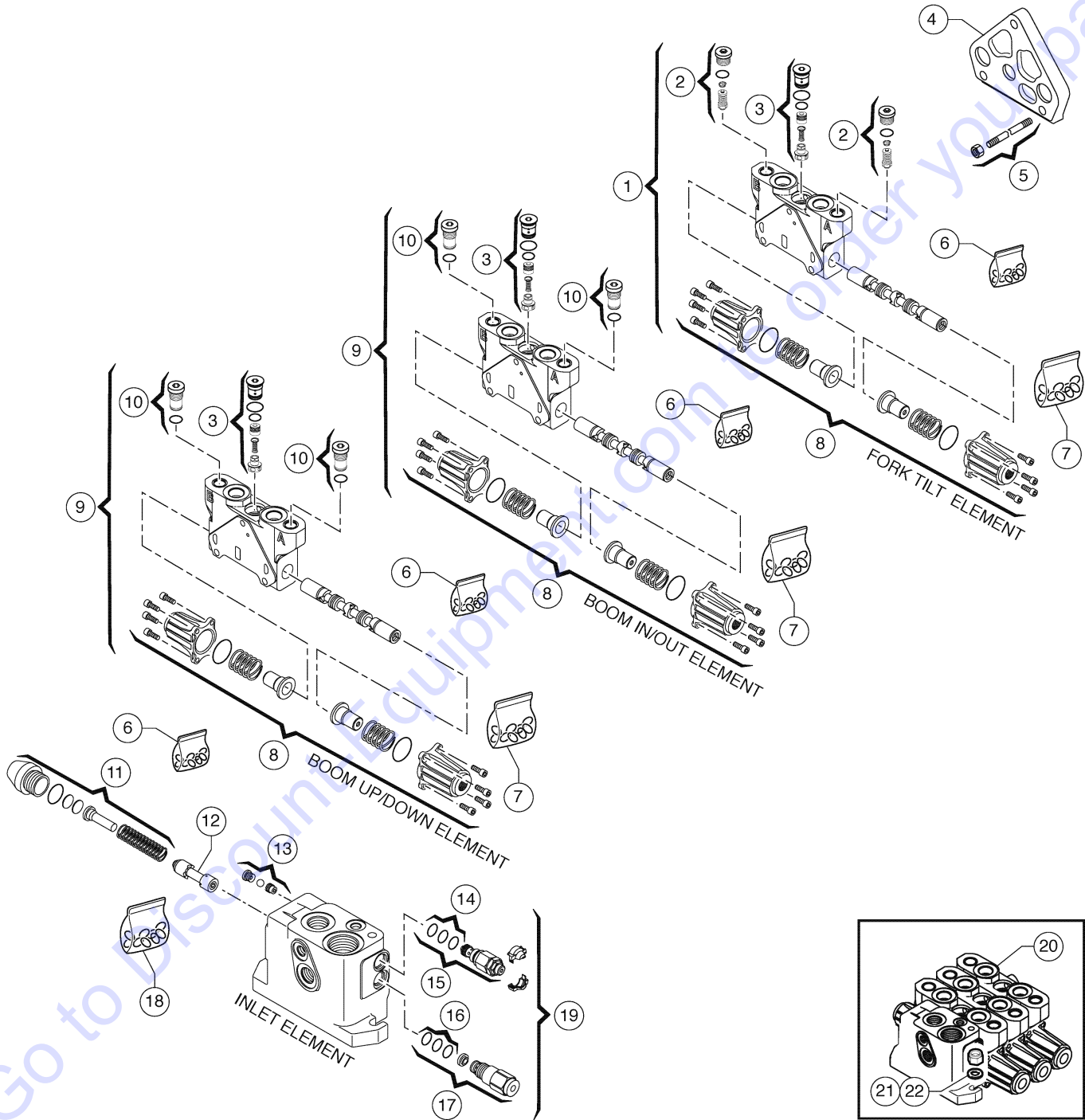
Go to Discount-Equipment.com to order your parts

616.1 608681 Transmission



| Item | Part No. | Description | Qty. | Item | Part No. | Description | Qty. |
|------|----------------|---|------|------|----------------|---|------|
| 1 | 04.0607.0183GT | Pipe Fitting M26X1,5X 1"7/16-12 ORFS..... | 2 | 33 | 04.0607.0107GT | PIPE FITTING 3/4BSP X1"3/16-12 ORFS..... | 1 |
| 2 | 06.0442.0124GT | BONDED RING 3/4..... | 2 | 34 | 53.3000.1100GT | Manifold..... | 1 |
| A2 | | To Drawing 608675 Position B | | 35 | 04.0605.1439GT | Flexible Hose R4 X 1-1/4 3200 F45 F45 1 11/16"-12 A 180°..... | 1 |
| 3 | 04.0607.0188GT | PIPE FITTING M42X2X1"11/16-12 ORFS..... | 1 | 36 | 07.0701.0289GT | Solenoid 12V..... | 1 |
| 4 | 06.0401.0219GT | O-RING..... | 4 | 36A | 1281127GT | NUT, PLASTIC LOCK, SOLENOID 07.0701.0289 for 07.0701.0289 | |
| 5 | 04.4223.0003GT | HALF FLANGE D47..... | 8 | 37 | 04.4235.0050GT | Transmission Hydraulic Motor..... | 1 |
| 6 | 01.4032.0005GT | SPRING WASHER D12 ZN..... | 16 | 38 | 04.0607.0153GT | PIPE FITTING 14X1.5X9/16-18 ORFS..... | 2 |
| 7 | 01.0001.0401GT | SCREW M12X40 UNI 5737 8.8 ZN..... | 16 | | | | |
| 8 | 04.0607.0103GT | PIPE FITTING M12X1.5 X 9/16-18 ORFS..... | 1 | | | | |
| 9 | 04.4210.0016GT | PRESSURE PLUG M14X1.5..... | 2 | | | | |
| 10 | 04.0607.0855GT | PIPE FITTING M18X1,5 M 9/16-18 ORFS..... | 1 | | | | |
| 11 | 04.0607.0846GT | Pipe Fitting M18X1,5 X 1"7/16-12 ORFS..... | 2 | | | | |
| 12 | 04.0605.1334GT | Flexible Hose R4 X 1 1400 F90 F45 1 7/16"-12 ORFS A180°..... | 1 | | | | |
| 13 | 01.0031.0059GT | FLAT WASHER D16 UNI 6592 ZN..... | 4 | | | | |
| 14 | 01.4032.0007GT | SPRING WASHER D16 ZN..... | 4 | | | | |
| 15 | 01.0001.0651GT | Screw TE M16X50 UNI 5737 8.8 ZN..... | 4 | | | | |
| 16 | 04.0605.1348GT | Flexible Hose R2 X 1/4" 450 Bar Lg. 800 FD - F90 9/16"-18 ORFS..... | 1 | | | | |
| 17 | 04.0605.0775GT | Flexible Hose R1 X 1/4 LG 900 F90 FD 9/16-18 | 1 | | | | |
| 18 | 04.0607.0131GT | PIPE FITTING TMF+C 9/16-18 ORFS..... | 1 | | | | |
| 19 | 04.0605.0752GT | Flexible Hose R4 X 1" LG 800 F90 FD 1" 7/16-12..... | 1 | | | | |
| 20 | 04.4229.0082GT | HOSE BM6K 1"X1100 FLD D47 Special..... | 1 | | | | |
| 21 | 04.4229.0084GT | Flexible Hose BM6K 1 900 F45 D.47 FLD D47..... | 1 | | | | |
| 22 | 04.0607.0142GT | PIPE FITTING 1" GASX1-7/16-12 ORFS..... | 3 | | | | |
| 23 | 04.0607.0130GT | PIPE FITTING 1 BSPX1-3/16-12 ORFS..... | 1 | | | | |
| 24 | 04.0605.1436GT | Flexible Hose R4 X 3/4 900 F90 F90 1 3/16"-12 ORFS A 90°..... | 1 | | | | |
| 25 | 06.0442.0125GT | BONDED RING 1"..... | 1 | | | | |
| 26 | 04.0600.0066GT | PIPE FITTING 1X1 BSP..... | 1 | | | | |
| 27 | 04.0600.0113GT | Pipe Fitting 90° BSP..... | 1 | | | | |
| 28 | 04.4239.0034GT | SAFETY VALVE..... | 1 | | | | |
| 29 | 04.0605.1333GT | HOSE R4X1 3000 F90 FD 1 7/16-12 ORFS..... | 1 | | | | |
| 30 | 01.0001.0254GT | SCREW M8X20 UNI 5739 8.8 ZN..... | 2 | | | | |
| 31 | 01.4032.0003GT | SPRING WASHER D8 ZN..... | 2 | | | | |
| 32 | 01.0031.0055GT | FLAT WASHER D8 UNI 6592 ZN..... | 2 | | | | |

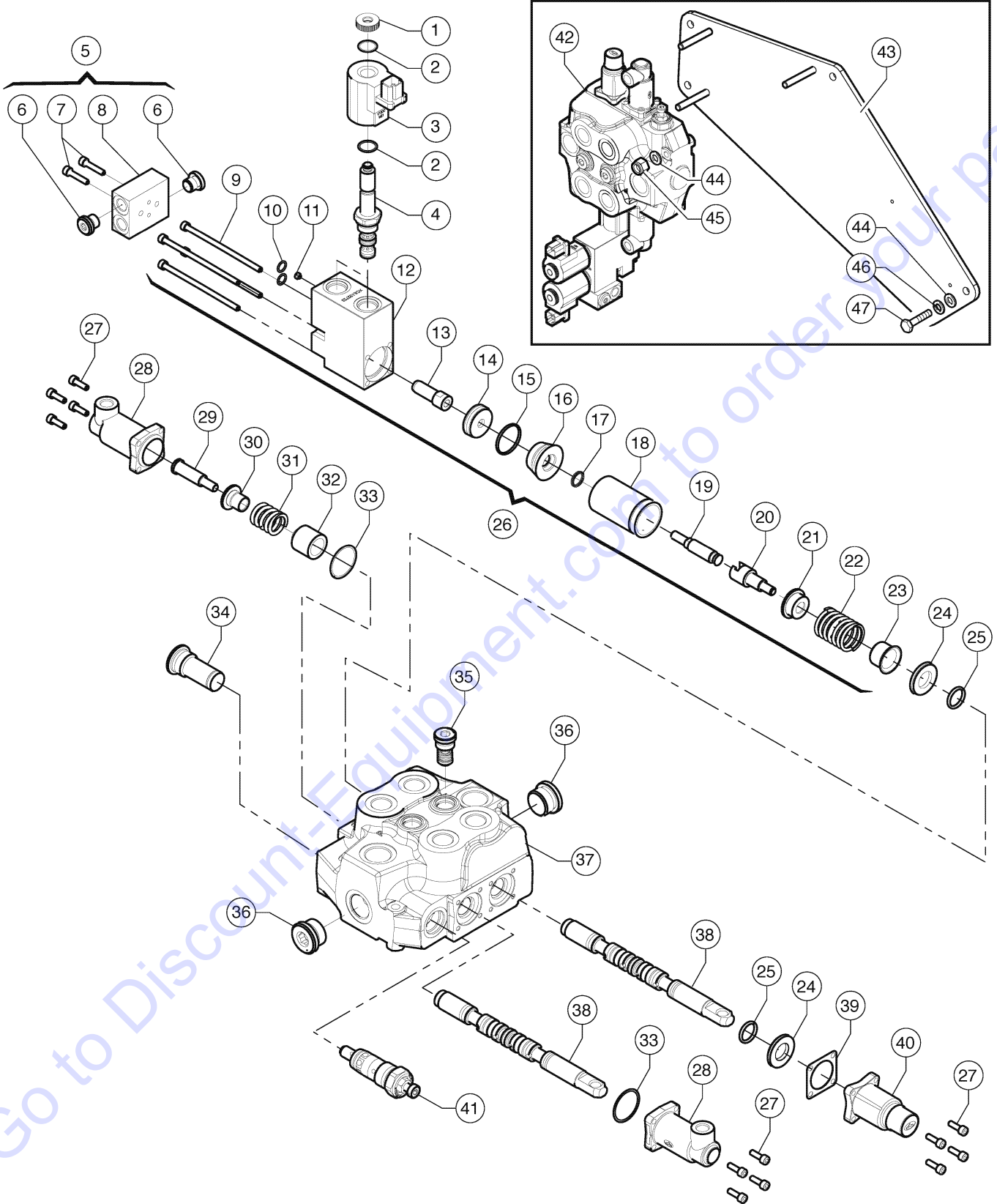
618.1 608683 Primary Functions Manifold



618.1 608683 Primary Functions Manifold

| Item | Part No. | Description | Qty. |
|------|----------------|--|------|
| 1 | 07.0701.0310GT | Complete Main Valve Module..... | 1 |
| 2 | 07.0701.0297GT | VALVE,PRESSURE RELIEF..... | 2 |
| 3 | 07.0701.0295GT | VALVE,COMPENSATOR..... | 3 |
| 4 | 07.0701.0311GT | Outlet Module..... | 1 |
| 5 | 07.0701.0312GT | STUD..... | 1 |
| 6 | 07.0701.0303GT | Module Coupling Seal Kit..... <i>This Kit is used to couple one module to another one</i> | 4 |
| 7 | 07.0701.0305GT | Complete Module Seal Kit..... <i>This is the seal kit of the single module</i> | 3 |
| 8 | 07.0701.0296GT | KIT,VALVE,H200 WITH SCREWS..... | 3 |
| 9 | 07.0701.0309GT | Complete Main Valve Module..... | 2 |
| 10 | 07.0701.0298GT | PLUG,SPECIAL,Q..... | 4 |
| 11 | 07.0701.0301GT | Plugging Kit..... | 1 |
| 12 | 07.0701.0300GT | Spool..... | 1 |
| 13 | 07.0701.0299GT | Shuttle Valve Kit..... | 1 |
| 14 | 07.0701.0307GT | LS Pressure Relief Valve Seal Kit..... | 1 |
| 15 | 07.0701.0293GT | LS Pressure Relief Valve..... | 1 |
| 16 | 07.0701.0306GT | Flow Regulator Seal Kit..... | 1 |
| 17 | 07.0701.0294GT | Flow Regulator..... | 1 |
| 18 | 07.0701.0304GT | Complete Inlet Seal Kit..... <i>This is the seal kit of the single module</i> | 1 |
| 19 | 07.0701.0308GT | Complete Main Valve Module..... | 1 |
| 20 | 04.4236.0099GT | MAIN FUNCTION MANIFOLD..... | 1 |
| 21 | 01.0023.0055GT | NUT,STOP,M10 UNI 7473 6S ZN..... | 3 |
| 22 | 01.0031.0056GT | FLAT WASHER D10 UNI 6592 ZN..... | 3 |

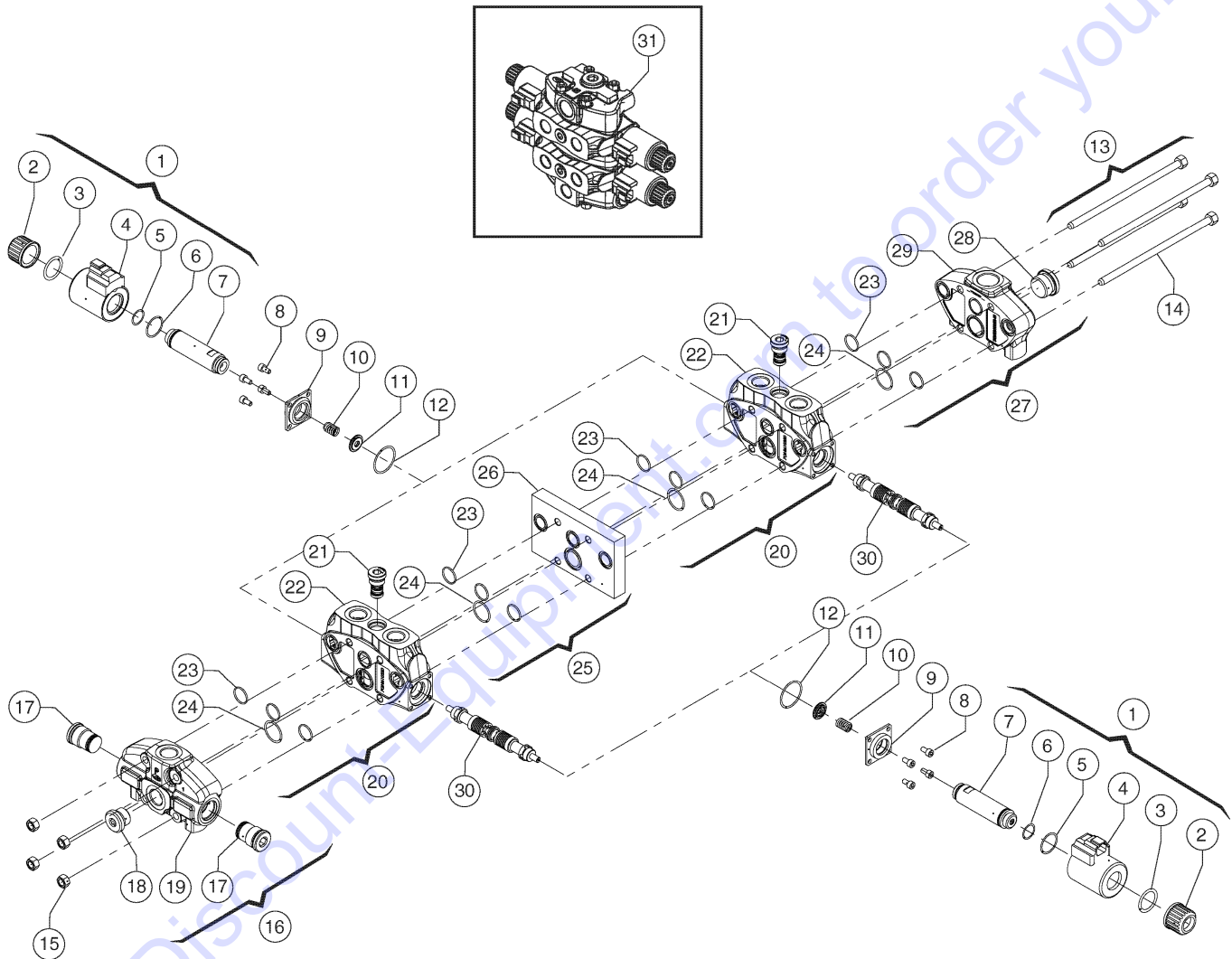
619.1 608684 Auxiliary Functions Manifold



619.1 608684 Auxiliary Functions Manifold

| Item | Part No. | Description | Qty. | Item | Part No. | Description | Qty. |
|------|----------------|--|------|------|----------------|----------------------------------|------|
| 1 | 07.0704.0204GT | Ring Nut D23..... | 2 | 44 | 01.0031.0055GT | FLAT WASHER D8 UNI 6592 ZN..... | 7 |
| 2 | 07.0704.0211GT | O-Ring..... | 4 | 45 | 01.0023.0054GT | NUT,M8 UNI 7473 6S ZN..... | 3 |
| 3 | 07.0704.0184GT | Solenoid..... | 2 | 46 | 01.4032.0003GT | SPRING WASHER D8 ZN..... | 4 |
| 4 | 07.0704.0209GT | Valve..... | 2 | 47 | 01.0001.0257GT | SCREW M8X30 UNI 5739 8.8 ZN..... | 4 |
| 5 | 07.0704.0222GT | Valve Kit..... | 1 | | | | |
| 6 | 07.0704.0037GT | Plug TCEI BSP 1/4..... | 2 | | | | |
| 7 | 07.0704.0215GT | Screw TCEI M5X25 UNI 5931 8.8 ZN.... | 2 | | | | |
| 8 | 07.0704.0203GT | Manifold..... | 1 | | | | |
| 9 | 07.0704.0216GT | Screw TCEI M5X120 UNI 5931 8.8 ZN...4 | | | | | |
| 10 | 07.0704.0210GT | O-Ring..... | 2 | | | | |
| 11 | 07.0704.0208GT | Screw M6X4.5..... | 1 | | | | |
| 12 | 07.0704.0219GT | VALVE..... | 1 | | | | |
| 13 | 07.0704.0207GT | Pin..... | 1 | | | | |
| 14 | 07.0704.0220GT | Piston..... | 1 | | | | |
| 15 | 07.0704.0212GT | O-Ring..... | 1 | | | | |
| 16 | 07.0704.0199GT | Compression Ring..... | 1 | | | | |
| 17 | 07.0704.0213GT | Seal..... | 1 | | | | |
| 18 | 07.0704.0221GT | Support..... | 1 | | | | |
| 19 | 07.0704.0205GT | Threaded Joint..... | 1 | | | | |
| 20 | 07.0704.0091GT | Joint..... | 1 | | | | |
| 21 | 07.0704.0092GT | Bushing..... | 1 | | | | |
| 22 | 07.0704.0093GT | Spring..... | 1 | | | | |
| 23 | 07.0704.0094GT | Bushing..... | 1 | | | | |
| 24 | 07.0704.0190GT | Ring..... | 2 | | | | |
| 25 | 07.0704.0164GT | O-Ring..... | 2 | | | | |
| 26 | 07.0704.0223GT | Piston Kit..... | 1 | | | | |
| 27 | 07.0704.0214GT | Screw TCEI M5X16 UNI 5931 8.8 ZN....12 | | | | | |
| 28 | 07.0704.0077GT | VALVE CAP..... | 2 | | | | |
| 29 | 07.0704.0097GT | Screw..... | 1 | | | | |
| 30 | 07.0704.0200GT | Bushing..... | 1 | | | | |
| 31 | 07.0704.0095GT | Spring..... | 1 | | | | |
| 32 | 07.0704.0201GT | Bushing..... | 1 | | | | |
| 33 | 07.0704.0078GT | O-Ring..... | 2 | | | | |
| 34 | 07.0704.0045GT | Plug TCEI BSP 3/4..... | 1 | | | | |
| 35 | 07.0704.0144GT | VALVE..... | 2 | | | | |
| 36 | 07.0704.0045GT | Plug TCEI BSP 3/4..... | 2 | | | | |
| 37 | 07.0704.0202GT | Body..... | 1 | | | | |
| 38 | 07.0704.0035GT | VALVE CURSOR..... | 2 | | | | |
| 39 | 07.0704.0206GT | Gasket..... | 1 | | | | |
| 40 | 07.0704.0218GT | Cap..... | 1 | | | | |
| 41 | 07.0704.0217GT | Valve..... | 1 | | | | |
| 42 | 04.4236.0105GT | MANIFOLD,FCTN,SECONDARY..... | 1 | | | | |
| 43 | 51.0811.4523GT | Support..... | 1 | | | | |

620.1 608685 Outriggers Functions Manifold



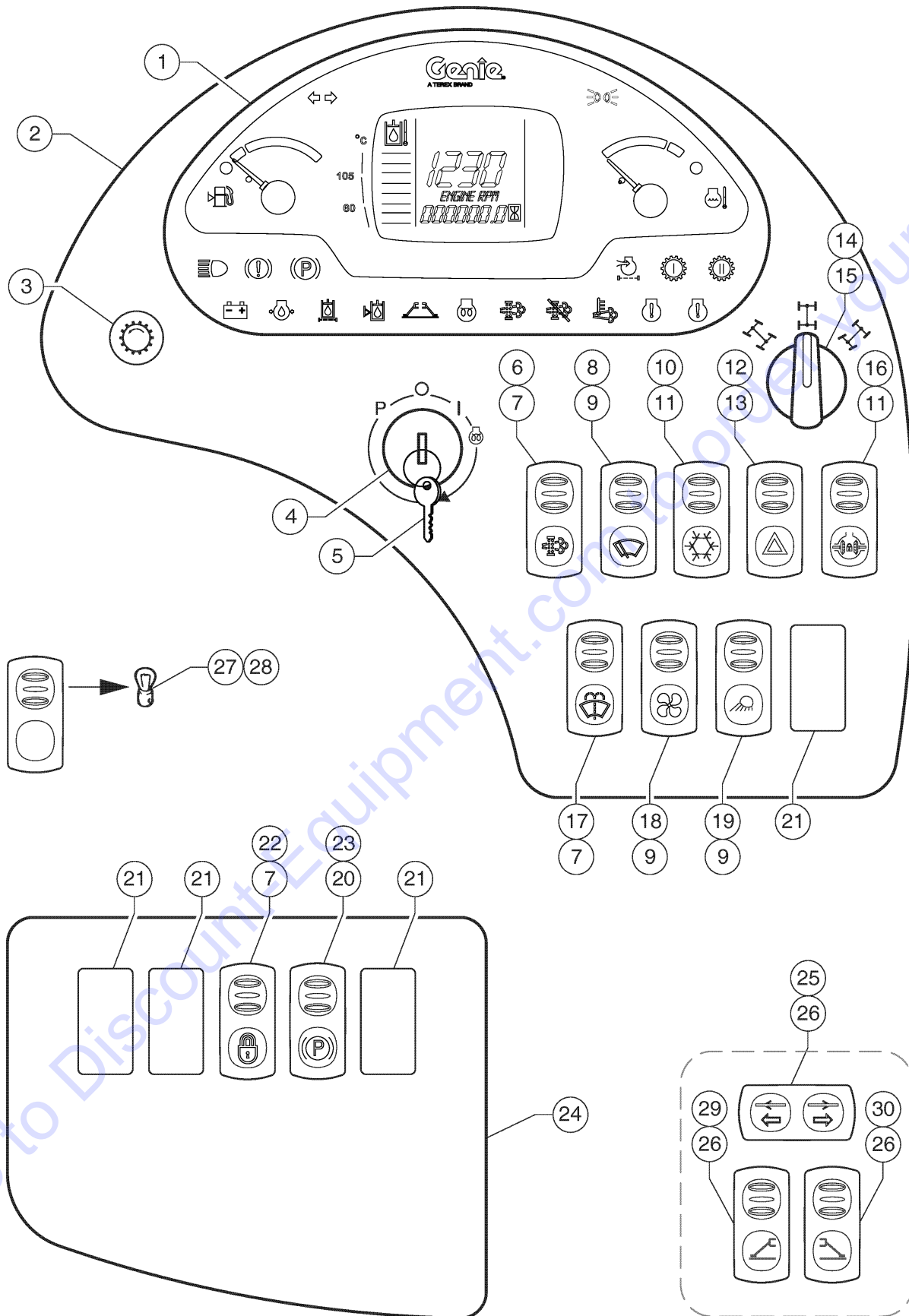
620.1 608685 Outriggers Functions Manifold

| Item | Part No. | Description | Qty. |
|------|----------------|---|------|
| 1 | 07.0704.0049GT | Kit Solenoid Valve..... | 4 |
| 2 | 07.0704.0409GT | Lock nut..... | 4 |
| 3 | 07.0704.0444GT | O-Ring..... | 4 |
| 4 | 07.0704.0445GT | Solenoid..... | 4 |
| 5 | 07.0704.0446GT | O-Ring..... | 4 |
| 6 | 07.0704.0447GT | O-Ring..... | 4 |
| 7 | 07.0704.0448GT | Pin..... | 4 |
| 8 | 07.0704.0450GT | Screw M5x10 8.8..... | 16 |
| 9 | 07.0704.0451GT | Flange..... | 4 |
| 10 | 07.0704.0452GT | Spring..... | 4 |
| 11 | 07.0704.0453GT | Bushing..... | 4 |
| 12 | 07.0704.0078GT | O-Ring..... | 4 |
| 13 | 07.0704.0429GT | Locking Kit..... <i>Includes Items: 14, 15</i> | 1 |
| 14 | 07.0704.0430GT | Tie Rod With Nut..... <i>Inlcudes Item: 15</i> | 4 |
| 15 | 07.0704.0431GT | Biovalized Nut M8..... | 4 |
| 16 | 07.0704.0441GT | Inlet Module Kit..... <i>Includes Items: 17, 18, 19</i> | 1 |
| 17 | 07.0704.0024GT | Plug..... | 2 |
| 18 | 07.0704.0443GT | Plug..... | 1 |
| 19 | 07.0704.0442GT | Inlet Module..... | 1 |
| 20 | 07.0704.0437GT | Module Kit..... <i>Includes Items: 21, 22, 23, 24</i> | 2 |
| 21 | 07.0704.0144GT | VALVE..... | 2 |
| 22 | 07.0704.0438GT | Module..... | 2 |
| 23 | 07.0704.0434GT | O-Ring..... | 12 |
| 24 | 07.0704.0435GT | O-Ring..... | 4 |
| 25 | 07.0704.0439GT | Spacer Flange Kit..... <i>Includes Items: 23, 24, 26</i> | 1 |
| 26 | 07.0704.0440GT | Spacer Flange..... | 1 |
| 27 | 07.0704.0432GT | Outlet Module Kit..... <i>Includes Items: 23, 24, 28, 29</i> | 1 |
| 28 | 07.0704.0145GT | Plug..... | 1 |
| 29 | 07.0704.0433GT | Outlet Module..... | 1 |
| 30 | 07.0704.0436GT | Spool..... | 2 |
| 31 | 04.4236.0110GT | Complete Manifold..... | 1 |

| Item | Part No. | Description | Qty. |
|------|----------------|-----------------------|------|
| 1 | 637650GT | Fuse 3A..... | 2 |
| 2 | 07.0703.0193GT | Fuse 5A..... | 1 |
| 3 | 634972GT | Fuse 7.5A..... | 4 |
| 4 | 634974GT | Fuse 10A..... | 15 |
| 5 | 634973GT | Fuse 15A..... | 5 |
| 6 | 07.0703.0485GT | RELAY..... | 21 |
| 7 | 07.0703.0724GT | BLINKER RELAY..... | 1 |
| 8 | 56.0021.0117GT | FUSE-RELAY BOARD..... | 1 |
| 9 | 56.0021.0040GT | Gear Box Unit..... | 1 |
| 10 | 07.0703.0486GT | RELAY..... | 1 |

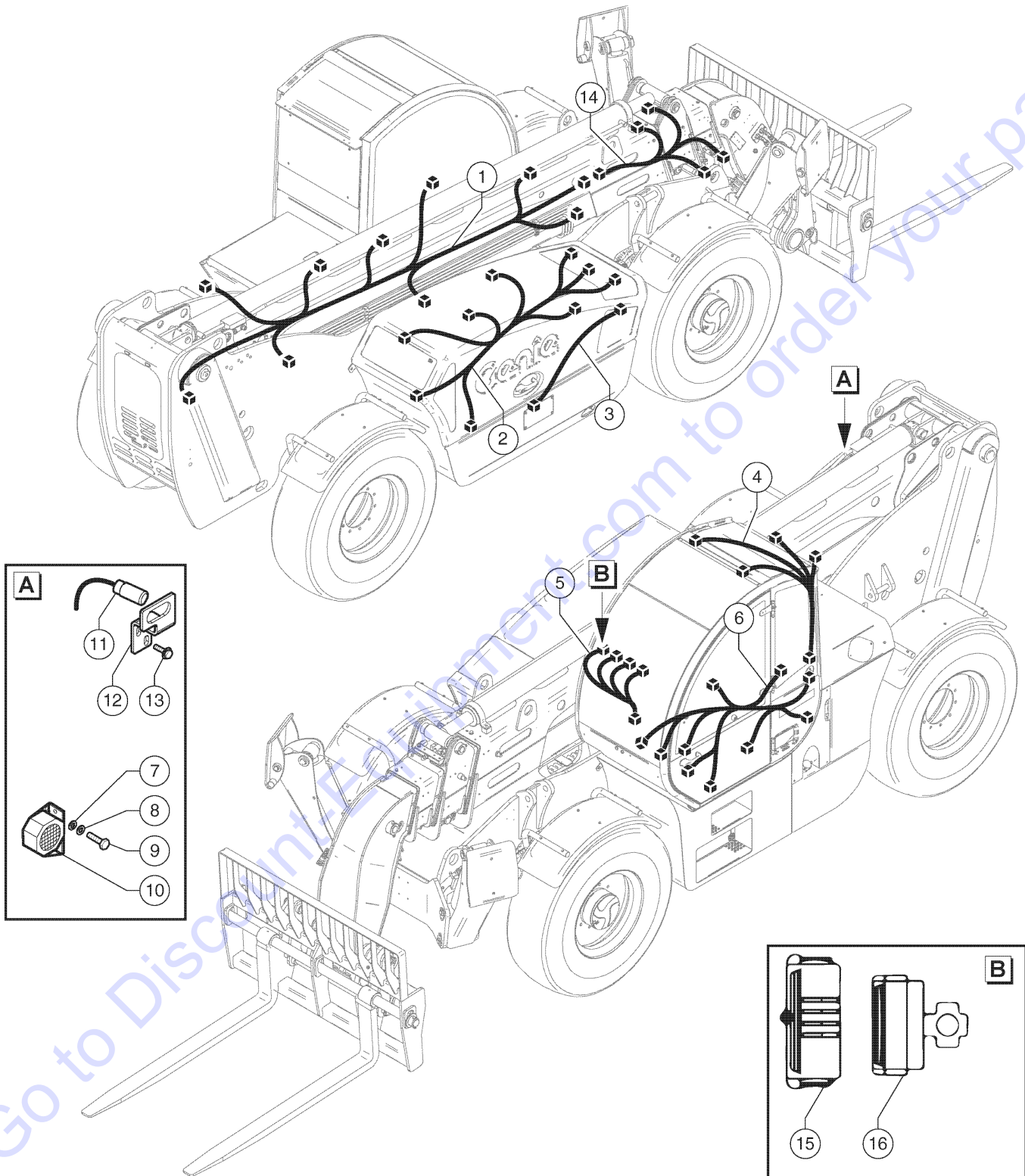
Go to Discount-Equipment.com to order your parts

702.1 608690 Dashboard



| Item | Part No. | Description | Qty. |
|------|----------------|--|------|
| 1 | 56.0016.0184GT | DISPLAY..... | 1 |
| 2 | 56.0015.0015GT | Plate,Dash Support,Right..... | 1 |
| 3 | 56.0017.0119GT | Warning Light..... | 1 |
| 4 | 07.0703.0472GT | Starting Switch..... | 1 |
| 5 | 56.0017.0015GT | KEY ONLY (1 PAIR)..... | 1 |
| 6 | 56.0017.0116GT | Switch Key, Dpf..... <i>Without Switch Body</i> | 1 |
| 7 | 56.0017.0127GT | SWITCH..... | 3 |
| 8 | 56.0017.0114GT | SWITCH COVER..... <i>Without Switch Body</i> | 1 |
| 9 | 56.0017.0129GT | Switch Body..... | 3 |
| 10 | 56.0017.0053GT | Air Condition Switch Cover..... <i>Without Switch Body</i> | 1 |
| 11 | 56.0017.0128GT | Switch Body..... | 2 |
| 12 | 56.0017.0115GT | SWITCH COVER..... <i>Without Switch Body</i> | 1 |
| 13 | 56.0017.0110GT | SWITCH..... | 1 |
| 14 | 07.0703.0429GT | KNOB, STEERING MODE SELECTOR..1 <i>Without Switch Body</i> | 1 |
| 15 | 07.0703.0577GT | SWITCH..... | 1 |
| 16 | 56.0017.0121GT | Switch Key, Diff Lock..... <i>Without Switch Body</i> | 1 |
| 17 | 56.0017.0038GT | SWITCH COVER..... <i>Without Switch Body</i> | 1 |
| 18 | 56.0017.0054GT | SWITCH COVER..... <i>Without Switch Body</i> | 1 |
| 19 | 56.0017.0045GT | SWITCH COVER..... <i>Without Switch Body</i> | 1 |
| 20 | 56.0017.0107GT | SWITCH..... | 1 |
| 21 | 56.0017.0039GT | Cap..... | 4 |
| 22 | 56.0017.0063GT | SWITCH COVER..... <i>Without Switch Body</i> | 1 |
| 23 | 56.0017.0046GT | SWITCH COVER..... <i>Without Switch Body</i> | 1 |
| 24 | 56.0015.0014GT | Plate,Dash Support,Left..... | 1 |
| 25 | 56.0017.0117GT | Switch Key, Attach Lock Oil..... <i>Without Switch Body</i> | 1 |
| 26 | 56.0017.0112GT | SWITCH..... | 3 |
| 27 | 07.0703.0725GT | SWITCH BULB 12V - 0.03A - 0.36W | |
| 28 | 07.0703.0101GT | Switch Bulb Light 12V - 1,2W | |
| 29 | 56.0017.0135GT | SWITCH COVER..... <i>Without Switch Body</i> | 1 |
| 30 | 56.0017.0136GT | SWITCH COVER..... <i>Without Switch Body</i> | 1 |

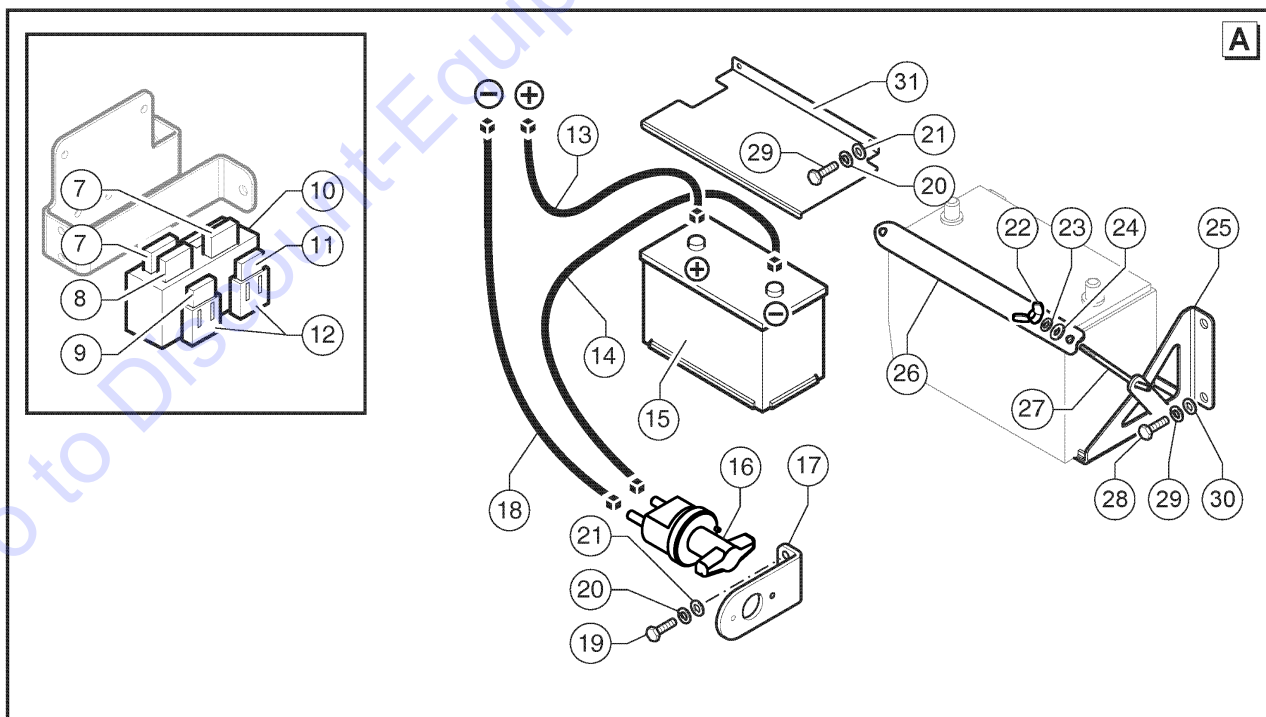
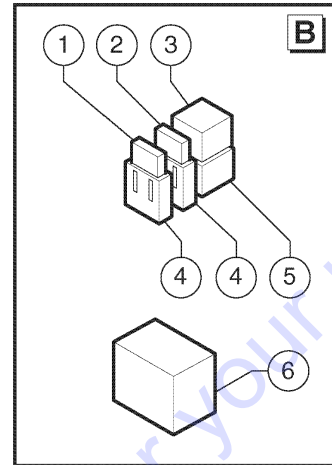
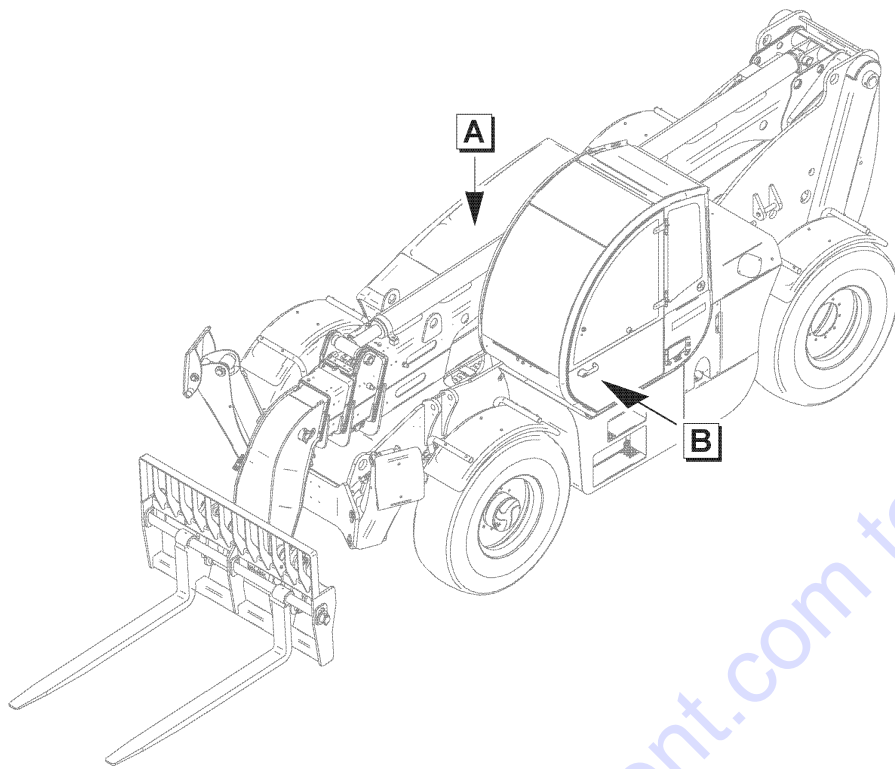
703.1 608691 Wirings - View 1



| Item | Part No. | Description | Qty. |
|------|----------------|----------------------------------|------|
| 1 | 55.0602.0931GT | Chassis Line..... | 1 |
| 2 | 55.0602.0811GT | Engine Line - Deutz Version..... | 1 |
| 3 | 55.0602.0786GT | Alternator Cable..... | 1 |
| 4 | 55.0602.0755GT | Upper Cabin Line..... | 1 |
| 5 | 55.0602.0789GT | Dashboard Line..... | 1 |
| 6 | 55.0602.0931GT | Chassis Line..... | 1 |
| 7 | 01.0031.0054GT | FLAT WASHER D6 UNI 6592 ZN..... | 2 |
| 8 | 01.4032.0002GT | SPRING WASHER D6 ZN..... | 2 |
| 9 | 01.0001.0156GT | SCREW M6X20 UNI 5739 8.8 ZN..... | 2 |
| 10 | 56.0009.0009GT | ALARM..... | 1 |
| 11 | 56.0012.0000GT | PROXIMITY SENSOR..... | 1 |
| 12 | 51.0811.4571GT | SUPPORT,BOOM SENSOR..... | 1 |
| 13 | 01.4001.0165GT | SCREW M8X16 DIN 6923 8.8 ZN..... | 2 |
| 14 | 55.0602.0903GT | Outriggers Line..... | 1 |
| 15 | 56.0002.0335GT | 18 Ways Ground Collector..... | 1 |
| 16 | 56.0002.0336GT | 18 Ways Ground Connector..... | 1 |

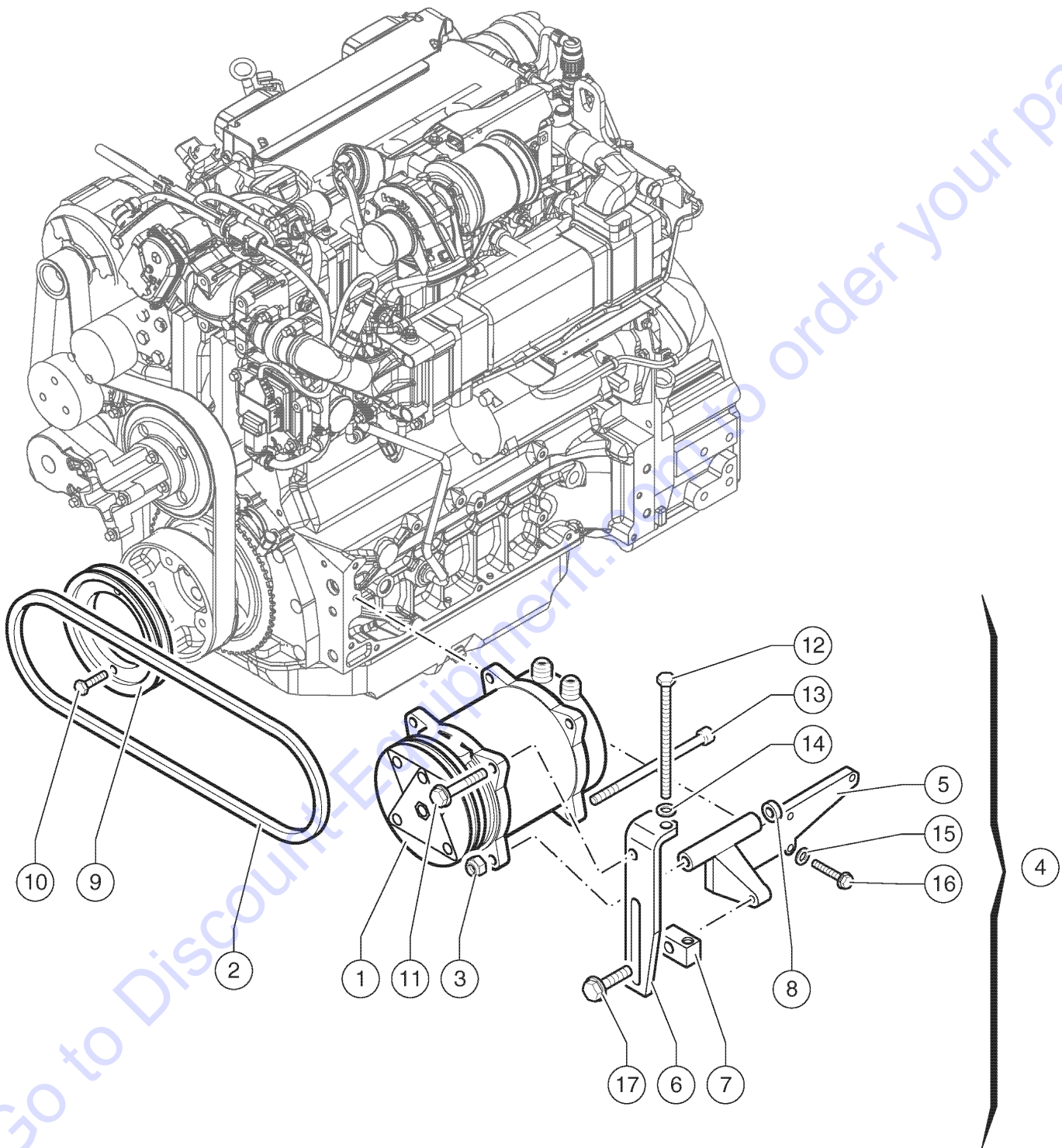
Go to Discount-Equipment.com to order your parts

704.1 608692 Wirings - View 2



| Item | Part No. | Description | Qty. |
|------|----------------|-------------------------------------|------|
| 1 | 07.0703.0656GT | Fuse 1A..... | 1 |
| 2 | 634972GT | Fuse 7.5A..... | 1 |
| 3 | 07.0703.0486GT | RELAY..... | 1 |
| 4 | 56.0005.0009GT | FUSE HOLDER..... | 2 |
| 5 | 07.0703.0188GT | RELAY HOLDER..... | 1 |
| 6 | 07.0703.0535GT | RELAY..... | 1 |
| 7 | 07.0703.0069GT | FUSE,MAXI,30A..... | 2 |
| 8 | 56.0005.0000GT | FUSE, MAXI,40A..... | 1 |
| 9 | 07.0703.0148GT | FUSE,10A..... | 1 |
| 10 | 07.0703.0189GT | FUSE HOLDER..... | 1 |
| 11 | 07.0703.0080GT | Fuse 5A..... | 1 |
| 12 | 07.0703.0714GT | FUSE HOLDER..... | 2 |
| 13 | 55.0602.0761GT | Battery Positive Cable..... | 1 |
| 14 | 55.0602.0785GT | Battery Negative Cable..... | 1 |
| 15 | 30143GT | BATTERY,12V,1000 CCA GRP 31..... | 1 |
| 16 | 56.0008.0001GT | BATTERY CUT-OUT SWITCH..... | 1 |
| 17 | 51.0811.4477GT | BRACKET,BATTERY CUT-OUT SW..... | 1 |
| 18 | 55.0602.0784GT | Negative Cable..... | 1 |
| 19 | 01.0001.0256GT | SCREW M8X25 UNI 5739 8.8 ZN..... | 2 |
| 20 | 01.4032.0003GT | SPRING WASHER D8 ZN..... | 4 |
| 21 | 01.0031.0055GT | FLAT WASHER D8 UNI 6592 ZN..... | 4 |
| 22 | 01.4023.0010GT | NUT, WING, M6 UNI 7473-7474 6S..... | 2 |
| 23 | 01.4032.0002GT | SPRING WASHER D6 ZN..... | 2 |
| 24 | 01.0031.0298GT | FLAT WASHER D6 UNI 6593 ZN..... | 2 |
| 25 | 51.0811.4453GT | SUPPORT,BATTERY..... | 1 |
| 26 | 51.0811.4351GT | BRACKET,BATTERY LOCKING..... | 1 |
| 27 | 51.0811.4230GT | ROD,BATTERY HOLD DOWN..... | 2 |
| 28 | 01.0001.0505GT | SCREW M12X25 UNI 5739 8.8 ZN..... | 4 |
| 29 | 01.4032.0005GT | SPRING WASHER D12 ZN..... | 4 |
| 30 | 01.0031.0057GT | WASHER,D12 UNI 6592 ZN..... | 4 |
| 31 | 51.0903.5076GT | Heat Protection..... | 1 |

801.1 608618 Air Conditioning - Deutz Engine - Part 1

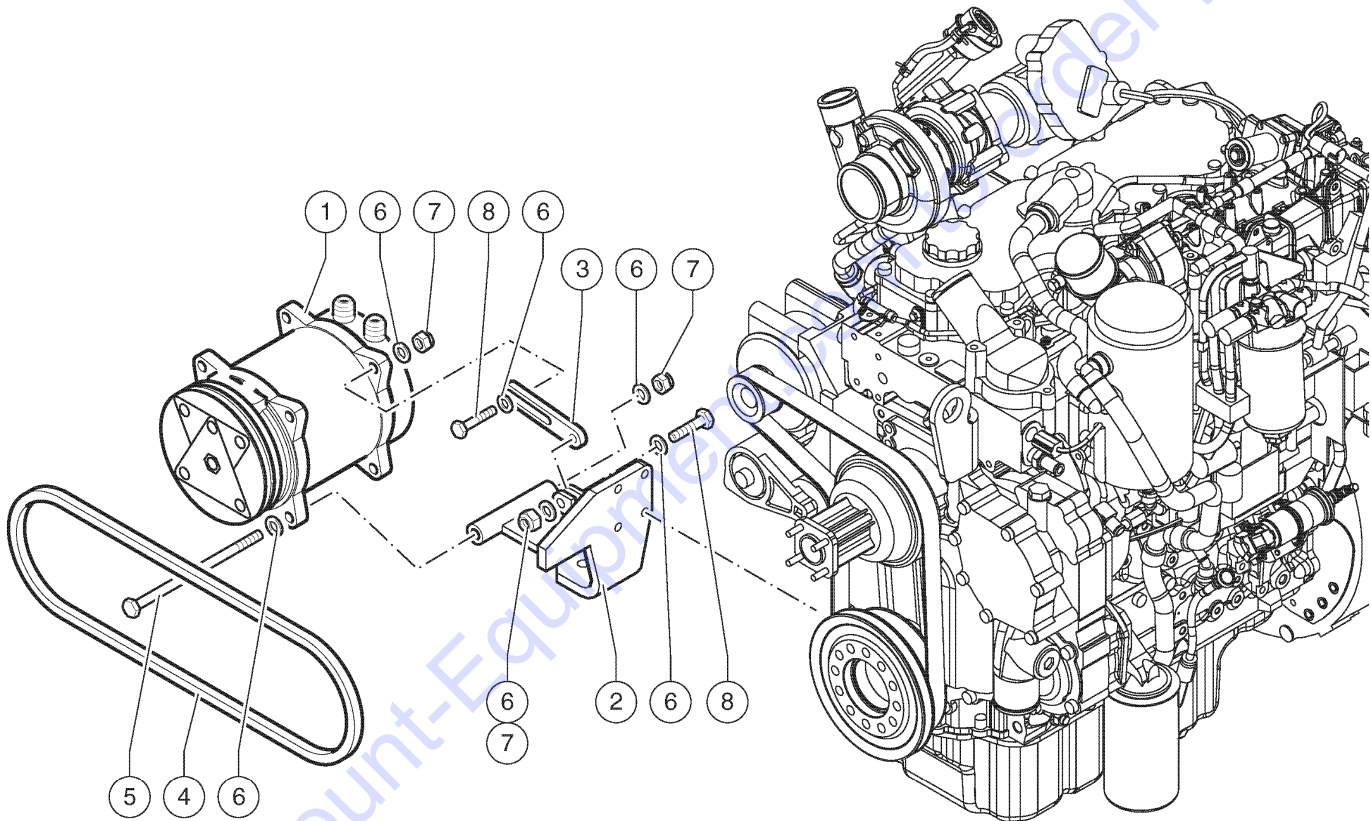


801.1 608618 Air Conditioning - Deutz Engine - Part 1

| Item | Part No. | Description | Qty. |
|------|----------------|--|------|
| 1 | 56.0014.0024GT | Compressor..... | 1 |
| 2 | 09.0803.0816GT | Belt..... | 1 |
| 3 | 01.0023.0054GT | NUT,M8 UNI 7473 6S ZN..... | 1 |
| 4 | 09.0803.0681GT | Compressor Installation Kit..... <i>Includes Positions From 5 to 17</i> | 1 |
| 5 | | Compressor Support (see position 4)..... | 1 |
| 6 | | Belt Tensioner (see position 4)..... | 1 |
| 7 | | Support (see position 4)..... | 1 |
| 8 | | Spacer (see position 4)..... | 1 |
| 9 | | Belt Pulley (see position 4)..... | 1 |
| 10 | | Screw (see position 4)..... | 4 |
| 11 | | Screw (see position 4)..... | 1 |
| 12 | | Screw M8 (see position 4)..... | 1 |
| 13 | | Screw M8 (see position 4)..... | 1 |
| 14 | | Shim (see position 4)..... | 1 |
| 15 | | Plain Washer (see position 4)..... | 3 |
| 16 | | Screw (see position 4)..... | 3 |
| 17 | | Screw (see position 4)..... | 1 |

Go to Discount-Equipment.com to order your parts

802.1 608619 Air Conditioning - Perkins Engine - Part 1

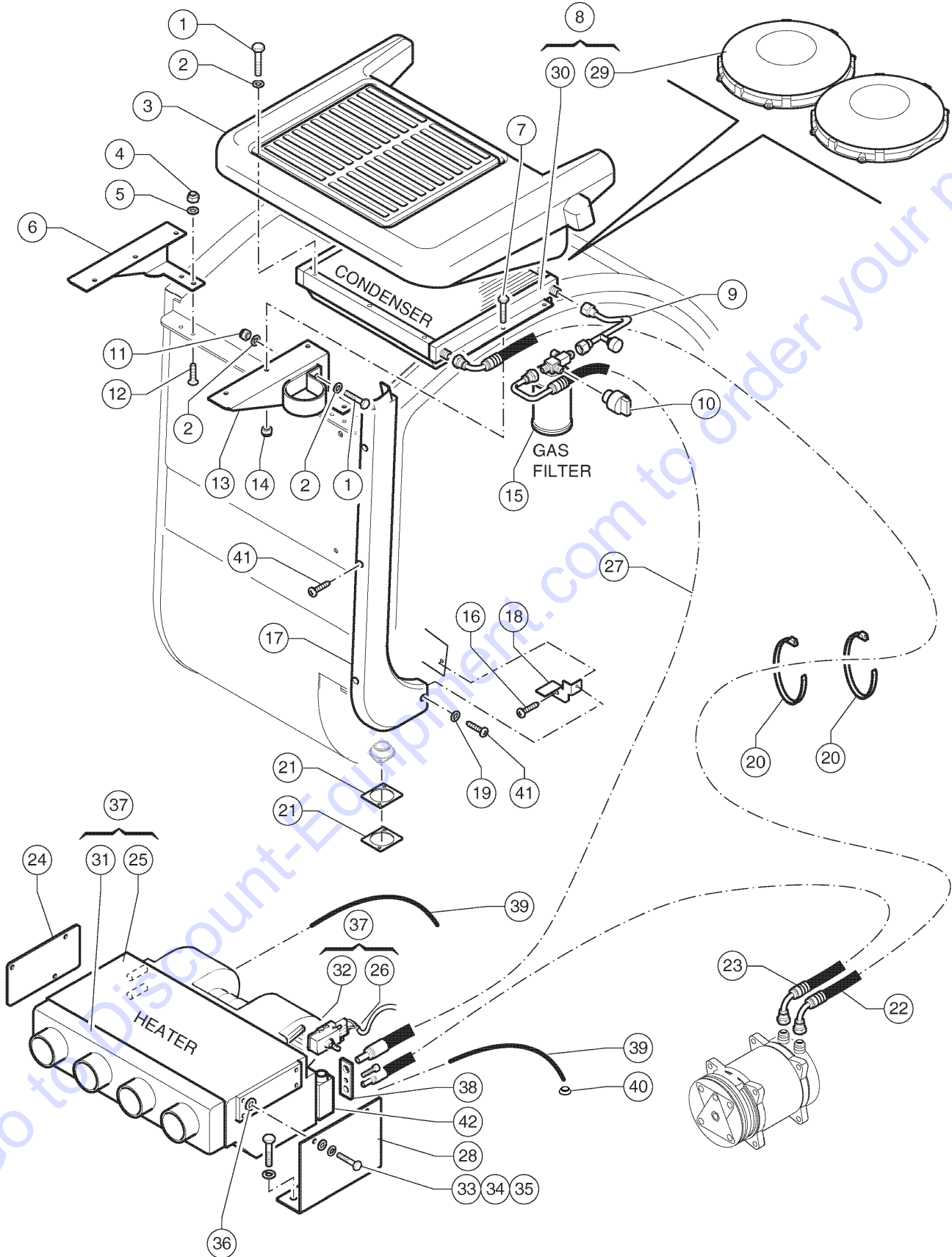


802.1 608619 Air Conditioning - Perkins Engine - Part 1

| Item | Part No. | Description | Qty. |
|------|----------------|-----------------------------------|------|
| 1 | 56.0014.0024GT | Compressor..... | 1 |
| 2 | 51.0811.4544GT | Compressor Support..... | 1 |
| 3 | 51.0811.4545GT | Belt Tensioner..... | 1 |
| 4 | 09.0803.0377GT | Belt..... | 1 |
| 5 | 01.0001.0357GT | SCREW,TE,M10X35 UNI 8.8 ZN..... | 1 |
| 6 | 01.0031.0056GT | FLAT WASHER D10 UNI 6592 ZN..... | 6 |
| 7 | 01.0023.0055GT | NUT,STOP,M10 UNI 7473 6S ZN..... | 3 |
| 8 | 01.0001.0358GT | SCREW M10X40 UNI 5739 8.8 ZN..... | 2 |

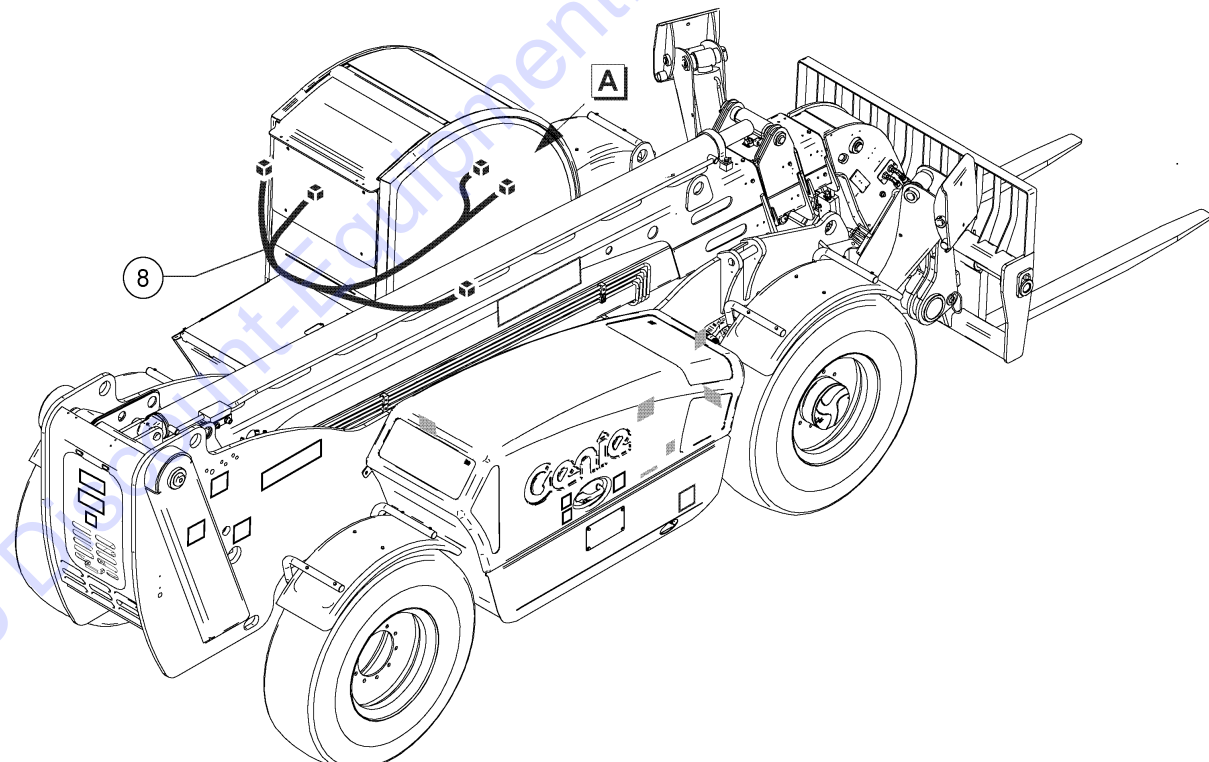
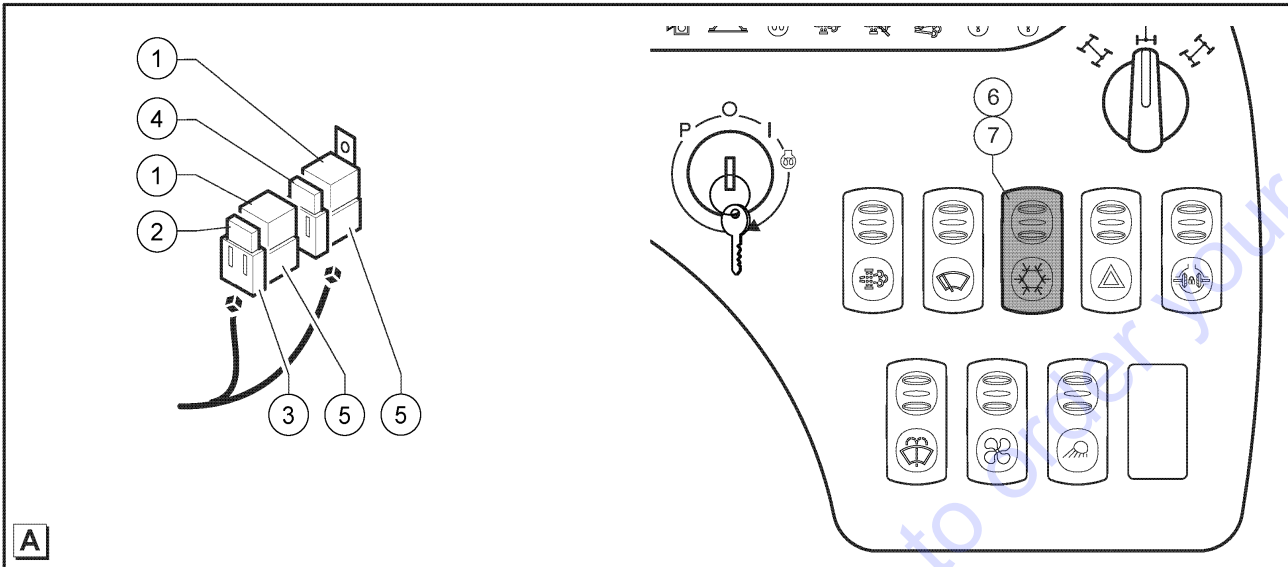
Go to Discount-Equipment.com to order your parts

803.1 608620 Air Conditioning - Part 2



| Item | Part No. | Description | Qty. |
|------|----------------|--|------|
| 1 | 01.0001.0156GT | SCREW M6X20 UNI 5739 8.8 ZN..... | 7 |
| 2 | 01.0031.0298GT | FLAT WASHER D6 UNI 6593 ZN..... | 8 |
| 3 | 07.0740.0255GT | Guard..... | 1 |
| 4 | 01.0023.0054GT | NUT,M8 UNI 7473 6S ZN..... | 4 |
| 5 | 01.0031.0055GT | FLAT WASHER D8 UNI 6592 ZN..... | 4 |
| 6 | 07.0740.0268GT | Left Bracket..... | 1 |
| 7 | 01.0001.0099GT | Screw TE M 4X16..... | 6 |
| 8 | 07.0740.0263GT | CONDENSER..... | 1 |
| 9 | 07.0740.0260GT | Hose 5/16..... | 1 |
| 10 | 07.0723.0303GT | Pressure switch..... | 1 |
| 11 | 01.0001.0037GT | STOP NUT M6 UNI 7473 6S ZN WMAR 38..... | 1 |
| 12 | 01.4006.0010GT | Screw TSPEI M8X30 UNI5933 10.9 ZN.. | 4 |
| 13 | 07.0740.0269GT | Right Bracket..... | 1 |
| 14 | 01.0001.0035GT | Stop Nut M4..... | 6 |
| 15 | 07.0740.0254GT | FILTER..... | 1 |
| 16 | 01.0001.0256GT | SCREW M8X25 UNI 5739 8.8 ZN..... | 1 |
| 17 | 07.0740.0256GT | Protection Cover..... | 1 |
| 18 | 07.0740.0257GT | Bracket..... | 1 |
| 19 | 07.0740.0117GT | WASHER..... | 1 |
| 20 | 04.0227.0058GT | CLAMP DN 40/60 LG12..... | 4 |
| 21 | 54.0100.0092GT | Spacer..... | 4 |
| 22 | 07.0740.0261GT | HOSE..... | 1 |
| 23 | 07.0723.0317GT | Hose..... | 1 |
| 24 | 51.0811.4103GT | BRACKET, SUPPORT..... | 1 |
| 25 | 07.0740.0386GT | Heater..... | 1 |
| 26 | 07.0740.0398GT | Temperature Switch..... | 1 |
| 27 | 07.0740.0262GT | HOSE..... | 1 |
| 28 | 51.0811.4102GT | BRACKET, SUPPORT..... | 1 |
| 29 | 07.0740.0396GT | Fan..... | 2 |
| 30 | 07.0740.0395GT | Condenser..... | 1 |
| 31 | 07.0740.0385GT | Heater Cover..... | 1 |
| 32 | 07.0740.0389GT | Fan Heater..... | 1 |
| 33 | 01.0001.0156GT | SCREW M6X20 UNI 5739 8.8 ZN..... | 4 |
| 34 | 01.0031.0054GT | FLAT WASHER D6 UNI 6592 ZN..... | 4 |
| 35 | 01.0031.0298GT | FLAT WASHER D6 UNI 6593 ZN..... | 4 |
| 36 | 54.0101.0020GT | WASHER D6/9..... | 4 |
| 37 | 56.0014.0029GT | COMPLETE HEATER..... | 1 |
| 38 | 07.0740.0392GT | Plate..... | 1 |
| 39 | 07.0740.0387GT | Pipe..... | 2-m |
| 40 | 09.0803.0549GT | Rubber D.41X9..... | 1 |
| 41 | 01.0003.0947GT | SCREW M4X10 UNI 5931 8.8 ZN..... | 4 |
| 42 | 09.0610.0973GT | VALVE..... | 1 |

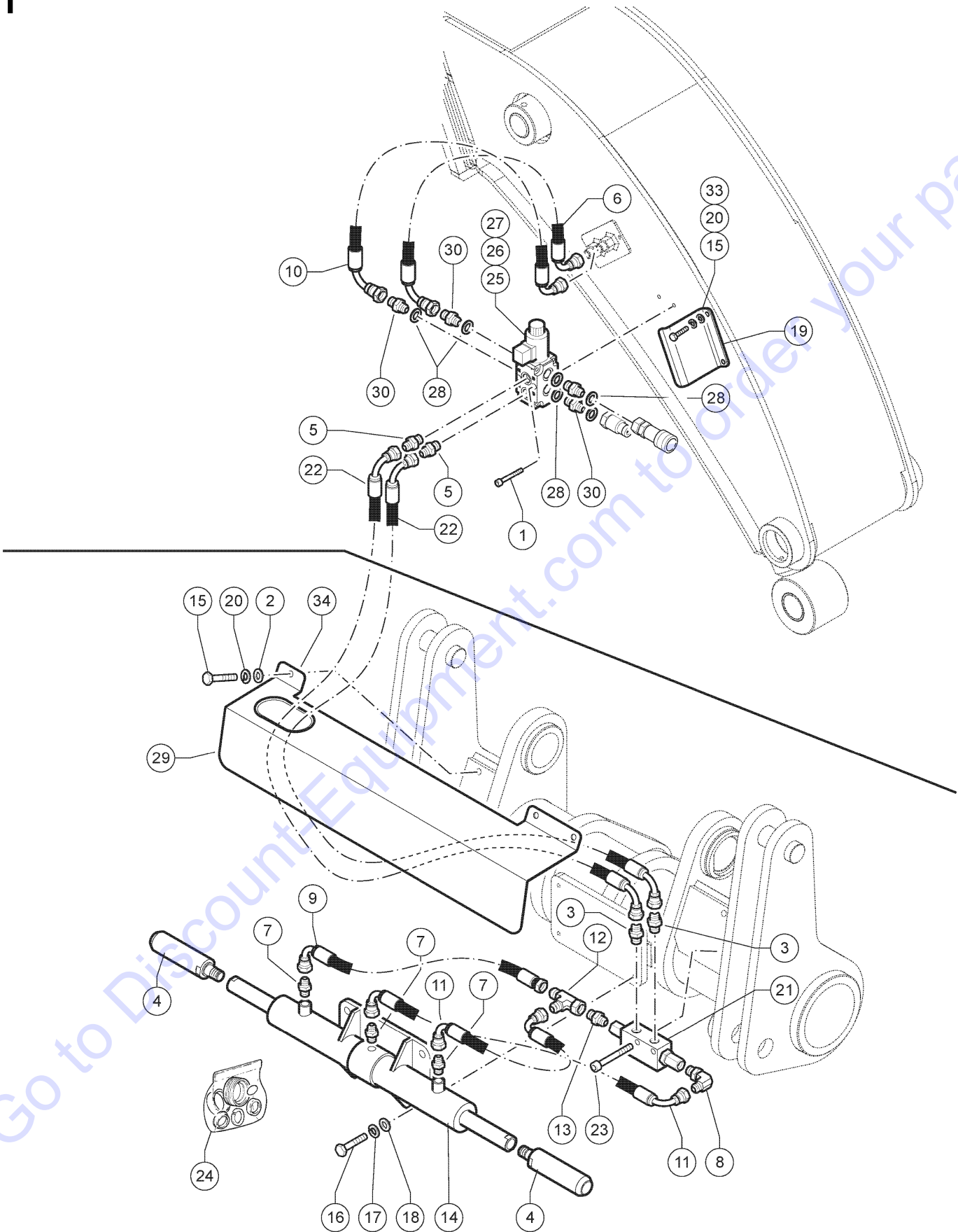
804.1 608621 Air Conditioning - Part 3



| Item | Part No. | Description | Qty. |
|------|----------------|---------------------------------------|------|
| 1 | 07.0703.0486GT | RELAY..... | 2 |
| 2 | 07.0703.0148GT | FUSE,10A..... | 1 |
| 3 | 56.0005.0009GT | FUSE HOLDER..... | 2 |
| 4 | 634976GT | FUSE..... | 1 |
| 5 | 07.0703.0188GT | RELAY HOLDER..... | 2 |
| 6 | 07.0703.0431GT | SWITCH..... | 1 |
| 7 | 07.0703.0462GT | Air Conditioning Glass Switch..... | 1 |
| 8 | 55.0602.0778GT | Air Conditioning Complete Wiring..... | 1 |

Go to Discount-Equipment.com to order your parts

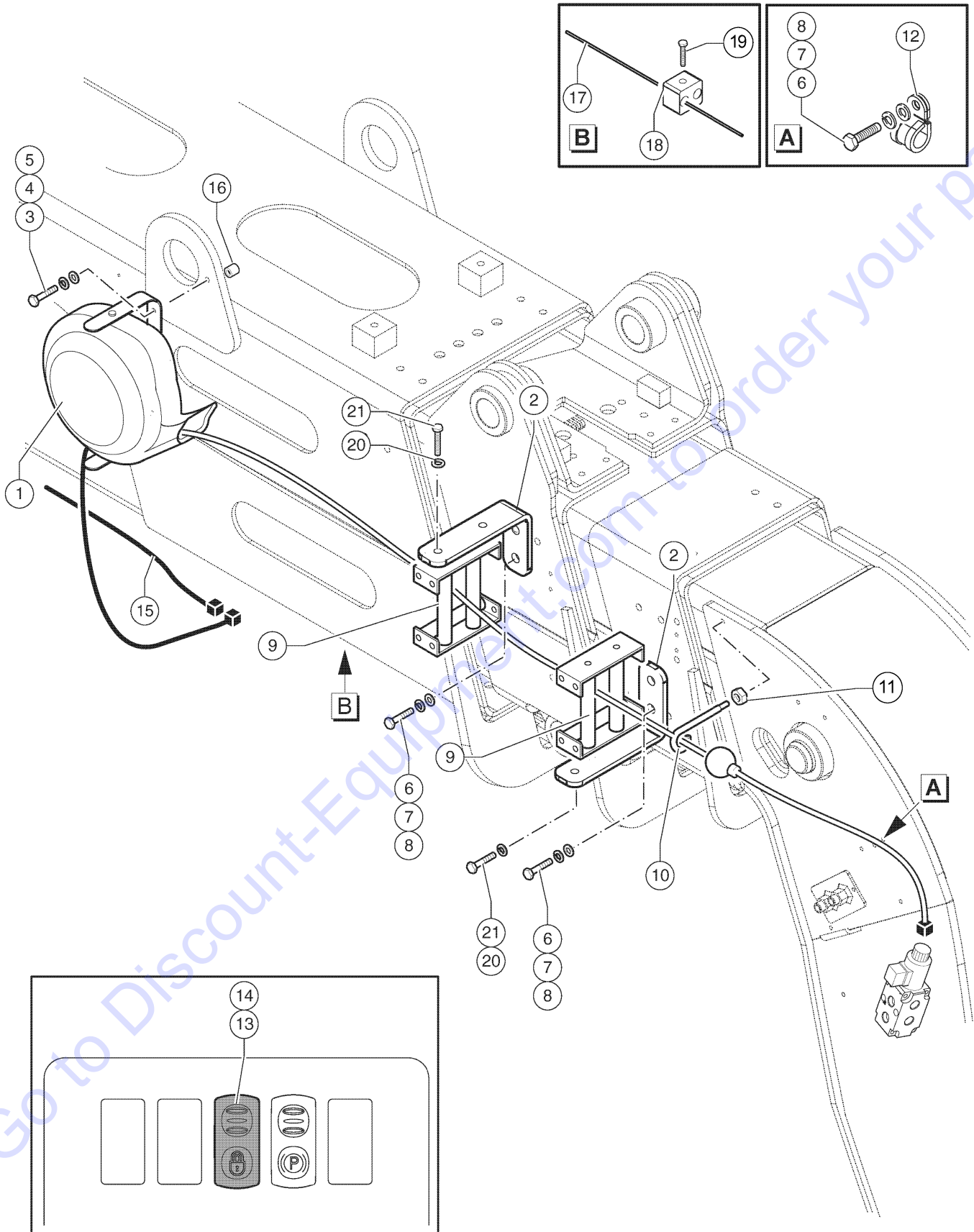
805.1 608629 Hydraulic Coupling - Part 1



805.1 608629 Hydraulic Coupling - Part 1

| Item | Part No. | Description | Qty. |
|------|----------------|---|-------|
| 1 | 01.4003.0036GT | SCREW M8X65 UNI 5931 8.8 ZN..... | 2 |
| 2 | 01.0031.0299GT | FLAT WASHER D8 UNI 6593 ZN..... | 3 |
| 3 | 04.0607.0163GT | PIPE FITTING 1/4BSPX11/16-16 ORFS..... | 2 |
| 4 | 54.0001.0042GT | Pin..... | 2 |
| 5 | 04.0607.0110GT | PIPE FITTING 1/2BSP x 11/16-16 ORFS..... | 2 |
| 6 | 04.0602.0613GT | HOSE R2X1/2 500 F90 F90 BSP A 270°..... | 1 |
| 7 | 04.0607.0114GT | PIPE FITTING 3/8 BSPX9/16-18 ORFS..... | 3 |
| 8 | 04.0607.0112GT | PIPE FITTING M-M A 90 1/4 BSPX9/16-18 ORFS..... | 1 |
| 9 | 04.0605.1637GT | Hose R2 X 1/4 370 F90 FD 9/16"-18 ORFS..... | 1 |
| 10 | 04.0602.0615GT | HOSE R2X1/2 430 F90 BSP F90 BSP A 270°..... | 1 |
| 11 | 04.0605.1122GT | Hose R2 X 1/4" Lg. 400 F90 - F90 9/16"-18 ORFS..... | 2 |
| 12 | 04.0607.0115GT | PIPE FITTING TMF+L 9/16-18 ORFS..... | 1 |
| 13 | 04.0607.0113GT | PIPE FITTING 1/4 BSPX9/16-18 ORFS..... | 1 |
| 14 | 53.0500.0605GT | Cylinder..... | 1 |
| 15 | 01.0001.0254GT | SCREW M8X20 UNI 5739 8.8 ZN..... | 5 |
| 16 | 01.0001.0356GT | SCREW M10X30 UNI 5739 8.8 ZN..... | 4 |
| 17 | 01.4032.0004GT | SPRING WASHER D10 ZN..... | 4 |
| 18 | 01.0031.0301GT | FLAT WASHER D10 UNI 6593 ZN..... | 4 |
| 19 | 51.0811.4492GT | BRACKET..... | 1 |
| 20 | 01.4032.0003GT | SPRING WASHER D8 ZN..... | 5 |
| 21 | 04.4239.0002GT | VALVE..... | 1 |
| 22 | 04.0605.1632GT | Flexible Hose R2 X 3/8 1500 F90 F90 11/16"-16 A 90°..... | 2 |
| 23 | 01.0003.0162GT | SCREW M6X50 UNI 5931 8.8 ZN..... | 2 |
| 24 | 07.4529.0107GT | SET OF GASKETS..... | 1 |
| 25 | 04.4240.0075GT | SOLENOID VALVE ASSY 6 WAY..... | 1 |
| 26 | 07.0701.0316GT | SOLENOID..... | 2 |
| 27 | 07.0701.0317GT | SINGLE VALVE BODY..... | 2 |
| 28 | 06.0442.0122GT | BONDED RING 1/2"..... | 6 |
| 29 | 51.0903.5232GT | Guard..... | 1 |
| 30 | 04.0600.0017GT | PIPE FITTING 1/2X1/2 BSP..... | 4 |
| 33 | 01.0031.0055GT | FLAT WASHER D8 UNI 6592 ZN..... | 2 |
| 34 | 09.0803.0557GT | Gasket..... | 0,4-m |

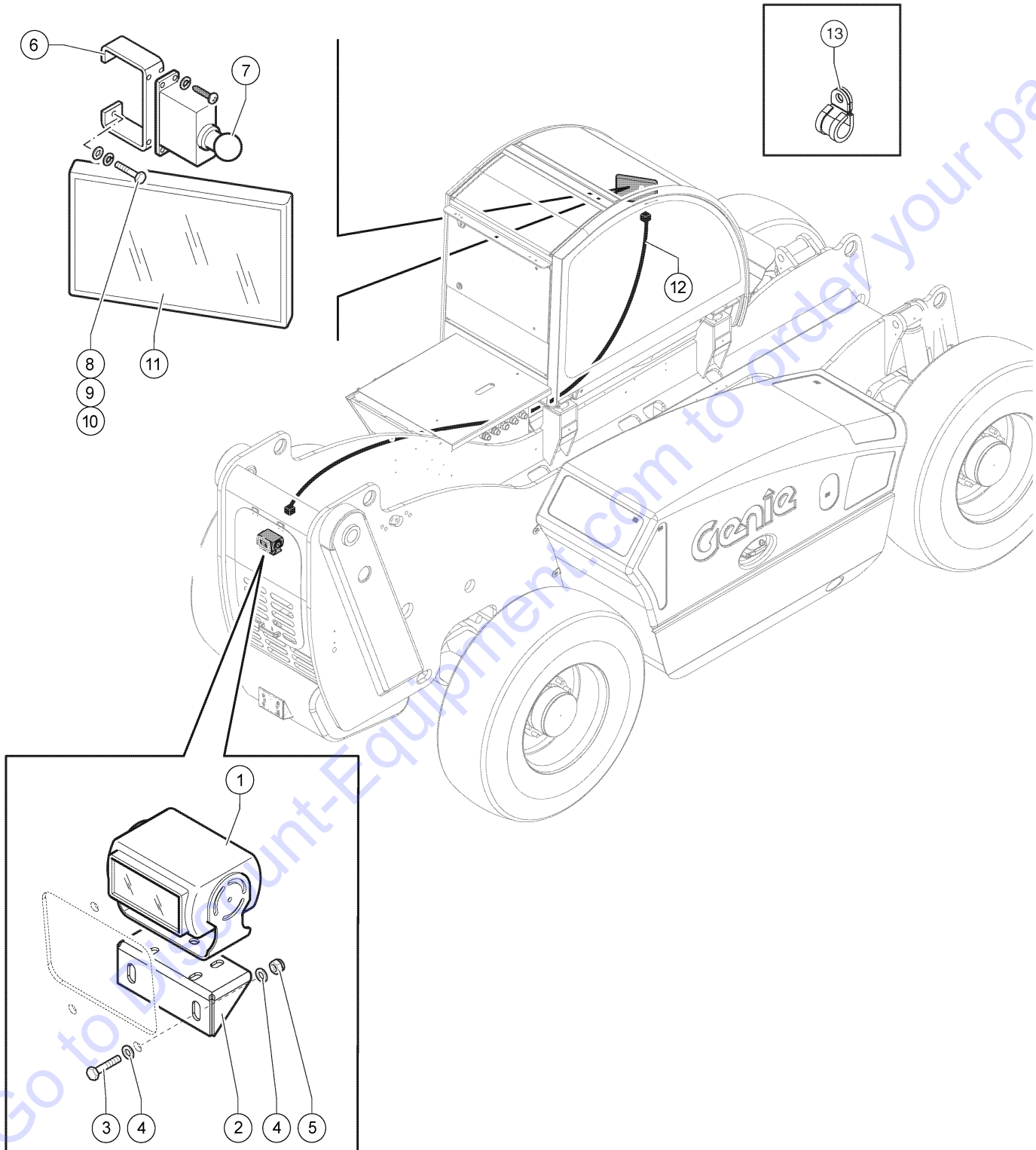
806.1 608630 Hydraulic Coupling - Part 2



806.1 608630 Hydraulic Coupling - Part 2

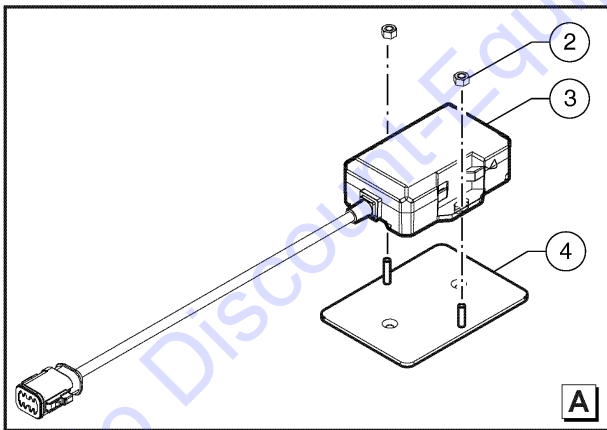
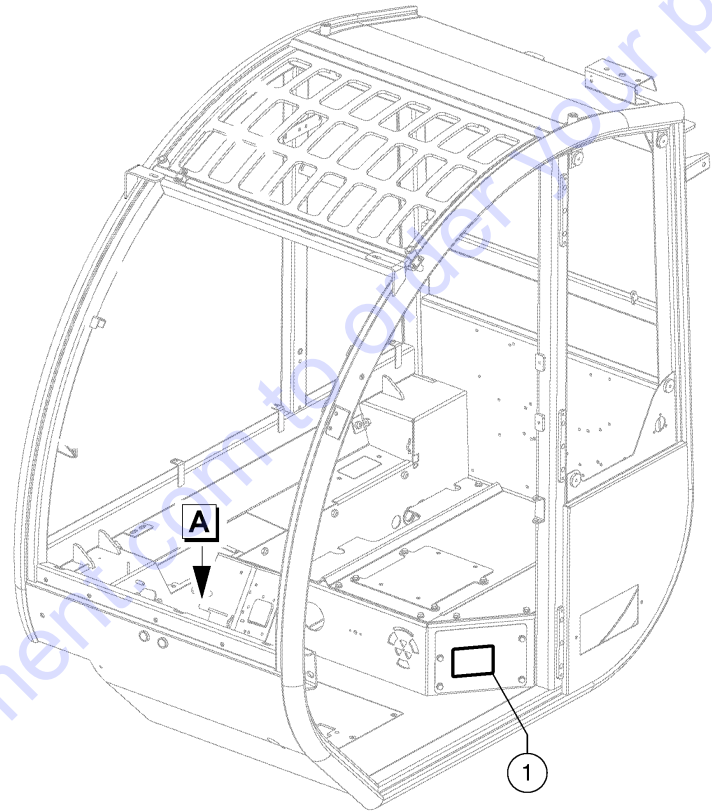
| Item | Part No. | Description | Qty. |
|------|----------------|-----------------------------------|------|
| -- | | | |
| 1 | 56.0023.0048GT | Cable Reel..... | 1 |
| 2 | 51.0811.4499GT | Bracket..... | 2 |
| 3 | 01.0001.0158GT | SCREW M6X25 UNI 5739 8.8 ZN..... | 2 |
| 4 | 01.0031.0298GT | FLAT WASHER D6 UNI 6593 ZN..... | 2 |
| 5 | 01.4032.0002GT | SPRING WASHER D6 ZN..... | 2 |
| 6 | 01.0001.0254GT | SCREW M8X20 UNI 5739 8.8 ZN..... | 5 |
| 7 | 01.4032.0003GT | SPRING WASHER D8 ZN..... | 5 |
| 8 | 01.0031.0055GT | FLAT WASHER D8 UNI 6592 ZN..... | 4 |
| 9 | 56.0023.0028GT | Cable Guide..... | 2 |
| 10 | 51.0811.4775GT | BRACKET..... | 1 |
| 11 | 01.0019.0105GT | NUT M10 UNI 5588 6S ZN..... | 1 |
| 12 | 04.4227.0008GT | CLAMP S16 D12 HOLE 8.4..... | 3 |
| 13 | 56.0017.0063GT | SWITCH COVER..... | 1 |
| 14 | 56.0017.0127GT | SWITCH..... | 1 |
| 15 | 55.0602.0781GT | Electrical Line..... | 1 |
| 16 | 54.0101.0004GT | Spacer..... | 2 |
| 17 | 51.0811.4618GT | Electric Line Fixing Bar..... | 1 |
| 18 | 09.0803.0662GT | HOSE CLAMP D8..... | 5 |
| 19 | 01.0003.0155GT | SCREW M6X20 UNI 5931 8.8 ZN..... | 5 |
| 20 | 01.4032.0004GT | SPRING WASHER D10 ZN..... | 4 |
| 21 | 01.0001.0355GT | SCREW M10X25 UNI 5739 8.8 ZN..... | 4 |

807.1 608631 Rear Video Camera



| Item | Part No. | Description | Qty. |
|------|----------------|----------------------------------|------|
| 1 | 56.00160172GT | Camera..... | 1 |
| 2 | 51.0811.4662GT | SUPPORT..... | 1 |
| 3 | 01.0001.0154GT | SCREW M6X16 UNI 5739 8.8 ZN..... | 2 |
| 4 | 01.0031.0298GT | FLAT WASHER D6 UNI 6593 ZN..... | 4 |
| 5 | 01.0023.0053GT | STOP NUT M6 UNI 7473 6S ZN..... | 2 |
| 6 | 51.0811.4539GT | Display Bracket..... | 1 |
| 7 | 56.00160174GT | Display Support..... | 1 |
| 8 | 01.0001.0254GT | SCREW M8X20 UNI 5739 8.8 ZN..... | 2 |
| 9 | 01.4032.0003GT | SPRING WASHER D8 ZN..... | 2 |
| 10 | 01.0031.0055GT | FLAT WASHER D8 UNI 6592 ZN..... | 2 |
| 11 | 56.00160173GT | Display Kit..... | 1 |
| 12 | 56.0000.0083GT | Wiring Harness..... | 1 |
| 13 | 04.4227.0008GT | CLAMP S16 D12 HOLE 8.4..... | 3 |

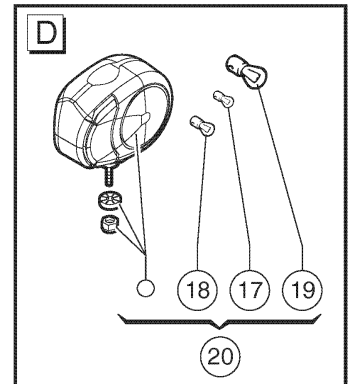
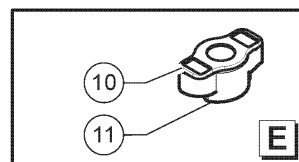
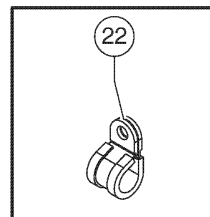
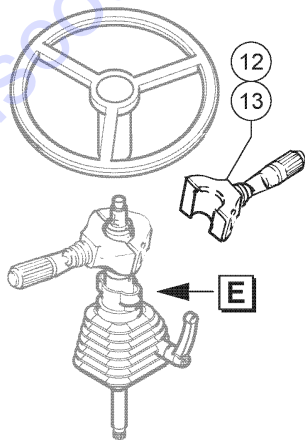
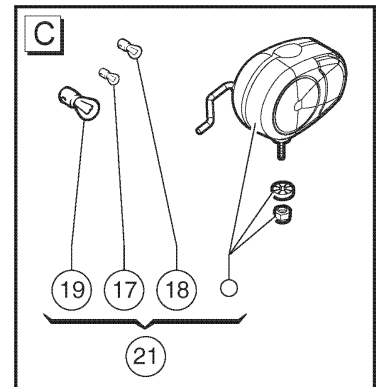
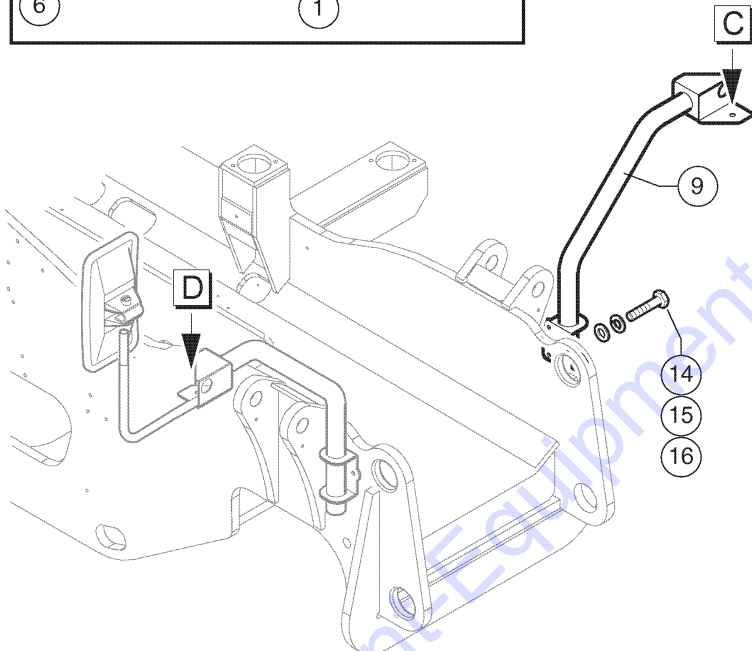
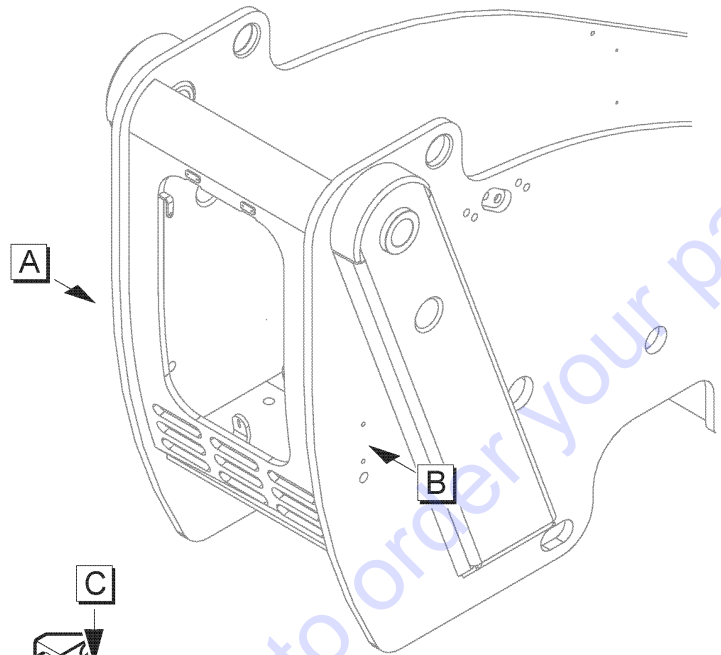
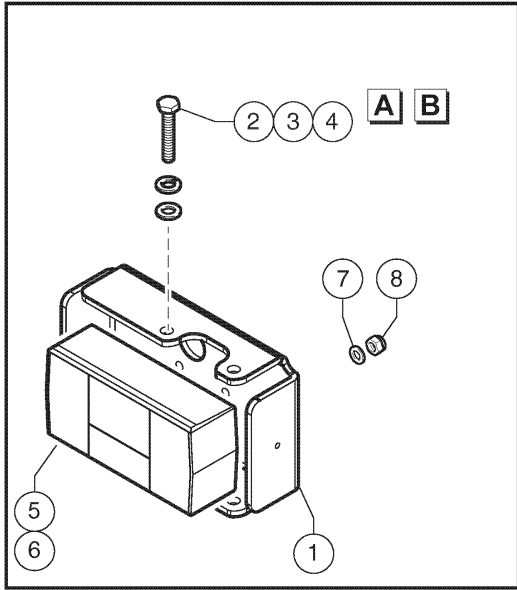
Go to Discount-Equipment.com to order your parts



| Item | Part No. | Description | Qty. |
|------|-----------|--------------------------------|------|
| 1 | 1262435GT | DECAL,TELEMATICS,UR..... | 1 |
| 2 | 1261777GT | NUT,8-32, URI TELEMATICS..... | 2 |
| 3 | 1261360GT | MODULE,TELEMATICS,ZTR,M6H..... | 1 |
| 4 | 1262434GT | BRACKET KIT..... | 1 |

Go to Discount-Equipment.com to order your parts

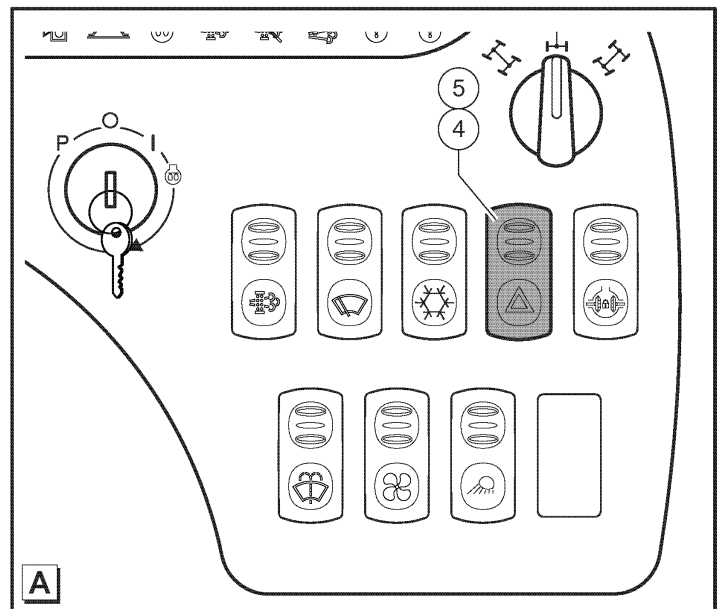
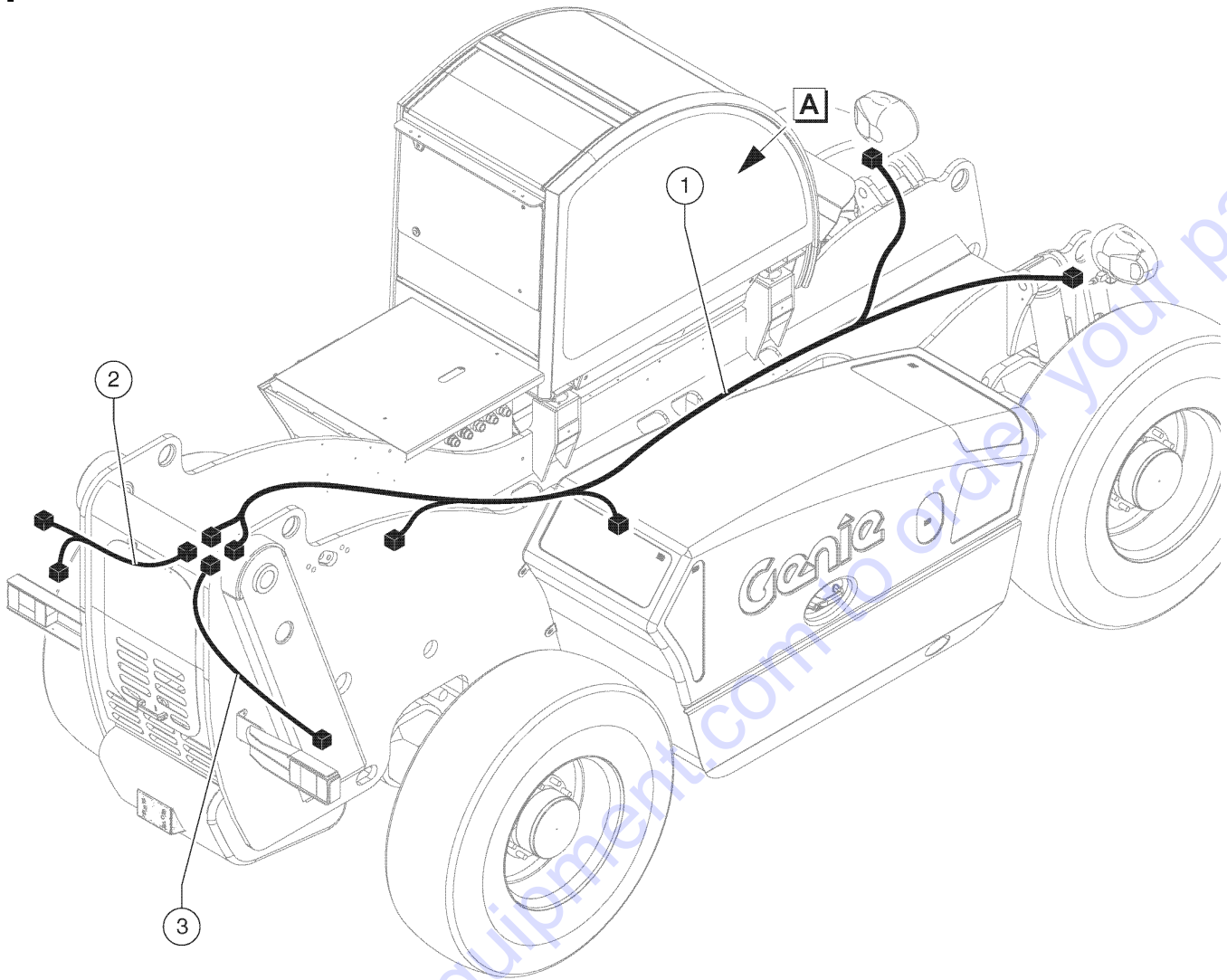
809.1 608640 Road Lights - Part 1



809.1 608640 Road Lights - Part 1

| Item | Part No. | Description | Qty. |
|------|----------------|--|------|
| 1 | 51.0811.4596GT | Rear Light Support..... | 2 |
| 2 | 01.0031.0056GT | FLAT WASHER D10 UNI 6592 ZN..... | 4 |
| 3 | 01.4032.0004GT | SPRING WASHER D10 ZN..... | 4 |
| 4 | 01.0001.0355GT | SCREW M10X25 UNI 5739 8.8 ZN..... | 4 |
| 5 | 56.0010.0037GT | LIGHT,REAR,RIGHT..... | 1 |
| 6 | 56.0010.0036GT | LIGHT,REAR,LEFT..... | 1 |
| 7 | 01.0031.0054GT | FLAT WASHER D6 UNI 6592 ZN..... | 4 |
| 8 | 01.0023.0053GT | STOP NUT M6 UNI 7473 6S ZN..... | 4 |
| 9 | 51.0811.4602GT | Left Front Light Support..... | 1 |
| 10 | 56.0016.0159GT | Steering Column Upper Cover..... <i>With Left and Right Control Lever</i> | 1 |
| 11 | 56.0016.0156GT | Connectors Cover..... | 1 |
| 12 | 56.0016.0167GT | Right Control Lever..... | 1 |
| 13 | 56.0016.0160GT | Rubber Boot..... | 2 |
| 14 | 01.0001.0256GT | SCREW M8X25 UNI 5739 8.8 ZN..... | 3 |
| 15 | 01.4032.0003GT | SPRING WASHER D8 ZN..... | 3 |
| 16 | 01.0031.0299GT | FLAT WASHER D8 UNI 6593 ZN..... | 3 |
| 17 | 07.0703.0305GT | BULB, HEADLAMP..... | 2 |
| 18 | 07.0703.0306GT | BULB, HEADLAMP..... | 2 |
| 19 | 56.0010.0058GT | BULB,12V,45/40W..... | 2 |
| 20 | 56.0010.0034GT | LIGHT,FRONT,RIGHT..... | 1 |
| 21 | 56.0010.0035GT | LIGHT,FRONT,LEFT..... | 1 |
| 22 | 04.4227.0008GT | CLAMP S16 D12 HOLE 8.4..... | 4 |

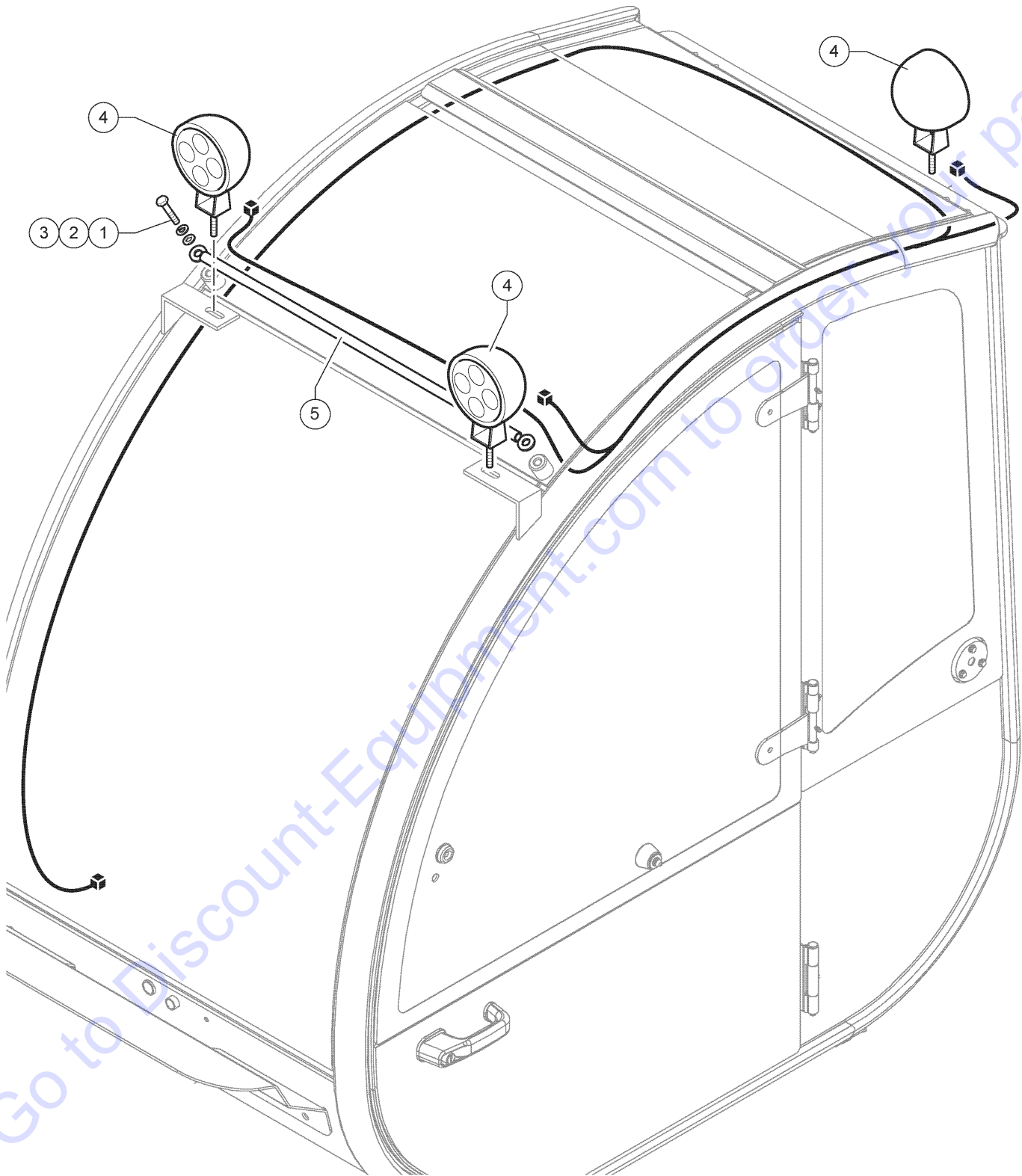
810.1 608641 Road Lights - Part 2



| Item | Part No. | Description | Qty. |
|------|----------------|--|------|
| 1 | 55.06020790GT | Chassis Line..... | 1 |
| 2 | 55.06020889GT | Rear Left Lights Line..... | 1 |
| 3 | 55.06020888GT | REAR RIGHT ROAD LIGHT AND HARNES..... | 1 |
| 4 | 56.0017.0115GT | SWITCH COVER..... | 1 |
| 5 | 56.0017.0110GT | SWITCH..... | 1 |

Go to Discount-Equipment.com to order your parts

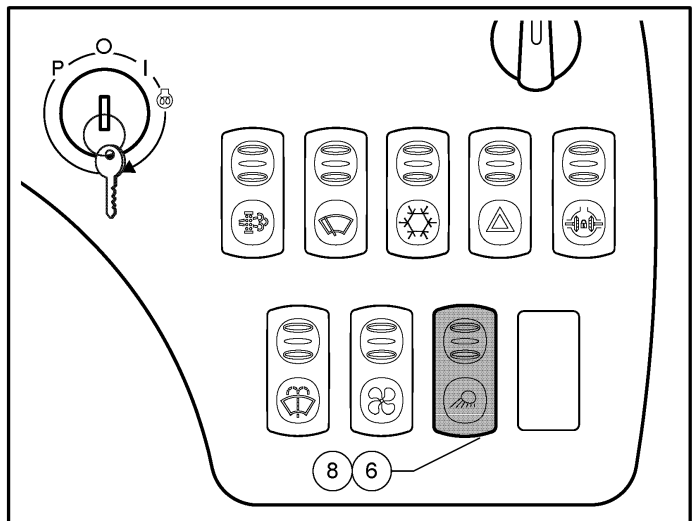
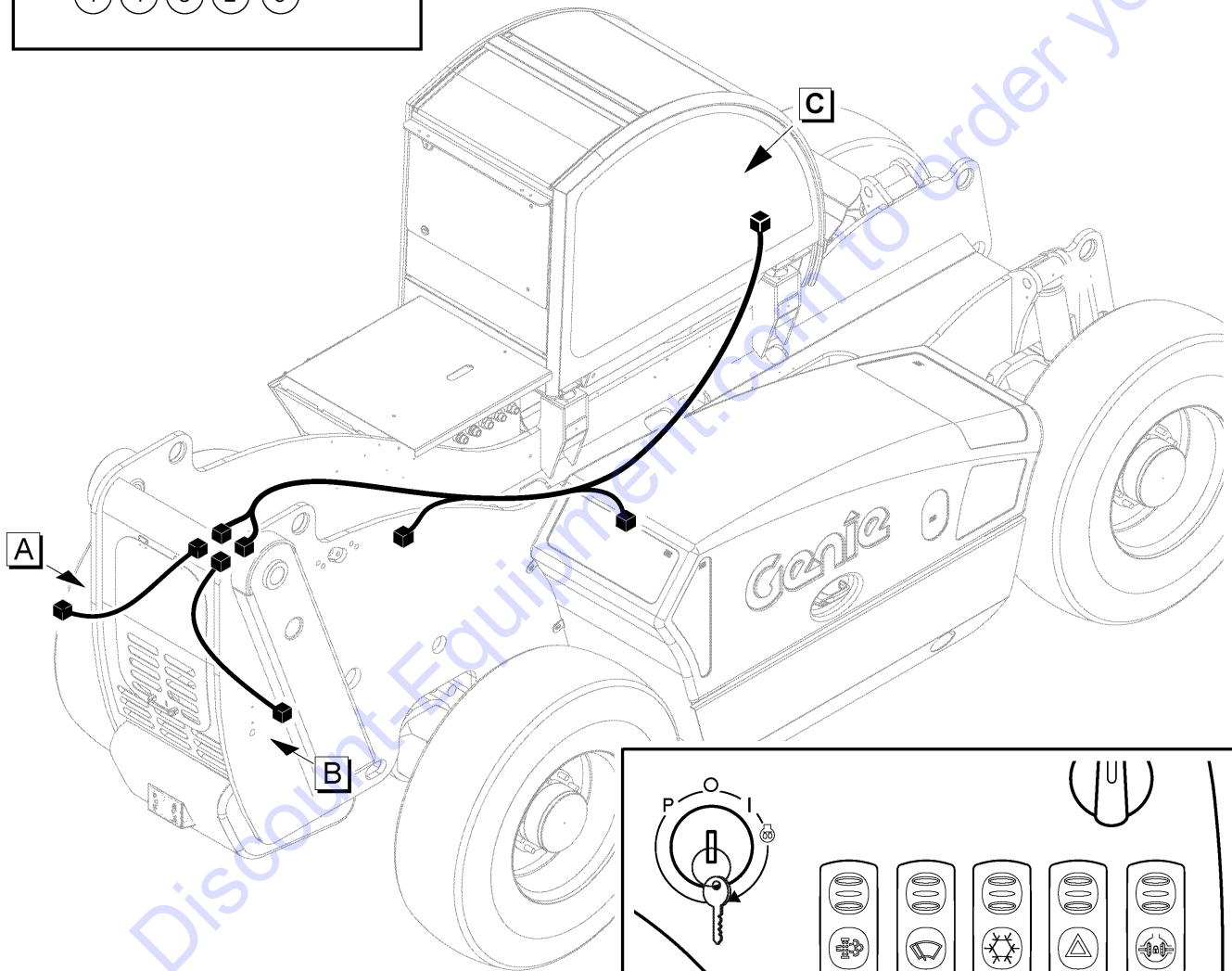
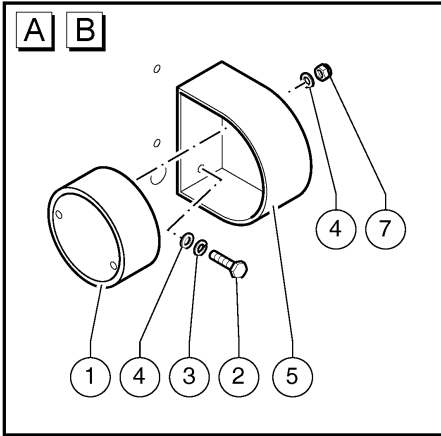
811.1 608642 Work Lights - Part 1



| Item | Part No. | Description | Qty. |
|------|----------------|-----------------------------------|------|
| 1 | 01.0001.0505GT | SCREW M12X25 UNI 5739 8.8 ZN..... | 2 |
| 2 | 01.4032.0005GT | SPRING WASHER D12 ZN..... | 2 |
| 3 | 01.0031.0057GT | WASHER,D12 UNI 6592 ZN..... | 2 |
| 4 | 56.0017.0124GT | Work Light..... | 3 |
| 5 | 51.0811.4727GT | Cable Guide Bracket..... | 1 |

Go to Discount-Equipment.com to order your parts

812.1 608643 Work Lights - Part 2



| Item | Part No. | Description | Qty. |
|------|----------------|----------------------------------|------|
| 1 | 56.0010.0077GT | Rear Light..... | 2 |
| 2 | 01.0001.0256GT | SCREW M8X25 UNI 5739 8.8 ZN..... | 4 |
| 3 | 01.4032.0003GT | SPRING WASHER D8 ZN..... | 4 |
| 4 | 01.0031.0055GT | FLAT WASHER D8 UNI 6592 ZN..... | 4 |
| 5 | 51.0811.4488GT | Rear Light Support..... | 2 |
| 6 | 56.0017.0045GT | SWITCH COVER..... | 1 |
| 7 | 01.0023.0054GT | NUT,M8 UNI 7473 6S ZN..... | 4 |
| 8 | 56.0017.0107GT | SWITCH..... | 1 |

Go to Discount-Equipment.com to order your parts

Part Number Index

The Part Number Index is a numeric index of all part numbers included in this manual. The index shows what page(s) the part is used on.

| Part Number | Page | Part Number | Page | Part Number | Page | Part Number | Page |
|----------------|---|----------------|--|----------------|----------------------|----------------|------------|
| 01.0001.0035GT | 163 | 01.0003.0947GT | 163 | 01.4001.0040GT | 89 | 02.4102.0015GT | 103 |
| 01.0001.0037GT | 163 | 01.0003.0958GT | 21 | 01.4001.0041GT | 93 | 02.4126.0003GT | 87 |
| 01.0001.0099GT | 163 | 01.0019.0104GT | 57 | 01.4001.0046GT | 101 | 02.4126.0004GT | 87, 89 |
| 01.0001.0102GT | 129 | 01.0019.0105GT | 169 | 01.4001.0056GT | 131 | 04.0220.0053GT | 51 |
| 01.0001.0104GT | 19, 127, 133 | 01.0019.0106GT | 89 | 01.4001.0061GT | 71 | 04.0220.0055GT | 135 |
| 01.0001.0106GT | 101 | 01.0019.0108GT | 95 | 01.4001.0062GT | 17 | 04.0220.0059GT | 125 |
| 01.0001.0107GT | 119 | 01.0019.0179GT | 89 | 01.4001.0069GT | 87 | 04.0227.0051GT | 51, 53, 61 |
| 01.0001.0154GT | 15, 17, 21, 23, 45, 71, 77, 171 | 01.0019.0186GT | 87 | 01.4001.0078GT | 17, 19, 135 | 04.0227.0057GT | 49 |
| 01.0001.0156GT | 69, 71, 103, 107, 109, 113, 115, 155, 163 | 01.0023.0051GT | 71 | 01.4001.0089GT | 59, 63, 135 | 04.0227.0058GT | 61, 163 |
| 01.0001.0158GT | 55, 59, 63, 169 | 01.0023.0052GT | 15 | 01.4001.0106GT | 19, 59, 63, 101, 135 | 04.0227.0064GT | 49 |
| 01.0001.0206GT | 45, 47 | 01.0023.0053GT | 17, 19, 45, 55, 59, 63, 71, 127, 133, 171, 175 | 01.4001.0116GT | 71, 77 | 04.0227.0067GT | 65 |
| 01.0001.0209GT | 17, 19 | 01.0023.0054GT | 49, 53, 55, 57, 71, 77, 103, 129, 147, 159, 163, 181 | 01.4001.0122GT | 69 | 04.0227.0068GT | 61, 65, 81 |
| 01.0001.0252GT | 57 | 01.0023.0055GT | 17, 19, 21, 51, 53, 55, 59, 63, 97, 99, 107, 109, 129, 145, 161 | 01.4001.0125GT | 91 | 04.0227.0152GT | 61 |
| 01.0001.0254GT | 15, 19, 23, 55, 71, 75, 85, 89, 125, 143, 167, 169, 171 | 01.0023.0056GT | 17, 19, 45, 47, 89, 105, 109 | 01.4001.0165GT | 55, 155 | 04.0227.0502GT | 49 |
| 01.0001.0256GT | 17, 19, 55, 57, 59, 63, 71, 91, 97, 101, 157, 163, 175, 181 | 01.0023.0057GT | 47, 97, 103 | 01.4001.0175GT | 95 | 04.0600.0007GT | 125 |
| 01.0001.0257GT | 15, 57, 147 | 01.0023.0058GT | 15, 25, 103 | 01.4001.0177GT | 15 | 04.0600.0013GT | 121 |
| 01.0001.0258GT | 129 | 01.0023.0062GT | 25 | 01.4001.0180GT | 55 | 04.0600.0017GT | 167 |
| 01.0001.0304GT | 19 | 01.0031.0053GT | 15, 19 | 01.4001.0186GT | 25 | 04.0600.0019GT | 115 |
| 01.0001.0306GT | 97 | 01.0031.0054GT | 15, 17, 19, 21, 55, 69, 77, 103, 107, 109, 113, 115, 127, 131, 133, 155, 163, 175 | 01.4003.0000GT | 83 | 04.0600.0021GT | 131 |
| 01.0001.0308GT | 59, 63, 99, 107, 109, 135 | 01.0031.0055GT | 15, 17, 19, 23, 45, 47, 49, 55, 57, 71, 75, 85, 89, 91, 97, 101, 125, 129, 135, 143, 147, 157, 169, 171, 175, 181, 185, 189, 191, 193, 195, 197, 199, 201, 203, 205, 207, 209, 211, 213, 215, 217, 219, 221, 223, 225, 227, 229, 231, 233, 235, 237, 239, 241, 243, 245, 247, 249, 251, 253, 255, 257, 259, 261, 263, 265, 267, 269, 271, 273, 275, 277, 279, 281, 283, 285, 287, 289, 291, 293, 295, 297, 299, 301, 303, 305, 307, 309, 311, 313, 315, 317, 319, 321, 323, 325, 327, 329, 331, 333, 335, 337, 339, 341, 343, 345, 347, 349, 351, 353, 355, 357, 359, 361, 363, 365, 367, 369, 371, 373, 375, 377, 379, 381, 383, 385, 387, 389, 391, 393, 395, 397, 399, 401, 403, 405, 407, 409, 411, 413, 415, 417, 419, 421, 423, 425, 427, 429, 431, 433, 435, 437, 439, 441, 443, 445, 447, 449, 451, 453, 455, 457, 459, 461, 463, 465, 467, 469, 471, 473, 475, 477, 479, 481, 483, 485, 487, 489, 491, 493, 495, 497, 499, 501, 503, 505, 507, 509, 511, 513, 515, 517, 519, 521, 523, 525, 527, 529, 531, 533, 535, 537, 539, 541, 543, 545, 547, 549, 551, 553, 555, 557, 559, 561, 563, 565, 567, 569, 571, 573, 575, 577, 579, 581, 583, 585, 587, 589, 591, 593, 595, 597, 599, 601, 603, 605, 607, 609, 611, 613, 615, 617, 619, 621, 623, 625, 627, 629, 631, 633, 635, 637, 639, 641, 643, 645, 647, 649, 651, 653, 655, 657, 659, 661, 663, 665, 667, 669, 671, 673, 675, 677, 679, 681, 683, 685, 687, 689, 691, 693, 695, 697, 699, 701, 703, 705, 707, 709, 711, 713, 715, 717, 719, 721, 723, 725, 727, 729, 731, 733, 735, 737, 739, 741, 743, 745, 747, 749, 751, 753, 755, 757, 759, 761, 763, 765, 767, 769, 771, 773, 775, 777, 779, 781, 783, 785, 787, 789, 791, 793, 795, 797, 799, 801, 803, 805, 807, 809, 811, 813, 815, 817, 819, 821, 823, 825, 827, 829, 831, 833, 835, 837, 839, 841, 843, 845, 847, 849, 851, 853, 855, 857, 859, 861, 863, 865, 867, 869, 871, 873, 875, 877, 879, 881, 883, 885, 887, 889, 891, 893, 895, 897, 899, 901, 903, 905, 907, 909, 911, 913, 915, 917, 919, 921, 923, 925, 927, 929, 931, 933, 935, 937, 939, 941, 943, 945, 947, 949, 951, 953, 955, 957, 959, 961, 963, 965, 967, 969, 971, 973, 975, 977, 979, 981, 983, 985, 987, 989, 991, 993, 995, 997, 999, 1001, 1003, 1005, 1007, 1009, 1011, 1013, 1015, 1017, 1019, 1021, 1023, 1025, 1027, 1029, 1031, 1033, 1035, 1037, 1039, 1041, 1043, 1045, 1047, 1049, 1051, 1053, 1055, 1057, 1059, 1061, 1063, 1065, 1067, 1069, 1071, 1073, 1075, 1077, 1079, 1081, 1083, 1085, 1087, 1089, 1091, 1093, 1095, 1097, 1099, 1101, 1103, 1105, 1107, 1109, 1111, 1113, 1115, 1117, 1119, 1121, 1123, 1125, 1127, 1129, 1131, 1133, 1135, 1137, 1139, 1141, 1143, 1145, 1147, 1149, 1151, 1153, 1155, 1157, 1159, 1161, 1163, 1165, 1167, 1169, 1171, 1173, 1175, 1177, 1179, 1181, 1183, 1185, 1187, 1189, 1191, 1193, 1195, 1197, 1199, 1201, 1203, 1205, 1207, 1209, 1211, 1213, 1215, 1217, 1219, 1221, 1223, 1225, 1227, 1229, 1231, 1233, 1235, 1237, 1239, 1241, 1243, 1245, 1247, 1249, 1251, 1253, 1255, 1257, 1259, 1261, 1263, 1265, 1267, 1269, 1271, 1273, 1275, 1277, 1279, 1281, 1283, 1285, 1287, 1289, 1291, 1293, 1295, 1297, 1299, 1301, 1303, 1305, 1307, 1309, 1311, 1313, 1315, 1317, 1319, 1321, 1323, 1325, 1327, 1329, 1331, 1333, 1335, 1337, 1339, 1341, 1343, 1345, 1347, 1349, 1351, 1353, 1355, 1357, 1359, 1361, 1363, 1365, 1367, 1369, 1371, 1373, 1375, 1377, 1379, 1381, 1383, 1385, 1387, 1389, 1391, 1393, 1395, 1397, 1399, 1401, 1403, 1405, 1407, 1409, 1411, 1413, 1415, 1417, 1419, 1421, 1423, 1425, 1427, 1429, 1431, 1433, 1435, 1437, 1439, 1441, 1443, 1445, 1447, 1449, 1451, 1453, 1455, 1457, 1459, 1461, 1463, 1465, 1467, 1469, 1471, 1473, 1475, 1477, 1479, 1481, 1483, 1485, 1487, 1489, 1491, 1493, 1495, 1497, 1499, 1501, 1503, 1505, 1507, 1509, 1511, 1513, 1515, 1517, 1519, 1521, 1523, 1525, 1527, 1529, 1531, 1533, 1535, 1537, 1539, 1541, 1543, 1545, 1547, 1549, 1551, 1553, 1555, 1557, 1559, 1561, 1563, 1565, 1567, 1569, 1571, 1573, 1575, 1577, 1579, 1581, 1583, 1585, 1587, 1589, 1591, 1593, 1595, 1597, 1599, 1601, 1603, 1605, 1607, 1609, 1611, 1613, 1615, 1617, 1619, 1621, 1623, 1625, 1627, 1629, 1631, 1633, 1635, 1637, 1639, 1641, 1643, 1645, 1647, 1649, 1651, 1653, 1655, 1657, 1659, 1661, 1663, 1665, 1667, 1669, 1671, 1673, 1675, 1677, 1679, 1681, 1683, 1685, 1687, 1689, 1691, 1693, 1695, 1697, 1699, 1701, 1703, 1705, 1707, 1709, 1711, 1713, 1715, 1717, 1719, 1721, 1723, 1725, 1727, 1729, 1731, 1733, 1735, 1737, 1739, 1741, 1743, 1745, 1747, 1749, 1751, 1753, 1755, 1757, 1759, 1761, 1763, 1765, 1767, 1769, 1771, 1773, 1775, 1777, 1779, 1781, 1783, 1785, 1787, 1789, 1791, 1793, 1795, 1797, 1799, 1801, 1803, 1805, 1807, 1809, 1811, 1813, 1815, 1817, 1819, 1821, 1823, 1825, 1827, 1829, 1831, 1833, 1835, 1837, 1839, 1841, 1843, 1845, 1847, 1849, 1851, 1853, 1855, 1857, 1859, 1861, 1863, 1865, 1867, 1869, 1871, 1873, 1875, 1877, 1879, 1881, 1883, 1885, 1887, 1889, 1891, 1893, 1895, 1897, 1899, 1901, 1903, 1905, 1907, 1909, 1911, 1913, 1915, 1917, 1919, 1921, 1923, 1925, 1927, 1929, 1931, 1933, 1935, 1937, 1939, 1941, 1943, 1945, 1947, 1949, 1951, 1953, 1955, 1957, 1959, 1961, 1963, 1965, 1967, 1969, 1971, 1973, 1975, 1977, 1979, 1981, 1983, 1985, 1987, 1989, 1991, 1993, 1995, 1997, 1999, 2001, 2003, 2005, 2007, 2009, 2011, 2013, 2015, 2017, 2019, 2021, 2023, 2025, 2027, 2029, 2031, 2033, 2035, 2037, 2039, 2041, 2043, 2045, 2047, 2049, 2051, 2053, 2055, 2057, 2059, 2061, 2063, 2065, 2067, 2069, 2071, 2073, 2075, 2077, 2079, 2081, 2083, 2085, 2087, 2089, 2091, 2093, 2095, 2097, 2099, 2101, 2103, 2105, 2107, 2109, 2111, 2113, 2115, 2117, 2119, 2121, 2123, 2125, 2127, 2129, 2131, 2133, 2135, 2137, 2139, 2141, 2143, 2145, 2147, 2149, 2151, 2153, 2155, 2157, 2159, 2161, 2163, 2165, 2167, 2169, 2171, 2173, 2175, 2177, 2179, 2181, 2183, 2185, 2187, 2189, 2191, 2193, 2195, 2197, 2199, 2201, 2203, 2205, 2207, 2209, 2211, 2213, 2215, 2217, 2219, 2221, 2223, 2225, 2227, 2229, 2231, 2233, 2235, 2237, 2239, 2241, 2243, 2245, 2247, 2249, 2251, 2253, 2255, 2257, 2259, 2261, 2263, 2265, 2267, 2269, 2271, 2273, 2275, 2277, 2279, 2281, 2283, 2285, 2287, 2289, 2291, 2293, 2295, 2297, 2299, 2301, 2303, 2305, 2307, 2309, 2311, 2313, 2315, 2317, 2319, 2321, 2323, 2325, 2327, 2329, 2331, 2333, 2335, 2337, 2339, 2341, 2343, 2345, 2347, 2349, 2351, 2353, 2355, 2357, 2359, 2361, 2363, 2365, 2367, 2369, 2371, 2373, 2375, 2377, 2379, 2381, 2383, 2385, 2387, 2389, 2391, 2393, 2395, 2397, 2399, 2401, 2403, 2405, 2407, 2409, 2411, 2413, 2415, 2417, 2419, 2421, 2423, 2425, 2427, 2429, 2431, 2433, 2435, 2437, 2439, 2441, 2443, 2445, 2447, 2449, 2451, 2453, 2455, 2457, 2459, 2461, 2463, 2465, 2467, 2469, 2471, 2473, 2475, 2477, 2479, 2481, 2483, 2485, 2487, 2489, 2491, 2493, 2495, 2497, 2499, 2501, 2503, 2505, 2507, 2509, 2511, 2513, 2515, 2517, 2519, 2521, 2523, 2525, 2527, 2529, 2531, 2533, 2535, 2537, 2539, 2541, 2543, 2545, 2547, 2549, 2551, 2553, 2555, 2557, 2559, 2561, 2563, 2565, 2567, 2569, 2571, 2573, 2575, 2577, 2579, 2581, 2583, 2585, 2587, 2589, 2591, 2593, 2595, 2597, 2599, 2601, 2603, 2605, 2607, 2609, 2611, 2613, 2615, 2617, 2619, 2621, 2623, 2625, 2627, 2629, 2631, 2633, 2635, 2637, 2639, 2641, 2643, 2645, 2647, 2649, 2651, 2653, 2655, 2657, 2659, 2661, 2663, 2665, 2667, 2669, 2671, 2673, 2675, 2677, 2679, 2681, 2683, 2685, 2687, 2689, 2691, 2693, 2695, 2697, 2699, 2701, 2703, 2705, 2707, 2709, 2711, 2713, 2715, 2717, 2719, 2721, 2723, 2725, 2727, 2729, 2731, 2733, 2735, 2737, 2739, 2741, 2743, 2745, 2747, 2749, 2751, 2753, 2755, 2757, 2759, 2761, 2763, 2765, 2767, 2769, 2771, 2773, 2775, 2777, 2779, 2781, 2783, 2785, 2787, 2789, 2791, 2793, 2795, 2797, 2799, 2801, 2803, 2805, 2807, 2809, 2811, 2813, 2815, 2817, 2819, 2821, 2823, 2825, 2827, 2829, 2831, 2833, 2835, 2837, 2839, 2841, 2843, 2845, 2847, 2849, 2851, 2853, 2855, 2857, 2859, 2861, 2863, 2865, 2867, 2869, 2871, 2873, 2875, 2877, 2879, 2881, 2883, 2885, 2887, 2889, 2891, 2893, 2895, 2897, 2899, 2901, 2903, 2905, 2907, 2909, 2911, 2913, 2915, 2917, 2919, 2921, 2923, 2925, 2927, 2929, 2931, 2933, 2935, 2937, 2939, 2941, 2943, 2945, 2947, 2949, 2951, 2953, 2955, 2957, 2959, 2961, 2963, 2965, 2967, 2969, 2971, 2973, 2975, 2977, 2979, 2981, 2983, 2985, 2987, 2989, 2991, 2993, 2995, 2997, 2999, 3001, 3003, 3005, 3007, 3009, 3011, 3013, 3015, 3017, 3019, 3021, 3023, 3025, 3027, 3029, 3031, 3033, 3035, 3037, 3039, 3041, 3043, 3045, 3047, 3049, 3051, 3053, 3055, 3057, 3059, 3061, 3063, 3065, 3067, 3069, 3071, 3073, 3075, 3077, 3079, 3081, 3083, 3085, 3087, 3089, 3091, 3093, 3095, 3097, 3099, 3101, 3103, 3105, 3107, 3109, 3111, 3113, 3115, 3117, 3119, 3121, 3123, 3125, 3127, 3129, 3131, 3133, 3135, 3137, 3139, 3141, 3143, 3145, 3147, 3149, 3151, 3153, 3155, 3157, 3159, 3161, 3163, 3165, 3167, 3169, 3171, 3173, 3175, 3177, 3179, 3181, 3183, 3185, 3187, 3189, 3191, 3193, 3195, 3197, 3199, 3201, 3203, 3205, 3207, 3209, 3211, 3213, 3215, 3217, 3219, 3221, 3223, 3225, 3227, 3229, 3231, 3233, 3235, 3237, 3239, 3241, 3243, 3245, 3247, 3249, 3251, 3253, 3255, 3257, 3259, 3261, 3263, 3265, 3267, 3269, 3271, 3273, 3275, 3277, 3279, 3281, 3283, 3285, 3287, 3289, 3291, 3293, 3295, 3297, 3299, 3301, 3303, 3305, 3307, 3309, 3311, 3313, 3315, 3317, 3319, 3321, 3323, 3325, 3327, 3329, 3331, 3333, 3335, 3337, 3339, 3341, 3343, 3345, 3347, 3349, 3351, 3353, 3355, 3357, 3359, 3361, 3363, 3365, 3367, 3369, 3371, 3373, 3375, 3377, 3379, 3381, 3383, 3385, 3387, 3389, 3391, 3393, 3395, 3397, 3399, 3401, 3403, 3405, 3407, 3409, 3411, 3413, 3415, 3417, 3419, 3421, 3423, 3425, 3427, 3429, 3431, 3433, 3435, 3437, 3439, 3441, 3443, 3445 | | | | |

| Part Number | Page | Part Number | Page | Part Number | Page | Part Number | Page |
|----------------|---------------------|----------------|------------------------|----------------|----------------------|----------------|--------------------|
| 04.0605.1271GT |131 | 04.0607.0147GT |137 | 05.4329.0001GT |129 | 07.0703.0462GT |165 |
| 04.0605.1311GT |125 | 04.0607.0153GT |47, 125, 129, | 05.4329.0002GT |129 | 07.0703.0472GT |153 |
| 04.0605.1327GT |129 | | 139, 143 | 05.4329.0027GT |125 | 07.0703.0485GT |151 |
| 04.0605.1328GT |129 | 04.0607.0158GT |139 | 06.0401.0219GT |143 | 07.0703.0486GT |151, 157, 165 |
| 04.0605.1329GT |121 | 04.0607.0160GT |137 | 06.0401.1501GT |139 | 07.0703.0535GT |157 |
| 04.0605.1332GT |137 | 04.0607.0163GT |167 | 06.0442.0117GT |131 | 07.0703.0577GT |153 |
| 04.0605.1333GT |143 | 04.0607.0167GT |121, 125 | 06.0442.0119GT |23 | 07.0703.0605GT |69 |
| 04.0605.1334GT |143 | 04.0607.0174GT |137 | 06.0442.0120GT |23, 51, 53, 131 | 07.0703.0656GT |157 |
| 04.0605.1335GT |133 | 04.0607.0176GT |137 | 06.0442.0122GT |23, 117, 119, | 07.0703.0707GT |69 |
| 04.0605.1337GT |139 | 04.0607.0180GT |129 | | 135, 139, 167 | 07.0703.0708GT |69 |
| 04.0605.1338GT |111, 125, 139 | 04.0607.0183GT |143 | 06.0442.0124GT |121, 125, 143 | 07.0703.0709GT |69 |
| 04.0605.1339GT |141 | 04.0607.0188GT |143 | 06.0442.0125GT |137, 143 | 07.0703.0710GT |69 |
| 04.0605.1341GT |131 | 04.0607.0190GT |137 | 06.0442.0126GT |137 | 07.0703.0712GT |69 |
| 04.0605.1343GT |137 | 04.0607.0193GT |127 | 06.0442.0129GT |51 | 07.0703.0713GT |69 |
| 04.0605.1346GT |137 | 04.0607.0205GT |111 | 06.0442.0132GT |139 | 07.0703.0714GT |157 |
| 04.0605.1348GT |143 | 04.0607.0228GT |139 | 07.0700.0002GT |23 | 07.0703.0724GT |151 |
| 04.0605.1355GT |139 | 04.0607.0797GT |129 | 07.0700.0006GT |23 | 07.0703.0725GT |153 |
| 04.0605.1356GT |141 | 04.0607.0813GT |129, 131, 133 | 07.0700.0007GT |23 | 07.0704.0024GT |149 |
| 04.0605.1358GT |121 | 04.0607.0818GT |53 | 07.0700.0049GT |23 | 07.0704.0035GT |147 |
| 04.0605.1436GT |143 | 04.0607.0846GT |143 | 07.0700.0050GT |23 | 07.0704.0037GT |147 |
| 04.0605.1439GT |143 | 04.0607.0847GT |139 | 07.0700.0051GT |23 | 07.0704.0045GT |147 |
| 04.0605.1440GT |127 | 04.0607.0849GT |127 | 07.0701.0213GT |67 | 07.0704.0049GT |149 |
| 04.0605.1441GT |127 | 04.0607.0855GT |129, 143 | 07.0701.0216GT |67 | 07.0704.0077GT |147 |
| 04.0605.1442GT |127 | 04.4210.0005GT |47 | 07.0701.0217GT |67 | 07.0704.0078GT |147, 149 |
| 04.0605.1443GT |139 | 04.4210.0016GT |125, 129, 139, | 07.0701.0242GT |67 | 07.0704.0091GT |147 |
| 04.0605.1444GT |129 | | 143 | 07.0701.0247GT |67 | 07.0704.0092GT |147 |
| 04.0605.1476GT |113, 115 | 04.4210.0018GT |115 | 07.0701.0276GT |67 | 07.0704.0093GT |147 |
| 04.0605.1479GT |113, 115 | 04.4210.0019GT |115 | 07.0701.0277GT |69 | 07.0704.0094GT |147 |
| 04.0605.1480GT |113, 115 | 04.4220.0007GT |23 | 07.0701.0278GT |69 | 07.0704.0095GT |147 |
| 04.0605.1496GT |111 | 04.4223.0001GT |139 | 07.0701.0279GT |69 | 07.0704.0097GT |147 |
| 04.0605.1498GT |111 | 04.4223.0002GT |137, 139 | 07.0701.0280GT |69 | 07.0704.0144GT |147, 149 |
| 04.0605.1538GT |121 | 04.4223.0003GT |143 | 07.0701.0281GT |69 | 07.0704.0145GT |149 |
| 04.0605.1540GT |127 | 04.4223.0010GT |139 | 07.0701.0282GT |69 | 07.0704.0164GT |147 |
| 04.0605.1542GT |117, 119 | 04.4223.0014GT |139 | 07.0701.0286GT |69 | 07.0704.0184GT |147 |
| 04.0605.1545GT |113 | 04.4224.0001GT |139 | 07.0701.0287GT |69 | 07.0704.0190GT |147 |
| 04.0605.1600GT |137 | 04.4224.0011GT |51, 53 | 07.0701.0289GT |143 | 07.0704.0199GT |147 |
| 04.0605.1601GT |137 | 04.4224.0012GT |129 | 07.0701.0291GT |67 | 07.0704.0200GT |147 |
| 04.0605.1606GT |137 | 04.4227.0000GT |49, 65 | 07.0701.0293GT |145 | 07.0704.0201GT |147 |
| 04.0605.1625GT |131 | 04.4227.0001GT |65 | 07.0701.0294GT |145 | 07.0704.0202GT |147 |
| 04.0605.1626GT |129 | 04.4227.0008GT |15, 169, 171, 175 | 07.0701.0295GT |145 | 07.0704.0203GT |147 |
| 04.0605.1627GT |115 | 04.4227.0016GT |53, 125 | 07.0701.0296GT |145 | 07.0704.0204GT |147 |
| 04.0605.1628GT |113 | 04.4227.0031GT |49 | 07.0701.0297GT |145 | 07.0704.0205GT |147 |
| 04.0605.1632GT |167 | 04.4227.0034GT |49 | 07.0701.0298GT |145 | 07.0704.0206GT |147 |
| 04.0605.1637GT |167 | 04.4229.0082GT |143 | 07.0701.0299GT |145 | 07.0704.0207GT |147 |
| 04.0605.1758GT |119 | 04.4229.0084GT |143 | 07.0701.0300GT |145 | 07.0704.0208GT |147 |
| 04.0607.0103GT |143 | 04.4235.0049GT |135 | 07.0701.0301GT |145 | 07.0704.0209GT |147 |
| 04.0607.0107GT |111, 117, 119, | 04.4235.0050GT |143 | 07.0701.0303GT |145 | 07.0704.0210GT |147 |
| | 125, 139, 143 | 04.4236.0099GT |145 | 07.0701.0304GT |145 | 07.0704.0211GT |147 |
| 04.0607.0109GT |113 | 04.4236.0105GT |147 | 07.0701.0305GT |145 | 07.0704.0212GT |147 |
| 04.0607.0110GT |127, 167 | 04.4236.0110GT |149 | 07.0701.0306GT |145 | 07.0704.0213GT |147 |
| 04.0607.0111GT |113, 115, 117, | 04.4238.0089GT |67 | 07.0701.0307GT |145 | 07.0704.0214GT |147 |
| | 119, 125, 127, | 04.4238.0091GT |67 | 07.0701.0308GT |145 | 07.0704.0215GT |147 |
| | 129, 137, 139 | 04.4238.0092GT |67 | 07.0701.0309GT |145 | 07.0704.0216GT |147 |
| 04.0607.0112GT |121, 125, 129, | 04.4238.0093GT |67 | 07.0701.0310GT |145 | 07.0704.0217GT |147 |
| | 167 | 04.4238.0094GT |67 | 07.0701.0311GT |145 | 07.0704.0218GT |147 |
| 04.0607.0113GT |121, 123, 125, | 04.4239.0001GT |97 | 07.0701.0312GT |145 | 07.0704.0219GT |147 |
| | 127, 131, 137, | 04.4239.0002GT |167 | 07.0701.0314GT |121, 141 | 07.0704.0220GT |147 |
| | 139, 141, 167 | 04.4239.0004GT |113 | 07.0701.0316GT |167 | 07.0704.0221GT |147 |
| 04.0607.0114GT |113, 121, 123, | 04.4239.0015GT |131 | 07.0701.0317GT |167 | 07.0704.0222GT |147 |
| | 127, 131, 133, | 04.4239.0034GT |143 | 07.0701.0327GT |67 | 07.0704.0223GT |147 |
| | 141, 167 | 04.4239.0041GT |99 | 07.0701.0331GT |97 | 07.0704.0409GT |149 |
| 04.0607.0115GT |121, 131, 133, | 04.4239.0051GT |97 | 07.0701.0341GT |69 | 07.0704.0429GT |149 |
| | 141, 167 | 04.4239.0077GT |137 | 07.0701.0342GT |67 | 07.0704.0430GT |149 |
| 04.0607.0117GT |129, 131 | 04.4239.0080GT |101 | 07.0703.0069GT |157 | 07.0704.0431GT |149 |
| 04.0607.0119GT |137 | 04.4239.0136GT |117, 119 | 07.0703.0080GT |157 | 07.0704.0432GT |149 |
| 04.0607.0121GT |111, 113, 129 | 04.4239.0138GT |21 | 07.0703.0101GT |153 | 07.0704.0433GT |149 |
| 04.0607.0122GT |113, 129 | 04.4239.0142GT |97 | 07.0703.0125GT |19 | 07.0704.0434GT |149 |
| 04.0607.0124GT |111, 113, 115 | 04.4240.0015GT |131 | 07.0703.0148GT |157, 165 | 07.0704.0435GT |149 |
| 04.0607.0130GT |137, 139, 143 | 04.4240.0024GT |101 | 07.0703.0188GT |157, 165 | 07.0704.0436GT |149 |
| 04.0607.0131GT |121, 125, 129, | 04.4240.0041GT |101 | 07.0703.0189GT |157 | 07.0704.0437GT |149 |
| | 131, 133, 141, | 04.4240.0049GT |121, 141 | 07.0703.0193GT |151 | 07.0704.0438GT |149 |
| | 143 | 04.4240.0052GT |127 | 07.0703.0305GT |175 | 07.0704.0439GT |149 |
| 04.0607.0137GT |129 | 04.4240.0055GT |133 | 07.0703.0306GT |175 | 07.0704.0440GT |149 |
| 04.0607.0141GT |113, 115, 117, | 04.4240.0075GT |167 | 07.0703.0423GT |69 | 07.0704.0441GT |149 |
| | 119, 129 | 05.4309.0000GT |129 | 07.0703.0429GT |153 | 07.0704.0442GT |149 |
| 04.0607.0142GT |137, 143 | 05.4329.0000GT |129 | 07.0703.0431GT |165 | 07.0704.0443GT |149 |

Part Number Index (continued)

| Part Number | Page | Part Number | Page | Part Number | Page | Part Number | Page |
|----------------|-----------------|----------------|-------------|----------------|-------------|----------------|------------------|
| 07.0704.0444GT |149 | 07.0709.0804GT |29 | 07.0709.1018GT |31 | 07.0723.0303GT |163 |
| 07.0704.0445GT |149 | 07.0709.0806GT |29 | 07.0709.1019GT |29 | 07.0723.0317GT |163 |
| 07.0704.0446GT |149 | 07.0709.0809GT |29 | 07.0709.1020GT |29 | 07.0723.0360GT |59, 63, 135 |
| 07.0704.0447GT |149 | 07.0709.0810GT |29 | 07.0709.1021GT |29 | 07.0723.0571GT |77 |
| 07.0704.0448GT |149 | 07.0709.0811GT |29 | 07.0709.1022GT |29 | 07.0723.0634GT |69 |
| 07.0704.0450GT |149 | 07.0709.0812GT |29 | 07.0709.1023GT |31 | 07.0723.0635GT |69 |
| 07.0704.0451GT |149 | 07.0709.0813GT |29 | 07.0709.1024GT |31 | 07.0726.0054GT |87, 89, 91 |
| 07.0704.0452GT |149 | 07.0709.0817GT |29, 43 | 07.0709.1025GT |27, 41 | 07.0730.0077GT |129 |
| 07.0704.0453GT |149 | 07.0709.0818GT |29, 43 | 07.0709.1026GT |27 | 07.0740.0005GT |77, 81 |
| 07.0705.0093GT |131 | 07.0709.0819GT |29, 43 | 07.0709.1027GT |27 | 07.0740.0006GT |81 |
| 07.0705.0101GT |97 | 07.0709.0822GT |29, 31 | 07.0709.1028GT |27 | 07.0740.0012GT |81 |
| 07.0709.0010GT |39, 41 | 07.0709.0823GT |35 | 07.0709.1029GT |27, 41 | 07.0740.0014GT |71 |
| 07.0709.0011GT |39, 41 | 07.0709.0824GT |35 | 07.0709.1030GT |27 | 07.0740.0015GT |77 |
| 07.0709.0012GT |39, 41 | 07.0709.0826GT |35 | 07.0709.1031GT |27 | 07.0740.0016GT |81 |
| 07.0709.0013GT |39, 41 | 07.0709.0827GT |37 | 07.0709.1032GT |27 | 07.0740.0018GT |71 |
| 07.0709.0014GT |41 | 07.0709.0828GT |37 | 07.0709.1033GT |27 | 07.0740.0020GT |71 |
| 07.0709.0051GT |37 | 07.0709.0829GT |31 | 07.0709.1034GT |27 | 07.0740.0021GT |71 |
| 07.0709.0057GT |27, 33, 41 | 07.0709.0830GT |41 | 07.0709.1035GT |27 | 07.0740.0026GT |77 |
| 07.0709.0065GT |33 | 07.0709.0831GT |41 | 07.0709.1036GT |27 | 07.0740.0027GT |71 |
| 07.0709.0070GT |33 | 07.0709.0832GT |41 | 07.0709.1037GT |27 | 07.0740.0028GT |81 |
| 07.0709.0071GT |33 | 07.0709.0833GT |41 | 07.0709.1038GT |27 | 07.0740.0029GT |77 |
| 07.0709.0084GT |31 | 07.0709.0834GT |41 | 07.0709.1039GT |27 | 07.0740.0030GT |77 |
| 07.0709.0104GT |33 | 07.0709.0835GT |41 | 07.0709.1040GT |27 | 07.0740.0048GT |19, 77 |
| 07.0709.0106GT |29, 43 | 07.0709.0836GT |33 | 07.0709.1041GT |27 | 07.0740.0049GT |19, 77 |
| 07.0709.0113GT |31, 33 | 07.0709.0837GT |33 | 07.0709.1042GT |27 | 07.0740.0050GT |77 |
| 07.0709.0119GT |33 | 07.0709.0838GT |43 | 07.0709.1043GT |33 | 07.0740.0051GT |77 |
| 07.0709.0123GT |27 | 07.0709.0840GT |43 | 07.0709.1044GT |33 | 07.0740.0052GT |77 |
| 07.0709.0127GT |39 | 07.0709.0842GT |43 | 07.0709.1045GT |33 | 07.0740.0053GT |77 |
| 07.0709.0140GT |31 | 07.0709.0843GT |43 | 07.0709.1046GT |33 | 07.0740.0058GT |77 |
| 07.0709.0141GT |27, 41 | 07.0709.0844GT |43 | 07.0709.1047GT |33 | 07.0740.0066GT |75 |
| 07.0709.0143GT |27, 41 | 07.0709.0845GT |43 | 07.0709.1048GT |29 | 07.0740.0067GT |71, 75 |
| 07.0709.0144GT |33 | 07.0709.0846GT |43 | 07.0709.1049GT |35 | 07.0740.0070GT |75 |
| 07.0709.0149GT |29 | 07.0709.0847GT |39 | 07.0709.1050GT |31 | 07.0740.0071GT |81 |
| 07.0709.0224GT |33 | 07.0709.0848GT |39 | 07.0709.1051GT |31 | 07.0740.0072GT |75 |
| 07.0709.0228GT |27 | 07.0709.0849GT |39 | 07.0709.1052GT |33 | 07.0740.0076GT |77 |
| 07.0709.0327GT |39 | 07.0709.0850GT |39 | 07.0709.1053GT |33 | 07.0740.0082GT |71 |
| 07.0709.0351GT |43 | 07.0709.0851GT |39 | 07.0709.1054GT |33 | 07.0740.0084GT |71 |
| 07.0709.0352GT |43 | 07.0709.0853GT |39 | 07.0709.1055GT |33 | 07.0740.0088GT |75 |
| 07.0709.0356GT |27 | 07.0709.0854GT |39 | 07.0709.1056GT |43 | 07.0740.0089GT |75 |
| 07.0709.0363GT |33 | 07.0709.0855GT |39 | 07.0709.1057GT |31, 35 | 07.0740.0091GT |15, 71, 75 |
| 07.0709.0365GT |33 | 07.0709.0856GT |39 | 07.0709.1058GT |39 | 07.0740.0097GT |71 |
| 07.0709.0371GT |33 | 07.0709.0857GT |39 | 07.0709.1059GT |39 | 07.0740.0098GT |75 |
| 07.0709.0408GT |29, 43 | 07.0709.0858GT |39 | 07.0709.1060GT |39 | 07.0740.0104GT |77 |
| 07.0709.0422GT |39 | 07.0709.0859GT |39 | 07.0709.1061GT |39 | 07.0740.0105GT |77 |
| 07.0709.0441GT |31, 33 | 07.0709.0860GT |39 | 07.0709.1062GT |27 | 07.0740.0106GT |77 |
| 07.0709.0443GT |39 | 07.0709.0861GT |39 | 07.0709.1065GT |39 | 07.0740.0116GT |69 |
| 07.0709.0465GT |33 | 07.0709.0862GT |39 | 07.0709.1205GT |33 | 07.0740.0117GT |163 |
| 07.0709.0469GT |33 | 07.0709.0863GT |39 | 07.0709.1305GT |33 | 07.0740.0118GT |81 |
| 07.0709.0470GT |33 | 07.0709.0864GT |39 | 07.0712.0175GT |63 | 07.0740.0119GT |81 |
| 07.0709.0472GT |33 | 07.0709.0865GT |39 | 07.0712.0189GT |61, 65 | 07.0740.0120GT |81 |
| 07.0709.0474GT |33 | 07.0709.0866GT |39 | 07.0712.0198GT |135 | 07.0740.0121GT |81 |
| 07.0709.0475GT |33 | 07.0709.0867GT |39 | 07.0712.0199GT |135 | 07.0740.0122GT |81 |
| 07.0709.0483GT |33 | 07.0709.0868GT |39 | 07.0712.0211GT |59 | 07.0740.0123GT |81 |
| 07.0709.0484GT |33 | 07.0709.0869GT |39 | 07.0712.0218GT |59 | 07.0740.0124GT |81 |
| 07.0709.0485GT |33 | 07.0709.0870GT |39 | 07.0712.0219GT |59, 63 | 07.0740.0125GT |81 |
| 07.0709.0486GT |33 | 07.0709.0873GT |27, 39 | 07.0712.0220GT |59 | 07.0740.0126GT |81 |
| 07.0709.0487GT |33 | 07.0709.0879GT |39 | 07.0712.0221GT |59, 63 | 07.0740.0127GT |81 |
| 07.0709.0718GT |39 | 07.0709.0880GT |39 | 07.0712.0222GT |59 | 07.0740.0128GT |71, 81 |
| 07.0709.0720GT |39 | 07.0709.0881GT |39 | 07.0712.0223GT |63 | 07.0740.0129GT |81 |
| 07.0709.0747GT |31, 33 | 07.0709.0921GT |31, 33 | 07.0712.0224GT |63 | 07.0740.0130GT |81 |
| 07.0709.0772GT |27 | 07.0709.0941GT |39 | 07.0712.0225GT |63 | 07.0740.0132GT |81 |
| 07.0709.0781GT |41 | 07.0709.0942GT |39 | 07.0712.0226GT |63 | 07.0740.0133GT |81 |
| 07.0709.0782GT |27, 41 | 07.0709.0953GT |29 | 07.0712.0227GT |135 | 07.0740.0143GT |69 |
| 07.0709.0787GT |33 | 07.0709.0966GT |27, 41 | 07.0712.0231GT |135 | 07.0740.0152GT |69, 71, 75 |
| 07.0709.0788GT |33 | 07.0709.0970GT |27 | 07.0712.0232GT |135 | 07.0740.0156GT |77 |
| 07.0709.0789GT |33 | 07.0709.0972GT |27 | 07.0712.0233GT |135 | 07.0740.0192GT |19 |
| 07.0709.0791GT |33 | 07.0709.0974GT |33 | 07.0713.0058GT |67 | 07.0740.0202GT |71 |
| 07.0709.0794GT |33 | 07.0709.0975GT |33 | 07.0713.0069GT |67 | 07.0740.0217GT |77 |
| 07.0709.0795GT |33 | 07.0709.0976GT |33 | 07.0713.0070GT |67 | 07.0740.0218GT |81 |
| 07.0709.0796GT |33 | 07.0709.0980GT |35 | 07.0722.0037GT |97 | 07.0740.0219GT |81 |
| 07.0709.0797GT |33 | 07.0709.1011GT |29 | 07.0722.0063GT |67 | 07.0740.0236GT |71 |
| 07.0709.0798GT |33 | 07.0709.1012GT |29 | 07.0722.0064GT |67 | 07.0740.0248GT |77 |
| 07.0709.0799GT |33 | 07.0709.1013GT |29 | 07.0722.0065GT |67 | 07.0740.0254GT |163 |
| 07.0709.0800GT |33 | 07.0709.1014GT |29 | 07.0722.0066GT |139 | 07.0740.0255GT |163 |
| 07.0709.0801GT |33 | 07.0709.1016GT |29 | 07.0722.0067GT |135 | 07.0740.0256GT |163 |
| 07.0709.0803GT |33 | 07.0709.1017GT |33 | 07.0723.0229GT |77 | 07.0740.0257GT |163 |

| Part Number | Page | Part Number | Page | Part Number | Page | Part Number | Page |
|----------------|-----------------|----------------|---------|----------------|---------------------|----------------|-----------------|
| 07.0740.0260GT |163 | 07.0740.0474GT |73 | 07.4501.0252GT |55 | 09.0804.3421GT |67 |
| 07.0740.0261GT |163 | 07.0740.0475GT |73 | 07.4501.0278GT |53 | 09.0805.0000GT |61 |
| 07.0740.0262GT |163 | 07.0740.0476GT |73 | 07.4501.0293GT |47 | 09.0805.0036GT |61, 65 |
| 07.0740.0263GT |163 | 07.0740.0477GT |73 | 07.4501.0300GT |55 | 09.0805.0070GT |51, 53 |
| 07.0740.0268GT |163 | 07.0740.0478GT |73 | 07.4501.0336GT |55 | 09.0805.0156GT |49 |
| 07.0740.0269GT |163 | 07.0740.0479GT |73 | 07.4501.0337GT |55 | 09.0805.0161GT |49 |
| 07.0740.0272GT |77 | 07.0740.0480GT |73 | 07.4501.0338GT |55 | 09.0805.0162GT |65 |
| 07.0740.0279GT |77 | 07.0740.0483GT |77 | 07.4501.0342GT |49 | 09.0805.0169GT |65 |
| 07.0740.0359GT |81 | 07.0740.0484GT |77 | 07.4501.0344GT |47 | 09.0805.0170GT |65 |
| 07.0740.0360GT |81 | 07.0740.0485GT |73 | 07.4501.0345GT |47 | 09.0805.0173GT |61 |
| 07.0740.0361GT |81 | 07.0740.0486GT |73 | 07.4501.0346GT |47 | 09.0805.0176GT |61 |
| 07.0740.0367GT |73 | 07.0740.0487GT |77 | 07.4501.0391GT |55 | 09.0805.0177GT |61 |
| 07.0740.0370GT |73 | 07.0740.0488GT |77 | 07.4501.0401GT |55 | 09.0805.0178GT |49 |
| 07.0740.0385GT |163 | 07.0740.0489GT |77 | 07.4501.0402GT |55 | 09.0805.0179GT |49 |
| 07.0740.0386GT |163 | 07.0740.0490GT |77 | 07.4501.0403GT |55 | 09.0805.0180GT |49 |
| 07.0740.0387GT |163 | 07.0740.0491GT |77 | 07.4529.0071GT |99 | 09.0805.0184GT |49 |
| 07.0740.0389GT |163 | 07.0740.0492GT |77 | 07.4529.0107GT |167 | 09.0805.0185GT |61 |
| 07.0740.0392GT |163 | 07.0740.0494GT |77 | 07.4529.0111GT |127, 133 | 09.0805.0188GT |49 |
| 07.0740.0395GT |163 | 07.0740.0496GT |77 | 07.4529.0118GT |127 | 09.0805.0190GT |53 |
| 07.0740.0396GT |163 | 07.0740.0497GT |77 | 07.4529.0166GT |101 | 09.0806.0042GT |81 |
| 07.0740.0398GT |163 | 07.0740.0502GT |75 | 07.4529.0170GT |101 | 09.0806.0053GT |53 |
| 07.0740.0407GT |79 | 07.0740.0503GT |75 | 07.4529.0194GT |97 | 09.0806.0054GT |51 |
| 07.0740.0408GT |79 | 07.0740.0504GT |75 | 07.4529.0195GT |97 | 09.0806.0055GT |51 |
| 07.0740.0409GT |79 | 07.0740.0505GT |75 | 07.4529.0196GT |97 | 09.4601.0073GT |45 |
| 07.0740.0410GT |79 | 07.0740.0506GT |75 | 07.4529.0197GT |99 | 09.4601.0076GT |47 |
| 07.0740.0411GT |79 | 07.0740.0507GT |75 | 09.0610.0973GT |163 | 09.4604.0000GT |23 |
| 07.0740.0412GT |79 | 07.0740.0508GT |75 | 09.0636.0000GT |69, 127 | 09.4604.0005GT |23 |
| 07.0740.0413GT |75 | 07.0740.0509GT |75 | 09.0636.0001GT |69, 127 | 09.4604.0045GT |49 |
| 07.0740.0414GT |75 | 07.0740.0517GT |71 | 09.0636.0002GT |69, 127 | 09.4604.0072GT |23, 51, 53 |
| 07.0740.0415GT |75, 77 | 07.4501.0190GT |49 | 09.0636.0003GT |69 | 09.4604.0074GT |49 |
| 07.0740.0416GT |71, 75, 77 | 07.4501.0194GT |47 | 09.0801.0000GT |21 | 09.4604.0076GT |49 |
| 07.0740.0417GT |75, 77 | 07.4501.0195GT |47 | 09.0801.0006GT |21 | 09.4605.0019GT |45 |
| 07.0740.0418GT |75, 77 | 07.4501.0196GT |47 | 09.0801.0038GT |97 | 09.4605.0026GT |47 |
| 07.0740.0419GT |75, 77 | 07.4501.0197GT |45 | 09.0801.0039GT |97 | 09.4610.0032GT |19 |
| 07.0740.0420GT |77 | 07.4501.0199GT |45 | 09.0803.0002GT |17 | 09.4610.0033GT |15 |
| 07.0740.0421GT |77 | 07.4501.0200GT |45 | 09.0803.0012GT |69 | 09.4610.0050GT |73 |
| 07.0740.0422GT |77 | 07.4501.0201GT |45 | 09.0803.0043GT |113, 115 | 09.4610.0051GT |73 |
| 07.0740.0423GT |77 | 07.4501.0202GT |45 | 09.0803.0045GT |51, 53 | 09.4610.0057GT |71 |
| 07.0740.0424GT |77 | 07.4501.0203GT |45 | 09.0803.0055GT |107, 109 | 09.4616.0146GT |109 |
| 07.0740.0425GT |75, 77 | 07.4501.0204GT |45 | 09.0803.0060GT |113, 115 | 09.4616.0147GT |107 |
| 07.0740.0426GT |77 | 07.4501.0205GT |45 | 09.0803.0147GT |23 | 09.4618.1399GT |13 |
| 07.0740.0427GT |77 | 07.4501.0206GT |55 | 09.0803.0245GT |19 | 09.4618.1418GT |13 |
| 07.0740.0428GT |75, 77 | 07.4501.0207GT |55 | 09.0803.0257GT |87, 89, 91, 93 | 09.4618.1619GT |13 |
| 07.0740.0429GT |77 | 07.4501.0208GT |55 | 09.0803.0278GT |17, 19 | 09.4618.1621GT |13 |
| 07.0740.0431GT |77 | 07.4501.0209GT |55 | 09.0803.0344GT |107, 109 | 09.4618.1622GT |13 |
| 07.0740.0432GT |71, 77 | 07.4501.0211GT |45 | 09.0803.0352GT |17, 23 | 09.4618.1625GT |13 |
| 07.0740.0433GT |77 | 07.4501.0212GT |45 | 09.0803.0357GT |83 | 09.4618.1635GT |11 |
| 07.0740.0434GT |71, 77 | 07.4501.0213GT |45 | 09.0803.0371GT |17, 19 | 09.4618.1638GT |11 |
| 07.0740.0435GT |71, 77 | 07.4501.0214GT |45 | 09.0803.0377GT |161 | 09.4618.1646GT |11 |
| 07.0740.0436GT |77 | 07.4501.0215GT |45 | 09.0803.0393GT |15 | 09.4618.1655GT |11 |
| 07.0740.0437GT |77 | 07.4501.0216GT |45 | 09.0803.0397GT |129 | 09.4618.1672GT |11 |
| 07.0740.0438GT |77 | 07.4501.0217GT |45 | 09.0803.0406GT |103 | 09.4618.1765GT |11 |
| 07.0740.0439GT |77 | 07.4501.0218GT |45 | 09.0803.0512GT |71 | 09.4618.1766GT |13 |
| 07.0740.0444GT |71 | 07.4501.0219GT |45 | 09.0803.0516GT |19, 23, 85 | 09.4618.1767GT |11, 13 |
| 07.0740.0445GT |71 | 07.4501.0220GT |45 | 09.0803.0523GT |51, 53 | 09.4618.1768GT |11 |
| 07.0740.0446GT |71 | 07.4501.0221GT |45 | 09.0803.0549GT |163 | 09.4618.1823GT |13 |
| 07.0740.0447GT |77 | 07.4501.0223GT |49 | 09.0803.0554GT |75 | 09.4618.1824GT |13 |
| 07.0740.0449GT |75 | 07.4501.0224GT |49 | 09.0803.0557GT |167 | 09.4618.1825GT |13 |
| 07.0740.0453GT |77 | 07.4501.0225GT |49 | 09.0803.0574GT |19 | 09.4618.1826GT |13 |
| 07.0740.0454GT |77 | 07.4501.0227GT |49 | 09.0803.0578GT |23 | 09.4618.1828GT |13 |
| 07.0740.0455GT |77 | 07.4501.0228GT |51 | 09.0803.0623GT |107, 109 | 09.4618.1830GT |13 |
| 07.0740.0457GT |71 | 07.4501.0229GT |45 | 09.0803.0651GT |15 | 09.4618.1831GT |13 |
| 07.0740.0458GT |71 | 07.4501.0230GT |47 | 09.0803.0652GT |15 | 09.4618.1832GT |13 |
| 07.0740.0460GT |71 | 07.4501.0231GT |57 | 09.0803.0662GT |169 | 09.4618.1833GT |13 |
| 07.0740.0461GT |71, 77 | 07.4501.0232GT |49 | 09.0803.0681GT |159 | 09.4618.1834GT |11 |
| 07.0740.0462GT |71 | 07.4501.0234GT |57 | 09.0803.0692GT |71 | 09.4618.1842GT |13 |
| 07.0740.0463GT |75 | 07.4501.0235GT |57 | 09.0803.0706GT |15 | 09.4618.1843GT |13 |
| 07.0740.0464GT |75 | 07.4501.0236GT |57 | 09.0803.0708GT |87, 89, 91, 93 | 09.4618.1844GT |13 |
| 07.0740.0465GT |75 | 07.4501.0237GT |57 | 09.0803.0709GT |89, 93 | 09.4618.1845GT |13 |
| 07.0740.0466GT |75 | 07.4501.0238GT |57 | 09.0803.0710GT |87, 91 | 09.4621.0010GT |107, 109 |
| 07.0740.0467GT |75, 77 | 07.4501.0240GT |47 | 09.0803.0715GT |75 | 09.4621.0013GT |107, 109 |
| 07.0740.0468GT |75 | 07.4501.0242GT |57 | 09.0803.0801GT |19 | 09.4621.0020GT |107, 109 |
| 07.0740.0469GT |75 | 07.4501.0243GT |57 | 09.0803.0808GT |19 | 09.4632.0066GT |25 |
| 07.0740.0470GT |75 | 07.4501.0244GT |57 | 09.0803.0816GT |159 | 09.4632.0093GT |25 |
| 07.0740.0472GT |73 | 07.4501.0245GT |57 | 09.0803.0826GT |19 | 09.4633.0021GT |25 |
| 07.0740.0473GT |73 | 07.4501.0251GT |55 | 09.0803.0835GT |111, 113, 115 | 09.4635.0014GT |25 |

Part Number Index (continued)

| Part Number | Page | Part Number | Page | Part Number | Page | Part Number | Page |
|----------------|--------------|----------------|-------------|----------------|---------------------|----------------|--------------|
| 09.4635.0055GT |25 | 51.0811.4442GT |17 | 51.0903.5141GT |19 | 54.0002.0066GT |97 |
| 09.4636.0017GT |127 | 51.0811.4446GT |19 | 51.0903.5146GT |19 | 54.0002.0071GT |103 |
| 09.4636.0034GT |69 | 51.0811.4448GT |45 | 51.0903.5147GT |85 | 54.0002.0075GT |103 |
| 09.4656.0006GT |69 | 51.0811.4451GT |55 | 51.0903.5232GT |167 | 54.0002.0079GT |103 |
| 09.4656.0017GT |69 | 51.0811.4453GT |157 | 51.0903.5266GT |21 | 54.0003.0176GT |15 |
| 09.4661.0005GT |23 | 51.0811.4454GT |129 | 51.1000.5212GT |15 | 54.0003.0179GT |97 |
| 09.4661.0015GT |23 | 51.0811.4455GT |69 | 51.1100.0039GT |77 | 54.0003.0180GT |97 |
| 09.4661.0025GT |59, 63 | 51.0811.4462GT |57 | 51.1301.9078GT |109 | 54.0004.0113GT |89 |
| 09.4661.0026GT |23 | 51.0811.4464GT |57 | 51.1301.9091GT |109 | 54.0004.0115GT |101 |
| 09.4661.0030GT |23 | 51.0811.4465GT |57 | 51.1301.9106GT |107 | 54.0004.0116GT |101 |
| 09.4670.0000GT |17 | 51.0811.4466GT |47 | 51.1301.9125GT |105 | 54.0004.0117GT |101 |
| 09.4670.0004GT |47 | 51.0811.4467GT |47 | 51.1301.9126GT |105 | 54.0004.0118GT |101 |
| 09.4670.0024GT |135 | 51.0811.4471GT |55 | 51.1301.9134GT |109 | 54.0004.0119GT |105 |
| 09.4670.0032GT |17 | 51.0811.4473GT |19 | 51.1301.9135GT |107 | 54.0004.0120GT |105 |
| 1261360GT |173 | 51.0811.4477GT |157 | 52.0900.0300GT |83 | 54.0004.0121GT |105 |
| 1261777GT |173 | 51.0811.4479GT |59, 63 | 52.0900.9328GT |115 | 54.0004.0122GT |21 |
| 1262434GT |173 | 51.0811.4480GT |59, 63 | 52.0900.9337GT |103 | 54.0100.0020GT |17 |
| 1262435GT |173 | 51.0811.4481GT |15 | 52.0900.9339GT |113 | 54.0100.0076GT |105 |
| 1264504GT |103 | 51.0811.4483GT |71 | 52.0900.9340GT |113 | 54.0100.0092GT |163 |
| 1272242GT |13 | 51.0811.4488GT |181 | 52.0900.9341GT |115 | 54.0101.0000GT |131 |
| 1281127GT |143 | 51.0811.4489GT |55 | 52.1100.9117GT |19 | 54.0101.0002GT |19, 131 |
| 161964GT |25 | 51.0811.4492GT |167 | 52.1200.5529GT |69 | 54.0101.0004GT |169 |
| 161973GT |25 | 51.0811.4497GT |49 | 52.1200.5530GT |69 | 54.0101.0020GT |163 |
| 161974GT |25 | 51.0811.4498GT |49 | 52.1200.5531GT |69 | 54.0200.0000GT |83, 85 |
| 161998GT |25 | 51.0811.4499GT |169 | 52.1200.5532GT |69 | 54.0200.0001GT |83, 85 |
| 162337GT |25 | 51.0811.4500GT |55 | 52.1200.5533GT |69 | 54.0200.0004GT |83 |
| 162338GT |25 | 51.0811.4506GT |17, 19 | 52.1200.5535GT |77 | 54.0200.0006GT |85 |
| 214418GT |11, 13 | 51.0811.4523GT |147 | 52.1200.5537GT |69 | 54.0200.0007GT |83 |
| 215267GT |13 | 51.0811.4530GT |55 | 53.0000.3817GT |97 | 54.0200.0009GT |49 |
| 215268GT |13 | 51.0811.4534GT |19 | 53.0100.3220GT |99 | 54.0201.0005GT |83 |
| 237598GT |11, 13 | 51.0811.4538GT |47 | 53.0300.2213GT |97 | 54.0201.0006GT |83 |
| 237605GT |11 | 51.0811.4539GT |171 | 53.0400.1818GT |97 | 54.0201.0079GT |91 |
| 237606GT |13 | 51.0811.4540GT |57 | 53.0500.0605GT |167 | 54.0201.0080GT |89 |
| 237970GT |11, 13 | 51.0811.4544GT |161 | 53.0600.1811GT |101 | 54.0201.0088GT |103 |
| 237971GT |13 | 51.0811.4545GT |161 | 53.0600.1812GT |101 | 54.0201.0089GT |91 |
| 24514GT |71 | 51.0811.4558GT |99 | 53.0700.0304GT |101 | 54.0201.0090GT |89 |
| 28159GT |13 | 51.0811.4559GT |89 | 53.0800.2014GT |21 | 54.0201.0091GT |97 |
| 28175GT |11 | 51.0811.4570GT |71 | 53.3000.1100GT |143 | 54.0201.0092GT |97 |
| 28236GT |13, 71 | 51.0811.4571GT |155 | 53.3001.0500GT |115 | 54.0201.0093GT |97 |
| 30143GT |157 | 51.0811.4586GT |101 | 53.3001.6751GT |65 | 54.0300.0019GT |87 |
| 44743GT |71 | 51.0811.4587GT |101 | 53.3001.6753GT |45, 47 | 54.0300.0020GT |91, 93 |
| 49383GT |45 | 51.0811.4591GT |19 | 53.3001.6754GT |49 | 54.0300.0021GT |89 |
| 51.0113.9079GT |17 | 51.0811.4596GT |175 | 53.3001.6760GT |49 | 54.0300.0028GT |89 |
| 51.0201.3950GT |83 | 51.0811.4597GT |17, 19 | 53.3001.6762GT |57 | 54.0300.0032GT |91, 93 |
| 51.0201.3952GT |85 | 51.0811.4599GT |101 | 53.3001.6763GT |57 | 54.0300.0033GT |89 |
| 51.0201.3953GT |85 | 51.0811.4602GT |175 | 53.3001.6768GT |139 | 54.0300.0034GT |87, 89 |
| 51.0201.3961GT |83 | 51.0811.4604GT |83 | 53.3001.6771GT |49 | 54.0300.0036GT |87 |
| 51.0400.5021GT |103 | 51.0811.4605GT |85 | 53.3001.6793GT |137 | 54.0300.0041GT |87 |
| 51.0500.1820GT |21 | 51.0811.4606GT |85 | 53.3200.0073GT |63 | 54.0300.0042GT |89 |
| 51.0500.1821GT |21 | 51.0811.4618GT |169 | 53.3200.0074GT |59 | 54.0300.0043GT |89 |
| 51.0600.9317GT |23 | 51.0811.4657GT |69 | 53.3200.0075GT |135 | 54.0400.0042GT |91 |
| 51.0600.9318GT |23 | 51.0811.4662GT |171 | 53.3301.0005GT |23 | 54.0400.0043GT |89 |
| 51.0800.8100GT |129 | 51.0811.4726GT |71 | 53.3302.0029GT |17 | 54.0400.0047GT |91 |
| 51.0802.0600GT |47 | 51.0811.4727GT |179 | 53.3303.0002GT |71 | 54.0400.0048GT |89 |
| 51.0802.0700GT |47 | 51.0811.4733GT |71 | 53.3402.4054GT |51, 53 | 54.0600.0006GT |113 |
| 51.0811.0000GT |91 | 51.0811.4735GT |69 | 53.3402.4061GT |113 | 54.0702.0080GT |113 |
| 51.0811.4057GT |113 | 51.0811.4775GT |169 | 53.3402.4086GT |119 | 54.0702.0086GT |83 |
| 51.0811.4076GT |69, 127 | 51.0811.4776GT |119 | 53.3402.4087GT |119 | 54.0702.0087GT |85 |
| 51.0811.4079GT |71 | 51.0903.4904GT |23 | 53.3402.4088GT |119 | 54.0702.0095GT |89 |
| 51.0811.4086GT |71 | 51.0903.4910GT |17 | 53.3402.4089GT |119 | 54.0702.0097GT |83 |
| 51.0811.4092GT |77 | 51.0903.4948GT |23 | 54.0000.0253GT |87, 89 | 54.0702.0098GT |83 |
| 51.0811.4102GT |163 | 51.0903.5058GT |23 | 54.0000.0254GT |87 | 54.0702.0099GT |83 |
| 51.0811.4103GT |163 | 51.0903.5065GT |15 | 54.0000.0265GT |103 | 54.0702.0100GT |85 |
| 51.0811.4131GT |83, 85 | 51.0903.5067GT |17 | 54.0000.0268GT |21 | 54.0702.0101GT |85 |
| 51.0811.4132GT |85 | 51.0903.5068GT |17 | 54.0000.0269GT |21 | 54.0703.0011GT |83, 85 |
| 51.0811.4136GT |85 | 51.0903.5070GT |17 | 54.0000.0270GT |97 | 54.0703.0018GT |85 |
| 51.0811.4137GT |85 | 51.0903.5075GT |19 | 54.0000.0271GT |97 | 54.0703.0019GT |93 |
| 51.0811.4230GT |157 | 51.0903.5076GT |157 | 54.0001.0042GT |167 | 54.0703.0020GT |85 |
| 51.0811.4242GT |85 | 51.0903.5079GT |15 | 54.0001.0076GT |91 | 54.0703.0021GT |85 |
| 51.0811.4351GT |157 | 51.0903.5110GT |45 | 54.0001.0077GT |89 | 54.0703.0023GT |83 |
| 51.0811.4366GT |89 | 51.0903.5117GT |17 | 54.0001.0082GT |89, 91 | 54.0705.0074GT |83 |
| 51.0811.4367GT |89 | 51.0903.5134GT |21 | 54.0001.0085GT |99 | 55.0208.0100GT |55 |
| 51.0811.4377GT |71 | 51.0903.5135GT |101 | 54.0001.0092GT |99 | 55.0208.0108GT |55 |
| 51.0811.4378GT |71 | 51.0903.5136GT |101 | 54.0002.0018GT |87, 89, 91, 93 | 55.0240.0060GT |17 |
| 51.0811.4407GT |83 | 51.0903.5138GT |19 | 54.0002.0041GT |107 | 55.0250.0027GT |17 |
| 51.0811.4424GT |91 | 51.0903.5139GT |19 | 54.0002.0042GT |109 | 55.0409.0203GT |17 |

| Part Number | Page | Part Number | Page | Part Number | Page |
|----------------|---------------|----------------|-----------------|-------------|-------------|
| 55.0409.0210GT |17, 19 | 56.0021.0117GT |151 | 900075GT |139 |
| 55.0602.0755GT |155 | 56.0021.0152GT |69 | 903073GT |27, 41 |
| 55.0602.0761GT |157 | 56.0023.0028GT |169 | 97667GT |11 |
| 55.0602.0778GT |165 | 56.0023.0048GT |169 | | |
| 55.0602.0781GT |169 | 628275GT |31, 39 | | |
| 55.0602.0784GT |157 | 629733GT |39 | | |
| 55.0602.0785GT |157 | 629735GT |39 | | |
| 55.0602.0786GT |155 | 629736GT |27, 41 | | |
| 55.0602.0789GT |155 | 629737GT |27, 41 | | |
| 55.0602.0790GT |177 | 629738GT |27, 41 | | |
| 55.0602.0811GT |155 | 630846GT |33 | | |
| 55.0602.0888GT |177 | 631286GT |41 | | |
| 55.0602.0889GT |177 | 631293GT |31 | | |
| 55.0602.0903GT |155 | 631378GT |27, 41 | | |
| 55.0602.0931GT |155 | 633070GT |33 | | |
| 55.0902.0060GT |71 | 633161GT |39 | | |
| 56.0000.0083GT |171 | 633174GT |33 | | |
| 56.0002.0335GT |155 | 633176GT |33, 37 | | |
| 56.0002.0336GT |155 | 633202GT |33, 39 | | |
| 56.0005.0000GT |157 | 633203GT |33, 39 | | |
| 56.0005.0009GT |157, 165 | 633208GT |39 | | |
| 56.0008.0001GT |157 | 633560GT |29, 43 | | |
| 56.0009.0003GT |17 | 634546GT |33 | | |
| 56.0009.0009GT |155 | 634972GT |151, 157 | | |
| 56.0010.0034GT |175 | 634973GT |151 | | |
| 56.0010.0035GT |175 | 634974GT |151 | | |
| 56.0010.0036GT |175 | 634976GT |165 | | |
| 56.0010.0037GT |175 | 635596GT |39 | | |
| 56.0010.0058GT |175 | 637413GT |37 | | |
| 56.0010.0077GT |181 | 637576GT |39 | | |
| 56.0012.0000GT |155 | 637577GT |27 | | |
| 56.0012.0047GT |39 | 637582GT |27 | | |
| 56.0012.0085GT |23 | 637584GT |27 | | |
| 56.0013.0000GT |23 | 637586GT |27, 41 | | |
| 56.0013.0006GT |23 | 637588GT |27, 41 | | |
| 56.0014.0024GT |159, 161 | 637589GT |27, 41 | | |
| 56.0014.0029GT |163 | 637622GT |29, 43 | | |
| 56.0014.0091GT |135 | 637650GT |151 | | |
| 56.0015.0014GT |153 | 637846GT |31, 35 | | |
| 56.0015.0015GT |153 | 638243GT |47 | | |
| 56.0016.0145GT |69 | 638526GT |41 | | |
| 56.0016.0156GT |69, 175 | 638535GT |27, 41 | | |
| 56.0016.0157GT |69 | 638543GT |27, 41 | | |
| 56.0016.0158GT |69 | 638548GT |29, 37, 43 | | |
| 56.0016.0159GT |69, 175 | 638552GT |35 | | |
| 56.0016.0160GT |69, 175 | 638559GT |33 | | |
| 56.0016.0167GT |69, 175 | 638566GT |29 | | |
| 56.0016.0172GT |171 | 639306GT |39 | | |
| 56.0016.0173GT |171 | 639307GT |39 | | |
| 56.0016.0174GT |171 | 639327GT |39 | | |
| 56.0016.0177GT |69 | 639328GT |39 | | |
| 56.0016.0184GT |153 | 639329GT |39 | | |
| 56.0017.0015GT |153 | 639779GT |39 | | |
| 56.0017.0038GT |153 | 639783GT |39 | | |
| 56.0017.0039GT |153 | 639785GT |39 | | |
| 56.0017.0045GT |153, 181 | 639790GT |39 | | |
| 56.0017.0046GT |153 | 639792GT |39 | | |
| 56.0017.0053GT |153 | 639802GT |39 | | |
| 56.0017.0054GT |153 | 639808GT |29 | | |
| 56.0017.0063GT |153, 169 | 639818GT |39 | | |
| 56.0017.0107GT |153, 181 | 639905GT |27 | | |
| 56.0017.0110GT |153, 177 | 639906GT |27 | | |
| 56.0017.0112GT |153 | 640216GT |33 | | |
| 56.0017.0114GT |153 | 640720GT |33 | | |
| 56.0017.0115GT |153, 177 | 822207GT |105 | | |
| 56.0017.0116GT |153 | 822208GT |105 | | |
| 56.0017.0117GT |153 | 822209GT |105 | | |
| 56.0017.0119GT |153 | 823391GT |29 | | |
| 56.0017.0121GT |153 | 823392GT |25 | | |
| 56.0017.0124GT |179 | 823393GT |43 | | |
| 56.0017.0127GT |153, 169 | 823394GT |25 | | |
| 56.0017.0128GT |153 | 82366GT |13 | | |
| 56.0017.0129GT |153 | 82558GT |11 | | |
| 56.0017.0135GT |153 | 826345GT |13 | | |
| 56.0017.0136GT |153 | 900007GT |137, 139 | | |
| 56.0021.0040GT |151 | 900026GT |139 | | |

Go to www.genie.com to order your parts

Part Description Index

The Part Description Index is an alphabetical index of all part descriptions included in this manual. The index shows what page(s) the part is used on.

- 1**
- 18 Ways Ground Collector.....155
18 Ways Ground Connector.....155
1st Telescope Boom.....83
- 2**
- 2nd Telescope Boom.....83
2nd Telescope Extension Cylinder.....99
2nd Telescope Extension Cylinder Collar.....99
2nd Telescope Extension Cylinder Foot Pin...99
2nd Telescope Extension Cylinder Head Pin.....99
- 3**
- 3-WAY FITTING.....81
3rd Telescope Boom.....85
- 4**
- 4th Telescope Boom.....85
- A**
- ACCELERATOR PEDAL.....69
ACCUMULATOR 0.5 L.....125
ACCUMULATOR,BRAKE.....129
ADAPTER,REDUCTION,HOSE.....81
ADHESIVE GASKET.....77
ADHESIVE STRIP.....71
Adjusting Screw.....29, 43
Air Condition Switch Cover.....153
Air Conditioning Complete Wiring.....165
Air Conditioning Glass Switch.....165
AIR FILTER.....75
Air Filter.....49
Air Filter Cover.....49
Air Filter Element.....49
Air Filter Secondary Element.....49
Air Filter Support.....49
Air grille.....71, 75
Air Hose.....81
AIR INLET.....81
AIR INLET D76.....81
Air Intake Manifold.....49
AIR OUTLET.....81
ALARM.....155
Alternator.....45
Alternator Cable.....155
ALTERNATOR,12V 120A,PERKINS.....47
Anchor Boom Chain 1" - 6X6.....91, 93
Arm.....75
Attachement Chassis.....107, 109
Attachment Locking Pin.....103
AXLE CASE.....33
AXLE CASE,LEFT.....33
AXLE CASE,RIGHT.....33
AXLE,FRONT.....25
AXLE,REAR.....25
- B**
- Back Cover Assembly.....73
Back Foam Kit.....73
BALL.....39
BALL VALVE.....139
Ball Valve.....51, 53, 129
- BATTERY CUT-OUT SWITCH.....157
Battery Negative Cable.....157
Battery Positive Cable.....157
BATTERY,12V,1000 CCA GRP 31.....157
BEARING.....33
Bearing.....27, 39, 41
Belt.....45, 77, 159, 161
Belt Pulley (see position 4).....159
Belt Tensioner.....161
Belt Tensioner (see position 4).....159
Bent Lever Kit.....69
Bevel Gear Set.....27, 41
Biovalized Nut M8.....149
Blade.....75
Bleeding Screw.....29, 43
BLINKER RELAY.....151
Body.....147
BONDED RING 1".....137, 143
BONDED RING 1"1/4.....137
BONDED RING 1/2".....23, 117, 119, 135, 139, 167
BONDED RING 1/4".....131
BONDED RING 2".....139
BONDED RING 3/4".....121, 125, 143
BONDED RING 3/8".....23, 51, 53, 131
BONDED RING M14 (9/16).....23
BONDED RING M16.....51
Boom Chain Pulley.....91
BOOM LEVEL INDICATOR.....83
Boot.....27, 39
BOX,INSTRUCTION STORAGE.....71
BRACKET.....55, 69, 119, 167, 169
Bracket.....15, 19, 45, 47, 55, 57, 69, 77, 101, 163, 169
Bracket Clamp.....57
BRACKET KIT.....173
Bracket Support.....57
BRACKET, SUPPORT.....163
BRACKET,BATTERY CUT-OUT SW.....157
BRACKET,BATTERY LOCKING.....157
BRACKET,GLASS,RIGHT,LOWER.....75
BRACKET,HOSE.....55
BRACKET,WINDSHIELD,FRNT,LWR.....75
Brake Disc.....29, 43
BUBBLE LEVEL.....71
BULB, HEADLAMP.....175
BULB,12V,45/40W.....175
BULKHEAD,TESTPORTS.....45, 47
BUMP STOP,RUBBER.....77
BUSHING.....33, 39
Bushing.....21, 37, 75, 91, 97, 103, 147, 149
Bushing 80/90X100.....83
Bushing D.30/40.....89
BUSHING D.35/45.....89
BUSHING D88/ 82X15.....83
Bushing D=40/50 - 40.....91
BUSHING M10X13.5.....83, 85
BUSHING M10X8.5.....83, 85
BUSHING M14.....83
BUSHING,D80/90X100.....83
- C**
- Cable Guide.....169
Cable Guide Bracket.....179
Cable Reel.....169
Cage Fan Deutz.....59
Cage Fan Oil Cooler.....135
Camera.....171
CAP.....71
Cap.....147, 153
Cap D22.....69
Cap D30.....69
CAP,HYDRAULIC FILTER.....23
CAP,RADIATOR,DEUTZ.....63
Cardan Kit.....69
CARDAN SHAFT ASSY KIT.....25
Carry Over Valve.....117, 119
CARTRIDGE.....101
CARTRIDGE, CRANKCASE BREATHER.....47
CEILING LIGHT.....71
CENTRAL CAP WITH HORN.....69, 127
CHAIN.....107, 109
CHAIN PIVOT PLATE.....87
Chain Tensioner.....89
CHAIN TERMINAL.....87, 89
Chain Terminal.....91, 93
Chain Tie Bar Pin.....89
Chain, Pivot Plate.....87
Chassis.....17
Chassis Line.....155, 177
CLAMP.....55
Clamp.....55, 57
CLAMP 110/130.....49
Clamp 240/260.....49
Clamp 70/90.....49
Clamp 80/85.....61
Clamp 90/110.....49
Clamp D18.....129
CLAMP D60 HOLE 10.5.....53, 125
Clamp D73/79.....57
CLAMP DN 10/16 LG 9.....51, 53, 61
CLAMP DN 22/32 LG 9.....61, 65, 81
Clamp DN 32/50 LG12.....49
CLAMP DN 40/60 LG12.....61, 163
Clamp DN 50/70 LG12.....65
CLAMP DN 60/80 LG12.....49, 65
CLAMP DN 80/100 LG12.....65
CLAMP S16 D12 HOLE 8.4...15, 169, 171, 175
CLAMP,DOUBLE,D16.....113, 115
CLAMP,HOSE,MEB,40-60 H12.....81
Clip.....57
COATING.....77
COIL, VALVE.....127, 133
COMPLETE HEATER.....163
Complete Inlet Seal Kit.....145
Complete Main Valve Module.....145
Complete Manifold.....149
COMPLETE MIRROR.....71
Complete Mirror.....71
Complete Module Seal Kit.....145
Complete Solenoid Valve With Inching Device.....67
Compression Ring.....147
Compressor.....159, 161
Compressor Installation Kit.....159
Compressor Support.....161
Compressor Support (see position 4).....159
CONDENSER.....163
Condenser.....163
Connectors Cover.....69, 175
Control Valve.....67
Cosmetic - Genie.....11, 13
Cosmetic - GTH-1256.....11, 13

- Cotter Pin 4X 45 UNI 1336 ZN.....107, 109
COTTER PIN D2X25 UNI 1336 ZN.....87, 89,
91, 93
Counterweight.....15
COVER.....17, 71
Cover.....15, 17, 19, 23, 29, 31, 39, 67, 69, 71,
85
Cover Engine Bracket.....19
COVER,DASH.....31
COVER,DOOR LOCK.....77
COVER,OIL TANK,UPPER.....23
COVER,RADIO HOUSING.....69
COVER,SPEAKER.....71
COVERING.....71
CRANKCASE BREATHER.....47
Cylinder.....35, 39, 167
- D**
- Danger - Explosion/Burn Hazard, Fueling.....13
Danger - Explosion/Burn Hazard.....13
Danger/Warning - 7 Decal Combination.....13
Dashboard Line.....155
DASHBOARD,CENTRAL.....69
DASHBOARD,FRONT.....69
DASHBOARD,LOWER.....69
DECAL - SHIFT ON FLY.....13
DECAL, 2 DECAL COMBO.....11, 13
DECAL, FALL HAZARD.....13
DECAL, LABEL - CHEVRON RANDO.....13
DECAL,BODY CRUSH,ROLLING
MACHINE.....11, 13
DECAL,COSMETIC,GENIE.....11
DECAL,CRUSH HAZARD,TIRES.....11, 13
DECAL,DOOR UNLOCK SYSTEM.....13
DECAL,EMERGENCY EXIT.....13
DECAL,INCHING VALVE.....11
DECAL,LABEL,DIESEL FUEL.....13
DECAL,MACHINE REGISTRATION/OWNER
TRANSFER.....13
DECAL,NOTICE CUT OUT SWITCH.....11
DECAL,TELEMATICS,UR.....173
DECAL,ULS DIESEL ONLY,TIER 4.....13
DECAL,WARN,BURN HAZARD.....11
DECAL,WARN,IMPROPER OPERATION.....13,
71
DECAL,WARN,SKIN INJECTION HAZ*.....11
DECAL, WARNING, EXPLOSION/BURN
HAZARD.....11
DECAL,WARNING-COMPART ACCESS.....11
DETENT BALL.....27
Deutz Engine Control Unit.....45
Deutz Engine With DPF System.....45
Diesel Tank Cap.....23
Differential Case.....27
DIFFERENTIAL FLANGE,REAR.....41
Differential Pinion.....27, 41
Differential Side Gear.....27
Dipstick.....45
DISPLAY.....153
Display Bracket.....171
Display Kit.....171
Display Support.....171
DOOR CATCH.....77
Door Frame.....77
Door Glass Kit.....79
DOOR LOCK.....77
DOOR SEAL.....77
DOOR,INSPECTION,HYD TANK.....23
DOUBLE HOSE BRACKET D14.....51, 53
DOUBLE HOSE LOCKING PLATE D18.....51,
53
Dowel.....29, 39
Dowel M12X40 UNI 5927 12.9 ZN.....105
DOWEL M8X16 UNI 5927 12.9 ZN.....89, 91
Dpf Bracket.....55
Dpf Pressure Sensor.....55
DPF,COMPLETE,PERKINS.....57
DRIVE SHAFT.....25
DUST EXCLUDER.....33
- E**
- Electric Line Fixing Bar.....169
Electrical Fan.....81
Electrical Line.....169
Engine Cover.....19
Engine Cover Lock.....19
ENGINE COVER LOCK LEVER.....19
Engine Housing.....19
Engine Line - Deutz Version.....155
ENGINE MOUNT,DEUTZ.....45
Engine Oli Filter Cartridge.....45
Engine Support.....47
ENGINE SUPPORT,LEFT.....47
ENGINE SUPPORT,RIGHT.....47
- F**
- Fan.....45, 47, 163
Fan Belt.....47
Fan Heater.....163
Fan Oil Cooler.....135
Film.....77
FILTER.....163
FILTER ASSY.....23
FILTER, HYD. OIL TANK.....23
FILTER,MAGNETIC.....23
Fitting.....51
Fitting 90°.....53
FITTING,90 DEGREE.....51
FITTING,90, 1"GAS X 1-7/16 M O137
FITTING,CMF,G3/4,ES LG45.....125
FITTING,GWR,3/4M X 3/8F.....121
Flange.....27, 39, 41, 57, 67, 149
Flange Kit.....57
FLAT WASHER 18X34X3 UNI16592 12
ZN.....69
FLAT WASHER D10 UNI 6592 ZN.....19, 21,
49, 57, 69, 83, 85, 97, 99, 101, 127, 129, 137,
145, 161, 175
FLAT WASHER D10 UNI 6593 ZN.....17, 19,
55, 59, 63, 167
FLAT WASHER D12 UNI 5714 ZN.....45, 47,
55, 57, 67, 89
FLAT WASHER D12 UNI 6593 ZN.....59, 63,
135
FLAT WASHER D14 UNI 6592 ZN.....47, 83,
85, 97, 99
FLAT WASHER D14 UNI 6593 ZN.....17
FLAT WASHER D16 UNI 5714 ZN.....67, 87,
91, 93
FLAT WASHER D16 UNI 6592 ZN.....25, 143
FLAT WASHER D16 UNI 6593 ZN.....17
FLAT WASHER D18 UNI 5714 ZN.....87, 89
FLAT WASHER D20 UNI 6592 ZN.....93
FLAT WASHER D24 UNI 6592 ZN.....15, 25
FLAT WASHER D4 UNI 6592.....71
FLAT WASHER D5 UNI 6592 ZN.....15, 19
FLAT WASHER D6 UNI 6592 ZN.....15, 17, 19,
21, 55, 69, 77, 103, 107, 109, 113, 115, 127,
131, 133, 155, 163, 175
FLAT WASHER D6 UNI 6593 ZN.....17, 45, 59,
63, 69, 71, 157, 163, 169, 171
FLAT WASHER D6 UNI ISO 7093 ZN.....45,
55, 135
FLAT WASHER D8 UNI 6592 ZN.....15, 17, 19,
23, 45, 47, 49, 55, 57, 71, 75, 85, 89, 91, 97,
101, 125, 129, 135, 143, 147, 157, 163, 167,
169, 171, 181
FLAT WASHER D8 UNI 6593 ZN.....17, 19, 53,
55, 57, 59, 63, 71, 77, 167, 175
FLAT WASHER D8X32 UNI 6593 ZN...49, 51,
53
FLEXIBLE HOSE.....121
Flexible Hose.....117, 119, 129
Flexible Hose BM6K 1 900 F45 D.47 FLD
D47.....143
Flexible Hose ETERNITY R2 X 3/4" Lg. 1850
F90 - F90 1"3/16-12 OR.....125
Flexible Hose ETERNITY/2 X 1/2 3500 FD FD
13/16"-16.....113
Flexible Hose R1 X 1/2 4500 F90 FD 13/16"-16
ORFS.....127
Flexible Hose R1 X 1/2 L 700 90 FEM STR FEM
13/16"-16 ORFS.....137
Flexible Hose R1 X 1/4 300 F90 F90 9/16"-18
A 180.....141
Flexible Hose R1 X 1/4 450 F90 F90 9/16"-18
ORFS.....141
Flexible Hose R1 X 1/4 700 FD-FD 9/16-18
ORFS.....131
Flexible Hose R1 X 1/4 900 FD-FD
9/16"-18.....131
Flexible Hose R1 X 1/4 L 1500 90 FEM STR
FEM 9/16-18.....131, 133
Flexible Hose R1 X 1/4 L 1500 STR FEM STR
FEM 9/16"-18.....133
Flexible Hose R1 X 1/4 L 1600 STR FEM STR
FEM 9/16"-18 ORFS.....133
Flexible Hose R1 X 1/4 LG 900 F90 FD
9/16-18143
FLEXIBLE HOSE R1 X 1/4 LG. 400 FD F90
9/16-18 ORFS.....131
Flexible Hose R1 X 1/4 LG. 400 FD F90 9/16-18
ORFS121
Flexible Hose R1 X 1/4 LG.1800 FD F90 9/16-18
ORFS.....131, 141
Flexible Hose R1 X 1/4" Lg. 2200 F90 - FD
9/16"-18 ORFS.....113
Flexible Hose R2 X 1/2 3500 F90 FD
13/16"-16.....139
Flexible Hose R2 X 1/2 3500 F90 F45 13/16"-16
A 90° ORFS.....139
Flexible Hose R2 X 1/2 5000 F90 FD 13/16"-16
ORFS.....117, 119
Flexible Hose R2 X 1/2 L 2350 STR FEM 90
FEM 13/16-16.....113
Flexible Hose R2 X 1/2 LG 3100 FD F90
13/16-16.....125
Flexible Hose R2 X 1/2 LG 3150 FD F90 13/16
ORFS.....127
Flexible Hose R2 X 1/2 LG.1000 FD F90 13/16
ORFS.....117
Flexible Hose R2 X 1/2 LG.1300 FD 13/16-16-
MD16 DIN24.....119
Flexible Hose R2 X 1/2" 280 Bar Lg. 1700 FD -
F90 13/16"-16 ORFS.....113

Part Description Index (continued)

- Flexible Hose R2 X 1/2" 300 Bar Lg. 4820 FD - F90 13/16"-16 ORFS.....113, 115
- Flexible Hose R2 X 1/2" 350 Bar Lg. 3550 FD - FD 13/16"-16 ORFS.....113, 115
- Flexible Hose R2 X 1/2" Lg. 2450 FD - F90 13/16"-16 ORFS.....111
- Flexible Hose R2 X 1/2" Lg. 3200 F90 - Fd 13/16"-16 Orfs.....129
- Flexible Hose R2 X 1/4 1200 F90 F90 9/16"-18 A 90°.....131
- Flexible Hose R2 X 1/4 1800 F90 9/16"-18 FD 9/16"-18.....129
- Flexible Hose R2 X 1/4 2900 FD FD 9/16"-18 ORFS.....125
- Flexible Hose R2 X 1/4 3050 F90 F90 9/16"-18 ORFS.....121
- Flexible Hose R2 X 1/4 L 3200 90 FEM STR FEM 9/16"-18 ORFS.....121
- Flexible Hose R2 X 1/4 LG. 2500 F90 FD 9/16"-18 ORFS.....139
- Flexible Hose R2 X 1/4 LG. 2600 FD - F90 9/16"-18 ORFS.....129
- Flexible Hose R2 X 1/4 LG. 700 F90 FD 9/16"-18 ORFS129
- Flexible Hose R2 X 1/4 LG. 900 FD FD 9/16"-18 ORFS.....125
- Flexible Hose R2 X 1/4" 2600 FD FD.....129
- Flexible Hose R2 X 1/4" 450 Bar Lg. 800 FD - F90 9/16"-18 ORFS.....143
- Flexible Hose R2 X 3/4" 300 Bar Lg. 2450 FD - F90 1 3/16-12 ORFS.....111, 125, 139
- Flexible Hose R2 X 3/8 1500 F90 F90 11/16"-16 A 90°.....167
- Flexible Hose R2 X 3/8" Lg. 1200 FD - F90 11/16"-16 ORFS.....127
- Flexible Hose R2 X1/2 L 2700 STR FEM 90 FEM 13/16-16 ORFS.....115
- Flexible Hose R4 X 1 L 800 STR FEM 45 FEM 1 7/16"-12 ORFS.....137
- Flexible Hose R4 X 1 1400 F90 F45 1 7/16"-12 ORFS A180.....143
- Flexible Hose R4 X 1 1850 F90 F90 1 7/16"-12 ORFS.....137
- Flexible Hose R4 X 1 800 F45 F90 BSP.....139
- Flexible Hose R4 X 1" LG 800 F90 FD 1" 7/16-12.....143
- Flexible Hose R4 X 1" Lg. 450 F90 - F90 1"7/16-12 ORFS a 90°.....137
- Flexible Hose R4 X 1-1/4 3200 F45 F45 1 11/16"-12 A 180°.....143
- Flexible Hose R4 X 1-1/4 L 2400 90 FEM 90 FEM 1 11/16"-12 ORFS.....137
- Flexible Hose R4 X 2 2000.....139
- Flexible Hose R4 X 3/4 1400 F90 1" BSP F90 3/4" BSP A 180.....139
- Flexible Hose R4 X 3/4 2600 F90 F90 1 3/16"-12 ORFS A 45.....139
- Flexible Hose R4 X 3/4 750 FD FD 1"3/16-12 ORFS.....137
- Flexible Hose R4 X 3/4 900 F90 F90 1 3/16"-12 ORFS A 90°.....143
- Fleyer Chain 1" - 6X6 - 199 ST.....87, 91
- FLEYER CHAIN 1"-6 X 6-201 STEPS.....89, 93
- FLEYER CHAIN 3/4"-6 X 6-261 STEPS.....87, 89, 91, 93
- Floating Fork Mounting Plate 48".....105
- Floating Fork Mounting Plate 60".....105
- Floating Fork Mounting Plate 72".....105
- FLOOR MAT,RUBBER.....71
- Flow Regulator.....145
- Flow Regulator Seal Kit.....145
- Fork Coupling Attachment.....103
- Fork Levelling Cylinder.....97
- FORK, 48" INDIVIDUAL, 1544.....105
- FORK, 60" INDIVIDUAL, 1544.....105
- FORK, 72" INDIVIDUAL, 1544.....105
- Frame.....77
- Front Axle Seal Kit.....25
- Front Glass Kit.....79
- Front Pad 200x60x33.....85
- Front Pad 250x55x33.....83
- Front Pad 250x600x38.....83
- Front Pulley.....89
- Front Support Bracket.....109
- Fuel Filter.....23, 51, 53
- FUEL FILTER CARTRIDGE.....47
- Fuel Filter Cartridge.....45
- FUEL GAUGE.....23
- Fuel Pre-Filter.....47
- FUEL PRE-FILTER CARTRIDGE.....47
- Fuel Pre-Filter Cartridge.....45
- Fuel Tank.....23
- Fuel Tank Assembly.....17
- FUSE.....165
- Fuse 10A.....151
- Fuse 15A.....151
- Fuse 1A.....157
- Fuse 3A.....151
- Fuse 5A.....151, 157
- Fuse 7.5A.....151, 157
- FUSE HOLDER.....157, 165
- FUSE, MAXI,40A.....157
- FUSE,10A.....157, 165
- FUSE,MAXI,30A.....157
- FUSE-RELAY BOARD.....151
- G**
- Gas Spring.....19
- GASKET.....15, 19, 55, 71, 75, 77
- Gasket.....27, 75, 77, 147, 167
- Gasket Strip.....19
- GASKET,ADHESIVE.....23
- GASKET,RUBBER.....77
- Gear.....39
- GEAR BOX.....25
- Gear Box Unit.....151
- Glass.....77
- GLASS,FRONT WINDSHIELD.....75
- GLASS,LEFT REAR.....75
- GLASS,RIGHT,FRONT.....75
- GLASS,ROOF.....71
- GREASE NIPPLE.....33, 37
- GREASE NIPPLE G 1/8.....21, 83, 89, 91, 97, 99, 101, 103
- GREASE NIPPLE M6.....83, 85, 89, 91
- Greaser.....77
- GROMMET.....71
- Grommet.....75, 77
- GROMMET,RUBBER D31.....81
- Guard.....39, 163, 167
- H**
- HALF FLANGE D47.....143
- HANDLE.....19, 71, 77
- Handle.....17, 69, 77
- HANDLE,STEER COLUMN.....69
- Heat Exchanger.....63
- Heat Exchanger Deutz.....59
- Heat Isolator.....57
- Heat Protection.....157
- HEAT SHIELD,EXHAUST,DEUTZ.....55
- HEATER.....81
- Heater.....163
- HEATER CORE.....81
- Heater Cover.....163
- Heater pipe 15x23.....81
- Heater Support.....81
- Height Adjuster Kit.....73
- HEX HEAD CAP.....81
- Hinge.....15, 17, 19, 77
- Hinge Fixing Plate.....17
- HORN.....17
- HOSE.....51, 53, 65, 163
- Hose.....163
- HOSE 2X3-4 LG1400 F90-F90 1"3/16 A 270ø.....111
- Hose 5/16.....163
- Hose Adapter.....51, 53
- HOSE ADAPTER 1/2 GAS D18.....81
- HOSE BM6K 1"X1100 FLD D47 Special.....143
- Hose Bracket.....55
- HOSE CLAMP D8.....169
- Hose D40.....49
- HOSE GUIDE.....75
- HOSE R1X1/4 L 2400 90 FEM STR FEM 9/16-18.....141
- HOSE R1X1/4 LG 1000 F90 FD 9/16-18.....125
- HOSE R1X1/4 LG 1300 F90 9/16-18 FD 9/16-18.....137
- HOSE R1X1/4 LG 2600 F90 FD 9/16-18.....121
- HOSE R1X1/4 LG 700 FD-F90 9/16-18 ORFS.....123
- HOSE R1X1/4 LG 800 FD F90 9/16-18 ORFS.....133
- HOSE R1X3/8 1100 F90 FD 11/16-16 ORFS.....129
- Hose R2 X 1/4 370 F90 FD 9/16"-18 ORFS.....167
- Hose R2 X 1/4" Lg. 400 F90 - F90 9/16"-18 ORFS.....167
- HOSE R2X1-2 LG1400 F90-F90 13/16-16 ORFS 270ø.....111
- HOSE R2X1/2 430 F90 BSP F90 BSP A 270°.....167
- HOSE R2X1/2 500 F90 F90 BSP A 270°.....167
- HOSE R2X1/4 LG 400 F90-FD 9/16-18 ORFS.....129, 131, 139
- HOSE R2X1/4 LG1200 F90 FD 9/16 ORFS.....121
- HOSE R2X3/8 LG 1200 FD-F90 11/16-16 ORFS.....115
- HOSE R2X3/8 LG 1900 F90-FD 11/16-16 ORFS.....127
- HOSE R4X1 3000 F90 FD 1 7/16-12 ORFS.....143
- HOSE,EXHAUST.....55, 57
- HOSE,GAS.....57
- HOSE,RADIATOR,DEUTZ.....61
- HOSES BLOCK.....113
- HOSES PROTECTION.....111, 113, 115
- HOUSING.....31
- Housing.....31, 39
- Hydraulic Motor.....135
- Hydraulic Oil Level Indicator.....23
- Hydraulic Oil Tank.....23
- Hydraulic Oil Tank Assembly.....17

HYDRAULIC OIL TANK CAP.....23
 Hydraulic Pump 1.....67
 Hydraulic Pump 2.....67
 Hydraulic Pump 3.....67
 Hydraulic Pump 4.....67
 Hydraulic Pump 5.....67

I

INDICATOR,OPTICAL LEVEL.....59, 63
 Inlet Module.....149
 Inlet Module Kit.....149
 Inlet Neck.....23
 Input Shaft.....39
 Intermediate Brake Disc.....29, 43
 Iron Hose With Pipe Fitting.....113, 115
 Iron Hoses.....113
 IRON PIPE.....119
 ISOLATOR,RUBBER MOUNT.....59, 63

J

JOINT.....33
 Joint.....135, 147
 Joystick.....69
 Joystick Support.....69

K

Keeper Ring D11.....77
 KEY.....77
 Key.....27
 KEY ONLY (1 PAIR).....153
 KEY ONLY, SWITCH/IGNITION.....19
 KIT BUTTONS.....69
 Kit Solenoid Valve.....149
 KIT,BRAKE,FRONT AXLE.....29
 KIT,BRAKE,REAR AXLE.....43
 KIT,DIFFERENTIAL POSITION,FRNT.....27
 KIT,DOOR LOCK.....17
 KIT,SEAT DAMPER.....73
 KIT,STEERING CASE,LEFT.....33
 KIT,STEERING CASE,RIGHT.....33
 KIT,VALVE,H200 WITH SCREWS.....145
 KIT/PUMP COUPLING.....67
 KNOB.....69, 71, 75, 81
 Knob Kit.....73
 KNOB, STEERING MODE SELECTOR.....153

L

LABEL.....81
 Label - Load Chart, 7 ft Truss Boom on
 stab.....13
 Label - Load Chart, 7 ft Truss Boom on
 wheel.....13
 Label - Load Chart, Rotate Carriage on
 stab.....13
 Label - Load Chart, Rotate Carriage on
 wheel.....13
 Label - Load Chart, Rubbish Bucket on
 stab.....13
 Label - Load Chart, Rubbish Bucket on
 wheel.....13
 Label - Load Chart, Shackle on stab.....13
 Label - Load Chart, Shackle on wheel.....13
 Label - Load Chart, Standard Carriage on
 stab.....13
 Label - Load Chart, Standard Carriage on
 wheel.....13
 Label - Product Registration.....13

Label - Single Controller.....13
 LABEL - TESTS PORT.....11
 Label - Tests Port - Perkins Engine Version...11
 Label - Transport and Lifting.....13
 LADDER ASSY.....17
 LANYARD.....71
 LANYARD,PIN.....103
 Left & Right Axle Case.....33
 Left Bracket.....163
 Left Chassis Sway Cylinder.....101
 Left Control Lever.....69
 Left Front Light Support.....175
 Left Glass Kit.....79
 Lifting Cylinder.....97
 Lifting Cylinder Foot Pin.....97
 Lifting Cylinder Head Pin.....97
 LIGHT,FRONT,LEFT.....175
 LIGHT,FRONT,RIGHT.....175
 LIGHT,REAR,LEFT.....175
 LIGHT,REAR,RIGHT.....175
 Lock.....15
 Lock Bushing.....49
 LOCK CLIP.....15
 Lock Clip.....103
 Lock Clip D10X80.....107, 109
 Lock nut.....149
 LOCK RING.....77
 LOCK,DOOR.....77
 Locking Bracket.....49
 Locking Kit.....149
 Locking Pin.....77
 LOCKING PLATE.....27, 41
 Locking Plate.....17, 19, 27, 41
 Locking Tab.....69
 LS Pressure Relief Valve.....145
 LS Pressure Relief Valve Seal Kit.....145

M

Magnet Plug.....31, 33
 MAIN FUNCTION MANIFOLD.....145
 Manifold.....143, 147
 MANIFOLD, BOOM HOSES.....115
 MANIFOLD,FCTN,SECONDARY.....147
 MANUAL BOX W/DECALS***71
 Master Link.....107, 109
 Max Load Plate.....107, 109
 MAX PRESSURE VALVE.....67
 MEB HOSE CLAMP,19X28.....81
 MIRROR.....19
 MIRROR,CONVEX.....15
 Module.....149
 Module Coupling Seal Kit.....145
 Module Kit.....149
 MODULE,TELEMATICS,ZTR,M6H.....173
 Mudguard.....17, 19
 Mudguard ASSY.....17, 19

N

Negative Cable.....157
 Non-Skid Coating.....71
 Notice - Driving Downhill.....13
 NUT.....29, 33
 Nut.....27, 39, 41, 45
 NUT 2" DIN 431 6S ZN.....139
 Nut Cover M6.....77
 Nut Cover M8.....77
 NUT M10 UNI 5588 6S ZN.....169
 NUT M12 UNI 5588 6SZN.....89

Nut M16 UNI 5588 6S ZN.....95
 NUT M18 UNI 5589 8G ZN.....89
 NUT M18 UNI 5721 ZN.....89
 Nut M18X1,5 UNI 5589 12 ZN.....69
 Nut M22 UNI 5588 8G ZN.....87
 Nut M24 6S UNI 5589 ZN.....49
 NUT M8.....71, 77
 NUT M8 UNI 5588 6S ZN.....57
 NUT, PLASTIC LOCK, SOLENOID
 07.0701.0289.....143
 NUT, WING, M6 UNI 7473-7474 6S.....157
 NUT,8-32, URI TELEMATICS.....173
 NUT,M8 UNI 7473 6S ZN.....15, 17, 19, 23, 49,
 53, 55, 57, 71, 77, 103, 129, 147, 159, 163,
 181
 NUT,M8 UNI CL8 ZN.....77
 NUT,PROTECTION.....71
 NUT,STOP,M10 UNI 7473 6S ZN.....17, 19, 21,
 51, 53, 55, 59, 63, 97, 99, 107, 109, 129, 145,
 161
 NUT,STOP,M16 UNI 7473 6S ZN.....15, 25, 103
 NUT,STOP,M4 UNI 7473 6S ZN.....71
 NUT,WHEEL.....33
 Nylon Pulley.....89

O

O-RING.....23, 33, 39, 43, 99, 143
 O-Ring.....27, 29, 31, 35, 39, 41, 43, 69, 137,
 139, 147, 149
 O-ring.....97
 O-RING 124X4,5.....23
 O-RING 98X3.....23
 Oil Cooler.....135
 Oil Filter.....47
 Oil Filter Cartridge.....23
 Outlet Module.....145, 149
 Outlet Module Kit.....149
 Outrigger.....21
 Outrigger Cylinder.....21
 Outrigger Feet.....21
 Outrigger Valve Protecction.....21
 Outriggers Line.....155

P

Pad 135x100x22.....93
 PAD FIXING BUSHING M14.....85
 Pad Shim 100X50X1.....85
 Pad Shim 200X60X1.....85
 PAD SHIM 250X85.....83
 Pad Shim 55X250 - SP1.....83
 PARTICULATE FILTER.....55
 Perkins Engine 1204E-E44TA.....47
 PIN.....15, 27, 87, 89, 91, 93
 Pin.....21, 41, 57, 87, 97, 101, 103, 107, 109,
 147, 149, 167
 Pin 48".....105
 Pin 60".....105
 Pin 72".....105
 PIN,DOOR FRAME BELT.....77
 PINION,DIFFERENTIAL.....33
 Pipe.....51, 53, 163
 PIPE FITTING.....51, 53, 137
 Pipe Fitting.....53, 139
 Pipe Fitting 90°.....139
 Pipe Fitting TMF+L 1"11/16-12 ORFS.....137
 PIPE FITTING 1 BSPX1-3/16-12 ORFS.....137,
 139, 143

Part Description Index (continued)

- PIPE FITTING 1" GASX1-7/16-12 ORFS..137, 143
 Pipe Fitting 1"1/4BSP-1"11/16-12ORFS.....137
 PIPE FITTING 1" BSPX1"11/16-12 ORFS...137
 PIPE FITTING 1/2 BSPX13/16-16 ORFS...113, 115, 117, 119, 125, 127, 129, 137, 139
 PIPE FITTING 1/2BSP x 11/16-16 ORFS.....127, 167
 PIPE FITTING 1/2BSPX 9/16-18 ORFS....121, 125
 Pipe Fitting 1/2X 3/4 BSP.....139
 PIPE FITTING 1/2X1/2 BSP.....167
 PIPE FITTING 1/4 BSPX9/16-18 ORFS.....121, 123, 125, 127, 131, 137, 139, 141, 167
 PIPE FITTING 1/4BSPX11/16-16 ORFS.....167
 PIPE FITTING 1/4X3/8 BSP.....131
 Pipe Fitting 11/16"-16 BSP X M 3/8 BSP.....53
 PIPE FITTING 14X1.5X9/16-18 ORFS.....47, 125, 129, 139, 143
 PIPE FITTING 18X1.5X11/16 ORFS.....129
 PIPE FITTING 1X1 BSP.....137, 143
 PIPE FITTING 2X2 BSP.....139
 PIPE FITTING 3/4 BSPX13/16-16 ORFS..111, 113, 129
 Pipe Fitting 3/4-16UNF/ 11/16-16ORFS.....127
 PIPE FITTING 3/4BSP X1"3/16-12 ORFS.....111, 117, 119, 125, 139, 143
 PIPE FITTING 3/8 BSPX9/16-18 ORFS.....113, 121, 123, 127, 131, 133, 141, 167
 PIPE FITTING 3/8BSPX11/16-16 ORFS...129, 131
 PIPE FITTING 3/8X3/8 BSP.....51, 53
 Pipe Fitting 7/16-20 UNF X 9/16-18 ORFS.....139
 Pipe Fitting 7/8-14 UNFX 1"3/16-12 ORFS.....139
 PIPE FITTING 90.....115
 PIPE FITTING 90 1/2GASXM 13/16-16 ORFS.....113, 115, 117, 119, 129
 PIPE FITTING 90 M-M 1"3/16-12 ORFS.....111
 PIPE FITTING 90 M-M 13/16-16 ORFS....111, 113, 115
 Pipe Fitting 90° BSP.....143
 Pipe Fitting 90° M3/8 X M13/16"-16 ORFS.....139
 PIPE FITTING CMF1/2 ES LG 25.....117, 119
 PIPE FITTING F 13/16-16 ORFS-M 9/16-18 ORFS.....129
 PIPE FITTING G1 12.....137, 139
 PIPE FITTING G2 34.....139
 Pipe Fitting Kit EG3-EA/FG38-N.....139
 Pipe Fitting Kit RD2-MC/FG100-N.....139
 Pipe Fitting Kit RD2-MF/FG200-N.....139
 Pipe Fitting M 1 1/4" BSP X F 1 1/4" BSP...137
 PIPE FITTING M-M A 90 1/4 BSPX9/16-18 ORFS.....121, 125, 129, 167
 Pipe Fitting M-M A 90 3/4"-16 UNF X 11/16"-16 ORFS.....127
 PIPE FITTING M10X1- 9/16-18 ORFS.....129
 PIPE FITTING M12X1.5 X 9/16-18 ORFS...143
 PIPE FITTING M18X1,5 M 9/16-18 ORFS.....129, 143
 Pipe Fitting M18X1,5 X 1"7/16-12 ORFS.....143
 Pipe Fitting M26X1,5X 1"7/16-12 ORFS.....143
 PIPE FITTING M42X2X1"11/16-12 ORFS..143
 Pipe Fitting MFK 90 1/2 BSP.....115
 Pipe Fitting R2 X 1/4 LG. 2100 F90 MD 9/16 ORFS.....127
 PIPE FITTING R2X1/4 LG950 FD F90 9/16 ORFS.....127
 PIPE FITTING TMF+C 9/16-18 ORFS.....121, 125, 129, 131, 133, 141, 143
 Pipe Fitting TMF+L 1"7/16 ORFS.....137
 PIPE FITTING TMF+L 1/2 BSP.....115
 PIPE FITTING TMF+L 13/16-16 ORFS.....113, 129
 PIPE FITTING TMF+L 9/16-18 ORFS.....121, 131, 133, 141, 167
 PIPE FITTING, M14X1.5X9/16 ORFS.....129, 131, 133
 PIPE FITTING,90 M-F 13/16-16.....113
 PIPE R2 X 1/2 1300 FD F90 13/16"-16 ORFS.....113
 Pipe R2 X 1/2 L=2900 FD-F90 13/16-16 ORFS.....127
 Piston.....27, 29, 39, 43, 147
 Piston Kit.....147
 PIVOT PIN.....33
 Pivot Pin.....33
 Plain Washer.....45
 Plain Washer (see position 4).....159
 Plain Washer D15.....75, 77
 Plain Washer D6 UNI 6592.....77
 PLAIN WASHER,D110-70 SP0.8.....105
 PLATE.....63
 Plate.....59, 101, 163
 Plate,Dash Support,Left.....153
 Plate,Dash Support,Right.....153
 PLATE,DECAL.....71
 PLATE,LOCKING.....33
 PLUG.....29, 31, 33, 39, 69, 77
 Plug.....29, 31, 35, 37, 39, 43, 149
 PLUG 1/2 BSP.....135
 PLUG 3/4 BSP.....125
 PLUG 3/8" BSP.....51
 Plug TCEI BSP 1/4.....147
 Plug TCEI BSP 3/4.....147
 Plug TE M M14 X 1.5.....23
 PLUG,MAGNET.....33
 PLUG,SPECIAL,Q.....145
 Plugging Kit.....145
 Plunger Kit Composed Of 4 Plungers.....69
 POSITION KIT,DIFFERENTIAL,REAR.....41
 Power Steering.....127
 Pressure Override Valve.....67
 PRESSURE PLUG M14X1.5.....125, 129, 139, 143
 PRESSURE RELIEF VALVE.....67
 PRESSURE SENSOR, HYDRAULIC OIL.....23
 PRESSURE SWITCH.....129
 Pressure switch.....163
 PROFILE.....59, 63
 Protection.....19, 45, 57
 Protection Cover.....163
 PROTECTION GRID.....71
 Protection Grid.....15, 17
 Protective Cap.....69
 Protective Grid.....63
 PROXIMITY SENSOR.....155
 PROXIMITY SWITCH.....129
 Proximity Switch.....39
 Pulley.....91
 PULLEY HOLDER.....89
 Pulley Pin Lock Plate.....91
 Pulley Support.....89, 91
 Pump Brake.....129
 Pump Hub.....67
- Q**
 QUICK COUPLING, FEMALE 1/2.....115
 QUICK COUPLING, MALE 1/2.....115
- R**
 Radiator.....63
 Radiator Deutz.....59
 Radiator, Deutz.....59
 Rear Axle Locking Cylinder.....101
 Rear Axle Seal Kit.....25
 Rear Bottom Pad 100x60x33.....85
 Rear bottom pad 150x60x33.....85
 Rear Left Lights Line.....177
 Rear Light.....181
 Rear Light Support.....175, 181
 Rear Lower Glass.....77
 REAR LOWER GLASS KIT.....79
 Rear Pad.....83
 Rear Pulley.....89
 Rear Pulley Pin.....89, 91
 REAR RIGHT ROAD LIGHT AND HARNESS.....177
 Rear Upper Glass.....77
 REDUCER,D48.5.....81
 Reduction Bushing.....29, 43
 Regulating Unit.....69
 RELAY.....151, 157, 165
 Relay.....45
 RELAY HOLDER.....157, 165
 Retaining Plate.....69
 Return Springs Kit Composed Of 4 Springs..69
 Right Armrest Kit.....73
 Right Bracket.....163
 Right Chassis Sway Cylinder.....101
 Right Control Lever.....69, 175
 Right Dashboard.....69
 Right Glass Kit.....79
 RIGHT PAD SHIM.....85
 Ring.....29, 43, 147
 RING GEAR.....33
 RING KIT.....27
 Ring Nut.....27, 41
 Ring Nut D23.....147
 ROD,BATTERY HOLD DOWN.....157
 ROOF COVERING.....71
 Roof Wiper Kit.....75
 Rubber Boot.....69, 175
 Rubber D.41X9.....163
 Rubber Gasket.....23
 RUBBER HOSE.....61, 65
 Rubber Hose.....61, 65
 Rubber Manifold.....49, 65
- S**
 Safety Belt Kit.....73
 SAFETY VALVE.....97, 99, 101, 113, 131, 137, 143
 SCREW.....27, 33, 41, 71, 81
 Screw.....27, 29, 31, 35, 39, 41, 43, 49, 81, 147
 Screw TEM16X80 DIN 564 8.8ZN.....95
 Screw (see position 4).....159
 SCREW FE TGS T+ M6X25 UNI 7689 ZN...69
 Screw Fitting M16x1.5.....51
 SCREW KN TC+ 3.5x16 ZN.....81
 SCREW M10X100 UNI 5737 8.8 ZN.....21, 99
 SCREW M10X20 UNI 5739 8.8 ZN.....85, 137
 SCREW M10X25 UNI 5739 8.8 ZN.....17, 21, 23, 67, 69, 83, 101, 127, 169, 175

| | | |
|---|---|---|
| SCREW M10X30 UNI 5739 8.8 ZN.....19, 47, 57, 83, 85, 167 | Screw M8 (see position 4).....159 | SCREW,TE,M10X45 UNI 8.8 ZN.....51, 53 |
| SCREW M10X30 UNI 5931 8.8 ZN.....49 | SCREW M8X16 DIN 6923 8.8 ZN.....55, 155 | SCREW,TSPIC M8X16.....71 |
| SCREW M10X40 UNI 5739 8.8 ZN.....67, 161 | SCREW M8X16 DIN 7984 8.8 ZN.....93 | SEAL.....27, 33, 41, 97 |
| SCREW M10X40 UNI 5931 12.9 ZN.....89 | SCREW M8X16 UNI 5739 8.8 ZN.....57 | Seal.....29, 39, 55, 75, 77, 147 |
| SCREW M10X50 UNI 5739 8.8 ZN.....19 | SCREW M8X20 DIN 6923 8.8 ZN...17, 19, 135 | Seal D16.....75 |
| SCREW M10X60 UNI 5737 8.8 ZN.....97 | SCREW M8X20 UNI 5739 8.8 ZN...15, 19, 23, 55, 71, 75, 85, 89, 125, 143, 167, 169, 171 | SEAL HURTH.....27 |
| SCREW M10X70 UNI 5737 8.8 ZN.....59, 63, 99, 107, 109, 135 | SCREW M8X20 UNI 5931 8.8 ZN.....71 | SEAL KIT.....129 |
| SCREW M10X80 UNI 5737 8.8 ZN.....21, 97 | SCREW M8X25 UNI 5739 8.8 ZN...17, 19, 55, 57, 59, 63, 71, 91, 97, 101, 157, 163, 175, 181 | Seal Kit.....35, 101, 127 |
| SCREW M12X100 UNI 5737 8.8 ZN.....89, 97 | SCREW M8X25 UNI 5931 8.8 ZN.....17 | Seal kit Extension Cylinder.....99 |
| SCREW M12X25 UNI 5739 8.8 ZN.....157, 179 | SCREW M8X30 UNI 5739 8.8 ZN...15, 57, 147 | Seal Kit Hydraulic Pump 1.....67 |
| SCREW M12X30 UNI 5739 8.8 ZN.....55, 57, 113 | SCREW M8X30 UNI 5931 12.9 ZN.....91 | Seal Kit Hydraulic Pump 2.....67 |
| SCREW M12X35 UNI 5739 8.8 ZN.....67 | SCREW M8X35 UNI 5739 8.8 ZN.....129 | Seal Kit Hydraulic Pump 3.....67 |
| SCREW M12X40 UNI 5737 8.8 ZN.....19, 47, 97, 143 | SCREW M8X40 UNI 5739 8.8 ZN.....49, 51, 53 | Seal Kit Pump 4.....67 |
| SCREW M12X70 UNI 5737 8.8 ZN.....59, 63, 135 | SCREW M8X40 UNI 5933 10.9 ZN.....19, 77 | SEAL,DUST EXCLUDER.....33 |
| SCREW M12X80 UNI 5737 8.8 ZN.....47 | SCREW M8X50 UNI 5739 8.8 ZN.....19 | Seals Kit Levelling Cylinder.....97 |
| SCREW M14X100UNI 5737 8.8 ZN.....47 | SCREW M8X50 UNI 5931 8.8 ZN...67, 97, 103 | Seals Kit Lifting Cylinder.....97 |
| SCREW M14X150 UNI 5737 8.8 ZN.....97 | SCREW M8X55 UNI 5737 8.8 ZN....45, 47 | SEAT.....73 |
| SCREW M14X25 UNI 5931 8.8 ZN.....85 | SCREW M8X65 UNI 5931 8.8 ZN.....167 | SEAT ARMREST,LEFT.....73 |
| SCREW M14X35 UNI 5739 8.8 ZN.....17 | SCREW M8X70 UNI 5737 8.8 ZN.....17, 19 | Seat Cover Assembly.....73 |
| SCREW M14X40 UNI 5739 8.8 ZN.....99 | Screw TBEI M6X12.....77 | Seat Foam Kit.....73 |
| SCREW M14X40 UNI 5931 8.8 ZN.....85 | Screw TBEI M8X10.....75, 77 | Seat Frame Assembly.....73 |
| SCREW M14X45 UNI 5931 8.8 ZN.....83 | Screw TBEI M8X20.....75, 77 | Seat Suspension Kit.....73 |
| SCREW M16X40 UNI 5737 10.9 ZN.....87 | SCREW TCB T 3.9X16 UNI 6954.....71, 77 | Security Dowel.....39 |
| SCREW M16X40 UNI 5739 8.8 ZN.....67 | Screw TCEI.....45 | Security Microswitch.....39 |
| SCREW M16X45 UNI 5737 10.9 ZN.....91 | Screw TCEI 14 X 35 LG. 8.8 ZN UNI 5931.....83 | Security Switch.....27 |
| SCREW M16X50 UNI 5737 10.9 ZN.....93 | Screw Tcei M 8X30 UNI 5931 8.8Zn.....135 | See 600 Hydraulic System, Figure 608674 - Position 5.....69 |
| SCREW M20X45 UNI 5739 10.9 ZN.....93 | Screw TCEI M.16X150 UNI 5931 12.9 ZN.....15 | See 600 Hydraulic System, Figure 608676 - Position B.....131 |
| SCREW M24X160UNI 5737 10.9 ZN.....25 | Screw TCEI M10 X 85 LG. 8.8 ZN UNI 5931.....21 | See 600 Hydraulic System, Figure 608679 - Position B.....129 |
| SCREW M4X10 UNI 5931 8.8 ZN.....163 | Screw TCEI M12X40 UNI 5931 8.8Zn.....67 | See 600 Hydraulic System, Figure 608681 - Position A1.....131 |
| SCREW M4X16 UNI 5931 8.8 ZN.....83 | Screw TCEI M5X120 UNI 5931 8.8 ZN.....147 | See 700 Electric Installation, Figure 608690 - Position 2.....69 |
| SCREW M4X20 UNI 7687 ZN.....71 | Screw TCEI M5X16 UNI 5931 8.8 ZN.....147 | See 700 Electric Installation, Figure 608690 - Position 24.....69 |
| Screw M5x10 8.8.....149 | Screw TCEI M5X45 8.8 ZN.....141 | SEGER.....87, 89 |
| SCREW M5X16 UNI5737 8.8 ZN.....15 | Screw TCEI M5X50 UNI 5931 12.9 ZN.....121 | Selector Fork.....27 |
| SCREW M5X20 UNI 5739 8.8 ZN.....19 | Screw TCEI M6X16 8.8 ZN.....77 | Selector Shaft.....39 |
| SCREW M5X20 UNI 7687 8.8 ZN.....69 | Screw TE.....45 | SENSOR.....49 |
| SCREW M5X20 UNI 7687 ZN.....17 | Screw TE M 4X16.....163 | Sensor.....49 |
| SCREW M6X10 UNI 5739 8.8 ZN.....49 | Screw TE M 8X12 UNI 5739 8.8 ZN.....89 | Sensor Kit.....55 |
| SCREW M6x12 UNI 5739 8.8 ZN.....119 | Screw Te M10 X35 10.9Zn Uni 5737.....55 | SET OF GASKETS.....167 |
| SCREW M6X16 DIN 6923 8.8 ZN...19, 59, 63, 101, 135 | Screw TE M12X40 UNI 5737 10.9ZN.....89 | Shackle.....103, 107, 109 |
| SCREW M6X16 INOX.....23 | Screw TE M12X50 UNI 5737 10.9ZN.....89 | Shaft.....39 |
| SCREW M6X16 UNI 5739 8.8 ZN...15, 17, 21, 23, 45, 71, 77, 171 | Screw TE M12X50 UNI 5737 8.8 ZN.....47 | SHIM.....17, 27, 41 |
| SCREW M6X16 UNI 5933 10.9 ZN.....15, 59, 63 | Screw TE M12X90 UNI 5737 8.8 ZN...105, 109 | Shim.....113 |
| SCREW M6X20 UNI 5739 8.8 ZN.....69, 71, 103, 107, 109, 113, 115, 155, 163 | Screw TE M14X120UNI 5737 8.8 ZN.....103 | Shim (see position 4).....159 |
| SCREW M6X20 UNI 5931 8.8 ZN.....169 | Screw TE M16 X 130 8.8 ZN UNI 5737.....25 | SHIM 0.15MM.....27, 33, 39, 41 |
| SCREW M6X20 UNI 5933 10.9 ZN.....69, 85, 113 | Screw TE M16 X 140 ZN UNI 5737.....103 | SHIM 0.20MM.....29, 33, 39, 41 |
| SCREW M6X25 UNI 5739 8.8 ZN...55, 59, 63, 169 | Screw TE M16X50 UNI 5737 8.8 ZN.....143 | SHIM 0.30MM.....29, 39, 41 |
| SCREW M6X25 UNI 5931 8.8 ZN.....113, 115 | Screw TE M16X80 UNI 5737 8.8 ZN.....17 | SHIM 0.40MM.....39, 41 |
| SCREW M6X30.....77 | Screw TE M22X280 UNI 5737 8.8 ZN.....101 | SHIM 0.50MM.....29, 33, 41 |
| SCREW M6X30 UNI 5739 8.8 ZN.....129 | Screw TE M24X100 UNI 5737 8.8 ZN.....15 | SHIM THICKNESS.....39 |
| SCREW M6X35 UNI 5739 8.8 ZN.....17 | Screw TE M6X100 UNI 5737 8.8 ZN.....131 | SHIM, WEAR PAD,100X60X1.....83, 85 |
| SCREW M6X35 UNI 5931 8.8 ZN.....45, 55 | Screw TE M8X10.....77 | SHIM, WEAR PAD,60X250X1.....85 |
| Screw M6X4.5.....147 | Screw TSPEI M6X30 UNI 5933.....77 | SHIM,WEAR PAD 250X75.....85 |
| SCREW M6X40 UNI 5739 8.8 ZN.....19, 127, 133 | Screw TSPEI M6X35 UNI 5933.....75 | SHIM/THICKNESS.....39 |
| SCREW M6X40 UNI 5931 8.8 ZN.....17 | Screw TSPEI M8X30 UNI 5933.....75, 77 | Shock Absorber.....135 |
| SCREW M6X45 UNI 5739 8.8 ZN.....101 | Screw TSPEI M8X30 UNI5933 10.9 ZN.....163 | Shroud Oil Cooler.....135 |
| SCREW M6X50 UNI 5737 8.8 ZN.....101 | Screw TSPIC M8X30.....71, 77 | SHROUD,RADIATOR.....59, 63 |
| SCREW M6X50 UNI 5931 8.8 ZN.....167 | SCREW,ADJUSTING.....29 | Shuttle Valve Kit.....145 |
| | SCREW,BLEEDER M8X1.25.....101 | SIDE GEAR,DIFFERENTIAL.....41 |
| | SCREW,HHC,M12 X 120.....45 | SINGLE HOSE BRACKET D16.....113, 115 |
| | SCREW,RING GEAR.....27, 33, 41 | SINGLE VALVE BODY.....167 |
| | SCREW,STEERING ADJUST.....33 | Slave Cylinder Foot Pin.....97 |
| | SCREW,TCEI.....71 | Slave Cylinder Head Pin.....97 |
| | SCREW,TCEI,M8X40 UNI 8.8ZN.....97 | |
| | SCREW,TE,M10X35 UNI 8.8 ZN.....17, 19, 83, 161 | |

Part Description Index (continued)

- Sleeve.....27
 Sliding Guide.....39
 SNAP RING.....33
 Snap Ring.....31, 39, 87
 SOLENOID.....67, 101, 131, 167
 Solenoid.....121, 135, 141, 147, 149
 Solenoid 12V.....143
 SOLENOID VALVE.....127, 133
 Solenoid Valve.....121, 141
 SOLENOID VALVE ASSY 6 WAY.....167
 Solenoid Valve Seal Kit.....67
 Spacer.....27, 29, 41, 43, 45, 69, 77, 103, 163, 169
 Spacer (see position 4).....159
 SPACER D 22/8.5 LG8.....19, 131
 Spacer Flange.....149
 Spacer Flange Kit.....149
 SPACER,TEFLON,D22/8.5 LG.15.....131
 Spicer D24.....75
 Spool.....145, 149
 SPRING.....29, 43
 Spring.....27, 29, 39, 147, 149
 Spring Catch 4X40 ZN.....107, 109
 SPRING CLIP M6.....19, 23, 85
 SPRING CLIP M8.....17, 23
 Spring Washer.....27
 SPRING WASHER D10 ZN.....17, 19, 21, 23, 49, 57, 67, 69, 89, 97, 99, 101, 127, 137, 167, 169, 175
 SPRING WASHER D12 ZN.....19, 47, 55, 57, 59, 63, 67, 97, 113, 135, 143, 157, 179
 SPRING WASHER D14 ZN.....17, 99
 SPRING WASHER D16 ZN.....17, 67, 143
 SPRING WASHER D24 ZN.....15
 SPRING WASHER D6 ZN.....15, 21, 23, 45, 49, 77, 101, 103, 107, 109, 113, 115, 119, 131, 155, 157, 169
 SPRING WASHER D8 ZN.....15, 19, 23, 45, 47, 55, 57, 71, 75, 85, 89, 93, 97, 101, 125, 135, 143, 147, 157, 167, 169, 171, 175, 181
 Start Motor.....45
 Starter Motor.....47
 Starting Switch.....153
 STEERING CASE,LEFT.....33
 STEERING CASE,RIGHT.....33
 Steering Column.....69
 Steering Column Upper Cover.....69, 175
 STEERING COLUMN,COMPLETE.....69, 127
 Steering Support.....69, 127
 Steering Wheel.....69
 Steering wheel.....127
 Steering wheel knob.....69
 Stop nut.....77, 81
 STOP NUT M12 UNI 7473 6S ZN...17, 19, 45, 47, 89, 105, 109
 STOP NUT M14 UNI 7473 6S ZN...47, 97, 103
 STOP NUT M22 UNI 7473 6S ZN.....101
 STOP NUT M24 UNI 7473 6S ZN.....25
 Stop Nut M4.....163
 STOP NUT M5 UNI 7473 6S ZN.....15
 STOP NUT M6 UNI 7473 6S ZN.....17, 19, 45, 55, 59, 63, 71, 127, 133, 171, 175
 STOP NUT M6 UNI 7473 6S ZN WMAR 38.....163
 Stretch Chain Block.....89
 Stretch Chain support.....89
 Stretch Chain Terminal.....87, 89
 STUD.....33, 145
 STUD,DRIVE AXLE.....33
 STUD,WHEEL.....33
 SUNSHIELD CURTAIN KIT.....71
 SUPPORT.....33, 135, 171
 Support.....17, 19, 37, 147
 Support (see position 4).....159
 Support Bracket.....107, 109
 SUPPORT,ACCUMULATOR.....129
 SUPPORT,BATTERY.....157
 SUPPORT,BOOM SENSOR.....155
 SUPPORT,CONTROL UNIT.....45
 SUPPORT,DPF,DEUTZ.....55
 SUPPORT,DPF,PERKINS.....57
 SUPPORT,FOOT.....71
 SUPPORT,LOAD CHARTS.....71
 SUPPORT,MIRROR.....15
 SUPPORT,SEAT.....71
 Suspension Cover Kit.....73
 SWITCH.....153, 165, 169, 177, 181
 Switch.....77
 Switch Body.....153
 SWITCH BULB 12V - 0.03A - 0.36W.....153
 Switch Bulb Light 12V - 1,2W.....153
 SWITCH COVER.....153, 169, 177, 181
 Switch Key, Attach Lock Oil.....153
 Switch Key, Diff Lock.....153
 Switch Key, Dpf.....153
 Swivel Hook.....107, 109
- T**
- TANK.....75
 Tank Line Manifold.....137
 Temperature Sensor.....49, 55
 TEMPERATURE SENSOR, HYDRAULIC OIL.....23
 Temperature Switch.....163
 TEST PORT MCS M14X1,5.....47
 THERMOSTAT.....135
 THICKNESS.....39
 Threaded Joint.....147
 THREADED ROAD.....89
 Tie Rod With Nut.....149
 TIE ROD,ARTICULATED.....35
 Tilt Cylinder.....97
 TIRE,17.5X25,22PR.....25
 To Drawing 608660 Position A.....125
 To Drawing 608660 Position B.....125
 To Drawing 608660 Position C.....125
 To Drawing 608660 Position D.....125
 To Drawing 608660 Position E.....125
 To Drawing 608660 Position F.....125
 To Drawing 608672 Position A.....141
 To Drawing 608672 Position B.....141
 To Drawing 608672 Position C.....141
 To Drawing 608672 Position D.....141
 To Drawing 608672 Position E.....141
 To Drawing 608672 Position F.....141
 To Drawing 608674 Position A.....139
 To Drawing 608675 Position A.....133
 To Drawing 608675 Position B.....143
 To Drawing 608678 Position A.....139
 To Drawing 608679 Position A - Deutz Version.....137
 Transmission Control Unit.....69
 Transmission Hydraulic Motor.....143
 Twin Hoses MTKH X 1/2" Lg. 2550 FD - FD 13/16"-16 ORFS.....113, 115
- U**
- U-Bolt.....129
 Upper Cabin Line.....155
 Upper Rear Glass Kit.....79
- V**
- VALVE.....97, 131, 147, 149, 163, 167
 Valve.....21, 147
 Valve Block.....67
 VALVE CAP.....147
 VALVE CURSOR.....147
 Valve Kit.....147
 Valve Protection Cover.....101
 VALVE,COMPENSATOR.....145
 VALVE,PRESSURE RELIEF.....145
 Vent.....31, 39
 VIBRATION DAMPING.....17, 47
 VIBRATION DAMPING KIT.....59, 63, 135
 VIBRATION DAMPING SUPPORT.....17
- W**
- WARNING - CRUSH HAZARD, STABILIZERS.....13
 Warning Light.....153
 WASHER.....29, 33, 71, 77, 81, 163
 Washer.....27, 39, 41, 43, 45, 77
 WASHER 6.4X12.....81
 WASHER 6.5X18.....81
 Washer D12.....77
 WASHER D6.....69
 Washer D6.....77
 WASHER D6/9.....163
 WASHER D8.5.....71
 Washer D8.5.....75, 77
 WASHER,D12 UNI 6592 ZN.....17, 19, 89, 97, 105, 109, 113, 135, 157, 179
 WASHER,SPRING,D5 ZN.....15
 WASHER,TEFLON D20.....75, 77
 Water Hose D4 LG.200 Inch.....75
 WATER TANK.....63
 Water Tank.....59
 WATER TAP,D16.....81
 WEAR PAD.....83, 85
 WEAR PAD,BRONZE.....113
 Weight Adjuster Kit.....73
 WHEEL HUB.....33
 WHEEL,17.5-25.....25
 WHEEL/TIRE,RT AIR FILL LEFT.....25
 WHEEL/TIRE,RT AIR FILL RIGHT.....25
 WHEEL/TIRE,RT FOAM FILL LEFT.....25
 WHEEL/TIRE,RT FOAM FILL RIGHT.....25
 Wiper Arm.....77
 Wiper arm.....75
 WIPER BLADE.....75, 77
 Wiper Kit.....75
 Wiper Motor.....77
 Wiper motor.....75
 Wiper Motor Kit.....75
 WIRING.....55
 Wiring Harness.....171
 Work Light.....179

This Page Intentionally Left Blank

Go to Discount-Equipment.com to order your parts

Fitting Cross References

| Genie PN | Parker PN | Description | Genie PN | Parker PN | Description |
|----------|-----------------|---|----------|---------------|---|
| 12342 | 6-4 F5OX-S | CONNECTOR,STRAIGHT THREAD TO FLARE TUBE | 42794 | 1 CR-S | ELBOW,90°,MALE PIPE |
| 13757 | 4 R6X-S | RUN TEE,SWIVEL NUT,ORFS | 42795 | BV-0839 | BALL VALVE |
| 19685 | 12-10 C5OX-S | ELBOW,90°,STRAIGHT THREAD TO FLARE TUBE | 42796 | BV-0838 | BALL VALVE |
| 22664 | 12-10 C5OX | ELBOW,90°,STRAIGHT THREAD TO FLARE TUBE | 42874 | 6-8 CLO-S | ELBOW,90°,MALE PIPE TO ORFS |
| 27431 | 8-12 F5OX-S | CONNECTOR,STRAIGHT THREAD TO FLARE TUBE | 42912 | 13943-6-4 | HOSE END,90° FEMALE SWIVEL,JIC |
| 28678 | AS-B-33 | SLEEVE,NYLON,1.81" ID | 42920 | BV-0840 | BALL VALVE,90° |
| 39871 | 6 WETX-WLN-S | UNION,90° BULKHEAD W/NUT,FLARE TUBE | 42932 | AS-B-17 | SLEEVE,NYLON,1.22" ID |
| 39872 | 4 R5OX-S | RUN TEE,STRAIGHT THREAD | 42936 | 10243-2-4 | HOSE END,FEMALE PIPE |
| 39873 | 6 C5OX-S | ELBOW,90°,STRAIGHT THREAD TO FLARE TUBE | 42953 | 1/2 DD-S | ELBOW,90°,FEMALE PIPE |
| 39874 | 8-6 C5OX-S | ELBOW,90°,STRAIGHT THREAD TO FLARE TUBE | 42956 | 6 WELO-WLNL-S | UNION,90° BULKHEAD W/NUT,ORFS |
| 39875 | 4-6 C5OX-S | ELBOW,90°,STRAIGHT THREAD TO FLARE TUBE | 45349 | 8 V5OX-S | ELBOW,45°,STRAIGHT THREAD TO FLARE TUBE |
| 39876 | 6-8 C5OX-S | ELBOW,90°,STRAIGHT THREAD TO FLARE TUBE | 45351 | 4 V5OX-S | ELBOW,45°,STRAIGHT THREAD TO FLARE TUBE |
| 39877 | 4 F5OX-S | CONNECTOR,STRAIGHT THREAD TO FLARE TUBE | 47223 | 10343-6-6 | HOSE END,MALE,JIC |
| 39878 | 6 F5OX-S | CONNECTOR,STRAIGHT THREAD TO FLARE TUBE | 47419 | PS690503-6-6 | SWIVEL,90°,STRAIGHT THREAD TO 37° FLARE |
| 39879 | 4-8 F5OX-S | CONNECTOR,STRAIGHT THREAD TO FLARE TUBE | 48750 | 421-4 | HOSE,1/4 INCH ID |
| 39880 | 6-10 F5OX-S | CONNECTOR,STRAIGHT THREAD TO FLARE TUBE | 48751 | 481TC-4 | HOSE,1/4 INCH ID |
| 39881 | 4-6 F5OX-S | CONNECTOR,STRAIGHT THREAD TO FLARE TUBE | 48752 | 482TC-4 | HOSE,1/4 INCH ID |
| 39882 | 4-HP5ON-S | PLUG,STRAIGHT THREAD | 48753 | 451TC-6 | HOSE,3/8 INCH ID |
| 39883 | 8-8 FTX-S | CONNECTOR,MALE PIPE TO FLARE TUBE | 48754 | 482TC-6 | HOSE,3/8 INCH ID |
| 39885 | 269HB 12-12 | ELBOW,90°,BEADED HOSE BARB TO MALE PIPE | 48755 | 381-6 | HOSE,3/8 INCH ID |
| 39886 | 431-6 | HOSE,3/8 INCH ID | 48756 | 451TC-8 | HOSE,1/2 INCH ID |
| 39887 | 540N-2 | HOSE,1/8 INCH ID | 48757 | 482TC-8 | HOSE,1/2 INCH ID |
| 39888 | 801-8 | HOSE,1/2 INCH ID | 48758 | 381-8 | HOSE,1/2 INCH ID |
| 39889 | 801-12 | HOSE,3/4 INCH ID | 48759 | 381-10 | HOSE,5/8 INCH ID |
| 39890 | 10643-6-6 | HOSE END,FEMALE SWIVEL,JIC | 48760 | 451TC-10 | HOSE,5/8 INCH ID |
| 39891 | 13943-6-6 | HOSE END,90° FEMALE SWIVEL,JIC | 48761 | 482TC-12 | HOSE,3/4 INCH ID |
| 39892 | 13743-6-6 | HOSE END,45° FEMALE SWIVEL,JIC | 48762 | 451TC-12 | HOSE,3/4 INCH ID |
| 39894 | 30682-8-8 | HOSE END,FEMALE SWIVEL,JIC | 48763 | 772-12 | HOSE,3/4 INCH ID |
| 39895 | 30682-10-12 | HOSE END,FEMALE SWIVEL,JIC | 48764 | 881-16 | HOSE,1 INCH ID |
| 42286 | 8-8 CTX-S | ELBOW,90°,MALE PIPE TO FLARE TUBE | 48765 | 772-16 | HOSE,1 INCH ID |
| 42756 | 8-12 CLO-S | ELBOW,90,MALE PIPE TO ORFS | 48766 | AS-B-15 | SLEEVE,NYLON,1.06" ID |
| 42757 | 8-12 FLO-S | CONNECTOR,MALE PIPE TO ORFS | 48767 | AS-B-22 | SLEEVE,NYLON,1.42" ID |
| 42758 | 4 JLO-S | UNION TEE,ORFS | 48770 | 881-8 | HOSE,1/2 INCH ID |
| 42759 | 4-4 FLO-S | CONNECTOR,MALE PIPE TO ORFS | | | |
| 42760 | 6-8 FLO-S | CONNECTOR,MALE PIPE TO ORFS | | | |
| 42761 | 1J143-6-4 | HOSE END,90° FEMALE SWIVEL,SEAL LOK | | | |
| 42762 | 1J743-6-4 | HOSE END,45° FEMALE SWIVEL,SEAL LOK | | | |
| 42768 | 1JO43-4-4 | HOSE END,MALE,SEAL LOK | | | |
| 42776 | 801-8 | HOSE,1/2 INCH ID | | | |
| 42777 | 1J743-16-16 | HOSE END,45° FEMALE SWIVEL,SEAL LOK | | | |
| 42786 | 16 CLO-S | ELBOW,90°,MALE PIPE TO ORFS | | | |
| 42787 | 16 R6LO-S | RUN TEE,SWIVEL NUT,ORFS | | | |
| 42788 | 16-8 TRLO-BL-S | REDUCER,TUBE END TO SWIVEL,ORFS | | | |
| 42789 | 6-6 CLO-S | ELBOW,90°,MALE PIPE TO ORFS | | | |
| 42790 | 8-10 V5OLO-S | ELBOW,45°,STRAIGHT THREAD TO ORFS | | | |
| 42791 | 3/4 CD-S | ELBOW,90°,MALE TO FEMALE PIPE | | | |
| 42792 | 3/4 X 1/2 PTR-S | REDUCER,MALE TO FEMALE PIPE | | | |
| 42793 | 1/2 CR-S | ELBOW,90°,MALE PIPE | | | |

Fitting Cross References (Continued)

| Genie PN | Parker PN | Description | Genie PN | Parker PN | Description |
|----------|-------------|-------------------------------------|----------|-----------------|--|
| 48771 | 881-10 | HOSE,5/8 INCH ID | 48847 | 13943-12-12 | HOSE END,90° FEMALE SWIVEL,JIC |
| 48772 | 381-4 | HOSE,1/4 INCH ID | 48848 | 10543-12-12 | HOSE END,MALE,STRAIGHT THREAD |
| 48773 | AS-B-13 | SLEEVE,NYLON,.86" ID | 48849 | 1JC71-12-12 | HOSE END,FEMALE SWIVEL,SEAL LOK |
| 48800 | 1JC43-4-4 | HOSE END,FEMALE SWIVEL,SEAL LOK | 48850 | 1JS71-12-12 | HOSE END,FEMALE SWIVEL,SEAL LOK |
| 48801 | 1J743-4-4 | HOSE END,45° FEMALE SWIVEL,SEAL LOK | 48851 | 1J171-12-12 | HOSE END,90° FEMALE SWIVEL,SEAL LOK |
| 48802 | 1J943-4-4 | HOSE END,90° FEMALE SWIVEL,SEAL LOK | 48852 | 1J771-12-12 | HOSE END,45° FEMALE SWIVEL,SEAL LOK |
| 48804 | 1JM43-4-4 | HOSE END,MALE,SEAL LOK, NO O-RING | 48853 | 1J971-12-12 | HOSE END,90° FEMALE SWIVEL,SEAL LOK |
| 48805 | 10643-4-4 | HOSE END,FEMALE SWIVEL,JIC | 48854 | 1JC43-16-16 | HOSE END,FEMALE SWIVEL,SEAL LOK |
| 48806 | 13943-4-4 | HOSE END,90° FEMALE SWIVEL,JIC | 48855 | 1J943-16-16 | HOSE END,90° FEMALE SWIVEL,SEAL LOK |
| 48807 | 1JS43-4-4 | HOSE END,FEMALE SWIVEL,SEAL LOK | 48856 | 1J171-16-16 | HOSE END,90° FEMALE SWIVEL,SEAL LOK |
| 48808 | 3JC82-8-8 | HOSE END,FEMALE SWIVEL,SEAL LOK | 48857 | 1J971-16-16 | HOSE END,90° FEMALE SWIVEL,SEAL LOK |
| 48809 | 3JC82-12-12 | HOSE END,FEMALE SWIVEL,SEAL LOK | 48859 | 1JS43-8-4 | HOSE END,FEMALE SWIVEL,SEAL LOK |
| 48810 | 1JC43-6-4 | HOSE END,FEMALE SWIVEL,SEAL LOK | 48867 | PD36BTL | DIAGNOSTIC NIPPLE,SEAL-LOK SWIVEL |
| 48811 | 1J943-6-4 | HOSE END,90° FEMALE SWIVEL,SEAL LOK | 48873 | 6 PNLO-S | PLUG,TUBE END,ORFS |
| 48812 | 1JC43-6-6 | HOSE END,FEMALE SWIVEL,SEAL LOK | 48874 | 6 PNTX-S | PLUG,FLARE TUBE |
| 48813 | 1J143-6-6 | HOSE END,90° FEMALE SWIVEL,SEAL LOK | 48875 | 6 R6LO-S | RUN TEE,SWIVEL NUT,ORFS |
| 48814 | 1J543-6-6 | HOSE END,90° FEMALE SWIVEL,SEAL LOK | 48877 | 4 F5OLO-SW/.025 | CONNECTOR,STRAIGHT THREAD TO ORFS, W/.025 ORI |
| 48815 | 1J743-6-6 | HOSE END,45° FEMALE SWIVEL,SEAL LOK | 48878 | 16-12 C5OLO-S | ELBOW,90°,STRAIGHT THREAD TO ORFS |
| 48816 | 1J943-6-6 | HOSE END,90° FEMALE SWIVEL,SEAL LOK | 48879 | 8 C8LO-S | ELBOW,90°,SWIVEL NUT ORFS |
| 48817 | 1JS43-6-8 | HOSE END,FEMALE SWIVEL,SEAL LOK | 48880 | PD6-285 | CAP,DIAGNOSTIC NIPPLE |
| 48818 | 1J943-8-4 | HOSE END,90° FEMALE SWIVEL,SEAL LOK | 48881 | 6 HLO-S | UNION,ORFS |
| 48819 | 1JC43-8-6 | HOSE END,FEMALE SWIVEL,SEAL LOK | 48883 | 8 P5ON-S | PLUG,STRAIGHT THREAD |
| 48820 | 1J743-8-6 | HOSE END,45° FEMALE SWIVEL,SEAL LOK | 48884 | 8M18F87OMLO-S | CONNECTOR,METRIC,STRAIGHT THREAD TO ORFS |
| 48821 | 1J943-8-6 | HOSE END,90° FEMALE SWIVEL,SEAL LOK | 48885 | 4 WGTX-WLN-S | CONNECTOR,BULKHEAD,FEMALE PIPE TO FLARE TUBE |
| 48822 | 1JC43-8-8 | HOSE END,FEMALE SWIVEL,SEAL LOK | 48886 | 4 F5OLO-SW/2MM | CONNECTOR,MACHINED STRAIGHT THREAD TO ORFS |
| 48823 | 1JS43-8-8 | HOSE END,FEMALE SWIVEL,SEAL LOK | 48887 | 4 CTX-S | ELBOW,90°,MALE PIPE TO FLARE TUBE |
| 48824 | 1J143-8-8 | HOSE END,90° FEMALE SWIVEL,SEAL LOK | 48888 | 10-12 V5OLO-S | ELBOW,45°,STRAIGHT THREAD TO ORFS |
| 48825 | 1J543-8-8 | HOSE END,90° FEMALE SWIVEL,SEAL LOK | 48890 | 4 S5OLO-S | BRANCH TEE,STRAIGHT THREAD TO ORFS |
| 48826 | 1J743-8-8 | HOSE END,45° FEMALE SWIVEL,SEAL LOK | 48891 | 4 S8LO-S | BRANCH TEE,SWIVEL NUT TO ORFS |
| 48827 | 1J943-8-8 | HOSE END,90° FEMALE SWIVEL,SEAL LOK | | | |
| 48828 | 1JC43-10-8 | HOSE END,FEMALE SWIVEL,SEAL LOK | | | |
| 48829 | 1JS43-10-8 | HOSE END,FEMALE SWIVEL,SEAL LOK | | | |
| 48830 | 1J743-10-8 | HOSE END,45° FEMALE SWIVEL,SEAL LOK | | | |
| 48831 | 1J943-10-8 | HOSE END,90° FEMALE SWIVEL,SEAL LOK | | | |
| 48833 | 1JC43-10-10 | HOSE END,FEMALE SWIVEL,SEAL LOK | | | |
| 48834 | 1J943-10-10 | HOSE END,90° FEMALE SWIVEL,SEAL LOK | | | |
| 48835 | 1JS43-10-12 | HOSE END,FEMALE SWIVEL,SEAL LOK | | | |
| 48836 | 1JC43-12-8 | HOSE END,FEMALE SWIVEL,SEAL LOK | | | |
| 48837 | 1JS43-12-8 | HOSE END,FEMALE SWIVEL,SEAL LOK | | | |
| 48838 | 1J743-12-8 | HOSE END,45° FEMALE SWIVEL,SEAL LOK | | | |
| 48839 | 1J943-12-8 | HOSE END,90° FEMALE SWIVEL,SEAL LOK | | | |
| 48840 | 1J943-12-10 | HOSE END,90° FEMALE SWIVEL,SEAL LOK | | | |
| 48841 | 1JC43-12-12 | HOSE END,FEMALE SWIVEL,SEAL LOK | | | |
| 48842 | 1JO43-12-12 | HOSE END,MALE,SEAL LOK | | | |
| 48843 | 1J143-12-12 | HOSE END,90° FEMALE SWIVEL,SEAL LOK | | | |
| 48844 | 1J543-12-12 | HOSE END,90° FEMALE SWIVEL,SEAL LOK | | | |
| 48845 | 1J743-12-12 | HOSE END,45° FEMALE SWIVEL,SEAL LOK | | | |
| 48846 | 1J943-12-12 | HOSE END,90° FEMALE SWIVEL,SEAL LOK | | | |

Fitting Cross References (Continued)

| Genie PN | Parker PN | Description | Genie PN | Parker PN | Description |
|----------|-------------------|--|----------|----------------|--|
| 48892 | 6 C6LO-S | ELBOW,90°,SWIVEL NUT ORFS | 48938 | 8 R6LO-S | RUN TEE,SWIVEL NUT,ORFS |
| 48893 | 6 F5OHAO-S | UNION,STRAIGHT THREAD | 48939 | 8 S6LO-S | BRANCH TEE,SWIVEL NUT TO ORFS |
| 48894 | 8 WLO-WLNL-S | UNION,BULKHEAD,ORFS | 48940 | 8 WJLO-WLNL-S | RUN TEE, BULKHEAD,ORFS |
| 48895 | DT-370-MSMO-5 | VALVE,CHECK | 48941 | 8-4 TRLO-S | REDUCER,TUBE END TO SWIVEL,ORFS |
| 48896 | 6 JLO-S | UNION,TEE,ORFS | 48942 | 8-6 C5OLO-S | ELBOW,90°,STRAIGHT THREAD TO ORFS |
| 48897 | DT-750-MSMS-5 | VALVE,CHECK | 48943 | 8-6 F5OLO-S | CONNECTOR,STRAIGHT THREAD TO ORFS |
| 48898 | DT-750-MOMS-5 | VALVE,CHECK | 48944 | 8-8 FLO-S | CONNECTOR,MALE PIPE TO ORFS |
| 48899 | DT-620-MOMS-5 | VALVE,CHECK | 48945 | 8 FTX-S | CONNECTOR,MALE PIPE TO FLARE TUBE |
| 48900 | 4-6 F5OLO-SW/.035 | CONNECTOR,STRAIGHT THREAD TO ORFS, W/.035 ORI | 48946 | 8-10 F5OLO-S | CONNECTOR,STRAIGHT THREAD TO ORFS |
| 48902 | 16-1 AOE4G-S | ELBOW,90° LONG,FEMALE PIPE TO STRAIGHT THREAD | 48947 | 8-12 C5OLO-S | ELBOW,90°,STRAIGHT THREAD TO ORFS |
| 48903 | 1 FF-S | NIPPLE,PIPE | 48948 | 8-12 F5OLO-S | CONNECTOR,STRAIGHT THREAD TO ORFS |
| 48904 | 4 C5OLO-S | ELBOW,90°,STRAIGHT THREAD TO ORFS | 48949 | 8-16 F5OLO-S | CONNECTOR,STRAIGHT THREAD TO ORFS |
| 48905 | 4 F5OLO-S | CONNECTOR,STRAIGHT THREAD TO ORFS | 48950 | 10 C5OLO-S | ELBOW,90°,STRAIGHT THREAD TO ORFS |
| 48906 | 4 R5OLO-S | RUN TEE,STRAIGHT THREAD | 48951 | 10 CC5OLO-S | ELBOW,90° LONG,STRAIGHT THREAD TO ORFS |
| 48907 | 4 V5OLO-S | ELBOW,45°,STRAIGHT THREAD TO ORFS | 48952 | 10 F5OLO-S | CONNECTOR,STRAIGHT THREAD TO ORFS |
| 48908 | 4 R6LO-S | RUN TEE,SWIVEL NUT,ORFS | 48953 | 10 R5OLO-S | RUN TEE,STRAIGHT THREAD |
| 48909 | 4 WJLO-WLNL-S | RUN TEE, BULKHEAD,ORFS | 48954 | 10 S5OLO-S | BRANCH TEE,STRAIGHT THREAD TO ORFS |
| 48910 | 4 GTX-S W/.030 | CONNECTOR,FEMALE PIPE TO FLARE TUBE | 48955 | 10 R6LO-S | RUN TEE,SWIVEL NUT,ORFS |
| 48911 | 4-6 C5OLO-S | ELBOW,90°,STRAIGHT THREAD TO ORFS | 48956 | 10-4 TRLO-BL-S | REDUCER,TUBE END TO SWIVEL,ORFS |
| 48912 | 4-6 F5OLO-S | CONNECTOR,STRAIGHT THREAD TO ORFS | 48957 | 10-6 TRLO-BL-S | REDUCER,TUBE END TO SWIVEL,ORFS |
| 48913 | 4-6 F5OLO-SW/.030 | CONNECTOR,STRAIGHT THREAD TO ORFS, W/.030 ORI | 48958 | 10-12 F5OLO-S | CONNECTOR,STRAIGHT THREAD TO ORFS |
| 48914 | 4-8 F5OLO-S | CONNECTOR,STRAIGHT THREAD TO ORFS | 48959 | 12 C5OLO-S | ELBOW,90°,STRAIGHT THREAD TO ORFS |
| 48915 | 6 C5OLO-S | ELBOW,90°,STRAIGHT THREAD TO ORFS | 48960 | 12 F5OLO-S | CONNECTOR,STRAIGHT THREAD TO ORFS |
| 48916 | 6 F5OLO-S | CONNECTOR,STRAIGHT THREAD TO ORFS | 48961 | 12 R5OLO-S | RUN TEE,STRAIGHT THREAD |
| 48917 | 6 FF5OLO-S | CONNECTOR,LONG,STRAIGHT THREAD TO ORFS | 48962 | 12 S5OLO-S | BRANCH TEE,STRAIGHT THREAD TO ORFS |
| 48918 | 6 R5OLO-S | RUN TEE,STRAIGHT THREAD | 48963 | 12 V5OLO-S | ELBOW,45°,STRAIGHT THREAD TO ORFS |
| 48919 | 6 S5OLO-S | BRANCH TEE,STRAIGHT THREAD TO ORFS | 48964 | 12 R6LO-S | RUN TEE,SWIVEL NUT,ORFS |
| 48920 | 6 V5OLO-S | ELBOW,45°,STRAIGHT THREAD TO ORFS | 48965 | 12 CLO-S | ELBOW,90°,MALE PIPE TO ORFS |
| 48921 | 6 FLO-S | CONNECTOR,MALE PIPE TO ORFS | 48966 | 12 FLO-S | CONNECTOR,MALE PIPE TO ORFS |
| 48922 | 6-6 FLO-S | CONNECTOR,MALE PIPE TO ORFS | 48967 | 12 JLO-S | UNION TEE,ORFS |
| 48923 | 6 P5ON-S | PLUG,STRAIGHT THREAD | 48968 | 12 WLO-WLNL-S | UNION,BULKHEAD,ORFS |
| 48925 | 6 WELO-S | UNION,90° BULKHEAD,ORFS | 48969 | 12 WJLO-WLNL-S | RUN TEE, BULKHEAD,ORFS |
| 48926 | 6-4 C5OLO-S | ELBOW,90°,STRAIGHT THREAD TO ORFS | 48970 | 12 WELO-WLNL-S | UNION,90° BULKHEAD W/NUT,ORFS |
| 48927 | 6-4 F5OLO-S | CONNECTOR,STRAIGHT THREAD TO ORFS | | | |
| 48928 | 6-4 V5OLO-S | ELBOW,45°,STRAIGHT THREAD TO ORFS | | | |
| 48929 | 6-8 C5OLO-S | ELBOW,90°,STRAIGHT THREAD TO ORFS | | | |
| 48930 | 6-8 F5OLO-S | CONNECTOR,STRAIGHT THREAD TO ORFS | | | |
| 48931 | 6-10 F5OLO-S | CONNECTOR,STRAIGHT THREAD TO ORFS | | | |
| 48932 | 8 C5OLO-S | ELBOW,90°,STRAIGHT THREAD TO ORFS | | | |
| 48933 | 8 F5OLO-S | CONNECTOR,STRAIGHT THREAD TO ORFS | | | |
| 48934 | 8 FF5OLO-S | CONNECTOR,LONG,STRAIGHT THREAD TO ORFS | | | |
| 48935 | 8 R5OLO-S | RUN TEE,STRAIGHT THREAD | | | |
| 48936 | 8 S5OLO-S | BRANCH TEE,STRAIGHT THREAD TO ORFS | | | |
| 48937 | 8 V5OLO-S | ELBOW,45°,STRAIGHT THREAD TO ORFS | | | |

Fitting Cross References (Continued)

| Genie PN | Parker PN | Description | Genie PN | Parker PN | Description |
|----------|---------------|--|----------|----------------|--|
| 48971 | 12 G5G5JG5-S | TEE,FEMALE STRAIGHT THREAD | 49612 | PKT02586 | O-RING KIT (ORFS FITTINGS) |
| 48972 | 12 XHL6-S | ADAPTER, 37° MALE TO SWIVEL ORFS | 49613 | PKT06276 | PLUG AND CAP KIT-SERVICE,ORFS |
| 48973 | 12-1/2 F5OG-S | ADAPTER,FEMALE PIPE TO STRAIGHT THREAD | 49728 | 10143-12-12 | HOSE END, MALE PIPE |
| 48974 | 12-10 C5OLO-S | ELBOW,90°,STRAIGHT THREAD TO ORFS | 49729 | 16-1 F5OG-S | ADAPTER,FEMALE PIPE TO STRAIGHT THREAD |
| 48975 | 12-10 F5OLO-S | CONNECTOR,STRAIGHT THREAD TO ORFS | 49814 | 12-8 FLO-S | CONNECTOR,MALE PIPE TO ORFS |
| 48976 | 12-16 C5OLO-S | ELBOW,90°,STRAIGHT THREAD TO ORFS | 49829 | DT-500-MOMF-5 | VALVE,CHECK |
| 48977 | 12-16 F5OLO-S | CONNECTOR,STRAIGHT THREAD TO ORFS | 49831 | 881-12 | HOSE,3/4 INCH ID |
| 48978 | 12-16 V5OLO-S | ELBOW,45°,STRAIGHT THREAD TO ORFS | 49834 | 16 JLO-S | UNION TEE,ORFS |
| 48980 | 12-16 FLO-S | CONNECTOR,MALE PIPE TO ORFS | 49838 | 12-8 TRLO-BL-S | REDUCER,TUBE END TO SWIVEL,ORFS |
| 48983 | 16 C5OLO-S | ELBOW,90°,STRAIGHT THREAD TO ORFS | 49840 | 8 JLO-S | UNION TEE,ORFS |
| 48984 | 16 F5OLO-S | CONNECTOR,STRAIGHT THREAD TO ORFS | 49844 | 10-8 TRLO-BL-S | REDUCER,TUBE END TO SWIVEL,ORFS |
| 48985 | 16 V5OLO-S | ELBOW,45°,STRAIGHT THREAD TO ORFS | 49854 | 8 P5ON-S | PLUG,STRAIGHT THREAD |
| 48986 | 16 FLO-S | CONNECTOR,MALE PIPE TO ORFS | 49855 | 1JC43-16-12 | HOSE END,FEMALE SWIVEL,SEAL LOK |
| 48988 | 16 CD45-S | ELBOW,45°,MALE TO FEMALE PIPE | 49859 | 4 P5ON-S | PLUG,STRAIGHT THREAD |
| 48989 | 12 CD45-S | ELBOW,45°,MALE TO FEMALE PIPE | 49861 | 4 FF5OLO-S | CONNECTOR, LONG, STRAIGHT THREAD TO ORFS |
| 48990 | 8 CD45-S | ELBOW,45°,MALE TO FEMALE PIPE | 49867 | 12-3/4 F5OG-S | ADAPTER, FEMALE PIPE TO STRAIGHT THREAD |
| 48991 | 16-12 FLO-S | CONNECTOR,MALE PIPE TO ORFS | 51152 | 6 R6X-S | RUN TEE,SWIVEL NUT,ORFS |
| 48992 | 16-12 V5OLO-S | ELBOW,45°,STRAIGHT THREAD TO ORFS | 51153 | 6-4 TRTX-S | REDUCER,TUBE END TO SWIVEL,ORFS |
| 48993 | XV501-12 | BALL VALVE | 51154 | 4-4 GTX | CONNECTOR,FEMALE PIPE TO FLARE TUBE |
| 48994 | XV501-16 | BALL VALVE | 51264 | 881-12 | HOSE,3/4 INCH ID |
| 48995 | XV510P-12 | BALL VALVE | 51265 | 8 JLO-S | UNION TEE,ORFS |
| 48996 | XV510P-16 | BALL VALVE | 51508 | 6 BTX-S | NUT,FLARE TUBE |
| 48997 | PD341 | DIAGNOSTIC NIPPLE, STRAIGHT THREAD | 51580 | 12-8 TRLO-BL-S | TUBE END REDUCER,ORFS |
| 48998 | PD 361 | DIAGNOSTIC NIPPLE, STRAIGHT THREAD | 51628 | 6 R6X-S | RUN TEE,SWIVEL NUT,ORFS |
| 48999 | DT-500-MOMS-5 | VALVE,CHECK | 51735 | 3/8 HHP | PLUG,PIPE THREAD |
| 49201 | 10 V5OLO-S | ELBOW,45°,STRAIGHT THREAD TO ORFS | 51803 | 1J943-6-8 | HOSE END,90° FEMALE SWIVEL,SEAL LOK |
| 49202 | 1JC43-12-10 | HOSE END,FEMALE SWIVEL,SEAL LOK | 53023 | 125HBL-5-4 | FITTING,HOSE BARB TO MALE PIPE |
| 49203 | 10-8 V5OLO-S | ELBOW,45°,STRAIGHT THREAD TO ORFS | 53497 | PKT02585 | O-RING KIT |
| 49205 | 6 F5OHAO-S | UNION,STRAIGHT THREAD | 53499 | 1JC71-16-16 | HOSE END,FEMALE SWIVEL,SEAL LOK |
| 49207 | PD34BTL | DIAGNOSTIC NIPPLE,SEAL-LOK SWIVEL | 53500 | 3-904 | O-RING,STRAIGHT THREAD,-4 |
| 49209 | 8M18F870MX-S | CONNECTOR,METRIC,STRAIGHT THREAD TO FLARE TUBE | 53501 | 3-906 | O-RING,STRAIGHT THREAD,-6 |
| 49212 | 8 WGTX-WLN-S | CONNECTOR,BULKHEAD,FEMALE PIPE TO FLARE TUBE | 53502 | 3-908 | O-RING,STRAIGHT THREAD,-8 |
| 49213 | 30682-8-8 | HOSE END,FEMALE SWIVEL,JIC | 53503 | 3-910 | O-RING,STRAIGHT THREAD,-10 |
| 49216 | 831-8 | HOSE,1/2 INCH ID | | | |
| 49217 | 33982-8-8 | HOSE END,90° FEMALE SWIVEL,JIC | | | |
| 49219 | PS-B-35 | SLEEVE,NYLON,2.19" ID | | | |
| 49418 | 4-6 V5OLO-S | ELBOW,45°,STRAIGHT THREAD TO ORFS | | | |
| 49511 | DT370-MOMS-5 | VALVE,CHECK | | | |
| 49512 | 1 DD-S | ELBOW,90°,FEMALE PIPE | | | |
| 49513 | 1 FF-S | NIPPLE,PIPE | | | |
| 49514 | 10 HP5ON-S | PLUG,STRAIGHT THREAD | | | |
| 49515 | 12-16 CLO-S | ELBOW,90°,MALE PIPE TO ORFS | | | |
| 49517 | 6 HP5ON-S | PLUG,STRAIGHT THREAD | | | |
| 49519 | 16-12 F5OLO-S | CONNECTOR,STRAIGHT THREAD TO ORFS | | | |
| 49520 | 4 VTX-S | ELBOW,45°,MALE PIPE TO FLARE TUBE | | | |
| 49530 | 16 C6LO-S | ELBOW,90°,SWIVEL NUT ORFS | | | |

Fitting Cross References (Continued)

| Genie PN | Parker PN | Description | Genie PN | Parker PN | Description |
|----------|---------------|--|----------|-----------------|--|
| 53535 | 3-912 | O-RING,STRAIGHT THREAD,-12 | 61083 | 24 F5OLO-S | CONNECTOR,STRAIGHT THREAD TO ORFS |
| 53536 | 4-PNLO-S | PLUG,TUBE END,ORFS | 61086 | 20 R5OLO-S | RUN TEE,STRAIGHT THREAD |
| 53537 | 6 PNLO-S | PLUG,TUBE END,ORFS | 61090 | 24-20 F5OLO-S | CONNECTOR,STRAIGHT THREAD TO ORFS |
| 53538 | 8 PNLO-S | PLUG,TUBE END,ORFS | 61091 | 1J943 24-24 | HOSE END,90° FEMALE SWIVEL,SEAL LOK |
| 53539 | 10 PNLO-S | PLUG,TUBE END,ORFS | 61093 | 1J978-12-12 | HOSE END,90° FEMALE SWIVEL,JIC |
| 53540 | 12 PNLO-S | PLUG,TUBE END,ORFS | 61095 | 1JS43-20-16 | HOSE END,FEMALE SWIVEL,SEAL LOK |
| 53946 | 129HB-5-4 | FITTING,90° HOSE BARB TO MALE PIPE | 61100 | 811-24 | HOSE,11/2 INCH ID |
| 53951 | 8-1/4F50G-S | ADAPTER,FEMALE PIPE TO STRAIGHT THREAD | 61130 | 1JS43-24-24 | HOSE END,FEMALE SWIVEL,SEAL LOK |
| 53980 | 6 S6LO-S | BRANCH TEE,SWIVEL NUT TO ORFS | 61131 | 1JS78 12-12 | HOSE END,FEMALE SWIVEL,SEAL LOK |
| 54132 | 4 C6LO-S | ELBOW,90°,SWIVEL NUT ORFS | 61132 | 1J778-12-12 | HOSE END,45° FEMALE SWIVEL,JIC |
| 54135 | 11343-16-16 | HOSE END,MALE SWIVEL,PIPE | 61152 | 139HB-6-4 | ELBOW,45°,BARB TO MALE PIPE |
| 54283 | 8-10 C5OLO-S | ELBOW,90°,STRAIGHT THREAD TO ORFS | 61251 | BV-0750 | BALL VALVE |
| 54428 | 8M18C870MLO-S | ELBOW, 90° METRIC, STRAIGHT THREAD TO ORFS | 61259 | 4 CC5OLO-S | ELBOW,90° LONG,STRAIGHT THREAD TO ORFS |
| 54803 | FS-F-16-10 | SLEEVE,FIRE,.96" ID | 61260 | 20-12 TRLO-BL | REDUCER,TUBE END TO SWIVEL,ORFS |
| 54954 | 10143-2-4 | HOSE END, MALE PIPE | 61262 | 12 C6LO-S | ELBOW,90°,SWIVEL NUT ORFS |
| 55190 | 3/8 HP-S | PLUG,PIPE THREAD | 61263 | 20 F5OHAO-S | UNION,STRAIGHT THREAD |
| 55448 | 8 HLO-S | UNION,ORFS | 61264 | 6-10 C5OLO-S | ELBOW,90°,STRAIGHT THREAD TO ORFS |
| 55839 | 6 F65OX-S | CONNECTOR,STRAIGHT THREAD TO 37° SWIVEL | 61265 | 6 WNLO-WLNL-S | UNION,BULKHEAD 45°,ORFS |
| 55968 | 10 C5OX-S | ELBOW,90°,STRAIGHT THREAD TO FLARE TUBE | 61268 | 4 WNLO-WLNL-S | UNION,BULKHEAD 45°,ORFS |
| 56003 | 6 CC5OLO-S | ELBOW,90° LONG,STRAIGHT THREAD TO ORFS | 61269 | 4 WLO-WLNL-S | UNION,BULKHEAD,ORFS |
| 56166 | BV-0837 | BALL VALVE,90° | 61272 | 12 AOEL6 | ELBOW,90°,STRAIGHT THREAD TO ORFS SWIVEL |
| 56188 | 10143-8-6 | HOSE END, MALE PIPE | 61316 | 482TC-16 | HOSE,1 INCH ID |
| 56233 | 2-011 | O-RING,ORFS,-4 | 61321 | 6 JLO-S | UNION TEE,ORFS |
| 56234 | 2-012 | O-RING,ORFS,-6 | 61327 | 782-12 | HOSE,3/4 INCH ID |
| 56235 | 2-014 | O-RING,ORFS,-8 | 61328 | 881-24 | HOSE,11/2 INCH ID |
| 56236 | 2-016 | O-RING,ORFS,-10 | 61336 | 11943-20-24 | HOSE END,90° FLANGE HEAD |
| 56237 | 2-018 | O-RING,ORFS,-12 | 61345 | 12 WJLO-WLNL-S | RUN TEE, BULKHEAD,ORFS |
| 56238 | 2-021 | O-RING,ORFS,-16 | 61346 | 8 WNLO-WLNL-S 4 | UNION,BULKHEAD 45°,ORFS |
| 56352 | 6 WLNL-S | LOCKNUT,BULKHEAD | 61569 | 33782-8-8 | HOSE END,45° FEMALE SWIVEL,JIC |
| 56353 | 3J782-12-12 | HOSE END,45° FEMALE SWIVEL,SEAL LOK | 61610 | 12 FF5OLO-S | CONNECTOR,LONG,STRAIGHT THREAD TO ORFS |
| 56354 | 3J982-12-12 | HOSE END,90° FEMALE SWIVEL,SEAL LOK | 61742 | 1/8 X 1.5 FFF | NIPPLE,PIPE |
| 56604 | 10-8 F5OLO-S | CONNECTOR,STRAIGHT THREAD TO ORFS | 63426 | 8 PNTX-S | PLUG,FLARE TUBE |
| 56639 | 3JC82-10-10 | HOSE END,FEMALE SWIVEL,SEAL LOK | | | |
| 56640 | 3J982-10-10 | HOSE END,90° FEMALE SWIVEL,SEAL LOK | | | |
| 56655 | 3JC82-8-10 | HOSE END,FEMALE SWIVEL,SEAL LOK | | | |
| 56676 | 10-8 C5OLO-S | ELBOW,90°,STRAIGHT THREAD TO ORFS | | | |
| 56776 | 471TC-6 | HOSE,3/8 INCH ID | | | |
| 56777 | 471TC-8 | HOSE,1/2 INCH ID | | | |
| 56789 | 811-16 | HOSE,1 INCH ID | | | |
| 57884 | 3/8 FF | NIPPLE,PIPE | | | |
| 59335 | 6 FNL-S | CAP, TUBE END | | | |
| 59342 | 4 FNL-S | CAP, TUBE END | | | |
| 59371 | 8 HP50N-S | PLUG,STRAIGHT THREAD | | | |
| 60653 | BV-0751 | BALL VALVE | | | |
| 60806 | 125HB-3-4 | FITTING,HOSE BARB TO MALE PIPE | | | |
| 61064 | 5-1/4 F50G-S | ADAPTER,FEMALE PIPE TO STRAIGHT THREAD | | | |
| 61079 | 4 WELO-WLNL-S | UNION,90° BULKHEAD W/NUT,ORFS | | | |
| 61080 | 6 WLO-WLNL-S | UNION,BULKHEAD,ORFS | | | |

Fitting Cross References (Continued)

| Genie PN | Parker PN | Description | Genie PN | Parker PN | Description |
|----------|----------------|--|----------|----------------|--|
| 64271 | 4 WLO-WLNL-S | UNION,BULKHEAD,ORFS | 75631 | 801-6 | HOSE,3/8 INCH ID |
| 64272 | 6 WLO-WLNL-S | UNION,BULKHEAD,ORFS | 75654 | 20 F5OLO-S | CONNECTOR,STRAIGHT THREAD TO ORFS |
| 65776 | 8 F65OL-S | CONNECTOR,STRAIGHT THREAD TO ORFS SWIVEL | 75655 | 1J943-20-20 | HOSE END,90° FEMALE SWIVEL,SEAL LOK |
| 65880 | 6001012 | O-RING KIT | 75656 | 881-20 | HOSE,1-1/4 INCH ID |
| 66154 | 6 WTX-WLNS | UNION,BULKHEAD,FLARE TUBE | 75971 | 8 F5OHAO-S | UNION,STRAIGHT THREAD |
| 66155 | 6 WETX-S | UNION,BULKHEAD 90°,FLARE TUBE | 77307 | 1JB43-8-8 | HOSE END,BULKHEAD,SEAL LOK |
| 66156 | 6 WLNL-S | BULKHEAD LOCKNUT | 77309 | 8 WLNL-S | BULKHEAD LOCKNUT |
| 66389 | 6-8 F5OX-S | CONNECTOR,STRAIGHT THREAD TO FLARE TUBE | 77379 | 8M18C87OMX-S | ELBOW,90° METRIC,STRAIGHT THREAD TO FLARE TUBE |
| 66392 | 6 R5OX-S | RUN TEE,STRAIGHT THREAD | 77703 | 3J982-8-8 | HOSE END,90° FEMALE SWIVEL,SEAL LOK |
| 66396 | 811-12 | HOSE,3/4 INCH ID | 77711 | 801-10 | HOSE,5/8 INCH ID |
| 66829 | H3174PP | CLAMP,TUBE | 77758 | 12 WNLO-WLNL-S | UNION,BULKHEAD 45°,ORFS |
| 67217 | 4 KLO-S | UNION,CROSS,ORFS | 78091 | 6 C6X-S | ELBOW,90°,SWIVEL NUT TO FLARE TUBE |
| 67339 | 10-6 F5OX-S | CONNECTOR,STRAIGHT THREAD TO FLARE TUBE | 78684 | 30582-8-8B | HOSE END,PUSH LOK,MALE |
| 67357 | 13943-8-6 | HOSE END,90° FEMALE SWIVEL,JIC | 78852 | 549-2 | HOSE,1/8 INCH ID |
| 67358 | 10 HP5ON-S | PLUG,STRAIGHT THREAD | 78855 | 10657-4-2 | HOSE END,FEMALE SWIVEL,JIC |
| 67371 | 12 S6LO-S | BRANCH TEE,SWIVEL NUT TO ORFS | 79138 | PS-B-37 | SLEEVE,NYLON,2.38" ID |
| 67498 | 4 FNL-S | CAP, TUBE END | 79476 | 1JS43-6-8 | HOSE END,FEMALE SWIVEL,SEAL LOK |
| 67906 | DC-370-F0F0-5 | VALVE,CHECK | 79847 | 12-3/4 A0EG-S | ELBOW,90°,STRAIGHT THREAD TO FEMALE PIPE |
| 69316 | 8 FLO-S | CONNECTOR,MALE PIPE TO ORFS | 80044 | 8 CLO-S | ELBOW,90°,MALE PIPE TO ORFS |
| 69333 | H3174PP | CLAMP,HYDRAULIC HOSE | 80502 | 8 F5OX-S | CONNECTOR,STRAIGHT THREAD TO FLARE TUBE |
| 69503 | 4 F65OX-S | CONNECTOR,STRAIGHT THREAD TO 37° SWIVEL | 80503 | 8 C5OX-S | ELBOW,90°,STRAIGHT THREAD TO FLARE TUBE |
| 69775 | 8 FNL-S | CAP, TUBE END | 81010 | AS-B-27 | SLEEVE,NYLON,1.63" ID |
| 71038 | 1/4X1/4F3HG-S | ADAPTER,CONVERSION | 83052 | 821-6 | HOSE,3/8 INCH ID |
| 71196 | 12-8 F5OLO-S | CONNECTOR,STRAIGHT THREAD TO ORFS | 83053 | 821-8 | HOSE,1/2 INCH ID |
| 71383 | 1/4 CD45-S | ELBOW,45°,MALE TO FEMALE PIPE | 83054 | 821-12 | HOSE,3/4 INCH ID |
| 72270 | 12FNL-S | CAP, TUBE END | 83055 | 30682-6-6 | HOSE END,FEMALE SWIVEL,JIC |
| 73436 | 60C-4 | SLEEVE,COMPRESSION | 83056 | 30682-12-12 | HOSE END,FEMALE SWIVEL,JIC |
| 73437 | 61C-4 | NUT,COMPRESSION | 83057 | 33782-6-6 | HOSE END,45° FEMALE SWIVEL,JIC |
| 73438 | 33482-4-4B | HOSE END,PUSH LOK,MALE | 83058 | 33982-6-6 | HOSE END,90° FEMALE SWIVEL,JIC |
| 73767 | 1CD-S | ELBOW,90°,MALE TO FEMALE PIPE | 83060 | 33982-12-12 | HOSE END,90° FEMALE SWIVEL,JIC |
| 73768 | 20-16-F5OG5-S | ADAPTER,FEMALE PIPE TO STRAIGHT THREAD | 83063 | 13743-4-4 | HOSE END,45° FEMALE SWIVEL,JIC |
| 73769 | 16-20 F5OLO-S | CONNECTOR,STRAIGHT THREAD TO ORFS | | | |
| 74660 | 6-8 F42EDMLO-S | CONNECTOR,MALE BSPP TO ORFS | | | |
| 74661 | 8-8 F42EDMLO-S | CONNECTOR,MALE BSPP TO ORFS | | | |
| 75007 | 4 FLO-S | CONNECTOR,MALE PIPE TO ORFS | | | |
| 75008 | 1/8 HP-S | PLUG,PIPE THREAD | | | |
| 75014 | 1/2 HP-S | PLUG,PIPE THREAD | | | |
| 75042 | 8 WELO-WLNL-S | UNION,90° BULKHEAD W/NUT,ORFS | | | |
| 75043 | 3/4 FF-S | NIPPLE,PIPE | | | |
| 75254 | 24 F5OHAO-S | UNION,STRAIGHT THREAD | | | |
| 75255 | 12 F5OHAO-S | UNION,STRAIGHT THREAD | | | |
| 75256 | XV506P-24 | BALL VALVE | | | |
| 75574 | 4 WLNL-S | BULKHEAD LOCKNUT | | | |
| 75612 | 8 WJLO-WLNL-S | RUN TEE, BULKHEAD,ORFS | | | |
| 75613 | 12-8 F5OG5-S | ADAPTER,FEMALE PIPE TO STRAIGHT THREAD | | | |
| 75614 | 8 CC5OLO-S | ELBOW,90° LONG,STRAIGHT THREAD TO ORFS | | | |
| 75628 | 1JB43-4-4 | HOSE END,BULKHEAD,SEAL LOK | | | |

Fitting Cross References (Continued)

| Genie PN | Parker PN | Description | Genie PN | Parker PN | Description |
|----------|---------------|-------------------------------------|----------|---------------|---|
| 83064 | 13743-8-8 | HOSE END,45° FEMALE SWIVEL,JIC | 89449 | 6 WJLO-WLNL-S | RUN TEE, BULKHEAD,ORFS |
| 83065 | 13743-12-12 | HOSE END,45° FEMALE SWIVEL,JIC | 89489 | 4 WJMLO-S | BRANCH TEE,BULKHEAD,ORFS |
| 83066 | 13943-8-8 | HOSE END,90° FEMALE SWIVEL,JIC | 89551 | 1JB43-6-6 | HOSE END,BULKHEAD,SEAL LOK |
| 83067 | 14143-6-6 | HOSE END,90° FEMALE SWIVEL,JIC | 89552 | 1JB43-8-8 | HOSE END,BULKHEAD,SEAL LOK |
| 83068 | 14143-8-8 | HOSE END,90° FEMALE SWIVEL,JIC | 89593 | 20 C5OLO-S | ELBOW,90°,STRAIGHT THREAD TO ORFS |
| 83069 | 14143-12-12 | HOSE END,90° FEMALE SWIVEL,JIC | 94161 | 8-8 CLO-S | ELBOW,90°,MALE PIPE TO ORFS |
| 83070 | 772-8 | HOSE,1/2 INCH ID | 94358 | 351TC-12 | HOSE,3/4 INCH ID |
| 83071 | 10671-8-8 | HOSE END,FEMALE SWIVEL,JIC | 94418 | 20 FLO-S | CONNECTOR,MALE PIPE TO ORFS |
| 83072 | 10671-12-12 | HOSE END,FEMALE SWIVEL,JIC | 96358 | 12 TX-S | SLEEVE,FLARE TUBE |
| 83073 | 13771-8-8 | HOSE END,45° FEMALE SWIVEL,JIC | 96359 | 12 BTX-S | NUT,FLARE TUBE |
| 83074 | 13771-12-12 | HOSE END,45° FEMALE SWIVEL,JIC | 96397 | 8 F5OX-S | CONNECTOR,STRAIGHT THREAD TO FLARE TUBE |
| 83075 | 13971-8-8 | HOSE END,90° FEMALE SWIVEL,JIC | 96398 | 12-8 F5OX-S | CONNECTOR,STRAIGHT THREAD TO FLARE TUBE |
| 83076 | 13971-12-12 | HOSE END,90° FEMALE SWIVEL,JIC | 96402 | 10343-6-6 | HOSE END,MALE,JIC |
| 83077 | 14171-8-8 | HOSE END,90° FEMALE SWIVEL,JIC | 96407 | 30382-6-6B | HOSE END,MALE,JIC |
| 83078 | 14171-12-12 | HOSE END,90° FEMALE SWIVEL,JIC | | | |
| 83080 | 13943-16-16 | HOSE END,90° FEMALE SWIVEL,JIC | | | |
| 83103 | 10671-16-12 | HOSE END,FEMALE SWIVEL,JIC | | | |
| 83104 | 10671-10-12 | HOSE END,FEMALE SWIVEL,JIC | | | |
| 83112 | 1JC71-8-8 | HOSE END,FEMALE SWIVEL,SEAL LOK | | | |
| 83113 | 1JS71-16-12 | HOSE END,FEMALE SWIVEL,SEAL LOK | | | |
| 83114 | 1JS71-10-12 | HOSE END,FEMALE SWIVEL,SEAL LOK | | | |
| 83115 | 1J971-8-8 | HOSE END,90° FEMALE SWIVEL,SEAL LOK | | | |
| 83116 | 1J171-8-8 | HOSE END,90° FEMALE SWIVEL,SEAL LOK | | | |
| 83117 | 1J771-8-8 | HOSE END,45° FEMALE SWIVEL,SEAL LOK | | | |
| 83127 | 1J543-6-8 | HOSE END,90° FEMALE SWIVEL,JIC | | | |
| 83128 | 1JC43-6-8 | HOSE END,FEMALE SWIVEL,SEAL LOK | | | |
| 87033 | 12-6 TRLO-S | REDUCER,TUBE END TO SWIVEL,ORFS | | | |
| 87034 | 3J782-8-8 | HOSE END,45° FEMALE SWIVEL,SEAL LOK | | | |
| 87172 | 12 HP5ON-S | PLUG,STRAIGHT THREAD | | | |
| 87185 | 8 WNLO-WLNL-S | UNION,BULKHEAD 45°,ORFS | | | |
| 87246 | 4 C6X-S | ELBOW,90°,SWIVEL NUT TO FLARE TUBE | | | |
| 87679 | 6 LHP-S | FLANGE SEAL FITTING, MALE | | | |
| 87681 | 6PLS N0702 | BONDED SEAL | | | |
| 88100 | SR88100 | ADAPTER,OIL DRAIN,GM 3.0L | | | |
| 88311 | 1JS43-20-20 | HOSE END,FEMALE SWIVEL,SEAL LOK | | | |
| 88353 | 20 V5OLO-S | ELBOW,45°,STRAIGHT THREAD TO ORFS | | | |
| 88474 | 10081-20 | Crimp Shell, 1.25" | | | |
| 88475 | 1988-20-24 | HOSE END,90° FLANGE HEAD | | | |
| 88476 | JS88-24-24 | HOSE END,FEMALE SWIVEL,SEAL LOK | | | |
| 88477 | 1JC88-20-20 | HOSE END,FEMALE SWIVEL,SEAL LOK | | | |
| 88478 | 811-20 | HOSE,11/4 INCH ID | | | |
| 88936 | 20-16 F5OLO-S | CONNECTOR,STRAIGHT THREAD TO ORFS | | | |
| 88937 | 20-16 FLO-S | CONNECTOR,MALE PIPE TO ORFS | | | |
| 88938 | 1JC88-16-16 | HOSE END,FEMALE SWIVEL,SEAL LOK | | | |
| 88939 | 1J988-16-16 | HOSE END,90° FEMALE SWIVEL,ORFS | | | |
| 88940 | 811-16 | HOSE,1 INCH ID | | | |
| 88944 | 1J988-20-20 | HOSE END,90° FEMALE SWIVEL,ORFS | | | |
| 89403 | 16 VLO-S | ELBOW,45°,MALE PIPE TO ORFS | | | |

California Proposition 65



Operating, servicing and maintaining this equipment can expose you to chemicals including engine exhaust, carbon monoxide, phthalates, and lead, which are known to the State of California to cause cancer and birth defects or other reproductive harm. These chemicals can be emitted from or contained in other various parts and systems, fluids and some component wear by-products. To minimize exposure, avoid breathing exhaust, do not idle the engine except as necessary, service your equipment and vehicle in a well-ventilated area and wear gloves or wash your hands frequently when servicing your equipment or vehicle and after operation. For more information go to www.P65Warnings.ca.gov/passenger-vehicle.

Breathing diesel engine exhaust exposes you to chemicals known to the State of California to cause cancer and birth defects or other reproductive harm.

- Always start and operate the engine in a well-ventilated area.
- If in an enclosed area, vent the exhaust to the outside.
- Do not modify or tamper with the exhaust system.
- Do not idle the engine except as necessary.

For more information go to www.P65warnings.ca.gov/diesel.

Distributed By:

www.Steak-Equipment.com to order your parts

PARTS FINDER

**Search Website
by Part Number**



**Search Manual
Library For Parts
Manual & Lookup Part
Numbers – Purchase
or Request Quote**

Search Manuals

Enter your information to help us find the right parts manual for your machine.

* Brand:

* Model:

* Serial:

* Part Number:

SEARCH

**Can't Find Part or
Manual? Request Help
by Manufacturer,
Model & Description**

Parts Order Form

Please fill in the following information to help us find the right part for your machine.

| | |
|---------------|----------------------|
| Manufacturer: | <input type="text"/> |
| Model: | <input type="text"/> |
| Description: | <input type="text"/> |
| Part Number: | <input type="text"/> |
| Quantity: | <input type="text"/> |
| Notes: | <input type="text"/> |

Submit

Discount-Equipment.com is your online resource for quality parts & equipment.

Florida: **561-964-4949** Outside Florida TOLL FREE: **877-690-3101**

Need parts?

Click on this link: <http://www.discount-equipment.com/category/5443-parts/> and choose one of the options to help get the right parts and equipment you are looking for. Please have the machine model and serial number available in order to help us get you the correct parts. If you don't find the part on the website or on one of the online manuals, please fill out the request form and one of our experienced staff members will get back to you with a quote for the right part that your machine needs.

We sell worldwide for the brands: Genie, Terex, JLG, MultiQuip, Mikasa, Essick, Whiteman, Mayco, Toro Stone, Diamond Products, Generac Magnum, Airman, Haulotte, Barreto, Power Blanket, Nifty Lift, Atlas Copco, Chicago Pneumatic, Allmand, Miller Curber, Skyjack, Lull, Skytrak, Tsurumi, Husquvarna Target, Stow, Wacker, Sakai, Mi-T-M, Sullair, Basic, Dynapac, MBW, Weber, Bartell, Bennar Newman, Haulotte, Ditch Runner, Menegotti, Morrison, Contec, Buddy, Crown, Edco, Wyco, Bomag, Laymor, EZ Trench, Bil-Jax, F.S. Curtis, Gehl Pavers, Heli, Honda, ICS/PowerGrit, IHI, Partner, Imer, Clipper, MMD, Koshin, Rice, CH&E, General Equipment, Amida, Coleman, NAC, Gradall, Square Shooter, Kent, Stanley, Tamco, Toku, Hatz, Kohler, Robin, Wisconsin, Northrock, Oztec, Toker TK, Rol-Air, APT, Wylie, Ingersoll Rand / Doosan, Innovatech, Con X, Ammann, Mecalac, Makinex, Smith Surface Prep, Small Line, Wanco, Yanmar