



NIGHT-LITE™

E-SERIES ELECTRIC WINCH

Built to be easily deployed across special events, the **Night-Lite™ E-Series Electric Winch** is a plug in unit made to withstand 50 mph winds. With multi-directional forklift pockets and Eco-friendly features, such as no gas tank, causing no fumes to release when this unit is running, this light tower is meant to last. The **Night-Lite™ E-Series Electric Winch** offers a 154,000 lumens output to light up your space with 4 LED light fixtures, as well as a automatic on and off functionality with a timer and photocell. The **Night-Lite™ E-Series Electric Winch** is the perfect choice for special events, building construction, and infrastructure construction.



**Discount
Equipment**

www.discount-equipment.com



A SUBSIDIARY OF



BRIGGS & STRATTON
CORPORATION

KEY FEATURES

Night-Lite™ E-Series Electric Winch

LED Light Fixtures

359° Fixture Rotation

50 mph Operating Wind Speed Rating

Structure

Five-section tubular steel design tower

Frame Formed, welded steel design

Multi-Directional Forklift Pockets

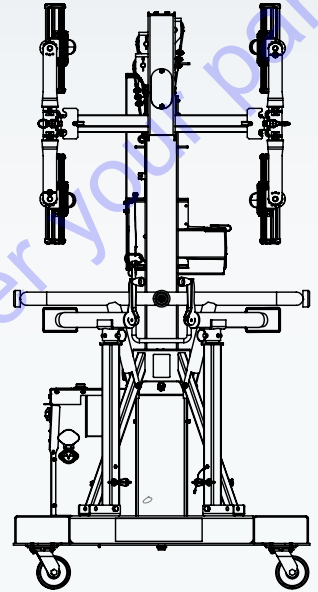
Swivel Caster Wheels

Grease seals in raceway, poly on aluminum wheel and a stainless roller bearing



Width

Transport
32 in (813 mm)



Max Height

22.1 ft (6.7 m)

Height

Transport
89 in (2,261 mm)

Length

Transport
45 in (1,143 mm)

Guide Pads

Polyethylene self-lubricating

Winch Type

Electric

Ease of Use

Auto on / off – timer, photocell or manual

Plug Type

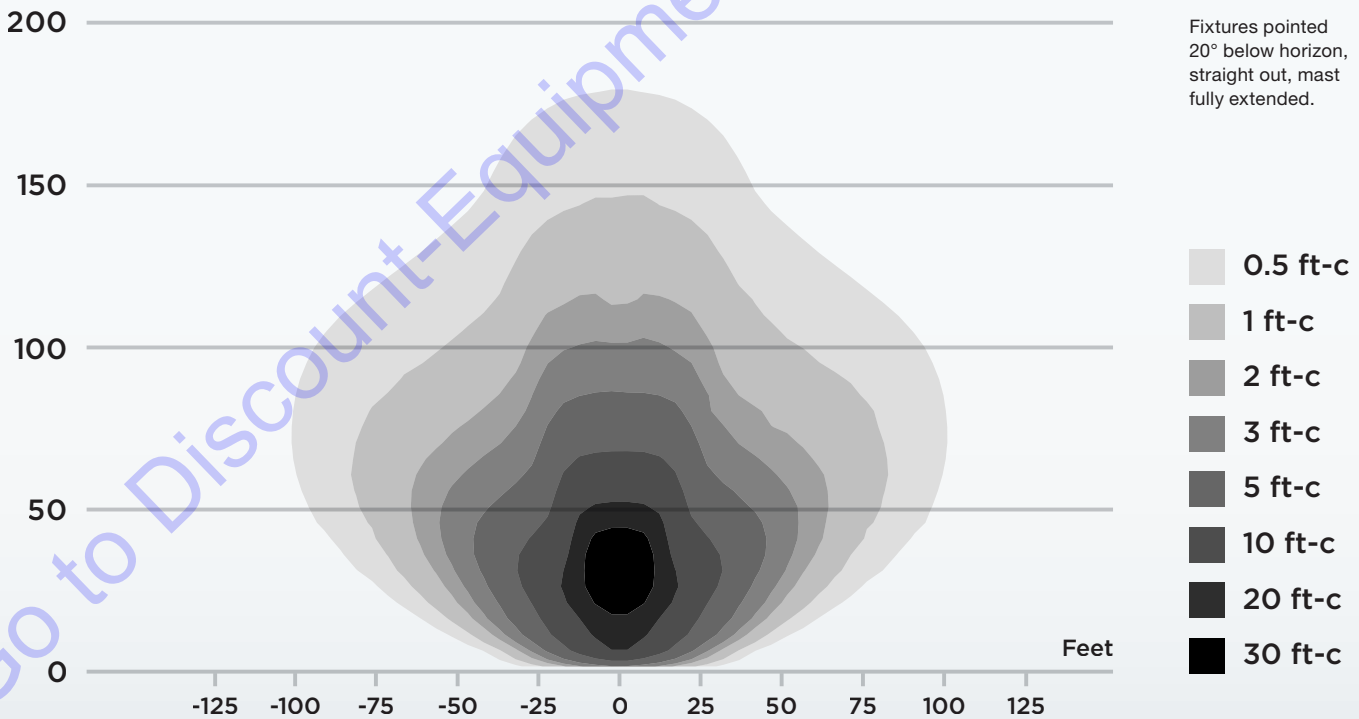
3-Wire Grounded (NEMA 5-15P)

Stabilizers

Four-point design, (4) foldable outriggers at corners of unit

Model		Night-Lite™ E-Series Electric Winch
Power Consumption – Per Fixture (W)		320
Lumens Per Fixture		38,500
Lumens – Total		154,000
Required Current (4 Lamps)		14 A
Weight & Shipping		
Weight lbs (kg)		720 (326.6)
Number of Units on 48' Flatbed		36
Number of Units on 53' Flatbed		41

LIGHT COVERAGE



Night-Lite™ E-Series Electric Winch
4 – 320 W LED Light Output

Area Lit to .5 Foot Candle (ft-c) or Higher: 27,990 ft²



www.discount-equipment.com



COMPROMISE NOTHING.

At Allmand, our sole focus is providing jobsite support equipment to help your customers get the job done. Whenever they need it. Wherever they are. And whatever it takes. What's more, our genuine commitment to you — the highest standard of service and lowest total cost of ownership — is simply unmatched. Choose the equipment that comes with complete confidence that jobsite productivity won't go dark at 2 a.m.

Allmand. Above All.

Allmand[®]

Copyright ©2019. All rights reserved.

TO PURCHASE THIS PRODUCT PLEASE CONTACT US



**Equipment Financing and
Extended Warranties Available**



**Discount-Equipment.com is your online resource for
commercial and industrial quality parts and equipment sales.**

561-964-4949

visit us on line @ www.discount-equipment.com

Select an option below to find your Equipment

Search by Manufacturer

Search by Product Type

Request a Quote

We sell worldwide for the brands: Genie, Terex, JLG, MultiQuip, Mikasa, Essick, Whiteman, Mayco, Toro Stone, Diamond Products, Generac Magnum, Airman, Haulotte, Barreto, Power Blanket, Nifty Lift, Atlas Copco, Chicago Pneumatic, Allmand, Miller Curber, Skyjack, Lull, Skytrak, Tsurumi, Husquvarna Target, Stow, Wacker, Sakai, Mi-T-M, Sullair, Basic, Dynapac, MBW, Weber, Bartell, Bennar Newman, Haulotte, Ditch Runner, Menegotti, Morrison, Contec, Buddy, Crown, Edco, Wyco, Bomag, Laymor, EZ Trench, Bil-Jax, F.S. Curtis, Gehl Pavers, Heli, Honda, ICS/PowerGrit, IHI, Partner, Imer, Clipper, MMD, Koshin, Rice, CH&E, General Equipment, Amida, Coleman, NAC, Gradall, Square Shooter, Kent, Stanley, Tamco, Toku, Hatz, Kohler, Robin, Wisconsin, Northrock, Oztec, Toker TK, Rol-Air, APT, Wylie, Ingersoll Rand / Doosan, Innovatech, Con X, Ammann, Mecalac, Makinex, Smith Surface Prep, Small Line, Wanco, Yanmar