



MAXI-POWER™

MOBILE GENERATOR

Maximize the power of your job site with the **Maxi-Power™ Mobile Generator**. This generator comes equipped with a heavy-duty, oversized alternator equipped for starting any motor size needed. With a frequency switch for flexibility of job site power needs and 15" tires for longer wear and greater towing capabilities, this generator will last and deliver the power you need to get the job done.



www.discount-equipment.com

A SUBSIDIARY OF



BRIGGS & STRATTON CORPORATION

KEY FEATURES

Maxi-Power™ Mobile Generator

Trailer DOT Compliant 49 CFR

Standard Programmable Start / Stop for Standby Applications

EFGA (Electric Fuel Primer & Air-Bleed) Pump

Lockable Switch / Voltage Selector

Voltage Single Phase – Switchable
120 V / 240 V / 277 V

Voltage Three Phase – Switchable
208 V / 240 V / 416 V / 480 V

Standard External Fuel Connections

Curbside Fluid Maintenance

3" Lunette Ring For Pintle Hitch

Hydraulic Surge Brakes

Large Capacity Fuel Tank*

Fluid Containment System (FCS)
Holding between 105%-134% of all on-board fluids

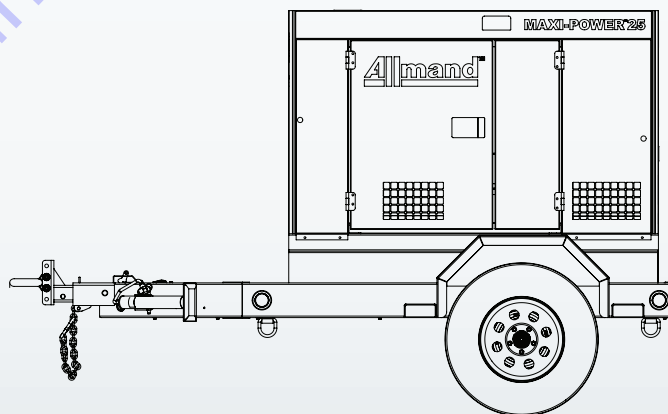
Side Fork Pockets (MP25)

Oversized Electrical Lugs

Switchable Frequency
60 Hz (50 Hz)

<p>Number of Units on 48' Flatbed Truck</p> <p>MP25 – 7 MP45 – 4 MP65 – 4 MP150 – 3</p>	<p>Number of Units on 53' Flatbed Truck</p> <p>MP25 – 7 MP45 – 4 MP65 – 4 MP150 – 3</p>
--	--

Model Number	MP25	MP45	MP65	MP150
Engine Brand	Isuzu	Isuzu	Isuzu	John Deere
Engine Model	4LE2T	4LE2X	4JJ1X	6068HFG05
Mechanical Output at Rated Speed (HP)***	33.3	57.7	86.5	235
Standby Power – kVA (kW) 3 Phase	27.5 (22)	48.5 (38.8)	69 (55)	165 (132)
Prime Power – kVA (kW)*** 3 Phase	25 (20)	45 (36)	63 (50)	150 (120)
Battery (V)	12	12	12	12
Voltage Regulation Percentage	0.50%	0.50%	0.50%	0.50%
Amperage Single Phase 120 V (A)	60 x 2	108 x 2	152 x 2	363 x2
Amperage Single Phase 240 V (A)	60	108	152	363
Amperage Three Phase 208 V (A)	65	119	167	394
Amperage Three Phase 240 V (A)	60	108	152	361
Amperage Three Phase 480 V (A)	30	54	76	180
Excitation	Brushless with AVR	Brushless with AVR	Brushless with AVR	Brushless with AVR
Armature Connection Layout	Star with Neutral/Zig/Zag	Star with Neutral/Zig/Zag	Star with Neutral/Zig/Zag	Star with Neutral/Zig/Zag
Insulation Class	Class F	Class F	Class F	Class F
Integral Fuel Tank Capacity (gal)*	52	84.5	111	204
Run Time @ Full Load (hrs)	32	30	28	24
Main Breaker Size (Amps)	60	125	175	400
Receptacle Descriptions	NEMA 5-20R (20A GFI Duplex Receptacle) - qty 2	NEMA 5-20R (20A GFI Duplex Receptacle) - qty 2	NEMA 5-20R (20A GFI Duplex Receptacle) - qty 2	NEMA 5-20R (20A GFI Duplex Receptacle) - qty 2
	CS6369 (50A 3 Prong Locking Receptacle) - qty 2	CS6369 (50A 3 Prong Locking Receptacle) - qty 3	CS6369 (50A 3 Prong Locking Receptacle) - qty 3	CS6369 (50A 3 Prong Locking Receptacle) - qty 3
Sound Level @ 23' – Full Load – dBA	63	64	64	66
Generator Oil Change Interval (hrs)	500	500	500	500
Engine Fuel Filter Change Interval (hrs)	500	500	500	500
Engine Tier	Tier 4 Final	Tier 4 Final	Tier 4 Final	Tier 4 Final
Weights				
Dry Weight (lbs)	1,764	2,425	3,307	6,878
Operating Wet Weight (lbs)	2,161	3,197	4,189	8,488
Trailer Weight (lbs)	610	945	970	1,465
Trailer GVWR (lbs)	3,500	5,750	6,000	11,000



Height with Towing Frame
 MP25 – 71 in
 MP45 – 74 in
 MP65 – 82 in
 MP150 – 99.3 in

Width with Towing Frame
 MP25 – 60.2 in
 MP45 – 67.5 in
 MP65 – 67.6 in
 MP150 – 84.2 in

Length with Towing Frame
 MP25 – 122.6 in MP65 – 157 in
 MP45 – 143.8 in MP150 – 207.8 in

* Unit runs at full load for 24+ hours. ** Prime generator electrical output per Allmand® testing. *** All power levels are stated gross horsepower as rated by the engines® manufacturers. Allmand® has a policy of continuous product improvement and reserves the right to modify its specifications at any time and without prior notice.

OPTIONS

Maxi-Power™ Mobile Generator



Camlocks

- Interchangeable electrical connectors that can be used in either single or three phase modes
- Dual set of camlocks (MP150)
- Single camlocks (MP25, MP45, MP65)



Arctic Package

- 50 W 120 V battery heater pad
- Block heater - Thermosiphon 1,000 W 120 V with thermostat (MP25, MP45, MP65), Frost Plug 1,000 W 120 V (MP150)
- Battery Charger



Battery Charger

- 5 A 120 V battery charger with 3 stage charge cycle

Telematics Package

(Customer supplied - consult factory for lead times)

Lockable Battery Disconnect (MP25 & MP45)

Skid Mounts (Available on all models)

Hitch Coupler Options

- 2" Ball (MP25, MP45, MP65)
- 2" Bulldog (MP25, MP45, MP65)
- 2-5/16" Ball (Available on all models)
- 2-5/16" Bulldog (Available on all models)



COMPROMISE NOTHING.

At Allmand®, our sole focus is providing job site support equipment to help your customers get the job done. Whenever they need it. Wherever they are. And whatever it takes. What's more, our genuine commitment to you — the highest standard of service and lowest total cost of ownership — is simply unmatched. Choose the equipment that comes with complete confidence that job site productivity won't go dark at 2 a.m. **Allmand. Above All.**

Allmand®

Copyright ©2019. All rights reserved.

MP-1019

**Discount
Equipment**

www.discount-equipment.com

TO PURCHASE THIS PRODUCT PLEASE CONTACT US



**Equipment Financing and
Extended Warranties Available**



**Discount-Equipment.com is your online resource for
commercial and industrial quality parts and equipment sales.**

561-964-4949

visit us on line @ www.discount-equipment.com

Select an option below to find your Equipment

Search by Manufacturer

Search by Product Type

Request a Quote

We sell worldwide for the brands: Genie, Terex, JLG, MultiQuip, Mikasa, Essick, Whiteman, Mayco, Toro Stone, Diamond Products, Generac Magnum, Airman, Haulotte, Barreto, Power Blanket, Nifty Lift, Atlas Copco, Chicago Pneumatic, Allmand, Miller Curber, Skyjack, Lull, Skytrak, Tsurumi, Husquvarna Target, Stow, Wacker, Sakai, Mi-T-M, Sullair, Basic, Dynapac, MBW, Weber, Bartell, Bennar Newman, Haulotte, Ditch Runner, Menegotti, Morrison, Contec, Buddy, Crown, Edco, Wyco, Bomag, Laymor, EZ Trench, Bil-Jax, F.S. Curtis, Gehl Pavers, Heli, Honda, ICS/PowerGrit, IHI, Partner, Imer, Clipper, MMD, Koshin, Rice, CH&E, General Equipment, Amida, Coleman, NAC, Gradall, Square Shooter, Kent, Stanley, Tamco, Toku, Hatz, Kohler, Robin, Wisconsin, Northrock, Oztec, Toker TK, Rol-Air, APT, Wylie, Ingersoll Rand / Doosan, Innovatech, Con X, Ammann, Mecalac, Makinex, Smith Surface Prep, Small Line, Wanco, Yanmar