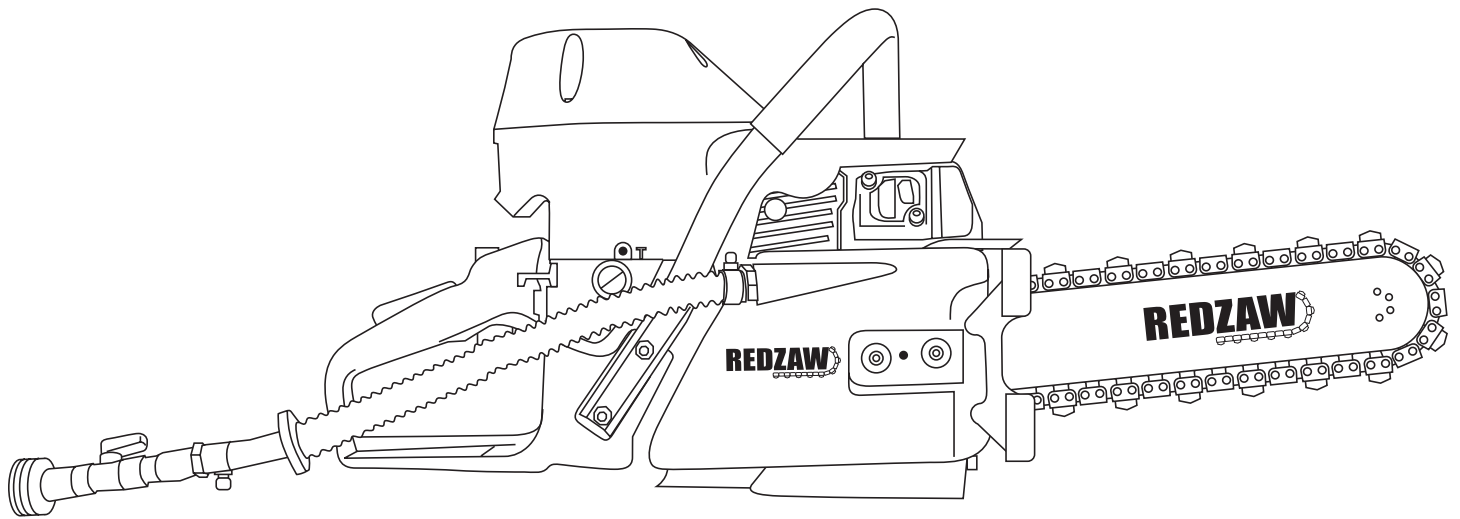


REDZAW[®]

RZ60 UTILITY GAS SAW



OPERATOR'S MANUAL

WWW.REDZAW.COM

SYMBOLS & LABELS	4
SAFETY	5
TECHNICAL SPECIFICATIONS	8
SET-UP	9
OPERATION	11
MAINTENANCE	16
TROUBLESHOOTING	23
REFERENCE	24

THE FOLLOWING SYMBOLS & DEFINITIONS ARE FOUND THROUGHOUT THIS MANUAL AND ARE DESIGNED TO MAKE YOU AWARE OF POTENTIAL HAZARDS OR UNSAFE PRACTICES.



WARNING

A potentially hazardous situation exists which, if not avoided, could result in death or serious injury.



CAUTION

A potentially hazardous situation exists which, if not avoided, may result in minor or moderate injury or property damage.



IMPORTANT

A potential situation exists which, if not avoided, may result in product or property damage.

THE FOLLOWING SYMBOLS & LABELS MAY BE FOUND IN THIS MANUAL OR ON THE SAW



Read the operator's manual carefully and understand the contents before you use this equipment.



Always use:

- Protective helmet
- Ear protection
- Protective glasses or full face protection



Wear hand protection



THE FOLLOWING SYMBOL APPLIES TO ALL THE ITEMS LISTED ON THIS PAGE



A potentially hazardous situation exists which, if not avoided, could result in death or serious injury.

Diamond chain breakage can result in high-speed ejection of parts, which can result in death or serious personal injury to operators or bystanders. The items listed below are critical to minimizing the risk of diamond chain breakage and injury.

- **DO NOT** operate the saw with a damaged, modified, broken, or missing side cover, bottom guard, or guard flap. The side cover, bottom guard, and guard flap provides protection against contact with moving parts, ejected debris, broken diamond chain, thrown water and concrete slurry.
- **DO NOT** insert the saw into a slot narrower than the diamond chain segments. Rapid pushback might occur. Reference: Most diamond segments are .225 inches (5.72 mm) wide.
- **DO NOT** use damaged, modified or improperly repaired diamond chain.
- **DO NOT** run the saw upside-down. Concrete debris can fly back into the operator's face.
- **DO NOT** cut ductile iron pipe with the saw. Segment loss or diamond chain breakage may occur.

THE FOLLOWING SYMBOL APPLIES TO ALL ITEMS LISTED ON THIS PAGE

 **CAUTION**

A potentially hazardous situation exists which, if not avoided, may result in minor or moderate injury or property damage.

- Always turn the saw OFF when performing maintenance on the saw including diamond chain tensioning.
- Never use equipment that is not functioning properly. Have the saw repaired by qualified service personnel.
- Turn engine OFF before refueling. Keep away from open flame. Always provide adequate ventilation when handling fuel. Move the saw at least 10 feet (3 m) away from refueling area before starting.
- Diamond chains require a minimum water pressure of 20 psi (1.4 bar). Insufficient water supply may result in excessive wear to the diamond chain, which can lead to loss of strength and diamond chain breakage.
- Never start the saw unless the guide bar, diamond chain and side cover are properly installed.

GENERAL SAFETY PRECAUTIONS

- Always wear protective clothing, including hard hat, eye protection, hearing protection, and gloves.
- Avoid loose fitting clothing.
- Perform safety checks before starting each day.
- Always operate tool with solid footing and with both hands on cut-off saw.
- Remove or control slurry to prevent slippery conditions while cutting.
- Be sure there are no obstructions (plumbing, electrical conduit, air ducts) and no unnecessary people present.
- Set up a well-marked safety zone with a roped boundary and clear signs.
- Provide adequate ventilation when working in an enclosed area. Breathing exhaust gases is dangerous.
- To avoid electrocution, check for live electrical wiring near cutting area.

THE FOLLOWING SYMBOL APPLIES TO ALL ITEMS LISTED ON THIS PAGE

IMPORTANT

A potential situation exists which, if not avoided, may result in product or property damage.

Note: The saw is equipped with a two-stroke engine and must always be run using a mixture of gasoline and ICS two-stroke engine oil (25:1). It's important to accurately measure the amount of oil to be mixed to ensure that correct mixture is obtained. When mixing small amounts of fuel, even small inaccuracies can drastically affect the ratio of the mixture.

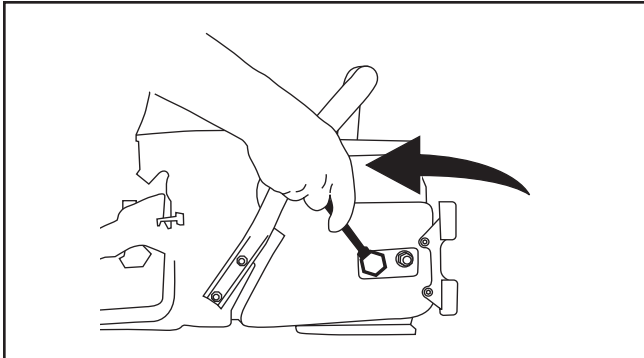
- Use high quality, unleaded gasoline with a minimum octane rating of 90. If lower octane gasoline is used, engine temperature will increase which will result in a piston seizure.
- Fuel mixture: 25:1 gasoline/oil mixture. Incorrect fuel mixture will cause piston seizure.
- Use ICS® brand two-stroke engine oil, or other high quality 2-stroke oil that has been formulated for air cooled power equipment.
- Never use two-stroke oil formulated for water-cooled two-cycle engines, such as outboard motor oil.
- Never use motor oil intended for four-stroke engines.

ENGINE BREAK-IN

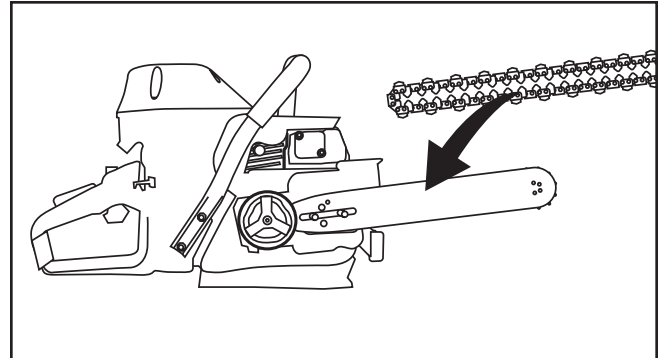
- It is very important to break-in a new engine to “seat” all moving parts, especially the piston rings.
- To break-in the engine, run one full tank of 25:1 fuel at idle, cycling the throttle every 5 to 10 minutes to prevent loading.
- Failure to break-in an engine may result in piston seizure.

Engine Type	2-stroke Single Cylinder Air Cooled
Displacement	3.9 cu-in (64cc)
Horsepower	4.2 HP (3.1 kw) @ 9,500 RPM
Torque	32 in-lbs (3.6 Nm)
Engine Speed	8,700 +/- 500 rpm 2,800-3,200 rpm idle
Diamond Chain Speed	In cut = 4,000 sfm No load = 5,100 sfm
Weight	16.6 lbs (9.1 kg) with guide bar and diamond chain
Cut Depth	Up to 9 inches (22.9cm)
Dimensions	17 inches (44cm) length 10 inches (25.5cm) height 11.6 inches (29.5cm) width
Air Filter	Dry nylon
Carburetor	Walbro HAD146, throttle shaft sealed, pressure compensating
Starter	Standard Recoil
Ignition	Special water resistant electronic ignition
Clutch	Three-weight, single spring
Fuel ratio	25:1 gasoline-to-oil
Fuel Capacity	34 oz (1 Liter) 15-18 minutes run time per tank
Water Supply	Minimum 20psi (1.5 bar)
Noise Level	101dB at 3 ft (1m)
Vibration Level	10.1 m/s ² (front handle)
Engine Break-in Period	One tank, without cutting, cycling throttle
Spark Plug	Champion CJ7Y, Bosch BWS7F, or NGK BPMR7A

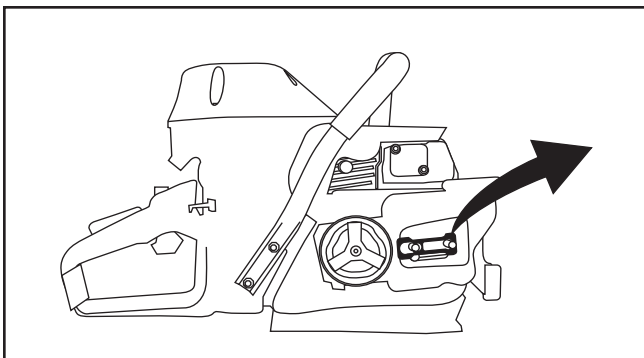
GUIDE BAR AND DIAMOND CHAIN INSTALLATION



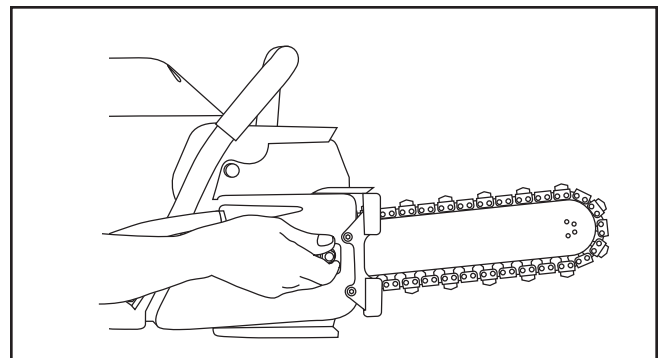
STEP 1
Loosen side cover nuts and remove side cover.



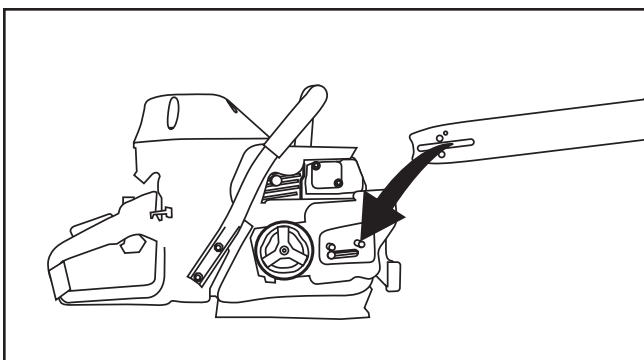
STEP 4
Mount the diamond chain on the guide bar starting at the drive sprocket & continue over the guide bar nose.



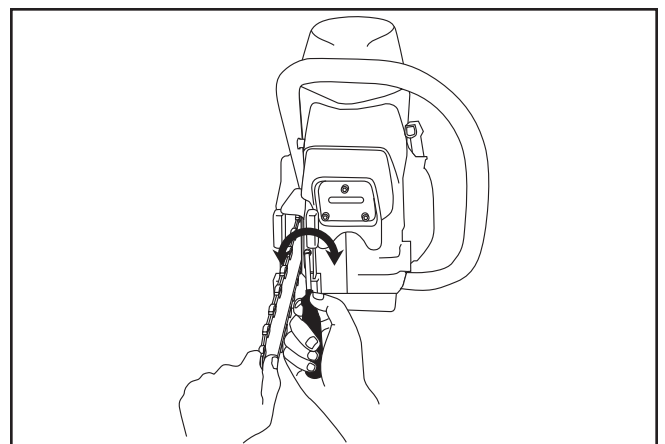
STEP 2
Remove Shipping spacer.



STEP 5
Install the side cover.

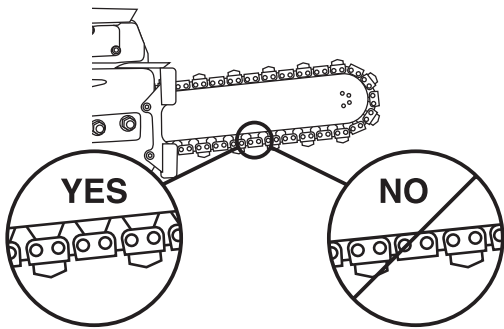


STEP 3
Place guide bar into studs and adjustment pin.



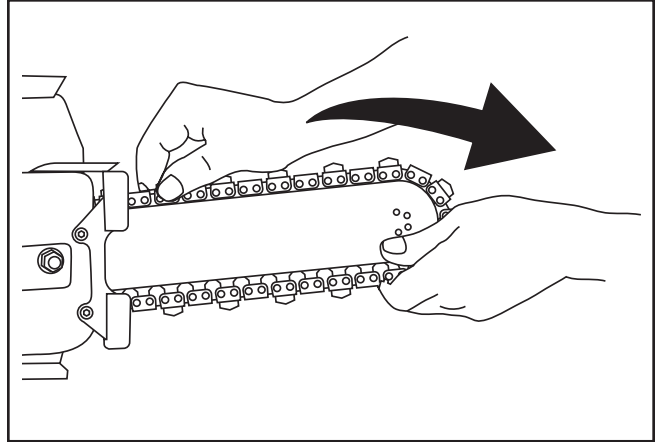
STEP 6
Make sure all the drive links are inside the guide bar groove then lift the bar nose & tension the chain.

GUIDE BAR AND DIAMOND CHAIN INSTALLATION

Chain
Tension

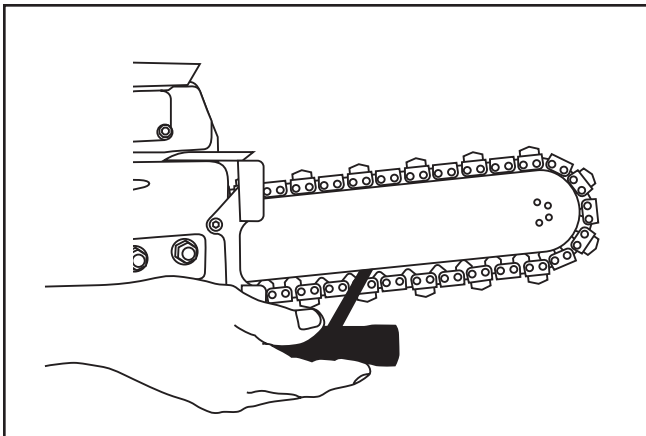
STEP 7

Drive links should be in the bar groove but not completely engaged.



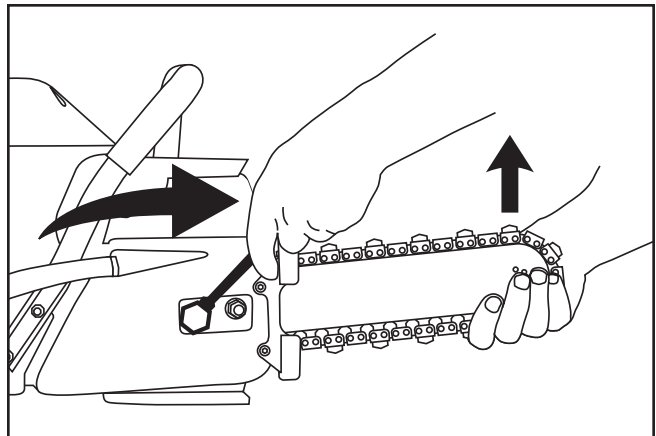
STEP 9

Hold the guide bar nose up & manually pull the chain across the top of the guide bar away from the saw. See Note 1



STEP 8

The tensioning screw should fit between the guide bar and the chain drive links.



STEP 10

Continue to lift up on the nose of the guide bar and firmly tighten the side cover nuts. See Note 2.

Note 1: Do not “over tension” the diamond chain. Loss of power will result. It is normal for the driveline links to hang underneath the guide bar. The diamond chain should be snug but be able to be pulled around the guide bar by hand.

Note 2: To prevent chain tensioner breakage, be sure the side cover nuts are tightened to approximately 20 ft-lbs (27Nm).

FUEL HANDLING

**CAUTION****FUEL MIXTURE: 25:1 gasoline/oil mixture.**

GASOLINE	OIL
US Gallon	US Fl oz
1	5.2
2 1/2	12.8
5	25.6

GASOLINE	OIL
Liters	ml
1	40
5	200
10	400
20	800

- Use premium unleaded gasoline with a minimum octane rating of 90. If lower octane gasoline is used, engine temperature will increase which can result in a piston seizure and damage to the engine.
- Always provide adequate ventilation when handling fuel.
- Use caution when handling gasoline. Avoid direct contact with skin or inhaling fuel vapor.

FUEL MIXING

- Always mix gasoline and oil in a clean container intended for use with fuel.
- Keep fuel container closed tightly to prevent moisture from getting into the fuel.
- Always begin mixing fuel by adding half the amount of gasoline to be used. Then add the correct amount of two-stroke oil for 25:1 mixture and finish filling the container with gasoline.
- Do not mix more than one month's supply of fuel. This helps prevent the separation of the two stroke oil from the gasoline (varnishing).
- If the saw is not used for an extended period of time (3 months) the fuel tank should be emptied and cleaned.

FUELING

- Always shut off the saw before fueling.
- Before fueling, clean the area around fuel cap to prevent dirt from contaminating the fuel. Contamination of the fuel tank can lead to saw malfunction.
- Thoroughly mix the fuel in it's container before fueling.
- Slowly open the fuel cap to release any pressure that may have built-up in the tank.
- After adding fuel, tighten the fuel cap carefully and secure with a wrench.

STARTING AND STOPPING THE SAW

⚠ WARNING

Never start the saw without the guide bar, diamond chain and side cover properly assembled. The clutch may come loose and cause personal injury.

⚠ CAUTION

Always move the saw at least 10 feet (3 m) away from the fueling area before starting.

IMPORTANT

Place the saw on clear ground. Ensure that secure footing is established and diamond chain is not contacting any objects.

COLD ENGINE STARTING PROCEDURE

1. Toggle the ignition switch to the "ON" position and pull the choke lever out.
2. Lock the throttle in the start position by depressing the trigger (A) and trigger interlock (B) at the same time.
3. Depress and hold throttle lock button (C) while releasing the trigger and trigger interlock in succession.
4. Press decompression valve (D).
5. Open the water valve 1/4 turn.
6. Place the RZ60 Utility Saw on the ground making sure the chain is free of any obstructions.
7. Place right foot on the base of the rear handle.
8. Place left hand on front handle.
9. With right hand, slowly pull starter handle until the starter pawls engage.
10. Pull the starter cord (hard, fast, short pulls) until engine fires or "pops" - should be 1 to 7 pulls.
11. Push the choke lever in.
12. Check decompression valve. Press if necessary.
13. Pull the starter cord until engine starts - should be 1 to 2 pulls.
14. When the engine starts, allow the engine to idle. Pull on the throttle trigger several times to help warm up the engine.
15. Open the water valve completely.

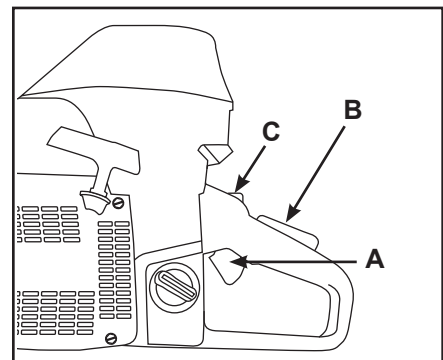


Figure 1: a-Trigger, b-trigger interlock, c-throttle lock

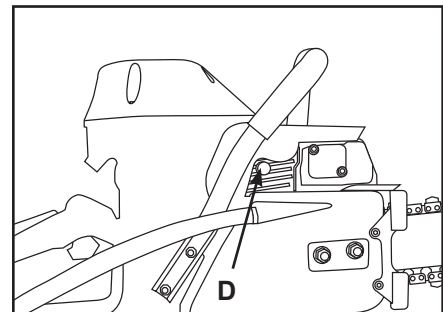


Figure 2: Decompression valve

Warm Engine Starting Procedure

1. Use the same procedure as starting cold engine, but **DO NOT pull choke lever out**. If choke is used, the carburetor will flood with gas.
2. If the engine does not start in 3 hard, fast pulls with the throttle locked, unlock the throttle and pull the starter cord 3 more times.
Note: To hold the trigger fully open it may be necessary to insert right foot into rear handle opening and twist.

PRE-CUT CHECKLIST

- Proper Diamond Chain Tension: The diamond chain should be tight but easily pulled around the guide bar by hand.
- Ensure all safety devices are properly mounted and functional and that all controls are in proper working order.
- Be sure there are no obstructions (plumbing, electrical conduit, air ducts).
- Always wear protective clothing, including hard hat, eye protection, hearing protection, non-slip safety boots, gloves, and avoid wearing loose fitting clothing.

PLANNING THE CUT

- Outline the cut with a permanent marker for a visual cutting guide.
- Avoid pinching the guide bar and diamond chain. Always cut the bottom of an opening first, then top, and then the sides. Save the easiest cut for last.
- For the straightest cuts use the “Step Cut” method. First score the entire cut line approximately a half-inch deep using the nose of the guide bar. Next, deepen the cut by about two inches. Then plunge all the way through and complete the cut using the Wallwalker®.
- Be sure cut concrete cannot fall and injure operator or bystanders. Concrete is very heavy, one cubic foot = 12”x12”x12” = 150 lbs. (30cm x 30cm x 30cm = 68kg).
- Check for live electrical wiring near the cutting area or in the concrete to avoid electrocution.

CUTTING WITH THE RZ UTILITY SAW

To start a cut, hold trigger on full throttle and slowly plunge the nose of the guide bar straight into the wall. Use the fixed Wallwalker® as a pivot point and pull up on the rear handle to rotate the guide bar into the cut.

CUTTING TIPS

- Always operate the saw at full throttle. Apply enough feed force so that the free running RPM drops 20 to 30%. If too much force is applied, the saw will lug or stall. The diamond chain will not have enough speed to cut effectively. If too little feed force is applied, the diamonds will skid and glaze over.
- For straighter cuts use the “step cut” method. First score the entire cut line with the nose of the guide bar approximately 1/2 inch (12mm) to 1 inch (25mm) deep. Next, deepen the cut by about 2 inches (50 mm). This groove will help guide the guide bar for a straight cut. Then plunge all the way through and complete the cut using the Wallwalker®.
- Plunge cut instead of starting at the top of the wall. This will reduce chatter, extend diamond life, create a straighter cut and more quickly enable the use of the Wallwalker®.
- Use the Wallwalker® to help cut more efficiently and reduce operator fatigue. The Wallwalker® is a fulcrum that can be used to apply additional force when cutting. To use correctly, plunge into the wall and simply engage the bumper of the Wallwalker® into the cut and pry upward with the rear handle.
- As the saw begins to rotate up, feed force is developed down the line of the intended cut. Once the saw is fully rotated upwards, pull the saw out of the cut a few inches and re-engage the Wallwalker® to the wall and repeat.
- When cutting rebar, slowly “rock” the saw so that you’re always cutting concrete as well as steel. This will help keep the diamonds exposed. Also, expect less diamond chain life when cutting rebar.
- Expect more diamond chain stretch and guide bar wear when making “nose buried” cuts for extended periods of time, as the diamond chain does not have a chance to “throw” the slurry away from the nose of the guide bar.
- If the saw begins to cut consistently crooked, turn the guide bar over and use the other side. Dress worn rails with belt sander. Note: The normal life of a guide bar is 2 to 3 diamond chains. Rebar can shorten guide bar life.
- When using a new diamond chain, you can increase the cutting speed by “opening up the diamonds”. Make a few cuts in an abrasive material such as a cinder block.

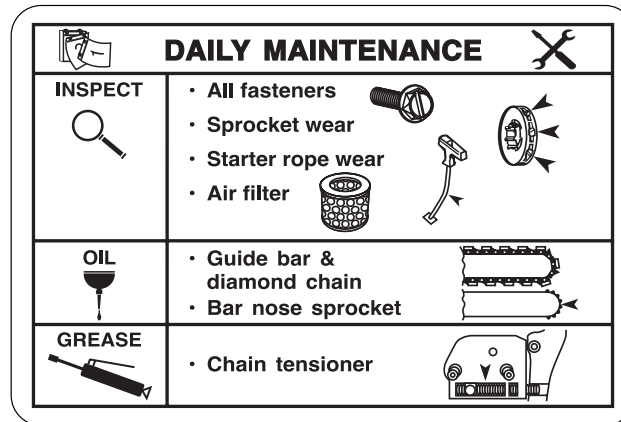
SYSTEM CLEAN-UP

- After cutting, run the saw for at least 15 seconds with the water on to flush slurry and debris from diamond chain, guide bar and drive sprocket.
- Wash concrete slurry from saw assembly.
- Avoid getting any water in the carburetor or exhaust system. If water enters exhaust port, point the guide bar tip down and pull the starter handle several times to expel water from muffler.
- Remove guide bar and diamond chain. Flush out the chain tensioner with high water pressure and lube with grease.
- After cleaning the saw, spray the entire saw body, diamond chain, guide bar, and drive sprocket with lightweight oil. Using lightweight oil on the saw will minimize rust and help reduce slurry build up.

**Follow these simple maintenance guidelines
and your RZ Utility Saw will keep running at its very best.**

AFTER EACH USE

1. Rinse the saw, guide bar and diamond chain with water.
2. Follow instructions on the Daily Maintenance Label, located on the air filter cover.



3. Inspect and tighten all fasteners as necessary.
4. Inspect drive sprocket for tooth wear and replace if tooth tips are pointed.
5. Inspect the starter cord. Replace if frayed.
6. Inspect the air filter for holes and debris. Replace as necessary.
7. Spray saw, guide bar, and chain with lightweight oil.
8. Grease the chain tensioner.

AFTER 10 HOURS OF USE

1. Remove the starter cover and lubricate the starter recoil spring. Clean the flywheel fins and the starter pawls with a wire brush, then grease the starter pawls.
2. Remove the spark plug and clean with a wire brush. Check the electrode gap. The correct gap is 0.020 inches (0.5mm).

AFTER 40 HOURS OF USE

1. Change the spark plug. Adjust the electrode to 0.020 inches (0.5mm).
2. Check the fuel filter located inside the fuel tank. Clean or replace if clogged

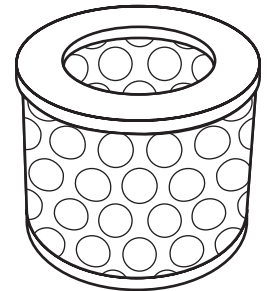
AIR FILTER

IMPORTANT

The air filter is made from a nylon micro mesh. It must be kept clean for the engine to operate properly. If the saw is not reaching full RPM, most likely the air filter is dirty.

- The air filter (Figure 1) should be free of holes and white in color.
- Replace air filter when dirty.

Figure 1



STARTER HOUSING ASSEMBLY

IMPORTANT

It is common for concrete slurry to get inside the starter housing assembly during cutting. This can cause the starter pawls to stick and not engage when the rope is pulled.

- After each usage, thoroughly flush the starter housing assembly with water. (Figure 2)
- Lubricate the starter pawls by spraying light weight oil into the starter housing through the vents. (Figure 2)
- Check the starter cord for fraying, replace if necessary.

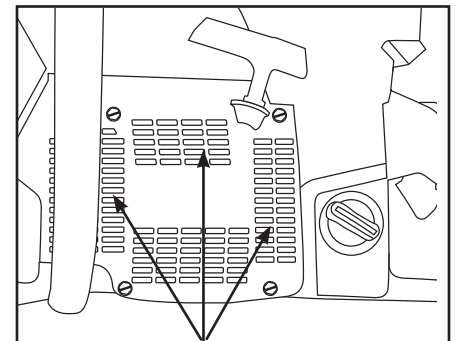


Figure 2

STARTER CORD REPLACEMENT

- Remove the 4 screws that attach the starter assembly to the crankcase.
- Pull the cord out approximately 8" and lift the cord up into the notch in the pulley (Figure 3). Relax the recoil spring by placing thumb on pulley and gently allow the pulley to unwind entirely. Undo the screw in the center of the pulley and remove the pulley.
- Thread the new cord through the starter cover and fasten it to the pulley. Wind 4 turns of the starter cord on to the pulley. Assemble the starter pulley against the recoil spring so the end of the spring engages into the backside of the pulley. Install the retaining screw in the center of the pulley.

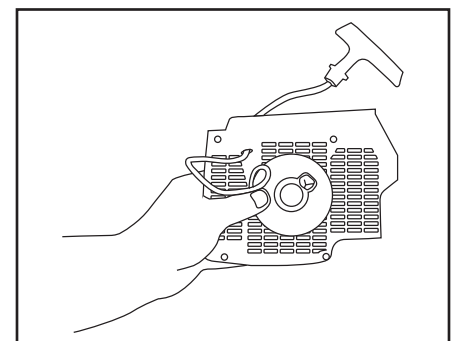


Figure 3

TENSIONING THE RECOIL SPRING

- Lift the starter cord up into the notch on the starter pulley (Figure 4) and wind the pulley clockwise 5 full turns. Remove the cord from the pulley notch while pinching the pulley. Release the pulley slowly allowing it to wind the rope counterclockwise onto the pulley.
- When completed, the starter handle should be pulled back in the starter housing under it's own tension.
- To check that the starter pulley was assembled correctly, pull the cord completely out of the housing, grip the pulley and turn clockwise another 1/2 turn. If the pulley turns another 1/2 turn it is correctly assembled.

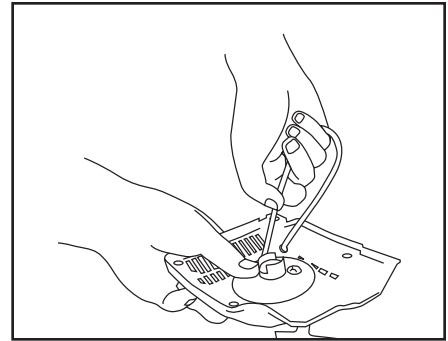


Figure 4

STARTER HOUSING ASSEMBLY

- To reattach the starter housing, first pull the starter cord out, then hold the starter housing against the crankcase (Figure 5). Slowly release the starter cord to enable the pulley to fit between the pawls.
- Insert and tighten the screws. Use blue Loctite® #242.

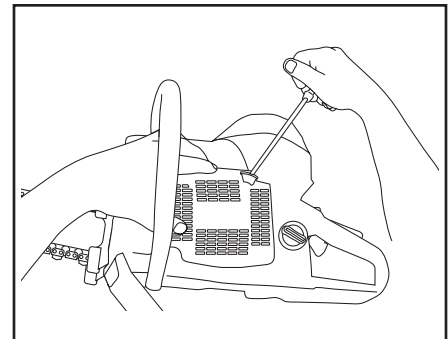


Figure 5

CHAIN TENSIONER

IMPORTANT

The chain tensioner (Figure 1) can become clogged with concrete slurry during cutting. After each use thoroughly flush the chain tensioner with water and apply a liberal amount of grease.

Most Common Causes of Tensioner Damage:

- Side cover nuts are not tight enough. Side cover nuts should be torqued to 20 ft-lbs (27Nm).
- Chain tensioning is attempted without loosening the side cover nuts.
- Concrete debris in tensioner pocket.

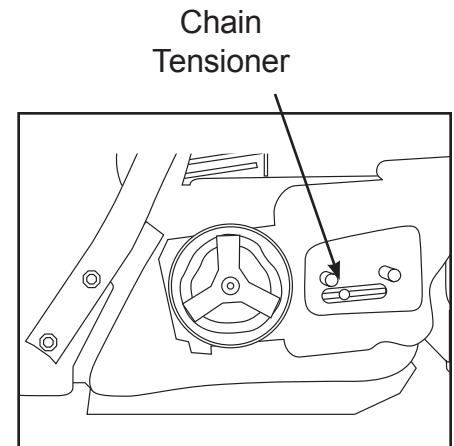
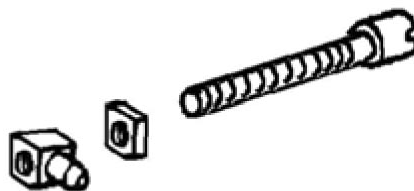


Figure 1

IMPORTANT

Tensioner Replacement Part Number: 505393

The tensioner is intended to perform as a fuse in high load or sudden impact situations.



DRIVE SPROCKET

IMPORTANT

The drive sprocket (rim sprocket) is a wear item and should be replaced every 2-3 diamond chains.

IMPORTANT

The needle bearing inside the splined adapter should be greased regularly and should be replaced with each new clutch cup.

A rim sprocket system (Figure 2) consists of a clutch cup w/ splined adapter and a rim sprocket. When the rim sprocket wears out, it is the only part that needs to be replaced. The clutch cup w/ splined adapter is a wear item that needs replacement after 3 to 5 rim sprockets have been used.

- Inspect the rim sprocket for wear. Replace the rim sprocket if the drive teeth become pointed.
- Check the drive sprocket bearing by spinning clutch cup. Replace the bearing if it is worn out.
- The needle bearing on the drive shaft must be greased regularly, use high quality water-resistant bearing grease.

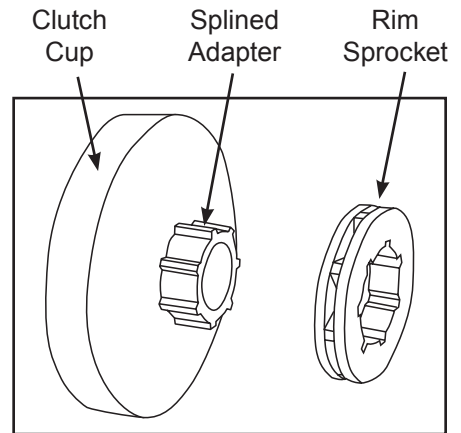


Figure 2

DRIVE SPROCKET REMOVAL

- Remove the side cover, guide bar, and diamond chain.
- Remove the spark plug and insert the piston stop (supplied with each saw) into the spark plug hole. Pull the starter cord slowly until the piston stops. (Figure 1) Use a 19mm wrench to turn the clutch clockwise and remove.
- Slide the clutch cup/drive sprocket assembly off the shaft. Remove the needle bearing and inspect for wear or damage.

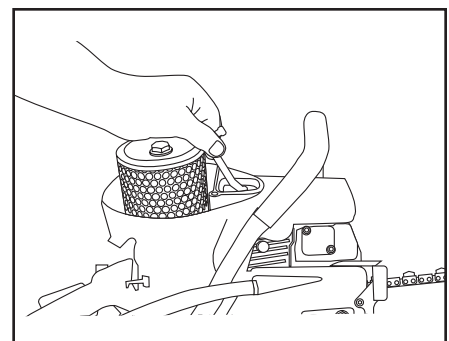


Figure 1

DRIVE SPROCKET INSTALLATION

- Slide the rim sprocket onto the splined adapter, either side out.
- Apply a liberal amount of grease to the needle bearing.
- Place the thin metal washer onto drive shaft. Slide the needle bearing and clutch cup w/rim sprocket onto shaft (Figure 2).
- Install the clutch by turning it counter clockwise on the drive shaft and firmly tighten. Replace the clutch slurry shield. Installation of drive sprocket assembly is now complete.

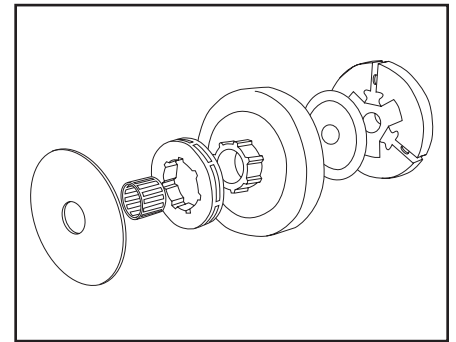


Figure 2

SPARK PLUG

- A worn or fouled spark plug can cause a loss of power, difficulty starting or rough idle (Figure 3).
- If the spark plug is dirty, clean it with a wire brush and check the electrode gap. Readjust if necessary. The correct gap is .020" (0.50mm).
- The spark plug should be replaced after 40 hours of operation or earlier if the electrode is badly corroded.
- Always use the recommended spark plug type. Using the wrong spark plug can severely damage the piston and cylinder (see page 8 for part #).

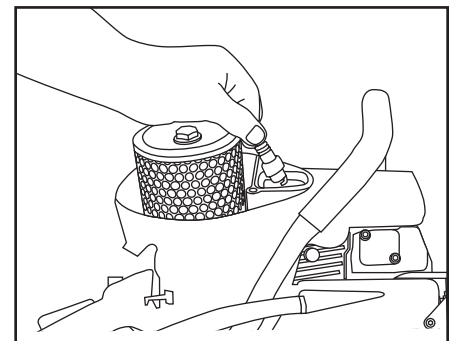


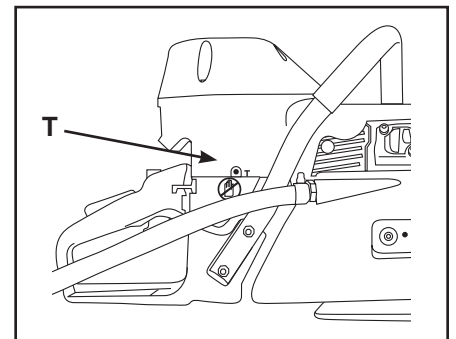
Figure 3

CARBURETOR

- The function of the carburetor is to mix fuel with air. Adjustments other than idle speed should be made by a servicing dealer.
- **Before adjusting the engine idle speed, make sure the air filter is clean and the engine is warmed up.**

T – Idle Screw is adjusted so that the engine idles smoothly but the clutch does not engage.

- **If saw has been running satisfactorily and there is a gradual decrease in power and drop in RPM at full throttle, the filter may have become dirty or saturated with water.**



GUIDE BARS

- The guide bar is designed to be used on both sides. If the cut is consistently leading to one side, turn the guide bar over to expose a new set of guide rails.
- A bench mounted belt or disc sander can be used to square the rails of a worn guide bar. A badly worn guide bar can quickly damage a diamond chain. If the diamond chain is touching the bottom of the guide bar groove, replace the guide bar.
- Check the guide bar for straightness. Minor adjustments can be made by bending the guide bar slightly.
- Proper diamond chain tension will extend guide bar life. See page 9 & 10.
- Under some circumstances, especially low water pressure, the sprocket nose can wear out before the guide bar body.
- Spray the diamond chain and guide bar with lightweight oil for storage.
- Store guide bar with the sprocket nose up.
- Periodically clean the water ports inside the groove of the guide bar using a small diameter piece of wire.
- The guide bar is solely a guide track for the diamond chain. Never use the guide bar to lift, twist or pry concrete material.

TROUBLESHOOTING

- **CUT-OFF SAW WON'T REACH FULL RPM** - Air filter or pre filter may be dirty.
- **SLOW DIAMOND CHAIN SPEED** – Diamond chain tension too tight. Diamond chain should always be able to be pulled around the guide bar by hand. It is normal for the diamond chain drive links to hang below the guide bar.
- **POOR CUTTING SPEED** - Diamonds may be “glazed over”. Make a few cuts in an abrasive material such as a cinder block to expose the diamonds.
- **CHAIN TENSIONER BREAKAGE** - Side cover nuts are not tight enough. Torque to 20 ft-lbs (27Nm).
- **WATER NOT FLOWING** - Water hose is kinked or supply is not turned on.
- **WON'T START** – Turn ignition switch on or possible defective spark plug.
- **WON'T START** – Low compression, less than 120 psi (8 bar). Possible incorrect fuel mixture.
Reference: new = 150 to 180 psi (10 to 12 bar)
used = 140 to 160 psi (9 to 11 bar)
- **DIFFICULT TO START** – Possible flooded engine. Turn ignition switch on, push choke in, hold throttle on full with foot and pull starter cord until engine starts.
- **DIFFICULT TO START** – Possible fouled spark plug. Remove spark plug, clean with wire brush and re-gap.

**Further questions?
Call 1-800-321-1240
or
visit our website at**

WWW.REDZAW.COM

APPROXIMATE CUTTING RATES

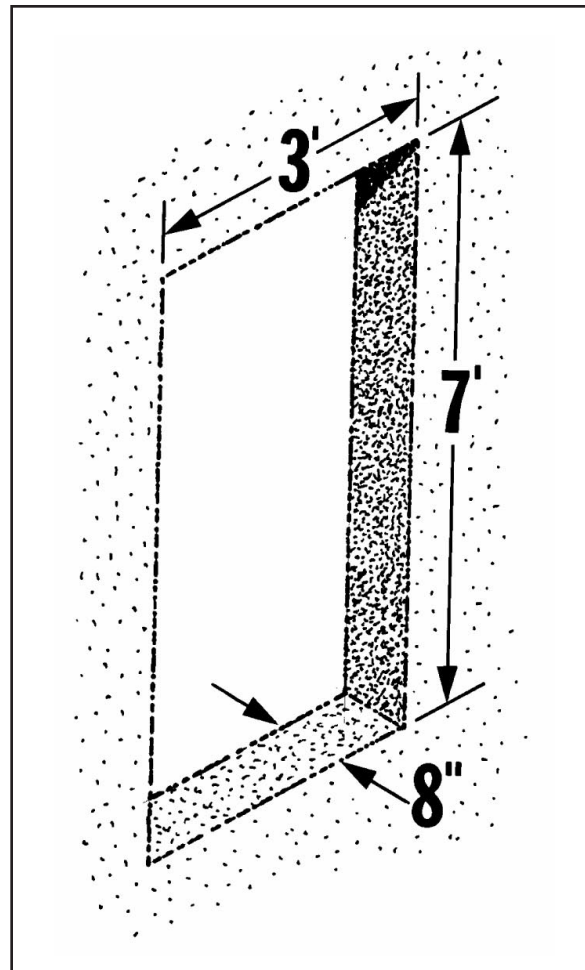
Material	Cutting Rate
Hard aggregate & Steel	15-25 sq-in/min (90-160 sq-cm/min)
Medium aggregates	20-30 sq-in/min (160-190 sq-cm/min)
Masonry, Soft aggregates	30-50 sq-in/min (190-320 sq-cm/min)

INCH-FOOT DEFINITION

An in-ft is a measure of how much material is to be cut.
 An in-ft is defined as: depth in inches times length in feet.
 Note: 129 in-ft = 1m²

Example: How many in-ft are in this doorway?

1. Determine the depth of the cut in inches.
For this example, 8 inches.
2. Determine the length of the cut in feet.
 $3+7+3+7=20$ feet
3. Multiply the two numbers
 $8 \text{ in} \times 20 \text{ ft} = 160 \text{ in-ft}$



RZ60 OPERATOR'S MANUAL

WWW.REDZAW.COM



4909 SE International Way
Portland, OR 97222
Tel 800-321-1240 Fax 503-653-4393