

Allmand™

Brighter. Warmer. Safer.

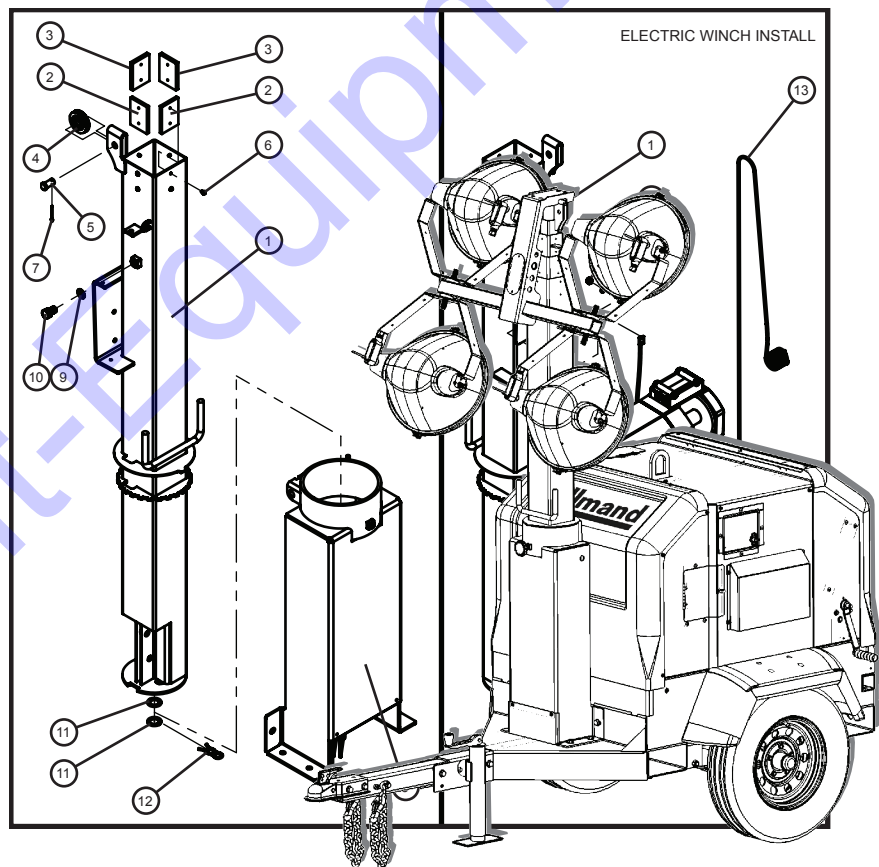
Portable
Industrial
Heaters

Portable
Light Towers

Portable
Light Stands

Solar Flashing
Arrow Boards

(en) Parts Manual
NIGHT-LITE™ V-SERIES



Copyright © 2017 Allmand Bros., Inc.
Holdrege, NE, USA. All rights reserved.

Part No.: 112140
Revision: A
Serial No.: 39-000001 and UP

LIGHT TOWER APP



Reliability, Performance, and Integrity Since 1938



www.discount-equipment.com

Discount Equipment

Discount-Equipment.com is your online resource for commercial and industrial quality parts and equipment sales.

Locations:

Florida (West Palm Beach): [561-964-4949](tel:561-964-4949)

Outside Florida TOLL FREE: [877-690-3101](tel:877-690-3101)

Need parts? Check out our website at www.discount-equipment.com

Can't find what you need?

Click on this link: <http://www.discount-equipment.com/category/5443-parts/> and fill out the request form.

Please have the machine model and serial number available in order to help us get you the correct parts. One of our experienced staff members will get back to you with a quote for the right part that your machine needs.

We sell worldwide for the brands: Genie, Terex, JLG, MultiQuip, Mayco, Toro/Stone, Diamond Products, Magnum, Airman, Mustang, Power Blanket, Nifty Lift, Atlas Copco, Chicago Pneumatic, Allmand Brothers, Essick, Miller Spreader, Skyjack, Lull, Skytrak, Tsurumi, Husquvarna/Target, Whiteman-Concrete/Mortar, Stow-Concrete/Mortar, Baldor, Wacker, Sakai, Snorkel, Upright, Mi-T-M, Sullair, Neal, Basic, Dynapac, MBW, Weber, Bartell, Bennar Newman, Haulotte, Ditch Runner, Blaw-Knox, Himoinsa, Best, Buddy, Crown, Edco, Wyco, Bomag, Laymor, Terremite, Barreto, EZ Trench, Takeuchi, Basic, Bil-Jax, Curtis, Gehl, Heli, Honda, ICS/PowerGrit, Puckett, Waldon, ASV, IHI, Partner, Imer, Clipper, MMD, Koshin, Rice, Gorman Rupp, CH&E, Cat Pumps, Comet, General Pump, Giant, AMida, Coleman, NAC, Gradall, Square Shooter, Kent, Stanley, Tamco, Toku, Hatz, Kohler, Robin, Wisconsin, Northrock, Oztec, Toker TK, Rol-Air, Small Line, Wanco, Yanmar

New Equipment - Used Equipment - Rental Equipment - Parts and Accessories

Discount Equipment

www.discount-equipment.com

561-964-4949

Parts: wbparts@Discount-Equipment.com

Sales: info@Discount-Equipment.com

TABLE OF CONTENTS

1.0 AXLE/TONGUE/OUTRIGGERS

Axle and Fender Group	(1.1)
Tongue Install Group	(1.2)
Tongue Coupler Options	(1.3)
Outriggers Group	(1.4)

2.0 TRAILER PARTS GROUP

Trailer Base Parts	(2.1)
Air Inlet Cover	(2.2)
Liftbow	(2.3)
Manual Canister	(2.4)
Trailer Lighting	(2.5)

3.0 VERTICAL TOWER GROUP

Vertical Tower Pivot Support	(3.1)
Manual Vertical Tower Section 1	(3.2)
Electric Winch Vertical Tower Section 1	(3.3)
Vertical Tower Section 2	(3.4)
Vertical Tower Section 3	(3.5)
Vertical Tower Section 4	(3.6)
Vertical Tower Round Section and Light Bar	(3.7)
Manual Tower Winch Install Group	(3.8)
Vertical Tower Cord	(3.9)

4.0 LAMP AND BALLAST GROUP

1250W Lamps with 60Hz 120V Ballasts	(4.1)
1250W 60Hz 120V Ballast Box Assembly Group	(4.2)
1000W Lamps with 60Hz 120V Ballasts	(4.3)
1000W 60Hz 120V Ballast Box Assembly Group	(4.4)
1000W Lamps with 50Hz 120V Ballasts	(4.5)
1000W 50Hz 120V Ballast Box Assembly Group	(4.6)

Night-Lite V-Series

TABLE OF CONTENTS

4.0 LAMP AND BALLAST GROUP (Continued)

LED Lamps with LED Drivers Group	(4.7)
LED Drivers Assembly Group	(4.8)
SHO and LED Light Fixtures	(4.9)
SHO Light Assembly Group	(4.10)
SHO Light SAF-T-Visor Group	(4.11)

5.0 CONTROL BOX AND BREAKER BOX GROUP

SLS Key Start Control Box	(5.1)
SLS Harness Control Panel	(5.2)
LSC Control Box	(5.3)
LSC Harness Control Panel	(5.4)
Electric Winch Control	(5.5)
Circuit Breaker Box	(5.6)
20A GFCI and 30A Twistlock Outlets Install Group	(5.7)
30A RV Plug Adapter	(5.8)
Emergency Stop	(5.9)

6.0 ENGINE/BATTERY/FUEL TANK

Engine Mounting Group	(6.1)
Coolant Reservoir Tank	(6.2)
Kubota Engine Assembly Group	(6.3)
Kubota Oil Line	(6.4)
Mitsubishi Engine Assembly Group	(6.5)
Mitsubishi Oil Line	(6.6)
Engine Ground Strap	(6.7)
Battery Install Group	(6.8)
Fuel Tank Group	(6.9)
Fuel Sender	(6.10)
Kubota Fuel Lines	(6.11)
Mitsubishi Fuel Lines	(6.12)

TABLE OF CONTENTS

7.0 GENERATOR GROUP

Coliseum 6/8kW 50/60Hz Generator	(7.1)
6/4 Generator Cord Install Group	(7.2)

8.0 DECALS

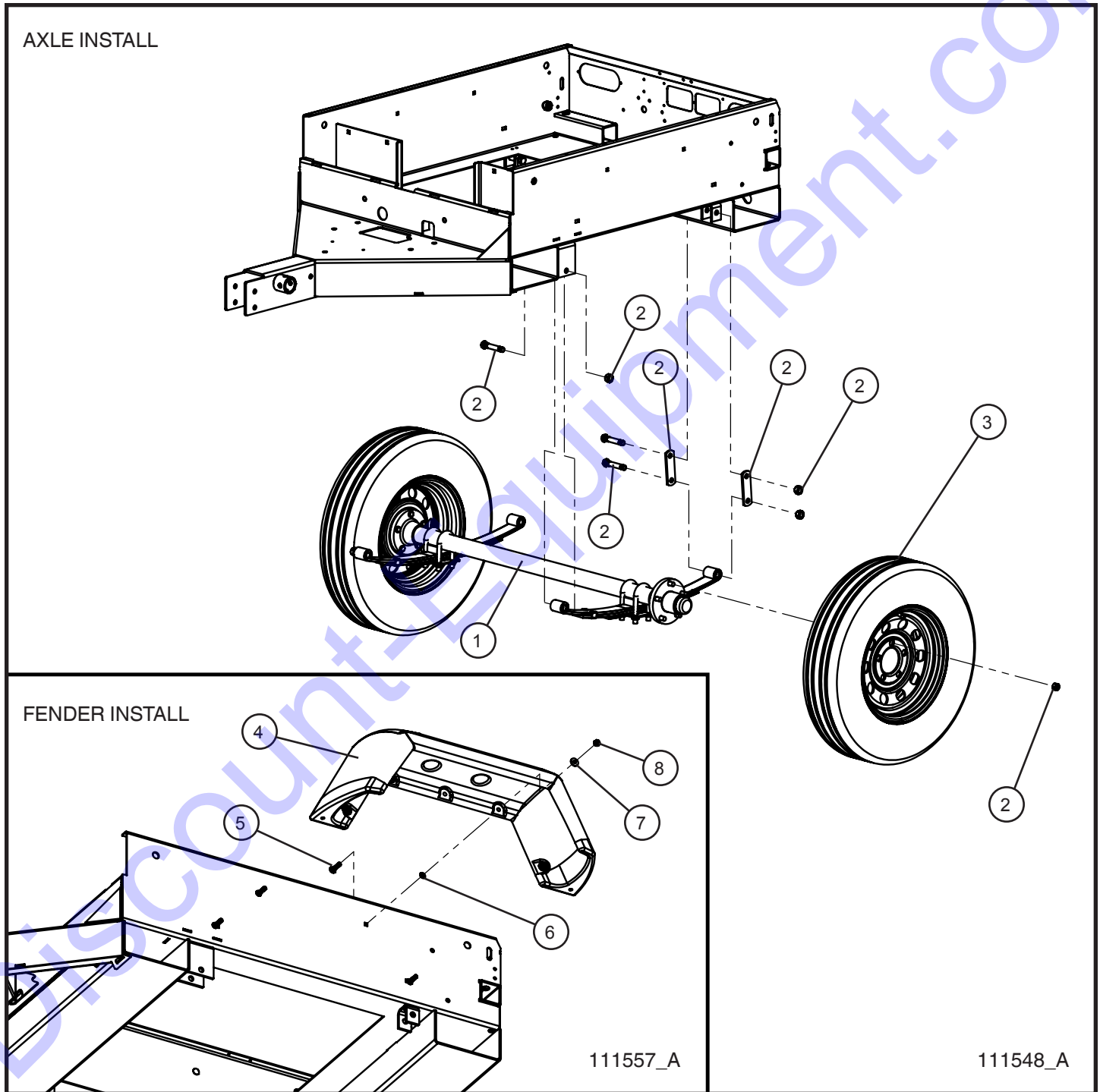
Left Side Decals	(8.1)
Left Side Door Panels and Back Side Decals	(8.2)
Right Side Decals	(8.3)
Front Side Decals	(8.4)
Top Side Decals	(8.5)
Interior Decals	(8.6)
Wordless Left Side Decals	(8.7)
Wordless Left Side Door Panels and Back Side Decals	(8.8)
Wordless Right Side Decals	(8.9)
Wordless Front Side Decals	(8.10)
Wordless Top Side Decals	(8.11)
Wordless Interior Decals	(8.12)
CSA Decals	(8.13)
Electrical Information Decals	(8.14)
LSC Autostart Decal	(8.15)

Night-Lite V-Series

PAGE LEFT BLANK
INTENTIONALLY

1.1 - Axle and Fender Group

SN 39-000001 and UP



Night-Lite V-Series

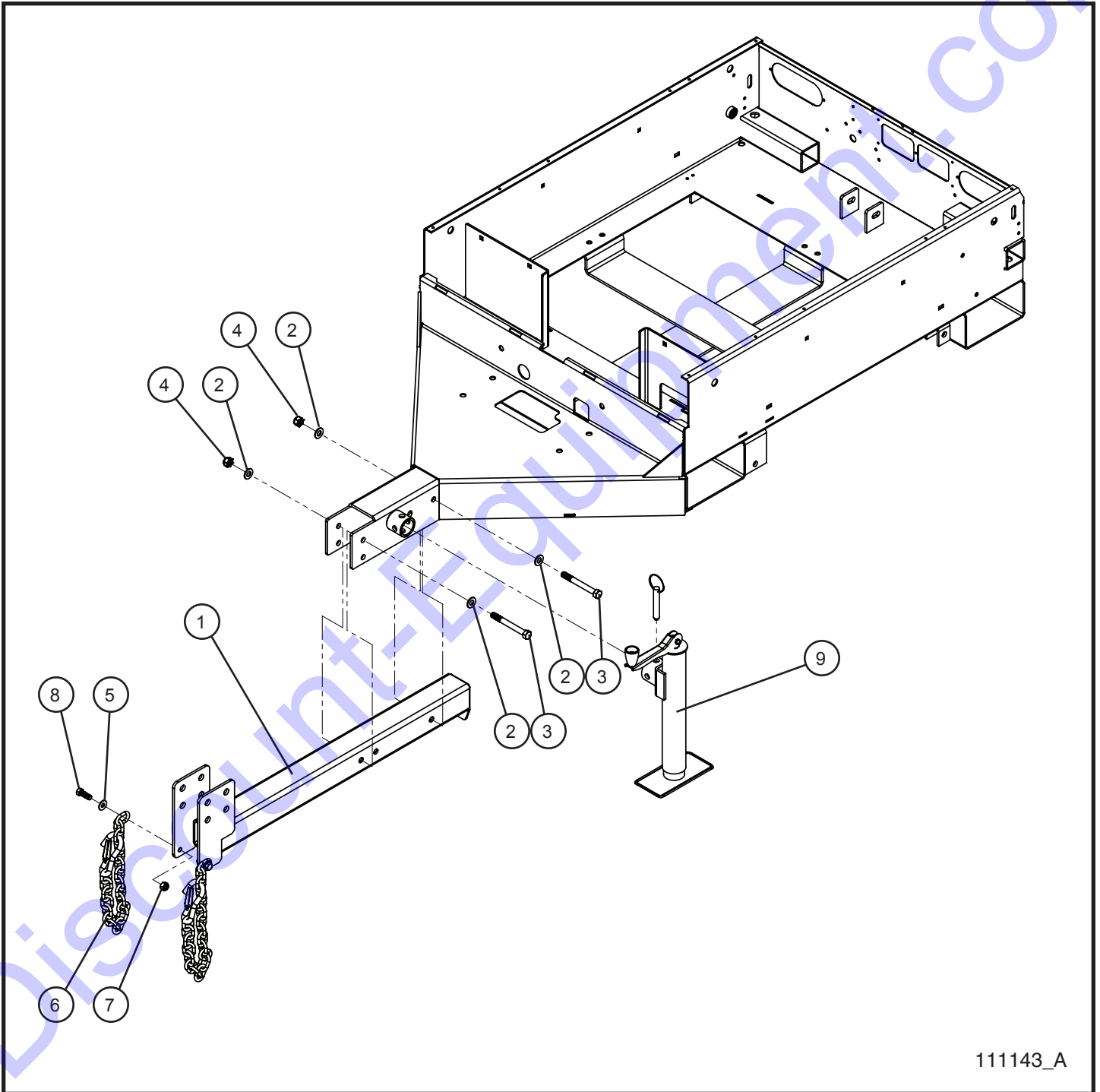
1.1 - Axle and Fender Group

SN 39-000001 and UP

Item	Part No.	Part Description	Qty.
1	107128	AXLE 13" HUBS	1
2	102106	AXLE HARDWARE KIT LONG	1
3	112801	13" WHEEL/TIRE ASSEMBLY	2
4	650297	FENDER 13 INCH MOLDED EMBEDDED DECAL	2
5	053023	5/16-18 x 1 1/2 CARRIAGE BOLT PL	8
6	045217	5/16 PUSH NUT	8
7	047010	5/16 FLAT WASHER PL	8
8	044031	5/16-18 KEPS HEX NUT PL	8

1.2 - Tongue Install Group

SN 39-000001 and UP



111143_A

Night-Lite V-Series

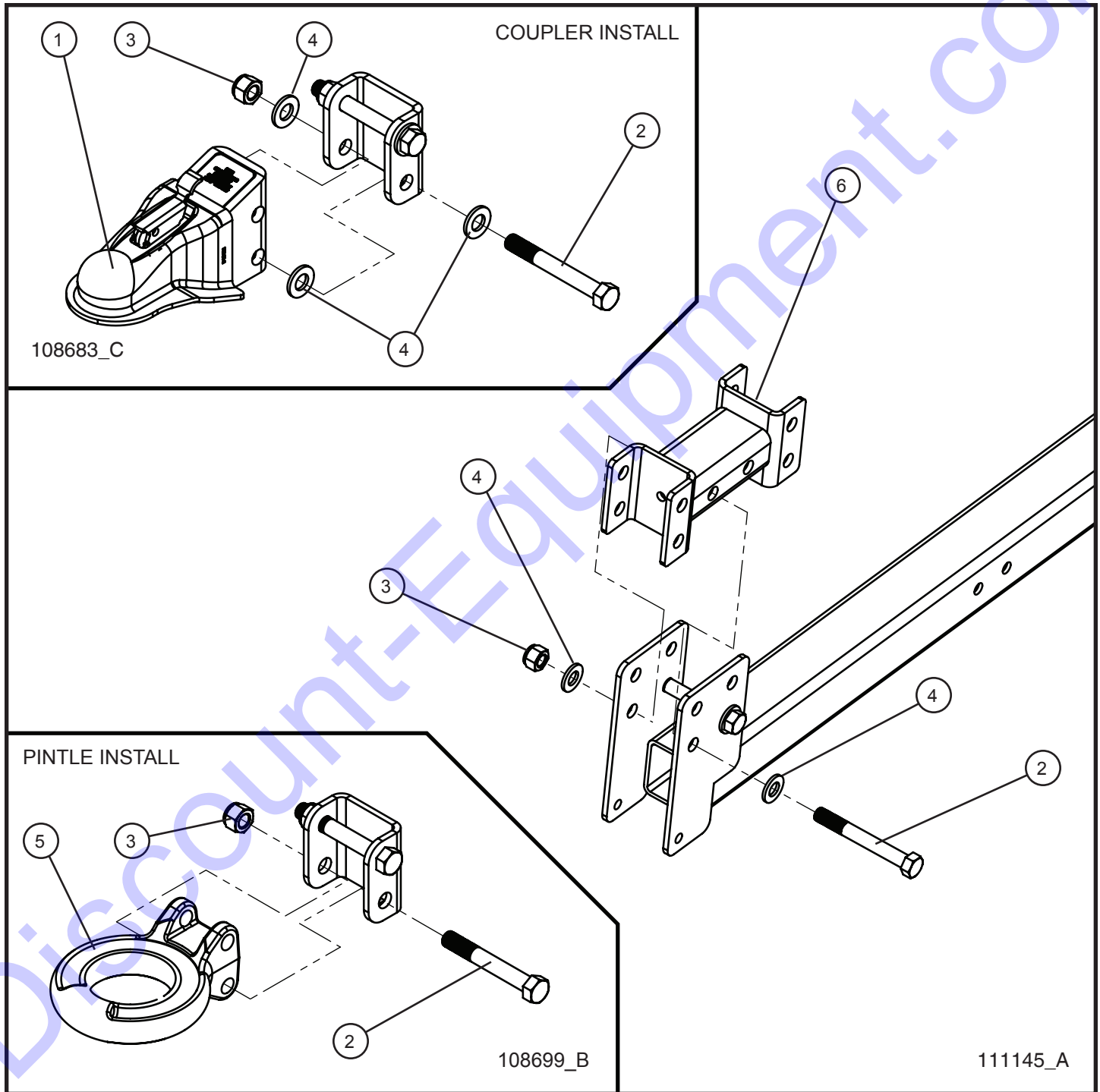
1.2 - Tongue Install Group

SN 39-000001 and UP

Item	Part No.	Part Description	Qty.
1	111146P	TONGUE FOLDING REVERSIBLE COUPLER	1
2	047025	1/2 FLAT WASHER PL	4
3	046225	1/2-13 x 4 1/2 HEX HEAD CS GR5 PL	2
4	044048	1/2-13 NYLOCK HEX NUT PL	2
5	047015	3/8 FLAT WASHER PL	2
6	049040	SAFETY CHAIN SINGLE CLASS III	2
7	044043	7/16-14 NYLOCK HEX NUT PL	2
8	046159	7/16-14 x 1 1/4 HEX HEAD CS GR5 PL	2
9	108726	TOP CRANK JACK TUBE JACK	1

1.3 - Tongue Coupler Options

SN 39-000001 and UP



Night-Lite V-Series

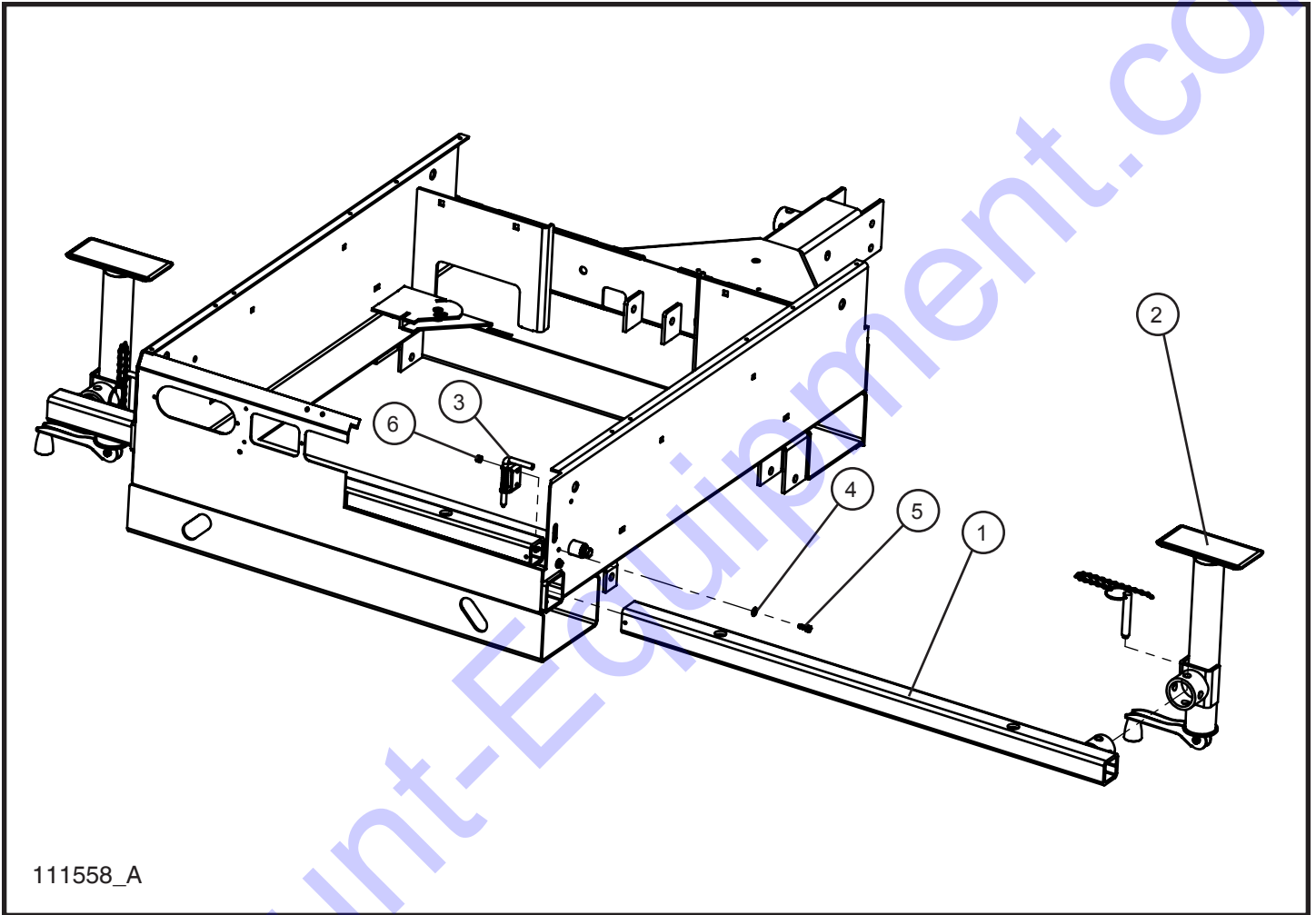
1.3 - Tongue Coupler Options

SN 39-000001 and UP

Item	Part No.	Part Description	Qty.
1	109977	COUPLER BALL 2.00 ADJUSTABLE STAMPED	1
	109976	COUPLER BALL 2.313 ADJUSTABLE STAMPED	1
2	046255	5/8-11 x 5 HEX HEAD CS GR5 PL	4
3	044053	5/8-11 NYLOCK HEX NUT PL	4
4	047031	5/8 FLAT WASHER HDND PL	10
5	106720	RING PINTLE 3.00 ADJUSTABLE	1
6	111148P	REVERSIBLE COUPLER TONGUE MOUNT	1

1.4 - Outriggers Group

SN 39-000001 and UP



111558_A

Night-Lite V-Series

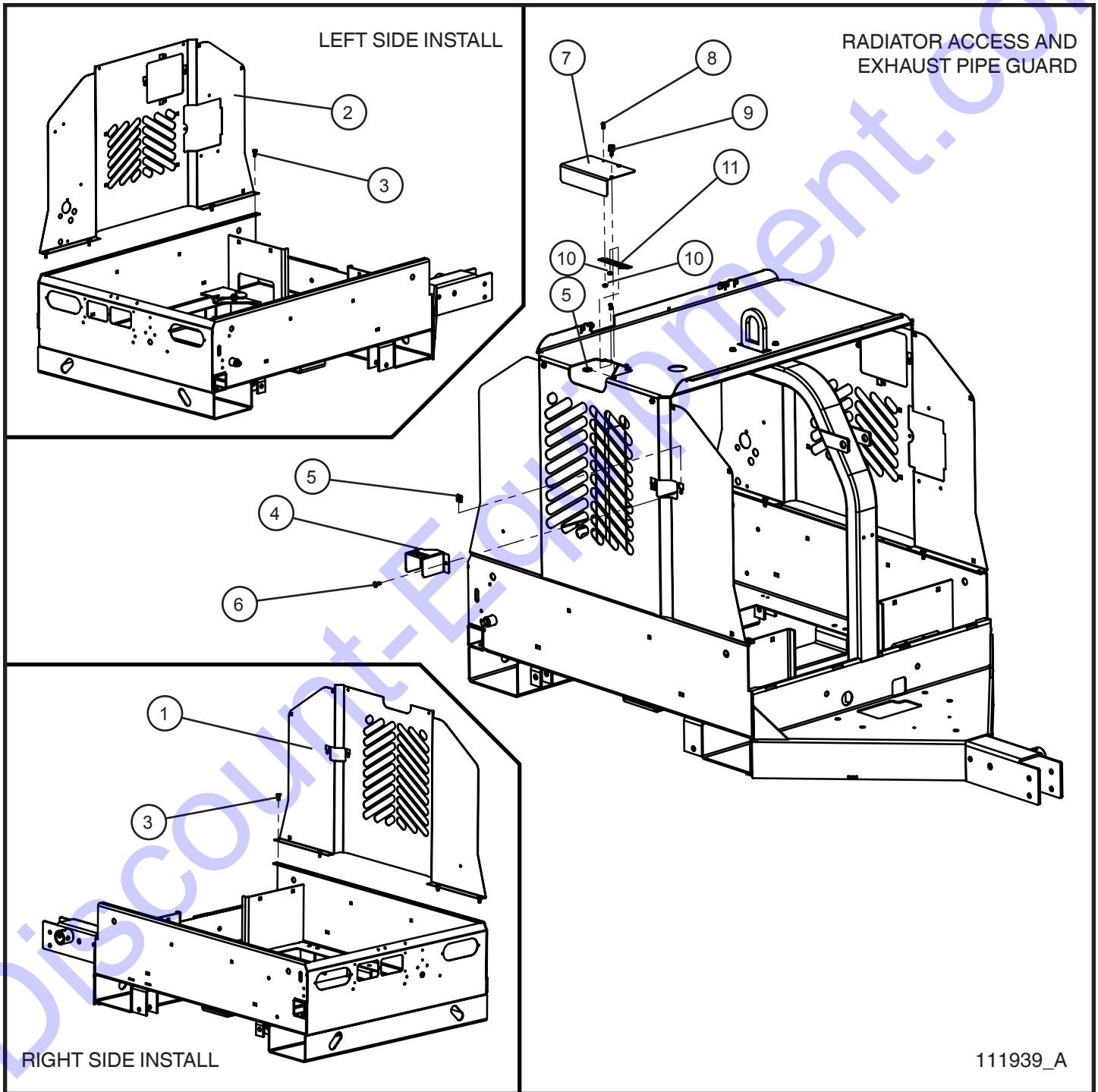
1.4 - Outriggers Group

SN 39-000001 and UP

Item	Part No.	Part Description	Qty.
1	109855P	NLV OUTRIGGER WELDMENT	2
2	108726	TOP CRANK JACK TUBE MOUNT	2
3	650723	RETENSION PIN RIGHT/LEFT	2
4	047005	1/4 FLAT WASHER PL	4
5	046010	1/4-20 x 3/4 HEX HEAD CS GR5 SS	4
6	044023	1/4-20 NYLOCK HEX NUT PL	4

2.1 - Trailer Base Parts (1 of 3)

SN 39-00001 and UP



111939_A

Night-Lite V-Series

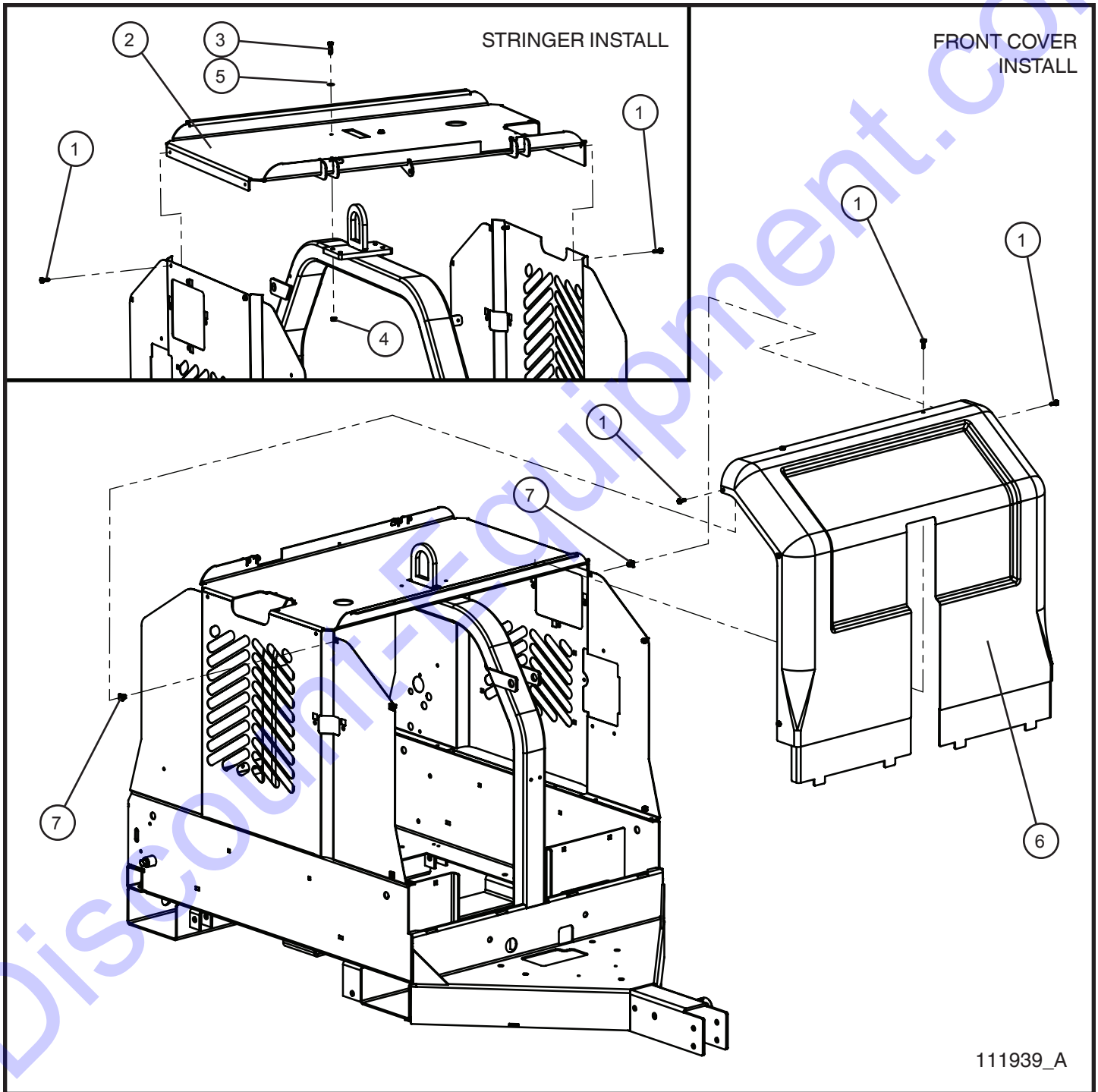
2.1 - Trailer Base Parts (1 of 3)

SN 39-000001 and UP

Item	Part No.	Part Description	Qty.
1	109861P	PANEL SIDE RIGHT	1
2	109862P	PANEL SIDE LEFT	1
3	041070	1/4-20 x 3/4 SL-HEX WASHER HEAD MS TP F	8
4	111945P	EXHAUST PIPE GUARD	1
5	045216	1/4-20 TINNEMAN NUT	3
6	041050	1/4-20 x 3/4 PH-TRUSS HEAD MS SS MACHINE SCREW	2
7	109871P	PANEL ACCESS RADIATOR CAT	1
8	041021	#10-24 x 1/2 PH-ROUND HEAD MS PL	4
9	102435	KNURLED SHMS w/ RETAINER	1
10	044016	#10-24 KEPS HEX NUT PL	4
11	045023	HINGE APF & ALT BOARDS	1

2.1 - Trailer Base Parts (2 of 3)

SN 39-000001 and UP



111939_A

Night-Lite V-Series

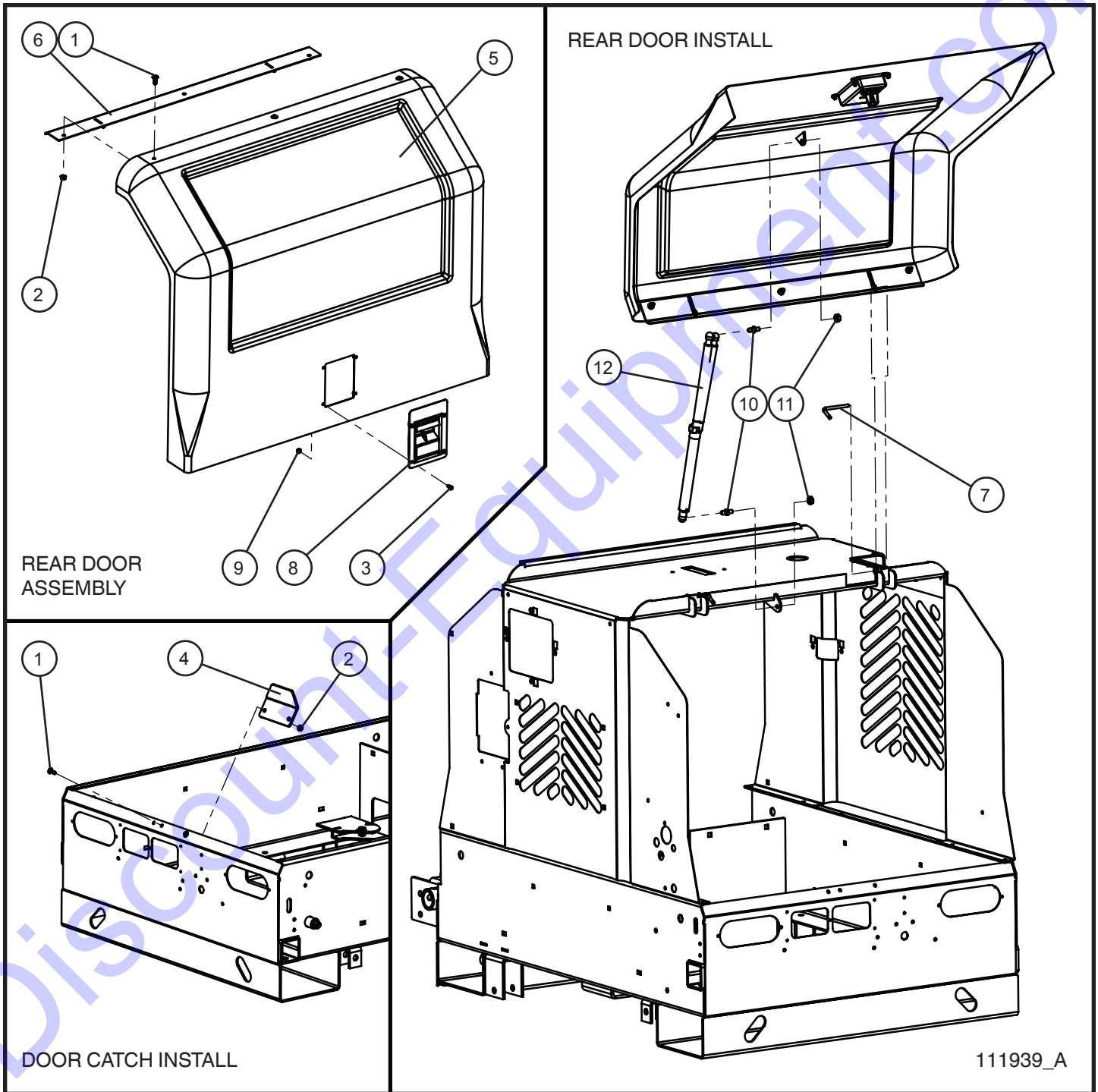
2.1 - Trailer Base Parts (2 of 3)

SN 39-000001 and UP

Item	Part No.	Part Description	Qty.
1	041070	1/4-20 x 3/4 SL-HEX WASHER HEAD MS TP F	12
2	111454P	NLV STRINGER WELMENT	1
3	046015	1/4-20 x 1 HEX HEAD CS GR5 PL	2
4	044021	1/4-20 KEPS HEX NUT PL	2
5	047009	1/4 FLAT WASHER SAE SS	2
6	109875P	WELDMENT COVER FRONT	1
7	105408	GROMMET NUT DOUBLE SPLIT	6

2.1 - Trailer Base Parts (3 of 3)

SN 39-000001 and UP



111939_A

Night-Lite V-Series

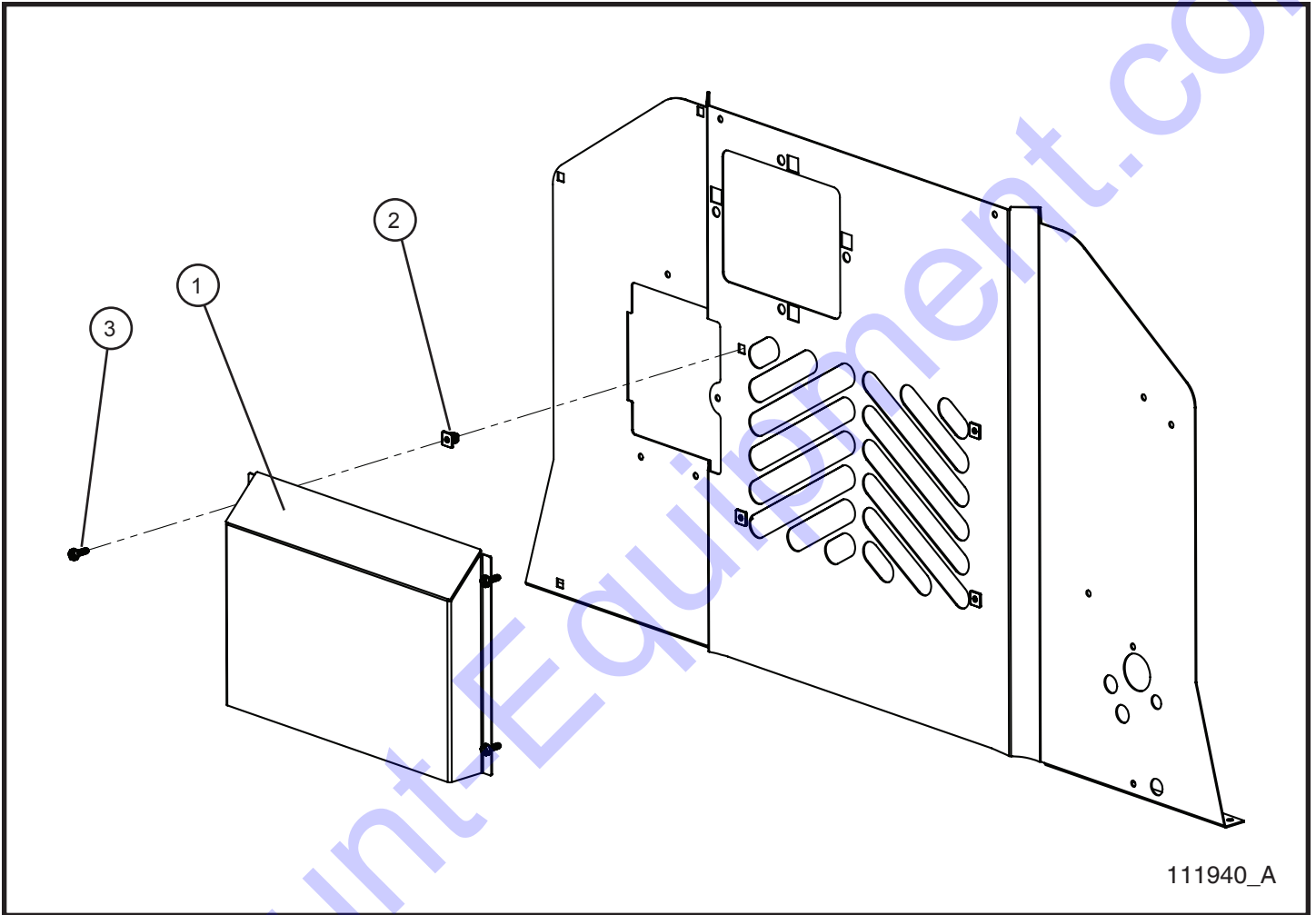
2.1 - Trailer Base Parts (3 of 3)

SN 39-000001 and UP

Item	Part No.	Part Description	Qty.
1	041050	1/4-20 x 3/4 PH-TRUSS HEAD MS SS MACHINE SCREW	5
2	044021	1/4-20 KEPS HEX NUT PL	5
3	041021	#10-24 x 1/2 PH-ROUND HEAD MS PL	4
4	109870P	PLATE CATCH SLAM LATCH	1
5	109873P	WELDMENT COVER REAR	1
6	111457P	WELDMENT REAR COVER HINGE	1
7	111456	PIN HINGE	2
8	680459	SLAM LATCH	1
9	044018	#10-24 NYLOCK HEX NUT PL	4
10	330437	BALL STUD M10	2
11	044090	5/16-18 TOP LOCK HEX NUT PL	2
12	105245	CYLINDER GAS SPRING LOCKING	1

2.2 - Air Inlet Cover

SN 39-000001 and UP



111940_A

Night-Lite V-Series

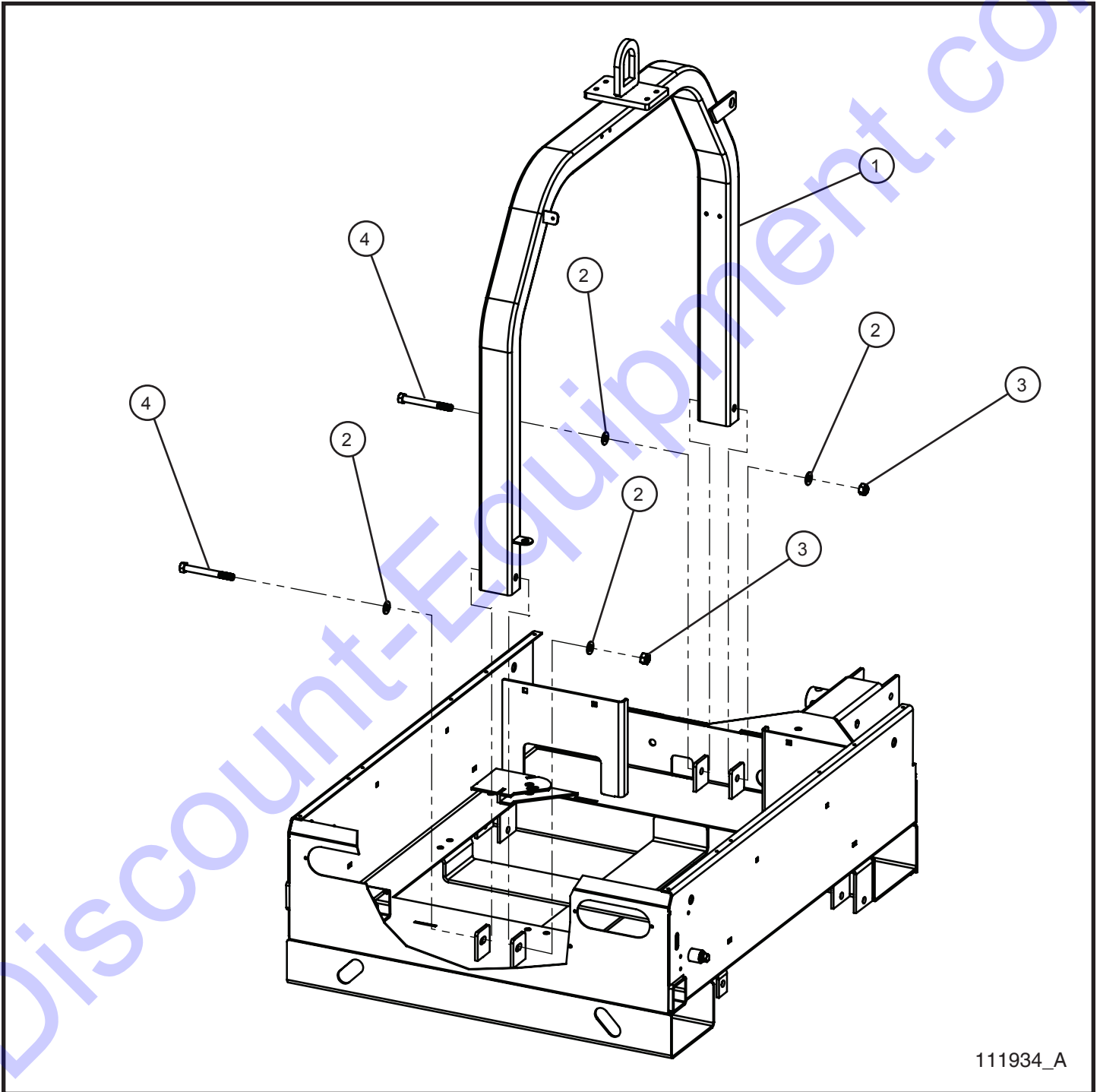
2.2 - Air Inlet Cover

SN 39-000001 and UP

Item	Part No.	Part Description	Qty.
1	109863P	PANEL COVER AIR INLET	1
2	105408	GROMMET NUT DOUBLE SPLIT	4
3	041070	1/4-20 x 3/4 SL-HEX WASHER HEAD MS TP F	4

2.3 - Lift Bow

SN 39-000001 and UP



111934_A

Night-Lite V-Series

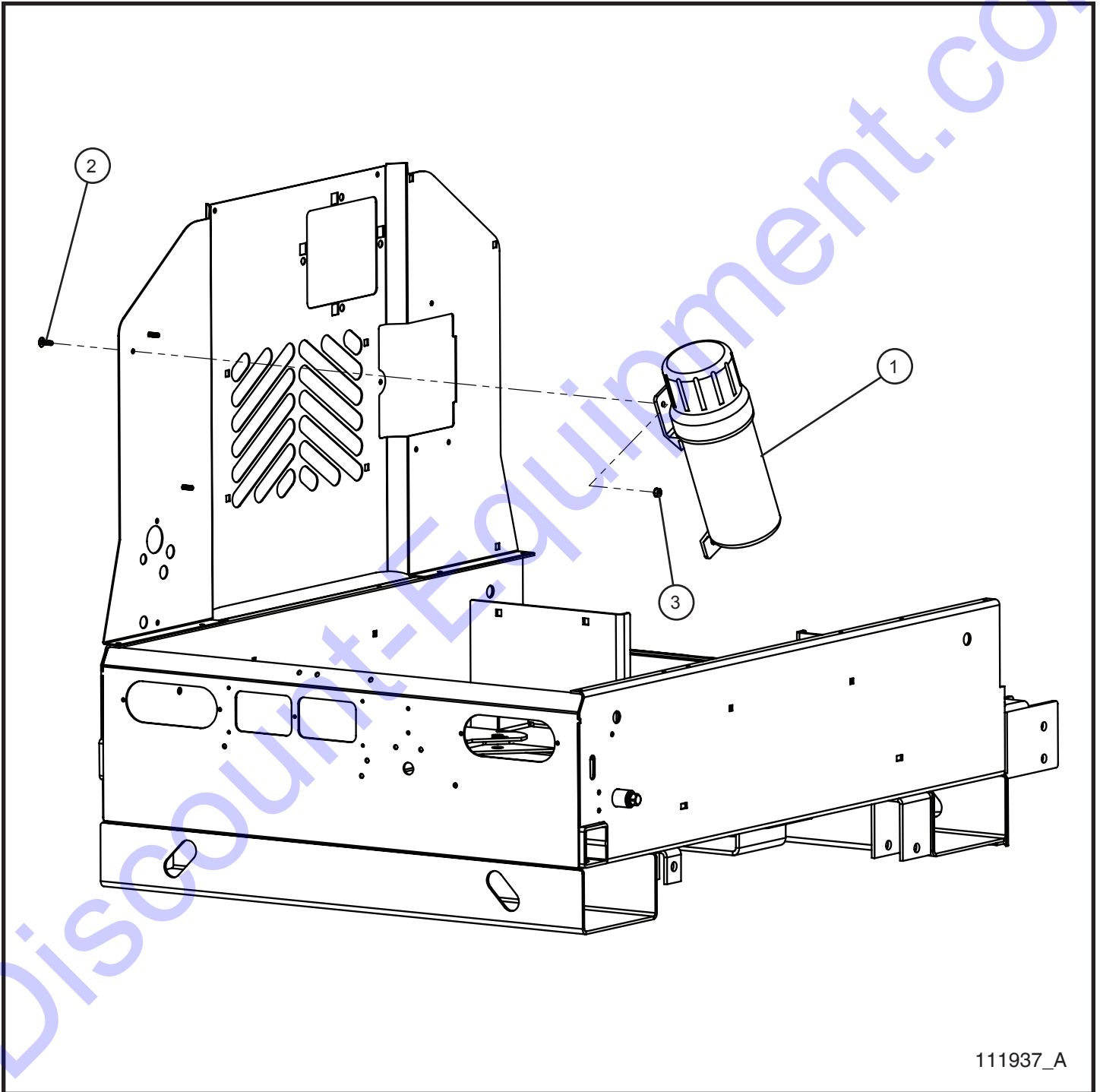
2.3 - Lift Bow

SN 39-000001 and UP

Item	Part No.	Part Description	Qty.
1	109837P	LIFT BOW NLV	1
2	047025	1/2 FLAT WASHER PL	4
3	044048	1/2-13 NYLOCK HEX NUT PL	2
4	046225	1/2-13 x 4 1/2 HEX HEAD CS GR5 PL	4

2.4 - Manual Canister

SN 39-000001 and UP



111937_A

Night-Lite V-Series

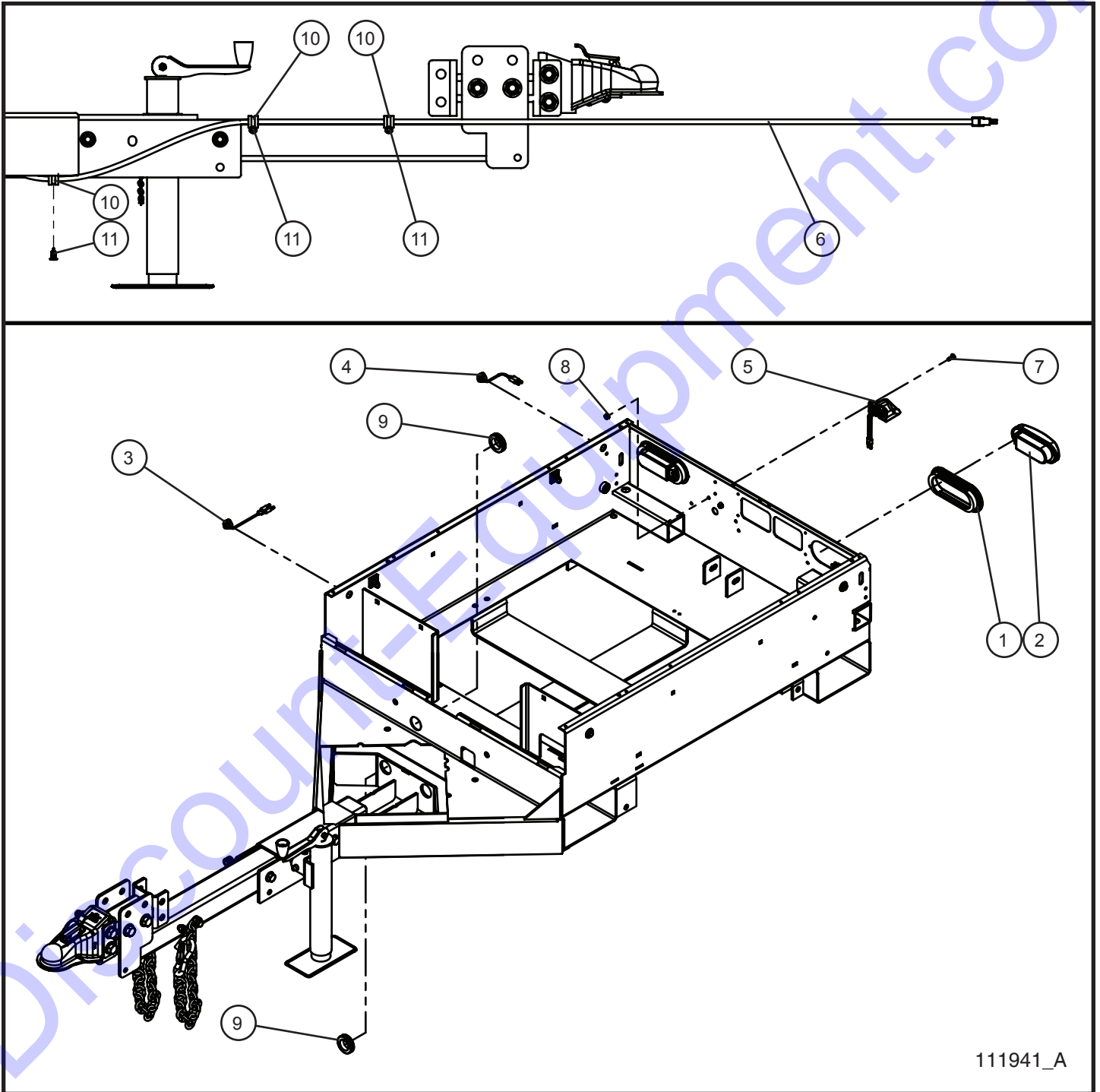
2.4 - Manual Canister

SN 39-000001 and UP

Item	Part No.	Part Description	Qty.
1	106916	MEGA CANISTER PRODUCT MANUAL	1
2	041050	1/4-20 x 3/4 PH-TRUSS HEAD MS SS MACHINE SCREW	3
3	044021	1/4-20 KEPS HEX NUT PL	3

2.5 - Trailer Lighting

SN 39-000001 and UP



111941_A

Night-Lite V-Series

2.5 - Trailer Lighting

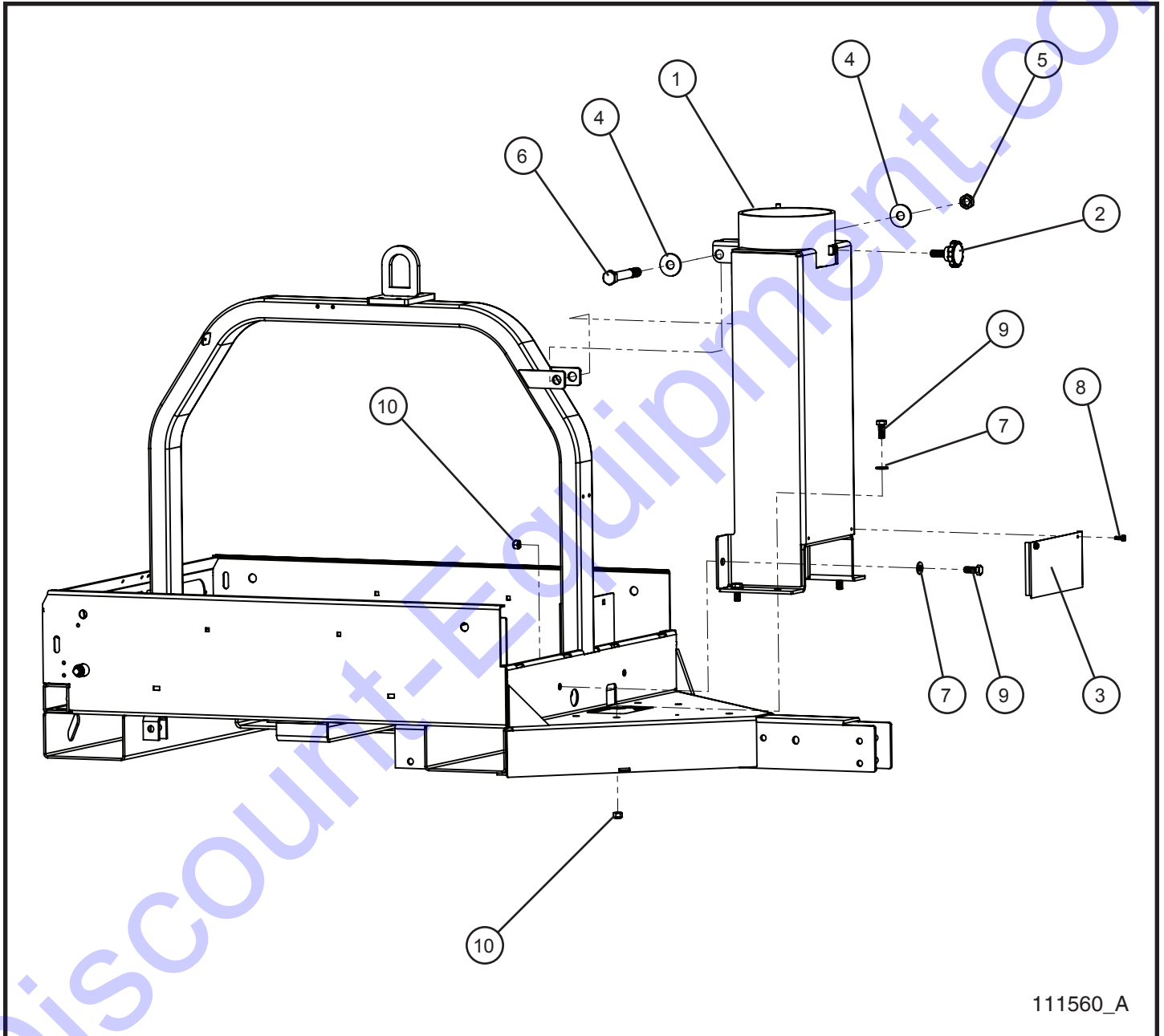
SN 39-000001 and UP

Item	Part No.	Part Description	Qty.
1	102825	OVAL LAMP GROMMET	2
2	102721	LED TAIL LAMP STOP TURN	2
3	106212	LIGHT LED MARKER AMBER	2
4	106211	LIGHT LED MARKER RED	2
5	107605	MOUNT LED LIGHT CLEAR	1
6	107857	LONG TONGUE TAIL LIGHT HARNESS	1
7	041050	1/4-20 x 3/4 PH-TRUSS HEAD MACHINE SCREW	2
8	044021	1/4-20 KEPS HEX NUT PL	2
9	650542	1 1/4 ID x 1 1/2 OD GROMMET	2
10	310212	#10 CUSH CLAMP 1/4 HOLE	3
11	110256	TRIM PANEL RETAINER	3
NS	107266	SCHEMATIC TAIL LIGHT HARNESS	1
NS	107489	HARNESS MARKER LIGHTS REAR	1
NS	107490	HARNESS MARKER LIGHTS FRONT	1
NS	107858	BASE HARNESS TAIL LIGHTS	1
NS	107861	TAIL LIGHT PIGTAIL SHORT SQUARE PLUG HARNESS	2
NS	107268	FRONT MARKER LIGHTS SCHEMATIC	1
NS	107493	REAR MARKER LIGHT SCHEMATIC	1

*NS - NOT SHOWN

3.1 - Vertical Tower Pivot Support

SN 39-000001 and UP



111560_A

Night-Lite V-Series

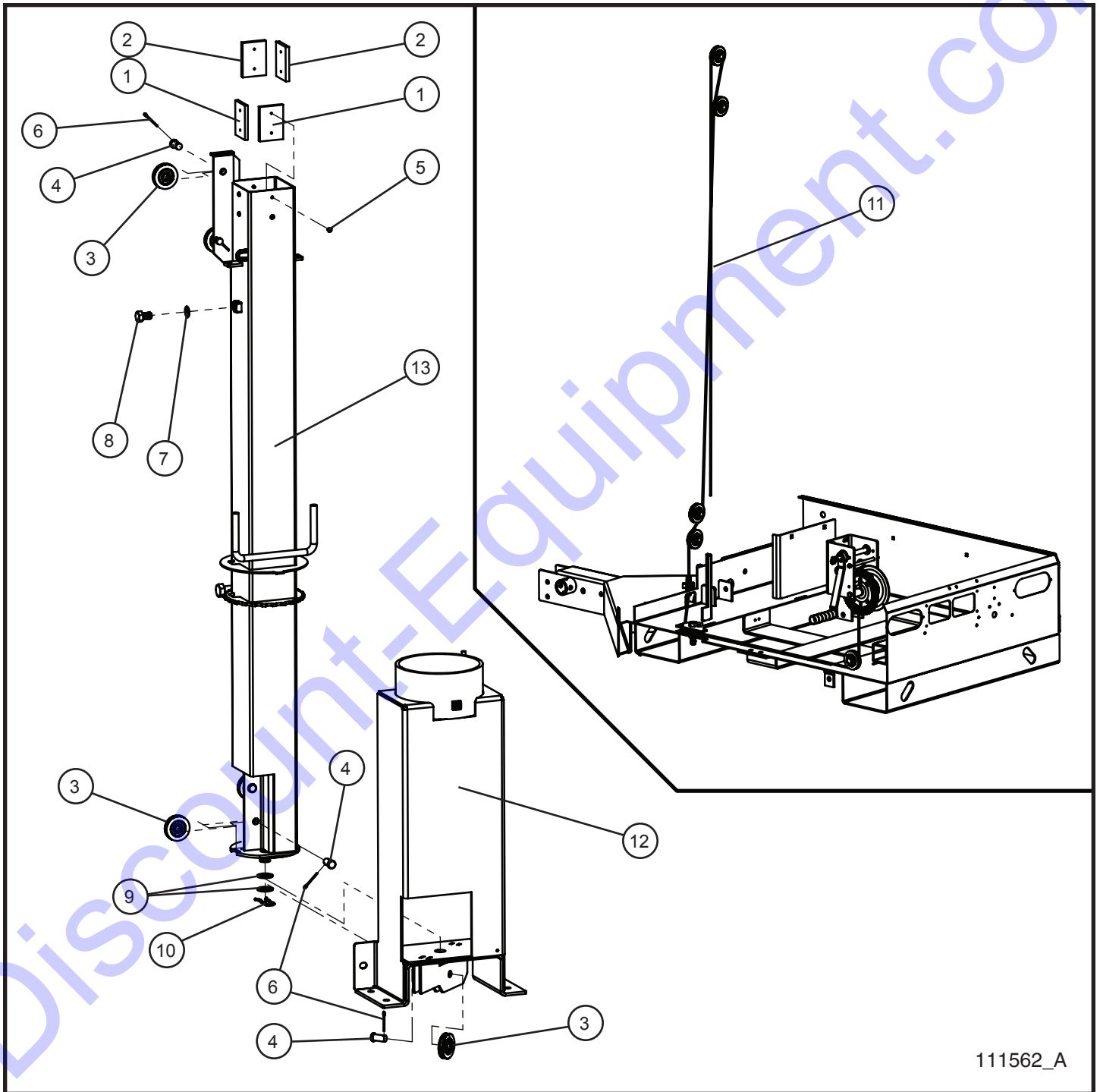
3.1 - Vertical Tower Pivot Support

SN 39-000001 and UP

Item	Part No.	Part Description	Qty.
1	110248P	PIVOT SECTION SUPPORT	1
2	620550	LOCKING KNOB	1
3	110220P	TOWER PULLEY PANEL	1
4	047035	3/4 FLAT WASHER PL	2
5	044059	3/4-16 JAM NUT	1
6	046272	STEEL CAT SCREW 3/4 x 5 1/2 GRADE 5	1
7	047025	1/2 FLAT WASHER PL	6
8	041070	1/4-20 x 3/4 SL-HEX WASHER HEAD MS TP F	2
9	046180	1/2-13 x 1 1/4 HEX HEAD CS GR5 PL	6
10	044043	7/16-14 NYLOCK HEX NUT PL	6

3.2 - Manual Vertical Tower Section 1

SN 39-000001 and UP



111562_A

Night-Lite V-Series

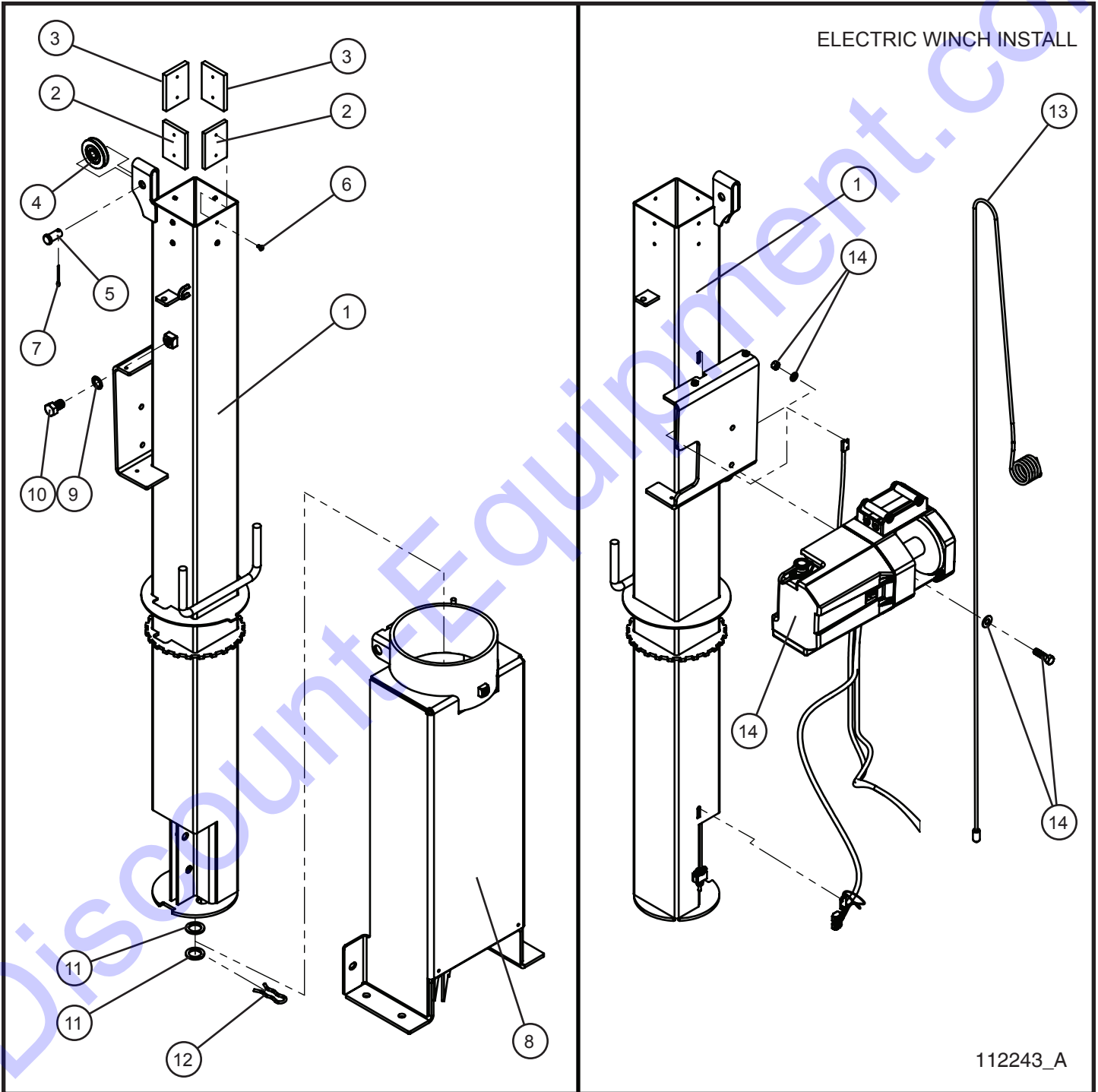
3.2 - Manual Vertical Tower Section 1

SN 39-000001 and UP

Item	Part No.	Part Description	Qty.
1	650110	.312 TOWER PAD	2
2	650109	.375 TOWER PAD	2
3	100160	2 1/2 PULLEY BALL BEARING	5
4	102906	5/8 x 1 1/4 CLEVIS PIN	5
5	041023	#10 x 3/8 PH-ROUND HEAD MS PL	8
6	045042	COTTER PIN 1/8 x 1 1/2	5
7	043100	5/8 INTL TOOTHLOCK WASHER PL	1
8	046242	5/8-11 x 1 HEX HEAD CS GR5 PL	1
9	047055	1" ID NARROW RIM PLATED MACHINE BUSHING	2
10	620545	3/4" HAIR PIN CLIP RATED	1
11	107365	WINCH CABLE	1
12	110248P	PIVOT SECTION SUPPORT	1
13	110335P	MANUAL WINCH TOWER WELDMENT	1
	110335-20	MANUAL WINCH TOWER WELDMENT - GALVANIZED	1

3.3 - Electric Winch Vertical Tower Section 1 (1 of 3)

SN 39-000001 and UP



Night-Lite V-Series

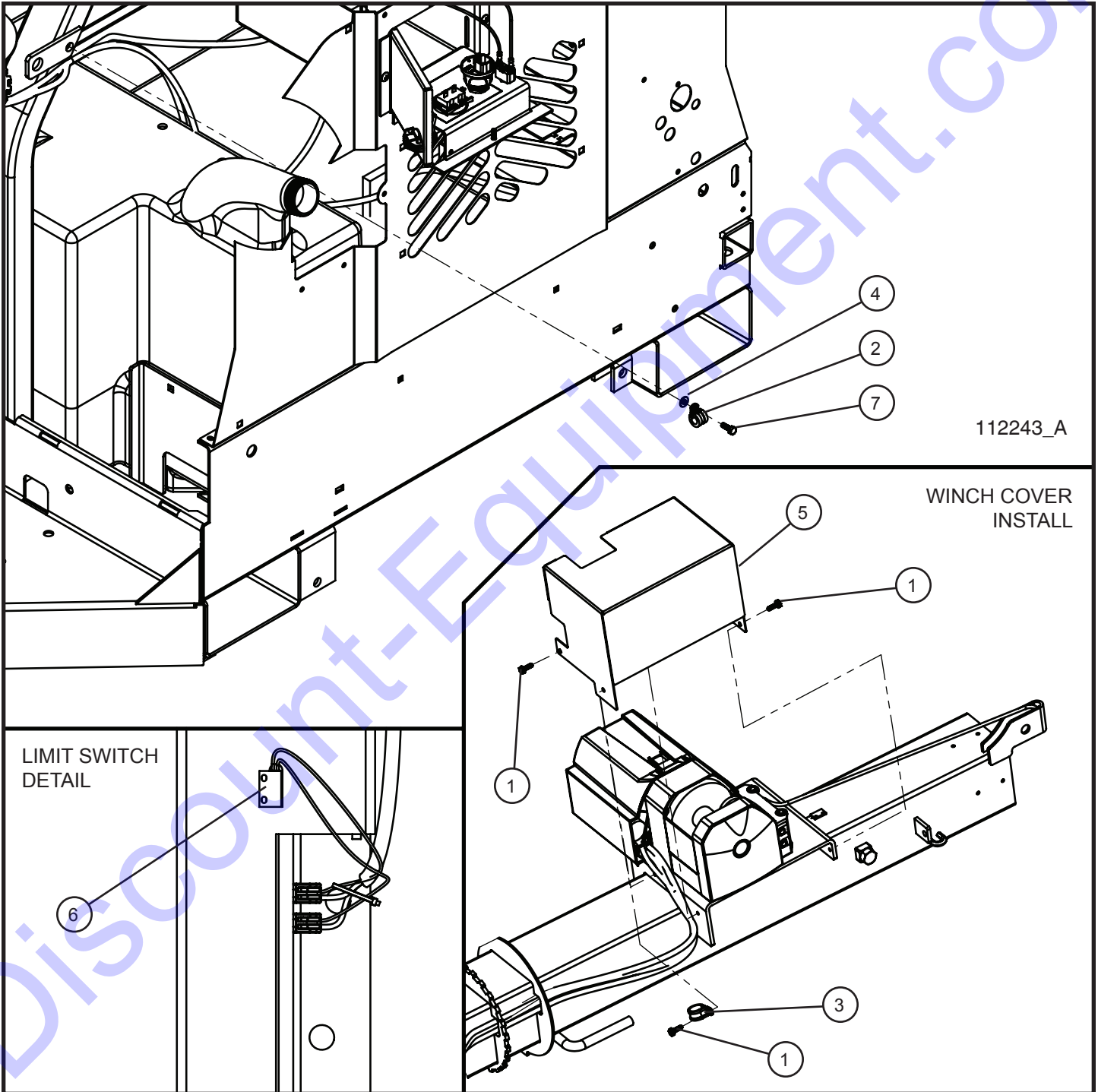
3.3 - Electric Winch Vertical Tower Section 1 (1 of 3)

SN 39-000001 and UP

Item	Part No.	Part Description	Qty.
1	109833P	ELECTRIC WINCH TOWER 5 INCH SECTION	1
	109833-20	ELECTRIC WINCH TOWER 5 INCH SECTION GALVANIZED	1
2	650110	.312 TOWER PAD	2
3	650109	.375 TOWER PAD	2
4	100160	2 1/2 PULLEY BALL BEARING	1
5	102906	5/8 x 1 1/4 CLEVIS PIN	1
6	041023	#10 x 3/8 PH-ROUND HEAD MS PL	8
7	045042	COTTER PIN 1/8 x 1 1/2	1
8	110248P	PIVOT SECTION SUPPORT	1
9	043100	5/8 INTL TOOTHLOCK WASHER PL	1
10	046242	5/8-11 x HEX HEAD CS GR5 PL	1
11	047055	1" ID NARROW RIM PLATED MACHINE BUSHING	2
12	620545	3/4" HAIR PIN CLIP RATED	1
13	109998	ELECTRIC WINCH CABLE	1
14	110022	ELECTRIC WINCH ASSEMBLY	1
	109992	ELECTRIC WINCH C1000 (WINCH ONLY)	1

3.3 - Electric Winch Vertical Tower Section 1 (2 of 3)

SN 39-000001 and UP



Night-Lite V-Series

3.3 - Electric Winch Vertical Tower Section 1 (2 of 3)

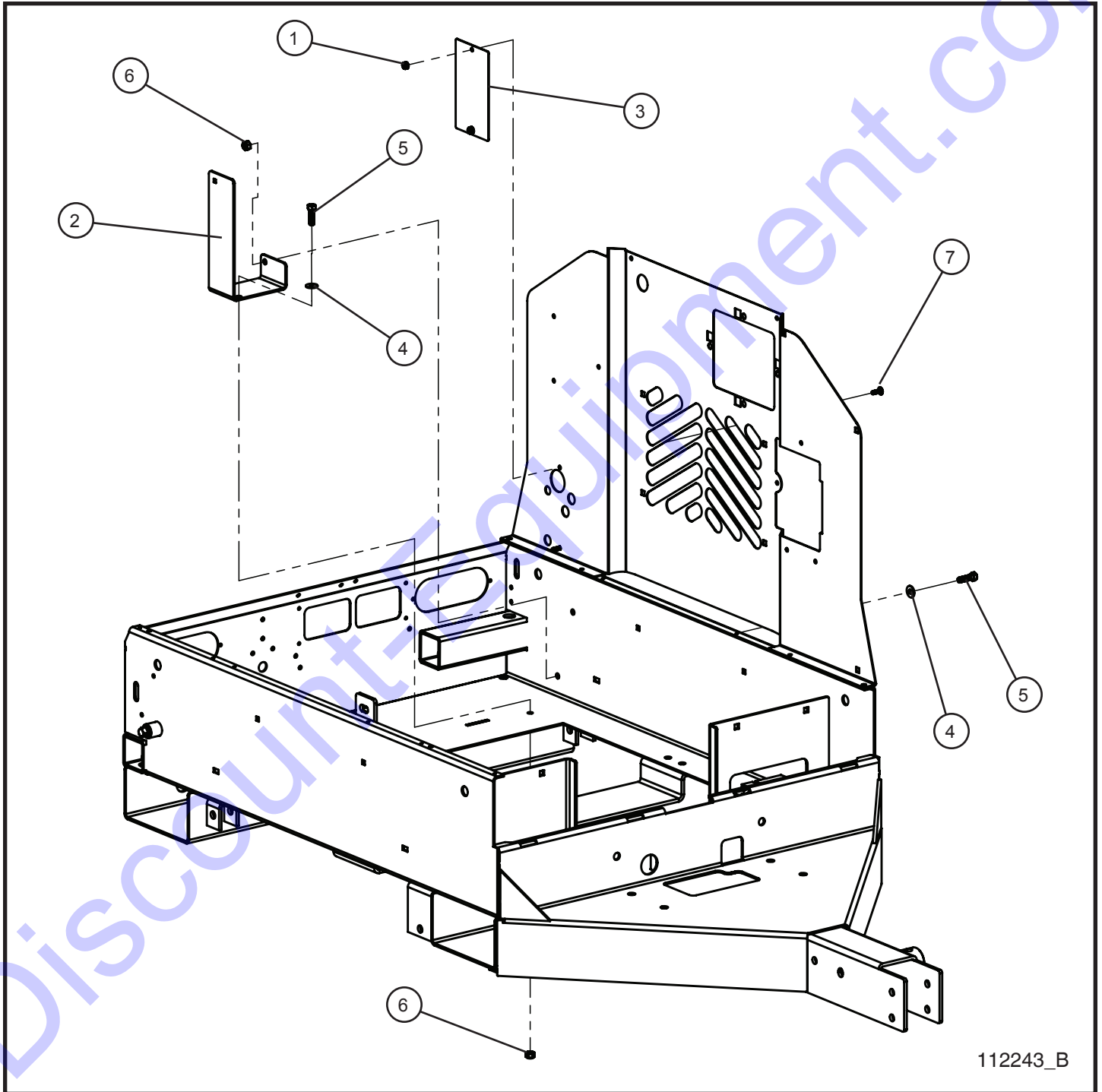
SN 39-000001 and UP

Item	Part No.	Part Description	Qty.
1	041070	1/4-20 x 3/4 SL-HEX WASHER HEAD	4
2	310212	#10 CUSH CLAMP 1/4 HOLE	1
3	022024	#12 CUSH CLAMP	1
4	047005	1/4 FLAT WASHER PL	1
5	110214P	ELECTRIC WINCH COVER PLATE	1
6	109993	MAGNETIC LIMIT SWITCH	2
7	102573	1/4-20 x 3/4 HEX HEAD CS GR5 ZINC	1
NS	110044	16/2 ELECTRIC WINCH TO LIMIT SWITCH CORD	1
NS	110117	ELECTRIC WINCH SCHEMATIC	1

*NS - NOT SHOWN

3.3 - Electric Winch Vertical Tower Section 1 (3 of 3)

SN 39-000001 and UP



Night-Lite V-Series

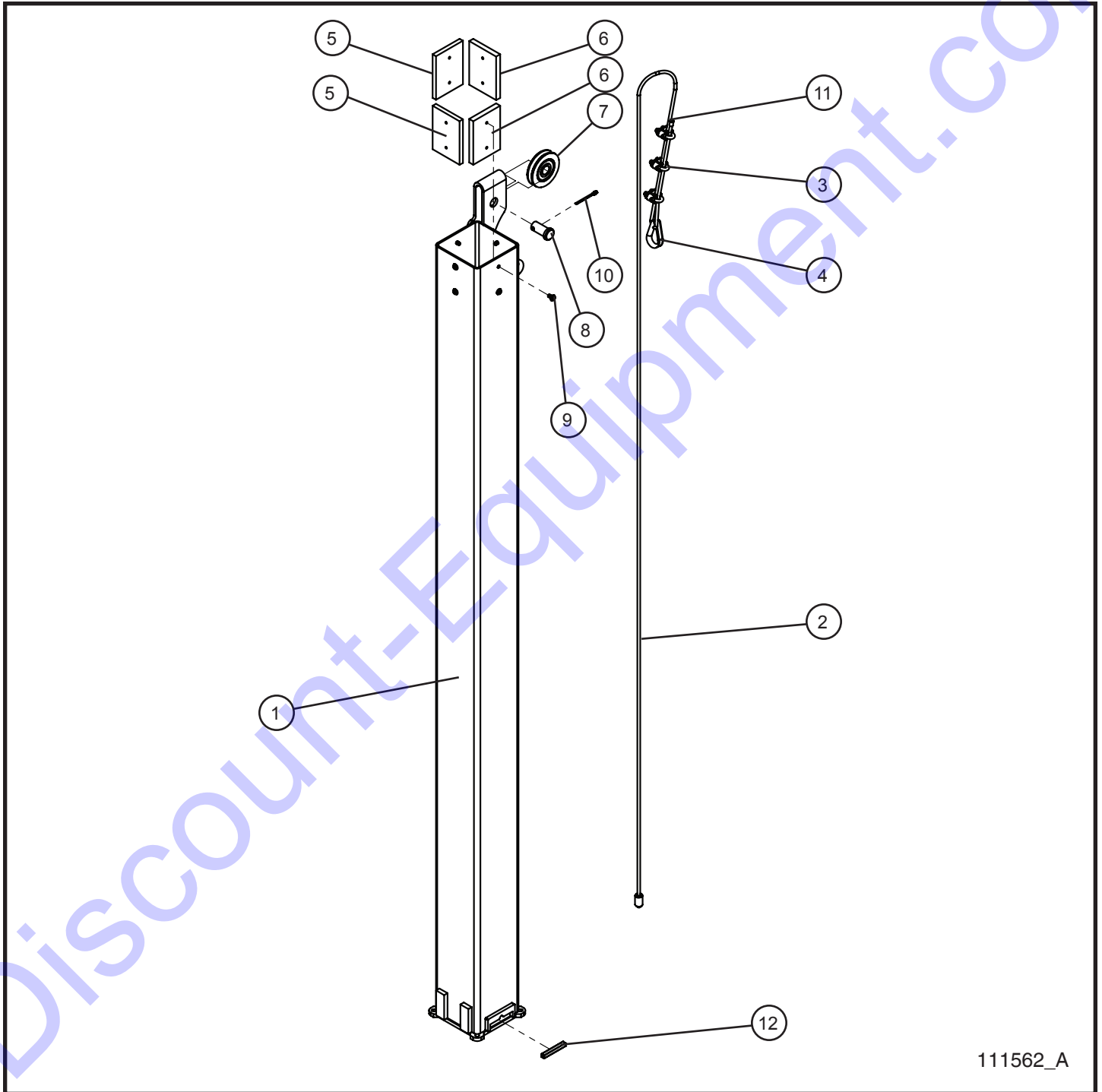
3.3 - Electric Winch Vertical Tower Section 1 (3 of 3)

SN 39-000001 and UP

Item	Part No.	Part Description	Qty.
1	044021	1/4-20 KEPS HEX NUT PL	2
2	111957P	HOLD DOWN BATTERY BRACKET	1
3	111953P	WINCH HOLE COVER PLATE	1
4	047010	5/16 FLAT WASHER PL	2
5	046115	3/8-16 x 1 1/4 HEX HEAD CS GR5 PL	2
6	044038	3/8-16 NYLOCK HEX NUT PL	2
7	041050	1/4-20 x 3/4 PHILLIPS TRUSS HEAD MACHINE SCREW	2

3.4 - Vertical Tower Section 2

SN 39-000001 and UP



111562_A

Night-Lite V-Series

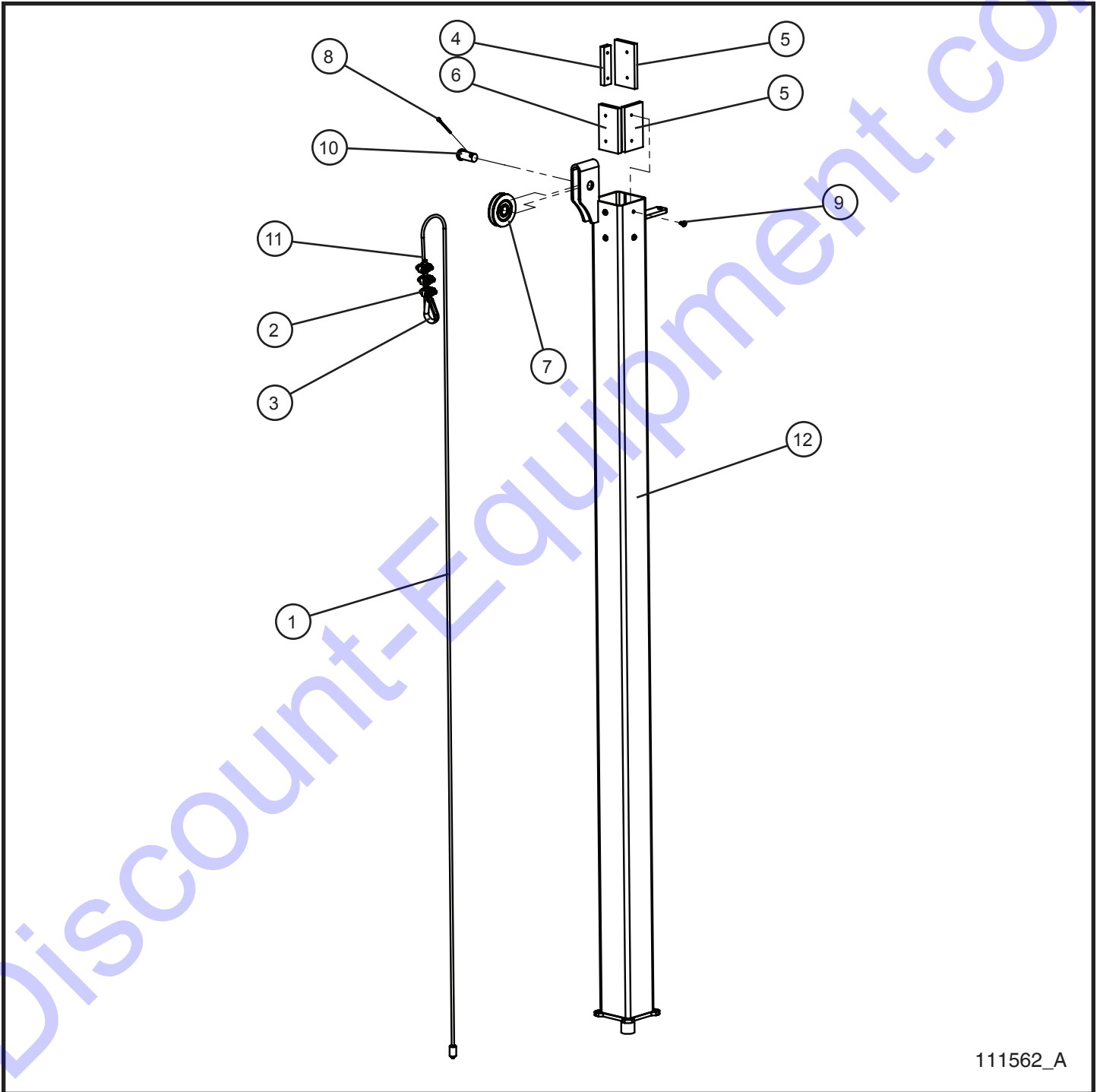
3.4 - Vertical Tower Section 2

SN 39-000001 and UP

Item	Part No.	Part Description	Qty.
1	107182P	TOWER WELDMENT 4 INCH SECTION	1
	107182-20	TOWER WELDMENT 4 INCH SECTION - GALVANIZED	1
2	320185	CABLE 3/16 STEEL 10'	1
3	620084	3/16 CABLE CLIP	3
4	045040	3/16 CABLE THIMBLE 3/16 WIRE ROPE	1
5	650110	.312 TOWER PAD	2
6	650109	.375 TOWER PAD	2
7	100160	2 1/2 PULLEY BALL BEARING	1
8	102906	5/8 x 1 1/4 CLEVIS PIN	1
9	041023	#10 x 3/8 PH-ROUND HEAD MS PL	8
10	045042	COTTER PIN 1/8 x 1 1/2	1
11	022150	FERRULE 10-12 AWG	1
12	109988	MAGNET 1/4 x 1/4 x 2	1

3.5 - Vertical Tower Section 3

SN 39-000001 and UP



111562_A

Night-Lite V-Series

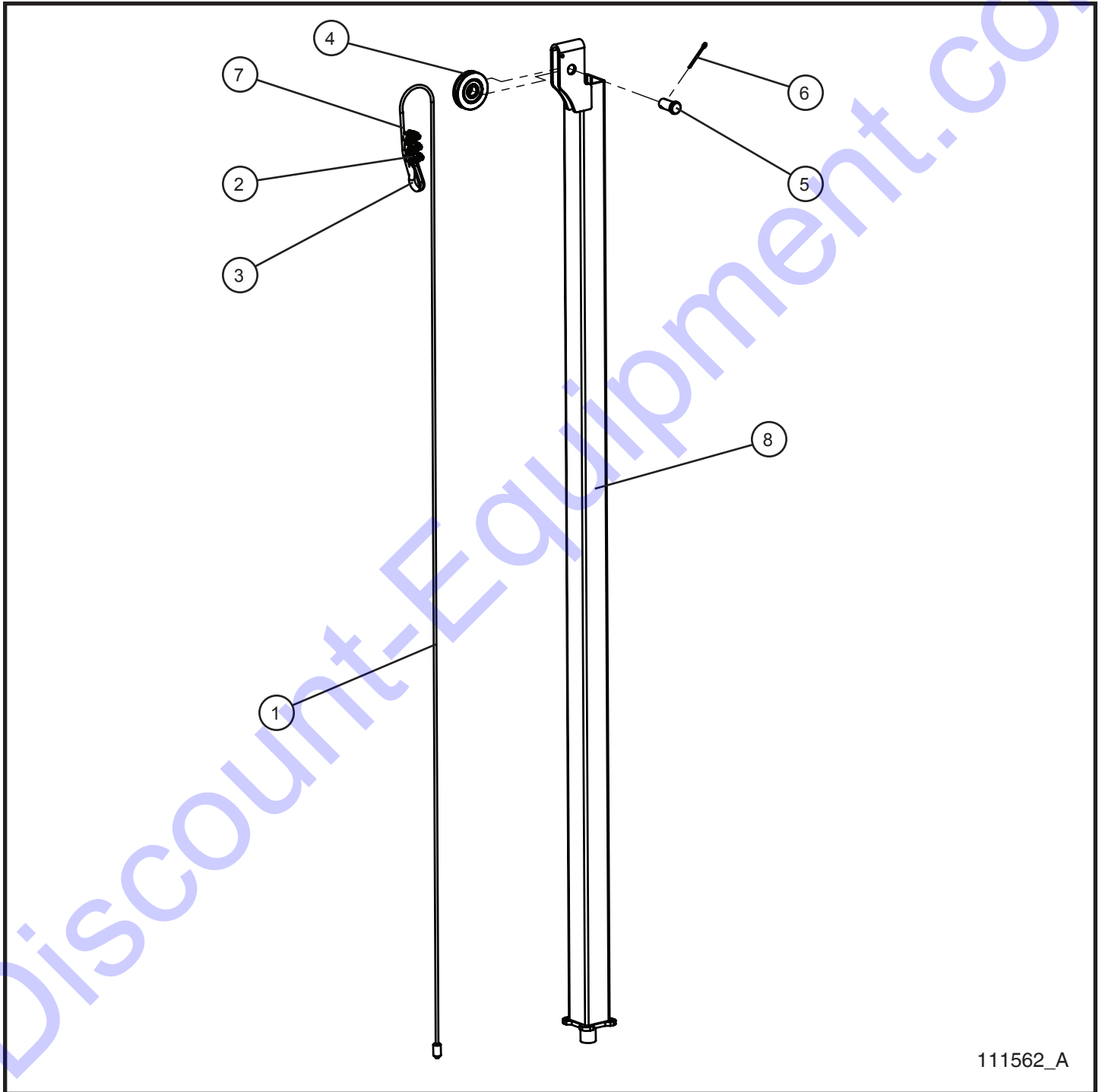
3.5 - Vertical Tower Section 3

SN 39-000001 and UP

Item	Part No.	Part Description	Qty.
1	320185	CABLE 3/16 STEEL 10'	1
2	620084	3/16 CABLE CLIP	3
3	045040	3/16 CABLE THIMBLE 3/16 WIRE ROPE	1
4	100062	3/8 UHMW SPACER	1
5	352280	PLASTIC TOWER PAD	2
6	100446	3/8 PAD SMALL	1
7	100160	2 1/2 PULLEY BALL BEARING	1
8	102906	5/8 x 1 1/4 CLEVIS PIN	1
9	041023	#10 x 3/8 PH-ROUND HEAD MS PL	8
10	045042	COTTER PIN 1/8 x 1 1/2	1
11	022150	FERRULE 10-12 AWG	1
12	110353P	TOWER WELDMENT 3 INCH SECTION	1
	110353-20	TOWER WELDMENT 3 INCH SECTION - GALVANIZED	1

3.6 - Vertical Tower Section 4

SN 39-000001 and UP



111562_A

Night-Lite V-Series

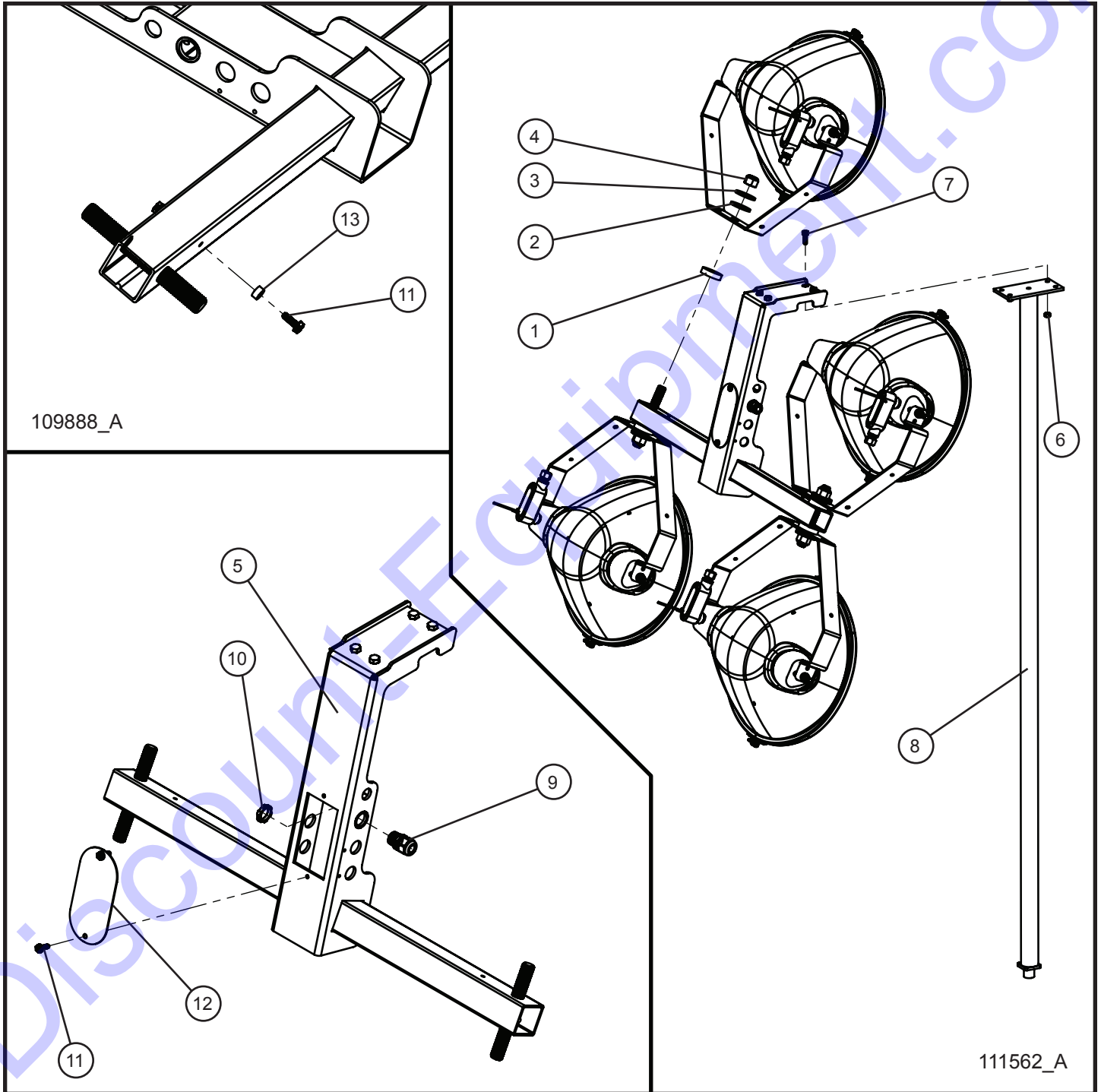
3.6 - Vertical Tower Section 4

SN 39-000001 and UP

Item	Part No.	Part Description	Qty.
1	320185	CABLE 3/16 STEEL 10'	1
2	620084	3/16 CABLE CLIP	3
3	045040	3/16 CABLE THIMBLE 3/16 WIRE ROPE	1
4	100160	2 1/2 PULLEY BALL BEARING	1
5	102906	5/8 x 1 1/4 CLEVIS PIN	1
6	045042	COTTER PIN 1/8 x 1 1/2	1
7	022150	FERRULE 10-12 AWG	1
8	107137P	TOWER WELDMENT 2 INCH SECTION	1
	107137-20	TOWER WELDMENT 2 INCH SECTION - GALVANIZED	1

3.7 - Vertical Tower Round Section and Light Bar

SN 39-000001 and UP



109888_A

111562_A

Night-Lite V-Series

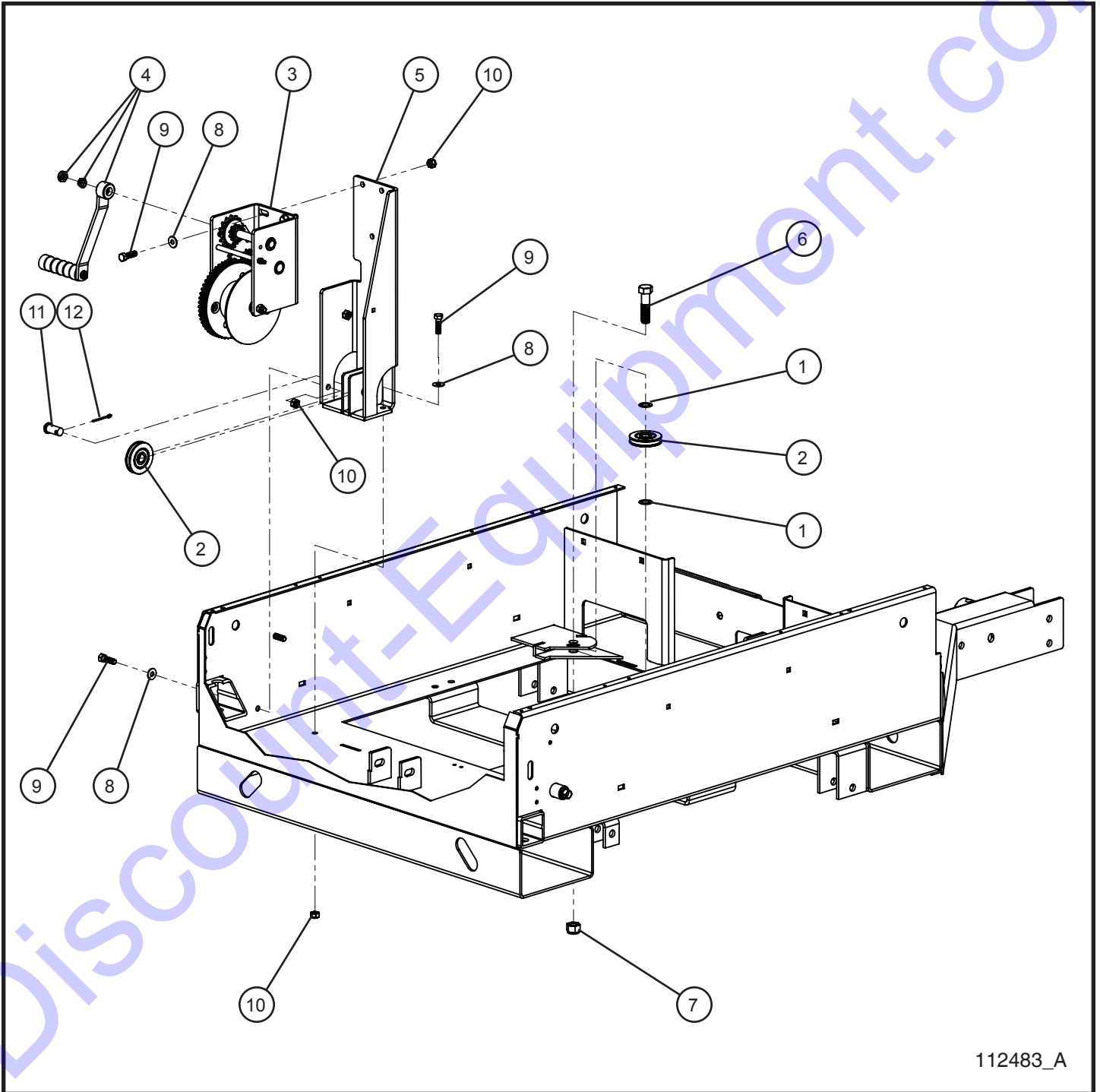
3.7 - Vertical Tower Round Section and Light Bar

SN 39-000001 and UP

Item	Part No.	Part Description	Qty.
1	101813	.781 ID x 2 OD x 1/2 HDPE WASHER	4
2	650550	.785 x 2 HDPE WASHER	4
3	047035	3/4 FLAT WASHER PL	4
4	044058	3/4-10 NYLOCK HEX NUT PL	4
5	108934P	LIGHT BAR WELDMENT NL5000	1
6	044033	5/16-18 NYLOCK HEX NUT PL	4
7	046050	5/16-18 x 1 HEX HEAD CS GR5 PL	4
8	107139P	ROUND TOWER SECTION	1
	107139-20	ROUND TOWER SECTION - GALVANIZED	1
9	105626	CORD GRIP 1/2" NYLON BLACK	1
10	022035	1/2 CORD GRIP NUT	1
11	041070	1/4-20 x 3/4 SL-HEX WASHER HEAD MS TP F	6
12	108933P	FRONT COVER LIGHT BAR	1
13	104979	CLEARANCE SPACER NYLON UNTHREADED	4

3.8 - Manual Vertical Tower Winch Install Group

SN 39-000001 and UP



112483_A

Night-Lite V-Series

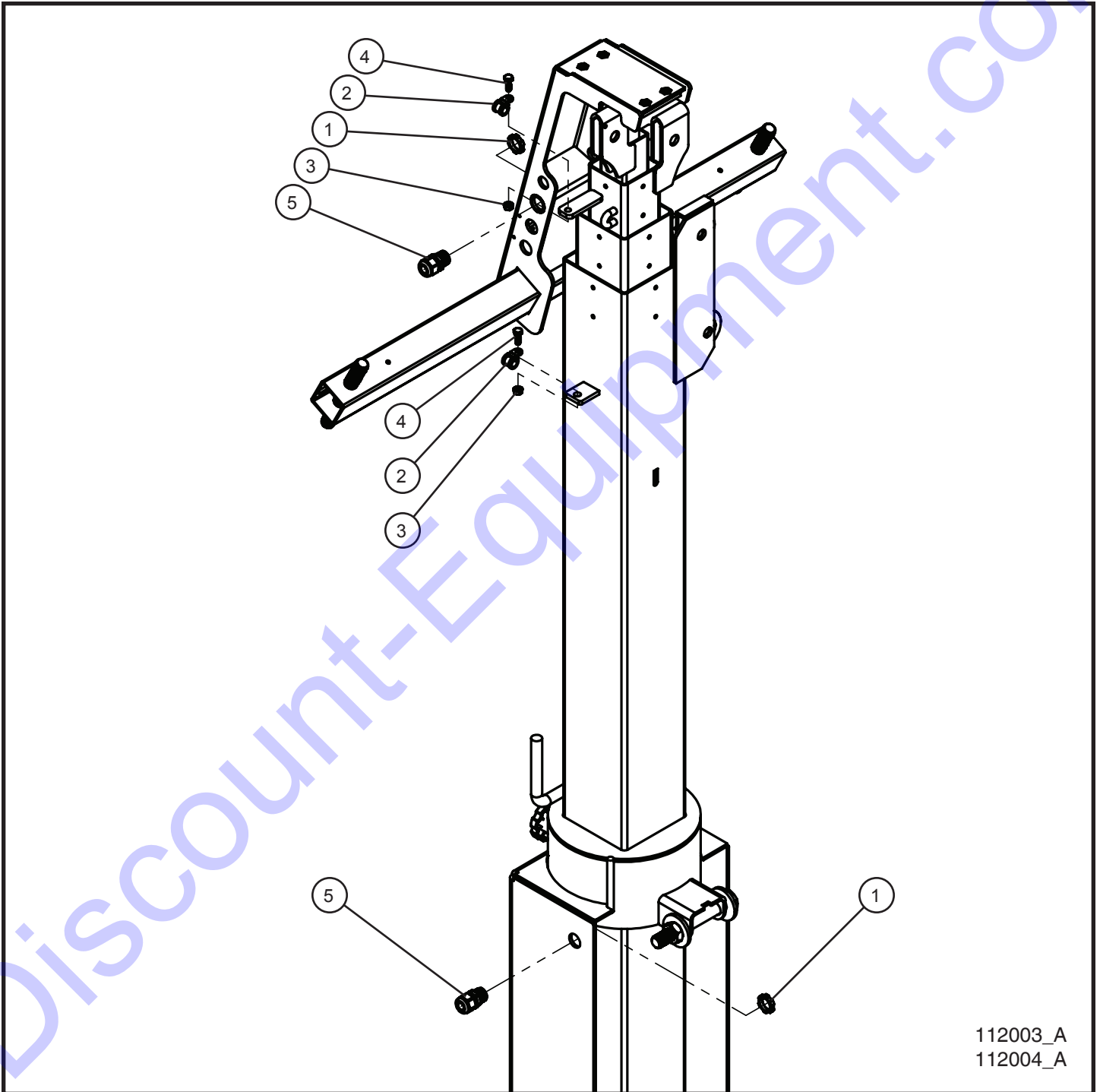
3.8 - Manual Tower Winch Install Group

SN 39-000001 and UP

Item	Part No.	Part Description	Qty.
1	047201	5/8 BUSHING	2
2	100160	2 1/2 PULLEY	2
3	108910	WINCH BRAKE 3 1/8 INCH DIAMETER HUB	1
4	712032	WINCH HANDLE	1
5	109865P	WELDMENT MOUNT WINCH	1
6	046243	5/8-11 x 2 1/2 HEX HEAD CS PL	1
7	044053	5/8-11 NYLOCK HEX NUT PL	1
8	047010	5/16 FLAT WASHER PL	6
9	046115	3/8-16 x 1 1/4 HEX HEAD CS GR5 PL	6
10	044038	3/8-16 NYLOCK HEX NUT PL	6
11	102906	5/8 x 1 1/4 CLEVIS PIN	1
12	045042	COTTER PIN 1/8 x 1 1/2	1

3.9 - Vertical Tower Cord

SN 39-000001 and UP



112003_A
112004_A

Night-Lite V-Series

3.9 - Vertical Tower Cord

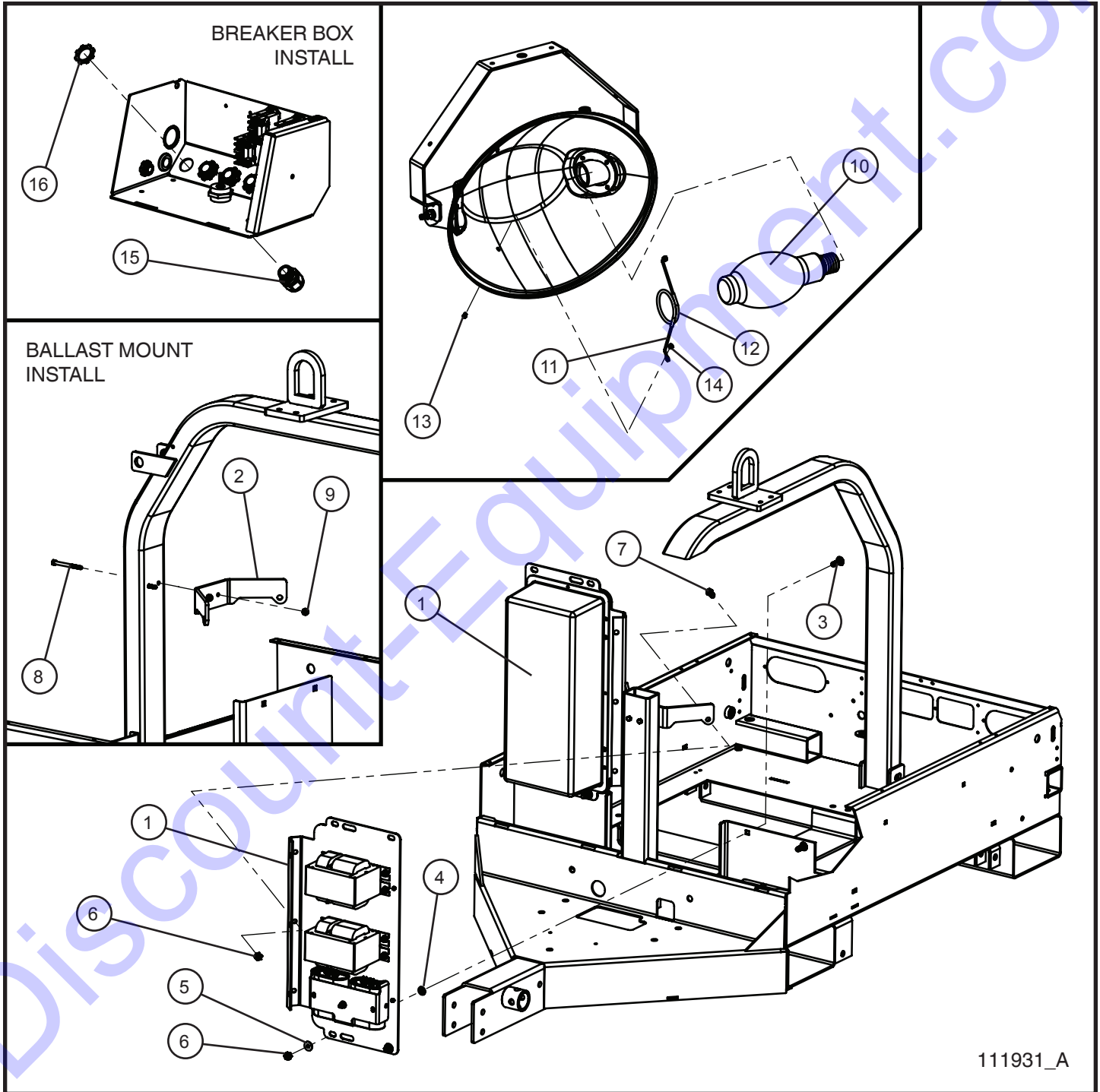
SN 39-000001 and UP

Item	Part No.	Part Description	Qty.
1	022035	1/2 CORD GRIP NUT	2
2	022016	#6 CUSH CLAMP 1/4 HOLE	2
3	044021	1/4-20 KEPS HEX NUT PL	2
4	102573	1/4-20 x 3/4 HEX HEAD CS GR5 ZINC	2
5	105626	CORD GRIP 1/2" NYLON BLACK	2
NS	109972	STANDARD TOWER CORD ASSEMBLY	1
NS	112007	LED TOWER CORD ASSEMBLY	1

*NS - NOT SHOWN

4.1 - 1250W Lamps with 60Hz 120V Ballasts Group

SN 39-000001 and UP



111931_A

Night-Lite V-Series

4.1 - 1250W Lamps with 60Hz 120V Ballasts Group

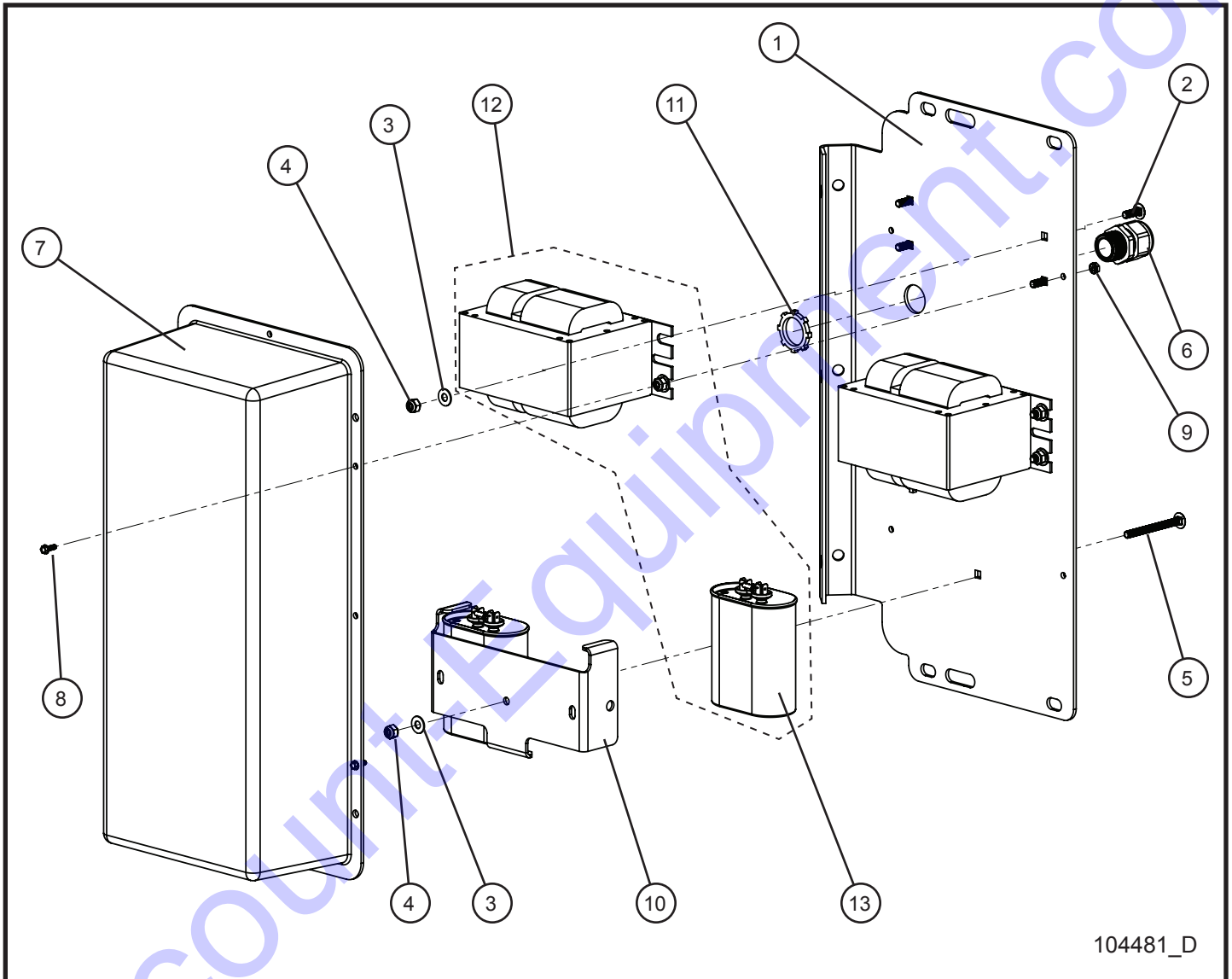
SN 39-000001 and UP

Item	Part No.	Part Description	Qty.
1	104481	1250W 28uF 60Hz 120V BALLAST	2
2	109834P	PLATE MOUNT BALLAST	1
3	100670	3/8-16 x 1 1/4 CARRIAGE BOLT	4
4	045218	3/8 PUSH NUT	4
5	047010	5/16 FLAT WASHER PL	4
6	044038	3/8-16 NYLOCK HEX NUT PL	6
7	046110	3/8-16 x 1 HEX HEAD CS GR5 PL	2
8	046037	1/4-20 x 2 3/4 HEX HEAD CS GR5 PL	2
9	044023	1/4-20 NYLOCK HEX NUT PL	2
10	610221	LAMP 1250W	4
11	610209	SUPPORT TIP LAMP SHO	4
12	610210	FIBERGLASS TUBE 12" LAMP SUPPORT	4
13	041200	#8-32 x 1/2 HEX WASHER HEAD INDT	8
14	044013	#8-32 NYLOCK HEX NUT SS	8
15	105916	3/4 CORD GRIP NYLON	4
16	022036	3/4 CORD GRIP NUT	4
NS	107470	BALLAST CORD NL5000	4
NS	112038	NLV BALLAST CORD SCHEMATIC	1

*NS - NOT SHOWN

4.2 - 1250W 60Hz 120V Ballast Box Assembly Group

SN 39-000001 and UP



Night-Lite V-Series

4.2 - 1250W 60Hz 120V Ballast Box Assembly Group

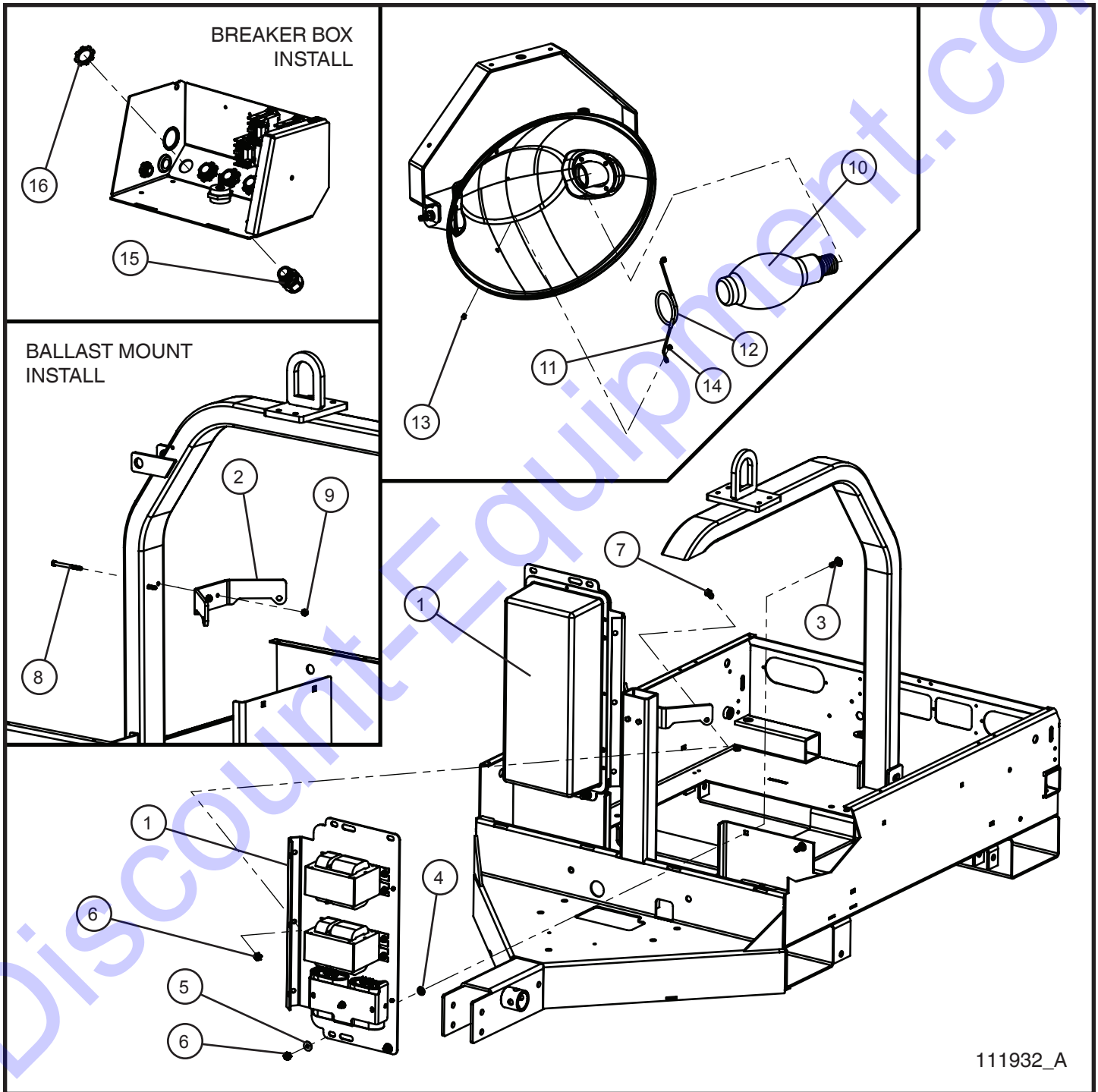
SN 39-000001 and UP

Item	Part No.	Part Description	Qty.
1	105914P	MOUNT PLATE BALLAST BOX	1
2	053006	1/4-20 x 3/4 CARRIAGE BOLT	8
3	047009	1/4 FLAT WASHER SAE SS	9
4	044023	1/4-20 NYLOCK HEX NUT PL	9
5	100718	1/4-20 x 2 1/4 CARRIAGE BOLT	1
6	105916	GRIP CORD NYLON 3/4	2
7	102752	BALLAST TOP MODULAR BOX	1
8	041029	#8-32 x 1/2 HEX WASHER HEAD SCREW	4
9	044003	#8-32 NC KEPS NUT	4
10	100392P	TABBED CAPACITOR CLAMP	1
11	022036	3/4 CORD GRIP NUT	2
12	109606	BALLAST KIT 1250W 60Hz 120/240V 28uF (INCLUDES 100329)	2
13	100329	CAPACITOR 28uF 1250W	2
NS	105286	SCHEMATIC 60Hz 1250W	1

*NS - NOT SHOWN

4.3 - 1000W Lamps with 60Hz 120V Ballasts Group

SN 39-000001 and UP



111932_A

Night-Lite V-Series

4.3 - 1000W Lamps with 60Hz 120V Ballasts Group

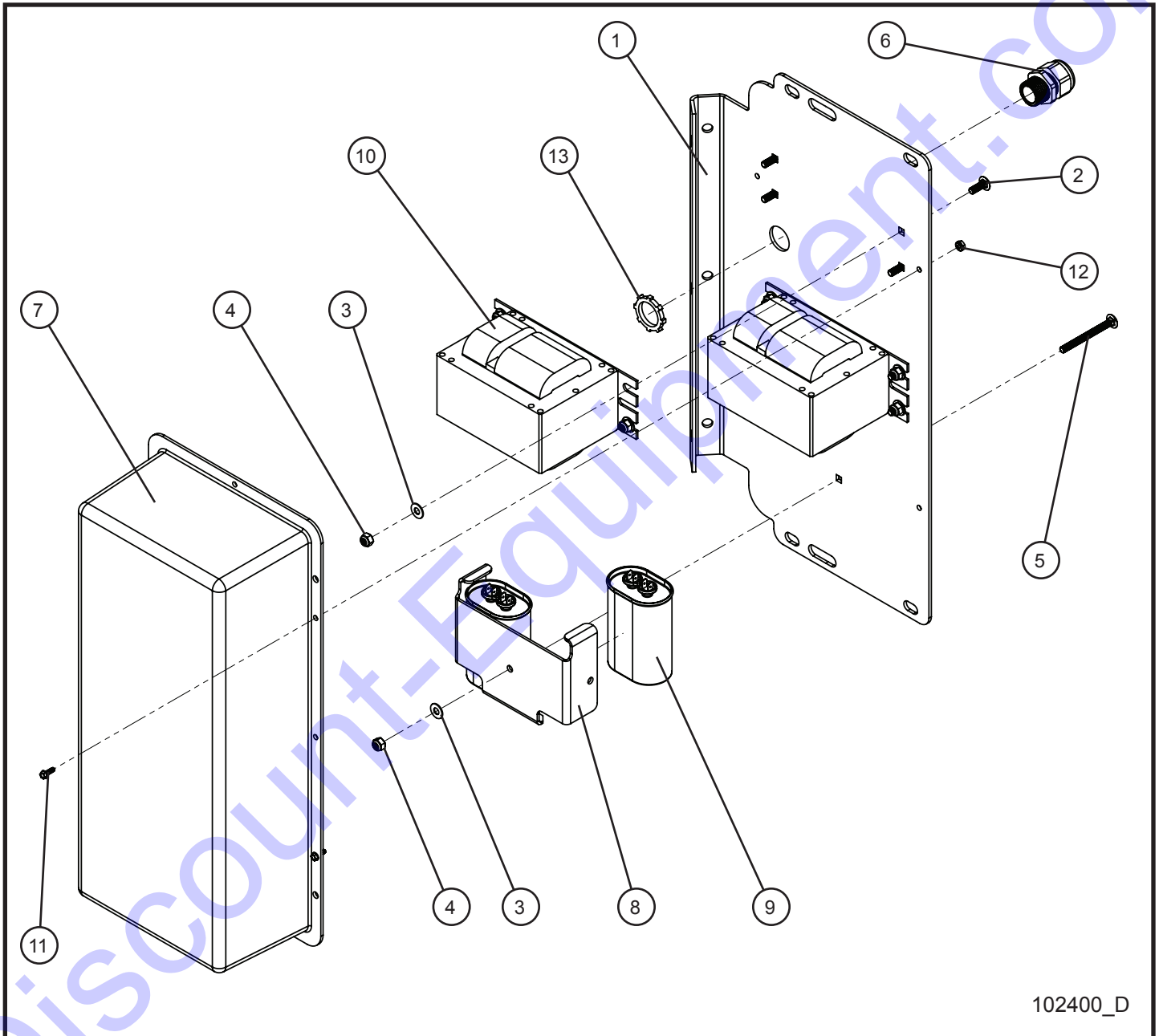
SN 39-000001 and UP

Item	Part No.	Part Description	Qty.
1	102400	1000W 60Hz 120V BALLAST	2
2	109834P	PLATE MOUNT BALLAST	1
3	100670	3/8-16 x 1 1/4 CARRIAGE BOLT	4
4	045218	3/8 PUSH NUT	4
5	047010	5/16 FLAT WASHER PL	4
6	044038	3/8-16 NYLOCK HEX NUT PL	6
7	046110	3/8-16 x 1 HEX HEAD CS GR5 PL	2
8	046037	1/4-20 x 2 3/4 HEX HEAD CS GR5 PL	2
9	044023	1/4-20 NYLOCK HEX NUT PL	2
10	610211	LAMP 1000W	4
11	610209	SUPPORT TIP LAMP SHO	4
12	610210	FIBERGLASS TUBE 12" LAMP SUPPORT	4
13	041200	#8-32 x 1/2 HEX WASHER HEAD INDT	8
14	044013	#8-32 NYLOCK HEX NUT SS	8
15	105916	3/4 CORD GRIP NYLON	4
16	022036	3/4 CORD GRIP NUT	4
NS	107470	BALLAST CORD NL5000	4
NS	112038	NLV BALLAST CORD SCHEMATIC	1

*NS - NOT SHOWN

4.4 - 1000W 60Hz 120V Ballast Box Assembly Group

SN 39-000001 and UP



102400_D

Night-Lite V-Series

4.4 - 1000W 60Hz 120V Ballast Box Assembly Group

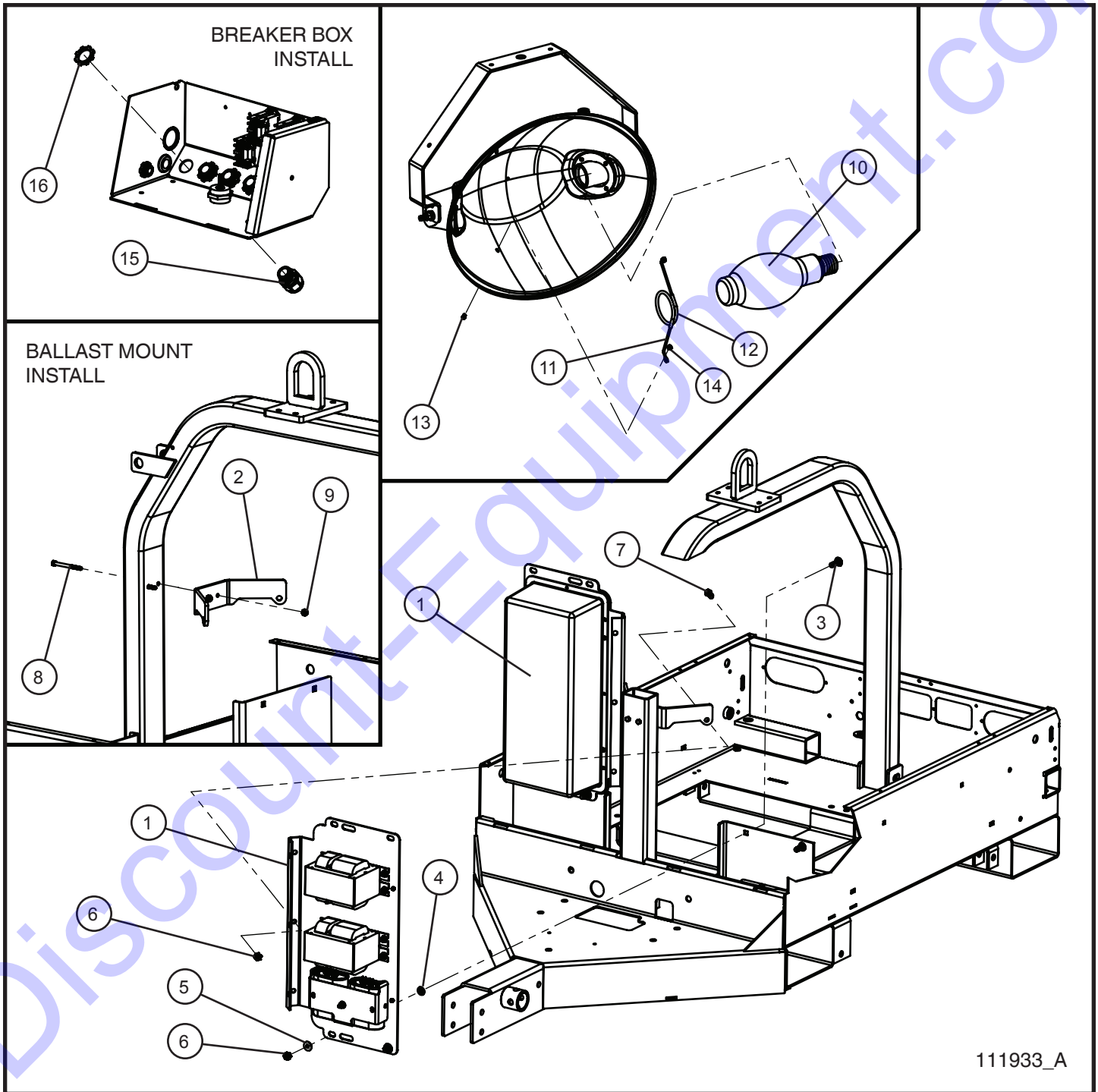
SN 39-000001 and UP

Item	Part No.	Part Description	Qty.
1	105914P	MOUNT PLATE BALLAST BOX	1
2	053006	1/4-20 x 3/4 CARRIAGE BOLT	8
3	047009	1/4 FLAT WASHER SAE SS	9
4	044023	1/4-20 NYLOCK HEX NUT PL	9
5	100718	1/4-20 x 2 1/4 CARRIAGE BOLT	1
6	105916	GRIP CORD NYLON 3/4	2
7	102752	BALLAST TOP MODULAR BOX	1
8	680608P	TABBED CAPACITOR CLAMP	1
9	310115	CAPACITOR 24uF 1000W	2
10	310124	BALLAST 1000W 60Hz 120V	2
11	041029	#8-32 x 1/2 HEX WASHER HEAD SCREW	4
12	044003	#8-32 NC KEPS NUT	4
13	022036	3/4 CORD GRIP NUT	2
NS	105287	SCHEMATIC BALLAST 1000W 60Hz 120V	1

*NS - NOT SHOWN

4.5 - 1000W Lamps with 50Hz 120V Ballasts Group

SN 39-000001 and UP



Night-Lite V-Series

4.5 - 1000W Lamps with 50Hz 120V Ballasts Group

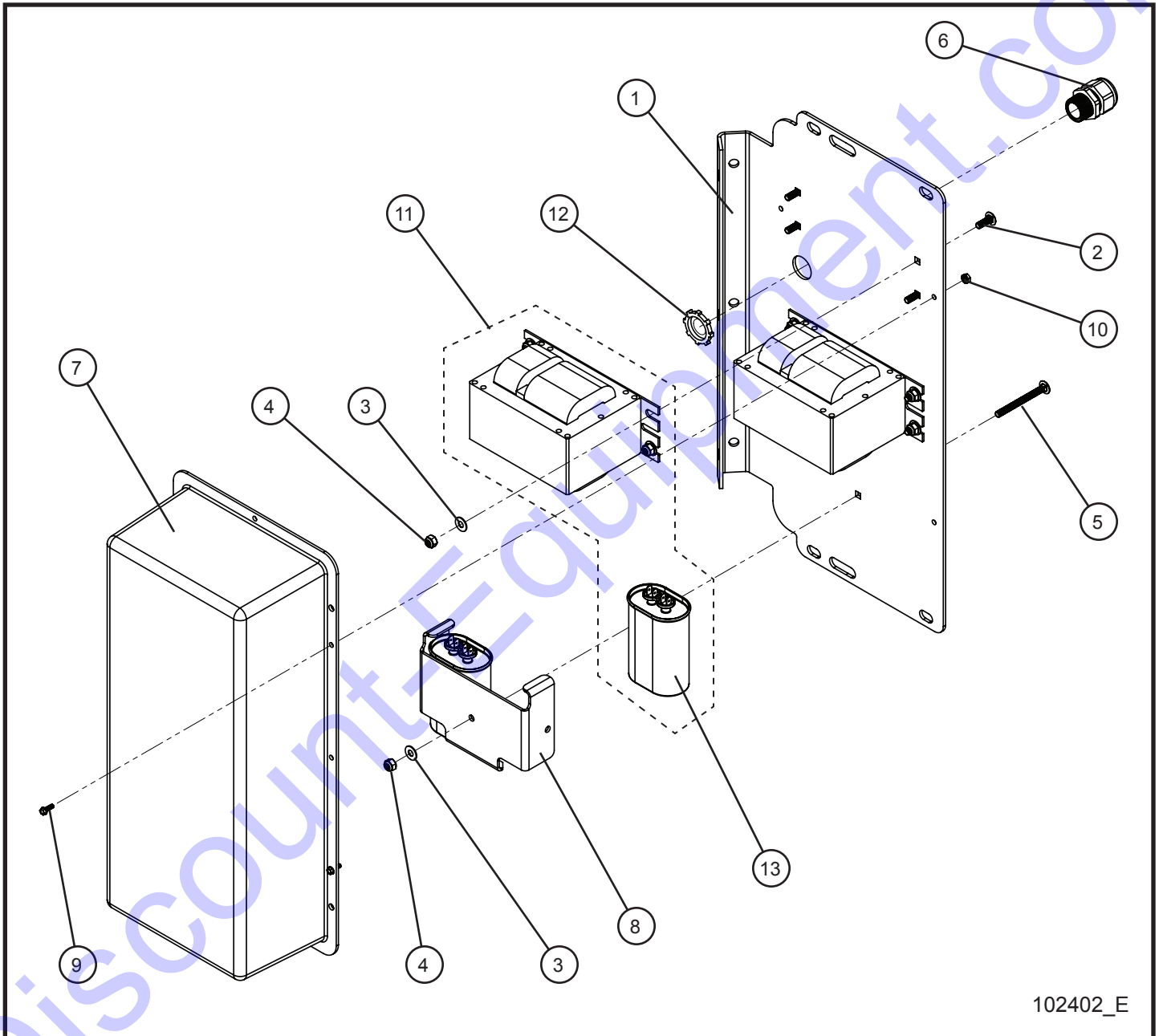
SN 39-000001 and UP

Item	Part No.	Part Description	Qty.
1	102402	1000W 50Hz 120V BALLAST	2
2	109834P	PLATE MOUNT BALLAST	1
3	100670	3/8-16 x 1 1/4 CARRIAGE BOLT	4
4	045218	3/8 PUSH NUT	4
5	047010	5/16 FLAT WASHER PL	4
6	044038	3/8-16 NYLOCK HEX NUT PL	6
7	046110	3/8-16 x 1 HEX HEAD CS GR5 PL	2
8	046037	1/4-20 x 2 3/4 HEX HEAD CS GR5 PL	2
9	044023	1/4-20 NYLOCK HEX NUT PL	2
10	610211	LAMP 1000W	4
11	610209	SUPPORT TIP LAMP SHO	4
12	610210	FIBERGLASS TUBE 12" LAMP SUPPORT	4
13	041200	#8-32 x 1/2 HEX WASHER HEAD INDT	8
14	044013	#8-32 NYLOCK HEX NUT SS	8
15	105916	3/4 CORD GRIP NYLON	4
16	022036	3/4 CORD GRIP NUT	4
NS	107470	BALLAST CORD NL5000	4
NS	112038	NLV BALLAST CORD SCHEMATIC	1

*NS - NOT SHOWN

4.6 - 1000W 50Hz 120V Ballast Box Assembly

SN 39-000001 and UP



102402_E

Night-Lite V-Series

4.6 - 1000W 50Hz 120V Ballast Box Assembly

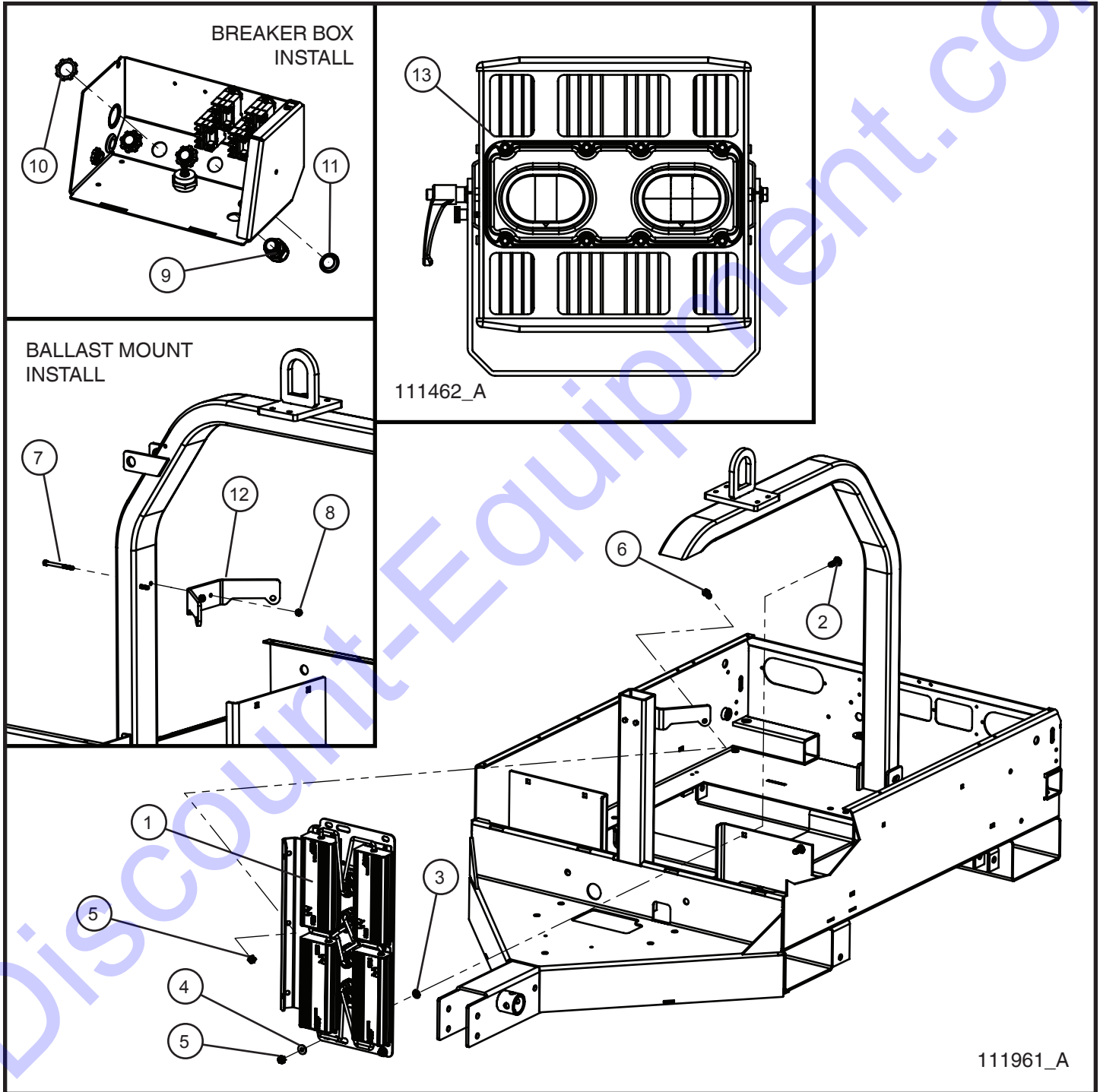
SN 39-000001 and UP

Item	Part No.	Part Description	Qty.
1	105914P	MOUNT PLATE BALLAST BOX	1
2	053006	1/4-20 x 3/4 CARRIAGE BOLT	8
3	047009	1/4 FLAT WASHER SAE SS	9
4	044023	1/4-20 NYLOCK HEX NUT PL	9
5	100718	1/4-20 x 2 1/4 CARRIAGE BOLT	1
6	105916	GRIP CORD NYLON 3/4	2
7	102752	BALLAST TOP MODULAR BOX	1
8	680608P	TABBED CAPACITOR CLAMP	1
9	041029	#8-32 x 1/2 HEX WASHER HEAD SCREW	4
10	044003	#8-32 NC KEPS NUT	4
11	310116A	BALLAST KIT 1000W 50Hz	2
12	022036	3/4 CORD GRIP NUT	2
13	310115A	CAPACITOR 26UF 60/50Hz 540V	2
NS	105288	SCHEMATIC BALLAST 1000W 50Hz	1

*NS - NOT SHOWN

4.7 - LED Lamps with LED Drivers Group

SN 39-000001 and UP



Night-Lite V-Series

4.7 - LED Lamps with LED Drivers Group

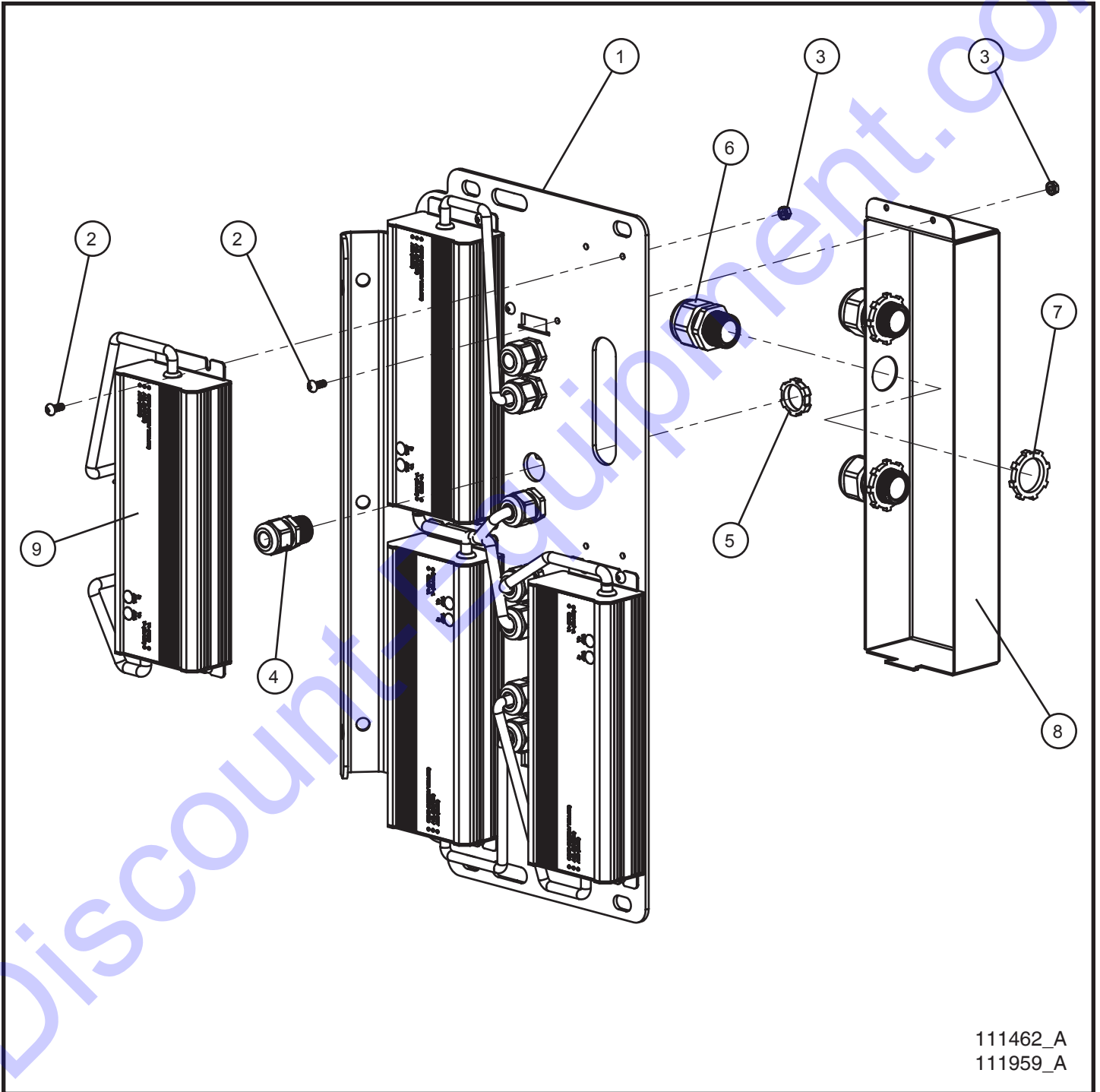
SN 39-000001 and UP

Item	Part No.	Part Description	Qty.
1	111959	FOUR DRIVER LED LIGHTING	1
2	100670	3/8-16 x 1 1/4 CARRIAGE BOLT	2
3	045218	3/8 PUSH NUT	2
4	047010	5/16 FLAT WASHER PL	2
5	044038	3/8-16 NYLOCK HEX NUT PL	3
6	046110	3/8-16 x 1 HEX HEAD CS GR5 PL	1
7	046037	1/4-20 x 2 3/4 HEX HEAD CS GR5 PL	2
8	044023	1/4-20 NYLOCK HEX NUT PL	2
9	105916	3/4 CORD GRIP NYLON	3
10	022036	3/4 CORD GRIP NUT	3
11	064025	1 1/16 IN. PLASTIC PLUG	1
12	109834P	PLATE MOUNT BALLAST	1
13	111451	CONSSIN KUEM2-320 LED LIGHT	4
NS	111462	CONSSIN LED LIGHT AND DRIVER KIT (INCL. 111449 & 111451)	1
NS	111998	OUTPUT CORD LED DRIVER NLV	1
NS	111997	INPUT CORD LED DRIVER NLV	2
NS	110096	NLV LED DRIVERS SCHEMATIC	1

*NS - NOT SHOWN

4.8 - LED Drivers Assembly Group

SN 39-000001 and UP



Night-Lite V-Series

4.8 - LED Drivers Assembly Group

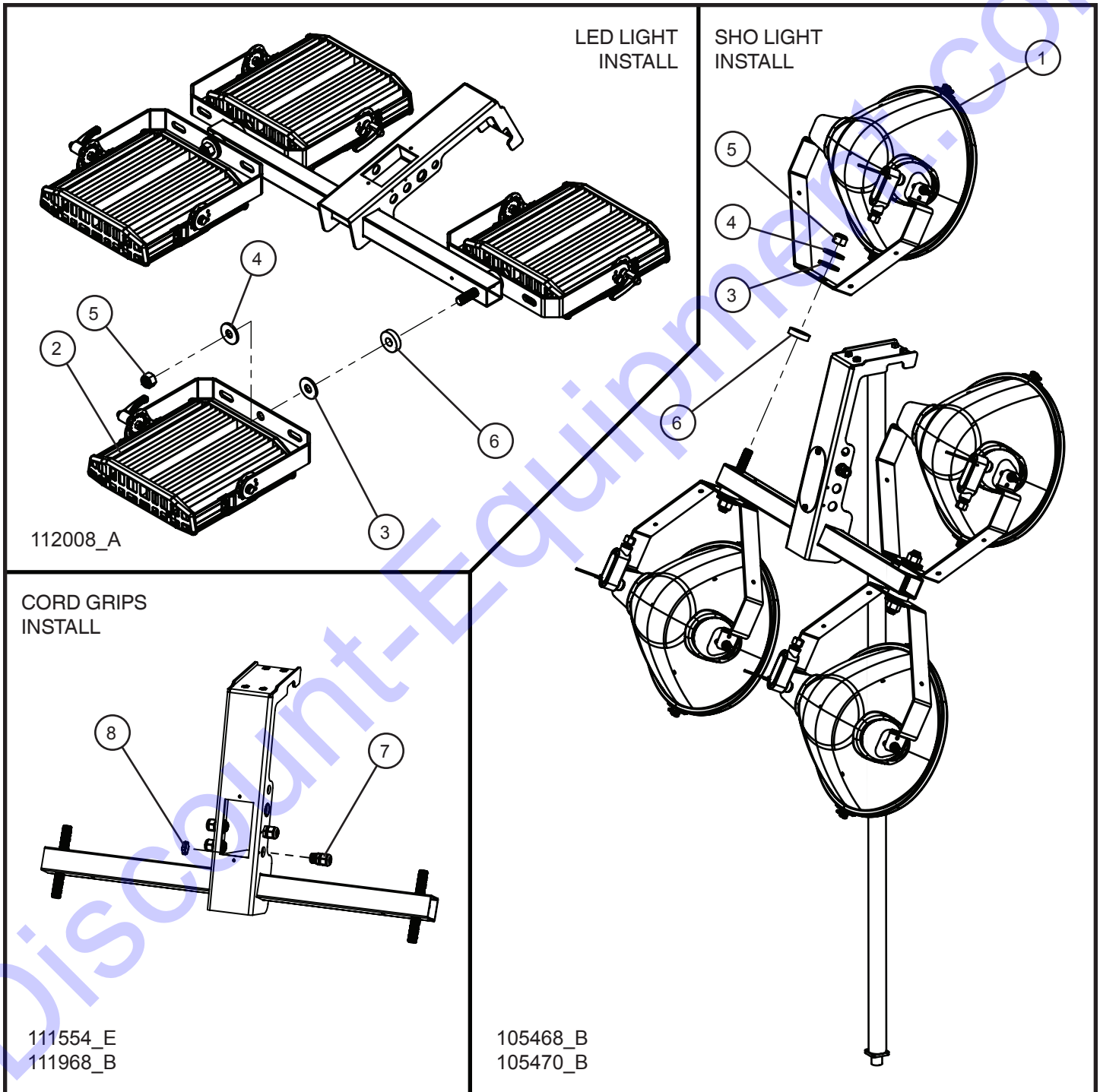
SN 39-000001 and UP

Item	Part No.	Part Description	Qty.
1	111465P	MOUNT PLATE LED DRIVER	1
2	041012	SCREW MS #8-32 x 1/2 PL	18
3	044003	#8-32 NC KEPS NUT	18
4	105626	CORD GRIP 1/2 NYLON BLACK	8
5	022035	1/2 CORD GRIP NUT	8
6	105916	CORD GRIP NYLON 3/4	3
7	022036	3/4 CORD GRIP NUT	3
8	111960P	LED DRIVER JUNCTION BOX	1
9	111449	CONSSIN HLG-320-54A LED DRIVER	4
NS	111462	CONSSIN LED LIGHT AND DRIVER KIT (INCL. 111449 & 111451)	1

*NS - NOT SHOWN

4.9 - SHO and LED Light Fixtures

SN 39-000001 and UP



Night-Lite V-Series

4.9 - SHO and LED Light Fixtures

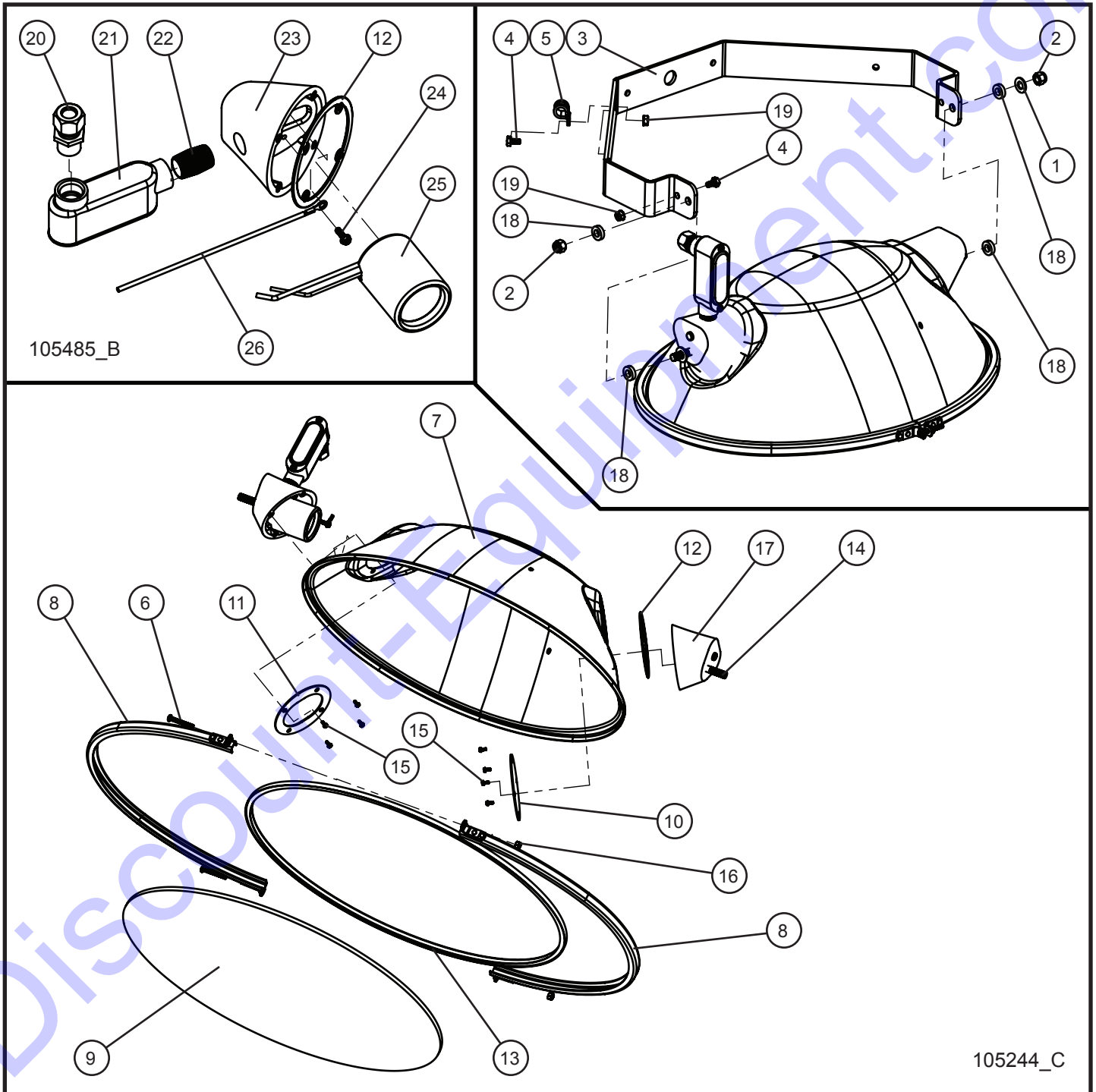
SN 39-000001 and UP

Item	Part No.	Part Description	Qty.
1	650147	LAMPHOLDER SHO LIGHT NO LAMPS	4
	650144	LAMPHOLDER SHO LIGHT WITH 1000W LAMPS	4
	100633	LAMPHOLDER SHO LIGHT WITH 1250W LAMPS	4
2	111451	CONSSIN KUEM2-320 LED LIGHT	4
3	650550	.785" x 2" HDPE WASHER	4
4	047035	3/4 FLAT WASHER PL	4
5	044058	3/4-10 NYLOCK HEX NUT PL	4
6	101813	.781 ID x 2 OD x 1/2 HDPE WASHER	4
7	105626	CORD GRIP 1/2" NYLON BLACK	4
8	022035	1/2 CORD GRIP NUT	4
NS	650159	SHO LIGHT LAMP LEAD 16/3 CORD PIG TAIL	4
NS	111462	CONSSIN LED LIGHT AND DRIVER KIT (INCL. 111449 & 111451)	1
NS	112039	SCHEMATIC 4 LAMPS SOLID WIRED	1
NS	110106	SCHEMATIC LED LIGHT 4 LIGHT BAR	1

*NS - NOT SHOWN

4.10 - SHO Light Assembly Group

SN 39-000001 and UP



Night-Lite V-Series

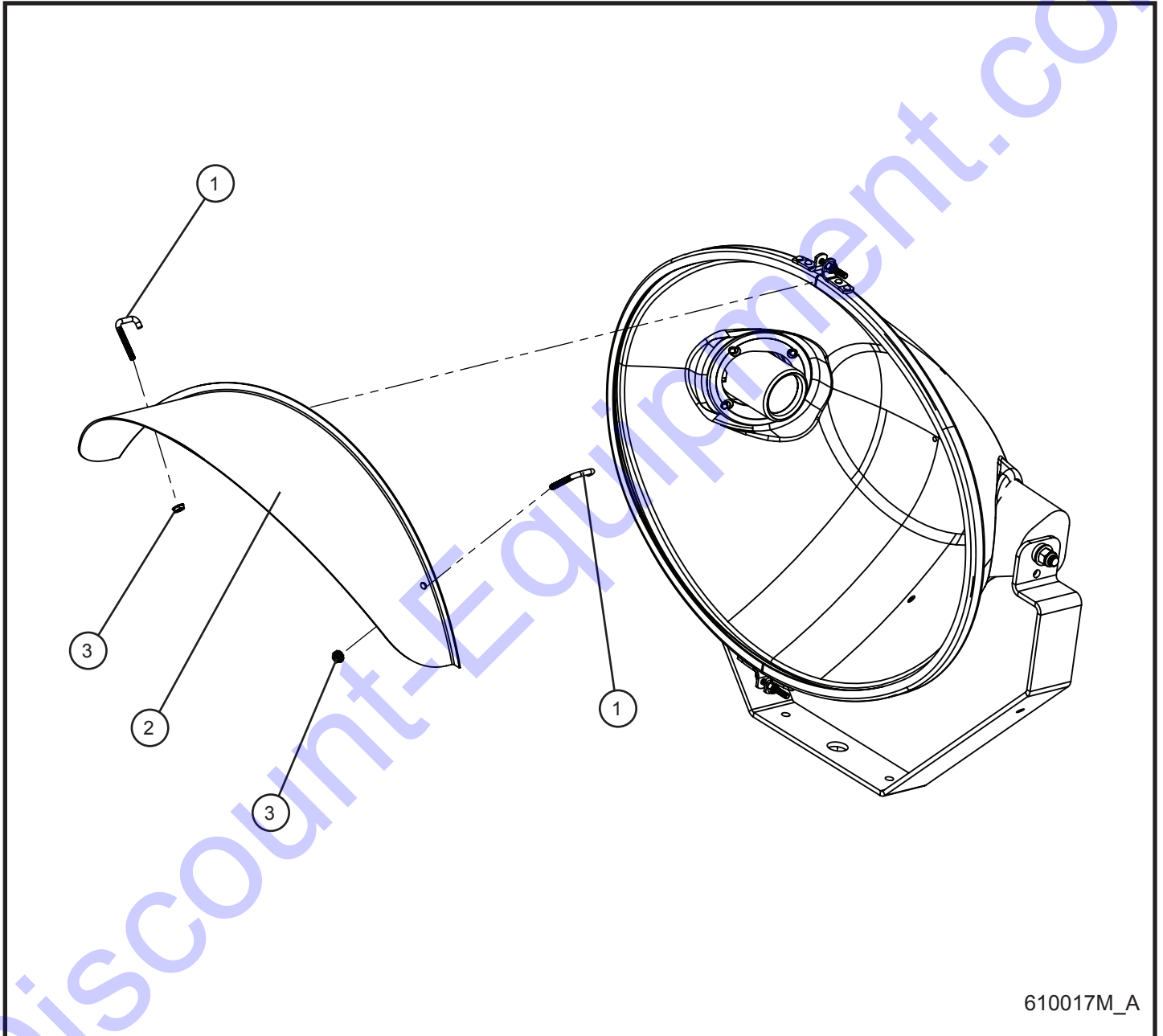
4.10 - SHO Light Assembly Group

SN 39-000001 and UP

Item	Part No.	Part Description	Qty.
--	105244	COMPLETE LAMP ASSEMBLY	1
1	047016	3/8 FLAT WASHER SAE ZINC	2
2	044037	3/8-24 NYLOCK HEX NUT PL	2
3	660130	YOKE MOUNT SHO LAMP	1
4	046005	1/4-20 x 1/2 HEX HEAD CS GR5 PL	2
5	022022	#8 CUSH CLAMP 1/4 HOLE	1
6	041040	#10-24 x 1 1/2 PH-ROUND HEAD MS SS	2
7	610201	REFLECTOR	1
8	610202	LENS CHANNEL SET SHO LIGHT	2
9	610203	GLASS LENS	1
10	610207	INTERIOR COVER PLATE WITHOUT HOLE	1
11	610208	INTERIOR COVER PLATE WITH HOLE	1
12	610213	GASKET SOCKET END CAP	2
13	610217	SILICONE GASKET	1
14	045142	3/8-24 x 3/8-16 x 2 STUD	2
15	041028	#10-24 x 1/2 HEX WASHER HEAD INDT	8
16	044019	#10-24 NYLOCK HEX NUT SS	2
17	610206	CASTING END SHO	1
18	047019	NYLON BUSHING 3/4 OD x .385 ID	4
19	044021	1/4-20 KEPS HEX NUT PL	2
20	510007	1/2 CORD GRIP	1
21	610214	ELBOW 1/2 SLB SHO ENTRANCE	1
22	610215	1/2 NPT NIPPLE	1
23	610205	SOCKET CASTING END SHO	1
24	041257	#10-32 x 3/8 SL-HEX WASHER HEAD MS GRND	1
25	610212	CERAMIC SOCKET	1
26	610219	GROUND WIRE LAMPHOLDER SHO ENTRANCE	1

4.11 - SHO Light SAF-T-Visor

SN 39-000001 and UP



610017M_A

Night-Lite V-Series

4.11 - SHO Light SAF-T-Visor

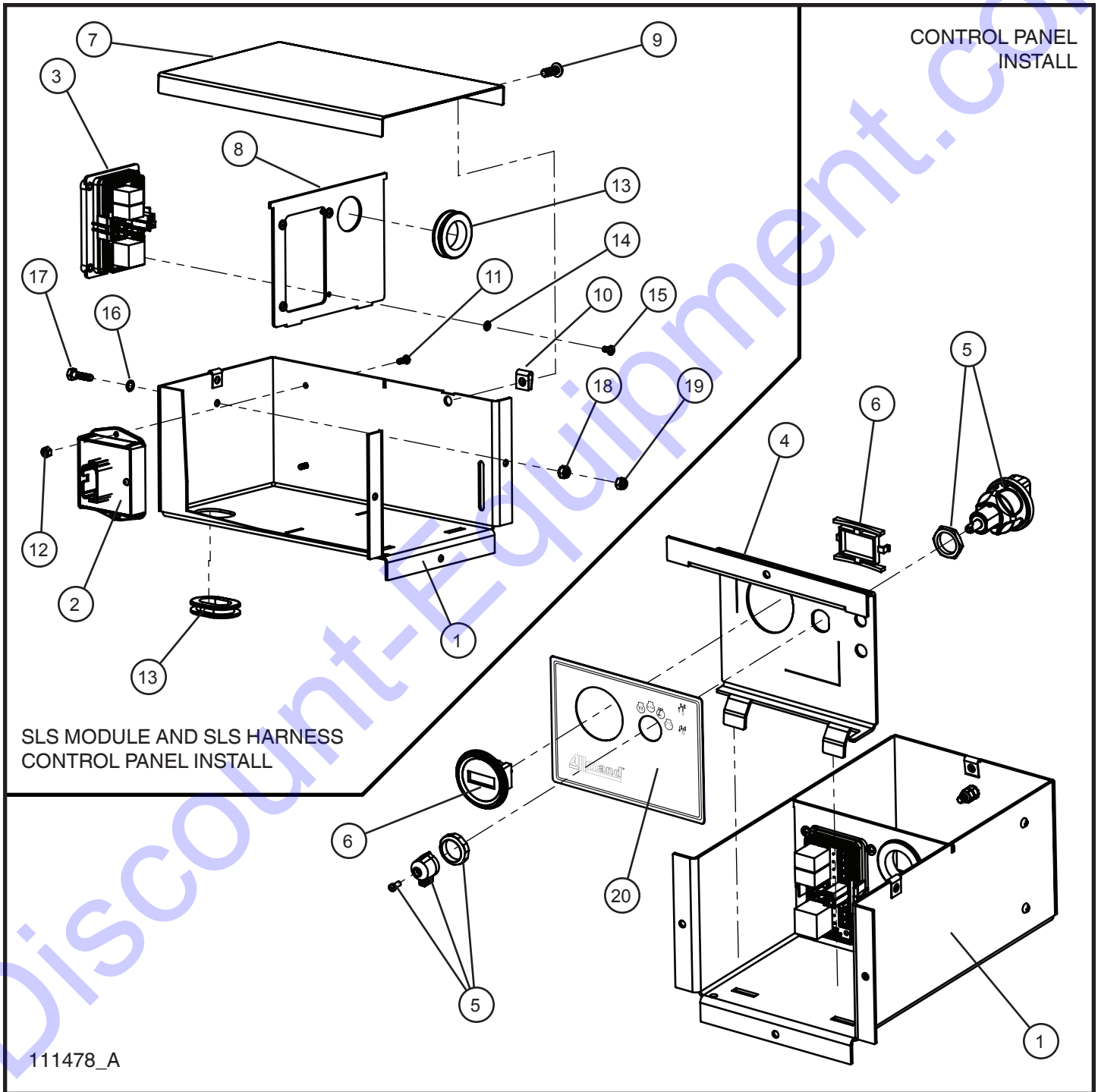
SN 39-000001 and UP

Item	Part No.	Part Description	Qty.
1	045070	#10-24 HOOK SQ BEND BOLT	8
2	610017	SAF-T VISOR SHO LAMP (*SEE NOTE)	4
3	044016	#10-24 KEPS HEX NUT PL	8

*NOTE: SAF-T VISOR MUST BE INSTALLED WITH LIP BETWEEN GASKET AND GLASS LENS.

5.1 - SLS Key Start Control Box (1 of 2)

SN 39-00001 and UP



111478_A

Night-Lite V-Series

5.1 - SLS Key Start Control Box (1 of 2)

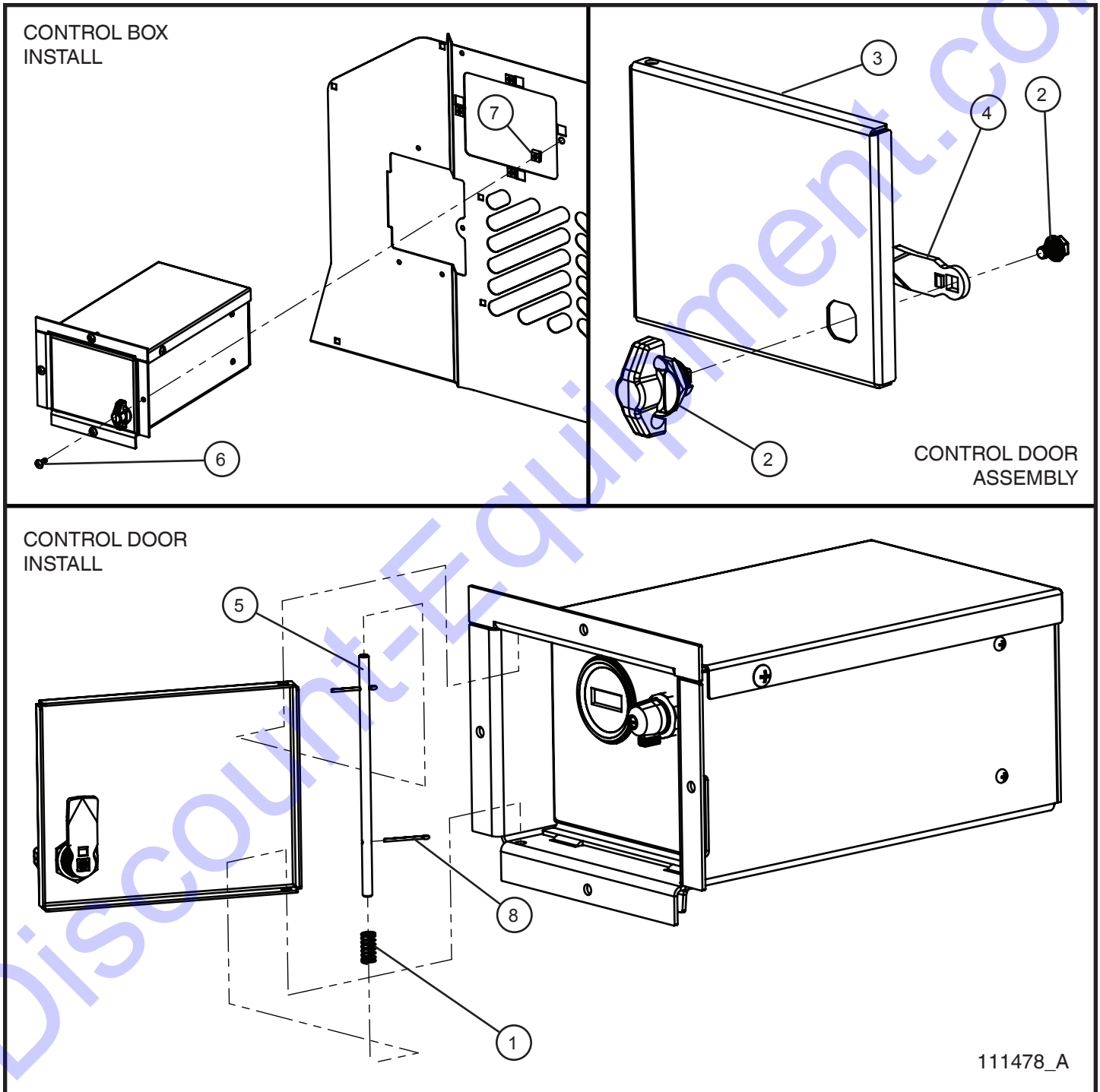
SN 39-000001 and UP

Item	Part No.	Part Description	Qty.
1	111427P	BOX CONTROL	1
2	108053	SLS 1.1 MODULE	1
3	108024	HARNESS SLS CONTROL PANEL	1
4	112404P	PANEL CONTROL LSC/SLS	1
5	106273	IGNITION SWITCH LEVER STYLE	1
6	340014	HOUR METER DIGITAL	1
7	111428P	COVER CONTROL PANEL BOX	1
8	111946P	PLATE DIVIDER DC CONTROL BOX	1
9	041050	1/4-20 x 3/4 PH-TRUSS HEAD MS SS MACHINE SCREW	2
10	045216	1/4-20 TINNERMAN NUT	2
11	041021	#10-24 x 1/2 PH-ROUND HEAD MS PL	2
12	044019	#10-24 NYLOCK HEX NUT SS	2
13	650542	1 1/4 ID x 1 1/2 OD GROMMET	2
14	043017	#10 INTL TOOTHLOCK WASHER	1
15	041019	#10-32 x 3/8 PH-ROUND HEAD MS PL	4
16	043050	1/4 INTL TOOTHLOCK WASHER	1
17	046015	1/4-20 x 1 HEX HEAD CS GR5 PL	1
18	044021	1/4-20 KEPS HEX NUT PL	1
19	044023	1/4-20 NYLOCK HEX NUT PL	1
20	110297	NLV CONTROL BOX DECAL	1
NS	112040	SCHEMATIC SLS RELAY	1

*NS - NOT SHOWN

5.1 - SLS Key Start Control Box (2 of 2)

SN 39-000001 and UP



Night-Lite V-Series

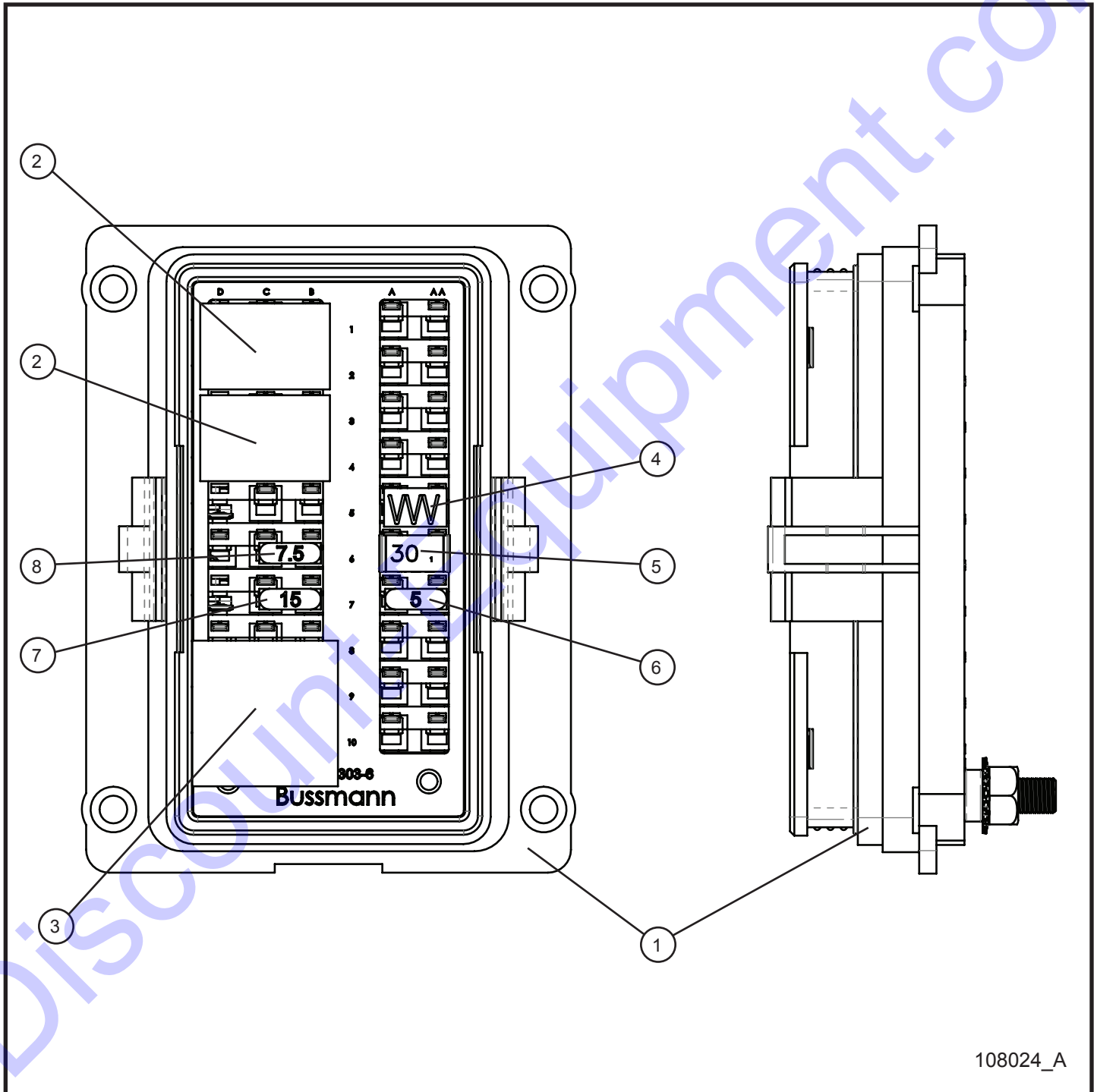
5.1 - SLS Key Start Control Box (2 of 2)

SN 39-000001 and UP

Item	Part No.	Part Description	Qty.
1	106528	SPRING COMPRESSION 3/8 x 3/4	1
2	111481	WINGKNOB PADLOCKABLE BLACK	1
3	111424P	PANEL DOOR CONTROL BOX	1
4	111482	LATCH CAM STRAIGHT	1
5	111425	PIN HINGE	1
6	041050	1/4-20 x 3/4 PH-TRUSS HEAD MS SS MACHINE SCREW	4
7	045216	1/4-20 TINNEMAN NUT	4
8	045041	COTTER PIN 5/64 x 1 IN.	2

5.2 - SLS Harness Control Panel

SN 39-000001 and UP



108024_A

Night-Lite V-Series

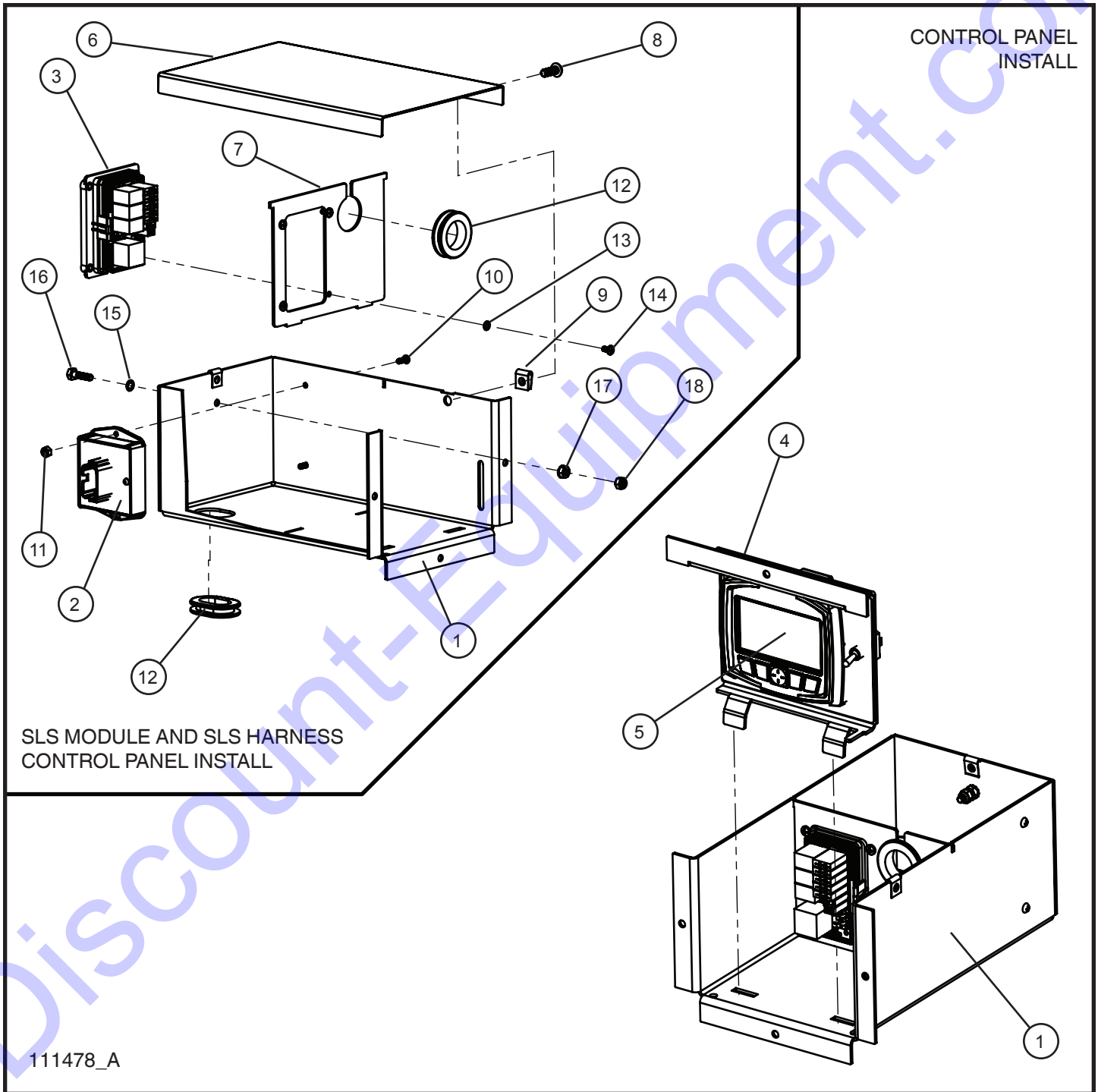
5.2 - SLS Harness Control Panel

SN 39-000001 and UP

Item	Part No.	Part Description	Qty.
--	108024	NEW HARNESS SLS CONTROL PANEL	1
1	105199	BUSSMANN 45 PIN BOARD MODULE	1
2	105201	35 AMP SPST RELAY	2
3	105202	50 AMP SPST RELAY	1
4	105204	RESISTOR 68OHM	1
5	105832	CIRCUIT BREAKER 30A	1
6	105843	5A MINI FUSE	1
7	105844	15A MINI FUSE	1
8	105876	7.5A MINI FUSE	1

5.3 - LSC Control Box (1 of 3)

SN 39-00001 and UP



111478_A

Night-Lite V-Series

5.3 - LSC Control Box (1 of 3)

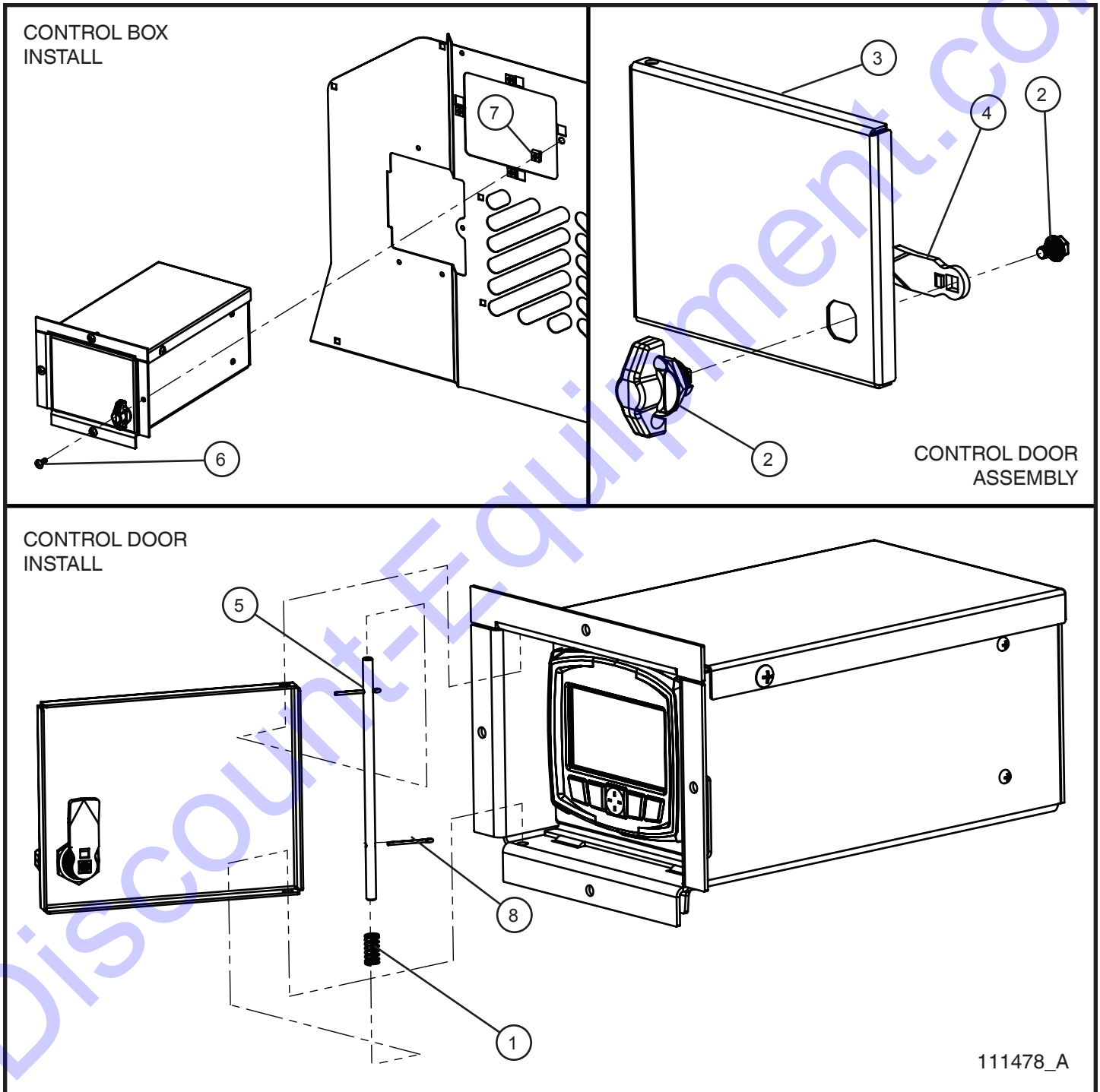
SN 39-000001 and UP

Item	Part No.	Part Description	Qty.
1	111427P	BOX CONTROL	1
2	108053	SLS 1.1 MODULE	1
3	105210	HARNESS LSC CONTROL PANEL	1
4	112404P	NLV CONTROL PANEL LSC/SLS	1
5	107404	LSC 2.1 MODULE	1
6	111428P	COVER CONTROL PANEL BOX	1
7	111946P	PLATE DIVIDER DC CONTROL BOX	1
8	041050	1/4-20 x 3/4 PH-TRUSS HEAD MS SS MACHINE SCREW	2
9	045216	1/4-20 TINNERMAN NUT	2
10	041021	#10-24 x 1/2 PH-ROUND HEAD MS PL	2
11	044019	#10-24 NYLOCK HEX NUT SS	2
12	650542	1 1/4 ID x 1 1/2 OD GROMMET	2
13	043017	#10 INTL TOOTHLOCK WASHER	1
14	041019	#10-32 x 3/8 PH-ROUND HEAD MS PL	4
15	043050	1/4 INTL TOOTHLOCK WASHER	1
16	046015	1/4-20 x 1 HEX HEAD CS GR5 PL	1
17	044021	1/4-20 KEPS HEX NUT PL	1
18	044023	1/4-20 NYLOCK HEX NUT PL	1
NS	112623	TRANSFORMER 117/6.3V SCHEMATIC	1
NS	105895	LSC SCHEMATIC	1

*NS - NOT SHOWN

5.3 - LSC Control Box (2 of 3)

SN 39-000001 and UP



Night-Lite V-Series

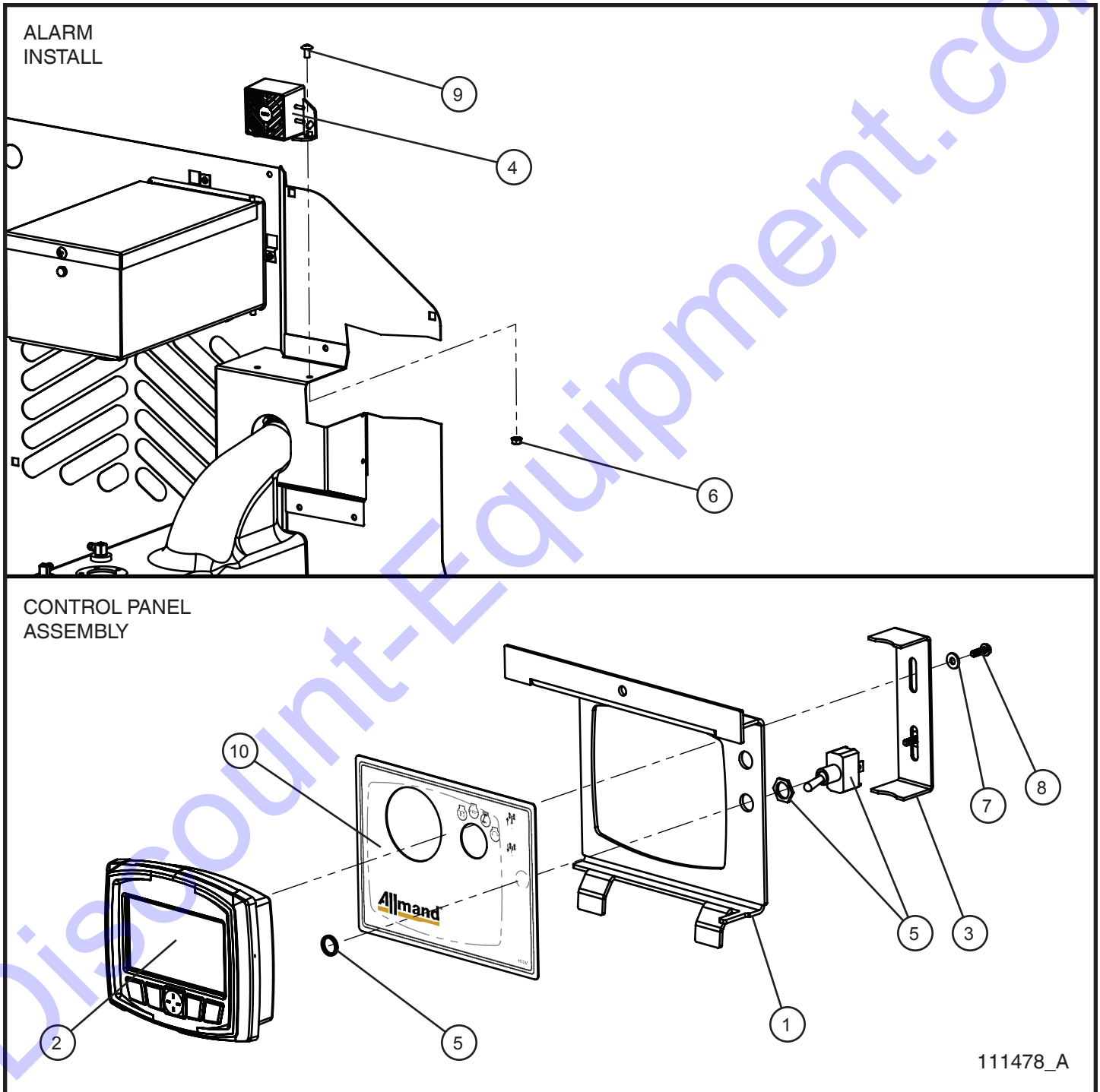
5.3 - LSC Control Box (2 of 3)

SN 39-000001 and UP

Item	Part No.	Part Description	Qty.
1	106528	SPRING COMPRESSION 3/8 x 3/4	1
2	111481	WINGKNOB PADLOCKABLE BLACK	1
3	111424P	PANEL DOOR CONTROL BOX	1
4	111482	LATCH CAM STRAIGHT	1
5	111425	PIN HINGE	1
6	041050	1/4-20 x 3/4 PH-TRUSS HEAD MS SS MACHINE SCREW	4
7	045216	1/4-20 TINNEMAN NUT	4
8	045041	COTTER PIN 5/64 x 1 IN.	2

5.3 - LSC Control Box (3 of 3)

SN 39-000001 and UP



Night-Lite V-Series

5.3 - LSC Control Box (3 of 3)

SN 39-000001 and UP

Item	Part No.	Part Description	Qty.
1	112404P	NLV CONTROL PANEL LSC/SLS	1
2	107404	LSC 2.1 MODULE	1
3	105188P	LSC BACK BRACKET	1
4	105846	ALARM 102 DB	1
5	101067	SPST SWITCH	1
6	044021	1/4-20 KEPS HEX NUT	2
7	103738	#8 FLAT WASHER	2
8	041200	#8-32 x 1/2 HEX WASHER HEAD	2
9	041078	1/4 x 1/2 PHILLIPS TRUSS HEAD MACHINE SCREW	2
10	110297	DECAL CONTROL BOX	1