



**POWER SOLUTIONS
INTERNATIONAL**

11.1L ENGINE PARTS BOOK



www.discount-equipment.com

Engine Model: NGE 11.1L
Engine Family: PSI, HEAVY-DUTY
Engine Spec N.:
Parts Bok Revision: APRIL, 2017

PARTS FINDER

**Search Website
by Part Number**



**Search Manual
Library For Parts
Manual & Lookup Part
Numbers – Purchase
or Request Quote**

Search Manuals

Enter your information to help us find the right parts manual for your machine.

* Brand:

* Model:

* Serial:

* Part Number:

SEARCH

**Can't Find Part or
Manual? Request Help
by Manufacturer,
Model & Description**

Parts Order Form

Please fill in the following information to help us find the right part for your machine.

Manufacturer:	<input type="text"/>
Model:	<input type="text"/>
Description:	<input type="text"/>
Part Number:	<input type="text"/>
Quantity:	<input type="text"/>
Notes:	<input type="text"/>

Discount-Equipment.com is your online resource for quality parts & equipment.

Florida: **561-964-4949** Outside Florida TOLL FREE: **877-690-3101**

Need parts?

Click on this link: <http://www.discount-equipment.com/category/5443-parts/> and choose one of the options to help get the right parts and equipment you are looking for. Please have the machine model and serial number available in order to help us get you the correct parts. If you don't find the part on the website or on one of the online manuals, please fill out the request form and one of our experienced staff members will get back to you with a quote for the right part that your machine needs.

We sell worldwide for the brands: Genie, Terex, JLG, MultiQuip, Mikasa, Essick, Whiteman, Mayco, Toro Stone, Diamond Products, Generac Magnum, Airman, Haulotte, Barreto, Power Blanket, Nifty Lift, Atlas Copco, Chicago Pneumatic, Allmand, Miller Curber, Skyjack, Lull, Skytrak, Tsurumi, Husquvarna Target, Stow, Wacker, Sakai, Mi-T-M, Sullair, Basic, Dynapac, MBW, Weber, Bartell, Bennar Newman, Haulotte, Ditch Runner, Menegotti, Morrison, Contec, Buddy, Crown, Edco, Wyco, Bomag, Laymor, EZ Trench, Bil-Jax, F.S. Curtis, Gehl Pavers, Heli, Honda, ICS/PowerGrit, IHI, Partner, Imer, Clipper, MMD, Koshin, Rice, CH&E, General Equipment, Amida, Coleman, NAC, Gradall, Square Shooter, Kent, Stanley, Tamco, Toku, Hatz, Kohler, Robin, Wisconsin, Northrock, Oztec, Toker TK, Rol-Air, APT, Wylie, Ingersoll Rand / Doosan, Innovatech, Con X, Ammann, Mecalac, Makinex, Smith Surface Prep, Small Line, Wanco, Yanmar

TABLE OF CONTENTS

SECTION	PAGE
PREVENTATIVE MAINTNENCE KITS.....	4-7
SERVICE KITS	8-9
CYLINDER BLOCK	10-11
TIMING GEAR CASE	12
FLYWHEEL HOUSING.....	13
CRANKSHAFT	14
VIBRATION DAMPER.....	15
FLYWHEEL.....	16
CONNECTING ROD	17
PISTON	18
CRANKSHAFT PULLEY	19
CYLINDER HEAD.....	20-21
CYLINDER HEAD COVER.....	22
VALVES	23
ROCKER ARM.....	24
VALVE TAPPET	25
CAMSHAFT	26
CAMSHAFT DRIVE	27
OIL PUMP	28
OIL PUMP DRIVE	29
RELIEF VALVE.....	30
OIL FILTER.....	31
OIL COOLER.....	32
OIL PAN.....	33
COOLING WATER PIPE	34-35
THERMOSTAT	36
WATER PUMP	37
COOLING FAN	38
EXHAUST MANIFOLD	39
INTAKE MANIFOLD.....	40
INTER COOLER	41
INJECTION PUMP DRIVE.....	42-43
ALTERNATOR MOUNT	44



TABLE OF CONTENTS

SECTION	PAGE
SENSOR AND SWITCH	45-46
ALTERNATOR BELT	47
STARTER.....	48
ELECTRONIC IGNITION SYSTEM	49
ENGINE MOUNT	50
POWER STEERING PUMP	51
AIR COMPRESSOR	52
AIR FILTER.....	53
AIR FILTER MOUNT	54
ALTERNATOR.....	55
ELECTRICAL.....	56
CAM WHEEL SENSOR.....	57
HARNES	58
FUEL SYSTEM	59
EPR AND MIXER.....	60
FUEL SYSTEM MOUNT	61
RADIATOR SUPPORT	62
SERPENTNE DRIVE	63
SEPRENTINE DRIVE (RETRO FIT KIT).....	64
INTAKE	65
EXHAUST ADAPTER.....	66
TURBOCHARGER	67
TURBO RETROFIT.....	68
CRANK CASE BREATHER	69
OIL DRAIN VALVE	70
OIL SAMPLE VALVE	71
COOLANT CLAMPS	72
CATALYST	73
CATALYST SUPPORT	73
AIR BLEED	75
FAN GUARD.....	76
FAN	77
RADIATOR.....	78
LP VAPORIZATION (OPTIONAL).....	79-80

11L PM AND SERVICE KITS

PM KIT #	PART NUMBER	DESCRIPTION	QTY	NOTES
1	661011	STANDARD PM KIT	1	
2	661012	STANDARD PM KIT WITH SPARK PLUGS	1	
3	661013	PM KIT-GENERAL	1	
4	661032	PM KIT-TOP END	1	
5	661033	PM KIT-OVERHAUL	1	

SVC KIT #	PART NUMBER	DESCRIPTION	QTY	NOTES
A	600012	COMPLETE GASKET KIT	1	PER ENG.
B	660007	LINER KIT	1	PER CYL.
C	660006	TOP GASKET KIT	1	PER ENG.
D	660005	CYLINDER HEAD KIT	2	PER HEAD

PM KIT 1 STANDARD 661011

PM KIT #	PART NUMBER	DESCRIPTION	QTY	NOTES
1	610882	OIL FILTER	1	
1	610790	VALVE COVER GASKET	1	

PM KIT 2 STANDARD WITH SPARK PLUGS 661012

PM KIT #	PART NUMBER	DESCRIPTION	QTY	NOTES
2	610882	OIL FILTER	1	
2	610790	VALVE COVER GASKET	1	
2	610344	SPARK PLUGS	6	

PM KIT 3 GENERAL 661013

PM KIT #	PART NUMBER	DESCRIPTION	QTY	NOTES
3	610882	OIL FILTER	1	
3	610344	SPARK PLUGS	6	
3	611023	IGNITION COIL WITH BOOTS	6	
3	32500662	THROTTLE BODY	1	
3	32500715	THROTTLE BODY GASKET	1	
3	53000019	BELT	2	
3	610060	CCV FILTER	1	
3	610790	VALVE COVER GASKET	1	
3	32501267	O2 SENSOR	1	

PM KIT 4 TOP END 661032

PM KIT #	PART NUMBER	DESCRIPTION	QTY	NOTES
4	610882	OIL FILTER	1	
4	610344	SPARK PLUGS	6	
4	611024	IGNITION COIL WITH BOOTS	6	
4	32500662	THROTTLE BODY	1	
4	32500715	THROTTLE BODY GASKET	1	
4	53000019	BELT	2	
4	610060	CCV FILTER	1	
4	610963	EXHAUST FLANGE GASKET	1	
4	32501267	O2 SENSOR	1	
4	610942	WATER PUMP	1	
4	610959	WATER PUMP GASKET	1	
4	612500	THERMOSTAT	2	181F 83C
4	610262	THERMOSTAT GASKET	2	
4	610261	THERMOSTAT O-RING	2	
4	610477	THERMOSTAT O-RING	1	
4	660005	CYLINDER HEAD KIT	2	
4	660006	TOP END KIT	1	

ADDITIONAL PARTS SOLD SEPERATELY

PAGE #	PART NUMBER	DESCRIPTION	QTY	NOTES
49	53000017	ALTERNATOR	1	
57	58020810	TURBOCHARGER	1	
53	38080463	EPR AND MIXER KIT	1	
47	33500774	AIR FILTER	1	

PM KIT 5 OVERHAUL 661033

PM KIT #	PART NUMBER	DESCRIPTION	QTY	NOTES
5	610882	OIL FILTER	1	
5	610344	SPARK PLUGS	6	
5	611024	IGNITION COIL WITH BOOTS	6	
5	32500662	THROTTLE BODY	1	
5	53000019	BELT	2	
5	610060	CCV FILTER	1	
5	610963	EXHAUST FLANGE GASKET	1	
5	32501267	O2 SENSOR	1	
5	610942	WATER PUMP	1	
5	612500	THERMOSTAT	2	181F 83C
5	610852	OIL PUMP	1	
5	660007	LINER KIT	6	
5	600012	COMPLETE GASKET KIT	1	
5	660005	CYLINDER HEAD KIT	2	

ADDITIONAL PARTS SOLD SEPERATELY

PAGE #	PART NUMBER	DESCRIPTION	QTY	NOTES
49	53000017	ALTERNATOR	1	
57	58020810	TURBOCHARGER	1	
53	38080463	EPR AND MIXER KIT	1	
25	610521	OIL COOLER	1	
47	33500774	AIR FILTER	1	

SVC KIT A COMPLETE GASKET 600012

SVC KIT #	PART NUMBER	DESCRIPTION	QTY	NOTES
A	611134	GASKET	1	
A	610717	GASKET	1	
A	610716	TIMING GEAR CASE COVER	1	
A	610035	OIL SEAL	1	
A	610720	FLYWHEEL HOUSING COVER GASKET	1	
A	610707	OIL SEAL	1	
A	610786	CYLINDER HEAD GASKET	1	
A	610787	CYLINDER HEAD GASKET	1	
A	610790	VALVE COVER GASKET	1	
A	610119	GASKET (BOLT)	6	
A	610061	BREATHER ASSEMBLY O-RING	1	
A	611128	O-RING	2	
A	610531	OIL COOLER FLANGE GASKET	2	
A	611168	WATER CHAMBER COVER GASKET	1	
A	610916	OIL RETURN PIPE GASKET	2	
A	610228	OIL PIPE FLANGE GASKET	1	
A	611182	OIL PAN GASKET	1	
A	611181	GASKET	1	
A	612231	COOLING WATER PIPE GASKET	2	
A	610962	COOLING WATER PIPE GASKET	1	
A	610963	THERMOSTAT HOUSING GASKET	1	
A	610555	GASKET	1	
A	610916	OIL RETURN PIPE GASKET	1	
A	610262	THERMOSTAT GASKET	2	
A	610261	O-RING	2	
A	610477	O-RING	1	
A	610959	WATER PUMP GASKET	1	
A	611129	O-RING	1	
A	610989	GASKET	6	
A	610990	INTAKE MANIFOLD GASKET	1	
A	610991	INTAKE MANIFOLD GASKET	1	
A	611009	GASKET	1	
A	611030	POWER STEERING PUMP GASKET	1	
A	611032	AIR COMPRESSOR GASKET	1	
A	53500028	GASKET	1	
A	32500715	THROTTLE BODY GASKET	1	
A	52500038	GASKET	1	
A	53500032	GASKET	1	
A	106613	OIL DRAIN GASKET	1	
A	106614	TURBO EXHAUST GASKET	1	
A	33500805	CATALYST MUFFLER GASKET	1	

SPEC N. : 59002002
REV. DATE : 15JUN16

Power Solutions International

SVC KIT B LINER (PER CYLINDER) 660007

SVC KIT #	PART NUMBER	DESCRIPTION	QTY	NOTES
B	610690	CYLINDER LINER	1	
B	610748	CONNECTING ROD BEARING	1	
B	610750	PISTON	1	
B	610761	TOP RING	1	
B	610759	2ND RING	1	
B	610762	OIL RING	1	
B	610756	PISTON PIN	1	
B	610467	SNAP RING	2	

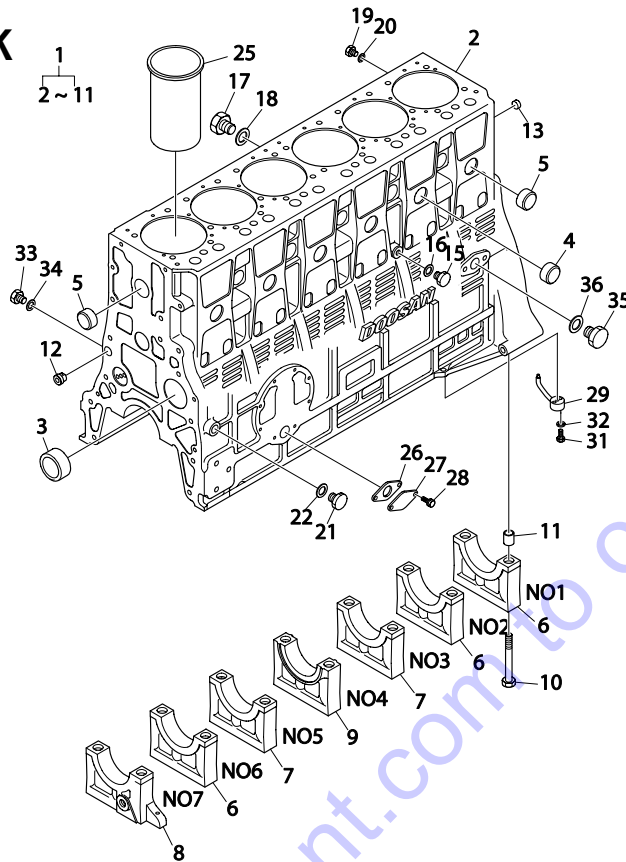
SVC KIT C TOP GASKET (PER ENGINE) 660006

SVC KIT #	PART NUMBER	DESCRIPTION	QTY	NOTES
C	610786	CYLINDER HEAD GASKET	1	
C	610787	CYLINDER HEAD GASKET	1	
C	610790	VALVE COVER GASKET	1	
C	610990	INTAKE MANIFOLD GASKET	1	
C	610989	EXHAUST MANIFOLD GASKET	6	
C	612231	WATER CROSSOVER GASKET	2	
C	610119	GASKET (BOLT)	6	

SVC KIT D CYLINDER HEAD (PER HEAD) 660005

SVC KIT #	PART NUMBER	DESCRIPTION	QTY	NOTES
D	610778	VALVE SEAT	3	
D	610774	VALVE SEAT	3	
D	612123	VALVE GUIDE	3	
D	612148	INTAKE VALVE	3	
D	610792	EXHAUST VALVE	6	
D	610806	EXHAUST VALVE SPRING ASSEMBLY	3	
D	610803	INTAKE VALVE SPRING ASSEMBLY	3	
D	610812	RETAINER	6	
D	611089	WASHER	6	
D	610814	COTTER	12	
D	610850	VALVE STEM SEAL	6	

CYLINDER BLOCK



ZBOM11L-1000

POS.	PART NUMBER	DESCRIPTION	QTY	NOTES
1	NSS	CYLINDER BLOCK ASSEMBLY	1	
2	NSS	CYLINDER BLOCK	1	
3	610839	BUSHING, CAMSHAFT	4	
4	610065	PIN, DOWELL	6	
5	610000	PLUG, CORE	16	
6	NSS	BEARING CAP 1	3	
7	NSS	BEARING CAP 3	2	
8	NSS	BEARING CAP 7	1	
9	NSS	BEARING CAP 4	1	
10	611040	BOLT, BEARING CAP	14	
11	611112	PIN, LOCATING	14	
12	610709	NOZZLE, OILSPRAY	1	
13	610004	PLUG, CORE	1	
15	611079	PLUG SCREW	1	
16	610019	SEAL, RING	1	
	NSS =	NOT SOLD SEPERATELY		

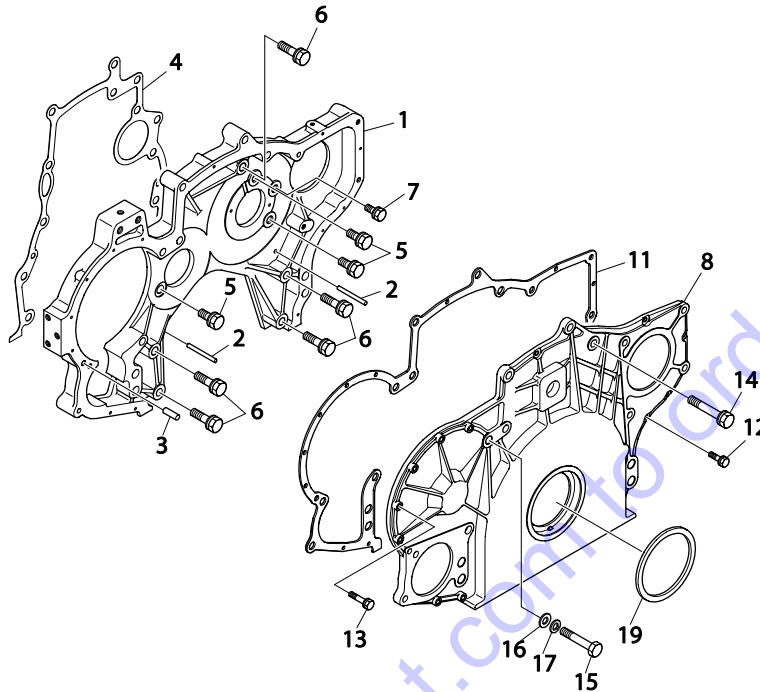
SPEC N. : 59002002
REV. DATE : 15JUN16

Power Solutions International

CYLINDER BLOCK CONT.

POS.	PART NUMBER	DESCRIPTION	QTY	NOTES
17	611075	PLUG, SCREW	1	
18	610201	SEAL, RING	1	
19	610022	PLUG, SCREW	1	
20	610481	SEAL, RING	1	
21	611074	PLUG, SCREW	1	
22	610245	SEAL, RING	1	
25	610690	LINER, CYLINDER	6	IN KIT B
26	611134	GASKET	1	IN KIT A
27	611105	COVER, BLIND	1	
28	610062	BOLT	2	
29	610712	NOZZLE, OILSPRAY	6	
31	611034	BOLT, HEX	12	
32	610449	WASHER, SPRING	12	
33	610266	PLUG, SCREW	1	
34	610267	SEAL, RING	1	
35	611076	PLUG, SCREW	1	
36	610194	SEAL, RING	1	

TIMING GEAR CASE



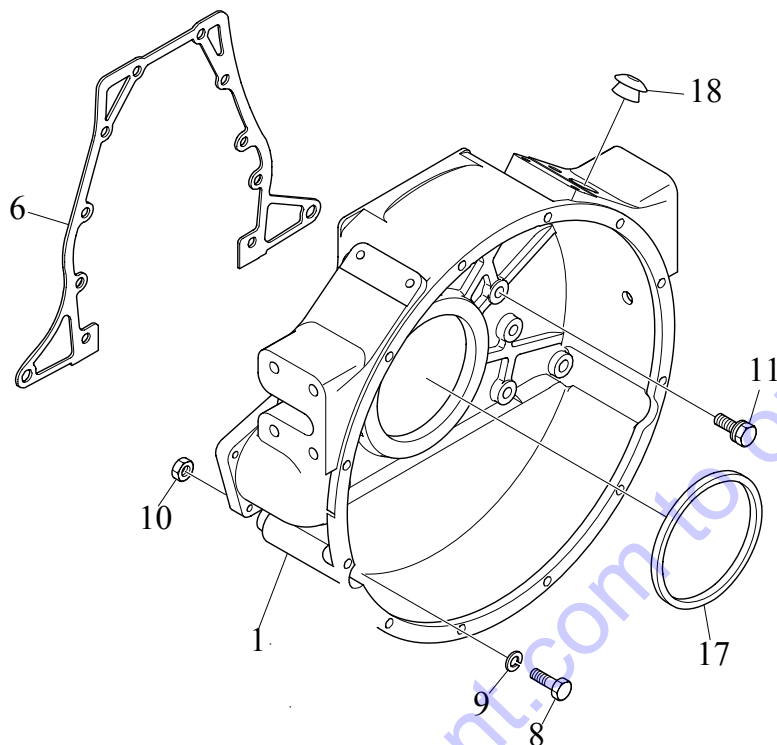
ZBOM11L-1001

POS.	PART NUMBER	DESCRIPTION	QTY	NOTES
1	610692	CASE, T/GEAR	1	
2	611096	PIN, DOWELL	2	
3	610459	PIN, DOWELL	1	
4	610717	GASKET	1	IN KIT A
5	610027	BOLT	3	
6	610053	BOLT	5	
7	610326	BOLT	1	
8	610694	COVER, T/G CASE	1	
11	610716	GASKET, T/G CASE	1	IN KIT A
12	610034	BOLT, HEX	6	
13	610403	BOLT	7	
14	610421	BOLT	2	
15	610377	BOLT, HEX	3	
16	610525	WASHER, SPRING	3	
17	610047	WASHER, SPRING	3	
19	610035	SEAL, OIL (FRONT)	1	IN KIT A

SPEC N. : 59002002
REV. DATE : 15JUN16

Power Solutions International

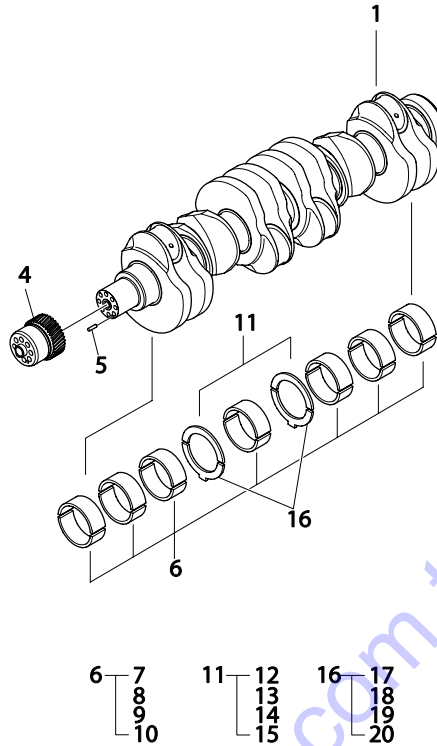
FLYWHEEL HOUSING



ZBOM11L-1002

POS.	PART NUMBER	DESCRIPTION	QTY	NOTES
1	612849	HOUSING, FLYWHEEL	1	
6	610720	GASKET, F/W COVER	1	IN KIT A
8	610423	BOLT	2	
9	610085	WASHER, SPRING	2	
10	610441	NUT, HEX	2	
11	611037	BOLT	10	
17	610707	SEAL, OIL	1	IN KIT A
18	610045	PLUG, RUMMBER	1	
	NSS =	NOT SOLD SEPERATELY		

CRANKSHAFT



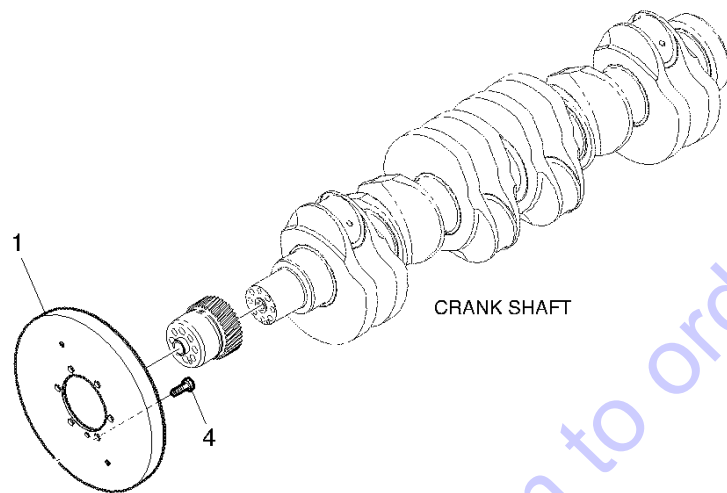
ZBOM11L-1003

POS.	PART NUMBER	DESCRIPTION	QTY	NOTES
1	610510	CRANKSHAFT	1	
4	650728	GEAR, CRANKSHAFT	1	
5	610065	PIN, DOWELL	1	
6	610674	BEARING, MAIN (STD)	7	
7	610675	BEARING, MAIN (.25)	7	
8	610676	BEARING, MAIN (.50)	7	
3	610677	BEARING, MAIN (.75)	7	
10	610678	BEARIN,MAIN (1.00)	7	
11	610680	BEARING THRUST (UPPER STD)	2	
12	610682	BEARING, THRUST (UPPER .25)	2	
13	610683	BEARING, THRUST (UPPER .50)	2	
14	610684	BEARING, THRUST (UPPER .75)	2	
15	610685	BEARING, THRUST (UPPER 1.0)	2	
16	610681	WASHER, THRUST (LOWER STD)	2	
17	610686	WASHER, THRUST (LOWER .25)	2	
18	610687	WASHER, THRUST (LOWER .50)	2	
19	610688	WASHER, THRUST (LOWER .75)	2	
20	610689	WASHER, THRUST (LOWER 1.0)	2	

SPEC N. : 59002002
REV. DATE : 15JUN16

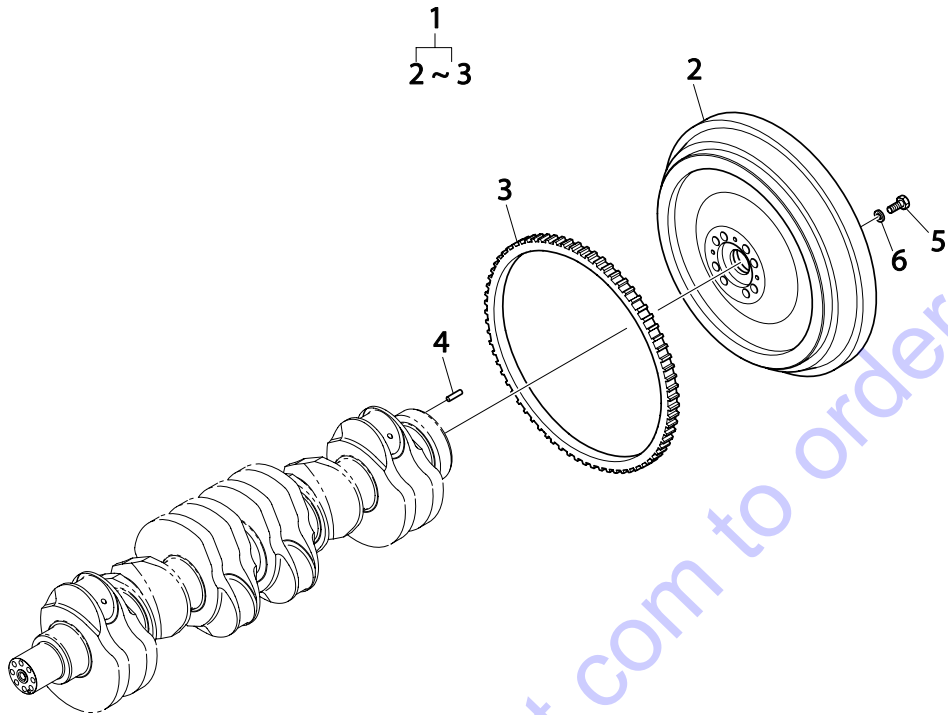
Power Solutions International

VIBRATION DAMPER



POS.	PART NUMBER	DESCRIPTION	QTY	NOTES
1	610077	VIBRATION DAMPER	1	
2	610080	BOLT	6	

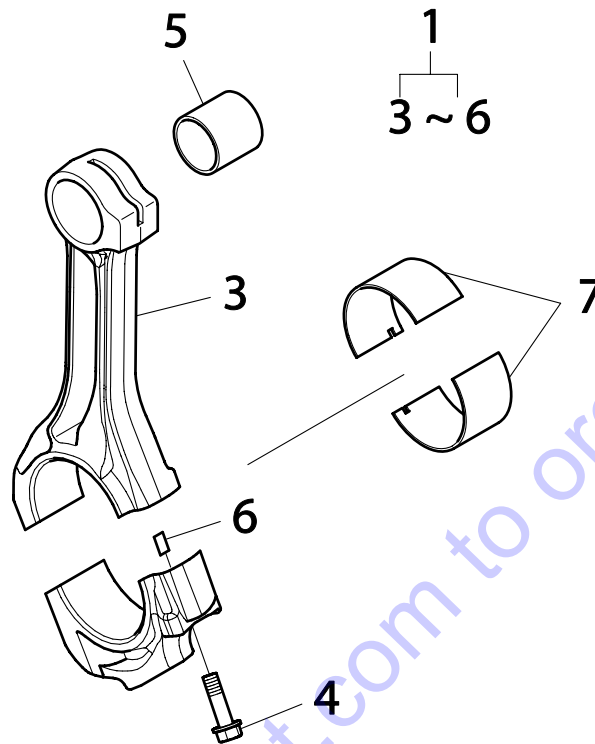
FLYWHEEL



ZBOM11L-1004

POS.	PART NUMBER	DESCRIPTION	QTY	NOTES
1	610739	FLYWHEEL (ASSY)	1	
2	NSS	FLYWHEEL	1	PART OF 1
3	610740	GEAR, RING	1	
4	612487	PIN, DOWELL	1	
5	610382	BOLT, HEX	8	
6	610085	WASHER, SPRING	8	
	NSS =	NOT SOLD SEPERATELY		

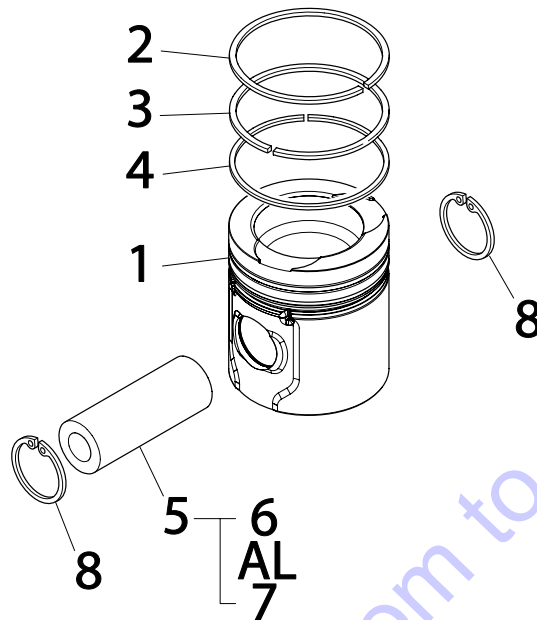
CONNECTING ROD



ZBOM11L-1005

POS.	PART NUMBER	DESCRIPTION	QTY	NOTES
1	610744	ROD, CONNECTING (ASSY)	6	
3	NSS	CONNECTING ROD	1	PART OF 1
4	611039	BOLT, C/ROD	2	
5	610745	BUSHING, C/ROD	1	
6	610089	PIN, DOWEL	2	
7	610748	BEARING, C/ROD (STD)	6	IN KIT B
	612105	BEARING, C/ROD (.25)	6	
	612494	BEARING, C/ROD (.50)	6	
	612847	BEARING, C/ROD (.75)	6	
	612848	BEARING, C/ROD (1.0)	6	
	NSS =	NOT SOLD SEPERATELY		

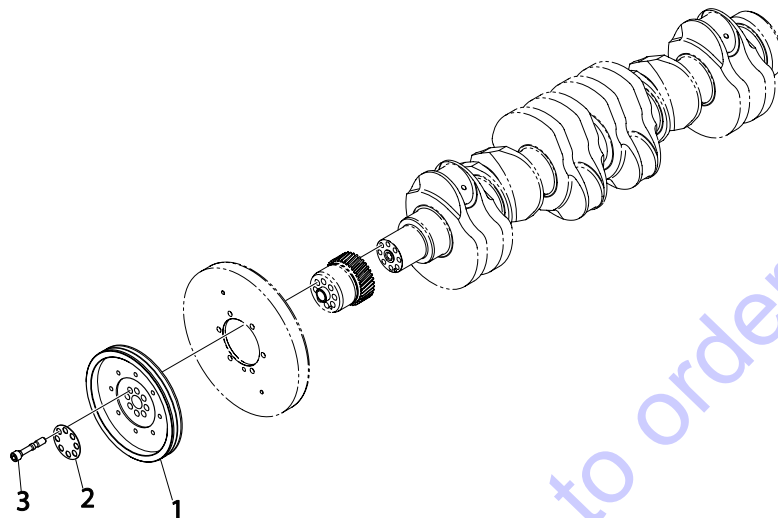
PISTON



ZBOM11L-1006

POS.	PART NUMBER	DESCRIPTION	QTY	NOTES
1	610750	PISTON	6	IN KIT B
2	NSS	TOP RING *	6	IN KIT B
3	NSS	2ND RING *	6	IN KIT B
4	NSS	OIL RING *	6	IN KIT B
5	610756	PIN,, PISTON	6	IN KIT B
6	610467	RING, SNAP	12	IN KIT B
*	611171	KIT, PISTON RING (COMPLETE)	1	INCLUDES 2,3,4

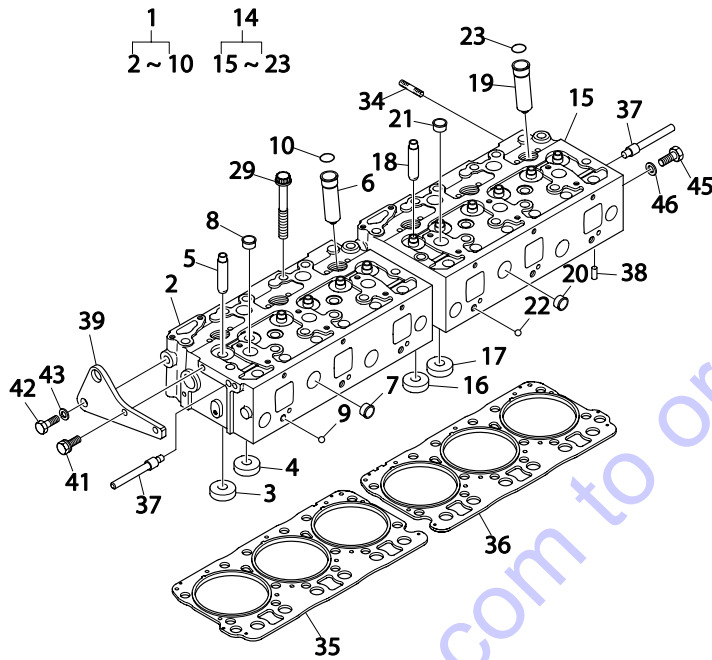
CRANKSHAFT PULLEY



ZBOM11L-1007

POS.	PART NUMBER	DESCRIPTION	QTY	NOTES
1	610766	PULLEY, V-BELT	1	
2	610104	WASHER	1	
3	610430	BOLT	8	

CYLINDER HEAD



ZBOM11L-1008

POS.	PART NUMBER	DESCRIPTION	QTY	NOTES
1	612484	HEAD, CYLINDER (FRONT)	1	
3	610778	SEAT, VALVE	3	IN KIT D
4	610774	SEAT, INT VALVE	3	IN KIT D
5	612123	GUIDE, VALVE	6	IN KIT D
6	610779	TUBE, INJ/NOZZLE	3	
7	611064	PLUG, CORE	2	
8	611063	PLUG, CORE	9	
9	611025	STEEL, BALL	3	
1	611130	O-RING	3	
14	612485	HEAD, CYLINDER (REAR)	1	
16	610778	SEAT, VALVE	3	IN KIT D
17	610774	SEAT, INT VALVE	3	IN KIT D
18	612123	GUIDE, VALVE	6	IN KIT D
19	610779	TUBE, INJ/NOZZLE	3	
20	611064	PLUG, CORE	2	
	NSS =	NOT SOLD SEPERATELY		

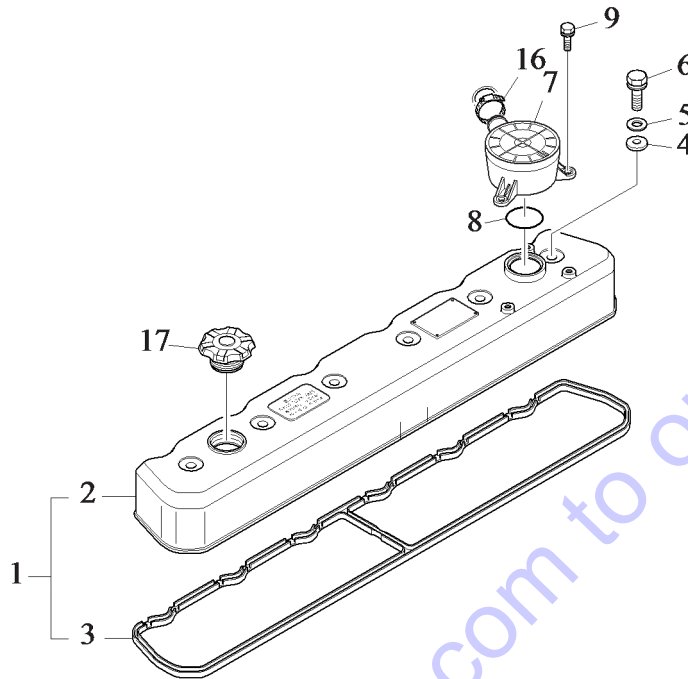
SPEC N. : 59002002
REV. DATE : 15JUN16

Power Solutions International

CYLINDER HEAD CONT.

POS.	PART NUMBER	DESCRIPTION	QTY	NOTES
21	611063	PLUG, CORE	9	
22	611025	STEEL, BALL	3	
23	611130	O-RING	3	
29	611053	BOLT	28	
34	611035	BOLT, HEX	2	
35	610786	GASKET, CYL HEAD	1	IN KIT A,C
36	610787	GASKET, CYL HEAD	1	IN KIT A,C
37	611203	PLUG, HEAD	2	
38	612489	PIN, DOWELL	4	
39	611027	BRACKER, HANGER	1	
41	610297	BOLT	2	
42	610386	BOLT, HEX	1	
43	610085	WASHER, SPRING	1	
45	610382	BOLT, HEX	1	
46	610085	WASHER, SPRING	1	

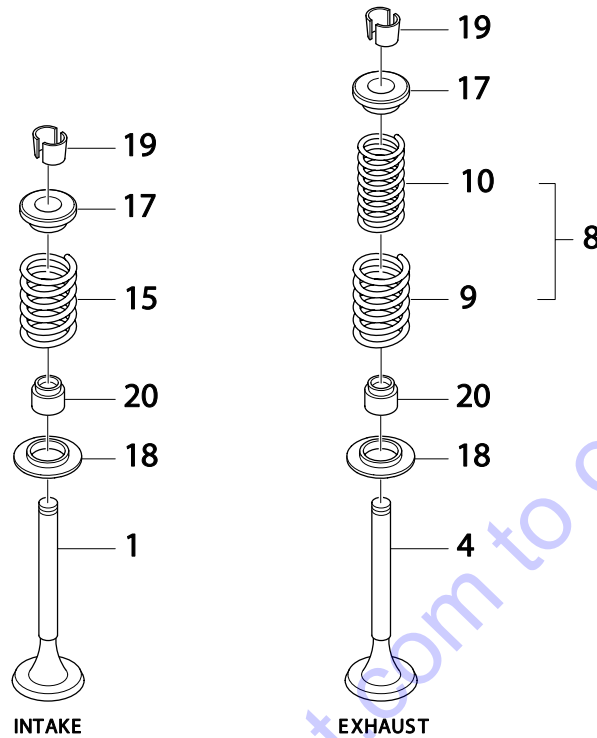
CYLINDER HEAD COVER



ZBOM11L-1009

POS.	PART NUMBER	DESCRIPTION	QTY	NOTES
1	NSS	COVER, CYL HEAD	1	BUY 2 OR 3
2	610784	COVER, CYL HEAD	1	
3	610790	GASKET, V/COVER	1	IN KIT A,C,1,2,3
4	610119	SEAL	6	IN KIT A,C
5	610118	WASHER	6	
6	611043	BOLT	6	
7	610060	BREATHER	1	IN KIT 3,4,5
8	610061	O-RING	1	IN KIT A
9	610062	BOLT	3	
16	610487	CLAMP, HOSE	1	
17	610120	CAP, OIL	1	

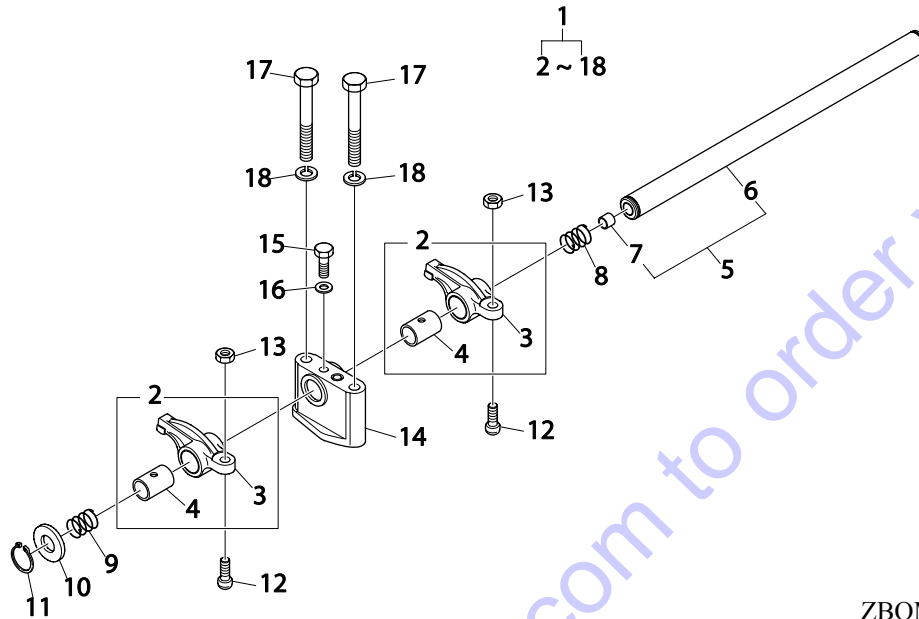
VALVES



ZBOM11L-1010

POS.	PART NUMBER	DESCRIPTION	QTY	NOTES
1	612148	VALVE, INTAKE	6	IN KIT D
4	610792	VALVE, EXHAUST	6	IN KIT D
8	610806	SPRING, EXHAUST VALVE	6	IN KIT D
9	610803	SPRING, VALVE	1	
10	610795	SPRING, EXHAUST VALVE	1	
15	610803	SPRING, VALVE	6	IN KIT D
17	610812	RETAINER, VALVE SPRING	12	IN KIT D
18	611089	WASHER	12	IN KIT D
19	610814	KEEPER	24	IN KIT D
20	610850	SEAL, VALVE STEM	12	IN KIT D

ROCKER ARM



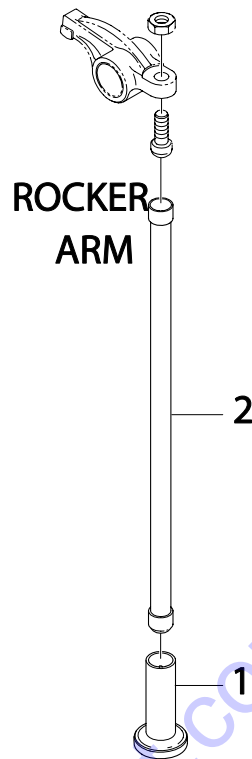
ZBOM11L-1011

POS.	PART NUMBER	DESCRIPTION	QTY	NOTES
1	610815	SHAFT, ROCKER ARM (ASSY)	2	
2	610820	ARM, ROCKER (ASSY)	6	
3	NSS	ROCKER ARM	1	PART OF 2
4	NSS	BUSHING	1	PART OF 2
5	610826	SHAFT, ROCKER ARM	1	
6	NSS	SHAFT, ROCKER ARM	1	PART OF 5
7	610139	PLUG, CORE	2	
8	611147	SPRING, COMPRESS	2	
9	611144	SPRING, COMPRESS	2	
10	610142	WASHER	2	
11	610143	RING, SNAP	2	
12	610137	SCREW, ADJUST	6	
13	611083	NUT, HEX	6	
14	610822	BRACKET, ROCKER ARM	3	
15	610220	BOLT	3	
16	610056	WASHER	3	
17	610145	BOLT, HEX	6	
18	610146	WASHER, SPRING	6	
	NSS =	NOT SOLD SEPERATELY		

SPEC N. : 59002002
REV. DATE : 15JUN16

Power Solutions International

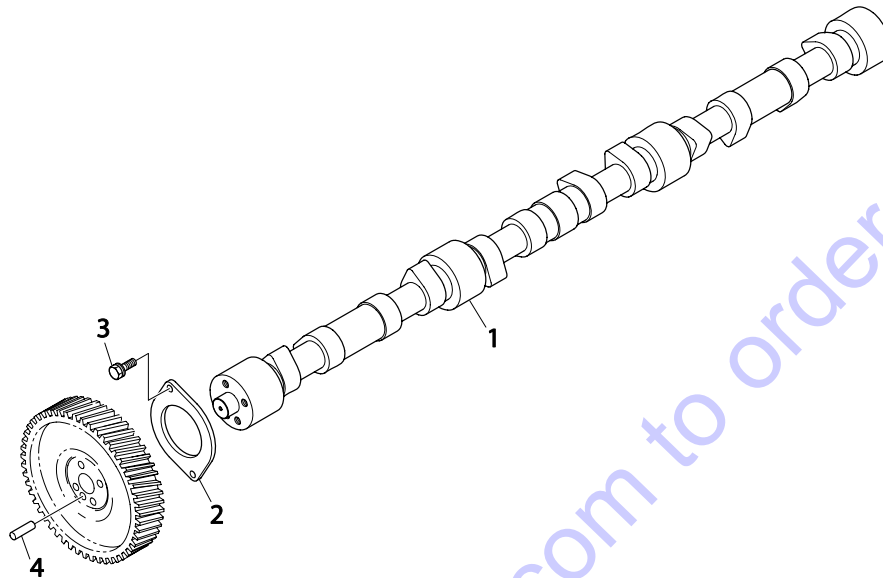
VALVE TAPPET



ZBOM11L-1012

POS.	PART NUMBER	DESCRIPTION	QTY	NOTES
1	612151	TAPPET	12	
2	610831	PUSH ROD	12	

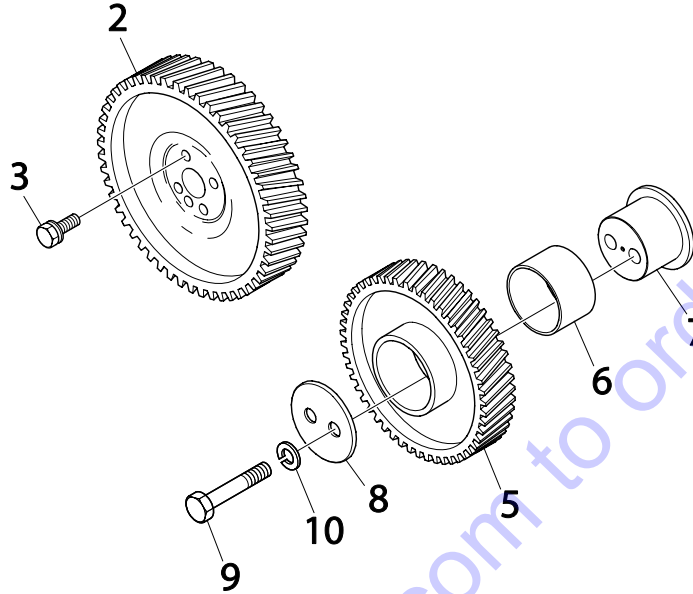
CAMSHAFT



ZBOM11L-1013

POS.	PART NUMBER	DESCRIPTION	QTY	NOTES
1	610832	CAMSHAFT	1	
2	610152	FLANGE	1	
3	610153	BOLT	2	
4	610459	PIN	1	

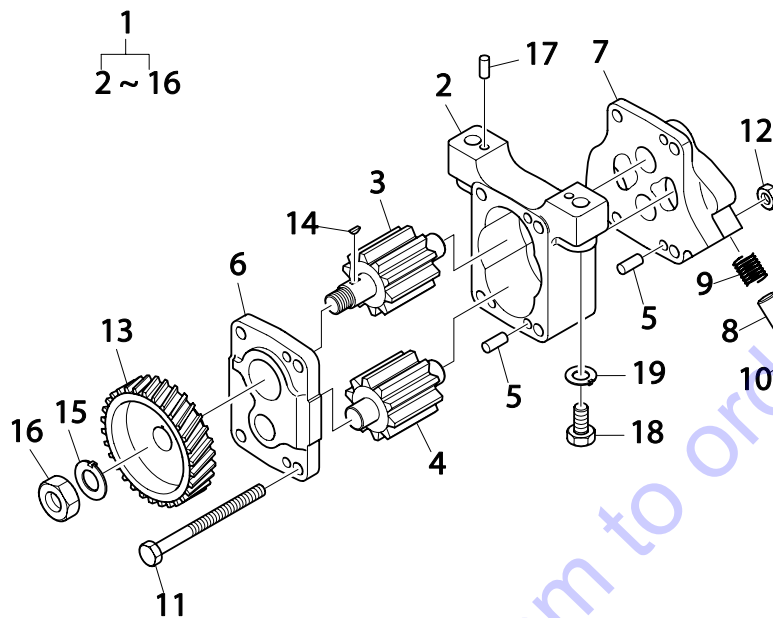
CAMSHAFT DRIVE



ZBOM11L-1014

POS.	PART NUMBER	DESCRIPTION	QTY	NOTES
2	610843	GEAR, CAMSHAFT	1	
3	610400	BOLT	4	
5	610846	GEAR, IDLER	1	
6	610849	BUSHING, I/GEAR	1	
7	610848	IDLE GEAR PIN	1	
8	611092	WASHER, THRUST	1	
9	610361	BOLT, HEX	2	
10	610146	WASHER, SPRING	2	

OIL PUMP



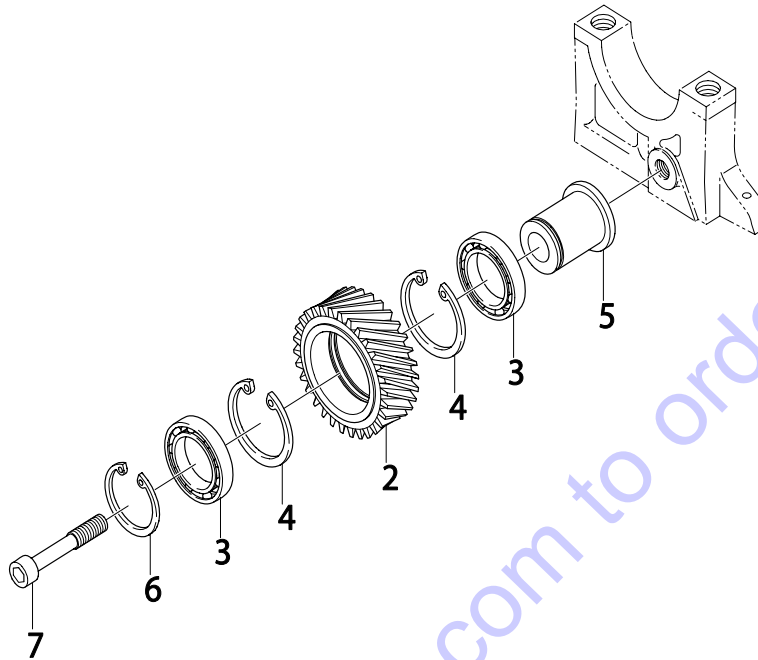
ZBOM11L-1015

POS.	PART NUMBER	DESCRIPTION	QTY	NOTES
1	610852	PUMP, OIL	1	IN KIT 5
2	NSS	HOUSING	1	
3	610162	GEAR, OIL PUMP	1	
4	610863	GEAR, OIL PUMP	1	
5	610032	PIN, DOWEL	4	
6	610859	COVER, OIL PUMP	1	
7	610860	COVER, OIL PUMP	1	
8	610876	PLUNGER, VALVE	1	
9	611148	SPRING, COMPRESS	1	
10	610169	PLUG, SCREW	1	
11	610170	BOLT	4	
12	610171	NUT	4	
13	610866	GEAR, OIL PUMP DRIVE	1	
14	610173	KEY, WOODRUFF	1	
15	610174	WASHER, LOCK	1	
16	610175	NUT, HEX	1	
17	610032	PIN, DOWEL	2	
18	610176	BOLT, HEX	2	
19	610177	WASHER, LOCK	2	
	NSS =	NOT SOLD SEPERATELY		

SPEC N. : 59002002
REV. DATE : 15JUN16

Power Solutions International

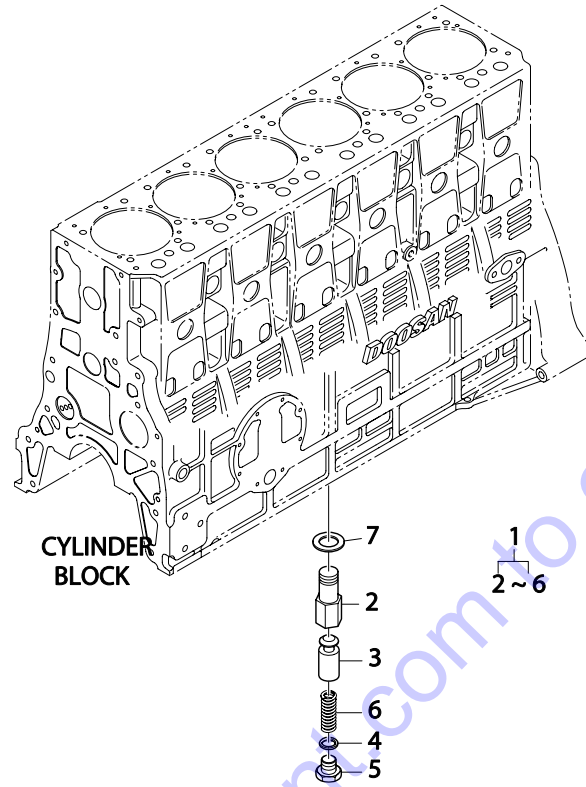
OIL PUMP DRIVE



ZBOM11L-1016

POS.	PART NUMBER	DESCRIPTION	QTY	NOTES
2	612491	GEAR, IDLER	1	
3	610179	BEARING, BALL	2	
4	610180	RING, SNAP	2	
5	610181	PIN, IDLER GEAR	1	
6	610182	RING, SNAP	1	
7	610183	BOLT	1	
	NSS =	NOT SOLD SEPERATELY		

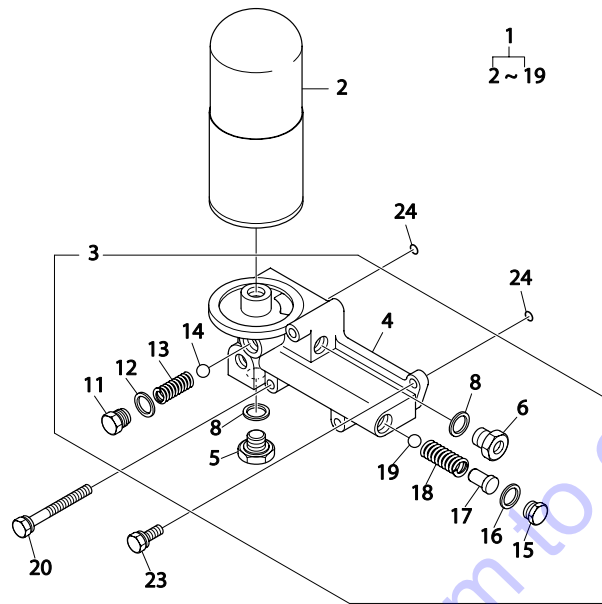
RELIEF VALVE



ZBOM11L-1017

POS.	PART NUMBER	DESCRIPTION	QTY	NOTES
1	610871	VALVE, RELIFF	1	
2	NSS	HOUSING	1	
3	610877	PLUNGER, VALVE	1	
4	611091	WASHER	1	
5	611069	PLUG, SCREW	1	
6	611145	SPRING	1	
7	610011	SEAL, RING	1	
	NSS =	NOT SOLD SEPERATELY		

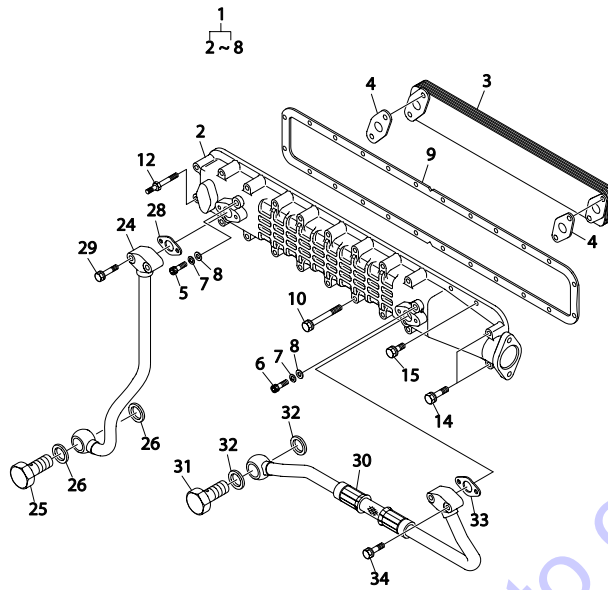
OIL FILTER



ZBOM11L-1018

POS.	PART NUMBER	DESCRIPTION	QTY	NOTES
1	610522	FILTER, OIL ASSY	1	
2	610882	FILTER, OIL	1	IN KIT 1,2,3,4,5
3	610881	FILTER, OIL HEAD	1	
4	610879	FILTER, OIL HEAD	1	
5	611072	PLUG, SCREW	1	
6	610436	PLUG, SCREW	1	
8	610726	SEAL, RING	2	
11	611070	PLUG, SCREW	1	
12	610194	SEAL, RING	1	
13	610192	SPRING, O/FILTER	1	
14	NSS	BY-PASS VALVE	1	
15	611068	PLUG, SCREW	1	
16	610206	SEAL, RING	1	
17	610465	PIN, SPRING	1	
18	610203	SPRING	1	
19	610473	VALVE, BYPASS	1	
20	610422	BOLT	4	
23	610420	BOLT	1	
24	611128	O-RING	2	IN KIT A
	NSS =	NOT SOLD SEPERATELY		

OIL COOLER



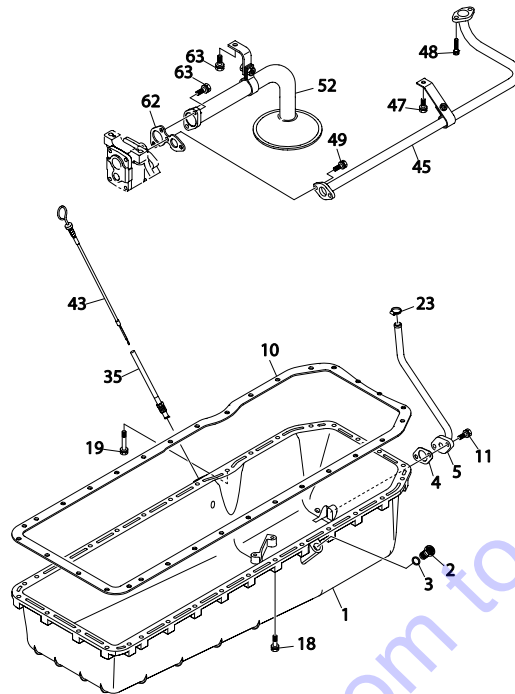
ZBOM11L-1019

POS.	PART NUMBER	DESCRIPTION	QTY	NOTES
1	610521	COOLER, OIL	1	
2	610888	HOUSING, O/COOLER	1	
3	NSS	ELEMENT	1	
4	610531	GASKET, O/COVER	2	IN KIT A
5	610543	BOLT	2	
6	610424	BOLT	2	
7	610146	WASHER, SPRING	4	
8	610254	WASHER	4	
9	611168	GASKET, W/CHAMBER	1	IN KIT A
10	610243	BOLT	14	
12	612492	BLOCK, ENGINE	4	
14	610225	BOLT	2	
15	610057	BOLT	4	
24	610529	PIPE, OIL	1	
25	610549	SCREW, SCREEN	1	
26	610727	SEAL, RING	2	
28	610916	GASKET, OIL PIPE	1	IN KIT A
29	610156	BOLT	2	
30	610530	PIPE, OIL	1	
31	610549	SCREW, SCREEN	1	
32	610206	SEAL, RING	2	
33	610916	GASKET, OIL PIPE	1	IN KIT A
34	610156	BOLT	2	
	NSS =	NOT SOLD SEPERATELY		

SPEC N. : 59002002
REV. DATE : 15JUN16

Power Solutions International

OIL PAN



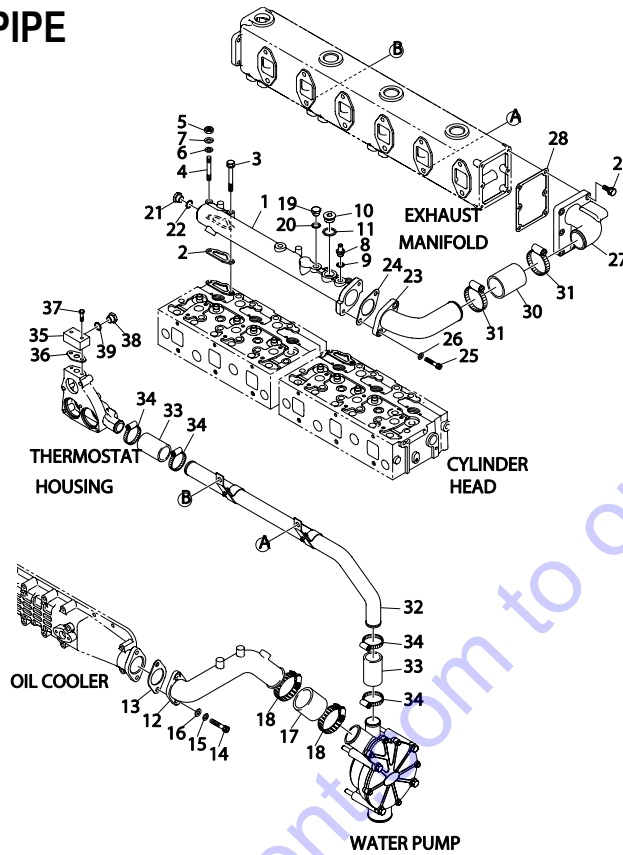
ZBOM11L-1020

POS.	PART NUMBER	DESCRIPTION	QTY	NOTES
1	610904	PAN, OIL	1	
2	610222	PLUG, SCREW	1	
3	610223	SEAL, RING	1	
4	610228	GASKET, OIL PIPE	1	IN KIT A
5	610550	PIPE, OIL	1	
10	610919	GASKET, OIL PAN	1	IN KIT A
11	610389	BOLT	2	
18	610224	BOLT	31	
19	610214	BOLT	1	
23	610486	CLAMP, HOSE	1	
35	610229	TUBE, DIPSTICK	1	
43	610909	DIPSTICK	1	
45	610897	PIPE, OIL	1	
47	610389	BOLT	1	
48	611038	BOLT	2	
49	612501	BOLT, HEX	2	
52	610901	PIPE, OIL	1	
62	611181	GASKET	1	IN KIT A
63	612501	BOLT, HEX	4	

SPEC N. : 59002002
REV. DATE : 15JUN16

Power Solutions International

COOLING WATER PIPE



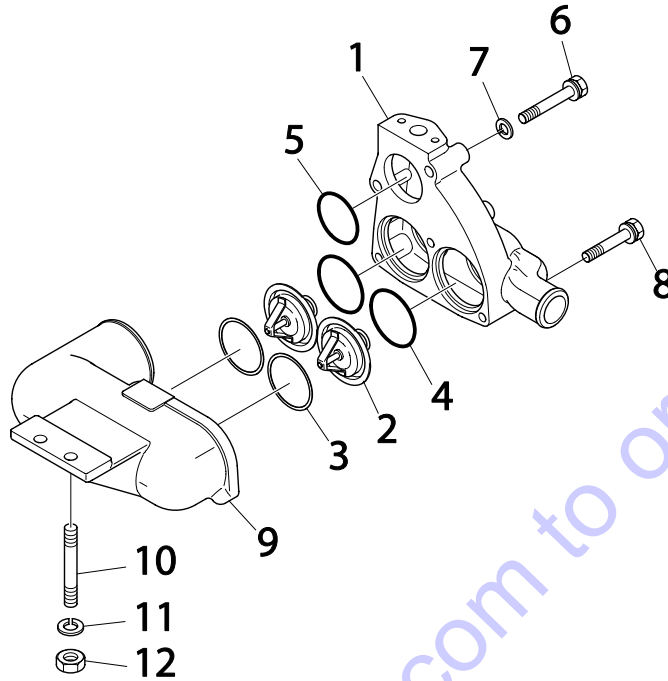
ZBOM11L-1021

POS.	PART NUMBER	DESCRIPTION	QTY	NOTES
1	610930	PIPE, WTR COOL	1	
2	612231	GASKET, WTR PIPE	2	IN KIT A,C
3	610243	BOLT	2	
4	611059	BOLT, STUD	2	
5	610017	NUT, HEX	2	
6	610016	WASHER, SPRING	2	
7	610056	WASHER	2	
8	611155	SCREW, CONNECT	1	
9	610267	SEAL, RING	1	
10	610285	PLUG, SCREW	1	
11	610727	SEAL, RING	1	
12	610923	PIPE, WTR COOL	1	
13	610962	GASKET, WTR PIPE	1	IN KIT A
14	610424	BOLT	2	
15	610146	WASHER, SPRING	2	
16	610254	WASHER	2	
17	611124	HOSE, COOLANT	1	

COOLING WATER PIPE CONT.

POS.	PART NUMBER	DESCRIPTION	QTY	NOTES
18	610248	CLAMP, HOSE	2	
19	610052	SCREW, PLUG	2	
20	610483	SEAL, RING	2	
21	610222	PLUG, SCREW	1	
22	610245	SEAL, RING	1	
23	610553	PIPE, WTR COOL	1	
24	610963	GASKET, WTR PIPE	1	IN KIT A
25	610242	GASKET, WATER PIPE	2	
26	610254	WASHER	2	
27	610552	COVER, E/MNFLD	1	
28	610555	GASKET	1	IN KIT A
29	610197	BOLT	6	
30	611124	HOSE, COOLANT	1	
31	610248	CLAMP, HOSE	2	
32	610936	PIPE, WTR COOL	1	
33	611123	HOSE, COOLANT	2	
34	610257	CLAMP, HOSE	4	
35	611152	ADAPTOR	1	
36	610916	GASKET, OIL PIPE	1	IN KIT A
37	610280	BOLT	2	
38	611080	PLUG, SCREW	1	
39	610483	SEAL, RING	1	

THERMOSTAT



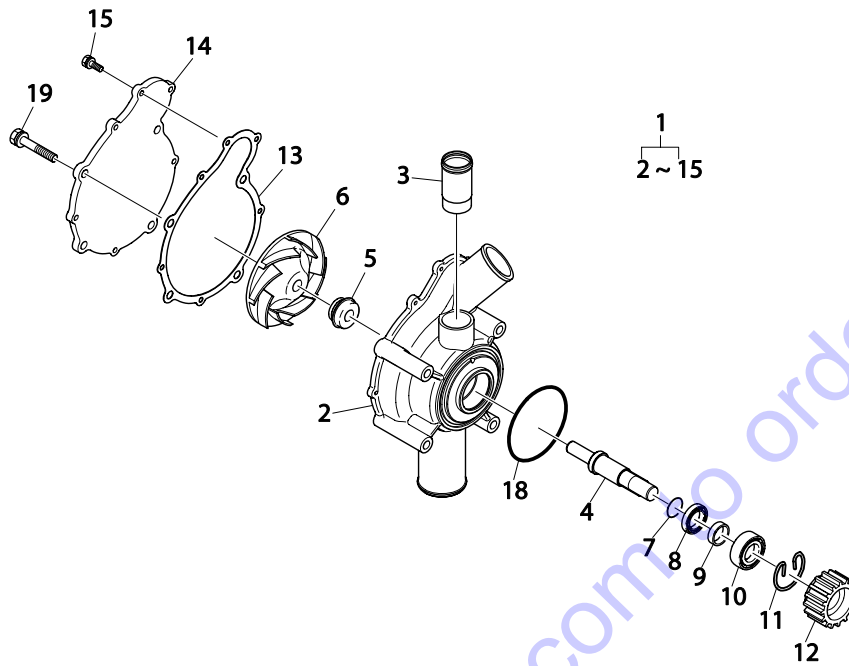
ZBOM11L-1022

POS.	PART NUMBER	DESCRIPTION	QTY	NOTES
1	610939	HOUSING, THERMOSTAT	1	
2	610260	THERMOSTAT (STD 160 DEG)	2	160F 71C
2	610937	THERMOSTAT (174 DEG)	2	174F 79C
2	612500	THERMOSTAT (181 DEG)	2	180F 83C
3	610262	GASKET, THERMOSTAT	2	IN KIT A,4
4	610261	O-RING	2	IN KIT A,4
5	610477	O-RING	1	IN KIT A,4
6	610395	BOLT	2	
7	610254	WASHER	2	
8	610411	BOLT	3	
9	610940	HOUSING, THERMOSTAT	1	
10	610434	BOLT, STUD	2	
11	610146	WASHER, SPRING	2	
12	610304	NUT, HEX	2	

SPEC N. : 59002002
REV. DATE : 15JUN16

Power Solutions International

WATER PUMP



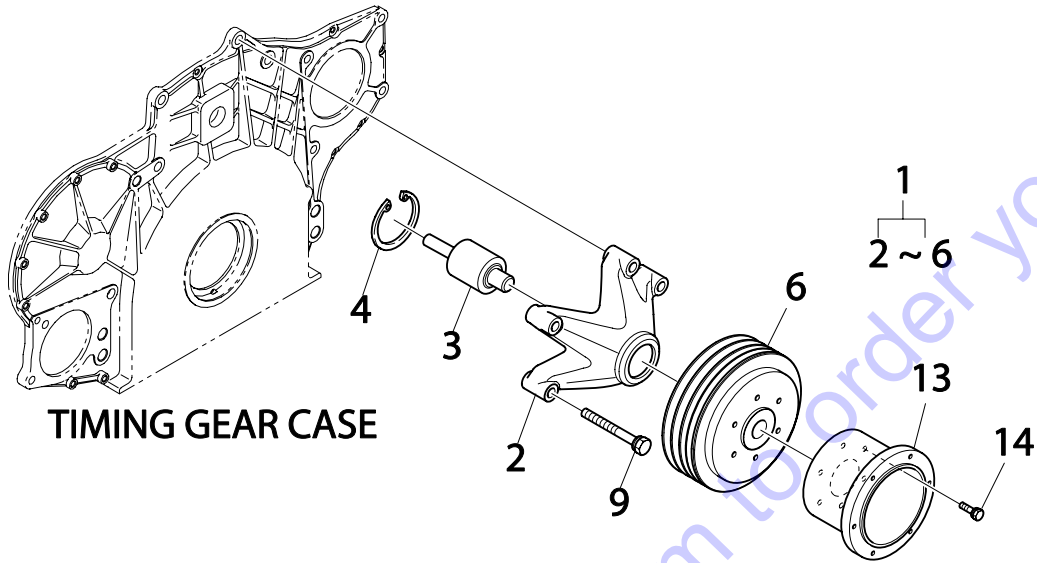
ZBOM11L-1023

POS.	PART NUMBER	DESCRIPTION	QTY	NOTES
1	610942	PUMP, WATER	1	IN KIT 4,5
2	NSS	HOUSING	1	
3	610932	PIPE, WTR COOL	1	
4	610945	SHAFT, W/PUMP	1	
5	610950	SEAL, WATER PUMP	1	
6	610946	IMPELLER, W/PUMP	1	
7	610704	SEAL, OIL	1	
8	610470	BEARING, BALL	1	
9	610948	SPACER	1	
10	611116	BEARING, W/PUMP	1	
11	610468	RING, SNAP	1	
12	610947	GEAR, W/P DRIVE	1	
13	610959	GASKET, W/PUMP	1	IN KIT A,4
14	610949	COVER, W/PUMP	1	
15	610387	BOLT	5	
18	611129	O-RING	1	IN KIT A
19	610397	BOLT	4	
	NSS =	NOT SOLD SEPERATELY		

SPEC N. : 59002002
REV. DATE : 15JUN16

Power Solutions International

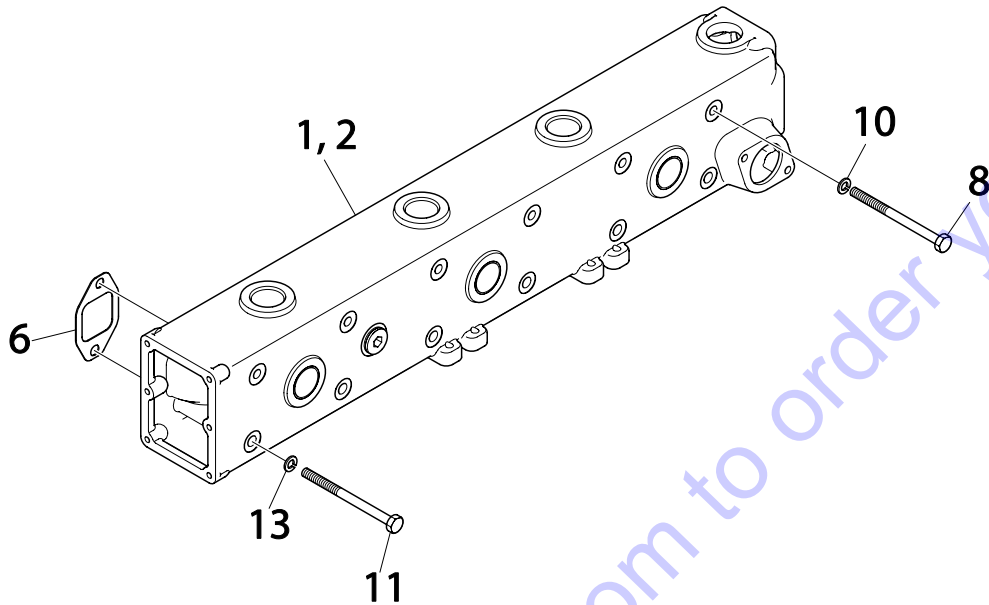
COOLING FAN



ZBOM11L-1024

POS.	PART NUMBER	DESCRIPTION	QTY	NOTES
1	610954	MOUNTING, FAN	1	
2	NSS	MOUNTING, FAN	1	
3	610271	BEARING, BALL	1	
4	610180	RING, SNAP	1	
6	610955	PULLEY, FAN	1	
9	610419	BOLT	1	
13	610957	FLANGE, FAN	1	
14	610292	BOLT	6	
	NSS =	NOT SOLD SEPERATELY		

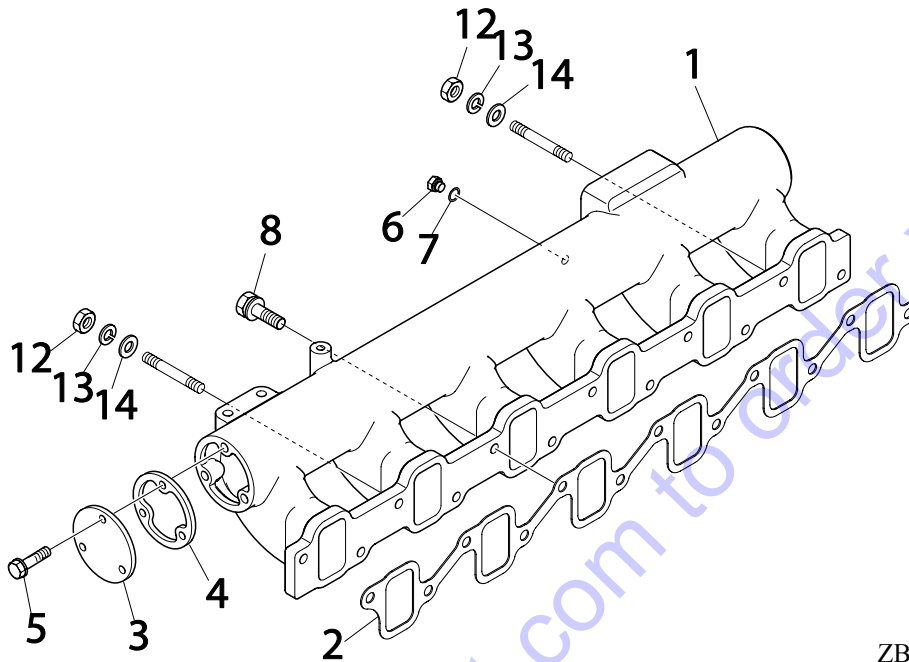
EXHAUST MANIFOLD



ZBOM11L-1025

POS.	PART NUMBER	DESCRIPTION	QTY	NOTES
1	610975	MANIFOLD, EXHAUST	1	
2	NSS	MANIFOLD	1	
6	610989	GASKET, E/MNFLD	6	IN KIT A,C
8	610335	BOLT, HEX	6	
10	610146	WASHER, SPRING	6	
11	610379	BOLT, HEX	6	
13	610047	WASHER, SPRING	6	
	53500045	ADAPTOR, FR/PLUG	1	NOT SHOWN
	32500489	CLAMP	1	NOT SHOWN
	32500335	FITTING	1	NOT SHOWN
	NSS =	NOT SOLD SEPERATELY		

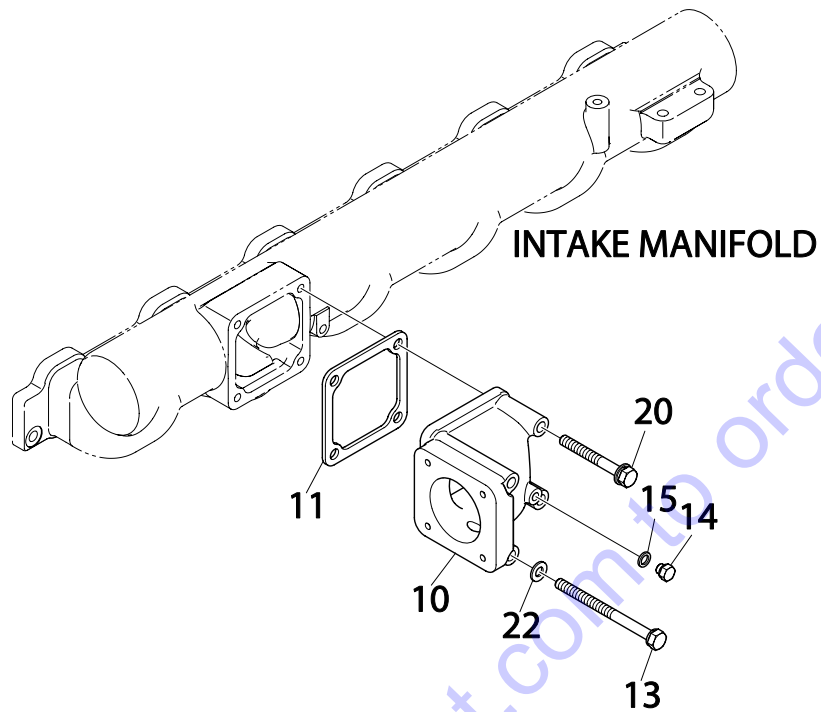
INTAKE MANIFOLD



ZBOM11L-1026

POS.	PART NUMBER	DESCRIPTION	QTY	NOTES
1	610981	MANIFOLD, INTAKE	1	
2	610990	GASKET, INT MFLD	1	IN KIT A,C
3	611150	FLANGE	1	
4	610991	GASKET, INTAKE MANIFOLD	1	IN KIT A
5	610156	BOLT	3	
6	611067	PLUG, SCREW	1	
7	610008	SEAL, RING	1	
8	610303	BOLT	8	
12	610304	NUT, HEX	2	
13	610146	WASHER, SPRING	2	
14	610254	WASHER	2	

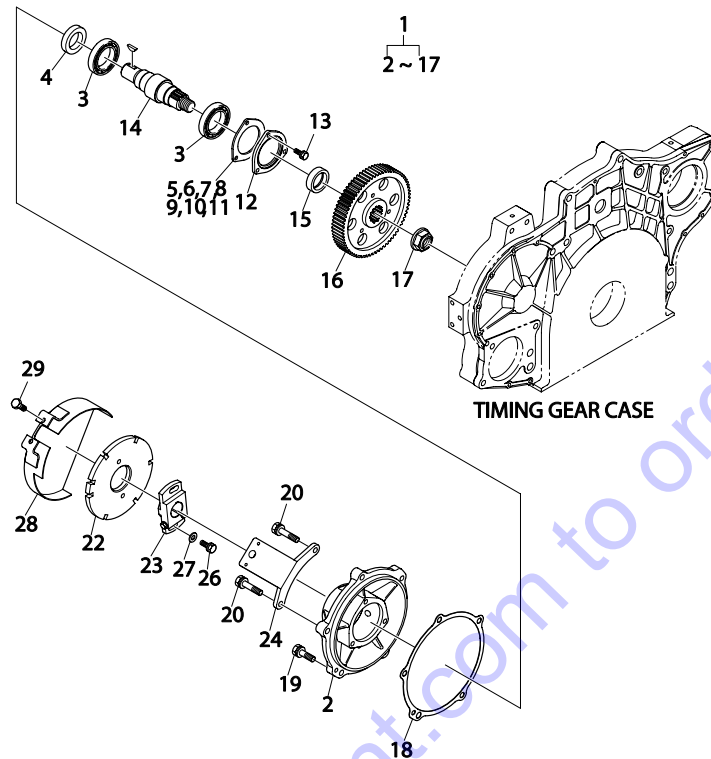
INTER COOLER



ZBOM11L-1027

POS.	PART NUMBER	DESCRIPTION	QTY	NOTES
10	58900002	INTAKE STAKE	1	
11	610558	GASKET	1	
13	610397	BOLT	2	
14	611067	PLUG	1	
15	610008	SEAL	1	
20	610415	BOLT	2	
22	610254	WASHER	2	

INJECTION PUMP DRIVE



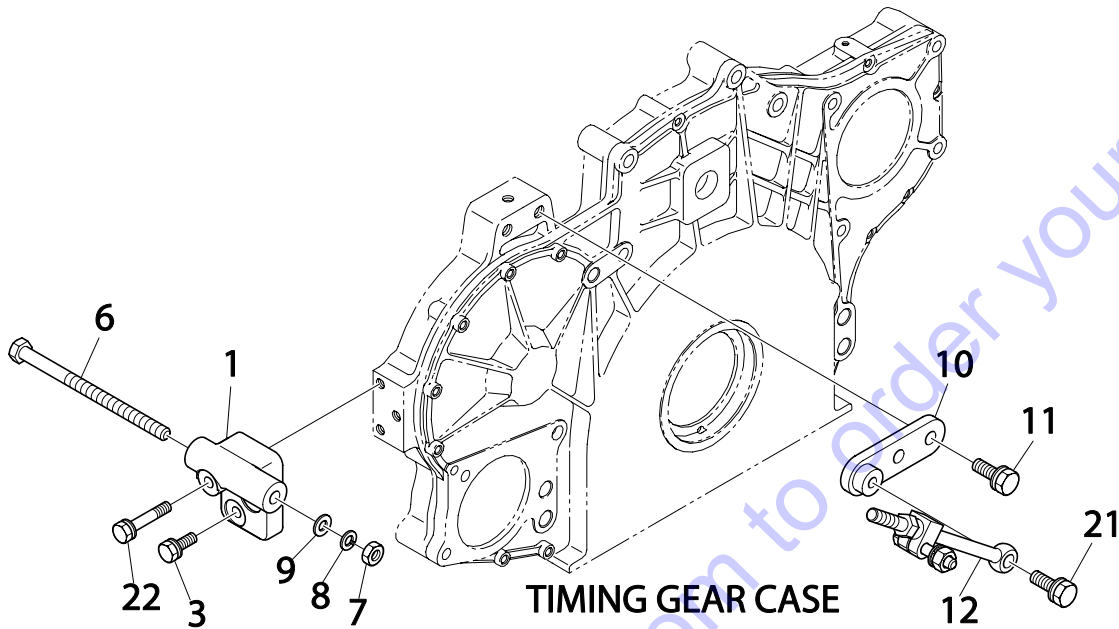
ZBOM11L-1028

POS.	PART NUMBER	DESCRIPTION	QTY	NOTES
1	610998	DRIVE, INJ/PUMP	1	
2	NSS	HOUSING	1	
3	610475	BEARING, TAPPER	2	
4	610703	SEAL, OIL	1	
5	611003	SHIM (.33 MM)	AR	
6	611002	SHIM (.20 MM)	AR	
7	611001	SHIM (.15MM)	AR	
8	611000	SHIM (.10 MM)	AR	
9	611004	SHIM (.08 MM)	AR	
10	611005	SHIM (.06 MM)	AR	
11	611006	SHIM (.5 MM)	AR	
12	611008	HOUSING, INJECTION PUMP DRIVE	1	
13	610389	BOLT	3	
	NSS	NOT SOLD SEPERATELY		

INJECTION PUMP DRIVE CONT.

POS.	PART NUMBER	DESCRIPTION	QTY	NOTES
14	610999	SHAFT, INJ DRIVE	1	
15	611109	SPACER	1	
16	610997	GEAR, INJ DRIVE	1	
17	612493	NUT, LOCK	1	
18	611009	GASKET	1	IN KIT A
19	611044	BOLT, HEX	1	
20	611045	BOLT, HEX	2	
22	50100024	WHEEL, TIMING	1	
23	58900013	ADAPTOR, DRIVE	1	
24	611022	BRACKET, CAM SENSOR	1	
26	610326	BOLT	2	
27	610254	WASHER	2	
28	610327	COVER	1	
29	610321	BOLT, HEX	2	

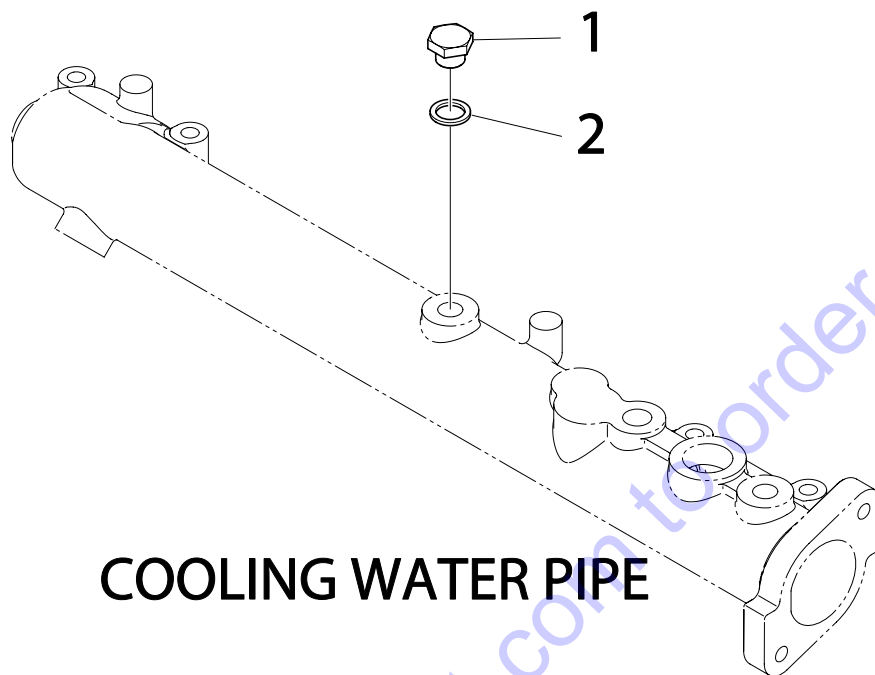
ALTERNATOR MOUNT



ZBOM11L-1029

POS.	PART NUMBER	DESCRIPTION	QTY	NOTES
1	611011	BRACKET, ALTERNATOR MOUNT	1	
3	610265	BOLT	2	
6	610332	BOLT, HEX	1	
7	610048	NUT, HEX	1	
8	610458	WASHER, SPRING	1	
9	610525	WASHER, SPRING	2	
10	611012	SUPPORT, ALTERNATOR	1	
11	610027	BOLT	2	
12	610334	ROD, THRD ADJ.	1	
21	610027	BOLT	1	
22	610414	BOLT	1	

SENSOR AND SWITCH

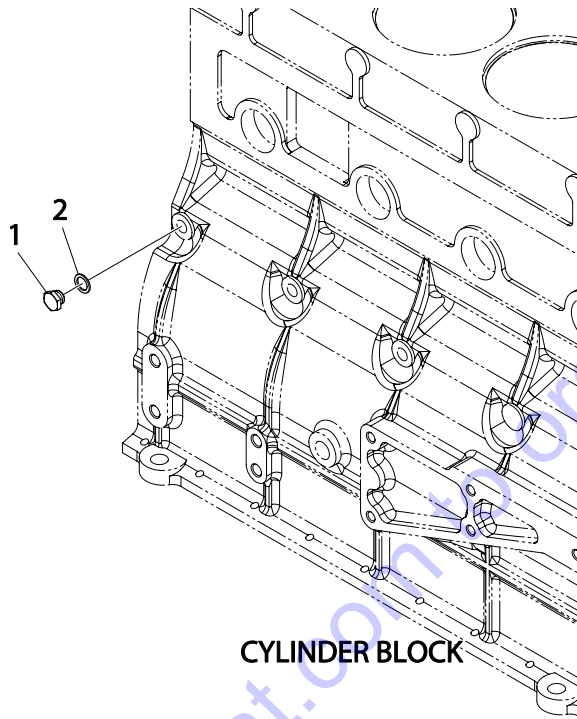


COOLING WATER PIPE

ZBOM11L-1030

POS.	PART NUMBER	DESCRIPTION	QTY	NOTES
1	610438	PLUG, SCREW	1	
2	610267	SEAL, RING	1	

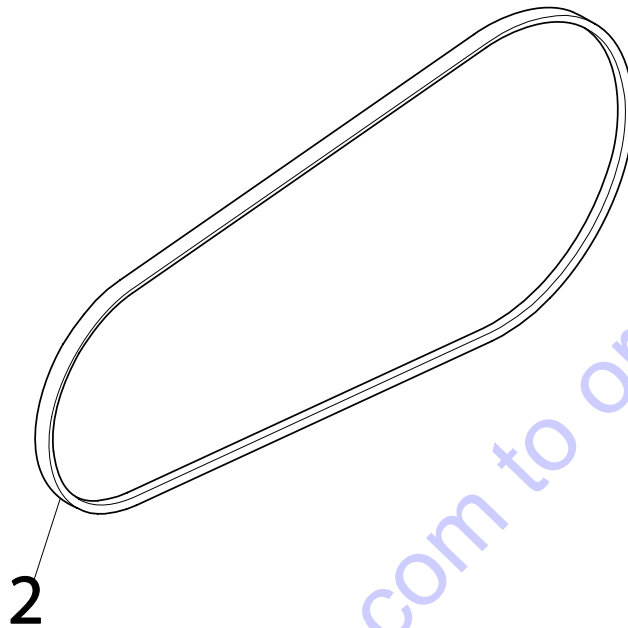
SENSOR AND SWITCH



ZBOM11L-1031

POS.	PART NUMBER	DESCRIPTION	QTY	NOTES
1	610022	PLUG, SCREW	1	
2	610011	SEAL, RING	1	

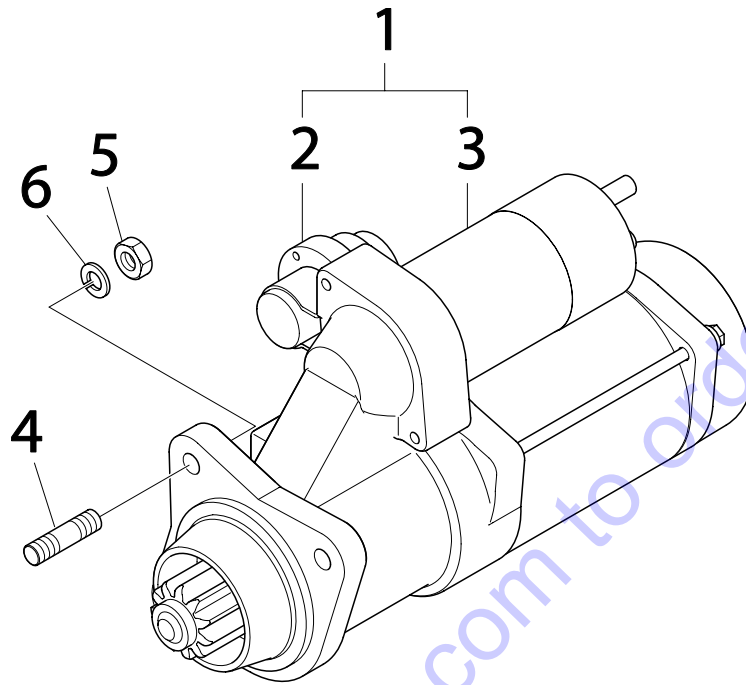
ALTERNATOR BELT



ZBOM11L-1032

POS.	PART NUMBER	DESCRIPTION	QTY	NOTES
2	53000019	V-BELT	1	IN KIT 3,4,5

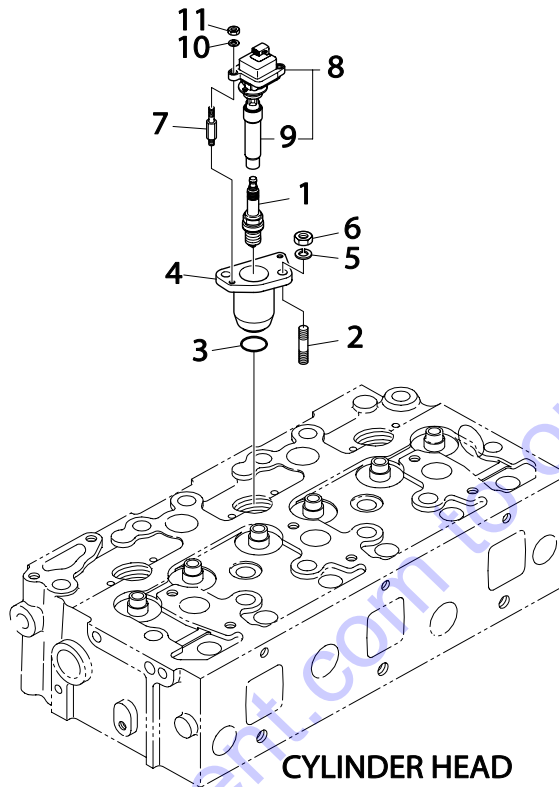
STARTER



ZBOM11L-1033

POS.	PART NUMBER	DESCRIPTION	QTY	NOTES
1	611016	STARTER	1	
2	611018	RELAY	1	
3	611019	MAGNETIC SWITCH AS	1	
4	610433	STUD BOLT	3	
5	610304	NUT, HEX	3	
6	610146	WASHER, SPRING	3	

ELECTRONIC IGNITION SYSTEM

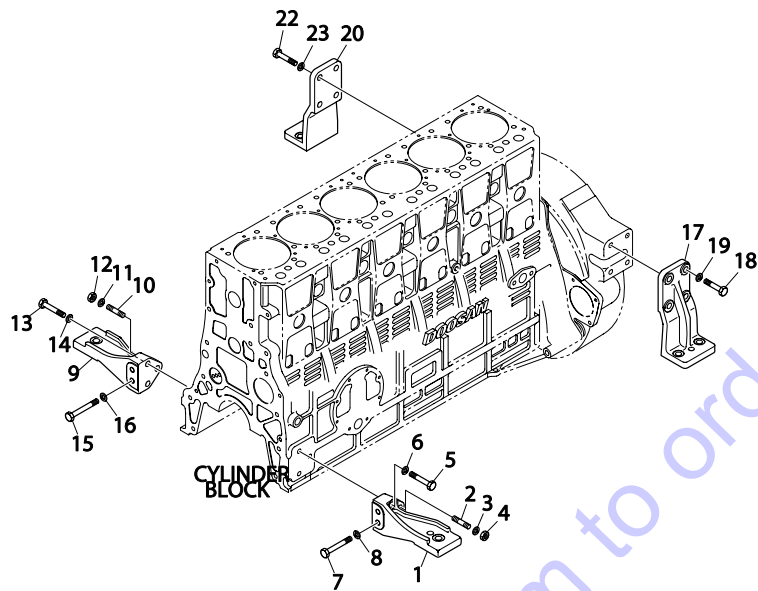


CYLINDER HEAD

ZBOM11L-1034

POS.	PART NUMBER	DESCRIPTION	QTY	NOTES
1	610344	PLUG, SPARK	6	IN KIT 1,2,3,4,5
2	611059	BOLT, STUD	12	
3	610788	GASKET	6	
4	610772	COVER	6	
5	610016	WASHER, SPRING	12	
6	610017	NUT, HEX	12	
7	611061	SPACER BOLT	12	
8	611024	COIL, IGNITION	6	IN KIT 4,5
9	611023	BOOT, IGN COIL	1	IN KIT 3
10	610455	SPRING WASHER	12	
11	610439	NUT, HEX	12	

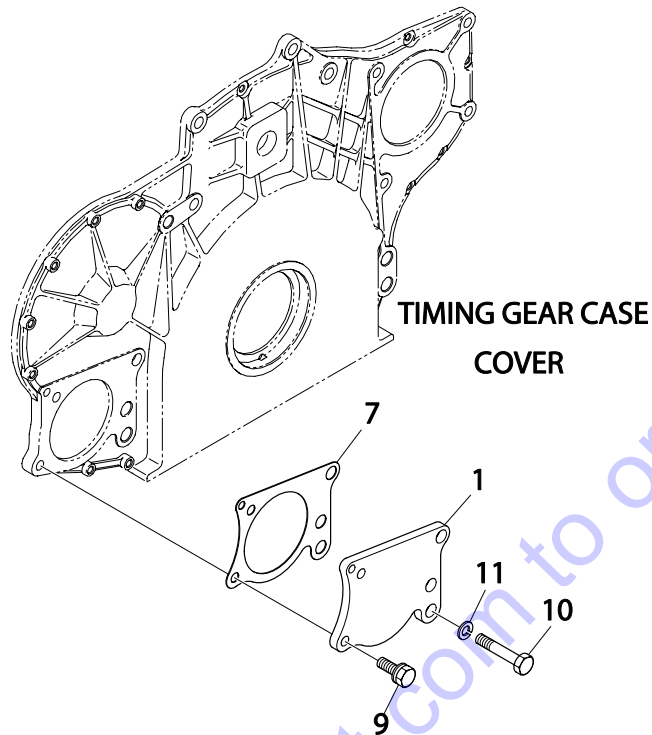
ENGINE MOUNT



ZBOM11L-1035

POS.	PART NUMBER	DESCRIPTION	QTY	NOTES
1	610660	MOUNT, ENGINE	1	
2	611058	BOLT, STUD	1	
3	610085	WASHER, SPRING	1	
4	610443	NUT, HEX	1	
5	610383	BOLT, HEX	2	
6	610085	WASHER, SPRING	2	
7	610384	BOLT, HEX	2	
8	610085	WASHER, SPRING	2	
9	610559	MOUNT, ENGINE	1	
10	611058	BOLT, STUD	1	
11	610085	WASHER, SPRING	1	
12	610443	NUT, HEX	1	
13	610383	BOLT, HEX	2	
14	610085	WASHER, SPRING	2	
15	610385	BOLT, HEX	2	
16	610085	WASHER, SPRING	2	
17	611026	BRACKET, R/MOUNT	1	
18	610382	BOLT, HEX	4	
19	610085	WASHER, SPRING	4	
20	611026	BRACKET, R/MOUNT	1	
22	610382	BOLT, HEX	4	
23	610085	WASHER, SPRING	4	

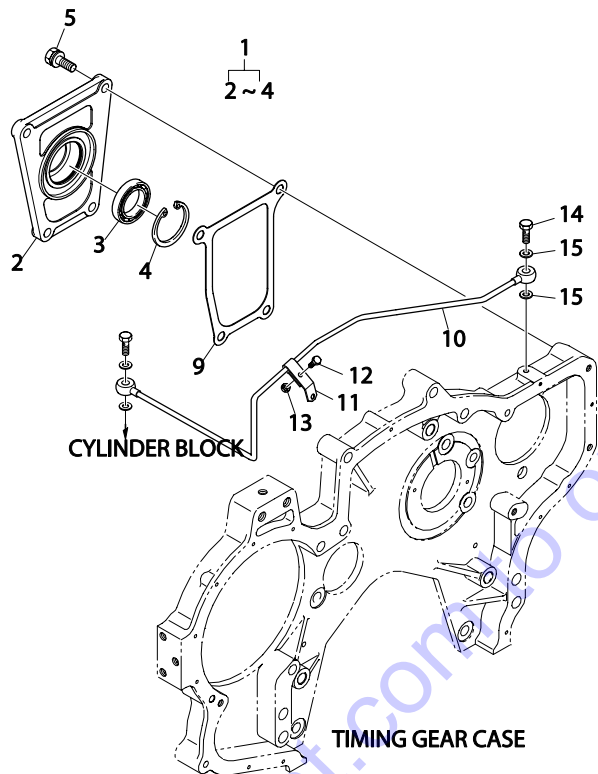
POWER STEERING PUMP



ZBOM11L-1036

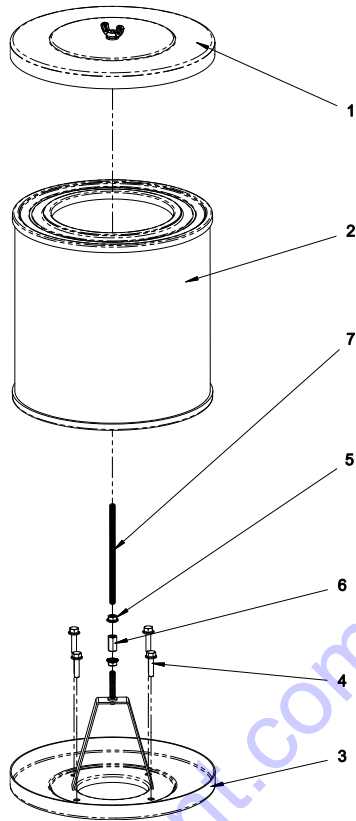
POS.	PART NUMBER	DESCRIPTION	QTY	NOTES
1	610661	COVER	1	
7	611030	GASKET, P/STEER	1	IN KIT A
9	610331	BOLT	2	
10	610357	BOLT, HEX	1	
11	610146	WASHER, SPRING	1	

AIR COMPRESSOR



POS.	PART NUMBER	DESCRIPTION	QTY	NOTES
1	611101	END COVER	1	
2	611100	END COVER	1	
3	610471	BEARING, BALL	1	
4	610468	RING, SNAP	1	
5	610416	BOLT	4	
9	611032	GASKET, AIR COMPRESSOR	1	IN KIT A
10	610894	PIPE, OIL	1	
11	NSS	CLIP	1	
12	610321	BOLT, HEX	1	
13	610042	NUT, HEX	1	
14	611158	SCREW	1	
15	610480	RING, SEAL	2	
	NSS =	NOT SOLD SEPERATELY		

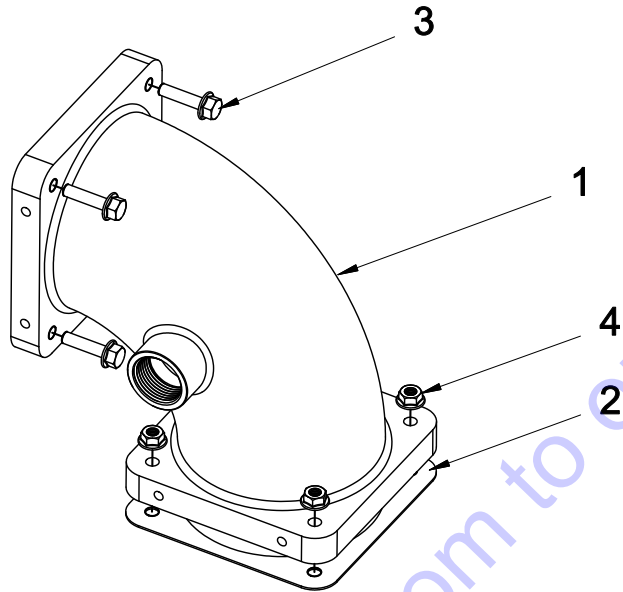
AIR FILTER



38080715-01

POS.	PART NUMBER	DESCRIPTION	QTY	NOTES
1	33500771	TOP	1	
2	33500774	AIR FILTER ELEMENT	1	
3	33500776	BASE	1	
4	35000450	SCREW	1	
5	35000699	NUT	4	
6	35001007	EXTENDER ROD	1	
7	35001008	ROD	1	

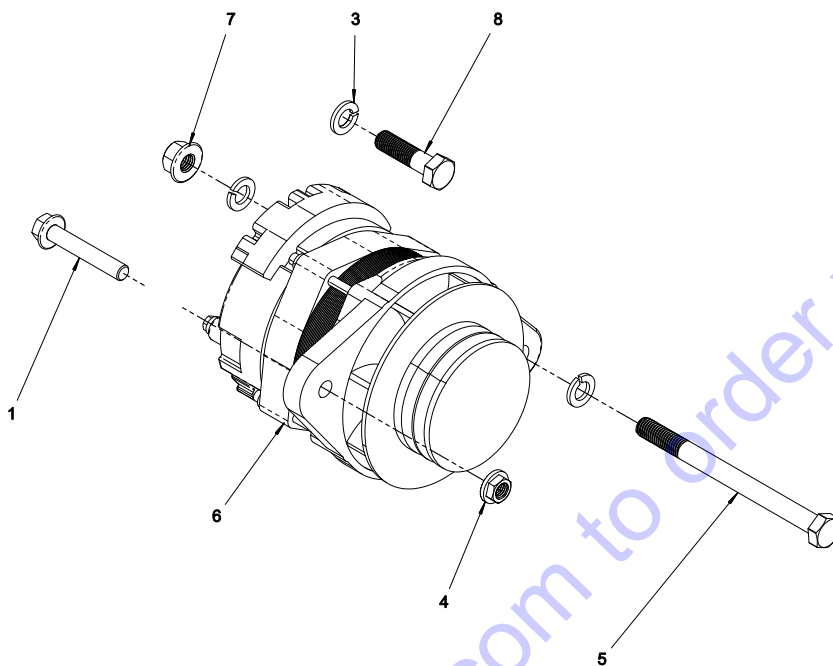
REMOTE AIR FILTER MOUNT



38080718-01

POS.	PART NUMBER	DESCRIPTION	QTY	NOTES
1	53500026	ADAPTER	1	
2	53500028	GASKET	1	IN KIT A
3	35000450	BOLT	4	
4	35000699	NUT	4	

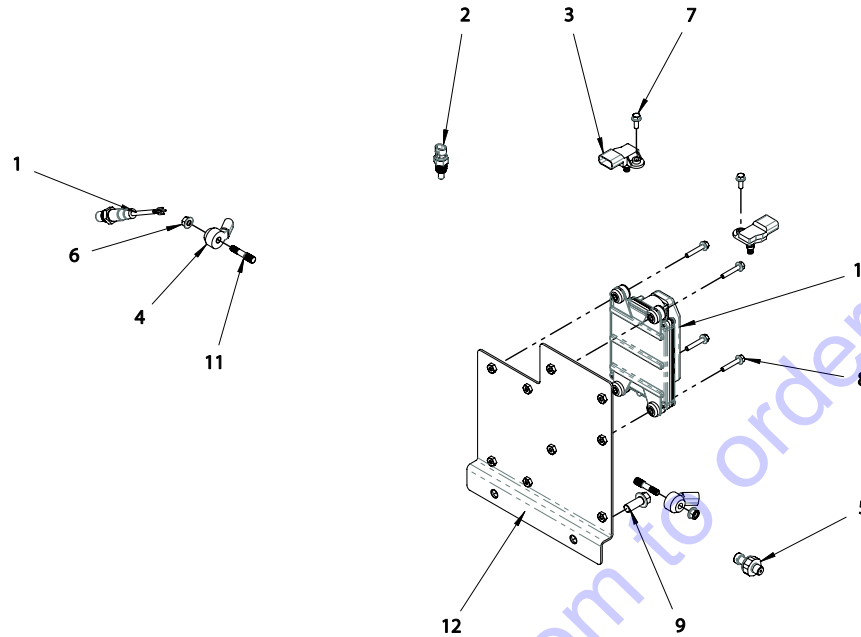
ALTERNATOR



58020302-04

POS.	PART NUMBER	DESCRIPTION	QTY	NOTES
1	35000954	BOLT	1	
3	35000079	WASHER	3	
4	35000973	NUT	1	
5	35000690	BOLT	1	
6	53000017	ALTERNATOR	1	
7	35000973	NUT	1	
8	35000970	BOLT	1	

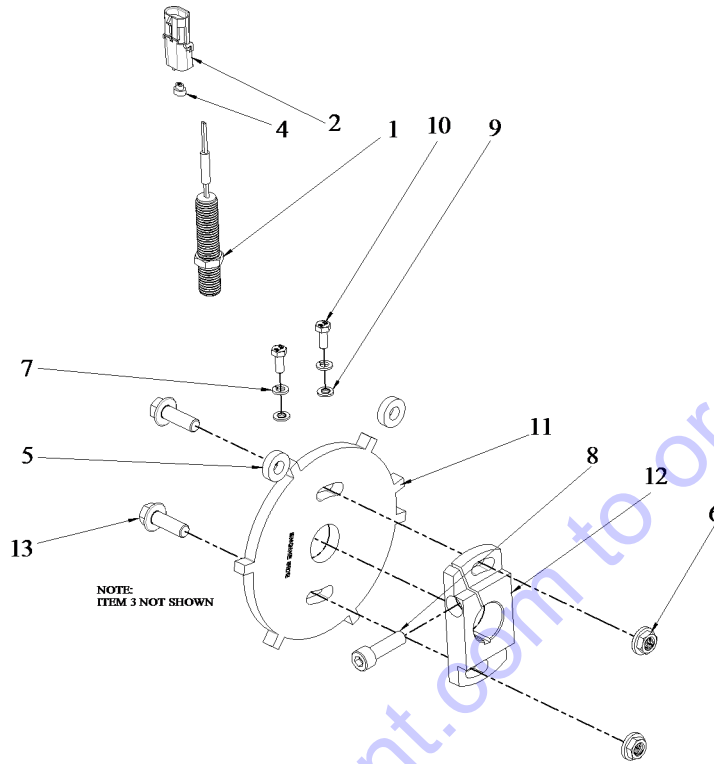
ELECTRICAL



58020300-06

POS.	PART NUMBER	DESCRIPTION	QTY	NOTES
1	32501267	O2 SENSOR	1	IN KIT3,4,5
1	53000058	O2 SENSOR (4G)	1	
2	33000376	COOLANT SENSOR	1	
3	33000841	T MAP SENSOR	2	
4	33000954	KNOCK SENSOR	2	
5	33001415	OIL PRESSURE SENSOR	1	
6	35000021	NUT	2	
7	35000530	BOLT	2	
8	35000531	BOLT	4	
9	35000969	BOLT	2	
10	58200003	PROGRAMMED ECU STANDBY (4G)		
10	58200047	PROGRAMMED ECU PRIME (4G)		
10	58901001	PROGRAMMED ECU STANDBY	1	
10	58901210	PROGRAMMED ECU PRIME	2	
11	52500027	STUD	1	
12	53000092	BRACKET	2	
13	35000079	WASHER	2	NOT SHOWN

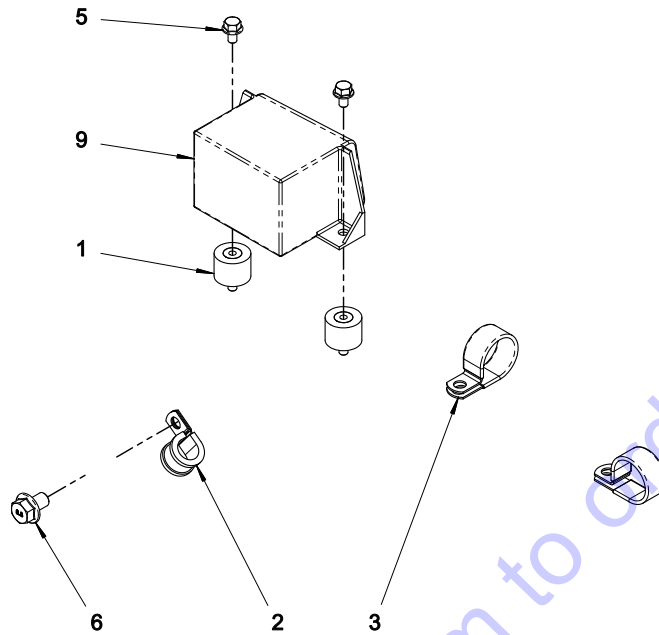
CAM WHEEL SENSOR



58010303-03

POS.	PART NUMBER	DESCRIPTION	QTY	NOTES
1	107012	SENSOR	1	
2	33000497	CONNECTOR	1	
3	33000498	TERMINAL	2	NOT SHOWN
4	33000499	SEAL	2	
5	35000191	WASHER	2	
6	35000196	NUT	2	
7	35000285	WASHER	2	
8	35000493	BOLT	1	
9	35000614	WASHER	2	
10	35000933	BOLT	2	
11	50100024	CAM WHEEL	1	
12	52000189	ADAPTER	1	
13	65000053	BOLT	2	

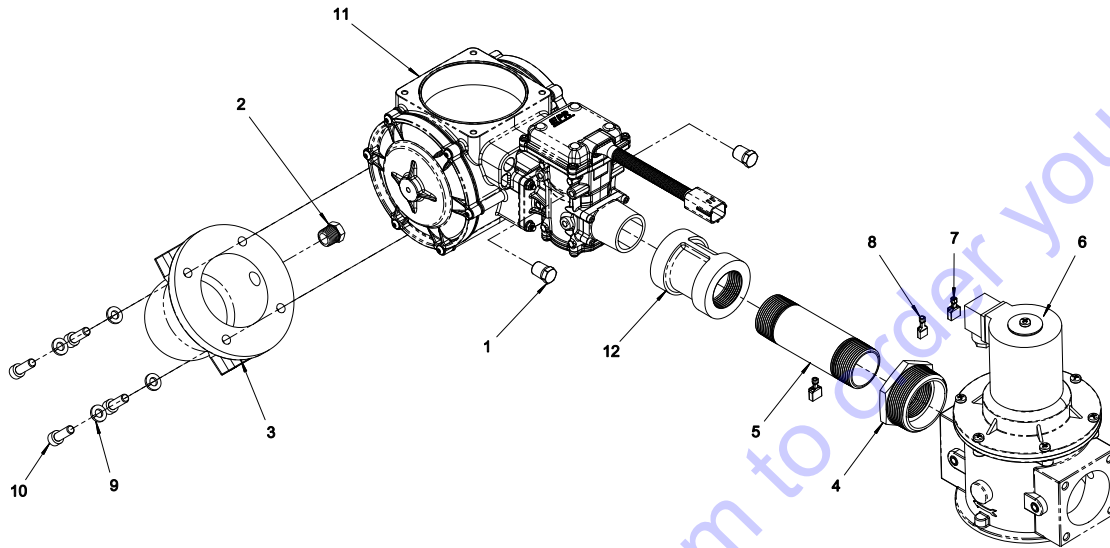
HARNESS



58020301-06

POS.	PART NUMBER	DESCRIPTION	QTY	NOTES
1	32500899	ISOLATOR	2	
2	32501462	CLAMP	1	
3	32501609	CLAMP	2	
4	35000021	NUT	1	NOT SHOWN
5	35000449	BOLT	2	
6	35000694	BOLT	1	
8	52500157	IGNITION HARNESS	1	NOT SHOWN
9	52500162	MASTER HARNESS	1	NOT SHOWN
9	53000087	MASTER HARNESS (4G)	1	NOT SHOWN
HARNESS PARTS				
	107095	24V RELAY-RECTANGLE	1	NOT SHOWN
	107096	24V RELAY-SQUARE	1	NOT SHOWN
	46243	50 AMP MINI FUSE	1	NOT SHOWN
	46253	5 AMP MINI FUSE	2	NOT SHOWN
	46257	20 AMP MINI FUSE	2	NOT SHOWN
	101554	DIAGNOSTIC ECOM CABLE	1	AVAILABLE

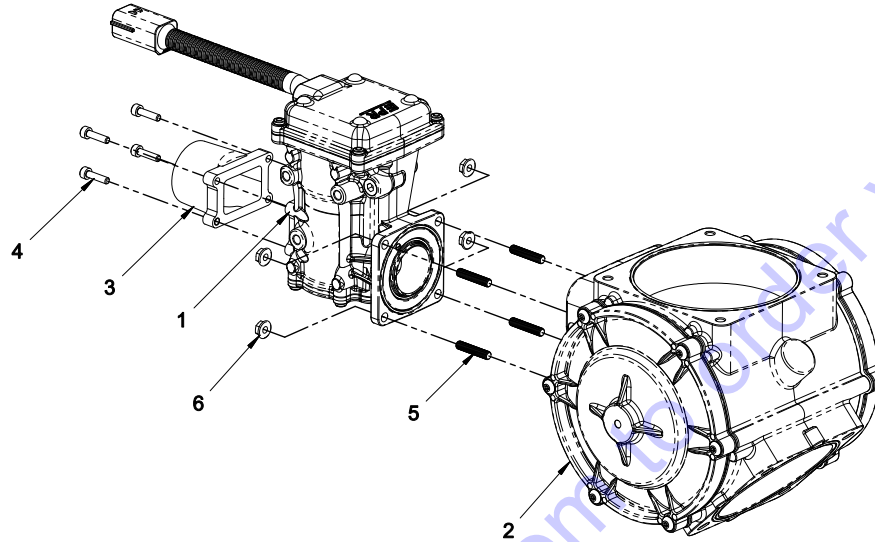
FUEL SYSTEM



58020400-04

POS.	PART NUMBER	DESCRIPTION	QTY	NOTES
1	32500233	PLUG	2	
2	32500342	PLUG	1	
3	32501717	ELBOW	1	
3	53500100	ELBOW (4G)	1	
4	32501753	BUSHING	1	
5	32501754	NIPPLE	1	
6	32502220	LOCK OFF VALVE	1	
7	33001072	TERMNAL	2	
8	33001073	TERMNAL	1	
9	35000361	WASHER	4	
10	35000625	BOLT	4	
11	38080463	EPR KIT	1	
12	52500006	COUPLER	1	

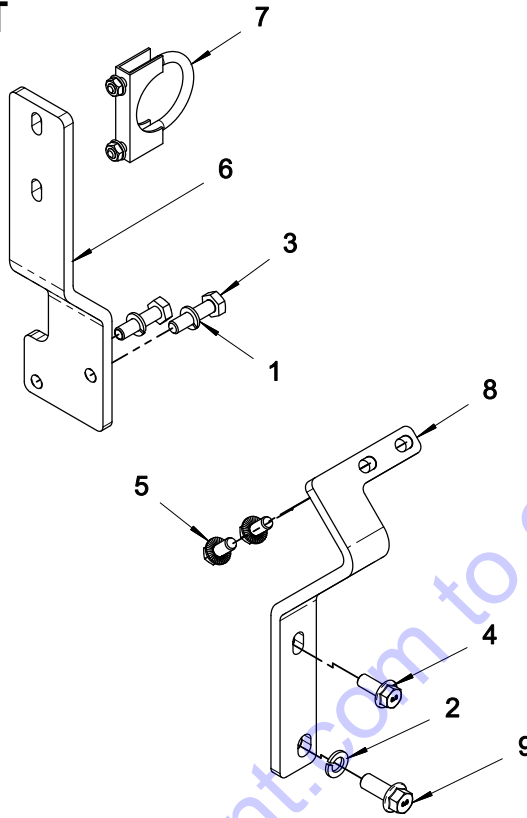
EPR AND MIXER



38080463-01

POS.	PART NUMBER	DESCRIPTION	QTY	NOTES
1	32501671	EPR	1	
2	32501690	MIXER *	1	SEE BELOW
3	32501779	ADAPTER	1	
4	32500674	BOLT	4	
5	35000680	STUD	4	
6	35000681	NUT	4	
*	106823	MIXER REPAIR KIT	1	

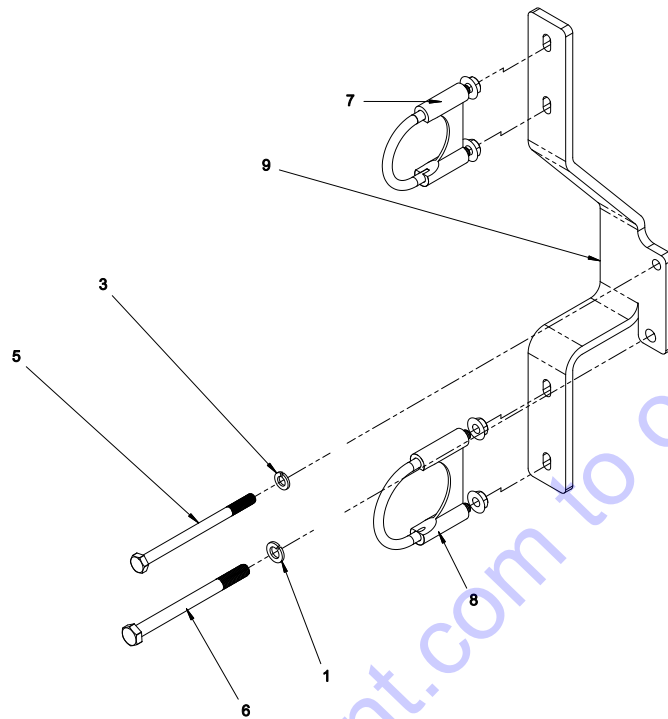
FUEL SYSTEM MOUNT



58020403-02

POS.	PART NUMBER	DESCRIPTION	QTY	NOTES
1	35000046	WASHER	2	
2	35000079	WASHER	1	
3	35000151	BOLT	2	
4	35000368	BOLT	1	
5	35000455	BOLT	2	
6	52500049	SUPPORT BRACKET	1	
6	52500167	SUPPORT BRACKET (4G)	1	
7	52500065	U-BOLT	1	
8	52500067	MIXER SUPPORT BRACKET	1	
8	52500166	MIXER SUPPORT BRACKET (4G)	1	
9	35000969	BOLT	1	
10	35000426	WASHER	2	NOT SHOWN

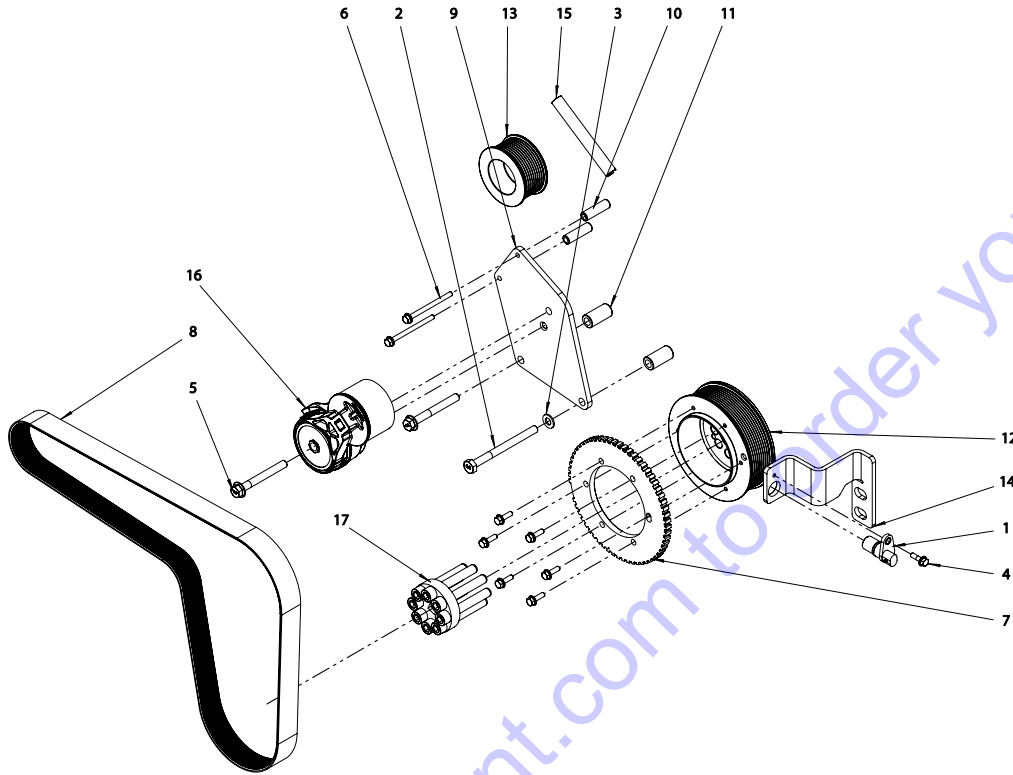
RADIATOR SUPPORT



58020606-02

POS.	PART NUMBER	DESCRIPTION	QTY	NOTES
1	35000046	WASHER	1	
3	35000079	WASHER	1	
5	35000689	BOLT	1	
6	35000690	BOLT	1	
7	52500030	CLAMP	1	
8	52500045	U-BOLT	1	
9	52500050	BRACKET	1	

SERPENTINE DRIVE



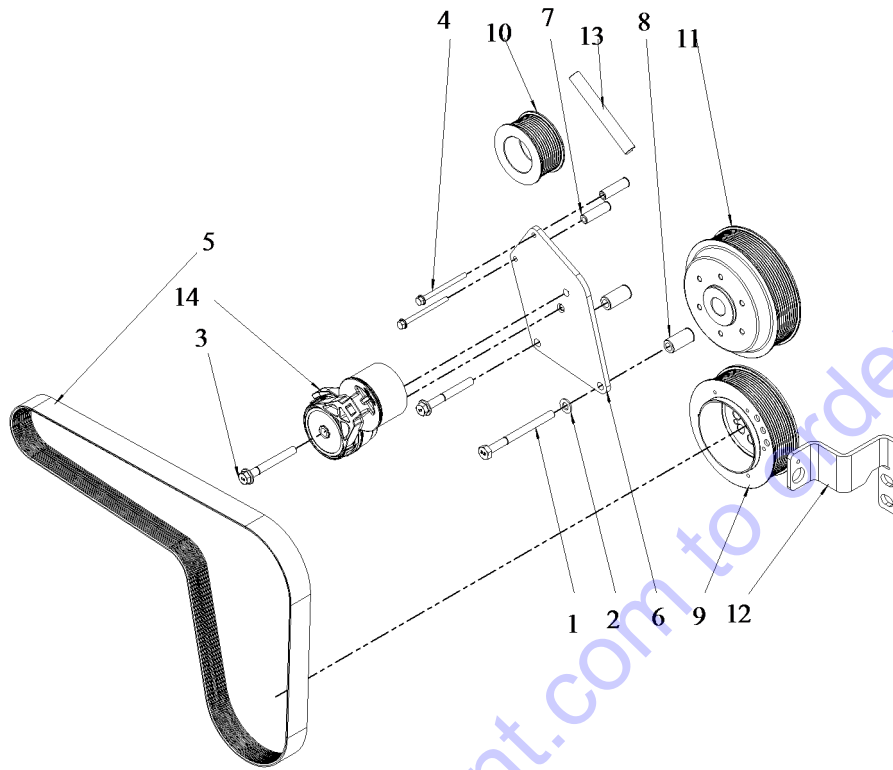
58020613-04

POS.	PART NUMBER	DESCRIPTION	QTY	NOTES
1	33002062	SPEED SENSOR	1	
2	35000278	BOLT	1	
3	35000402	WASHER	1	
4	35000696	BOLT	7	
5	35000957	BOLT	2	
6	35001047	BOLT	2	
7	52500132	TIMING WHEEL	1	
8	53000085	BELT	1	
9	53000094	TENSIONER MOUNT	1	
10	53000095	SPACER	2	
11	53000096	SPACER	2	
12	53000097	CRANK PULLEY	1	
13	53000098	ALTERNATOR PULLEY	1	
14	53000100	BRACKET	1	
15	53000101	SLEEVE	1	
16	53000102	TENSIONER	1	
17	58010101	SQUARE DRIVE	1	
18	35000530	SCREW	1	NOT SHOWN

SPEC N. : 59002002
REV. DATE : 15JUN16

Power Solutions International

SERPENTINE DRIVE (RETRO FIT KIT)



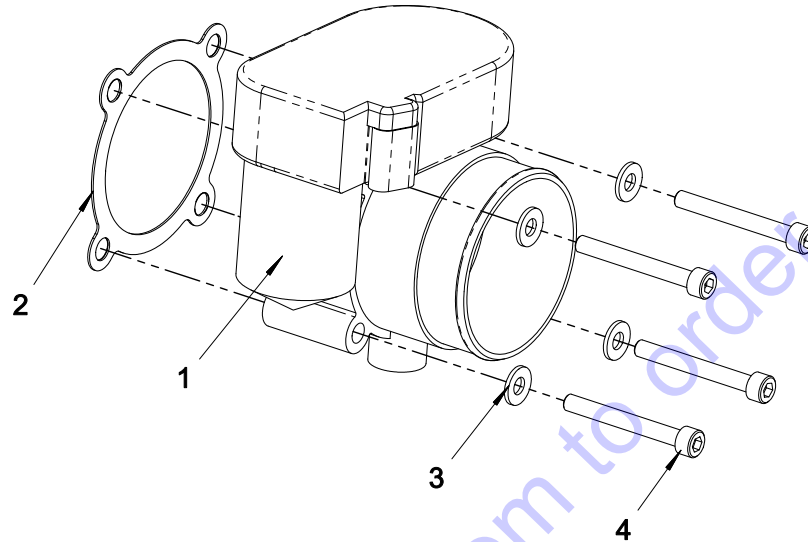
58020614-01

POS.	PART NUMBER	DESCRIPTION	QTY	NOTES
1	58020614	COMPLETE KIT	1	
1	35000278	BOLT	1	
2	35000402	WASHER, FLAT	1	
3	35000957	BOLT, FLANGE	2	
4	35001047	BOLT, FLANGE	2	
5	53000085	BELT, DRIVE	1	
6	53000094	MOUNT, TENSIONER	1	
7	53000095	SPACER, TENSIONER MOUNT	2	
8	53000096	SPACER, TENSIONER MOUNT	2	
9	53000097	PULLEY, CRANK	1	
10	53000098	PULLEY, ALTERNATOR	1	
11	53000099	PULLEY, FAN	1	
12	53000100	BRACKET, CRANK SENSOR	1	
13	53000101	SLEEVE, ALTERNATOR SPACER	1	
14	53000102	TENSIONER, PULLEY	1	

SPEC N. : 59002002
REV. DATE : 15JUN16

Power Solutions International

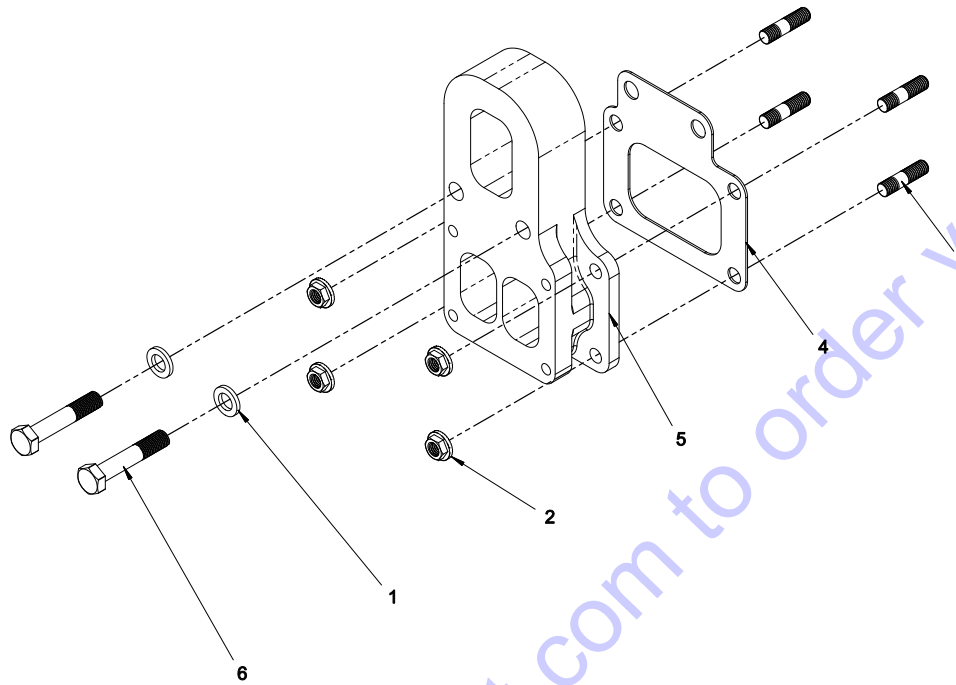
INTAKE



58020800-02

POS.	PART NUMBER	DESCRIPTION	QTY	NOTES
1	32500662	THROTTLE BODY	1	
2	32500715	GASKET	1	IN KIT 3,4,5
3	32501417	WASHER	4	IN KIT A,3,4
4	35000335	BOLT	4	

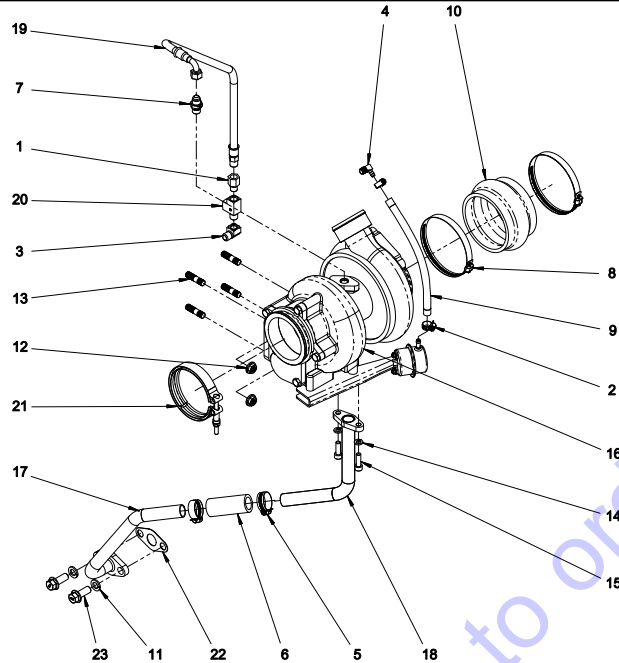
EXHAUST ADAPTER



58010801-02

POS.	PART NUMBER	DESCRIPTION	QTY	NOTES
1	35000732	WASHER	2	
2	35000196	NUT	4	
3	35000302	STUD	4	
4	52500038	GASKET	1	IN KIT A
5	52500039	ADAPTER	1	
6	35000971	BOLT	2	
7	52500051	MANIFOLD COOLANT PLUG	1	NOT SHOWN

TURBOCHARGER



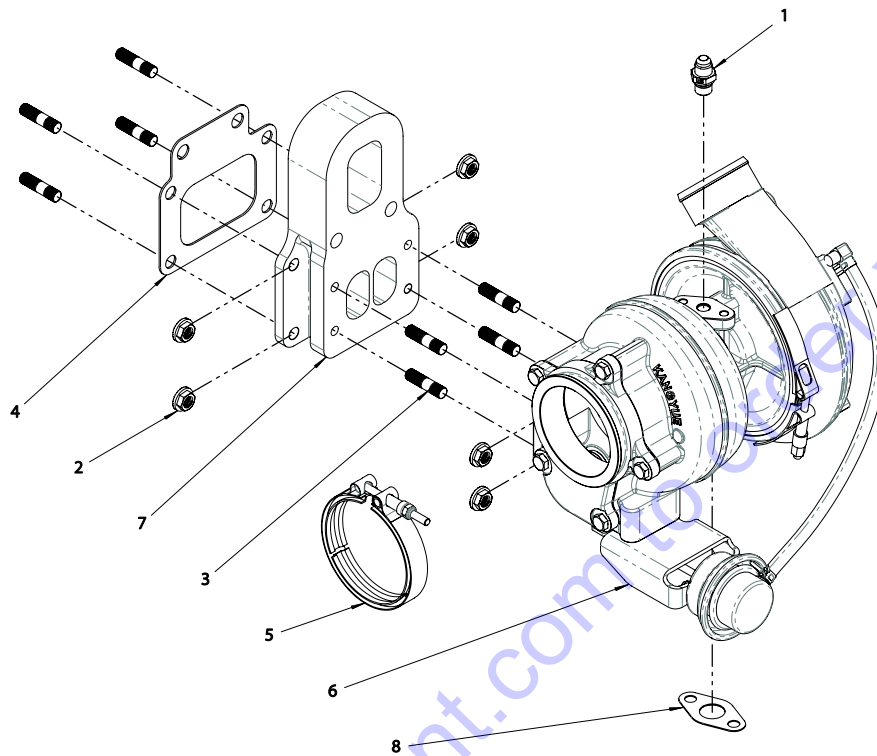
58020802-05

POS.	PART NUMBER	DESCRIPTION	QTY	NOTES
1	12700357	FITTING	1	IN BLOCK
2	32500208	CLAMP	2	
3	32500235	ELBOW	1	
4	32500247	FITTING	1	
5	32500318	CLAMP	2	
6	32500595	HOSE	3 IN	
7	32500597	FITTING	1	
8	32500622	CLAMP	2	
9	32500623	HOSE	10 IN	
10	32500875	HOSE	1	
11	35000079	WASHER	2	
12	35000196	NUT	4	
13	35000302	STUD	4	
14	35000361	WASHER	2	
15	35000625	BOLT	2	
16	58020810	TURBOCHARGER	1	PRE 2017
16	52500181	TURBOCHARGER	1	POST 2017
17	52500041	TUBE	1	
18	52500042	TUBE	1	
19	52500043	HOSE	1	
20	52500066	TEE	1	
21	52500074	CLAMP	1	
22	53500032	GASKET	1	
23	35000969	BOLT	2	
24	32502234	COPPER WASHER	1	NOT SHOWN

SPEC N. : 59002002
REV. DATE : 15JUN16

Power Solutions International

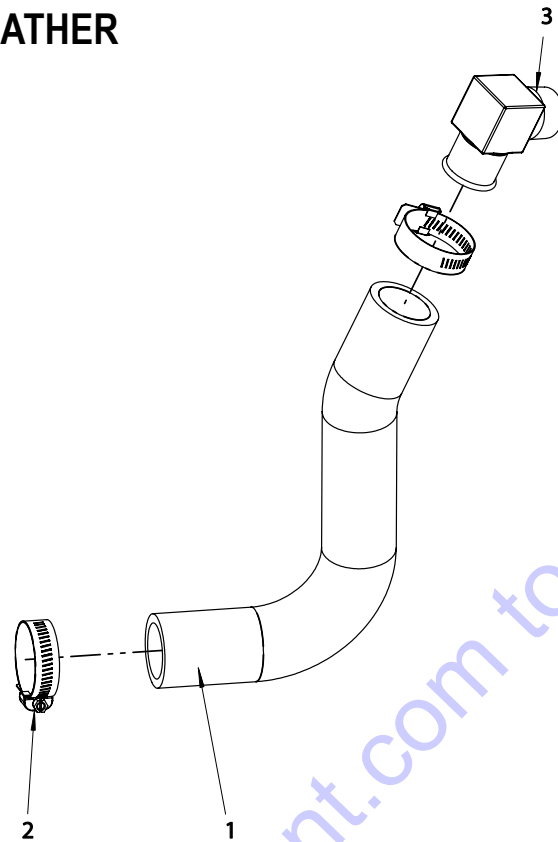
RETROFIT TURBOCHARGER



59300104-01

POS.	PART NUMBER	DESCRIPTION	QTY	NOTES
	59300104	RETROFIT TURBOCHARGER	1	
1	32500597	FITTING,OIL SPLY	1	
2	35000196	NUT	8	
3	35000302	STUD	8	
4	53500113	GSKT, TURBO ADPT	1	
5	52500074	CLAMP	1	
6	52500181	TURBOCHARGER	1	
7	53500107	ADAPTER, MANIFOLD	1	
8	53500108	GASKET, OIL DRAIN	1	

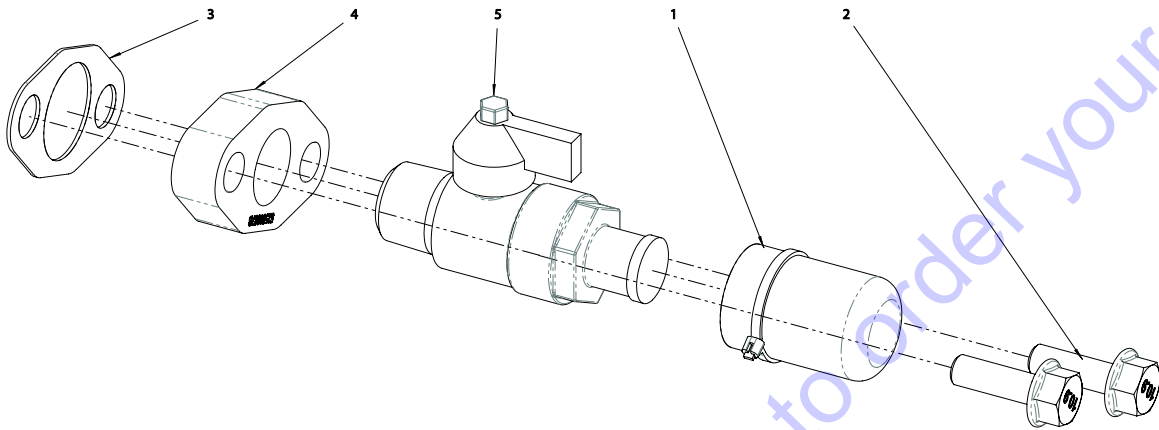
CRANK CASE BREATHER



58020812-01

POS.	PART NUMBER	DESCRIPTION	QTY	NOTES
1	12000516	RADIATOR HOSE	1	
2	32500555	CLAMP	2	
3	32501175	ELOW	1	

OIL DRAIN VALVE



58010404-03

POS.	PART NUMBER	DESCRIPTION	QTY	NOTES
1	30600213	RUBBER CAP	1	
2	35000452	BOLT	2	
3	52500086	GASKET	1	
4	52500087	PLATE	1	
5	52500089	VALVE	1	

OIL SAMPLE VALVE

NO IMAGE AVAIALBLE

58020409-01

POS.	PART NUMBER	DESCRIPTION	QTY	NOTES
1	32502279	BUSHING	1	
2	52500168	OIL SAMPLE VALVE	1	
3	52500170	BUSHING	1	

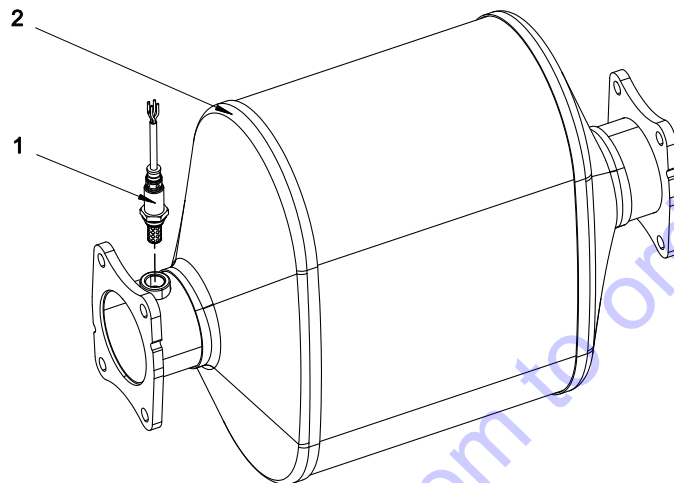
COOLANT CLAMPS

NO IMAGE AVAILBLE

58020612-03

POS.	PART NUMBER	DESCRIPTION	QTY	NOTES
1	32001174	CLAMP	4	
2	32001198	CLAMP	4	

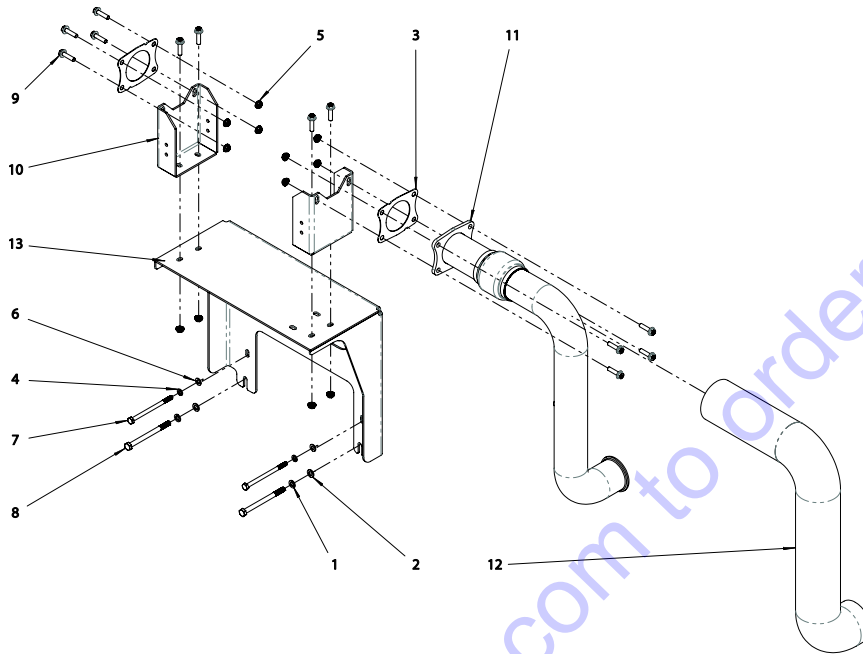
CAT MUFFLER



58010803-06

POS.	PART NUMBER	DESCRIPTION	QTY	NOTES
1	32501267	O2 SENSOR	1	
2	38901309	CATAYLST	1	

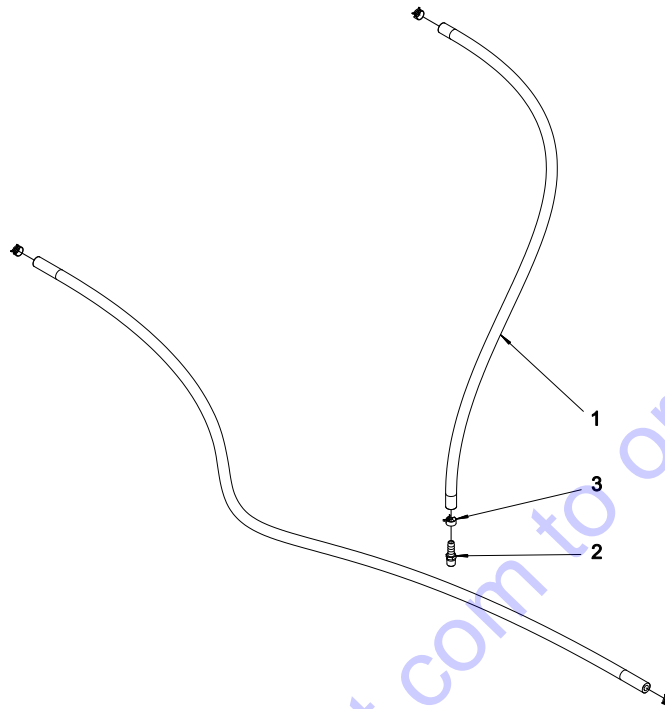
CATALYST SUPPORT



58020806-02

POS.	PART NUMBER	DESCRIPTION	QTY	NOTES
1	35000079	WASHER	2	
2	35000732	WASHER	2	
3	33500805	GASKET	2	
4	35000046	WASHER	2	
5	35000196	NUT	12	
6	35000402	WASHER	2	
7	35000689	BOLT	2	
8	35000690	BOLT	2	
9	35000707	BOLT	12	
10	53500037	SUPPORT	2	
11	53500044	TUBE	1	
12	53500046	SLEEVE	1	
13	53500094	BRACKET	1	

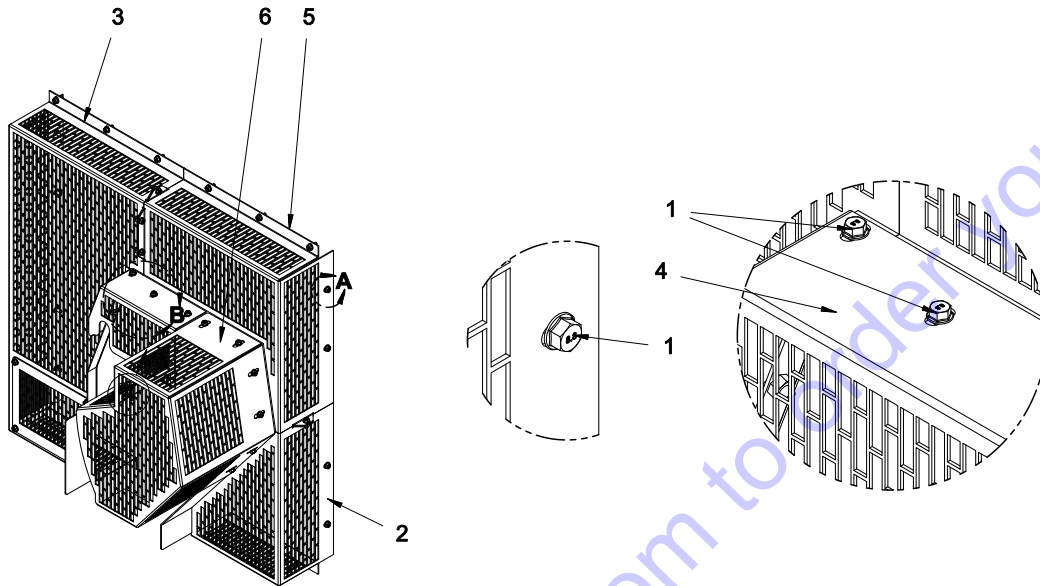
AIR BLEED



58010610-01

POS.	PART NUMBER	DESCRIPTION	QTY	NOTES
1	32000254	HEATER HOSE	65 IN	
2	32500520	FITTING	1	
3	32501134	CLAMP	4	

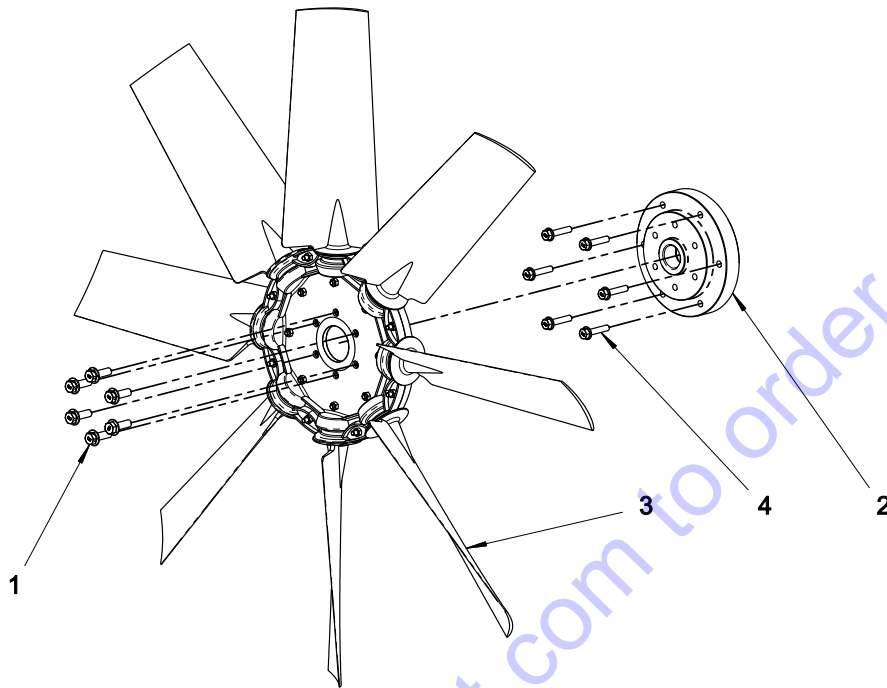
FAN GUARD



58020601-02

POS.	PART NUMBER	DESCRIPTION	QTY	NOTES
1	35000532	BOLT	32	
2	52500051	FAN GUARD	1	
3	52000052	FAN GUARD	1	
4	52000065	FAN GUARD	1	
5	52000074	FAN GUARD	1	
6	52000075	TIMING WHEEL GUARD	1	

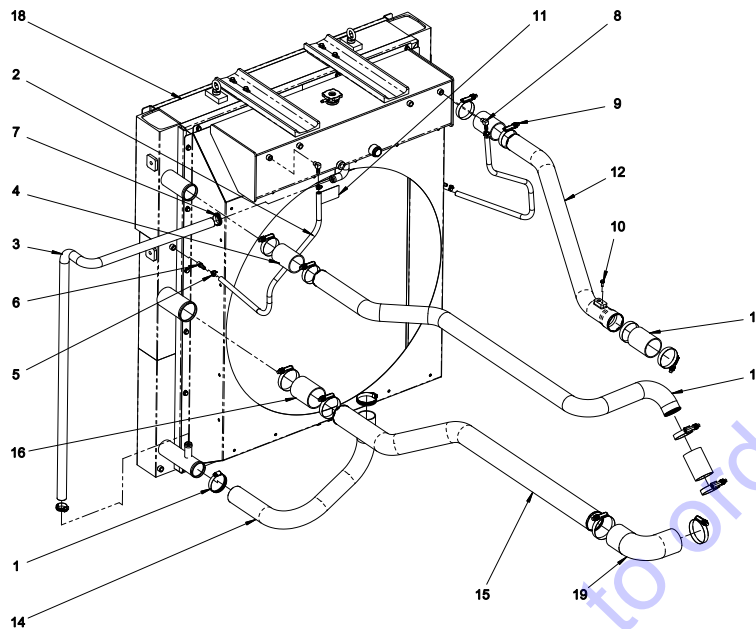
FAN



58020608-01

POS.	PART NUMBER	DESCRIPTION	QTY	NOTES
1	35000949	BOLT	6	
2	52000024	SPACER	1	
3	52000132	FAN PUSHER	1	STANDARD
4	65000107	BOLT	6	
	52000111	FAN PULLER	1	COLD WEATHER

RADIATOR



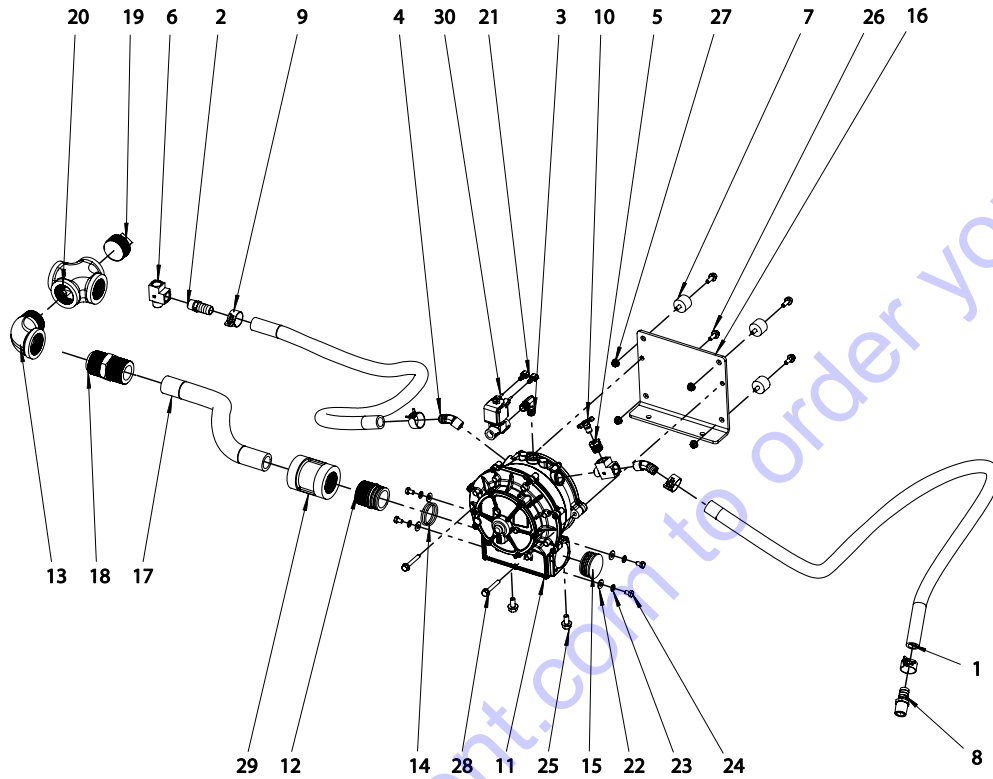
58020609-03

POS.	PART NUMBER	DESCRIPTION	QTY	NOTES
1	32000149	CLAMP	2	
2	32000254	HOSE	48 IN	
3	32000504	HOSE	100 IN	
4	32000868	HOSE	3	
5	32500511	CLAMP	4	
6	32500520	FITTING	2	
7	32500555	CLAMP	2	
8	32500659	FITTING	1	
9	32500802	CLAMP	12	
10	35000530	BOLT	1	
11	36000132	STICKER	1	
12	52000158	TUBE	1	
13	52000159	TUBE	1	
14	52000056	HOSE	1	
15	52000160	INLET PIPE	1	
16	52000094	HOSE	1	
17	52000095	HOSE	1	
18	52000196	RADIATOR	1	
19	52500072	HOSE	1	
	612682	INTERCOOLER	1	NOT SHOWN
	612683	EXPANSION TANK	1	NOT SHOWN
	52000125	PRESSURE CAP	1	NOT SHOWN
	612685	FAN SHROUD	1	NOT SHOWN
	612698	CAP FITTING	1	NOT SHOWN
	612699	SIGHT GLASS	1	NOT SHOWN

SPEC N. : 59002002
REV. DATE : 15JUN16

Power Solutions International

LP VAPORIZATION (OPTIONAL)



58020404-05

POS.	PART NUMBER	DESCRIPTION	QTY	NOTES
1	30100120	WATER HOSE	90 IN	
2	32000625	FITTING	1	
3	32500242	FITTING	1	
4	32500245	FITTING	2	
5	32500265	BUSHING	1	
6	32500336	TEE	2	
7	32500899	ISOLATOR	4	
8	32501108	FITTING	1	
9	32501361	CLAMP	4	
10	32501383	DRAIN COCK	1	

LP VAPORIZATION CONT. (OPTIONAL)

POS.	PART NUMBER	DESCRIPTION	QTY	NOTES
11	32501744	VAPORIZER	1	
12	32501749	ADAPTER	1	
13	32501751	ELBOW	1	
14	32501755	O-RING	2	
15	32501925	PLUG	1	
16	32501942	PLATE	1	
17	32502022-024	HOSE	1	
18	32502022-FST	ADAPTER	1	
19	32502077	FITTING	1	
20	32502078	FITTING	1	
21	33001072	TERMINAL	2	
22	35000006	WASHER	4	
23	35000285	WSHER	4	
24	35000355	BOLT	4	
25	35000526	BOLT	2	
26	35000530	BOLT	4	
27	35000699	NUT	4	
28	35000708	BOLT	2	
29	52500006	COUPLER	1	
30	52500105	LOCK-OFF	1	

CHANGES TO BOOK

DATE	OLD	NEW	SECTION	CHANGE
6/15/2016	12APR2016	15JUN2016	ELECTRICAL	ADD 53000058 - 02 SENSOR 58200003 - ECU 58200047 - ECU
6/15/2016	12APR2016	15JUN2016	HARNESS	ADD 53000057 - MAIN HARNESS
6/15/2016	12APR2016	15JUN2016	FUEL SYSTEM	ADD 53500100 - ELBOW
6/15/2016	12APR2016	15JUN2016	FUEL SYSTEM MOUNT	ADD 52500167 - BRACKET 52000166 - BRACKET
1/9/18	15 JUN2016	01JAN2018	RADIATOR	NEW 52500072—HOSE

PARTS FINDER

**Search Website
by Part Number**



**Search Manual
Library For Parts
Manual & Lookup Part
Numbers – Purchase
or Request Quote**

Search Manuals

Enter your information to help us find the right parts manual for your machine.

* Brand:

* Model:

* Serial:

* Part Number:

SEARCH

**Can't Find Part or
Manual? Request Help
by Manufacturer,
Model & Description**

Parts Order Form

Please fill in the following information to help us find the right part for your machine.

Manufacturer:	<input type="text"/>
Model:	<input type="text"/>
Description:	<input type="text"/>
Part Number:	<input type="text"/>
Quantity:	<input type="text"/>
Notes:	<input type="text"/>

Submit

Discount-Equipment.com is your online resource for quality parts & equipment.

Florida: **561-964-4949** Outside Florida TOLL FREE: **877-690-3101**

Need parts?

Click on this link: <http://www.discount-equipment.com/category/5443-parts/> and choose one of the options to help get the right parts and equipment you are looking for. Please have the machine model and serial number available in order to help us get you the correct parts. If you don't find the part on the website or on one of the online manuals, please fill out the request form and one of our experienced staff members will get back to you with a quote for the right part that your machine needs.

We sell worldwide for the brands: Genie, Terex, JLG, MultiQuip, Mikasa, Essick, Whiteman, Mayco, Toro Stone, Diamond Products, Generac Magnum, Airman, Haulotte, Barreto, Power Blanket, Nifty Lift, Atlas Copco, Chicago Pneumatic, Allmand, Miller Curber, Skyjack, Lull, Skytrak, Tsurumi, Husquvarna Target, Stow, Wacker, Sakai, Mi-T-M, Sullair, Basic, Dynapac, MBW, Weber, Bartell, Bennar Newman, Haulotte, Ditch Runner, Menegotti, Morrison, Contec, Buddy, Crown, Edco, Wyco, Bomag, Laymor, EZ Trench, Bil-Jax, F.S. Curtis, Gehl Pavers, Heli, Honda, ICS/PowerGrit, IHI, Partner, Imer, Clipper, MMD, Koshin, Rice, CH&E, General Equipment, Amida, Coleman, NAC, Gradall, Square Shooter, Kent, Stanley, Tamco, Toku, Hatz, Kohler, Robin, Wisconsin, Northrock, Oztec, Toker TK, Rol-Air, APT, Wylie, Ingersoll Rand / Doosan, Innovatech, Con X, Ammann, Mecalac, Makinex, Smith Surface Prep, Small Line, Wanco, Yanmar