



**POWER SOLUTIONS
INTERNATIONAL**

14L ENGINE PARTS BOOK



www.discount-equipment.com

Engine Model: NGE 14L
Engine Family: PSI, Industrial
Engine Spec N.:
Parts Bok Revision: JUNE 2016

Go to Discount-Equipment.com to order your parts

PARTS FINDER

**Search Website
by Part Number**



**Search Manual
Library For Parts
Manual & Lookup Part
Numbers – Purchase
or Request Quote**

Search Manuals

Enter your information to help us find the right parts manual for your machine.

* Brand:

* Model:

* Serial:

* Part Number:

SEARCH

**Can't Find Part or
Manual? Request Help
by Manufacturer,
Model & Description**

Parts Order Form

Please fill in the following information to help us find the right part for your machine.

Manufacturer:	<input type="text"/>
Model:	<input type="text"/>
Description:	<input type="text"/>
Part Number:	<input type="text"/>
Quantity:	<input type="text"/>
Notes:	<input type="text"/>

Submit

Discount-Equipment.com is your online resource for quality parts & equipment.

Florida: **561-964-4949** Outside Florida TOLL FREE: **877-690-3101**

Need parts?

Click on this link: <http://www.discount-equipment.com/category/5443-parts/> and choose one of the options to help get the right parts and equipment you are looking for. Please have the machine model and serial number available in order to help us get you the correct parts. If you don't find the part on the website or on one of the online manuals, please fill out the request form and one of our experienced staff members will get back to you with a quote for the right part that your machine needs.

We sell worldwide for the brands: Genie, Terex, JLG, MultiQuip, Mikasa, Essick, Whiteman, Mayco, Toro Stone, Diamond Products, Generac Magnum, Airman, Haulotte, Barreto, Power Blanket, Nifty Lift, Atlas Copco, Chicago Pneumatic, Allmand, Miller Curber, Skyjack, Lull, Skytrak, Tsurumi, Husquvarna Target, Stow, Wacker, Sakai, Mi-T-M, Sullair, Basic, Dynapac, MBW, Weber, Bartell, Bennar Newman, Haulotte, Ditch Runner, Menegotti, Morrison, Contec, Buddy, Crown, Edco, Wyco, Bomag, Laymor, EZ Trench, Bil-Jax, F.S. Curtis, Gehl Pavers, Heli, Honda, ICS/PowerGrit, IHI, Partner, Imer, Clipper, MMD, Koshin, Rice, CH&E, General Equipment, Amida, Coleman, NAC, Gradall, Square Shooter, Kent, Stanley, Tamco, Toku, Hatz, Kohler, Robin, Wisconsin, Northrock, Oztec, Toker TK, Rol-Air, APT, Wylie, Ingersoll Rand / Doosan, Innovatech, Con X, Ammann, Mecalac, Makinex, Smith Surface Prep, Small Line, Wanco, Yanmar

TABLE OF CONTENTS

SECTION	PAGE
PM KITS	5-7
SERVICE KITS	8-9
CYLINDER BLOCK	10-12
FLYWHEEL HOUSING	13
OIL SEAL	14
CRANKSHAFT	15
VIBRATION DAMPER	16
FLYWHEEL	17
CONNECTING ROD	18
PISTON	19
CRANKSHAFT PULLEY	20
CYLINDER HEAD	21
CYLINDER HEAD COVER	22
VALVES	23
ROCKER ARM	24
TAPPET	25
CAMSHAFT	26
OIL PUMP	27
RELIEF VALVE	28
OIL FILER	29
OIL COOLER	30-31
OIL PAN	32
COOLING WATER PIPE	33-35
THERMOSTAT	36
WATER PUMP	37
RETRO FIT FAN	38
COOLING FAN	39-40
EXHAUST MANIFOLD	41-42
INTAKE MANIFOLD	43



TABLE OF CONTENTS

SECTION	PAGE
INJECTION PUMP DRIVE	44
ALTERNATOR MOUNT	45
ALTERNATOR BELT	46
STARTER.....	47
ELECTRONIC IGNITION	48
ENGINE MOUNT	49
AIR FILTER.....	50
ELECTRICAL.....	51
IGNITION COIL.....	52
HARNESS.....	53
RACCOR.....	54
WATER OUTLET	55
OIL SUPPLY HOSES	56
ALTERNATOR.....	57
FUEL SYSTEM MOUNT	58
FUEL SYSTEM	59
EPR AND MIXER.....	60
TURBOCHARGER	61-62
THROTTLE BODY.....	63
FRONT DRIVE.....	64-65
KNOCK SENSOR.....	66
CAT MUFFLER.....	67
AIR BLEED	68
BELT GUARD.....	69
FAN.....	70
RADIATOR.....	71
VAPORIZER	72-73

14L PM AND SERVICE KITS

PM KIT #	PART NUMBER	DESCRIPTION	QTY	NOTES
1	661014	STANDART PM KIT	1	
2	661015	STANDARD PM KIT WITH SPARK PLUGS	1	
3	661016	PM KIT-GENERAL	1	
4	661034	PM KIT-TOP END	1	
5	661035	PM KIT-OVERHAUL	1	

SVC KIT #	PART NUMBER	DESCRIPTION	QTY	NOTES
A	600146	COMPLETE GASKET KIT	1	PER ENG
B	660012	LINER KIT	1	PER CYL
C	660011	TOP GASKET KIT	1	PER ENG
D	660010	CYLINDER HEAD KIT	2	PER CYL

PM KIT 1 STANDARD 661014

PM KIT #	PART NUMBER	DESCRIPTION	QTY	NOTES
1	610882	OIL FILTER	2	
1	610789	VALVE COVER GASKET	8	

PM KIT 2 STANDARD WITH SPARK PLUGS 661015

PM KIT #	PART NUMBER	DESCRIPTION	QTY	NOTES
1	610882	OIL FILTER	2	
2	610789	VALVE COVER GASKET	8	
2	610344	SPARK PLUJGS	8	

PM KIT 3 GENERAL 661016

PM KIT #	PART NUMBER	DESCRIPTION	QTY	NOTES
3	610882	OIL FILTER	2	
3	610344	SPARK PLUGS	8	
3	53000008	IGNITION COIL WITH BOOTS	8	
3	32500662	THROTTLE BODY	2	
3	32500715	THROTTLE BODY GASKET	2	
3	53000021	BELT-V	1	
3	107127	CCV FILTER	1	
3	610789	VALVE COVER GASKET	8	
3	32501267	O2 SENSOR	2	

PM KIT 4 TOP END 661034

PM KIT #	PART NUMBER	DESCRIPTION	QTY	NOTES
4	610882	OIL FILTER	2	
4	610344	SPARK PLUGS	8	
4	53000041	IGNITION COIL WITH BOOTS	8	
4	32500662	THROTTLE BODY	2	
4	32500715	THROTTLE BODY GASKET	2	
4	53000021	BELT-V	1	
4	107127	CCV FILTER	1	
4	32501267	O2 SENSOR	2	
4	612832	WATER PUMP	1	
4	610960	WATER PUMP GASKET	1	
4	612500	THERMOSTAT	3	
4	610262	THERMOSTAT GASKET	3	
4	610261	THERMOSTAT O-RNG	3	
4	660010	CYLINDER HEAD KIT	8	
4	660011	TOP GASKET KIT	1	

ADDITIONAL PARTS SOLD SEPERATELY

PAGE #	PART NUMBER	DESCRIPTION	QTY	NOTES
	53000017	ALTERNATOR	1	
	58030808	RIGHT TURBOCHARGER	1	
	58030809	LEFT TURBOCHARGER	1	
	38080463	EPR AND MIXER KIT	1	
	33500772	AIR FILTER	2	

PM KIT 5 OVERHAUL 661035

PM KIT #	PART NUMBER	DESCRIPTION	QTY	NOTES
5	610882	OIL FILTER	2	
5	610344	SPARK PLUGS	8	
5	53000041	IGNITION COIL WITH BOOTS	8	
5	32500662	THROTTLE BODY	2	
5	53000021	BELT-V	1	
5	107127	CCV FILTER	1	
5	32501267	O2 SENSOR	2	
5	612832	WATER PUMP	1	
5	610854	OIL PUMP	1	
5	660146	COMPLETE GASKET KIT	1	
5	660012	LINER KIT	8	
5	660010	CYLINDER HEAD KIT	8	

ADDITIONAL PARTS SOLD SEPERATELY

PAGE #	PART NUMBER	DESCRIPTION	QTY	NOTES
	53000017	ALTERNATOR	1	
	58030808	RIGHT TURBOCHARGER	1	
	58030809	LEFT TURBOCHARGER	1	
	38080463	EPR AND MIXER KIT	1	
	33500772	AIR FILTER	2	

SERVICE KIT A COMPLETE GASKET 600146

SVC KIT #	PART NUMBER	DESCRIPTION	QTY	NOTES
A	611127	LINER O-RING	16	
A	611132	LINER O-RING	8	
A	611138	GASKET	8	
A	610705	OIL SEAL	1	
A	610718	FLYWHEEL HOUSING GASKET	1	
A	610719	FLYWHEEL HOUSING GASKET	1	
A	610715	FLYWHEEL HOUSING COVER GASKET	1	
A	611031	GASKET	2	
A	610706	OIL SEAL	1	
A	610721	GASKET	1	
A	610535	CYLINDER HEAD GASKET	8	
A	610789	VALVE COVER GASKET	8	
A	610918	GASKET	1	
A	610912	OIL FILTER GASKET	1	
A	610911	OIL COOLER GASKET	1	
A	611137	FLANGE GASKET	2	
A	610913	OIL COOLER GASKET	1	
A	610916	GASKET	1	
A	610921	OIL PAN GASKET	1	
A	611136	GASKET	1	
A	610551	GASKET	1	
A	610965	GASKET	1	
A	611135	GASKET	1	
A	610526	WATER PIPE GASKET	2	
A	610964	WATER PIPE GASKET	1	
A	610916	GASKET	2	
A	610261	THERMOSTAT O-RING	3	
A	610262	THERMOSTAT GASKET	3	
A	610960	WATER PUMP GASKET	1	
A	610987	EXHAUST MANIFOLD GASKET	8	
A	610557	EXHAUST MANIFOLD GASKET	4	
A	610479	O-RING	16	
A	610992	INTAKE MANIFOLD GASKET	8	
A	610993	INTAKE MANIFOLD GASKET	2	
A	32500715	THROTTLE BODY GASKET	2	
A	53500035	GASKET	2	
A	611214	GASKET	1	
A	107195	TURBOCHARGER GASKET	2	
A	610993	GASKET	2	
A	33500805	CATALYST GASKET	4	
A	610538	PUMP DRIVE HOUSING O-RING	1	
A	610537	OIL FEED O-RING	1	

SPEC N. :
REV, DATE: 15JUN16

Power Solutions International

SVC KIT B LINER KIT (PER CYLINDER) 660012

SVC KIT #	PART NUMBER	DESCRIPTION	QTY	NOTES
B	610691	CYLINDER LINER	1	
B	610746	CONNECTING ROD BEARING	1	
B	610747	CONNECTING ROD BEARING	1	
B	610760	PISTON	1	
B	610760	TOP RING	1	
B	610758	2ND RING	1	
B	610763	OIL RING	1	
B	610757	PISTON PIN	1	
B	611095	SNAP RING	2	

SVC KIT C TOP GASKET (PER ENGINE) 660011

SVC KIT #	PART NUMBER	DESCRIPTION	QTY	NOTES
C	610535	CYLINDER HEAD GASKET	8	
C	610789	VALVE COVER GASKET	8	
C	610526	WATER PIPE GASKET	2	
C	610987	EXHAUST MANIFOLD GASKET	8	
C	610992	INTAKE MANIFOLD GASKET	8	
C	610993	INTAKE MANIFOLD GASKET	2	

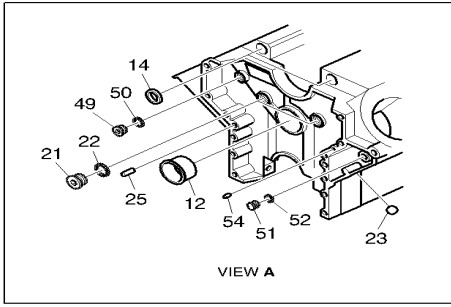
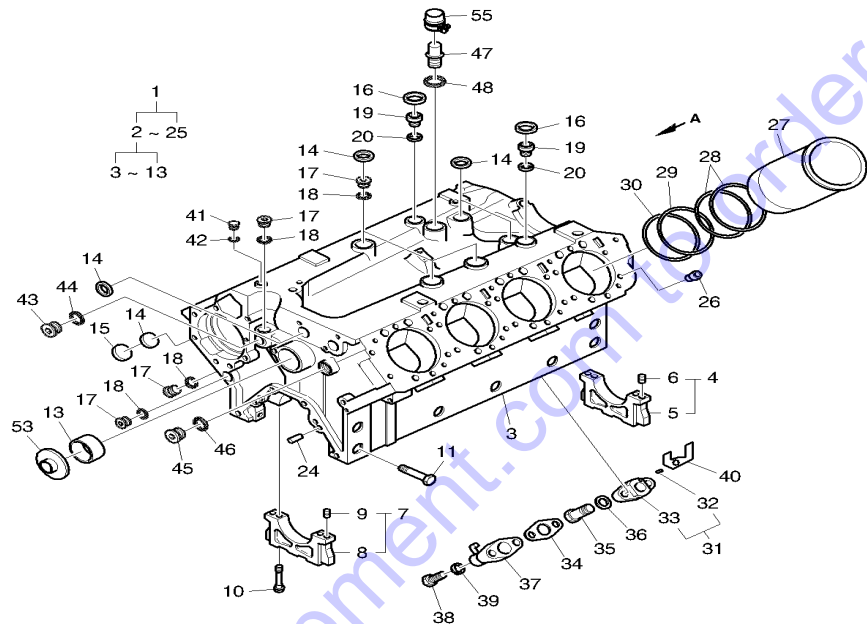
SVC KIT D CYLINDER HEAD (PER HEAD) 660010

SVC KIT #	PART NUMBER	DESCRIPTION	QTY	NOTES
D	610773	VALVE GUIDE	2	
D	610776	VALVE SEAT	1	
D	610777	VALVE DEAT	1	
D	610793	INTAKE VALVE	1	
D	610784	EXHAUST VALVE	1	
D	610804	VALVE SPRING ASSEMBLY	2	
D	610813	VALVE SPRING PLATE	2	
D	611087	WASHER	2	
D	611088	WASHER	2	
D	611177	KEEPER	4	
D	610851	VALVE STEM SEAL	2	

SPEC N. :
REV, DATE:

Power Solutions International

CYLINDER BLOCK



Go to Discount-Equipment.com to order your parts

ZBOM14L-1000

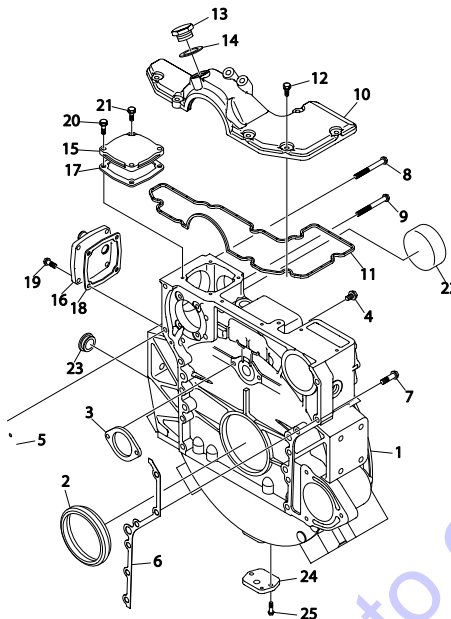
CYLINDER BLOCK CONT.

POS.	PART NUMBER	DESCRIPTION	QTY	NOTES
1	NSS	CYLINDER BLOCK ASSEMBLY	1	
4	NSS	BEARING CAP ASSEMBLY	1	
5	NSS	BEARING CAP	1	
6	611097	PIN, DOWEL	2	
7	NSS	BEARING CAP ASSEMBLY	4	
8	NSS	BEARING CAP	1	
9	610461	PIN, DOWELL	2	
10	611052	BOLT, BEARING CAP	10	
11	610380	BOLT, HEX	10	
12	610840	BUSHING, CAMSHAFT	1	
13	610841	BUSHING, CAMSHAFT	4	
14	611103	PLUG, CORE	10	
15	610000	PLUG, CORE	2	
16	610447	PLUG, CORE	2	
17	610285	PLUG, SCREW	6	
18	610194	SEAL, RING	6	
19	611075	PLUG, SCREW	2	
20	610201	SEAL, RING	2	
21	611077	PLUG, SCREW	2	
22	610484	SEAL, RING	2	
23	610474	VALVE, BY-PASS	1	
24	610460	PIN, DOWELL	2	
25	610463	PIN, DOWELL	2	
26	611110	PIN, LOCATING	16	
27	610691	LINER, CYLINDER	8	IN KIT B
28	611127	O-RING, C/LINER	16	IN KIT A
29	611132	O-RING, C/LINER	8	IN KIT A
30	611132	O-RING, C/LINER	8	IN KIT A
	NSS =	NOT SOLD SEPERATELY		

CYLINDER BLOCK CONT.

POS.	PART NUMBER	DESCRIPTION	QTY	NOTES
31	610710	NOZZLE, OIL SPRAY	8	
32	610464	PIN, SPRING	1	
33	610710	NOZZLE, OIL SPRAY	1	
34	611138	GASKET	8	IN KIT A
35	611157	SCREEN	8	
36	610267	SEAL, RING	8	
37	610711	NOZZLE, O/SPRAY	8	
38	611035	BOLT, HEX	16	
39	610449	WASHER, SPRING	16	
40	610714	PLATE, BAFFLE	1	
41	611078	PLUG, SCREW	1	
42	610267	SEAL, RING	1	
43	611077	PLUG, SCREW	1	
44	610484	SEAL, RING	1	
45	611077	PLUG, SCREW	1	
46	6101484	SEAL, RING	1	
47	610893	PIPE, OIL	1	
48	610485	SEAL, RING	1	
49	611074	PLUG, SCREW	1	
50	610223	SEAL, RING	1	
51	611078	PLUG, SCREW	1	
52	610267	SEAL, RING	1	
53	611102	COVER	1	
54	611066	PLUG, CORE	1	
55	610713	PIPE, BLIND	1	

FLYWHEEL HOUSING



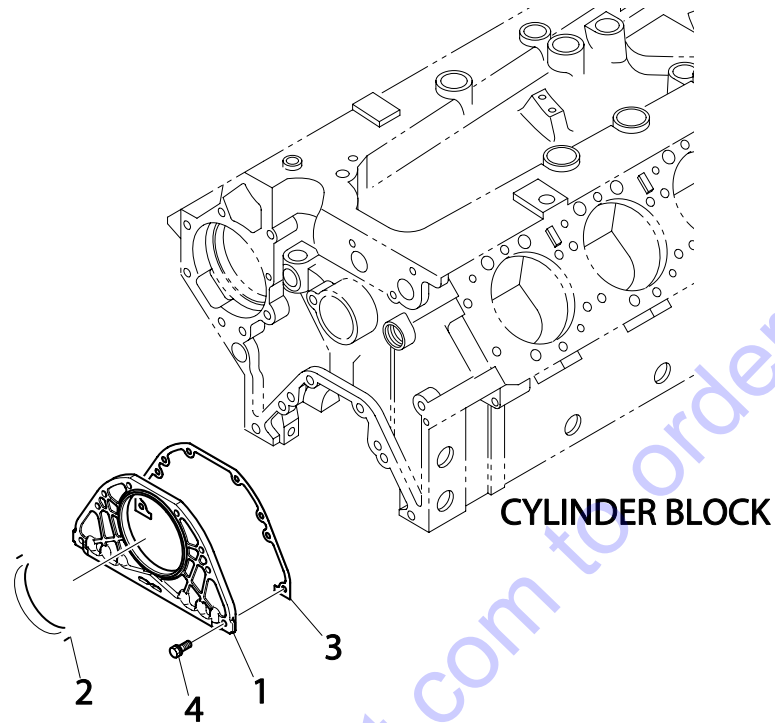
ZBOM14L-1001

POS.	PART NUMBER	DESCRIPTION	QTY	NOTES
1	610697	HOUSING, FLYWHEEL	1	
2	610705	SEAL, OIL (REAR)	1	
3	611094	WASHER, THRUST	1	
4	611042	BOLT, HEX	2	
5	610718	GASKET, F/W HOUSING	1	
6	610719	GASKET, F/W HOUSING	1	
7	611048	BOLT	10	
8	611047	BOLT	1	
9	NSS	BOLT	1	
10	610699	COVER, F/W HSG	1	
11	610715	GASKET, F/W HSG COVER	1	
12	610406	BOLT	8	
13	611076	PLUG, SCREW	1	
14	611133	SEAL, RING	1	
15	610698	COVER, F/W HSG	1	
16	610700	COVER, F/W HSG	1	
17	611031	GASKET	1	
18	611031	GASKET	1	
19	610406	BOLT	4	
20	610406	BOLT	3	
21	610057	BOLT	1	
22	611104	PLUG, CORE	1	
23	611126	CAP, RUBBER	1	
24	611151	ADAPTOR	1	
25	610057	BOLT	2	

SPEC N. :
REV, DATE: 15JUN16

Power Solutions International

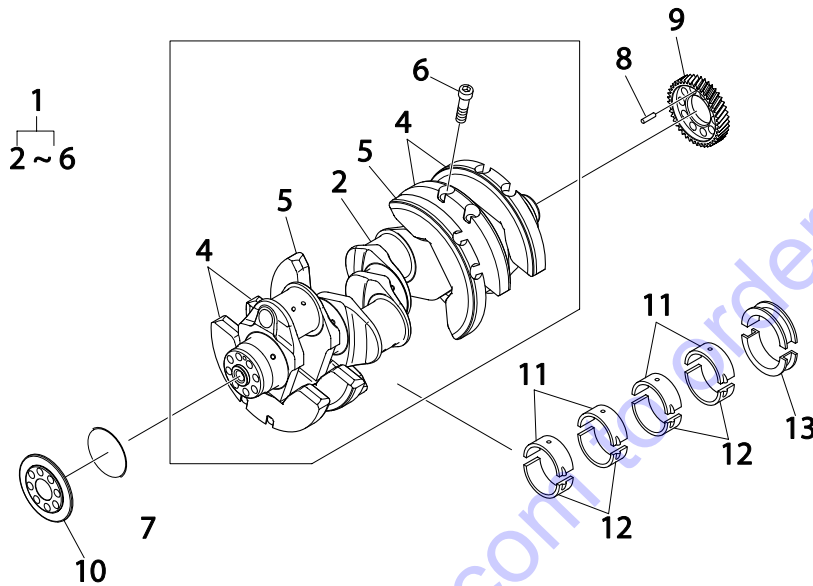
OIL SEAL



ZBOM14L-1002

POS.	PART NUMBER	DESCRIPTION	QTY	NOTES
1	610701	HOUSING, O/SEAL	1	
2	610706	SEAL, OIL FRONT	1	
3	610721	GASKET	1	
4	610405	BOLT	6	

CRANKSHAFT



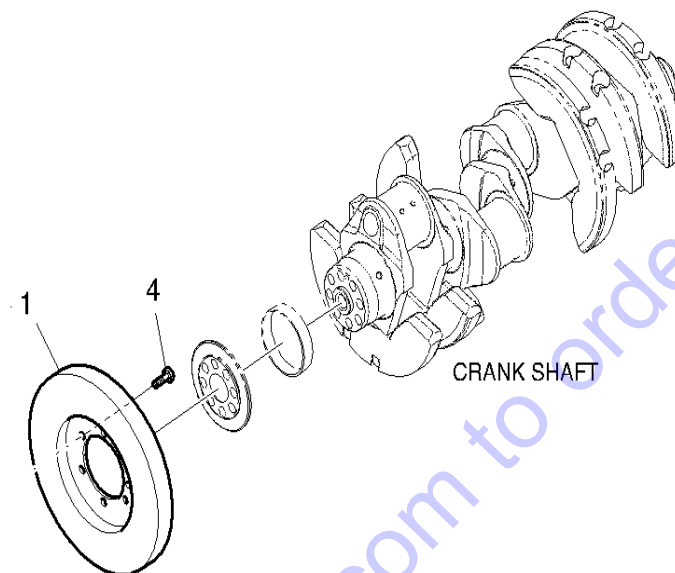
ZBOM14L-1003

POS.	PART NUMBER	DESCRIPTION	QTY	NOTES
1	610503	CRANKSHAFT	1	
6	611057	BOLT	12	
7	610730	RING, WEAR - FRT	1	
8	610462	PIN, DOWELL	1	
9	610729	GEAR, CRANKSHAFT	1	
10	610702	RING, OIL	1	
11	610672	BEARING, MAIN	4	
12	610673	BEARING, MAIN	4	
13	610679	WASHER, THRUST	1	

SPEC N. :
REV, DATE: 15JUN16

Power Solutions International

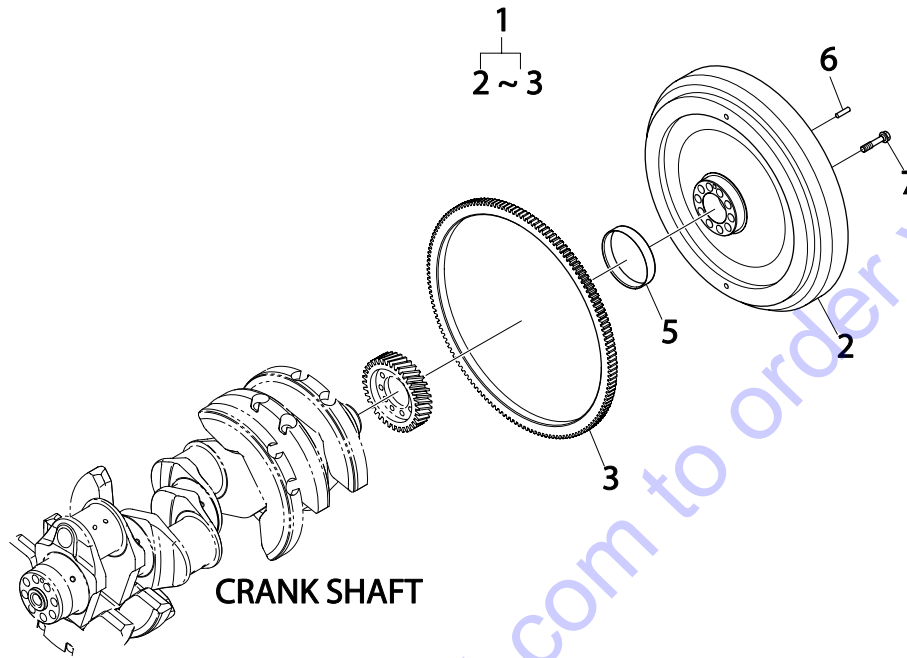
VIBRATION DAMPER



ZBOM14L-1004

POS.	PART NUMBER	DESCRIPTION	QTY	NOTES
1	610077	DAMPER	1	
4	610080	BOLT, HEX	6	

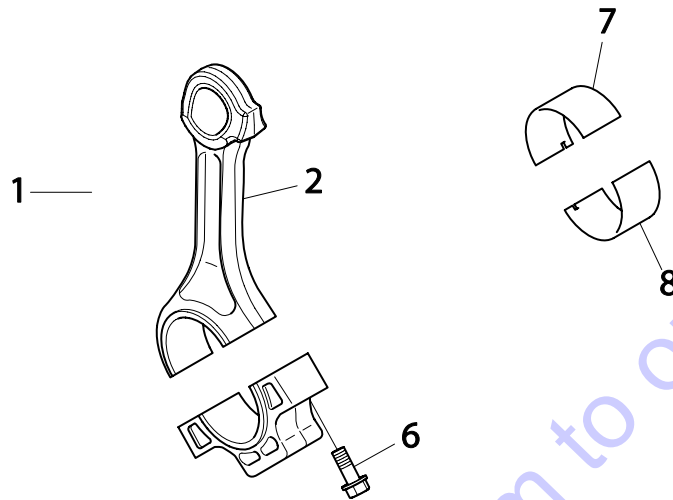
FLYWHEEL



ZBOM14L-1005

POS.	PART NUMBER	DESCRIPTION	QTY	NOTES
1	610738	FLYWHEEL	1	
2	NSS	FLYWHEEL	1	
3	610741	GEAR, RING	1	
5	610763	RING, OIL PISTON	1	
6	611098	PIN, TAPER	1	
7	611046	BOLT	10	

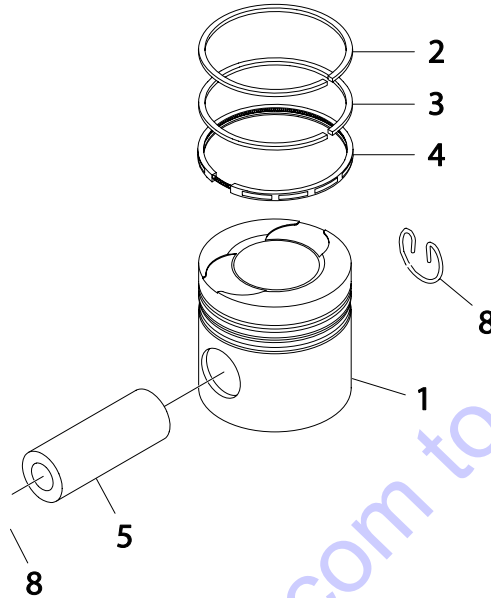
CONNECTING ROD



ZBOM14L-1006

POS.	PART NUMBER	DESCRIPTION	QTY	NOTES
1	610516	ROD, CONNECTING (ASSY)	8	
2	NSS	ROD, CONNECTING	1	
6	610749	BOLT, C/ROD	2	
7	610746	BEARING, C/ROD	8	
8	610747	BEARING, C/ROD	8	
	NSS =	NOT SOLD SEPERATELY		

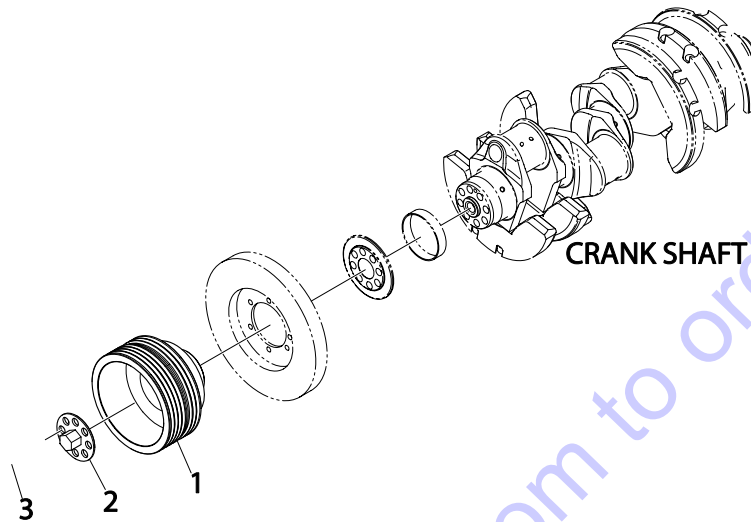
PISTON



ZBOM14L-1007

POS.	PART NUMBER	DESCRIPTION	QTY	NOTES
1	610751	PISTON	8	IN KIT B
2	NSS	RING, TOP PISTON	8	IN KIT B
3	NSS	RING, 2ND PISTON	8	IN KIT B
4	NSS	RING, OIL	8	IN KIT B
5	610757	PIN, PISTON	8	IN KIT B
8	611095	RING, SNAP	16	IN KIT B
	612533	COMPLETE ENGINE RING KIT	1	INCLUDES 2,3,4

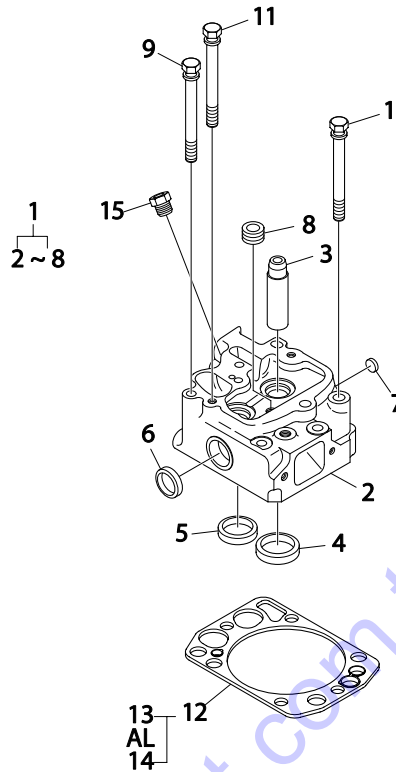
CRANKSHAFT PULLEY (V-BELT ONLY)



ZBOM14L-1008

POS.	PART NUMBER	DESCRIPTION	QTY	NOTES
1	610765	V-BELT PULLEY	1	
2	612458	TURNING DEVICE	1	
3	610488	BOLT	8	

CYLINDER HEAD



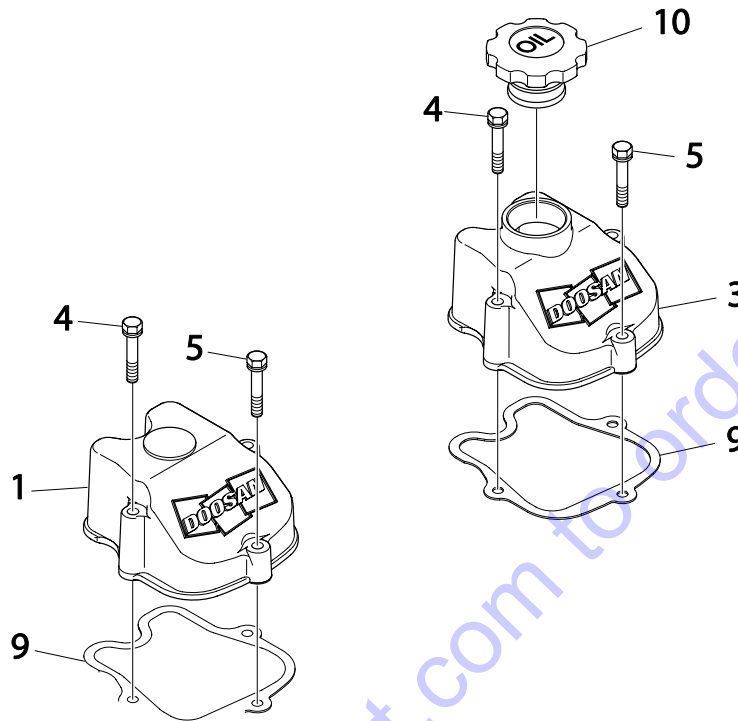
ZBOM14L-1009

POS.	PART NUMBER	DESCRIPTION	QTY	NOTES
2	612504	HEAD, CYLINDER	1	COMPLETE
2	612504-HAD	HEAD, CYLINDER (HD)	1	COMPLETE
3	610773	GUIDE, VALVE	2	IN KIT D
4	610776	SEAT, VALVE	1	IN KIT D
5	610777	SEAT, VALVE	1	IN KIT D
6	610000	PLUG, CORE	1	
7	610004	PLUG, CORE	1	
8	610435	PLUG, SCREW	1	
9	611049	BOLT, CYLINDER HEAD	16	
10	611050	BOLT, CYLINDER HEAD	24	
11	611051	BOLT, CYLINDER HEAD	8	
12	610535	GASKET, CYL HEAD	8	IN KIT A,C
15	611073	PLUG, SCREW	8	

SPEC N. :
REV, DATE: 15JUN16

Power Solutions International

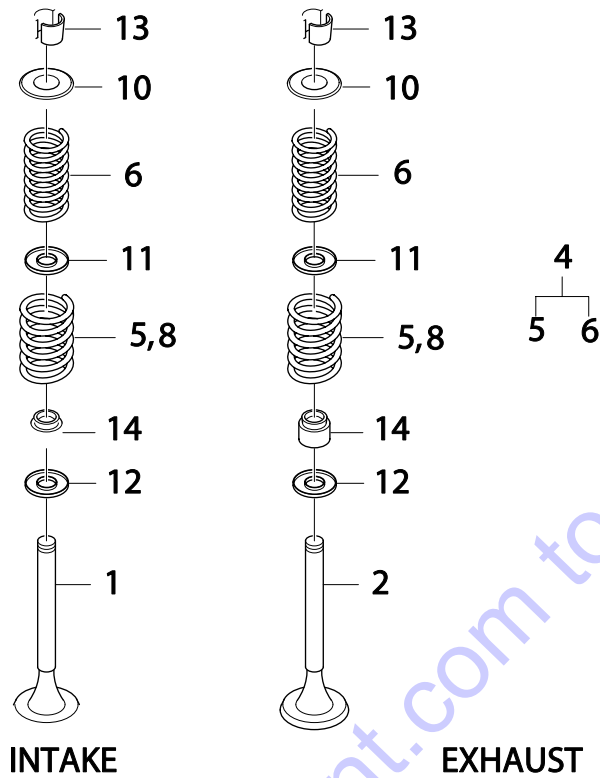
CYLINDER HEAD COVER



ZBOM14L-1010

POS.	PART NUMBER	DESCRIPTION	QTY	NOTES
1	58900001	VALVE, COVER	7	
3	58900003	VALVE, COVER	1	
4	610410	BOLT	16	
5	610408	BOLT	8	
9	610789	GASKET, V/COVER	8	IN KIT A,C,1,2,3
10	610120	CAP, OIL	1	

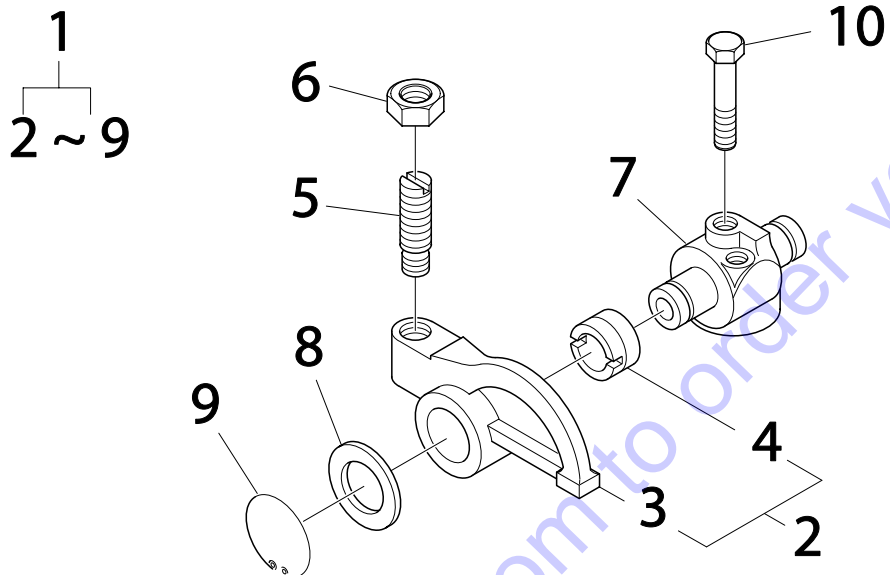
VALVES



ZBOM14L-1011

POS.	PART NUMBER	DESCRIPTION	QTY	NOTES
1	610793	VALVE, INTAKE	8	IN KIT D
2	610794	VALVE, EXHAUST	8	IN KIT D
4	610807	SPRING, VALVE	16	IN KIT D
5	610804	SPRING, VALVE	16	PART OF 4
6	610805	SPRING, VALVE	16	PART OF 4
10	610813	CAP, VALVE SPRING	16	IN KIT D
11	611087	WASHER	16	IN KIT D
12	611088	WASHER	16	IN KIT D
13	611177	KEEPER	32	IN KIT D
14	610851	SEAL, VALVE STEM	16	IN KIT D

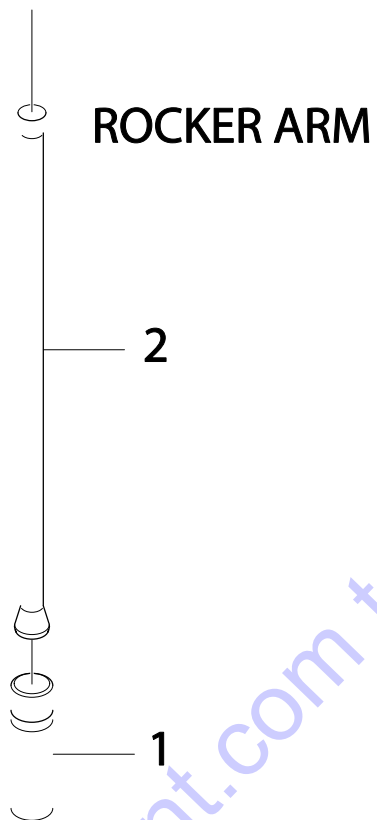
ROCKER ARM



ZBOM14L-1012

POS.	PART NUMBER	DESCRIPTION	QTY	NOTES
1	610819	ARM, ROCKER (ASSY)	8	
2	NSS	ARM, ROCKER	2	
3	NSS	ARM ROCKER	1	SEE 610816
4	611115	BUSHING, R/ARM	1	
5	610827	SCREW, ADJUST	2	
6	611084	NUT, HEX	2	
7	NSS	BRACKET	1	
8	611090	WASHER	2	
9	610143	RING, SNAP	2	
10	611036	BOLT, HEX	16	

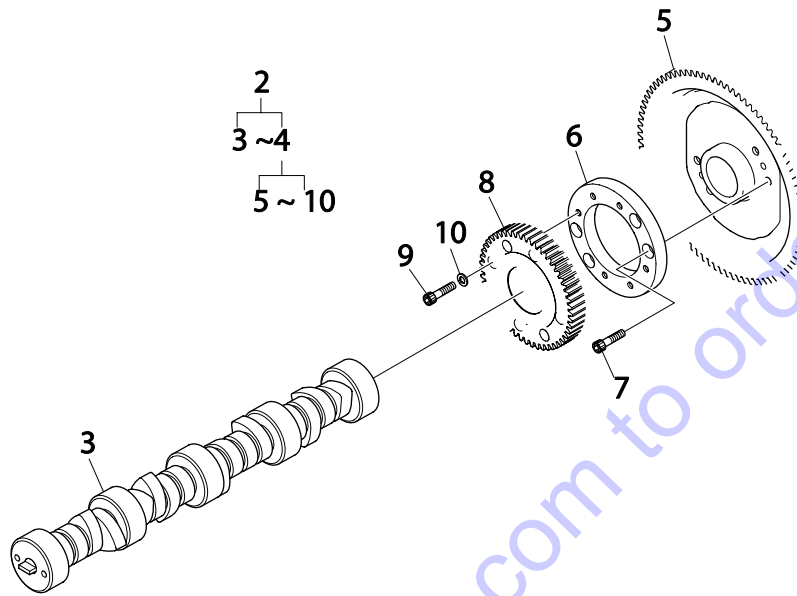
VALVE TAPPET



ZBOM14L-1013

POS.	PART NUMBER	DESCRIPTION	QTY	NOTES
1	610829	TAPPET	16	
2	610830	PUSH ROD	16	

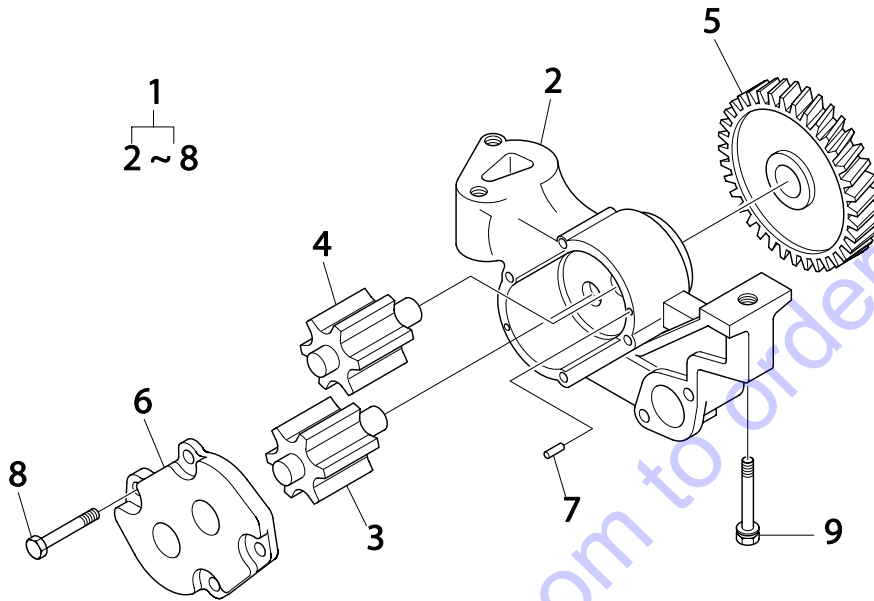
CAMSHAFT



ZBOM14L-1014

POS.	PART NUMBER	DESCRIPTION	QTY	NOTES
2	610836	CAMSHAFT ASSEMBLY	1	
4	NSS	DRIVE GEAR	1	
5	610844	GEAR, CAMSHAFT	1	
6	610994	SPACER	1	
7	610056	WASHER	4	
8	610996	GEAR	1	PART OF 2
9	610427	BOLT	6	
10	610209	WASHER, SPRING	6	
	NSS =	NOT SOLD SEPERATELY		

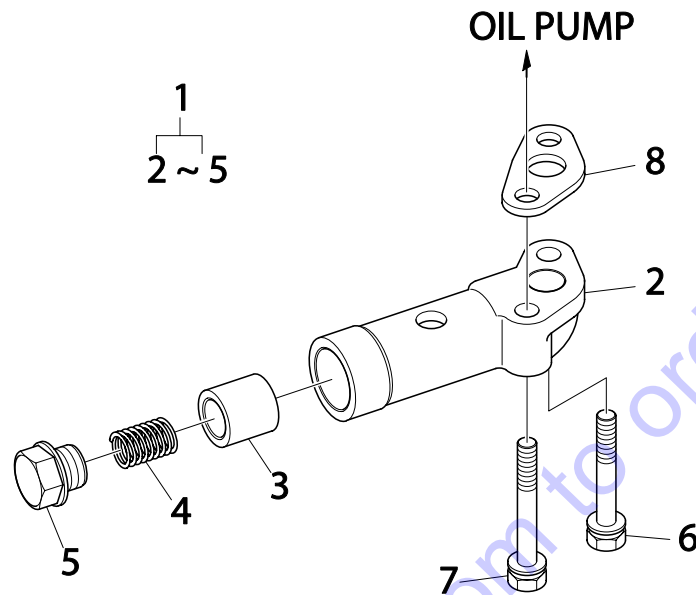
OIL PUMP



ZBOM14L-1015

POS.	PART NUMBER	DESCRIPTION	QTY	NOTES
1	610854	PUMP, OIL	1	NIT KIT 5
2	610857	HOUSING, O/PUMP	1	
3	610861	GEAR, OIL PUMP	1	
4	610862	GEAR, OIL PUMP	1	
5	610867	GEAR, OIL PUMP DRIVE	1	
6	610858	HOUSING, O/PUMP	1	
7	612489	PIN, DOWELL	1	
8	610349	BOLT, HEX	4	
9	610196	BOLT	1	

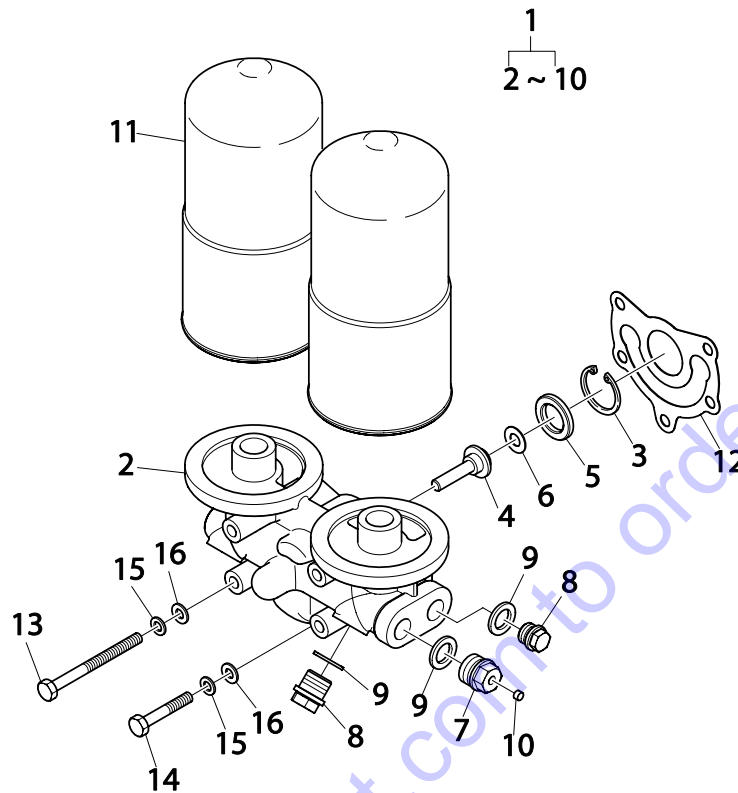
RELIEF VALVE



ZBOM14L-1016

POS.	PART NUMBER	DESCRIPTION	QTY	NOTES
1	610869	VALVE, RELIEF	1	
2	NSS	HOUSING	1	PART OF 1
3	NSS	PLUNGER	1	PART OF 1
4	NSS	SPRING	1	PART OF 1
5	NSS	SCREW	1	PART OF 1
6	610393	BOLT	1	
7	610399	BOLT	1	
8	610918	GASKET	1	IN KIT A
	NSS =	NOT SOLD SEPERATELY		

OIL FILTER



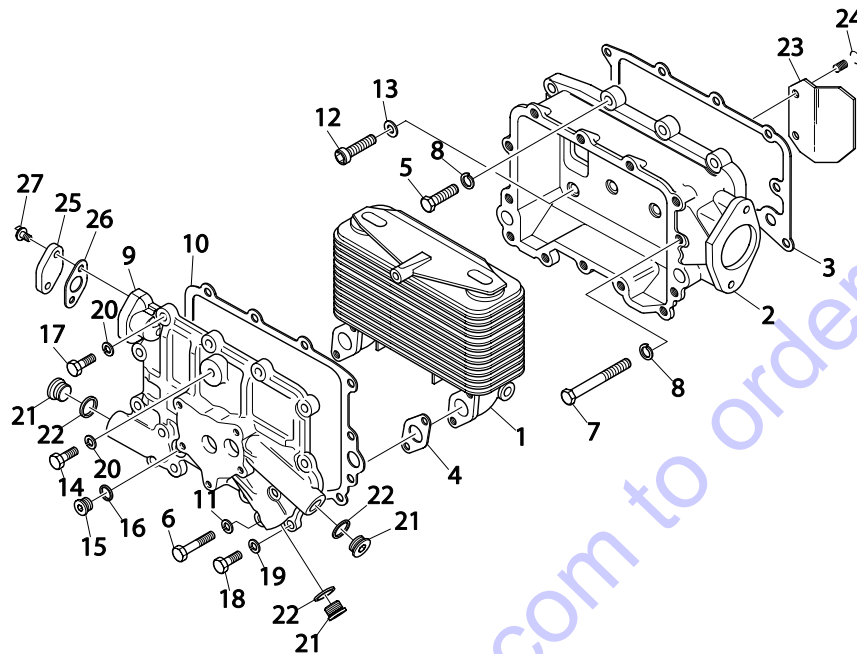
ZBOM14L-1017

POS.	PART NUMBER	DESCRIPTION	QTY	NOTES
1	610878	FILTER, OIL ASSY	1	
2	610880	FILTER, OIL HEAD	1	
3	610466	RING, SNAP	1	
4	610884	VALVE, PLUNGER	1	
5	610885	SEAT, VALVE	1	
6	610883	PLATE	1	
7	611153	ADAPTOR	1	
8	610437	PLUG, SCREW	3	
9	610726	SEAL, RING	4	
10	NSS	SCREW	1	
11	610882	FILTER, OIL	1	IN KIT 1,2,3,4,5
12	610912	GASKET, O/FILTER	1	IN KIT A
13	610355	BOLT, HEX	4	
14	610373	BOLT, HEX	1	
15	610146	WASHER, SPRING	5	
16	610254	WASHER	5	

SPEC N. :
REV, DATE: 15JUN16

Power Solutions International

OIL COOLER



ZBOM14L-1018

POS.	PART NUMBER	DESCRIPTION	QTY	NOTES
1	610886	COOLER, OIL	1	
2	610890	HOUSING,O/COOLER	1	
3	610911	GASKET, O/COOLER	1	IN KIT A
4	611137	GASKET, FLANGE	2	IN KIT A
5	610372	BOLT, HEX	6	
6	610350	BOLT, HEX	4	
7	610358	BOLT, HEX	1	
8	610146	WASHER, SPRING	7	
9	610892	COVER, O/COOLER	1	
10	610913	GASKET, OIL COOLER COVER	1	IN KIT A
11	610450	WASHER, SPRING	4	

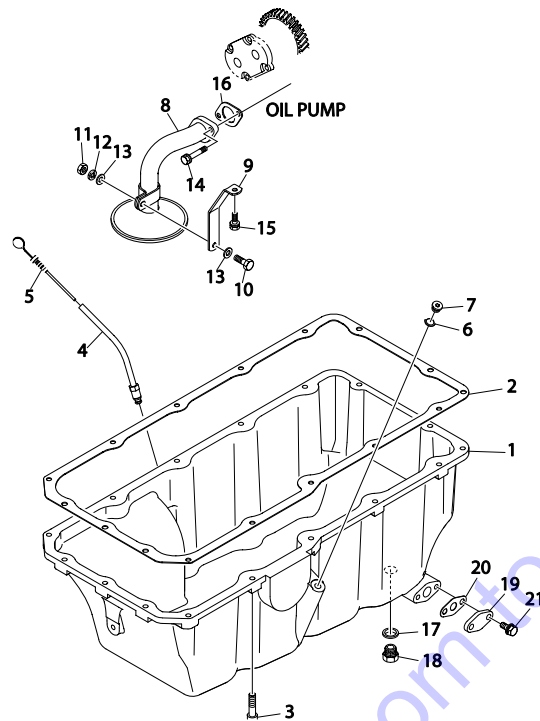
SPEC N. :
REV, DATE: 15JUN16

Power Solutions International

OIL COOLER CONT.

POS.	PART NUMBER	DESCRIPTION	QTY	NOTES
12	611054	BOLT	3	
13	611086	WASHER	3	
14	610362	BOLT, HEX	1	
15	611078	PLUG, SCREW	1	
16	610267	SEAL, RING	1	
17	610371	BOLT, HEX	12	
18	610370	BOLT, HEX	1	
19	610450	WASHER, SPRING	1	
20	610450	WASHER, SPRING	13	
21	611076	PLUG, SCREW	3	
22	610194	SEAL, RING	3	
23	610887	PLATE	1	
24	610364	BOLT, HEX	2	
25	611099	COVER, END	1	
26	610916	GASKET, OIL PIPE	1	
27	610404	BOLT	2	

OIL PAN



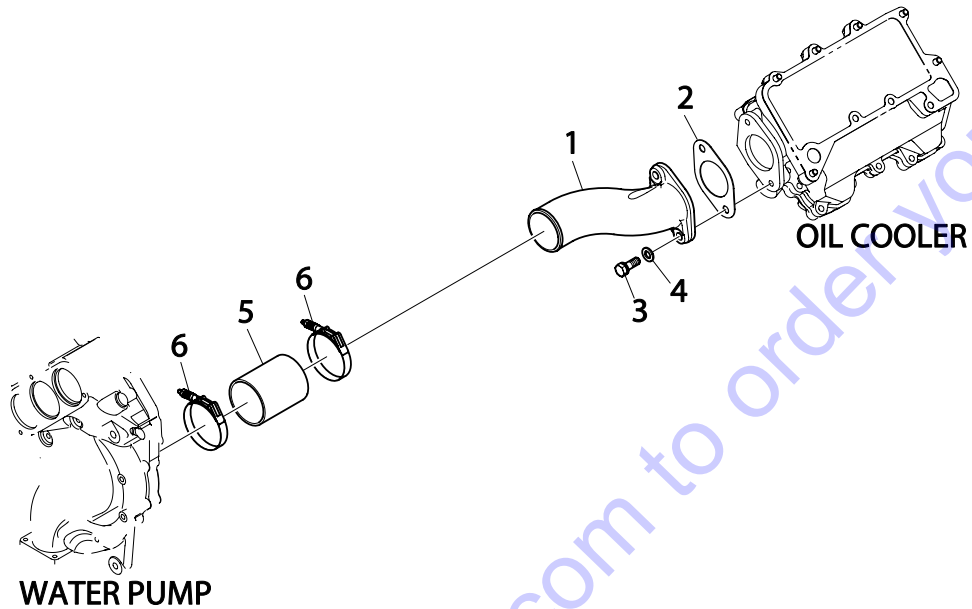
ZBOM14L-1019

POS.	PART NUMBER	DESCRIPTION	QTY	NOTES
1	610905	PAN, OIL	1	
2	610921	GASKET, OIL PAN	1	IN KIT A
3	610407	BOLT	16	
4	612173	TUBE, DIPSTICK	1	
5	610908	DIPSTICK	1	
6	610223	SEAL, RING	1	
7	611074	PLUG, SCREW	1	
8	610896	PIPE, OIL	1	
9	610903	BRACKET, O/PIPE	1	
10	610365	BOLT, HEX	1	
11	610017	NUT, HEX	1	
12	610016	WASHER, SPRING	1	
13	610056	WASHER	2	
14	610391	BOLT	2	
15	612501	BOLT, HEX	1	
16	611136	GASKET, OIL PUMP TUBE	1	IN KIT A
17	610484	SEAL, RING	1	
18	610285	PLUG, SCREW	1	
19	611149	FLANGE	1	
20	610551	GASKET	1	IN KIT A
21	610413	BOLT	2	

SPEC N. :
REV, DATE: 15JUN16

Power Solutions International

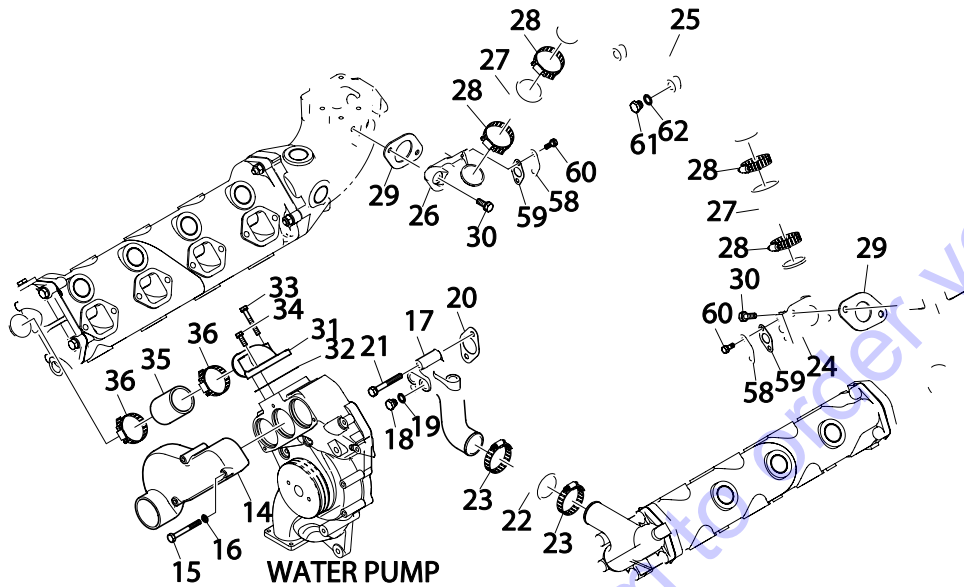
COOLING WATER PIPE



ZBOM14L-1020

POS.	PART NUMBER	DESCRIPTION	QTY	NOTES
1	610925	PIPE, WRT COOL	1	
2	610965	GASKET	1	IN KIT A
3	610398	BOLT, HEX	2	
4	610525	WASHER, SPRING	2	
5	610527	HOSE, COOLANT	1	
6	611142	CLAMP, HOSE	2	

COOLING WATER PIPE



ZBOM14L-1021

POS.	PART NUMBER	DESCRIPTION	QTY	NOTES
14	610554	OUTLET, WATER	1	
15	610293	BOLT	3	
16	610056	WASHER	3	
17	610924	PIPE, WTR COOL	1	
18	610438	PLUG, SCREW	2	
19	610267	SEAL, RING	2	
20	611135	GASKET	1	
21	610336	BOLT	2	
22	610247	HOSE, COOLANT	1	
23	610250	CLAMP, HOSE	2	
24	610927	PIPE, WTR COOL	1	
25	610935	PIPE, WTR COOL	1	
26	610928	PIPE, WRT COOL	1	
27	610247	HOSE, COOLANT	2	
28	610250	CLAMP, HOSE	4	
29	610526	GASKET, WTR PIPE	2	

SPEC N. :
REV, DATE: 15JUN16

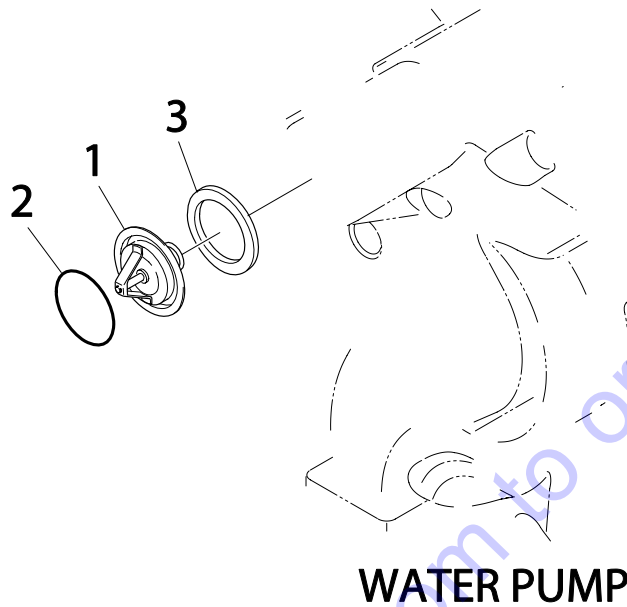
Power Solutions International



COOLING WATER PIPE CONT.

POS.	PART NUMBER	DESCRIPTION	QTY	NOTES
30	610418	BOLT	4	
31	610934	PIPE, WTR COOL	1	
32	610964	GASKET, WTR PIPE	1	
33	610392	BOLT	2	
34	610389	BOLT	2	
35	610247	HOSE, COOLANT	1	
36	610250	CLAMP, HOSE	2	
58	611099	COVER, END	2	
59	610916	GASKET, OIL PIPE	2	
60	610014	BOLT	4	
61	610052	SCREW, PLUG	2	
62	610018	SCREW, CYL PLUG	2	

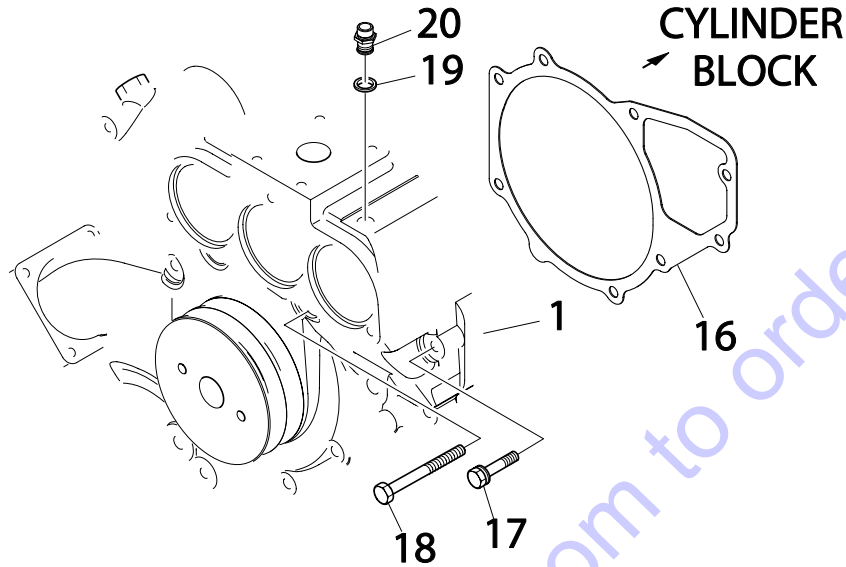
THERMOSTAT



ZBOM14L-1022

POS.	PART NUMBER	DESCRIPTION	QTY	NOTES
1	610260	THERMOSTAT (STD 160 DEG)	3	160F 71C
1	610937	THERMOSTAT (174 DEG)	3	174F 79C
1	612500	THERMOSTAT (181 DEG)	3	181F 83C
2	610261	O-RING	3	IN KIT A
3	610262	GASKET, THERMOSTAT	3	IN KIT A

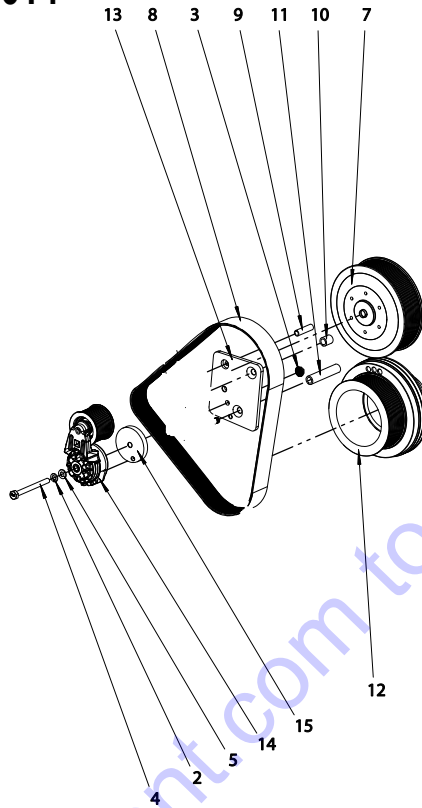
WATER PUMP



ZBOM14L-1023

POS.	PART NUMBER	DESCRIPTION	QTY	NOTES
1	612832	PUMP, WATER	1	IN KIT 4,5
16	610960	GASKET, WATER PUMP	1	IN KIT A,4
17	610225	BOLT	3	
18	610293	BOLT	3	
19	610482	RING, SEAL	1	
20	611155	SCREW, CONNECT	1	

RETRO FIT FAN PRE FEB 2014



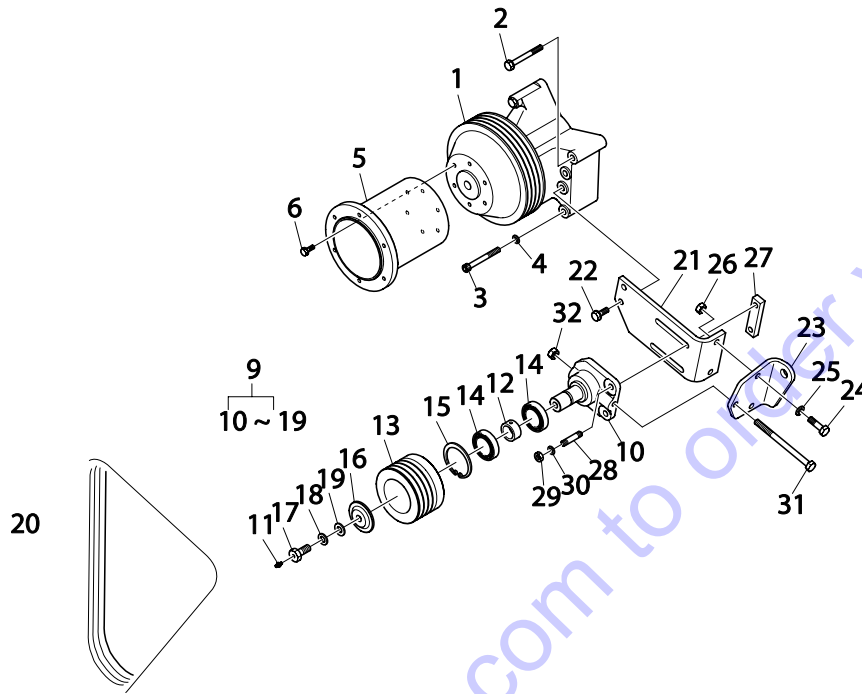
59300073-02

POS.	PART NUMBER	DESCRIPTION	QTY	NOTES
2	35000046	WASHER	1	
3	35000196	NUT	1	
4	35000386	BOLT	1	
5	35000402	WASHER	1	
7	52000186	FAN PULLEY	1	
8	53000044	BELT	1	
9	53000045	SPACER	1	
10	53000046	SPACER	1	
11	53000047	SPACER	1	
12	53000048	CRANK PULLEY	1	
13	53000051	BRACKET	1	
14	53000053	TENSIONER	1	
15	53000054	SPACER	1	
**	59300073	COMPLETE V-BELT TO SERPENTINE KIT	1	INCLUDES 2-15

SPEC N. :
REV, DATE: 15JUN16

Power Solutions International

COOLING FAN PRE 2015 (V-BELT)



ZBOM14L-1024

POS.	PART NUMBER	DESCRIPTION	QTY	NOTES
1	610953	MOUNT, FAN	1	POST 2015
1	610952	MOUNT, FAN	1	PRE 2015
2	610396	BOLT	1	
3	610426	BOLT	1	
4	610452	WASHER, SPRING	1	
5	610956	SPACER, FAN	1	
6	610390	BOLT	6	
10	611122	BRACKET	1	
11	NSS	NIPPLE	1	
12	611107	SPACER	1	
13	611118	PULLEY, IDLER	1	
14	610472	BEARING, BALL	2	

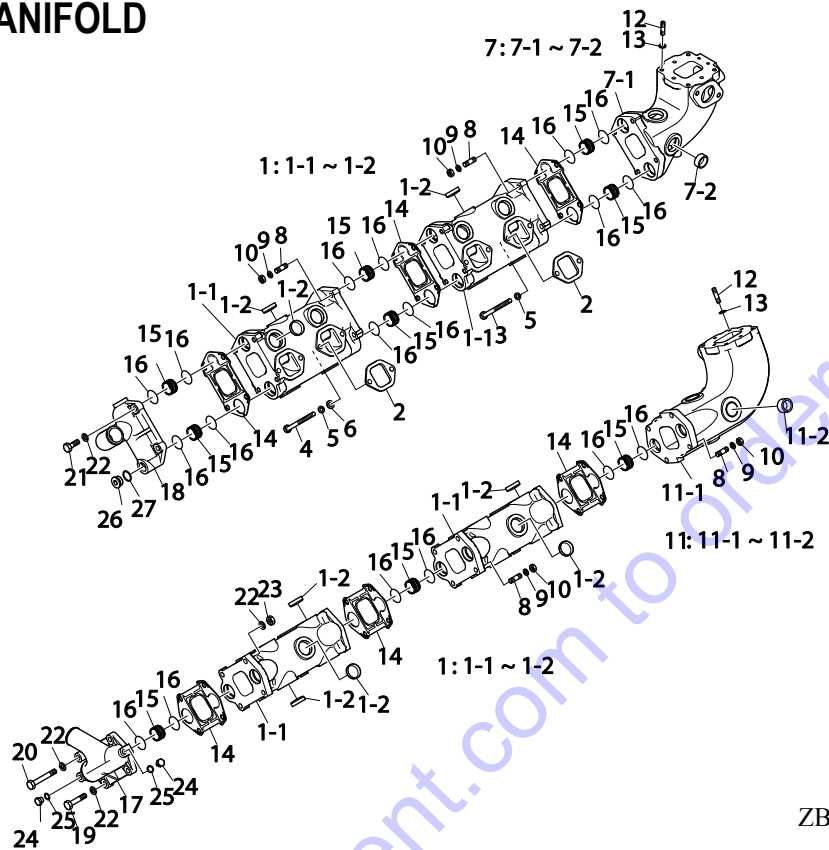
SPEC N. :
REV, DATE: 15JUN16

Power Solutions International

COOLING FAN CONT. PRE 2014 (V-BELT)

POS.	PART NUMBER	DESCRIPTION	QTY	NOTES
15	610469	RING, SNAP	1	
16	611108	SPACER	1	
17	611154	ADAPTOR	1	
18	610047	WASHER, SPRING	1	
19	610525	WASHER, SPRING	1	
20	53000039	BELT SET	4	
21	611119	BRACKET, I/PULLEY	1	
22	610402	BOLT	2	
23	611120	BRACKET, I/PULLEY	1	
24	610372	BOLT, HEX	2	
25	610146	WASHER, SPRING	2	
26	610304	NUT, HEX	2	
27	611121	BRACKET, I/PULLEY	1	
28	610029	BOLT, STUD	2	
29	610304	NUT, HEX	2	
30	610146	WASHER, SPRING	2	
31	610367	BOLT, HEX	1	
32	610444	NUT, HEX	1	

EXHAUST MANIFOLD



ZBOM14L-1025

POS.	PART NUMBER	DESCRIPTION	QTY	NOTES
1	612774	EXHAUST MANIFOLD ASSEMBLY	4	
1-1	NSS	EXHAUST MANIFOLD	1	
1-2	610448	PLUG, CORE	8	
2	610987	GASKET, E/MNFLD	8	
3	610359	BOLT, HEX	12	
4	610360	BOLT, HEX	4	
5	610146	WASHER, SPRING	18	
6	610254	WASHER	4	
7-1	610973	MANIFOLD, EXHAUST	1	
7-2	610448	PLUG, CORE	4	
8	612362	STUD/BOLT F/W	16	
9	610047	WASHER, SPRING	16	
10	610048	NUT, HEX	16	
	NSS =	NOT SOLD SEPERATELY		

SPEC N. :
REV, DATE: 15JUN16

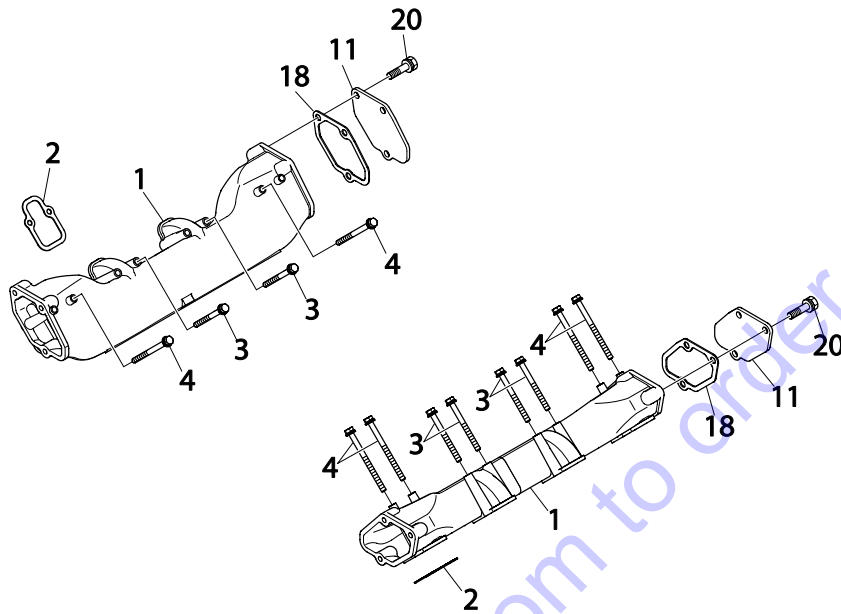
Power Solutions International



EXHAUST MANIFOLD CONT.

POS.	PART NUMBER	DESCRIPTION	QTY	NOTES
11-1	610974	MANIFOLD, EXHAUST	1	
11-2	610448	PLUG, CORE	5	
12	611060	BOLT, STUD	8	
13	610146	WASHER, SPRING	8	
14	610557	GASKET, E/MNFLD	6	
15	610926	PIPE, WTR COOL	12	
16	610479	O-RING	24	
17	610556	COVER, E/MNFLD	1	
18	610980	COVER, E/MNFLD	1	
19	610376	BOLT, HEX	3	
20	610378	BOLT, HEX	1	
21	610375	BOLT, HEX	4	
22	610047	WASHER, SPRING	12	
23	610048	NUT, HEX	4	
24	610438	PLUG, SCREW	2	
25	610267	SEAL, RING	2	
26	610285	PLUG, SCREW	1	
27	610194	SEAL, RING	1	

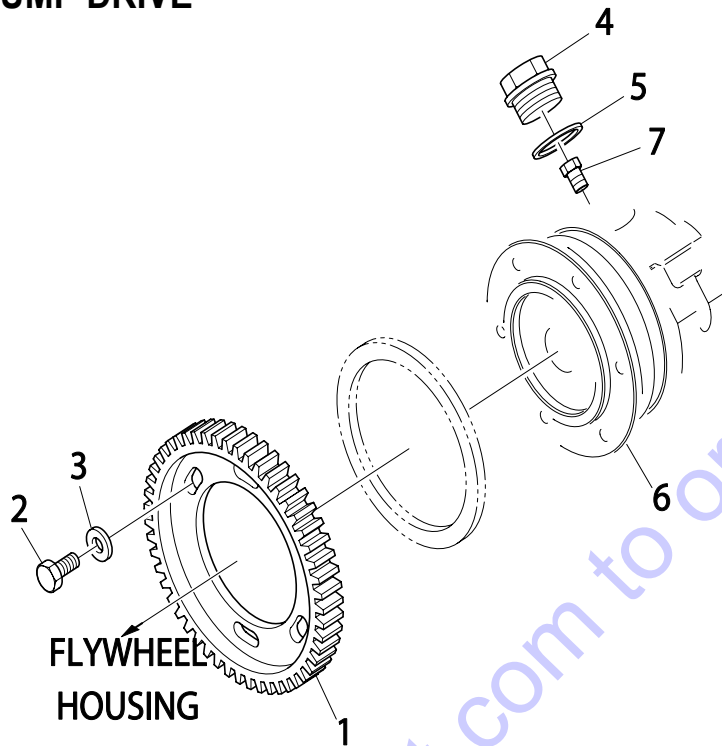
INTAKE MANIFOLD



ZBOM14L-1026

POS.	PART NUMBER	DESCRIPTION	QTY	NOTES
1	610982	MANIFOLD, INTAKE	2	
2	610992	GASKET, INT MFLD	8	IN KIT A,C
3	610411	BOLT	8	
4	610412	BOLT	8	
11	610986	COVER	2	
18	610993	GASKET, INTAKE MANIFOLD	2	IN KIT A,C
20	610297	BOLT	6	

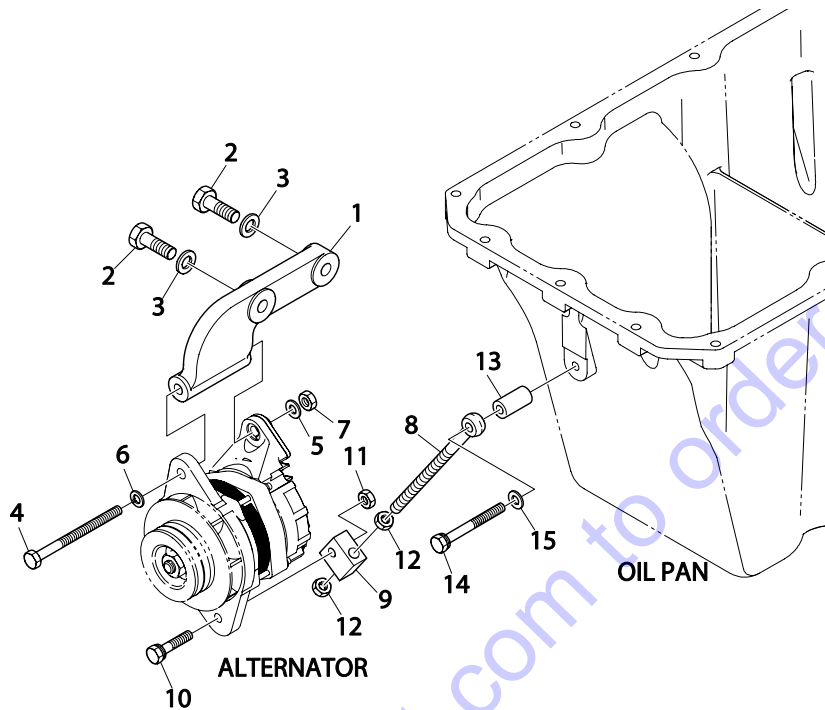
INJECTION PUMP DRIVE



ZBOM14L-1027

POS.	PART NUMBER	DESCRIPTION	QTY	NOTES
1	612302	GEAR, INJ/PMP DR	1	
2	612008	BOLT, HEX	4	
3	612371	WASHER	4	
4	612444	ADAPTOR	1	
5	610206	SEAL, RING	1	
6	612303	GEAR, INJ/PMP DR	1	
7	107012	SENSOR	1	
	610538	O-RING	1	

ALTERNATOR MOUNTING



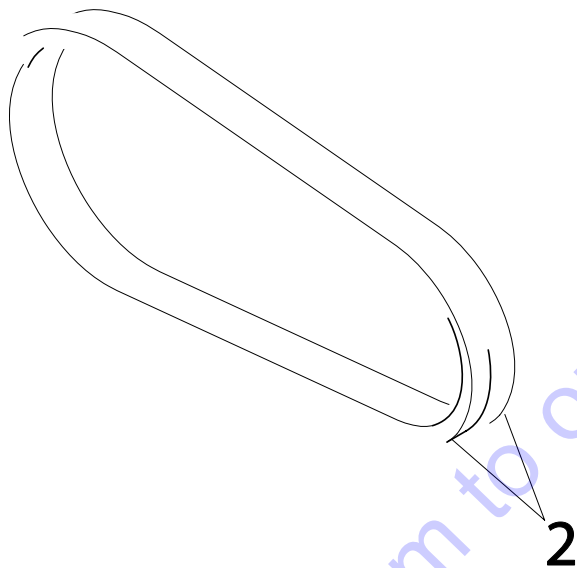
ZBOM14L-1028

POS.	PART NUMBER	DESCRIPTION	QTY	NOTES
1	611010	BRACKET, ALT MNT	1	
2	610374	BOLT, HEX	2	
3	610085	WASHER, SPRING	2	
4	611033	BOLT, HEX	1	
5	610252	HOSE, COOLANT	1	
6	610047	WASHER, SPRING	1	
7	610048	NUT, HEX	1	
8	611082	BOLT, SPACER	1	
9	611013	GUIDE PIECE	1	
10	610394	BOLT	1	
11	610304	NUT, HEX	1	
12	610440	NUT, HEX	2	
13	611111	SPACER	1	
14	610296	BOLT	1	
15	610254	WASHER	1	

SPEC N. :
REV, DATE: 15JUN16

Power Solutions International

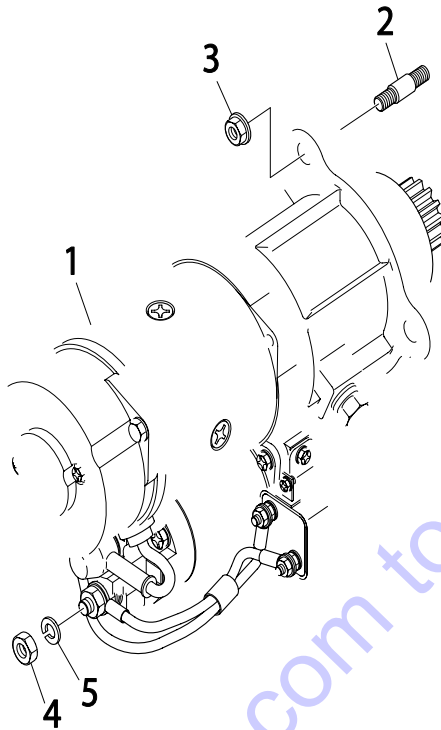
ALTERNATOR TO WATER PUMP BELT



ZBOM14L-1029

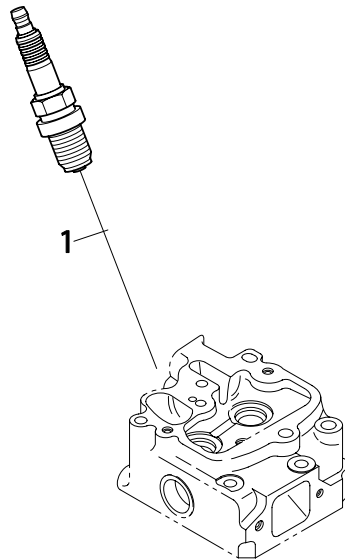
POS.	PART NUMBER	DESCRIPTION	QTY	NOTES
2	53000021	V-BELT WATER PUMP TO ALTERNATOR	1	IN KIT 3.4.5

STARTER



ZBOM14L-1030

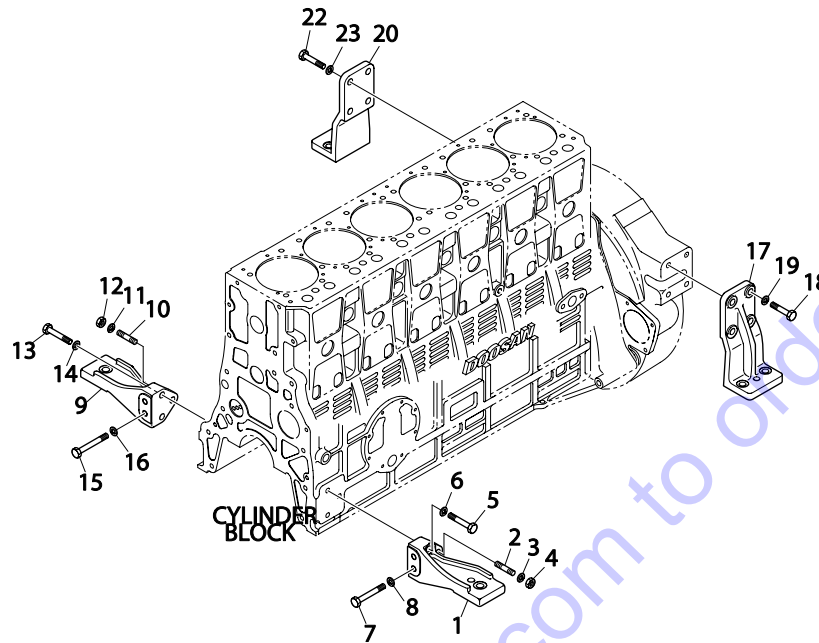
POS.	PART NUMBER	DESCRIPTION	QTY	NOTES
1	611017	STARTER	1	
2	610432	BOLT, STARTER	3	
3	611085	NUT, HEX	3	
4	610304	NUT, HEX	1	
5	610146	WASHER, SPRING	1	

ELECTRONIC IGNITION SYSTEM**CYLINDER HEAD**

ZBOM14L-1031

POS.	PART NUMBER	DESCRIPTION	QTY	NOTES
1	610344	PLUG, SPARK	8	IN KIT 2,3,4,5

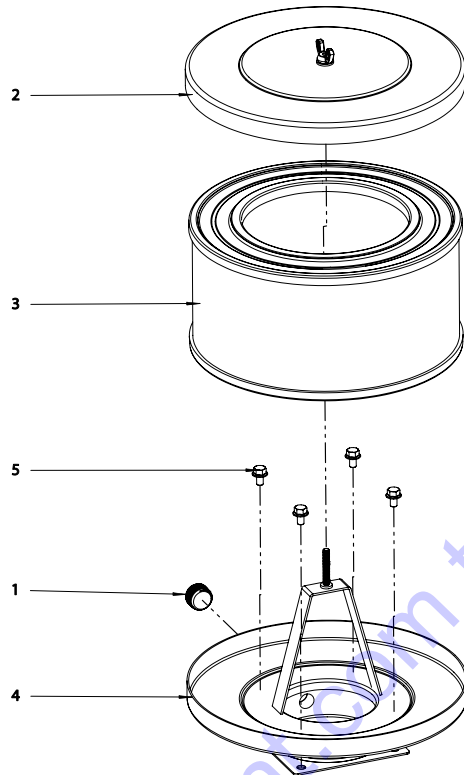
ENGINE MOUNT



ZBOM14L-1032

POS.	PART NUMBER	DESCRIPTION	QTY	NOTES
1	611029	BRACKET, FRT MNT	1	
2	610398	BOLT, HEX	4	
3	611029	BRACKET, FRT MNT	1	
4	610398	BOLT, HEX	4	
5	611028	BRACKET, FRT MNT	1	
6	610429	BOLT	6	
7	610454	WASHER, SPRING	6	
8	611028	BRACKET, FRT MNT	1	
9	610429	BOLT	6	
10	610454	WASHER, SPRING	6	

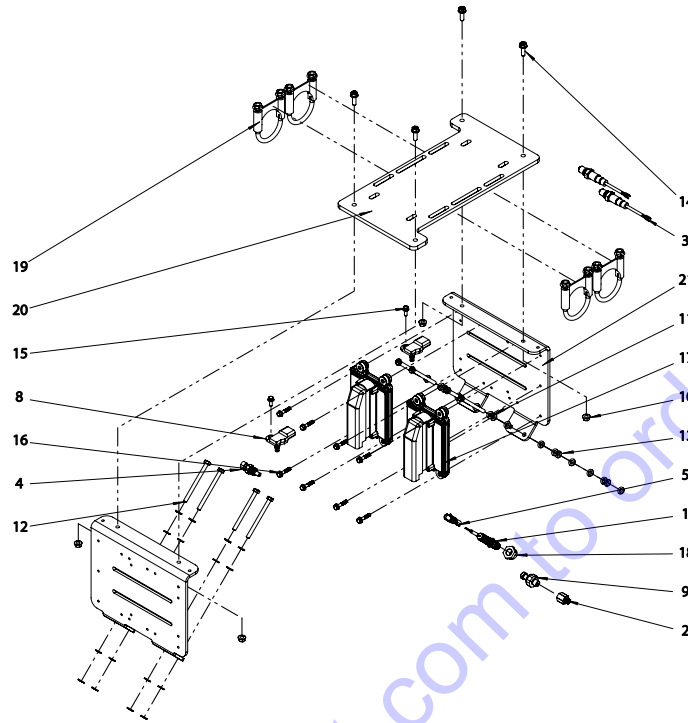
AIR FILTER



58010701-02

POS.	PART NUMBER	DESCRIPTION	QTY	NOTES
1	33500486	PLUG	2	
2	33500771	FILTER TOP	2	
3	33500772	ELEMENT	2	
4	33500916	BASE	8	
5	35000449	BOLT	2	

ELECTRICAL



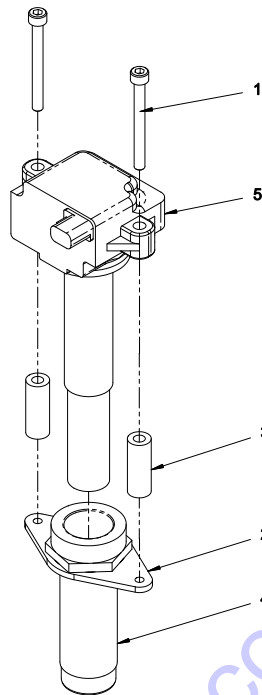
58030309-05

POS.	PART NUMBER	DESCRIPTION	QTY	NOTES
1	12500302	CAM SENSOR	1	
2	32501149	FITTING	1	
3	32501267	O2 SENSOR	4	IN KIT 3,4,5
3	53000058	O2 SENSOR (4G)		
4	33000376	COOLANT SENSOR	1	
5	33000497	CONNECTOR	1	
6	33000498	TERMINAL	2	
7	33000499	SEAL	2	
8	33000841	T MAP SENSOR	4	
9	33001415	OIL PRESSURE SENSOR	1	
10	35000021	NUT	4	
11	35000452	BOLT	4	
12	35000498	BOLT	4	
13	35000531	BOLT	8	
14	58200004	PROGRAMMED ECU MASTER (4G)	1	STANDBY
14	58200005	PROGRAMMED ECU SLAVE (4G)	1	STANDBY
14	58200051	PROGRAMMED ECU MASTER (4G)	1	PRIME
14	58200052	PROGRAMMED ECU SLAVE (4G0)	1	PRIME
14	58901002	PROGRAMMED ECU MASTER	1	STANDBY
14	58901003	PROGRAMMED ECU SLAVE	1	STANDBY
14	58901211	PROGRAMMED ECU MASTER	1	PRIME
14	58901212	PROGRAMMED ECU SLAVE	1	PRIME
15	52500073	MOUNT	2	
16	52500022	FITTING	1	
17	52500055	BRACKET	1	

SPEC N. :
REV, DATE: 15JUN16

Power Solutions International

IGNITION COIL



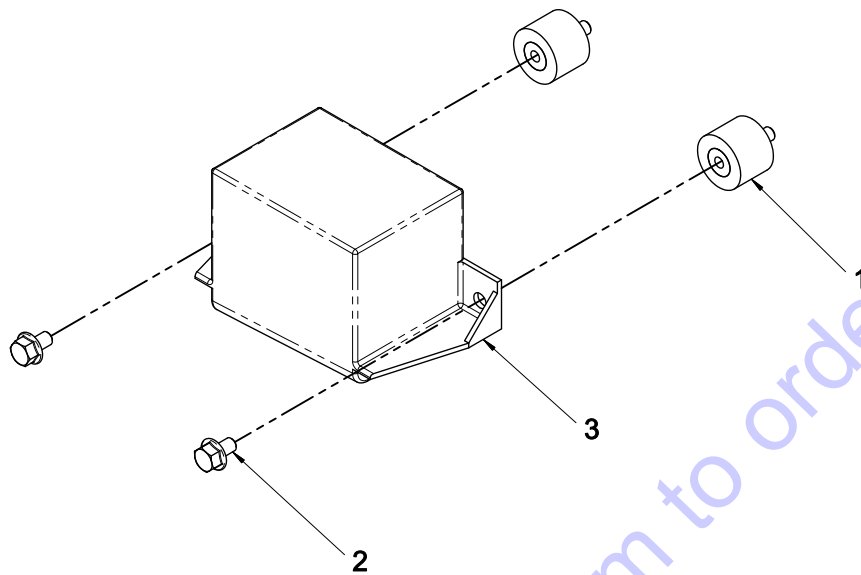
58030306-02

POS.	PART NUMBER	DESCRIPTION	QTY	NOTES
1	35000685	BOLT	2	
2	53000002	FLANGE	1	
3	53000003	SPACER	2	
4	53000006	MOUNT	1	
5	53000041	COIL WITH BOOT	1	
6	53000008	BOOT	8	NOT SHOWN

SPEC N. :
REV, DATE: 15JUN16

Power Solutions International

HARNESS

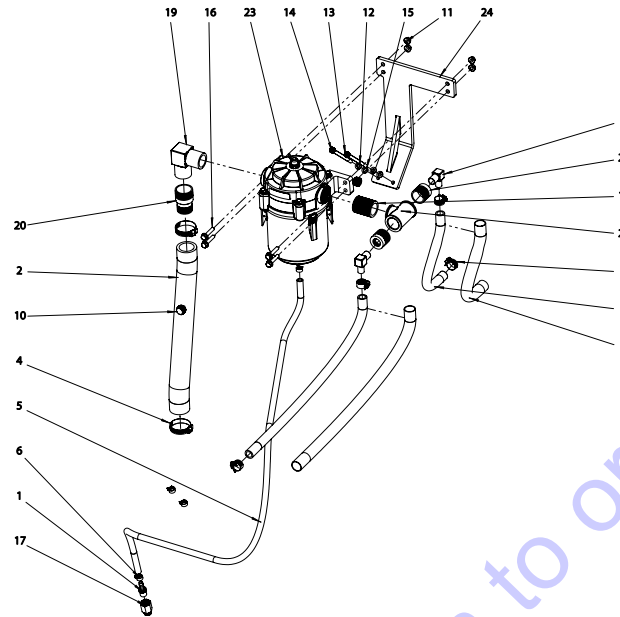


58030307-03

POS.	PART NUMBER	DESCRIPTION	QTY	NOTES
1	32500899	ISOLATOR	2	
2	35000449	BOLT	2	
3	52500163	MASTER HARNESS	1	
4	52500164	SLAVE HARNESS	1	
3	53000088	MASTER HARNESS (4G)	1	
4	53000089	SLAVE HARNESS (4G)	1	
	52500156	RH IGNITION HARNESS	1	NOT SHOWN
	52500158	LH IGNITION HARNESS	1	NOT SHOWN
		HARNESS PARTS		
	107095	24V RELAY-RECTANGLE	1	
	107096	24V RELAY-SQUARE	1	
	46243	50 AMP MAXI FUSE	1	
	46253	5 AMP MINI FUSE	1	
	46257	20 AMP MINI FUSE	2	
	46240	20 AMP MAXI FUSE	1	
		MISC. PARTS		
	101554	DIAGNOSTIC ECOM CABLE	1	

SPEC N. :
REV, DATE: 15JUN16

Power Solutions International

RACCOR


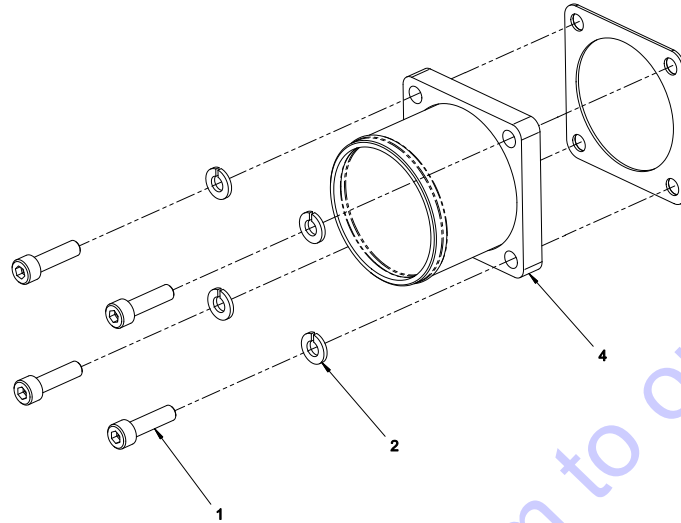
58030806-08

POS.	PART NUMBER	DESCRIPTION	QTY	NOTES
1	12000344	FITTING	1	
2	12000469	HOSE	16 IN	
3	32000148	CLAMP	4	
4	32000626	CLAMP	2	
5	32500135	HOSE	62 IN	
6	32501134	CLAMP	4	
7	32501182	FITTING	2	
8	32501647	HOSE	38 IN	NOT SHOWN
9	32502451	INSULATION	40 IN	NOT SHOWN
10	33500486	PLUG	2	
11	35000021	NUT	4	
12	35000361	WSHER	2	
13	35000377	BOLT	2	
14	35000400	BOLT	2	
15	35000426	WASHER	2	
16	35000697	BOLT	4	
17	52500069	BUSHING	1	
18	52500122	NIPPLE	1	
19	52500123	ELBOW	1	
20	52500124	ADAPTER	1	
21	52500125	TEE	1	
22	52500126	BUSHING	2	
23	53500061	RACCOR	1	
24	53500063	BRACKET	1	

 SPEC N. :
 REV, DATE: 15JUN16

Power Solutions International

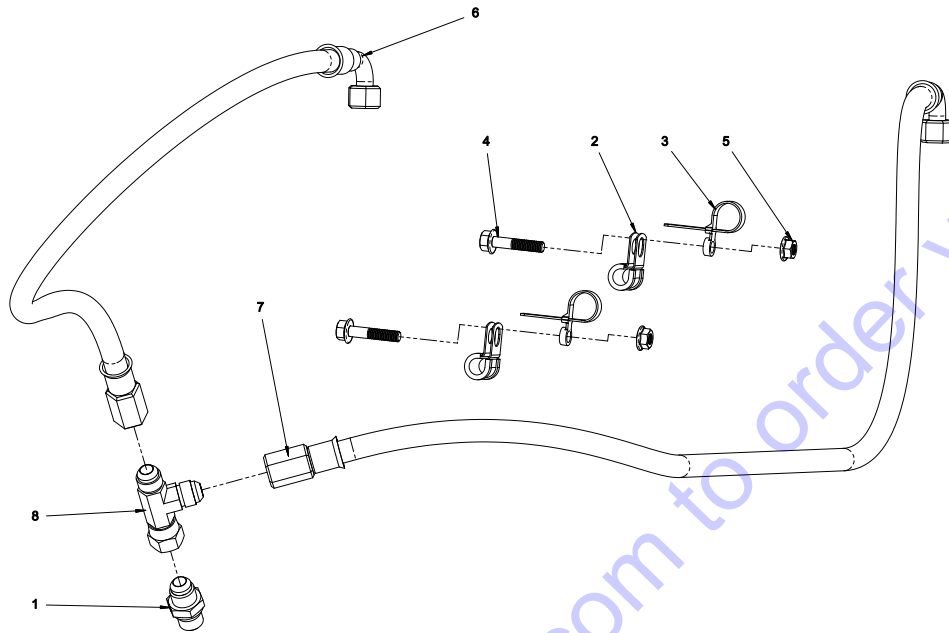
WATER INLET



58030601-02

POS.	PART NUMBER	DESCRIPTION	QTY	NOTES
1	35000361	WASHER	4	
2	35000625	BOLT	4	
3	52000010	CONNECTION	1	
4	611214	GASKET	1	IN KIT A

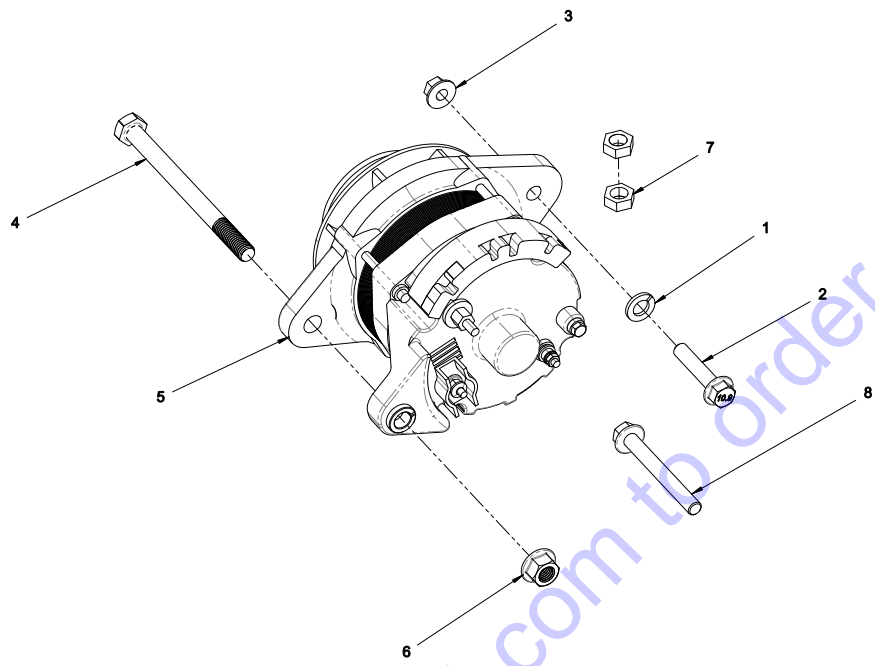
OIL SUPPLY HOSES



58030802-01

POS.	PART NUMBER	DESCRIPTION	QTY	NOTES
1	32500597	FITTING	1	
2	32501432	CLAMP	2	
3	33000773	ZIP TIE	2	
4	35000578	BOLT	2	
5	35000699	NUT	2	
6	53500007	HOSE	1	
7	53500008	HOSE	1	
8	53500021	FITTING	1	

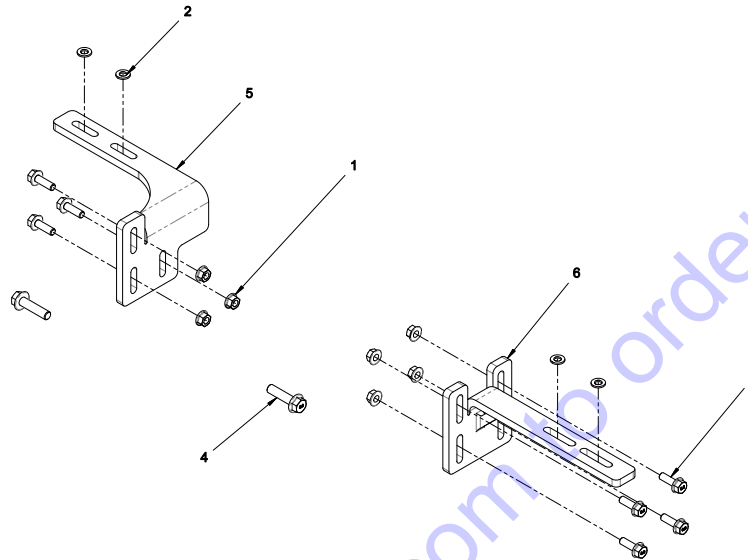
ALTERNATOR



58040303-04

POS.	PART NUMBER	DESCRIPTION	QTY	NOTES
1	35000079	WASHER	1	
2	35000436	BOLT	1	
3	35000548	NUT	1	
4	35000690	BOLT	1	
5	53000017	ALTERNATOR	1	
6	35000973	NUT	1	
7	35000989	NUT	2	

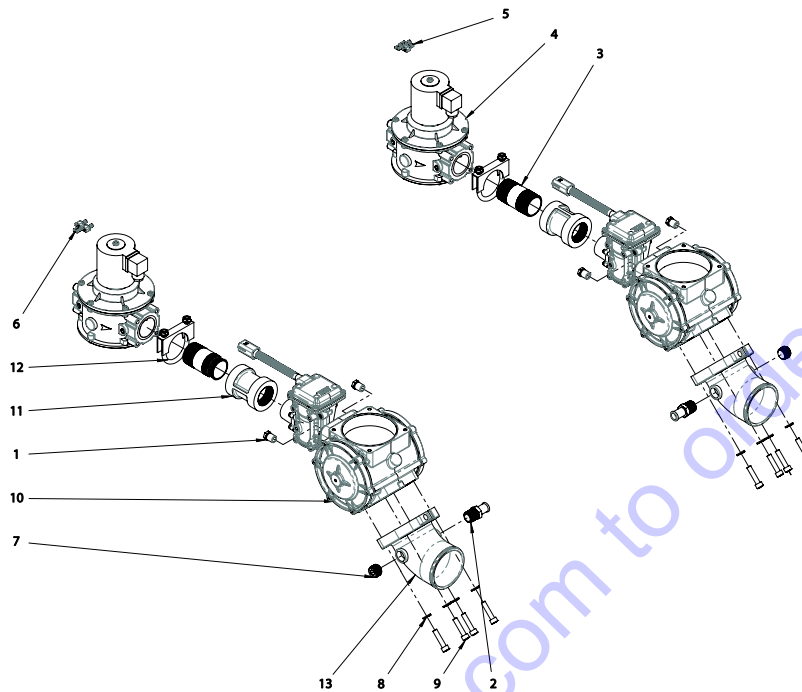
FUEL SYSTEM MOUNT



58030406-02

POS.	PART NUMBER	DESCRIPTION	QTY	NOTES
1	35000021	NUT	7	
2	35000426	WASHER	4	
3	35000452	BOLT	7	
4	35000707	BOLT	2	
5	53500071	LEFT BRACKET	1	
6	53500072	RIGHT BRACKET	1	

FUEL SYSTEM



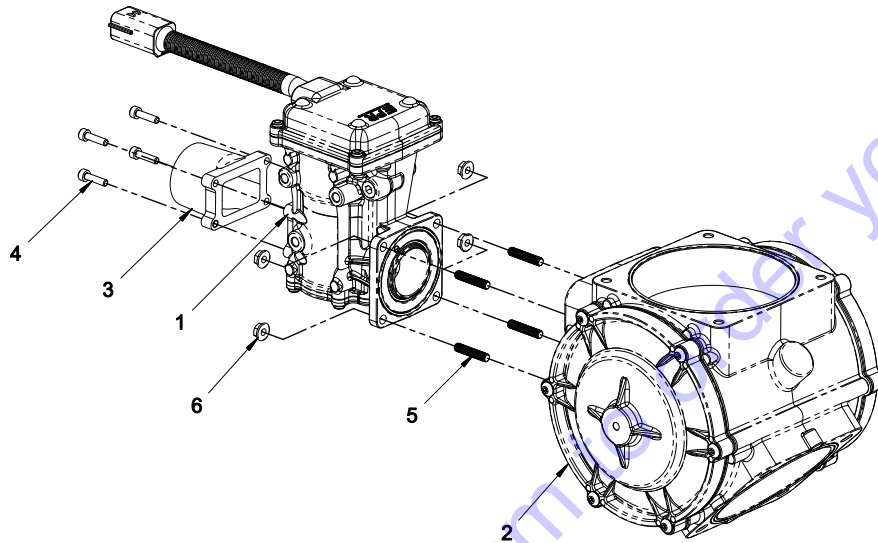
58030405-04

POS.	PART NUMBER	DESCRIPTION	QTY	NOTES
1	32500233	PLUG	4	
2	32501131	FITTING	2	
3	32501750	NIPPLE	2	
4	32502219	LOCK OFF VALVE	2	
5	33001072	TERMINAL	4	
6	33001073	TERMINAL	2	
7	33500486	PLUG	2	
8	35000361	WASHER	8	
9	35000405	BOLT	8	
10	38080463	EPR AND MIXER KIT	2	
11	52500006	COUPLER	2	
12	52500065	U-BOLT	2	
13	58900067	ELBOW	2	

SPEC N. :
REV, DATE: 15JUN16

Power Solutions International

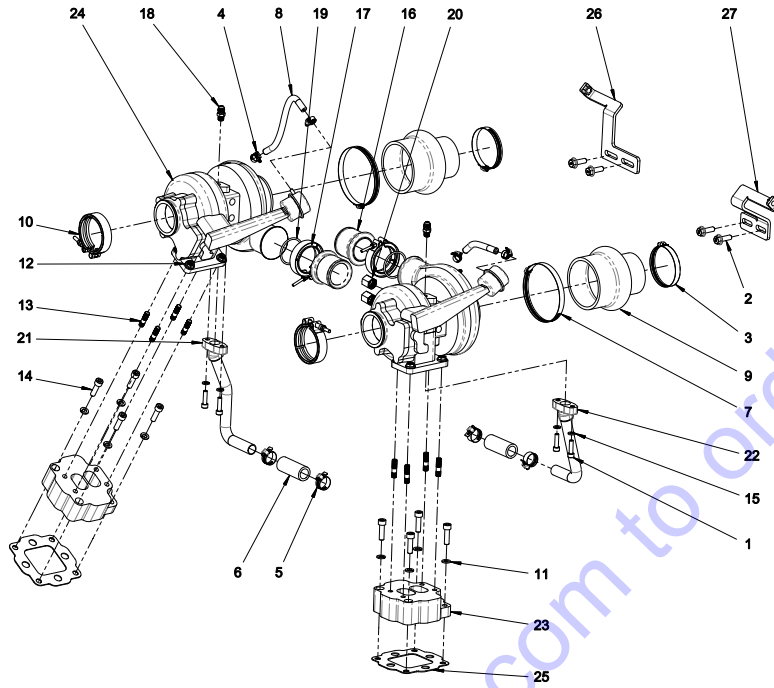
EPR AND MIXER



38080463-01

POS.	PART NUMBER	DESCRIPTION	QTY	NOTES
1	32501671	EPR	1	
2	32501690	MIXER *	1	SEE BELOW
3	32501779	ADAPTER	1	
4	35000674	BOLT	4	
5	35000680	STUD	4	
6	35000681	NUT	4	
*	106823	MIXER REPAIR KIT	1	

TURBOCHARGER



58030807-01

POS.	PART NUMBER	DESCRIPTION	QTY	NOTES
1	35000400	BOLT	4	
2	35000949	BOLT	4	
3	32000138	CLAMP	2	
4	32500208	CLAMP	4	
5	32500318	CLAMP	4	
6	32500595	HOSE	8 IN	
7	32500622	CLAMP	2	
8	32500623	HOSE	12 IN	
9	33500184	REDUCER	2	
10	33500283	CLAMP	2	
11	35000046	WASHER	8	

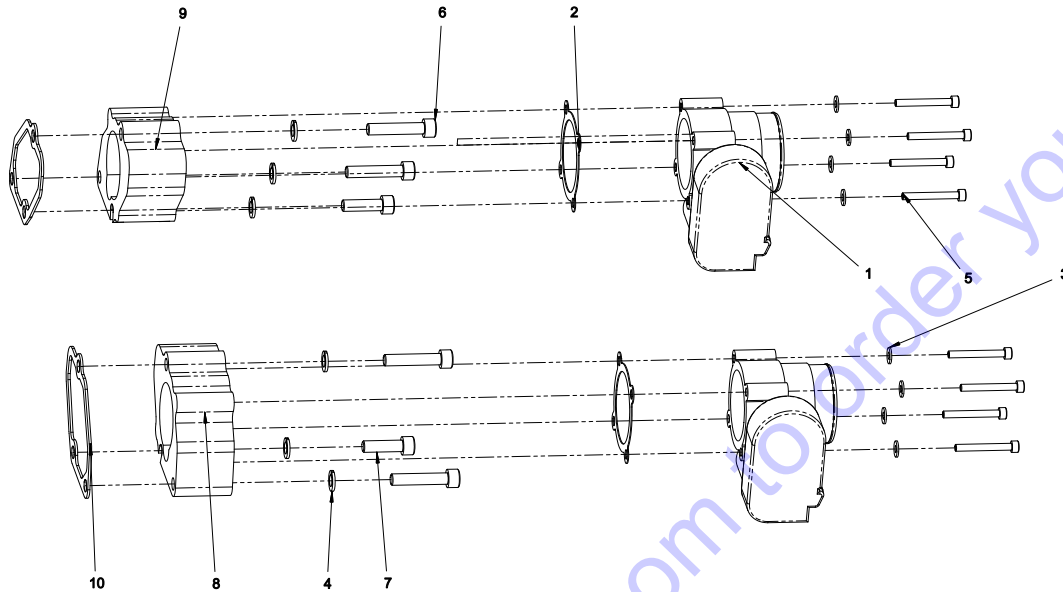
SPEC N. :
REV, DATE: 15JUN16

Power Solutions International

TURBOCHARGER CONT.

POS.	PART NUMBER	DESCRIPTION	QTY	NOTES
12	35000196	NUT	8	
13	35000302	STUD	8	
14	35000493	BOLT	8	
15	35000361	WASHER	4	
16	52000061	TUBE	2	
17	52500052	CLAMP	2	
18	52500068	FITTING	2	
19	52500073	O-RING	2	
20	52500085	CAP	4	
21	53500005	TUBE	1	
22	53500006	TUBE	1	
23	53500013	ADAPTER	2	
24	58030808	RIGHT TURBOCHARGER	2	
24	58030809	LEFT TURBOCHARGER	2	
25	53500035	GASKET	2	IN KIT A
26	53500067	BRACKET	1	
27	53500068	BRACKET	1	
	107195	TURBO GASKET (KIT)	1	NOT SHOWN
	107194	WASTE GATE, TURBO	2	NOT SHOWN

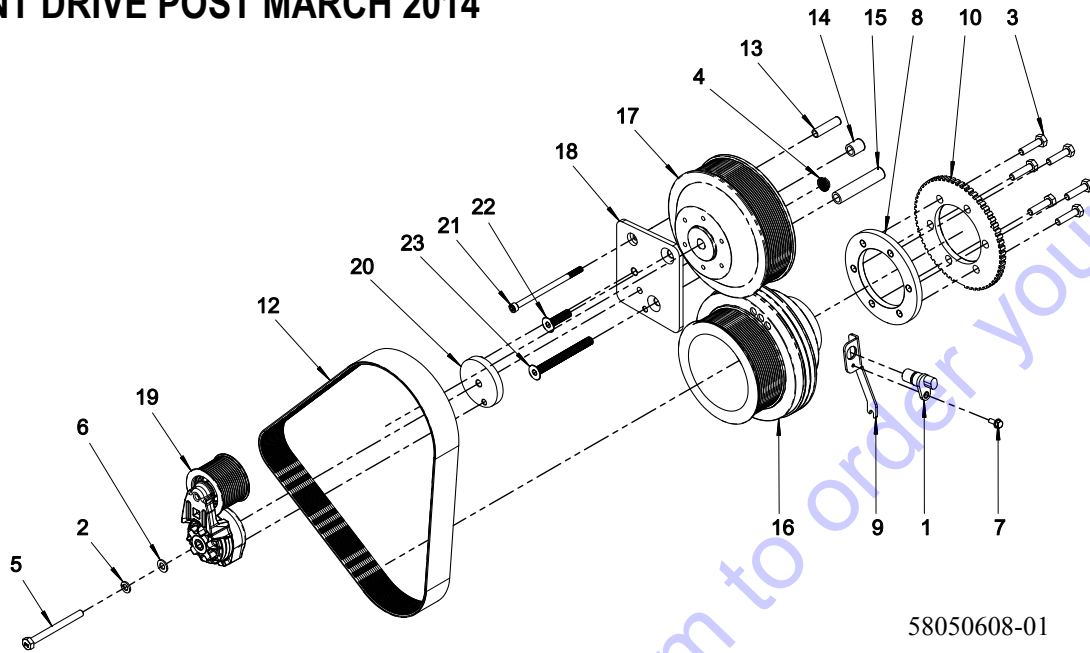
INTAKE / THROTTLE BODY



58030800-01

POS.	PART NUMBER	DESCRIPTION	QTY	NOTES
1	32500662	THROTTLE BODY	2	IN KIT 3,4,5
2	32500715	GASKET	2	IN KIT A,3,4
3	32501417	WASHER	8	
4	35000046	WASHER	6	
5	35000335	SCREW	8	
6	35000492	BOLT	4	
7	35000493	BOLT	2	
8	52500019	PLATE	1	
9	52500020	PLATE	1	
10	610993	INTAKE MANIFOLD GASKET	2	IN KIT A

FRONT DRIVE POST MARCH 2014

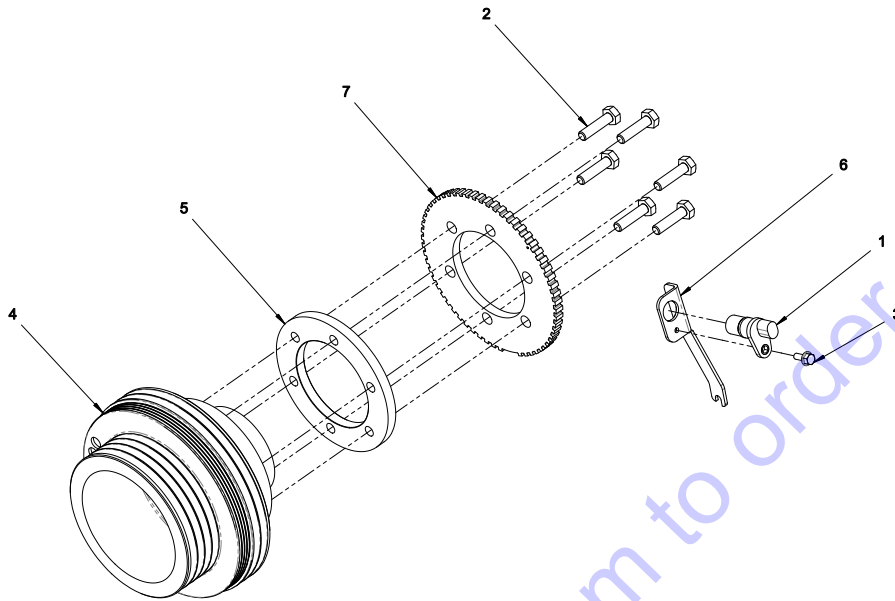


POS.	PART NUMBER	DESCRIPTION	QTY	NOTES
1	33002062	SPEED SENSOR	1	
2	35000046	WASHER	1	
3	35000151	BOLT	6	
4	35000196	NUT	1	
5	35000386	BOLT	1	
6	35000402	WASHER	1	
7	35000530	BOLT	1	
8	50100020	SPACER	1	
9	50100021	BRACKET	1	
10	52500135	TIMING WHEEL	1	
11	53000021	ALTERNATOR BELT	1	NOT SHOWN
12	53000044	FAN BELT	1	
13	53000045	SPACER	1	
14	53000046	SPACER	1	
15	53000047	SPACER	1	
16	53000048	CRANKSHAFT PULLEY	1	
17	53000049	FAN PULLEY	1	
18	53000051	BRACKET	1	
19	53000053	TENSIONER	1	
20	53000054	SPACER	1	
21	35000948	BOLT	1	
22	35000983	BOLT	1	
23	35000988	BOLT	1	

SPEC N. :
REV, DATE: 15JUN16

Power Solutions International

FRONT DRIVE PRE 2014 (V-BELT)



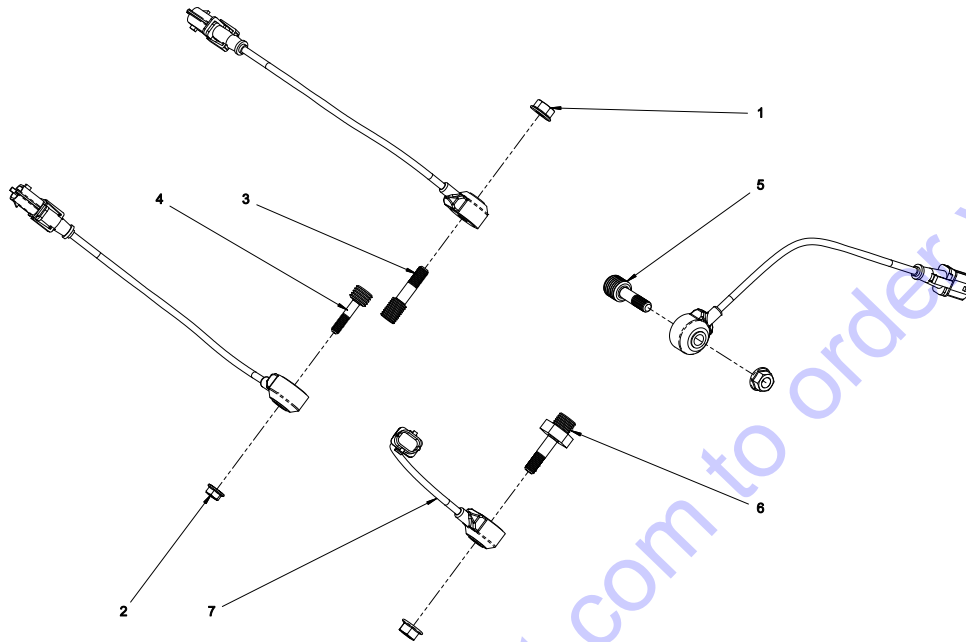
58030613-02

POS.	PART NUMBER	DESCRIPTION	QTY	NOTES
1	33002062	SPEED SENSOR	1	
2	35000151	BOLT	6	
3	35000530	BOLT	1	
4	50100018	CRANKSHAFT PULLEY	1	
5	50100020	SPACER	1	
6	50100021	BRACKET	1	
7	52500135	TIMING WHEEL	1	
8	53000021	ALTERNATOR BELT	1	NOT SHOWN
9	53000039	FAN BELT	4	NOT SHOWN

SPEC N. :
REV, DATE: 15JUN16

Power Solutions International

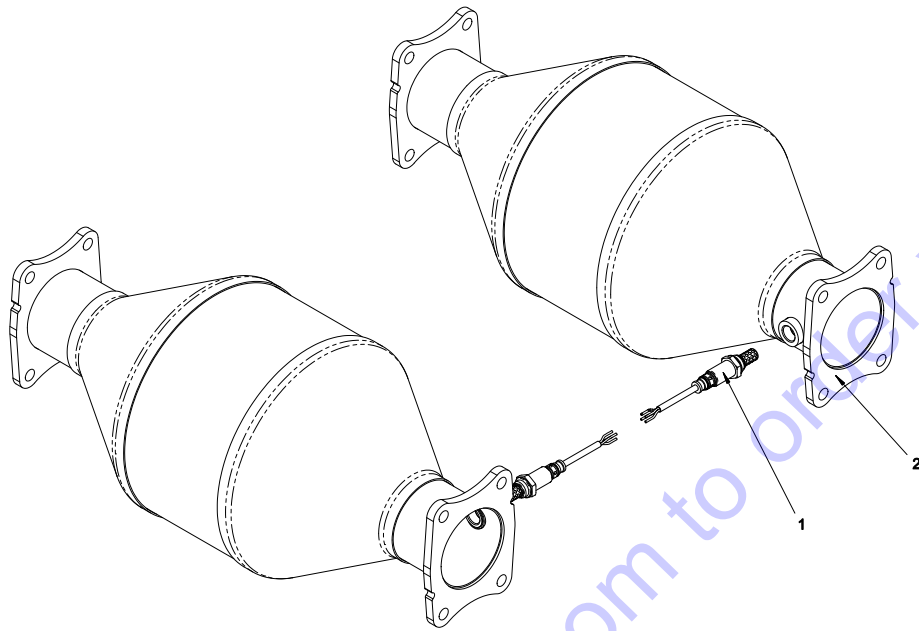
KNOCK SENSOR



58030304-01

POS.	PART NUMBER	DESCRIPTION	QTY	NOTES
1	35000021	NUT	3	
2	35000699	NUT	1	
3	52500075	STUD	1	
4	52500076	STUD	1	
5	52500077	STUD	1	
6	52500078	STUD	1	
7	53000011	KNOCK SENSOR	4	

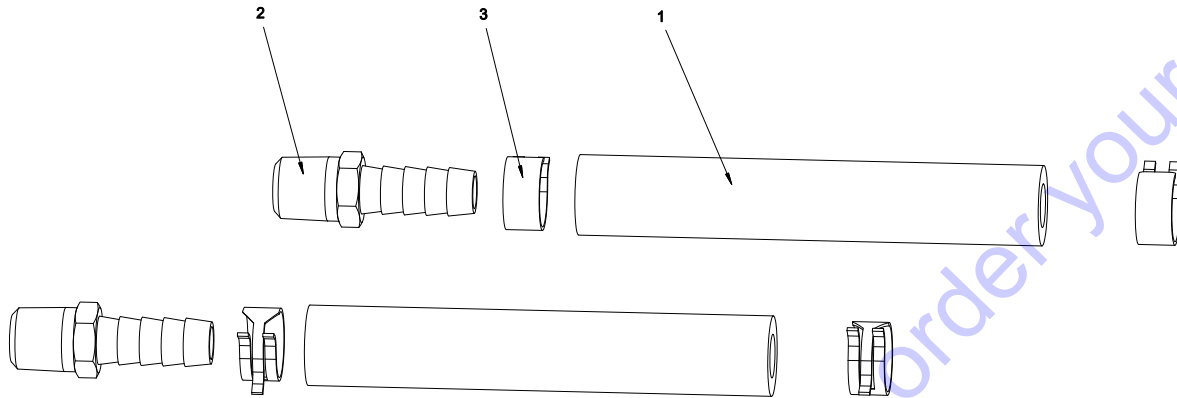
CAT MUFFLER



58050801-01

POS.	PART NUMBER	DESCRIPTION	QTY	NOTES
1	32501267	O2 SENSOR	2	
2	38901313	CATALYST	2	
3	33500805	GASKET	4	NOT SHOWN

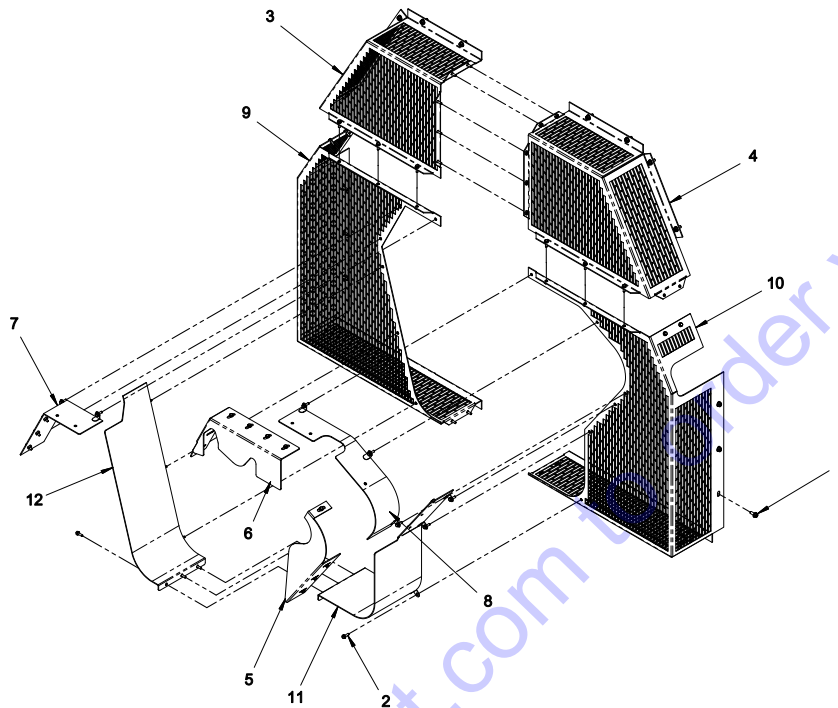
AIR BLEED



58030607-01

POS.	PART NUMBER	DESCRIPTION	QTY	NOTES
1	32000254	HEATER HOSE	195 IN	
2	32500520	FITTING	4	
3	32501134	CLAMP	4	

BELT GUARD



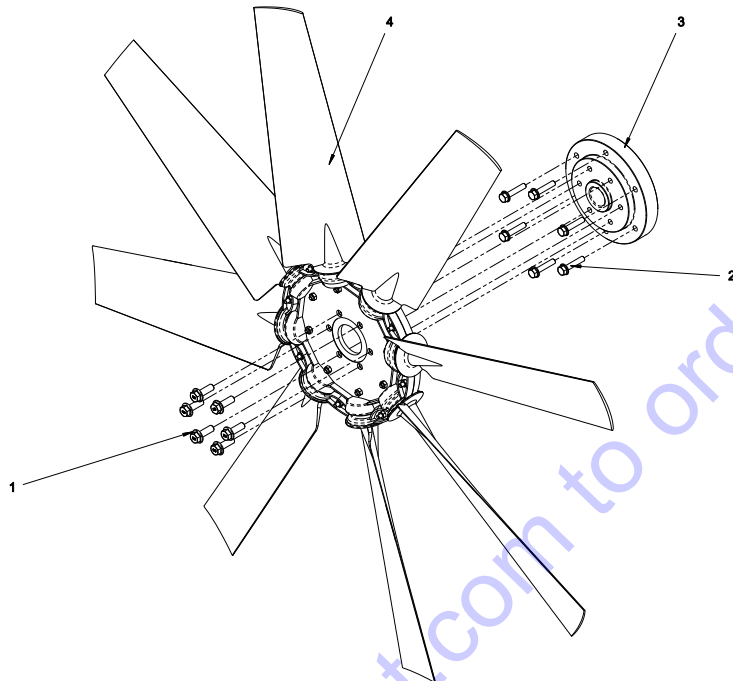
58030614-03

POS.	PART NUMBER	DESCRIPTION	QTY	NOTES
1	35000532	BOLT	20	
2	35000696	BOLT	43	
3	52000044	TOP LEFT GUARD	1	
4	52000045	TOP RIGHT GUARD	1	
5	52000070	CRANK PULLEY GUARD	1	
6	52000071	FAN PULLEY GUARD	1	
7	52000135	UPPER LEFT GUARD	1	
8	52000136	UPPER RIGHT GUARD	1	
9	52000137	LOWER LEFT GUARD	1	
10	52000138	LOWER RIGHT GUARD	1	
11	52000174	BELT GUARD	1	
12	52000175	BELT GUARD	1	

SPEC N. :
REV, DATE: 15JUN16

Power Solutions International

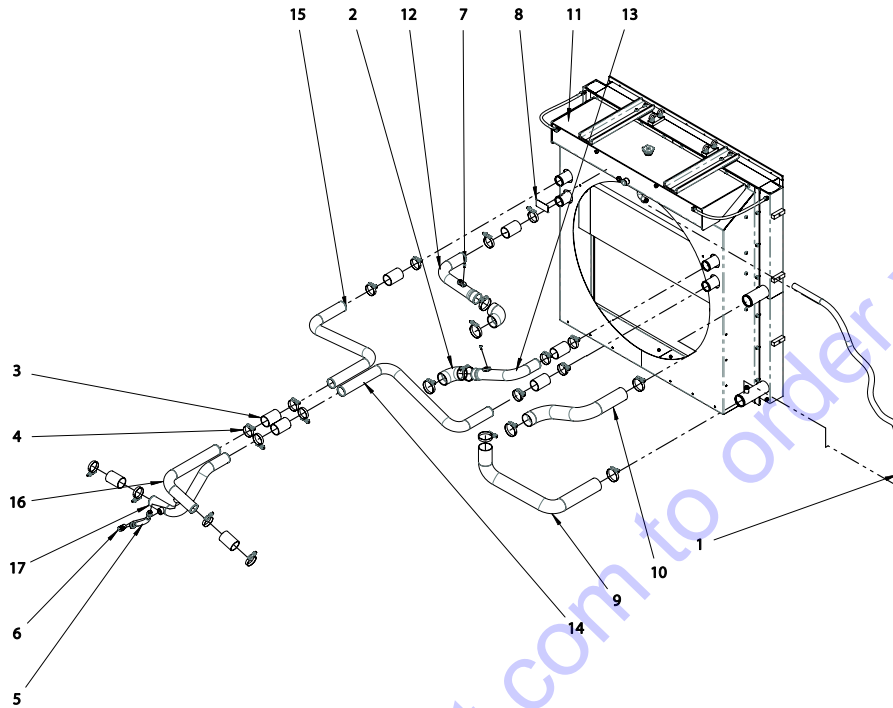
FAN



58030604-014

POS.	PART NUMBER	DESCRIPTION	QTY	NOTES
1	35000697	BOLT	6	
2	52000024	SPACER	1	
3	52000025	PUSHER FAN STD	1	
4	15000407	BOLT	6	
	52000185	PUSHER FAN PRIME POWER OPT LOW FLOW	1	NOT SHOWN
	52000112	PULLEY FAN PRIME POWER OPT	1	NOT SHOWN

RADIATOR



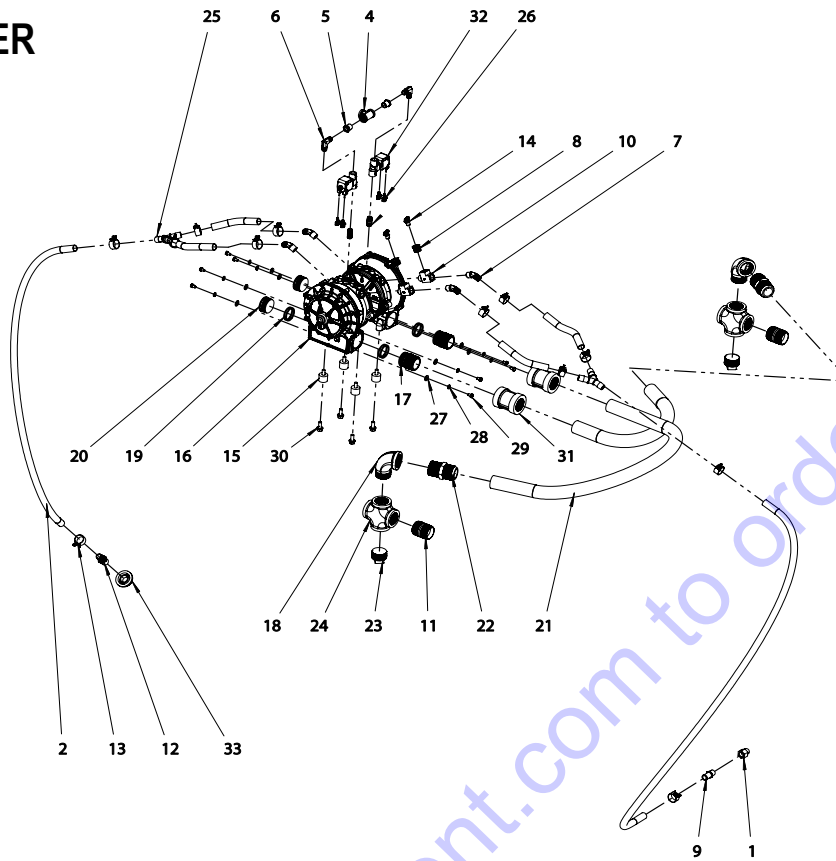
58030609-07

POS.	PART NUMBER	DESCRIPTION	QTY	NOTES
1	32000504	HEATER HOSE	75 IN	
2	32000865	HOSE	2	
3	32000868	HOSE	8	
4	32500802	CLAMP	24	
5	32502021-010	FUEL HOSE	1	
6	32502021-OR3	ORIFICE	1	
7	35000530	BOLT	2	
8	36000132	STICKER	1	
9	52000094	REAR TUBE HOSE	1	
10	52000190	INLET TUBE HOSE	1	
11	52000194	RADIATOR	1	
12	52000150	CAC TO INT TUBE LEFT	1	
13	52000151	CAC TO INT TUBE RIGHT	1	
14	52000152	CAC TO COMP LEFT	1	
15	52000153	CAC TO COMP RIGHT	1	
16	52000168	CAC TO COMP LEFT REAR	1	
17	52000169	CAC TO COMP RIGHT REAR	1	
18	52000094	HOSE	4	NOT SHOWN
19	612684	RADIATOR CAP	1	NOT SHOWN
**	58030618	TUBE KIT	1	INCLUDES 4,9,10,18

SPEC N. :
REV, DATE: 15JUN16

Power Solutions International

VAPORIZER



58030404-06

POS.	PART NUMBER	DESCRIPTION	QTY	NOTES
1	13000398	ADAPTER	1	
2	30100120	WATER HOSE	108 IN	
3	32000148	CLAMP	12	NOT SHOWN
4	32500114	PIPE	1	
5	32500115	BUSHING	2	
6	32500242	FITTING	2	
7	32500245	FITTING	4	
8	32500265	BUSHING	2	
9	32500272	FITTING	1	
10	32500336	TEE	2	
11	32501077	NIPPLE	2	
12	32501108	FITTING	1	
13	32501361	CLAMP	12	
14	32501383	DRAIN COCK	2	

SPEC N. :
REV, DATE: 15JUN16

Power Solutions International

VAPORIZER CONT.

POS.	PART NUMBER	DESCRIPTION	QTY	NOTES
15	32501534	VIBRATION MOUNT	4	
16	32501744	VAPORIZER	2	
17	32501749	ADAPTER	2	
18	32501751	ELBOW	2	
19	32501755	O-RING	8	
20	32501925	PLUG	2	
21	32502022-033	FUEL HOSE	2	
22	32502022-FST	ADAPTER	2	
23	32502077	FITTING	2	
24	32502078	FITTING	2	
25	32502391	FITTING	2	
26	33001072	TERMINAL	4	
27	35000006	WASHER	8	
28	35000285	WASHER	8	
29	35000355	BOLT	8	
30	35000532	BOLT	4	
31	52500006	COUPLER	2	
32	52500105	LOCK OFF	2	
33	53500045	ADAPTER	1	

CHANGES TO BOOK

DATE	OLD	NEW	SECTION	CHANGE
6/15/2016	13APR2016	15JUN2016	ELECTRICAL	ADD 53000058 - 02 SENSOR 58200004- ECU 58200005 - ECU 58200051 - ECU 58200052 - ECU
6/15/2016	13APR2016	15JUN2016	HARNESS	ADD 53000088 - MASTER HARNESS 53000089 - SLAVE HARNESS

PARTS FINDER

**Search Website
by Part Number**



**Search Manual
Library For Parts
Manual & Lookup Part
Numbers – Purchase
or Request Quote**

Search Manuals

Enter your information to help us find the right parts manual for your machine.

* Brand:

* Model:

* Serial:

* Part Number:

SEARCH

**Can't Find Part or
Manual? Request Help
by Manufacturer,
Model & Description**

Parts Order Form

Please fill in the following information to help us find the right part for your machine.

Manufacturer:	<input type="text"/>
Model:	<input type="text"/>
Description:	<input type="text"/>
Part Number:	<input type="text"/>
Quantity:	<input type="text"/>
Notes:	<input type="text"/>

Discount-Equipment.com is your online resource for quality parts & equipment.

Florida: **561-964-4949** Outside Florida TOLL FREE: **877-690-3101**

Need parts?

Click on this link: <http://www.discount-equipment.com/category/5443-parts/> and choose one of the options to help get the right parts and equipment you are looking for. Please have the machine model and serial number available in order to help us get you the correct parts. If you don't find the part on the website or on one of the online manuals, please fill out the request form and one of our experienced staff members will get back to you with a quote for the right part that your machine needs.

We sell worldwide for the brands: Genie, Terex, JLG, MultiQuip, Mikasa, Essick, Whiteman, Mayco, Toro Stone, Diamond Products, Generac Magnum, Airman, Haulotte, Barreto, Power Blanket, Nifty Lift, Atlas Copco, Chicago Pneumatic, Allmand, Miller Curber, Skyjack, Lull, Skytrak, Tsurumi, Husquvarna Target, Stow, Wacker, Sakai, Mi-T-M, Sullair, Basic, Dynapac, MBW, Weber, Bartell, Bennar Newman, Haulotte, Ditch Runner, Menegotti, Morrison, Contec, Buddy, Crown, Edco, Wyco, Bomag, Laymor, EZ Trench, Bil-Jax, F.S. Curtis, Gehl Pavers, Heli, Honda, ICS/PowerGrit, IHI, Partner, Imer, Clipper, MMD, Koshin, Rice, CH&E, General Equipment, Amida, Coleman, NAC, Gradall, Square Shooter, Kent, Stanley, Tamco, Toku, Hatz, Kohler, Robin, Wisconsin, Northrock, Oztec, Toker TK, Rol-Air, APT, Wylie, Ingersoll Rand / Doosan, Innovatech, Con X, Ammann, Mecalac, Makinex, Smith Surface Prep, Small Line, Wanco, Yanmar