



**8L ENGINE**

**SERVICE KITS  
8L**

<b>SERVICE KIT</b>	<b>PART NUMBER</b>	<b>DESCRIPTION</b>	<b>QTY</b>	<b>NOTES</b>
A	600008	COMPLETE GAKSET KIT	1	PER ENGINE
B	660002	LINER KIT	1	PER CYLINDER
C	660001	TOP GASKET KIT	1	PER ENGINE
D	660000	CYLINDER HEAD KIT	6	PER CYLINDER





**KIT A  
COMPLETE GASKET KIT**

IMAGE	PART NUMBER	DESCRIPTION	QTY	NOTE
18	610012	END COVER GASKET	1	
3	610025	TIMING GEAR CAST GASKET	1	
12	610031	TIMING GEAR CAST GASKET	1	
17	610035	OIL SEAL	1	
18	610036	TIMING GEAR CAST GASKET	1	
5	610044	FLYWHEEL HOUSING GASKET	1	
13	610051	OIL SEAL	1	
2	610055	OIL COOLER GASKET	1	
9	610112	CYLINDER HEAD GASKET	3	
4	610116	VALVE COVER GASKET	3	
7	610119	SEAL (BOLT)	6	
28	610195	OIL FILTER GASKET	1	
12	610207	FLANGE GASKET	2	
18	610212	FLANGE GASKET	1	
22	610213	OIL COOLER COVER GASKET	1	
38	610217	OIL COOLER HOUSING GASKET	1	
39	610218	GASKET	1	
7	610226	OIL PAN GASKET	1	
10	610228	OIL PIPE FLANGE GASKET	1	
16	610233	OIL SUCTION PIPE GASKET	1	
17	610234	CONNECTING FLANGE GASKET	1	
22	610237	OIL PIPE GASKET	4	
2	610242	WATER PIPE GASKET	3	
3	610261	THERMOSTAT O-RING	1	
4	610262	THERMOSTAT GASKET	1	
7	610263	EXHAUST FLANGE GASKET	1	
13	610275	WATER PUMP GASKET	1	
25	610279	WATER PUMP GASKET	1	
9	610286	EXHAUST MANIFOLD GASKET	6	
15	610291	EXHAUST MANIFOLD CVR GASKET	1	
21	610263	EXHAUST FLANGE GASKET	1	
25	610298	O-RING	1	
3	610302	INTAKE MANIFOLD GASKET	1	
21	610322	INJECTION PUMP MOUNTING GASKET	1	
2	53500028	GASKET	1	
4	53500035	GASKET	1	
NO IMAGE	33500805	CATALYST MUFFLER GASKET	2	
14	52500064	ADAPTER GASKET	1	
2	32500715	THROTTLE BODY GASKET	1	
7	52500047	T/B ADAPTER GASKET	1	
NO IMAGE	33500282	OIL DRAIN GASKET	1	
NO IMAGE	33500281	TURBO EXHAUST GASKET	1	



**KIT B  
LINER KIT - PER CYLINDER**

<b>IMAGE</b>	<b>PART NUMBER</b>	<b>DESCRIPTION</b>	<b>QTY</b>	<b>NOTE</b>
15	610009	CYLINDER LINER	1	
6	610090	CONNECTING ROD BEARING	1	
1	610095	PISTON	1	
2	610096	TOP RING	1	
3	610097	2ND RING	1	
4	610098	OIL RING	1	
5	610099	PISTON PIN	1	
8	612029	SNAP RING	2	

Go to Discount-Equipment.com to order your parts



**KIT C  
TOP GASKET KIT—PER ENGINE**

<b>IMAGE</b>	<b>PART NUMBER</b>	<b>DESCRIPTION</b>	<b>QTY</b>	<b>NOTE</b>
2	610055	OIL COOLER GASKET	1	
9	610112	CLYINDER HEAD GASKET	3	
4	610116	VALVE COVER GASKET	3	
3	610302	INTAKE MANIFOLD GASKET	1	
9	610286	EXHAUST GAKET	6	
21	610263	WATER TUBE GASKET	1	
2	610242	WATER TUBE GASKET	1	
7	610263	WATER TUBE GASKET	1	
4	53500035	TURBO GASKET	1	



**KIT D  
CYLINDER HEAD KIT - PER CYLINDER**

IMAGE	PART NUMBER	DESCRIPTION	QTY	NOTE
3	612122	VALVE GUIDE	4	
4	610108	VALVE SEAT (EXHAUST)	2	
5	610109	VALVE SEAT (INTAKE)	2	
1	610121	INTAKE VAVLE	2	
4	610122	EXHAUST VALVE	2	
8	610124	VALVE SPRING ASSY (EXHAUST)	2	
11	610129	VALVE SPRING (INTAKE)	2	
13	610131	VAVLE SPRING RETAINGER	4	
14	610132	VALVE SPRING SEAT	4	
15	610133	KEEPER	8	
16	610134	VALVE STEM SEAL	4	



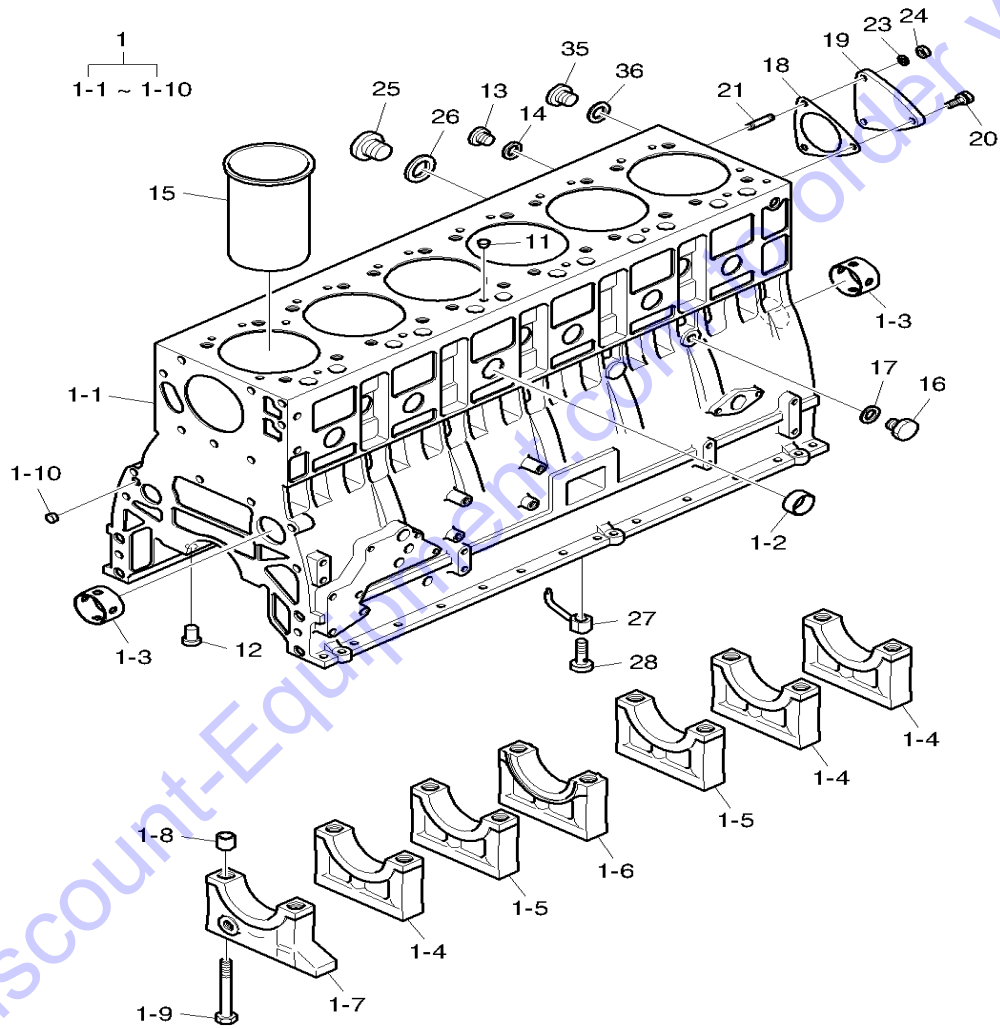
## REPLACEMENT SERVICE ENGINE

IMAGE	PART NUMBER	DESCRIPTION	QTY	NOTE
	59000018	8.1L WET SERVICE ENGINE	1	
	59000023	8.1L DRY SERVICE ENGINE	1	

Go to Discount-Equipment.com to order your parts



### CYLINDER BLOCK 8L





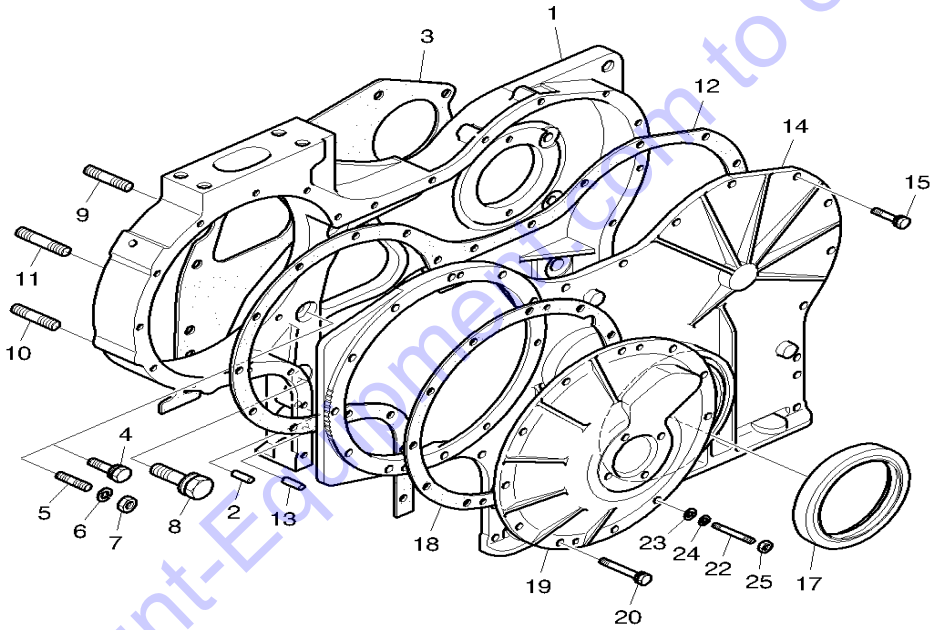


**CYLINDER BLOCK 8L**

IMAGE	PART NUMBER	DESCRIPTION	8L (QTY)		NOTE
1	610501	CYLINDER BLOCK ASS'Y	1	&	
1-1	NOT SOLD SEPERATELY	BLOCK, CYLINDER	1	&	
1-2	610000	PLUG, CORE	9	%	
1-3	610001	BUSH, CAM SHAFT	4	&	
1-4	NOT SOLD SEPERATELY	CAP, BEARING #1	3	%	
1-5	NOT SOLD SEPERATELY	CAP, BEARING #3	2	&	
1-6	NOT SOLD SEPERATELY	CAP, BEARING #4	1	&	
1-7	NOT SOLD SEPERATELY	CAP, BEARING #7	1	%	
1-8	NOT SOLD SEPERATELY	RING, LOCATING	14	&	
1-9	610003	BOLT, BEARING CAP	14	%	
10	610004	PLUG, CORE	2	&	
11	610005	PIN, CORE	2	&	
12	610006	PLUG	1	%	
13	610007	SCREW, PLUG	2	&	
14	610008	RING, SEAL	2	%	
15	610009	LINER, CYLINDER	6	@	IN KIT B
16	610010	SCREW, PLUG	1	&	
17	610011	RING, SEAL	1	&	
18	610012	GASKET, END COVER	1	@	IN KIT A
19	610013	COVER, END	1	&	
20	610014	BOLT ASS'Y	2	%	
21	610015	BOLT, STUD	1	%	
23	610016	WASHER, SPRING	1	%	
24	610017	NUT, HEX.	1	%	
25	610018	SCREW, PLUG	1	&	
26	610018	RING, SEAL	1	&	
27	610020	OIL SPRAY NOZZLE ASS'Y	6	&	
28	610021	RELIEF VALVE ASS'Y	6	%	
35	610022	SCREW, PLUG	1	&	
36	610011	RING, SEAL	1	%	



**TIMING GEAR CASE 8L**





### TIMING GEAR CASE 8L

IMAGE	PART NUMBER	DESCRIPTION	8L (QTY)		NOTE
1	610023	CASE, TIMING GEAR	1	%	
2	610024	PIN	2	&	
3	610025	GASKET, TIMING GEAR CASE	1	@	IN KIT A
4	610026	BOLT ASS'Y	5	&	
5	610015	BOLT, STUD	1	&	
6	610016	WASHER, SPRING	1	%	
7	610017	NUT, HEX.	1	%	
8	610027	BOLT ASS'Y	4	&	
9	610028	BOLT, STUD	1	&	
10	610029	BOLT, STUD	4	%	
11	610030	BOLT, STUD	2	%	
12	610031	GASKET, TIMING GEAR CASE	1	@	IN KIT A
13	610032	PIN, PARALLEL	2	&	
14	610033	COVER, TIMING GEAR CASE	1	&	
15	610034	BOLT ASS'Y	13	%	
17	610035	SEAL, OIL	1	@	IN KIT A
18	610036	GASKET, TIMING GEAR CASE	1	@	IN KIT A
19	610037	COVER	1	%	
20	610038	BOLT ASS'Y	9	&	
22	610039	BOLT, STUD	2	&	
23	610040	WASHER, PLAIN	2	&	
24	610041	WASHER,; SPRING	2	&	
25	610042	NUT, HEX.	2	%	

## FLYWHEEL HOUSING 8L

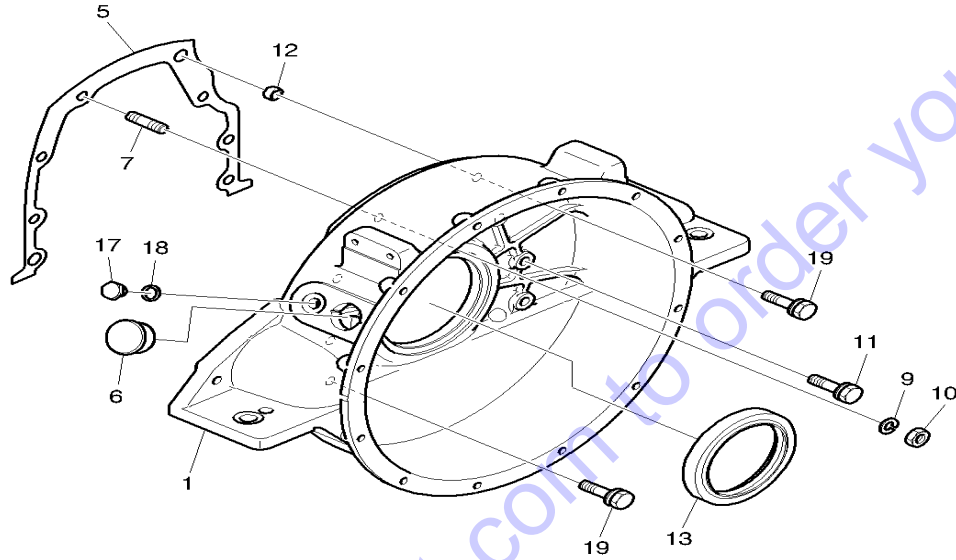


IMAGE	PART NUMBER	DESCRIPTION	8L (QTY)		NOTE
1	610043	HOUSING, FLYWHEEL	1	&	
5	610044	GASKET, FLYWHEEL HOUSING	1	@	IN KIT A
6	610045	PLUG, RUBBER	1	&	
7	610046	BOLT, STUD	1	&	
9	610047	WASHER, SPRING	1	%	
10	610048	NUT, HEX.	1	&	
11	610049	BOLT ASS'Y	5	&	
12	610050	RING, STOPPER	2	&	
13	610051	SEAL, OIL	1	@	IN KIT A
17	610052	SCREW, PLUG	1	&	
18	610018	RING, SEAL	1	&	
19	610053	BOLT ASS'Y	2	&	



**WATER CHAMBER COVER 8L**

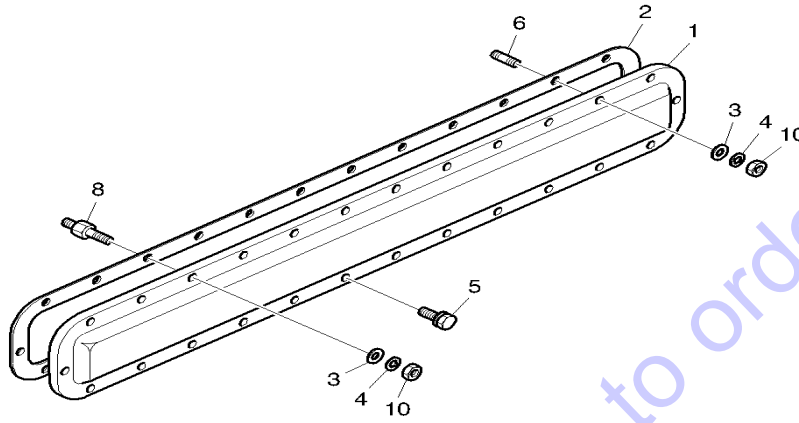


IMAGE	PART NUMBER	DESCRIPTION	8L (QTY)		NOTE
1	610054	COVER, WATER CHAMBER	1	&	
2	610055	GASKET, OIL COOLER	1	@	IN KIT A & C
3	610056	WASHER, PLAIN	12	&	
4	610016	WASHER, SPRING	12	%	
5	610057	BOLT ASS'Y	14	&	
6	610058	BOLT, STUD	10	&	
8	610059	BOLT, SPACER	2	%	
10	610017	NUT, HEX.	12	&	

## CRANKSHAFT 8L

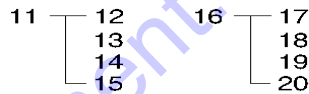
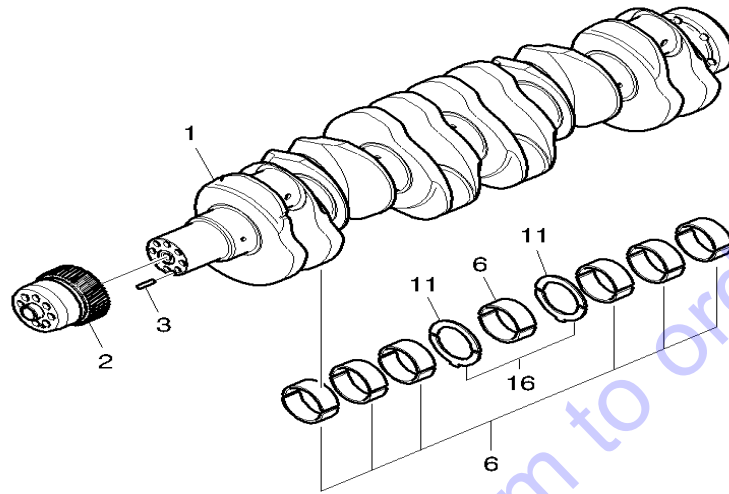


IMAGE	PART NUMBER	DESCRIPTION	8L (QTY)		NOTE
1	610063	SHAFT,CRANK	1	%	
2	610064	GEAR, CRANK SHAFT	1	%	
3	610065	PIN, PARALLEL	1	*	
6	610066	BEARING ; MAIN	7	@	
11	610067	BEARING, THRUST (UPPER) (STD)	2	@	
12	610068	BEARING, THRUST (UPPER) (0.25)	1	%	
13	610069	BEARING, THRUST (UPPER) (0.50)	1	&	
14	610070	BEARING, THRUST (UPPER) (0.75)	1	&	
15	610071	BEARING, THRUST (UPPER) (1.00)	1	%	
16	610072	BEARING, THRUST (LOWER) (STD)	2	@	
17	610073	BEARING, THRUST (LOWER) (0.25)	1	%	
18	610074	BEARING, THRUST (LOWER) (0.50)	1	&	
19	610075	BEARING, THRUST (LOWER) (0.75)	1	&	
20	610076	BEARING, THRUST (LOWER) (1.00)	1	%	



### VIBRATION DAMPER 8

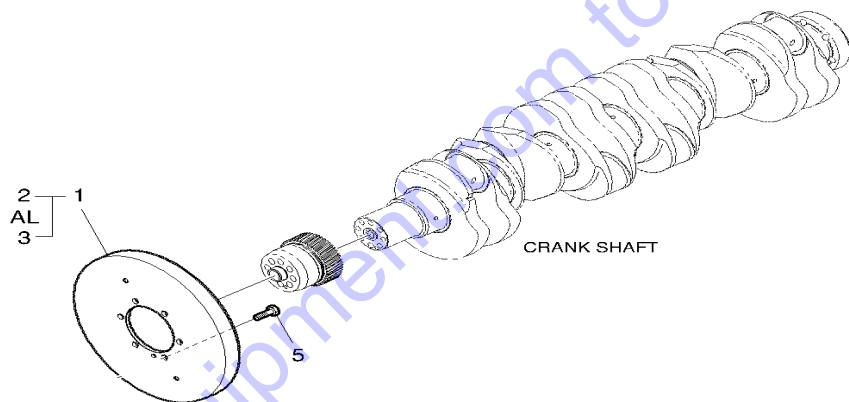


IMAGE	PART NUMBER	DESCRIPTION	8L (QTY)		NOTE
1	610077	DAMPER, VIBRATION	1	&	
5	610080	BOLT, HEX.	6	%	

**FLYWHEEL 8L**

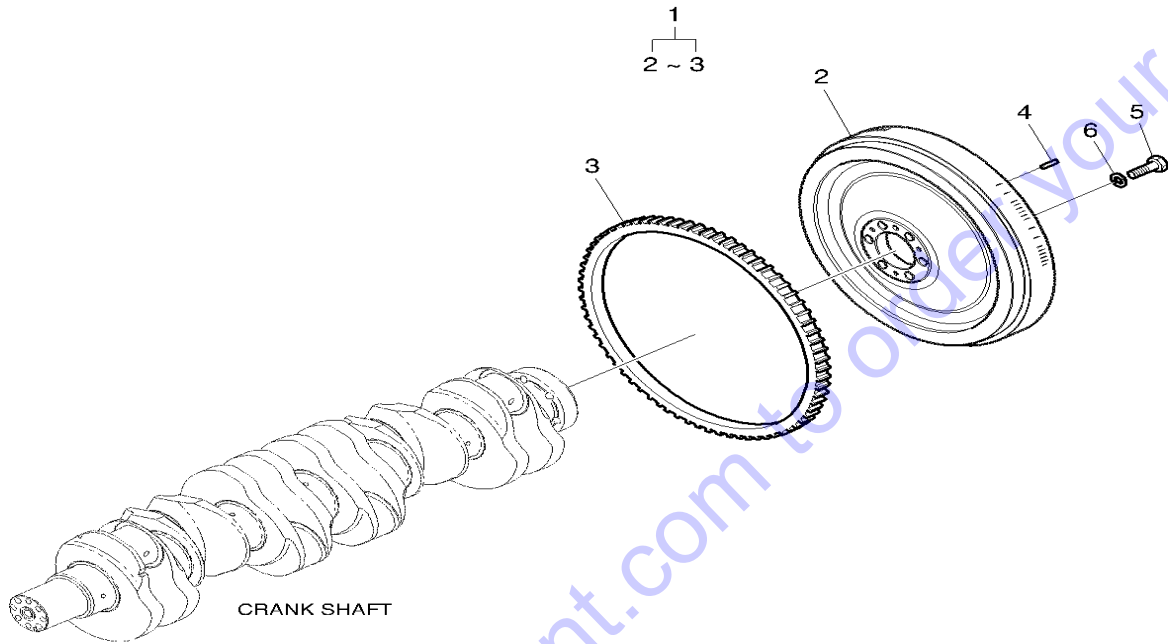


IMAGE	PART NUMBER	DESCRIPTION	8L (QTY)	NOTE
1	612090	FLYWHEEL ASS'Y	1	%
2	610736	FLYWHEEL	1	%
3	610082	GEAR, STARTER RING	1	@
4	612487	PIN, PARALLEL	1	%
5	612352	BOLT, HEX.	6	%
6	610085	WASHER, SPRING	6	&





**CONNECTING ROD 8L**

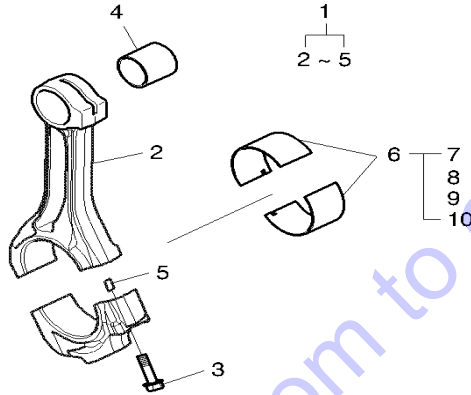


IMAGE	PART NUMBER	DESCRIPTION	8L (QTY)		NOTE
1	610086	CONNECTING ROD ASS'Y	6	@	
2	NSS	ROD,CONNECTING	1	%	
3	610087	BOLT, CONNECTING ROD	2	@	
4	612202	BUSH, CONNECTING ROD	1	&	
5	610089	PIN, DOWEL	2	%	
6	610090	BEARING, CONNECTING ROD	6	@	IN KIT B
7	610091	BEARING, CONNECTING ROD (0.25)	6	&	
8	610092	BEARING, CONNECTING ROD (0.50)	6	&	
9	610093	BEARING, CONNECTING ROD (0.75)	6	%	
10	610094	BEARING, CONNECTING ROD (1.00)	6	%	
	NSS=	NOT SOLD SEPREATELY			



**PISTON 8L**

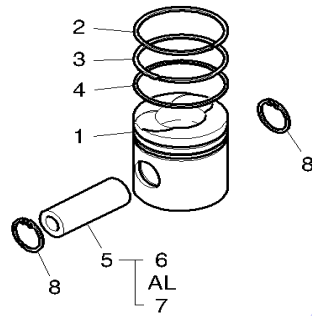


IMAGE	PART NUMBER	DESCRIPTION	8L (QTY)		NOTE
1	610095	PISTON	6	@	IN KIT B
2	610096 (SEE NOTE 1)	RING, TOP	6	\$	IN KIT B
3	610097 (SEE NOTE 1)	RING, 2ND	6	\$	IN KIT B
4	610098 (SEE NOTE 1)	RING, OIL	6	&	IN KIT B
5	610099	PIN, PISTON	6	@	IN KIT B
8	612029	RING, SNAP	12	@	IN KIT B
NOTE 1	612110	COMPLETE ENGINE RING KIT	1	@	INCLUDES ITEMS 2,3 & 4)

### CRANKSHAFT PULLEY 8L

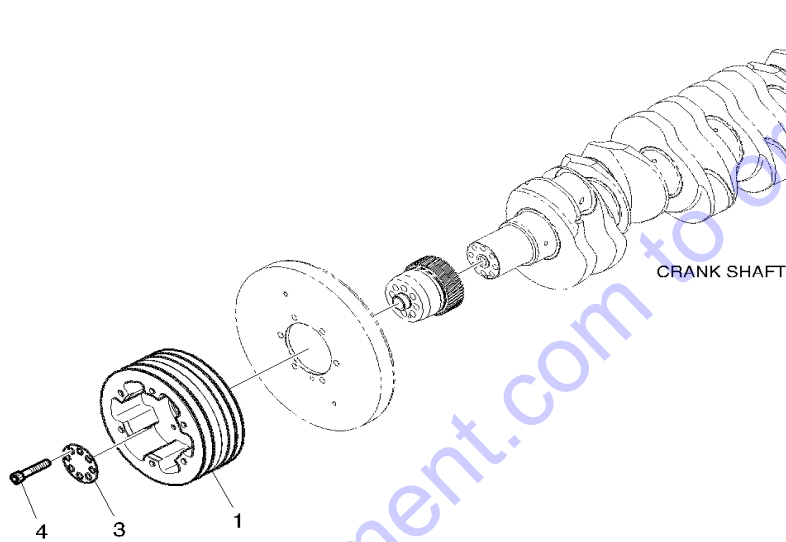


IMAGE	PART NUMBER	DESCRIPTION	8L (QTY)		NOTE
1	50100017	PULLEY, V-BELT	1	&	
3	610104	WASHER	1	%	
4	610105	BOLT, SOCKET HEAD	8	%	

## CYLINDER HEAD 8L

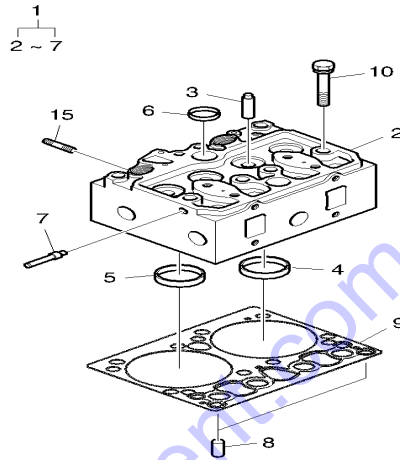


IMAGE	PART NUMBER	DESCRIPTION	8L (QTY)		NOTE
1	610106	CYL HEAD ASS'Y (BARE HEAD)	3	#	HEAD WITHOUT VALVES
1	612486	CYL HEAD ASS'Y (COMPLETE)	3	@	
2	NOT SOLD SEPERATELY	HEAD, CYLINDER	1	\$	
3	612122	GUIDE, VALVE	4	%	IN KIT D
4	610108	SEAT, VALVE (EXHAUST)	2	&	IN KIT D
5	610109	SEAT, VALVE (INTAKE)	2	&	IN KIT D
6	610110	PLUG, CORE	7	%	
7	610005	PIN, CORE	2	^	
8	612489	PIN, PARALLEL	6	^	
9	610112	GASKET, CYLINDER HEAD	3	@	IN KIT A & C
10	610113	BOLT, COLLARED DUO.	24	@	
15	610029	BOLT, STUD	2	@	

**CYLINDER HEAD COVER 8L**

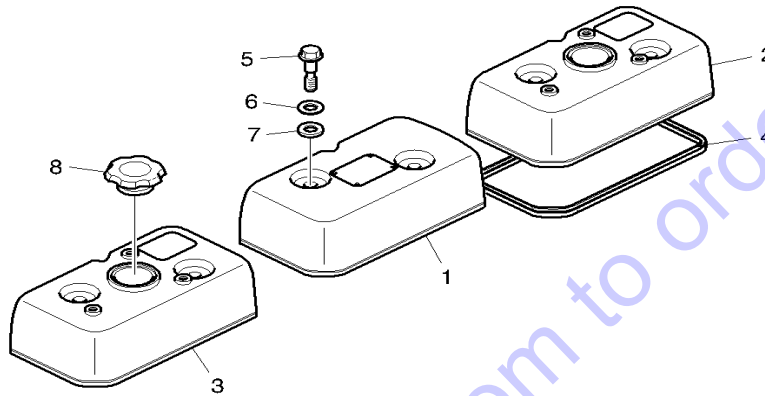


IMAGE	PART NUMBER	DESCRIPTION	8L (QTY)		NOTE
1	610780	COVER, CYLINDER HEAD	1	&	
2	610114	COVER, CYLINDER HEAD	1	^	
3	610115	COVER, CYLINDER HEAD	1	&	
4	610116	VALVE COVER GASKET	3	@	IN KIT A & C
5	610117	BOLT, COLLARED HEX.	6	^	
6	610118	WASHER	6	&	
7	610119	SEAL	6	@	IN KIT A
8	610120	OIL FILLER CAP ASS'Y	1	@	

## VALVE 8L

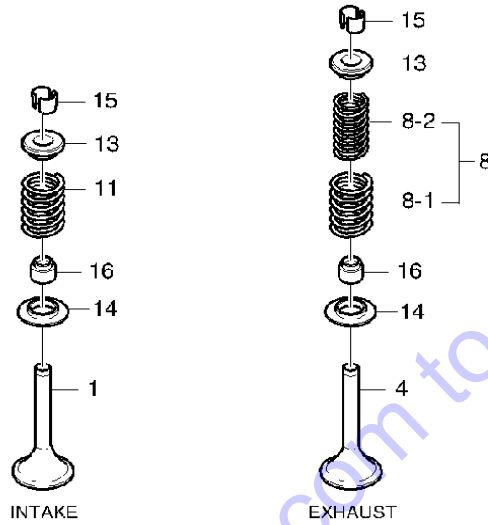


IMAGE	PART NUMBER	DESCRIPTION	8L (QTY)		NOTE
1	610121	VALVE, INTAKE	6	@	IN KIT D
4	610122	VALVE, EXHAUST	6	@	IN KIT D
8	610124	VALVE SPRING ASS'Y	6	@	IN KIT D
8-1	610125	SPRING, VALVE (OUTER)	6	%	
8-2	610126	SPRING, VALVE (INNER)	6	#	
11	610129	SPRING, VALVE	6	@	IN KIT D
13	610131	RETAINER, VALVE SPRING	12	@	IN KIT D
14	610132	SEAT, VALVE SPRING	12	@	IN KIT D
15	610133	KEEPER	24	@	IN KIT D
16	610134	SEAL, VALVE STEM	12	@	IN KIT D

## ROCKER ARM 8L

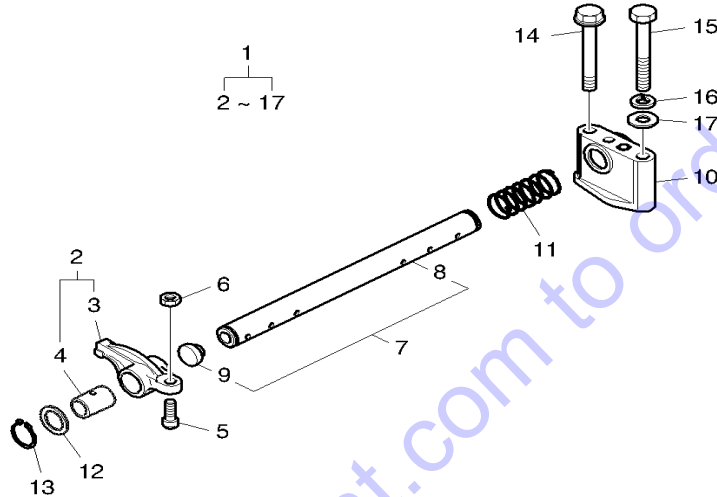


IMAGE	PART NUMBER	DESCRIPTION	8L (QTY)		NOTE
1	610135	ROCKER ARM & SHAFT ASS'Y	3	%	
2	610136	ROCKER ARM ASS'Y	4	@	
3	NSS	ARM, ROCKER	1	%	
4	611113	BUSH	1	%	
5	610137	SCREW, ADJUST	4	^	
6	611083	NUT, HEX.	4	&	
7	610138	ROCKER ARM SHAFT ASS'Y	1	&	
8	NSS	SHAFT, ROCKER ARM	1	&	
9	610139	PLUG, CORE	2	%	
10	610140	BRACKET, ROCKER ARM	2	%	
11	610141	SPRING, COMPRESSION	1	\$	
12	610142	WASHER	2	&	
13	610143	RING, SNAP	2	#	
14	612490	BOLT, HEX.	2	\$	
15	610145	BOLT, HEX.	2	\$	
16	610146	WASHER, SPRING	2	%	
17	610147	WASHER, PLAIN	2	%	
	NSS=	NOT SOLD SEPERATELY			



### VALVE TAPPET 8L

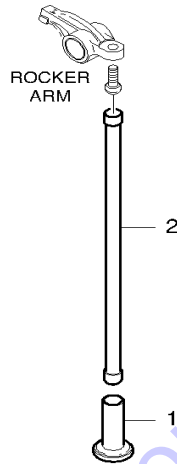


IMAGE	PART NUMBER	DESCRIPTION	8L (QTY)		NOTE
1	610148	TAPPET, VALVE	12	@	
2	612152	ROD, PUSH	12	@	





### CAMSHAFT 8L

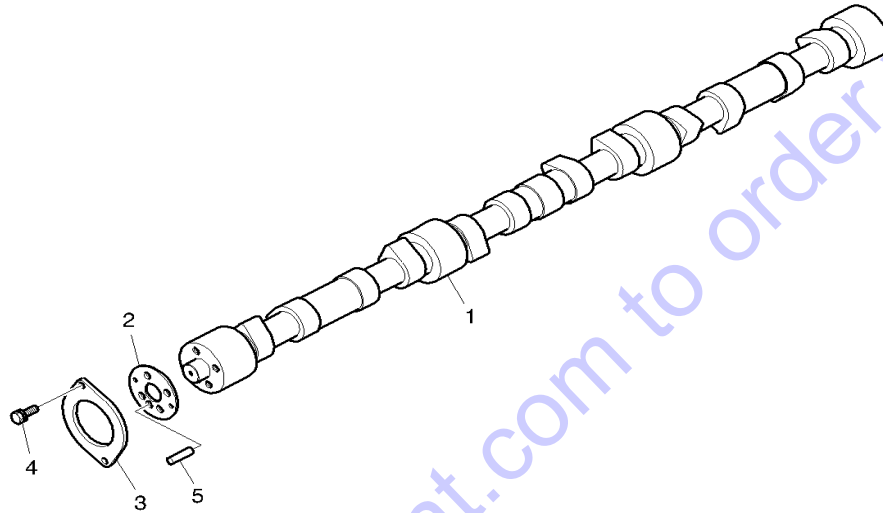


IMAGE	PART NUMBER	DESCRIPTION	8L (QTY)		NOTE
1	612153	SHAFT,CAM	1	@	
2	610151	WASHER, THRUST	1	%	
3	610152	FLANGE	1	%	
4	610153	BOLT ASS'Y	2	%	
5	610154	PIN ; PARALLEL	1	&	



**CAMSHAFT DRIVE 8L**

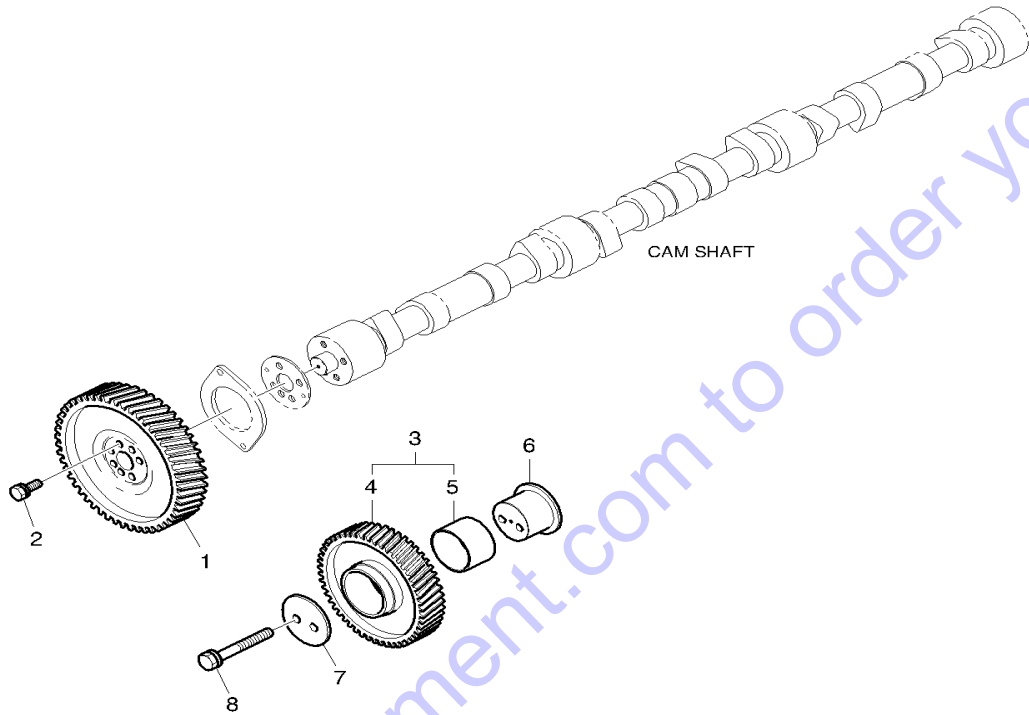
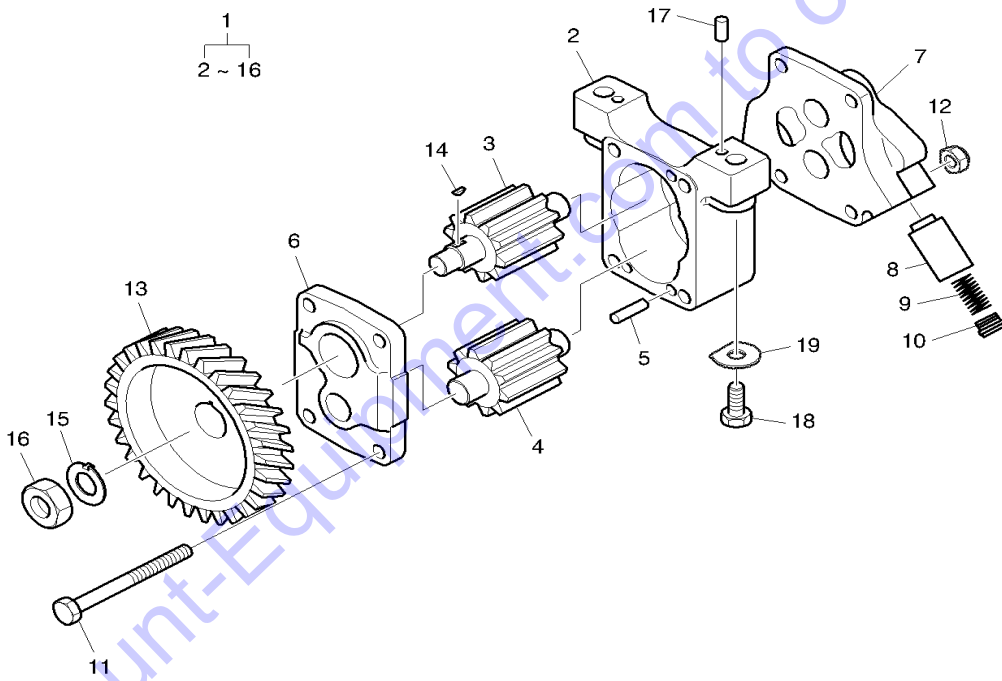


IMAGE	PART NUMBER	DESCRIPTION	8L (QTY)		NOTE
1	610155	GEAR, CAM SHAFT	1	@	
2	610156	BOLT ASS'Y	4	%	
3	610157	IDLE GEAR ASS'Y	1	@	
4	NSS	GEAR, IDLE	1	%	SEE PART# 610157
5	610159	BUSH, IDLE GEAR	1	%	
6	610847	PIN, IDLE GEAR	1	^	
7	611093	WASHER, THRUST	1	&	
8	610160	BOLT ASS'Y	2	&	
	NSS=	NOT SOLD SEPERASTELY			



### OIL PUMP 8L





**OIL PUMP 8L CONT.**

IMAGE	PART NUMBER	DESCRIPTION	8L (QTY)		NOTE
1	610161	OIL PUMP ASS'Y	1	@	
2	610855	HOUSING, OIL PUMP	1	%	
3	610162	OIL PUMP GEAR ASS'Y	1	^	
4	610163	OIL PUMP GEAR ASS'Y	1	%	
5	612489	PIN, PARALLEL	1	%	
6	610165	COVER ASS'Y	1	&	
7	610166	COVER ASS'Y (REAR)	1	^	
8	610167	PLUNGER, VALVE	1	^	
9	610168	SPRING, VALVE	1	^	
10	610169	SCREW, PLUG	1	^	
11	610170	BOLT, HEX.	4	%	
12	610171	NUT, CLEVELOC	4	&	
13	610172	GEAR, OIL PUMP DRIVE	1	&	
14	610173	KEY, WOODRUFF	1	&	
15	610174	WASHER, LOCK	1	%	
16	610175	NUT, HEX.	1	%	
17	610032	PIN, PARALLEL	2	#	
18	610176	BOLT, HEX.	2	\$	
19	610177	WASHER, LOCK	2	#	

**OIL PUMP DRIVE 8L**

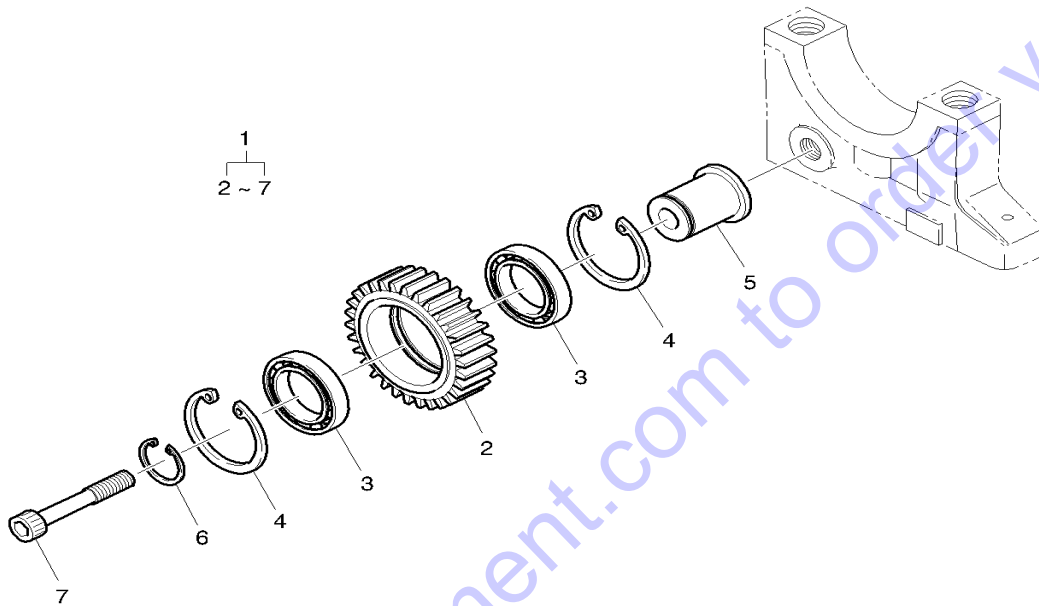


IMAGE	PART NUMBER	DESCRIPTION	8L (QTY)	NOTE
1	NSS	IDLE GEAR MOUNTING ASS'Y	1	
2	610178	GEAR ; IDLE	1	
3	610179	BEARING ; BALL	2	
4	610180	RING ; SNAP	2	
5	610181	PIN ; IDLE GEAR	1	
6	610182	RING ; SNAP	1	
7	610183	BOLT ; SOCKET HEAD	1	
	NSS=	NOT SOLD SEPERATELY		

### OIL FILTER 8L

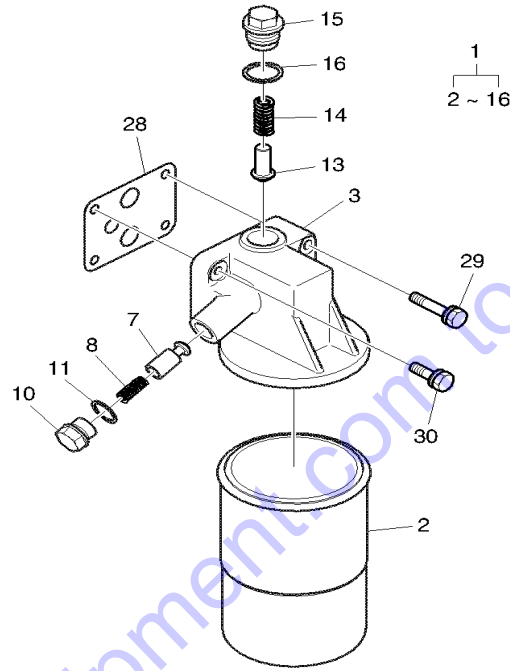
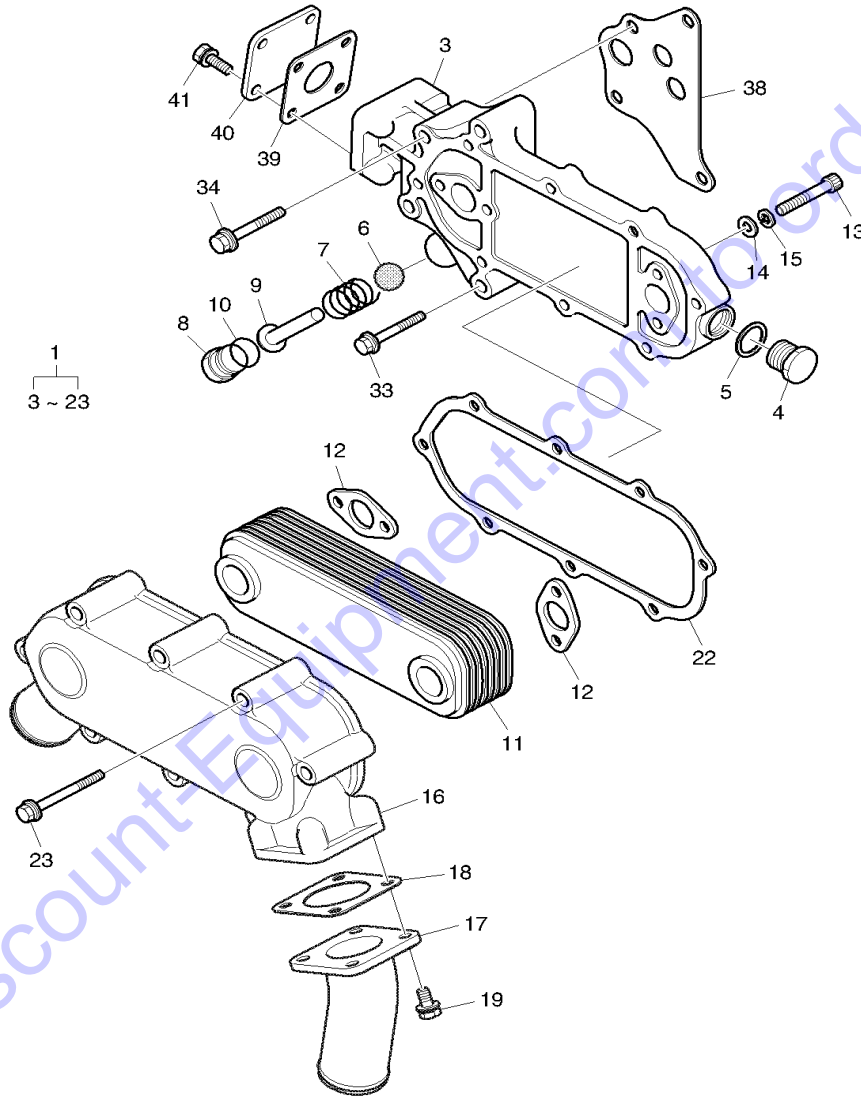


IMAGE	PART NUMBER	DESCRIPTION	8L (QTY)		NOTE
1	610184	OIL FILTER ASS'Y	1	&	
2	610185	FILTER, OIL	1	@	
3	610186	OIL FILTER HEAD ASS'Y	1	%	
7	610187	PLUNGER, VALVE	1	%	
8	610188	SPRING	1	^	
10	610189	SCREW, PLUG	1	&	
11	610190	RING, SEAL	1	%	
13	610191	PLUNGER, VALVE	1	&	
14	610192	SPRING	1	&	
15	610193	SCREW, PLUG	1	%	
16	610194	RING, SEAL	1	^	
28	610195	GASKET, OIL FILTER	1	@	IN KIT A
29	610196	BOLT ASS'Y	2	\$	
30	610197	BOLT ASS'Y	2	%	



### OIL COOLER 8L





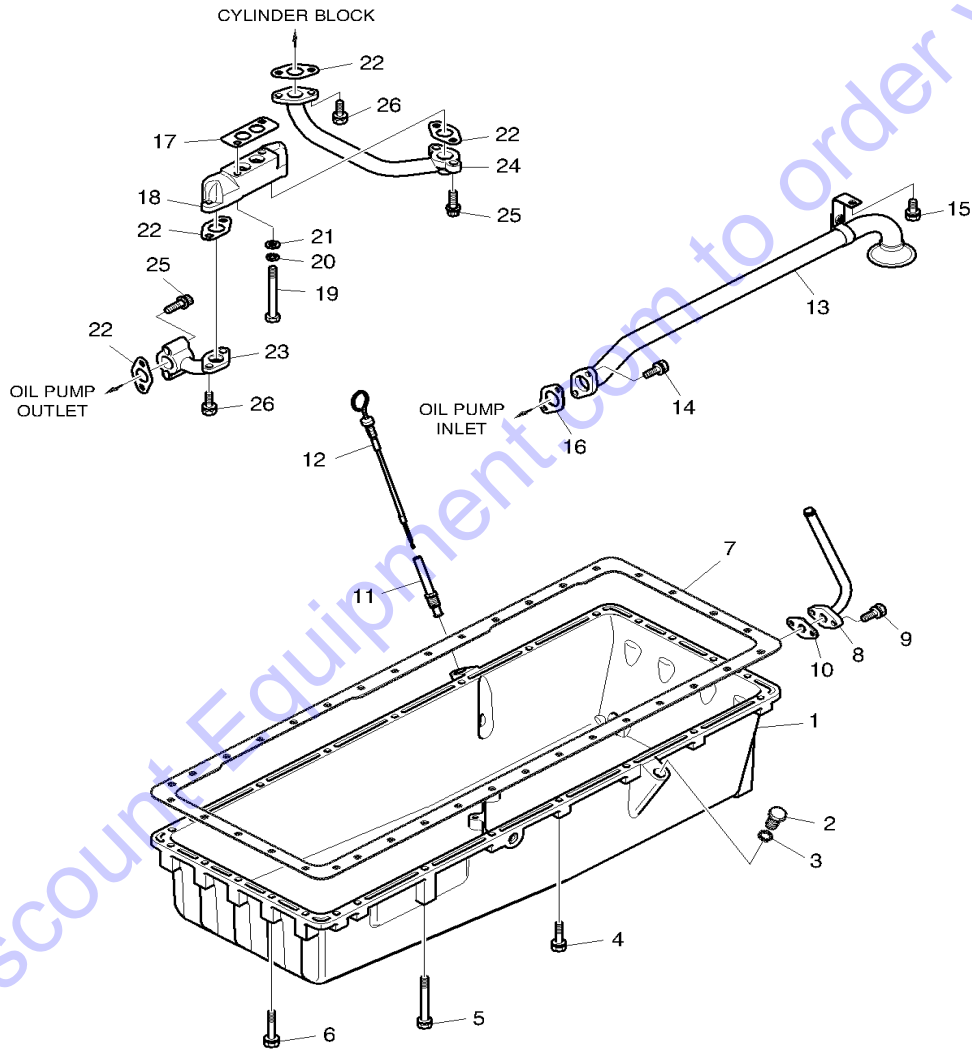
**OIL COOLER 8L CONT.**

IMAGE	PART NUMBER	DESCRIPTION	8L (QTY)		NOTE
1	610198	OIL COOLER ASS'Y	1	@	
3	610199	HOUSING, OIL COOLER	1	%	
4	610200	SCREW, PLUG	1	^	
5	610201	RING, SEAL	1	&	
6	610202	STEEL BALL	1	%	
7	610203	SPRING	1	%	
8	610204	SCREW, PLUG	1	^	
9	610205	PIN	1	&	
10	610206	RING, SEAL	1	@	
11	NSS	ELEMENT, OIL COOLER	1	%	
12	610207	GASKET, FLANGE	2	@	IN KIT A
13	610208	BOLT, SOCKET HEAD	4	%	
14	610445	WASHER, PLAIN	4	%	
15	610209	WASHER , SPRING	4	^	
16	610210	COVER, OIL COOLER	1	&	
17	610211	PIPE, COOLING WATER	1	&	
18	610212	GASKET, FLANGE	1	@	IN KIT A
19	610404	BOLT ASS'Y	4	%	
22	610213	GASKET, OIL COOLER COVER	1	@	IN KIT A
23	610214	BOLT ASS'Y	8	%	
33	610215	BOLT ASS'Y	2	%	
34	610216	BOLT ASS'Y	2	%	
38	610217	GASKET, OIL COOLER HOUSING	1	@	IN KIT A
39	610218	GASKET	1	@	IN KIT A
40	610219	COVER ,BLIND	1	%	
41	610220	BOLT ASS'Y	4	%	
	NSS=	NOT SOLD SEPERATELY			





## OIL PAN 8L



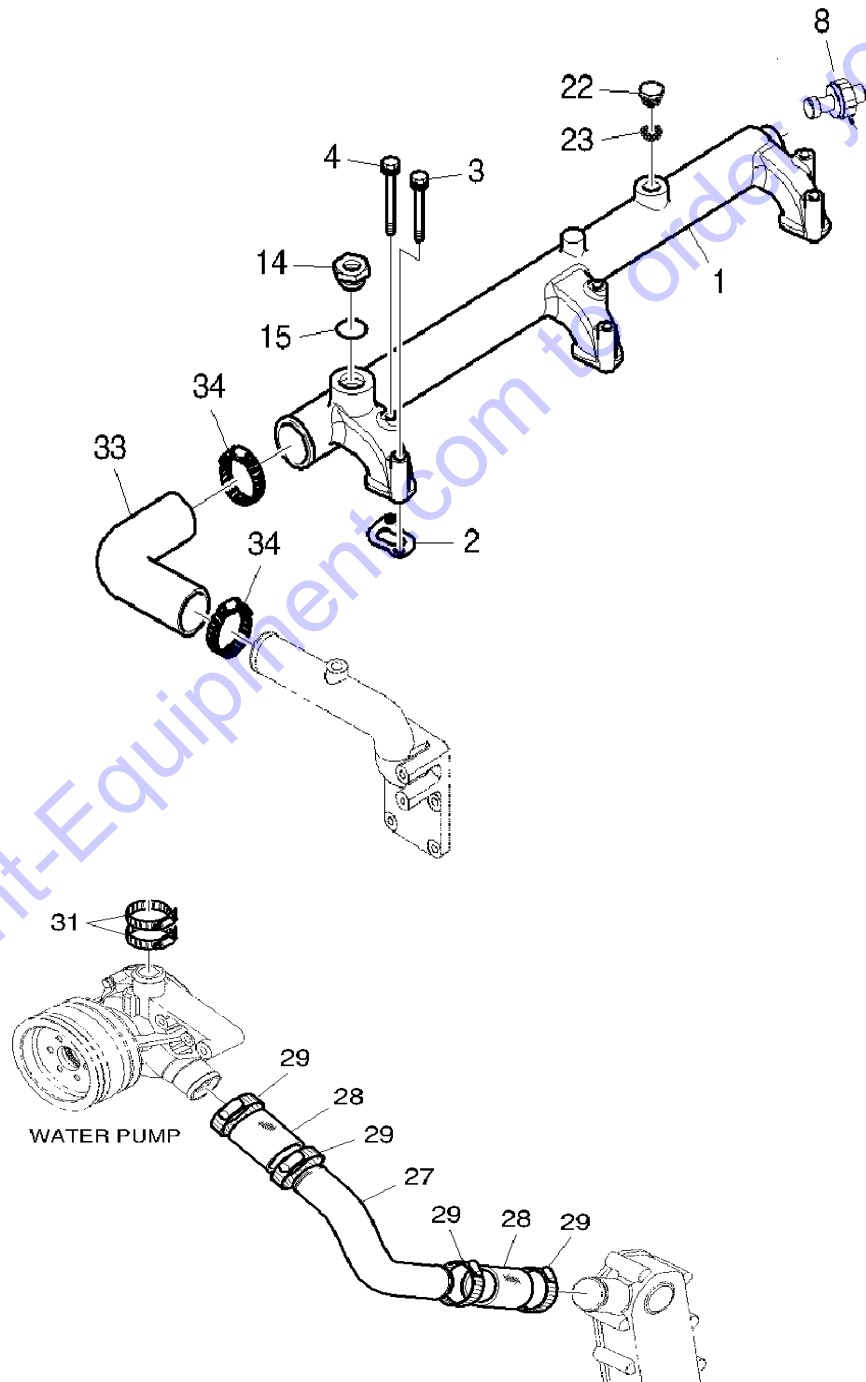


**OIL PAN 8L CONT.**

IMAGE	PART NUMBER	DESCRIPTION	8L (QTY)		NOTE
1	610221	PAN ,OIL	1	&	
2	610222	SCREW, PLUG	1	\$	
3	610223	RING, SEAL	1	%	
4	610224	BOLT ASS'Y	15	%	
5	NSS	BOLT ASS'Y	1	^	
6	610225	BOLT ASS'Y	9	\$	
7	610226	GASKET, OIL PAN	1	@	IN KIT A
8	610227	PIPE, OIL	1	\$	
9	610014	BOLT ASS'Y	2	%	
10	610228	GASKET, OIL PIPE FLANGE	1	@	IN KIT A
11	610229	GUIDE TUBE ASS'Y	1	%	
12	610230	OIL LEVEL GAUGE ASS'Y	1	@	
13	610231	OIL SUCTION PIPE ASS'Y	1	%	
14	610026	BOLT ASS'Y	2	%	
15	610388	BOLT ASS'Y	1	%	
16	610233	GASKET, OIL SUCTION PIPE	1	@	IN KIT A
17	610234	GASKET, CONNECTING FLANGE	1	@	IN KIT A
18	610235	CONNECTION FLANGE ASS'Y	1	%	
19	610236	BOLT, SOCKET HEAD	2	^	
20	610016	WASHER , SPRING	2	^	
21	610056	WASHER , PLAIN	2	%	
22	610237	GASKET, OIL PIPE	4	@	IN KIT A
23	610238	OIL PIPE ASS'Y	1	%	
24	610239	PIPE, OIL	1	&	
25	610240	DOCKET BOLT ASS'Y	4	%	
26	610062	BOLT ASS'Y	4	%	
	NSS=	NOT SOLD SEPERATELY			



### COOLING WATER PIPE 8L







**THERMOSTAT**

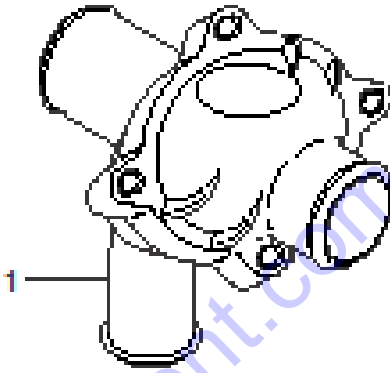
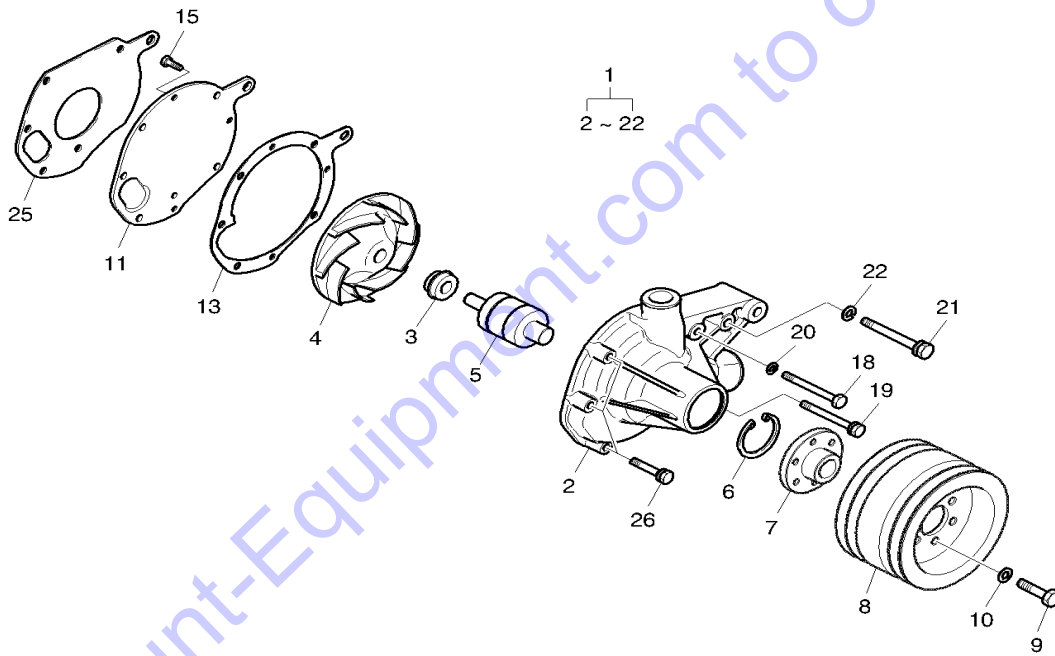


IMAGE	PART NUMBER	DESCRIPTION	(QTY)	NOTES
1	612197	THERMOSTAT ASSY	1	



**WATER PUMP 8L**



Go to Discount-Equipment.com to order your parts



**WATER PUMP 8L CONT.**

IMAGE	PART NUMBER	DESCRIPTION	8L (QTY)		NOTE
1	610268	WATER PUMP ASS'Y	1	@	
2	NSS	HOUSING, WATER PUMP	1	%	
3	610269	SEAL, MECHANICAL	1	^	
4	610270	IMPELLER, WATER PUMP	1	&	
5	610271	BEARING, BALL	1	&	
6	610180	RING, SNAP	1	@	
7	610272	HUB ,V-BELT PULLEY	1	\$	
8	610273	PULLEY, V-BELT	1	&	
9	610401	BOLT ,HEX.	6	\$	
10	610016	WASHER, SPRING	6	%	
11	610274	COVER, WATER PUMP	1	^	
13	610275	GASKET, WATER PUMP	1	@	IN KIT A
15	610431	BOLT, HEX.	3	^	
18	610276	BOLT, HEX	1	^	
19	610277	BOLT ASS'Y	1	^	
20	610016	WASHER, SPRING	1	^	
21	610278	BOLT, HEX.	1	\$	
22	610146	WASHER, SPRING	1	%	
25	610279	GASKET, WATER PUMP	1	@	IN KIT A
26	610280	BOLT ASS'Y	3	^	
	NSS=	NOT SOLD SEPERATELY			

## EXHAUST MANIFOLD 8L

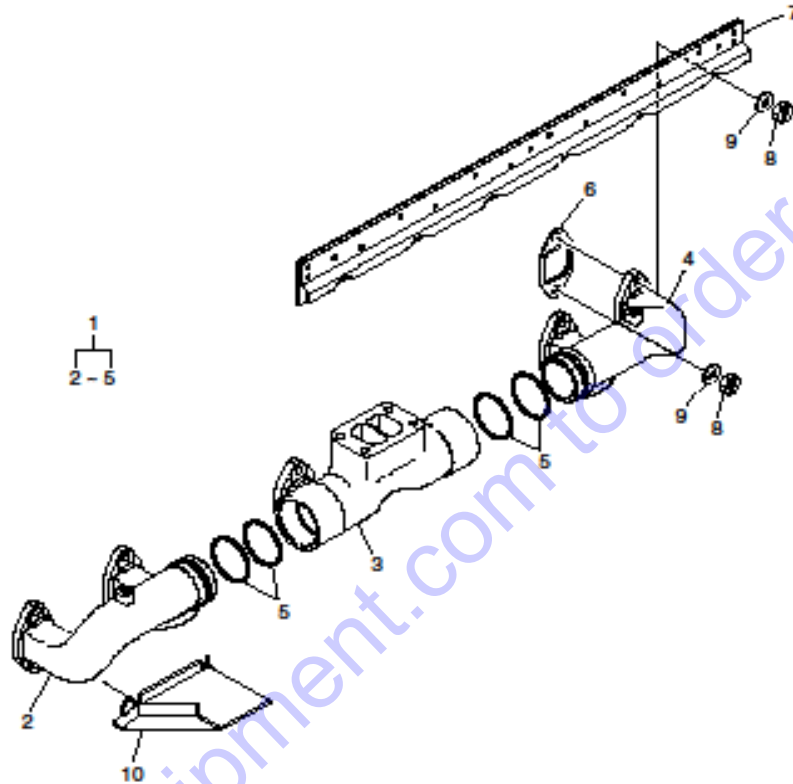


IMAGE	PART NUMBER	DESCRIPTION	8L (QTY)	NOTE
1	612233	EXHAUST MANIFOLD	1	
2	TBD	EXHAUST MANIFOLD LH	1	
3	TBD	EXHAUST MANIFOLD CENTER	1	
4	TBD	EXHAUST MANIFOLD RH	1	
5	612404	SEAL	4	
6	612278	GASKET	1	
7	612256	SCREEN	12	
8	610304	NUT	12	
9	610254	WASHER	1	
10	612254	SCREEN		





**EXHAUST MANIFOLD 8L CONT.**

IMAGE	PART NUMBER	DESCRIPTION	8L (QTY)		NOTE
1	610283	EXHAUST MANIFOLD ASS'Y	1	@	
2	NSS	MANIFOLD, EXHAUST	1	&	
3	610284	PLUG, CORE	7	%	
7	610285	SCREW, PLUG	1	%	
8	610194	RING, SEAL	1	^	
9	610286	GASKET, EXHAUST MANIFOLD	6	@	IN KIT A & C
10	610287	BOLT, HEX.	6	&	
11	610146	WASHER, SPRING	6	^	
12	610288	BOLT, COLLARED DUO.	4	&	
13	610289	BOLT, COLLARED DUO.	2	&	
14	610290	COVER, EXHAUST MANIFOLD	1	^	
15	610291	GASKET, EXHAUST MANIFOLD COVER	1	@	IN KIT A
16	610292	BOLT ASS'Y	5	%	
17	610293	BOLT ASS'Y	1	@	
18	610026	BOLT ASS'Y	1	%	
21	610263	GASKET, EXHAUST FLANGE	1	@	IN KIT A & C
22	610295	PIPE, COOLING WATER	1	^	
23	610296	BOLT ASS'Y	1	^	
24	610297	BOLT ASS'Y	1	^	
25	610298	O-RING	1	@	IN KIT A
29	610299	HOOK, LIFTING	1	^	
30	610300	BOLT, HEX.	2	%	
	NSS=	NOT SOLD SEPERATELY			



## INTAKE MANIFOLD 8L

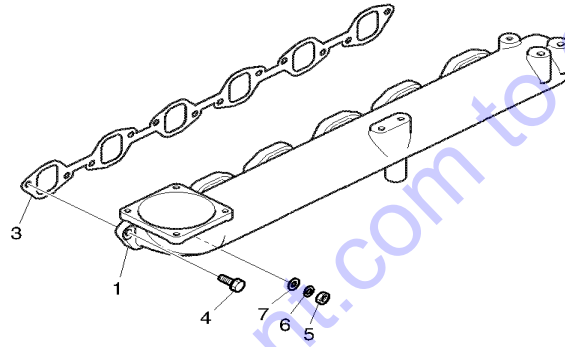
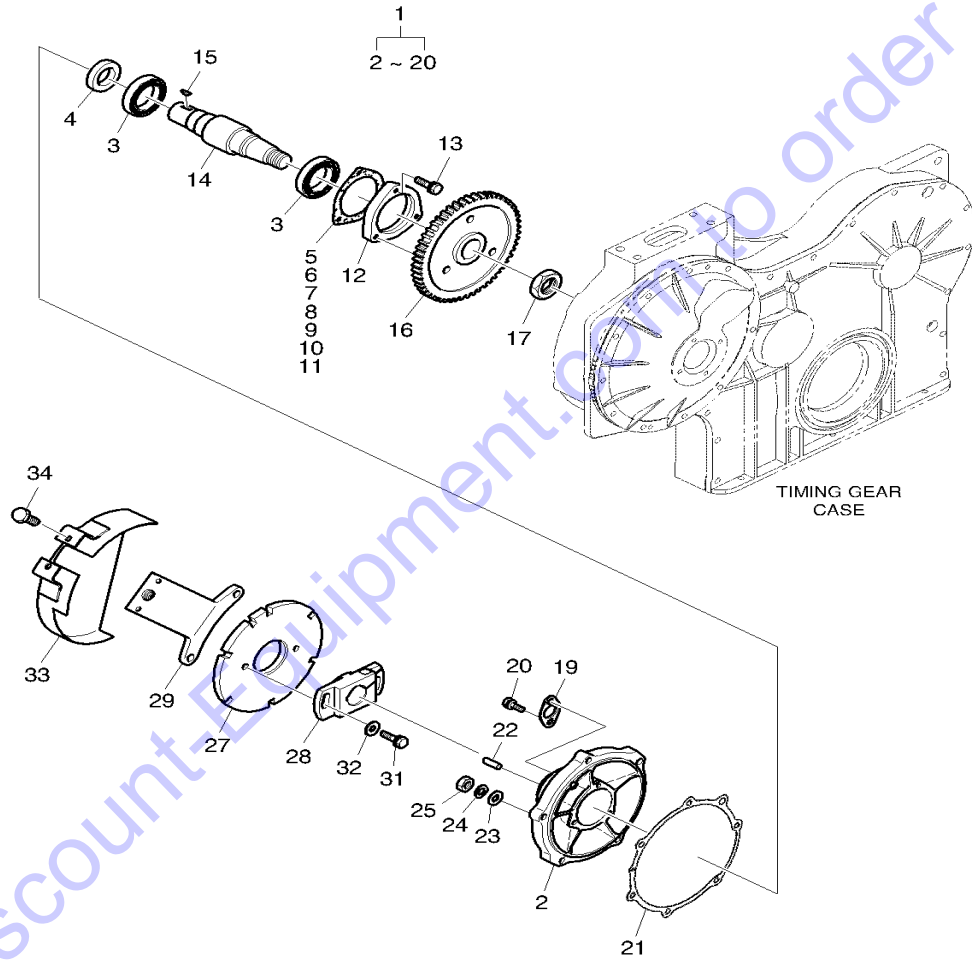


IMAGE	PART NUMBER	DESCRIPTION	8L (QTY)		NOTE
1	610301	MANIFOLD, INTAKE	1	&	
3	610302	GASKET, INTAKE MANIFOLD	1	@	IN KIT A & C
4	610303	BOLT ASS'Y	8	&	
5	610304	NUT, HEX	2	^	
6	610146	WASHER, SPRING	2	&	
7	610147	WASHER, PLAIN	2	&	

### INJECTION PUMP DRIVE 8L





**INJECTION PUMP DRIVE 8L CONT.**

IMAGE	PART NUMBER	DESCRIPTION	8L (QTY)		NOTE
1	610305	INJECTION PUMP DRIVE ASS'Y	1	&	
2	610306	COVER	1	&	
3	610307	BEARING, TAPER ROLLER	2	@	
4	610308	SEAL, OIL	1	@	
5	610309	SHIM (0.30MM)	1	^	
6	610310	SHIM (0.20MM)	1	%	
7	610311	SHIM (0.15MM)	1	^	
8	610312	SHIM (0.10MM)	1	^	
9	610313	SHIM (0.06MM)	1	^	
10	610314	SHIM (0.08MM)	1	%	
11	610315	SHIM (0.05MM)	1	^	
12	610316	COVER , INJECTION PUMP DRIVE	1	^	
13	610014	BOLT ASS'Y	3	^	
14	610317	SHAFT, INJECTION PUMP DRIVE	1	%	
15	610318	KEY, WOODRUFF	1	^	
16	610319	GEAR, INJECTION PUMP DRIVE	1	^	
17	612493	NUT, LOCK	1	%	
19	610320	FLANGE	1	%	
20	610321	BOLT, HEX.	2	\$	
21	610322	GASKET, INJECTION PUMP MOUNTING	1	@	IN KIT A
22	610323	PIN, SPRING	1	^	
23	610254	WASHER, PLAIN	7	%	
24	610146	WASHER, SPRING	7	^	
25	610304	NUT, HEX.	7	^	
27	50100024	WHEEL, TIMING	1	^	
28	58900013	TRIGGER COUPLING ASSY	1	%	
29	610325	BRACKET	1	^	
31	610326	BOLT ASSY	2	^	
32	610254	WASHER, PLAIN	2	%	
33	610327	COVER, TACHOMETER	1	%	
34	610321	BOLT, HEX.	2	%	

## ALTERNATOR MOUNTING 8L

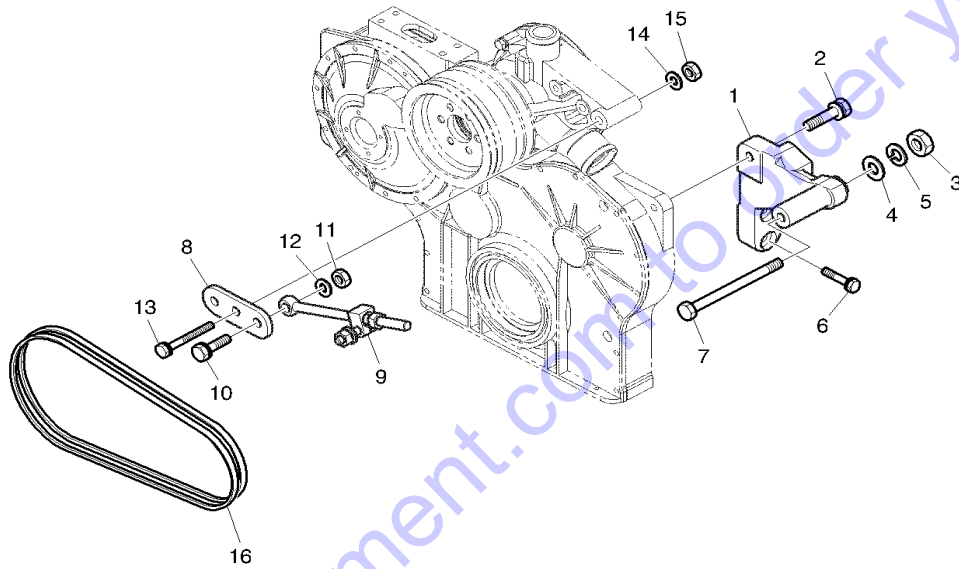


IMAGE	PART NUMBER	DESCRIPTION	8L (QTY)		NOTE
1	610328	BRACKET , ALTERNATOR MOUNTING	1	&	
2	610329	BOLT ASS'Y	1	&	
3	610048	NUT, HEX.	1	^	
4	610330	WASHER, PLAIN	1	&	
5	610047	WASHER, SPRING	1	^	
6	610331	BOLT ASS'Y	2	%	
7	610332	BOLT, HEX.	1	^	
8	610333	SUPPORT, ALTERNATOR	1	^	
9	610334	EYE BOLT ASS'Y	1	^	
10	610329	BOLT ASS'Y	1	%	
11	610048	NUT ; HEX.	1	^	
12	610525	WASHER, PLAIN	1	^	
13	610336	BOLT ASS'Y	1	\$	
14	610254	WASHER, PLAIN	1	\$	
15	610304	NUT, HEX.	1	\$	
16	53000025	V-BELT	1	@	

**SENSOR & SWITCH 8L**

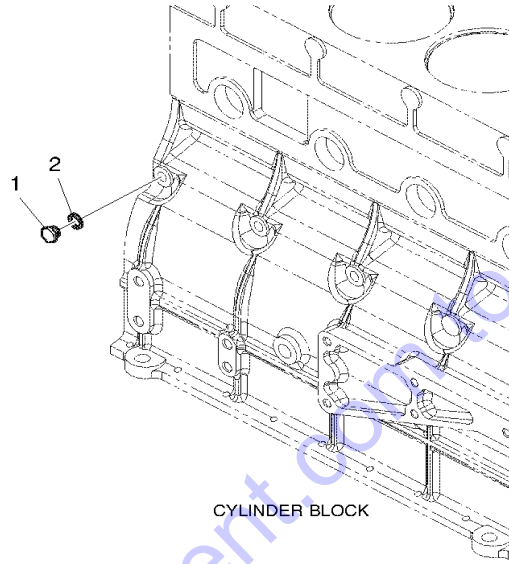


IMAGE	PART NUMBER	DESCRIPTION	8L (QTY)	NOTE
1	610022	SCREW, PLUG	1	
2	610011	RING, SEAL	1	



### STARTER 8L

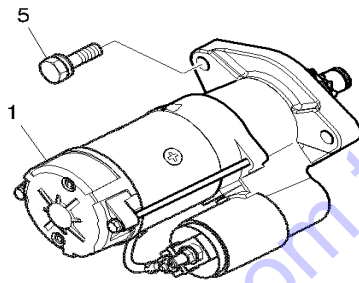


IMAGE	PART NUMBER	DESCRIPTION	8L (QTY)		NOTE
1	610342	STARTER	1	@	OLD# 611199
5	610343	BOLT ASS'Y	3	^	



**ELECTRONIC IGNITION SYSTEM 8L**

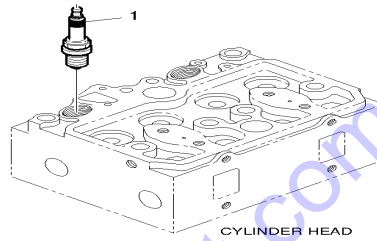


IMAGE	PART NUMBER	DESCRIPTION	8L (QTY)		NOTE
1	610344	PLUG ; SPARK	6	@	



## ENGINE MOUNTING 8L

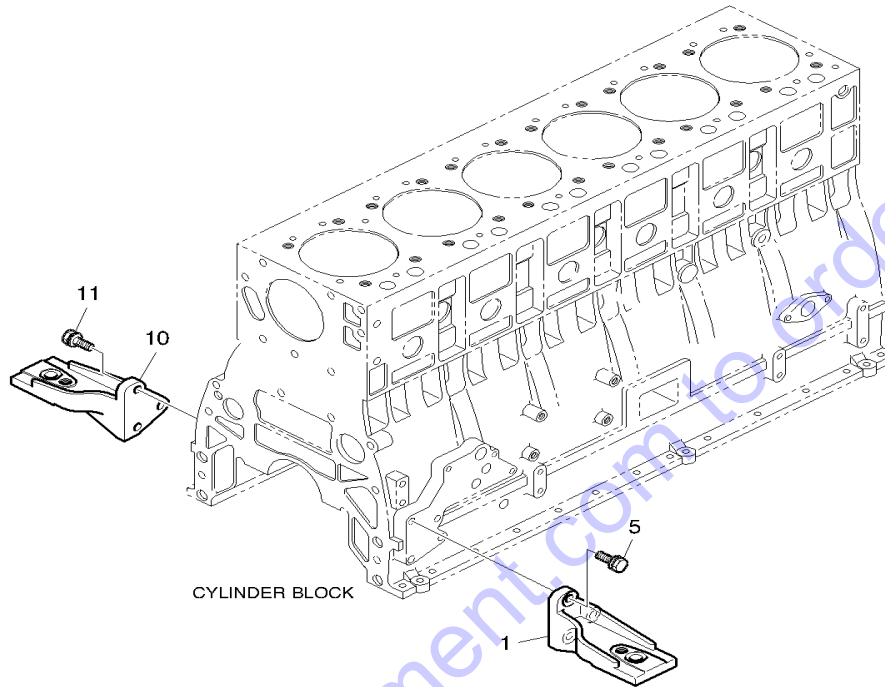


IMAGE	PART NUMBER	DESCRIPTION	8L (QTY)	NOTE
1	610346	BRACKET, ENGINE MOUNTING (FRONT)	1	
5	610027	BOLT ASS'Y	3	
10	610347	BRACKET, ENGINE MOUNTING (FRONT)	1	
11	610027	BOLT ASS'Y	3	

# PARTS FINDER

**Search Website  
by Part Number**



**Search Manual  
Library For Parts  
Manual & Lookup Part  
Numbers – Purchase  
or Request Quote**

**Search Manuals**

Enter your information to help us find the right parts manual for your machine.

\* Brand:

\* Model:

\* Serial:

\* Part Number:

SEARCH

**Can't Find Part or  
Manual? Request Help  
by Manufacturer,  
Model & Description**

**Parts Order Form**

Please fill in the following information to help us find the right part for your machine.

Manufacturer:	<input type="text"/>
Model:	<input type="text"/>
Description:	<input type="text"/>
Part Number:	<input type="text"/>
Quantity:	<input type="text"/>
Notes:	<input type="text"/>

Discount-Equipment.com is your online resource for quality parts & equipment.

Florida: **561-964-4949** Outside Florida TOLL FREE: **877-690-3101**

**Need parts?**

Click on this link: <http://www.discount-equipment.com/category/5443-parts/> and choose one of the options to help get the right parts and equipment you are looking for. Please have the machine model and serial number available in order to help us get you the correct parts. If you don't find the part on the website or on one of the online manuals, please fill out the request form and one of our experienced staff members will get back to you with a quote for the right part that your machine needs.

We sell worldwide for the brands: Genie, Terex, JLG, MultiQuip, Mikasa, Essick, Whiteman, Mayco, Toro Stone, Diamond Products, Generac Magnum, Airman, Haulotte, Barreto, Power Blanket, Nifty Lift, Atlas Copco, Chicago Pneumatic, Allmand, Miller Curber, Skyjack, Lull, Skytrak, Tsurumi, Husquvarna Target, Stow, Wacker, Sakai, Mi-T-M, Sullair, Basic, Dynapac, MBW, Weber, Bartell, Bennar Newman, Haulotte, Ditch Runner, Menegotti, Morrison, Contec, Buddy, Crown, Edco, Wyco, Bomag, Laymor, EZ Trench, Bil-Jax, F.S. Curtis, Gehl Pavers, Heli, Honda, ICS/PowerGrit, IHI, Partner, Imer, Clipper, MMD, Koshin, Rice, CH&E, General Equipment, Amida, Coleman, NAC, Gradall, Square Shooter, Kent, Stanley, Tamco, Toku, Hatz, Kohler, Robin, Wisconsin, Northrock, Oztec, Toker TK, Rol-Air, APT, Wylie, Ingersoll Rand / Doosan, Innovatech, Con X, Ammann, Mecalac, Makinex, Smith Surface Prep, Small Line, Wanco, Yanmar