

(en) **Parts Manual**
MAXI-POWER™ 150 T4F



www.discount-equipment.com

PARTS FINDER

**Search Website
by Part Number**



**Search Manual
Library For Parts
Manual & Lookup Part
Numbers – Purchase
or Request Quote**

Search Manuals

Enter your information to help us find the right parts manual for your machine.

* Brand:

* Model:

* Serial:

* Part Number:

SEARCH

**Can't Find Part or
Manual? Request Help
by Manufacturer,
Model & Description**

Parts Order Form

Please fill in the following information to help us find the right part for your machine.

Manufacturer:	<input type="text"/>
Model:	<input type="text"/>
Description:	<input type="text"/>
Part Number:	<input type="text"/>
Quantity:	<input type="text"/>
Notes:	<input type="text"/>

Submit

Discount-Equipment.com is your online resource for quality parts & equipment.

Florida: **561-964-4949** Outside Florida TOLL FREE: **877-690-3101**

Need parts?

Click on this link: <http://www.discount-equipment.com/category/5443-parts/> and choose one of the options to help get the right parts and equipment you are looking for. Please have the machine model and serial number available in order to help us get you the correct parts. If you don't find the part on the website or on one of the online manuals, please fill out the request form and one of our experienced staff members will get back to you with a quote for the right part that your machine needs.

We sell worldwide for the brands: Genie, Terex, JLG, MultiQuip, Mikasa, Essick, Whiteman, Mayco, Toro Stone, Diamond Products, Generac Magnum, Airman, Haulotte, Barreto, Power Blanket, Nifty Lift, Atlas Copco, Chicago Pneumatic, Allmand, Miller Curber, Skyjack, Lull, Skytrak, Tsurumi, Husquvarna Target, Stow, Wacker, Sakai, Mi-T-M, Sullair, Basic, Dynapac, MBW, Weber, Bartell, Bennar Newman, Haulotte, Ditch Runner, Menegotti, Morrison, Contec, Buddy, Crown, Edco, Wyco, Bomag, Laymor, EZ Trench, Bil-Jax, F.S. Curtis, Gehl Pavers, Heli, Honda, ICS/PowerGrit, IHI, Partner, Imer, Clipper, MMD, Koshin, Rice, CH&E, General Equipment, Amida, Coleman, NAC, Gradall, Square Shooter, Kent, Stanley, Tamco, Toku, Hatz, Kohler, Robin, Wisconsin, Northrock, Oztec, Toker TK, Rol-Air, APT, Wylie, Ingersoll Rand / Doosan, Innovatech, Con X, Ammann, Mecalac, Makinex, Smith Surface Prep, Small Line, Wanco, Yanmar

TABLE OF CONTENTS

1.0 TRAILER PARTS GROUP

Trailer Axle, Jack, and Coupler	(1.1)
Front Enclosure Panels	(1.2)
Left Enclosure Panels and Doors	(1.3)
Right Enclosure Panels and Doors	(1.4)
Rear Enclosure Panels	(1.5)
Top Enclosure Panels	(1.6)
Door Panel Urethane Foam Linings	(1.7)
Cover Panel Urethane Foam Linings	(1.8)

2.0 ENGINE AND GENERATOR GROUP

John Deere 6068HFG05 Engine and Filter Group	(2.1)
Engine Finger and Fan Guards	(2.2)
Engine Air Intake Group	(2.3)
Engine Exhaust Group	(2.4)
Engine Cooling Group	(2.5)
Engine DEF System Group	(2.6)
Fuel Tank and Fuel Lines	(2.7)
Engine Mounting and Generator Assembly Group	(2.8)

3.0 ELECTRICAL GROUP

Control Box Group	(3.1)
Electrical Outlet Box Group	(3.2)
Battery Cables Group	(3.3)
Tail Lights and Tail Light Harness	(3.4)
Cam Lock Group	(3.5)
Battery Charger, Battery Heater, and Block Heater	(3.6)

Maxi-Power™ 150 T4F

TABLE OF CONTENTS

4.0 DECALS

Front, Left, and Rear Side Enclosure Decals	(4.1)
Right and Top Side Enclosure Decals	(4.2)
Control and Outlet Box Decals	(4.3)
Trailer Interior Decals	(4.4)

Go to Discount-Equipment.com to order your parts

1.1 - Trailer Axle, Jack, and Coupler

To Be Determined

000000_A

Maxi-Power™ 150 T4F

SN 27-000100 and UP

1.1 - Trailer Axle, Jack, and Coupler

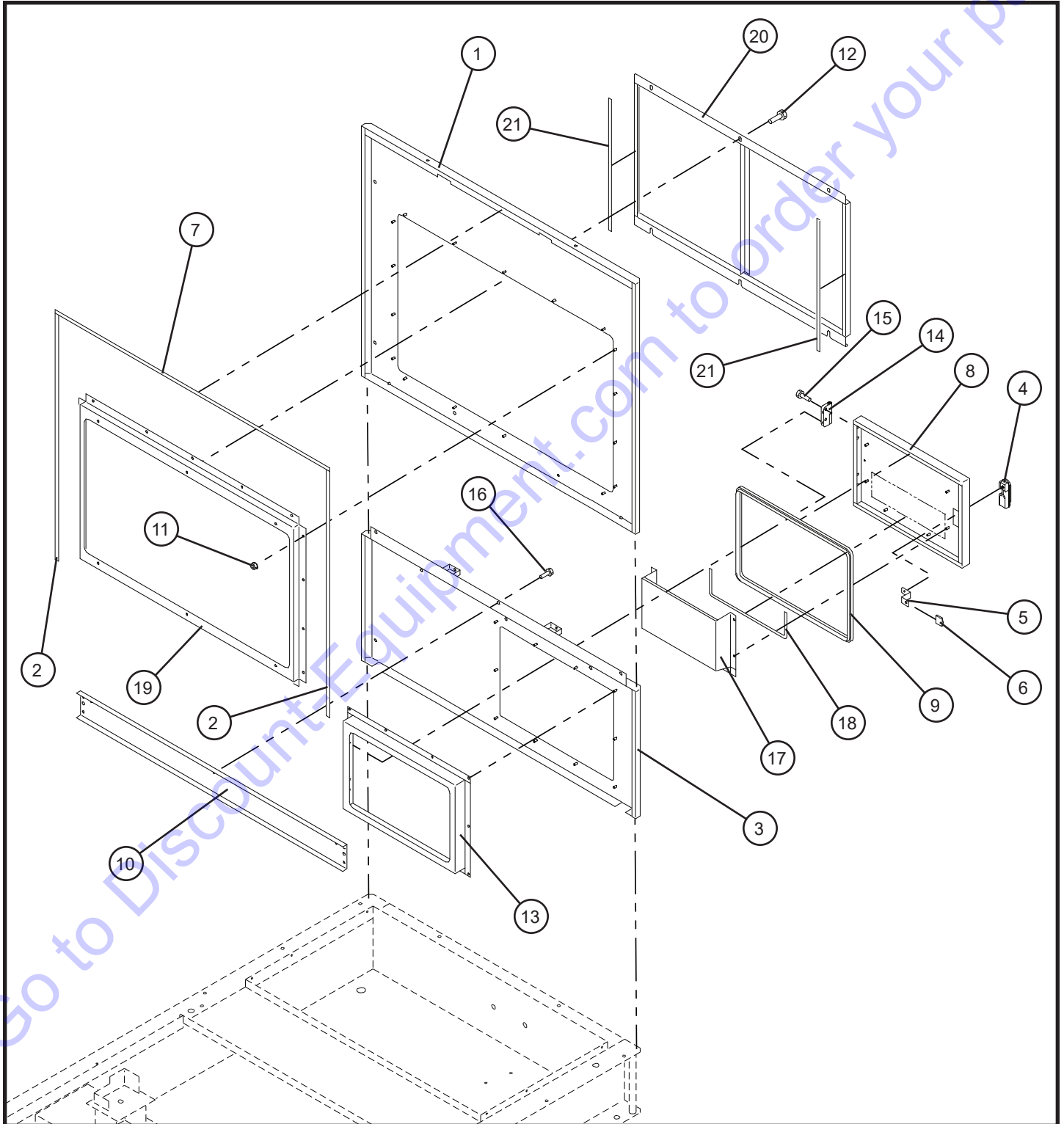
Item	Allmand No.	Part Description	Qty.
1	***	to be determined	
2	***		
3	***		
4	***		
5	***		
6	***		
7	***		
8	***		
9	***		
10	***		

NS - Not Shown

*** - Contact Allmand for more information.

Go to Discount-Equipment.com to order your parts

1.2 - Front Enclosure Panels



Maxi-Power™ 150 T4F

SN 27-000100 and UP

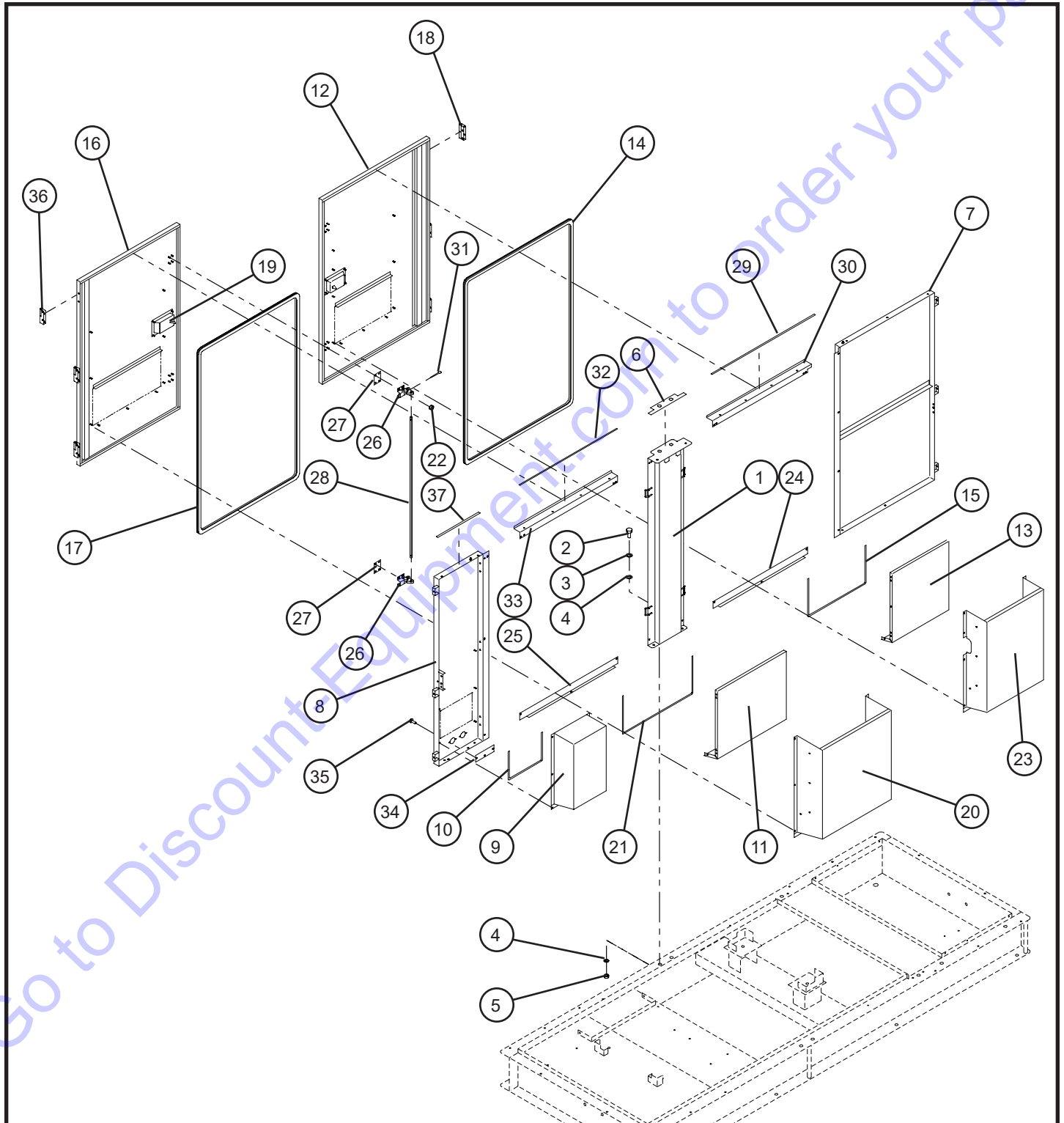
1.2 - Front Enclosure Panels

Item	Allmand No.	Part Description	Qty.
1	***	COVER	1
2	***	RUBBER SEAL	2
3	***	COVER	1
4	***	LATCH	1
5	***	PLATE	1
6	***	CAP	1
7	***	RUBBER SEAL	1
8	***	SIDE COVER	1
9	***	RUBBER SEAL	1
10	***	BRACKET	1
11	114248	HEXAGON FLANGE NUT	167
12	***	BOLT W/W	63
13	***	COVER	1
14	114303	HINGE	4
15	114242	BOLT	80
16	110515	FLANGE BOLT	18
17	***	DUCT	1
18	***	RUBBER SEAL	1
19	***	COVER	1
20	***	COVER	1
21	***	RUBBER SEAL	2

NS - Not Shown

*** - Contact Allmand for more information.

1.3 - Left Enclosure Panels and Doors



Maxi-Power™ 150 T4F

SN 27-000100 and UP

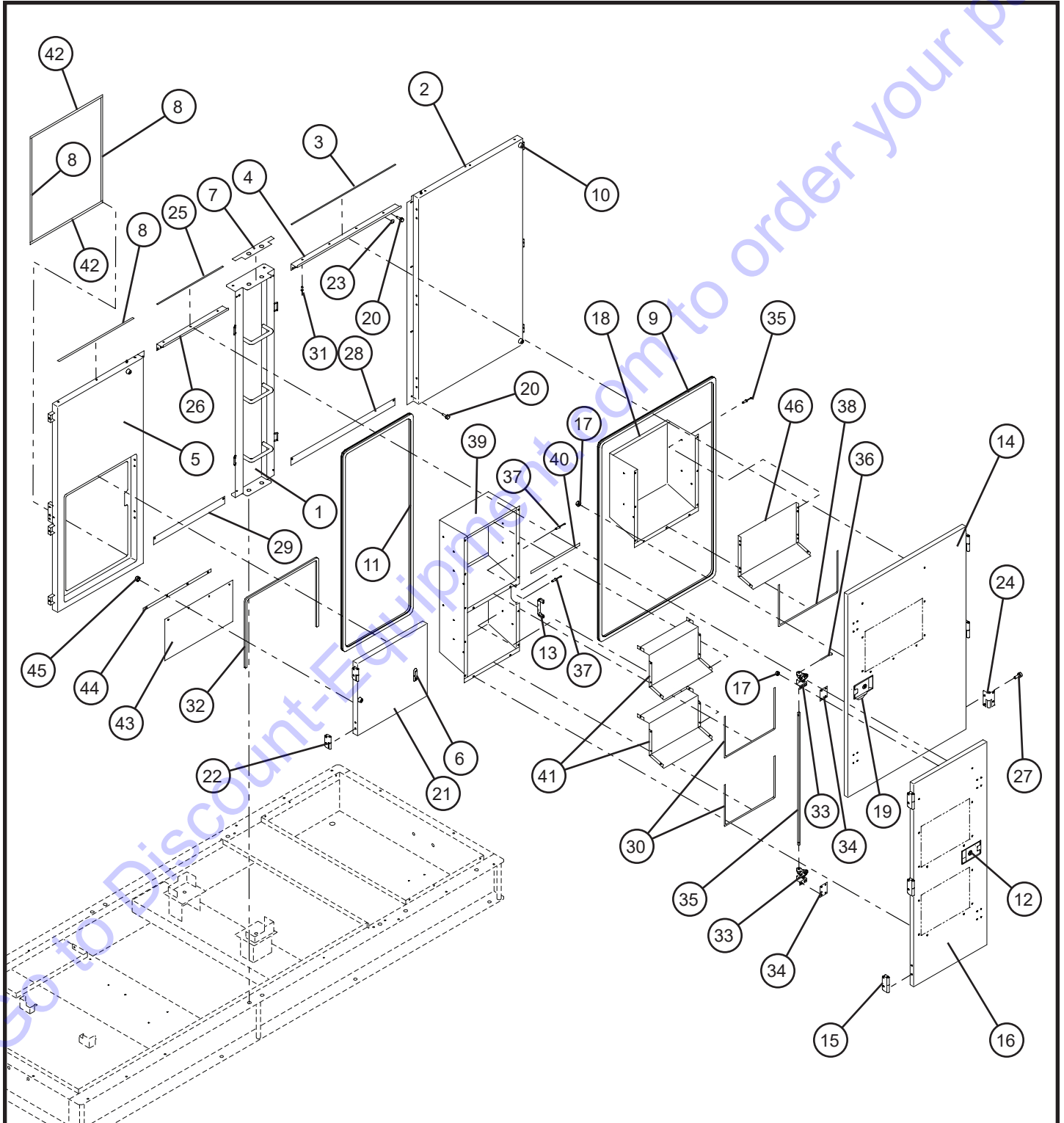
1.3 - Left Enclosure Panels and Doors

Item	Allmand No.	Part Description	Qty.
1	***	SIDE BRACKET	2
2	112940	BOLT	8
3	112941	SPRING WASHER	8
4	112943	PLAIN WASHER	12
5	112942	NUT	4
6	112944	RUBBER CUSHION	2
7	***	COVER	1
8	***	COVER	1
9	***	DUCT	1
10	***	RUBBER SEAL	1
11	***	DUCT	1
12	***	DOOR	1
13	***	DUCT	1
14	***	RUBBER SEAL	2
15	***	RUBBER SEAL	1
16	***	DOOR	1
17	***	RUBBER SEAL	1
18	112967	HINGE	6
19	114311	LATCH ASSEMBLY WITH KEY	2
	112827	KEY	1
20	***	DUCT	1
21	***	RUBBER SEAL	2
22	114248	HEXAGON FLANGE NUT	167
23	***	COVER	1
24	***	BRACKET	1
25	***	BRACKET	1
26	116828	LATCH ASSEMBLY	8
27	***	PLATE	8
28	***	BAR	4
29	***	RUBBER SEAL	2
30	***	BRACKET	1
31	***	SPLIT PIN	8
32	***	RUBBER SEAL	1
33	***	BRACKET	1
34	112084	COVER	1
35	114246	SCREW	2
36	112971	HINGE	6
37	***	RUBBER SEAL	1

NS - Not Shown

*** - Contact Allmand for more information.

1.4 - Right Enclosure Panels and Doors



Maxi-Power™ 150 T4F

SN 27-000100 and UP

1.4 - Right Enclosure Panels and Doors

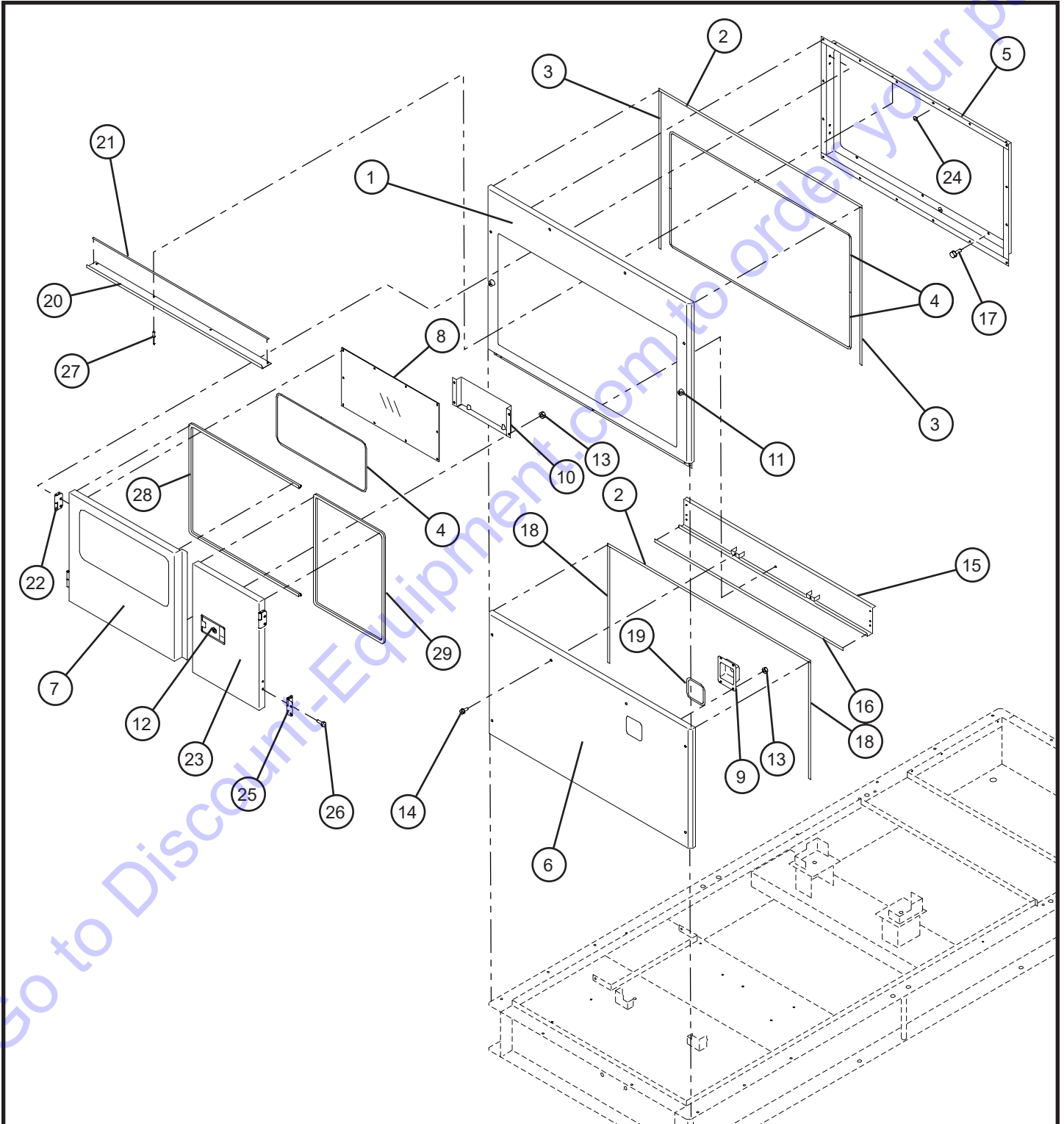
Item	Allmand No.	Part Description	Qty.
1	***	SIDE BRACKET	1
2	***	COVER	1
3	***	RUBBER SEAL	1
4	***	BRACKET	1
5	***	COVER	1
6	***	LATCH	1
	***	PLATE	1
	***	CAP	1
7	***	RUBBER CUSHION	2
8	***	RUBBER SEAL	3
9	***	RUBBER SEAL	1
10	112962	RUBBER VIBRATION ISOLATOR	4
11	***	RUBBER SEAL	1
12	114311	LATCH ASSEMBLY WITH KEY	2
	112827	KEY	1
13	***	RUBBER SEAL	3
14	***	DOOR	1
15	112967	HINGE	6
16	***	DOOR	1
17	114248	HEXAGON FLANGE NUT	167
18	***	DUCT	1
19	112839	CUSHION RUBBER	5
20	116745	BOLT W/W	30
21	***	DOOR	1
22	114302	HINGE	4
23	114253	GROMMET	10
24	112971	HINGE	6
25	***	RUBBER SEAL	1
26	***	BRACKET	1
27	114242	BOLT	80
28	***	BRACKET	2
29	***	BRACKET	1
30	***	RUBBER SEAL	2
31	114252	BLIND RIVET	20
32	***	RUBBER SEAL	1
33	116828	LATCH ASSEMBLY	8
34	***	PLATE	8
35	***	BAR	4
36	***	SPLIT PIN	8
37	114251	BLIND RIVET	38
38	114273	RUBBER SEAL	1
39	***	DUCT	1
40	***	RUBBER SEAL	1
41	***	DUCT	2
42	***	RUBBER SEAL	4
43	***	RUBBER CUSHION	1
44	***	PLATE	1
45	***	LOCKING NUT	4
46	***	DUCT	1

NS - Not Shown

*** - Contact Allmand for more information.

©2019 Allmand®

1.5 - Rear Enclosure Panels



Maxi-Power™ 150 T4F

SN 27-000100 and UP

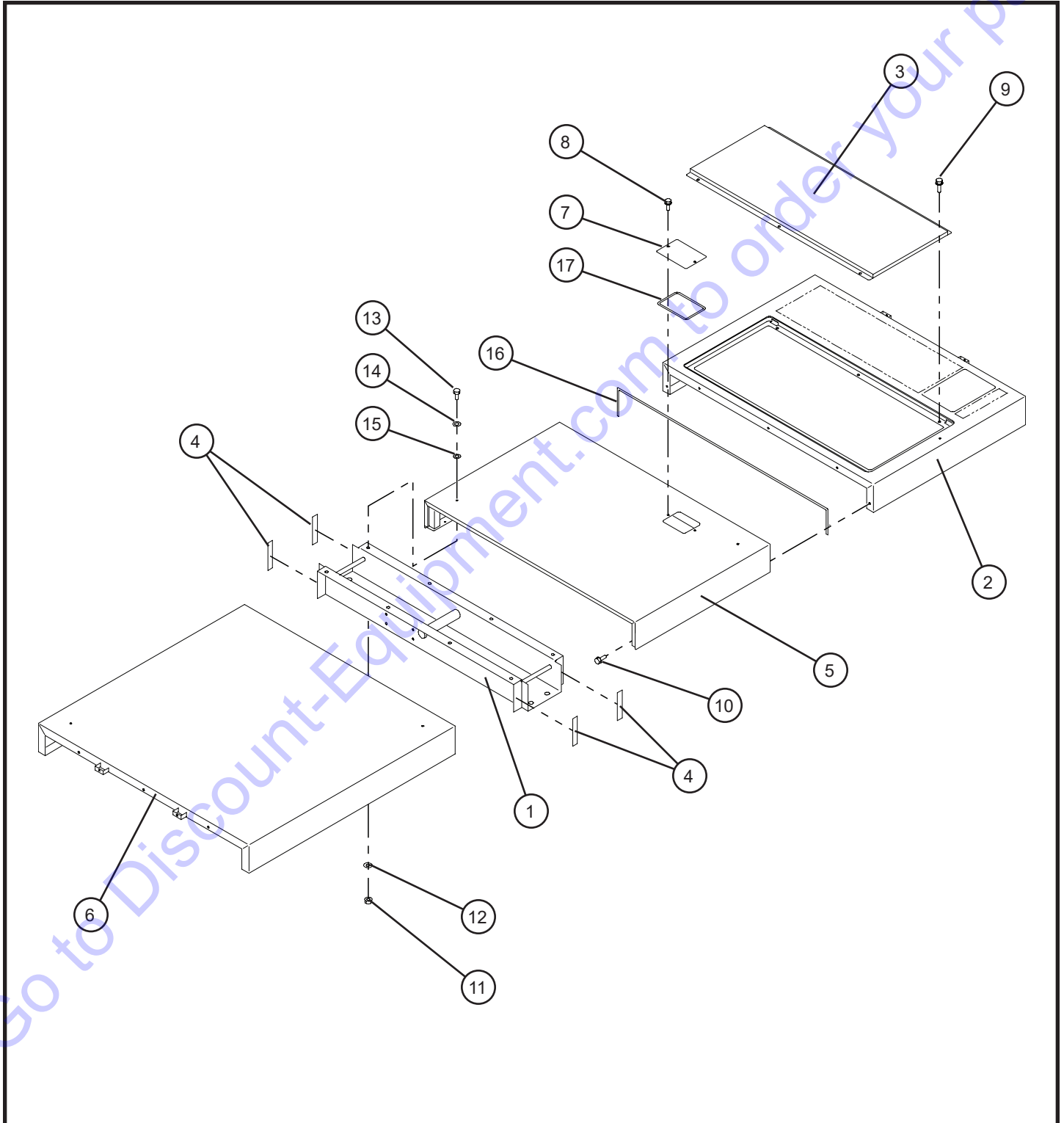
1.5 - Rear Enclosure Panels

Item	Allmand No.	Part Description	Qty.
1	***	COVER	1
2	***	RUBBER SEAL	3
3	***	RUBBER SEAL	2
4	114269	RUBBER SEAL	6
5	***	COVER	1
6	***	COVER	1
7	***	DOOR	1
8	***	WINDOW GLASS	1
9	***	COVER	1
10	112957	TOOL BOX	1
11	112962	RUBBER VIBRATION ISOLATOR	12
12	114311	LATCH ASSEMBLY WITH KEY	2
	112827	KEY	1
13	114248	HEXAGON FLANGE NUT	167
14	***	BOLT W/W	63
15	***	BRACKET	1
16	***	RUBBER SEAL	1
17	116745	BOLT W/W	30
18	***	RUBBER SEAL	2
19	114270	RUBBER SEAL	1
20	***	BRACKET	1
21	112878	RUBBER SEAL	1
22	114303	HINGE	4
23	***	DOOR	1
24	114253	GROMMET	10
25	114303	HINGE	4
26	114242	BOLT	80
27	114252	BLIND RIVET	20
28	***	RUBBER SEAL	1
29	***	RUBBER SEAL	1
NS	112945	GROMMET	4

NS - Not Shown

*** - Contact Allmand for more information.

1.6 - Top Enclosure Panels



Maxi-Power™ 150 T4F

SN 27-000100 and UP

1.6 - Top Enclosure Panels

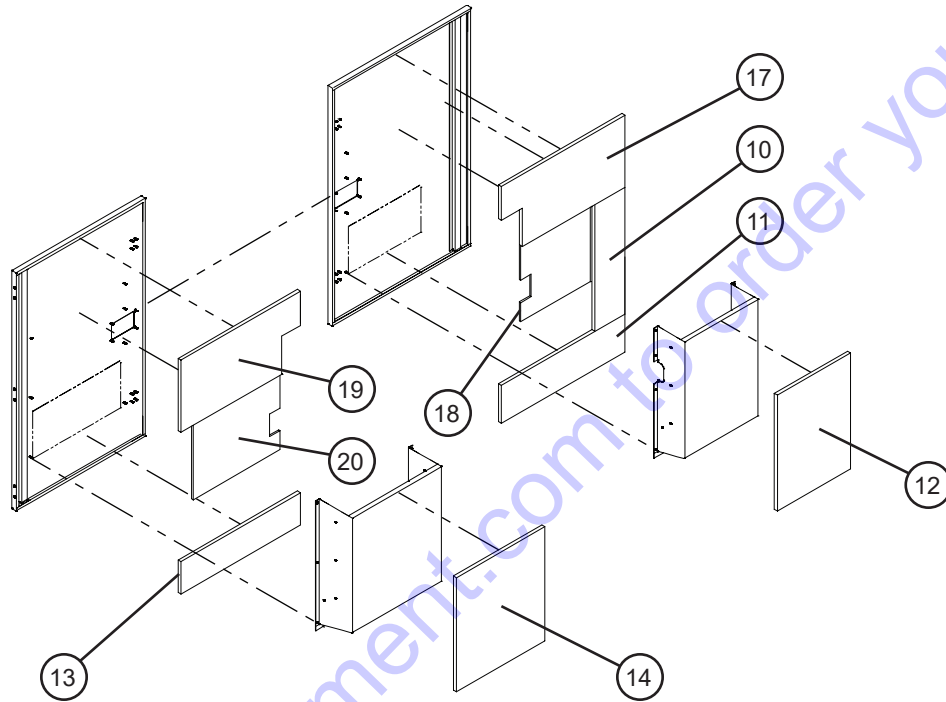
Item	Allmand No.	Part Description	Qty.
1	***	UPPER BRACKET	1
2	***	TOP COVER	1
3	***	COVER	1
4	114316	RUBBER CUSHION	4
5	***	COVER	1
6	***	TOP COVER	1
7	110472	COVER	1
8	114244	BOLT W/W	2
9	***	BOLT W/W	63
10	110515	FLANGE BOLT	18
11	114249	HEXAGON FLANGE NUT	8
12	***	WASHER	8
13	***	BOLT	4
14	***	PLAIN WASHER	4
15	***	WASHER	4
16	***	RUBBER SEAL	1
17	***	RUBBER SEAL	1

NS - Not Shown

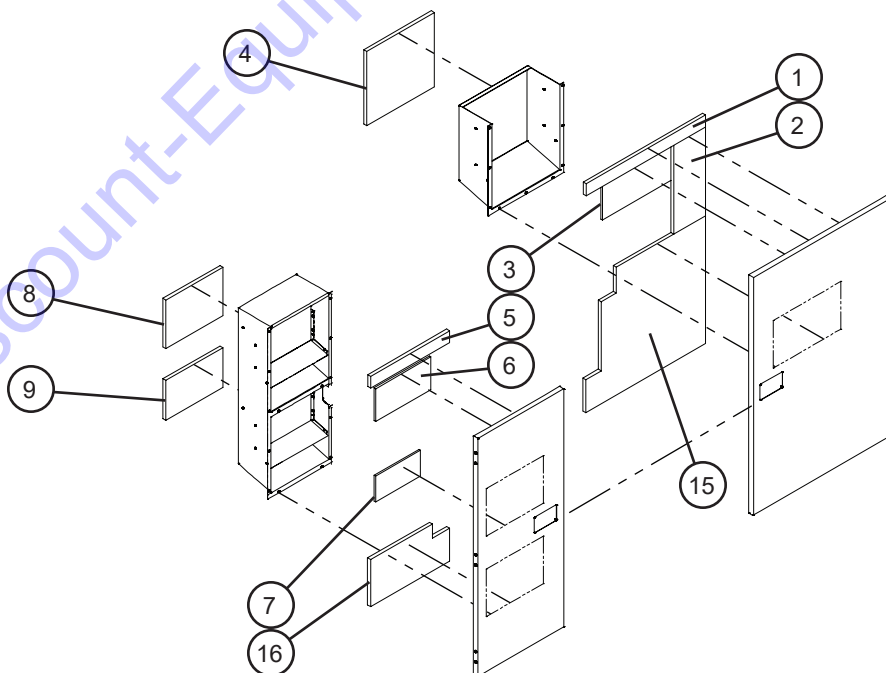
*** - Contact Allmand for more information.

1.7 - Door Panel Urethane Foam Linings

LEFT SIDE
DOOR PANELS



RIGHT SIDE
DOOR PANELS



Maxi-Power™ 150 T4F

SN 27-000100 and UP

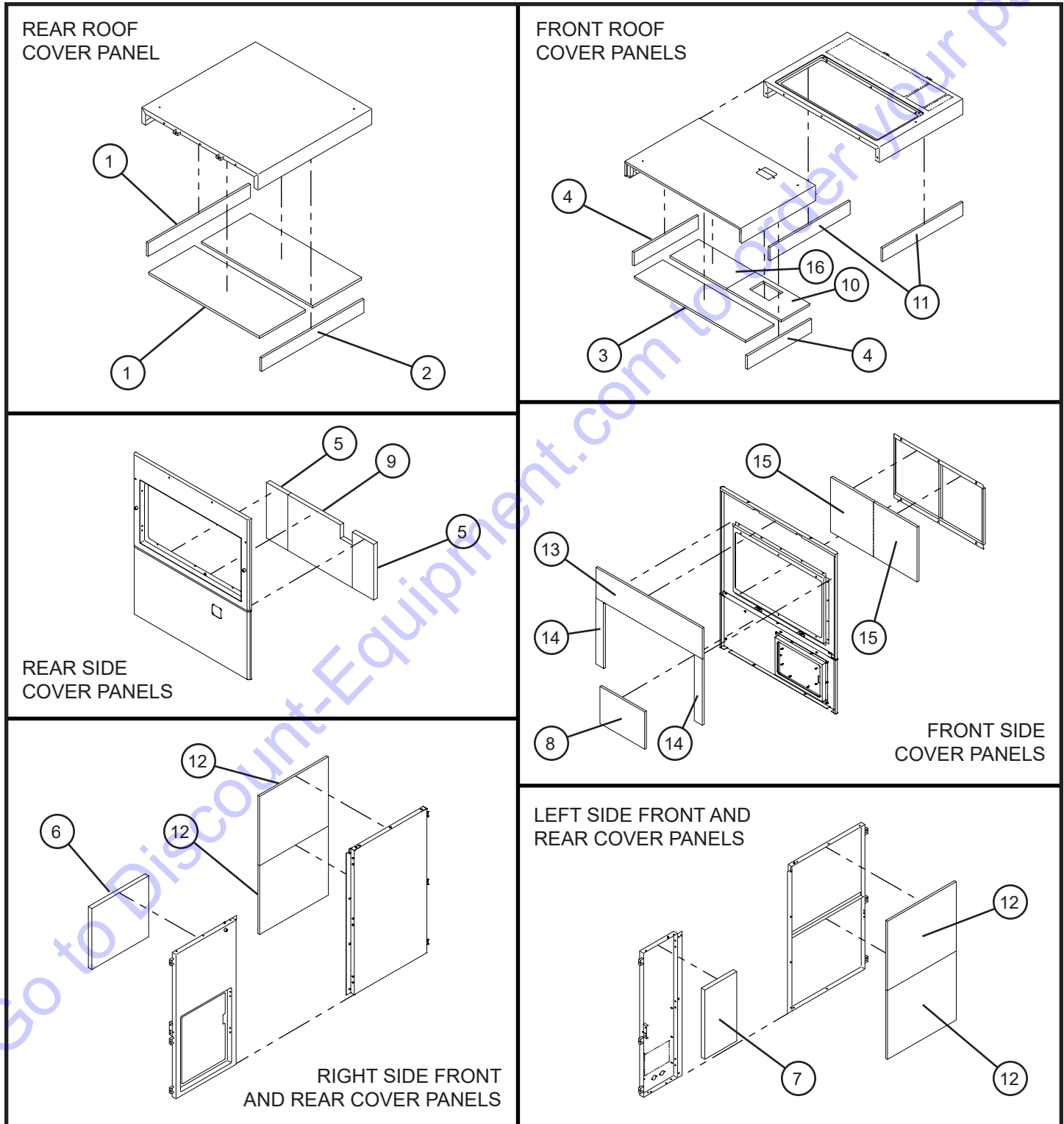
1.7 - Section One

Item	Allmand No.	Part Description	Qty.
--	116830	DOORS URETHANE FOAM KIT	1
1	***	LINING	1
2	***	LINING	1
3	***	LINING	1
4	***	LINING	1
5	***	LINING	1
6	***	LINING	1
7	***	LINING	1
8	***	LINING	1
9	***	LINING	1
10	***	LINING	1
11	***	LINING	1
12	***	LINING	1
13	***	LINING	1
14	***	LINING	1
15	***	LINING	1
16	***	LINING	1
17	***	LINING	1
18	***	LINING	1
19	***	LINING	1
20	***	LINING	1

NS - Not Shown

*** - Contact Allmand for more information.

1.8 - Cover Panel Urethane Foam Linings



Maxi-Power™ 150 T4F

SN 27-000100 and UP

1.8 - Cover Panel Urethane Foam Linings

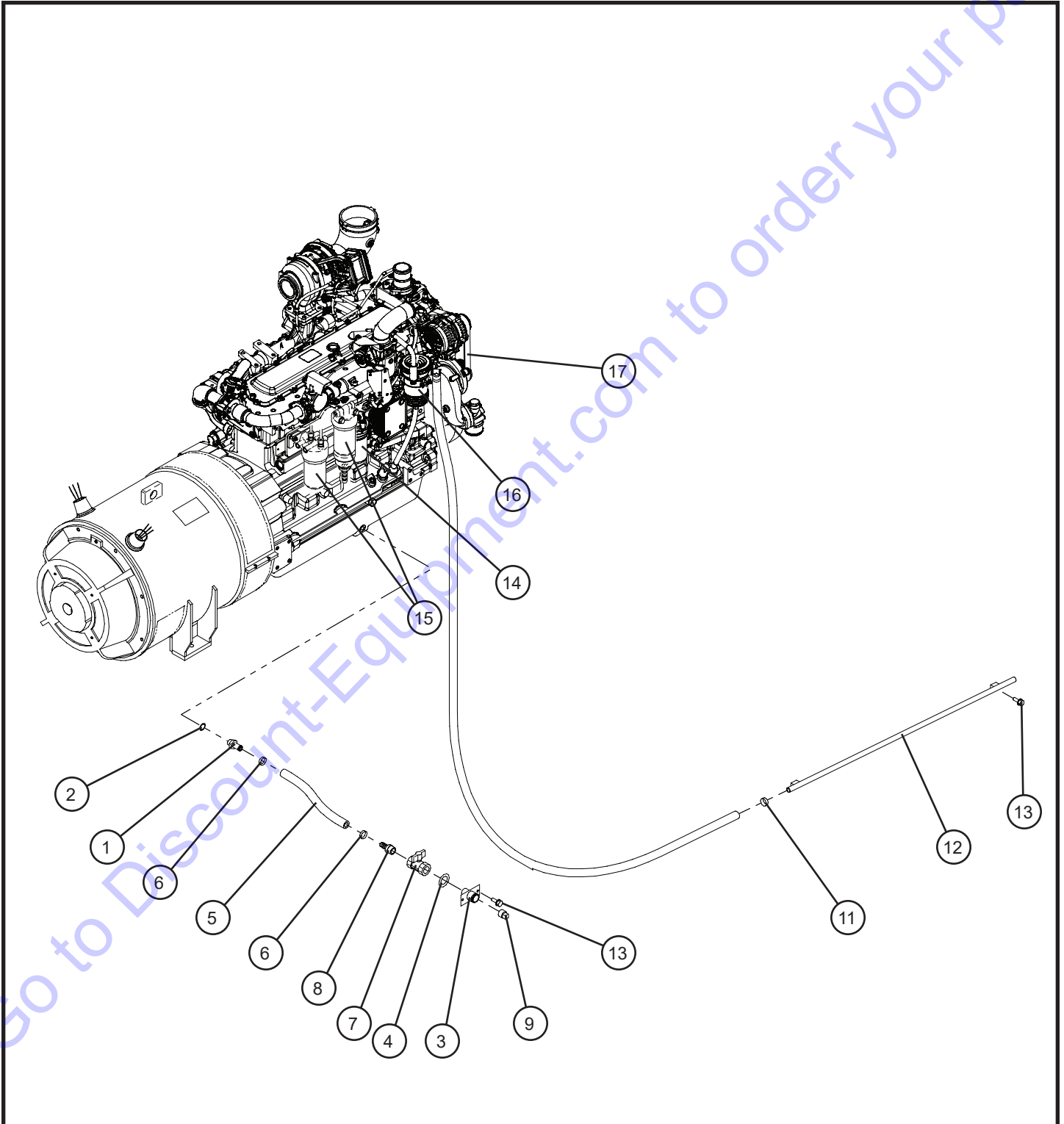
Item	Allmand No.	Part Description	Qty.
--	116831	COVER PANELS URETHANE FOAM KIT	1
1	***	LINING	2
2	***	LINING	2
3	***	LINING	1
4	***	LINING	2
5	***	LINING	2
6	***	LINING	1
7	***	LINING	1
8	***	LINING	1
9	***	LINING	1
10	***	LINING	1
11	***	LINING	2
12	***	LINING	4
13	***	LINING	1
14	***	LINING	2
15	***	LINING	2
16	***	LINING	1

NS - Not Shown

*** - Contact Allmand for more information.

Go to Discount-Equipment.com to order your parts

2.1 - John Deere 6068HFG05 Engine and Filter Group



Maxi-Power™ 150 T4F

SN 27-000100 and UP

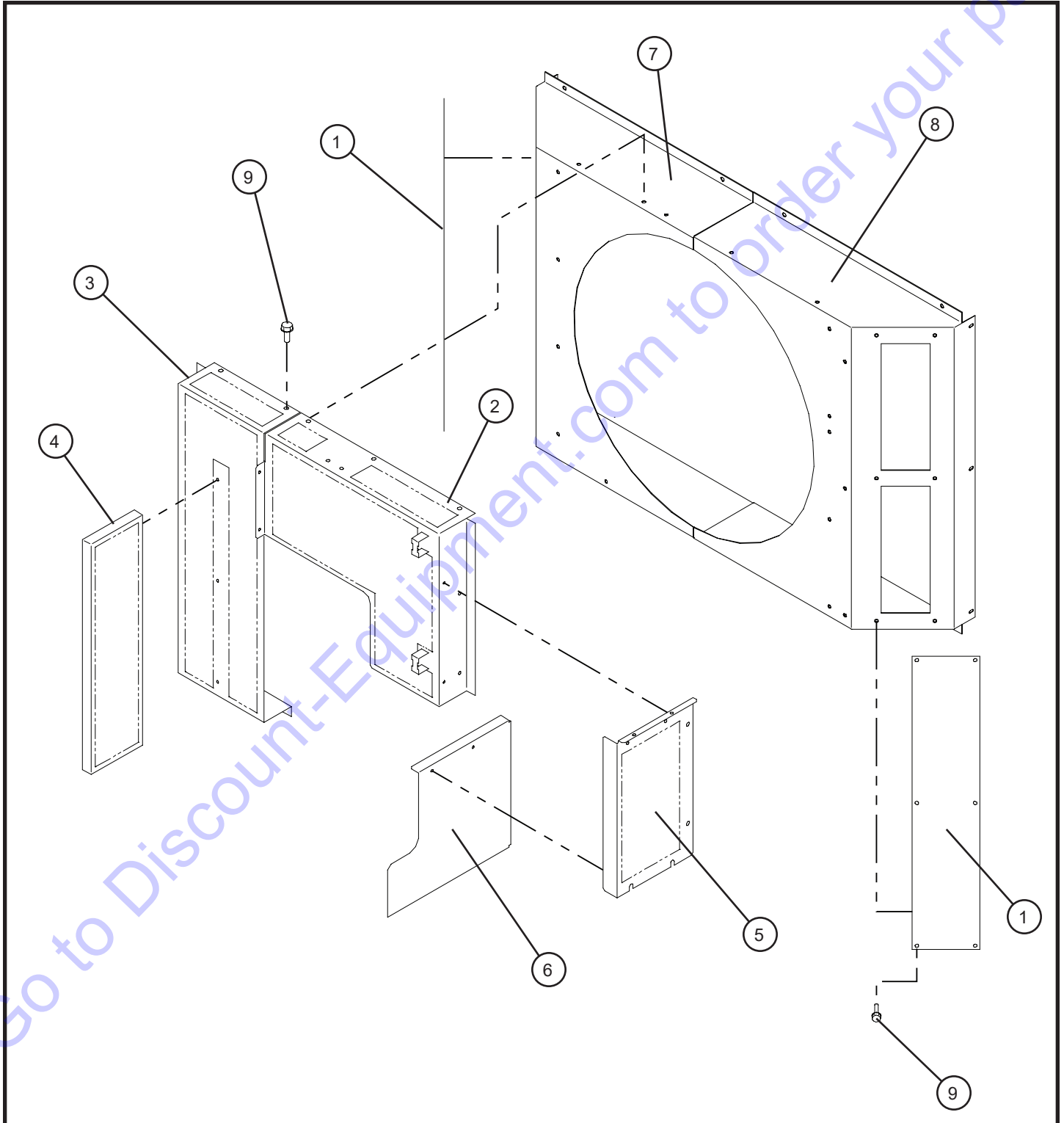
2.1 - John Deere 6068HFG05 Engine and Filter Group

Item	Allmand No.	Part Description	Qty.
1	***	JOINT	1
2	110522	GASKET	1
3	***	BRACKET	1
4	***	CUSHION RUBBER	1
5	***	HOSE	1
6	***	HOSE CLIP	2
7	***	VALVE	1
8	***	JOINT	1
9	***	PLUG	1
10	***	HOSE	1
11	***	HOSE CLIP	2
12	***	PIPE	1
13	116746	BOLT W/W	4
14	116833	OIL FILTER CARTRIDGE	1
15	116834	FUEL FILTER KIT	1
16	116835	OCV FILTER ELEMENT	1
	116836	OCV FILTER ELEMENT	1
17	116837	V-BELT	1

NS - Not Shown

*** - Contact Allmand for more information.

2.2 - Engine Finger and Fan Guards



Maxi-Power™ 150 T4F

SN 27-000100 and UP

2.2 - Engine Finger and Fan Guards

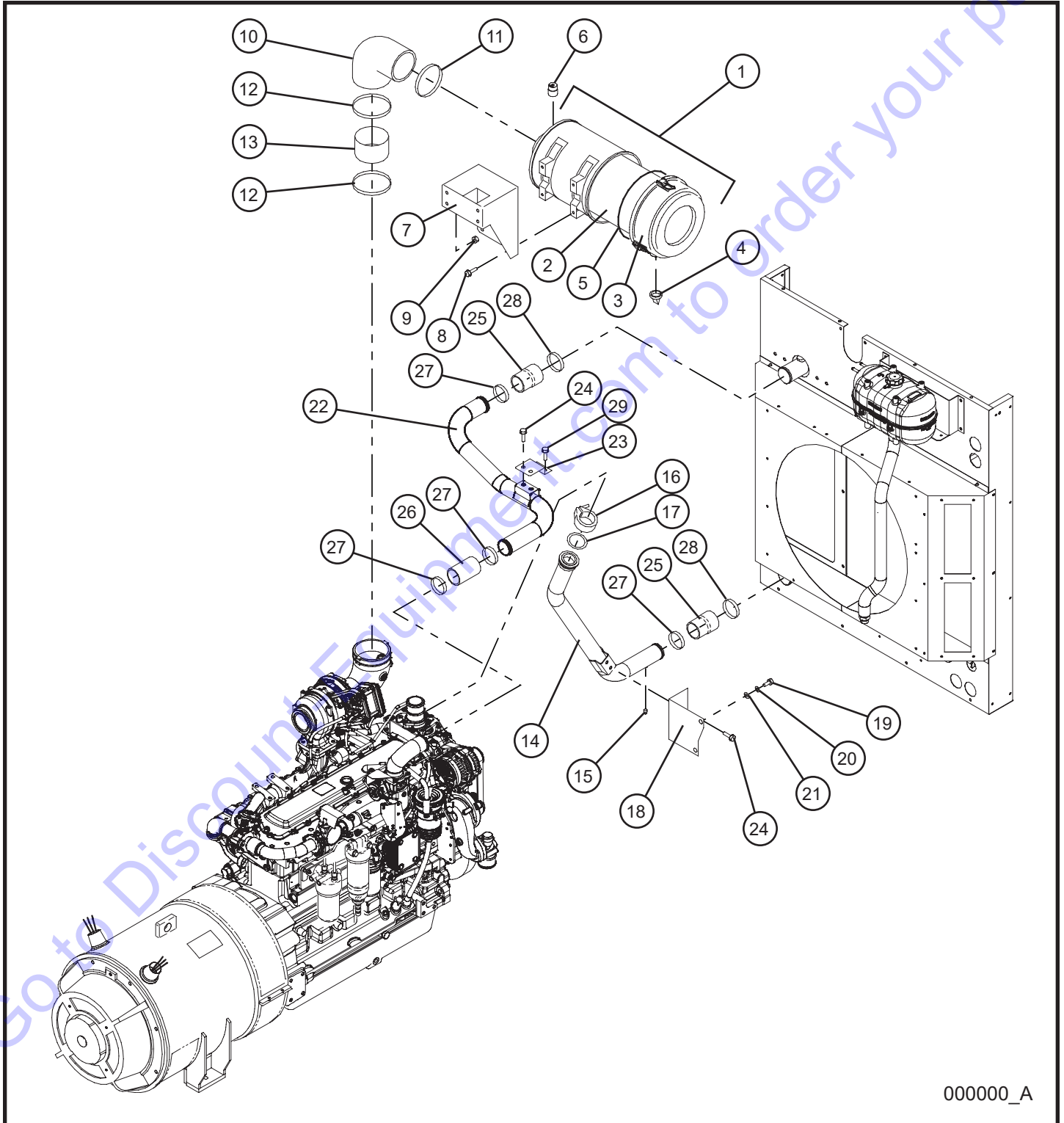
Item	Allmand No.	Part Description	Qty.
1	***	COVER	2
2	***	FAN GUARD	1
3	***	FAN GUARD	1
4	***	FAN GUARD	1
5	***	FAN GUARD	1
6	***	BRACKET	1
7	116771	FAN SHROUD	1
8	116772	FAN SHROUD	1
9	110514	FLANGE BOLT	35

NS - Not Shown

*** - Contact Allmand for more information.

Go to Discount-Equipment.com to order your parts

2.3 - Engine Intake Group



000000_A

Maxi-Power™ 150 T4F

SN 27-000100 and UP

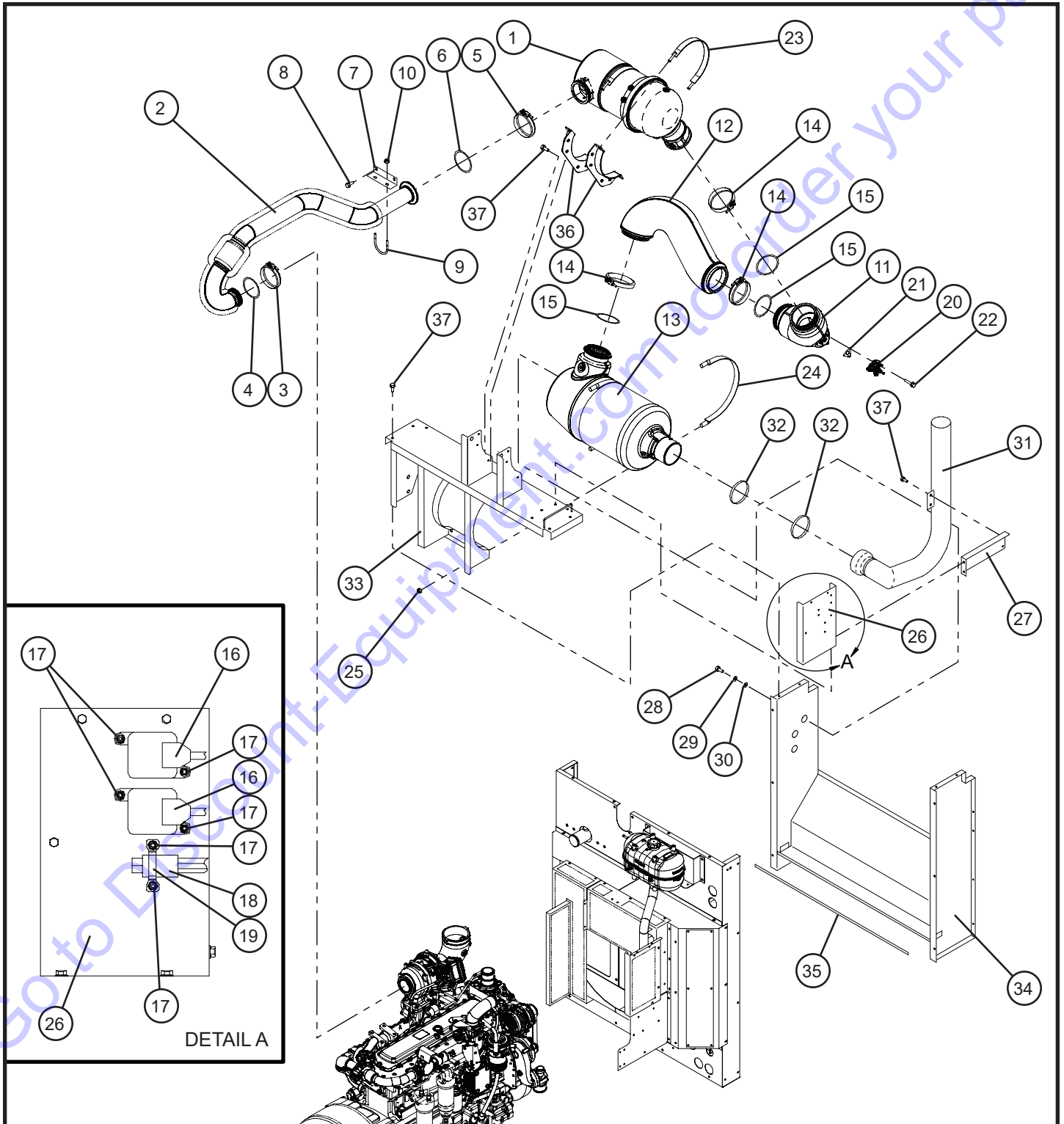
2.3 - Engine Intake Group

Item	Allmand No.	Part Description	Qty.
1	111009	AIR FILTER ASSEMBLY	1
2	110880	ELEMENT	1
3	111013	CUP	1
	116778	PLATE (TOP)	1
4	111014	VACUATOR VALVE	1
5	111016	O-RING	1
6	110637	SERVICE INDICATOR FILTER	1
7	***	BRACKET	1
8	***	FLANGE BOLT	4
9	***	HEXAGON FLANGE NUT	4
10	116766	HOSE	1
11	116753	HOSE CLIP	1
12	116754	HOSE CLIP	2
13	116762	INTAKE PIPE	1
14	116763	INTAKE PIPE	1
15	116758	PLUG	1
16	116838	CLAMP	1
17	116839	GASKET	1
18	116760	BRACKET	1
19	116744	BOLT	2
20	116750	SPRING WASHER	2
21	116751	PLAIN WASHER	4
22	116764	PIPE	1
23	116761	BRACKET	1
24	116747	BOLT W/W	4
25	110747	HOSE	2
26	116765	HOSE	1
27	116755	HOSE CLIP	4
28	116756	HOSE CLIP	2
29	110515	FLANGE BOLT	2

NS - Not Shown

*** - Contact Allmand for more information.

2.4 - Engine Exhaust Group



Maxi-Power™ 150 T4F

SN 27-000100 and UP

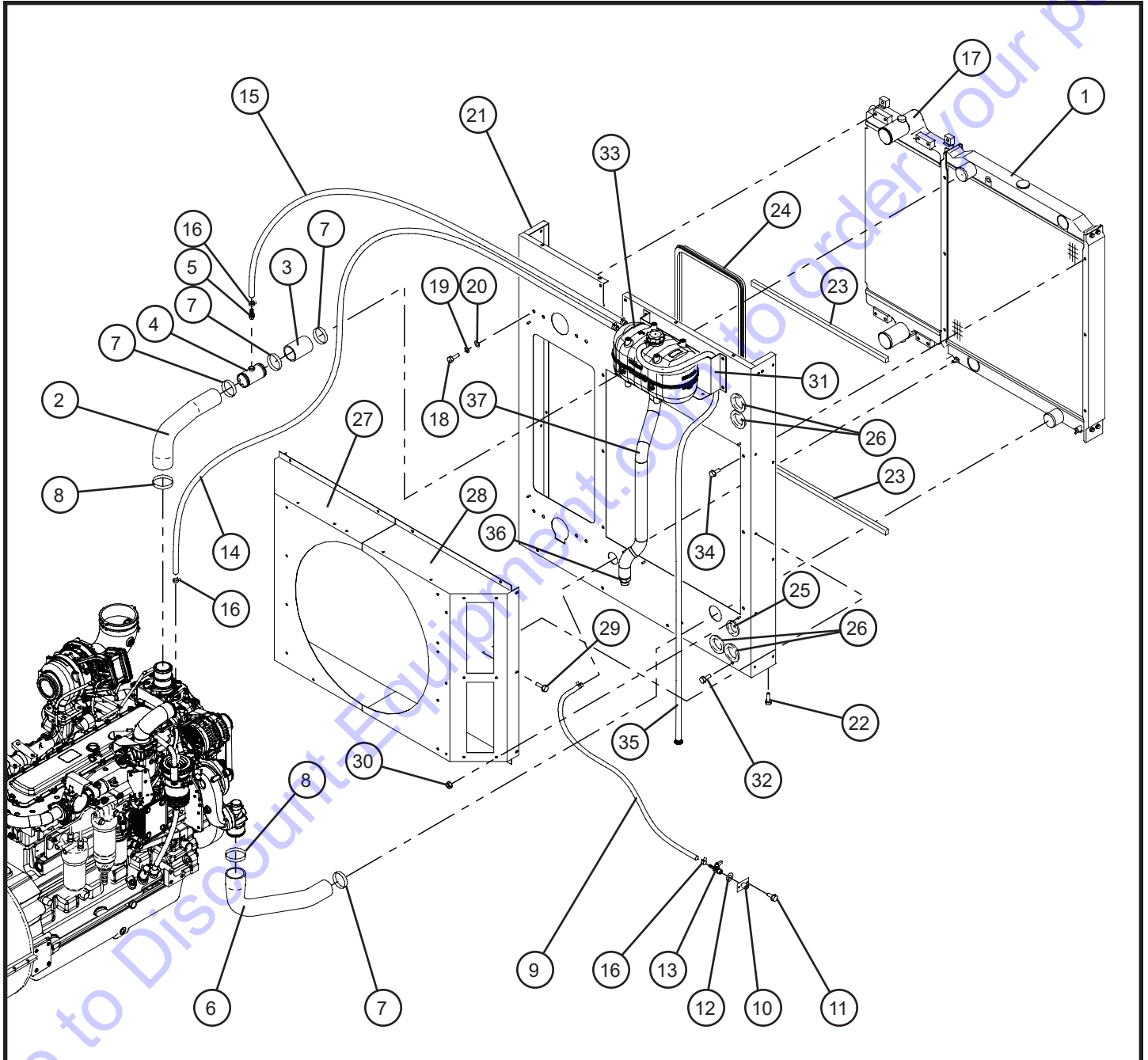
2.4 - Engine Exhaust Group

Item	Allmand No.	Part Description	Qty.
1	116840	DOC CONVERTER	1
2	116807	EXHAUST PIPE	1
3	116841	CLAMP	1
4	116842	SEAL	1
5	116843	CLAMP	1
6	116844	SEALANT RING	1
7	116806	BRACKET	1
8	110515	FLANGE BOLT	2
9	***	U-BOLT	1
10	114249	HEXAGON FLANGE NUT	2
11	***	DECOMP TUBE	1
12	***	DECOMP EXTENSION TUBE	1
13	***	SCR CONVERTER	1
14	***	V BAND CLAMP	3
15	***	GASKET	3
16	***	NOX SENSOR	2
17	116745	BOLT W/W	12
18	116845	TEMPERATURE SENSOR	1
19	***	SENSOR STRAP	1
20	***	DEF INJECTOR	1
21	***	GASKET	1
22	***	BOLT	3
23	***	BELT	2
24	***	BELT	2
25	***	HEXAGON FLANGE NUT	16
26	***	BRACKET	1
27	***	BRACKET	1
28	***	BOLT	3
29	116750	SPRING WASHER	3
30	116751	PLAIN WASHER	3
31	116808	EXHAUST PIPE	1
32	***	HOSE CLIP	2
33	***	BRACKET	1
34	***	BRACKET	1
35	114267	RUBBER SEAL	1
36	***	BRACKET	2
37	***	BOLT W/W	17

NS - Not Shown

*** - Contact Allmand for more information.

2.5 - Engine Cooling Group



Maxi-Power™ 150 T4F

SN 27-000100 and UP

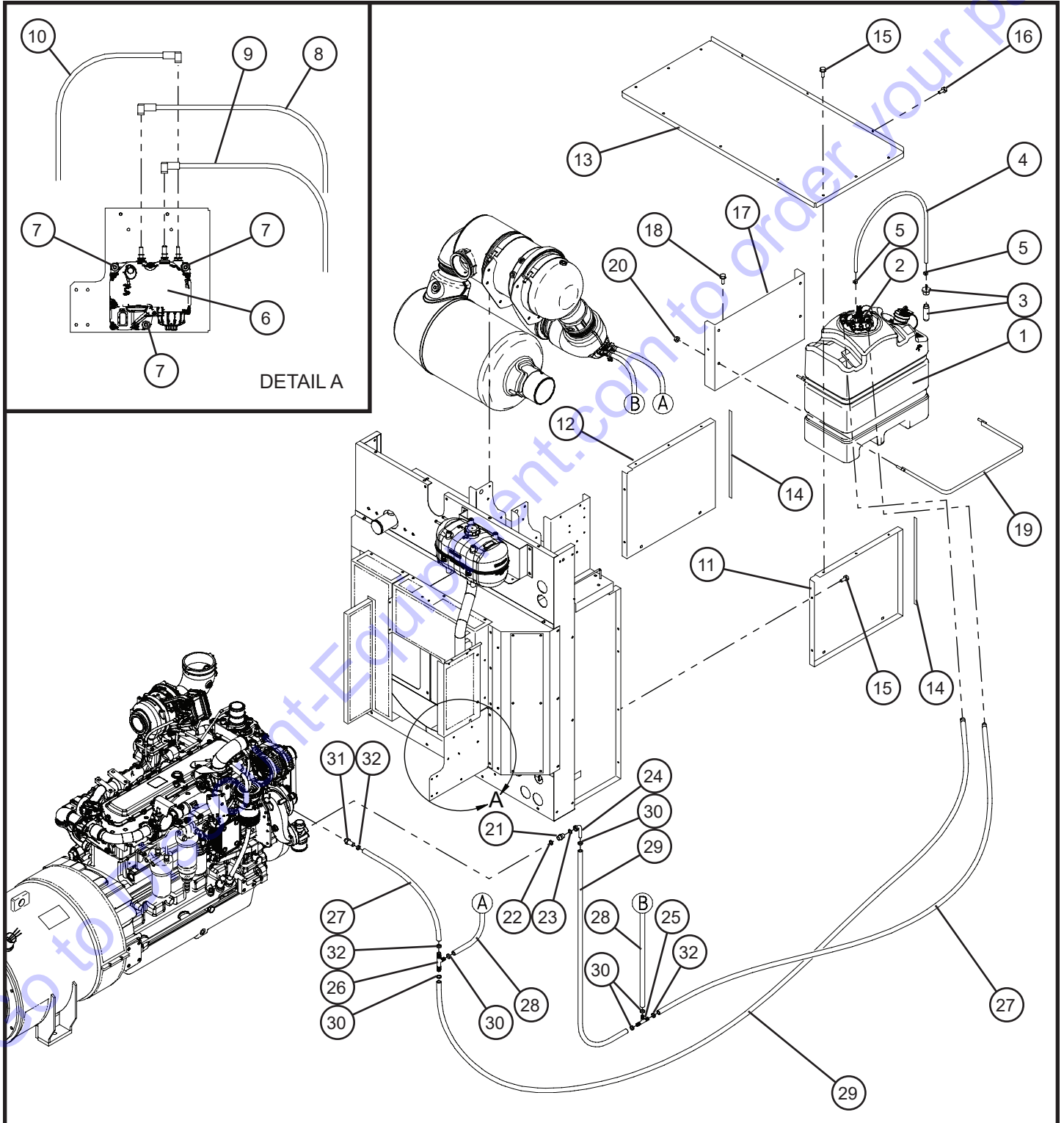
2.5 - Engine Cooling Group

Item	Allmand No.	Part Description	Qty.
1	116769	RADIATOR	1
	116770	VALVE	1
	116773	VALVE	1
2	***	HOSE	1
3	116776	HOSE	1
4	116774	PIPE	1
5	116767	JOINT	1
6	116775	HOSE	1
7	116752	HOSE CLIP	4
8	112992	HOSE CLIP	2
9	116757	HOSE	1
10	116768	JOINT	1
11	116746	BOLT W/W	2
12	116829	CUSHION RUBBER	1
13	***	AIR VALVE	1
14	***	HOSE	1
15	***	HOSE	1
16	***	HOSE CLIP	6
17	116777	INTERCOOLER	1
18	***	BOLT	8
19	***	SPRING WASHER	8
20	***	PLAIN WASHER	8
21	***	COVER	1
22	***	BOLT W/W	4
23	***	SEAL RUBBER	2
24	***	SEAL RUBBER	1
25	***	GROMMET	1
26	***	GROMMET	4
27	116771	FAN SHROUD	1
28	116772	FAN SHROUD	1
29	114241	BOLT W/W	6
30	114248	HEXAGON FLANGE NUT	8
31	***	BRACKET	1
32	110515	FLANGE BOLT	8
33	***	SURGE TANK	1
34	***	FLANGE BOLT	10
35	***	HOSE	1
	***	HOSE CLIP	1
36	***	ADAPTER FITTING	1
37	***	HOSE	1
	***	HOSE CLIP	2
NS	***	SURGE TANK WIRING HARNESS	1

NS - Not Shown

*** - Contact Allmand for more information.

2.6 - Engine DEF System Group



Maxi-Power™ 150 T4F

SN 27-000100 and UP

2.6 - Engine DEF System Group

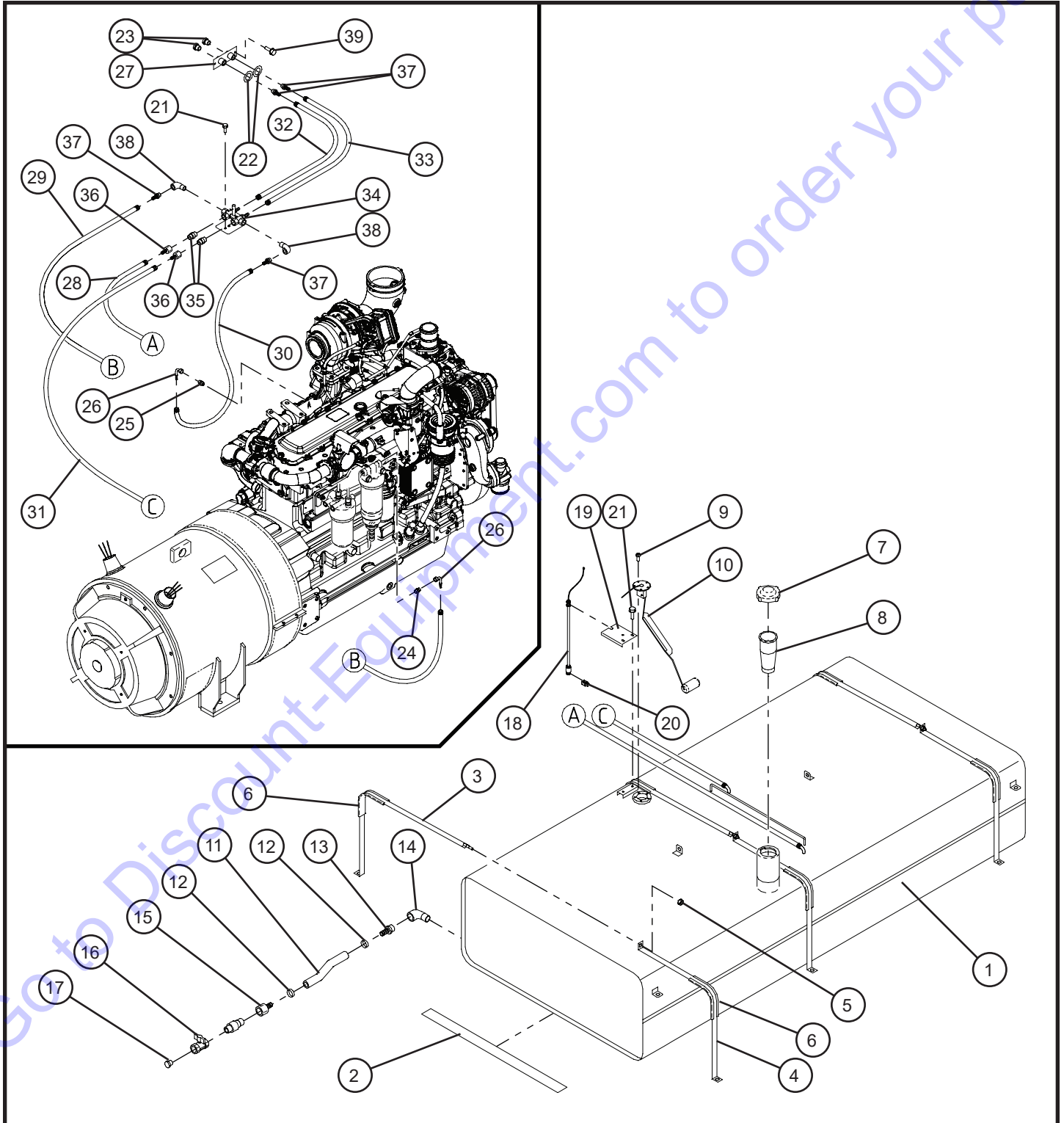
Item	Allmand No.	Part Description	Qty.
1	***	DEF TANK	1
2	***	DEF TANK HEADER ASSEMBLY	1
3	***	BREATHER FILTER	1
4	***	HOSE	1
5	***	HOSE CLIP	2
6	***	DEF DOSING UNIT	1
	***	DEF DOSING UNIT FILTER	1
7	***	BOLT	3
	***	SPRING WASHER	3
	***	PLAIN WASHER	3
8	***	DEF LINE	1
9	***	DEF LINE	1
10	***	DEF LINE	1
11	***	COVER	1
12	***	COVER	1
13	***	COVER	1
14	***	SEAL RUBBER	2
15	116745	BOLT W/W	17
16	***	BOLT W/W	3
17	***	BRACKET	1
18	110515	FLANGE BOLT	4
19	***	BELT	2
20	114249	HEXAGON FLANGE NUT	4
21	***	CONNECTOR	1
22	***	O-RING	1
23	***	O-RING	1
24	***	HOSE END	1
25	***	TEE FITTING	1
26	***	TEE FITTING	1
27	***	COOLANT HOSE	1
28	***	COOLANT HOSE	1
29	***	COOLANT HOSE	1
30	***	HOSE CLAMP	1
31	***	HOSE FITTING	1
32	***	HOSE CLAMP	1
NS	***	DEF TANK WIRING HARNESS	1
NS	***	DEF TANK WIRING HARNESS	1

NS - Not Shown

*** - Contact Allmand for more information.

©2019 Allmand®

2.7 - Fuel Tank and Fuel Lines



Maxi-Power™ 150 T4F

SN 27-000100 and UP

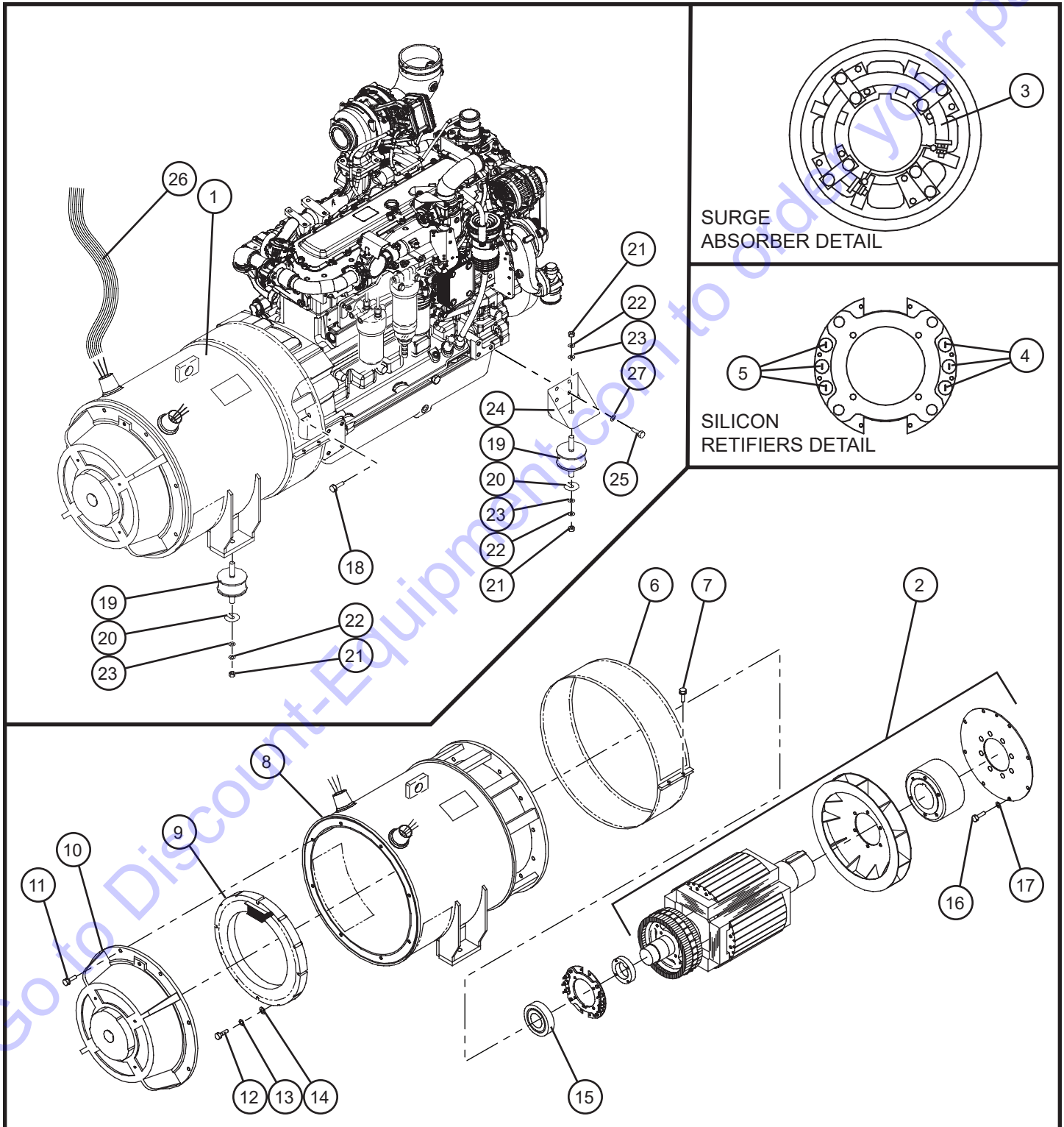
2.7 - Fuel Tank and Fuel Lines

Item	Allmand No.	Part Description	Qty.
1	***	FUEL TANK	1
2	***	CUSHION RUBBER	3
3	111714	BELT	3
4	***	BELT	3
5	***	HEXAGON FLANGE NUT	9
6	***	CUSHION	6
7	110746	CAP,FUEL TANK	1
8	110750	STRAINER	1
9	110960	SENDING UNIT	1
	110728	GASKET	1
10	116748	SCREW,W/W	5
11	***	HOSE	1
12	***	HOSE CLIP	2
13	***	JOINT	1
14	***	ELBOW	1
15	***	JOINT	1
16	***	VALVE	1
17	***	PLUG	1
18	116817	LEVEL SWITCH	1
19	***	BRACKET	1
20	114281	CLIP	1
21	110514	FLANGE BOLT	4
22	***	CUSHION RUBBER	2
23	***	PLUG	2
24	***	FITTING ORFS STRAIGHT	1
25	***	ADAPTER FITTING	1
26	***	FITTING ELBOW	2
27	***	JOINT	1
28	***	HOSE	1
29	***	HOSE	1
30	***	HOSE	1
31	***	HOSE	1
32	***	HOSE	1
33	***	HOSE	1
34	110686	STOP VALVE	1
35	116455	NIPPLE	2
36	116453	JOINT	2
37	***	JOINT	4
38	***	ELBOW	2
39	116746	BOLT,W/W	2
NS	***	HOSE CLIP	12

NS - Not Shown

*** - Contact Allmand for more information.

2.8 - Engine Mounting and Generator Assembly Group



Maxi-Power™ 150 T4F

SN 27-000100 and UP

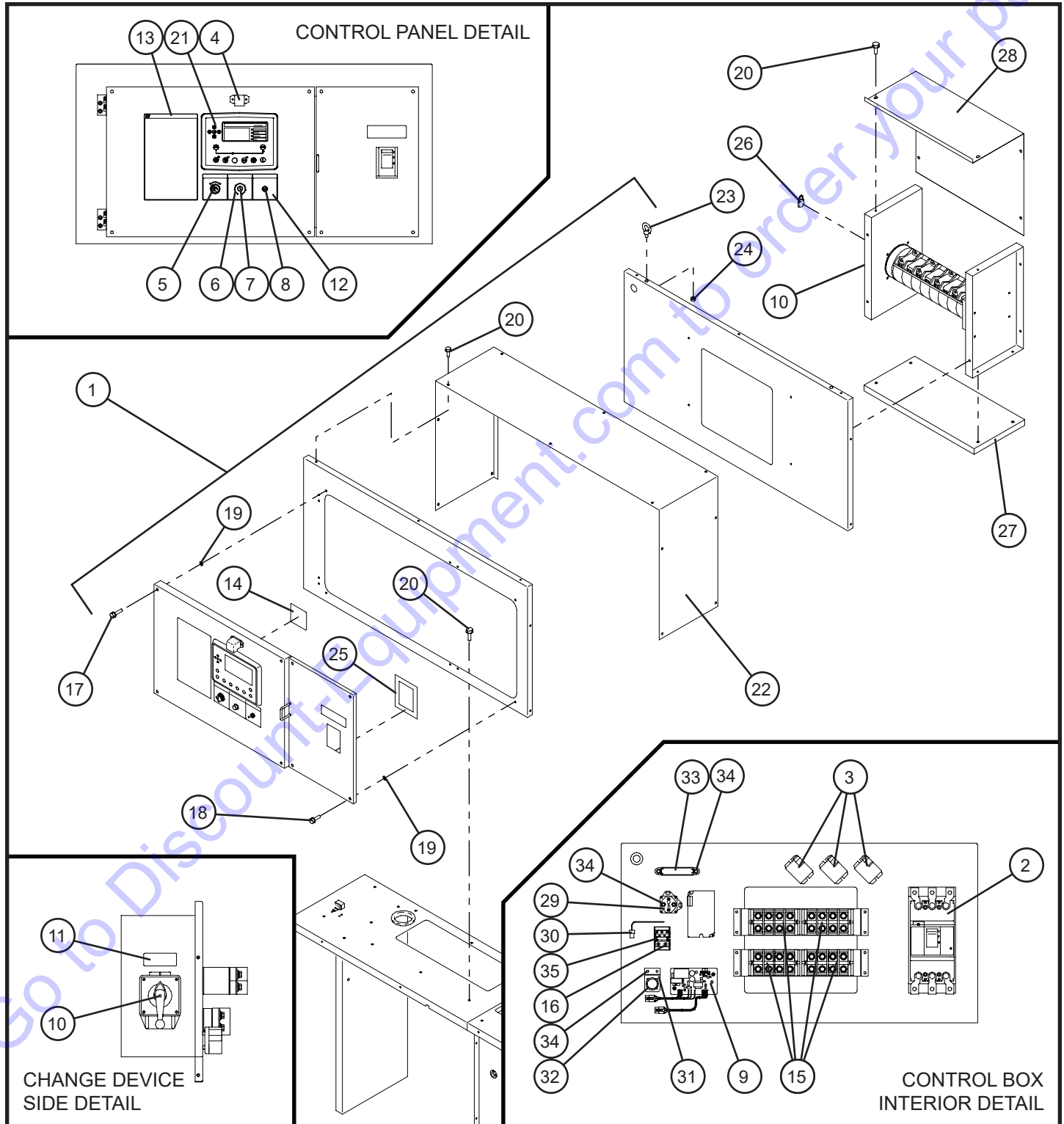
2.8 - Engine Mounting and Generator Assembly Group

Item	Allmand No.	Part Description	Qty.
1	***	GENERATOR	1
2	110996	A.C.G ROTOR ASSEMBLY	1
3	110998	SURGE ABSORBER	1
4	116822	SILICON RECTIFIER	3
5	116821	SILICON RECTIFIER	3
6	***	COVER	1
7	***	BOLT W/W	2
8	***	A.C.G. STATOR ASSEMBLY	1
9	111003	EX. STATOR ASSEMBLY	1
10	***	CASING	1
11	***	BOLT W/W	8
12	***	BOLT	4
13	***	SPRING WASHER	4
14	***	PLAIN WASHER	4
15	111000	BEARING	1
16	***	BOLT	8
17	***	SPRING WASHER	8
18	***	BOLT W/W	12
19	111006	VIBRATION ISOLATOR ASSEMBLY	4
20	116759	SHIM	4
21	116749	NUT	6
22	116750	SPRING WASHER	6
23	116751	PLAIN WASHER	6
24	***	BRACKET	2
25	***	BOLT	6
26	***	GENERATOR CABLE KIT	1
27	***	SPRING WASHER	6

NS - Not Shown

*** - Contact Allmand for more information.

3.1 - Control Box Group



Maxi-Power™ 150 T4F

SN 27-000100 and UP

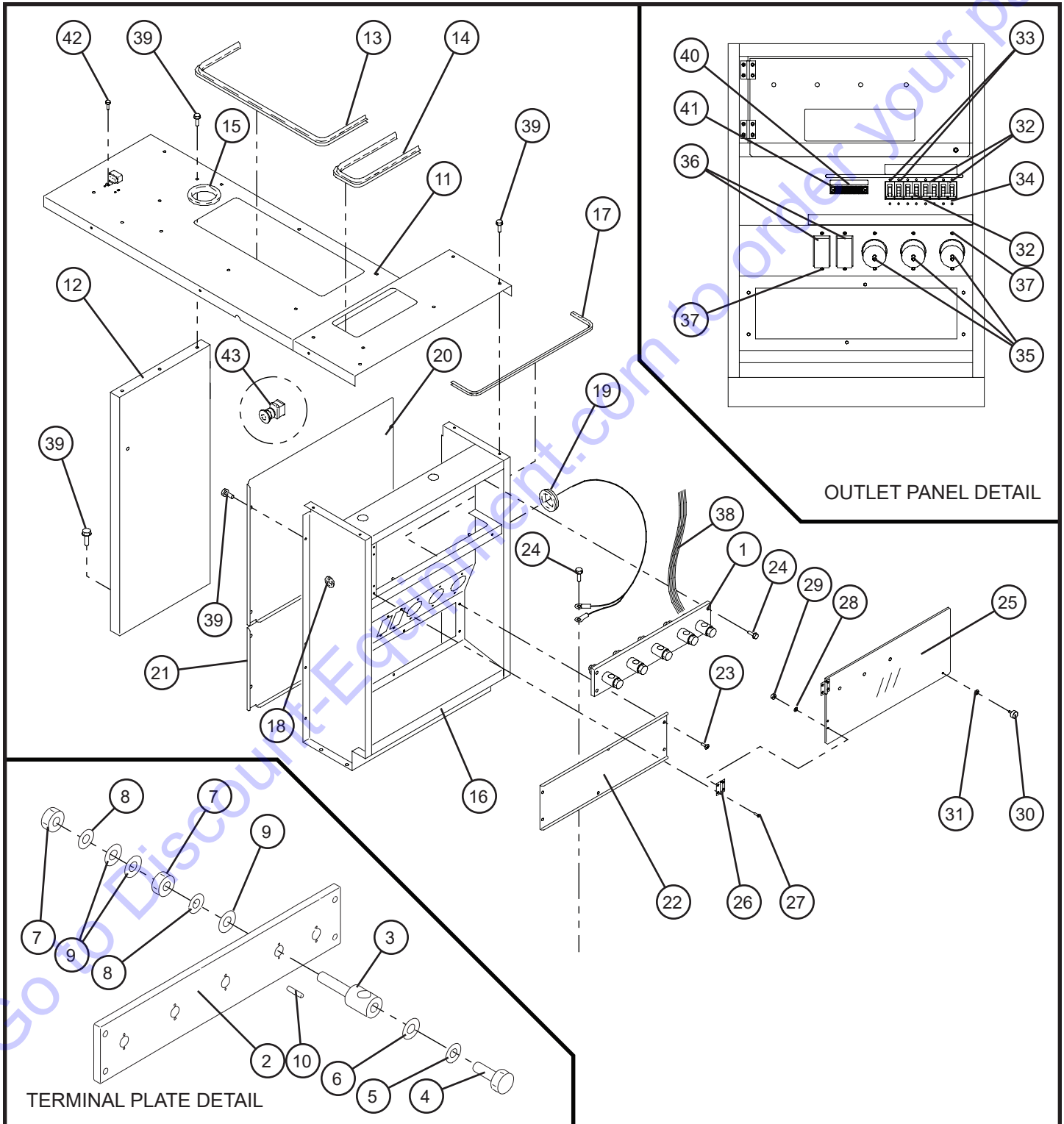
3.1 - Control Box Group

Item	Allmand No.	Part Description	Qty.
1	***	SWITCH BOARD ASS'Y	1
2	116814	CIRCUIT BREAKER	1
3	116823	CURRENT TRANSFORMER	3
4	116824	ILLUMINATOR	1
5	116815	SELECT SWITCH	1
6	116819	CONTROLLER	1
7	116826	KNOB	1
8	116816	SELECT SWITCH	1
9	116825	A.V.R ASS'Y	1
10	116818	CHANGE DEVICE,VOLTAGE	1
11	116797	PLATE(CAUTION)	1
12	116804	PLATE(IN-PANE)	1
13	116780	PLATE(IN-PANE)	1
14	116794	PLATE(NOTICE)	1
15	***	TERMINAL PLATE	4
16	***	SCREW	2
	***	SPRING WASHER	2
	***	PLAIN WASHER	2
17	***	BOLT,W/W	4
18	110505	BOLT,W/W	4
19	***	WASHER	8
20	110514	FLANGE BOLT	45
21	***	CONTROLLER COMPLETE	1
22	***	COVER	1
23	***	EYE BOLT	2
24	***	HEXAGON FLANGE NUT	2
25	***	LINING	1
26	111708	LOCK ASS'Y	1
27	***	BRACKET	1
28	***	COVER	1
29	116846	STARTER RELAY	1
30	116820	SILICON RECTIFIER	1
31	***	BRACKET	1
32	***	SCREW	4
	***	SPRING WASHER	4
	***	PLAIN WASHER	4
	***	NUT	8
33	***	FUSE BOX	1
	110930	FUSE	2
	***	FUSE	3
	***	FUSE	1
34	***	BOLT,W/W	7
35	***	TERMINAL PLATE	1
NS	116813	WIRING HARNESS	1

NS - Not Shown

*** - Contact Allmand for more information.

3.2 - Electrical Outlet Box Group



Maxi-Power™ 150 T4F

SN 27-000100 and UP

3.2 - Electrical Outlet Box Group

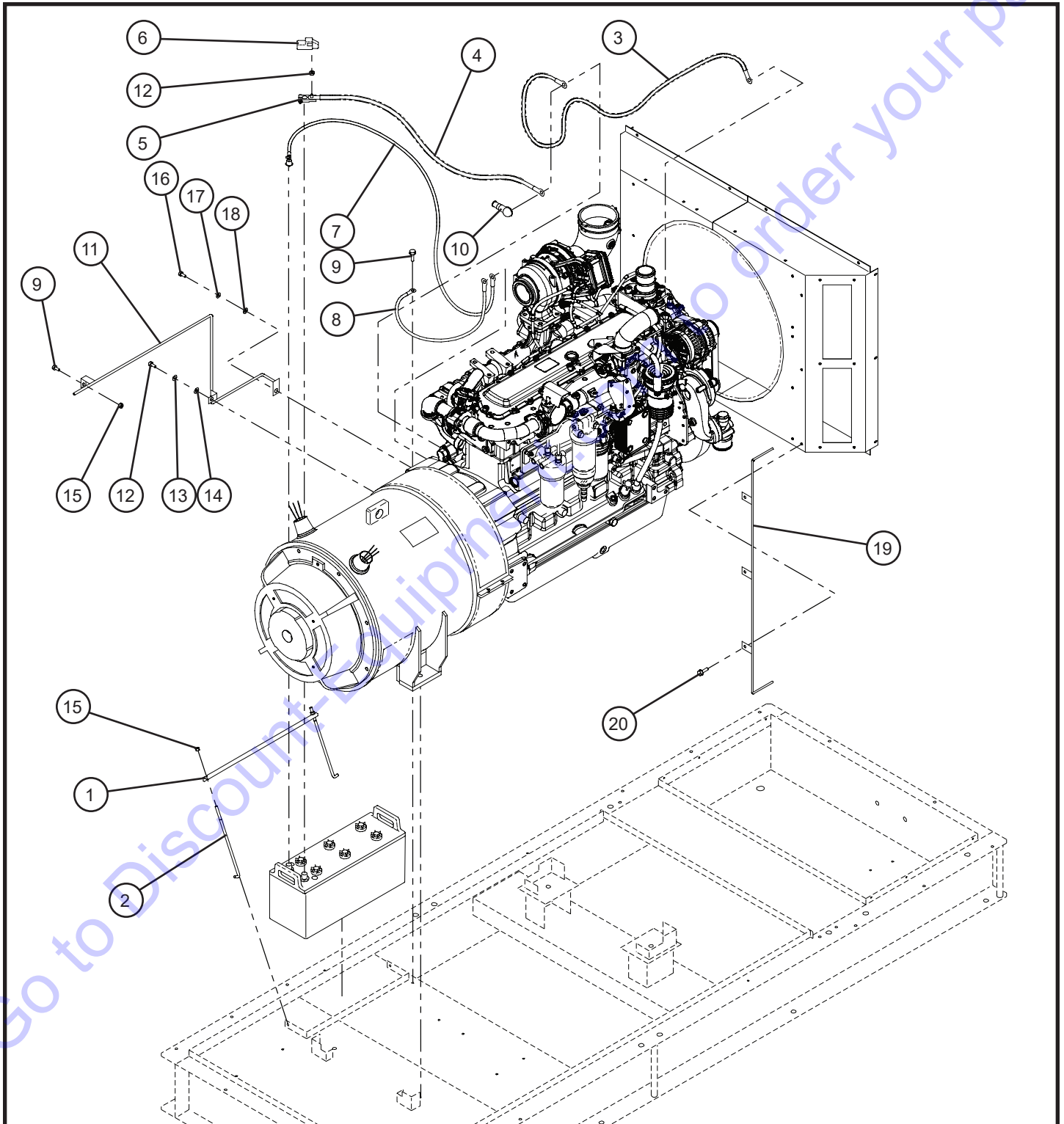
Item	Allmand No.	Part Description	Qty.
1	110908	TERMINAL PLATE ASSEMBLY	1
2	113043	PLATE	1
3	116832	BOLT	5
4	112075	BOLT	5
5	113038	SPRING WASHER	5
6	113039	PLAIN WASHER	5
7	112076	NUT	10
8	113040	SPRING WASHER	10
9	113041	PLAIN WASHER	15
10	113042	PIN	10
11	***	BRACKET	1
12	***	BRACKET	1
13	***	SEAL RUBBER	1
14	***	SEAL RUBBER	1
15	***	GROMMET	1
16	***	BOX	1
17	***	SEAL RUBBER	1
18	***	GROMMET	1
19	***	GROMMET	1
20	***	COVER	1
21	***	BRACKET	1
22	***	COVER	1
23	***	SCREW	6
24	110515	FLANGE BOLT	11
25	116827	WINDOW GLASS	1
26	***	HINGE	2
27	***	SCREW	8
28	***	PLAIN WASHER	4
29	***	HEXAGON FLANGE NUT	4
30	116410	BOLT	1
31	116411	WASHER	1
32	110909	CIRCUIT BREAKER	3
	110910	CIRCUIT BREAKER	3
33	110911	CIRCUIT BREAKER	2
	110912	CIRCUIT BREAKER	2
34	***	SCREW	16
	***	SPRING WASHER	16
	***	PLAIN WASHER	16
35	116810	SOCKET	3
36	110469	SOCKET	2
37	***	SCREW	10
	***	NUT	10
	***	SPRING WASHER	10
	***	PLAIN WASHER	20
38	***	CABLE KIT	1
39	110514	FLANGE BOLT	45
40	116809	TERMINAL PLATE	1
	***	SCREW	2
	***	SPRING WASHER	2
	***	PLAIN WASHER	2
41	***	NUT	2
	***	BOLT,W/W	7
42	***	BOLT,W/W	7
43	116812	EMERGENCY STOP BUTTON SWITCH	1

NS - Not Shown

*** - Contact Allmand for more information.

©2019 Allmand®

3.3 - Battery Cables Group



Maxi-Power™ 150 T4F

SN 27-000100 and UP

3.3 - Battery Cables Group

Item	Allmand No.	Part Description	Qty.
1	116450	COVER	1
2	***	HOLDER	2
3	***	CABLE ALTERNATOR-STARTER	1
	***	CORRUGATED TUBE	1
4	***	CABLE BATTERY-STARTER	1
	***	CORRUGATED TUBE	1
5	***	TERMINAL	1
6	***	INSULATOR	1
7	***	CABLE BATTERY-ENGINE GROUND	1
8	***	CABLE ENGINE GROUND-FRAME	1
9	110515	FLANGE BOLT	2
10	***	INSULATOR	1
11	***	GUIDE	1
12	***	BOLT	2
13	***	SPRING WASHER	2
14	***	PLAIN WASHER	2
15	114249	HEXAGON FLANGE NUT	4
16	***	BOLT	1
17	113040	SPRING WASHER	1
18	***	PLAIN WASHER	1
19	***	GUIDE	1
20	110514	FLANGE BOLT	5

NS - Not Shown *** - Contact Allmand for more information.

3.4 - Tail Lights and Tail Light Harness

To Be Determined

000000_A

Maxi-Power™ 150 T4F

SN 27-000100 and UP

3.4 - Tail Lights and Tail Light Harness

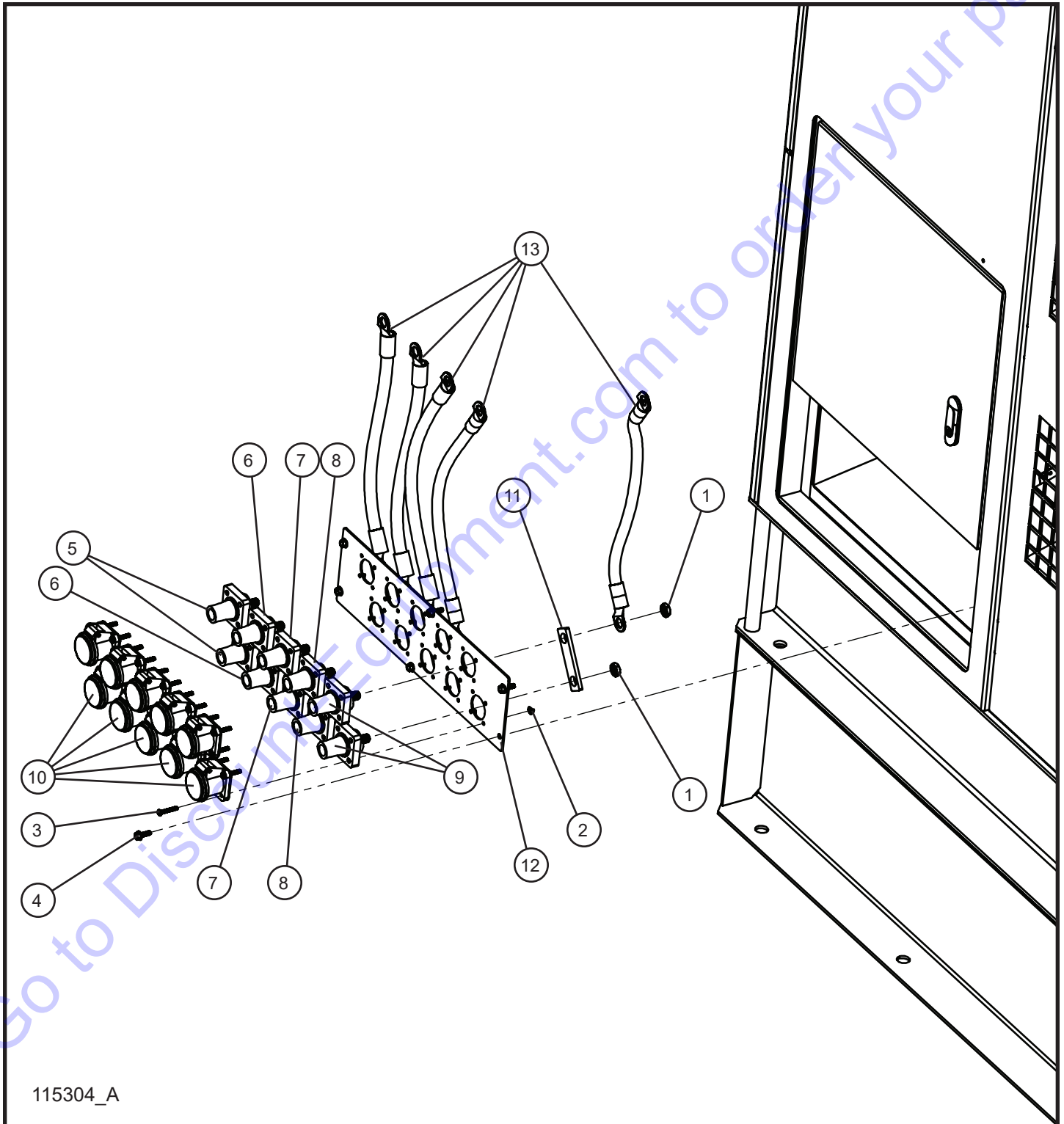
Item	Allmand No.	Part Description	Qty.
1	***	to be determined	
2	***		
3	***		
4	***		
5	***		
6	***		
7	***		
8	***		
9	***		
10	***		

NS - Not Shown

*** - Contact Allmand for more information.

Go to Discount-Equipment.com to order your parts

3.5 - Cam Locks Option



115304_A

Maxi-Power™ 150 T4F

SN 27-000100 and UP

3.5 - Cam Locks Option

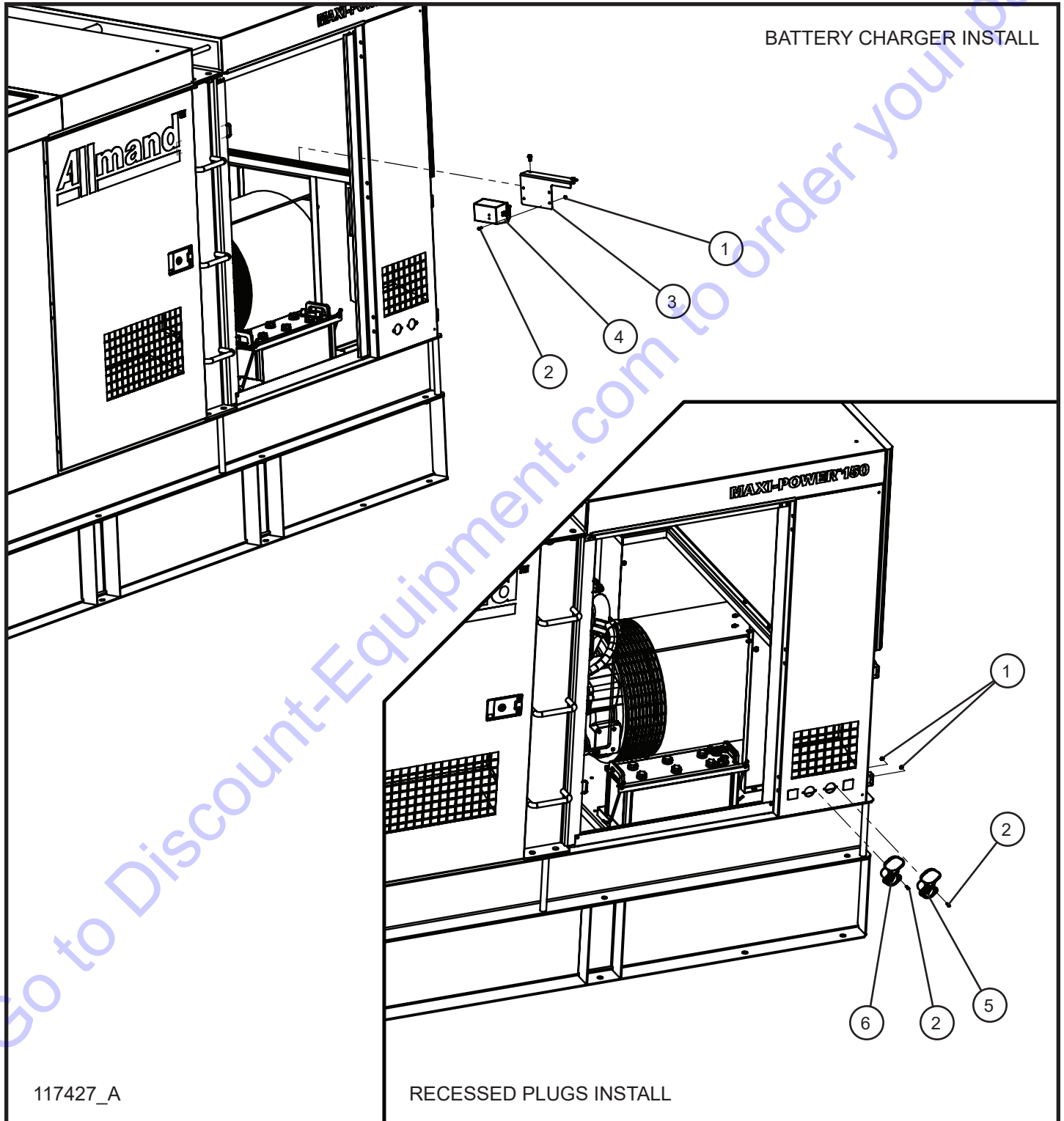
Item	Allmand No.	Part Description	Qty.
1	100643	1/2-13 NYLOCK JAM NUT	10
2	044016	#10-24 KEPS HEX NUT PL	40
3	041035	#10-24 x 1-1/4 PHILLIPS MACHINE SCREW	40
4	055001	M6-1.0 x 20 HEX HEAD FLANGE BOLT	6
5	113242	CAM LOCK BLACK FEMALE 90° 600V 400A	2
6	113243	CAM LOCK RED FEMALE 90° 600V 400A	2
7	113244	CAM LOCK BLUE FEMALE 90° 600V 400A	2
8	113245	CAM LOCK WHITE FEMALE 90° 600V 400A	2
9	113246	CAM LOCK GREEN FEMALE 90° 600V 400A	2
10	112424	CAM LOCK 90° CLEAR COVER	10
11	112479	BUS BAR DUAL CAM LOCK	5
12	112468P	DUAL CAM LOCK MOUNT PLATE	1
13	112556	4/0 CABLE KIT CAM LOCK 150 KVA GEN	1
NS	112421	DUAL CAM LOCK 4/0 CABLE SCHEMATIC	1

NS - Not Shown

*** - Contact Allmand for more information.

Go to Discount-Equipment.com to order your parts

3.6 - Battery Charger, Battery Heater, and Block Heater (1 of 2)



Maxi-Power™ 150 T4F

SN 27-000100 and UP

3.6 - Battery Charger, Battery Heater, and Block Heater (1 of 2)

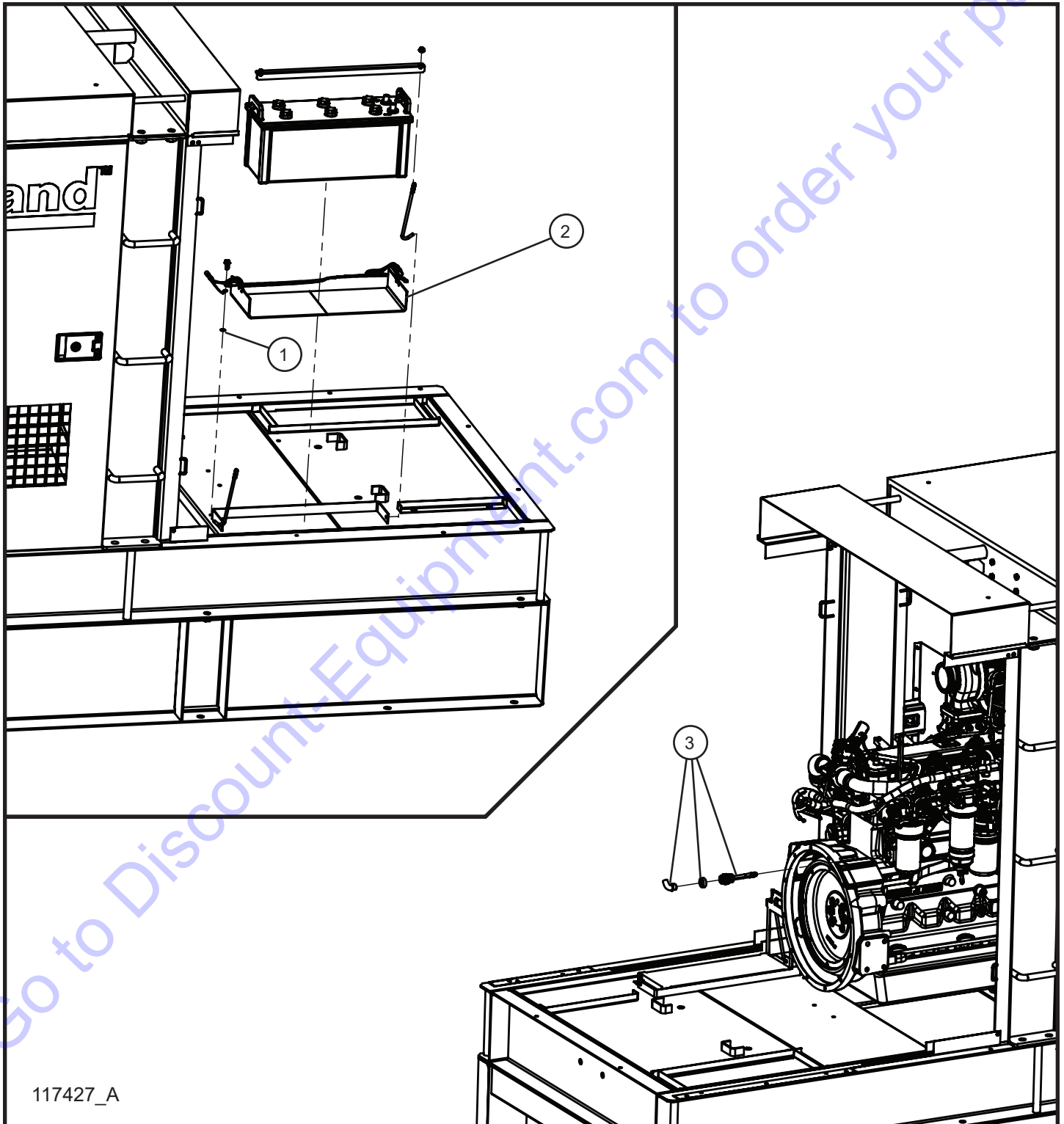
Item	Allmand No.	Part Description	Qty.
1	044016	#10-24 KEPS HEX NUT	8
2	041027	#10-24 x 3/4 PHILLIPS ROUND HEAD	8
3	117132P	BATTERY CHARGER MOUNT MAXI-POWER 150 T4F	1
4	114778	BATTERY CHARGER MAXI-POWER 150 T4F	1
5	117131	RECESSED PLUG MAXI-POWER 150 T4F	1
6	112619	RECESSED PLUG MAXI-POWER 25 & 150 T4F	1
NS	022211	1" LOOM GUARD x 60.00	1
NS	112638	ARCTIC PACKAGE SCHEMATIC	1

NS - Not Shown

* * * - Contact Allmand for more information.

Go to Discount-Equipment.com to order your parts

3.6 - Battery Charger, Battery Heater, and Block Heater (2 of 2)



117427_A

Maxi-Power™ 150 T4F

SN 27-000100 and UP

3.6 - Battery Charger, Battery Heater, and Block Heater (2 of 2)

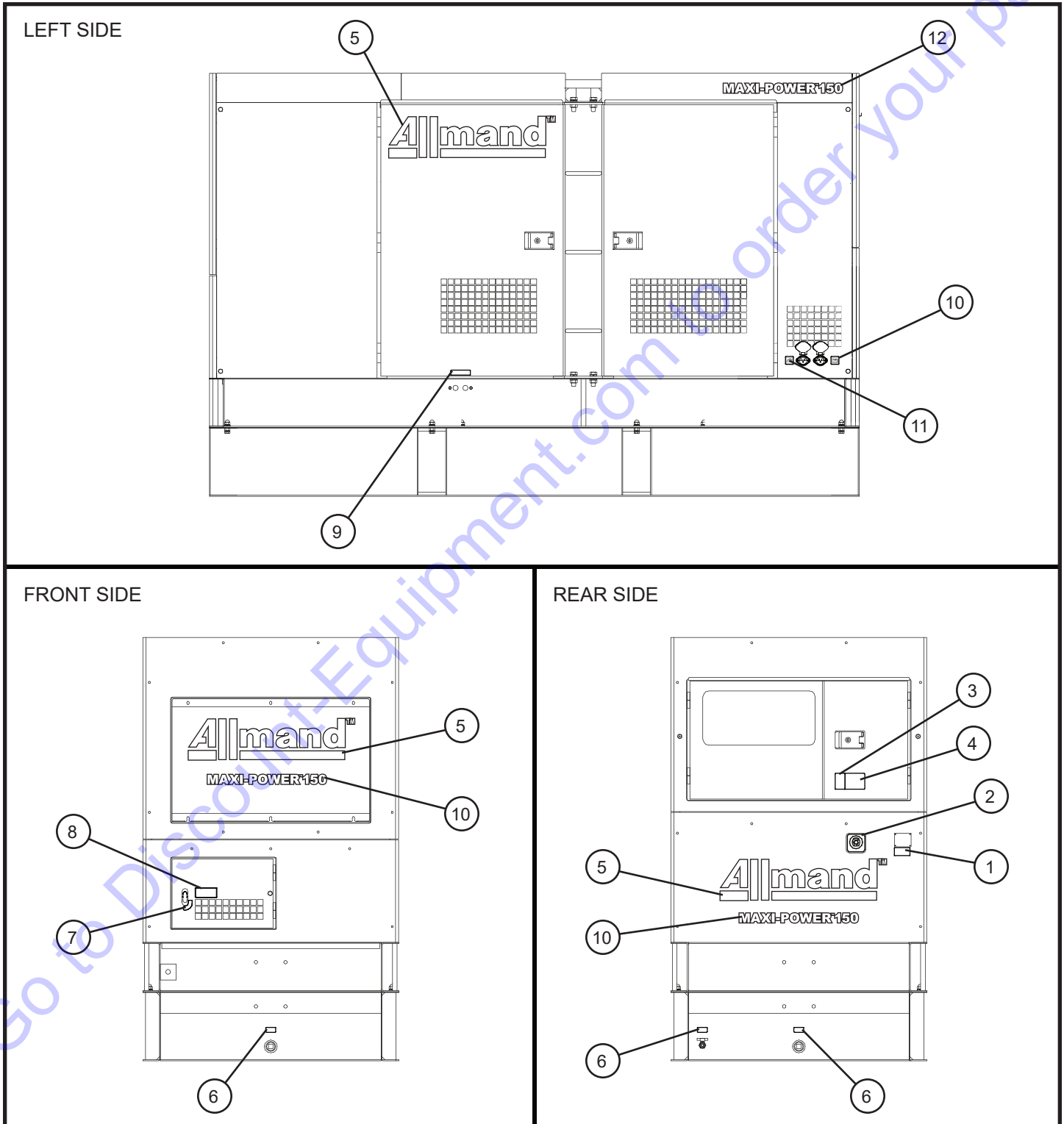
Item	Allmand No.	Part Description	Qty.
1	043060	5/16 TOOTHLOCK WASHER	1
2	117428	BATTERY HEATER MAXI-POWER 150 T4F	1
3	117433	BLOCK HEATER MAXI-POWER 150	1
NS	112608	PLUG 3-PRONG MALE	1
NS	022202	3/8" LOOM FLEX GUARD x 28.00	1
NS	022202	3/8" LOOM FLEX GUARD x 34.00	1
NS	112638	ARCTIC PACKAGE SCHEMATIC	1

NS - Not Shown

* * * - Contact Allmand for more information.

Go to Discount-Equipment.com to order your parts

4.1 - Front, Left, and Rear Side Enclosure Decals



Maxi-Power™ 150 T4F

SN 27-000100 and UP

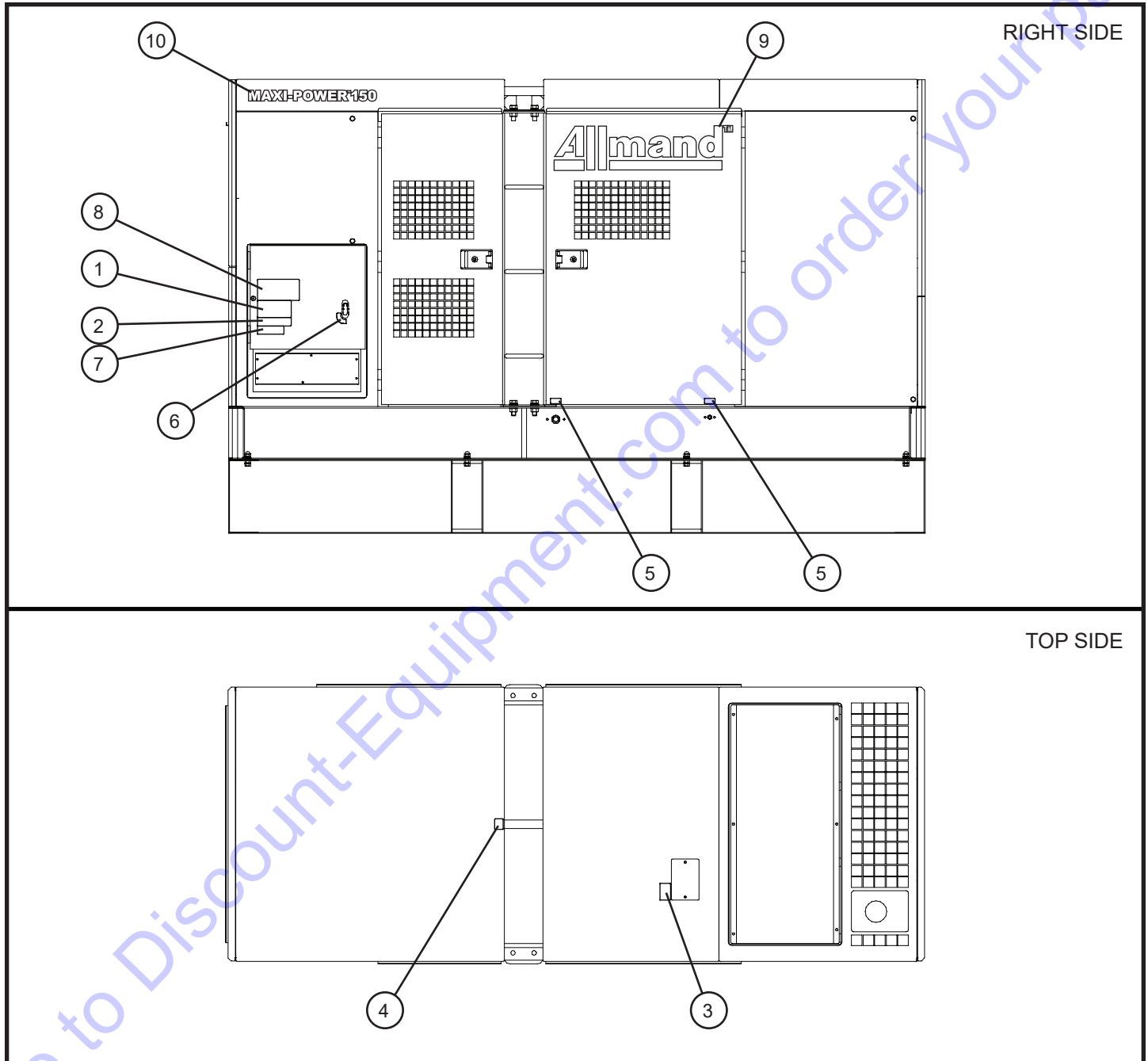
4.1 - Front, Left, and Rear Side Enclosure Decals

Item	Allmand No.	Part Description	Qty.
1	116800	PLATE (CALIFORNIA)	1
2	112844	PLATE (EMERGENCY STOP)	1
3	116787	PLATE (WARNING, EXHAUST GASES)	1
4	112811	PLATE (DANGER, EXHAUST GASES)	1
5	110287	LARGE BLACK ALLMAND BRANDING DECAL	3
6	116784	PLATE COMPLETE SET (FUEL, RADIATOR, ENGINE OIL, AND OIL FENCE DRAINS)	1
7	116798	PLATE (OPEN-CLOSE)	1
8	116803	PLATE (DEF ONLY)	1
9	116791	PLATE (FUEL RETURN, FUEL INLET)	1
10	112138	BATTERY CHARGER DECAL	1
11	112139	ENGINE AND BATTERY HEATER DECAL	1
12	109017	MAXI-POWER 150 DECAL	3
NS	114329	MARK (AIRMAN)	1

NS - Not Shown

* * * - Contact Allmand for more information.

4.2 - Right and Top Side Enclosure Decals



Maxi-Power™ 150 T4F

SN 27-000100 and UP

4.2 - Right and Top Side Enclosure Decals

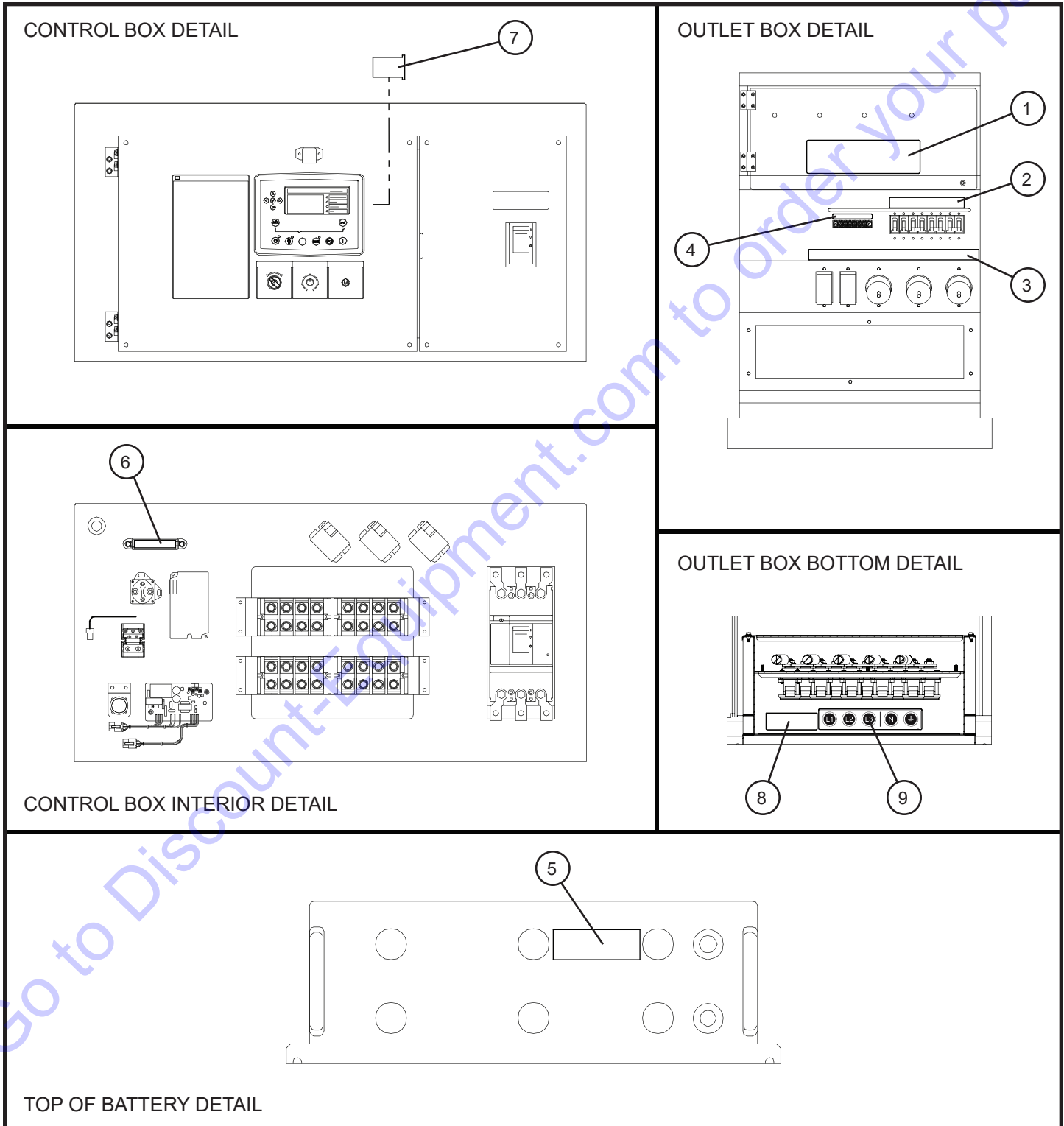
Item	Allmand No.	Part Description	Qty.
1	112987	PLATE (HIGH VOLTAGE)	1
2	112989	PLATE (WARNING, ELECTRIC SHOCK)	1
3	116786	PLATE (CAUTION,RADIATOR CAP)	1
4	116801	PLATE (LIFT POSITION)	1
5	116784	PLATE COMPLETE SET (FUEL, RADIATOR, ENGINE OIL, AND OIL FENCE DRAINS)	1
6	116799	PLATE (OPEN-CLOSE)	1
7	112804	PLATE COMPLETE SET (CAUTION, CABLE)	1
8	116789	PLATE (OUTPUT)	1
9	110287	LARGE BLACK ALLMAND BRANDING DECAL	1
10	109017	MAXI-POWER 150 DECAL	1

NS - Not Shown

* * * - Contact Allmand for more information.

Go to Discount-Equipment.com to order your parts

4.3 - Control and Outlet Box Decals



Maxi-Power™ 150 T4F

SN 27-000100 and UP

4.3 - Control and Outlet Box Decals

Item	Allmand No.	Part Description	Qty.
1	116779	PLATE (WIRING CHART)	1
2	116805	PLATE (BREAKER)	1
3	116796	PLATE (SOCKET)	1
4	116792	PLATE (2 WIRE TERMINAL PLATE)	1
5	116785	PLATE (DANGER,BATTERY)	1
6	116781	PLATE (FUSE)	1
7	116802	PLATE (DSE MONITER)	1
8	112804	PLATE COMPLETE SET (CAUTION, CABLE)	1
9	112136	CAM LOCK MAXI-POWER DECAL	1

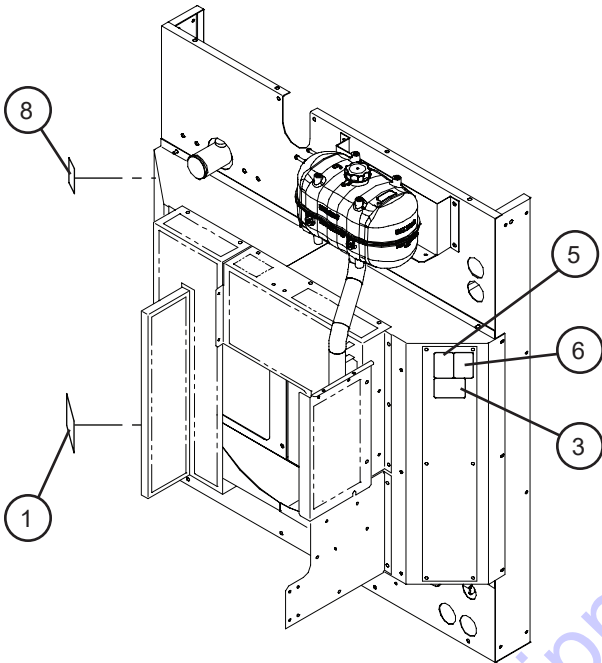
NS - Not Shown

* * * - Contact Allmand for more information.

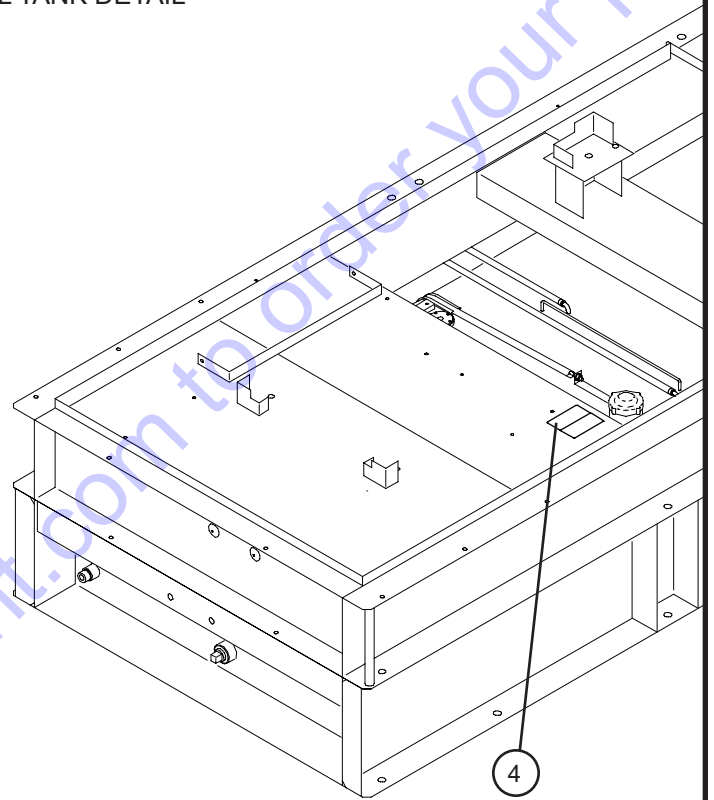
Go to Discount-Equipment.com to order your parts

4.4 - Trailer Interior Decals

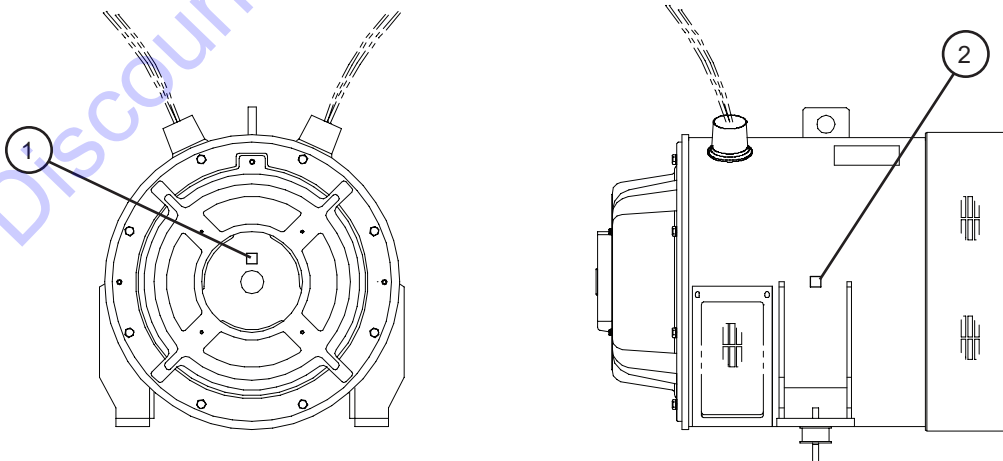
FINGER GUARD DETAIL



FUEL TANK DETAIL



GENERATOR DETAIL



Maxi-Power™ 150 T4F

SN 27-000100 and UP

4.4 - Trailer Interior Decals

Item	Allmand No.	Part Description	Qty.
1	116782	PLATE (INDICATOR)	1
2	116783	PLATE (INDICATOR)	1
3	116790	PLATE (LLC)	1
4	116793	PLATE (DIESEL FUEL)	1
5	114418	PLATE (WARNING, PULLEY)	1
6	116788	PLATE (WARNING, COOLING FAN)	1
7	114416	PLATE (CAUTION, HIGH TEMP.)	1
8	116795	PLATE (CHANGED FUEL REFILL)	1

NS - Not Shown

* * * - Contact Allmand for more information.

Go to Discount-Equipment.com to order your parts



SN 27-000100 and UP

Go to Discount-Equipment.com to order your parts



Maxi-Power™ 150 T4F

SN 27-000100 and UP

Go to Discount-Equipment.com to order your parts

Maxi-Power™ 150 T4F

Allmand®

**Discount
Equipment**

www.discount-equipment.com

Go to Discount-Equipment.com to order your parts

PARTS FINDER

**Search Website
by Part Number**



**Search Manual
Library For Parts
Manual & Lookup Part
Numbers – Purchase
or Request Quote**

Search Manuals

Enter your information to help us find the right parts manual for your machine.

* Brand:

* Model:

* Serial:

* Part Number:

SEARCH

**Can't Find Part or
Manual? Request Help
by Manufacturer,
Model & Description**

Parts Order Form

Please fill in the following information to help us find the right part for your machine.

Manufacturer:	<input type="text"/>
Model:	<input type="text"/>
Description:	<input type="text"/>
Part Number:	<input type="text"/>
Quantity:	<input type="text"/>
Notes:	<input type="text"/>

Submit

Discount-Equipment.com is your online resource for quality parts & equipment.

Florida: **561-964-4949** Outside Florida TOLL FREE: **877-690-3101**

Need parts?

Click on this link: <http://www.discount-equipment.com/category/5443-parts/> and choose one of the options to help get the right parts and equipment you are looking for. Please have the machine model and serial number available in order to help us get you the correct parts. If you don't find the part on the website or on one of the online manuals, please fill out the request form and one of our experienced staff members will get back to you with a quote for the right part that your machine needs.

We sell worldwide for the brands: Genie, Terex, JLG, MultiQuip, Mikasa, Essick, Whiteman, Mayco, Toro Stone, Diamond Products, Generac Magnum, Airman, Haulotte, Barreto, Power Blanket, Nifty Lift, Atlas Copco, Chicago Pneumatic, Allmand, Miller Curber, Skyjack, Lull, Skytrak, Tsurumi, Husquvarna Target, Stow, Wacker, Sakai, Mi-T-M, Sullair, Basic, Dynapac, MBW, Weber, Bartell, Bennar Newman, Haulotte, Ditch Runner, Menegotti, Morrison, Contec, Buddy, Crown, Edco, Wyco, Bomag, Laymor, EZ Trench, Bil-Jax, F.S. Curtis, Gehl Pavers, Heli, Honda, ICS/PowerGrit, IHI, Partner, Imer, Clipper, MMD, Koshin, Rice, CH&E, General Equipment, Amida, Coleman, NAC, Gradall, Square Shooter, Kent, Stanley, Tamco, Toku, Hatz, Kohler, Robin, Wisconsin, Northrock, Oztec, Toker TK, Rol-Air, APT, Wylie, Ingersoll Rand / Doosan, Innovatech, Con X, Ammann, Mecalac, Makinex, Smith Surface Prep, Small Line, Wanco, Yanmar