

ES SERIES - LIGHTWEIGHT

ES1330L/ES1530L ELECTRIC SCISSOR LIFTS



www.Discount-Equipment.com



reachingout®

Performance

Platform Height—Elevated (Indoor Only)

| | | |
|---------|-------|-------|
| ES1330L | 13 ft | 3.8 m |
| ES1530L | 15 ft | 4.5 m |

Platform Capacity (Indoor Only)

| | | |
|---------|--------|--------|
| ES1330L | 500 lb | 227 kg |
| ES1530L | 500 lb | 227 kg |

| | | |
|--------------------------------|--------|--------|
| Capacity on Platform Extension | 250 lb | 115 kg |
|--------------------------------|--------|--------|

Number of Occupants (Indoor Only)

| | |
|---------|---|
| ES1330L | 2 |
| ES1530L | 1 |

| | |
|-----------------|---------------|
| Lift/Lower Time | 25/15 seconds |
|-----------------|---------------|

| | |
|----------------------|----------------|
| Maximum Drive Height | Fully Elevated |
|----------------------|----------------|

Weight*

| | | |
|---------|----------|--------|
| ES1330L | 1,984 lb | 900 kg |
| ES1530L | 1,940 lb | 880 kg |

Ground Bearing Pressure

| | | |
|---------|---------|------------------------|
| ES1330L | 119 psi | 8.3 kg/cm ² |
| ES1530L | 116 psi | 81 kg/cm ² |

| | | |
|----------------------|---------|----------|
| Drive Speed—Elevated | 0.5 mph | 0.8 km/h |
|----------------------|---------|----------|

| | | |
|---------------------|---------|----------|
| Drive Speed—Lowered | 2.4 mph | 3.8 km/h |
|---------------------|---------|----------|

Gradeability

| | | |
|-------------|-----------------------------|----------------------------|
| Tilt Rating | | |
| ES1330L | 1.75 degrees (Side to Side) | 3.0 degrees (Fore and Aft) |
| ES1530L | 2.5 degrees (Side to Side) | 3.0 degrees (Fore and Aft) |

Turning Radius (Inside)

| | | |
|--------------------------|-------|-------|
| Turning Radius (Outside) | 55 in | 1.4 m |
|--------------------------|-------|-------|

* Certain options or country standards will increase weight.



Standard Specifications

Power Source

| | |
|-----------|------------------------------|
| Batteries | 2 x 12V 105 amp-hr |
| Charger | 27 Amp (Universal Algorithm) |
| Drive | 24V Electric |

Hydraulic Reservoir

| | | |
|------------|-------------------------|-----|
| • Capacity | 1.3 gal | 5 L |
| • Pump | Fixed Displacement Gear | |

Tires

| | | |
|--------------------------------|-----------|-------------|
| • Tire Size/Type (Non-Marking) | 10 x 3 in | 255 x 75 mm |
|--------------------------------|-----------|-------------|

Brakes

- Electric/Friction

Standard Features

- Proportional Controls
- Battery Condition Indicator
- All Motion Alarm
- 27 amp Multi-Function Universal Charger
- Horn
- Hourmeter
- Tilt Alarm and Light
- Lanyard Attach Points
- Movable, Removable Platform Control
- Nickel Plated Pins
- Lubrication Free Scissor Arm Bushings
- Scissor Maintenance Prop
- Coiled Platform Control Box Cable
- Flashing Amber Beacon
- Green Power Charger
- 22 in. (55 cm) Foot-Actuated Deck Extension
- Removable Ladder
- Self Closing Gate
- Load Sensing System

Accessories & Options

- Ambient Noise Alarm
- Anti-Vandalism PKG
- MDI (Ground)
- Drive Motor Covers
- AC Receptacle in Platform
- Active Pothole Protection System
- Lifting and Tie Down Points
- Fork Lift Pockets
- Steel Swing-Out Doors
- Variable Tilt Window
- Manual Descent Cable
- Diamond Tread Steel Deck
- Greaseless Kingpin Joints
- Analyzer Port for Diagnostics
- Dynamic Braking

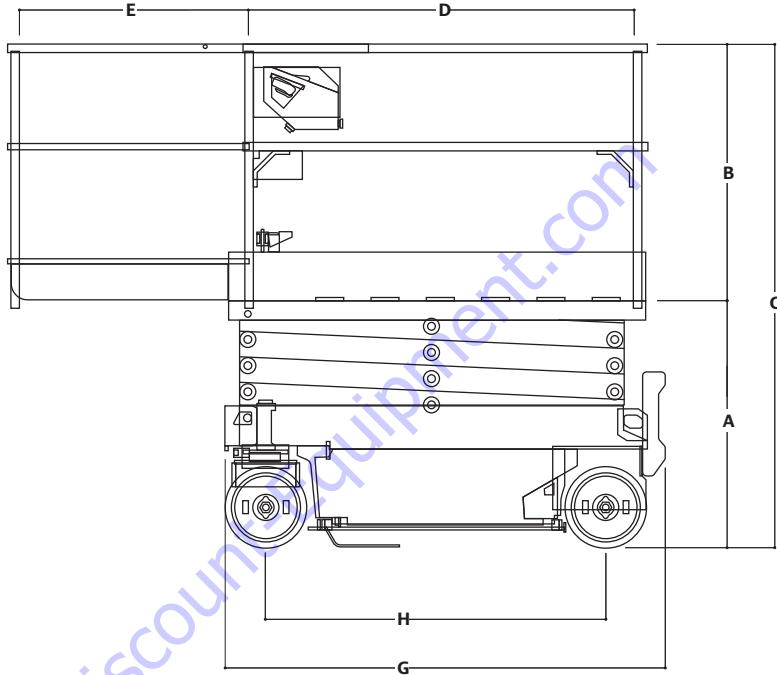
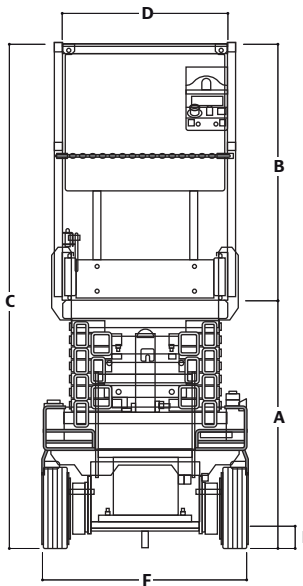
ES SERIES

ELECTRIC SCISSOR LIFTS



Dimensions

All dimensions are approximate.



| | | | |
|----------------------------|-----------------|-------------|--|
| A. Platform Height—Lowered | | | |
| ES1330L | 28.0 in. | 0.7 m | |
| ES1530L | 31.1 in. | 0.8 m | |
| B. Platform Railing Height | 43.3 in. | 1.1 m | |
| C. Overall Height | | | |
| ES1330L | 71.7 in. | 1.8 m | |
| ES1530L | 74.8 in. | 1.9 m | |
| D. Platform Size | 24.4 x 49.2 in. | 0.6 x 1.3 m | |

| | | |
|-----------------------|----------|-------|
| E. Platform Extension | 216 in. | 55 cm |
| F. Overall Width | 30.0 in. | 76 cm |
| G. Overall Length | 56.2 in. | 1.4 m |
| H. Wheelbase | 42.3 in. | 1.1 m |
| I. Ground Clearance | 2.4 in. | 6 cm |

To order go to DiscountEquipment.com



The JLG "1 & 5" Warranty

We provide coverage for one (1) full year, and cover all specified major structural components for five (5) years. Due to continuous product improvements, we reserve the right to make specification and/or equipment changes without prior notification. This machine meets or exceeds applicable ANSI and CSA requirements based on machine configuration as originally manufactured for intended applications. Please reference the serial number plate on the machine for additional information.

Part No.: 3131508
RT119_A92.20
Printed in USA

www.Discount-Equipment.com