

YANMAR

PARTS CATALOG



www.discount-equipment.com

0CS10-M55701EN

Last update Dec., 2019

Go to Discount-Equipment.com to order your parts

PARTS FINDER

**Search Website
by Part Number**



**Search Manual
Library For Parts
Manual & Lookup Part
Numbers – Purchase
or Request Quote**

Search Manuals

Enter your information to search for a manual or parts manual for your equipment.

* Brand:

* Model:

* Serial:

* Part Number:

SEARCH

**Can't Find Part or
Manual? Request Help
by Manufacturer,
Model & Description**

Parts Order Form

Please fill in the following information to request help finding a part or manual.

Manufacturer:

Model:

Description:

Quantity:

Part Number:

Part Name:

Part Description:

Part Location:

Part Condition:

Part Status:

Part Material:

Part Color:

Part Weight:

Part Dimensions:

Part Notes:

Submit

Discount-Equipment.com is your online resource for quality parts & equipment.

Florida: **561-964-4949** Outside Florida TOLL FREE: **877-690-3101**

Need parts?

Click on this link: <http://www.discount-equipment.com/category/5443-parts/> and choose one of the options to help get the right parts and equipment you are looking for. Please have the machine model and serial number available in order to help us get you the correct parts. If you don't find the part on the website or on one of the online manuals, please fill out the request form and one of our experienced staff members will get back to you with a quote for the right part that your machine needs.

We sell worldwide for the brands: Genie, Terex, JLG, MultiQuip, Mikasa, Essick, Whiteman, Mayco, Toro Stone, Diamond Products, Generac Magnum, Airman, Haulotte, Barreto, Power Blanket, Nifty Lift, Atlas Copco, Chicago Pneumatic, Allmand, Miller Curber, Skyjack, Lull, Skytrak, Tsurumi, Husquvarna Target, Stow, Wacker, Sakai, Mi-T-M, Sullair, Basic, Dynapac, MBW, Weber, Bartell, Bennar Newman, Haulotte, Ditch Runner, Menegotti, Morrison, Contec, Buddy, Crown, Edco, Wyco, Bomag, Laymor, EZ Trench, Bil-Jax, F.S. Curtis, Gehl Pavers, Heli, Honda, ICS/PowerGrit, IHI, Partner, Imer, Clipper, MMD, Koshin, Rice, CH&E, General Equipment, Amida, Coleman, NAC, Gradall, Square Shooter, Kent, Stanley, Tamco, Toku, Hatz, Kohler, Robin, Wisconsin, Northrock, Oztec, Toker TK, Rol-Air, APT, Wylie, Ingersoll Rand / Doosan, Innovatech, Con X, Ammann, Mecalac, Makinex, Smith Surface Prep, Small Line, Wanco, Yanmar

P R E F A C E

1 . This Parts Catalog carries Yanmar excavator (crawler back-hoe) VI080 for U.S.A., Australia, New Zealand.

(M/# 90501 ~)

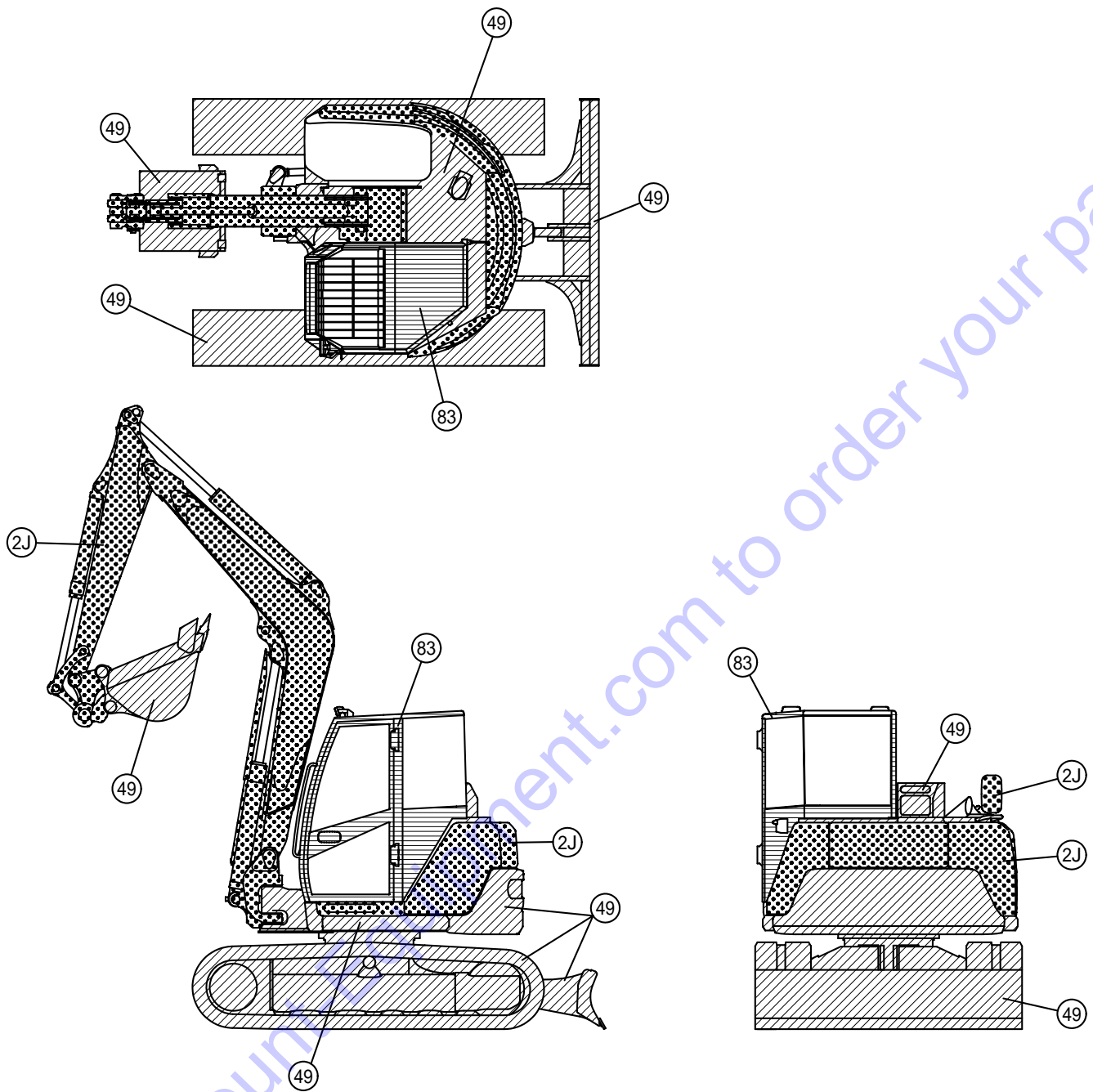
2 . Parts catalog history




		Model	Published	Remarks
1st edition	Vehicle	VI080(US,AS,NZ)	Jun.,2010	Disuse old edition
	Engine	4TNV98-ZWBV1		
1st revised	Vehicle	VI080(US,AS,NZ)	Mar.,2014	
	Engine	4TNV98-ZWBV1		

3 . Your understanding is asking that this parts catalog is not a technical data manual setting forth as servicing procedures, This parts catalog is using simplified illustration.

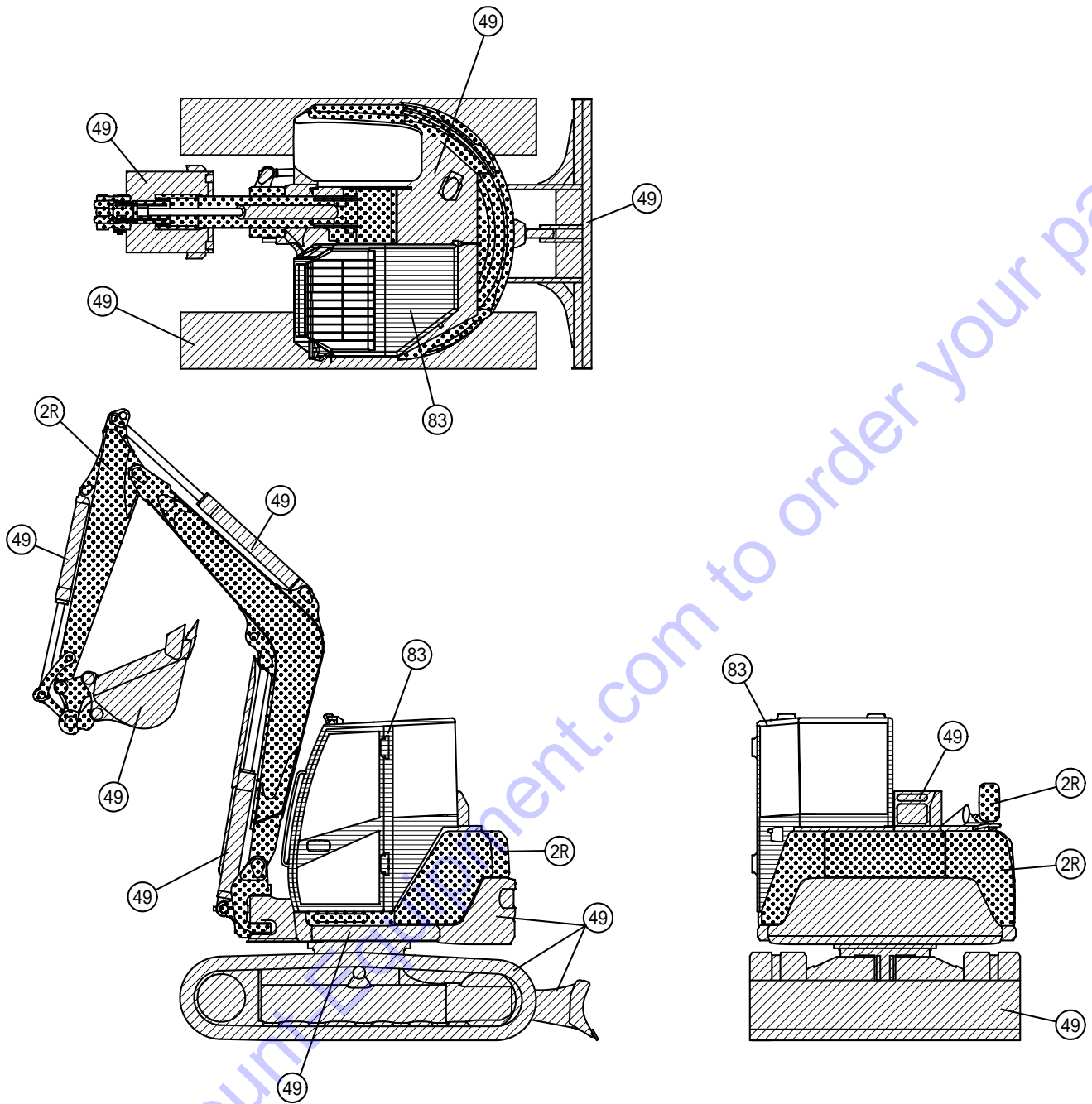
Be sure to use Yanmar Genuine Parts in your maintenance servicing of Yanmar products. Be careful not to use the simple parts available in the market, otherwise their use in repairing causes such as an early breakage, for instance.




VEHICLE PAINTED COLOR(TO M92000)



Color Code	Description	Painted Color	Paint Part No.		
			16L Can	4L Can	SPRAY
2J		YANMAR New Permanent Yellow 2	981101-09520	977620-40871	977620-30872
49		YANMAR Navy Gray	-----	TOR-91390000	TOR-94800490
83		YANMAR Grayish Green	981101-09615	977620-40830	977620-30N41

VEHICLE PAINTED COLOR(FROM M92001)



Color Code	Description	Painted Color	Paint Part No.		
			16L Can	4L Can	SPRAY
2R		YANMAR Turmeric Yellow	-----	977620-41001	977620-41002
49		YANMAR Navy Gray	-----	TOR-91390000	TOR-94800490
83		YANMAR Grayish Green	981101-09615	977620-40830	977620-30N41

PICTURESQUE INDEX (1) ■ ■ ■ MAIN PARTS

1. LABEL & ACCESSORY

Fig. 1, 2

15. OPTIONAL & KIT

Fig. 116 to 118

13. HYDRAULIC OIL PIPING

Fig. 89 to 108

3. ELECTRICAL PARTS

Fig. 13 to 22

4. AIR CONDITIONER & HEATER

Fig. 23 to 26, 125, 126

6. CONTROL EQUIPMENT

Fig. 30 to 34

9. AROUND SEAT

Fig. 39, 42 to 44

11. CABIN

Fig. 49 to 58

14. IMPLEMENT

Fig. 109 to 115

RIGHT

2. ENGINE RELATED

Fig. 3 to 12

10. BONNET

Fig. 45 to 48

REAR

7. FRAME

Fig. 35, 36

8. COVER

Fig. 37, 38, 40, 41

5. TRAVELING

Fig. 27 to 29, 127, 130

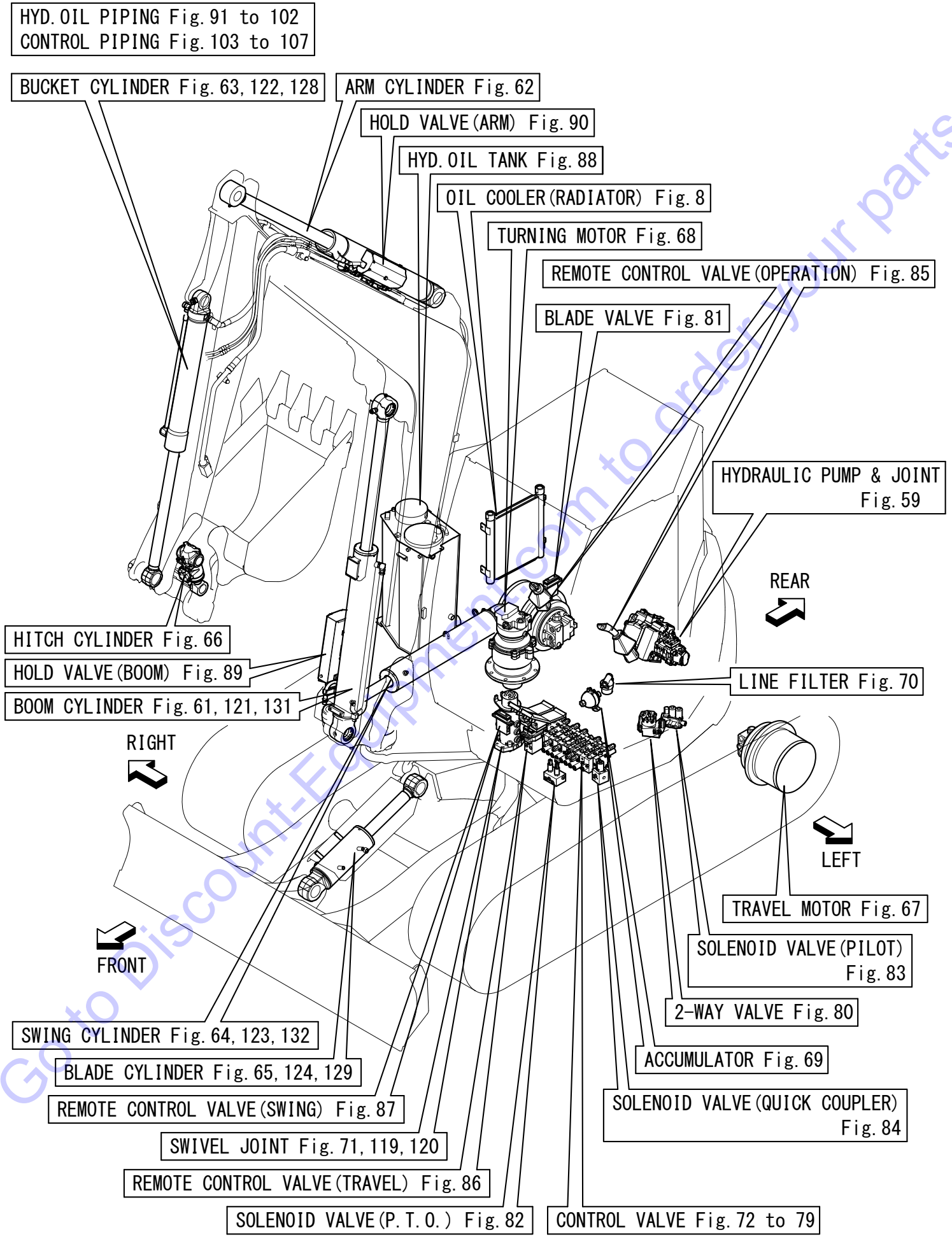
LEFT

FRONT

12. HYDRAULIC OIL EQUIPMENT

Fig. 59 to 88, 119 to 124, 128, 129, 131, 132

PICTURESQUE INDEX (2) · · · HYDRAULIC SECTION



Contents

OCS10-M55701

Fig. No. Fig. Name

LABEL & ACCESSORY

1. LABEL
2. SAFETY LABEL

ENGINE RELATED

3. MUFFLER
4. AIR CLEANER(AS & NZ)
5. AIR CLEANER(US)
6. ACCELERATOR
7. ENGINE MOUNT
8. RADIATOR
9. RADIATOR MOUNT
10. SUB TANK
11. FUEL TANK
12. FUEL PIPE

ELECTRICAL PARTS

13. ELECTRIC PARTS(ENGINE)
14. ELECTRIC PARTS(CONTROL VALVE PLATE)
15. ELECTRIC PARTS(BATTERY)
16. ELECTRIC PARTS(STARTING SWITCH)
17. ELECTRIC PARTS(AIR CONDITIONER)
18. ELECTRIC PARTS(QUICK COUPLER : SWITCH)
19. ELECTRIC PARTS(SEAT MOUNT)
20. ELECTRIC PARTS(WORK LAMP)

Fig. No. Fig. Name

21. ELECTRIC PARTS(INDICATOR BOX)
22. ELECTRIC PARTS(TRAVEL ALARM)

AIR CONDITIONER & HEATER

23. AIR CONDITIONER(CABIN RELATED)
24. AIR CONDITIONER(PIPING)
125. (24A)AIR CONDITIONER(UNIT INNER PARTS)
25. AIR CONDITIONER(ENGINE RELATED)
26. AIR CONDITIONER(CONDENSER RELATED)
126. (26A)AIR CONDITIONER(CONDENSER INNER PARTS)

TRAVELING

27. SPROCKET & ROLLER
127. (27A)TRACK ROLLER(K SPEC.)
28. IDLER & ADJUST
130. (28A)CRAWLER ADJUST(S SPEC.)
29. CRAWLER

CONTROL EQUIPMENT

30. CONTROL EQUIPMENT(LOCK LEVER & STAND)
31. CONTROL EQUIPMENT(TRAVEL LEVER)
32. CONTROL EQUIPMENT(BLADE LEVER)
33. CONTROL EQUIPMENT(SWING PEDAL)
34. CONTROL EQUIPMENT(ARMREST)

Contents

OCS10-M55701

Fig. No. Fig. Name

FRAME

- 35. TRAVEL FRAME
- 36. TURNING FRAME & TURNING BEARING

COVER

- 37. COVER(FUEL TANK SIDE)
- 38. COVER(CENTER)
- 40. COVER(TRAVEL FRAME)
- 41. COVER(TURNING FRAME)

AROUND SEAT

- 39. COVER(SEAT MOUNT)
- 42. FLOOR MAT & INSTRUMENT PANEL
- 43. SEAT
- 44. SEAT MOUNT

BONNET

- 45. BONNET(BODY)
- 46. BONNET(REAR)
- 47. BONNET(LEFT)
- 48. BONNET(RIGHT)

CABIN

- 49. CABIN MOUNT
- 50. CABIN(BODY)

Fig. No. Fig. Name

- 51. CABIN(DOOR)
- 52. CABIN(FRONT WINDOW : 1)
- 53. CABIN(FRONT WINDOW : 2)
- 54. CABIN(WINDOW SASH & LOWER GLASS)
- 55. CABIN(ELECTRIC PARTS)
- 56. CABIN(WASHER TANK)
- 57. CABIN(ACCESSORY)
- 58. SIDE MIRROR

HYDRAULIC OIL EQUIPMENT

- 59. HYDRAULIC PUMP & JOINT
- 60. CONTROL VALVE PLATE
- 61. BOOM CYLINDER(Y SPEC.)
- 121. (61A)BOOM CYLINDER(K SPEC.)
- 131. (61B)BOOM CYLINDER(H SPEC.)
- 62. ARM CYLINDER
- 63. BUCKET CYLINDER(Y SPEC.)
- 122. (63A)BUCKET CYLINDER(K SPEC.)
- 128. (63B)BUCKET CYLINDER(J SPEC.)
- 64. SWING CYLINDER(Y SPEC.)
- 123. (64A)SWING CYLINDER(K SPEC.)
- 132. (64B)SWING CYLINDER(H SPEC.)
- 65. BLADE CYLINDER(Y SPEC.)
- 124. (65A)BLADE CYLINDER(K SPEC.)
- 129. (65B)BLADE CYLINDER(J SPEC.)

Go to Discount-Equipment.com to order your parts

Contents

OCS10-M55701

Fig. No. Fig. Name

- 66. HITCH CYLINDER(QUICK COUPLER)
- 67. TRAVEL MOTOR
- 68. TURNING MOTOR
- 69. ACCUMULATOR
- 70. LINE FILTER
- 71. SWIVEL JOINT(Y SPEC.)(TO M92121)
- 119. (71A)SWIVEL JOINT(N SPEC.)(FROM M92122)
- 120. (71B)SWIVEL JOINT KIT(N SPEC.)(FROM M92122)
- 72. CONTROL VALVE(1/8)
- 73. CONTROL VALVE(2/8)
- 74. CONTROL VALVE(3/8)
- 75. CONTROL VALVE(4/8)
- 76. CONTROL VALVE(5/8)
- 77. CONTROL VALVE(6/8)
- 78. CONTROL VALVE(7/8)
- 79. CONTROL VALVE(8/8)
- 80. 2-WAY VALVE
- 81. BLADE VALVE
- 82. SOLENOID VALVE(P.T.O.)
- 83. SOLENOID VALVE(PILOT)
- 84. SOLENOID VALVE(QUICK COUPLER)
- 85. REMOTE CONTROL VALVE(OPERATION)
- 86. REMOTE CONTROL VALVE(TRAVEL)
- 87. REMOTE CONTROL VALVE(SWING)
- 88. HYD. OIL TANK

Fig. No. Fig. Name

HYDRAULIC OIL PIPING

- 89. HOLD VALVE(BOOM)
- 90. HOLD VALVE(ARM)
- 91. HYD. OIL PIPING(PUMP - CONTROL VALVE - OIL COOLER)
- 92. HYD. OIL PIPING(TANK - PUMP, SWING CYLINDER)
- 93. HYD. OIL PIPING(CONTROL VALVE - TURNING MOTOR)
- 94. HYD. OIL PIPING(CONTROL VALVE : FITTING)
- 95. HYD. OIL PIPING(CONTROL VALVE - BOOM, TURNING MOTOR, TANK)
- 96. HYD. OIL PIPING(CONTROL VALVE - SWIVEL JOINT)
- 97. HYD. OIL PIPING(TRAVEL FRAME)
- 98. HYD. OIL PIPING(BOOM)
- 99. HYD. OIL PIPING(P.T.O. : FRAME END)
- 100. HYD. OIL PIPING(P.T.O. : ARM END)
- 101. HYD. OIL PIPING(QUICK COUPLER)
- 102. HYD. OIL PIPING(HOLD VALVE)
- 103. CONTROL PIPING(CONTROL VALVE - SOLENOID VALVE)
- 104. CONTROL PIPING(CONTROL VALVE - 2-WAY VALVE)
- 105. CONTROL PIPING(2-WAY VALVE - REMOTE CONTROL VALVE)
- 106. CONTROL PIPING(TRAVEL, SWING PEDAL)
- 107. CONTROL PIPING(P.T.O.)
- 108. GREASING

IMPLEMENT

- 109. BOOM BRACKET

Contents

0CS10-M55701

Fig. No. Fig. Name

110. BOOM

111. ARM

112. BUCKET ARM & LINK

113. QUICK COUPLER

114. BUCKET

115. BLADE

OPTIONAL & KIT

116. LABEL KIT(CANADA)(OPTIONAL)

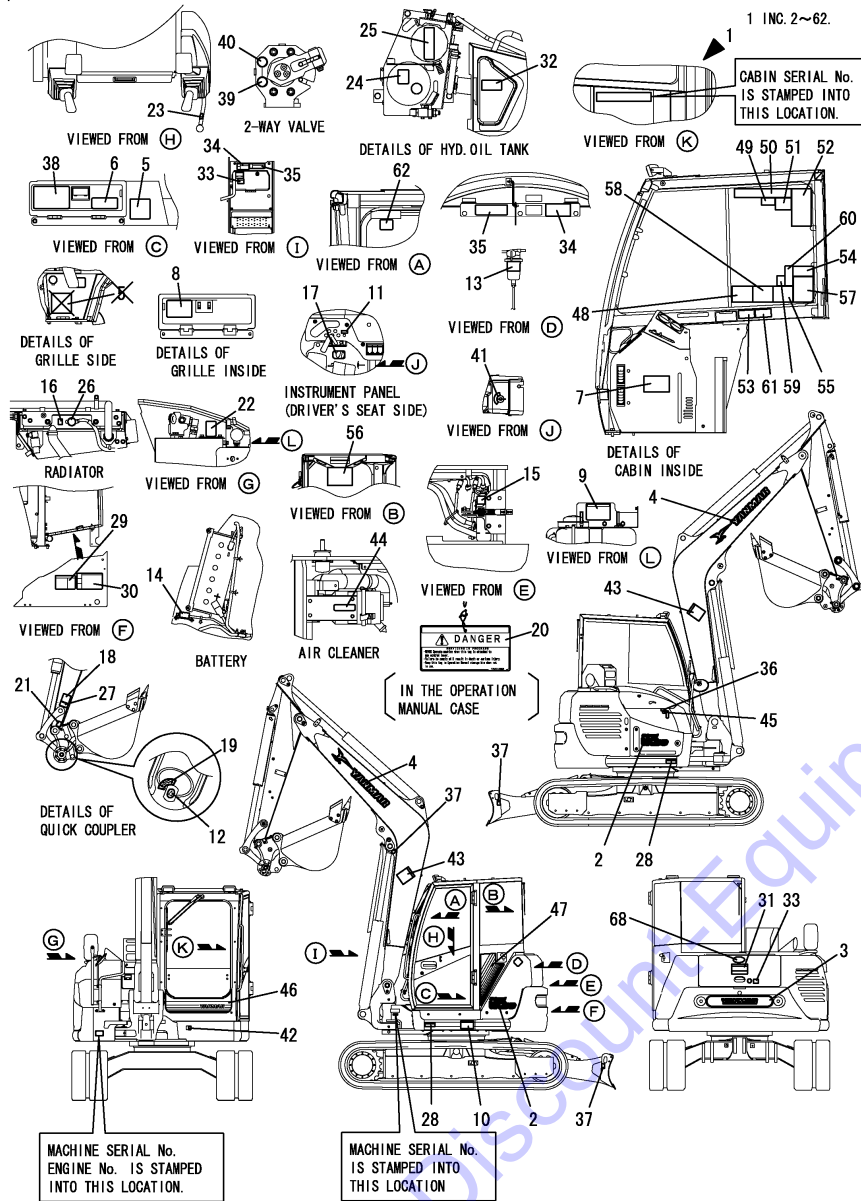
117. ADDITIONAL WEIGHT KIT(OPTIONAL)

118. HOLD VALVE KIT(OPTIONAL)

Fig. No. Fig. Name

Go to Discount-Equipment.com to order your parts

Fig.1. LABEL



(A)=VIO80(US)
(B)=VIO80(AS)
(C)=VIO80(NZ)

(D)=
(E)=
(F)=

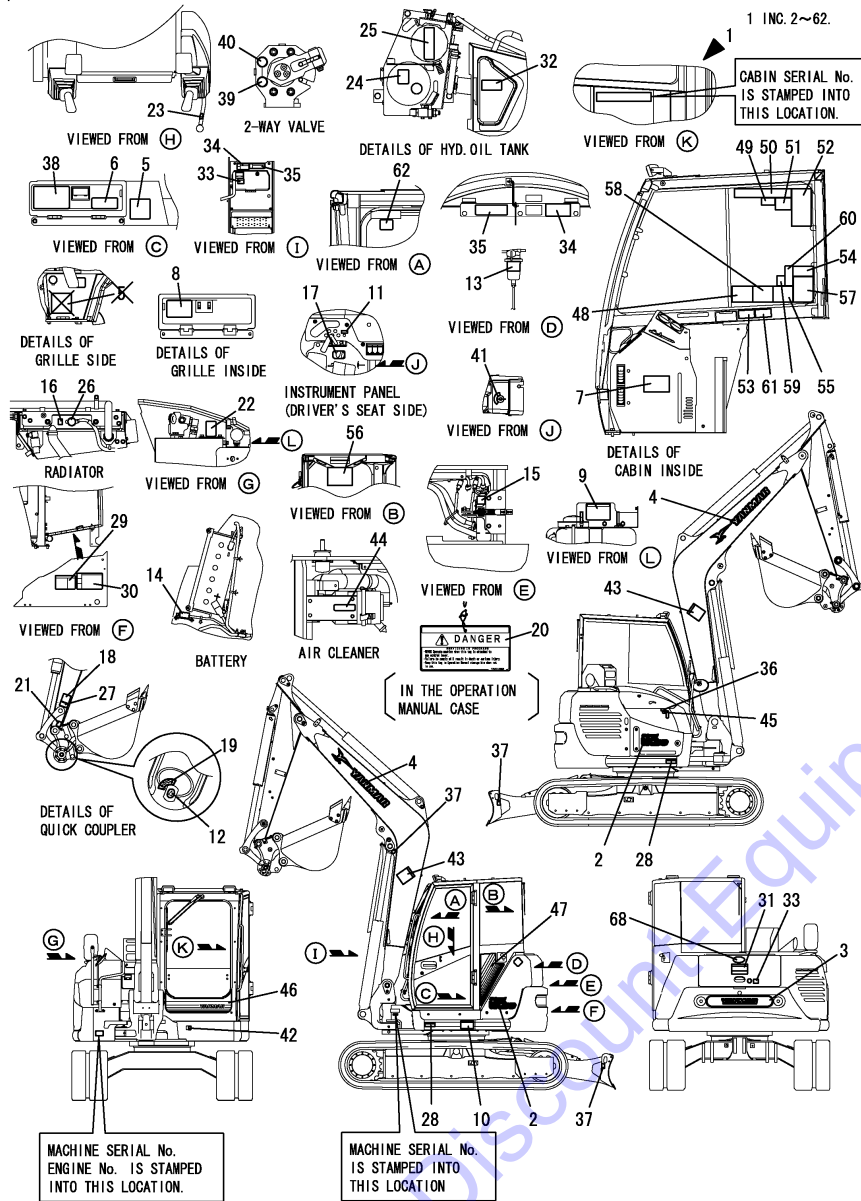
No.	Lev.	Parts No.	Description	Q'ty						I	R
				(A)	(B)	(C)	(D)	(E)	(F)		
1	1	172A89-03010	LABEL KIT,EX	1	1	1					
1-1	1	172A89-03011	LABEL KIT,EX	1	1	1					S
		(A=M92001) (B=M92001) (C=M92001)									
2	2	172A89-03140	LABEL,TYPE	2	2	2					
3	2	172A69-03160	LABEL, REAR EMBLEM	1	1	1					
4	2	172A21-03220	LABEL, BRAND	2	2	2					
4-1	2	172A65-03230	LABEL, YANMAR 627	2	2	2					S
		(A=M92001) (B=M92001) (C=M92001)									
5	2	172463-03281	LABEL,ADJUST CRAWLER	1	1	1					1
6	2	172A89-03100	LABEL,SPEC US	1	1	1					
7	2	172A89-03110	LABEL,OIL & WATER US	1	1	1					
8	2	172A89-03120	LABEL,FUSE US	1	1	1					
9	2	172A69-03130	LABEL,GREASING US	1	1	1					
10	2	172472-03141	LABEL, SUPPORT	1	1	1					
11	2	172A65-03150	LABEL,WARNING	1	1	1					
12	2	172958-03160	LABEL	1	1	1					
13	2	172A07-03160	LABEL	1	1	1					
14	2	172A69-03170	LABEL FL,US	1	1	1					
15	2	172A38-03201	LABEL, SUB TANK	1	1	1					
16	2	172A38-03211	LABEL, ANTI-FREEZING	1	1	1					
17	2	172A69-03220	LABEL,ACCELERATOR	1	1	1					
18	2	172472-03230	LABEL, OPERATION	1	1	1					
19	2	172458-03240	LABEL, LOCK	1	1	1					
20	2	172437-03252	TAG ASSY, CAUTION	1	1	1					
21	2	172472-03261	LABEL, FINGER	1	1	1					
22	2	172A69-03270	LABEL,PTO SELECT	1	1	1					
23	2	172183-03280	LABEL, LOCK	1	1	1					
24	2	172463-03290	LABEL, HYD.OIL	1	1	1					
25	2	172437-03322	LABEL, RESEVOIR	1	1	1					
26	2	172462-03320	LABEL, RADIATOR	1	1	1					
27	2	172472-03330	LABEL, LOCK PIN	1	1	1					
28	2	172437-03352	LABEL, CYLINDER	2	2	2					
29	2	172A69-03350	LABEL,BATTERY COVER	1	1	1					
30	2	172437-03361	LABEL, BATTERY	1	1	1					
31	2	172437-03381	LABEL, SWING AREA	1	1	1					
32	2	172437-03391	LABEL, RADIATOR	1	1	1					
33	2	172437-03402	LABEL, ENGINE COVER	2	2	2					
34	2	172A36-03411	LABEL, ENGINE ROOM	2	2	2					
35	2	172437-03422	LABEL, MUFFLER	2	2	2					
36	2	172437-03501	LABEL, FUEL	1	1	1					
37	2	172437-03511	LABEL, HOOK	3	3	3					
38	2	172437-03601	LABEL, 2-WAY US	1	1	1					
39	2	172437-03610	LABEL	1	1	1					
40	2	172437-03620	LABEL	1	1	1					
41	2	172A64-03700	LABEL, START SWITCH	1	1	1					
42	2	172156-03740	LABEL, GREASE	1	1	1					
43	2	172187-03941	LABEL, BOOM US	2	2	2					
44	2	172125-03951	LABEL, AIR CLEANER	1	1	1					
45	2	114110-07760	LABEL, FUEL CAUTION	1	1	1					
45-1	2	114110-07761	LABEL, FUEL OIL CAUT	1	1	1					N
		(A=M90674) (B=M90674) (C=M90674)									

Remarks

(1)Rubber crawler specification.
Installation position change.

* Please refer to Fig.116 for the french label kit for canada.

Fig.1. LABEL



(A)=VIO80(US)
 (B)=VIO80(AS)
 (C)=VIO80(NZ)

(D)=
 (E)=
 (F)=

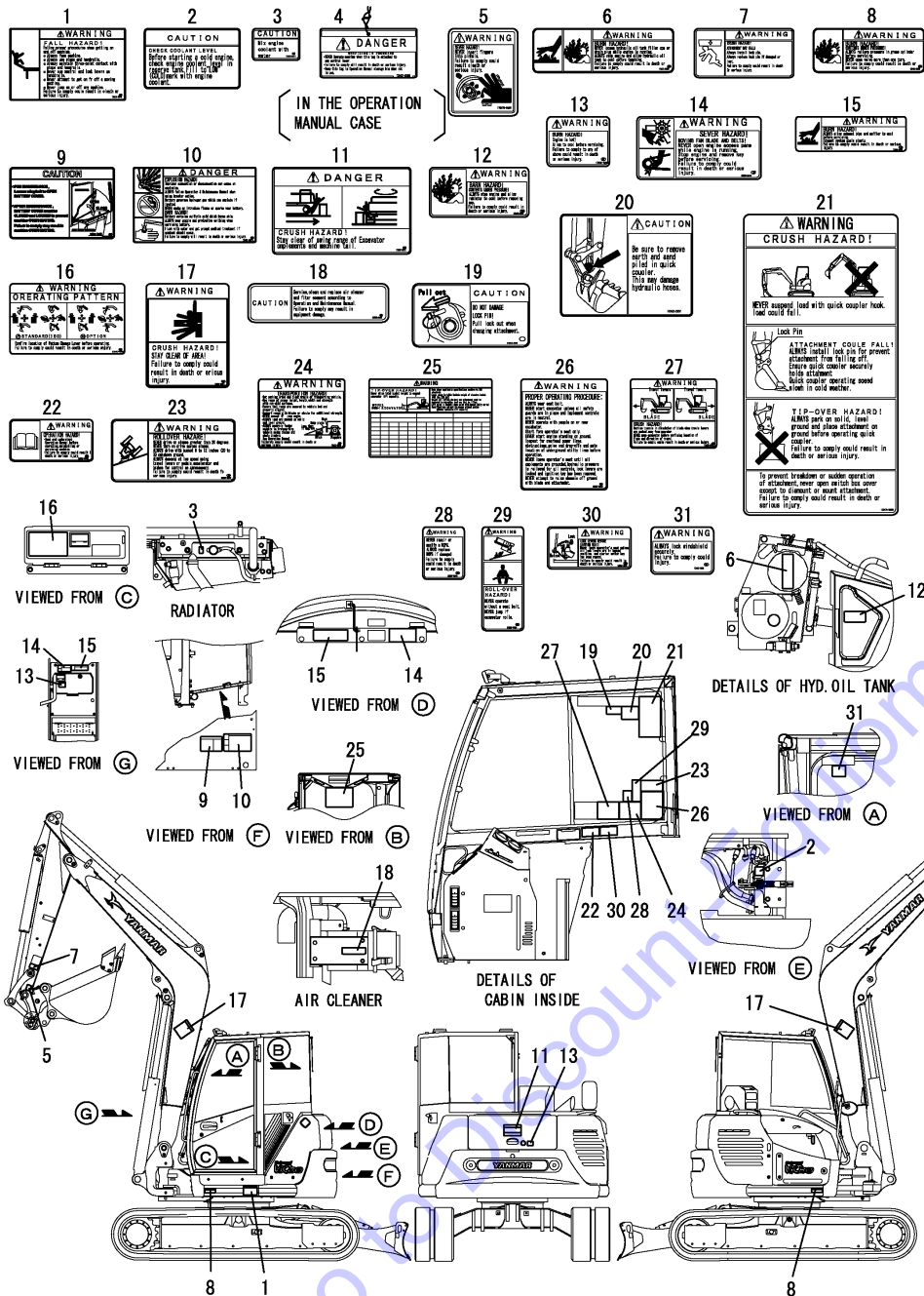
No.	Lev.	Parts No.	Description	Q'ty						I	R	
				(A)	(B)	(C)	(D)	(E)	(F)			
46	2	172A69-03300	LABEL, CABIN FRONT	1	1	1						
47	2	172A69-03310	LABEL, CABIN SIDE	1	1	1						
48	2	172A69-03200	LABEL, OPERATION	1	1	1						
49	2	172472-03241	LABEL, PINUS	1	1	1						
50	2	172472-03250	LABEL, OPERATION	1	1	1						
51	2	172472-03271	LABEL, SANDUS	1	1	1						
52	2	172472-03281	LABEL, WARNING HITCH	1	1	1						
53	2	172437-03302	LABEL, MANUAL	1	1	1						
54	2	172437-03312	LABEL, SLOPE	1	1	1						
55	2	172437-03343	LABEL, TRANSPORT	1	1	1						
56	2	172A89-03360	LABEL, LIFT Q	1	1	1						
56-1	2	172A89-03361	LABEL, LIFT Q	1	1	1					N	
(A=*2013.12) (B=*2013.12) (C=*2013.12)												
57	2	172437-03372	LABEL, NEUTRAL	1	1	1						
58	2	172437-03432	LABEL, STEERING	1	1	1						
59	2	172437-03441	LABEL, ROPS	1	1	1						
60	2	172437-03451	LABEL, SEAT BELT	1	1	1						
61	2	172437-03471	LABEL, LEVER LOCK	1	1	1						
62	2	172437-03551	LABEL, WINDOW US	1	1	1						
68	1	172A89-03500	EMBLEM ASSY	1	1	1					W	
(A=M92001) (B=M92001) (C=M92001)												

Remarks

(1)Rubber crawler specification.
 Installation position change.

* Please refer to Fig.116 for the french label kit for canada.

Fig.2. SAFETY LABEL

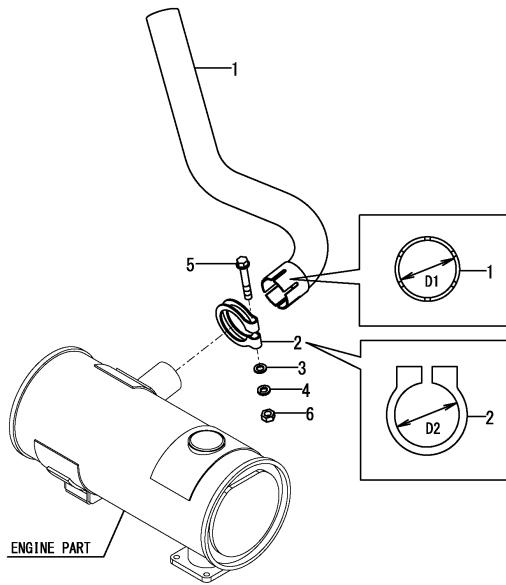


(A)=VIO80(US)
 (B)=VIO80(AS)
 (C)=VIO80(NZ)

(D)=
 (E)=
 (F)=

No.	Lev.	Parts No.	Description	Q'ty						I	R
				(A)	(B)	(C)	(D)	(E)	(F)		
1	1	172472-03141	LABEL, SUPPORT	1	1	1					
2	1	172A38-03201	LABEL, SUB TANK	1	1	1					
3	1	172A38-03211	LABEL, ANTI-FREEZING	1	1	1					
4	1	172437-03252	TAG ASSY, CAUTION	1	1	1					
5	1	172472-03261	LABEL, FINGER	1	1	1					
6	1	172437-03322	LABEL, RESEVOIR	1	1	1					
7	1	172472-03330	LABEL, LOCK PIN	1	1	1					
8	1	172437-03352	LABEL, CYLINDER	2	2	2					
9	1	172A69-03350	LABEL, BATTERY COVER	1	1	1					
10	1	172437-03361	LABEL, BATTERY	1	1	1					
11	1	172437-03381	LABEL, SWING AREA	1	1	1					
12	1	172437-03391	LABEL, RADIATOR	1	1	1					
13	1	172437-03402	LABEL, ENGINE COVER	2	2	2					
14	1	172A36-03411	LABEL, ENGINE ROOM	2	2	2					
15	1	172437-03422	LABEL, MUFFLER	2	2	2					
16	1	172437-03601	LABEL, 2-WAY US	1	1	1					
17	1	172187-03941	LABEL, BOOM US	2	2	2					
18	1	172125-03951	LABEL, AIR CLEANER	1	1	1					
19	1	172472-03241	LABEL, PINUS	1	1	1					
20	1	172472-03271	LABEL, SANDUS	1	1	1					
21	1	172472-03281	LABEL, WARNING HITCH	1	1	1					
22	1	172437-03302	LABEL, MANUAL	1	1	1					
23	1	172437-03312	LABEL, SLOPE	1	1	1					
24	1	172437-03343	LABEL, TRANSPORT	1	1	1					
25	1	172A89-03360	LABEL, LIFT Q	1	1	1					
25-1	1	172A89-03361	LABEL, LIFT Q	1	1	1					N
				(A=*2013.12)	(B=*2013.12)	(C=*2013.12)					
26	1	172437-03372	LABEL, NEUTRAL	1	1	1					
27	1	172437-03432	LABEL, STEERING	1	1	1					
28	1	172437-03441	LABEL, ROPS	1	1	1					
29	1	172437-03451	LABEL, SEAT BELT	1	1	1					
30	1	172437-03471	LABEL, LEVER LOCK	1	1	1					
31	1	172437-03551	LABEL, WINDOW US	1	1	1					

Fig.3. MUFFLER



(A)=VIO80(US)
(B)=VIO80(AS)
(C)=VIO80(NZ)

(D)=
(E)=
(F)=

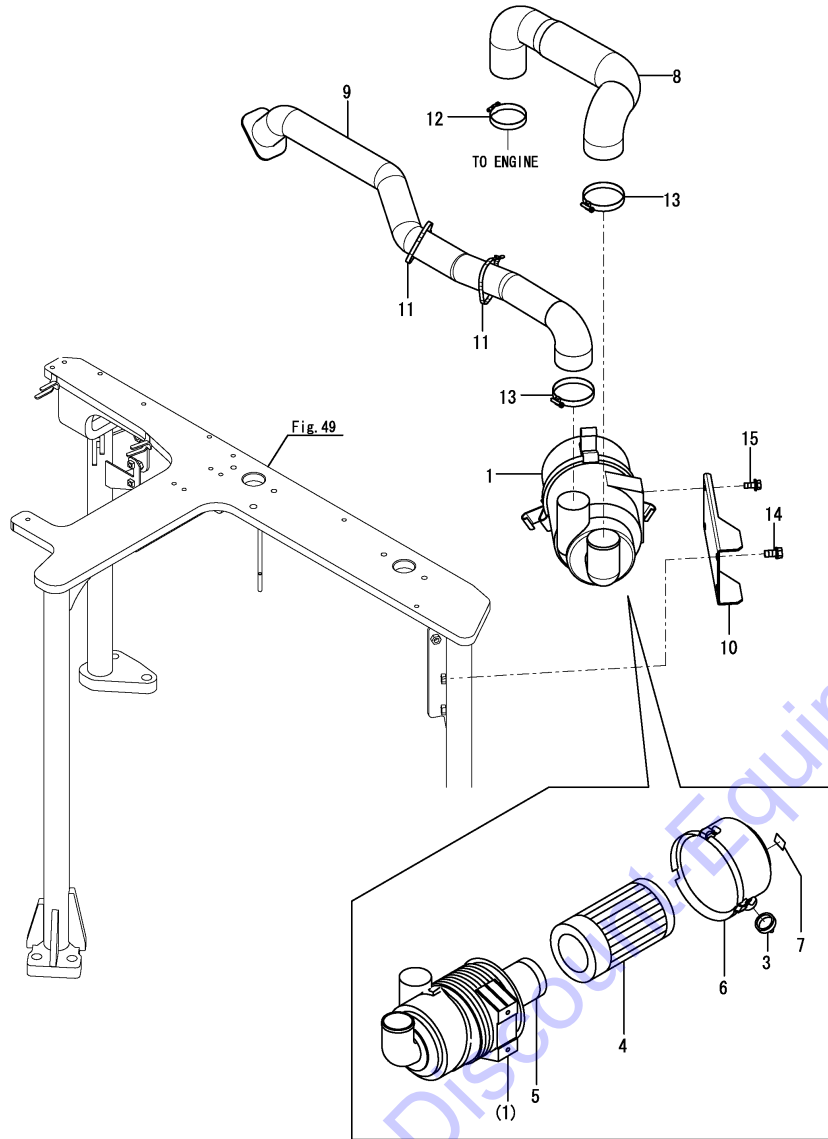
No.	Lev.	Parts No.	Description	Q'ty						I	R
				(A)	(B)	(C)	(D)	(E)	(F)		
1	1	172A89-11300	PIPE ASSY, EXHAUST	1	1	1					
1-1	1	172A89-11301	PIPE CMP,EXHAUST	1	1	1					S 1
		(A=*2016.02.) (B=*2016.02.) (C=*2016.02.)									
2	1	172187-11400	CLAMP	1	1	1					
2-1	1	172A21-11310	CLAMP, EXHAUST PIPE	1	1	1					S 2
		(A=*2016.02.) (B=*2016.02.) (C=*2016.02.)									
3	1	22117-100000	WASHER, 10	1	1	1					
4	1	22217-100000	WASHER, SPRING 10	1	1	1					
5	1	26106-100652	BOLT, M10X 65 PLATED	1	1	1					
6	1	26706-100002	NUT, M10	1	1	1					

Remarks
 (1)D1=No.1 : 49.0mm, No.1-1 : 43.6mm.
 Interchangeable by simultaneous replacement with silnrcer & No.2-1.
 (2)D2=No.2 : 54.7mm, No.2-1 : 48.2mm.
 Interchangeable by simultaneous replacement with silnrcer & No.1-1.

Fig.4. AIR CLEANER(AS & NZ)

(A)=VIO80(US)
 (B)=VIO80(AS)
 (C)=VIO80(NZ)

(D)=
 (E)=
 (F)=



No.	Lev.	Parts No.	Description	Q'ty						I	R	
				(A)	(B)	(C)	(D)	(E)	(F)			
1	1	172A21-11500	CLEANER ASSY, AIR		1	1						
3	2	119808-12540	VALVE, UNLOADER		1	1						
4	2	129062-12560	ELEMENT		1	1						
5	2	119005-12571	ELEMENT		1	1						
6	2	129062-12570	COVER ASSY		1	1						
7	2	129612-12650	LABEL, MARKING		1	1						
8	1	172A89-11540	HOSE, AIR INTAK		1	1						
9	1	172A89-11510	HOSE B ASSY		1	1						
10	1	172A69-11530	BRACKET, CLEANER		1	1						1
11	1	172122-79890	CLAMP, HOSE		2	2						
12	1	23000-070000	CLAMP, 70		1	1						
13	1	23000-080000	CLAMP, 80		2	2						
14	1	26013-100202	BOLT, M10X 20		2	2						
15	1	26014-080202	BOLT, M8X 20		2	2						
16A	1	172125-03951	LABEL, AIR CLEANER		1	1						2

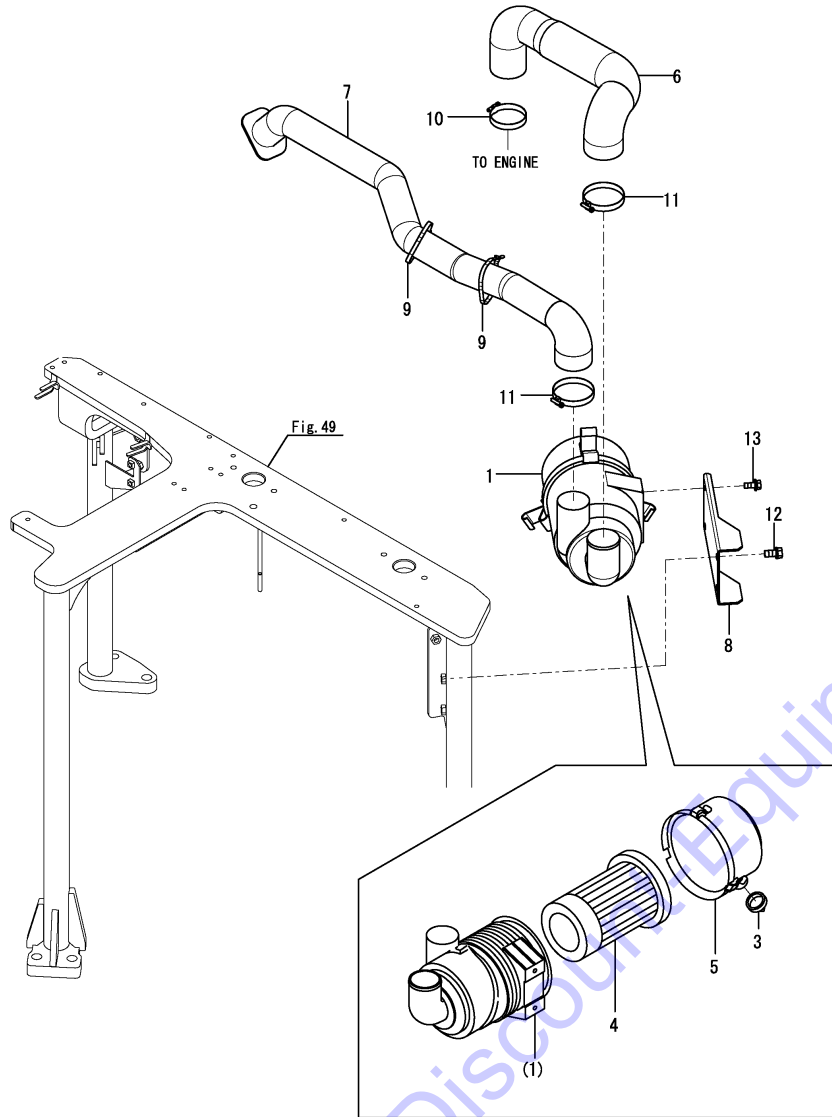
Remarks

- (1) Please use this part with following labels at the same time.
No. 16A.
- (2) Not illustrated.

Fig.5. AIR CLEANER(US)

(A)=VIO80(US)
 (B)=VIO80(AS)
 (C)=VIO80(NZ)

(D)=
 (E)=
 (F)=



No.	Lev.	Parts No.	Description	Q'ty						I	R
				(A)	(B)	(C)	(D)	(E)	(F)		
1	1	172455-11500	CLEANER ASSY, AIR	1							
3	2	119808-12540	VALVE, UNLOADER	1							
4	2	129062-12560	ELEMENT	1							
5	2	129062-12570	COVER ASSY	1							
6	1	172A89-11540	HOSE,AIR INTAK	1							
7	1	172A89-11510	HOSE B ASSY	1							
8	1	172A69-11530	BRACKET, CLEANER	1							1
9	1	172122-79890	CLAMP, HOSE	2							
10	1	23000-070000	CLAMP, 70	1							
11	1	23000-080000	CLAMP, 80	2							
12	1	26013-100202	BOLT, M10X 20	2							
13	1	26014-080202	BOLT, M8X 20	2							
14A	1	172125-03951	LABEL, AIR CLEANER	1							2

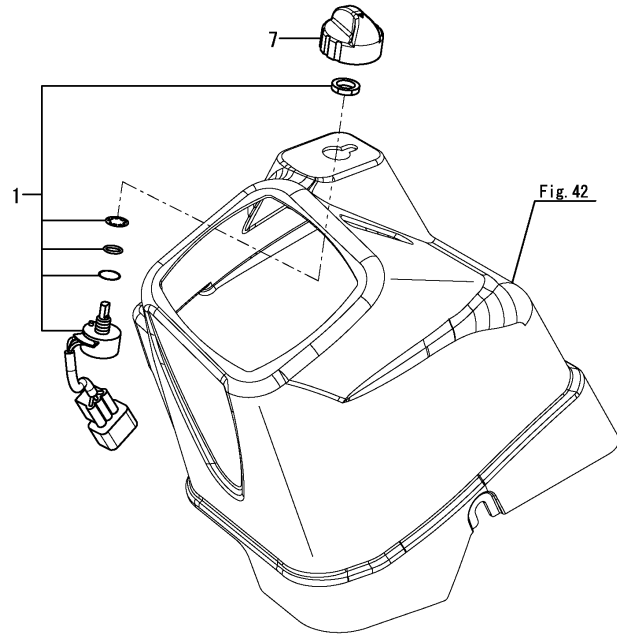
Remarks

- (1)Please use this part with follwing labels at the same time.
No. 14A.
- (2)Not illustrated.

Fig.6. ACCELERATOR

(A)=VIO80(US)
 (B)=VIO80(AS)
 (C)=VIO80(NZ)

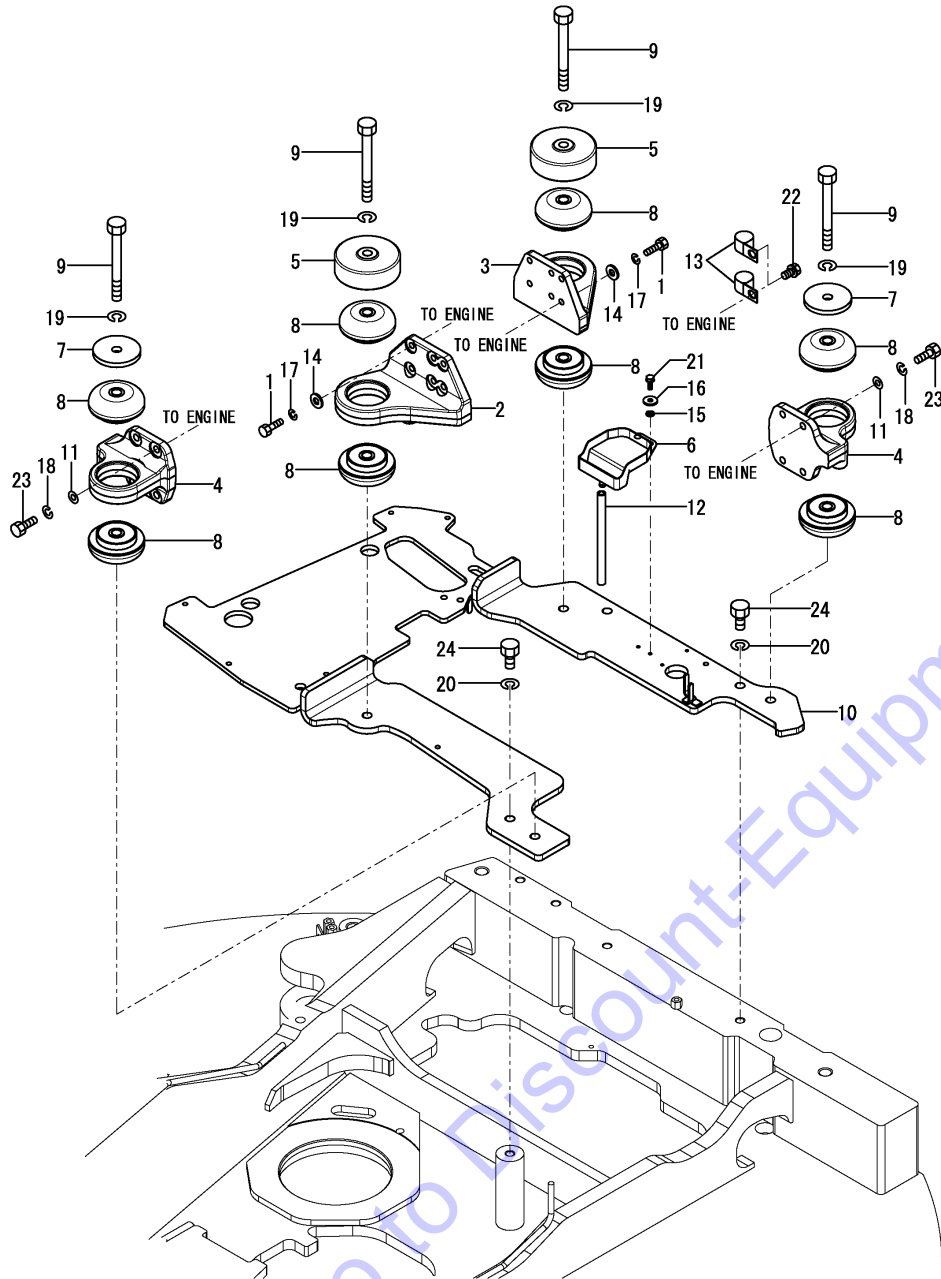
(D)=
 (E)=
 (F)=



No.	Lev.	Parts No.	Description	Q'ty						I	R
				(A)	(B)	(C)	(D)	(E)	(F)		
1	1	172A69-12100	VOLUME, ACCEL ASSY	1	1	1					
7	1	172A69-12120	KNOB ASSY	1	1	1					

Go to Discount-Equipment.com to order your parts

Fig.7. ENGINE MOUNT

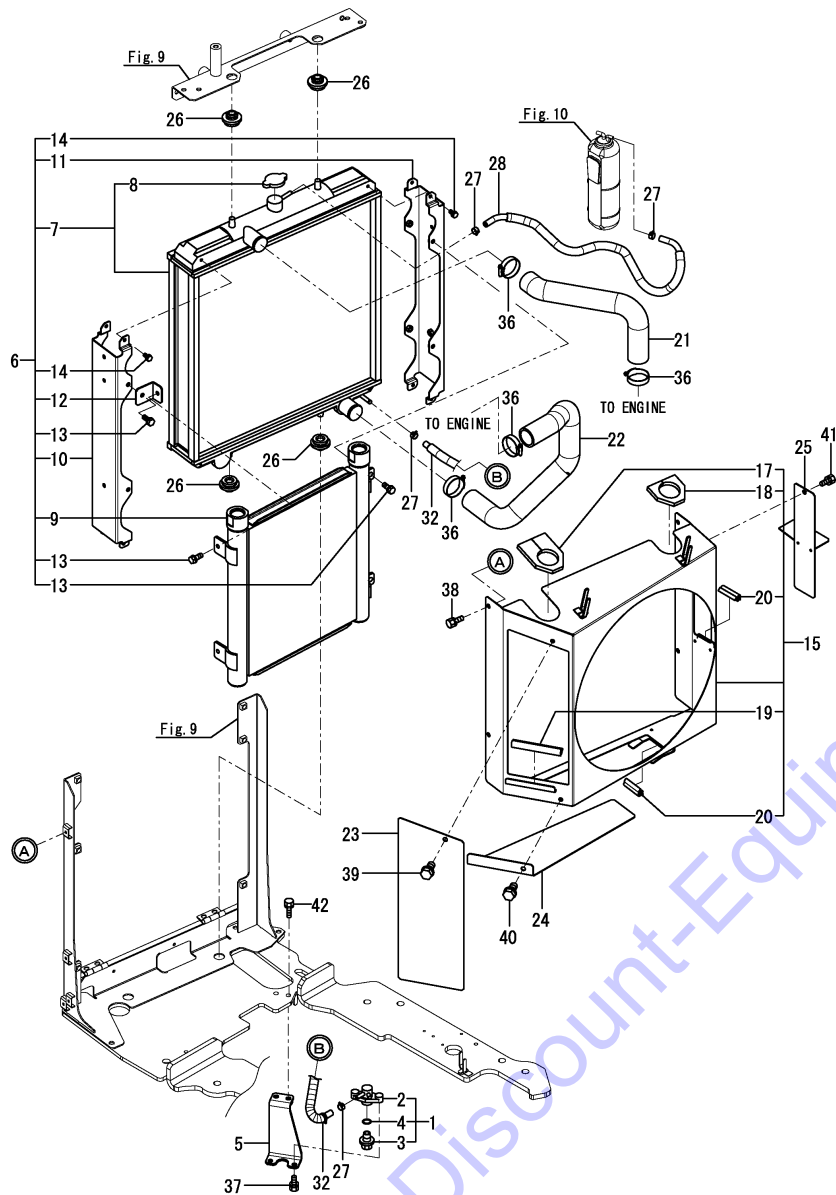


(A)=VIO80(US)
 (B)=VIO80(AS)
 (C)=VIO80(NZ)

(D)=
 (E)=
 (F)=

No.	Lev.	Parts No.	Description	Q'ty						I	R
				(A)	(B)	(C)	(D)	(E)	(F)		
1	1	172A21-13100	BOLT	12	12	12					
2	1	172A69-13100	BRACKET	1	1	1					
3	1	172A69-13110	BRACKET	1	1	1					
4	1	172A69-13120	BRACKET	2	2	2					
5	1	172A69-13150	STOPPER	2	2	2					
6	1	172A89-13150	SUMP OIL	1	1	1					
7	1	172162-13170	WASHER	2	2	2					
8	1	172162-13180	MOUNT, ENGINE	8	8	8					
9	1	172162-13190	BOLT	4	4	4					
10	1	172A89-13200	PLATE ASSY,BASE	1	1	1					
11	1	172165-13220	WASHER	8	8	8					
12	1	172137-14282	HOSE, FUEL GAUGE	1	1	1					
13	1	172112-16650	CLAMP	2	2	2					
13-1	1	172112-16650	CLAMP	1	1	1					K
(A=*2012.04) (B=*2012.04) (C=*2012.04)											
14	1	172137-46042	SEAT, SPRING	12	12	12					
15	1	22117-060000	WASHER, 6	2	2	2					
16	1	22157-060000	WASHER, 6	2	2	2					
17	1	22217-100000	WASHER, SPRING 10	12	12	12					
18	1	22217-120000	WASHER, SPRING 12	8	8	8					
19	1	22217-160000	WASHER, SPRING 16	4	4	4					
20	1	22217-160000	WASHER, SPRING 16	4	4	4					
21	1	26013-060162	BOLT, M6X 16	2	2	2					
22	1	26013-100162	BOLT, M10X 16	2	2	2					
22-1	1	26013-100162	BOLT, M10X 16	1	1	1					K
(A=*2012.04) (B=*2012.04) (C=*2012.04)											
23	1	26076-120352	BOLT, 10.912X 35	8	8	8					
24	1	26116-160352	BOLT, M16X 35 PLATED	4	4	4					

Fig.8. RADIATOR



(A)=VIO80(US)
(B)=VIO80(AS)
(C)=VIO80(NZ)

(D)=
(E)=
(F)=

No.	Lev.	Parts No.	Description	Q'ty						I	R
				(A)	(B)	(C)	(D)	(E)	(F)		
1	1	172444-13210	COCK ASSY, 2-WAY	1	1	1					
2	2	172444-13220	BODY	1	1	1					
3	2	121250-49121	PLUG, DRAIN	1	1	1					
4	2	24311-000160	O-RING, 1AP16.0	1	1	1					
5	1	172A69-13230	PLATE ASSY, COCK	1	1	1					
6	1	172A89-13300	RADIATOR ASSY	1	1	1					
7	2	172A89-13310	RADIATOR SUB ASSY	1	1	1					1
8	3	129107-44590	CAP, RADIATOR	1	1	1					
9	2	172A89-13320	COOLER, OIL	1	1	1					
10	2	172A89-13330	SUPPORT ASSY	1	1	1					
11	2	172A89-13340	SUPPORT ASSY	1	1	1					
12	2	172A89-13350	BRACKET	2	2	2					
13	2	172A89-13360	BOLT M8	6	6	6					
14	2	172A89-13370	BOLT M6	8	8	8					
15	1	172A89-13500	SHROUD ASSY	1	1	1					
17	2	172A89-13550	SPONGE	1	1	1					
18	2	172A89-13560	SPONGE	1	1	1					
19	2	172458-61500	RUBBER, SEAL	1	1	1					
20	2	172458-61510	RUBBER, SEAL	2	2	2					
21	1	172A89-13570	PIPE, WATER	1	1	1					
22	1	172A89-13580	PIPE, WATER	1	1	1					
23	1	172A89-13800	COVER, SHROUD	1	1	1					
24	1	172A89-13810	COVER, SHROUD	1	1	1					
25	1	172A89-13820	COVER ASSY, SHROUD	1	1	1					
26	1	184015-44680	ABSORBER, SHOCK	4	4	4					
27	1	124766-59050	CLIP, HOSE 11.5	4	4	4					
28	1	184015-59130	HOSE	1	1	1					
32	1	184014-59450	PIPE ASSY, FUEL	1	1	1					
36	1	23001-048000	CLAMP, HOSE 48	4	4	4					
37	1	26013-080162	BOLT, M8X 16	2	2	2					
38	1	26013-080162	BOLT, M8X 16	4	4	4					
39	1	26013-080162	BOLT, M8X 16	1	1	1					
40	1	26013-080162	BOLT, M8X 16	1	1	1					
41	1	26013-080162	BOLT, M8X 16	1	1	1					
41-1	1	26014-080162	BOLT, M8X 16	1	1	1					N
				(A=*2013.03)	(B=*2013.03)	(C=*2013.03)					
42	1	26013-100302	BOLT, M10X 30	2	2	2					
43A	1	172A38-03211	LABEL, ANTI-FREEZING	1	1	1					2

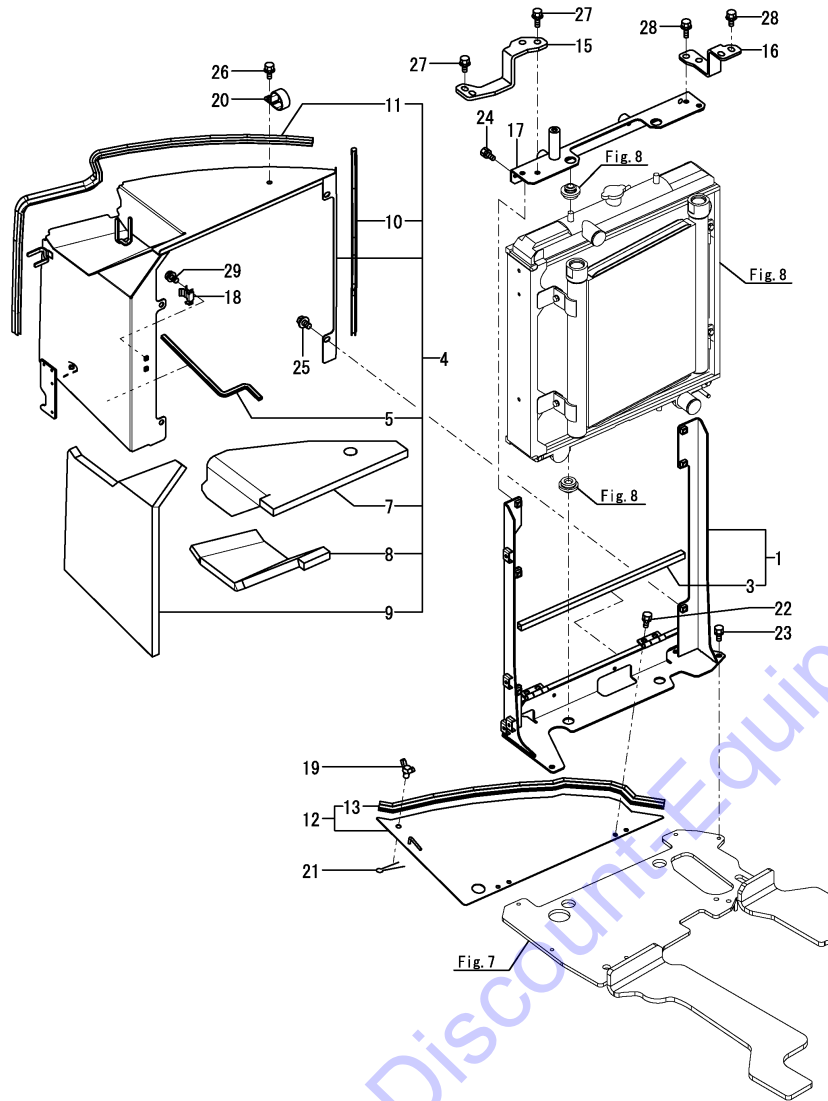
Remarks

- (1)Please use this part with follwing labels at the same time. No.43A.
- (2)Not illustrated.

Fig.9. RADIATOR MOUNT

(A)=VIO80(US)
(B)=VIO80(AS)
(C)=VIO80(NZ)

(D)=
(E)=
(F)=



No.	Lev.	Parts No.	Description	Q'ty						I	R
				(A)	(B)	(C)	(D)	(E)	(F)		
1	1	172A89-13400	BRACKET ASSY,RAD	1	1	1					
3	2	172499-13750	SEAL, DUCT	1	1	1					
4	1	172A89-13600	DUCT ASSY, RADIATOR	1	1	1					
5	2	172638-06720	CUSHION, RUBBER	1	1	1					
7	2	172A89-13680	SPONGE	1	1	1					
8	2	172A89-13690	SPONGE	1	1	1					
9	2	172A89-13700	SPONGE	1	1	1					
10	2	172A89-13730	SEAL, 510	1	1	1					
11	2	172A69-61650	SEAL	1	1	1					
12	1	172A89-13750	COVER ASSY, DUCT	1	1	1					1
13	2	172A69-13670	SEAL	1	1	1					
15	1	172A89-13830	STAY	1	1	1					
16	1	172A89-13840	STAY	1	1	1					
17	1	172A89-13860	BRACKET ASSY,RAD U	1	1	1					
18	1	198220-61480	HOLDER, ROD	1	1	1					
19	1	172142-62301	BOLT, WING	1	1	1					
20	1	172146-78150	PLATE, CLAMP	1	1	1					
21	1	22417-320200	PIN, COTTER 3.2X20	1	1	1					
22	1	26013-080162	BOLT, M8X 16	4	4	4					
22-1	1	26014-080162	BOLT, M8X 16	4	4	4					N
		(A=*2013.06) (B=*2013.06) (C=*2013.06)									
23	1	26013-100202	BOLT, M10X 20	4	4	4					
24	1	26013-100202	BOLT, M10X 20	2	2	2					
25	1	26014-100202	BOLT, M10X 20	4	4	4					
26	1	26014-100202	BOLT, M10X 20	1	1	1					
27	1	26014-100252	BOLT, M10X 25	4	4	4					
28	1	26014-100252	BOLT, M10X 25	4	4	4					
29	1	26023-050102	SCREW, M5X10	2	2	2					
30A	1	172A69-03350	LABEL,BATTERY COVER	1	1	1					2
30B	1	172437-03361	LABEL, BATTERY	1	1	1					2

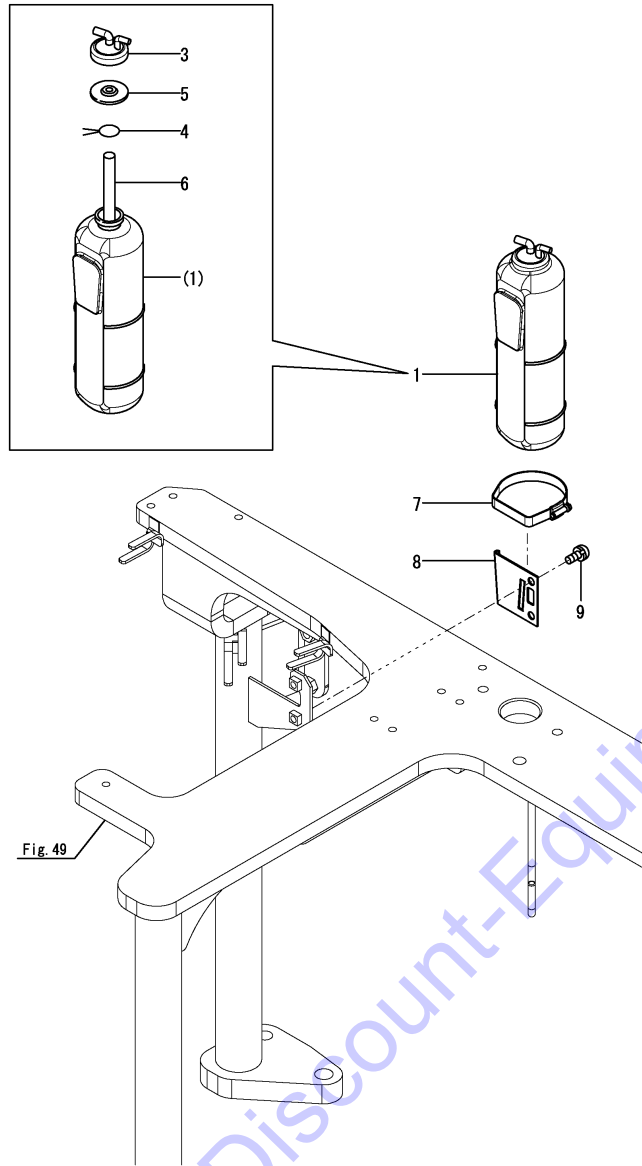
Remarks

- (1)Please use this part with follwing labels at the same time. No.30A, 30B.
- (2)Not illustrated.

Fig.10. SUB TANK

(A)=VIO80(US)
 (B)=VIO80(AS)
 (C)=VIO80(NZ)

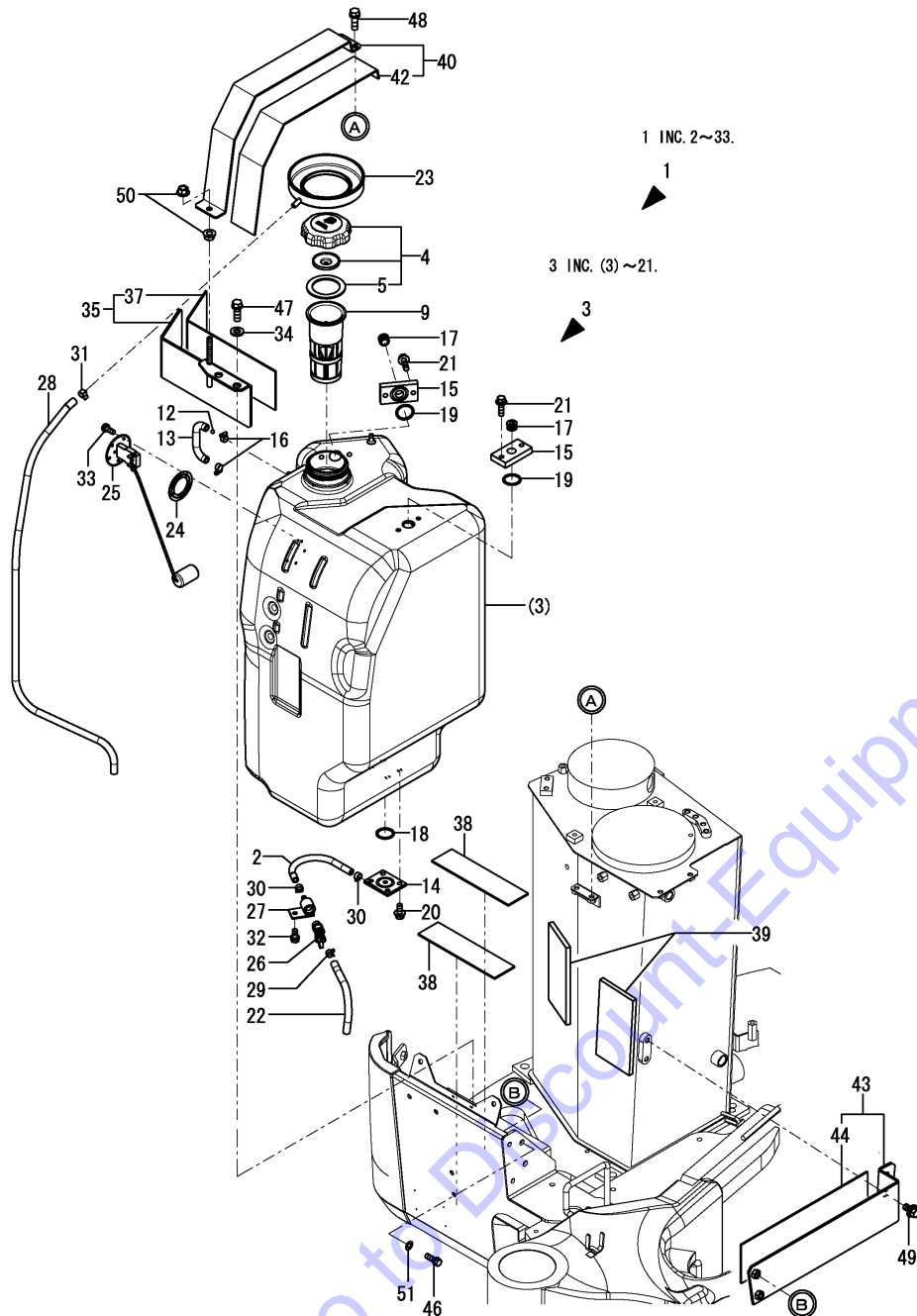
(D)=
 (E)=
 (F)=



No.	Lev.	Parts No.	Description	Q'ty						I	R
				(A)	(B)	(C)	(D)	(E)	(F)		
1	1	171064-44510	TANK ASSY, SUB	1	1	1					1
3	2	121450-44531	CAP	1	1	1					
4	2	124450-44560	RETAINER	1	1	1					
5	2	121470-44581	GASKET	1	1	1					
6	2	23065-070225	HOSE 7X 225	1	1	1					
7	1	124450-44550	BAND	1	1	1					
8	1	121256-44600-3	BRACKET	1	1	1					
9	1	26022-080162	SCREW, M8X16	2	2	2					
10A	1	172A38-03201	LABEL, SUB TANK	1	1	1					2

Remarks
 (1)Please use this part with follwing labels at the same time.
 No. 10A.
 (2)Not illustrated.

Fig.11. FUEL TANK

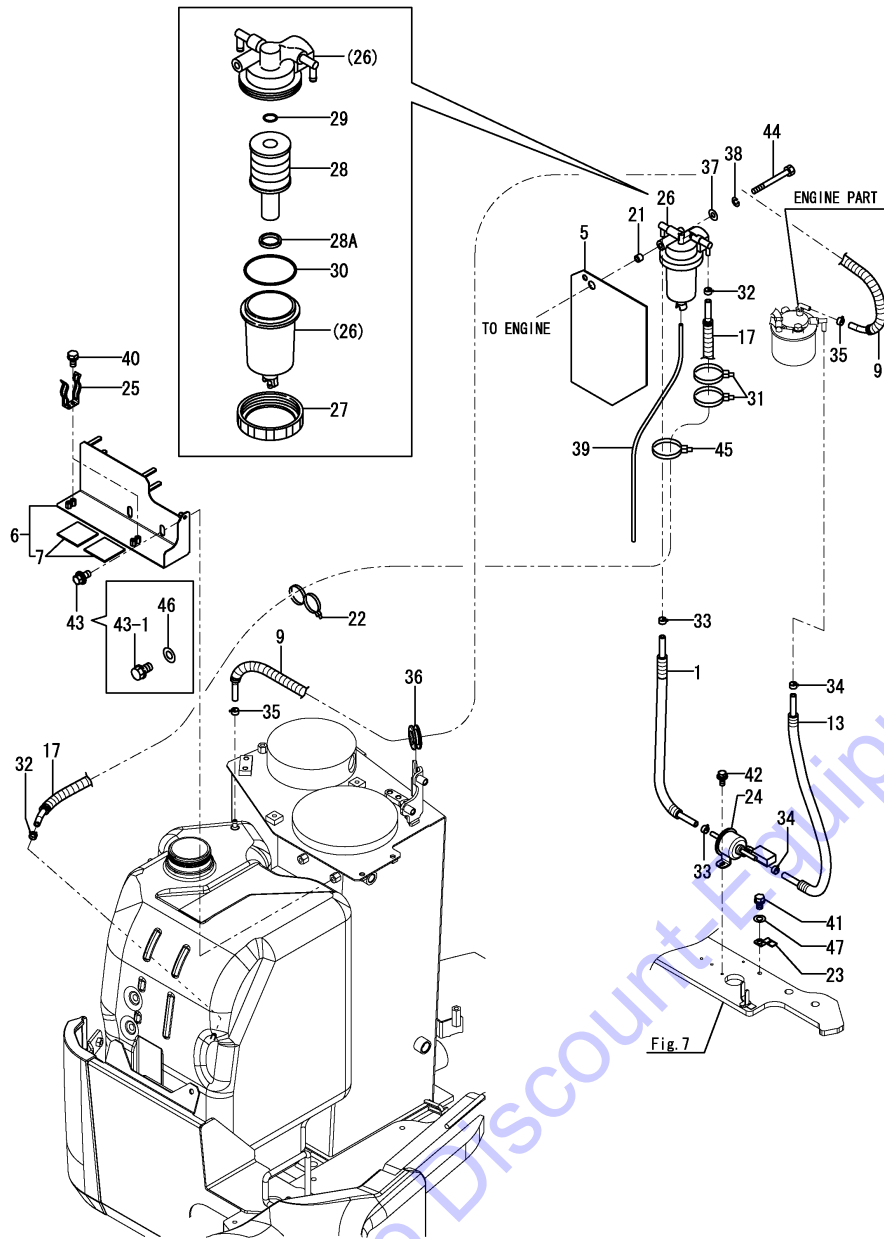


(A)=VIO80(US)
(B)=VIO80(AS)
(C)=VIO80(NZ)

(D)=
(E)=
(F)=

No.	Lev.	Parts No.	Description	Q'ty						I	R
				(A)	(B)	(C)	(D)	(E)	(F)		
1	1	772A69-14100	TANK ASSY, FUEL	1	1	1					
2	2	172137-13400	PIPE, DRAIN	1	1	1					
3	2	172A69-14110	TANK ASSY, FUEL	1	1	1					
4	3	198200-04031	CAP ASSY, FILLER	1	1	1					
5	4	198200-04040	GASKET, FUEL CAP	1	1	1					
9	3	172A69-14130	NET ASSY, FUEL	1	1	1					
12	3	172447-14160	FLOAT	1	1	1					
13	3	172458-14203	HOSE, FUEL GAUGE	1	1	1					
14	3	172A69-14211	BLOCK ASSY, DRAIN	1	1	1					
15	3	172A69-14240	PLATE	2	2	2					
16	3	23000-013000	CLAMP, 13	2	2	2					
17	3	23876-040000	PLUG, R04	2	2	2					
18	3	24311-000320	O-RING, 1AP32.0	1	1	1					
18-1	3	172A69-14550	PACKING	1	1	1					N
		(A=*2016.01.) (B=*2016.01.) (C=*2016.01.)									
19	3	24311-000320	O-RING, 1AP32.0	2	2	2					
20	3	26013-080202	BOLT, SPRING M8X 20	4	4	4					
21	3	26013-080302	BOLT, SPRING M8X 30	4	4	4					
22	2	172186-14150	HOSE, FUEL GAUGE	1	1	1					
23	2	172A69-14170	SUMP, FUEL	1	1	1					
24	2	172162-14200	GASKET	1	1	1					
25	2	172A78-14220	GAUGE, FUEL	1	1	1					
26	2	172A69-14230	VALVE, FUEL DRAIN	1	1	1					
27	2	172444-14270	JOINT, DRAIN	1	1	1					
28	2	172187-14510	HOSE	1	1	1					
29	2	106990-44660	CLAMP, HOSE 12.5	1	1	1					
30	2	124766-59050	CLAMP, HOSE 11.5	2	2	2					
31	2	23080-013000	CLAMP, 13	1	1	1					
32	2	26013-080162	BOLT, SPRING M8X 16	1	1	1					
33	2	26022-050122	SCREW, M5X12	5	5	5					
34	1	194145-04810	WASHER, 10	2	2	2					
35	1	172A69-14310	BRACKET ASSY	1	1	1					
37	2	172A69-14350	PLATE, RUBBER	1	1	1					
38	1	172A69-14370	PLATE, RUBBER	2	2	2					
39	1	172A89-14380	SPONGE, RUBBER	2	2	2					
40	1	172A69-14410	BRACKET ASSY	1	1	1					
42	2	172A69-14430	PLATE, RUBBER	1	1	1					
43	1	172A69-14450	BRACKET ASSY	1	1	1					
44	2	172A69-14350	PLATE, RUBBER	1	1	1					
46	1	26013-100302	BOLT, SPRING M10X 30	2	2	2					
47	1	26013-100302	BOLT, SPRING M10X 30	2	2	2					
48	1	26013-100302	BOLT, SPRING M10X 30	2	2	2					
49	1	26014-100202	BOLT, M10X 20	2	2	2					
50	1	26367-100002	NUT, M10	2	2	2					
51	1	22137-100000	WASHER, 10	2	2	2					W
		(A=M92193) (B=M92193) (C=M92193)									

Fig.12. FUEL PIPE



(A)=VIO80(US)
(B)=VIO80(AS)
(C)=VIO80(NZ)

(D)=
(E)=
(F)=

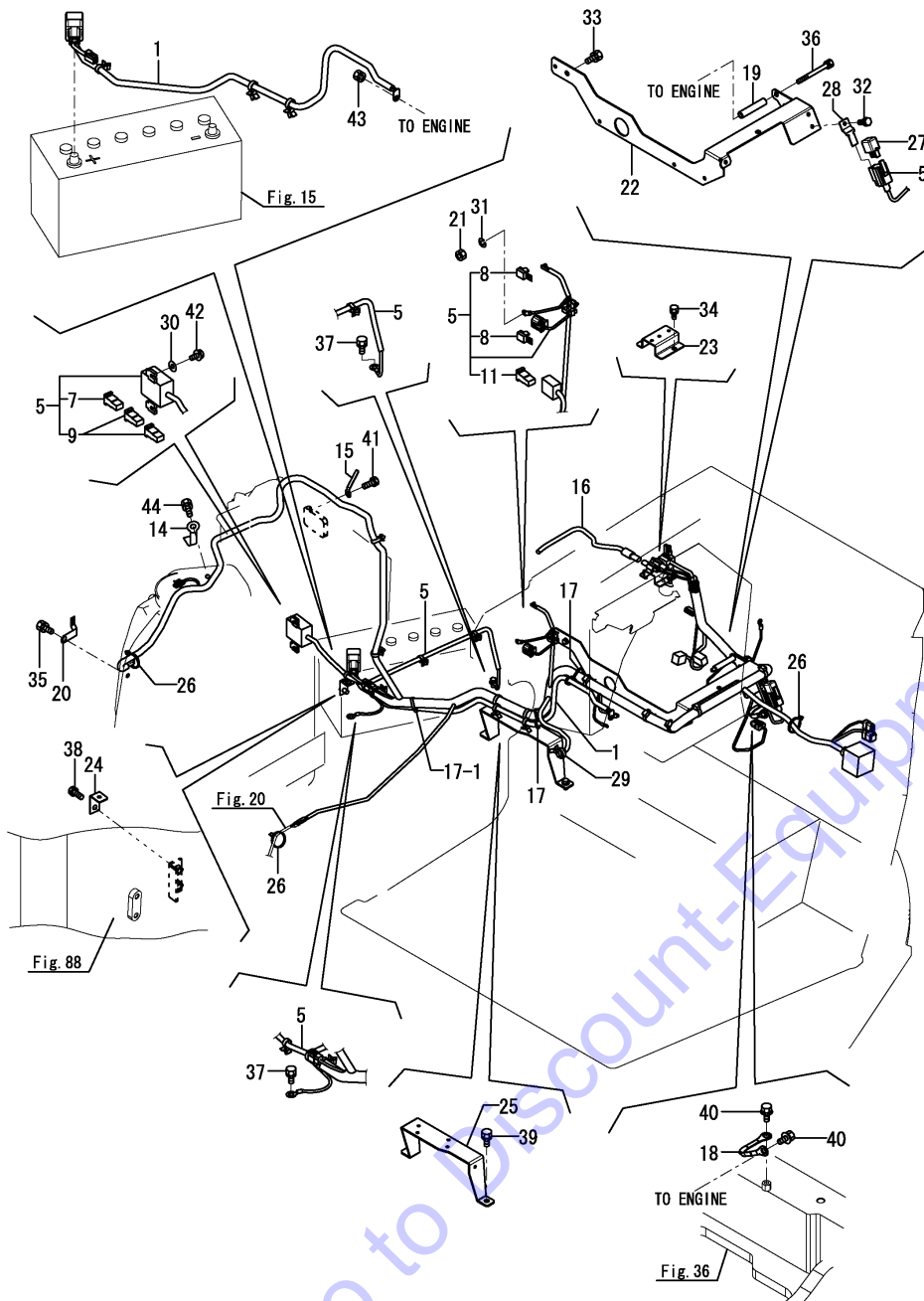
No.	Lev.	Parts No.	Description	Q'ty						I	R
				(A)	(B)	(C)	(D)	(E)	(F)		
1	1	172186-13810	HOSE ASSY	1	1	1					
5	1	172A69-14290	RUBBER PLATE	1	1	1					
6	1	172A69-14510	BRACKET ASSY	1	1	1					
6-1	1	172B11-14510 (A=M92193)	BRACKET ASSY, GREASE (B=M92193)	1	1	1					N
7	2	172446-14250	PLATE, RUBBER	2	2	2					
9	1	172A89-14610	HOSE ASSY(2080	1	1	1					
13	1	172A89-14630	HOSE ASSY,550	1	1	1					
17	1	172A69-14640	HOSE ASSY	1	1	1					
21	1	194630-15520	COLLAR, 9.2X13.8X11	1	1	1					
22	1	172137-16560	BAND	1	1	1					
23	1	172460-16700	STAY	1	1	1					
24	1	129612-52100	PUMP ASSY, FUEL FEED	1	1	1					
25	1	172122-55061	BRACKET, PUMP	2	2	2					
26	1	184016-55700	SEPARATOR ASSY, WATER	1	1	1					
26-1	1	184016-55701 (A=M90514)	SEPARATOR ASSY (B=M90514)	1	1	1					N
27	2	129100-55690	RING, RETAINING	1	1	1					
28	2	119802-55710	ELEMENT	1	1	1					
28A	2	184016-55710 (A=M91373)	FLOAT (B=M91373)	1	1	1					W
29	2	24311-000160	O-RING, 1AP16.0	1	1	1					
30	2	24321-000650	O-RING, 1AG65.0	1	1	1					
31	1	194202-56460	BAND, 200	2	2	2					
32	1	124766-59050	CLIP, HOSE 11.5	2	2	2					
33	1	124766-59050	CLIP, HOSE 11.5	2	2	2					
34	1	124766-59050	CLIP, HOSE 11.5	2	2	2					
35	1	124766-59050	CLIP, HOSE 11.5	2	2	2					
36	1	172422-78760 (A=M90501)	GROMMET (B=M90501)	1	1	1					Z 1
37	1	22137-080000	WASHER, 8	1	1	1					
38	1	22217-080000	WASHER, SPRING 8	1	1	1					
39	1	23061-050500	PIPE, 5X 500	1	1	1					
40	1	26013-060122	BOLT, M6X 12	4	4	4					
41	1	26013-100162	BOLT, M10X 16	1	1	1					
42	1	26014-060162	BOLT, M6X 16	2	2	2					
43	1	26014-100162	BOLT, M10X 16	2	2	2					
43-1	1	26013-100162 (A=M90528)	BOLT, M10X 16 (B=M90528)	2	2	2					N
44	1	26116-080802	BOLT, M8X 80 PLATED	1	1	1					
45	1	194202-56460	BAND, 200	1	1	1					
46	1	22137-100000	WASHER, 10	2	2	2					W
47	1	22137-100000 (A=*2012.04)	WASHER, 10 (B=*2012.04)	1	1	1					W

Remarks

(1) Refer to Fig.99 for this parts.

N:Old $\frac{Yes}{No}$ New, Q:Old $\frac{No}{Yes}$ New, R:Old $\frac{Yes}{Yes}$ New, S:Old $\frac{No}{No}$ New, W:Add, Z:Discontinued, F:Interchangeable by set, K:Q'ty Change

Fig.13. ELECTRIC PARTS(ENGINE)

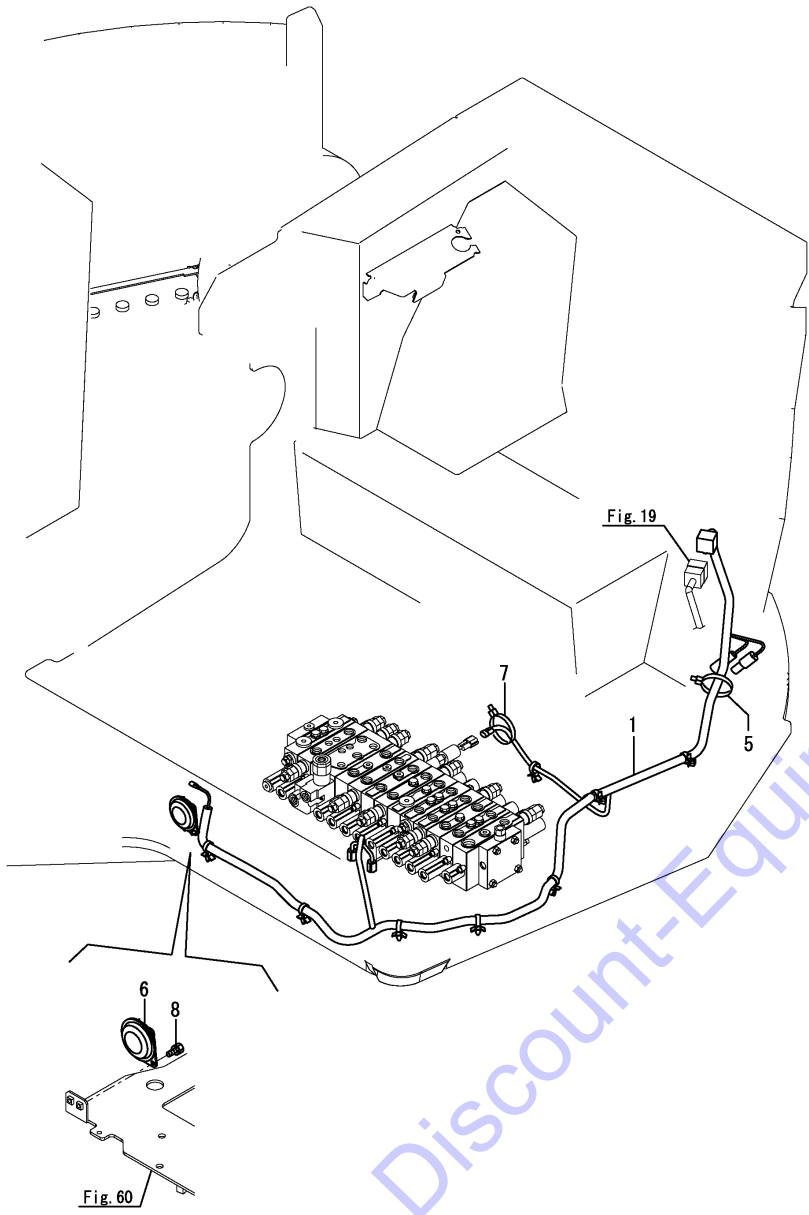


(A)=VIO80(US)
(B)=VIO80(AS)
(C)=VIO80(NZ)

(D)=
(E)=
(F)=

No.	Lev.	Parts No.	Description	Q'ty						I	R
				(A)	(B)	(C)	(D)	(E)	(F)		
1	1	172A69-16100	CORD ASSY, BATTERY	1	1	1					
5	1	172A89-16500	HARNESS,A ASSY	1	1	1					
7	2	172A65-16550	FUSE, SLOWBLOW	1	1	1					
8	2	172648-16600	DIODE	2	2	2					
9	2	172A69-16710	FUSE, SLOWBLOW	2	2	2					
11	2	198153-51700	FUSE, SLOW BLOW 80A	1	1	1					
14	1	172126-16540	CLAMP	1	1	1					
15	1	172126-16540	CLAMP	1	1	1					
16	1	172A65-16540	HARNESS C	1	1	1					
17	1	172137-16560	BAND	2	2	2					
17-1	1	172137-16560	BAND	3	3	3					K
		(A=M90863) (B=M90863) (C=M90863)									
18	1	172187-16600	CORD, ENGINE EARTH	1	1	1					
19	1	172A69-16680	COLLAR	1	1	1					
20	1	172A69-16700	BRACKET	1	1	1					
21	1	26716-060002	NUT, M6	1	1	1					
22	1	172A89-16750	SUPPORT ASSY	1	1	1					
23	1	172A89-16770	CLAMP, HARNESS	1	1	1					
24	1	172A89-16790	STAY, HARNESS	1	1	1					
25	1	172A89-16800	SUPPORT, HARNESS	1	1	1					
26	1	194202-56460	BAND, 200	3	3	3					
27	1	129927-77900	RELAY	1	1	1					
28	1	129927-77910	BRACKET, CONNECTOR	1	1	1					
29	1	1E8775-84120	CLAMP, BAND	1	1	1					
30	1	22137-060000	WASHER, 6	2	2	2					
31	1	22217-060000	WASHER, SPRING 6	1	1	1					
32	1	26013-060162	BOLT, M6X 16	1	1	1					
33	1	26013-080162	BOLT, M8X 16	1	1	1					
34	1	26013-080162	BOLT, M8X 16	2	2	2					
35	1	26013-080162	BOLT, M8X 16	1	1	1					
36	1	26013-080852	BOLT, M8X 85	1	1	1					
37	1	26013-100162	BOLT, M10X 16	2	2	2					
38	1	26013-100162	BOLT, M10X 16	1	1	1					
39	1	26013-100202	BOLT, M10X 20	2	2	2					
40	1	26014-100162	BOLT, M10X 16	2	2	2					
41	1	26014-100162	BOLT, M10X 16	1	1	1					
42	1	26023-060122	SCREW, M6X12	2	2	2					
43	1	26051-080002	NUT, M8	1	1	1					
44	1	26014-080162	BOLT, M8X 16	1	1	1					

Fig.14. ELECTRIC PARTS(CONTROL VALVE PLATE)



(A)=VIO80(US)
 (B)=VIO80(AS)
 (C)=VIO80(NZ)

(D)=
 (E)=
 (F)=

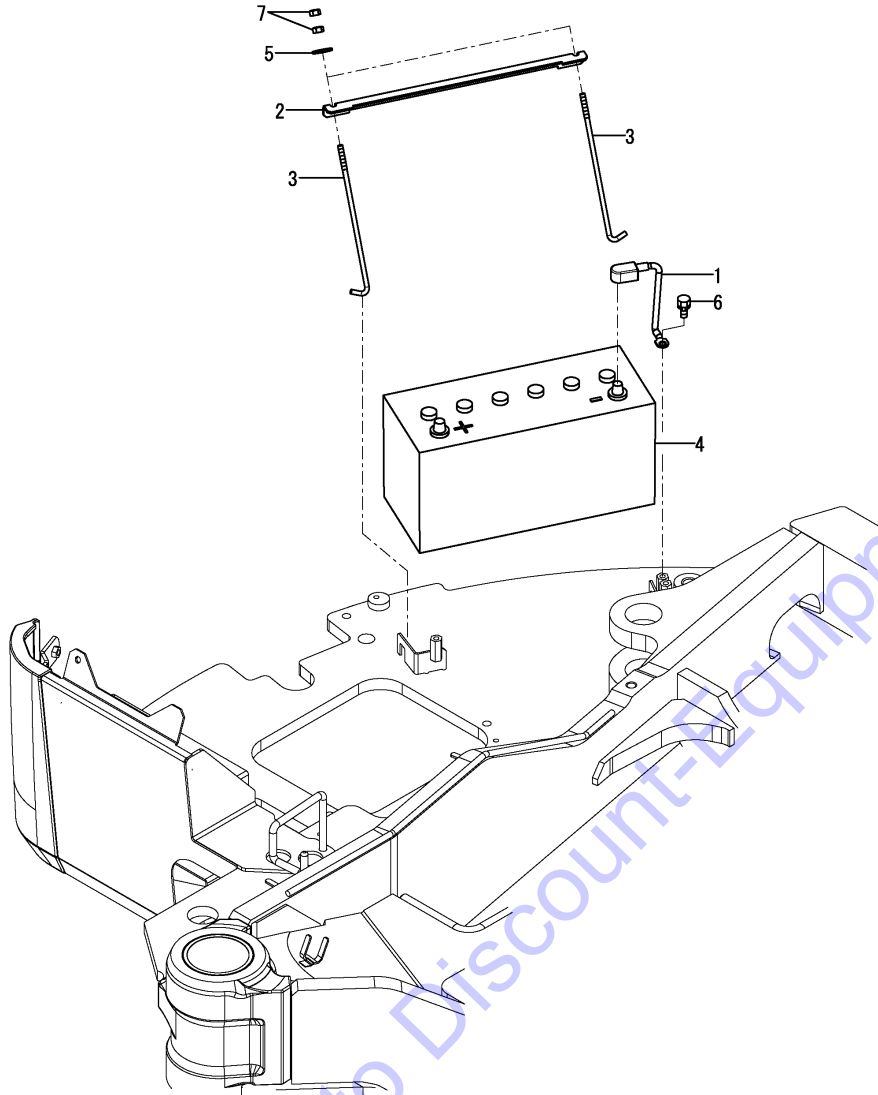
No.	Lev.	Parts No.	Description	Q'ty						I	R
				(A)	(B)	(C)	(D)	(E)	(F)		
1	1	172A69-16551	HARNES ASSY, WIRE	1	1	1					
5	1	194202-56460	BAND, 200	1	1	1					Z
		(A=*2010.05) (B=*2010.05) (C=*2010.05)									
6	1	194151-57100	HORN	1	1	1					
7	1	1E8775-84120	CLAMP, BAND	1	1	1					
8	1	26013-060122	BOLT, M6X 12	2	2	2					

Go to Discount-Equipment.com to order your parts

Fig.15. ELECTRIC PARTS(BATTERY)

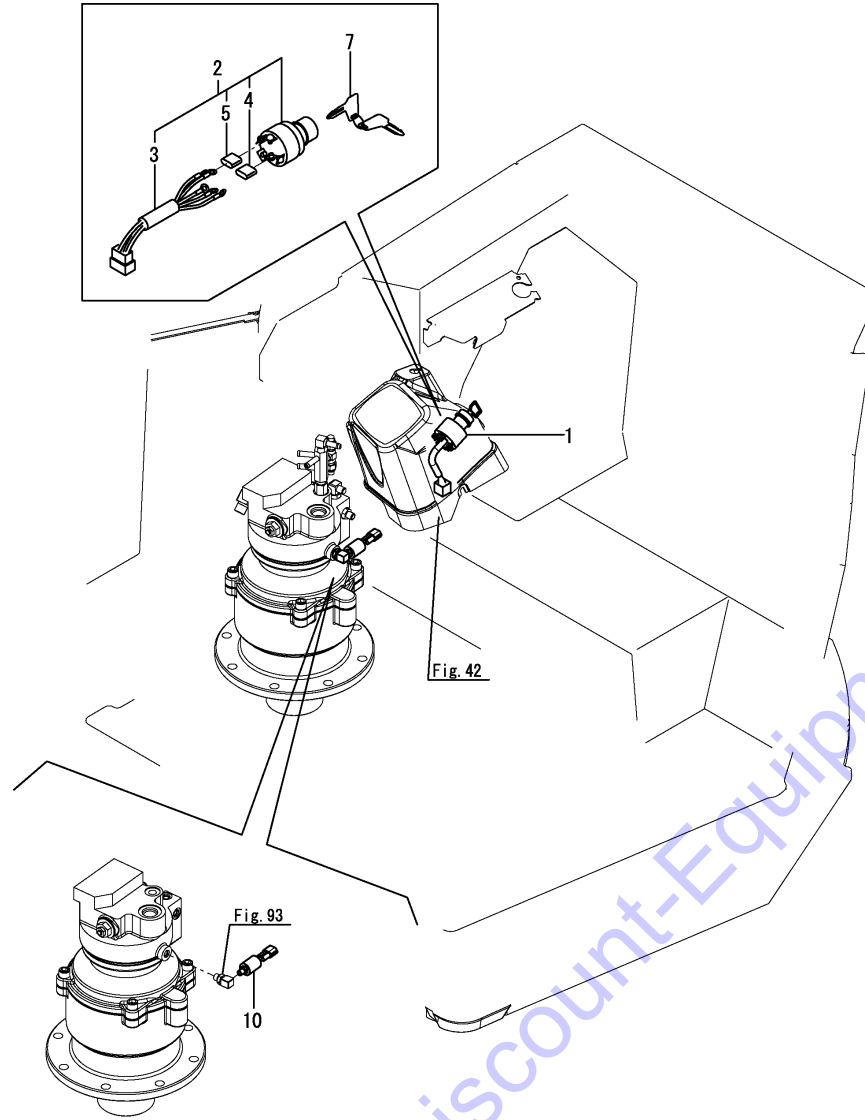
(A)=VIO80(US)
 (B)=VIO80(AS)
 (C)=VIO80(NZ)

(D)=
 (E)=
 (F)=



No.	Lev.	Parts No.	Description	Q'ty						I	R
				(A)	(B)	(C)	(D)	(E)	(F)		
1	1	172187-16110	CORD, BATTERY	1	1	1					
2	1	172112-16201	RETAINER, BATTERY	1	1	1					
3	1	172164-16370	ROD	2	2	2					
4	1	1E8080-83320	BATTERY	1	1	1					
4-1	1	1E8080-83321	BATTERY, 130E41R	1	1	1					N
		(A=*2012.12) (B=*2012.12) (C=*2012.12)									
5	1	22157-080000	WASHER, 8	2	2	2					
6	1	26013-100162	BOLT, M10X 16	1	1	1					
7	1	26716-080002	NUT, M8	4	4	4					

Fig.16. ELECTRIC PARTS(STARTING SWITCH)



(A)=VIO80(US)
 (B)=VIO80(AS)
 (C)=VIO80(NZ)

(D)=
 (E)=
 (F)=

No.	Lev.	Parts No.	Description	Q'ty						I	R
				(A)	(B)	(C)	(D)	(E)	(F)		
1	1	172187-17100	SWITCH ASSY, STARTER	1	1	1					
1-1	1	172187-17101	SWITCH ASSY, STARTER	1	1	1					N
		(A=M92036) (B=M92036) (C=M92036)									
2	2	172A47-17210	CYLINDER ASSY, KEY	1	1	1					
2-1	2	172A47-17211	CYLINDER ASSY, KEY	1	1	1					N
		(A=M92036) (B=M92036) (C=M92036)									
3	3	172187-17070	CORD ASSY	1	1	1					
4	3	172187-17080	COVER	3	3	3					
5	3	172187-17090	COVER	2	2	2					
7	2	933110-00301	KEY ASSY	1	1	1					
10	1	172478-17201	SWITCH, PRESSURE	1	1	1					

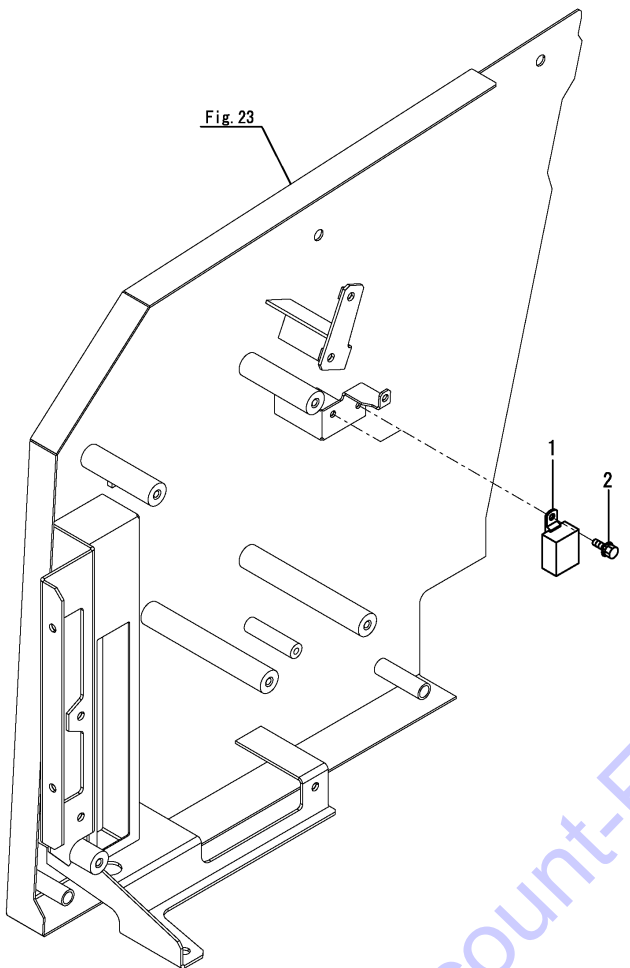
Go to Discount-Equipment.com to order your parts

Fig.17. ELECTRIC PARTS(AIR CONDITIONER)

(A)=VIO80(US)
 (B)=VIO80(AS)
 (C)=VIO80(NZ)

(D)=
 (E)=
 (F)=

No.	Lev.	Parts No.	Description	Q'ty						I	R
				(A)	(B)	(C)	(D)	(E)	(F)		
1	1	198461-52950	RELAY, CA TYPE C	2	2	2					
2	1	26014-060162	BOLT, M6X 16	2	2	2					

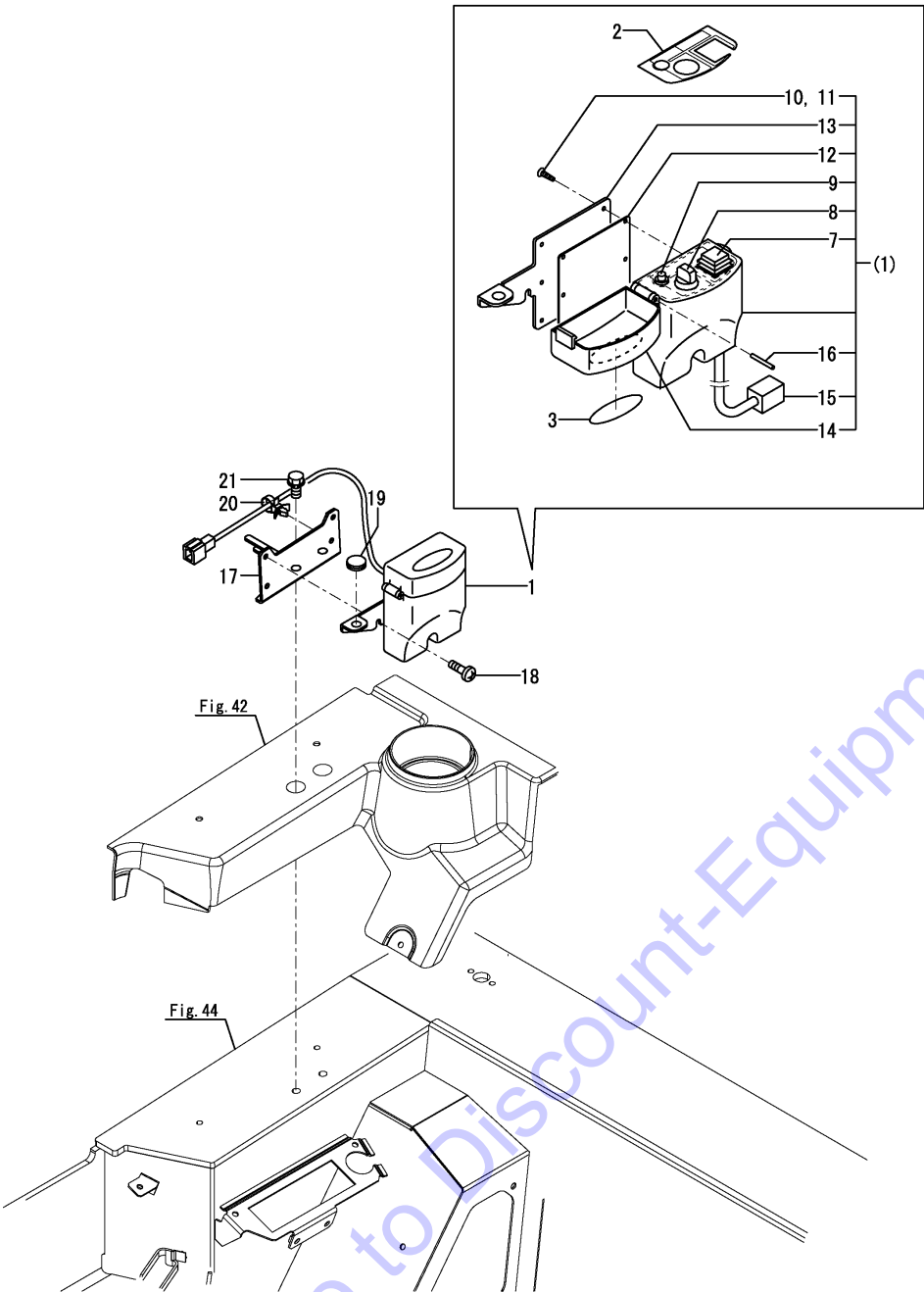


Go to Discount-Equipment.com to order your parts

Fig.18. ELECTRIC PARTS(QUICK COUPLER : SWITCH)

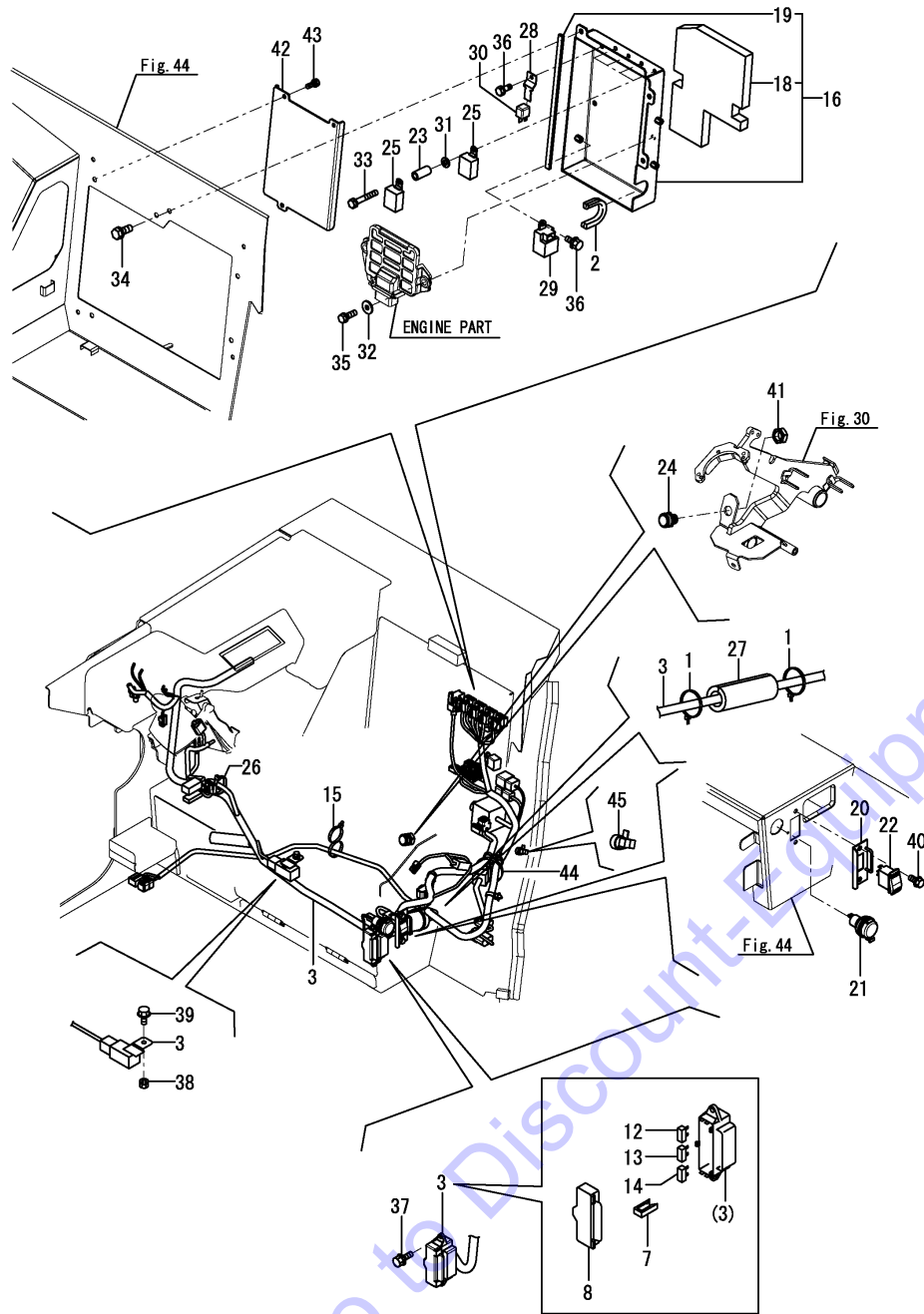
(A)=VIO80(US)
 (B)=VIO80(AS)
 (C)=VIO80(NZ)

(D)=
 (E)=
 (F)=



No.	Lev.	Parts No.	Description	Q'ty						I	R
				(A)	(B)	(C)	(D)	(E)	(F)		
1	1	172958-17110	BOX, SWITCH	1	1	1					
1-1	1	172958-17111	BOX, SWITCH EX	1	1	1					N
		(A=*2013.05) (B=*2013.05) (C=*2013.05)									
2	2	172472-03290	LABEL, SWITCH	1	1	1					
3	2	172472-03300	LABEL, COVER	1	1	1					
7	3	172958-17140	SWITCH ASSY	1	1	1					
8	3	172958-17150	SWITCH ASSY	1	1	1					
9	3	172958-17160	LAMP, INDICATOR	1	1	1					
10	3	172958-17170	SCREW, TAPPING	6	6	6					
11	3	172958-17180	SCREW, TAPPING	2	2	2					
12	3	172958-17190	PACKING	1	1	1					
13	3	172958-17200	BRACKET	1	1	1					
14	3	172958-17210	CASE	1	1	1					
15	3	172958-17220	CORD	1	1	1					
16	3	22351-030028	PIN, SPRING 3.0X28	1	1	1					
17	1	172A89-17150	QH BRACKET ASSY	1	1	1					
18	1	172137-46210	SCREW	2	2	2					
19	1	172187-64900	PLUG	1	1	1					
20	1	1E8775-84120	CLAMP, BAND	1	1	1					
21	1	26013-100202	BOLT, M10X 20	2	2	2					
21-1	1	26013-100252	BOLT, M10X 25	2	2	2					N
		(A=M90501) (B=M90501) (C=M90501)									

Fig.19. ELECTRIC PARTS(SEAT MOUNT)



(A)=VIO80(US)
(B)=VIO80(AS)
(C)=VIO80(NZ)

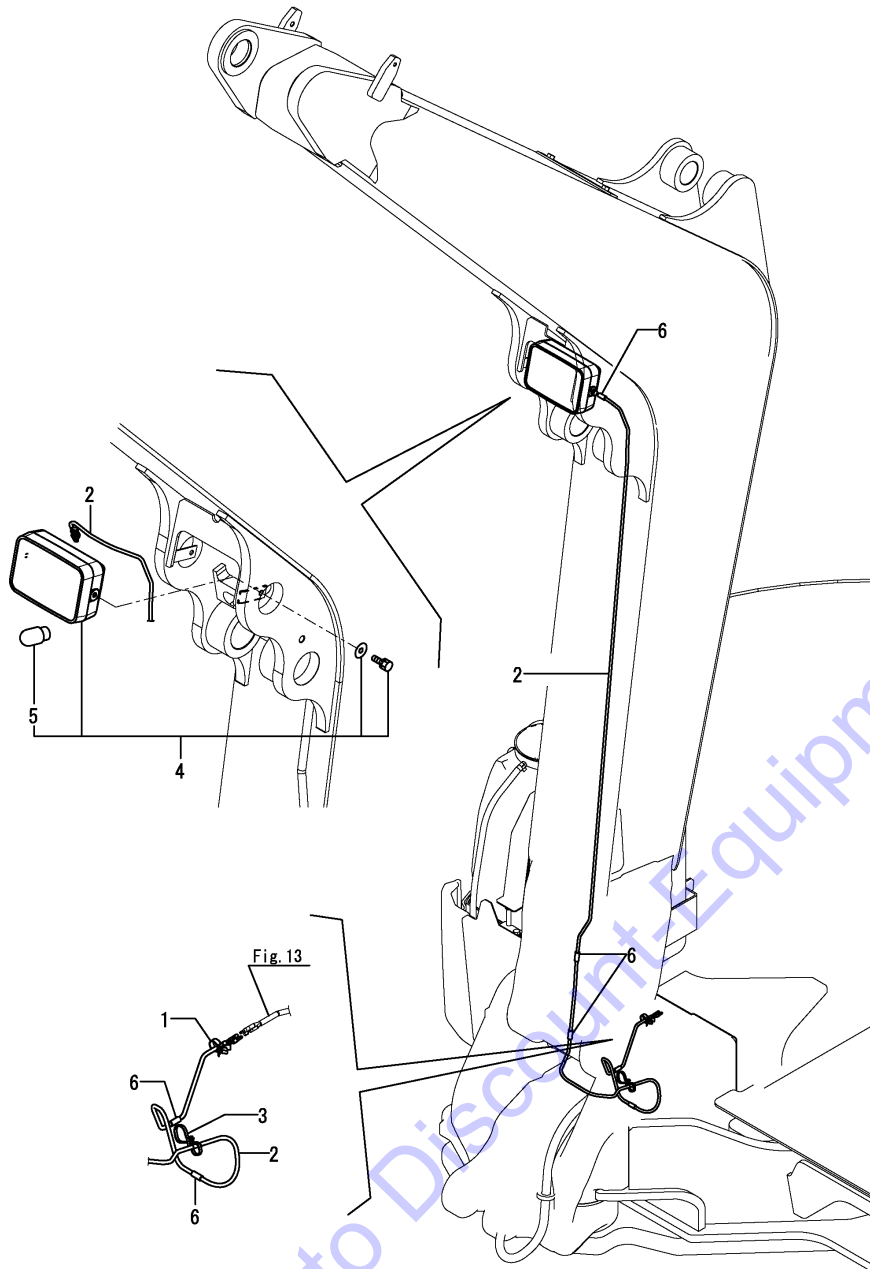
(D)=
(E)=
(F)=

No.	Lev.	Parts No.	Description	Q'ty						I	R
				(A)	(B)	(C)	(D)	(E)	(F)		
1	1	172126-11510	BAND	2	2	2					
2	1	172456-13470	RUBBER 100	1	1	1					
3	1	172A89-16550	HARNESS,B ASSY(EX)	1	1	1					
7	2	172175-17120	PULLER	1	1	1					
8	2	172187-17220	COVER	1	1	1					
12	2	29420-050000	FUSE, B 5A	2	2	2					
13	2	29420-100000	FUSE, B 10A	5	5	5					
14	2	29420-300000	FUSE, B 30A	3	3	3					
15	1	172137-16560	BAND	1	1	1					
16	1	172A89-17090	BOX A ASSY,CONTROLER	1	1	1					
18	2	172A69-17140	SPONGE	1	1	1					
19	2	172487-61460	SEAL, MULTI COVER	1	1	1					
20	1	172A89-17180	PLATE ASSY,SWITCH	1	1	1					
21	1	172A64-17250	SOCKET ASSY	1	1	1					
22	1	172A69-17260	SWITCH, ENGINE STOP	1	1	1					
23	1	172A65-17480	COLLAR	4	4	4					
24	1	194464-52190	SWITCH, SAFETY START	1	1	1					
25	1	198461-52950	RELAY, CA TYPE C	8	8	8					
26	1	194202-56460	BAND, 200	1	1	1					
27	1	172445-68650	SPONGE, HOSE	1	1	1					
28	1	129927-77910	BRACKET, CONNECTOR	1	1	1					
29	1	124970-77920	TIMER	1	1	1					
30	1	129927-77920	RELAY	1	1	1					
31	1	22137-060000	WASHER, 6	4	4	4					
32	1	22157-080000	WASHER, 8	2	2	2					
33	1	26013-060402	BOLT, M6X 40	4	4	4					
33-1	1	26014-060402	BOLT, M6X 40	4	4	4					N
				(A=M90501)	(B=M90501)	(C=M90501)					
34	1	26013-080162	BOLT, M8X 16	3	3	3					
35	1	26013-080252	BOLT, M8X 25	2	2	2					
36	1	26014-060162	BOLT, M6X 16	2	2	2					
37	1	26014-060162	BOLT, M6X 16	2	2	2					
38	1	26051-080002	NUT, M8	1	1	1					
39	1	26106-080162	BOLT, M8X 16 PLATED	1	1	1					
40	1	26106-080162	BOLT, M8X 16 PLATED	2	2	2					
41	1	26776-180002	NUT, LOCK M18	1	1	1					
42	1	172A89-17500	COVER ASSY	1	1	1					
43	1	26013-080162	BOLT, M8X 16	3	3	3					
44	1	172126-11510	BAND	1	1	1					
45	1	1E8775-84120	CLAMP, BAND	1	1	1					

Fig.20. ELECTRIC PARTS(WORK LAMP)

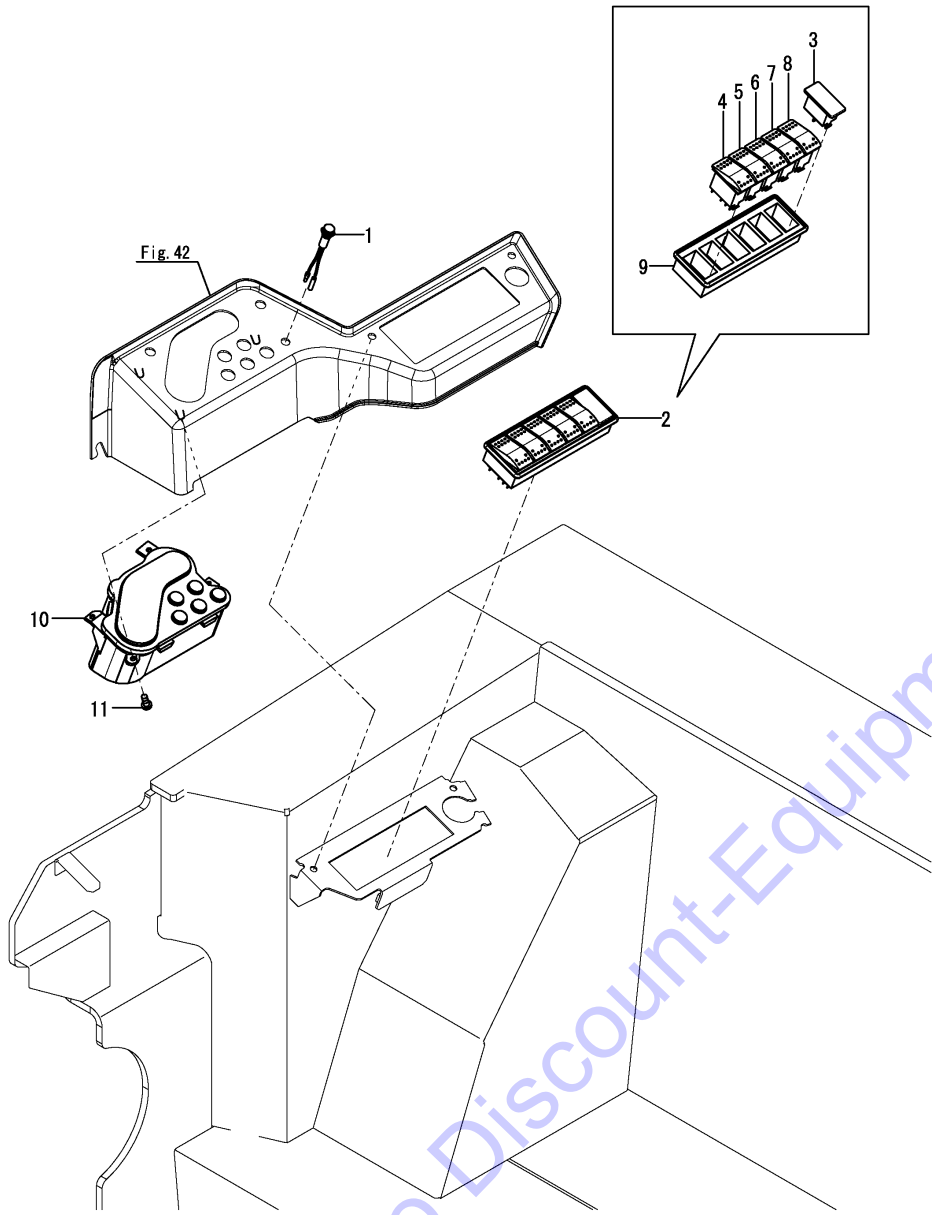
(A)=VIO80(US)
 (B)=VIO80(AS)
 (C)=VIO80(NZ)

(D)=
 (E)=
 (F)=



No.	Lev.	Parts No.	Description	Q'ty						I	R
				(A)	(B)	(C)	(D)	(E)	(F)		
1	1	1E8775-84120	CLAMP, BAND	1	1	1					
2	1	172A89-16440	HARNESS, WIRE	1	1	1					
3	1	172137-16560	BAND	1	1	1					
4	1	172162-17400	LAMP ASSY, WORK	1	1	1					
5	2	172141-17211	BULB	1	1	1					
6	1	172B11-16780	RUBBER, CLAMP A	5	5	5					W
(A=M92163) (B=M92163) (C=M92163)											

Fig.21. ELECTRIC PARTS(INDICATOR BOX)



(A)=VIO80(US)
(B)=VIO80(AS)
(C)=VIO80(NZ)

(D)=
(E)=
(F)=

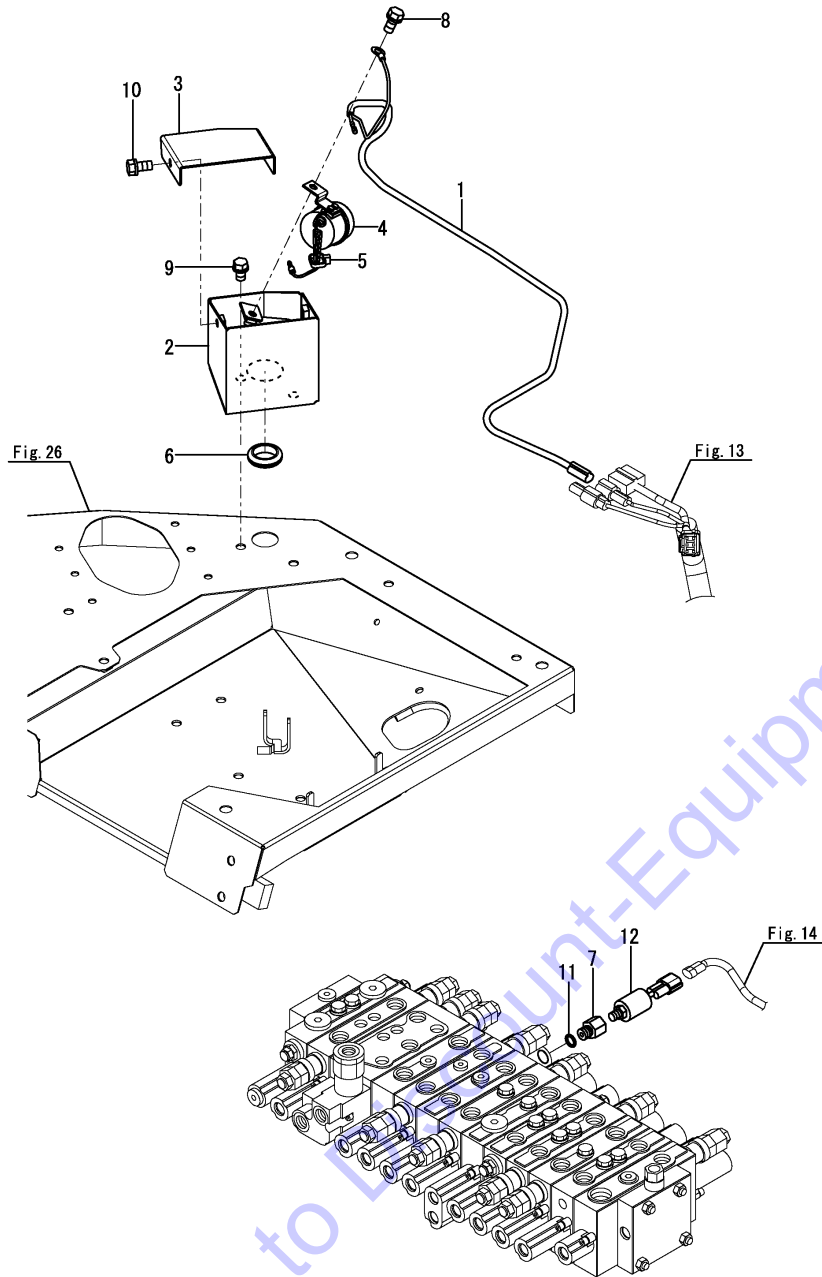
No.	Lev.	Parts No.	Description	Q'ty						I	R
				(A)	(B)	(C)	(D)	(E)	(F)		
1	1	172A65-17150	LAMP ASSY ASSY	1	1	1					
2	1	172A69-17200	SWITCH ASSY	1	1	1					
2-1	1	172A69-17201	SWITCH ASSY	1	1	1					N
		(A=M90587) (B=M90587) (C=M90587)									
3	2	172538-17100	PLUG, PANEL	1	1	1					
4	2	172A69-17210	SWITCH, TRAVLE	1	1	1					
4-1	2	172A69-17211	SWITCH, TRAVLE	1	1	1					N
		(A=M90587) (B=M90587) (C=M90587)									
5	2	172A69-17220	SWITCH, WIPER	1	1	1					
5-1	2	172A69-17221	SWITCH, WIPER	1	1	1					N
		(A=M90587) (B=M90587) (C=M90587)									
6	2	172A69-17230	SWITCH, LIGHT	1	1	1					
6-1	2	172A69-17231	SWITCH, LIGHT	1	1	1					N
		(A=M90587) (B=M90587) (C=M90587)									
7	2	172A69-17240	SWITCH, AUTO DECEL	1	1	1					
7-1	2	172A69-17241	SWITCH, AUTO DECEL	1	1	1					N
		(A=M92193) (B=M92193) (C=M92193)									
8	2	172A69-17250	SWITCH, ECO	1	1	1					
8-1	2	172A69-17251	SWITCH, ECO	1	1	1					N
		(A=M92193) (B=M92193) (C=M92193)									
9	2	172A69-17270	PANEL	1	1	1					
10	1	172A77-17250	MONITOR ASSY	1	1	1					
11	1	22857-500121	SCREW 5X12	3	3	3					

Go to Discount-Equipment.com

Fig.22. ELECTRIC PARTS(TRAVEL ALARM)

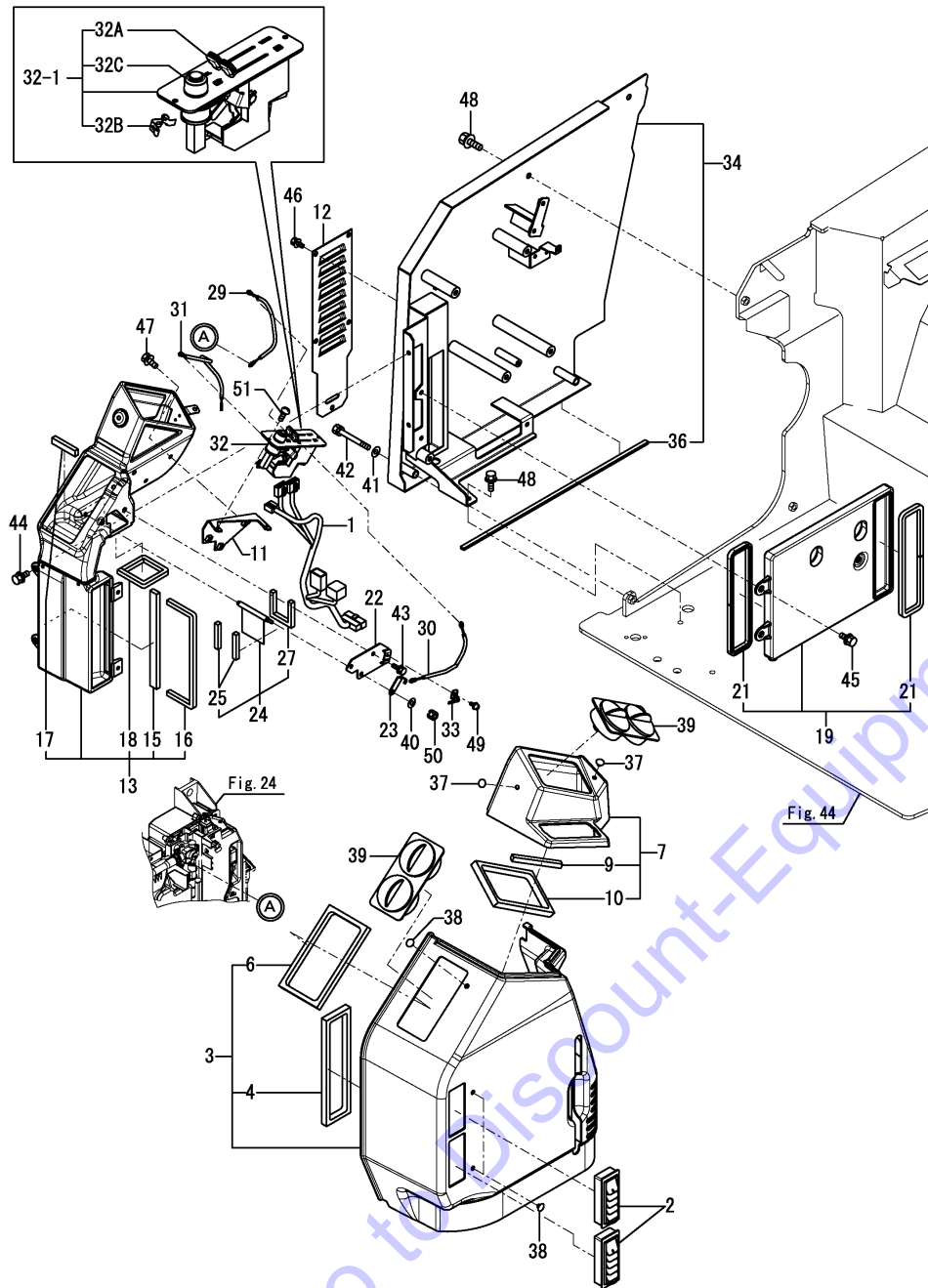
(A)=VIO80(US)
 (B)=VIO80(AS)
 (C)=VIO80(NZ)

(D)=
 (E)=
 (F)=



No.	Lev.	Parts No.	Description	Q'ty						I	R
				(A)	(B)	(C)	(D)	(E)	(F)		
1	1	172A89-16420	HARNES, TRAVEL	1	1	1					
2	1	172A89-16810	COVER ASSY, BUZZER	1	1	1					
3	1	172A89-16870	COVER, BUZZER	1	1	1					
4	1	172511-17351	BUZZER, BACK	1	1	1					
5	1	194202-56460	BAND, 200	1	1	1					
6	1	172137-66230	GROMMET	1	1	1					
7	1	172156-76110	CONNECTOR, PF1/4PT1/8	1	1	1					
8	1	26013-080162	BOLT, M8X 16	1	1	1					
9	1	26013-100162	BOLT, M10X 16	2	2	2					
10	1	26013-080162	BOLT, M8X 16	2	2	2					
11	1	41851-000110	O-RING	1	1	1					
12	1	172478-17201	SWITCH, PRESSURE	1	1	1					

Fig.23. AIR CONDITIONER(CABIN RELATED)

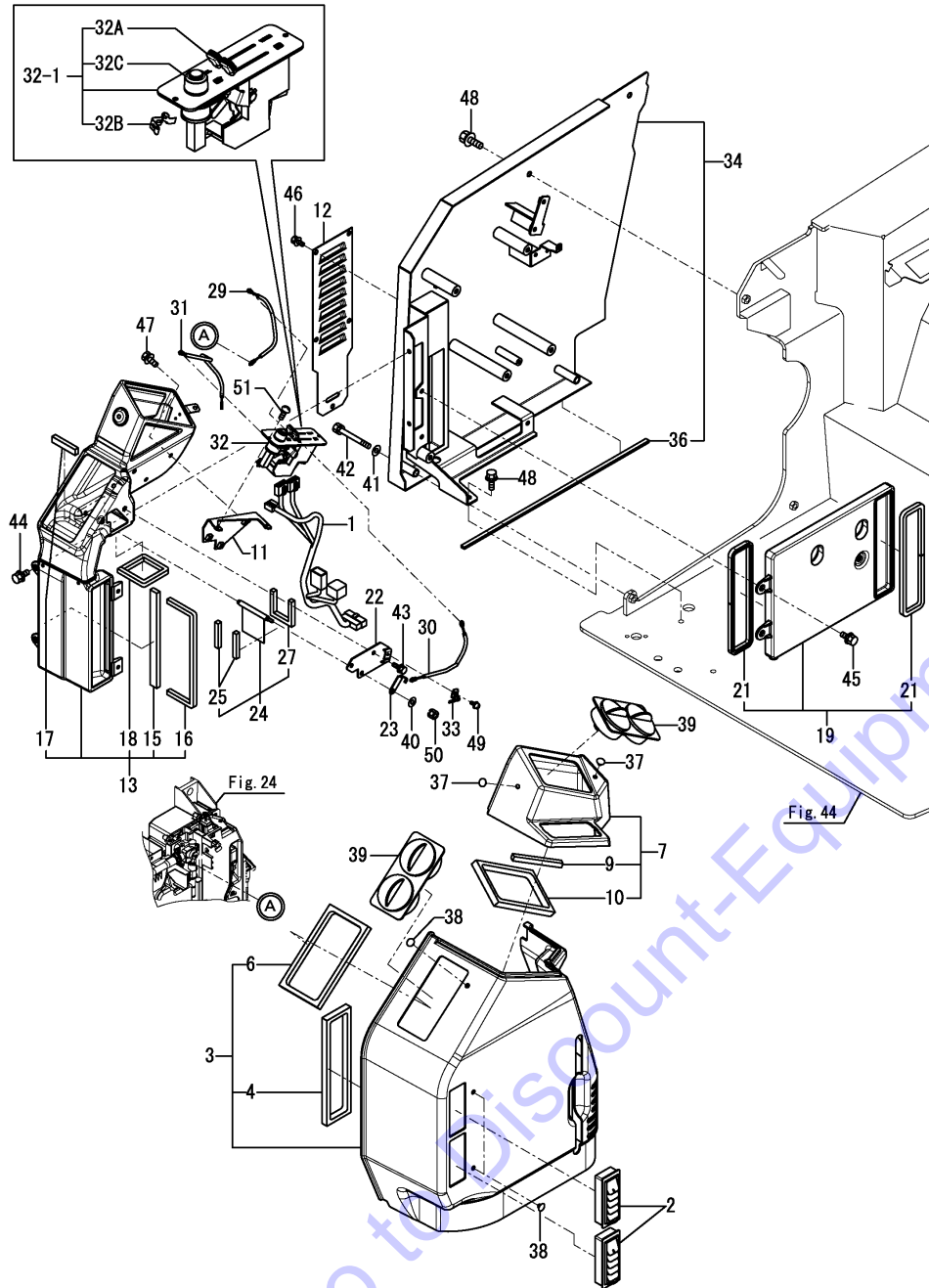


(A)=VIO80(US)
(B)=VIO80(AS)
(C)=VIO80(NZ)

(D)=
(E)=
(F)=

No.	Lev.	Parts No.	Description	Q'ty						I	R
				(A)	(B)	(C)	(D)	(E)	(F)		
1	1	172A89-16600	HARNES, WIRE	1	1	1					
1-1	1	172A89-16601	HARNES, WIRE	1	1	1					N
		(A=M90608) (B=M90608) (C=M90608)									
2	1	172458-17700	GRILLE	2	2	2					
3	1	172A69-18200	COVER ASSY	1	1	1					
4	2	172A69-18210	SEAL, DUCT	1	1	1					
6	2	1A7470-87320	SEAL, DUCT SIDE	1	1	1					
7	1	172A69-18230	COVER ASSY	1	1	1					
9	2	172446-49280	SEAL	1	1	1					
10	2	1A7470-87320	SEAL, DUCT SIDE	1	1	1					
11	1	172A69-18650	BRACKET ASSY	1	1	1					
12	1	172A69-18680	PLATE, INTAKE	1	1	1					
13	1	172A69-18700	DUCT ASSY	1	1	1					
15	2	172A69-18760	SEAL, DUCT	1	1	1					
16	2	172A69-18770	SEAL, DUCT	1	1	1					
17	2	172A69-18780	SPONGE	1	1	1					
18	2	172A69-18790	SEAL, DUCT	1	1	1					
19	1	172A69-18730	DUCT ASSY	1	1	1					
21	2	172A69-18750	SEAL, DUCT	2	2	2					
22	1	172A69-18820	COVER ASSY, DUCT	1	1	1					
23	1	172A69-18860	LEVER, DUMPER	1	1	1					
24	1	172A69-18940	DAMPER ASSY	1	1	1					
25	2	172A69-18800	SEAL	2	2	2					
27	2	172A69-18990	SPONGE	1	1	1					
29	1	172A69-19700	CABLE, HEATER	1	1	1					
30	1	172A89-19710	CABLE,AC DAMPER	1	1	1					
31	1	172A69-19720	CABLE, DOOR	1	1	1					
32	1	172A69-19730	CONTROL ASSY	1	1	1					
32-1	1	172A69-19731	CONTROL ASSY	1	1	1					N
		(A=*2014.11.) (B=*2014.11.) (C=*2014.11.)									
32A	2	1E8545-80080	KNOB, CONTROL	2	2	2					W
		(A=*2014.11.) (B=*2014.11.) (C=*2014.11.)									
32B	2	1A7030-87790	CLAMP, CABLE	3	3	3					W
		(A=*2014.11.) (B=*2014.11.) (C=*2014.11.)									
32C	2	1A7030-88211	SWITCH ASSY, AIR CON	1	1	1					W
		(A=*2014.11.) (B=*2014.11.) (C=*2014.11.)									
33	1	172A69-19890	CLAMP, CABLE	1	1	1					
34	1	172A89-19100	BRACKET ASSY,ACU(49)	1	1	1					
36	2	172458-64140	SEAL	1	1	1					
37	1	172187-63160	CLIP	2	2	2					
38	1	1A6260-64200	CLIP	4	4	4					
39	1	1A7030-87411	GRILLE ASSY, FRONT	2	2	2					
40	1	22137-060000	WASHER, 6	1	1	1					
41	1	22137-100000	WASHER, 10	2	2	2					
42	1	26013-100852	BOLT, SPRING M10X 85	2	2	2					
43	1	26013-060102	BOLT, SPRING M6X 10	2	2	2					
44	1	26014-080162	BOLT, M8X 16	4	4	4					
45	1	26014-080162	BOLT, M8X 16	3	3	3					
46	1	26014-080162	BOLT, M8X 16	5	5	5					
47	1	26014-080162	BOLT, M8X 16	3	3	3					
48	1	26014-100252	BOLT, M10X 25	3	3	3					

Fig.23. AIR CONDITIONER(CABIN RELATED)

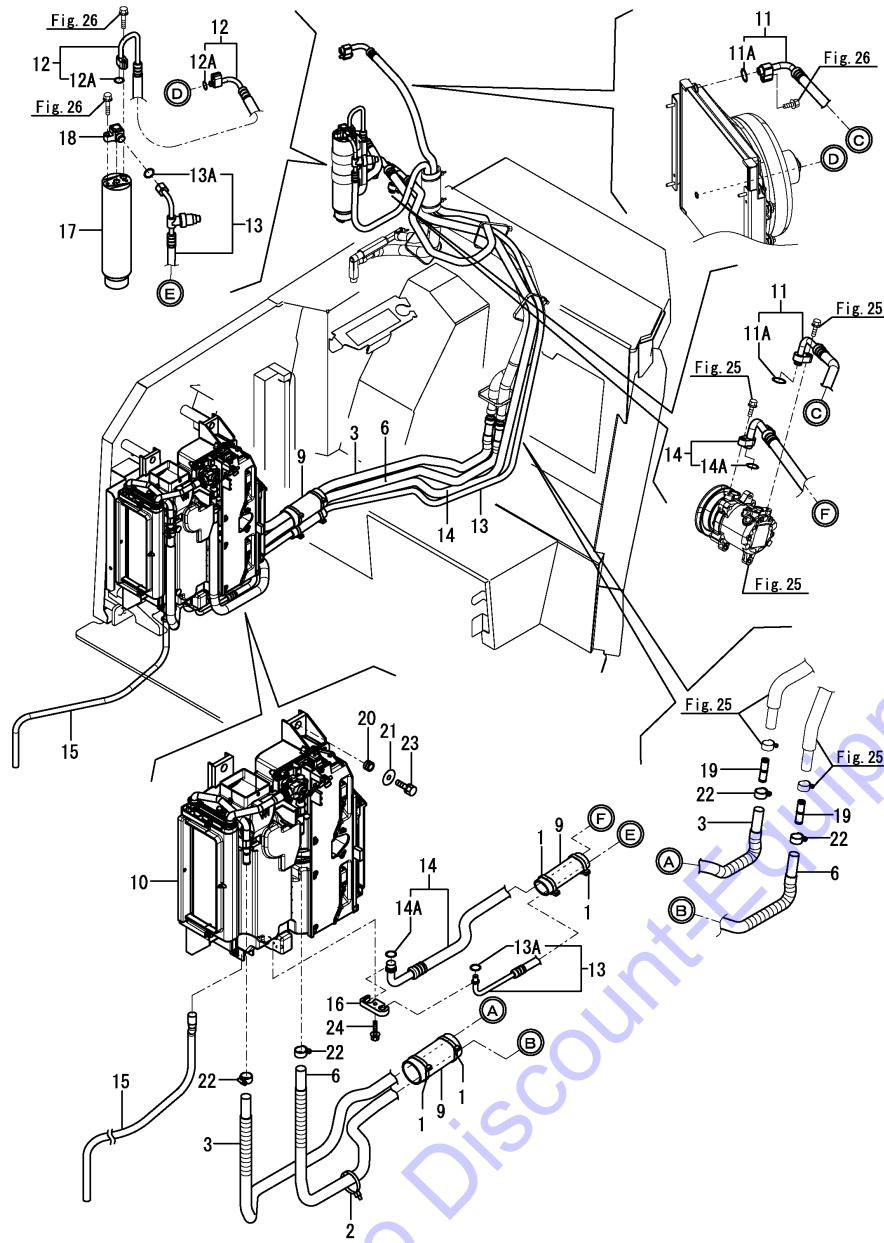


(A)=VIO80(US)
 (B)=VIO80(AS)
 (C)=VIO80(NZ)

(D)=
 (E)=
 (F)=

No.	Lev.	Parts No.	Description	Q'ty						I	R
				(A)	(B)	(C)	(D)	(E)	(F)		
49	1	26023-040102	SCREW, M4X10	1	1	1					
50	1	26051-060002	NUT, M6	1	1	1					
51	1	26587-040122	SCREW, M4X12	2	2	2					

Fig.24. AIR CONDITIONER(PIPING)



(A)=VIO80(US)
(B)=VIO80(AS)
(C)=VIO80(NZ)

(D)=
(E)=
(F)=

No.	Lev.	Parts No.	Description	Q'ty						I	R
				(A)	(B)	(C)	(D)	(E)	(F)		
1	1	172126-11510	BAND	4	4	4					
2	1	172126-11510	BAND	1	1	1					
3	1	172A69-17870	HOSE ASSY, HEATER	1	1	1					
6	1	172A69-17890	HOSE ASSY, HEATER	1	1	1					
9	1	172A69-18900	SPONGE, HOSE	2	2	2					
10	1	172A69-19010	CONDITIONER ASSY,AIR	1	1	1					1
11	1	172A89-19800	HOSE,COMP-COND	1	1	1					
11A	2	1A7030-88820	O-RING	2	2	2					W
		(A=*2015.11.) (B=*2015.11.) (C=*2015.11.)									
12	1	172A69-19810	HOSE	1	1	1					
12A	2	1A7030-88760	O-RING	2	2	2					W
		(A=*2015.11.) (B=*2015.11.) (C=*2015.11.)									
13	1	172A89-19820	HOSE,UNIT-R/D	1	1	1					
13A	2	1A7030-88760	O-RING	2	2	2					W
		(A=*2015.11.) (B=*2015.11.) (C=*2015.11.)									
14	1	172A89-19830	HOSE,UNIT-COMP	1	1	1					
14A	2	1A7030-88840	O-RING	2	2	2					W
		(A=*2015.11.) (B=*2015.11.) (C=*2015.11.)									
15	1	172A69-19860	HOSE, DRAIN	1	1	1					
16	1	172A69-19880	CONNECTOR	1	1	1					
17	1	1E8545-80210	DRYER, RECEIVER	1	1	1					
18	1	1E8545-80250	JOINT, RECEIVER	1	1	1					
19	1	1A7030-88660	PIPE, JOINT	2	2	2					
20	1	172491-61490	SPACER	6	6	6					
21	1	22157-080000	WASHER, 8	6	6	6					
22	1	23080-018000	CLAMP, 18	4	4	4					
23	1	26013-080252	BOLT, SPRING M8X 25	6	6	6					
24	1	26014-060252	BOLT, M6X 25	1	1	1					

Remarks

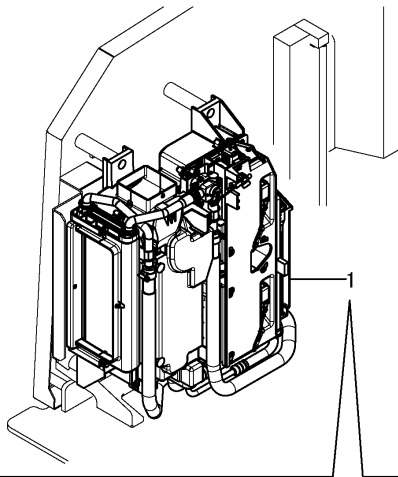
(1)Inner parts are shown in Fig.125.

N:Old $\begin{matrix} \text{Yes} \\ \text{No} \end{matrix}$ New, Q:Old $\begin{matrix} \text{No} \\ \text{Yes} \end{matrix}$ New, R:Old $\begin{matrix} \text{Yes} \\ \text{No} \end{matrix}$ New, S:Old $\begin{matrix} \text{No} \\ \text{Yes} \end{matrix}$ New, W:Add, Z:Discontinued, F:Interchangeable by set, K:Q'ty Change

Fig.125. (24A)AIR CONDITIONER(UNIT INNER PARTS)

(A)=VIO80(US)
 (B)=VIO80(AS)
 (C)=VIO80(NZ)

(D)=
 (E)=
 (F)=



No.	Lev.	Parts No.	Description	Q'ty						I	R
				(A)	(B)	(C)	(D)	(E)	(F)		
1	1	172A69-19010	CONDITIONER ASSY,AIR	1	1	1					
2	2	172A69-19310	MOTOR,BLOWER ASSY	1	1	1					
3	2	172A69-19320	EVAPORATOR ASSY	1	1	1					
4	2	172A69-19330	THERMISTOR ASSY	1	1	1					
5	2	172A69-19340	CORE ASSY, HEATER	1	1	1					
6	2	172A69-19350	AMPLIFIER	1	1	1					
7	2	172A69-19360	RELAY	2	2	2					
8	2	172A69-19370	RESISTOR	1	1	1					
9	2	172A69-19380	FILTER ASSY	1	1	1					
10	2	172A69-19390	FAN, BLOWER L	1	1	1					W
		(A=*2014.09) (B=*2014.09) (C=*2014.09)									
11	2	172A69-19400	FAN, BLOWER R	1	1	1					W
		(A=*2014.09) (B=*2014.09) (C=*2014.09)									

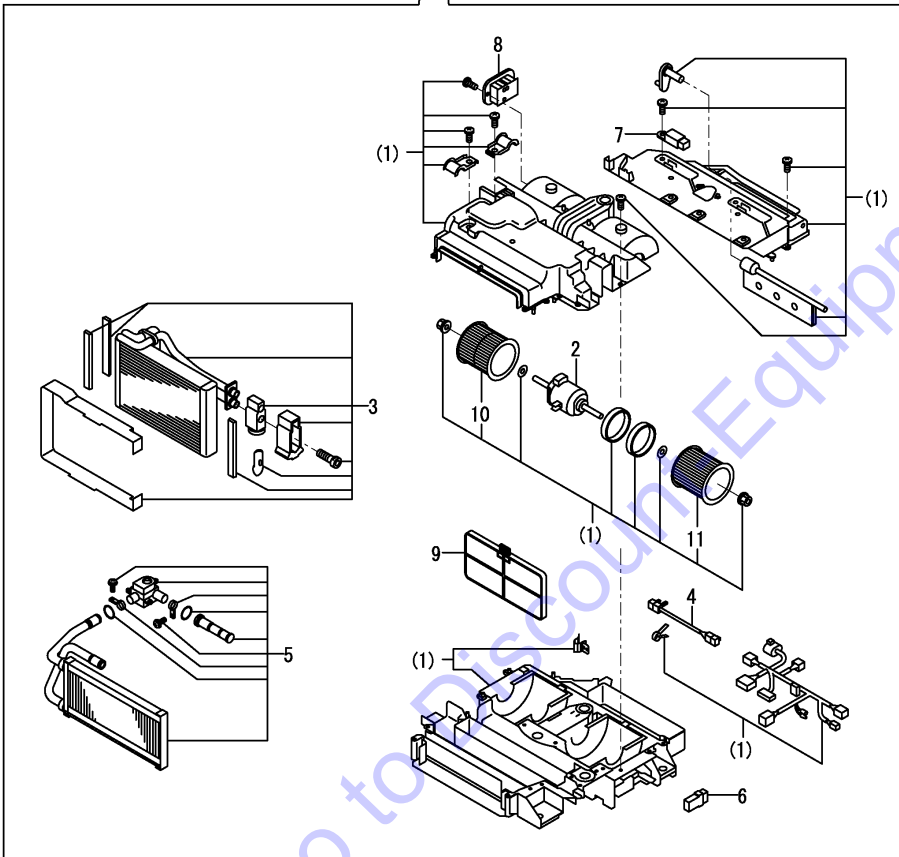
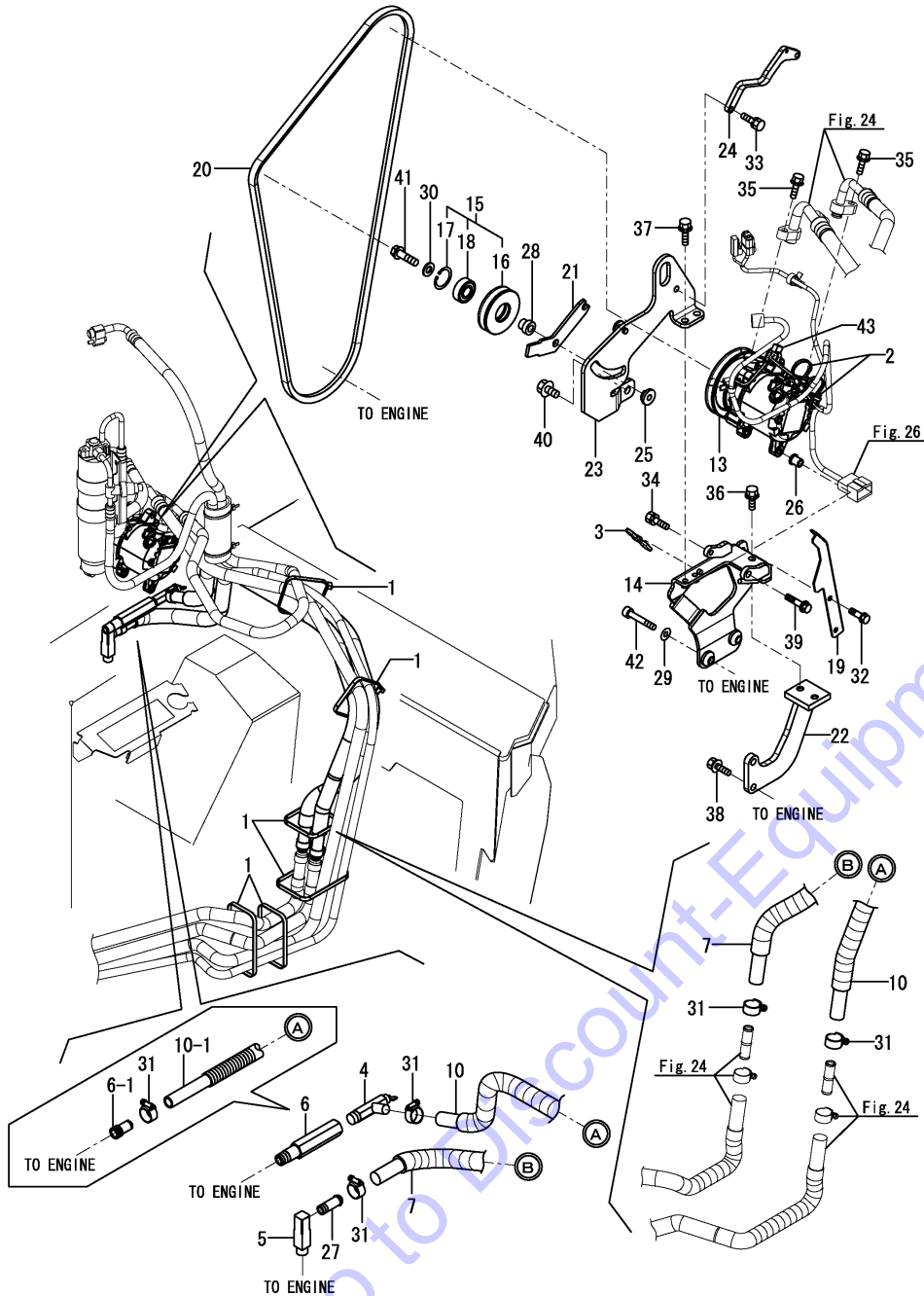


Fig.25. AIR CONDITIONER(ENGINE RELATED)



(A)=VIO80(US)
(B)=VIO80(AS)
(C)=VIO80(NZ)

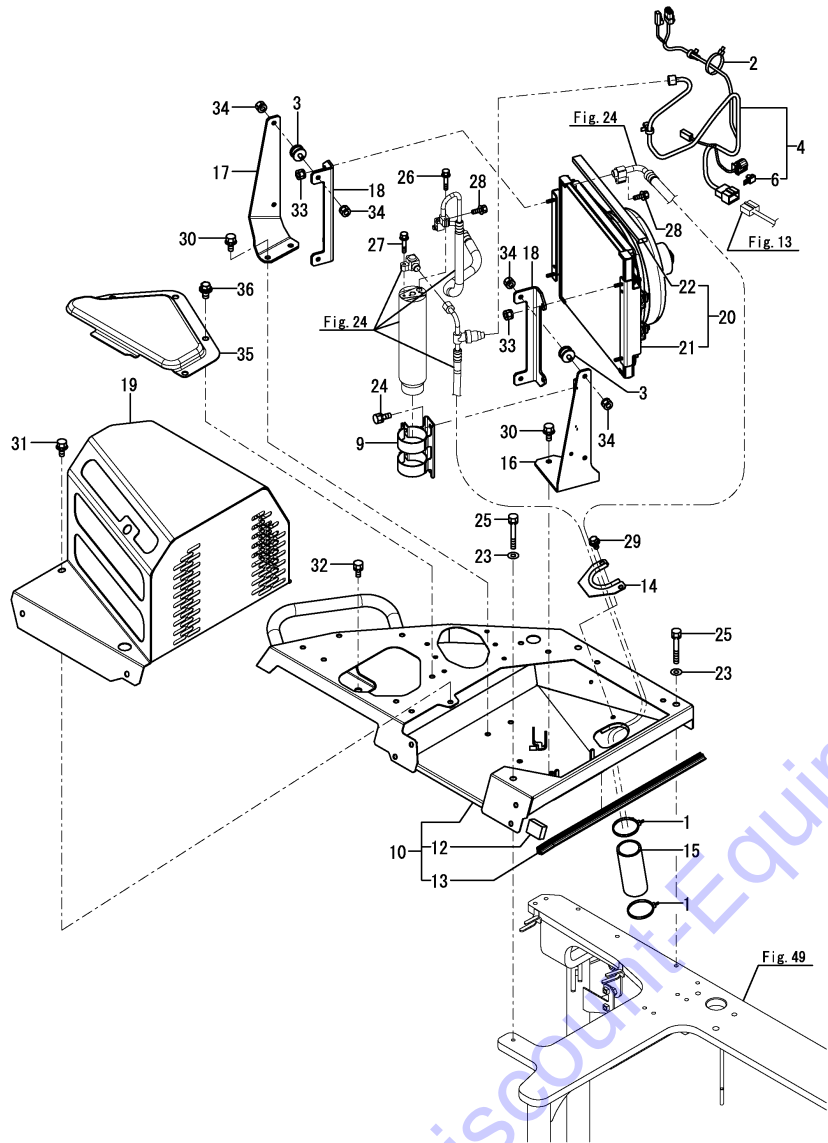
(D)=
(E)=
(F)=

No.	Lev.	Parts No.	Description	Q'ty						I	R
				(A)	(B)	(C)	(D)	(E)	(F)		
1	1	172126-11510	BAND	6	6	6					
1-1	1	172126-11510	BAND	8	8	8					K
		(A=*2010.07) (B=*2010.07) (C=*2010.07)									
2	1	172137-16560	BAND	2	2	2					
3	1	172137-16560	BAND	1	1	1					
4	1	172425-17630	VALVE ASSY, HEATER	1	1	1					Z
		(A=M92012) (B=M92012) (C=M92012)									
5	1	172499-17650	ELBOW	1	1	1					
6	1	172A65-17650	CONNECTOR	1	1	1					
6-1	1	172124-17640	JOINT, PIPE	1	1	1					S
		(A=M92012) (B=M92012) (C=M92012)									
7	1	172A89-17810	HOSE ASY,HEATER 1050	1	1	1					
10	1	172A89-17840	HOSE ASY,HEATER 900	1	1	1					
10-1	1	172A69-17840	HOSE ASY, HEATER	1	1	1					S
		(A=M92012) (B=M92012) (C=M92012)									
13	1	172A69-18100	COMPRESSOR ASSY	1	1	1					
14	1	172A89-18110	BRACKET A ASSY	1	1	1					
15	1	172A69-18150	PULLEY ASSY, TENSION	1	1	1					
16	2	172A69-18160	PULLEY, TENSION	1	1	1					
17	2	22252-000350	RING, 35	1	1	1					
18	2	24104-062020	BEARING, 6202UUC3	1	1	1					
19	1	172A89-18150	GUARD, BELT	1	1	1					
20	1	172A69-18190	V-BELT	1	1	1					
21	1	172A69-18290	BAR, ADJUST	1	1	1					
22	1	172A69-18350	BRACKET ASSY	1	1	1					
23	1	172A69-18370	BRACKET, BOOM	1	1	1					
23-1	1	172A69-18371	BRACKET(PULLY ASSY	1	1	1					N
		(A=M92223) (B=M92223) (C=M92223)									
24	1	172A69-18401	PLATE	1	1	1					
25	1	172187-18410	NUT, PULLEY	1	1	1					
26	1	172A69-18430	COLLAR, COMPRESSOR	1	1	1					
27	1	129122-44480	JOINT	1	1	1					
28	1	129466-96240	SPACER	1	1	1					
29	1	22137-080000	WASHER, 8	2	2	2					
30	1	22137-100000	WASHER, 10	1	1	1					
31	1	23080-018000	CLAMP, 18	4	4	4					
32	1	26013-080202	BOLT, M8X 20	2	2	2					
33	1	26013-080252	BOLT, M8X 25	2	2	2					
34	1	26013-080252	BOLT, M8X 25	1	1	1					
35	1	26014-060252	BOLT, M6X 25	2	2	2					
36	1	26014-080202	BOLT, M8X 20	2	2	2					
37	1	26014-080252	BOLT, M8X 25	2	2	2					
38	1	26014-080252	BOLT, M8X 25	2	2	2					
39	1	26014-080352	BOLT, M8X 35	1	1	1					
40	1	26106-100202	BOLT, M10X 20 PLATED	1	1	1					
41	1	26106-100352	BOLT, M10X 35 PLATED	1	1	1					
42	1	26450-080502	BOLT, M8X 50	2	2	2					
43	1	194202-56460	BAND, 200	1	1	1					

Fig.26. AIR CONDITIONER(CONDENSER RELATED)

(A)=VIO80(US)
(B)=VIO80(AS)
(C)=VIO80(NZ)

(D)=
(E)=
(F)=



No.	Lev.	Parts No.	Description	Q'ty						I	R
				(A)	(B)	(C)	(D)	(E)	(F)		
1	1	172126-11510	BAND	2	2	2					
2	1	172126-11510	BAND	1	1	1					
3	1	172447-13550	MOUNT, PAD	4	4	4					
4	1	172A69-16570	HARNES ASSY, WIRE	1	1	1					
6	2	172648-16600	DIODE	1	1	1					
9	1	172162-18040	BRACKET, RADIATOR	1	1	1					
10	1	172A89-18440	COVER ASSY	1	1	1					
12	2	172A89-19690	SEAL	1	1	1					
13	2	172458-61490	RUBBER, SEAL 510	1	1	1					
14	1	172A89-18580	COVER, HOSE	1	1	1					
15	1	172A69-18900	SPONGE, HOSE	1	1	1					
16	1	172A69-19541	STAY ASSY	1	1	1					
17	1	172A69-19581	STAY	1	1	1					
18	1	172A69-19590	BRACKET	2	2	2					
19	1	172A89-19610	COVER ASSY	1	1	1					
20	1	172A89-19670	CONDENSER ASSY	1	1	1					
21	2	172A69-19680	CONDENSER ASSY	1	1	1					1
22	2	172A89-19680	SEAL, CONDENSER	1	1	1					
23	1	22137-100000	WASHER, 10	3	3	3					
24	1	26013-080162	BOLT, M8X 16	2	2	2					
25	1	26013-100702	BOLT, M10X 70	3	3	3					
26	1	26014-060252	BOLT, M6X 25	1	1	1					
27	1	26014-060252	BOLT, M6X 25	1	1	1					
28	1	26014-060302	BOLT, M6X 30	2	2	2					
29	1	26014-080162	BOLT, M8X 16	2	2	2					
30	1	26014-100202	BOLT, M10X 20	4	4	4					
31	1	26014-100202	BOLT, M10X 20	6	6	6					
32	1	26014-100202	BOLT, M10X 20	1	1	1					
33	1	26051-060002	NUT, M6	4	4	4					
34	1	26051-080002	NUT, M8	8	8	8					
35	1	172A69-62130	COVER	1	1	1					W 2
		(A=*2013.03) (B=*2013.03) (C=*2013.03)									
35A	1	172437-03391	LABEL, RADIATOR	1	1	1					3
36	1	26014-100202	BOLT, M10X 20	4	4	4					W
		(A=*2013.03) (B=*2013.03) (C=*2013.03)									

Remarks

- (1) Inner parts are shown in Fig.126.
- (2) Please use this part with following labels at the same time. No. 35A.
- (3) Not illustrated.

Fig.126. (26A)AIR CONDITIONER(CONDENSER INNER PARTS)

(A)=VIO80(US)
 (B)=VIO80(AS)
 (C)=VIO80(NZ)

(D)=
 (E)=
 (F)=

No.	Lev.	Parts No.	Description	Q'ty						I	R
				(A)	(B)	(C)	(D)	(E)	(F)		
1	1	172A69-19680	CONDENSER ASSY	1	1	1					
2	2	172A69-19410	CORE, CONDENSER	1	1	1					
3	2	172A69-19420	BUSH	4	4	4					
4	2	172A69-19430	GROMMET	4	4	4					
5	2	172A69-19440	FAN ASSY	1	1	1					
6	2	172A69-19450	MOTOR ASSY, FAN	1	1	1					
7	2	172A69-19460	RESISTER,BLOWER	1	1	1					

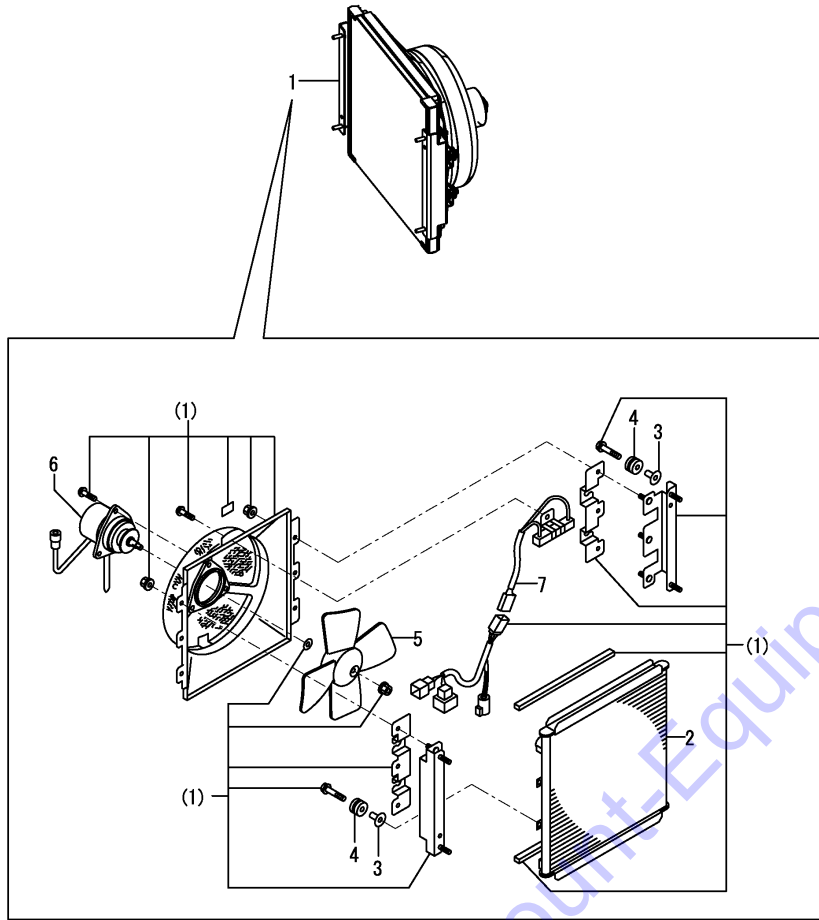
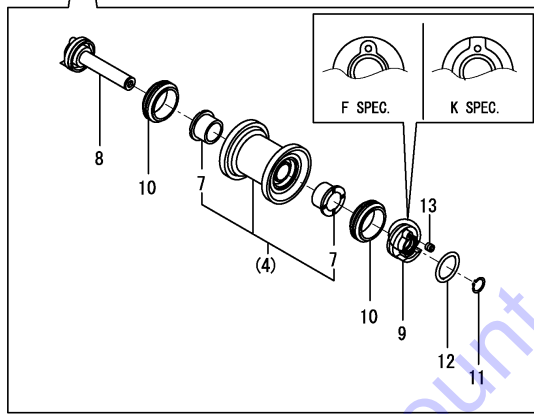
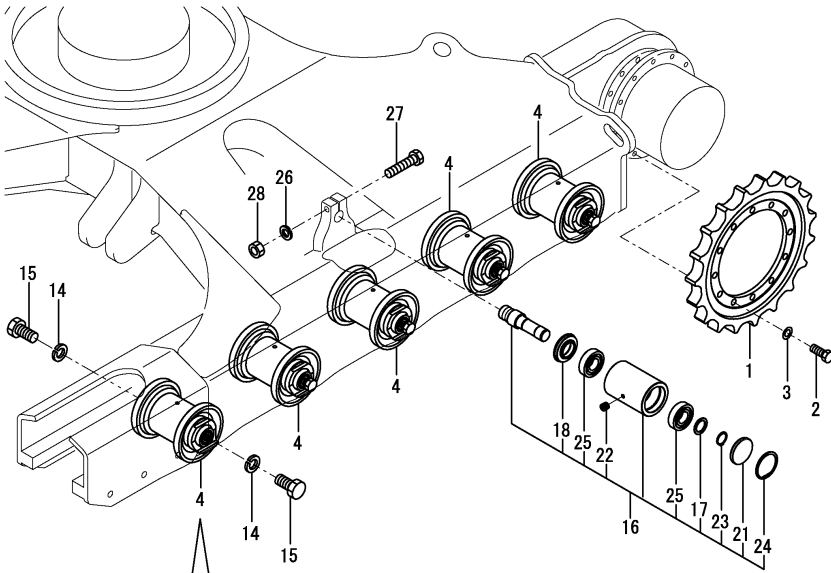


Fig.27. SPROCKET & ROLLER



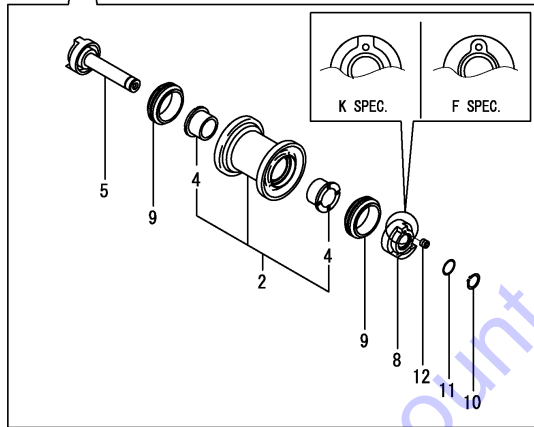
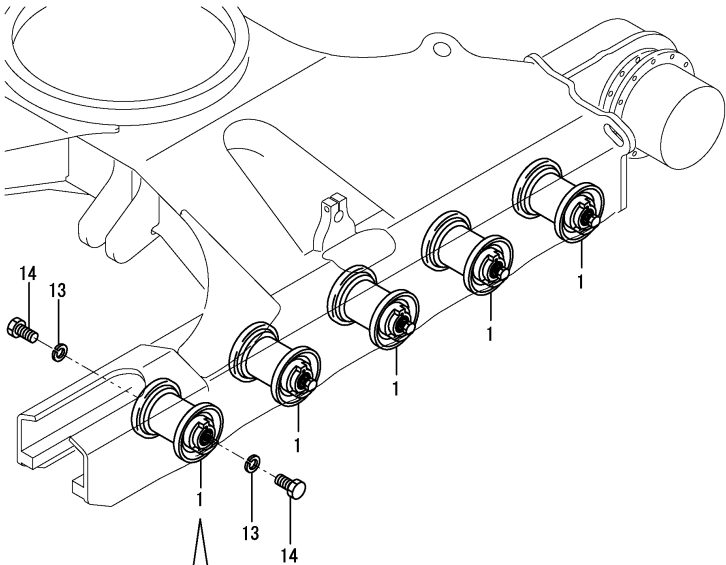
(A)=VIO80(US)
(B)=VIO80(AS)
(C)=VIO80(NZ)

(D)=
(E)=
(F)=

No.	Lev.	Parts No.	Description	Q'ty						I	R
				(A)	(B)	(C)	(D)	(E)	(F)		
1	1	172A89-29100	SPROCKET, 19	2	2	2					
2	1	172455-29140	BOLT	24	24	24					
3	1	172455-29150	WASHER	24	24	24					
4	1	172478-37302	ROLLER ASSY	10	10	10					
4-1	1	172478-37303	ROLLER ASSY, LOWER	10	10	10					N
		(A=M90528) (B=M90528) (C=M90528)									
4-2	1	172478-37303	ROLLER ASSY, LOWER	10	10	10					Z 1
		(A=*2014.04) (B=*2014.04) (C=*2014.04)									
7	3	172478-37400	BUSH 40X40	20	20	20					
8	2	172478-37342	SHAFT ASSY	10	10	10					
8-1	2	172478-37343	SHAFT ASSY	10	10	10					N
		(A=M90528) (B=M90528) (C=M90528)									
9	2	172478-37372	COVER, SEAL	10	10	10					
9-1	2	172478-37373	SEAL, COVER B	10	10	10					N
		(A=M90528) (B=M90528) (C=M90528)									
10	2	172478-37380	SEAL, FLOATING	20	20	20					
11	2	22242-000380	RING, 38	10	10	10					
12	2	24311-000340	O-RING, 1AP34.0	10	10	10					
13	2	933171-13691	PLUG	10	10	10					
14	1	22217-200000	WASHER, SPRING 20	20	20	20					
15	1	26076-200409	BOLT, 10.920X 40	20	20	20					
16	1	172A89-37500	ROLLER ASSY, CARRIER	2	2	2					
16-1	1	172A89-37501	ROLLER ASSY, CARRIER	2	2	2					N
		(A=*2013.01) (B=*2013.01) (C=*2013.01)									
17	2	172730-31630	COLLAR	2	2	2					
18	2	172164-37120	SEAL, OIL	2	2	2					
21	2	172A89-37530	CAP, SEALING 72	2	2	2					
22	2	194630-42120	PLUG, PT1/8	2	2	2					
23	2	22242-000350	RING, 35	2	2	2					
24	2	22252-000720	RING, 72	2	2	2					
25	2	24101-062074	BEARING, BALL 6207	4	4	4					
26	1	22217-160000	WASHER, SPRING 16	2	2	2					
27	1	26116-160852	BOLT, M16X 85 PLATED	2	2	2					
28	1	26716-160002	NUT, M16	2	2	2					

Remarks
(1)Replacement with Fig.127(27A) No1.
The inner parts are not compatible.

Fig.127. (27A)TRACK ROLLER(K SPEC.)



(A)=VIO80(US)
 (B)=VIO80(AS)
 (C)=VIO80(NZ)

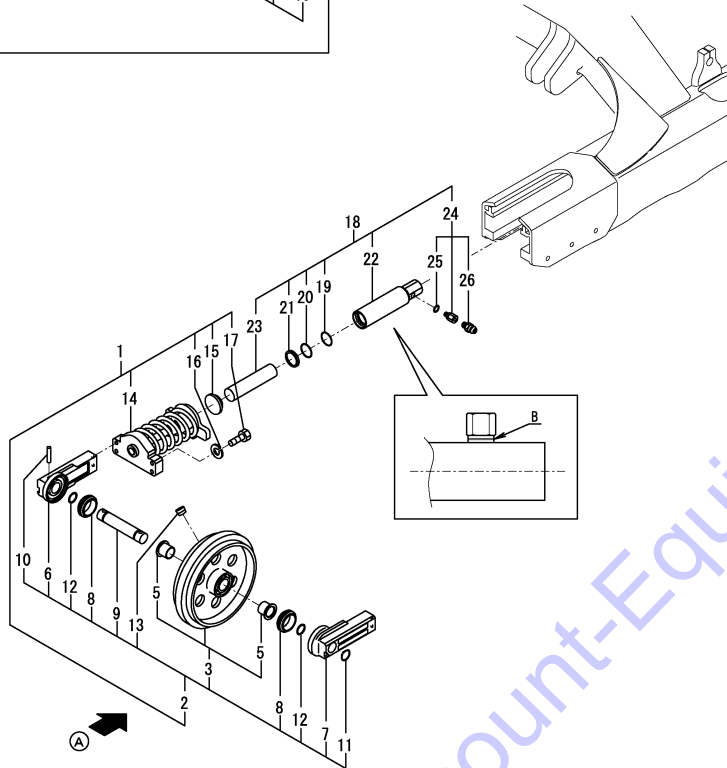
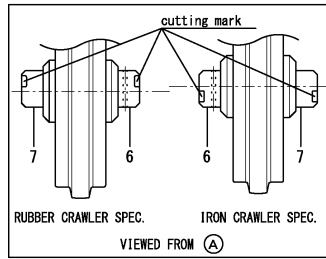
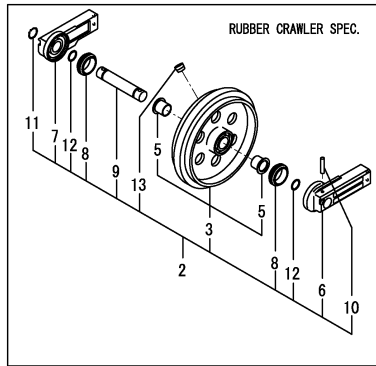
(D)=
 (E)=
 (F)=

No.	Lev.	Parts No.	Description	Q'ty						I	R	
				(A)	(B)	(C)	(D)	(E)	(F)			
1	1	172B11-37300 (A=*2014.04) (B=*2014.04) (C=*2014.04)	ROLLER ASSY, LOWER	10	10	10					W	1
2	2	172B11-37310	ROLLER ASSY, LOWER	10	10	10						
4	3	172B11-37330	BUSH	20	20	20						
5	2	172B11-37340	SHAFT ASSY	10	10	10						
8	2	172B11-37370	COVER, SEAL R	10	10	10						
9	2	172B11-37380	SEAL, FLOATING	20	20	20						
10	2	22242-000380	RING, 38	10	10	10						
11	2	24321-000350	O-RING, 1AG35.0	10	10	10						
12	2	933171-13691	PLUG	10	10	10						
13	1	22217-200000	WASHER, SPRING 20	20	20	20						
14	1	26076-200409	BOLT, 10.920X 40	20	20	20						

Remarks

* Track roller(f spec.) are shown in Fig.27.
 The inner parts are not compatible.

Fig.28. IDLER & ADJUST



(A)=VIO80(US)
(B)=VIO80(AS)
(C)=VIO80(NZ)

(D)=
(E)=
(F)=

No.	Lev.	Parts No.	Description	Q'ty						I	R
				(A)	(B)	(C)	(D)	(E)	(F)		
1	1	772478-37120-1	IDLER ASSY	2	2	2					
2	2	772478-37101-2	IDLER ASSY	2	2	2					1
3	3	172478-37101-2	IDLER ASSY	2	2	2					
5	4	172478-37121	BUSH, IDLER	4	4	4					
6	3	172478-37141	SEAL COVER A, IDLER	2	2	2					
7	3	172478-37151	SEAL COVER B, IDLER	2	2	2					
8	3	172455-37160	SEAL, FLOATING	4	4	4					
9	3	172455-37170	SHAFT, IDLER	2	2	2					
10	3	172455-37180	PIN, SPRING	2	2	2					
11	3	22242-000400	RING, 40	2	2	2					
12	3	24311-000380	O-RING, 1AP38.0	4	4	4					
13	3	933171-13691	PLUG	2	2	2					
14	2	172187-37700-3	ADJUSTER ASSY	2	2	2					
15	2	172162-37810	PLATE, ADJUSTER	2	2	2					
16	2	22217-140000	WASHER, SPRING 14	8	8	8					
17	2	26116-140602	BOLT, M14X 60 PLATED	8	8	8					
18	1	772162-37770	CYLINDER ASSY	2	2	2					Z 2
				(A=*2016.05)	(B=*2016.05)	(C=*2016.05)					
19	2	198072-17440	O-RING, 55.0	2	2	2					
20	2	172478-37710	RING, BUCK UP	2	2	2					
21	2	172478-37720	SEAL, DUST	2	2	2					
22	2	172162-37770	TUBE ASSY, ADJUST	2	2	2					
23	2	172162-37800	PISTON	2	2	2					
24	2	172122-37844	VALVE ASSY, NIPPLE	2	2	2					
25	3	24315-000140	O-RING, 1BP14.0	2	2	2					
26	3	24761-020000	NIPPLE, GREASE PT1/8	2	2	2					

Remarks

* B : Y specifications have a slit for the identification.

S specifications do not have a slit for the identification.

S specifications are shown in Fig.130(28A).

(1) This part is used both rubber crawler & iron crawler.

When constructing Idler Assy, The direction of cutting mark of idler seal cover A & B is the opposite side concerning rubber crawler & iron crawler.

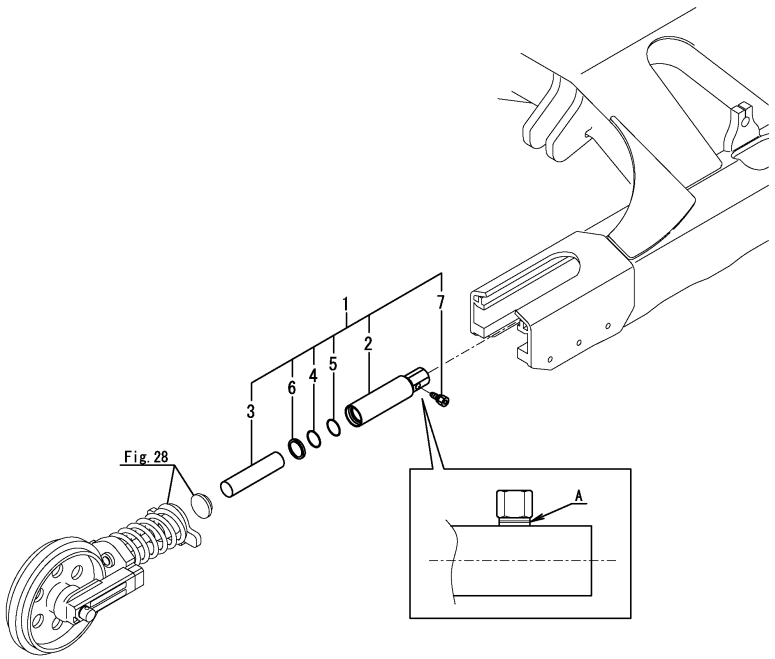
(2) Interchangeable by Fig.130(28A) No.1.

The inner parts are not compatible.

Fig.130. (28A)CRAWLER ADJUST(S SPEC.)

(A)=VIO80(US)
 (B)=VIO80(AS)
 (C)=VIO80(NZ)

(D)=
 (E)=
 (F)=



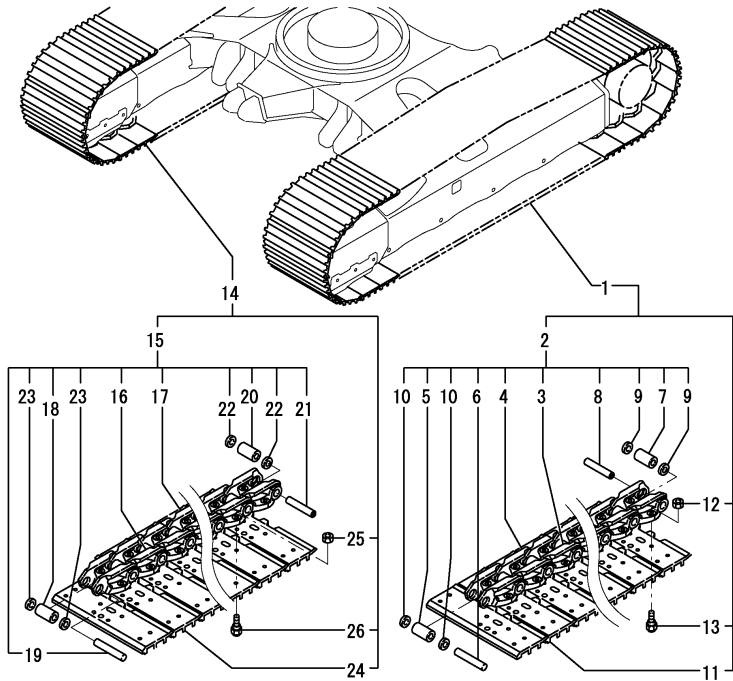
No.	Lev.	Parts No.	Description	Q'ty						I	R
				(A)	(B)	(C)	(D)	(E)	(F)		
1	1	172B11-37750	CYLINDER ASSY, ADJUS	2	2	2					W
		(A=*2016.05) (B=*2016.05) (C=*2016.05)									
2	2	172B11-37760	TUBE ASSY,ADJUST	2	2	2					
3	2	172B11-37790	PISTON	2	2	2					
4	2	172B11-37800	RING, BACK UP	2	2	2					
5	2	172B11-37810	SEAL, ISI 55X65X6	2	2	2					
6	2	172B11-37820	SEAL, DUST55X69X11	2	2	2					
7	2	172B06-37951	NIPPLE,VALVE	2	2	2					

Remarks
 * A : Y specifications have a slit for the identification.
 S specifications do not have a slit for the identification.
 Y specifications are shown in Fig.28.
 The inner parts are not compatible.

Fig.29. CRAWLER

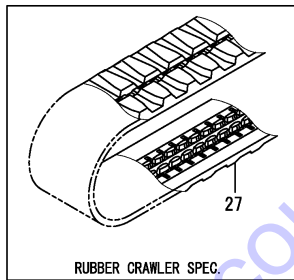
(A)=VIO80(US)
 (B)=VIO80(AS)
 (C)=VIO80(NZ)

(D)=
 (E)=
 (F)=



No.	Lev.	Parts No.	Description	Q'ty						I	R
				(A)	(B)	(C)	(D)	(E)	(F)		
1	1	172A89-38100	SHOE ASSY, TRACK 450	1	1	1					1
2	2	172A89-38120	LINK ASSY	1	1	1					
3	3	172A89-38180	LINK, TRACK L	39	39	39					
4	3	172A89-38190	LINK, TRACK R	39	39	39					
5	3	172A89-38220	BUSH, TRUCK	38	38	38					
6	3	172A89-38230	PIN, TRUCK	38	38	38					
7	3	172A89-38240	BUSH, MASTER	1	1	1					
8	3	172A89-38250	PIN, MASTER	1	1	1					
9	3	172A89-38260	COLLAR	2	2	2					
10	3	172A89-38280	SEAL	76	76	76					
11	2	172A89-38130	SHOE, TRUCK 450 L(49)	39	39	39					
12	2	172A89-38160	NUT, SHOE	156	156	156					
13	2	172A89-38170	BOLT, SHOE	156	156	156					
14	1	172A89-38110	SHOE ASSY, TRACK 450	1	1	1					1
15	2	172A89-38120	LINK ASSY	1	1	1					
16	3	172A89-38180	LINK, TRACK L	39	39	39					
17	3	172A89-38190	LINK, TRACK R	39	39	39					
18	3	172A89-38220	BUSH, TRUCK	38	38	38					
19	3	172A89-38230	PIN, TRUCK	38	38	38					
20	3	172A89-38240	BUSH, MASTER	1	1	1					
21	3	172A89-38250	PIN, MASTER	1	1	1					
22	3	172A89-38260	COLLAR	2	2	2					
23	3	172A89-38280	SEAL	76	76	76					
24	2	172A89-38140	SHOE, TRUCK 450 R(49)	39	39	39					
25	2	172A89-38160	NUT, SHOE	156	156	156					
26	2	172A89-38170	BOLT, SHOE	156	156	156					
27	1	172488-38600	CRAWLER, RUBBER 450	2	2	2					2
27-1	1	172455-38601	CRAWLER, RUBBER	2	2	2					R 2

(A=M92136) (B=M92136) (C=M92136)

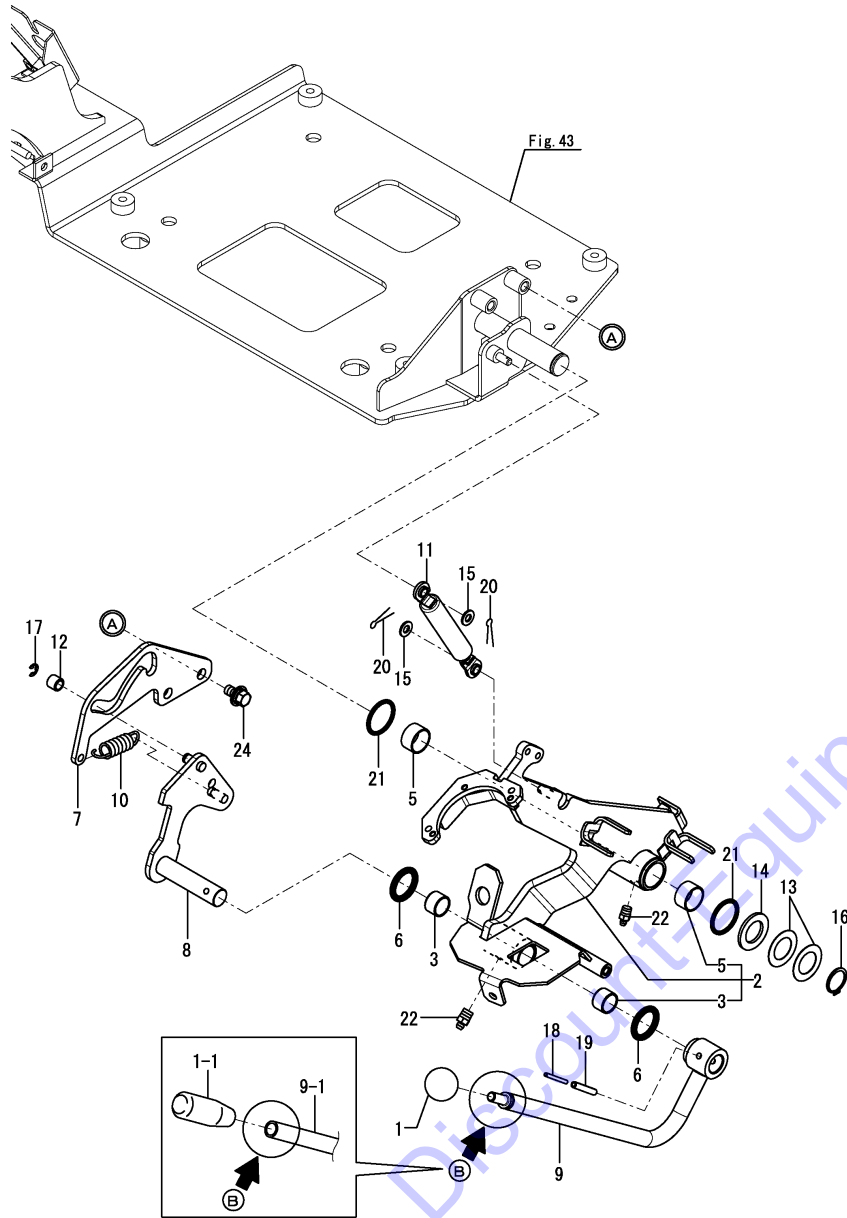


Remarks
 (1)Iron crawler specification.
 (2)Rubber crawler specification.

Fig.30. CONTROL EQUIPMENT(LOCK LEVER & STAND)

(A)=VIO80(US)
 (B)=VIO80(AS)
 (C)=VIO80(NZ)

(D)=
 (E)=
 (F)=



No.	Lev.	Parts No.	Description	Q'ty						I	R
				(A)	(B)	(C)	(D)	(E)	(F)		
1	1	1D4070-23580	GRIP	1	1	1					
1-1	1	172A77-46050	GRIP	1	1	1					S
		(A=M90501) (B=M90501) (C=M90501)									
2	1	172A69-46101	STAND ASSY, LEVER	1	1	1					
3	2	172141-41370	BUSH	2	2	2					
5	2	24550-025150	BUSH, 25X15	2	2	2					
6	1	172124-46200	O-RING	2	2	2					
7	1	172A69-46210	GUIDE, LOCK	1	1	1					
8	1	172A69-46220	ROD ASSY, SPRING	1	1	1					
9	1	172A69-46250	LEVER ASSY, LOCK	1	1	1					
9-1	1	172A69-46251	LEVER ASSY, LOCK	1	1	1					F 1
		(A=M90501) (B=M90501) (C=M90501)									
10	1	172A69-46270	SPRING	1	1	1					
11	1	172455-46890	SPRING, GAS	1	1	1					
12	1	172165-47550	BUSH	1	1	1					
13	1	172165-47980	SHIM	2	2	2					
14	1	172165-47990	WASHER	1	1	1					
15	1	22137-080000	WASHER, 8	2	2	2					
16	1	22242-000250	RING, 25	1	1	1					
17	1	22272-000070	RING, E- 7	1	1	1					
18	1	22351-035040	PIN, SPRING 3.5X40	1	1	1					
19	1	22351-060040	PIN, SPRING 6.0X40	1	1	1					
20	1	22417-200200	PIN, COTTER 2.0X20	2	2	2					
21	1	24311-000340	O-RING, 1AP34.0	2	2	2					
22	1	24761-020000	NIPPLE, GREASE PT1/8	2	2	2					
24	1	26014-100202	BOLT, M10X 20	2	2	2					

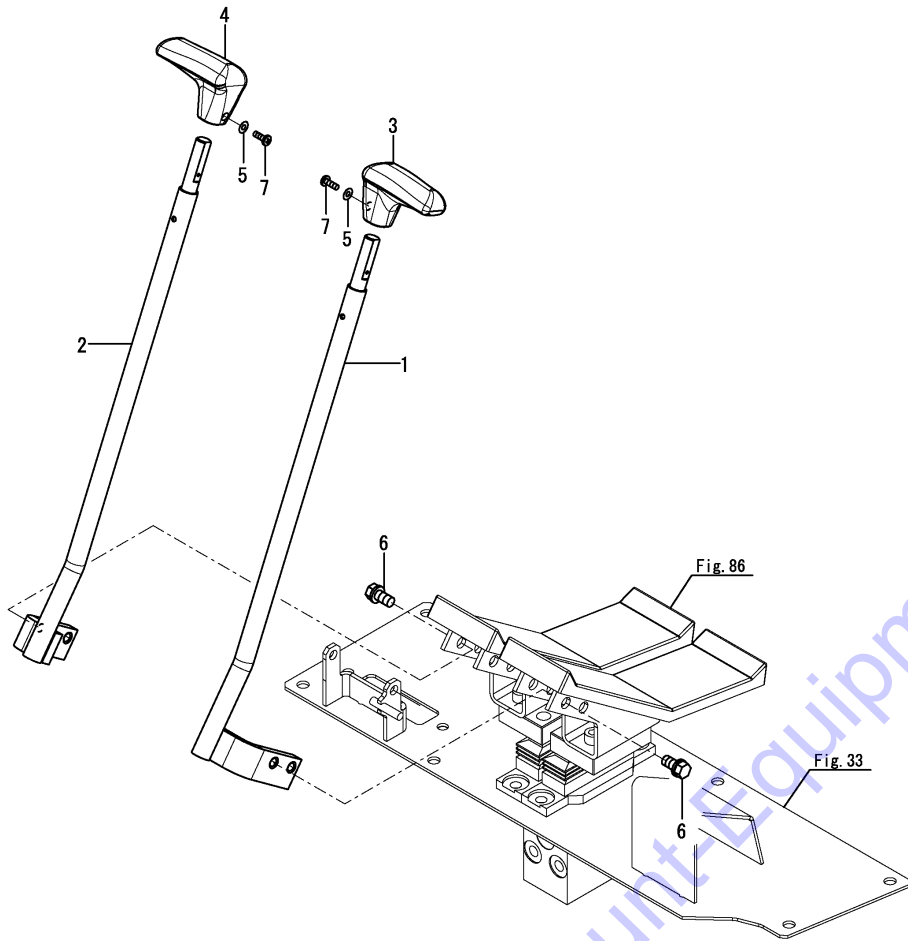
Remarks
 (1)B=No.9 : M10 screw, No.9-1 : no screw.
 Interchangeable by simultaneous replacement with No.1-1.

Fig.31. CONTROL EQUIPMENT(TRAVEL LEVER)

(A)=VIO80(US)
 (B)=VIO80(AS)
 (C)=VIO80(NZ)

(D)=
 (E)=
 (F)=

No.	Lev.	Parts No.	Description	Q'ty						I	R
				(A)	(B)	(C)	(D)	(E)	(F)		
1	1	172A69-45211	LEVER L ASSY,TRACK	1	1	1					
2	1	172A69-45251	LEVER R ASSY,TRACK	1	1	1					
3	1	172187-45870	GRIP, DRIVE	1	1	1					
4	1	172187-45880	GRIP, DRIVE	1	1	1					
5	1	22117-040000	WASHER, 4	2	2	2					
6	1	26013-100202	BOLT, M10X 20	4	4	4					
7	1	26587-040122	SCREW, M4X12	2	2	2					

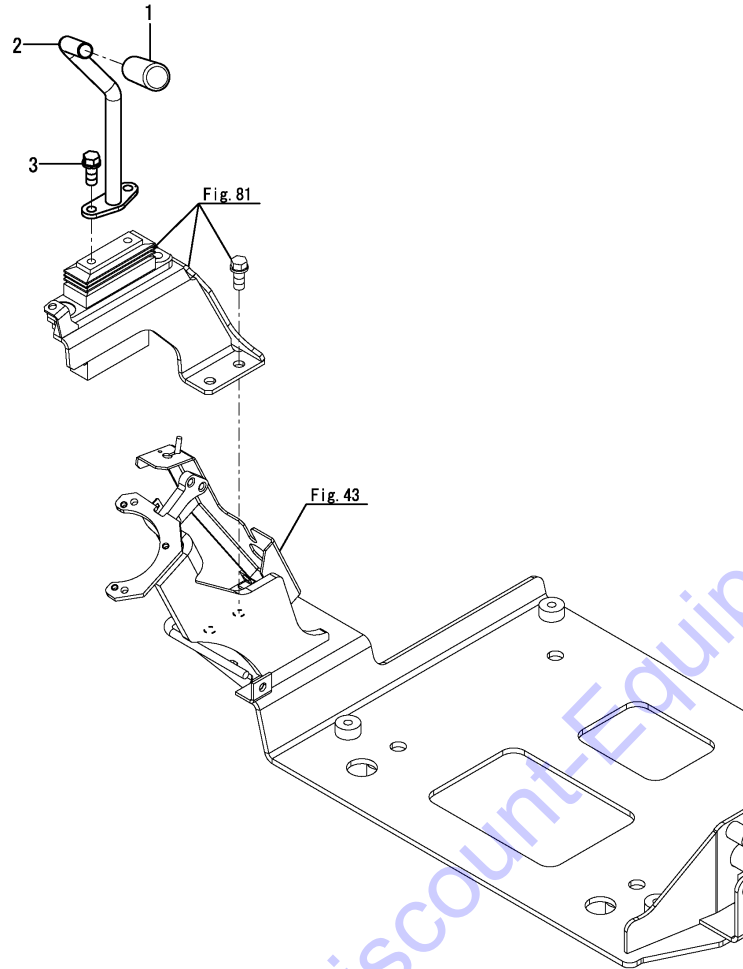


Go to DiscountEquipment.com to order your parts

Fig.32. CONTROL EQUIPMENT(BLADE LEVER)

(A)=VIO80(US)
 (B)=VIO80(AS)
 (C)=VIO80(NZ)

(D)=
 (E)=
 (F)=

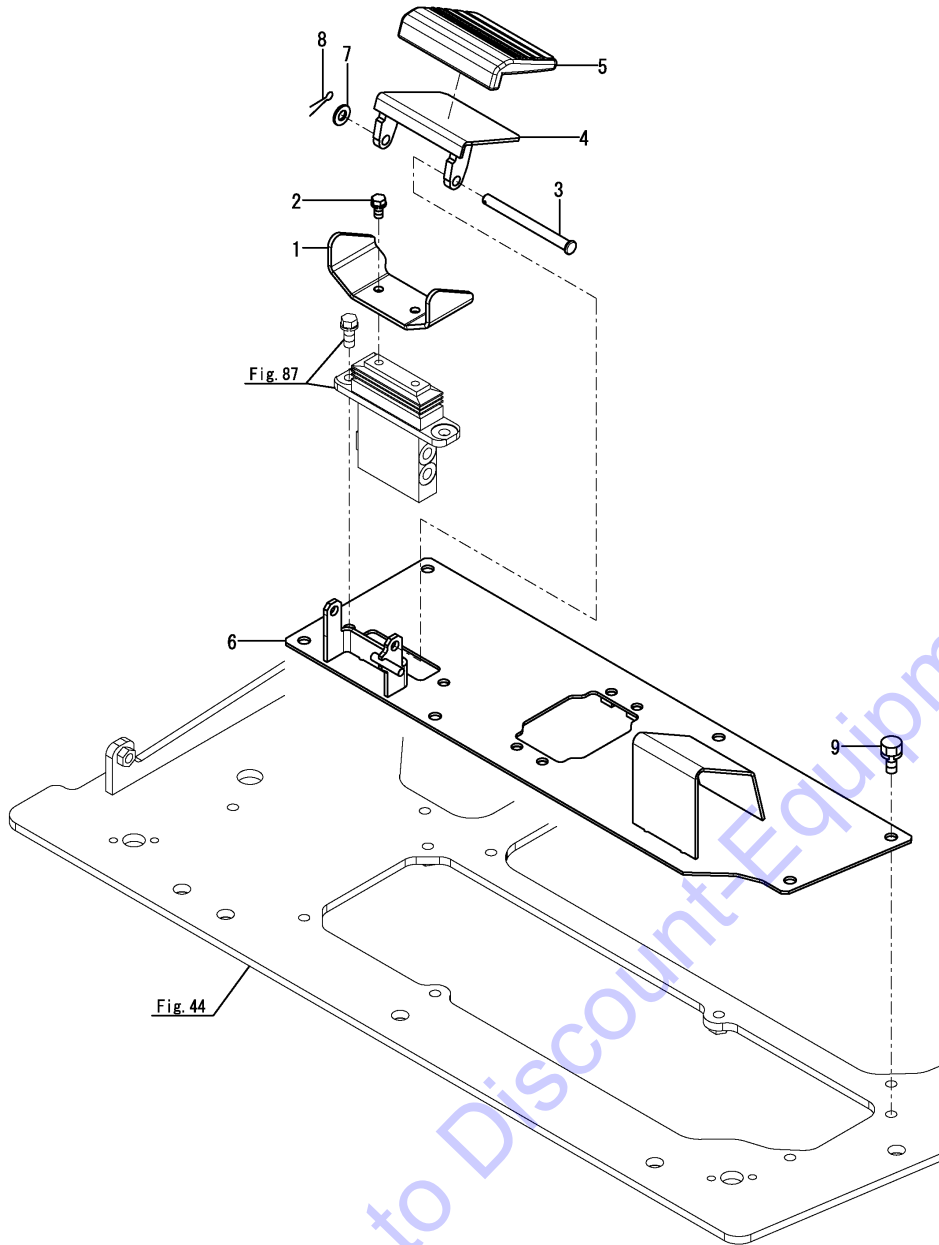


No.	Lev.	Parts No.	Description	Q'ty						I	R
				(A)	(B)	(C)	(D)	(E)	(F)		
1	1	172964-12140	GRIP	1	1	1					
2	1	172A69-45850	LEVER ASSY, BLADE	1	1	1					
2-1	1	172A69-45851	LEVER ASSY, BLADE	1	1	1					N
		(A=M92137) (B=M92137) (C=M92137)									
3	1	26013-080162	BOLT, M8X 16	2	2	2					

Fig.33. CONTROL EQUIPMENT(SWING PEDAL)

(A)=VIO80(US)
 (B)=VIO80(AS)
 (C)=VIO80(NZ)

(D)=
 (E)=
 (F)=



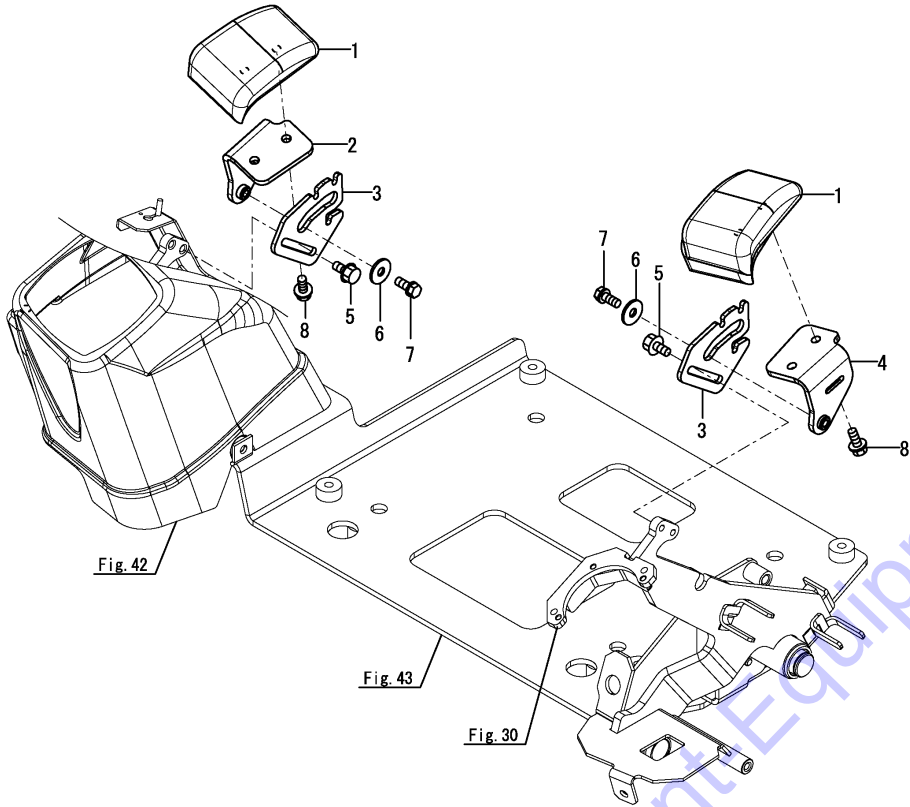
No.	Lev.	Parts No.	Description	Q'ty						I	R
				(A)	(B)	(C)	(D)	(E)	(F)		
1	1	172A69-45350	PEDAL, SWING	1	1	1					
2	1	26013-080162	BOLT, M8X 16	2	2	2					
3	1	172187-45651	SHAFT	1	1	1					
4	1	172187-45720-2	COVER, PEDAL	1	1	1					
5	1	172187-45760	PAD	1	1	1					
6	1	172A69-45800	PLATE, PEDAL	1	1	1					
7	1	22137-100000	WASHER, 10	1	1	1					
8	1	22417-250200	PIN, COTTER 2.5X20	1	1	1					
9	1	26013-100252	BOLT, M10X 25	6	6	6					

Fig.34. CONTROL EQUIPMENT(ARMREST)

(A)=VIO80(US)
 (B)=VIO80(AS)
 (C)=VIO80(NZ)

(D)=
 (E)=
 (F)=

No.	Lev.	Parts No.	Description	Q'ty						I	R
				(A)	(B)	(C)	(D)	(E)	(F)		
1	1	172441-44320	ARMREST	2	2	2					
2	1	172A46-46632	PLATE,GUIDE R ASSY	1	1	1					
3	1	172A46-46703	PLATE,ARMREST L/R	2	2	2					
4	1	172A46-46732	PLATE,GUIDE L ASSY	1	1	1					
5	1	172519-63240	BOLT	4	4	4					
6	1	22157-080000	WASHER, 8	2	2	2					
7	1	26013-080202	BOLT, M8X 20	2	2	2					
8	1	26014-080162	BOLT, M8X 16	4	4	4					



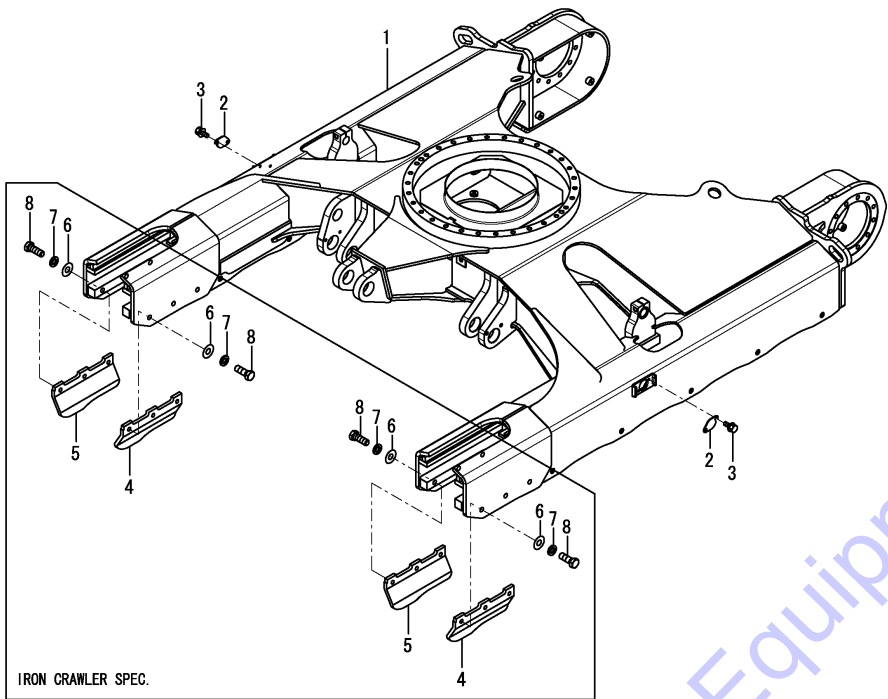
Go to Discounted Equipment.com to order your parts

Fig.35. TRAVEL FRAME

(A)=VIO80(US)
 (B)=VIO80(AS)
 (C)=VIO80(NZ)

(D)=
 (E)=
 (F)=

No.	Lev.	Parts No.	Description	Q'ty						I	R
				(A)	(B)	(C)	(D)	(E)	(F)		
1	1	172A89-50100	FRAME ASSY	1	1	1					
1-1	1	172B11-50100	FRAME ASSY, LOWER	1	1	1					N
		(A=M92155) (B=M92155) (C=M92155)									
2	1	172458-50480-2	COVER, FRAME	2	2	2					
3	1	26106-100122	BOLT, M10X 12 PLATED	4	4	4					
4	1	172187-50801-3	PLATE, GUARD	2	2	2					1
5	1	172187-50811-3	PLATE, GUARD	2	2	2					1
6	1	22137-160000	WASHER, 16	12	12	12					1
7	1	22217-160000	WASHER, SPRING 16	12	12	12					1
8	1	26116-160402	BOLT, M16X 40 PLATED	12	12	12					1

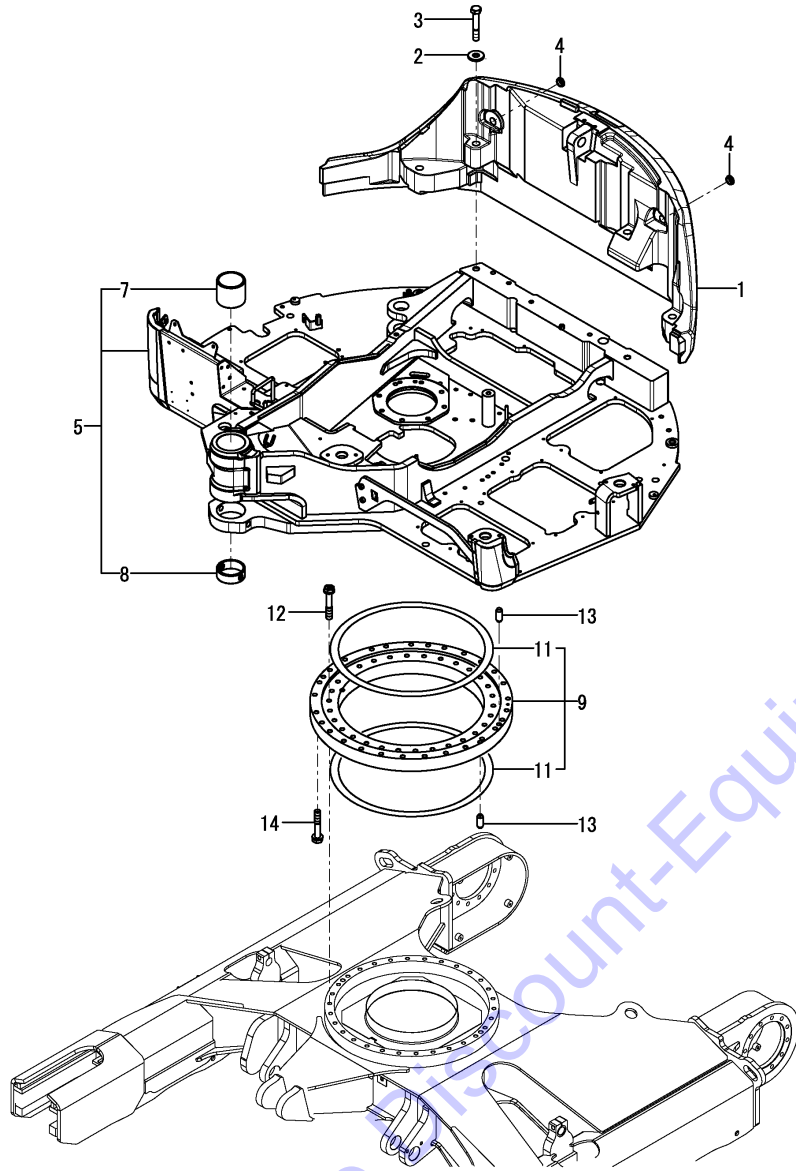


Remarks
 (1)Iron crawler specification.

Fig.36. TURNING FRAME & TURNING BEARING

(A)=VIO80(US)
 (B)=VIO80(AS)
 (C)=VIO80(NZ)

(D)=
 (E)=
 (F)=

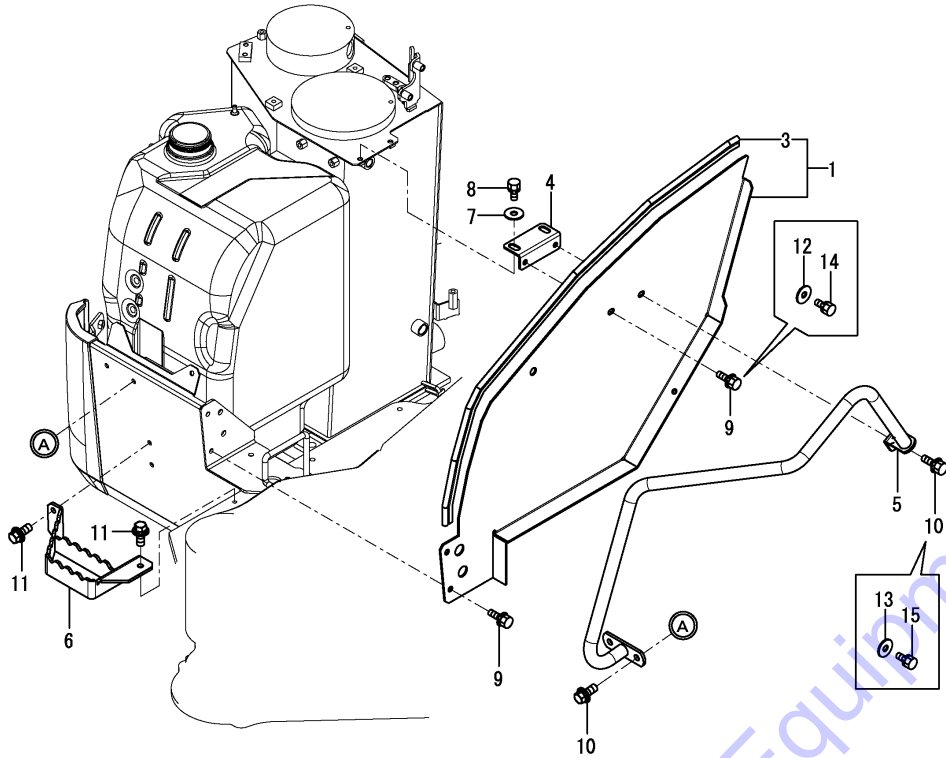


No.	Lev.	Parts No.	Description	Q'ty						I	R
				(A)	(B)	(C)	(D)	(E)	(F)		
1	1	172A89-53310	WEIGHT, COUNTER	1	1	1					
2	1	172187-53321	WASHER	4	4	4					
3	1	172455-53331	BOLT	4	4	4					
4	1	172456-53700	GROMMET	2	2	2					
5	1	172A89-54100	FRAME,TURNING (49)	1	1	1					
7	2	172A89-54500	BUSH 100X100	1	1	1					
8	2	172187-54760	BUSH	1	1	1					
9	1	172A89-57600	BEARING ASSY,SWING	1	1	1					
11	2	172A89-57620	SEAL	2	2	2					
12	1	172A69-57650	BOLT	30	30	30					
13	1	172162-57660	PIN, PARALLEL	4	4	4					
14	1	172A69-57660	BOLT	28	28	28					

Fig.37. COVER(FUEL TANK SIDE)

(A)=VIO80(US)
(B)=VIO80(AS)
(C)=VIO80(NZ)

(D)=
(E)=
(F)=



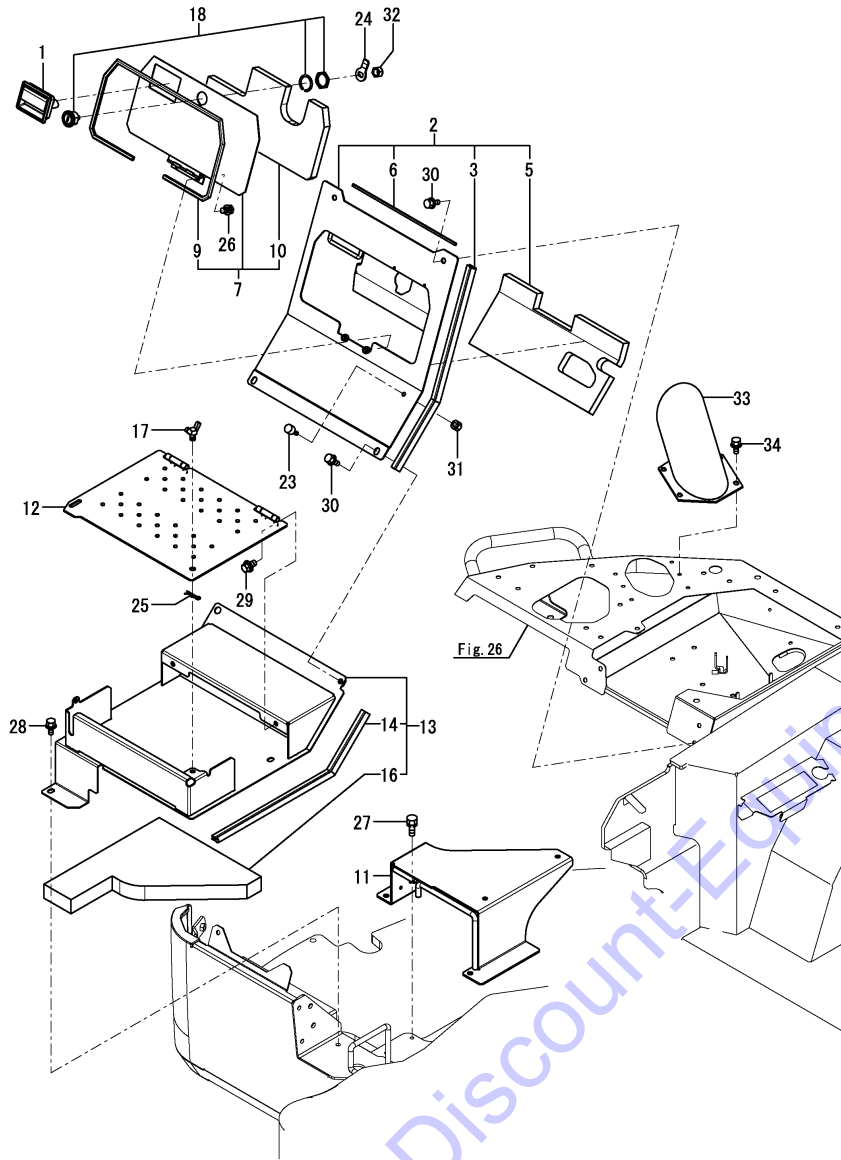
No.	Lev.	Parts No.	Description	Q'ty						I	R
				(A)	(B)	(C)	(D)	(E)	(F)		
1	1	172A89-61600	COVER ASSY, FUEL	1	1	1					
1-1	1	172A89-61600-Y	COVER ASSY, FUEL	1	1	1					S
		(A=M92001) (B=M92001) (C=M92001)									
3	2	172A69-61650	SEAL	1	1	1					
4	1	172A69-61660	STAY ASSY	1	1	1					
4-1	1	172B11-61660	STAY ASSY,COVER	1	1	1					N
		(A=*2013.03) (B=*2013.03) (C=*2013.03)									
5	1	172A69-61830	GRIP ASSY	1	1	1					
5-1	1	172A69-61830-Y	GRIP ASSY	1	1	1					S
		(A=M92001) (B=M92001) (C=M92001)									
6	1	172A69-62050	STEP ASSY	1	1	1					
7	1	22157-100000	WASHER, 10	2	2	2					
8	1	26013-100252	BOLT, M10X 25	2	2	2					
9	1	26014-100252	BOLT, M10X 25	3	3	3					
9-1	1	26014-100252	BOLT, M10X 25	2	2	2					K
		(A=*2010.06) (B=*2010.06) (C=*2010.06)									
10	1	26014-100252	BOLT, M10X 25	3	3	3					
10-1	1	26014-100252	BOLT, M10X 25	2	2	2					K
		(A=*2013.03) (B=*2013.03) (C=*2013.03)									
11	1	26014-100252	BOLT, M10X 25	3	3	3					
12	1	22157-100000	WASHER, 10	1	1	1					W
		(A=*2010.06) (B=*2010.06) (C=*2010.06)									
13	1	22157-100000	WASHER, 10	1	1	1					W
		(A=*2013.03) (B=*2013.03) (C=*2013.03)									
14	1	26013-100252	BOLT, M10X 25	1	1	1					W
		(A=*2010.06) (B=*2010.06) (C=*2010.06)									
15	1	26013-100252	BOLT, M10X 25	1	1	1					W
		(A=*2013.03) (B=*2013.03) (C=*2013.03)									

Go to Discount-Equipment.com

Fig.38. COVER(CENTER)

(A)=VIO80(US)
(B)=VIO80(AS)
(C)=VIO80(NZ)

(D)=
(E)=
(F)=



No.	Lev.	Parts No.	Description	Q'ty						I	R
				(A)	(B)	(C)	(D)	(E)	(F)		
1	1	172187-61421	HANDLE, LOCK	1	1	1					
2	1	172A89-61680	COVER ASSY	1	1	1					
2-1	1	172A89-61680-Y	COVER ASSY	1	1	1					S
3	2	(A=M92001) 172A69-13690	SEAL	1	1	1					
5	2	(B=M92001) 172A89-61720	SPONGE	1	1	1					
6	2	(C=M92001) 172A89-61730	SEAL, 340	1	1	1					
7	1	172A89-61740	COVER ASSY, ENGINE	1	1	1					1
7-1	1	172A89-61740-Y	COVER ASSY, ENGINE	1	1	1					S 1
9	2	(A=M92001) 172A69-61780	SEAL	1	1	1					
10	2	(B=M92001) 172A89-61790	SPONGE	1	1	1					
10-1	2	(C=M92001) 172A89-61791	EV A,COVER	1	1	1					N
11	1	(A=M90503) 172A89-61800	BRACKET ,COVER (49)	1	1	1					
12	1	(B=M90503) 172A89-61880	COVER ASSY, TOOL BOX	1	1	1					
13	1	(C=M90503) 172A89-61900	BASE ,TOOL BOX (49)	1	1	1					
14	2	172A69-13690	SEAL	1	1	1					
16	2	172A89-61980	SPONGE	1	1	1					
16-1	2	172A89-61981	EV A,TOOL BOX	1	1	1					N
17	1	(A=M90503) 172142-62301	BOLT, WING	1	1	1					
18	1	(B=M90503) 172164-66170	KEY ASSY, CYLINDER	1	1	1					
23	1	(C=M90503) 172176-67150	RUBBER, STOPPER	1	1	1					
24	1	172162-69470	PLATE, LOCK	1	1	1					
25	1	22372-100000	PIN, SNAP 10	1	1	1					
26	1	26013-080122	BOLT, M8X 12	2	2	2					
27	1	26014-100202	BOLT, M10X 20	3	3	3					
28	1	26014-100202	BOLT, M10X 20	3	3	3					
29	1	26014-100202	BOLT, M10X 20	2	2	2					
30	1	26014-100202	BOLT, M10X 20	4	4	4					
31	1	26051-080002	NUT, M8	1	1	1					
32	1	26347-100002	NUT, M10	1	1	1					
33	1	172455-65701	COVER ASSY	1	1	1					
34	1	26014-080162	BOLT, M8X 16	4	4	4					
35A	1	172437-03402	LABEL, ENGINE COVER	1	1	1					2
35B	1	172A36-03411	LABEL, ENGINE ROOM	1	1	1					2
35C	1	172437-03422	LABEL, MUFFLER	1	1	1					2

Remarks

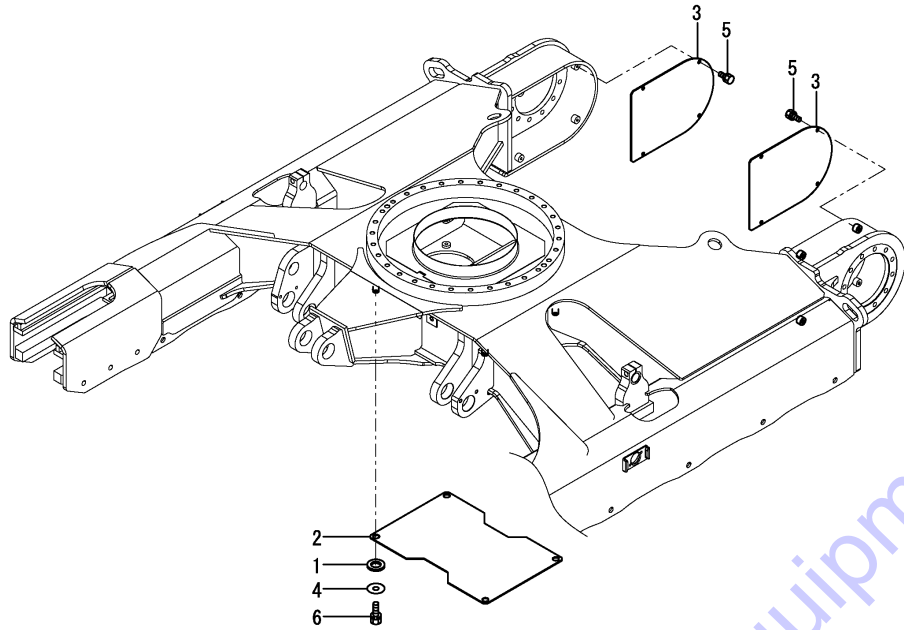
- (1)Please use this part with follwing labels at the same time. No.35A, 35B, 35C.
- (2)Not illustrated.

Fig.40. COVER(TRAVEL FRAME)

(A)=VIO80(US)
 (B)=VIO80(AS)
 (C)=VIO80(NZ)

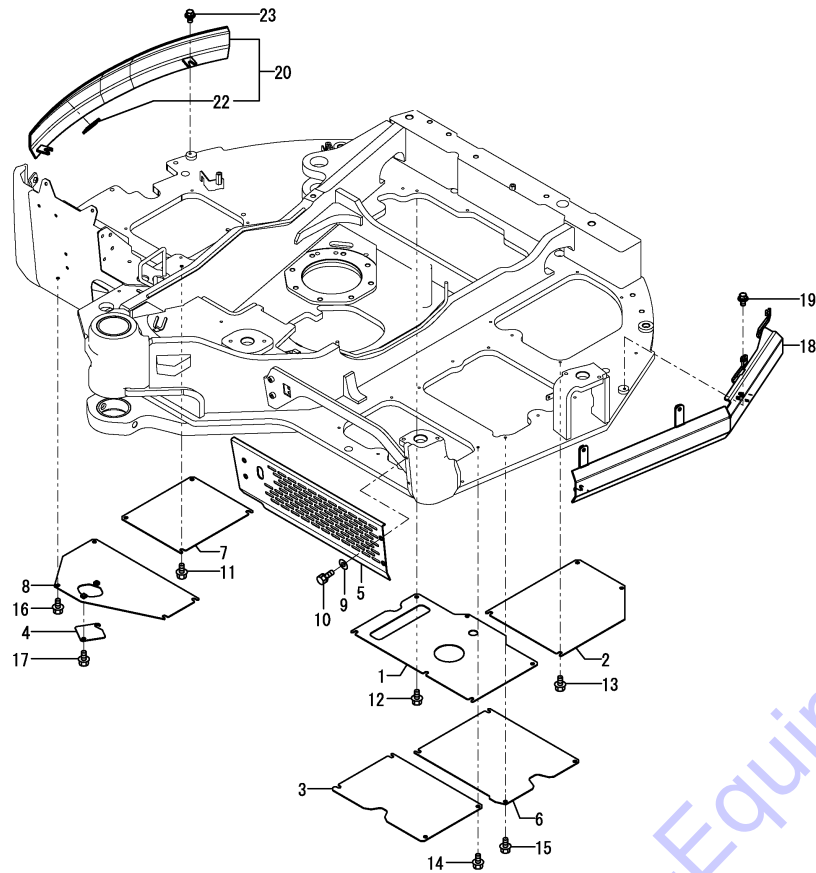
(D)=
 (E)=
 (F)=

No.	Lev.	Parts No.	Description	Q'ty						I	R
				(A)	(B)	(C)	(D)	(E)	(F)		
1	1	172162-61500	TRIM	4	4	4					
2	1	172187-61500-3	COVER	1	1	1					
3	1	172A89-61540	COVER, TRAVEL	2	2	2					
4	1	22157-120000	WASHER, 12	4	4	4					
5	1	26013-100202	BOLT, M10X 20	8	8	8					
6	1	26013-120302	BOLT, M12X 30	4	4	4					



Go to Discount-Equipment.com to order your parts

Fig.41. COVER(TURNING FRAME)



(A)=VIO80(US)
(B)=VIO80(AS)
(C)=VIO80(NZ)

(D)=
(E)=
(F)=

No.	Lev.	Parts No.	Description	Q'ty						I	R
				(A)	(B)	(C)	(D)	(E)	(F)		
1	1	172A69-61500	COVER, OIL SUMP	1	1	1					
2	1	172A89-61510	COVER, PUMP	1	1	1					
3	1	172A69-61520	COVER	1	1	1					
3-1	1	172A89-61520	COVER, A C/V	1	1	1					N
		(A=M92036) (B=M92036) (C=M92036)									
4	1	172A89-61530	COVER, DRAIN	1	1	1					
5	1	172A89-61550	COVER, FRAME	1	1	1					
6	1	172A69-61560	COVER	1	1	1					
7	1	172A89-61570	COVER, RESERVOIR	1	1	1					
8	1	172A89-61580	COVER ASSY, FUEL	1	1	1					
8-1	1	172A89-61581	COVER ASSY,FO	1	1	1					N
		(A=*2019.06) (B=*2019.06) (C=*2019.06)									
9	1	22137-100000	WASHER, 10	4	4	4					
10	1	26013-100162	BOLT, SPRING M10X 16	4	4	4					
11	1	26106-100162	BOLT, M10X 16 PLATED	4	4	4					
12	1	26106-100162	BOLT, M10X 16 PLATED	6	6	6					
13	1	26106-100162	BOLT, M10X 16 PLATED	4	4	4					
14	1	26106-100162	BOLT, M10X 16 PLATED	4	4	4					
15	1	26106-100162	BOLT, M10X 16 PLATED	4	4	4					
16	1	26106-100162	BOLT, M10X 16 PLATED	4	4	4					
17	1	26106-100162	BOLT, M10X 16 PLATED	2	2	2					
18	1	172A89-61350	FRAME, GUARD L (49)	1	1	1					1
19	1	26014-100252	BOLT, M10X 25	2	2	2					
20	1	172A89-61500	FRAME, GUARD R (49)	1	1	1					2
22	2	172A89-61470	RUBBER, PLATE	1	1	1					
23	1	26014-100252	BOLT, M10X 25	2	2	2					
24A	1	172472-03141	LABEL, SUPPORT	1	1	1					3
24B	1	172437-03352	LABEL, CYLINDER	1	1	1					3
25A	1	172437-03352	LABEL, CYLINDER	1	1	1					3

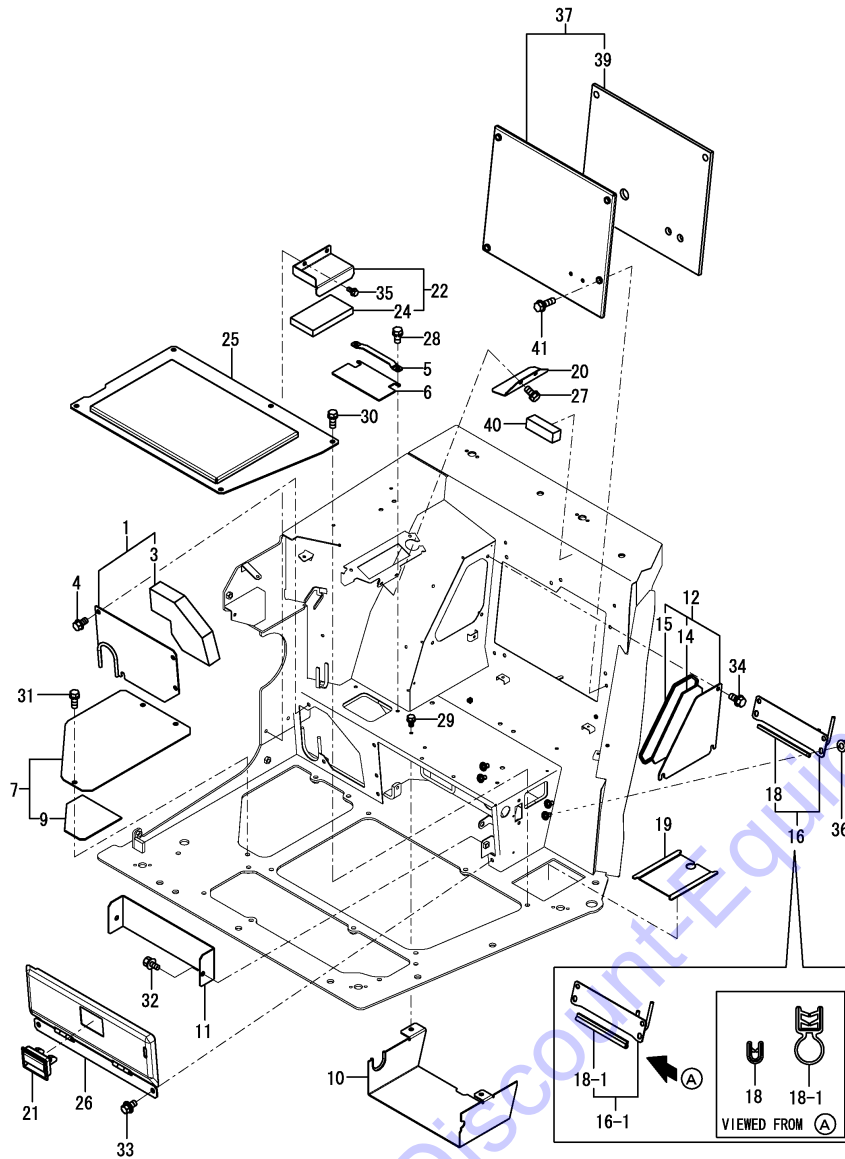
Remarks

- (1)Please use this part with follwing labels at the same time. No.24A, 24B.
- (2)Please use this part with follwing labels at the same time. No.25A.
- (3)Not illustrated.

Fig.39. COVER(SEAT MOUNT)

(A)=VIO80(US)
(B)=VIO80(AS)
(C)=VIO80(NZ)

(D)=
(E)=
(F)=



No.	Lev.	Parts No.	Description	Q'ty						I	R
				(A)	(B)	(C)	(D)	(E)	(F)		
1	1	172A69-61240	COVER ASSY, HOSE	1	1	1					
3	2	172A69-61280	SPONGE	1	1	1					
4	1	26106-100162	BOLT, M10X 16 PLATED	4	4	4					
5	1	172A69-61010	BRACKET, PLATE	1	1	1					
6	1	172A69-61020	PLATE, RUBBER	1	1	1					
7	1	172A89-61010	PLATE A ASSY	1	1	1					
9	2	172A89-61020	RUBBER, PLATE A	1	1	1					
10	1	172A89-61030	PLATE ASSY,MANUAL	1	1	1					
11	1	172A89-61060	COVER, TRAY	1	1	1					
12	1	172A89-61130	COVER ASSY, MOUNT	1	1	1					
14	2	172A69-61150	WOOL, GLASS	1	1	1					
15	2	172A89-61220	SEAL, COVER	1	1	1					
16	1	172A89-61150	COVER ASSY, HOSE	1	1	1					
16-1	1	172B11-61150	COVER ASSY,P HOSE	1	1	1					N
		(A=M92203) (B=M92203) (C=M92203)									
18	2	172434-61180	TRIM	1	1	1					
18-1	2	172A65-64840	SEAL, 190	1	1	1					S
		(A=M92203) (B=M92203) (C=M92203)									
19	1	172A89-61180	COVER, MULTI	1	1	1					
20	1	172A69-61330	COVER, HARNESS	1	1	1					
21	1	172187-61421	HANDLE, LOCK	1	1	1					
22	1	172A89-61420	COVER ASSY	1	1	1					
24	2	172A89-61440	SPONGE	1	1	1					
25	1	172A69-62210	STEP ASSY	1	1	1					
26	1	172A69-64760	COVER ASSY	1	1	1					1
27	1	26013-080162	BOLT, M8X 16	2	2	2					
28	1	26013-080162	BOLT, M8X 16	2	2	2					
29	1	26013-100162	BOLT, M10X 16	2	2	2					
30	1	26013-100252	BOLT, M10X 25	5	5	5					
31	1	26013-100252	BOLT, M10X 25	3	3	3					
32	1	26014-100202	BOLT, M10X 20	2	2	2					
33	1	26014-100202	BOLT, M10X 20	2	2	2					
34	1	26106-080162	BOLT, M8X 16 PLATED	3	3	3					
35	1	26106-080162	BOLT, M8X 16 PLATED	2	2	2					
36	1	26366-100002	NUT, M10	4	4	4					
37	1	172A89-61080	COVER ASSY, SEAT	1	1	1					
39	2	172A69-61120	SPONGE	1	1	1					
40	1	172A69-64990	CUSHION, SEAT	1	1	1					
41	1	26106-080252	BOLT, M8X 25 PLATED	4	4	4					
42A	1	172437-03601	LABEL, 2-WAY US	1	1	1					2

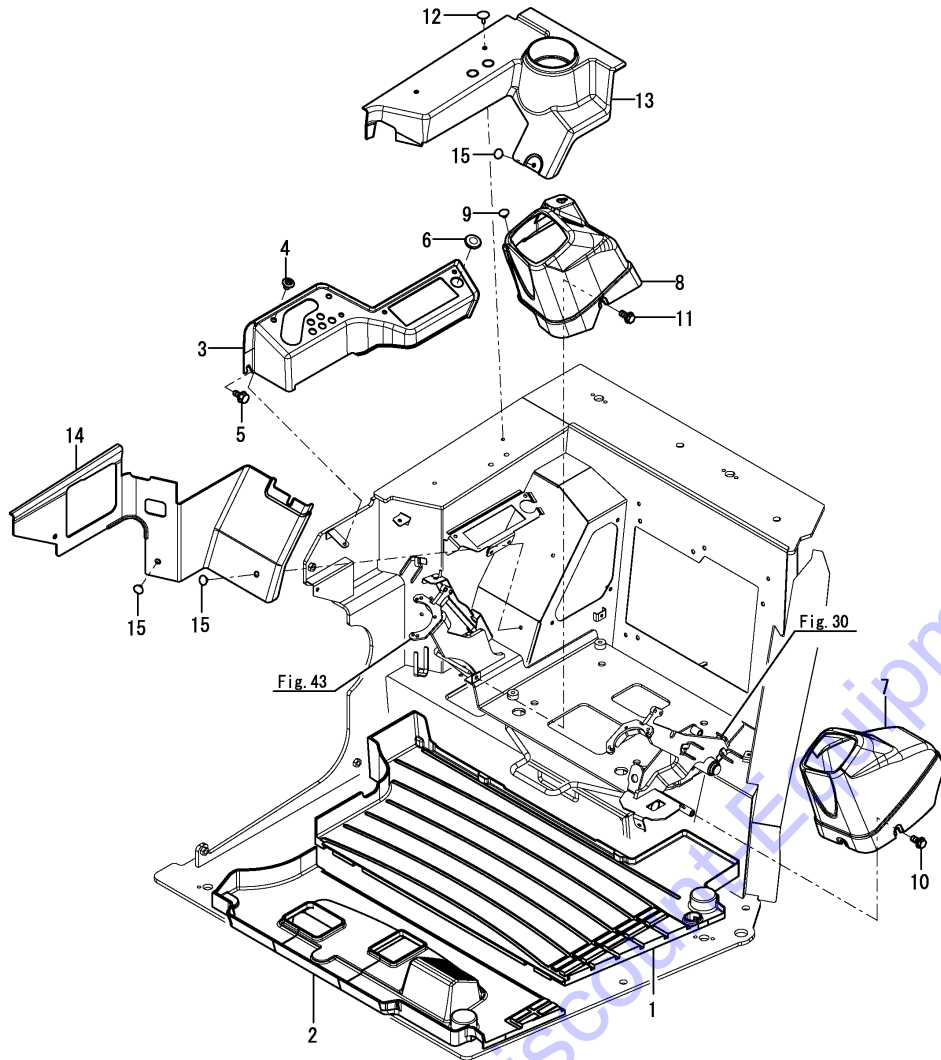
Remarks

- (1)Please use this part with follwing labels at the same time. No.42A.
- (2)Not illustrated.

Fig.42. FLOOR MAT & INSTRUMENT PANEL

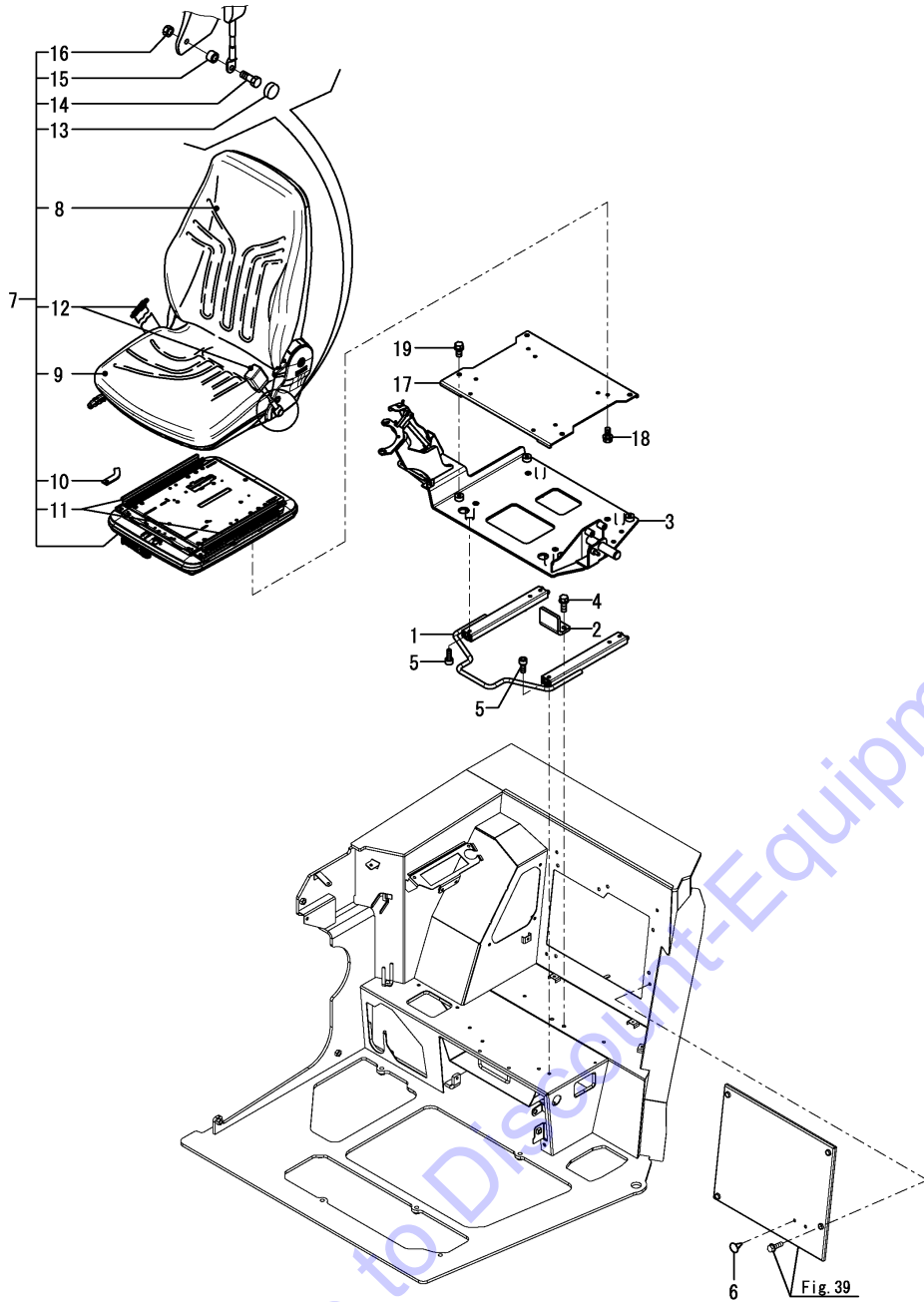
(A)=VIO80(US)
 (B)=VIO80(AS)
 (C)=VIO80(NZ)

(D)=
 (E)=
 (F)=



No.	Lev.	Parts No.	Description	Q'ty						I	R
				(A)	(B)	(C)	(D)	(E)	(F)		
1	1	172A69-62150	FLOOR MAT A	1	1	1					
2	1	172A69-62160	MAT, FLOOR	1	1	1					
3	1	172A67-63140	PANEL, INSTRUMENT	1	1	1					
4	1	172187-63160	CLIP	4	4	4					
5	1	172519-63240	BOLT	1	1	1					
6	1	172958-64500	PLUG	1	1	1					
7	1	172A67-63110	LEVER, BOX	1	1	1					
8	1	172A67-63120	LEVER, BOX	1	1	1					
9	1	172187-63160	CLIP	1	1	1					
10	1	172519-63240	BOLT	3	3	3					
11	1	172519-63240	BOLT	2	2	2					
12	1	172122-17190	CLIP, TREE	2	2	2					
13	1	172A67-63160	COVER	1	1	1					
14	1	172A67-63170	COVER	1	1	1					
15	1	1A6260-64200	CLIP	3	3	3					

Fig.43. SEAT



(A)=VIO80(US)
 (B)=VIO80(AS)
 (C)=VIO80(NZ)

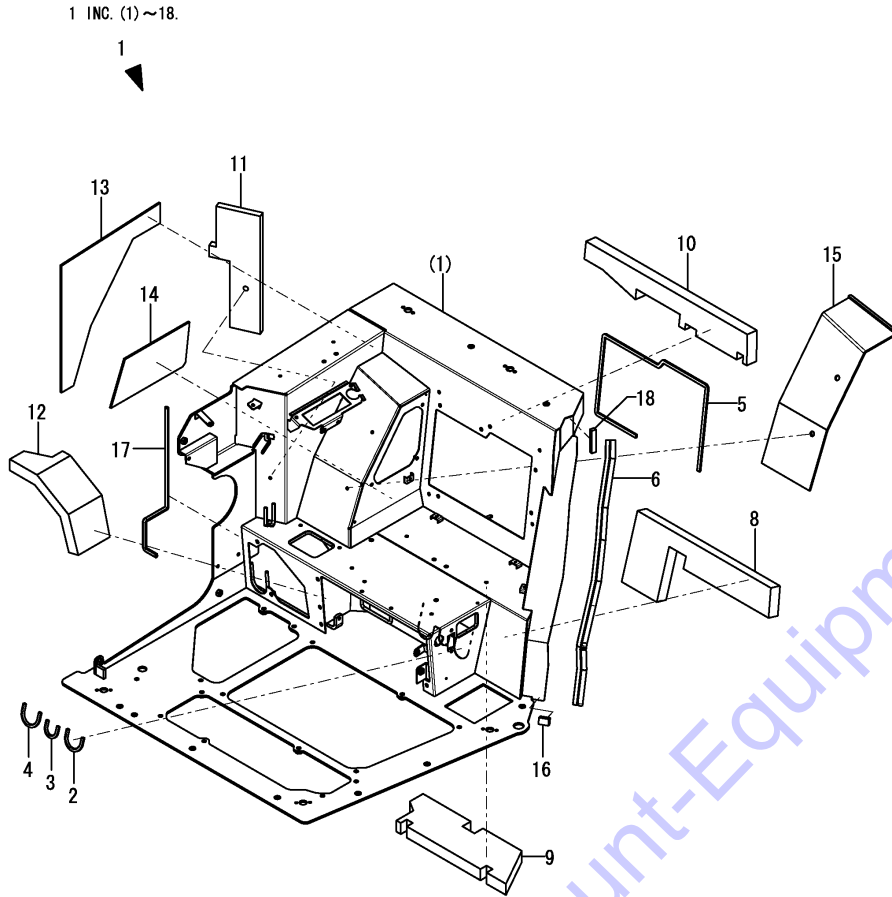
(D)=
 (E)=
 (F)=

No.	Lev.	Parts No.	Description	Q'ty						I	R
				(A)	(B)	(C)	(D)	(E)	(F)		
1	1	172A69-64100	SLIDE ASSY, SEAT	1	1	1					
2	1	172A69-64740	PLATE, STOPPER	1	1	1					
3	1	172A69-64811	FRAME ASSY, SLIDE	1	1	1					
3-1	1	172B11-64950 (A=M92193) (B=M92193) (C=M92193)	FRAME ASSY, SLIDE	1	1	1					N
4	1	26013-100252	BOLT, M10X 25	2	2	2					
5	1	26450-080162	BOLT, M8X 16	8	8	8					
6	1	172444-17660	CLIP, TREE	2	2	2					
7	1	172467-64101	SEAT, OPERATOR	1	1	1					
8	2	172467-64110	CUSHION, BACKREST	1	1	1					
9	2	172467-64120	CUSHION, SEAT	1	1	1					
10	2	172467-64130	STOPPER	1	1	1					
11	2	172467-64140	RAIL SET	1	1	1					
12	2	172467-64150	BELT, SEAT	1	1	1					
13	2	172467-64160	COVER, CAP	2	2	2					
14	2	172467-64170	BOLT	2	2	2					
15	2	172467-64180	TUBE	2	2	2					
16	2	172467-64190	NUT	2	2	2					
17	1	172A69-64130	PLATE, SEAT	1	1	1					
17-1	1	172B11-64130 (A=M92190) (B=M92190) (C=M92190)	PLATE, SEAT EX	1	1	1					N
17-2	1	172A69-64120 (A=*2013.08) (B=*2013.08) (C=*2013.08)	PLATE ASSY	1	1	1					N
18	1	26013-080162	BOLT, M8X 16	4	4	4					
19	1	26013-100162	BOLT, M10X 16	4	4	4					

Fig.44. SEAT MOUNT

(A)=VIO80(US)
 (B)=VIO80(AS)
 (C)=VIO80(NZ)

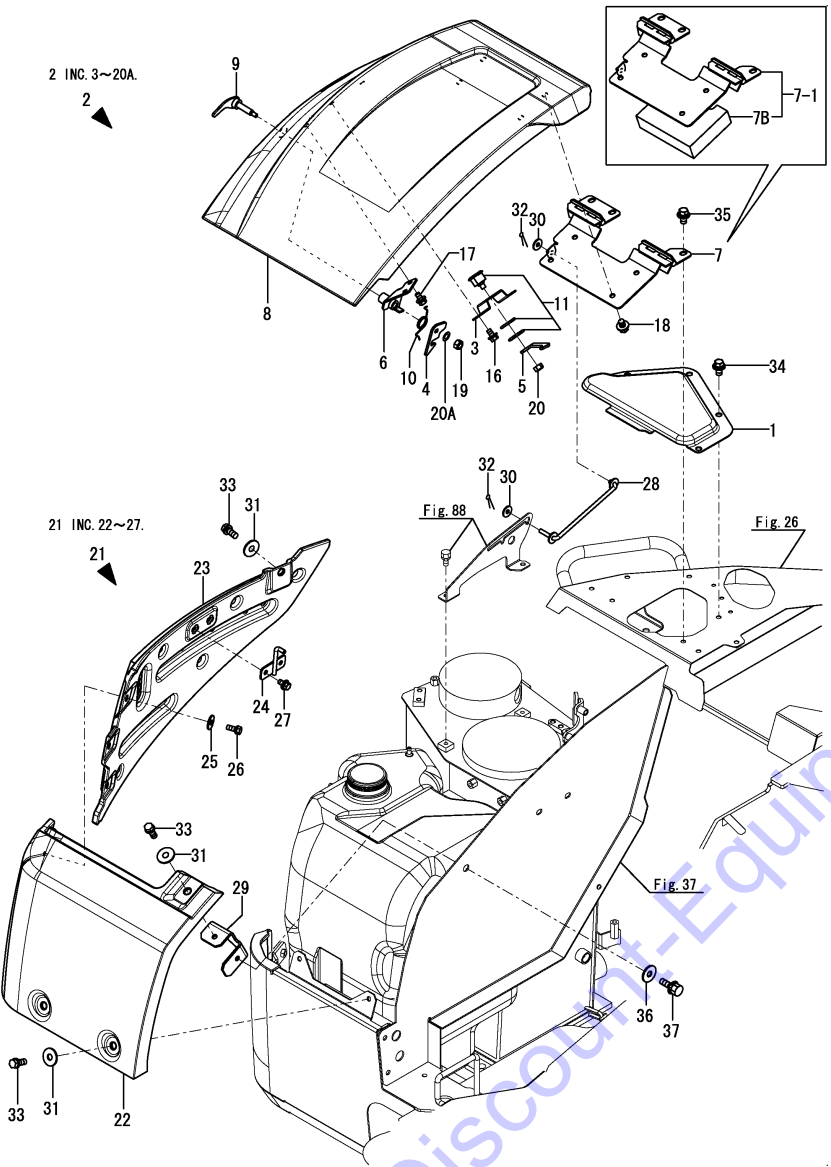
(D)=
 (E)=
 (F)=



No.	Lev.	Parts No.	Description	Q'ty						I	R
				(A)	(B)	(C)	(D)	(E)	(F)		
1	1	172A89-64200	MOUNT ASSY,SEAT (49)	1	1	1					
2	2	172444-17620	SEAL	1	1	1					
3	2	172458-18850	TRIM	1	1	1					
4	2	172538-19700	SEAL,135	1	1	1					
5	2	172458-46790	SEAL, STAND	1	1	1					
6	2	172162-61330	SEAL, COVER	1	1	1					
8	2	172A89-64610	SPONGE	1	1	1					
9	2	172A89-64620	SPONGE	1	1	1					
10	2	172A69-64630	SPONGE	1	1	1					
11	2	172A69-64640	SPONGE	1	1	1					
12	2	172A89-64650	SPONGE	1	1	1					
13	2	172A69-64680	WOOL, GLASS	1	1	1					
14	2	172A69-64690	WOOL, GLASS	1	1	1					
15	2	172A89-64700	WOOL, GLASS	1	1	1					
16	2	172A69-64720	SEAL, SEAT MOUNT	1	1	1					
16-1	2	172B11-64860	SEAL,SEAT MT	1	1	1					N
		(A=*2013.07) (B=*2013.07) (C=*2013.07)									
17	2	172187-66140	RUBBER 580	1	1	1					
18	2	172A69-64710	SEAL, SEAT MOUNT	1	1	1					W
		(A=M90503) (B=M90503) (C=M90503)									

Go to Discount-Equipment.com for parts

Fig.45. BONNET(BODY)



(A)=VIO80(US)
(B)=VIO80(AS)
(C)=VIO80(NZ)

(D)=
(E)=
(F)=

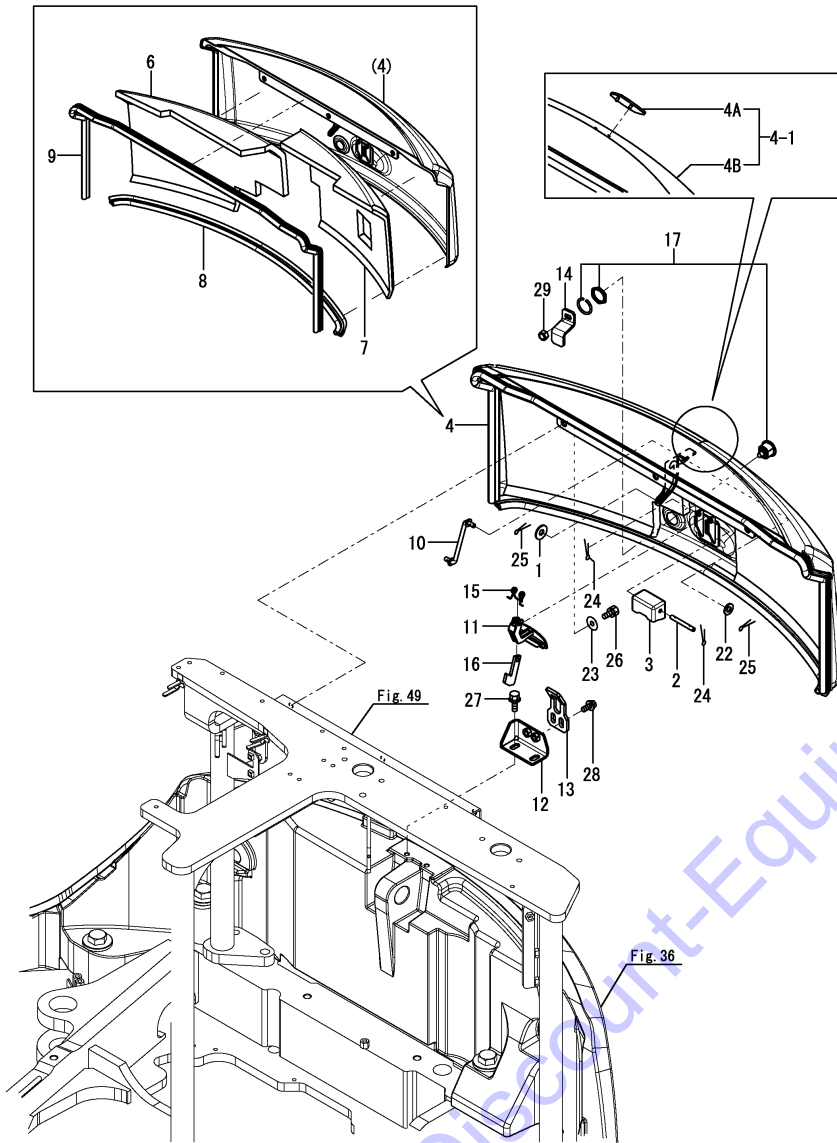
No.	Lev.	Parts No.	Description	Qty						I	R		
				(A)	(B)	(C)	(D)	(E)	(F)				
1	1	172A69-62130 (A=*2013.03) (B=*2013.03) (C=*2013.03)	COVER	1	1	1					Z	1	
2	1	172A69-62410	BONNET ASSY	1	1	1							
3	2	172A46-61960	PLATE, LOCK	1	1	1							
4	2	172A69-62280	PLATE, LOCK	1	1	1							
5	2	172A69-62291	STAY, KEY	1	1	1							
6	2	172A69-62310	HOOK ASSY	1	1	1							
7	2	172A69-62340	PLATE ASSY, HINGE	1	1	1							
7-1	2	172B11-62300 (A=M92190) (B=M92190) (C=M92190)	PLATE ASSY,HINGE	1	1	1						N	
7B	3	172B11-62900 (A=M92190) (B=M92190) (C=M92190)	SPONGE,BONNET B	1	1	1						W	
8	2	172A69-62420	BONNET	1	1	1							
9	2	172A69-62510	LEVER ASSY	1	1	1							
10	2	172156-65690	SPRING, STOPPER	1	1	1							
11	2	172164-66170	KEY ASSY, CYLINDER	1	1	1							
16	2	26014-080162	BOLT, M8X 16	2	2	2							
17	2	26014-080162	BOLT, M8X 16	2	2	2							
18	2	26014-100162	BOLT, M10X 16	4	4	4							
19	2	26347-080002	NUT, M8	1	1	1							
20	2	26347-100002	NUT, M10	1	1	1							
20A	2	22137-080000 (A=*2011.01) (B=*2011.01) (C=*2011.01)	WASHER, 8	1	1	1						W	
21	1	172A69-62430	BONNET ASSY	1	1	1							
22	2	172A69-62440	BONNET	1	1	1							
23	2	172A69-62450	BONNET	1	1	1							
24	2	172A69-62470	BAR ASSY, CATCH	1	1	1							
25	2	22157-080000	WASHER, 8	3	3	3							
26	2	26013-080202	BOLT, M8X 20	3	3	3							
27	2	26014-080162	BOLT, M8X 16	2	2	2							
28	1	172A69-62650	ROD ASSY, STOPPER	1	1	1							
29	1	172A69-65530	STAY ASSY, BONNET	1	1	1							
30	1	22157-080000	WASHER, 8	2	2	2							
31	1	22157-100000	WASHER, 10	4	4	4							
32	1	22417-200200	PIN, COTTER 2.0X20	2	2	2							
33	1	26013-100252	BOLT, M10X 25	4	4	4							
34	1	26014-100202 (A=*2013.03) (B=*2013.03) (C=*2013.03)	BOLT, M10X 20	4	4	4						Z	
35	1	26014-100202 (A=*2010.06) (B=*2010.06) (C=*2010.06)	BOLT, M10X 20	3	3	3							
36	1	22157-100000 (A=*2010.06) (B=*2010.06) (C=*2010.06)	WASHER, 10	1	1	1						W	
37	1	26013-100252 (A=*2010.06) (B=*2010.06) (C=*2010.06)	BOLT, M10X 25	1	1	1						W	
38A	1	172437-03391 (A=*2013.03) (B=*2013.03) (C=*2013.03)	LABEL, RADIATOR	1	1	1						Z	2

Remarks
 (1)Please use this part with follwing labels at the same time.
 No.38A.
 Refer to Fig.26 for this parts.
 (2)Not illustrated.
 Refer to Fig.26 for this parts.

Fig.46. BONNET(REAR)

(A)=VIO80(US)
(B)=VIO80(AS)
(C)=VIO80(NZ)

(D)=
(E)=
(F)=

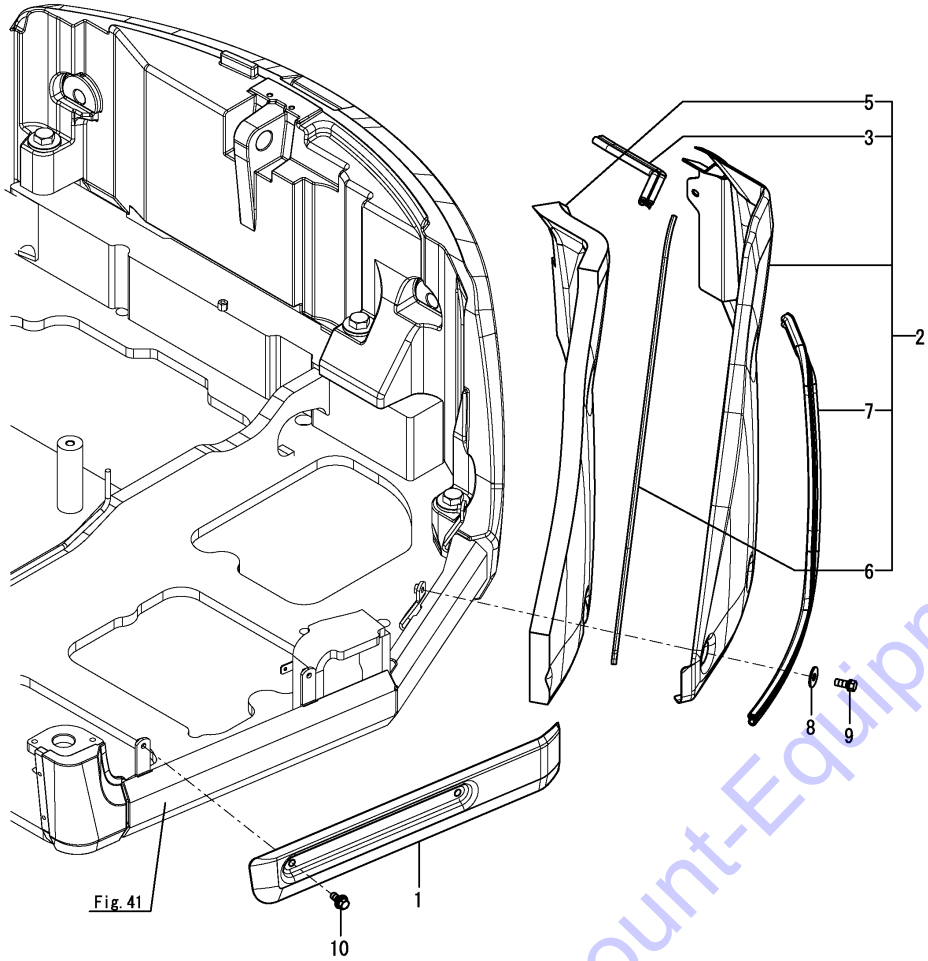


No.	Lev.	Parts No.	Description	Q'ty						I	R
				(A)	(B)	(C)	(D)	(E)	(F)		
1	1	1A1380-62160	WASHER	1	1	1					
2	1	172458-65050	SHAFT	1	1	1					
3	1	172458-65060	COVER, LOCK	1	1	1					
4	1	172A89-65100	BONNET A ASSY (2J)	1	1	1					1
4-1	1	172A69-08400	BONNET KIT, Y	1	1	1					S
		(A=M92001) (B=M92001) (C=M92001)									
4A	2	172A89-03500	EMBLEM ASSY	1	1	1					W
		(A=M92001) (B=M92001) (C=M92001)									
4B	2	172A69-65400	BONNET ASSY	1	1	1					W 1
		(A=M92001) (B=M92001) (C=M92001)									
6	3	172A89-65160	SPONGE	1	1	1					
7	3	172A89-65170	SPONGE	1	1	1					
8	3	172A69-65180	RUBBER, SEAL	1	1	1					
9	3	172A69-65190	RUBBER, SEAL	1	1	1					
10	1	172444-65190	ROD ASSY, STOPPER	1	1	1					
11	1	172187-65210	LEVER ASSY, LOCK	1	1	1					
12	1	172A89-65230	BRACKET ASSY, LOCK	1	1	1					
12-1	1	172B11-65220	BRACKET ASSY, LOCK	1	1	1					N
		(A=*2013.03) (B=*2013.03) (C=*2013.03)									
13	1	172187-65270	PLATE, CATCH	1	1	1					
14	1	172458-65271	PLATE, LOCK	1	1	1					
15	1	172734-65270	SPRING, CATCH	1	1	1					
16	1	172124-65480	CATCHER	1	1	1					
17	1	172164-66170	KEY ASSY, CYLINDER	1	1	1					
22	1	22137-080000	WASHER, 8	1	1	1					
23	1	22157-100000	WASHER, 10	3	3	3					
24	1	22417-200200	PIN, COTTER 2.0X20	2	2	2					
25	1	22417-200200	PIN, COTTER 2.0X20	2	2	2					
26	1	26013-100252	BOLT, M10X 25	3	3	3					
27	1	26014-100252	BOLT, M10X 25	2	2	2					
28	1	26014-100252	BOLT, M10X 25	2	2	2					
29	1	26347-100002	NUT, M10	1	1	1					
30A	1	172437-03381	LABEL, SWING AREA	1	1	1					2
30B	1	172437-03402	LABEL, ENGINE COVER	1	1	1					2
30C	1	172A36-03411	LABEL, ENGINE ROOM	1	1	1					2
30D	1	172437-03422	LABEL, MUFFLER	1	1	1					2

Remarks

- (1) Please use this part with following labels at the same time.
No.30A, 30B, 30C, 30D.
- (2) Not illustrated.

Fig.47. BONNET(LEFT)



(A)=VIO80(US)
 (B)=VIO80(AS)
 (C)=VIO80(NZ)

(D)=
 (E)=
 (F)=

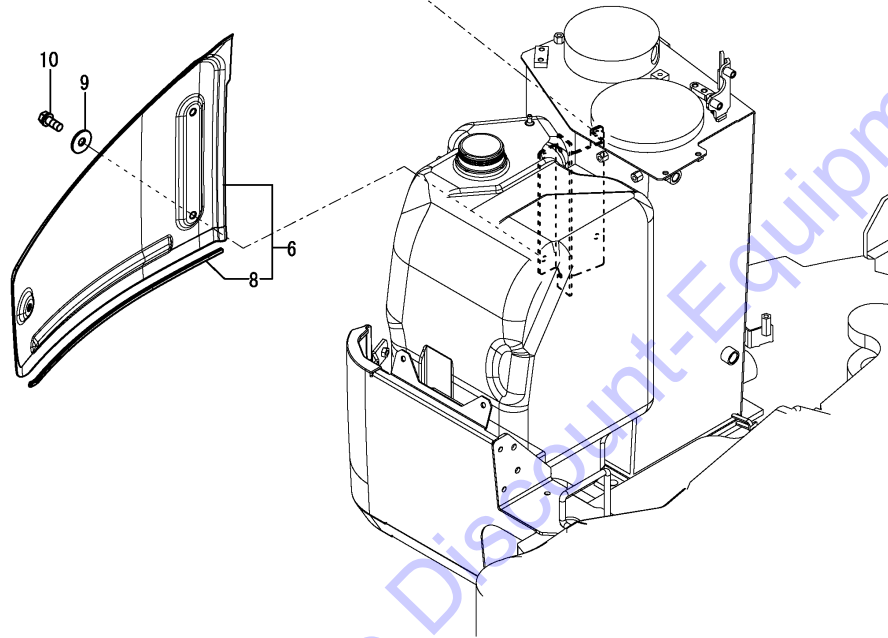
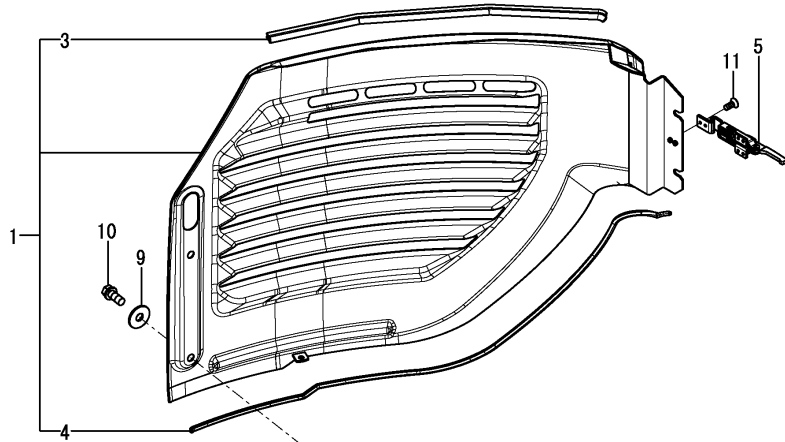
No.	Lev.	Parts No.	Description	Q'ty						I	R
				(A)	(B)	(C)	(D)	(E)	(F)		
1	1	172A69-61490	COVER, FRAME	1	1	1					
1-1	1	172A69-61490-Y	COVER, FRAME	1	1	1					S
		(A=M92001) (B=M92001) (C=M92001)									
2	1	172A89-65600	BONNET LASSY (2J)	1	1	1					
2-1	1	172A89-65600-Y	BONNET LASSY	1	1	1					S
		(A=M92001) (B=M92001) (C=M92001)									
3	2	172162-15310	SEAL	1	1	1					
5	2	172A89-65630	SPONGE	1	1	1					
6	2	172A69-65670	TRIM	1	1	1					
7	2	172171-65820	RUBBER, SEAL	1	1	1					
8	1	22157-100000	WASHER, 10	3	3	3					
9	1	26013-100252	BOLT, M10X 25	3	3	3					
10	1	26014-100252	BOLT, M10X 25	2	2	2					

Go to Discount-Equipment.com to buy your parts

Fig.48. BONNET(RIGHT)

(A)=VIO80(US)
 (B)=VIO80(AS)
 (C)=VIO80(NZ)

(D)=
 (E)=
 (F)=

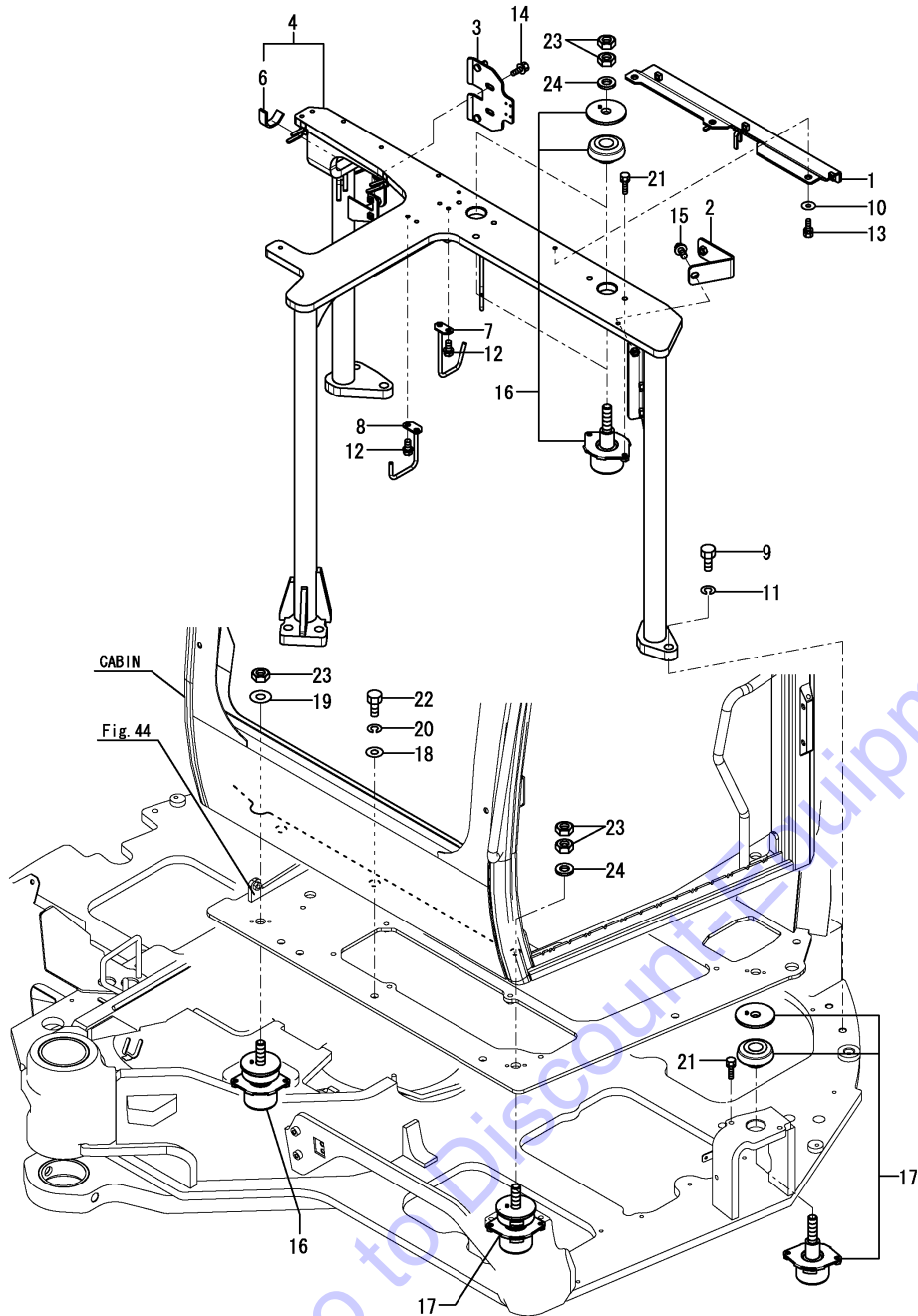


No.	Lev.	Parts No.	Description	Q'ty						I	R
				(A)	(B)	(C)	(D)	(E)	(F)		
1	1	172A89-65800	BONNET RASSY (2J)	1	1	1					
1-1	1	172A89-65800-Y	BONNET RASSY	1	1	1					S
		(A=M92001) (B=M92001) (C=M92001)									
3	2	172A89-65850	RUBBER, SEAL 670	1	1	1					
4	2	172A89-65860	TRIM, 1160	1	1	1					
5	1	172A69-65871	GRIP, BONNET LOCK	1	1	1					
5-1	1	172A69-65872	HANDLE, BONNET LOCK	1	1	1					N
		(A=M92036) (B=M92036) (C=M92036)									
6	1	172A69-65900	BONNET ASSY	1	1	1					
6-1	1	172A69-65900-Y	BONNET ASSY	1	1	1					S
		(A=M92001) (B=M92001) (C=M92001)									
8	2	172A69-65920	TRIM	1	1	1					
9	1	22157-100000	WASHER, 10	5	5	5					
10	1	26013-100252	BOLT, M10X 25	5	5	5					
11	1	26577-050122	SCREW, M5X12	6	6	6					

Fig.49. CABIN MOUNT

(A)=VIO80(US)
 (B)=VIO80(AS)
 (C)=VIO80(NZ)

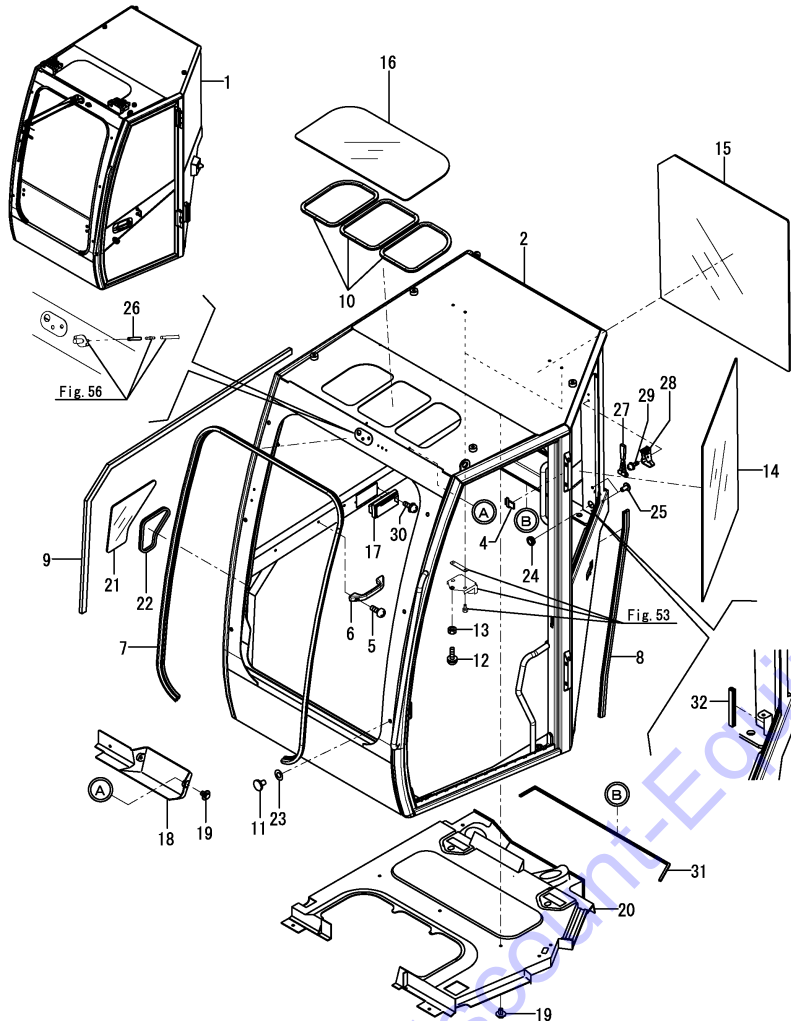
(D)=
 (E)=
 (F)=



No.	Lev.	Parts No.	Description	Q'ty						I	R
				(A)	(B)	(C)	(D)	(E)	(F)		
1	1	172A89-65200	BRACKET ASSY,BONNET	1	1	1					
2	1	172A89-65660	STAY ASSY, BONNET	1	1	1					
3	1	172A89-65950	BRACKET ASSY,BR	1	1	1					
4	1	172A89-67100	BRACKET ASSY,CAB M	1	1	1					
6	2	172A89-67450	SEAL, SPONGE	1	1	1					
7	1	172A89-67360	GUIDE ASSY, HOSE	1	1	1					
8	1	172A89-67390	GUIDE ASSY, HOSE	1	1	1					
9	1	172460-73320	BOLT	6	6	6					
10	1	22157-100000	WASHER, 10	3	3	3					
11	1	22217-160000	WASHER, SPRING 16	6	6	6					
12	1	26013-100202	BOLT, M10X 20	4	4	4					
13	1	26013-100252	BOLT, M10X 25	3	3	3					
14	1	26014-100252	BOLT, M10X 25	2	2	2					
15	1	26014-100252	BOLT, M10X 25	1	1	1					
16	1	172A69-64160	MOUNT ASSY, 60HS	3	3	3					
17	1	172A69-64170	MOUNT ASSY, 70HS	2	2	2					
18	1	22137-160000	WASHER, 16	6	6	6					
19	1	22137-200000	WASHER, 20	1	1	1					
20	1	22217-160000	WASHER, SPRING 16	6	6	6					
21	1	26013-100352	BOLT, M10X 35	10	10	10					
22	1	26076-160402	BOLT, 10.916X 40	6	6	6					
23	1	26716-200002	NUT, M20	9	9	9					
24	1	933172-14120	WASHER	4	4	4					

Fig.50. CABIN(BODY)

CABIN ASSY
Fig. 50 Ref. No. 1
INC. Fig. 50 Ref. No. 2~32.
Fig. 51~56.



(A)=VIO80(US)
(B)=VIO80(AS)
(C)=VIO80(NZ)

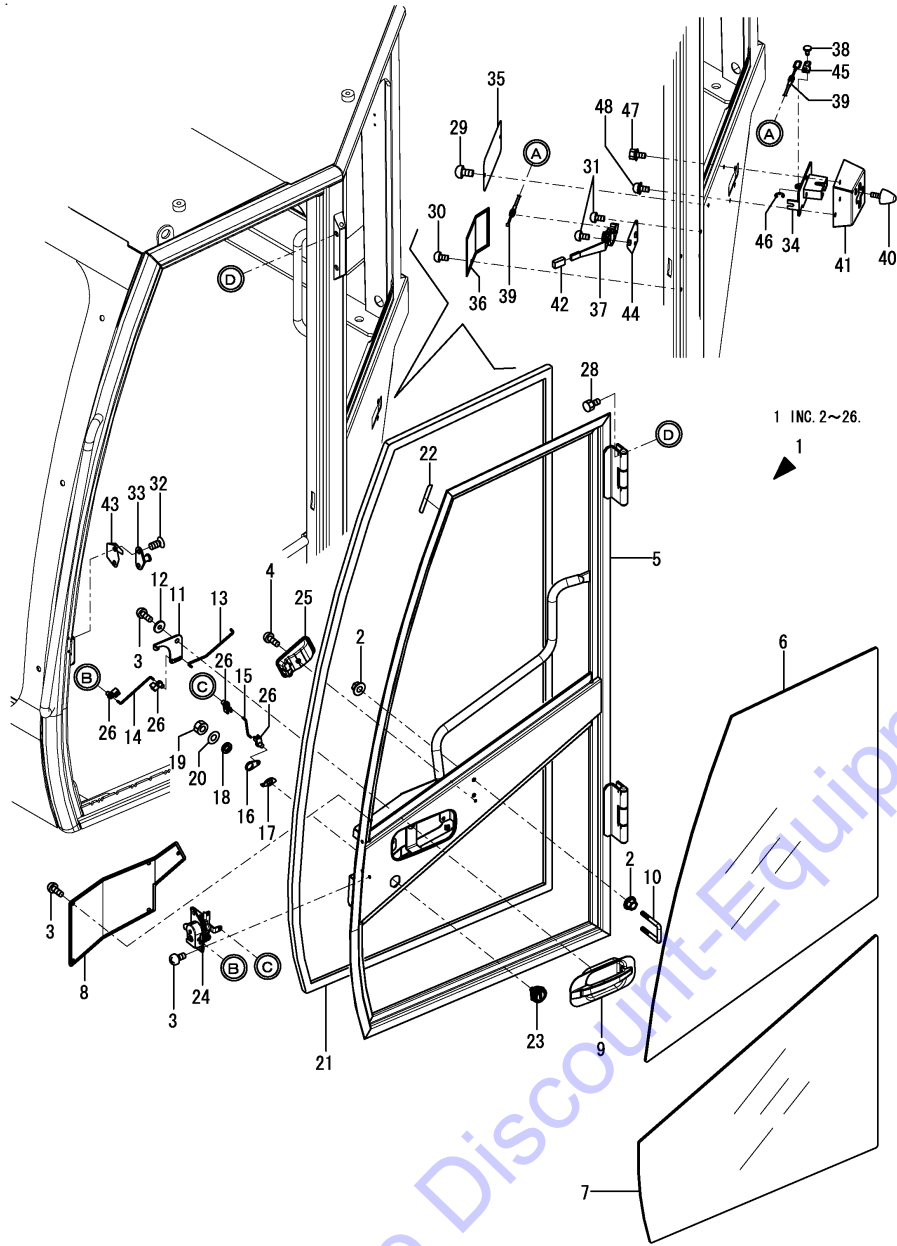
(D)=
(E)=
(F)=

No.	Lev.	Parts No.	Description	Q'ty						I	R
				(A)	(B)	(C)	(D)	(E)	(F)		
1	1	172A69-68000	CABIN ASSY	1	1	1					
2	2	172A69-68010	FRAME ASSY,CAB	1	1	1					1
4	2	172538-67250	CLIP	1	1	1					
4-1	2	172538-67250 (A=M90501) (B=M90501) (C=M90501)	CLIP	8	8	8					K
5	2	172538-67720	SCREW	2	2	2					
6	2	172538-68910	GRIP	1	1	1					
7	2	172A69-69560	RUBBER, TRIM	1	1	1					
8	2	172A69-69570	RUBBER	1	1	1					
9	2	172A69-69580	SEAL, PACKING	1	1	1					
10	2	172A69-69590	RUBBER, TRIM	1	1	1					
11	2	172A69-69600	CLIP	10	10	10					
12	2	172A69-69610	RUBBER, STOPPER	2	2	2					
13	2	172A69-69620	NUT	2	2	2					
14	2	172A69-69630	GLASS, DOOR	1	1	1					
15	2	172A69-69640	GLASS	1	1	1					2
16	2	172A69-69650	POLYCARBONATE	1	1	1					
17	2	172A69-69660	ASHTRAY	1	1	1					
18	2	172A69-69680	COVER	1	1	1					
19	2	172A69-69690	FASTENER	11	11	11					
20	2	172A69-69720	ROOF ASSY, INNER	1	1	1					
20-1	2	172A69-69721 (A=M90544) (B=M90544) (C=M90544)	ROOF ASSY, INNER	1	1	1					N
21	2	172A69-69730	GLASS	1	1	1					
22	2	172A69-69740	TRIM	1	1	1					
23	2	172A69-69750	PACKING, RUBBER	10	10	10					
24	2	172A69-69760	GROMMET	1	1	1					
25	2	172A69-69770	BOLT, CAP	2	2	2					
26	2	172A69-69780	HOSE	1	1	1					
27	2	172A69-69790	HAMMER	1	1	1					
28	2	172A69-69800	BRACKET, HAMMER	1	1	1					
29	2	26023-050162	SCREW, M5X16	2	2	2					
30	2	26023-050162	SCREW, M5X16	2	2	2					
31	2	172A69-69670 (A=M90674) (B=M90674) (C=M90674)	SEAL, PACKING	1	1	1					W
32	2	172A69-68510 (A=M90501) (B=M90501) (C=M90501)	TRIM	1	1	1					W
33A	1	172437-03302	LABEL, MANUAL	1	1	1					3
33B	1	172437-03471	LABEL, LEVER LOCK	1	1	1					3
34A	1	172A89-03360	LABEL,LIFT Q	1	1	1					3
34A-1	1	172A89-03361 (A=*2013.12) (B=*2013.12) (C=*2013.12)	LABEL,LIFT Q	1	1	1					N 3

Remarks

- (1)Please use this part with follwing labels at the same time.
No.33A, 33B.
- (2)Please use this part with follwing labels at the same time.
No.34A.
- (3)Not illustrated.

Fig.51. CABIN(DOOR)



(A)=VIO80(US)
 (B)=VIO80(AS)
 (C)=VIO80(NZ)

(D)=
 (E)=
 (F)=

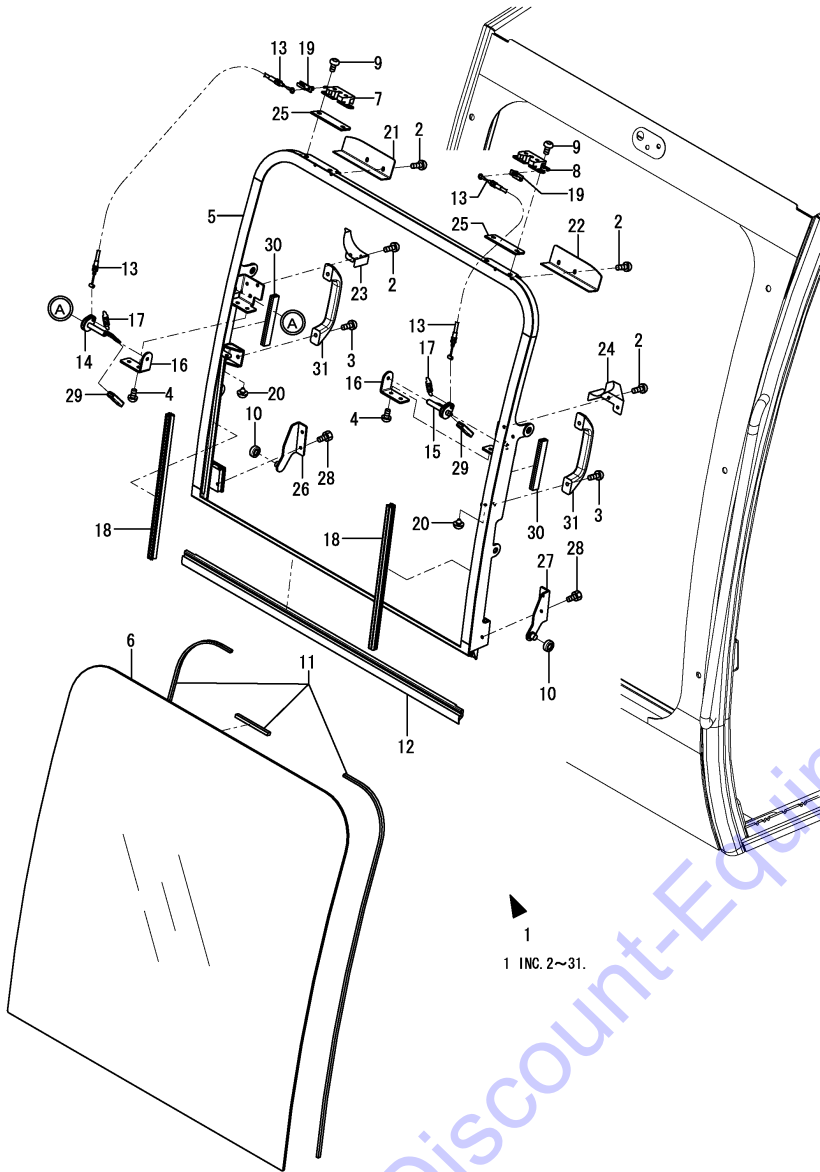
No.	Lev.	Parts No.	Description	Q'ty						I	R
				(A)	(B)	(C)	(D)	(E)	(F)		
1	2	172A69-68050	DOOR ASSY	1	1	1					
2	3	172538-67680	NUT, FLANGE	4	4	4					
3	3	172538-67720	SCREW	11	11	11					
4	3	172538-67780	SCREW	1	1	1					
5	3	172A69-68060	FRAME, DOOR	1	1	1					
6	3	172A69-68070	GLASS, DOOR	1	1	1					
7	3	172A69-68080	GLASS, DOOR	1	1	1					
8	3	172A69-68090	COVER	1	1	1					
9	3	172A69-68100	HANDLE ASSY	1	1	1					
10	3	172A69-68110	BOLT	1	1	1					
11	3	172A69-68120	PLATE	1	1	1					
12	3	172A69-68130	WASHER	1	1	1					
13	3	172A69-68140	LINK	1	1	1					
14	3	172A69-68150	LINK	1	1	1					
15	3	172A69-68160	LINK	1	1	1					
16	3	172A69-68170	PLATE	1	1	1					
17	3	172A69-68180	PLATE	1	1	1					
18	3	172A69-68190	SPACER	1	1	1					
19	3	172A69-68200	NUT	1	1	1					
20	3	172A69-68210	WASHER, PLATE	1	1	1					
21	3	172A69-68220	RUBBER	1	1	1					
22	3	172A69-68230	RUBBER	2	2	2					
23	3	172538-68730	CYLINDER ASSY, KEY	1	1	1					
24	3	172538-68780	LOCK ASSY	1	1	1					
24-1	3	172538-68781	LOCK ASSY	1	1	1					N
		(A=*2013.11) (B=*2013.11) (C=*2013.11)									
25	3	172538-68890	HANDLE, INNER	1	1	1					
26	3	172538-68960	HOLDER, LINK	4	4	4					
28	2	172538-67630	BOLT	4	4	4					
29	2	172538-67660	SCREW	2	2	2					
30	2	172538-67660	SCREW	2	2	2					
31	2	172538-67660	SCREW	4	4	4					
32	2	172A69-69060	SCREW	2	2	2					
33	2	172A69-69260	STRIKER	1	1	1					
34	2	172A69-69270	CATCH ASSY	1	1	1					
35	2	172A69-69290	COVER	1	1	1					
36	2	172A69-69300	COVER	1	1	1					
37	2	172A69-69310	LEVER, ASSY	1	1	1					
38	2	172A69-69330	PIN	1	1	1					
39	2	172A69-69340	WIRE	1	1	1					
40	2	172A69-69350	RUBBER, STOPPER	1	1	1					
41	2	172A69-69360	COVER	1	1	1					
42	2	172A69-69370	COVER, LEVER	1	1	1					
43	2	172A69-69380	COVER	1	1	1					
44	2	172A69-69390	BRACKET	1	1	1					
45	2	172A69-69400	PLATE	1	1	1					
46	2	22272-000040	RING, E- 4	1	1	1					
47	2	26014-080202	BOLT, M8X 20	2	2	2					
48	2	26023-060162	SCREW, M6X16	1	1	1					

Remarks

* Cabin assy is shown in Fig.50.

N:Old $\frac{Yes}{No}$ New, Q:Old $\frac{No}{Yes}$ New, R:Old $\frac{Yes}{Yes}$ New, S:Old $\frac{No}{No}$ New, W:Add, Z:Discontinued, F:Interchangeable by set, K:Q'ty Change

Fig.52. CABIN(FRONT WINDOW : 1)



(A)=VIO80(US)
(B)=VIO80(AS)
(C)=VIO80(NZ)

(D)=
(E)=
(F)=

No.	Lev.	Parts No.	Description	Q'ty						I	R
				(A)	(B)	(C)	(D)	(E)	(F)		
1	2	172A69-68250	WINDOW ASSY	1	1	1					
2	3	172538-67650	SCREW	8	8	8					
3	3	172538-67720	SCREW	4	4	4					
4	3	172538-67720	SCREW	4	4	4					
5	3	172A69-68260	WINDOW, SLIDE	1	1	1					
6	3	172A69-68270	GLASS	1	1	1					1
7	3	172A69-68280	LOCK, SNATCH	1	1	1					
8	3	172A69-68290	LOCK, SNATCH	1	1	1					
9	3	172A69-68300	BOLT	4	4	4					
10	3	172A69-68310	ROLLER	2	2	2					
11	3	172A69-68320	RUBBER, DAM	1	1	1					
12	3	172A69-68330	RUBBER, SEAL	1	1	1					
13	3	172A69-68340	WIRE	2	2	2					
14	3	172A69-68350	LEVER	1	1	1					
15	3	172A69-68360	LEVER	1	1	1					
16	3	172A69-68370	BRACKET, LEVER	2	2	2					
17	3	172A69-68380	SPRING, COIL	2	2	2					
18	3	172A69-68390	TRIM	2	2	2					
19	3	172A69-68400	HOLDER, LINK	2	2	2					
20	3	172A69-68410	RUBBER, STOPPER	2	2	2					
21	3	172A69-68420	COVER, LATCH	1	1	1					
22	3	172A69-68430	COVER, LATCH	1	1	1					
23	3	172A69-68440	COVER	1	1	1					
24	3	172A69-68450	COVER	1	1	1					
25	3	172A69-68460	PLATE, LATCH	2	2	2					
26	3	172A69-68470	BRACKET, ROLLER	1	1	1					
27	3	172A69-68480	BRACKET, ROLLER	1	1	1					
28	3	172A69-68490	BOLT	4	4	4					
29	3	172A69-68500	COVER, LEVER	2	2	2					
30	3	172A69-68510	TRIM	2	2	2					
31	3	172538-68910	GRIP	2	2	2					
32A	1	172437-03551	LABEL, WINDOW US	1	1	1					2

1
1 ING. 2~31.

Remarks

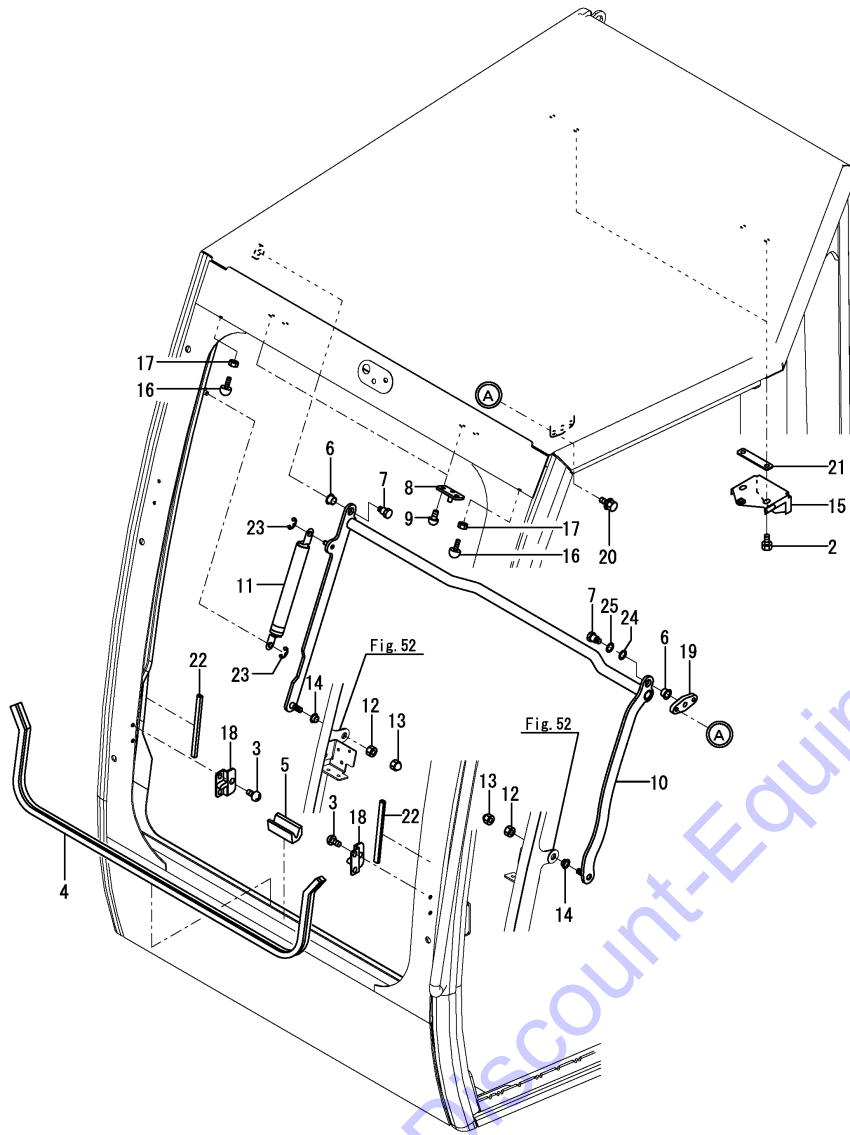
* Cabin assy is shown in Fig.50.

(1)Please use this part with follwing labels at the same time.

No.32A.

(2)Not illustrated.

Fig.53. CABIN(FRONT WINDOW : 2)



(A)=VIO80(US)
(B)=VIO80(AS)
(C)=VIO80(NZ)

(D)=
(E)=
(F)=

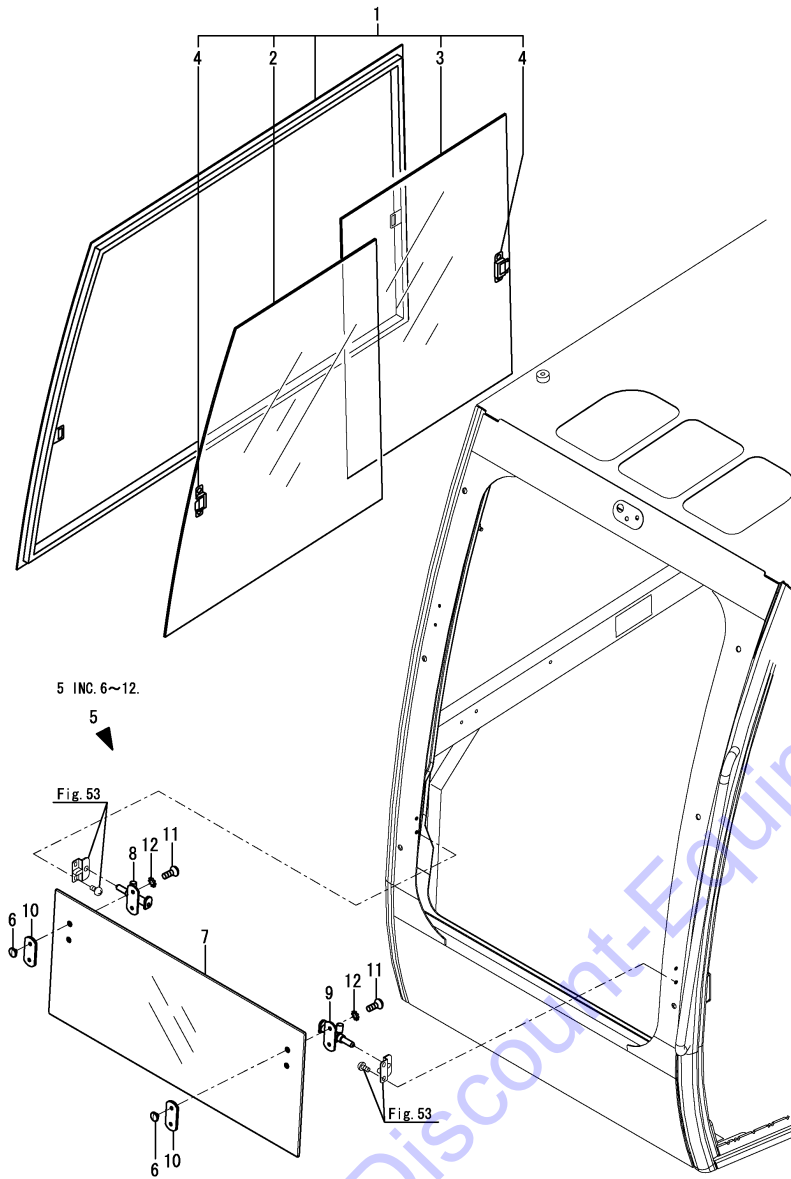
No.	Lev.	Parts No.	Description	Q'ty						I	R
				(A)	(B)	(C)	(D)	(E)	(F)		
2	2	172538-66380	BOLT	4	4	4					
3	2	172538-67720	SCREW	4	4	4					
4	2	172A69-69010	RUBBER, TRIM	1	1	1					
5	2	172A69-69020	RUBBER, STOPPER	2	2	2					
6	2	172A69-69030	BEARING	2	2	2					
7	2	172A69-69040	BOLT, LINK	2	2	2					
8	2	172A69-69050	STRIKER	2	2	2					
9	2	172A69-69060	SCREW	4	4	4					
10	2	172A69-69070	LINK ASSY	1	1	1					
11	2	172A69-69080	SPRING, GAS	1	1	1					
12	2	172A69-69090	NUT	2	2	2					
13	2	172A69-69100	NUT, CAP	2	2	2					
14	2	172A69-69110	BEARING	2	2	2					
15	2	172A69-69130	STRIKER	2	2	2					
16	2	172A69-69140	RUBBER, STOPPER	2	2	2					
17	2	172A69-69150	NUT	2	2	2					
18	2	172A69-69160	PLATE,LATCH	2	2	2					
19	2	172A69-69170	NUT	1	1	1					
20	2	172A69-69180	BOLT	2	2	2					
21	2	172A69-69190	SPACER	2	2	2					
22	2	172A69-69200	TRIM	2	2	2					
23	2	22272-000070	RING, E- 7	2	2	2					
24	2	172A69-69210	PLATE,RING 2.3	1	1	1					W
		(A=M90501) (B=M90501) (C=M90501)									
25	2	172A69-69220	PLATE,RING 3.2	1	1	1					W
		(A=M90501) (B=M90501) (C=M90501)									

Remarks
* Cabin assy is shown in Fig.50.

Fig.54. CABIN(WINDOW SASH & LOWER GLASS)

(A)=VIO80(US)
 (B)=VIO80(AS)
 (C)=VIO80(NZ)

(D)=
 (E)=
 (F)=



No.	Lev.	Parts No.	Description	Q'ty						I	R
				(A)	(B)	(C)	(D)	(E)	(F)		
1	2	172A69-68550	SASH ASSY	1	1	1					
2	3	172A69-68560	GLASS, SASH	1	1	1					
3	3	172A69-68570	GLASS, SASH	1	1	1					1
4	3	172A69-68580	LOCK,ASSY	2	2	2					
5	2	172A69-68600	GLASS ASSY	1	1	1					
6	3	172538-67550	RETAINER	4	4	4					
7	3	172A69-68610	GLASS	1	1	1					
8	3	172A69-68620	LATCH	1	1	1					
9	3	172A69-68630	LATCH	1	1	1					
10	3	172A69-68640	PACKING	2	2	2					
11	3	172A69-68650	SCREW	4	4	4					
12	3	172A69-68660	WASHER, LOCK	4	4	4					
13A	1	172472-03241	LABEL, PINUS	1	1	1					2
13B	1	172472-03271	LABEL, SANDUS	1	1	1					2
13C	1	172472-03281	LABEL, WARNING HITCH	1	1	1					2
13D	1	172437-03312	LABEL, SLOPE	1	1	1					2
13E	1	172437-03343	LABEL, TRANSPORT	1	1	1					2
13F	1	172437-03372	LABEL, NEUTRAL	1	1	1					2
13G	1	172437-03432	LABEL, STEERING	1	1	1					2
13H	1	172437-03441	LABEL, ROPS	1	1	1					2
13I	1	172437-03451	LABEL, SEAT BELT	1	1	1					2

Remarks

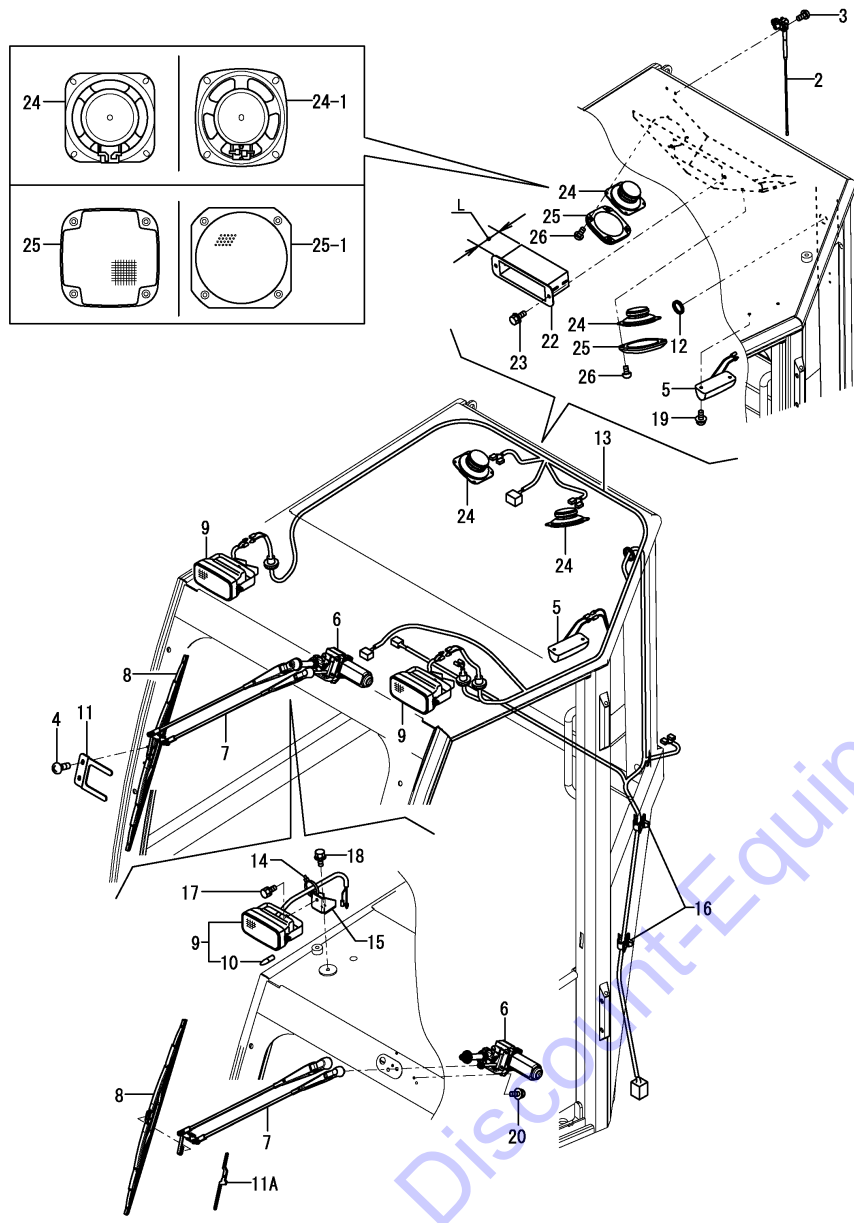
* Cabin assy is shown in Fig.50.

(1) Please use this part with following labels at the same time.

No. 13A, 13B, 13C, 13D, 13E, 13F, 13G, 13H, 13I.

(2) Not illustrated.

Fig.55. CABIN(ELECTRIC PARTS)



(A)=VIO80(US)
(B)=VIO80(AS)
(C)=VIO80(NZ)

(D)=
(E)=
(F)=

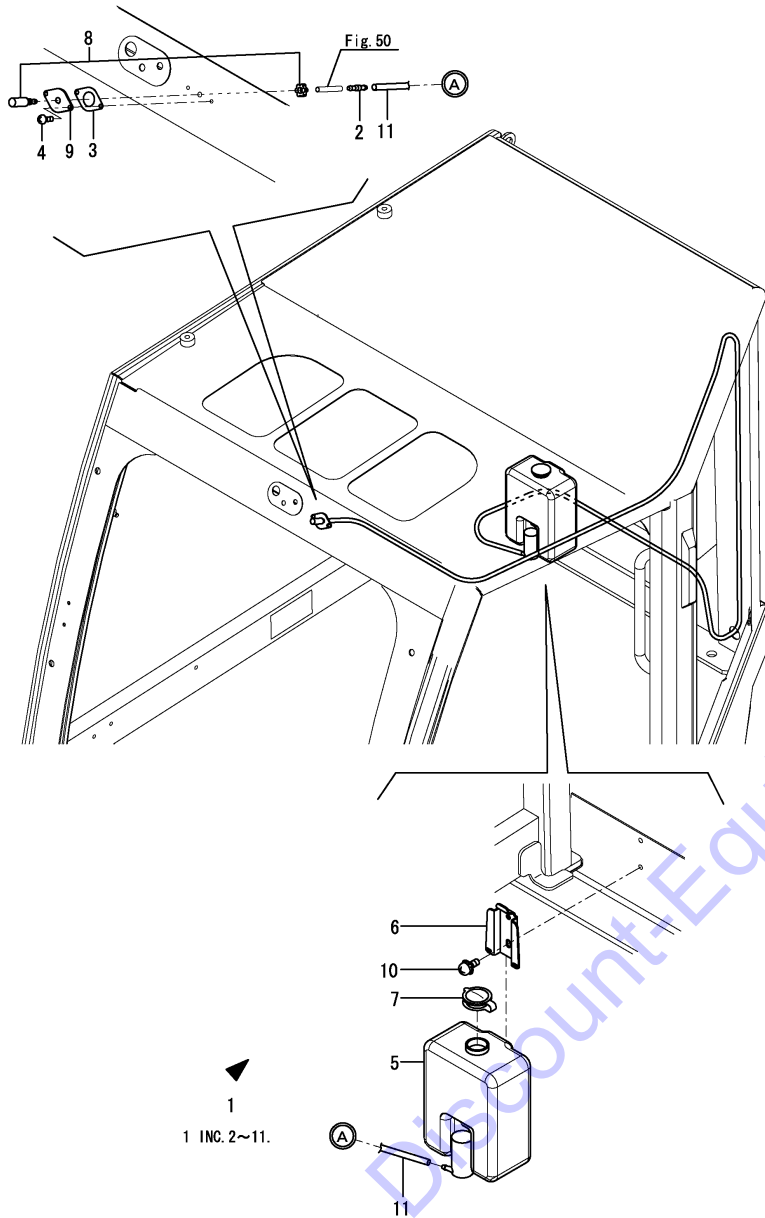
No.	Lev.	Parts No.	Description	Q'ty						I	R
				(A)	(B)	(C)	(D)	(E)	(F)		
2	2	172538-66640	ROD ASSY, ANTENNA	1	1	1					
3	2	172538-67660	SCREW	2	2	2					
4	2	172538-67720	SCREW	2	2	2					
5	2	172538-68540	LAMP ASSY, ROOM	1	1	1					
6	2	172A69-68710	MOTOR, WIPER	1	1	1					
7	2	172A69-68720	ARM, WIPER	1	1	1					
8	2	172A69-68730	BLADE, WIPER	1	1	1					
9	2	172A69-68740	LAMP, WORK	2	2	2					
10	3	172458-17420	BULB	4	4	4					
11	2	172A69-68750	BRACKET, WIPER	1	1	1					
11A	2	172A69-68760	PLATE, WIPER ARM	1	1	1					W
		(A=M90501) (B=M90501) (C=M90501)									
12	2	172A69-68770	GROMMET	1	1	1					
13	2	172A69-68780	HARNES, MAIN	1	1	1					
13-1	2	172A89-68780	HARNES, MAIN	1	1	1					N
		(A=M90544) (B=M90544) (C=M90544)									
14	2	172A69-68790	CLAMP	2	2	2					
15	2	172A69-68800	BRACKET	2	2	2					
16	2	172A69-68820	CLIP	2	2	2					
17	2	172A69-69470	BOLT	2	2	2					
18	2	26014-100202	BOLT, M10X 20	2	2	2					
19	2	26023-050162	SCREW, M5X16	2	2	2					
20	2	26023-060162	SCREW, M6X16	3	3	3					
22	2	172A69-69460	RADIO,BRACKET	1	1	1					1
22-1	2	172A69-69461	RADIO,BRACKET	1	1	1					S 1
		(A=M90544) (B=M90544) (C=M90544)									
23	2	172A69-69470	BOLT	2	2	2					
24	2	172A69-69480	SPEAKER	2	2	2					
24-1	2	172A69-69481	SPEAKER	2	2	2					S
		(A=M90544) (B=M90544) (C=M90544)									
25	2	172A69-69490	SPEAKER	2	2	2					
25-1	2	172A69-69491	GRILLE, SPEAKER	2	2	2					S
		(A=M90544) (B=M90544) (C=M90544)									
26	2	172A69-69500	SCREW	8	8	8					

Remarks
* Cabin assy is shown in Fig.50.
(1)L=No.22 : 91mm, No.22-1 : 96mm.

Fig.56. CABIN(WASHER TANK)

(A)=VIO80(US)
 (B)=VIO80(AS)
 (C)=VIO80(NZ)

(D)=
 (E)=
 (F)=



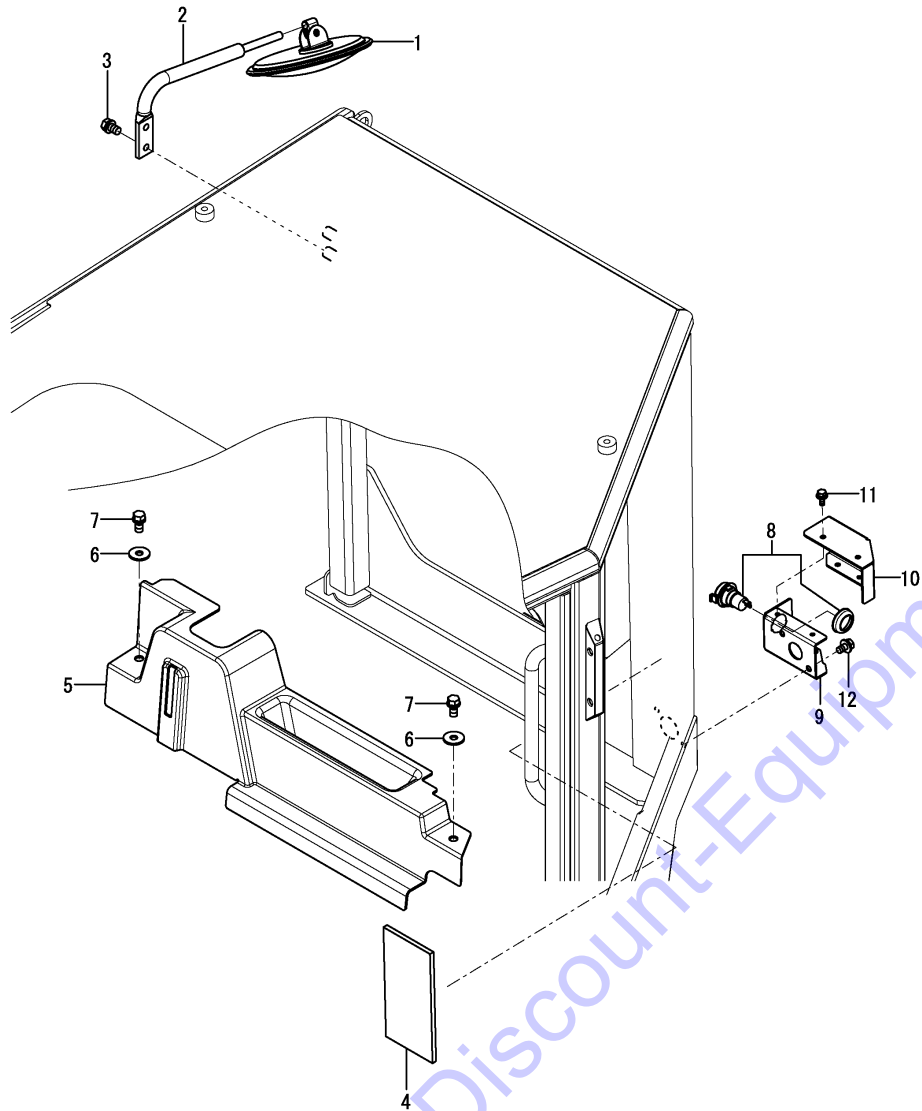
No.	Lev.	Parts No.	Description	Q'ty						I	R
				(A)	(B)	(C)	(D)	(E)	(F)		
1	2	172A69-68900	TANK ASSY, WASHER	1	1	1					
2	3	172538-66480	VALVE ASSY, CHECK	1	1	1					
3	3	172538-66530	PACKING	1	1	1					
4	3	172538-67640	SCREW	2	2	2					
5	3	172A69-68910	TANK, WASHER	1	1	1					
6	3	172A69-68920	BRACKET, WASHER	1	1	1					
7	3	172A69-68930	CAP	1	1	1					
8	3	172A69-68940	NOZZLE, WASHER	1	1	1					
9	3	172A69-68960	PLATE	1	1	1					
10	3	26023-060162	SCREW, M6X16	2	2	2					
11	3	172A69-68970	HOSE	1	1	1					W
(A=M90501) (B=M90501) (C=M90501)											

Remarks
 * Cabin assy is shown in Fig.50.

Fig.57. CABIN(ACCESSORY)

(A)=VIO80(US)
 (B)=VIO80(AS)
 (C)=VIO80(NZ)

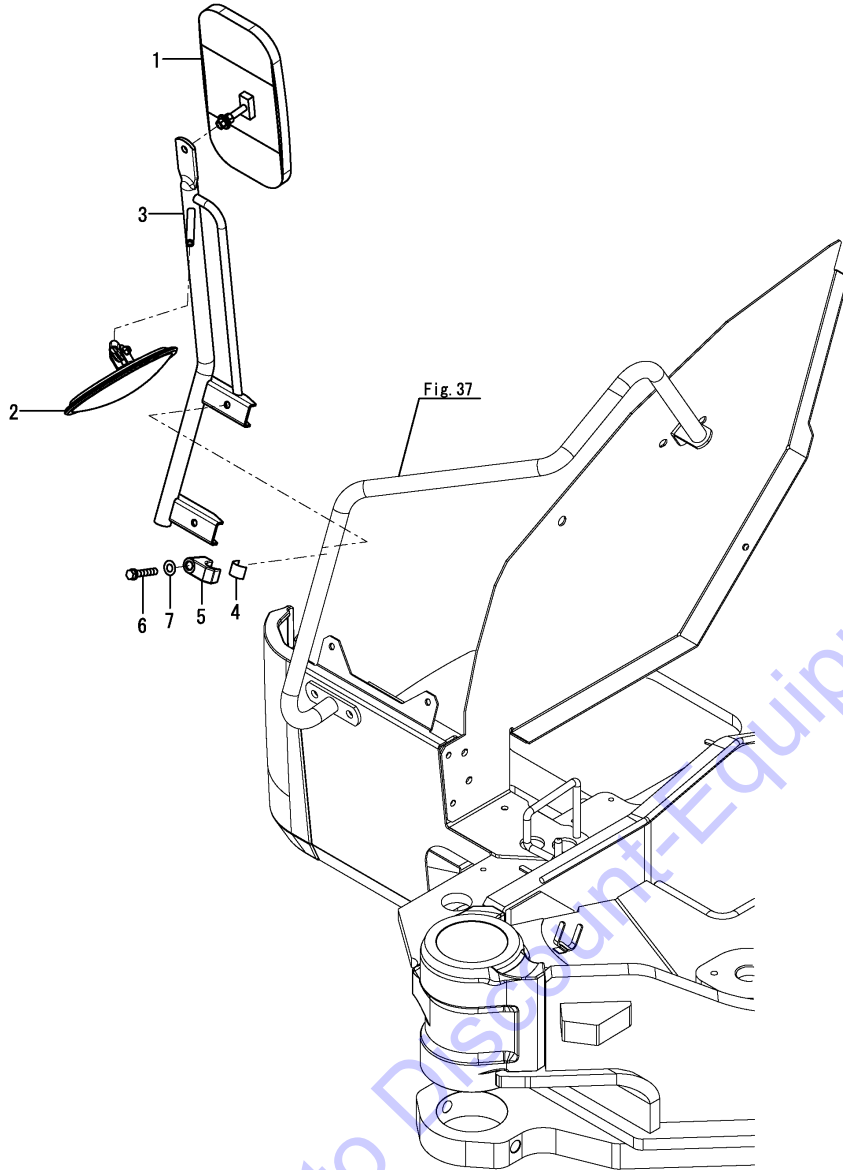
(D)=
 (E)=
 (F)=



No.	Lev.	Parts No.	Description	Q'ty						I	R
				(A)	(B)	(C)	(D)	(E)	(F)		
1	1	172A25-68500	MIRROR, REARVIEW	1	1	1					
2	1	172A69-68850	BRACKET ASSY, MIRROR	1	1	1					
3	1	26013-100252	BOLT, M10X 25	2	2	2					
4	1	172446-62910	PLATE, RUBBER	1	1	1					
5	1	172A69-68950	COVER, TANK	1	1	1					
6	1	22157-080000	WASHER, 8	2	2	2					
7	1	26013-080162	BOLT, M8X 16	2	2	2					
8	1	172A64-17250	SOCKET ASSY	1	1	1					
9	1	172A69-69910	CIGA BOX ASSY (49)	1	1	1					
10	1	172A69-69930	COVER, BOX		1	1					
11	1	26014-060122	BOLT, M6X 12		4	4					
12	1	26014-080162	BOLT, M8X 16		2	2					

Go to Discount-Equipment.com to buy your parts

Fig.58. SIDE MIRROR

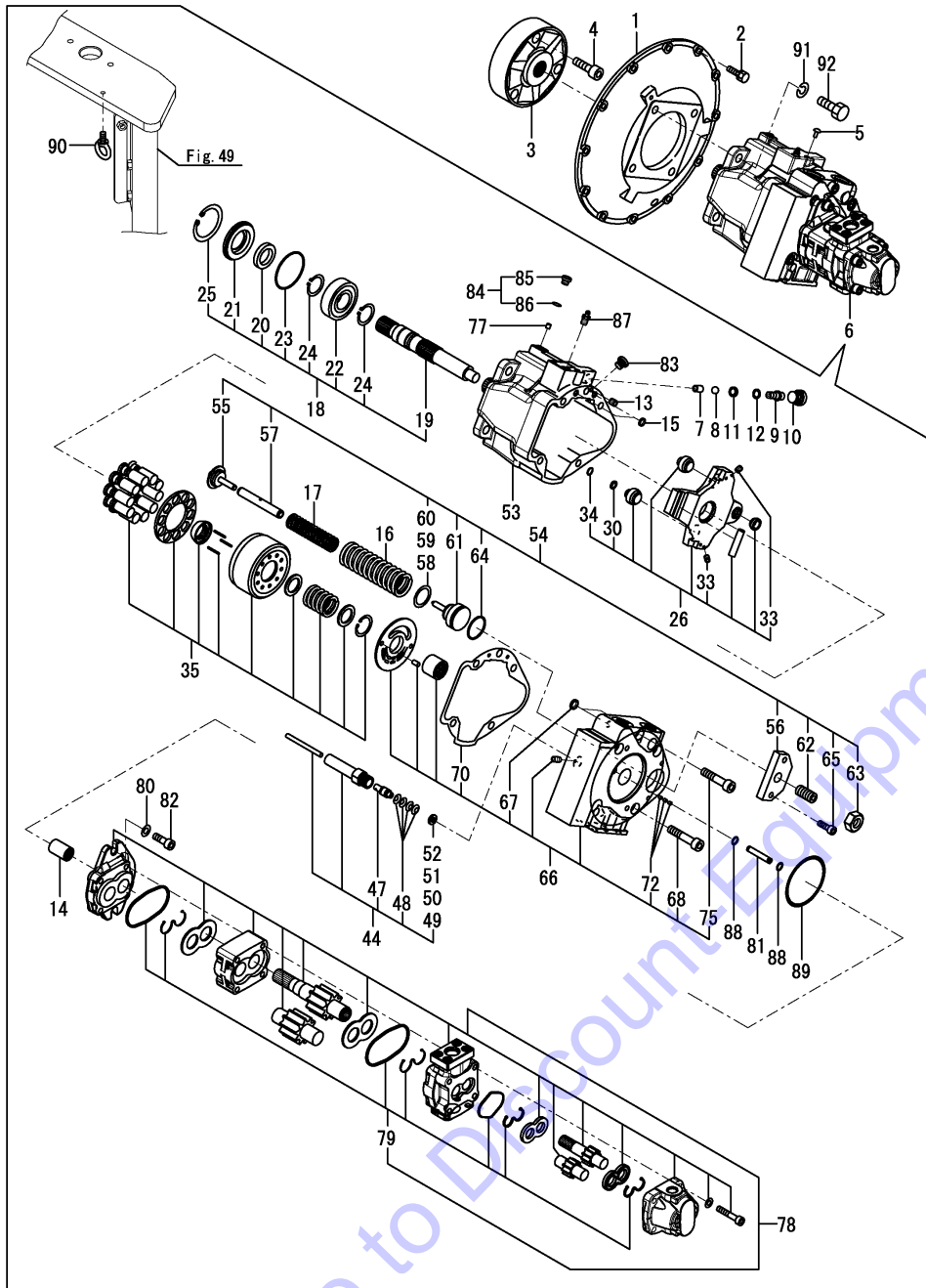


(A)=VIO80(US)
 (B)=VIO80(AS)
 (C)=VIO80(NZ)

(D)=
 (E)=
 (F)=

No.	Lev.	Parts No.	Description	Q'ty						I	R
				(A)	(B)	(C)	(D)	(E)	(F)		
1	1	1W3855-50160	MIRROR ASSY, BACK	1	1	1					
2	1	172A25-68500	MIRROR, REARVIEW	1	1	1					
3	1	172A69-69810	MIRROR ASSY, SIDE	1	1	1					
3-1	1	172A69-69810-Y (A=M92001) (B=M92001) (C=M92001)	MIRROR ASSY, SIDE	1	1	1					S
4	1	172A69-69880	RUBBER, CLAMP	2	2	2					
4-1	1	172A69-69881 (A=M90501) (B=M90501) (C=M90501)	SHEET	2	2	2					N
5	1	172142-76940-2	CLAMP	2	2	2					
5-1	1	172142-76940-Y (A=M92001) (B=M92001) (C=M92001)	CLAMP	2	2	2					S
6	1	26013-100552	BOLT, M10X 55	2	2	2					
7	1	22137-100000	WASHER, 10	2	2	2					

Fig.59. HYDRAULIC PUMP & JOINT



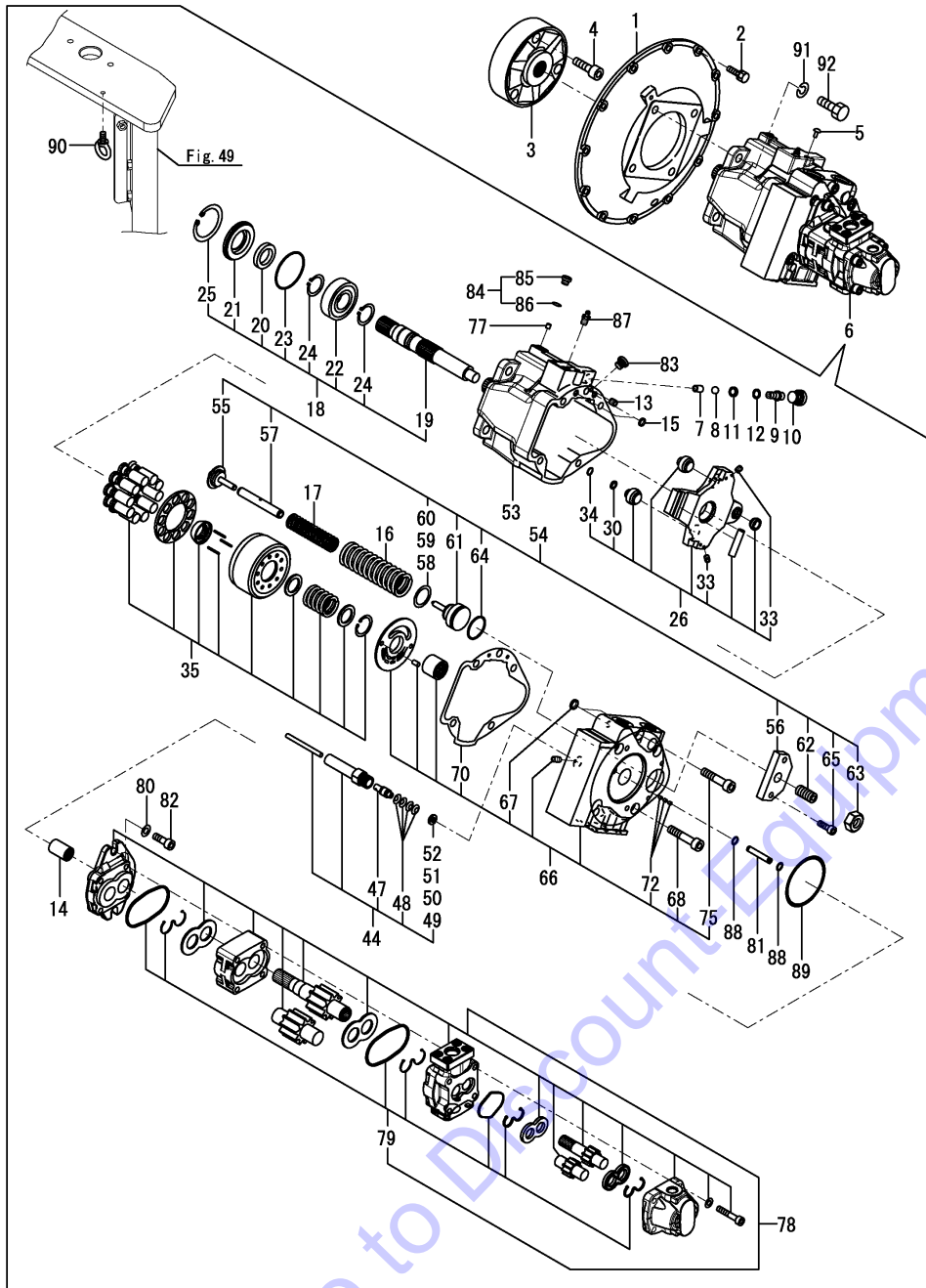
(A)=VIO80(US)
(B)=VIO80(AS)
(C)=VIO80(NZ)

(D)=
(E)=
(F)=

No.	Lev.	Parts No.	Description	Q'ty						I	R
				(A)	(B)	(C)	(D)	(E)	(F)		
1	1	172187-71100	COVER, FLYWHEEL	1	1	1					
2	1	26013-100302	BOLT, M10X 30	12	12	12					
3	1	172499-71200	COUPLING	1	1	1					
4	1	172187-71210	BOLT	3	3	3					
5	1	172122-17190	CLIP, TREE	1	1	1					
6	1	172A89-73100	PUMP ASSY	1	1	1					
6-1	1	172A89-73101	PUMP ASSY	1	1	1					N
		(A=M92036) (B=M92036) (C=M92036)									
7	2	172499-70600	BUSH	1	1	1					
8	2	172499-70610	BALL	1	1	1					
9	2	172499-70620	PLUG	1	1	1					
10	2	172499-70630	PLUG	1	1	1					
11	2	172499-70640	PACKING	1	1	1					
12	2	172499-70650	SHIM	1	1	1					
13	2	172499-70660	PLUG	1	1	1					
14	2	172499-70680	COUPLING	1	1	1					
15	2	172499-70690	RING	2	2	2					
16	2	172499-70701	SPRING	1	1	1					
17	2	172499-70711	SPRING	1	1	1					
17-1	2	172A89-73190	SPRING	1	1	1					N
		(A=M92036) (B=M92036) (C=M92036)									
18	2	172499-71300	SHAFT ASSY	1	1	1					
19	3	172499-71450	SHAFT	1	1	1					
20	3	172187-73240	SEAL, OIL	1	1	1					
21	3	172187-73220	CASE, SEAL	1	1	1					
22	3	172187-73230	BEARING	1	1	1					
23	3	172187-73250	O-RING	1	1	1					
24	3	22242-000350	RING, 35	2	2	2					
25	3	22252-000800	RING, 80	1	1	1					
26	2	172499-71310	PLATE ASSY, SWASH	1	1	1					
30	3	172499-71500	RING	1	1	1					
33	3	172141-74720	PLUG	2	2	2					
34	3	24315-000110	O-RING, 1BP11.0	1	1	1					
35	2	172499-71320	ROTARY GROUP	1	1	1					
44	2	172499-71350	PISTON, CONTROL	1	1	1					
47	3	172499-71690	PISTON	1	1	1					
48	3	172499-71700	SPRING	4	4	4					
49	3	172499-71710	PIECE, DISTANCE	1	1	1					
50	3	172499-71720	PIECE, DISTANCE	1	1	1					
51	3	172499-71730	PIECE, DISTANCE	1	1	1					
52	3	172499-71740	PIECE, DISTANCE	1	1	1					
53	2	172499-71370	HOUSING	1	1	1					
54	2	172A69-73130	SEAT ASSY, SPRING	1	1	1					
55	3	172499-71600	SEAT, SPRING	1	1	1					
56	3	172499-71620	COVER	1	1	1					
57	3	172499-71630	GUIDE	1	1	1					
58	3	172499-71640	SHIM	1	1	1					
59	3	172499-71650	SHIM	1	1	1					
60	3	172499-71660	SHIM	1	1	1					
61	3	172A69-73140	SEAT, SPRING	1	1	1					
62	3	172187-75720	SCREW, ADJUST	1	1	1					

N:Old $\frac{Yes}{No}$ New, Q:Old $\frac{No}{Yes}$ New, R:Old $\frac{Yes}{Yes}$ New, S:Old $\frac{No}{No}$ New, W:Add, Z:Discontinued, F:Interchangeable by set, K:Q'ty Change
 ++ CONTINUE ++
 Copyright (C) 2014 YANMAR CO., LTD. All Rights Reserved.

Fig.59. HYDRAULIC PUMP & JOINT

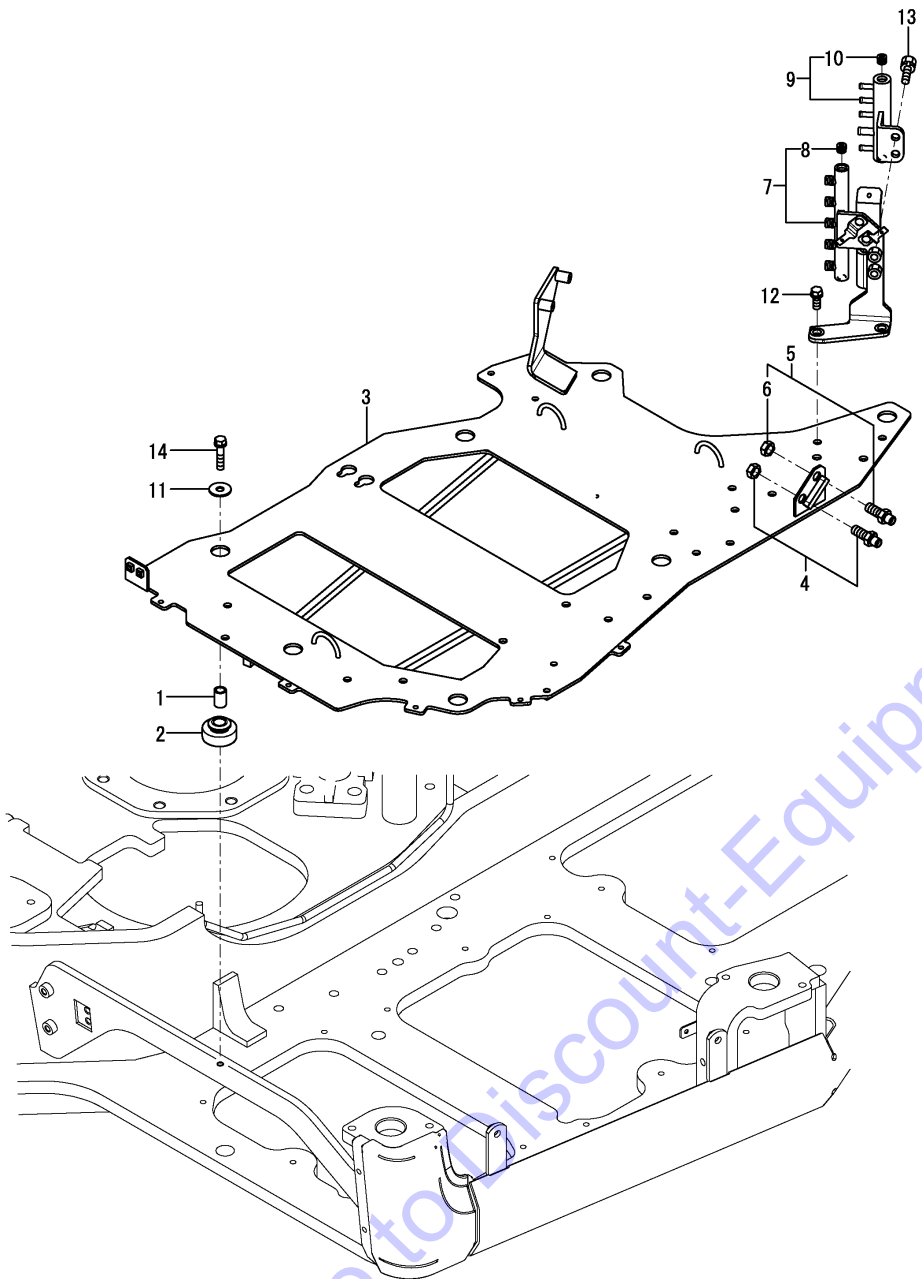


(A)=VIO80(US)
 (B)=VIO80(AS)
 (C)=VIO80(NZ)

(D)=
 (E)=
 (F)=

No.	Lev.	Parts No.	Description	Q'ty						I	R
				(A)	(B)	(C)	(D)	(E)	(F)		
63	3	172187-75750	NUT	1	1	1					
64	3	24311-000440	O-RING, 1AP44.0	1	1	1					
65	3	26450-100302	BOLT, M10X 30	2	2	2					
66	2	172A89-73130	COVER ASY	1	1	1					
67	3	172499-70690	RING	2	2	2					
68	3	172499-71490	BOLT, 14X70HEX SOCKET	4	4	4					
70	3	172499-71590	PACKING	1	1	1					
72	3	172147-73530	ORIFICE	3	3	3					
75	3	172187-75630	BOLT	1	1	1					
77	2	172147-73150	ORIFICE	1	1	1					
78	2	172A89-73150	PUMP, GEAR	1	1	1					
79	3	172A89-73160	SEAL SET	1	1	1					
80	2	172A89-73170	PLAIN WASHER	2	2	2					
81	2	172A89-73180	SLEEVE	1	1	1					
82	2	172651-73430	SOCKET BOLT M12X 35	2	2	2					
83	2	172649-73680	PLUG	1	1	1					
84	2	172142-74590	PLUG	1	1	1					
85	3	172142-74650	PLUG	1	1	1					
86	3	24315-000080	O-RING, 1BP8.0	1	1	1					
87	2	172456-75430	PLUG	1	1	1					
88	2	24315-000070	O-RING, 1BP7.0	2	2	2					
89	2	24325-001050	O-RING 1B G-105.0	1	1	1					
90	2	26617-100002	BOLT, EYE M10	1	1	1					
91	1	22217-160000	WASHER, SPRING 16	4	4	4					
92	1	26116-160452	BOLT, M16X 45 PLATED	4	4	4					

Fig.60. CONTROL VALVE PLATE

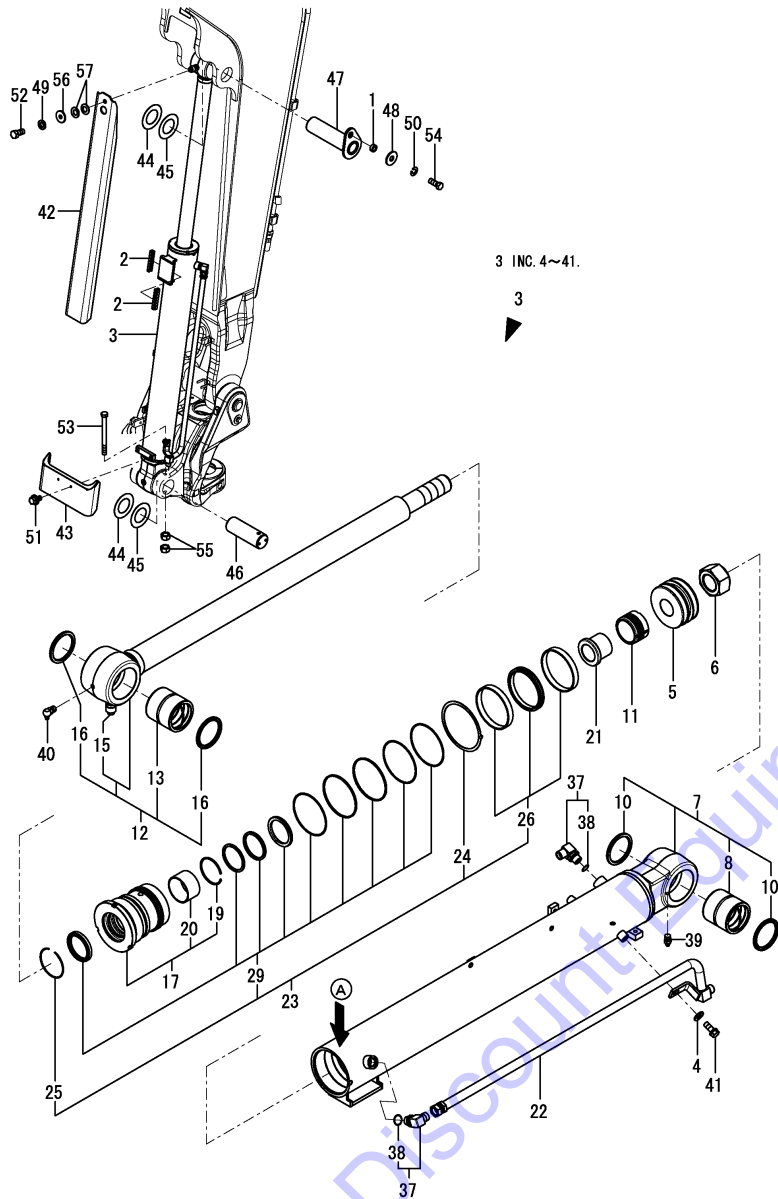


(A)=VIO80(US)
 (B)=VIO80(AS)
 (C)=VIO80(NZ)

(D)=
 (E)=
 (F)=

No.	Lev.	Parts No.	Description	Q'ty						I	R
				(A)	(B)	(C)	(D)	(E)	(F)		
1	1	172A69-71550	COLLAR	7	7	7					
2	1	172A69-71560	GROMMET	7	7	7					
3	1	172A69-71600	PLATE ASSY, VALVE	1	1	1					
4	1	172151-76050	JOINT	1	1	1					
5	1	172A89-76150	JOINT	1	1	1					
6	2	172A89-76160	NUT, LOCK	1	1	1					
7	1	172A69-76680	MOUNT ASSY, BLOCK	1	1	1					
8	2	23871-020000	PLUG, R02	1	1	1					
9	1	172A69-76720	MOUNT ASSY, BLOCK	1	1	1					
9-1	1	172B11-76720	MOUNT ASSY, BLOCK DR	1	1	1					N
		(A=*2013.03) (B=*2013.03) (C=*2013.03)									
10	2	23871-020000	PLUG, R02	1	1	1					
11	1	22157-100000	WASHER, 10	7	7	7					
12	1	26013-100252	BOLT, M10X 25	2	2	2					
13	1	26013-100252	BOLT, M10X 25	2	2	2					
14	1	26013-100452	BOLT, M10X 45	7	7	7					

Fig.61. BOOM CYLINDER(Y SPEC.)



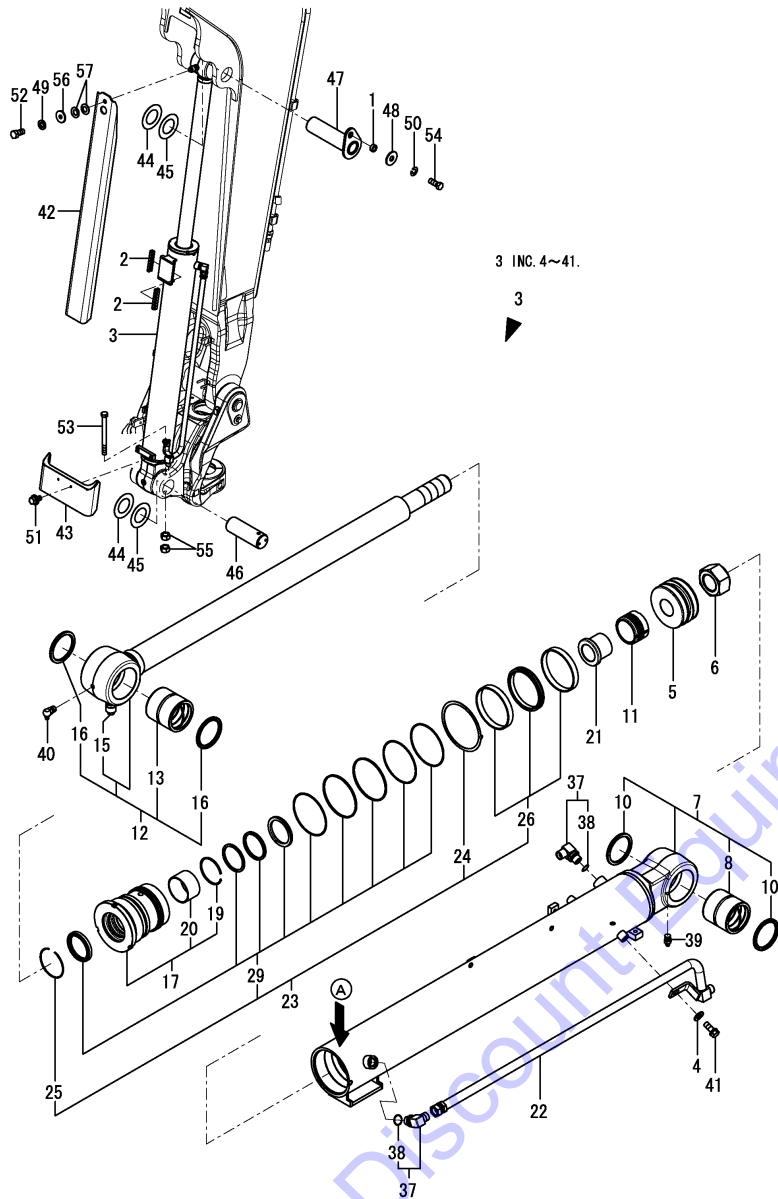
(A)=VIO80(US)
(B)=VIO80(AS)
(C)=VIO80(NZ)

(D)=
(E)=
(F)=

No.	Lev.	Parts No.	Description	Q'ty						I	R
				(A)	(B)	(C)	(D)	(E)	(F)		
1	1	172155-45790	SPACER	1	1	1					
2	1	172162-61770	GUIDE, SLIDE	2	2	2					
3	1	172A89-72100	CYLINDER ASSY, BOOM	1	1	1					
3-1	1	172A89-72100-N (A=M92001) (B=M92001) (C=M92001)	CYLINDER ASSY, BOOM	1	1	1					S
3-2	1	172A89-72100-N (A=*2013.05.) (B=*2013.05.) (C=*2013.05.)	CYLINDER ASSY, BOOM	1	1	1					Z 1
4	2	194145-04810	WASHER, 10	1	1	1					
5	2	172020-10290	PISTON	1	1	1					
6	2	172020-10370	NUT	1	1	1					
7	2	172A89-72110	TUBE ASSY, BOOM	1	1	1					
7-1	2	172A89-72110-N (A=M92001) (B=M92001) (C=M92001)	TUBE ASSY, BOOM	1	1	1					S
8	3	172020-10220	BUSH, PIN	1	1	1					
10	3	172162-82350	SEAL, DUST	2	2	2					
11	2	172478-72190	PLUNGER, CUSHION	1	1	1					
12	2	172A21-72200	ROD ASSY, BOOM	1	1	1					
13	3	172020-10220	BUSH, PIN	1	1	1					
15	4	172478-72010	NUT	1	1	1					
16	3	172162-82350	SEAL, DUST	2	2	2					
17	2	172A89-72200	HEAD ASSY 115 65	1	1	1					
19	3	172499-72490	SPRING RING 72	1	1	1					
20	3	24550-065400	BUSH, 65X40	1	1	1					
21	2	172478-72250	COLLAR, CUSHION	1	1	1					
22	2	172A89-72250	PIPE ASSY, BOOM	1	1	1					
22-1	2	172A89-72250-N (A=M92001) (B=M92001) (C=M92001)	PIPE ASSY, BOOM	1	1	1					S
23	2	172A89-72900	SEAL SET, 115X65	1	1	1					
24	3	172020-10360	WASHER, LOCK	1	1	1					
25	3	172020-10380	RING, SPRING	1	1	1					
26	3	172020-11620	SEAL SET, PISTON	1	1	1					
29	3	172A89-72910	SEAL SET, 115X65	1	1	1					
37	2	172141-76900	CONNECTOR ASSY	2	2	2					
38	3	24315-000180	O-RING, 1BP18.0	2	2	2					
39	2	24761-020000	NIPPLE, GREASE PT1/8	1	1	1					
40	2	24761-050000	NIPPLE, GREASE C	1	1	1					
41	2	26013-100252	BOLT, SPRING M10X 25	1	1	1					
42	1	172187-72910-2	COVER, SLIDE	1	1	1					
42-1	1	172187-72910-N (A=M92001) (B=M92001) (C=M92001)	COVER, SLIDE	1	1	1					S
43	1	172A89-72960	COVER, HOSE	1	1	1					
43-1	1	172A89-72960-N (A=M92001) (B=M92001) (C=M92001)	COVER, HOSE	1	1	1					S
44	1	172176-81700	SHIM	2	2	2					
45	1	172176-81710	SHIM	2	2	2					
46	1	172187-81801	PIN, 70X200	1	1	1					
47	1	172A89-81810	PIN ASSY	1	1	1					
48	1	22157-140000	WASHER, 14	1	1	1					
49	1	22217-100000	WASHER, SPRING 10	1	1	1					
50	1	22217-140000	WASHER, SPRING 14	1	1	1					
51	1	26014-100202	BOLT, M10X 20	2	2	2					

Remarks
(1)A : no mark.
Interchangeable by Fig.121(61A) No.3.
The inner parts are not compatible.

Fig.61. BOOM CYLINDER(Y SPEC.)



(A)=VIO80(US)
 (B)=VIO80(AS)
 (C)=VIO80(NZ)

(D)=
 (E)=
 (F)=

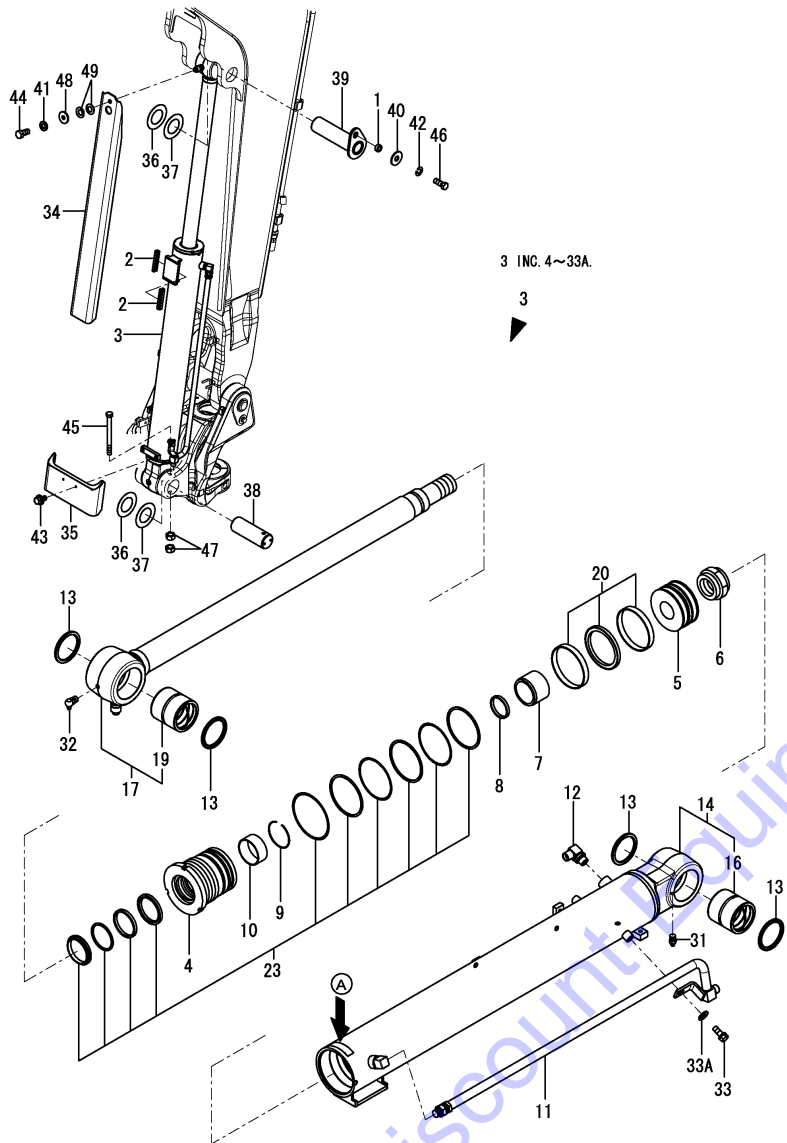
No.	Lev.	Parts No.	Description	Q'ty						I	R
				(A)	(B)	(C)	(D)	(E)	(F)		
52	1	26116-100202	BOLT, M10X 20 PLATED	1	1	1					
53	1	26116-121402	BOLT, M12X140 PLATED	1	1	1					
54	1	26116-140352	BOLT, M14X 35 PLATED	1	1	1					
55	1	26716-120002	NUT, M12	2	2	2					
56	1	933147-03400	WASHER, BRAKE ARM	1	1	1					
57	1	933168-14170	SPRING	2	2	2					

Remarks
 (1)A : no mark.
 Interchangeable by Fig.121(61A) No.3.
 The inner parts are not compatible.

Fig.121. (61A)BOOM CYLINDER(K SPEC.)

(A)=VIO80(US)
(B)=VIO80(AS)
(C)=VIO80(NZ)

(D)=
(E)=
(F)=

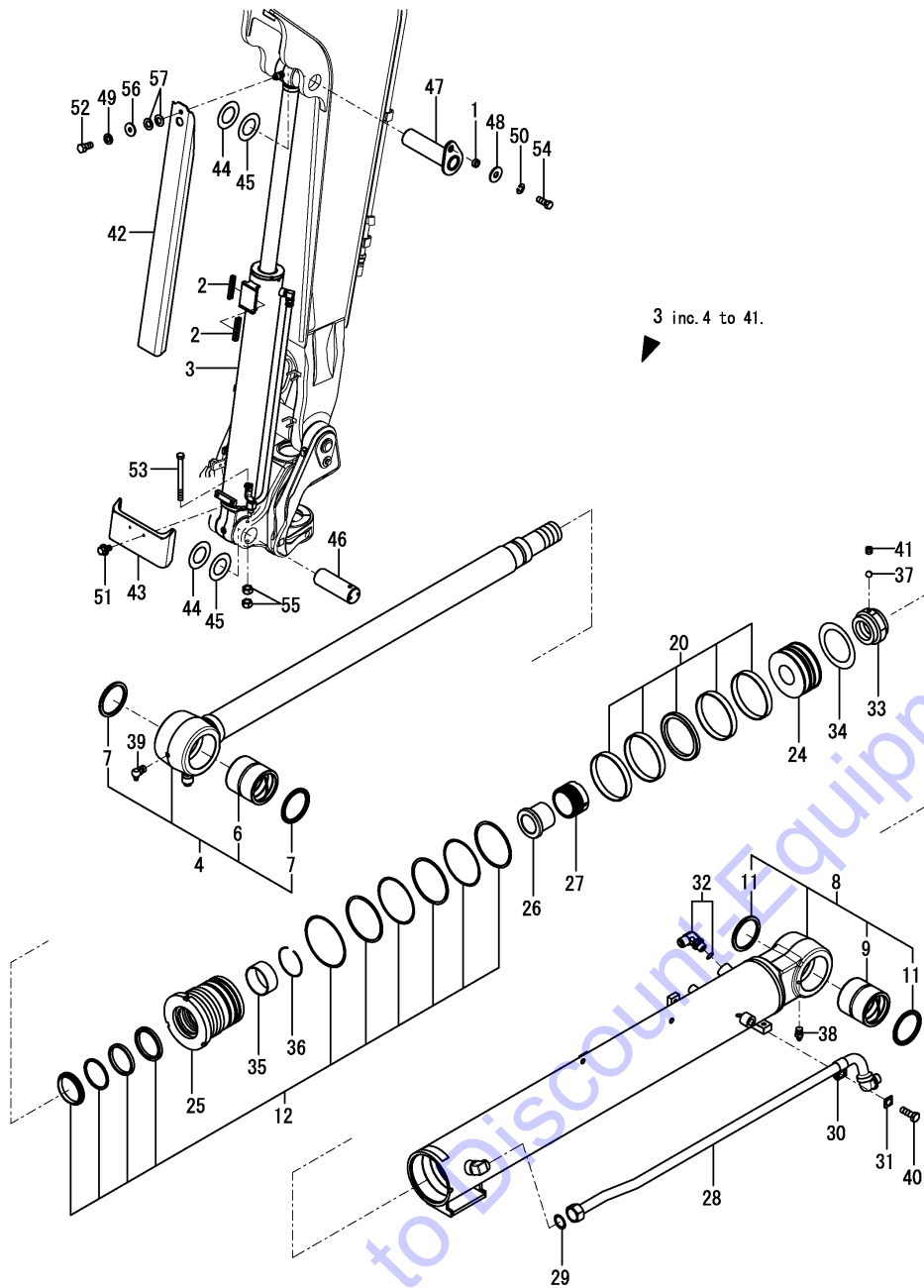


No.	Lev.	Parts No.	Description	Q'ty						I	R
				(A)	(B)	(C)	(D)	(E)	(F)		
1	1	172155-45790	SPACER	1	1	1					
2	1	172162-61770	GUIDE, SLIDE	2	2	2					
3	1	172B11-72100	CYLINDER ASSY, BOOM	1	1	1					Z 1
(A=M92224) (B=M92224) (C=M92224)											
4	2	172B11-72110	HEAD	1	1	1					
5	2	172B11-72120	PISTON	1	1	1					
6	2	172B11-72130	NUT, LOCK	1	1	1					
7	2	172B11-72140	PLUNGER, CUSHION	1	1	1					
8	2	172B11-72150	SEAL, CUSHION	1	1	1					
9	2	172B11-72160	RING, RETAINING	1	1	1					
10	2	172B11-72170	BEARING, SLEEVE	1	1	1					
11	2	172B11-72180	PIPE ASSY	1	1	1					
12	2	172B11-72190	ELBOW, G1/2	1	1	1					
13	2	172B11-72200	SEAL, DUST PIN 70	4	4	4					
14	2	172B11-72210	REPAIR KIT, TUBE AS	1	1	1					
16	3	172B11-71220	BUSH, PIN 70	1	1	1					
17	2	172B11-72220	REPAIR KIT, ROD AS	1	1	1					
19	3	172B11-71220	BUSH, PIN 70	1	1	1					
20	2	172B11-72230	SEAL KIT, PISTON	1	1	1					
23	2	172B11-72240	SEAL KIT, HEAD	1	1	1					
31	2	24761-020000	NIPPLE, GREASE PT1/8	1	1	1					
32	2	24761-050000	NIPPLE, GREASE C	1	1	1					
33	2	26076-100162	BOLT, 10 X 16	1	1	1					
33A	2	22137-100000	WASHER, 10	1	1	1					W
(A=M92224) (B=M92224) (C=M92224)											
34	1	172187-72910-N	COVER, SLIDE	1	1	1					
35	1	172A89-72960-N	COVER, HOSE	1	1	1					
36	1	172176-81700	SHIM, 70X120X0.8	2	2	2					
37	1	172176-81710	SHIM, 70X120X0.5	2	2	2					
38	1	172187-81801	PIN, 70X200	1	1	1					
39	1	172A89-81810	PIN ASSY, 70X252	1	1	1					
40	1	22157-140000	WASHER, 14	1	1	1					
41	1	22217-100000	WASHER, SPRING 10	1	1	1					
42	1	22217-140000	WASHER, SPRING 14	1	1	1					
43	1	26014-100202	BOLT, M10X 20	2	2	2					
44	1	26116-100202	BOLT, M10X 20 PLATED	1	1	1					
45	1	26116-121402	BOLT, M12X140 PLATED	1	1	1					
46	1	26116-140352	BOLT, M14X 35 PLATED	1	1	1					
47	1	26716-120002	NUT, M12	2	2	2					
48	1	933147-03400	WASHER, BRAKE ARM	1	1	1					
49	1	933168-14170	SPRING, 16	2	2	2					

Remarks

* A : There is serial No.(K447XXX).
(1)Interchangeable by Fig.131(61B) No.3.
The inner parts are not compatible.

Fig.131. (61B)BOOM CYLINDER(H SPEC.)

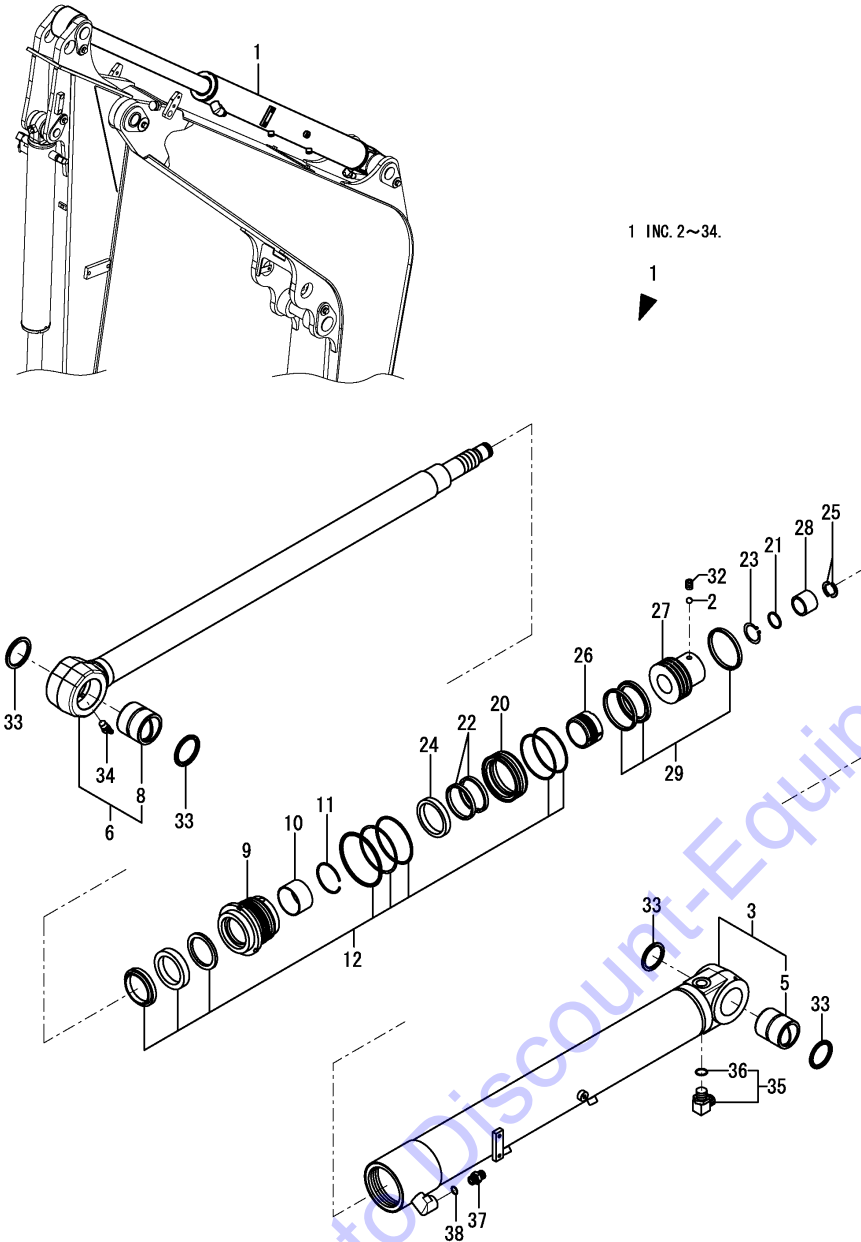


(A)=VIO80(US)
(B)=VIO80(AS)
(C)=VIO80(NZ)

(D)=
(E)=
(F)=

No.	Lev.	Parts No.	Description	Q'ty						I	R
				(A)	(B)	(C)	(D)	(E)	(F)		
1	1	172155-45790	SPACER	1	1	1					
2	1	172162-61770	GUIDE, SLIDE	2	2	2					
3	1	172B11-72101	CYLINDER ASSY, BOOM	1	1	1					W
				(A=M92224)	(B=M92224)	(C=M92224)					
4	2	172B11-96100	REPAIR KIT, ROD	1	1	1					
6	3	172B11-96120	BUSH, PIN 70X85X83	1	1	1					
7	3	172B11-96150	SEAL, DUST ROD 70	2	2	2					
8	2	172B11-96130	REPAIR KIT, TUBE	1	1	1					
9	3	172B11-96120	BUSH, PIN 70X85X83	1	1	1					
11	3	172B11-96150	SEAL, DUST ROD 70	2	2	2					
12	2	172B11-96160	SEAL KIT, HEAD 115 65	1	1	1					
20	2	172B11-96200	SEAL KIT, PISTON 115	1	1	1					
24	2	172B11-96240	PISTON, 115	1	1	1					
25	2	172B11-96250	HEAD, CYLINDER 115 65	1	1	1					
26	2	172B11-96260	BUSH, FLANGE 65	1	1	1					
27	2	172B11-96270	PLUNGER, CUSHION 78	1	1	1					
28	2	172B11-96280	PIPE ASSY	1	1	1					
29	2	172B11-97240	O-RING, 20X2	1	1	1					
30	2	172B11-97380	CLAMP, PIPE	1	1	1					
31	2	172B11-97390	WASHER	1	1	1					
32	2	172B11-97420	ELBOW, G1/2	1	1	1					
33	2	172B11-97710	NUT, M52	1	1	1					
34	2	172B11-97720	SHIM, 65X52.5X0.5	1	1	1					
35	2	172B11-97740	BUSH, 65X70X30	1	1	1					
36	2	172B11-97750	RING, RETAINING 65	1	1	1					
37	2	24190-080001	BALL, STEEL 1/4	1	1	1					
38	2	24761-020000	NIPPLE, GREASE PT1/8	1	1	1					
39	2	24761-050000	NIPPLE, GREASE C	1	1	1					
40	2	26076-080202	BOLT, 8 X 20	1	1	1					
41	2	26979-100122	SCREW, M10X12	1	1	1					
42	1	172187-72910-N	COVER, SLIDE	1	1	1					
43	1	172A89-72960-N	COVER, HOSE	1	1	1					
44	1	172176-81700	SHIM, 70X120X0.8	2	2	2					
45	1	172176-81710	SHIM, 70X120X0.5	2	2	2					
46	1	172187-81801	PIN, 70X200	1	1	1					
47	1	172A89-81810	PIN ASSY, 70X252	1	1	1					
48	1	22157-140000	WASHER, 14	1	1	1					
49	1	22217-100000	WASHER, SPRING 10	1	1	1					
50	1	22217-140000	WASHER, SPRING 14	1	1	1					
51	1	26014-100202	BOLT, M10X 20	2	2	2					
52	1	26116-100202	BOLT, M10X 20 PLATED	1	1	1					
53	1	26116-121402	BOLT, M12X140 PLATED	1	1	1					
54	1	26116-140352	BOLT, M14X 35 PLATED	1	1	1					
55	1	26716-120002	NUT, M12	2	2	2					
56	1	933147-03400	WASHER, BRAKE ARM	1	1	1					
57	1	933168-14170	SPRING, 16	2	2	2					

Fig.62. ARM CYLINDER



(A)=VIO80(US)
(B)=VIO80(AS)
(C)=VIO80(NZ)

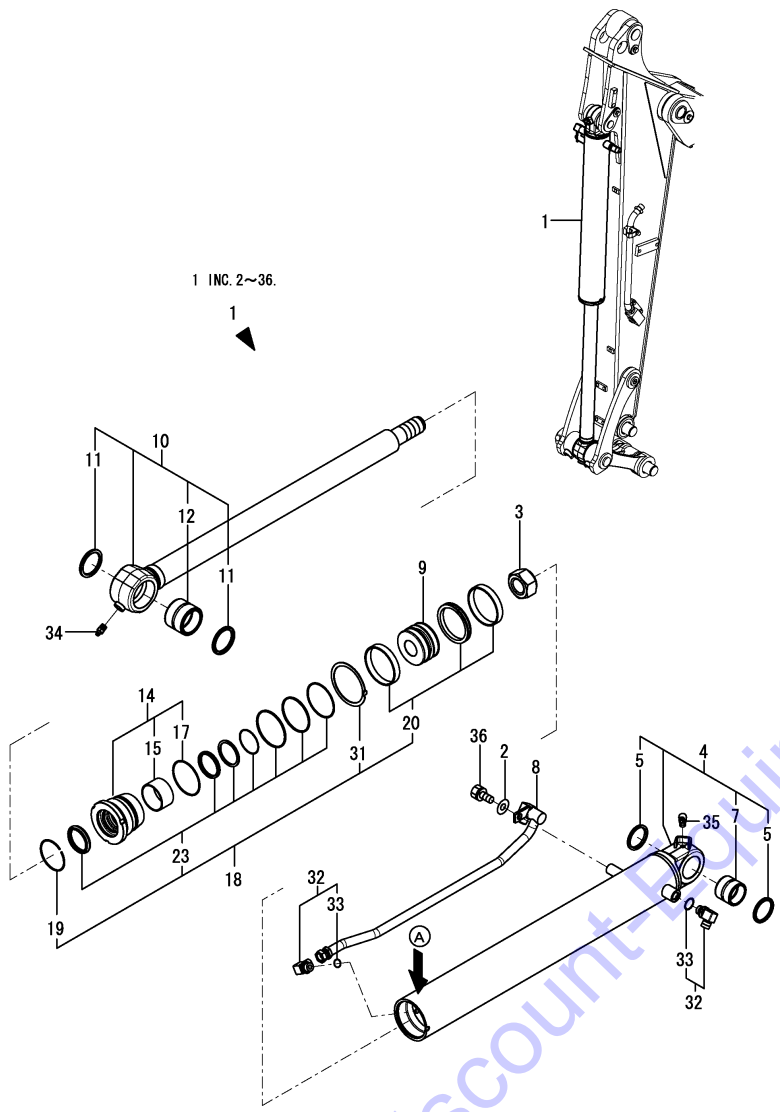
(D)=
(E)=
(F)=

No.	Lev.	Parts No.	Description	Q'ty						I	R
				(A)	(B)	(C)	(D)	(E)	(F)		
1	1	172A89-72300	CYLINDER ASSY, ARM	1	1	1					
1-1	1	172A89-72300-N	CYLINDER ASSY, ARM	1	1	1					S
		(A=M92001) (B=M92001) (C=M92001)									
2	2	172124-70030	BALL, STEEL	1	1	1					
3	2	172A89-72310	TUBE KIT, CYLINDER	1	1	1					
3-1	2	172A89-72310-N	TUBE KIT, CYLINDER	1	1	1					S
		(A=M92001) (B=M92001) (C=M92001)									
5	3	172A69-72480	BUSH, PIN	1	1	1					
6	2	172A89-72330	ROD KIT, PISTON	1	1	1					
8	3	172A69-72490	BUSH, PIN	1	1	1					
9	2	172A89-72350	HEAD, CYLINDER	1	1	1					
10	2	172A89-72360	BUSH	1	1	1					
11	2	172A89-72370	RING, SNAP	1	1	1					
12	2	172A89-72380	REPAIR KIT, CYLINDER	1	1	1					
20	2	172A89-72440	HOLDER	1	1	1					
21	2	172A69-72450	SEAL, CUSHION	1	1	1					
22	2	172A89-72450	SEAL, CUSHION	2	2	2					
23	2	172A69-72460	RING, SNAP	1	1	1					
24	2	172A89-72460	COLLAR	1	1	1					
25	2	172A69-72470	STOPPER	2	2	2					
26	2	172A89-72470	BEARING, CUSHION	1	1	1					
27	2	172A89-72480	PISTON	1	1	1					
28	2	172A89-72490	BEARING, CUSHION	1	1	1					
29	2	172A89-72750	REPAIR KIT, CYLINDER	1	1	1					
32	2	172162-72930	SCREW, SETTING	1	1	1					
33	2	172162-72950	SEAL, DUST	4	4	4					
34	2	24761-050000	NIPPLE, GREASE C	1	1	1					
35	1	172141-76900	CONNECTOR ASSY	1	1	1					
36	2	24315-000180	O-RING, 1BP18.0	1	1	1					
37	1	172112-77361	CONNECTOR	1	1	1					
38	1	41851-000180	O-RING	1	1	1					

Fig.63. BUCKET CYLINDER(Y SPEC.)

(A)=VIO80(US)
(B)=VIO80(AS)
(C)=VIO80(NZ)

(D)=
(E)=
(F)=



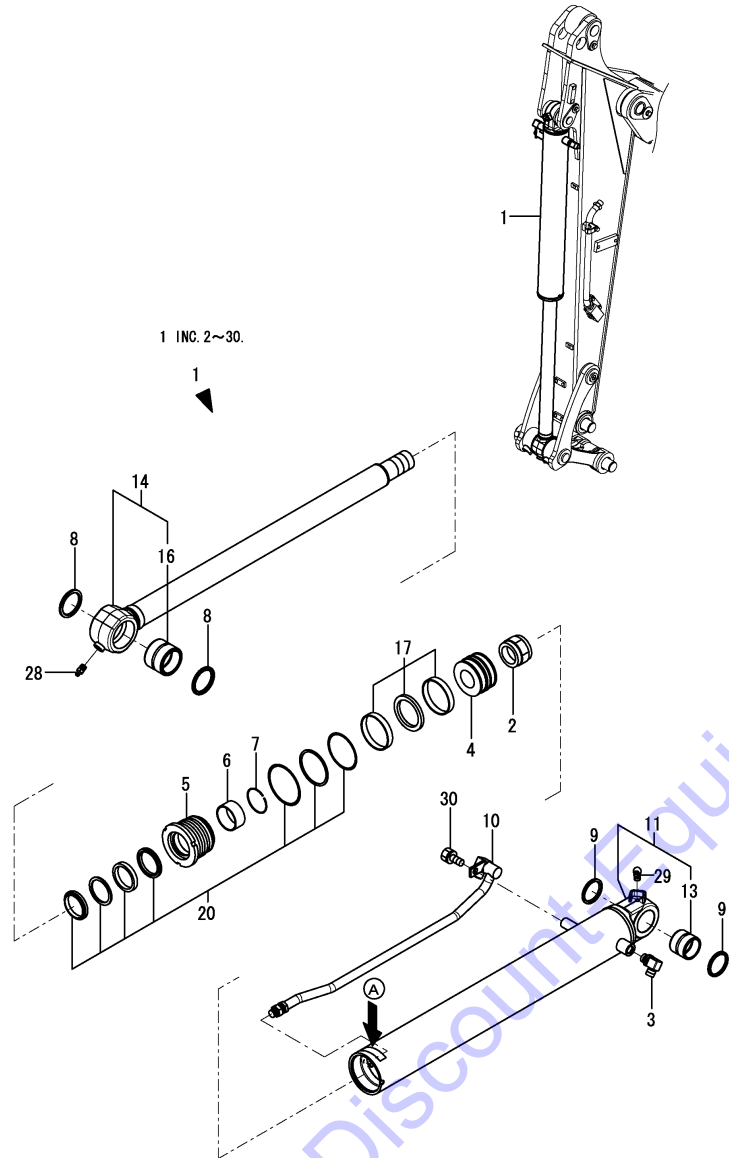
No.	Lev.	Parts No.	Description	Q'ty						I	R
				(A)	(B)	(C)	(D)	(E)	(F)		
1	1	172A89-72500	CYLINDER ASSY	1	1	1					
1-1	1	172A89-72500-N	CYLINDER ASSY	1	1	1					S
		(A=M92001) (B=M92001) (C=M92001)									
1-2	1	172A89-72501-N	CYLINDER ASSY,BUCKET	1	1	1					N
		(A=M92036) (B=M92036) (C=M92036)									
1-3	1	172A89-72501-N	CYLINDER ASSY,BUCKET	1	1	1					Z
		(A=*2013.05.) (B=*2013.05.) (C=*2013.05.)									
2	2	194145-04810	WASHER, 10	1	1	1					
3	2	172020-10810	NUT	1	1	1					
4	2	172A89-72510	TUBE ASSY, BUCKET	1	1	1					
4-1	2	172A89-72510-N	TUBE ASSY, BUCKET	1	1	1					S
		(A=M92001) (B=M92001) (C=M92001)									
5	3	172448-54120	SEAL, DUST	2	2	2					
7	3	172151-72591	BUSH	1	1	1					
8	2	172A89-72560	TUBE ASSY, BUCKET	1	1	1					
8-1	2	172A89-72560-N	TUBE ASSY, BUCKET	1	1	1					S
		(A=M92001) (B=M92001) (C=M92001)									
8-2	2	172A89-72561-N	TUBE ASSY,BUCKET	1	1	1					N
		(A=M92036) (B=M92036) (C=M92036)									
9	2	172978-72590	PISTON 95	1	1	1					
10	2	172A89-72600	ROD ASSY,BUCKET	1	1	1					
11	3	172020-10620	SEAL, DUST	2	2	2					
12	3	172020-11030	BUSH, PIN	1	1	1					
14	2	172A89-72650	HEAD ASSY 95 60	1	1	1					
15	3	172445-72480	BUSH, ROD	1	1	1					
17	3	22207-065320	RING, 65X3.2	1	1	1					
18	2	172A89-72700	SEAL SET, 95X60	1	1	1					
19	3	172445-72450	RING, SPRING	1	1	1					
20	3	172978-72620	SEAL SET, PISTON 95	1	1	1					
23	3	172A89-72710	SEAL SET, HEAD 95X60	1	1	1					
31	3	172499-72981	WASHER,LOCK 95-114	1	1	1					
32	2	172141-76900	CONNECTOR ASSY	2	2	2					
33	3	24315-000180	O-RING, 1BP18.0	2	2	2					
34	2	24761-020000	NIPPLE, GREASE PT1/8	1	1	1					
35	2	24761-050000	NIPPLE, GREASE C	1	1	1					
36	2	26013-100252	BOLT, SPRING M10X 25	1	1	1					

Remarks
* A : no mark.
Interchangeable by Fig.122(63A) & Fig.122(63B).
The inner parts are not compatible.

Fig.122. (63A)BUCKET CYLINDER(K SPEC.)

(A)=VIO80(US)
 (B)=VIO80(AS)
 (C)=VIO80(NZ)

(D)=
 (E)=
 (F)=

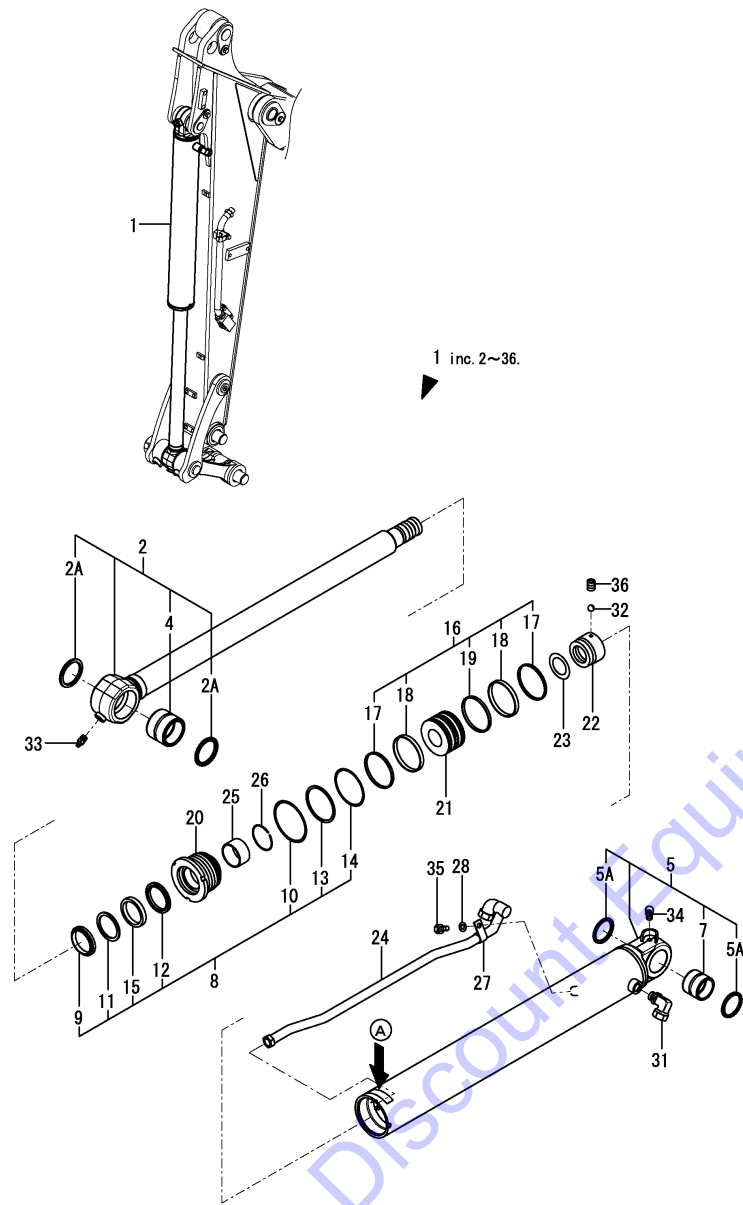


No.	Lev.	Parts No.	Description	Q'ty						I	R
				(A)	(B)	(C)	(D)	(E)	(F)		
1	1	172B11-72500 (A=*2016.03) (B=*2016.03) (C=*2016.03)	CYLINDER ASSY, BUCKET	1	1	1					Z
2	2	172B11-72130	NUT, LOCK		1	1	1				
3	2	172B11-72190	ELBOW, G1/2		1	1	1				
4	2	172B11-72510	PISTON		1	1	1				
5	2	172B11-72520	HEAD		1	1	1				
6	2	172B11-72530	BEARING, SLEEVE		1	1	1				
7	2	172B11-72540	RING, RETAINING		1	1	1				
8	2	172B11-72550	SEAL, DUST PIN 60		2	2	2				
9	2	172B11-72560	SEAL, DUST PIN 50		2	2	2				
10	2	172B11-72570	PIPE ASSY		1	1	1				
11	2	172B11-72580	REPAIR KIT, TUBE AS		1	1	1				
13	3	172B11-71330	BUSH, PIN 50		1	1	1				
14	2	172B11-72590	REPAIR KIT, ROD AS		1	1	1				
16	3	172B11-71320	BUSH, PIN 60		1	1	1				
17	2	172B11-72600	SEAL KIT, PISTON		1	1	1				
20	2	172B11-72610	SEAL KIT, HEAD		1	1	1				
28	2	24761-020000	NIPPLE, GREASE PT1/8		1	1	1				
29	2	24761-050000	NIPPLE, GREASE C		1	1	1				
30	2	26076-100162	BOLT, 10 X 16		1	1	1				

Remarks

* A : There is parts No. & serial No.(K448XXX)
 Interchangeable by Fig.128(63B).
 The inner parts are not compatible.

Fig.128. (63B)BUCKET CYLINDER(J SPEC.)



(A)=VIO80(US)
(B)=VIO80(AS)
(C)=VIO80(NZ)

(D)=
(E)=
(F)=

No.	Lev.	Parts No.	Description	Qty						I	R
				(A)	(B)	(C)	(D)	(E)	(F)		
1	1	172B11-72501 (A=*2016.03) (B=*2016.03) (C=*2016.03)	CYLINDER ASSY,BUCKET	1	1	1					W
2	2	172B11-97100	REPAIR KIT, ROD		1	1	1				
2A	3	172B11-97400 (A=*2017.04.) (B=*2017.04.) (C=*2017.04.)	SEAL, DUST PIN 60X75	2	2	2					W
4	3	172B11-97120	BUSH, PIN 60X75X58	1	1	1					
5	2	172B11-97130	REPAIR KIT, TUBE	1	1	1					
5A	3	172B11-97410 (A=*2017.04.) (B=*2017.04.) (C=*2017.04.)	SEAL, DUST PIN 50X60	2	2	2					W
7	3	172B11-97150	BUSH, PIN 50X60X48	1	1	1					
8	2	172B11-97160	SEAL KIT, HEAD 95 60	1	1	1					
9	3	172B11-97170	SEAL, DUST ROD 60	1	1	1					
10	3	172B11-97180	O-RING, NBR HS90	1	1	1					
11	3	172B11-97190	SEAL, ROD 60	1	1	1					
12	3	172B11-97200	SEAL, BUFFER 60	1	1	1					
13	3	172B11-97210	RING, BACK UP	1	1	1					
14	3	172B11-97220	O-RING, NBR HS90	1	1	1					
15	3	172B11-97230	RING, BACK UP 60	1	1	1					
16	2	172B11-97250	SEAL KIT, PISTON 95	1	1	1					
17	3	172B11-97260	RING, WEAR 95	2	2	2					
18	3	172B11-97270	RING, WEAR 95	2	2	2					
19	3	172B11-97280	SEAL, PISTON 95	1	1	1					
20	2	172B11-97290	HEAD, CYLINDER 95 60	1	1	1					
21	2	172B11-97300	PISTON, 95	1	1	1					
22	2	172B11-97310	NUT, M45	1	1	1					
23	2	172B11-97320	SHIM, 65X45X0.5	1	1	1					
24	2	172B11-97330	PIPE ASSY	1	1	1					
25	2	172B11-97340	BUSH, 60X65X30	1	1	1					
26	2	172B11-97350	RING, RETAINING 60	1	1	1					
27	2	172B11-97380	CLAMP, PIPE	1	1	1					
28	2	172B11-97390	WASHER	1	1	1					
31	2	172B11-97420	ELBOW, G1/2	1	1	1					
32	2	24190-080001	BALL, STEEL 1/4	1	1	1					
33	2	24761-020000	NIPPLE, GREASE PT1/8	1	1	1					
34	2	24761-050000	NIPPLE, GREASE C	1	1	1					
35	2	26076-080202	BOLT, 8 X 20	1	1	1					
36	2	26979-100122	SCREW, M10X12	1	1	1					

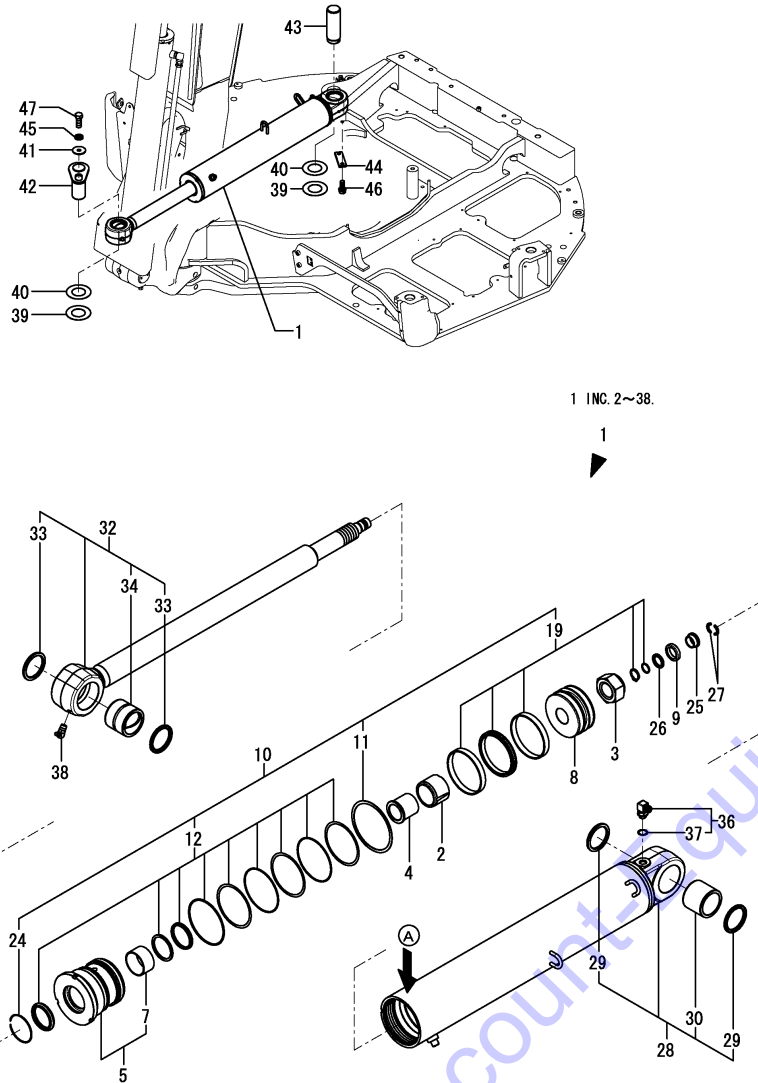
Remarks

* A : There is parts No. & serial No.(172B11-72501HXXX)
The inner parts are not compatible.

Fig.64. SWING CYLINDER(Y SPEC.)

(A)=VIO80(US)
(B)=VIO80(AS)
(C)=VIO80(NZ)

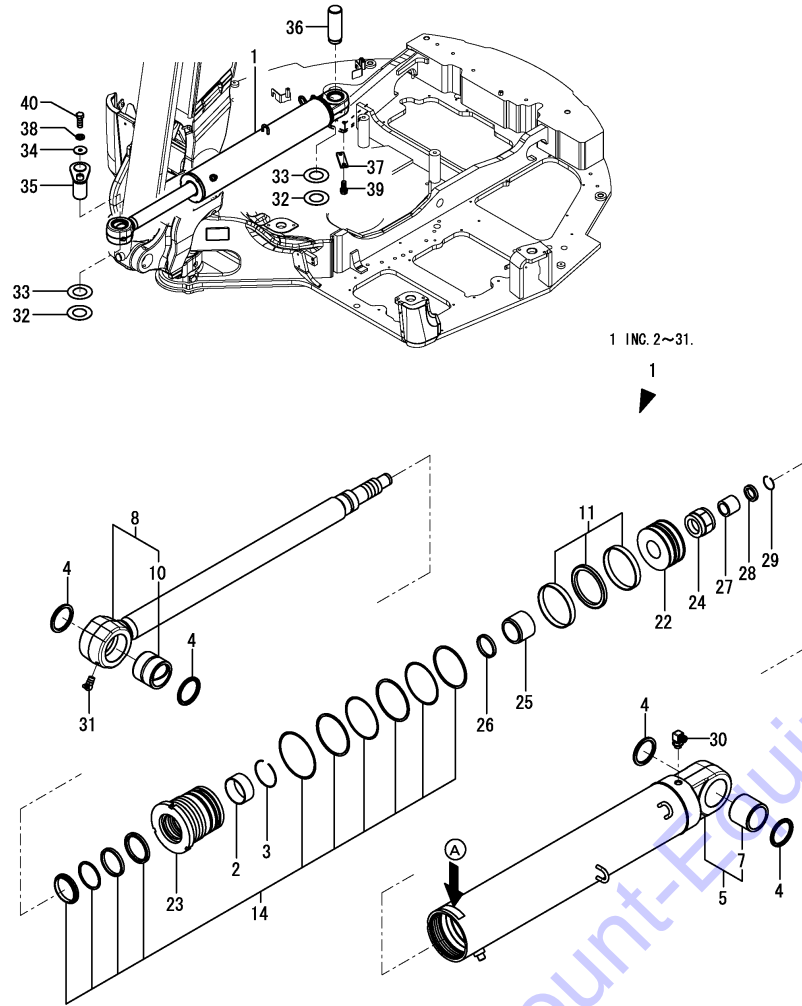
(D)=
(E)=
(F)=



No.	Lev.	Parts No.	Description	Q'ty						I	R	
				(A)	(B)	(C)	(D)	(E)	(F)			
1	1	172A69-72700 (A=*2013.05.) (B=*2013.05.) (C=*2013.05.)	CYLINDER ASSY, SWING	1	1	1					Z	1
2	2	172020-10730	PLUNGER, CUSHION	1	1	1						
3	2	172020-10810	NUT	1	1	1						
4	2	172020-10860	COLLAR, CUSHION	1	1	1						
5	2	172020-11300	HEAD ASSY	1	1	1						
7	3	172445-72480	BUSH, ROD	1	1	1						
8	2	172020-11320	PISTON	1	1	1						
9	2	172020-11340	RING, CUSHION	1	1	1						
10	2	172020-11690	SEAL SET, CYLINDER	1	1	1						
11	3	172020-11350	WASHER, LOCK	1	1	1						
12	3	172020-11700	SEAL SET, HEAD	1	1	1						
19	3	172020-11710	SEAL SET, PISTON	1	1	1						
24	3	172445-72450	RING, SPRING	1	1	1						
25	2	172423-72520	COLLAR, CUSHION	1	1	1						
26	2	172423-72530	SPACER	1	1	1						
27	2	172423-72540	STOPPER	2	2	2						
28	2	172A69-72710	TUBE ASSY, SWING	1	1	1						
29	3	172020-10620	SEAL, DUST	2	2	2						
30	3	172020-11230	BUSH, PIN	1	1	1						
32	2	172A69-72750	ROD ASSY, SWING	1	1	1						
33	3	172020-10620	SEAL, DUST	2	2	2						
34	3	172020-11280	BUSH, PIN	1	1	1						
36	2	172142-76181	JOINT ASSY	1	1	1						
37	3	24315-000140	O-RING, 1BP14.0	1	1	1						
38	2	24761-050000	NIPPLE, GREASE C	1	1	1						
39	1	172175-81700	SHIM	4	4	4						
40	1	172175-81710	SHIM	4	4	4						
41	1	172187-81970	WASHER	1	1	1						
42	1	172187-82370	PIN ASSY	1	1	1						
43	1	172A69-82370	PIN	1	1	1						
44	1	172162-94280-3	PLATE, LOCK	1	1	1						
45	1	22217-140000	WASHER, SPRING 14	1	1	1						
46	1	26013-120302	BOLT, SPRING M12X 30	2	2	2						
47	1	26116-140352	BOLT, M14X 35 PLATED	1	1	1						

Remarks
(1)A : no mark.
Interchangeable by Fig.123(64A) No.1.
The inner parts are not compatible.

Fig.123. (64A)SWING CYLINDER(K SPEC.)



(A)=VIO80(US)
(B)=VIO80(AS)
(C)=VIO80(NZ)

(D)=
(E)=
(F)=

No.	Lev.	Parts No.	Description	Q'ty						I	R	
				(A)	(B)	(C)	(D)	(E)	(F)			
1	1	172B11-72700 (A=M92224) (B=M92224) (C=M92224)	CYLINDER ASSY, SWING	1	1	1					Z	1
2	2	172B11-72530	BEARING, SLEEVE	1	1	1						
3	2	172B11-72540	RING, RETAINING	1	1	1						
4	2	172B11-72550	SEAL, DUST PIN 60	4	4	4						
5	2	172B11-72620	REPAIR KIT, TUBE AS	1	1	1						
7	3	172B11-71520	BUSH, PIN 60	1	1	1						
8	2	172B11-72630	REPAIR KIT, ROD AS	1	1	1						
10	3	172B11-71530	BUSH, PIN 60	1	1	1						
11	2	172B11-72640	SEAL KIT, PISTON	1	1	1						
14	2	172B11-72650	SEAL KIT, HEAD	1	1	1						
22	2	172B11-72710	PISTON	1	1	1						
23	2	172B11-72720	HEAD	1	1	1						
24	2	172B11-72730	NUT, LOCK	1	1	1						
25	2	172B11-72740	PLUNGER, CUSHION	1	1	1						
26	2	172B11-72750	SEAL, CUSHION	1	1	1						
27	2	172B11-72760	PLUNGER, CUSHION	1	1	1						
28	2	172B11-72770	RING, PLATE	1	1	1						
29	2	172B11-72780	RING, RETAINING	1	1	1						
30	2	172B11-72790	ELBOW, G3/8	1	1	1						
31	2	24761-050000	NIPPLE, GREASE C	1	1	1						
32	1	172175-81700	SHIM, 60X110X0.8	4	4	4						
33	1	172175-81710	SHIM, 60X110X0.5	4	4	4						
34	1	172187-81970	WASHER, 15X58X3.2	1	1	1						
35	1	172187-82370	PIN ASSY, 60X144	1	1	1						
36	1	172A69-82370	PIN, 60X155	1	1	1						
37	1	172162-94280-3	PLATE, LOCK	1	1	1						
38	1	22217-140000	WASHER, SPRING 14	1	1	1						
39	1	26013-120302	BOLT, M12X 30	2	2	2						
40	1	26116-140352	BOLT, M14X 35 PLATED	1	1	1						

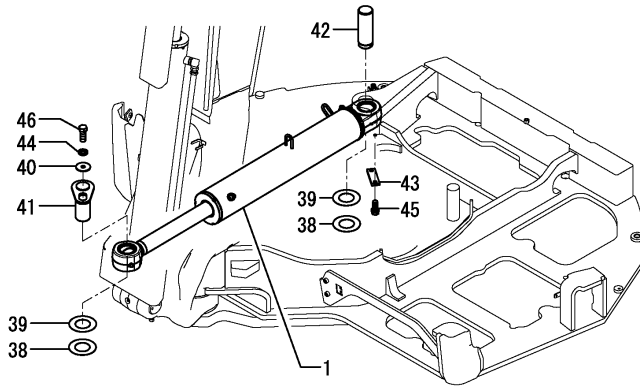
Remarks

* A : There is serial No.(K449XXX).
(1)Interchangeable by Fig.132(64B) No.1.
The inner parts are not compatible.

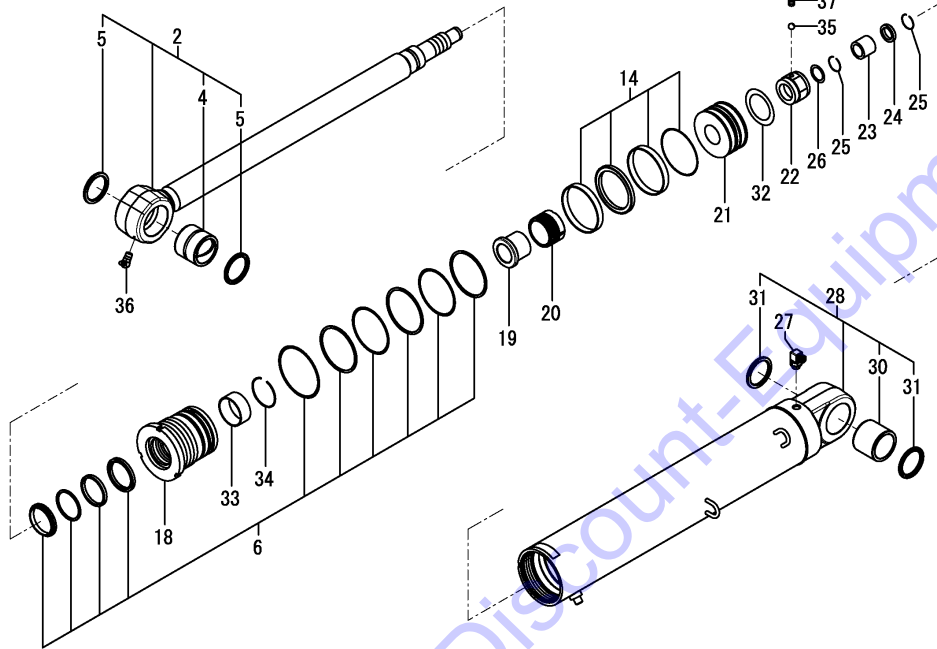
Fig.132. (64B)SWING CYLINDER(H SPEC.)

(A)=VIO80(US)
 (B)=VIO80(AS)
 (C)=VIO80(NZ)

(D)=
 (E)=
 (F)=



1 inc. 2 to 37.

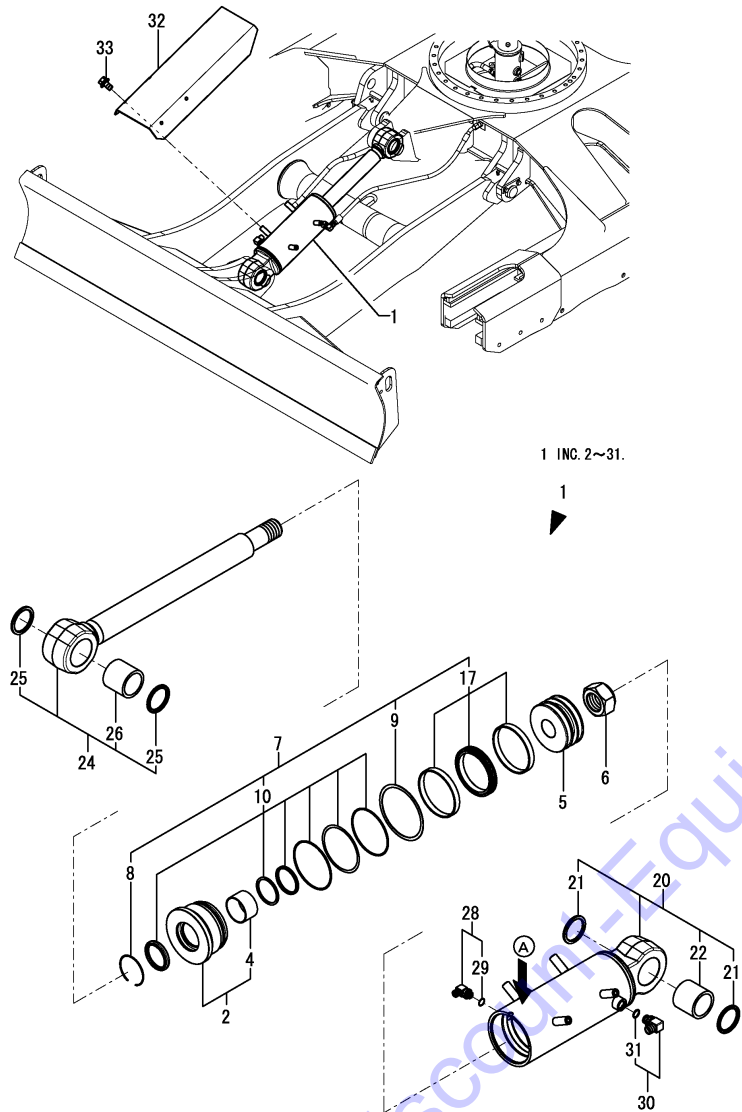


No.	Lev.	Parts No.	Description	Q'ty						I	R
				(A)	(B)	(C)	(D)	(E)	(F)		
1	1	172B11-72701 (A=M92224) (B=M92224) (C=M92224)	CYLINDER ASSY, SWING	1	1	1					W
2	2	172B11-96400	REPAIR KIT, ROD	1	1	1					
4	3	172B11-96420	BUSH, PIN 60X75X63	1	1	1					
5	3	172B11-97400	SEAL, DUST PIN 60X75	2	2	2					
6	2	172B11-96460	SEAL KIT,HEAD 120 60	1	1	1					
14	2	172B11-96500	SEAL KIT, PISTON 120	1	1	1					
18	2	172B11-96550	HEAD,CYLINDER 120 60	1	1	1					
19	2	172B11-96560	BUSH, FLANGE 60	1	1	1					
20	2	172B11-96570	PLUNGER, CUSHION 78	1	1	1					
21	2	172B11-96580	PISTON, 120	1	1	1					
22	2	172B11-96590	NUT, M45	1	1	1					
23	2	172B11-96600	PLUNGER, CUSHION 32	1	1	1					
24	2	172B11-96610	CLAMP, 40X2.8	1	1	1					
25	2	172B11-96620	RETAINER, LING26X2.7	2	2	2					
26	2	172B11-96630	SEAL, BUFFER 23.5	1	1	1					
27	2	172B11-96640	ELBOW, G3/8	1	1	1					
28	2	172B11-96700	REPAIR KIT, TUBE	1	1	1					
30	3	172B11-96730	BUSH, PIN 60X75X63	1	1	1					
31	3	172B11-97400	SEAL, DUST PIN 60X75	2	2	2					
32	2	172B11-97320	SHIM, 65X45X0.5	1	1	1					
33	2	172B11-97340	BUSH, 60X65X30	1	1	1					
34	2	172B11-97350	RING, RETAINING 60	1	1	1					
35	2	24190-080001	BALL, STEEL 1/4	1	1	1					
36	2	24761-050000	NIPPLE, GREASE C	1	1	1					
37	2	26979-100122	SCREW, M10X12	1	1	1					
38	1	172175-81700	SHIM, 60X110X0.8	4	4	4					
39	1	172175-81710	SHIM, 60X110X0.5	4	4	4					
40	1	172187-81970	WASHER, 15X58X3.2	1	1	1					
41	1	172187-82370	PIN ASSY, 60X144	1	1	1					
42	1	172A69-82371	PIN, 60X155	1	1	1					
43	1	172162-94280-3	PLATE, LOCK	1	1	1					
44	1	22217-140000	WASHER, SPRING 14	1	1	1					
45	1	26013-120302	BOLT, M12X 30	2	2	2					
46	1	26116-140352	BOLT, M14X 35 PLATED	1	1	1					

Fig.65. BLADE CYLINDER(Y SPEC.)

(A)=VIO80(US)
(B)=VIO80(AS)
(C)=VIO80(NZ)

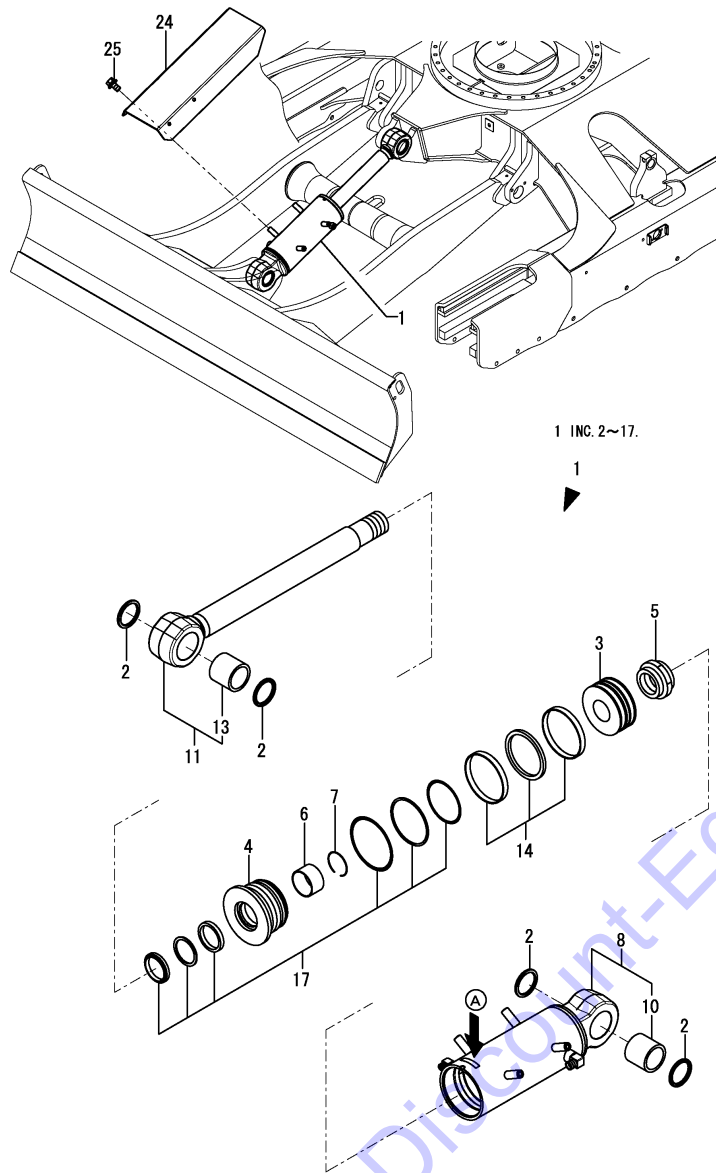
(D)=
(E)=
(F)=



No.	Lev.	Parts No.	Description	Q'ty						I	R
				(A)	(B)	(C)	(D)	(E)	(F)		
1	1	172A69-72800 (A=*2013.05.) (B=*2013.05.) (C=*2013.05.)	CYLINDER ASSY, BLADE	1	1	1					Z
2	2	172020-11500	HEAD ASSY	1	1	1					
4	3	24550-065400	BUSH, 65X40	1	1	1					
5	2	172020-11520	PISTON	1	1	1					
6	2	172020-11540	NUT	1	1	1					
7	2	172020-11720	SEAL SET, CYLINDER	1	1	1					
8	3	172020-10380	RING, SPRING	1	1	1					
9	3	172020-11530	WASHER, LOCK	1	1	1					
10	3	172020-11730	SEAL SET, HEAD	1	1	1					
17	3	172020-11740	SEAL SET, PISTON	1	1	1					
20	2	172A69-72810	TUBE ASSY, BLADE	1	1	1					
21	3	172020-10620	SEAL, DUST	2	2	2					
22	3	172020-11450	BUSH, PIN	1	1	1					
24	2	172A69-72850	ROD ASSY, BLADE	1	1	1					
25	3	172020-10620	SEAL, DUST	2	2	2					
26	3	172020-11450	BUSH, PIN	1	1	1					
28	2	172142-76181	JOINT ASSY	1	1	1					
29	3	24315-000140	O-RING, 1BP14.0	1	1	1					
30	2	172141-76900	CONNECTOR ASSY	1	1	1					
31	3	24315-000180	O-RING, 1BP18.0	1	1	1					
32	1	172A69-72900	COVER ASSY, BLADE	1	1	1					
32-1	1	172B11-72900 (A=M92134) (B=M92134) (C=M92134)	COVER ASSY, BLADE CY	1	1	1					N
33	1	26014-100202	BOLT, M10X 20	4	4	4					

Remarks
* A : no mark.
Interchangeable by Fig.124(65A) & Fig.129(65B).
The inner parts are not compatible.

Fig.124. (65A)BLADE CYLINDER(K SPEC.)



(A)=VIO80(US)
(B)=VIO80(AS)
(C)=VIO80(NZ)

(D)=
(E)=
(F)=

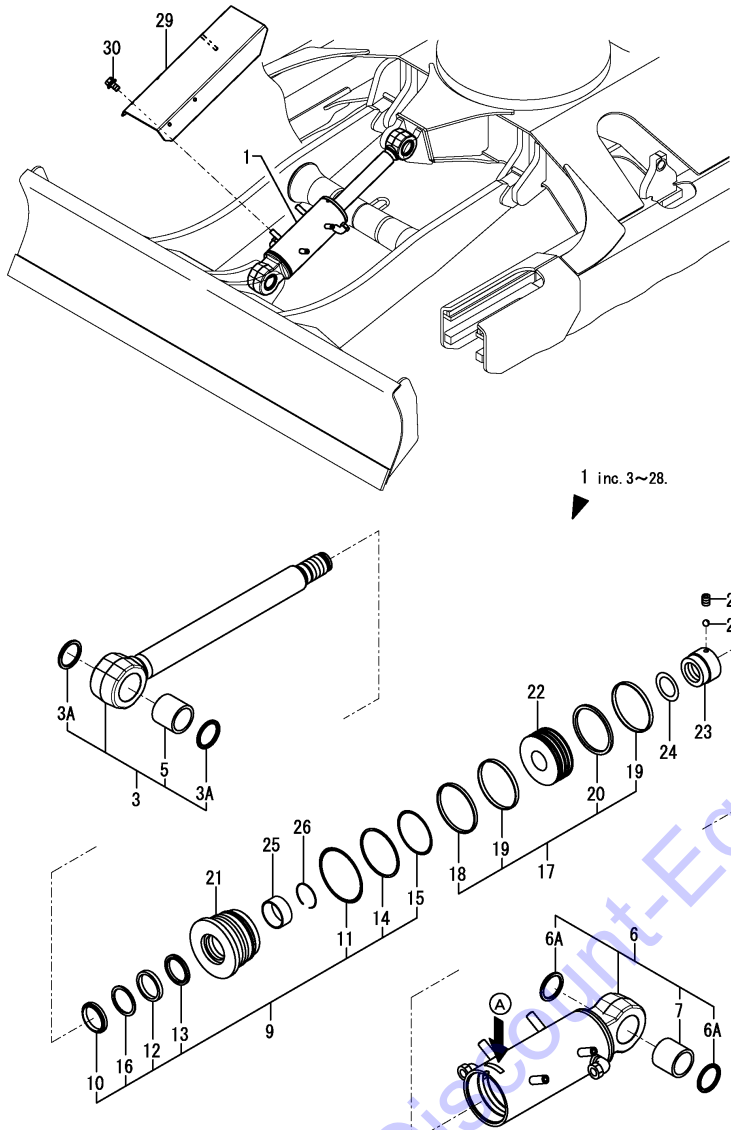
No.	Lev.	Parts No.	Description	Q'ty						I	R
				(A)	(B)	(C)	(D)	(E)	(F)		
1	1	172B11-72800 (A=*2016.03) (B=*2016.03) (C=*2016.03)	CYLINDER ASSY, BLADE	1	1	1					Z
2	2	172B11-72550	SEAL, DUST PIN 60	4	4	4					
3	2	172B11-72810	PISTON	1	1	1					
4	2	172B11-72820	HEAD	1	1	1					
5	2	172B11-72830	NUT, LOCK	1	1	1					
6	2	172B11-72840	BEARING, SLEEVE	1	1	1					
7	2	172B11-72850	RING, RETAINING	1	1	1					
8	2	172B11-72860	REPAIR KIT, TUBE AS	1	1	1					
10	3	172B11-71720	BUSH, PIN 60	1	1	1					
11	2	172B11-72870	REPAIR KIT, ROD AS	1	1	1					
13	3	172B11-71720	BUSH, PIN 60	1	1	1					
14	2	172B11-72880	SEAL KIT, PISTON	1	1	1					
17	2	172B11-72890	SEAL KIT, HEAD	1	1	1					
24	1	172B11-72900	COVER ASSY, BLADE CY	1	1	1					
25	1	26014-100202	BOLT, M10X 20	4	4	4					

Remarks
* A : There is parts No. & serial No.(K450XXX)
Interchangeable by Fig.129(65B).
The inner parts are not compatible.

Fig.129. (65B)BLADE CYLINDER(J SPEC.)

(A)=VIO80(US)
(B)=VIO80(AS)
(C)=VIO80(NZ)

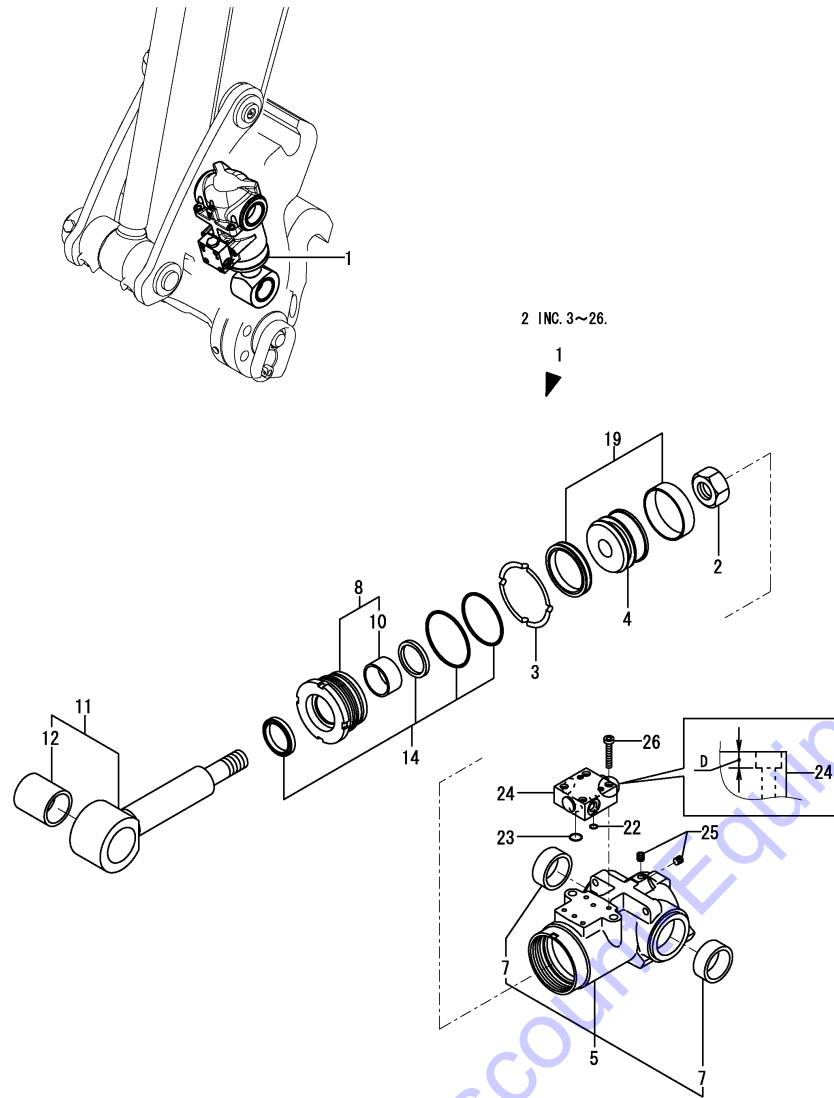
(D)=
(E)=
(F)=



No.	Lev.	Parts No.	Description	Q'ty						I	R
				(A)	(B)	(C)	(D)	(E)	(F)		
1	1	172B11-72801	CYLINDER ASSY, BLADE	1	1	1					W
		(A=*2016.03) (B=*2016.03) (C=*2016.03)									
3	2	172B11-97500	REPAIR KIT, ROD	1	1	1					
3A	3	172B11-97400	SEAL, DUST PIN 60X75	2	2	2					W
		(A=*2017.04.) (B=*2017.04.) (C=*2017.04.)									
5	3	172B11-97520	BUSH, PIN 60X75X68	1	1	1					
6	2	172B11-97530	REPAIR KIT, TUBE	1	1	1					
6A	3	172B11-97400	SEAL, DUST PIN 60X75	2	2	2					W
		(A=*2017.04.) (B=*2017.04.) (C=*2017.04.)									
7	3	172B11-97520	BUSH, PIN 60X75X68	1	1	1					
9	2	172B11-97560	SEAL KIT, HEAD130 65	1	1	1					
10	3	172B11-97570	SEAL, DUST ROD 65	1	1	1					
11	3	172B11-97580	O-RING, NBR HS90	1	1	1					
12	3	172B11-97590	SEAL, ROD 65	1	1	1					
13	3	172B11-97600	SEAL, BUFFER 65	1	1	1					
14	3	172B11-97610	RING, BACK UP	1	1	1					
15	3	172B11-97620	O-RING, NBR HS90	1	1	1					
16	3	172B11-97630	RING, BACK UP 65	1	1	1					
17	2	172B11-97650	SEAL KIT, PISTON 130	1	1	1					
18	3	172B11-97660	RING, WEAR 130	1	1	1					
19	3	172B11-97670	RING, WEAR 130	2	2	2					
20	3	172B11-97680	SEAL, PISTON 130	1	1	1					
21	2	172B11-97690	HEAD, CYLINDER130 65	1	1	1					
22	2	172B11-97700	PISTON, 130	1	1	1					
23	2	172B11-97710	NUT, M52	1	1	1					
24	2	172B11-97720	SHIM, 65X52.5X0.5	1	1	1					
25	2	172B11-97740	BUSH, 65X70X30	1	1	1					
26	2	172B11-97750	RING, RETAINING 65	1	1	1					
27	2	24190-080001	BALL, STEEL 1/4	1	1	1					
28	2	26979-100122	SCREW, M10X12	1	1	1					
29	1	172A69-72900	COVER ASSY, BLADE	1	1	1					
30	1	26014-100202	BOLT, M10X 20	4	4	4					

Remarks
* A : There is parts No. & serial No.(172B11-72801HXXX)
The inner parts are not compatible.

Fig.66. HITCH CYLINDER(QUICK COUPLER)



(A)=VIO80(US)
(B)=VIO80(AS)
(C)=VIO80(NZ)

(D)=
(E)=
(F)=

No.	Lev.	Parts No.	Description	Q'ty						I	R
				(A)	(B)	(C)	(D)	(E)	(F)		
1	1	172978-72800-2	CYLINDER, HITCH	1	1	1					
1-1	1	172978-72800-N	CYLINDER, HITCH	1	1	1					S
		(A=M92001) (B=M92001) (C=M92001)									
2	2	172141-72250	NUT	1	1	1					
3	2	172142-72260	WASHER, LOCK	1	1	1					
4	2	172175-72480	PISTON 80	1	1	1					
5	2	172978-72810-2	TUBE, HITCH	1	1	1					
5-1	2	172978-72810-N	TUBE, HITCH	1	1	1					S
		(A=M92001) (B=M92001) (C=M92001)									
7	3	172978-72890	BUSH 45-55-22	2	2	2					
8	2	172978-72860	HEAD 80 45	1	1	1					
10	3	24550-045250	BUSH, 45X25	1	1	1					
11	2	172978-72880	ROD ASSY,HITCH	1	1	1					
12	3	172151-71630	BUSH 45 60	1	1	1					
14	2	172978-72920	SEAL SET, HEAD 80X45	1	1	1					
19	2	172142-72951	SEAL SET, PISTON	1	1	1					
22	2	172958-72950	O-RING	1	1	1					
23	2	172958-72960	O-RING	1	1	1					
24	2	172958-72982-2	VALVE, CHECK	1	1	1					
24-1	2	172958-72983	VALVE ASSY,OPERATE	1	1	1					F 1
		(A=M90863) (B=M90863) (C=M90863)									
24-2	2	172958-72983-N	VALVE ASSY,OPERATE	1	1	1					S
		(A=M92001) (B=M92001) (C=M92001)									
25	2	23871-005000	PLUG, R005	2	2	2					
26	2	26450-060352	BOLT, M6X 35	4	4	4					
26-1	2	26450-060302	BOLT, M6X 30	4	4	4					S
		(A=M90863) (B=M90863) (C=M90863)									

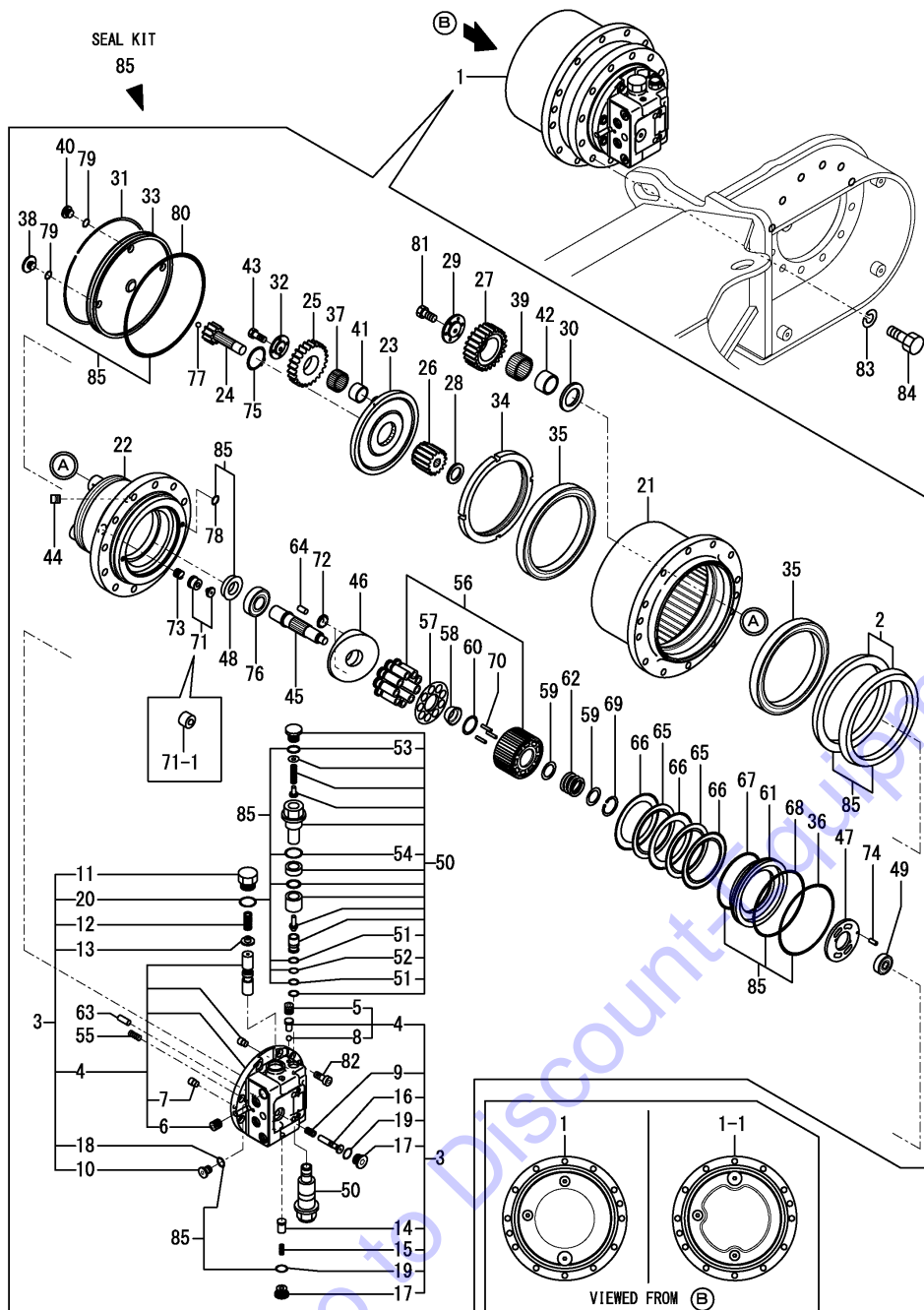
Remarks

(1)D=No.24 : 4mm, No.24-1 : 8mm.
Interchangeable by simultaneous replacement with No.26-1.

Fig.67. TRAVEL MOTOR

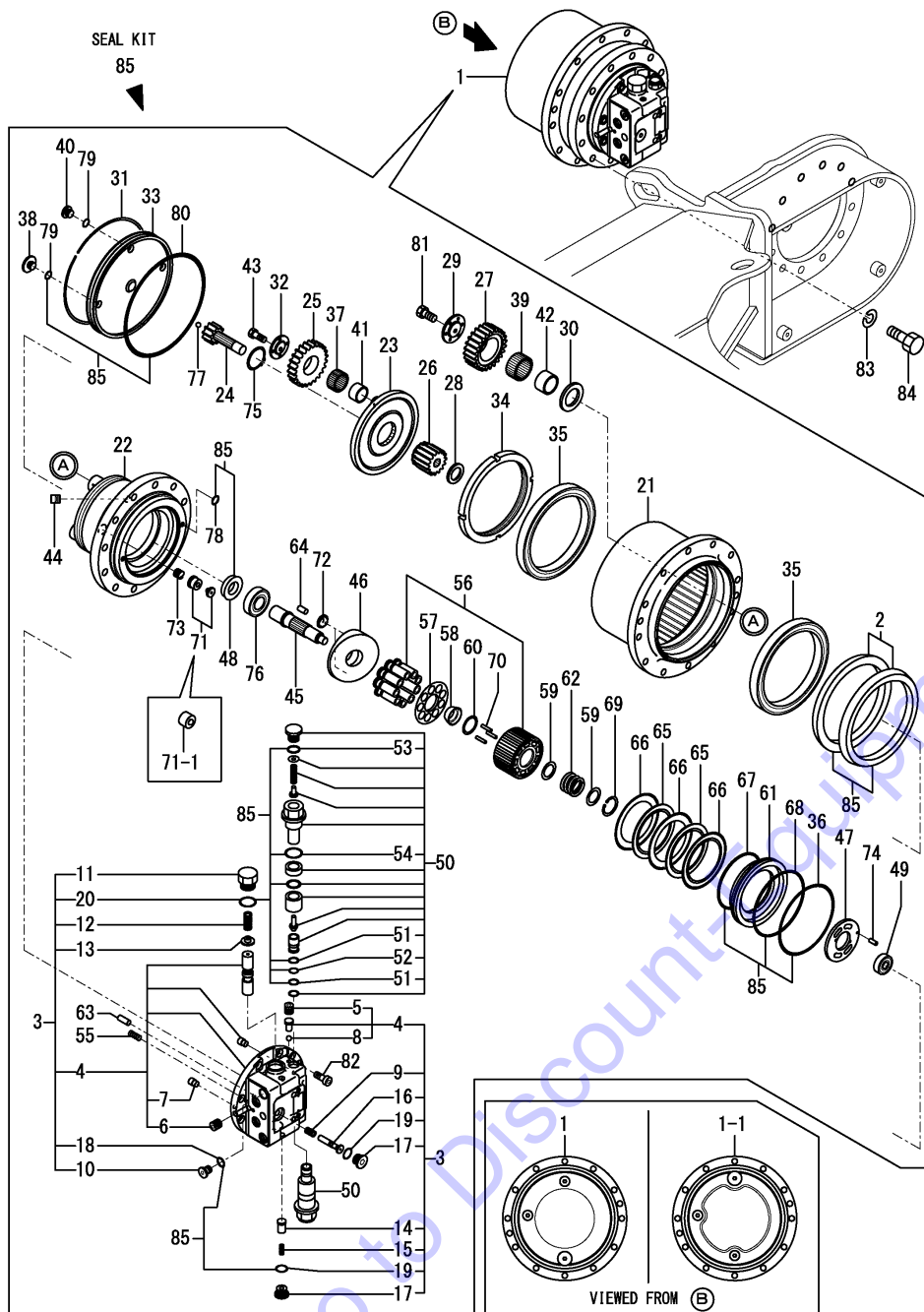
(A)=VIO80(US)
(B)=VIO80(AS)
(C)=VIO80(NZ)

(D)=
(E)=
(F)=



No.	Lev.	Parts No.	Description	Q'ty						I	R
				(A)	(B)	(C)	(D)	(E)	(F)		
1	1	172A89-73300	MOTOR ASSY, DRIVE	2	2	2					
1-1	1	172A89-73301	MOTOR ASSY, DRIVE	2	2	2					N
		(A=*2015.06) (B=*2015.06) (C=*2015.06)									
2	2	172A65-73310	SEAL SET, FLOATING	2	2	2					
3	2	172A89-73310	FLANGE, REAR	2	2	2					
4	3	172A89-73320	FLANGE, REAR	2	2	2					
5	4	172479-73750	PLUG	6	6	6					
6	4	172479-73760	PLUG	8	8	8					
7	4	172A69-73850	ORIFICE	2	2	2					
8	4	24190-060001	BALL, STEEL 3/16	2	2	2					
9	3	172A89-73340	SPRING	2	2	2					
10	3	172479-73480	PLUG	2	2	2					
11	3	172A65-73620	PLUG	4	4	4					
12	3	172A65-73630	SPRING	4	4	4					
13	3	172479-73800	RETAINER, SPRING	4	4	4					
14	3	172479-73810	VALVE	4	4	4					
15	3	172479-73830	SPRING	4	4	4					
16	3	172A69-73830	SPOOL	2	2	2					
17	3	172479-73850	PLUG	6	6	6					
18	3	24315-000140	O-RING, 1BP14.0	2	2	2					
19	3	24315-000180	O-RING, 1BP18.0	6	6	6					
20	3	24315-000260	O-RING, 1BP26.0	4	4	4					
21	2	172A65-73320	HUB	2	2	2					
22	2	172A65-73330	SPINDLE	2	2	2					
22-1	1	172A89-73350	SPINDLE	2	2	2					S
		(A=*2015.06) (B=*2015.06) (C=*2015.06)									
23	2	172A65-73340	CARRIER	2	2	2					
24	2	172A65-73350	GEAR, SUN	2	2	2					
25	2	172A65-73360	GEAR, PLANETARY	6	6	6					
26	2	172A65-73370	GEAR, SUN	2	2	2					
27	2	172A65-73380	GEAR, PLANETARY	8	8	8					
28	2	172A65-73390	COLLAR, THRUST	2	2	2					
29	2	172A65-73400	WASHER, THRUST	8	8	8					
30	2	172A65-73410	WASHER, THRUST	8	8	8					
31	2	172479-73420	RING	2	2	2					
32	2	172A65-73420	WASHER 3, THRUST	6	6	6					
33	2	172A65-73430	COVER	2	2	2					
33-1	1	172A89-73430	COVER	2	2	2					N
		(A=*2015.06) (B=*2015.06) (C=*2015.06)									
34	2	172A65-73440	NUT, RING	2	2	2					
35	2	172A65-73450	BEARING, BALL	4	4	4					
36	2	172499-73460	O-RING	2	2	2					
37	2	172A65-73460	ROLLER	6	6	6					
38	2	172479-73470	PLUG	2	2	2					
39	2	172A65-73470	ROLLER	8	8	8					
40	2	172479-73480	PLUG	4	4	4					
41	2	172A65-73480	RING, INNER	6	6	6					
42	2	172A65-73490	RING, INNER	8	8	8					
43	2	172A65-73500	BOLT M8X20 10.9T	6	6	6					
44	2	172A65-73510	SCREW	4	4	4					
45	2	172A65-73520	SHAFT	2	2	2					

Fig.67. TRAVEL MOTOR



(A)=VIO80(US)
(B)=VIO80(AS)
(C)=VIO80(NZ)

(D)=
(E)=
(F)=

No.	Lev.	Parts No.	Description	Qty						I	R
				(A)	(B)	(C)	(D)	(E)	(F)		
46	2	172A65-73530	PLATE, SWASH	2	2	2					
46-1	1	172A89-73530	PLATE, SWASH	2	2	2					S
		(A=*2015.06) (B=*2015.06) (C=*2015.06)									
47	2	172A65-73540	PLATE, TIMMING	2	2	2					
48	2	172A65-73550	SEAL, OIL	2	2	2					
49	2	172A65-73560	BEARING	2	2	2					
50	2	172A65-73570	VALVE ASSY, RELIEF	4	4	4					
51	3	172A65-73580	RING, BACK-UP	8	8	8					
52	3	24315-000100	O-RING, 1BP10.0	4	4	4					
53	3	24315-000110	O-RING, 1BP11.0	4	4	4					
54	3	24315-000200	O-RING, 1BP20.0	4	4	4					
55	2	172479-73590	SPRING	20	20	20					
56	2	172499-73620	PISTON ASSY	2	2	2					
57	2	172499-73630	PLATE, RETAINER	2	2	2					
57-1	1	172A89-73540	PLATE, RETAINER	2	2	2					N
		(A=*2015.06) (B=*2015.06) (C=*2015.06)									
58	2	172499-73640	BALL, THRUST	2	2	2					
58-1	1	172A89-73550	BALL, THRUST	2	2	2					N
		(A=*2015.06) (B=*2015.06) (C=*2015.06)									
59	2	172499-73660	WASHER	4	4	4					
60	2	172499-73670	WASHER	2	2	2					
61	2	172499-73680	PISTON	2	2	2					
62	2	172499-73700	SPRING	2	2	2					
63	2	172479-73710	PIN, PARALLEL	4	4	4					
64	2	172479-73710	PIN, PARALLEL	4	4	4					
65	2	172499-73710	PLATE, FRICTION	4	4	4					
66	2	172499-73720	PLATE	6	6	6					
67	2	172499-73760	O-RING	2	2	2					
68	2	172499-73770	O-RING	2	2	2					
69	2	172499-73780	RING, SNAP	2	2	2					
70	2	172499-73810	ROLLER	6	6	6					
71	2	172499-73820	PISTON ASSY	2	2	2					
71-1	1	172A89-73560	PISTON	2	2	2					S
		(A=*2015.06) (B=*2015.06) (C=*2015.06)									
72	2	172499-73830	PIVOT	4	4	4					
72-1	1	172A89-73570	PIVOT	4	4	4					S
		(A=*2015.06) (B=*2015.06) (C=*2015.06)									
73	2	172499-73870	SPRING	2	2	2					
74	2	172479-73950	PIN, PARALLEL	2	2	2					
75	2	22242-000450	RING, 45	2	2	2					
76	2	24101-062064	BEARING, BALL 6206	2	2	2					
77	2	24190-120001	BALL, STEEL 3/8	2	2	2					
78	2	24315-000070	O-RING, 1BP7.0	4	4	4					
79	2	24315-000140	O-RING, 1BP14.0	6	6	6					
80	2	24321-002300	O-RING, 1AG230.0	2	2	2					
81	2	26076-100202	BOLT, 10.910X 20	8	8	8					
82	2	26450-120302	BOLT, M12X 30	16	16	16					
83	1	22217-160000	WASHER, SPRING 16	24	24	24					
84	1	26116-160452	BOLT, M16X 45 PLATED	24	24	24					
84-1	1	172460-73320	BOLT	24	24	24					N
		(A=*2014.10.) (B=*2014.10.) (C=*2014.10.)									

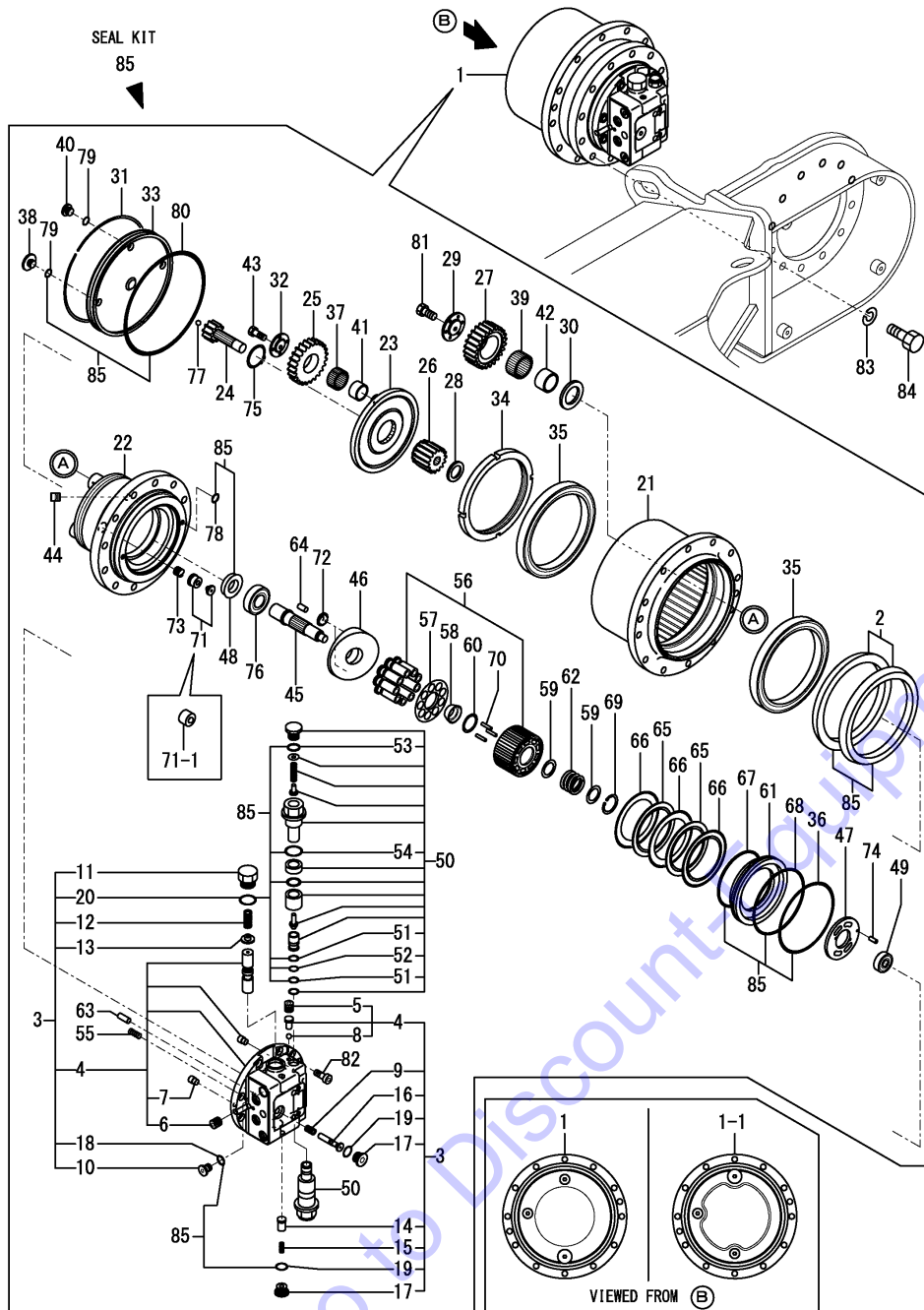
N:Old $\frac{Yes}{No}$ New, Q:Old $\frac{No}{Yes}$ New, R:Old $\frac{Yes}{Yes}$ New, S:Old $\frac{No}{No}$ New, W:Add, Z:Discontinued, F:Interchangeable by set, K:Q'ty Change
 ++ CONTINUE ++
 Copyright (C) 2014 YANMAR CO., LTD. All Rights Reserved.

Fig.67. TRAVEL MOTOR

(A)=VIO80(US)
 (B)=VIO80(AS)
 (C)=VIO80(NZ)

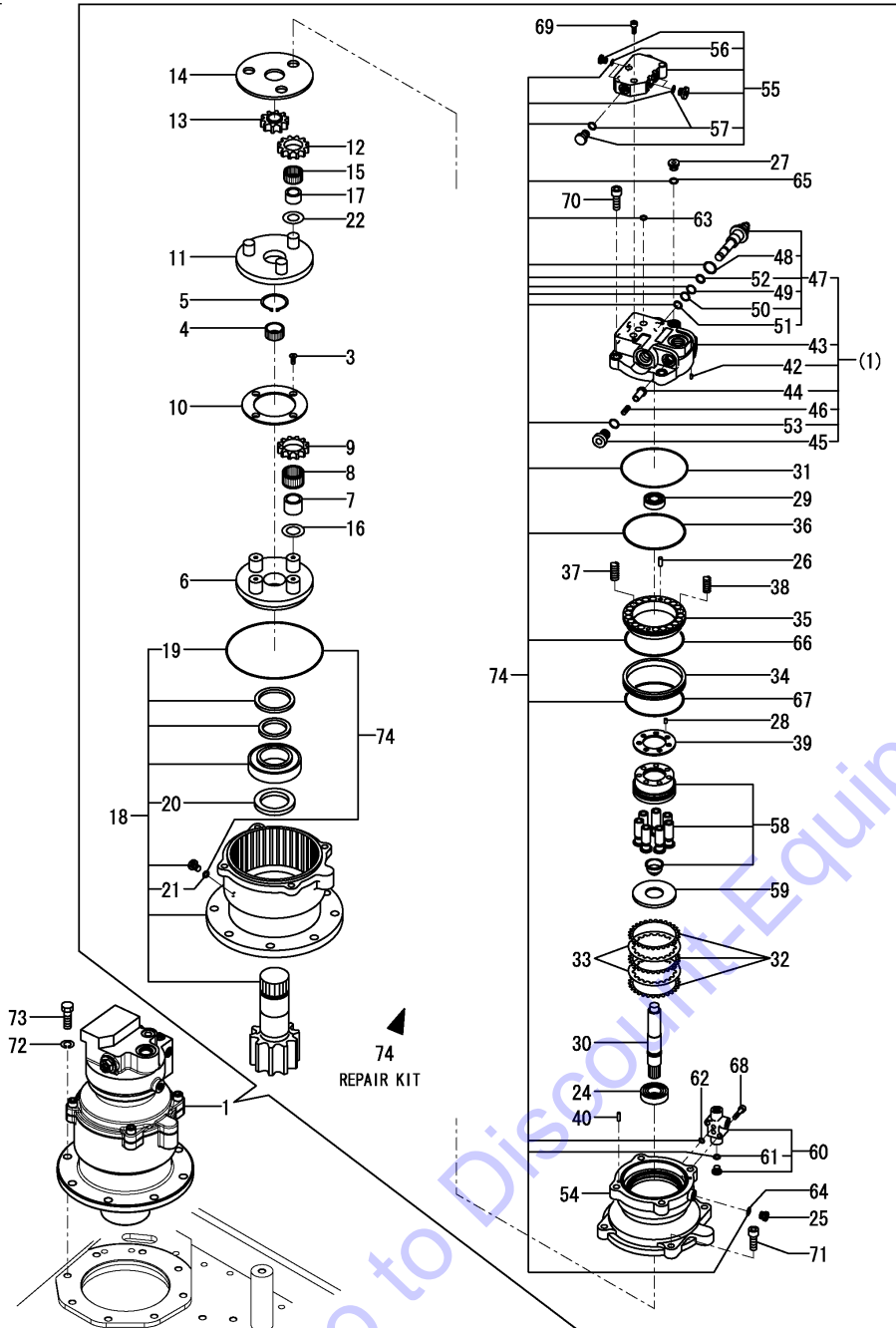
(D)=
 (E)=
 (F)=

No.	Lev.	Parts No.	Description	Q'ty						I	R
				(A)	(B)	(C)	(D)	(E)	(F)		
85	1	172A65-73700	SEAL SET	2	2	2					



[GoWarranty.com](http://www.GoWarranty.com) to order your parts

Fig.68. TURNING MOTOR

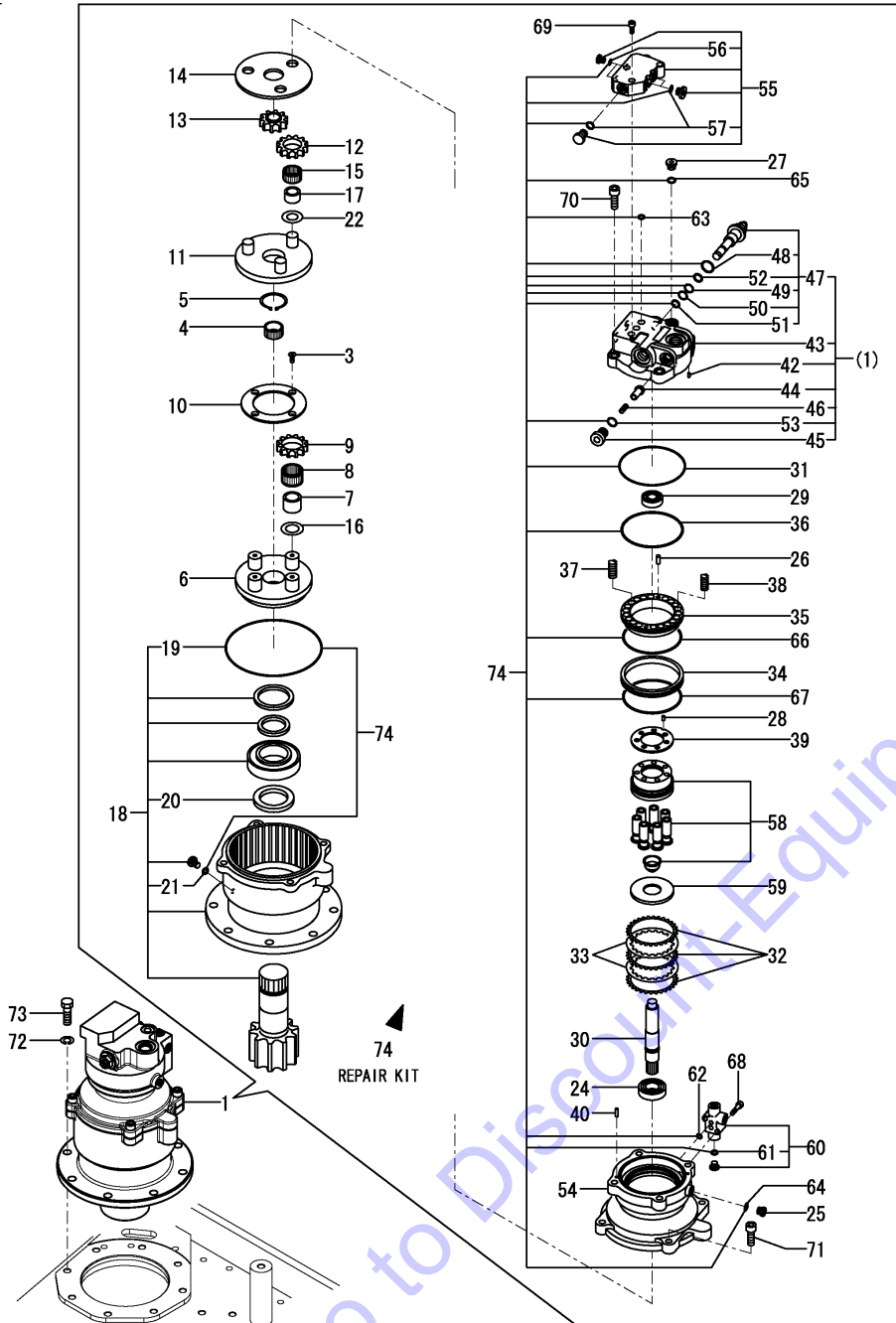


(A)=VIO80(US)
(B)=VIO80(AS)
(C)=VIO80(NZ)

(D)=
(E)=
(F)=

No.	Lev.	Parts No.	Description	Q'ty						I	R
				(A)	(B)	(C)	(D)	(E)	(F)		
1	1	172A69-73310	MOTOR ASSY, SWING	1	1	1					
3	3	172162-70290	SCREW	4	4	4					
4	3	172162-70310	GEAR, SUN	1	1	1					
5	3	172162-70320	RING, SNAP	1	1	1					
6	3	172499-70720	HOLDER	1	1	1					
7	3	172499-70730	RACE, INNER	4	4	4					
8	3	172499-70740	BEARING, NEEDLE	4	4	4					
9	3	172499-70750	GEAR, PLANETARY	4	4	4					
10	3	172499-70760	PLATE, THRUST	1	1	1					
11	3	172499-70770	HOLDER	1	1	1					
12	3	172499-70780	GEAR, PLANETARY	3	3	3					
13	3	172499-70790	GEAR, DRIVE	1	1	1					
14	3	172499-71040	PLATE KIT, THRUST	1	1	1					
15	3	172450-73360	BEARING, NEEDLE	3	3	3					
16	3	172423-73370	WASHER, THRUST	4	4	4					
17	3	172450-73370	RACE, INNER	3	3	3					
18	3	172A69-73370	HOUSING ASSY	1	1	1					
19	4	172162-70150	O-RING	1	1	1					
20	4	172A69-73320	SEAL, OIL	1	1	1					
21	4	24315-000080	O-RING, 1BP8.0	1	1	1					
22	3	172450-73380	WASHER, THRUST	3	3	3					
24	3	172122-70260	BEARING, BALL	1	1	1					
25	3	172148-70301	PLUG	1	1	1					
26	3	172122-70410	PIN	2	2	2					
27	3	172147-70500	PLUG	1	1	1					
28	3	172122-70530	PIN	1	1	1					
29	3	172162-70590	BEARING, BALL	1	1	1					
30	3	172499-70810	SHAFT	1	1	1					
31	3	172162-70820	O-RING	1	1	1					
32	3	172499-70830	DISK	3	3	3					
33	3	172499-70840	PLATE, FRICTION	2	2	2					
34	3	172499-70850	COLLAR	1	1	1					
35	3	172499-70860	PISTON, BRAKE	1	1	1					
36	3	172499-70870	O-RING	1	1	1					
37	3	172499-70880	SPRING	12	12	12					
38	3	172499-70890	SPRING	8	8	8					
39	3	172499-70970	PLATE, VALVE	1	1	1					
40	3	172499-70980	PIN	2	2	2					
42	4	172124-70380	ORIFICE	1	1	1					
43	4	172499-70900	COVER	1	1	1					
44	4	172499-70910	POPPET	2	2	2					
45	4	172499-70920	PLUG	2	2	2					
46	4	172499-70930	SPRING	2	2	2					
47	4	172A69-73340	VALVE ASSY, RELIEF	2	2	2					
48	5	172499-70950	O-RING	2	2	2					
49	5	172499-70960	RING, BUCK UP	2	2	2					
50	5	172312-74780	RING, BUCK UP	2	2	2					
51	5	24315-000150	O-RING, 1BP15.0	2	2	2					
52	5	24315-000160	O-RING, 1BP16.0	2	2	2					
53	4	24315-000210	O-RING, 1BP21.0	2	2	2					
54	3	172A69-73330	CASE	1	1	1					

Fig.68. TURNING MOTOR

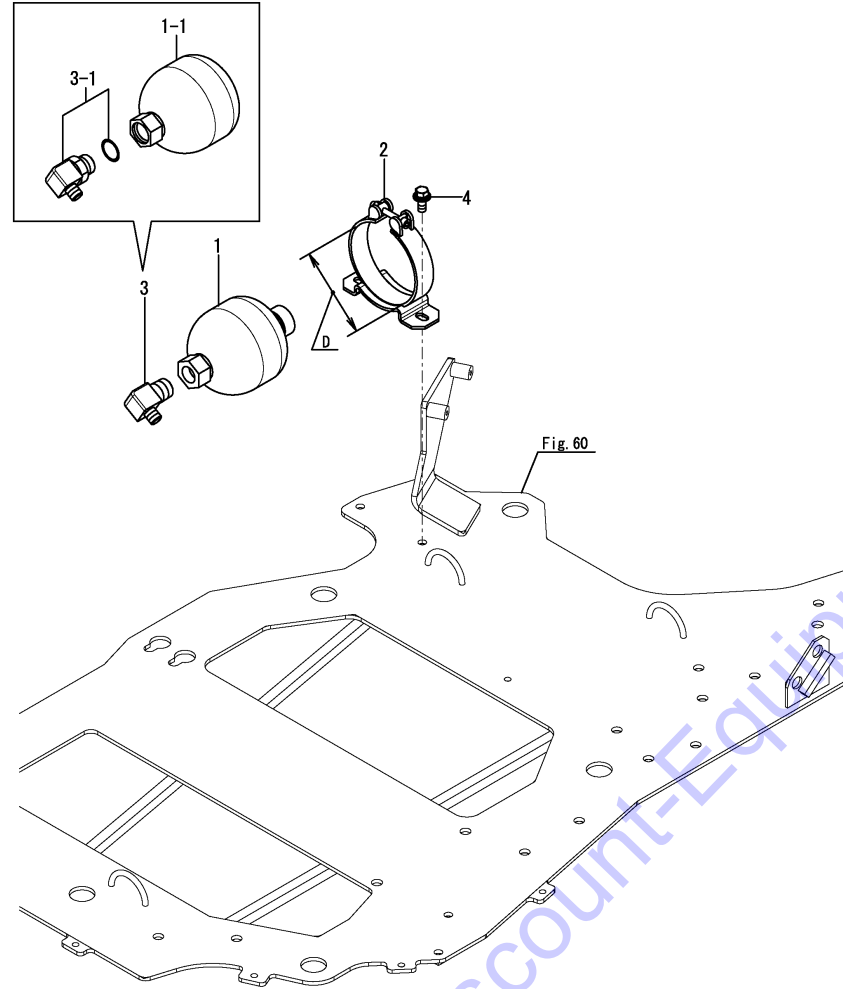


(A)=VIO80(US)
 (B)=VIO80(AS)
 (C)=VIO80(NZ)

(D)=
 (E)=
 (F)=

No.	Lev.	Parts No.	Description	Q'ty						I	R
				(A)	(B)	(C)	(D)	(E)	(F)		
55	3	172A69-73350	VALVE ASSY	1	1	1					
56	4	24315-000110	O-RING, 1BP11.0	2	2	2					
57	4	24315-000140	O-RING, 1BP14.0	4	4	4					
58	3	172A69-73360	CYLINDER BLOCK ASSY	1	1	1					
59	3	172A69-73380	PLATE, THRUST	1	1	1					
60	3	172A69-73390	VALVE ASSY	1	1	1					
61	4	24315-000110	O-RING, 1BP11.0	1	1	1					
62	3	24315-000070	O-RING, 1BP7.0	2	2	2					
63	3	24315-000100	O-RING, 1BP10.0	3	3	3					
64	3	24315-000110	O-RING, 1BP11.0	1	1	1					
65	3	24315-000140	O-RING, 1BP14.0	1	1	1					
66	3	24325-001300	O-RING, 1BG130.0	1	1	1					
67	3	24325-001450	O-RING, 1BG145.0	1	1	1					
68	3	26450-060302	BOLT, M6X 30	2	2	2					
69	3	26450-080202	BOLT, M8X 20	3	3	3					
70	3	26450-140402	BOLT, M14X 40	4	4	4					
71	2	26450-140402	BOLT, M14X 40	4	4	4					
72	1	22217-160000	WASHER, SPRING 16	8	8	8					
73	1	26076-160502	BOLT, 10.916X 50	8	8	8					
74	1	172499-71020	REPAIR KIT	1	1	1					

Fig.69. ACCUMULATOR



(A)=VIO80(US)
(B)=VIO80(AS)
(C)=VIO80(NZ)

(D)=
(E)=
(F)=

No.	Lev.	Parts No.	Description	Q'ty						I	R
				(A)	(B)	(C)	(D)	(E)	(F)		
1	1	172478-73600	ACCUMULATOR	1	1	1					
1-1	1	172B11-73600	ACCUMULATOR	1	1	1					S
		(A=M92199) (B=M92199) (C=M92199)									
2	1	172478-73630	CLAMP	1	1	1					
2-1	1	172B11-73630	CLAMP	1	1	1					S 1
		(A=M92199) (B=M92199) (C=M92199)									
3	1	172478-76200	CONNECTOR	1	1	1					
3-1	1	172531-73550	ELBOW	1	1	1					S
		(A=M92199) (B=M92199) (C=M92199)									
4	1	26014-080202	BOLT, M8X 20	1	1	1					
4-1	1	26014-080202	BOLT, M8X 20	2	2	2					K
		(A=M90501) (B=M90501) (C=M90501)									

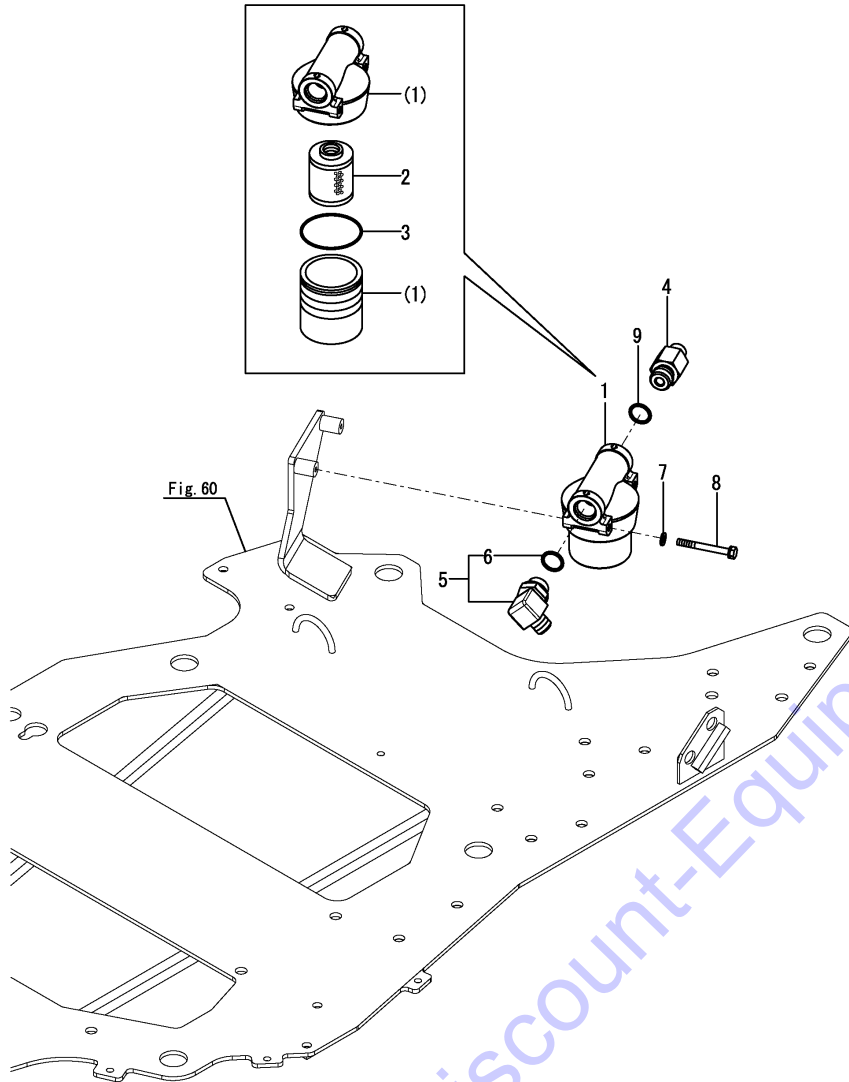
Remarks
(1)D=No.2 : 92~95mm, No.2-1 : 89~92mm.

Fig.70. LINE FILTER

(A)=VIO80(US)
 (B)=VIO80(AS)
 (C)=VIO80(NZ)

(D)=
 (E)=
 (F)=

No.	Lev.	Parts No.	Description	Q'ty						I	R
				(A)	(B)	(C)	(D)	(E)	(F)		
1	1	172837-73700	FILTER, LINE	1	1	1					
2	2	172837-73730	ELEMENT, FILTER	1	1	1					
3	2	172837-73740	O-RING	1	1	1					
4	1	172423-76100	CONNECTOR, PF1/2PF3/8	1	1	1					
5	1	172157-76300	ELBOW ASSY	1	1	1					
6	2	24315-000180	O-RING, 1BP18.0	1	1	1					
7	1	22137-060000	WASHER, 6	2	2	2					
8	1	26013-060552	BOLT, M6X 55	2	2	2					
9	1	41851-000180	O-RING	1	1	1					

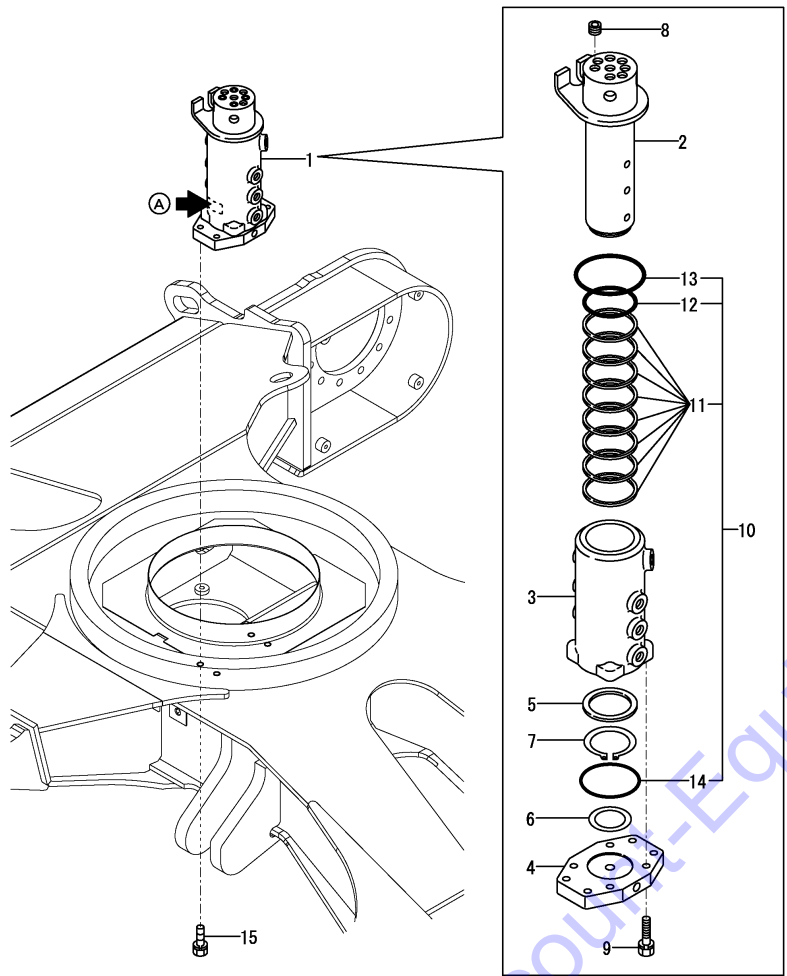


Go to Discount-Equipment.com to order your parts

Fig.71. SWIVEL JOINT(Y SPEC.)(TO M92121)

(A)=VIO80(US)
 (B)=VIO80(AS)
 (C)=VIO80(NZ)

(D)=
 (E)=
 (F)=



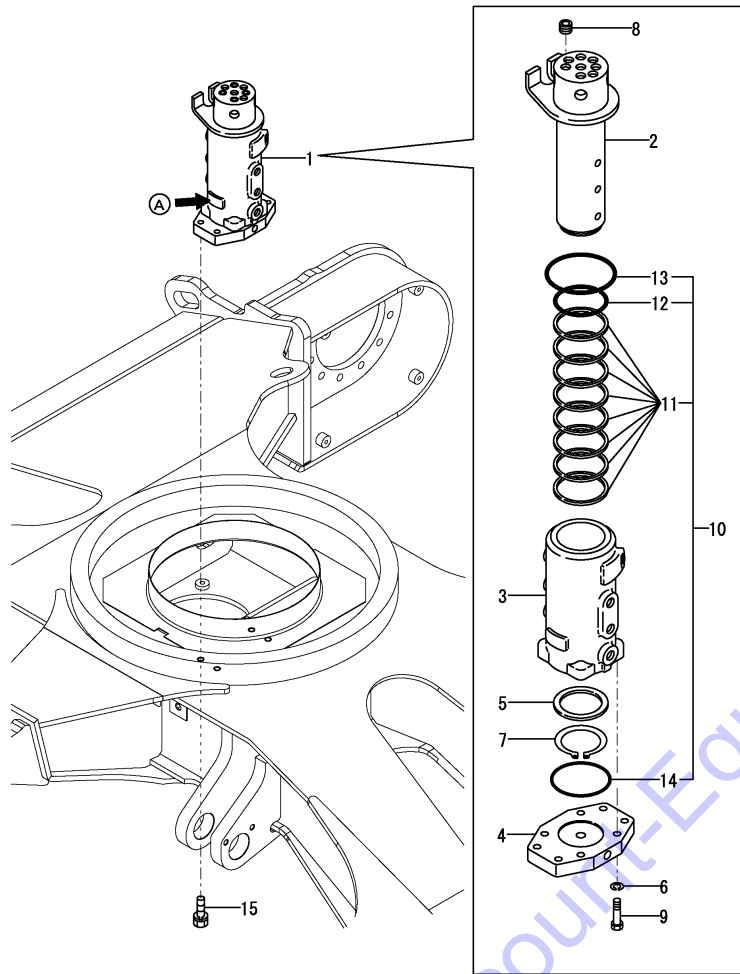
No.	Lev.	Parts No.	Description	Q'ty						I	R	
				(A)	(B)	(C)	(D)	(E)	(F)			
1	1	172187-73801 (A=M92122) (B=M92122) (C=M92122)	JOINT ASSY, SWIVEL	1	1	1					Z	1
2	2	172147-73810	SHAFT, SWIVEL	1	1	1						
3	2	172147-73830	HUB, SWIVEL	1	1	1						
4	2	172147-73850	PLATE, SWIVEL	1	1	1						
5	2	172122-73860	SPACER, SWIVEL	1	1	1						
6	2	172122-73870	WASHER, THRUST	1	1	1						
7	2	22242-000700	RING, 70	1	1	1						
8	2	23871-030000	PLUG, R03	4	4	4						
9	2	26013-100402	BOLT, SPRING M10X 40	4	4	4						
10	2	172147-73880	SEAL ASSY	1	1	1						
11	3	172122-73890	SEAL, SWIVEL	8	8	8						
12	3	24311-000800	O-RING, 1AP80.0	1	1	1						
13	3	24311-001000	O-RING, 1AP100.0	1	1	1						
14	3	24321-000950	O-RING, 1AG95.0	1	1	1						
15	1	26013-120402	BOLT, SPRING M12X 40	4	4	4						

Remarks
 (1)A : no label.
 Interchangeable by Fig.120(71B) No.1.
 The inner parts are not compatible.

Fig.119. (71A)SWIVEL JOINT(N SPEC.)(FROM M92122)

(A)=VIO80(US)
 (B)=VIO80(AS)
 (C)=VIO80(NZ)

(D)=
 (E)=
 (F)=



No.	Lev.	Parts No.	Description	Q'ty						I	R	
				(A)	(B)	(C)	(D)	(E)	(F)			
1	1	172A65-73800 (A=M92122)	JOINT ASSY, SWIVEL (B=M92122) (C=M92122)	1	1	1					W	1
2	2	172A65-73810	SHAFT ASSY	1	1	1						
3	2	172A65-73840	ROTOR	1	1	1						
4	2	172A65-73850	FLANGE	1	1	1						
5	2	172A65-73860	SPACER	1	1	1						
6	2	22217-100000	WASHER, SPRING 10	4	4	4						
7	2	22242-000720	RING, 72	1	1	1						
8	2	23871-030000	PLUG, R03	4	4	4						
9	2	26076-100402	BOLT, 10.910X 40	4	4	4						
10	2	172A65-73880	SEAL KIT	1	1	1						
11	3	172A65-73870	SEAL	8	8	8						
12	3	24315-000800	O-RING, 1BP80.0	1	1	1						
13	3	24315-001000	O-RING, 1BP100.0	1	1	1						
14	3	24325-000950	O-RING, 1BG95.0	1	1	1						
15	1	26013-120402	BOLT, SPRING M12X 40	4	4	4						

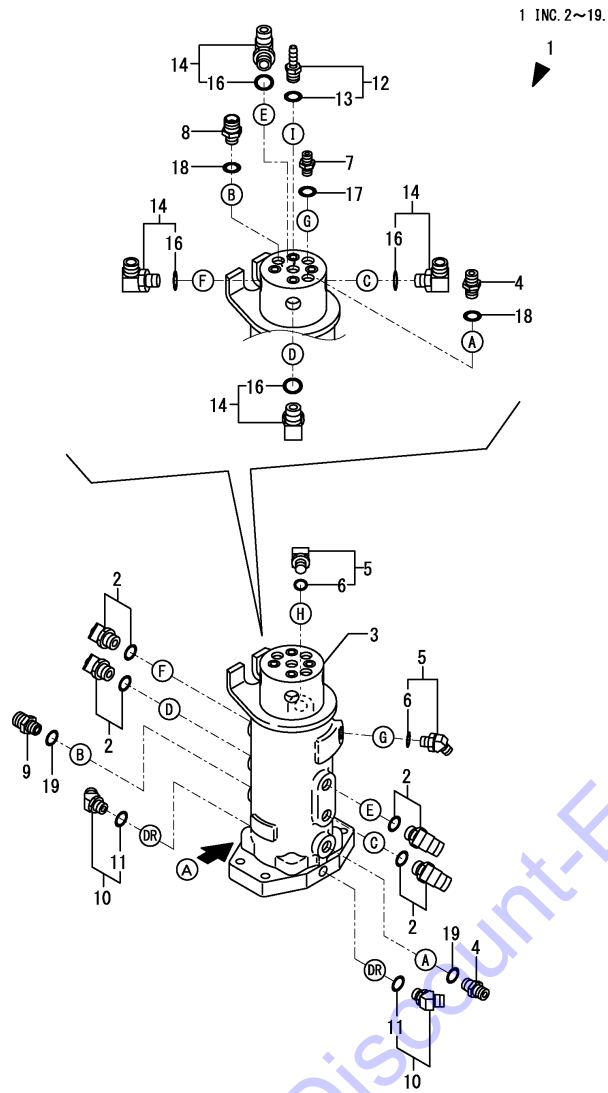
Remarks

(1)A : 'NACHI' label.
 Interchangeable by Fig.120(71B) No.1.(From Y specification. to N specification.)
 The inner parts are not compatible.

Fig.120. (71B)SWIVEL JOINT KIT(N SPEC.)(FROM M92122)

(A)=VIO80(US)
 (B)=VIO80(AS)
 (C)=VIO80(NZ)

(D)=
 (E)=
 (F)=



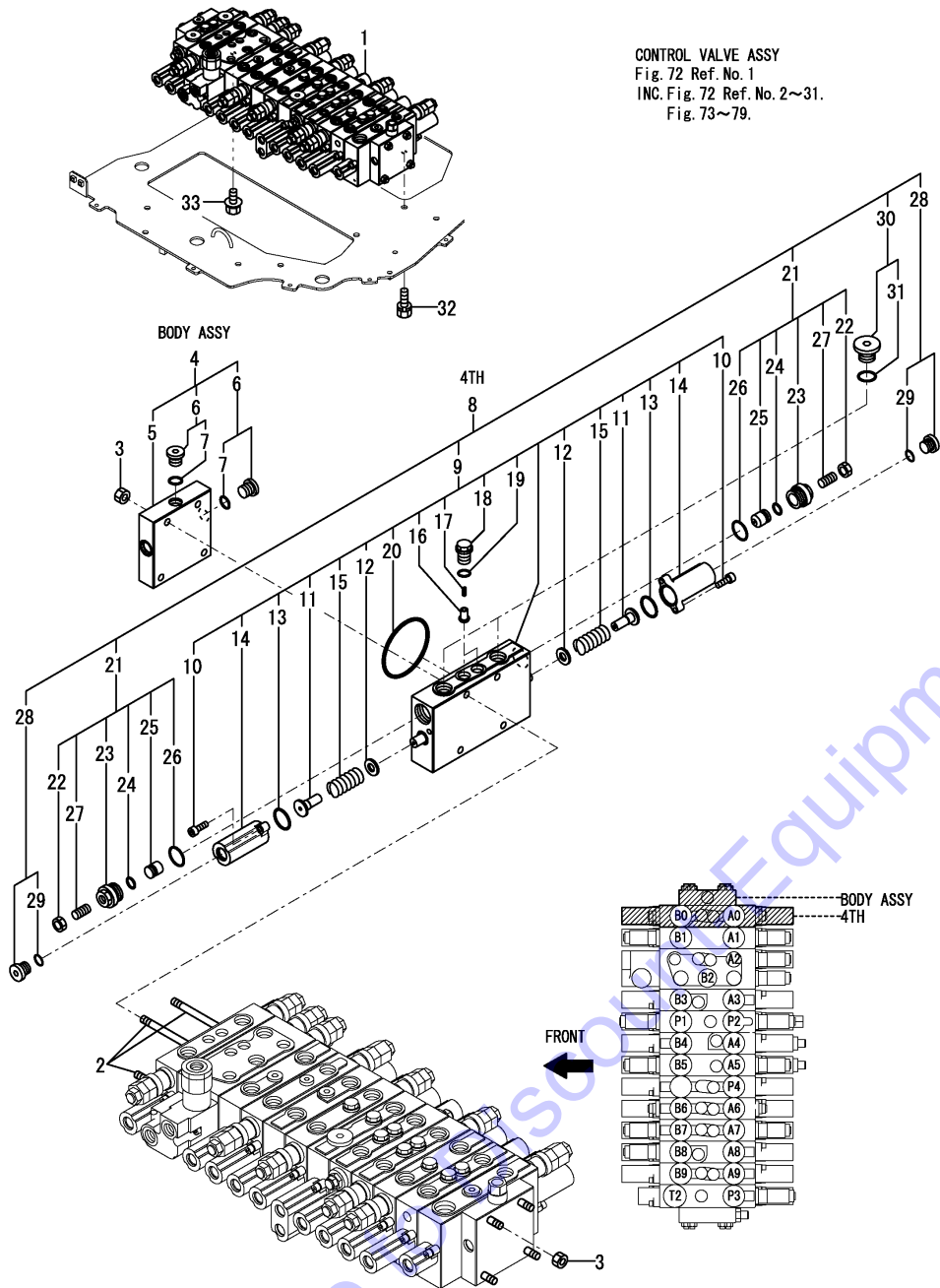
No.	Lev.	Parts No.	Description	Q'ty						I	R
				(A)	(B)	(C)	(D)	(E)	(F)		
1	1	172A89-73900 (A=M92122) (B=M92122) (C=M92122)	JOINT KIT, SWIVEL	1	1	1					W
2	2	1D4180-22850	ELBOW, 45 PF1/2	4	4	4					
3	2	172A65-73800	JOINT ASSY, SWIVEL	1	1	1					1
4	2	172730-75141	ADAPTER	2	2	2					
5	2	172173-76102	CONNECTOR ASSY	2	2	2					
6	3	41851-000110	O-RING	2	2	2					
7	2	172123-76121	ADAPTER	1	1	1					
8	2	172168-76162	CONNECTOR, PF1/2X3/8	1	1	1					
9	2	172168-76162	CONNECTOR, PF1/2X3/8	1	1	1					
10	2	172644-76161	ELBOW, ADJUST	2	2	2					
11	3	24315-000140	O-RING, 1BP14.0	2	2	2					
12	2	172A65-76700	CONNECTOR, G3/8	1	1	1					
13	3	41851-000140	O-RING	1	1	1					
14	2	172141-76900	CONNECTOR ASSY	4	4	4					
16	3	24315-000180	O-RING, 1BP18.0	4	4	4					
17	2	41851-000110	O-RING	1	1	1					
18	2	41851-000140	O-RING	2	2	2					
19	2	41851-000140	O-RING	2	2	2					

Remarks
 (1)A : 'NACHI' label.
 Inner parts are shown in Fig.119(71A).

Fig.72. CONTROL VALVE(1/8)

(A)=VIO80(US)
(B)=VIO80(AS)
(C)=VIO80(NZ)

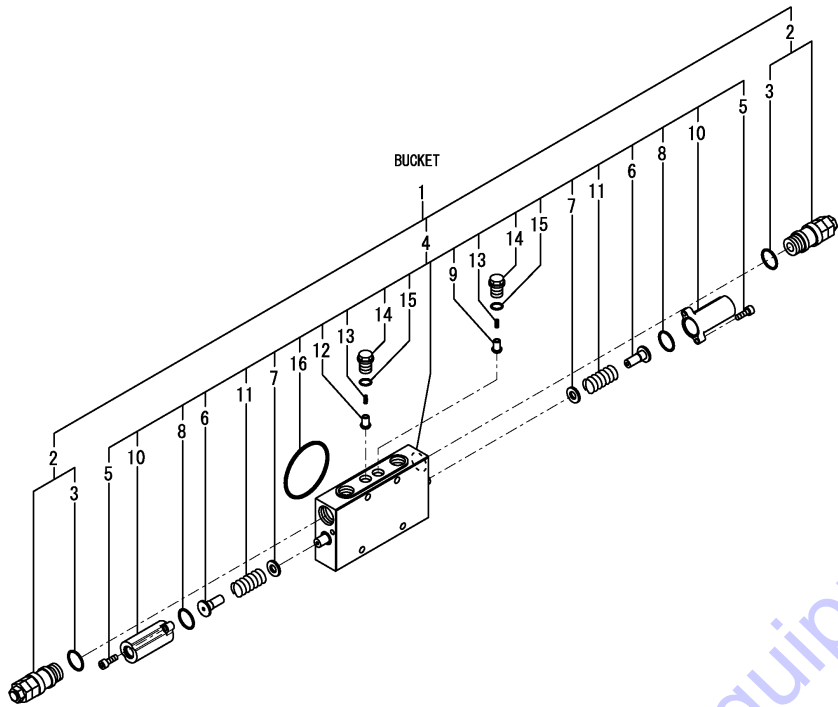
(D)=
(E)=
(F)=



CONTROL VALVE ASSY
Fig. 72 Ref. No. 1
INC. Fig. 72 Ref. No. 2~31.
Fig. 73~79.

No.	Lev.	Parts No.	Description	Q'ty						I	R
				(A)	(B)	(C)	(D)	(E)	(F)		
1	1	172A89-74100	VALVE ASSY, CONTROL	1	1	1					
1-1	1	172A89-74101	VALVE ASSY, CONTROL	1	1	1					N
		(A=M91132) (B=M91132) (C=M91132)									
1-2	1	172A89-74102	VALVE ASSY, CONTROL	1	1	1					N
		(A=M91693) (B=M91693) (C=M91693)									
1-3	1	172A89-74103	VALVE ASSY, CONTROL	1	1	1					N
		(A=M92036) (B=M92036) (C=M92036)									
2	2	172A69-71260	ROD, TIE	4	4	4					
3	2	172422-74110	NUT	8	8	8					
4	2	172A69-74110	BODY ASSY	1	1	1					
5	3	172478-74360	BODY	1	1	1					
6	3	172187-74530	PLUG ASSY	2	2	2					
7	4	24315-000110	O-RING, 1BP11.0	2	2	2					
8	2	172A69-74170	SECTION ASSY, 4TH	1	1	1					
9	3	172A69-74180	SECTION, 4TH	1	1	1					
10	4	172151-74060	BOLT, SOCKET HEAD	4	4	4					
11	4	172478-74180	SEAT, SPRING	2	2	2					
12	4	172175-74220	SEAT, SPRING	2	2	2					
13	4	172151-74320	O-RING	2	2	2					
14	4	172455-74390	CAP	2	2	2					
15	4	172455-74410	SPRING	2	2	2					
16	4	172455-74420	POPPET	2	2	2					
17	4	172455-74440	SPRING	2	2	2					
18	4	172455-74450	PLUG	2	2	2					
19	4	172455-74460	O-RING	2	2	2					
20	4	24321-000700	O-RING, 1AG70.0	1	1	1					
21	3	172455-74320	VALVE ASSY, SHUT-OFF	2	2	2					
22	4	172455-74010	NUT, SHOE	2	2	2					
23	4	172455-74020	PLUG	2	2	2					
24	4	172455-74030	O-RING	2	2	2					
25	4	172455-74040	POPPET	2	2	2					
26	4	172116-74150	O-RING	2	2	2					
27	4	172455-74990	SCREW, SETTING	2	2	2					
28	3	172187-74530	PLUG ASSY	2	2	2					
29	4	24315-000110	O-RING, 1BP11.0	2	2	2					
30	3	172187-74550	PLUG ASSY	2	2	2					
31	4	24315-000180	O-RING, 1BP18.0	2	2	2					
32	1	26013-100162	BOLT, M10X 16	2	2	2					
33	1	26106-100122	BOLT, M10X 12 PLATED	1	1	1					

Fig.73. CONTROL VALVE(2/8)



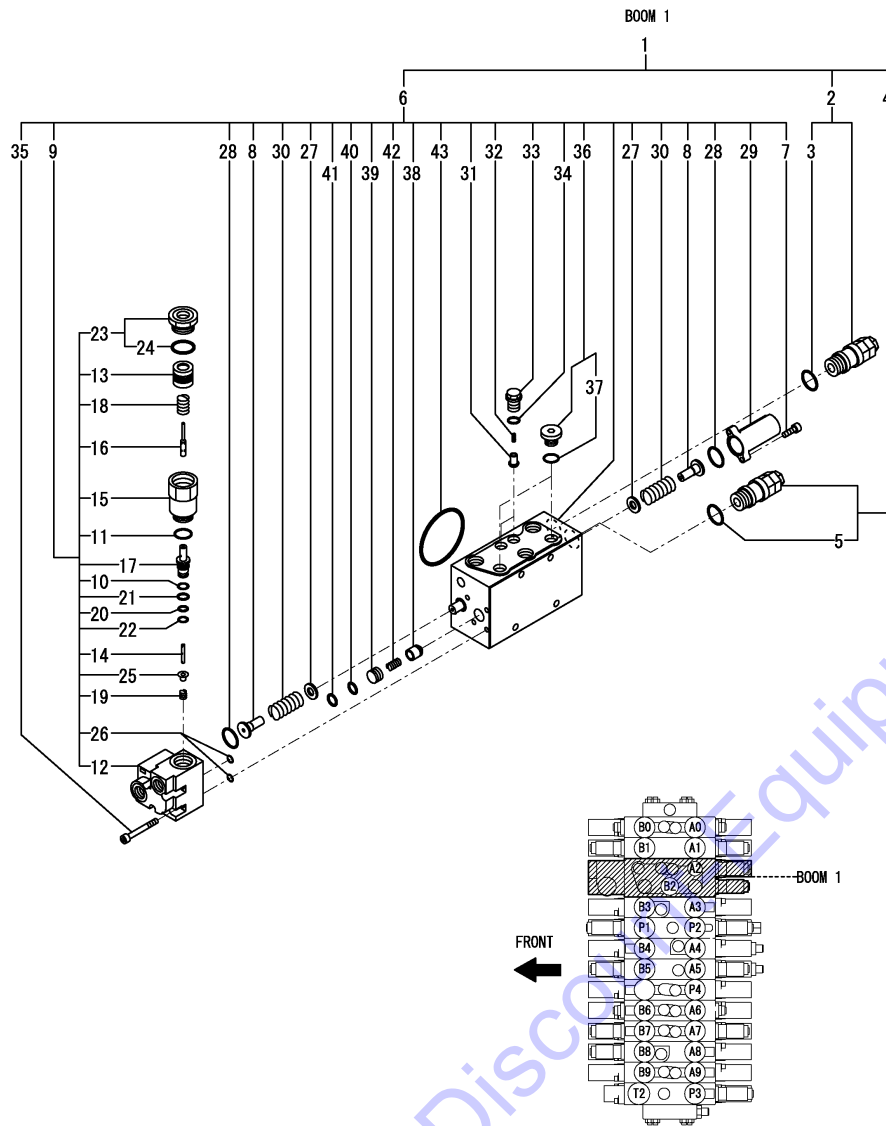
(A)=VIO80(US)
(B)=VIO80(AS)
(C)=VIO80(NZ)

(D)=
(E)=
(F)=

No.	Lev.	Parts No.	Description	Q'ty						I	R
				(A)	(B)	(C)	(D)	(E)	(F)		
1	2	172A89-74140	SECTION ASSY, BUCKET	1	1	1					
1-1	2	172A89-74141	SECTION ASSY, BUCKET	1	1	1					N
		(A=M91132) (B=M91132) (C=M91132)									
2	3	172A89-74150	VALVE, RELIEF	2	2	2					
3	4	172116-74150	O-RING	2	2	2					
4	3	172A89-74160	SECTION, BUCKET	1	1	1					
4-1	3	172A89-74161	SECTION, BUCKET	1	1	1					N
		(A=M91132) (B=M91132) (C=M91132)									
5	4	172151-74060	BOLT, SOCKET HEAD	4	4	4					
6	4	172478-74180	SEAT, SPRING	2	2	2					
7	4	172175-74220	SEAT, SPRING	2	2	2					
8	4	172151-74320	O-RING	2	2	2					
9	4	172478-74320	POPPET	1	1	1					
9-1	4	172478-74170	POPPET	1	1	1					N
		(A=M91132) (B=M91132) (C=M91132)									
10	4	172455-74390	CAP	2	2	2					
11	4	172455-74410	SPRING	2	2	2					
12	4	172455-74420	POPPET	1	1	1					
13	4	172455-74440	SPRING	2	2	2					
14	4	172455-74450	PLUG	2	2	2					
15	4	172455-74460	O-RING	2	2	2					
16	4	24321-000700	O-RING, 1AG70.0	1	1	1					

Remarks
* Control valve assy is shown in Fig.72.

Fig.74. CONTROL VALVE(3/8)



(A)=VIO80(US)
(B)=VIO80(AS)
(C)=VIO80(NZ)

(D)=
(E)=
(F)=

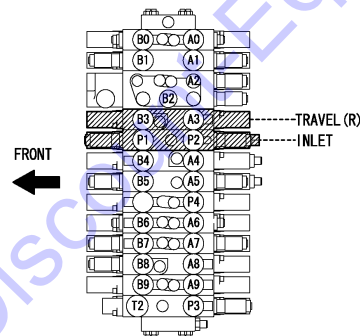
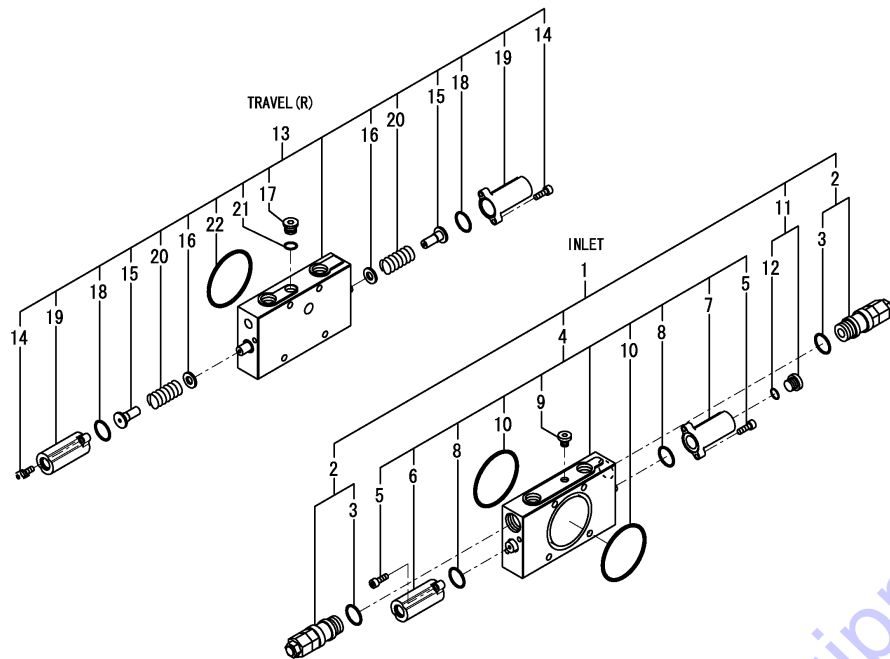
No.	Lev.	Parts No.	Description	Q'ty						I	R
				(A)	(B)	(C)	(D)	(E)	(F)		
1	2	172A89-74180	SECTION ASSY, BOOM	1	1	1					
2	3	172A89-74150	VALVE, RELIEF	1	1	1					
3	4	172116-74150	O-RING	1	1	1					
4	3	172A89-74190	VALVE, RELIEF	1	1	1					
5	4	172116-74150	O-RING	1	1	1					
6	3	172A89-74200	SECTION, BOOM	1	1	1					
7	4	172151-74060	BOLT, SOCKET HEAD	2	2	2					
8	4	172478-74180	SEAT, SPRING	2	2	2					
9	4	172488-74200	VALVE ASSY	1	1	1					
10	5	172638-73650	RING, BUCK UP	1	1	1					
11	5	172116-74150	O-RING	1	1	1					
12	5	172488-74210	BODY	1	1	1					
13	5	172488-74220	PISTON	1	1	1					
14	5	172455-74590	POPPET	1	1	1					
15	5	172455-74600	PLUG	1	1	1					
16	5	172455-74620	SPOOL	1	1	1					
17	5	172455-74630	SLEEVE	1	1	1					
18	5	172455-74640	SPRING	1	1	1					
19	5	172455-74650	SPRING	1	1	1					
20	5	172455-74660	O-RING	1	1	1					
21	5	172455-74670	O-RING	1	1	1					
22	5	172455-74680	RING, BUCK UP	1	1	1					
23	5	172187-74690	PLUG ASSY	1	1	1					
24	6	172312-74770	O-RING	1	1	1					
25	5	172455-74720	SEAT, SPRING	1	1	1					
26	5	24315-000070	O-RING, 1BP7.0	2	2	2					
27	4	172175-74220	SEAT, SPRING	2	2	2					
28	4	172151-74320	O-RING	2	2	2					
29	4	172455-74390	CAP	1	1	1					
30	4	172455-74410	SPRING	2	2	2					
31	4	172455-74420	POPPET	2	2	2					
32	4	172455-74440	SPRING	2	2	2					
33	4	172455-74450	PLUG	2	2	2					
34	4	172455-74460	O-RING	2	2	2					
35	4	172455-74530	BOLT, SOCKET HEAD	5	5	5					
36	4	172187-74540	PLUG ASSY	2	2	2					
37	5	24315-000140	O-RING, 1BP14.0	2	2	2					
38	4	172455-74550	POPPET	1	1	1					
39	4	172455-74560	SPACER	1	1	1					
40	4	172455-74570	O-RING	1	1	1					
41	4	172455-74580	RING, BUCK UP	1	1	1					
42	4	172187-74630	SPRING	1	1	1					
43	4	24321-000700	O-RING, 1AG70.0	1	1	1					

Remarks

* Control valve assy is shown in Fig.72.

N:Old \xrightarrow{Yes} New, Q:Old \xrightarrow{No} New, R:Old \xrightarrow{Yes} New, S:Old \xrightarrow{No} New, W:Add, Z:Discontinued, F:Interchangeable by set, K:Q'ty Change

Fig.75. CONTROL VALVE(4/8)



(A)=VIO80(US)
(B)=VIO80(AS)
(C)=VIO80(NZ)

(D)=
(E)=
(F)=

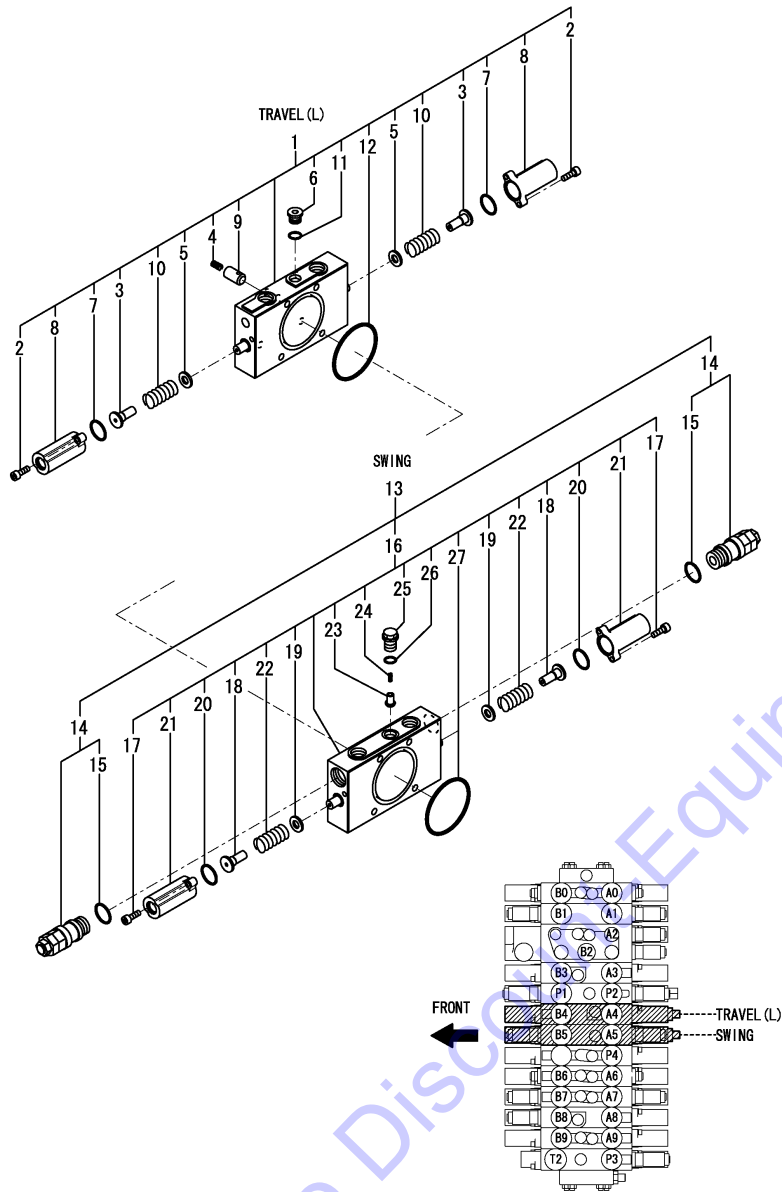
No.	Lev.	Parts No.	Description	Q'ty						I	R
				(A)	(B)	(C)	(D)	(E)	(F)		
1	2	172A89-74120	SECTION ASSY, INLET	1	1	1					
2	3	172A89-74130	VALVE,RELIEF 25.7/30	2	2	2					
3	4	172116-74150	O-RING	2	2	2					
4	3	172A69-74140	SECTION, INLET	1	1	1					
5	4	172151-74060	BOLT, SOCKET HEAD	4	4	4					
6	4	172A69-74150	CAP ASSY	1	1	1					
7	4	172A69-74160	CAP	1	1	1					
8	4	172151-74320	O-RING	2	2	2					
9	4	172422-74330	PLUG ASSY	1	1	1					
10	4	24321-000700	O-RING, 1AG70.0	2	2	2					
11	3	172187-74530	PLUG ASSY	1	1	1					
12	4	24315-000110	O-RING, 1BP11.0	1	1	1					
13	2	172A89-74210	SECTION, TRAVEL	1	1	1					
14	3	172151-74060	BOLT, SOCKET HEAD	4	4	4					
15	3	172478-74180	SEAT, SPRING	2	2	2					
16	3	172175-74220	SEAT, SPRING	2	2	2					
17	3	172A69-74250	PLUG	1	1	1					
18	3	172151-74320	O-RING	2	2	2					
19	3	172455-74390	CAP	2	2	2					
20	3	172455-74410	SPRING	2	2	2					
21	3	172455-74460	O-RING	1	1	1					
22	3	24321-000700	O-RING, 1AG70.0	1	1	1					

Remarks

* Control valve assy is shown in Fig.72.

N:Old \xrightarrow{Yes} New, Q:Old \xrightarrow{No} New, R:Old \xrightarrow{Yes} New, S:Old \xrightarrow{No} New, W:Add, Z:Discontinued, F:Interchangeable by set, K:Q'ty Change

Fig.76. CONTROL VALVE(5/8)



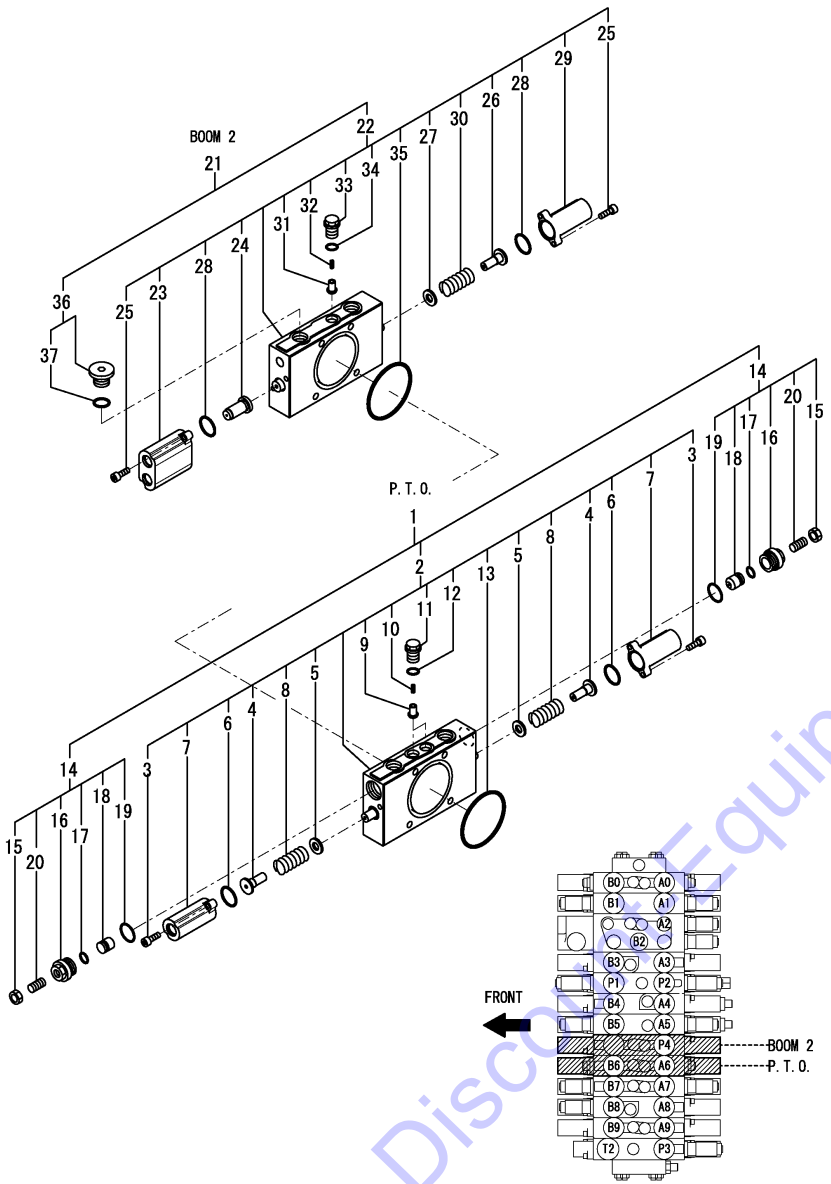
(A)=VIO80(US)
(B)=VIO80(AS)
(C)=VIO80(NZ)

(D)=
(E)=
(F)=

No.	Lev.	Parts No.	Description	Q'ty						I	R
				(A)	(B)	(C)	(D)	(E)	(F)		
1	2	172A89-74220	SECTION, TRAVEL	1	1	1					
2	3	172151-74060	BOLT, SOCKET HEAD	4	4	4					
3	3	172478-74180	SEAT, SPRING	2	2	2					
4	3	172113-74190	SPRING	1	1	1					
5	3	172175-74220	SEAT, SPRING	2	2	2					
6	3	172A69-74250	PLUG	1	1	1					
7	3	172151-74320	O-RING	2	2	2					
8	3	172455-74390	CAP	2	2	2					
9	3	172187-74410	POPPET	1	1	1					
10	3	172455-74410	SPRING	2	2	2					
11	3	172455-74460	O-RING	1	1	1					
12	3	24321-000700	O-RING, 1AG70.0	1	1	1					
13	2	172A89-74230	SECTION ASSY, SWING	1	1	1					
14	3	172A89-74150	VALVE, RELIEF	2	2	2					
15	4	172116-74150	O-RING	2	2	2					
16	3	172A69-74280	SECTION, SWING	1	1	1					
17	4	172151-74060	BOLT, SOCKET HEAD	4	4	4					
18	4	172478-74180	SEAT, SPRING	2	2	2					
19	4	172175-74220	SEAT, SPRING	2	2	2					
20	4	172151-74320	O-RING	2	2	2					
21	4	172455-74390	CAP	2	2	2					
22	4	172455-74410	SPRING	2	2	2					
23	4	172455-74420	POPPET	1	1	1					
24	4	172455-74440	SPRING	1	1	1					
25	4	172455-74450	PLUG	1	1	1					
26	4	172455-74460	O-RING	1	1	1					
27	4	24321-000700	O-RING, 1AG70.0	1	1	1					

Remarks
* Control valve assy is shown in Fig.72.

Fig.77. CONTROL VALVE(6/8)



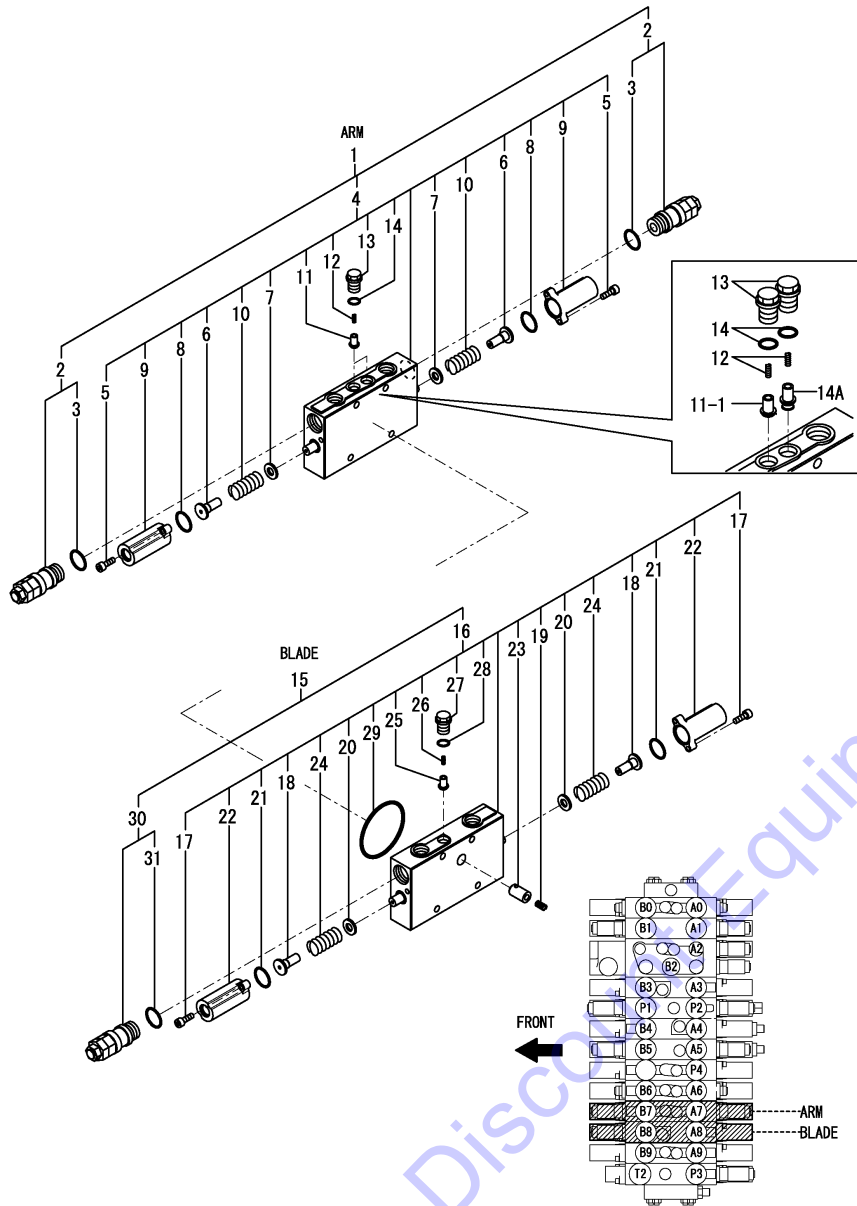
(A)=VIO80(US)
 (B)=VIO80(AS)
 (C)=VIO80(NZ)

(D)=
 (E)=
 (F)=

No.	Lev.	Parts No.	Description	Q'ty						I	R
				(A)	(B)	(C)	(D)	(E)	(F)		
1	2	172A69-71130	SECTION ASSY, PTO	1	1	1					
2	3	172A69-71140	SECTION, PTO	1	1	1					
3	4	172151-74060	BOLT, SOCKET HEAD	4	4	4					
4	4	172478-74180	SEAT, SPRING	2	2	2					
5	4	172175-74220	SEAT, SPRING	2	2	2					
6	4	172151-74320	O-RING	2	2	2					
7	4	172455-74390	CAP	2	2	2					
8	4	172455-74410	SPRING	2	2	2					
9	4	172455-74420	POPPET	2	2	2					
10	4	172455-74440	SPRING	2	2	2					
11	4	172455-74450	PLUG	2	2	2					
12	4	172455-74460	O-RING	2	2	2					
13	4	24321-000700	O-RING, 1AG70.0	1	1	1					
14	3	172455-74320	VALVE ASSY, SHUT-OFF	2	2	2					
15	4	172455-74010	NUT, SHOE	2	2	2					
16	4	172455-74020	PLUG	2	2	2					
17	4	172455-74030	O-RING	2	2	2					
18	4	172455-74040	POPPET	2	2	2					
19	4	172116-74150	O-RING	2	2	2					
20	4	172455-74990	SCREW, SETTING	2	2	2					
21	2	172A69-74290	SECTION ASSY, BOOM	1	1	1					
21-1	2	172A69-74291	SECTION ASSY, BOOM (A=M91132) (B=M91132) (C=M91132)	1	1	1					N
22	3	172A69-74300	SECTION, BOOM	1	1	1					
22-1	3	172A69-74301	SECTION, BOOM 2 (A=M91132) (B=M91132) (C=M91132)	1	1	1					N
23	4	172A69-71110	CAP	1	1	1					
24	4	172A69-71120	PISTON	1	1	1					
25	4	172151-74060	BOLT, SOCKET HEAD	4	4	4					
26	4	172478-74180	SEAT, SPRING	1	1	1					
27	4	172175-74220	SEAT, SPRING	1	1	1					
28	4	172151-74320	O-RING	2	2	2					
29	4	172455-74390	CAP	1	1	1					
30	4	172455-74410	SPRING	1	1	1					
31	4	172455-74420	POPPET	1	1	1					
32	4	172455-74440	SPRING	1	1	1					
33	4	172455-74450	PLUG	1	1	1					
34	4	172455-74460	O-RING	1	1	1					
35	4	24321-000700	O-RING, 1AG70.0	1	1	1					
36	3	172187-74550	PLUG ASSY	1	1	1					
37	4	24315-000180	O-RING, 1BP18.0	1	1	1					

Remarks
 * Control valve assy is shown in Fig.72.

Fig.78. CONTROL VALVE(7/8)



(A)=VIO80(US)
(B)=VIO80(AS)
(C)=VIO80(NZ)

(D)=
(E)=
(F)=

No.	Lev.	Parts No.	Description	Q'ty						I	R
				(A)	(B)	(C)	(D)	(E)	(F)		
1	2	172A89-74240	SECTION ASSY, ARM	1	1	1					
2	3	172A89-74150	VALVE, RELIEF	2	2	2					
3	4	172116-74150	O-RING	2	2	2					
4	3	172A89-74260	SECTION, ARM	1	1	1					
5	4	172151-74060	BOLT, SOCKET HEAD	4	4	4					
6	4	172478-74180	SEAT, SPRING	2	2	2					
7	4	172175-74220	SEAT, SPRING	2	2	2					
8	4	172151-74320	O-RING	2	2	2					
9	4	172455-74390	CAP	2	2	2					
10	4	172455-74410	SPRING	2	2	2					
11	4	172455-74420	POPPET	2	2	2					
11-1	4	172455-74420	POPPET	1	1	1					K
(A=M91693) (B=M91693) (C=M91693)											
12	4	172455-74440	SPRING	2	2	2					
13	4	172455-74450	PLUG	2	2	2					
14	4	172455-74460	O-RING	2	2	2					
14A	4	172A89-74330	VALVE, POPPET	1	1	1					W
(A=M91693) (B=M91693) (C=M91693)											
15	2	172A89-74280	SECTION ASSY, BLADE	1	1	1					
16	3	172A69-71190	SECTION, BLADE	1	1	1					
17	4	172151-74060	BOLT, SOCKET HEAD	4	4	4					
18	4	172478-74180	SEAT, SPRING	2	2	2					
19	4	172113-74190	SPRING	1	1	1					
20	4	172175-74220	SEAT, SPRING	2	2	2					
21	4	172151-74320	O-RING	2	2	2					
22	4	172455-74390	CAP	2	2	2					
23	4	172187-74410	POPPET	1	1	1					
24	4	172455-74410	SPRING	2	2	2					
25	4	172455-74420	POPPET	1	1	1					
26	4	172455-74440	SPRING	1	1	1					
27	4	172455-74450	PLUG	1	1	1					
28	4	172455-74460	O-RING	1	1	1					
29	4	24321-000700	O-RING, 1AG70.0	1	1	1					
30	3	172A89-74290	VALVE, RELIEF	1	1	1					
31	4	172116-74150	O-RING	1	1	1					

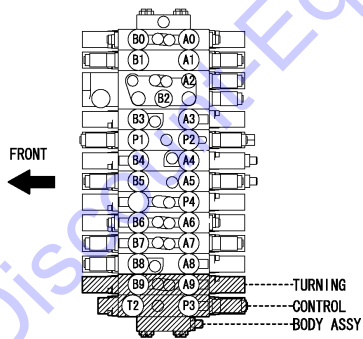
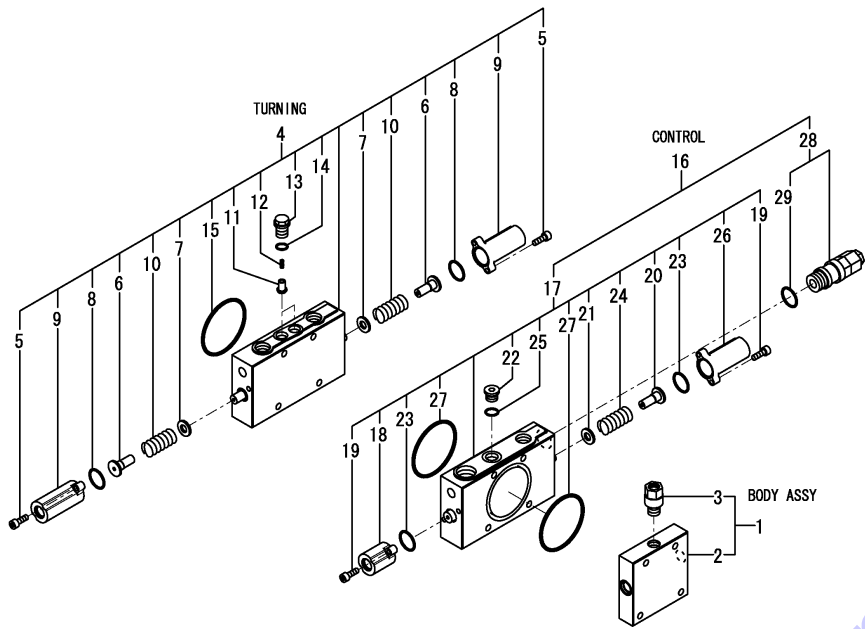
Remarks

* Control valve assy is shown in Fig.72.

Fig.79. CONTROL VALVE(8/8)

(A)=VIO80(US)
(B)=VIO80(AS)
(C)=VIO80(NZ)

(D)=
(E)=
(F)=



No.	Lev.	Parts No.	Description	Q'ty						I	R
				(A)	(B)	(C)	(D)	(E)	(F)		
1	2	172A69-71250	BODY ASSY	1	1	1					
2	3	172478-74360	BODY	1	1	1					
3	3	172478-74370	PLUG ASSY	1	1	1					
4	2	172A89-74270	SECTION, SWING	1	1	1					
5	3	172151-74060	BOLT, SOCKET HEAD	4	4	4					
6	3	172478-74180	SEAT, SPRING	2	2	2					
7	3	172175-74220	SEAT, SPRING	2	2	2					
8	3	172151-74320	O-RING	2	2	2					
9	3	172455-74390	CAP	2	2	2					
10	3	172455-74410	SPRING	2	2	2					
11	3	172455-74420	POPPET	2	2	2					
12	3	172455-74440	SPRING	2	2	2					
13	3	172455-74450	PLUG	2	2	2					
14	3	172455-74460	O-RING	2	2	2					
15	3	24321-000700	O-RING, 1AG70.0	1	1	1					
16	2	172A89-74300	SECTION ASSY	1	1	1					
17	3	172A69-71230	SECTION, CONTROL	1	1	1					
18	4	172A69-71240	CAP ASSY	1	1	1					
19	4	172151-74060	BOLT, SOCKET HEAD	4	4	4					
20	4	172478-74180	SEAT, SPRING	1	1	1					
21	4	172175-74220	SEAT, SPRING	1	1	1					
22	4	172A69-74250	PLUG	1	1	1					
23	4	172151-74320	O-RING	2	2	2					
24	4	172455-74410	SPRING	1	1	1					
25	4	172455-74460	O-RING	1	1	1					
26	4	172455-74480	CAP	1	1	1					
27	4	24321-000700	O-RING, 1AG70.0	2	2	2					
28	3	172A89-74310	VALVE,RELIEF 24.2/50	1	1	1					
29	4	172116-74150	O-RING	1	1	1					

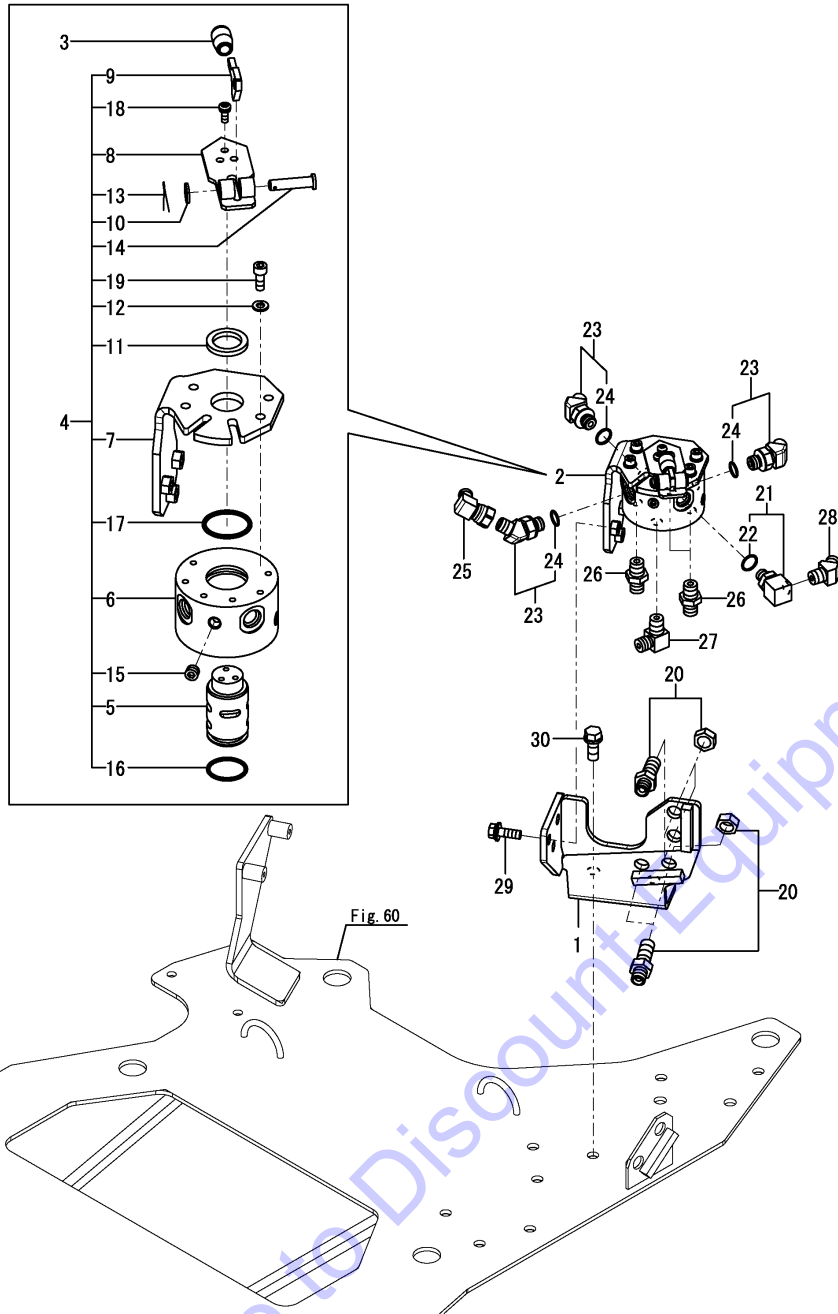
Remarks

* Control valve assy is shown in Fig.72.

Fig.80. 2-WAY VALVE

(A)=VIO80(US)
 (B)=VIO80(AS)
 (C)=VIO80(NZ)

(D)=
 (E)=
 (F)=

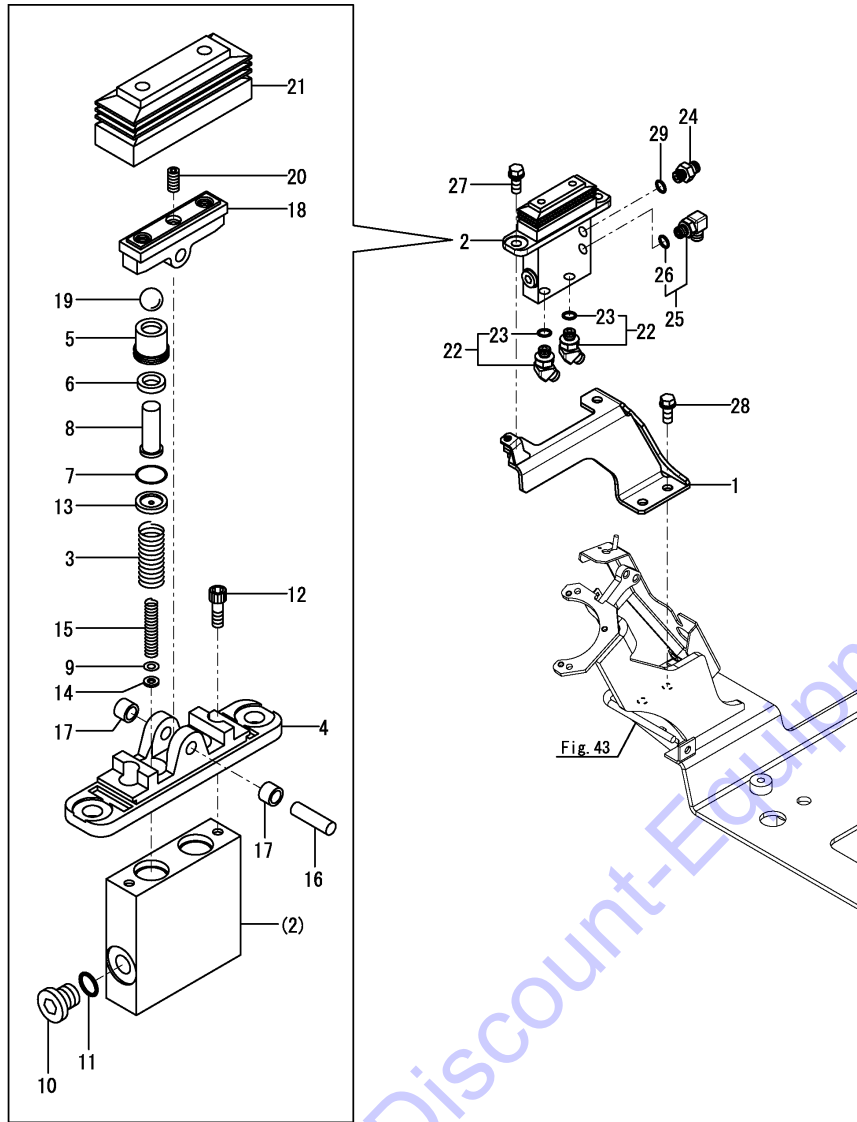


No.	Lev.	Parts No.	Description	Q'ty						I	R
				(A)	(B)	(C)	(D)	(E)	(F)		
1	1	172A69-71750	BRACKET ASSY,2WAY	1	1	1					
2	1	172A36-74690	VALVE ASSY, 2-WAY	1	1	1					
3	2	172157-58835	KNOB, 6.5X18X35	1	1	1					
4	2	172A36-74700	VALVE ASSY, 2-WAY	1	1	1					
5	3	172437-74711	SHAFT	1	1	1					
6	3	172437-74720	BLOCK,VALVE	1	1	1					
7	3	172437-74732	STAY ASSY	1	1	1					
8	3	172A36-74750	LEVER	1	1	1					
9	3	172A36-74780	PLATE,LOCK	1	1	1					
10	3	22117-080000	WASHER, 8	1	1	1					
11	3	22137-240000	WASHER, 24	1	1	1					
12	3	22217-060000	WASHER, SPRING 6	4	4	4					
13	3	22417-200160	PIN, COTTER 2.0X16	1	1	1					
14	3	22487-080300	PIN, H 8X 30	1	1	1					
15	3	23871-010000	PLUG, R01	4	4	4					
16	3	24311-000250	O-RING, 1AP25.0	1	1	1					
17	3	24311-000320	O-RING, 1AP32.0	1	1	1					
18	3	26022-050122	SCREW, M5X12	3	3	3					
19	3	26450-060162	BOLT, M6X 16	4	4	4					
20	1	172151-76050	JOINT	4	4	4					
21	1	172137-76100	ELBOW	1	1	1					
22	2	24315-000110	O-RING, 1BP11.0	1	1	1					
23	1	172173-76102	CONNECTOR ASSY	3	3	3					
24	2	41851-000110	O-RING	3	3	3					
25	1	172828-76330	CONNECTOR, 1/4X1/4	1	1	1					
26	1	23391-020000	JOINT, RGI-1/4	3	3	3					
27	1	23393-020000	JOINT, 90RGI-1/4	1	1	1					
28	1	23394-020000	JOINT, 45RGI-1/4	1	1	1					
29	1	26013-080252	BOLT, M8X 25	3	3	3					
30	1	26013-100252	BOLT, M10X 25	2	2	2					

Fig.81. BLADE VALVE

(A)=VIO80(US)
 (B)=VIO80(AS)
 (C)=VIO80(NZ)

(D)=
 (E)=
 (F)=



No.	Lev.	Parts No.	Description	Q'ty						I	R
				(A)	(B)	(C)	(D)	(E)	(F)		
1	1	172A69-74310	STAY ASSY, VALVE	1	1	1					
2	1	172A69-74670	VALVE ASSY	1	1	1					
3	2	172A69-74680	SPRING	2	2	2					
4	2	172A47-74710	COVER	1	1	1					
5	2	172A47-74720	PLUG	2	2	2					
6	2	172A47-74730	PACKING	2	2	2					
7	2	172A47-74740	O-RING	2	2	2					
8	2	172A47-74750	ROD, PUSH	2	2	2					
9	2	172A47-74760	SHIM	2	2	2					
10	2	172A47-74770	PLUG	1	1	1					
11	2	172A47-74780	O-RING	1	1	1					
12	2	172A47-74790	BOLT	2	2	2					
13	2	172A47-74800	SEAT, SPRING	2	2	2					
14	2	172A47-74810	WASHER	2	2	2					
15	2	172A47-74820	SPRING	2	2	2					
16	2	172A47-74840	SHAFT, CAM	1	1	1					
17	2	172A47-74850	BUSH	2	2	2					
18	2	172A47-74860	CAM	1	1	1					
19	2	172A47-74870	BALL, STEEL	2	2	2					
20	2	172A47-74880	SCREW, SETTING	1	1	1					
21	2	172A47-74890	BELLOWS	1	1	1					
22	1	172173-76102	CONNECTOR ASSY	2	2	2					
23	2	41851-000110	O-RING	2	2	2					
24	1	172123-76121	ADAPTER	1	1	1					
25	1	172141-76181	CONNECTOR ASSY, 02FF	1	1	1					
26	2	41851-000110	O-RING	1	1	1					
27	1	26013-100252	BOLT, M10X 25	2	2	2					
28	1	26013-100252	BOLT, M10X 25	2	2	2					
29	1	41851-000110	O-RING	1	1	1					

Fig.82. SOLENOID VALVE(P.T.O.)

(A)=VIO80(US)
 (B)=VIO80(AS)
 (C)=VIO80(NZ)

(D)=
 (E)=
 (F)=

No.	Lev.	Parts No.	Description	Q'ty						I	R
				(A)	(B)	(C)	(D)	(E)	(F)		
1	1	172837-74130	VALVE ASSY	1	1	1					
2	2	172837-74140	VALVE ASSY	2	2	2					
3	2	172837-74150	O-RING	2	2	2					
4	2	172837-74160	O-RING	2	2	2					
5	2	172837-74170	O-RING	2	2	2					
6	2	172142-74670	PLUG	1	1	1					
7	2	24315-000140	O-RING, 1BP14.0	1	1	1					
8	1	172123-76121	ADAPTER	1	1	1					
9	1	172123-76121	ADAPTER	1	1	1					
10	1	172A47-76120	NIPPLE, ELBOW	1	1	1					
11	2	24315-000140	O-RING, 1BP14.0	1	1	1					
12	1	172183-76200	CONNECTOR	2	2	2					
13	1	26013-100202	BOLT, M10X 20	2	2	2					
14	1	41851-000110	O-RING	3	3	3					
15	1	41851-000110	O-RING	1	1	1					

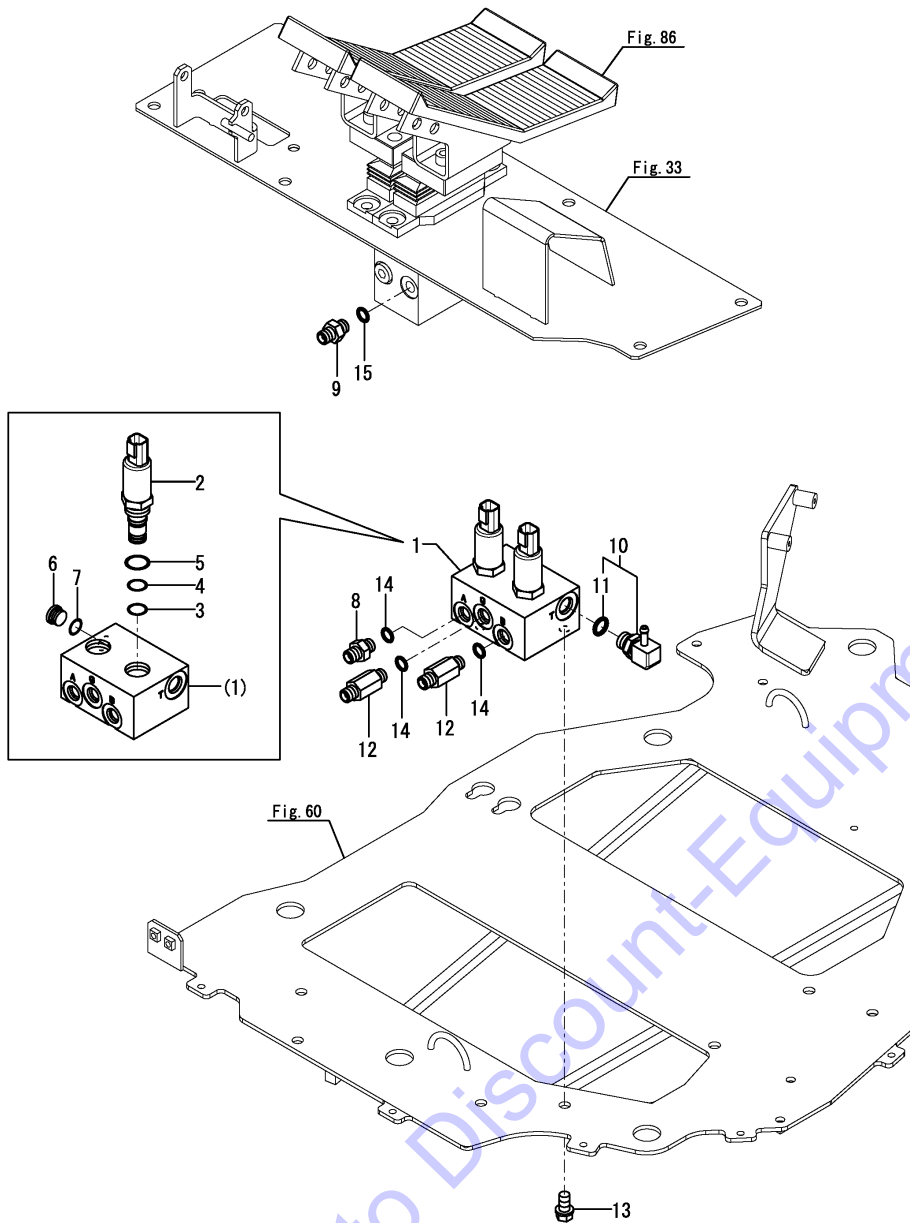
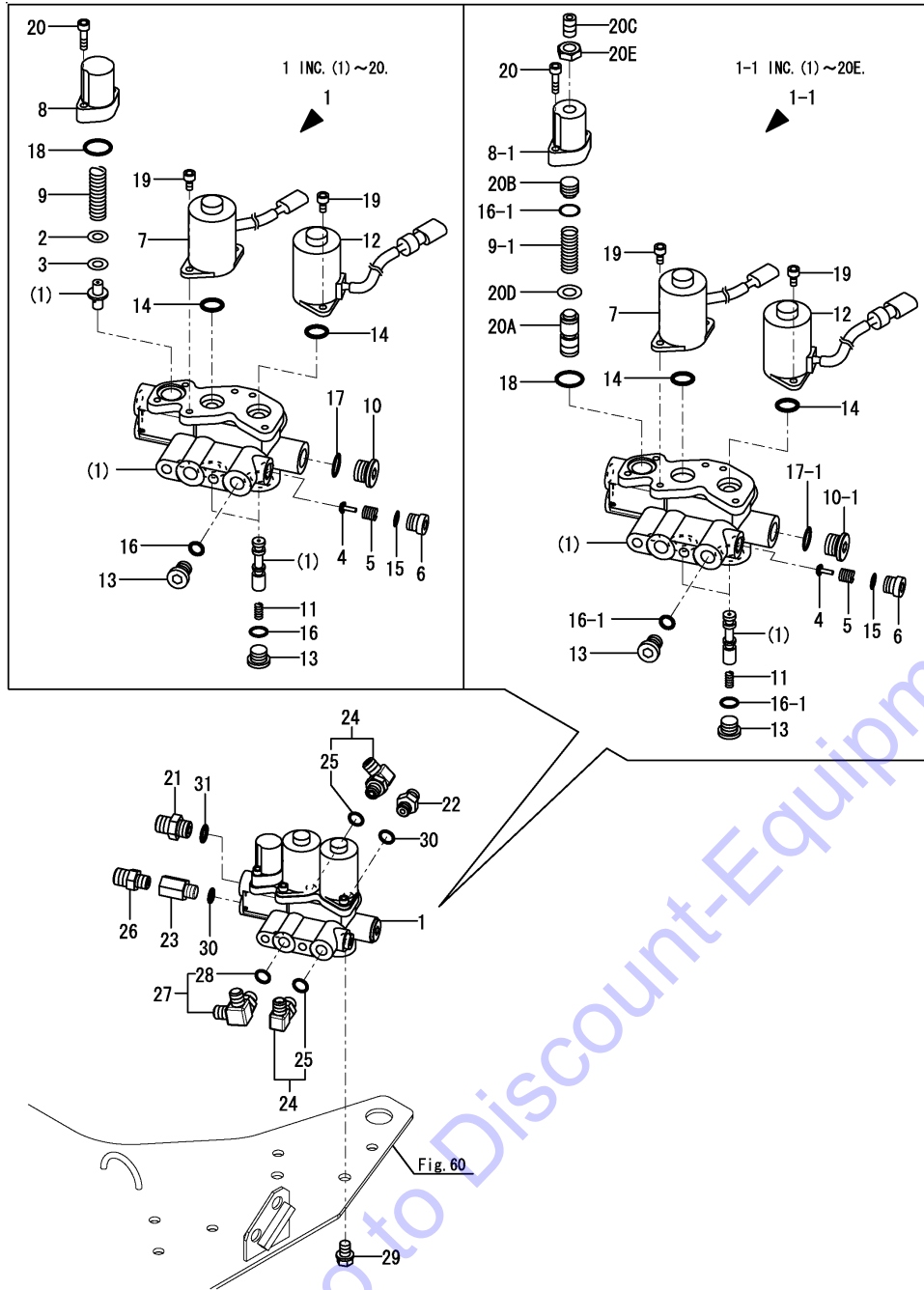


Fig.83. SOLENOID VALVE(PILOT)



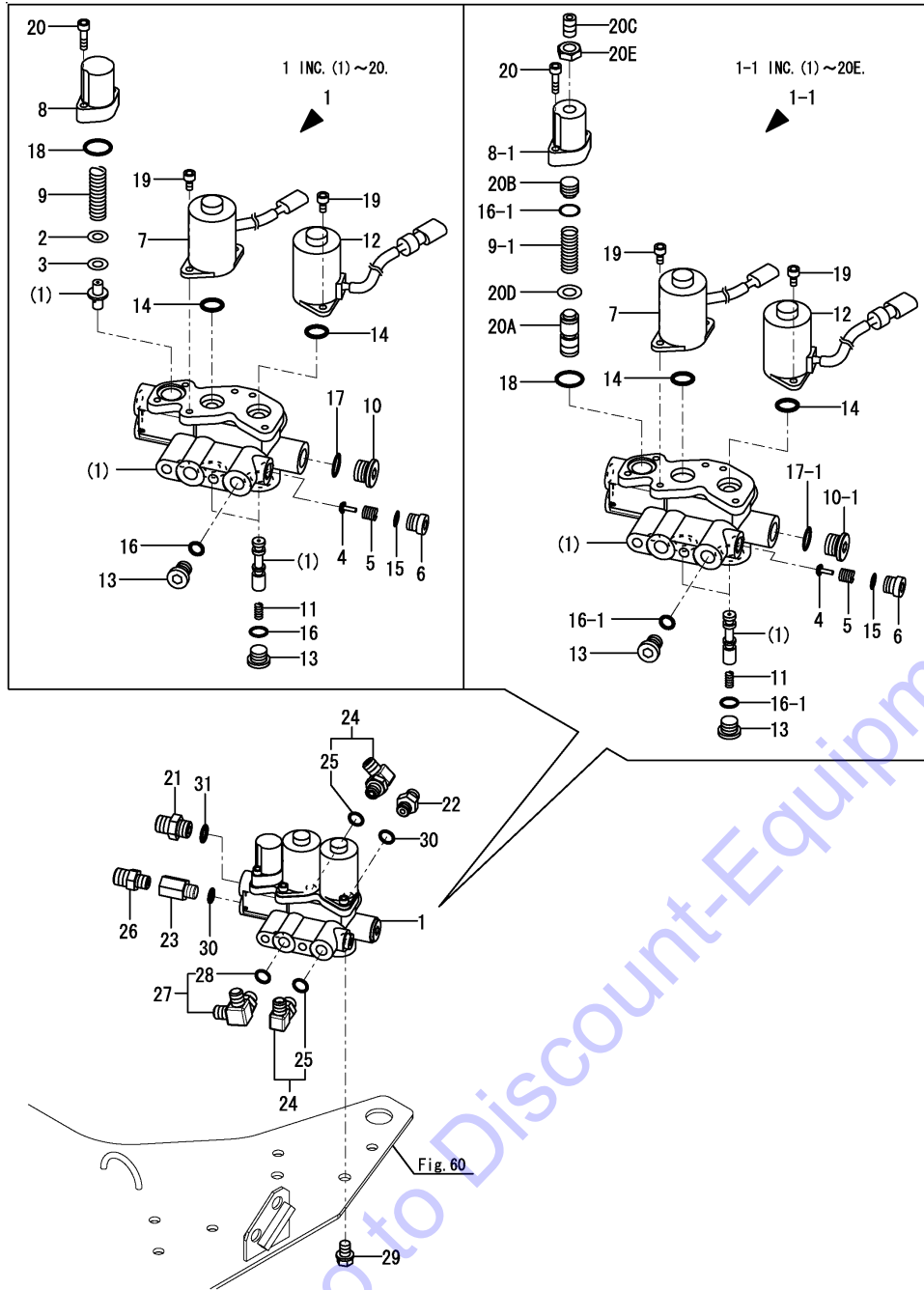
(A)=VIO80(US)
(B)=VIO80(AS)
(C)=VIO80(NZ)

(D)=
(E)=
(F)=

No.	Lev.	Parts No.	Description	Q'ty						I	R
				(A)	(B)	(C)	(D)	(E)	(F)		
1	1	172A69-74410	VALVE ASSY	1	1	1					
1-1	1	172A69-74411	VALVE ASSY,SOL	1	1	1					N
		(A=M92128) (B=M92128) (C=M92128)									
2	2	172A69-74420	SHIM	1	1	1					Z
		(A=M92128) (B=M92128) (C=M92128)									
3	2	172A69-74430	SHIM	1	1	1					Z
		(A=M92128) (B=M92128) (C=M92128)									
4	2	172A69-74440	PLUNGER	1	1	1					
5	2	172A69-74450	SPRING	1	1	1					
6	2	172A69-74460	PLUG	1	1	1					
7	2	172A69-74470	VALVE, SOLENOID	1	1	1					
8	2	172A69-74490	COVER	1	1	1					
8-1	2	172A69-74980	COVER	1	1	1					S
		(A=M92128) (B=M92128) (C=M92128)									
9	2	172A69-74500	SPRING	1	1	1					
9-1	2	172A69-74540	SPRING	1	1	1					S
		(A=M92128) (B=M92128) (C=M92128)									
10	2	172A69-74510	PLUG	1	1	1					
10-1	2	172A69-74520	PLUG, PF1/2	1	1	1					S
		(A=M92128) (B=M92128) (C=M92128)									
11	2	172A46-74710	SPRING	2	2	2					
12	2	172A46-74720	VALVE, SOLENOID	1	1	1					
13	2	172A46-74730	PLUG,G1/4	3	3	3					
14	2	24311-000160	O-RING, 1AP16.0	2	2	2					
15	2	24315-000100	O-RING, 1BP10.0	1	1	1					
16	2	24315-000110	O-RING, 1BP11.0	3	3	3					
16-1	2	24315-000110	O-RING, 1BP11.0	4	4	4					K
		(A=M92128) (B=M92128) (C=M92128)									
17	2	24315-000140	O-RING, 1BP14.0	1	1	1					
17-1	2	24315-000180	O-RING, 1BP18.0	1	1	1					S
		(A=M92128) (B=M92128) (C=M92128)									
18	2	24315-000200	O-RING, 1BP20.0	1	1	1					
19	2	26450-050122	BOLT, M5X 12	4	4	4					
20	2	26450-050202	BOLT, M5X 20	2	2	2					
20A	2	172A69-74960	PLUNGER	1	1	1					W
		(A=M92128) (B=M92128) (C=M92128)									
20B	2	172A69-74970	PLUG	1	1	1					W
		(A=M92128) (B=M92128) (C=M92128)									
20C	2	172A69-74990	SCREW, ADJUSTING	1	1	1					W
		(A=M92128) (B=M92128) (C=M92128)									
20D	2	22117-080000	WASHER, 8	1	1	1					W
		(A=M92128) (B=M92128) (C=M92128)									
20E	2	26736-100002	NUT, M10	1	1	1					W
		(A=M92128) (B=M92128) (C=M92128)									
21	1	172730-75141	ADAPTER	1	1	1					
22	1	172123-76121	ADAPTER	1	1	1					
23	1	172422-76140	CONNECTOR	1	1	1					
24	1	172141-76181	CONNECTOR ASSY, 02FF	2	2	2					
25	2	41851-000110	O-RING	2	2	2					
26	1	172638-76190	CONNECTOR,PF1/4PF3/8	1	1	1					
27	1	172491-76330	ELBOW, ADJUSTABLE	1	1	1					

N:Old $\begin{matrix} \text{Yes} \\ \text{No} \end{matrix}$ New, Q:Old $\begin{matrix} \text{No} \\ \text{Yes} \end{matrix}$ New, R:Old $\begin{matrix} \text{Yes} \\ \text{No} \end{matrix}$ New, S:Old $\begin{matrix} \text{No} \\ \text{Yes} \end{matrix}$ New, W:Add, Z:Discontinued, F:Interchangeable by set, K:Q'ty Change
 ++ CONTINUE ++
 Copyright (C) 2014 YANMAR CO., LTD. All Rights Reserved.

Fig.83. SOLENOID VALVE(PILOT)

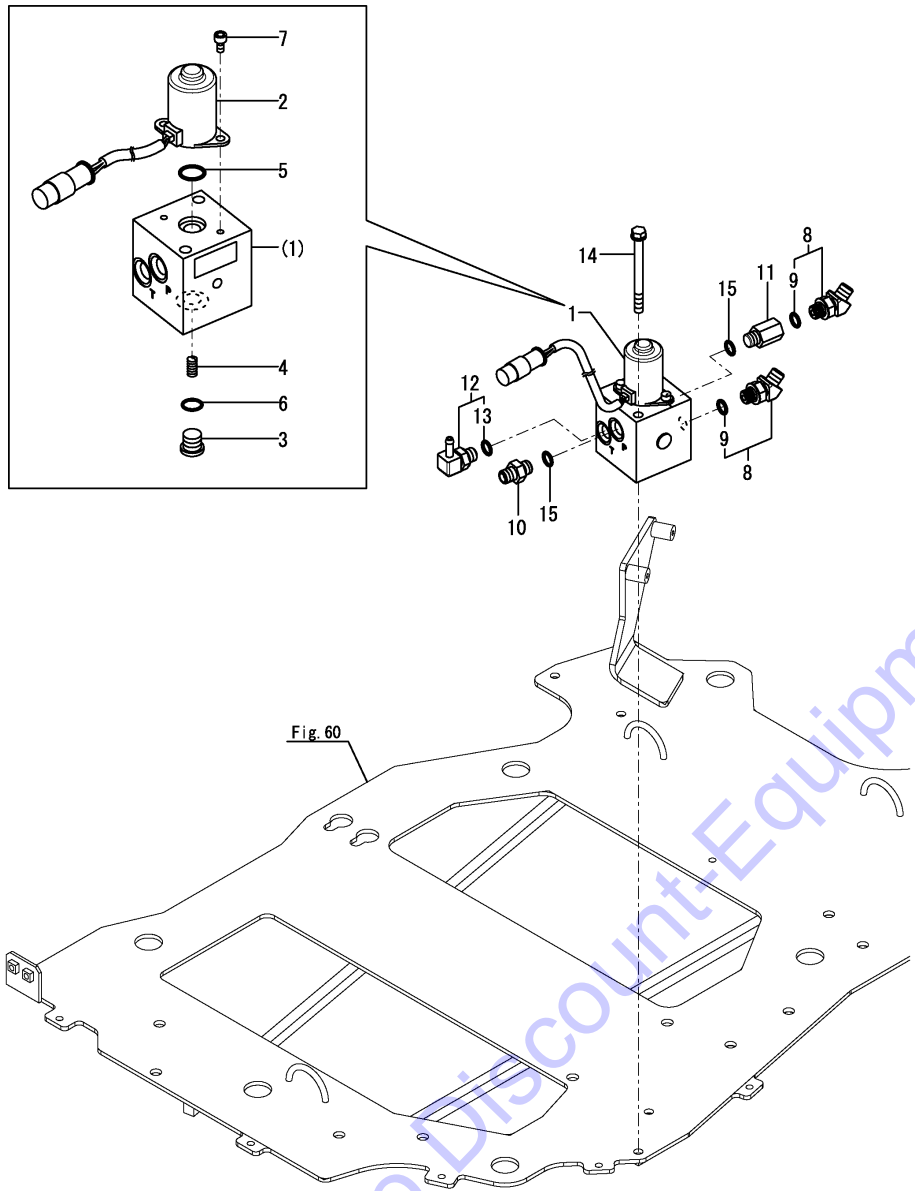


(A)=VIO80(US)
 (B)=VIO80(AS)
 (C)=VIO80(NZ)

(D)=
 (E)=
 (F)=

No.	Lev.	Parts No.	Description	Q'ty						I	R
				(A)	(B)	(C)	(D)	(E)	(F)		
28	2	24315-000110	O-RING, 1BP11.0	1	1	1					
29	1	26013-100162	BOLT, M10X 16	2	2	2					
30	1	41851-000110	O-RING	2	2	2					
31	1	41851-000140	O-RING	1	1	1					

Fig.84. SOLENOID VALVE(QUICK COUPLER)



(A)=VIO80(US)
 (B)=VIO80(AS)
 (C)=VIO80(NZ)

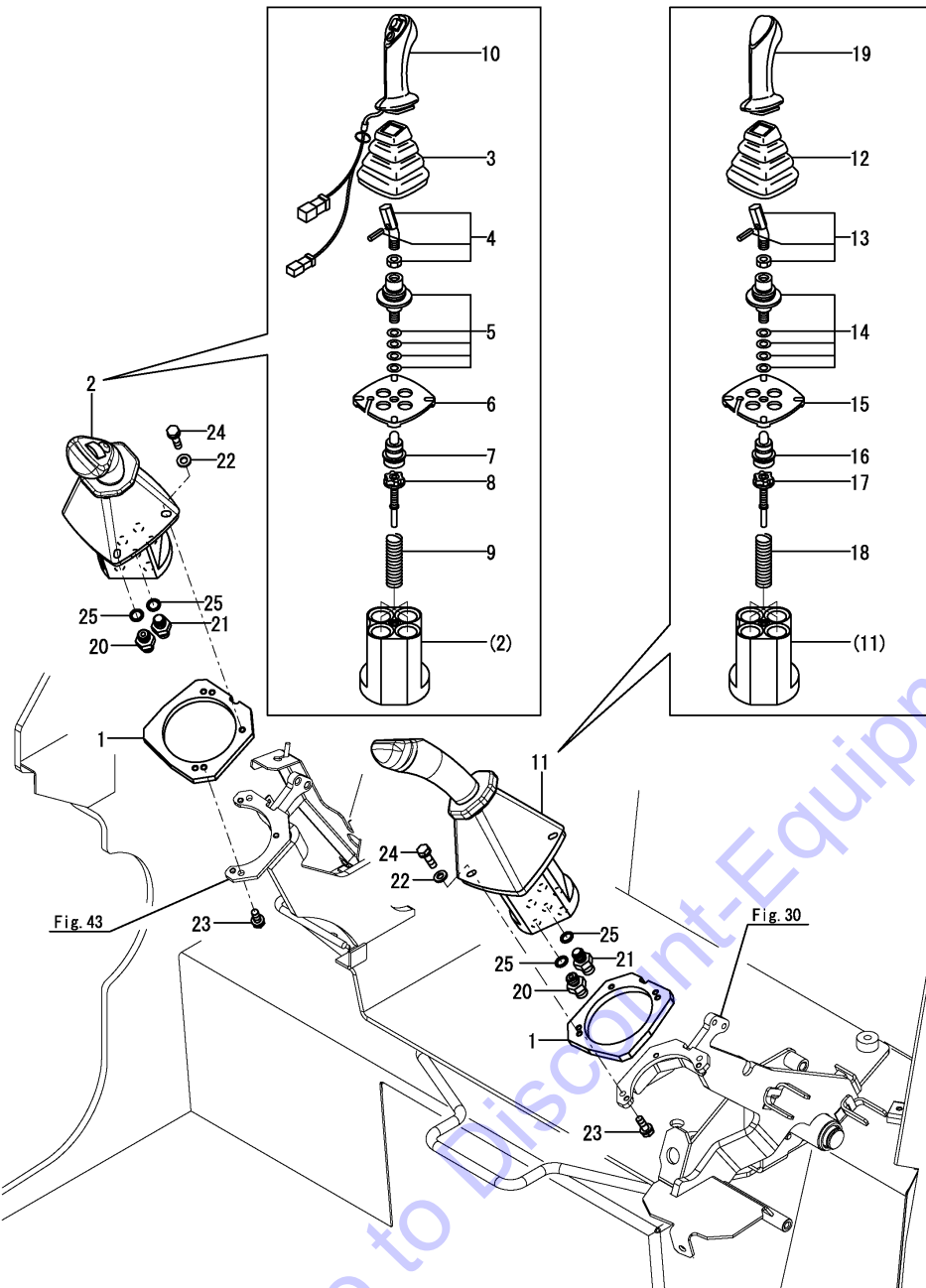
(D)=
 (E)=
 (F)=

No.	Lev.	Parts No.	Description	Q'ty						I	R
				(A)	(B)	(C)	(D)	(E)	(F)		
1	1	172A69-74550	VALVE ASSY	1	1	1					
2	2	172A69-74560	SOLENOID	1	1	1					
3	2	172A69-74590	PLUG G1/4	1	1	1					
4	2	172A46-74710	SPRING	1	1	1					
5	2	24311-000160	O-RING, 1AP16.0	1	1	1					
6	2	24315-000110	O-RING, 1BP11.0	1	1	1					
7	2	26450-050102	BOLT, M5X 10	2	2	2					
8	1	172173-76102	CONNECTOR ASSY	2	2	2					
9	2	41851-000110	O-RING	2	2	2					
10	1	172123-76121	ADAPTER	1	1	1					
11	1	172422-76140	CONNECTOR	1	1	1					
12	1	172186-76430	NIPPLE, ELBOW	1	1	1					
13	2	24315-000110	O-RING, 1BP11.0	1	1	1					
14	1	26013-080902	BOLT, M8X 90	2	2	2					
15	1	41851-000110	O-RING	2	2	2					

Fig.85. REMOTE CONTROL VALVE(OPERATION)

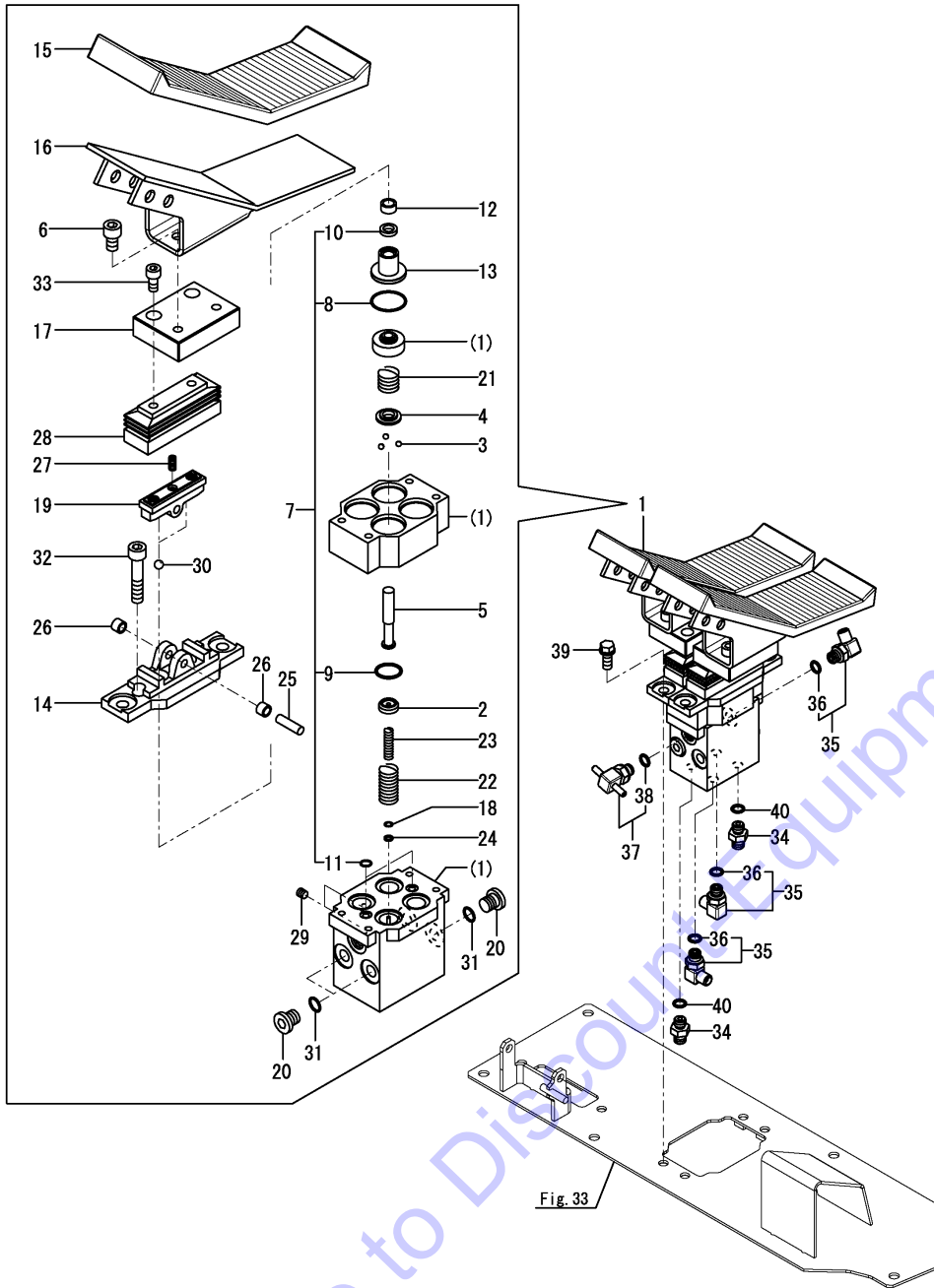
(A)=VIO80(US)
 (B)=VIO80(AS)
 (C)=VIO80(NZ)

(D)=
 (E)=
 (F)=



No.	Lev.	Parts No.	Description	Q'ty						I	R
				(A)	(B)	(C)	(D)	(E)	(F)		
1	1	172A78-64510	SPACER, VALVE	2	2	2					
2	1	172A69-74850	VALVE ASSY,R	1	1	1					
3	2	172441-74030	BOOT	1	1	1					
4	2	172441-74040	LEVER KIT	1	1	1					
5	2	172463-74530	CARDAN KIT	1	1	1					
6	2	172463-74540	PLATE, RETAINING	1	1	1					
7	2	172463-74551	PLUNGER KIT	1	1	1					
8	2	172463-74561	REGULATION KIT	4	4	4					
9	2	172463-74570	SPRING KIT	1	1	1					
10	2	172A69-74860	HANDLE ASSY	1	1	1					
11	1	172A69-74900	VALVE ASSY,L	1	1	1					
12	2	172441-74030	BOOT	1	1	1					
13	2	172441-74040	LEVER KIT	1	1	1					
14	2	172463-74530	CARDAN KIT	1	1	1					
15	2	172463-74540	PLATE, RETAINING	1	1	1					
16	2	172463-74551	PLUNGER KIT	1	1	1					
17	2	172463-74561	REGULATION KIT	4	4	4					
18	2	172463-74570	SPRING KIT	1	1	1					
19	2	172A69-74910	HANDLE	1	1	1					
20	1	172123-76121	ADAPTER	10	10	10					
21	1	172455-76220	CONNECTOR	2	2	2					
22	1	22137-060000	WASHER, 6	6	6	6					Z
		(A=M90501) (B=M90501) (C=M90501)									
23	1	26014-060162	BOLT, M6X 16	4	4	4					
24	1	26014-060162	BOLT, M6X 16	6	6	6					
25	1	41851-000110	O-RING	12	12	12					

Fig.86. REMOTE CONTROL VALVE(TRAVEL)



(A)=VIO80(US)
 (B)=VIO80(AS)
 (C)=VIO80(NZ)

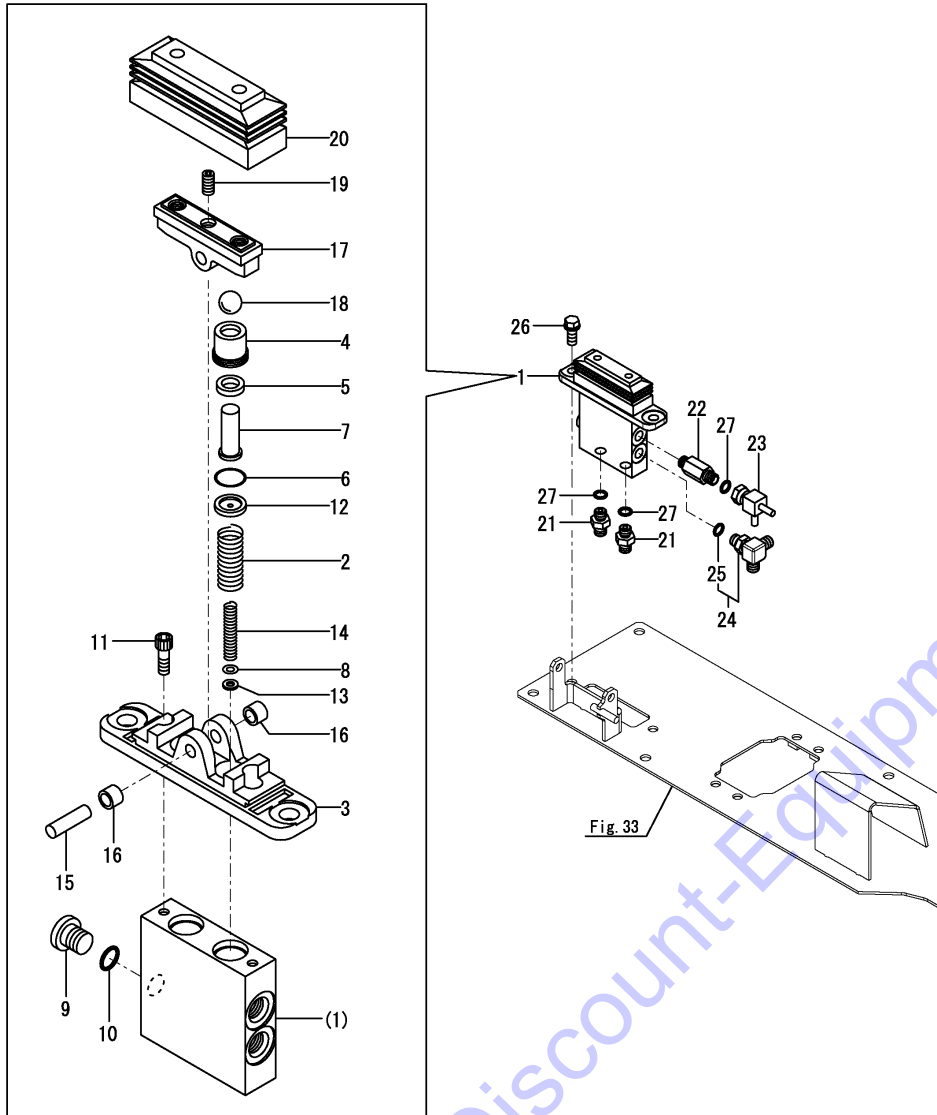
(D)=
 (E)=
 (F)=

No.	Lev.	Parts No.	Description	Q'ty						I	R
				(A)	(B)	(C)	(D)	(E)	(F)		
1	1	172A89-74700	VALVE ASSY, TRAVEL	1	1	1					
2	2	172A69-71300	SEAT, SPRING	4	4	4					
3	2	172A69-71310	BALL, STEEL	12	12	12					
4	2	172A69-71320	SEAT, SPRING	4	4	4					
5	2	172A89-74710	ROD, PUSH	4	4	4					
6	2	172A69-71340	BOLT 10X16	4	4	4					
7	2	172A69-71350	SEAL SET	1	1	1					
8	3	172A69-71360	O-RING	4	4	4					
9	3	172A69-71370	O-RING	4	4	4					
10	3	172A47-74730	PACKING	4	4	4					
11	3	24315-000080	O-RING, 1BP8.0	2	2	2					
12	2	172A69-71380	CUP, GREASE	4	4	4					
13	2	172A69-71390	PLUG	4	4	4					
14	2	172A69-71400	COVER	2	2	2					
15	2	172A69-74730	COVER, PEDAL	2	2	2					
16	2	172A69-74740	PEDAL	2	2	2					
17	2	172A69-74750	BLOCK	2	2	2					
18	2	172A47-74760	SHIM	4	4	4					
19	2	172A89-74730	CAM	2	2	2					
20	2	172A47-74770	PLUG	3	3	3					
21	2	172A69-74770	SPRING	4	4	4					
22	2	172A69-74780	SPRING	4	4	4					
23	2	172A89-74720	SPRING	4	4	4					
24	2	172A47-74810	WASHER	4	4	4					
25	2	172A47-74840	SHAFT, CAM	2	2	2					
26	2	172A47-74850	BUSH	4	4	4					
27	2	172A47-74880	SCREW, SETTING	2	2	2					
28	2	172A47-74890	BELLOWS	2	2	2					
29	2	172455-77150	PLUG	2	2	2					
30	2	24190-100001	BALL, STEEL 5/16	4	4	4					
31	2	24315-000110	O-RING, 1BP11.0	3	3	3					
32	2	26450-060502	BOLT M 6X 50	4	4	4					
33	2	26450-080162	BOLT, M8X 16	4	4	4					
34	1	172123-76121	ADAPTER	2	2	2					
35	1	172141-76181	CONNECTOR ASSY, 02FF	3	3	3					
36	2	41851-000110	O-RING	3	3	3					
37	1	172A47-76230	NIPPLE, TEE	1	1	1					
38	2	41851-000110	O-RING	1	1	1					
39	1	26013-100252	BOLT, M10X 25	4	4	4					
40	1	41851-000110	O-RING	2	2	2					

Fig.87. REMOTE CONTROL VALVE(SWING)

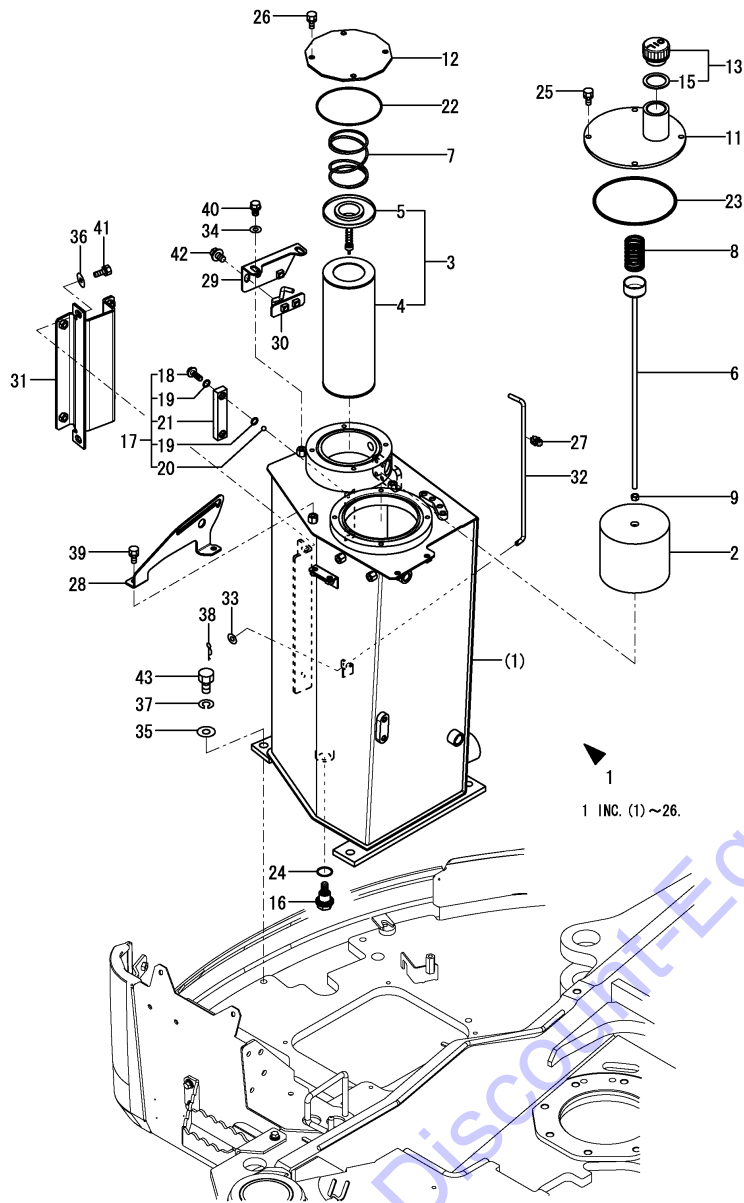
(A)=VIO80(US)
 (B)=VIO80(AS)
 (C)=VIO80(NZ)

(D)=
 (E)=
 (F)=



No.	Lev.	Parts No.	Description	Q'ty						I	R
				(A)	(B)	(C)	(D)	(E)	(F)		
1	1	172A69-74670	VALVE ASSY	1	1	1					
2	2	172A69-74680	SPRING	2	2	2					
3	2	172A47-74710	COVER	1	1	1					
4	2	172A47-74720	PLUG	2	2	2					
5	2	172A47-74730	PACKING	2	2	2					
6	2	172A47-74740	O-RING	2	2	2					
7	2	172A47-74750	ROD, PUSH	2	2	2					
8	2	172A47-74760	SHIM	2	2	2					
9	2	172A47-74770	PLUG	1	1	1					
10	2	172A47-74780	O-RING	1	1	1					
11	2	172A47-74790	BOLT	2	2	2					
12	2	172A47-74800	SEAT, SPRING	2	2	2					
13	2	172A47-74810	WASHER	2	2	2					
14	2	172A47-74820	SPRING	2	2	2					
15	2	172A47-74840	SHAFT, CAM	1	1	1					
16	2	172A47-74850	BUSH	2	2	2					
17	2	172A47-74860	CAM	1	1	1					
18	2	172A47-74870	BALL, STEEL	2	2	2					
19	2	172A47-74880	SCREW, SETTING	1	1	1					
20	2	172A47-74890	BELLOWS	1	1	1					
21	1	172123-76121	ADAPTER	2	2	2					
22	1	172183-76200	CONNECTOR	1	1	1					
23	1	172A47-76320	NIPPLE	1	1	1					
24	1	172491-76330	ELBOW, ADJUSTABLE	1	1	1					
25	2	24315-000110	O-RING, 1BP11.0	1	1	1					
26	1	26013-100252	BOLT, M10X 25	2	2	2					
27	1	41851-000110	O-RING	3	3	3					

Fig.88. HYD. OIL TANK



(A)=VIO80(US)
(B)=VIO80(AS)
(C)=VIO80(NZ)

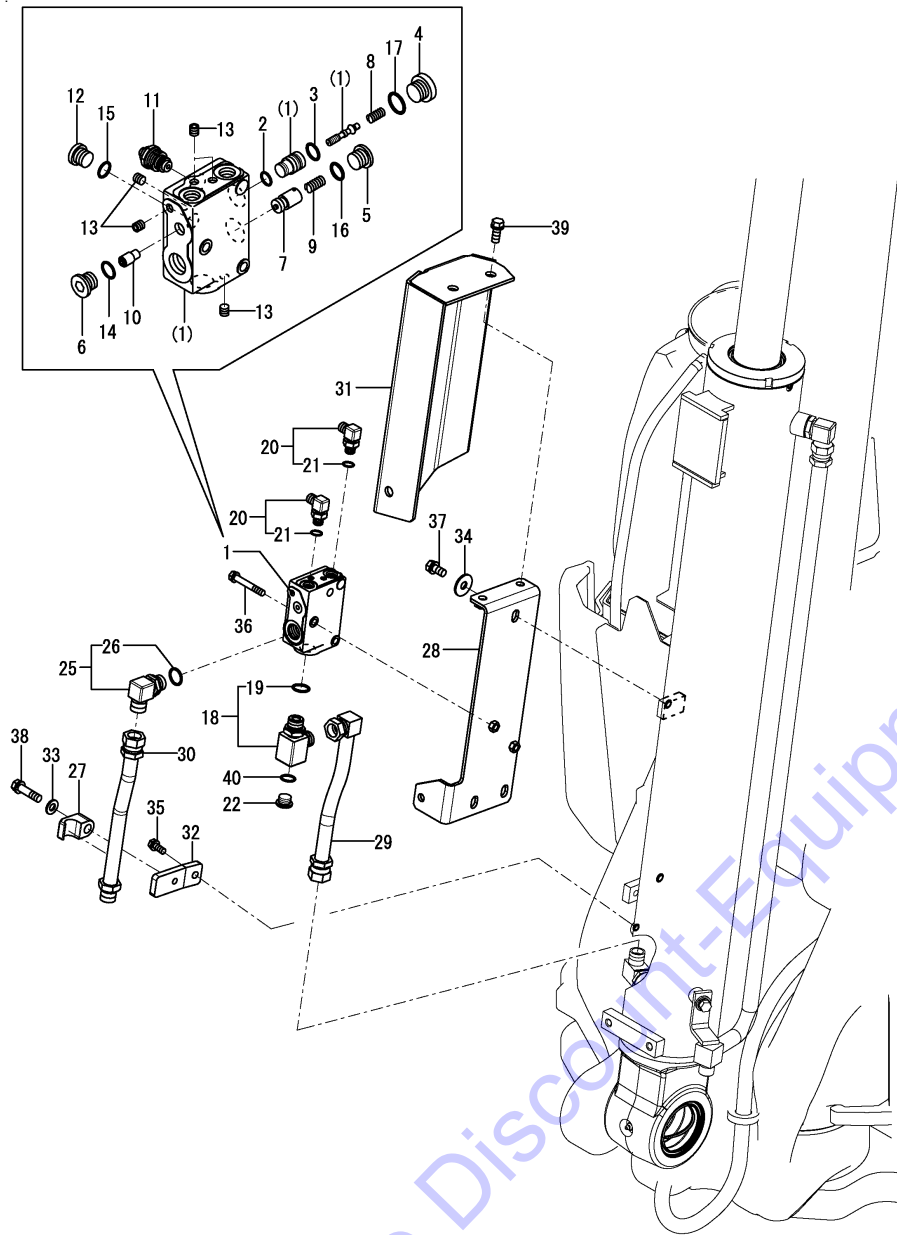
(D)=
(E)=
(F)=

No.	Lev.	Parts No.	Description	Qty						I	R
				(A)	(B)	(C)	(D)	(E)	(F)		
1	1	772A69-75100	TANK ASSY, RESERVOIR	1	1	1					
2	2	172162-73700	STRAINER, SUCTION	1	1	1					
3	2	172187-73700	FILTER ASSY, RETURN	1	1	1					
4	3	172187-73730	ELEMENT, FILTER	1	1	1					
5	3	172112-74971	VALVE, BY-PASS	1	1	1					
6	2	172A69-75710	ROD ASSY, FILTER	1	1	1					
7	2	172112-75770	SPRING, FILTER	1	1	1					
8	2	172112-75780	SPRING, FILTER	1	1	1					
9	2	26716-100002	NUT, M10	1	1	1					
11	2	172A69-75240	COVER ASSY	1	1	1					
12	2	172187-75340-2	COVER, TANK	1	1	1					1
13	2	172A69-75450	CAP, RESERVER	1	1	1					
15	3	172A69-75470	PACKING	1	1	1					
16	2	172187-75500	PLUG	1	1	1					
17	2	172A69-75600	GAUGE, OIL LEVEL	1	1	1					
18	3	172455-75290	BOLT	2	2	2					
19	3	172455-75300	O-RING	4	4	4					
20	3	172455-75310	FLOAT	1	1	1					
21	3	172A69-75610	GAUGE, OIL LEVEL	1	1	1					
22	2	24321-001350	O-RING, 1AG135.0	1	1	1					
23	2	24321-001700	O-RING, 1AG170.0	1	1	1					
24	2	24341-000300	O-RING, 1AS30.0	1	1	1					
25	2	26013-100202	BOLT, M10X 20	4	4	4					
25-1	2	26014-100202	BOLT, M10X 20	4	4	4					R
		(A=*2010.07) (B=*2010.07) (C=*2010.07)									
26	2	26013-100202	BOLT, M10X 20	4	4	4					
26-1	2	26014-100202	BOLT, M10X 20	4	4	4					R
		(A=*2010.07) (B=*2010.07) (C=*2010.07)									
27	1	1A7400-61250	HOLDER, ROD 8	1	1	1					
28	1	172A89-62550	GUIDE, STOPPER	1	1	1					
29	1	172A89-62570	STAY ASSY	1	1	1					
30	1	172A89-62610	CATCH ASSY, LOCK	1	1	1					
31	1	172A69-65721	HINGE ASSY	1	1	1					
31-1	1	172B11-65720	HINGE ASSY	1	1	1					N
		(A=*2013.03) (B=*2013.03) (C=*2013.03)									
32	1	172A69-65780	HOOK, BONNET	1	1	1					
33	1	22137-080000	WASHER, 8	1	1	1					
34	1	22137-100000	WASHER, 10	2	2	2					
35	1	22137-160000	WASHER, 16	4	4	4					
36	1	22157-100000	WASHER, 10	2	2	2					
37	1	22217-160000	WASHER, SPRING 16	4	4	4					
38	1	22372-080000	PIN, SNAP 8	1	1	1					
39	1	26013-100162	BOLT, M10X 16	2	2	2					
40	1	26013-100162	BOLT, M10X 16	2	2	2					
41	1	26013-100252	BOLT, M10X 25	2	2	2					
42	1	26014-100202	BOLT, M10X 20	2	2	2					
43	1	26116-160352	BOLT, M16X 35 PLATED	4	4	4					
44A	1	172437-03322	LABEL, RESEVOIR	1	1	1					2

Remarks

- (1)Please use this part with follwing labels at the same time. No.44A.
- (2)Not illustrated.

Fig.89. HOLD VALVE(BOOM)



(A)=VIO80(US)
(B)=VIO80(AS)
(C)=VIO80(NZ)

(D)=
(E)=
(F)=

No.	Lev.	Parts No.	Description	Q'ty						I	R
				(A)	(B)	(C)	(D)	(E)	(F)		
1	1	172A69-74650	VALVE ASSY,HOLD	1	1	1					
2	2	172A25-74420	O-RING	1	1	1					
3	2	172A25-74430	O-RING	1	1	1					
4	2	172A25-74440	PLUG	1	1	1					
5	2	172A25-74450	PLUG	1	1	1					
6	2	172A25-74460	PLUG	1	1	1					
7	2	172A25-74470	POPPET	1	1	1					
8	2	172A25-74480	SPRING	1	1	1					
9	2	172A25-74490	SPRING	1	1	1					
10	2	172A25-74501	PISTON	1	1	1					
11	2	172A69-74660	VALVE,RELIEF 33	1	1	1					
12	2	172455-77140	PLUG	1	1	1					
13	2	172455-77150	PLUG	5	5	5					
14	2	24315-000100	O-RING, 1BP10.0	1	1	1					
15	2	24315-000110	O-RING, 1BP11.0	1	1	1					
16	2	24315-000140	O-RING, 1BP14.0	1	1	1					
17	2	24315-000160	O-RING, 1BP16.0	1	1	1					
18	1	172A25-76100	TEE, ADJUSTABLE	1	1	1					
19	2	24315-000180	O-RING, 1BP18.0	1	1	1					
20	1	172141-76181	CONNECTOR ASSY, 02FF	2	2	2					
21	2	41851-000110	O-RING	2	2	2					
22	1	172183-76180	PLUG	1	1	1					
25	1	172141-76900	CONNECTOR ASSY	1	1	1					
26	2	24315-000180	O-RING, 1BP18.0	1	1	1					
27	1	172142-76950-6	CLAMP	1	1	1					
27-1	1	172142-76950-N	CLAMP	1	1	1					S
		(A=M92001) (B=M92001) (C=M92001)									
28	1	172A69-77100	BRACKET ,BOOM H (2J)	1	1	1					
28-1	1	172A69-77100-N	BRACKET ,BOOM H	1	1	1					S
		(A=M92001) (B=M92001) (C=M92001)									
29	1	172A89-77150	TUBE ASSY, BOOM	1	1	1					
29-1	1	172A89-77150-N	TUBE ASSY, BOOM	1	1	1					S
		(A=M92001) (B=M92001) (C=M92001)									
30	1	172A69-77180	TUBE ASSY, BOOM	1	1	1					
30-1	1	172A69-77180-N	TUBE ASSY, BOOM	1	1	1					S
		(A=M92001) (B=M92001) (C=M92001)									
31	1	172A69-77200	COVER, BOOM	1	1	1					
31-1	1	172A69-77200-N	COVER, BOOM	1	1	1					S
		(A=M92001) (B=M92001) (C=M92001)									
32	1	172A69-77240	PLATE,CLAMP H	1	1	1					
33	1	22137-100000	WASHER, 10	1	1	1					
34	1	22157-100000	WASHER, 10	3	3	3					
35	1	26013-080202	BOLT, M8X 20	1	1	1					
36	1	26013-080552	BOLT, M8X 55	2	2	2					
37	1	26013-100202	BOLT, M10X 20	3	3	3					
38	1	26013-100402	BOLT, M10X 40	1	1	1					
39	1	26014-100252	BOLT, M10X 25	3	3	3					
40	1	41851-000140	O-RING	1	1	1					

Remarks

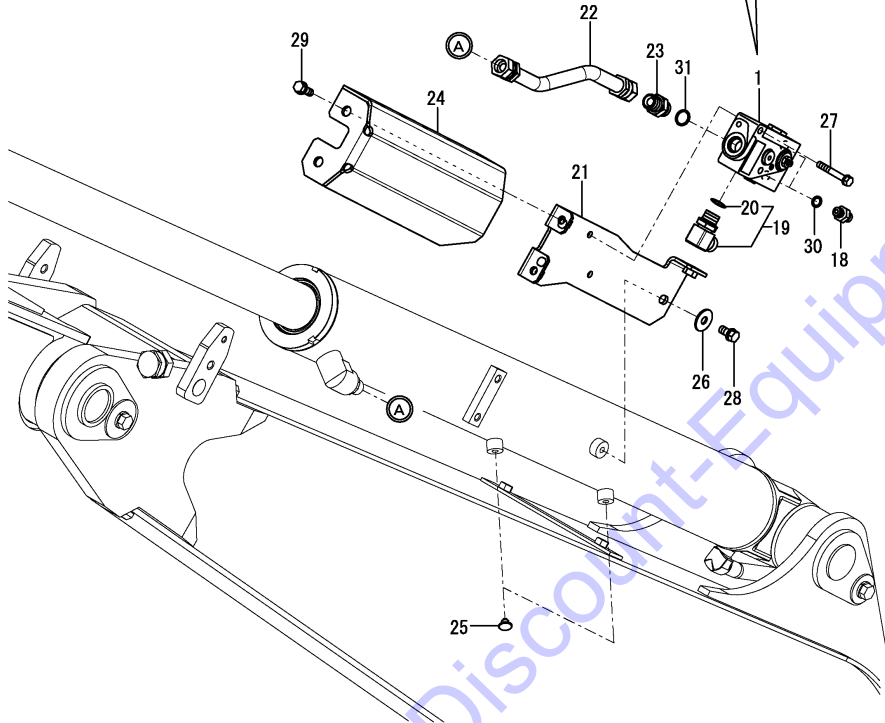
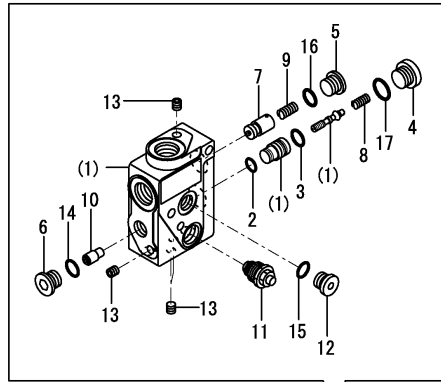
* Hold valve kit is shown in Fig.118.

N:Old $\frac{Yes}{No}$ New, Q:Old $\frac{No}{Yes}$ New, R:Old $\frac{Yes}{Yes}$ New, S:Old $\frac{No}{No}$ New, W:Add, Z:Discontinued, F:Interchangeable by set, K:Q'ty Change

Fig.90. HOLD VALVE(ARM)

(A)=VIO80(US)
 (B)=VIO80(AS)
 (C)=VIO80(NZ)

(D)=
 (E)=
 (F)=

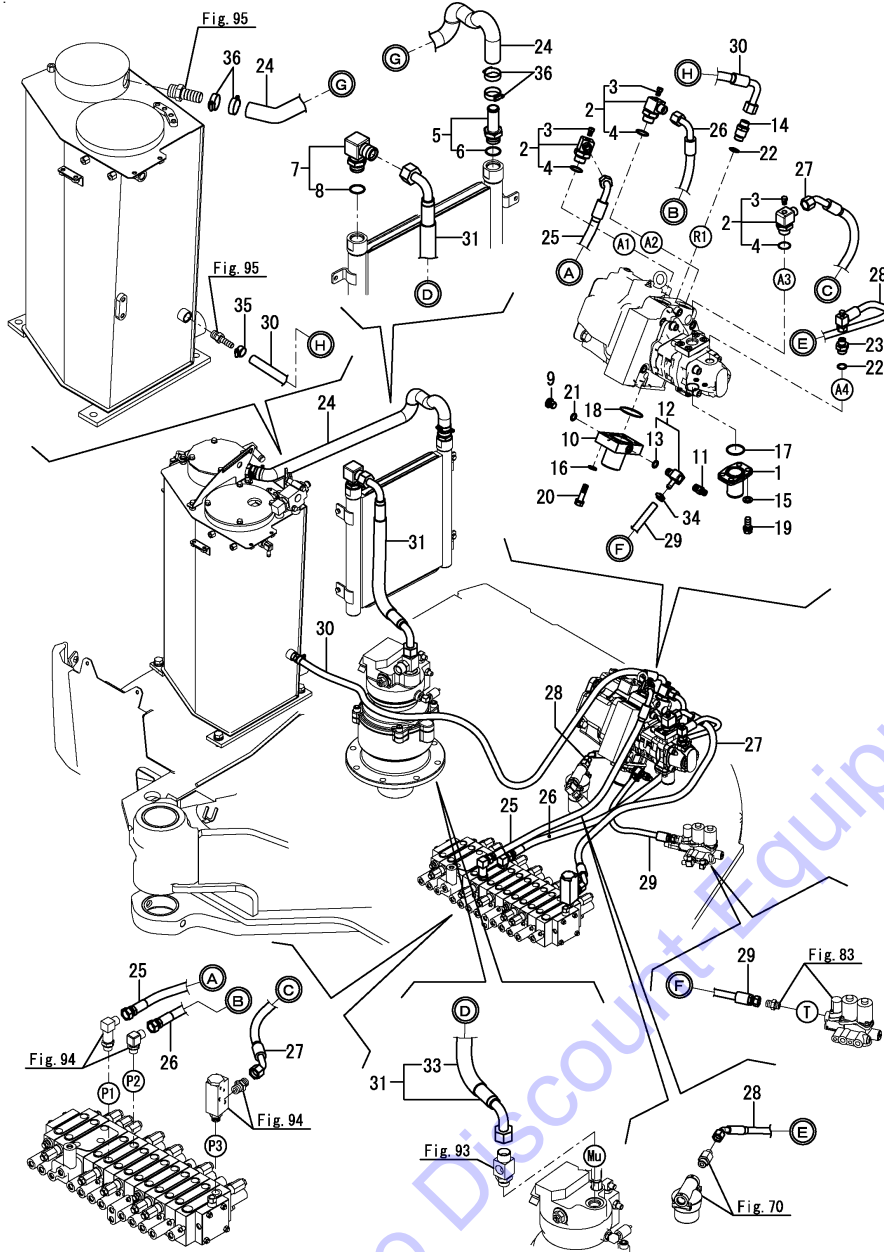


No.	Lev.	Parts No.	Description	Q'ty						I	R
				(A)	(B)	(C)	(D)	(E)	(F)		
1	1	172A69-74650	VALVE ASSY,HOLD	1	1	1					
2	2	172A25-74420	O-RING	1	1	1					
3	2	172A25-74430	O-RING	1	1	1					
4	2	172A25-74440	PLUG	1	1	1					
5	2	172A25-74450	PLUG	1	1	1					
6	2	172A25-74460	PLUG	1	1	1					
7	2	172A25-74470	POPPET	1	1	1					
8	2	172A25-74480	SPRING	1	1	1					
9	2	172A25-74490	SPRING	1	1	1					
10	2	172A25-74501	PISTON	1	1	1					
11	2	172A69-74660	VALVE,RELIEF 33	1	1	1					
12	2	172455-77140	PLUG	1	1	1					
13	2	172455-77150	PLUG	5	5	5					
14	2	24315-000100	O-RING, 1BP10.0	1	1	1					
15	2	24315-000110	O-RING, 1BP11.0	1	1	1					
16	2	24315-000140	O-RING, 1BP14.0	1	1	1					
17	2	24315-000160	O-RING, 1BP16.0	1	1	1					
18	1	172123-76121	ADAPTER	2	2	2					
19	1	172141-76900	CONNECTOR ASSY	1	1	1					
20	2	24315-000180	O-RING, 1BP18.0	1	1	1					
21	1	172A69-77300	BRACKET ,ARM H (2J)	1	1	1					
21-1	1	172A69-77300-N	BRACKET ,ARM H	1	1	1					S
		(A=M92001) (B=M92001) (C=M92001)									
22	1	172A69-77350	TUBE ASSY, ARM	1	1	1					
22-1	1	172A69-77350-N	TUBE ASSY, ARM	1	1	1					S
		(A=M92001) (B=M92001) (C=M92001)									
23	1	172112-77361	CONNECTOR	1	1	1					
24	1	172A69-77400	COVER, ARM	1	1	1					
24-1	1	172A69-77400-N	COVER, ARM	1	1	1					S
		(A=M92001) (B=M92001) (C=M92001)									
25	1	172183-81160	CLIP, TREE	2	2	2					
26	1	22157-100000	WASHER, 10	3	3	3					
27	1	26013-080552	BOLT, M8X 55	2	2	2					
28	1	26013-100202	BOLT, M10X 20	3	3	3					
29	1	26014-100252	BOLT, M10X 25	3	3	3					
30	1	41851-000110	O-RING	2	2	2					
31	1	41851-000180	O-RING	1	1	1					

Remarks

* Hold valve kit is shown in Fig.118.

Fig.91. HYD. OIL PIPING(PUMP - CONTROL VALVE - OIL COOLER)



(A)=VIO80(US)
(B)=VIO80(AS)
(C)=VIO80(NZ)

(D)=
(E)=
(F)=

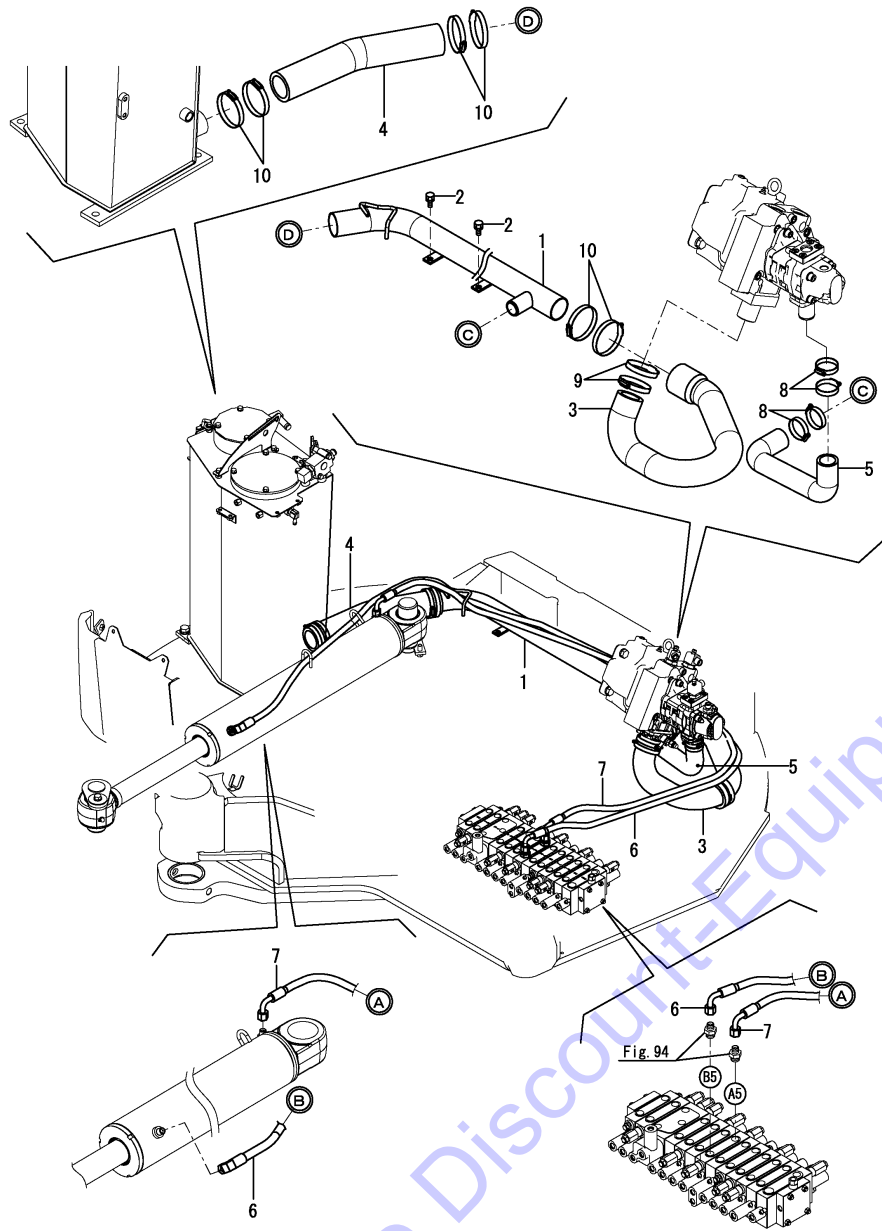
No.	Lev.	Parts No.	Description	Q'ty						I	R
				(A)	(B)	(C)	(D)	(E)	(F)		
1	1	172422-76100	FLANGE	1	1	1					
2	1	172A89-76110	ELBOW	3	3	3					
3	2	172A89-76120	PLUG, SCREW PT1/8	3	3	3					
4	2	41851-000240	O-RING	3	3	3					
5	1	172A69-76120	NIPPLE	1	1	1					
6	2	172A65-76790	O-RING	1	1	1					
7	1	172A89-76130	ELBOW	1	1	1					
8	2	24315-000290	O-RING, 1BP29.0	1	1	1					
9	1	172499-76160	PLUG	1	1	1					
10	1	172A69-76160	FLANGE ASSY	1	1	1					
11	1	172312-76190	NIPPLE	1	1	1					
12	1	172A69-76190	ELBOW	1	1	1					
13	2	41851-000140	O-RING	1	1	1					
14	1	172147-76271	CONNECTOR, 1/2X1/2	1	1	1					
15	1	22117-100000	WASHER, 10	4	4	4					
16	1	22117-120000	WASHER, 12	4	4	4					
17	1	24325-000400	O-RING, 1BG40.0	1	1	1					
18	1	24325-000550	O-RING, 1BG55.0	1	1	1					
19	1	26013-100302	BOLT, M10X 30	4	4	4					
20	1	26013-120302	BOLT, M12X 30	4	4	4					
21	1	41851-000110	O-RING	1	1	1					
22	1	41851-000180	O-RING	2	2	2					
23	1	933160-01370	CONNECTOR,PF1/2PF3/8	1	1	1					
24	1	172A89-78130	HOSE 25.4	1	1	1					
25	1	172A89-78150	HOSE H108BC092S	1	1	1					
26	1	172A89-78160	HOSE H108BC095S	1	1	1					
27	1	172A89-78170	HOSE H108EE100S	1	1	1					
28	1	172A89-78180	HOSE H604EZ068	1	1	1					
29	1	172A89-78200	HOSE G806BY039S	1	1	1					
30	1	172A89-78210	HOSE G608CY165S	1	1	1					
31	1	172A89-78240	HOSE G616CC060	1	1	1					
33	2	172499-78591	INSURATOR,HOSE	1	1	1					
34	1	23001-016000	CLAMP, HOSE 16	1	1	1					
35	1	23001-022000	CLAMP, HOSE 22	1	1	1					
36	1	23001-041000	CLAMP, HOSE 41	4	4	4					

Remarks

* Fitting(control valve) is shown in Fig.94.

N:Old $\begin{matrix} \text{Yes} \\ \text{No} \end{matrix}$ New, Q:Old $\begin{matrix} \text{No} \\ \text{Yes} \end{matrix}$ New, R:Old $\begin{matrix} \text{Yes} \\ \text{No} \end{matrix}$ New, S:Old $\begin{matrix} \text{No} \\ \text{Yes} \end{matrix}$ New, W:Add, Z:Discontinued, F:Interchangeable by set, K:Q'ty Change

Fig.92. HYD. OIL PIPING(TANK - PUMP, SWING CYLINDER)



(A)=VIO80(US)
(B)=VIO80(AS)
(C)=VIO80(NZ)

(D)=
(E)=
(F)=

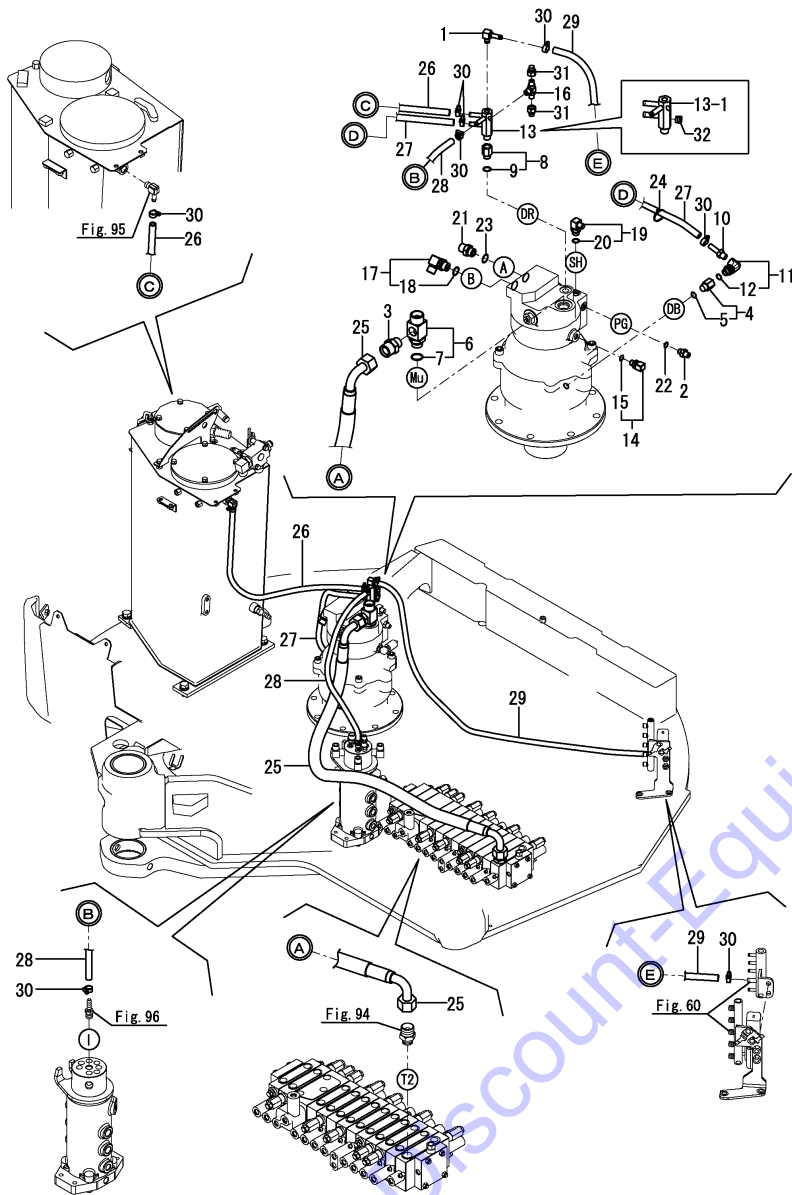
No.	Lev.	Parts No.	Description	Q'ty						I	R
				(A)	(B)	(C)	(D)	(E)	(F)		
1	1	172A89-76470	TUBE ASSY, SUCTION	1	1	1					
2	1	26013-100202	BOLT, M10X 20	2	2	2					Z
		(A=*2013.07) (B=*2013.07) (C=*2013.07)									
2-1	1	26014-100252	BOLT, M10X 25	2	2	2					W
		(A=*2013.07) (B=*2013.07) (C=*2013.07)									
3	1	172A69-78081	HOSE ASSY,59 A	1	1	1					
4	1	172A69-78110	HOSE	1	1	1					
5	1	172A69-78120	HOSE	1	1	1					
6	1	172A89-78380	HOSE H106BV332S	1	1	1					
7	1	172A89-78390	HOSE H106CC237S	1	1	1					
8	1	23001-054000	CLAMP, HOSE 54	4	4	4					
9	1	23001-080000	CLAMP, HOSE 80	2	2	2					
9-1	1	23001-070000	CLAMP, HOSE 70	2	2	2					N
		(A=*2013.07) (B=*2013.07) (C=*2013.07)									
10	1	23001-090000	CLAMP, HOSE 90	6	6	6					

Remarks
* Fitting(control valve) is shown in Fig.94.

Fig.93. HYD. OIL PIPING(CONTROL VALVE - TURNING MOTOR)

(A)=VIO80(US)
(B)=VIO80(AS)
(C)=VIO80(NZ)

(D)=
(E)=
(F)=

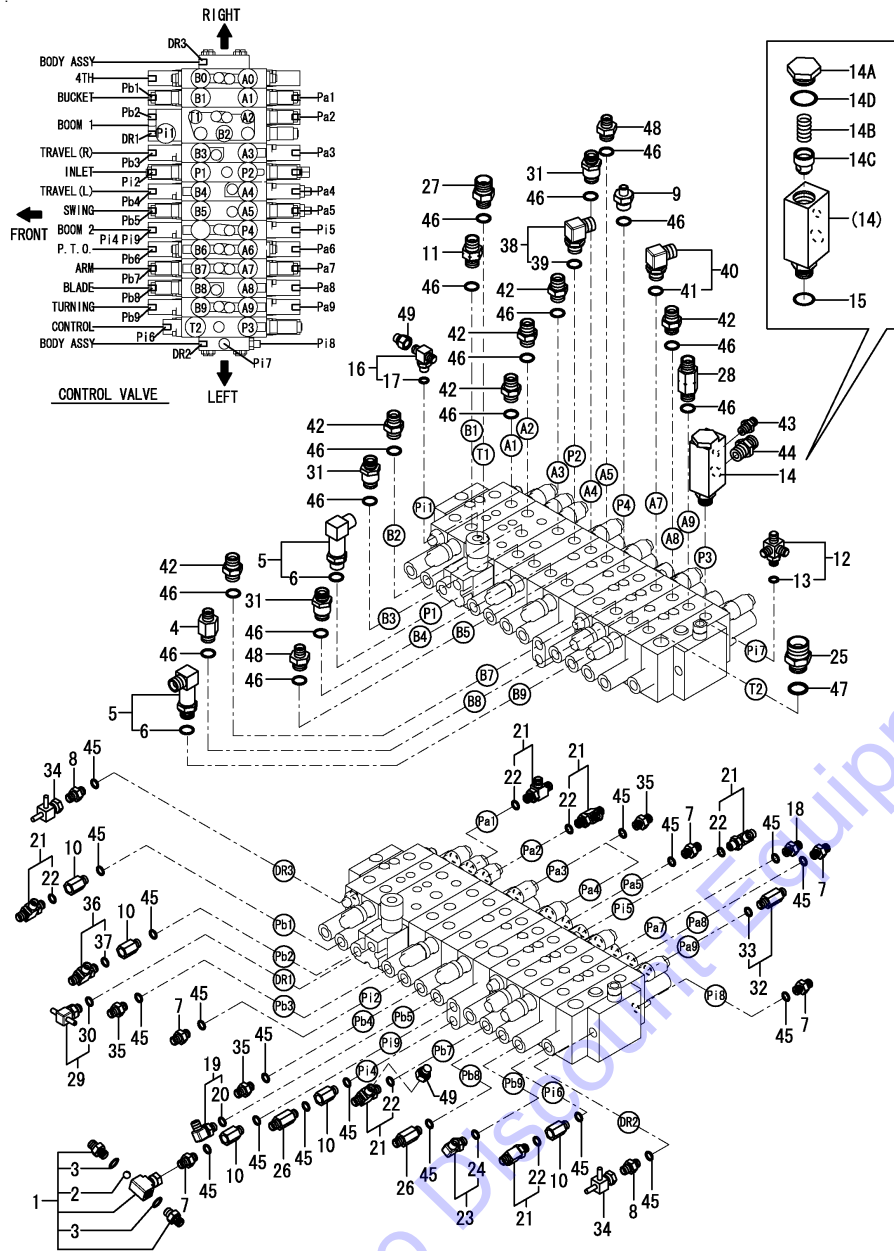


No.	Lev.	Parts No.	Description	Q'ty						I	R
				(A)	(B)	(C)	(D)	(E)	(F)		
1	1	172155-11120	ELBOW	1	1	1					
2	1	172123-76121	ADAPTER	1	1	1					
3	1	172187-76131	CONNECTOR, PF3/4	1	1	1					
4	1	172A52-76130	ADAPTER	1	1	1					
5	2	24315-000140	O-RING, 1BP14.0	1	1	1					
6	1	172187-76141	CONNECTOR, PF1XPF3/4	1	1	1					
7	2	24315-000240	O-RING, 1BP24.0	1	1	1					
8	1	172A69-76140	ADAPTER	1	1	1					
9	2	41851-000140	O-RING	1	1	1					
10	1	172165-76270	NIPPLE	1	1	1					
10-1	1	172137-76110	NIPPLE	1	1	1					R
(A=M90501) (B=M90501) (C=M90501)											
11	1	172499-76300	ELBOW ASSY	1	1	1					
12	2	24315-000140	O-RING, 1BP14.0	1	1	1					
13	1	172499-76310	JOINT	1	1	1					
13-1	1	172499-76311	JOINT	1	1	1					F 1
(A=M90610) (B=M90610) (C=M90610)											
14	1	172A89-76310	JOINT, G1/4-RC1/8	1	1	1					
15	2	41851-000110	O-RING	1	1	1					
16	1	172162-76320	CONNECTOR, 3X1/4	1	1	1					
17	1	172141-76900	CONNECTOR ASSY	1	1	1					
18	2	24315-000180	O-RING, 1BP18.0	1	1	1					
19	1	172141-76920	CONNECTOR ASSY	1	1	1					
20	2	24315-000140	O-RING, 1BP14.0	1	1	1					
21	1	172112-77361	CONNECTOR	1	1	1					
22	1	41851-000110	O-RING	1	1	1					
23	1	41851-000180	O-RING	1	1	1					
24	1	172137-16560	BAND	1	1	1					
25	1	172A69-78230	HOSE	1	1	1					
26	1	172A69-78250	HOSE	1	1	1					
27	1	172A69-78261	HOSE G806YY060S	1	1	1					
28	1	172A69-78261	HOSE G806YY060S	1	1	1					
29	1	172A69-78270	HOSE	1	1	1					
30	1	23001-016000	CLAMP, HOSE 16	8	8	8					
31	1	1E3030-78370	CAP, SCREW	2							2
32	1	23871-020000	PLUG, R02	1	1	1					W
(A=M90610) (B=M90610) (C=M90610)											

Remarks

- * Fitting(control valve) is shown in Fig.94.
- (1)Interchangeable by simultaneous replacement with No.32.
- (2)Not applied for hold valve specification.

Fig.94. HYD. OIL PIPING(CONTROL VALVE : FITTING)



(A)=VIO80(US)
 (B)=VIO80(AS)
 (C)=VIO80(NZ)

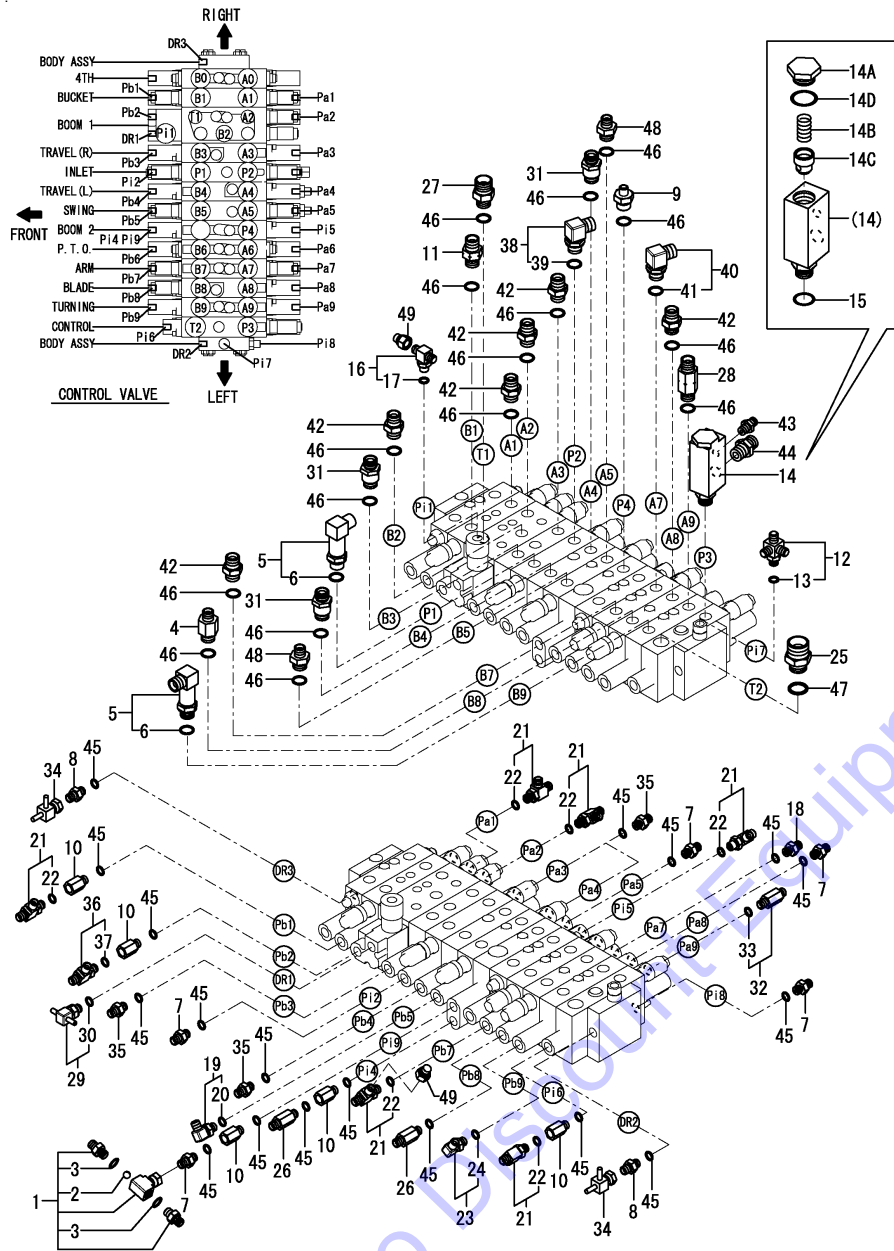
(D)=
 (E)=
 (F)=

No.	Lev.	Parts No.	Description	Q'ty						I	R
				(A)	(B)	(C)	(D)	(E)	(F)		
1	1	172A86-74500	VALVE, SHUTTLE	1	1	1					
2	2	24190-140001	BALL, STEEL 7/16	1	1	1					
3	2	41851-000110	O-RING	2	2	2					
4	1	172423-76100	CONNECTOR, PF1/2PF3/8	1	1	1					
5	1	172524-76110	ELBOW	2	2	2					
6	2	24315-000180	O-RING, 1BP18.0	2	2	2					
7	1	172123-76121	ADAPTER	5	5	5					
8	1	172123-76121	ADAPTER	2	2	2					
9	1	172423-76120	CONNECTOR, PF1/2X1/4	1	1	1					
10	1	172422-76140	CONNECTOR	5	5	5					
11	1	172423-76140	CONNECTOR, 1/2X1/2	1	1	1					
12	1	172491-76140	JOINT	1	1	1					
13	2	24315-000110	O-RING, 1BP11.0	1	1	1					
14	1	172A69-76150	ELBOW	1	1	1					
14A	2	172A69-76050	PLUG	1	1	1					
14B	2	172A69-76060	SPRING	1	1	1					
14C	2	172A69-76070	VALVE, POPPET	1	1	1					
14D	2	24315-000240	O-RING, 1BP24.0	1	1	1					
15	2	41851-000180	O-RING	1	1	1					
16	1	172187-76170	TEE, ADJUSTABLE	1	1	1					
17	2	24315-000110	O-RING, 1BP11.0	1	1	1					
18	1	172A47-76171	CONNECTOR, G1/4X0.6	1	1	1					
19	1	172141-76181	CONNECTOR ASSY, 02FF	1	1	1					
20	2	41851-000110	O-RING	1	1	1					
21	1	172162-76181	JOINT ASSY	6	6	6					
22	2	41851-000110	O-RING	6	6	6					
23	1	172A47-76180	ELBOW	1	1	1					
24	2	41851-000110	O-RING	1	1	1					
25	1	172151-76200	JOINT	1	1	1					
26	1	172183-76200	CONNECTOR	2	2	2					
27	1	172187-76200	ADAPTER, 1/2-3/4	1	1	1					
28	1	172176-76210	JOINT, PF1/2	1	1	1					
29	1	172A47-76230	NIPPLE, TEE	1	1	1					
30	2	41851-000110	O-RING	1	1	1					
31	1	172147-76271	CONNECTOR, 1/2X1/2	3	3	3					
32	1	172A47-76290	CONNECTOR	1	1	1					
33	2	41851-000110	O-RING	1	1	1					
34	1	172A47-76320	NIPPLE	2	2	2					
35	1	172164-76330	JOINT, PF1/4-0.7	4	4	4					
36	1	172164-76700	JOINT ASSY	1	1	1					
37	2	24315-000110	O-RING, 1BP11.0	1	1	1					
38	1	172141-76900	CONNECTOR ASSY	1	1	1					
39	2	24315-000180	O-RING, 1BP18.0	1	1	1					
40	1	172141-76900	CONNECTOR ASSY	1	1	1					
41	2	24315-000180	O-RING, 1BP18.0	1	1	1					
42	1	172112-77361	CONNECTOR	6	6	6					
43	1	23391-020000	JOINT, RGI-1/4	1	1	1					
44	1	23391-040000	JOINT, RGI-1/2	1	1	1					
45	1	41851-000110	O-RING	19	19	19					
46	1	41851-000180	O-RING	16	16	16					
47	1	41851-000240	O-RING	1	1	1					

Remarks

(1)Not applied for hold valve specification.

Fig.94. HYD. OIL PIPING(CONTROL VALVE : FITTING)



(A)=VIO80(US)
 (B)=VIO80(AS)
 (C)=VIO80(NZ)

(D)=
 (E)=
 (F)=

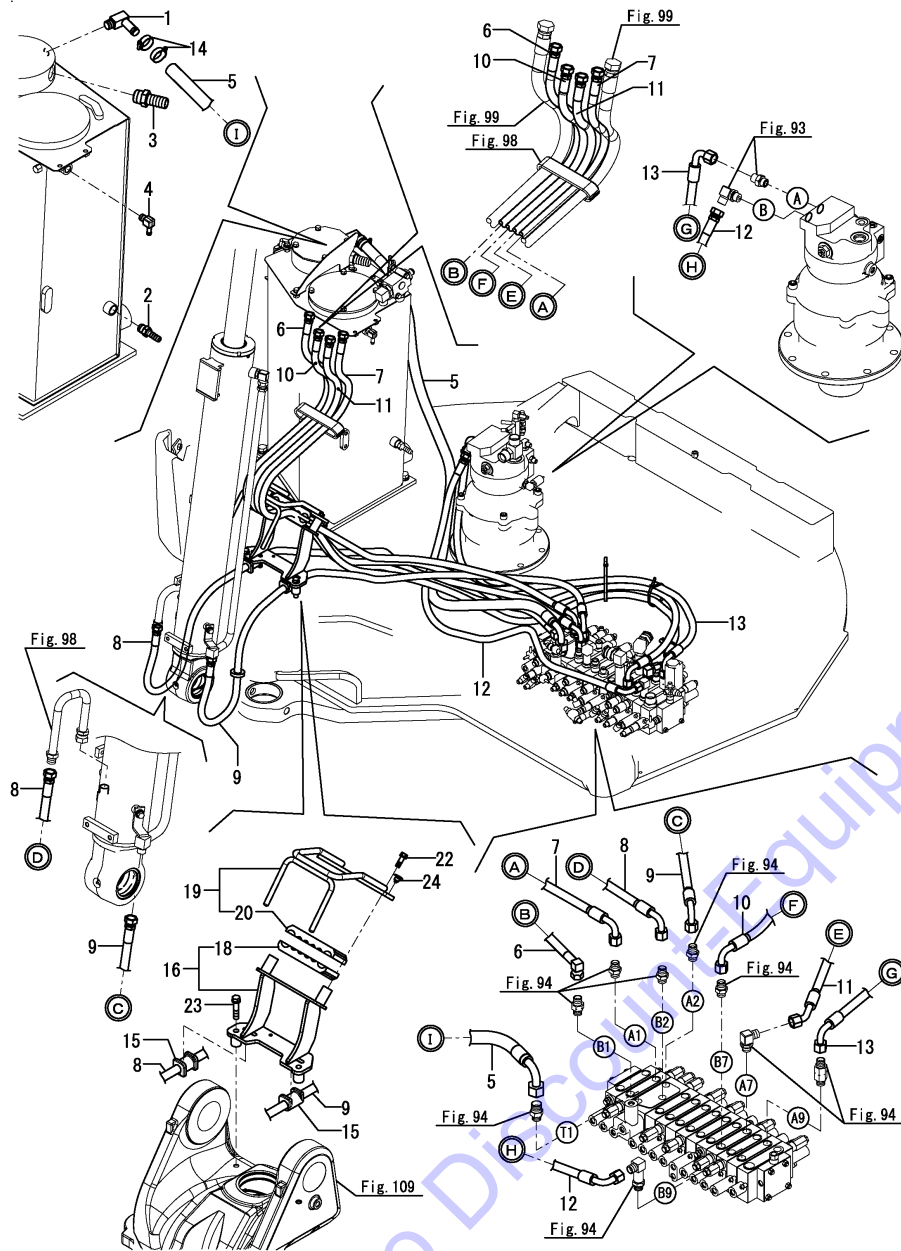
No.	Lev.	Parts No.	Description	Qty						I	R
				(A)	(B)	(C)	(D)	(E)	(F)		
48	1	933160-01370	CONNECTOR,PF1/2PF3/8	2	2	2					
49	1	1E3030-78370	CAP. SCREW	2							1

Remarks
 (1)Not applied for hold valve specification.

Fig.95. HYD. OIL PIPING(CONTROL VALVE - BOOM, TURNING MOTOR, TANK)

(A)=VIO80(US)
(B)=VIO80(AS)
(C)=VIO80(NZ)

(D)=
(E)=
(F)=



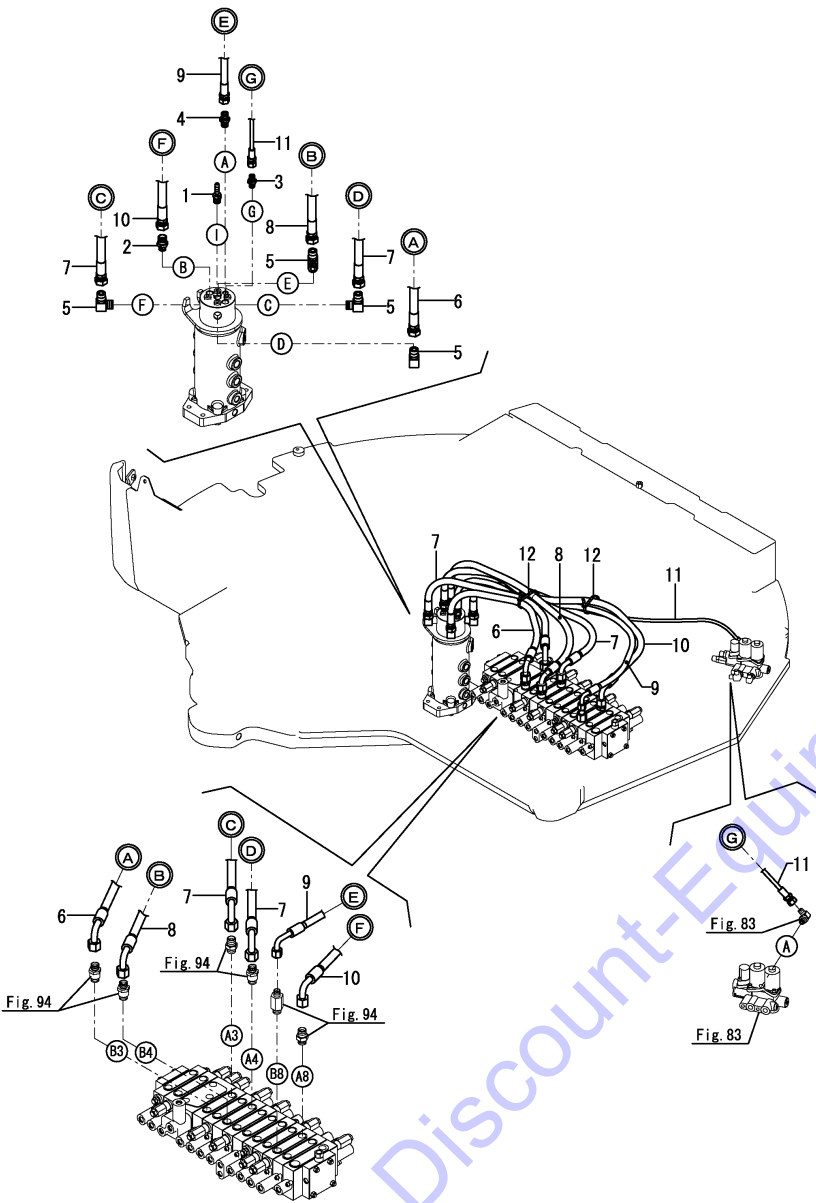
No.	Lev.	Parts No.	Description	Q'ty						I	R
				(A)	(B)	(C)	(D)	(E)	(F)		
1	1	172455-76160	ELBOW	1	1	1					
1-1	1	172A89-76170	ELBOW, 90 1/2	1	1	1					N
		(A=M92036) (B=M92036) (C=M92036)									
2	1	172168-76170	CONNECTOR	1	1	1					
3	1	172187-76180	NIPPLE, HOSE	1	1	1					
4	1	172168-76370	ELBOW	1	1	1					
5	1	172A69-78220	HOSE	1	1	1					
6	1	172A89-78300	HOSE H108BV238K	1	1	1					
7	1	172A89-78310	HOSE H108BC234K	1	1	1					
8	1	172A69-78320	HOSE	1	1	1					
9	1	172A69-78330	HOSE	1	1	1					
10	1	172A89-78430	HOSE G108BC291K	1	1	1					
11	1	172A89-78440	HOSE H108BE272K	1	1	1					
12	1	172A69-78470	HOSE	1	1	1					
13	1	172A69-78480	HOSE	1	1	1					
14	1	23001-035000	CLAMP, HOSE 35	2	2	2					
15	1	172187-78100	RUBBER	2	2	2					
16	1	172A89-79100	CLAMP ASSY, HOSE	1	1	1					
16-1	1	172A89-79100-Y	CLAMP ASSY, HOSE	1	1	1					S
		(A=M92001) (B=M92001) (C=M92001)									
18	2	172A89-79140	SUPPORT, RUBBER	1	1	1					
19	1	172A89-79150	PLATE ASSY,CLAMP(2J)	1	1	1					
19-1	1	172A89-79150-Y	PLATE ASSY,CLAMP	1	1	1					S
		(A=M92001) (B=M92001) (C=M92001)									
20	2	172A89-79140	SUPPORT, RUBBER	1	1	1					
22	1	26013-100302	BOLT, M10X 30	2	2	2					
23	1	26013-120602	BOLT, M12X 60	2	2	2					
24	1	172183-81160	CLIP, TREE	4	4	4					W
		(A=M90501) (B=M90501) (C=M90501)									

Remarks

* Fitting(control valve) is shown in Fig.94.

N:Old $\begin{matrix} \leftarrow \text{Yes} \\ \text{No} \end{matrix}$ New, Q:Old $\begin{matrix} \leftarrow \text{No} \\ \text{Yes} \end{matrix}$ New, R:Old $\begin{matrix} \leftarrow \text{Yes} \\ \text{No} \end{matrix}$ New, S:Old $\begin{matrix} \leftarrow \text{No} \\ \text{Yes} \end{matrix}$ New, W:Add, Z:Discontinued, F:Interchangeable by set, K:Q'ty Change

Fig.96. HYD. OIL PIPING(CONTROL VALVE - SWIVEL JOINT)



(A)=VIO80(US)
(B)=VIO80(AS)
(C)=VIO80(NZ)

(D)=
(E)=
(F)=

No.	Lev.	Parts No.	Description	Q'ty						I	R	
				(A)	(B)	(C)	(D)	(E)	(F)			
1	1	172137-76110 (A=M92122) (B=M92122) (C=M92122)	NIPPLE	1	1	1					Z	1
2	1	172141-76940	ADAPTER	1	1	1					Z	1
3	1	23391-020000 (A=M92122) (B=M92122) (C=M92122)	JOINT, RGI-1/4	1	1	1					Z	1
4	1	23391-030000 (A=M92122) (B=M92122) (C=M92122)	JOINT, RGI-3/8	1	1	1					Z	1
5	1	23393-040000 (A=M92122) (B=M92122) (C=M92122)	JOINT, 90RGI-1/2	4	4	4					Z	1
6	1	172A69-78340	HOSE	1	1	1						
7	1	172A69-78350	HOSE	2	2	2						
8	1	172A69-78360	HOSE	1	1	1						
9	1	172A69-78450	HOSE	1	1	1						
10	1	172A69-78460	HOSE	1	1	1						
11	1	172A69-78900	HOSE	1	1	1						
12	1	172122-79890	CLAMP, HOSE	3	3	3						

Remarks

* Fitting(control valve) is shown in Fig.94.

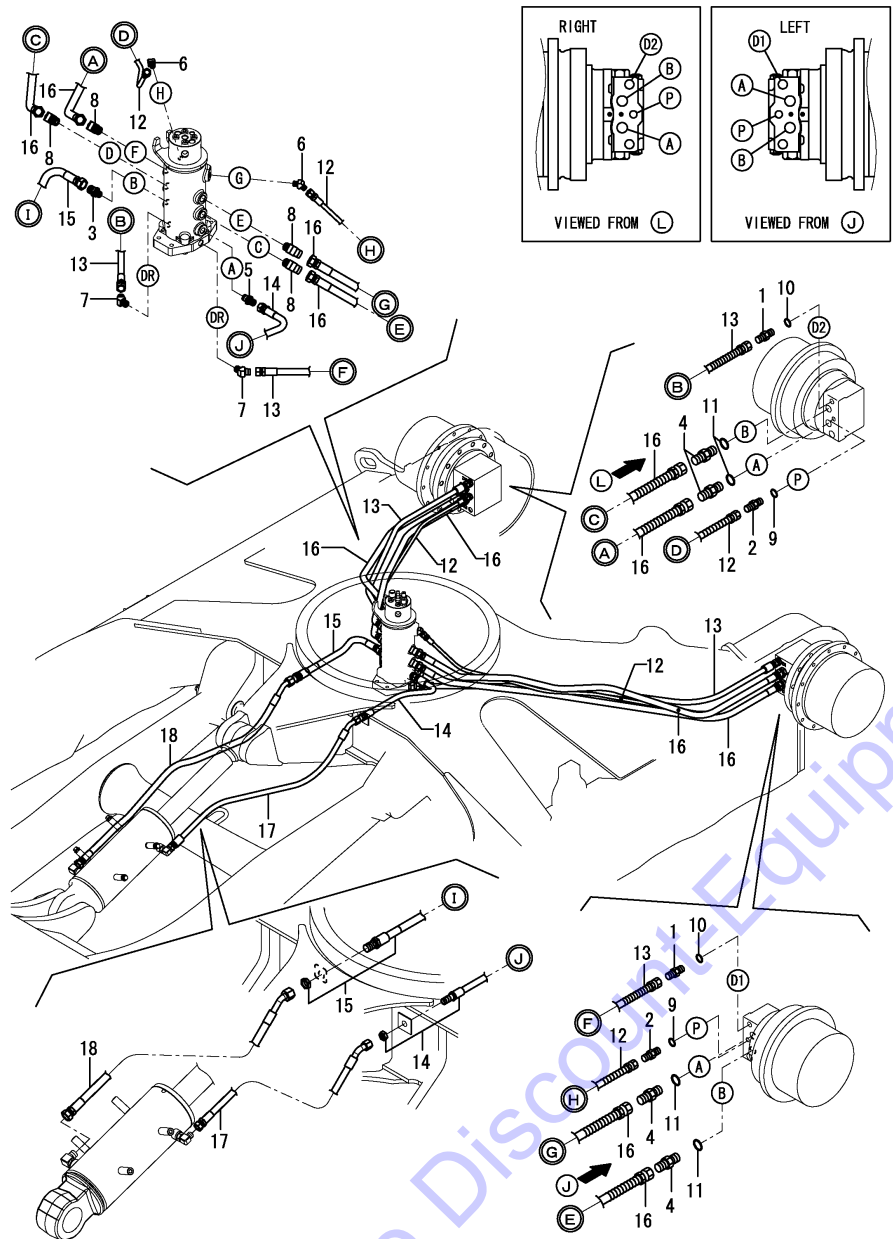
(1)New parts:(N-specification Swivel joint) are shown in Fig.120(71B).

N:Old $\xrightarrow{\text{Yes}}$ New, Q:Old $\xrightarrow{\text{No}}$ New, R:Old $\xrightarrow{\text{Yes}}$ New, S:Old $\xrightarrow{\text{No}}$ New, W:Add, Z:Discontinued, F:Interchangeable by set, K:Q'ty Change

Fig.97. HYD. OIL PIPING(TRAVEL FRAME)

(A)=VIO80(US)
(B)=VIO80(AS)
(C)=VIO80(NZ)

(D)=
(E)=
(F)=



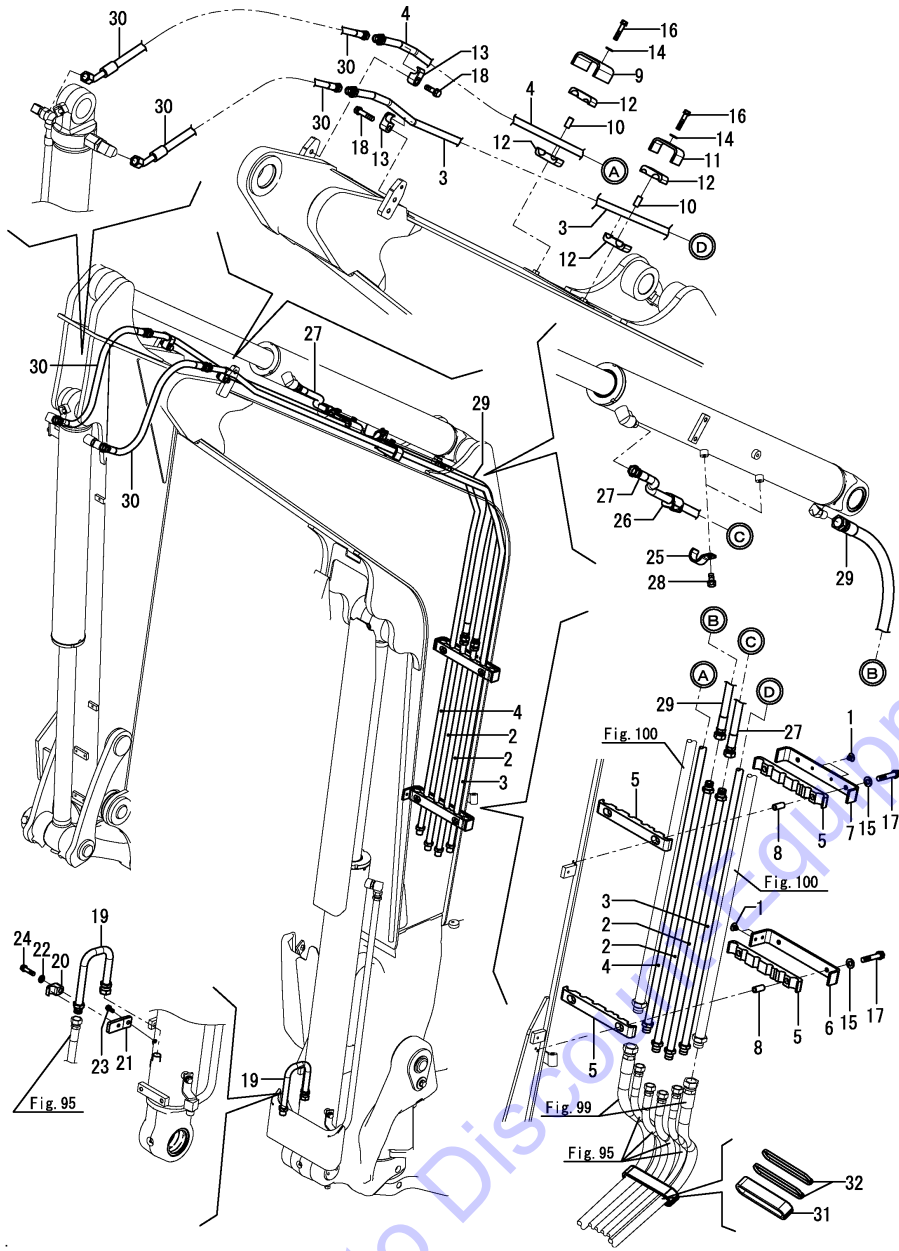
No.	Lev.	Parts No.	Description	Q'ty						I	R
				(A)	(B)	(C)	(D)	(E)	(F)		
1	1	172730-75141	ADAPTER	2	2	2					
2	1	172123-76121	ADAPTER	2	2	2					
3	1	172141-76940	ADAPTER	1	1	1					Z 1
		(A=M92122) (B=M92122) (C=M92122)									
4	1	172112-77361	CONNECTOR	4	4	4					
5	1	23391-030000	JOINT, RGI-3/8	1	1	1					Z 1
		(A=M92122) (B=M92122) (C=M92122)									
6	1	23394-020000	JOINT, 45RGI-1/4	2	2	2					Z 1
		(A=M92122) (B=M92122) (C=M92122)									
7	1	23394-030000	JOINT, 45RGI-3/8	2	2	2					Z 1
		(A=M92122) (B=M92122) (C=M92122)									
8	1	23394-040000	JOINT, 45RGI-1/2	4	4	4					Z 1
		(A=M92122) (B=M92122) (C=M92122)									
9	1	41851-000110	O-RING	2	2	2					
10	1	41851-000140	O-RING	2	2	2					
11	1	41851-000180	O-RING	4	4	4					
12	1	172187-78201	HOSE	2	2	2					
13	1	172187-78211	HOSE	2	2	2					
14	1	172A69-78510	HOSE	1	1	1					
15	1	172A69-78520	HOSE	1	1	1					
16	1	172499-78530	HOSE	4	4	4					
17	1	172A69-78530	HOSE	1	1	1					
18	1	172A69-78540	HOSE	1	1	1					

Remarks

(1)New parts:(N-specification Swivel joint) are shown in Fig.120(71B).

N:Old $\begin{matrix} \text{Yes} \\ \text{No} \end{matrix}$ New, Q:Old $\begin{matrix} \text{No} \\ \text{Yes} \end{matrix}$ New, R:Old $\begin{matrix} \text{Yes} \\ \text{No} \end{matrix}$ New, S:Old $\begin{matrix} \text{No} \\ \text{Yes} \end{matrix}$ New, W:Add, Z:Discontinued, F:Interchangeable by set, K:Q'ty Change

Fig.98. HYD. OIL PIPING(BOOM)



(A)=VIO80(US)
(B)=VIO80(AS)
(C)=VIO80(NZ)

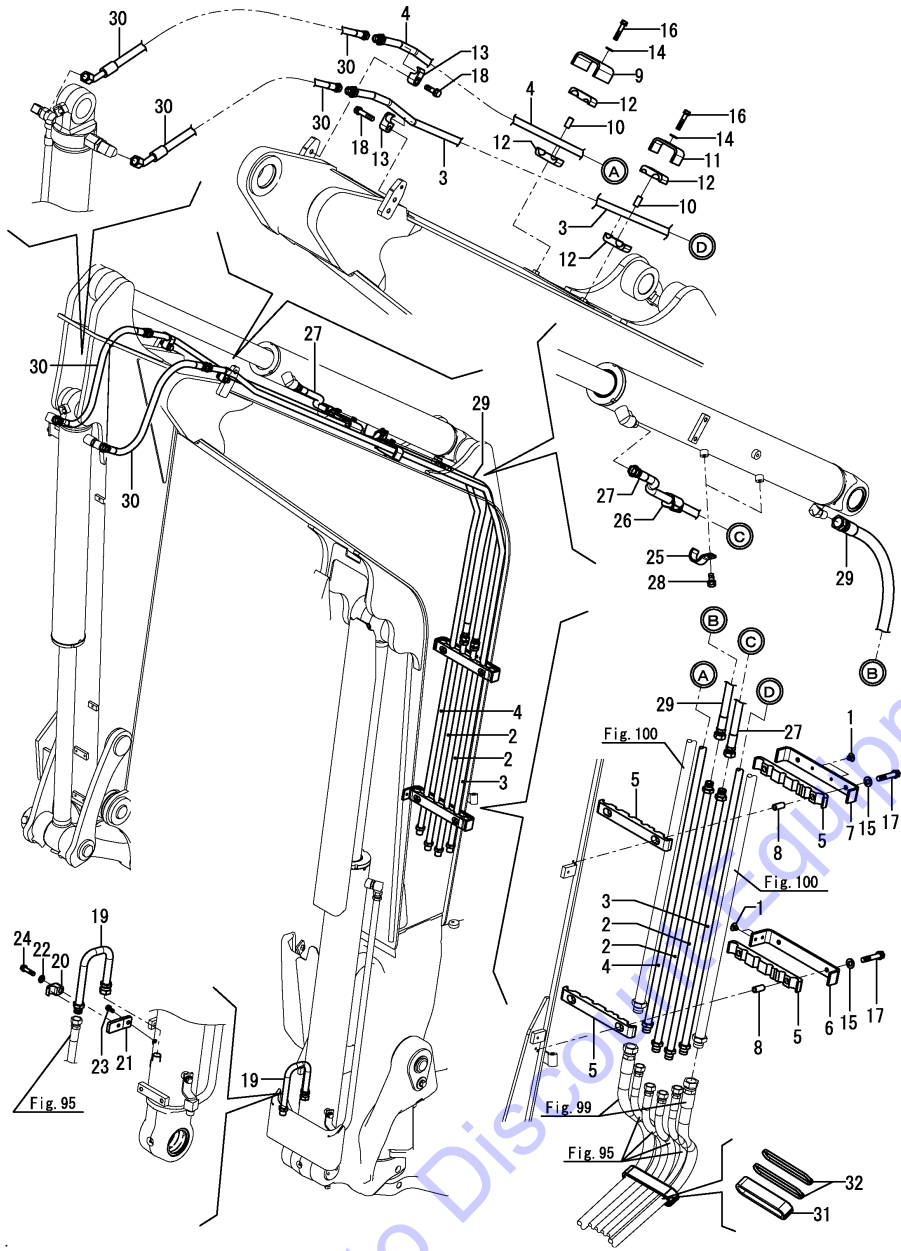
(D)=
(E)=
(F)=

No.	Lev.	Parts No.	Description	Q'ty						I	R
				(A)	(B)	(C)	(D)	(E)	(F)		
1	1	172444-17660	CLIP, TREE	6	6	6					
2	1	172A69-76200	TUBE ASSY, ARM	2	2	2					
2-1	1	172A69-76200-Y	TUBE ASSY, ARM	2	2	2					S
3	1	172A89-76250	TUBE ASSY, BUCKET	1	1	1					
3-1	1	172A89-76250-Y	TUBE ASSY, BUCKET	1	1	1					S
3-2	1	172B11-76250	TUBE ASSY, BUCKET L	1	1	1					N
4	1	172A69-76270	TUBE ASSY, BUCKET	1	1	1					
4-1	1	172A69-76270-Y	TUBE ASSY, BUCKET	1	1	1					S
5	1	172A89-76400	CLAMP, RUBBER	4	4	4					
6	1	172A69-76420	CLAMP, TUBE	1	1	1					
6-1	1	172A69-76420-Y	CLAMP, TUBE	1	1	1					S
7	1	172A69-76430	CLAMP, TUBE	1	1	1					
7-1	1	172A69-76430-Y	CLAMP, TUBE	1	1	1					S
8	1	172A69-76450	COLLAR, CLAMP	4	4	4					
9	1	172A69-76460	CLAMP, TUBE	1	1	1					
9-1	1	172A69-76460-Y	CLAMP, TUBE	1	1	1					S
10	1	172187-76520	COLLAR, CLAMP	2	2	2					
11	1	172187-76530-2	CLAMP, TUBE	1	1	1					
11-1	1	172187-76530-Y	CLAMP, TUBE	1	1	1					S
12	1	172187-76940	RUBBER	4	4	4					
13	1	172142-76950-6	CLAMP	2	2	2					
13-1	1	172142-76950-Y	CLAMP, 1/2	2	2	2					S
14	1	22137-100000	WASHER, 10	2	2	2					
15	1	22137-100000	WASHER, 10	4	4	4					
16	1	26013-100502	BOLT, M10X 50	2	2	2					
17	1	26013-100552	BOLT, M10X 55	4	4	4					
18	1	26013-120402	BOLT, M12X 40	2	2	2					
19	1	172A89-72270	TUBE, BOOM	1							1
19-1	1	172A89-72270-N	TUBE, BOOM	1							S 1
20	1	172142-76950-6	CLAMP	1							1
20-1	1	172142-76950-N	CLAMP	1							S 1
21	1	172A69-77240	PLATE, CLAMP H	1							1
22	1	22137-100000	WASHER, 10	1							1
23	1	26013-080202	BOLT, M8X 20	1							1
24	1	26013-100402	BOLT, M10X 40	1							1
25	1	172A69-72680	CLAMP ASSY, HOSE	2							1
26	1	172187-78100	RUBBER	2							1
27	1	172A69-78280	HOSE	1							1
28	1	26013-100162	BOLT, M10X 16	2							1
29	1	172A89-78550	HOSE H108BB095K	1	1	1					

Remarks

(1)Not applied for hold valve specification.

Fig.98. HYD. OIL PIPING(BOOM)



(A)=VIO80(US)
 (B)=VIO80(AS)
 (C)=VIO80(NZ)

(D)=
 (E)=
 (F)=

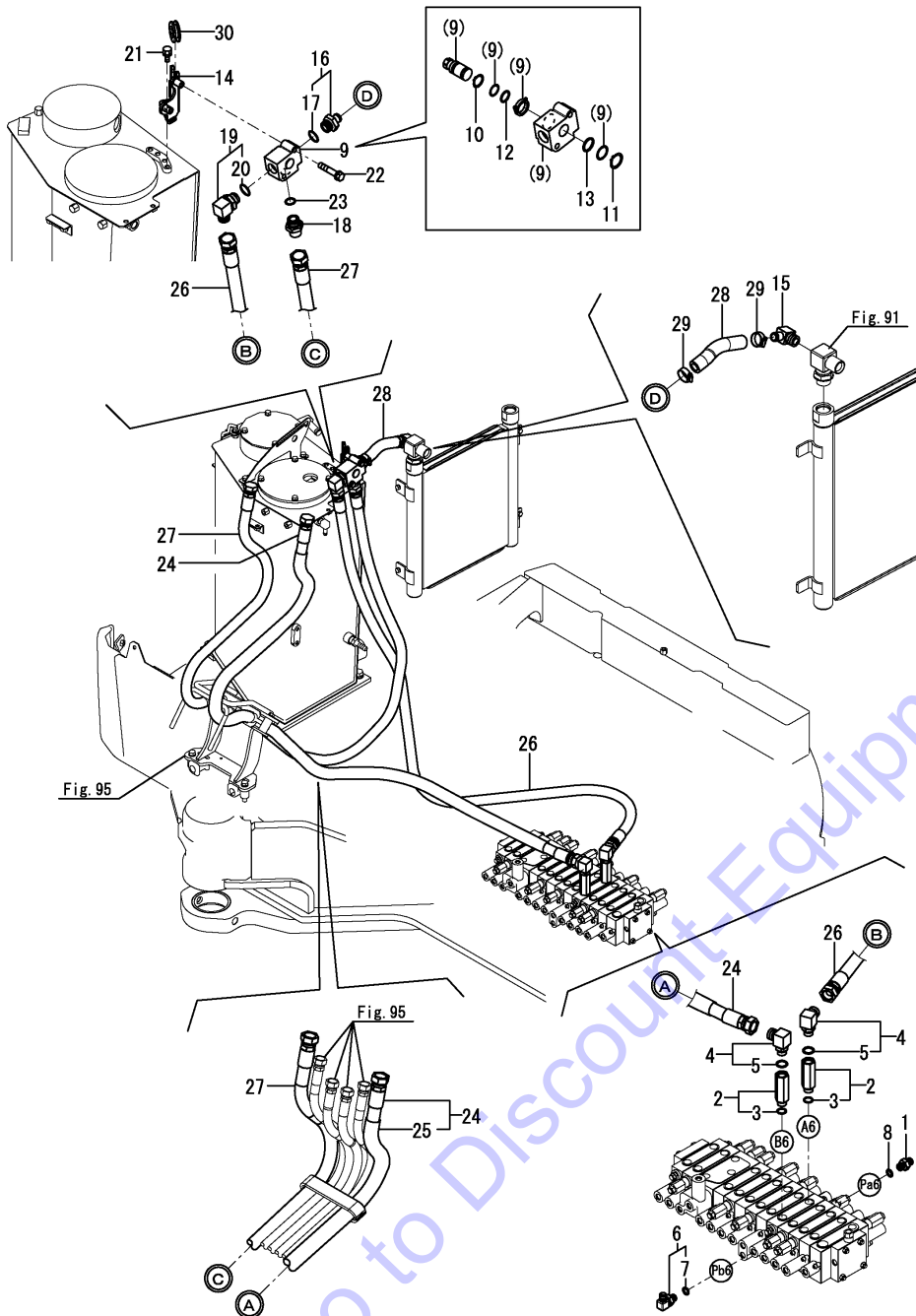
No.	Lev.	Parts No.	Description	Q'ty						I	R
				(A)	(B)	(C)	(D)	(E)	(F)		
30	1	172A89-78570	HOSE H108BB070W	2	2	2					
31	1	172A69-78680	COVER, HOSE	1	1	1					
32	1	172A69-79890	CLIP, HOSE	2	2	2					

Remarks

(1)Not applied for hold valve specification.

N:Old $\xrightarrow{\text{Yes}}$ New, Q:Old $\xrightarrow{\text{No}}$ New, R:Old $\xrightarrow{\text{Yes}}$ New, S:Old $\xrightarrow{\text{No}}$ New, W:Add, Z:Discontinued, F:Interchangeable by set, K:Q'ty Change

Fig.99. HYD. OIL PIPING(P.T.O. : FRAME END)



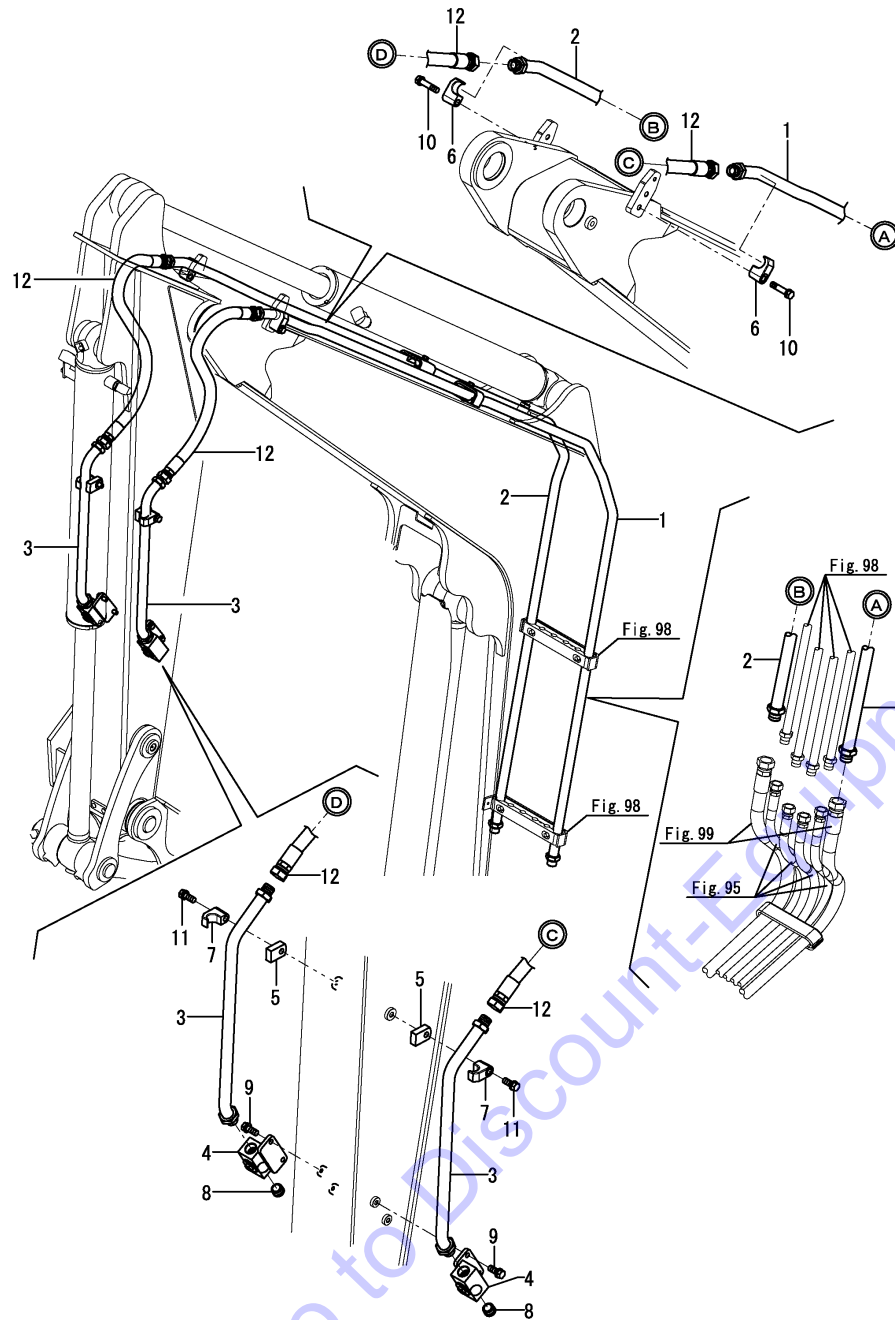
(A)=VIO80(US)
 (B)=VIO80(AS)
 (C)=VIO80(NZ)

(D)=
 (E)=
 (F)=

No.	Lev.	Parts No.	Description	Q'ty						I	R
				(A)	(B)	(C)	(D)	(E)	(F)		
1	1	172123-76121	ADAPTER	1	1	1					
2	1	172A21-76120	ADAPTER	2	2	2					
3	2	41851-000180	O-RING	2	2	2					
4	1	172151-76161	ELBOW ASSY	2	2	2					
5	2	24315-000180	O-RING, 1BP18.0	2	2	2					
6	1	172141-76181	CONNECTOR ASSY, 02FF	1	1	1					
7	2	41851-000110	O-RING	1	1	1					
8	1	41851-000110	O-RING	1	1	1					
9	1	172A69-74050	VALVE ASSY,SELECOR	1	1	1					
10	2	22242-000210	RING, 21	1	1	1					
11	2	22242-000250	RING, 25	1	1	1					
12	2	24315-000210	O-RING, 1BP21.0	1	1	1					
13	2	24315-000250	O-RING, 1BP25.0	1	1	1					
14	1	172A69-74070	STAY, VALVE	1	1	1					
15	1	172467-76120	ELBOW	1	1	1					
16	1	172524-76210	NIPPLE, HOSE 3/4	1	1	1					
17	2	24315-000240	O-RING, 1BP24.0	1	1	1					
18	1	172142-76240	JOINT	1	1	1					
19	1	172165-76380	CONNECTOR ASSY	1	1	1					
20	2	24315-000240	O-RING, 1BP24.0	1	1	1					
21	1	26013-100162	BOLT, M10X 16	2	2	2					
22	1	26013-100502	BOLT, M10X 50	2	2	2					
23	1	41851-000240	O-RING	1	1	1					
24	1	172A89-78400	HOSE G112BB259K	1	1	1					
25	2	172175-78720	SPONGE, HOSE 330	1	1	1					
26	1	172A89-78410	HOSE G112BB205K	1	1	1					
27	1	172A89-78420	HOSE G112BB304K	1	1	1					
28	1	172A89-78490	HOSE G812YY018	1	1	1					
29	1	23001-025000	CLAMP, HOSE 25	2	2	2					
30	1	172422-78760	GROMMET	1	1	1					W

(A=M90501) (B=M90501) (C=M90501)

Fig.100. HYD. OIL PIPING(P.T.O. : ARM END)

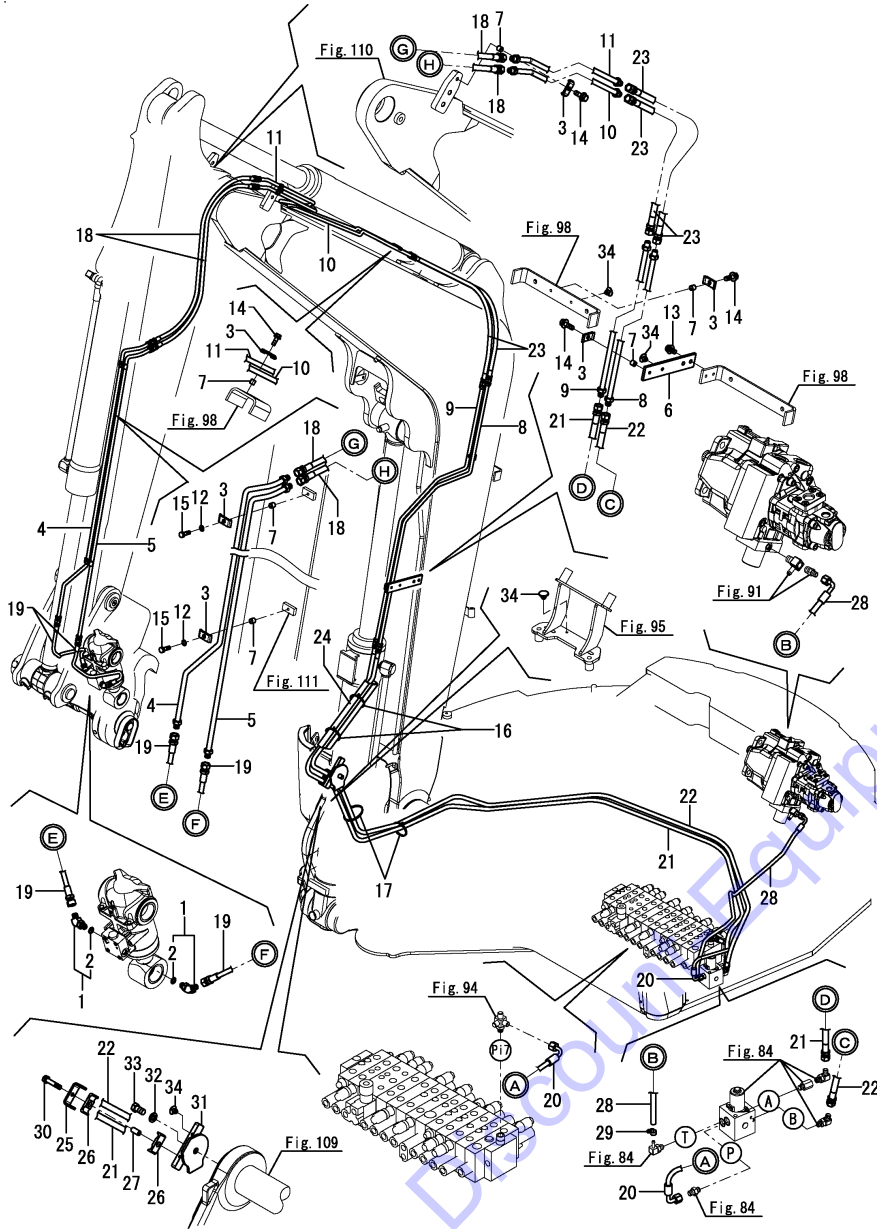


(A)=VIO80(US)
(B)=VIO80(AS)
(C)=VIO80(NZ)

(D)=
(E)=
(F)=

No.	Lev.	Parts No.	Description	Q'ty						I	R
				(A)	(B)	(C)	(D)	(E)	(F)		
1	1	172A69-76300	TUBE ASSY, PTO	1	1	1					
1-1	1	172A69-76300-Y	TUBE ASSY, PTO	1	1	1					S
		(A=M92001) (B=M92001) (C=M92001)									
2	1	172A69-76320	TUBE ASSY, PTO	1	1	1					
2-1	1	172A69-76320-Y	TUBE ASSY, PTO	1	1	1					S
		(A=M92001) (B=M92001) (C=M92001)									
3	1	172187-76570-2	TUBE, 3RD	2	2	2					
3-1	1	172187-76570-Y	TUBE, 3RD	2	2	2					S
		(A=M92001) (B=M92001) (C=M92001)									
4	1	172176-76582-2	VALVE ASSY, STOP	2	2	2					
4-1	1	172176-76582-Y	VALVE 12 ASSY,STOP	2	2	2					S
		(A=M92001) (B=M92001) (C=M92001)									
4-2	1	172B11-74800	VALVE ASSY,STOP R3/4	2	2	2					N
		(A=M92224) (B=M92224) (C=M92224)									
5	1	172187-76690-2	PLATE	2	2	2					
5-1	1	172187-76690-Y	PLATE	2	2	2					S
		(A=M92001) (B=M92001) (C=M92001)									
6	1	172142-76940-2	CLAMP	2	2	2					
6-1	1	172142-76940-Y	CLAMP	2	2	2					S
		(A=M92001) (B=M92001) (C=M92001)									
7	1	172142-76940-2	CLAMP	2	2	2					
7-1	1	172142-76940-Y	CLAMP	2	2	2					S
		(A=M92001) (B=M92001) (C=M92001)									
8	1	23871-060000	PLUG, R06	2	2	2					
9	1	26013-100252	BOLT, SPRING M10X 25	4	4	4					
10	1	26013-120552	BOLT, SPRING M12X 55	2	2	2					
11	1	26013-120702	BOLT, SPRING M12X 70	2	2	2					
12	1	172187-79250	HOSE	2	2	2					

Fig.101. HYD. OIL PIPING(QUICK COUPLER)



(A)=VIO80(US)
(B)=VIO80(AS)
(C)=VIO80(NZ)

(D)=
(E)=
(F)=

No.	Lev.	Parts No.	Description	Q'ty						I	R
				(A)	(B)	(C)	(D)	(E)	(F)		
1	1	172978-76100	ELBOW	2	2	2					
2	2	24315-000110	O-RING, 1BP11.0	2	2	2					
3	1	172110-76170-3	PLATE	6	6	6					
3-1	1	172110-76170	PLATE	6	6	6					R
		(A=M90501) (B=M90501) (C=M90501)									
4	1	172978-76480-2	TUBE ASSY, ARM	1	1	1					
4-1	1	172978-76480-Y	TUBE ASSY, ARM	1	1	1					S
		(A=M92001) (B=M92001) (C=M92001)									
5	1	172978-76500-2	TUBE ASSY, ARM	1	1	1					
5-1	1	172978-76500-Y	TUBE ASSY, ARM	1	1	1					S
		(A=M92001) (B=M92001) (C=M92001)									
6	1	172A69-76510	PLATE,CLAMP Q HV(2J)	1	1	1					
6-1	1	172A69-76510-Y	PLATE,CLAMP Q HV	1	1	1					S
		(A=M92001) (B=M92001) (C=M92001)									
7	1	172137-76580	COLLAR	6	6	6					
8	1	172A69-76600	TUBE ASSY	1	1	1					
8-1	1	172A69-76600-Y	TUBE ASSY	1	1	1					S
		(A=M92001) (B=M92001) (C=M92001)									
9	1	172A69-76620	TUBE ASSY	1	1	1					
9-1	1	172A69-76620-Y	TUBE ASSY	1	1	1					S
		(A=M92001) (B=M92001) (C=M92001)									
10	1	172A69-76640	TUBE ASSY	1	1	1					
10-1	1	172A69-76640-Y	TUBE ASSY	1	1	1					S
		(A=M92001) (B=M92001) (C=M92001)									
11	1	172A69-76660	TUBE ASSY	1	1	1					
11-1	1	172A69-76660-Y	TUBE ASSY	1	1	1					S
		(A=M92001) (B=M92001) (C=M92001)									
12	1	22217-080000	WASHER, SPRING 8	2	2	2					
13	1	26014-080162	BOLT, M8X 16	2	2	2					
14	1	26014-080252	BOLT, M8X 25	4	4	4					
15	1	26076-080252	BOLT, 10.98X 25	2	2	2					
16	1	172126-11510	BAND	2	2	2					
17	1	194202-56460	BAND, 200	2	2	2					
18	1	172978-78111	HOSE	2	2	2					
19	1	172958-78120	HOSE	2	2	2					
20	1	172A69-78591	HOSE H604CC025	1	1	1					
21	1	172A89-78600	HOSE H604BB339K	1	1	1					
22	1	172A89-78610	HOSE H604BB339K	1	1	1					
23	1	172A69-78620	HOSE H604BB093K	2	2	2					
24	1	172A69-78670	COVER, HOSE	1	1	1					
25	1	172A69-79200	CLAMP, 54X25	1	1	1					
26	1	172A69-79210	SUPPORT, RUBBER	2	2	2					
27	1	172A69-79220	COLLAR, 9X24	1	1	1					
28	1	172A89-79620	HOSE G804CY103	1	1	1					
29	1	23000-013000	CLAMP, 13	1	1	1					
30	1	26013-080402	BOLT, SPRING M8X 40	1	1	1					
31	1	172A69-79250	CLAMP ASSY	1	1	1					
31-1	1	172A69-79250-Y	CLAMP ASSY	1	1	1					S
		(A=M92001) (B=M92001) (C=M92001)									
32	1	22217-140000	WASHER, SPRING 14	1	1	1					
33	1	26116-140252	BOLT, M14X 25 PLATED	1	1	1					

Remarks

* Fitting(control valve) is shown in Fig.94.

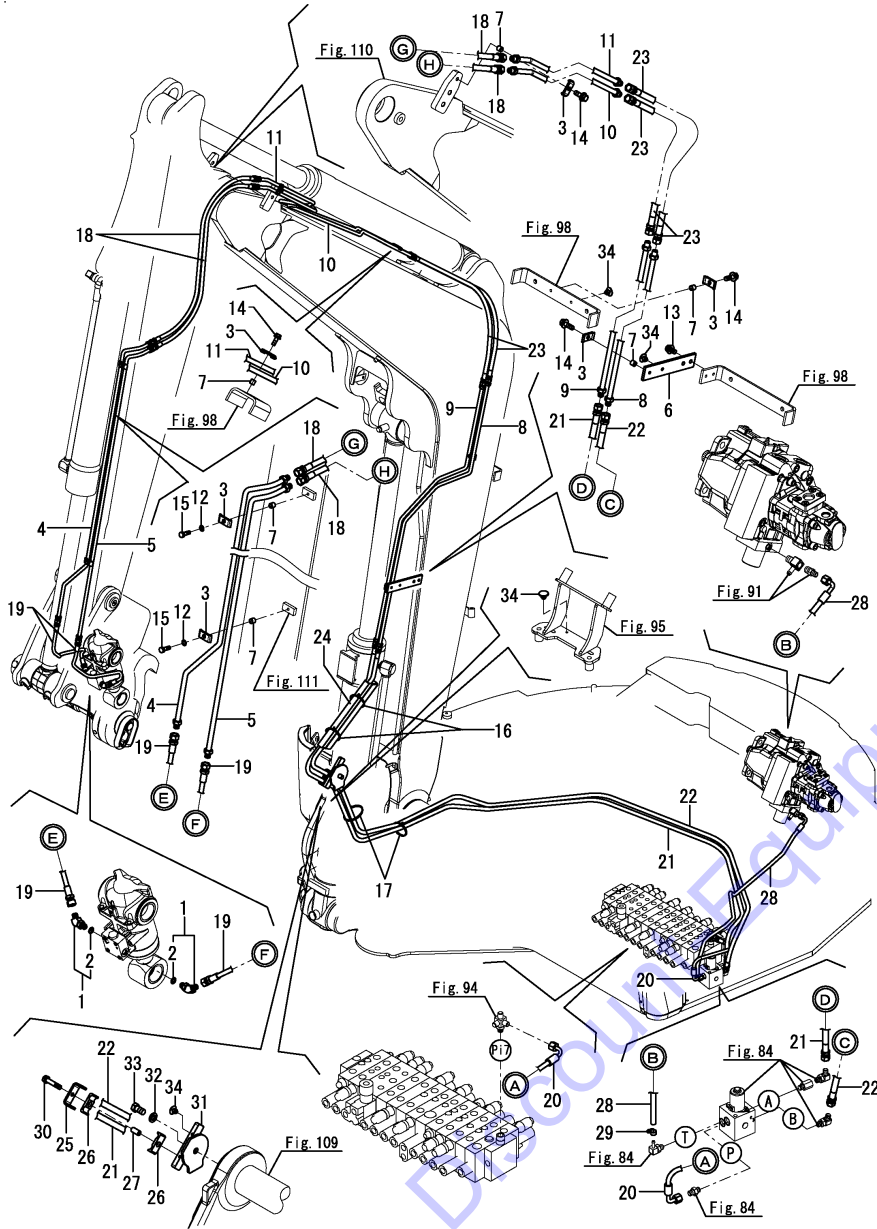
(1)Not applied for hold valve specification.

Fig.101. HYD. OIL PIPING(QUICK COUPLER)

(A)=VIO80(US)
(B)=VIO80(AS)
(C)=VIO80(NZ)

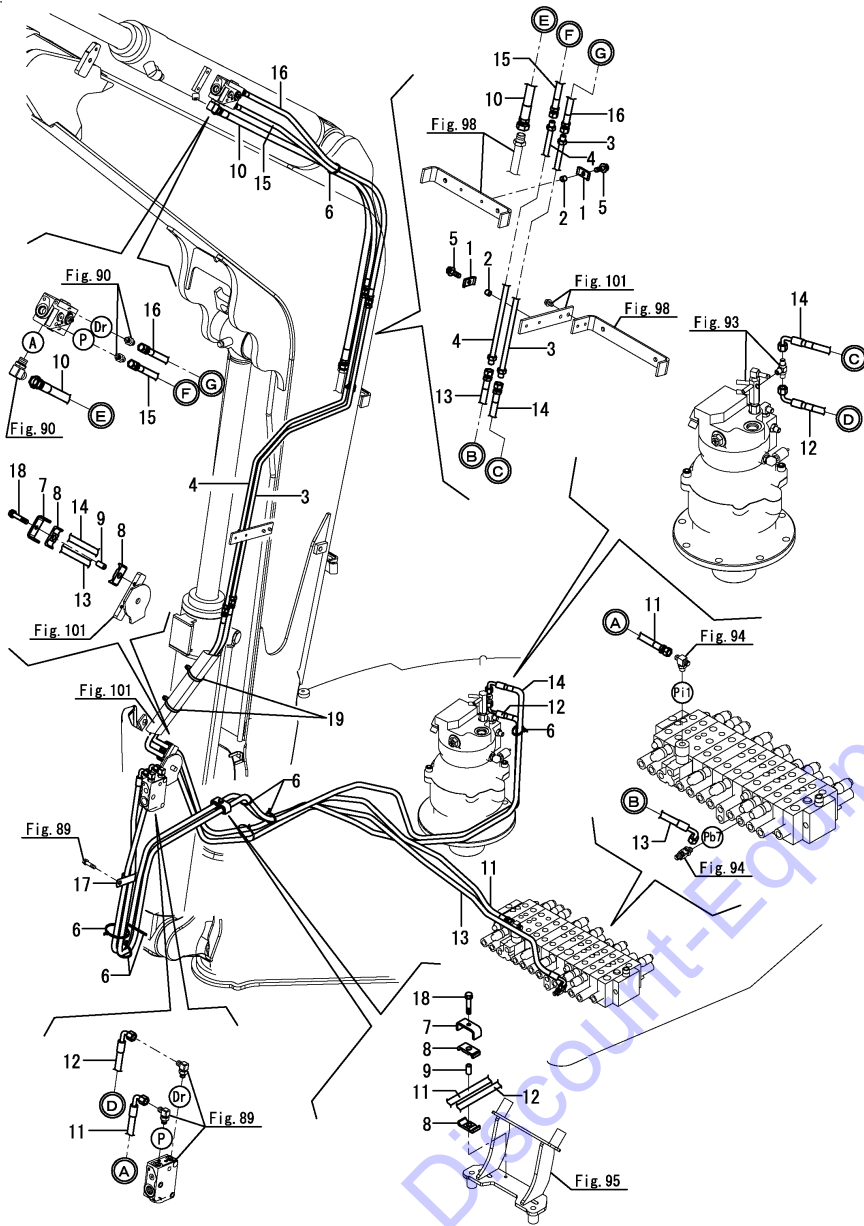
(D)=
(E)=
(F)=

No.	Lev.	Parts No.	Description	Q'ty						I	R
				(A)	(B)	(C)	(D)	(E)	(F)		
34	1	172444-17660	CLIP, TREE	4							1
34-1	1	172B11-76900	CLIP, TREE 8	4							N
(A=*2015.07.)											



Remarks
* Fitting(control valve) is shown in Fig.94.
(1)Not applied for hold valve specification.

Fig.102. HYD. OIL PIPING(HOLD VALVE)



(A)=VIO80(US)
(B)=VIO80(AS)
(C)=VIO80(NZ)

(D)=
(E)=
(F)=

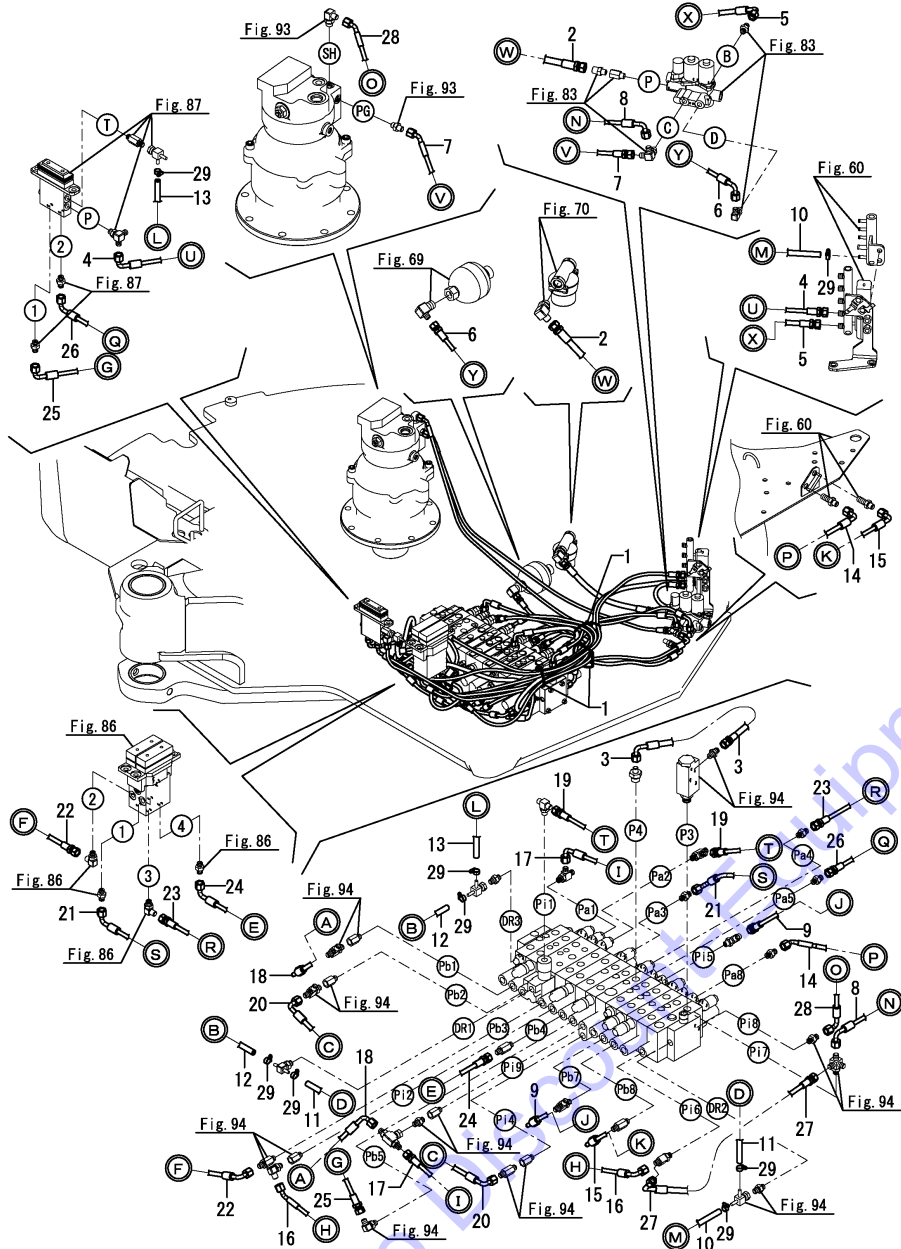
No.	Lev.	Parts No.	Description	Qty						I	R
				(A)	(B)	(C)	(D)	(E)	(F)		
1	1	172110-76170-3	PLATE	2	2	2					
1-1	1	172110-76170	PLATE	2	2	2					R
		(A=*2010.03) (B=*2010.03) (C=*2010.03)									
2	1	172137-76580	COLLAR	2	2	2					
3	1	172A69-77480	TUBE ASSY	1	1	1					
3-1	1	172A69-77480-Y	TUBE ASSY	1	1	1					S
		(A=M92001) (B=M92001) (C=M92001)									
4	1	172A69-77500	TUBE ASSY	1	1	1					
4-1	1	172A69-77500-Y	TUBE ASSY	1	1	1					S
		(A=M92001) (B=M92001) (C=M92001)									
5	1	26014-080252	BOLT, M8X 25	2	2	2					
6	1	194202-56460	BAND, 200	9	9	9					
6-1	1	194202-56460	BAND, 200	11	11	11					K
		(A=M90501) (B=M90501) (C=M90501)									
7	1	172A69-79200	CLAMP, 54X25	2	2	2					
8	1	172A69-79210	SUPPORT, RUBBER	4	4	4					
9	1	172A69-79220	COLLAR, 9X24	2	2	2					
10	1	172A69-79690	HOSE H108BB168K	1	1	1					
11	1	172A69-79700	HOSE H604BC268K	1	1	1					
12	1	172A69-79711	HOSE H604CC285K	1	1	1					
13	1	172A69-79720	HOSE H604BC260K	1	1	1					
14	1	172A69-79730	HOSE H604BC264K	1	1	1					
15	1	172A69-79740	HOSE H604BB131K	1	1	1					
16	1	172A69-79750	HOSE H604BB133K	1	1	1					
17	1	1E6212-82820	CLIP	1	1	1					
18	1	26013-080402	BOLT, M8X 40	2	2	2					
19	1	172126-11510	BAND	2	2	2					

Remarks

* Fitting(control valve) is shown in Fig.94.

* Hold valve kit is shown in Fig.118.

Fig.103. CONTROL PIPING(CONTROL VALVE - SOLENOID VALVE)



(A)=VIO80(US)
 (B)=VIO80(AS)
 (C)=VIO80(NZ)

(D)=
 (E)=
 (F)=

No.	Lev.	Parts No.	Description	Q'ty						I	R
				(A)	(B)	(C)	(D)	(E)	(F)		
1	1	194202-56460	BAND, 200	5	5	5					
2	1	172A69-78190	HOSE	1	1	1					
3	1	172A69-78370	HOSE	1	1	1					
4	1	172A69-78860	HOSE	1	1	1					
5	1	172A69-78870	HOSE	1	1	1					
6	1	172A69-78880	HOSE	1	1	1					
7	1	172A69-78890	HOSE	1	1	1					
8	1	172A69-78910	HOSE	1	1	1					
9	1	172A69-78920	HOSE	1	1	1					
10	1	172A69-78930	HOSE	1	1	1					
11	1	172A69-78940	HOSE	1	1	1					
12	1	172A69-78950	HOSE	1	1	1					
13	1	172A69-78960	HOSE	1	1	1					
14	1	172A69-78980	HOSE	1	1	1					
15	1	172A69-78990	HOSE	1	1	1					
16	1	172A69-79400	HOSE	1	1	1					
17	1	172A69-79410	HOSE	1	1	1					
18	1	172A69-79420	HOSE	1	1	1					
19	1	172A69-79430	HOSE	1	1	1					
20	1	172A69-79440	HOSE	1	1	1					
21	1	172A69-79450	HOSE	1	1	1					
22	1	172A69-79460	HOSE	1	1	1					
23	1	172A69-79470	HOSE	1	1	1					
24	1	172A69-79481	HOSE H603BC036	1	1	1					
25	1	172A69-79501	HOSE F403BC042	1	1	1					
26	1	172A69-79511	HOSE F403BC133	1	1	1					
27	1	172A69-79520	HOSE	1	1	1					
28	1	172A69-79530	HOSE	1	1	1					
29	1	23000-013000	CLAMP, 13	8	8	8					

Remarks

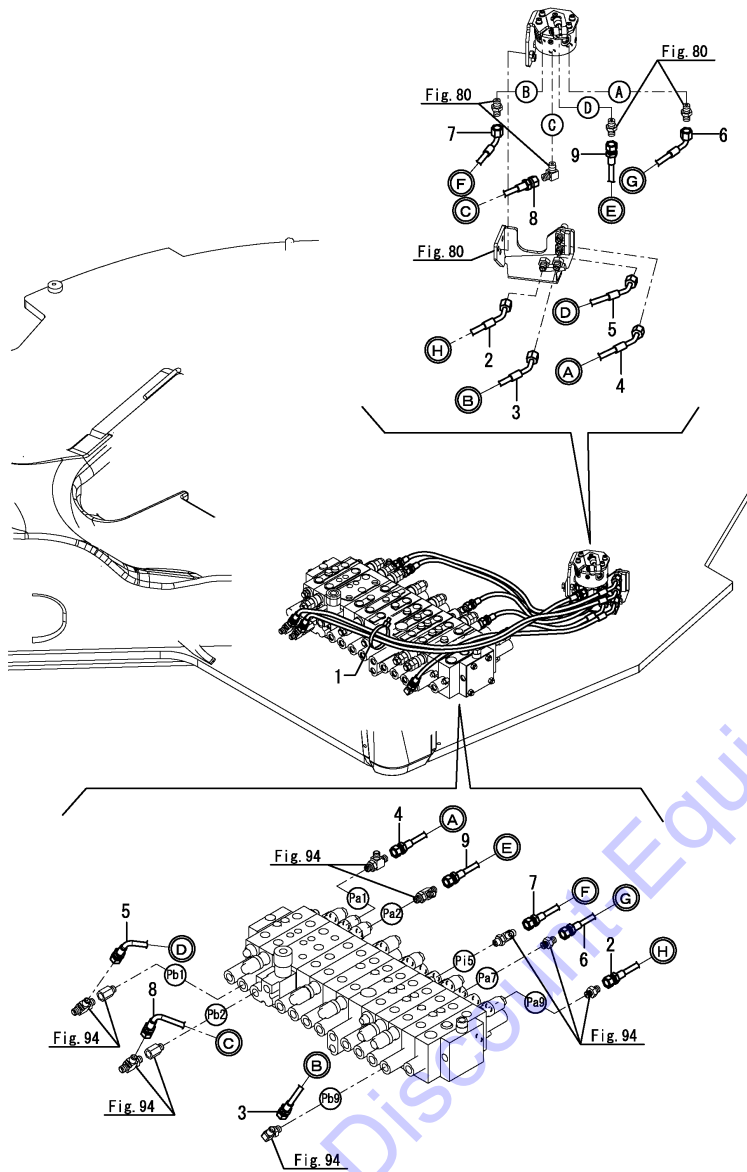
* Fitting(control valve) is shown in Fig.94.

N:Old $\begin{matrix} \leftarrow \text{Yes} \\ \text{No} \end{matrix}$ New, Q:Old $\begin{matrix} \leftarrow \text{No} \\ \text{Yes} \end{matrix}$ New, R:Old $\begin{matrix} \leftarrow \text{Yes} \\ \text{No} \end{matrix}$ New, S:Old $\begin{matrix} \leftarrow \text{No} \\ \text{Yes} \end{matrix}$ New, W:Add, Z:Discontinued, F:Interchangeable by set, K:Q'ty Change

Fig.104. CONTROL PIPING(CONTROL VALVE - 2-WAY VALVE)

(A)=VIO80(US)
 (B)=VIO80(AS)
 (C)=VIO80(NZ)

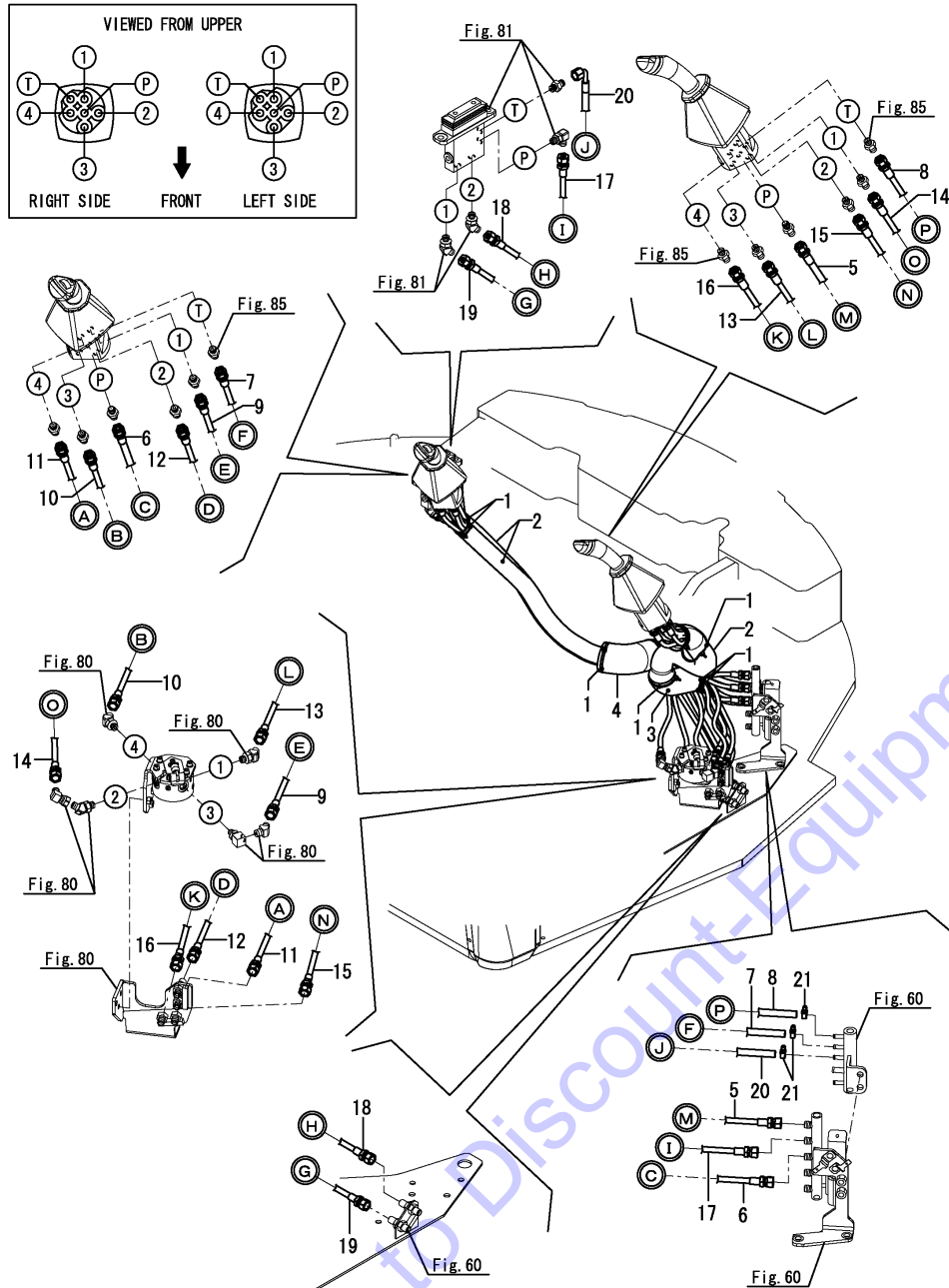
(D)=
 (E)=
 (F)=



No.	Lev.	Parts No.	Description	Q'ty						I	R
				(A)	(B)	(C)	(D)	(E)	(F)		
1	1	194202-56460	BAND, 200	1	1	1					
2	1	172A69-79800	HOSE H603BE030	1	1	1					
3	1	172A69-79810	HOSE F403BE075	1	1	1					
4	1	172A69-79820	HOSE F403BE079	1	1	1					
5	1	172A69-79830	HOSE F403BE112	1	1	1					
6	1	172A69-79840	HOSE F403BC040	1	1	1					
7	1	172A69-79850	HOSE F403BC082	1	1	1					
8	1	172A69-79860	HOSE F403BB081	1	1	1					
9	1	172A69-79870	HOSE F403BB071	1	1	1					

Remarks
 * Fitting(control valve) is shown in Fig.94.

Fig.105. CONTROL PIPING(2-WAY VALVE - REMOTE CONTROL VALVE)



(A)=VIO80(US)
 (B)=VIO80(AS)
 (C)=VIO80(NZ)

(D)=
 (E)=
 (F)=

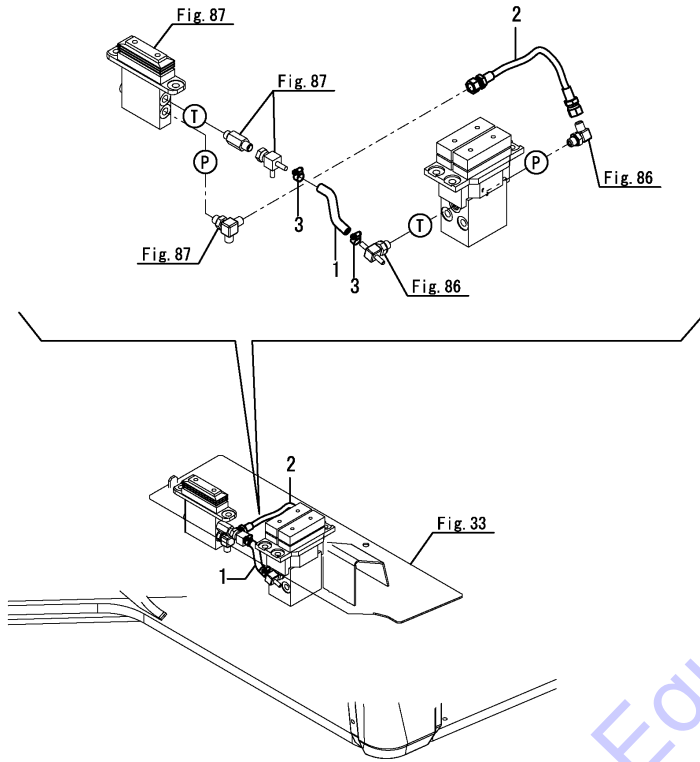
No.	Lev.	Parts No.	Description	Qty						I	R
				(A)	(B)	(C)	(D)	(E)	(F)		
1	1	172126-11510	BAND	11	11	11					
1-1	1	172126-11510	BAND	12	12	12					K
		(A=M90501) (B=M90501) (C=M90501)									
2	1	172A69-78630	COVER, HOSE	3	3	3					
3	1	172A69-78650	SPONGE, HOSE	1	1	1					
4	1	172A69-78660	SPONGE, HOSE	1	1	1					
5	1	172A69-78700	HOSE	1	1	1					
6	1	172A69-78710	HOSE	1	1	1					
6-1	1	172A69-78711	HOSE	1	1	1					N
		(A=*2013.12) (B=*2013.12) (C=*2013.12)									
7	1	172A69-78720	HOSE	1	1	1					
8	1	172A69-78730	HOSE	1	1	1					
8-1	1	172A69-78731	HOSE	1	1	1					N
		(A=*2013.12) (B=*2013.12) (C=*2013.12)									
9	1	172A69-78740	HOSE	1	1	1					
10	1	172A69-78750	HOSE	1	1	1					
11	1	172A69-78760	HOSE	1	1	1					
12	1	172A69-78770	HOSE	1	1	1					
13	1	172A69-78780	HOSE	1	1	1					
13-1	1	172A69-78781	HOSE	1	1	1					N
		(A=*2013.12) (B=*2013.12) (C=*2013.12)									
14	1	172A69-78790	HOSE	1	1	1					
14-1	1	172A69-78791	HOSE	1	1	1					N
		(A=*2013.12) (B=*2013.12) (C=*2013.12)									
15	1	172A69-78800	HOSE	1	1	1					
15-1	1	172A69-78801	HOSE	1	1	1					N
		(A=*2013.12) (B=*2013.12) (C=*2013.12)									
16	1	172A69-78810	HOSE	1	1	1					
16-1	1	172A69-78811	HOSE	1	1	1					N
		(A=*2013.12) (B=*2013.12) (C=*2013.12)									
17	1	172A69-78820	HOSE	1	1	1					
18	1	172A69-78830	HOSE	1	1	1					
19	1	172A69-78840	HOSE	1	1	1					
20	1	172A69-78850	HOSE	1	1	1					
21	1	23000-013000	CLAMP, 13	3	3	3					

Fig.106. CONTROL PIPING(TRAVEL, SWING PEDAL)

(A)=VIO80(US)
 (B)=VIO80(AS)
 (C)=VIO80(NZ)

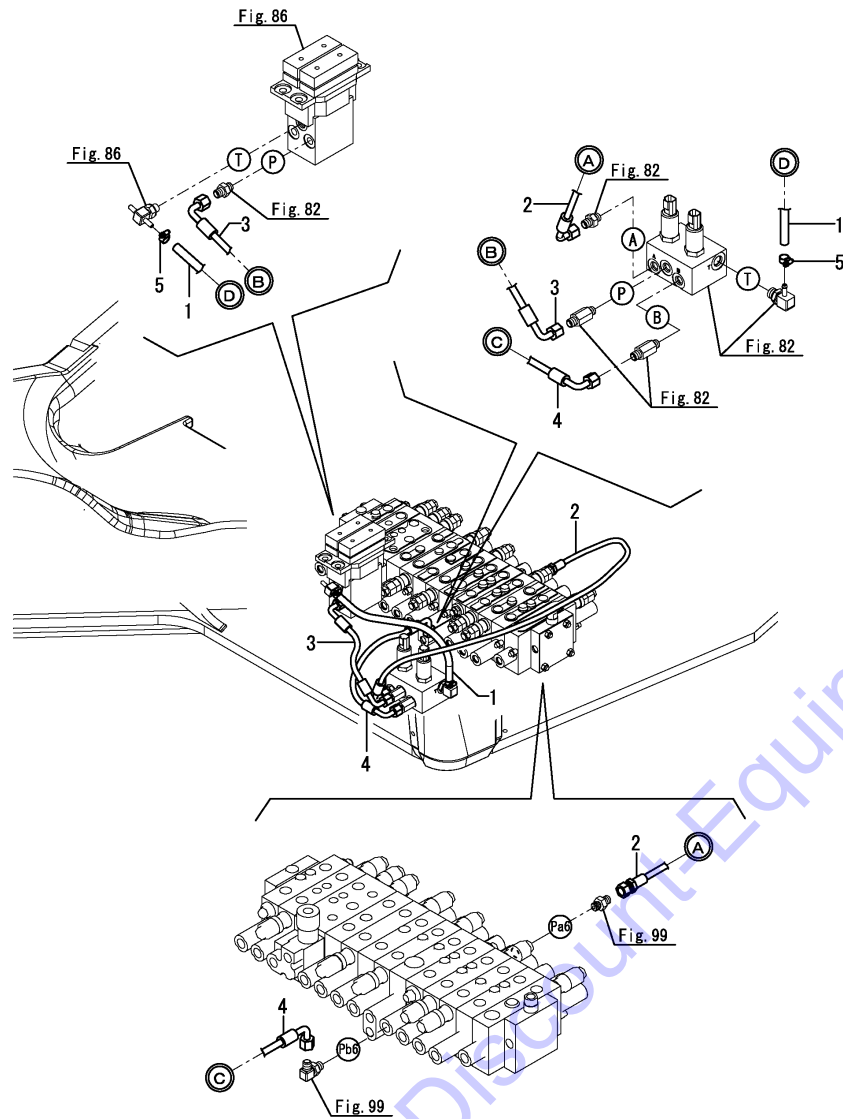
(D)=
 (E)=
 (F)=

No.	Lev.	Parts No.	Description	Q'ty						I	R
				(A)	(B)	(C)	(D)	(E)	(F)		
1	1	172A69-78970	HOSE	1	1	1					
2	1	172A69-79490	HOSE	1	1	1					
3	1	23000-013000	CLAMP, 13	2	2	2					



Go to Discount-Equipment.com to order your parts

Fig.107. CONTROL PIPING(P.T.O.)



(A)=VIO80(US)
 (B)=VIO80(AS)
 (C)=VIO80(NZ)

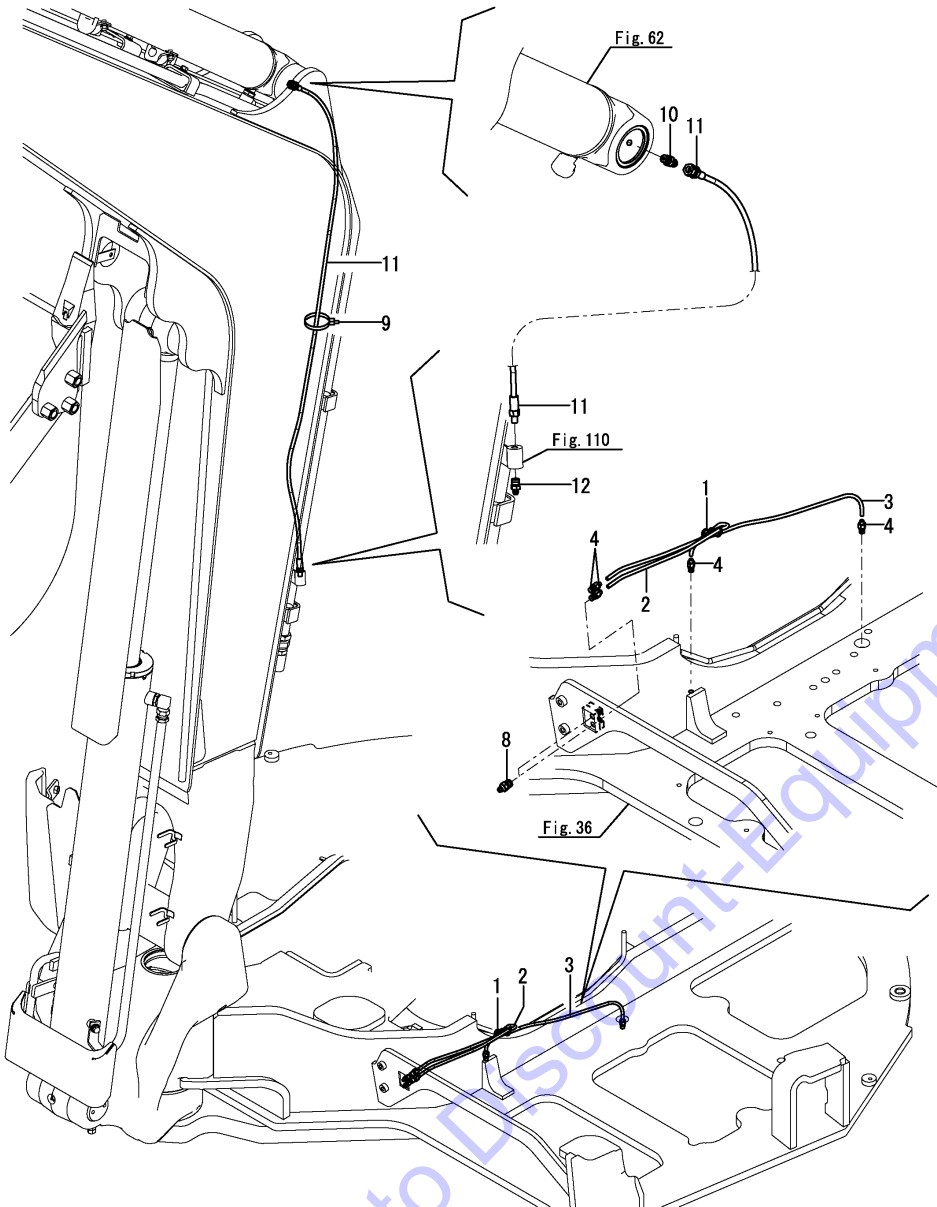
(D)=
 (E)=
 (F)=

No.	Lev.	Parts No.	Description	Q'ty						I	R
				(A)	(B)	(C)	(D)	(E)	(F)		
1	1	172A69-79540	HOSE G804YY036	1	1	1					
2	1	172A69-79550	HOSE F403BC105	1	1	1					
3	1	172A69-79560	HOSE H603CC023	1	1	1					
4	1	172A69-79570	HOSE H603CC030	1	1	1					
5	1	23000-013000	CLAMP, 13	2	2	2					

Fig.108. GREASING

(A)=VIO80(US)
 (B)=VIO80(AS)
 (C)=VIO80(NZ)

(D)=
 (E)=
 (F)=

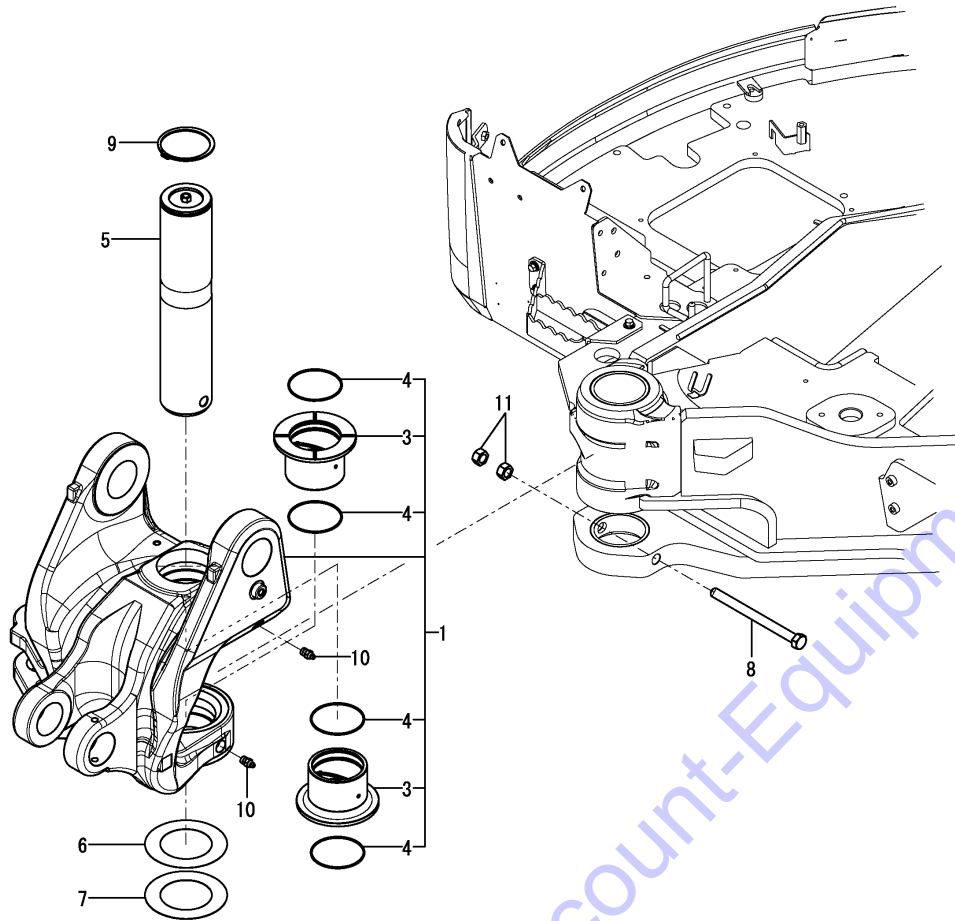


No.	Lev.	Parts No.	Description	Q'ty						I	R
				(A)	(B)	(C)	(D)	(E)	(F)		
1	1	172137-16560	BAND	1	1	1					
2	1	172A89-77800	HOSE P602YY045	1	1	1					
3	1	172A89-77810	HOSE P602YY075	1	1	1					
4	1	172A47-77820	JOINT, GREASE	4	4	4					
8	1	24761-020000	NIPPLE, GREASE PT1/8	2	2	2					
9	1	194202-56460	BAND, 200	1	1	1					
10	1	172112-77580	JOINT, 1/8	1	1	1					
11	1	172A89-77820	HOSE P202AF145	1	1	1					
12	1	24761-020000	NIPPLE, GREASE PT1/8	1	1	1					

Fig.109. BOOM BRACKET

(A)=VIO80(US)
 (B)=VIO80(AS)
 (C)=VIO80(NZ)

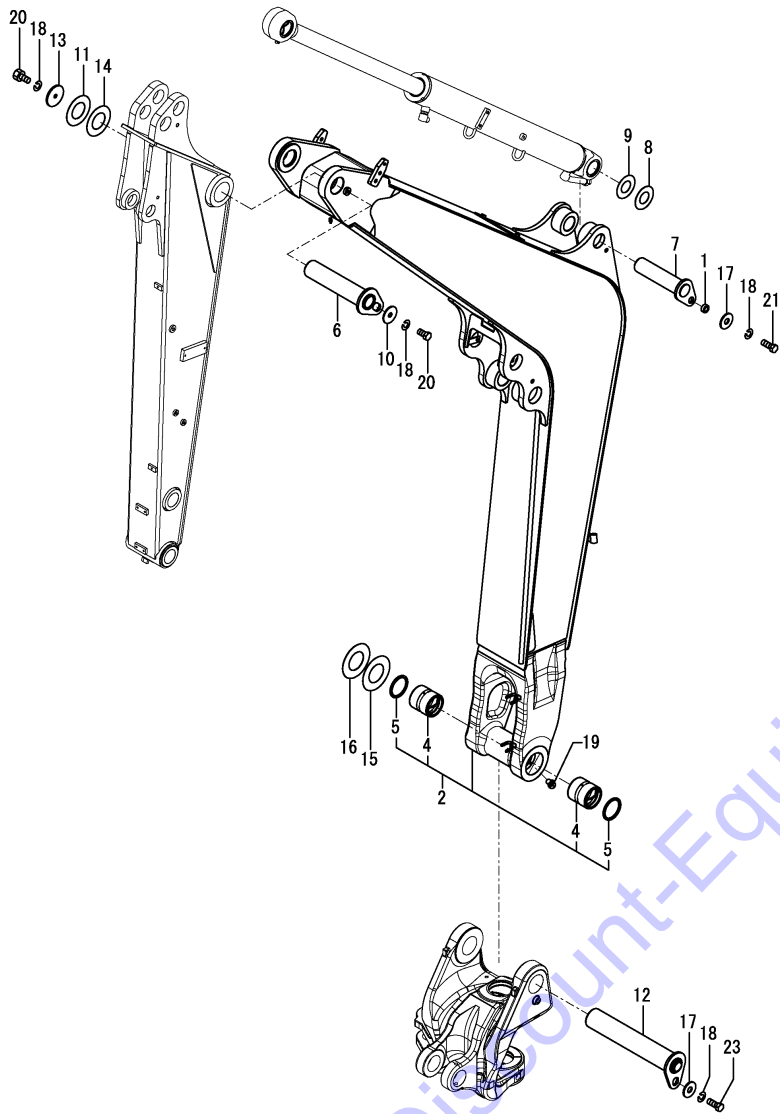
(D)=
 (E)=
 (F)=



No.	Lev.	Parts No.	Description	Q'ty						I	R
				(A)	(B)	(C)	(D)	(E)	(F)		
1	1	172A89-82300	BRACKET ASSY,BOOM(2J	1	1	1					
1-1	1	172A89-82300-Y	BRACKET ASSY,BOOM	1	1	1					S
		(A=M92001) (B=M92001) (C=M92001)									
3	2	172A89-82320	BUSH, 100X90	2	2	2					
4	2	24321-001000	O-RING, 1AG100.0	4	4	4					
5	1	172187-82330	PIN ASSY	1	1	1					
6	1	172187-82400	SHIM	1	1	1					
7	1	172187-82410	SHIM	1	1	1					
8	1	172187-82420	BOLT	1	1	1					
9	1	22242-001000	RING, 100	1	1	1					
10	1	24761-020000	NIPPLE, GREASE PT1/8	2	2	2					
11	1	26716-180002	NUT, M18	2	2	2					

Go to Discount-Equipment.com to buy your parts

Fig.110. BOOM



(A)=VIO80(US)
(B)=VIO80(AS)
(C)=VIO80(NZ)

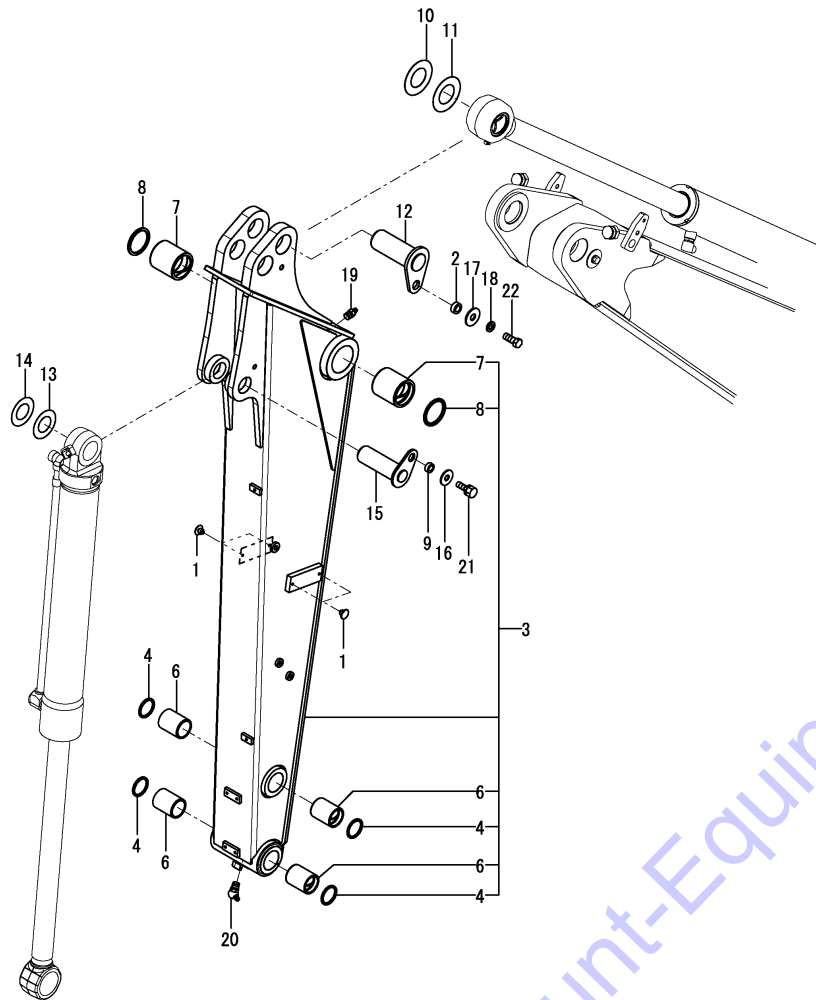
(D)=
(E)=
(F)=

No.	Lev.	Parts No.	Description	Q'ty						I	R
				(A)	(B)	(C)	(D)	(E)	(F)		
1	1	172155-45790	SPACER	1	1	1					
2	1	172A89-81100	BOOM ASSY,EX (2J)	1	1	1					1
2-1	1	172A89-81100-Y	BOOM ASSY,EX	1	1	1					S 1
4	2	(A=M92001) 172A52-81352	(B=M92001) BUSH	(C=M92001) 2	2	2	2				
5	2	172162-81430	SEAL, DUST	2	2	2					
6	1	172499-81750	PIN ASSY	1	1	1					
6-1	1	172499-81751	PIN ASSY,70X315	1	1	1					N
7	1	(A=M92125) 172187-81840	(B=M92125) PIN ASSY	(C=M92125) 1	1	1	1				
8	1	172499-81850	SHIM	1	1	1					
9	1	172499-81860	SHIM	1	1	1					
10	1	172187-81970	WASHER	1	1	1					
11	1	172445-81990	SHIM	1	1	1					
12	1	172187-82340	PIN ASSY	1	1	1					
13	1	172187-82430	WASHER	1	1	1					
14	1	172162-83580	SHIM	1	1	1					
15	1	172162-83600	SHIM	1	1	1					
16	1	172162-83610	SHIM	1	1	1					
17	1	22157-140000	WASHER, 14	2	2	2					
18	1	22217-140000	WASHER, SPRING 14	4	4	4					
19	1	24761-040000	NIPPLE, GREASE B	2	2	2					
20	1	26116-140252	BOLT, M14X 25 PLATED	2	2	2					
21	1	26116-140352	BOLT, M14X 35 PLATED	1	1	1					
22A	1	172187-03941	LABEL, BOOM US	2	2	2					2
23	1	26116-140252	BOLT, M14X 25 PLATED	1	1	1					

Remarks

- (1)Please use this part with follwing labels at the same time. No.22A.
- (2)Not illustrated.

Fig.111. ARM



(A)=VIO80(US)
(B)=VIO80(AS)
(C)=VIO80(NZ)

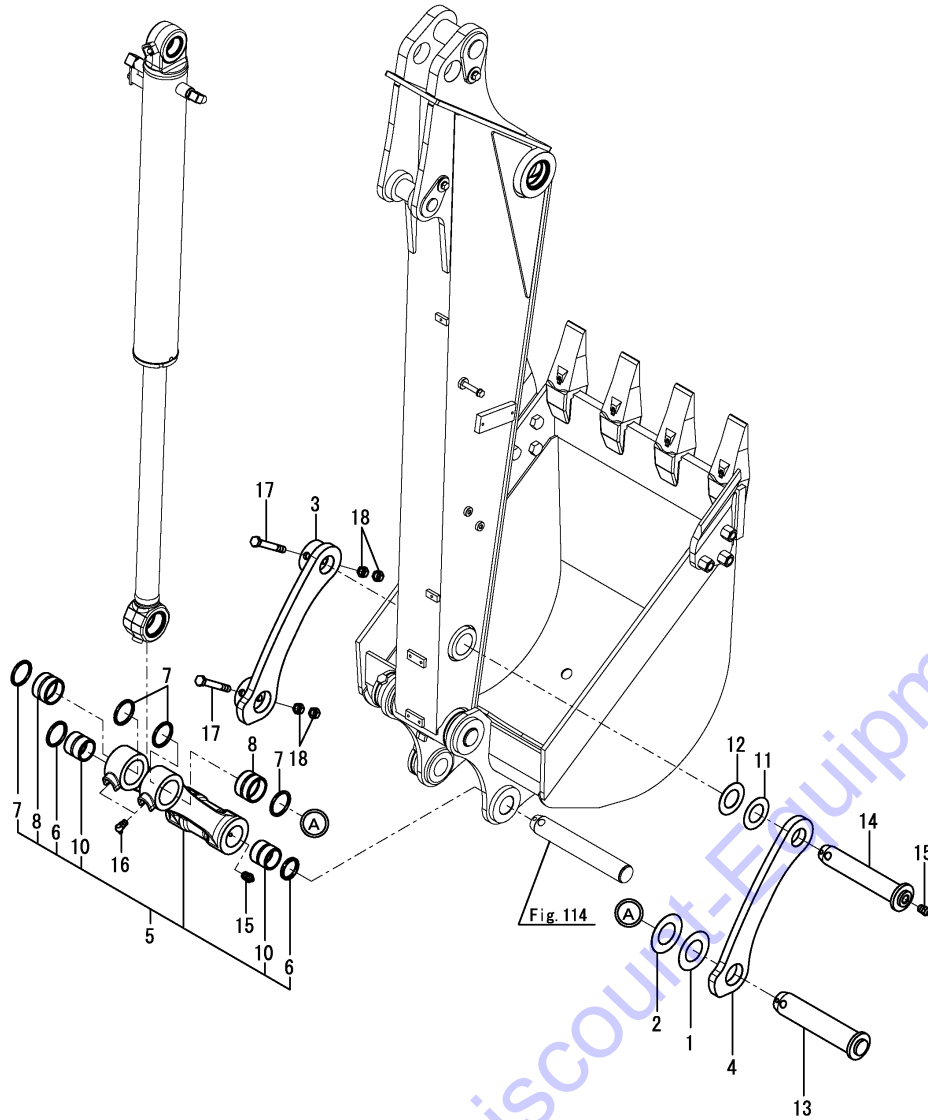
(D)=
(E)=
(F)=

No.	Lev.	Parts No.	Description	Q'ty						I	R
				(A)	(B)	(C)	(D)	(E)	(F)		
1	1	172444-17660	CLIP, TREE	4	4	4					
2	1	172155-45790	SPACER	1	1	1					
3	1	172A89-81470	ARM, 1650	1	1	1					1
3-1	1	172A89-81470-Y (A=M92001)	ARM, 1650 (B=M92001)	1	1	1					S 1
3-2	1	172A89-81471-Y (A=*2019.03)	ARM, 1650 EX (B=*2019.03)	1	1	1					N 1
4	2	172448-54120	SEAL, DUST	4	4	4					
6	2	172187-81710	BUSH	4	4	4					
7	2	172162-82280	BUSH	2	2	2					
8	2	172162-82350	SEAL, DUST	2	2	2					
9	1	172164-81670	SPACER	1	1	1					
10	1	172175-81700	SHIM	1	1	1					
11	1	172175-81710	SHIM	1	1	1					
12	1	172187-81861	PIN	1	1	1					
13	1	172165-82520	SHIM	1	1	1					
14	1	172165-82530	SHIM	1	1	1					
15	1	172458-83650	PIN ASSY	1	1	1					
16	1	22157-120000	WASHER, 12	1	1	1					
17	1	22157-140000	WASHER, 14	1	1	1					
18	1	22217-140000	WASHER, SPRING 14	1	1	1					
19	1	24761-020000	NIPPLE, GREASE PT1/8	1	1	1					
20	1	24761-040000	NIPPLE, GREASE B	1	1	1					
21	1	26013-120302	BOLT, SPRING M12X 30	1	1	1					
22	1	26116-140352	BOLT, M14X 35 PLATED	1	1	1					
23A	1	172472-03261	LABEL, FINGER	1	1	1					2
23B	1	172472-03330	LABEL, LOCK PIN	1	1	1					2

Remarks

- (1) Please use this part with following labels at the same time. No. 23A, 23B.
- (2) Not illustrated.

Fig.112. BUCKET ARM & LINK

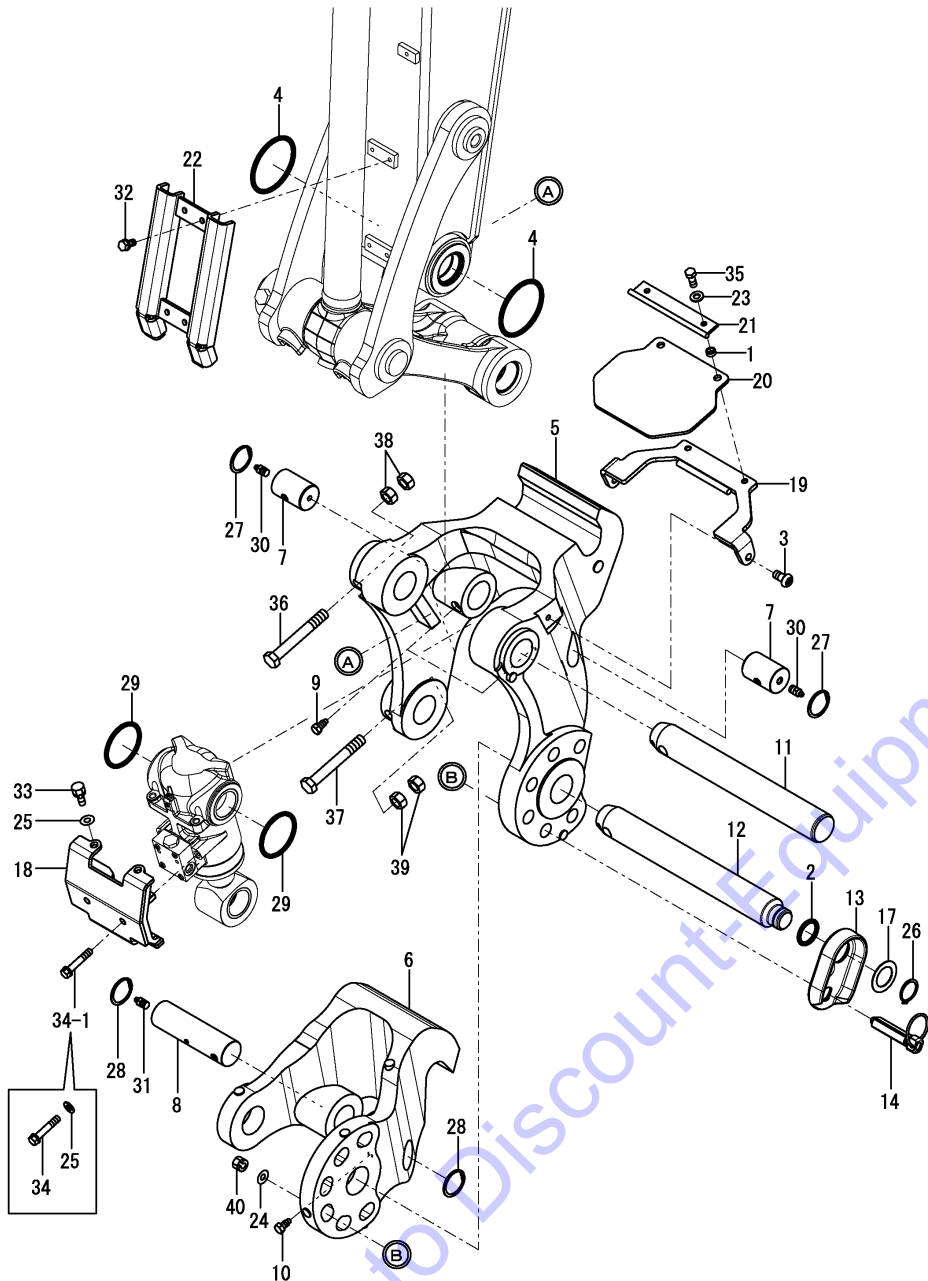


(A)=VIO80(US)
(B)=VIO80(AS)
(C)=VIO80(NZ)

(D)=
(E)=
(F)=

No.	Lev.	Parts No.	Description	Q'ty						I	R
				(A)	(B)	(C)	(D)	(E)	(F)		
1	1	172175-81700	SHIM	1	1	1					
2	1	172175-81710	SHIM	1	1	1					
3	1	172455-82380-2	ARM, BUCKET	1	1	1					
3-1	1	172455-82380-Y (A=M92001) (B=M92001) (C=M92001)	ARM, BUCKET	1	1	1					S
4	1	172455-82391-2	ARM, BUCKET	1	1	1					
4-1	1	172455-82391-Y (A=M92001) (B=M92001) (C=M92001)	ARM, BUCKET	1	1	1					S
5	1	172499-82400-1	LINK, BUCKET	1	1	1					
5-1	1	172499-82400-Y (A=M92001) (B=M92001) (C=M92001)	LINK, BUCKET	1	1	1					S
6	2	172448-54120	SEAL, DUST	2	2	2					
7	2	172168-54760	SEAL, DUST	4	4	4					
8	2	172455-82360	BUSH	2	2	2					
10	2	172187-83040	BUSH	2	2	2					
11	1	172165-82520	SHIM	1	1	1					
12	1	172165-82530	SHIM	1	1	1					
13	1	172455-83350	PIN ASSY	1	1	1					
14	1	172455-83360	PIN ASSY	1	1	1					
15	1	24761-020000	NIPPLE, GREASE PT1/8	3	3	3					
16	1	24761-050000	NIPPLE, GREASE C	2	2	2					
16-1	1	24761-020000 (A=*2010.08) (B=*2010.08) (C=*2010.08)	NIPPLE, GREASE PT1/8	2	2	2					N
17	1	26116-161202	BOLT, M16X120 PLATED	2	2	2					
18	1	26716-160002	NUT, M16	4	4	4					

Fig.113. QUICK COUPLER



(A)=VIO80(US)
(B)=VIO80(AS)
(C)=VIO80(NZ)

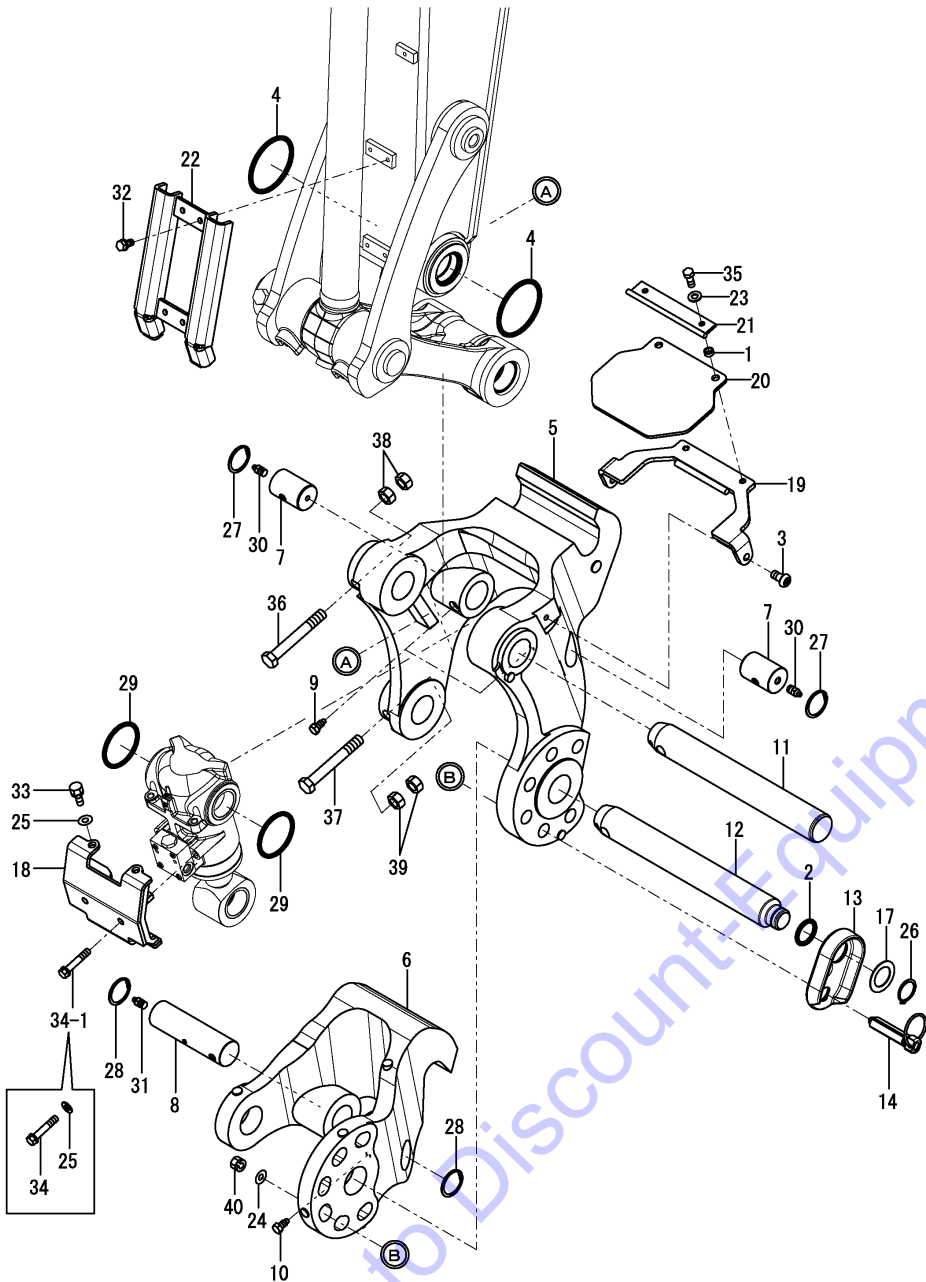
(D)=
(E)=
(F)=

No.	Lev.	Parts No.	Description	Q'ty						I	R
				(A)	(B)	(C)	(D)	(E)	(F)		
1	1	172958-17121	COLLAR, 9X4	2	2	2					
2	1	172124-46200	O-RING	1	1	1					
3	1	172455-61720	BOLT	2	2	2					
4	1	172162-82360	O-RING	2	2	2					
5	1	172978-83101-2	BRACKET A(YELLOW:2J)	1	1	1					
5-1	1	172978-83101-Y	BRACKET A	1	1	1					S
		(A=M92001) (B=M92001) (C=M92001)									
6	1	172978-83111-2	BRACKET B(YELLOW:2J)	1	1	1					
6-1	1	172978-83111-Y	BRACKET B	1	1	1					S
		(A=M92001) (B=M92001) (C=M92001)									
7	1	172978-83120	PIN 45X65	2	2	2					
8	1	172978-83130	PIN 45X161	1	1	1					
9	1	172978-83140	BOLT	2	2	2					
10	1	172978-83140	BOLT	1	1	1					
11	1	172978-83150	PIN 50X345	1	1	1					
12	1	172978-83161	PIN 50X373	1	1	1					
13	1	172978-83170-2	PLATE,LOCK(YELLOW:2J)	1	1	1					
13-1	1	172978-83170-Y	PLATE,LOCK	1	1	1					S
		(A=M92001) (B=M92001) (C=M92001)									
14	1	172978-83191	PIN,LOCK	1	1	1					
17	1	172960-83210	COLLAR	1	1	1					
18	1	172978-83221-2	COVER, HITCH	1	1	1					
18-1	1	172978-83221-Y	COVER, HITCH	1	1	1					S
		(A=M92001) (B=M92001) (C=M92001)									
19	1	172978-83270-2	GUARD ASSY	1	1	1					
19-1	1	172978-83270-Y	GUARD ASSY	1	1	1					S
		(A=M92001) (B=M92001) (C=M92001)									
20	1	172978-83292	PLATE,RUBBER	1	1	1					
21	1	172978-83300-2	PLATE (YELLOW:2J)	1	1	1					
21-1	1	172978-83300-Y	PLATE	1	1	1					S
		(A=M92001) (B=M92001) (C=M92001)									
22	1	172978-83320-2	COVER, ARM	1	1	1					
22-1	1	172978-83320-Y	COVER, ARM	1	1	1					S
		(A=M92001) (B=M92001) (C=M92001)									
23	1	22137-080000	WASHER, 8	2	2	2					
24	1	22137-100000	WASHER, 10	1	1	1					
25	1	22137-100000	WASHER, 10	4	4	4					
25-1	1	22137-100000	WASHER, 10	2	2	2					K
		(A=*2010.06) (B=*2010.06) (C=*2010.06)									
26	1	22242-000350	RING, 35	1	1	1					
27	1	22252-000450	RING, 45	2	2	2					
28	1	22252-000450	RING, 45	2	2	2					
29	1	24311-000700	O-RING, 1AP70.0	2	2	2					
30	1	24761-020000	NIPPLE, GREASE PT1/8	2	2	2					
31	1	24761-020000	NIPPLE, GREASE PT1/8	1	1	1					
32	1	26013-080162	BOLT, M8X 16	4	4	4					
33	1	26013-100252	BOLT, M10X 25	2	2	2					
34	1	26013-100552	BOLT, M10X 55	2	2	2					
34-1	1	26013-100502	BOLT, M10X 50	2	2	2					N
		(A=*2010.06) (B=*2010.06) (C=*2010.06)									
35	1	26116-080202	BOLT, M8X 20 PLATED	2	2	2					

Fig.113. QUICK COUPLER

(A)=VIO80(US)
 (B)=VIO80(AS)
 (C)=VIO80(NZ)

(D)=
 (E)=
 (F)=

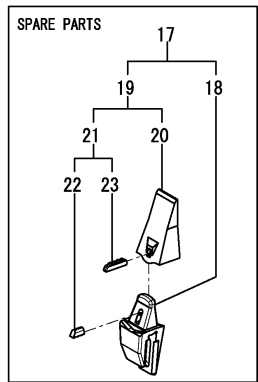
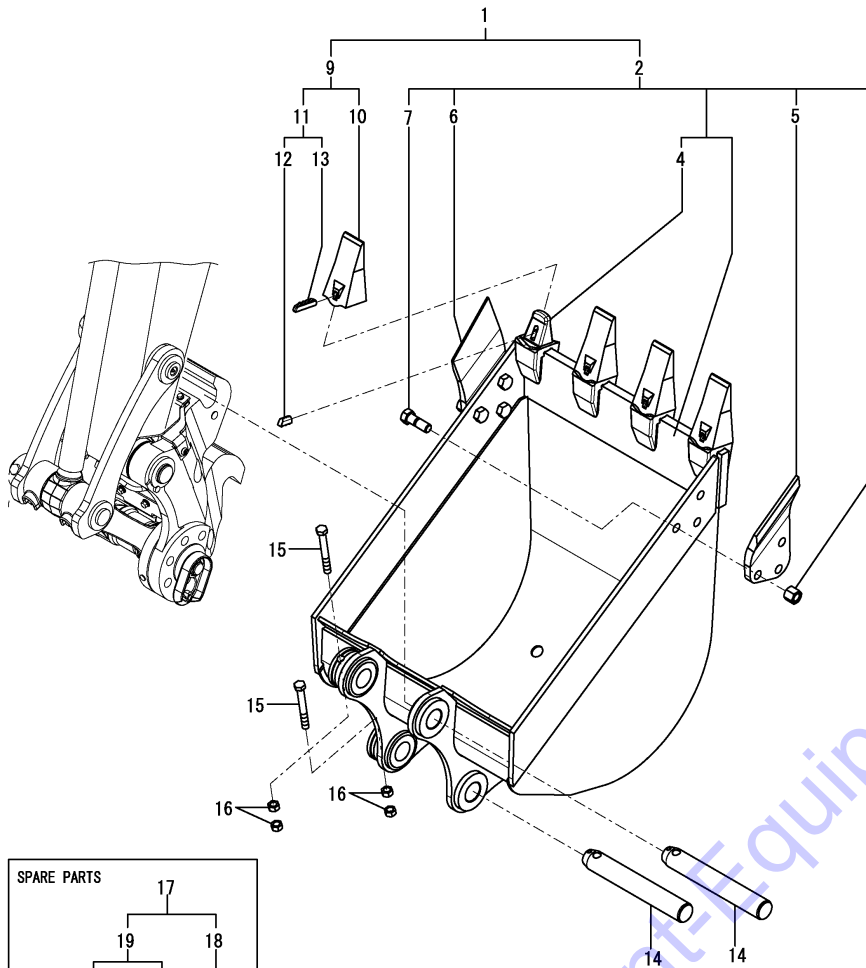


No.	Lev.	Parts No.	Description	Q'ty						I	R
				(A)	(B)	(C)	(D)	(E)	(F)		
36	1	26116-161202	BOLT, M16X120 PLATED	1	1	1					
37	1	26116-161202	BOLT, M16X120 PLATED	1	1	1					
38	1	26716-160002	NUT, M16	2	2	2					
39	1	26716-160002	NUT, M16	2	2	2					
40	1	26756-100002	NUT, LOCK M10	1	1	1					

Fig.114. BUCKET

(A)=VIO80(US)
 (B)=VIO80(AS)
 (C)=VIO80(NZ)

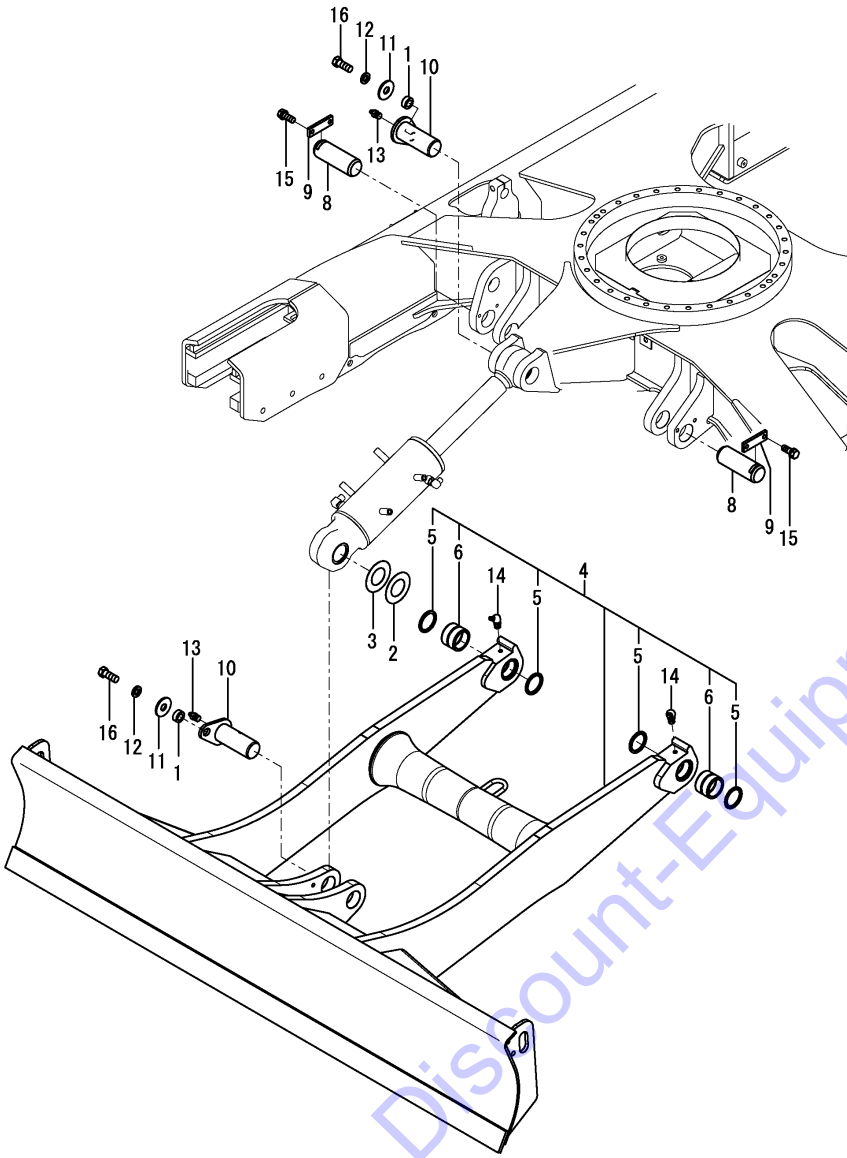
(D)=
 (E)=
 (F)=



No.	Lev.	Parts No.	Description	Q'ty						I	R	
				(A)	(B)	(C)	(D)	(E)	(F)			
1	1	172455-82490-2	BUCKET ASSY, 750S			1						
2	2	172455-82610-2	BUCKET ASSY, 750S			1						
4	4	172455-82671	ADAPTER			4						
5	3	172455-82650-2	CUTTER, SIDE			1						
6	3	172455-82660-2	CUTTER, SIDE			1						
7	3	172455-82710	BOLT			6						
8	3	172455-82720	NUT			6						
9	2	172455-82760	TOOTH, POINT			4						
10	3	172455-82681	TOOTH, POINT			4						
11	3	172455-82770	PIN SET, RUBBER			4						
12	4	172455-82691	PIN, RUBBER			4						
13	4	172455-82701	PIN, LOCK			4						
14	1	172978-81400	PIN 50X301		2	2						
15	1	26076-161302	BOLT, 10.916X130		2	2						
16	1	26716-160002	NUT, M16		4	4						
17	1	172455-82750	TOOTH ASSY			4						1
18	2	172455-82671	ADAPTER			4						
19	2	172455-82760	TOOTH, POINT			4						
20	3	172455-82681	TOOTH, POINT			4						
21	3	172455-82770	PIN SET, RUBBER			4						
22	4	172455-82691	PIN, RUBBER			4						
23	4	172455-82701	PIN, LOCK			4						

Remarks
 (1) Spare parts.

Fig.115. BLADE



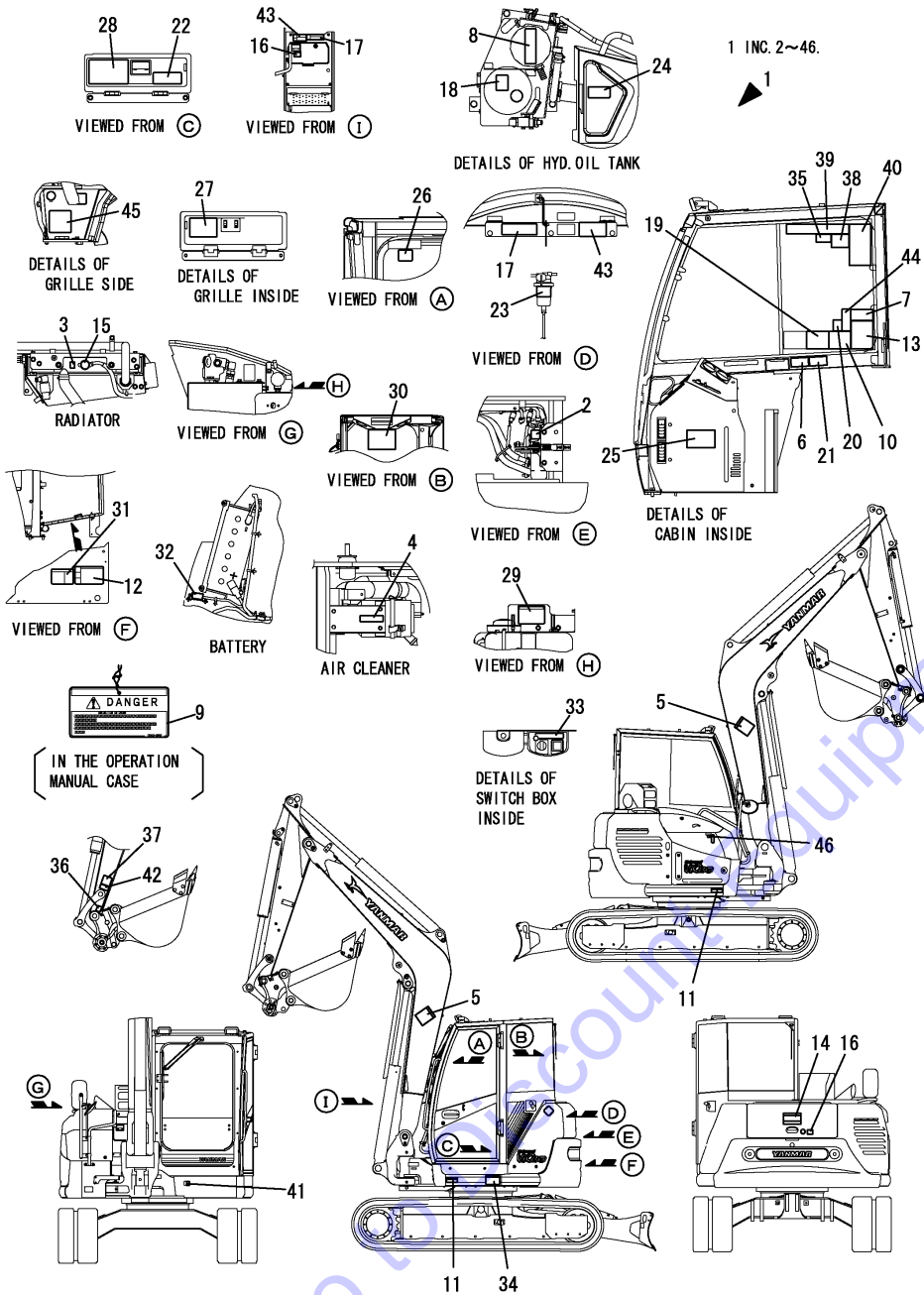
(A)=VIO80(US)
 (B)=VIO80(AS)
 (C)=VIO80(NZ)

(D)=
 (E)=
 (F)=

No.	Lev.	Parts No.	Description	Q'ty						I	R
				(A)	(B)	(C)	(D)	(E)	(F)		
1	1	172155-45790	SPACER	2	2	2					
2	1	172175-81700	SHIM	1	1	1					
3	1	172175-81710	SHIM	1	1	1					
4	1	172A89-94100	BLADE ASSY (49)	1	1	1					
5	2	172020-10620	SEAL, DUST	4	4	4					
6	2	172162-81060	BUSH	2	2	2					
8	1	172162-94270	PIN	2	2	2					
9	1	172162-94280-3	PLATE, LOCK	2	2	2					
10	1	172187-94300	PIN ASSY	2	2	2					
11	1	22157-140000	WASHER, 14	2	2	2					
12	1	22217-140000	WASHER, SPRING 14	2	2	2					
13	1	24761-020000	NIPPLE, GREASE PT1/8	2	2	2					
14	1	24761-040000	NIPPLE, GREASE B	2	2	2					
15	1	26013-120302	BOLT, M12X 30	4	4	4					
16	1	26116-140352	BOLT, M14X 35 PLATED	2	2	2					

Go to Discount-Equipment.com to buy your parts

Fig.116. LABEL KIT(CANADA)(OPTIONAL)



(A)=VIO80(US)
(B)=VIO80(AS)
(C)=VIO80(NZ)

(D)=
(E)=
(F)=

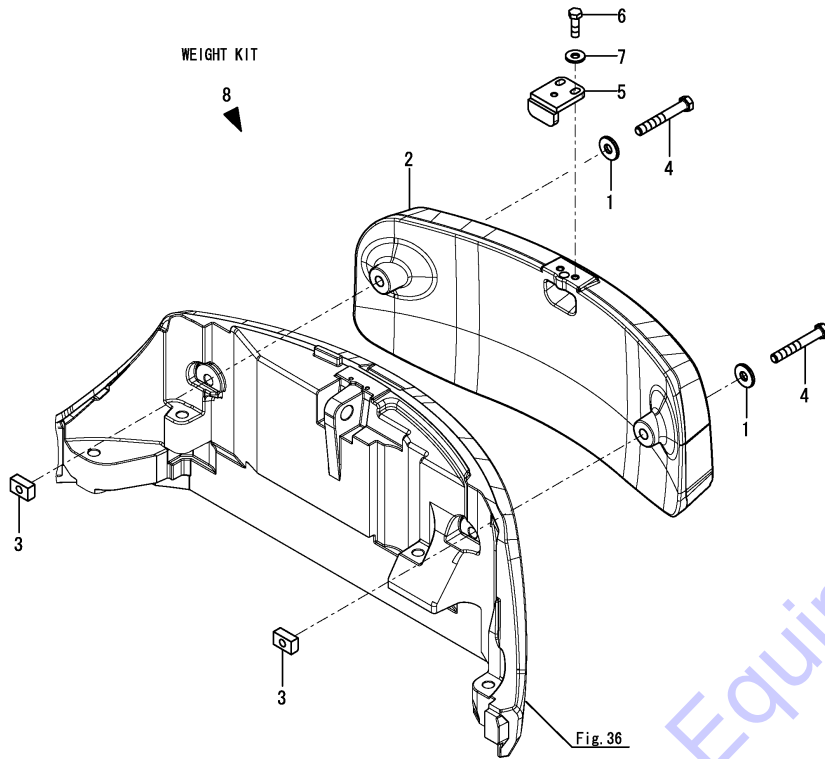
No.	Lev.	Parts No.	Description	Q'ty						I	R
				(A)	(B)	(C)	(D)	(E)	(F)		
1	1	172A89-03050	LABEL KIT, CA	1							
2	2	172A37-03150	LABEL,SUB-TANK CA	1							
3	2	172A37-03160	LABEL,ANTI-FREEZE CA	1							
4	2	172A37-03180	LABEL J, AIR CLEANER	1							
5	2	172A37-03200	LABEL,BOOM CA	2							
6	2	172A37-03231	LABEL,MANUAL CA.	1							
7	2	172A37-03241	LABEL,SLOPE CA.	1							
8	2	172A37-03250	LABEL,RESERVOIR CA	1							
9	2	172469-03261	TAG ASSY, SERVICING	1							
10	2	172A37-03271	LABEL,TRANSPORT CA.	1							
11	2	172A37-03280	LABEL,GREASE CYL CA	2							
12	2	172A37-03290	LABEL,BATTERY CA	1							
13	2	172A37-03300	LABEL,NEWTRAL CA	1							
14	2	172A37-03310	LABEL,SWING AREA CA	1							
15	2	172469-03320	LABEL,RADIATOR CAP	1							
16	2	172A37-03330	LABEL,ENGINE COVER	2							
17	2	172A37-03350	LABEL,SILENCER CA	2							
18	2	172469-03360	LABEL,OIL	1							
19	2	172A37-03360	LABEL,STERRING CA	1							
20	2	172A37-03370	LABEL,ROPS CA	1							
21	2	172A37-03400	LABEL,LEVER LOCK CA	1							
22	2	172A89-03400	LABEL,SPEC CA	1							
23	2	172A07-03410	LABEL,WATER DRAIN	1							
24	2	172A37-03410	LABEL,RADIATOR CA	1							
25	2	172A89-03410	LABEL,OIL & WATER CA	1							
26	2	172A37-03420	LABEL,WINDOW CA	1							
27	2	172A89-03420	LABEL,FUSE CA	1							
28	2	172A37-03430	LABEL,2 WAY CA	1							
29	2	172A69-03430	LABEL,GREASING CA	1							
30	2	172A89-03440	LABEL,LIFT Q CA	1							
30-1	2	172A89-03441	LABEL,LIFT Q CA	1							N
(A=*2013.12)											
31	2	172A69-03450	LABEL,BATTERY COVER	1							
32	2	172A69-03470	LABAEL FL CA	1							
33	2	172469-03480	LABEL,SWITCH	1							
34	2	172A37-03500	LABEL,SUPPORT CA	1							
35	2	172A37-03520	LABEL,PIN CA	1							
36	2	172A37-03530	LABEL,FINGER CA	1							
37	2	172469-03540	LABEL,OPERATION PIN	1							
38	2	172A37-03540	LABEL,SAND CA	1							
39	2	172469-03550	LABEL,OP HITCH	1							
40	2	172A37-03550	LABEL,WARNING HITCH	1							
41	2	172A47-03610	LABEL, GREASE CA	1							
42	2	172A37-03680	LABEL,LOCK PIN CA	1							
43	2	172A37-03710	LABEL,ENGROOM CA	2							
44	2	172A37-03720	LABEL,SEAT BELT CA	1							
45	2	172478-03330	LABEL,ADJUST CRAWLER	1							
46	2	129942-07760	LABEL, FUEL OIL NOTI	1							
46-1	2	129942-07761	LABEL, FUEL OIL CAUT	1							N
(A=*2010.10)											

Fig.117. ADDITIONAL WEIGHT KIT(OPTIONAL)

(A)=VIO80(US)
 (B)=VIO80(AS)
 (C)=VIO80(NZ)

(D)=
 (E)=
 (F)=

No.	Lev.	Parts No.	Description	Q'ty						I	R
				(A)	(B)	(C)	(D)	(E)	(F)		
1	1	172187-53321	WASHER	2	2	2					
2	1	172A89-53320	WEIGHT, ADD	1	1	1					
3	1	172A46-53360	NUT	2	2	2					
4	1	172A48-53371	BOLT	2	2	2					
5	1	172A48-53380	BRACKET ASSY, WEIGHT	1	1	1					
6	1	26116-160502	BOLT, M16X 50 PLATED	2	2	2					
7	1	933147-08501	WASHER	2	2	2					
8	1	172A89-08900	WEIGHT SET	1	1	1					W 1
				(A=*2012.01)	(B=*2012.01)	(C=*2012.01)					

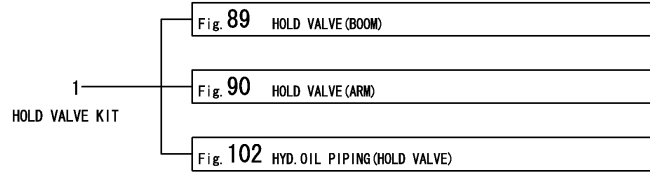


Remarks
 (1)Refer No.8 includes No.7 from No.1.

Fig.118. HOLD VALVE KIT(OPTIONAL)

(A)=VIO80(US)
 (B)=VIO80(AS)
 (C)=VIO80(NZ)

(D)=
 (E)=
 (F)=



No.	Lev.	Parts No.	Description	Q'ty						I	R	
				(A)	(B)	(C)	(D)	(E)	(F)			
1	1	172A89-08520	VALVE KIT, HOLD (A=*2012.02) (B=*2012.02) (C=*2012.02)	1	1	1					W	1
1-1	1	172A89-08520-Y	VALVE KIT, HOLD (A=M92001) (B=M92001) (C=M92001)	1	1	1					S	1

Remarks
 (1)Refer to each figure, showing details of kit parts.

Parts No. Index

Parts No.	Fig. No.	Ref. No.
106990-44660	11	29
114110-07760	1	45
114110-07761	1	45 -1
119005-12571	4	5
119802-55710	12	28
119808-12540	4	3
	5	3
121250-49121	8	3
121256-44600-3	10	8
121450-44531	10	3
121470-44581	10	5
124450-44550	10	7
124450-44560	10	4
124766-59050	8	27
	11	30
	12	32
		33
		34
		35
124970-77920	19	29
129062-12560	4	4
	5	4
129062-12570	4	6
	5	5
129100-55690	12	27
129107-44590	8	8
129122-44480	25	27
129466-96240	25	28
129612-12650	4	7
129612-52100	12	24
129927-77900	13	27
129927-77910	13	28
	19	28
129927-77920	19	30
129942-07760	116	46
129942-07761	116	46 -1
171064-44510	10	1
172020-10220	61	8
		13
172020-10290	61	5
172020-10360	61	24
172020-10370	61	6
172020-10380	61	25
	65	8
172020-10620	63	11
	64	29
		33
	65	21
		25
	115	5

Parts No.	Fig. No.	Ref. No.
172020-10730	64	2
172020-10810	63	3
	64	3
172020-10860	64	4
172020-11030	63	12
172020-11230	64	30
172020-11280	64	34
172020-11300	64	5
172020-11320	64	8
172020-11340	64	9
172020-11350	64	11
172020-11450	65	22
		26
172020-11500	65	2
172020-11520	65	5
172020-11530	65	9
172020-11540	65	6
172020-11620	61	26
172020-11690	64	10
172020-11700	64	12
172020-11710	64	19
172020-11720	65	7
172020-11730	65	10
172020-11740	65	17
172110-76170	101	3 -1
	102	1 -1
172110-76170-3	101	3
	102	1
172112-16201	15	2
172112-16650	7	13
		13 -1
172112-74971	88	5
172112-75770	88	7
172112-75780	88	8
172112-77361	62	37
	90	23
	93	21
	94	42
	97	4
172112-77580	108	10
172113-74190	76	4
	78	19
172116-74150	72	26
	73	3
	74	3
		5
		11
	75	3
	76	15
	77	19

Parts No.	Fig. No.	Ref. No.
172116-74150	78	3
		31
	79	29
172122-17190	42	12
	59	5
172122-37844	28	24
172122-55061	12	25
172122-70260	68	24
172122-70410	68	26
172122-70530	68	28
172122-73860	71	5
172122-73870	71	6
172122-73890	71	11
172122-79890	4	11
	5	9
	96	12
172123-76121	81	24
	82	8
		9
	83	22
	84	10
	85	20
	86	34
	87	21
	90	18
	93	2
	94	7
		8
	97	2
	99	1
	120	7
172124-17640	25	6 -1
172124-46200	30	6
	113	2
172124-65480	46	16
172124-70030	62	2
172124-70380	68	42
172125-03951	1	44
	2	18
	4	16 A
	5	14 A
172126-11510	19	1
		44
	24	1
		2
	25	1
		1 -1
	26	1
		2
	101	16

Parts No.	Fig. No.	Ref. No.
172126-11510	102	19
	105	1
		1 -1
172126-16540	13	14
		15
172137-13400	11	2
172137-14282	7	12
172137-16560	12	22
	13	17
		17 -1
	19	15
	20	3
	25	2
		3
	93	24
	108	1
172137-46042	7	14
172137-46210	18	18
172137-66230	22	6
172137-76100	80	21
172137-76110	93	10 -1
	96	1
172137-76580	101	7
	102	2
172141-17211	20	5
172141-41370	30	3
172141-72250	66	2
172141-74720	59	33
172141-76181	81	25
	83	24
	86	35
	89	20
	94	19
	99	6
172141-76900	61	37
	62	35
	63	32
	65	30
	89	25
	90	19
	93	17
	94	38
		40
	120	14
172141-76920	93	19
172141-76940	96	2
	97	3
172142-62301	9	19
	38	17
172142-72260	66	3

Parts No. Index

Parts No.	Fig. No.	Ref. No.
172142-72951	66	19
172142-74590	59	84
172142-74650	59	85
172142-74670	82	6
172142-76181	64	36
	65	28
172142-76240	99	18
172142-76940-2	58	5
	100	6
		7
172142-76940-Y	58	5 -1
	100	6 -1
		7 -1
172142-76950-6	89	27
	98	13
		20
172142-76950-N	89	27 -1
	98	20 -1
172142-76950-Y	98	13 -1
172146-78150	9	20
172147-70500	68	27
172147-73150	59	77
172147-73530	59	72
172147-73810	71	2
172147-73830	71	3
172147-73850	71	4
172147-73880	71	10
172147-76271	91	14
	94	31
172148-70301	68	25
172151-71630	66	12
172151-72591	63	7
172151-74060	72	10
	73	5
	74	7
	75	5
		14
	76	2
		17
	77	3
		25
	78	5
		17
	79	5
		19
172151-74320	72	13
	73	8
	74	28
	75	8
		18

Parts No.	Fig. No.	Ref. No.
172151-74320	76	7
		20
	77	6
		28
	78	8
		21
	79	8
		23
172151-76050	60	4
	80	20
172151-76161	99	4
172151-76200	94	25
172155-11120	93	1
172155-45790	61	1
	110	1
	111	2
	115	1
	121	1
	131	1
172156-03740	1	42
172156-65690	45	10
172156-76110	22	7
172157-58830	80	3
172157-76300	70	5
172162-13170	7	7
172162-13180	7	8
172162-13190	7	9
172162-14200	11	24
172162-15310	47	3
172162-17400	20	4
172162-18040	26	9
172162-37770	28	22
172162-37800	28	23
172162-37810	28	15
172162-57660	36	13
172162-61330	44	6
172162-61500	40	1
172162-61770	61	2
	121	2
	131	2
172162-69470	38	24
172162-70150	68	19
172162-70290	68	3
172162-70310	68	4
172162-70320	68	5
172162-70590	68	29
172162-70820	68	31
172162-72930	62	32
172162-72950	62	33
172162-73700	88	2

Parts No.	Fig. No.	Ref. No.
172162-76181	94	21
172162-76320	93	16
172162-81060	115	6
172162-81430	110	5
172162-82280	111	7
172162-82350	61	10
		16
	111	8
172162-82360	113	4
172162-83580	110	14
172162-83600	110	15
172162-83610	110	16
172162-94270	115	8
172162-94280-3	64	44
	115	9
	123	37
	132	43
172164-16370	15	3
172164-37120	27	18
172164-66170	38	18
	45	11
	46	17
172164-76330	94	35
172164-76700	94	36
172164-81670	111	9
172165-13220	7	11
172165-47550	30	12
172165-47980	30	13
172165-47990	30	14
172165-76270	93	10
172165-76380	99	19
172165-82520	111	13
	112	11
172165-82530	111	14
	112	12
172168-54760	112	7
172168-76162	120	8
		9
172168-76170	95	2
172168-76370	95	4
172171-65820	47	7
172173-76102	80	23
	81	22
	84	8
	120	5
172175-17120	19	7
172175-72480	66	4
172175-74220	72	12
	73	7
	74	27

Parts No.	Fig. No.	Ref. No.
172175-74220	75	16
	76	5
		19
	77	5
		27
	78	7
		20
	79	7
		21
172175-78720	99	25
172175-81700	64	39
	111	10
	112	1
	115	2
	123	32
	132	38
172175-81710	64	40
	111	11
	112	2
	115	3
	123	33
	132	39
172176-67150	38	23
172176-76210	94	28
172176-76582-2	100	4
172176-76582-Y	100	4 -1
172176-81700	61	44
	121	36
	131	44
172176-81710	61	45
	121	37
	131	45
172183-03280	1	23
172183-76180	89	22
172183-76200	82	12
	87	22
	94	26
172183-81160	90	25
	95	24
172186-13810	12	1
172186-14150	11	22
172186-76430	84	12
172187-03941	1	43
	2	17
	110	22 A
172187-11400	3	2
172187-14510	11	28
172187-16110	15	1
172187-16600	13	18
172187-17070	16	3

Parts No. Index

Parts No.	Fig. No.	Ref. No.
172187-17080	16	4
172187-17090	16	5
172187-17100	16	1
172187-17101	16	1 -1
172187-17220	19	8
172187-18410	25	25
172187-37700-3	28	14
172187-45651	33	3
172187-45720-2	33	4
172187-45760	33	5
172187-45870	31	3
172187-45880	31	4
172187-50801-3	35	4
172187-50811-3	35	5
172187-53321	36	2
	117	1
172187-54760	36	8
172187-61421	38	1
	39	21
172187-61500-3	40	2
172187-63160	23	37
	42	4
		9
172187-64900	18	19
172187-65210	46	11
172187-65270	46	13
172187-66140	44	17
172187-71100	59	1
172187-71210	59	4
172187-72910-2	61	42
172187-72910-N	61	42 -1
	121	34
	131	42
172187-73220	59	21
172187-73230	59	22
172187-73240	59	20
172187-73250	59	23
172187-73700	88	3
172187-73730	88	4
172187-73801	71	1
172187-74410	76	9
	78	23
172187-74530	72	6
		28
	75	11
172187-74540	74	36
172187-74550	72	30
	77	36
172187-74630	74	42
172187-74690	74	23

Parts No.	Fig. No.	Ref. No.
172187-75340-2	88	12
172187-75500	88	16
172187-75630	59	75
172187-75720	59	62
172187-75750	59	63
172187-76131	93	3
172187-76141	93	6
172187-76170	94	16
172187-76180	95	3
172187-76200	94	27
172187-76520	98	10
172187-76530-2	98	11
172187-76530-Y	98	11 -1
172187-76570-2	100	3
172187-76570-Y	100	3 -1
172187-76690-2	100	5
172187-76690-Y	100	5 -1
172187-76940	98	12
172187-78100	95	15
	98	26
172187-78201	97	12
172187-78211	97	13
172187-79250	100	12
172187-81710	111	6
172187-81801	61	46
	121	38
	131	46
172187-81840	110	7
172187-81861	111	12
172187-81970	64	41
	110	10
	123	34
	132	40
172187-82330	109	5
172187-82340	110	12
172187-82370	64	42
	123	35
	132	41
172187-82400	109	6
172187-82410	109	7
172187-82420	109	8
172187-82430	110	13
172187-83040	112	10
172187-94300	115	10
172312-74770	74	24
172312-74780	68	50
172312-76190	91	11
172422-74110	72	3
172422-74330	75	9
172422-76100	91	1

Parts No.	Fig. No.	Ref. No.
172422-76140	83	23
	84	11
	94	10
172422-78760	12	36
	99	30
172423-72520	64	25
172423-72530	64	26
172423-72540	64	27
172423-73370	68	16
172423-76100	70	4
	94	4
172423-76120	94	9
172423-76140	94	11
172425-17630	25	4
172434-61180	39	18
172437-03252	1	20
	2	4
172437-03302	1	53
	2	22
	50	33 A
172437-03312	1	54
	2	23
	54	13 D
172437-03322	1	25
	2	6
	88	44 A
172437-03343	1	55
	2	24
	54	13 E
172437-03352	1	28
	2	8
	41	24 B
		25 A
172437-03361	1	30
	2	10
	9	30 B
172437-03372	1	57
	2	26
	54	13 F
172437-03381	1	31
	2	11
	46	30 A
172437-03391	1	32
	2	12
	26	35 A
	45	38 A
172437-03402	1	33
	2	13
	38	35 A
	46	30 B

Parts No.	Fig. No.	Ref. No.
172437-03422	1	35
	2	15
	38	35 C
	46	30 D
172437-03432	1	58
	2	27
	54	13 G
172437-03441	1	59
	2	28
	54	13 H
172437-03451	1	60
	2	29
	54	13 I
172437-03471	1	61
	2	30
	50	33 B
172437-03501	1	36
172437-03511	1	37
172437-03551	1	62
	2	31
	52	32 A
172437-03601	1	38
	2	16
	39	42 A
172437-03610	1	39
172437-03620	1	40
172437-74711	80	5
172437-74720	80	6
172437-74732	80	7
172441-44320	34	1
172441-74030	85	3
		12
172441-74040	85	4
		13
172444-13210	8	1
172444-13220	8	2
172444-14270	11	27
172444-17620	44	2
172444-17660	43	6
	98	1
	101	34
	111	1
172444-65190	46	10
172445-68650	19	27
172445-72450	63	19
	64	24
172445-72480	63	15
	64	7
172445-81990	110	11
172446-14250	12	7

Parts No. Index

Parts No.	Fig. No.	Ref. No.
172446-49280	23	9
172446-62910	57	4
172447-13550	26	3
172447-14160	11	12
172448-54120	63	5
	111	4
	112	6
172450-73360	68	15
172450-73370	68	17
172450-73380	68	22
172455-11500	5	1
172455-29140	27	2
172455-29150	27	3
172455-37160	28	8
172455-37170	28	9
172455-37180	28	10
172455-38601	29	27 -1
172455-46890	30	11
172455-53331	36	3
172455-61720	113	3
172455-65701	38	33
172455-74010	72	22
	77	15
172455-74020	72	23
	77	16
172455-74030	72	24
	77	17
172455-74040	72	25
	77	18
172455-74320	72	21
	77	14
172455-74390	72	14
	73	10
	74	29
	75	19
	76	8
		21
	77	7
		29
	78	9
		22
	79	9
172455-74410	72	15
	73	11
	74	30
	75	20
	76	10
		22
	77	8
	30	

Parts No.	Fig. No.	Ref. No.
172455-74410	78	10
		24
	79	10
		24
172455-74420	72	16
	73	12
	74	31
	76	23
	77	9
		31
	78	11
		11 -1
		25
	79	11
172455-74440	72	17
	73	13
	74	32
	76	24
	77	10
		32
	78	12
		26
	79	12
172455-74450	72	18
	73	14
	74	33
	76	25
	77	11
		33
	78	13
		27
	79	13
172455-74460	72	19
	73	15
	74	34
	75	21
	76	11
		26
	77	12
		34
	78	14
		28
	79	14
		25
172455-74480	79	26
172455-74530	74	35
172455-74550	74	38
172455-74560	74	39
172455-74570	74	40
172455-74580	74	41

Parts No.	Fig. No.	Ref. No.
172455-74590	74	14
172455-74600	74	15
172455-74620	74	16
172455-74630	74	17
172455-74640	74	18
172455-74650	74	19
172455-74660	74	20
172455-74670	74	21
172455-74680	74	22
172455-74720	74	25
172455-74990	72	27
	77	20
	88	18
172455-75290	88	18
172455-75300	88	19
172455-75310	88	20
172455-76160	95	1
172455-76220	85	21
172455-77140	89	12
	90	12
172455-77150	86	29
	89	13
	90	13
172455-82360	112	8
172455-82380-2	112	3
172455-82380-Y	112	3 -1
172455-82391-2	112	4
172455-82391-Y	112	4 -1
172455-82490-2	114	1
172455-82610-2	114	2
172455-82650-2	114	5
172455-82660-2	114	6
172455-82671	114	4
		18
172455-82681	114	10
		20
172455-82691	114	12
		22
172455-82701	114	13
		23
172455-82710	114	7
172455-82720	114	8
172455-82750	114	17
172455-82760	114	9
		19
172455-82770	114	11
		21
172455-83350	112	13
172455-83360	112	14
172456-13470	19	2
172456-53700	36	4

Parts No.	Fig. No.	Ref. No.
172456-75430	59	87
172458-03240	1	19
172458-14203	11	13
172458-17420	55	10
172458-17700	23	2
172458-18850	44	3
172458-46790	44	5
172458-50480-2	35	2
172458-61490	26	13
172458-61500	8	19
172458-61510	8	20
172458-64140	23	36
172458-65050	46	2
172458-65060	46	3
172458-65271	46	14
172458-83650	111	15
172460-16700	12	23
172460-73320	49	9
	67	84 -1
172462-03320	1	26
172463-03281	1	5
172463-03290	1	24
172463-74530	85	5
		14
172463-74540	85	6
		15
172463-74551	85	7
		16
172463-74561	85	8
		17
172463-74570	85	9
		18
172467-64101	43	7
172467-64110	43	8
172467-64120	43	9
172467-64130	43	10
172467-64140	43	11
172467-64150	43	12
172467-64160	43	13
172467-64170	43	14
172467-64180	43	15
172467-64190	43	16
172467-76120	99	15
172469-03261	116	9
172469-03320	116	15
172469-03360	116	18
172469-03480	116	33
172469-03540	116	37
172469-03550	116	39
172472-03141	1	10

Parts No. Index

Parts No.	Fig. No.	Ref. No.
172472-03141	2	1
	41	24 A
172472-03230	1	18
172472-03241	1	49
	2	19
	54	13 A
172472-03250	1	50
172472-03261	1	21
	2	5
	111	23 A
172472-03271	1	51
	2	20
	54	13 B
172472-03281	1	52
	2	21
	54	13 C
172472-03290	18	2
172472-03300	18	3
172472-03330	1	27
	2	7
	111	23 B
172478-03330	116	45
172478-17201	16	10
	22	12
172478-37101-2	28	3
172478-37121	28	5
172478-37141	28	6
172478-37151	28	7
172478-37302	27	4
172478-37303	27	4 -1
		4 -2
172478-37342	27	8
172478-37343	27	8 -1
172478-37372	27	9
172478-37373	27	9 -1
172478-37380	27	10
172478-37400	27	7
172478-37710	28	20
172478-37720	28	21
172478-72010	61	15
172478-72190	61	11
172478-72250	61	21
172478-73600	69	1
172478-73630	69	2
172478-74170	73	9 -1
172478-74180	72	11
	73	6
	74	8
	75	15
	76	3

Parts No.	Fig. No.	Ref. No.
172478-74180	76	18
	77	4
		26
	78	6
		18
	79	6
		20
172478-74320	73	9
172478-74360	72	5
	79	2
172478-74370	79	3
172478-76200	69	3
172479-73420	67	31
172479-73470	67	38
172479-73480	67	10
		40
172479-73590	67	55
172479-73710	67	63
		64
172479-73750	67	5
172479-73760	67	6
172479-73800	67	13
172479-73810	67	14
172479-73830	67	15
172479-73850	67	17
172479-73950	67	74
172487-61460	19	19
172488-38600	29	27
172488-74200	74	9
172488-74210	74	12
172488-74220	74	13
172491-61490	24	20
172491-76140	94	12
172491-76330	83	27
	87	24
172499-13750	9	3
172499-17650	25	5
172499-70600	59	7
172499-70610	59	8
172499-70620	59	9
172499-70630	59	10
172499-70640	59	11
172499-70650	59	12
172499-70660	59	13
172499-70680	59	14
172499-70690	59	15
		67
172499-70701	59	16
172499-70711	59	17
172499-70720	68	6

Parts No.	Fig. No.	Ref. No.
172499-70730	68	7
172499-70740	68	8
172499-70750	68	9
172499-70760	68	10
172499-70770	68	11
172499-70780	68	12
172499-70790	68	13
172499-70810	68	30
172499-70830	68	32
172499-70840	68	33
172499-70850	68	34
172499-70860	68	35
172499-70870	68	36
172499-70880	68	37
172499-70890	68	38
172499-70900	68	43
172499-70910	68	44
172499-70920	68	45
172499-70930	68	46
172499-70950	68	48
172499-70960	68	49
172499-70970	68	39
172499-70980	68	40
172499-71020	68	74
172499-71040	68	14
172499-71200	59	3
172499-71300	59	18
172499-71310	59	26
172499-71320	59	35
172499-71350	59	44
172499-71370	59	53
172499-71450	59	19
172499-71490	59	68
172499-71500	59	30
172499-71590	59	70
172499-71600	59	55
172499-71620	59	56
172499-71630	59	57
172499-71640	59	58
172499-71650	59	59
172499-71660	59	60
172499-71690	59	47
172499-71700	59	48
172499-71710	59	49
172499-71720	59	50
172499-71730	59	51
172499-71740	59	52
172499-72490	61	19
172499-72981	63	31
172499-73460	67	36

Parts No.	Fig. No.	Ref. No.
172499-73620	67	56
172499-73630	67	57
172499-73640	67	58
172499-73660	67	59
172499-73670	67	60
172499-73680	67	61
172499-73700	67	62
172499-73710	67	65
172499-73720	67	66
172499-73760	67	67
172499-73770	67	68
172499-73780	67	69
172499-73810	67	70
172499-73820	67	71
172499-73830	67	72
172499-73870	67	73
172499-76160	91	9
172499-76300	93	11
172499-76310	93	13
172499-76311	93	13 -1
172499-78530	97	16
172499-78591	91	33
172499-81750	110	6
172499-81751	110	6 -1
172499-81850	110	8
172499-81860	110	9
172499-82400-1	112	5
172499-82400-Y	112	5 -1
172511-17351	22	4
172519-63240	34	5
	42	5
		10
		11
172524-76110	94	5
172524-76210	99	16
172531-73550	69	3 -1
172538-17100	21	3
172538-19700	44	4
172538-66380	53	2
172538-66480	56	2
172538-66530	56	3
172538-66640	55	2
172538-67250	50	4
		4 -1
172538-67550	54	6
172538-67630	51	28
172538-67640	56	4
172538-67650	52	2
172538-67660	51	29
		30

Parts No. Index

Parts No.	Fig. No.	Ref. No.
172538-67660	51	31
	55	3
172538-67680	51	2
172538-67720	50	5
	51	3
	52	3
	4	4
	53	3
	55	4
172538-67780	51	4
172538-68540	55	5
172538-68730	51	23
172538-68780	51	24
172538-68781	51	24 -1
172538-68890	51	25
172538-68910	50	6
	52	31
172538-68960	51	26
172638-06720	9	5
172638-73650	74	10
172638-76190	83	26
172644-76161	120	10
172648-16600	13	8
	26	6
172649-73680	59	83
172651-73430	59	82
172730-31630	27	17
172730-75141	83	21
	97	1
	120	4
172734-65270	46	15
172828-76330	80	25
172837-73700	70	1
172837-73730	70	2
172837-73740	70	3
172837-74130	82	1
172837-74140	82	2
172837-74150	82	3
172837-74160	82	4
172837-74170	82	5
172958-03160	1	12
172958-17110	18	1
172958-17111	18	1 -1
172958-17121	113	1
172958-17140	18	7
172958-17150	18	8
172958-17160	18	9
172958-17170	18	10
172958-17180	18	11
172958-17190	18	12

Parts No.	Fig. No.	Ref. No.
172958-17200	18	13
172958-17210	18	14
172958-17220	18	15
172958-64500	42	6
172958-72950	66	22
172958-72960	66	23
172958-72982-2	66	24
172958-72983	66	24 -1
172958-72983-N	66	24 -2
172958-78120	101	19
172960-83210	113	17
172964-12140	32	1
172978-72590	63	9
172978-72620	63	20
172978-72800-2	66	1
172978-72800-N	66	1 -1
172978-72810-2	66	5
172978-72810-N	66	5 -1
172978-72860	66	8
172978-72880	66	11
172978-72890	66	7
172978-72920	66	14
172978-76100	101	1
172978-76480-2	101	4
172978-76480-Y	101	4 -1
172978-76500-2	101	5
172978-76500-Y	101	5 -1
172978-78111	101	18
172978-81400	114	14
172978-83101-2	113	5
172978-83101-Y	113	5 -1
172978-83111-2	113	6
172978-83111-Y	113	6 -1
172978-83120	113	7
172978-83130	113	8
172978-83140	113	9
		10
172978-83150	113	11
172978-83161	113	12
172978-83170-2	113	13
172978-83170-Y	113	13 -1
172978-83191	113	14
172978-83221-2	113	18
172978-83221-Y	113	18 -1
172978-83270-2	113	19
172978-83270-Y	113	19 -1
172978-83292	113	20
172978-83300-2	113	21
172978-83300-Y	113	21 -1
172978-83320-2	113	22

Parts No.	Fig. No.	Ref. No.
172978-83320-Y	113	22 -1
172A07-03160	1	13
172A07-03410	116	23
172A21-03220	1	4
172A21-11310	3	2 -1
172A21-11500	4	1
172A21-13100	7	1
172A21-72200	61	12
172A21-76120	99	2
172A25-68500	57	1
	58	2
172A25-74420	89	2
	90	2
172A25-74430	89	3
	90	3
172A25-74440	89	4
	90	4
172A25-74450	89	5
	90	5
172A25-74460	89	6
	90	6
172A25-74470	89	7
	90	7
172A25-74480	89	8
	90	8
172A25-74490	89	9
	90	9
172A25-74501	89	10
	90	10
172A25-76100	89	18
172A36-03411	1	34
	2	14
	38	35 B
	46	30 C
172A36-74690	80	2
172A36-74700	80	4
172A36-74750	80	8
172A36-74780	80	9
172A37-03150	116	2
172A37-03160	116	3
172A37-03180	116	4
172A37-03200	116	5
172A37-03231	116	6
172A37-03241	116	7
172A37-03250	116	8
172A37-03271	116	10
172A37-03280	116	11
172A37-03290	116	12
172A37-03300	116	13
172A37-03310	116	14

Parts No.	Fig. No.	Ref. No.
172A37-03330	116	16
172A37-03350	116	17
172A37-03360	116	19
172A37-03370	116	20
172A37-03400	116	21
172A37-03410	116	24
172A37-03420	116	26
172A37-03430	116	28
172A37-03500	116	34
172A37-03520	116	35
172A37-03530	116	36
172A37-03540	116	38
172A37-03550	116	40
172A37-03680	116	42
172A37-03710	116	43
172A37-03720	116	44
172A38-03201	1	15
	2	2
	10	10 A
172A38-03211	1	16
	2	3
	8	43 A
172A46-46632	34	2
172A46-46703	34	3
172A46-46732	34	4
172A46-53360	117	3
172A46-61960	45	3
172A46-74710	83	11
	84	4
172A46-74720	83	12
172A46-74730	83	13
172A47-03610	116	41
172A47-17210	16	2
172A47-17211	16	2 -1
172A47-74710	81	4
	87	3
172A47-74720	81	5
	87	4
172A47-74730	81	6
	86	10
	87	5
172A47-74740	81	7
	87	6
172A47-74750	81	8
	87	7
172A47-74760	81	9
	86	18
	87	8
172A47-74770	81	10
	86	20

Parts No. Index

Parts No.	Fig. No.	Ref. No.
172A47-74770	87	9
172A47-74780	81	11
	87	10
172A47-74790	81	12
	87	11
172A47-74800	81	13
	87	12
172A47-74810	81	14
	86	24
	87	13
172A47-74820	81	15
	87	14
172A47-74840	81	16
	86	25
	87	15
172A47-74850	81	17
	86	26
	87	16
172A47-74860	81	18
	87	17
172A47-74870	81	19
	87	18
172A47-74880	81	20
	86	27
	87	19
172A47-74890	81	21
	86	28
	87	20
172A47-76120	82	10
172A47-76171	94	18
172A47-76180	94	23
172A47-76230	86	37
	94	29
172A47-76290	94	32
172A47-76320	87	23
	94	34
172A47-77820	108	4
172A48-53371	117	4
172A48-53380	117	5
172A52-76130	93	4
172A52-81352	110	4
172A64-03700	1	41
172A64-17250	19	21
	57	8
172A65-03150	1	11
172A65-03230	1	4 -1
172A65-16540	13	16
172A65-16550	13	7
172A65-17150	21	1
172A65-17480	19	23

Parts No.	Fig. No.	Ref. No.
172A65-17650	25	6
172A65-64840	39	18 -1
172A65-73310	67	2
172A65-73320	67	21
172A65-73330	67	22
172A65-73340	67	23
172A65-73350	67	24
172A65-73360	67	25
172A65-73370	67	26
172A65-73380	67	27
172A65-73390	67	28
172A65-73400	67	29
172A65-73410	67	30
172A65-73420	67	32
172A65-73430	67	33
172A65-73440	67	34
172A65-73450	67	35
172A65-73460	67	37
172A65-73470	67	39
172A65-73480	67	41
172A65-73490	67	42
172A65-73500	67	43
172A65-73510	67	44
172A65-73520	67	45
172A65-73530	67	46
172A65-73540	67	47
172A65-73550	67	48
172A65-73560	67	49
172A65-73570	67	50
172A65-73580	67	51
172A65-73620	67	11
172A65-73630	67	12
172A65-73700	67	85
172A65-73800	119	1
	120	3
172A65-73810	119	2
172A65-73840	119	3
172A65-73850	119	4
172A65-73860	119	5
172A65-73870	119	11
172A65-73880	119	10
172A65-76700	120	12
172A65-76790	91	6
172A67-63110	42	7
172A67-63120	42	8
172A67-63140	42	3
172A67-63160	42	13
172A67-63170	42	14
172A69-03130	1	9
172A69-03160	1	3

Parts No.	Fig. No.	Ref. No.
172A69-03170	1	14
172A69-03200	1	48
172A69-03220	1	17
172A69-03270	1	22
172A69-03300	1	46
172A69-03310	1	47
172A69-03350	1	29
	2	9
	9	30 A
172A69-03430	116	29
172A69-03450	116	31
172A69-03470	116	32
172A69-08400	46	4 -1
172A69-11530	4	10
	5	8
172A69-12100	6	1
172A69-12120	6	7
172A69-13100	7	2
172A69-13110	7	3
172A69-13120	7	4
172A69-13150	7	5
172A69-13230	8	5
172A69-13670	9	13
172A69-13690	38	3
		14
172A69-14110	11	3
172A69-14130	11	9
172A69-14170	11	23
172A69-14211	11	14
172A69-14230	11	26
172A69-14240	11	15
172A69-14290	12	5
172A69-14310	11	35
172A69-14350	11	37
		44
172A69-14370	11	38
172A69-14410	11	40
172A69-14430	11	42
172A69-14450	11	43
172A69-14510	12	6
172A69-14550	11	18 -1
172A69-14640	12	17
172A69-16100	13	1
172A69-16551	14	1
172A69-16570	26	4
172A69-16680	13	19
172A69-16700	13	20
172A69-16710	13	9
172A69-17140	19	18
172A69-17200	21	2

Parts No.	Fig. No.	Ref. No.
172A69-17201	21	2 -1
172A69-17210	21	4
172A69-17211	21	4 -1
172A69-17220	21	5
172A69-17221	21	5 -1
172A69-17230	21	6
172A69-17231	21	6 -1
172A69-17240	21	7
172A69-17241	21	7 -1
172A69-17250	21	8
172A69-17251	21	8 -1
172A69-17260	19	22
172A69-17270	21	9
172A69-17840	25	10 -1
172A69-17870	24	3
172A69-17890	24	6
172A69-18100	25	13
172A69-18150	25	15
172A69-18160	25	16
172A69-18190	25	20
172A69-18200	23	3
172A69-18210	23	4
172A69-18230	23	7
172A69-18290	25	21
172A69-18350	25	22
172A69-18370	25	23
172A69-18371	25	23 -1
172A69-18401	25	24
172A69-18430	25	26
172A69-18650	23	11
172A69-18680	23	12
172A69-18700	23	13
172A69-18730	23	19
172A69-18750	23	21
172A69-18760	23	15
172A69-18770	23	16
172A69-18780	23	17
172A69-18790	23	18
172A69-18800	23	25
172A69-18820	23	22
172A69-18860	23	23
172A69-18900	24	9
	26	15
172A69-18940	23	24
172A69-18990	23	27
172A69-19010	24	10
	125	1
172A69-19310	125	2
172A69-19320	125	3
172A69-19330	125	4

Parts No. Index

Parts No.	Fig. No.	Ref. No.
172A69-19340	125	5
172A69-19350	125	6
172A69-19360	125	7
172A69-19370	125	8
172A69-19380	125	9
172A69-19390	125	10
172A69-19400	125	11
172A69-19410	126	2
172A69-19420	126	3
172A69-19430	126	4
172A69-19440	126	5
172A69-19450	126	6
172A69-19460	126	7
172A69-19541	26	16
172A69-19581	26	17
172A69-19590	26	18
172A69-19680	26	21
	126	1
172A69-19700	23	29
172A69-19720	23	31
172A69-19730	23	32
172A69-19731	23	32 -1
172A69-19810	24	12
172A69-19860	24	15
172A69-19880	24	16
172A69-19890	23	33
172A69-45211	31	1
172A69-45251	31	2
172A69-45350	33	1
172A69-45800	33	6
172A69-45850	32	2
172A69-45851	32	2 -1
172A69-46101	30	2
172A69-46210	30	7
172A69-46220	30	8
172A69-46250	30	9
172A69-46251	30	9 -1
172A69-46270	30	10
172A69-57650	36	12
172A69-57660	36	14
172A69-61010	39	5
172A69-61020	39	6
172A69-61120	39	39
172A69-61150	39	14
172A69-61240	39	1
172A69-61280	39	3
172A69-61330	39	20
172A69-61490	47	1
172A69-61490-Y	47	1 -1
172A69-61500	41	1

Parts No.	Fig. No.	Ref. No.
172A69-61520	41	3
172A69-61560	41	6
172A69-61650	9	11
	37	3
172A69-61660	37	4
172A69-61780	38	9
172A69-61830	37	5
172A69-61830-Y	37	5 -1
172A69-62050	37	6
172A69-62130	26	35
	45	1
172A69-62150	42	1
172A69-62160	42	2
172A69-62210	39	25
172A69-62280	45	4
172A69-62291	45	5
172A69-62310	45	6
172A69-62340	45	7
172A69-62410	45	2
172A69-62420	45	8
172A69-62430	45	21
172A69-62440	45	22
172A69-62450	45	23
172A69-62470	45	24
172A69-62510	45	9
172A69-62650	45	28
172A69-64100	43	1
172A69-64120	43	17 -2
172A69-64130	43	17
172A69-64160	49	16
172A69-64170	49	17
172A69-64630	44	10
172A69-64640	44	11
172A69-64680	44	13
172A69-64690	44	14
172A69-64710	44	18
172A69-64720	44	16
172A69-64740	43	2
172A69-64760	39	26
172A69-64811	43	3
172A69-64990	39	40
172A69-65180	46	8
172A69-65190	46	9
172A69-65400	46	4 B
172A69-65530	45	29
172A69-65670	47	6
172A69-65721	88	31
172A69-65780	88	32
172A69-65871	48	5
172A69-65872	48	5 -1

Parts No.	Fig. No.	Ref. No.
172A69-65900	48	6
172A69-65900-Y	48	6 -1
172A69-65920	48	8
172A69-68000	50	1
172A69-68010	50	2
172A69-68050	51	1
172A69-68060	51	5
172A69-68070	51	6
172A69-68080	51	7
172A69-68090	51	8
172A69-68100	51	9
172A69-68110	51	10
172A69-68120	51	11
172A69-68130	51	12
172A69-68140	51	13
172A69-68150	51	14
172A69-68160	51	15
172A69-68170	51	16
172A69-68180	51	17
172A69-68190	51	18
172A69-68200	51	19
172A69-68210	51	20
172A69-68220	51	21
172A69-68230	51	22
172A69-68250	52	1
172A69-68260	52	5
172A69-68270	52	6
172A69-68280	52	7
172A69-68290	52	8
172A69-68300	52	9
172A69-68310	52	10
172A69-68320	52	11
172A69-68330	52	12
172A69-68340	52	13
172A69-68350	52	14
172A69-68360	52	15
172A69-68370	52	16
172A69-68380	52	17
172A69-68390	52	18
172A69-68400	52	19
172A69-68410	52	20
172A69-68420	52	21
172A69-68430	52	22
172A69-68440	52	23
172A69-68450	52	24
172A69-68460	52	25
172A69-68470	52	26
172A69-68480	52	27
172A69-68490	52	28
172A69-68500	52	29

Parts No.	Fig. No.	Ref. No.
172A69-68510	50	32
	52	30
172A69-68550	54	1
172A69-68560	54	2
172A69-68570	54	3
172A69-68580	54	4
172A69-68600	54	5
172A69-68610	54	7
172A69-68620	54	8
172A69-68630	54	9
172A69-68640	54	10
172A69-68650	54	11
172A69-68660	54	12
172A69-68710	55	6
172A69-68720	55	7
172A69-68730	55	8
172A69-68740	55	9
172A69-68750	55	11
172A69-68760	55	11 A
172A69-68770	55	12
172A69-68780	55	13
172A69-68790	55	14
172A69-68800	55	15
172A69-68820	55	16
172A69-68850	57	2
172A69-68900	56	1
172A69-68910	56	5
172A69-68920	56	6
172A69-68930	56	7
172A69-68940	56	8
172A69-68950	57	5
172A69-68960	56	9
172A69-68970	56	11
172A69-69010	53	4
172A69-69020	53	5
172A69-69030	53	6
172A69-69040	53	7
172A69-69050	53	8
172A69-69060	51	32
	53	9
172A69-69070	53	10
172A69-69080	53	11
172A69-69090	53	12
172A69-69100	53	13
172A69-69110	53	14
172A69-69130	53	15
172A69-69140	53	16
172A69-69150	53	17
172A69-69160	53	18
172A69-69170	53	19

Parts No. Index

Parts No.	Fig. No.	Ref. No.
172A69-69180	53	20
172A69-69190	53	21
172A69-69200	53	22
172A69-69210	53	24
172A69-69220	53	25
172A69-69260	51	33
172A69-69270	51	34
172A69-69290	51	35
172A69-69300	51	36
172A69-69310	51	37
172A69-69330	51	38
172A69-69340	51	39
172A69-69350	51	40
172A69-69360	51	41
172A69-69370	51	42
172A69-69380	51	43
172A69-69390	51	44
172A69-69400	51	45
172A69-69460	55	22
172A69-69461	55	22 -1
172A69-69470	55	17
		23
172A69-69480	55	24
172A69-69481	55	24 -1
172A69-69490	55	25
172A69-69491	55	25 -1
172A69-69500	55	26
172A69-69560	50	7
172A69-69570	50	8
172A69-69580	50	9
172A69-69590	50	10
172A69-69600	50	11
172A69-69610	50	12
172A69-69620	50	13
172A69-69630	50	14
172A69-69640	50	15
172A69-69650	50	16
172A69-69660	50	17
172A69-69670	50	31
172A69-69680	50	18
172A69-69690	50	19
172A69-69720	50	20
172A69-69721	50	20 -1
172A69-69730	50	21
172A69-69740	50	22
172A69-69750	50	23
172A69-69760	50	24
172A69-69770	50	25
172A69-69780	50	26
172A69-69790	50	27

Parts No.	Fig. No.	Ref. No.
172A69-69800	50	28
172A69-69810	58	3
172A69-69810-Y	58	3 -1
172A69-69880	58	4
172A69-69881	58	4 -1
172A69-69910	57	9
172A69-69930	57	10
172A69-71110	77	23
172A69-71120	77	24
172A69-71130	77	1
172A69-71140	77	2
172A69-71190	78	16
172A69-71230	79	17
172A69-71240	79	18
172A69-71250	79	1
172A69-71260	72	2
172A69-71300	86	2
172A69-71310	86	3
172A69-71320	86	4
172A69-71340	86	6
172A69-71350	86	7
172A69-71360	86	8
172A69-71370	86	9
172A69-71380	86	12
172A69-71390	86	13
172A69-71400	86	14
172A69-71550	60	1
172A69-71560	60	2
172A69-71600	60	3
172A69-71750	80	1
172A69-72450	62	21
172A69-72460	62	23
172A69-72470	62	25
172A69-72480	62	5
172A69-72490	62	8
172A69-72680	98	25
172A69-72700	64	1
172A69-72710	64	28
172A69-72750	64	32
172A69-72800	65	1
172A69-72810	65	20
172A69-72850	65	24
172A69-72900	65	32
	129	29
172A69-73130	59	54
172A69-73140	59	61
172A69-73310	68	1
172A69-73320	68	20
172A69-73330	68	54
172A69-73340	68	47

Parts No.	Fig. No.	Ref. No.
172A69-73350	68	55
172A69-73360	68	58
172A69-73370	68	18
172A69-73380	68	59
172A69-73390	68	60
172A69-73830	67	16
172A69-73850	67	7
172A69-74050	99	9
172A69-74070	99	14
172A69-74110	72	4
172A69-74140	75	4
172A69-74150	75	6
172A69-74160	75	7
172A69-74170	72	8
172A69-74180	72	9
172A69-74250	75	17
	76	6
	79	22
172A69-74280	76	16
172A69-74290	77	21
172A69-74291	77	21 -1
172A69-74300	77	22
172A69-74301	77	22 -1
172A69-74310	81	1
172A69-74410	83	1
172A69-74411	83	1 -1
172A69-74420	83	2
172A69-74430	83	3
172A69-74440	83	4
172A69-74450	83	5
172A69-74460	83	6
172A69-74470	83	7
172A69-74490	83	8
172A69-74500	83	9
172A69-74510	83	10
172A69-74520	83	10 -1
172A69-74540	83	9 -1
172A69-74550	84	1
172A69-74560	84	2
172A69-74590	84	3
172A69-74650	89	1
	90	1
172A69-74660	89	11
	90	11
172A69-74670	81	2
	87	1
172A69-74680	81	3
	87	2
172A69-74730	86	15
172A69-74740	86	16

Parts No.	Fig. No.	Ref. No.
172A69-74750	86	17
172A69-74770	86	21
172A69-74780	86	22
172A69-74850	85	2
172A69-74860	85	10
172A69-74900	85	11
172A69-74910	85	19
172A69-74960	83	20 A
172A69-74970	83	20 B
172A69-74980	83	8 -1
172A69-74990	83	20 C
172A69-75240	88	11
172A69-75450	88	13
172A69-75470	88	15
172A69-75600	88	17
172A69-75610	88	21
172A69-75710	88	6
172A69-76050	94	14 A
172A69-76060	94	14 B
172A69-76070	94	14 C
172A69-76120	91	5
172A69-76140	93	8
172A69-76150	94	14
172A69-76160	91	10
172A69-76190	91	12
172A69-76200	98	2
172A69-76200-Y	98	2 -1
172A69-76270	98	4
172A69-76270-Y	98	4 -1
172A69-76300	100	1
172A69-76300-Y	100	1 -1
172A69-76320	100	2
172A69-76320-Y	100	2 -1
172A69-76420	98	6
172A69-76420-Y	98	6 -1
172A69-76430	98	7
172A69-76430-Y	98	7 -1
172A69-76450	98	8
172A69-76460	98	9
172A69-76460-Y	98	9 -1
172A69-76510	101	6
172A69-76510-Y	101	6 -1
172A69-76600	101	8
172A69-76600-Y	101	8 -1
172A69-76620	101	9
172A69-76620-Y	101	9 -1
172A69-76640	101	10
172A69-76640-Y	101	10 -1
172A69-76660	101	11
172A69-76660-Y	101	11 -1

Parts No. Index

Parts No.	Fig. No.	Ref. No.
172A69-76680	60	7
172A69-76720	60	9
172A69-77100	89	28
172A69-77100-N	89	28 -1
172A69-77180	89	30
172A69-77180-N	89	30 -1
172A69-77200	89	31
172A69-77200-N	89	31 -1
172A69-77240	89	32
	98	21
172A69-77300	90	21
172A69-77300-N	90	21 -1
172A69-77350	90	22
172A69-77350-N	90	22 -1
172A69-77400	90	24
172A69-77400-N	90	24 -1
172A69-77480	102	3
172A69-77480-Y	102	3 -1
172A69-77500	102	4
172A69-77500-Y	102	4 -1
172A69-78081	92	3
172A69-78110	92	4
172A69-78120	92	5
172A69-78190	103	2
172A69-78220	95	5
172A69-78230	93	25
172A69-78250	93	26
172A69-78261	93	27
		28
172A69-78270	93	29
172A69-78280	98	27
172A69-78320	95	8
172A69-78330	95	9
172A69-78340	96	6
172A69-78350	96	7
172A69-78360	96	8
172A69-78370	103	3
172A69-78450	96	9
172A69-78460	96	10
172A69-78470	95	12
172A69-78480	95	13
172A69-78510	97	14
172A69-78520	97	15
172A69-78530	97	17
172A69-78540	97	18
172A69-78591	101	20
172A69-78620	101	23
172A69-78630	105	2
172A69-78650	105	3
172A69-78660	105	4

Parts No.	Fig. No.	Ref. No.
172A69-78670	101	24
172A69-78680	98	31
172A69-78700	105	5
172A69-78710	105	6
172A69-78711	105	6 -1
172A69-78720	105	7
172A69-78730	105	8
172A69-78731	105	8 -1
172A69-78740	105	9
172A69-78750	105	10
172A69-78760	105	11
172A69-78770	105	12
172A69-78780	105	13
172A69-78781	105	13 -1
172A69-78790	105	14
172A69-78791	105	14 -1
172A69-78800	105	15
172A69-78801	105	15 -1
172A69-78810	105	16
172A69-78811	105	16 -1
172A69-78820	105	17
172A69-78830	105	18
172A69-78840	105	19
172A69-78850	105	20
172A69-78860	103	4
172A69-78870	103	5
172A69-78880	103	6
172A69-78890	103	7
172A69-78900	96	11
172A69-78910	103	8
172A69-78920	103	9
172A69-78930	103	10
172A69-78940	103	11
172A69-78950	103	12
172A69-78960	103	13
172A69-78970	106	1
172A69-78980	103	14
172A69-78990	103	15
172A69-79200	101	25
	102	7
172A69-79210	101	26
	102	8
172A69-79220	101	27
	102	9
172A69-79250	101	31
172A69-79250-Y	101	31 -1
172A69-79400	103	16
172A69-79410	103	17
172A69-79420	103	18
172A69-79430	103	19

Parts No.	Fig. No.	Ref. No.
172A69-79440	103	20
172A69-79450	103	21
172A69-79460	103	22
172A69-79470	103	23
172A69-79481	103	24
172A69-79490	106	2
172A69-79501	103	25
172A69-79511	103	26
172A69-79520	103	27
172A69-79530	103	28
172A69-79540	107	1
172A69-79550	107	2
172A69-79560	107	3
172A69-79570	107	4
172A69-79690	102	10
172A69-79700	102	11
172A69-79711	102	12
172A69-79720	102	13
172A69-79730	102	14
172A69-79740	102	15
172A69-79750	102	16
172A69-79800	104	2
172A69-79810	104	3
172A69-79820	104	4
172A69-79830	104	5
172A69-79840	104	6
172A69-79850	104	7
172A69-79860	104	8
172A69-79870	104	9
172A69-79890	98	32
172A69-82370	64	43
	123	36
172A69-82371	132	42
172A77-17250	21	10
172A77-46050	30	1 -1
172A78-14220	11	25
172A78-64510	85	1
172A86-74500	94	1
172A89-03010	1	1
172A89-03011	1	1 -1
172A89-03050	116	1
172A89-03100	1	6
172A89-03110	1	7
172A89-03120	1	8
172A89-03140	1	2
172A89-03360	1	56
	2	25
	50	34 A
172A89-03361	1	56 -1
	2	25 -1

Parts No.	Fig. No.	Ref. No.
172A89-03361	50	34 A-1
172A89-03400	116	22
172A89-03410	116	25
172A89-03420	116	27
172A89-03440	116	30
172A89-03441	116	30 -1
172A89-03500	1	68
	46	4 A
172A89-08520	118	1
172A89-08520-Y	118	1 -1
172A89-08900	117	8
172A89-11300	3	1
172A89-11301	3	1 -1
172A89-11510	4	9
	5	7
172A89-11540	4	8
	5	6
172A89-13150	7	6
172A89-13200	7	10
172A89-13300	8	6
172A89-13310	8	7
172A89-13320	8	9
172A89-13330	8	10
172A89-13340	8	11
172A89-13350	8	12
172A89-13360	8	13
172A89-13370	8	14
172A89-13400	9	1
172A89-13500	8	15
172A89-13550	8	17
172A89-13560	8	18
172A89-13570	8	21
172A89-13580	8	22
172A89-13600	9	4
172A89-13680	9	7
172A89-13690	9	8
172A89-13700	9	9
172A89-13730	9	10
172A89-13750	9	12
172A89-13800	8	23
172A89-13810	8	24
172A89-13820	8	25
172A89-13830	9	15
172A89-13840	9	16
172A89-13860	9	17
172A89-14380	11	39
172A89-14610	12	9
172A89-14630	12	13
172A89-16420	22	1
172A89-16440	20	2

Parts No. Index

Parts No.	Fig. No.	Ref. No.
172A89-16500	13	5
172A89-16550	19	3
172A89-16600	23	1
172A89-16601	23	1 -1
172A89-16750	13	22
172A89-16770	13	23
172A89-16790	13	24
172A89-16800	13	25
172A89-16810	22	2
172A89-16870	22	3
172A89-17090	19	16
172A89-17150	18	17
172A89-17180	19	20
172A89-17500	19	42
172A89-17810	25	7
172A89-17840	25	10
172A89-18110	25	14
172A89-18150	25	19
172A89-18440	26	10
172A89-18580	26	14
172A89-19100	23	34
172A89-19610	26	19
172A89-19670	26	20
172A89-19680	26	22
172A89-19690	26	12
172A89-19710	23	30
172A89-19800	24	11
172A89-19820	24	13
172A89-19830	24	14
172A89-29100	27	1
172A89-37500	27	16
172A89-37501	27	16 -1
172A89-37530	27	21
172A89-38100	29	1
172A89-38110	29	14
172A89-38120	29	2
		15
172A89-38130	29	11
172A89-38140	29	24
172A89-38160	29	12
		25
172A89-38170	29	13
		26
172A89-38180	29	3
		16
172A89-38190	29	4
		17
172A89-38220	29	5
		18
172A89-38230	29	6

Parts No.	Fig. No.	Ref. No.
172A89-38230	29	19
172A89-38240	29	7
		20
172A89-38250	29	8
		21
172A89-38260	29	9
		22
172A89-38280	29	10
		23
172A89-50100	35	1
172A89-53310	36	1
172A89-53320	117	2
172A89-54100	36	5
172A89-54500	36	7
172A89-57600	36	9
172A89-57620	36	11
172A89-61010	39	7
172A89-61020	39	9
172A89-61030	39	10
172A89-61060	39	11
172A89-61080	39	37
172A89-61130	39	12
172A89-61150	39	16
172A89-61180	39	19
172A89-61220	39	15
172A89-61350	41	18
172A89-61420	39	22
172A89-61440	39	24
172A89-61470	41	22
172A89-61500	41	20
172A89-61510	41	2
172A89-61520	41	3 -1
172A89-61530	41	4
172A89-61540	40	3
172A89-61550	41	5
172A89-61570	41	7
172A89-61580	41	8
172A89-61581	41	8 -1
172A89-61600	37	1
172A89-61600-Y	37	1 -1
172A89-61680	38	2
172A89-61680-Y	38	2 -1
172A89-61720	38	5
172A89-61730	38	6
172A89-61740	38	7
172A89-61740-Y	38	7 -1
172A89-61790	38	10
172A89-61791	38	10 -1
172A89-61800	38	11
172A89-61880	38	12

Parts No.	Fig. No.	Ref. No.
172A89-61900	38	13
172A89-61980	38	16
172A89-61981	38	16 -1
172A89-62550	88	28
172A89-62570	88	29
172A89-62610	88	30
172A89-64200	44	1
172A89-64610	44	8
172A89-64620	44	9
172A89-64650	44	12
172A89-64700	44	15
172A89-65100	46	4
172A89-65160	46	6
172A89-65170	46	7
172A89-65200	49	1
172A89-65230	46	12
172A89-65600	47	2
172A89-65600-Y	47	2 -1
172A89-65630	47	5
172A89-65660	49	2
172A89-65800	48	1
172A89-65800-Y	48	1 -1
172A89-65850	48	3
172A89-65860	48	4
172A89-65950	49	3
172A89-67100	49	4
172A89-67360	49	7
172A89-67390	49	8
172A89-67450	49	6
172A89-68780	55	13 -1
172A89-72100	61	3
172A89-72100-N	61	3 -1
		3 -2
172A89-72110	61	7
172A89-72110-N	61	7 -1
172A89-72200	61	17
172A89-72250	61	22
172A89-72250-N	61	22 -1
172A89-72270	98	19
172A89-72270-N	98	19 -1
172A89-72300	62	1
172A89-72300-N	62	1 -1
172A89-72310	62	3
172A89-72310-N	62	3 -1
172A89-72330	62	6
172A89-72350	62	9
172A89-72360	62	10
172A89-72370	62	11
172A89-72380	62	12
172A89-72440	62	20

Parts No.	Fig. No.	Ref. No.
172A89-72450	62	22
172A89-72460	62	24
172A89-72470	62	26
172A89-72480	62	27
172A89-72490	62	28
172A89-72500	63	1
172A89-72500-N	63	1 -1
172A89-72501-N	63	1 -2
		1 -3
172A89-72510	63	4
172A89-72510-N	63	4 -1
172A89-72560	63	8
172A89-72560-N	63	8 -1
172A89-72561-N	63	8 -2
172A89-72600	63	10
172A89-72650	63	14
172A89-72700	63	18
172A89-72710	63	23
172A89-72750	62	29
172A89-72900	61	23
172A89-72910	61	29
172A89-72960	61	43
172A89-72960-N	61	43 -1
	121	35
	131	43
172A89-73100	59	6
172A89-73101	59	6 -1
172A89-73130	59	66
172A89-73150	59	78
172A89-73160	59	79
172A89-73170	59	80
172A89-73180	59	81
172A89-73190	59	17 -1
172A89-73300	67	1
172A89-73301	67	1 -1
172A89-73310	67	3
172A89-73320	67	4
172A89-73340	67	9
172A89-73350	67	22 -1
172A89-73430	67	33 -1
172A89-73530	67	46 -1
172A89-73540	67	57 -1
172A89-73550	67	58 -1
172A89-73560	67	71 -1
172A89-73570	67	72 -1
172A89-73900	120	1
172A89-74100	72	1
172A89-74101	72	1 -1
172A89-74102	72	1 -2
172A89-74103	72	1 -3

Parts No. Index

Parts No.	Fig. No.	Ref. No.
172A89-74120	75	1
172A89-74130	75	2
172A89-74140	73	1
172A89-74141	73	1 -1
172A89-74150	73	2
	74	2
	76	14
	78	2
172A89-74160	73	4
172A89-74161	73	4 -1
172A89-74180	74	1
172A89-74190	74	4
172A89-74200	74	6
172A89-74210	75	13
172A89-74220	76	1
172A89-74230	76	13
172A89-74240	78	1
172A89-74260	78	4
172A89-74270	79	4
172A89-74280	78	15
172A89-74290	78	30
172A89-74300	79	16
172A89-74310	79	28
172A89-74330	78	14 A
172A89-74700	86	1
172A89-74710	86	5
172A89-74720	86	23
172A89-74730	86	19
172A89-76110	91	2
172A89-76120	91	3
172A89-76130	91	7
172A89-76150	60	5
172A89-76160	60	6
172A89-76170	95	1 -1
172A89-76250	98	3
172A89-76250-Y	98	3 -1
172A89-76310	93	14
172A89-76400	98	5
172A89-76470	92	1
172A89-77150	89	29
172A89-77150-N	89	29 -1
172A89-77800	108	2
172A89-77810	108	3
172A89-77820	108	11
172A89-78130	91	24
172A89-78150	91	25
172A89-78160	91	26
172A89-78170	91	27
172A89-78180	91	28
172A89-78200	91	29

Parts No.	Fig. No.	Ref. No.
172A89-78210	91	30
172A89-78240	91	31
172A89-78300	95	6
172A89-78310	95	7
172A89-78380	92	6
172A89-78390	92	7
172A89-78400	99	24
172A89-78410	99	26
172A89-78420	99	27
172A89-78430	95	10
172A89-78440	95	11
172A89-78490	99	28
172A89-78550	98	29
172A89-78570	98	30
172A89-78600	101	21
172A89-78610	101	22
172A89-79100	95	16
172A89-79100-Y	95	16 -1
172A89-79140	95	18
		20
172A89-79150	95	19
172A89-79150-Y	95	19 -1
172A89-79620	101	28
172A89-81100	110	2
172A89-81100-Y	110	2 -1
172A89-81470	111	3
172A89-81470-Y	111	3 -1
172A89-81471-Y	111	3 -2
172A89-81810	61	47
	121	39
	131	47
172A89-82300	109	1
172A89-82300-Y	109	1 -1
172A89-82320	109	3
172A89-94100	115	4
172B06-37951	130	7
172B11-14510	12	6 -1
172B11-16780	20	6
172B11-37300	127	1
172B11-37310	127	2
172B11-37330	127	4
172B11-37340	127	5
172B11-37370	127	8
172B11-37380	127	9
172B11-37750	130	1
172B11-37760	130	2
172B11-37790	130	3
172B11-37800	130	4
172B11-37810	130	5
172B11-37820	130	6

Parts No.	Fig. No.	Ref. No.
172B11-50100	35	1 -1
172B11-61150	39	16 -1
172B11-61660	37	4 -1
172B11-62300	45	7 -1
172B11-62900	45	7 B
172B11-64130	43	17 -1
172B11-64860	44	16 -1
172B11-64950	43	3 -1
172B11-65220	46	12 -1
172B11-65720	88	31 -1
172B11-71220	121	16
		19
172B11-71320	122	16
172B11-71330	122	13
172B11-71520	123	7
172B11-71530	123	10
172B11-71720	124	10
		13
172B11-72100	121	3
172B11-72101	131	3
172B11-72110	121	4
172B11-72120	121	5
172B11-72130	121	6
	122	2
172B11-72140	121	7
172B11-72150	121	8
172B11-72160	121	9
172B11-72170	121	10
172B11-72180	121	11
172B11-72190	121	12
	122	3
172B11-72200	121	13
172B11-72210	121	14
172B11-72220	121	17
172B11-72230	121	20
172B11-72240	121	23
172B11-72500	122	1
172B11-72501	128	1
172B11-72510	122	4
172B11-72520	122	5
172B11-72530	122	6
	123	2
172B11-72540	122	7
	123	3
	122	8
172B11-72550	123	4
	124	2
172B11-72560	122	9
172B11-72570	122	10
172B11-72580	122	11

Parts No.	Fig. No.	Ref. No.
172B11-72590	122	14
172B11-72600	122	17
172B11-72610	122	20
172B11-72620	123	5
172B11-72630	123	8
172B11-72640	123	11
172B11-72650	123	14
172B11-72700	123	1
172B11-72701	132	1
172B11-72710	123	22
172B11-72720	123	23
172B11-72730	123	24
172B11-72740	123	25
172B11-72750	123	26
172B11-72760	123	27
172B11-72770	123	28
172B11-72780	123	29
172B11-72790	123	30
172B11-72800	124	1
172B11-72801	129	1
172B11-72810	124	3
172B11-72820	124	4
172B11-72830	124	5
172B11-72840	124	6
172B11-72850	124	7
172B11-72860	124	8
172B11-72870	124	11
172B11-72880	124	14
172B11-72890	124	17
172B11-72900	65	32 -1
	124	24
172B11-73600	69	1 -1
172B11-73630	69	2 -1
172B11-74800	100	4 -2
172B11-76250	98	3 -2
172B11-76720	60	9 -1
172B11-76900	101	34 -1
172B11-96100	131	4
172B11-96120	131	6
		9
172B11-96130	131	8
172B11-96150	131	7
		11
172B11-96160	131	12
172B11-96200	131	20
172B11-96240	131	24
172B11-96250	131	25
172B11-96260	131	26
172B11-96270	131	27
172B11-96280	131	28

Parts No. Index

Parts No.	Fig. No.	Ref. No.
172B11-96400	132	2
172B11-96420	132	4
172B11-96460	132	6
172B11-96500	132	14
172B11-96550	132	18
172B11-96560	132	19
172B11-96570	132	20
172B11-96580	132	21
172B11-96590	132	22
172B11-96600	132	23
172B11-96610	132	24
172B11-96620	132	25
172B11-96630	132	26
172B11-96640	132	27
172B11-96700	132	28
172B11-96730	132	30
172B11-97100	128	2
172B11-97120	128	4
172B11-97130	128	5
172B11-97150	128	7
172B11-97160	128	8
172B11-97170	128	9
172B11-97180	128	10
172B11-97190	128	11
172B11-97200	128	12
172B11-97210	128	13
172B11-97220	128	14
172B11-97230	128	15
172B11-97240	131	29
172B11-97250	128	16
172B11-97260	128	17
172B11-97270	128	18
172B11-97280	128	19
172B11-97290	128	20
172B11-97300	128	21
172B11-97310	128	22
172B11-97320	128	23
	132	32
172B11-97330	128	24
172B11-97340	128	25
	132	33
172B11-97350	128	26
	132	34
172B11-97380	128	27
	131	30
172B11-97390	128	28
	131	31
172B11-97400	128	2 A
	129	3 A
		6 A

Parts No.	Fig. No.	Ref. No.
172B11-97400	132	5
		31
172B11-97410	128	5 A
172B11-97420	128	31
	131	32
172B11-97500	129	3
172B11-97520	129	5
		7
172B11-97530	129	6
172B11-97560	129	9
172B11-97570	129	10
172B11-97580	129	11
172B11-97590	129	12
172B11-97600	129	13
172B11-97610	129	14
172B11-97620	129	15
172B11-97630	129	16
172B11-97650	129	17
172B11-97660	129	18
172B11-97670	129	19
172B11-97680	129	20
172B11-97690	129	21
172B11-97700	129	22
172B11-97710	129	23
	131	33
172B11-97720	129	24
	131	34
172B11-97740	129	25
	131	35
172B11-97750	129	26
	131	36
184014-59450	8	32
184015-44680	8	26
184015-59130	8	28
184016-55700	12	26
184016-55701	12	26 -1
184016-55710	12	28 A
194145-04810	11	34
		61 4
		63 2
194151-57100	14	6
194202-56460	12	31
		45
		13 26
		14 5
		19 26
		22 5
		25 43
		101 17
		102 6

Parts No.	Fig. No.	Ref. No.
194202-56460	102	6 -1
	103	1
	104	1
	108	9
194464-52190	19	24
194630-15520	12	21
194630-42120	27	22
198072-17440	28	19
198153-51700	13	11
198200-04031	11	4
198200-04040	11	5
198220-61480	9	18
198461-52950	17	1
	19	25
1A1380-62160	46	1
1A6260-64200	23	38
	42	15
1A7030-87411	23	39
1A7030-87790	23	32 B
1A7030-88211	23	32 C
1A7030-88660	24	19
1A7030-88760	24	12 A
		13 A
1A7030-88820	24	11 A
1A7030-88840	24	14 A
1A7400-61250	88	27
1A7470-87320	23	6
		10
1D4070-23580	30	1
1D4180-22850	120	2
1E3030-78370	93	31
	94	49
1E6212-82820	102	17
1E8080-83320	15	4
1E8080-83321	15	4 -1
1E8545-80080	23	32 A
1E8545-80210	24	17
1E8545-80250	24	18
1E8775-84120	13	29
	14	7
	18	20
	19	45
	20	1
1W3855-50160	58	1
22117-040000	31	5
22117-060000	7	15
22117-080000	80	10
	83	20 D
22117-100000	3	3
	91	15

Parts No.	Fig. No.	Ref. No.
22117-120000	91	16
22137-060000	13	30
	19	31
	23	40
	70	7
	85	22
22137-080000	12	37
	25	29
	30	15
	45	20 A
	46	22
	88	33
	113	23
22137-100000	11	51
	12	46
		47
	23	41
	25	30
	26	23
	33	7
	41	9
	58	7
	88	34
	89	33
	98	14
		15
		22
	113	24
		25
		25 -1
	121	33 A
22137-160000	35	6
	49	18
	88	35
22137-200000	49	19
22137-240000	80	11
22157-060000	7	16
22157-080000	15	5
	19	32
	24	21
	34	6
	45	25
		30
	57	6
22157-100000	37	7
		12
		13
	45	31
		36
	46	23

Parts No. Index

Parts No.	Fig. No.	Ref. No.
22157-100000	47	8
	48	9
	49	10
	60	11
	88	36
	89	34
	90	26
22157-120000	40	4
	111	16
22157-140000	61	48
	110	17
	111	17
	115	11
	121	40
	131	48
22207-065320	63	17
22217-060000	13	31
	80	12
22217-080000	12	38
	101	12
22217-100000	3	4
	7	17
	61	49
	119	6
	121	41
	131	49
22217-120000	7	18
22217-140000	28	16
	61	50
	64	45
	101	32
	110	18
	111	18
	115	12
	121	42
	123	38
	131	50
	132	44
22217-160000	7	19
		20
	27	26
	35	7
	49	11
		20
	59	91
	67	83
	68	72
	88	37
22217-200000	27	14
	127	13

Parts No.	Fig. No.	Ref. No.
22242-000210	99	10
22242-000250	30	16
	99	11
22242-000350	27	23
	59	24
	113	26
22242-000380	27	11
	127	10
22242-000400	28	11
22242-000450	67	75
22242-000700	71	7
22242-000720	119	7
22242-001000	109	9
22252-000350	25	17
22252-000450	113	27
		28
22252-000720	27	24
22252-000800	59	25
22272-000040	51	46
22272-000070	30	17
	53	23
22351-030028	18	16
22351-035040	30	18
22351-060040	30	19
22372-080000	88	38
22372-100000	38	25
22417-200160	80	13
22417-200200	30	20
	45	32
	46	24
		25
22417-250200	33	8
22417-320200	9	21
22487-080300	80	14
22857-500121	21	11
23000-013000	11	16
	101	29
	103	29
	105	21
	106	3
	107	5
23000-070000	4	12
	5	10
23000-080000	4	13
	5	11
23001-016000	91	34
	93	30
23001-022000	91	35
23001-025000	99	29
23001-035000	95	14

Parts No.	Fig. No.	Ref. No.
23001-041000	91	36
23001-048000	8	36
23001-054000	92	8
23001-070000	92	9 -1
23001-080000	92	9
23001-090000	92	10
23061-050500	12	39
23065-070225	10	6
23080-013000	11	31
23080-018000	24	22
	25	31
23391-020000	80	26
	94	43
	96	3
23391-030000	96	4
	97	5
23391-040000	94	44
23393-020000	80	27
23393-040000	96	5
23394-020000	80	28
	97	6
23394-030000	97	7
23394-040000	97	8
23871-005000	66	25
23871-010000	80	15
23871-020000	60	8
		10
		32
23871-030000	93	8
	71	8
	119	8
23871-060000	100	8
23876-040000	11	17
24101-062064	67	76
24101-062074	27	25
24104-062020	25	18
24190-060001	67	8
24190-080001	128	32
	129	27
	131	37
	132	35
24190-100001	86	30
24190-120001	67	77
24190-140001	94	2
24311-000160	8	4
	12	29
	83	14
	84	5
24311-000250	80	16
24311-000320	11	18
		19

Parts No.	Fig. No.	Ref. No.
24311-000320	80	17
24311-000340	27	12
	30	21
24311-000380	28	12
24311-000440	59	64
24311-000700	113	29
24311-000800	71	12
24311-001000	71	13
24315-000070	59	88
	67	78
	68	62
	74	26
24315-000080	59	86
	68	21
	86	11
24315-000100	67	52
	68	63
	83	15
	89	14
	90	14
24315-000110	59	34
	67	53
	68	56
		61
		64
	72	7
		29
	75	12
	80	22
	83	16
		16 -1
		28
	84	6
		13
	86	31
	87	25
	89	15
	90	15
	94	13
		17
		37
	101	2
24315-000140	28	25
	64	37
	65	29
	67	18
		79
	68	57
		65
	74	37

Parts No. Index

Parts No.	Fig. No.	Ref. No.
24315-000140	82	7
		11
	83	17
		89
	90	16
	93	5
		12
		20
	120	11
	24315-000150	68
24315-000160	68	52
	89	17
	90	17
24315-000180	61	38
	62	36
	63	33
	65	31
	67	19
	70	6
	72	31
	77	37
	83	17
	89	19
		26
	90	20
	93	18
	94	6
		39
		41
	5	
120	16	
24315-000200	67	54
	83	18
24315-000210	68	53
	99	12
24315-000240	93	7
	94	14
	99	17
	20	
24315-000250	99	13
24315-000260	67	20
24315-000290	91	8
24315-000800	119	12
24315-001000	119	13
24321-000350	127	11
24321-000650	12	30
24321-000700	72	20
	73	16
	74	43
	75	10

Parts No.	Fig. No.	Ref. No.	
24321-000700	75	22	
		76	12
	77	27	
		13	
		35	
	78	29	
	79	15	
		27	
	24321-000950	71	14
	24321-001000	109	4
24321-001350	88	22	
24321-001700	88	23	
24321-002300	67	80	
24325-000400	91	17	
24325-000550	91	18	
24325-000950	119	14	
24325-001050	59	89	
24325-001300	68	66	
24325-001450	68	67	
24341-000300	88	24	
24550-025150	30	5	
24550-045250	66	10	
24550-065400	61	20	
	65	4	
24761-020000	28	26	
	30	22	
	61	39	
	63	34	
	108	8	
		12	
	109	10	
	111	19	
	112	15	
	113	30	
	16		
	31		
	115	13	
	121	31	
	122	28	
	128	33	
	131	38	
24761-040000	110	19	
	111	20	
	115	14	
24761-050000	61	40	
	62	34	
	63	35	
	64	38	
	112	16	
	121	32	

Parts No.	Fig. No.	Ref. No.
24761-050000	122	29
	123	31
	128	34
	131	39
	132	36
26013-060102	23	43
26013-060122	12	40
	14	8
26013-060162	7	21
	13	32
26013-060402	19	33
26013-060552	70	8
26013-080122	38	26
26013-080162	8	37
		38
		39
		40
		41
	9	22
	11	32
	13	33
		34
		35
	19	34
	43	
	22	8
	10	
	26	24
	32	3
	33	2
	39	27
	28	
	43	18
	57	7
	113	32
26013-080202	11	20
	25	32
	34	7
	45	26
	89	35
	98	23
26013-080252	19	35
	24	23
	25	33
		34
	80	29
26013-080302	11	21
26013-080402	101	30
	102	18
26013-080552	89	36

Parts No.	Fig. No.	Ref. No.	
26013-080552	90	27	
26013-080852	13	36	
26013-080902	84	14	
26013-100162	7	22	
		22	-1
	12	41	
	43	-1	
	13	37	
	15	6	
	22	9	
	39	29	
	41	10	
	43	19	
	72	32	
	83	29	
	88	39	
		40	
	98	28	
	99	21	
26013-100202	4	14	
	5	12	
	9	23	
		24	
	13	39	
	18	21	
	31	6	
	40	5	
	49	12	
	82	13	
	88	25	
		26	
	89	37	
	90	28	
	92	2	
26013-100252	18	21	
	33	9	
	37	8	
		14	
		15	
	39	30	
		31	
	43	4	
	45	33	
		37	
	46	26	
	47	9	
	48	10	
	49	13	
	57	3	

Parts No. Index

Parts No.	Fig. No.	Ref. No.	
26013-100252	60	12	
		13	
		61 41	
		63 36	
		80 30	
		81 27	
			28
		86 39	
		87 26	
		88 41	
		100 9	
		113 33	
	26013-100302	8	42
11		46	
		47	
		48	
		59 2	
		91 19	
		95 22	
26013-100352		49	21
26013-100402		71	9
		89 38	
	98 24		
26013-100452	60	14	
26013-100502	98	16	
	99 22		
	113 34	-1	
26013-100552	58	6	
	98	17	
	113	34	
26013-100702	26	25	
26013-100852	23	42	
26013-120302	40	6	
		64 46	
		91 20	
		111 21	
		115 15	
		123 39	
		132 45	
	26013-120402	71	15
		98	18
		119	15
26013-120552	100	10	
26013-120602	95	23	
26013-120702	100	11	
26014-060122	57	11	
26014-060162	12	42	
	17	2	
	19	36	
		37	

Parts No.	Fig. No.	Ref. No.	
26014-060162	85	23	
		24	
26014-060252	24	24	
		25 35	
		26 26	
			27
			28
26014-060302	26	28	
26014-060402	19	33 -1	
26014-080162	8	41 -1	
	9	22 -1	
	13	44	
	23	44	
		45	
		46	
		47	
	26	29	
	34	8	
	38	34	
	45	16	
		17	
		27	
	57	12	
	101	13	
26014-080202	4	15	
	5	13	
	25	36	
	51	47	
	69	4	
		4 -1	
26014-080252	25	37	
		38	
		101 14	
	102	5	
26014-080352	25	39	
26014-100162	12	43	
	13	40	
		41	
	45	18	
26014-100202	9	25	
		26	
		11 49	
	26	30	
		31	
		32	
		36	
	30	24	
	38	27	
		28	
		29	
		30	

Parts No.	Fig. No.	Ref. No.
26014-100202	39	32
		33
	45	34
		35
	55	18
	61	51
	65	33
	88	25 -1
		26 -1
		42
	121	43
	124	25
	129	30
	131	51
26014-100252	9	27
		28
	23	48
	37	9
		9 -1
		10
		10 -1
		11
	41	19
		23
	46	27
		28
	47	10
	49	14
		15
	89	39
	90	29
	92	2 -1
26022-050122	11	33
	80	18
26022-080162	10	9
26023-040102	23	49
26023-050102	9	29
26023-050162	50	29
		30
	55	19
26023-060122	13	42
26023-060162	51	48
		55 20
	56	10
26051-060002	23	50
	26	33
26051-080002	13	43
		19 38
		26 34
		38 31

Parts No.	Fig. No.	Ref. No.
26076-080202	128	35
		131 40
26076-080252	101	15
26076-100162	121	33
		122 30
26076-100202	67	81
26076-100402	119	9
26076-120352	7	23
26076-160402	49	22
26076-160502	68	73
26076-161302	114	15
26076-200409	27	15
	127	14
26106-080162	19	39
		40
	39	34
		35
26106-080252	39	41
26106-100122	35	3
		72 33
26106-100162	39	4
		41 11
		12
		13
		14
		15
		16
		17
26106-100202	25	40
26106-100352	25	41
26106-100652	3	5
26116-080202	113	35
26116-080802	12	44
26116-100202	61	52
		121 44
	131	52
26116-121402	61	53
		121 45
	131	53
26116-140252	101	33
		110 20
		23
26116-140352	61	54
		64 47
	110	21
	111	22
	115	16
	121	46
	123	40
	131	54

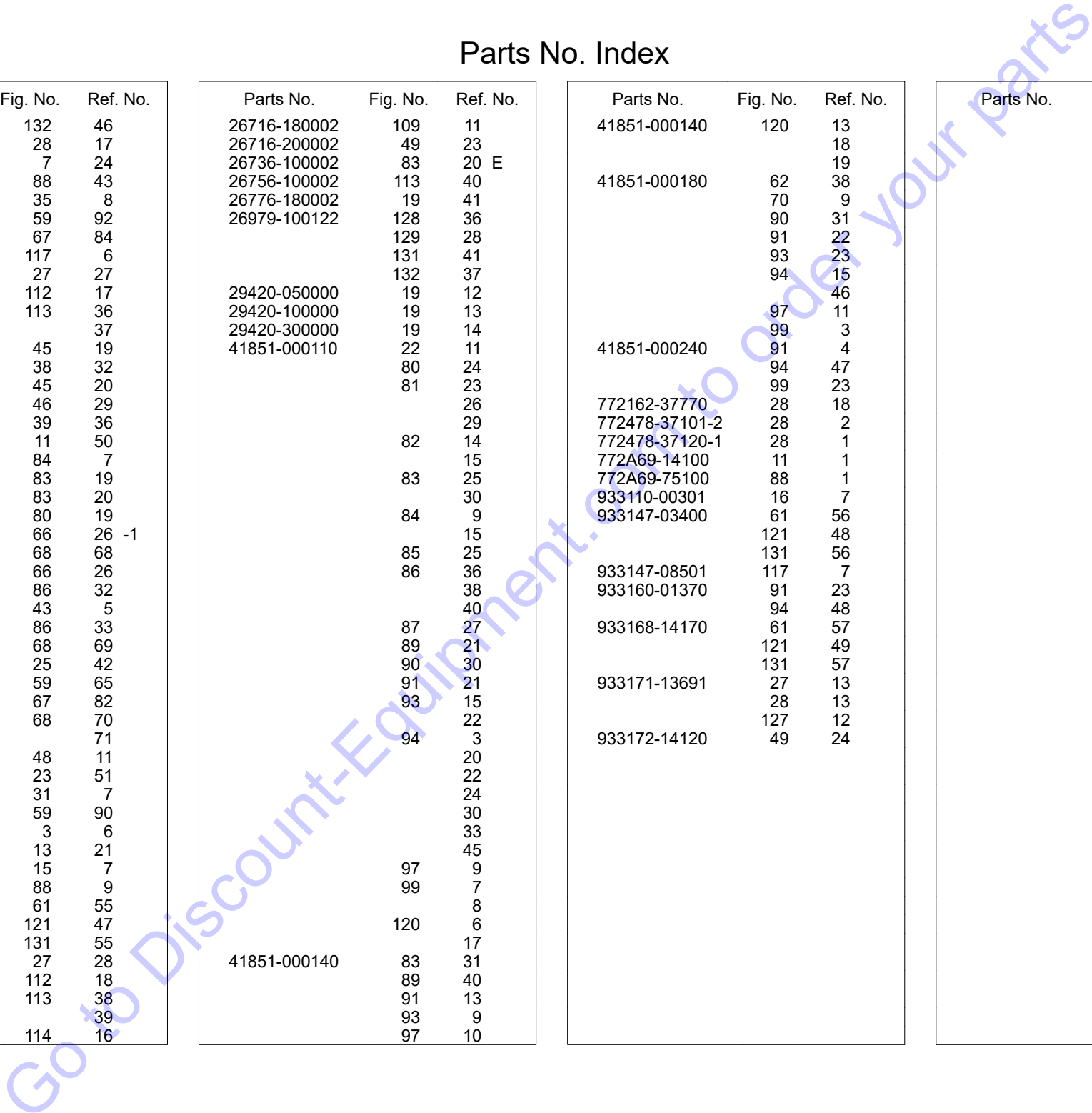
Parts No. Index

Parts No.	Fig. No.	Ref. No.
26116-140352	132	46
26116-140602	28	17
26116-160352	7	24
	88	43
26116-160402	35	8
26116-160452	59	92
	67	84
26116-160502	117	6
26116-160852	27	27
26116-161202	112	17
	113	36
		37
26347-080002	45	19
26347-100002	38	32
	45	20
	46	29
26366-100002	39	36
26367-100002	11	50
26450-050102	84	7
26450-050122	83	19
26450-050202	83	20
26450-060162	80	19
26450-060302	66	26 -1
	68	68
26450-060352	66	26
26450-060502	86	32
26450-080162	43	5
	86	33
26450-080202	68	69
26450-080502	25	42
26450-100302	59	65
26450-120302	67	82
26450-140402	68	70
		71
26577-050122	48	11
26587-040122	23	51
	31	7
26617-100002	59	90
26706-100002	3	6
26716-060002	13	21
26716-080002	15	7
26716-100002	88	9
26716-120002	61	55
	121	47
	131	55
26716-160002	27	28
	112	18
	113	38
		39
	114	16

Parts No.	Fig. No.	Ref. No.
26716-180002	109	11
26716-200002	49	23
26736-100002	83	20 E
26756-100002	113	40
26776-180002	19	41
26979-100122	128	36
	129	28
	131	41
	132	37
29420-050000	19	12
29420-100000	19	13
29420-300000	19	14
41851-000110	22	11
	80	24
	81	23
		26
		29
	82	14
		15
	83	25
		30
	84	9
		15
	85	25
	86	36
		38
		40
	87	27
	89	21
	90	30
	91	21
	93	15
		22
	94	3
		20
		22
		24
		30
		33
		45
	97	9
	99	7
		8
	120	6
		17
41851-000140	83	31
	89	40
	91	13
	93	9
	97	10

Parts No.	Fig. No.	Ref. No.
41851-000140	120	13
		18
		19
41851-000180	62	38
	70	9
	90	31
	91	22
	93	23
	94	15
		46
	97	11
	99	3
41851-000240	91	4
	94	47
	99	23
772162-37770	28	18
772478-37101-2	28	2
772478-37120-1	28	1
772A69-14100	11	1
772A69-75100	88	1
933110-00301	16	7
933147-03400	61	56
	121	48
	131	56
933147-08501	117	7
933160-01370	91	23
	94	48
933168-14170	61	57
	121	49
	131	57
933171-13691	27	13
	28	13
	127	12
933172-14120	49	24

Parts No.	Fig. No.	Ref. No.
-----------	----------	----------



PARTS FINDER

**Search Website
by Part Number**



**Search Manual
Library For Parts
Manual & Lookup Part
Numbers – Purchase
or Request Quote**

Search Manuals

Enter your information to search for a parts manual or lookup a part number.

* Brand:

* Model:

* Serial:

* Part Number:

SEARCH

**Can't Find Part or
Manual? Request Help
by Manufacturer,
Model & Description**

Parts Order Form

Please fill in the following information to request help finding a part or manual.

Manufacturer:

Model:

Description:

Quantity:

Part Number:

Part Name:

Part Description:

Part Category:

Part Location:

Part Status:

Part Condition:

Part Material:

Part Color:

Part Weight:

Part Dimensions:

Part Price:

Part Availability:

Part Lead Time:

Part Notes:

Submit

Discount-Equipment.com is your online resource for quality parts & equipment.

Florida: **561-964-4949** Outside Florida TOLL FREE: **877-690-3101**

Need parts?

Click on this link: <http://www.discount-equipment.com/category/5443-parts/> and choose one of the options to help get the right parts and equipment you are looking for. Please have the machine model and serial number available in order to help us get you the correct parts. If you don't find the part on the website or on one of the online manuals, please fill out the request form and one of our experienced staff members will get back to you with a quote for the right part that your machine needs.

We sell worldwide for the brands: Genie, Terex, JLG, MultiQuip, Mikasa, Essick, Whiteman, Mayco, Toro Stone, Diamond Products, Generac Magnum, Airman, Haulotte, Barreto, Power Blanket, Nifty Lift, Atlas Copco, Chicago Pneumatic, Allmand, Miller Curber, Skyjack, Lull, Skytrak, Tsurumi, Husquvarna Target, Stow, Wacker, Sakai, Mi-T-M, Sullair, Basic, Dynapac, MBW, Weber, Bartell, Bennar Newman, Haulotte, Ditch Runner, Menegotti, Morrison, Contec, Buddy, Crown, Edco, Wyco, Bomag, Laymor, EZ Trench, Bil-Jax, F.S. Curtis, Gehl Pavers, Heli, Honda, ICS/PowerGrit, IHI, Partner, Imer, Clipper, MMD, Koshin, Rice, CH&E, General Equipment, Amida, Coleman, NAC, Gradall, Square Shooter, Kent, Stanley, Tamco, Toku, Hatz, Kohler, Robin, Wisconsin, Northrock, Oztec, Toker TK, Rol-Air, APT, Wylie, Ingersoll Rand / Doosan, Innovatech, Con X, Ammann, Mecalac, Makinex, Smith Surface Prep, Small Line, Wanco, Yanmar