



**QUICK SPECS**

Weight	10,417 lbs
Horsepower	39 hp
Digging Depth	11'8"

**Makes you the go-to guy for the really tough jobs.**

In 1993, Yanmar introduced the world's first zero tail swing excavator. Today, the ViO45-6A turns completely within its own tracks, with the stability of a conventional excavator. So you can trench and dig in the extremely tight spaces that other excavators simply can't get to. Add to that a new 39-hp Tier 4 Final Yanmar diesel engine that sacrifices none of the legendary power and unmatched fuel efficiency that's been part of Yanmar's legacy for more than 100 years, and you'll always be the guy they call when conditions are the toughest.



**ViO45-6A**

POWERFUL, EFFICIENT  
 39-HP TIER 4 FINAL  
 YANMAR DIESEL  
 ENGINE

VIPPS (VIO  
 PROGRESSIVE 3-PUMP  
 HYDRAULIC SYSTEM)

EASY-TO-OPERATE  
 JOYSTICK CONTROLS  
 WITH ARMRESTS  
 REDUCE OPERATOR  
 FATIGUE

SPRING STEEL  
 CYLINDER ROD  
 GUARDS AND HOSE  
 PROTECTION

4-PILLAR ROPS/FOPS  
 CANOPY FOR SAFETY

INTEGRATED BOOM  
 LIGHT PROTECTED  
 FROM DAMAGE

EASY MAINTENANCE  
 ACCESS TO EVERY  
 MAJOR COMPONENT

ANGLED CRAWLER  
 FRAME REDUCES  
 FOREIGN MATTER  
 BUILD-UP

TRAVELING ALARM  
 SIGNALS WHEN  
 MACHINE IS MOVED

OPTIONAL ENCLOSED  
 CAB WITH HEAT & A/C

**INNOVATIVE FEATURES**



**True Zero Tail Swing**

Our true zero tail swing technology means no part of the housing extends beyond the tracks. Since the entire machine operates within its tracks, you can work efficiently almost anywhere, with less damage to the machine and the worksite.



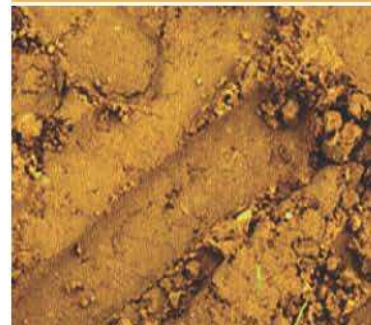
**Hydraulic Quick Coupler Comes Standard**

The standard hydraulic quick coupler makes changing buckets fast and easy. With the exception of fitting and removing the safety lock pin, the entire operation is performed electronically while you're seated in the comfort of the cab. Less hassle. Less downtime. More productivity.

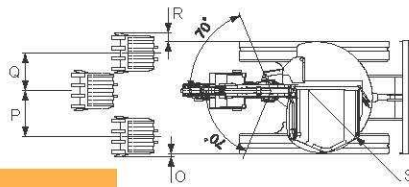


**A Cab With Everything At Your Fingertips**

The new ViO45-6A comes standard with ECO Mode, Auto-Decel Mode and backfill blade lever-controlled, 2-speed operation incorporated right into the operator's station. Plus you get an innovative LCD monitor, showing key operating information and maintenance notification intervals.

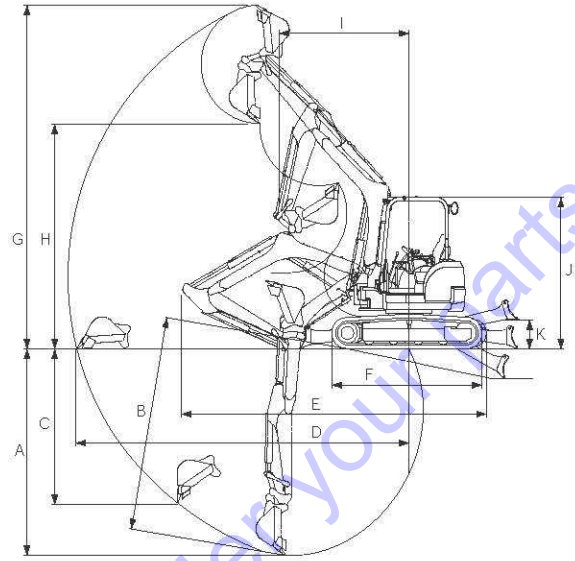
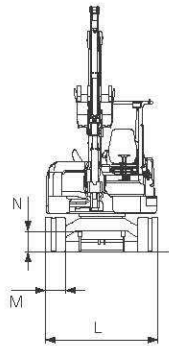


# ViO45-6A



## Dimensions - ViO45-6A

<b>A</b> 11'8" (3550 mm)	<b>K</b> 1'8" (500 mm)
<b>B</b> 12'3" (3740 mm)	<b>L</b> 6'4.5" (1940 mm)
<b>C</b> 7'10" (2380 mm)	<b>M</b> 1'2" (350 mm)
<b>D</b> 18'10" (5740 mm)	<b>N</b> 1'1.6" (345 mm)
<b>E</b> 17'5" (5320 mm)	<b>O</b> 1.5" (35)
<b>F</b> 8'6" (2590 mm)	<b>P</b> 2'3" (680 mm)
<b>G</b> 18'8" (5700 mm)	<b>Q</b> 2'6" (770 mm)
<b>H</b> 12'1" (3680 mm)	<b>R</b> 5" (125 mm)
<b>I</b> 7'10" (2380 mm)	<b>S</b> R3'2" (R970 mm)
<b>J</b> 8'4" (2540 mm)	



## Specifications

Model			ViO45-6A	
Type			Canopy	Cabin
<b>Operating Weight</b>	Rubber Track	lbs (kg)	10417 (4725)	10792 (4895)
	Steel Track	lbs (kg)	10703 (4855)	11078 (5025)
<b>Engine</b>	Type	-	Vertical 4-cylinder water-cooled direct injection diesel engine	
	Model	-	YANMAR 4TNV88C-PBV	
	Output	HP (kW)/rpm	39 (29.1) / 2400	
<b>Performance</b>	Max Digging Force, Bucket / Arm	lbs (kN)	6497 (28.9)	4676 (20.8)
	Traveling Speed, High / Low	MPH (km / h)	2.9 / 1.5 (4.6 / 2.4)	
	Swing Speed	RPM	10	
	Boom Swing Angle, (L / R)	degrees	68° / 68°	
<b>Ground Contact Pressure</b>	Rubber Track	PSI (kPa)	4.25 (29.3)	4.41 (30.4)
	Steel Track	PSI (kPa)	4.42 (30.5)	4.58 (31.6)
<b>Hydraulic System</b>	Pump Capacity	GPM (L / min)	11.2 + 11.2 + 9.7 + 2.8 (42.5 + 42.5 + 37 + 10.8)	
	Main Relief Set Pressure	PSI (MPa)	3547 x 2 + 3128 + 564 (24.5 x 2 + 21.6 + 3.9)	
<b>Undercarriage</b>	Track Type	-	Rubber or Steel	
<b>Blade Dimensions</b>	Width x Height	ft-in (mm)	6'6" x 14" (1970 x 400)	
<b>Fuel tank capacity</b>		Gals (L)	17.4 (66)	

## Standard Equipment

- Blade
- Boom Swing
- Rubber or Steel Tracks
- Hydraulic Quick Coupler
- 2-way Control Pattern Change
- Auxiliary Valve and Piping (arm end)
- Cylinder Cover (boom, arm, bucket, blade)
- ROPS / FOPS Cabin or Canopy
- Windshield Washer (cabin spec)
- Defroster (cabin spec)
- Joystick Pilot Controls
- Arm Rests (adjustable)
- Suspension and Reclining Seat
- Seat Belt
- Traveling Levers and Pedals
- Traveling Alarm Built-in Type
- Boom Light
- Exterior Canopy or Cabin Work Light
- Operation Manual

Please note that the standard equipment may vary from this list. Consult your Yanmar dealer for confirmation.

## Hydraulic PTO

Model		ViO45-6A		
Specification	Output	PSI (MPa)	GPM (L / min)	
			2200RPM	1200RPM
Combined Flow, Double Actions		3553 (24.5)	20.9 (79.5)	11.4 (43.4)

## Lifting Capacity

LIFT POINT HEIGHT in (mm)	(R) LIFT RADIUS in (mm)											
	RATED LIFT CAPACITY OVER END BLADE DOWN lbs (kg)				RATED LIFT CAPACITY OVER END BLADE UP lbs (kg)				RATED LIFT CAPACITY OVER SIDE BLADE DOWN lbs (kg)			
	MAX	157.5 (4000)	118.1 (3000)	78.7 (2000)	MAX	157.5 (4000)	118.1 (3000)	78.7 (2000)	MAX	157.5 (4000)	118.1 (3000)	78.7 (2000)
157.5 (4000)	*2403 (1090)				*2290 (1040)				1763 (800)			
118.1 (3000)	*2358 (1070)	*2314 (1050)			1543 (700)	1829 (830)			1322 (600)	1587 (720)		
78.7 (2000)	*2425 (1100)	*2645 (1200)	*3306 (1500)		1300 (590)	1719 (780)	*3152 (1430)		1146 (520)	1587 (720)	2425 (1100)	
39.4 (1000)	*2535 (1150)	*3042 (1380)	*4365 (1980)		1256 (570)	1675 (760)	2535 (1150)		1124 (510)	1499 (680)	2204 (1000)	
Ground (0)	*2579 (1170)	*3284 (1490)	*4585 (2080)	*6459 (2930)	1300 (590)	1587 (720)	2358 (1070)	4166 (1890)	1102 (500)	1366 (620)	2028 (920)	3351 (1520)
-39.4 (-1000)	*2667 (1210)	*2910 (1320)	*4232 (1920)	*6393 (2900)	1521 (690)	1587 (720)	2403 (1090)	4387 (1990)	1322 (600)	1344 (610)	1984 (900)	3571 (1620)
-78.7 (-2000)	*2535 (1150)		*2954 (1340)		*2601 (1180)				1940 (880)			2116 (960)

\* Rated Hydraulic lift capacity

**TO PURCHASE THIS PRODUCT PLEASE CONTACT US**



**Equipment Financing and  
Extended Warranties Available**



**Discount-Equipment.com is your online resource for  
commercial and industrial quality parts and equipment sales.**

**561-964-4949**

**visit us on line @ [www.discount-equipment.com](http://www.discount-equipment.com)**

Select an option below to find your Equipment

**Search by Manufacturer**

**Search by Product Type**

**Request a Quote**

We sell worldwide for the brands: Genie, Terex, JLG, MultiQuip, Mikasa, Essick, Whiteman, Mayco, Toro Stone, Diamond Products, Generac Magnum, Airman, Haulotte, Barreto, Power Blanket, Nifty Lift, Atlas Copco, Chicago Pneumatic, Allmand, Miller Curber, Skyjack, Lull, Skytrak, Tsurumi, Husquvarna Target, Stow, Wacker, Sakai, Mi-T-M, Sullair, Basic, Dynapac, MBW, Weber, Bartell, Bennar Newman, Haulotte, Ditch Runner, Menegotti, Morrison, Contec, Buddy, Crown, Edco, Wyco, Bomag, Laymor, EZ Trench, Bil-Jax, F.S. Curtis, Gehl Pavers, Heli, Honda, ICS/PowerGrit, IHI, Partner, Imer, Clipper, MMD, Koshin, Rice, CH&E, General Equipment, Amida, Coleman, NAC, Gradall, Square Shooter, Kent, Stanley, Tamco, Toku, Hatz, Kohler, Robin, Wisconsin, Northrock, Oztec, Toker TK, Rol-Air, APT, Wylie, Ingersoll Rand / Doosan, Innovatech, Con X, Ammann, Mecalac, Makinex, Smith Surface Prep, Small Line, Wanco, Yanmar