



An Oshkosh Corporation Company



www.Discount-Equipment.com

Operation and Safety Manual

Original Instructions, keep this manual with the machine at all times.

Models

330LRT

430LRT

SN 0200000100 to 0200269765

ANSI   **AS/NZS**

P/N - 3121757

January 31, 2020 - Rev F

TO PURCHASE THIS PRODUCT PLEASE CONTACT US



**Equipment Financing and
Extended Warranties Available**



**Discount-Equipment.com is your online resource for
commercial and industrial quality parts and equipment sales.**

561-964-4949

visit us on line @ www.discount-equipment.com

Select an option below to find your Equipment

Search by Manufacturer

Search by Product Type

Request a Quote

We sell worldwide for the brands: Genie, Terex, JLG, MultiQuip, Mikasa, Essick, Whiteman, Mayco, Toro Stone, Diamond Products, Generac Magnum, Airman, Haulotte, Barreto, Power Blanket, Nifty Lift, Atlas Copco, Chicago Pneumatic, Allmand, Miller Curber, Skyjack, Lull, Skytrak, Tsurumi, Husquvarna Target, Stow, Wacker, Sakai, Mi-T-M, Sullair, Basic, Dynapac, MBW, Weber, Bartell, Bennar Newman, Haulotte, Ditch Runner, Menegotti, Morrison, Contec, Buddy, Crown, Edco, Wyco, Bomag, Laymor, EZ Trench, Bil-Jax, F.S. Curtis, Gehl Pavers, Heli, Honda, ICS/PowerGrit, IHI, Partner, Imer, Clipper, MMD, Koshin, Rice, CH&E, General Equipment, Amida, Coleman, NAC, Gradall, Square Shooter, Kent, Stanley, Tamco, Toku, Hatz, Kohler, Robin, Wisconsin, Northrock, Oztec, Toker TK, Rol-Air, APT, Wylie, Ingersoll Rand / Doosan, Innovatech, Con X, Ammann, Mecalac, Makinex, Smith Surface Prep, Small Line, Wanco, Yanmar



WARNING

Operating, servicing and maintaining this vehicle or equipment can expose you to chemicals including engine exhaust, carbon monoxide, phthalates, and lead, which are known to the State of California to cause cancer and birth defects or other reproductive harm. To minimize exposure, avoid breathing exhaust, do not idle the engine except as necessary, service your vehicle or equipment in a well-ventilated area and wear gloves or wash your hands frequently when servicing. For more information go to www.P65Warnings.ca.gov.

FOREWORD

This manual is a very important tool! Keep it with the machine at all times.

The purpose of this manual is to provide owners, users, operators, lessors, and lessees with the precautions and operating procedures essential for the safe and proper machine operation for its intended purpose.

Due to continuous product improvements, JLG Industries, Inc. reserves the right to make specification changes without prior notification. Contact JLG Industries, Inc. for updated information.

Refer to www.JLG.com for Warranty, Product Registration, and other machine-related documentation.

SAFETY ALERT SYMBOLS AND SAFETY SIGNAL WORDS



This is the Safety Alert Symbol. It is used to alert you to the potential personal injury hazards. Obey all safety messages that follow this symbol to avoid possible injury or death.

⚠ DANGER

INDICATES AN IMMINENTLY HAZARDOUS SITUATION. IF NOT AVOIDED, WILL RESULT IN SERIOUS INJURY OR DEATH. THIS DECAL WILL HAVE A RED BACKGROUND.

⚠ WARNING

INDICATES A POTENTIALLY HAZARDOUS SITUATION. IF NOT AVOIDED, COULD RESULT IN SERIOUS INJURY OR DEATH. THIS DECAL WILL HAVE AN ORANGE BACKGROUND.

⚠ CAUTION

INDICATES A POTENTIALLY HAZARDOUS SITUATION. IF NOT AVOIDED, MAY RESULT IN MINOR OR MODERATE INJURY. IT MAY ALSO ALERT AGAINST UNSAFE PRACTICES. THIS DECAL WILL HAVE A YELLOW BACKGROUND.

NOTICE

INDICATES INFORMATION OR A COMPANY POLICY THAT RELATES DIRECTLY OR INDIRECTLY TO THE SAFETY OF PERSONNEL OR PROTECTION OF PROPERTY.

⚠ WARNING

THIS PRODUCT MUST COMPLY WITH ALL SAFETY RELATED BULLETINS. CONTACT JLG INDUSTRIES, INC. OR THE LOCAL AUTHORIZED JLG REPRESENTATIVE FOR INFORMATION REGARDING SAFETY-RELATED BULLETINS WHICH MAY HAVE BEEN ISSUED FOR THIS PRODUCT.

NOTICE

JLG INDUSTRIES, INC. SENDS SAFETY RELATED BULLETINS TO THE OWNER OF RECORD OF THIS MACHINE. CONTACT JLG INDUSTRIES, INC. TO ENSURE THAT THE CURRENT OWNER RECORDS ARE UPDATED AND ACCURATE.

NOTICE

JLG INDUSTRIES, INC. MUST BE NOTIFIED IMMEDIATELY IN ALL INSTANCES WHERE JLG PRODUCTS HAVE BEEN INVOLVED IN AN ACCIDENT INVOLVING BODILY INJURY OR DEATH OF PERSONNEL OR WHEN SUBSTANTIAL DAMAGE HAS OCCURRED TO PERSONAL PROPERTY OR THE JLG PRODUCT.

For:

- Accident Reporting
- Product Safety Publications
- Current Owner Updates
- Questions Regarding Product Safety
- Standards and Regulations Compliance Information
- Questions Regarding Special Product Applications
- Questions Regarding Product Modifications

Contact:

Product Safety and Reliability Department
JLG Industries, Inc.
13224 Fountainhead Plaza
Hagerstown, MD 21742

or Your Local JLG Office
(See addresses on manual rear cover)

In USA:

Toll Free: 877-JLG-SAFE (877-554-7233)

Outside USA:

Phone: 240-420-2661
E-mail: ProductSafety@JLG.com

FOREWORD

REVISION LOG

Original Issue - A February 23, 2017
Revised - B June 23, 2017
Revised - C January 19, 2018
Revised - D May 24, 2018
Revised - E December 10, 2018
Revised - F January 31, 2020

To order go to Discount-Equipment.com

SECTION - PARAGRAPH, SUBJECT	PAGE	SECTION - PARAGRAPH, SUBJECT	PAGE
SECTION - 1 - SAFETY PRECAUTIONS			
1.1 GENERAL.....	1-1	2.2 PREPARATION, INSPECTION, AND MAINTENANCE	2-2
1.2 PRE-OPERATION.....	1-2	Pre-Start Inspection.....	2-4
Operator Training and Knowledge.....	1-2	Walk-Around Inspection.....	2-6
Workplace Inspection	1-2	Function Check.....	2-9
Machine Inspection	1-3	2.3 OSCILLATING AXLE - LOCKOUT CYLINDER TEST (IF EQUIPPED).....	2-11
1.3 OPERATION	1-3	Left Side Wheel Test	2-11
General	1-3	Right Side Wheel Test.....	2-12
Trip and Fall Hazards	1-5		
Electrocution Hazards	1-6	SECTION - 3 - MACHINE CONTROLS, INDICATORS, AND OP- ERATION	
Tipping Hazards.....	1-7	3.1 GENERAL	3-1
Crushing and Collision Hazards	1-9	3.2 DESCRIPTION	3-1
1.4 TOWING, LIFTING, AND HAULING	1-11	3.3 OPERATING CHARACTERISTICS AND LIMITATIONS	3-2
1.5 MAINTENANCE	1-11	General	3-2
Maintenance Hazards	1-11	Placards.....	3-2
Battery Hazards	1-12	3.4 PLATFORM LOADING	3-2
		3.5 GROUND CONTROLS AND INDICATORS	3-4
SECTION - 2 - USER RESPONSIBILITIES, MACHINE PREPARA- TION, AND INSPECTION		Ground Control Station	3-5
2.1 PERSONNEL TRAINING.....	2-1	Platform Manual Descent Control	3-7
Operator Training	2-1	3.6 PLATFORM CONTROL STATION.....	3-8
Training Supervision	2-1	Platform Controls.....	3-11
Operator Responsibility	2-1		

TABLE OF CONTENTS

SECTION - PARAGRAPH, SUBJECT	PAGE	SECTION - PARAGRAPH, SUBJECT	PAGE
3.7 ENGINE OPERATION	3-16	3.13 TOWING	3-27
Starting Procedure	3-16		
3.8 DUAL FUEL SYSTEM (IF EQUIPPED)	3-17		
3.9 OPERATING CHARACTERISTICS	3-18	SECTION - 4 - EMERGENCY PROCEDURES	
Platform Loading	3-18	4.1 GENERAL	4-1
Traveling (Driving)	3-18	4.2 INCIDENT NOTIFICATION	4-1
Traveling Forward	3-18	4.3 EMERGENCY TOWING PROCEDURES	4-2
Traveling in Reverse	3-18	4.4 EMERGENCY CONTROLS AND THEIR LOCATIONS	4-2
Traveling on Grade	3-19	Emergency Stop Switch	4-2
Steering	3-19	Ground Control Station	4-2
Leveling Jacks Operation	3-21	4.5 EMERGENCY OPERATION	4-3
Auto Leveling	3-21	Use of Ground Controls	4-3
Manual Level Adjustment (Trim)	3-22	Operator Unable to Control Machine	4-3
Raising and Lowering Platform	3-22	Platform Caught Overhead	4-3
Raising	3-22	Righting of Tipped Machine	4-4
Lowering	3-23	Post-Incident Inspection	4-4
Arm Guards (CE Only)	3-23	Platform Manual Descent Control	4-4
Platform Extension	3-23	4.6 INCIDENT NOTIFICATION	4-5
3.10 PLATFORM RAILS - FOLD-DOWN PROCEDURE ..	3-24		
3.11 PARKING AND STOWING	3-27	SECTION - 5 - ACCESSORIES	
3.12 TIE DOWN/LIFT LUGS	3-27	5.1 1/2 AIRLINE	5-2
Tie Down	3-27	5.2 PLATFORM WORKLIGHTS	5-2
Lifting	3-27	5.3 PIPE RACKS	5-3
		Safety Precautions	5-3
		Preparation and Inspection	5-4
		Operation	5-4

SECTION - PARAGRAPH, SUBJECT	PAGE	SECTION - PARAGRAPH, SUBJECT	PAGE
5.4 PLATFORM RAIL PADDING	5-5	General Maintenance Tips	6-11
With Proximity Switches	5-5	Operator Maintenance Components	6-12
5.5 WORKSTATION	5-6	Fuel Tank	6-13
Safety Precautions	5-7	Drive Hub	6-13
Preparation and Inspection	5-7	Scissor Arms - Sliding Wear Pads	6-13
Operation	5-7	Oil Change with Filter	6-14
5.6 LARGE MATERIAL RACKS	5-7	Hydraulic Oil Tank	6-15
Safety Precautions	5-8	Fuel/Water Separator Filter (Diesel) - Kubota	6-15
Preparation and Inspection	5-9	Hydraulic Charge Filter	6-16
Operation	5-9	Fuel Strainer (Diesel) - Kubota	6-16
		Fuel Filter (Gas) - Kubota	6-17
		Air Filter	6-17
		Engine Coolant	6-18
SECTION - 6 - GENERAL SPECIFICATIONS AND OPERATOR MAINTENANCE		6.5 PROPANE FUEL SYSTEM PRESSURE RELIEF	6-18
6.1 INTRODUCTION	6-1	6.6 PROPANE FUEL SYSTEM LEAK TEST	6-19
6.2 SUPPLEMENTAL INFORMATION	6-1	6.7 TIRES AND WHEELS	6-19
6.3 OPERATING SPECIFICATIONS	6-2	Tire Damage	6-19
Generator Specifications (If Equipped)	6-3	Tire Replacement	6-19
Dimensional Data	6-3	Wheel Replacement	6-20
Fluid Capacities	6-3	Wheel Installation	6-20
Tires	6-4	6.8 DECAL INSTALLATION	6-22
Engine Specifications	6-4		
Critical Stability Weights	6-6		
Lubrication	6-6		
6.4 OPERATOR MAINTENANCE	6-10		
Scissor Arm Safety Prop	6-10		
		SECTION - 7 - INSPECTION AND REPAIR LOG	

TABLE OF CONTENTS

SECTION - PARAGRAPH, SUBJECT	PAGE	SECTION - PARAGRAPH, SUBJECT	PAGE
LIST OF FIGURES			
3-1. Location of Machine Controls	3-3	6-10. Decal Location - Sheet 2 of 2 (ANSI, ANSI Export)	6-22
3-6. Grade and Sideslope.....	3-19	6-11. Decal Location - Sheet 1 of 2 (CE/AUS/JPN)	6-26
3-7. Platform End Rails - Fold Down Sequence and Rail Pin Locations.....	3-24	6-12. Decal Location - Sheet 2 of 2 (CE/AUS/JPN)	6-27
3-8. Platform Side Rails - Fold Down Sequence and Rail Pin Locations	3-25		
3-9. Lifting and Tie Down Chart (Sheet 1 of 2)	3-27		
3-10. Lifting and Tie Down Chart (Sheet 2 of 2)	3-28		
4-1. Location of Manual Descent Control.....	4-4		
6-1. Hydraulic Oil Operating Temperature Specifications	6-7		
6-2. Engine Oil Operating Temperature Specifications - Kubota (Dual Fuel Engine)	6-8		
6-3. Engine Oil Operating Temperature Specifications - Kubota (Diesel Engine).....	6-9		
6-4. Scissor Arm - Safety Prop Assembly	6-10		
6-5. Safety Prop Actuator Rod	6-11		
6-6. Operator Maintenance Components	6-12		
6-7. Kubota (WG972-GL-E4F -T3) Dual Fuel.....	6-14		
6-8. Kubota (D1305-E4B - Diesel and D1305-E3B - Diesel)	6-14		
6-9. Decal Location - Sheet 1 of 2 (ANSI, ANSI Export)	6-21		

SECTION - PARAGRAPH, SUBJECT	PAGE	SECTION - PARAGRAPH, SUBJECT	PAGE
LIST OF TABLES			
1-1	Minimum Approach Distances (M.A.D.).....	1-7	
1-2	Beaufort Scale (For Reference Only)	1-8	
2-1	Inspection and Maintenance Table.....	2-3	
2-2	Tilt Cutout Settings (Prior to SN 0200267916)...	2-10	
2-3	Tilt Cutout Settings (SN 0200267917 to 0200269765)	2-10	
2-4	Maximum Drive Cutout Height.	2-10	
3-1	Platform Capacities	3-18	
5-1	Available Accessories	5-1	
6-1	Kubota Diesel (D1305-E4B)	6-4	
6-2	Kubota (D1305-E3B - Diesel)	6-5	
6-3	Kubota (WG972-GL-E4 - Dual Fuel)	6-5	
6-4	Critical Stability Weights	6-6	
6-5	Lubrication Specifications	6-6	
6-6	Wheel Torque Chart	6-21	
6-7	Decal Location Legend - ANSI, ANSI Export	6-24	
6-8	Decal Legend - CE/AUS/JPN.....	6-29	
7-1	Inspection and Repair Log	7-1	

TABLE OF CONTENTS

SECTION - PARAGRAPH, SUBJECT

PAGE

SECTION - PARAGRAPH, SUBJECT

PAGE

To order go to Discount-Equipment.com

SECTION 1. SAFETY PRECAUTIONS

1.1 GENERAL

This section outlines the necessary precautions for proper and safe machine usage and maintenance. In order to promote proper machine usage, it is mandatory that a daily routine is established based on the content of this manual. A maintenance program, using the information provided in this manual and the Service and Maintenance Manual, must also be established by a qualified person and must be followed to ensure that the machine is safe to operate.

The owner/user/operator/lessor/lessee of the machine must not accept operating responsibility until this manual has been read, training is accomplished, and operation of the machine has been completed under the supervision of an experienced and qualified operator.

These sections contain the responsibilities of the owner, user, operator, lessor, and lessee concerning safety, training, inspection, maintenance, application, and operation. If there are any questions with regard to safety, training, inspection, maintenance, application, and operation, please contact JLG Industries, Inc. ("JLG").

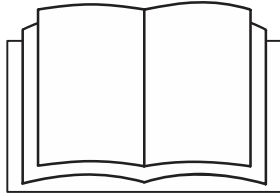
WARNING

FAILURE TO COMPLY WITH THE SAFETY PRECAUTIONS LISTED IN THIS MANUAL COULD RESULT IN MACHINE DAMAGE, PROPERTY DAMAGE, PERSONAL INJURY OR DEATH.

1.2 PRE-OPERATION

Operator Training and Knowledge

- The Operation and Safety Manual must be read and understood in its entirety before operating the machine. For clarification, questions, or additional information regarding any portions of this manual, contact JLG Industries, Inc.



- An operator must not accept operating responsibilities until adequate training has been given by competent and authorized persons.
- Allow only those authorized and qualified personnel to operate the machine who have demonstrated that they understand the safe and proper operation and maintenance of the unit.
- Read, understand, and obey all DANGERS, WARNINGS, CAUTIONS, and operating instructions on the machine and in this manual.

- Ensure that the machine is to be used in a manner which is within the scope of its intended application as determined by JLG.
- All operating personnel must be familiar with the emergency controls and emergency operation of the machine as specified in this manual.
- Read, understand, and obey all applicable employer, local, and governmental regulations as they pertain to your utilization and application of the machine.

Workplace Inspection

- Precautions to avoid all hazards in the work area must be taken by the user before and during operation of the machine.
- Do not operate or raise the platform from a position on trucks, trailers, railway cars, floating vessels, scaffolds or other equipment unless the application is approved in writing by JLG.
- Before operation, check work area for overhead hazards such as electric lines, bridge cranes, and other potential overhead obstructions.
- Check floor surfaces for holes, bumps, drop-offs, obstructions, debris, concealed holes, and other potential hazards.

- Check the work area for hazardous locations. Do not operate the machine in hazardous environments unless approved for that purpose by JLG.
- Ensure that the ground conditions are adequate to support the maximum tire load indicated on the tire load decals located on the chassis adjacent to each wheel.
- Check the machine for modifications to original components. Ensure that any modifications have been approved by JLG.
- Avoid accumulation of debris on platform deck. Keep mud, oil, grease, and other slippery substances from footwear and platform deck.

Machine Inspection

- Do not operate this machine until the inspections and functional checks have been performed as specified in Section 2 of this manual.
- Do not operate this machine until it has been serviced and maintained according to the maintenance and inspection requirements as specified in the machine's Service and Maintenance Manual.
- Ensure all safety devices are operating properly. Modification of these devices is a safety violation.

WARNING

MODIFICATION OR ALTERATION OF AN AERIAL WORK PLATFORM SHALL BE MADE ONLY WITH PRIOR WRITTEN PERMISSION FROM THE MANUFACTURER.

- Do not operate any machine on which the safety or instruction placards or decals are missing or illegible.

1.3 OPERATION

General

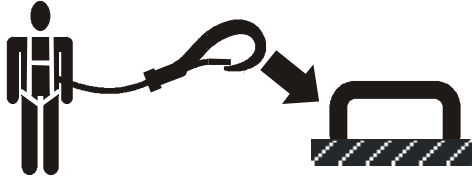
- Machine operation requires your full attention. Bring the machine to a full stop before using any device, i.e. cell phones, two-way radios, etc. that will distract your attention from safely operating the machine.
- Do not use the machine for any purpose other than positioning personnel, their tools, and equipment.
- Before operation, the user must be familiar with the machine capabilities and operating characteristics of all functions.
- Never operate a malfunctioning machine. If a malfunction occurs, shut down the machine. Remove the unit from service and notify the proper authorities.
- Do not remove, modify, or disable any safety devices.

SECTION 1 - SAFETY PRECAUTIONS

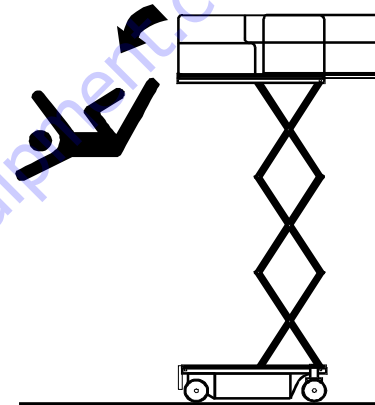
- Never slam a control switch or lever through neutral to an opposite direction. Always return switch to neutral and stop before moving the switch to the next function. Operate controls with slow and even pressure.
- Do not allow personnel to tamper with or operate the machine from the ground with personnel in the platform, except in an emergency.
- Do not carry materials directly on platform railing unless approved by JLG.
- When two or more persons are in the platform, the operator shall be responsible for all machine operations.
- Always ensure that power tools are properly stowed and never left hanging by their cord from the platform work area.
- Do not assist a stuck or disabled machine by pushing or pulling except by pulling at the chassis tie-down lugs.
- Fully lower platform and shut off all power before leaving machine.
- Remove all rings, watches, and jewelry when operating machine. Do not wear loose fitting clothing or long hair unrestrained which may become caught or entangled in equipment.
- Persons under the influence of drugs or alcohol or who are subject to seizures, dizziness or loss of physical control must not operate this machine.

Trip and Fall Hazards

- Prior to operation, ensure all gates and rails are fastened and secured in their proper position.



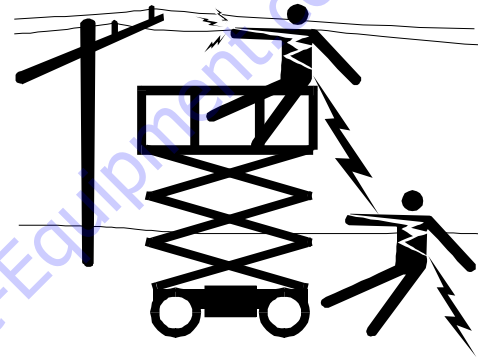
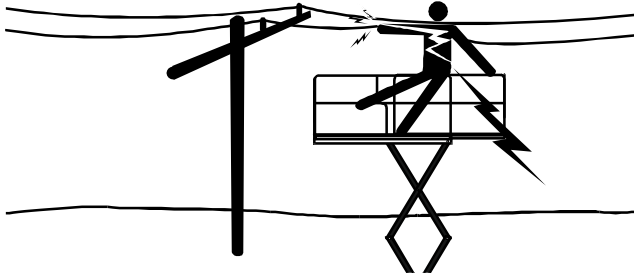
- JLG Industries, Inc. recommends that all persons in the platform wear a full body harness with a lanyard attached to an authorized lanyard anchorage point while operating this machine. For further information regarding fall protection requirements on JLG products, contact JLG Industries, Inc.
- Identify the designated lanyard anchorage point(s) at the platform and securely attach the lanyard. Attach only one (1) lanyard per lanyard anchorage point.
- Enter and exit only through gate area. Use extreme caution when entering or leaving platform. Ensure that the platform assembly is fully lowered. Face the machine when entering or leaving the platform. Always maintain “three point contact” with the machine, using two hands and one foot or two feet and one hand at all times during entry and exit.



- Keep both feet firmly positioned on the platform floor at all times. Never position ladders, boxes, steps, planks, or similar items on unit to provide additional reach for any purpose.
- Never use the scissor arm assembly to gain access to or leave the platform.
- Keep oil, mud, and slippery substances cleaned from footwear and the platform floor.

SECTION 1 - SAFETY PRECAUTIONS

Electrocution Hazards



- This machine is not insulated and does not provide protection from contact or proximity to electrical current.
- Maintain distance from electrical lines, apparatus, or any energized (exposed or insulated) parts according to the Minimum Approach Distance (MAD) as shown in Table 1-1.
- Allow for machine movement and electrical line swaying.
- Maintain a clearance of at least 10 ft. (3m) between any part of the machine and its occupants, their tools, and their equipment from any electrical line or apparatus carrying up to 50,000 volts. One foot additional clearance is required for every additional 30,000 volts or less.
- The minimum approach distance may be reduced if insulating barriers are installed to prevent contact, and the barriers are rated for the voltage of the line being guarded. These barriers shall not be part of (or attached to) the machine. The minimum approach distance shall be reduced to a distance within the designed working dimensions of the insulating barrier. This determination shall be made by a qualified person in accordance with the employer, local, or governmental requirements for work practices near energized equipment.


DANGER

DO NOT MANEUVER MACHINE OR PERSONNEL INSIDE PROHIBITED ZONE (MAD). ASSUME ALL ELECTRICAL PARTS AND WIRING ARE ENERGIZED UNLESS KNOWN OTHERWISE.

Table 1-1. Minimum Approach Distances (M.A.D.)

VOLTAGE RANGE (Phase to Phase)	MINIMUM APPROACH DISTANCE in Feet (Meters)
0 to 50 KV	10 (3)
Over 50KV to 200 KV	15 (5)
Over 200 KV to 350 KV	20 (6)
Over 350 KV to 500 KV	25 (8)
Over 500 KV to 750 KV	35 (11)
Over 750 KV to 1000 KV	45 (14)
NOTE: <i>This requirement shall apply except where employer, local or governmental regulations are more stringent.</i>	

Tipping Hazards

- Ensure that the ground conditions are adequate to support the maximum tire load indicated on the tire load decals located on the chassis adjacent to each wheel. Do not travel on unsupported surfaces.
- The user must be familiar with the driving surface before driving. Do not exceed the allowable sideslope and grade while driving.
- Do not elevate platform or drive with platform elevated while on or near a sloping, uneven, or soft surface. Ensure machine is positioned on a firm, level and smooth surface before elevating platform or driving with the platform in the elevated position.
- Before driving on floors, bridges, trucks, and other surfaces, check allowable capacity of the surfaces.
- Never exceed the maximum work load as specified on the platform. Keep all loads within the confines of the platform, unless authorized by JLG.
- Keep the chassis of the machine a minimum of 2 ft (0.6m) from holes, bumps, drop-offs, obstructions, debris, concealed holes, and other potential hazards at the ground level.
- Do not operate the machine when wind conditions exceed specifications shown in Section 6.3 or as shown on the capacity placard on the platform billboard.

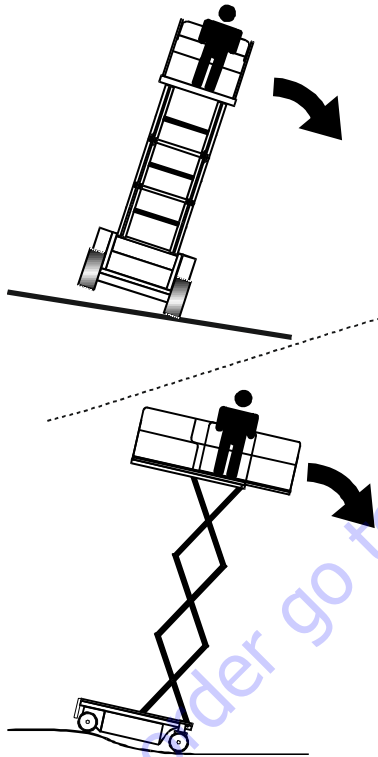
SECTION 1 - SAFETY PRECAUTIONS

WARNING

DO NOT OPERATE THE MACHINE WHEN WIND CONDITIONS EXCEED SPECIFICATIONS SHOWN IN SECTION 6.3 OR AS SHOWN ON THE CAPACITY PLACARD ON THE PLATFORM BILLBOARD.

Table 1-2. Beaufort Scale (For Reference Only)

BEAUFORT NUMBER	WIND SPEED		DESCRIPTION	LAND CONDITIONS
	mph	m/s		
0	0	0-0.2	Calm	Calm. Smoke rises vertically.
1	1-3	0.3-1.5	Light air	Wind motion visible in smoke.
2	4-7	1.6-3.3	Light breeze	Wind felt on exposed skin. Leaves rustle.
3	8-12	3.4-5.4	Gentle breeze	Leaves and smaller twigs in constant motion.
4	13-18	5.5-7.9	Moderate breeze	Dust and loose paper raised. Small branches begin to move.
5	19-24	8.0-10.7	Fresh breeze	Smaller trees sway.
6	25-31	10.8-13.8	Strong breeze	Large branches in motion. Flags waving near horizontal. Umbrella use becomes difficult.
7	32-38	13.9-17.1	Near Gale/Moderate Gale	Whole trees in motion. Effort needed to walk against the wind.
8	39-46	17.2-20.7	Fresh Gale	Twigs broken from trees. Cars veer on road.
9	47-54	20.8-24.4	Strong Gale	Light structure damage.



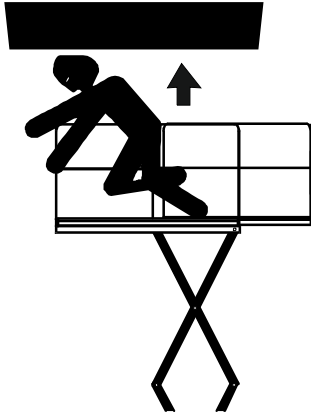
- Never attempt to use the machine as a crane. Do not tie-off machine to any adjacent structure. Never attach wire, cable, or any similar items to platform.
- Do not cover the platform sides or carry large surface-area items in the platform when operating outdoors. The addition of such items increases the exposed wind area of the machine.
- Do not increase the platform size with unauthorized deck extensions or attachments.
- If the scissor arm assembly or platform is caught so that one or more wheels are off the ground, all persons must be removed before attempting to free the machine. Use cranes, forklift trucks, or other appropriate equipment to stabilize machine and remove personnel.

Crushing and Collision Hazards

- Approved head gear must be worn by all operating and ground personnel.
- Keep hands and limbs out of the scissor arm assembly during operation and when elevated without safety prop engaged.
- Watch for obstructions around machine and overhead when driving. Check clearances above, on sides, and bottom of platform when lifting or lowering platform.

SECTION 1 - SAFETY PRECAUTIONS

- During operation, keep all body parts inside platform railing.



- Always post a lookout when driving in areas where vision is obstructed.
- Keep non-operating personnel at least 6 ft. (1.8m) away from machine during all operations.
- Under all travel conditions, the operator must limit travel speed according to conditions of ground surface, congestion, visibility, slope, location of personnel, and other factors.

- Be aware of stopping distances in all drive speeds. When driving in high speed, switch to low speed before stopping. Travel grades in low speed only.
- Do not use high speed drive in restricted or close quarters or when driving in reverse.
- Exercise extreme caution at all times to prevent obstacles from striking or interfering with operating controls and persons in the platform.
- Ensure that operators of other overhead and floor level machines are aware of the aerial work platform's presence. Disconnect power to overhead cranes. Barricade floor area if necessary.
- Do not operate over ground personnel. Warn personnel not to work, stand, or walk under a raised platform. Position barricades on floor as necessary.

1.4 TOWING, LIFTING, AND HAULING

- Never allow personnel in platform while towing, lifting, or hauling.
- This machine should not be towed, except in the event of emergency, malfunction, power failure, or loading/unloading. Refer to emergency towing procedures.
- Ensure platform is fully retracted and completely empty of tools prior to towing, lifting or hauling.
- When lifting machine with a forklift, position forks only at designated areas of the machine. Lift with a forklift of adequate capacity.
- Refer to Section 3 for lifting information.

1.5 MAINTENANCE

This sub-section contains general safety precautions which must be observed during maintenance of this machine. Additional precautions to be observed during machine maintenance are inserted at the appropriate points in this manual and in the Service and Maintenance Manual. It is of utmost importance that maintenance personnel pay strict attention to these precautions to avoid possible injury to personnel or damage to the machine or property. A maintenance program

must be established by a qualified person and must be followed to ensure that the machine is safe.

Maintenance Hazards

- Shut off power to all controls and ensure that all moving parts are secured from inadvertent motion prior to performing any adjustments or repairs.
- Never work under an elevated platform until it has been fully lowered to the full down position, if possible, or otherwise supported and restrained from movement with appropriate safety props, blocking, or overhead supports.
- DO NOT attempt to repair or tighten any hydraulic hoses or fittings while the machine is powered on or when the hydraulic system is under pressure.
- Always relieve hydraulic pressure from all hydraulic circuits before loosening or removing hydraulic components.
- DO NOT use your hand to check for leaks. Use a piece of cardboard or paper to search for leaks. Wear gloves to help protect hands from spraying fluid.
- Ensure replacement parts or components are identical or equivalent to original parts or components.



SECTION 1 - SAFETY PRECAUTIONS

- Never attempt to move heavy parts without the aid of a mechanical device. Do not allow heavy objects to rest in an unstable position. Ensure adequate support is provided when raising components of the machine.
- Use only approved non-flammable cleaning solvents.
- Do not replace items critical to stability, such as batteries or solid tires, with items of different weight or specification. Do not modify unit in any way to affect stability.
- Reference the Service and Maintenance Manual for the weights of critical stability items.

WARNING

MODIFICATION OR ALTERATION OF AN AERIAL WORK PLATFORM SHALL BE MADE ONLY WITH PRIOR WRITTEN PERMISSION FROM THE MANUFACTURER.

Battery Hazards

- Always disconnect batteries when servicing electrical components or when performing welding on the machine.
- Do not allow smoking, open flame, or sparks near battery during charging or servicing.
- Do not contact tools or other metal objects across the battery terminals.
- Always wear hand, eye, and face protection when servicing batteries. Ensure that battery acid does not come in contact with skin or clothing.

CAUTION

BATTERY FLUID IS HIGHLY CORROSIVE. AVOID CONTACT WITH SKIN AND CLOTHING AT ALL TIMES. IMMEDIATELY RINSE ANY CONTACTED AREA WITH CLEAN WATER AND SEEK MEDICAL ATTENTION.

- Charge batteries only in a well ventilated area.
- Avoid overfilling the battery fluid level. Add distilled water to batteries only after the batteries are fully charged.

SECTION 2. USER RESPONSIBILITIES, MACHINE PREPARATION, AND INSPECTION

2.1 PERSONNEL TRAINING

The aerial platform is a personnel handling device; so it is necessary that it be operated and maintained only by trained personnel.

Persons under the influence of drugs or alcohol or who are subject to seizures, dizziness or loss of physical control must not operate this machine.

Operator Training

Operator training must cover:

1. Use and limitations of the controls in the platform and at the ground, emergency controls and safety systems.
2. Control labels, instructions, and warnings on the machine.
3. Rules of the employer and government regulations.
4. Use of approved fall protection device.
5. Enough knowledge of the mechanical operation of the machine to recognize a malfunction or potential malfunction.

6. The safest means to operate the machine where overhead obstructions, other moving equipment, and obstacles, depressions, holes, dropoffs.
7. Means to avoid the hazards of unprotected electrical conductors.
8. Specific job requirements or machine application.

Training Supervision

Training must be done under the supervision of a qualified person in an open area free of obstructions until the trainee has developed the ability to safely control and operate the machine.

Operator Responsibility

The operator must be instructed that they have the responsibility and authority to shut down the machine in case of a malfunction or other unsafe condition of either the machine or the job site.

2.2 PREPARATION, INSPECTION, AND MAINTENANCE

The following table covers the machine inspections and maintenance recommended by JLG Industries, Inc. Consult local regulations for further requirements for aerial work platforms. The frequency of inspections and maintenance must be increased as necessary when the machine is used in a harsh or hostile environment, if the machine is used with increased frequency, or if the machine is used in a severe manner.

To order go to Discount-Equipment.com

SECTION 2 - USER RESPONSIBILITIES, MACHINE PREPARATION, AND INSPECTION

Table 2-1. Inspection and Maintenance Table

Type	Frequency	Primary Responsibility	Service Qualification	Reference
Pre-Start Inspection	Before using each day; or whenever there's an Operator change	User or Operator	User or Operator	Operator and Safety Manual
Pre-Delivery Inspection <i>(See Note)</i>	Before each sale, lease, or rental delivery	Owner, Dealer, or User	Qualified JLG Mechanic	Service and Maintenance Manual and applicable JLG inspection form
Frequent Inspection	In service for 3 months or 150 hours, whichever comes first; or Out of service for a period of more than 3 months; or Purchased used	Owner, Dealer, or User	Qualified JLG Mechanic	Service and Maintenance Manual and applicable JLG inspection form
Annual Machine Inspection <i>(See Note)</i>	Annually, no later than 13 months from the date of prior inspection	Owner, Dealer, or User	Factory-Trained Service Technician (Recommended)	Service and Maintenance Manual and applicable JLG inspection form
Preventative Maintenance	At intervals as specified in the Service and Maintenance Manual	Owner, Dealer, or User	Qualified JLG Mechanic	Service and Maintenance Manual

NOTE: Inspection forms are available from JLG. Use the Service and Maintenance Manual to perform inspections.

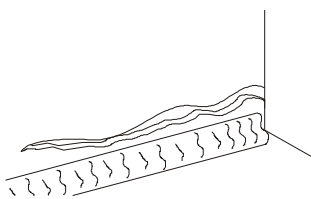
NOTICE

JLG INDUSTRIES, INC. RECOGNIZES A FACTORY-TRAINED SERVICE TECHNICIAN AS A PERSON WHO HAS SUCCESSFULLY COMPLETED THE JLG SERVICE TRAINING SCHOOL FOR THE SPECIFIC JLG PRODUCT MODEL.

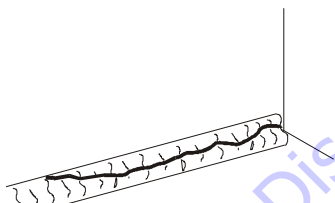
Pre-Start Inspection

The Pre-Start Inspection should include each of the following:

1. **Cleanliness** – Check all surfaces for leakage (oil, fuel, or battery fluid) or foreign objects. Report any leakage to the proper maintenance personnel.
2. **Structure** – Inspect the machine structure for dents, damage, weld or parent metal cracks or other discrepancies.



Parent Metal Crack



Weld Crack

3. **Decals and Placards** – Check all for cleanliness and legibility. Make sure none of the decals and placards are missing (refer to the Decal Installation in Section 6). Make sure all illegible decals and placards are cleaned or replaced.
4. **Operation and Safety Manuals** – Make sure a copy of the Operation and Safety Manual, AEM Safety Manual

(ANSI markets only), and ANSI Manual of Responsibilities (ANSI markets only) is enclosed in the weather resistant storage container.

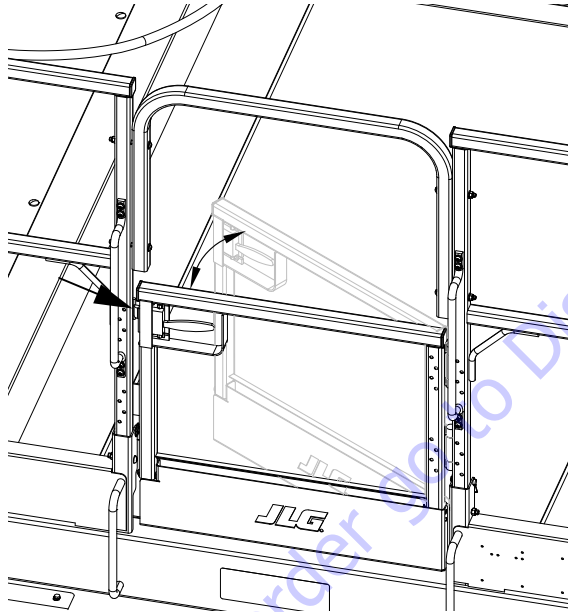
5. **“Walk-Around” Inspection** – Perform as instructed.
6. **Battery** – Charge as required.
7. **Fuel** (Combustion Engine Powered Machines) – Add the proper fuel as necessary.
8. **Hydraulic Oil** – Check the hydraulic oil level. Ensure hydraulic oil is added as required.
9. **Function Check** – Once the “Walk-Around” Inspection is complete, perform a functional check of all systems in an area free of overhead and ground level obstructions. See “Function Check” on page 2-9. for more specific instructions.
10. **Accessories/Attachments** - Refer to the Accessories section in this manual or accessory installed upon the machine for specific inspection, operation, and maintenance instructions.

⚠ WARNING

IF THE MACHINE DOES NOT OPERATE PROPERLY, TURN OFF THE MACHINE IMMEDIATELY! REPORT THE PROBLEM TO THE PROPER MAINTENANCE PERSONNEL. DO NOT OPERATE THE MACHINE UNTIL IT IS DECLARED SAFE FOR OPERATION.

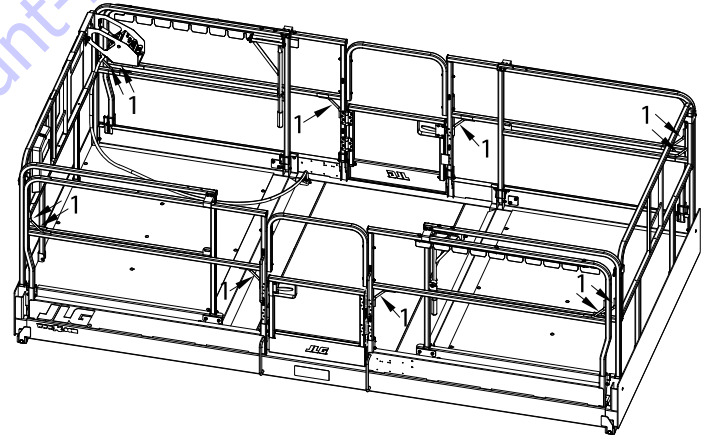
SECTION 2 - USER RESPONSIBILITIES, MACHINE PREPARATION, AND INSPECTION

11. **Platform Gate** – Keep gate and surrounding area clean and unobstructed. Check that gate latches properly and is not bent or damaged. During operation keep gate closed.



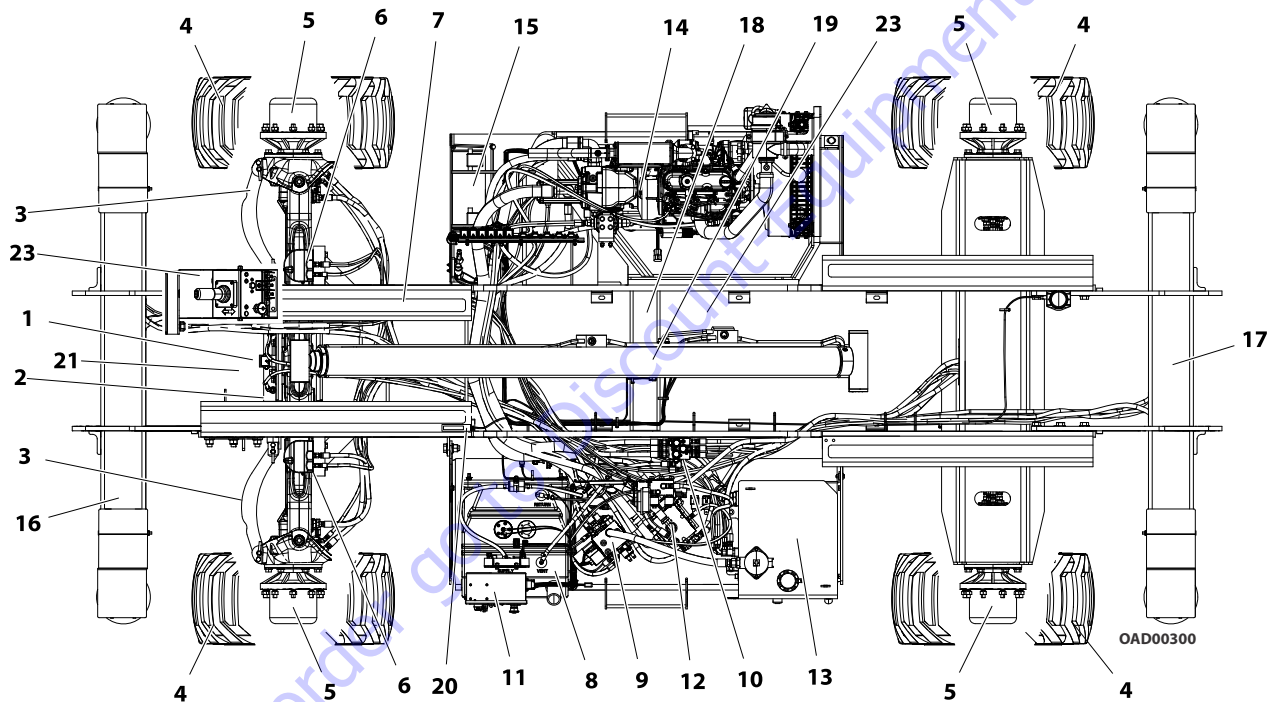
Self-Closing Swing Gate

12. **Lanyard Anchorage Points** – JLG Industries, Inc. recommends personnel in the platform wear a full body harness with a lanyard attached to an authorized lanyard anchorage points (1).



Standard Lanyard Attach Points

Walk-Around Inspection



SECTION 2 - USER RESPONSIBILITIES, MACHINE PREPARATION, AND INSPECTION

Begin the “Walk-Around Inspection” at Item 1 as noted on the diagram. Continue to the right (counterclockwise viewed from top) checking each item in sequence for the conditions listed in the following checklist.

WARNING

TO AVOID POSSIBLE INJURY, BE SURE MACHINE POWER IS “OFF” DURING “WALK-AROUND INSPECTION.”

NOTICE

DO NOT OVERLOOK VISUAL INSPECTION OF CHASSIS UNDERSIDE. CHECKING THIS AREA OFTEN RESULTS IN DISCOVERY OF CONDITIONS WHICH COULD CAUSE EXTENSIVE MACHINE DAMAGE.

INSPECTION NOTE: *On each item, make sure there are no loose or missing parts, that they are securely fastened, and that no visible damage exists in addition to any other criteria mentioned.*

- 1. Oscillating Axle Tilt Sensor** – No unsupported wires; no damaged or broken wires - See Inspection Note.
- 2. Steer Cylinder** – See Inspection Note.
- 3. Spindle, Tie Rod, and Steer Linkage** – See Inspection Note.
- 4. Wheels and Tires** – Properly secured, no missing lug nuts (refer to Section 6.7). Inspect wheels for damage and corrosion.
- 5. Wheel Drive Hub** – See Inspection Note.
- 6. Oscillating Axle and Oscillation Cylinders** – See Inspection Note.
- 7. Scissor Arms, Centering Link and Sliding Wear Pads** – See Inspection Note.
- 8. Fuel Tank** – See Inspection Note.
- 9. Main Control Valve** – No unsupported wires or hoses; no damaged or broken wires.
- 10. Leveling Jack Valve (If Equipped)** – No unsupported wires or hoses; no damaged or broken wires.
- 11. Ground Controls** – Placard secure and legible, control switches return to neutral position, emergency stop switch functions properly. Control markings legible.
- 12. Drive Valve** – No unsupported wires or hoses; no damaged or broken wires.
- 13. Hydraulic Reservoir** – Recommended hydraulic fluid level on level indicator on tank. Breather cap secure and working.

SECTION 2 - USER RESPONSIBILITIES, MACHINE PREPARATION, AND INSPECTION

- 14. Engine and Hydraulic Pump Assembly** – See Inspection Note.
- 15. Battery Cables/Routing Installation** – See Inspection Note.
- 16. Front Leveling Jack Assembly (If Equipped)**– See Inspection Note.
- 17. Rear Leveling Jack Assembly (If Equipped)** – See Inspection Note.
- 18. Rotary Angle (Elevation) Sensor** (located on lower arm attach link pin) – See Inspection Note.
- 19. Lift Cylinder** – See Inspection Note.
- 20. Proximity (Elevation) Sensor (Prior to SN 0200267916)** – See Inspection Note.
- 21. Arm Stack Tilt Sensor** (on scissor arm cross-member) – See Inspection Note.
- 22. Safety Prop** (on scissor arms) (not shown) – See Inspection Note.
- 23. Platform Control Console** (on platform rail) – Placard secure and legible, control lever and switches return to neutral, all switch guards are in place, trigger switch and emergency stop switch function properly, Operation & Safety manual in storage box.
- 24. Platform/Handrail Installation** (not shown) – See Inspection Note.

Function Check

Perform the Function Check as follows:

1. From the Ground Control Panel with no load in platform:
 - a. Check that all guards protecting switches are in place.
 - b. Operate all functions (refer to Section 3.5 for Ground Controls and Indicators).
 - c. Ensure that all machine functions are disabled when the Emergency Stop Button is activated.
 - d. Check that auxiliary descent, lift down operates with engine off and power on.
2. From the Platform Control Console:
 - a. Ensure that the control console is firmly secured in the proper location.
 - b. Ensure all guards protecting switches are in place.
 - c. Operate all functions and check all limiting and cut-out switches (refer to Table 2-4, Table 2-2, and Table 2-3 for limit and cutout settings).
 - d. Ensure that all machine functions are disabled when the Emergency Stop Button is activated.
 - e. Check that manual descent (lift down) operates with engine off and power on.
3. With the platform in the transport (stowed) position:
 - a. Drive the machine on a grade, not to exceed the rated gradeability, and stop to ensure the brakes hold.
 - b. Ensure the platform tilt indicator light is illuminated.

SECTION 2 - USER RESPONSIBILITIES, MACHINE PREPARATION, AND INSPECTION

Table 2-2. Tilt Cutout Settings (Prior to SN 0200267916)

Model	Market	Lift Up and Drive prevented when elevated and tilted Front to Back beyond the following limits:	Lift Up and Drive prevented when elevated and tilted Side to Side beyond the following limits:
330LRT	ANSI ANSI Export	$\pm 5^\circ$ to Full Height	$\pm 5^\circ$ to 26 ft $\pm 4^\circ$ to 30 ft $\pm 3^\circ$ to Full Height
	CSA	$\pm 3^\circ$ to Full Height	$\pm 3^\circ$ to Full Height
	CE, AUS	$\pm 5^\circ$ to Full Height	$\pm 3^\circ$ to Full Height
430LRT	ANSI ANSI Export	$\pm 5^\circ$ to Full Height	$\pm 5^\circ$ to 30 ft $\pm 4^\circ$ to 36 ft $\pm 3^\circ$ to Full Height
	CSA	$\pm 3^\circ$ to Full Height	$\pm 3^\circ$ to Full Height
	CE, AUS	$\pm 5^\circ$ to Full Height	$\pm 3^\circ$ to Full Height

Table 2-3. Tilt Cutout Settings (SN 0200267917 to 0200269765)

Model	Market	Lift Up and Drive prevented when elevated and tilted Front to Back beyond the following limits:	Lift Up and Drive prevented when elevated and tilted Side to Side beyond the following limits:
330LRT	ANSI, ANSI Export CE, AUS, KOR	$\pm 5^\circ$ to Full Height	$\pm 3^\circ$ to Full Height
	CSA	$\pm 3^\circ$ to Full Height	$\pm 3^\circ$ to Full Height
430LRT	ANSI, ANSI Export CE, AUS, KOR	$\pm 5^\circ$ to Full Height	$\pm 3^\circ$ to Full Height
	CSA	$\pm 3^\circ$ to Full Height	$\pm 3^\circ$ to Full Height

Table 2-4. Maximum Drive Cutout Height

Model	High Drive Cutout
330LRT	6 to 9 ft (2 to 3m)
430LRT	6 to 9 ft (2 to 3m)

2.3 OSCILLATING AXLE - LOCKOUT CYLINDER TEST (IF EQUIPPED)

NOTICE

LOCKOUT CYLINDER SYSTEM TEST MUST BE PERFORMED QUARTERLY, ANY TIME A SYSTEM COMPONENT IS REPLACED, OR WHEN IMPROPER SYSTEM OPERATION IS SUSPECTED.

NOTE: *Ensure platform is fully lowered prior to beginning lockout cylinder test, and that the surface used to approach the ramp is flat and level.*

Left Side Wheel Test

1. Place a 4 in (10.16 cm) high block with ascension ramp in front of left wheel of the oscillating axle.
2. From platform control station, select LOW drive speed.
3. Set the DRIVE control switch into position and carefully drive the machine up ascension ramp until left oscillating axle wheel is on top of block.
4. Verify the axle oscillates to maintain contact with the ground/ramp. (All four wheels on the ground.)
5. Raise machine platform above stowed position to drive cutout height, approximately 6 to 9 ft (2 to 3 m) for the 330LRT and 430LRT.
6. Carefully drive the machine back off the block and ramp.
7. Have an assistant check to see that the left oscillating axle wheel that was on the block is in position on the ground. The axle should oscillate so that all four wheels maintain contact with the ground.
8. In the current position (platform raised and all four tires on flat and level surface), carefully drive machine up the ramp block again.
9. Have an assistant check to verify that the axle did not oscillate and remained locked (one wheel is off of the ground).
10. Carefully drive the machine back off the block and ramp.
11. Lower the machine platform; the lockout cylinder should then release and allow the axle to oscillate. It may be necessary to activate DRIVE to release cylinders.
12. If the lockout cylinders do not function properly, have qualified personnel correct the malfunction prior to any further operation.

Right Side Wheel Test

1. Place a 4 in (10.16 cm) high block with ascension ramp in front of right wheel of the oscillating axle.
2. From platform control station, select LOW drive speed.
3. Set the DRIVE control switch into position and carefully drive the machine up ascension ramp until right oscillating axle wheel is on top of block.
4. Verify the axle oscillates to maintain contact with the ground/ramp. (All four wheels on the ground).
5. Raise machine platform above stowed position to drive cutout height, approximately 6 to 9 ft (2 to 3 m) for the 330LRT and 430LRT.
6. Carefully drive the machine back off the block and ramp.
7. Have an assistant check to see that the right oscillating axle wheel that was on the block is in position on the ground. The axle should oscillate so that all four wheels maintain contact with the ground.
8. In the current position (platform raised and all four tires on flat and level surface), carefully drive machine up the ramp block again.
9. Have an assistant check to verify that the axle did not oscillate and remained locked (one wheel is off of the ground).
10. Carefully drive the machine back off the block and ramp.
11. Lower the machine platform; the lockout cylinder should then release and allow the axle to oscillate. It may be necessary to activate DRIVE to release cylinders.
12. If the lockout cylinders do not function properly, have qualified personnel correct the malfunction prior to any further operation.

SECTION 3. MACHINE CONTROLS, INDICATORS, AND OPERATION

3.1 GENERAL

NOTICE

THE MANUFACTURER HAS NO DIRECT CONTROL OVER MACHINE APPLICATION AND OPERATION, THE USER AND OPERATOR ARE RESPONSIBLE FOR CONFORMING WITH GOOD SAFETY PRACTICES.

This section provides the necessary information needed to understand controls and their functions.

⚠ WARNING

DO NOT RAISE PLATFORM EXCEPT ON A SMOOTH, FIRM AND LEVEL SURFACE FREE OF OBSTRUCTIONS AND HOLES.

TO AVOID SERIOUS INJURY, DO NOT OPERATE MACHINE IF ANY CONTROL LEVERS OR TOGGLE SWITCHES CONTROLLING PLATFORM MOVEMENT DO NOT RETURN TO THE OFF OR NEUTRAL POSITION WHEN RELEASED.

IF THE PLATFORM DOES NOT STOP WHEN A CONTROL SWITCH OR LEVER IS RELEASED, USE THE EMERGENCY STOP SWITCH TO STOP THE MACHINE.

3.2 DESCRIPTION

This machine is a self-propelled aerial work platform on top of an elevating scissor arm mechanism. The lift's intended purpose is to position personnel with their tools and supplies at positions above ground level. The machine can be used to reach work areas located above machinery or equipment positioned at ground level.

This JLG Lift has a primary operator control station in the platform. From this control station, the operator can drive and steer the machine in both forward and reverse directions, raise and lower the platform, and set the machine leveling jacks (if equipped).

The machine can be driven on a smooth, firm, and level surface from an elevated platform position.

The machine also has a ground control station which can override the platform control station. Ground controls operate lift up and down. Ground controls are to be used only in an emergency to lower the platform to the ground should the operator in the platform be unable to do so.

3.3 OPERATING CHARACTERISTICS AND LIMITATIONS

General

A thorough knowledge of the operating characteristics and limitations of the machine is always the first requirement for any user, regardless of user's experience with similar types of equipment.

Placards

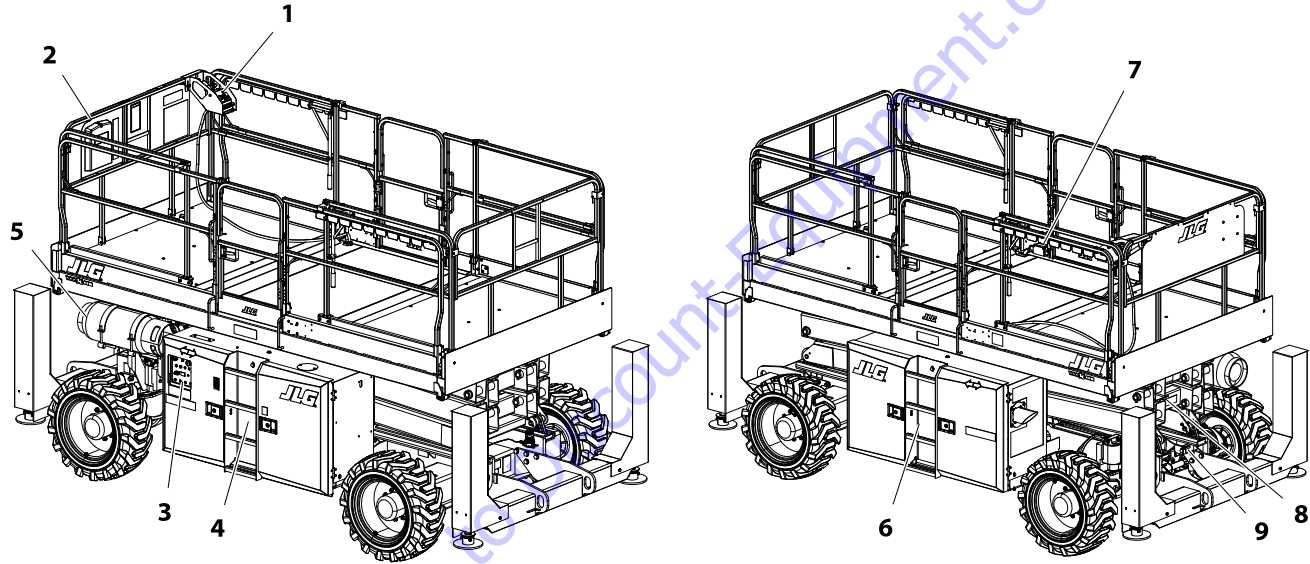
Important points to remember during operation are provided at the control stations by DANGER, WARNING, CAUTION, IMPORTANT and INSTRUCTION placards. This information is placed at various locations for the express purpose of alerting personnel of potential hazards constituted by the operating characteristics and load limitations of the machine. See foreword for definitions of the above placards.

3.4 PLATFORM LOADING

The platform maximum rated load capacity is shown on a placard located on the platform billboard and is based upon the machine being positioned on a smooth, firm, and level surface. Refer to Section 6 for maximum platform capacity.

The platform is entered through an entry gates on the sides of the platform. Keep entry gate closed during machine operation.

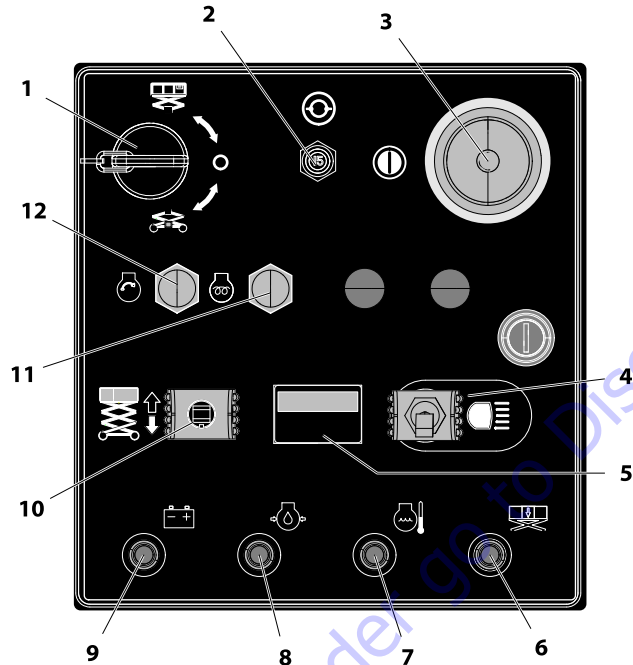
NOTE: *It is important to remember that the load should be evenly distributed on the platform. The load should be placed near the center of the platform when possible.*



- | | | |
|-------------------------------|---|--|
| 1. Platform Control Station | 5. Propane Fuel Tank (Dual Fuel Only) | 8. Scissor Arms - Safety Prop Actuator Rod - (See "Scissor Arm Safety Prop" on page 6-10.) |
| 2. Manual Storage Box | 6. Engine/Hyd. Pump/Battery Compartment | 9. Platform Manual Descent Control |
| 3. Ground Control Station | 7. Platform AC Receptacle Plug | |
| 4. Fuel/Hydraulic Compartment | | |

Figure 3-1. Location of Machine Controls

3.5 GROUND CONTROLS AND INDICATORS



1. Platform/Off/Ground Control Select Switch
2. Circuit Breaker (15 Amp)
3. Emergency Stop Switch
4. Head and Tail Lights (If Equipped)
5. Hourmeter
6. Platform Overload Indicator (If LSS Equipped)
7. Water Temperature Indicator
8. Oil Pressure Indicator
9. Battery Indicator
10. Platform Lift/Lower
11. Glow Plug (Diesel Only)
12. Start Button

Figure 3-2. Ground Control Station

Ground Control Station

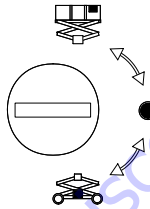
(See Figure 3-2.)

⚠ WARNING

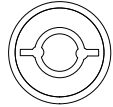
DO NOT OPERATE FROM GROUND CONTROL STATION WITH PERSONNEL IN THE PLATFORM EXCEPT IN AN EMERGENCY.

1. Platform/Off/Ground Control Select Switch -

A three position, key-operated power select switch supplies operating power to the platform or ground controls, as selected. When positioned to platform, the switch provides power to the emergency stop switch at the platform controls. When positioned to ground, the switch provides power to the ground control. The ground control emergency stop switch provides power to the key switch. With the power select switch in the center off position, power is shut off to both platform and ground controls and the key can be removed to disable the machine.



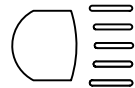
2. **Circuit Breaker** - The circuit breaker will open when there is a short or overload on the machine.



3. **Emergency Stop Switch** - A two-position, red, mushroom-shaped emergency stop switch, when positioned to ON with the power selector switch positioned to ground, furnishes operating power to the ground control station. In addition, the switch can be used to turn off power to the function controls in the event of an emergency. Power is turned on by pulling the switch out (on), and is turned off by pushing the switch in (off).



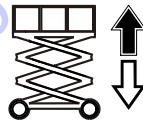
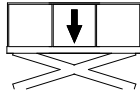
4. **Head and Tail Lights - ON/OFF Switch (If equipped)** - This toggle switch, when used, turns the head and tail lights on and off.



SECTION 3 - MACHINE CONTROLS, INDICATORS, AND OPERATION

5. **Hourmeter** - The machine is equipped with an hour meter to indicate the number of hours the machine has been operated.
6. **Platform Overload Indicator (If LSS equipped)** - Illuminates when the platform becomes overloaded.
7. **Water Temperature Indicator** - Illuminates when the engine is overheating.
8. **Oil Pressure Indicator** - Illuminates when the engine oil pressure drops too low.
9. **Battery Indicator** - Illuminates when the charge in the battery is low.
10. **Platform Lift/Lower Switch** - A three position, momentary contact lift control switch provides raising and lowering of the platform when positioned to lift up or down.
In addition to normal operation, manual descent allows lift down with power on and engine off.
11. **Glow Plug Switch - (Diesel Engine Only)** - A momentary contact, push button type switch that supplies electrical power to the engine's glow plugs, to assist cold starting. Once pressed, there is a 5 second default timer that will not allow the start button to function before this time has elapsed.
12. **Engine Start Switch** - A momentary contact, push button type switch that supplies electrical power to the starter solenoid when the emergency stop switch is in the ON position and the start button is depressed.
- NOTE:** Diesel engine cannot be started while glow plugs are on.

000000
HOURS



Platform Manual Descent Control

The platform manual descent control is used in the event of total power failure to lower the platform using gravity. The manual descent control T-handle is located on the front right of the machine. Look for the instruction decal located beside the release handle.

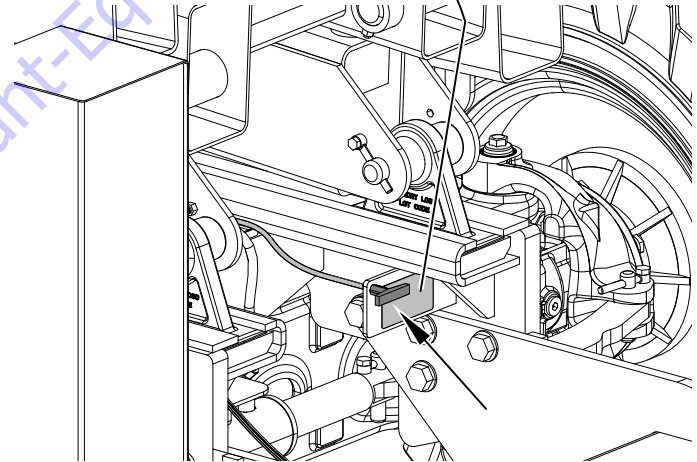
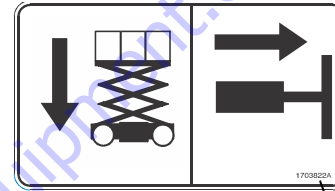
The lowering procedure is as follows:

1. Locate the **manual descent control T-handle**.

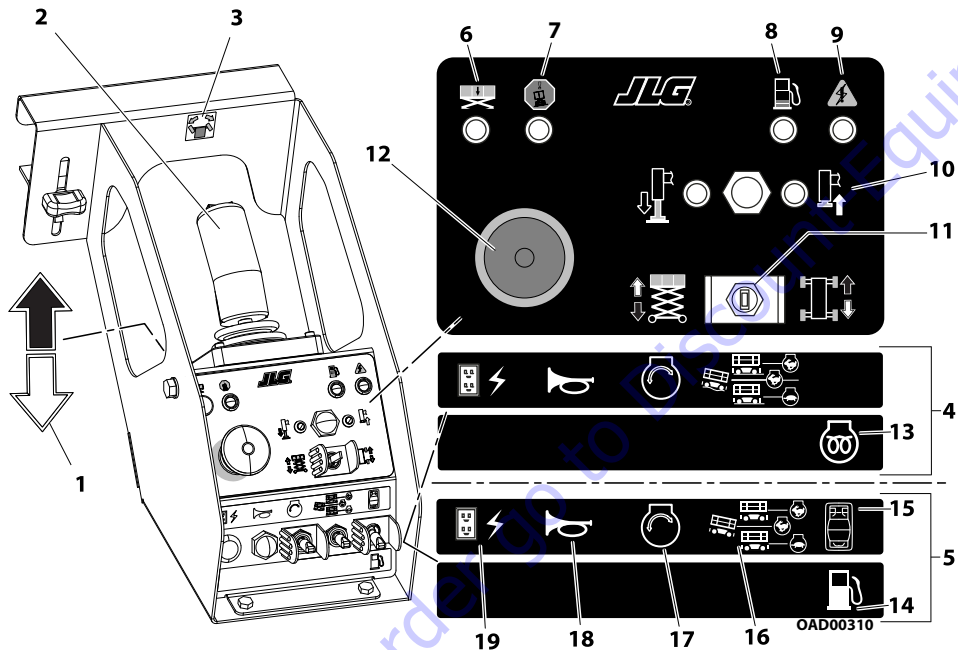


KEEP HANDS AND ARMS OUT OF THE PATH OF THE SCISSOR ARMS AND PLATFORM WHILE LOWERING.

2. Grasp the T-handle and slowly pull out to lower the scissor arms/platform. When the platform is lowered to desired level, allow the T-handle to return to its closed position.

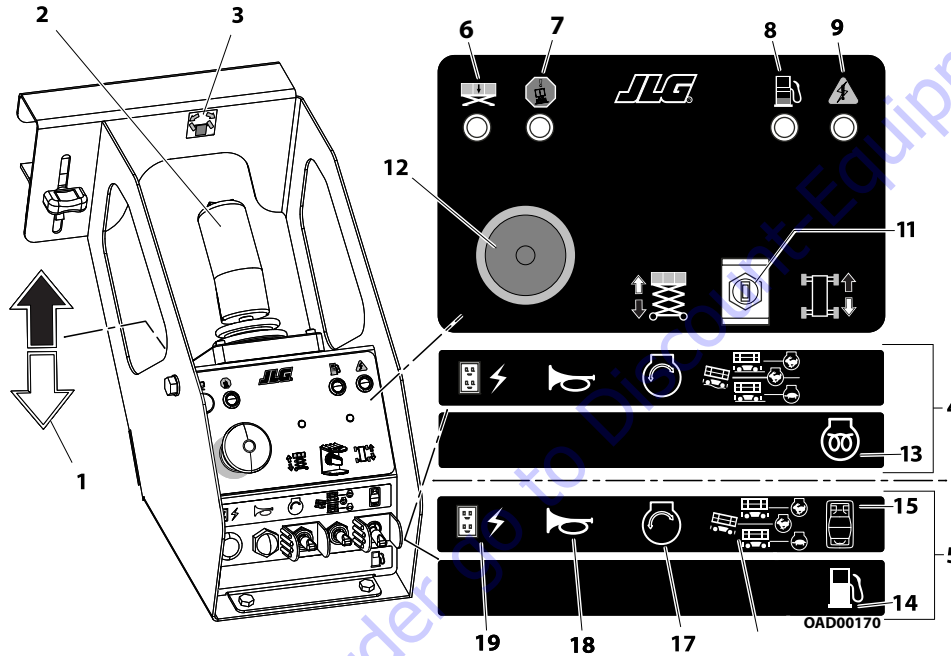


3.6 PLATFORM CONTROL STATION



Platform Control Station (Prior to SN 0200267916)

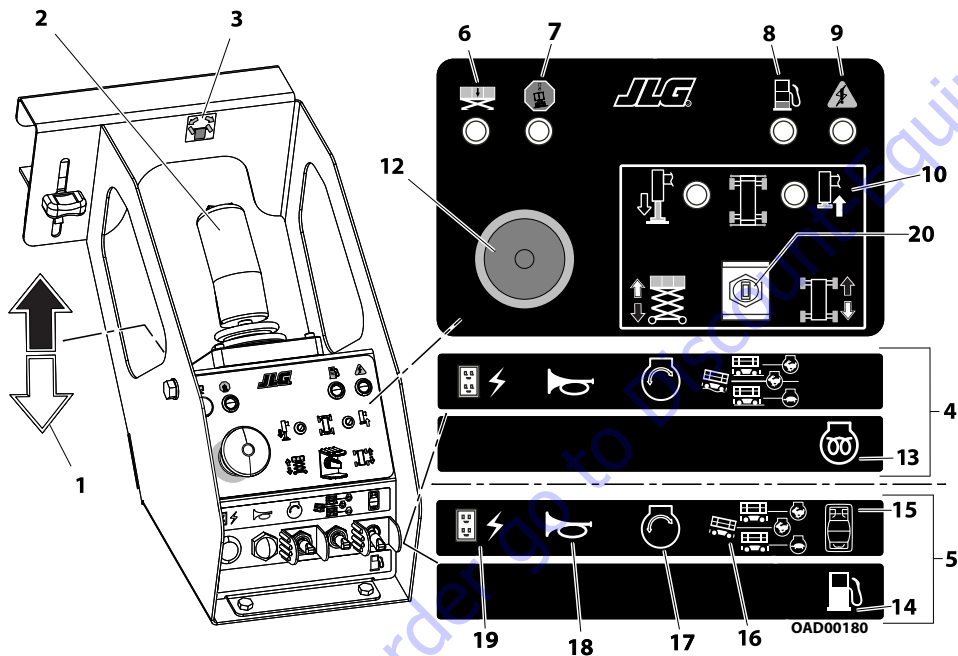
SECTION 3 - MACHINE CONTROLS, INDICATORS, AND OPERATION



1. Direction Arrow Indicator
2. Controller with Trigger Switch/Steer Switch
3. Steer Switch Indicator Decal
4. Control Indicators - Diesel
5. Control Indicators - Dual Fuel
6. Overload Indicator (LSS) (If Equipped)
7. Machine Tilt Indicator
8. Low Fuel Level Indicator
9. System Fault Indicator
10. Not Used
11. Two-Position Drive/Lift Select Switch
12. Emergency Stop Switch
13. Glow Plug Switch (Diesel Only)
14. Gasoline Fuel Select (Dual Fuel Only)
15. Propane Fuel Select (Dual Fuel Only)
16. Speed Select Switch (High/Mid/Low)
17. Engine Start Switch
18. Horn Button
19. Generator Start Switch (Optional)

Platform Control Station (SN 0200267917 to 0200269765)

SECTION 3 - MACHINE CONTROLS, INDICATORS, AND OPERATION



1. Direction Arrow Indicator
2. Controller with Trigger Switch/Steer Switch
3. Steer Switch Indicator Decal
4. Control Indicators - Diesel
5. Control Indicators - Dual Fuel
6. Overload Indicator (LSS) (If Equipped)
7. Machine Tilt Indicator
8. Low Fuel Level Indicator
9. System Fault Indicator
10. Leveling Jacks Button/LED Indicators
11. Not Used
12. Emergency Stop Switch
13. Glow Plug Switch (Diesel Only)
14. Gasoline Fuel Select (Dual Fuel Only)
15. Propane Fuel Select (Dual Fuel Only)
16. Speed Select Switch (High/Mid/Low)
17. Engine Start Switch
18. Horn Button
19. Generator Switch - On/Off
20. Three-Position Drive/Lift/Level Select Switch

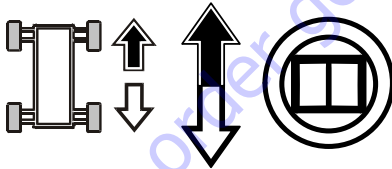
Platform Control Station (SN 0200267917 to 0200269765) (with Leveling Jacks)

Platform Controls

NOTICE

CONTROL BOXES SHOULD NOT BE SWITCHED FROM ONE MACHINE TO ANOTHER.

- 1. Directional Arrow** - This arrow indicates the direction the joystick must be moved to operate machine functions. Notice the black and white ends of the arrow in relation to the control indicators.
- 2. Controller, Trigger Switch**
 - a. Control Handle and Trigger Switch** - The control handle controls four functions: drive, lift, leveling jacks and steer. The drive, lift, or leveling jack function switch must be selected and the trigger switch on the front of the control handle must be depressed and held, prior to moving the control handle and, during controller movement.



After selecting the drive function, depressing the trigger switch and moving the control handle forward will drive the machine forward and moving the control handle backwards will drive the machine backward.

After selecting the lift function, depressing the trigger switch and moving the control handle forward will lower the platform and moving the control handle backward will lift the platform up.

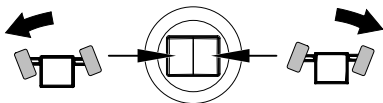
After selecting the leveling jack function, depressing the trigger switch and moving the control handle forward will extend all four leveling jacks, moving the hand controller backward will retract the leveling jacks.

The speed on all selected functions, (except leveling jacks), is proportionally controlled by the distance of travel of the hand controller.

NOTE: If the machine is also equipped with a footswitch (Korean Specification only), the footswitch must be depressed in conjunction with the trigger (enable) switch located on the controller. Power is removed from the platform controls when the footswitch is released.

SECTION 3 - MACHINE CONTROLS, INDICATORS, AND OPERATION

3. Steer Switch/Leveling Trim Adjust -



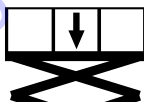
The steer switch/auto leveling trim adjust is located at the top of the control handle. Selecting the drive function then depressing the switch to the right will steer the wheels to the right. Depressing the switch to the left will steer the wheels to the left.

When auto leveling is selected this switch is used to manually adjust (trim) the leveling of the machine to the left or right. Refer to Leveling Jacks Operation for operating procedures.

4. Control Indicators - Diesel

5. Control Indicators - Dual Fuel

6. Overload Indicator (LSS) (If Equipped) - Indicates the platform has been overloaded. An audible alarm will also signal when the platform is overloaded.

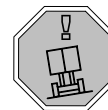


NOTE: *If the Overload Indicator is activated while elevated above 14 ft (4.26 m), all functions will be prevented from the*

platform and ground controls. Reduce the weight in the platform to not exceed the rated workload indicated on the capacity decal, then the controls will work again.

7. Tilt Indicator Warning Light and Alarm -

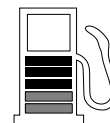
A red warning light on the control panel illuminates and an audible alarm sounds when the chassis is at or beyond the tilt cutout settings.



⚠ WARNING

IF THE TILT INDICATOR WARNING LIGHT/ALARM IS ACTIVATED WHEN PLATFORM IS RAISED LOWER PLATFORM AND DRIVE TO A SMOOTH FIRM LEVEL SURFACE.

8. Low Fuel Indicator - This light will be illuminated when the fuel remaining in the fuel tank is getting low.



9. System Fault Indicator - This warning light will flash the appropriate distress code (flash code).



10. Leveling Jacks (If Equipped) - To engage Leveling Jacks:

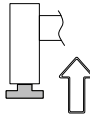
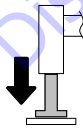
- **Prior to SN 0200267916** - When depressed both the Set and Retract LEDs will illuminate on the indicator pad, enabling that function.
- **SN 0200267917 to 0200269765** - Select the Lift function on the three-position switch. Set and Retract LEDs will illuminate on the indicator pad when the control handle engages Set or Retract functions.

Moving the control handle forward (black arrow direction) will lower the leveling jacks. Moving the control handle backward (white arrow direction) will raise the leveling jacks. Once the machine is level the jacks will discontinue extending and the jack LED will stop blinking and stay lit.

Leveling Jacks Set - This indicator light will blink when the leveling jacks are being extended.

Leveling Jacks Retracting - This indicator light will blink when the leveling jacks are being retracted.

NOTE: After initial ground contact is made, the auto level function will pause 2-5 seconds and then begin to properly level the machine.



NOTE: There is an override feature on the Auto Leveling system that allows the operator to adjust (trim) the level of the machine to the left or right when the platform is completely lowered. Use the following instructions to adjust the level of the machine.

- a. With the leveling jack switch activated, squeeze the trigger switch on the controller.
- b. To adjust the leveling jacks to the left, activate the switch on top of the controller to the left. To adjust to the right, activate the switch on top of the controller to the right. The leveling jack indicator light for the side selected will be lit.

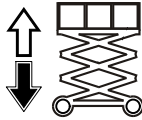
11. Two-Position Drive/Lift Select Switch

- a. **Drive Select Switch** - When selected, the drive function will be active. Depress the trigger switch and move the control handle in the forward or reverse direction will cause drive motion to occur at a speed determined by the range selected by the speed switch and the distance the controller is moved from center.



SECTION 3 - MACHINE CONTROLS, INDICATORS, AND OPERATION

- b. Lift Select** - When selected, the lift/lower function will be active. Depress the trigger switch and move the control handle in the forward or reverse direction will cause platform motion to occur at a speed determined by the distance the controller is moved from center.



In addition to normal operation, manual descent allows lift down with power on and engine off.

CAUTION

DO NOT "LIFT DOWN" WITHOUT COMPLETELY RETRACTING THE PLATFORM EXTENSION(S).

- 12. Emergency Stop Switch** - A two-position, red, mushroom-shaped emergency stop switch functions to provide power to the platform control station and also to turn off power to the platform function controls in the event of an emergency. With the power select switch positioned to platform, power is turned on by pulling the switch out (on), and is turned off by pushing the switch in (off).

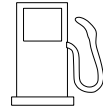


- 13. Glow Plug Switch** - (*Diesel Engine Only*)

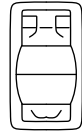
A momentary contact, push button type switch that supplies electrical power to the engine's glow plugs to assist cold starting. Once pressed, glow plugs are active for 20 seconds. Allow the glow plugs a few seconds to heat up before starting the engine within the timeframe.



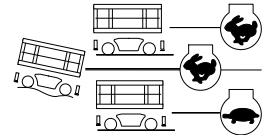
- 14. Gasoline Fuel Select** - In this position the switch is set up to change from propane to gasoline on a machine equipped with the dual fuel option.



- 15. Propane Fuel Select** - In this position the switch is set up to change from gasoline to propane on a machine equipped with the dual fuel option.



- 16. Drive Speed Switch** - With the platform lowered, the three position drive speed switch permits the operator to select either high speed (3.5 mph - 5.6 kph), mid speed (2.0 mph - 3.21 kph), or low speed (1.0 mph - 1.61 kph). All three drive speeds use high engine speed.



When platform is elevated above high drive cutout height, drive speed is reduced to (0.5 mph) regardless of Drive Speed Switch setting.

CAUTION

DO NOT USE HIGH RANGE WHEN DRIVING IN CLOSE QUARTERS OR WHEN DRIVING IN REVERSE.

NOTE: High/mid/low drive speeds are disabled when the platform is raised above the high drive cutout height (refer to Section 2). When platform is lowered below high drive cutout height, high/mid/low drive speeds are enabled.

CAUTION

DO NOT OPERATE MACHINE IF HIGH DRIVE SPEED OPERATES WHEN PLATFORM IS RAISED ABOVE THE HIGH DRIVE CUTOUT HEIGHT.

17. Engine Start Switch - A momentary contact, toggle switch that supplies electrical power to the starter solenoid when the emergency stop switch is in the ON position and the toggle switch is toggled upwards.



18. Horn - This push-button switch, when activated, permits the operator to warn jobsite personnel when the machine is operating in the area.

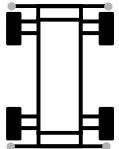


19. Generator Start Switch - (Optional) - This toggle switch, when used, turns the onboard generator on and sets the engine speed.



20. Three-Position Drive/Lift/Level Select Switch - Machines from SN 0200267917 to 0200269765 that are equipped with leveling jacks have a three-position switch that engages Drive/Lift/Level functions.

- a. Drive Select** - When selected, drive function is active (refer to item 12).
- b. Lift Select** - When selected, lift/lower functions are active (refer to item 12).
- c. Level Select** - When selected, leveling jacks functions are active. Depress trigger switch and move control handle forward to lower leveling jacks, and move control handle backwards to raise leveling jacks.



3.7 ENGINE OPERATION

NOTE: When operating a machine at high altitudes, a decrease in machine performance may occur due to a decrease in air density.

When operating a machine at high ambient temperatures, a decrease in machine performance and an increase in engine coolant temperature may occur.

Contact JLG Customer Service for operation under abnormal conditions.

Starting Procedure

NOTE: Perform initial start-up from Ground Controls.

1. Check engine oil before attempting to start engine; if necessary, add oil (refer to Section 6 for details).
2. Pull out the red emergency stop switch (ON).
3. Position the platform/ground select switch to the desired operating control station (platform or ground).
4. If operating a dual fuel machine, place the LPG/GASOLINE select switch in the platform to the desired position.

NOTE: If LPG system is selected, ensure the hand valve on LPG supply tank is opened prior to attempting to start engine.

NOTICE

IF ENGINE FAILS TO START PROMPTLY, DO NOT CRANK FOR AN EXTENDED PERIOD; DO NOT RUN STARTER MOTOR FOR MORE THAN 20 SECONDS. SHOULD ENGINE FAIL TO START ONCE AGAIN, ALLOW STARTER TO "COOL OFF" FOR 2 TO 3 MINUTES. IF ENGINE FAILS TO START AFTER SEVERAL ATTEMPTS, REFER TO ENGINE MANUAL.

5. To start machine:

- **At Ground Controls:** Position emergency stop switch to on, depress start button, and hold until engine starts.
- **At Platform Controls:** Position ground and platform emergency stop switch(s) to on, toggle start switch, and hold until the engine starts.

If necessary, activate glow plug switch for up to 20 seconds before starting engine if temperature is below 50° F (10° C).

NOTICE

IF INDICATOR LIGHTS REMAIN LIT AFTER ENGINE START-UP, STOP ENGINE IMMEDIATELY AND DETERMINE CAUSE.

NOTICE

ALLOW ENGINE TO WARM UP BEFORE APPLYING ANY LOAD.

6. After engine has warmed, proceed with operation.

3.8 DUAL FUEL SYSTEM (IF EQUIPPED)

⚠ CAUTION

IT IS POSSIBLE TO SWITCH FROM ONE FUEL SOURCE TO THE OTHER WITHOUT ALLOWING THE ENGINE TO STOP. EXTREME CARE MUST BE TAKEN AND THE FOLLOWING INSTRUCTIONS MUST BE FOLLOWED.

Changing from Gasoline to Liquid Propane Gas (LPG):

1. Start the engine from the platform control station.
2. With the engine under a no load condition, open the hand valve on the LPG supply tank by turning counter-clockwise.
3. While the engine is operating, place the two position LPG/GAS SELECT switch at the platform control station to LPG.

Changing from LPG to Gasoline:

1. With the engine operating on LPG under a no load condition, position the LPG/GAS SELECT switch at the platform station to the GAS SELECT position.
2. If the engine 'stumbles' because of a lack of gasoline, place the switch to the LPG position until the engine regains smoothness, then return the switch to the GAS SELECT position. Repeat as necessary until the engine runs smoothly on gasoline.
3. Close the hand valve on the LPG supply tank by turning clockwise.

3.9 OPERATING CHARACTERISTICS

Platform Loading

The platform maximum rated load capacity is shown on a placard located on the platform and is based upon the following criteria:

1. The machine is positioned on a smooth, firm, and level surface.
2. All braking devices are engaged.
3. The maximum platform capacity is as follows:

Table 3-1. Platform Capacities

	330LRT		430LRT	
	Single Extension	Dual Extension	Single Extension	Dual Extension
Total Platform Capacity including Extension(s)	2250 lb (1020 kg)	2000 lb (905 kg)	1500 lb (680 kg)	1250 lb (568 kg)
Platform Extension(s) Capacity (each)	500 lb (226 kg)			

NOTE: It is important to remember that the load should be evenly distributed on the platform. The load should be placed near the center of the platform when possible.

Traveling (Driving)

⚠ WARNING

DO NOT DRIVE WITH PLATFORM RAISED EXCEPT ON A SMOOTH, FIRM AND LEVEL SURFACE FREE OF OBSTRUCTIONS AND HOLES. TO AVOID LOSS OF TRAVEL CONTROL OR UPSET ON GRADES AND SIDESLOPES, DO NOT DRIVE MACHINE ON GRADES OR SIDESLOPES EXCEEDING THOSE SPECIFIED IN SECTION 6.

Traveling Forward

1. Position the platform Emergency Stop Switch to the on position.
2. After starting engine press the drive select switch and move the control grip forward and hold for the duration of travel. Drive speed is determined by the distance the control handle is moved from the center off position. For additional drive speed, position the high speed switch to high while operating in the drive forward mode.

Traveling in Reverse

1. Position the emergency stop switch at the platform control station to the on position.
2. Press the drive switch and move the control handle backward (reverse) and hold for the duration of travel. Drive speed is determined by the distance the control handle is moved from the center off position. Do not activate the high engine speed switch when traveling in reverse.

Traveling on Grade

If driving at high drive up a grade and the incline exceeds 8° incline, the drive function will cut back to mid drive speed. The drive pump will shift back into high drive once the incline decreases to 5°. There will be a 2 second delay before the machine goes back to high drive.

Steering

NOTE: When static steering is performed it will bring the engine up to high speed.

To steer the machine, the thumb operated steer control switch on the controller handle is positioned to the right for traveling right, or to the left for traveling left. When released, the switch will return to the center-off position and the wheels will remain in the previously selected position. To return the wheels to the straightened position, the switch must be activated in the opposite direction until the wheels are centered.

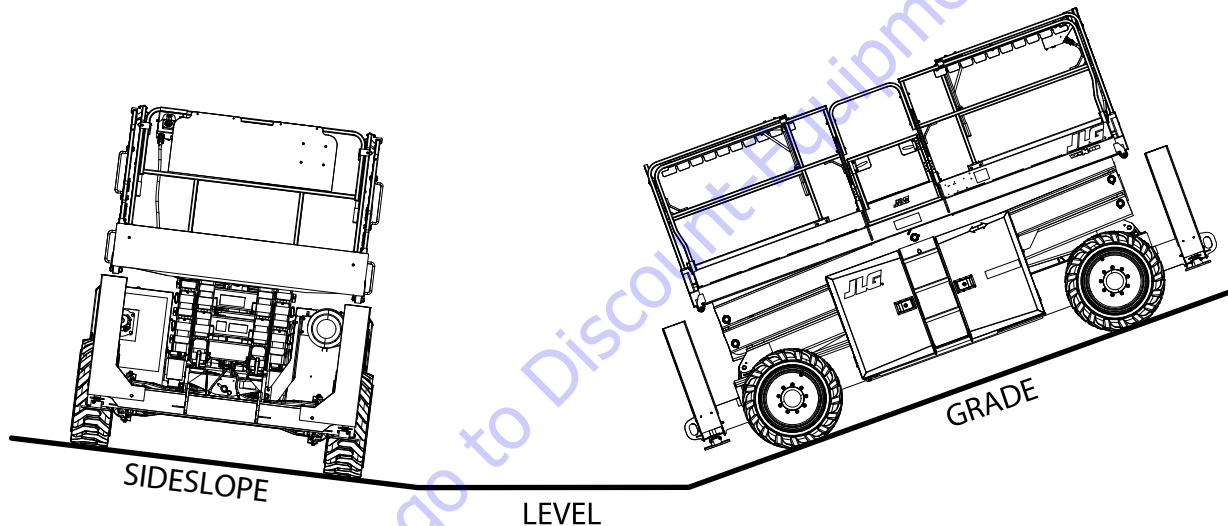


Figure 3-3. Grade and Sideslope

Leveling Jacks Operation

The machine may be equipped with auto leveling jacks with a manual adjust feature. These leveling jacks are activated through a switch on the platform console.

NOTE: Prior to SN 0200267916, engine speed will drop when leveling jacks are activated. From SN 0200267917 to 0200269765, engine speed will run at high idle.

Auto Leveling

1. With the platform in the stowed position, turn the power on and start machine.
 - a. Prior to SN 0200267916, press the Leveling Jacks button on the platform control console.
 - b. From SN 0200267917 to present, select the Level function on the three-position switch on the platform control console.
2. While squeezing the trigger switch on the controller, move the controller forward to lower the leveling jacks.
3. Once the leveling jacks make contact with the ground surface, there will be up to a 5 second delay before the actual auto leveling begins.

NOTE: Due to varying ground conditions, there may be several delays between machine level corrections. Be sure ample

time is allowed for all leveling adjustments to be completed.

4. Continue to engage the leveling jacks until the extend jacks LED stops blinking and is lit solid.

NOTE: The level adjustment of the machine may still be improved. (Refer to Manual Level Adjustment (Trim)).

NOTE: If a 2/5 flash code appears through the system fault light at the platform control station, the machine is unable to level. Reposition and try again.

5. To retract leveling jacks, press leveling jacks button and move the controller backward until jacks are fully retracted.

NOTE: There is a limit switch that senses when all four cylinders are fully retracted and this will light up the leveling jacks retracted LED on the platform control station.

Prior to SN 0200267916, the proximity (elevation) sensor and the rotary angle (elevation) sensor work in conjunction to determine the machine is stowed. From SN 0200267917 to 0200269765, the arm stack tilt sensor and the rotary angle (elevation) sensor work in conjunction to determine the machine is stowed. Failure of any of these sensors will prevent leveling jacks operation.

Manual Level Adjustment (Trim)

NOTE: There is an override feature on the leveling jack system that allows the operator to adjust (trim) the level of the machine to the left or right when the platform is completely lowered. Use the following instructions to adjust the level of the machine.

1. With the machine in the stowed position turn the power on, start machine, and engage Leveling Jacks function.
2. To adjust (trim) the machine to the right, activate the steer switch on the top of the controller to the right until the desired position is reached.
3. To adjust (trim) the machine to the left, activate the steer switch on the top of the controller to the left until the desired position is reached.

NOTE: Anytime the trim function is used there is a possibility that the machine may become out of level. At this time the machine will no longer lift but the machine can be lowered.

NOTE: The machine must be in the stowed position before the trim function is operable.

Raising and Lowering Platform



DO NOT RAISE PLATFORM EXCEPT ON A SMOOTH, FIRM AND LEVEL SURFACE FREE OF OBSTRUCTIONS AND HOLES.

There is a flow control valve which controls both the lift up and lift down speeds. Anytime you abruptly change lift directions, there is a three second delay between lift up and lift down.

Raising

1. Position the applicable emergency stop switch(s) to the ON position.
1. With the engine running, place the power select switch to desired position (platform or ground).
2. If operating from the ground controls, position the lift switch to up and hold until desired elevation is achieved. If operating from the platform controls, set the lift/drive switch to lift, depress the trigger switch, then move the control handle backward and hold until desired elevation is reached. Lift speed is determined by the distance the control handle is moved from the off center position.

Lowering

⚠ WARNING

ENSURE SCISSOR ARM AREA IS FREE OF PERSONNEL PRIOR TO LOWERING PLATFORM.

ENSURE PLATFORM EXTENSION(S) IS COMPLETELY RETRACTED PRIOR TO LOWERING PLATFORM.

- If operating from the ground controls, position the lift switch to down and hold until desired elevation is achieved or until platform is fully lowered.
- If operating from the platform controls, press the lift switch and then move the control handle forward and hold until desired elevation is reached or until platform is fully lowered.

Arm Guards (CE Only)

If the machine is equipped with electronic arm guards, the platform will stop lowering at a predetermined height and the machine's beacons will flash at a different rate to warn ground personnel. Machine lowering can continue after a three (3) second delay. Once the lowering function is re-engaged an audible alarm will sound. After a one and a half (1.5) second delay the platform will continue lowering.

Platform Extension

The machine is equipped with either single or dual deck extensions, which add 4 ft (1.2 m) to the front or rear of the platform, giving the operator better access to worksites.

To extend the deck, lift handle up on the right side of the platform (when facing deck extension) to release the latch and use the handle to push the extendible deck out. When the deck reaches the end of its travel, push handle down to latch, this will lock and hold the deck in place. To retract the deck, reverse operation. Maximum weight capacity for each deck extension is 500 lb (227 kg).

⚠ WARNING

DO NOT 'LIFT DOWN' WITHOUT COMPLETELY RETRACTING THE PLATFORM EXTENSION.

3.10 PLATFORM RAILS - FOLD-DOWN PROCEDURE

Refer to Figure 3.8 and Figure 3.9 for fold-down procedure illustrations.

WARNING

DO NOT RAISE PLATFORM WITH RAILS FOLDED DOWN. THE RAILS MUST BE IN THE UPRIGHT POSITION AND PROPERLY PINNED WHEN RAISING THE PLATFORM.

NOTE: *The rails must only be folded down when the machine is in the stowed (platform fully lowered) position. The platform control box should be removed from the platform rail before the rails are folded down.*

The platform end rails fold-down first. If platform is equipped with one or more platforms extension(s), both the main platform side rails and the extension platform side rails will be folded down together.

1. Remove the platform control box and place it on the platform deck. On both sides of machine, open swing gate and remove the pin on swing gate kick-plate to allow fold down later.
2. Pull platform end rail pins (two pins per end rail, see short arrows in Figure 3-4.) and fold the platform end rails down onto the platform deck.

3. Pull platform extension side rail pins (one per rail set, see short arrows in Figure 3-5.), then fold down extension side rails.
4. Pull main platform side rail pins (four per rail set, see short arrows in Figure 3-5.), then fold down main platform side rails.
5. To raise the rails back to the upright position, unfold the rails in the reverse sequence they were folded. Firmly pull the rails back up into position and replace the rail pins into the rails.

NOTE: *When returning platform side rails to upright position on platforms equipped with extensions, ensure the extension platform rail guide is interlocked over the main platform rail once both rails are completely upright.*

WARNING

AFTER THE RAILS HAVE BEEN FOLDED DOWN, USE EXTREME CAUTION WHEN EXITING AND ENTERING THE PLATFORM. ENTER AND EXIT PLATFORM ONLY AT THE GATE AREA AND LADDER PROVIDED.

WARNING

IF OPERATING (DRIVING) MACHINE WITH PLATFORM CONTROL STATION FROM GROUND WITH RAILS FOLDED, KEEP AT LEAST 3 FT (1 M) DISTANCE FROM MACHINE.

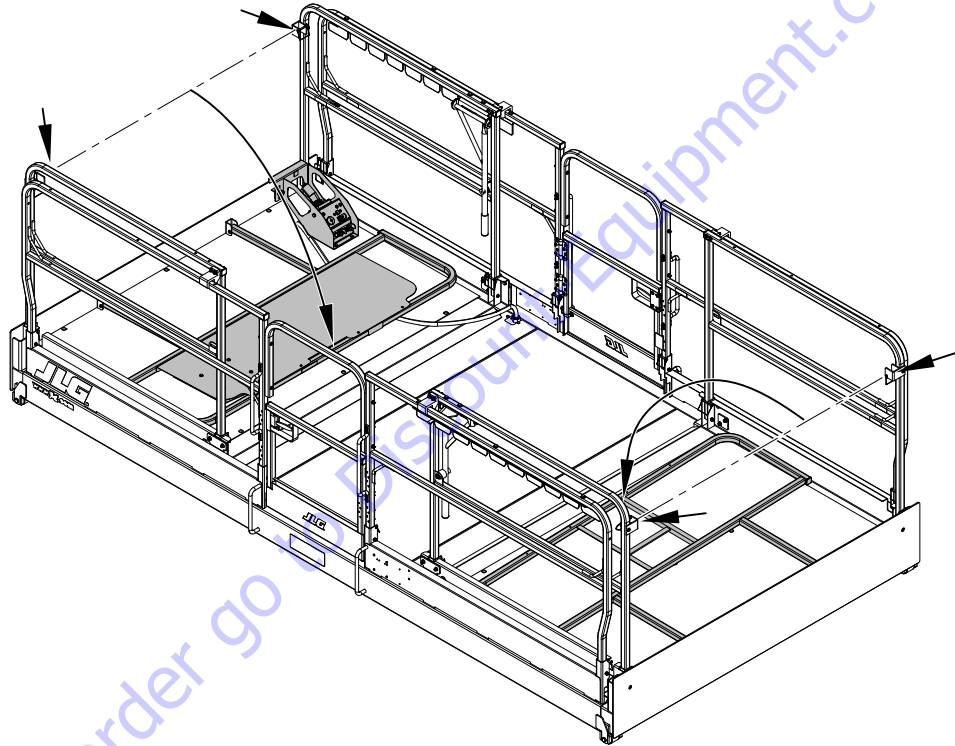


Figure 3-4. Platform End Rails - Fold Down Sequence and Rail Pin Locations

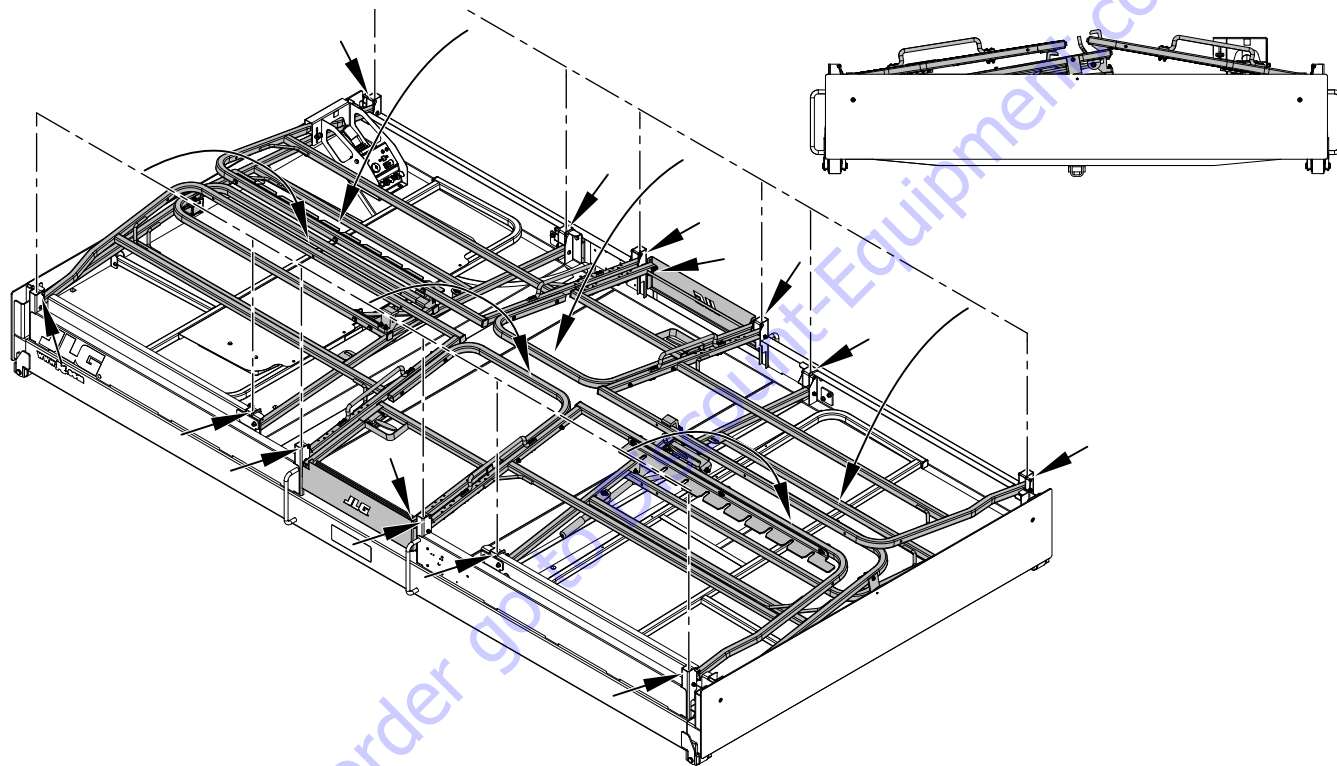


Figure 3-5. Platform Side Rails - Fold Down Sequence and Rail Pin Locations

3.11 PARKING AND STOWING

Park and stow the machine as follows:

1. Drive the machine to a reasonably well-protected and well-ventilated area.
2. Ensure the platform is fully lowered.
3. Position the emergency stop switch to the off position.
4. If necessary, cover the instruction placards, caution and warning decals so that they will be protected from hostile environment.
5. Chock at least two wheels when parking the machine for an extended period of time.
6. Turn the platform/off/ground control select switch to off and remove the key to disable the machine and prevent unauthorized use.

3.12 TIE DOWN/LIFT LUGS

Tie Down

When transporting the machine, the platform extensions must be fully retracted and the platform fully lowered in the stowed position with the machine securely tied down to the truck or trailer deck. Refer to the four tie down/lift lugs eyes.

Reference Figure 3-7., Lifting and Tie Down Chart (Sheet 2 of 2).

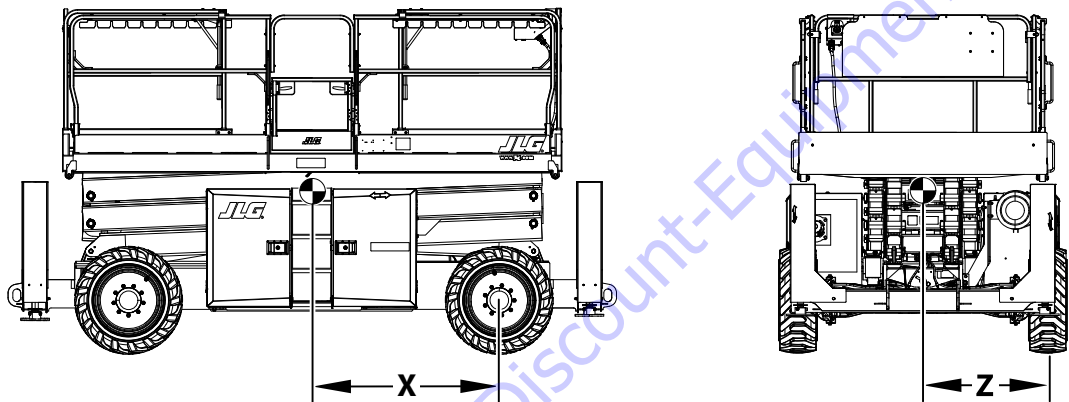
Lifting

If it becomes necessary to lift the machine, it is possible to do so from the tie down/lift lugs. These lugs enable the machine to be lifted using cranes or other suitable lifting devices.

NOTE: *If lifting becomes necessary from the lifting lugs, JLG Industries Inc. recommends the use of a proper spreader bar to avoid damage to the machine. Cranes or other lifting devices must be capable of handling the weights listed in Section 6.*

3.13 TOWING

It is not recommended that this machine be towed, except in the event of an emergency such as a machine malfunction or a total machine power failure. Refer to Section 4 for emergency towing procedures.



MODEL(S)	WHEELBASE		X		Z	
	(in)	(cm)	(in)	(cm)	(in)	(cm)
330LRT	117	297	58.5	148.6	39	99
430LRT	117	297	58.5	148.6	39	99

Figure 3-6. Lifting and Tie Down Chart (Sheet 1 of 2)

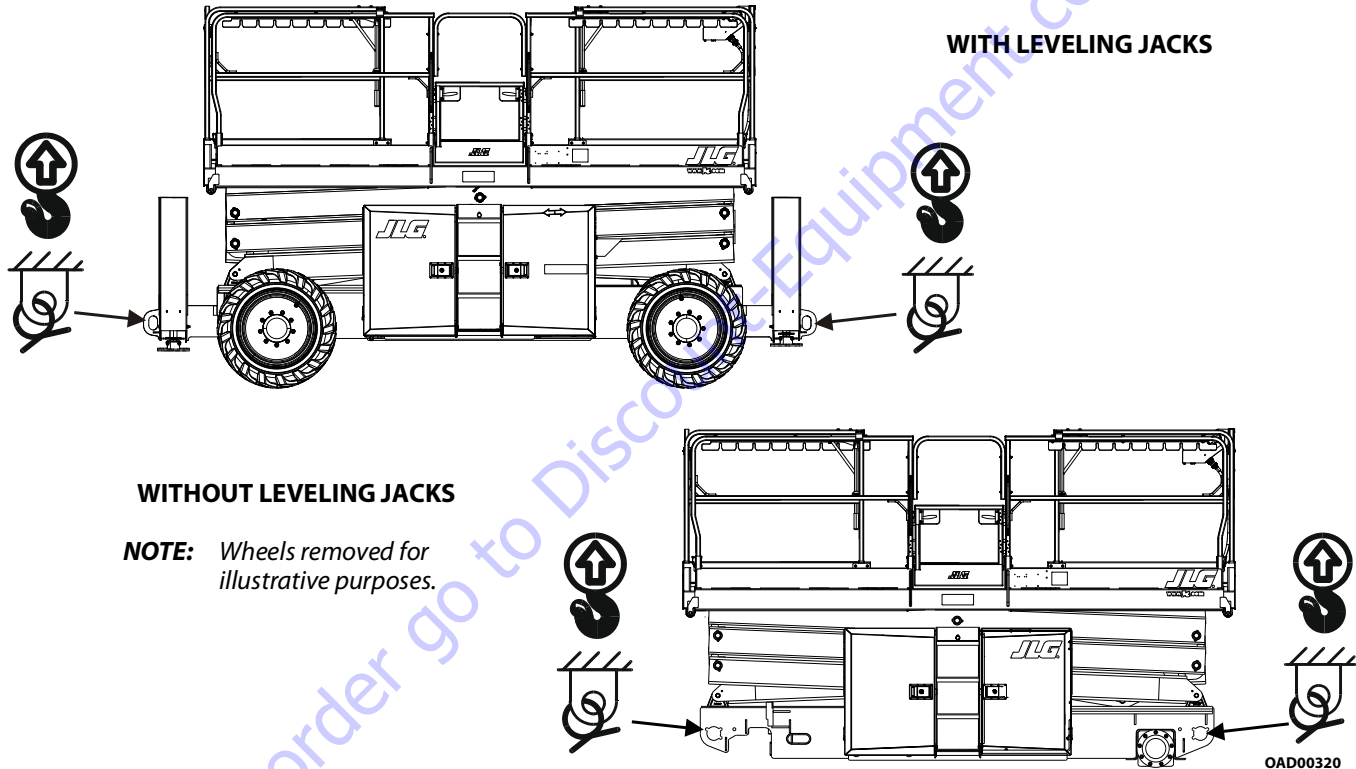


Figure 3-7. Lifting and Tie Down Chart (Sheet 2 of 2)

TO PURCHASE THIS PRODUCT PLEASE CONTACT US



**Equipment Financing and
Extended Warranties Available**



**Discount-Equipment.com is your online resource for
commercial and industrial quality parts and equipment sales.**

561-964-4949

visit us on line @ www.discount-equipment.com

Select an option below to find your Equipment

Search by Manufacturer

Search by Product Type

Request a Quote

We sell worldwide for the brands: Genie, Terex, JLG, MultiQuip, Mikasa, Essick, Whiteman, Mayco, Toro Stone, Diamond Products, Generac Magnum, Airman, Haulotte, Barreto, Power Blanket, Nifty Lift, Atlas Copco, Chicago Pneumatic, Allmand, Miller Curber, Skyjack, Lull, Skytrak, Tsurumi, Husquvarna Target, Stow, Wacker, Sakai, Mi-T-M, Sullair, Basic, Dynapac, MBW, Weber, Bartell, Bennar Newman, Haulotte, Ditch Runner, Menegotti, Morrison, Contec, Buddy, Crown, Edco, Wyco, Bomag, Laymor, EZ Trench, Bil-Jax, F.S. Curtis, Gehl Pavers, Heli, Honda, ICS/PowerGrit, IHI, Partner, Imer, Clipper, MMD, Koshin, Rice, CH&E, General Equipment, Amida, Coleman, NAC, Gradall, Square Shooter, Kent, Stanley, Tamco, Toku, Hatz, Kohler, Robin, Wisconsin, Northrock, Oztec, Toker TK, Rol-Air, APT, Wylie, Ingersoll Rand / Doosan, Innovatech, Con X, Ammann, Mecalac, Makinex, Smith Surface Prep, Small Line, Wanco, Yanmar

SECTION 4. EMERGENCY PROCEDURES

4.1 GENERAL

This section provides information on the procedures to be followed and on the systems and controls to be used in the event an emergency situation is encountered during machine operation. Prior to operation of the machine and periodically thereafter, the entire operating manual, including this section, should be reviewed by all personnel whose responsibilities include any work or contact with the machine.

4.2 INCIDENT NOTIFICATION

JLG Industries, Inc. must be notified immediately of any incident involving a JLG product. Even if no injury or property damage is evident, JLG must be contacted by telephone and provided with all necessary details.

- USA: 877-JLG-SAFE (554-7233)
- EUROPE: (32) 0 89 84 82 20
- AUSTRALIA: (61) 2 65 811111
- E-mail: productsafety@jlg.com

Failure to notify the manufacturer of an incident involving a JLG Industries product within 48 hours of such an occurrence may void any warranty consideration on that particular machine.

NOTICE

FOLLOWING ANY INCIDENT, THOROUGHLY INSPECT THE MACHINE. DO NOT ELEVATE THE PLATFORM UNTIL IT IS CERTAIN THAT ALL DAMAGE HAS BEEN REPAIRED AND THAT ALL CONTROLS ARE OPERATING CORRECTLY. TEST ALL FUNCTIONS FIRST FROM THE GROUND CONTROL STATION THEN FROM THE PLATFORM CONTROL CONSOLE.

4.3 EMERGENCY TOWING PROCEDURES

Towing this machine is prohibited, unless properly equipped. However, provisions for moving the machine, in case of a malfunction or power failure, have been incorporated. The following procedures are to be used ONLY for emergency movement to a suitable maintenance area.

1. Chock wheels securely.
2. Disengage drive hubs by reversing disconnect caps.
3. Connect suitable equipment, remove chocks, and move machine.
4. After moving machine, complete the following procedures:
 - a. Position machine on a firm and level surface.
 - b. Chock wheels securely.
 - c. Engage drive hubs by reversing disconnect caps on hubs.
 - d. Remove chocks from wheels as needed.

4.4 EMERGENCY CONTROLS AND THEIR LOCATIONS

Emergency Stop Switch

These large red buttons, one located at the Ground Control Station and one at the Platform Control Station, will immediately stop the machine when depressed.



CHECK MACHINE DAILY TO MAKE SURE EMERGENCY STOP BUTTON IS IN PLACE AND THAT GROUND CONTROL INSTRUCTIONS ARE IN PLACE AND LEGIBLE.

Ground Control Station

The Ground Control Station is located on the left side of the machine frame. The controls on this panel provide the means for overriding the platform controls and for controlling the platform lift up and down functions from the ground. Place the power select switch in the ground position and operate the lift switch to lift up or down.

4.5 EMERGENCY OPERATION

Use of Ground Controls

NOTICE

KNOW HOW TO USE THE GROUND CONTROLS IN AN EMERGENCY SITUATION.

Ground personnel must be thoroughly familiar with the machine operating characteristics and the ground control functions. Training should include operation of the machine, review and understanding of this section and hands-on operation of the controls in simulated emergencies.

Operator Unable to Control Machine

1. Operate the machine from ground controls **ONLY** with the assistance of other personnel and equipment (cranes, overhead hoists, etc.) as may be required to safely remove the danger or emergency condition.
2. Other qualified personnel on the platform may use the platform controls. **DO NOT CONTINUE OPERATION IF CONTROLS DO NOT FUNCTION NORMALLY.**
3. Cranes, forklift trucks or other equipment which may be available are to be used to remove platform occupants and stabilize motion of the machine in case machine controls are inadequate or malfunction when used.

Platform Caught Overhead

If the platform becomes jammed or snagged in overhead structures or equipment, do the following:

1. Shut off the machine.
2. Rescue all people in the platform before freeing the machine. Personnel must be out of the platform before operating any controls on the machine.
3. Use cranes, forklifts or other equipment to stabilize motion of the machine to prevent a tip over as required.
4. From the ground controls, carefully free the platform from the object.
5. Once clear, restart the machine and return the platform to a safe position.
6. Inspect the machine for damage. If the machine is damaged or does not operate properly, turn off the machine immediately. Report the problem to the proper maintenance personnel. Do not operate the machine until it is declared safe for operation.

Righting of Tipped Machine

A forkltruck of suitable capacity or equivalent equipment should be placed under the elevated side of the chassis, with a crane or other suitable lifting equipment used to lift the platform while the chassis is lowered by the forklift or other equipment.

Post-Incident Inspection

Following any incident, thoroughly inspect the machine and test all functions first from the ground controls, then from the platform controls. Do not lift above 10 feet (3 meters) until you are secure that all damage has been repaired, if required, and that all controls are operating correctly.

Platform Manual Descent Control

The platform manual descent control is used in the event of total power failure to lower the platform using gravity. The manual descent control T-handle is located on the front right of the machine. Look for the instruction decal located beside the release handle.

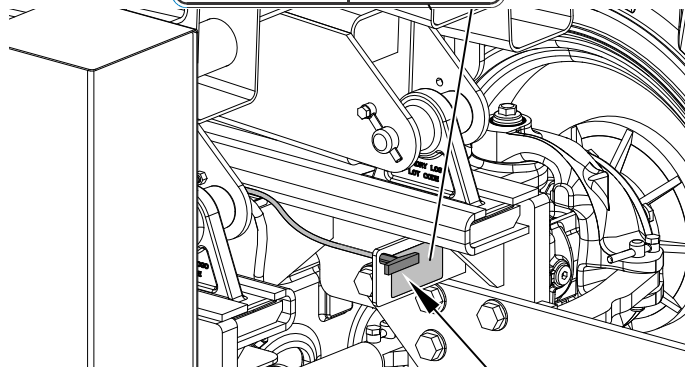
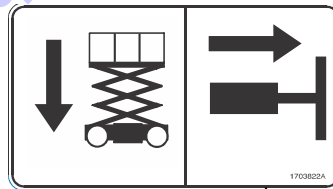
The lowering procedure is as follows:

1. Locate the **manual descent control T-handle**.

⚠ WARNING

KEEP HANDS AND ARMS OUT OF THE PATH OF THE SCISSOR ARMS AND PLATFORM WHILE LOWERING.

2. Grasp the T-handle and slowly pull out to lower the scissor arms/platform, when the platform is lowered to desired level, allow the T-handle to return to it's closed position.

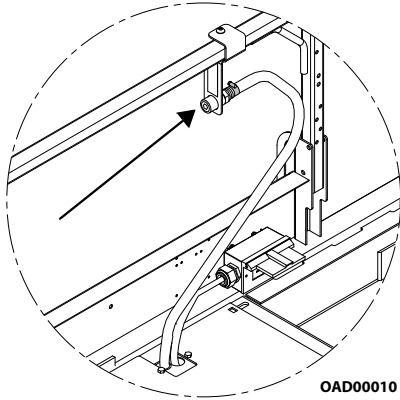


SECTION 5. ACCESSORIES

Table 5-1. Available Accessories

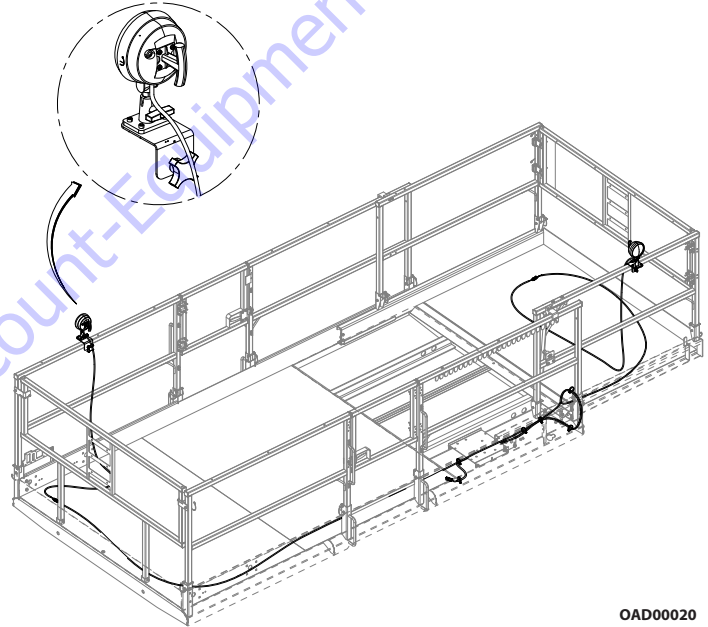
Accessory	Market					
	ANSI (USA Only)	ANSI	CSA	CE	AUS	Japan
1/2 Airline	√	√	√	√	√	√
Platform Worklights	√	√	√	√	√	√
Pipe Racks	√	√	√	√	√	√
Platform Rail Padding	√	√				
Workstation	√	√	√	√	√	√
Large Material Racks	√	√	√	√	√	√

5.1 1/2 AIRLINE



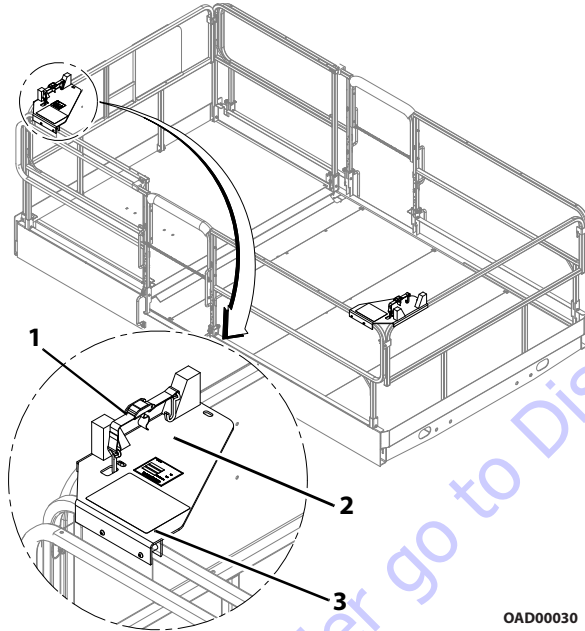
The 1/2 Airline is a fitting for air-powered tools that is mounted in the platform.

5.2 PLATFORM WORKLIGHTS



The Platform Worklights accessory consists of two 12V lights mounted to the platform railings.

5.3 PIPE RACKS



OAD00030

1. Adjustable Strap
2. Attach Hook
3. Capacity Decal

Pipe Racks store pipe or conduit inside the platform in order to prevent rail damage and optimize platform utility. It consists of two racks mounted to the top handrail with adjustable straps and hooks to secure the load in place.

Safety Precautions

⚠ WARNING

THIS ACCESSORY AFFECTS OVERALL PLATFORM CAPACITY. REFER TO CAPACITY DECALS AND ADJUST ACCORDINGLY. WEIGHT IN RACKS PLUS WEIGHT IN PLATFORM MUST NOT EXCEED RATED CAPACITY.

NOTICE

RETRACT PLATFORM EXTENSIONS BEFORE ATTACHING PIPE RACKS AND LOADING MATERIAL.

NOTICE

MAXIMUM LOAD IN RACKS IS 570 LB (260 KG) EVENLY DISTRIBUTED BETWEEN THE TWO RACKS. MAXIMUM LENGTH OF MATERIAL IS 20 FT (6 M). MAXIMUM DIAMETER OF MATERIAL IS 10" (254 MM).

⚠ WARNING

MULTIPLE MATERIAL-HANDLING ACCESSORIES MAY BE INSTALLED BUT ONLY ONE MAY BE LOADED AT A TIME UNLESS APPROVED BY JLG INDUSTRIES, INC.

- Ensure no personnel are beneath the platform.
- Do not exit platform over rails, or stand on rails.
- Do not drive machine without material secured.

Preparation and Inspection

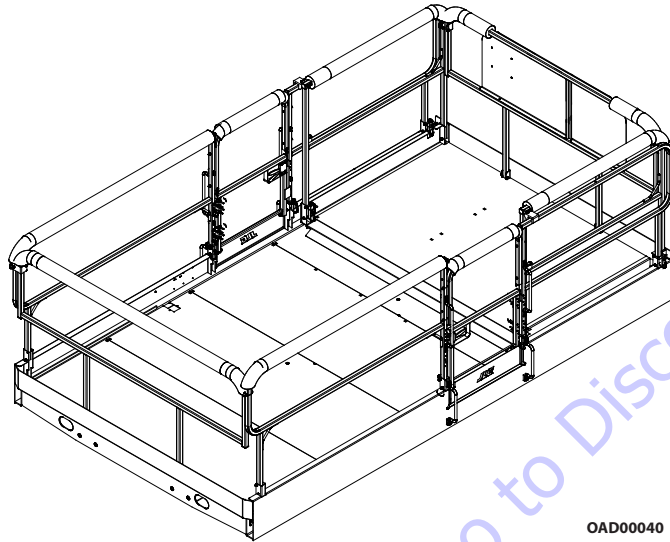
- Ensure racks are secured to platform rails.
- Replace torn or frayed straps.
- Remove racks from platform when not in use.

Operation

1. Attach racks to platform rails.
2. Place material onto racks with weight evenly distributed between both.
3. Route the straps at each end across loaded material and attach the hooks. Tighten straps until secure.
4. To remove material, loosen straps, then carefully remove material from racks.

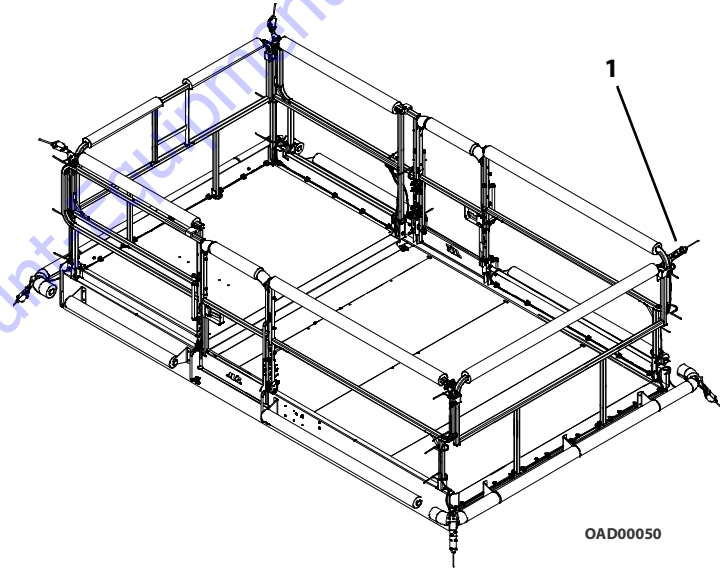
NOTE: *Reinstall straps across any remaining material before continuing machine operations.*

5.4 PLATFORM RAIL PADDING



Platform Rail Padding provides bumpers to the top platform rails in order to prevent damage to the platform itself as well as objects it may come into contact with during operation.

With Proximity Switches



1. Proximity Switch

This accessory is also available with proximity switches, which adds an attached padded frame to the bottom of the platform and eight proximity switches mounted to every corner of the platform.

SECTION 5 - ACCESSORIES

Platform Mode

If a proximity switch is triggered by a nearby obstruction, the horn sounds and all motion immediately stops. In order to continue normal operation:

1. Release the selected function.
2. Press and hold the Horn button on control console.
3. Reverse the direction of the selected function.

NOTE: The machine will move in creep mode until proximity switch is no longer triggered.

4. Continue normal operation.

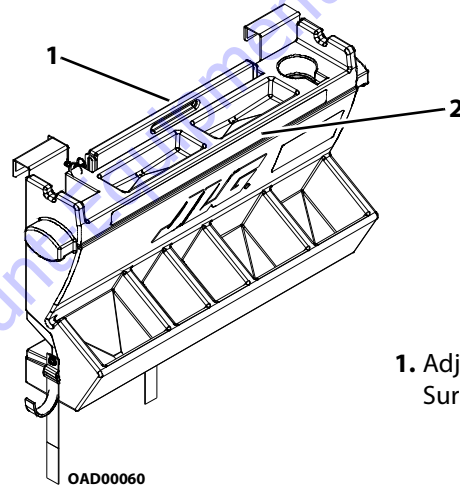
Ground Mode

If a proximity switch is triggered by a nearby obstruction, the horn sounds and all motion immediately stops. In order to continue normal operation:

1. Release selected function, then reverse the direction.
2. Re-engage the selected function.

NOTE: The machine will move in creep mode until proximity switch is no longer triggered.

5.5 WORKSTATION



1. Adjustable Work Surface

The Workstation offers an adjustable work surface and additional space for storage of tools and objects.

NOTE: Workstation may be attached to handrails anywhere in platform unless machine is equipped with another accessory or option. If another accessory or option is present, Workstation must be located on opposite side of platform.

Safety Precautions

⚠ WARNING

THIS ACCESSORY AFFECTS THE PLATFORM CAPACITY. REFER TO THE CAPACITY DECAL AND ADJUST ACCORDINGLY. DO NOT OVERLOAD THE PLATFORM.

- Return the adjustable work surface to the stowed position when finished working.
- Do not drive the machine unless materials are properly secured or stored.

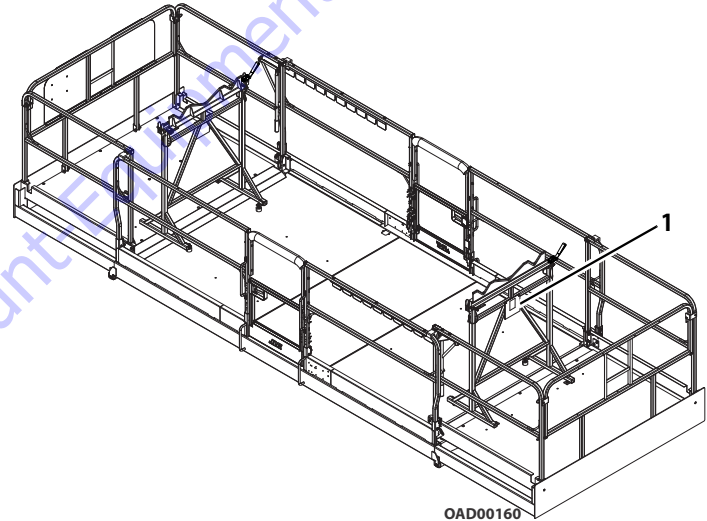
Preparation and Inspection

- Ensure the Workstation is secured to the platform.
- Check for missing or damaged components. Replace if necessary.
- Check for loose nuts and bolts. Torque to JLG Torque Chart Specifications if necessary.
- Replace any missing or illegible decals.

Operation

To use the adjustable work surface, lift the handle and position across the Workstation.

5.6 LARGE MATERIAL RACKS



1. Capacity Decal

The Large Material Racks are mounted to the platform floor and are designed to carry flat panels or sheets and pipe/ducts. The racks may be used with both single and dual deck extensions.

Safety Precautions

⚠ WARNING

MULTIPLE MATERIAL-HANDLING ACCESSORIES MAY BE INSTALLED BUT ONLY ONE MAY BE LOADED AT A TIME UNLESS APPROVED BY JLG INDUSTRIES, INC.

⚠ WARNING

THIS ACCESSORY AFFECTS THE OVERALL PLATFORM CAPACITY. REFER TO THE CAPACITY DECAL AND ADJUST ACCORDINGLY. WEIGHT IN RACKS PLUS WEIGHT IN PLATFORM MUST NOT EXCEED RATED CAPACITY.

NOTICE

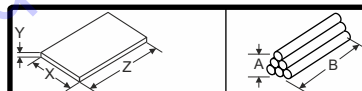
MAXIMUM WEIGHT OF MATERIAL ON RACKS IS 860 LB (390 KG).

NOTICE

MAXIMUM RATED WIND SPEED IS 28 MPH (12.5 M/S). MAXIMUM MANUAL FORCE IS 300 LB (1335 N).

NOTICE

MAXIMUM DIMENSIONS FOR APPROVED MATERIAL ARE AS FOLLOWS:



X	Y	Z	A	B
1.5m (59 in)	0.4m (16 in)	2.5m (8 ft)	0.4m (16 in)	6 m (20 ft)

- Do not drive machine without material secured.
- Do not exit the platform over the rails, or stand on the rails.

Preparation and Inspection

- Ensure racks are secured to the platform floor. Torque loose nuts or bolts as required.
- Check for missing or damaged components. Replace if necessary.

Operation

1. Position material on racks with weight evenly distributed between both racks.
2. Route the tie-down straps at each end across loaded material. Hook into place and tighten until secure.
3. To remove material, unhook tie-down straps, then carefully remove material from racks.

SECTION 6. GENERAL SPECIFICATIONS AND OPERATOR MAINTENANCE

6.1 INTRODUCTION

This section of the manual provides additional necessary information to the operator for proper operation and maintenance of this machine.

The maintenance portion of this section is intended as information to assist the machine operator to perform daily maintenance tasks only, and does not replace the more thorough Preventive Maintenance and Inspection Schedule included in the Service and Maintenance Manual.

Other Publications Available Specific to this Machine

Service and Maintenance Manual	3121758
Illustrated Parts Manual.....	3121759

6.2 SUPPLEMENTAL INFORMATION

The following information is provided in accordance with the requirements of the European Machinery Directive 2006/42/EC and is only applicable to CE machines.

For electric powered machines, the equivalent continuous AWeighted sound pressure level at the work platform is less than 70dB(A).

For combustion engine powered machines, guaranteed Sound Power Level (LWA) per European Directive 2000/14/EC (Noise Emission in the Environment by Equipment for Use Outdoors) based on test methods in accordance with Annex III, Part B, Method 1 and 0 of the directive, is as follows:

- 109 dB (Prior to SN 0200267916)
- 106 dB (SN 0200267917 to 0200269765)

The vibration total value to which the hand-arm system is subjected does not exceed 2,5 m/s². The highest root mean square value of weighted acceleration to which the whole body is subjected does not exceed 0,5 m/s².

SECTION 6 - GENERAL SPECIFICATIONS AND OPERATOR MAINTENANCE

6.3 OPERATING SPECIFICATIONS

Model	330LRT	430LRT
Maximum Occupants	6	6 (5 - CE - Dual Ext.)
Maximum Workload (Capacity): Single Extension Platform: Dual Extension Platform: Max. on Extension (Each):	2250 lb (1020 kg) 2000 lb (905 kg) 500 lb (227 kg)	1500 lb (680 kg) 1250 lb (565 kg) 500 lb (225 kg)
Maximum Stowed Travel Grade - Gradeability (See Figure 3-3.):	45% (24°)	
Maximum Stowed Travel Grade - Sideslope (See Figure 3-3.):	5°	
Maximum Platform Working Height	33 ft (10m)	43 ft (13.11 m)
Maximum Drive Height	33 ft (10m)	43 ft (13.11 m)
Maximum Drive Speed Platform Lowered: High Mid Low (> 9 ft 6 in) Platform Elevated:	3.5 mph (5.6 kph) 2.0 mph (3.21 kph) 1.0 mph (1.61 kph) 0.5 mph (0.8 kph)	
Lift Up Speed (At Rated Load) (Stowed to Full Height)	35 seconds	45 seconds
Lift Down Speed (At Rated Load) (Full Height to Stowed)	37 seconds	47 seconds

Model	330LRT	430LRT
Electronic Arm Guards (Pause Height) (Platform Floor to Ground)	75 in	84 in
Maximum Wind Speed	28 mph (12.5 m/s)	
Maximum Horizontal Manual Side Force: ANSI/ANSI EXPORT/CSA: CE/AUS/JPN:	300 lb force (1335 N) 90 lb force (400N)	300 lb force (1335 N) 90 lb force (400N)
Maximum Tire Load (Each)	4400 lb (1996 kg)	
Ground Bearing Pressure w/Standard Tires	48 psi (3.37 kg/cm ²)	56 psi (3.94 kg/cm ²)
Leveling Jack Pad Bearing Pressure	69 psi (4.85 kg/cm ²)	69 psi (4.85 kg/cm ²)
Hydraulic System Pressure Main Relief: Lift Up Relief: Steer Relief: Leveling Jack Relief:	2700 psi (186 bar) 2700 psi (186 bar) 2500 psi (172 bar) 2500 psi (172 bar)	
Electrical System Voltage	12 Volt	
Inside Turning Radius	106.5 in (2.70 m)	

SECTION 6 - GENERAL SPECIFICATIONS AND OPERATOR MAINTENANCE

Model	330LRT	430LRT
Outside Turning Radius	233.5 in (5.93 m)	
Gross Vehicle Weight Dual Fuel/Diesel - ANSI/ANSI Export/CSA/CE/AUS/JPN w/ One Extension: w/Two Extensions: w/Mega Deck:	11,820 lb (5372 kg) 12,350 lb (5614 kg) 14,225 lb (6466 kg)	14,300 lb (6486 kg) 14,830 lb (6727 kg) N/A
<i>NOTE: Certain options or country standards increase weight.</i>		

Generator Specifications (If Equipped)

Type:	Brush Type, Synchronous, Revolving Field	
Regulation:	3 Phase:	240 Volt, 7.5 kW, 18.3 Amps, 1.0 pf
	1 Phase:	240 Volt, 6 kW, 26 Amps, 1.0 pf
	1 Phase:	120 Volt, 6 kW, 50 Amps, 1.0 pf
	Peak:	3 Phase - 8.5 kW, - 1 Phase - 6.0 kW
Max Rated Temperature:	104°F (40°C)	

Dimensional Data

	330LRT	430LRT
Wheelbase	117 in (297 cm)	
Ground Clearance (center/platform stowed)	13.60 in (34.5 cm)	
Machine Height (top of rails/platform stowed)	109 in (277 cm)	118 in (300 cm)
Machine Width	92.5 in (235 cm)	
Machine Length	192.2 in (488.3 cm)	

Fluid Capacities

Fuel Tank Capacity	Diesel:	22 gal (83.3 L)
	Gasoline:	22 gal (83.3 L)
	LP Tank:	43.5 lb (20 kg)
Hydraulic Tank	32.3 gal (122.2 L)	
Engine Coolant	0.98 gal (3.7 L)	

SECTION 6 - GENERAL SPECIFICATIONS AND OPERATOR MAINTENANCE

Tires

Size	Ply Rating	Foam Fill Tire Assembly Rating	Wheel Nut Torque
12 x 16.5 Foam Filled (Non-Marking)	10	90 psi@ 8,000 lb (3700 kg) - Static Load	170 ft. lb. - DRY (230 Nm)
33/1550 x 16.5 Foam Filled	14	90 psi@ 14,176 lb (6430 kg) - Static Load	170 ft. lb. - DRY (230 Nm)
33/16LL600 Foam Filled (Sand Tire)	10	38 psi@ 10,300 lb (4672 kg) - Static Load	170 ft. lb. - DRY (230 Nm)
315/55/D20 Foam Filled	12	80 psi@ 9,650 lb (4377 kg) - Static Load	170 ft. lb. - DRY (230 Nm)

Engine Specifications

Table 6-1. Kubota Diesel (D1305-E4B)

Emissions	CARB, EPA Tier 4 Final, China Stage III and EU Stage V
Fuel Type:	Diesel: - Low Sulfur (<500 ppm) - Ultra Low Sulfur (15 ppm) (<i>Required to meet Stage V</i>) - up to 5% biodiesel
No. of Cylinders	3
Oil Pan Capacity	1.51 gal (5.7 L)
Engine RPM Control	Mechanical
Low RPM Set	1200 RPM
High RPM Set	2600 RPM
Alternator	60 Amp, 12V, Belt Drive
Battery	112 Amp-Hour, 950 Cold Cranking Amps, 12VDC
Fuel Consumption:	Low RPM 0.41 gal/hr (1.5 L/hr) High RPM 2.0 gal/hr (7.6 L/hr)
Displacement	1.261 L (77 cu. in.)
Gross Power	24.8 Hp (18.5 kW) @ 2600 RPM
Gross Torque	59.1 ft. lb. (80.1 Nm) @ 1700 RPM

SECTION 6 - GENERAL SPECIFICATIONS AND OPERATOR MAINTENANCE

Table 6-2. Kubota (D1305-E3B - Diesel)

Emissions	China Stage III and EU Stage IIIA Certification
Fuel Type:	Diesel: - Low Sulfur (<500 ppm) - Ultra Low Sulfur (15 ppm) <i>(Required to meet Stage V)</i> - up to 5% biodiesel
No. of Cylinders	3
Oil Pan Capacity	1.51 gal (5.7 L)
Engine RPM Control	Mechanical
Low RPM Set	1200 RPM
High RPM Set	3000 RPM
Alternator	60 Amp, 12V, Belt Drive
Battery	112 Amp-Hour, 950 Cold Cranking Amps, 12VDC
Fuel Consumption:	Low RPM 0.41 gal/hr (1.5 L/hr) High RPM 2.0 gal/hr (7.6 L/hr)
Displacement	1.261 L (77 cu. in.)
Gross Power	29.1 Hp (21.7 kW) @ 3000 RPM
Gross Torque	59.1 ft. lb. (80.1 Nm) @ 2000 RPM

Table 6-3. Kubota (WG972-GL-E4 - Dual Fuel)

Emissions	U.S. EPA Phase 3 and CARB SSI	
Fuel Type:	Gasoline - 87 Octane minimum - Ethanol/Gas Mix-10% max. - Methanol/Gas Mix-5% max. - LP (Liquid Petroleum)	
No. of Cylinders	3	
Oil Pan Capacity	0.90 Gal. (3.4 L)	
Engine RPM Control	Electronic - ECM	
Low RPM Set	1200 RPM	
High RPM Set	3500 RPM	
Alternator	60 Amp, 12V, Belt Drive	
Battery	112 Amp-Hour, 950 Cold Cranking Amps, 12VDC	
Fuel Consumption:	Gas -	LP -
Low RPM	0.38 gal/hr (1.45 L/hr)	1.85 lb/hr (0.84 kg/hr)
High RPM	1.76 gal/hr (6.66 L/hr)	9.3 lb/hr (4.23 kg/hr)
Displacement	58.7 cu. in. (0.962 L)	
Gross Power	Gas - 30.6 Hp (22.8 kW) @ 3500 RPM LP - 30.0 Hp (21.6 kW) @ 3500 RPM	
Gross Torque	Gas - 49.1 Ft. lb. (66.6 Nm) @ 2400 RPM LP - 48.8 Ft. lb. (66.2 Nm) @ 1800 RPM	

Critical Stability Weights

Table 6-4. Critical Stability Weights

Component	LRT
Wheel and Tire (each) 12x16.5- Foam Filled	328 lb (149 kg)
Engine Only (Kubota - Diesel)	209 lb (95.1 kg)
Engine Only (Kubota - Gas/LP)	158 lb (71.4 kg)
Battery (with Generator)	171.3 lb (77.7 kg)

Lubrication

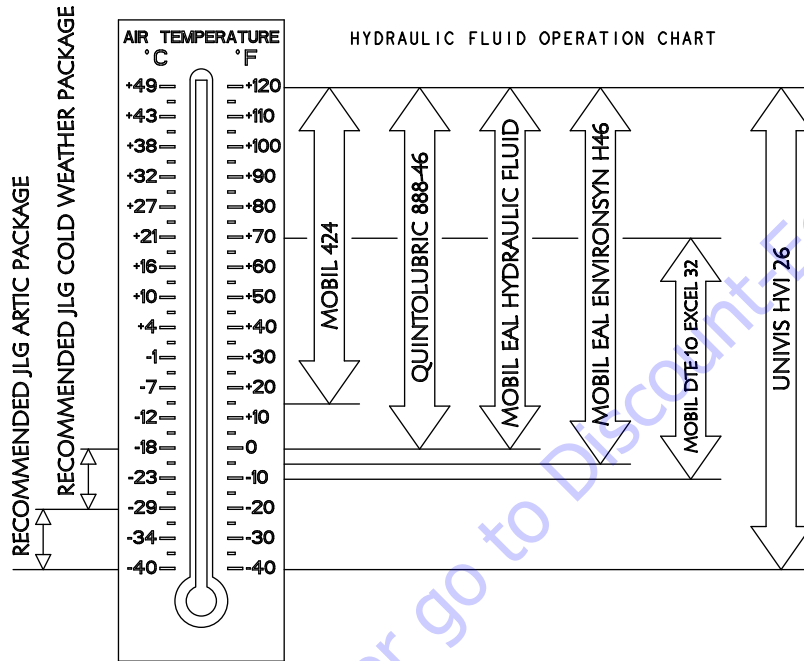
NOTE: Hydraulic oils must have anti-wear qualities at least to API Service Classification GL-3, and sufficient chemical stability for mobile hydraulic system service.

NOTE: Aside from JLG recommendations, it is not advisable to mix oils of different brands or types, as they may not contain the same required additives or be of comparable viscosities.

Table 6-5. Lubrication Specifications

Key	Specifications
MPG	Multipurpose Grease - Having a minimum dripping point of 350° F. Excellent water resistance and adhesive qualities, and being of extreme pressure type. (Timken OK 40 pounds minimum.)
EPGL	Extreme Pressure Gear Lube (oil) - Meeting API service classification GL-5 or MIL-Spec MIL-L-2105.
EO	Engine Oil (crankcase) - See Section 6.4, Operator Maintenance, sub-section, Oil Change w/Filter (engine) and; Figure 6-2., Engine Oil Operating Specification, or; OEM Engine Manual supplied with machine
HO	Hydraulic Oil - See Section 6.4, Operator Maintenance - sub-section, Hydraulic Oil Tank and; Figure 6-1., Hydraulic Oil, Operating Temperature Specifications

SECTION 6 - GENERAL SPECIFICATIONS AND OPERATOR MAINTENANCE



Fluid	Properties		Base			Classifications			
	Viscosity at 40°C (cSt, Typical)	Viscosity Index	Mineral Oils	Vegetable Oils	Synthetic	Synthetic Polyol Esters	Readily Biodegradable *	Virtually Non-toxic **	Fire Resistant ***
Mobilfluid 424	55	145	X						
Mobil DTE 10 Excel 32	32	164	X					X	
Univis HVI 26	26	376	X						
Mobil EAL Hydraulic Oil	47	176		X			X	X	
Mobil EAL EnviroSyn H 46	49	145		X			X	X	
Quintolubric 888-46	50	185			X		X	X	X

* Readily biodegradable classification indicates one of the following:
 CO2 Conversion>60% per EPA 56016-82-003
 CO2 Conversion>80% per CEC-L-33-A-93

** Virtually Non-toxic classification indicates an LC50>5000 ppm per OECD 203

*** Fire Resistant classification indicates Factory Mutual Research Corp. (FMRC) Approval

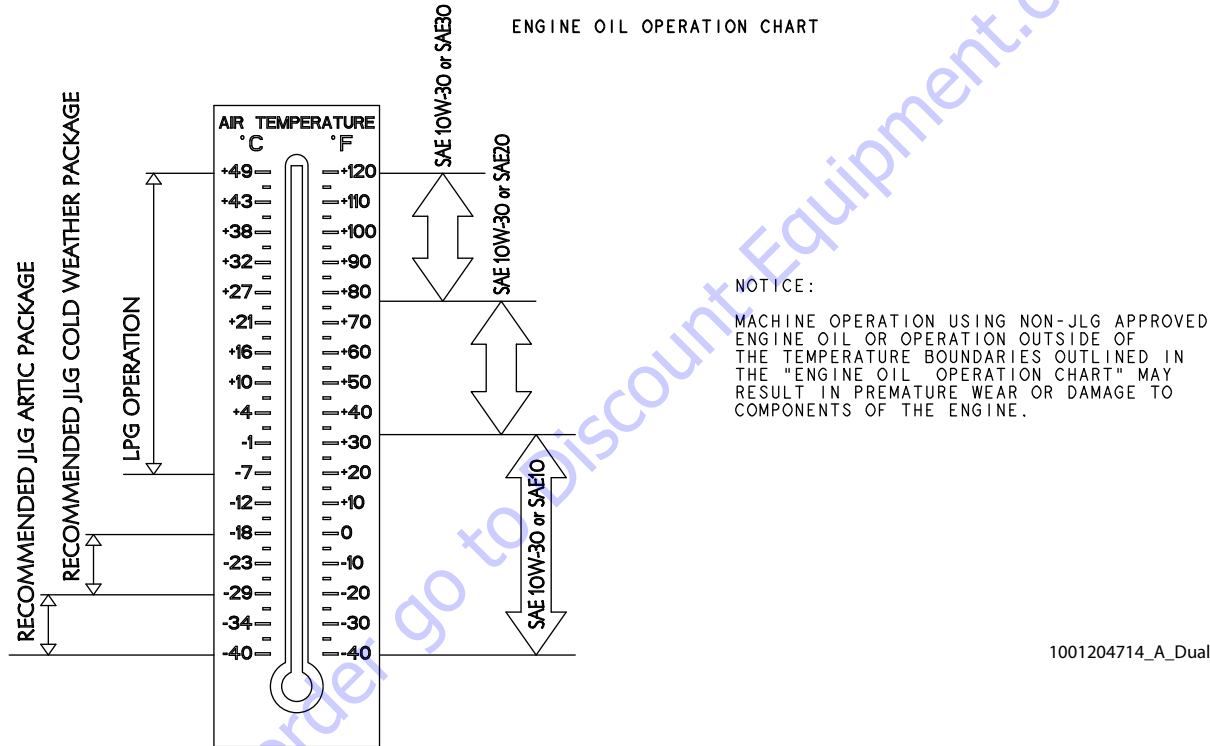
NOTICE:

MACHINE OPERATION USING NON-JLG APPROVED HYDRAULIC FLUIDS OR OPERATION OUTSIDE OF THE TEMPERATURE BOUNDARIES OUTLINED IN THE "HYDRAULIC FLUID OPERATION CHART" MAY RESULT IN PREMATURE WEAR OR DAMAGE TO COMPONENTS OF THE HYDRAULIC SYSTEM.

4150740_B_Hydraulic

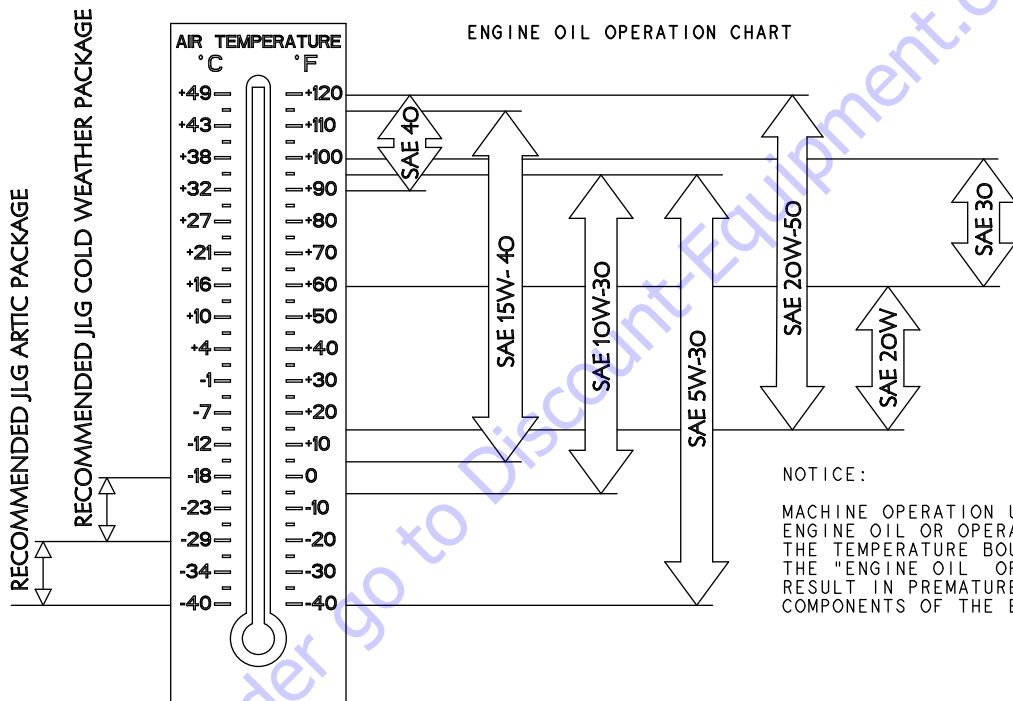
Figure 6-1. Hydraulic Oil Operating Temperature Specifications

SECTION 6 - GENERAL SPECIFICATIONS AND OPERATOR MAINTENANCE



1001204714_A_Dual Fuel

Figure 6-2. Engine Oil Operating Temperature Specifications - Kubota (Dual Fuel Engine)



1001120075_C_Diesel

Figure 6-3. Engine Oil Operating Temperature Specifications - Kubota (Diesel Engine)

6.4 OPERATOR MAINTENANCE

Scissor Arm Safety Prop

⚠ CAUTION

THE SAFETY PROP MUST BE USED WHENEVER MAINTENANCE PERFORMED ON THE MACHINE REQUIRES THE SCISSOR ARMS TO BE RAISED.

1. To engage the safety prop, raise the unloaded platform high enough to allow the safety prop to rotate vertically into position. (See Figure 6-4.)
2. Rotate the rod keeper plate and release the safety prop actuator rod at the front of the machine. (See Figure 6-5.)
3. Lift the actuator rod (flat) up out of the slot in the keeper plate bracket and pull the actuator rod to align the safety props vertically with the scissor arm center pins above and below the safety prop mounting pins.
4. Set the actuator rod (flat at the set position) into the slot on the keeper plate bracket and rotate the keeper plate to lock the actuator rod in this position.
5. Lower the platform arms until the safety prop rests on the scissor arm center pin mounts above and below the safety prop.

Maintenance can now begin.

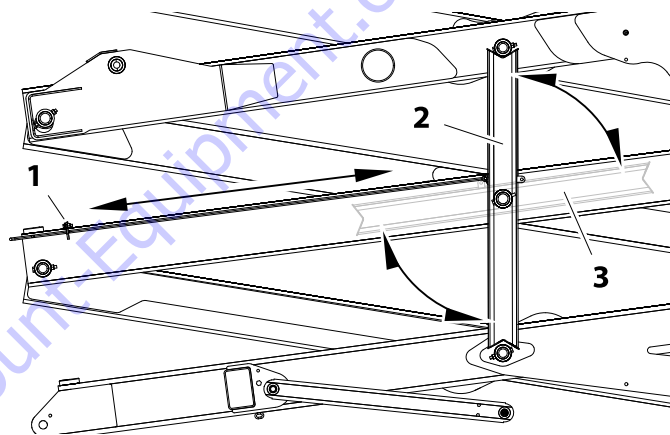


Figure 6-4. Scissor Arm - Safety Prop Assembly

1. Actuator Rod/Rod Keeper Plate.
2. Safety Prop in set position.
3. Safety Prop in stowed position.

To store the safety prop, raise the platform, release the actuator rod from the keeper plate bracket, push the safety prop rod so that the safety props are restored back to its stowed position. Lock the actuator rod in place with the rod keeper plate till next use.

⚠ WARNING

TO AVOID PERSONAL INJURY, USE SAFETY PROP FOR ALL MAINTENANCE REQUIRING PLATFORM TO BE ELEVATED.

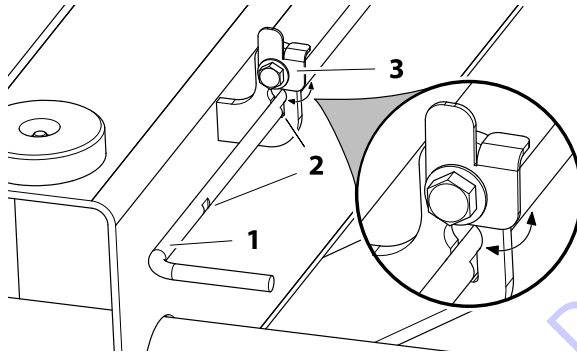


Figure 6-5. Safety Prop Actuator Rod

- 1. Safety Prop Actuator Rod
- 2. Notch Flats on Rod
- 3. Rod Keeper Plate

General Maintenance Tips

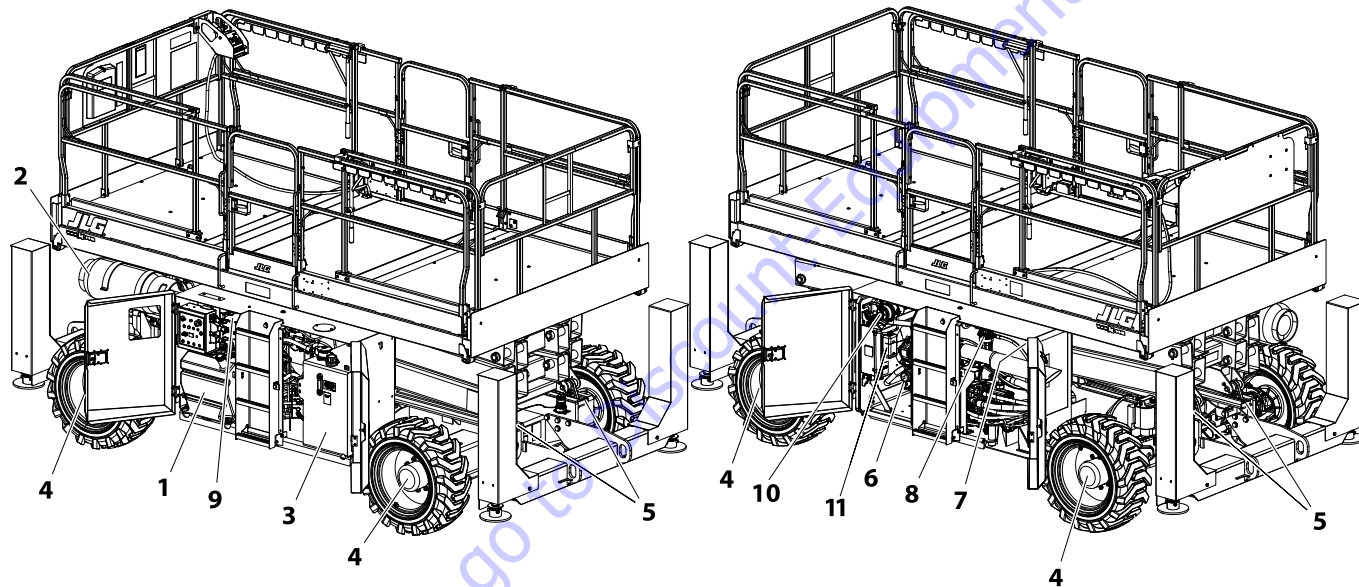
NOTE: Be sure to lubricate like items on each side of machine.

NOTE: Recommended lubricating intervals are based on machine operations under normal conditions. For machines used in multi-shift operations and/or exposed to hostile environments or conditions, lubrication frequencies must be increased accordingly.

Operate hydraulic functions through one complete cycle before checking hydraulic oil level in tank. Oil should be visible in ADD sight window on hydraulic tank. If oil is not visible, add oil until oil is visible in both ADD and FULL sight windows on tank. Do not overfill tank.

Any time the pump coupling is removed, coat splines of coupling with Texaco Code 1912 grease prior to assembly.

Operator Maintenance Components

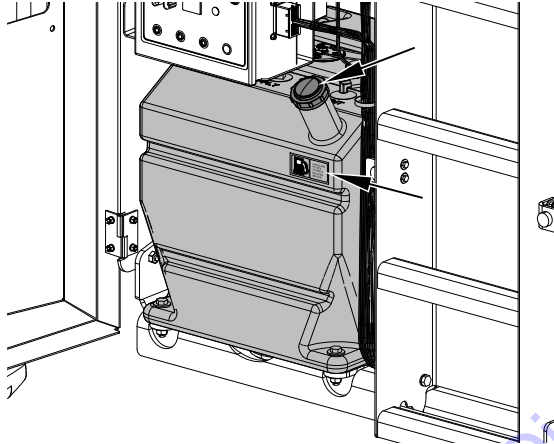


1. Fuel Tank (Gasoline or Diesel)
2. Fuel Tank w/Shut-Off Valve (LP Only)
3. Hydraulic Oil Tank
4. Drive Hubs

5. Scissor Arm - Sliding Wear Pads
6. Oil Change w/Filter - Kubota
7. Fuel/Water Separator Filter - Kubota - Diesel
8. Hydraulic Charge Filter - Kubota - Diesel

9. Fuel Filter/Fuel Pump - Kubota - Gasoline
10. Air Filter
11. Engine Coolant

Fuel Tank



- Fuel - Diesel or Gasoline (Per Engine Type - Reference Decal on Machine)
- Capacity - 22 gal (83.2 L)

Drive Hub



- Lube Points - Fill Plugs (4)
- Lube - EPGL
- Interval - Every 2 years or 1200 hours

Scissor Arms - Sliding Wear Pads

- Lube Points - 8 Sliding Wear Pads
- Lube - MPG
- Interval - Every month or 50 hours.

Oil Change with Filter

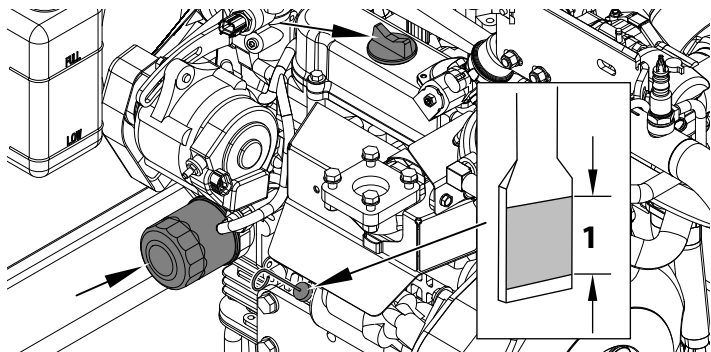


Figure 6-6. Kubota Dual Fuel (WG972-GL-E4)

NOTE: Exhaust system shown removed for illustrative purposes only.

- Lube Point(s) - Fill Cap/Spin-on Element
- Capacity - 0.9 gal (3.4 L)
- Lube - EO - Minimum API SL (For viscosity, refer to Figure 6-2.)
- Interval - Every year or 200 hours of operation
- Check oil level daily, maintain within marked level (1)/ Change in accordance with engine manual.

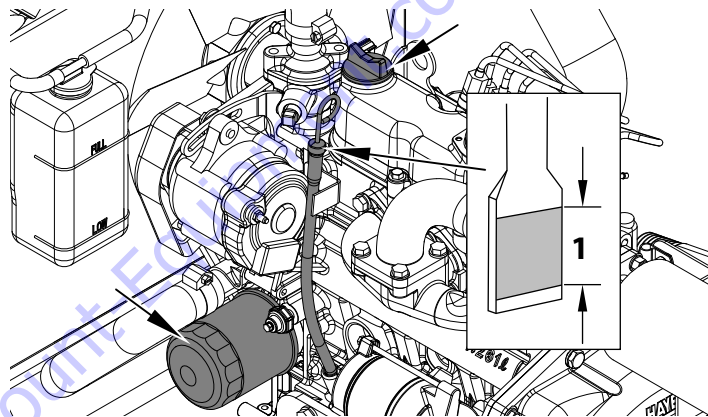
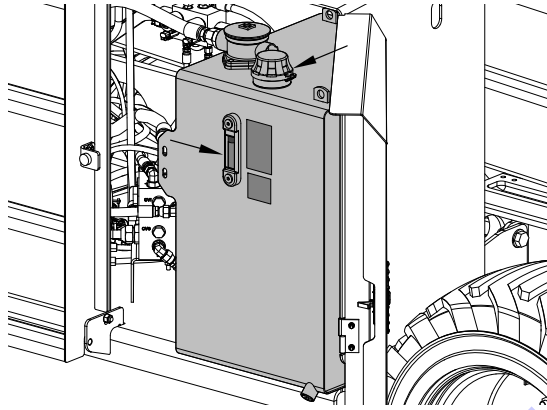


Figure 6-7. Kubota Diesel (D1305-E3B and D1305-E4B)

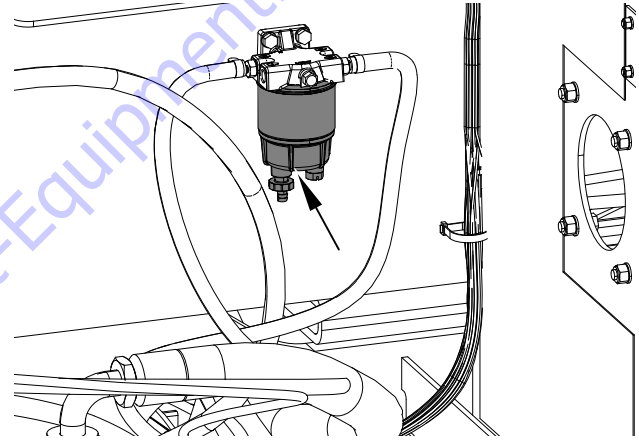
- Lube Point(s) - Fill Cap/Spin-on Element
- Capacity - 1.51 gal (5.7 L)
- Lube - EO - Minimum API CF (For viscosity, refer to Figure 6-3.)
- Interval - Every year or 200 hours of operation
- Check oil level daily, maintain within marked level (1)/ Change in accordance with engine manual.

Hydraulic Oil Tank



- Lube Point - Fill Cap/Fill Level
- Lube - HO - API service classification GL-3 (For operating temperatures, refer to Figure 6-1.)
- Interval - Check oil every 10 hours of operation; change oil every 2 years or 1200 hours of operation.

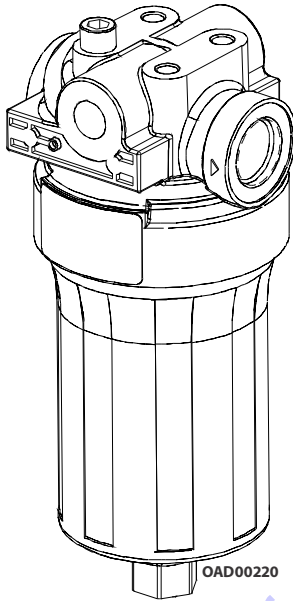
Fuel/Water Separator Filter (Diesel) - Kubota



NOTE: Mounted inside engine cabinet on right-rear cabinet wall behind battery and exhaust pipe.

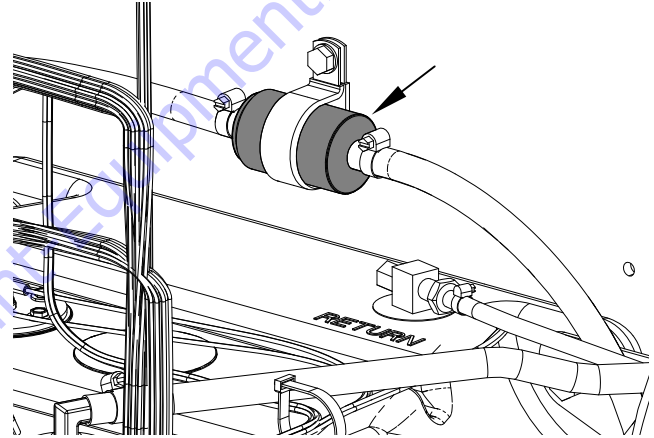
- Lube Point(s) - Replaceable Element
- Interval (Filter) - Change every 500 hours, every other oil change, or annually, whichever comes first.
- Interval (Water Bowl) - Empty Daily. Loosen drain cock on underside of fuel filter and allow all water to drain into a container until clear fuel is visible. Tighten drain.

Hydraulic Charge Filter



- Lube Point - Replaceable Element
- Interval - Change after first 50 hours and after every six months or 300 hours

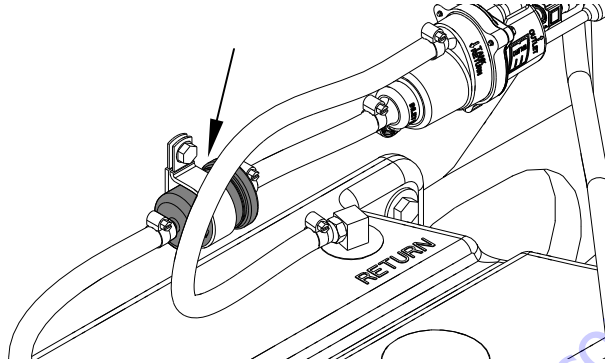
Fuel Strainer (Diesel) - Kubota



NOTE: Mounted inside fuel/hydraulic cabinet on left-rear cabinet wall behind fuel tank.

- Lube Point(s) - Replaceable
- Interval - Every Year or 600 hours of operation

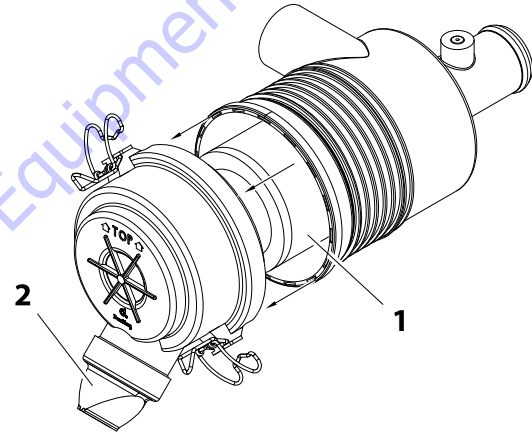
Fuel Filter (Gas) - Kubota



NOTE: Mounted inside fuel/hydraulic cabinet on left-rear cabinet wall behind fuel tank.

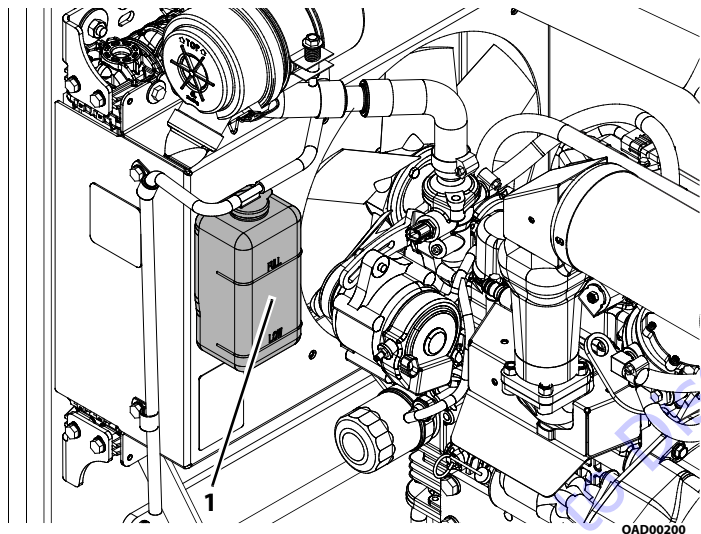
- Lube Point(s) - Replaceable
- Interval - Check every 100 hours; change every year.

Air Filter



- Lube Point(s) - Replaceable Primary Filter Element (1) (Dry Type)
- Interval - Every 6 months or 300 hours of operation. Under severe operating conditions (such as a very dusty work area) check condition of filter more often.
- Once a week, squeeze the evacuator valve (2) on bottom of air cleaner assembly to allow collected debris to fall out of the air cleaner.

Engine Coolant



- Lube Point - Fill Cap/Fill Level
- Interval - Check coolant level daily. Ensure it is between the "FULL" and "LOW" lines (1). If coolant level is low, allow fluid to cool, then add as required.

6.5 PROPANE FUEL SYSTEM PRESSURE RELIEF

⚠ CAUTION

THE PROPANE FUEL SYSTEM OPERATES AT PRESSURES UP TO 312 PSI (21.5 BAR). TO MINIMIZE THE RISK OF FIRE AND PERSONAL INJURY, RELIEVE THE PROPANE FUEL SYSTEM PRESSURE (WHERE APPLICABLE) BEFORE SERVICING THE PROPANE FUEL SYSTEM COMPONENTS.

To relieve propane fuel system pressure:

1. Close the manual shut-off valve on the propane fuel tank.
2. Start and run the vehicle until the engine stalls.
3. Turn the ignition switch OFF.

⚠ CAUTION

RESIDUAL VAPOR PRESSURE WILL BE PRESENT IN THE FUEL SYSTEM. ENSURE THE WORK AREA IS WELL VENTILATED BEFORE DISCONNECTING ANY FUEL LINE.

6.6 PROPANE FUEL SYSTEM LEAK TEST

CAUTION

NEVER USE AN OPEN FLAME OF ANY TYPE TO CHECK FOR PROPANE FUEL SYSTEM LEAKS.

Always inspect the propane fuel system for leaks after performing service. Check for leaks at the fittings of the serviced or replaced component. Use a commercially available liquid leak detector or an electronic leak detector. When using both methods, use the electronic leak detector first to avoid contamination by the liquid leak detector.

6.7 TIRES AND WHEELS

Tire Damage

For pneumatic tires, JLG Industries, Inc. recommends that when any cut, rip, or tear is discovered that exposes sidewall or tread area cords in the tire, measures must be taken to remove the JLG product from service immediately. Arrangements must be made for replacement of the tire or tire assembly.

For polyurethane foam filled tires, JLG Industries, Inc. recommends that when any of the following are discovered, measures must be taken to remove the JLG product from service

immediately and arrangements must be made for replacement of the tire or tire assembly:

- A smooth, even cut through the cord plies which exceeds 3 in (7.5 cm) in total length.
- Any tears or rips (ragged edges) in the cord plies which exceeds 2.5cm (1 in) in any direction.
- Any punctures which exceed 2.5cm (1 in) in diameter.
- Any damage to the bead area cords of the tire.

If a tire is damaged but is within the above noted criteria, the tire must be inspected on a daily basis to ensure the damage has not propagated beyond the allowable criteria.

Tire Replacement

JLG recommends a replacement tire be the same size, ply and brand as originally installed on the machine. Please refer to the JLG Parts Manual for the part number of the approved tires for a particular machine and model. If not using a JLG approved replacement tire, we recommend that replacement tires have the following characteristics:

- Equal or greater ply/load rating and size of original
- Tire tread contact width equal or greater than original
- Wheel diameter, width, and offset dimensions equal to the original.

SECTION 6 - GENERAL SPECIFICATIONS AND OPERATOR MAINTENANCE

- Approved for application by the tire manufacturer (Including inflation pressure and maximum tire load).

Unless specifically approved by JLG Industries Inc. do not replace a foam filled tire assembly with a pneumatic tire. When selecting and installing a replacement tire, ensure that all tires are inflated to the pressure recommended by JLG. Due to size variations between tire brands, both tires on the same axle should be the same.

Wheel Replacement

The rims installed on each product model have been designed for stability requirements which consist of track width, tire pressure, and load capacity. Size changes such as rim width, center piece location, larger or smaller diameter, etc., without written factory recommendations, may result in an unsafe condition regarding stability.

Wheel Installation

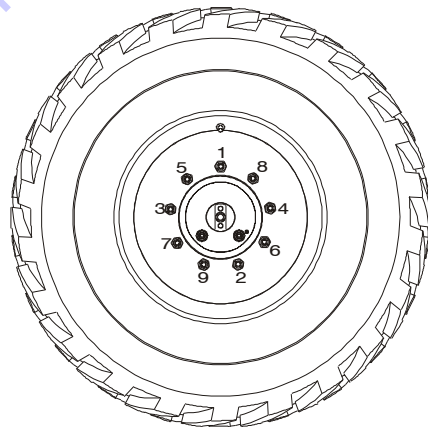
It is extremely important to apply and maintain proper wheel mounting torque.

⚠ WARNING

WHEEL NUTS MUST BE INSTALLED AND MAINTAINED AT THE PROPER TORQUE TO PREVENT LOOSE WHEELS, BROKEN STUDS, AND POSSIBLE DANGEROUS SEPARATION OF WHEEL FROM THE AXLE. BE SURE TO USE ONLY THE NUTS MATCHED TO THE CONE ANGLE OF THE WHEEL.

Tighten the lug nuts to the proper torque to prevent wheels from coming loose. Use a torque wrench to tighten the fasteners. If you do not have a torque wrench, tighten the fasteners with a lug wrench, then immediately have a service garage or dealer tighten the lug nuts to the proper torque. Over-tightening will result in breaking the studs or permanently deforming the mounting stud holes in the wheels. The proper procedure for attaching wheels is as follows:

1. Start all nuts by hand to prevent cross threading. DO NOT use a lubricant on threads or nuts.
2. Tighten nuts in the following sequence:



9 LUG PATTERN

3. The tightening of the nuts should be done in stages. Following the recommended sequence, tighten the nuts per wheel torque chart.

Table 6-6. Wheel Torque Chart

Torque Sequence (Dry)		
1st Stage	2nd Stage	3rd Stage
40-50 ft.lb. (60-70 Nm)	90-105 ft.lb. (125-150 Nm)	170 ft.lb. (230 Nm)

Wheel nuts should be torqued after the first 50 hours of operation and after each wheel removal. Check torque every 3 months or 150 hours of operation.

6.8 DECAL INSTALLATION

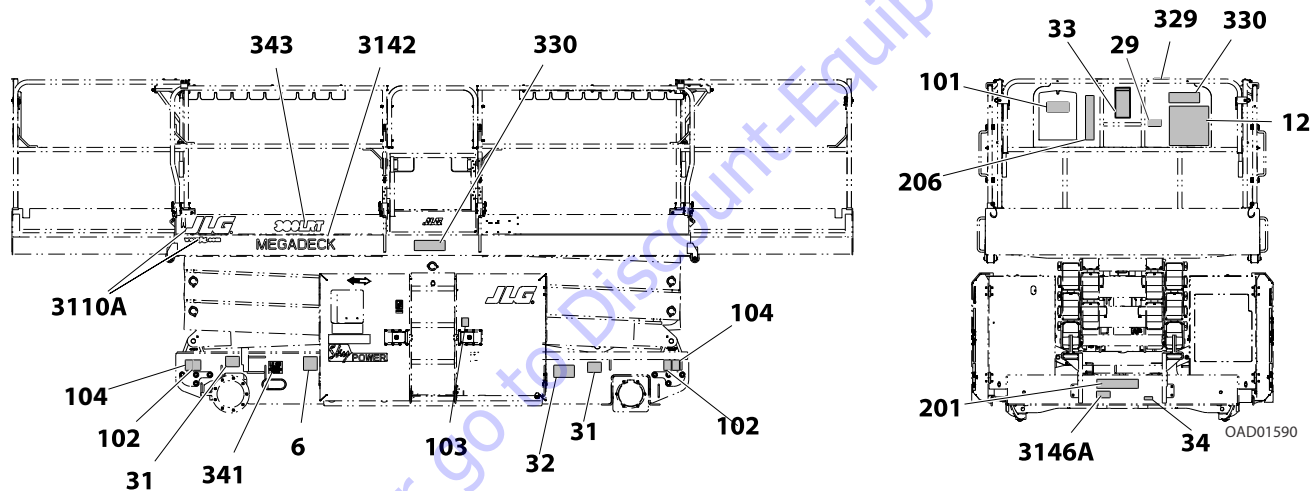


Figure 6-8. Decal Location - Sheet 1 of 2 (ANSI, ANSI Export)

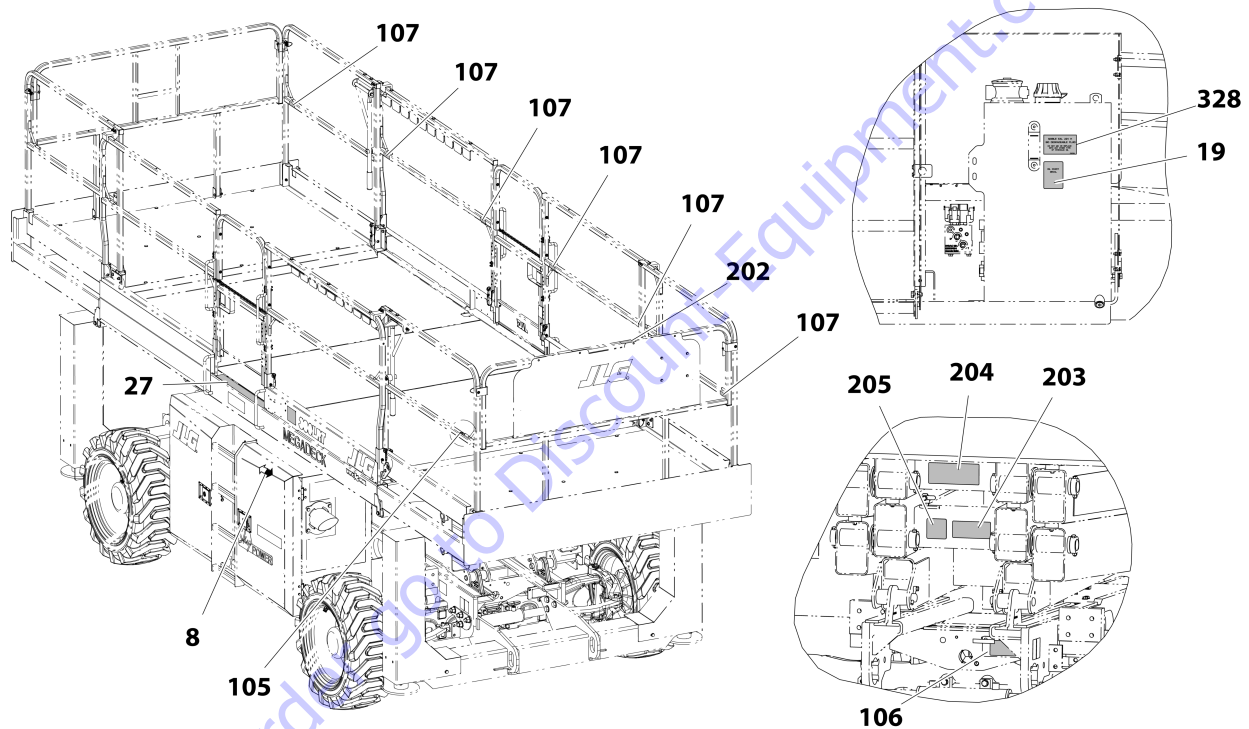


Figure 6-9. Decal Location - Sheet 2 of 2 (ANSI, ANSI Export)

SECTION 6 - GENERAL SPECIFICATIONS AND OPERATOR MAINTENANCE

Table 6-7. Decal Location Legend - ANSI, ANSI Export

Item #	English - ANSI (1001207678-F)	French/CSA (1001207679-E)	Eng/Chinese (1001207681-D)	Eng/Spanish (1001207682-D)	Portuguese/Spa (1001207683-D)	English/ Kor (1001216811-C)
1-5	--	--	--	--	--	--
6*	1702631	1702631	1702631	1702631	1702631	1702631
7	--	--	--	--	--	--
8	1703687	1703687	1703687	1703687	1703687	1703687
9-11	--	--	--	--	--	--
12	1703816	1704684	1705195	1704691	1704699	1703816
13-14	--	--	--	--	--	--
15	--	--	1704607	--	--	--
16-18	--	--	--	--	--	--
19	1704412	1704412	1704412	1704412	1704412	1704412
20	--	--	--	--	--	--
21	--	1705303	--	--	--	--
22-24	--	--	--	--	--	--
25	3251813	3251813	3251813	3251813	3251813	3251813
26	--	--	--	--	--	--
27*	4420067	4420067	4420067	4420067	4420067	4420067
28	--	--	--	--	--	--
29	1001231801	--	--	--	--	--
30	--	--	--	--	--	--
31*	1703493	1703493	1703493	1703493	1703493	1703493

SECTION 6 - GENERAL SPECIFICATIONS AND OPERATOR MAINTENANCE

Table 6-7. Decal Location Legend - ANSI, ANSI Export

Item #	English - ANSI (1001207678-F)	French/CSA (1001207679-E)	Eng/Chinese (1001207681-D)	Eng/Spanish (1001207682-D)	Portuguese/Spa (1001207683-D)	English/ Kor (1001216811-C)
32	1001223055	1001223971	1001224050	1001224049	1001224052	1001224048
33	1705679	1705679	--	1705679	1705727	1705679
34	1001223453	1001223453	--	--	--	--
100	--	--	--	--	--	--
101	1701509	1701509	1701509	1701509	1701509	1701509
102*	1703811**	1703811**	1703811**	1703811**	1703811**	1703811**
103	1703812	1703812	1703812	1703812	1703812	1703812
104*	1703814**	1703814**	1703814**	1703814**	1703814**	1703814**
105*	1703819	1703819	1703819	1703819	1703819	1703819
106	1703822	1703822	1703822	1703822	1703822	1703822
107*	1704277	1704277	1704277	1704277	1704277	1704277
200	--	--	--	--	--	--
201*	1703818	1704686	1705193	1704693	1704701	1703818
202	1703821	1704687	1705194	1704694	1704702	1703821
203	1703823	1705019	1705944	1705041	1705043	1703823
204	1704432	1705311	1705943	1705316	1705318	1704432
205	1705019	1705019	1705019	1705019	1705019	1705019
206	1001192853	1001203075	1001192853	1001203076	1001203077	1001192853
3110A*	1001170869	1001170869	1001170869	1001170869	1001170869	1001170869
3136	1001125387	1001125387	--	--	--	1001125387

SECTION 6 - GENERAL SPECIFICATIONS AND OPERATOR MAINTENANCE

Table 6-7. Decal Location Legend - ANSI, ANSI Export

Item #	English - ANSI (1001207678-F)	French/CSA (1001207679-E)	Eng/Chinese (1001207681-D)	Eng/Spanish (1001207682-D)	Portuguese/Spa (1001207683-D)	English/ Kor (1001216811-C)
3142*	1001142595	1001142595	1001142595	1001142595	1001142595	1001142595
3146A	1001143852	--	1001143852	1001143852	1001143852	1001143852
328	1702788 1704174-SYN 1703479-GER (CE) 1704175-SYN-GER (CE)	1702788 1704174-SYN 1703479-GER (CE) 1704175-SYN-GER (CE)	1702788 1704174-SYN 1703479-GER (CE) 1704175-SYN-GER (CE)	1702788 1704174-SYN 1703479-GER (CE) 1704175-SYN-GER (CE)	1702788 1704174-SYN 1703479-GER (CE) 1704175-SYN-GER (CE)	1702788 1704174-SYN 1703479-GER (CE) 1704175-SYN-GER (CE)
329	1702962 - Diesel 1702961 - Gas	--	--	--	--	--
330*	1705020-330LRT-SE 3252757-330LRT-DE 1705021-430LRT-SE 1705022-430LRT-DE	1705020-330LRT-SE 3252757-330LRT-DE 1705021-430LRT-SE 1705022-430LRT-DE	1705020-330LRT-SE 3252757-330LRT-DE 1705021-430LRT-SE 1705022-430LRT-DE	1705020-330LRT-SE 3252757-330LRT-DE 1705021-430LRT-SE 1705022-430LRT-DE	1705020-330LRT-SE 3252757-330LRT-DE 1705021-430LRT-SE 1705022-430LRT-DE	1705020-330LRT-SE 3252757-330LRT-DE 1705021-430LRT-SE 1705022-430LRT-DE
331	1701505-Diesel 1701542-Dual Fuel)	1701505-Diesel 1701542-Dual Fuel)	1701505-Diesel 1701542-Dual Fuel)	1701505-Diesel 1701542-Dual Fuel)	1701505-Diesel 1701542-Dual Fuel)	1701505-Diesel 1701542-Dual Fuel)
341	1700818	1700818	1700818	1700818	1700818	1700818
343*	1001205823-330LRT 1001205825-430LRT	1001205823-330LRT 1001205825-430LRT	1001205823-330LRT 1001205825-430LRT	1001205823-330LRT 1001205825-430LRT	1001205823-330LRT 1001205825-430LRT	1001205823-330LRT 1001205825-430LRT

* Both Sides of Machine

** Location of sequence 102 and 104 moves to Leveling Jacks when the option is installed upon the machine.

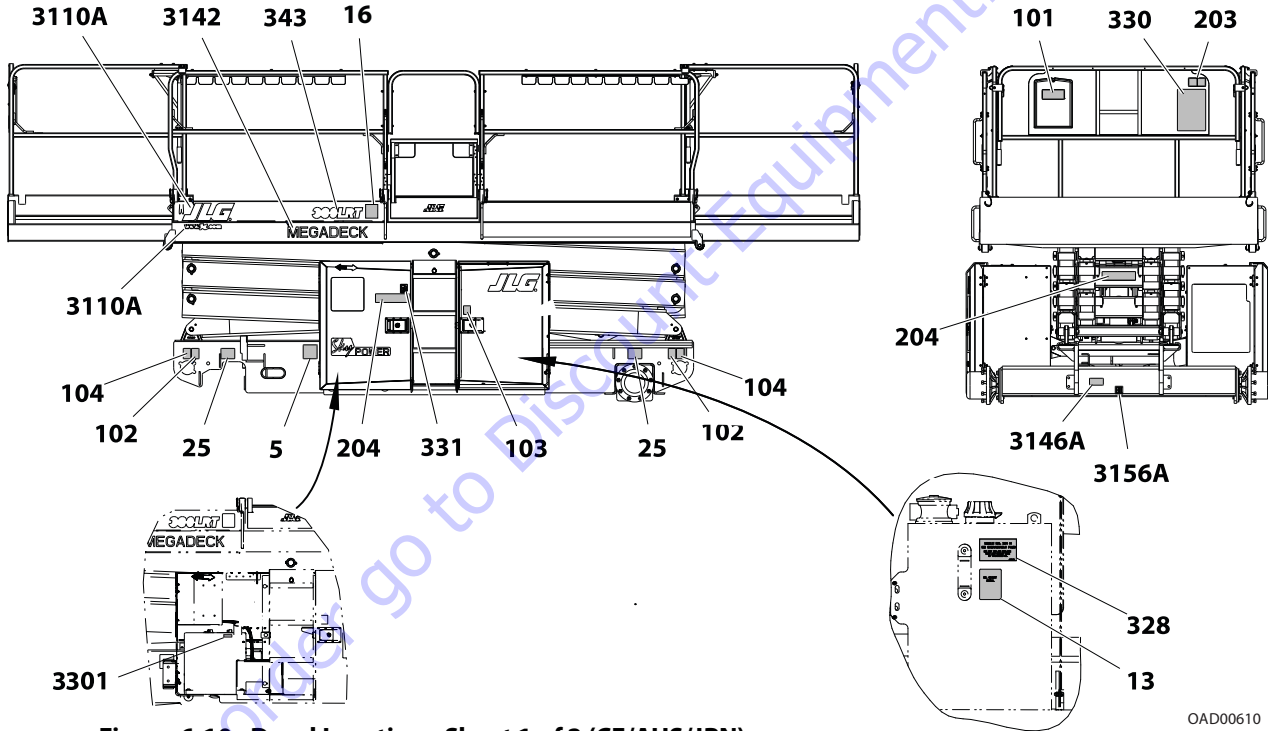


Figure 6-10. Decal Location - Sheet 1 of 2 (CE/AUS/JPN)

OAD00610

SECTION 6 - GENERAL SPECIFICATIONS AND OPERATOR MAINTENANCE

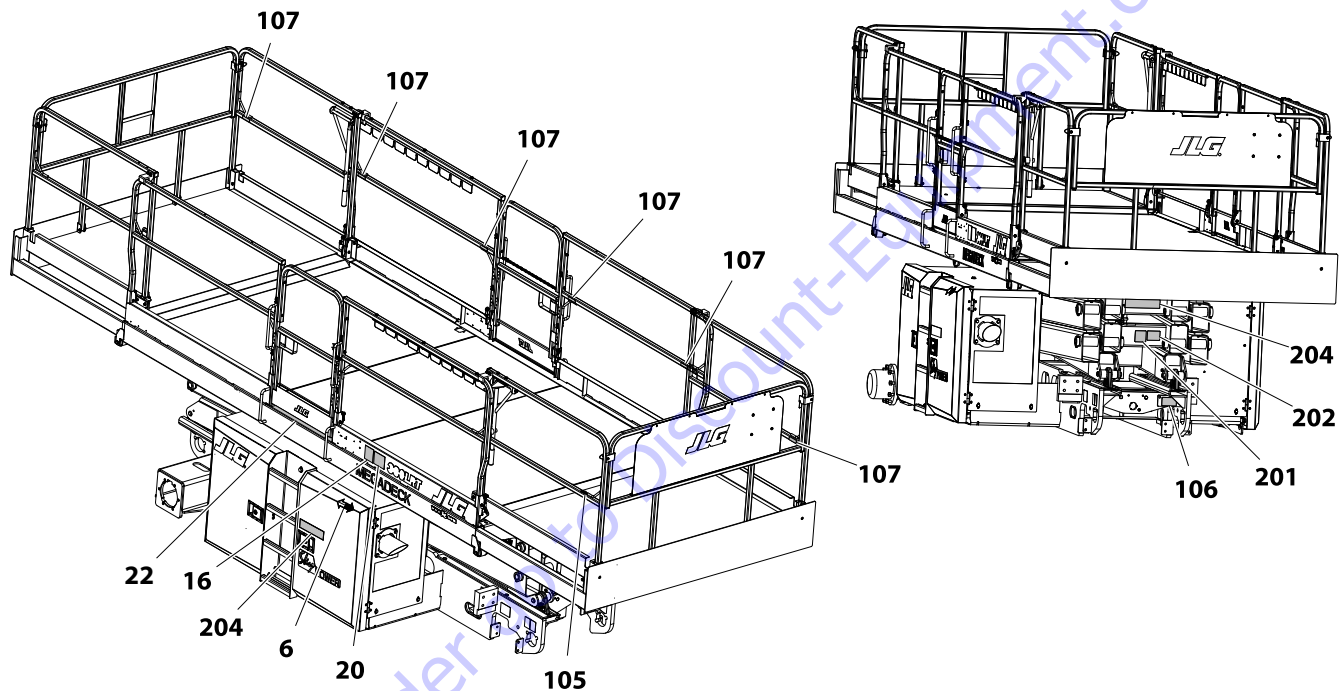


Figure 6-11. Decal Location - Sheet 2 of 2 (CE/AUS/JPN)

SECTION 6 - GENERAL SPECIFICATIONS AND OPERATOR MAINTENANCE

Table 6-8. Decal Legend - CE/AUS/JPN

Item #	CE/AUS/JPN (1001207680-F)
1-4	--
5	1702631
6*	1703687
7-12	--
13	1704412
14-15	--
16	1705515 (prior to SN 0200267916) 80463053 (SN 0200267917 to present)
17-19	--
20	3251813
21	--
22*	4420067
23-24	--
25*	1703493
100	--
101	1701509
102*	1703811**

Table 6-8. Decal Legend - CE/AUS/JPN

Item #	CE/AUS/JPN (1001207680-F)
103	1703812
104*	1703814**
105*	1703819
106	1703822
107*	1704277
200	--
201	1705019
202	1705372
203	1705671
204*	1706338
3110A*	1001170869
3142*	1001142595
3146A	1001143852
3156A	1001214029
328	1702788 1704174-SYN 1703479-GER (CE) 1704175-SYN-GER (CE)

SECTION 6 - GENERAL SPECIFICATIONS AND OPERATOR MAINTENANCE

Table 6-8. Decal Legend - CE/AUS/JPN

Item #	CE/AUS/JPN (1001207680-F)
330	1705034-330LRT-SE (CE) 1705035-330LRT-DE (CE) 1705036-430LRT-SE (CE) 1705037-430LRT-DE (CE)
3301	1001139654
331	1701505 - Diesel 1701542 - Dual Fuel
343	1001205823-330LRT 1001205825-430LRT
* Both sides of machine.	
** Location of sequence 102 and 104 moves to Leveling Jacks when the option is installed upon the machine.	

TO PURCHASE THIS PRODUCT PLEASE CONTACT US



**Equipment Financing and
Extended Warranties Available**



**Discount-Equipment.com is your online resource for
commercial and industrial quality parts and equipment sales.**

561-964-4949

visit us on line @ www.discount-equipment.com

Select an option below to find your Equipment

Search by Manufacturer

Search by Product Type

Request a Quote

We sell worldwide for the brands: Genie, Terex, JLG, MultiQuip, Mikasa, Essick, Whiteman, Mayco, Toro Stone, Diamond Products, Generac Magnum, Airman, Haulotte, Barreto, Power Blanket, Nifty Lift, Atlas Copco, Chicago Pneumatic, Allmand, Miller Curber, Skyjack, Lull, Skytrak, Tsurumi, Husquvarna Target, Stow, Wacker, Sakai, Mi-T-M, Sullair, Basic, Dynapac, MBW, Weber, Bartell, Bennar Newman, Haulotte, Ditch Runner, Menegotti, Morrison, Contec, Buddy, Crown, Edco, Wyco, Bomag, Laymor, EZ Trench, Bil-Jax, F.S. Curtis, Gehl Pavers, Heli, Honda, ICS/PowerGrit, IHI, Partner, Imer, Clipper, MMD, Koshin, Rice, CH&E, General Equipment, Amida, Coleman, NAC, Gradall, Square Shooter, Kent, Stanley, Tamco, Toku, Hatz, Kohler, Robin, Wisconsin, Northrock, Oztec, Toker TK, Rol-Air, APT, Wylie, Ingersoll Rand / Doosan, Innovatech, Con X, Ammann, Mecalac, Makinex, Smith Surface Prep, Small Line, Wanco, Yanmar

JLG[®]

An Oshkosh Corporation Company

**Discount
Equipment**

www.Discount-Equipment.com

To order go to www.Discount-Equipment.com