

LRT SERIES

ROUGH TERRAIN SCISSOR LIFTS



www.Discount-Equipment.com



Performance

| | | |
|--------------------------------|---------------|------------------------|
| Platform Height–Elevated | | |
| 330LRT | 33 ft | 10.06 m |
| 430LRT | 43 ft | 13.11 m |
| 530LRT | 53 ft | 16.2 m |
| Platform Capacity | | |
| 330LRT | 2,250 lb | 1,020 kg |
| 430LRT/530LRT | 1,500 lb | 680 kg |
| Capacity on Platform Extension | 500 lb | 227 kg |
| Capacity with Dual Extensions | | |
| 330LRT | 2,000 lb | 907 kg |
| 430LRT | 1,250 lb | 567 kg |
| 530LRT | 1,250 lb | 567 kg |
| Number of Occupants | 6 | |
| Lift/Lower Time | | |
| 330LRT | 35/32 seconds | |
| 430LRT | 45/42 seconds | |
| 530LRT | 65/60 seconds | |
| Maximum Drive Height | | |
| 330LRT/430LRT | Full Height | |
| 530LRT | 32 ft | 9.75 m |
| Weight w/One Extension* | | |
| 330LRT | 11,820 lb | 5,372 kg |
| 430LRT | 14,300 lb | 6,486 kg |
| 530LRT | 17,000 lb | 7,711 kg |
| Ground Bearing Pressure | | |
| 330LRT | 73 psi | 5.1 kg/cm ² |
| 430LRT | 83 psi | 5.8 kg/cm ² |
| 530LRT | 90 psi | 6.3 kg/cm ² |
| Drive Speed | 3.5 mph | 5.6 km/h |
| Gradeability | | |
| 330LRT/430LRT | 45% | |
| 530LRT | 40% | |
| Tilt Rating | | |
| 330LRT | 3.0 degrees | |
| 430LRT | 3.0 degrees | |
| 530LRT | 1.5 degrees | |
| Turning Radius (Inside) | | |
| 330LRT/430LRT | 8 ft 10.5 in. | 2.7 m |
| 530LRT | 9 ft | 2.7 m |
| Turning Radius (Outside) | | |
| 330LRT/430LRT | 19 ft 5.5 in. | 5.9 m |
| 530LRT | 19 ft 9 in. | 6.0 m |

* Certain options or country standards will increase weight.

Standard Specifications

Engine

| | | |
|----------------------------|---------|---------|
| Make and Model | | |
| Dual Fuel – Kubota WG972 | 31 hp | 23.2 kW |
| Diesel Fuel – Kubota D1305 | 24.8 hp | 18.5 kW |
| Fuel Tank Capacity | 22 gal. | 83.3 L |



Tires

| | |
|---------------|---|
| Standard | |
| 330LRT/430LRT | 33 x 15.5 Superwide/12 x 16.5 Foam-filled |
| 530LRT | 12 x 16.5 Foam-filled |

Brakes

- Rear Wheel Spring Applied

Hydraulic System

| | | |
|------------|---------|---------|
| • Capacity | 32 gal. | 121.4 L |
|------------|---------|---------|

Standard Features

- 4-Wheel Drive
- Automatic Transmission
- Three-speed Drive Select
- Proportional Drive/Lift Up/Lift Down
- Oscillating Axle
- 76 x 154 in. (1.95 x 3.92 m) Platform
- 4 ft (1.22 m) Manual Deck Extension
- 110V-AC Receptacle in Platform
- 73.5 x 156 in. (1.87 x 3.96 m) All-Steel Platform³
- Adjustable, Removable Platform Control Station
- Fold-Down Handrails
- Horn
- Tilt Light and Alarm
- All Motion Alarm

Accessories & Options

- Leveling Jacks¹
- Dual Extension Deck
- 1/2 in. Airline to Platform
- Flashing Amber Beacon
- 43.5 lb (19.7 kg) Propane Tank
- Cold Weather Start Kit
- 7500 Watt Generator
- Pipe Rack
- Large Material Rack

1. Standard on 530LRT
2. Not available on 530LRT
3. Only available on 530LRT

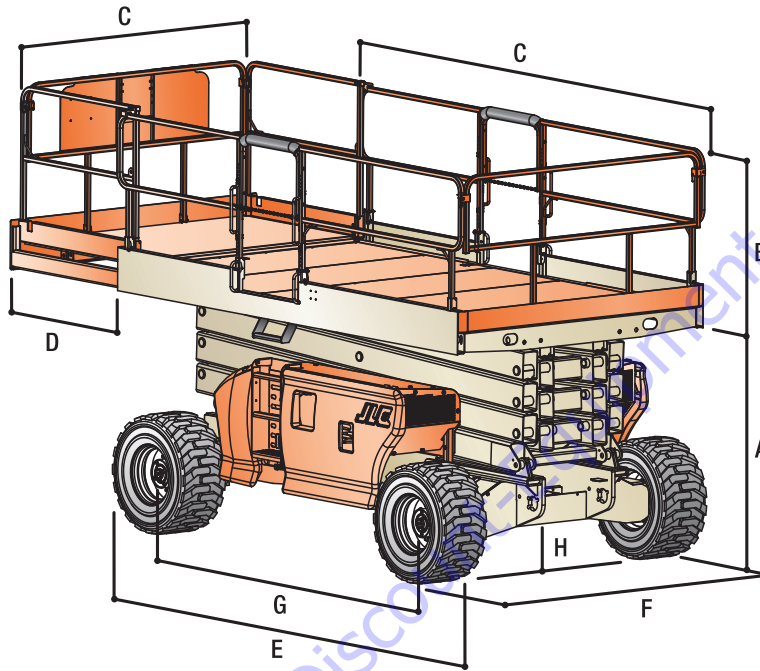
LRT SERIES

ROUGH TERRAIN SCISSOR LIFTS



Dimensions

All dimensions are approximate.



Platform Height — Elevated

| | | |
|--------|-------|--------|
| 330LRT | 33 ft | 10.1 m |
| 430LRT | 43 ft | 13.1 m |
| 530LRT | 53 ft | 16.2 m |

A. Platform Height — Lowered

| | | |
|--------|--------------|-------|
| 330LRT | 5 ft 3.4 in. | 1.6 m |
| 430LRT | 6 ft 5 in. | 1.8 m |
| 530LRT | 6 ft 7 in. | 2.0 m |

B. Platform Railing Height

| | | |
|--|--------------|-------|
| | 3 ft 7.5 in. | 1.1 m |
|--|--------------|-------|

C. Platform Size

| | | |
|---------------|------------------|-------------|
| 330LRT/430LRT | 70.5 x 149.8 in. | 1.8 x 3.8 m |
| 530LRT | 73.5 x 156 in. | 1.9 x 4.0 m |

D. Platform Extension

| | | |
|--|------|-------|
| | 4 ft | 1.2 m |
|--|------|-------|

E. Overall Length

| | | |
|---------------|--------------|-------|
| 330LRT/430LRT | 12 ft 10 in. | 3.9 m |
| 530LRT | 16 ft | 4.9 m |

F. Overall Width

| | | |
|---------------|------------|-------|
| 330LRT/430LRT | 7 ft 9 in. | 2.4 m |
| 530LRT | 7 ft 7 in. | 2.3 m |

G. Wheelbase

| | | |
|--|------------|-------|
| | 9 ft 9 in. | 3.0 m |
|--|------------|-------|

H. Ground Clearance

| | | |
|---------------|----------|---------|
| 330LRT/430LRT | 13.6 in. | 34.5 cm |
| 530LRT | 12 in. | 30 cm |



The JLG "1 & 5" Warranty

We provide coverage for one (1) full year, and cover all specified major structural components for five (5) years. Due to continuous product improvements, we reserve the right to make specification and/or equipment changes without prior notification. This machine meets or exceeds applicable ANSI and CSA requirements based on machine configuration as originally manufactured for intended applications. Please reference the serial number plate on the machine for additional information.

Part No.: 3131581
R1219_A92.20
Printed in USA

www.Discount-Equipment.com