



A TEREX BRAND



Parts Manual

Serial Number Range

Super Tower

to SN 7793-999

Part No. 1261914

Rev A16

November 2018

Go to Discount-Equipment.com to order your parts

PARTS FINDER

**Search Website
by Part Number**



**Search Manual
Library For Parts
Manual & Lookup Part
Numbers – Purchase
or Request Quote**

Search Manuals

Enter your information to help us find the right parts manual for your machine.

* Brand:

* Model:

* Serial:

* Part Number:

SEARCH

**Can't Find Part or
Manual? Request Help
by Manufacturer,
Model & Description**

Parts Order Form

Please fill in the following information to help us find the right part for your machine.

Manufacturer:	<input type="text"/>
Model:	<input type="text"/>
Description:	<input type="text"/>
Part Number:	<input type="text"/>
Quantity:	<input type="text"/>
Notes:	<input type="text"/>

Submit

Discount-Equipment.com is your online resource for quality parts & equipment.

Florida: **561-964-4949** Outside Florida TOLL FREE: **877-690-3101**

Need parts?

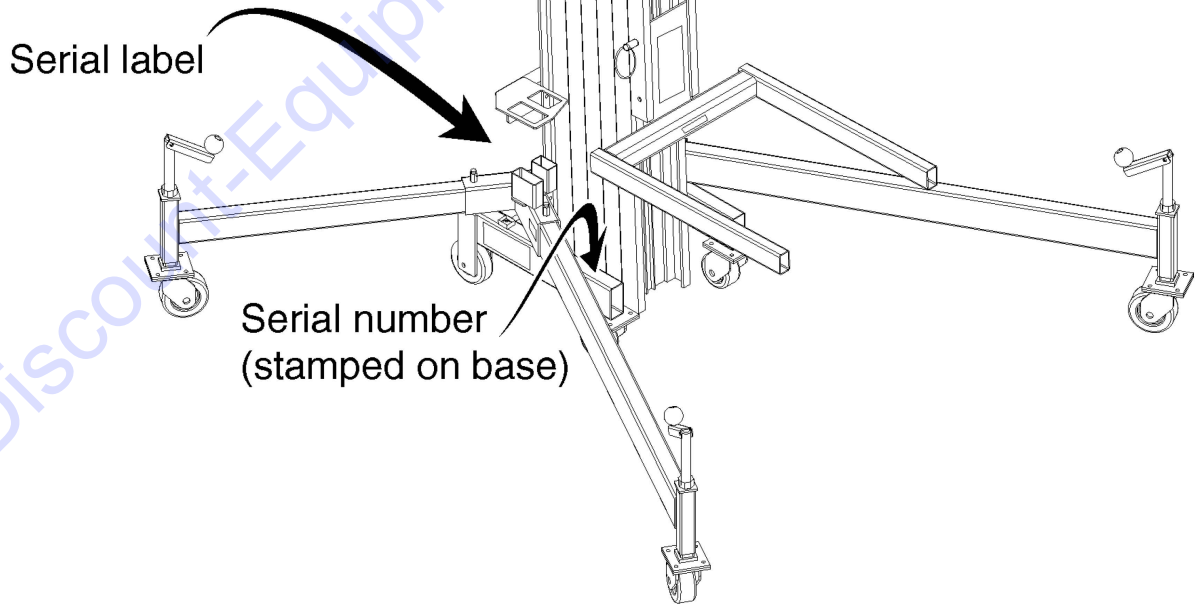
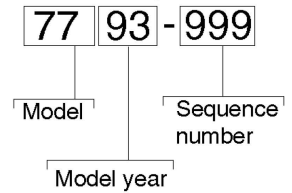
Click on this link: <http://www.discount-equipment.com/category/5443-parts/> and choose one of the options to help get the right parts and equipment you are looking for. Please have the machine model and serial number available in order to help us get you the correct parts. If you don't find the part on the website or on one of the online manuals, please fill out the request form and one of our experienced staff members will get back to you with a quote for the right part that your machine needs.

We sell worldwide for the brands: Genie, Terex, JLG, MultiQuip, Mikasa, Essick, Whiteman, Mayco, Toro Stone, Diamond Products, Generac Magnum, Airman, Haulotte, Barreto, Power Blanket, Nifty Lift, Atlas Copco, Chicago Pneumatic, Allmand, Miller Curber, Skyjack, Lull, Skytrak, Tsurumi, Husquvarna Target, Stow, Wacker, Sakai, Mi-T-M, Sullair, Basic, Dynapac, MBW, Weber, Bartell, Bennar Newman, Haulotte, Ditch Runner, Menegotti, Morrison, Contec, Buddy, Crown, Edco, Wyco, Bomag, Laymor, EZ Trench, Bil-Jax, F.S. Curtis, Gehl Pavers, Heli, Honda, ICS/PowerGrit, IHI, Partner, Imer, Clipper, MMD, Koshin, Rice, CH&E, General Equipment, Amida, Coleman, NAC, Gradall, Square Shooter, Kent, Stanley, Tamco, Toku, Hatz, Kohler, Robin, Wisconsin, Northrock, Oztec, Toker TK, Rol-Air, APT, Wylie, Ingersoll Rand / Doosan, Innovatech, Con X, Ammann, Mecalac, Makinex, Smith Surface Prep, Small Line, Wanco, Yanmar

Genie
A TEREX BRAND

Model: ST
Serial Number: 7793-999
Manufacture Date: 1993
Electrical Schematic: N/A
Country of manufacture: USA

CE₉₉



Go to Discount-Equipment.com to order your parts

Table of Contents

This manual is updated frequently. For the most up-to-date parts information, visit www.discount-equipment.com

How to Read Your Serial Number.....3
Parts Stocking List.....7

Electronic Version
Click on any page number to view the figure.

100 Base Components
101.1 Base Components.....10

200 Mast and Winch Components
201.1 Mast Components.....12
202.1 Winch Components.....14

300 Forks
301.1 Adjustable Forks.....16

Indices
Part Number Index.....18
Part Description Index.....19

Cross References

Go to Discount-Equipment.com to order your parts

Required Parts

The following parts are required to perform maintenance procedures as outlined in the Genie Super Tower Service Manual.

Description	Part No.
Cable Replacement Coupler	12402
Service Kit, Pinion Shaft	1256081

Recommended Parts

Description	Part No.
Genie Blue Paint, 1 Gallon (3.78 liters)	32150
Genie Blue Paint, 12 Ounce Aerosol (355 ml).....	1484
Genie Gray Paint, 1 Gallon (3.78 liters).....	32151
Genie Gray Paint, 12 Ounce Aerosol (355 ml).....	1268
Pulley with Bearing	6074-PRO
Cable Assembly	7250 or 7251
Roller Kit	31707
Loctite Thread Lock.....	65764
Genie Superlift Cabling Procedure Video.....	52701

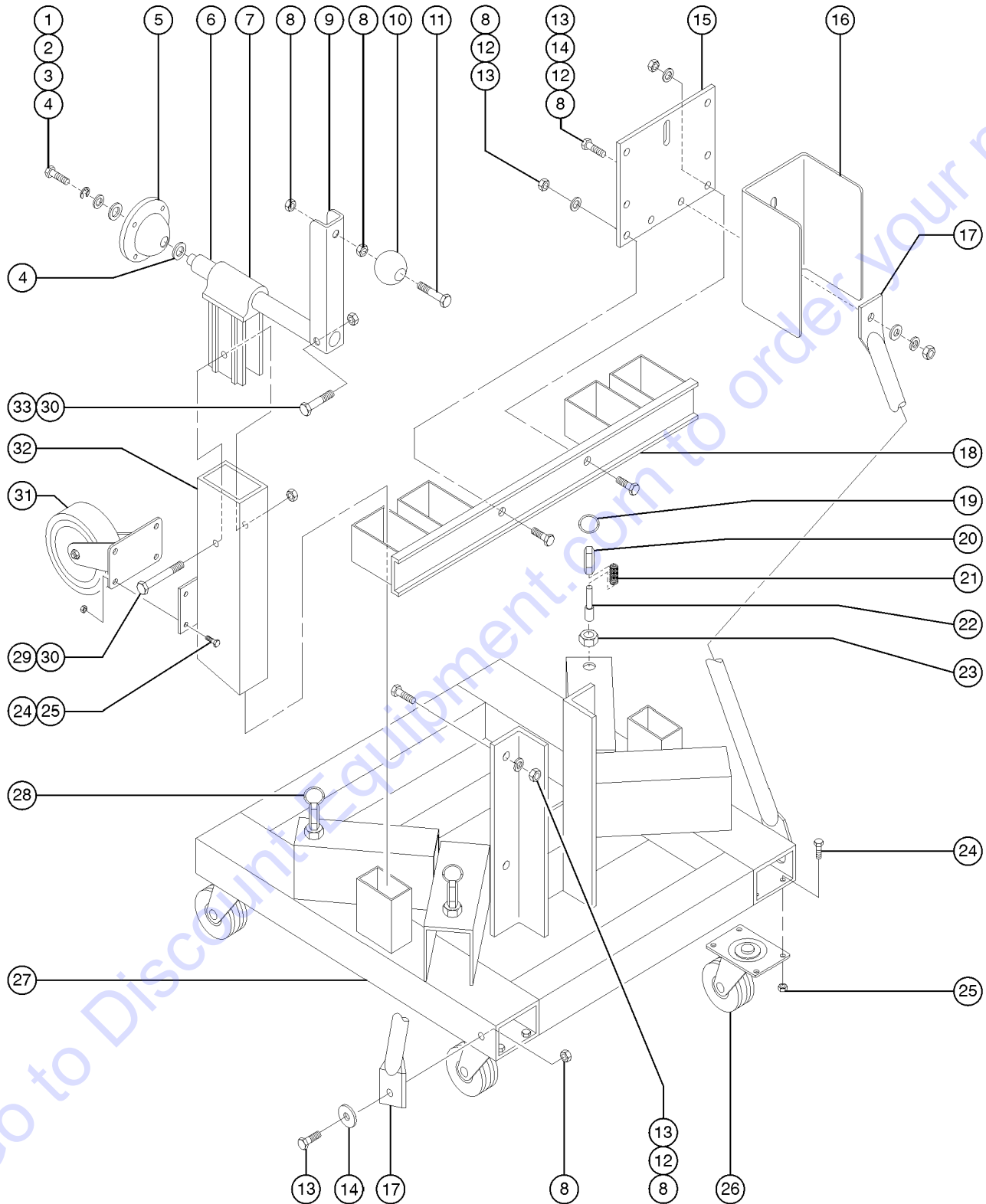
Manuals

Genie Industries offers the following support documents for these models:

Title	Part No.
EMI Safety Manual	27581
Manual of Responsibilities	
ANSI A92.5	31587

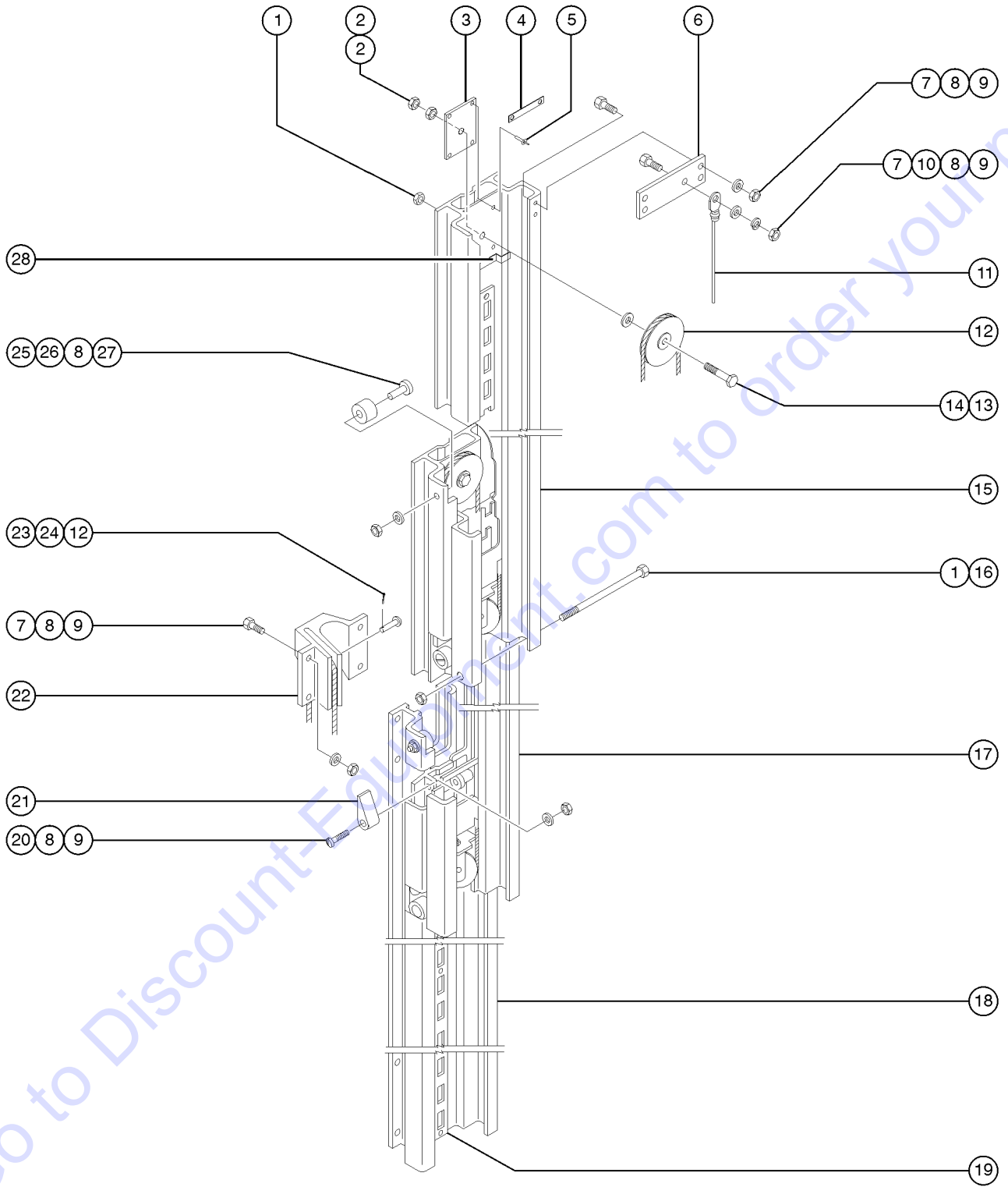
Go to Discount-Equipment.com to order your parts

101.1 Base Components



Item	Part No.	Description	Qty.
--	12275GT	DECAL KIT,SUPERTOWER PRE'94	
1	6090GT	SCREW,HHC,1/4-20 X .75	
2	6356GT	WASHER,LOCK,.25	
3	6638GT	WASHER,FLAT,USS,1/4"Y	
4	6898GT	WASHER,SHIM,.625 X 1.188X.064	
5		FOOTPAD <i>original component no longer available; refer to kit 18589</i>	
6	6706GT	LEVELING JACK ROD 16".....4	
7	18589GT	LEVELING JACK ASSY,16".....4 <i>includes items 1-10</i>	
8	6022GT	NUT,HEX,3/8-16	
9	8214GT	HANDLE,LEVELING JACK,SHRT-ZINC.....4	
10	6082GT	HANDLE BALL KNOB.....4	
11	5224GT	SCREW,HHC,3/8-16 X 2.....4	
12	6021GT	WASHER,LOCK,.375	
13	6175GT	SCREW,HHC,3/8-16 X 1	
14	6097GT	WASHER,FLAT,USS,3/8",Y	
15	6061PGT	WINCH MNT.PLATE WELD-PAINTED.....1	
16		Refer to Winch Components 202.1	
17A	6100GT	CONDUIT-39.375" MAST BRACE,LH <i>left side</i>	
17B	6101GT	CONDUIT-39.375" MAST BRACE,RH <i>right side</i>	
18	6282PGT	OUTRIGGER STORAGE WELD-PAINTED.....1	
19	5193GT	SPLIT RING, 1.00 DIA.....4	
20	6786GT	LOCK PIN HOUSING-.625-11UNC-2A....4	
21	5167GT	SPRING,LOCK PIN.....4	
22	5166GT	LOCK PIN PLUNGER-SHORT, ZINC....4	
23	6012GT	NUT,WELD,1/2-13,BLACK.....4	
24	10107GT	SCREW,HHC,5/16-18 X .75	
25	6002GT	NUT,LP NYLOCK,5/16-18	
26	6219GT	CASTER, PL SW 3.0 X 1.25.....4	
27	7328GT	BASE WELDMENT-ST24.....1	
28	6277GT	PIN,LOCK,SHORT W/PULL RING.....4	
29	6884GT	SCREW,HHC,1/4-20 X 2.5	
30	6091GT	NUT,NYLOCK,1/4-20	
31	6519GT	CASTER, PL SW W/SB 5X1.25.....4	
32A	7332GT	OUTRIGGER ASSEMBLY,FRONT-ST	
32B	7334GT	OUTRIGGER ASSEMBLY,REAR-ST	
33	6145GT	SCREW,HHC,1/4-20 X 1.5	

201.1 Mast Components

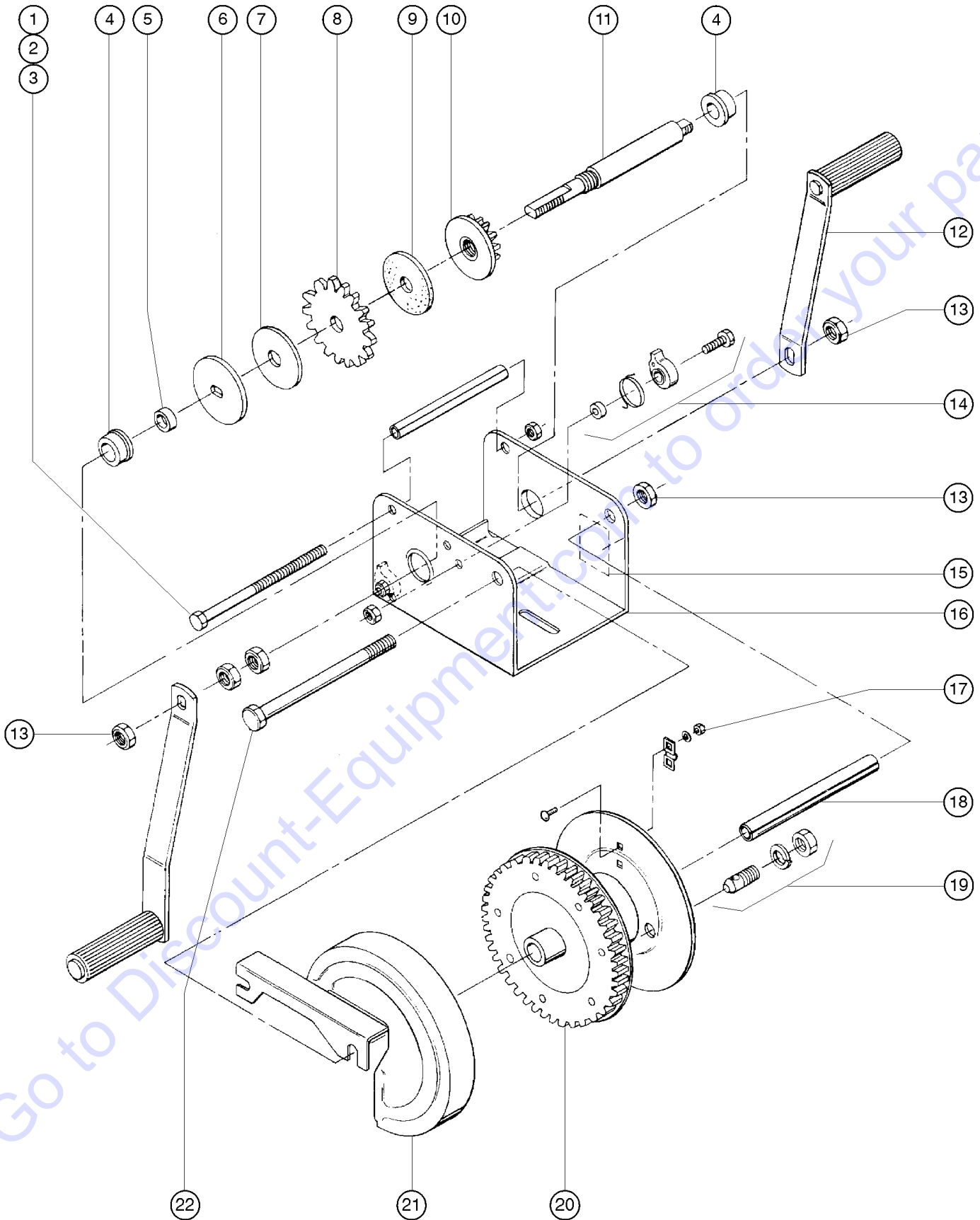


Go to Discount-Factory.com to order your parts

201.1 Mast Components

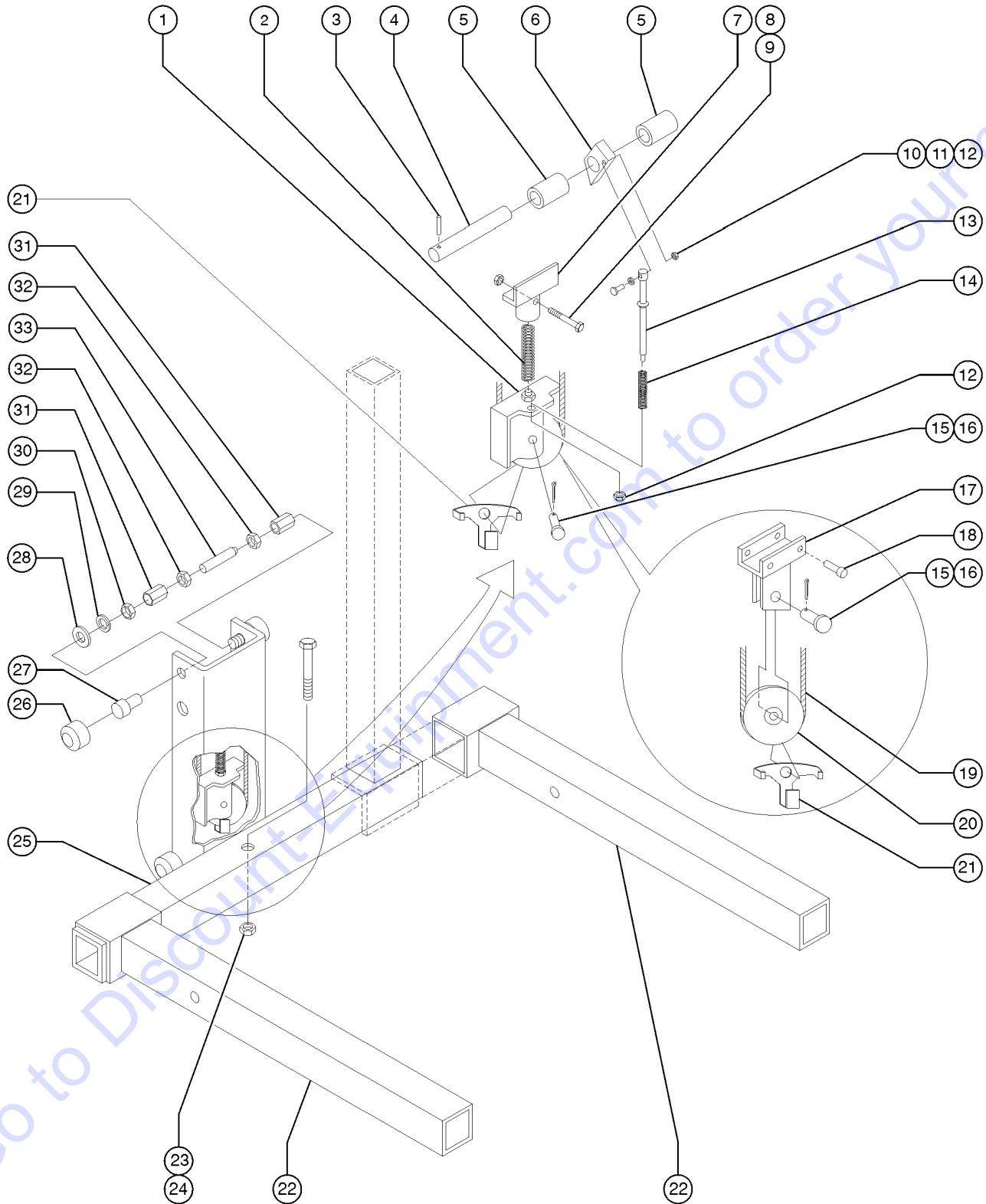
Item	Part No.	Description	Qty.	Item	Part No.	Description	Qty.
1	6086GT	NUT,LP NYLOCK,1/2-13		22	6207GT	MAST HEAD PULLEY CASTING***** <i>pulley and pin not included; see 7283 for complete assembly</i>	
2	6034GT	NUT,HEX,JAM,1/2-13		23A	6094GT	PIN,COTTER,,125 X 1.....4 ST-18	4
3A	6077GT	PULLEY BACK-UP PLATE.....2 ST-18	2	23B	6094GT	PIN,COTTER,,125 X 1.....5 ST-24	5
3B	6077GT	PULLEY BACK-UP PLATE.....3 ST-24	3	24A	6093GT	PULLEY AXLE PIN-1.41 X.5,ZINC.....4 ST-18	4
4	6712GT	CABLE GUARD, UPPER, TOP, ZINC		24B	6093GT	PULLEY AXLE PIN-1.41 X.5,ZINC.....5 ST-24	5
5	7266GT	RIVET,STL,STL,P,.25 X .75		25A	21280GT	BOLT-ROLLER,3/8-24 X 1.69-ZINC.....8 ST-18	8
6	7255GT	FLATBAR-CABLE ANCHOR-6.5"		25B	21280GT	BOLT-ROLLER,3/8-24 X 1.69-ZINC.....12 ST-24	12
7	6175GT	SCREW,HHC,3/8-16 X 1		26A	21278GT	ROLLER,NYLATRON 1.50 O.D.***.....8 ST-18; see 31707, 31708 and 31709 for roller kits	8
8	6021GT	WASHER,LOCK,,.375		26B	21278GT	ROLLER,NYLATRON 1.50 O.D.***.....12 ST-24; see 31707, 31708 and 31709 for roller kits	12
9	6022GT	NUT,HEX,3/8-16		27	6054GT	NUT,HEX,3/8-24	
10	6097GT	WASHER,FLAT,USS,3/8",Y		28	6280GT	CABLE GUARD, TOP, ZINC <i>2-prong; see 6789 for 3-prong</i>	
11A	7250GT	CABLE ASSY SL/ST 588" 3/16"***1 ST-18; 12402 Cable Coupler sold separately	1				
11B	7251GT	CABLE ASSY SL/ST 756" 3/16"***1 ST-24; 12402 Cable Coupler sold separately	1				
12A	6074-PROGT	PULLEY W/BEARING.....6 ST-18	6				
12B	6074-PROGT	PULLEY W/BEARING.....8 ST-24	8				
13A	6096GT	SCREW,HHC,1/2-13 X 2 GR5.....2 ST-18	2				
13B	6096GT	SCREW,HHC,1/2-13 X 2 GR5.....3 ST-24	3				
14	6052GT	WASHER,SHIM,.5 X .875 X .063					
15	7348GT	MAST SECTION,#3, ST-24***					
16	6733GT	SCREW,HHC,1/2-13 X 8					
17A	7343GT	MAST SECTION,#2, ST-18.....1 ST-18; columns are 84-inches tall	1				
17B	7344GT	MAST SECTION,#2, ST-24-ANODIZD...2 ST-24; columns are 84-inches tall	2				
18	7342GT	MAST SECTION,#1, ST-18/24** column is 84-inches tall					
19A	6130PGT	SLOTTED CHANNEL-68.25" -(GRAY)...3 ST-18	3				
19B	6130PGT	SLOTTED CHANNEL-68.25" -(GRAY)...4 ST-24	4				
20A	17712GT	SCREW,FHS,3/8-16 X 1.75.....4 ST-18	4				
20B	17712GT	SCREW,FHS,3/8-16 X 1.75.....6 ST-24	6				
21A	7269GT	WEDGE BLOCK.....4 ST-18	4				
21B	7269GT	WEDGE BLOCK.....6 ST-24	6				

202.1 Winch Components



Item	Part No.	Description	Qty.
--		SERVICE KIT,PINION SHAFT-K1550 (1256081) <i>(component no longer available)</i>	
--	7504GT	WINCH ASSEMBLY-SL/M9.5 MAST	
--	7505GT	WINCH ASSY (OLD STYLE SL/ST)	
1	7256GT	SCREW,HHC,5/16-18 X 6 GRD.2.....1	
2		FRAME SPACER,K-1550 (7584).....1 <i>(component no longer available)</i>	
3	12012GT	NUT,LOCK,3/8-16.....1	
4	1256081GT	SERVICE KIT,PINION SHAFT-K1550.....2	
5	7598GT	WINCH, PINION SPACER,SM,KX1550...1	
6		WINCH PINION PLATE, K-1550 (7591).....1 <i>component no longer available</i>	
7		BRAKE DISK,POLY,.5 BORE,K-1550.....1 <i>No longer available</i>	
8		RATCHET GEAR,K-1550 1/2" I.D. (6777).....1 <i>component no longer available</i>	
9	1256083GT	SVC KIT, FRICTION DISC K/KX.....1	
10		PINION GEAR AND DISC K-1550 (7590).....1 <i>component no longer available</i>	
11		WINCH PINION SHAFT, K-1550 (7588).....1 <i>component no longer available</i>	
12A	16344GT	WINCH HANDLE-O.A.LENGTH-6.25".....2	
12B	33144GT	WINCH HANDLE 8" STD.**	
13	6086GT	NUT,LP NYLOCK,1/2-13.....4	
14	6291GT	RATCHET KIT (K-1500,K-1550)**.....2 <i>includes mounting fasteners</i>	
15	6787GT	DECAL,WINCH LUBE INST.....1	
16		Ref. Winch Housing.....1 <i>component no longer available</i>	
17	6190GT	CABLE KEEP.KIT (BRACKET TYPE)*.....1 <i>includes mounting fasteners</i>	
18	6184GT	SPACER, DRUM BOLT, K-1550.....1	
19	9134GT	CABLE KEEP.KIT (THREADED STUD).....1 <i>includes mounting fasteners</i>	
20		Ref. Cable Drum Assembly.....1 <i>component no longer available</i>	
21	6770GT	WINCH GEAR COVERS, K-1500.....1	
22	6185GT	BOLT, DRUM SPACER.....1	

301.1 Adjustable Forks



301.1 Adjustable Forks

Item	Part No.	Description	Qty.	Item	Part No.	Description	Qty.
--	6799GT	CARRIAGE ASSEMBLY,STEEL-ST		13A	6132GT	CONTROL ROD, ZINC.....3 ST-18	
1A	109766GT	SLIDING PULLEY***.....3 <i>replaced 7234; ST-18</i>		13B	6132GT	CONTROL ROD, ZINC.....4 ST-24	
1B	109766GT	SLIDING PULLEY***.....4 <i>replaced 7234; ST-24</i>		14A	6133GT	CONTROL ROD SPRING.....3 ST-18	
2A	6137GT	COLUMN SPRING.....2 ST-18		14B	6133GT	CONTROL ROD SPRING.....4 ST-24	
2B	6137GT	COLUMN SPRING.....3 ST-24		15A	6094GT	PIN,COTTER,,125 X 1.....4 ST-18	
2C	6138GT	CARRIAGE SPRING.....1		15B	6094GT	PIN,COTTER,,125 X 1.....5 ST-24	
3A	6142GT	PIN,ROLL,,125 X 1.25.....6 ST-18		16A	6093GT	PULLEY AXLE PIN-1.41 X.5,ZINC.....4 ST-18	
3B	6142GT	PIN,ROLL,,125 X 1.25.....8 ST-24		16B	6093GT	PULLEY AXLE PIN-1.41 X.5,ZINC.....5 ST-24	
4A	6135ZGT	CATCH SUPT.BAR(2 HOLE)5.25,ZNC....3 ST-18		17A	6072GT	PULLEY BRACKET CASTING-DRILLED.....3 ST-18	
4B	6135ZGT	CATCH SUPT.BAR(2 HOLE)5.25,ZNC....4 ST-24		17B	6072GT	PULLEY BRACKET CASTING-DRILLED.....4 ST-24	
5A	6143GT	CONDUIT-SFTY.BRAKE SPACER-1.75.....6 ST-18		18A	6092GT	SCREW,MSF,10-32X.5.....12 ST-18	
5B	6143GT	CONDUIT-SFTY.BRAKE SPACER-1.75.....8 ST-24		18B	6092GT	SCREW,MSF,10-32X.5.....16 ST-24	
6A	21448GT	BRAKE CATCH-INVESTMENT CAST....3 ST-18		19		CABLE ASSEMBLY <i>refer to 201.1 Mast Components</i>	
6B	21448GT	BRAKE CATCH-INVESTMENT CAST....4 ST-24		20		PULLEY W/BEARING <i>refer to 201.1 Mast Components</i>	
7A	6136GT	STOP BRACKET WELDMENT-S/B.....3 ST-18		21A	6789GT	CABLE RETAINER CLIP--ZINC***.....3 ST-18	
7B	6136GT	STOP BRACKET WELDMENT-S/B.....4 ST-24		21B	6789GT	CABLE RETAINER CLIP--ZINC***.....4 ST-24	
8A	6145GT	SCREW,HHC,1/4-20 X 1.5.....3 ST-18		22	6047GT	FORK WELDMENT - MNM.....2 <i>one fork tine</i>	
8B	6145GT	SCREW,HHC,1/4-20 X 1.5.....4 ST-24		23	13005GT	SCREW,HHC,1/2-13 X 6,GRD.8	
9A	6091GT	NUT,NYLOCK,1/4-20.....3 ST-18		24	6034GT	NUT,HEX,JAM,1/2-13	
9B	6091GT	NUT,NYLOCK,1/4-20.....4 ST-24		25	6290GT	CARRIAGE WELDMENT-SUPERTOWER	
10A	6147GT	SCREW,RHM,10-32 X 1.....3 ST-18		26	6050GT	ROLLER, NYLATRON,1.5 O.D.**.....4 <i>31707 roller kit available</i>	
10B	6147GT	SCREW,RHM,10-32 X 1.....4 ST-24		27	21280GT	BOLT-ROLLER,3/8-24 X 1.69-ZINC.....4	
11A	6146GT	WASHER,FLAT,MS,#10,Y.....3 ST-18		28	6097GT	WASHER,FLAT,USS,3/8",Y	
11B	6146GT	WASHER,FLAT,MS,#10,Y.....4 ST-24		29	6021GT	WASHER,LOCK,,.375	
12A	6178GT	NUT,NYLOCK,10-32.....6 ST-18		30	6054GT	NUT,HEX,3/8-24	
12B	6178GT	NUT,NYLOCK,10-32.....8 ST-24		31	6180GT	COUPLING,ROD,3/8-24.....4	
				32	6022GT	NUT,HEX,3/8-16	
				33	6181GT	THREADED ROD,(3/8-24),2.25".....2	

Part Number Index

The Part Number Index is a numeric index of all part numbers included in this manual. The index shows what page(s) the part is used on.

Part Number	Page	Part Number	Page
10107GT	11	6786GT	11
109766GT	17	6787GT	15
12012GT	15	6789GT	17
12275GT	11	6799GT	17
1256081GT	15	6884GT	11
1256083GT	15	6898GT	11
13005GT	17	7250GT	13
16344GT	15	7251GT	13
17712GT	13	7255GT	13
18589GT	11	7256GT	15
21278GT	13	7266GT	13
21280GT	13, 17	7269GT	13
21448GT	17	7328GT	11
33144GT	15	7332GT	11
5166GT	11	7334GT	11
5167GT	11	7342GT	13
5193GT	11	7343GT	13
5224GT	11	7344GT	13
6002GT	11	7348GT	13
6012GT	11	7504GT	15
6021GT	11, 13, 17	7505GT	15
6022GT	11, 13, 17	7598GT	15
6034GT	13, 17	8214GT	11
6047GT	17	9134GT	15
6050GT	17		
6052GT	13		
6054GT	13, 17		
6061PGT	11		
6072GT	17		
6074-PROGT	13		
6077GT	13		
6082GT	11		
6086GT	13, 15		
6090GT	11		
6091GT	11, 17		
6092GT	17		
6093GT	13, 17		
6094GT	13, 17		
6096GT	13		
6097GT	11, 13, 17		
6100GT	11		
6101GT	11		
6130PGT	13		
6132GT	17		
6133GT	17		
6135ZGT	17		
6136GT	17		
6137GT	17		
6138GT	17		
6142GT	17		
6143GT	17		
6145GT	11, 17		
6146GT	17		
6147GT	17		
6175GT	11, 13		
6178GT	17		
6180GT	17		
6181GT	17		
6184GT	15		
6185GT	15		
6190GT	15		
6207GT	13		
6219GT	11		
6277GT	11		
6280GT	13		
6282PGT	11		
6290GT	17		
6291GT	15		
6356GT	11		
6519GT	11		
6638GT	11		
6706GT	11		
6712GT	13		
6733GT	13		
6770GT	15		

The Part Description Index is an alphabetical index of all part descriptions included in this manual. The index shows what page(s) the part is used on.

B

BASE WELDMENT-ST24.....11
 BOLT, DRUM SPACER.....15
 BOLT-ROLLER,3/8-24 X 1.69-ZINC.....13, 17
 BRAKE CATCH-INVESTMENT CAST.....17
 BRAKE DISK,POLY,.5 BORE,K-1550.....15

C

CABLE ASSEMBLY.....17
 CABLE ASSY SL/ST 588" 3/16"***13
 CABLE ASSY SL/ST 756" 3/16"***13
 CABLE GUARD, UPPER, TOP, ZINC.....13
 CABLE GUARD, TOP, ZINC.....13
 CABLE KEEP.KIT (BRACKET TYPE)*15
 CABLE KEEP.KIT (THREADED STUD).....15
 CABLE RETAINER CLIP--ZINC***17
 CARRIAGE ASSEMBLY,STEEL-ST.....17
 CARRIAGE SPRING.....17
 CARRIAGE WELDMENT-SUPERTOWER.....17
 CASTER, PL SW 3.0 X 1.25.....11
 CASTER, PL SW W/SB 5X1.25.....11
 CATCH SUPT.BAR(2 HOLE)5.25,ZNC.....17
 COLUMN SPRING.....17
 CONDUIT-39.375" MAST BRACE,LH.....11
 CONDUIT-39.375" MAST BRACE,RH.....11
 CONDUIT-SFTY.BRAKE SPACER-1.75.....17
 CONTROL ROD SPRING.....17
 CONTROL ROD, ZINC.....17
 COUPLING,ROD,3/8-24.....17

D

DECAL KIT,SUPERTOWER PRE'94.....11
 DECAL,WINCH LUBE INST.....15

F

FLATBAR-CABLE ANCHOR-6.5".....13
 FOOTPAD.....11
 FORK WELDMENT - MNM.....17
 FRAME SPACER,K-1550 (7584).....15

H

HANDLE BALL KNOB.....11
 HANDLE,LEVELING JACK,SHRT-ZINC.....11

L

LEVELING JACK ASSY,16".....11
 LEVELING JACK ROD 16".....11
 LOCK PIN HOUSING-.625-11UNC-2A.....11
 LOCK PIN PLUNGER-SHORT, ZINC.....11

M

MAST HEAD PULLEY CASTING*****13
 MAST SECTION,#1, ST-18/24**13
 MAST SECTION,#2, ST-18.....13
 MAST SECTION,#2, ST-24-ANODIZD.....13
 MAST SECTION,#3, ST-24***13

N

NUT,HEX,3/8-16.....11, 13, 17
 NUT,HEX,3/8-24.....13, 17
 NUT,HEX,JAM,1/2-13.....13, 17
 NUT,LOCK,3/8-16.....15

NUT,LP NYLOCK,1/2-13.....13, 15
 NUT,LP NYLOCK,5/16-18.....11
 NUT,NYLOCK,1/4-20.....11, 17
 NUT,NYLOCK,10-32.....17
 NUT,WELD,1/2-13,BLACK.....11

O

OUTRIGGER ASSEMBLY,FRONT-ST.....11
 OUTRIGGER ASSEMBLY,REAR-ST.....11
 OUTRIGGER STORAGE WELD-PAINTED...11

P

PIN,COTTER,.125 X 1.....13, 17
 PIN,LOCK,SHORT W/PULL RING.....11
 PIN,ROLL,.125 X 1.25.....17
 PINION GEAR AND DISC K-1550 (7590).....15
 PULLEY AXLE PIN-1.41 X.5,ZINC.....13, 17
 PULLEY BACK-UP PLATE.....13
 PULLEY BRACKET CASTING-DRILLED.....17
 PULLEY W/BEARING.....13, 17

R

RATCHET GEAR,K-1550 1/2" I.D. (6777).....15
 RATCHET KIT (K-1500,K-1550)**15
 Refer to Winch Components 202.1.....11
 RIVET,STL,STL,P,.25 X .75.....13
 ROLLER, NYLATRON,1.5 O.D.**17
 ROLLER,NYLATRON 1.50 O.D.**13

S

SCREW,FHS,3/8-16 X 1.75.....13
 SCREW,HHC,1/2-13 X 2 GR5.....13
 SCREW,HHC,1/2-13 X 6,GRD.8.....17
 SCREW,HHC,1/2-13 X 8.....13
 SCREW,HHC,1/4-20 X .75.....11
 SCREW,HHC,1/4-20 X 1.5.....11, 17
 SCREW,HHC,1/4-20 X 2.5.....11
 SCREW,HHC,3/8-16 X 1.....11, 13
 SCREW,HHC,3/8-16 X 2.....11
 SCREW,HHC,5/16-18 X .75.....11
 SCREW,HHC,5/16-18 X 6 GRD.2.....15
 SCREW,MSF,10-32X.5.....17
 SCREW,RHM,10-32 X 1.....17
 SERVICE KIT,PINION SHAFT-K1550.....15
 SERVICE KIT,PINION SHAFT-K1550 (1256081).....15
 SLIDING PULLEY***17
 SLOTTED CHANNEL-68.25" -(GRAY).....13
 SPACER, DRUM BOLT, K-1550.....15
 SPLIT RING, 1.00 DIA.....11
 SPRING,LOCK PIN.....11
 STOP BRACKET WELDMENT-S/B.....17
 SVC KIT, FRICTION DISC K/KX.....15

T

THREADED ROD,(3/8-24),2.25".....17

W

WASHER,FLAT,MS,#10,Y.....17
 WASHER,FLAT,USS,1/4"Y.....11
 WASHER,FLAT,USS,3/8",Y.....11, 13, 17
 WASHER,LOCK,.25.....11
 WASHER,LOCK,.375.....11, 13, 17
 WASHER,SHIM,.5 X .875 X .063.....13

WASHER,SHIM,.625 X 1.188X.064.....11
 WEDGE BLOCK.....13
 WINCH ASSEMBLY-SL/M9.5 MAST.....15
 WINCH ASSY (OLD STYLE SL/ST).....15
 WINCH GEAR COVERS, K-1500.....15
 WINCH HANDLE 8" STD.**15
 WINCH HANDLE-O.A.LENGTH-6.25"15
 WINCH MNT.Plate WELD-PAINTED.....11
 WINCH PINION PLATE, K-1550 (7591).....15
 WINCH PINION SHAFT, K-1550 (7588).....15
 WINCH, PINION SPACER,SM,KX1550.....15

California Proposition 65



WARNING

Operating, servicing and maintaining this equipment can expose you to chemicals including engine exhaust, carbon monoxide, phthalates, and lead, which are known to the State of California to cause cancer and birth defects or other reproductive harm. These chemicals can be emitted from or contained in other various parts and systems, fluids and some component wear by-products. To minimize exposure, avoid breathing exhaust, do not idle the engine except as necessary, service your equipment and vehicle in a well-ventilated area and wear gloves or wash your hands frequently when servicing your equipment or vehicle and after operation. For more information go to www.P65Warnings.ca.gov/passenger-vehicle.

Distributed By:

Go to Discount-Equipment.com to order your parts

PARTS FINDER

**Search Website
by Part Number**



**Search Manual
Library For Parts
Manual & Lookup Part
Numbers – Purchase
or Request Quote**

Search Manuals

Enter your information to help us find the right parts manual for your machine.

* Brand:

* Model:

* Serial:

* Part Number:

SEARCH

**Can't Find Part or
Manual? Request Help
by Manufacturer,
Model & Description**

Parts Order Form

Please fill in the following information to help us find the right part for your machine.

Manufacturer:	<input type="text"/>
Model:	<input type="text"/>
Description:	<input type="text"/>
Part Number:	<input type="text"/>
Quantity:	<input type="text"/>
Notes:	<input type="text"/>

Submit

Discount-Equipment.com is your online resource for quality parts & equipment.

Florida: **561-964-4949** Outside Florida TOLL FREE: **877-690-3101**

Need parts?

Click on this link: <http://www.discount-equipment.com/category/5443-parts/> and choose one of the options to help get the right parts and equipment you are looking for. Please have the machine model and serial number available in order to help us get you the correct parts. If you don't find the part on the website or on one of the online manuals, please fill out the request form and one of our experienced staff members will get back to you with a quote for the right part that your machine needs.

We sell worldwide for the brands: Genie, Terex, JLG, MultiQuip, Mikasa, Essick, Whiteman, Mayco, Toro Stone, Diamond Products, Generac Magnum, Airman, Haulotte, Barreto, Power Blanket, Nifty Lift, Atlas Copco, Chicago Pneumatic, Allmand, Miller Curber, Skyjack, Lull, Skytrak, Tsurumi, Husquvarna Target, Stow, Wacker, Sakai, Mi-T-M, Sullair, Basic, Dynapac, MBW, Weber, Bartell, Bennar Newman, Haulotte, Ditch Runner, Menegotti, Morrison, Contec, Buddy, Crown, Edco, Wyco, Bomag, Laymor, EZ Trench, Bil-Jax, F.S. Curtis, Gehl Pavers, Heli, Honda, ICS/PowerGrit, IHI, Partner, Imer, Clipper, MMD, Koshin, Rice, CH&E, General Equipment, Amida, Coleman, NAC, Gradall, Square Shooter, Kent, Stanley, Tamco, Toku, Hatz, Kohler, Robin, Wisconsin, Northrock, Oztec, Toker TK, Rol-Air, APT, Wylie, Ingersoll Rand / Doosan, Innovatech, Con X, Ammann, Mecalac, Makinex, Smith Surface Prep, Small Line, Wanco, Yanmar