



A TEREX BRAND



Parts Manual

Serial Number Range

Superlift Contractor

from SN SLCG-70800

to SLCG-75985

from SLCP-75986

Part No. 1287244GT
Rev: A3
October 2019

Go to Discount-Equipment.com to order your parts

PARTS FINDER

**Search Website
by Part Number**



**Search Manual
Library For Parts
Manual & Lookup Part
Numbers – Purchase
or Request Quote**

Search Manuals

Enter your information to help us find the right parts manual for your machine.

* Brand:

* Model:

* Serial:

* Part Number:

SEARCH

**Can't Find Part or
Manual? Request Help
by Manufacturer,
Model & Description**

Parts Order Form

Please fill in the following information to help us find the right part for your machine.

Manufacturer:	<input type="text"/>
Model:	<input type="text"/>
Description:	<input type="text"/>
Part Number:	<input type="text"/>
Quantity:	<input type="text"/>
Notes:	<input type="text"/>

Discount-Equipment.com is your online resource for quality parts & equipment.

Florida: **561-964-4949** Outside Florida TOLL FREE: **877-690-3101**

Need parts?

Click on this link: <http://www.discount-equipment.com/category/5443-parts/> and choose one of the options to help get the right parts and equipment you are looking for. Please have the machine model and serial number available in order to help us get you the correct parts. If you don't find the part on the website or on one of the online manuals, please fill out the request form and one of our experienced staff members will get back to you with a quote for the right part that your machine needs.

We sell worldwide for the brands: Genie, Terex, JLG, MultiQuip, Mikasa, Essick, Whiteman, Mayco, Toro Stone, Diamond Products, Generac Magnum, Airman, Haulotte, Barreto, Power Blanket, Nifty Lift, Atlas Copco, Chicago Pneumatic, Allmand, Miller Curber, Skyjack, Lull, Skytrak, Tsurumi, Husquvarna Target, Stow, Wacker, Sakai, Mi-T-M, Sullair, Basic, Dynapac, MBW, Weber, Bartell, Bennar Newman, Haulotte, Ditch Runner, Menegotti, Morrison, Contec, Buddy, Crown, Edco, Wyco, Bomag, Laymor, EZ Trench, Bil-Jax, F.S. Curtis, Gehl Pavers, Heli, Honda, ICS/PowerGrit, IHI, Partner, Imer, Clipper, MMD, Koshin, Rice, CH&E, General Equipment, Amida, Coleman, NAC, Gradall, Square Shooter, Kent, Stanley, Tamco, Toku, Hatz, Kohler, Robin, Wisconsin, Northrock, Oztec, Toker TK, Rol-Air, APT, Wylie, Ingersoll Rand / Doosan, Innovatech, Con X, Ammann, Mecalac, Makinex, Smith Surface Prep, Small Line, Wanco, Yanmar

Model: SLCG-72000

Serial Number: SLCG-72000
Manufacture Date: 01/11/2018
Electrical Schematic: N/A

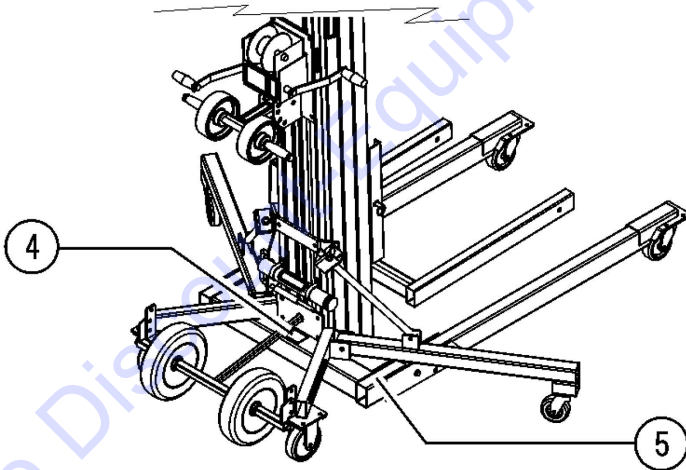
Country of manufacture: USA

SLC G - 72000

1

2

3



1 Model

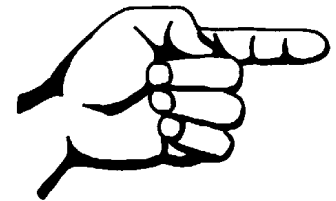
2 Facility code

3 Sequence number

4 Serial label

5 Serial number (stamped on base)

Please refer to section 001 for the Recommended Spare Parts List.



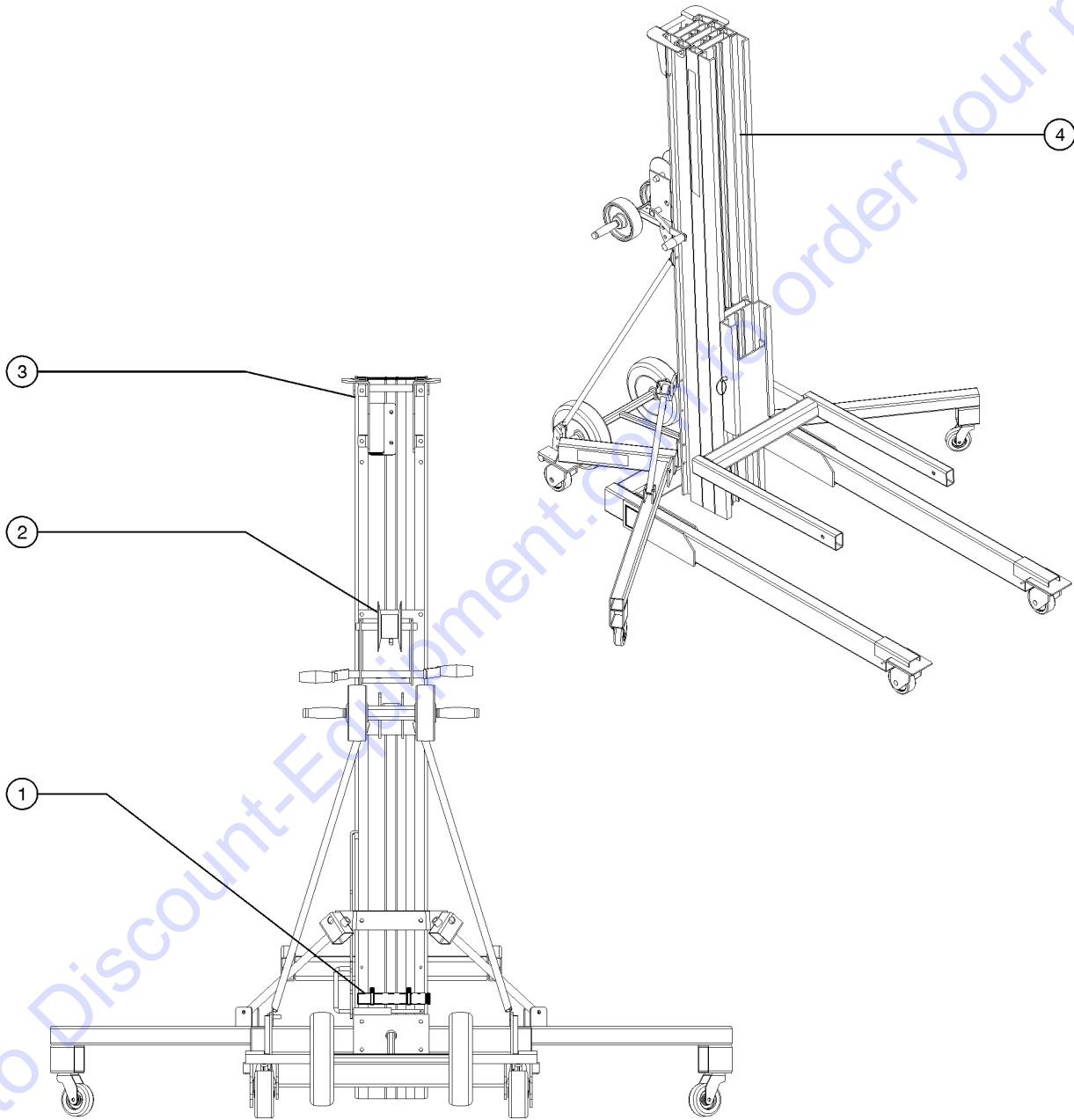
This page intentionally left blank.

Go to Discount-Equipment.com to order your parts

Description	Page
001 Parts Stocking List	8
001.1 Parts Stocking List	8
100 Decals	12
101.1 Decals with Words	12
102.1 Decals with symbols	14
200 Base Components	16
201.1 Base Components, View 1	16
202.1 Base Components, View 2	18
300 Mast and Winch Components	22
301.1 Mast Components, View 1	22
302.1 Mast Components, View 2	26
303.1 Mast Components, View 3	28
304.1 Columns, Pulleys and Cables	34
305.1 Winch Components - Single Speed	38
306.1 Winch Components - Two Speed	40
400 Accessories	44
401.1 Forks	44
402.1 Pipe Cradle, Load Platform and Boom Arm	46
403.1 Rear Wheels	48
Part Number Index	50

Go to Discount-Equipment.com to order your parts

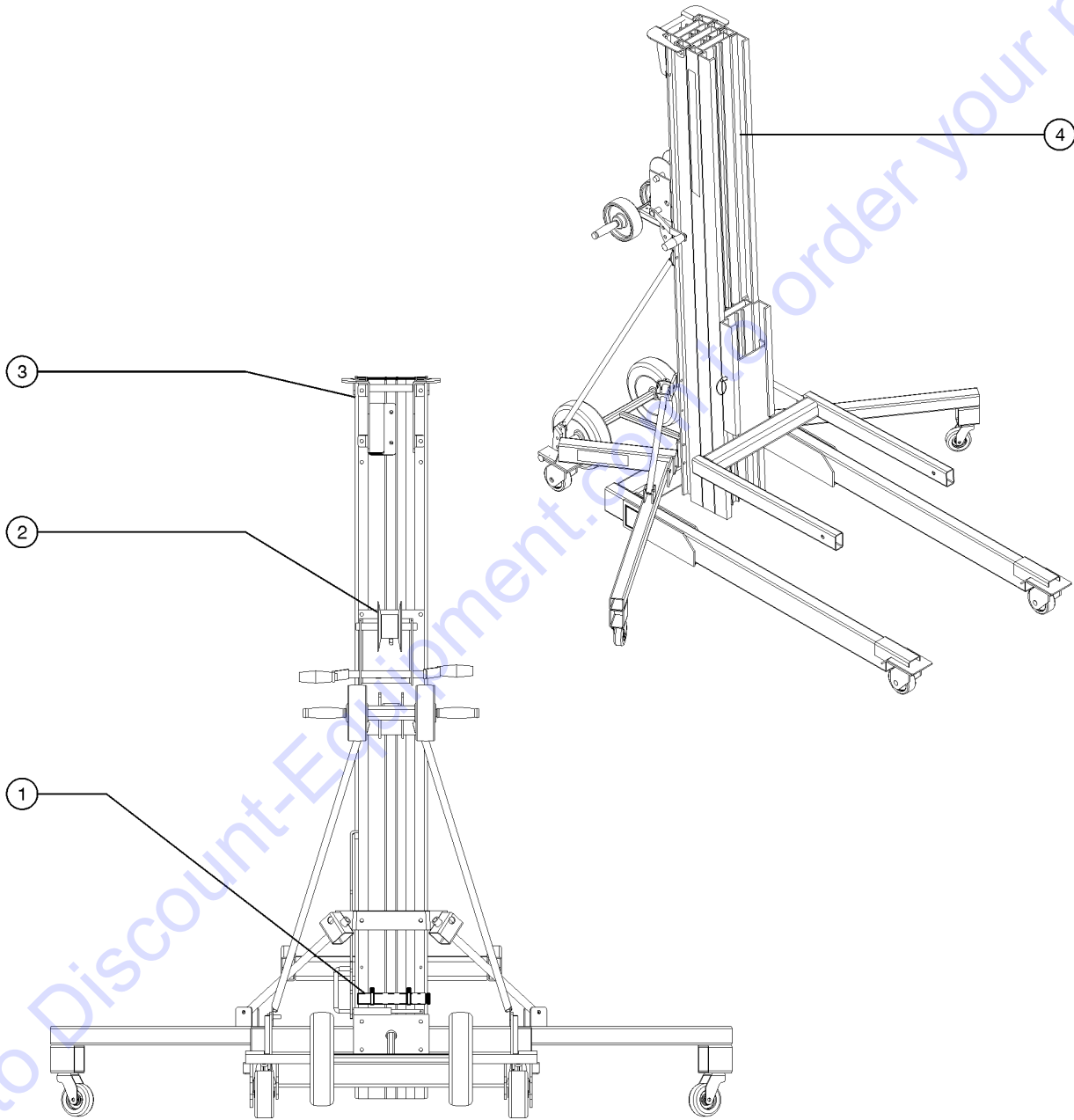
001.1 Parts Stocking List



Item	Part No.	Description	Qty.
A		— GENERAL SERVICE PARTS —	
A-	1484GT	PAINT,AEROSOL,BRIGHT BLUE*** 12-ounce spray paint	
A-	1268GT	PAINT,AEROSOL,GENIE GRAY*** 12-ounce spray paint	
A-	1258567GT	PAINT, AEROSOL, TRAFFIC BLACK 12-ounce spray paint	
A-	32150GT	PAINT,WET,GENIE BLUE (1 GL)** 1-gallon	
A-	32151GT	PAINT,WET,GENIE GRAY (1 GL)** 1-gallon	
A-	1257733GT	PAINT,WET,TRAFFIC BLACK (1 GL)** 1-gallon	
	65764GT	LOCTITE 262 PERM. THREAD LOCK*	
	52701GT	VIDEO,NTSC,SLA,CABLING PROCDR	
1		— MANUALS —	
1-	27581GT	MANUAL,AEM SAFETY	
1-	31587GT	MANUAL,RESPON,A92.5 BOOM	
2		—WINCH PARTS—	
2-	12402GT	CABLE REPLACEMENT COUPLER	
2-	7571GT	BRAKE DISK,.5 BORE,K-1550	
2-	37061GT	BRAKE FACE,DLB800	
2-	40122GT	WASHER,DOUBLE D.	
2-	40121GT	RATCHET WHEEL	
2-	80157GT	GEAR-PINION (80056)	
2-	40458GT	RATCHET PAWL KIT	
2-	40117GT	RATCHET PAWL KIT, (33090)	
2-	6190GT	CABLE KEEP.KIT (BRACKET TYPE)*	
2-	72264GT	SHAFT ASSY, PRIMARY	
2-	35005GT	CABLE ASSEMBLY, SLC-6***	
2-	6099GT	CABLE ASSEMBLY SL 408"	
2-	7250GT	CABLE ASSY SL/ST 588" 3/16"****	



001.1 Parts Stocking List

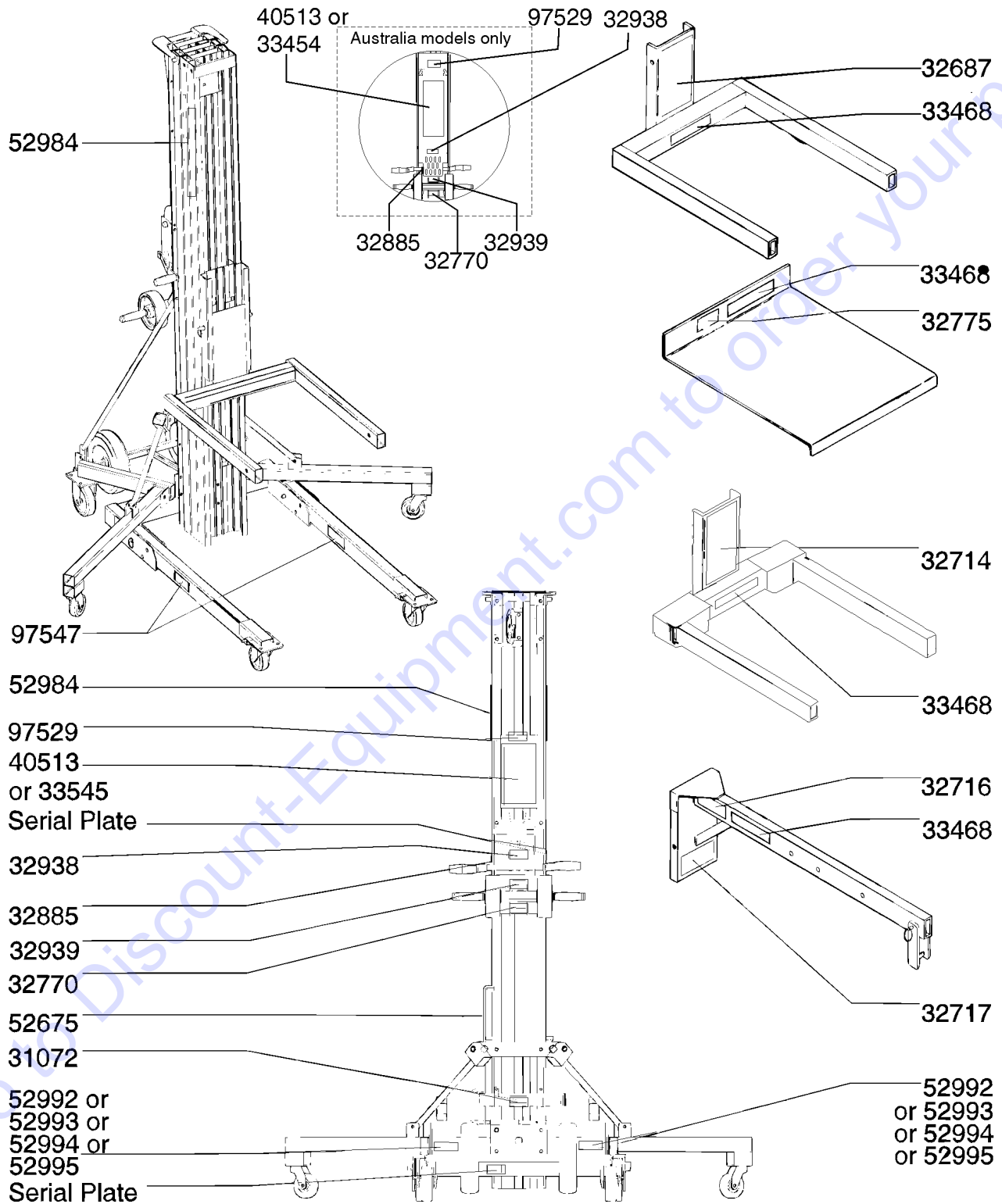


Item	Part No.	Description	Qty.
2-	7251GT	CABLE ASSY SL/ST 756" 3/16"***	
		
		—MAST PARTS—	
3	32475GT	BOLT-ROLLER, 1/2-13X1.84 ZINC	
3-	32473GT	WHEEL, ROLLER, NYLATRON, 1.75	
4	35101GT	SAFETY BRAKE ASSY(SQ.NUT)SL2**	
4-	33875GT	SAFETY BRAKE TOOL ASSEMBLY	

Go to Discount-Equipment.com to order your parts



101.1 Decals with Words

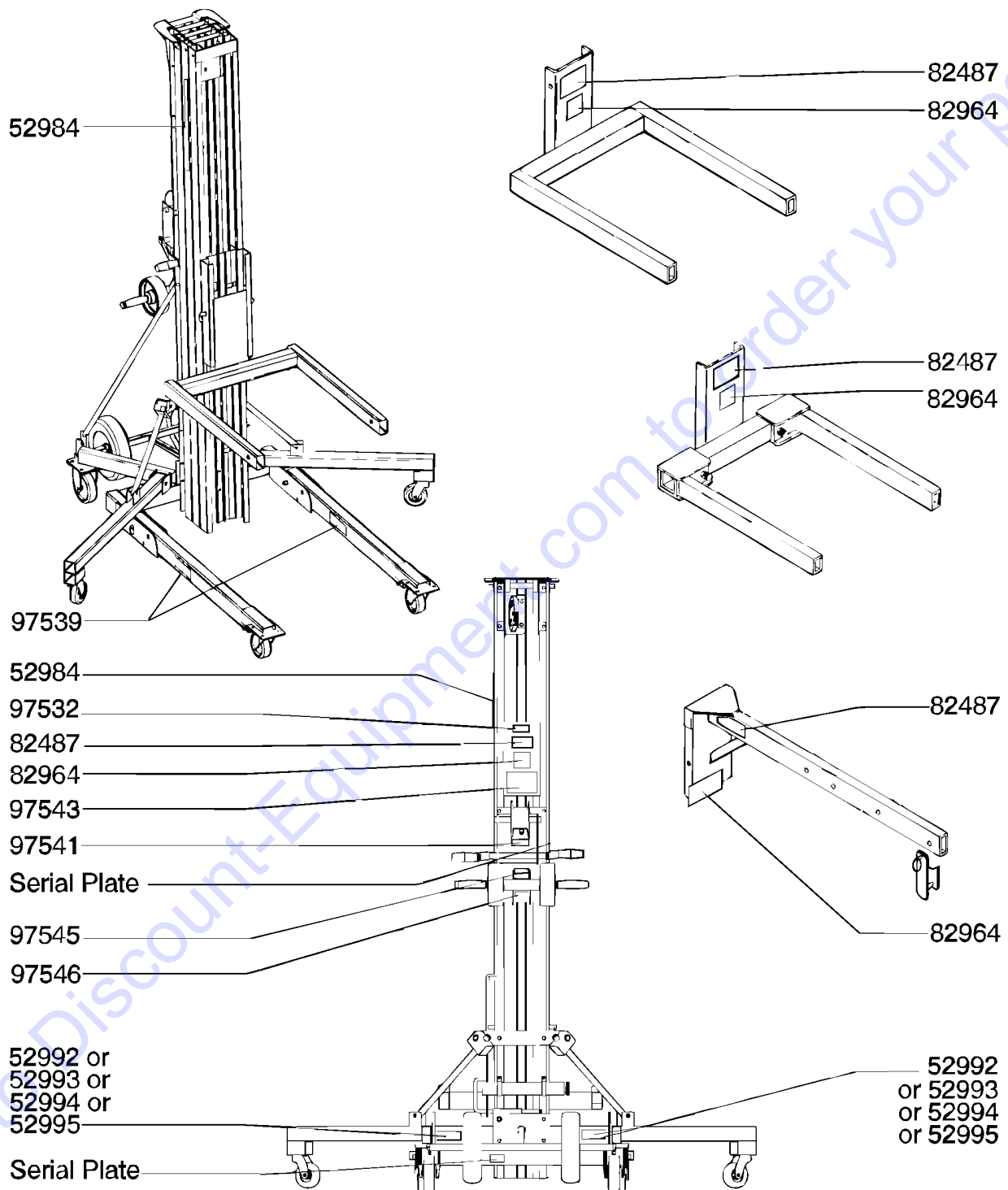


101.1 Decals with Words

Item	Part No.	Description	Qty.
1	31072GT	DECAL,LABEL,OPER.MAN.STORAGE	1
2	32687GT	DECAL,WARNING STD.FORK SAFETY	1
3	32714GT	DECAL,WARNING ADJ FORK SETUP	1
4	32716GT	DECAL,NOTICE BOOM SETUP	1
5	32717GT	DECAL,WARNING BOOM SAFETY	1
6	32770GT	DECAL,2 SPD.WINCH**	1
7	32775GT	DECAL,WARNING,FALL HAZARD	1
8	32885GT	DECAL,SILENT WINCH	1
9	32938GT	DECAL,LABEL,WINCH ONLY	1
10	32939GT	DECAL,CRUSHING HAZ/BRAKE LOCK	1
11	33468GT	DECAL,WARNING,NO RIDERS	1
12	40513GT	DECAL,WARNING/SAFETY-SLC	1
13	52675GT	DECAL,CAUTION,DAMAGD MACHINE	1
14	52984GT	DECAL,GENIE SUPERLIFT CONTRACT	2
15	52992GT	DECAL,COSMETIC,SLC-6	2
15A	52993GT	DECAL,COSMETIC,SLC-12	
15B	52994GT	DECAL,COSMETIC,SLC-18	
15C	52995GT	DECAL,COSMETIC,SLC-24	
16	97529GT	DECAL,CAUTION,MOVING PARTS	1
17	97547GT	DECAL,DANGER,ELEC.HAZ.	2



102.1 Decals with symbols



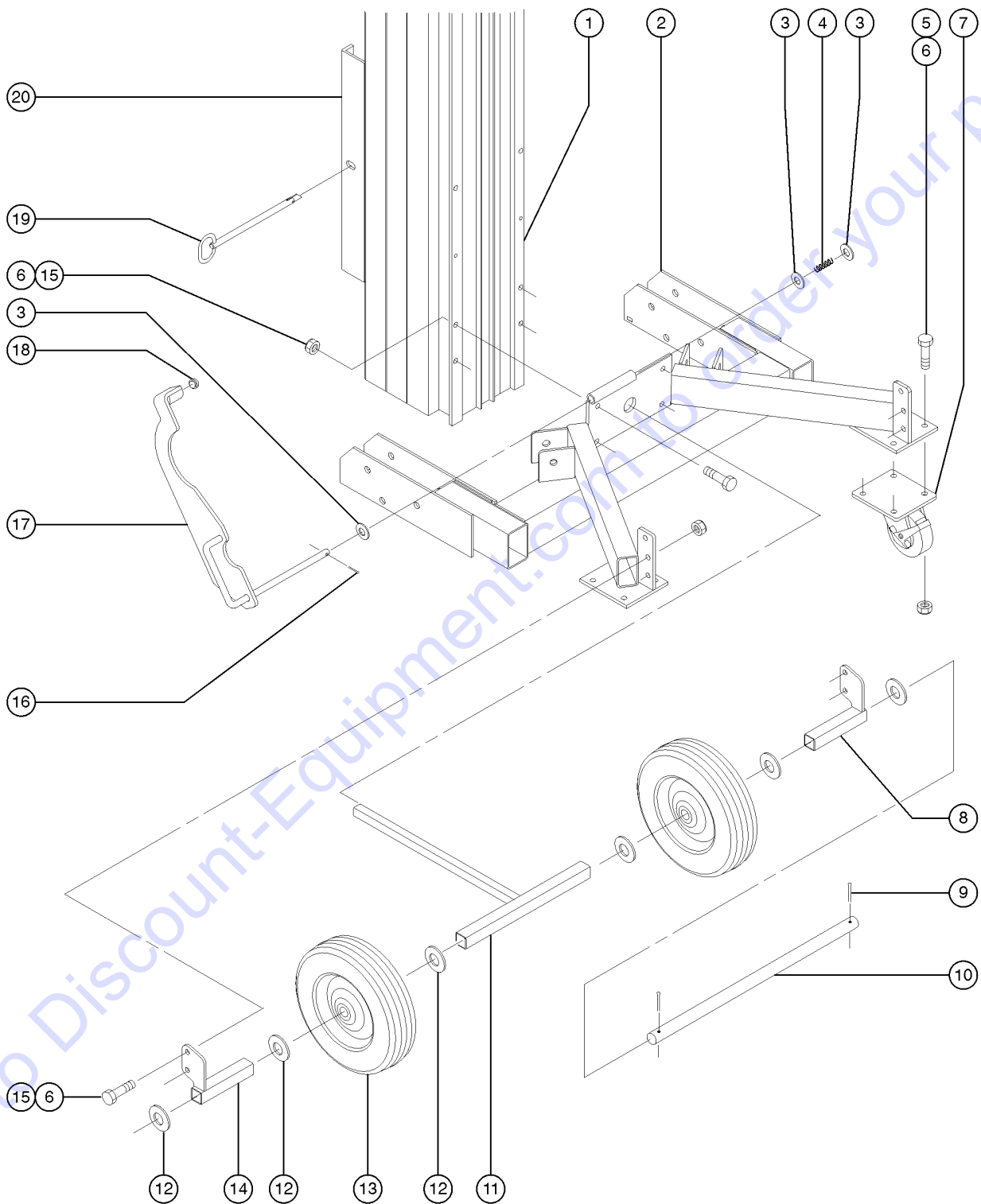
102.1 Decals with symbols

Item	Part No.	Description	Qty.
1	52984GT	DECAL,GENIE SUPERLIFT CONTRACT	2
2	52992GT	DECAL,COSMETIC,SLC-6	2
2A	52993GT	DECAL,COSMETIC,SLC-12	
2B	52994GT	DECAL,COSMETIC,SLC-18	
2C	52995GT	DECAL,COSMETIC,SLC-24	
3	82487GT	DECAL,SYMBOL-READ THE MANUAL	1
4	82964GT	DECAL,WARNING,NO RIDERS SYMB	1
5	97532GT	DECAL,CAUTION,MOVING PARTS SYM	1
6	97539GT	DECAL,DANGER,ELEC.HAZ.	2
7	97541GT	DECAL,LABEL,WINCH ONLY SYMB	1
8	97543GT	DECAL,WARNING,LOAD CHART SLC	1
9	97545GT	DECAL,WARNING,BRAKE LOCK SYMB	1
10	97546GT	DECAL,2 SPD.WINCH SYMB	1

Go to Discount-Equipment.com to order your parts

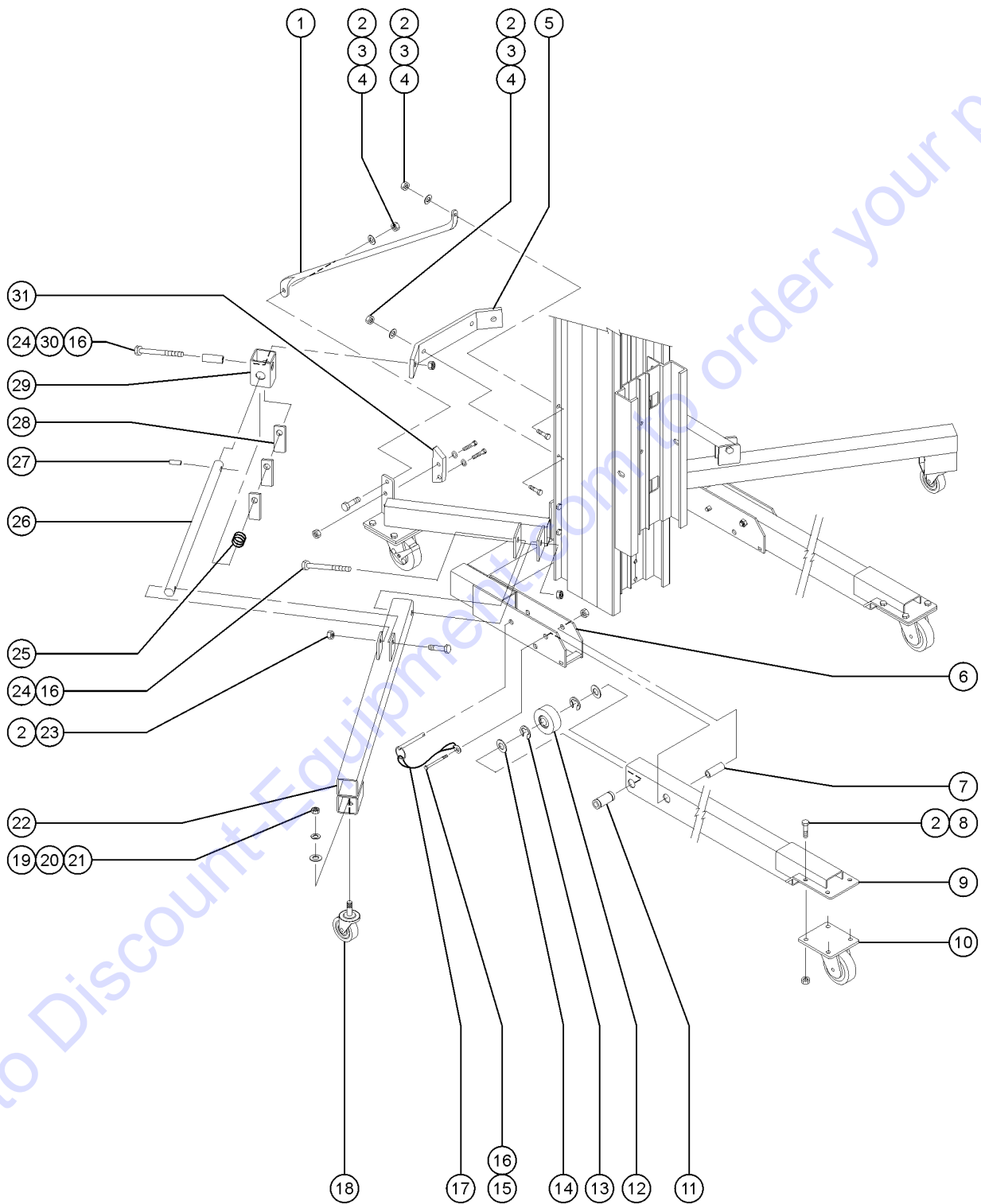


201.1 Base Components, View 1



Item	Part No.	Description	Qty.
1		Ref. Columns (refer to 304.1)	
2	80141-SGT	BASE ASSY W/DECALS,SLC-6	1
2A	80142-SGT	BASE ASSY W/DECALS, SLC-12	1
2B	80143-SGT	BASE ASSY W/DECALS, SLC-18	1
2C	80144-SGT	BASE ASSY W/DECALS, SLC-24	1
3	21443GT	SHIM,.75 X.45 X.064	3
4	33658GT	SPRING,HOLDOWN SL2E	1
5	6175GT	SCREW,HHC,3/8-16 X 1	
6	4828GT	NUT,NYLOCK,3/8-16	
7	57735GT	CASTER,PL,SW,SB, 5 X 1.5***	2
8	33830-SGT	WHEEL SPACER MOUNT WELD,RH,SL	1
9	6094GT	PIN,COTTER,.125 X 1	2
10	57237GT	AXLE ROD, TRANSPORT WHEEL,SL	1
11	33831-SGT	WHEEL SPACER WELDMENT,SL"GRAY"	1
12	6564GT	WASHER, SHIM,.765 X 1.312 X .093	6
13	124000GT	WHEEL,TRANSPORT SL 10X.75X2.75	
14	33829-SGT	WHEEL SPACER MNT WELD LH,SL	1
15	6019GT	SCREW,HHC,3/8-16 X 1.25 GRD 5	
16	21253GT	CLIP,HAIR PIN .125 X 2	1
17	58750GT	HOLD DOWN KIT W/DECAL SL SHORT SLC-6 (includes item numbers 16 and 18)	1
17A	58095GT	HOLD DOWN KIT W/DECAL SL LONG SLC-12, SLC-18, SLC-24 (includes items numbers 16 and 18)	1
18	11890GT	GLIDE BUTTON,SIDE,GLL,.100 TK	1
19	48301GT	PIN,TOGGLE,.50 X 8.13***	1
20		Ref. Carriage (refer to 304.1)	

202.1 Base Components, View 2



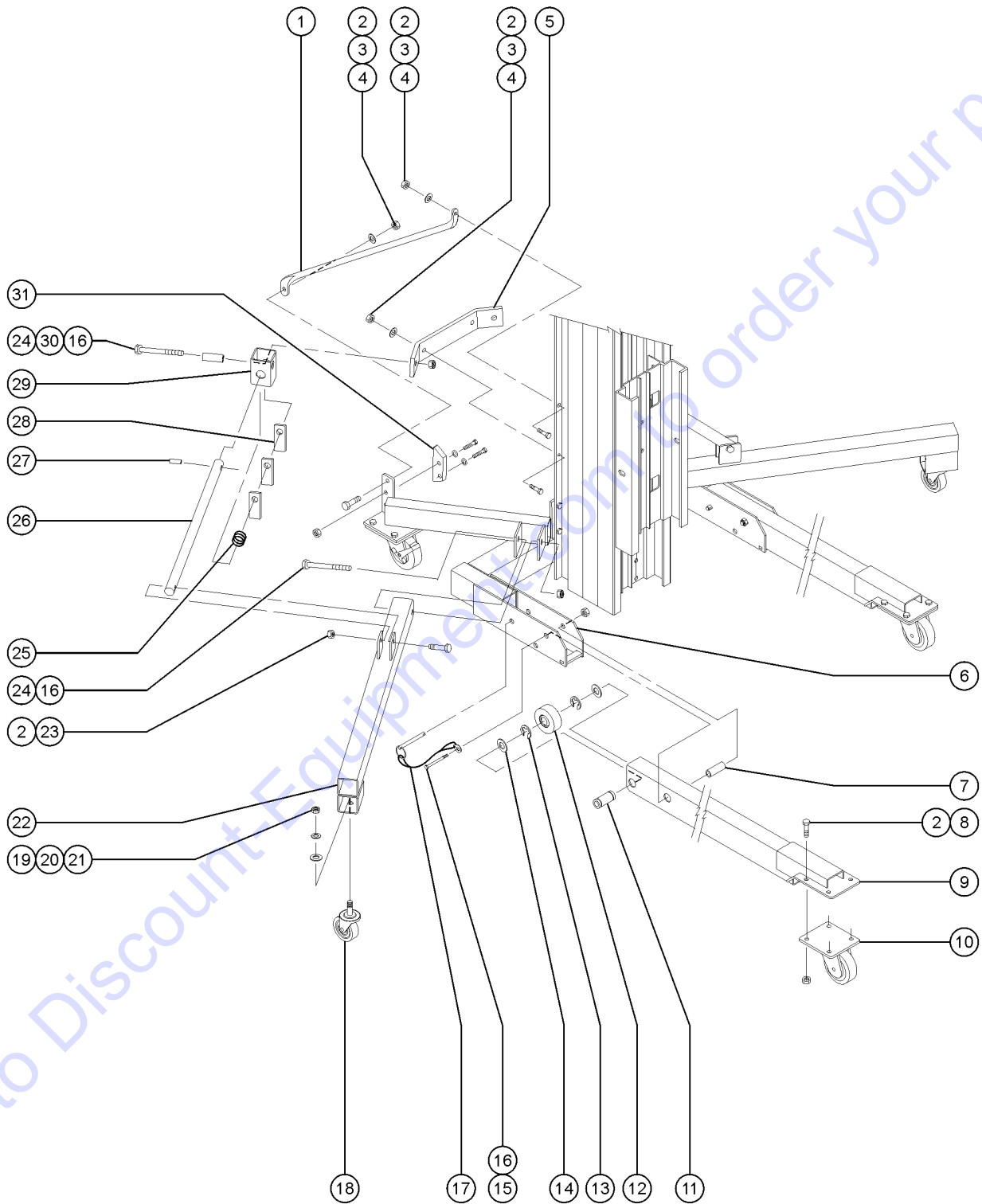
Go to DiscountEquipment.com to order your parts



Item	Part No.	Description	Qty.
	35159-SGT	SLC, STABILIZER ASSY(SET)/SERV (includes items 2-5, 16, 18-30)	
1A	32883GT	STRUT,LH,SL2	1
1B	32884GT	STRUT,RH,SL2 shown	1
2	4828GT	NUT,NYLOCK,3/8-16	
3	6097GT	WASHER,FLAT,USS,3/8",Y	
4	8516GT	SCREW, HCC, 3/8-16 X 1.50	
5	35212GT	BRACKET, STAB.MOUNT,"GRAY"***	1
6		Ref. Base Assembly with Decals (refer to 201.1)	1
7	32509GT	PIVOT TUBE SL2 LEG	2
8	6175GT	SCREW,HHC,3/8-16 X 1	
9A	35015GT	WELDMENT, LEG, SLC-6 GRAY	2
9B	35016GT	WELDMENT, LEG, SLC-12 GRAY	
9C	35017GT	WELDMENT,LEG,SLC-18 GRAY***	
9D	35018GT	WELDMENT, LEG, SLC-24 GRAY	
10	57734GT	CASTER,SW, 4 X 1.5 (RED)	2
11	32524GT	AXLE TUBE, SL2 LEG	2
12	57782GT	WHEEL,POLYOLEFIN,2.5X1.25,7/8	2
13	32499GT	E CLIP,.875 IN.SL LEG	4
14	33373GT	WASHER,SHIM,1.50 X .890 X .09	4
15	6732GT	SCREW,HHC,1/2-13 X 3.25	4
16	6086GT	NUT,LP NYLOCK,1/2-13	
17	100309GT	ASSY,PIN & LANYARD***	2
18	57746GT	CASTER,POST,SW,3.5 (DARK GRAY)	2
19	6034GT	NUT,HEX,JAM,1/2-13	
20	6033GT	WASHER,LOCK,0.5"	
21	6095GT	WASHER,FLAT,USS,1/2",Y	
22	35019GT	WELDMENT, STABILIZER, SLC GRAY	2
23	5224GT	SCREW,HHC,3/8-16 X 2	



202.1 Base Components, View 2



Go to DiscountEquipment.com to order your parts

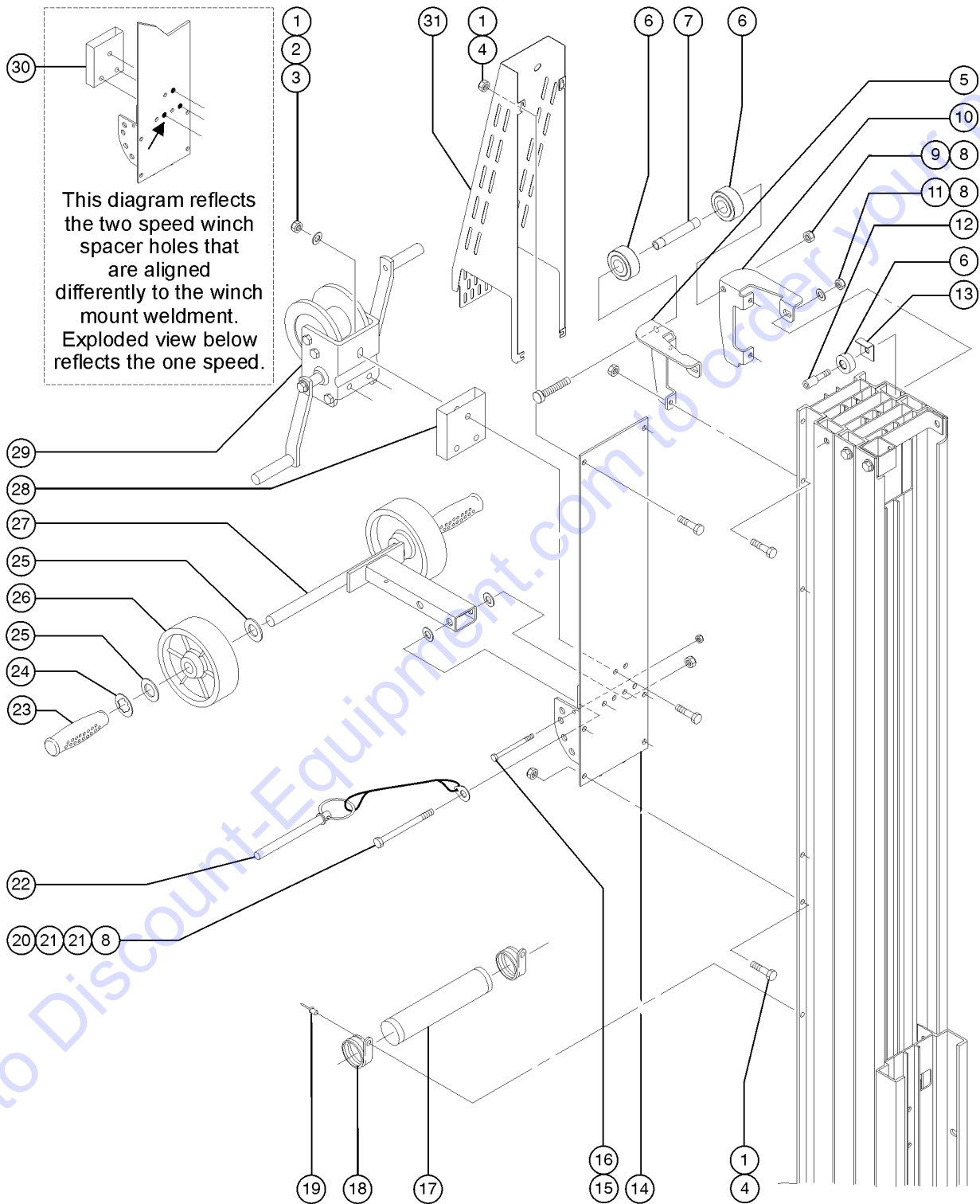


Item	Part No.	Description	Qty.
24	6732GT	SCREW,HHC, 1/2-13 X 3.25	
25	32519GT	SPRING,STABILIZER LATCH SL2	2
26	58094GT	STABILIZER STRUT,ASSY. (includes item 27)	2
27	11337GT	PIN,ROLL,.25 X 1.25	2
28	32577GT	LATCH PLATE,STABILIZER SL2	6
29	35213GT	CLAMP TUBE,STABILIZER-"GRAY"	2
30	32576GT	PIVOT TUBE,STABILIZER	2
31	33670GT	SKID PAD	2

Go to Discount-Equipment.com to order your parts



301.1 Mast Components, View 1



PARTS FINDER

**Search Website
by Part Number**



**Search Manual
Library For Parts
Manual & Lookup Part
Numbers – Purchase
or Request Quote**

Search Manuals

Enter your information to help us find the right parts manual for your machine.

* Brand:

* Model:

* Serial:

* Part Number:

SEARCH

**Can't Find Part or
Manual? Request Help
by Manufacturer,
Model & Description**

Parts Order Form

Please fill in the following information to help us find the right part for your machine.

Manufacturer:	<input type="text"/>
Model:	<input type="text"/>
Description:	<input type="text"/>
Part Number:	<input type="text"/>
Quantity:	<input type="text"/>
Notes:	<input type="text"/>

Submit

Discount-Equipment.com is your online resource for quality parts & equipment.

Florida: **561-964-4949** Outside Florida TOLL FREE: **877-690-3101**

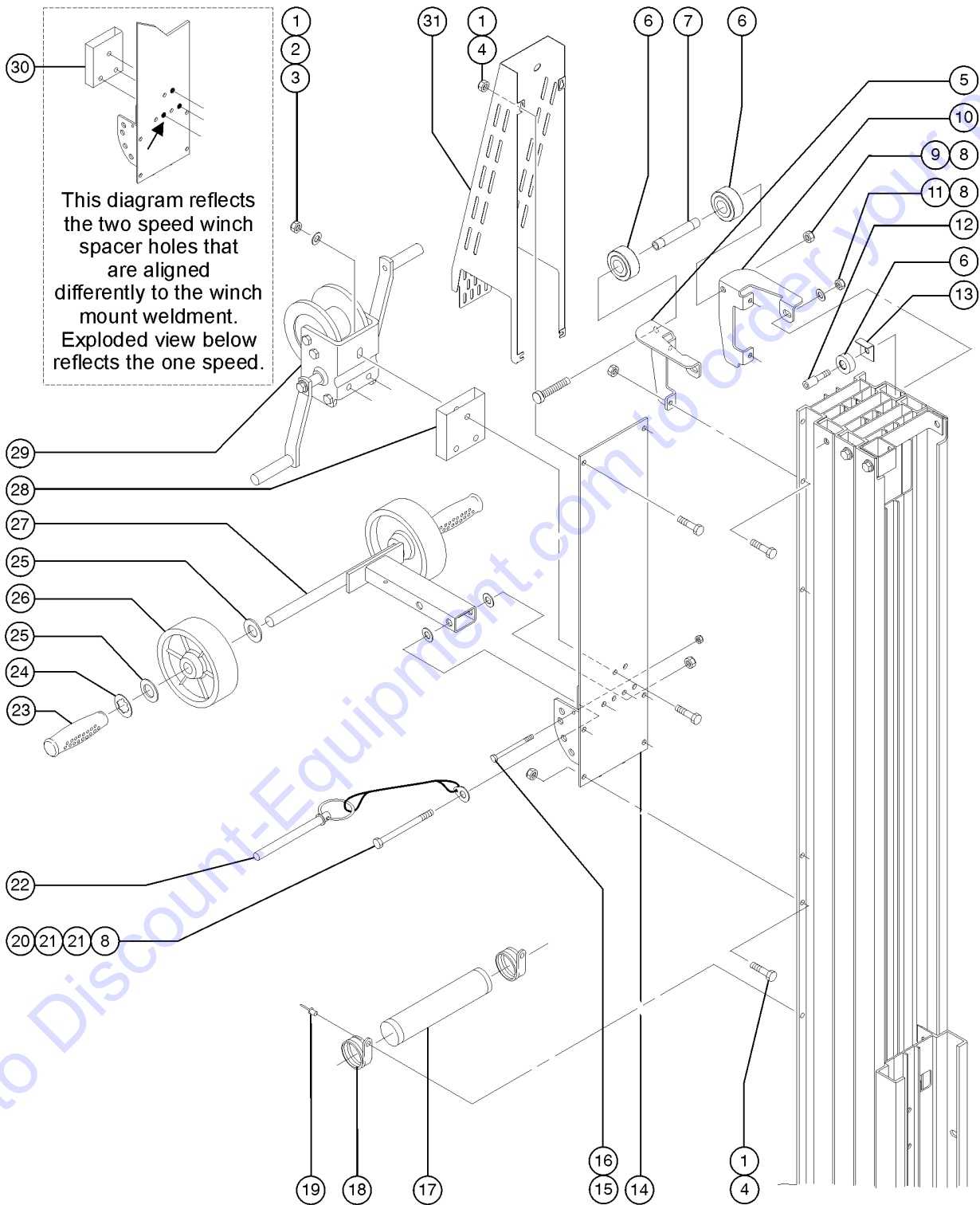
Need parts?

Click on this link: <http://www.discount-equipment.com/category/5443-parts/> and choose one of the options to help get the right parts and equipment you are looking for. Please have the machine model and serial number available in order to help us get you the correct parts. If you don't find the part on the website or on one of the online manuals, please fill out the request form and one of our experienced staff members will get back to you with a quote for the right part that your machine needs.

We sell worldwide for the brands: Genie, Terex, JLG, MultiQuip, Mikasa, Essick, Whiteman, Mayco, Toro Stone, Diamond Products, Generac Magnum, Airman, Haulotte, Barreto, Power Blanket, Nifty Lift, Atlas Copco, Chicago Pneumatic, Allmand, Miller Curber, Skyjack, Lull, Skytrak, Tsurumi, Husquvarna Target, Stow, Wacker, Sakai, Mi-T-M, Sullair, Basic, Dynapac, MBW, Weber, Bartell, Bennar Newman, Haulotte, Ditch Runner, Menegotti, Morrison, Contec, Buddy, Crown, Edco, Wyco, Bomag, Laymor, EZ Trench, Bil-Jax, F.S. Curtis, Gehl Pavers, Heli, Honda, ICS/PowerGrit, IHI, Partner, Imer, Clipper, MMD, Koshin, Rice, CH&E, General Equipment, Amida, Coleman, NAC, Gradall, Square Shooter, Kent, Stanley, Tamco, Toku, Hatz, Kohler, Robin, Wisconsin, Northrock, Oztec, Toker TK, Rol-Air, APT, Wylie, Ingersoll Rand / Doosan, Innovatech, Con X, Ammann, Mecalac, Makinex, Smith Surface Prep, Small Line, Wanco, Yanmar

Item	Part No.	Description	Qty.
	35814GT	MAST STIFF. ASSY.SLC,ST2 includes 5-10	
	90337GT	BOE LUBE aluminum dry lubricant	1
1	1257075GT	NUT, NYLOCK,3/8-16,GR8, ZINC	10
2	6097GT	WASHER,FLAT,USS,3/8",Y (one speed winch)	1
2A	6097GT	WASHER,FLAT,USS,3/8",Y (two speed winch)	3
3	6326GT	SCREW,HHC,3/8-16 X 3 SLC-6, SLC-12	
3A	6175GT	SCREW,HHC,3/8-16 X 1 SLC-18, SLC-24	
4	6019GT	SCREW,HHC,3/8-16 X 1.25 GRD 5	
5	109579GT	MAST STIFFENER,RIGHT,GRAY***	1
6	32473GT	WHEEL,ROLLER,NYLATRON,1.75	2
7	33843GT	SPACER,MAST STIFFENER	1
8	1257074GT	NUT, NYLOCK, 1/2-13, GR8, ZINC	5
9	13005GT	SCREW,HHC,1/2-13 X 6,GRD.8	1
10	109580GT	MAST STIFFENER,LEFT,GRAY***	1
11	6095GT	WASHER,FLAT,USS,1/2",Y	
12	32475GT	BOLT-ROLLER,1/2-13X1.84 ZINC	2
13	32474GT	GUARD,ROLLER, SL2,	2
14	33539GT	WINCH PLATE W/DECAL ST	1
15	12343GT	SCREW,HHC,1/4-20 X 3	
16	6091GT	NUT,NYLOCK,1/4-20	1
17	6600GT	INSTRUCT.TUBE W/CAPS-1.75 X 12	1
17-	31822GT	CAP,INSTRUCTION TUBE (RED)	
18	6653GT	CLAMP,1.88,#30 X 1/4,RUB CUSH	2
19	7265GT	RIVET,STEEL,P, .25 X .375	2
20	6732GT	SCREW,HHC,1/2-13 X 3.25	
21	11978GT	WASHER,FLAT,NYLON.515X.88X.093	
22	100309GT	ASSY,PIN & LANYARD***	1
23	6587GT	HANDLE GRIP, RUBBER .75 X 4.5	2

301.1 Mast Components, View 1

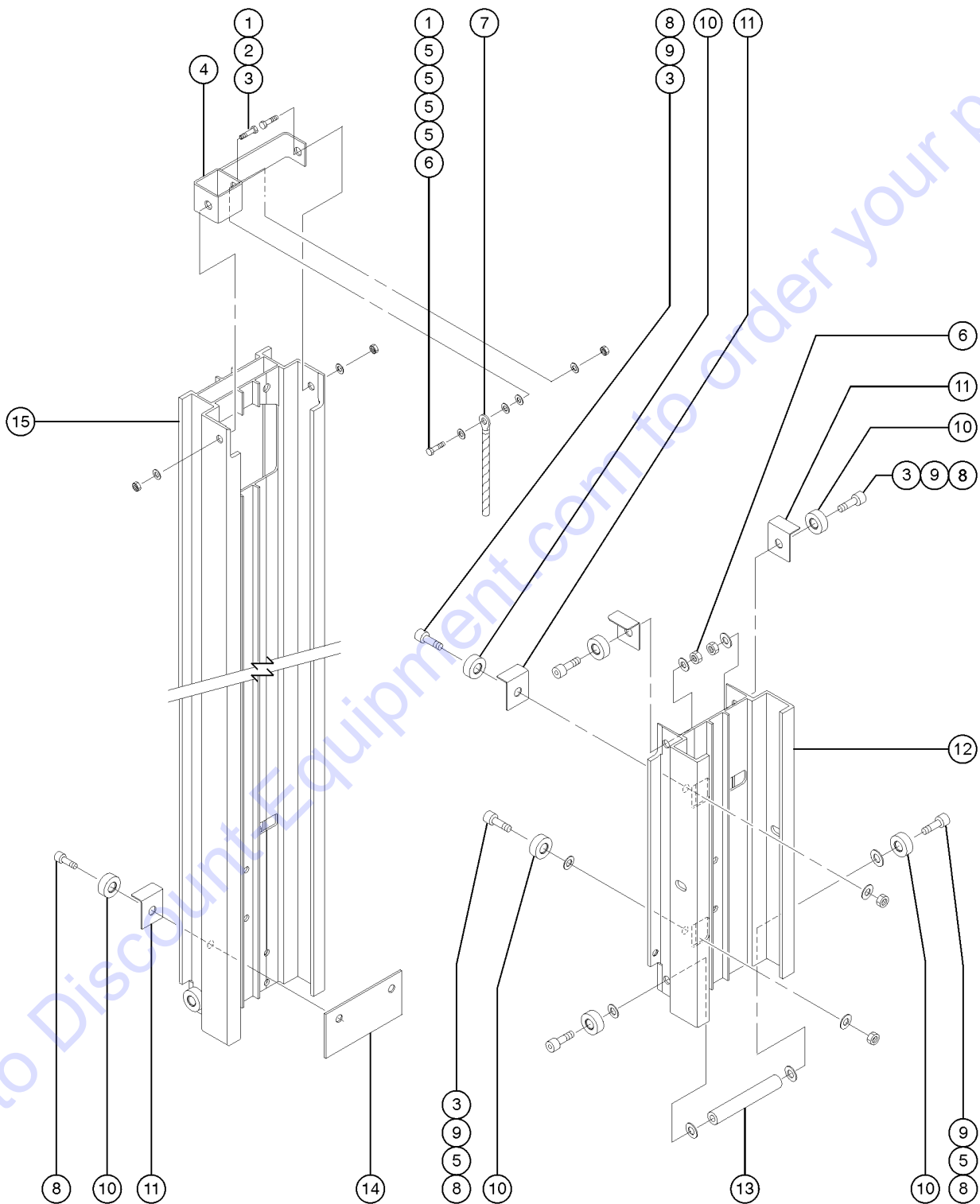


Item	Part No.	Description	Qty.
24	33385GT	WASHER,PUSH ON .75 SHAFT	2
25	6564GT	WASHER, SHIM,.765 X 1.312 X .093	
26	57788GT	WHEEL,POLY,6X2, 3/4**	2
27A	33540GT	LOADING WHEEL ASSY ST/SL	
27B	33540GT	LOADING WHEEL ASSY ST/SL (assembly with word decals) (includes items 23-26)	
27C	35819GT	LOADING WHEEL WELD.W/DECAL SL2 (assembly with symbol decals) (includes items 23-26)	
28	35834GT	WINCH SPACER,1 SPEED SLC, GRAY	1
29		Ref. Winch Assembly	
		(refer to 305.1 or 306.1)	
30	49991GT	WINCH SPACER, 2 SPEED SLC,GRAY	1
31	124790GT	KIT,CBL GRD,W/WRD DCALS,SLC (Australia models) (assembly with word decals)	1

Go to Discount-Equipment.com to order your parts



302.1 Mast Components, View 2

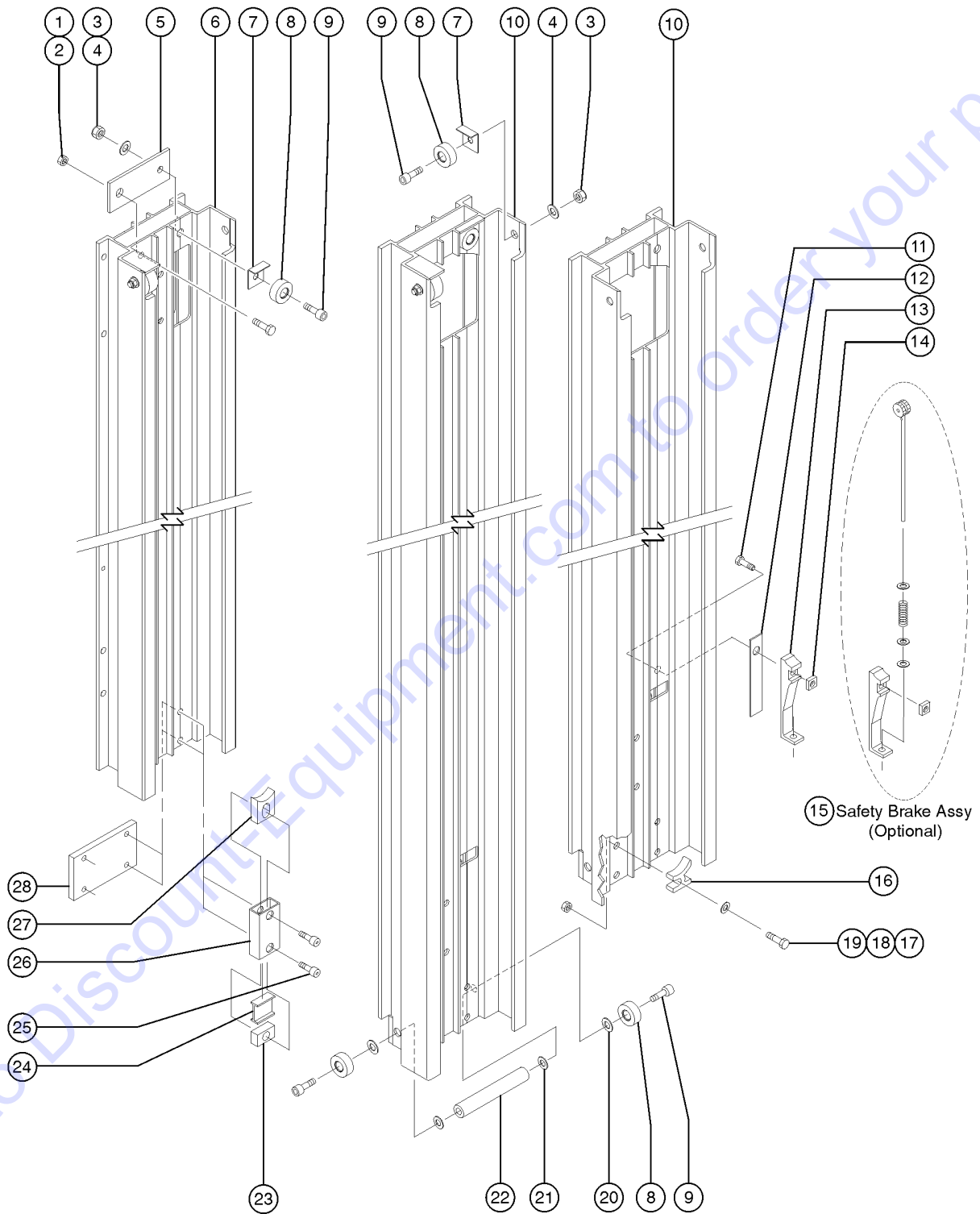


Item	Part No.	Description	Qty.
1	10597GT	SCREW,HHC,1/2-13 X 1.25 GR5	
2	6095GT	WASHER,FLAT,USS,1/2",Y	
3	1257074GT	NUT, NYLOCK, 1/2-13, GR8, ZINC	
4	80987GT	KIT, CABLE ANCHOR BRK, SLC/ST*	1
5	6052GT	WASHER,SHIM,.5 X .875 X .063	
6	6086GT	NUT,LP NYLOCK,1/2-13	
7		Ref. Cable Assembly	
		(refer to 304.1)	
8	32475GT	BOLT-ROLLER,1/2-13X1.84 ZINC	8
9	13066GT	WASHER,FLAT,.5 HARDENED	6
10	32473GT	WHEEL,ROLLER,NYLATRON,1.75	8
11	32474GT	GUARD,ROLLER, SL2,	5
12		Ref. Carriage	
		(refer to 304.1)	
13	33811GT	COUPLER BAR ASSEMBLY,SLA&C,ST2	1
14	57016GT	PLATE,DOUBLER,SL MAST	1
15		Ref. Number 1 Column	
		(refer to 304.1)	

Go to Discount-Equipment.com to order your parts



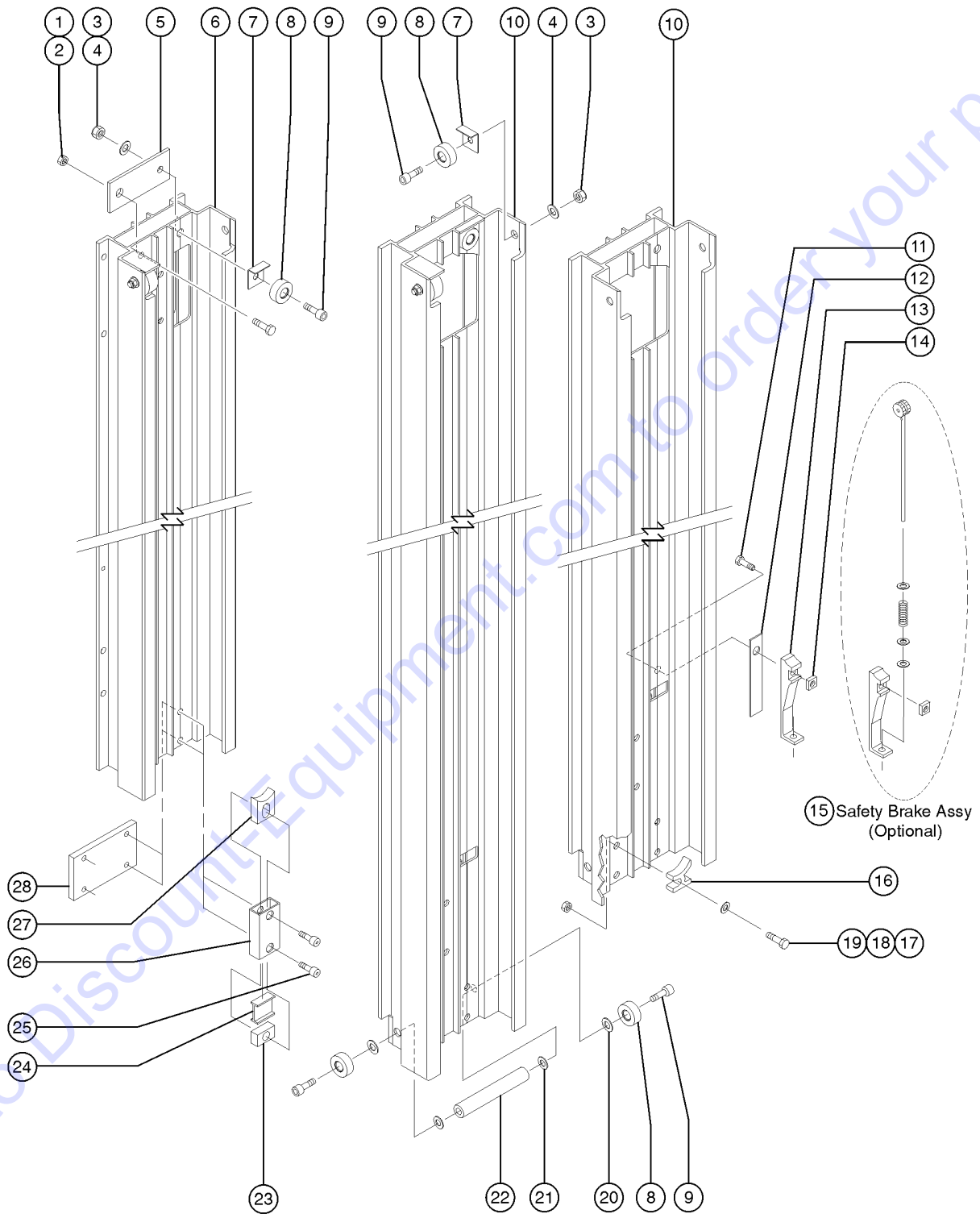
303.1 Mast Components, View 3



Item	Part No.	Description	Qty.
1	7713GT	NUT,LP NYLOCK,3/8-16	
2	8255GT	SCREW,HHC,3/8-16 X .75	
3	6198GT	NUT,NYLOCK,1/2-13	3
		SLC-6	
3A	1257074GT	NUT, NYLOCK, 1/2-13, GR8, ZINC	6
		SLC-12	
3B	1257074GT	NUT, NYLOCK, 1/2-13, GR8, ZINC	9
		SLC-18	
3C	1257074GT	NUT, NYLOCK, 1/2-13, GR8, ZINC	12
		SLC-24	
4	6095GT	WASHER,FLAT,USS,1/2",Y	3
		SLC-6	
4A	6095GT	WASHER,FLAT,USS,1/2",Y	6
		SLC-12	
4B	6095GT	WASHER,FLAT,USS,1/2",Y	9
		SLC-18	
4C	6095GT	WASHER,FLAT,USS,1/2",Y	12
		SLC-24	
5	57016GT	PLATE,DOUBLER,SL MAST	1
6		Ref. Number 1 Column	
		(refer to 304.1)	
7	32474GT	GUARD,ROLLER, SL2,	3
		SLC-6	
7A	32474GT	GUARD,ROLLER, SL2,	8
		SLC-12	
7B	32474GT	GUARD,ROLLER, SL2,	13
		SLC-18	
7C	32474GT	GUARD,ROLLER, SL2,	18
		SLC-24	
8	32473GT	WHEEL,ROLLER,NYLATRON,1.75	3
		SLC-6	
8A	32473GT	WHEEL,ROLLER,NYLATRON,1.75	10
		SLC-12	
8B	32473GT	WHEEL,ROLLER,NYLATRON,1.75	17
		SLC-18	
8C	32473GT	WHEEL,ROLLER,NYLATRON,1.75	24
		SLC-24	
8-	40153GT	ROLLER KIT(SLA,SLC)-1EA. includes one roller with fasteners	
8-	40154GT	ROLLER KIT(SLA,SLC)-6EA. includes six rollers with all fasteners	
8-	40155GT	ROLLER KIT(SLA,SLC)-20EA includes twenty rollers with all fasteners	
9	32475GT	BOLT-ROLLER,1/2-13X1.84 ZINC	3
		SLC-6	
9A	32475GT	BOLT-ROLLER,1/2-13X1.84 ZINC	10
		SLC-12	
9B	32475GT	BOLT-ROLLER,1/2-13X1.84 ZINC	17
		SLC-18	
9C	32475GT	BOLT-ROLLER,1/2-13X1.84 ZINC	24
		SLC-24	
10		Ref. Number 2 Column	
		(refer to 304.1)	



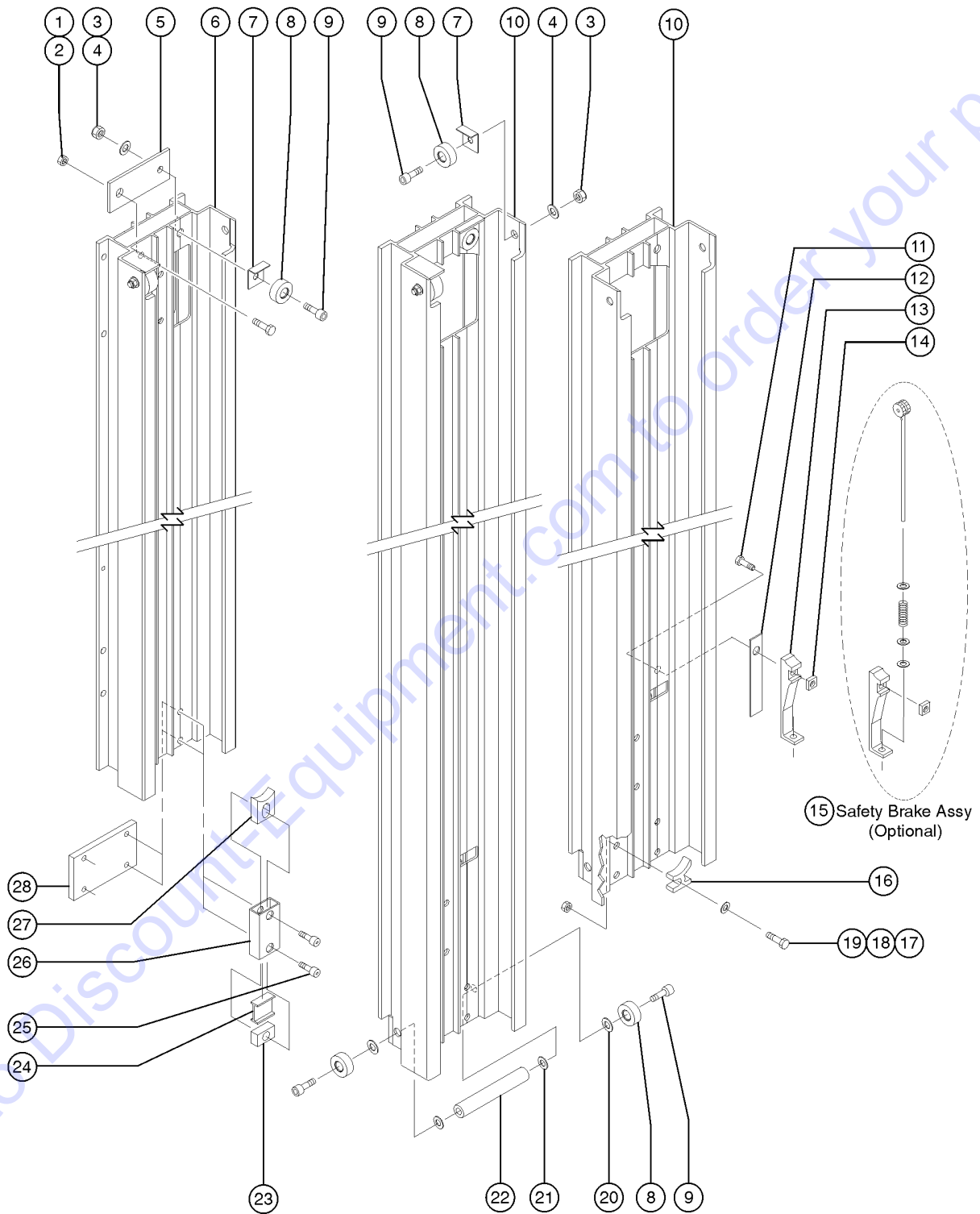
303.1 Mast Components, View 3



Item	Part No.	Description	Qty.
11	35463GT	SCREW,FHS,3/8-16 X 1.5 SLC-6	1
11A	35463GT	SCREW,FHS,3/8-16 X 1.5 SLC-12	2
11B	35463GT	SCREW,FHS,3/8-16 X 1.5 SLC-18	3
11C	35463GT	SCREW,FHS,3/8-16 X 1.5 SLC-24	4
12	35442GT	SHIM,SAFETY BRAKE, SLC SLC-6	1
12A	35442GT	SHIM,SAFETY BRAKE, SLC SLC-12	2
12B	35442GT	SHIM,SAFETY BRAKE, SLC SLC-18	3
12C	35442GT	SHIM,SAFETY BRAKE, SLC SLC-24	4
13	35443GT	UP STOP SLC-12 (models without safety brake) (not shown)	2
13A	35443GT	UP STOP SLC-18 (models without safety brake) (not shown)	2
13B	35443GT	UP STOP SLC-24 (models without safety brake) (not shown)	3
14	35408GT	NUT,SQUARE 3/8-16 NC, PLATED SLC-6	1
14A	35408GT	NUT,SQUARE 3/8-16 NC, PLATED SLC-12	2
14B	35408GT	NUT,SQUARE 3/8-16 NC, PLATED SLC-18	3
14C	35408GT	NUT,SQUARE 3/8-16 NC, PLATED SLC-24	4
15	35101GT	SAFETY BRAKE ASSY(SQ.NUT)SL2** SLC-6	1
15A	35101GT	SAFETY BRAKE ASSY(SQ.NUT)SL2** SLC-12	2
15B	35101GT	SAFETY BRAKE ASSY(SQ.NUT)SL2** SLC-18	3
15C	35101GT	SAFETY BRAKE ASSY(SQ.NUT)SL2** SLC-24	4
16	32522GT	DOWN STOP	1
17	6175GT	SCREW,HHC,3/8-16 X 1	
18	5397GT	WASHER,FLAT,USS,5/16",Y	
19	1257075GT	NUT, NYLOCK,3/8-16,GR8, ZINC	
20	6052GT	WASHER,SHIM,.5 X .875 X .063 SLC-12	2
20A	6052GT	WASHER,SHIM,.5 X .875 X .063 SLC-18	4
20B	6052GT	WASHER,SHIM,.5 X .875 X .063 SLC-24	6
21	13066GT	WASHER,FLAT,.5 HARDENED	
22	33811GT	COUPLER BAR ASSEMBLY,SLA&C,ST2 SLC-6	1

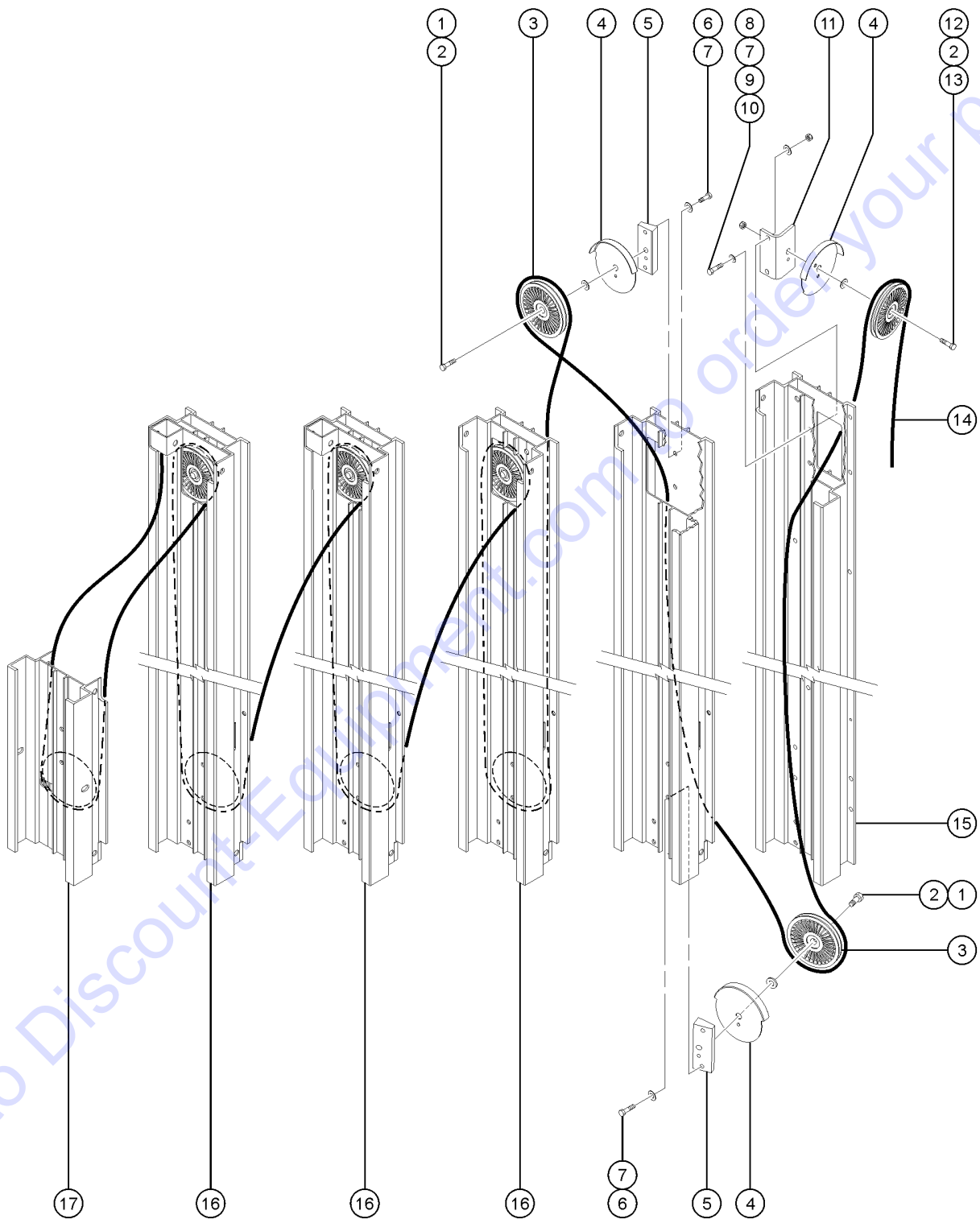


303.1 Mast Components, View 3



Item	Part No.	Description	Qty.
22A	33811GT	COUPLER BAR ASSEMBLY,SLA&C,ST2 SLC-12	2
22B	33811GT	COUPLER BAR ASSEMBLY,SLA&C,ST2 SLC-18	3
22C	33811GT	COUPLER BAR ASSEMBLY,SLA&C,ST2 SLC-24	4
23	57019GT	BLOCK,END,DOWNSTOP SLC-12	2
23A	57019GT	BLOCK,END,DOWNSTOP SLC-18	4
23B	57019GT	BLOCK,END,DOWNSTOP SLC-24	6
24	57022GT	BUMPER,RUBBER,DOWNSTOP SLC-12	2
24A	57022GT	BUMPER,RUBBER,DOWNSTOP SLC-18	4
24B	57022GT	BUMPER,RUBBER,DOWNSTOP SLC-24	6
25	57023GT	BOLT,SHOULDER,3/8-16 1.417 LNG SLC-12	2
25A	57023GT	BOLT,SHOULDER,3/8-16 1.417 LNG SLC-18	8
25B	57023GT	BOLT,SHOULDER,3/8-16 1.417 LNG SLC-24	12
26	57021GT	TUBE,DOWNSTOP SLC-12	2
26A	57021GT	TUBE,DOWNSTOP SLC-18	4
26B	57021GT	TUBE,DOWNSTOP SLC-24	6
27	57018GT	BLOCK,PLUNGER,DOWNSTOP SLC-12	2
27A	57018GT	BLOCK,PLUNGER,DOWNSTOP SLC-18	4
27B	57018GT	BLOCK,PLUNGER,DOWNSTOP SLC-24	6
28	57024GT	PLATE,DOUBLER,DOWNSTOP SLC-12	1
28A	57024GT	PLATE,DOUBLER,DOWNSTOP SLC-18	2
28B	57024GT	PLATE,DOUBLER,DOWNSTOP SLC-24	3

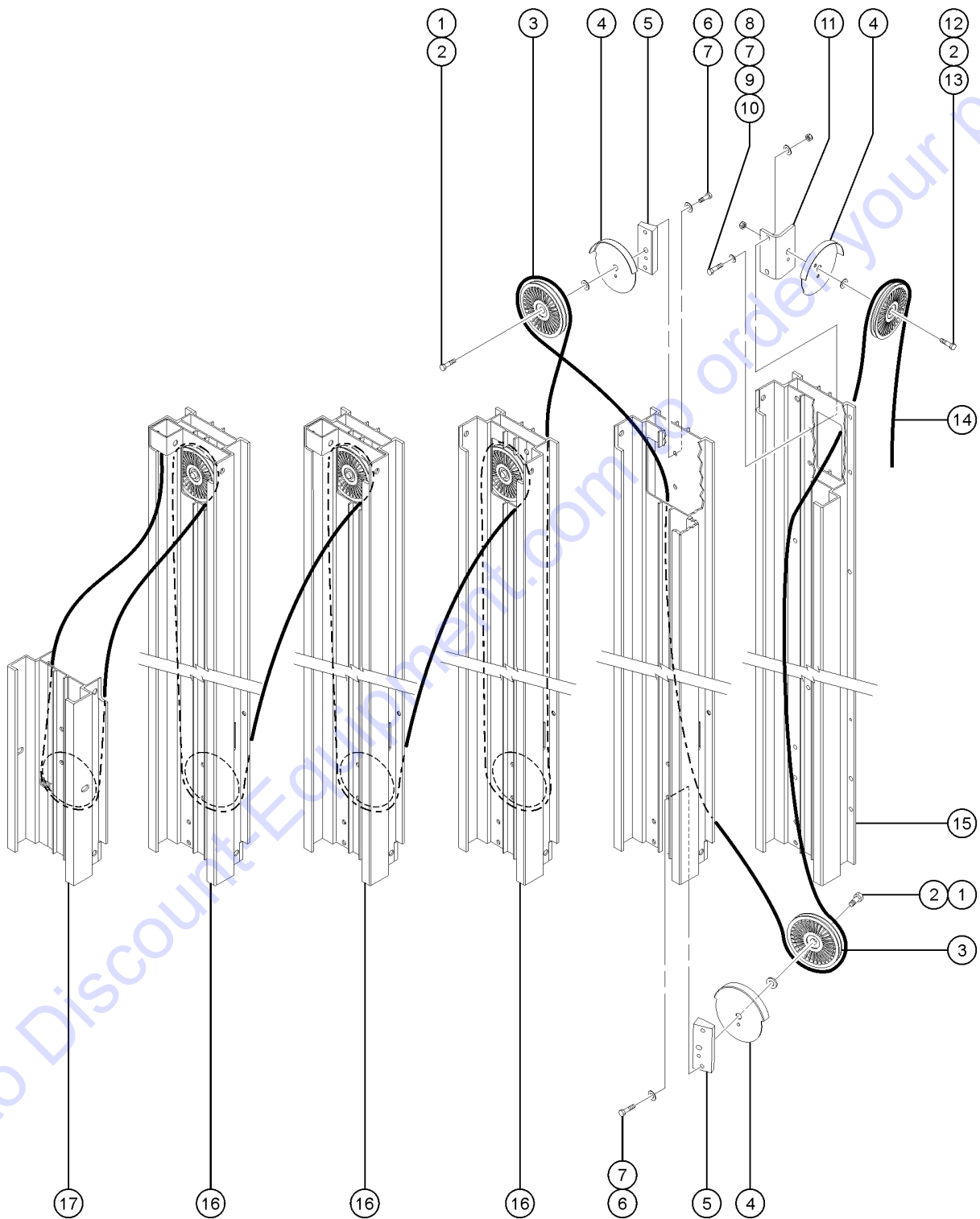
304.1 Columns, Pulleys and Cables



Item	Part No.	Description	Qty.
-	1293212GT	PULLEY KIT,SERVICE,SLA5/SLC6 SLC-6 from SLC15-65176	
-	1293213GT	PULLEY KIT,SERVICE,SLA10/SLC12 SLC-12 from SLC15-65176	
-	1293214GT	PULLEY KIT,SERVICE,SLA15/SLC18 SLC-18 from SLC15-65176	
-	1293215GT	PULLEY KIT,SERVICE,SLA20/SLC24 SLC-24 from SLC15-65176	
1	10597GT	SCREW,HHC, 1/2-13 X 1.25 GR5 (quantity depends on height of unit)	
2	1257466GT	WASHER, FLAT, SAE, .5,GRADE 9 (quantity depends on height of unit)	
3A	1254648GT	PULLEY, 6203 (SLC-6)	2
3B	1254648GT	PULLEY, 6203 (SLC-12)	4
3C	1254648GT	PULLEY, 6203 (SLC-18)	6
3D	1254648GT	PULLEY, 6203 (SLC-24)	8
4A	1254649GT	COVER,PULLEY, 6203 (SLC-6)	2
4B	1254649GT	COVER,PULLEY, 6203 (SLC-12)	4
4C	1254649GT	COVER,PULLEY, 6203 (SLC-18)	6
4D	1254649GT	COVER,PULLEY, 6203 (SLC-24)	8
5A	1251619GT	MOUNT, PULLEY, INNER, 6203 (SLC-6)	2
5B	1251619GT	MOUNT, PULLEY, INNER, 6203 (SLC-12)	4
5C	1251619GT	MOUNT, PULLEY, INNER, 6203 (SLC-18)	6
5D	1251619GT	MOUNT, PULLEY, INNER, 6203 (SLC-24)	8
6	8255GT	SCREW,HHC,3/8-16 X .75	
7	5397GT	WASHER,FLAT,USS,5/16",Y	
8	6019GT	SCREW,HHC,3/8-16 X 1.25 GRD 5	
9	6097GT	WASHER,FLAT,USS,3/8",Y	
10	1257075GT	NUT, NYLOCK,3/8-16,GR8, ZINC	
11	1256136GT	MOUNT, PLY, FIRST, 6203, GRAY	1
12	22788GT	SCREW,HHC, 1/2-13 X 1.75	
13	1257074GT	NUT, NYLOCK, 1/2-13, GR8, ZINC	
14A	52701GT	VIDEO,NTSC,SLA,CABLING PROCDR (Sold Separately)	
14A-	12402GT	CABLE REPLACEMENT COUPLER (Sold Separately)	



304.1 Columns, Pulleys and Cables



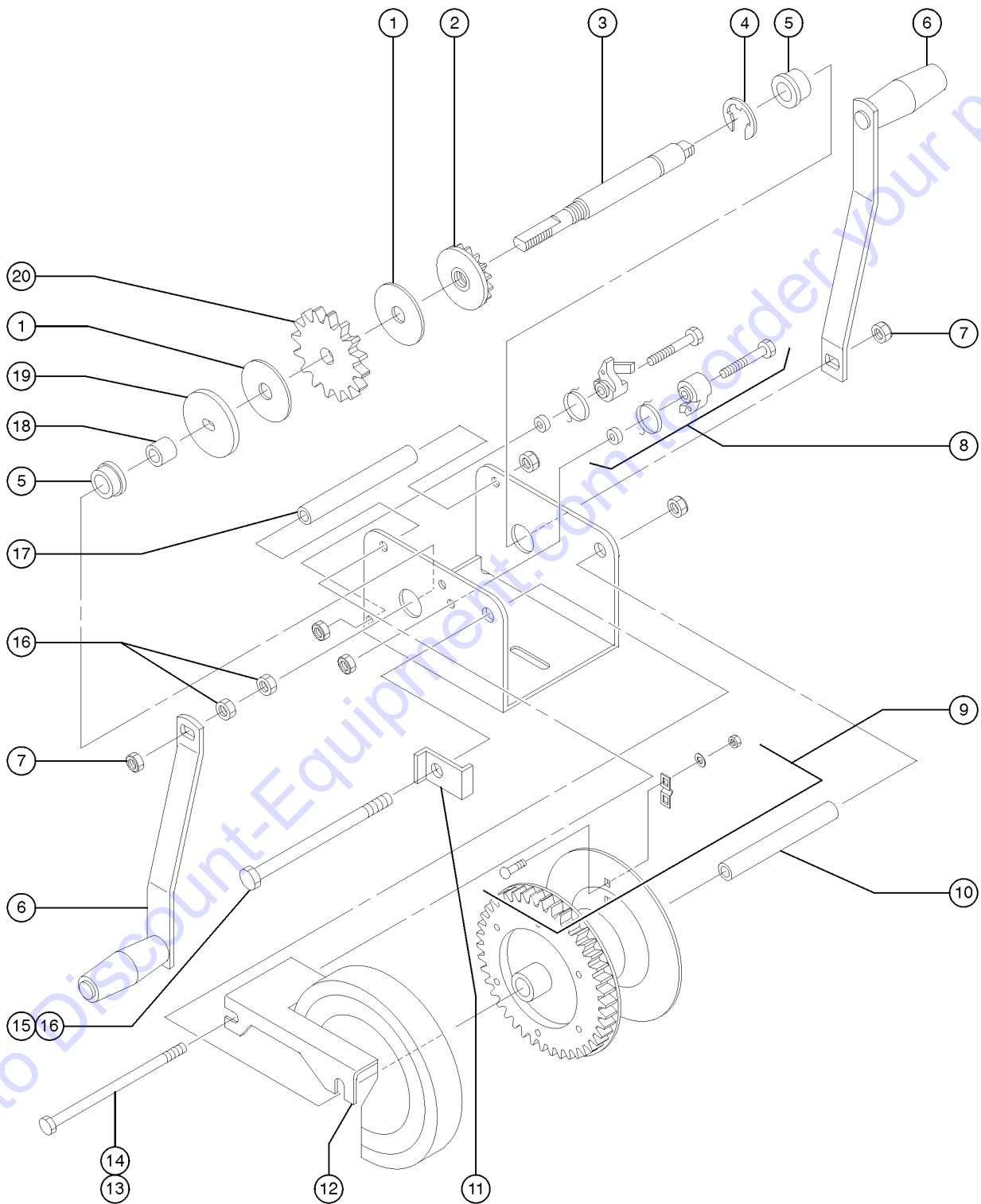
304.1 Columns, Pulleys and Cables

Item	Part No.	Description	Qty.
14B	35005GT	CABLE ASSEMBLY, SLC-6*** SLC-6; Does not Include Cable Replacement Coupler	1
14C	6099GT	CABLE ASSEMBLY SL 408" SLC-12; Does not Include Cable Replacement Coupler	1
14D	7250GT	CABLE ASSY SL/ST 588" 3/16"*** SLC-18; Does not Include Cable Replacement Coupler	1
14E	7251GT	CABLE ASSY SL/ST 756" 3/16"*** SLC-24; Does not Include Cable Replacement Coupler	1
15	57028-SGT	COLUMN#1,MACHINED,SLC SERV	1
16	57029-SGT	COLUMN#2,,MACHINED,SLC SERV (quantity depends on height of unit)	
17	57031GT	CARRIAGE,SL CONTRACTOR***	1

Go to Discount-Equipment.com to order your parts

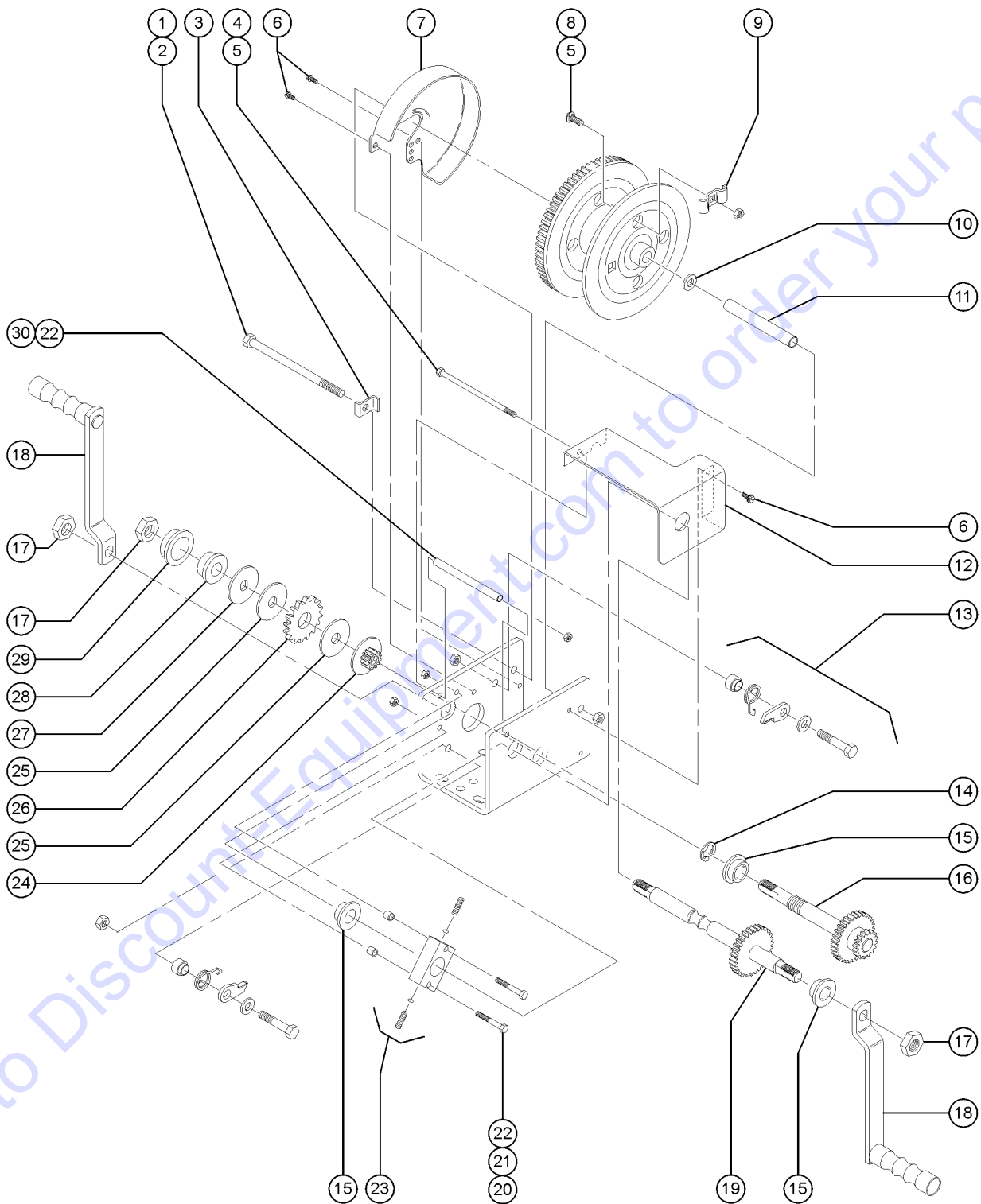


305.1 Winch Components - Single Speed



Item	Part No.	Description	Qty.
A-		SERVICE KIT,PINION SHAFT-K1550 (1256081) (component no longer available)	
C-	1256083GT	SVC KIT, FRICTION DISC K/KX includes qty 2 of item 1	
D-	32945GT	WINCH,W/DECAL 1SPEED SL/ST (refer to 101.1, 102.1 or 103.1) (handle not included)	
1		BRAKE DISK,.5 BORE,K-1550 (7571) (component no longer available)	2
2		PINION GEAR AND DISC K-1550 (7590) (component no longer available)	1
3		SHAFT,PINION (32891) (component no longer available)	1
4		RETAINING RING (6200) (component no longer available)	1
5		BUSHING, SMALL PINION, FULTON (6199) (component no longer available)	2
6	33143GT	WINCH HANDLE 6" STD. SLC-6	2
6A	33144GT	WINCH HANDLE 8" STD.** SLC-12, SLC-18, SLC-24 (shown) (vertical slot)	2
6B	33144GT	WINCH HANDLE 8" STD.** SLC-12, SLC-18, SLC-24 (parallel slot)	2
7	6086GT	NUT,LP NYLOCK,1/2-13	
8	40458GT	RATCHET PAWL KIT	1
9	6190GT	CABLE KEEP.KIT (BRACKET TYPE)*	1
10	6184GT	SPACER, DRUM BOLT, K-1550	1
11		WINCH BRACKET, DRUM BOLT LOCK (31946) (not sold separately)	1
12	6770GT	WINCH GEAR COVERS, K-1500	1
13	7256GT	SCREW,HHC,5/16-18 X 6 GRD.2	
14	6782GT	NUT,NYLOCK,5/16-18	1
15	6185GT	BOLT, DRUM SPACER	1
16	6034GT	NUT,HEX,JAM,1/2-13	3
17		FRAME SPACER,K-1550 (7584) (component no longer available)	1
18		SPACER,PINION SHAFT (32890) (component no longer available)	1
19		WINCH PINION PLATE, K-1550 (7591) (component no longer available)	1
20		RATCHET GEAR,K-1550 1/2" I.D. (6777) (component no longer available)	1

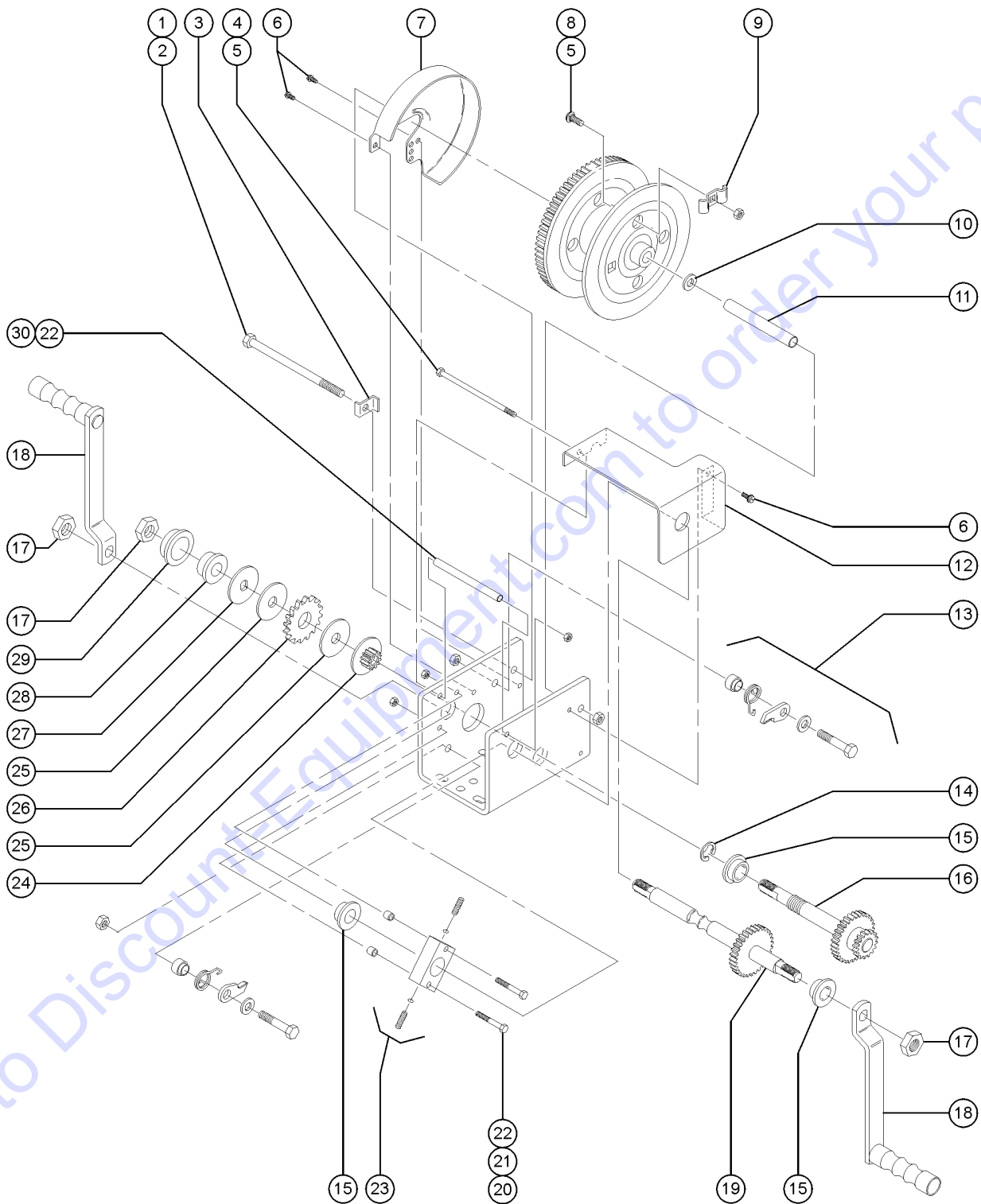
306.1 Winch Components - Two Speed



Item	Part No.	Description	Qty.
	32946GT	WINCH W/DECAL,2 SPEED***	
	40130GT	CABLE KEEPER KIT (33090) (includes item numbers 5, 8 and 9)	
1	78037GT	SCREW,HHC,3/8-16 X 5.5	
2	4828GT	NUT,NYLOCK,3/8-16	
3	80145GT	LOCK-BOLT, REEL (80056)	1
4	80146GT	SCREW,HHC,1/4-20 X 5.25(80056)	
5	6091GT	NUT,NYLOCK,1/4-20	
6	80147GT	SCREW-THRD FORM,HH-SLT, 1/2"	
7	80148GT	COVER - REEL (80056)	1
8	80149GT	BOLT,CARRIAGE,1/4-20 X .5,G2	
9	37065GT	CABLE KEEPER, DLB800	1
10	80150GT	WASHER-FLAT, 1/2" (80056)	
11	40113GT	REEL SPACER	1
12	80151GT	COVER-GEAR (80056)	1
13	40117GT	RATCHET PAWL KIT, (33090)	1
13-	8516GT	SCREW, HCC, 3/8-16 X 1.50	
13-	5397GT	WASHER,FLAT,USS,5/16",Y	
13-	80154GT	PAWL-RATCHET (80056)	
13-	80153GT	SPRING-RATCHET (80056)	
13-	80152GT	SPACER-RATCHET (80056)	
13-	4828GT	NUT,NYLOCK,3/8-16	
14	40116GT	E-RING, 3/4	1
15	40126GT	BEARING, SINTERED IRON, 3/4	
16	80155GT	SHAFT ASSY,INTERMED. (80056)	1
17	38028GT	NUT,LP NYLOCK,5/8-11	
18	40125GT	HANDLE ASSY., 8-INCH, OFFSET	2
19	72264GT	SHAFT ASSY, PRIMARY	1
20	6145GT	SCREW,HHC,1/4-20 X 1.5	



306.1 Winch Components - Two Speed



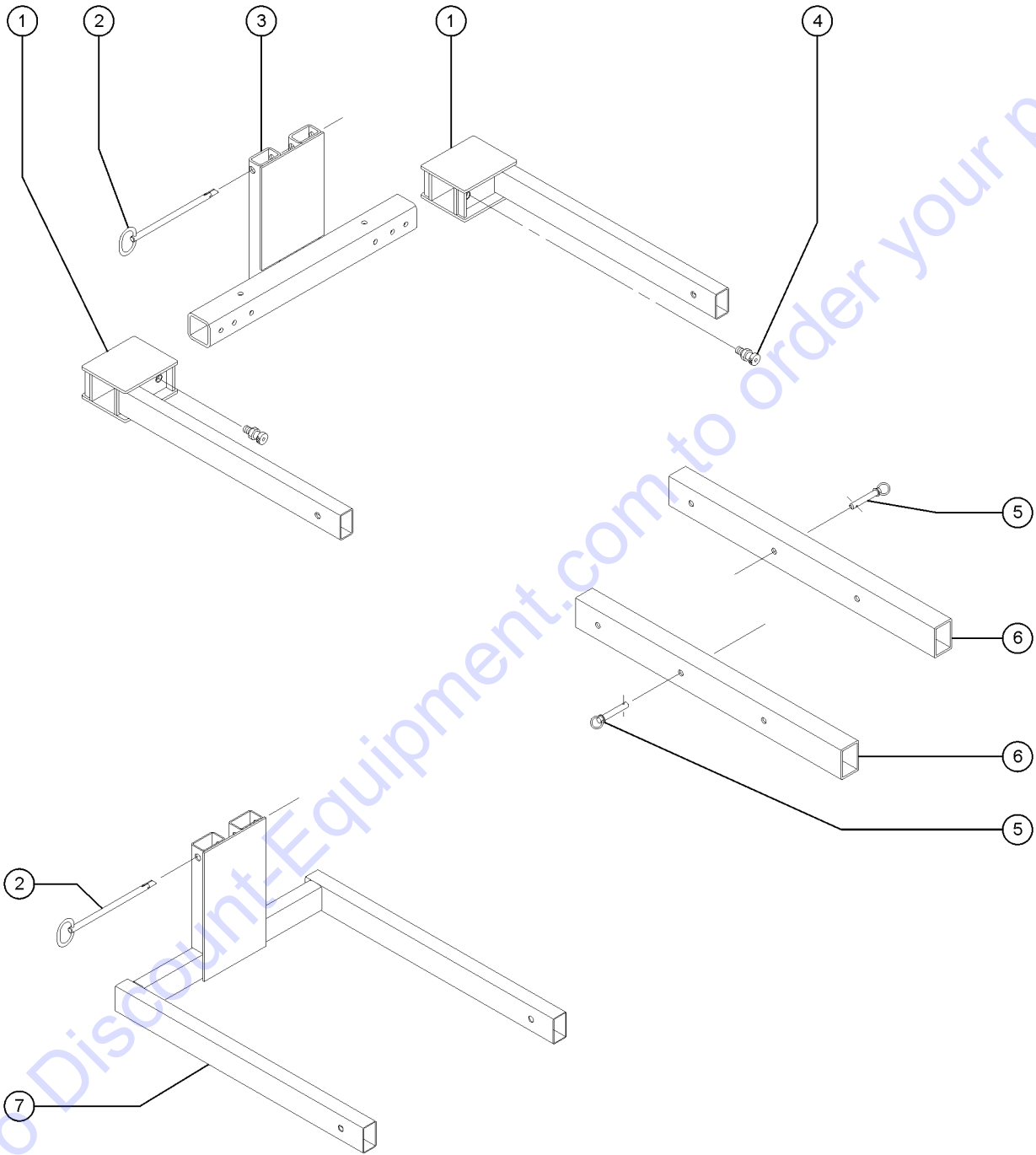
306.1 Winch Components - Two Speed

Item	Part No.	Description	Qty.
21	40115GT	BRAKE SPRING SPACER	2
22	6889GT	NUT,LP NYLOCK,1/4-20	
23	40127GT	DETENT BLOCK ASSY	1
23-	40509GT	DETENT SPRING	2
23-	40510GT	DETENT BALL	2
23-	80156GT	BLOCK-DETENT (80056)	1
24	80157GT	GEAR-PINION (80056)	1
25	37061GT	BRAKE FACE,DLB800	2
26	37062GT	RATCHET GEAR, DLB800	1
27	40122GT	WASHER,DOUBLE D.	1
28	40123GT	SPACER	1
29	85182GT	SINTERED IRON BEARING,1-1/4**	1
30	40128GT	BASE SPACER	1

Go to Discount-Equipment.com to order your parts



401.1 Forks



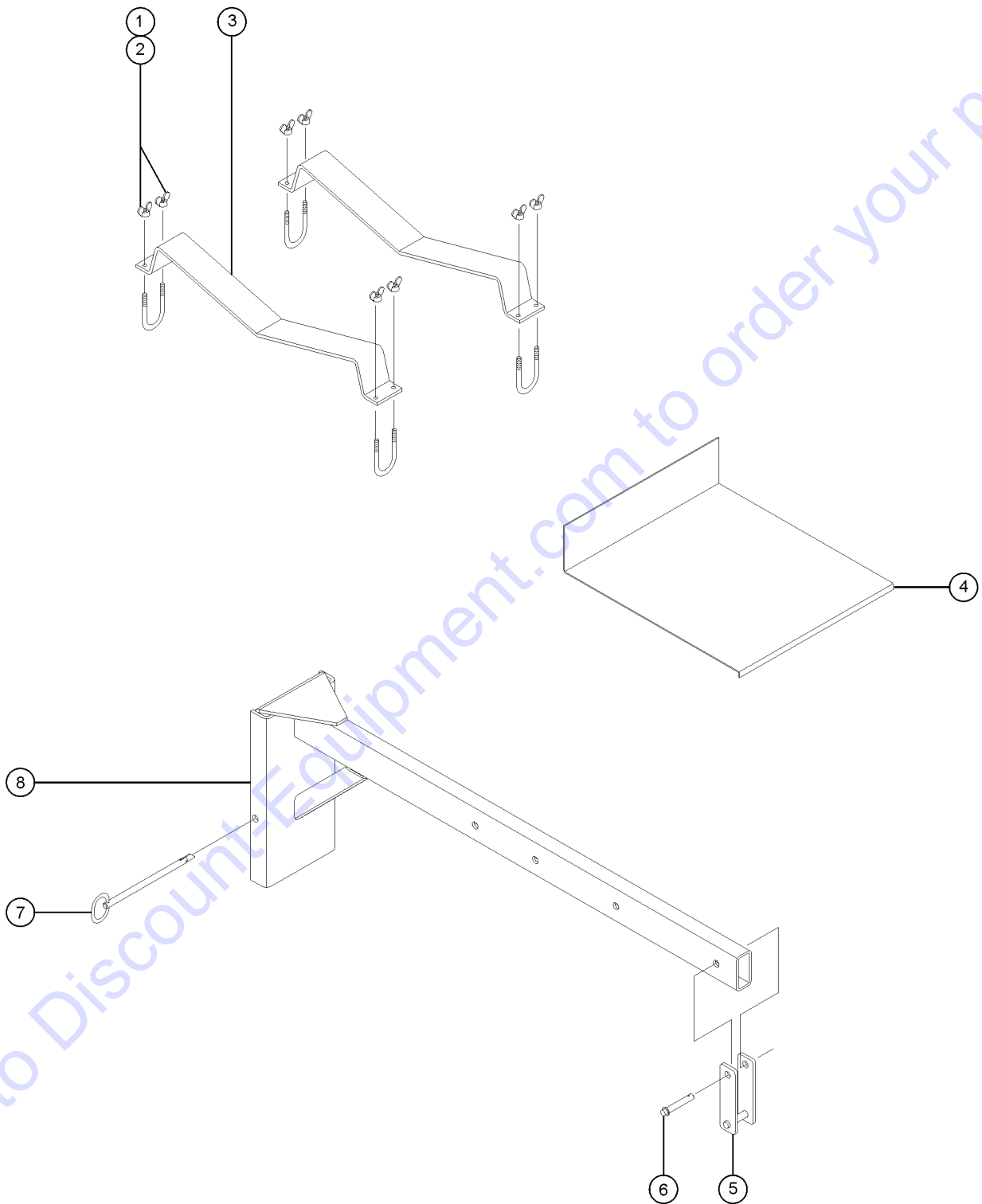
Go to DiscountEquipment.com to order your parts

Item	Part No.	Description	Qty.
	33543-SGT	SLC, ADJ FORK ASSEMBLY includes items 1 - 4	
1	33707-SGT	WELDMENT,ARM ADJ. FORK,"GRAY"	2
2	48301GT	PIN,TOGGLE,.50 X 8.13***	1
3	35821GT	CARRIER - ADJ.FORK,-ST2	1
4	33674GT	PIN,LOCK,SHORT***	2
5	80679GT	PIN,BALL RET.-.5 X 2.7	2
6	33366-SGT	FORK EXTENSION, SINGLE*** suggest ordering 80679 pin with each extension	2
7	33984GT	FORK,STD W/WORD DECALS SLC	1

Go to Discount-Equipment.com to order your parts



402.1 Pipe Cradle, Load Platform and Boom Arm



Go to DiscountEquipment.com to order your parts

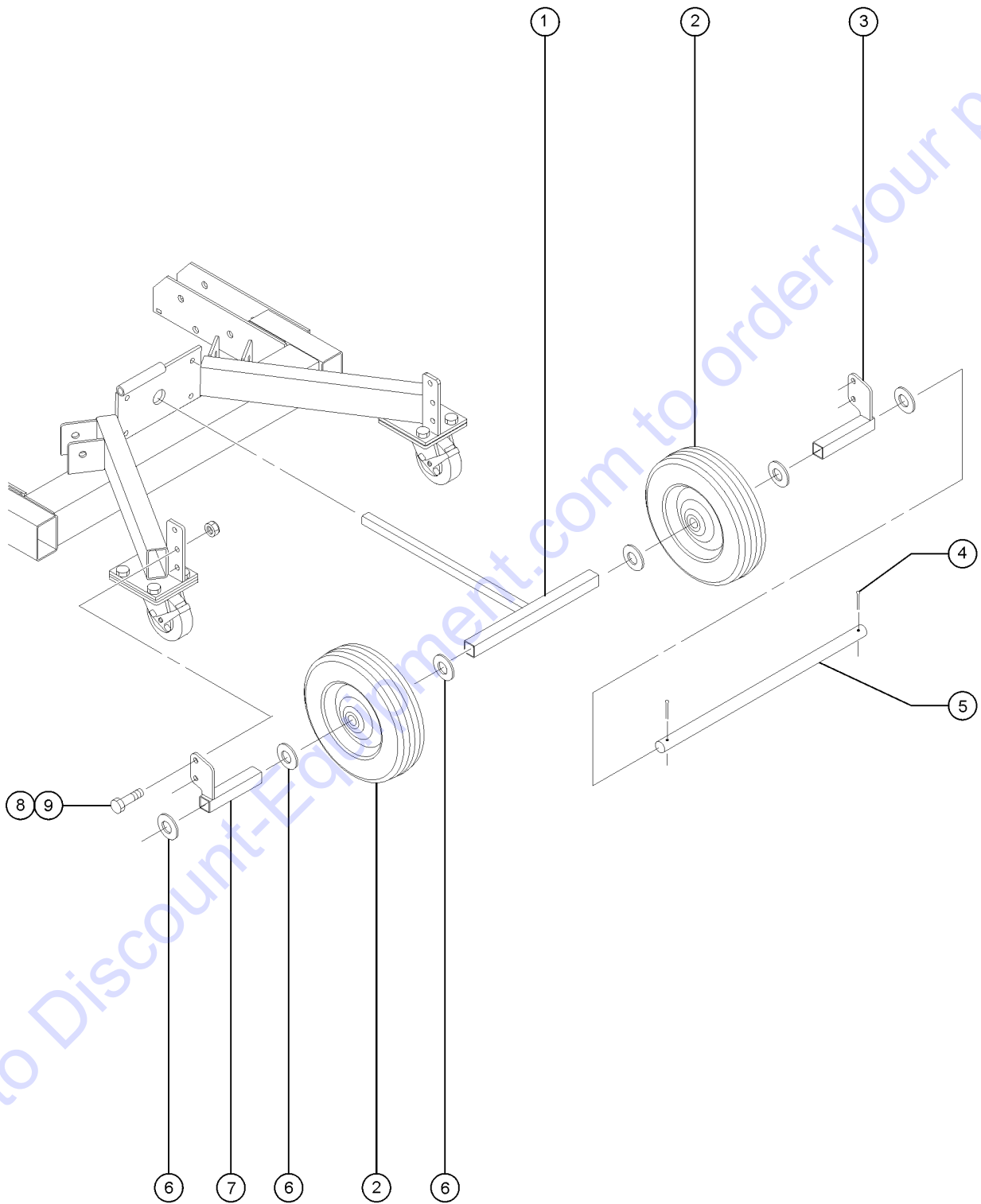
402.1 Pipe Cradle, Load Platform and Boom Arm

Item	Part No.	Description	Qty.
	32569-SGT	SL/SLC PIPE HOLDER ACCESSORY complete kit for first time installation	
1	8170GT	NUT,WING,1/4-20	8
2	33045GT	U-BOLT,1/4-20 SL2 PIPE CRADLE	
3	80597GT	PIPE CRADLE, BLUE	2
4	35021GT	LOAD PLATFORM W/DECALS, SLC	1
5	32579-SGT	WELDMENT,CLEVIS STD. BOOM	1
5-	5143GT	HOOK, " S "	
6	80679GT	PIN,BALL RET.-.5 X 2.7	1
7	48301GT	PIN,TOGGLE,.50 X 8.13***	1
8	32567-SGT	SLA/SLC STD.BOOM ASSY/SERVICE blue; includes items 5, 6 and 7	1
8	229447GT	SLC STD.BOOM ASSY/SERVICE/GRAY gray; includes items 5, 6 and 7	

Go to Discount-Equipment.com to order your parts



403.1 Rear Wheels



403.1 Rear Wheels

Item	Part No.	Description	Qty.
	35848-SGT	SL REAR TRANSPORT WHEEL ASSY	
1	33831-SGT	WHEEL SPACER WELDMENT,SL"GRAY"	1
2	124000GT	WHEEL,TRANSPORT SL 10X.75X2.75	
3	33830-SGT	WHEEL SPACER MOUNT WELD,RH,SL	1
4	6094GT	PIN,COTTER,.125 X 1	2
5	57237GT	AXLE ROD, TRANSPORT WHEEL,SL	1
6	6564GT	WASHER, SHIM,.765 X 1.312 X .093	
7	33829-SGT	WHEEL SPACER MNT WELD LH,SL	1
8	6019GT	SCREW,HHC,3/8-16 X 1.25 GRD 5	
9	4828GT	NUT,NYLOCK,3/8-16	

Go to Discount-Equipment.com to order your parts



<u>Part no.</u>	<u>Page Number</u>	<u>Part no.</u>	<u>Page Number</u>	<u>Part no.</u>	<u>Page Number</u>
1268GT	9	11890GT	17	33143GT	39
1484GT	9	11978GT	23	33144GT	39
4828GT	17, 19, 41, 49	12343GT	23	33366-SGT	45
5143GT	47	12402GT	9, 35	33373GT	19
5224GT	19	13005GT	23	33385GT	25
5397GT	31, 35, 41	13066GT	27, 31	33468GT	13
6019GT	17, 23, 35, 49	21253GT	17	33539GT	23
6033GT	19	21443GT	17	33540GT	25
6034GT	19, 39	22788GT	35	33543-SGT	45
6052GT	27, 31	27581GT	9	33658GT	17
6086GT	19, 27, 39	31072GT	13	33670GT	21
6091GT	23, 41	31587GT	9	33674GT	45
6094GT	17, 49	31822GT	23	33707-SGT	45
6095GT	19, 23, 27, 29	32150GT	9	33811GT	27, 31, 33
6097GT	19, 23, 35	32151GT	9	33829-SGT	17, 49
6099GT	9, 37	32473GT	11, 23, 27, 29	33830-SGT	17, 49
6145GT	41	32474GT	23, 27, 29	33831-SGT	17, 49
6175GT	17, 19, 23, 31	32475GT	11, 23, 27, 29	33843GT	23
6184GT	39	32499GT	19	33875GT	11
6185GT	39	32509GT	19	33984GT	45
6190GT	9, 39	32519GT	21	35005GT	9, 37
6198GT	29	32522GT	31	35015GT	19
6326GT	23	32524GT	19	35016GT	19
6564GT	17, 25, 49	32567-SGT	47	35017GT	19
6587GT	23	32569-SGT	47	35018GT	19
6600GT	23	32576GT	21	35019GT	19
6653GT	23	32577GT	21	35021GT	47
6732GT	19, 21, 23	32579-SGT	47	35101GT	11, 31
6770GT	39	32687GT	13	35159-SGT	19
6782GT	39	32714GT	13	35212GT	19
6889GT	43	32716GT	13	35213GT	21
7250GT	9, 37	32717GT	13	35408GT	31
7251GT	11, 37	32770GT	13	35442GT	31
7256GT	39	32775GT	13	35443GT	31
7265GT	23	32883GT	19	35463GT	31
7571GT	9	32884GT	19	35814GT	23
7713GT	29	32885GT	13	35819GT	25
8170GT	47	32938GT	13	35821GT	45
8255GT	29, 35	32939GT	13	35834GT	25
8516GT	19, 41	32945GT	39	35848-SGT	49
10597GT	27, 35	32946GT	41	37061GT	9, 43
11337GT	21	33045GT	47	37062GT	43

<u>Part no.</u>	<u>Page Number</u>	<u>Part no.</u>	<u>Page Number</u>	<u>Part no.</u>	<u>Page Number</u>
37065GT	41	57735GT	17	100309GT	19, 23
38028GT	41	57746GT	19	109579GT	23
40113GT	41	57782GT	19	109580GT	23
40115GT	43	57788GT	25	124000GT	17, 49
40116GT	41	58094GT	21	124790GT	25
40117GT	9, 41	58095GT	17	229447GT	47
40121GT	9	58750GT	17	1251619GT	35
40122GT	9, 43	65764GT	9	1254648GT	35
40123GT	43	72264GT	9, 41	1254649GT	35
40125GT	41	78037GT	41	1256083GT	39
40126GT	41	80141-SGT	17	1256136GT	35
40127GT	43	80142-SGT	17	1257074GT	23, 27, 29, 35
40128GT	43	80143-SGT	17	1257075GT	23, 31, 35
40130GT	41	80144-SGT	17	1257466GT	35
40153GT	29	80145GT	41	1257733GT	9
40154GT	29	80146GT	41	1258567GT	9
40155GT	29	80147GT	41	1293212GT	35
40458GT	9, 39	80148GT	41	1293213GT	35
40509GT	43	80149GT	41	1293214GT	35
40510GT	43	80150GT	41	1293215GT	35
40513GT	13	80151GT	41		
48301GT	17, 45, 47	80152GT	41		
49991GT	25	80153GT	41		
52675GT	13	80154GT	41		
52701GT	9, 35	80155GT	41		
52984GT	13, 15	80156GT	43		
52992GT	13, 15	80157GT	9, 43		
52993GT	13, 15	80597GT	47		
52994GT	13, 15	80679GT	45, 47		
52995GT	13, 15	80987GT	27		
57016GT	27, 29	82487GT	15		
57018GT	33	82964GT	15		
57019GT	33	85182GT	43		
57021GT	33	90337GT	23		
57022GT	33	97529GT	13		
57023GT	33	97532GT	15		
57024GT	33	97539GT	15		
57028-SGT	37	97541GT	15		
57029-SGT	37	97543GT	15		
57031GT	37	97545GT	15		
57237GT	17, 49	97546GT	15		
57734GT	19	97547GT	13		

California Proposition 65

 **WARNING**

Operating, servicing and maintaining this equipment, passenger vehicle or off-highway motor vehicle can expose you to chemicals including engine exhaust, carbon monoxide, phthalates, and lead, which are known to the State of California to cause cancer and birth defects or other reproductive harm. These chemicals can be emitted from or contained in other various parts and systems, fluids and some component wear by-products. To minimize exposure, avoid breathing exhaust, do not idle the engine except as necessary, service your equipment and vehicle in a well-ventilated area and wear gloves or wash your hands frequently when servicing your equipment or vehicle and after operation. For more information go to www.P65Warnings.ca.gov/passenger-vehicle.

Breathing diesel engine exhaust exposes you to chemicals known to the State of California to cause cancer and birth defects or other reproductive harm.

- Always start and operate the engine in a well-ventilated area.
- If in an enclosed area, vent the exhaust to the outside.
- Do not modify or tamper with the exhaust system.
- Do not idle the engine except as necessary.

For more information go to www.P65warnings.ca.gov/diesel.

Distributed By:

www.GS-Parts.com to order your parts

PARTS FINDER

**Search Website
by Part Number**



**Search Manual
Library For Parts
Manual & Lookup Part
Numbers – Purchase
or Request Quote**

Search Manuals

Enter your information to help us find the right parts manual for your machine.

* Brand:

* Model:

* Serial:

* Part Number:

SEARCH

**Can't Find Part or
Manual? Request Help
by Manufacturer,
Model & Description**

Parts Order Form

Please fill in the following information to help us find the right part for your machine.

Manufacturer:	<input type="text"/>
Model:	<input type="text"/>
Description:	<input type="text"/>
Part Number:	<input type="text"/>
Quantity:	<input type="text"/>
Notes:	<input type="text"/>

Submit

Discount-Equipment.com is your online resource for quality parts & equipment.

Florida: **561-964-4949** Outside Florida TOLL FREE: **877-690-3101**

Need parts?

Click on this link: <http://www.discount-equipment.com/category/5443-parts/> and choose one of the options to help get the right parts and equipment you are looking for. Please have the machine model and serial number available in order to help us get you the correct parts. If you don't find the part on the website or on one of the online manuals, please fill out the request form and one of our experienced staff members will get back to you with a quote for the right part that your machine needs.

We sell worldwide for the brands: Genie, Terex, JLG, MultiQuip, Mikasa, Essick, Whiteman, Mayco, Toro Stone, Diamond Products, Generac Magnum, Airman, Haulotte, Barreto, Power Blanket, Nifty Lift, Atlas Copco, Chicago Pneumatic, Allmand, Miller Curber, Skyjack, Lull, Skytrak, Tsurumi, Husquvarna Target, Stow, Wacker, Sakai, Mi-T-M, Sullair, Basic, Dynapac, MBW, Weber, Bartell, Bennar Newman, Haulotte, Ditch Runner, Menegotti, Morrison, Contec, Buddy, Crown, Edco, Wyco, Bomag, Laymor, EZ Trench, Bil-Jax, F.S. Curtis, Gehl Pavers, Heli, Honda, ICS/PowerGrit, IHI, Partner, Imer, Clipper, MMD, Koshin, Rice, CH&E, General Equipment, Amida, Coleman, NAC, Gradall, Square Shooter, Kent, Stanley, Tamco, Toku, Hatz, Kohler, Robin, Wisconsin, Northrock, Oztec, Toker TK, Rol-Air, APT, Wylie, Ingersoll Rand / Doosan, Innovatech, Con X, Ammann, Mecalac, Makinex, Smith Surface Prep, Small Line, Wanco, Yanmar