



A TEREX BRAND



# Parts Manual

Serial Number Range

## **Superlift Contractor**

from SN 9595-101 to 9501-19014

from SN SLC02-19015 to  
SLC16-66775

from SN SLC16G-66776 to  
SLC16G-70799

Part No. 115410

Rev D2

November 2018

Go to Discount-Equipment.com to order your parts

# PARTS FINDER

**Search Website  
by Part Number**



**Search Manual  
Library For Parts  
Manual & Lookup Part  
Numbers – Purchase  
or Request Quote**

**Search Manuals**

Enter your information to help us find the right parts manual for your machine.

\* Brand:

\* Model:

\* Serial:

\* Part Number:

SEARCH

**Can't Find Part or  
Manual? Request Help  
by Manufacturer,  
Model & Description**

**Parts Order Form**

Please fill in the following information to help us find the right part for your machine.

MANUFACTURER:

MODEL:

DESCRIPTION:

DATE:

TIME:

PHONE:

EMAIL:

ADDRESS:

CITY:

STATE:

ZIP:

NAME:

COMPANY:

PHONE:

EMAIL:

REQUEST FOR QUOTE

Discount-Equipment.com is your online resource for quality parts & equipment.

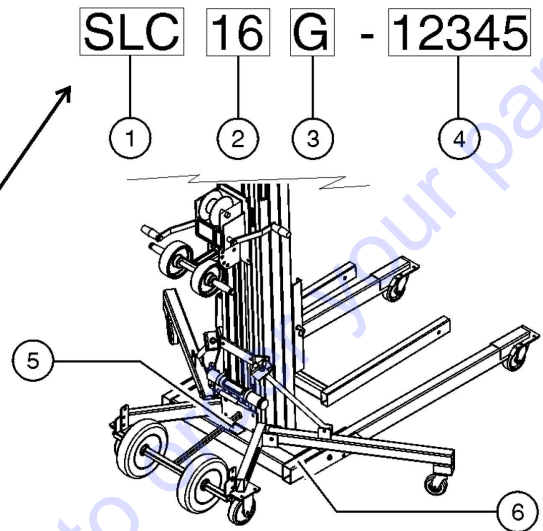
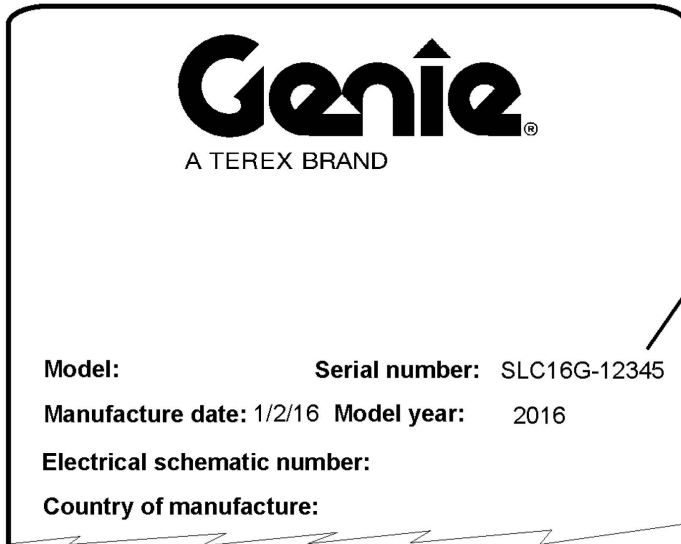
Florida: **561-964-4949** Outside Florida TOLL FREE: **877-690-3101**

**Need parts?**

Click on this link: <http://www.discount-equipment.com/category/5443-parts/> and choose one of the options to help get the right parts and equipment you are looking for. Please have the machine model and serial number available in order to help us get you the correct parts. If you don't find the part on the website or on one of the online manuals, please fill out the request form and one of our experienced staff members will get back to you with a quote for the right part that your machine needs.

We sell worldwide for the brands: Genie, Terex, JLG, MultiQuip, Mikasa, Essick, Whiteman, Mayco, Toro Stone, Diamond Products, Generac Magnum, Airman, Haulotte, Barreto, Power Blanket, Nifty Lift, Atlas Copco, Chicago Pneumatic, Allmand, Miller Curber, Skyjack, Lull, Skytrak, Tsurumi, Husquvarna Target, Stow, Wacker, Sakai, Mi-T-M, Sullair, Basic, Dynapac, MBW, Weber, Bartell, Bennar Newman, Haulotte, Ditch Runner, Menegotti, Morrison, Contec, Buddy, Crown, Edco, Wyco, Bomag, Laymor, EZ Trench, Bil-Jax, F.S. Curtis, Gehl Pavers, Heli, Honda, ICS/PowerGrit, IHI, Partner, Imer, Clipper, MMD, Koshin, Rice, CH&E, General Equipment, Amida, Coleman, NAC, Gradall, Square Shooter, Kent, Stanley, Tamco, Toku, Hatz, Kohler, Robin, Wisconsin, Northrock, Oztec, Toker TK, Rol-Air, APT, Wylie, Ingersoll Rand / Doosan, Innovatech, Con X, Ammann, Mecalac, Makinex, Smith Surface Prep, Small Line, Wanco, Yanmar

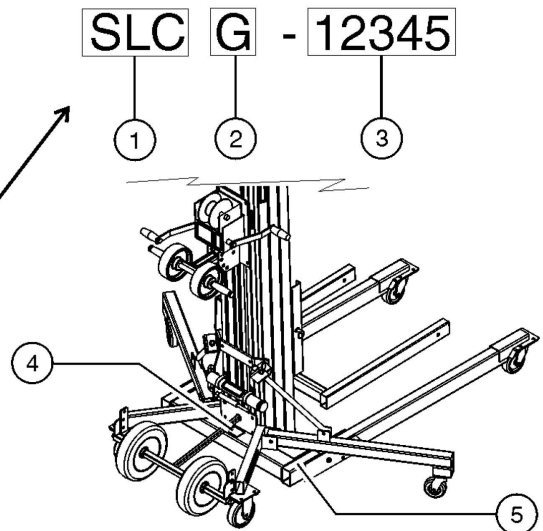
To August 31, 2016



- 1 Model
- 2 Model year
- 3 Facility code

- 4 Sequence number
- 5 Serial label
- 6 Serial number (stamped on base)

From September 1, 2016



- 1 Model
- 2 Facility code
- 3 Sequence number

- 4 Serial label
- 5 Serial number (stamped on base)

## Table of Contents

This manual is updated frequently. For the most up-to-date parts information, visit [www.discount-equipment.com](http://www.discount-equipment.com)

How to Read Your Serial Number.....	3
Parts Stocking List.....	7

### **Electronic Version**

Click on any page number to view the figure.

#### **100 Decals**

101.1 Decals with Words (to SLC04-28240).....	10
102.1 Decals with Words (from SLC04-28241).....	12
103.1 Decals with symbols.....	14

#### **200 Base Components**

201.1 Base Components, View 1.....	16
202.1 Base Components, View 2.....	18

#### **300 Mast and Winch Components**

301.1 Mast Components, View 1.....	20
302.1 Mast Components, View 2.....	22
303.1 Mast Components, View 3.....	24
304.1 Columns, Pulleys and Cables (to SN SLC15-65175).....	28
304.2 Columns, Pulleys and Cables (from SN SLC15-65176).....	30
305.1 Winch Components - Single Speed.....	32
306.1 Winch Components - Two Speed (from 9501-16466).....	34

#### **400 Accessories**

401.1 Forks.....	36
402.1 Pipe Cradle, Load Platform and Boom Arm.....	38
403.1 Rear Wheels.....	40

#### **Indices**

Part Number Index.....	42
Part Description Index.....	43

#### **Cross References**

Fittings Cross Reference.....	46
-------------------------------	----

## Required Parts

The following parts are required to perform maintenance procedures as outlined in the Genie Superlift Contractor Service Manual.

Description	Part No.
Cable Replacement Coupler .....	12402
Disc Brake (One-Speed Winch) .....	7571
Disc Brake (Two-Speed Winch).....	37061

## Recommended Parts

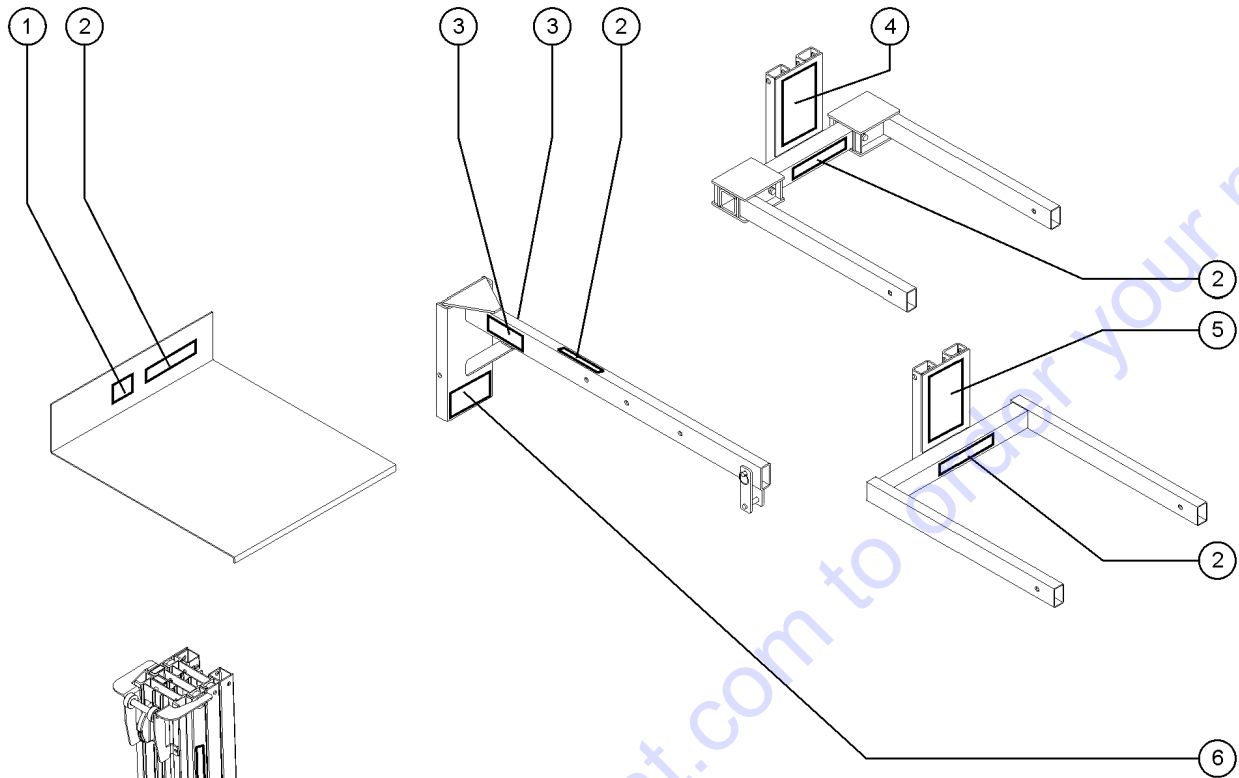
Description	Part No.
Genie Blue Paint, 1 Gallon (3.78 liters) .....	32150
Genie Blue Paint, 12 Ounce Aerosol (355 ml).....	1484
Genie Gray Paint, 1 Gallon (3.78 liters).....	32151
Genie Gray Paint, 12 Ounce Aerosol (355 ml).....	1268
Pinion Plate (Two-Speed Winch).....	40122
Ratchet Gear (Two-Speed Winch).....	40121
Pinion Gear (Two-Speed Winch).....	80157P
Ratchet Pawl Kit (One-Speed Winch) .....	40458
Ratchet Pawl Kit (Two-Speed Winch).....	40117
Cable Keeper Kit (One-Speed Winch).....	6190
Primary Shaft Assembly .....	72264
Cable Assembly (SLC-6 models) .....	35005
Cable Assembly (SLC-12 models) .....	6099
Cable Assembly (SLC-18 models) .....	7250
Cable Assembly (SLC-24 models) .....	7251
Pin Assembly with Lanyard .....	32940
Roller Bolt, 1/2-13 x 1.84 inches.....	32475
Nylatron Roller, 1.75 x 0.72 inch.....	32473
Safety Brake Assembly .....	35101
Loctite Thread Lock .....	65764
Genie Superlift Cabling Procedure Video.....	52701

## Manuals

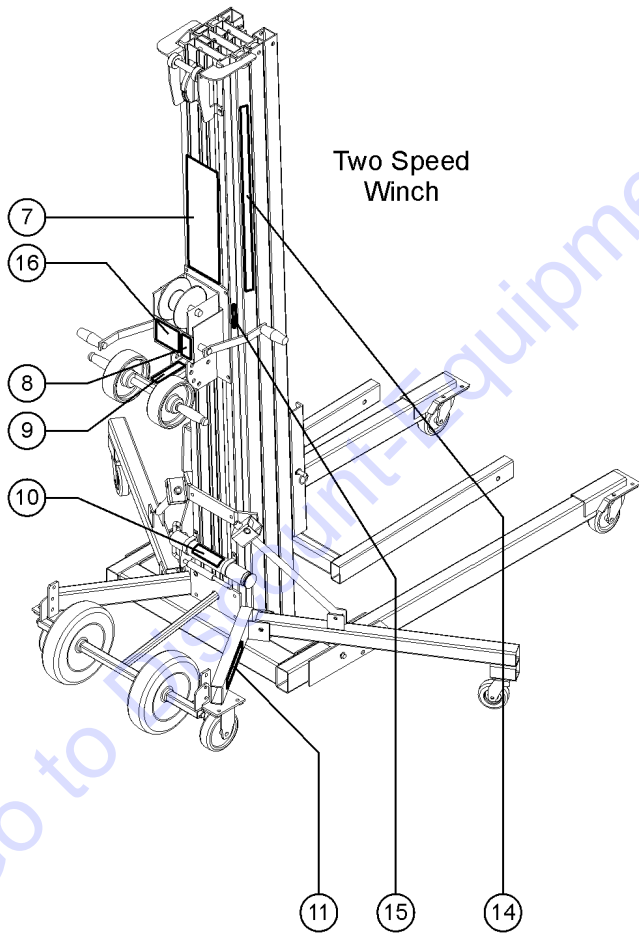
Genie Industries offers the following support documents for these models:

Title	Part No.
EMI Safety Manual .....	27581
Manual of Responsibilities	
ANSI A92.5 .....	31587

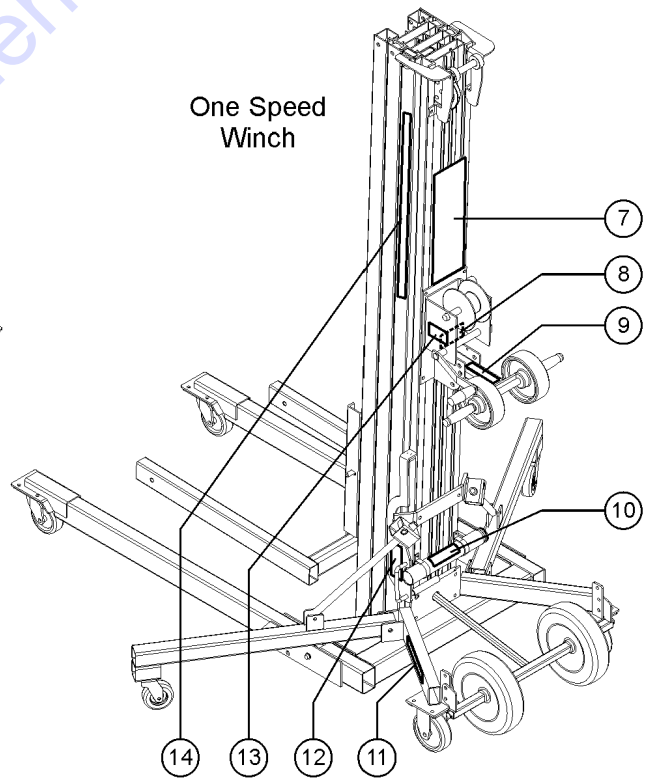
101.1 Decals with Words (to SLC04-28240)



Two Speed Winch



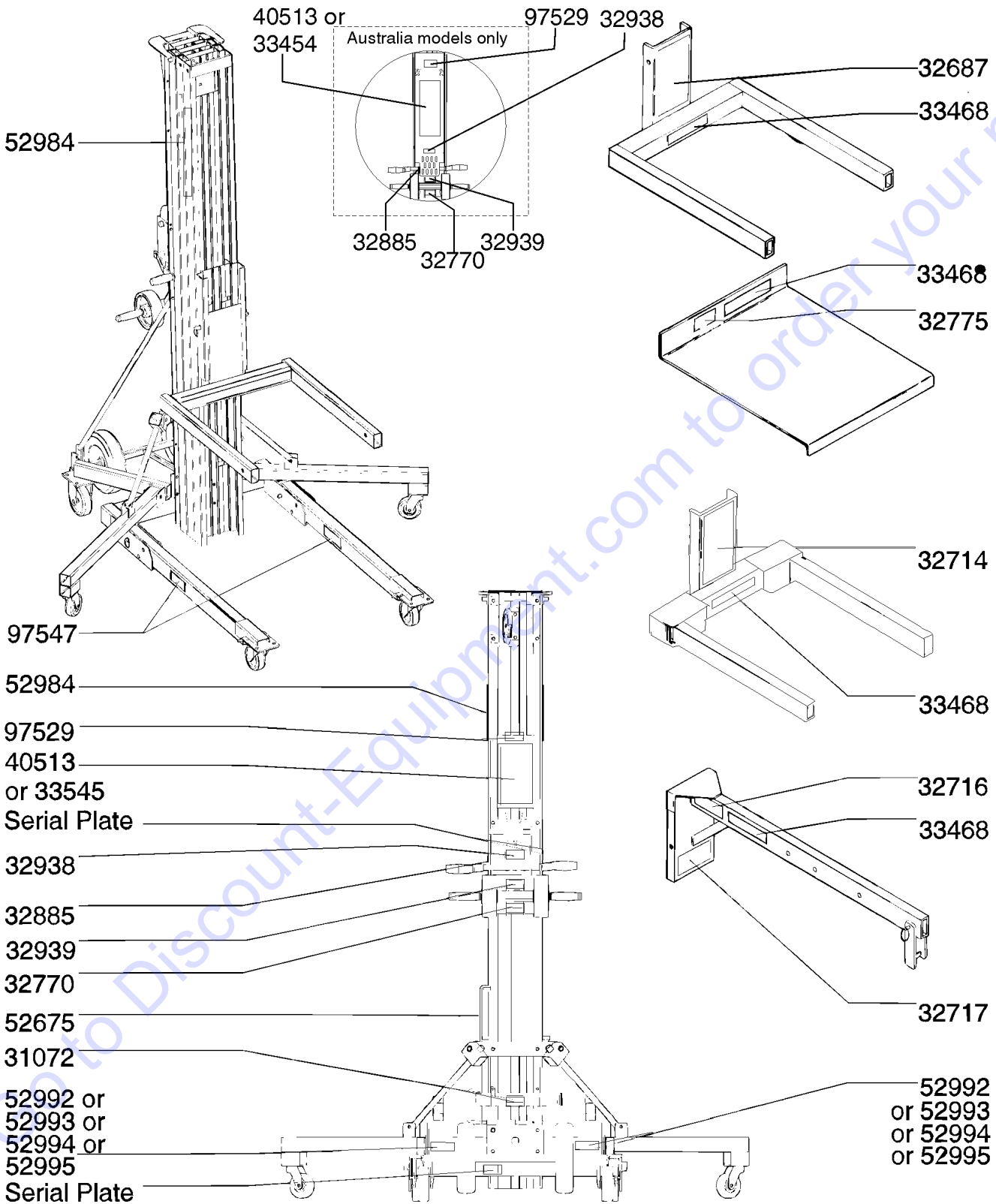
One Speed Winch



## 101.1 Decals with Words (to SLC04-28240)

Item	Part No.	Description	Qty.
--	48373GT	DECAL KIT, SAFETY/INST, SLC to SN SLC04-28240; includes items 2, 5, 7-10 and 12-13	
--	84806GT	DECAL KIT, WORDS SLC from SN SLC04-28241	
--	84807GT	DECAL KIT, SYMBOLS, SLC from SN SLC04-28241	
1	32775GT	DECAL,WARNING,FALL HAZARD.....1	
2	33468GT	DECAL,WARNING,NO RIDERS.....1	
3	32716GT	DECAL,NOTICE BOOM SETUP.....2	
4	32714GT	DECAL,WARNING ADJ FORK SETUP...1	
5	32687GT	DECAL,WARNING STD.FORK SAFETY.....1	
6	32717GT	DECAL,WARNING BOOM SAFETY.....1	
7	40513GT	DECAL,WARNING/SAFETY-SLC.....1 (replaced 33545 from SN 9596-5288)	
8	32938GT	DECAL,LABEL,WINCH ONLY.....1	
9	32939GT	DECAL,CRUSHING HAZ/BRAKE LOCK.....1	
10	31072GT	DECAL,LABEL,OPER.MAN.STORAGE..1	
11	52992GT	DECAL,COSMETIC,SLC-6.....2	
11A	52993GT	DECAL,COSMETIC,SLC-12	
11B	52994GT	DECAL,COSMETIC,SLC-18	
11C	52995GT	DECAL,COSMETIC,SLC-24	
12	52675GT	DECAL,CAUTION,DAMAGD MACHINE.....1	
13	32885GT	DECAL,SILENT WINCH.....1	
14	52984GT	DECAL,GENIE SUPERLIFT CONTRACT.....2	
15	33982GT	SERIAL NUMBER PLATE, SL CONTR...1	
16	32770GT	DECAL,2 SPD.WINCH**.....1	

102.1 Decals with Words (from SLC04-28241)

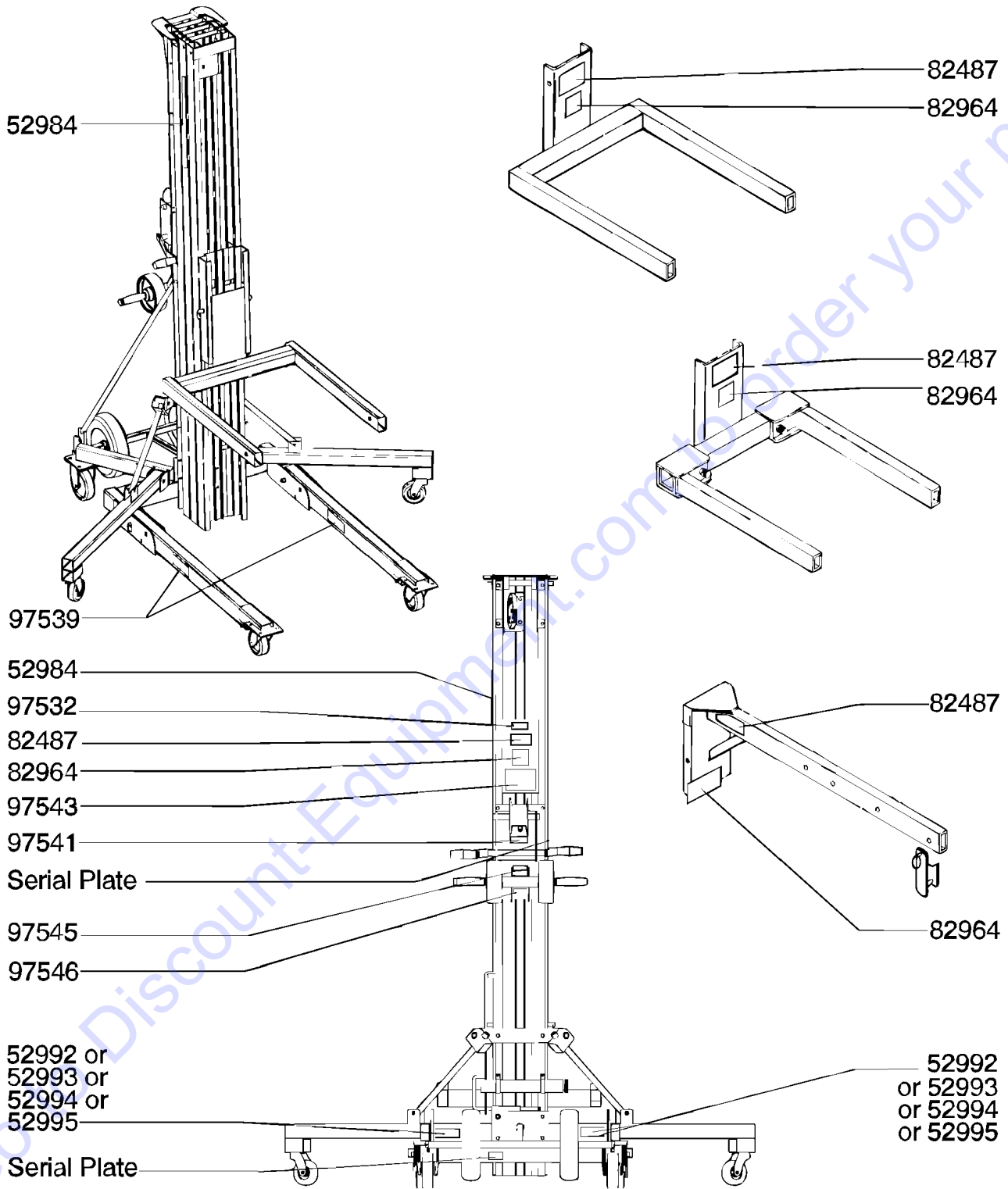




## 102.1 Decals with Words (from SLC04-28241)

Item	Part No.	Description	Qty.
1	31072GT	DECAL,LABEL,OPER.MAN.STORAGE..1	
2	32687GT	DECAL,WARNING STD.FORK SAFETY.....1	
3	32714GT	DECAL,WARNING ADJ FORK SETUP...1	
4	32716GT	DECAL,NOTICE BOOM SETUP.....1	
5	32717GT	DECAL,WARNING BOOM SAFETY.....1	
6	32770GT	DECAL,2 SPD.WINCH**.....1	
7	32775GT	DECAL,WARNING,FALL HAZARD.....1	
8	32885GT	DECAL,SILENT WINCH.....1	
9	32938GT	DECAL,LABEL,WINCH ONLY.....1	
10	32939GT	DECAL,CRUSHING HAZ/BRAKE LOCK.....1	
11	33468GT	DECAL,WARNING,NO RIDERS.....1	
12	40513GT	DECAL,WARNING/SAFETY-SLC.....1 (replaced 33545 from SN 9596-5288)	
13	52675GT	DECAL,CAUTION,DAMAGD MACHINE.....1	
14	52984GT	DECAL,GENIE SUPERLIFT CONTRACT.....2	
15	52992GT	DECAL,COSMETIC,SLC-6.....2	
15A	52993GT	DECAL,COSMETIC,SLC-12	
15B	52994GT	DECAL,COSMETIC,SLC-18	
15C	52995GT	DECAL,COSMETIC,SLC-24	
16	97529GT	DECAL,CAUTION,MOVING PARTS.....1	
17	97547GT	DECAL,DANGER,ELEC.HAZ.....2	

103.1 Decals with symbols

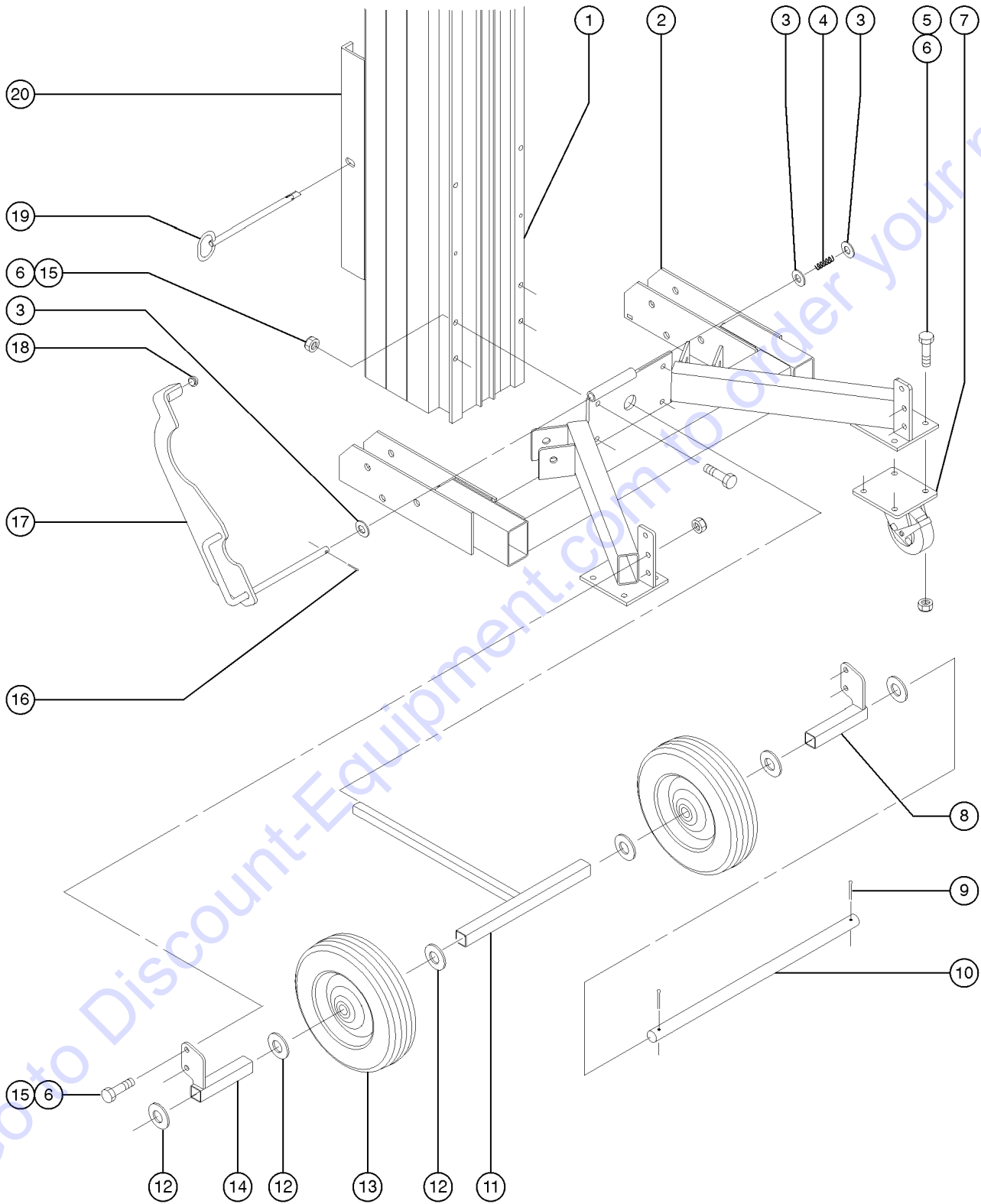


## 103.1 Decals with symbols

Item	Part No.	Description	Qty.
1	52984GT	DECAL,GENIE SUPERLIFT CONTRACT.....	2
2	52992GT	DECAL,COSMETIC,SLC-6.....	2
2A	52993GT	DECAL,COSMETIC,SLC-12	
2B	52994GT	DECAL,COSMETIC,SLC-18	
2C	52995GT	DECAL,COSMETIC,SLC-24	
3	82487GT	DECAL, SYMBOL - READ THE MANUAL.....	1
4	82964GT	DECAL,WARNING,NO RIDERS SYMB...1	
5	97532GT	DECAL,CAUTION,MOVING PARTS SYM.....	1
6	97539GT	DECAL,DANGER,ELEC.HAZ.....	2
7	97541GT	DECAL,LABEL,WINCH ONLY SYMB....1	
8	97543GT	DECAL,WARNING,LOAD CHART SLC...1	
9	97545GT	DECAL,WARNING,BRAKE LOCK SYMB.....	1
10	97546GT	DECAL,2 SPD.WINCH SYMB.....	1

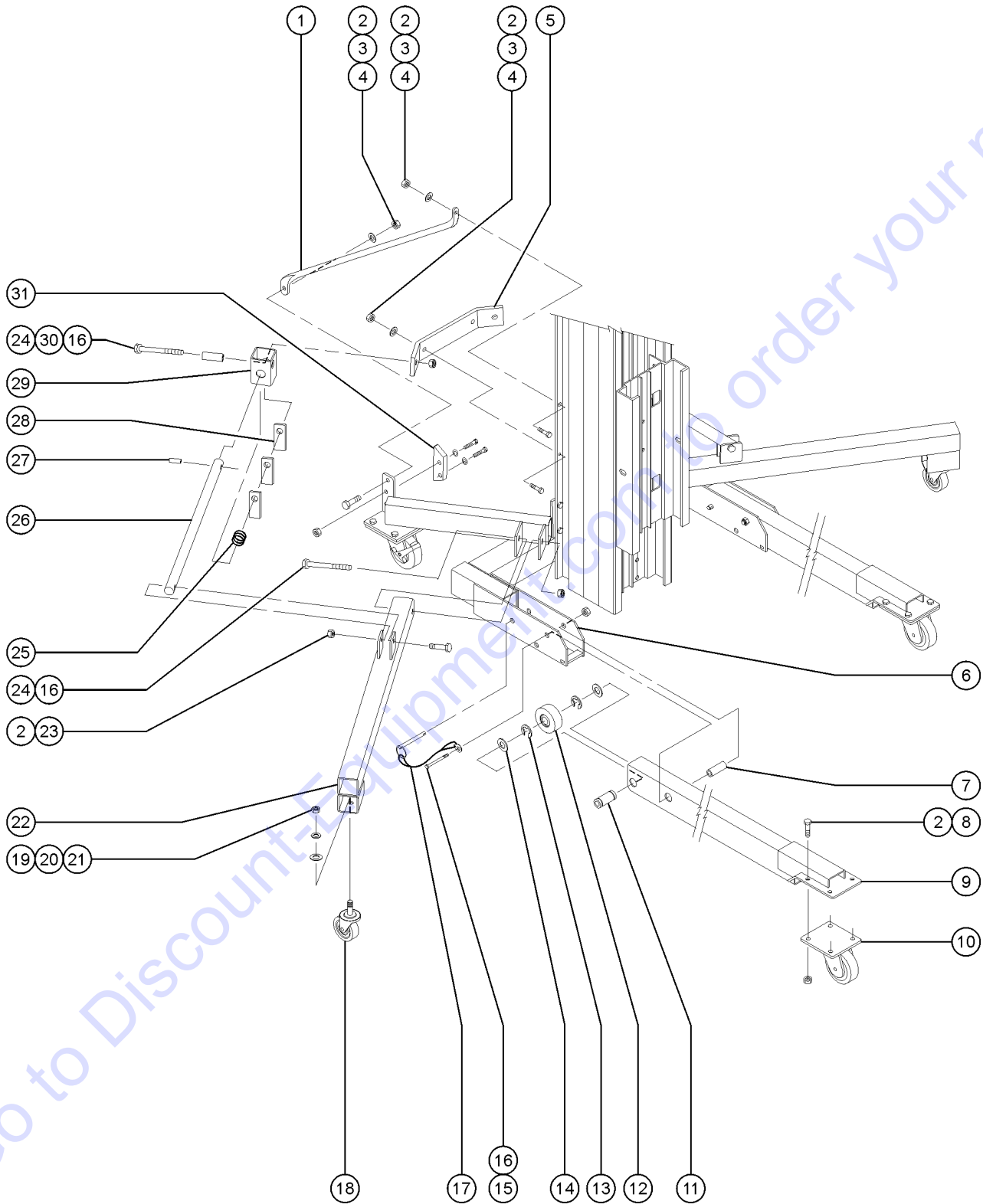
Go to Discount-Equipment.com to order your parts

201.1 Base Components, View 1



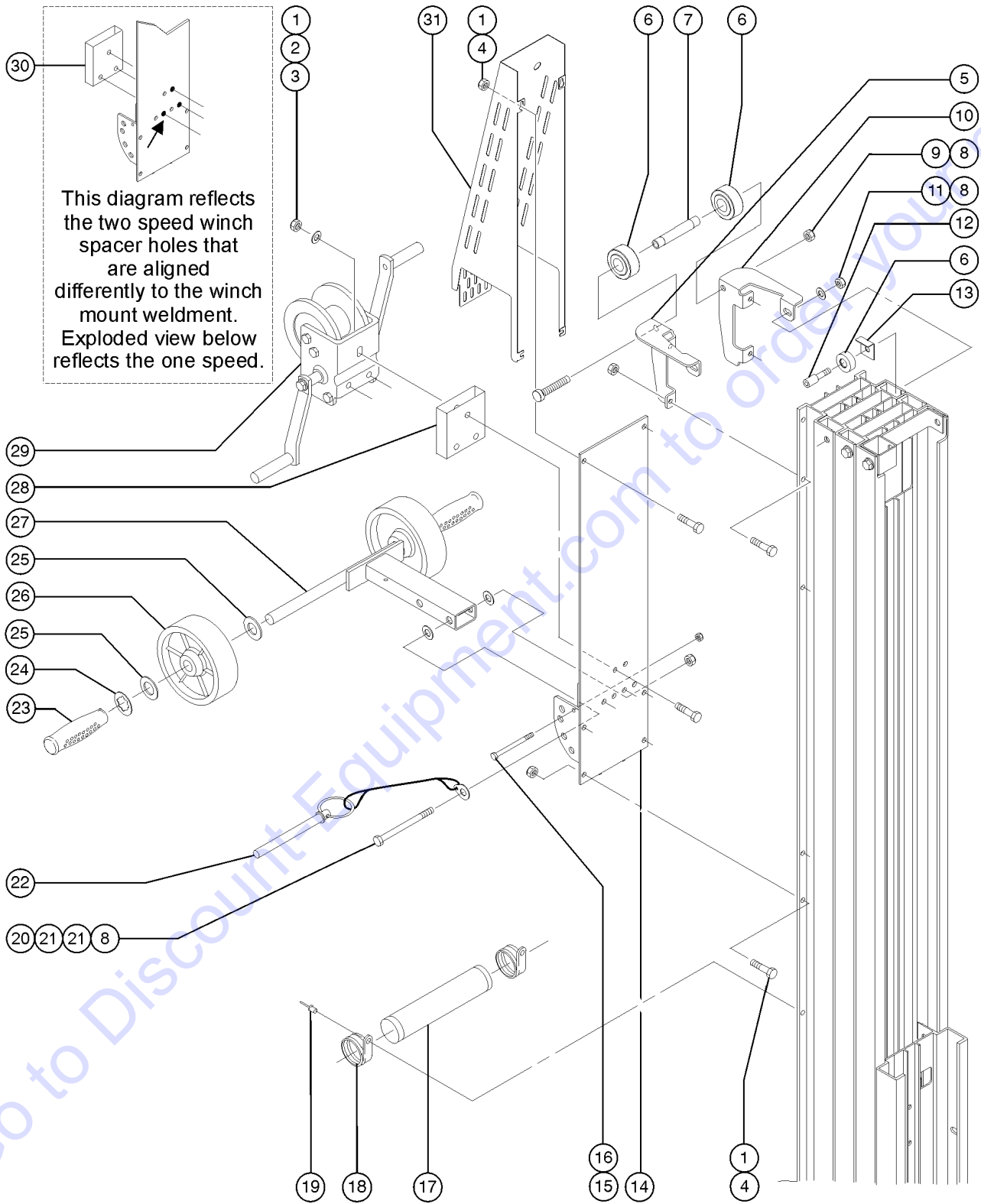
Item	Part No.	Description	Qty.
1		Ref. Columns (refer to 304.1)	
2	80141-SGT	BASE ASSY W/DECALS,SLC-6.....1	1
2A	80142-SGT	BASE ASSY W/DECALS, SLC-12.....1	1
2B	80143-SGT	BASE ASSY W/DECALS, SLC-18.....1	1
2C	80144-SGT	BASE ASSY W/DECALS, SLC-24.....1	1
3	21443GT	SHIM,.75 X.45 X.064.....3	3
4	33658GT	SPRING,HOLDOWN SL2E.....1	1
5	6175GT	SCREW,HHC,3/8-16 X 1	
6	4828GT	NUT,NYLOCK,3/8-16	
7	57735GT	CASTER,PL,SW,SB, 5 X 1.5***.....2	2
8	33830-SGT	WHEEL SPACER MOUNT WELD,RH,SL.....1	1
9	6094GT	PIN,COTTER,.125 X 1.....2	2
10	57237GT	AXLE ROD, TRANSPORT WHEEL,SL....1	1
11	33831-SGT	WHEEL SPACER WELDMENT,SL"GRAY".....1	1
12	6564GT	WASHER, SHIM,.765 X 1.312 X .093....6	6
13	35064GT	WHEEL,SOLID RUBBER,10X.75X2.75...2 (to SN SLC07-39655)	2
13A	124000GT	WHEEL,TRANSPORT SL 10X.75X2.75 (from SN SLC07-39656)	
14	33829-SGT	WHEEL SPACER MNT WELD LH,SL....1	1
15	6019GT	SCREW,HHC,3/8-16 X 1.25 GRD 5	
16	12016GT	PIN,COTTER,.125 X .75.....1	1
17	58750GT	HOLD DOWN KIT W/DECAL SL SHORT.....1 SLC-6 (includes item numbers 16 and 18)	1
17A	58095GT	HOLD DOWN KIT W/DECAL SL LONG.....1 SLC-12, SLC-18, SLC-24 (includes items numbers 16 and 18)	1
18	11890GT	GLIDE BUTTON,SIDE,GLL,.100 TK.....1	1
19	48301GT	PIN,TOGGLE,.50 X 8.13***.....1	1
20		Ref. Carriage (refer to 304.1)	

202.1 Base Components, View 2



Item	Part No.	Description	Qty.
--	35159-SGT	SLC, STABILIZER ASSY(SET)/SERV (includes items 2-5, 16, 18-30)	
1A	32883GT	STRUT,LH,SL2.....	1
1B	32884GT	STRUT,RH,SL2..... <i>shown</i>	1
2	4828GT	NUT,NYLOCK,3/8-16	
3	6097GT	WASHER,FLAT,USS,3/8",Y	
4	8516GT	SCREW, HCC, 3/8-16 X 1.50	
5	35212GT	BRACKET, STAB.MOUNT,"GRAY"***.....	1
6		Ref. Base Assembly with Decals..... (refer to 201.1)	1
7	32509GT	PIVOT TUBE SL2 LEG.....	2
8	6175GT	SCREW,HHC,3/8-16 X 1	
9A	35015GT	WELDMENT, LEG, SLC-6 GRAY.....	2
9B	35016GT	WELDMENT, LEG, SLC-12 GRAY	
9C	35017GT	WELDMENT,LEG,SLC-18 GRAY***	
9D	35018GT	WELDMENT, LEG, SLC-24 GRAY	
10	57734GT	CASTER,SW, 4 X 1.5 (RED).....	2
11	32524GT	AXLE TUBE, SL2 LEG.....	2
12	57782GT	WHEEL,POLYOLEFIN,2.5X1.25,7/8.....	2
13	32499GT	E CLIP,.875 IN.SL LEG.....	4
14	33373GT	WASHER,SHIM,1.50 X .890 X .09.....	4
15	6732GT	SCREW,HHC,1/2-13 X 3.25.....	4
16	6086GT	NUT,LP NYLOCK,1/2-13	
17	100309GT	ASSY,PIN & LANYARD***.....	2
18	57746GT	CASTER,POST,SW,3.5 (DARK GRAY)...	2
19	6034GT	NUT,HEX,JAM,1/2-13	
20	6033GT	WASHER,LOCK,0.5"	
21	6095GT	WASHER,FLAT,USS,1/2",Y	
22	35019GT	WELDMENT, STABILIZER, SLC GRAY.....	2
23	5224GT	SCREW,HHC,3/8-16 X 2	
24	6732GT	SCREW,HHC,1/2-13 X 3.25	
25	32519GT	SPRING,STABILIZER LATCH SL2.....	2
26	58094GT	STABILIZER STRUT,ASSY..... (includes item 27)	2
27	11337GT	PIN,ROLL,.25 X 1.25.....	2
28	32577GT	LATCH PLATE,STABILIZER SL2.....	6
29	35213GT	CLAMP TUBE,STABILIZER-"GRAY".....	2
30	32576GT	PIVOT TUBE,STABILIZER.....	2
31	33670GT	SKID PAD.....	2

301.1 Mast Components, View 1

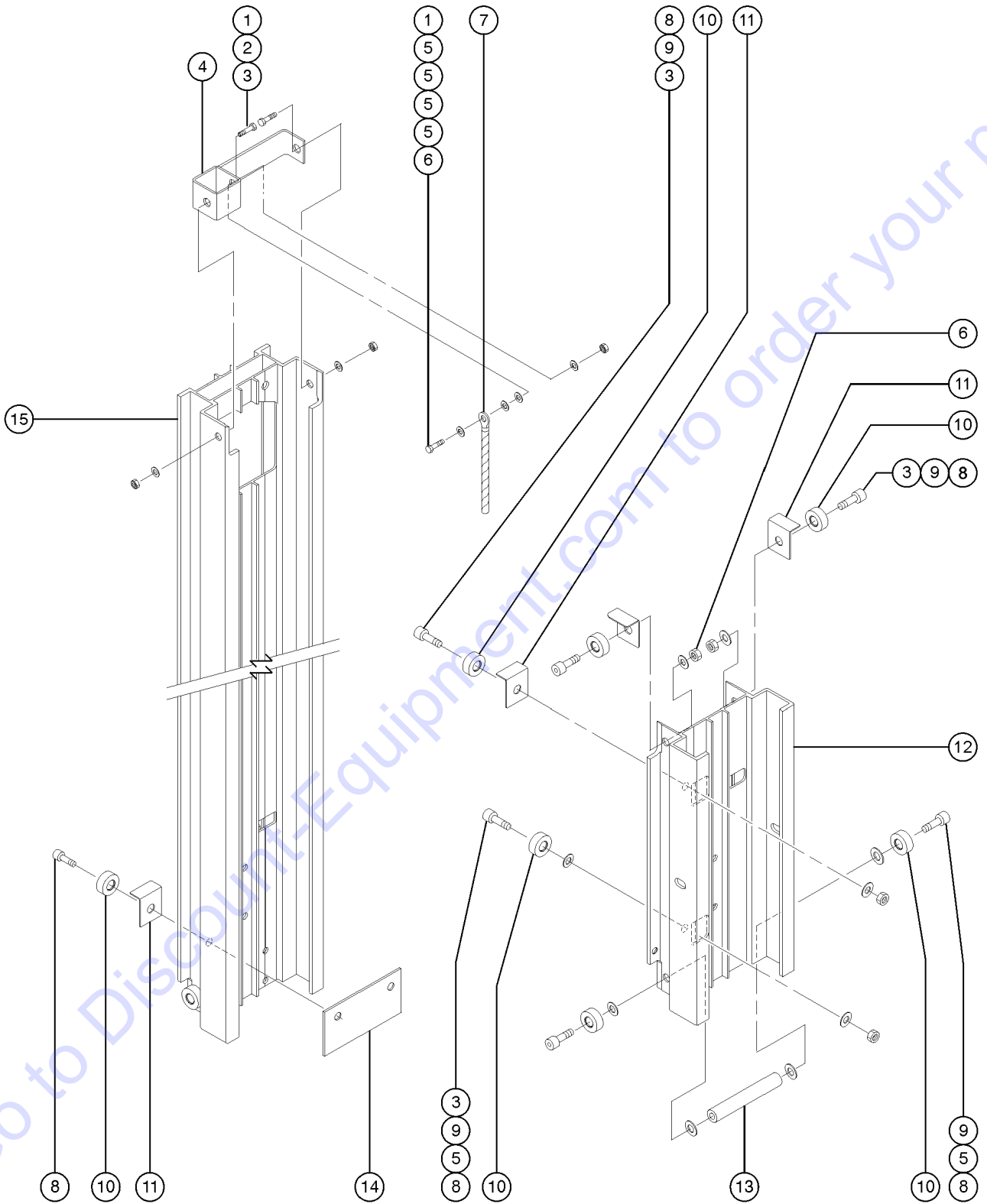




301.1 Mast Components, View 1

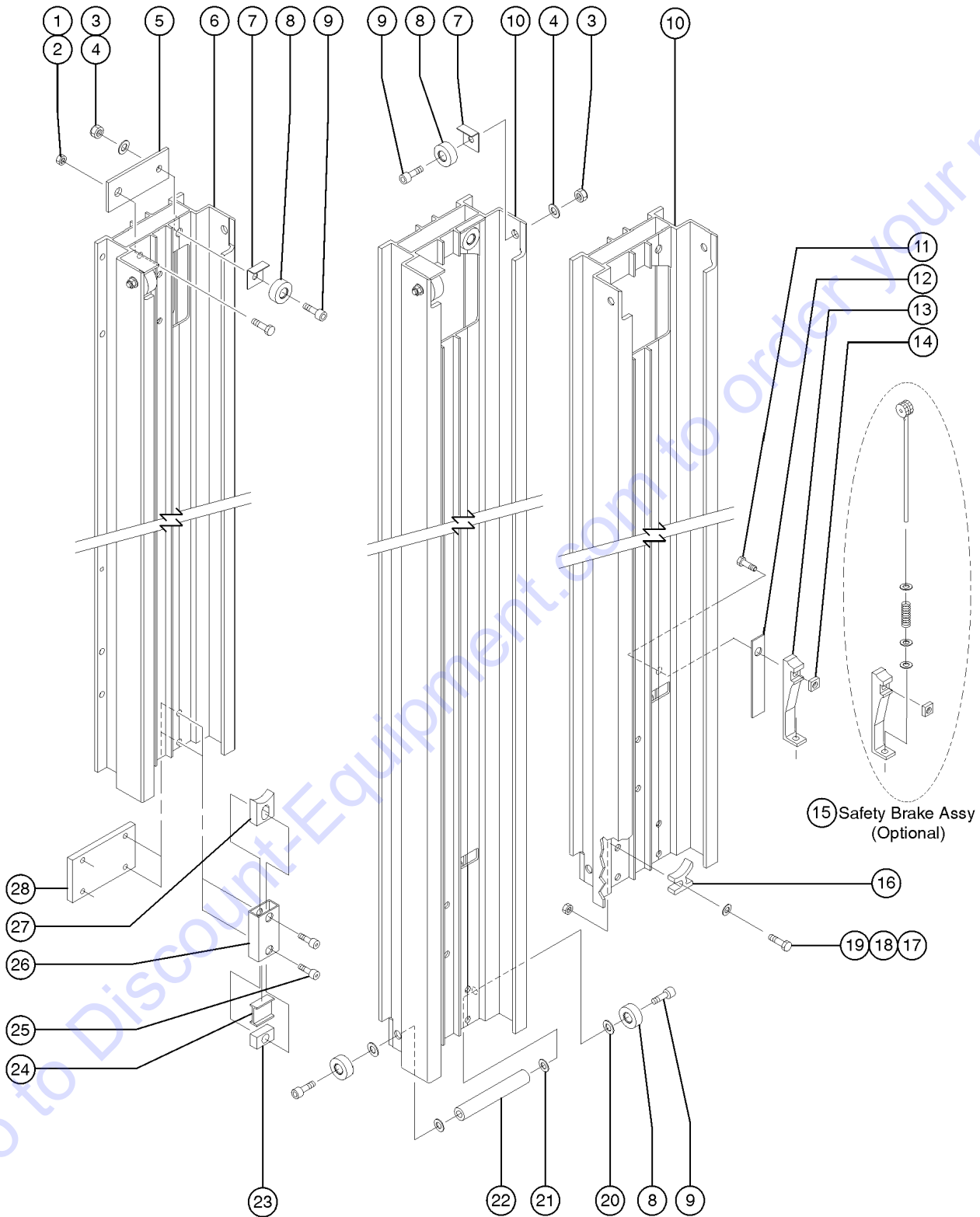
Item	Part No.	Description	Qty.	Item	Part No.	Description	Qty.
--	35814GT	MAST STIFF. ASSY.SLC,ST2 <i>includes 5-10</i>		30	49991GT	WINCH SPACER, 2 SPEED SLC,GRAY.....1	1
--	90337GT	BOE LUBE.....1 <i>aluminum dry lubricant</i>	1	31	124790GT	KIT,CBL GRD,W/WRD DCALS,SLC.....1 <i>(Australia models) (assembly with word decals) (from SN SLC08-46919)</i>	1
1	1257075GT	NUT, NYLOCK,3/8-16,GR8, ZINC.....10	10				
2	6097GT	WASHER,FLAT,USS,3/8",Y.....1 <i>(one speed winch)</i>	1				
2A	6097GT	WASHER,FLAT,USS,3/8",Y.....3 <i>(two speed winch)</i>	3				
3	6326GT	SCREW,HHC,3/8-16 X 3 <i>SLC-6, SLC-12</i>					
3A	6175GT	SCREW,HHC,3/8-16 X 1 <i>SLC-18, SLC-24</i>					
4	6019GT	SCREW,HHC,3/8-16 X 1.25 GRD 5					
5	109579GT	MAST STIFFENER,RIGHT,GRAY***.....1	1				
6	32473GT	WHEEL,ROLLER,NYLATRON,1.75.....2	2				
7	33843GT	SPACER,MAST STIFFENER.....1	1				
8	1257074GT	NUT, NYLOCK, 1/2-13, GR8, ZINC.....5	5				
9	13005GT	SCREW,HHC,1/2-13 X 6,GRD.8.....1	1				
10	109580GT	MAST STIFFENER,LEFT,GRAY***.....1	1				
11	6095GT	WASHER,FLAT,USS,1/2",Y					
12	32475GT	BOLT-ROLLER,1/2-13X1.84 ZINC.....2	2				
13	32474GT	GUARD,ROLLER, SL2,.....2	2				
14	33539GT	WINCH PLATE W/DECAL ST.....1	1				
15	12343GT	SCREW,HHC,1/4-20 X 3					
16	6091GT	NUT,NYLOCK,1/4-20.....1	1				
17	6600GT	INSTRUCT.TUBE W/CAPS-1.75 X 12.....1	1				
--	31822GT	CAP,INSTRUCTION TUBE (RED)					
18	6653GT	CLAMP,1.88,#30 X 1/4,RUB CUSH.....2	2				
19	7265GT	RIVET,STEEL,P, .25 X .375.....2	2				
20	6732GT	SCREW,HHC,1/2-13 X 3.25					
21	11978GT	WASHER,FLAT,NYLON.515X.88X.093					
22	100309GT	ASSY,PIN & LANYARD***.....1	1				
23	6587GT	HANDLE GRIP, RUBBER .75 X 4.5.....2	2				
24	33385GT	WASHER,PUSH ON .75 SHAFT.....2	2				
25	6564GT	WASHER, SHIM,.765 X 1.312 X .093					
26	57788GT	WHEEL,POLY,6X2, 3/4**.....2	2				
27A	33540GT	LOADING WHEEL ASSY ST/SL					
27B	33540GT	LOADING WHEEL ASSY ST/SL <i>(assembly with word decals) (includes items 23-26)</i>					
27C	35819GT	LOADING WHEEL WELD.W/DECAL SL2 <i>(assembly with symbol decals) (includes items 23-26)</i>					
28	35834GT	WINCH SPACER,1 SPEED SLC, GRAY.....1	1				
29		Ref. Winch Assembly <i>(refer to 305.1 or 306.1)</i>					

302.1 Mast Components, View 2



Item	Part No.	Description	Qty.
1	10597GT	SCREW,HHC,1/2-13 X 1.25 GR5	
2	6095GT	WASHER,FLAT,USS,1/2",Y	
3	1257074GT	NUT, NYLOCK, 1/2-13, GR8, ZINC	
4	80987GT	KIT, CABLE ANCHOR BRK, SLC/ST*.....1	
5	6052GT	WASHER,SHIM,.5 X .875 X .063	
6	6086GT	NUT,LP NYLOCK,1/2-13	
7		Ref. Cable Assembly (refer to 304.1)	
8	32475GT	BOLT-ROLLER,1/2-13X1.84 ZINC.....8	
9	13066GT	WASHER,FLAT,.5 HARDENED.....6	
10	32473GT	WHEEL,ROLLER,NYLATRON,1.75.....8	
11	32474GT	GUARD,ROLLER, SL2,.....5	
12		Ref. Carriage (refer to 304.1)	
13	33811GT	COUPLER BAR ASSEMBLY,SLA&C,ST2.....1	
14	57016GT	PLATE,DOUBLER,SL MAST.....1	
15		Ref. Number 1 Column (refer to 304.1)	

303.1 Mast Components, View 3



# PARTS FINDER

**Search Website  
by Part Number**



**Search Manual  
Library For Parts  
Manual & Lookup Part  
Numbers – Purchase  
or Request Quote**

**Search Manuals**

Enter your information to help us find the right parts manual for your machine.

\* Brand:

\* Model:

\* Serial:

\* Part Number:

SEARCH

**Can't Find Part or  
Manual? Request Help  
by Manufacturer,  
Model & Description**

**Parts Order Form**

Please fill in the following information to help us find the right part for your machine.

Manufacturer:	<input type="text"/>
Model:	<input type="text"/>
Description:	<input type="text"/>
Part Number:	<input type="text"/>
Quantity:	<input type="text"/>
Notes:	<input type="text"/>

Submit

Discount-Equipment.com is your online resource for quality parts & equipment.

Florida: **561-964-4949** Outside Florida TOLL FREE: **877-690-3101**

**Need parts?**

Click on this link: <http://www.discount-equipment.com/category/5443-parts/> and choose one of the options to help get the right parts and equipment you are looking for. Please have the machine model and serial number available in order to help us get you the correct parts. If you don't find the part on the website or on one of the online manuals, please fill out the request form and one of our experienced staff members will get back to you with a quote for the right part that your machine needs.

We sell worldwide for the brands: Genie, Terex, JLG, MultiQuip, Mikasa, Essick, Whiteman, Mayco, Toro Stone, Diamond Products, Generac Magnum, Airman, Haulotte, Barreto, Power Blanket, Nifty Lift, Atlas Copco, Chicago Pneumatic, Allmand, Miller Curber, Skyjack, Lull, Skytrak, Tsurumi, Husquvarna Target, Stow, Wacker, Sakai, Mi-T-M, Sullair, Basic, Dynapac, MBW, Weber, Bartell, Bennar Newman, Haulotte, Ditch Runner, Menegotti, Morrison, Contec, Buddy, Crown, Edco, Wyco, Bomag, Laymor, EZ Trench, Bil-Jax, F.S. Curtis, Gehl Pavers, Heli, Honda, ICS/PowerGrit, IHI, Partner, Imer, Clipper, MMD, Koshin, Rice, CH&E, General Equipment, Amida, Coleman, NAC, Gradall, Square Shooter, Kent, Stanley, Tamco, Toku, Hatz, Kohler, Robin, Wisconsin, Northrock, Oztec, Toker TK, Rol-Air, APT, Wylie, Ingersoll Rand / Doosan, Innovatech, Con X, Ammann, Mecalac, Makinex, Smith Surface Prep, Small Line, Wanco, Yanmar

## 303.1 Mast Components, View 3

Item	Part No.	Description	Qty.	Item	Part No.	Description	Qty.
1	7713GT	NUT, LP NYLOCK, 3/8-16		10		Ref. Number 2 Column (refer to 304.1)	
2	8255GT	SCREW,HHC,3/8-16 X .75		11	35463GT	SCREW,FHS,3/8-16 X 1.5.....1 SLC-6	1
3	6198GT	NUT,NYLOCK,1/2-13.....3 SLC-6	3	11A	35463GT	SCREW,FHS,3/8-16 X 1.5.....2 SLC-12	2
3A	1257074GT	NUT, NYLOCK, 1/2-13, GR8, ZINC.....6 SLC-12	6	11B	35463GT	SCREW,FHS,3/8-16 X 1.5.....3 SLC-18	3
3B	1257074GT	NUT, NYLOCK, 1/2-13, GR8, ZINC.....9 SLC-18	9	11C	35463GT	SCREW,FHS,3/8-16 X 1.5.....4 SLC-24	4
3C	1257074GT	NUT, NYLOCK, 1/2-13, GR8, ZINC.....12 SLC-24	12	12	35442GT	SHIM,SAFETY BRAKE, SLC.....1 SLC-6	1
4	6095GT	WASHER,FLAT,USS,1/2",Y.....3 SLC-6	3	12A	35442GT	SHIM,SAFETY BRAKE, SLC.....2 SLC-12	2
4A	6095GT	WASHER,FLAT,USS,1/2",Y.....6 SLC-12	6	12B	35442GT	SHIM,SAFETY BRAKE, SLC.....3 SLC-18	3
4B	6095GT	WASHER,FLAT,USS,1/2",Y.....9 SLC-18	9	12C	35442GT	SHIM,SAFETY BRAKE, SLC.....4 SLC-24	4
4C	6095GT	WASHER,FLAT,USS,1/2",Y.....12 SLC-24	12	13	35443GT	UP STOP.....2 SLC-12 (models without safety brake) (not shown)	2
5	57016GT	PLATE,DOUBLER,SL MAST.....1	1	13A	35443GT	UP STOP.....2 SLC-18 (models without safety brake) (not shown)	2
6		Ref. Number 1 Column (refer to 304.1)		13B	35443GT	UP STOP.....3 SLC-24 (models without safety brake) (not shown)	3
7	32474GT	GUARD,ROLLER, SL2.....3 SLC-6	3	14	35408GT	NUT,SQUARE 3/8-16 NC, PLATED.....1 SLC-6	1
7A	32474GT	GUARD,ROLLER, SL2.....8 SLC-12	8	14A	35408GT	NUT,SQUARE 3/8-16 NC, PLATED.....2 SLC-12	2
7B	32474GT	GUARD,ROLLER, SL2.....13 SLC-18	13	14B	35408GT	NUT,SQUARE 3/8-16 NC, PLATED.....3 SLC-18	3
7C	32474GT	GUARD,ROLLER, SL2.....18 SLC-24	18	14C	35408GT	NUT,SQUARE 3/8-16 NC, PLATED.....4 SLC-24	4
8	32473GT	WHEEL,ROLLER,NYLATRON,1.75.....3 SLC-6	3	15	35101GT	SAFETY BRAKE ASSY(SQ.NUT)SL2**.....1 SLC-6	1
--	40153GT	ROLLER KIT(SLA,SLC)-1EA. includes one roller with fasteners		15A	35101GT	SAFETY BRAKE ASSY(SQ.NUT)SL2**.....2 SLC-12	2
--	40154GT	ROLLER KIT(SLA,SLC)-6EA. includes six rollers with all fasteners		15B	35101GT	SAFETY BRAKE ASSY(SQ.NUT)SL2**.....3 SLC-18	3
--	40155GT	ROLLER KIT(SLA,SLC)-20EA includes twenty rollers with all fasteners		15C	35101GT	SAFETY BRAKE ASSY(SQ.NUT)SL2**.....4 SLC-24	4
8A	32473GT	WHEEL,ROLLER,NYLATRON,1.75.....10 SLC-12	10	16	32522GT	DOWN STOP.....1	1
8B	32473GT	WHEEL,ROLLER,NYLATRON,1.75.....17 SLC-18	17	17	6175GT	SCREW,HHC,3/8-16 X 1	
8C	32473GT	WHEEL,ROLLER,NYLATRON,1.75.....24 SLC-24	24	18	5397GT	WASHER,FLAT,USS,5/16",Y	
9	32475GT	BOLT-ROLLER,1/2-13X1.84 ZINC.....3 SLC-6	3	19	1257075GT	NUT, NYLOCK,3/8-16,GR8, ZINC	
9A	32475GT	BOLT-ROLLER,1/2-13X1.84 ZINC.....10 SLC-12	10				
9B	32475GT	BOLT-ROLLER,1/2-13X1.84 ZINC.....17 SLC-18	17				
9C	32475GT	BOLT-ROLLER,1/2-13X1.84 ZINC.....24 SLC-24	24				

303.1 Mast Components, View 3  
(continued)

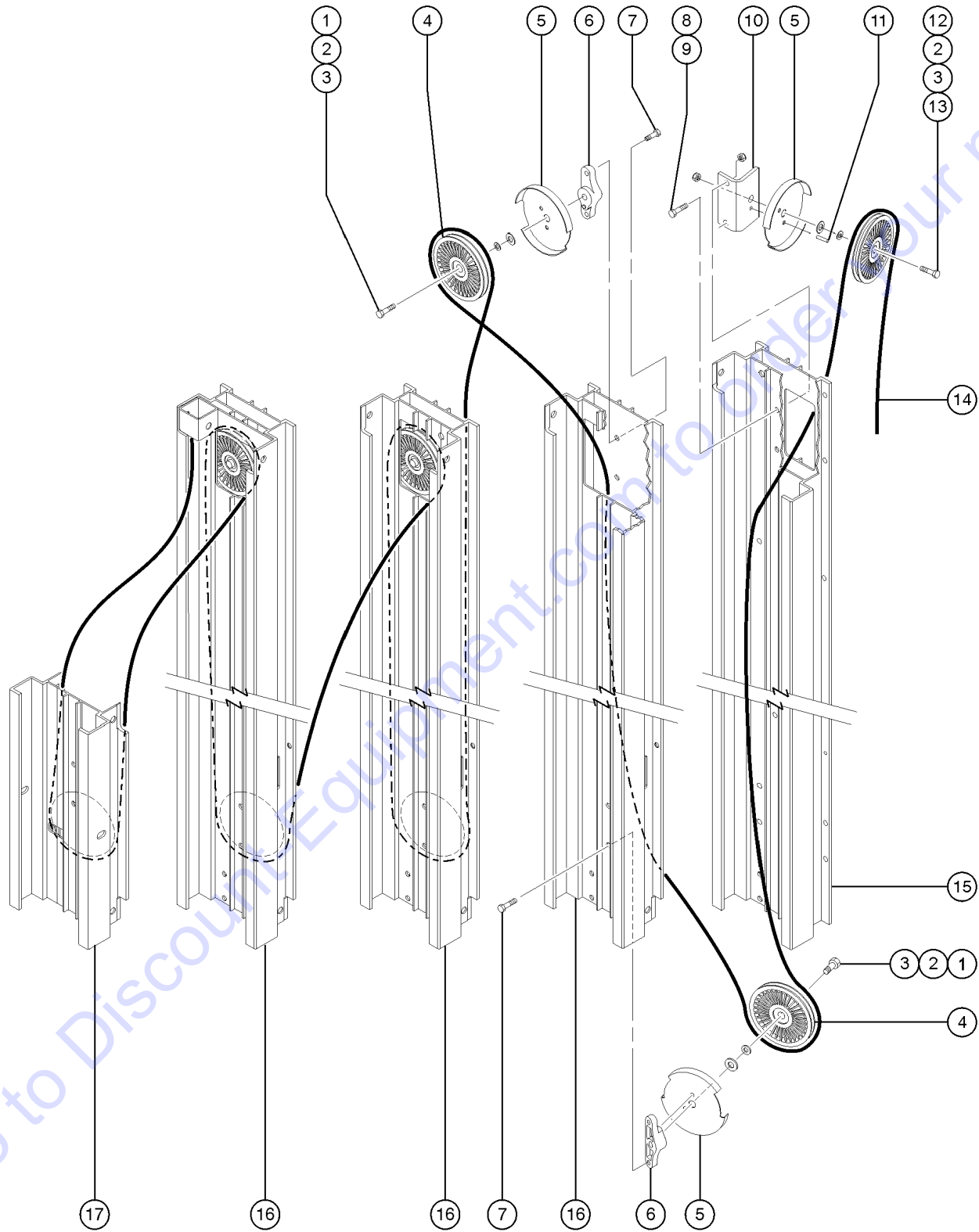
Item	Part No.	Description	Qty.	Item	Part No.	Description	Qty.
20	6052GT	WASHER,SHIM,,5 X .875 X .063.....2 SLC-12	2	28B	57024GT	PLATE,DOUBLER,DOWNSTOP.....3 SLC-24	3
20A	6052GT	WASHER,SHIM,,5 X .875 X .063.....4 SLC-18	4				
20B	6052GT	WASHER,SHIM,,5 X .875 X .063.....6 SLC-24	6				
21	13066GT	WASHER,FLAT,5 HARDENED					
22	33811GT	COUPLER BAR ASSEMBLY,SLA&C,ST2.....1 SLC-6	1				
22A	33811GT	COUPLER BAR ASSEMBLY,SLA&C,ST2.....2 SLC-12	2				
22B	33811GT	COUPLER BAR ASSEMBLY,SLA&C,ST2.....3 SLC-18	3				
22C	33811GT	COUPLER BAR ASSEMBLY,SLA&C,ST2.....4 SLC-24	4				
23	57019GT	BLOCK,END,DOWNSTOP.....2 SLC-12	2				
23A	57019GT	BLOCK,END,DOWNSTOP.....4 SLC-18	4				
23B	57019GT	BLOCK,END,DOWNSTOP.....6 SLC-24	6				
24	57022GT	BUMPER,RUBBER,DOWNSTOP.....2 SLC-12	2				
24A	57022GT	BUMPER,RUBBER,DOWNSTOP.....4 SLC-18	4				
24B	57022GT	BUMPER,RUBBER,DOWNSTOP.....6 SLC-24	6				
25	57023GT	BOLT,SHOULDER,3/8-16 1.417 LNG.....2 SLC-12	2				
25A	57023GT	BOLT,SHOULDER,3/8-16 1.417 LNG.....8 SLC-18	8				
25B	57023GT	BOLT,SHOULDER,3/8-16 1.417 LNG.....12 SLC-24	12				
26	57021GT	TUBE,DOWNSTOP.....2 SLC-12	2				
26A	57021GT	TUBE,DOWNSTOP.....4 SLC-18	4				
26B	57021GT	TUBE,DOWNSTOP.....6 SLC-24	6				
27	57018GT	BLOCK,PLUNGER,DOWNSTOP.....2 SLC-12	2				
27A	57018GT	BLOCK,PLUNGER,DOWNSTOP.....4 SLC-18	4				
27B	57018GT	BLOCK,PLUNGER,DOWNSTOP.....6 SLC-24	6				
28	57024GT	PLATE,DOUBLER,DOWNSTOP.....1 SLC-12	1				
28A	57024GT	PLATE,DOUBLER,DOWNSTOP.....2 SLC-18	2				

***This Page Intentionally Left Blank***

Go to [Discount-Equipment.com](http://Discount-Equipment.com) to order your parts



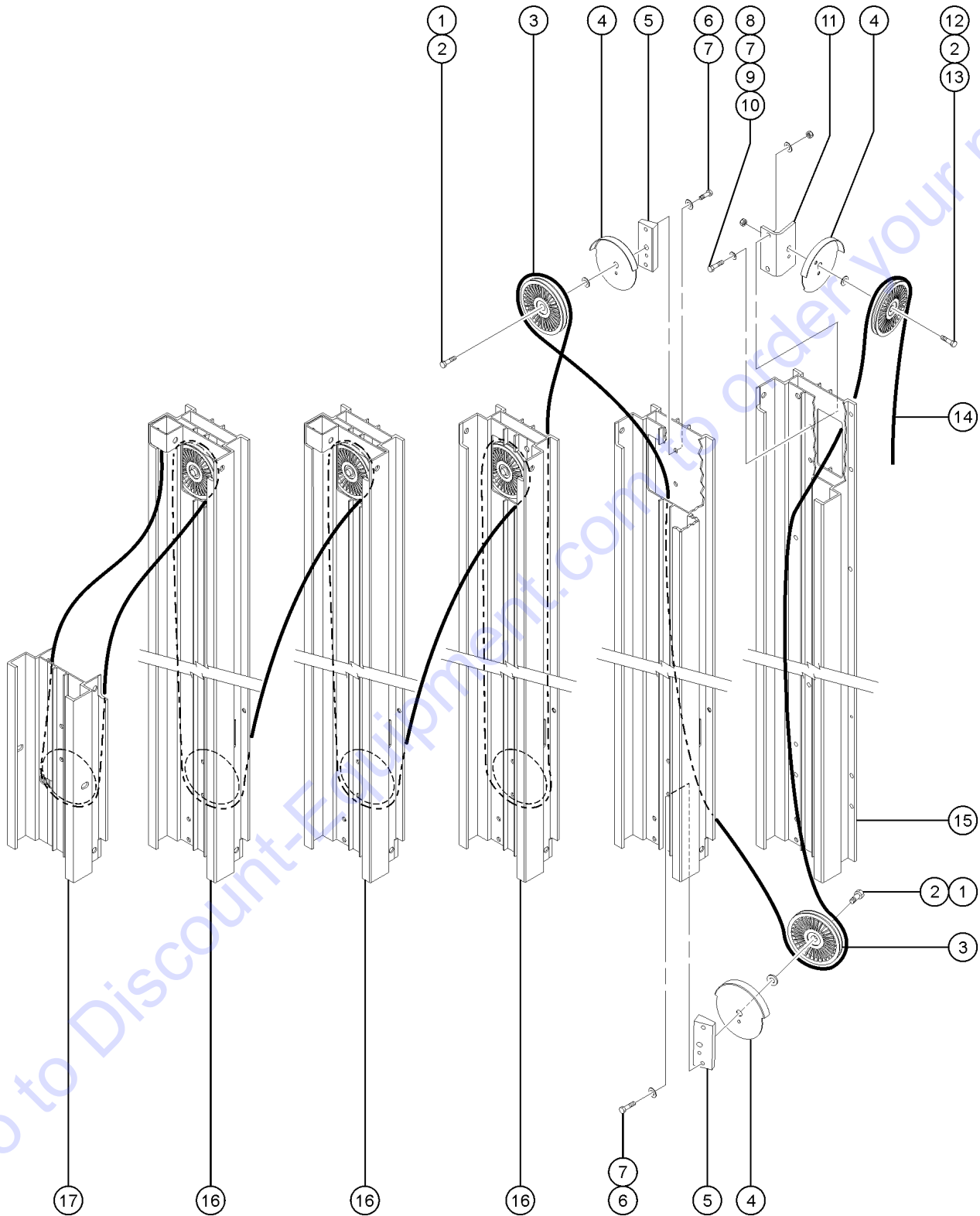
304.1 Columns, Pulleys and Cables (to SN SLC15-65175)



## 304.1 Columns, Pulleys and Cables (to SN SLC15-65175)

Item	Part No.	Description	Qty.	Item	Part No.	Description	Qty.
1	10597GT	SCREW,HHC,1/2-13 X 1.25 GR5.....1 SLC-6	1	6B	32470GT	PULLEY MOUNT , SL-2.....5 SLC-18	5
1A	10597GT	SCREW,HHC,1/2-13 X 1.25 GR5.....3 SLC-12	3	6C	32470GT	PULLEY MOUNT , SL-2.....7 SLC-24	7
1B	10597GT	SCREW,HHC,1/2-13 X 1.25 GR5.....5 SLC-18	5	7	8255GT	SCREW,HHC,3/8-16 X .75.....2 SLC-6	2
1C	10597GT	SCREW,HHC,1/2-13 X 1.25 GR5.....7 SLC-24	7	7A	8255GT	SCREW,HHC,3/8-16 X .75.....6 SLC-12	6
2	37038GT	WASHER,FLAT,.5X .125,HARDENED*...2 SLC-6	2	7B	8255GT	SCREW,HHC,3/8-16 X .75.....8 SLC-18	8
2A	37038GT	WASHER,FLAT,.5X .125,HARDENED*...4 SLC-12	4	7C	8255GT	SCREW,HHC,3/8-16 X .75.....10 SLC-24	10
2B	37038GT	WASHER,FLAT,.5X .125,HARDENED*...6 SLC-18	6	8	6019GT	SCREW,HHC,3/8-16 X 1.25 GRD 5	
2C	37038GT	WASHER,FLAT,.5X .125,HARDENED*...8 SLC-24	8	9	4828GT	NUT,NYLOCK,3/8-16	
3	6052GT	WASHER,SHIM,.5 X .875 X .063.....2 SLC-6	2	10	33700GT	PULLEY MOUNT,#1 COLUMN,GRY,SLC.....1	1
3A	6052GT	WASHER,SHIM,.5 X .875 X .063.....4 SLC-12	4	11	32483GT	PIN,ROLL,.25 X .50.....1	1
3B	6052GT	WASHER,SHIM,.5 X .875 X .063.....6 SLC-18	6	12	22788GT	SCREW,HHC,1/2-13 X 1.75	
3C	6052GT	WASHER,SHIM,.5 X .875 X .063.....8 SLC-24	8	13	6198GT	NUT,NYLOCK,1/2-13	
4	32469GT	PULLEY W/BEARING,ALUMINUM***.....2 SLC-6; replaced 49999 plastic pulley	2	14	35005GT	CABLE ASSEMBLY, SLC-6***.....1 SLC-6; Does not Include Cable Replacement Coupler	1
4A	32469GT	PULLEY W/BEARING,ALUMINUM***.....4 SLC-12; replaced 49999 plastic pulley	4	--	12402GT	CABLE REPLACEMENT COUPLER Sold Separately	
4B	32469GT	PULLEY W/BEARING,ALUMINUM***.....6 SLC-18; replaced 49999 plastic pulley	6	--	52701GT	VIDEO,NTSC,SLA,CABLING PROCDR Sold Separately	
4C	32469GT	PULLEY W/BEARING,ALUMINUM***.....8 SLC-24; replaced 49999 plastic pulley	8	14A	6099GT	CABLE ASSEMBLY SL 408" SLC-12; Does not Include Cable Replacement Coupler	
5	32476GT	GUARD,CABLE***.....1 SLC-6 (to SN SLC02-21794)	1	14B	7250GT	CABLE ASSY SL/ST 588" 3/16**** SLC-18; Does not Include Cable Replacement Coupler	
5A	32476GT	GUARD,CABLE***.....3 SLC-12 (to SN SLC02-21794)	3	14C	7251GT	CABLE ASSY SL/ST 756" 3/16**** SLC-24; Does not Include Cable Replacement Coupler	
5B	32476GT	GUARD,CABLE***.....5 SLC-18 (to SN SLC02-21794)	5	15	57028-SGT	COLUMN#1,MACHINED,SLC SERV.....1 (from 9599-4577)	1
5C	32476GT	GUARD,CABLE***.....7 SLC-24 (to SN SLC02-21794)	7	15A	33832GT	COLUMN,#1,SL CONTRACTOR.....1 (to SN 9599-4576)	1
5D	80680GT	GUARD, CABLE.....2 SLC-6 (from SN SLC02-21795)	2	15B	57028-SGT	COLUMN#1,MACHINED,SLC SERV.....1 (from 9599-4577)	1
5E	80680GT	GUARD, CABLE.....4 SLC-12 (from SN SLC02-21795)	4	16	57029-SGT	COLUMN#2,,MACHINED,SLC SERV.....1 quantity depends on height of unit (from SN 9599-4577)	1
5F	80680GT	GUARD, CABLE.....6 SLC-18 (from SN SLC02-21795)	6	16A	33833GT	COLUMN,#2,SL CONTRACTOR **.....1 (to SN 9599-4576)	1
5G	80680GT	GUARD, CABLE.....8 SLC-24 (from SN SLC02-21795)	8	16B	57029-SGT	COLUMN#2,,MACHINED,SLC SERV.....1 quantity depends on height of unit (from SN 9599-4577)	1
6	32470GT	PULLEY MOUNT , SL-2.....1 SLC-6	1	17	57031GT	CARRIAGE,SL CONTRACTOR***.....1 ALL MODELS	1
6A	32470GT	PULLEY MOUNT , SL-2.....3 SLC-12	3				

304.2 Columns, Pulleys and Cables (from SN SLC15-65176)



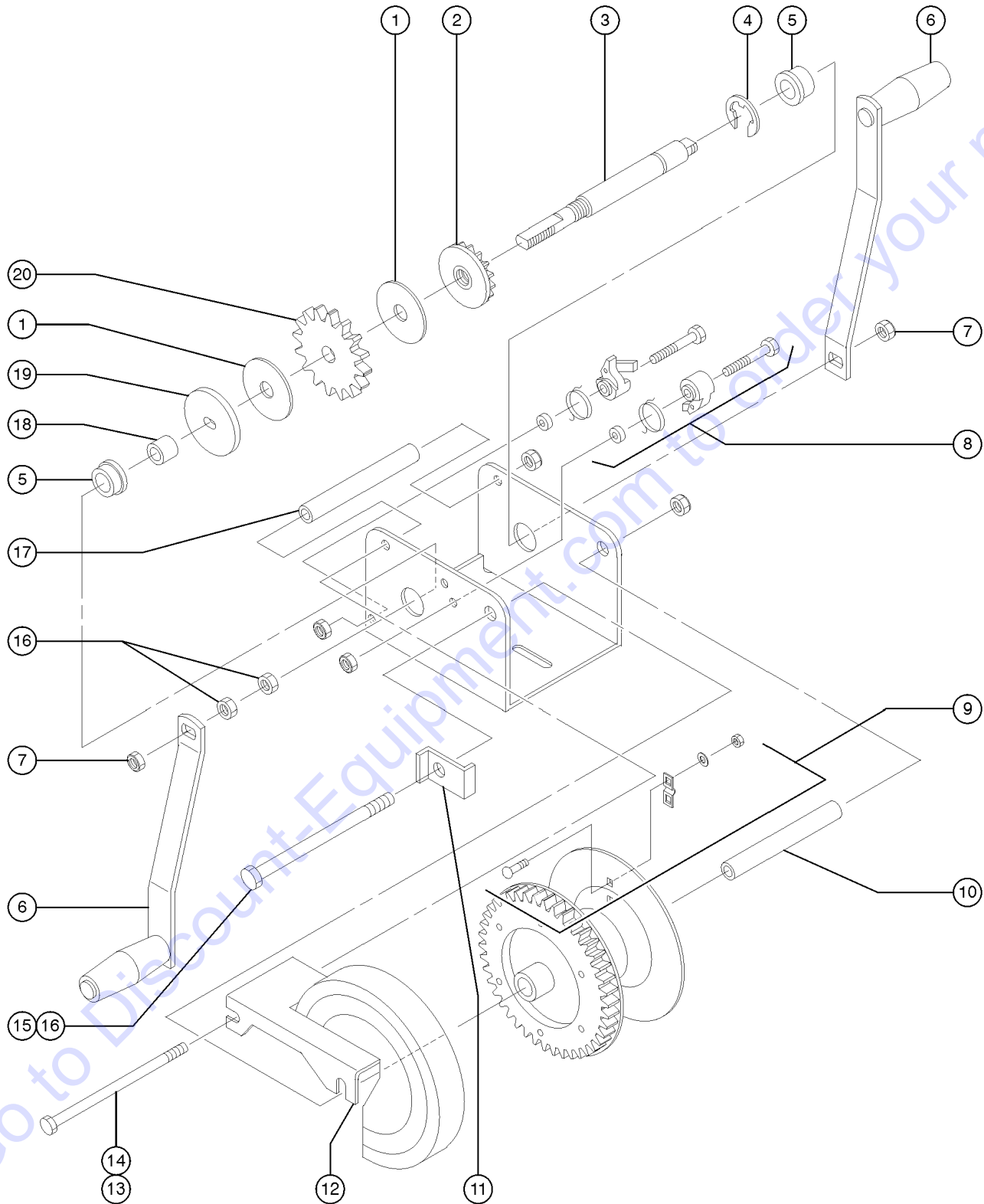
304.2 Columns, Pulleys and Cables (from SN SLC15-65176)

Item	Part No.	Description	Qty.	Item	Part No.	Description	Qty.
1	10597GT	SCREW,HHC,1/2-13 X 1.25 GR5 <i>(quantity depends on height of unit)</i>		14E	7251GT	CABLE ASSY SL/ST 756" 3/16"*** .....1 <i>"SLC-24; Does not Include Cable Replacement Coupler"</i>	1
2	1257466GT	WASHER, FLAT, SAE, .5, GRADE 9 <i>(quantity depends on height of unit)</i>		15	57028-SGT	COLUMN#1,MACHINED,SLC SERV.....1	
3A	1254648GT	PULLEY, 6203.....2 <i>(SLC-6)</i>	2	16	57029-SGT	COLUMN#2,,MACHINED,SLC SERV <i>(quantity depends on height of unit)</i>	
3B	1254648GT	PULLEY, 6203.....4 <i>(SLC-12)</i>	4	17	57031GT	CARRIAGE,SL CONTRACTOR*** .....1	1
3C	1254648GT	PULLEY, 6203.....6 <i>(SLC-18)</i>	6				
3D	1254648GT	PULLEY, 6203.....8 <i>(SLC-24)</i>	8				
4A	1254649GT	COVER,PULLEY, 6203.....2 <i>(SLC-6)</i>	2				
4B	1254649GT	COVER,PULLEY, 6203.....4 <i>(SLC-12)</i>	4				
4C	1254649GT	COVER,PULLEY, 6203.....6 <i>(SLC-18)</i>	6				
4D	1254649GT	COVER,PULLEY, 6203.....8 <i>(SLC-24)</i>	8				
5A	1251619GT	MOUNT, PULLEY, INNER, 6203.....2 <i>(SLC-6)</i>	2				
5B	1251619GT	MOUNT, PULLEY, INNER, 6203.....4 <i>(SLC-12)</i>	4				
5C	1251619GT	MOUNT, PULLEY, INNER, 6203.....6 <i>(SLC-18)</i>	6				
5D	1251619GT	MOUNT, PULLEY, INNER, 6203.....8 <i>(SLC-24)</i>	8				
6	8255GT	SCREW,HHC,3/8-16 X .75					
7	5397GT	WASHER,FLAT,USS,5/16",Y					
8	6019GT	SCREW,HHC,3/8-16 X 1.25 GRD 5					
9	6097GT	WASHER,FLAT,USS,3/8",Y					
10	1257075GT	NUT, NYLOCK,3/8-16,GR8, ZINC					
11	1256136GT	MOUNT, PLY, FIRST, 6203, GRAY.....1	1				
12	22788GT	SCREW,HHC,1/2-13 X 1.75					
13	1257074GT	NUT, NYLOCK, 1/2-13, GR8, ZINC					
14A	52701GT	VIDEO,NTSC,SLA,CABLING PROCDR <i>(Sold Separately)</i>					
--	12402GT	CABLE REPLACEMENT COUPLER <i>(Sold Separately)</i>					
14B	35005GT	CABLE ASSEMBLY, SLC-6*** .....1 <i>"SLC-6; Does not Include Cable Replacement Coupler"</i>	1				
14C	6099GT	CABLE ASSEMBLY SL 408".....1 <i>"SLC-12; Does not Include Cable Replacement Coupler"</i>	1				
14D	7250GT	CABLE ASSY SL/ST 588" 3/16"*** .....1 <i>"SLC-18; Does not Include Cable Replacement Coupler"</i>	1				



A TEREX BRAND

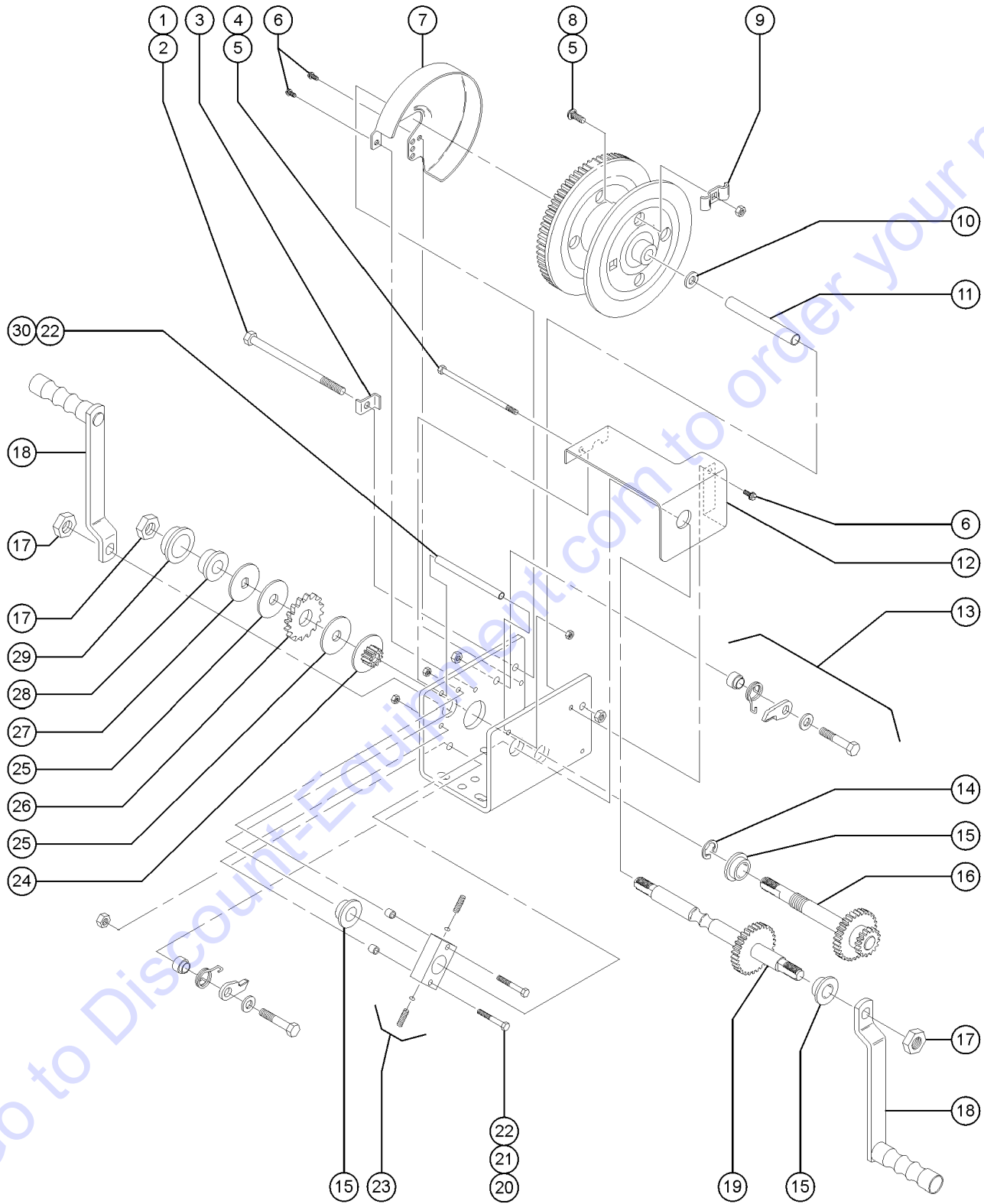
305.1 Winch Components - Single Speed



## 305.1 Winch Components - Single Speed

Item	Part No.	Description	Qty.
--		SERVICE KIT,PINION SHAFT-K1550 (1256081) <i>(component no longer available)</i>	
--	1256083GT	SVC KIT, FRICTION DISC K/KX <i>includes qty 2 of item 1</i>	
--	32945GT	WINCH,W/DECAL 1SPEED SL/ST <i>(refer to 101.1, 102.1 or 103.1) (handle not included)</i>	
1		BRAKE DISK,.5 BORE,K-1550 (7571)....2 <i>(component no longer available)</i>	
2		PINION GEAR AND DISC K-1550 (7590).....1 <i>(component no longer available)</i>	
3		SHAFT,PINION (32891).....1 <i>(component no longer available)</i>	
4		RETAINING RING (6200).....1 <i>(component no longer available)</i>	
5		BUSHING, SMALL PINION, FULTON (6199).....2 <i>(component no longer available)</i>	
6	33143GT	WINCH HANDLE 6" STD.....2 SLC-6	
6A	33144GT	WINCH HANDLE 8" STD.**.....2 SLC-12, SLC-18, SLC-24 (shown) (vertical slot)	
6B	33144GT	WINCH HANDLE 8" STD.**.....2 SLC-12, SLC-18, SLC-24 (parallel slot)	
7	6086GT	NUT,LP NYLOCK,1/2-13	
8	40458GT	RATCHET PAWL KIT.....1	
9	6190GT	CABLE KEEP.KIT (BRACKET TYPE)*.....1	
10	6184GT	SPACER, DRUM BOLT, K-1550.....1	
11		WINCH BRACKET, DRUM BOLT LOCK (31946).....1 <i>(not sold separately)</i>	
12	6770GT	WINCH GEAR COVERS, K-1500.....1	
13	7256GT	SCREW,HHC,5/16-18 X 6 GRD.2	
14	6782GT	NUT,NYLOCK,5/16-18.....1	
15	6185GT	BOLT, DRUM SPACER.....1	
16	6034GT	NUT,HEX,JAM,1/2-13.....3	
17		FRAME SPACER,K-1550 (7584).....1 <i>(component no longer available)</i>	
18		SPACER,PINION SHAFT (32890).....1 <i>(component no longer available)</i>	
19		WINCH PINION PLATE, K-1550 (7591).....1 <i>(component no longer available)</i>	
20		RATCHET GEAR,K-1550 1/2" I.D. (6777).....1 <i>(component no longer available)</i>	

306.1 Winch Components - Two Speed (from 9501-16466)

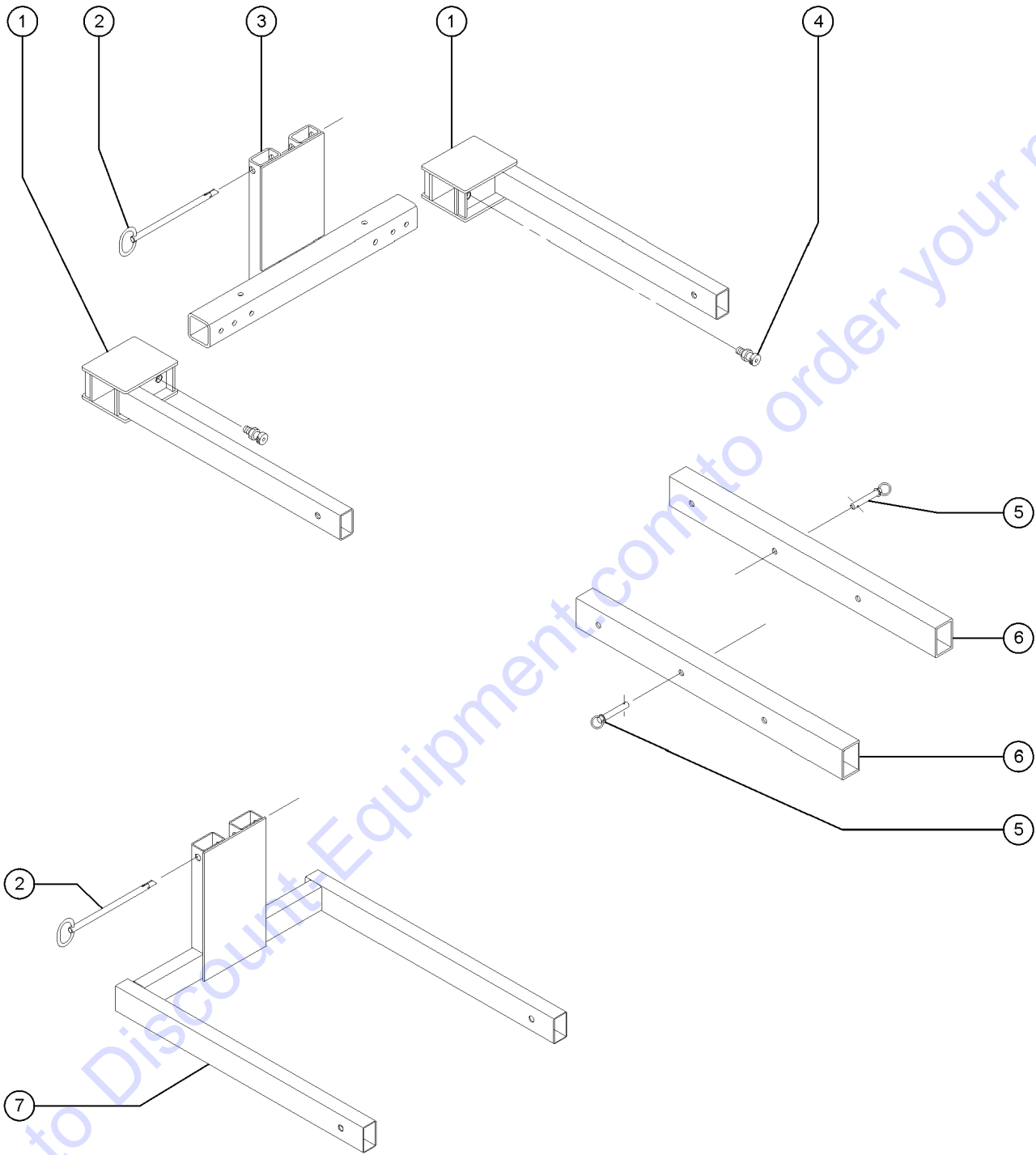


## 306.1 Winch Components - Two Speed (from 9501-16466)

Item	Part No.	Description	Qty.
--	32946GT	WINCH W/DECAL,2 SPEED*** (from SN 9501-16466)	
--	40130GT	CABLE KEEPER KIT (33090) (includes item numbers 5, 8 and 9)	
1	78037GT	SCREW,HHC,3/8-16 X 5.5	
2	4828GT	NUT,NYLOCK,3/8-16	
3	80145GT	LOCK-BOLT, REEL (80056).....1	
4	80146GT	SCREW,HHC,1/4-20 X 5.25(80056)	
5	6091GT	NUT,NYLOCK,1/4-20	
6	80147GT	SCREW-THRD FORM,HH-SLT, 1/2"	
7	80148GT	COVER - REEL (80056).....1	
8	80149GT	BOLT,CARRIAGE,1/4-20 X .5,G2	
9	37065GT	CABLE KEEPER, DLB800.....1	
10	80150GT	WASHER-FLAT, 1/2" (80056)	
11	40113GT	REEL SPACER.....1	
12	80151GT	COVER-GEAR (80056).....1	
13	40117GT	RATCHET PAWL KIT, (33090).....1	
--	4828GT	NUT,NYLOCK,3/8-16	
--	5397GT	WASHER,FLAT,USS,5/16",Y	
--	80152GT	SPACER-RATCHET (80056)	
--	80153GT	SPRING-RATCHET (80056)	
--	80154GT	PAWL-RATCHET (80056)	
--	8516GT	SCREW, HCC, 3/8-16 X 1.50	
14	40116GT	E-RING, 3/4.....1	
15	40126GT	BEARING, SINTERED IRON, 3/4	
16	80155GT	SHAFT ASSY,INTERMED. (80056).....1	
17	38028GT	NUT,LP NYLOCK,5/8-11	
18	40125GT	HANDLE ASSY., 8-INCH, OFFSET.....2	
19	72264GT	SHAFT ASSY, PRIMARY.....1	
20	6145GT	SCREW,HHC,1/4-20 X 1.5	
21	40115GT	BRAKE SPRING SPACER.....2	
22	6889GT	NUT,LP NYLOCK,1/4-20	
23	40127GT	DETENT BLOCK ASSY.....1	
--	40509GT	DETENT SPRING.....2	
--	40510GT	DETENT BALL.....2	
--	80156GT	BLOCK-DETENT (80056).....1	
24	80157GT	GEAR-PINION (80056).....1	
25	37061GT	BRAKE FACE,DLB800.....2	
26	37062GT	RATCHET GEAR, DLB800.....1	
27	40122GT	WASHER,DOUBLE D.....1	
28	40123GT	SPACER.....1	
29	37064GT	BUSHING,PINION SHAFT,DLB800*.....1	
29	85182GT	SINTERED IRON BEARING,1-1/4**.....1	
30	40128GT	BASE SPACER.....1	



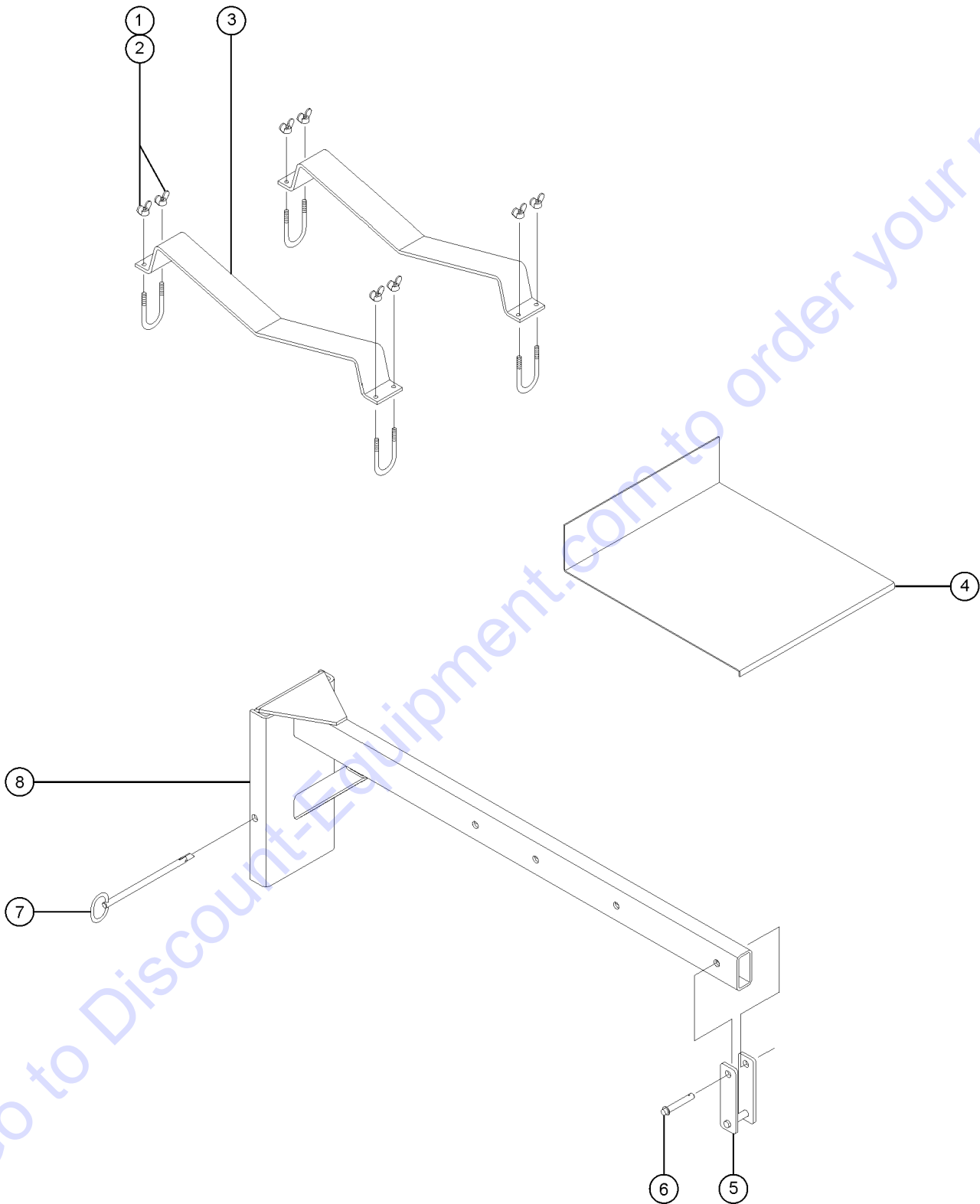
401.1 Forks



Item	Part No.	Description	Qty.
--	33543-SGT	SLC, ADJ FORK ASSEMBLY <i>includes items 1 - 4</i>	
1	33707-SGT	WELDMENT,ARM ADJ. FORK,"GRAY".....	2
2	48301GT	PIN,TOGGLE,.50 X 8.13***.....	1
3	35821GT	CARRIER - ADJ.FORK,-ST2.....	1
4	33674GT	PIN,LOCK,SHORT***.....	2
5	80679GT	PIN,BALL RET.-.5 X 2.7.....	2
6	33366-SGT	FORK EXTENSION, SINGLE***..... <i>suggest ordering 80679 pin with each extension</i>	2
7	33984GT	FORK,STD W/WORD DECALS SLC.....	1

Go to Discount-Equipment.com to order your parts

402.1 Pipe Cradle, Load Platform and Boom Arm



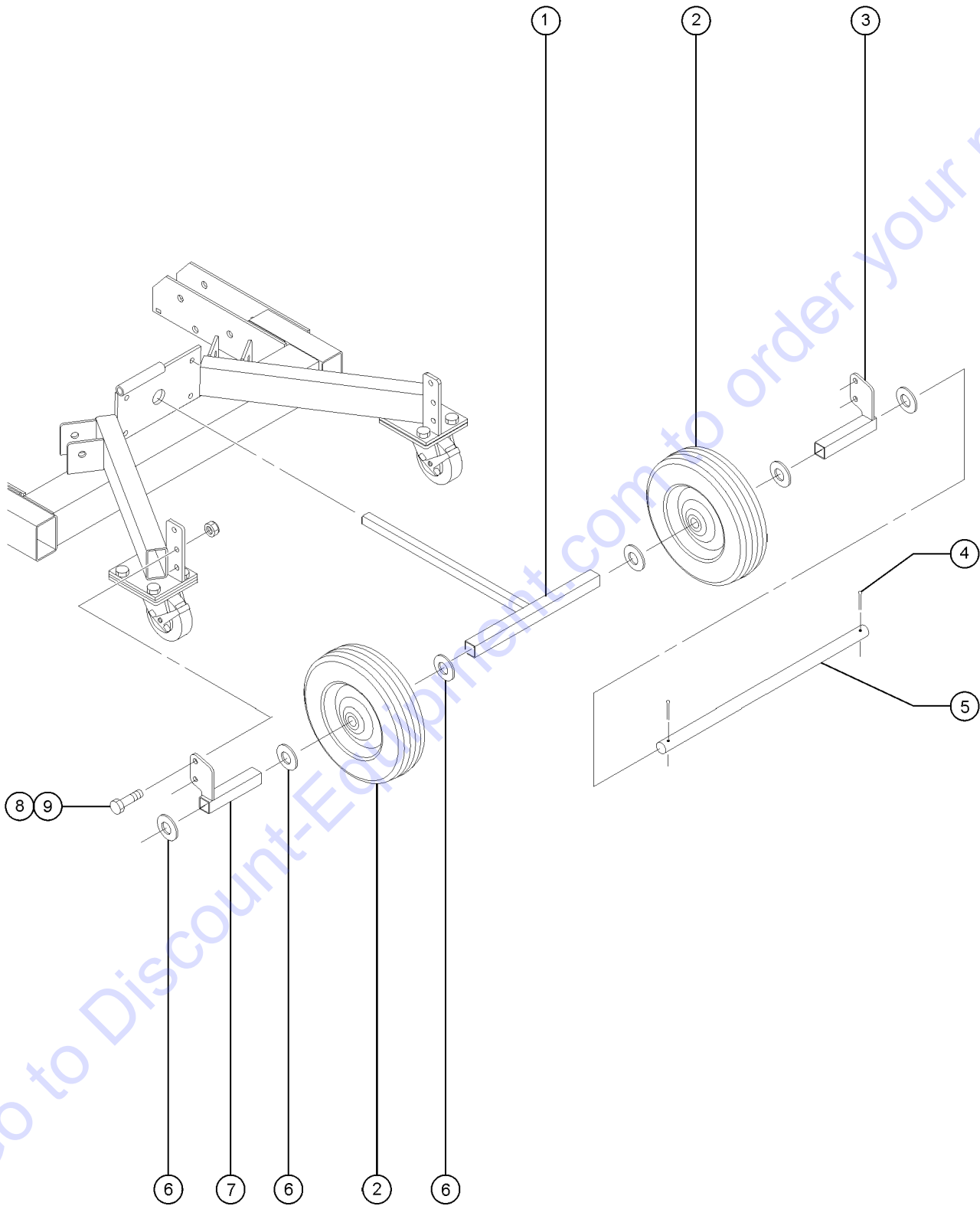
Go to Discount-Equipment.com to order your parts

## 402.1 Pipe Cradle, Load Platform and Boom Arm

Item	Part No.	Description	Qty.
--	32569-SGT	SL/SLC PIPE HOLDER ACCESSORY <i>complete kit for first time installation</i>	
1	8170GT	NUT,WING,1/4-20.....	8
2	33045GT	U-BOLT,1/4-20 SL2 PIPE CRADLE	
3	80597GT	PIPE CRADLE, BLUE.....	2
4	35021GT	LOAD PLATFORM W/DECALS, SLC.....	1
5	32579-SGT	WELDMENT,CLEVIS STD. BOOM.....	1
--	5143GT	HOOK, " S "	
6	80679GT	PIN,BALL RET-.5 X 2.7.....	1
7	48301GT	PIN,TOGGLE,.50 X 8.13***.....	1
8	229447GT	SLC STD.BOOM ASSY/SERVICE/GRAY <i>gray; includes items 5, 6 and 7</i>	
8	32567-SGT	SLA/SLC STD.BOOM ASSY/SERVICE... <i>blue; includes items 5, 6 and 7</i>	1

Go to Discount-Equipment.com to order your parts

403.1 Rear Wheels



Item	Part No.	Description	Qty.
--	35848-SGT	SL REAR TRANSPORT WHEEL ASSY	
1	33831-SGT	WHEEL SPACER WELDMENT,SL"GRAY".....1	1
2	35064GT	WHEEL,SOLID RUBBER,10X.75X2.75...2 (to SN SLC07-39655)	2
2A	124000GT	WHEEL,TRANSPORT SL 10X.75X2.75 (from SN SLC07-39656)	
3	33830-SGT	WHEEL SPACER MOUNT WELD,RH,SL.....1	1
4	6094GT	PIN,COTTER,.125 X 1.....2	2
5	57237GT	AXLE ROD, TRANSPORT WHEEL,SL....1	1
6	6564GT	WASHER, SHIM,.765 X 1.312 X .093	
7	33829-SGT	WHEEL SPACER MNT WELD LH,SL....1	1
8	6019GT	SCREW,HHC,3/8-16 X 1.25 GRD 5	
9	4828GT	NUT,NYLOCK,3/8-16	

Go to Discount-Equipment.com to order your parts

## Part Number Index

The Part Number Index is a numeric index of all part numbers included in this manual. The index shows what page(s) the part is used on.

Part Number	Page	Part Number	Page	Part Number	Page	Part Number	Page
100309GT	19, 21	33831-SGT	17, 41	57237GT	17, 41	97543GT	15
10597GT	23, 29, 31	33832GT	29	57734GT	19	97545GT	15
109579GT	21	33833GT	29	57735GT	17	97546GT	15
109580GT	21	33843GT	21	57746GT	19	97547GT	13
11337GT	19	33982GT	11	57782GT	19		
11890GT	17	33984GT	37	57788GT	21		
11978GT	21	35005GT	29, 31	58094GT	19		
12016GT	17	35015GT	19	58095GT	17		
12343GT	21	35016GT	19	58750GT	17		
124000GT	17, 41	35017GT	19	6019GT	17, 21, 29, 31, 41		
12402GT	29, 31	35018GT	19	6033GT	19		
124790GT	21	35019GT	19	6034GT	19, 33		
1251619GT	31	35021GT	39	6052GT	23, 26, 29		
1254648GT	31	35064GT	17, 41	6086GT	19, 23, 33		
1254649GT	31	35101GT	25-26	6091GT	21, 35		
1256083GT	33	35159-SGT	19	6094GT	17, 41		
1256136GT	31	35212GT	19	6095GT	19, 21, 23, 25-26		
1257074GT	21, 23, 25-26, 31	35213GT	19	6097GT	19, 21, 31		
1257075GT	21, 25-26, 31	35408GT	25-26	6099GT	29, 31		
1257466GT	31	35442GT	25-26	6145GT	35		
13005GT	21	35443GT	25-26	6175GT	17, 19, 21, 25-26		
13066GT	23, 26	35463GT	25-26	6184GT	33		
21443GT	17	35814GT	21	6185GT	33		
22788GT	29, 31	35819GT	21	6190GT	33		
229447GT	39	35821GT	37	6198GT	25-26, 29		
31072GT	11, 13	35834GT	21	6326GT	21		
31822GT	21	35848-SGT	41	6564GT	17, 21, 41		
32469GT	29	37038GT	29	6587GT	21		
32470GT	29	37061GT	35	6600GT	21		
32473GT	21, 23, 25-26	37062GT	35	6653GT	21		
32474GT	21, 23, 25-26	37064GT	35	6732GT	19, 21		
32475GT	21, 23, 25-26	37065GT	35	6770GT	33		
32476GT	29	38028GT	35	6782GT	33		
32483GT	29	40113GT	35	6889GT	35		
32499GT	19	40115GT	35	72264GT	35		
32509GT	19	40116GT	35	7250GT	29, 31		
32519GT	19	40117GT	35	7251GT	29, 31		
32522GT	25-26	40122GT	35	7256GT	33		
32524GT	19	40123GT	35	7265GT	21		
32567-SGT	39	40125GT	35	7713GT	25-26		
32569-SGT	39	40126GT	35	78037GT	35		
32576GT	19	40127GT	35	80141-SGT	17		
32577GT	19	40128GT	35	80142-SGT	17		
32579-SGT	39	40130GT	35	80143-SGT	17		
32687GT	11, 13	40153GT	25-26	80144-SGT	17		
32714GT	11, 13	40154GT	25-26	80145GT	35		
32716GT	11, 13	40155GT	25-26	80146GT	35		
32717GT	11, 13	40458GT	33	80147GT	35		
32770GT	11, 13	40509GT	35	80148GT	35		
32775GT	11, 13	40510GT	35	80149GT	35		
32883GT	19	40513GT	11, 13	80150GT	35		
32884GT	19	4828GT	17, 19, 29, 35, 41	80151GT	35		
32885GT	11, 13	48301GT	17, 37, 39	80152GT	35		
32938GT	11, 13	48373GT	11	80153GT	35		
32939GT	11, 13	49991GT	21	80154GT	35		
32945GT	33	5143GT	39	80155GT	35		
32946GT	35	5224GT	19	80156GT	35		
33045GT	39	52675GT	11, 13	80157GT	35		
33143GT	33	52701GT	29, 31	80597GT	39		
33144GT	33	52984GT	11, 13, 15	80679GT	37, 39		
33366-SGT	37	52992GT	11, 13, 15	80680GT	29		
33373GT	19	52993GT	11, 13, 15	80987GT	23		
33385GT	21	52994GT	11, 13, 15	8170GT	39		
33468GT	11, 13	52995GT	11, 13, 15	82487GT	15		
33539GT	21	5397GT	25-26, 31, 35	8255GT	25-26, 29, 31		
33540GT	21	57016GT	23, 25-26	82964GT	15		
33543-SGT	37	57018GT	26	84806GT	11		
33658GT	17	57019GT	26	84807GT	11		
33670GT	19	57021GT	26	8516GT	19, 35		
33674GT	37	57022GT	26	85182GT	35		
33700GT	29	57023GT	26	90337GT	21		
33707-SGT	37	57024GT	26	97529GT	13		
33811GT	23, 26	57028-SGT	29, 31	97532GT	15		
33829-SGT	17, 41	57029-SGT	29, 31	97539GT	15		
33830-SGT	17, 41	57031GT	29, 31	97541GT	15		

The Part Description Index is an alphabetical index of all part descriptions included in this manual. The index shows what page(s) the part is used on.

**A**

ASSY,PIN & LANYARD\*\*\*.....19, 21  
 AXLE ROD, TRANSPORT WHEEL,SL.....17, 41  
 AXLE TUBE, SL2 LEG.....19

**B**

BASE ASSY W/DECALS, SLC-12.....17  
 BASE ASSY W/DECALS, SLC-18.....17  
 BASE ASSY W/DECALS, SLC-24.....17  
 BASE ASSY W/DECALS,SLC-6.....17  
 BASE SPACER.....35  
 BEARING, SINTERED IRON, 3/4.....35  
 BLOCK,END,DOWNSTOP.....26  
 BLOCK,PLUNGER,DOWNSTOP.....26  
 BLOCK-DETENT (80056).....35  
 BOE LUBE.....21  
 BOLT, DRUM SPACER.....33  
 BOLT,CARRIAGE,1/4-20 X .5,G2.....35  
 BOLT,SHOULDER,3/8-16 1.417 LNG.....26  
 BOLT-ROLLER,1/2-13X1.84 ZINC.....21, 23, 25-26  
 BRACKET, STAB.MOUNT,"GRAY"\*\*\*.....19  
 BRAKE DISK,.5 BORE,K-1550 (7571).....33  
 BRAKE FACE,DLB800.....35  
 BRAKE SPRING SPACER.....35  
 BUMPER,RUBBER,DOWNSTOP.....26  
 BUSHING, SMALL PINION, FULTON (6199).....33  
 BUSHING,PINION SHAFT,DLB800\*.....35

**C**

CABLE ASSEMBLY SL 408".....29, 31  
 CABLE ASSEMBLY, SLC-6\*\*\*.....29, 31  
 CABLE ASSY SL/ST 588" 3/16"\*\*\*.....29, 31  
 CABLE ASSY SL/ST 756" 3/16"\*\*\*.....29, 31  
 CABLE KEEP.KIT (BRACKET TYPE)\*.....33  
 CABLE KEEPER KIT (33090).....35  
 CABLE KEEPER, DLB800.....35  
 CABLE REPLACEMENT COUPLER.....29, 31  
 CAP,INSTRUCTION TUBE (RED).....21  
 CARRIAGE,SL CONTRACTOR\*\*\*.....29, 31  
 CARRIER - ADJ.FORK,-ST2.....37  
 CASTER,PL,SW,SB, 5 X 1.5\*\*\*.....17  
 CASTER,POST,SW,3,5 (DARK GRAY).....19  
 CASTER,SW, 4 X 1.5 (RED).....19  
 CLAMP TUBE,STABILIZER-"GRAY".....19  
 CLAMP,1.88,#30 X 1/4,RUB CUSH.....21  
 COLUMN#1,MACHINED,SLC SERV.....29, 31  
 COLUMN#2,MACHINED,SLC SERV.....29, 31  
 COLUMN,#1,SL CONTRACTOR.....29  
 COLUMN,#2,SL CONTRACTOR \*\*.....29  
 COUPLER BAR ASSEMBLY,SLA&C,ST2.....23, 26  
 COVER - REEL (80056).....35  
 COVER,PULLEY, 6203.....31  
 COVER-GEAR (80056).....35

**D**

DECAL KIT, SAFETY/INST, SLC.....11  
 DECAL KIT, SYMBOLS, SLC.....11  
 DECAL KIT, WORDS SLC.....11  
 DECAL, SYMBOL - READ THE MANUAL.....15  
 DECAL,2 SPD.WINCH SYMB.....15

DECAL,2 SPD.WINCH\*\*.....11, 13  
 DECAL,CAUTION,DAMAGD MACHINE.....11, 13  
 DECAL,CAUTION,MOVING PARTS.....13  
 DECAL,CAUTION,MOVING PARTS SYM.....15  
 DECAL,COSMETIC,SLC-12.....11, 13, 15  
 DECAL,COSMETIC,SLC-18.....11, 13, 15  
 DECAL,COSMETIC,SLC-24.....11, 13, 15  
 DECAL,COSMETIC,SLC-6.....11, 13, 15  
 DECAL,CRUSHING HAZ/BRAKE LOCK.....11, 13  
 DECAL,DANGER,ELEC.HAZ.....13, 15  
 DECAL,GENIE SUPERLIFT CONTRACT.....11, 13, 15  
 DECAL,LABEL,OPER.MAN.STORAGE.....11, 13  
 DECAL,LABEL,WINCH ONLY.....11, 13  
 DECAL,LABEL,WINCH ONLY SYMB.....15  
 DECAL,NOTICE BOOM SETUP.....11, 13  
 DECAL,SILENT WINCH.....11, 13  
 DECAL,WARNING ADJ FORK SETUP.....11, 13  
 DECAL,WARNING BOOM SAFETY.....11, 13  
 DECAL,WARNING STD.FORK SAFETY.....11, 13  
 DECAL,WARNING,BRAKE LOCK SYMB.....15  
 DECAL,WARNING,FALL HAZARD.....11, 13  
 DECAL,WARNING,LOAD CHART SLC.....15  
 DECAL,WARNING,NO RIDERS.....11, 13  
 DECAL,WARNING,NO RIDERS SYMB.....15  
 DECAL,WARNING/SAFETY-SLC.....11, 13  
 DETENT BALL.....35  
 DETENT BLOCK ASSY.....35  
 DETENT SPRING.....35  
 DOWN STOP.....25-26

**E**

E CLIP,.875 IN.SL LEG.....19  
 E-RING, 3/4.....35

**F**

FORK EXTENSION, SINGLE\*\*\*.....37  
 FORK,STD W/WORD DECALS SLC.....37  
 FRAME SPACER,K-1550 (7584).....33

**G**

GEAR-PINION (80056).....35  
 GLIDE BUTTON,SIDE,GLL.,100 TK.....17  
 GUARD, CABLE.....29  
 GUARD,CABLE\*\*\*.....29  
 GUARD,ROLLER, SL2,.....21, 23, 25-26

**H**

HANDLE ASSY., 8-INCH, OFFSET.....35  
 HANDLE GRIP, RUBBER .75 X 4.5.....21  
 HOLD DOWN KIT W/DECAL SL LONG.....17  
 HOLD DOWN KIT W/DECAL SL SHORT.....17  
 HOOK, " S ".....39

**I**

INSTRUCT.TUBE W/CAPS-1.75 X 12.....21

**K**

KIT, CABLE ANCHOR BRK, SLC/ST\*.....23

KIT,CBL GRD,W/WRD DCALS,SLC.....21

**L**

LATCH PLATE,STABILIZER SL2.....19  
 LOAD PLATFORM W/DECALS, SLC.....39  
 LOADING WHEEL ASSY ST/SL.....21  
 LOADING WHEEL WELD.W/DECAL SL2.....21  
 LOCK-BOLT, REEL (80056).....35

**M**

MAST STIFF. ASSY.SLC,ST2.....21  
 MAST STIFFENER,LEFT,GRAY\*\*\*.....21  
 MAST STIFFENER,RIGHT,GRAY\*\*\*.....21  
 MOUNT, PLY, FIRST, 6203, GRAY.....31  
 MOUNT, PULLEY, INNER, 6203.....31

**N**

NUT, LP NYLOCK, 3/8-16.....25-26  
 NUT, NYLOCK, 1/2-13, GR8, ZINC.....21, 23, 25-26, 31  
 NUT, NYLOCK,3/8-16,GR8, ZINC...21, 25-26, 31  
 NUT,HEX,JAM,1/2-13.....19, 33  
 NUT,LP NYLOCK,1/2-13.....19, 23, 33  
 NUT,LP NYLOCK,1/4-20.....35  
 NUT,LP NYLOCK,5/8-11.....35  
 NUT,NYLOCK,1/2-13.....25-26, 29  
 NUT,NYLOCK,1/4-20.....21, 35  
 NUT,NYLOCK,3/8-16.....17, 19, 29, 35, 41  
 NUT,NYLOCK,5/16-18.....33  
 NUT,SQUARE 3/8-16 NC, PLATED.....25-26  
 NUT,WING,1/4-20.....39

**P**

PAWL-RATCHET (80056).....35  
 PIN,BALL RET.-.5 X 2.7.....37, 39  
 PIN,COTTER,.125 X .75.....17  
 PIN,COTTER,.125 X 1.....17, 41  
 PIN,LOCK,SHORT\*\*\*.....37  
 PIN,ROLL,.25 X .50.....29  
 PIN,ROLL,.25 X 1.25.....19  
 PIN,TOGGLE,.50 X 8.13\*\*\*.....17, 37, 39  
 PINION GEAR AND DISC K-1550 (7590).....33  
 PIPE CRADLE, BLUE.....39  
 PIVOT TUBE SL2 LEG.....19  
 PIVOT TUBE,STABILIZER.....19  
 PLATE,DOUBLER,DOWNSTOP.....26  
 PLATE,DOUBLER,SL MAST.....23, 25-26  
 PULLEY MOUNT , SL-2.....29  
 PULLEY MOUNT,#1 COLUMN,GRY,SLC.....29  
 PULLEY W/BEARING,ALUMINUM\*\*\*.....29  
 PULLEY, 6203.....31

**R**

RATCHET GEAR, DLB800.....35  
 RATCHET GEAR,K-1550 1/2" I.D. (6777).....33  
 RATCHET PAWL KIT.....33  
 RATCHET PAWL KIT, (33090).....35  
 REEL SPACER.....35  
 RETAINING RING (6200).....33  
 RIVET,STEEL,P .25 X .375.....21  
 ROLLER KIT(SLA,SLC)-1EA.....25-26  
 ROLLER KIT(SLA,SLC)-20EA.....25-26  
 ROLLER KIT(SLA,SLC)-6EA.....25-26



## Part Description Index (continued)

**S**

SAFETY BRAKE ASSY(SQ.NUT)SL2\*\*.....25-26  
 SCREW, HCC, 3/8-16 X 1.50.....19, 35  
 SCREW,FHS,3/8-16 X 1.5.....25-26  
 SCREW,HHC,1/2-13 X 1.25 GR5.....23, 29, 31  
 SCREW,HHC,1/2-13 X 1.75.....29, 31  
 SCREW,HHC,1/2-13 X 3.25.....19, 21  
 SCREW,HHC,1/2-13 X 6,GRD.8.....21  
 SCREW,HHC,1/4-20 X 1.5.....35  
 SCREW,HHC,1/4-20 X 3.....21  
 SCREW,HHC,1/4-20 X 5.25(80056).....35  
 SCREW,HHC,3/8-16 X .75.....25-26, 29, 31  
 SCREW,HHC,3/8-16 X 1.....17, 19, 21, 25-26  
 SCREW,HHC,3/8-16 X 1.25 GRD 5.....17, 21, 29, 31, 41  
 SCREW,HHC,3/8-16 X 2.....19  
 SCREW,HHC,3/8-16 X 3.....21  
 SCREW,HHC,3/8-16 X 5.5.....35  
 SCREW,HHC,5/16-18 X 6 GRD.2.....33  
 SCREW-THRD FORM,HH-SLT, 1/2".....35  
 SERIAL NUMBER PLATE, SL CONTR.....11  
 SERVICE KIT,PINION SHAFT-K1550 (1256081).....33  
 SHAFT ASSY, PRIMARY.....35  
 SHAFT ASSY,INTERMED. (80056).....35  
 SHAFT,PINION (32891).....33  
 SHIM,.75 X.45 X.064.....17  
 SHIM,SAFETY BRAKE, SLC.....25-26  
 SINTERED IRON BEARING,1-1/4\*\*.....35  
 SKID PAD.....19  
 SL REAR TRANSPORT WHEEL ASSY.....41  
 SL/SLC PIPE HOLDER ACCESSORY.....39  
 SLA/SLC STD.BOOM ASSY/SERVICE.....39  
 SLC STD.BOOM ASSY/SERVICE/GRAY.....39  
 SLC, ADJ FORK ASSEMBLY.....37  
 SLC, STABILIZER ASSY(SET)/SERV.....19  
 SPACER.....35  
 SPACER, DRUM BOLT, K-1550.....33  
 SPACER,MAST STIFFENER.....21  
 SPACER,PINION SHAFT (32890).....33  
 SPACER-RATCHET (80056).....35  
 SPRING,HOLDOWN SL2E.....17  
 SPRING,STABILIZER LATCH SL2.....19  
 SPRING-RATCHET (80056).....35  
 STABILIZER STRUT,ASSY.....19  
 STRUT,LH,SL2.....19  
 STRUT,RH,SL2.....19  
 SVC KIT, FRICTION DISC K/KX.....33

WASHER,FLAT,.5X .125,HARDENED\*.....29  
 WASHER,FLAT,NYLON.515X.88X.093.....21  
 WASHER,FLAT,USS,1/2",Y.....19, 21, 23, 25-26  
 WASHER,FLAT,USS,3/8",Y.....19, 21, 31  
 WASHER,FLAT,USS,5/16",Y.....25-26, 31, 35  
 WASHER,LOCK,0.5".....19  
 WASHER,PUSH ON .75 SHAFT.....21  
 WASHER,SHIM,.5 X .875 X .063.....23, 26, 29  
 WASHER,SHIM,1.50 X .890 X .09.....19  
 WASHER-FLAT, 1/2" (80056).....35  
 WELDMENT, LEG, SLC-12 GRAY.....19  
 WELDMENT, LEG, SLC-24 GRAY.....19  
 WELDMENT, LEG, SLC-6 GRAY.....19  
 WELDMENT, STABILIZER, SLC GRAY.....19  
 WELDMENT,ARM ADJ. FORK,"GRAY".....37  
 WELDMENT,CLEVIS STD. BOOM.....39  
 WELDMENT,LEG,SLC-18 GRAY\*\*\*.....19  
 WHEEL SPACER MNT WELD LH,SL.....17, 41  
 WHEEL SPACER MOUNT WELD,RH,SL.....17, 41  
 W H E E L S P A C E R  
 WELDMENT,SL"GRAY".....17, 41  
 WHEEL,POLY,6X2, 3/4\*.....21  
 WHEEL,POLYOLEFIN,2.5X1.25,7/8.....19  
 WHEEL,ROLLER,NYLATRON,1.75.....21, 23, 25-26  
 WHEEL,SOLID RUBBER,10X.75X2.75.....17, 41  
 WHEEL,TRANSPORT SL 10X.75X2.75.....17, 41  
 WINCH BRACKET, DRUM BOLT LOCK (31946).....33  
 WINCH GEAR COVERS, K-1500.....33  
 WINCH HANDLE 6" STD.....33  
 WINCH HANDLE 8" STD.\*\*.....33  
 WINCH PINION PLATE, K-1550 (7591).....33  
 WINCH PLATE W/DECAL ST.....21  
 WINCH SPACER, 2 SPEED SLC,GRAY.....21  
 WINCH SPACER,1 SPEED SLC, GRAY.....21  
 WINCH W/DECAL,2 SPEED\*\*\*.....35  
 WINCH,W/DECAL 1SPEED SL/ST.....33

**T**

TUBE,DOWNSTOP.....26

**U**

U-BOLT,1/4-20 SL2 PIPE CRADLE.....39  
 UP STOP.....25-26

**V**

VIDEO,NTSC,SLA,CABLING PROCDR.....29, 31

**W**

WASHER, FLAT, SAE, .5,GRADE 9.....31  
 WASHER, SHIM,.765 X 1.312 X .093...17, 21, 41  
 WASHER,DOUBLE D.....35  
 WASHER,FLAT,.5 HARDENED.....23, 26

## Fitting Cross References

Genie PN	Parker PN	Description	Genie PN	Parker PN	Description
12342	6-4 F5OX-S	CONNECTOR,STRAIGHT THREAD TO FLARE TUBE	42794	1 CR-S	ELBOW,90°,MALE PIPE
13757	4 R6X-S	RUN TEE,SWIVEL NUT,ORFS	42795	BV-0839	BALL VALVE
19685	12-10 C5OX-S	ELBOW,90°,STRAIGHT THREAD TO FLARE TUBE	42796	BV-0838	BALL VALVE
22664	12-10 C5OX	ELBOW,90°,STRAIGHT THREAD TO FLARE TUBE	42874	6-8 CLO-S	ELBOW,90°,MALE PIPE TO ORFS
27431	8-12 F5OX-S	CONNECTOR,STRAIGHT THREAD TO FLARE TUBE	42912	13943-6-4	HOSE END,90° FEMALE SWIVEL,JIC
28678	AS-B-33	SLEEVE,NYLON,1.81" ID	42920	BV-0840	BALL VALVE,90°
39871	6 WETX-WLN-S	UNION,90° BULKHEAD W/NUT,FLARE TUBE	42932	AS-B-17	SLEEVE,NYLON,1.22" ID
39872	4 R5OX-S	RUN TEE,STRAIGHT THREAD	42936	10243-2-4	HOSE END,FEMALE PIPE
39873	6 C5OX-S	ELBOW,90°,STRAIGHT THREAD TO FLARE TUBE	42953	1/2 DD-S	ELBOW,90°,FEMALE PIPE
39874	8-6 C5OX-S	ELBOW,90°,STRAIGHT THREAD TO FLARE TUBE	42956	6 WELO-WLNL-S	UNION,90° BULKHEAD W/NUT,ORFS
39875	4-6 C5OX-S	ELBOW,90°,STRAIGHT THREAD TO FLARE TUBE	45349	8 V5OX-S	ELBOW,45°,STRAIGHT THREAD TO FLARE TUBE
39876	6-8 C5OX-S	ELBOW,90°,STRAIGHT THREAD TO FLARE TUBE	45351	4 V5OX-S	ELBOW,45°,STRAIGHT THREAD TO FLARE TUBE
39877	4 F5OX-S	CONNECTOR,STRAIGHT THREAD TO FLARE TUBE	47223	10343-6-6	HOSE END,MALE,JIC
39878	6 F5OX-S	CONNECTOR,STRAIGHT THREAD TO FLARE TUBE	47419	PS690503-6-6	SWIVEL,90°,STRAIGHT THREAD TO 37° FLARE
39879	4-8 F5OX-S	CONNECTOR,STRAIGHT THREAD TO FLARE TUBE	48750	421-4	HOSE,1/4 INCH ID
39880	6-10 F5OX-S	CONNECTOR,STRAIGHT THREAD TO FLARE TUBE	48751	481TC-4	HOSE,1/4 INCH ID
39881	4-6 F5OX-S	CONNECTOR,STRAIGHT THREAD TO FLARE TUBE	48752	482TC-4	HOSE,1/4 INCH ID
39882	4-HP5ON-S	PLUG,STRAIGHT THREAD	48753	451TC-6	HOSE,3/8 INCH ID
39883	8-8 FTX-S	CONNECTOR,MALE PIPE TO FLARE TUBE	48754	482TC-6	HOSE,3/8 INCH ID
39885	269HB 12-12	ELBOW,90°,BEADED HOSE BARB TO MALE PIPE	48755	381-6	HOSE,3/8 INCH ID
39886	431-6	HOSE,3/8 INCH ID	48756	451TC-8	HOSE,1/2 INCH ID
39887	540N-2	HOSE,1/8 INCH ID	48757	482TC-8	HOSE,1/2 INCH ID
39888	801-8	HOSE,1/2 INCH ID	48758	381-8	HOSE,1/2 INCH ID
39889	801-12	HOSE,3/4 INCH ID	48759	381-10	HOSE,5/8 INCH ID
39890	10643-6-6	HOSE END,FEMALE SWIVEL,JIC	48760	451TC-10	HOSE,5/8 INCH ID
39891	13943-6-6	HOSE END,90° FEMALE SWIVEL,JIC	48761	482TC-12	HOSE,3/4 INCH ID
39892	13743-6-6	HOSE END,45° FEMALE SWIVEL,JIC	48762	451TC-12	HOSE,3/4 INCH ID
39894	30682-8-8	HOSE END,FEMALE SWIVEL,JIC	48763	772-12	HOSE,3/4 INCH ID
39895	30682-10-12	HOSE END,FEMALE SWIVEL,JIC	48764	881-16	HOSE,1 INCH ID
42286	8-8 CTX-S	ELBOW,90°,MALE PIPE TO FLARE TUBE	48765	772-16	HOSE,1 INCH ID
42756	8-12 CLO-S	ELBOW,90,MALE PIPE TO ORFS	48766	AS-B-15	SLEEVE,NYLON,1.06" ID
42757	8-12 FLO-S	CONNECTOR,MALE PIPE TO ORFS	48767	AS-B-22	SLEEVE,NYLON,1.42" ID
42758	4 JLO-S	UNION TEE,ORFS	48770	881-8	HOSE,1/2 INCH ID
42759	4-4 FLO-S	CONNECTOR,MALE PIPE TO ORFS			
42760	6-8 FLO-S	CONNECTOR,MALE PIPE TO ORFS			
42761	1J143-6-4	HOSE END,90° FEMALE SWIVEL,SEAL LOK			
42762	1J743-6-4	HOSE END,45° FEMALE SWIVEL,SEAL LOK			
42768	1JO43-4-4	HOSE END,MALE,SEAL LOK			
42776	801-8	HOSE,1/2 INCH ID			
42777	1J743-16-16	HOSE END,45° FEMALE SWIVEL,SEAL LOK			
42786	16 CLO-S	ELBOW,90°,MALE PIPE TO ORFS			
42787	16 R8LO-S	RUN TEE,SWIVEL NUT,ORFS			
42788	16-8 TRLO-BL-S	REDUCER,TUBE END TO SWIVEL,ORFS			
42789	6-6 CLO-S	ELBOW,90°,MALE PIPE TO ORFS			
42790	8-10 V5OLO-S	ELBOW,45°,STRAIGHT THREAD TO ORFS			
42791	3/4 CD-S	ELBOW,90°,MALE TO FEMALE PIPE			
42792	3/4 X 1/2 PTR-S	REDUCER,MALE TO FEMALE PIPE			
42793	1/2 CR-S	ELBOW,90°,MALE PIPE			

## Fitting Cross References (Continued)

Genie PN	Parker PN	Description	Genie PN	Parker PN	Description
48771	881-10	HOSE,5/8 INCH ID	48847	13943-12-12	HOSE END,90° FEMALE SWIVEL,JIC
48772	381-4	HOSE,1/4 INCH ID	48848	10543-12-12	HOSE END,MALE,STRAIGHT THREAD
48773	AS-B-13	SLEEVE,NYLON,.86" ID	48849	1JC71-12-12	HOSE END,FEMALE SWIVEL,SEAL LOK
48800	1JC43-4-4	HOSE END,FEMALE SWIVEL,SEAL LOK	48850	1JS71-12-12	HOSE END,FEMALE SWIVEL,SEAL LOK
48801	1J743-4-4	HOSE END,45° FEMALE SWIVEL,SEAL LOK	48851	1J171-12-12	HOSE END,90° FEMALE SWIVEL,SEAL LOK
48802	1J943-4-4	HOSE END,90° FEMALE SWIVEL,SEAL LOK	48852	1J771-12-12	HOSE END,45° FEMALE SWIVEL,SEAL LOK
48804	1JM43-4-4	HOSE END,MALE,SEAL LOK, NO O-RING	48853	1J971-12-12	HOSE END,90° FEMALE SWIVEL,SEAL LOK
48805	10643-4-4	HOSE END,FEMALE SWIVEL,JIC	48854	1JC43-16-16	HOSE END,FEMALE SWIVEL,SEAL LOK
48806	13943-4-4	HOSE END,90° FEMALE SWIVEL,JIC	48855	1J943-16-16	HOSE END,90° FEMALE SWIVEL,SEAL LOK
48807	1JS43-4-4	HOSE END,FEMALE SWIVEL,SEAL LOK	48856	1J171-16-16	HOSE END,90° FEMALE SWIVEL,SEAL LOK
48808	3JC82-8-8	HOSE END,FEMALE SWIVEL,SEAL LOK	48857	1J971-16-16	HOSE END,90° FEMALE SWIVEL,SEAL LOK
48809	3JC82-12-12	HOSE END,FEMALE SWIVEL,SEAL LOK	48859	1JS43-8-4	HOSE END,FEMALE SWIVEL,SEAL LOK
48810	1JC43-6-4	HOSE END,FEMALE SWIVEL,SEAL LOK	48867	PD36BTL	DIAGNOSTIC NIPPLE,SEAL-LOK SWIVEL
48811	1J943-6-4	HOSE END,90° FEMALE SWIVEL,SEAL LOK	48873	6 PNLO-S	PLUG,TUBE END,ORFS
48812	1JC43-6-6	HOSE END,FEMALE SWIVEL,SEAL LOK	48874	6 PNTX-S	PLUG,FLARE TUBE
48813	1J143-6-6	HOSE END,90° FEMALE SWIVEL,SEAL LOK	48875	6 R6LO-S	RUN TEE,SWIVEL NUT,ORFS
48814	1J543-6-6	HOSE END,90° FEMALE SWIVEL,SEAL LOK	48877	4 F5OLO-SW/.025	CONNECTOR,STRAIGHT THREAD TO ORFS, W/.025 ORI
48815	1J743-6-6	HOSE END,45° FEMALE SWIVEL,SEAL LOK	48878	16-12 C5OLO-S	ELBOW,90°,STRAIGHT THREAD TO ORFS
48816	1J943-6-6	HOSE END,90° FEMALE SWIVEL,SEAL LOK	48879	8 C8LO-S	ELBOW,90°,SWIVEL NUT ORFS
48817	1JS43-6-8	HOSE END,FEMALE SWIVEL,SEAL LOK	48880	PD6-285	CAP,DIAGNOSTIC NIPPLE
48818	1J943-8-4	HOSE END,90° FEMALE SWIVEL,SEAL LOK	48881	6 HLO-S	UNION,ORFS
48819	1JC43-8-6	HOSE END,FEMALE SWIVEL,SEAL LOK	48883	8 P5ON-S	PLUG,STRAIGHT THREAD
48820	1J743-8-6	HOSE END,45° FEMALE SWIVEL,SEAL LOK	48884	8M18F87OMLO-S	CONNECTOR,METRIC,STRAIGHT THREAD TO ORFS
48821	1J943-8-6	HOSE END,90° FEMALE SWIVEL,SEAL LOK	48885	4 WGTX-WLN-S	CONNECTOR,BULKHEAD,FEMALE PIPE TO FLARE TUBE
48822	1JC43-8-8	HOSE END,FEMALE SWIVEL,SEAL LOK	48886	4 F5OLO-SW/2MM	CONNECTOR,MACHINED STRAIGHT THREAD TO ORFS
48823	1JS43-8-8	HOSE END,FEMALE SWIVEL,SEAL LOK	48887	4 CTX-S	ELBOW,90°,MALE PIPE TO FLARE TUBE
48824	1J143-8-8	HOSE END,90° FEMALE SWIVEL,SEAL LOK	48888	10-12 V5OLO-S	ELBOW,45°,STRAIGHT THREAD TO ORFS
48825	1J543-8-8	HOSE END,90° FEMALE SWIVEL,SEAL LOK	48890	4 S5OLO-S	BRANCH TEE,STRAIGHT THREAD TO ORFS
48826	1J743-8-8	HOSE END,45° FEMALE SWIVEL,SEAL LOK	48891	4 S8LO-S	BRANCH TEE,SWIVEL NUT TO ORFS
48827	1J943-8-8	HOSE END,90° FEMALE SWIVEL,SEAL LOK			
48828	1JC43-10-8	HOSE END,FEMALE SWIVEL,SEAL LOK			
48829	1JS43-10-8	HOSE END,FEMALE SWIVEL,SEAL LOK			
48830	1J743-10-8	HOSE END,45° FEMALE SWIVEL,SEAL LOK			
48831	1J943-10-8	HOSE END,90° FEMALE SWIVEL,SEAL LOK			
48833	1JC43-10-10	HOSE END,FEMALE SWIVEL,SEAL LOK			
48834	1J943-10-10	HOSE END,90° FEMALE SWIVEL,SEAL LOK			
48835	1JS43-10-12	HOSE END,FEMALE SWIVEL,SEAL LOK			
48836	1JC43-12-8	HOSE END,FEMALE SWIVEL,SEAL LOK			
48837	1JS43-12-8	HOSE END,FEMALE SWIVEL,SEAL LOK			
48838	1J743-12-8	HOSE END,45° FEMALE SWIVEL,SEAL LOK			
48839	1J943-12-8	HOSE END,90° FEMALE SWIVEL,SEAL LOK			
48840	1J943-12-10	HOSE END,90° FEMALE SWIVEL,SEAL LOK			
48841	1JC43-12-12	HOSE END,FEMALE SWIVEL,SEAL LOK			
48842	1JO43-12-12	HOSE END,MALE,SEAL LOK			
48843	1J143-12-12	HOSE END,90° FEMALE SWIVEL,SEAL LOK			
48844	1J543-12-12	HOSE END,90° FEMALE SWIVEL,SEAL LOK			
48845	1J743-12-12	HOSE END,45° FEMALE SWIVEL,SEAL LOK			
48846	1J943-12-12	HOSE END,90° FEMALE SWIVEL,SEAL LOK			

## Fitting Cross References (Continued)

Genie PN	Parker PN	Description	Genie PN	Parker PN	Description
48892	6 C6LO-S	ELBOW,90°,SWIVEL NUT ORFS	48938	8 R6LO-S	RUN TEE,SWIVEL NUT,ORFS
48893	6 F5OHAO-S	UNION,STRAIGHT THREAD	48939	8 S6LO-S	BRANCH TEE,SWIVEL NUT TO ORFS
48894	8 WLO-WLNL-S	UNION,BULKHEAD,ORFS	48940	8 WJLO-WLNL-S	RUN TEE, BULKHEAD,ORFS
48895	DT-370-MSMO-5	VALVE,CHECK	48941	8-4 TRLO-S	REDUCER,TUBE END TO SWIVEL,ORFS
48896	6 JLO-S	UNION,TEE,ORFS	48942	8-6 C5OLO-S	ELBOW,90°,STRAIGHT THREAD TO ORFS
48897	DT-750-MSMS-5	VALVE,CHECK	48943	8-6 F5OLO-S	CONNECTOR,STRAIGHT THREAD TO ORFS
48898	DT-750-MOMS-5	VALVE,CHECK	48944	8-8 FLO-S	CONNECTOR,MALE PIPE TO ORFS
48899	DT-620-MOMS-5	VALVE,CHECK	48945	8 FTX-S	CONNECTOR,MALE PIPE TO FLARE TUBE
48900	4-6 F5OLO-SW/.035	CONNECTOR,STRAIGHT THREAD TO ORFS, W/.035 ORI	48946	8-10 F5OLO-S	CONNECTOR,STRAIGHT THREAD TO ORFS
48902	16-1 AOE4G-S	ELBOW,90° LONG,FEMALE PIPE TO STRAIGHT THREAD	48947	8-12 C5OLO-S	ELBOW,90°,STRAIGHT THREAD TO ORFS
48903	1 FF-S	NIPPLE,PIPE	48948	8-12 F5OLO-S	CONNECTOR,STRAIGHT THREAD TO ORFS
48904	4 C5OLO-S	ELBOW,90°,STRAIGHT THREAD TO ORFS	48949	8-16 F5OLO-S	CONNECTOR,STRAIGHT THREAD TO ORFS
48905	4 F5OLO-S	CONNECTOR,STRAIGHT THREAD TO ORFS	48950	10 C5OLO-S	ELBOW,90°,STRAIGHT THREAD TO ORFS
48906	4 R5OLO-S	RUN TEE,STRAIGHT THREAD	48951	10 CC5OLO-S	ELBOW,90° LONG,STRAIGHT THREAD TO ORFS
48907	4 V5OLO-S	ELBOW,45°,STRAIGHT THREAD TO ORFS	48952	10 F5OLO-S	CONNECTOR,STRAIGHT THREAD TO ORFS
48908	4 R6LO-S	RUN TEE,SWIVEL NUT,ORFS	48953	10 R5OLO-S	RUN TEE,STRAIGHT THREAD
48909	4 WJLO-WLNL-S	RUN TEE, BULKHEAD,ORFS	48954	10 S5OLO-S	BRANCH TEE,STRAIGHT THREAD TO ORFS
48910	4 GTX-S W/.030	CONNECTOR,FEMALE PIPE TO FLARE TUBE	48955	10 R6LO-S	RUN TEE,SWIVEL NUT,ORFS
48911	4-6 C5OLO-S	ELBOW,90°,STRAIGHT THREAD TO ORFS	48956	10-4 TRLO-BL-S	REDUCER,TUBE END TO SWIVEL,ORFS
48912	4-6 F5OLO-S	CONNECTOR,STRAIGHT THREAD TO ORFS	48957	10-6 TRLO-BL-S	REDUCER,TUBE END TO SWIVEL,ORFS
48913	4-6 F5OLO-SW/.030	CONNECTOR,STRAIGHT THREAD TO ORFS, W/.030 ORI	48958	10-12 F5OLO-S	CONNECTOR,STRAIGHT THREAD TO ORFS
48914	4-8 F5OLO-S	CONNECTOR,STRAIGHT THREAD TO ORFS	48959	12 C5OLO-S	ELBOW,90°,STRAIGHT THREAD TO ORFS
48915	6 C5OLO-S	ELBOW,90°,STRAIGHT THREAD TO ORFS	48960	12 F5OLO-S	CONNECTOR,STRAIGHT THREAD TO ORFS
48916	6 F5OLO-S	CONNECTOR,STRAIGHT THREAD TO ORFS	48961	12 R5OLO-S	RUN TEE,STRAIGHT THREAD
48917	6 FF5OLO-S	CONNECTOR,LONG,STRAIGHT THREAD TO ORFS	48962	12 S5OLO-S	BRANCH TEE,STRAIGHT THREAD TO ORFS
48918	6 R5OLO-S	RUN TEE,STRAIGHT THREAD	48963	12 V5OLO-S	ELBOW,45°,STRAIGHT THREAD TO ORFS
48919	6 S5OLO-S	BRANCH TEE,STRAIGHT THREAD TO ORFS	48964	12 R6LO-S	RUN TEE,SWIVEL NUT,ORFS
48920	6 V5OLO-S	ELBOW,45°,STRAIGHT THREAD TO ORFS	48965	12 CLO-S	ELBOW,90°,MALE PIPE TO ORFS
48921	6 FLO-S	CONNECTOR,MALE PIPE TO ORFS	48966	12 FLO-S	CONNECTOR,MALE PIPE TO ORFS
48922	6-6 FLO-S	CONNECTOR,MALE PIPE TO ORFS	48967	12 JLO-S	UNION TEE,ORFS
48923	6 P5ON-S	PLUG,STRAIGHT THREAD	48968	12 WLO-WLNL-S	UNION,BULKHEAD,ORFS
48925	6 WELO-S	UNION,90° BULKHEAD,ORFS	48969	12 WJLO-WLNL-S	RUN TEE, BULKHEAD,ORFS
48926	6-4 C5OLO-S	ELBOW,90°,STRAIGHT THREAD TO ORFS	48970	12 WELO-WLNL-S	UNION,90° BULKHEAD W/NUT,ORFS
48927	6-4 F5OLO-S	CONNECTOR,STRAIGHT THREAD TO ORFS			
48928	6-4 V5OLO-S	ELBOW,45°,STRAIGHT THREAD TO ORFS			
48929	6-8 C5OLO-S	ELBOW,90°,STRAIGHT THREAD TO ORFS			
48930	6-8 F5OLO-S	CONNECTOR,STRAIGHT THREAD TO ORFS			
48931	6-10 F5OLO-S	CONNECTOR,STRAIGHT THREAD TO ORFS			
48932	8 C5OLO-S	ELBOW,90°,STRAIGHT THREAD TO ORFS			
48933	8 F5OLO-S	CONNECTOR,STRAIGHT THREAD TO ORFS			
48934	8 FF5OLO-S	CONNECTOR,LONG,STRAIGHT THREAD TO ORFS			
48935	8 R5OLO-S	RUN TEE,STRAIGHT THREAD			
48936	8 S5OLO-S	BRANCH TEE,STRAIGHT THREAD TO ORFS			
48937	8 V5OLO-S	ELBOW,45°,STRAIGHT THREAD TO ORFS			

## Fitting Cross References (Continued)

Genie PN	Parker PN	Description	Genie PN	Parker PN	Description
48971	12 G5G5JG5-S	TEE,FEMALE STRAIGHT THREAD	49612	PKT02586	O-RING KIT (ORFS FITTINGS)
48972	12 XHL6-S	ADAPTER, 37° MALE TO SWIVEL ORFS	49613	PKT06276	PLUG AND CAP KIT-SERVICE,ORFS
48973	12-1/2 F5OG-S	ADAPTER,FEMALE PIPE TO STRAIGHT THREAD	49728	10143-12-12	HOSE END, MALE PIPE
48974	12-10 C5OLO-S	ELBOW,90°,STRAIGHT THREAD TO ORFS	49729	16-1 F5OG-S	ADAPTER,FEMALE PIPE TO STRAIGHT THREAD
48975	12-10 F5OLO-S	CONNECTOR,STRAIGHT THREAD TO ORFS	49814	12-8 FLO-S	CONNECTOR,MALE PIPE TO ORFS
48976	12-16 C5OLO-S	ELBOW,90°,STRAIGHT THREAD TO ORFS	49829	DT-500-MOMF-5	VALVE,CHECK
48977	12-16 F5OLO-S	CONNECTOR,STRAIGHT THREAD TO ORFS	49831	881-12	HOSE,3/4 INCH ID
48978	12-16 V5OLO-S	ELBOW,45°,STRAIGHT THREAD TO ORFS	49834	16 JLO-S	UNION TEE,ORFS
48980	12-16 FLO-S	CONNECTOR,MALE PIPE TO ORFS	49838	12-8 TRLO-BL-S	REDUCER,TUBE END TO SWIVEL,ORFS
48983	16 C5OLO-S	ELBOW,90°,STRAIGHT THREAD TO ORFS	49840	8 JLO-S	UNION TEE,ORFS
48984	16 F5OLO-S	CONNECTOR,STRAIGHT THREAD TO ORFS	49844	10-8 TRLO-BL-S	REDUCER,TUBE END TO SWIVEL,ORFS
48985	16 V5OLO-S	ELBOW,45°,STRAIGHT THREAD TO ORFS	49854	8 P5ON-S	PLUG,STRAIGHT THREAD
48986	16 FLO-S	CONNECTOR,MALE PIPE TO ORFS	49855	1JC43-16-12	HOSE END,FEMALE SWIVEL,SEAL LOK
48988	16 CD45-S	ELBOW,45°,MALE TO FEMALE PIPE	49859	4 P5ON-S	PLUG,STRAIGHT THREAD
48989	12 CD45-S	ELBOW,45°,MALE TO FEMALE PIPE	49861	4 FF5OLO-S	CONNECTOR, LONG, STRAIGHT THREAD TO ORFS
48990	8 CD45-S	ELBOW,45°,MALE TO FEMALE PIPE	49867	12-3/4 F5OG-S	ADAPTER, FEMALE PIPE TO STRAIGHT THREAD
48991	16-12 FLO-S	CONNECTOR,MALE PIPE TO ORFS	51152	6 R6X-S	RUN TEE,SWIVEL NUT,ORFS
48992	16-12 V5OLO-S	ELBOW,45°,STRAIGHT THREAD TO ORFS	51153	6-4 TRTX-S	REDUCER,TUBE END TO SWIVEL,ORFS
48993	XV501-12	BALL VALVE	51154	4-4 GTX	CONNECTOR,FEMALE PIPE TO FLARE TUBE
48994	XV501-16	BALL VALVE	51264	881-12	HOSE,3/4 INCH ID
48995	XV510P-12	BALL VALVE	51265	8 JLO-S	UNION TEE,ORFS
48996	XV510P-16	BALL VALVE	51508	6 BTX-S	NUT,FLARE TUBE
48997	PD341	DIAGNOSTIC NIPPLE, STRAIGHT THREAD	51580	12-8 TRLO-BL-S	TUBE END REDUCER,ORFS
48998	PD 361	DIAGNOSTIC NIPPLE, STRAIGHT THREAD	51628	6 R6X-S	RUN TEE,SWIVEL NUT,ORFS
48999	DT-500-MOMS-5	VALVE,CHECK	51735	3/8 HHP	PLUG,PIPE THREAD
49201	10 V5OLO-S	ELBOW,45°,STRAIGHT THREAD TO ORFS	51803	1J943-6-8	HOSE END,90° FEMALE SWIVEL,SEAL LOK
49202	1JC43-12-10	HOSE END,FEMALE SWIVEL,SEAL LOK	53023	125HBL-5-4	FITTING,HOSE BARB TO MALE PIPE
49203	10-8 V5OLO-S	ELBOW,45°,STRAIGHT THREAD TO ORFS	53497	PKT02585	O-RING KIT
49205	6 F5OHAO-S	UNION,STRAIGHT THREAD	53499	1JC71-16-16	HOSE END,FEMALE SWIVEL,SEAL LOK
49207	PD34BTL	DIAGNOSTIC NIPPLE,SEAL-LOK SWIVEL	53500	3-904	O-RING,STRAIGHT THREAD,-4
49209	8M18F870MX-S	CONNECTOR,METRIC,STRAIGHT THREAD TO FLARE TUBE	53501	3-906	O-RING,STRAIGHT THREAD,-6
49212	8 WGTX-WLN-S	CONNECTOR,BULKHEAD,FEMALE PIPE TO FLARE TUBE	53502	3-908	O-RING,STRAIGHT THREAD,-8
49213	30682-8-8	HOSE END,FEMALE SWIVEL,JIC	53503	3-910	O-RING,STRAIGHT THREAD,-10
49216	831-8	HOSE,1/2 INCH ID			
49217	33982-8-8	HOSE END,90° FEMALE SWIVEL,JIC			
49219	PS-B-35	SLEEVE,NYLON,2.19" ID			
49418	4-6 V5OLO-S	ELBOW,45°,STRAIGHT THREAD TO ORFS			
49511	DT370-MOMS-5	VALVE,CHECK			
49512	1 DD-S	ELBOW,90°,FEMALE PIPE			
49513	1 FF-S	NIPPLE,PIPE			
49514	10 HP5ON-S	PLUG,STRAIGHT THREAD			
49515	12-16 CLO-S	ELBOW,90°,MALE PIPE TO ORFS			
49517	6 HP5ON-S	PLUG,STRAIGHT THREAD			
49519	16-12 F5OLO-S	CONNECTOR,STRAIGHT THREAD TO ORFS			
49520	4 VTX-S	ELBOW,45°,MALE PIPE TO FLARE TUBE			
49530	16 C6LO-S	ELBOW,90°,SWIVEL NUT ORFS			

## Fitting Cross References (Continued)

Genie PN	Parker PN	Description	Genie PN	Parker PN	Description
53535	3-912	O-RING,STRAIGHT THREAD,-12	61083	24 F5OLO-S	CONNECTOR,STRAIGHT THREAD TO ORFS
53536	4-PNLO-S	PLUG,TUBE END,ORFS	61086	20 R5OLO-S	RUN TEE,STRAIGHT THREAD
53537	6 PNLO-S	PLUG,TUBE END,ORFS	61090	24-20 F5OLO-S	CONNECTOR,STRAIGHT THREAD TO ORFS
53538	8 PNLO-S	PLUG,TUBE END,ORFS	61091	1J943 24-24	HOSE END,90° FEMALE SWIVEL,SEAL LOK
53539	10 PNLO-S	PLUG,TUBE END,ORFS	61093	1J978-12-12	HOSE END,90° FEMALE SWIVEL,JIC
53540	12 PNLO-S	PLUG,TUBE END,ORFS	61095	1JS43-20-16	HOSE END,FEMALE SWIVEL,SEAL LOK
53946	129HB-5-4	FITTING,90° HOSE BARB TO MALE PIPE	61100	811-24	HOSE,11/2 INCH ID
53951	8-1/4F5OG-S	ADAPTER,FEMALE PIPE TO STRAIGHT THREAD	61130	1JS43-24-24	HOSE END,FEMALE SWIVEL,SEAL LOK
53980	6 S6LO-S	BRANCH TEE,SWIVEL NUT TO ORFS	61131	1JS78 12-12	HOSE END,FEMALE SWIVEL,SEAL LOK
54132	4 C6LO-S	ELBOW,90°,SWIVEL NUT ORFS	61132	1J778-12-12	HOSE END,45° FEMALE SWIVEL,JIC
54135	11343-16-16	HOSE END,MALE SWIVEL,PIPE	61152	139HB-6-4	ELBOW,45°,BARB TO MALE PIPE
54283	8-10 C5OLO-S	ELBOW,90°,STRAIGHT THREAD TO ORFS	61251	BV-0750	BALL VALVE
54428	8M18C870MLO-S	ELBOW, 90° METRIC, STRAIGHT THREAD TO ORFS	61259	4 CC5OLO-S	ELBOW,90° LONG,STRAIGHT THREAD TO ORFS
54803	FS-F-16-10	SLEEVE,FIRE,.96" ID	61260	20-12 TRLO-BL	REDUCER,TUBE END TO SWIVEL,ORFS
54954	10143-2-4	HOSE END, MALE PIPE	61262	12 C6LO-S	ELBOW,90°,SWIVEL NUT ORFS
55190	3/8 HP-S	PLUG,PIPE THREAD	61263	20 F5OHAO-S	UNION,STRAIGHT THREAD
55448	8 HLO-S	UNION,ORFS	61264	6-10 C5OLO-S	ELBOW,90°,STRAIGHT THREAD TO ORFS
55839	6 F65OX-S	CONNECTOR,STRAIGHT THREAD TO 37° SWIVEL	61265	6 WNLO-WLNL-S	UNION,BULKHEAD 45°,ORFS
55968	10 C5OX-S	ELBOW,90°,STRAIGHT THREAD TO FLARE TUBE	61268	4 WNLO-WLNL-S	UNION,BULKHEAD 45°,ORFS
56003	6 CC5OLO-S	ELBOW,90° LONG,STRAIGHT THREAD TO ORFS	61269	4 WLO-WLNL-S	UNION,BULKHEAD,ORFS
56166	BV-0837	BALL VALVE,90°	61272	12 AOEL6	ELBOW,90°,STRAIGHT THREAD TO ORFS SWIVEL
56188	10143-8-6	HOSE END, MALE PIPE	61316	482TC-16	HOSE,1 INCH ID
56233	2-011	O-RING,ORFS,-4	61321	6 JLO-S	UNION TEE,ORFS
56234	2-012	O-RING,ORFS,-6	61327	782-12	HOSE,3/4 INCH ID
56235	2-014	O-RING,ORFS,-8	61328	881-24	HOSE,11/2 INCH ID
56236	2-016	O-RING,ORFS,-10	61336	11943-20-24	HOSE END,90° FLANGE HEAD
56237	2-018	O-RING,ORFS,-12	61345	12 WJLO-WLNL-S	RUN TEE, BULKHEAD,ORFS
56238	2-021	O-RING,ORFS,-16	61346	8 WNLO-WLNL-S 4	UNION,BULKHEAD 45°,ORFS
56352	6 WLNL-S	LOCKNUT,BULKHEAD	61569	33782-8-8	HOSE END,45° FEMALE SWIVEL,JIC
56353	3J782-12-12	HOSE END,45° FEMALE SWIVEL,SEAL LOK	61610	12 FF5OLO-S	CONNECTOR,LONG,STRAIGHT THREAD TO ORFS
56354	3J982-12-12	HOSE END,90° FEMALE SWIVEL,SEAL LOK	61742	1/8 X 1.5 FFF	NIPPLE,PIPE
56604	10-8 F5OLO-S	CONNECTOR,STRAIGHT THREAD TO ORFS	63426	8 PNTX-S	PLUG,FLARE TUBE
56639	3JC82-10-10	HOSE END,FEMALE SWIVEL,SEAL LOK			
56640	3J982-10-10	HOSE END,90° FEMALE SWIVEL,SEAL LOK			
56655	3JC82-8-10	HOSE END,FEMALE SWIVEL,SEAL LOK			
56676	10-8 C5OLO-S	ELBOW,90°,STRAIGHT THREAD TO ORFS			
56776	471TC-6	HOSE,3/8 INCH ID			
56777	471TC-8	HOSE,1/2 INCH ID			
56789	811-16	HOSE,1 INCH ID			
57884	3/8 FF	NIPPLE,PIPE			
59335	6 FNL-S	CAP,TUBE END			
59342	4 FNL-S	CAP,TUBE END			
59371	8 HP5ON-S	PLUG,STRAIGHT THREAD			
60653	BV-0751	BALL VALVE			
60806	125HB-3-4	FITTING,HOSE BARB TO MALE PIPE			
61064	5-1/4 F5OG-S	ADAPTER,FEMALE PIPE TO STRAIGHT THREAD			
61079	4 WELO-WLNL-S	UNION,90° BULKHEAD W/NUT,ORFS			
61080	6 WLO-WLNL-S	UNION,BULKHEAD,ORFS			

## Fitting Cross References (Continued)

Genie PN	Parker PN	Description	Genie PN	Parker PN	Description
64271	4 WLO-WLNL-S	UNION,BULKHEAD,ORFS	75631	801-6	HOSE,3/8 INCH ID
64272	6 WLO-WLNL-S	UNION,BULKHEAD,ORFS	75654	20 F5OLO-S	CONNECTOR,STRAIGHT THREAD TO ORFS
65776	8 F65OL-S	CONNECTOR,STRAIGHT THREAD TO ORFS SWIVEL	75655	1J943-20-20	HOSE END,90° FEMALE SWIVEL,SEAL LOK
65880	6001012	O-RING KIT	75656	881-20	HOSE,1-1/4 INCH ID
66154	6 WTX-WLNS	UNION,BULKHEAD,FLARE TUBE	75971	8 F5OHAO-S	UNION,STRAIGHT THREAD
66155	6 WETX-S	UNION,BULKHEAD 90°,FLARE TUBE	77307	1JB43-8-8	HOSE END,BULKHEAD,SEAL LOK
66156	6 WLNL-S	BULKHEAD LOCKNUT	77309	8 WLNL-S	BULKHEAD LOCKNUT
66389	6-8 F5OX-S	CONNECTOR,STRAIGHT THREAD TO FLARE TUBE	77379	8M18C87OMX-S	ELBOW,90° METRIC,STRAIGHT THREAD TO FLARE TUBE
66392	6 R5OX-S	RUN TEE,STRAIGHT THREAD	77703	3J982-8-8	HOSE END,90° FEMALE SWIVEL,SEAL LOK
66396	811-12	HOSE,3/4 INCH ID	77711	801-10	HOSE,5/8 INCH ID
66829	H3174PP	CLAMP,TUBE	77758	12 WNLO-WLNL-S	UNION,BULKHEAD 45°,ORFS
67217	4 KLO-S	UNION,CROSS,ORFS	78091	6 C6X-S	ELBOW,90°,SWIVEL NUT TO FLARE TUBE
67339	10-6 F5OX-S	CONNECTOR,STRAIGHT THREAD TO FLARE TUBE	78684	30582-8-8B	HOSE END,PUSH LOK,MALE
67357	13943-8-6	HOSE END,90° FEMALE SWIVEL,JIC	78852	549-2	HOSE,1/8 INCH ID
67358	10 HP5ON-S	PLUG,STRAIGHT THREAD	78855	10657-4-2	HOSE END,FEMALE SWIVEL,JIC
67371	12 S6LO-S	BRANCH TEE,SWIVEL NUT TO ORFS	79138	PS-B-37	SLEEVE,NYLON,2.38" ID
67498	4 FNL-S	CAP, TUBE END	79476	1JS43-6-8	HOSE END,FEMALE SWIVEL,SEAL LOK
67906	DC-370-F0F0-5	VALVE,CHECK	79847	12-3/4 A0EG-S	ELBOW,90°,STRAIGHT THREAD TO FEMALE PIPE
69316	8 FLO-S	CONNECTOR,MALE PIPE TO ORFS	80044	8 CLO-S	ELBOW,90°,MALE PIPE TO ORFS
69333	H3174PP	CLAMP,HYDRAULIC HOSE	80502	8 F5OX-S	CONNECTOR,STRAIGHT THREAD TO FLARE TUBE
69503	4 F65OX-S	CONNECTOR,STRAIGHT THREAD TO 37° SWIVEL	80503	8 C5OX-S	ELBOW,90°,STRAIGHT THREAD TO FLARE TUBE
69775	8 FNL-S	CAP, TUBE END	81010	AS-B-27	SLEEVE,NYLON,1.63" ID
71038	1/4X1/4F3HG-S	ADAPTER,CONVERSION	83052	821-6	HOSE,3/8 INCH ID
71196	12-8 F5OLO-S	CONNECTOR,STRAIGHT THREAD TO ORFS	83053	821-8	HOSE,1/2 INCH ID
71383	1/4 CD45-S	ELBOW,45°,MALE TO FEMALE PIPE	83054	821-12	HOSE,3/4 INCH ID
72270	12FNL-S	CAP, TUBE END	83055	30682-6-6	HOSE END,FEMALE SWIVEL,JIC
73436	60C-4	SLEEVE,COMPRESSION	83056	30682-12-12	HOSE END,FEMALE SWIVEL,JIC
73437	61C-4	NUT,COMPRESSION	83057	33782-6-6	HOSE END,45° FEMALE SWIVEL,JIC
73438	33482-4-4B	HOSE END,PUSH LOK,MALE	83058	33982-6-6	HOSE END,90° FEMALE SWIVEL,JIC
73767	1CD-S	ELBOW,90°,MALE TO FEMALE PIPE	83060	33982-12-12	HOSE END,90° FEMALE SWIVEL,JIC
73768	20-16-F5OG5-S	ADAPTER,FEMALE PIPE TO STRAIGHT THREAD	83063	13743-4-4	HOSE END,45° FEMALE SWIVEL,JIC
73769	16-20 F5OLO-S	CONNECTOR,STRAIGHT THREAD TO ORFS			
74660	6-8 F42EDMLO-S	CONNECTOR,MALE BSPP TO ORFS			
74661	8-8 F42EDMLO-S	CONNECTOR,MALE BSPP TO ORFS			
75007	4 FLO-S	CONNECTOR,MALE PIPE TO ORFS			
75008	1/8 HP-S	PLUG,PIPE THREAD			
75014	1/2 HP-S	PLUG,PIPE THREAD			
75042	8 WELO-WLNL-S	UNION,90° BULKHEAD W/NUT,ORFS			
75043	3/4 FF-S	NIPPLE,PIPE			
75254	24 F5OHAO-S	UNION,STRAIGHT THREAD			
75255	12 F5OHAO-S	UNION,STRAIGHT THREAD			
75256	XV506P-24	BALL VALVE			
75574	4 WLNL-S	BULKHEAD LOCKNUT			
75612	8 WJLO-WLNL-S	RUN TEE, BULKHEAD,ORFS			
75613	12-8 F5OG5-S	ADAPTER,FEMALE PIPE TO STRAIGHT THREAD			
75614	8 CC5OLO-S	ELBOW,90° LONG,STRAIGHT THREAD TO ORFS			
75628	1JB43-4-4	HOSE END,BULKHEAD,SEAL LOK			



## Fitting Cross References (Continued)

Genie PN	Parker PN	Description	Genie PN	Parker PN	Description
83064	13743-8-8	HOSE END,45° FEMALE SWIVEL,JIC	89449	6 WJLO-WLNL-S	RUN TEE, BULKHEAD,ORFS
83065	13743-12-12	HOSE END,45° FEMALE SWIVEL,JIC	89489	4 WJMLO-S	BRANCH TEE,BULKHEAD,ORFS
83066	13943-8-8	HOSE END,90° FEMALE SWIVEL,JIC	89551	1JB43-6-6	HOSE END,BULKHEAD,SEAL LOK
83067	14143-6-6	HOSE END,90° FEMALE SWIVEL,JIC	89552	1JB43-8-8	HOSE END,BULKHEAD,SEAL LOK
83068	14143-8-8	HOSE END,90° FEMALE SWIVEL,JIC	89593	20 C5OLO-S	ELBOW,90°,STRAIGHT THREAD TO ORFS
83069	14143-12-12	HOSE END,90° FEMALE SWIVEL,JIC	94161	8-8 CLO-S	ELBOW,90°,MALE PIPE TO ORFS
83070	772-8	HOSE,1/2 INCH ID	94358	351TC-12	HOSE,3/4 INCH ID
83071	10671-8-8	HOSE END,FEMALE SWIVEL,JIC	94418	20 FLO-S	CONNECTOR,MALE PIPE TO ORFS
83072	10671-12-12	HOSE END,FEMALE SWIVEL,JIC	96358	12 TX-S	SLEEVE,FLARE TUBE
83073	13771-8-8	HOSE END,45° FEMALE SWIVEL,JIC	96359	12 BTX-S	NUT,FLARE TUBE
83074	13771-12-12	HOSE END,45° FEMALE SWIVEL,JIC	96397	8 F5OX-S	CONNECTOR,STRAIGHT THREAD TO FLARE TUBE
83075	13971-8-8	HOSE END,90° FEMALE SWIVEL,JIC	96398	12-8 F5OX-S	CONNECTOR,STRAIGHT THREAD TO FLARE TUBE
83076	13971-12-12	HOSE END,90° FEMALE SWIVEL,JIC	96402	10343-6-6	HOSE END,MALE,JIC
83077	14171-8-8	HOSE END,90° FEMALE SWIVEL,JIC	96407	30382-6-6B	HOSE END,MALE,JIC
83078	14171-12-12	HOSE END,90° FEMALE SWIVEL,JIC			
83080	13943-16-16	HOSE END,90° FEMALE SWIVEL,JIC			
83103	10671-16-12	HOSE END,FEMALE SWIVEL,JIC			
83104	10671-10-12	HOSE END,FEMALE SWIVEL,JIC			
83112	1JC71-8-8	HOSE END,FEMALE SWIVEL,SEAL LOK			
83113	1JS71-16-12	HOSE END,FEMALE SWIVEL,SEAL LOK			
83114	1JS71-10-12	HOSE END,FEMALE SWIVEL,SEAL LOK			
83115	1J971-8-8	HOSE END,90° FEMALE SWIVEL,SEAL LOK			
83116	1J171-8-8	HOSE END,90° FEMALE SWIVEL,SEAL LOK			
83117	1J771-8-8	HOSE END,45° FEMALE SWIVEL,SEAL LOK			
83127	1J543-6-8	HOSE END,90° FEMALE SWIVEL,JIC			
83128	1JC43-6-8	HOSE END,FEMALE SWIVEL,SEAL LOK			
87033	12-6 TRLO-S	REDUCER,TUBE END TO SWIVEL,ORFS			
87034	3J782-8-8	HOSE END,45° FEMALE SWIVEL,SEAL LOK			
87172	12 HP5ON-S	PLUG,STRAIGHT THREAD			
87185	8 WNLO-WLNL-S	UNION,BULKHEAD 45°,ORFS			
87246	4 C6X-S	ELBOW,90°,SWIVEL NUT TO FLARE TUBE			
87679	6 LHP-S	FLANGE SEAL FITTING, MALE			
87681	6PLS N0702	BONDED SEAL			
88100	SR88100	ADAPTER,OIL DRAIN,GM 3.0L			
88311	1JS43-20-20	HOSE END,FEMALE SWIVEL,SEAL LOK			
88353	20 V5OLO-S	ELBOW,45°,STRAIGHT THREAD TO ORFS			
88474	10081-20	Crimp Shell, 1.25"			
88475	1988-20-24	HOSE END,90° FLANGE HEAD			
88476	JS88-24-24	HOSE END,FEMALE SWIVEL,SEAL LOK			
88477	1JC88-20-20	HOSE END,FEMALE SWIVEL,SEAL LOK			
88478	811-20	HOSE,11/4 INCH ID			
88936	20-16 F5OLO-S	CONNECTOR,STRAIGHT THREAD TO ORFS			
88937	20-16 FLO-S	CONNECTOR,MALE PIPE TO ORFS			
88938	1JC88-16-16	HOSE END,FEMALE SWIVEL,SEAL LOK			
88939	1J988-16-16	HOSE END,90° FEMALE SWIVEL,ORFS			
88940	811-16	HOSE,1 INCH ID			
88944	1J988-20-20	HOSE END,90° FEMALE SWIVEL,ORFS			
89403	16 VLO-S	ELBOW,45°,MALE PIPE TO ORFS			



California Proposition 65



**WARNING**

Operating, servicing and maintaining this equipment can expose you to chemicals including engine exhaust, carbon monoxide, phthalates, and lead, which are known to the State of California to cause cancer and birth defects or other reproductive harm. These chemicals can be emitted from or contained in other various parts and systems, fluids and some component wear by-products. To minimize exposure, avoid breathing exhaust, do not idle the engine except as necessary, service your equipment and vehicle in a well-ventilated area and wear gloves or wash your hands frequently when servicing your equipment or vehicle and after operation. For more information go to [www.P65Warnings.ca.gov/passenger-vehicle](http://www.P65Warnings.ca.gov/passenger-vehicle).

Breathing diesel engine exhaust exposes you to chemicals known to the State of California to cause cancer and birth defects or other reproductive harm.

- Always start and operate the engine in a well-ventilated area.
- If in an enclosed area, vent the exhaust to the outside.
- Do not modify or tamper with the exhaust system.
- Do not idle the engine except as necessary.

For more information go to [www.P65warnings.ca.gov/diesel](http://www.P65warnings.ca.gov/diesel).

Distributed By:

[www.P65Warnings.ca.gov](http://www.P65Warnings.ca.gov) to order your parts

# PARTS FINDER

**Search Website  
by Part Number**



**Search Manual  
Library For Parts  
Manual & Lookup Part  
Numbers – Purchase  
or Request Quote**

**Search Manuals**

Enter your information to search for a manual or to purchase a manual or parts.

\* Brand:

\* Model:

\* Serial:

\* Part Number:

SEARCH

**Can't Find Part or  
Manual? Request Help  
by Manufacturer,  
Model & Description**

**Parts Order Form**

Please fill in the following information:

Manufacturer:

Model:

Description:

Quantity:

Part Number:

Part Name:

Part Description:

Part Category:

Part Location:

Part Status:

Part Condition:

Part Material:

Part Color:

Part Weight:

Part Dimensions:

Part Price:

Part Notes:

Submit

Discount-Equipment.com is your online resource for quality parts & equipment.

Florida: **561-964-4949** Outside Florida TOLL FREE: **877-690-3101**

**Need parts?**

Click on this link: <http://www.discount-equipment.com/category/5443-parts/> and choose one of the options to help get the right parts and equipment you are looking for. Please have the machine model and serial number available in order to help us get you the correct parts. If you don't find the part on the website or on one of the online manuals, please fill out the request form and one of our experienced staff members will get back to you with a quote for the right part that your machine needs.

We sell worldwide for the brands: Genie, Terex, JLG, MultiQuip, Mikasa, Essick, Whiteman, Mayco, Toro Stone, Diamond Products, Generac Magnum, Airman, Haulotte, Barreto, Power Blanket, Nifty Lift, Atlas Copco, Chicago Pneumatic, Allmand, Miller Curber, Skyjack, Lull, Skytrak, Tsurumi, Husquvarna Target, Stow, Wacker, Sakai, Mi-T-M, Sullair, Basic, Dynapac, MBW, Weber, Bartell, Bennar Newman, Haulotte, Ditch Runner, Menegotti, Morrison, Contec, Buddy, Crown, Edco, Wyco, Bomag, Laymor, EZ Trench, Bil-Jax, F.S. Curtis, Gehl Pavers, Heli, Honda, ICS/PowerGrit, IHI, Partner, Imer, Clipper, MMD, Koshin, Rice, CH&E, General Equipment, Amida, Coleman, NAC, Gradall, Square Shooter, Kent, Stanley, Tamco, Toku, Hatz, Kohler, Robin, Wisconsin, Northrock, Oztec, Toker TK, Rol-Air, APT, Wylie, Ingersoll Rand / Doosan, Innovatech, Con X, Ammann, Mecalac, Makinex, Smith Surface Prep, Small Line, Wanco, Yanmar