



A TEREX BRAND



Parts Manual

Serial Number Range

Superlift Advantage

from SN SLAG-64900

to SLAG-70696

from SN SLAP-70697

Part No. 1287243GT
Rev: A3
October 2019

Go to Discount-Equipment.com to order your parts

PARTS FINDER

**Search Website
by Part Number**



**Search Manual
Library For Parts
Manual & Lookup Part
Numbers – Purchase
or Request Quote**

Search Manuals

Enter your information to help us find the right parts manual for your machine.

* Brand:

* Model:

* Serial:

* Part Number:

SEARCH

**Can't Find Part or
Manual? Request Help
by Manufacturer,
Model & Description**

Parts Order Form

Please fill in the following information to help us find the right part for your machine.

Manufacturer:	<input type="text"/>
Model:	<input type="text"/>
Description:	<input type="text"/>
Part Number:	<input type="text"/>
Quantity:	<input type="text"/>
Notes:	<input type="text"/>

Submit

Discount-Equipment.com is your online resource for quality parts & equipment.

Florida: **561-964-4949** Outside Florida TOLL FREE: **877-690-3101**

Need parts?

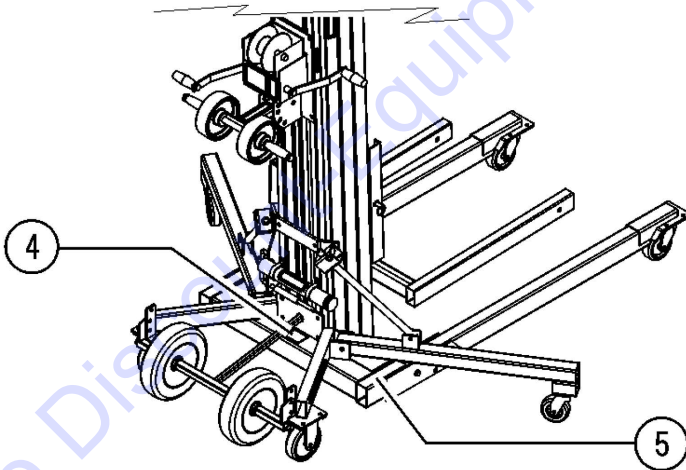
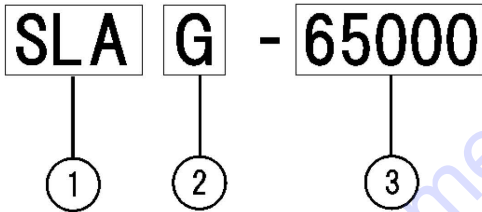
Click on this link: <http://www.discount-equipment.com/category/5443-parts/> and choose one of the options to help get the right parts and equipment you are looking for. Please have the machine model and serial number available in order to help us get you the correct parts. If you don't find the part on the website or on one of the online manuals, please fill out the request form and one of our experienced staff members will get back to you with a quote for the right part that your machine needs.

We sell worldwide for the brands: Genie, Terex, JLG, MultiQuip, Mikasa, Essick, Whiteman, Mayco, Toro Stone, Diamond Products, Generac Magnum, Airman, Haulotte, Barreto, Power Blanket, Nifty Lift, Atlas Copco, Chicago Pneumatic, Allmand, Miller Curber, Skyjack, Lull, Skytrak, Tsurumi, Husquvarna Target, Stow, Wacker, Sakai, Mi-T-M, Sullair, Basic, Dynapac, MBW, Weber, Bartell, Bennar Newman, Haulotte, Ditch Runner, Menegotti, Morrison, Contec, Buddy, Crown, Edco, Wyco, Bomag, Laymor, EZ Trench, Bil-Jax, F.S. Curtis, Gehl Pavers, Heli, Honda, ICS/PowerGrit, IHI, Partner, Imer, Clipper, MMD, Koshin, Rice, CH&E, General Equipment, Amida, Coleman, NAC, Gradall, Square Shooter, Kent, Stanley, Tamco, Toku, Hatz, Kohler, Robin, Wisconsin, Northrock, Oztec, Toker TK, Rol-Air, APT, Wylie, Ingersoll Rand / Doosan, Innovatech, Con X, Ammann, Mecalac, Makinex, Smith Surface Prep, Small Line, Wanco, Yanmar

Model: SLAG-65000

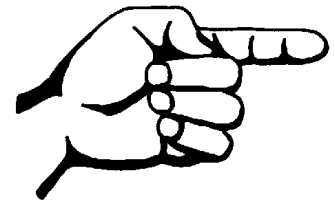
Serial Number: SLAG-65000
Manufacture Date: 01/11/2018
Electrical Schematic: N/A

Country of manufacture: USA



- 1 Model
- 2 Facility code
- 3 Sequence number
- 4 Serial label
- 5 Serial number (stamped on base)

Please refer to section 001 for the Recommended Spare Parts List.



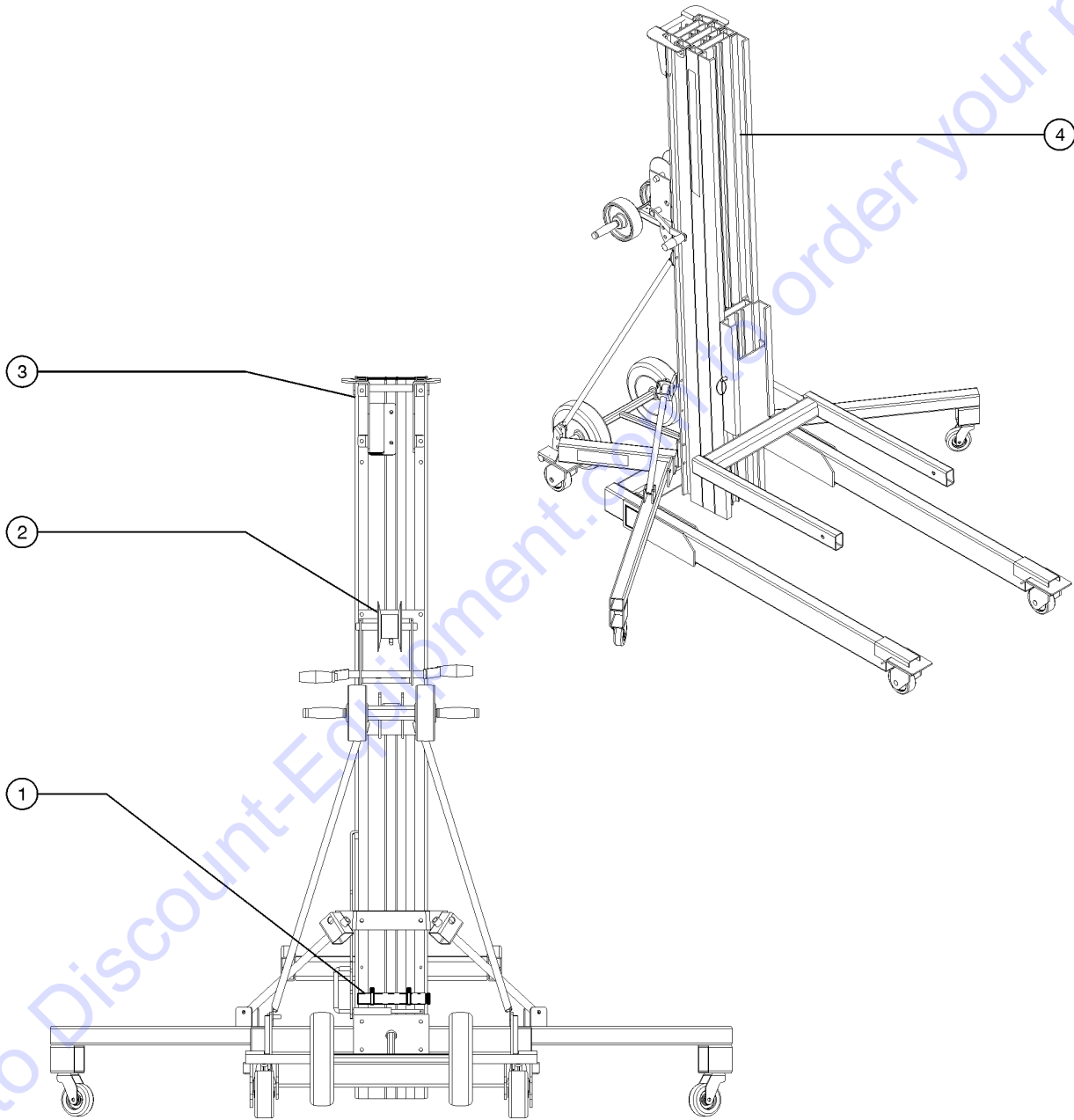
This page intentionally left blank.

Go to Discount-Equipment.com to order your parts

Description	Page
001 Parts Stocking List	8
001.1 Parts Stocking List	8
100 Decals	12
101.1 Decals with Words	12
102.1 Decals with Symbols	16
200 Base Components	18
201.1 Base Components - Standard	18
202.1 Base Components - Straddle (SLA-5, SLA-10 and SLA-15)	20
203.1 Base Components	22
300 Mast and Winch Components	26
301.1 Mast Components, View 1	26
302.1 Mast Components, View 2	30
303.1 Mast Components, View 3	32
304.1 Columns, Pulleys and Cables	36
305.1 Winch Components, One-speed	40
306.1 Winch Components, Two-speed	42
400 Accessories	46
401.1 Forks	46
402.1 Pipe Cradle, Load Platform and Boom Arm	48
403.1 Rear Wheels	50
Part Number Index	52

Go to Discount-Equipment.com to order your parts

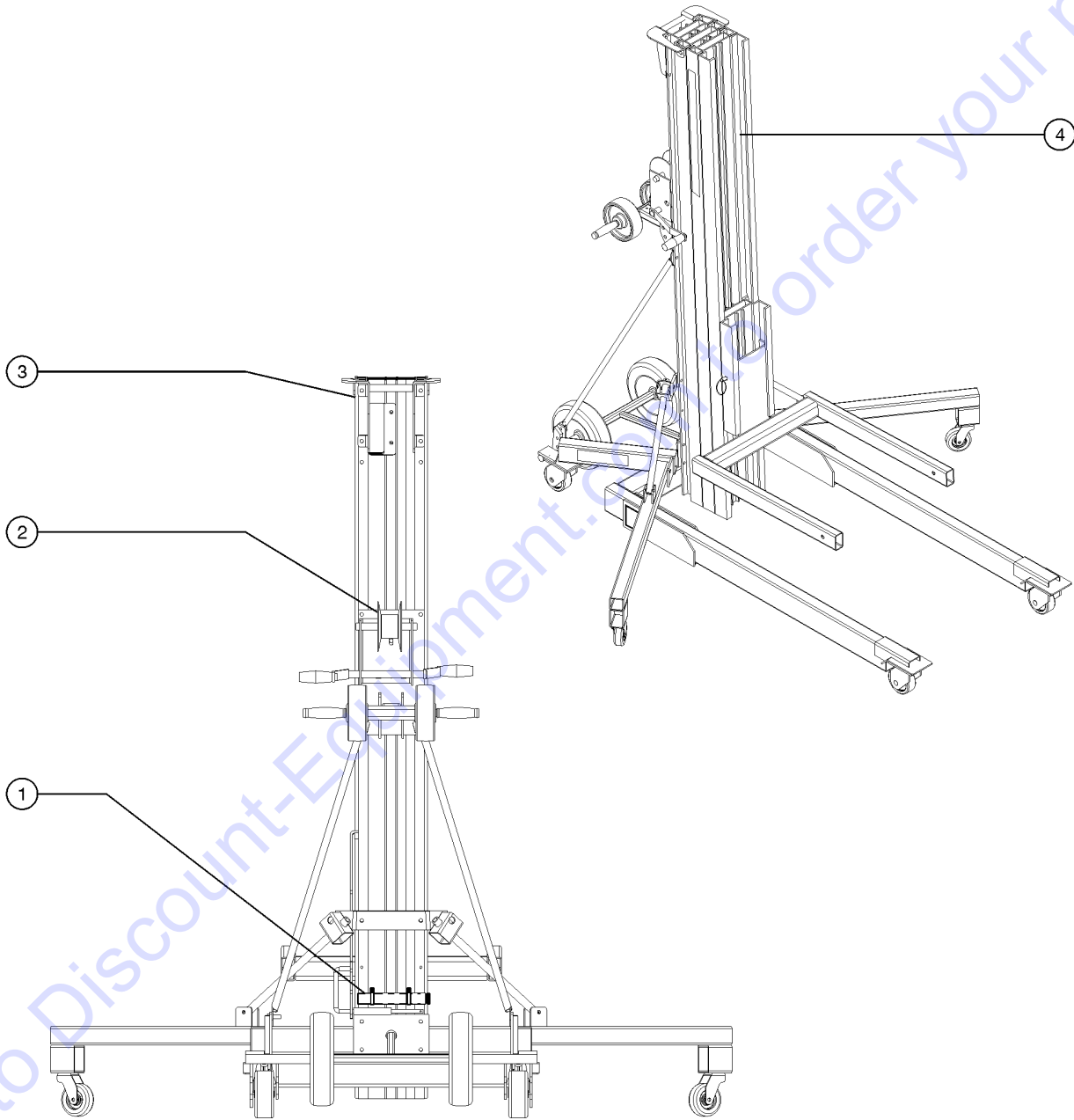
001.1 Parts Stocking List



Item	Part No.	Description	Qty.
A		— GENERAL SERVICE PARTS —	
A-	1484GT	PAINT,AEROSOL,BRIGHT BLUE*** 12-ounce spray paint	
A-	1268GT	PAINT,AEROSOL,GENIE GRAY*** 12-ounce spray paint	
A-	1258567GT	PAINT, AEROSOL, TRAFFIC BLACK 12-ounce spray paint	
A-	32150GT	PAINT,WET,GENIE BLUE (1 GL)** 1-gallon	
A-	32151GT	PAINT,WET,GENIE GRAY (1 GL)** 1-gallon	
A-	1257733GT	PAINT,WET,TRAFFIC BLACK (1 GL)** 1-gallon	
	65764GT	LOCTITE 262 PERM. THREAD LOCK*	
	52701GT	VIDEO,NTSC,SLA,CABLING PROCDR	
1		— MANUALS —	
1-	27581GT	MANUAL,AEM SAFETY	
1-	31587GT	MANUAL,RESPON,A92.5 BOOM	
2		—WINCH PARTS—	
2-	12402GT	CABLE REPLACEMENT COUPLER	
2-	7571GT	BRAKE DISK,.5 BORE,K-1550	
2-	37061GT	BRAKE FACE,DLB800	
2-	40122GT	WASHER,DOUBLE D.	
2-	40121GT	RATCHET WHEEL	
2-	80157GT	GEAR-PINION (80056)	
2-	40458GT	RATCHET PAWL KIT	
2-	40117GT	RATCHET PAWL KIT, (33090)	
2-	6190GT	CABLE KEEP.KIT (BRACKET TYPE)*	
2-	72264GT	SHAFT ASSY, PRIMARY	
2-	6443GT	CABLE ASSEMBLY-M.5**	
2-	6444GT	CABLE ASSY SLA/MNM 7/32" 360"	
2-	32903GT	CABLE ASSY SL 15 507" 7/32" ***	



001.1 Parts Stocking List

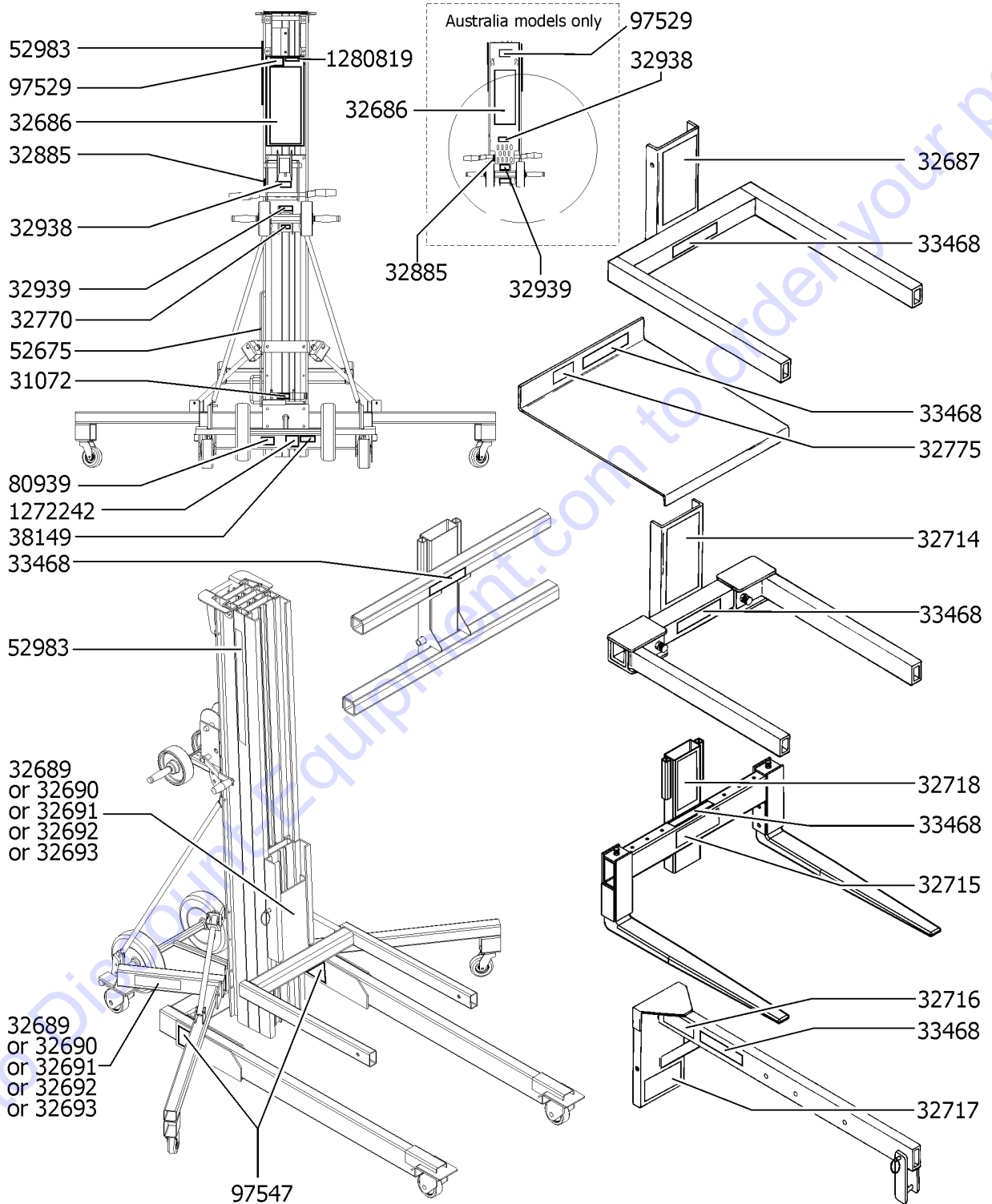


Item	Part No.	Description	Qty.
2-	32905GT	CABLE ASSY,SL/ST25 813" 7/32"**	
		
		—MAST PARTS—	
3	32475GT	BOLT-ROLLER, 1/2-13X1.84 ZINC	
3-	32473GT	WHEEL,ROLLER,NYLATRON,1.75	
4	35101GT	SAFETY BRAKE ASSY(SQ.NUT)SL2**	
4-	33875GT	SAFETY BRAKE TOOL ASSEMBLY	

Go to Discount-Equipment.com to order your parts



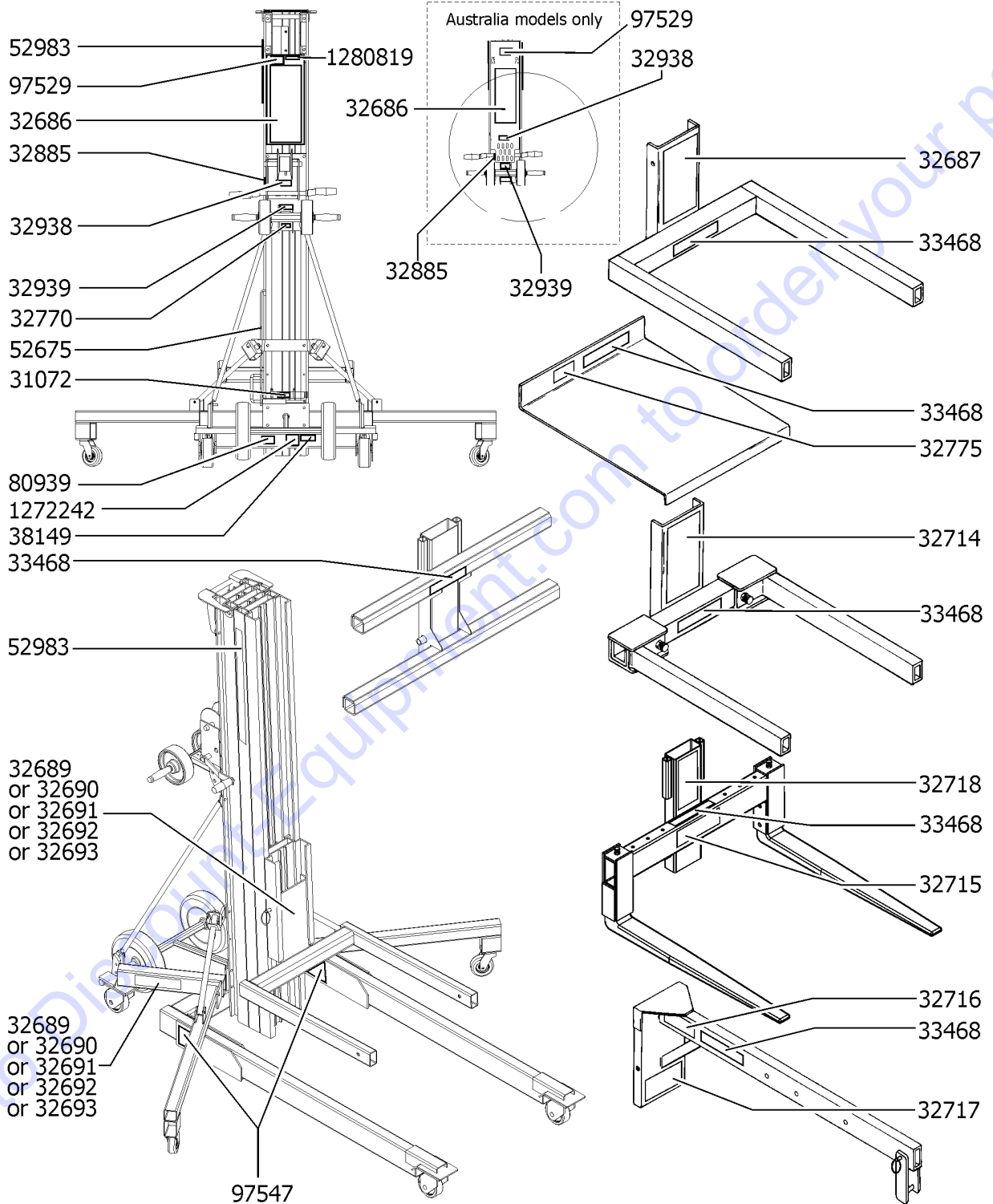
101.1 Decals with Words



Item	Part No.	Description	Qty.
1	31072GT	DECAL,LABEL,OPER.MAN.STORAGE	1
2	32686GT	DECAL,OPERATING INSTRUCT. SLA	1
3	32687GT	DECAL,WARNING STD.FORK SAFETY	1
4A	32689GT	DECAL,MODEL HEIGHT SL5	2
4B	32690GT	DECAL,MODEL HEIGHT SL10	2
4C	32691GT	DECAL,MODEL HEIGHT SL15	2
4D	32692GT	DECAL,MODEL HEIGHT SL20	2
4E	32693GT	DECAL,MODEL HEIGHT SL25	2
5	32714GT	DECAL,WARNING ADJ FORK SETUP	1
6	32715GT	DECAL,NOTICE FLAT FORK SETUP	1
6A	32715GRGT	DECAL,NOTICE FLAT FORK SETUP (GERMAN)	
6B	32715SPGT	DECAL,NOTICE FLAT FORK SETUP (SPANISH)	
7	32716GT	DECAL,NOTICE BOOM SETUP	1
8	32717GT	DECAL,WARNING BOOM SAFETY	1
9	32718GT	DECAL,WARNING FLAT FORK SAFETY	1
10	32770GT	DECAL,2 SPD.WINCH**	1
11	32775GT	DECAL,WARNING,FALL HAZARD	1
12	32885GT	DECAL,SILENT WINCH	1
13	32938GT	DECAL,LABEL,WINCH ONLY	1
14	32939GT	DECAL,CRUSHING HAZ/BRAKE LOCK	1
15	33468GT	DECAL,WARNING,NO RIDERS	6
16	38149GT	DECAL,LABEL,PATENTS	1
17	52675GT	DECAL,CAUTION,DAMAGD MACHINE	1
18	52983GT	DECAL,GENIE SUPERLIFT ADVANTAG	2
19	80939GT	SERIAL # LABEL,MAT LIFT & SS**	1
20	97529GT	DECAL,CAUTION,MOVING PARTS	1
21	97547GT	DECAL,DANGER,ELEC.HAZ.	2
22	1272242GT	DECAL,MACHINE REGISTRATION/OWN	1



101.1 Decals with Words



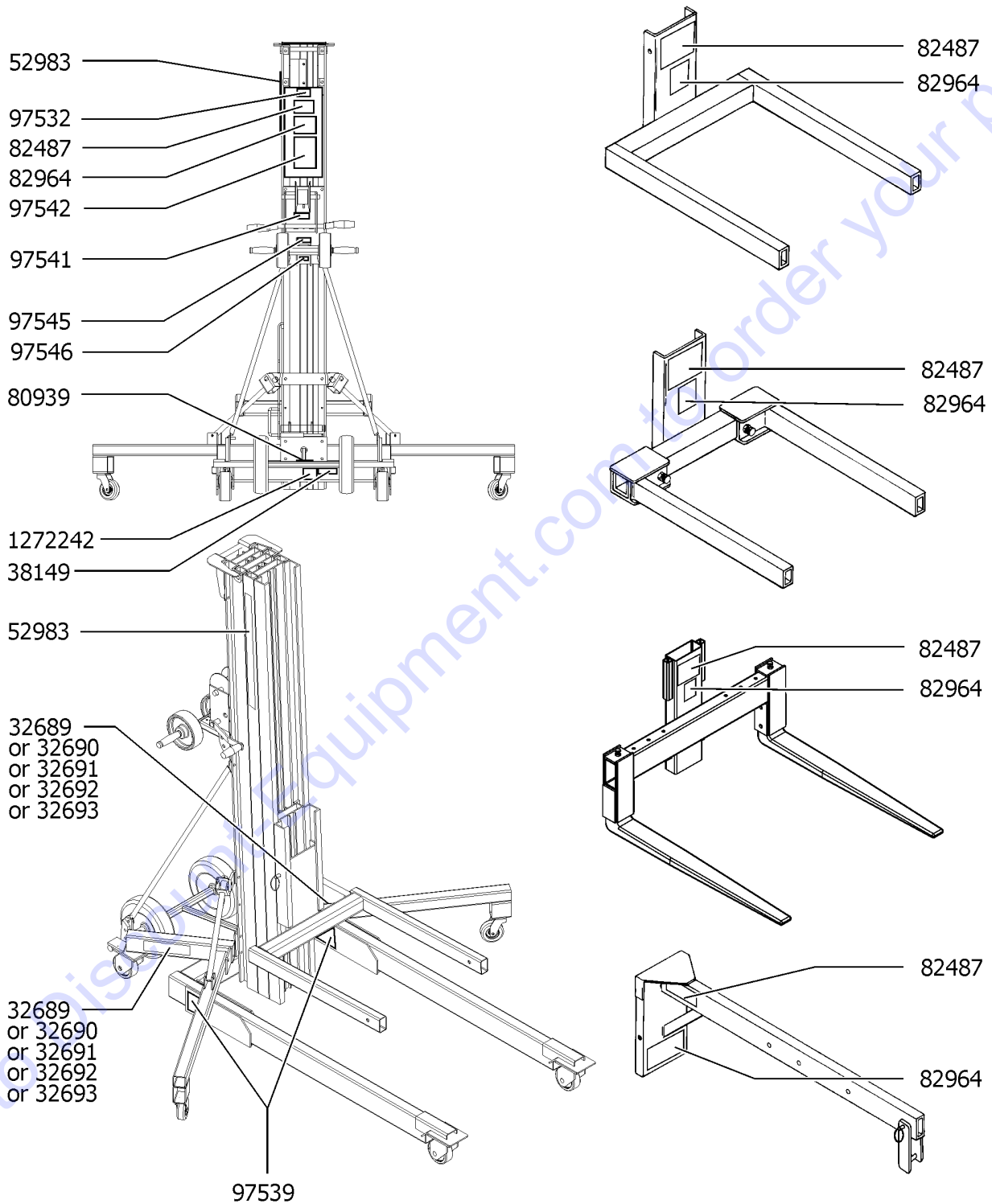
101.1 Decals with Words

Item	Part No.	Description	Qty.
23	1280819GT	DECAL,WARNING,CANCER AND REPRODUCTIVE HARM, PROP 65	1

Go to Discount-Equipment.com to order your parts



102.1 Decals with Symbols



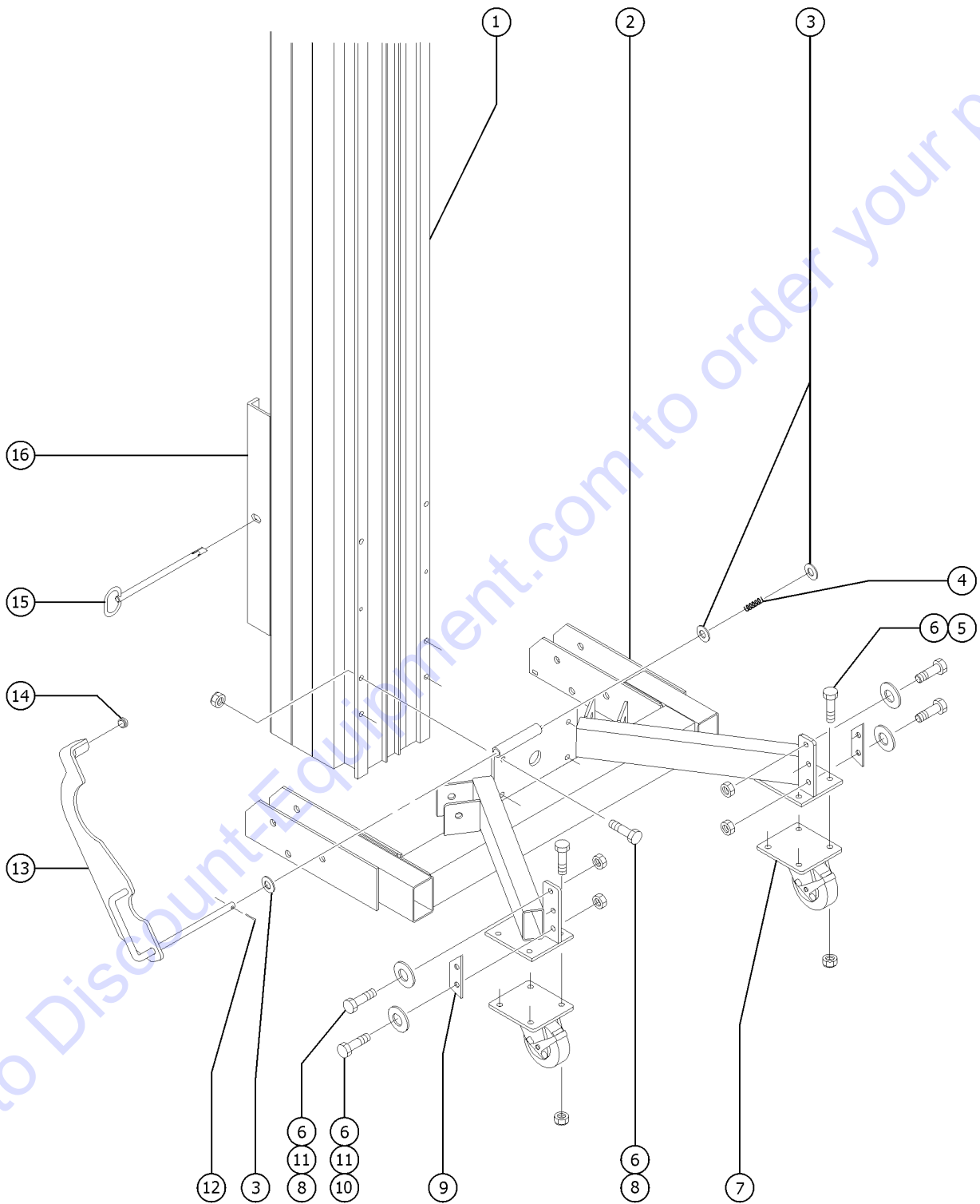
102.1 Decals with Symbols

Item	Part No.	Description	Qty.
1	32689GT	DECAL,MODEL HEIGHT SL5	2
2	32690GT	DECAL,MODEL HEIGHT SL10	2
3	32691GT	DECAL,MODEL HEIGHT SL15	2
4	32692GT	DECAL,MODEL HEIGHT SL20	2
5	32693GT	DECAL,MODEL HEIGHT SL25	2
6	38149GT	DECAL,LABEL,PATENTS	1
7	52983GT	DECAL,GENIE SUPERLIFT ADVANTAG	2
8	80939GT	SERIAL # LABEL,MAT LIFT & SS**	1
9	82487GT	DECAL,SYMBOL-READ THE MANUAL	2
10	82964GT	DECAL,WARNING,NO RIDERS SYMB	1
11	97532GT	DECAL,CAUTION,MOVING PARTS SYM	1
12	97539GT	DECAL,DANGER,ELEC.HAZ.	2
13	97541GT	DECAL,LABEL,WINCH ONLY SYMB	1
14	97542GT	DECAL,WARNING,LOAD CHART SLA	1
15	97545GT	DECAL,WARNING,BRAKE LOCK SYMB	1
16	97546GT	DECAL,2 SPD.WINCH SYMB	1
17	1272242GT	DECAL,MACHINE REGISTRATION/OWN	1

Go to Discount-Equipment.com to order your parts



201.1 Base Components - Standard

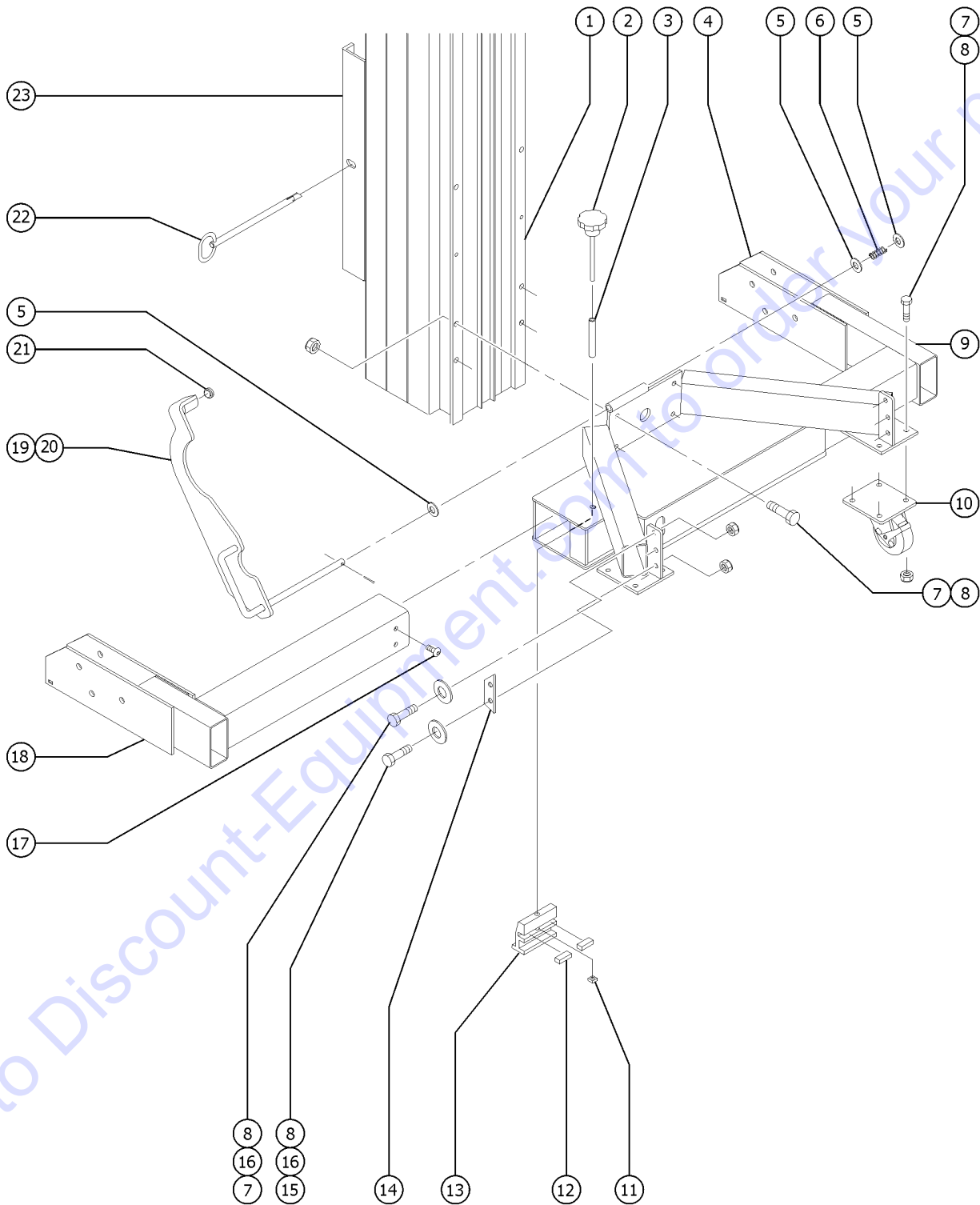


Go to DiscountEquipment.com to order your parts

Item	Part No.	Description	Qty.
1		Ref. Columns refer to 304.1	
2A	107171GT	BASE ASSY W/ WRD DECALS (SLA5) USA, Canadian and Australian models	
2B	107181GT	BASE ASSY W/ SYM DECALS (SLA5) Asia, S. America and European models	
2C	107172GT	BASE ASSY W/ WRD DECALS(SLA10) USA, Canadian and Australian models	
2D	107182GT	BASE ASSY W/ SYM DECALS(SLA10) Asia, S. America and European models	
2E	107173GT	BASE ASSY W/ WRD DECALS(SLA15) USA, Canadian and Australian models	
2F	107183GT	BASE ASSY W/ SYM DECALS(SLA15) Asia, S. America and European models	
2G	107174GT	BASE ASSY W/ WRD DECALS(SLA20) USA, Canadian Australian models; Australian models	
2H	107184GT	BASE ASSY W/ SYM DECALS(SLA20) Asia, S. America and European models	
2I	107175GT	BASE ASSY W/ WRD DECALS(SLA25) USA, Canadian and Australian models	
2J	107185GT	BASE ASSY W/ SYM DECALS(SLA25) Asia, S. America and European models	
3	21443GT	SHIM,.75 X.45 X.064	3
4	33658GT	SPRING,HOLDOWN SL2E	1
5	6175GT	SCREW,HHC,3/8-16 X 1	
6	4828GT	NUT,NYLOCK,3/8-16	
7	57740GT	CASTER,PL,SW LOCK, SB, 5 X 2	2
8	6019GT	SCREW,HHC,3/8-16 X 1.25 GRD 5	
9	33670GT	SKID PAD	2
10	8516GT	SCREW, HCC, 3/8-16 X 1.50	
11	6097GT	WASHER,FLAT,USS,3/8",Y	
12	12016GT	PIN,COTTER,.125 X .75	1
13A	58750GT	HOLD DOWN KIT W/DECAL SL SHORT SLA-5, SLA-10, SLA-15 (USA, Canadian and Australian models) (includes items 12 and 14)	
13B	107153GT	HLD DOWN KIT,SHORT SLA-5, SLA-10, SLA-15 (Asia, S. America and Europe) (includes items 12 and 14)	
13C	58095GT	HOLD DOWN KIT W/DECAL SL LONG SLA-20, SLA-25 (USA, Canadian and Australian models) (includes items 12 and 14)	
13D	107154GT	HLD DOWN KIT, LONG SLA-20, SLA-25 (Asia, S. America and Europe) (includes items 12 and 14)	
14	11890GT	GLIDE BUTTON,SIDE,GLL,.100 TK	1
15	48301GT	PIN,TOGGLE,.50 X 8.13***	1
16		Ref. Carriage refer to 304.1	



202.1 Base Components - Straddle (SLA-5, SLA-10 and SLA-15)



Go to Discount-Equipment.com to order your parts

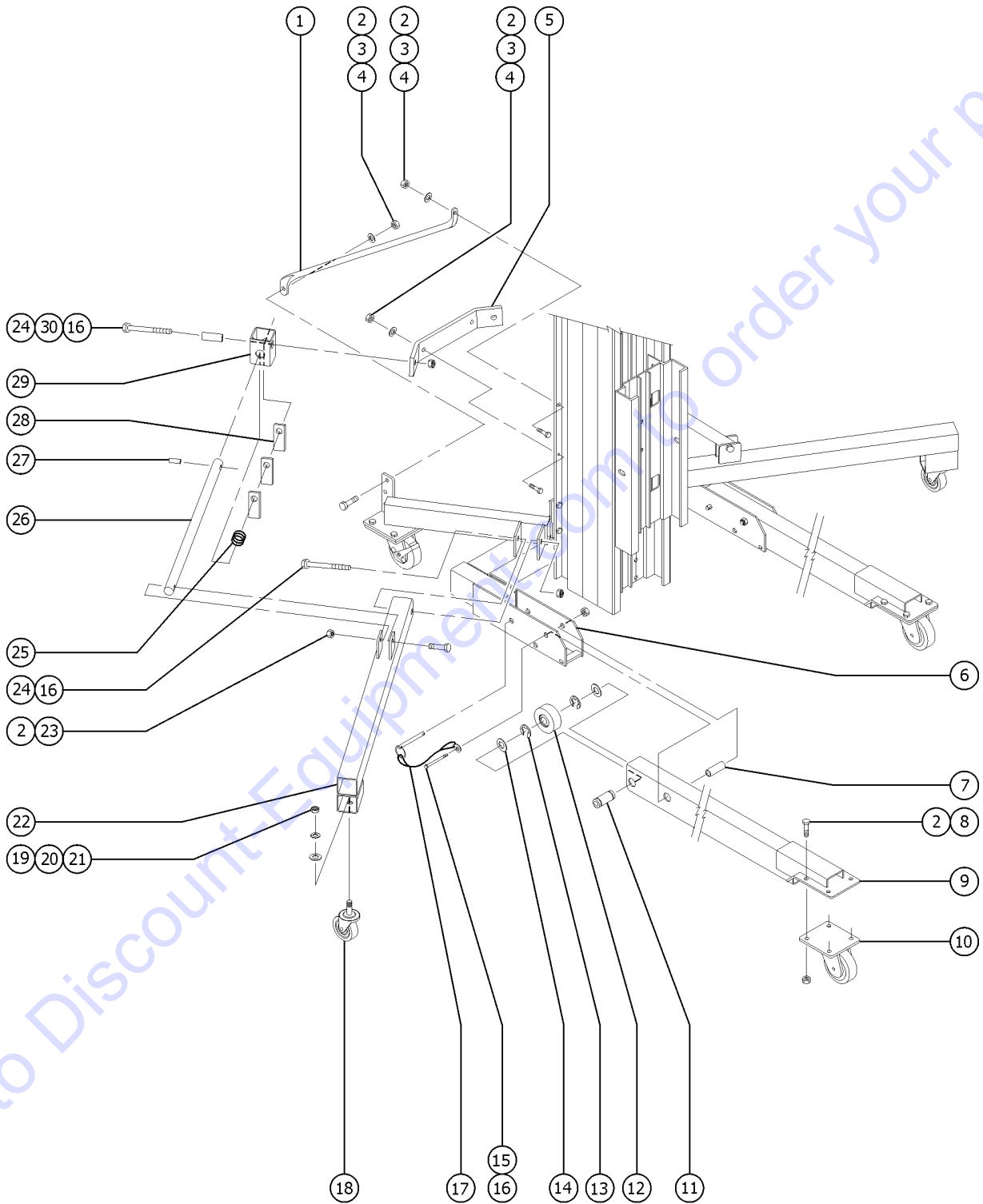


202.1 Base Components - Straddle (SLA-5, SLA-10 and SLA-15)

Item	Part No.	Description	Qty.
1		Ref. Columns refer to 304.1	
2	33148GT	KNOB,STRADDLE BASE SL2	2
3	33251GT	SPACER-STRADDLE BASE-3"	2
4	32531GT	WELDMENT,ARM STRADDLE RIGHT	1
5	21443GT	SHIM,.75 X.45 X.064	3
6	33658GT	SPRING,HOLDOWN SL2E	1
7	6019GT	SCREW,HHC,3/8-16 X 1.25 GRD 5	
8	4828GT	NUT,NYLOCK,3/8-16	
9A	80176-SGT	BASE ASSY/STRADDLE, SLA-5	1
9B	80177-SGT	BASE ASSY-STRADDLE, SLA-10	
9C	80178-SGT	BASE ASSY-STRADDLE, SLA-15	
10	57740GT	CASTER,PL,SW LOCK, SB, 5 X 2	2
11	35408GT	NUT,SQUARE 3/8-16 NC, PLATED	
12	46683GT	BLOCK,RETAINING; SLA STRADLE	4
13	40255GT	WEDGE, MACHINED	2
14	33670GT	SKID PAD	2
15	8516GT	SCREW, HCC, 3/8-16 X 1.50	
16	6097GT	WASHER,FLAT,USS,3/8",Y	
17	28487GT	SCREW,BHHS,3/8-16 X 1	
18	32532GT	WELDMENT,ARM STRADDLE LEFT	1
19A	58750GT	HOLD DOWN KIT W/DECAL SL SHORT SLA-5, SLA-10, SLA-15 (USA, Canada, Australia) (includes items 12 and 14)	
19B	107153GT	HLD DOWN KIT,SHORT SLA-5, SLA-10, SLA-15 (Asia, S. America, Europe) includes items 12 and 14	
20	12016GT	PIN,COTTER,.125 X .75	1
21	11890GT	GLIDE BUTTON,SIDE,GLL,.100 TK	1
22	48301GT	PIN,TOGGLE,.50 X 8.13***	1
23		Ref. Carriage refer to 304.1	



203.1 Base Components



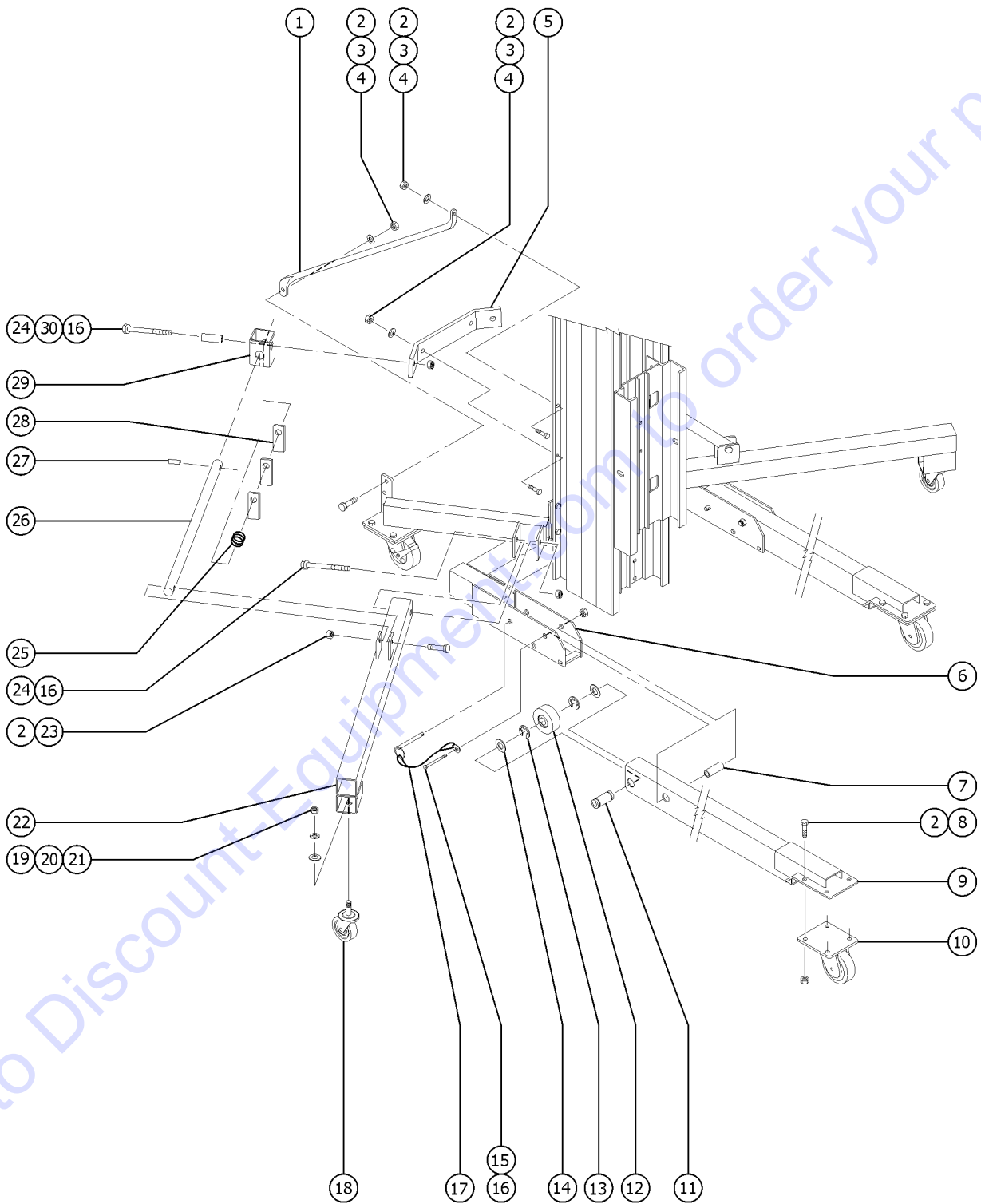
Go to DiscountEquipment.com to order your parts



Item	Part No.	Description	Qty.
	37481GT	SLA STABILIZER SET ASSY.SERV. includes items 2 - 5, 16, 18 and 22 - 30	
1A	32883GT	STRUT,LH,SL2	1
1B	32884GT	STRUT,RH,SL2 shown	
2	4828GT	NUT,NYLOCK,3/8-16	
3	6097GT	WASHER,FLAT,USS,3/8",Y	
4	8516GT	SCREW, HCC, 3/8-16 X 1.50	
5	32502PGT	BRACKET, STAB.MOUNT,"BLUE"	1
6		Ref. Standard Base Assembly with Decals (refer to 201.1)	
7	32509GT	PIVOT TUBE SL2 LEG	2
8	6175GT	SCREW,HHC,3/8-16 X 1	
9A	32879GT	WELDMENT,LEG,SL5/10	2
9B	32880GT	WELDMENT,LEG,SL15	
9C	32881GT	WELDMENT,LEG,SL20/25	
10	57736GT	CASTER,PL,SW, 4 X 2	2
11	32524GT	AXLE TUBE, SL2 LEG	2
12	57783GT	WHEEL,POLYOLEFIN,3.5X1.25,7/8	2
13	32499GT	E CLIP,.875 IN.SL LEG	4
14	33373GT	WASHER,SHIM,1.50 X .890 X .09	4
15	10598GT	SCREW,HHC,1/2-13 X 3	
16	6086GT	NUT,LP NYLOCK,1/2-13	
17	100309GT	ASSY,PIN & LANYARD***	2
18	57746GT	CASTER,POST,SW,3.5 (DARK GRAY)	2
19	6034GT	NUT,HEX,JAM,1/2-13	
20	6033GT	WASHER,LOCK,0.5"	
21	6095GT	WASHER,FLAT,USS,1/2",Y	
22	32882GT	WELD.,STABILIZER LEG SL2 BLUE	2
23	5224GT	SCREW,HHC,3/8-16 X 2	
24	6732GT	SCREW,HHC,1/2-13 X 3.25	



203.1 Base Components



Go to DiscountEquipment.com to order your parts



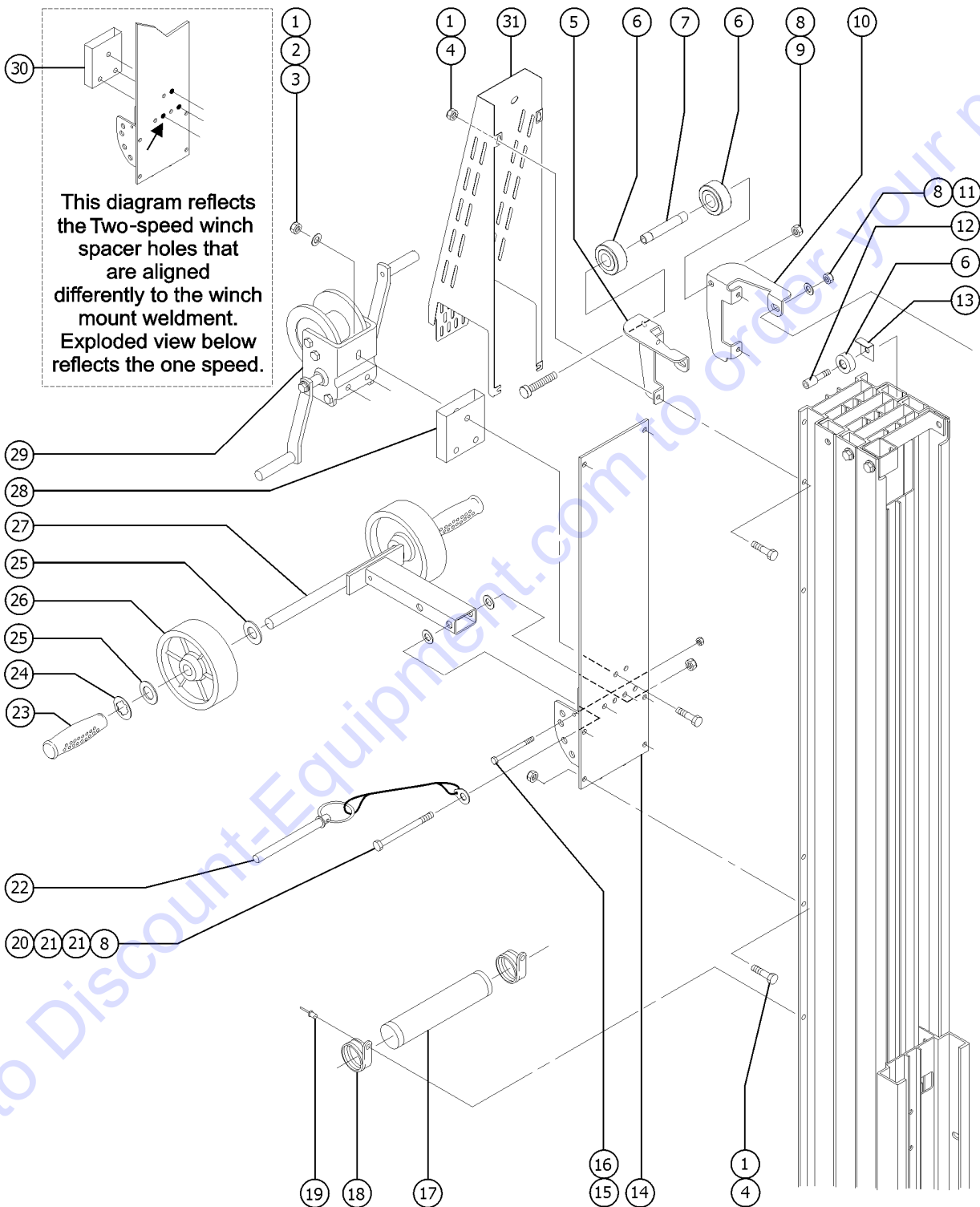
203.1 Base Components

Item	Part No.	Description	Qty.
25	32519GT	SPRING,STABILIZER LATCH SL2	2
26	58094GT	STABILIZER STRUT,ASSY. <i>includes item 27</i>	2
27	11337GT	PIN,ROLL,,25 X 1.25	2
28	32577GT	LATCH PLATE,STABILIZER SL2	6
29	32578PGT	CLAMP TUBE,STABILIZER BLUE	2
30	32576GT	PIVOT TUBE,STABILIZER	2

Go to Discount-Equipment.com to order your parts

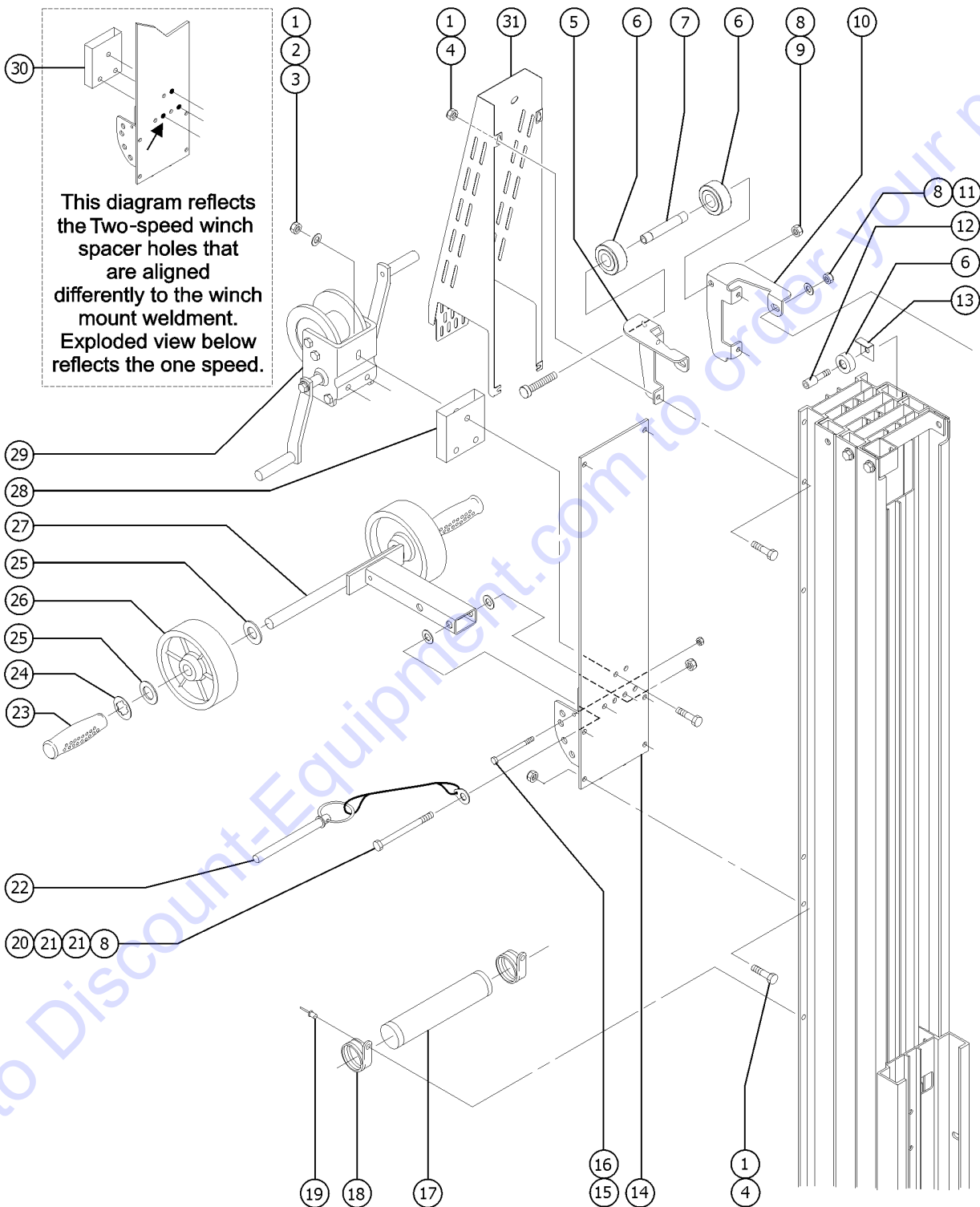


301.1 Mast Components, View 1



Item	Part No.	Description	Qty.
1	1257075GT	NUT, NYLOCK,3/8-16,GR8, ZINC	11
2A	6097GT	WASHER,FLAT,USS,3/8",Y (one speed winch)	
2B	6097GT	WASHER,FLAT,USS,3/8",Y (two speed winch)	
3A	6326GT	SCREW,HHC,3/8-16 X 3	
		SLA-5, SLA-10	
3B	6175GT	SCREW,HHC,3/8-16 X 1	
		SLA-15, SLA-20, SLA-25	
4	6019GT	SCREW,HHC,3/8-16 X 1.25 GRD 5	
5	109577GT	MAST STIFFENER,RT,BLUE	1
6	32473GT	WHEEL,ROLLER,NYLATRON,1.75	4
7	33843GT	SPACER,MAST STIFFENER	1
8	1257074GT	NUT, NYLOCK, 1/2-13, GR8, ZINC	3
9	13005GT	SCREW,HHC,1/2-13 X 6,GRD.8	1
10	109578GT	MAST STIFFENER,LT,BLUE	1
11	109560GT	WASHER, NYLON, .51X.75X.125	
12	32475GT	BOLT-ROLLER,1/2-13X1.84 ZINC	2
13	32474GT	GUARD,ROLLER, SL2,	2
14A	80162GT	WINCH MOUNT W/DECAL (SLA) USA, Canadian and Australian models	1
14B	107155GT	WINCH MOUNT W/ SYMBOL DECAL Asia, S. America and European models	
15	12343GT	SCREW,HHC,1/4-20 X 3	
16	6091GT	NUT,NYLOCK,1/4-20	
17	6600GT	INSTRUCT.TUBE W/CAPS-1.75 X 12	1
17-	31822GT	CAP,INSTRUCTION TUBE (RED)	
18	6653GT	CLAMP,1.88,#30 X 1/4,RUB CUSH	2
19	7265GT	RIVET,STEEL,P, .25 X .375	2
20	6732GT	SCREW,HHC,1/2-13 X 3.25	
21	11978GT	WASHER,FLAT,NYLON.515X.88X.093	
22	100309GT	ASSY,PIN & LANYARD***	1
23	6587GT	HANDLE GRIP, RUBBER .75 X 4.5	2
24	33385GT	WASHER,PUSH ON .75 SHAFT	2

301.1 Mast Components, View 1

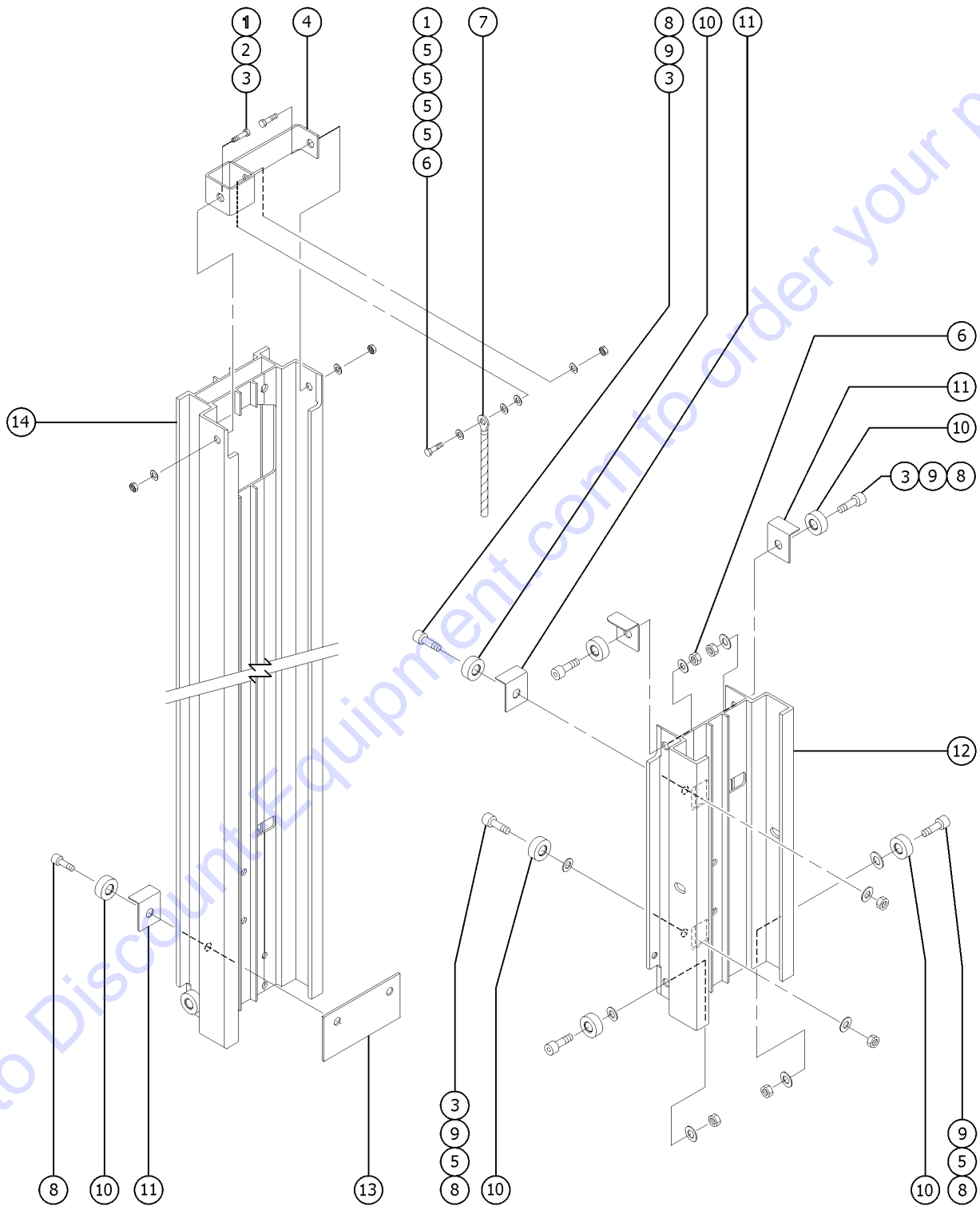


Item	Part No.	Description	Qty.
25	6564GT	WASHER, SHIM, .765 X 1.312 X .093	4
26	57788GT	WHEEL, POLY, 6X2, 3/4**	2
26-	37202GT	BUSHING, 3/4ODX2.44LGX.5ID	
27A	33540GT	LOADING WHEEL ASSY ST/SL USA, Canadian and Australian models; includes items 24 - 27	1
27B	107156GT	LOADING WHEEL ASSY W DECAL Asia, S. America and European models; includes items 24 - 27. If needed, order decal 97546 separately. Refer to Section 100.	
28	80435GT	WINCH SPACER, 1 SPEED SLA, BLUE	
29		Ref. Winch Assembly	
		(refer to 305.1 or 306.1)	
30	49991GT	WINCH SPACER, 2 SPEED SLC, GRAY	1
		SLA-5, SLA-10	
31	124819GT	KIT, CBL GRD, W/WRD DCALS, SLA	1
		Australian models; assembly with word decals	

Go to Discount-Equipment.com to order your parts



302.1 Mast Components, View 2

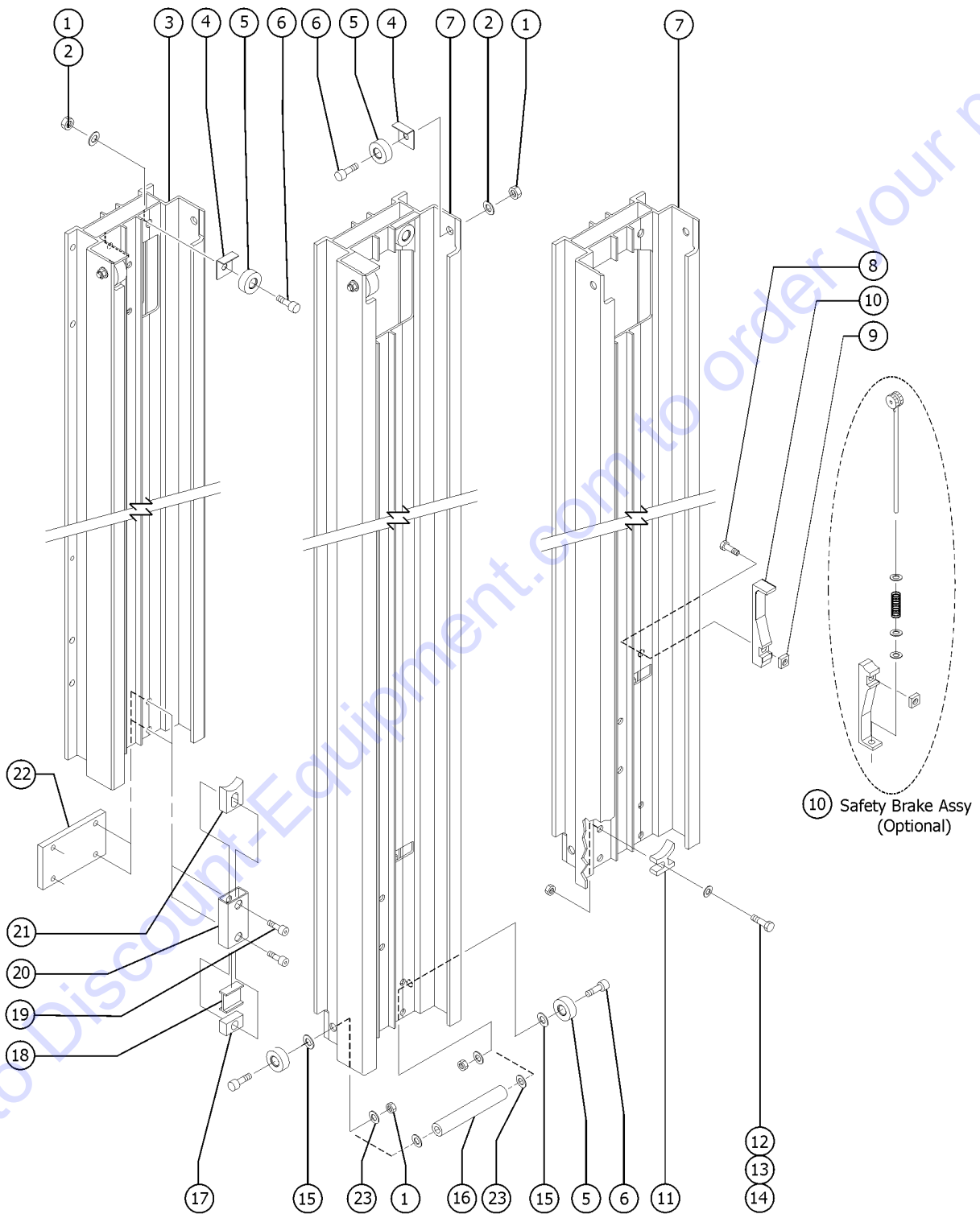


Item	Part No.	Description	Qty.
1	10597GT	SCREW,HHC, 1/2-13 X 1.25 GR5	
2	109560GT	WASHER, NYLON, .51X.75X.125	
3	1257074GT	NUT, NYLOCK, 1/2-13, GR8, ZINC	
4	80987GT	KIT, CABLE ANCHOR BRK, SLC/ST*	1
5	6052GT	WASHER,SHIM,.5 X .875 X .063	7
6	6086GT	NUT,LP NYLOCK,1/2-13	
7		Ref. Cable Assembly	
		(refer to 304.1)	
8	32475GT	BOLT-ROLLER,1/2-13X1.84 ZINC	8
9	13066GT	WASHER,FLAT,.5 HARDENED	
10	32473GT	WHEEL,ROLLER,NYLATRON,1.75	8
11	32474GT	GUARD,ROLLER, SL2,	5
12		Ref. Carriage	
		(refer to 304.1)	
13	57016GT	PLATE,DOUBLER,SL MAST	1
14		Ref. Number 1 Column	
		(refer to 304.1)	

Go to Discount-Equipment.com to order your parts



303.1 Mast Components, View 3



PARTS FINDER

**Search Website
by Part Number**



**Search Manual
Library For Parts
Manual & Lookup Part
Numbers – Purchase
or Request Quote**

Search Manuals

Enter your information to help us find the right parts manual for your machine.

* Brand:

* Model:

* Serial:

* Part Number:

SEARCH

**Can't Find Part or
Manual? Request Help
by Manufacturer,
Model & Description**

Parts Order Form

Please fill in the following information to help us find the right part for your machine.

Manufacturer:	<input type="text"/>
Model:	<input type="text"/>
Description:	<input type="text"/>
Part Number:	<input type="text"/>
Quantity:	<input type="text"/>
Notes:	<input type="text"/>

Submit

Discount-Equipment.com is your online resource for quality parts & equipment.

Florida: **561-964-4949** Outside Florida TOLL FREE: **877-690-3101**

Need parts?

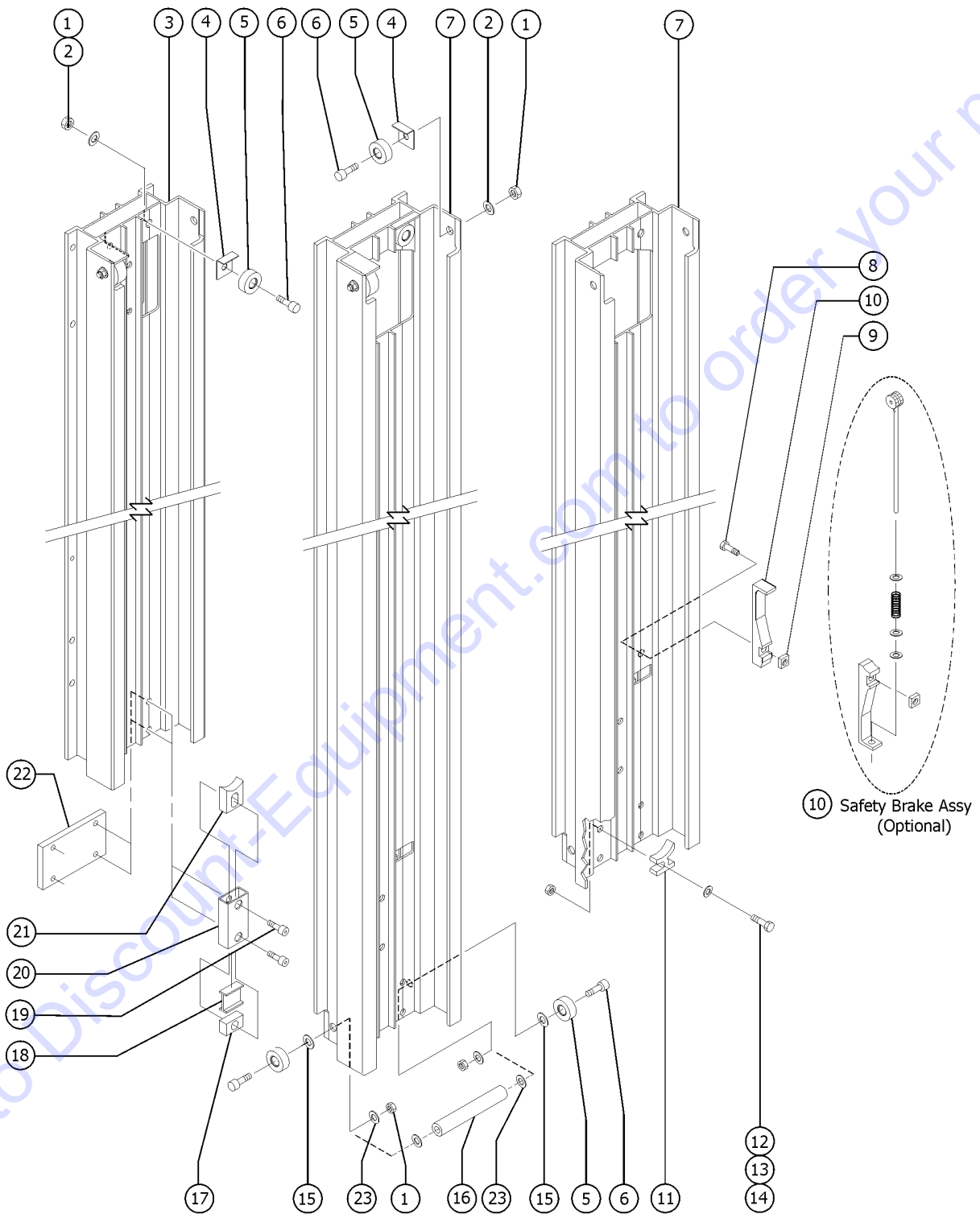
Click on this link: <http://www.discount-equipment.com/category/5443-parts/> and choose one of the options to help get the right parts and equipment you are looking for. Please have the machine model and serial number available in order to help us get you the correct parts. If you don't find the part on the website or on one of the online manuals, please fill out the request form and one of our experienced staff members will get back to you with a quote for the right part that your machine needs.

We sell worldwide for the brands: Genie, Terex, JLG, MultiQuip, Mikasa, Essick, Whiteman, Mayco, Toro Stone, Diamond Products, Generac Magnum, Airman, Haulotte, Barreto, Power Blanket, Nifty Lift, Atlas Copco, Chicago Pneumatic, Allmand, Miller Curber, Skyjack, Lull, Skytrak, Tsurumi, Husquvarna Target, Stow, Wacker, Sakai, Mi-T-M, Sullair, Basic, Dynapac, MBW, Weber, Bartell, Bennar Newman, Haulotte, Ditch Runner, Menegotti, Morrison, Contec, Buddy, Crown, Edco, Wyco, Bomag, Laymor, EZ Trench, Bil-Jax, F.S. Curtis, Gehl Pavers, Heli, Honda, ICS/PowerGrit, IHI, Partner, Imer, Clipper, MMD, Koshin, Rice, CH&E, General Equipment, Amida, Coleman, NAC, Gradall, Square Shooter, Kent, Stanley, Tamco, Toku, Hatz, Kohler, Robin, Wisconsin, Northrock, Oztec, Toker TK, Rol-Air, APT, Wylie, Ingersoll Rand / Doosan, Innovatech, Con X, Ammann, Mecalac, Makinex, Smith Surface Prep, Small Line, Wanco, Yanmar

Item	Part No.	Description	Qty.
1	1257074GT	NUT, NYLOCK, 1/2-13, GR8, ZINC SLA-5, SLA-10, SLA-15, SLA-20 and SLA-25 models	
2	109560GT	WASHER, NYLON, .51X.75X.125 SLA-5, SLA-10, SLA-15, SLA-20 and SLA-25	
3		Ref. Number 1 Column (refer to 304.1)	
4A	32474GT	GUARD,ROLLER, SL2, SLA-5	3
4B	32474GT	GUARD,ROLLER, SL2, SLA-10	7
4C	32474GT	GUARD,ROLLER, SL2, SLA-15	12
4D	32474GT	GUARD,ROLLER, SL2, SLA-20	17
4E	32474GT	GUARD,ROLLER, SL2, SLA-25	22
5A	32473GT	WHEEL,ROLLER,NYLATRON,1.75 SLA-5	3
5B	32473GT	WHEEL,ROLLER,NYLATRON,1.75 SLA-10	9
5C	32473GT	WHEEL,ROLLER,NYLATRON,1.75 SLA-15	14
5D	32473GT	WHEEL,ROLLER,NYLATRON,1.75 SLA-20	19
5E	32473GT	WHEEL,ROLLER,NYLATRON,1.75 SLA-25	24
6A	32475GT	BOLT-ROLLER,1/2-13X1.84 ZINC SLA-5	3
6B	32475GT	BOLT-ROLLER,1/2-13X1.84 ZINC SLA-10	9
6C	32475GT	BOLT-ROLLER,1/2-13X1.84 ZINC SLA-15	14
6D	32475GT	BOLT-ROLLER,1/2-13X1.84 ZINC SLA-20	19
6E	32475GT	BOLT-ROLLER,1/2-13X1.84 ZINC SLA-25	24
7		Ref. Number 2 Column (refer to 304.1)	
8	35463GT	SCREW,FHS,3/8-16 X 1.5 SLA-5, SLA-10, SLA-15, SLA-20 and SLA-25 models	
9	35408GT	NUT,SQUARE 3/8-16 NC, PLATED SLA-5, SLA-10, SLA-15, SLA-20 and SLA-25 models	
10A	35443GT	UP STOP SLA-5 (for models without safety brake)	1
10B	35443GT	UP STOP SLA-10 (for models without safety brake)	2
10C	35443GT	UP STOP SLA-15 (for models without safety brake)	3
10D	35443GT	UP STOP SLA-20 (for models without safety brake)	4
10E	35443GT	UP STOP SLA-25 (for models without safety brake)	5
10F	35101GT	SAFETY BRAKE ASSY(SQ.NUT)SL2** SLA-15) (if equipped) (includes items 8 and 9)	2
10G	35101GT	SAFETY BRAKE ASSY(SQ.NUT)SL2** SLA-20, SLA-25 (if equipped) (includes items 8 and 9)	3



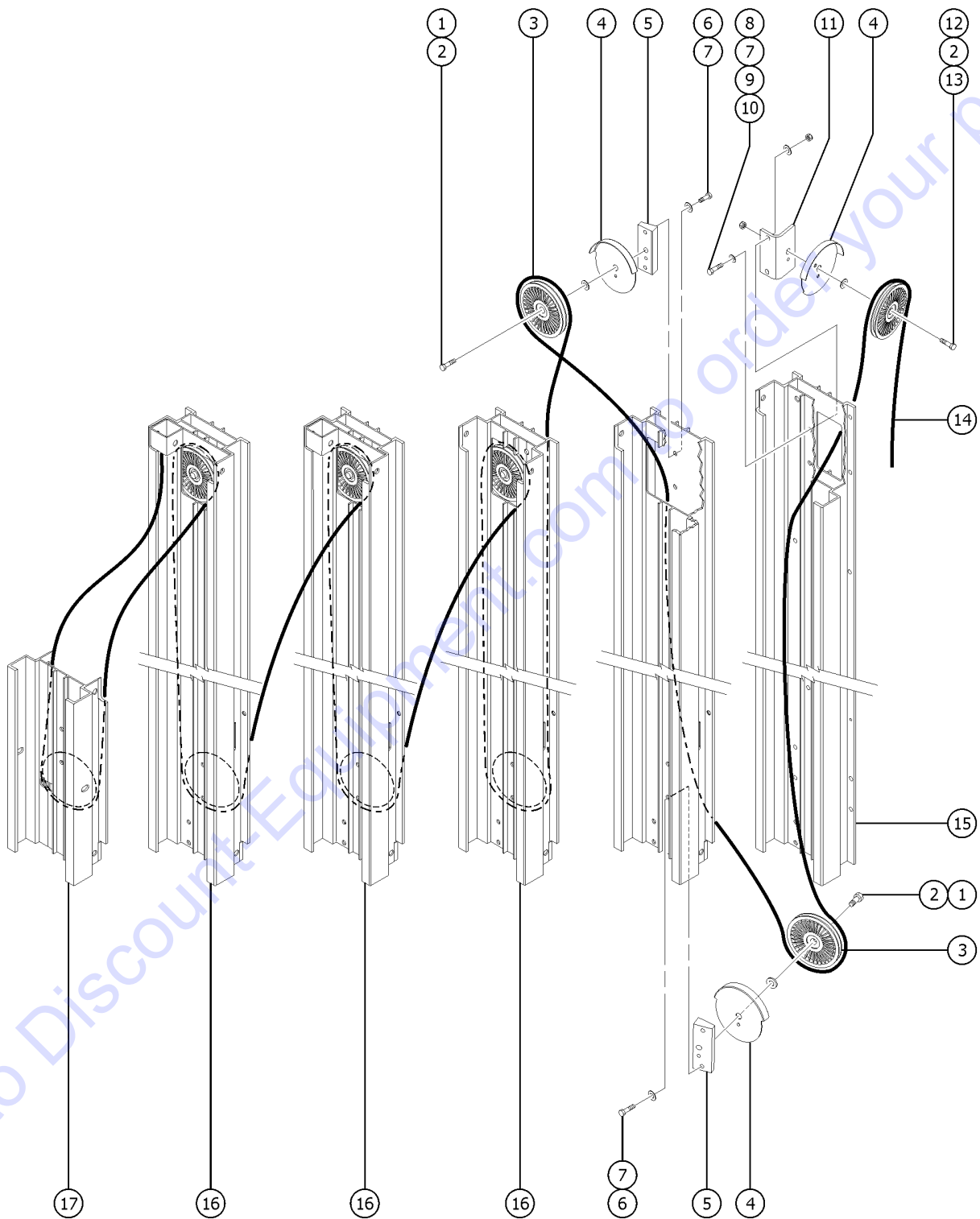
303.1 Mast Components, View 3



Item	Part No.	Description	Qty.
11	32522GT	DOWN STOP	1
12	1257075GT	NUT, NYLOCK,3/8-16,GR8, ZINC	
13	12013GT	SHIM,.375 X .063	1
14	6019GT	SCREW,HHC,3/8-16 X 1.25 GRD 5	
15	6052GT	WASHER,SHIM,.5 X .875 X .063 SLA-5, SLA-10, SLA-15, SLA-20 and SLA-25 models	
16	33811GT	COUPLER BAR ASSEMBLY,SLA&C,ST2	1
17A	57019GT	BLOCK,END,DOWNSTOP	2
		SLA-10	
17B	57019GT	BLOCK,END,DOWNSTOP	4
		SLA-15	
17C	57019GT	BLOCK,END,DOWNSTOP	6
		SLA-20	
17D	57019GT	BLOCK,END,DOWNSTOP	8
		SLA-25	
18A	57022GT	BUMPER,RUBBER,DOWNSTOP	2
		SLA-10	
18B	57022GT	BUMPER,RUBBER,DOWNSTOP	4
		SLA-15	
18C	57022GT	BUMPER,RUBBER,DOWNSTOP	6
		SLA-20	
18D	57022GT	BUMPER,RUBBER,DOWNSTOP	8
		SLA-25	
19	57023GT	BOLT,SHOULDER,3/8-16 1.417 LNG SLA-10, SLA-15, SLA-20 and SLA-25 models	
20A	57021GT	TUBE,DOWNSTOP	2
		SLA-10	
20B	57021GT	TUBE,DOWNSTOP	4
		SLA-15	
20C	57021GT	TUBE,DOWNSTOP	6
		SLA-20	
20D	57021GT	TUBE,DOWNSTOP	8
		SLA-25	
21A	57018GT	BLOCK,PLUNGER,DOWNSTOP	2
		SLA-10	
21B	57018GT	BLOCK,PLUNGER,DOWNSTOP	4
		SLA-15	
21C	57018GT	BLOCK,PLUNGER,DOWNSTOP	6
		SLA-20	
21D	57018GT	BLOCK,PLUNGER,DOWNSTOP	8
		SLA-25	
22A	57024GT	PLATE,DOUBLER,DOWNSTOP	1
		SLA-10	
22B	57024GT	PLATE,DOUBLER,DOWNSTOP	2
		SLA-15	
22C	57024GT	PLATE,DOUBLER,DOWNSTOP	3
		SLA-20	
22D	57024GT	PLATE,DOUBLER,DOWNSTOP	4
		SLA-25	
23	13066GT	WASHER,FLAT,.5 HARDENED	

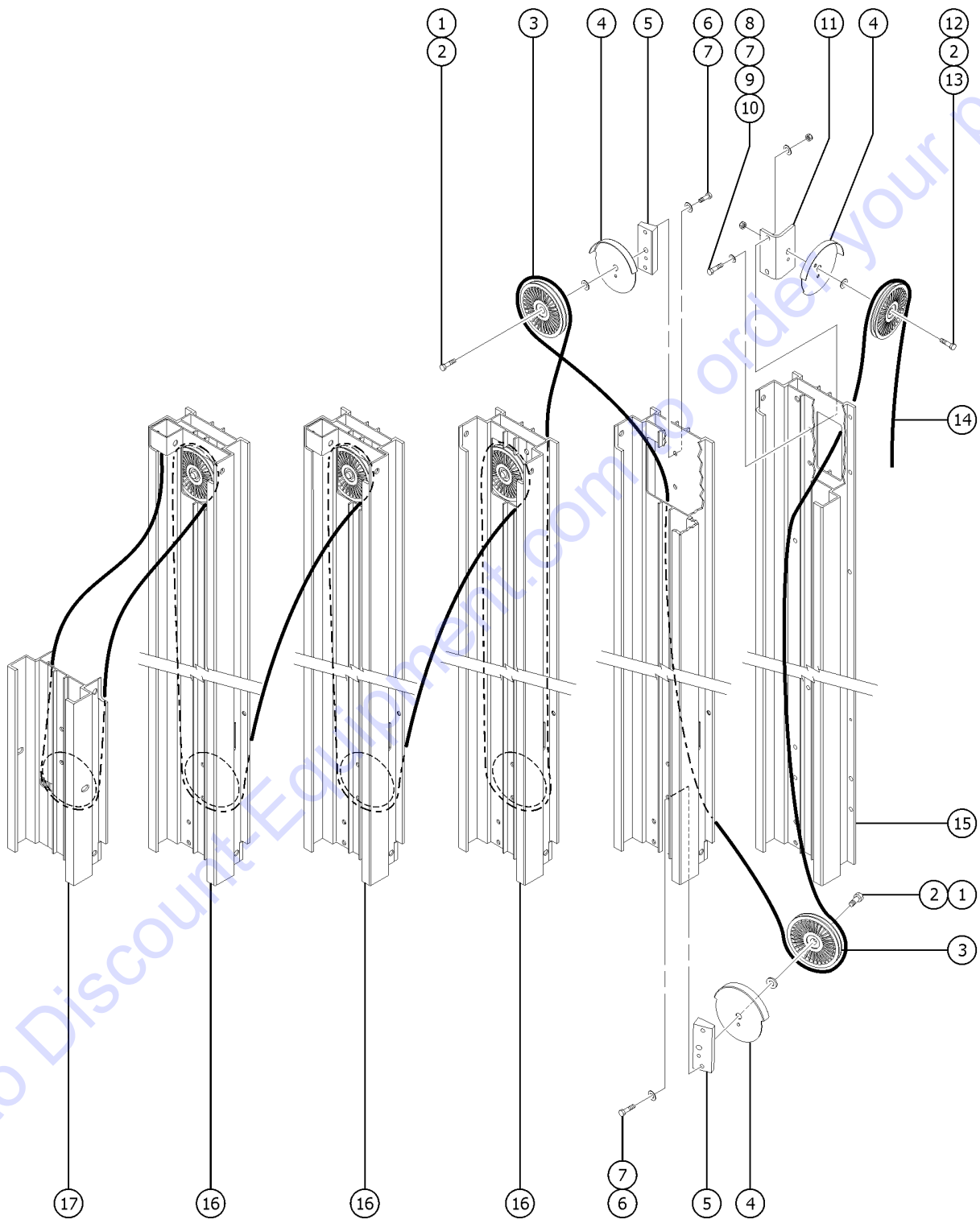


304.1 Columns, Pulleys and Cables



Item	Part No.	Description	Qty.
-	1293212GT	PULLEY KIT,SERVICE,SLA5/SLC6 SLA-5 from SLAG-64900, from SLAP-70697	
-	1293213GT	PULLEY KIT,SERVICE,SLA10/SLC12 SLA-10 from SLAG-64900, from SLAP-70697	
-	1293214GT	PULLEY KIT,SERVICE,SLA15/SLC18 SLA-15 from SLAG-64900, from SLAP-70697	
-	1293215GT	PULLEY KIT,SERVICE,SLA20/SLC24 SLA-20 from SLAG-64900, from SLAP-70697	
-	1293216GT	PULLEY KIT,SERVICE,SLA25 SLA-25 from SLAG-64900, from SLAP-70697	
1	10597GT	SCREW,HHC, 1/2-13 X 1.25 GR5 (quantity depends on height of unit)	
2	1257466GT	WASHER, FLAT, SAE, .5, GRADE 9 (quantity depends on height of unit)	
3A	1254648GT	PULLEY, 6203 (SLA-5)	2
3B	1254648GT	PULLEY, 6203 (SLA-10)	4
3C	1254648GT	PULLEY, 6203 (SLA-15)	6
3D	1254648GT	PULLEY, 6203 (SLA-20)	8
3E	1254648GT	PULLEY, 6203 (SLA-25)	10
4A	1254649GT	COVER,PULLEY, 6203 (SLA-5)	2
4B	1254649GT	COVER,PULLEY, 6203 (SLA-10)	4
4C	1254649GT	COVER,PULLEY, 6203 (SLA-15)	6
4D	1254649GT	COVER,PULLEY, 6203 (SLA-20)	8
4E	1254649GT	COVER,PULLEY, 6203 (SLA-25)	10
5A	1251619GT	MOUNT, PULLEY, INNER, 6203 (SLA-5)	2
5B	1251619GT	MOUNT, PULLEY, INNER, 6203 (SLA-10)	4
5C	1251619GT	MOUNT, PULLEY, INNER, 6203 (SLA-15)	6
5D	1251619GT	MOUNT, PULLEY, INNER, 6203 (SLA-20)	8
5E	1251619GT	MOUNT, PULLEY, INNER, 6203 (SLA-25)	10
6	8255GT	SCREW,HHC,3/8-16 X .75	
7	5397GT	WASHER,FLAT,USS,5/16",Y	
8	6019GT	SCREW,HHC,3/8-16 X 1.25 GRD 5	
9	6097GT	WASHER,FLAT,USS,3/8",Y	
10	1257075GT	NUT, NYLOCK,3/8-16,GR8, ZINC	
11	1256135GT	MOUNT, PULLEY, FIRST, 6203, BL	1

304.1 Columns, Pulleys and Cables

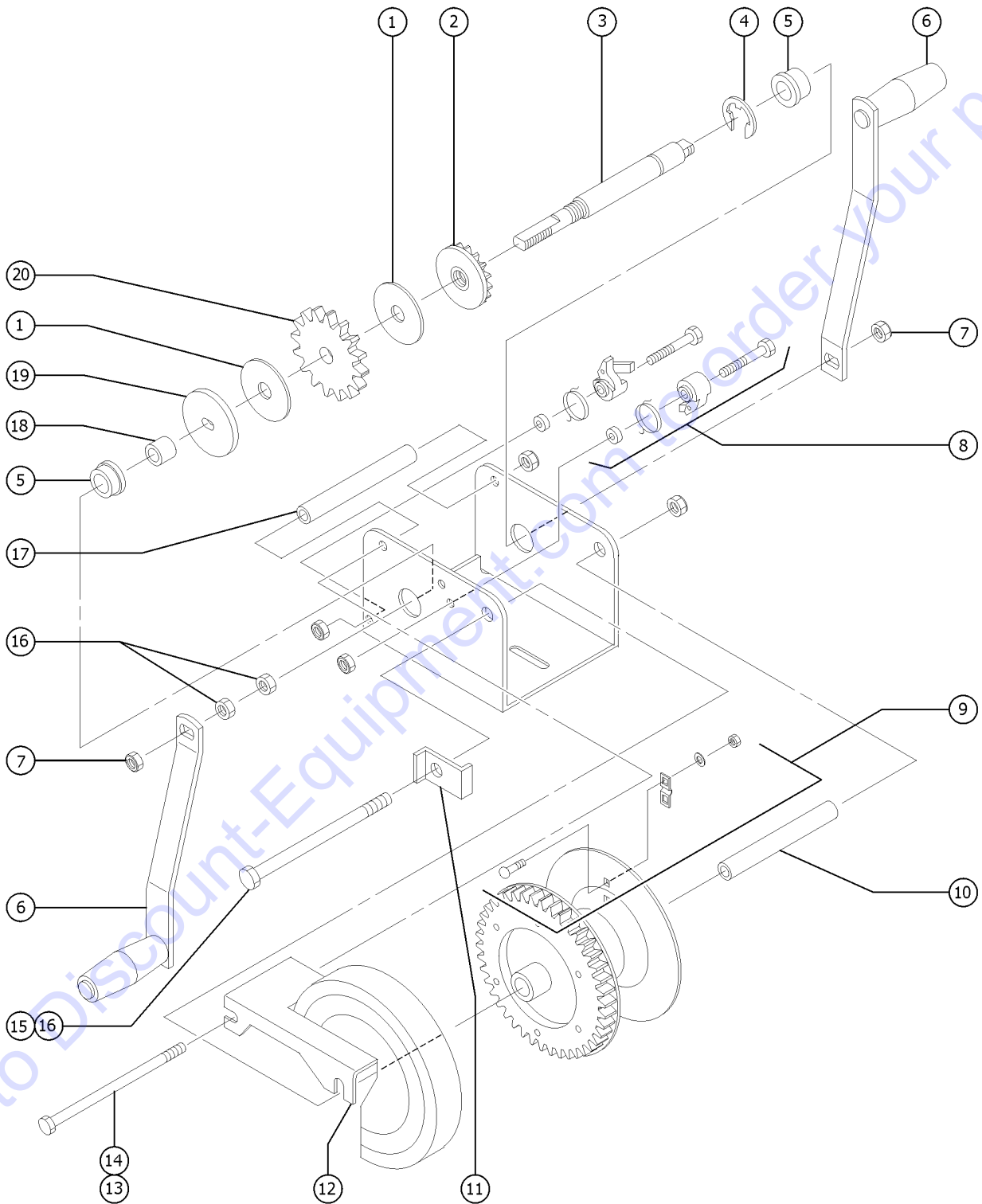


Item	Part No.	Description	Qty.
12	22788GT	SCREW,HHC,1/2-13 X 1.75	
13	1257074GT	NUT, NYLOCK, 1/2-13, GR8, ZINC	
14A	52701GT	VIDEO,NTSC,SLA,CABLING PROCDR	
		(Sold Separately)	
14A-	12402GT	CABLE REPLACEMENT COUPLER	
		(Sold Separately)	
14B	6443GT	CABLE ASSEMBLY-M.5**	1
		SLA-5; Does Not Include Cable Replacement Coupler	
14C	6444GT	CABLE ASSY SLA/MNM 7/32" 360"	1
		SLA-10; Does Not Include Cable Replacement Coupler	
14D	32903GT	CABLE ASSY SL15 507" 7/32" ***	1
		SLA-15; Does Not Include Cable Replacement Coupler	
14E	32904GT	CABLE ASSY,SL/ST20 669" 7/32"	1
		SLA-20; Does Not Include Cable Replacement Coupler	
14F	32905GT	CABLE ASSY,SL/ST25 813" 7/32"*	1
		SLA-25; Does Not Include Cable Replacement Coupler	
15	57032-SGT	COLUMN#1,SL ADVANTAGE SERV	1
16	57033-SGT	COLUMN#2,SL ADVANTAGE SERV	
		(quantity depends on height of unit)	
17	57034GT	CARRIAGE,SL ADVANTAGE(5,10,15)	1
17B	57035GT	CARRIAGE,SL ADVANTAGE(20,25)	1
		(SLA-20) from SN 5599-3405	
17C	57035GT	CARRIAGE,SL ADVANTAGE(20,25)	1
		(SLA-25) from SN 5599-3828	

Go to Discount-Equipment.com to order your parts

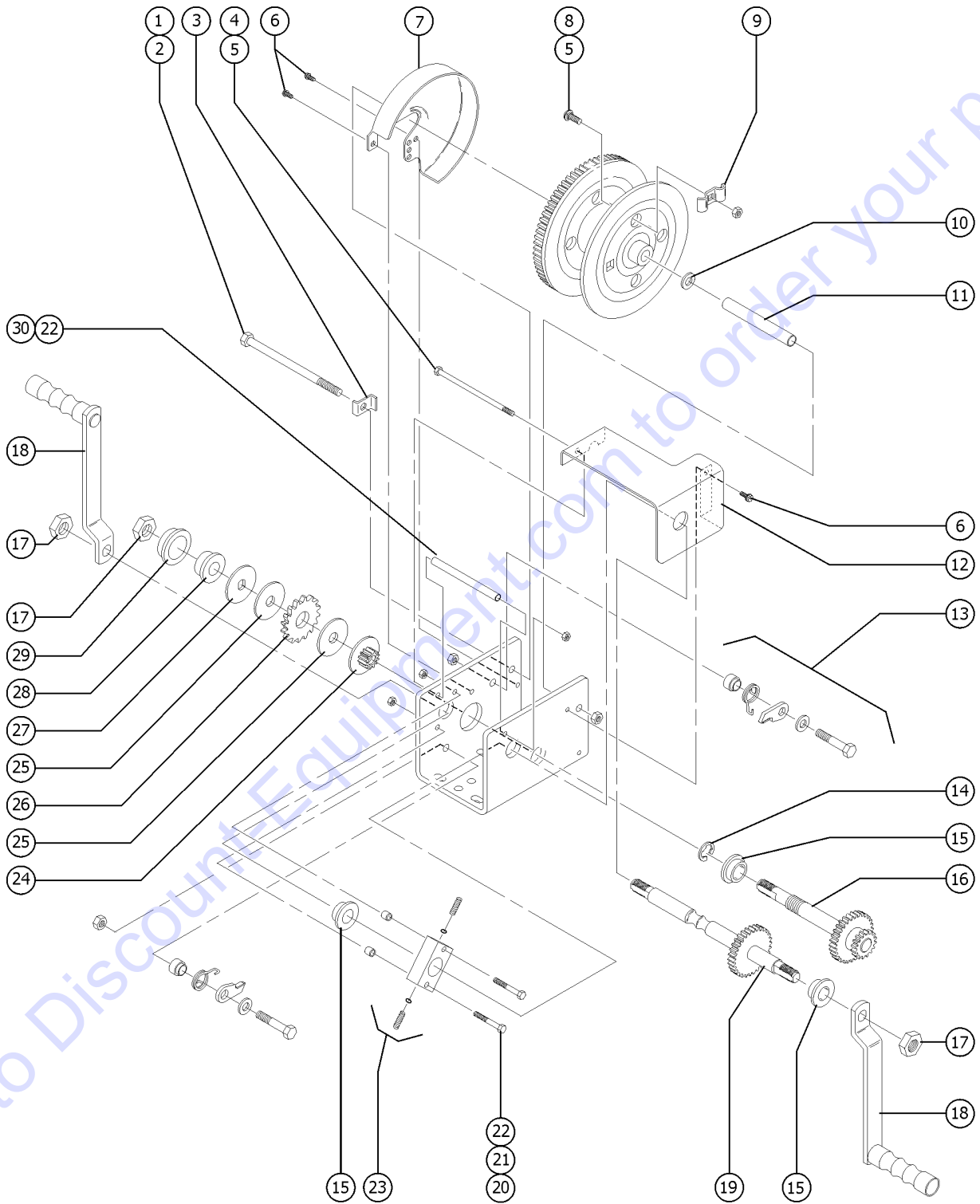


305.1 Winch Components, One-speed



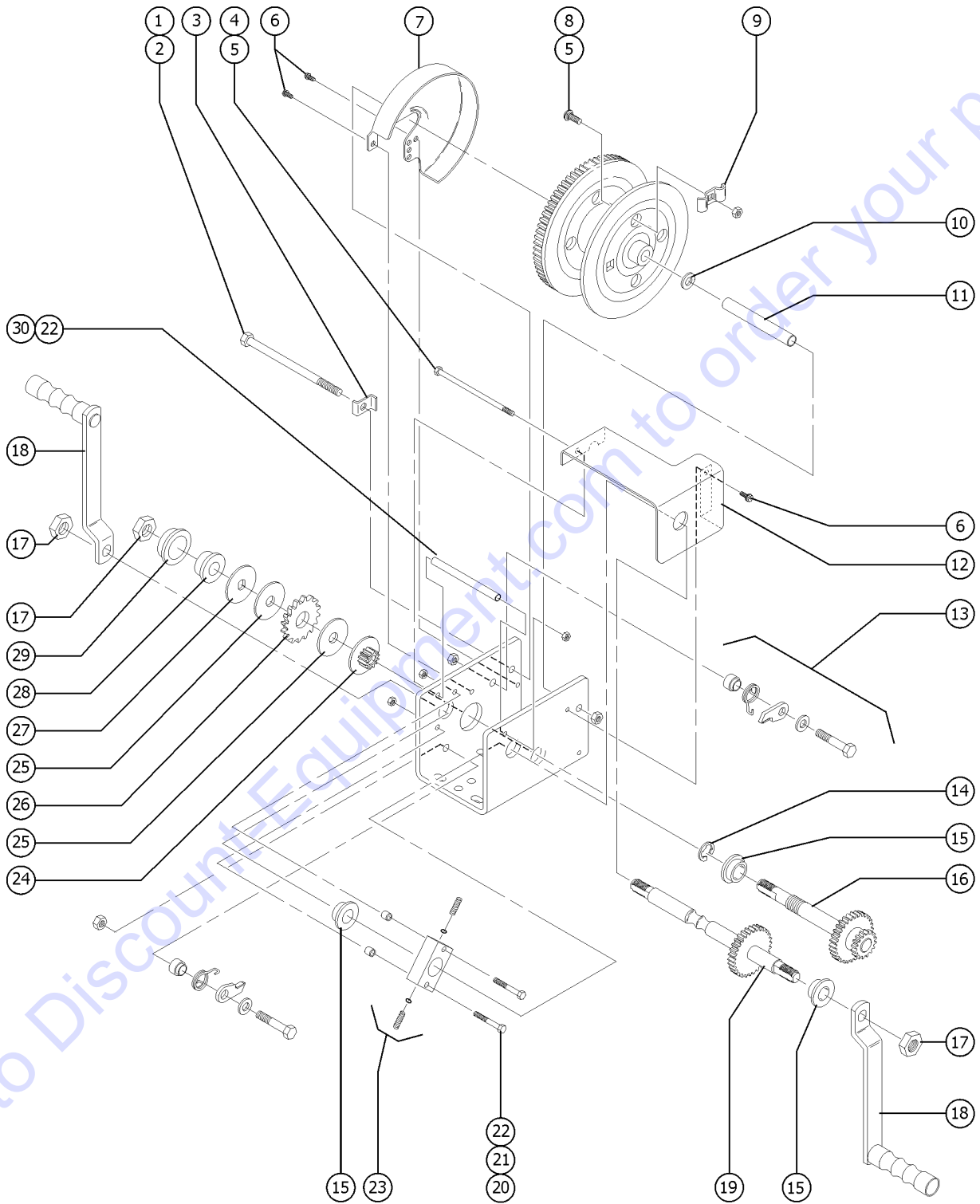
Item	Part No.	Description	Qty.
A-		SERVICE KIT,PINION SHAFT-K1550 (1256081) (component no longer available)	
C-	1256083GT	SVC KIT, FRICTION DISC K/KX includes qty 2 of item 1	
D-	32945GT	WINCH,W/DECAL 1SPEED SL/ST USA, Canada and Australia models (word decals)(handle not included)	
E-	107157GT	1 SPD WINCH ASSY W/ SYM DECAL Asia, S. America and European models	
1		BRAKE DISK,.5 BORE,K-1550 (7571) (component no longer available)	2
2		PINION GEAR AND DISC K-1550 (7590) (component no longer available)	1
3		SHAFT,PINION (32891) (component no longer available)	1
4		RETAINING RING (6200) (component no longer available)	1
5		BUSHING, SMALL PINION, FULTON (6199) (component no longer available)	2
6	33143GT	WINCH HANDLE 6" STD. SLA-5	2
6A	33144GT	WINCH HANDLE 8" STD.** SLA-10, SLA-15, SLA-20, SLA-25	
7	6086GT	NUT,LP NYLOCK,1/2-13	
8	40458GT	RATCHET PAWL KIT	1
9	6190GT	CABLE KEEP.KIT (BRACKET TYPE)*	1
10	6184GT	SPACER, DRUM BOLT, K-1550	1
11		WINCH BRACKET, DRUM BOLT LOCK (31946) (component no longer available)	1
12	6770GT	WINCH GEAR COVERS, K-1500	1
13	7256GT	SCREW,HHC,5/16-18 X 6 GRD.2	
14	6782GT	NUT,NYLOCK,5/16-18	
15	6185GT	BOLT, DRUM SPACER	1
16	6034GT	NUT,HEX,JAM,1/2-13	
17		FRAME SPACER,K-1550 (7584) (component no longer available)	1
18		SPACER,PINION SHAFT (32890) (component no longer available)	1
19		WINCH PINION PLATE, K-1550 (7591) (component no longer available)	1
20		RATCHET GEAR,K-1550 1/2" I.D. (6777) (component no longer available)	1

306.1 Winch Components, Two-speed



Item	Part No.	Description	Qty.
	32946GT	WINCH W/DECAL,2 SPEED*** USA, Canada and Australia models (word decals)	
	107158GT	2 SPD WINCH ASSY W/ SYM DECAL Asia, S. America and European models	
	40130GT	CABLE KEEPER KIT (33090) includes items 5, 8 and 9	
1	78037GT	SCREW,HHC,3/8-16 X 5.5	
2	4828GT	NUT,NYLOCK,3/8-16	
3	80145GT	LOCK-BOLT, REEL (80056)	1
4	80146GT	SCREW,HHC,1/4-20 X 5.25(80056)	
5	6091GT	NUT,NYLOCK,1/4-20	
6	80147GT	SCREW-THRD FORM,HH-SLT, 1/2"	
7	80148GT	COVER - REEL (80056)	1
8	80149GT	BOLT,CARRIAGE,1/4-20 X .5,G2	
9	37065GT	CABLE KEEPER, DLB800	1
10	80150GT	WASHER-FLAT, 1/2" (80056)	
11	40113GT	REEL SPACER	1
12	80151GT	COVER-GEAR (80056)	1
13	40117GT	RATCHET PAWL KIT, (33090)	1
13-	8516GT	SCREW, HCC, 3/8-16 X 1.50	
13-	5397GT	WASHER,FLAT,USS,5/16",Y	
13-	80154GT	PAWL-RATCHET (80056)	
13-	80153GT	SPRING-RATCHET (80056)	
13-	80152GT	SPACER-RATCHET (80056)	
13-	4828GT	NUT,NYLOCK,3/8-16	
14	40116GT	E-RING, 3/4	1
15	40126GT	BEARING, SINTERED IRON, 3/4	
16	80155GT	SHAFT ASSY,INTERMED. (80056)	1
17	38028GT	NUT,LP NYLOCK,5/8-11	
18	40125GT	HANDLE ASSY., 8-INCH, OFFSET	2
19	72264GT	SHAFT ASSY, PRIMARY	1

306.1 Winch Components, Two-speed

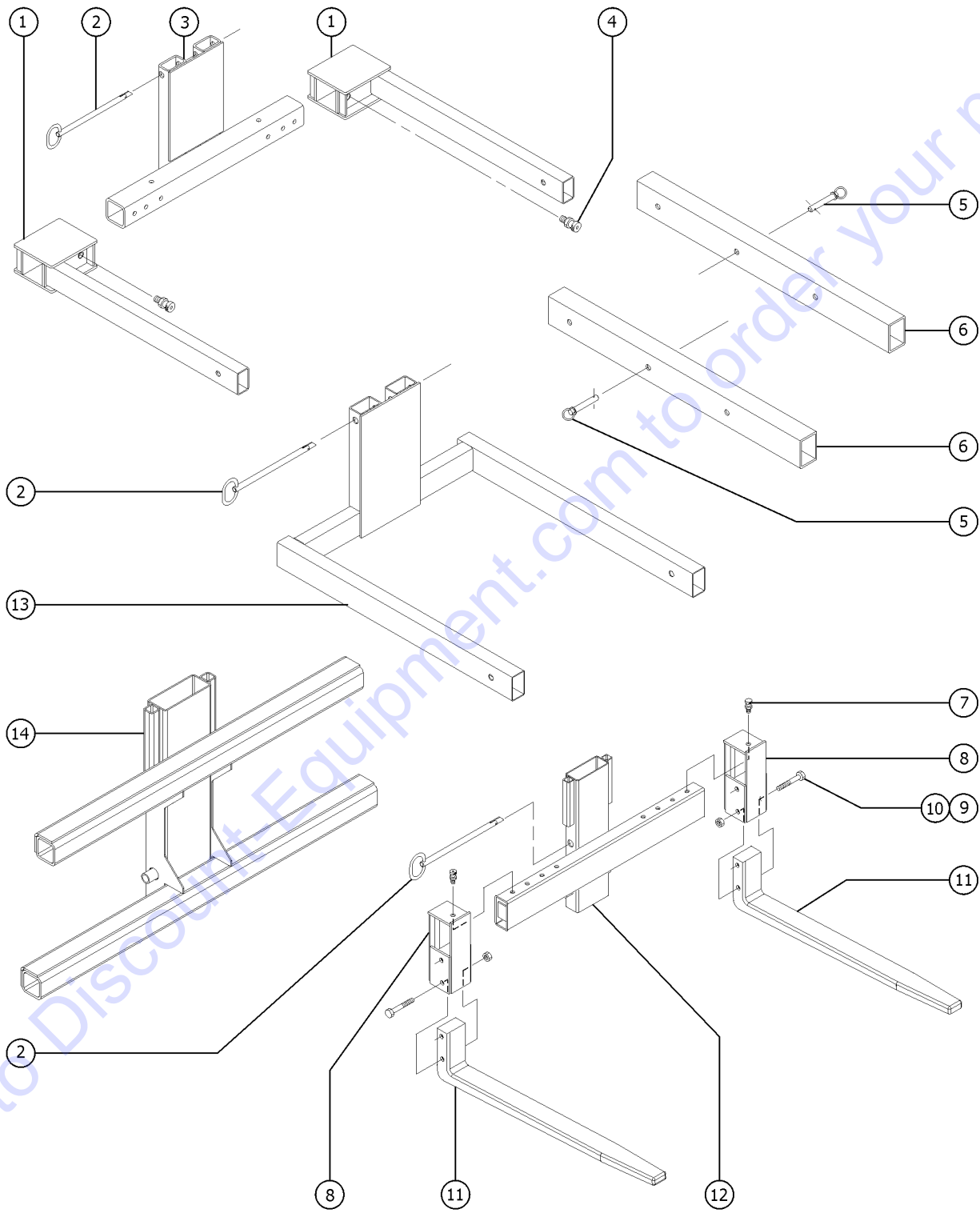


Item	Part No.	Description	Qty.
20	6145GT	SCREW,HHC,1/4-20 X 1.5	
21	40115GT	BRAKE SPRING SPACER	2
22	6889GT	NUT,LP NYLOCK,1/4-20	
23	40127GT	DETENT BLOCK ASSY	1
23-	40509GT	DETENT SPRING	2
23-	40510GT	DETENT BALL	2
23-	80156GT	BLOCK-DETENT (80056)	1
24	80157GT	GEAR-PINION (80056)	1
25	37061GT	BRAKE FACE,DLB800	2
26	37062GT	RATCHET GEAR, DLB800	1
27	40122GT	WASHER,DOUBLE D.	1
28	40123GT	SPACER	1
29	85182GT	SINTERED IRON BEARING,1-1/4**	1
30	40128GT	BASE SPACER	1

Go to Discount-Equipment.com to order your parts

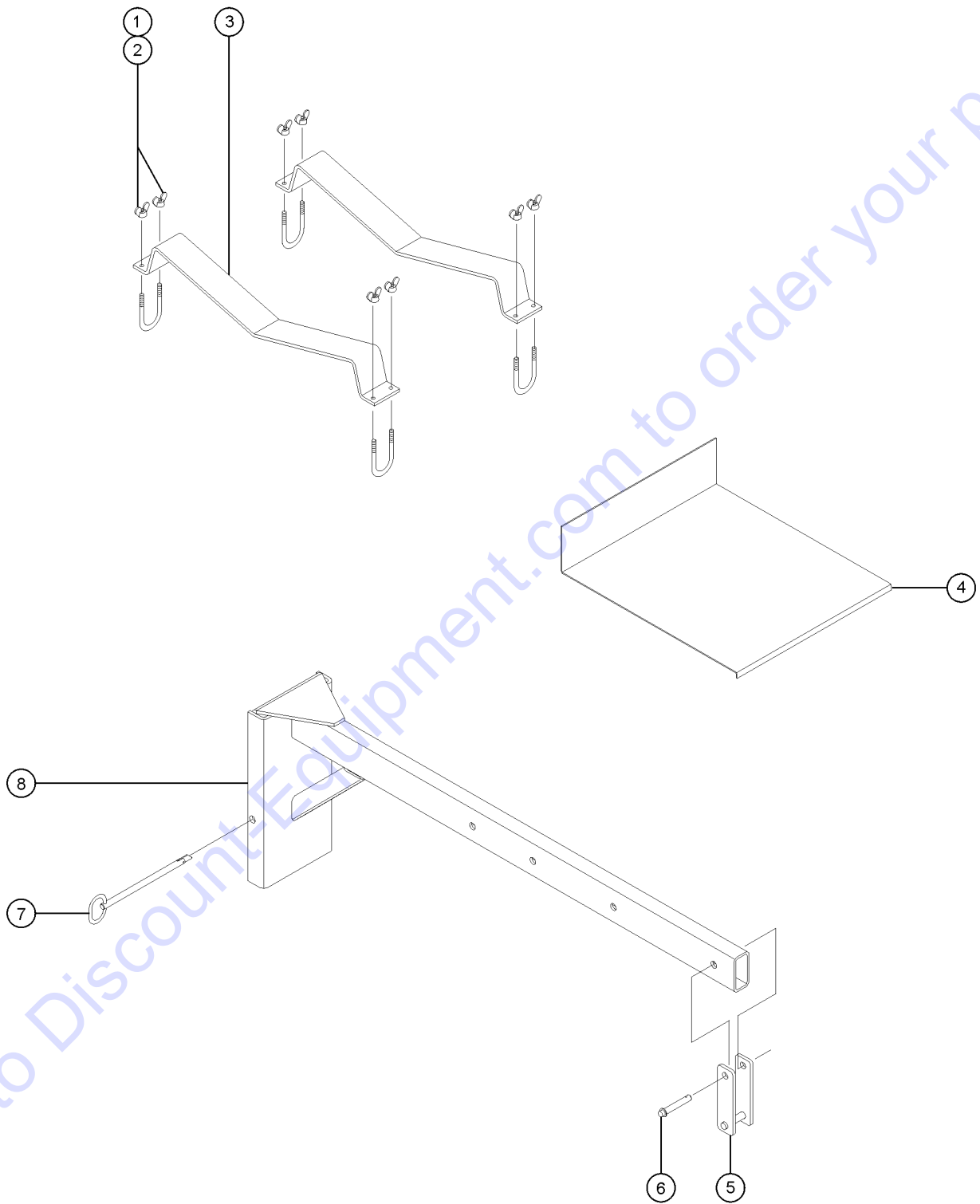


401.1 Forks



Item	Part No.	Description	Qty.
	32564-SGT	SL ADJUSTABLE FORK ASSEMBLY USA, Canadian and Australian models; includes Items 1- 4	
	107161GT	ADJUST. FORK ASSY W/ SYM DECAL Asia, S. America and European models; includes Items 1- 4	
	32566-SGT	5'10"15 FLAT FORK ASSY for SL-5, SL-10 and SL-15 only (includes items 2, 7-12)	
1	32548-SGT	WELDMENT,ARM ADJ. FORK-"BLUE"	2
2	48301GT	PIN,TOGGLE,.50 X 8.13***	3
3	32908GT	CARRIER,FORK,ADJ.W/DECAL,SL2 USA, Canadian and Australian models	1
3A	107162GT	ADJUST. CARRIER ASSY W/ DECALS Asia, S. America and European models	
4	33674GT	PIN,LOCK,SHORT***	2
5	80679GT	PIN,BALL RET.-.5 X 2.7	2
6	33366-SGT	FORK EXTENSION, SINGLE*** suggest ordering 80679 pin with each extension	2
7	32375GT	PIN,LOCK,LONG***	2
8	32541-SGT	WELDMENT,FLATFORK SOCKET for SL-5, SL-10 and SL-15 only	2
9	8220GT	SCREW,HHC,1/2-13 X 4	
10	6086GT	NUT,LP NYLOCK,1/2-13	
11	32539GT	CASTING,FLAT FORK SUPERLIFT 2 for SL-5, SL-10 and SL-15 only	2
12	32907GT	CARRIER,FORK,FLAT W/DECAL,SL2 USA, Canadian and Australian models for SL-5, SL-10 and SL-15 only	1
12A	107163GT	FLT FORKS CARRIER ASSY W/DECAL Asia, S. America and European models for SL-5, SL-10 and SL-15 only	
13	32906GT	FORK,STANDARD,W/DECAL,SLA2 USA, Canadian and Australian models	1
13A	107164GT	STANDARD FORK W/ SYMBOL DECALS Asia, S. America and European models	
14	124982GT	WELDMENT,SL,GE FORK ATTACHMENT (replaced 26681)	1

402.1 Pipe Cradle, Load Platform and Boom Arm



Go to DiscountEquipment.com to order your parts

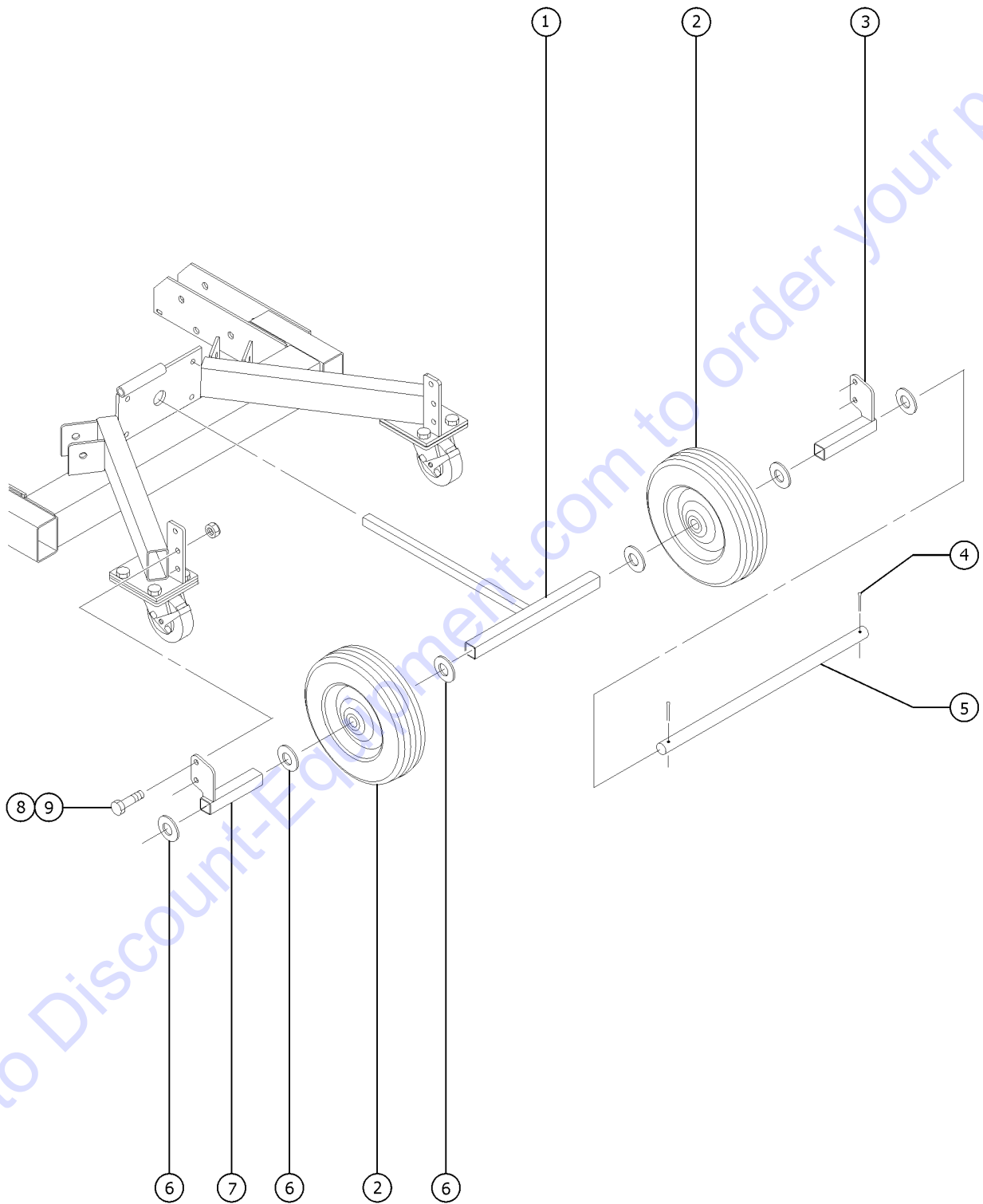
402.1 Pipe Cradle, Load Platform and Boom Arm

Item	Part No.	Description	Qty.
1	8170GT	NUT,WING,1/4-20	
2	33045GT	U-BOLT,1/4-20 SL2 PIPE CRADLE	4
3	80597GT	PIPE CRADLE, BLUE	2
4	32937GT	LOAD PLATFORM W/DECAL,SLA USA, Canadian and Australian models	1
4A	107165GT	LOAD PLATFORM ASSY W/ DECALS Asia, S. America and European models	
5	32579-SGT	WELDMENT,CLEVIS STD. BOOM	1
6	80679GT	PIN,BALL RET.-.5 X 2.7	1
7	48301GT	PIN,TOGGLE,.50 X 8.13***	1
8	32567-SGT	SLA/SLC STD.BOOM ASSY/SERVICE USA, Canadian and Australian models; includes items 5 - 7	1
8A	107166GT	BOOM ARM ASSY W/ SYMBOL DECALS Asia, S. America and European models; includes items 5 - 7	

Go to Discount-Equipment.com to order your parts



403.1 Rear Wheels



403.1 Rear Wheels

Item	Part No.	Description	Qty.
	35848-SGT	SL REAR TRANSPORT WHEEL ASSY	
1	80434GT	WHEEL SPACER WELDMNT SLA, BLUE	1
2	124000GT	WHEEL, TRANSPORT SL 10X.75X2.75	
3	80433GT	WHEEL SPACR MNT WELD RH, SLA, BL	1
4	6094GT	PIN, COTTER, .125 X 1	2
5	57237GT	AXLE ROD, TRANSPORT WHEEL, SL	1
6	6564GT	WASHER, SHIM, .765 X 1.312 X .093	6
7	80432GT	WHEEL SPACR MNT WELD LH, SLA, BL	1
8	6019GT	SCREW, HHC, 3/8-16 X 1.25 GRD 5	
9	4828GT	NUT, NYLOCK, 3/8-16	

Go to Discount-Equipment.com to order your parts



<u>Part no.</u>	<u>Page Number</u>	<u>Part no.</u>	<u>Page Number</u>	<u>Part no.</u>	<u>Page Number</u>
1268GT	9	12013GT	35	32692GT	13, 17
1484GT	9	12016GT	19, 21	32693GT	13, 17
4828GT	19, 21, 23, 43, 51	12343GT	27	32714GT	13
5224GT	23	12402GT	9, 39	32715GRGT	13
5397GT	37, 43	13005GT	27	32715GT	13
6019GT	19, 21, 27, 35, 37, 51	13066GT	31, 35	32715SPGT	13
6033GT	23	21443GT	19, 21	32716GT	13
6034GT	23, 41	22788GT	39	32717GT	13
6052GT	31, 35	27581GT	9	32718GT	13
6086GT	23, 31, 41, 47	28487GT	21	32770GT	13
6091GT	27, 43	31072GT	13	32775GT	13
6094GT	51	31587GT	9	32879GT	23
6095GT	23	31822GT	27	32880GT	23
6097GT	19, 21, 23, 27, 37	32150GT	9	32881GT	23
6145GT	45	32151GT	9	32882GT	23
6175GT	19, 23, 27	32375GT	47	32883GT	23
6184GT	41	32473GT	11, 27, 31, 33	32884GT	23
6185GT	41	32474GT	27, 31, 33	32885GT	13
6190GT	9, 41	32475GT	11, 27, 31, 33	32903GT	9, 39
6326GT	27	32499GT	23	32904GT	39
6443GT	9, 39	32502PGT	23	32905GT	11, 39
6444GT	9, 39	32509GT	23	32906GT	47
6564GT	29, 51	32519GT	25	32907GT	47
6587GT	27	32522GT	35	32908GT	47
6600GT	27	32524GT	23	32937GT	49
6653GT	27	32531GT	21	32938GT	13
6732GT	23, 27	32532GT	21	32939GT	13
6770GT	41	32539GT	47	32945GT	41
6782GT	41	32541-SGT	47	32946GT	43
6889GT	45	32548-SGT	47	33045GT	49
7256GT	41	32564-SGT	47	33143GT	41
7265GT	27	32566-SGT	47	33144GT	41
7571GT	9	32567-SGT	49	33148GT	21
8170GT	49	32576GT	25	33251GT	21
8220GT	47	32577GT	25	33366-SGT	47
8255GT	37	32578PGT	25	33373GT	23
8516GT	19, 21, 23, 43	32579-SGT	49	33385GT	27
10597GT	31, 37	32686GT	13	33468GT	13
10598GT	23	32687GT	13	33540GT	29
11337GT	25	32689GT	13, 17	33658GT	19, 21
11890GT	19, 21	32690GT	13, 17	33670GT	19, 21
11978GT	27	32691GT	13, 17	33674GT	47

<u>Part no.</u>	<u>Page Number</u>	<u>Part no.</u>	<u>Page Number</u>	<u>Part no.</u>	<u>Page Number</u>
33811GT	35	57023GT	35	80987GT	31
33843GT	27	57024GT	35	82487GT	17
33875GT	11	57032-SGT	39	82964GT	17
35101GT	11, 33	57033-SGT	39	85182GT	45
35408GT	21, 33	57034GT	39	97529GT	13
35443GT	33	57035GT	39	97532GT	17
35463GT	33	57237GT	51	97539GT	17
35848-SGT	51	57736GT	23	97541GT	17
37061GT	9, 45	57740GT	19, 21	97542GT	17
37062GT	45	57746GT	23	97545GT	17
37065GT	43	57783GT	23	97546GT	17
37202GT	29	57788GT	29	97547GT	13
37481GT	23	58094GT	25	100309GT	23, 27
38028GT	43	58095GT	19	107153GT	19, 21
38149GT	13, 17	58750GT	19, 21	107154GT	19
40113GT	43	65764GT	9	107155GT	27
40115GT	45	72264GT	9, 43	107156GT	29
40116GT	43	78037GT	43	107157GT	41
40117GT	9, 43	80145GT	43	107158GT	43
40121GT	9	80146GT	43	107161GT	47
40122GT	9, 45	80147GT	43	107162GT	47
40123GT	45	80148GT	43	107163GT	47
40125GT	43	80149GT	43	107164GT	47
40126GT	43	80150GT	43	107165GT	49
40127GT	45	80151GT	43	107166GT	49
40128GT	45	80152GT	43	107171GT	19
40130GT	43	80153GT	43	107172GT	19
40255GT	21	80154GT	43	107173GT	19
40458GT	9, 41	80155GT	43	107174GT	19
40509GT	45	80156GT	45	107175GT	19
40510GT	45	80157GT	9, 45	107181GT	19
46683GT	21	80162GT	27	107182GT	19
48301GT	19, 21, 47, 49	80176-SGT	21	107183GT	19
49991GT	29	80177-SGT	21	107184GT	19
52675GT	13	80178-SGT	21	107185GT	19
52701GT	9, 39	80432GT	51	109560GT	27, 31, 33
52983GT	13, 17	80433GT	51	109577GT	27
57016GT	31	80434GT	51	109578GT	27
57018GT	35	80435GT	29	124000GT	51
57019GT	35	80597GT	49	124819GT	29
57021GT	35	80679GT	47, 49	124982GT	47
57022GT	35	80939GT	13, 17	1251619GT	37

<u>Part no.</u>	<u>Page Number</u>	<u>Part no.</u>	<u>Page Number</u>	<u>Part no.</u>	<u>Page Number</u>
1254648GT	37				
1254649GT	37				
1256083GT	41				
1256135GT	37				
1257074GT	27, 31, 33, 39				
1257075GT	27, 35, 37				
1257466GT	37				
1257733GT	9				
1258567GT	9				
1272242GT	13, 17				
1280819GT	15				
1293212GT	37				
1293213GT	37				
1293214GT	37				
1293215GT	37				
1293216GT	37				

Go to Discount-Equipment.com to order your parts



California Proposition 65

 **WARNING**

Operating, servicing and maintaining this equipment, passenger vehicle or off-highway motor vehicle can expose you to chemicals including engine exhaust, carbon monoxide, phthalates, and lead, which are known to the State of California to cause cancer and birth defects or other reproductive harm. These chemicals can be emitted from or contained in other various parts and systems, fluids and some component wear by-products. To minimize exposure, avoid breathing exhaust, do not idle the engine except as necessary, service your equipment and vehicle in a well-ventilated area and wear gloves or wash your hands frequently when servicing your equipment or vehicle and after operation. For more information go to www.P65Warnings.ca.gov/passenger-vehicle.

Breathing diesel engine exhaust exposes you to chemicals known to the State of California to cause cancer and birth defects or other reproductive harm.

- Always start and operate the engine in a well-ventilated area.
- If in an enclosed area, vent the exhaust to the outside.
- Do not modify or tamper with the exhaust system.
- Do not idle the engine except as necessary.

For more information go to www.P65warnings.ca.gov/diesel.

Distributed By:

www.GreaseMonkeyEquipment.com to order your parts

PARTS FINDER

**Search Website
by Part Number**



**Search Manual
Library For Parts
Manual & Lookup Part
Numbers – Purchase
or Request Quote**

Search Manuals

Enter your information to help us find the right parts manual for your machine.

* Brand:

* Model:

* Serial:

* Part Number:

SEARCH

**Can't Find Part or
Manual? Request Help
by Manufacturer,
Model & Description**

Parts Order Form

Please fill in the following information to help us find the right part for your machine.

Manufacturer:	<input type="text"/>
Model:	<input type="text"/>
Description:	<input type="text"/>
Part Number:	<input type="text"/>
Quantity:	<input type="text"/>
Notes:	<input type="text"/>

Submit

Discount-Equipment.com is your online resource for quality parts & equipment.

Florida: **561-964-4949** Outside Florida TOLL FREE: **877-690-3101**

Need parts?

Click on this link: <http://www.discount-equipment.com/category/5443-parts/> and choose one of the options to help get the right parts and equipment you are looking for. Please have the machine model and serial number available in order to help us get you the correct parts. If you don't find the part on the website or on one of the online manuals, please fill out the request form and one of our experienced staff members will get back to you with a quote for the right part that your machine needs.

We sell worldwide for the brands: Genie, Terex, JLG, MultiQuip, Mikasa, Essick, Whiteman, Mayco, Toro Stone, Diamond Products, Generac Magnum, Airman, Haulotte, Barreto, Power Blanket, Nifty Lift, Atlas Copco, Chicago Pneumatic, Allmand, Miller Curber, Skyjack, Lull, Skytrak, Tsurumi, Husquvarna Target, Stow, Wacker, Sakai, Mi-T-M, Sullair, Basic, Dynapac, MBW, Weber, Bartell, Bennar Newman, Haulotte, Ditch Runner, Menegotti, Morrison, Contec, Buddy, Crown, Edco, Wyco, Bomag, Laymor, EZ Trench, Bil-Jax, F.S. Curtis, Gehl Pavers, Heli, Honda, ICS/PowerGrit, IHI, Partner, Imer, Clipper, MMD, Koshin, Rice, CH&E, General Equipment, Amida, Coleman, NAC, Gradall, Square Shooter, Kent, Stanley, Tamco, Toku, Hatz, Kohler, Robin, Wisconsin, Northrock, Oztec, Toker TK, Rol-Air, APT, Wylie, Ingersoll Rand / Doosan, Innovatech, Con X, Ammann, Mecalac, Makinex, Smith Surface Prep, Small Line, Wanco, Yanmar