



A TEREX BRAND



# Parts Manual

Serial Number Range

**Superlift**  
**Advantage**

from SN SLA04-25259 to  
SLA16-61164

from SN SLA16G-61165 to  
SLA16G-64899

Part No. 115408

Rev D2

November 2018

Go to [Discount-Equipment.com](http://Discount-Equipment.com) to order your parts

# PARTS FINDER

**Search Website  
by Part Number**



**Search Manual  
Library For Parts  
Manual & Lookup Part  
Numbers – Purchase  
or Request Quote**

**Search Manuals**

Enter your information to help us find the right parts manual for your machine.

\* Brand:

\* Model:

\* Serial:

\* Part Number:

SEARCH

**Can't Find Part or  
Manual? Request Help  
by Manufacturer,  
Model & Description**

**Parts Order Form**

Please fill in the following information to help us find the right part for your machine.

Manufacturer:	<input type="text"/>
Model:	<input type="text"/>
Description:	<input type="text"/>
Part Number:	<input type="text"/>
Quantity:	<input type="text"/>
Notes:	<input type="text"/>

Submit

Discount-Equipment.com is your online resource for quality parts & equipment.

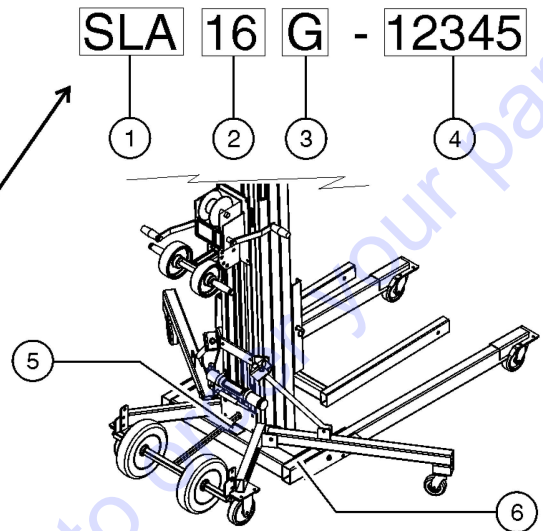
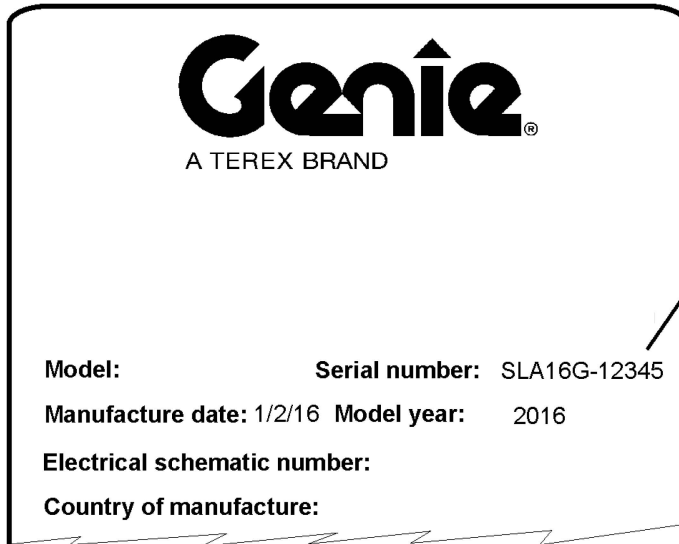
Florida: **561-964-4949** Outside Florida TOLL FREE: **877-690-3101**

**Need parts?**

Click on this link: <http://www.discount-equipment.com/category/5443-parts/> and choose one of the options to help get the right parts and equipment you are looking for. Please have the machine model and serial number available in order to help us get you the correct parts. If you don't find the part on the website or on one of the online manuals, please fill out the request form and one of our experienced staff members will get back to you with a quote for the right part that your machine needs.

We sell worldwide for the brands: Genie, Terex, JLG, MultiQuip, Mikasa, Essick, Whiteman, Mayco, Toro Stone, Diamond Products, Generac Magnum, Airman, Haulotte, Barreto, Power Blanket, Nifty Lift, Atlas Copco, Chicago Pneumatic, Allmand, Miller Curber, Skyjack, Lull, Skytrak, Tsurumi, Husquvarna Target, Stow, Wacker, Sakai, Mi-T-M, Sullair, Basic, Dynapac, MBW, Weber, Bartell, Bennar Newman, Haulotte, Ditch Runner, Menegotti, Morrison, Contec, Buddy, Crown, Edco, Wyco, Bomag, Laymor, EZ Trench, Bil-Jax, F.S. Curtis, Gehl Pavers, Heli, Honda, ICS/PowerGrit, IHI, Partner, Imer, Clipper, MMD, Koshin, Rice, CH&E, General Equipment, Amida, Coleman, NAC, Gradall, Square Shooter, Kent, Stanley, Tamco, Toku, Hatz, Kohler, Robin, Wisconsin, Northrock, Oztec, Toker TK, Rol-Air, APT, Wylie, Ingersoll Rand / Doosan, Innovatech, Con X, Ammann, Mecalac, Makinex, Smith Surface Prep, Small Line, Wanco, Yanmar

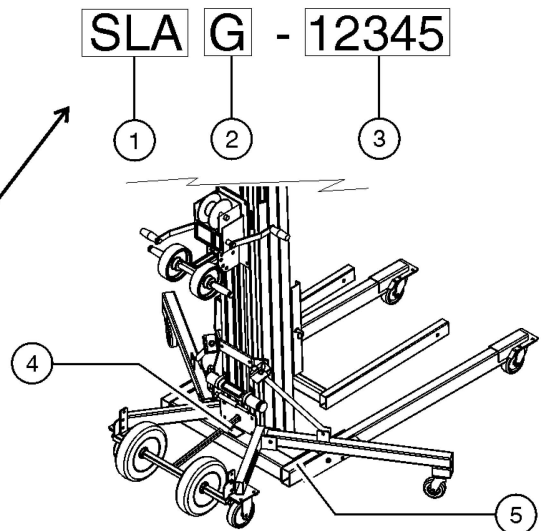
To August 31, 2016



- 1 Model
- 2 Model year
- 3 Facility code

- 4 Sequence number
- 5 Serial label
- 6 Serial number (stamped on base)

From September 1, 2016



- 1 Model
- 2 Facility code
- 3 Sequence number

- 4 Serial label
- 5 Serial number (stamped on base)

## Table of Contents

This manual is updated frequently. For the most up-to-date parts information, visit [www.discount-equipment.com](http://www.discount-equipment.com)

How to Read Your Serial Number.....	3
Parts Stocking List.....	7

### **Electronic Version**

Click on any page number to view the figure.

#### **100 Decals**

101.1 Decals with Words.....	10
102.1 Decals with Symbols.....	12

#### **200 Base Components**

201.1 Base Components - Standard.....	14
202.1 Base Components - Straddle (SLA-5, SLA-10 and SLA-15).....	16
203.1 Base Components.....	18

#### **300 Mast and Winch Components**

301.1 Mast Components, View 1.....	20
302.1 Mast Components, View 2.....	22
303.1 Mast Components, View 3.....	24
304.1 Columns, Pulleys and Cables (to SN SLA15-56961).....	28
304.2 Columns, Pulleys and Cables (from SN SLA15-56962).....	32
305.1 Winch Components, One-speed.....	34
306.1 Winch Components, Two-speed.....	36

#### **400 Accessories**

401.1 Forks.....	38
402.1 Pipe Cradle, Load Platform and Boom Arm.....	40
403.1 Rear Wheels.....	42

#### **Indices**

Part Number Index.....	44
Part Description Index.....	45

#### **Cross References**

## Required Parts

The following parts are required to perform maintenance procedures as outlined in the Genie Superlift Advantage Service Manual.

Description	Part No.
Cable Replacement Coupler .....	12402
Disc Brake (One-Speed Winch) .....	7571
Disc Brake (Two-Speed Winch).....	37061

## Recommended Parts

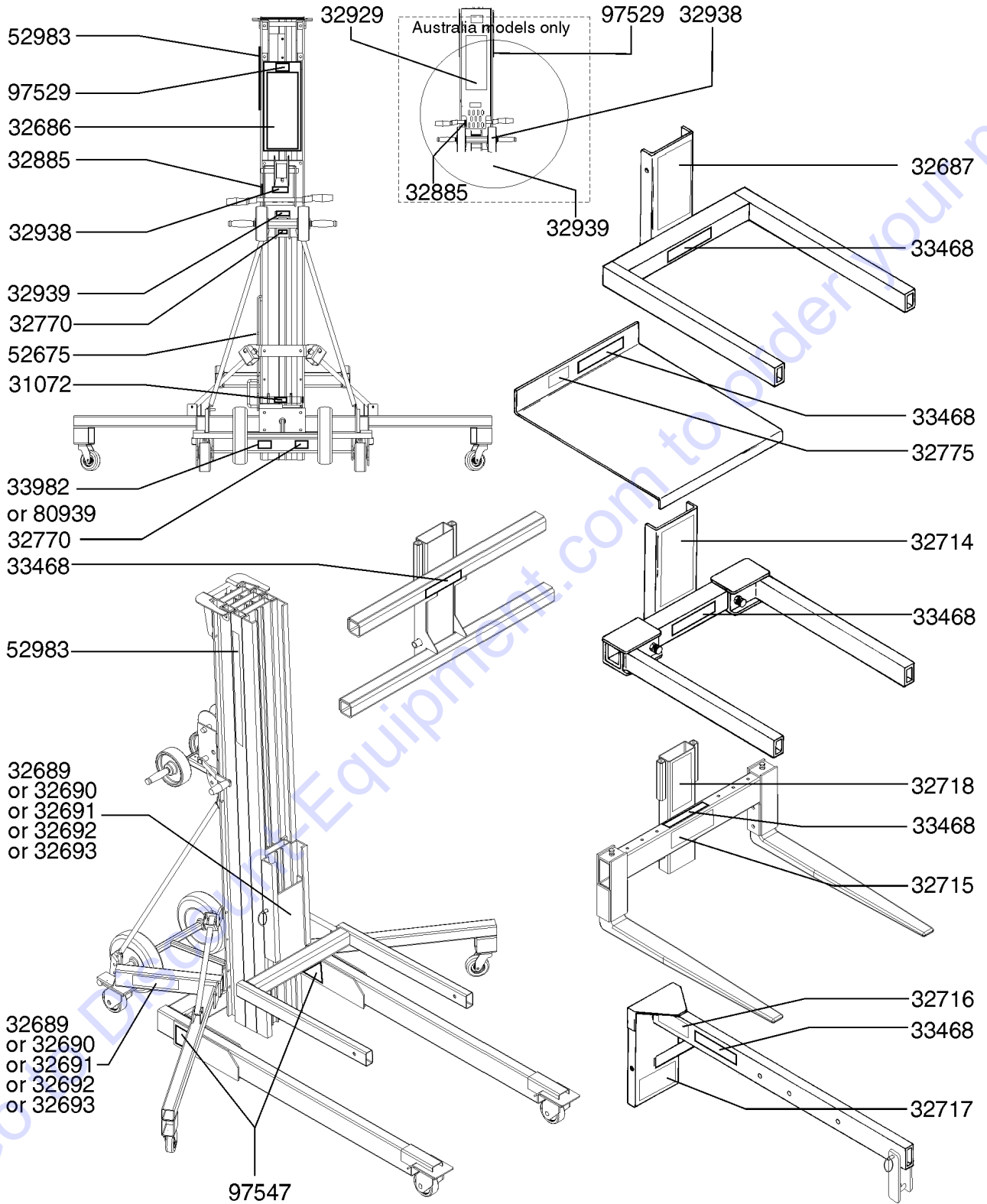
Description	Part No.
Genie Blue Paint, 1 Gallon (3.78 liters) .....	32150
Genie Blue Paint, 12 Ounce Aerosol (355 ml).....	1484
Genie Gray Paint, 1 Gallon (3.78 liters).....	32151
Genie Gray Paint, 12 Ounce Aerosol (355 ml).....	1268
Pinion Plate (Two-Speed Winch).....	40122
Ratchet Gear (Two-Speed Winch).....	40121
Pinion Gear (Two-Speed Winch).....	80157
Ratchet Pawl Kit (One-Speed Winch) .....	40458
Ratchet Pawl Kit (Two-Speed Winch).....	40117
Cable Keeper Kit (One-Speed Winch).....	6190
Primary Shaft Assembly .....	72264
Cable Assembly (SLA-5 models).....	6443
Cable Assembly (SLA-10 models).....	6444
Cable Assembly (SLA-15 models).....	32903
Cable Assembly (SLA-20 models).....	32904
Cable Assembly (SLA-25 models).....	32905
Pin Assembly with Lanyard .....	32940
Roller Bolt, 1/2-13 x 1.84 inches.....	32475
Nylatron Roller, 1.75 x 0.72 inch.....	32473
Safety Brake Assembly .....	35101
Safety Brake Tool Assembly.....	33875
Loctite Thread Lock .....	65764
Genie Superlift Cabling Procedure Video.....	52701

## Manuals

Genie Industries offers the following support documents for these models:

Title	Part No.
EMI Safety Manual .....	27581
Manual of Responsibilities ANSI A92.5 .....	31587

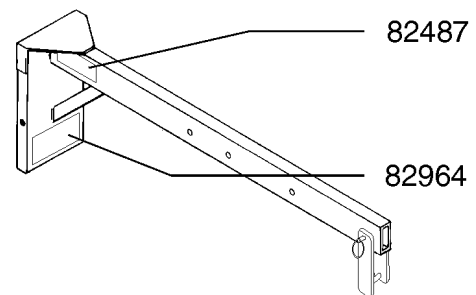
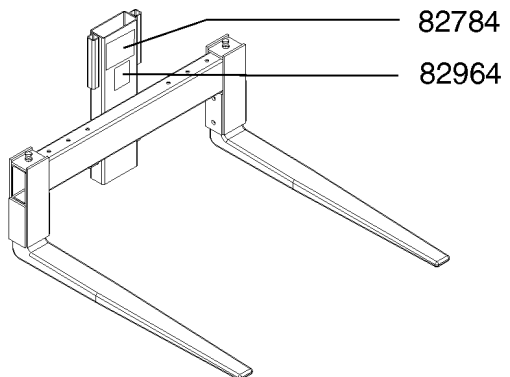
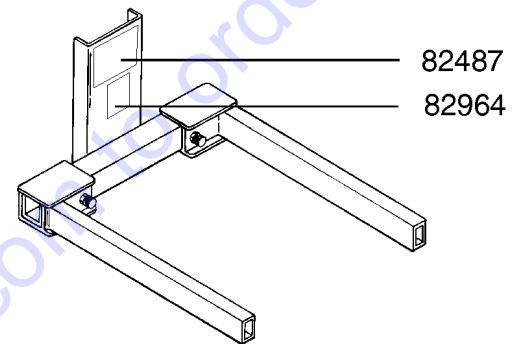
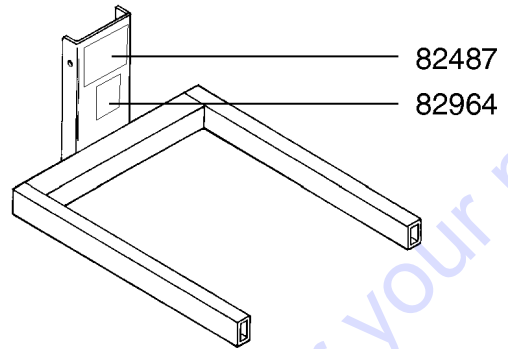
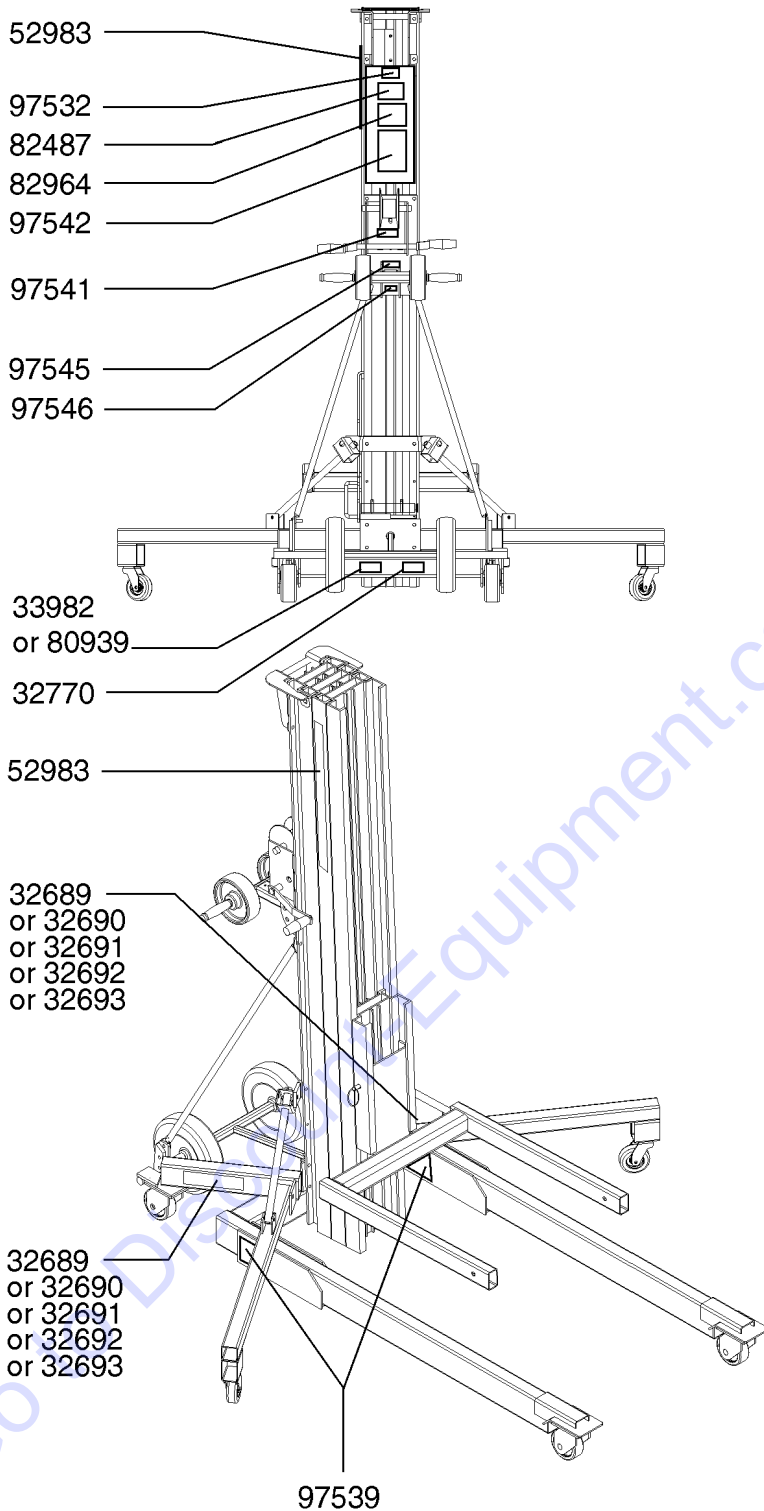
101.1 Decals with Words



## 101.1 Decals with Words

Item	Part No.	Description	Qty.
1	31072GT	DECAL,LABEL,OPER.MAN.STORAGE..1	
2	32686GT	DECAL,OPERATING INSTRUCT. SLA....1	
3	32687GT	DECAL,WARNING STD.FORK SAFETY.....1	
4	32689GT	DECAL,MODEL HEIGHT SL5.....2	
4A	32690GT	DECAL,MODEL HEIGHT SL10	
4B	32691GT	DECAL,MODEL HEIGHT SL15	
4C	32692GT	DECAL,MODEL HEIGHT SL20	
4D	32693GT	DECAL,MODEL HEIGHT SL25	
5	32714GT	DECAL,WARNING ADJ FORK SETUP...1	
6	32715GT	DECAL,NOTICE FLAT FORK SETUP.....1	
6A	32715GRGT	DECAL,NOTICE FLAT FORK SETUP (GERMAN)	
6B	32715SPGT	DECAL,NOTICE FLAT FORK SETUP (SPANISH)	
7	32716GT	DECAL,NOTICE BOOM SETUP.....1	
8	32717GT	DECAL,WARNING BOOM SAFETY.....1	
9	32718GT	DECAL,WARNING FLAT FORK SAFETY.....1	
10	32770GT	DECAL,2 SPD.WINCH**.....1	
11	32775GT	DECAL,WARNING,FALL HAZARD.....1	
12	32885GT	DECAL,SILENT WINCH.....1	
13	32929GT	DECAL,OPERATING INSTRUCT,ST2	
14	32938GT	DECAL,LABEL,WINCH ONLY.....1	
15	32939GT	DECAL,CRUSHING HAZ/BRAKE LOCK.....1	
16	33468GT	DECAL,WARNING,NO RIDERS.....5	
17	52675GT	DECAL,CAUTION,DAMAGD MACHINE.....1	
18	52983GT	DECAL,GENIE SUPERLIFT ADVANTAG.....2	
19	97547GT	DECAL,DANGER,ELEC.HAZ.....2	
20	97529GT	DECAL,CAUTION,MOVING PARTS.....1	
21	80939GT	SERIAL # LABEL,MAT LIFT & SS**.....1	

102.1 Decals with Symbols

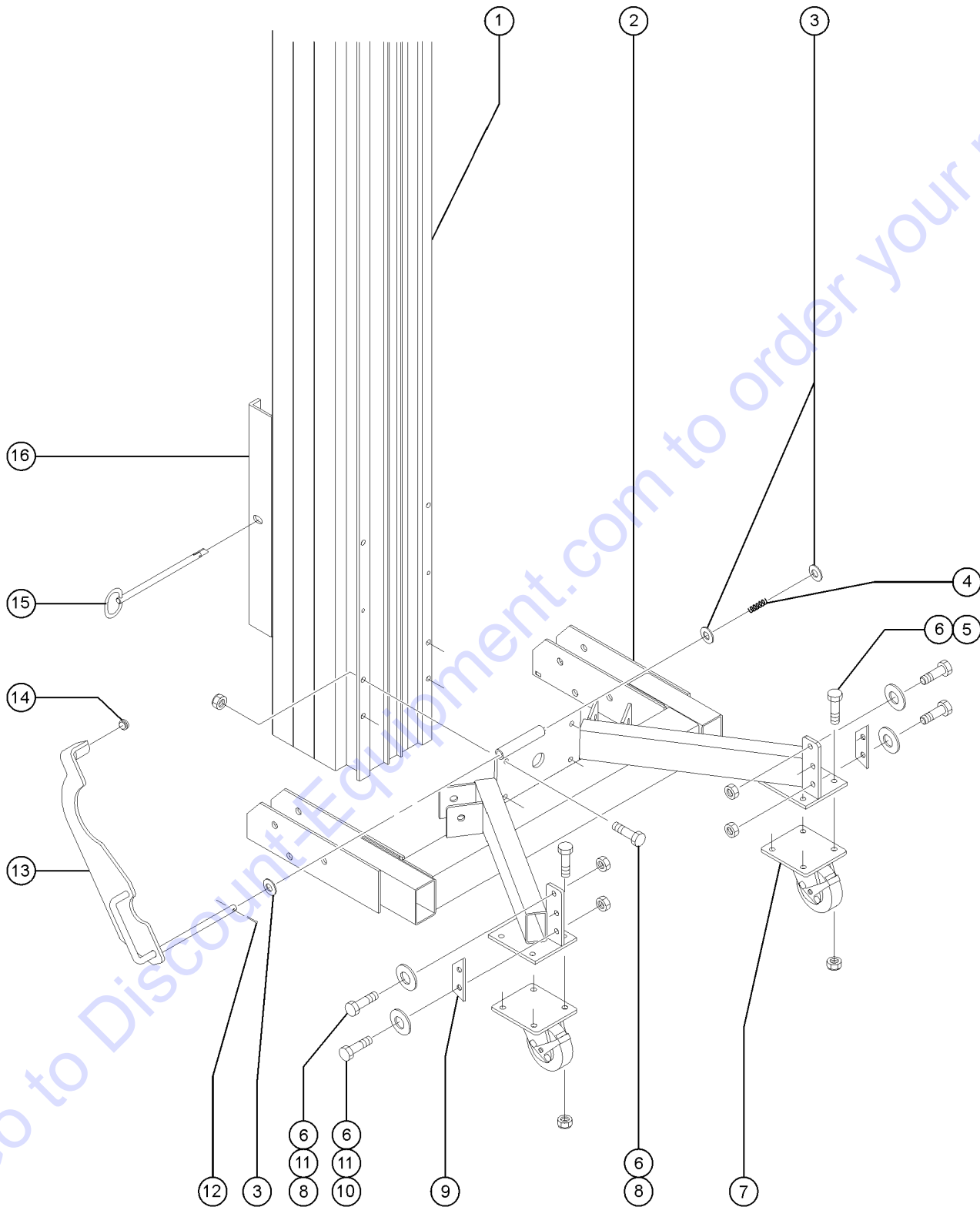




## 102.1 Decals with Symbols

Item	Part No.	Description	Qty.
--	32689GT	DECAL,MODEL HEIGHT SL5.....	2
--	32690GT	DECAL,MODEL HEIGHT SL10	
--	32691GT	DECAL,MODEL HEIGHT SL15	
--	32692GT	DECAL,MODEL HEIGHT SL20	
--	32693GT	DECAL,MODEL HEIGHT SL25	
2	52983GT	DECAL,GENIE SUPERLIFT ADVANTAG.....	2
3	82487GT	DECAL, SYMBOL - READ THE MANUAL.....	2
4	82964GT	DECAL,WARNING,NO RIDERS SYMB...1	
5	97532GT	DECAL,CAUTION,MOVING PARTS SYM.....	1
6	97539GT	DECAL,DANGER,ELEC.HAZ.....	2
7	97541GT	DECAL,LABEL,WINCH ONLY SYMB....1	
8	97542GT	DECAL,WARNING,LOAD CHART SLA...1	
9	97545GT	DECAL,WARNING,BRAKE LOCK SYMB.....	1
10	97546GT	DECAL,2 SPD.WINCH SYMB.....	1
11	80939GT	SERIAL # LABEL,MAT LIFT & SS**.....	1

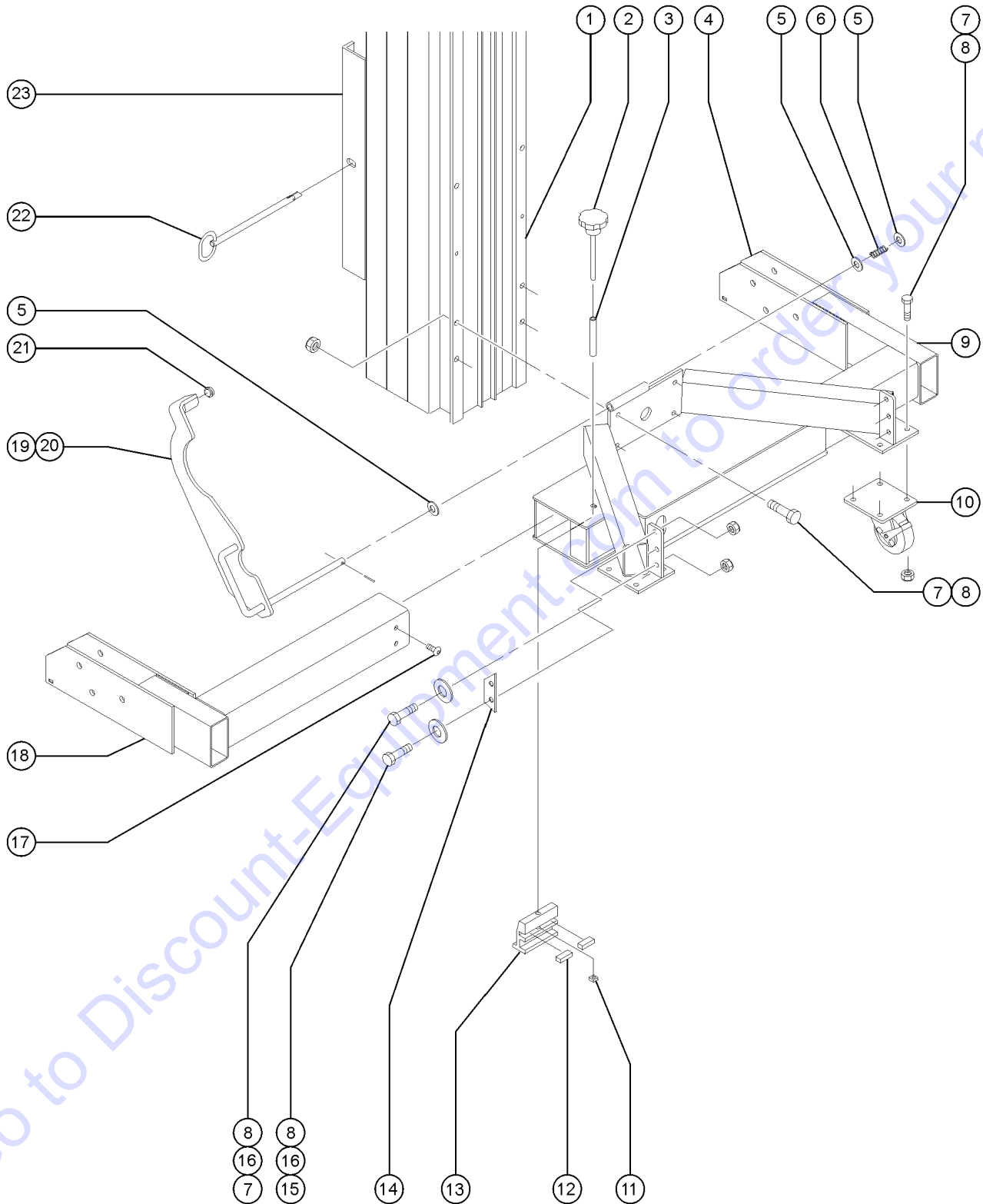
201.1 Base Components - Standard



## 201.1 Base Components - Standard

Item	Part No.	Description	Qty.
1		Ref. Columns <i>refer to 304.1</i>	
2A	107171GT	BASE ASSY W/ WRD DECALS (SLA5) <i>USA, Canadian and Australian models</i>	
2B	107181GT	BASE ASSY W/ SYM DECALS (SLA5) <i>Asia, S. America and European models</i>	
2C	107172GT	BASE ASSY W/ WRD DECALS(SLA10) <i>USA, Canadian and Australian models</i>	
2D	107182GT	BASE ASSY W/ SYM DECALS(SLA10) <i>Asia, S. America and European models</i>	
2E	107173GT	BASE ASSY W/ WRD DECALS(SLA15) <i>USA, Canadian and Australian models</i>	
2F	107183GT	BASE ASSY W/ SYM DECALS(SLA15) <i>Asia, S. America and European models</i>	
2G	107174GT	BASE ASSY W/ WRD DECALS(SLA20) <i>USA, Canadian Australian models; Australian models</i>	
2H	107184GT	BASE ASSY W/ SYM DECALS(SLA20) <i>Asia, S. America and European models</i>	
2I	107175GT	BASE ASSY W/ WRD DECALS(SLA25) <i>USA, Canadian and Australian models</i>	
2J	107185GT	BASE ASSY W/ SYM DECALS(SLA25) <i>Asia, S. America and European models</i>	
3	21443GT	SHIM,.75 X.45 X.064.....	3
4	33658GT	SPRING,HOLDOWN SL2E.....	1
5	6175GT	SCREW,HHC,3/8-16 X 1	
6	4828GT	NUT,NYLOCK,3/8-16	
7	57740GT	CASTER,PL,SW LOCK, SB, 5 X 2.....	2
8	6019GT	SCREW,HHC,3/8-16 X 1.25 GRD 5	
9	33670GT	SKID PAD.....	2
10	8516GT	SCREW, HCC, 3/8-16 X 1.50	
11	6097GT	WASHER,FLAT,USS,3/8",Y	
12	12016GT	PIN,COTTER,.125 X .75.....	1
13A	58750GT	HOLD DOWN KIT W/DECAL SL SHORT <i>SLA-5, SLA-10, SLA-15 (USA, Canadian and Australian models) (includes items 12 and 14)</i>	
13B	107153GT	HLD DOWN KIT,SHORT <i>SLA-5, SLA-10, SLA-15 (Asia, S. America and Europe) (includes items 12 and 14)</i>	
13C	58095GT	HOLD DOWN KIT W/DECAL SL LONG <i>SLA-20, SLA-25 (USA, Canadian and Australian models) (includes items 12 and 14)</i>	
13D	107154GT	HLD DOWN KIT, LONG <i>SLA-20, SLA-25 (Asia, S. America and Europe) (includes items 12 and 14)</i>	
14	11890GT	GLIDE BUTTON,SIDE,GLL,.100 TK.....	1
15	48301GT	PIN,TOGGLE,.50 X 8.13***.....	1
16		Ref. Carriage <i>refer to 304.1</i>	

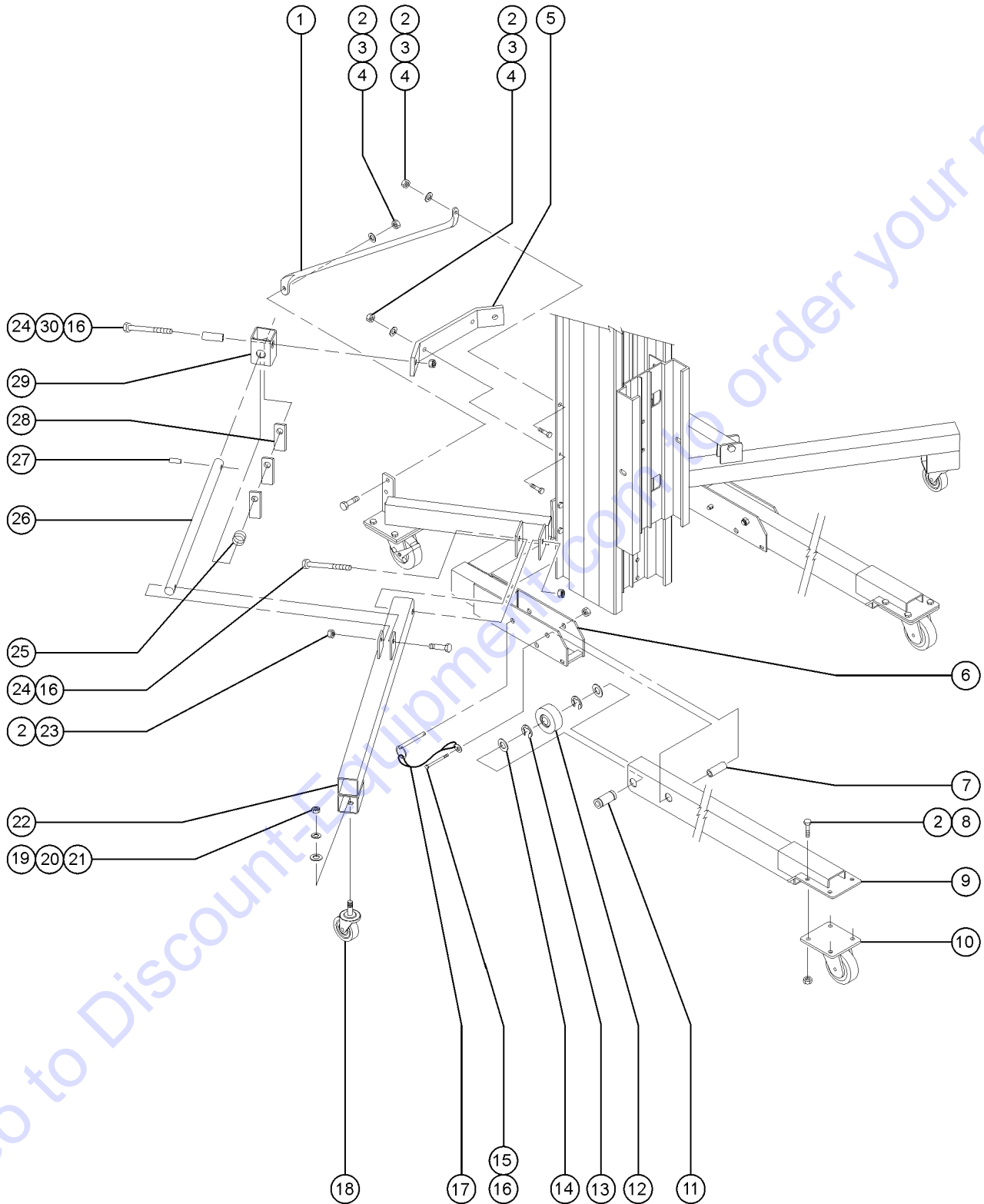
202.1 Base Components - Straddle (SLA-5, SLA-10 and SLA-15)



## 202.1 Base Components - Straddle (SLA-5, SLA-10 and SLA-15)

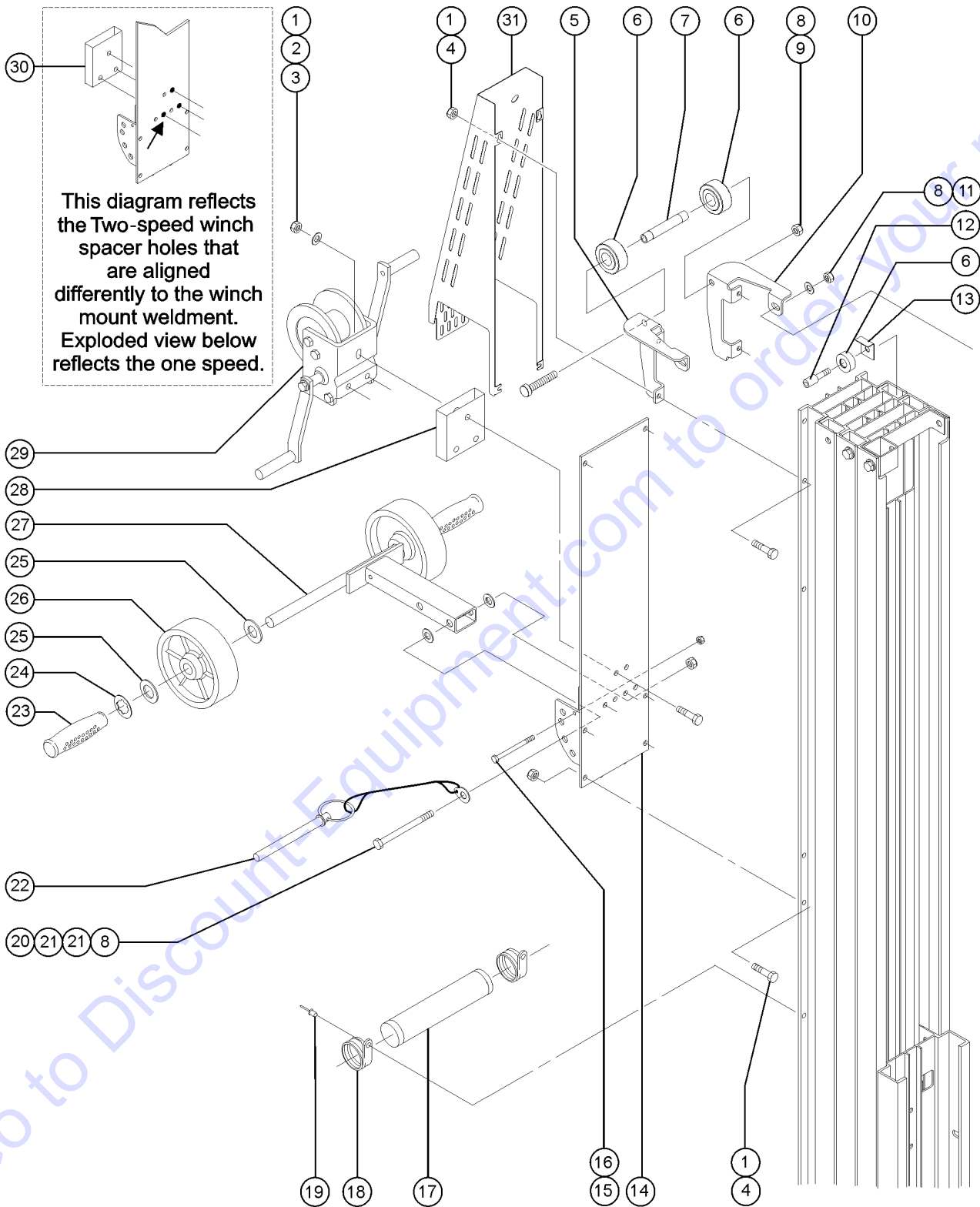
Item	Part No.	Description	Qty.
1		Ref. Columns <i>refer to 304.1</i>	
2	33148GT	KNOB,STRADDLE BASE SL2.....	2
3	33251GT	SPACER-STRADDLE BASE-3".....	2
4	32531GT	WELDMENT,ARM STRADDLE RIGHT...	1
5	21443GT	SHIM,.75 X.45 X.064.....	3
6	33658GT	SPRING,HOLDOWN SL2E.....	1
7	6019GT	SCREW,HHC,3/8-16 X 1.25 GRD 5	
8	4828GT	NUT,NYLOCK,3/8-16	
9A	80176-SGT	BASE ASSY/STRADDLE, SLA-5.....	1
9B	80177-SGT	BASE ASSY-STRADDLE, SLA-10	
9C	80178-SGT	BASE ASSY-STRADDLE, SLA-15	
10	57740GT	CASTER,PL,SW LOCK, SB, 5 X 2.....	2
11	35408GT	NUT,SQUARE 3/8-16 NC, PLATED	
12	46683GT	BLOCK,RETAINING; SLA STRADLE....	4
13	40255GT	WEDGE, MACHINED.....	2
14	33670GT	SKID PAD.....	2
15	8516GT	SCREW, HCC, 3/8-16 X 1.50	
16	6097GT	WASHER,FLAT,USS,3/8",Y	
17	28487GT	SCREW,BHHS,3/8-16 X 1	
18	32532GT	WELDMENT,ARM STRADDLE LEFT....	1
19A	58750GT	HOLD DOWN KIT W/DECAL SL SHORT <i>SLA-5, SLA-10, SLA-15 (USA, Canada, Australia) (includes items 12 and 14)</i>	
19B	107153GT	HLD DOWN KIT,SHORT <i>SLA-5, SLA-10, SLA-15 (Asia, S. America, Europe) includes items 12 and 14</i>	
20	12016GT	PIN,COTTER,.125 X .75.....	1
21	11890GT	GLIDE BUTTON,SIDE,GLL,.100 TK.....	1
22	48301GT	PIN,TOGGLE,.50 X 8.13*** .....	1
23		Ref. Carriage <i>refer to 304.1</i>	

203.1 Base Components



Item	Part No.	Description	Qty.
--	37481GT	SLA STABILIZER SET ASSY.SERV. <i>includes items 2 - 5, 16, 18 and 22 - 30</i>	
1	32883GT	STRUT,LH,SL2.....	1
1A	32884GT	STRUT,RH,SL2 <i>shown</i>	
2	4828GT	NUT,NYLOCK,3/8-16	
3	6097GT	WASHER,FLAT,USS,3/8",Y	
4	8516GT	SCREW, HCC, 3/8-16 X 1.50	
5	32502PGT	BRACKET, STAB.MOUNT,"BLUE".....	1
6		Ref. Standard Base Assembly with Decals <i>(refer to 201.1)</i>	
7	32509GT	PIVOT TUBE SL2 LEG.....	2
8	6175GT	SCREW,HHC,3/8-16 X 1	
9	32879GT	WELDMENT,LEG,SL5/10.....	2
9A	32880GT	WELDMENT,LEG,SL15	
9B	32881GT	WELDMENT,LEG,SL20/25	
10	57736GT	CASTER,PL,SW, 4 X 2.....	2
11	32524GT	AXLE TUBE, SL2 LEG.....	2
12	57783GT	WHEEL,POLYOLEFIN,3.5X1.25,7/8.....	2
13	32499GT	E CLIP,.875 IN.SL LEG.....	4
14	33373GT	WASHER,SHIM,1.50 X .890 X .09.....	4
15	10598GT	SCREW,HHC,1/2-13 X 3	
16	6086GT	NUT,LP NYLOCK,1/2-13	
17	100309GT	ASSY,PIN & LANYARD***.....	2
18	57746GT	CASTER,POST,SW,3.5 (DARK GRAY)...	2
19	6034GT	NUT,HEX,JAM,1/2-13	
20	6033GT	WASHER,LOCK,0.5"	
21	6095GT	WASHER,FLAT,USS,1/2",Y	
22	32882GT	WELD.,STABILIZER LEG SL2 BLUE.....	2
23	5224GT	SCREW,HHC,3/8-16 X 2	
24	6732GT	SCREW,HHC,1/2-13 X 3.25	
25	32519GT	SPRING,STABILIZER LATCH SL2.....	2
26	58094GT	STABILIZER STRUT,ASSY..... <i>includes item 27</i>	2
27	11337GT	PIN,ROLL,.25 X 1.25.....	2
28	32577GT	LATCH PLATE,STABILIZER SL2.....	6
29	32578PGT	CLAMP TUBE,STABILIZER BLUE.....	2
30	32576GT	PIVOT TUBE,STABILIZER.....	2

301.1 Mast Components, View 1

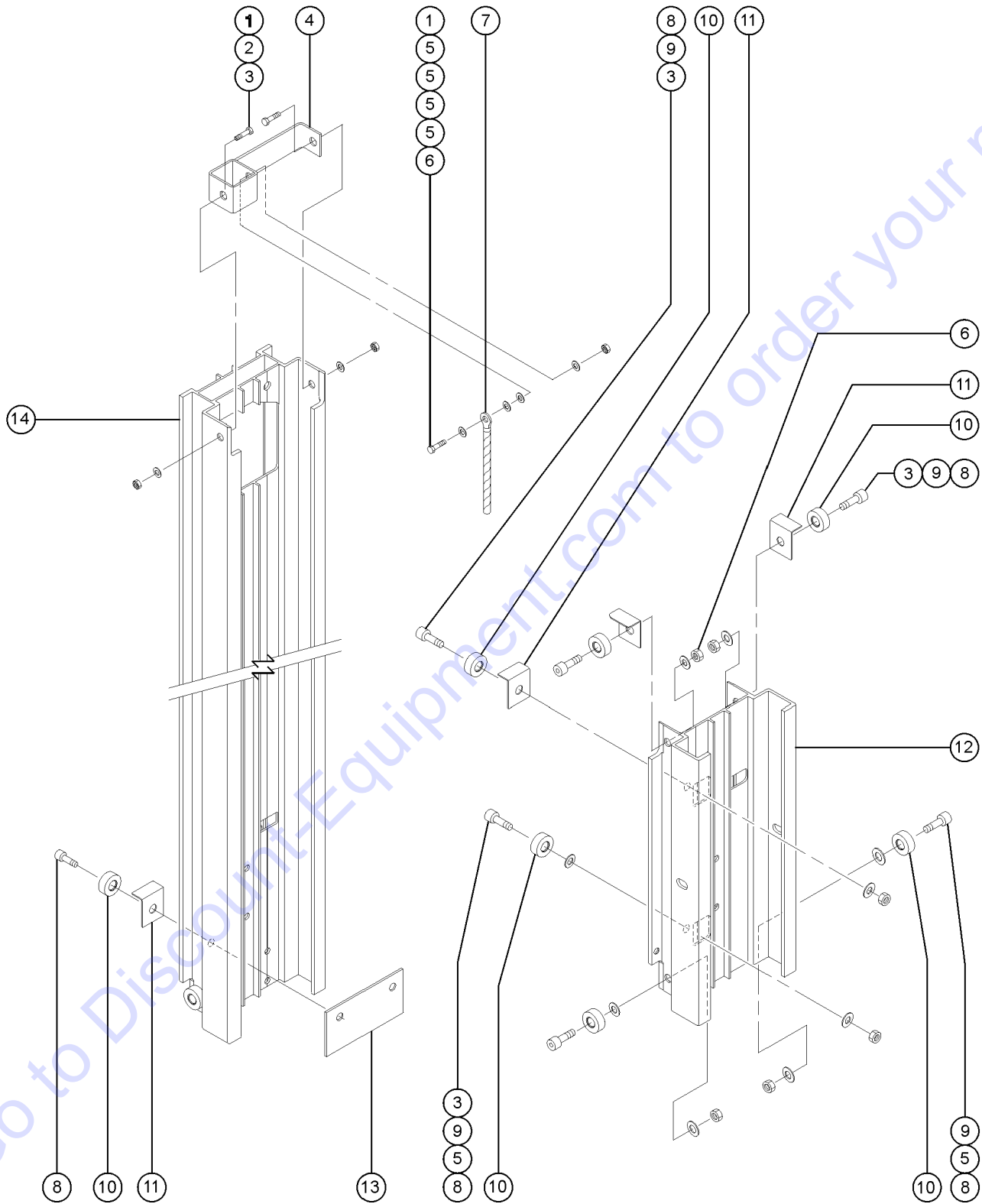




## 301.1 Mast Components, View 1

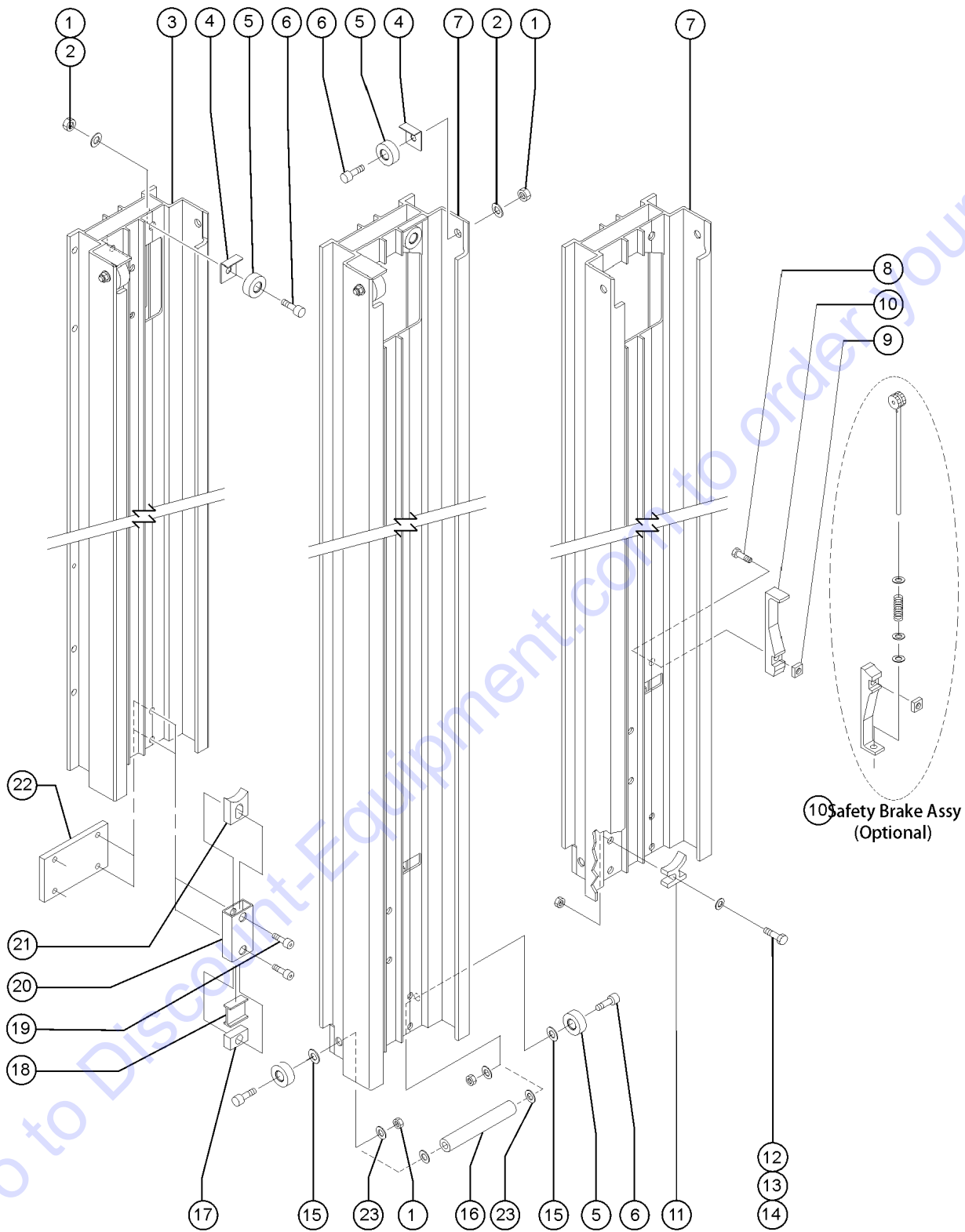
Item	Part No.	Description	Qty.	Item	Part No.	Description	Qty.
1	1257075GT	NUT, NYLOCK,3/8-16,GR8, ZINC.....	11	28	80435GT	WINCH SPACER,1 SPEED SLA, BLUE SLA-5, SLA-10	
2	6097GT	WASHER,FLAT,USS,3/8",Y (one speed winch)		29		Ref. Winch Assembly (refer to 305.1 or 306.1)	
2A	6097GT	WASHER,FLAT,USS,3/8",Y (two speed winch)		30	49991GT	WINCH SPACER, 2 SPEED SLC,GRAY.....	1
3	6326GT	SCREW,HHC,3/8-16 X 3 SLA-5, SLA-10		31	124819GT	KIT,CBL GRD,W/WRD DCALS,SLA.....	1
3A	6175GT	SCREW,HHC,3/8-16 X 1 SLA-15, SLA-20, SLA-25				<i>Australian models; assembly with word decals; from SN SLA08-43561</i>	
4	6019GT	SCREW,HHC,3/8-16 X 1.25 GRD 5					
5	109577GT	MAST STIFFENER,RT,BLUE.....	1				
6	32473GT	WHEEL,ROLLER,NYLATRON,1.75.....	4				
7	33843GT	SPACER,MAST STIFFENER.....	1				
8	1257074GT	NUT, NYLOCK, 1/2-13, GR8, ZINC.....	3				
9	13005GT	SCREW,HHC,1/2-13 X 6,GRD.8.....	1				
10	109578GT	MAST STIFFENER,LT,BLUE.....	1				
11	6095GT	WASHER,FLAT,USS,1/2",Y (to SN SLA05-30639)					
11A	109560GT	WASHER, NYLON, .51X.75X.125 (from SN SLA05-30640)					
12	32475GT	BOLT-ROLLER,1/2-13X1.84 ZINC.....	2				
13	32474GT	GUARD,ROLLER, SL2,.....	2				
14	80162GT	WINCH MOUNT W/DECAL (SLA).....	1				
		<i>USA, Canadian and Australian models</i>					
14A	107155GT	WINCH MOUNT W/ SYMBOL DECAL <i>Asia, S. America and European models</i>					
15	12343GT	SCREW,HHC,1/4-20 X 3					
16	6091GT	NUT,NYLOCK,1/4-20					
17	6600GT	INSTRUCT.TUBE W/CAPS-1.75 X 12.....	1				
--	31822GT	CAP,INSTRUCTION TUBE (RED)					
18	6653GT	CLAMP,1.88,#30 X 1/4,RUB CUSH.....	2				
19	7265GT	RIVET,STEEL,P, .25 X .375.....	2				
20	6732GT	SCREW,HHC,1/2-13 X 3.25					
21	11978GT	WASHER,FLAT,NYLON.515X.88X.093					
22	100309GT	ASSY,PIN & LANYARD*** .....	1				
23	6587GT	HANDLE GRIP, RUBBER .75 X 4.5.....	2				
24	33385GT	WASHER,PUSH ON .75 SHAFT.....	2				
25	6564GT	WASHER, SHIM,.765 X 1.312 X .093.....	4				
26	57788GT	WHEEL,POLY,6X2, 3/4**.....	2				
--	37202GT	BUSHING,3/4ODX2.44LGX.5ID					
27	33540GT	LOADING WHEEL ASSY ST/SL.....	1				
		<i>USA, Canadian and Australian models; includes items 24 - 27</i>					
27A	107156GT	LOADING WHEEL ASSY W DECAL <i>Asia, S. America and European models; includes items 24 - 27. If needed, order decals 97546 separately. Refer to Section 100.</i>					

302.1 Mast Components, View 2



Item	Part No.	Description	Qty.
1	10597GT	SCREW,HHC,1/2-13 X 1.25 GR5	
2	6095GT	WASHER,FLAT,USS,1/2",Y (to SN SLA-30639)	
2A	109560GT	WASHER, NYLON, .51X.75X.125 (from SN SLA-30640)	
3	1257074GT	NUT, NYLOCK, 1/2-13, GR8, ZINC	
4	80987GT	KIT, CABLE ANCHOR BRK, SLC/ST*.....1	
5	6052GT	WASHER,SHIM,.5 X .875 X .063.....7	
6	6086GT	NUT,LP NYLOCK,1/2-13	
7		Ref. Cable Assembly (refer to 304.1)	
8	32475GT	BOLT-ROLLER,1/2-13X1.84 ZINC.....8	
9	13066GT	WASHER,FLAT,5 HARDENED	
10	32473GT	WHEEL,ROLLER,NYLATRON,1.75.....8	
11	32474GT	GUARD,ROLLER, SL2,.....5	
12		Ref. Carriage (refer to 304.1)	
13	57016GT	PLATE,DOUBLER,SL MAST.....1	
14		Ref. Number 1 Column (refer to 304.1)	

303.1 Mast Components, View 3



**SLA Figure 303.1**  
Mast Components - View 3



# PARTS FINDER

**Search Website  
by Part Number**



**Search Manual  
Library For Parts  
Manual & Lookup Part  
Numbers – Purchase  
or Request Quote**

**Search Manuals**

Enter your information to help us find the right parts manual for your machine.

\* Brand:

\* Model:

\* Serial:

\* Part Number:

SEARCH

**Can't Find Part or  
Manual? Request Help  
by Manufacturer,  
Model & Description**

**Parts Order Form**

Please fill in the following information to help us find the right part for your machine.

Manufacturer:	<input type="text"/>
Model:	<input type="text"/>
Description:	<input type="text"/>
Part Number:	<input type="text"/>
Quantity:	<input type="text"/>
Notes:	<input type="text"/>

Submit

Discount-Equipment.com is your online resource for quality parts & equipment.

Florida: **561-964-4949** Outside Florida TOLL FREE: **877-690-3101**

**Need parts?**

Click on this link: <http://www.discount-equipment.com/category/5443-parts/> and choose one of the options to help get the right parts and equipment you are looking for. Please have the machine model and serial number available in order to help us get you the correct parts. If you don't find the part on the website or on one of the online manuals, please fill out the request form and one of our experienced staff members will get back to you with a quote for the right part that your machine needs.

We sell worldwide for the brands: Genie, Terex, JLG, MultiQuip, Mikasa, Essick, Whiteman, Mayco, Toro Stone, Diamond Products, Generac Magnum, Airman, Haulotte, Barreto, Power Blanket, Nifty Lift, Atlas Copco, Chicago Pneumatic, Allmand, Miller Curber, Skyjack, Lull, Skytrak, Tsurumi, Husquvarna Target, Stow, Wacker, Sakai, Mi-T-M, Sullair, Basic, Dynapac, MBW, Weber, Bartell, Bennar Newman, Haulotte, Ditch Runner, Menegotti, Morrison, Contec, Buddy, Crown, Edco, Wyco, Bomag, Laymor, EZ Trench, Bil-Jax, F.S. Curtis, Gehl Pavers, Heli, Honda, ICS/PowerGrit, IHI, Partner, Imer, Clipper, MMD, Koshin, Rice, CH&E, General Equipment, Amida, Coleman, NAC, Gradall, Square Shooter, Kent, Stanley, Tamco, Toku, Hatz, Kohler, Robin, Wisconsin, Northrock, Oztec, Toker TK, Rol-Air, APT, Wylie, Ingersoll Rand / Doosan, Innovatech, Con X, Ammann, Mecalac, Makinex, Smith Surface Prep, Small Line, Wanco, Yanmar

## 303.1 Mast Components, View 3

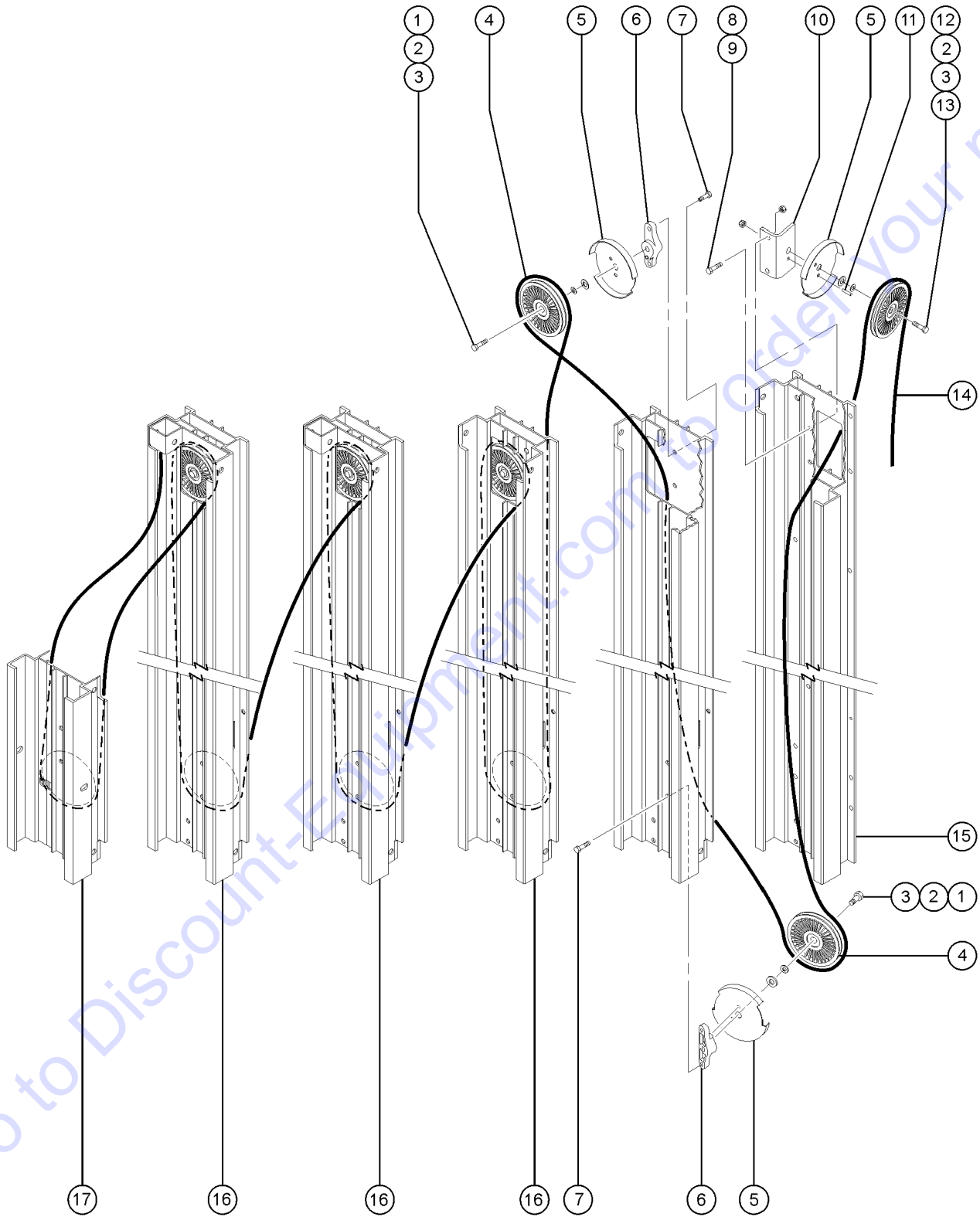
Item	Part No.	Description	Qty.	Item	Part No.	Description	Qty.
1	1257074GT	NUT, NYLOCK, 1/2-13, GR8, ZINC SLA-5, SLA-10, SLA-15, SLA-20 and SLA-25 models		10B	35443GT	UP STOP.....3 SLA-15 (for models without safety brake)	3
2	6095GT	WASHER, FLAT, USS, 1/2", Y SLA-5, SLA-10, SLA-15, SLA-20 and SLA-25 (to SN SLA05-30639)		10C	35443GT	UP STOP.....4 SLA-20 (for models without safety brake)	4
2A	109560GT	WASHER, NYLON, .51X.75X.125 SLA-5, SLA-10, SLA-15, SLA-20 and SLA-25 (from SN SLA05-30640)		10D	35443GT	UP STOP.....5 SLA-25 (for models without safety brake)	5
3		Ref. Number 1 Column (refer to 304.1)		10E	35101GT	SAFETY BRAKE ASSY(SQ.NUT)SL2**.....2 SLA-15) (if equipped) (includes items 8 and 9)	2
4	32474GT	GUARD, ROLLER, SL2,.....3 SLA-5	3	10F	35101GT	SAFETY BRAKE ASSY(SQ.NUT)SL2**.....3 SLA-20, SLA-25 (if equipped) (includes items 8 and 9)	3
4A	32474GT	GUARD, ROLLER, SL2,.....7 SLA-10	7	11	32522GT	DOWN STOP.....1	1
4B	32474GT	GUARD, ROLLER, SL2,.....12 SLA-15	12	12	6019GT	SCREW, HHC, 3/8-16 X 1.25 GRD 5	
4C	32474GT	GUARD, ROLLER, SL2,.....17 SLA-20	17	13	12013GT	SHIM, .375 X .063.....1	1
4D	32474GT	GUARD, ROLLER, SL2,.....22 SLA-25	22	14	1257075GT	NUT, NYLOCK, 3/8-16, GR8, ZINC	
5	32473GT	WHEEL, ROLLER, NYLATRON, 1.75.....3 SLA-5	3	15	6052GT	WASHER, SHIM, .5 X .875 X .063 SLA-5, SLA-10, SLA-15, SLA-20 and SLA-25 models	
5A	32473GT	WHEEL, ROLLER, NYLATRON, 1.75.....9 SLA-10	9	16	33811GT	COUPLER BAR ASSEMBLY, SLA&C, ST2.....1	1
5B	32473GT	WHEEL, ROLLER, NYLATRON, 1.75.....14 SLA-15	14	17	57019GT	BLOCK, END, DOWNSTOP.....2 SLA-10	2
5C	32473GT	WHEEL, ROLLER, NYLATRON, 1.75.....19 SLA-20	19	17A	57019GT	BLOCK, END, DOWNSTOP.....4 SLA-15	4
5D	32473GT	WHEEL, ROLLER, NYLATRON, 1.75.....24 SLA-25	24	17B	57019GT	BLOCK, END, DOWNSTOP.....6 SLA-20	6
6	32475GT	BOLT-ROLLER, 1/2-13X1.84 ZINC.....3 SLA-5	3	17C	57019GT	BLOCK, END, DOWNSTOP.....8 SLA-25	8
6A	32475GT	BOLT-ROLLER, 1/2-13X1.84 ZINC.....9 SLA-10	9	18	57022GT	BUMPER, RUBBER, DOWNSTOP.....2 SLA-10	2
6B	32475GT	BOLT-ROLLER, 1/2-13X1.84 ZINC.....14 SLA-15	14	18A	57022GT	BUMPER, RUBBER, DOWNSTOP.....4 SLA-15	4
6C	32475GT	BOLT-ROLLER, 1/2-13X1.84 ZINC.....19 SLA-20	19	18B	57022GT	BUMPER, RUBBER, DOWNSTOP.....6 SLA-20	6
6D	32475GT	BOLT-ROLLER, 1/2-13X1.84 ZINC.....24 SLA-25	24	18C	57022GT	BUMPER, RUBBER, DOWNSTOP.....8 SLA-25	8
7		Ref. Number 2 Column (refer to 304.1)		19	57023GT	BOLT, SHOULDER, 3/8-16 1.417 LNG SLA-10, SLA-15, SLA-20 and SLA-25 models	
8	35463GT	SCREW, FHS, 3/8-16 X 1.5 SLA-5, SLA-10, SLA-15, SLA-20 and SLA-25 models		20	57021GT	TUBE, DOWNSTOP.....2 SLA-10	2
9	35408GT	NUT, SQUARE 3/8-16 NC, PLATED SLA-5, SLA-10, SLA-15, SLA-20 and SLA-25 models		20A	57021GT	TUBE, DOWNSTOP.....4 SLA-15	4
10	35443GT	UP STOP.....1 SLA-5 (for models without safety brake)	1	20B	57021GT	TUBE, DOWNSTOP.....6 SLA-20	6
10A	35443GT	UP STOP.....2 SLA-10 (for models without safety brake)	2	20C	57021GT	TUBE, DOWNSTOP.....8 SLA-25	8
				21	57018GT	BLOCK, PLUNGER, DOWNSTOP.....2 SLA-10	2

303.1 Mast Components, View 3  
(continued)

Item	Part No.	Description	Qty.
21A	57018GT	BLOCK,PLUNGER,DOWNSTOP.....4 SLA-15	
21B	57018GT	BLOCK,PLUNGER,DOWNSTOP.....6 SLA-20	
21C	57018GT	BLOCK,PLUNGER,DOWNSTOP.....8 SLA-25	
22	57024GT	PLATE,DOUBLER,DOWNSTOP.....1 SLA-10	
22A	57024GT	PLATE,DOUBLER,DOWNSTOP.....2 SLA-15	
22B	57024GT	PLATE,DOUBLER,DOWNSTOP.....3 SLA-20	
22C	57024GT	PLATE,DOUBLER,DOWNSTOP.....4 SLA-25	
23	13066GT	WASHER,FLAT,.5 HARDENED	

Go to Discount-Equipment.com to order your parts

304.1 Columns, Pulleys and Cables (to SN SLA15-56961)





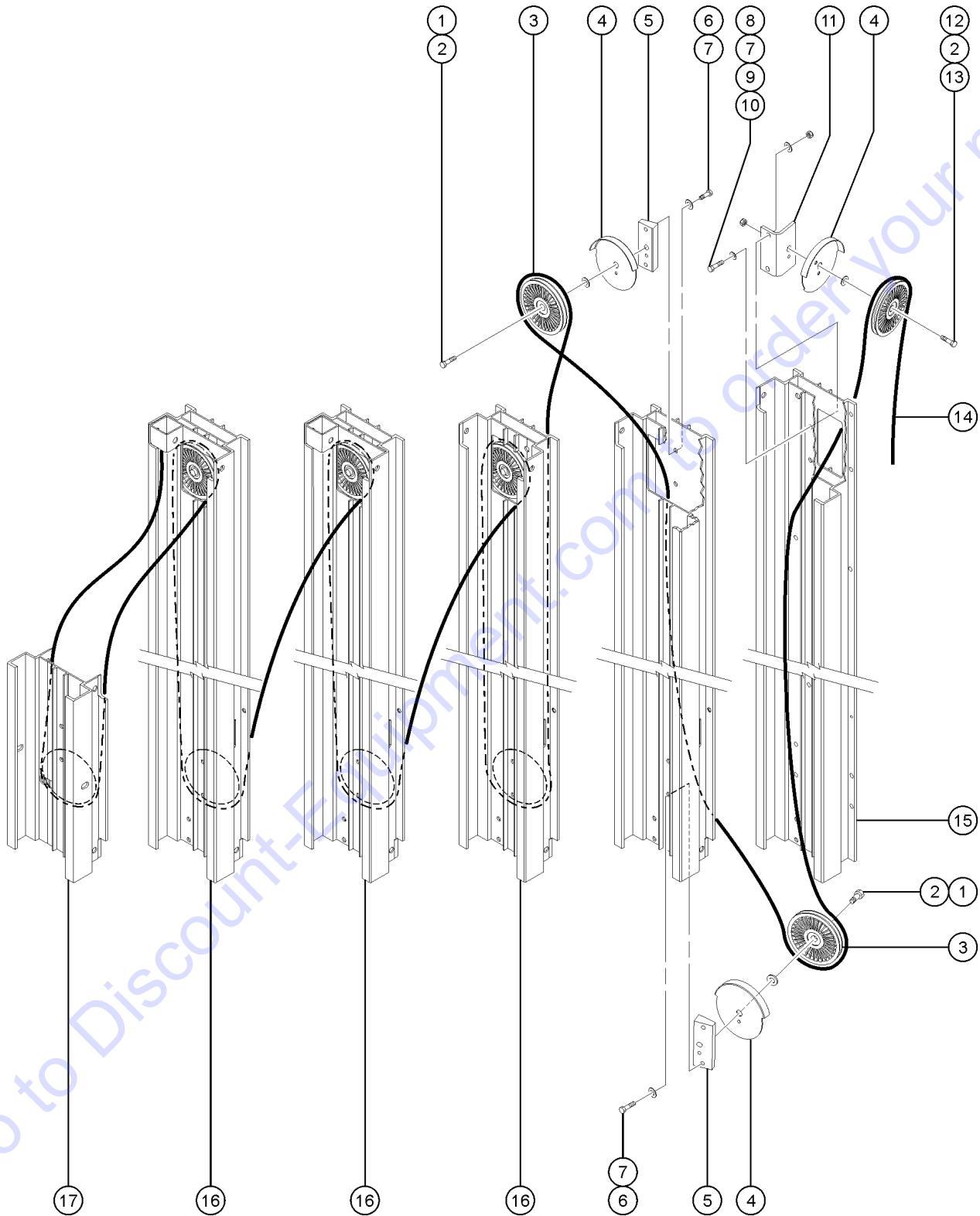
## 304.1 Columns, Pulleys and Cables (to SN SLA15-56961)

Item	Part No.	Description	Qty.	Item	Part No.	Description	Qty.
1	10597GT	SCREW,HHC,1/2-13 X 1.25 GR5.....1 SLA-5	1	6	32470GT	PULLEY MOUNT , SL-2.....1 SLA-5	1
1A	10597GT	SCREW,HHC,1/2-13 X 1.25 GR5.....3 SLA-10	3	6A	32470GT	PULLEY MOUNT , SL-2.....3 SLA-10	3
1B	10597GT	SCREW,HHC,1/2-13 X 1.25 GR5.....5 SLA-15	5	6B	32470GT	PULLEY MOUNT , SL-2.....5 SLA-15	5
1C	10597GT	SCREW,HHC,1/2-13 X 1.25 GR5.....7 SLA-20	7	6C	32470GT	PULLEY MOUNT , SL-2.....7 SLA-20	7
1D	10597GT	SCREW,HHC,1/2-13 X 1.25 GR5.....9 SLA-25	9	6D	32470GT	PULLEY MOUNT , SL-2.....9 SLA-25	9
2	37038GT	WASHER,FLAT,.5X .125,HARDENED*...2 SLA-5	2	7	8255GT	SCREW,HHC,3/8-16 X .75.....2 SLA-5	2
2A	37038GT	WASHER,FLAT,.5X .125,HARDENED*...4 SLA-10	4	7A	8255GT	SCREW,HHC,3/8-16 X .75.....6 SLA-10	6
2B	37038GT	WASHER,FLAT,.5X .125,HARDENED*...6 SLA-15	6	7B	8255GT	SCREW,HHC,3/8-16 X .75.....10 SLA-15	10
2C	37038GT	WASHER,FLAT,.5X .125,HARDENED*...8 SLA-20	8	7C	8255GT	SCREW,HHC,3/8-16 X .75.....14 SLA-20	14
2D	37038GT	WASHER,FLAT,.5X .125,HARDENED*.....10 SLA-25	10	7D	8255GT	SCREW,HHC,3/8-16 X .75.....20 SLA-25	20
3	6052GT	WASHER,SHIM,.5 X .875 X .063.....2 SLA-5	2	8	6019GT	SCREW,HHC,3/8-16 X 1.25 GRD 5	
3A	6052GT	WASHER,SHIM,.5 X .875 X .063.....4 SLA-10	4	9	4828GT	NUT,NYLOCK,3/8-16	
3B	6052GT	WASHER,SHIM,.5 X .875 X .063.....6 SLA-15	6	10	33700GT	PULLEY MOUNT,#1 COLUMN,GRY,SLC.....1	1
3C	6052GT	WASHER,SHIM,.5 X .875 X .063.....8 SLA-20	8	11	32483GT	PIN,ROLL,.25 X .50.....1	1
3D	6052GT	WASHER,SHIM,.5 X .875 X .063.....10 SLA-25	10	12	8177GT	SCREW,HHC,1/2-13 X 1.5	
4	32469GT	PULLEY W/BEARING,ALUMINUM*** .....2 SLA-5; replaced 49999 plastic pulley	2	13	6198GT	NUT,NYLOCK,1/2-13	
4A	32469GT	PULLEY W/BEARING,ALUMINUM*** .....4 SLA-10; replaced 49999 plastic pulley	4	14	6443GT	CABLE ASSEMBLY-M.5**.....1 SLA-5; Does Not Include Cable Replacement Coupler	1
4B	32469GT	PULLEY W/BEARING,ALUMINUM*** .....6 SLA-15; replaced 49999 plastic pulley	6	14A	6444GT	CABLE ASSY SLA/MNM 7/32" 360" SLA-10; Does Not Include Cable Replacement Coupler	
4C	32469GT	PULLEY W/BEARING,ALUMINUM*** .....8 SLA-20; replaced 49999 plastic pulley	8	14B	32903GT	CABLE ASSY SL15 507" 7/32" *** SLA-15; Does Not Include Cable Replacement Coupler	
4D	32469GT	PULLEY W/BEARING,ALUMINUM*** .....10 SLA-25; replaced 49999 plastic pulley	10	14C	32904GT	CABLE ASSY,SL/ST20 669" 7/32" SLA-20; Does Not Include Cable Replacement Coupler	
5	80680GT	GUARD, CABLE.....2 SLA-5	2	14D	32905GT	CABLE ASSY,SL/ST25 813" 7/32"* SLA-25; Does Not Include Cable Replacement Coupler	
5A	80680GT	GUARD, CABLE.....4 SLA-10	4	--	12402GT	CABLE REPLACEMENT COUPLER Sold Separately	
5B	80680GT	GUARD, CABLE.....6 SLA-15	6	--	52701GT	VIDEO,NTSC,SLA,CABLING PROCDR Sold Separately	
5C	80680GT	GUARD, CABLE.....8 SLA-20	8	15	57032-SGT	COLUMN#1,SL ADVANTAGE SERV.....1 SLA-5 (from SN 5599-3746)	1
5D	80680GT	GUARD, CABLE.....10 SLA-25	10	15A	57032-SGT	COLUMN#1,SL ADVANTAGE SERV.....1 SLA-10 (from SN 5599-3361)	1
				15B	57032-SGT	COLUMN#1,SL ADVANTAGE SERV.....1 SLA-15 (from SN 5599-3362)	1

304.1 Columns, Pulleys and Cables (to SN SLA15-56961)  
(continued)

Item	Part No.	Description	Qty.
15C	57032-SGT	COLUMN#1,SL ADVANTAGE SERV.....1 <i>SLA-20 (from SN 5599-3405)</i>	
15D	57032-SGT	COLUMN#1,SL ADVANTAGE SERV.....1 <i>SLA-25 (from SN 5599-3828)</i>	
16	57033-SGT	COLUMN#2,SL ADVANTAGE SERV.....1 <i>SLA-10 (from SN 5599-3361)</i>	
16A	57033-SGT	COLUMN#2,SL ADVANTAGE SERV.....1 <i>SLA-15 (from SN 5599-3362)</i>	
16B	57033-SGT	COLUMN#2,SL ADVANTAGE SERV.....1 <i>SLA-20 (from SN 5599-3405)</i>	
16C	57033-SGT	COLUMN#2,SL ADVANTAGE SERV.....1 <i>SLA-25 (from SN 5599-3828)</i>	
17	57034GT	CARRIAGE,SL ADVANTAGE(5,10,15)....1 <i>SLA-5 (from SN 5599-3746)</i>	
17A	57034GT	CARRIAGE,SL ADVANTAGE(5,10,15)....1 <i>SLA-10 (from SN 5599-3361)</i>	
17B	57034GT	CARRIAGE,SL ADVANTAGE(5,10,15)....1 <i>SLA-15 (from SN 5599-3362)</i>	
17C	57035GT	CARRIAGE,SL ADVANTAGE(20,25).....1 <i>SLA-20 (from SN 5599-3405)</i>	
17D	57035GT	CARRIAGE,SL ADVANTAGE(20,25).....1 <i>SLA-25 (from SN 5599-3828)</i>	

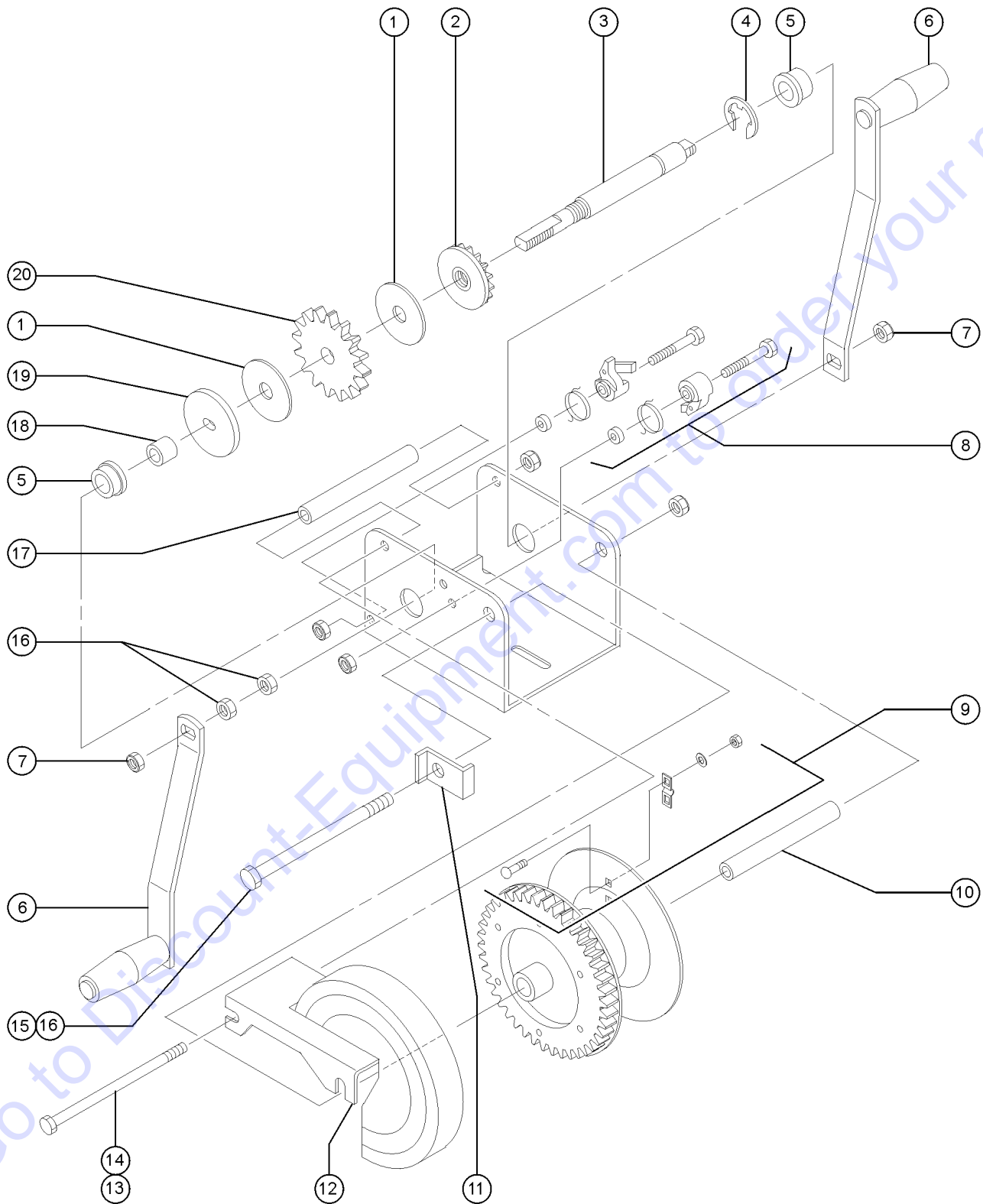
304.2 Columns, Pulleys and Cables (from SN SLA15-56962)



## 304.2 Columns, Pulleys and Cables (from SN SLA15-56962)

Item	Part No.	Description	Qty.	Item	Part No.	Description	Qty.
1	10597GT	SCREW,HHC,1/2-13 X 1.25 GR5 (quantity depends on height of unit)		14C	6444GT	CABLE ASSY SLA/MNM 7/32" 360".....1 "SLA-10; Does Not Include Cable Replacement Coupler"	1
2	1257466GT	WASHER, FLAT, SAE, .5, GRADE 9 (quantity depends on height of unit)		14D	32903GT	CABLE ASSY SL15 507" 7/32" *** .....1 "SLA-15; Does Not Include Cable Replacement Coupler"	1
3A	1254648GT	PULLEY, 6203.....2 (SLA-5)	2	14E	32904GT	CABLE ASSY,SL/ST20 669" 7/32".....1 "SLA-20; Does Not Include Cable Replacement Coupler"	1
3B	1254648GT	PULLEY, 6203.....4 (SLA-10)	4	14F	32905GT	CABLE ASSY,SL/ST25 813" 7/32"* .....1 "SLA-25; Does Not Include Cable Replacement Coupler"	1
3C	1254648GT	PULLEY, 6203.....6 (SLA-15)	6	15	57032-SGT	COLUMN#1,SL ADVANTAGE SERV.....1	1
3D	1254648GT	PULLEY, 6203.....8 (SLA-20)	8	16	57033-SGT	COLUMN#2,SL ADVANTAGE SERV (quantity depends on height of unit)	1
3E	1254648GT	PULLEY, 6203.....10 (SLA-25)	10	17	57034GT	CARRIAGE,SL ADVANTAGE(5,10,15)....1	1
4A	1254649GT	COVER,PULLEY, 6203.....2 (SLA-5)	2				
4B	1254649GT	COVER,PULLEY, 6203.....4 (SLA-10)	4				
4C	1254649GT	COVER,PULLEY, 6203.....6 (SLA-15)	6				
4D	1254649GT	COVER,PULLEY, 6203.....8 (SLA-20)	8				
4E	1254649GT	COVER,PULLEY, 6203.....10 (SLA-25)	10				
5A	1251619GT	MOUNT, PULLEY, INNER, 6203.....2 (SLA-5)	2				
5B	1251619GT	MOUNT, PULLEY, INNER, 6203.....4 (SLA-10)	4				
5C	1251619GT	MOUNT, PULLEY, INNER, 6203.....6 (SLA-15)	6				
5D	1251619GT	MOUNT, PULLEY, INNER, 6203.....8 (SLA-20)	8				
5E	1251619GT	MOUNT, PULLEY, INNER, 6203.....10 (SLA-25)	10				
6	8255GT	SCREW,HHC,3/8-16 X .75					
7	5397GT	WASHER,FLAT,USS,5/16",Y					
8	6019GT	SCREW,HHC,3/8-16 X 1.25 GRD 5					
9	6097GT	WASHER,FLAT,USS,3/8",Y					
10	1257075GT	NUT, NYLOCK,3/8-16,GR8, ZINC					
11	1256135GT	MOUNT, PULLEY, FIRST, 6203, BL.....1	1				
12	22788GT	SCREW,HHC,1/2-13 X 1.75					
13	1257074GT	NUT, NYLOCK, 1/2-13, GR8, ZINC					
14A	52701GT	VIDEO,NTSC,SLA,CABLING PROCDR (Sold Separately)					
--	12402GT	CABLE REPLACEMENT COUPLER (Sold Separately)					
14B	6443GT	CABLE ASSEMBLY-M.5** .....1 "SLA-5; Does Not Include Cable Replacement Coupler"	1				

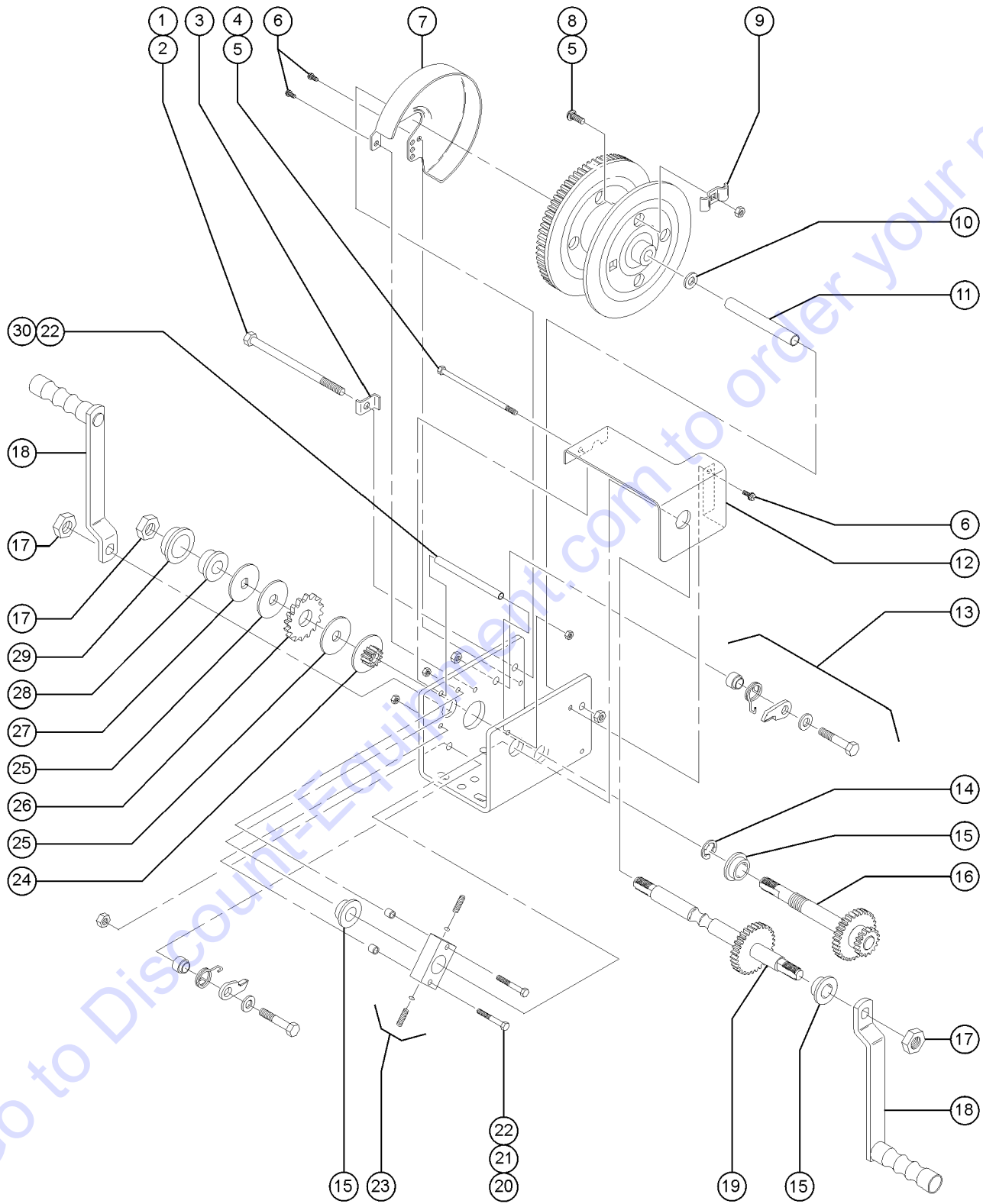
305.1 Winch Components, One-speed



## 305.1 Winch Components, One-speed

Item	Part No.	Description	Qty.
--		SERVICE KIT,PINION SHAFT-K1550 (1256081) <i>(component no longer available)</i>	
--	1256083GT	SVC KIT, FRICTION DISC K/KX <i>includes qty 2 of item 1</i>	
--	32945GT	WINCH,W/DECAL 1SPEED SL/ST <i>USA, Canada and Australia models (word decals)(handle not included)</i>	
--	107157GT	1 SPD WINCH ASSY W/ SYM DECAL <i>Asia, S. America and European models</i>	
1		BRAKE DISK,.5 BORE,K-1550 (7571)....2 <i>(component no longer available)</i>	
2		PINION GEAR AND DISC K-1550 (7590).....1 <i>(component no longer available)</i>	
3		SHAFT,PINION (32891).....1 <i>(component no longer available)</i>	
4		RETAINING RING (6200).....1 <i>(component no longer available)</i>	
5		BUSHING, SMALL PINION, FULTON (6199).....2 <i>(component no longer available)</i>	
6	33143GT	WINCH HANDLE 6" STD.....2 SLA-5	
6A	33144GT	WINCH HANDLE 8" STD.** SLA-10, SLA-15, SLA-20, SLA-25	
7	6086GT	NUT,LP NYLOCK,1/2-13	
8	40458GT	RATCHET PAWL KIT.....1	
9	6190GT	CABLE KEEP.KIT (BRACKET TYPE)* .....1	
10	6184GT	SPACER, DRUM BOLT, K-1550.....1	
11		WINCH BRACKET, DRUM BOLT LOCK (31946).....1 <i>(not sold separately)</i>	
12	6770GT	WINCH GEAR COVERS, K-1500.....1	
13	7256GT	SCREW,HHC,5/16-18 X 6 GRD.2	
14	6782GT	NUT,NYLOCK,5/16-18	
15	6185GT	BOLT, DRUM SPACER.....1	
16	6034GT	NUT,HEX,JAM,1/2-13	
17		FRAME SPACER,K-1550 (7584).....1 <i>(component no longer available)</i>	
18		SPACER,PINION SHAFT (32890).....1 <i>(component no longer available)</i>	
19		WINCH PINION PLATE, K-1550 (7591).....1 <i>(component no longer available)</i>	
20		RATCHET GEAR,K-1550 1/2" I.D. (6777).....1 <i>(component no longer available)</i>	

306.1 Winch Components, Two-speed

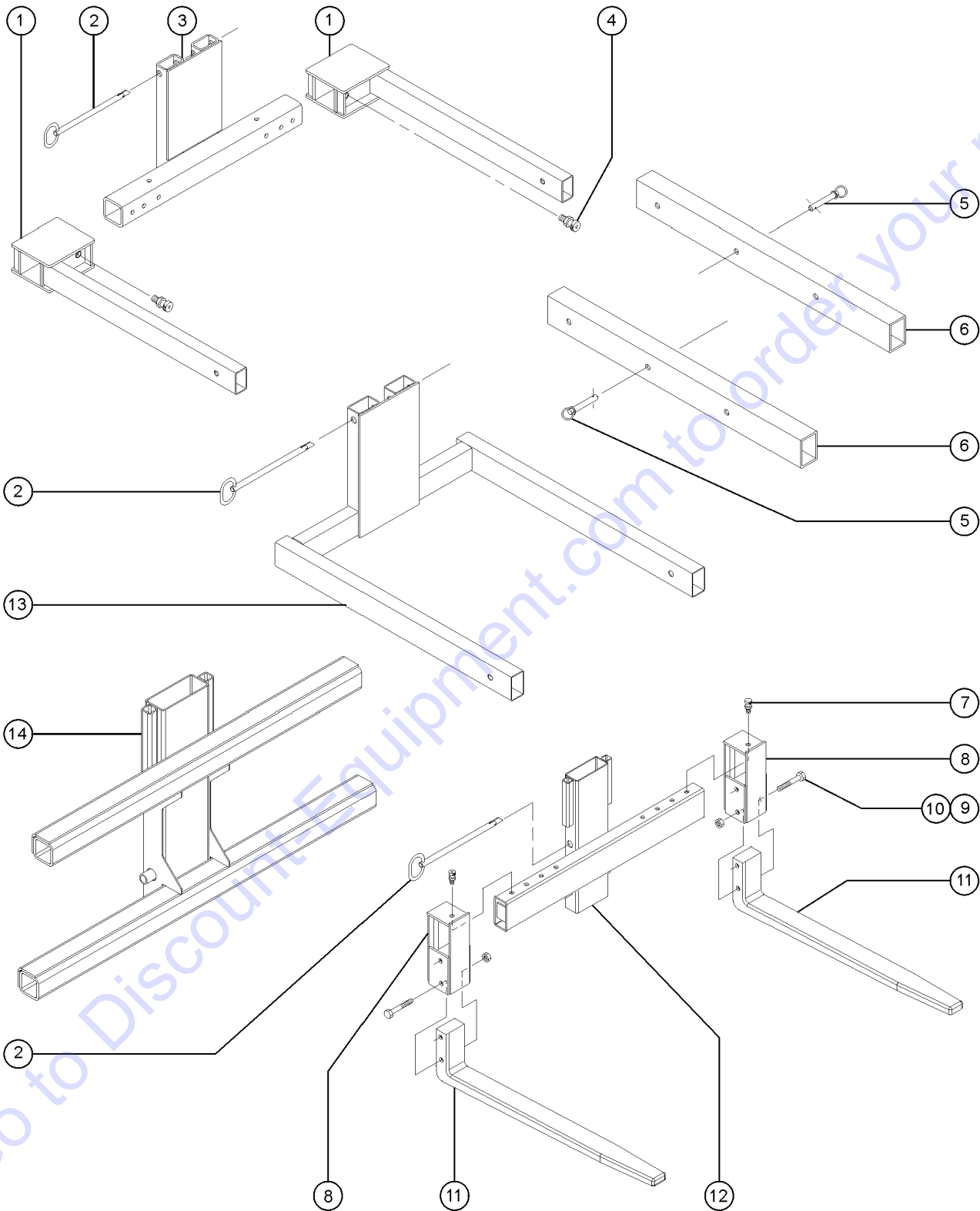


## 306.1 Winch Components, Two-speed

Item	Part No.	Description	Qty.	Item	Part No.	Description	Qty.
--	107158GT	2 SPD WINCH ASSY W/ SYM DECAL <i>Asia, S. America and European models</i>		29	85182GT	SINTERED IRON BEARING,1-1/4**.....	1
--	32946GT	WINCH W/DECAL,2 SPEED*** <i>USA, Canada and Australia models (word decals)</i>		30	40128GT	BASE SPACER.....	1
--	40130GT	CABLE KEEPER KIT (33090) <i>includes items 5, 8 and 9</i>					
1	78037GT	SCREW,HHC,3/8-16 X 5.5					
2	4828GT	NUT,NYLOCK,3/8-16					
3	80145GT	LOCK-BOLT, REEL (80056).....	1				
4	80146GT	SCREW,HHC,1/4-20 X 5.25(80056)					
5	6091GT	NUT,NYLOCK,1/4-20					
6	80147GT	SCREW-THRD FORM,HH-SLT, 1/2"					
7	80148GT	COVER - REEL (80056).....	1				
8	80149GT	BOLT,CARRIAGE,1/4-20 X .5,G2					
9	37065GT	CABLE KEEPER, DLB800.....	1				
10	80150GT	WASHER-FLAT, 1/2" (80056)					
11	40113GT	REEL SPACER.....	1				
12	80151GT	COVER-GEAR (80056).....	1				
13	40117GT	RATCHET PAWL KIT, (33090).....	1				
--	4828GT	NUT,NYLOCK,3/8-16					
--	5397GT	WASHER,FLAT,USS,5/16",Y					
--	80152GT	SPACER-RATCHET (80056)					
--	80153GT	SPRING-RATCHET (80056)					
--	80154GT	PAWL-RATCHET (80056)					
--	8516GT	SCREW, HCC, 3/8-16 X 1.50					
14	40116GT	E-RING, 3/4.....	1				
15	40126GT	BEARING, SINTERED IRON, 3/4					
16	80155GT	SHAFT ASSY,INTERMED. (80056).....	1				
17	38028GT	NUT,LP NYLOCK,5/8-11					
18	40125GT	HANDLE ASSY., 8-INCH, OFFSET.....	2				
19	72264GT	SHAFT ASSY, PRIMARY.....	1				
20	6145GT	SCREW,HHC,1/4-20 X 1.5					
21	40115GT	BRAKE SPRING SPACER.....	2				
22	6889GT	NUT,LP NYLOCK,1/4-20					
23	40127GT	DETENT BLOCK ASSY.....	1				
--	40509GT	DETENT SPRING.....	2				
--	40510GT	DETENT BALL.....	2				
--	80156GT	BLOCK-DETENT (80056).....	1				
24	80157GT	GEAR-PINION (80056).....	1				
25	37061GT	BRAKE FACE,DLB800.....	2				
26	37062GT	RATCHET GEAR, DLB800.....	1				
27	40122GT	WASHER,DOUBLE D.....	1				
28	40123GT	SPACER.....	1				

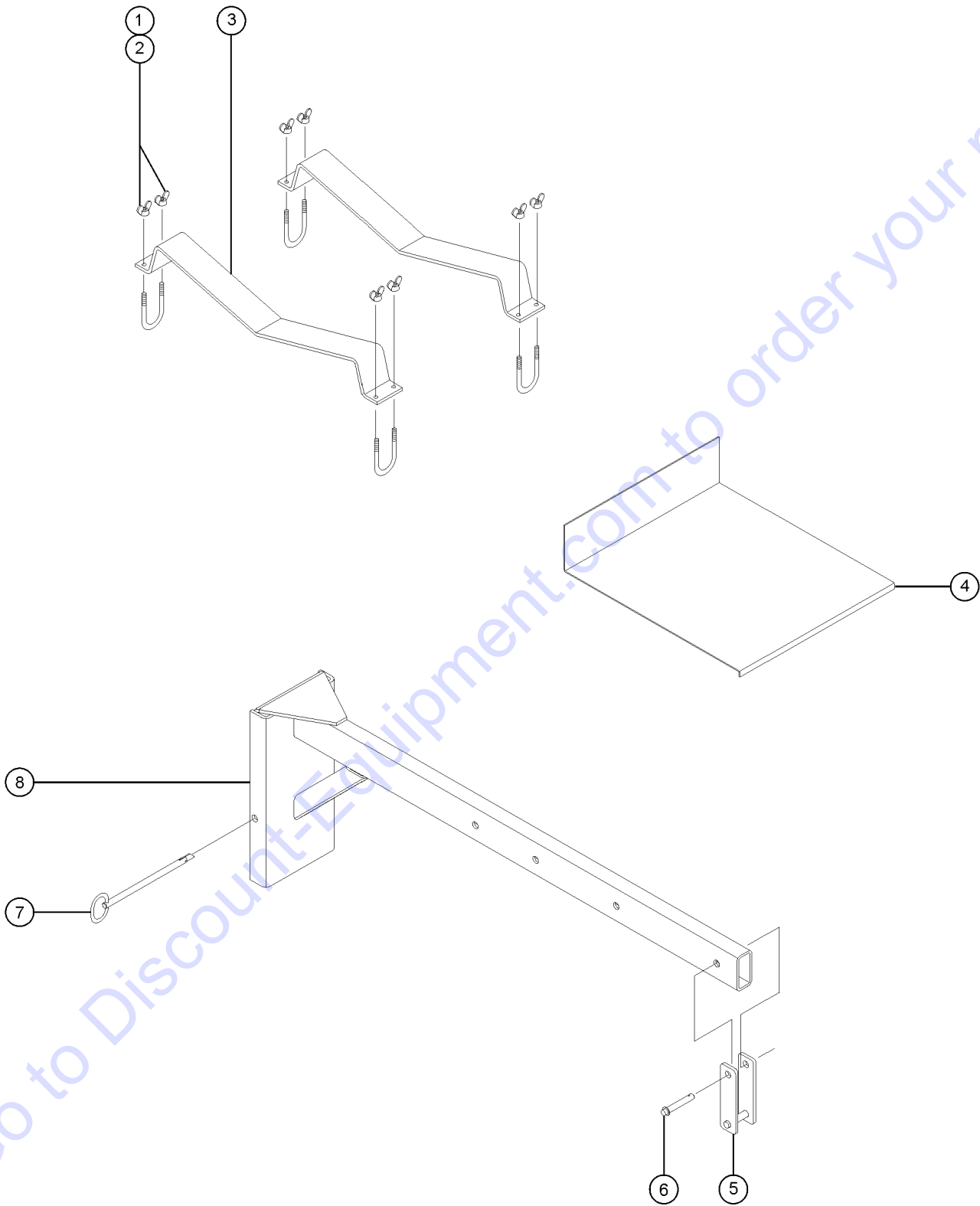


401.1 Forks



Item	Part No.	Description	Qty.
--	107161GT	ADJUST. FORK ASSY W/ SYM DECAL <i>Asia, S. America and European models; includes Items 1- 4</i>	
--	32564-SGT	SL ADJUSTABLE FORK ASSEMBLY <i>USA, Canadian and Australian models; includes Items 1- 4</i>	
--	32566-SGT	5'10"15 FLAT FORK ASSY <i>for SL-5, SL-10 and SL-15 only (includes items 2, 7-12)</i>	
1	32548-SGT	WELDMENT,ARM ADJ. FORK-"BLUE"...	2
2	48301GT	PIN,TOGGLE,.50 X 8.13***	3
3	32908GT	CARRIER,FORK,ADJ.W/DECAL,SL2..... <i>USA, Canadian and Australian models</i>	1
3A	107162GT	ADJUST. CARRIER ASSY W/ DECALS <i>Asia, S. America and European models</i>	
4	33674GT	PIN,LOCK,SHORT***	2
5	80679GT	PIN,BALL RET.-.5 X 2.7	2
6	33366-SGT	FORK EXTENSION, SINGLE*** <i>suggest ordering 80679 pin with each extension</i>	2
7	32375GT	PIN,LOCK,LONG***	2
8	32541-SGT	WELDMENT,FLATFORK SOCKET..... <i>for SL-5, SL-10 and SL-15 only</i>	2
9	8220GT	SCREW,HHC,1/2-13 X 4	
10	6086GT	NUT,LP NYLOCK,1/2-13	
11	32539GT	CASTING,FLAT FORK SUPERLIFT 2..... <i>for SL-5, SL-10 and SL-15 only</i>	2
12	32907GT	CARRIER,FORK,FLAT W/DECAL,SL2.... <i>USA, Canadian and Australian models for SL-5, SL-10 and SL-15 only</i>	1
12A	107163GT	FLT FORKS CARRIER ASSY W/DECAL <i>Asia, S. America and European models for SL-5, SL-10 and SL-15 only</i>	
13	32906GT	FORK,STANDARD,W/DECAL,SLA2..... <i>USA, Canadian and Australian models</i>	1
13A	107164GT	STANDARD FORK W/ SYMBOL DECALS <i>Asia, S. America and European models</i>	
14	124982GT	WELDMENT,SL,GE FORK ATTACHMENT..... <i>(replaced 26681)</i>	1

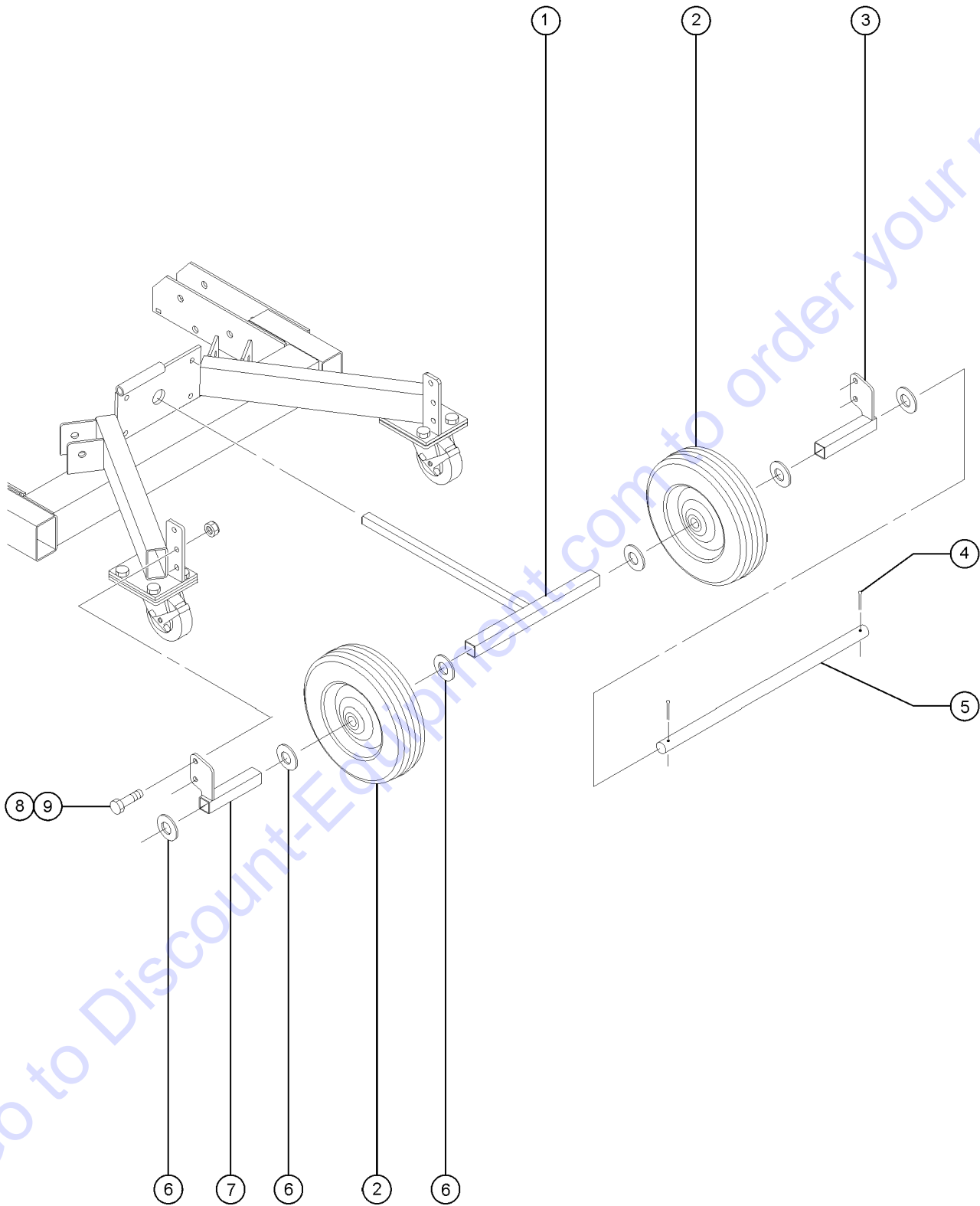
402.1 Pipe Cradle, Load Platform and Boom Arm



## 402.1 Pipe Cradle, Load Platform and Boom Arm

Item	Part No.	Description	Qty.
1	8170GT	NUT,WING,1/4-20	
2	33045GT	U-BOLT,1/4-20 SL2 PIPE CRADLE.....4	
3	80597GT	PIPE CRADLE, BLUE.....2	
4	32937GT	LOAD PLATFORM W/DECAL,SLA.....1 <i>USA, Canadian and Australian models</i>	
4A	107165GT	LOAD PLATFORM ASSY W/ DECALS <i>Asia, S. America and European models</i>	
5	32579-SGT	WELDMENT,CLEVIS STD. BOOM.....1	
6	80679GT	PIN,BALL RET.-.5 X 2.7.....1	
7	48301GT	PIN,TOGGLE,.50 X 8.13***.....1	
8	32567-SGT	SLA/SLC STD.BOOM ASSY/SERVICE...1 <i>USA, Canadian and Australian models; includes items 5 - 7</i>	
8A	107166GT	BOOM ARM ASSY W/ SYMBOL DECALS <i>Asia, S. America and European models; includes items 5 - 7</i>	

403.1 Rear Wheels



Item	Part No.	Description	Qty.
--	35848-SGT	SL REAR TRANSPORT WHEEL ASSY	
1	80434GT	WHEEL SPACER WELDMNT SLA, BLUE.....1	1
2	35064GT	WHEEL,SOLID RUBBER,10X.75X2.75...2 (to SN SLA07-37479)	2
2A	124000GT	WHEEL,TRANSPORT SL 10X.75X2.75 (from SN SLA07-37480)	
3	80433GT	WHEEL SPACR MNT WELD RH,SLA,BL.....1	1
4	6094GT	PIN,COTTER,.125 X 1.....2	2
5	57237GT	AXLE ROD, TRANSPORT WHEEL,SL....1	1
6	6564GT	WASHER, SHIM,.765 X 1.312 X .093....6	6
7	80432GT	WHEEL SPACR MNT WELD LH,SLA,BL.....1	1
8	6019GT	SCREW,HHC,3/8-16 X 1.25 GRD 5	
9	4828GT	NUT,NYLOCK,3/8-16	

## Part Number Index

The Part Number Index is a numeric index of all part numbers included in this manual. The index shows what page(s) the part is used on.

Part Number	Page	Part Number	Page	Part Number	Page	Part Number	Page
100309GT	19, 21	32577GT	19	40127GT	37	80152GT	37
10597GT	23, 29-30, 33	32578PGT	19	40128GT	37	80153GT	37
10598GT	19	32579-SGT	41	40130GT	37	80154GT	37
107153GT	15, 17	32686GT	11	40255GT	17	80155GT	37
107154GT	15	32687GT	11	40458GT	35	80156GT	37
107155GT	21	32689GT	11, 13	40509GT	37	80157GT	37
107156GT	21	32690GT	11, 13	40510GT	37	80162GT	21
107157GT	35	32691GT	11, 13	46683GT	17	80176-SGT	17
107158GT	37	32692GT	11, 13	4828GT	15, 17, 19, 29-30, 37, 43	80177-SGT	17
107161GT	39	32693GT	11, 13	48301GT	15, 17, 39, 41	80178-SGT	17
107162GT	39	32714GT	11	49991GT	21	80432GT	43
107163GT	39	32715GRGT	11	5224GT	19	80433GT	43
107164GT	39	32715GT	11	52675GT	11	80434GT	43
107165GT	41	32715SPGT	11	52701GT	29-30, 33	80435GT	21
107166GT	41	32716GT	11	52983GT	11, 13	80597GT	41
107171GT	15	32717GT	11	5397GT	33, 37	80679GT	39, 41
107172GT	15	32718GT	11	57016GT	23	80680GT	29-30
107173GT	15	32770GT	11	57018GT	25-26	80939GT	11, 13
107174GT	15	32775GT	11	57019GT	25-26	80987GT	23
107175GT	15	32879GT	19	57021GT	25-26	8170GT	41
107181GT	15	32880GT	19	57022GT	25-26	8177GT	29-30
107182GT	15	32881GT	19	57023GT	25-26	8220GT	39
107183GT	15	32882GT	19	57024GT	26	82487GT	13
107184GT	15	32883GT	19	57032-SGT	29-30, 33	8255GT	29-30, 33
107185GT	15	32884GT	19	57033-SGT	30, 33	82964GT	13
109560GT	21, 23, 25-26	32885GT	11	57034GT	30, 33	8516GT	15, 17, 19, 37
109577GT	21	32903GT	29-30, 33	57035GT	30	85182GT	37
109578GT	21	32904GT	29-30, 33	57237GT	43	97529GT	11
11337GT	19	32905GT	29-30, 33	57736GT	19	97532GT	13
11890GT	15, 17	32906GT	39	57740GT	15, 17	97539GT	13
11978GT	21	32907GT	39	57746GT	19	97541GT	13
12013GT	25-26	32908GT	39	57783GT	19	97542GT	13
12016GT	15, 17	32929GT	11	57788GT	21	97545GT	13
12343GT	21	32937GT	41	58094GT	19	97546GT	13
124000GT	43	32938GT	11	58095GT	15	97547GT	11
12402GT	29-30, 33	32939GT	11	58750GT	15, 17		
124819GT	21	32945GT	35	6019GT	15, 17, 21, 25-26, 29-30, 33, 43		
124982GT	39	32946GT	37	6033GT	19		
1251619GT	33	33045GT	41	6034GT	19, 35		
1254648GT	33	33143GT	35	6052GT	23, 25-26, 29-30		
1254649GT	33	33144GT	35	6086GT	19, 23, 35, 39		
1256083GT	35	33148GT	17	6091GT	21, 37		
1256135GT	33	33251GT	17	6094GT	43		
1257074GT	21, 23, 25-26, 33	33366-SGT	39	6095GT	19, 21, 23, 25-26		
1257075GT	21, 25-26, 33	33373GT	19	6097GT	15, 17, 19, 21, 33		
1257466GT	33	33385GT	21	6145GT	37		
13005GT	21	33468GT	11	6175GT	15, 19, 21		
13066GT	23, 26	33540GT	21	6184GT	35		
21443GT	15, 17	33658GT	15, 17	6185GT	35		
22788GT	33	33670GT	15, 17	6190GT	35		
28487GT	17	33674GT	39	6198GT	29-30		
31072GT	11	33700GT	29-30	6326GT	21		
31822GT	21	33811GT	25-26	6443GT	29-30, 33		
32375GT	39	33843GT	21	6444GT	29-30, 33		
32469GT	29-30	35064GT	43	6564GT	21, 43		
32470GT	29-30	35101GT	25-26	6587GT	21		
32473GT	21, 23, 25-26	35408GT	17, 25-26	6600GT	21		
32474GT	21, 23, 25-26	35443GT	25-26	6653GT	21		
32475GT	21, 23, 25-26	35463GT	25-26	6732GT	19, 21		
32483GT	29-30	35848-SGT	43	6770GT	35		
32499GT	19	37038GT	29-30	6782GT	35		
32502PGT	19	37061GT	37	6889GT	37		
32509GT	19	37062GT	37	72264GT	37		
32519GT	19	37065GT	37	7256GT	35		
32522GT	25-26	37202GT	21	7265GT	21		
32524GT	19	37481GT	19	78037GT	37		
32531GT	17	38028GT	37	80145GT	37		
32532GT	17	40113GT	37	80146GT	37		
32539GT	39	40115GT	37	80147GT	37		
32541-SGT	39	40116GT	37	80148GT	37		
32548-SGT	39	40117GT	37	80149GT	37		
32564-SGT	39	40122GT	37	80150GT	37		
32566-SGT	39	40123GT	37	80151GT	37		
32567-SGT	41	40125GT	37				
32576GT	19	40126GT	37				

The Part Description Index is an alphabetical index of all part descriptions included in this manual. The index shows what page(s) the part is used on.

**1**  
1 SPD WINCH ASSY W/ SYM DECAL.....35

**2**  
2 SPD WINCH ASSY W/ SYM DECAL.....37

**5**  
5'10"15 FLAT FORK ASSY.....39

**A**  
ADJUST. CARRIER ASSY W/ DECALS.....39  
ADJUST. FORK ASSY W/ SYM DECAL.....39  
ASSY,PIN & LANYARD\*\*\*.....19, 21  
AXLE ROD, TRANSPORT WHEEL,SL.....43  
AXLE TUBE, SL2 LEG.....19

**B**  
BASE ASSY W/ SYM DECALS (SLA5).....15  
BASE ASSY W/ SYM DECALS(SLA10).....15  
BASE ASSY W/ SYM DECALS(SLA15).....15  
BASE ASSY W/ SYM DECALS(SLA20).....15  
BASE ASSY W/ SYM DECALS(SLA25).....15  
BASE ASSY W/ WRD DECALS (SLA5).....15  
BASE ASSY W/ WRD DECALS(SLA10).....15  
BASE ASSY W/ WRD DECALS(SLA15).....15  
BASE ASSY W/ WRD DECALS(SLA20).....15  
BASE ASSY W/ WRD DECALS(SLA25).....15  
BASE ASSY-STRADDLE, SLA-10.....17  
BASE ASSY-STRADDLE, SLA-15.....17  
BASE ASSY/STRADDLE, SLA-5.....17  
BASE SPACER.....37  
BEARING, SINTERED IRON, 3/4.....37  
BLOCK,END,DOWNSTOP.....25-26  
BLOCK,PLUNGER,DOWNSTOP.....25-26  
BLOCK,RETAINING; SLA STRADLE.....17  
BLOCK-DETENT (80056).....37  
BOLT, DRUM SPACER.....35  
BOLT,CARRIAGE,1/4-20 X .5,G2.....37  
BOLT,SHOULDER,3/8-16 1.417 LNG.....25-26  
BOLT-ROLLER,1/2-13X1.84 ZINC.....21, 23, 25-26  
BOOM ARM ASSY W/ SYMBOL DECALS.....41  
BRACKET, STAB.MOUNT,"BLUE".....19  
BRAKE DISK,.5 BORE,K-1550 (7571).....35  
BRAKE FACE,DLB800.....37  
BRAKE SPRING SPACER.....37  
BUMPER,RUBBER,DOWNSTOP.....25-26  
BUSHING, SMALL PINION, FULTON (6199).....35  
BUSHING,3/4ODX2.44LGX.5ID.....21

**C**  
CABLE ASSEMBLY-M.5\*\*.....29-30, 33  
CABLE ASSY SL15 507" 7/32" \*\*\*.....29-30, 33  
CABLE ASSY SLA/MNM 7/32" 360".....29-30, 33  
CABLE ASSY,SL/ST20 669" 7/32".....29-30, 33  
CABLE ASSY,SL/ST25 813" 7/32".....29-30, 33  
CABLE KEEP.KIT (BRACKET TYPE)\*.....35  
CABLE KEEPER KIT (33090).....37  
CABLE KEEPER, DLB800.....37

CABLE REPLACEMENT COUPLER.....29-30, 33  
CAP,INSTRUCTION TUBE (RED).....21  
CARRIAGE,SL ADVANTAGE(20,25).....30  
CARRIAGE,SL ADVANTAGE(5,10,15).....30, 33  
CARRIER,FORK,ADJ.W/DECAL,SL2.....39  
CARRIER,FORK,FLAT W/DECAL,SL2.....39  
CASTER,PL,SW LOCK, SB, 5 X 2.....15, 17  
CASTER,PL,SW, 4 X 2.....19  
CASTER,POST,SW,3.5 (DARK GRAY).....19  
CASTING,FLAT FORK SUPERLIFT 2.....39  
CLAMP TUBE,STABILIZER BLUE.....19  
CLAMP,1.88,#30 X 1/4,RUB CUSH.....21  
COLUMN#1,SL ADVANTAGE SERV.....29-30, 33  
COLUMN#2,SL ADVANTAGE SERV.....30, 33  
COUPLER BAR ASSEMBLY,SLA&C,ST2.....25-26  
COVER - REEL (80056).....37  
COVER,PULLEY, 6203.....33  
COVER-GEAR (80056).....37

**D**  
DECAL, SYMBOL - READ THE MANUAL.....13  
DECAL,2 SPD.WINCH SYMB.....13  
DECAL,2 SPD.WINCH\*\*.....11  
DECAL,CAUTION,DAMAGD MACHINE.....11  
DECAL,CAUTION,MOVING PARTS.....11  
DECAL,CAUTION,MOVING PARTS SYM.....13  
DECAL,CRUSHING HAZ/BRAKE LOCK.....11  
DECAL,DANGER,ELEC.HAZ.....11, 13  
DECAL,GENIE SUPERLIFT ADVANTAG.....11, 13  
DECAL,LABEL,OPER.MAN.STORAGE.....11  
DECAL,LABEL,WINCH ONLY.....11  
DECAL,LABEL,WINCH ONLY SYMB.....13  
DECAL,MODEL HEIGHT SL10.....11, 13  
DECAL,MODEL HEIGHT SL15.....11, 13  
DECAL,MODEL HEIGHT SL20.....11, 13  
DECAL,MODEL HEIGHT SL25.....11, 13  
DECAL,MODEL HEIGHT SL5.....11, 13  
DECAL,NOTICE BOOM SETUP.....11  
DECAL,NOTICE FLAT FORK SETUP.....11  
DECAL,OPERATING INSTRUCT,ST2.....11  
DECAL,OPERATING INSTRUCT. SLA.....11  
DECAL,SILENT WINCH.....11  
DECAL,WARNING ADJ FORK SETUP.....11  
DECAL,WARNING BOOM SAFETY.....11  
DECAL,WARNING FLAT FORK SAFETY.....11  
DECAL,WARNING STD.FORK SAFETY.....11  
DECAL,WARNING,BRAKE LOCK SYMB.....13  
DECAL,WARNING,FALL HAZARD.....11  
DECAL,WARNING,LOAD CHART SLA.....13  
DECAL,WARNING,NO RIDERS.....11  
DECAL,WARNING,NO RIDERS SYMB.....13  
DETENT BALL.....37  
DETENT BLOCK ASSY.....37  
DETENT SPRING.....37  
DOWN STOP.....25-26

**E**  
E CLIP,.875 IN.SL LEG.....19  
E-RING, 3/4.....37

**F**  
FLT FORKS CARRIER ASSY W/DECAL.....39  
FORK EXTENSION, SINGLE\*\*\*.....39  
FORK,STANDARD,W/DECAL,SLA2.....39  
FRAME SPACER,K-1550 (7584).....35

**G**  
GEAR-PINION (80056).....37  
GLIDE BUTTON,SIDE,GLL,.100 TK.....15, 17  
GUARD, CABLE.....29-30  
GUARD,ROLLER, SL2.....21, 23, 25-26

**H**  
HANDLE ASSY., 8-INCH, OFFSET.....37  
HANDLE GRIP, RUBBER .75 X 4.5.....21  
HLD DOWN KIT, LONG.....15  
HLD DOWN KIT,SHORT.....15, 17  
HOLD DOWN KIT W/DECAL SL LONG.....15  
HOLD DOWN KIT W/DECAL SL SHORT.....15, 17

**I**  
INSTRUCT.TUBE W/CAPS-1.75 X 12.....21

**K**  
KIT, CABLE ANCHOR BRK, SLC/ST\*.....23  
KIT,CBL GRD,W/WRD DCALS,SLA.....21  
KNOB,STRADDLE BASE SL2.....17

**L**  
LATCH PLATE,STABILIZER SL2.....19  
LOAD PLATFORM ASSY W/ DECALS.....41  
LOAD PLATFORM W/DECAL,SLA.....41  
LOADING WHEEL ASSY ST/SL.....21  
LOADING WHEEL ASSY W DECAL.....21  
LOCK-BOLT, REEL (80056).....37

**M**  
MAST STIFFENER,LT,BLUE.....21  
MAST STIFFENER,RT,BLUE.....21  
MOUNT, PULLEY, FIRST, 6203, BL.....33  
MOUNT, PULLEY, INNER, 6203.....33

**N**  
NUT, NYLOCK, 1/2-13, GR8, ZINC.....21, 23, 25-26, 33  
NUT, NYLOCK,3/8-16,GR8, ZINC...21, 25-26, 33  
NUT,HEX,JAM,1/2-13.....19, 35  
NUT,LP NYLOCK,1/2-13.....19, 23, 35, 39  
NUT,LP NYLOCK,1/4-20.....37  
NUT,LP NYLOCK,5/8-11.....37  
NUT,NYLOCK,1/2-13.....29-30  
NUT,NYLOCK,1/4-20.....21, 37  
NUT,NYLOCK,3/8-16.....15, 17, 19, 29-30, 37, 43  
NUT,NYLOCK,5/16-18.....35  
NUT,SQUARE 3/8-16 NC, PLATED.....17, 25-26  
NUT,WING,1/4-20.....41



## Part Description Index (continued)

**P**

PAWL-RATCHET (80056).....37  
 PIN,BALL RET.-.5 X 2.7.....39, 41  
 PIN,COTTER,.125 X .75.....15, 17  
 PIN,COTTER,.125 X 1.....43  
 PIN,LOCK,LONG\*\*\*.....39  
 PIN,LOCK,SHORT\*\*\*.....39  
 PIN,ROLL,.25 X .50.....29-30  
 PIN,ROLL,.25 X 1.25.....19  
 PIN,TOGGLE,.50 X 8.13\*\*\*.....15, 17, 39, 41  
 PINION GEAR AND DISC K-1550 (7590).....35  
 PIPE CRADLE, BLUE.....41  
 PIVOT TUBE SL2 LEG.....19  
 PIVOT TUBE,STABILIZER.....19  
 PLATE,DOUBLER,DOWNSTOP.....26  
 PLATE,DOUBLER,SL MAST.....23  
 PULLEY MOUNT , SL-2.....29-30  
 PULLEY MOUNT,#1 COLUMN,GRY,SLC.....29-30  
 PULLEY W/BEARING,ALUMINUM\*\*\*.....29-30  
 PULLEY, 6203.....33

**R**

RATCHET GEAR, DLB800.....37  
 RATCHET GEAR,K-1550 1/2" I.D. (6777).....35  
 RATCHET PAWL KIT.....35  
 RATCHET PAWL KIT, (33090).....37  
 REEL SPACER.....37  
 RETAINING RING (6200).....35  
 RIVET,STEEL,P. .25 X .375.....21

**S**

SAFETY BRAKE ASSY(SQ.NUT)SL2\*\*.....25-26  
 SCREW, HCC, 3/8-16 X 1.50.....15, 17, 19, 37  
 SCREW,BHHS,3/8-16 X 1.....17  
 SCREW,FHS,3/8-16 X 1.5.....25-26  
 SCREW,HHC,1/2-13 X 1.25 GR5.....23, 29-30, 33  
 SCREW,HHC,1/2-13 X 1.5.....29-30  
 SCREW,HHC,1/2-13 X 1.75.....33  
 SCREW,HHC,1/2-13 X 3.....19  
 SCREW,HHC,1/2-13 X 3.25.....19, 21  
 SCREW,HHC,1/2-13 X 4.....39  
 SCREW,HHC,1/2-13 X 6,GRD.8.....21  
 SCREW,HHC,1/4-20 X 1.5.....37  
 SCREW,HHC,1/4-20 X 3.....21  
 SCREW,HHC,1/4-20 X 5.25(80056).....37  
 SCREW,HHC,3/8-16 X .75.....29-30, 33  
 SCREW,HHC,3/8-16 X 1.....15, 19, 21  
 SCREW,HHC,3/8-16 X 1.25 GRD 5.....15, 17, 21, 25-26, 29-30, 33, 43  
 SCREW,HHC,3/8-16 X 2.....19  
 SCREW,HHC,3/8-16 X 3.....21  
 SCREW,HHC,3/8-16 X 5.5.....37  
 SCREW,HHC,5/16-18 X 6 GRD.2.....35  
 SCREW-THRD FORM,HH-SLT, 1/2".....37  
 SERIAL # LABEL,MAT LIFT & SS\*\*.....11, 13  
 SERVICE KIT,PINION SHAFT-K1550 (1256081).....35  
 SHAFT ASSY, PRIMARY.....37  
 SHAFT ASSY,INTERMED. (80056).....37  
 SHAFT,PINION (32891).....35  
 SHIM,.375 X .063.....25-26  
 SHIM,.75 X .45 X .064.....15, 17  
 SINTERED IRON BEARING,1-1/4\*\*.....37  
 SKID PAD.....15, 17  
 SL REAR TRANSPORT WHEEL ASSY.....43

SL ADJUSTABLE FORK ASSEMBLY.....39  
 SLA STABILIZER SET ASSY.SERV.....19  
 SLA/SLC STD.BOOM ASSY/SERVICE.....41  
 SPACER.....37  
 SPACER, DRUM BOLT, K-1550.....35  
 SPACER,MAST STIFFENER.....21  
 SPACER,PINION SHAFT (32890).....35  
 SPACER-RATCHET (80056).....37  
 SPACER-STRADDLE BASE-3".....17  
 SPRING,HOLDOWN SL2E.....15, 17  
 SPRING,STABILIZER LATCH SL2.....19  
 SPRING-RATCHET (80056).....37  
 STABILIZER STRUT,ASSY.....19  
 STANDARD FORK W/ SYMBOL DECALS.....39  
 STRUT,LH,SL2.....19  
 STRUT,RH,SL2.....19  
 SVC KIT, FRICTION DISC K/KX.....35

**T**

TUBE,DOWNSTOP.....25-26

**U**

U-BOLT,1/4-20 SL2 PIPE CRADLE.....41  
 UP STOP.....25-26

**V**

VIDEO,NTSC,SLA,CABLING PROCDR.....29-30, 33

**W**

WASHER, FLAT, SAE, .5, GRADE 9.....33  
 WASHER, NYLON, .51X.75X.125.....21, 23, 25-26  
 WASHER, SHIM,.765 X 1.312 X .093.....21, 43  
 WASHER,DOUBLE D.....37  
 WASHER,FLAT,.5 HARDENED.....23, 26  
 WASHER,FLAT,.5X .125,HARDENED\*.....29-30  
 WASHER,FLAT,NYLON.515X.88X.093.....21  
 WASHER,FLAT,USS,1/2",Y.....19, 21, 23, 25-26  
 WASHER,FLAT,USS,3/8",Y.....15, 17, 19, 21, 33  
 WASHER,FLAT,USS,5/16",Y.....33, 37  
 WASHER,LOCK,0.5".....19  
 WASHER,PUSH ON .75 SHAFT.....21  
 WASHER,SHIM,.5 X .875 X .063.....23, 25-26, 29-30  
 WASHER,SHIM,1.50 X .890 X .09.....19  
 WASHER-FLAT, 1/2" (80056).....37  
 WEDGE, MACHINED.....17  
 WELD.,STABILIZER LEG SL2 BLUE.....19  
 WELDMENT,ARM ADJ. FORK-"BLUE".....39  
 WELDMENT,ARM STRADDLE LEFT.....17  
 WELDMENT,ARM STRADDLE RIGHT.....17  
 WELDMENT,CLEVIS STD. BOOM.....41  
 WELDMENT,FLATFORK SOCKET.....39  
 WELDMENT,LEG,SL15.....19  
 WELDMENT,LEG,SL20/25.....19  
 WELDMENT,LEG,SL5/10.....19  
 WELDMENT,SL,GE FORK ATTACHMENT...39  
 WHEEL SPACER WELDMNT SLA, BLUE.....43  
 WHEEL SPACR MNT WELD LH,SLA,BL.....43  
 WHEEL SPACR MNT WELD RH,SLA,BL.....43  
 WHEEL,POLY,6X2, 3/4\*\*.....21  
 WHEEL,POLYOLEFIN,3.5X1.25,7/8.....19

WHEEL,ROLLER,NYLATRON,1.75.....21, 23, 25-26  
 WHEEL,SOLID RUBBER,10X.75X2.75.....43  
 WHEEL,TRANSPORT SL 10X.75X2.75.....43  
 WINCH BRACKET, DRUM BOLT LOCK (31946).....35  
 WINCH GEAR COVERS, K-1500.....35  
 WINCH HANDLE 6" STD.....35  
 WINCH HANDLE 8" STD.\*\*.....35  
 WINCH MOUNT W/ SYMBOL DECAL.....21  
 WINCH MOUNT W/DECAL (SLA).....21  
 WINCH PINION PLATE, K-1550 (7591).....35  
 WINCH SPACER, 2 SPEED SLC,GRAY.....21  
 WINCH SPACER,1 SPEED SLA, BLUE.....21  
 WINCH W/DECAL,2 SPEED\*\*\*.....37  
 WINCH,W/DECAL 1SPEED SL/ST.....35

California Proposition 65



**WARNING**

Operating, servicing and maintaining this equipment can expose you to chemicals including engine exhaust, carbon monoxide, phthalates, and lead, which are known to the State of California to cause cancer and birth defects or other reproductive harm. These chemicals can be emitted from or contained in other various parts and systems, fluids and some component wear by-products. To minimize exposure, avoid breathing exhaust, do not idle the engine except as necessary, service your equipment and vehicle in a well-ventilated area and wear gloves or wash your hands frequently when servicing your equipment or vehicle and after operation. For more information go to [www.P65Warnings.ca.gov/passenger-vehicle](http://www.P65Warnings.ca.gov/passenger-vehicle).

Distributed By:

Go to [Discount-Equipment.com](http://Discount-Equipment.com) to order your parts

# PARTS FINDER

**Search Website  
by Part Number**



**Search Manual  
Library For Parts  
Manual & Lookup Part  
Numbers – Purchase  
or Request Quote**

**Search Manuals**

Enter your information to help us find the right parts manual for your machine.

\* Brand:

\* Model:

\* Serial:

\* Part Number:

SEARCH

**Can't Find Part or  
Manual? Request Help  
by Manufacturer,  
Model & Description**

**Parts Order Form**

Please fill in the following information to help us find the right part for your machine.

Manufacturer:	<input type="text"/>
Model:	<input type="text"/>
Description:	<input type="text"/>
Part Number:	<input type="text"/>
Quantity:	<input type="text"/>
Notes:	<input type="text"/>

Discount-Equipment.com is your online resource for quality parts & equipment.

Florida: **561-964-4949** Outside Florida TOLL FREE: **877-690-3101**

**Need parts?**

Click on this link: <http://www.discount-equipment.com/category/5443-parts/> and choose one of the options to help get the right parts and equipment you are looking for. Please have the machine model and serial number available in order to help us get you the correct parts. If you don't find the part on the website or on one of the online manuals, please fill out the request form and one of our experienced staff members will get back to you with a quote for the right part that your machine needs.

We sell worldwide for the brands: Genie, Terex, JLG, MultiQuip, Mikasa, Essick, Whiteman, Mayco, Toro Stone, Diamond Products, Generac Magnum, Airman, Haulotte, Barreto, Power Blanket, Nifty Lift, Atlas Copco, Chicago Pneumatic, Allmand, Miller Curber, Skyjack, Lull, Skytrak, Tsurumi, Husquvarna Target, Stow, Wacker, Sakai, Mi-T-M, Sullair, Basic, Dynapac, MBW, Weber, Bartell, Bennar Newman, Haulotte, Ditch Runner, Menegotti, Morrison, Contec, Buddy, Crown, Edco, Wyco, Bomag, Laymor, EZ Trench, Bil-Jax, F.S. Curtis, Gehl Pavers, Heli, Honda, ICS/PowerGrit, IHI, Partner, Imer, Clipper, MMD, Koshin, Rice, CH&E, General Equipment, Amida, Coleman, NAC, Gradall, Square Shooter, Kent, Stanley, Tamco, Toku, Hatz, Kohler, Robin, Wisconsin, Northrock, Oztec, Toker TK, Rol-Air, APT, Wylie, Ingersoll Rand / Doosan, Innovatech, Con X, Ammann, Mecalac, Makinex, Smith Surface Prep, Small Line, Wanco, Yanmar