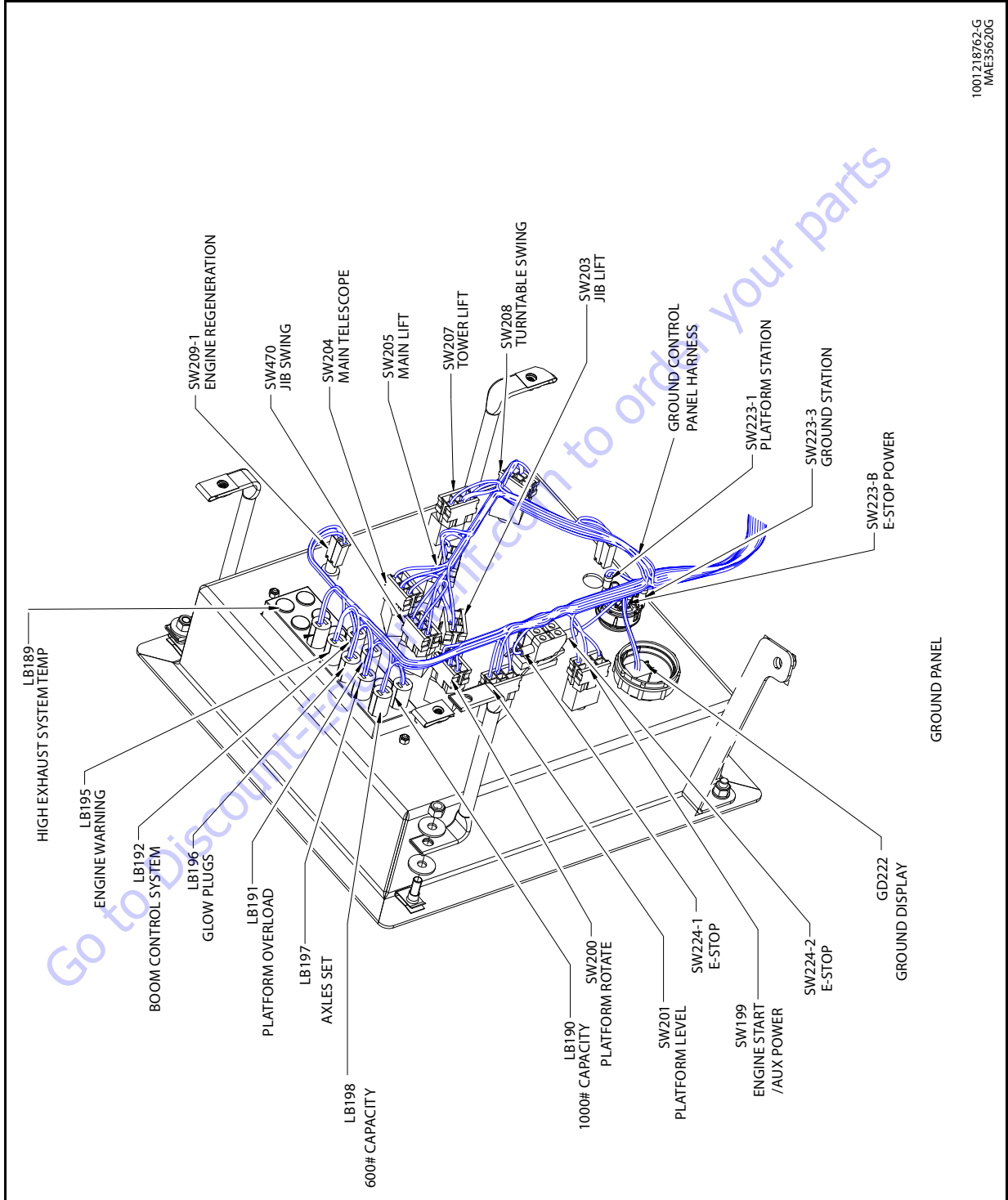


1001218762-G
MAE35610G

Figure 7-49. Chassis & Turntable Electrical Installation (HRC) - Sheet 4 of 11



1001218762-G
MAE35620G

Figure 7-50. Chassis & Turntable Electrical Installation (HRC) - Sheet 5 of 11

SECTION 7 - BASIC ELECTRICAL INFORMATION & ELECTRICAL SCHEMATICS

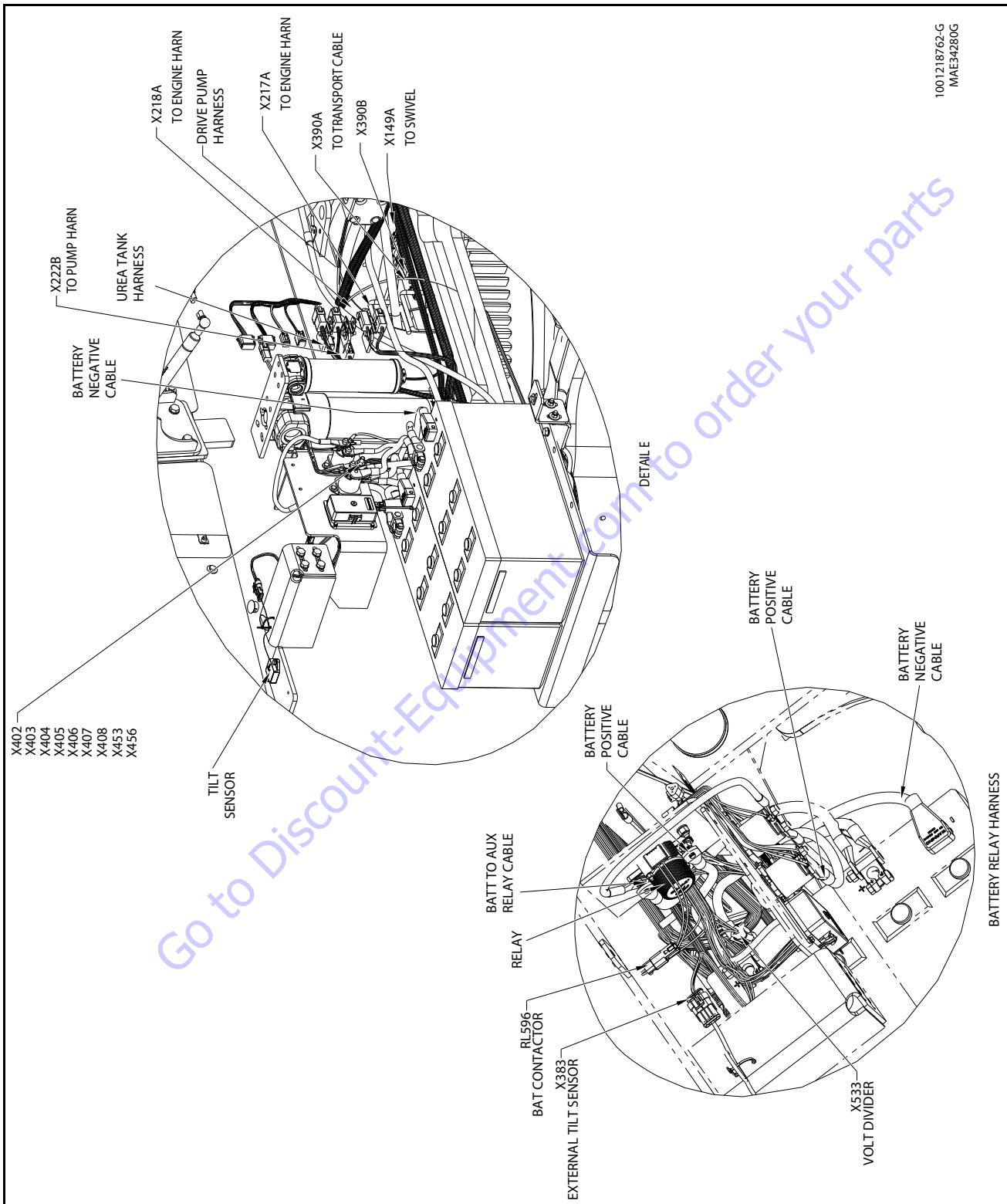
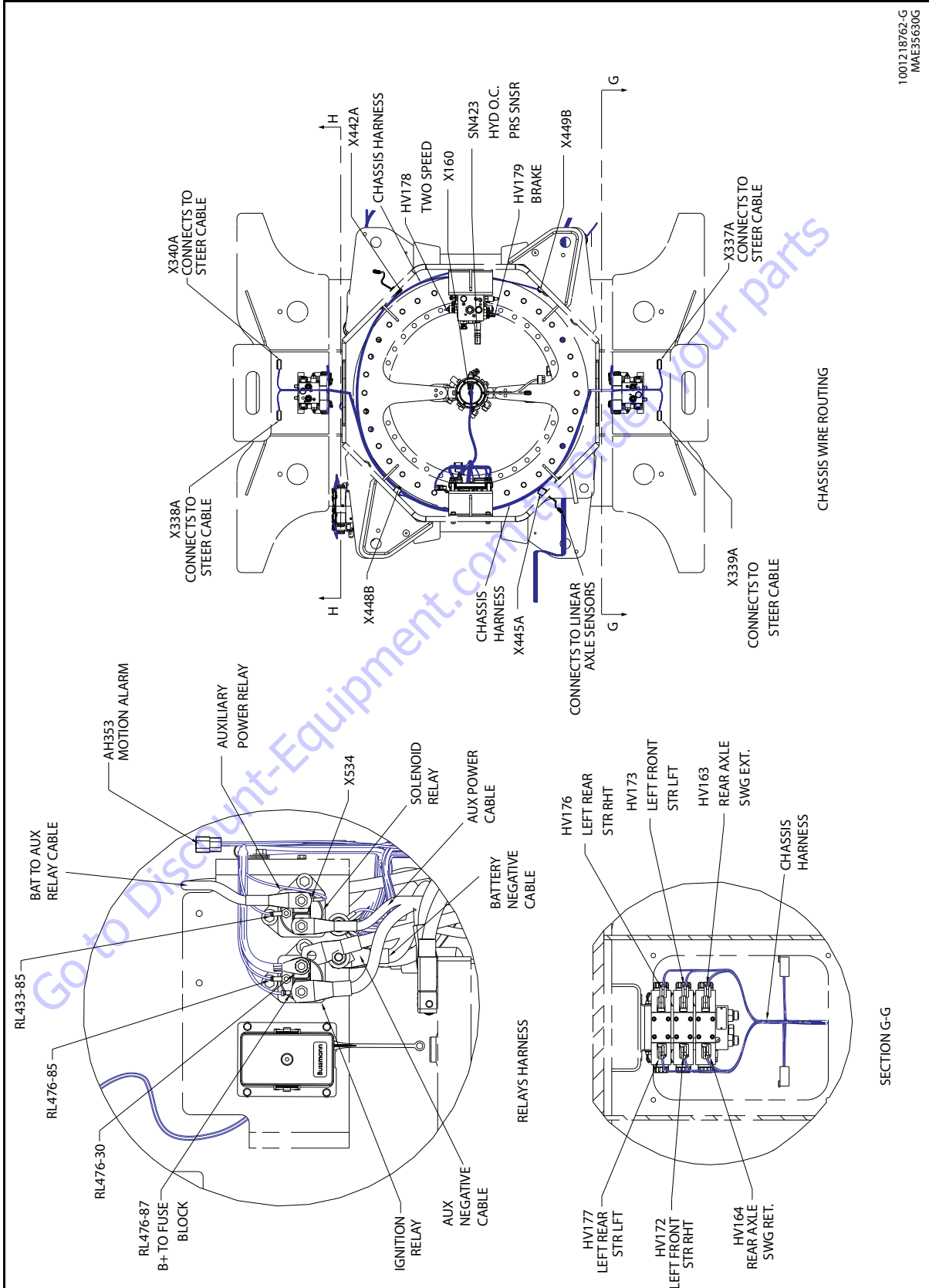


Figure 7-51. Chassis & Turntable Electrical Installation (HRC) - Sheet 6 of 11



1001218762-G
IMAE35630G

Figure 7-52. Chassis & Turntable Electrical Installation (HRC) - Sheet 7 of 11

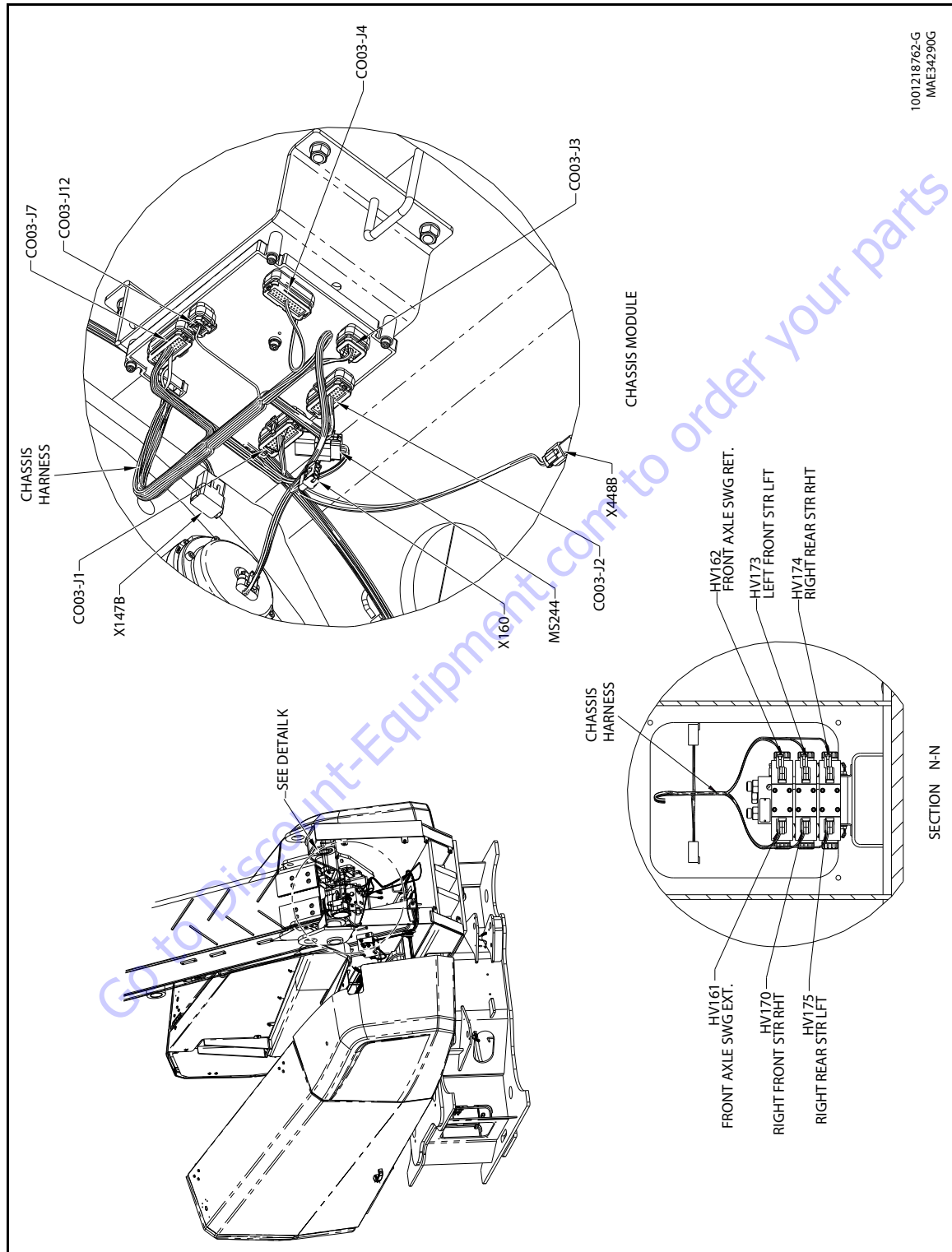


Figure 7-53. Chassis & Turntable Electrical Installation (HRC) - Sheet 8 of 11

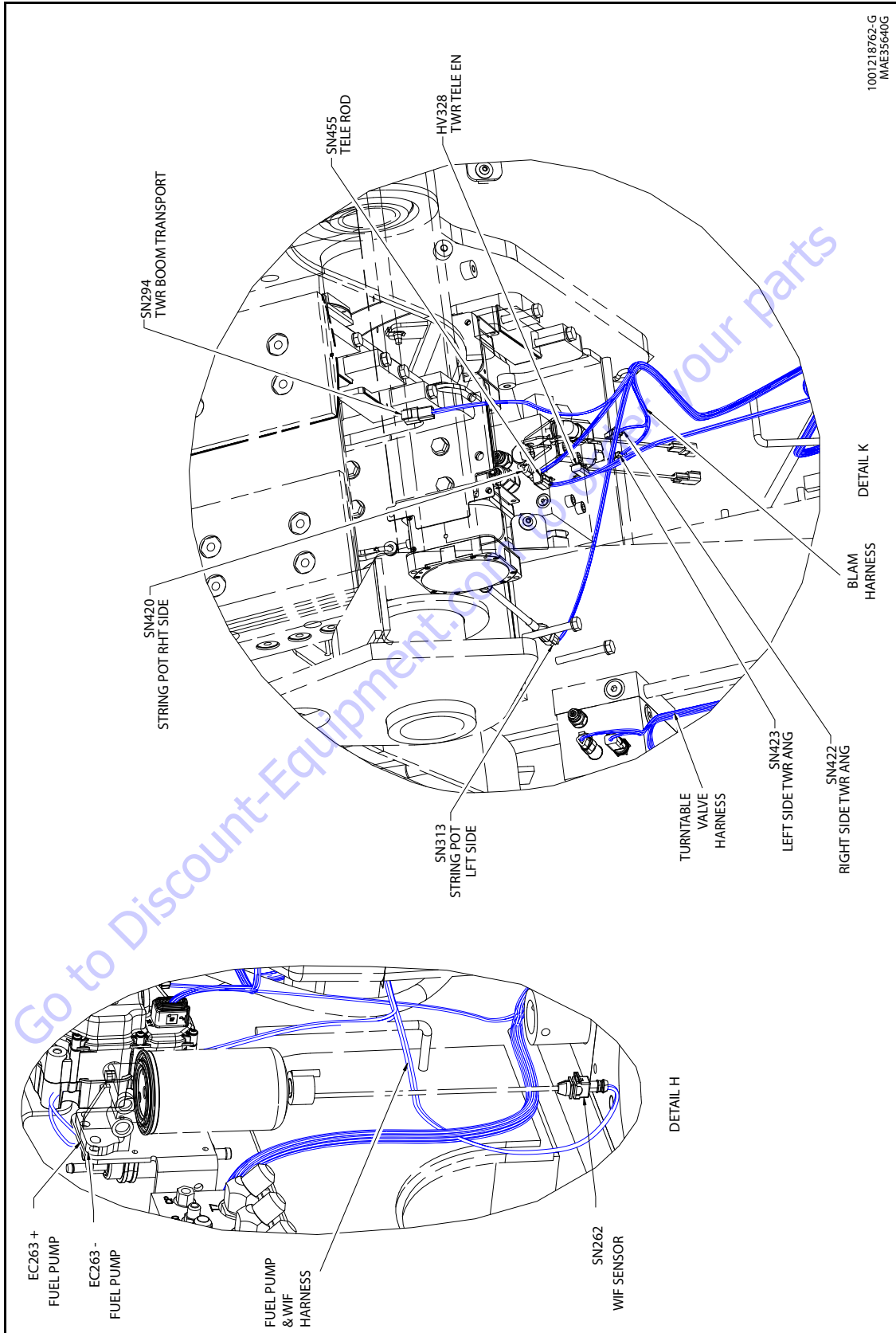


Figure 7-54. Chassis & Turntable Electrical Installation (HRC) - Sheet 9 of 11

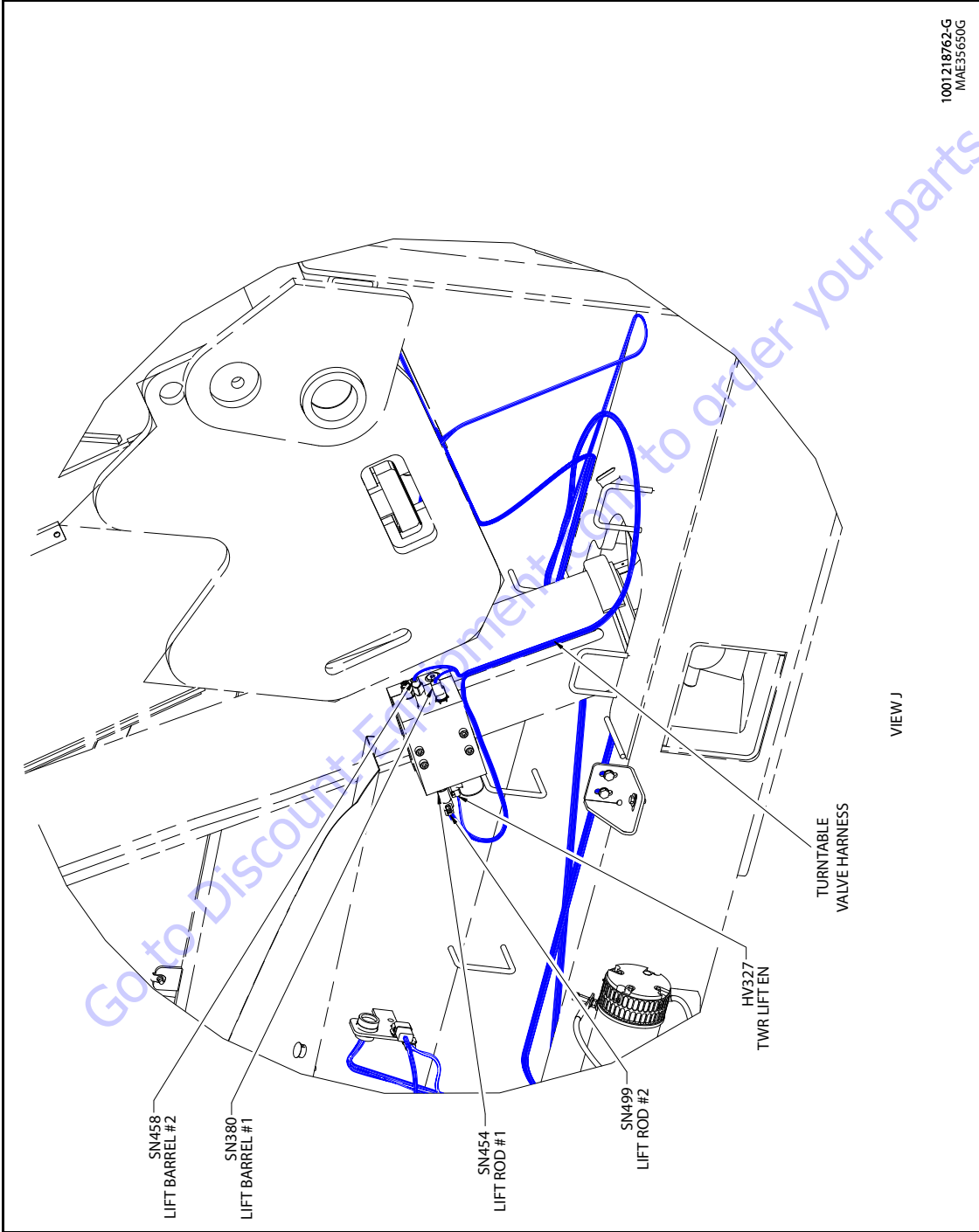


Figure 7-55. Chassis & Turntable Electrical Installation (HRC) - Sheet 10 of 11

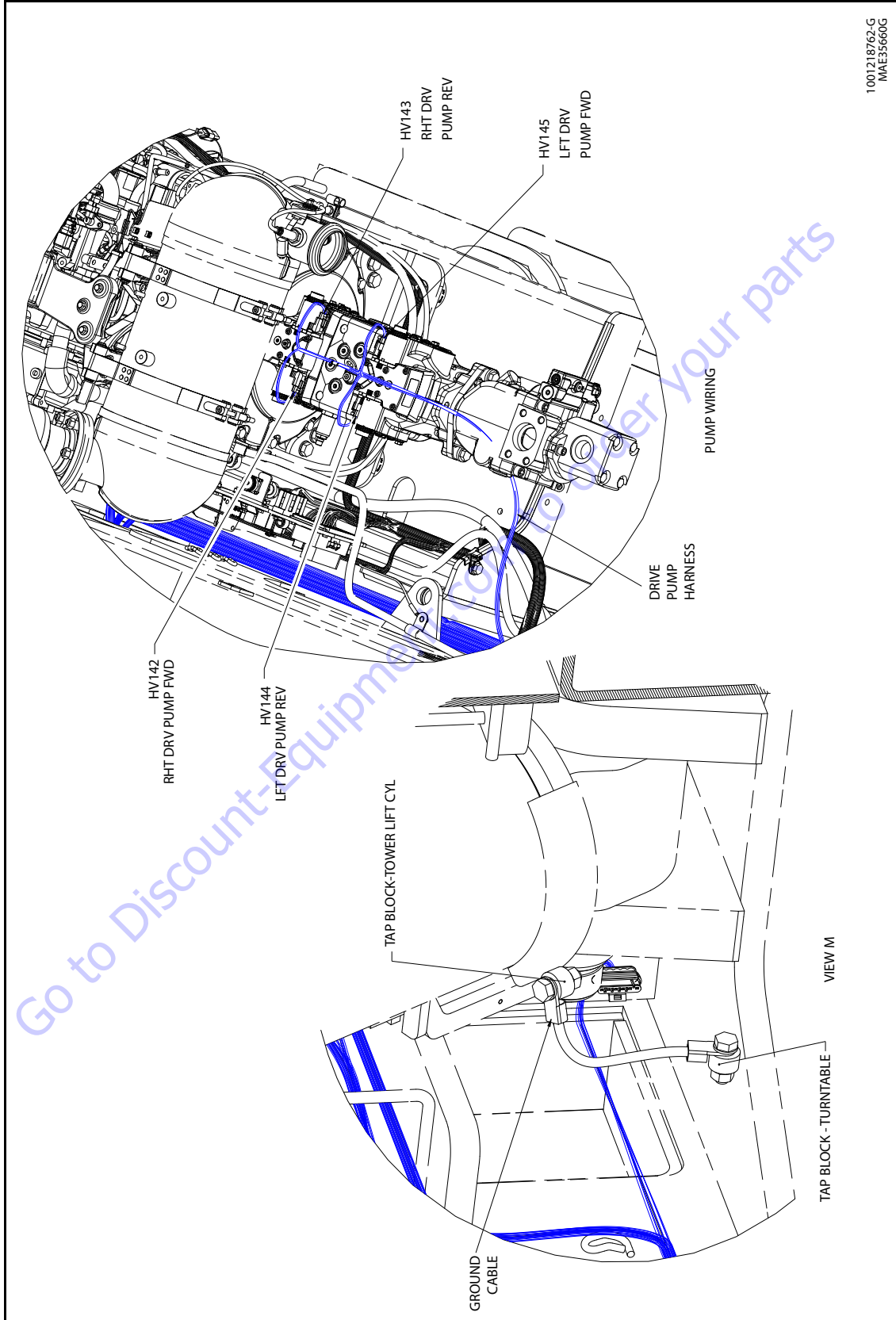


Figure 7-56. Chassis & Turntable Electrical Installation (HRC) - Sheet 11 of 11

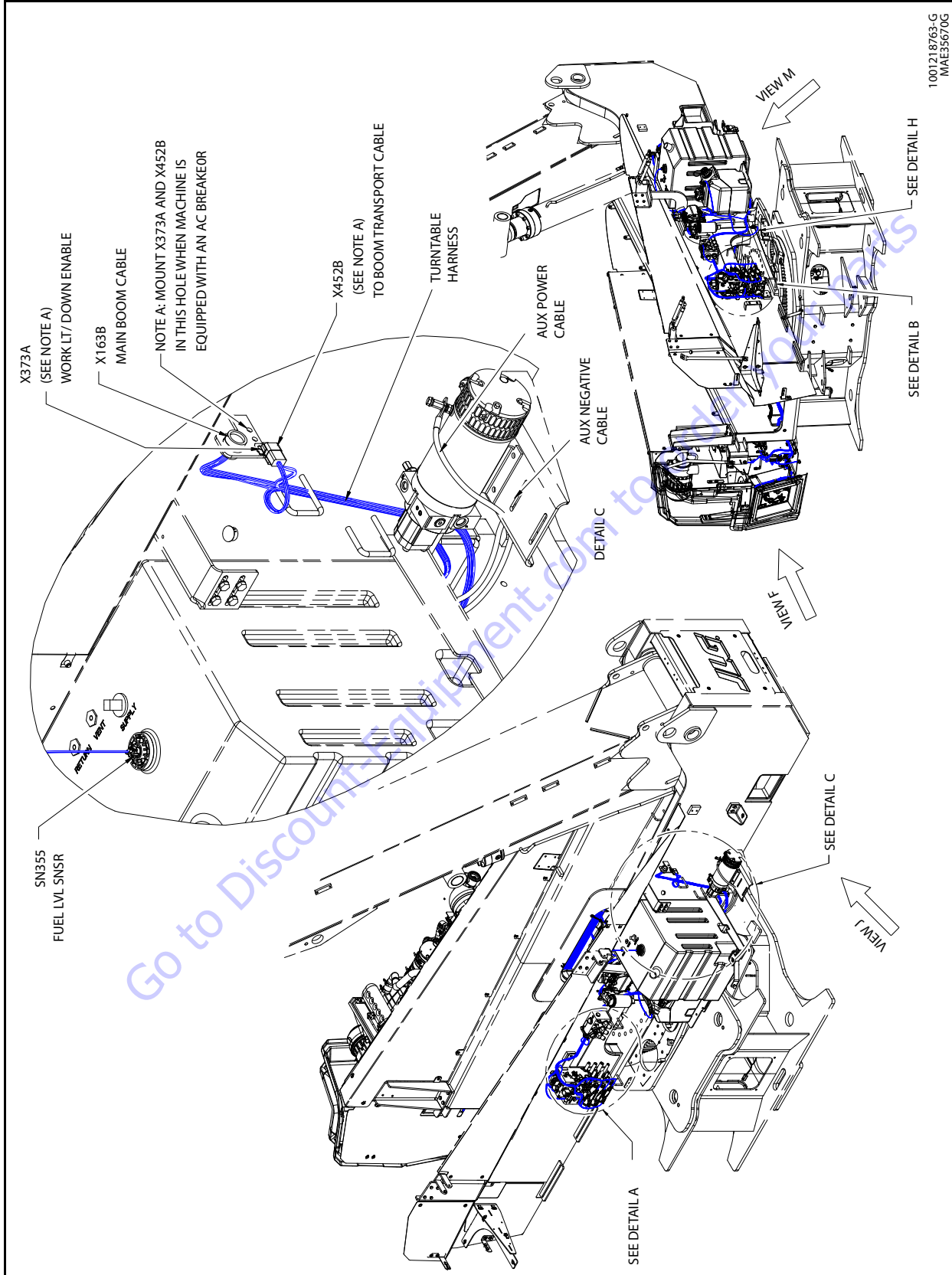
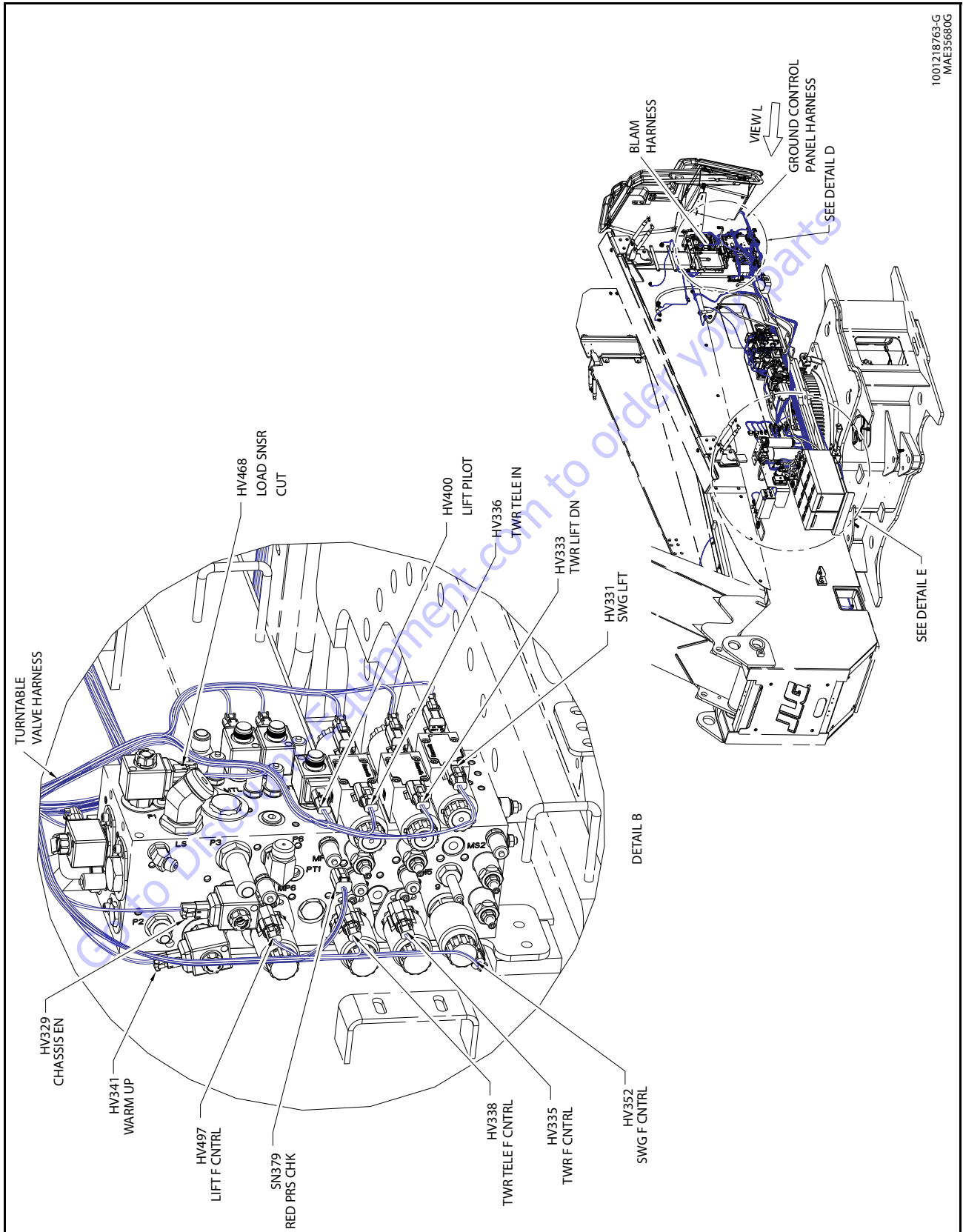
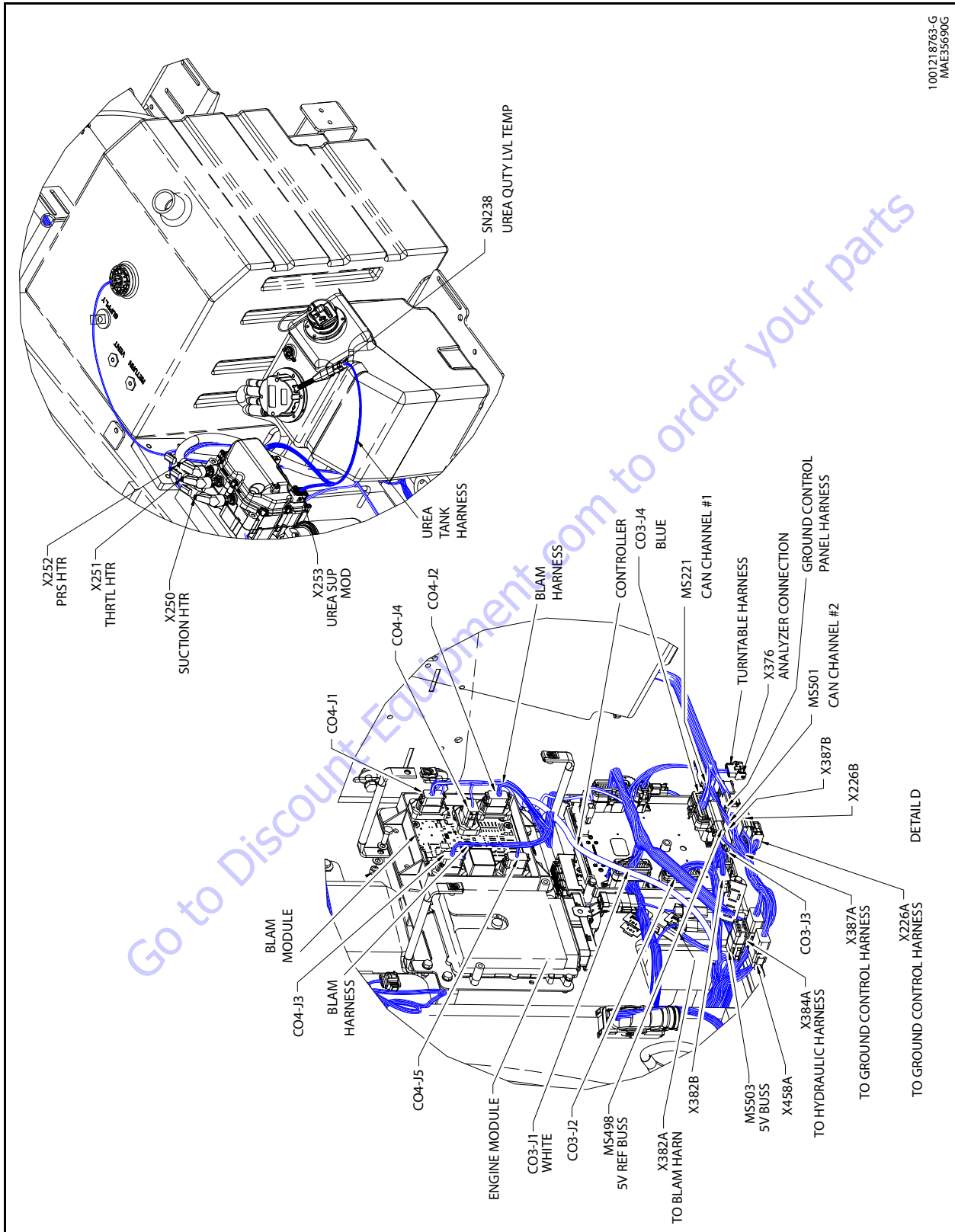


Figure 7-57. Chassis & Turntable Electrical Installation (CE) - Sheet 1 of 11



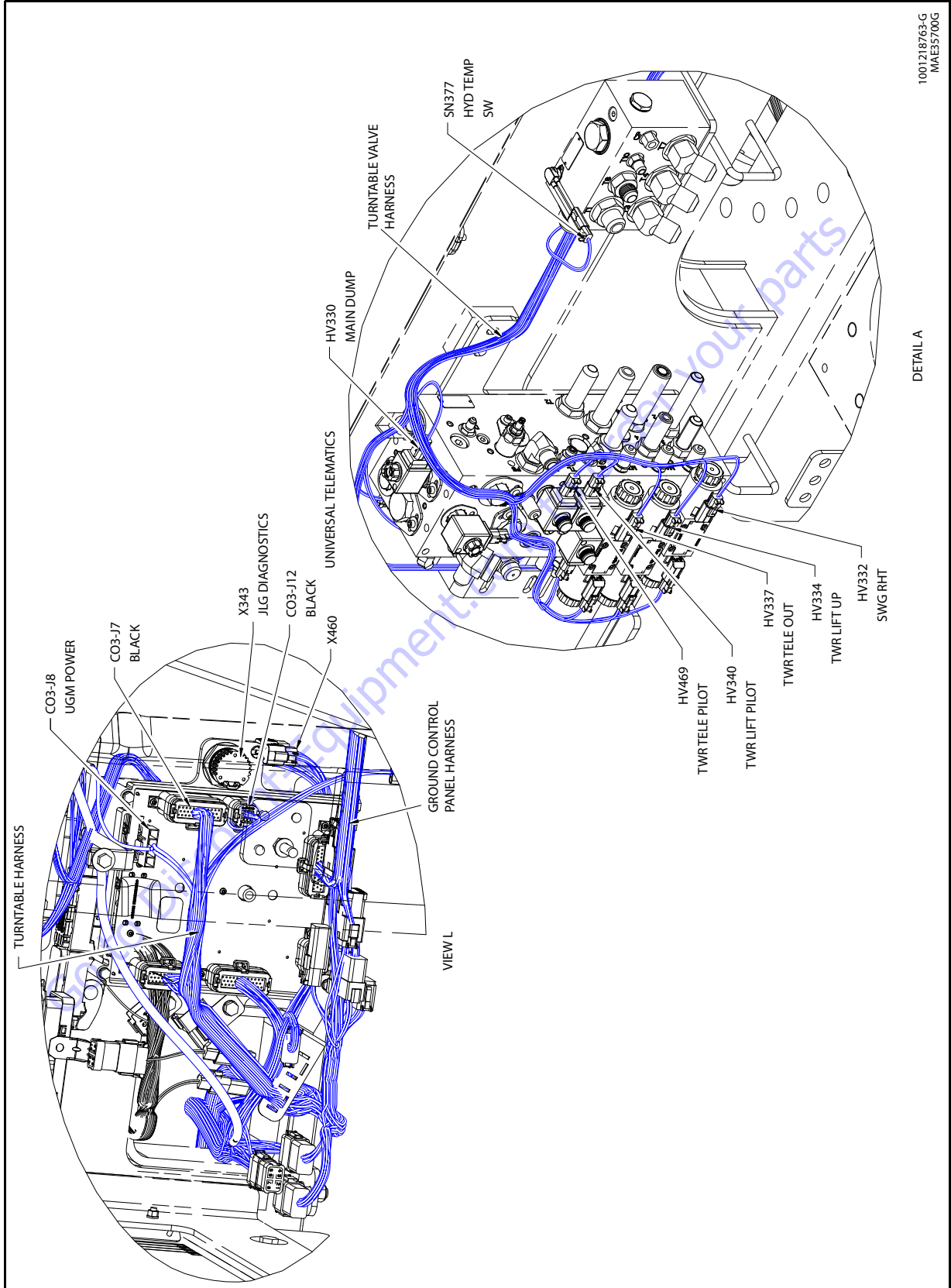
1001218763-G
MAE35680G

Figure 7-58. Chassis & Turntable Electrical Installation (CE) - Sheet 2 of 11



1001218763-G
MAY35690G

Figure 7-59. Chassis & Turntable Electrical Installation (CE) - Sheet 3 of 11

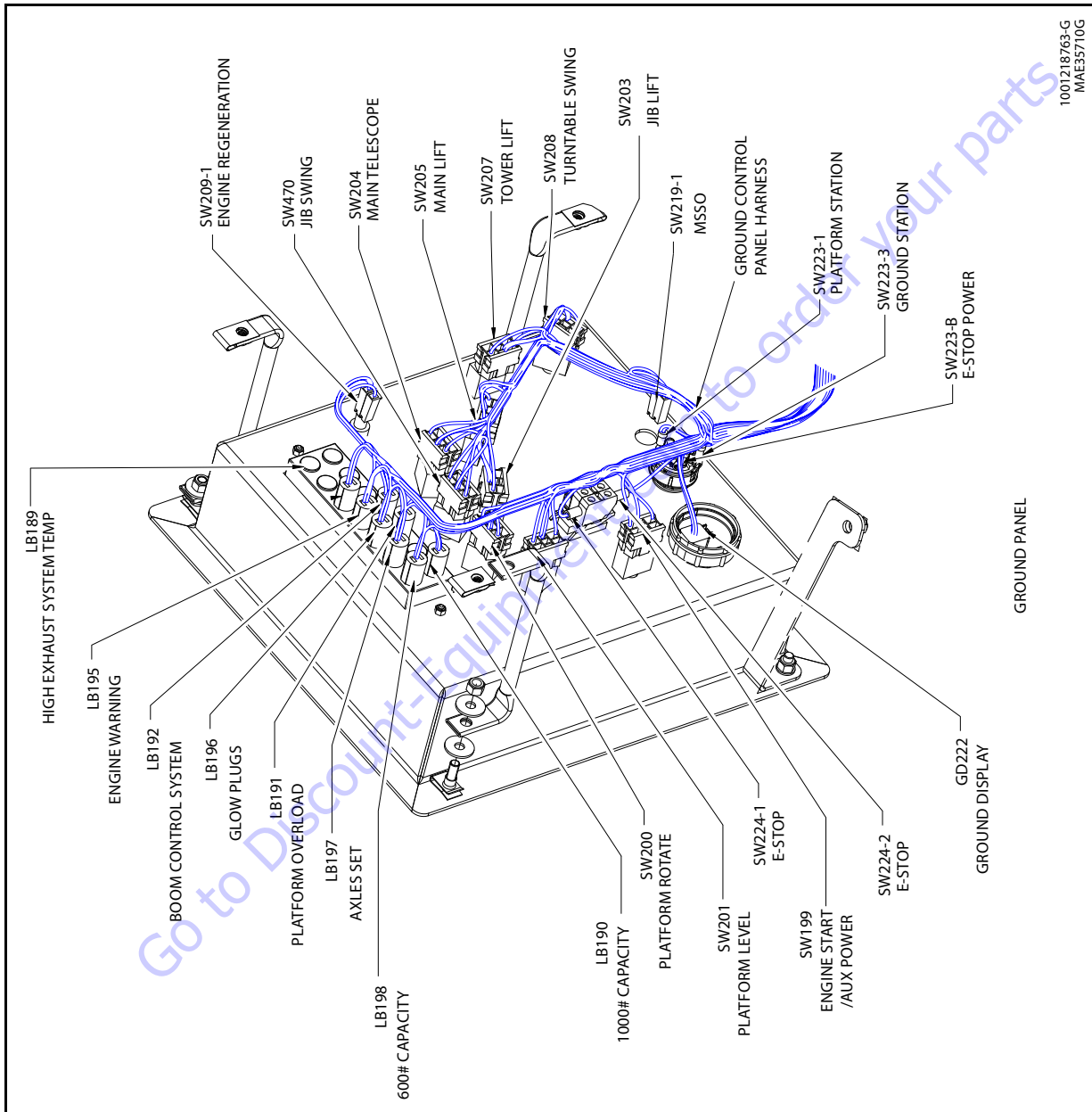


1001218763-G
MAE35700G

DETAIL A

Figure 7-60. Chassis & Turntable Electrical Installation (CE) - Sheet 4 of 11

SECTION 7 - BASIC ELECTRICAL INFORMATION & ELECTRICAL SCHEMATICS



1001218763-G
MAE357UG

Figure 7-61. Chassis & Turntable Electrical Installation (CE) - Sheet 5 of 11

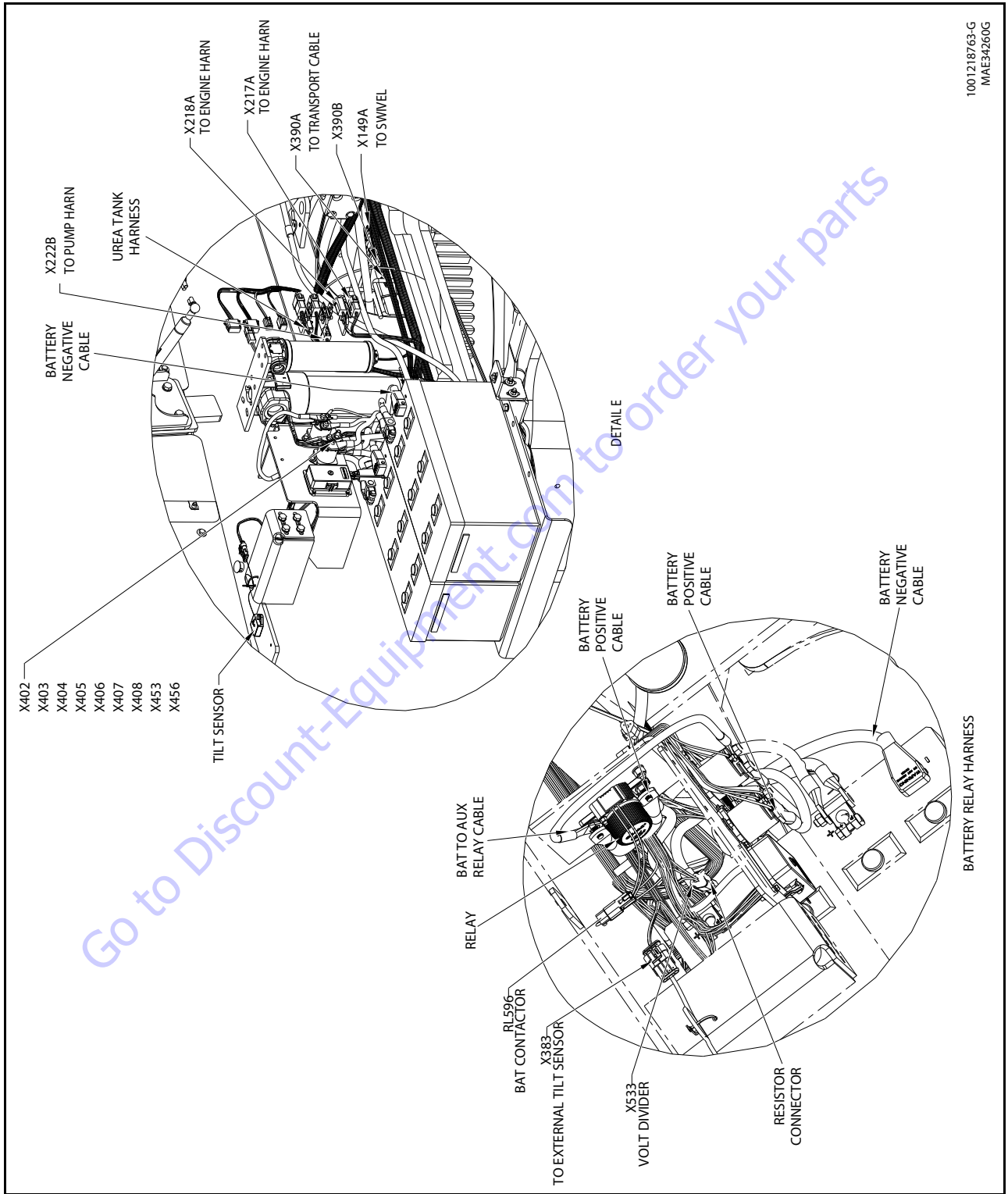
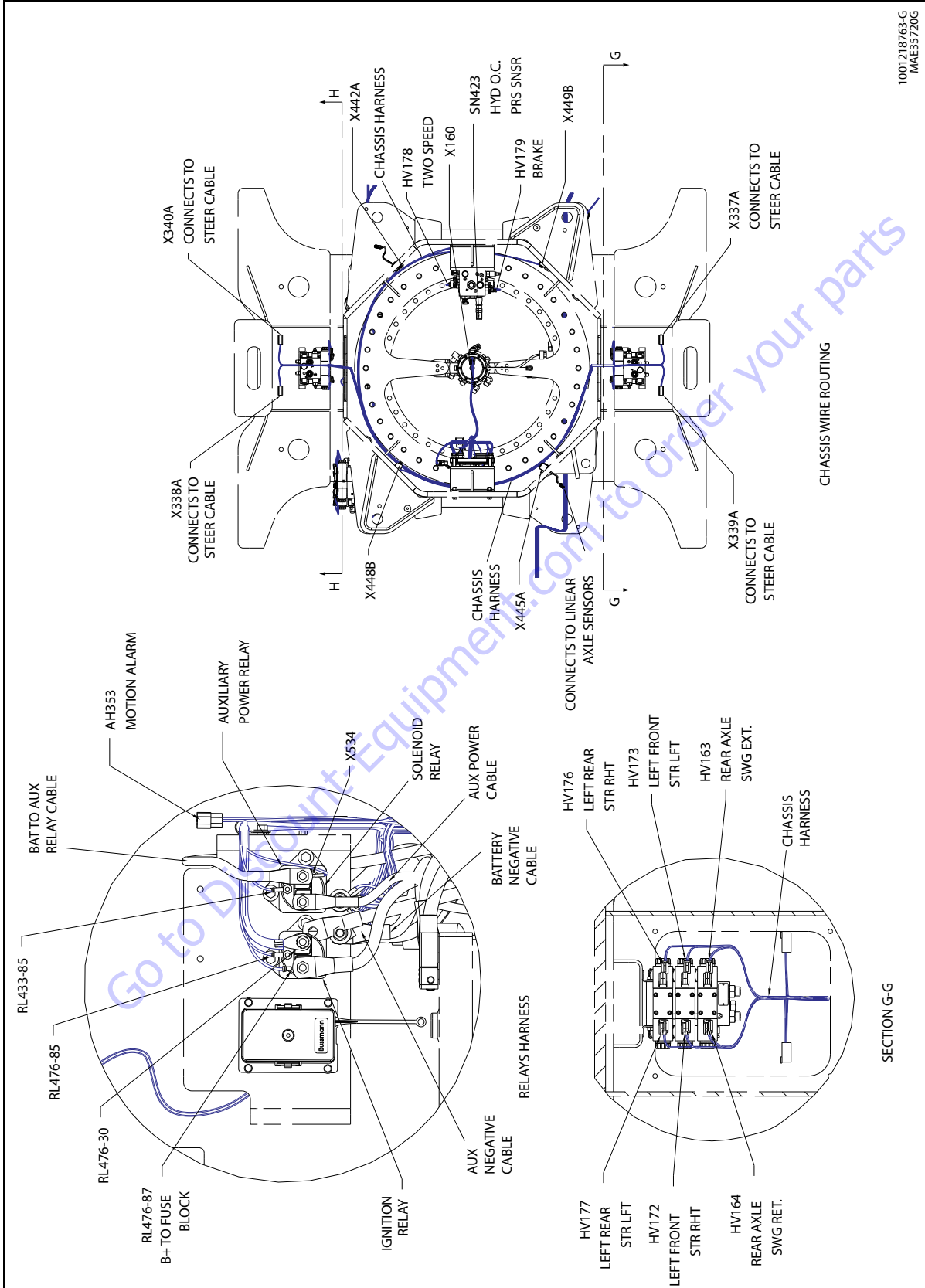


Figure 7-62. Chassis & Turntable Electrical Installation (CE) - Sheet 6 of 11



1001218763-G
MRES5720G

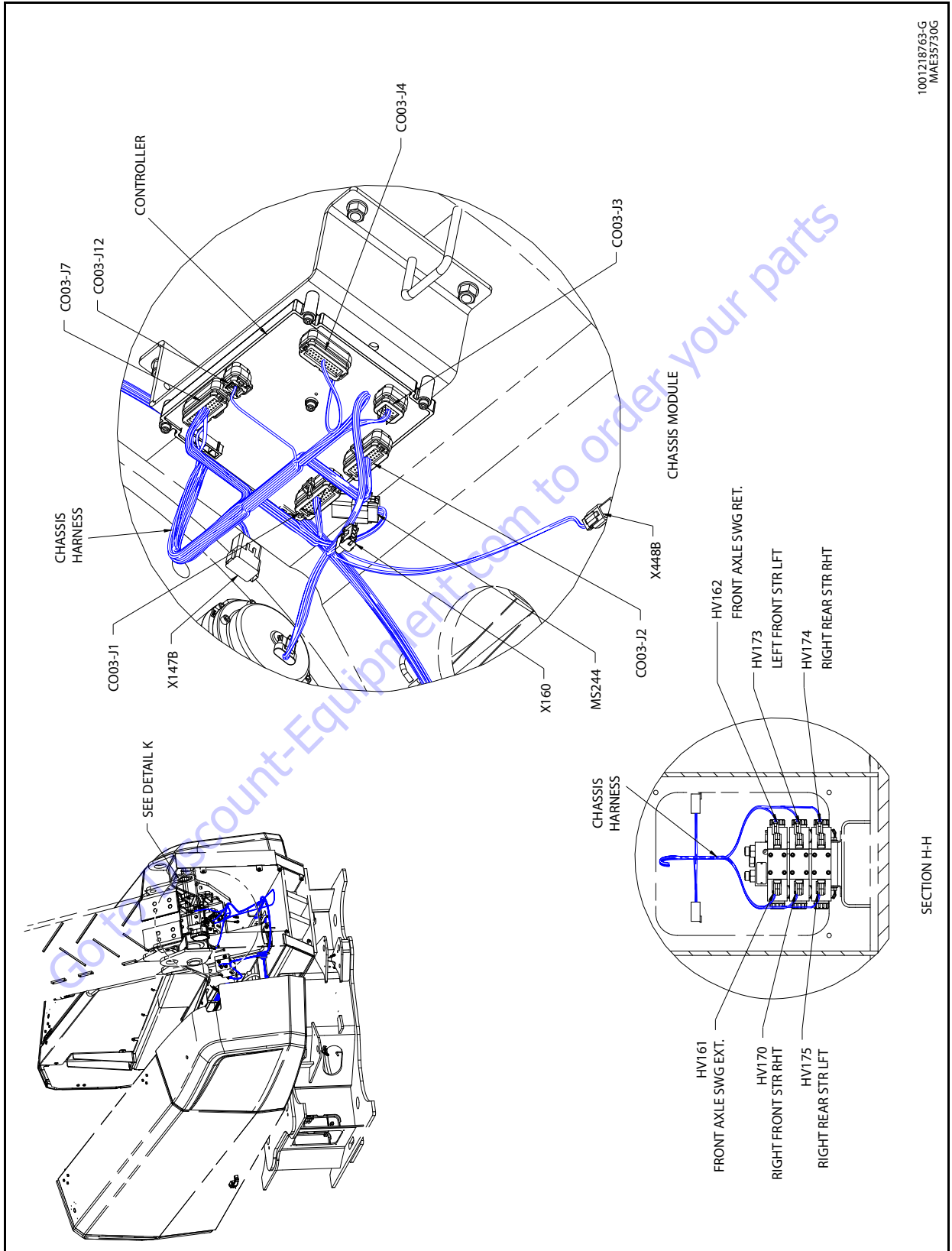


Figure 7-64. Chassis & Turntable Electrical Installation (CE) - Sheet 8 of 11

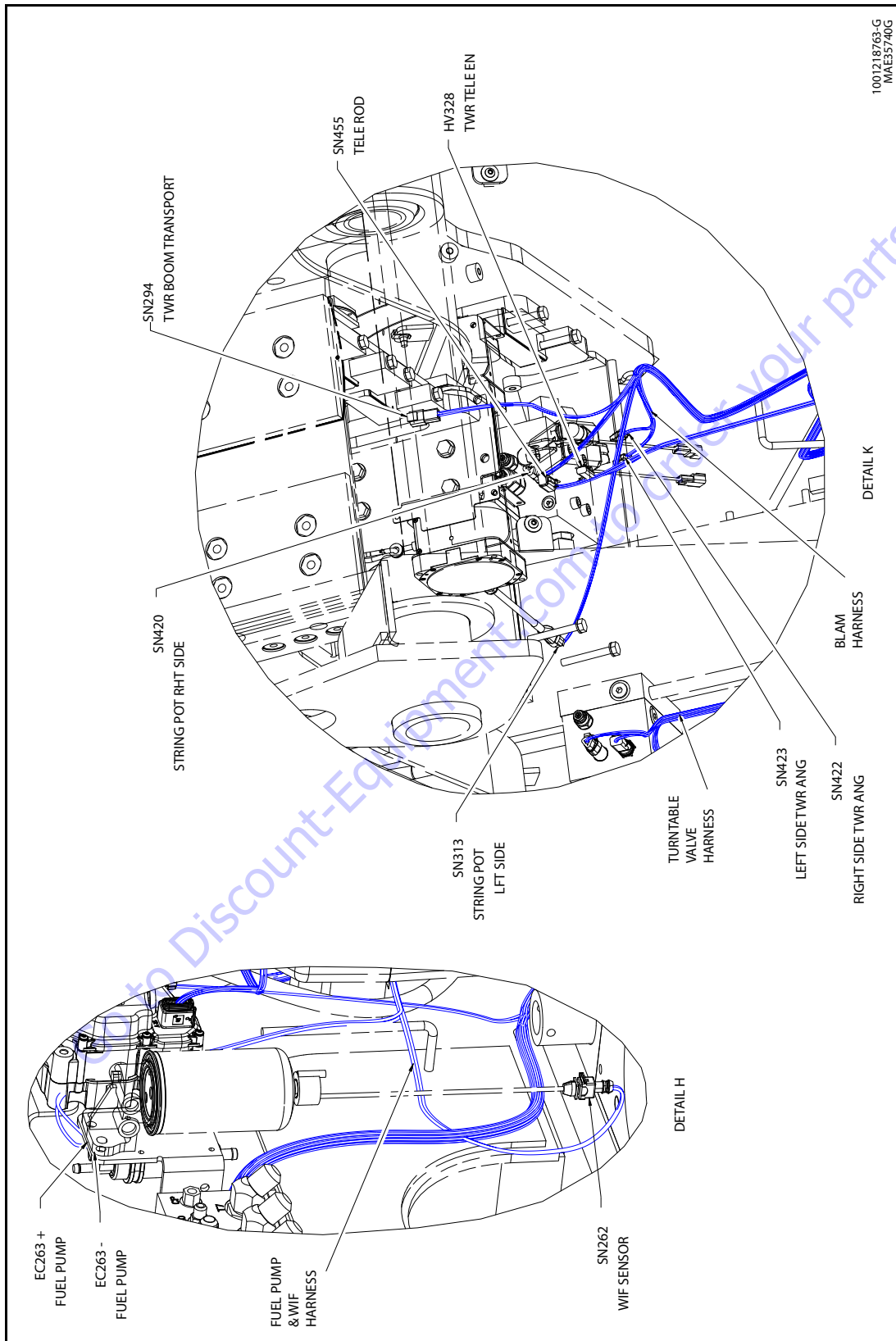


Figure 7-65. Chassis & Turntable Electrical Installation (CE) - Sheet 9 of 11

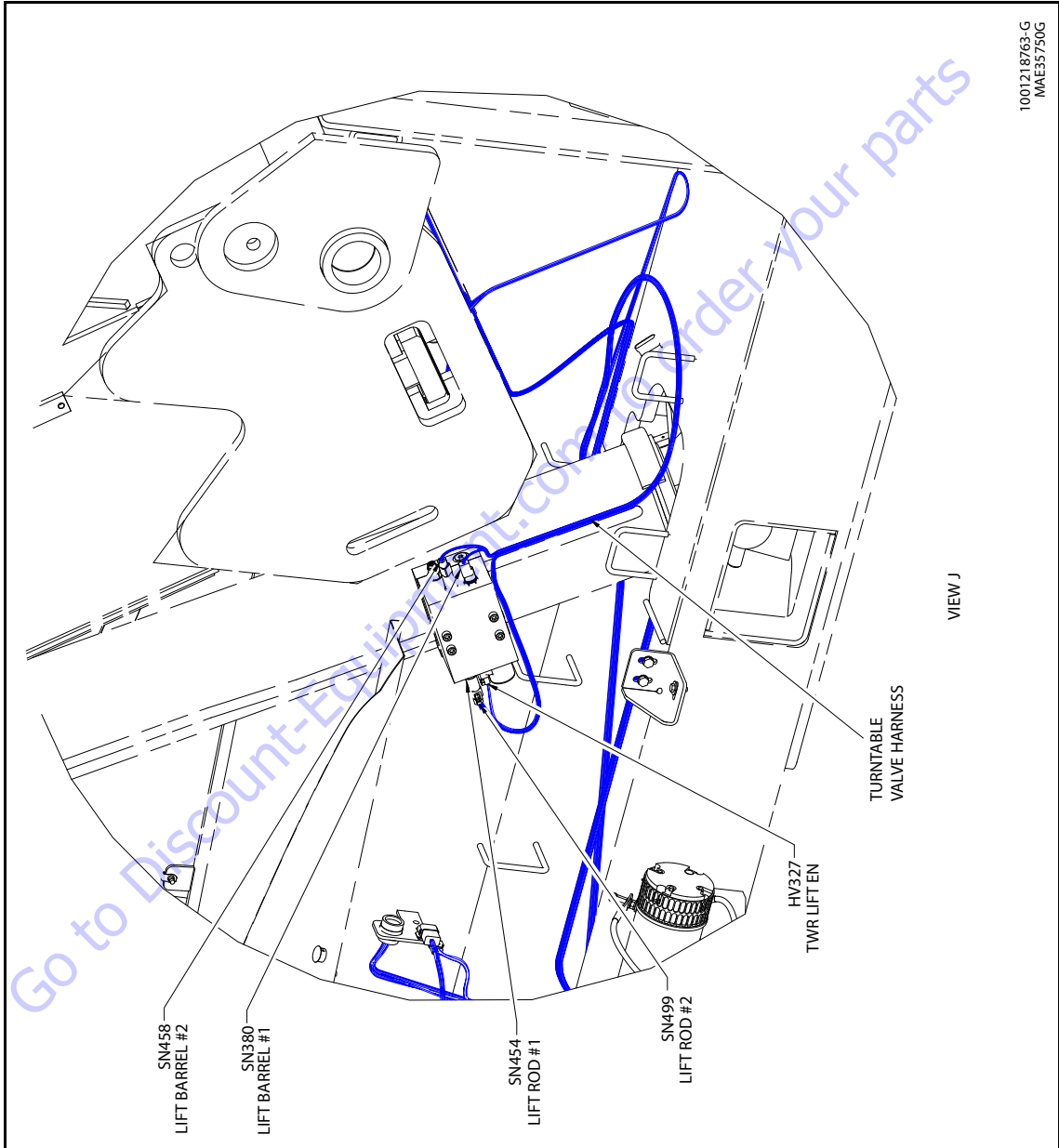


Figure 7-66. Chassis & Turntable Electrical Installation (CE) - Sheet 10 of 11

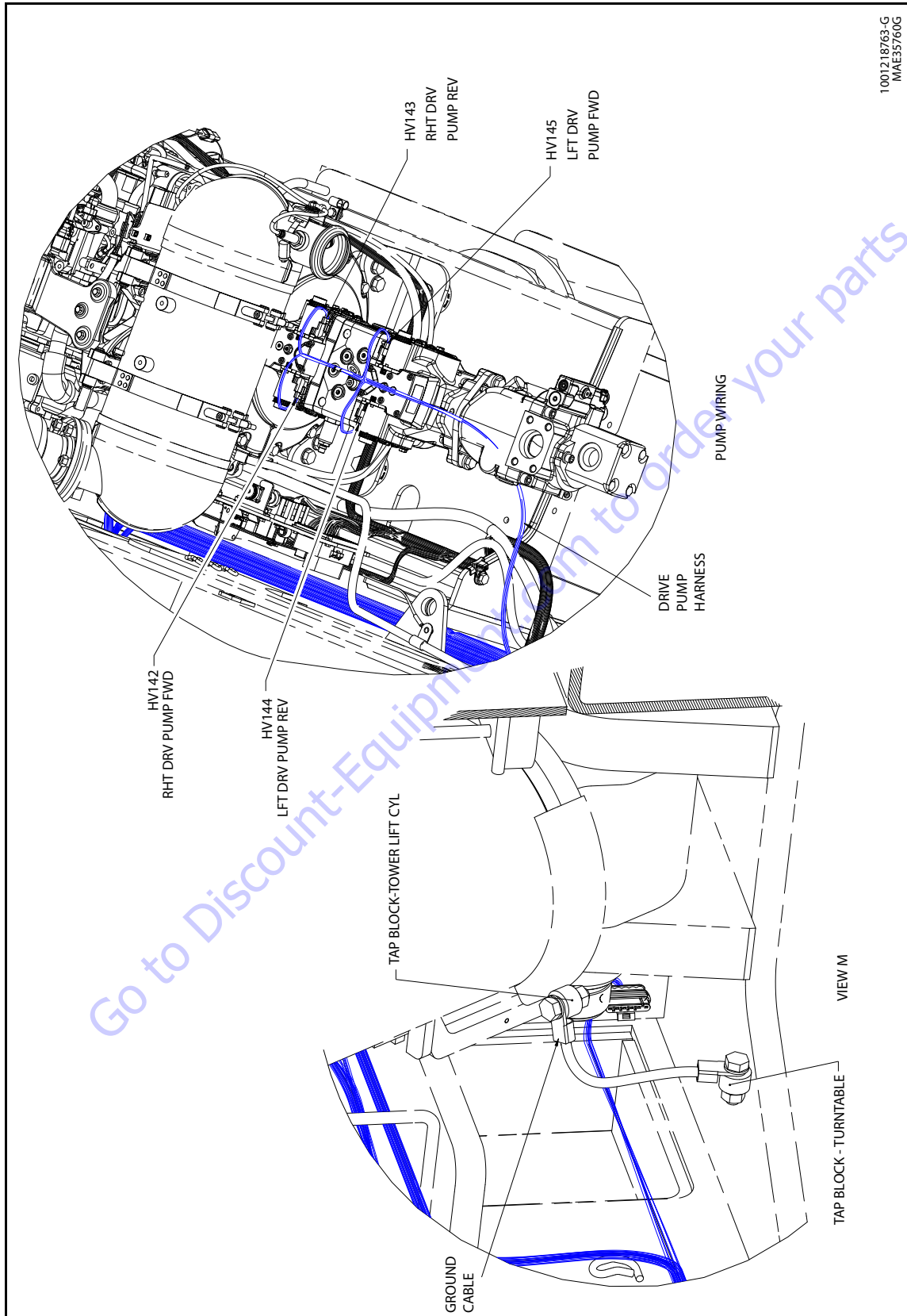


Figure 7-67. Chassis & Turntable Electrical Installation (CE) - Sheet 11 of 11

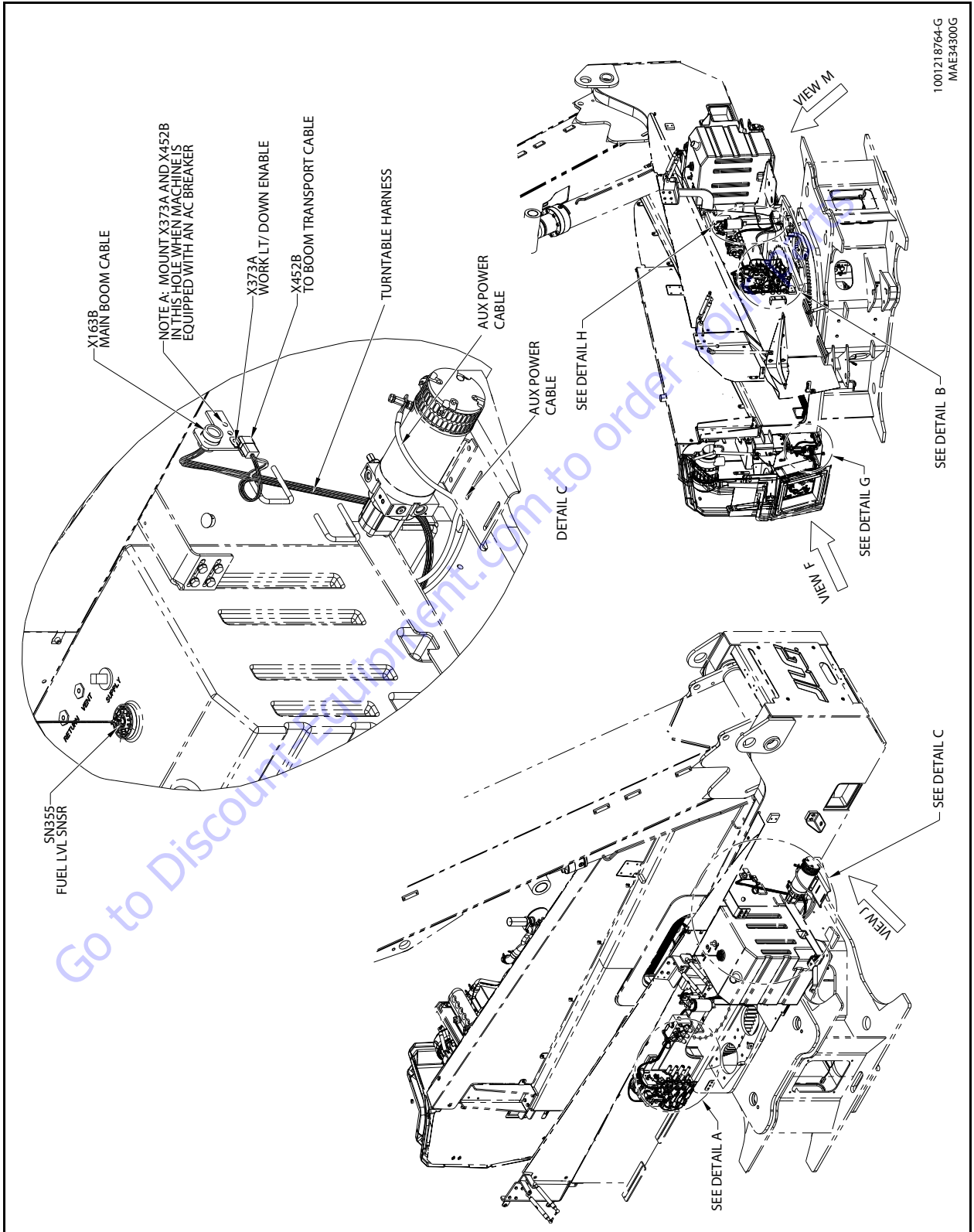


Figure 7-68. Chassis & Turntable Electrical Installation (LRC) - Sheet 1 of 10

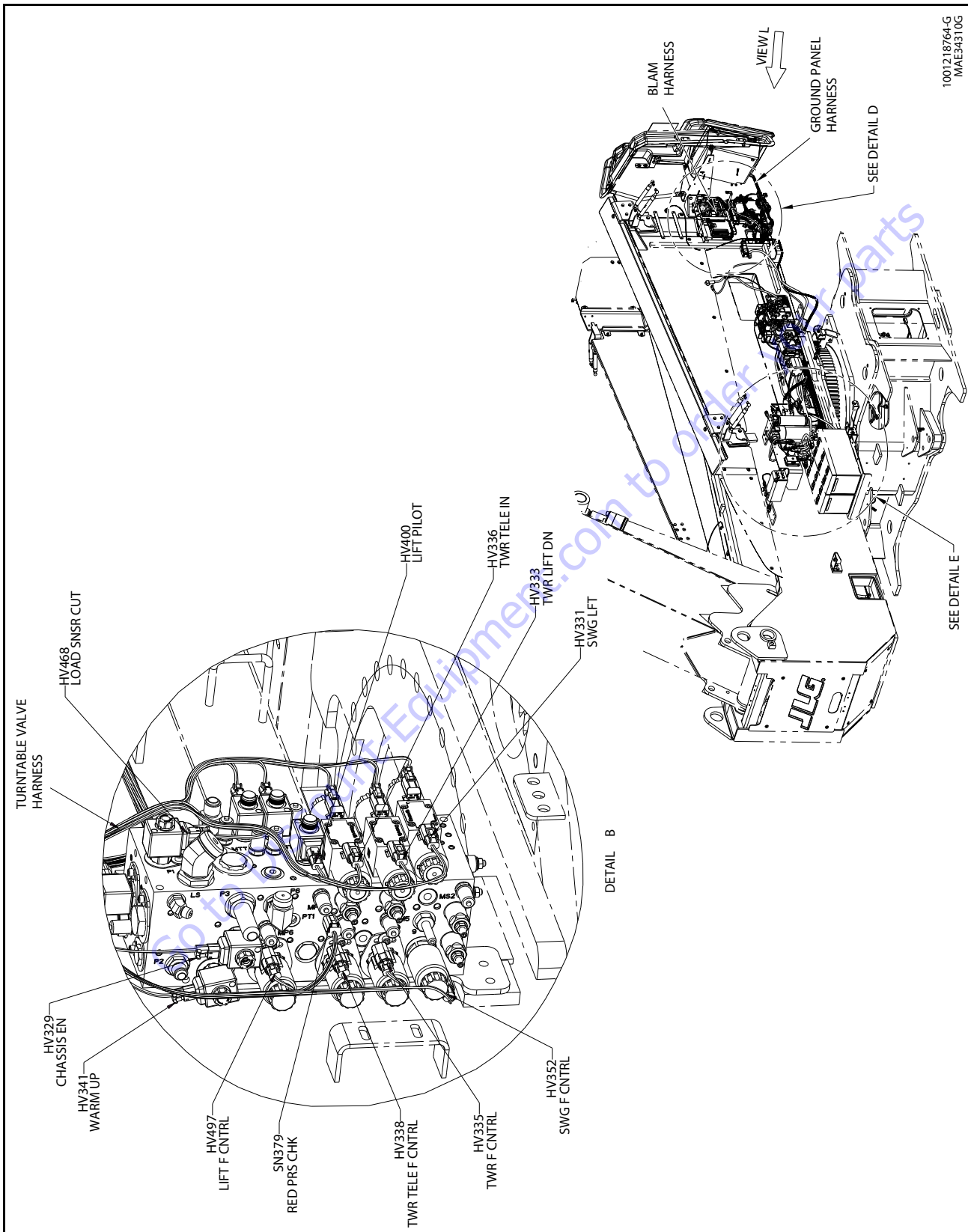
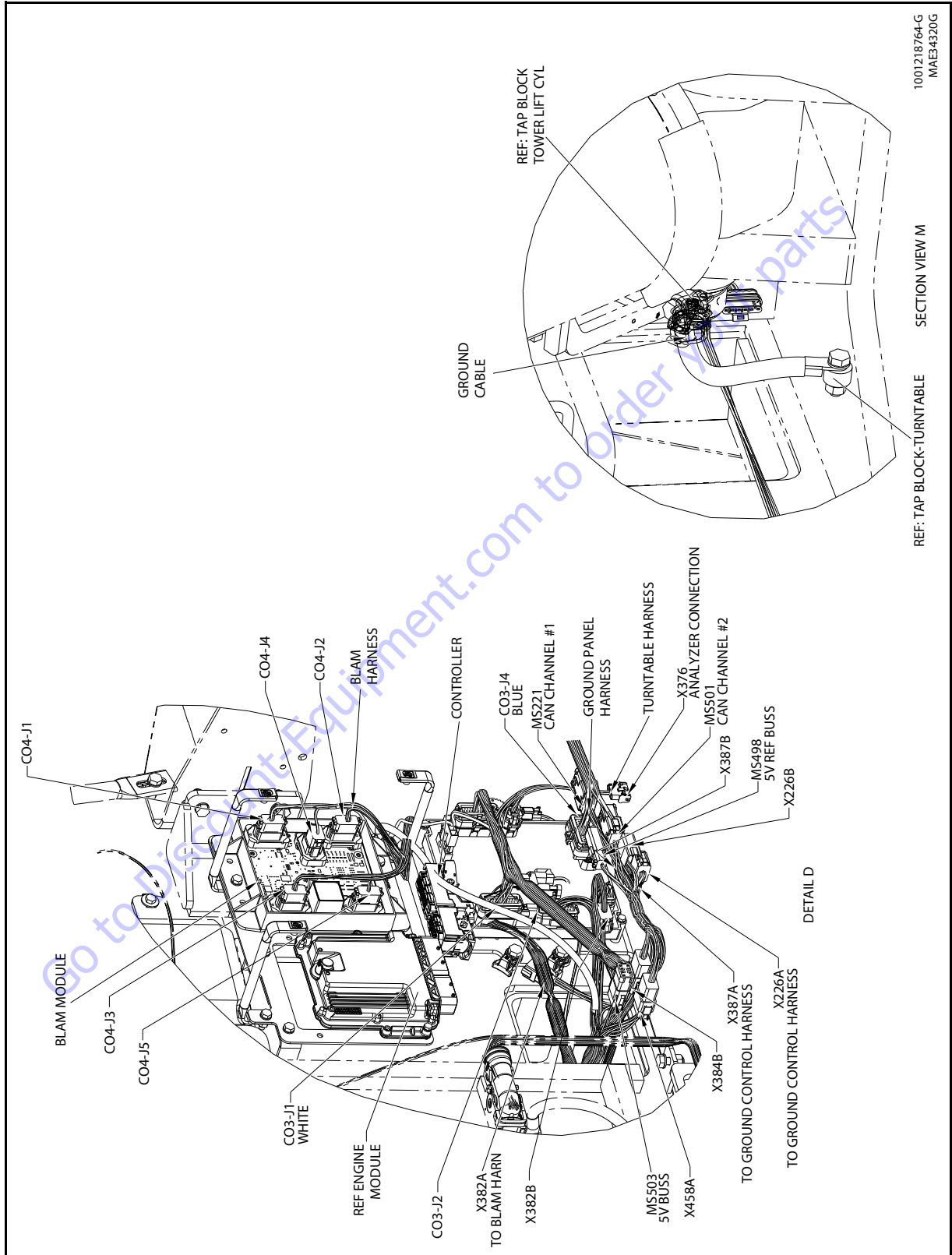


Figure 7-69. Chassis & Turntable Electrical Installation (LRC) - Sheet 2 of 10



1001218764-G
MAE34320G

SECTION VIEW M

Figure 7-70. Chassis & Turntable Electrical Installation (LRC) - Sheet 3 of 10

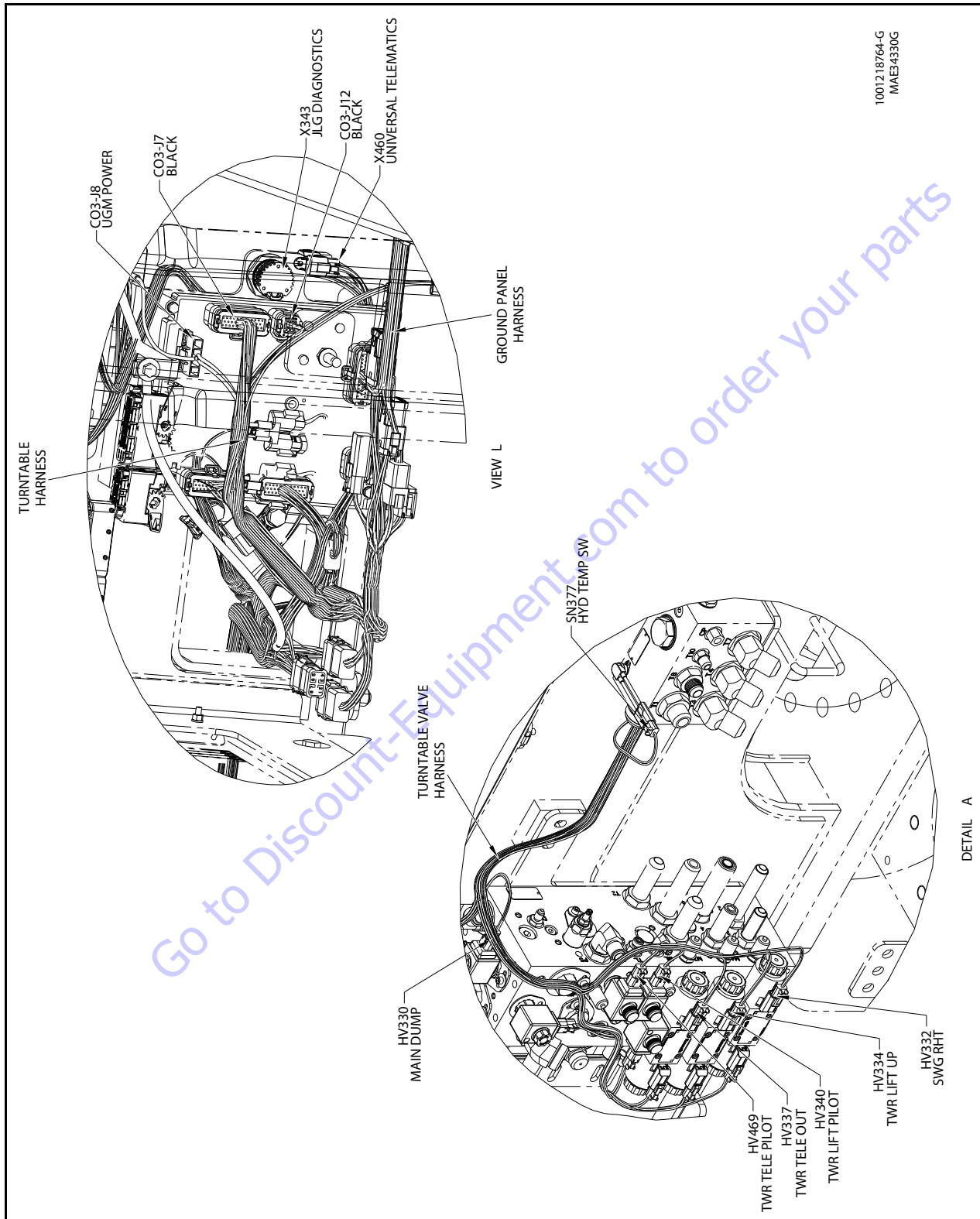


Figure 7-71. Chassis & Turntable Electrical Installation (LRC) - Sheet 4 of 10

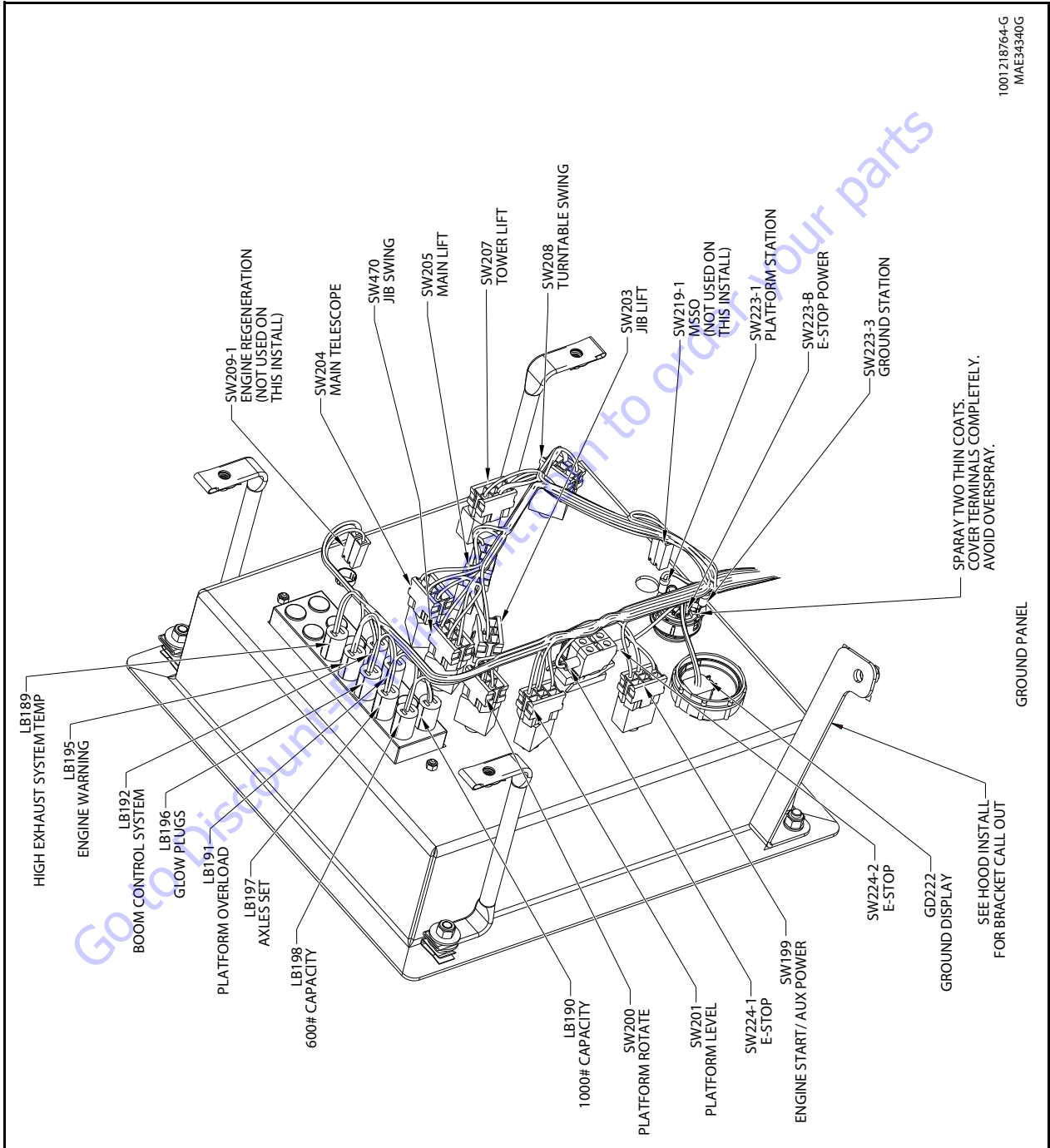
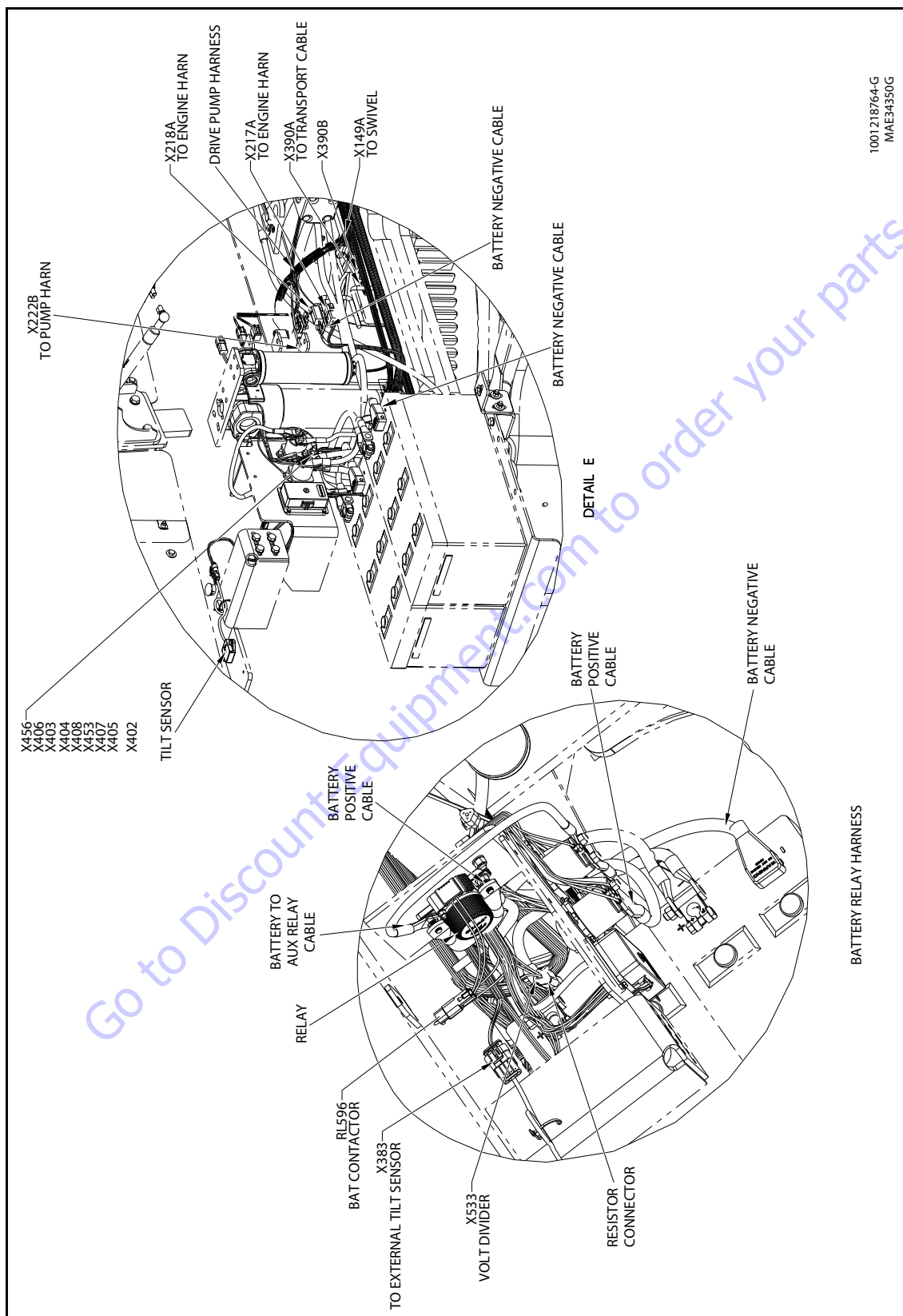
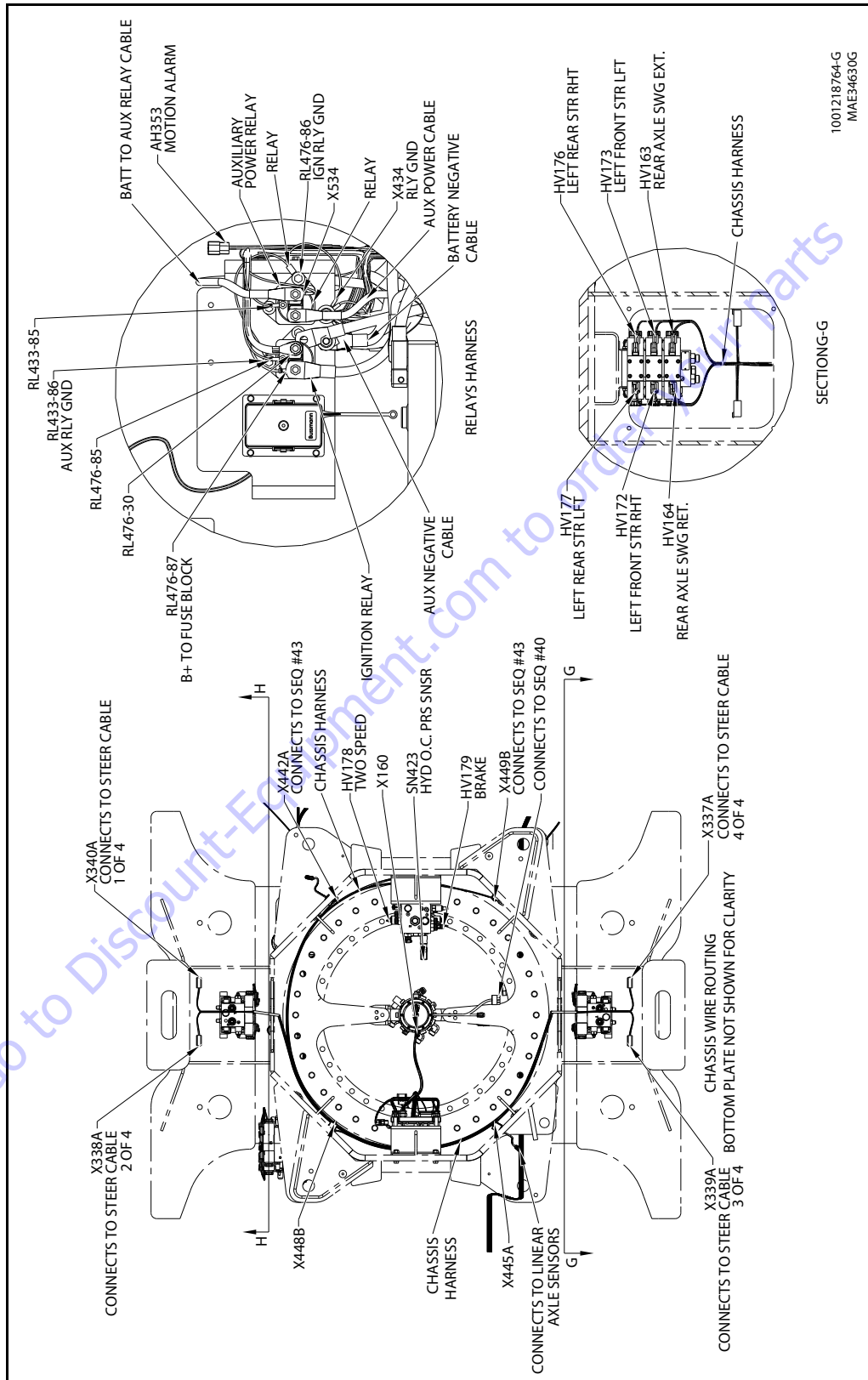


Figure 7-72. Chassis & Turntable Electrical Installation (LRC) - Sheet 5 of 10



1001218764-G
MAE34350G

Figure 7-73. Chassis & Turntable Electrical Installation (LRC) - Sheet 6 of 10



1001218764-G
MAE34650G

SECTION G-G

Figure 7-74. Chassis & Turntable Electrical Installation (LRC) - Sheet 7 of 10

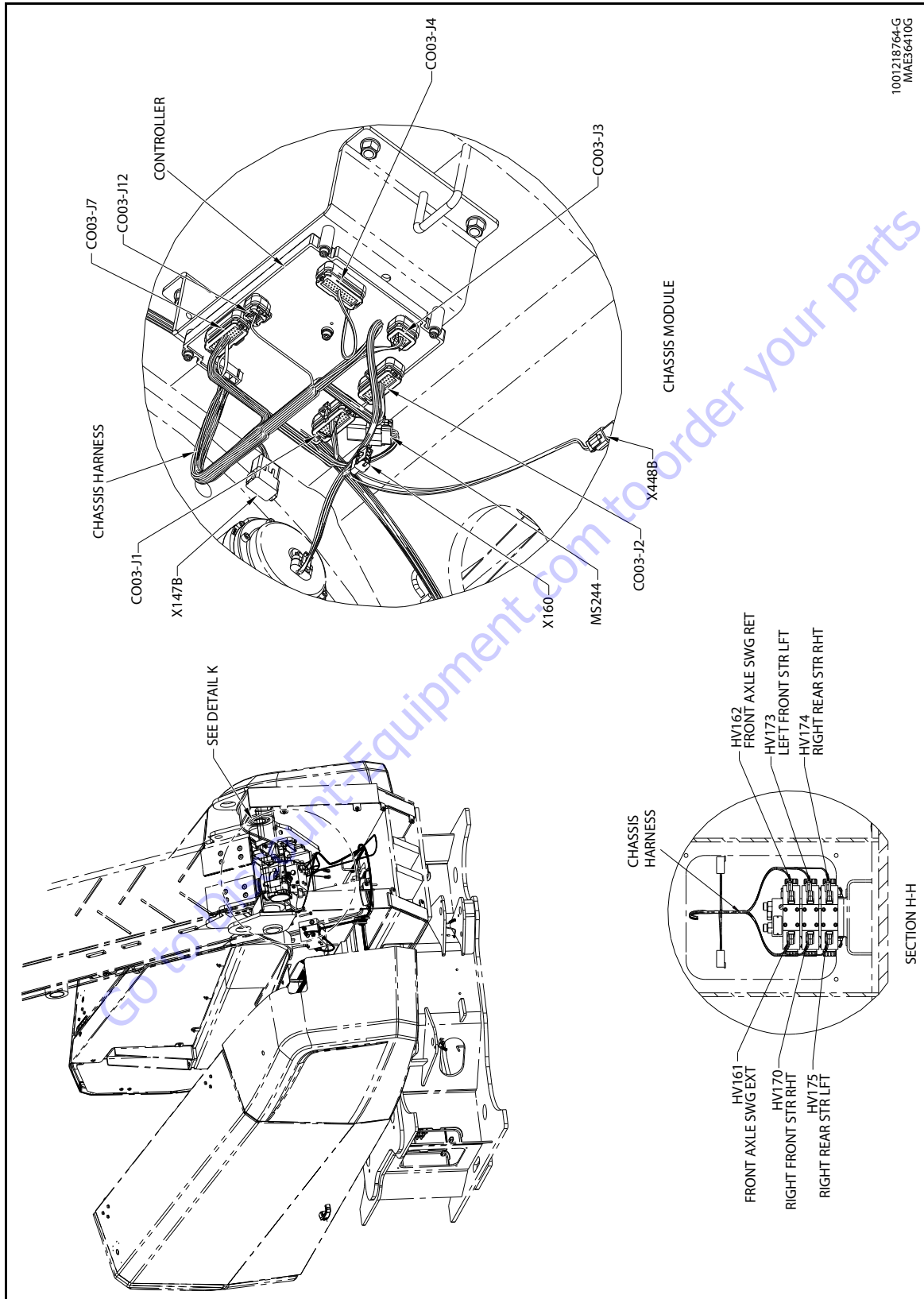
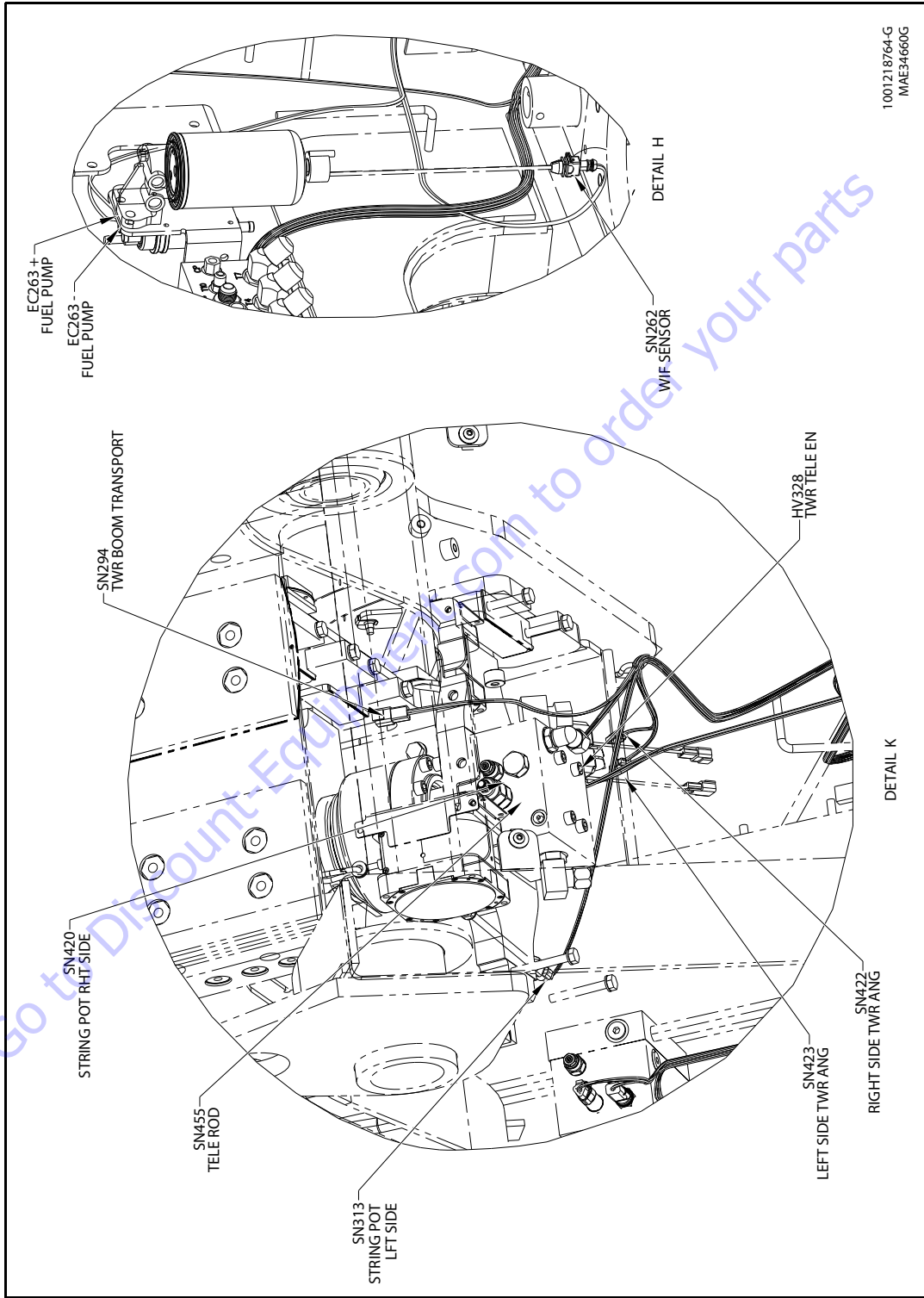


Figure 7-75. Chassis & Turntable Electrical Installation (LRC) - Sheet 8 of 10



1001218764-G
MAE34660G

Figure 7-76. Chassis & Turntable Electrical Installation (LRC) - Sheet 9 of 10

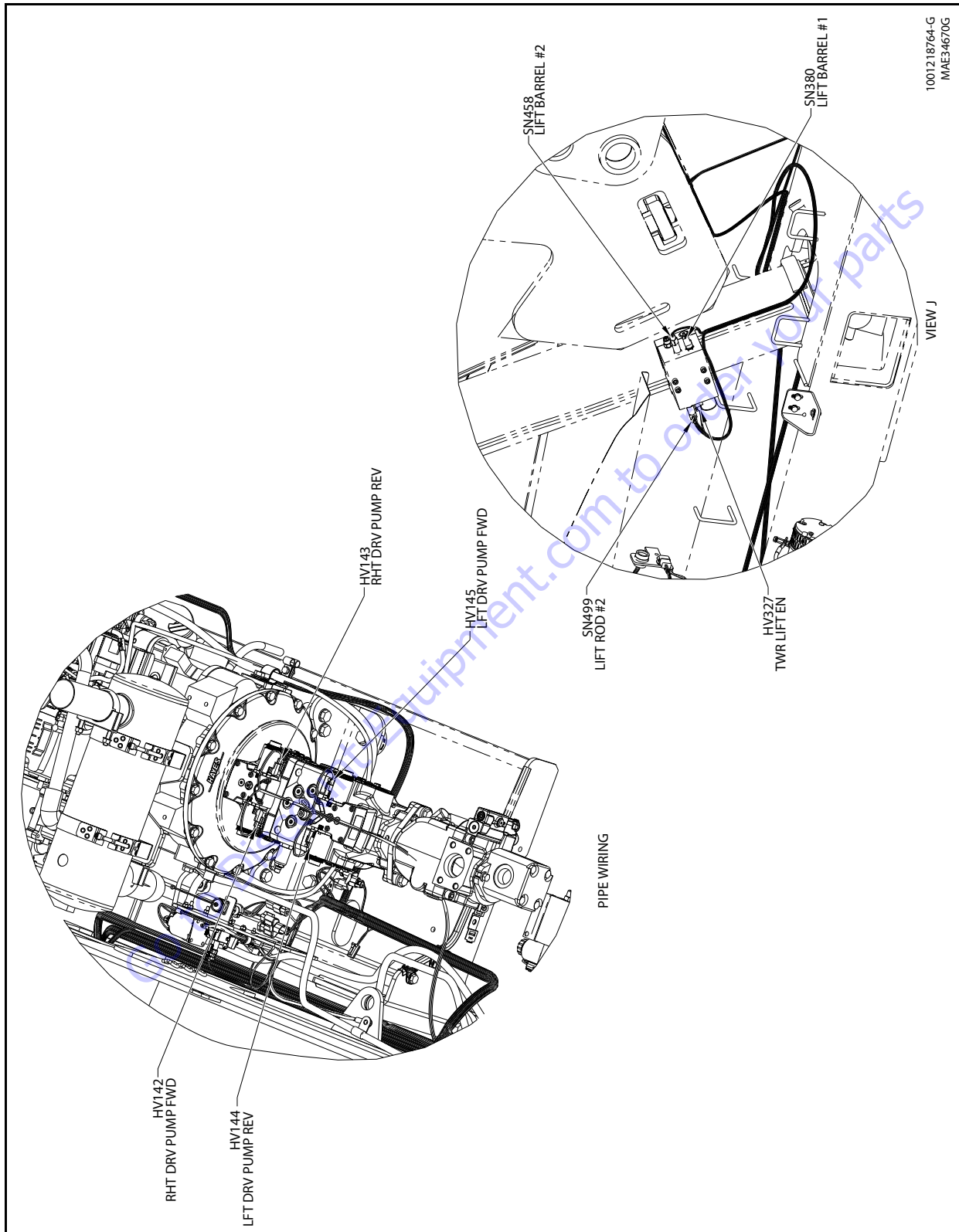


Figure 7-77. Chassis & Turntable Electrical Installation (LRC) - Sheet 10 of 10

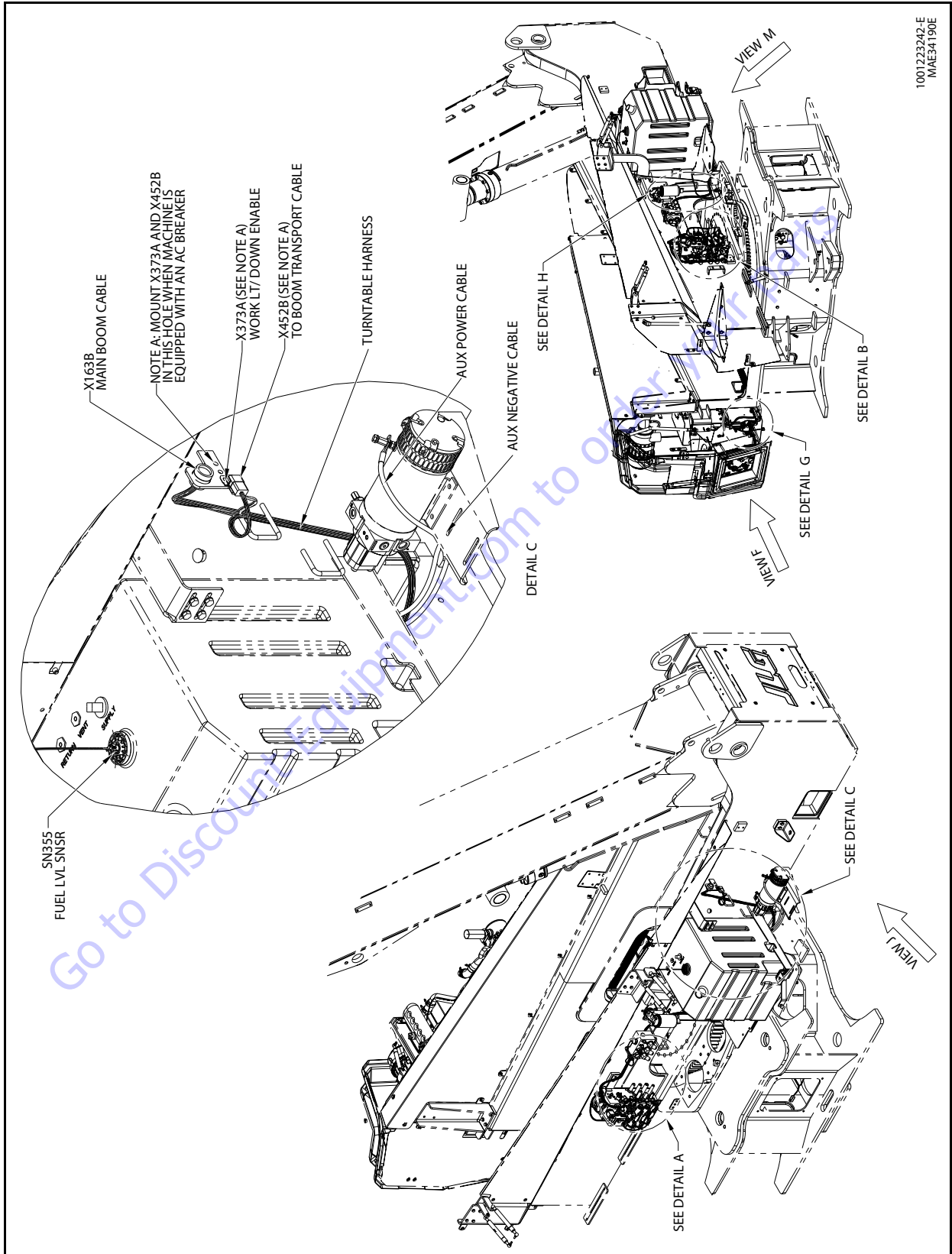


Figure 7-78. Chassis & Turntable Electrical Installation (LRC CE) - Sheet 1 of 11

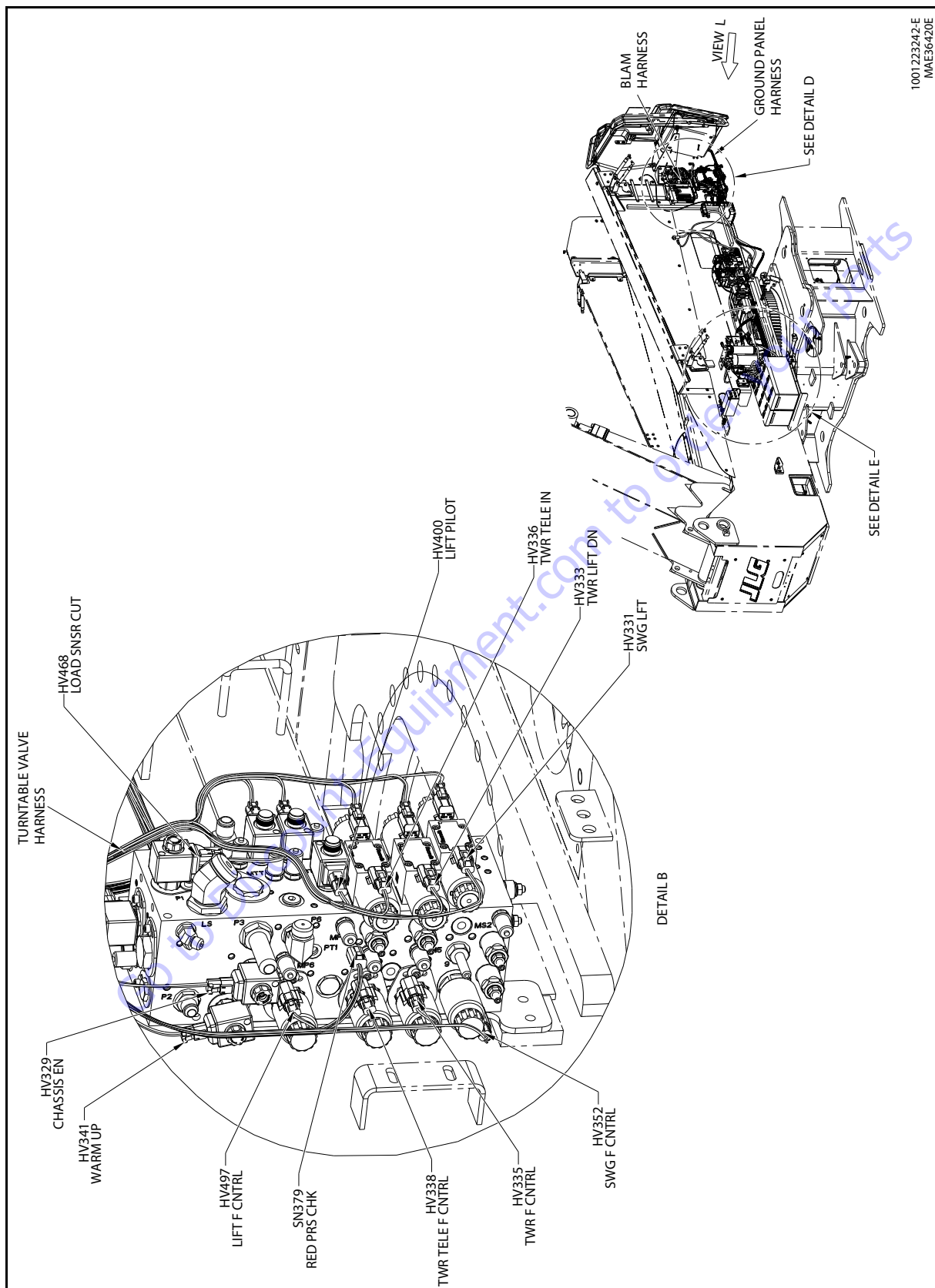
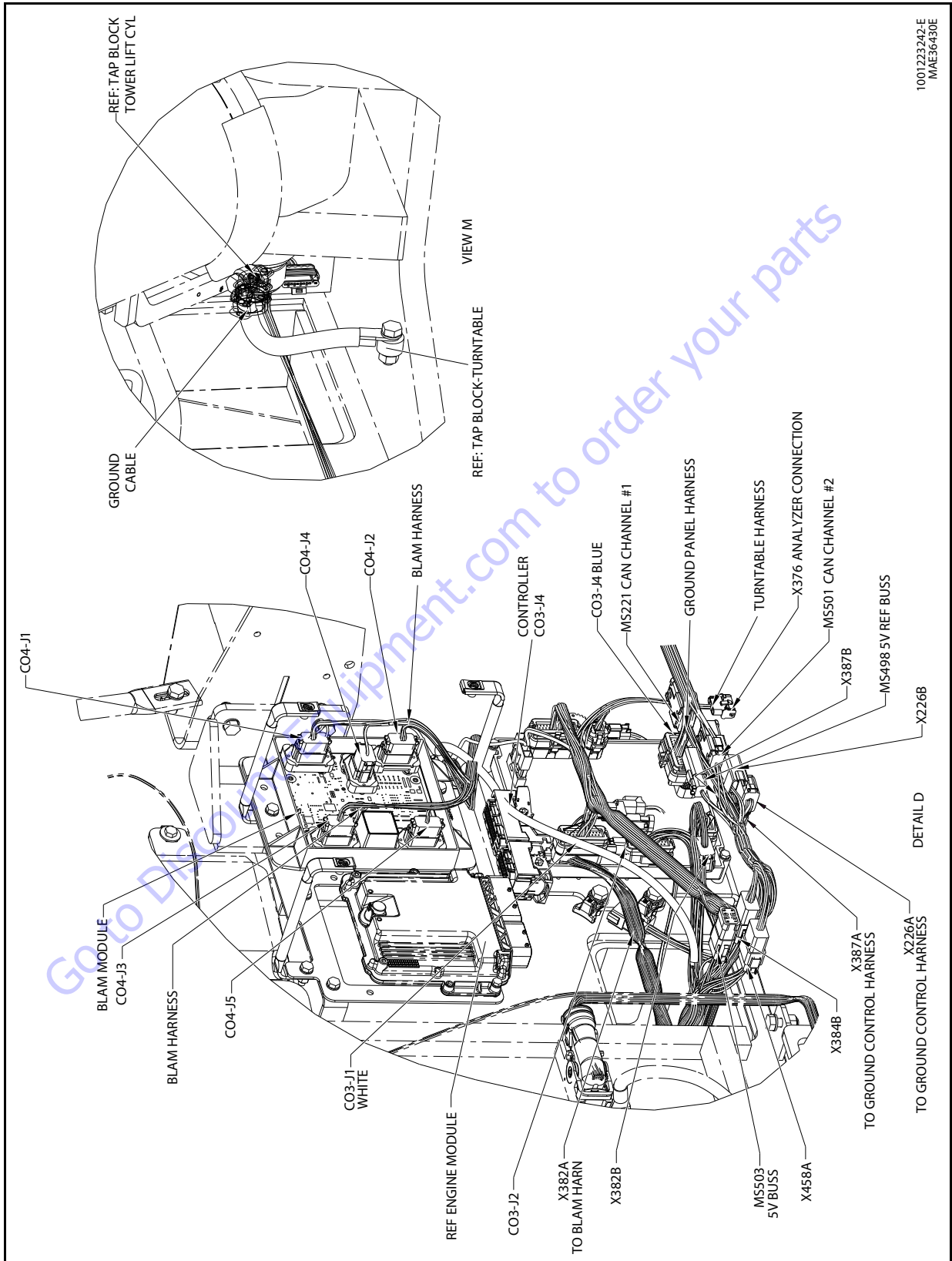


Figure 7-79. Chassis & Turntable Electrical Installation (LRC CE) - Sheet 2 of 11



1001223242-E
MAE36430E

Figure 7-80. Chassis & Turntable Electrical Installation (LRC CE) - Sheet 3 of 11

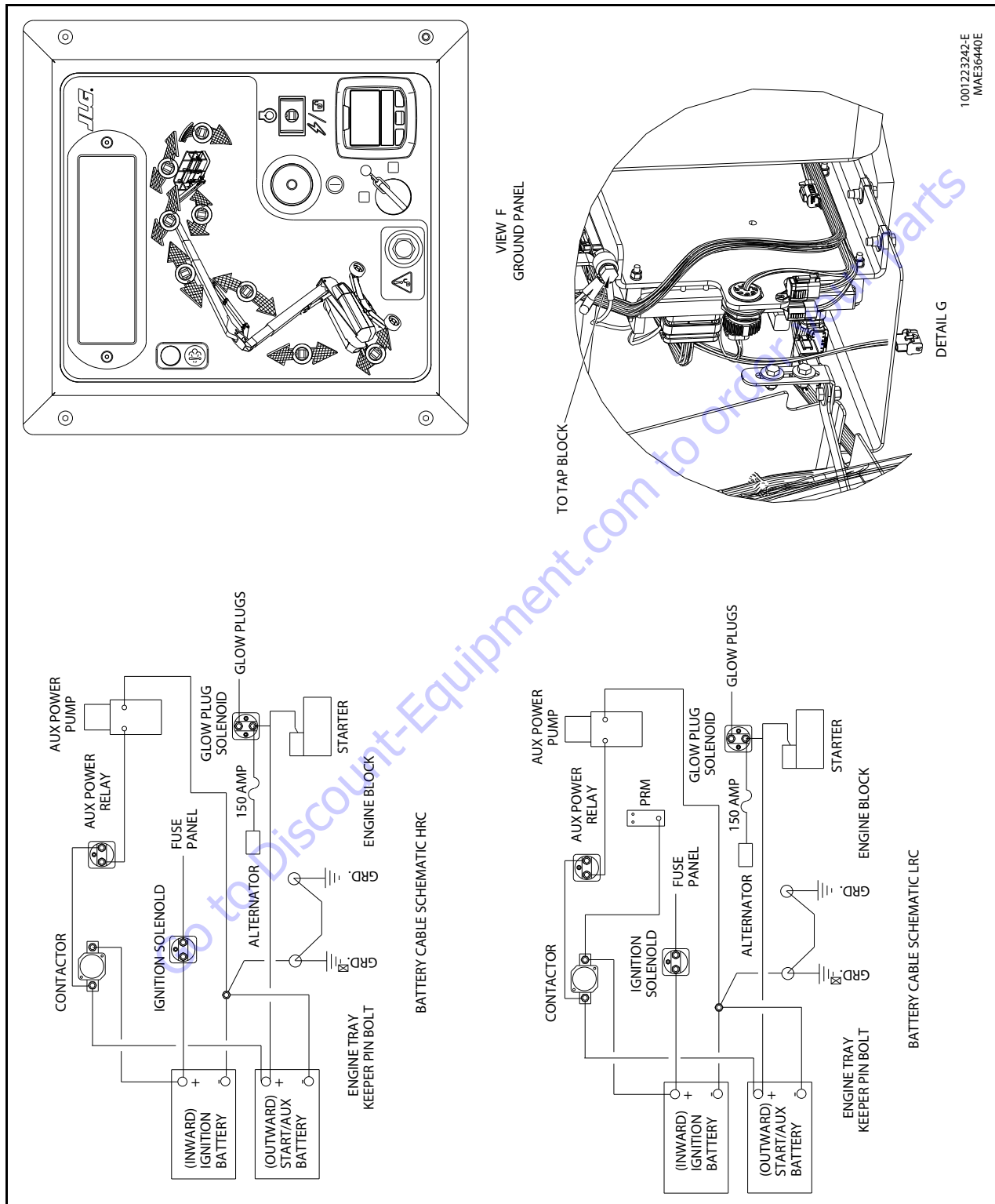


Figure 7-81. Chassis & Turntable Electrical Installation (LRC CE) - Sheet 4 of 11

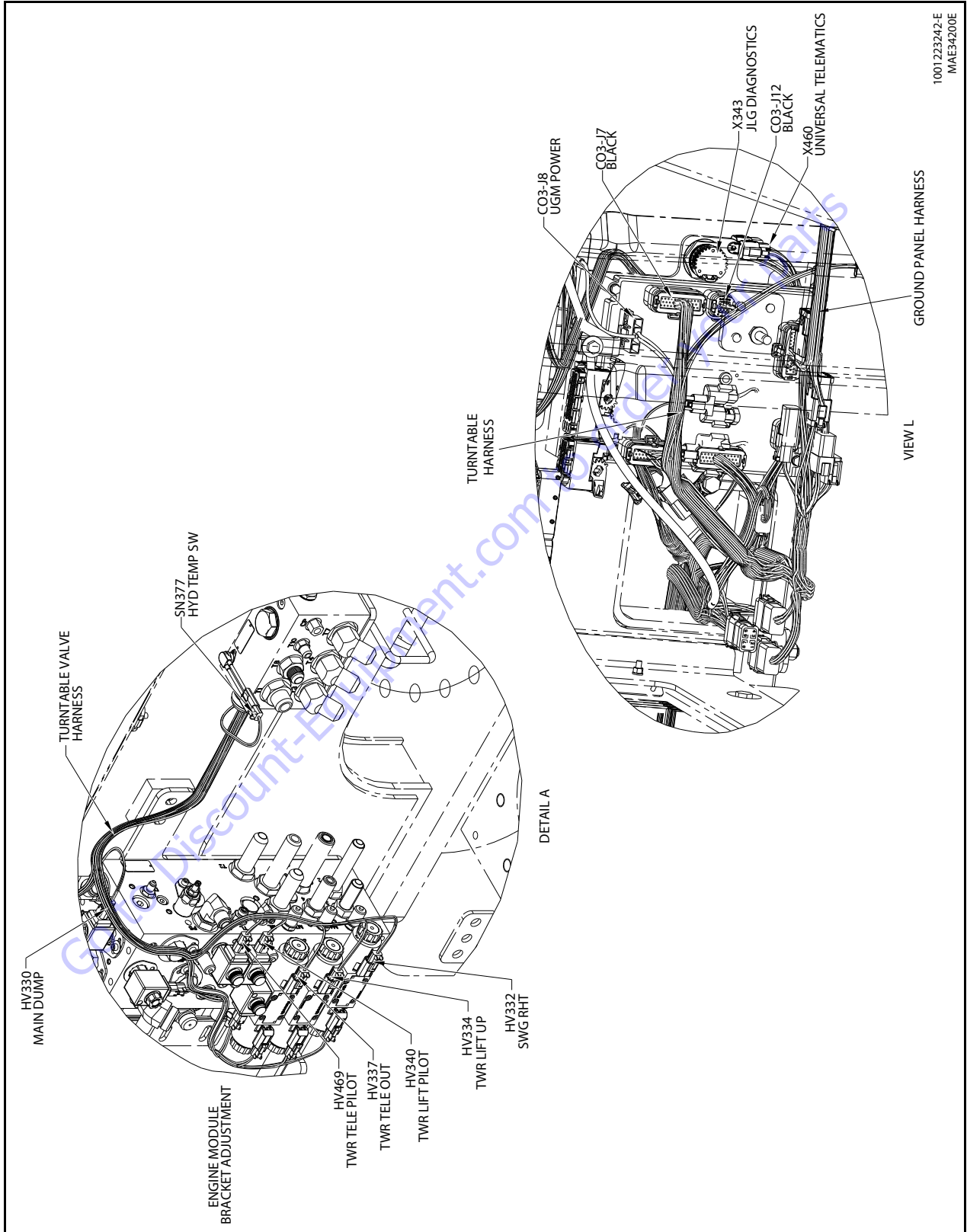


Figure 7-82. Chassis & Turntable Electrical Installation (LRC CE) - Sheet 5 of 11

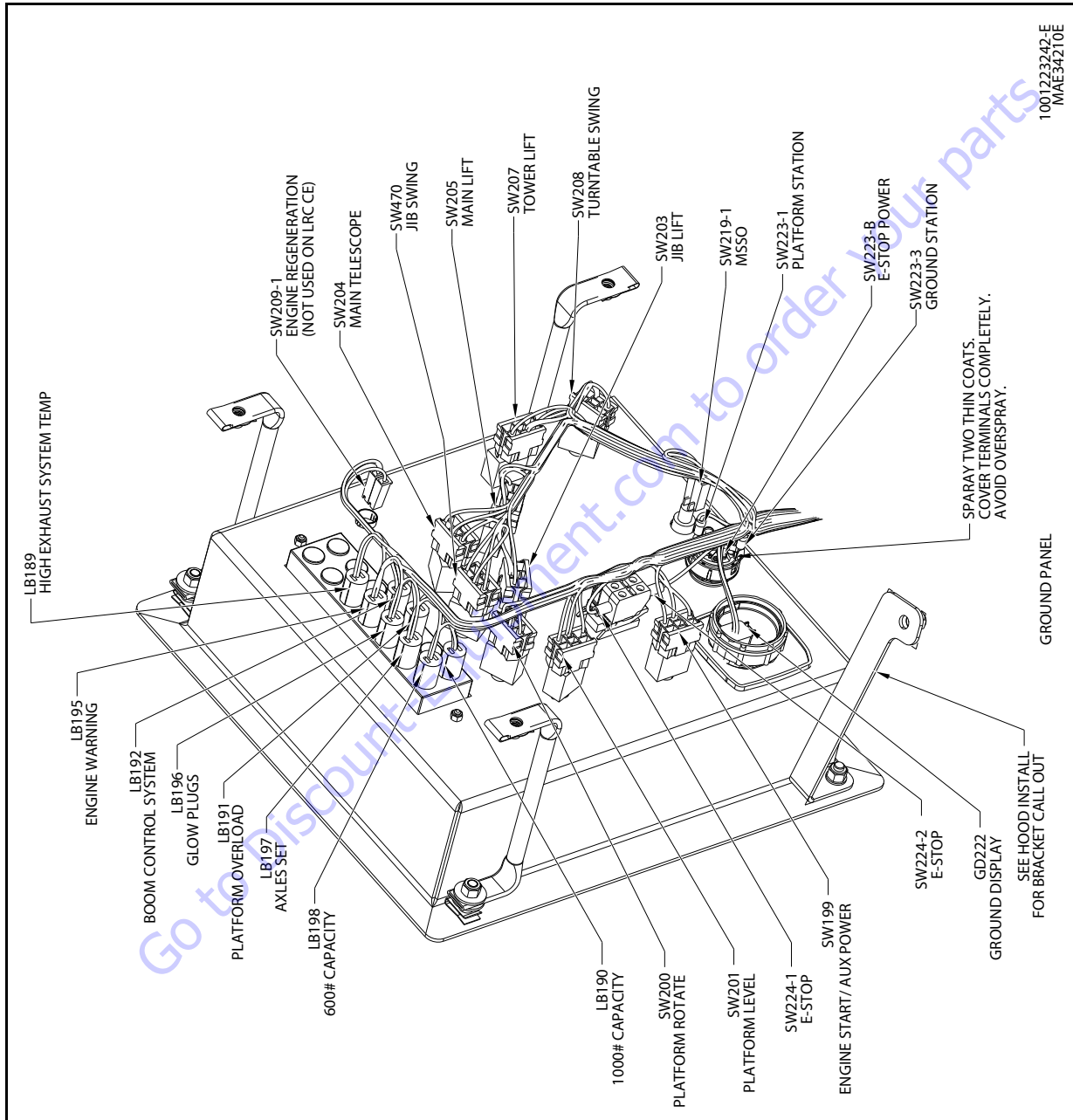
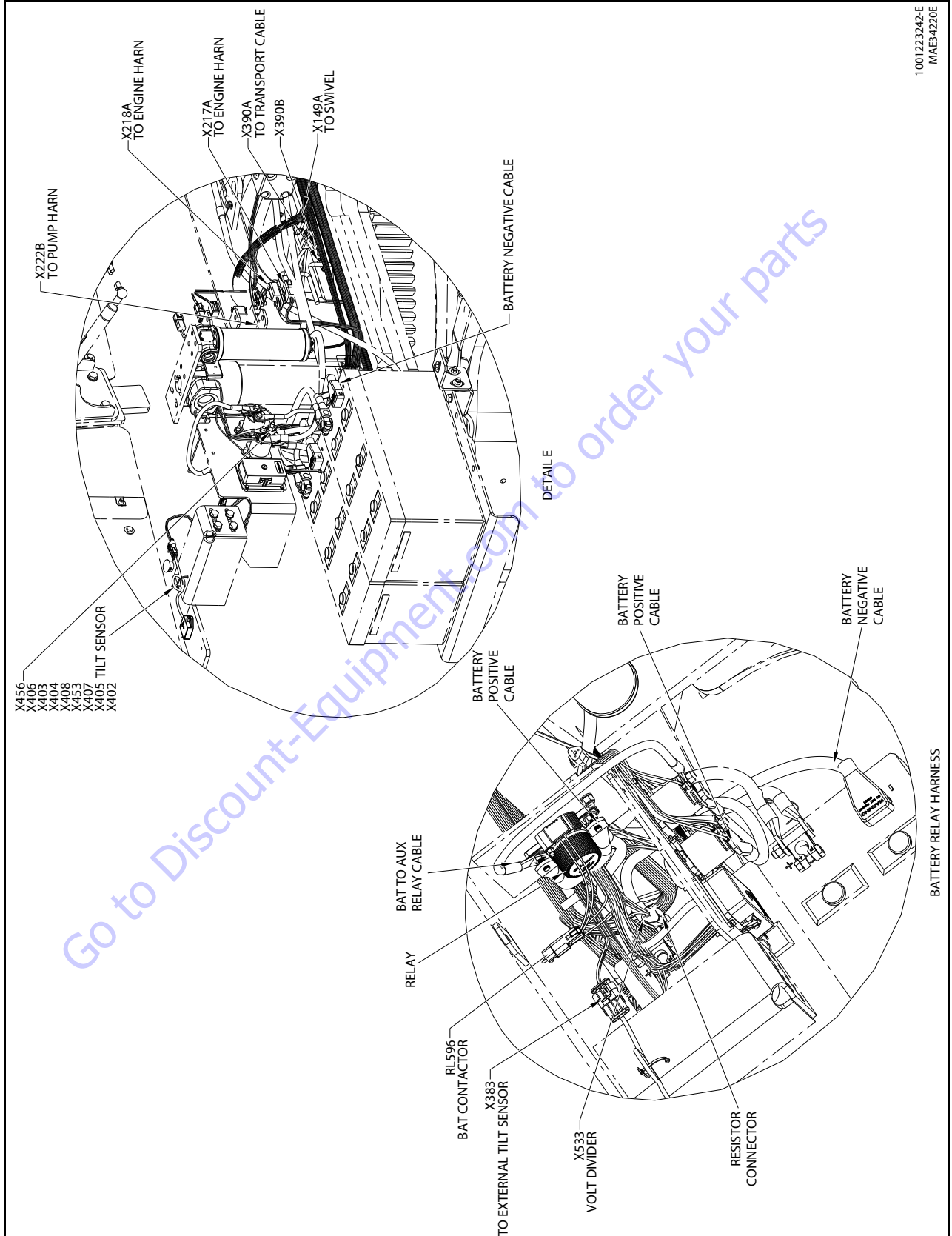
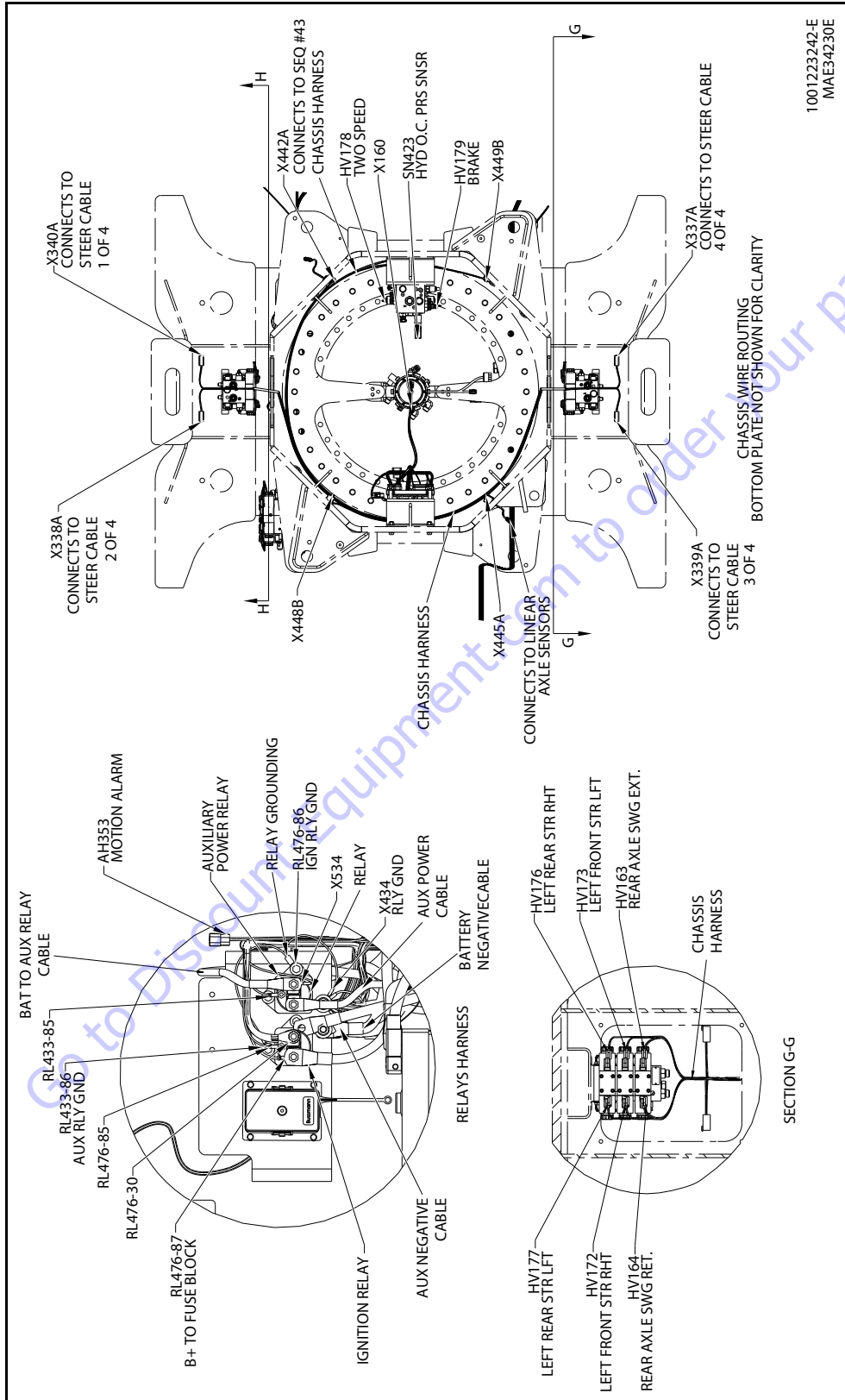


Figure 7-83. Chassis & Turntable Electrical Installation (LRC CE) - Sheet 6 of 11



1001223242-E
MAE3-4220E

Figure 7-84. Chassis & Turntable Electrical Installation (LRC CE) - Sheet 7 of 11



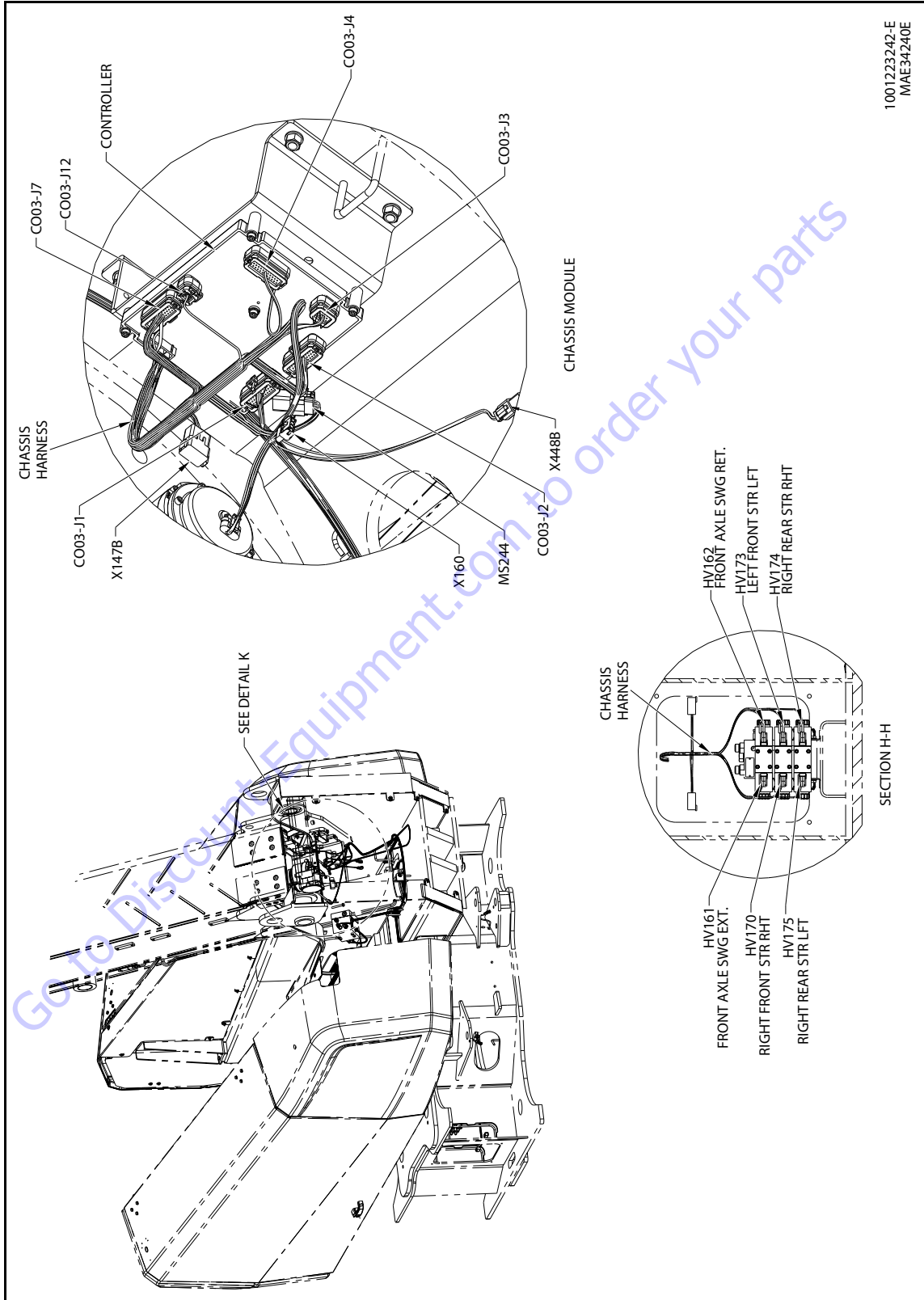


Figure 7-86. Chassis & Turntable Electrical Installation (LRC CE) - Sheet 9 of 11

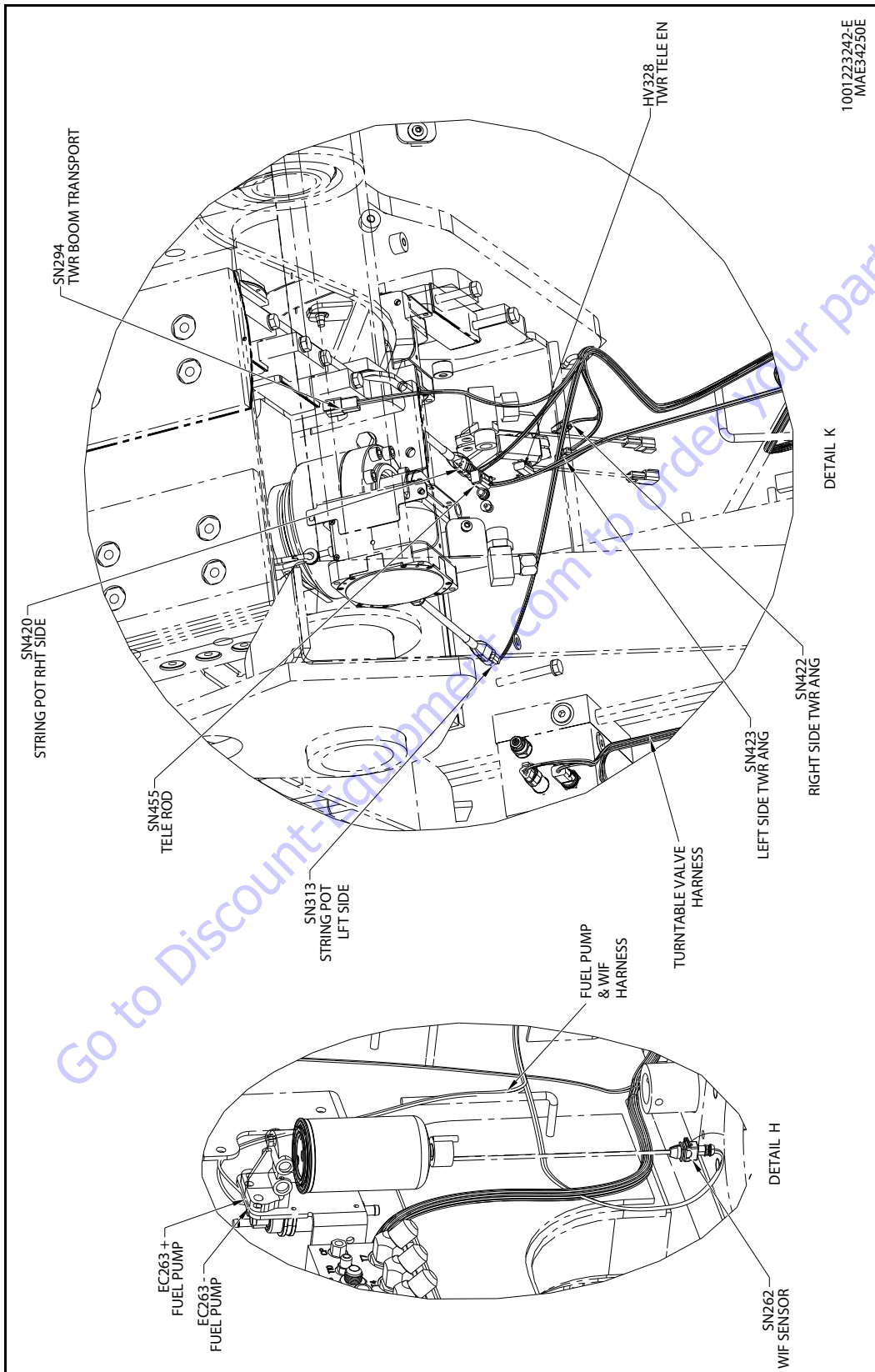


Figure 7-87. Chassis & Turntable Electrical Installation (LRC CE) - Sheet 10 of 11

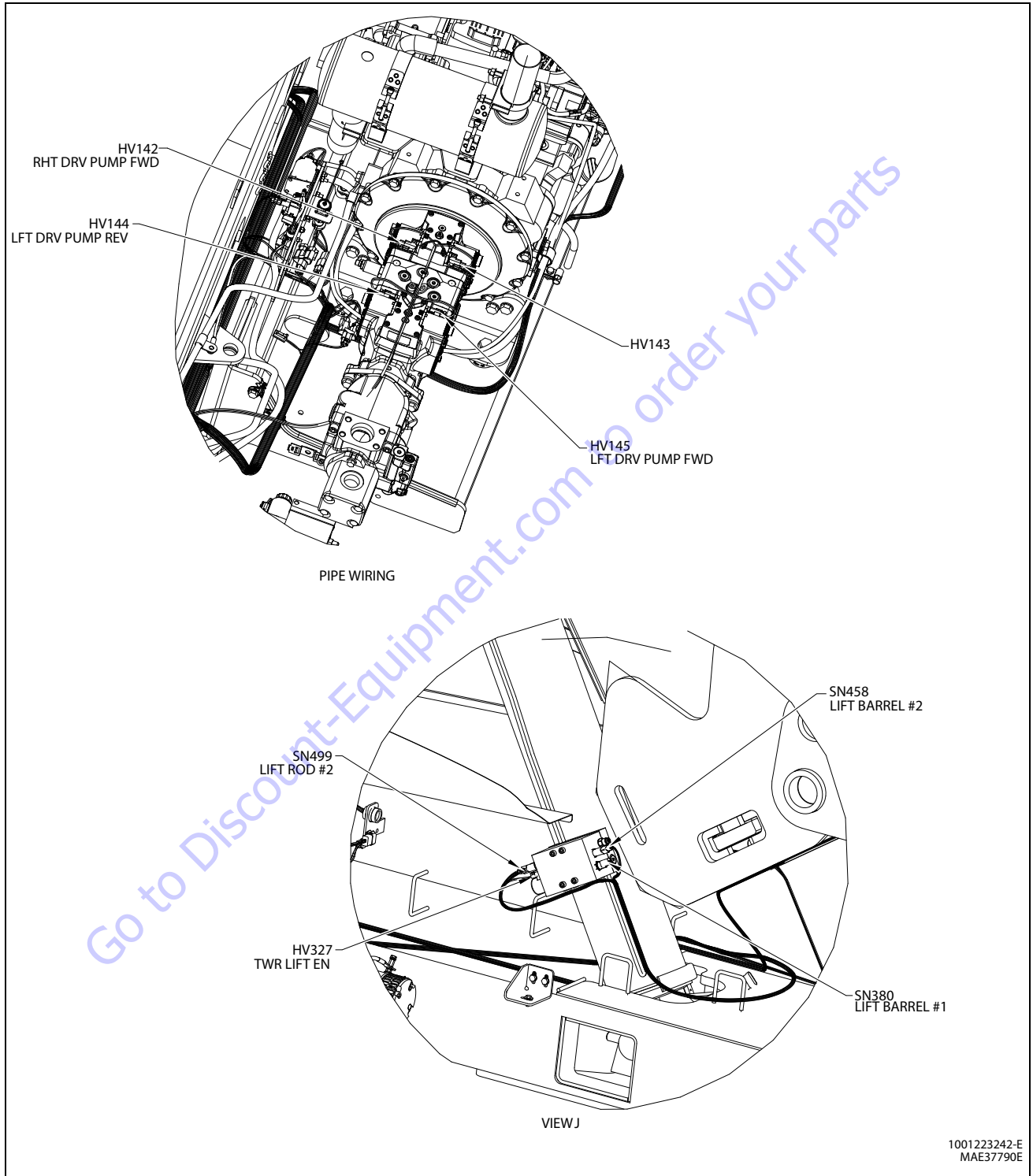
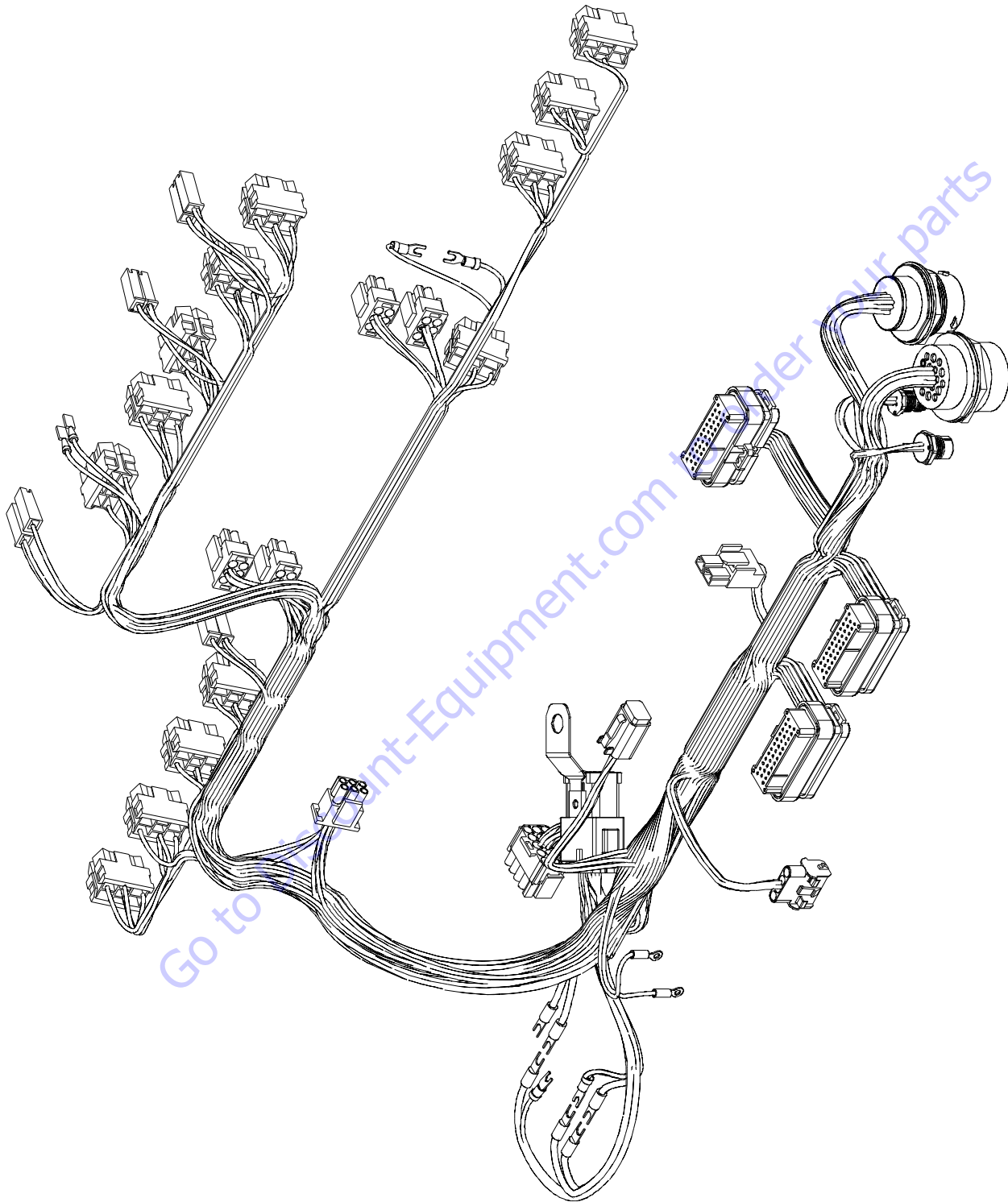


Figure 7-88. Chassis & Turntable Electrical Installation (LRC CE) - Sheet 11 of 11

1001223242-E
MAE37790E



100:1199637 D

Figure 7-89. Platform Harness (Without SkyGuard) - Sheet 1 of 12

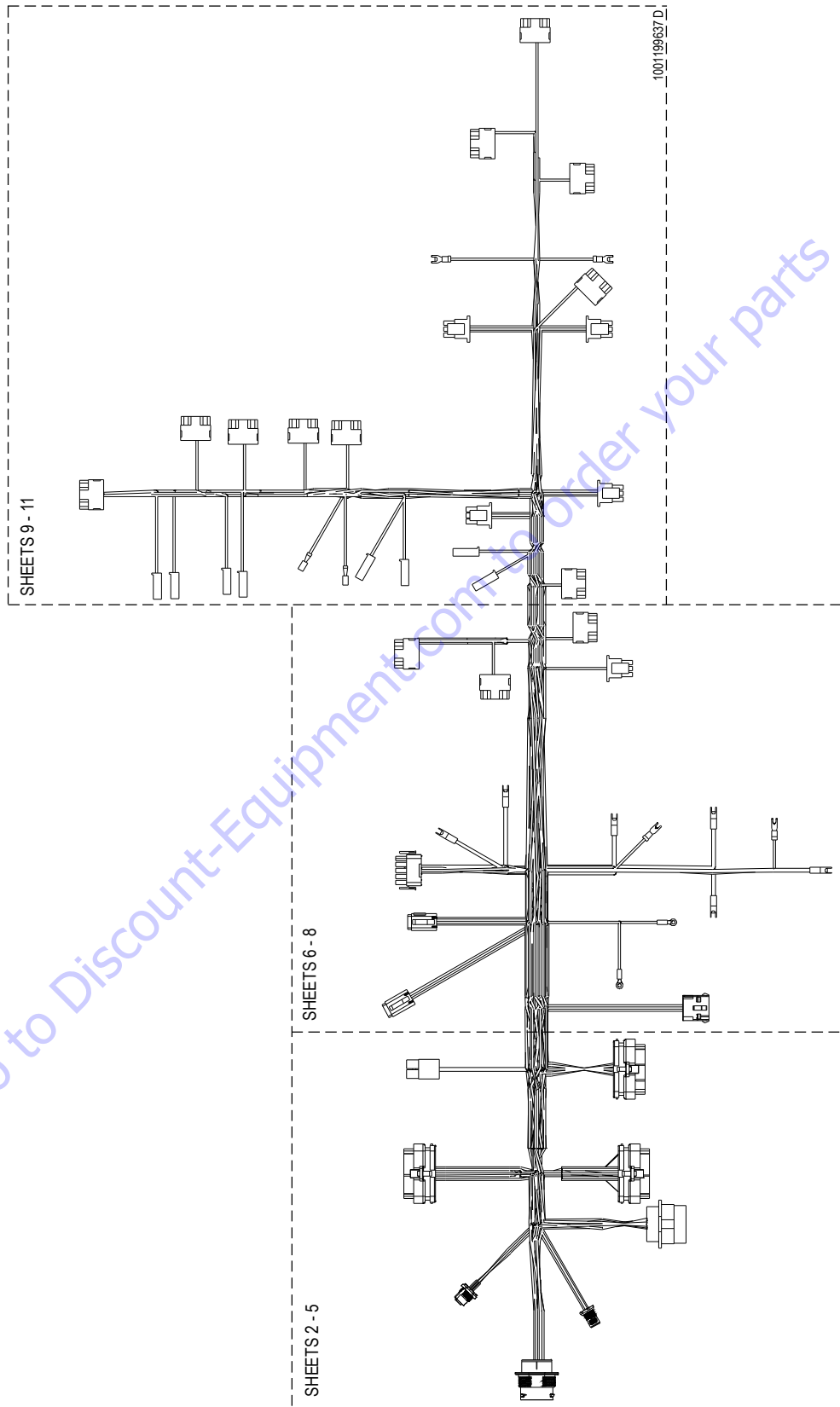
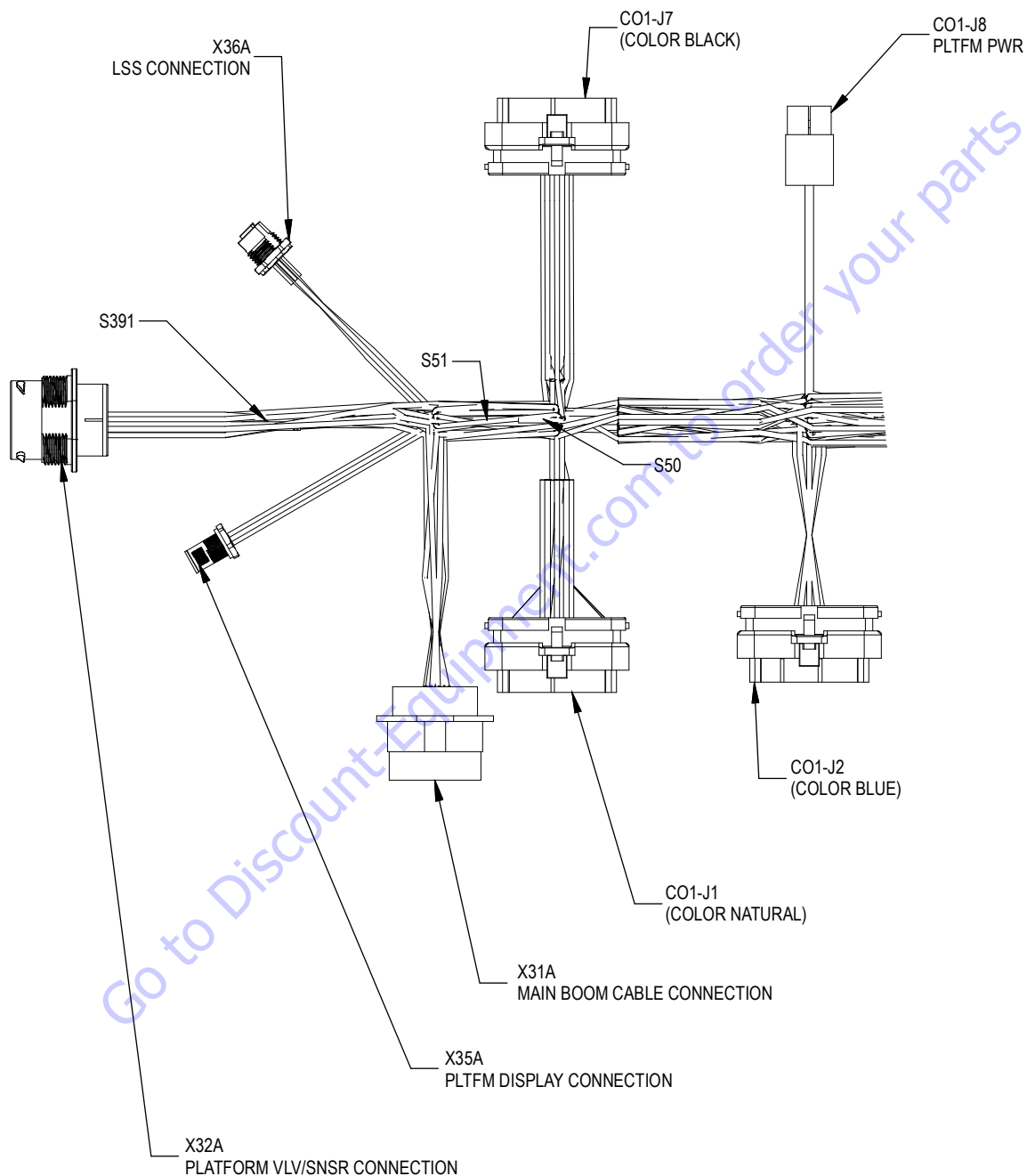


Figure 7-90. Platform Harness (Without SkyGuard) - Sheet 2 of 12



1001199637 D

Figure 7-91. Platform Harness (Without SkyGuard) - Sheet 3 of 12

SECTION 7 - BASIC ELECTRICAL INFORMATION & ELECTRICAL SCHEMATICS

S391					
CONN POS	WIRE COLOR	WIRE LABEL	GAUGE	JACKET	TO
1	WHT	50-2-3 PLTFM DUMP	16 AWG	GXL	X32A (18)
2	WHT	50-2-1 PLTFM DUMP	16 AWG	GXL	X31A (13)
2	WHT	50-2-2 PLTFM DUMP	16 AWG	GXL	X31A (15)

X36A (LSS CONNECTION)					
CONN POS	WIRE COLOR	WIRE LABEL	GAUGE	JACKET	TO
2	WHT	4-11 X43 PWR	20 AWG	CABLE	X32A (18)
3	BLU	49-10 X43 GND	20 AWG	CABLE	CO1-J7 (4)
4	BLK	CN H CH I	20 AWG	CABLE	MS156 (10)
5	GRY	CN L CH I	20 AWG	CABLE	MS156 (7)

S51					
CONN POS	WIRE COLOR	WIRE LABEL	GAUGE	JACKET	TO
1	WHT	25-4 PLVL DN	18 AWG	GXL	CO1-J7 (16)
2	WHT	25-4-1 PLVL DN	18 AWG	GXL	X32A (6)
2	WHT	25-4-2 LVL DN O/R	18 AWG	GXL	X31A (7)

S50					
CONN POS	WIRE COLOR	WIRE LABEL	GAUGE	JACKET	TO
1	WHT	25-3 PLVL UP	18 AWG	GXL	CO1-J7 (15)
2	WHT	25-3-1 PLVL UP	18 AWG	GXL	X32A (7)
2	WHT	25-3-2 LVL UP O/R	18 AWG	GXL	X31A (9)

CO1-J8 (PLTFM PWR)					
CONN POS	WIRE COLOR	WIRE LABEL	GAUGE	JACKET	TO
1	BLK	0-41	12 AWG	GXL	X44 (1)
2	YEL	2-0-4-3	12 AWG	GXL	X47 (1)

CO1-J7 (COLOR BLACK)					
CONN POS	WIRE COLOR	WIRE LABEL	GAUGE	JACKET	TO
1	YEL	2-5	18 AWG	GXL	X31A (11)
2	RED	1-4-3 PLTF MODE	18 AWG	GXL	SW33-2 (2)
3	YEL	2-4	18 AWG	GXL	X31A (4)
4	WHT	49-11 X43 PWR	20 AWG	CABLE	X36A (2)
5	WHT	23-3 PROT LFT	18 AWG	GXL	X32A (8)
6	WHT	23-4 PROT RHT	18 AWG	GXL	X32A (9)
7	BRN	49-13 X44 PWR	20 AWG	CABLE	X35A (1)
8	WHT	49-25 FT SW TO PLTFM	18 AWG	GXL	X04A (7)
9	WHT	52-4 GEN	18 AWG	GXL	X04A (1)
11	WHT	49-92 5V REF	18 AWG	GXL	X32A (1)
14	BLU	49-10 X43 GND	20 AWG	CABLE	X36A (3)
14	WHT	46-12 X44 GND	20 AWG	CABLE	X35A (2)
15	WHT	25-3 PLVL UP	18 AWG	GXL	S50 (1)
16	WHT	25-4 PLVL DN	18 AWG	GXL	S51 (1)
17	WHT	49-71 JIB STOW	18 AWG	GXL	X32A (14)
19	WHT	49-26 ALARM	18 AWG	GXL	AH52+ (1)
20	BLK	0-5	18 AWG	GXL	AH52- (1)
21	WHT	49-22 GND	18 AWG	GXL	X32A (3)
22	BLK	0-26	18 AWG	GXL	X04A (11)
25	WHT	27-6 JIB UP	18 AWG	GXL	X32A (10)
26	WHT	27-5 JIB DN	18 AWG	GXL	X32A (11)
27	WHT	59-4 JSWG RHT	18 AWG	GXL	X32A (19)
28	WHT	59-3 JSWG LFT	18 AWG	GXL	X32A (20)
29	BLK	0-4	18 AWG	GXL	X32A (12)
30	GRN	CN L CH I	18 AWG	GXL	MS156 (5)
31	YEL	CN H CH I	18 AWG	GXL	MS156 (2)
33	WHT	49-23 GND	18 AWG	GXL	X32A (17)

Figure 7-92. Platform Harness (Without SkyGuard) - Sheet 4 of 12

SECTION 7 - BASIC ELECTRICAL INFORMATION & ELECTRICAL SCHEMATICS

CO1-J2 (COLOR BLUE)					
CONN POS	WIRE COLOR	WIRE LABEL	GAUGE	JACKET	TO
1	WHT	59-1 JSWG RHT	18 AWG	GXL	SW12 (1)
2	WHT	59-2 JSWG LFT	18 AWG	GXL	SW12 (3)
3	YEL	2-8	18 AWG	GXL	X04A (8)
4	WHT	55-6 DOS SW	18 AWG	GXL	SW21 (1)
5	WHT	59-6 JIB STOW SW	18 AWG	GXL	SW16-2 (1)
6	WHT	49-1 TILT	18 AWG	GXL	GD01-J4 (5)
7	YEL	2-2 ENABLE	18 AWG	GXL	GD01-J2 (2)
8	WHT	47-2 SYS FAIL	18 AWG	GXL	GD01-J3 (6)
9	WHT	49-5 CREEP	18 AWG	GXL	GD01-J2 (1)
10	WHT	49-3 BRKN CABLE	18 AWG	GXL	GD01-J3 (5)
11	WHT	49-2 OVERLOAD	18 AWG	GXL	GD01-J4 (3)
12	WHT	54-1 600LB MODE	18 AWG	GXL	GD01-J4 (4)
13	WHT	54-2 1000LB MODE	18 AWG	GXL	GD01-J3 (4)
14	WHT	39-1 AXL SET	18 AWG	GXL	GD01-J3 (4)
15	WHT	52-1 GEN	18 AWG	GXL	GD01-J4 (2)
16	WHT	49-21 SFT SG LT	18 AWG	GXL	LB23+ (1)
17	WHT	48-1 ENG PREHEAT	18 AWG	GXL	GD01-J4 (6)
18	BLK	0-2	18 AWG	GXL	GD01-J2 (6)
19	WHT	49-4 BCS	18 AWG	GXL	GD01-J3 (1)
20	WHT	47-1 PLTFM LVL FAIL	18 AWG	GXL	GD01-J2 (3)
21	WHT	47-5 LW FUL	18 AWG	GXL	GD01-J2 (3)
22	WHT	47-1 FUL 1/4	18 AWG	GXL	GD01-J1 (1)
23	WHT	47-3 FUL 3/4	18 AWG	GXL	GD01-J1 (3)
24	WHT	47-2 FUL 1/2	18 AWG	GXL	GD01-J1 (2)
25	BLK	0-1	18 AWG	GXL	GD01-J1 (2)
26	WHT	49-9 ANALPWR	18 AWG	GXL	X03 (1)
27	WHT	49-6 ANALGND	18 AWG	GXL	X03 (4)
28	WHT	49-8 RX	18 AWG	GXL	X03 (2)
29	WHT	49-7 TX	18 AWG	GXL	X03 (3)
30	WHT	55-1 DRV ORNT	18 AWG	GXL	GD01-J3 (3)
33	YEL	2-7	18 AWG	GXL	X04A (2)
34	YEL	2-15	18 AWG	GXL	X04A (10)
35	WHT	47-4 FUL FULL	18 AWG	GXL	GD01-J1 (6)

CO1-J1 (COLOR NATURAL)					
CONN POS	WIRE COLOR	WIRE LABEL	GAUGE	JACKET	TO
1	WHT	5-1 TOWER UP	18 AWG	GXL	SW11 (1)
2	WHT	5-2 TOWER DN	18 AWG	GXL	SW11 (3)
4	WHT	50-5 DUMP PRS SW	18 AWG	GXL	X32A (15)
5	WHT	13-1 MTELE IN	18 AWG	GXL	SW14 (1)
6	WHT	13-2 MTELE OUT	18 AWG	GXL	SW14 (3)
7	WHT	23-1 PROT RHT	18 AWG	GXL	SW10 (1)
8	WHT	23-2 PROT LFT	18 AWG	GXL	SW10 (3)
9	WHT	25-1- PLVL UP	18 AWG	GXL	SW07 (1)
10	WHT	25-2 PLVL DN	18 AWG	GXL	SW07 (3)
11	WHT	27-1 JIB UP	18 AWG	GXL	SW13 (1)
12	WHT	27-2 JIB DN	18 AWG	GXL	SW13 (3)
13	BLK	0-3	18 AWG	GXL	SW18 (5)
14	WHT	48-3 STRT	18 AWG	GXL	SW15 (1)
15	WHT	53-1 AUX	18 AWG	GXL	SW15 (3)
16	WHT	55-2 CRB STR	18 AWG	GXL	SW06 (1)
17	WHT	55-3 CRD STR	18 AWG	GXL	SW06 (3)
18	YEL	2-1	18 AWG	GXL	SW05 (2)
19	WHT	49-64 JIB ENBL NC	18 AWG	GXL	X32A (21)
20	WHT	49-24 SOFT TOUCH	18 AWG	GXL	X04A (13)
21	WHT	54-3 CPCITY SW	18 AWG	GXL	SW20 (3)
22	WHT	46-16 ENVLP	18 AWG	GXL	SW19 (3)
23	WHT	39-2 AXL EXT	18 AWG	GXL	SW08 (1)
24	WHT	39-3 AXL RET	18 AWG	GXL	SW08 (3)
25	WHT	49-18 PLVL 1	18 AWG	GXL	X32A (2)
26	WHT	49-17 PLVL 2	18 AWG	GXL	X32A (16)
27	WHT	48-2 TWO SPD	18 AWG	GXL	SW05 (3)
28	WHT	48-1 ENG SPD	18 AWG	GXL	SW05 (1)
29	WHT	49-15 SFT SG SW	18 AWG	GXL	SW17-2 (1)
30	WHT	52-3 HEAD/TAIL LT	18 AWG	GXL	SW157-2(1)
31	WHT	52-2 HORN	18 AWG	GXL	SW09-2 (1)
32	WHT	49-14 CREEP	18 AWG	GXL	SW18 (2)
33	WHT	49-65 JIB ENBL NO	18 AWG	GXL	X32A (4)
34	WHT	55-4 POT REF	18 AWG	GXL	SW18 (4)
35	WHT	55-5 PUMP POT	18 AWG	GXL	SW18 (6)

Figure 7-93. Platform Harness (Without SkyGuard) - Sheet 5 of 12

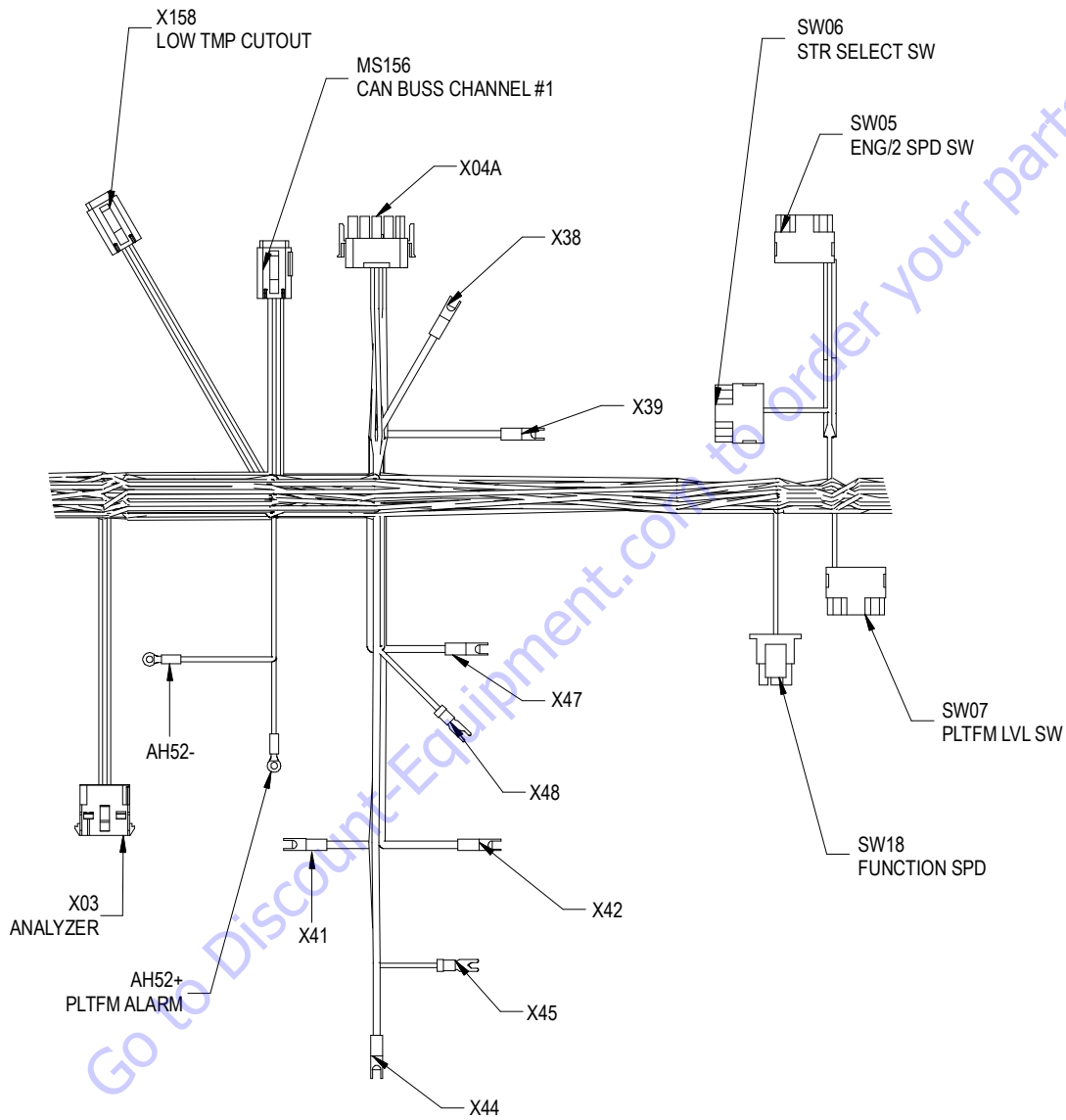
SECTION 7 - BASIC ELECTRICAL INFORMATION & ELECTRICAL SCHEMATICS

X31A (MAIN BOOM CABLE CONNECTION)					
CONN POS	WIRE COLOR	WIRE LABEL	GAUGE	JACKET	TO
2	GRN	CN L CH I	18 AWG	GXL	MS156 (4)
3	YEL	CN H CH I	18 AWG	GXL	MX156 (1)
4	YEL	2-4	18 AWG	GXL	CO1-J7 (3)
5	RED	1-4-3 PLTFM MODE	18 AWG	GXL	CO1-J7 (3)
7	WHIT	25-4-2 LVL DN O/R	18 AWG	GXL	S51 (2)
9	WHIT	25-3-2 LVL UP O/R	18 AWG	GXL	S50 (2)
10	YEL	2-0-4-2	12 AWG	GXL	X42 (1)
11	YEL	2-5	18 AWG	GXL	CO1-J7 (1)
12	YEL	2-0-4-1	12 AWG	GXL	X41 (1)
13	WHT	50-2-1 PLTFM DUMP	16 AWG	GXL	S391 (2)
15	WHT	50-2-2 PLTFM DUMP	16 AWG	GXL	S391 (2)
16	BLK	0-72	12 AWG	GXL	X39 (1)
18	BLK	0-71	12 AWG	GXL	X38 (1)

X35A (PLTFM DISPLAY CONNECTION)					
CONN POS	WIRE COLOR	WIRE LABEL	GAUGE	JACKET	TO
1	BRN	49-13 X44 PWR	20 AWG	CABLE	CO1-J7 (7)
2	WHT	49-12 X44 GND	20 AWG	CABLE	CO1-J7 (14)
3	BLU	CN H CH I	20 AWG	CABLE	MS156 (11)
4	BLK	CN L CH I	20 AWG	CABLE	MS156 (8)

X32A (PLATFORM VLV/SNSR CONNECTION)					
CONN POS	WIRE COLOR	WIRE LABEL	GAUGE	JACKET	TO
1	WHT	49-92 5V REF	18 AWG	GXL	CO1-J7 (11)
2	WHT	49-18 PLVL I	18 AWG	GXL	CO1-J1 (25)
3	WHT	49-22 GND	18 AWG	GXL	CO1-J7 (21)
4	WHT	49-65 JIB ENBL NO	18 AWG	GXL	CO1-J1 (33)
6	WHT	25-4-1 PLVL DN	18 AWG	GXL	S51 (2)
7	WHT	25-3-1 PLVL UP	18 AWG	GXL	S50 (2)
8	WHT	23-3 PROT LFT	18 AWG	GXL	CO1-J7 (5)
9	WHT	23-4 PROT RHT	18 AWG	GXL	CO1-J7 (6)
10	WHT	27-6 JIB UP	18 AWG	GXL	CO1-J7 (25)
11	WHT	27-5 JIB DN	18 AWG	GXL	CO1-J7 (26)
12	BLK	0-4	18 AWG	GXL	CO1-J7 (29)
13	YEL	2-0-4-5	16 AWG	GXL	X48 (1)
14	WHT	49-71 JIB STOW	18 AWG	GXL	CO1-J7 (17)
15	WHT	50-5 DUMP PRS SW	18 AWG	GXL	CO1-J1 (4)
16	WHT	49-17 PLVL 2	18 AWG	GXL	CO1-J1 (26)
17	WHT	49-23 GND	18 AWG	GXL	CO1-J7 (33)
18	WHT	50-2-3 PLTFM DUMP	16 AWG	GXL	S391 (1)
19	WHT	59-4 JSWG RHT	18 AWG	GXL	CO1-J7 (27)
20	WHT	59-3 JSWG LFT	18 AWG	GXL	CO1-J7 (28)
21	WHT	49-64 JIB ENBL NC	18 AWG	GXL	CO1-J1 (19)

Figure 7-94. Platform Harness (Without SkyGuard) - Sheet 6 of 12



1001199637 D

Figure 7-95. Platform Harness (Without SkyGuard) - Sheet 7 of 12

SECTION 7 - BASIC ELECTRICAL INFORMATION & ELECTRICAL SCHEMATICS

X03 (ANALYZER)					
CONN POS	WIRE COLOR	WIRE LABEL	GAUGE	JACKET	TO
1	WHT	49-9 ANALPWR	18 AWG	GXL	CO1-J2 (26)
2	WHT	49-8 RX	18 AWG	GXL	CO1-J2 (28)
3	WHT	49-7 TX	18 AWG	GXL	CO1-J2 (29)
4	WHT	49-6 ANALGND	18 AWG	GXL	CO1-J2 (27)

AH52- (PLTFM ALARM)					
CONN POS	WIRE COLOR	WIRE LABEL	GAUGE	JACKET	TO
1	BLK	0-5	18 AWG	GXL	CO1-J7 (20)

AH52+ (PLTFM ALARM)					
CONN POS	WIRE COLOR	WIRE LABEL	GAUGE	JACKET	TO
1	WHT	49-26 ALARM	18 AWG	GXL	CO1-J7 (19)

X41					
CONN POS	WIRE COLOR	WIRE LABEL	GAUGE	JACKET	TO
1	YEL	2-0-4-1	12 AWG	GXL	X31A (12)

X44					
CONN POS	WIRE COLOR	WIRE LABEL	GAUGE	JACKET	TO
1	BLK	0-41	12 AWG	GXL	CO1-J8 (1)

X45					
CONN POS	WIRE COLOR	WIRE LABEL	GAUGE	JACKET	TO
1	BLK	0-41-7	18 AWG	GXL	X158 (2)

X42					
CONN POS	WIRE COLOR	WIRE LABEL	GAUGE	JACKET	TO
1	YEL	2-0-4-2	12 AWG	GXL	X31A (10)

X48					
CONN POS	WIRE COLOR	WIRE LABEL	GAUGE	JACKET	TO
1	YEL	2-0-4-4	18 AWG	GXL	X158 (1)
1	YEL	2-0-4-5	16 AWG	GXL	X32A (13)

X47					
CONN POS	WIRE COLOR	WIRE LABEL	GAUGE	JACKET	TO
1	YEL	2-0-4-3	12 AWG	GXL	CO1-J8 (2)

SW18 (FUNCTION SPD)					
CONN POS	WIRE COLOR	WIRE LABEL	GAUGE	JACKET	TO
2	WHT	49-14 CREEP	18 AWG	GXL	CO1-J1 (32)
3	YEL	2-1	18 AWG	GXL	SW09-1 (1)
3	YEL	2-1	18 AWG	GXL	SW16-1 (1)
4	WHT	55-4 POT REF	18 AWG	GXL	CO1-J1 (34)
5	BLK	0-3	18 AWG	GXL	CO1-J1 (13)
6	WHT	55-5 PUMP	18 AWG	GXL	CO1-J1 (35)

SW07 (PLTFM LVL SW)					
CONN POS	WIRE COLOR	WIRE LABEL	GAUGE	JACKET	TO
1	WHT	25-1 PLVL UP	18 AWG	GXL	CO1-J1 (9)
2	YEL	2-1	18 AWG	GXL	SW06 (2)
2	YEL	2-1	18 AWG	GXL	SW08 (2)
3	WHT	25-2 PLVL DN	18 AWG	GXL	CO1-J1 (10)

SW05 (ENG/2 SPD SW)					
CONN POS	WIRE COLOR	WIRE LABEL	GAUGE	JACKET	TO
1	WHT	48-1 ENG SPD	18 AWG	GXL	CO1-J1 (28)
2	YEL	2-1	18 AWG	GXL	CO1-J1 (18)
2	YEL	2-1	18 AWG	GXL	SW06 (2)
3	WHT	48-2 TWO SPD	18 AWG	GXL	CO1-J1 (27)

SW06 (STR SELECT SW)					
CONN POS	WIRE COLOR	WIRE LABEL	GAUGE	JACKET	TO
1	WHT	55-2 CRB STR	18 AWG	GXL	CO1-J1 (16)
2	YEL	2-1	18 AWG	GXL	SW05 (2)
2	YEL	2-1	18 AWG	GXL	SW07 (2)
3	WHT	55-3 CRD STR	18 AWG	GXL	C

Figure 7-96. Platform Harness (Without SkyGuard) - Sheet 8 of 12

SECTION 7 - BASIC ELECTRICAL INFORMATION & ELECTRICAL SCHEMATICS

X39					
CONN POS	WIRE COLOR	WIRE LABEL	GAUGE	JACKET	TO
1	BLK	0-72	12 AWG	GXL	X31A (16)

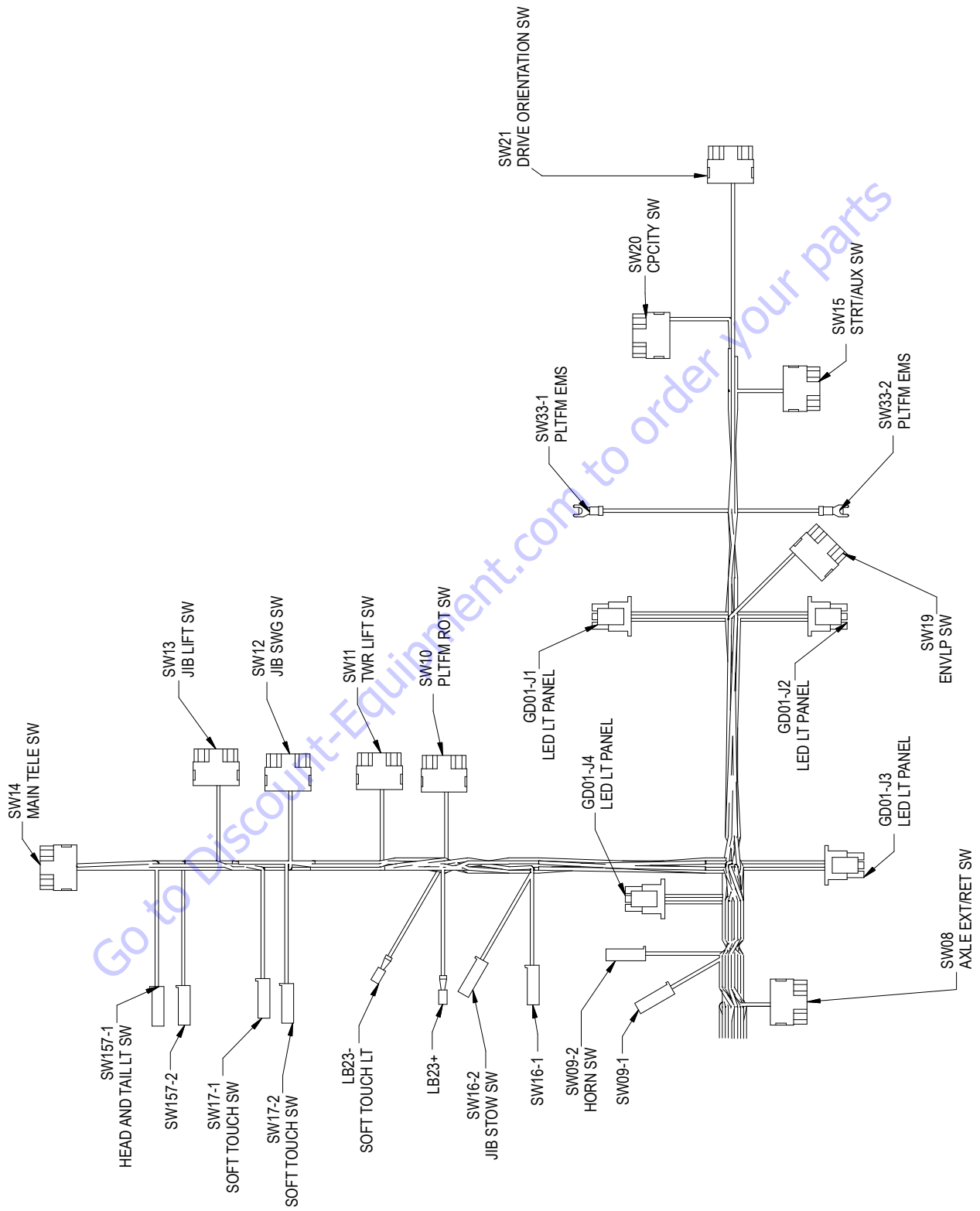
X38					
CONN POS	WIRE COLOR	WIRE LABEL	GAUGE	JACKET	TO
1	BLK	0-71	12 AWG	GXL	X31A (18)

MS156 (CAN BUSS CHANNEL #1)					
CONN POS	WIRE COLOR	WIRE LABEL	GAUGE	JACKET	TO
1	YEL	CN H CH I	18 AWG	GXL	X31A (3)
2	YEL	CN H CH I	18 AWG	GXL	CO1-J7 (31)
3	YEL	CN H CH I	18 AWG	GXL	X04A (12)
4	GRN	CN L CH I	18 AWG	GXL	X31A (2)
5	GRN	CN L CH I	18 AWG	GXL	CO1-J7 (30)
6	GRN	CN L CH I	18 AWG	GXL	X04A (14)
7	GRY	CN L CH I	20 AWG	CABLE	X36A (5)
8	BLK	CN L CH I	20 AWG	CABLE	X35A (4)
9	GRN	CN L CH I	18 AWG	GXL	X158 (3)
10	BLK	CN H CH I	20 AWG	CABLE	X36A (4)
11	BLU	CN H CH I	20 AWG	CABLE	X35A (3)
12	YEL	CN H CH I	18 AWG	GXL	X158 (4)

X04A					
CONN POS	WIRE COLOR	WIRE LABEL	GAUGE	JACKET	TO
1	WHT	52-4 GEN	18 AWG	GXL	CO1-J7 (9)
2	YEL	2-7	18 AWG	GXL	CO1-J2 (33)
4	WHT	49-27	18 AWG	GXL	X04A (5)
5	WHT	49-27	18 AWG	GXL	X04A (4)
6	YEL	2-8-1	18 AWG	GXL	X04A (8)
7	WHT	49-25 FT SW TO PLTFM	18 AWG	GXL	CO1-J7 (8)
8	YEL	2-8	18 AWG	GXL	CO1-J2 (3)
8	YEL	2-8-1	18 AWG	GXL	X04A (6)
10	YEL	2-15	18 AWG	GXL	CO1-J2 (34)
11	BLK	0-26	18 AWG	GXL	CO1-J7 (22)
12	YEL	CN H CH I	18 AWG	GXL	MS156 (3)
13	WHT	49-24 SOFT TOUCH	18 AWG	GXL	CO1-J1 (20)
14	GRN	CN L CH I	18 AWG	GXL	MS156 (6)

X158 (LOW TMP CUTOUT)					
CONN POS	WIRE COLOR	WIRE LABEL	GAUGE	JACKET	TO
1	YEL	2-0-4-4	18 AWG	GXL	X48 (1)
2	BLK	0-41-7	18 AWG	GXL	X45 (1)
3	GRN	CN L CH I	18 AWG	GXL	MS156 (9)
4	YEL	CN H CH I	18 AWG	GXL	MS156 (12)

Figure 7-97. Platform Harness (Without SkyGuard) - Sheet 9 of 12



100119837.D

Figure 7-98. Platform Harness (Without SkyGuard) - Sheet 10 of 12

SECTION 7 - BASIC ELECTRICAL INFORMATION & ELECTRICAL SCHEMATICS

SW08 (AXLE EXT/RET SW)					
CONN POS	WIRE COLOR	WIRE LABEL	GAUGE	JACKET	TO
1	WHT	39-2 AXL EXT	18 AWG	GXL	CO1-J1 (23)
2	YEL	2-1	18 AWG	GXL	Sw07 (2)
2	YEL	2-1	18 AWG	GXL	SW09-1 (1)
3	WHT	39-3 AXL RET	18 AWG	GXL	CO1-J1 (24)

SW15 (STRT/AUX SW)					
CONN POS	WIRE COLOR	WIRE LABEL	GAUGE	JACKET	TO
1	WHT	48-3 STRT	18 AWG	GXL	CO1-J1 (14)
2	YEL	2-1	18 AWG	GXL	SW19 (2)
2	YEL	2-1	18 AWG	GXL	SW20 (2)
3	WHT	53-1 AUX	18 AWG	GXL	CO1-J1 (15)

GD01-J3 (LED LT PANEL)					
CONN POS	WIRE COLOR	WIRE LABEL	GAUGE	JACKET	TO
1	WHT	49-4 BCS	18 AWG	GXL	CO1-J2 (19)
2	WHT	39-1 AXL SET	18 AWG	GXL	CO1-J2 (14)
3	WHT	55-1 DRV ORNT	18 AWG	GXL	CO1-J2 (30)
4	WHT	54-2 1000LB MODE	18 AWG	GXL	CO1-J2 (13)
5	WHT	49-3 BRKN CABLE	18 AWG	GXL	CO1-J2 (10)
6	WHT	47-2 SYS FAIL	18 AWG	GXL	CO1-J2 (8)

SW20 (CPCITY SW)					
CONN POS	WIRE COLOR	WIRE LABEL	GAUGE	JACKET	TO
2	YEL	2-1	18 AWG	GXL	SW15 (2)
2	YEL	2-1	18 AWG	GXL	SW21 (2)
3	WHT	54-3 CPCITY SW	18 AWG	GXL	CO1-J1 (21)

GD01-J1 (LED LT PANEL)					
CONN POS	WIRE COLOR	WIRE LABEL	GAUGE	JACKET	TO
1	WHT	47-1 FUL 1/4	18 AWG	GXL	CO1-J2 (22)
2	WHT	47-2 FUL 1/2	18 AWG	GXL	CO1-J2 (24)
3	WHT	47-3 FUL 3/4	18 AWG	GXL	CO1-J2 (23)
4	BLK	0-1	18 AWG	GXL	CO1-J2 (25)
4	BLK	0-1-1	18 AWG	GXL	LB23- (1)
6	WHT	47-4 FUL FULL	18 AWG	GXL	CO1-J2 (35)

GD01-J2 (LED LT PANEL)					
CONN POS	WIRE COLOR	WIRE LABEL	GAUGE	JACKET	TO
1	WHT	49-5 CREEP	18 AWG	GXL	CO1-J2 (9)
2	YEL	2-2 ENABLE	18 AWG	GXL	CO1-J2 (7)
3	WHT	47-5 LOW FUL	18 AWG	GXL	CO1-J2 (21)
6	BLK	0-2	18 AWG	GXL	CO1-J2 (18)

GD01-J4 (LED LT PANEL)					
CONN POS	WIRE COLOR	WIRE LABEL	GAUGE	JACKET	TO
1	WHT	47-1 PLTFM LVL FAIL	18 AWG	GXL	CO1-J2 (20)
2	WHT	52-1 GEN	18 AWG	GXL	CO1-J2 (15)
3	WHT	49-2 OVERLOAD	18 AWG	GXL	CO1-J2 (11)
4	WHT	54-1 600LB MODE	18 AWG	GXL	CO1-J2 (12)
5	WHT	49-1 TILT	18 AWG	GXL	CO1-J2 (6)
6	WHT	48-1 ENG PREHEAT	18 AWG	GXL	CO1-J2 (17)

SW19 (ENVLP SW)					
CONN POS	WIRE COLOR	WIRE LABEL	GAUGE	JACKET	TO
2	YEL	2-1	18 AWG	GXL	SW15 (2)
2	YEL	2-1	18 AWG	GXL	SW14 (2)
3	WHT	49-16 ENVLOP	18 AWG	GXL	CO1-J1 (22)

SW33-2 (PLTFM EMS)					
CONN POS	WIRE COLOR	WIRE LABEL	GAUGE	JACKET	TO
2	RED	1-4-3 PLTFM MODE	18 AWG	GXL	CO1-J7 (2)

SW10 (PLTFM ROT SW)					
CONN POS	WIRE COLOR	WIRE LABEL	GAUGE	JACKET	TO
1	WHT	23-1 PROT RHT	18 AWG	GXL	CO1-J1 (7)
2	YEL	2-1	18 AWG	GXL	SW16-1 (1)
2	YEL	2-1	18 AWG	GXL	SW11 (2)
3	WHT	23-2 PROT LFT	18 AWG	GXL	CO1-J1 (8)

SW21 (DRIVE ORIENTATION SW)					
CONN POS	WIRE COLOR	WIRE LABEL	GAUGE	JACKET	TO
1	WHT	55-6 DOS SW	18 AWG	GXL	CO1-J2 (4)
2	YEL	2-1	18 AWG	GXL	SW20 (2)

Figure 7-99. Platform Harness (Without SkyGuard) - Sheet 11 of 12

SECTION 7 - BASIC ELECTRICAL INFORMATION & ELECTRICAL SCHEMATICS

SW33-1 (PLTFM EMS)					
CONN POS	WIRE COLOR	WIRE LABEL	GAUGE	JACKET	TO
1	RED	1-4-3 PLTF MODE	18 AWG	GXL	X31A (5)

SW157-2 (HEAD AND TAIL LT SW)					
CONN POS	WIRE COLOR	WIRE LABEL	GAUGE	JACKET	TO
1	WHT	52-3 HEAD/TAIL LT	18 AWG	GXL	CO1-J1 (30)

SW11 (TWR LIFT SW)					
CONN POS	WIRE COLOR	WIRE LABEL	GAUGE	JACKET	TO
1	WHT	5-1 TOWER UP	18 AWG	GXL	CO1-J1 (1)
2	YEL	2-1	18 AWG	GXL	SW10 (2)
2	YEL	2-1	18 AWG	GXL	SW12 (2)
3	WHT	5-2 TOWER DN	18 AWG	GXL	CO1-J1 (2)

SW17-1 (SOFT TOUCH SW)					
CONN POS	WIRE COLOR	WIRE LABEL	GAUGE	JACKET	TO
1	YEL	2-1	18 AWG	GXL	SW13 (2)
1	YEL	2-1	18 AWG	GXL	SW12 (2)

SW12 (JIB SWG SW)					
CONN POS	WIRE COLOR	WIRE LABEL	GAUGE	JACKET	TO
1	WHT	59-1 JSWG RHT	18 AWG	GXL	CO1-J2 (9)
2	YEL	2-1	18 AWG	GXL	SW11 (2)
2	YEL	2-1	18 AWG	GXL	SW17-1 (1)
3	WHT	59-2 JSWG LFT	18 AWG	GXL	CO1-J2 (2)

SW17-2 (SOFT TOUCH SW)					
CONN POS	WIRE COLOR	WIRE LABEL	GAUGE	JACKET	TO
1	WHT	49-15 SFT SG SW	18 AWG	GXL	CO1-J1 (29)

SW13 (JIB LIFT SW)					
CONN POS	WIRE COLOR	WIRE LABEL	GAUGE	JACKET	TO
1	WHT	27-1 JIB UP	18 AWG	GXL	CO1-J1 (11)
2	YEL	2-1	18 AWG	GXL	SW17-1 (1)
2	YEL	2-1	18 AWG	GXL	SW157-1 (1)
3	WHT	27-2 JIB DN	18 AWG	GXL	CO1-J1 (12)

LB23- (SOFT TOUCH LT)					
CONN POS	WIRE COLOR	WIRE LABEL	GAUGE	JACKET	TO
1	BLK	0-1-1	18 AWG	GXL	GD01-J1 (4)

SW14 (MAIN TELE SW)					
CONN POS	WIRE COLOR	WIRE LABEL	GAUGE	JACKET	TO
1	WHT	13-1 MTELE IN	18 AWG	GXL	CO1-J1 (5)
2	YEL	2-1	18 AWG	GXL	SW157-1 (1)
2	YEL	2-1	18 AWG	GXL	SW19 (2)
3	WHT	13-2 MTELE OUT	18 AWG	GXL	CO1-J1 (6)

LB23+ (SOFT TOUCH LT)					
CONN POS	WIRE COLOR	WIRE LABEL	GAUGE	JACKET	TO
1	WHT	49-21 SFT SG LT	18 AWG	GXL	CO1-J2 (16)

SW157-1 (HEAD AND TAIL LT SW)					
CONN POS	WIRE COLOR	WIRE LABEL	GAUGE	JACKET	TO
1	YEL	2-1	18 AWG	GXL	SW14 (2)
1	YEL	2-1	18 AWG	GXL	SW13 (2)

SW16-2 (JIB STOW SW)					
CONN POS	WIRE COLOR	WIRE LABEL	GAUGE	JACKET	TO
1	WHT	59-6 JIB STOW SW	18 AWG	GXL	CO1-J2 (5)

SW16-1 (JIB STOW SW)					
CONN POS	WIRE COLOR	WIRE LABEL	GAUGE	JACKET	TO
1	YEL	2-1	18 AWG	GXL	SW10 (2)
1	YEL	2-1	18 AWG	GXL	SW18 (3)

SW09-2 (HORN SW)					
CONN POS	WIRE COLOR	WIRE LABEL	GAUGE	JACKET	TO
1	WHT	52-2 HORN	18 AWG	GXL	CO1-J1 (31)

SW09-1 (HORN SW)					
CONN POS	WIRE COLOR	WIRE LABEL	GAUGE	JACKET	TO
1	YEL	2-1	18 AWG	GXL	SW08 (2)
1	YEL	2-1	18 AWG	GXL	SW18 (3)

Figure 7-100. Platform Harness (Without SkyGuard) - Sheet 12 of 12

1001196881 E

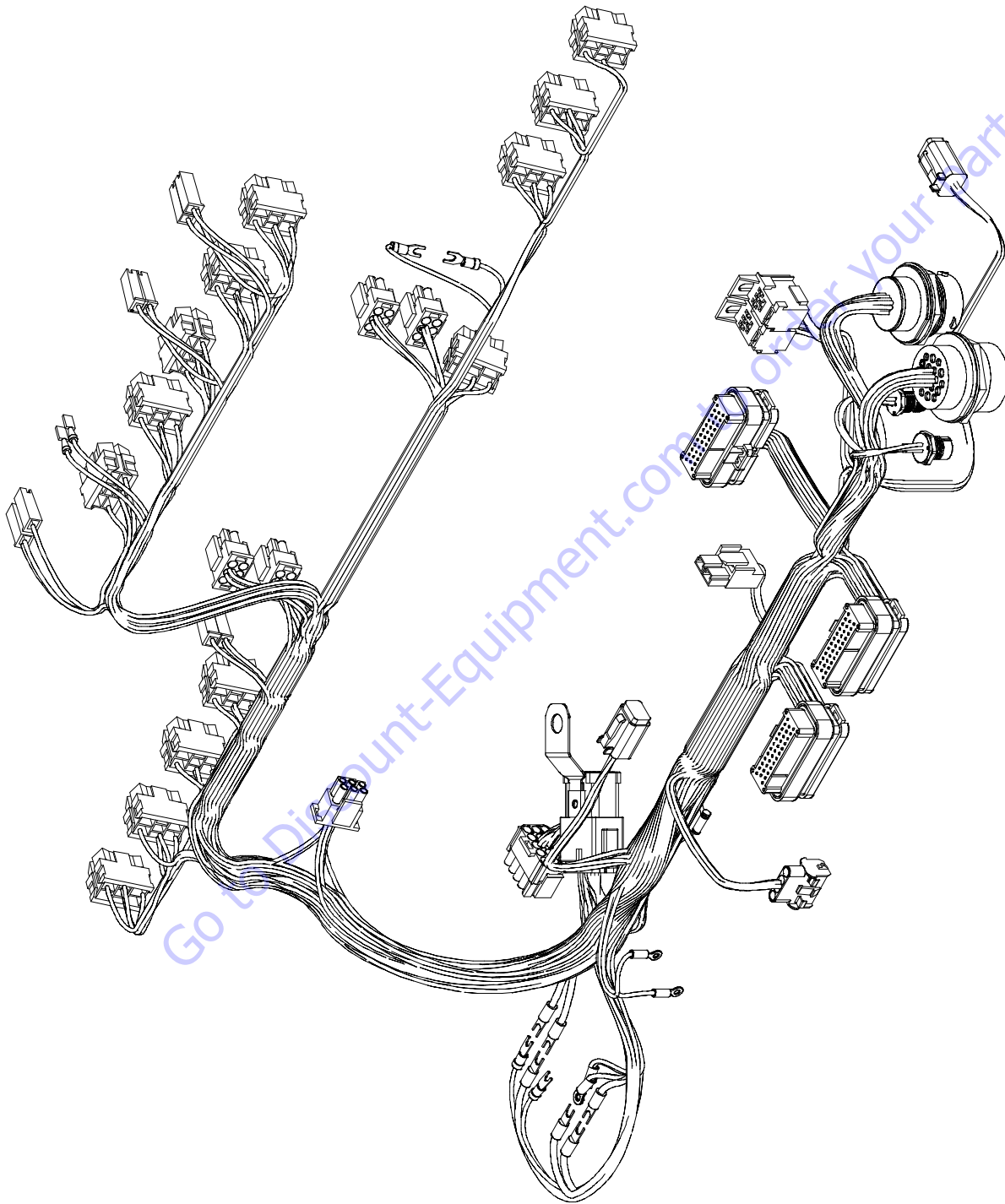


Figure 7-101. Platform Harness (With SkyGuard) - Sheet 1 of 12

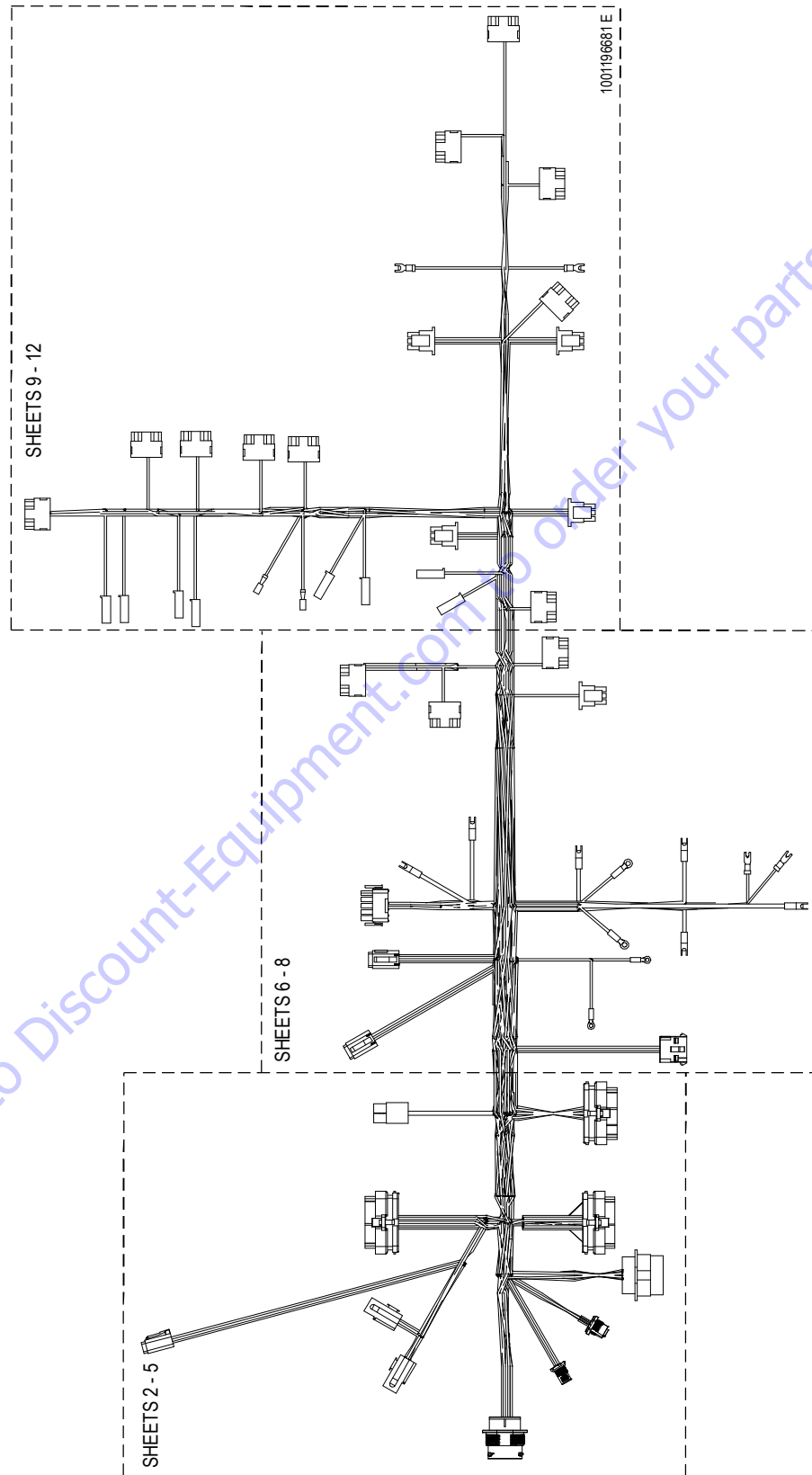


Figure 7-102. Platform Harness (With SkyGuard) - Sheet 2 of 12

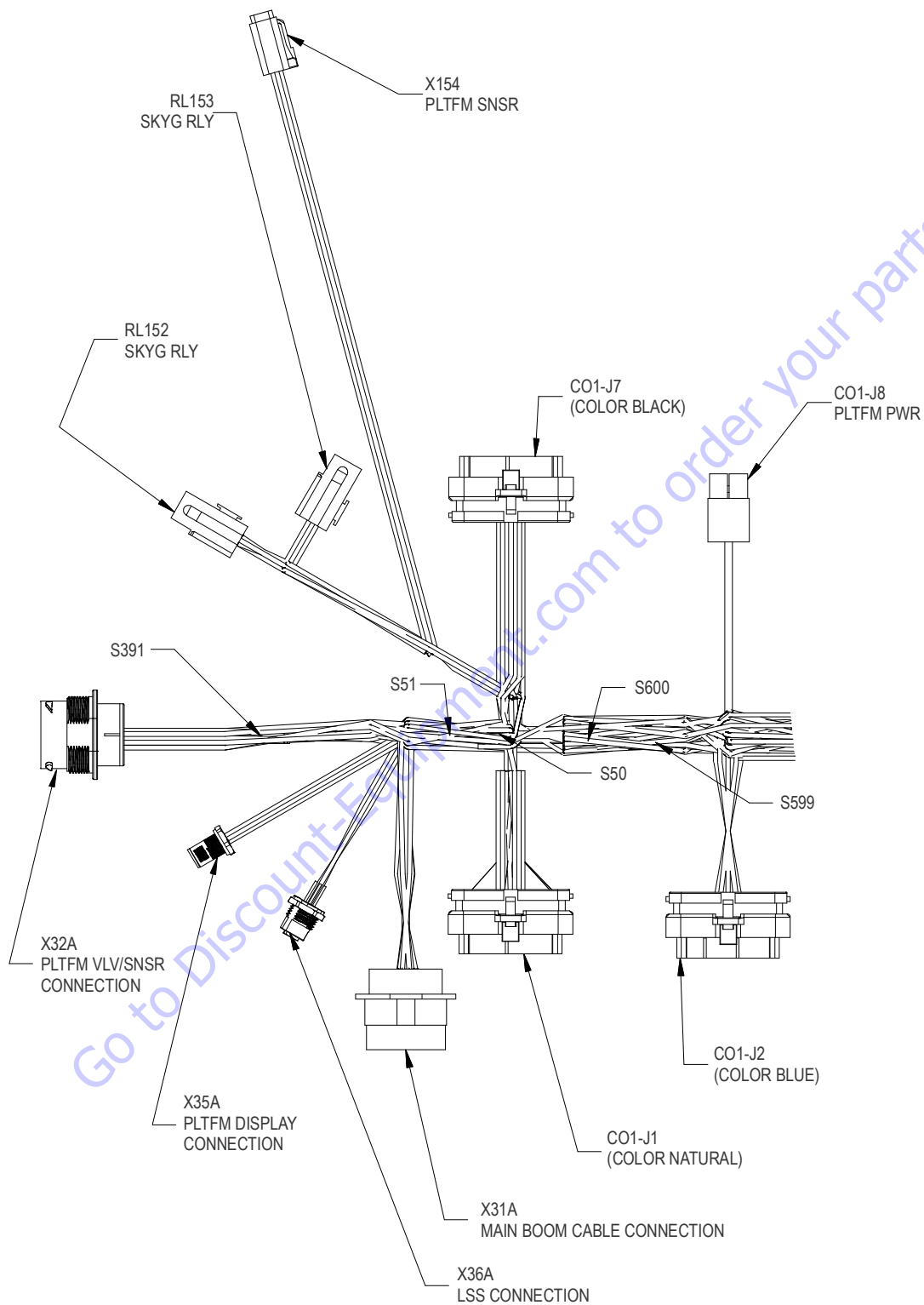


Figure 7-103. Platform Harness (With SkyGuard) - Sheet 3 of 12

1001196681 E

SECTION 7 - BASIC ELECTRICAL INFORMATION & ELECTRICAL SCHEMATICS

X32A (PLTFM VLV/SNSR CONECTION)					
CONN POS	WIRE COLOR	WIRE LABEL	GAUGE	JACKET	TO
1	WHT	49-92 5V REF	18 AWG	GXL	CO1-J7 (11)
2	WHT	49-18 PLVL1	18 AWG	GXL	CO1-J1 (25)
3	WHT	49-22 GND	18 AWG	GXL	CO1-J7 (21)
4	WHT	49-65 JIB ENBL NO	18 AWG	GXL	CO1-J1 (33)
6	WHT	25-4-1 PLVL DN	18 AWG	GXL	S51 (2)
7	WHT	25-3-1 PLVL UP	18 AWG	GXL	S50 (2)
8	WHT	23-3 PROT LFT	18 AWG	GXL	CO1-J7 (5)
9	WHT	23-4 PROT RHT	18 AWG	GXL	CO1-J7 (6)
10	WHT	27-6 JIB UP	18 AWG	GXL	CO1-J7 (25)
11	WHT	27-5 JIB DN	18 AWG	GXL	CO1-J7 (26)
12	BLK	0-4	18 AWG	GXL	CO1-J7 (29)
13	YEL	2-0-4-5	16 AWG	GXL	X48 (1)
14	WHT	49-71 JIB STOW	18 AWG	GXL	CO1-J7 (17)
15	WHT	50-5 DUMP PRS SW	18 AWG	GXL	CO1-J1 (4)
16	WHT	49-17 PLVL2	18 AWG	GXL	CO1-J1 (26)
17	WHT	49-23 GND	18 AWG	GXL	CO1-J7 (33)
18	WHT	50-2-3	16 AWG	GXL	S391 (1)
19	WHT	59-4 JSWG RHT	18 AWG	GXL	CO1-J7 (27)
20	WHT	59-3 JSWG LFT	18 AWG	GXL	CO1-J7 (28)
21	WHT	49-64 JIB ENBL NC	18 AWG	GXL	CO1-J1 (19)

S391					
CONN POS	WIRE COLOR	WIRE LABEL	GAUGE	JACKET	TO
1	WHT	50-2-3 PLTFM DUMP	16 AWG	GXL	X32A (18)
2	WHT	50-2-1 PLTFM DUMP	16 AWG	GXL	X31A (13)
2	WHT	50-2-2 PLTFM DUMP	16 AWG	GXL	X31A (15)

S51					
CONN POS	WIRE COLOR	WIRE LABEL	GAUGE	JACKET	TO
1	WHT	25-4 PLVL DN	18 AWG	GXL	CO1-J7 (16)
2	WHT	25-4-1 PLVL DN	18 AWG	GXL	X32A (6)
2	WHT	25-4-2 LVL DN O/R	18 AWG	GXL	X31A (7)

S50					
CONN POS	WIRE COLOR	WIRE LABEL	GAUGE	JACKET	TO
1	WHT	25-3 PLVL UP	18 AWG	GXL	CO1-J7 (15)
2	WHT	25-3-1 PLVL UP	18 AWG	GXL	X32A (7)
2	WHT	25-3-2 LVL UP O/R	18 AWG	GXL	X31A (9)

S600					
CONN POS	WIRE COLOR	WIRE LABEL	GAUGE	JACKET	TO
1	YEL	2-0-4-2	12 AWG	GXL	X42 (1)
2		FUSIBLE LINK	16 AWG	FUSIBLE LINK	X31 (10)

S599					
CONN POS	WIRE COLOR	WIRE LABEL	GAUGE	JACKET	TO
1	YEL	2-0-4-1	12 AWG	GXL	X41 (1)
2		FUSIBLE LINK	16 AWG	FUSIBLE LINK	X31A (12)

X35A (PLTFM DISPLAY CONNECTION)					
CONN POS	WIRE COLOR	WIRE LABEL	GAUGE	JACKET	TO
1	BRN	49-13 X44 PWR	20 AWG	CABLE	CO1-J7 (7)
2	WHT	49-12 X44 GND	20 AWG	CABLE	CO1-J7 (14)
3	BLU	CN H CH I	20 AWG	CABLE	MS156 (11)
4	BLK	CN L CH I	20 AWG	CABLE	MS156 (8)

X36A (LSS CONNECTION)					
CONN POS	WIRE COLOR	WIRE LABEL	GAUGE	JACKET	TO
2	WHT	49-11 X43 PWR	20 AWG	CABLE	CO1-J7 (4)
3	BLU	49-10 X43 GND	20 AWG	CABLE	CO1-J7 (14)
4	BLK	CN H CH I	20 AWG	CABLE	MS156 (10)
5	GRY	CN L CH I	20 AWG	CABLE	MS156 (7)

X31A (MAIN BOOM CABLE CONNECTION)					
CONN POS	WIRE COLOR	WIRE LABEL	GAUGE	JACKET	TO
2	GRN	CN L CH I	18 AWG	GXL	Ms156 (4)
3	YEL	CN H CH I	18 AWG	GXL	Ms156 (1)
4	YEL	2-4	18 AWG	GXL	CO1-J7 (3)
5	RED	1-4-3 PLTFM MODE	18 AWG	GXL	SW33-1 (1)
7	WHT	25-4-2 LVL DN O/R	18 AWG	GXL	S51 (2)
9	WHT	25-3-2 LVL UP O/R	18 AWG	GXL	S50 (2)
10		FUSIBLE LINK	16 AWG	FUSIBLE LINK	S600 (2)
11	YEL	2-5	18 AWG	GXL	CO1-J7 (1)
12		FUSIBLE LINK	16 AWG	FUSIBLE LINK	S599 (2)
13	WHT	50-2-1 PLTFM DUMP	16 AWG	GXL	S391 (2)
15	WHT	50-2-2 PLTFM DUMP	16 AWG	GXL	S391 (1)
16	BLK	0-72	12 AWG	GXL	X39 (1)
18	BLK	0-71	12 AWG	GXL	X38 (1)

Figure 7-104. Platform Harness (With SkyGuard) - Sheet 4 of 12

SECTION 7 - BASIC ELECTRICAL INFORMATION & ELECTRICAL SCHEMATICS

C01-J1 (COLOR NATURAL)					
CONN POS	WIRE COLOR	WIRE LABEL	GAUGE	JACKET	TO
1	WHT	5-1 TOWER UP	18 AWG	GXL	SW11 (1)
2	WHT	5-2 TOWER DN	18 AWG	GXL	SW11 (3)
3	WHT	65-1 PLTFM INPUT 2	18 AWG	GXL	RL152 (87)
4	WHT	50-5 DUMP PRS SW	18 AWG	GXL	X32A (15)
5	WHT	13-1 MTELE IN	18 AWG	GXL	SW14 (1)
6	WHT	13-2 MTELE OUT	18 AWG	GXL	SW14 (3)
7	WHT	23-1 PROT RHT	18 AWG	GXL	SW10 (1)
8	WHT	23-2 PROT LFT	18 AWG	GXL	SW10 (3)
9	WHT	25-1 PLVL UP	18 AWG	GXL	SW07 (1)
10	WHT	25-2 PLVL DN	18 AWG	GXL	SW07 (3)
11	WHT	27-1 JIB UP	18 AWG	GXL	SW13 (1)
12	WHT	27-2 JIB DN	18 AWG	GXL	SW13 (3)
13	BLK	0-3	18 AWG	GXL	SW18 (5)
14	WHT	48-3 STRT	18 AWG	GXL	SW15 (1)
15	WHT	53-1 AUX	18 AWG	GXL	SW15 (3)
16	WHT	55-2 CRB STR	18 AWG	GXL	SW06 (1)
17	WHT	55-3 CRD STR	18 AWG	GXL	SW06 (3)
18	YEL	2-1	18 AWG	GXL	SW05 (2)
19	WHT	49-64 JIB ENBL NC	18 AWG	GXL	X32A (21)
20	WHT	49-24 SOFT TOUCH	18 AWG	GXL	X04A (13)
21	WHT	54-3 CPCITY SW	18 AWG	GXL	SW20 (3)
22	WHT	49-16 ENVLP	18 AWG	GXL	SW19 (3)
23	WHT	39-2 AXL EXT	18 AWG	GXL	SW08 (1)
24	WHT	39-3 AXL RET	18 AWG	GXL	SW08 (3)
25	WHT	49-18 PLVL1	18 AWG	GXL	X32A (2)
26	WHT	49-17 PLVL2	18 AWG	GXL	X32A (16)
27	WHT	48-2 TWO SPD	18 AWG	GXL	SW05 (3)
28	WHT	48-1 ENG SPD	18 AWG	GXL	SW05 (1)
29	WHT	49-15 SFT SG SW	18 AWG	GXL	SW17-2 (1)
30	WHT	52-3 HEAD/TAIL LT	18 AWG	GXL	SW157-2 (1)
31	WHT	52-2 HORN	18 AWG	GXL	SW09-2 (1)
32	WHT	49-14 CREEP	18 AWG	GXL	SW18 (2)
33	WHT	49-65 JIB ENBL NO	18 AWG	GXL	X32A (4)
34	WHT	55-4 POT REF	18 AWG	GXL	SW18 (4)
35	WHT	55-5 PUMP POT	18 AWG	GXL	SW18 (6)

C01-J2 (COLOR BLUE)					
CONN POS	WIRE COLOR	WIRE LABEL	GAUGE	JACKET	TO
1	WHT	59-1 JSWG RHT	18 AWG	GXL	SW12 (1)
2	WHT	59-2 JSWG LFT	18 AWG	GXL	SW12 (3)
3	YEL	2-8	18 AWG	GXL	X04A (8)
4	WHT	55-6 DOS SW	18 AWG	GXL	SW21 (1)
5	WHT	59-6 JIB STOW SW	18 AWG	GXL	SW16-2 (1)
6	WHT	49-1 TILT	18 AWG	GXL	GD01-J4 (5)
7	YEL	2-2 ENABLE	18 AWG	GXL	GD01-J2 (2)
8	WHT	47-2 SYS FAIL	18 AWG	GXL	GD01-J3 (6)
9	WHT	49-5 CREEP	18 AWG	GXL	GD01-J2 (1)
10	WHT	49-3 BRKN CABLE	18 AWG	GXL	GD01-J3 (5)
11	WHT	49-2 OVERLOAD	18 AWG	GXL	GD01-J4 (3)
12	WHT	54-1 600LB MODE	18 AWG	GXL	GD01-J4(4)
13	WHT	54-2 1000LB MODE	18 AWG	GXL	GD01-J3 (4)
14	WHT	39-1 AXL SET	18 AWG	GXL	GD01-J3 (2)
15	WHT	52-1 GEN	18 AWG	GXL	GD01-J4 (2)
16	WHT	49-21 SFT SG LT	18 AWG	GXL	LB23+ (1)
17	WHT	48-1 ENG PREHEAT	18 AWG	GXL	GD01-J4 (6)
18	BLK	0-2	18 AWG	GXL	GD01-J2 (6)
19	WHT	49-4 BCS	18 AWG	GXL	GD01-J3 (1)
20	WHT	47-1 PLTFM LVL FAIL	18 AWG	GXL	GD01-J4 (1)
21	WHT	47-5 LOW FUL	18 AWG	GXL	GD01-J2 (3)
22	WHT	47-1 FUL 1/4	18 AWG	GXL	GD01-J1 (1)
23	WHT	47-3 FUL 3/4	18 AWG	GXL	GD01-J1 (3)
24	WHT	47-2 FUL 1/2	18 AWG	GXL	GD01-J1 (2)
25	BLK	0-1	18 AWG	GXL	GD01-J1 (4)
26	WHT	49-9 ANALPWR	18 AWG	GXL	X03 (1)
27	WHT	49-6 ANALGND	18 AWG	GXL	X03 (4)
28	WHT	49-8 RX	18 AWG	GXL	X03 (2)
29	WHT	49-7 TX	18 AWG	GXL	X03 (3)
30	WHT	55-1 DRV ORNT	18 AWG	GXL	GD01-J3 (3)
33	YEL	2-7	18 AWG	GXL	X04A (2)
34	YEL	2-15	18 AWG	GXL	X04A (10)
35	WHT	47-4 FUL FULL	18 AWG	GXL	GD01-J1 (6)

C01-J8 (PLTFM PWR)					
CONN POS	WIRE COLOR	WIRE LABEL	GAUGE	JACKET	TO
1	BLK	0-41	12 AWG	GXL	X44(1)
2	YEL	2-0-4-3	12 AWG	GXL	X47 (1)

Figure 7-105. Platform Harness (With SkyGuard) - Sheet 5 of 12

SECTION 7 - BASIC ELECTRICAL INFORMATION & ELECTRICAL SCHEMATICS

CO1-J7 (COLOR BLACK)					
CONN POS	WIRE COLOR	WIRE LABEL	GAUGE	JACKET	TO
1	YEL	2-5	18 AWG	GXL	X31A (11)
2	RED	1-4-3 PLTF MODE	18 AWG	GXL	SW33-2 (2)
3	YEL	2-4	18 AWG	GXL	X31A (4)
4	WHT	49-11 X43 PWR	20 AWG	CABLE	X36A (2)
5	WHT	23-3 PROT LFT	18 AWG	GXL	X32A (8)
6	WHT	23-4 PROT RHT	18 AWG	GXL	X32A (9)
7	BRN	49-13 X44 PWR	20 AWG	CABLE	X35A (1)
8	WHT	49-25 FT SW TO PLTFM	18 AWG	GXL	X04A (7)
9	WHT	52-4 GEN	18 AWG	GXL	X04A (1)
11	WHT	49-92 5V REF	18 AWG	GXL	X32A (1)
14	BLU	49-10 X43 GND	20 AWG	CABLE	X36A (3)
14	WHT	49-12 X44 GND	20 AWG	CABLE	X35A (2)
15	WHT	25-3 PLVL UP	18 AWG	GXL	S50 (1)
16	WHT	25-4 PLVL DN	18 AWG	GXL	S51 (1)
17	WHT	49-71 JIB STOW	18 AWG	GXL	X32A (14)
18	WHT	65-2 PLTFM INPUT 1	18 AWG	GXL	RL153 (87)
19	WHT	49-26 ALARM	18 AWG	GXL	AH52+ (1)
20	BLK	0-5	18 AWG	GXL	AH52- (1)
21	WHT	49-22 GND	18 AWG	GXL	X32A (3)
22	BLK	0-26	18 AWG	GXL	X04A (11)
25	WHT	27-6 JIB UP	18 AWG	GXL	X32A (10)
26	WHT	27-5 JIB DN	18 AWG	GXL	X32A (11)
27	WHT	59-4 JSWG RHT	18 AWG	GXL	X32A (19)
28	WHT	59-3 JSWG LFT	18 AWG	GXL	X32A (20)
29	BLK	0-4	18 AWG	GXL	X32A (12)
30	GRN	CN L CH I	18 AWG	GXL	MS156 (5)
31	YEL	CN H CH I	18 AWG	GXL	MS156 (2)
33	WHT	49-23 GND	18 AWG	GXL	X32A (17)

X154 (PLTFM SNSR)					
CONN POS	WIRE COLOR	WIRE LABEL	GAUGE	JACKET	TO
1	YEL	2-30	18 AWG	GXL	IP155 (2)
2	BLK	0-35	18 AWG	GXL	X37(1)
3	BLK	0-35-1	18 AWG	GXL	RL152 (86)
4	YEL	2-30-1	18 AWG	GXL	RL152 (85)

RL153 (SKYG RLY)					
CONN POS	WIRE COLOR	WIRE LABEL	GAUGE	JACKET	TO
30	YEL	2-30-1	18 AWG	GXL	X40 (1)
30	YEL	2-30-1-1	18 AWG	GXL	RL152 (30)
85	YEL	2-30-2	18 AWG	GXL	RL152 (85)
86	BLK	0-35-2	18 AWG	GXL	RL152 (86)
87	WHT	65-2 PLTFM INPUT 1	18 AWG	GXL	CO1-J7 (18)

RL152 (SKYG RLY)					
CONN POS	WIRE COLOR	WIRE LABEL	GAUGE	JACKET	TO
30	YEL	2-30-1-1	18 AWG	GXL	RL153 (30)
85	YEL	2-30-1	18 AWG	GXL	X154 (4)
85	YEL	2-30-2	18 AWG	GXL	RL153 (85)
86	BLK	0-35-1	18 AWG	GXL	X154 (3)
86	BLK	0-35-2	18 AWG	GXL	RL153 (86)
87	WHT	65-1 PLTFM INPUT 2	18 AWG	GXL	CO1-J1 (3)

Figure 7-106. Platform Harness (With SkyGuard) - Sheet 6 of 12

SECTION 7 - BASIC ELECTRICAL INFORMATION & ELECTRICAL SCHEMATICS

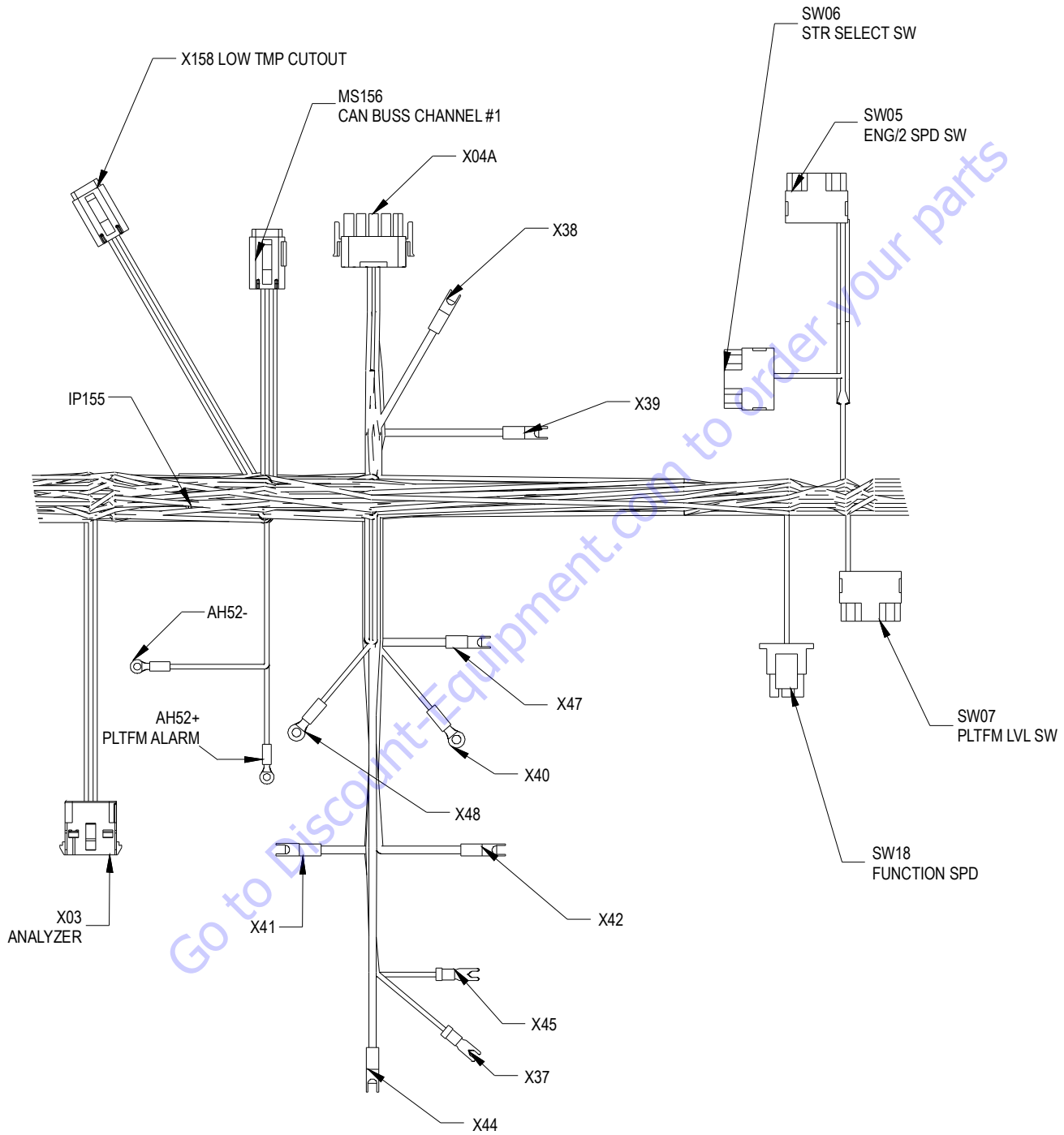


Figure 7-107. Platform Harness (With SkyGuard) - Sheet 7 of 12

1001196681 E

SECTION 7 - BASIC ELECTRICAL INFORMATION & ELECTRICAL SCHEMATICS

X03 (ANALYZER)					
CONN POS	WIRE COLOR	WIRE LABEL	GAUGE	JACKET	TO
1	WHT	49-9 ANALPWR	18 AWG	GXL	CO1-J2 (26)
2	WHT	49-8 RX	18 AWG	GXL	CO1-J2 (28)
3	WHT	49-7 TX	18 AWG	GXL	CO1-J2 (29)
4	WHT	49-6 ANALGND	18 AWG	GXL	CO1-J2 (27)

IP155					
CONN POS	WIRE COLOR	WIRE LABEL	GAUGE	JACKET	TO
1	YEL	2-30	18 AWG	GXL	X40 (1)
2	YEL	2-30	18 AWG	GXL	X154 (1)

AH52- (PLTFM ALARM)					
CONN POS	WIRE COLOR	WIRE LABEL	GAUGE	JACKET	TO
1	BLK	0-5	18 AWG	GXL	CO1-J7 (20)

AH52+ (PLTFM ALARM)					
CONN POS	WIRE COLOR	WIRE LABEL	GAUGE	JACKET	TO
1	WHT	49-26 ALARM	18 AWG	GXL	CO1-J7 (19)

X48					
CONN POS	WIRE COLOR	WIRE LABEL	GAUGE	JACKET	TO
1	YEL	2-0-4-4	18 AWG	GXL	X158 (1)
1	YEL	2-0-4-5	16 AWG	GXL	X32A (13)

X41					
CONN POS	WIRE COLOR	WIRE LABEL	GAUGE	JACKET	TO
1	YEL	2-0-4-1	12 AWG	GXL	S599 (1)

X44					
CONN POS	WIRE COLOR	WIRE LABEL	GAUGE	JACKET	TO
1	BLK	0-41	12 AWG	GXL	CO1-J8 (1)

X37					
CONN POS	WIRE COLOR	WIRE LABEL	GAUGE	JACKET	TO
1	BLK	0-35	18 AWG	GXL	X154 (2)

X45					
CONN POS	WIRE COLOR	WIRE LABEL	GAUGE	JACKET	TO
1	BLK	0-41-7	18 AWG	GXL	X158 (2)

X42					
CONN POS	WIRE COLOR	WIRE LABEL	GAUGE	JACKET	TO
1	YEL	2-0-4-2	12 AWG	GXL	S600 (1)

X40					
CONN POS	WIRE COLOR	WIRE LABEL	GAUGE	JACKET	TO
1	YEL	2-30	18 AWG	GXL	IP155 (1)
1	YEL	2-30-1	18 AWG	GXL	RL153 (30)

X47					
CONN POS	WIRE COLOR	WIRE LABEL	GAUGE	JACKET	TO
1	YEL	2-0-4-3	12 AWG	GXL	CO1-J8 (2)

SW18 (FUNCTION SPD)					
CONN POS	WIRE COLOR	WIRE LABEL	GAUGE	JACKET	TO
2	WHT	49-14 CREEP	18 AWG	GXL	CO1-J1 (32)
3	YEL	2-1	18 AWG	GXL	SW09-1 (1)
3	YEL	2-1	18 AWG	GXL	SW16-1 (1)
4	WHT	55-4 POT REF	18 AWG	GXL	CO1-J1 (34)
5	BLK	0-3	18 AWG	GXL	CO1-J1 (13)
6	WHT	55-5 PUMP POT	18 AWG	GXL	CO1-J1 (35)

SW07 (PLTFM LVL SW)					
CONN POS	WIRE COLOR	WIRE LABEL	GAUGE	JACKET	TO
1	WHT	25-1 PLVL UP	18 AWG	GXL	CO1-J1 (9)
2	YEL	2-1	18 AWG	GXL	SW06 (2)
2	YEL	2-1	18 AWG	GXL	SW08 (2)
3	WHT	25-2 PLVL DN	18 AWG	GXL	CO1-J1 (10)

Figure 7-108. Platform Harness (With SkyGuard) - Sheet 8 of 12

SECTION 7 - BASIC ELECTRICAL INFORMATION & ELECTRICAL SCHEMATICS

SW05 (ENG/2 SPD SW)					
CONN POS	WIRE COLOR	WIRE LABEL	GAUGE	JACKET	TO
1	WHT	48-1 ENG SPD	18 AWG	GXL	CO1-J1 (28)
2	YEL	2-1	18 AWG	GXL	CO1-J1 (18)
2	YEL	2-1	18 AWG	GXL	SW06 (2)
3	WHT	48-2 TWO SPD	18 AWG	GXL	CO1-J1 (27)

SW06 (STR SELECT SW)					
CONN POS	WIRE COLOR	WIRE LABEL	GAUGE	JACKET	TO
1	WHT	55-2 CRB STR	18 AWG	GXL	CO1-J1 (16)
2	YEL	2-1	18 AWG	GXL	SW05 (2)
2	YEL	2-1	18 AWG	GXL	SW07 (2)
3	WHT	55-3 CRD STR	18 AWG	GXL	CO1-J1 (17)

X39					
CONN POS	WIRE COLOR	WIRE LABEL	GAUGE	JACKET	TO
1	BLK	0-72	12 AWG	GXL	X31A (16)

X38					
CONN POS	WIRE COLOR	WIRE LABEL	GAUGE	JACKET	TO
1	BLK	0-71	12 AWG	GXL	X31A (18)

X158 (LOW TMP CUTOUT)					
CONN POS	WIRE COLOR	WIRE LABEL	GAUGE	JACKET	TO
1	YEL	2-0-4-4	18 AWG	GXL	X48 (1)
2	BLK	0-41-7	18 AWG	GXL	X45 (1)
3	GRN	CN L CH I	18 AWG	GXL	MS156 (9)
4	YEL	CN H CH I	18 AWG	GXL	MS156 (12)

X04A					
CONN POS	WIRE COLOR	WIRE LABEL	GAUGE	JACKET	TO
1	WHT	52-4 GEN	18 AWG	GXL	CO1-J7 (9)
2	YEL	2-7	18 AWG	GXL	CO1-J2 (33)
4	WHT	49-27	18 AWG	GXL	X04A (5)
5	WHT	49-27	18 AWG	GXL	X04A (4)
6	YEL	2-8-1	18 AWG	GXL	X04A (8)
7	WHT	49-25 FT SW TO PLTFM	18 AWG	GXL	CO1-J7 (8)
8	YEL	2-8	18 AWG	GXL	CO1-J2 (3)
8	YEL	2-8-1	18 AWG	GXL	X04A (6)
10	YEL	2-15	18 AWG	GXL	CO1-J2 (34)
11	BLK	0-26	18 AWG	GXL	CO1-J7 (22)
12	YEL	CN H CH I	18 AWG	GXL	MS156 (3)
13	WHT	49-24 SOFT TOUCH	18 AWG	GXL	CO1-J1 (20)
14	GRN	CN L CH I	18 AWG	GXL	MS156 (6)

MS156 (CAN BUSS CHANNEL #1)					
CONN POS	WIRE COLOR	WIRE LABEL	GAUGE	JACKET	TO
1	YEL	CN H CH I	18 AWG	GXL	X31A (3)
2	YEL	CN H CH I	18 AWG	GXL	CO1-J7 (31)
3	YEL	CN H CH I	18 AWG	GXL	X04A (12)
4	GRN	CN L CH I	18 AWG	GXL	X31A (2)
5	GRN	CN L CH I	18 AWG	GXL	CO1-J7 (30)
6	GRN	CN L CH I	18 AWG	GXL	X04A (14)
7	GRY	CN L CH I	20 AWG	CABLE	X36A (5)
8	BLK	CN L CH I	20 AWG	CABLE	X35A (4)
9	GRN	CN L CH I	18 AWG	GXL	X158 (3)
10	BLK	CN H CH I	20 AWG	CABLE	X36A (4)
11	BLU	CN H CH I	20 AWG	CABLE	X35A (3)
12	YEL	CN H CH I	18 AWG	GXL	X158 (4)

Figure 7-109. Platform Harness (With SkyGuard) - Sheet 9 of 12

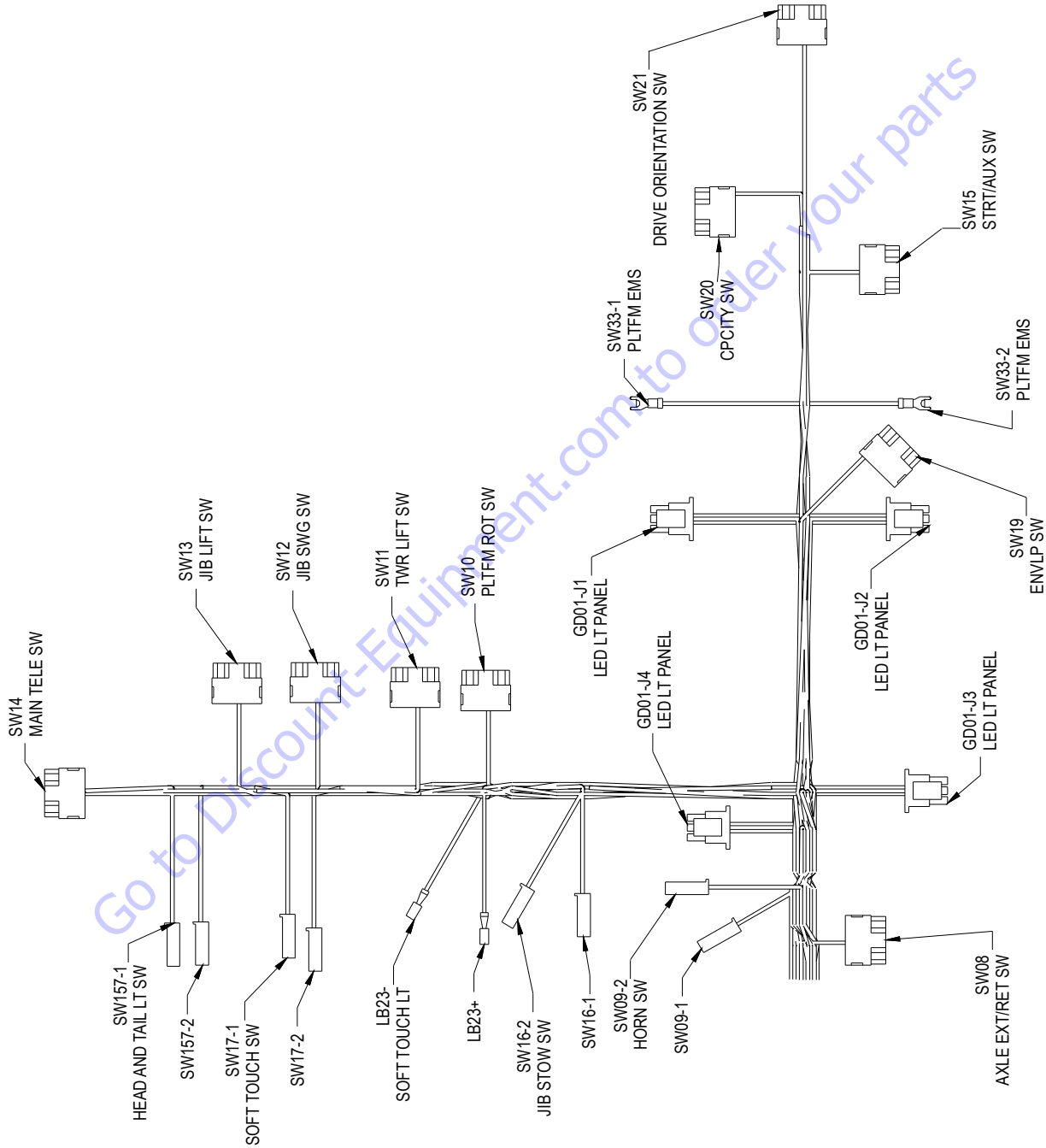


Figure 7-110. Platform Harness (With SkyGuard) - Sheet 10 of 12

100196681E

SECTION 7 - BASIC ELECTRICAL INFORMATION & ELECTRICAL SCHEMATICS

SW08 (AXLE EXT/RET SW)					
CONN POS	WIRE COLOR	WIRE LABEL	GAUGE	JACKET	TO
1	WHT	39-2 AXL EXT	18 AWG	GXL	CO1-J1 (23)
2	YEL	2-1	18 AWG	GXL	SW07 (2)
2	YEL	2-1	18 AWG	GXL	CO1-J1 (24)
3	WHT	39-3 AXL RET	18 AWG	GXL	CO1-J1 (24)

SW15 (STRT/AUX SW)					
CONN POS	WIRE COLOR	WIRE LABEL	GAUGE	JACKET	TO
1	WHT	48-3 STRT	18 AWG	GXL	CO1-J1 (14)
2	YEL	2-1	18 AWG	GXL	SW19 (2)
2	YEL	2-1	18 AWG	GXL	SW20 (2)
3	WHT	53-1 AUX	18 AWG	GXL	CO1-J1 (15)

GD01-J3 (LED LT PANEL)					
CONN POS	WIRE COLOR	WIRE LABEL	GAUGE	JACKET	TO
1	WHT	49-4 BCS	18 AWG	GXL	CO1-J2 (19)
2	WHT	39-1 AXL SET	18 AWG	GXL	CO1-J2 (14)
3	WHT	55-1 DRV ORNT	18 AWG	GXL	CO1-J2 (30)
4	WHT	54-2 1000LB MODE	18 AWG	GXL	CO1-J2 (13)
5	WHT	49-3 BRKN CABLE	18 AWG	GXL	CO1-J2 (10)
6	WHT	47-2 SYS FAIL	18 AWG	GXL	CO1-J2 (8)

SW21 (DRIVE ORIENTATION SW)					
CONN POS	WIRE COLOR	WIRE LABEL	GAUGE	JACKET	TO
1	WHT	55-6 DOS SW	18 AWG	GXL	CO1-J2 (4)
2	YEL	2-1	18 AWG	GXL	SW20 (2)

SW20 (CPCITY SW)					
CONN POS	WIRE COLOR	WIRE LABEL	GAUGE	JACKET	TO
2	YEL	2-1	18 AWG	GXL	SW15 (2)
2	YEL	2-1	18 AWG	GXL	SW21 (2)
3	WHT	54-3 CPCITY SW	18 AWG	GXL	CO1-J1 (21)

GD01-J2 (LED LT PANEL)					
CONN POS	WIRE COLOR	WIRE LABEL	GAUGE	JACKET	TO
1	WHT	49-5 CREEP	18 AWG	GXL	CO1-J2 (9)
2	YEL	2-2 ENABLE	18 AWG	GXL	CO1-J2 (7)
3	WHT	47-5 LOW FUL	18 AWG	GXL	CO1-J2 (21)
6	BLK	0-2	18 AWG	GXL	CO1-J2 (18)

GD01-J1 (LED LT PANEL)					
CONN POS	WIRE COLOR	WIRE LABEL	GAUGE	JACKET	TO
1	WHT	47-1 FUL 1/4	18 AWG	GXL	CO1-J2 (22)
2	WHT	47-2 FUL 1/2	18 AWG	GXL	CO1-J2 (24)
3	WHT	47-3 FUL 3/4	18 AWG	GXL	CO1-J2 (25)
4	BLK	0-1	18 AWG	GXL	CO1-J2 (25)
4	BLK	0-1-1	18 AWG	GXL	LB23- (1)
6	WHT	47-4 FUL FULL	18 AWG	GXL	CO1-J2 (35)

SW19 (ENVLP SW)					
CONN POS	WIRE COLOR	WIRE LABEL	GAUGE	JACKET	TO
2	YEL	2-1	18 AWG	GXL	SW15 (2)
2	YEL	2-1	18 AWG	GXL	SW14 (2)
3	WHT	49-16 ENVLP	18 AWG	GXL	CO1-J1 (22)

GD01-J4 (LED LT PANEL)					
CONN POS	WIRE COLOR	WIRE LABEL	GAUGE	JACKET	TO
1	WHT	47-1 PLTFM LVL FAIL	18 AWG	GXL	CO1-J2 (20)
2	WHT	52-1 GEN	18 AWG	GXL	CO1-J2 (15)
3	WHT	49-2 OVERLOAD	18 AWG	GXL	CO1-J2 (11)
4	WHT	54-1 600LB MODE	18 AWG	GXL	CO1-J2 (12)
5	WHT	49-1 TILT	18 AWG	GXL	CO1-J2 (6)
6	WHT	48-1 ENG PREHEAT	18 AWG	GXL	CO1-J2 (17)

SW33-2 (PLTFM EMS)					
CONN POS	WIRE COLOR	WIRE LABEL	GAUGE	JACKET	TO
2	RED	1-4-3 PLTF MODE	18 AWG	GXL	CO1-J7 (2)

SW33-1 (PLTFM EMS)					
CONN POS	WIRE COLOR	WIRE LABEL	GAUGE	JACKET	TO
1	RED	1-4-3 PLTFM MODE	18 AWG	GXL	X31A (5)

Figure 7-111. Platform Harness (With SkyGuard) - Sheet 11 of 12

SECTION 7 - BASIC ELECTRICAL INFORMATION & ELECTRICAL SCHEMATICS

SW09-2 (HORN SW)					
CONN POS	WIRE COLOR	WIRE LABEL	GAUGE	JACKET	TO
1	WHT	52-2 HORN	18 AWG	GXL	CO1-J1 (31)

SW09-1 (HORN SW)					
CONN POS	WIRE COLOR	WIRE LABEL	GAUGE	JACKET	TO
1	YEL	2-1	18 AWG	GXL	SW08 (2)
1	YEL	2-1	18 AWG	GXL	SW18 (3)

SW16-1 (JIB STOW SW)					
CONN POS	WIRE COLOR	WIRE LABEL	GAUGE	JACKET	TO
1	YEL	2-1	18 AWG	GXL	SW10 (2)
1	YEL	2-1	18 AWG	GXL	SW18 (3)

SW16-2 (JIB STOW SW)					
CONN POS	WIRE COLOR	WIRE LABEL	GAUGE	JACKET	TO
1	WHT	59-6 JIB STOW SW	18 AWG	GXL	CO1-J2 (5)

LB23+ (SOFT TOUCH LT)					
CONN POS	WIRE COLOR	WIRE LABEL	GAUGE	JACKET	TO
1	WHT	49-21 SFT SG LT	18 AWG	GXL	CO1-J2 (16)

LB23- (SOFT TOUCH LT)					
CONN POS	WIRE COLOR	WIRE LABEL	GAUGE	JACKET	TO
1	BLK	0-1-1	18 AWG	GXL	GD01-J1 (4)

SW17-2 (SOFT TOUCH SW)					
CONN POS	WIRE COLOR	WIRE LABEL	GAUGE	JACKET	TO
1	WHT	49-15 SFT SG SW	18 AWG	GXL	CO1-J1 (29)

SW17-1 (SOFT TOUCH SW)					
CONN POS	WIRE COLOR	WIRE LABEL	GAUGE	JACKET	TO
1	YEL	2-1	18 AWG	GXL	SW13 (2)
1	YEL	2-1	18 AWG	GXL	SW12 (2)

SW157-2 (HEAD AND TAIL LT SW)					
CONN POS	WIRE COLOR	WIRE LABEL	GAUGE	JACKET	TO
1	WHT	52-3 HEAD/TAIL LT	18 AWG	GXL	CO1-J1 (30)

SW157-1 (HEAD AND TAIL LT SW)					
CONN POS	WIRE COLOR	WIRE LABEL	GAUGE	JACKET	TO
1	YEL	2-1	18 AWG	GXL	SW14 (2)
1	YEL	2-1	18 AWG	GXL	SW13 (2)

SW14 (MAIN TELE SW)					
CONN POS	WIRE COLOR	WIRE LABEL	GAUGE	JACKET	TO
1	WHT	13-1 MTELE IN	18 AWG	GXL	CO1-J1 (5)
2	YEL	2-1	18 AWG	GXL	SW157-1 (1)
2	YEL	2-1	18 AWG	GXL	SW19 (2)
3	WHT	13-2 MTELE OUT	18 AWG	GXL	CO1-J1 (6)

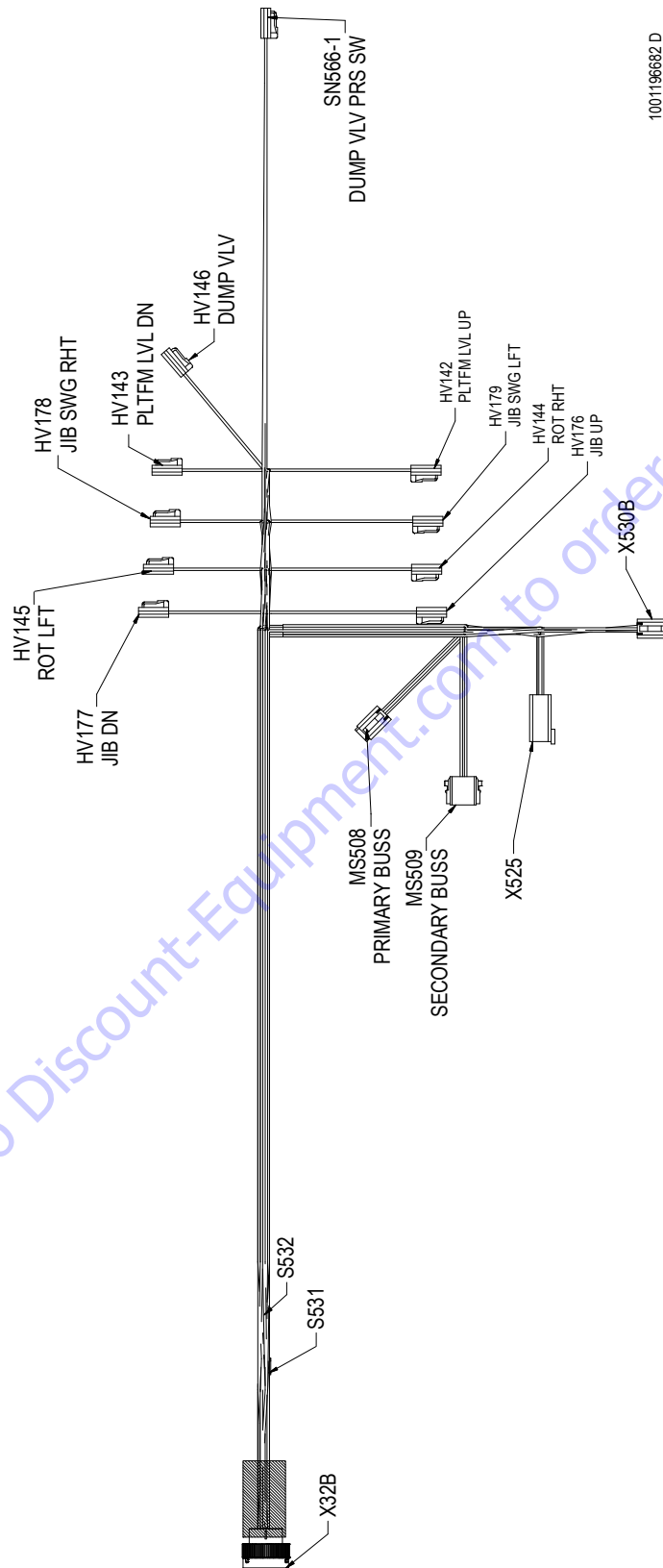
SW13 (JIB LIFT SW)					
CONN POS	WIRE COLOR	WIRE LABEL	GAUGE	JACKET	TO
1	WHT	27-1 JIB UP	18 AWG	GXL	CO1-J1 (11)
2	YEL	2-1	18 AWG	GXL	SW17-1 (1)
2	YEL	2-1	18 AWG	GXL	SW157-1 (1)
3	WHT	27-2 JIB DN	18 AWG	GXL	CO1-J1 (12)

SW12 (JIB SWG SW)					
CONN POS	WIRE COLOR	WIRE LABEL	GAUGE	JACKET	TO
1	WHT	59-1 JSWG RHT	18 AWG	GXL	CO1-J2 (1)
2	YEL	2-1	18 AWG	GXL	SW11 (2)
2	YEL	2-1	18 AWG	GXL	SW17-1 (1)
3	WHT	59-2 JSWG LFT	18 AWG	GXL	CO1-J2 (2)

SW11 (TWR LIFT SW)					
CONN POS	WIRE COLOR	WIRE LABEL	GAUGE	JACKET	TO
1	WHT	5-1 TOWER UP	18 AWG	GXL	CO1-J1 (1)
2	YEL	2-1	18 AWG	GXL	SW10 (2)
2	YEL	2-1	18 AWG	GXL	SW12 (2)
3	WHT	5-2 TOWER DN	18 AWG	GXL	CO1-J1 (2)

SW10 (PLTFM ROT SW)					
CONN POS	WIRE COLOR	WIRE LABEL	GAUGE	JACKET	TO
1	WHT	23-1 PROT RHT	18 AWG	GXL	CO1-J1 (7)
2	YEL	2-1	18 AWG	GXL	SW16-1 (1)
2	YEL	2-1	18 AWG	GXL	SW11 (2)
3	WHT	23-2 PROT LFT	18 AWG	GXL	CO1-J1 (8)

Figure 7-112. Platform Harness (With SkyGuard) - Sheet 12 of 12



1001196682 D

Figure 7-113. Platform Valve Sensor Harness - Sheet 1 of 4

SECTION 7 - BASIC ELECTRICAL INFORMATION & ELECTRICAL SCHEMATICS

X32B					
CONN POS	WIRE COLOR	WIRE LABEL	GAUGE	JACKET	TO
1	WHT	49-92 5V REF	18 AWG	GXL	S531 (1)
2	WHT	49-18 PLVL 1	18 AWG	GXL	X530B (5)
3	BLK	0-30	18 AWG	GXL	X530B (6)
4	WHT	49-65 JIB ENBL NO	18 AWG	GXL	X525 (3)
6	WHT	25-4-2 LVL DN	18 AWG	GXL	HV143 (1)
7	WHT	25-3-2 LVL UP	18 AWG	GXL	HV142 (1)
8	WHT	23-3 ROT LFT	18 AWG	GXL	HV145 (1)
9	WHT	23-4 ROT RHT	18 AWG	GXL	HV144 (1)
10	WHT	27-6 JIB UP	18 AWG	GXL	HV176 (1)
11	WHT	27-5 JIB DN	18 AWG	GXL	HV177 (1)
12	BLK	0-4	18 AWG	GXL	MS508 (5)
13	YEL	2-0-4-5	16 AWG	GXL	S532 (1)
14	WHT	49-71 JIB STOW	18 AWG	GXL	X525 (4)
15	WHT	50-5 DUMP PRS SW	18 AWG	GXL	SN566-1 (2)
16	WHT	49-17 PLVL2	18 AWG	GXL	X530B (2)
17	BLK	0-29	18 AWG	GXL	X530B (2)
18	WHT	50-2-3 PLTFM DUMP	16 AWG	GXL	HV146 (1)
19	WHT	59-4 JSWG RHT	18 AWG	GXL	HV178 (1)
20	WHT	59-3 JSWG LFT	18 AWG	GXL	HV179 (1)
21	WHT	49-64 JIB ENBL NC	18 AWG	GXL	X525 (2)

S531					
CONN POS	WIRE COLOR	WIRE LABEL	GAUGE	JACKET	TO
1	WHT	49-92 5V REF	18 AWG	GXL	X32B (1)
2	WHT	49-92-1 5V REF	18 AWG	GXL	X530B (4)
2	WHT	49-92-2 5V REF	18 AWG	GXL	X530B (1)

S532					
CONN POS	WIRE COLOR	WIRE LABEL	GAUGE	JACKET	TO
1	YEL	2-0-4-5	16 AWG	GXL	X32B (13)
2	YEL	2-0-4-5-1	16 AWG	GXL	X525 (1)
2	YEL	2-0-4-5-2	16 AWG	GXL	X525 (5)
2	YEL	2-0-4-5-3	18 AWG	GXL	SN566-1 (1)

MS508 (PRIMARY BUSS)					
CONN POS	WIRE COLOR	WIRE LABEL	GAUGE	JACKET	TO
1	BLK	0-4-9	18 AWG	GXL	HV146 (2)
2	BLK	0-4-10	18 AWG	GXL	HV143 (2)
3	BLK	0-4-11	18 AWG	GXL	HV142 (2)
5	BLK	0-4	18 AWG	GXL	X32B (12)
6	BLK	0-4-1	18 AWG	GXL	MS509 (1)

MS509 (SECONDARY BUSS)					
CONN POS	WIRE COLOR	WIRE LABEL	GAUGE	JACKET	TO
1	BLK	0-4-1	18 AWG	GXL	MS508 (6)
2	BLK	0-4-2	18 AWG	GXL	HV179 (2)
3	BLK	0-4-3	18 AWG	GXL	HV178 (2)
4	BLK	0-4-4	18 AWG	GXL	HV177 (2)
5	BLK	0-4-5	18 AWG	GXL	HV176 (2)
6	BLK	0-4-6	18 AWG	GXL	HV145 (2)
7	BLK	0-4-7	18 AWG	GXL	HV144 (2)

X525					
CONN POS	WIRE COLOR	WIRE LABEL	GAUGE	JACKET	TO
1	YEL	2-0-4-5-1	16 AWG	GXL	S532 (2)
2	WHT	49-64 JIB ENBL NC	18 AWG	GXL	X32B (21)
3	WHT	49-65 JIB ENBL NO	18 AWG	GXL	X32B (4)
4	WHT	49-71 JIB STOW	18 AWG	GXL	X32B (14)
5	YEL	2-0-4-5-2	16 AWG	GXL	S532 (2)

X530B					
CONN POS	WIRE COLOR	WIRE LABEL	GAUGE	JACKET	TO
1	WHT	49-92-2 5V REF	18 AWG	GXL	S531 (2)
2	WHT	49-17 PLVL2	18 AWG	GXL	X32B (16)
3	BLK	0-29	18 AWG	GXL	X32B (16)
4	WHT	49-92-1 5V REF	18 AWG	GXL	S531 (2)
5	WHT	49-18 PLVL1	18 AWG	GXL	X32B (2)
6	BLK	0-30	18 AWG	GXL	X32B (3)

Figure 7-114. Platform Valve Sensor Harness - Sheet 2 of 4

SECTION 7 - BASIC ELECTRICAL INFORMATION & ELECTRICAL SCHEMATICS

HV176 (JIB UP)					
CONN POS	WIRE COLOR	WIRE LABEL	GAUGE	JACKET	TO
1	WHT	27-6 JIB UP	18 AWG	GXL	X32B (10)
2	BLK	0-4-5	18 AWG	GXL	MS509 (5)

HV146 (DUMP VLV)					
CONN POS	WIRE COLOR	WIRE LABEL	GAUGE	JACKET	TO
1	WHT	50-2-3 PLTFM DUMP	16 AWG	GXL	X32B (18)
2	BLK	0-4-9	18 AWG	GXL	MS508 (91)

HV144 (ROT RHT)					
CONN POS	WIRE COLOR	WIRE LABEL	GAUGE	JACKET	TO
1	WHT	23-4 ROT RHT	18 AWG	GXL	X32B (9)
2	BLK	0-4-7	18 AWG	GXL	MS509 (7)

HV143 (PLTFM LVL DN)					
CONN POS	WIRE COLOR	WIRE LABEL	GAUGE	JACKET	TO
1	WHT	25-4-2 LVL DN	18 AWG	GXL	X32B (6)
2	BLK	0-4-10	18 AWG	GXL	MS508 (2)

HV179 (JIB SWG LFT)					
CONN POS	WIRE COLOR	WIRE LABEL	GAUGE	JACKET	TO
1	WHT	59-3 JSWG LFT	18 AWG	GXL	X32B (20)
2	BLK	0-4-2	18 AWG	GXL	MS509 (2)

HV178 (JIB SWG RHT)					
CONN POS	WIRE COLOR	WIRE LABEL	GAUGE	JACKET	TO
1	WHT	59-4 JSWG RHT	18 AWG	GXL	X32B (19)
2	BLK	0-4-3	18 AWG	GXL	MS509 (3)

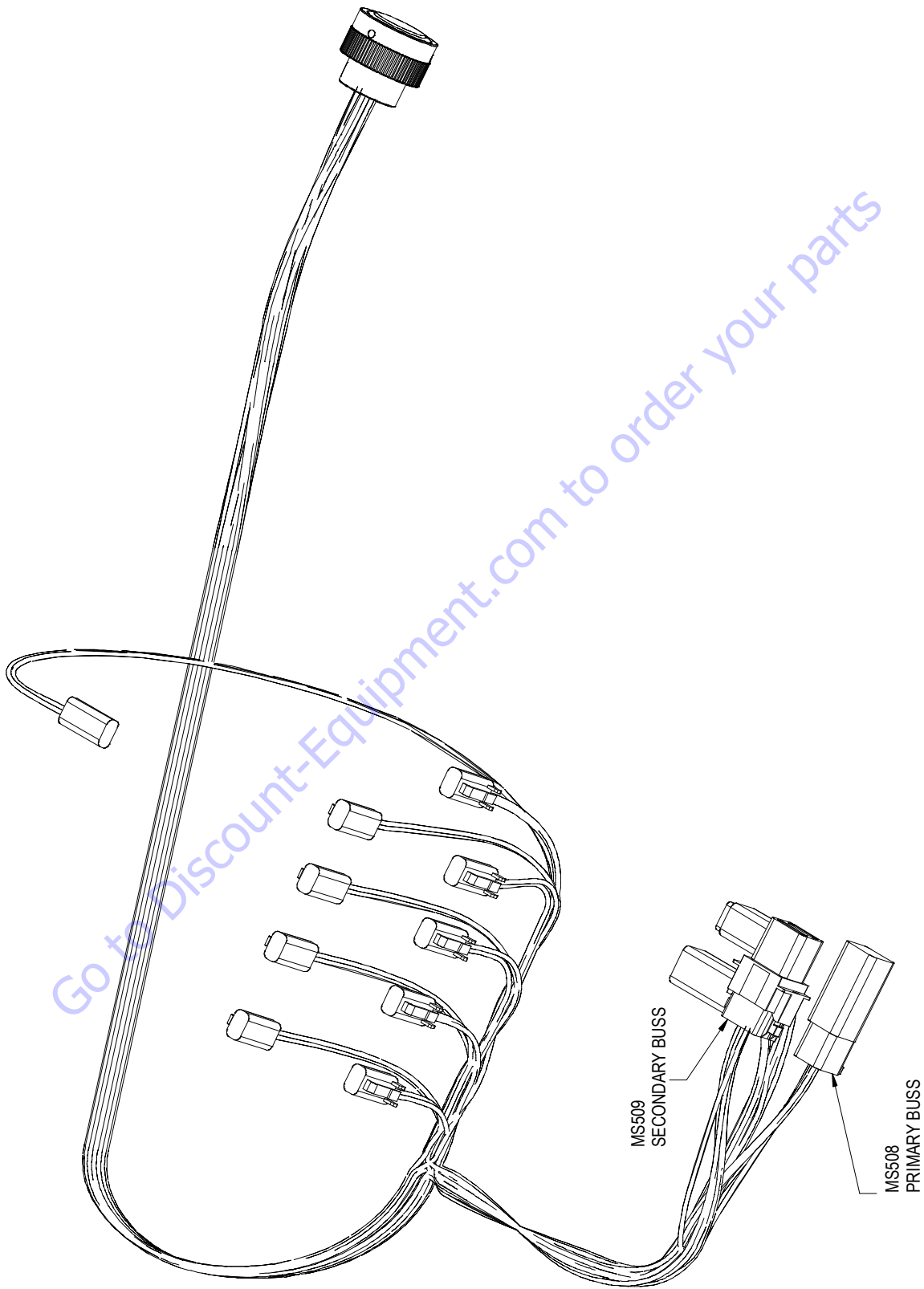
HV142 (PLTFM LVL UP)					
CONN POS	WIRE COLOR	WIRE LABEL	GAUGE	JACKET	TO
1	WHT	25-3-2 LVL UP	18 AWG	GXL	X32B (7)
2	BLK	0-4-11	18 AWG	GXL	MS508 (3)

HV145 (ROT LFT)					
CONN POS	WIRE COLOR	WIRE LABEL	GAUGE	JACKET	TO
1	WHT	23-3 ROT LFT	18 AWG	GXL	X32B (8)
2	BLK	0-4-6	18 AWG	GXL	MS509 (6)

SN566-1 (DUMP VLV PRS SW)					
CONN POS	WIRE COLOR	WIRE LABEL	GAUGE	JACKET	TO
1	YEL	2-0-4-5-3	18 AWG	GXL	S532 (2)
2	WHT	50-5 DUMP PRS SW	18 AWG	GXL	X32B 915)

HV177 (JIB DN)					
CONN POS	WIRE COLOR	WIRE LABEL	GAUGE	JACKET	TO
1	WHT	27-5 JIB DN	18 AWG	GXL	X32B (11)
2	BLK	0-4-4	18 AWG	GXL	MS509 (4)

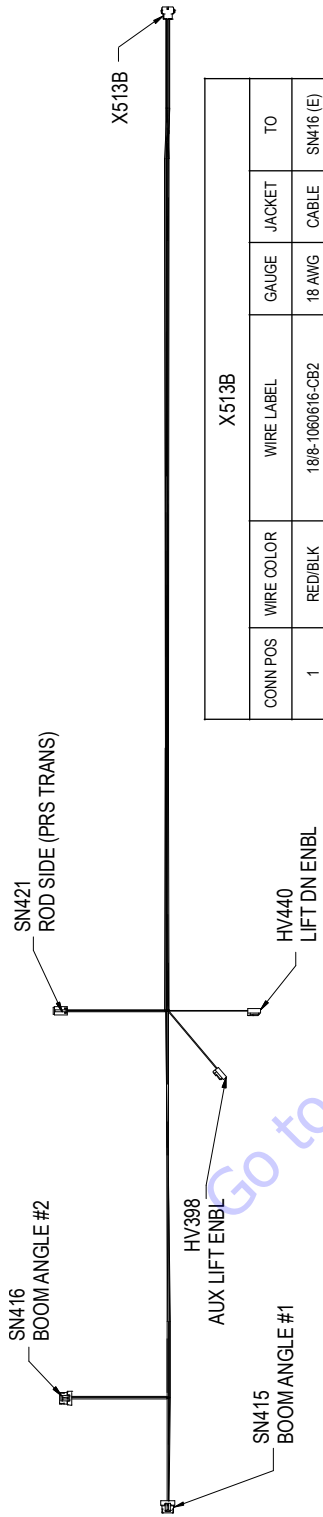
Figure 7-115. Platform Valve Sensor Harness - Sheet 3 of 4



1001196682 D

Figure 7-116. Platform Valve Sensor Harness - Sheet 4 of 4

SECTION 7 - BASIC ELECTRICAL INFORMATION & ELECTRICAL SCHEMATICS



X513B					
CONN POS	WIRE COLOR	WIRE LABEL	GAUGE	JACKET	TO
1	RED/BLK	188-1060616-CB2	18 AWG	CABLE	SN416 (E)
2	BLU/BLK	188-1060616-CB2	18 AWG	CABLE	SN416 (C)
3	ORG	188-1060616-CB2	18 AWG	CABLE	SN416 (F)
4	BLK	188-1060616-CB2	18 AWG	CABLE	SN415 (E)
5	BLU	188-1060616-CB2	18 AWG	CABLE	SN415 (C)
6	YEL	188-1060616-CB2	18 AWG	CABLE	SN415 (F)
7	YEL	188-1060616-CB1	18 AWG	CABLE	SN421 (2)
8	BLK	188-1060616-CB1	18 AWG	CABLE	SN421 (1)
9	ORG	188-1060616-CB1	18 AWG	CABLE	SN421 (4)
10	BLU/BLK	188-1060616-CB1	18 AWG	CABLE	HV398 (2)
11	BLU	188-1060616-CB1	18 AWG	CABLE	HV398 (2)
12	RED/BLK	188-1060616-CB1	18 AWG	CABLE	HV440 (2)
13	RED	188-1060616-CB1	18 AWG	CABLE	HV440 (1)
14	SHLD	188-1060616-CB2	18 AWG	CABLE	SN416 (NC)
15	SHLD	188-1060616-CB1	18 AWG	CABLE	SN421 (NC)

SN421 (ROD SIDE - PRS TRANS)					
CONN POS	WIRE COLOR	WIRE LABEL	GAUGE	JACKET	TO
1	BLK	188-1060616-CB1	18 AWG	CABLE	X513B (8)
2	YEL	188-1060616-CB1	18 AWG	CABLE	X513B (7)
4	ORG	188-1060616-CB1	18 AWG	CABLE	X513B (9)
NC	SHLD	188-1060616-CB1	18 AWG	CABLE	X513B (15)

SN415 (BOOM ANGLE #1)					
CONN POS	WIRE COLOR	WIRE LABEL	GAUGE	JACKET	TO
C	BLU	188-1060616-CB2	18 AWG	CABLE	X513B (5)
E	BLK	188-1060616-CB2	18 AWG	CABLE	X513B (4)
F	YEL	188-1060616-CB2	18 AWG	CABLE	X513B (6)

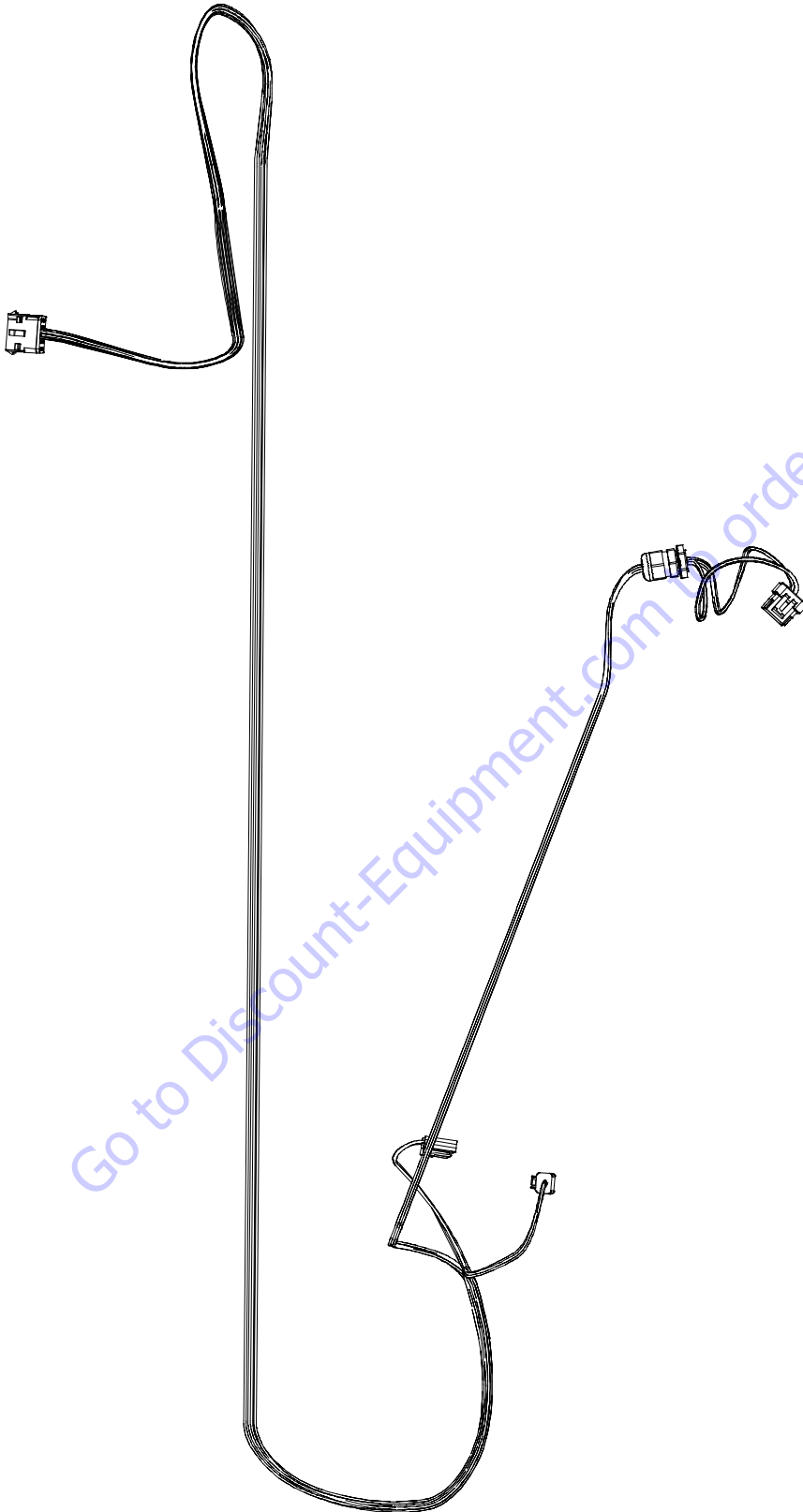
SN416 (BOOM ANGLE #2)					
CONN POS	WIRE COLOR	WIRE LABEL	GAUGE	JACKET	TO
C	BLU/BLK	188-1060616-CB2	18 AWG	CABLE	X513B (2)
E	RED/BLK	188-1060616-CB2	18 AWG	CABLE	X513B (1)
F	ORG	188-1060616-CB2	18 AWG	CABLE	X513B (3)
NC	SHLD	188-1060616-CB2	18 AWG	CABLE	X513B (14)

HV398 (AUX LIFT ENBL)					
CONN POS	WIRE COLOR	WIRE LABEL	GAUGE	JACKET	TO
1	BLU	188-1060616-CB1	18 AWG	CABLE	X513B (11)
2	BLU/BLK	188-1060616-CB1	18 AWG	CABLE	X513B (10)

HV440 (LIFT DN ENBL)					
CONN POS	WIRE COLOR	WIRE LABEL	GAUGE	JACKET	TO
1	RED	188-1060616-CB1	18 AWG	CABLE	X513B (13)
2	RED/BLK	188-1060616-CB1	18 AWG	CABLE	X513B (12)

Figure 7-117. Boom Lift Valve Sensor Harness - Sheet 1 of 2

1001216506 B



1001216806 B

Go to Discount-Equipment.com to order your parts

Figure 7-118. Boom Lift Valve Sensor Harness - Sheet 2 of 2

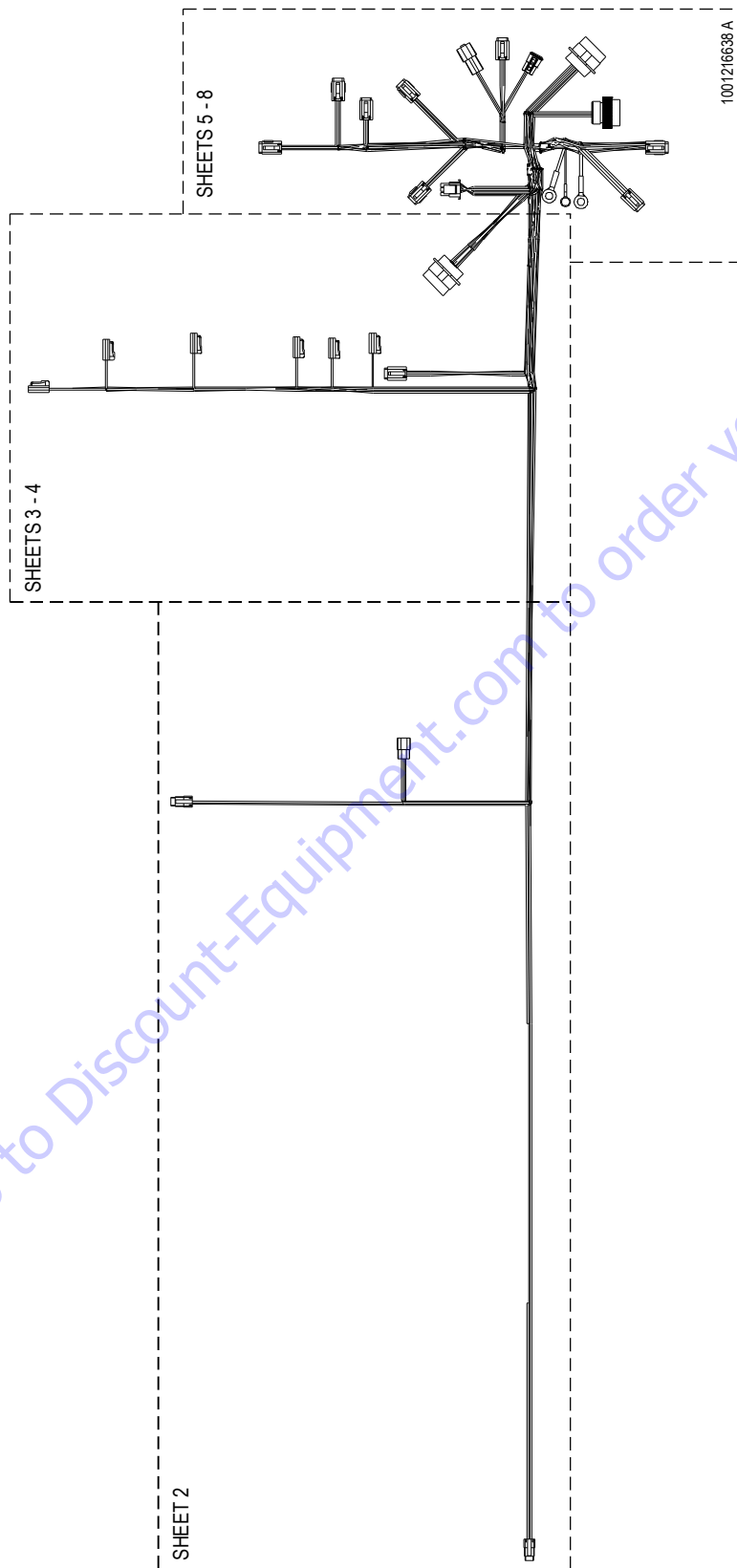
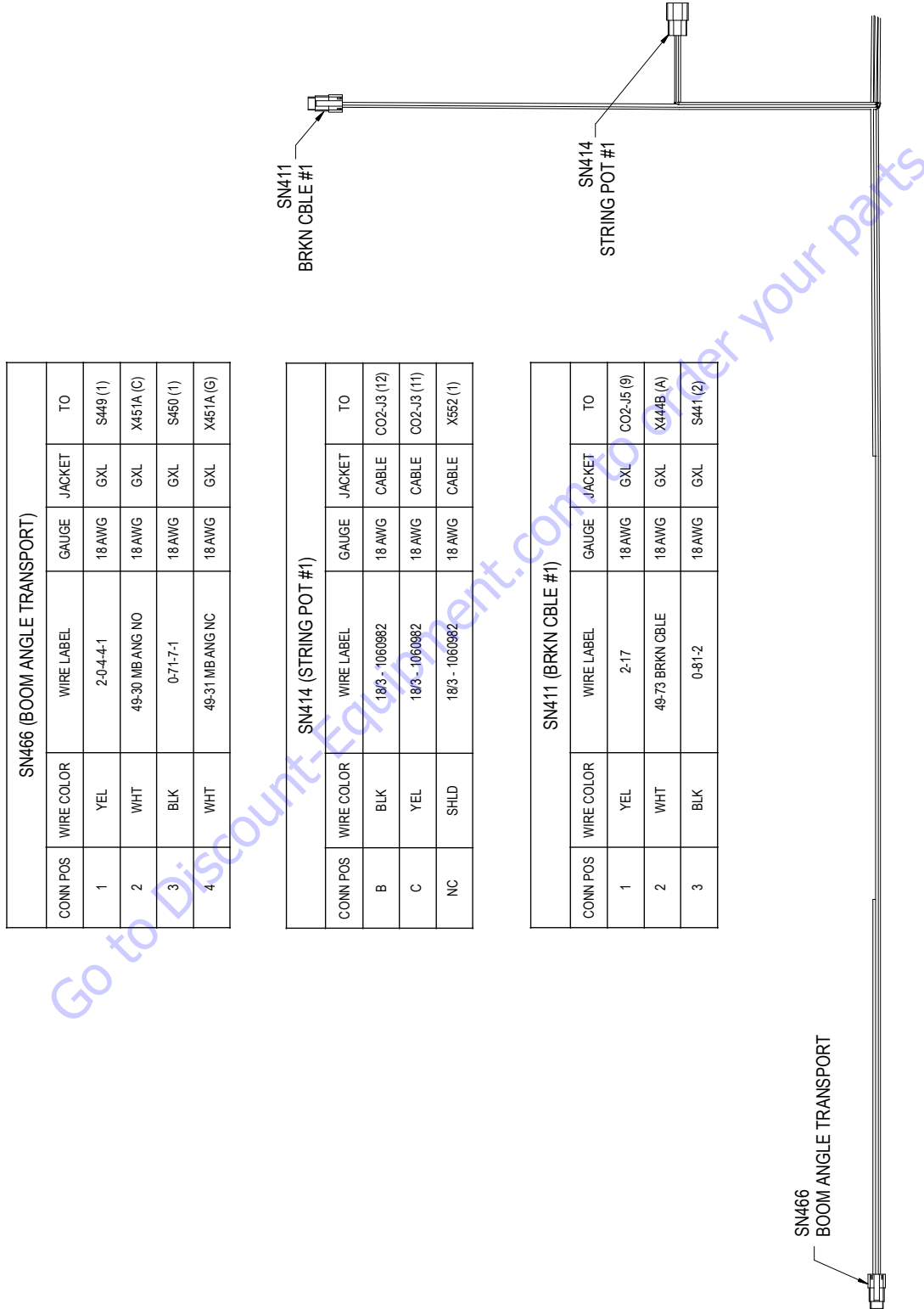


Figure 7-119. Ultra Boom Control Box Harness - Sheet 1 of 9



1001216638 A

Figure 7-120. Ultra Boom Control Box Harness - Sheet 2 of 9

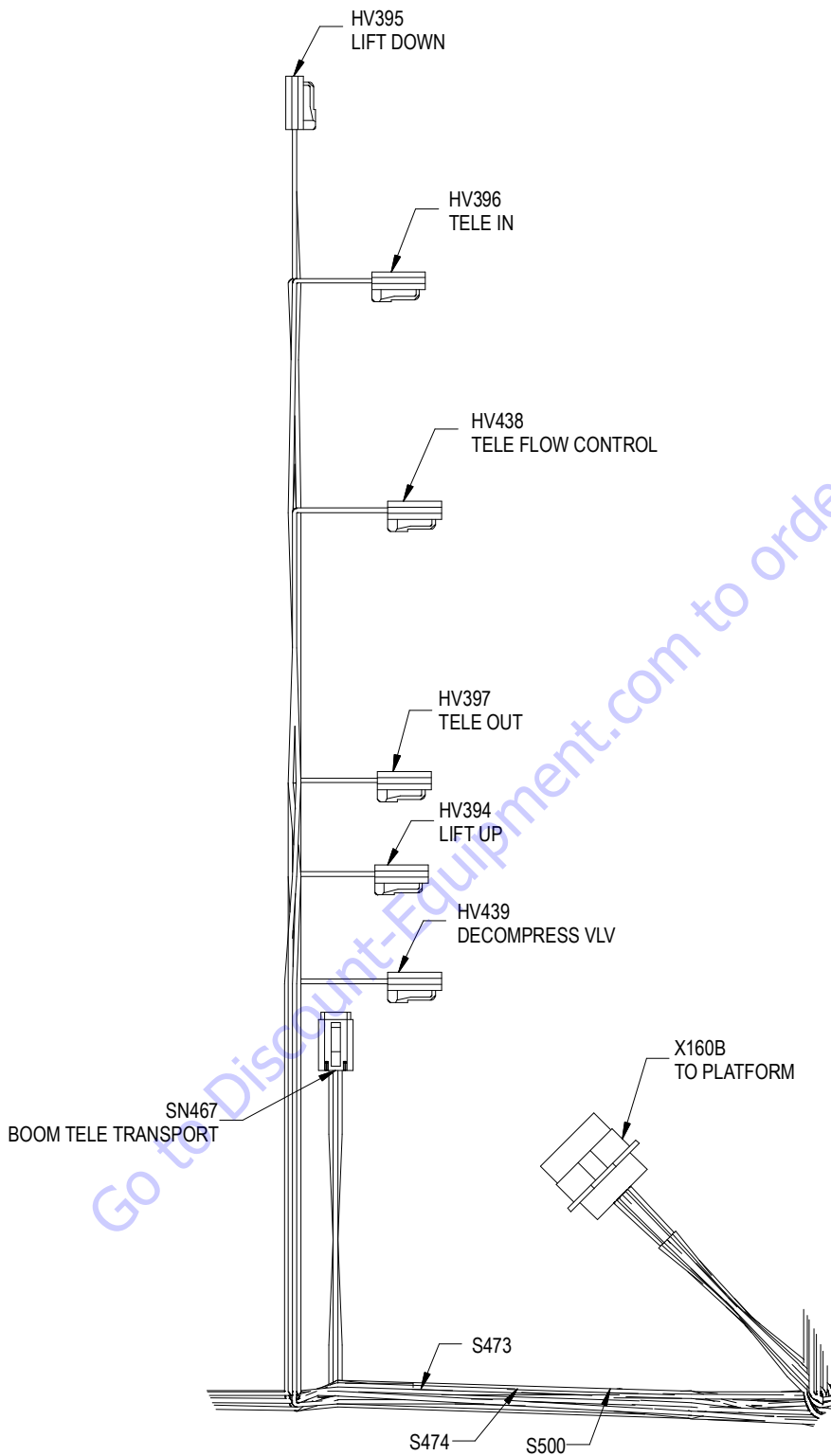


Figure 7-121. Ultra Boom Control Box Harness - Sheet 3 of 9

1001216638 A

SECTION 7 - BASIC ELECTRICAL INFORMATION & ELECTRICAL SCHEMATICS

HV395 (LIFT DOWN)					
CONN POS	WIRE COLOR	WIRE LABEL	GAUGE	JACKET	TO
1	WHT	3-7 LIFT DN	18 AWG	GXL	CO2-J5 (2)
2	BLK	0-71-6	18 AWG	GXL	MS426 (6)

HV396 (TELE IN)					
CONN POS	WIRE COLOR	WIRE LABEL	GAUGE	JACKET	TO
1	WHT	13-4 TELE IN	18 AWG	GXL	S474 (2)
2	BLK	0-71-5	18 AWG	GXL	MS426 (5)

HV438 (TELE FLOW CONTROL)					
CONN POS	WIRE COLOR	WIRE LABEL	GAUGE	JACKET	TO
1	WHT	13-7 TELE FCNTR	18 AWG	GXL	S473 (2)
2	BLK	0-71-3	18 AWG	GXL	MS426 (3)

HV397 (TELE OUT)					
CONN POS	WIRE COLOR	WIRE LABEL	GAUGE	JACKET	TO
1	WHT	13-3 TELE OUT	18 AWG	GXL	CO2-J5 (6)
2	BLK	0-71-4	18 AWG	GXL	MS426 (4)

HV394 (LIFT UP)					
CONN POS	WIRE COLOR	WIRE LABEL	GAUGE	JACKET	TO
1	WHT	3-6 LIFT UP	18 AWG	GXL	S500 (2)
2	BLK	0-31	18 AWG	GXL	CO2-J5 (12)

HV439 (DECOMPRESS VLV)					
CONN POS	WIRE COLOR	WIRE LABEL	GAUGE	JACKET	TO
1	WHT	6-1 DECOMP VLV	18 AWG	GXL	CO2-J5 (4)
2	BLK	0-71-2	18 AWG	GXL	MS426 (2)

SN467 (BOOM TELE TRANSPORT)					
CONN POS	WIRE COLOR	WIRE LABEL	GAUGE	JACKET	TO
1	RED	16/4 - 1060079	16 AWG	CABLE	S449 (1)
2	ORG	16/4 - 1060079	16 AWG	CABLE	X451A (D)
3	BLK	16/4 - 1060079	16 AWG	CABLE	S450 (1)
4	BLU	16/4 - 1060079	16 AWG	CABLE	X451A (H)

X160B (TO PLATFORM)					
CONN POS	WIRE COLOR	WIRE LABEL	GAUGE	JACKET	TO
2	GRN	CN L CH I	18 AWG	GXL	CO2-J4 (4)
3	YEL	CN H CH I	18 AWG	GXL	CO2-J4 (3)
4	YEL	2-4	18 AWG	GXL	X159A (4)
5	RED	1-4	18 AWG	GXL	X159A (5)
6	WHT	34-1 FT SW TO UGM	18 AWG	GXL	X159A (6)
7	WHT	25-4-2 LVL DN O/R	18 AWG	GXL	X159A (7)
9	WHT	25-3-2 LVL UP O/R	18 AWG	GXL	X159A (9)
10	YEL	2-0-4-2	12 AWG	GXL	MS504 (3)
11	YEL	2-5	18 AWG	GXL	X159A (11)
12	YEL	2-0-4-1	12 AWG	GXL	MS504 (2)
13	WHT	50-2-1 PLTFM DUMP	16 AWG	GXL	X159A (13)
15	WHT	50-2-2 PLTFM DUMP	16 AWG	GXL	X159A (15)
16	BLK	0-72	12 AWG	GXL	MS426 (9)
18	BLK	0-71	12 AWG	GXL	MS426 (8)

S500					
CONN POS	WIRE COLOR	WIRE LABEL	GAUGE	JACKET	TO
1	WHT	3-6 LIFT UP	18 AWG	GXL	CO2-J5 (1)
1	WHT	3-7-1 LIFT UP O/R	18 AWG	GXL	X451A (E)
2	WHT	3-6 LIFT UP	18 AWG	GXL	HV394 (1)

S474					
CONN POS	WIRE COLOR	WIRE LABEL	GAUGE	JACKET	TO
1	WHT	13-4 TELE IN	18 AWG	GXL	CO2-J5 (5)
1	WHT	13-4-1 TELE IN O/R	18 AWG	GXL	X451A (F)
2	WHT	13-4 TELE IN	18 AWG	GXL	HV396 (1)

S473					
CONN POS	WIRE COLOR	WIRE LABEL	GAUGE	JACKET	TO
1	WHT	13-7 TELE FCNTR	18 AWG	GXL	CO2-J5 (3)
1	WHT	13-7-1 FCNTR O/R	18 AWG	GXL	X451A (B)
2	WHT	13-7 TELE FCNTR	18 AWG	GXL	HV438 (1)

Figure 7-122. Ultra Boom Control Box Harness - Sheet 4 of 9

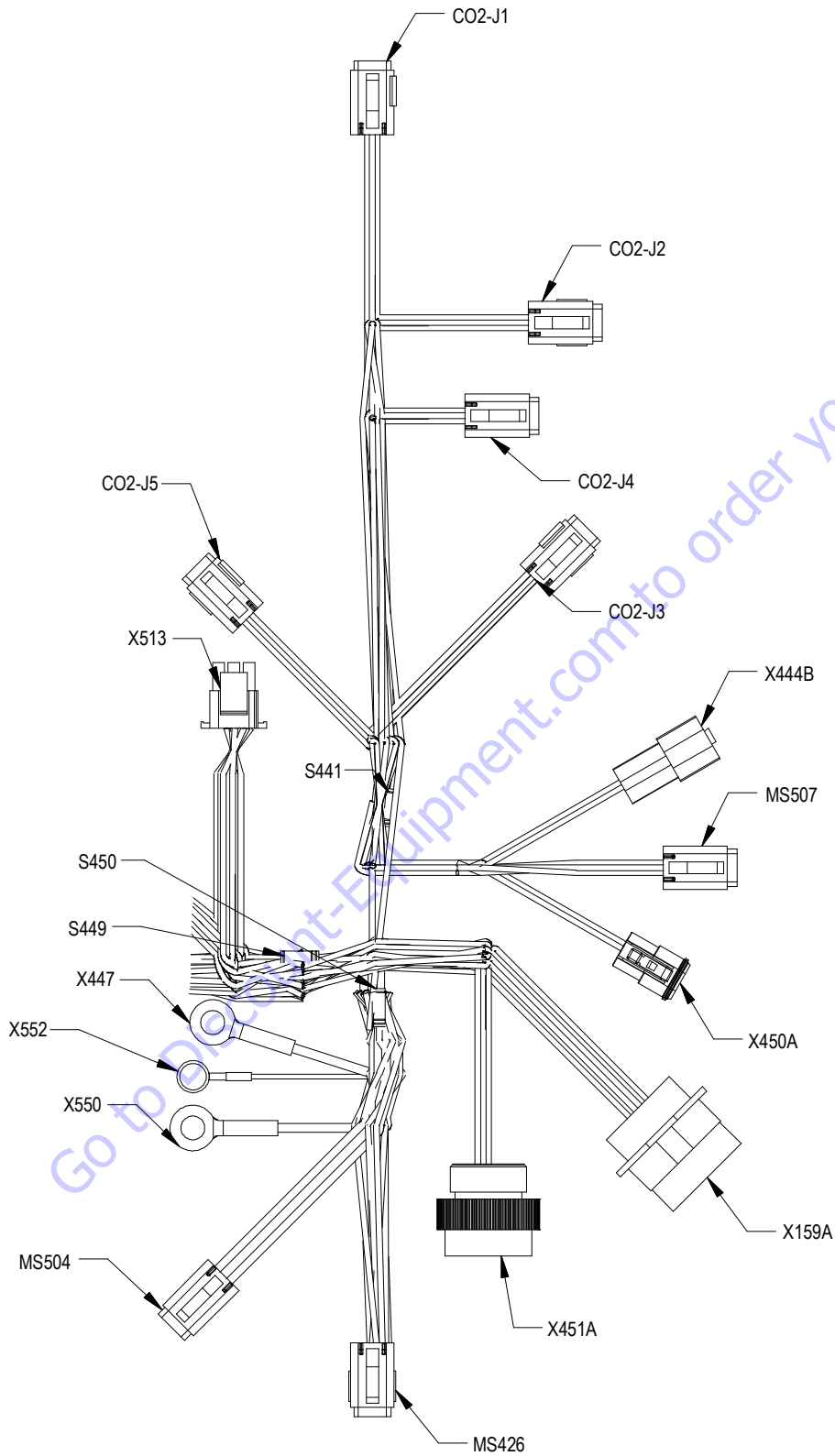


Figure 7-123. Ultra Boom Control Box Harness - Sheet 5 of 9

1001216638 A

SECTION 7 - BASIC ELECTRICAL INFORMATION & ELECTRICAL SCHEMATICS

CO2-J1					
CONN POS	WIRE COLOR	WIRE LABEL	GAUGE	JACKET	TO
4	BLK	0-71-12	18 AWG	GXL	MS426 (12)
5	YEL	2-0-4-8	18 AWG	GXL	MS504 (6)
6	YEL	CN H CH I	18 AWG	GXL	X159A (3)
7	GRN	CN L CH I	18 AWG	GXL	X159A (2)
12	BLK	0-22	18 AWG	GXL	X513 (4)

CO2-J2					
CONN POS	WIRE COLOR	WIRE LABEL	GAUGE	JACKET	TO
3	BLK	0-27	18 AWG	GXL	X513 (10)
7	WHT	49-73-1 BRKN CBLE	18 AWG	GXL	X444B (C)
8	WHT	49-74 ANG #1	18 AWG	GXL	X513 (5)
9	WHT	49-75 ANG #2	18 AWG	GXL	X513 (2)
12	WHT	3-8 AUX ENBL	18 AWG	GXL	X513 (11)

CO2-J4					
CONN POS	WIRE COLOR	WIRE LABEL	GAUGE	JACKET	TO
2	BLK	0-81	18 AWG	GXL	S441 (1)
3	YEL	CN H CH I	18 AWG	GXL	X160B (3)
4	GRN	CN L CH I	18 AWG	GXL	X160B (2)
8	BLK	0-23	18 AWG	GXL	X513 (1)

CO2-J3					
CONN POS	WIRE COLOR	WIRE LABEL	GAUGE	JACKET	TO
1	WHT	5V REF	18 AWG	GXL	CO2-J3 (2)
2	WHT	5V REF	18 AWG	GXL	CO2-J3 (1)
4	WHT	49-79 5V REF	18 AWG	GXL	X450A (A)
5	WHT	49-81 LNTH OUT	18 AWG	GXL	X450A (C)
6	WHT	0-24	18 AWG	GXL	X450A (B)
7	WHT	49-87 5V REF	18 AWG	GXL	MS507 (2)
8	WHT	49-88 ROD PRS	18 AWG	GXL	X513 (9)
9	BLK	0-28	18 AWG	GXL	X513 (8)
10	ORG	18/3 - 1060982	18 AWG	CABLE	SN414 (A)
11	YEL	18/3 - 1060982	18 AWG	CABLE	SN414 (C)
12	BLK	18/3 - 1060982	18 AWG	CABLE	SN414 (B)

X444B					
CONN POS	WIRE COLOR	WIRE LABEL	GAUGE	JACKET	TO
A	WHT	49-73 BRKN CBLE	18 AWG	GXL	SN411 (2)
B	BLK	0-81-1	18 AWG	GXL	S441 (2)
C	WHT	49-73-1 BRKN CBLE	18 AWG	GXL	CO2-J2 (7)

MS507 (5V REF)					
CONN POS	WIRE COLOR	WIRE LABEL	GAUGE	JACKET	TO
1	WHT	49-87-1 5V REF	18 AWG	GXL	X513 (7)
2	WHT	49-87 5V REF	18 AWG	GXL	CO2-J3 (7)
3	WHT	49-87-2 5V REF	18 AWG	GXL	X513 (3)
4	WHT	49-87-3 5V REF	18 AWG	GXL	X513 (6)

X450A					
CONN POS	WIRE COLOR	WIRE LABEL	GAUGE	JACKET	TO
A	WHT	49-79 5V REF	18 AWG	GXL	CO2-J3 (4)
B	WHT	0-24	18 AWG	GXL	CO2-J3 (6)
C	WHT	49-81 LNTH OUT	18 AWG	GXL	CO2-J3 (5)

X159A (TO TURNTABLE)					
CONN POS	WIRE COLOR	WIRE LABEL	GAUGE	JACKET	TO
2	GRN	CN L CH I	18 AWG	GXL	CO2-J1 (7)
3	YEL	CN H CH I	18 AWG	GXL	CO2-J1 (6)
4	YEL	2-4	18 AWG	GXL	X160B (4)
5	RED	1-4	18 AWG	GXL	X160B (5)
6	WHT	34-1 FT SW TO UGM	18 AWG	GXL	X160B (6)
7	WHT	25-4-2 LVL DN O/R	18 AWG	GXL	X160B (7)
9	WHT	25-3-2 LVL UP O/R	18 AWG	GXL	X160B (9)
10	YEL	2-0-4-2	12 AWG	GXL	MS504 (4)
11	YEL	2-5	18 AWG	GXL	X160B (11)
12	YEL	2-0-4-1	12 AWG	GXL	MS504 (5)
13	WHT	50-2-1 PLTFM DUMP	16 AWG	GXL	X160B (13)
15	WHT	50-2-2 PLTFM DUMP	16 AWG	GXL	X160B (15)
16	BLK	0-72	12 AWG	GXL	MS426 (10)
18	BLK	0-71	12 AWG	GXL	MS426 (11)

Figure 7-124. Ultra Boom Control Box Harness - Sheet 6 of 9

SECTION 7 - BASIC ELECTRICAL INFORMATION & ELECTRICAL SCHEMATICS

X451A					
CONN POS	WIRE COLOR	WIRE LABEL	GAUGE	JACKET	TO
A	WHT	3-1 DN EBLR	18 AWG	GXL	X513 (13)
B	WHT	13-7-1 FCNTROL O/R	18 AWG	GXL	SN466 (2)
C	WHT	49-30 MB ANG NO	18 AWG	GXL	SN467 (2)
D	ORG	16/4 - 1060079	16 AWG	CABLE	SN467 (2)
E	WHT	3-7-1 LIFT UP O/R	18 AWG	GXL	S500 (1)
F	WHT	13-4-1 TELE IN O/R	18 AWG	GXL	S474 (1)
G	WHT	49-31 MB ANG NC	18 AWG	GXL	SN466 (4)
H	BLU	16/4 - 1060079	16 AWG	CABLE	SN467 (4)
L	WHT	60-8 DN ENBL RTN	18 AWG	GXL	X513 (12)

MS426 (GROUND BUSS)					
CONN POS	WIRE COLOR	WIRE LABEL	GAUGE	JACKET	TO
2	BLK	0-71-2	18 AWG	GXL	HV439 (2)
3	BLK	0-71-3	18 AWG	GXL	HV438 (2)
4	BLK	0-71-4	18 AWG	GXL	HV397 (2)
5	BLK	0-71-5	18 AWG	GXL	HV396 (2)
6	BLK	0-71-6	18 AWG	GXL	HV395 (2)
7	BLK	0-71-7	18 AWG	GXL	S450 (2)
8	BLK	0-71	12 AWG	GXL	X460B (18)
9	BLK	0-72	12 AWG	GXL	X160B (16)
10	BLK	0-72	12 AWG	GXL	X159A (16)
11	BLK	0-71	12 AWG	GXL	X159A (18)
12	BLK	0-71-12	18 AWG	GXL	CO2-J1 (4)

MS504 (IGNITION BUSS)					
CONN POS	WIRE COLOR	WIRE LABEL	GAUGE	JACKET	TO
1	YEL	2-0-4-4	18 AWG	GXL	S449 (2)
2	YEL	2-0-4-1	12 AWG	GXL	X160B (12)
3	YEL	2-0-4-2	12 AWG	GXL	X160B (10)
4	YEL	2-0-4-2	12 AWG	GXL	X159A (10)
5	YEL	2-0-4-1	12 AWG	GXL	X159A (12)
6	YEL	2-0-4-8	18 AWG	GXL	CO2-J1 (5)

X550					
CONN POS	WIRE COLOR	WIRE LABEL	GAUGE	JACKET	TO
1	N/A	SNSR SHLD	12 AWG	BRAID	X513 (14)

X552					
CONN POS	WIRE COLOR	WIRE LABEL	GAUGE	JACKET	TO
1	SHLD	18/3 - 1060982	18 AWG	CABLE	SN414 (NC)

X447					
CONN POS	WIRE COLOR	WIRE LABEL	GAUGE	JACKET	TO
1	N/A	SNSR SHLD	12 AWG	BRAID	X513 (15)

S449					
CONN POS	WIRE COLOR	WIRE LABEL	GAUGE	JACKET	TO
1	RED	16/4 - 1060079	16 AWG	CABLE	SN467 (1)
1	YEL	2-0-4-4-1	18 AWG	GXL	SN466 (1)
2	YEL	2-0-4-4	18 AWG	GXL	MS504 (1)

S450					
CONN POS	WIRE COLOR	WIRE LABEL	GAUGE	JACKET	TO
1	BLK	16/4 - 1060079	16 AWG	CABLE	SN467 (3)
1	BLK	0-71-7-1	18 AWG	GXL	SN466 (3)
2	BLK	0-71-7	18 AWG	GXL	MS426 (7)

S441					
CONN POS	WIRE COLOR	WIRE LABEL	GAUGE	JACKET	TO
1	BLK	0-81	18 AWG	GXL	CO2-J4 (2)
2	BLK	0-81-1	18 AWG	GXL	X444B (B)
2	BLK	0-81-2	18 AWG	GX	SN411 (3)

Figure 7-125. Ultra Boom Control Box Harness - Sheet 7 of 9

SECTION 7 - BASIC ELECTRICAL INFORMATION & ELECTRICAL SCHEMATICS

X513 (LIFT CYL SNSR)					
CONN POS	WIRE COLOR	WIRE LABEL	GAUGE	JACKET	TO
1	BLK	0-23	18 AWG	GXL	CO2-J4 (8)
2	WHT	49-75 ANG #2	18 AWG	GXL	CO2-J2 (9)
3	WHT	49-87-2 5V REF	18 AWG	GXL	MS507 (3)
4	BLK	0-22	18 AWG	GXL	CO2-J1 (12)
5	WHT	49-74 ANG #1	18 AWG	GXL	CO2-J2 (8)
6	WHT	49-87-3 5V REF	18 AWG	GXL	MS507 (4)
7	WHT	49-87-1 5V REF	18 AWG	GXL	MS507 (1)
8	BLK	0-28	18 AWG	GXL	CO2-J3 (9)
9	WHT	49-88 ROD PRS	18 AWG	GXL	CO2-J3 (8)
10	BLK	0-27	18 AWG	GXL	CO2-J2 (3)
11	WHT	3-8 AUX ENBL	18 AWG	GXL	CO2-J2 (12)
12	WHT	60-8 DN ENBL RTN	18 AWG	GXL	X451A (L)
13	WHT	3-1 DN ENBL	18 AWG	GXL	X451A (A)
14	N/A	SNSR SHLD	12 AWG	BRAID	X550 (1)
15	N/A	SNSR SHLD	12 AWG	BRAID	X447 (1)

CO2-J5					
CONN POS	WIRE COLOR	WIRE LABEL	GAUGE	JACKET	TO
1	WHT	3-6 LIFT UP	18 AWG	GXL	S500 (1)
2	WHT	3-7 LIFT DN	18 AWG	GXL	HV395 (1)
3	WHT	13-7 TELE FCNTROL	18 AWG	GXL	S473 (1)
4	WHT	6-1 DECOMP VLV	18 AWG	GXL	HV439 (1)
5	WHT	13-4 TELE IN	18 AWG	GXL	S474 (1)
6	WHT	13-3 TELE OUT	18 AWG	GXL	HV397 (1)
9	YEL	2-17	18 AWG	GXL	SN411 (1)
12	BLK	0-31	18 AWG	GXL	HV394 (2)

Figure 7-126. Ultra Boom Control Box Harness - Sheet 8 of 9

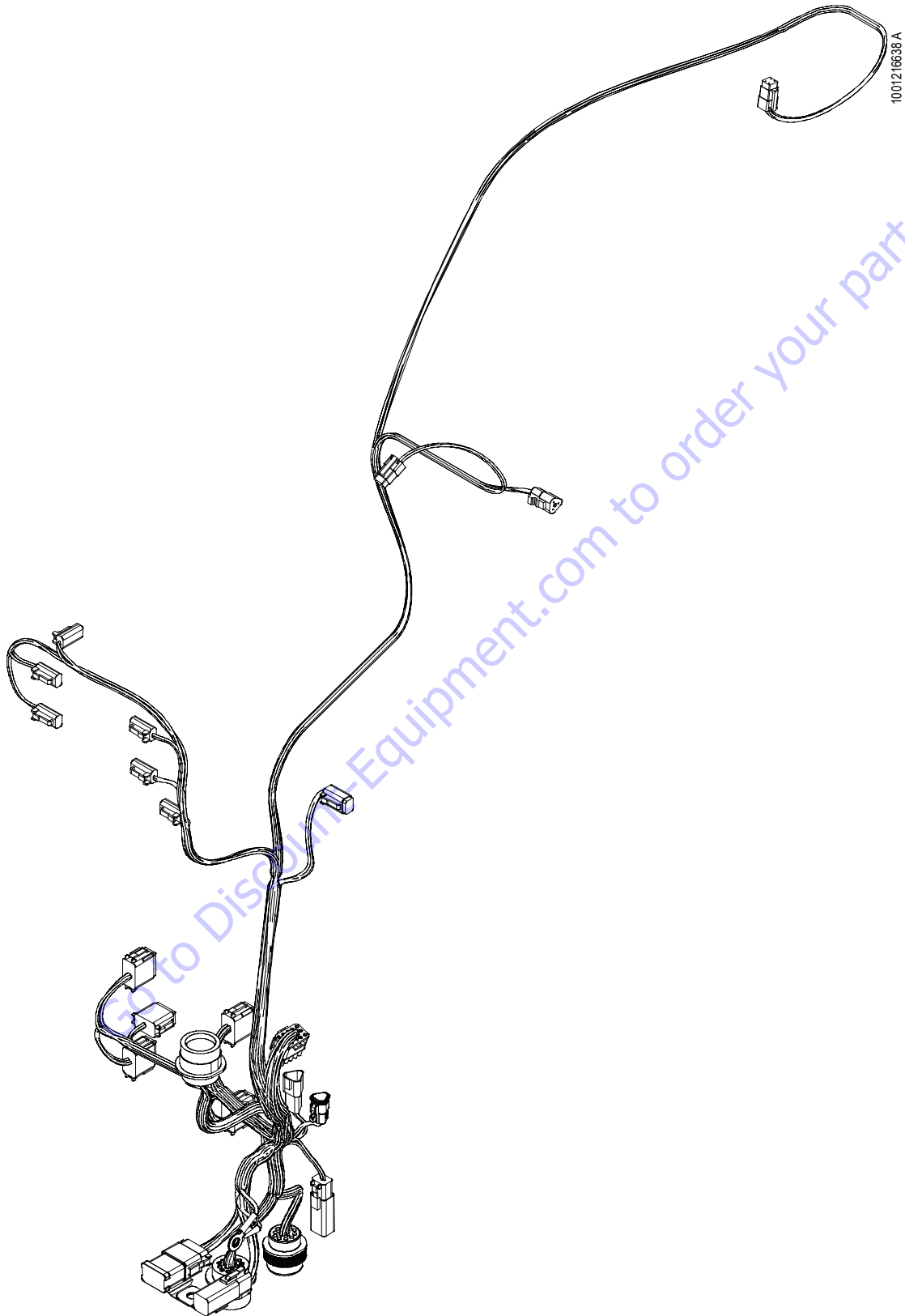


Figure 7-127. Ultra Boom Control Box Harness - Sheet 9 of 9

SN413 (STRING POT #2)					
CONN POS	WIRE COLOR	WIRE LABEL	GAUGE	JACKET	TO
A	RED	183 1060981	18 AWG	CABLE	X450B (A)
B	BLK	183 1060981	18 AWG	CABLE	X450B (B)
C	BLU	183 1060981	18 AWG	CABLE	X450B (C)
NC	SHLD	183 1060981	18 AWG	CABLE	X551 (1)

SN410 (BRKN CBLE #2)					
CONN POS	WIRE COLOR	WIRE LABEL	GAUGE	JACKET	TO
1	YEL	183 1060982	18 AWG	CABLE	X444A (A)
2	ORG	183 1060982	18 AWG	CABLE	X444A (C)
3	BLK	183 1060982	18 AWG	CABLE	X444A (B)

X450B					
CONN POS	WIRE COLOR	WIRE LABEL	GAUGE	JACKET	TO
A	RED	183 1060981	18 AWG	CABLE	SN413 (A)
B	BLK	183 1060981	18 AWG	CABLE	SN413 (B)
C	BLU	183 1060981	18 AWG	CABLE	SN413 (C)

X444A					
CONN POS	WIRE COLOR	WIRE LABEL	GAUGE	JACKET	TO
A	YEL	183 1060982	18 AWG	CABLE	SN410 (1)
B	BLK	183 1060982	18 AWG	CABLE	SN410 (3)
C	ORG	183 1060982	18 AWG	CABLE	SN410 (2)

X551					
CONN POS	WIRE COLOR	WIRE LABEL	GAUGE	JACKET	TO
1	shld	183 1060981	18 AWG	CABLE	SN413 (NC)

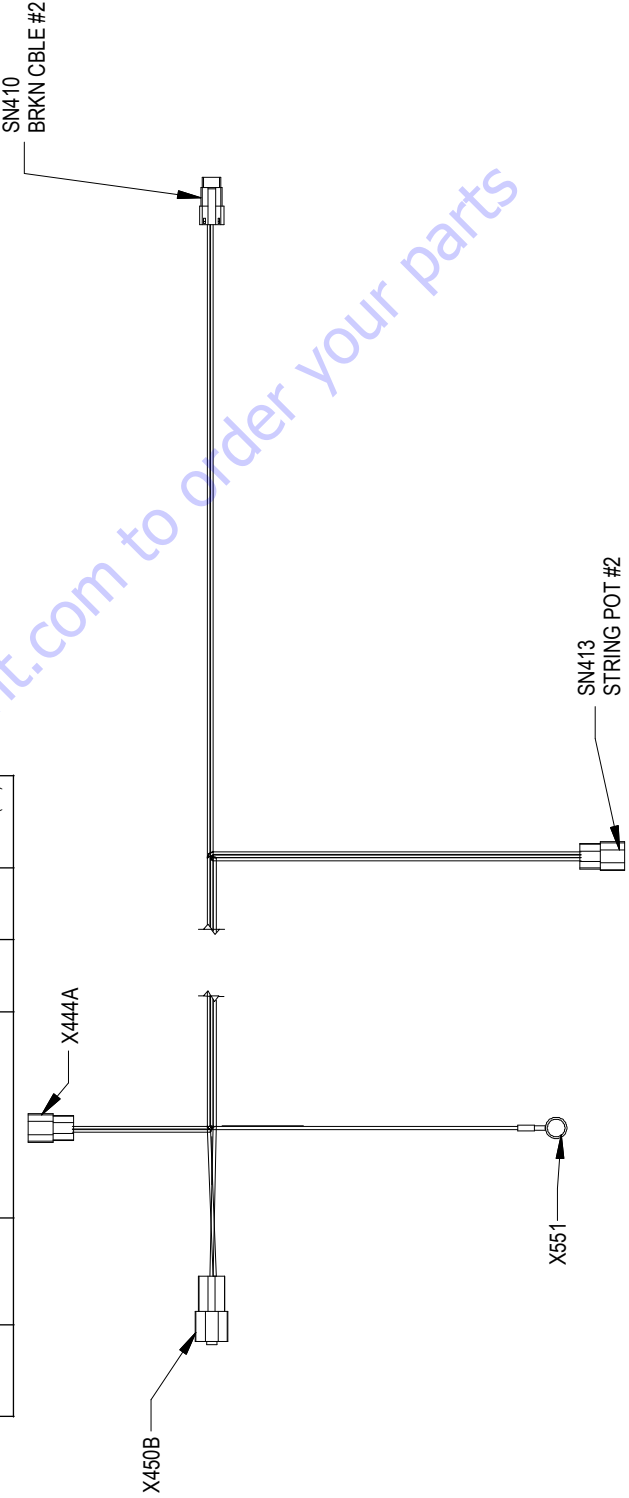


Figure 7-128. Main Boom Sensor Cable

SECTION 7 - BASIC ELECTRICAL INFORMATION & ELECTRICAL SCHEMATICS

X452A					
CONN POS	WIRE COLOR	WIRE LABEL	GAUGE	JACKET	TO
1	YEL	188 - 1060616	18 AWG	CABLE	X451B (A)
2	BRN	188 - 1060616	18 AWG	CABLE	X451B (B)
3	ORG	188 - 1060616	18 AWG	CABLE	X451B (C)
4	BLU	188 - 1060616	18 AWG	CABLE	X451B (D)
5	RED	188 - 1060616	18 AWG	CABLE	X451B (E)
6	BLK	188 - 1060616	18 AWG	CABLE	X451B (F)
7	RED/BLK	188 - 1060616	18 AWG	CABLE	X451B (G)
8	BLU/BLK	188 - 1060616	18 AWG	CABLE	X451B (H)

X373B					
CONN POS	WIRE COLOR	WIRE LABEL	GAUGE	JACKET	TO
1	RED	12/4 - 1060515	12 AWG	CABLE	X451B (P)
2	ORG	12/4 - 1060515	12 AWG	CABLE	X451B (N)
3	BLU	12/4 - 1060515	12 AWG	CABLE	X451B (M)
4	BLK	12/4 - 1060515	12 AWG	CABLE	X451B (L)

X451B					
CONN POS	WIRE COLOR	WIRE LABEL	GAUGE	JACKET	TO
A	YEL	18/8 - 1060616	18 AWG	CABLE	X452 (1)
B	BRN	18/8 - 1060616	20 AWG	CABLE	X452 (2)
C	ORG	18/8 - 1060616	18 AWG	CABLE	X452A (3)
D	BLU	18/8 - 1060616	18 AWG	CABLE	X452A (4)
E	RED	18/8 - 1060616	18 AWG	CABLE	X452A (5)
F	BLK	18/8 - 1060616	18 AWG	CABLE	X452A (6)
G	RED/BLK	18/8 - 1060616	18 AWG	CABLE	X452A (7)
H	BLU/BLK	18/8 - 1060616	18 AWG	CABLE	X452A (8)
L	BLK	12/4 - 1060515	12 AWG	CABLE	X373B (4)
M	BLU	12/4 - 1060515	12 AWG	CABLE	X373B (3)
N	ORG	12/4 - 1060515	12 AWG	CABLE	X373B (2)
P	RED	12/4 - 1060515	12 AWG	CABLE	X373B (1)



1001202785 C

Figure 7-129. Secondary Main Control Cable

X539 (JIB STOW SW)				
CONN POS	WIRE COLOR	WIRE LABEL	GAUGE	TO
1	BLK	CABLE # 4923466	18 AWG	X525B (4)

X540 (JIB ENABLE SW)				
CONN POS	WIRE COLOR	WIRE LABEL	GAUGE	TO
1	BLU	CABLE # 1060981	18 AWG	X525B (3)

X538 (JIB STOW SW)				
CONN POS	WIRE COLOR	WIRE LABEL	GAUGE	TO
1	WHT	CABLE # 4923466	18 AWG	X525B (5)

X541 (JIB ENABLE SW)				
CONN POS	WIRE COLOR	WIRE LABEL	GAUGE	TO
1	BLK	CABLE # 1060981	18 AWG	X525B (2)

X542 (JIB ENABLE SW)				
CONN POS	WIRE COLOR	WIRE LABEL	GAUGE	TO
1	RED	CABLE # 1060981	18 AWG	X525B (1)

X525B				
CONN POS	WIRE COLOR	WIRE LABEL	GAUGE	TO
1	RED	CABLE # 1060981	18 AWG	X542 (1)
2	BLK	CABLE # 1060981	18 AWG	X541 (1)
3	BLU	CABLE # 1060981	18 AWG	X540 (1)
4	BLK	CABLE # 4923466	18 AWG	X539 (1)
5	WHT	CABLE # 4923466	18 AWG	X538 (1)

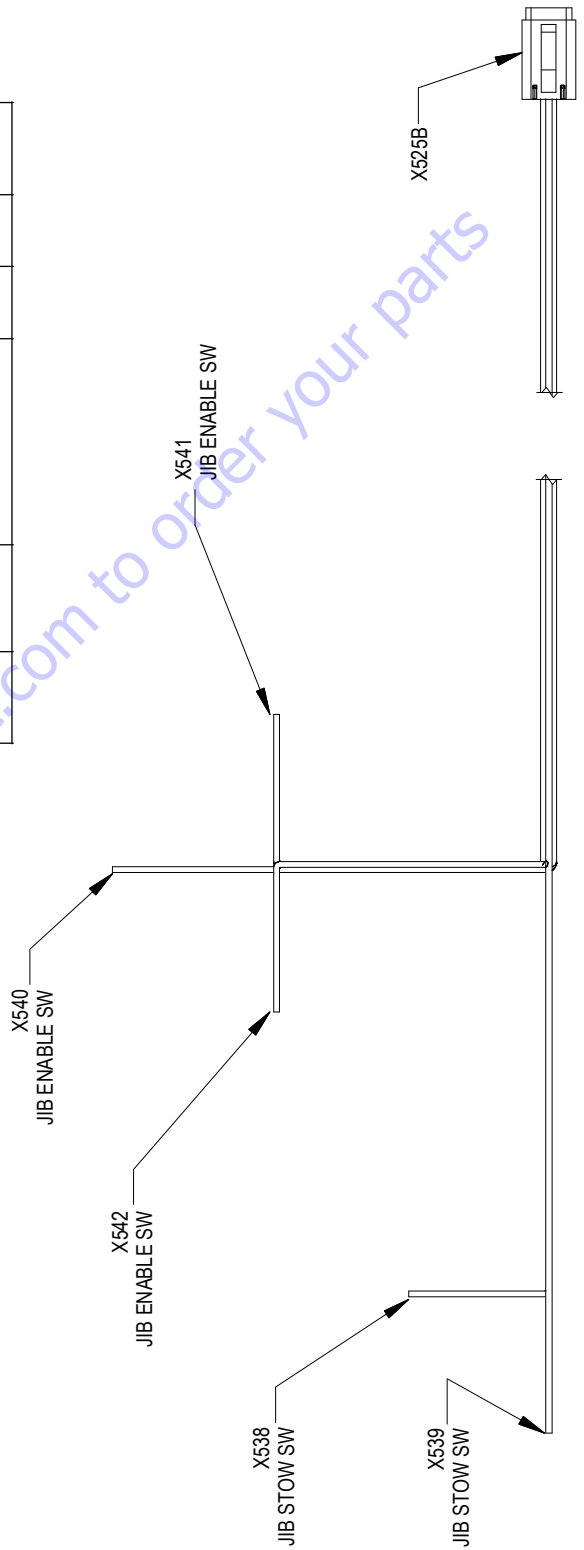
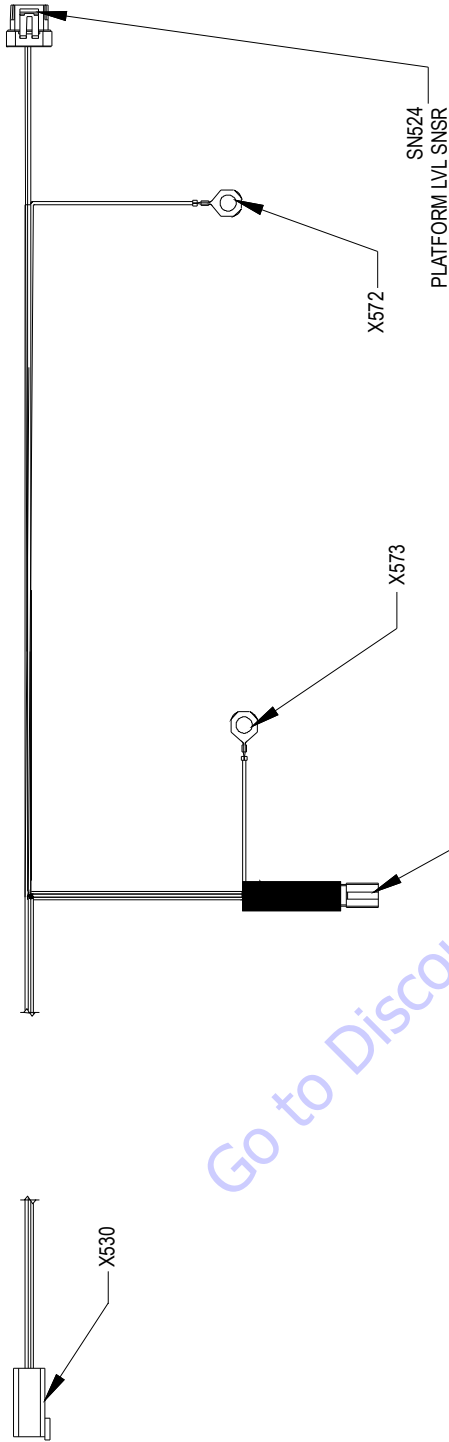


Figure 7-130. Jib Limit Switches Harness



SN148
PLATFORM GRAVITY SENSOR

SN524
PLATFORM LVL SNRS

SN524					
CONN POS	WIRE COLOR	WIRE LABEL	GAUGE	JACKET	TO
C	YEL	CABLE # 1060982	18 AWG	CABLE	X530 (2)
E	BLK	CABLE # 1060982	18 AWG	CABLE	X530 (3)
F	ORG	CABLE # 1060982	18 AWG	CABLE	X530 (1)

SN148					
CONN POS	WIRE COLOR	WIRE LABEL	GAUGE	JACKET	TO
1	RED	CABLE # 1060981	18 AWG	CABLE	X530 (4)
2	BLU	CABLE # 1060981	18 AWG	CABLE	X530 (5)
3	BLK	CABLE # 1060981	18 AWG	CABLE	X530 (6)

X530					
CONN POS	WIRE COLOR	WIRE LABEL	GAUGE	JACKET	TO
1	ORG	CABLE # 1060982	18 AWG	CABLE	SN524 (F)
2	YEL	CABLE # 1060982	18 AWG	CABLE	SN524 (C)
3	BLK	CABLE # 1060982	18 AWG	CABLE	SN524 (E)
4	RED	CABLE # 1060981	18 AWG	CABLE	SN148 (1)
5	BLU	CABLE # 1060981	18 AWG	CABLE	SN148 (2)
6	BLK	CABLE # 1060981	18 AWG	CABLE	SN148 (3)
NC	SHLD	CABLE # 1060981	18 AWG	CABLE	X573 (1)
NCI	SHLD	CABLE # 1060982	18 AWG	CABLE	X572 (1)

X573					
CONN POS	WIRE COLOR	WIRE LABEL	GAUGE	JACKET	TO
1	SHLD	CABLE # 1060981	18 AWG	CABLE	X530 (NC)

X572					
CONN POS	WIRE COLOR	WIRE LABEL	GAUGE	JACKET	TO
1	SHLD	CABLE # 1060982	18 AWG	CABLE	X530 (NC)

1001204028B

Figure 7-131. Platform Level Sensors Harness

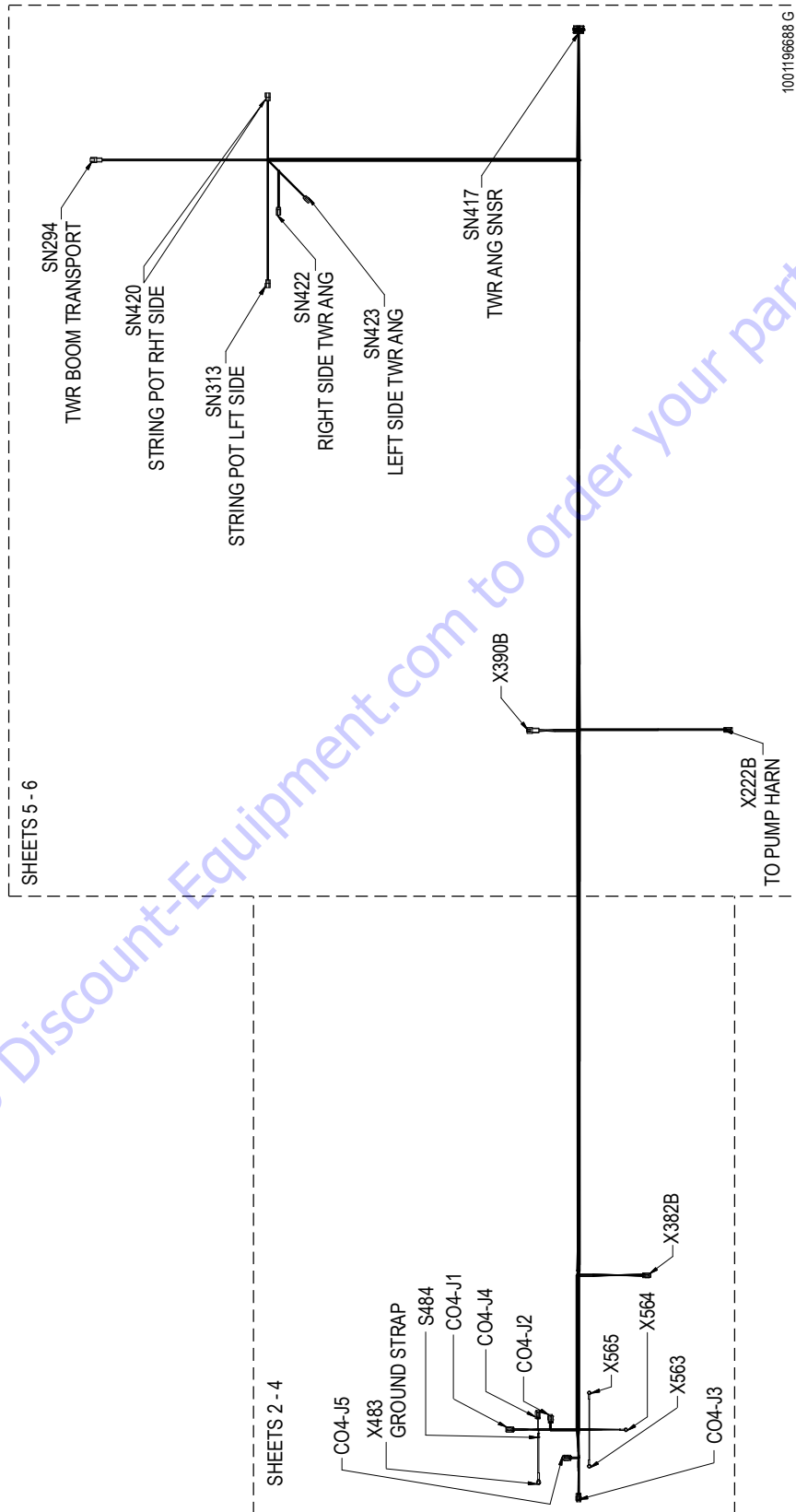
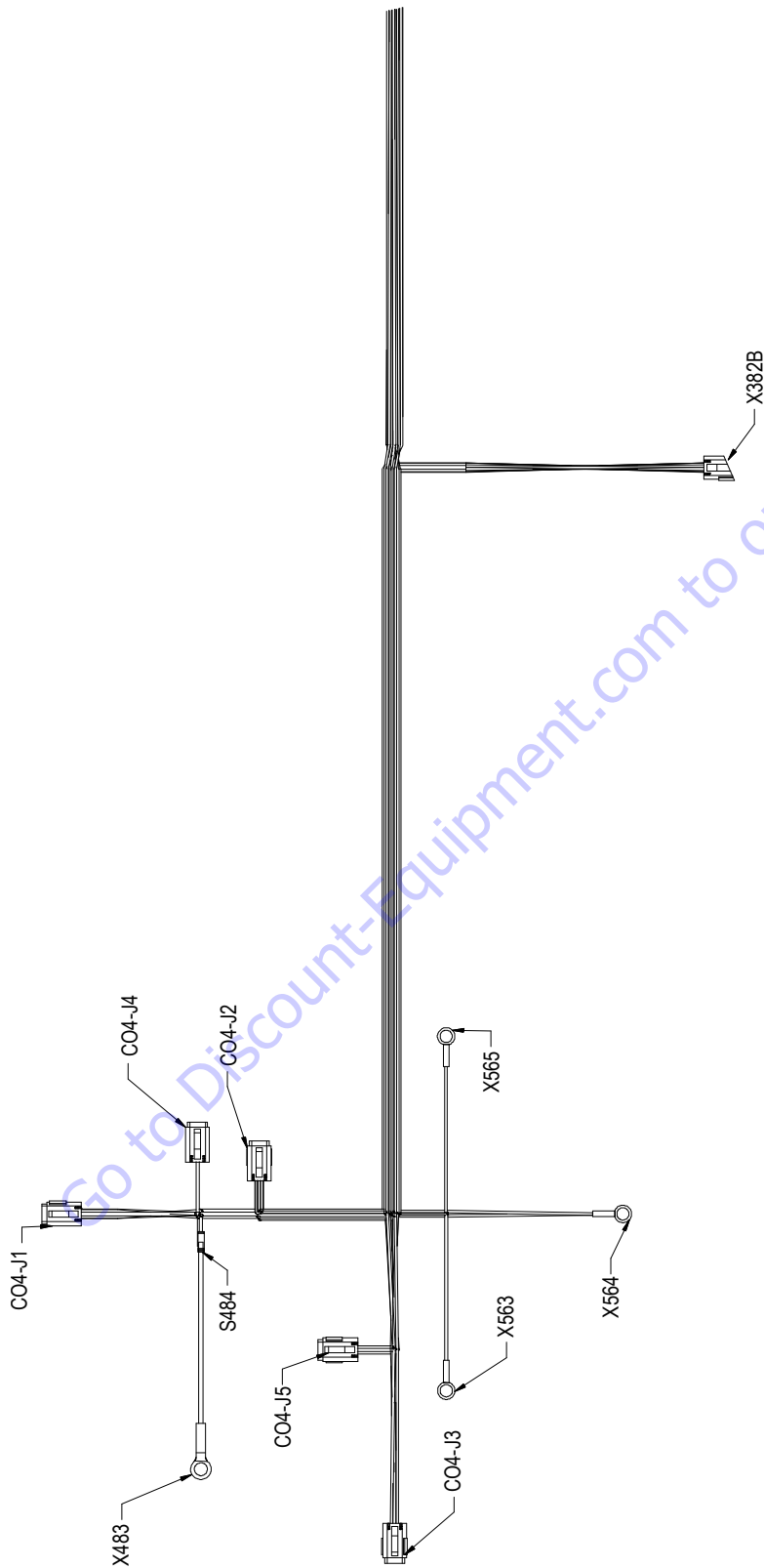


Figure 7-132. BLAM Harness - Sheet 1 of 6



100196688 G

Figure 7-133. BLAM Harness - Sheet 2 of 6

SECTION 7 - BASIC ELECTRICAL INFORMATION & ELECTRICAL SCHEMATICS

CO4-J3					
CONN POS	WIRE COLOR	WIRE LABEL	GAUGE	JACKET	TO
1	WHT	5V REF	18 AWG	GXL	CO4-J3 (2)
2	WHT	5V REF	18 AWG	GXL	CO4-J3 (1)
3	BLK	18/3 - 1060982	18 AWG	CABLE	SN313 (B)
4	YEL	18/3 - 1060982	18 AWG	CABLE	SN313 (A)
7	RED	18/3 - 1060981	18 AWG	CABLE	SN420 (A)
8	BLU	18/3 - 1060981	18 AWG	CABLE	SN420 (C)
9	BLK	18/3 - 1060981	18 AWG	CABLE	SN420 (B)
11	ORG	18/3 - 1060982	18 AWG	CABLE	SN313 (C)

X563					
CONN POS	WIRE COLOR	WIRE LABEL	GAUGE	JACKET	TO
1	SHLD	18/3 - 1060981	18 AWG	CABLE	SN420 (NC)
1	SHLD	18/3 - 1060982	18 AWG	CABLE	SN313 (NC)

X564					
CONN POS	WIRE COLOR	WIRE LABEL	GAUGE	JACKET	TO
1	SHLD	18/3 - 1060981	18 AWG	CABLE	SN422 (NC)
1	SHLD	18/3 - 1060982	18 AWG	CABLE	SN423 (NC)

X565					
CONN POS	WIRE COLOR	WIRE LABEL	GAUGE	JACKET	TO
1	SHLD	18/3 - 1060981	18 AWG	CABLE	SN417 (NC)
1	SHLD	18/3 - 1060982	18 AWG	CABLE	SN417 (NC)

X382B					
CONN POS	WIRE COLOR	WIRE LABEL	GAUGE	JACKET	TO
1	YEL	2-0-3	14 AWG	GXL	CO4-J1 (5)
2	BLK	0-76	14 AWG	GXL	CO4-J1 (4)
3	YEL	CN H CH I	18 AWG	GXL	CO4-J1 (6)
4	GRN	CN L CH I	18 AWG	GXL	CO4-J1 (7)
5	WHT	23-5 PLTFM RHT	18 AWG	GXL	CO4-J2 (5)
6	WHT	23-6 PLTFM LFT	18 AWG	GXL	CO4-J2 (6)
7	BLK	18/3 - 1060982	18 AWG	CABLE	SN417 (4)
8	ORG	18/3 - 1060982	18 AWG	CABLE	SN417 (6)
9	YEL	18/3 - 1060982	18 AWG	CABLE	SN417 (5)
10	RED	18/3 - 1060981	18 AWG	CABLE	SN417 (2)
11	BLU	18/3 - 1060981	18 AWG	CABLE	SN417 (3)
12	BLK	18/3 - 1060981	18 AWG	CABLE	SN417 (1)

Figure 7-134. BLAM Harness - Sheet 3 of 6

SECTION 7 - BASIC ELECTRICAL INFORMATION & ELECTRICAL SCHEMATICS

CO4-J2					
CONN POS	WIRE COLOR	WIRE LABEL	GAUGE	JACKET	TO
1	YEL	18/3 - 1060982	18 AWG	CABLE	SN423 (1)
2	BLK	18/3 - 1060982	18 AWG	CABLE	SN423 (3)
3	BLK	18/3 - 1060981	18 AWG	CABLE	SN422 (3)
5	WHT	23-5 PLTFM RHT	18 AWG	GXL	X382B (5)
6	WHT	23-6 PLTFM LFT	18 AWG	GXL	X382B (6)
8	BLU	18/3 - 1060981	18 AWG	CABLE	SN422 (2)
9	ORG	18/3 - 1060981	18 AWG	CABLE	SN422 (2)
11	WHT	7-4 RHT DRV FWD	18 AWG	GXL	X222B (1)
12	WHT	7-3 RHT DRV REV	18 AWG	GXL	X222B (2)

CO4-J1					
CONN POS	WIRE COLOR	WIRE LABEL	GAUGE	JACKET	TO
1	YEL	IGN JUMP	18 AWG	GXL	CO4-J1 (11)
2	BLK	GND JUMP	18 AWG	GXL	CO4-J1 (12)
4	BLK	0-76	14 AWG	GXL	X382B (2)
5	YEL	2-0-3	14 AWG	GXL	X382B (1)
6	YEL	CN H CH I	18 AWG	GXL	X382B (3)
7	GRN	CN L CH I	18 AWG	GXL	X382B (4)
11	YEL	IGN JUMP	18 AWG	GXL	CO4-J1 (1)
12	BLK	GND JUMP	18 AWG	GXL	CO4-J1 (2)

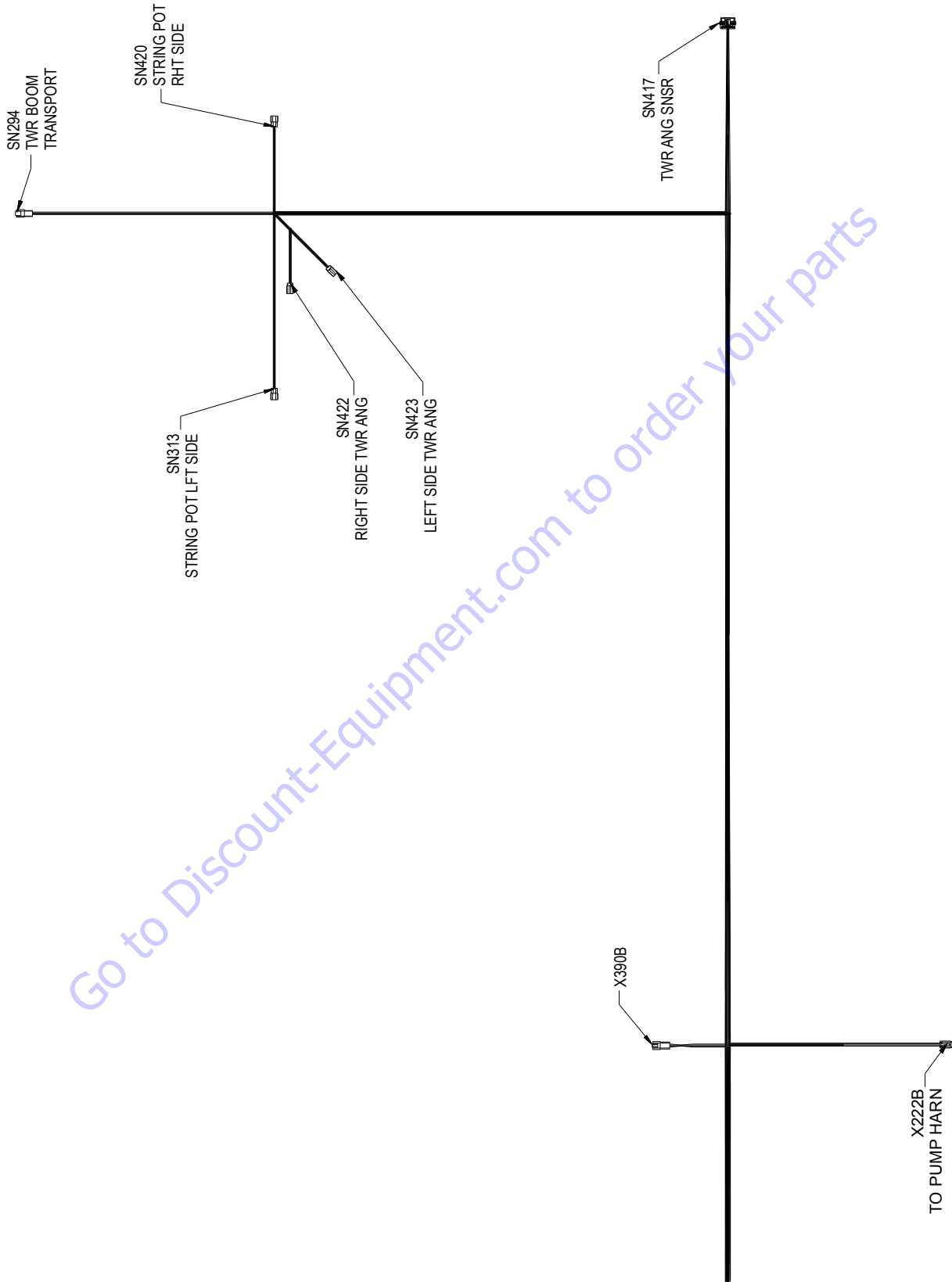
CO4-J4					
CONN POS	WIRE COLOR	WIRE LABEL	GAUGE	JACKET	TO
2	BLK	CHASSIS GND	16 AWG	GXL	S484 (1)
8	BLK	CHASSIS GND	16 AWG	GXL	S484 (1)

S484					
CONN POS	WIRE COLOR	WIRE LABEL	GAUGE	JACKET	TO
1	BLK	CHASSIS GND	16 AWG	GXL	CO4-J4 (2)
1	BLK	CHASSIS GND	16 AWG	GXL	CO4-J4 (8)
2	N/A	CHASSIS GND	12 AWG	BRAID	X483 (1)

X483 (GROUND STRAP)					
CONN POS	WIRE COLOR	WIRE LABEL	GAUGE	JACKET	TO
1	N/A	CHASSIS GND	12 AWG	BRAID	S484 (2)

CO4-J5					
CONN POS	WIRE COLOR	WIRE LABEL	GAUGE	JACKET	TO
1	WHT	7-1 LFT DRV FWD	18 AWG	GXL	X222B (6)
2	WHT	7-2 LFT DRV REV	18 AWG	GXL	X222B (5)
9	RED	18/3 - 1060981	18 AWG	CABLE	SN422 (1)
12	BLK	0-15	18 AWG	GXL	X222B (3)

Figure 7-135. BLAM Harness - Sheet 4 of 6



1001196688 G

Figure 7-136. BLAM Harness - Sheet 5 of 6

SECTION 7 - BASIC ELECTRICAL INFORMATION & ELECTRICAL SCHEMATICS

X222B (TO PUMP HARN)					
CONN POS	WIRE COLOR	WIRE LABEL	GAUGE	JACKET	TO
1	WHT	7-4 RHT DRV FWD	18 AWG	GXL	CO4-J2 (11)
2	WHT	7-3 RHT DRV REV	18 AWG	GXL	CO4-J2 (12)
3	BLK	0-15	18 AWG	GXL	CO4-J5 (12)
5	WHT	7-2 LFT DRV REV	18 AWG	GXL	CO4-J5 (1)
6	WHT	7-1 LFT DRV FWD	18 AWG	GXL	CO4-J5 (1)

SN294 (TWR BOOM TRANSPORT)					
CONN POS	WIRE COLOR	WIRE LABEL	GAUGE	JACKET	TO
1	YEL	2-14	18 AWG	GXL	X390B (1)
2	WHT	49-53 TB T NC	18 AWG	GXL	X390B (3)
3	BLK	0-48	18 AWG	GXL	X390B (2)
4	WHT	49-54 TB T NO	18 AWG	GXL	X390B (4)

X390B					
CONN POS	WIRE COLOR	WIRE LABEL	GAUGE	JACKET	TO
1	YEL	2-14	18 AWG	GXL	SN294 (1)
2	BLK	0-48	18 AWG	GXL	SN294 (3)
3	WHT	49-53 TB T NC	18 AWG	GXL	SN294 (2)
4	WHT	49-54 TB T NO	18 AWG	GXL	SN294 (4)

SN420 (STRING POT RHT SIDE)					
CONN POS	WIRE COLOR	WIRE LABEL	GAUGE	JACKET	TO
A	RED	18/3 - 1060981	18 AWG	CABLE	CO4-J3 (7)
B	BLK	18/3 - 1060981	18 AWG	CABLE	CO4-J3 (9)
C	BLU	18/3 - 1060981	18 AWG	CABLE	CO4-J3 (8)
NC	SHLD	18/3 - 1060981	18 AWG	CABLE	X563 (1)

SN423 (LEFT SIDE TWR ANG)					
CONN POS	WIRE COLOR	WIRE LABEL	GAUGE	JACKET	TO
1	YEL	18/3 - 1060982	18 AWG	CABLE	CO4-J2 (1)
2	ORG	18/3 - 1060982	18 AWG	CABLE	CO4-J2 (9)
3	BLK	18/3 - 1060982	18 AWG	CABLE	X564 (1)

SN417 (TWR ANG SNSR)					
CONN POS	WIRE COLOR	WIRE LABEL	GAUGE	JACKET	TO
1	BLK	18/3 - 1060981	18 AWG	CABLE	X382B (12)
2	RED	18/3 - 1060981	18 AWG	CABLE	X382B (10)
3	BLU	18/3 - 1060981	18 AWG	CABLE	X382 (11)
4	BLK	18/3 - 1060982	18 AWG	CABLE	X382B (7)
5	YEL	18/3 - 1060982	18 AWG	CABLE	X382B (9)
6	ORG	18/3 - 1060982	18 AWG	CABLE	X382B (8)
NC	SHLD	18/3 - 1060981	18 AWG	CABLE	X565 (1)
NC	SHLD	18/3 - 1060981	18 AWG	CABLE	X565 (1)

SN422 (RIGHT SIDE TWR ANG)					
CONN POS	WIRE COLOR	WIRE LABEL	GAUGE	JACKET	TO
1	RED	18/3 - 1060981	18 AWG	CABLE	CO4-J5 (9)
2	BLU	18/3 - 1060981	18 AWG	CABLE	CO4-J3 (8)
3	BLK	18/3 - 1060981	18 AWG	CABLE	CO4-J3 (3)
NC	SHLD	18/3 - 1060981	18 AWG	CABLE	X564 (1)

SN313 (STRING POT LFT SIDE)					
CONN POS	WIRE COLOR	WIRE LABEL	GAUGE	JACKET	TO
A	YEL	18/3 - 1060982	18 AWG	CABLE	CO4-J3 (4)
B	BLK	18/3 - 1060982	18 AWG	CABLE	CO4-J3 (3)
C	ORG	18/3 - 1060982	18 AWG	CABLE	CO4-J3 (11)
NC	SHLD	18/3 - 1060982	18 AWG	CABLE	X563 (1)

Figure 7-137. BLAM Harness - Sheet 6 of 6

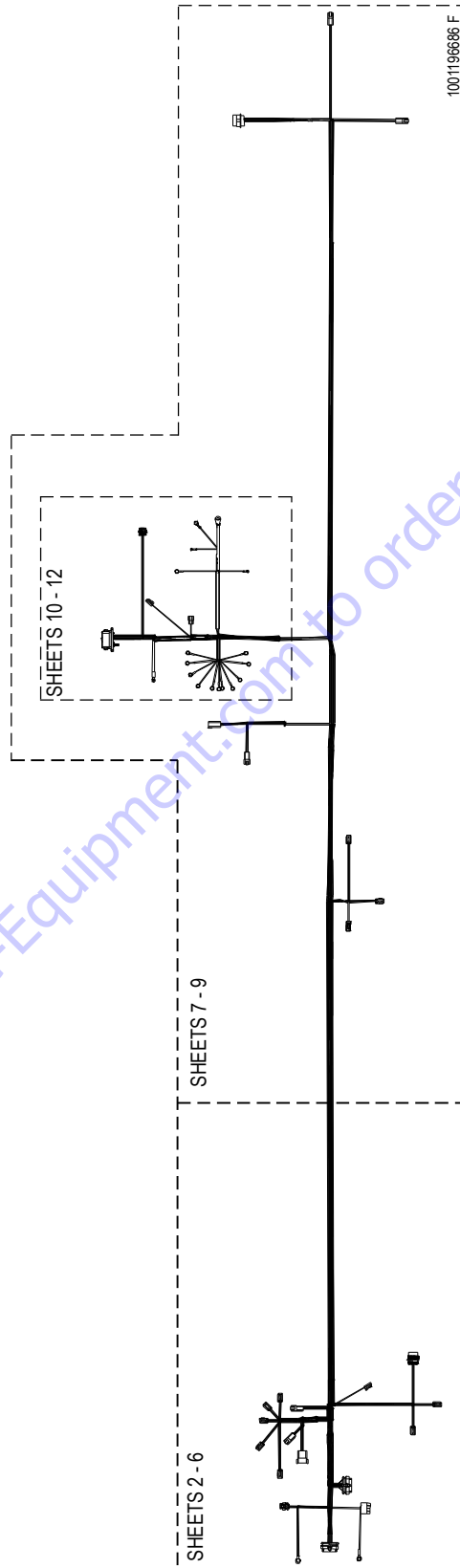
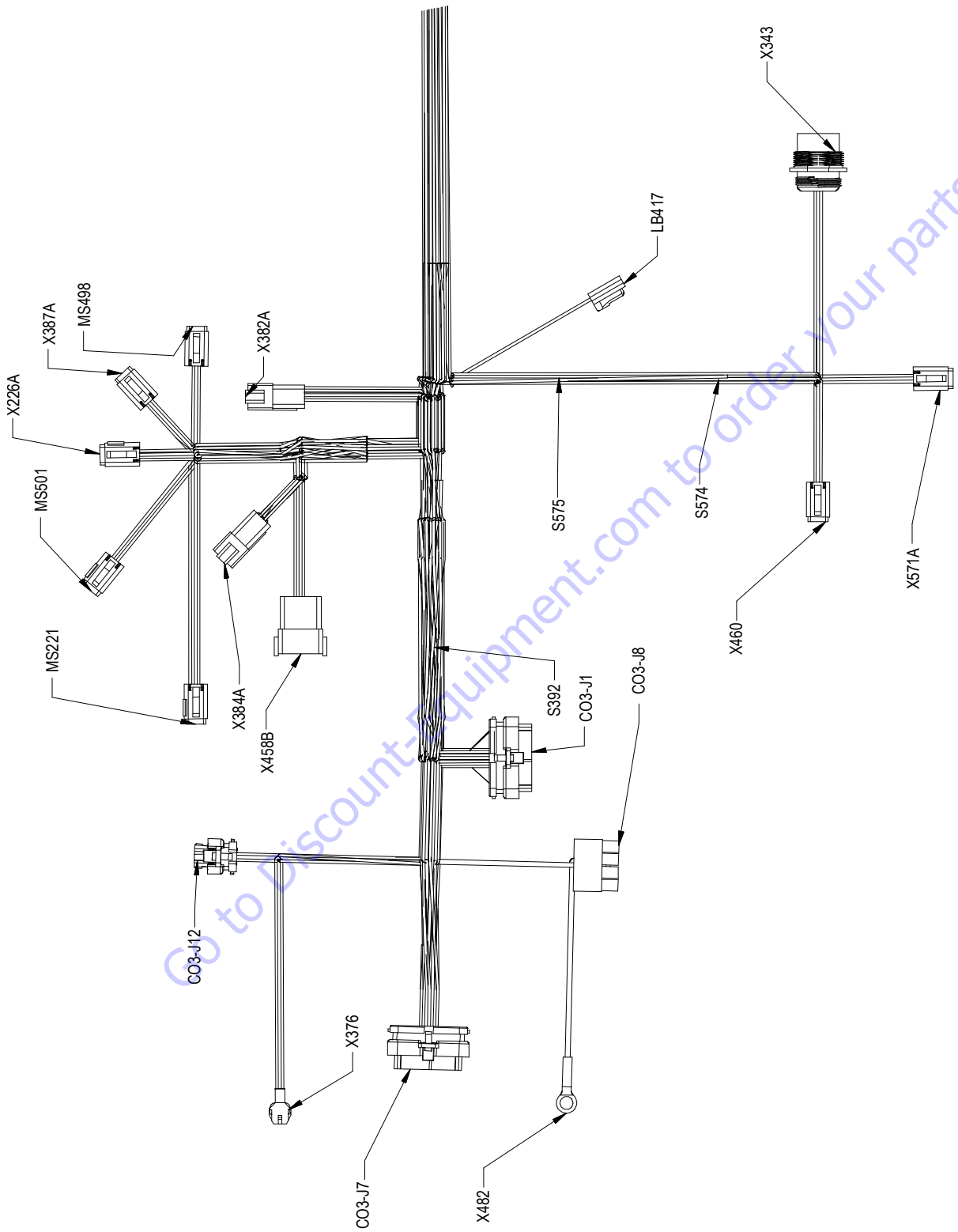


Figure 7-138. Turntable Harness - Sheet 1 of 13



1001196886 F

Figure 7-139. Turntable Harness - Sheet 2 of 13

SECTION 7 - BASIC ELECTRICAL INFORMATION & ELECTRICAL SCHEMATICS

CO3-J7 (BLACK)					
CONN POS	WIRE COLOR	WIRE LABEL	GAUGE	JACKET	TO
1	YEL	2-4-3	18 AWG	GXL	S360 (2)
2	YEL	2-4-2	18 AWG	GXL	S360 (2)
3	RED	1-5	18 AWG	GXL	X226A (2)
4	WHT	49-57 TWR DN PRS 1	18 AWG	GXL	X458B (3)
5	WHT	49-84 SNSR SUP	18 AWG	GXL	X458B (4)
7	WHT	49-55 PRS RED CHK	18 AWG	GXL	X458B (10)
8	WHT	49-82 TWR PRS 1	18 AWG	GXL	X458B (6)
9	BLK	0-64	18 AWG	GXL	X458B (2)
10	BLK	0-63	18 AWG	GXL	X458B (11)
11	WHT	49-53 TB T NC	18 AWG	GXL	X390A (3)
13	YEL	CN H CH I	18 AWG	GXL	MS221 (11)
14	YEL	2-5	18 AWG	GXL	X163B (11)
15	WHT	34-1 FT SW TO UGM	18 AWG	GXL	X163B (6)
16	WHT	49-58 SNSR SUP	18 AWG	GXL	X458B (1)
18	BLK	0-61	18 AWG	GXL	X383 (2)
19	BLK	0-80	18 AWG	GXL	S575 (1)
20	WHT	49-66 TWR TELE PRS	18 AWG	GXL	X384A (2)
21	WHT	49-52 MB T NO	18 AWG	GXL	X452B (4)
22	WHT	49-51 MB T NC	18 AWG	GXL	X452B (8)
23	WHT	105 GROUND ENABLE	18 AWG	GXL	CO3-J7 (30)
24	GRN	CN L CH I	18 AWG	GXL	MS221 (8)
25	BLK	0-60	18 AWG	GXL	X384A (3)
26	WHT	49-56 SNSR SUP	18 AWG	GXL	MS498 (4)
27	WHT	49-67 SNSR SUP	18 AWG	GXL	X384A (1)
29	YEL	2-14	18 AWG	GXL	X390A (1)
30	WHT	105 GROUND ENABLE	18 AWG	GXL	CO3-J7 (23)
31	YEL	2-11	18 AWG	GXL	X383 (1)
32	YEL	2-18	18 AWG	GXL	S574 (1)
35	WHT	49-54 TB T NO	18 AWG	GXL	X390A (4)

CO3-J8 (UGM POWER)					
CONN POS	WIRE COLOR	WIRE LABEL	GAUGE	JACKET	TO
1	BLK	0-77	12 AWG	GXL	X456 (1)
2	YEL	2-0-2	12 AWG	GXL	FC354 (A2)
3	N/A	CHASSIS GND	12 AWG	BRAID	X482 (1)

X482					
CONN POS	WIRE COLOR	WIRE LABEL	GAUGE	JACKET	TO
1	N/A	CHASSIS GND	12 AWG	BRAID	CO3-J8 (3)

CO3-J1 (WHITE)					
CONN POS	WIRE COLOR	WIRE LABEL	GAUGE	JACKET	TO
1	WHT	55-7 TWR LIFT ENBL	18 AWG	GXL	X384A (4)
2	WHT	49-83 BAT CONTACT	18 AWG	GXL	RL596 (1)
4	BLK	0-48	18 AWG	GXL	X390A (2)
6	WHT	55-8 TWR TELE ENBL	18 AWG	GXL	X384A (8)
7	WHT	3-7-1 LIFT DN O/R	18 AWG	GXL	X452B (5)
8	BLK	0-17	16 AWG	GXL	X217A (2)
9	BLK	0-18	18 AWG	GXL	X217A (6)
10	WHT	4A SPARE OUTPUT	18 AWG	GXL	X217A (4)
11	WHT	148-35-2 STRT REQ	18 AWG	GXL	X218A (2)
12	WHT	13-4-1 TELE IN O/R	18 AWG	GXL	X452B (6)
13	WHT	53-3 AUX PUMP	18 AWG	GXL	RL433-85 (1)
14	WHT	49-80 TWR PRS 2	18 AWG	GXL	X458B (8)
15	WHT	49-91 ENG BAT DIAG	18 AWG	GXL	X533 (2)
16	WHT	49-63 TWR CYL ANG I	18 AWG	GXL	X382A (11)
17	BLK	0-65	18 AWG	GXL	X458B (7)
18	BLK	0-66	18 AWG	GXL	X458B (5)
20	WHT	17-1 LOAD CUT VLV	18 AWG	GXL	X458B (12)
22	WHT	52-9 GEN	18 AWG	GXL	X217A (3)
23	WHT	55-14 BRAKE	18 AWG	GXL	X147A (7)
27	BLK	0-67	18 AWG	GXL	X382A (7)
28	YEL	2-10	18 AWG	GXL	X376 (1)
29	WHT	49-35 A-RX	18 AWG	GXL	X376 (2)
30	WHT	49-36 A-TX	18 AWG	GXL	X376 (3)
31	BLK	0-10	18 AWG	GXL	X376 (4)
32	WHT	47-6 ALT EXC	18 AWG	GXL	S392 (2)
33	BLK	0-50	18 AWG	GXL	X382A (12)

S392					
CONN POS	WIRE COLOR	WIRE LABEL	GAUGE	JACKET	TO
1	WHT	47-6-1 ALT EXC	18 AWG	GXL	X218A (5)
1	WHT	47-6-2 ALT EXC	18 AWG	GXL	X384A (12)
2	WHT	47-6 ALT EXC	18 AWG	GXL	CO3-J1 (32)

Figure 7-140. Turntable Harness - Sheet 3 of 13

SECTION 7 - BASIC ELECTRICAL INFORMATION & ELECTRICAL SCHEMATICS

S575					
CONN POS	WIRE COLOR	WIRE LABEL	GAUGE	JACKET	TO
1	BLK	0-80	18 AWG	GXL	CO3-J7 (19)
2	BLK	0-80-1	18 AWG	GXL	X571A (3)
2	BLK	0-80-2	18 AWG	GXL	X571A (4)

S574					
CONN POS	WIRE COLOR	WIRE LABEL	GAUGE	JACKET	TO
1	YEL	2-18	18 AWG	GXL	CO3-J7 (32)
2	YEL	2-18-1	18 AWG	GXL	X571A (1)
2	YEL	2-18-2	18 AWG	GXL	X571A (2)

X460 (UNIVERSAL TELEMATICS)					
CONN POS	WIRE COLOR	WIRE LABEL	GAUGE	JACKET	TO
1	RED	1-2-4	18 AWG	GXL	FC354 (C4)
2	BLK	0-79	16 AWG	GXL	X453 (1)
3	YEL	2-0-7	18 AWG	GXL	FC354 (A7)
4	RED	1-4-1 PLTFM STAT	18 AWG	GXL	X226A (10)

X571A (OPTIONS)					
CONN POS	WIRE COLOR	WIRE LABEL	GAUGE	JACKET	TO
1	YEL	2-18-1	18 AWG	GXL	S574 (2)
2	YEL	2-18-2	18 AWG	GXL	S574 (2)
3	BLK	0-80-1	18 AWG	GXL	S575 (2)
4	BLK	0-80-2	18 AWG	GXL	S575 (2)
5	YEL	CN H CH I	18 AWG	GXL	MS221 (1)
6	GRN	CN L CH I	18 AWG	GXL	MS221 (4)

X343 (JLG DIAGNOSTICS)					
CONN POS	WIRE COLOR	WIRE LABEL	GAUGE	JACKET	TO
A	BLK	0-70-1	18 AWG	GXL	S399 (1)
B	RED	1-2-1	18 AWG	GXL	FC354 (D1)
C	YEL	CN H CH 2	18 AWG	GXL	MS501 (6)
D	GRN	CN L CH 2	18 AWG	GXL	MS501 (11)
H	YEL	2-0-9	18 AWG	GXL	FC354 (A9)

LB417 (STROBE)					
CONN POS	WIRE COLOR	WIRE LABEL	GAUGE	JACKET	TO
1	YEL	2-0-10	18 AWG	GXL	FC354 (A10)
2	BLK	0-73	18 AWG	GXL	X405 (1)

X382A (TO BLAM HARN)					
CONN POS	WIRE COLOR	WIRE LABEL	GAUGE	JACKET	TO
1	YEL	2-0-3	14 AWG	GXL	FC354 (A3)
2	BLK	0-76	14 AWG	GXL	X408 (1)
3	YEL	CN H CH I	18 AWG	GXL	MS221 (10)
4	GRN	CN L CH I	18 AWG	GXL	MS221 (7)
5	WHT	23-5 PLTFM RHT	18 AWG	GXL	X226A (11)
6	WHT	23-6 PLTFM LFT	18 AWG	GXL	X226A (12)
7	BLK	0-67	18 AWG	GXL	CO3-J1 (27)
8	WHT	49-86 TWR CYLANG 2	18 AWG	GXL	CO3-J12 (2)
9	WHT	59-56-3 SNSR SUP	18 AWG	GXL	MS498 (1)
10	WHT	49-56-2 SNSR SUP	18 AWG	GXL	MS498 (2)
11	WHT	49-63 TWR CYLANG 1	18 AWG	GXL	CO3-J1 (16)
12	BLK	0-50	18 AWG	GXL	CO3-J1 (33)

MS498 (5V REF BUSS)					
CONN POS	WIRE COLOR	WIRE LABEL	GAUGE	JACKET	TO
1	WHT	49-56-3 SNSR SUP	18 AWG	GXL	X382A (9)
2	WHT	49-56-2 SNSR SUP	18 AWG	GXL	X382A (10)
3	WHT	49-56-1 SNSR SUP	18 AWG	GXL	X458B (9)
4	WHT	49-56 SNSR SUP	18 AWG	GXL	CO3-J7 (26)

X387A (TO GROUND CONTROL HARNESS)					
CONN POS	WIRE COLOR	WIRE LABEL	GAUGE	JACKET	TO
1	WHT	99-1 MSSO	18 AWG	GXL	CO3-J12 (8)
2	WHT	49-31 MB ANG NC	18 AWG	GXL	X452B (7)
3	WHT	49-30 MB ANG NO	18 AWG	GXL	X452B (3)
4	BLK	0-99	18 AWG	GXL	CO3-J12 (5)

Figure 7-141. Turntable Harness - Sheet 4 of 13

SECTION 7 - BASIC ELECTRICAL INFORMATION & ELECTRICAL SCHEMATICS

X226A (TO GROUND CONTROL HARNESS)					
CONN POS	WIRE COLOR	WIRE LABEL	GAUGE	JACKET	TO
1	RED	1-2-2	16 AWG	GXL	FC354 (D2)
2	RED	1-5	18 AWG	GXL	CO3-J7 (3)
3	RED	1-4	18 AWG	GXL	X163B (5)
4	RED	1-6	18 AWG	GXL	FC354 (C9)
5	YEL	2-0-8	18 AWG	GXL	FC354 (A8)
6	BLK	0-70-2	18 AWG	GXL	S399 (1)
7	GRN	CN L CH 2	18 AWG	GXL	MS501 (3)
8	YEL	CN H CH 2	18 AWG	GXL	MX501 (7)
10	RED	1-4-1 PLTFM STAT	18 AWG	GXL	X460 (4)
11	WHT	23-5 PLTFM RHT	18 AWG	GXL	X382A (5)
12	WHT	23-6 PLTFM LFT	18 AWG	GXL	X382A (6)

MS221 (CAN CHANNEL #1)					
CONN POS	WIRE COLOR	WIRE LABEL	GAUGE	JACKET	TO
1	YEL	CN H CH I	18 AWG	GXL	X571A (5)
2	YEL	CN H CH I	18 AWG	GXL	X163B (3)
3	YEL	CN H CH I	18 AWG	GXL	X147A (1)
4	GRN	CN L CH I	18 AWG	GXL	X571A (6)
5	GRN	CN L CH I	18 AWG	GXL	X163B (2)
6	GRN	CN L CH I	18 AWG	GXL	X147A (2)
7	GRN	CN L CH I	18 AWG	GXL	X382A (4)
8	GRN	CN L CH I	18 AWG	GXL	CO3-J7 (24)
9	GRN	CN L CH I	18 AWG	GXL	X383 (4)
10	YEL	CN H CH I	18 AWG	GXL	X382A (3)
11	YEL	CN H CH I	18 AWG	GXL	CO3-J7 (13)
12	YEL	CN H CH I	18 AWG	GXL	X383 (3)

MS501 (CAN CHANNEL #2)					
CONN POS	WIRE COLOR	WIRE LABEL	GAUGE	JACKET	TO
3	GRN	CN L CH 2	18 AWG	GXL	X226A (7)
4	YEL	CN H CH 2	18 AWG	GXL	CO3-J12 (3)
5	YEL	CN H CH 2	18 AWG	GXL	X218A (3)
6	YEL	CN H CH 2	18 AWG	GXL	X343 (C)
7	YEL	CN H CH 2	18 AWG	GXL	X226A (8)
10	GRN	CN L CH 2	18 AWG	GXL	X218A (4)
11	GRN	CN L CH 2	18 AWG	GXL	X343 (D)
12	GRN	CN L CH 2	18 AWG	GXL	CO3-J12 (4)

X384A (TO HYDRAULIC HARNESS)					
CONN POS	WIRE COLOR	WIRE LABEL	GAUGE	JACKET	TO
1	WHT	49-67 SNSR SUP	18 AWG	GXL	CO3-J7 (27)
2	WHT	49-66 TWR TELE PRS	18 AWG	GXL	CO3-J7 (20)
3	BLK	0-60	18 AWG	GXL	CO3-J7 (25)
4	WHT	55-7 TWR LIFT ENBL	18 AWG	GXL	CO3-J1 (1)
5	WHT	60-8 DN ENBL RTN	18 AWG	GXL	X373A (4)
6	WHT	13-7-1 FCNTRL O/R	18 AWG	GXL	X452B (2)
7	WHT	3-1 DN ENBL	18 AWG	GXL	X452B (1)
8	WHT	55-8 TWR TELE ENBL	18 AWG	GXL	CO3-J1 (6)
9	WHT	25-3-2 LVL UP O/R	18 AWG	GXL	X163B (9)
10	WHT	25-4-2 LVL DN O/R	18 AWG	GXL	X163B (7)
11	WHT	50-2 PLTFM DUMP	16 AWG	GXL	S390 (2)
12	WHT	47-6-2 ALT EXC	18 AWG	GXL	S392 (1)

Figure 7-142. Turntable Harness - Sheet 5 of 13

SECTION 7 - BASIC ELECTRICAL INFORMATION & ELECTRICAL SCHEMATICS

X485B (TO HYDRAULIC HARNESS)					
CONN POS	WIRE COLOR	WIRE LABEL	GAUGE	JACKET	TO
1	WHT	49-58 SNSR SUP	18 AWG	GXL	CO3-J7 (16)
2	BLK	0-64	18 AWG	GXL	CO3-J7 (9)
3	WHT	49-57 TWR DN PRS 1	18 AWG	GXL	CO3-J7 (4)
4	WHT	49-84 SNSR SUP	18 AWG	GXL	CO3-J7 (5)
5	BLK	0-66	18 AWG	GXL	CO3-J1 (18)
6	WHT	49-82 TWR PRS 1	18 AWG	GXL	CO3-J7 (8)
7	BLK	0-65	18 AWG	GXL	CO3-J1 (17)
8	WHT	49-80 TWR PRS 2	18 AWG	GXL	CO3-J1 (14)
9	WHT	49-56-1 SNSR SUP	18 AWG	GXL	MS498 (3)
10	WHT	49-55 PRS RED CHK	18 AWG	GXL	CO3-J7 (7)
11	BLK	0-63	18 AWG	GXL	CO3-J7 (10)
12	WHT	17-1 LOAD CUT VLV	18 AWG	GXL	CO3-J1 (20)

CO3-J12 (BLACK)					
CONN POS	WIRE COLOR	WIRE LABEL	GAUGE	JACKET	TO
2	WHT	49-86 TWR CYL ANG 2	18 AWG	GXL	X382A (8)
3	YEL	CN H CH 2	18 AWG	GXL	MS501 (4)
4	GRN	CN L CH 2	18 AWG	GXL	MS501 (12)
5	BLK	0-99	18 AWG	GXL	X387A (4)
6	WHT	100 CAN TERM	18 AWG	GXL	CO3-J12 (7)
7	WHT	100 CAN TERM	18 AWG	GXL	CO3-J12 (6)
8	WHT	99-1 MSSO	18 AWG	GXL	X387A (1)

X376 (ANALYZER CONNECTION)					
CONN POS	WIRE COLOR	WIRE LABEL	GAUGE	JACKET	TO
1	YEL	2-10	18 AWG	GXL	CO3-J1 (28)
2	WHT	49-35 A-RX	18 AWG	GXL	CO3-J1 (29)
3	WHT	49-36 A-TX	18 AWG	GXL	CO3-J1 (30)
4	BLK	0-10	18 AWG	GXL	CO3-J1 (31)

Figure 7-143. Turntable Harness - Sheet 6 of 13

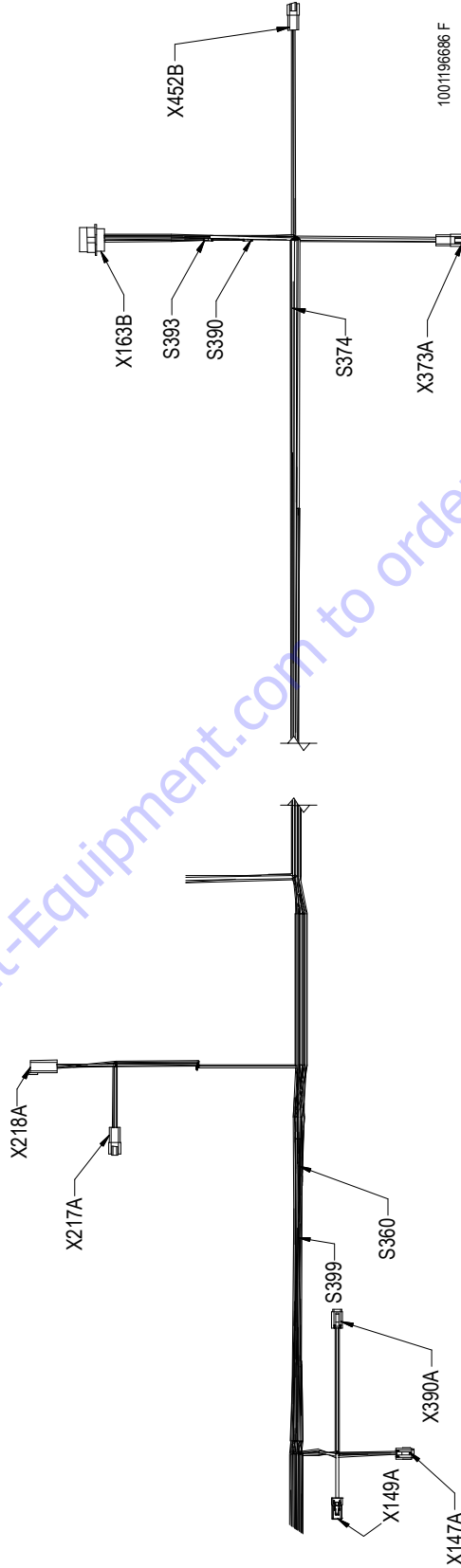


Figure 7-144. Turntable Harness - Sheet 7 of 13

SECTION 7 - BASIC ELECTRICAL INFORMATION & ELECTRICAL SCHEMATICS

X419A (TO SWIVEL)					
CONN POS	WIRE COLOR	WIRE LABEL	GAUGE	JACKET	TO
1	YEL	2-0-1	12 AWG	GXL	FC354 (A1)
2	BLK	0-74	10 AWG	GXL	X406 (1)

X147A (TO SWIVEL)					
CONN POS	WIRE COLOR	WIRE LABEL	GAUGE	JACKET	TO
1	YEL	CN H CH I	18 AWG	GXL	MS221 (3)
2	GRN	CN L CH I	18 AWG	GXL	MS221 (6)
7	WHT	55-14 BRAKE	17 AWG	GXL	CO3-J1 (23)

X390A (TO TRANSPORT CABLE)					
CONN POS	WIRE COLOR	WIRE LABEL	GAUGE	JACKET	TO
1	YEL	2-14	18 AWG	GXL	CO3-J7 (29)
2	BLK	0-48	18 AWG	GXL	CO3-J1 (4)
3	WHT	49-53 TB T NC	18 AWG	GXL	CO3-J7 (11)
4	WHT	49-54 TB T NO	18 AWG	GXL	CO3-J7 (35)

S399					
CONN POS	WIRE COLOR	WIRE LABEL	GAUGE	JACKET	TO
1	BLK	0-70-1	18 AWG	GXL	X343 (A)
1	BLK	0-70-2	18 AWG	GXL	X226A (6)
2	BLK	0-70	18 AWG	GXL	X402 (1)

S360					
CONN POS	WIRE COLOR	WIRE LABEL	GAUGE	JACKET	TO
1	YEL	2-4	18 AWG	GXL	X163B (4)
1	YEL	2-4-1	18 AWG	GXL	FC354 (C10)
2	YEL	2-4-2	18 AWG	GXL	CO3-J7 (2)
2	YEL	2-4-3	18 AWG	GXL	CO3-J7 (1)

X218A (TO ENGINE HARN)					
CONN POS	WIRE COLOR	WIRE LABEL	GAUGE	JACKET	TO
1	YEL	2-99-1	14 AWG	GXL	S479 (2)
2	WHT	148-35-2 STRT REQ	18 AWG	GXL	CO3-J1 (11)
3	YEL	CN H CH 2	18 AWG	GXL	MS501 (5)
4	GRN	CN L CH 2	18 AWG	GXL	MS501 (10)
5	WHT	47-6-1 ALT EXC	18 AWG	GXL	S392 (1)

X217A (TO ENGINE HARN)					
CONN POS	WIRE COLOR	WIRE LABEL	GAUGE	JACKET	TO
1	YEL	2-0-6	14 AWG	GXL	FC354 (A6)
2	BLK	0-17	16 AWG	GXL	CO3-J1 (8)
3	WHT	52-9 GEN	18 AWG	GXL	CO3-J1 (22)
4	WHT	4A SPARE OUTPUT	18 AWG	GXL	CO3-J1 (10)
5	YEL	2-0-5	16 AWG	GXL	FC354 (A5)
6	BLK	0-18	18 AWG	GXL	CO3-J1 (9)

X163B (MAIN BOOM CABLE)					
CONN POS	WIRE COLOR	WIRE LABEL	GAUGE	JACKET	TO
2	GRN	CN L CH I	18 AWG	GXL	MS221 (5)
3	YEL	CN H CH I	18 AWG	GXL	MS221 (2)
4	YEL	2-4	18 AWG	GXL	S360 (1)
5	RED	1-4	18 AWG	GXL	X226A (3)
6	WHT	34-1 FT SW TO UGM	18 AWG	GXL	CO3-J7 (15)
7	WHT	25-4-2 LVL DN O/R	18 AWG	GXL	X384A (10)
9	WHT	25-3-2 LVL UP O/R	18 AWG	GXL	X384A (9)
10	YEL	2-0-4-2	12 AWG	GXL	S393 (1)
11	YEL	2-5	18 AWG	GXL	CO3-J7 (14)
12	YEL	2-0-4-1	12 AWG	GXL	S393 (1)
13	WHT	50-2-1 PLTFM DUMP	16 AWG	GXL	S390 (1)
15	WHT	50-2-2 PLTFM DUMP	16 AWG	GXL	S390 (1)
16	BLK	0-72	12 AWG	GXL	X404 (1)
18	BLK	0-71	12 AWG	GXL	X403 (1)

Figure 7-145. Turntable Harness - Sheet 8 of 13

SECTION 7 - BASIC ELECTRICAL INFORMATION & ELECTRICAL SCHEMATICS

S393					
CONN POS	WIRE COLOR	WIRE LABEL	GAUGE	JACKET	TO
1	YEL	2-0-4-1	12 AWG	GXL	X163B (12)
1	YEL	2-0-4-2	12 AWG	GXL	X163B (10)
2	YEL	2-0-4	10 AWG	GXL	FC354 (A4)

S390					
CONN POS	WIRE COLOR	WIRE LABEL	GAUGE	JACKET	TO
1	WHT	50-2-1 PLTFM DUMP	16 AWG	GXL	X163B (13)
1	WHT	50-2-2 PLTFM DUMP	16 AWG	GXL	X163B (15)
2	WHT	50-2 PLTFM DUMP	16 AWG	GXL	X384A (11)

S374					
CONN POS	WIRE COLOR	WIRE LABEL	GAUGE	JACKET	TO
1	RED	1-2-3-1	12 AWG	GXL	X373A (1)
1	RED	1-2-3-2	12 AWG	GXL	X373A (2)
2	RED	1-2-3	12 AWG	GXL	FC354 (D3)

X373A (WORK LT/DOWN ENABLE)					
CONN POS	WIRE COLOR	WIRE LABEL	GAUGE	JACKET	TO
1	RED	1-2-3-1	12 AWG	GXL	S374 (1)
2	RED	1-2-3-2	12 AWG	GXL	S374 (1)
3	BLK	0-84	12 AWG	GXL	X549 (1)
4	WHT	60-8 DN ENBL RTN	18 AWG	GXL	X384A (5)

X452B (TO BOOM TRANSPORT CABLE)					
CONN POS	WIRE COLOR	WIRE LABEL	GAUGE	JACKET	TO
1	WHT	3-1 DN ENBL	18 AWG	GXL	X384A (7)
2	WHT	13-7-1 FCNTROL O/R	18 AWG	GXL	X384A (6)
3	WHT	49-30 MB ANG NO	18 AWG	GXL	X387A (3)
4	WHT	49-52 MB T NO	18 AWG	GXL	C03-J7 (21)
5	WHT	3-7-1 LIFT DN O/R	18 AWG	GXL	C03-J1 (7)
6	WHT	13-4-1 TELE IN O/R	18 AWG	GXL	C03-J1 (12)
7	WHT	49-31 MB ANG NC	18 AWG	GXL	X387A (2)
8	WHT	49-51 MB T NC	18 AWG	GXL	C03-J7 (22)

Figure 7-146. Turntable Harness - Sheet 9 of 13

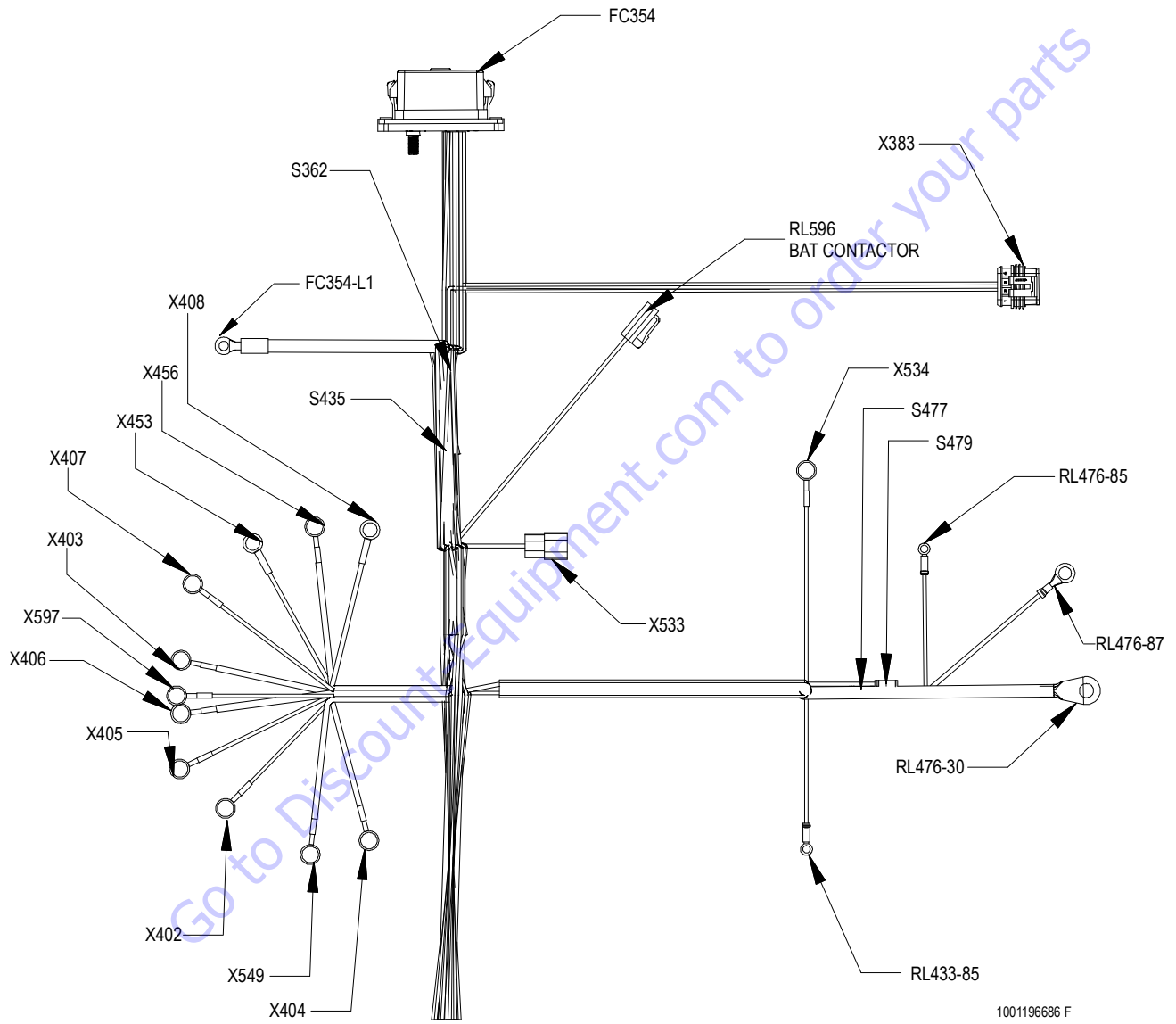


Figure 7-147. Turntable Harness - Sheet 10 of 13

SECTION 7 - BASIC ELECTRICAL INFORMATION & ELECTRICAL SCHEMATICS

X404					
CONN POS	WIRE COLOR	WIRE LABEL	GAUGE	JACKET	TO
1	BLK	0-72	12 AWG	GXL	X163B (16)

X549					
CONN POS	WIRE COLOR	WIRE LABEL	GAUGE	JACKET	TO
1	BLK	0-84	12 AWG	GXL	X373A (3)

X402					
CONN POS	WIRE COLOR	WIRE LABEL	GAUGE	JACKET	TO
1	BLK	0-70	18 AWG	GXL	S399 (2)

X405					
CONN POS	WIRE COLOR	WIRE LABEL	GAUGE	JACKET	TO
1	BLK	0-73	18 AWG	GXL	LB417 (2)

X406					
CONN POS	WIRE COLOR	WIRE LABEL	GAUGE	JACKET	TO
1	BLK	0-74	10 AWG	GXL	X149A (2)

X597					
CONN POS	WIRE COLOR	WIRE LABEL	GAUGE	JACKET	TO
1	BLK	0-85	18 AWG	GXL	RL596 (2)

X403					
CONN POS	WIRE COLOR	WIRE LABEL	GAUGE	JACKET	TO
1	BLK	0-71	12 AWG	GXL	X163B (18)

X407					
CONN POS	WIRE COLOR	WIRE LABEL	GAUGE	JACKET	TO
1	BLK	0-83	18 AWG	GXL	X533 (3)

X453					
CONN POS	WIRE COLOR	WIRE LABEL	GAUGE	JACKET	TO
1	BLK	0-79	16 AWG	GXL	X460 (2)

X456					
CONN POS	WIRE COLOR	WIRE LABEL	GAUGE	JACKET	TO
1	BLK	0-77	12 AWG	GXL	CO3-J8 (1)

X408					
CONN POS	WIRE COLOR	WIRE LABEL	GAUGE	JACKET	TO
1	BLK	0-76	14 AWG	GXL	X382A (2)

S435					
CONN POS	WIRE COLOR	WIRE LABEL	GAUGE	JACKET	TO
1	RED	1-2-1	18 AWG	GXL	FC354 (C1)
1	RED	1-2-2	16 AWG	GXL	FC354 (C2)
1	RED	1-2-3	12 AWG	GXL	FC354 (C3)
1	RED	1-2-4	18 AWG	GXL	FC354 (D4)
2	RED	1-2	10 AWG	GXL	S477 (2)

FC354-L1					
CONN POS	WIRE COLOR	WIRE LABEL	GAUGE	JACKET	TO
L1	RED	2-0	6 AWG	EPDM	RL476-30 (1)

S362					
CONN POS	WIRE COLOR	WIRE LABEL	GAUGE	JACKET	TO
1	RED	1-6	18 AWG	GXL	FC354 (D9)
1	YEL	2-4-1	18 AWG	GXL	FC354 (D10)
2	RED	IGN RLY PWR	18 AWG	GXL	RL476-85 (1)

RL596 (BAT CONTACTOR)					
CONN POS	WIRE COLOR	WIRE LABEL	GAUGE	JACKET	TO
1	WHT	49-83 BAT CONTACT	18 AWG	GXL	CO3-J1 (2)
2	BLK	0-85	18 AWG	GXL	X597 (1)

X533					
CONN POS	WIRE COLOR	WIRE LABEL	GAUGE	JACKET	TO
1	RED	1-7	18 AWG	GXL	FC354 (D7)
2	WHT	49-91 ENG BAT DIAG	18 AWG	GXL	CO3-J1 (15)
3	BLK	0-83	18 AWG	GXL	X407 (1)

X383 (EXTERNAL TILT SENSOR)					
CONN POS	WIRE COLOR	WIRE LABEL	GAUGE	JACKET	TO
1	YEL	2-11	18 AWG	GXL	CO3-J7 (31)
2	BLK	0-61	18 AWG	GXL	CO3-J7 (18)
3	YEL	CN H CH I	18 AWG	GXL	MS221 (12)
4	GRN	CN L CH I	18 AWG	GXL	MS221 (9)

Figure 7-148. Turntable Harness - Sheet 11 of 13

SECTION 7 - BASIC ELECTRICAL INFORMATION & ELECTRICAL SCHEMATICS

FC354					
CONN POS	WIRE COLOR	WIRE LABEL	GAUGE	JACKET	TO
A1	YEL	2-0-1	12 AWG	GXL	X149A (1)
A10	YEL	2-0-10	18 AWG	GXL	LB417 (1)
A2	YEL	2-0-2	12 AWG	GXL	CO3-J8 (2)
A3	YEL	2-0-3	14 AWG	GXL	X382A (1)
A4	YEL	2-0-4	10 AWG	GXL	S393 (2)
A5	YEL	2-0-5	16 AWG	GXL	X217A (5)
A6	YEL	2-0-6	14 AWG	GXL	X217A (1)
A7	YEL	2-0-7	18 AWG	GXL	X460 (3)
A8	YEL	2-0-8	18 AWG	GXL	X226A (5)
A9	YEL	2-0-9	18 AWG	GXL	X343 (H)
C1	RED	1-2-1	18 AWG	GXL	S435 (1)
C10	YEL	2-4-1	18 AWG	GXL	S360 (1)
C2	RED	1-2-2	16 AWG	GXL	S435 (1)
C3	RED	1-2-3	12 AWG	GXL	S435 (1)
C4	RED	1-2-4	18 AWG	GXL	X460 (1)
C7	RED	1-7	18 AWG	GXL	X534 (1)
C9	RED	1-6	18 AWG	GXL	X226A (4)
D1	RED	1-2-1	18 AWG	GXL	X343 (B)
D10	YEL	2-4-1	18 AWG	GXL	S362 (1)
D2	RED	1-2-2	16 AWG	GXL	X226A (1)
D3	RED	1-2-3	12 AWG	GXL	S374 (2)
D4	RED	1-2-4	18 AWG	GXL	S435 (1)
D7	RED	1-7	18 AWG	GXL	X533 (1)
D9	RED	1-6	18 AWG	GXL	S362 (1)

X534					
CONN POS	WIRE COLOR	WIRE LABEL	GAUGE	JACKET	TO
1	RED	1-7	18 AWG	GXL	FC354 (C7)

S477					
CONN POS	WIRE COLOR	WIRE LABEL	GAUGE	JACKET	TO
1	RED	--	14 AWG	FUSIBLE LINK	RL476-87 (1)
2	RED	1-2	10 AWG	GXL	S435 (2)

S479					
CONN POS	WIRE COLOR	WIRE LABEL	GAUGE	JACKET	TO
1	--	--	16 AWG	FUSIBLE LINK	RL476-30 (1)
2	YEL	2-99-1	14 AWG	GXL	X218A (1)

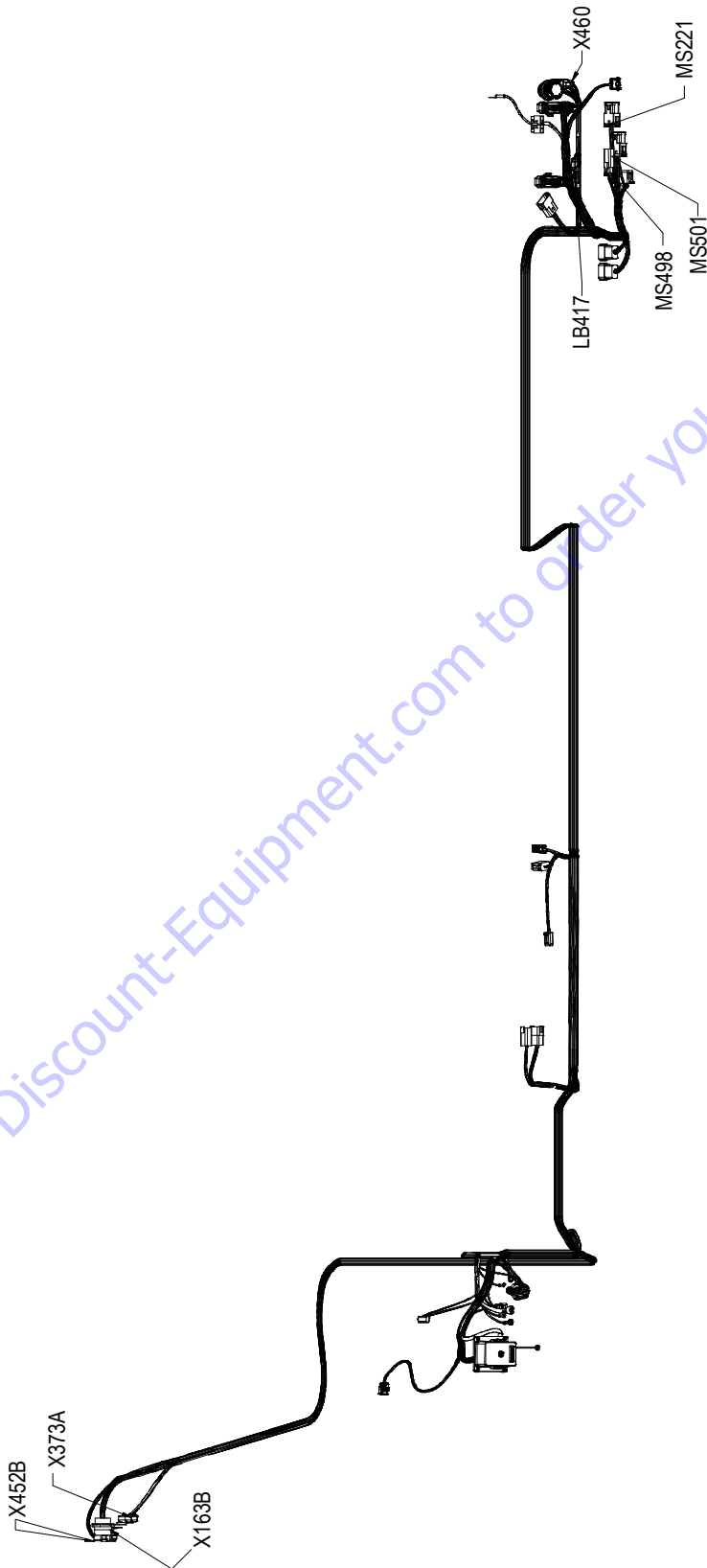
RL476-85					
CONN POS	WIRE COLOR	WIRE LABEL	GAUGE	JACKET	TO
1	RED	IGN RLY PWR	18 AWG	GXL	S362 (2)

RL476-87					
CONN POS	WIRE COLOR	WIRE LABEL	GAUGE	JACKET	TO
1	--	--	14 AWG	FUSIBLE LINK	S477 (1)

RL476-30					
CONN POS	WIRE COLOR	WIRE LABEL	GAUGE	JACKET	TO
1	--	--	16 AWG	FUSIBLE LINK	S479 (1)
1	RED	2-0	6 AWG	EPDM	FC354-L1 (L1)

RL433-85					
CONN POS	WIRE COLOR	WIRE LABEL	GAUGE	JACKET	TO
1	WHT	53-3 AUX PUMP	18 AWG	GXL	CO3-J1 (13)

Figure 7-149. Turntable Harness - Sheet 12 of 13



1001196686 F

Figure 7-150. Turntable Harness - Sheet 13 of 13

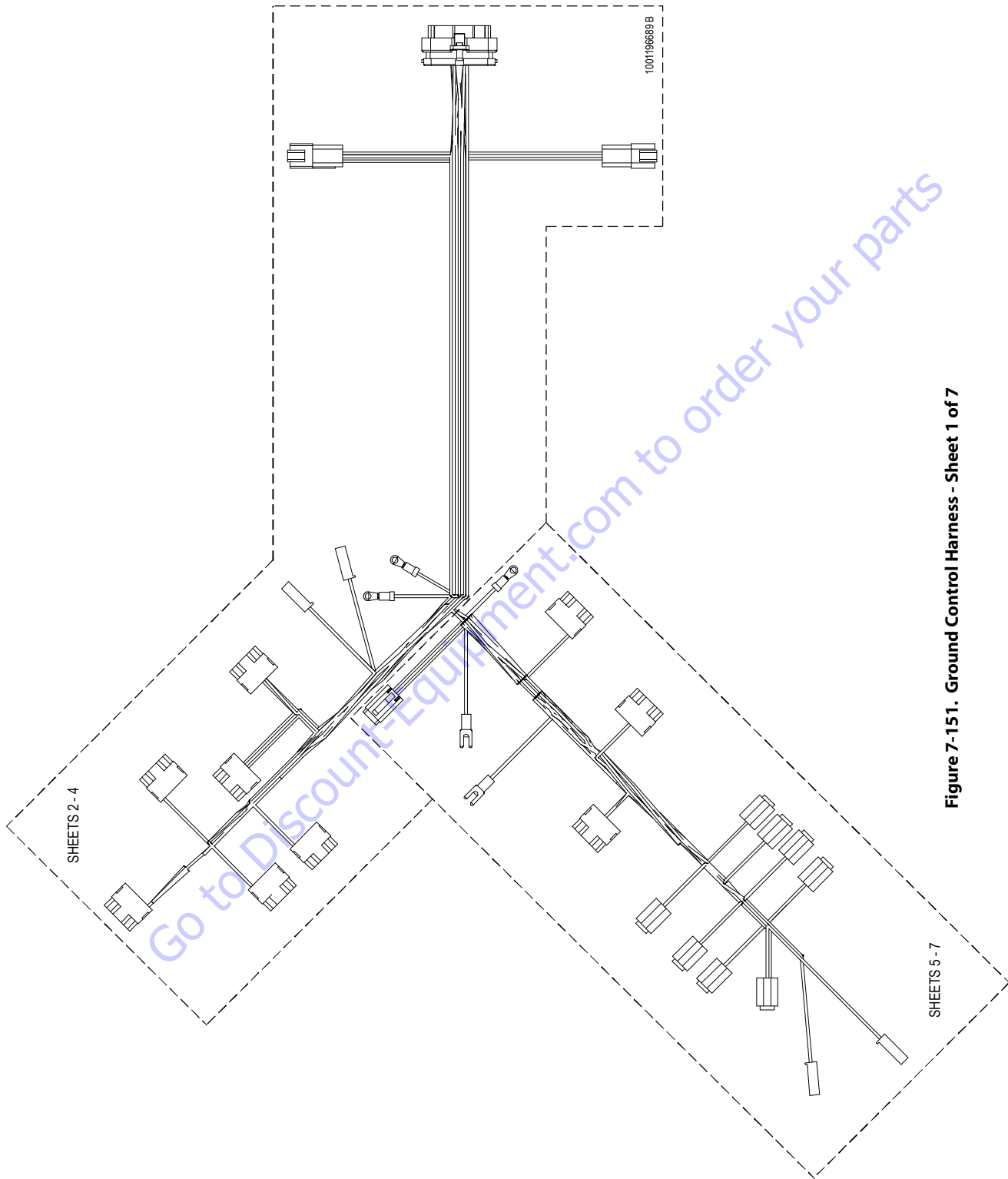


Figure 7-151. Ground Control Harness - Sheet 1 of 7

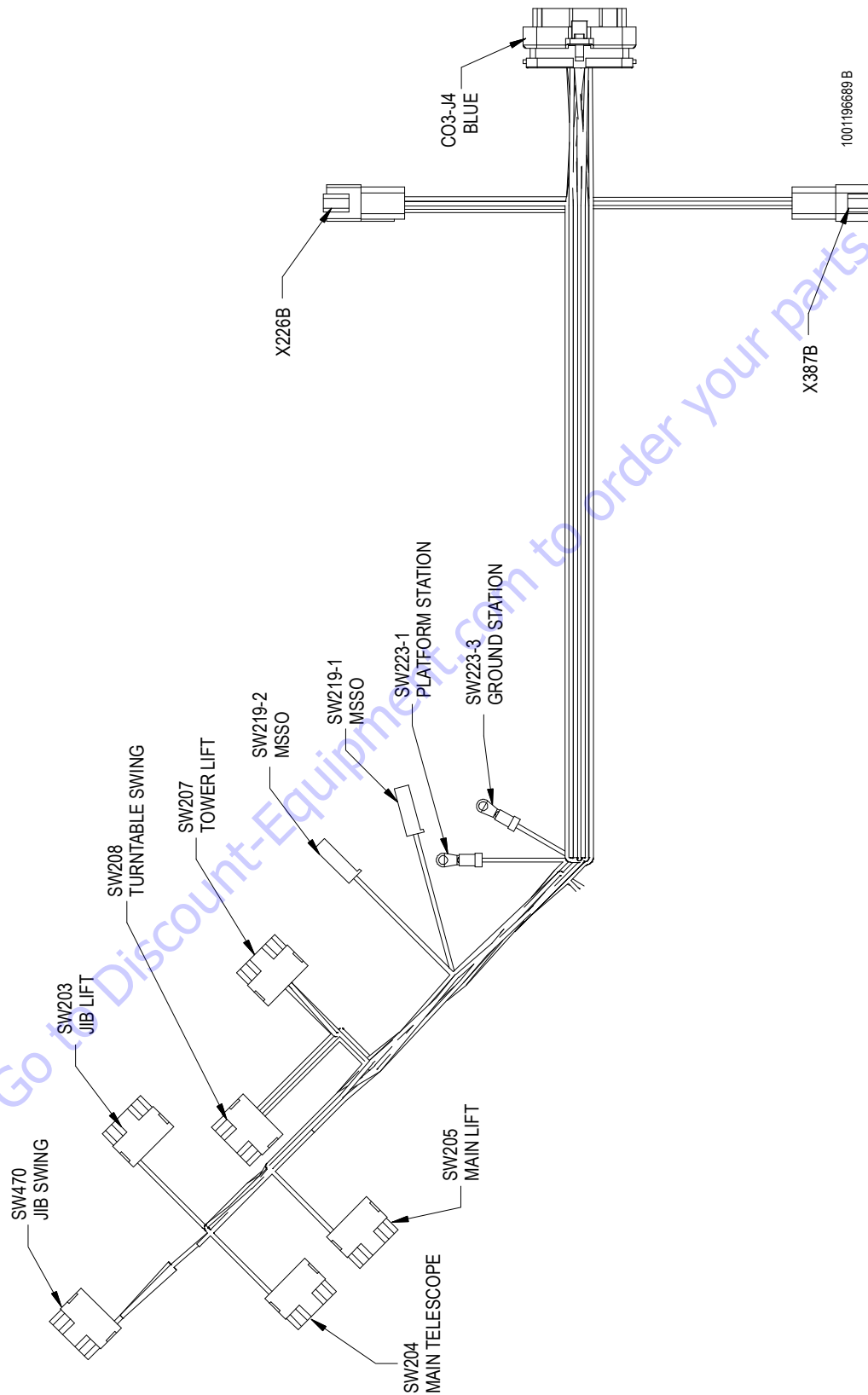


Figure 7-152. Ground Control Harness - Sheet 2 of 7

SECTION 7 - BASIC ELECTRICAL INFORMATION & ELECTRICAL SCHEMATICS

SW470 (JIB SWING)					
CONN POS	WIRE COLOR	WIRE LABEL	GAUGE	JACKET	TO
1	WHT	59-5 JIB SWG RHT	18 AWG	GXL	CO3-J4 (20)
2	YEL	2-9-6	18 AWG	GXL	SW203 (2)
2	YEL	2-9-7	18 AWG	GXL	SW201 (2)
3	WHT	59-7 JIB SWG LFT	18 AWG	GXL	CO3-J4 (6)

SW204 (MAIN TELESCOPE)					
CONN POS	WIRE COLOR	WIRE LABEL	GAUGE	JACKET	TO
1	WHT	13-5 TELE IN	18 AWG	GXL	CO3-J4 (7)
2	YEL	2-9-4	18 AWG	GXL	SW205 (2)
2	YEL	2-9-5	18 AWG	GXL	SW203 (2)
3	WHT	13-6 TELE OUT	18 AWG	GXL	CO3-J4 (30)

SW203 (JIB LIFT)					
CONN POS	WIRE COLOR	WIRE LABEL	GAUGE	JACKET	TO
1	WHT	27-7 JIB UP	18 AWG	GXL	CO3-J4 (19)
2	YEL	2-9-5	18 AWG	GXL	SW204 (2)
2	YEL	2-9-6	18 AWG	GXL	SW470 (2)
3	WHT	27-8 JIB DN	18 AWG	GXL	CO3-J4 (8)

SW205 (MAIN LIFT)					
CONN POS	WIRE COLOR	WIRE LABEL	GAUGE	JACKET	TO
1	WHT	3-3 LIFT UP	18 AWG	GXL	CO3-J4 (23)
2	YEL	2-9-3	18 AWG	GXL	SW209-1 (1)
2	YEL	2-9-4	18 AWG	GXL	SW204 (2)
3	WHT	3-4 LIFT DN	18 AWG	GXL	CO3-J4 (33)

SW208 (TURNTABLE SWING)					
CONN POS	WIRE COLOR	WIRE LABEL	GAUGE	JACKET	TO
1	WHT	21-3 SWG RHT	18 AWG	GXL	CO3-J4 (35)
2	YEL	2-9	18 AWG	GXL	CO3-J4 (35)
2	YEL	2-9-1	18 AWG	GXL	SW207 (2)
3	WHT	21-4 SWG LFT	18 AWG	GXL	CO3-J4 (34)

SW219-1 (MSSO)					
CONN POS	WIRE COLOR	WIRE LABEL	GAUGE	JACKET	TO
1	WHT	99-1 MSSO	18 AWG	GXL	X387B (1)

SW219-2 (MSSO)					
CONN POS	WIRE COLOR	WIRE LABEL	GAUGE	JACKET	TO
1	BLK	0-99	18 AWG	GXL	X387B (4)

SW207 (TOWER LIFT)					
CONN POS	WIRE COLOR	WIRE LABEL	GAUGE	JACKET	TO
1	WHT	14-1 TOWER UP	18 AWG	GXL	CO3-J4 (10)
2	YEL	2-9-1	18 AWG	GXL	SW208 (2)
2	YEL	2-9-2	18 AWG	GXL	SW209-1 (1)
3	WHT	14-2 TOWER DN	18 AWG	GXL	CO3-J4 (21)

SW223-3 (GROUND STATION)					
CONN POS	WIRE COLOR	WIRE LABEL	GAUGE	JACKET	TO
1	RED	1-5	18 AWG	GXL	X226B (2)
1	RED	1-6	18 AWG	GXL	X226B (4)

SW223-1 (PLATFORM STATION)					
CONN POS	WIRE COLOR	WIRE LABEL	GAUGE	JACKET	TO
1	RED	1-4	18 AWG	GXL	X226B (3)
1	RED	1-4-1 PLTFM STAT	18 AWG	GXL	X226B (10)

X226B					
CONN POS	WIRE COLOR	WIRE LABEL	GAUGE	JACKET	TO
1	RED	1-2-2	16 AWG	GXL	SW224-1 (1)
2	RED	1-5	18 AWG	GXL	SW223-3 (1)
3	RED	1-4	18 AWG	GXL	SW223-1 (1)
4	RED	1-6	18 AWG	GXL	SW223-3 (1)
5	YEL	2-0-8	18 AWG	GXL	GD222 (2)
6	BLK	0-70-2	18 AWG	GXL	GD222 (1)
7	GRN	CN L CH 2	18 AWG	GXL	GD222 (4)
8	YEL	CN H CH 2	18 AWG	GXL	GD222 (3)
10	RED	1-4-1 PLTFM STAT	18 AWG	GXL	SW223-1 (1)
11	WHT	23-5 PLTFM RHT	18 AWG	GXL	SW200 (1)
12	WHT	23-6 PLTFM LFT	18 AWG	GXL	SW200 (3)

Figure 7-153. Ground Control Harness - Sheet 3 of 7

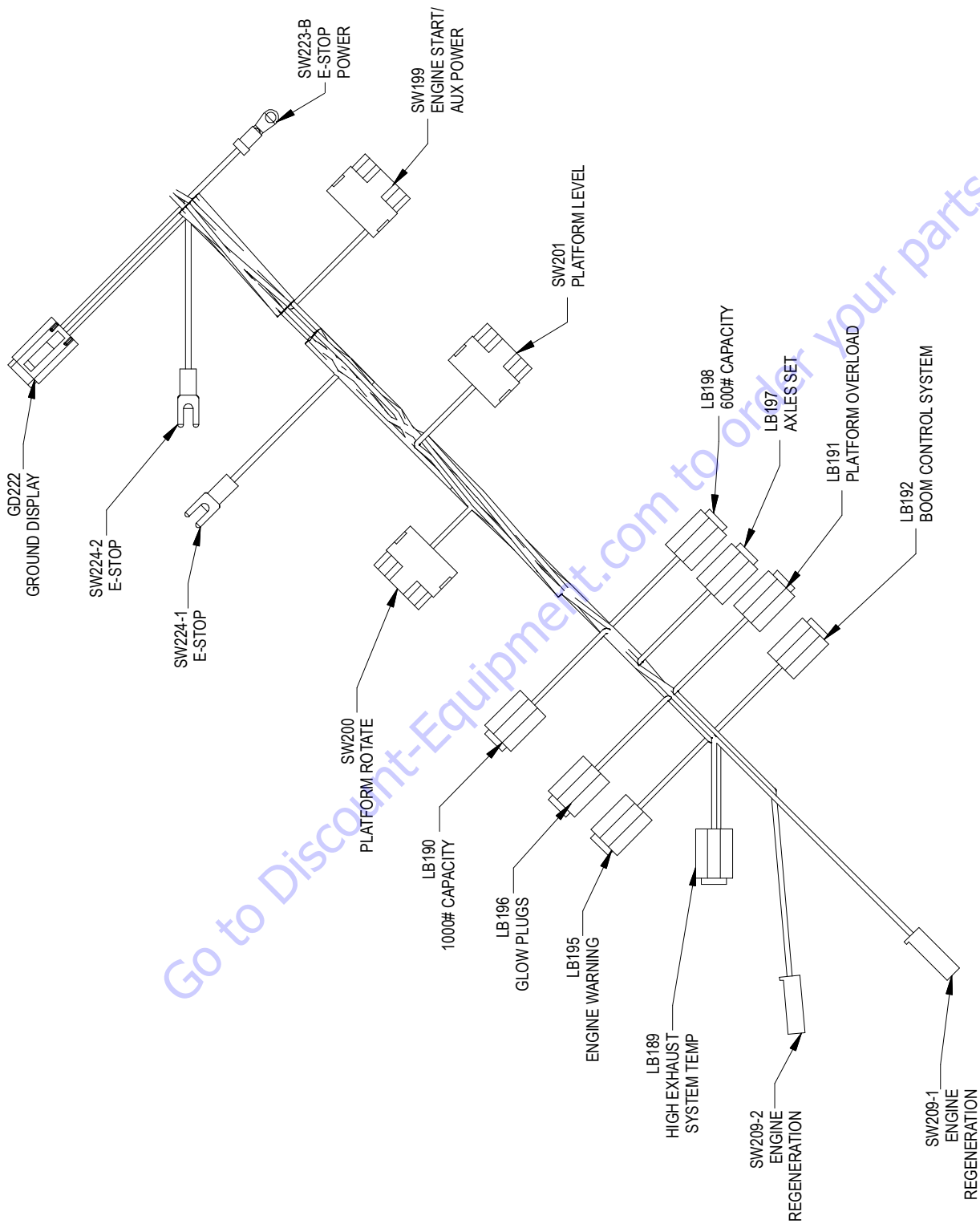
SECTION 7 - BASIC ELECTRICAL INFORMATION & ELECTRICAL SCHEMATICS

CO3-J4 (BLUE)					
CONN POS	WIRE COLOR	WIRE LABEL	GAUGE	JACKET	TO
1	WHT	39-4 AXLE	18 AWG	GXL	LB197 (1)
2	WHT	54-4 500#	18 AWG	GXL	LB198 (1)
3	WHT	49-29 BCS	18 AWG	GXL	LB192 (1)
4	WHT	48-4 START	18 AWG	GXL	SW199 (1)
5	WHT	25-8 PLTFM LVL DN	18 AWG	GXL	SW201 (3)
6	WHT	59-7 JIB SWG LFT	18 AWG	GXL	SW470 (3)
7	WHT	13-5 TELE IN	18 AWG	GXL	SW204 (1)
8	WHT	27-8 JIB DN	18 AWG	GXL	SW203 (3)
9	WHT	148-5 SCR REGEN	18 AWG	GXL	SW209-2 (1)
10	WHT	14-1 TOWER UP	18 AWG	GXL	SW207 (1)
11	WHT	49-30 MB ANG NO	18 AWG	GXL	X387B (3)
14	WHT	49-30 OVERLOAD	18 AWG	GXL	LB191 (1)
15	WHT	48-5 GLOW	18 AWG	GXL	LB196 (1)
16	WHT	53-2 AUX PWR	18 AWG	GXL	SW199 (3)
17	WHT	25-7 PLTFM LVL UP	18 AWG	GXL	SW201 (1)
19	WHT	27-7 JIB UP	18 AWG	GXL	SW203 (1)
20	WHT	59-5 JIB SWG RHT	18 AWG	GXL	SW470 (1)
21	WHT	14-2 TOWER DN	18 AWG	GXL	SW207 (3)
22	WHT	49-31 MB ANG NC	18 AWG	GXL	X387B (2)
23	WHT	3-3 LIFT UP	18 AWG	GXL	SW205 (1)
25	YEL	2-9	18 AWG	GXL	SW208 (2)
26	WHT	148-7 HEST	18 AWG	GXL	LB189 (1)
27	WHT	54-5 1000#	18 AWG	GXL	LB190 (1)
28	WHT	148-6 ENG WARN	18 AWG	GXL	LB195 (1)
30	WHT	13-6 TELE OUT	18 AWG	GXL	SW204 (3)
31	BLK	0-12	18 AWG	GXL	LB190 (2)
33	WHT	3-4 LIFT DN	18 AWG	GXL	SW205 (3)
34	WHT	21-4 SWG LFT	18 AWG	GXL	SW208 (3)
35	WHT	21-3 SWG RHT	18 AWG	GXL	SW208 (1)

X387B					
CONN POS	WIRE COLOR	WIRE LABEL	GAUGE	JACKET	TO
1	WHT	99-1 MSSO	18 AWG	GXL	SW219-1 (1)
2	WHT	49-31 MB ANG NC	18 AWG	GXL	CO3-J4 (22)
3	WHT	49-30 MB ANG NO	18 AWG	GXL	CO3-J4 (11)
4	BLK	0-99	18 AWG	GXL	SW219-2 (1)

Figure 7-154. Ground Control Harness - Sheet 4 of 7

SECTION 7 - BASIC ELECTRICAL INFORMATION & ELECTRICAL SCHEMATICS



1001196689 B

Figure 7-155. Ground Control Harness - Sheet 5 of 7

SECTION 7 - BASIC ELECTRICAL INFORMATION & ELECTRICAL SCHEMATICS

GD222 (GROUND DISPLAY)					
CONN POS	WIRE COLOR	WIRE LABEL	GAUGE	JACKET	TO
1	BLK	0-70-2	18 AWG	GXL	X226B (6)
2	YEL	2-0-8	18 AWG	GXL	X226B (5)
3	YEL	CN H CH 2	18 AWG	GXL	X226B (8)
4	GRN	CN L CH 2	18 AWG	GXL	X226B (7)

SW224-2 (E-STOP)					
CONN POS	WIRE COLOR	WIRE LABEL	GAUGE	JACKET	TO
2	RED	1-3	18 AWG	GXL	SW223-B (1)

SW224-1 (E-STOP)					
CONN POS	WIRE COLOR	WIRE LABEL	GAUGE	JACKET	TO
1	RED	1-2-2	16 AWG	GXL	X226B (1)

SW200 (PLATFORM ROTATE)					
CONN POS	WIRE COLOR	WIRE LABEL	GAUGE	JACKET	TO
1	WHT	23-5 PLTFM RHT	18 AWG	GXL	X226B (11)
2	YEL	2-9-8	18 AWG	GXL	SW201 (2)
2	YEL	2-9-9	18 AWG	GXL	SW199 (2)
3	WHT	23-6 PLTFM LFT	18 AWG	GXL	X226B (12)

LB190 (1000# CAPACITY)					
CONN POS	WIRE COLOR	WIRE LABEL	GAUGE	JACKET	TO
1	WHT	54-5 1000#	18 AWG	GXL	CO3-J4 (27)
2	BLK	0-12	18 AWG	GXL	CO3-J4 (31)
2	BLK	0-12-1	18 AWG	GXL	LB191 (2)

LB196 (GLOW PLUGS)					
CONN POS	WIRE COLOR	WIRE LABEL	GAUGE	JACKET	TO
1	WHT	48-5 GLOW	18 AWG	GXL	CO3-J4 (15)
2	BLK	0-12-5	18 AWG	GXL	LB195 (2)
2	BLK	0-12-6	18AWG	GXL	LB197 (2)

LB195 (ENGINE WARNING)					
CONN POS	WIRE COLOR	WIRE LABEL	GAUGE	JACKET	TO
1	WHT	148-6 ENG WARN	18 AWG	GXL	CO3-J4 (28)
2	BLK	0-12-4	18 AWG	GXL	LB189 (2)
2	BLK	0-12-5	18 AWG	GXL	LB196 (2)

LB189 (HIGH EXHAUST SYSTEM TEMP)					
CONN POS	WIRE COLOR	WIRE LABEL	GAUGE	JACKET	TO
1	WHT	148-7 HEST	18 AWG	GXL	CO3-J4 (26)
2	BLK	0-12-3	18 AWG	GXL	LB192 (2)
2	BLK	0-12-4	18 AWG	GXL	LB195 (2)

SW209-2 (ENGINE REGENERATION)					
CONN POS	WIRE COLOR	WIRE LABEL	GAUGE	JACKET	TO
1	WHT	148-5 SCR REGEN	18 AWG	GXL	CO3-J4 (9)

SW209-1 (ENGINE REGENERATION)					
CONN POS	WIRE COLOR	WIRE LABEL	GAUGE	JACKET	TO
1	YEL	2-9-2	18 AWG	GXL	SW207 (2)
1	YEL	2-9-3	18 AWG	GXL	SW205 (2)

Figure 7-156. Ground Control Harness - Sheet 6 of 7

SECTION 7 - BASIC ELECTRICAL INFORMATION & ELECTRICAL SCHEMATICS

LB192 (BOOM CONTROL SYSTEM)					
CONN POS	WIRE COLOR	WIRE LABEL	GAUGE	JACKET	TO
1	WHT	49-29 BCS	18 AWG	GXL	CO3-J4 (3)

LB191 (PLATFORM OVERLOAD)					
CONN POS	WIRE COLOR	WIRE LABEL	GAUGE	JACKET	TO
1	WHT	49-30 OVERLOAD	18 AWG	GXL	CO3-J4 (14)
2	BLK	0-12-1	18 AWG	GXL	LB190 (2)
2	BLK	0-12-2	18 AWG	GXL	LB192 (2)

LB197 (AXLES SET)					
CONN POS	WIRE COLOR	WIRE LABEL	GAUGE	JACKET	TO
1	WHT	39-4 AXLE	18 AWG	GXL	CO3-J4 (1)
2	BLK	0-12-6	18 AWG	GXL	LB196 (2)
2	BLK	0-12-7	18 AWG	GXL	LB198 (2)

LB198 (600# CAPACITY)					
CONN POS	WIRE COLOR	WIRE LABEL	GAUGE	JACKET	TO
1	WHT	54-4 500#	18 AWG	GXL	CO3-J4 (2)
2	BLK	0-12-7	18 AWG	GXL	LB197 (2)

SW201 (PLATFORM LEVEL)					
CONN POS	WIRE COLOR	WIRE LABEL	GAUGE	JACKET	TO
1	WHT	25-7 PLTFM LVL UP	18 AWG	GXL	CO3-J4 (17)
2	YEL	2-9-7	18 AWG	GXL	SW470 (2)
2	YEL	2-9-8	18 AWG	GXL	SW200 (2)
3	WHT	25-8 PLTFM LVL DN	18 AWG	GXL	CO3-J4 (5)

SW199 (ENGINE START/AUX POWER)					
CONN POS	WIRE COLOR	WIRE LABEL	GAUGE	JACKET	TO
1	WHT	48-4 START	18 AWG	GXL	CO3-J4 (4)
2	YEL	2-9-9	18 AWG	GXL	CO3-J4 (16)

SW223-B (E-STOP POWER)					
CONN POS	WIRE COLOR	WIRE LABEL	GAUGE	JACKET	TO
1	RED	1-3	16 AWG	GXL	SW224-2 (2)

Figure 7-157. Ground Control Harness - Sheet 7 of 7

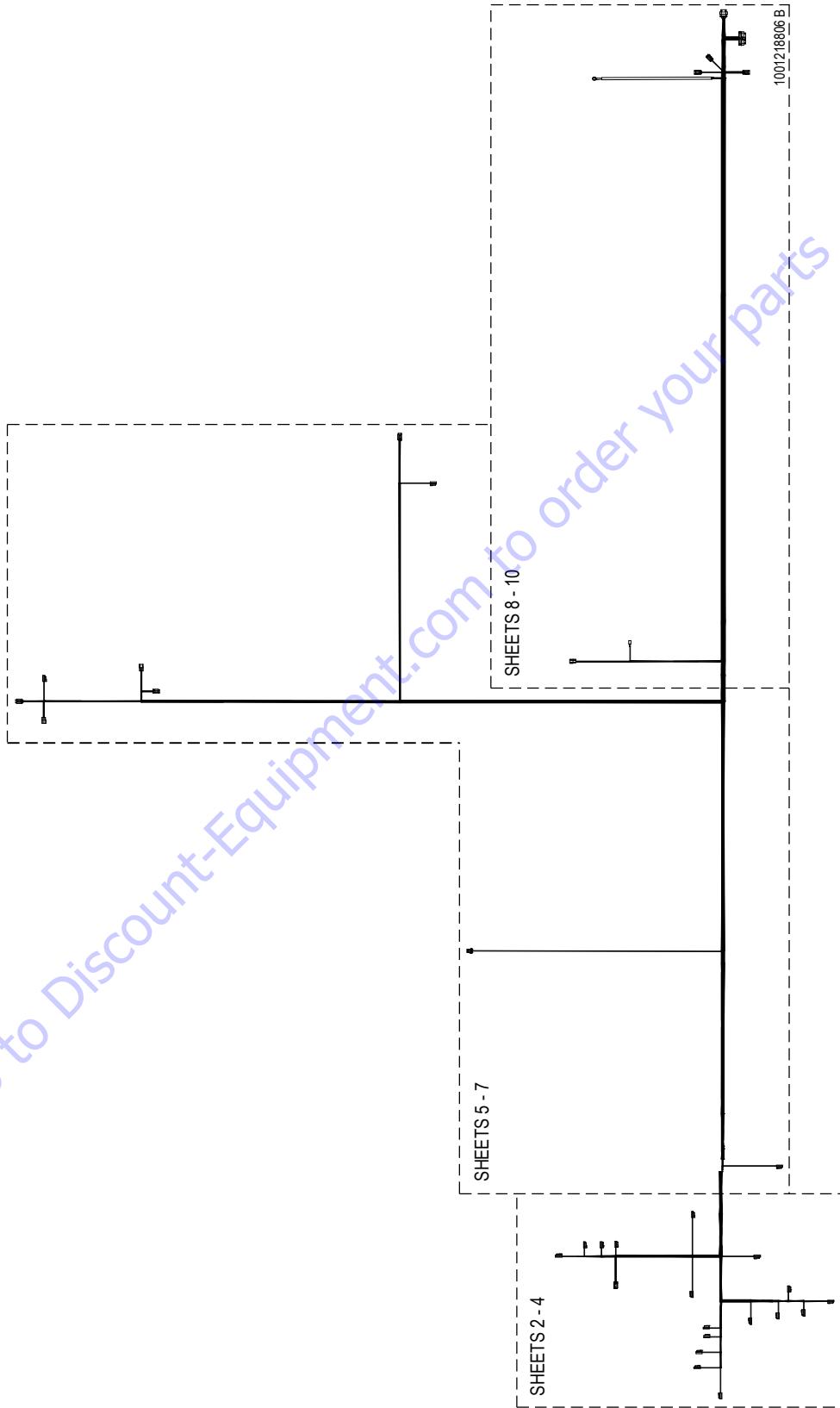
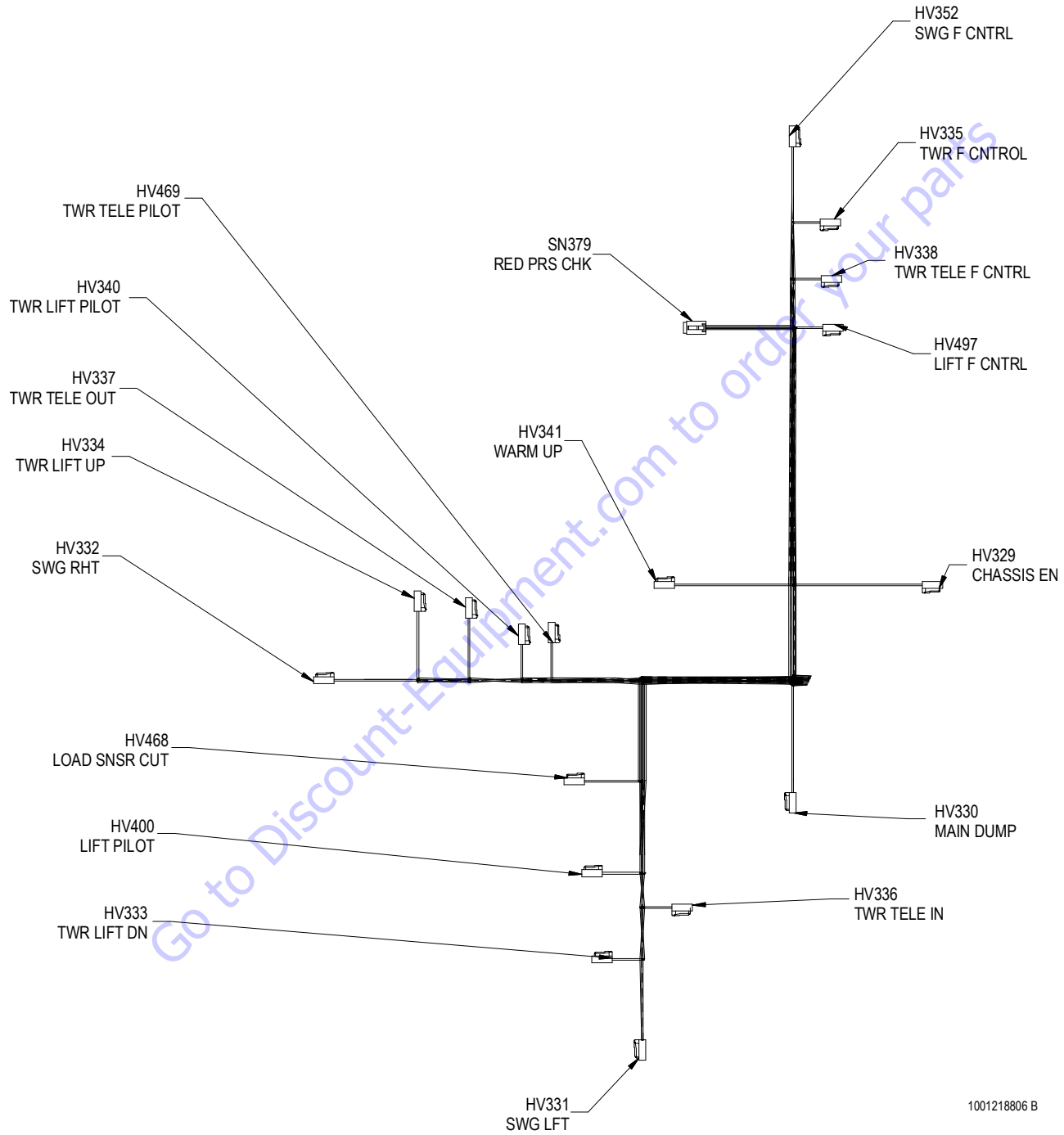


Figure 7-158. Turntable Valve Harness - Sheet 1 of 11

SECTION 7 - BASIC ELECTRICAL INFORMATION & ELECTRICAL SCHEMATICS



1001218806 B

Figure 7-159. Turntable Valve Harness - Sheet 2 of 11

SECTION 7 - BASIC ELECTRICAL INFORMATION & ELECTRICAL SCHEMATICS

HV332 (SWG RHT)					
CONN POS	WIRE COLOR	WIRE LABEL	GAUGE	JACKET	TO
1	WHT	22-1 SWG RHT	18 AWG	GXL	CO3-J2 (32)
2	BLK	0-42-2	18 AWG	GXL	S359 (2)

HV341 (WARM UP)					
CONN POS	WIRE COLOR	WIRE LABEL	GAUGE	JACKET	TO
1	WHT	55-19 HYD WARM	18 AWG	GXL	CO3-J2 (12)
2	BLK	0-20-1	18 AWG	GXL	S378 (2)

HV334 (TWR LIFT UP)					
CONN POS	WIRE COLOR	WIRE LABEL	GAUGE	JACKET	TO
1	WHT	14-4 TWR LIFT UP	18 AWG	GXL	CO3-J2 (23)
2	BLK	0-43-2	18 AWG	GXL	S375 (2)

HV352 (SWG F CNTRL)					
CONN POS	WIRE COLOR	WIRE LABEL	GAUGE	JACKET	TO
1	WHT	55-32 SWG FC	18 AWG	GXL	CO3-J2 (35)
2	BLK	0-42-3	18 AWG	GXL	S359 (2)

HV337 (TWR TELE OUT)					
CONN POS	WIRE COLOR	WIRE LABEL	GAUGE	JACKET	TO
1	WHT	15-2 TWR TELE OUT	18 AWG	GXL	CO3-J2 (16)
2	BLK	0-44-2	18 AWG	GXL	S373 (2)

HV335 (TWR F CNTRL)					
CONN POS	WIRE COLOR	WIRE LABEL	GAUGE	JACKET	TO
1	WHT	55-9 TWR LIFT FC	18 AWG	GXL	CO3-J2 (20)
2	WHT	60-1 TWR L FC RTN	18 AWG	GXL	CO3-J3 (1)

HV340 (TWR LIFT PILOT)					
CONN POS	WIRE COLOR	WIRE LABEL	GAUGE	JACKET	TO
1	WHT	55-11 TWR LIFT PLT	18 AWG	GXL	CO3-J2 (33)
2	BLK	0-40-2	18 AWG	GXL	S357 (2)

SN379 (RED PRS CHK)					
CONN POS	WIRE COLOR	WIRE LABEL	GAUGE	JACKET	TO
1	BLK	18/3 - 1060981	18 AWG	CABLE	MS503 (7)
2	RED	18/3 - 1060981	18 AWG	CABLE	MS503 (5)
4	BLU	18/3 - 1060981	18 AWG	CABLE	X458A (10)
NC	SHLD	18/3 - 1060981	18 AWG	CABLE	S562 (2)

HV469 (TWR TELE PILOT)					
CONN POS	WIRE COLOR	WIRE LABEL	GAUGE	JACKET	TO
1	WHT	15-5 TWR TELE PLT	18 AWG	GXL	CO3-J2 (11)
2	BLK	0-44-3	18 AWG	GXL	CO3-J2 (29)

Figure 7-160. Turntable Valve Harness - Sheet 3 of 11

SECTION 7 - BASIC ELECTRICAL INFORMATION & ELECTRICAL SCHEMATICS

HV338 (TWR TELE F CNTRL)					
CONN POS	WIRE COLOR	WIRE LABEL	GAUGE	JACKET	TO
1	WHT	55-12 TWR TELE FC	18 AWG	GXL	CO3-J2 (8)
2	WHT	60-2 TWR T FC RTN	18 AWG	GXL	CO3-J3 (2)

HV331 (SWG LFT)					
CONN POS	WIRE COLOR	WIRE LABEL	GAUGE	JACKET	TO
1	WHT	22-2 SWG LFT	18 AWG	GXL	CO3-J2 (15)
2	BLK	0-42-1	18 AWG	GXL	S359 (2)

HV497 (LIFT F CNTRL)					
CONN POS	WIRE COLOR	WIRE LABEL	GAUGE	JACKET	TO
1	WHT	13-9 M L FCNTRL	18 AWG	GXL	CO3-J2 (34)
2	WHT	60-3 L FC RTN	18 AWG	GXL	CO3-J3 (4)

HV333 (TWR LIFT DN)					
CONN POS	WIRE COLOR	WIRE LABEL	GAUGE	JACKET	TO
1	WHT	14-3 TWR LIFT DN	18 AWG	GXL	CO3-J2 (21)
2	BLK	0-43-1	18 AWG	GXL	S375 (2)

HV329 (CHASSIS EN)					
CONN POS	WIRE COLOR	WIRE LABEL	GAUGE	JACKET	TO
1	WHT	55-31 CHAS ENBL	18 AWG	GXL	CO3-J2 (2)
2	BLK	0-37	18 AWG	GXL	CO3-J2 (17)

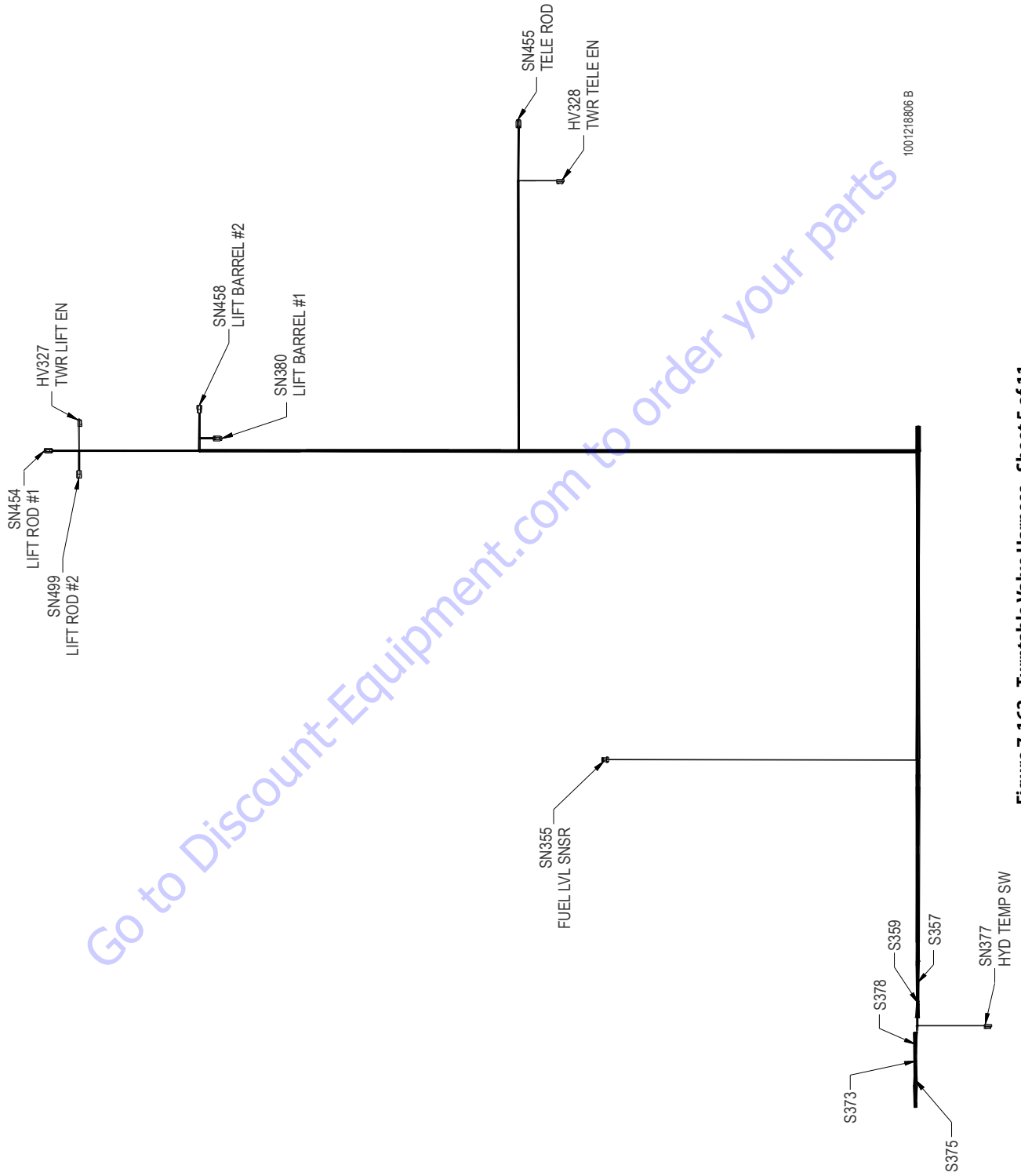
HV400 (LIFT PILOT)					
CONN POS	WIRE COLOR	WIRE LABEL	GAUGE	JACKET	TO
1	WHT	13-8 LIFT PLT	18 AWG	GXL	CO3-J2 (10)
2	BLK	0-43-3	18 AWG	GXL	S375 (1)

HV330 (MAIN DUMP)					
CONN POS	WIRE COLOR	WIRE LABEL	GAUGE	JACKET	TO
1	WHT	50-4 MAIN DUMP	18 AWG	GXL	CO3-J2 (13)
2	BLK	0-40-1	18 AWG	GXL	S357 (2)

HV468 (LOAD SNSR CUT)					
CONN POS	WIRE COLOR	WIRE LABEL	GAUGE	JACKET	TO
1	WHT	17-1 LOAD CUT VLV	18 AWG	GXL	X458A (12)
2	BLK	0-20-3	18 AWG	GXL	S378 (2)

HV336 (TWR TELE IN)					
CONN POS	WIRE COLOR	WIRE LABEL	GAUGE	JACKET	TO
1	WHT	15-1 TWR TELE IN	18 AWG	GXL	CO3-J2 (4)
2	BLK	0-44-1	18 AWG	GXL	S373 (2)

Figure 7-161. Turntable Valve Harness - Sheet 4 of 11



Go to Discount-Equipment.com to order your parts

Figure 7-162. Turntable Valve Harness - Sheet 5 of 11

SECTION 7 - BASIC ELECTRICAL INFORMATION & ELECTRICAL SCHEMATICS

S375					
CONN POS	WIRE COLOR	WIRE LABEL	GAUGE	JACKET	TO
1	BLK	0-43	18 AWG	GXL	CO3-J2 (30)
1	BLK	0-43-3	18 AWG	GXL	HV400 (2)
2	BLK	0-43-1	18 AWG	GXL	HV333 (2)
2	BLK	0-43-2	18 AWG	HXL	HV334 (2)

S359					
CONN POS	WIRE COLOR	WIRE LABEL	GAUGE	JACKET	TO
1	BLK	0-42	18 AWG	GXL	CO3-J2 (18)
2	BLK	0-42-1	18 AWG	GXL	HV331 (2)
2	BLK	0-42-2	18 AWG	GXL	HV332 (2)
2	BLK	0-42-3	18 AWG	GXL	HV352 (2)

S373					
CONN POS	WIRE COLOR	WIRE LABEL	GAUGE	JACKET	TO
1	BLK	0-44	18 AWG	GXL	CO3-J2 (6)
2	BLK	0-44-1	18 AWG	GXL	HV336 (2)
2	BLK	0-44-2	18 AWG	GXL	HV337 (2)

S357					
CONN POS	WIRE COLOR	WIRE LABEL	GAUGE	JACKET	TO
1	BLK	0-40	18 AWG	GXL	CO3-J2 (14)
2	BLK	0-40-1	18 AWG	GXL	HV330 (2)
2	BLK	0-40-2	18 AWG	GXL	HV340 (2)

S378					
CONN POS	WIRE COLOR	WIRE LABEL	GAUGE	JACKET	TO
1	BLK	0-20	18 AWG	GXL	CO3-J3 (3)
1	BLK	0-20-2	18 AWG	GXL	SN377 (2)
2	BLK	0-20-1	18 AWG	GXL	HV341 (2)
2	BLK	0-20-3	18 AWG	GXL	HV468 (2)

SN355 (FUEL LVL SNSR)					
CONN POS	WIRE COLOR	WIRE LABEL	GAUGE	JACKET	TO
1	WHT	47-10 FUL SNSR	18 AWG	GXL	CO3-J2 (25)
2	BLK	0-45-2	18 AWG	GXL	S356 (2)

SN377 (HYD TEMP SW)					
CONN POS	WIRE COLOR	WIRE LABEL	GAUGE	JACKET	TO
1	WHT	49-45 HYD OIL TEMP	18 AWG	GXL	CO3-J2 (24)
2	BLK	0-20-2	18 AWG	GXL	S378 (1)

SN499 (LIFT ROD #2)					
CONN POS	WIRE COLOR	WIRE LABEL	GAUGE	JACKET	TO
A	RED	18/3 - 1060981	18 AWG	CABLE	MS503 (6)
B	BLK	18/3 - 1060981	18 AWG	CABLE	MS503 (8)
C	BLU	18/3 - 1060981	18 AWG	CABLE	CO3-J3 (13)
NC	SHLD	18/3 - 1060981	18 AWG	CABLE	S562 (2)

Figure 7-163. Turntable Valve Harness - Sheet 6 of 11

SECTION 7 - BASIC ELECTRICAL INFORMATION & ELECTRICAL SCHEMATICS

SN454 (LIFT ROD #1)					
CONN POS	WIRE COLOR	WIRE LABEL	GAUGE	JACKET	TO
1	BLK	18/3 - 1060981	18 AWG	CABLE	X458A (2)
2	RED	18/3 - 1060981	18 AWG	CABLE	X458A (1)
4	BLU	18/3 - 1060981	18 AWG	CABLE	X458A (3)
NC	SHLD	18/3 - 1060981	18 AWG	CABLE	S562 (2)

HV327 (TWR LIFT EN)					
CONN POS	WIRE COLOR	WIRE LABEL	GAUGE	JACKET	TO
1	WHT	55-7 TWR LIFT ENBL	18 AWG	GXL	X384B (4)
2	WHT	60-7 TWR L EN RTN	18 AWG	GXL	CO3-J3 (14)

SN458 (LIFT BARREL #2)					
CONN POS	WIRE COLOR	WIRE LABEL	GAUGE	JACKET	TO
A	YEL	18/3 - 1060982	18 AWG	CABLE	CO3-J3 (12)
B	BLK	18/3 - 1060982	18 AWG	CABLE	X458A (7)
C	ORG	18/3 - 1060982	18 AWG	CABLE	X458A (8)
NC	SHLD	18/3 - 1060982	18 AWG	CABLE	S562 (2)

SN380 (LIFT BARREL #1)					
CONN POS	WIRE COLOR	WIRE LABEL	GAUGE	JACKET	TO
1	BLK	18/3 - 1060982	18 AWG	CABLE	X458A (5)
2	YEL	18/3 - 1060982	18 AWG	CABLE	X458A (4)
4	ORG	18/3 - 1060982	18 AWG	CABLE	X458A (6)
NC	SHLD	18/3 - 1060982	18 AWG	CABLE	S562 (2)

SN455 (TELE ROD)					
CONN POS	WIRE COLOR	WIRE LABEL	GAUGE	JACKET	TO
1	BLK	18/3 - 1060981	18 AWG	CABLE	X384B (3)
2	RED	18/3 - 1060981	18 AWG	CABLE	X384B (1)
4	BLU	18/3 - 1060981	18 AWG	CABLE	X384B (2)
NC	SHLD	18/3 - 1060981	18 AWG	CABLE	S562 (2)

HV328 (TWR TELE EN)					
CONN POS	WIRE COLOR	WIRE LABEL	GAUGE	JACKET	TO
1	WHT	55-8 TWR TELE ENBL	18 AWG	GXL	X384B (8)
2	WHT	60-6 TWR T EN RTN	18 AWG	GXL	CO3-J3 (5)

Figure 7-164. Turntable Valve Harness - Sheet 7 of 11

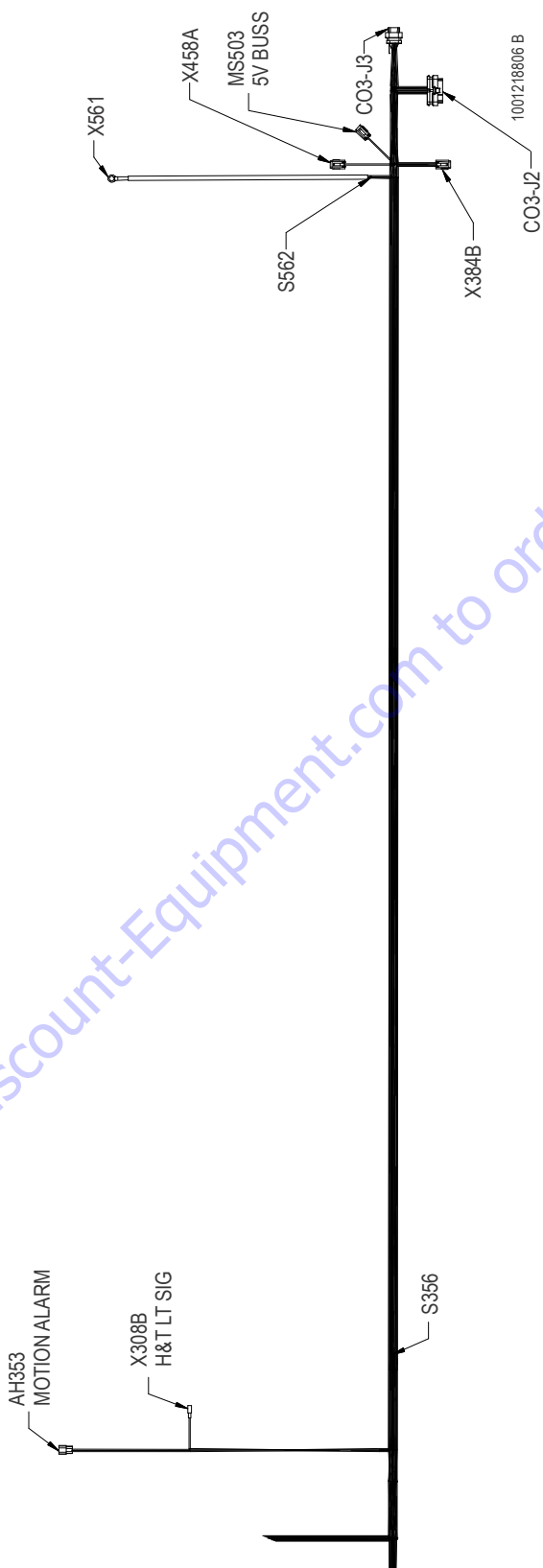


Figure 7-165. Turntable Valve Harness - Sheet 8 of 11

Go to Discount-Equipment.com to order your parts

SECTION 7 - BASIC ELECTRICAL INFORMATION & ELECTRICAL SCHEMATICS

AH353 (MOTION ALARM)					
CONN POS	WIRE COLOR	WIRE LABEL	GAUGE	JACKET	TO
A	YEL	2-16	18 AWG	GXL	CO3-J3 (7)
B	WHT	52-6 MOT ALARM	18 AWG	GXL	CO3-J2 (27)
C	BLK	0-45-1	18 AWG	GXL	S356 (2)

X308B (H&T LT SIG)					
CONN POS	WIRE COLOR	WIRE LABEL	GAUGE	JACKET	TO
1	WHT	52-7 H&T LT	18 AWG	GXL	CO3-J2 (26)

S356					
CONN POS	WIRE COLOR	WIRE LABEL	GAUGE	JACKET	TO
1	BLK	0-45	18 AWG	GXL	CO3-J2 (28)
2	BLK	0-45-1	18 AWG	GXL	AH353 (C)
2	BLK	0-45-2	18 AWG	GXL	SN355 (2)

S562					
CONN POS	WIRE COLOR	WIRE LABEL	GAUGE	JACKET	TO
1	N/A	SNSR SHLD GND	4 AWG	BRAID	X561 (1)
2	SHLD	18/3 - 1060981	18 AWG	CABLE	SN379 (NC)
2	SHLD	18/3 - 1060981	18 AWG	CABLE	SN454 (NC)
2	SHLD	18/3 - 1060981	18 AWG	CABLE	SN455 (NC)
2	SHLD	18/3 - 1060981	18 AWG	CABLE	SN499 (NC)
2	SHLD	18/3 - 1060982	18 AWG	CABLE	SN380 (NC)
2	SHLD	18/3 - 1060982	18 AWG	CABLE	SN458 (NC)

X561					
CONN POS	WIRE COLOR	WIRE LABEL	GAUGE	JACKET	TO
1	N/A	SNSR SHLD GND	4 AWG	BRAID	S562 (1)

MS503 (5V BUSS)					
CONN POS	WIRE COLOR	WIRE LABEL	GAUGE	JACKET	TO
1	BLK	0-63	18 AWG	GXL	X456A (11)
3	WHT	19-56-1 SNSR SUP	18 AWG	GXL	X458A (9)
5	RED	18/3 - 1060981	18 AWG	CABLE	SN379 (2)
6	RED	18/3 - 1060981	18 AWG	CABLE	SN499 (A)
7	BLK	18/3 - 1060981	18 AWG	CABLE	SN379 (1)
8	BLK	18/3 - 1060981	18 AWG	CABLE	SN499 (B)

CO3-J3					
CONN POS	WIRE COLOR	WIRE LABEL	GAUGE	JACKET	TO
1	WHT	60-1 TWR L FC RTN	18 AWG	GXL	HV335 (2)
2	WHT	60-2 TWR T FC RTN	18 AWG	GXL	HV338 (2)
3	BLK	0-20	18 AWG	GXL	S378 (1)
4	WHT	60-3 L FC RTN	18 AWG	GXL	HV497 (2)
5	WHT	60-6 TWR T EN RTN	18 AWG	GXL	HV328 (2)
6	WHT	60-8 DN ENBL RTN	18 AWG	GXL	X384B (5)
7	YEL	2-16	18 AWG	GXL	AH353 (A)
9	WHT	47-6-2 ALT EXC	18 AWG	GXL	X384B (12)
12	YEL	18/3 - 1060982	18 AWG	CABLE	SN458 (A)
13	BLU	18/3 - 1060981	18 AWG	CABLE	SN499 (C)
14	WHT	60-7 TWR L EN RTN	18 AWG	GXL	HV327 (2)

Figure 7-166. Turntable Valve Harness - Sheet 9 of 11

SECTION 7 - BASIC ELECTRICAL INFORMATION & ELECTRICAL SCHEMATICS

CO3-J2					
CONN POS	WIRE COLOR	WIRE LABEL	GAUGE	JACKET	TO
2	WHT	55-31 CHAS ENBL	18 AWG	GXL	HV329 (1)
3	WHT	50-2 PLTFM DUMP	16 AWG	GXL	X384B (11)
4	WHT	15-1 TWR TELE IN	18 AWG	GXL	HV336 (1)
5	WHT	25-3-2 LVL UP O/R	18 AWG	GXL	X384B (9)
6	BLK	0-44	18 AWG	GXL	S373 (1)
7	WHT	25-4-2 LVL DN O/R	18 AWG	GXL	X384B (10)
8	WHT	55-12 TWR TELE FC	18 AWG	GXL	HV338 (1)
9	WHT	3-1 DN ENBL	18 AWG	GXL	X384B (7)
10	WHT	13-8 LIFT PLT	18 AWG	GXL	HV400 (1)
11	WHT	15-5 TWR TELE PLT	18 AWG	GXL	HV469 (1)
12	WHT	55-19 HYD WARM	18 AWG	GXL	HV341 (1)
13	WHT	50-4 MAIN DUMP	18 AWG	GXL	HV330 (1)
14	BLK	0-40	18 AWG	GXL	S357 (1)
15	WHT	22-2 SWG LFT	18 AWG	GXL	HV331 (1)
16	WHT	15-2 TWR TELE OUT	18 AWG	GXL	HV337 (1)
17	BLK	0-37	18 AWG	GXL	HV329 (2)
18	BLK	0-42	18 AWG	GXL	S359 (1)
19	WHT	13-7-1 FCNTRL O/R	18 AWG	GXL	X384B (6)
20	WHT	55-9 TWR LIFT FC	18 AWG	GXL	HV335 (1)
21	WHT	14-3 TWR LIFT DN	18 AWG	GXL	HV333 (1)
23	WHT	14-4 TWR LIFT UP	18 AWG	GXL	HV334 (1)
24	WHT	49-45 HYD OIL TEMP	18 AWG	GXL	SN377 (1)
25	WHT	47-10 FUL SNSR	18 AWG	GXL	SN355 (10)
26	WHT	52-7 H&T LT	18 AWG	GXL	X308B (1)
27	WHT	52-6 MOT ALARM	18 AWG	GXL	AH353 (B)
28	BLK	0-45	18 AWG	GXL	S356 (1)
29	BLK	0-44-3	18 AWG	GXL	HV469 (2)
30	BLK	0-43	18 AWG	GXL	S375 (1)
32	WHT	22-1 SWG RHT	18 AWG	GXL	HV332 (1)
33	WHT	55-11 TWR LIFT PLT	18 AWG	GXL	HV340 (1)
34	WHT	13-9 M L FCNTRL	18 AWG	GXL	HV497 (1)
35	WHT	55-32 SWG FC	18 AWG	GXL	HV352 (1)

X458A					
CONN POS	WIRE COLOR	WIRE LABEL	GAUGE	JACKET	TO
1	RED	18/3 - 1060981	18 AWG	CABLE	SN454 (2)
2	BLK	18/3 - 1060981	18 AWG	CABLE	SN454 (1)
3	BLU	18/3 - 1060981	18 AWG	CABLE	SN454 (4)
4	YEL	18/3 - 1060982	18 AWG	CABLE	SN380 (2)
5	BLK	18/3 - 1060982	18 AWG	CABLE	SN380 (1)
6	ORG	18/3 - 1060982	18 AWG	CABLE	SN380 (4)
7	BLK	18/3 - 1060982	18 AWG	CABLE	SN458 (B)
8	ORG	18/3 - 1060982	18 AWG	CABLE	SN458 (C)
9	WHT	19-56-1 SNSR SUP	18 AWG	GXL	MS503 (3)
10	BLU	18/3 - 1060981	18 AWG	CABLE	SN379 (4)
11	BLK	0-63	18 AWG	GXL	MS503 (1)
12	WHT	17-1 LOAD CUT VLV	18 AWG	GXL	HV468 (1)

X384B					
CONN POS	WIRE COLOR	WIRE LABEL	GAUGE	JACKET	TO
1	RED	18/3 - 1060981	18 AWG	CABLE	SN455 (2)
2	BLU	18/3 - 1060981	18 AWG	CABLE	SN455 (4)
3	BLK	18/3 - 1060981	18 AWG	CABLE	SN455 (1)
4	WHT	55-7 TWR LIFT ENBL	18 AWG	GXL	HV327 (1)
5	WHT	60-8 DN ENBL RTN	18 AWG	GXL	CO3-J3 (6)
6	WHT	13-7-1 FCNTRL O/R	18 AWG	GXL	CO3-J2 (19)
7	WHT	3-1 DN ENBL	18 AWG	GXL	CO3-J2 (9)
8	WHT	55-8 TWR TELE ENBL	18 AWG	GXL	HV328 (1)
9	WHT	25-3-2 LVL UP O/R	18 AWG	GXL	CO3-J2 (5)
10	WHT	25-4-2 LVL DN O/R	18 AWG	GXL	CO3-J2 (7)
11	WHT	50-2 PLTFM DUMP	16 AWG	GXL	CO3-J2 (3)
12	WHT	47-6-2 ALT EXC	18 AWG	GXL	CO3-J3 (9)

Figure 7-167. Turntable Valve Harness - Sheet 10 of 11

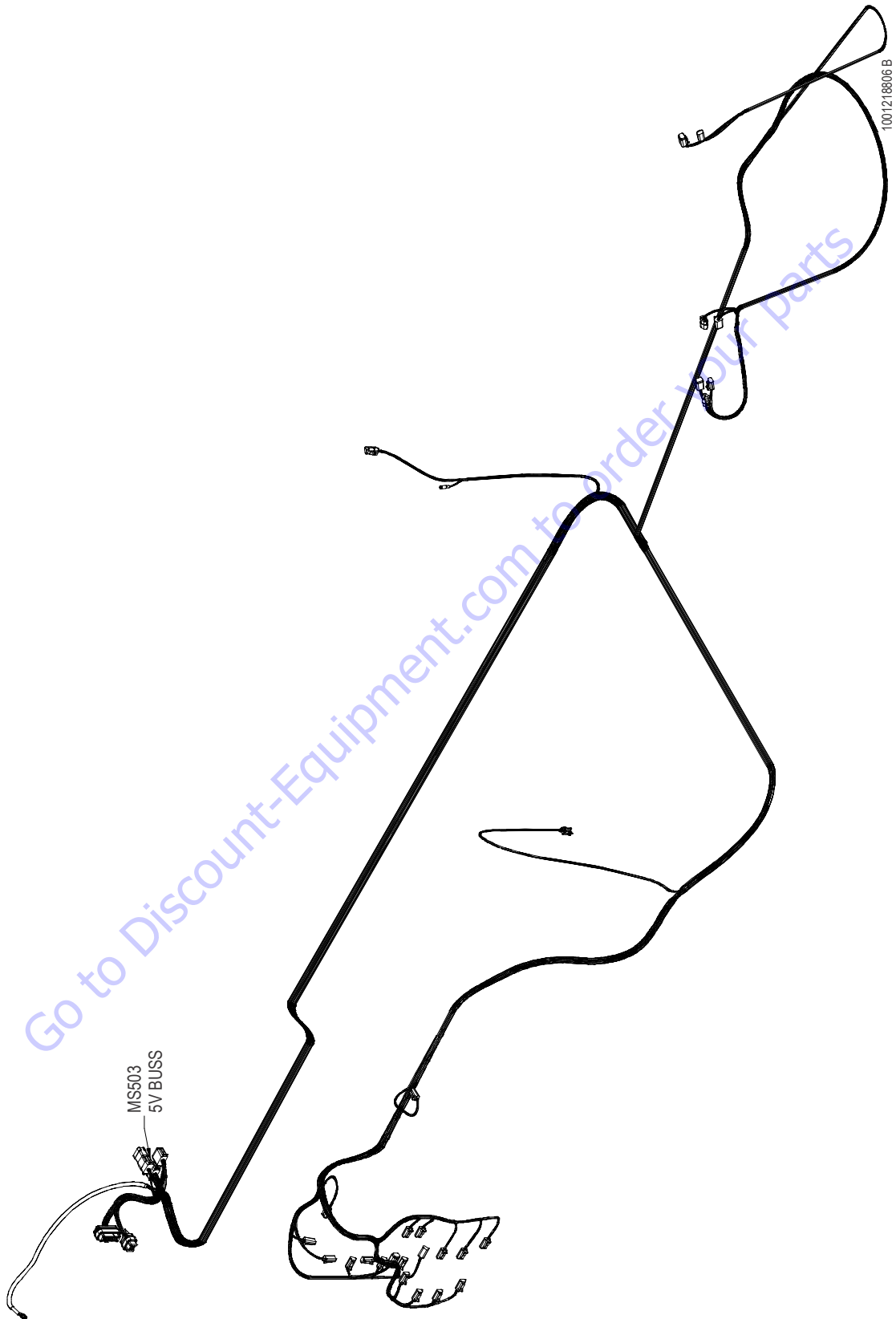
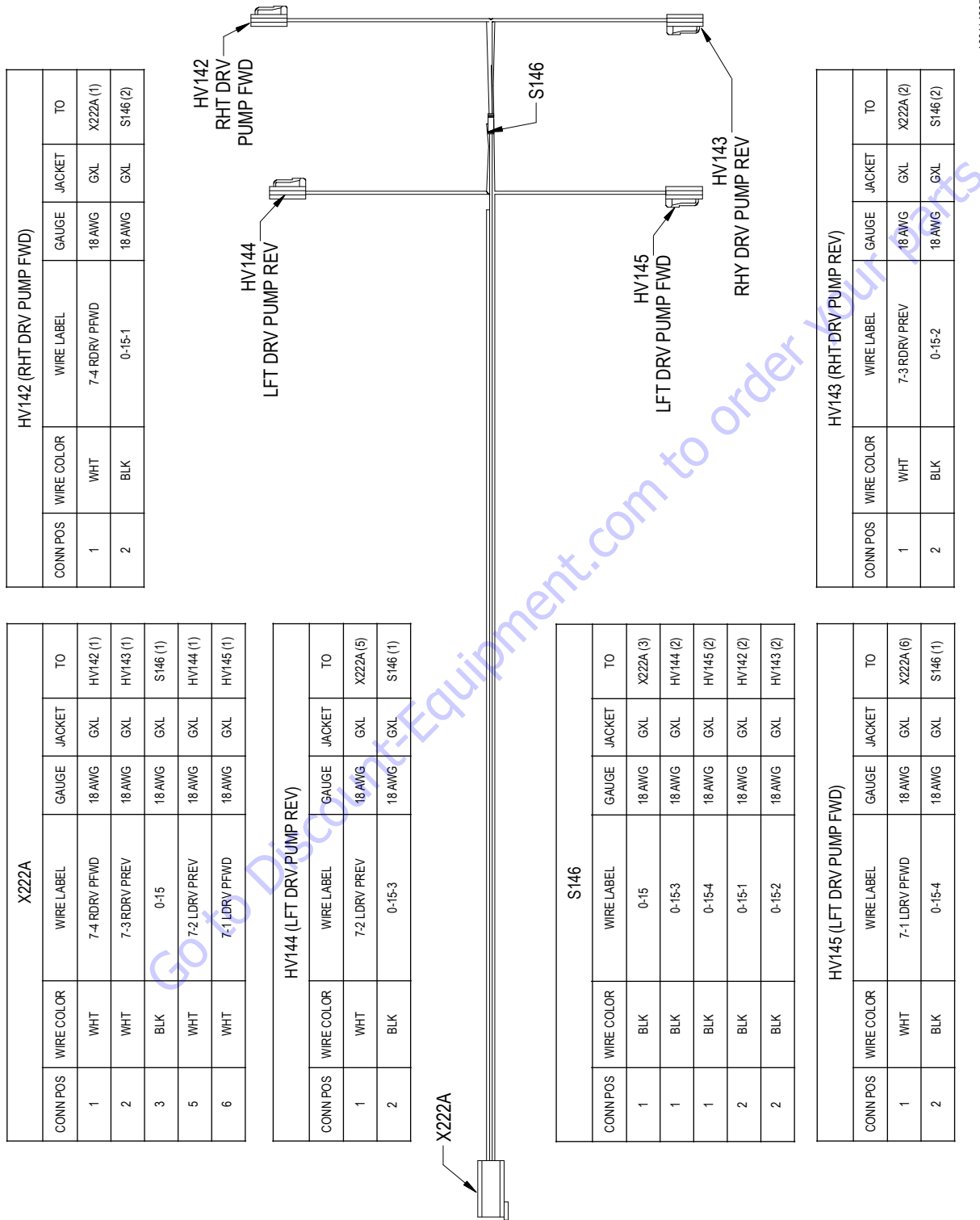


Figure 7-168. Turntable Valve Harness - Sheet 11 of 11

SECTION 7 - BASIC ELECTRICAL INFORMATION & ELECTRICAL SCHEMATICS



1001149970 B

Figure 7-169. Drive Pump Harness

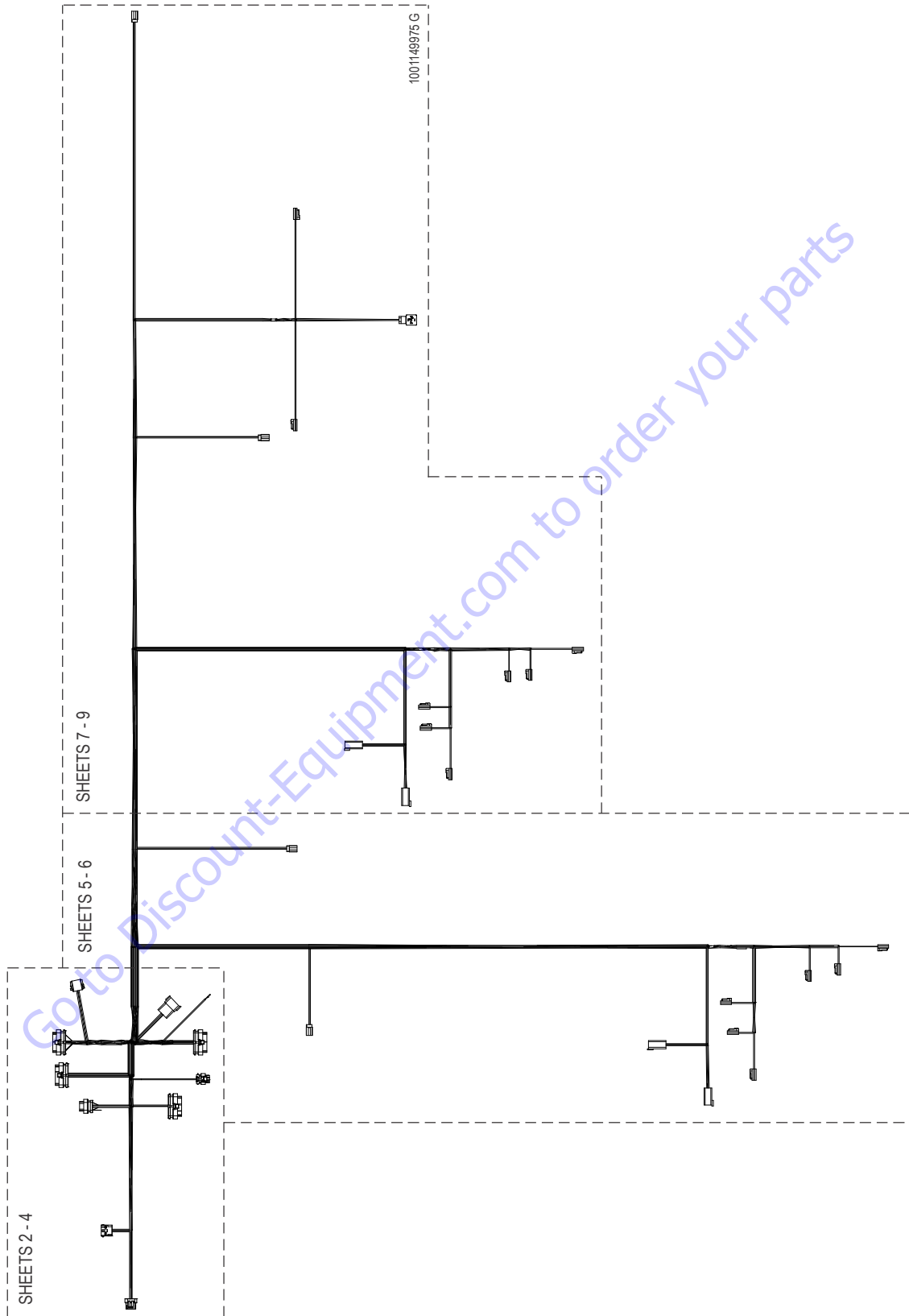


Figure 7-170. Chassis Harness - Sheet 1 of 10

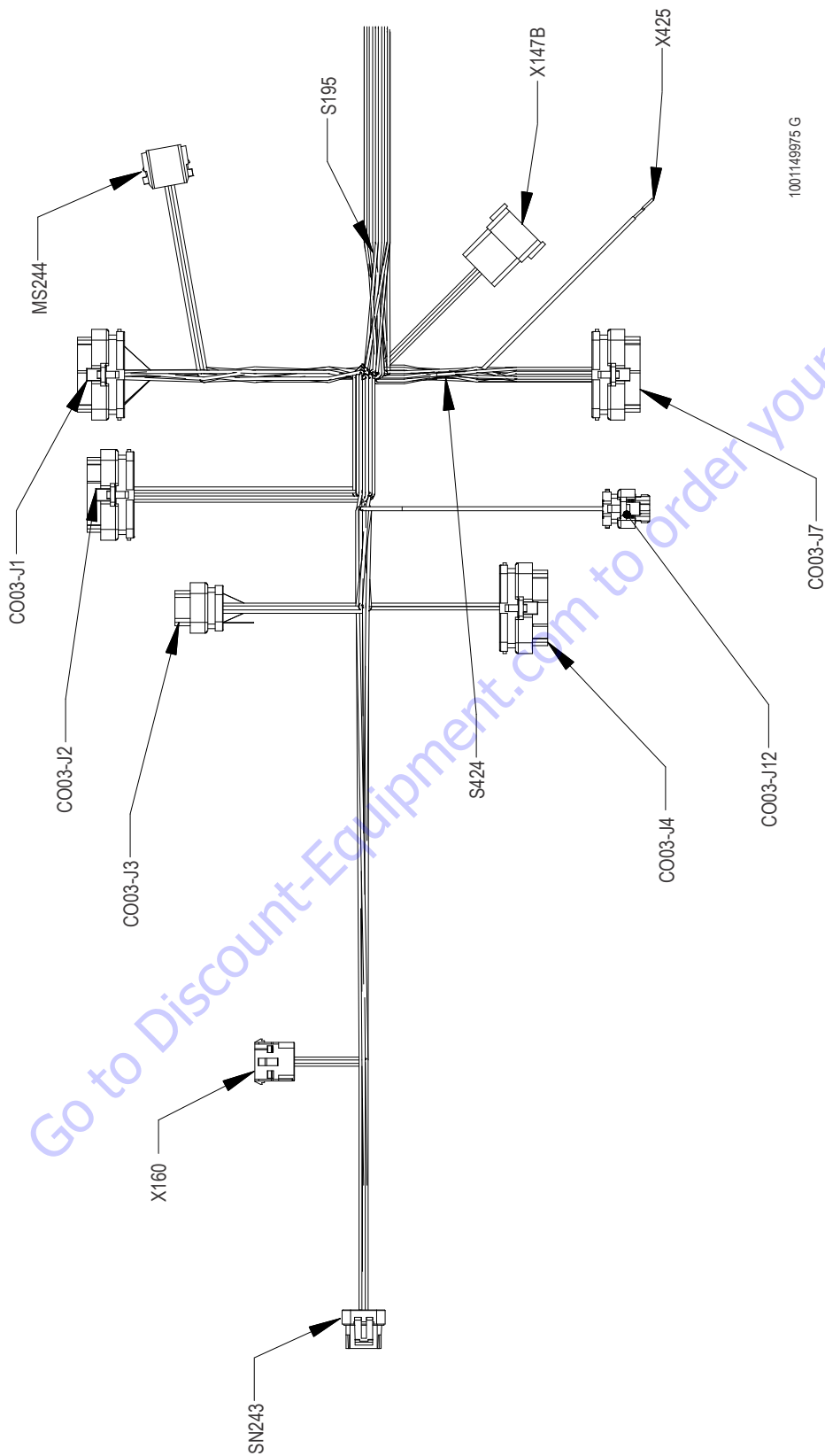


Figure 7-171. Chassis Harness - Sheet 2 of 10

SECTION 7 - BASIC ELECTRICAL INFORMATION & ELECTRICAL SCHEMATICS

SN243					
CONN POS	WIRE COLOR	WIRE LABEL	GAUGE	JACKET	TO
A	BLK	00-14	18 AWG	GXL	CO03-J1 (18)
B	WHT	61-1-6 5V	18 AWG	GXL	MS244 (1)
C	WHT	55-18 TTABLE ANG 2	18 AWG	GXL	CO03-J12 (2)
D	WHT	55-15 TTABLE ANG	18 AWG	GXL	CO03-J1 (16)
E	BLK	00-9	18 AWG	GXL	CO03-J1 (8)
F	WHT	61-1-5 5V	18 AWG	GXL	MS244 (2)

X160					
CONN POS	WIRE COLOR	WIRE LABEL	GAUGE	JACKET	TO
1	WHT	49-40 A-PWR	18 AWG	GXL	CO03-J1 (28)
2	WHT	49-39 A-RX	18 AWG	GXL	CO03-J1 (29)
3	WHT	49-38 A-TX	18 AWG	GXL	CO03-J1 (30)
4	BLK	00-7	18 AWG	GXL	CO03-J1 (31)

CO03-J3					
CONN POS	WIRE COLOR	WIRE LABEL	GAUGE	JACKET	TO
1	WHT	60-4 FAXS RTN	18 AWG	GXL	S167 (1)
2	WHT	60-5 RAXS RTN	18 AWG	GXL	S168 (1)
3	BLK	00-15	18 AWG	GXL	X445A (3)
12	WHT	61-1 5V	16 AWG	GXL	MS244 (6)
13	WHT	38-1 RLFT ASWG	18 AWG	GXL	X445A (2)

CO03-J4					
CONN POS	WIRE COLOR	WIRE LABEL	GAUGE	JACKET	TO
24	WHT	JUMPER	18 AWG	GXL	CO03-J4 (25)
25	WHT	JUMPER	18 AWG	GXL	CO03-J4 (24)
31	WHT	JUMPER	18 AWG	GXL	CO03-J4 (32)
32	WHT	JUMPER	18 AWG	GXL	CO03-J4 (31)

CO03-J12					
CONN POS	WIRE COLOR	WIRE LABEL	GAUGE	JACKET	TO
2	WHT	55-18 TTABLE ANG 2	18 AWG	GXL	SN243 (C)

CO03-J2					
CONN POS	WIRE COLOR	WIRE LABEL	GAUGE	JACKET	TO
1	WHT	55-13 2 SPD	18 AWG	GXL	HV178 (1)
4	WHT	38-2 FAXS EXT	18 AWG	GXL	HV161 (1)
5	WHT	38-4 RAXS EXT	18 AWG	GXL	HV163 (1)
6	BLK	00-2	18 AWG	GXL	X442A (3)
7	WHT	38-6 RAXS RET	18 AWG	GXL	HV164 (1)
8	WHT	9-5 RREAR STRR	18 AWG	GXL	HV174 (1)
9	WHT	9-7 LREAR STRR	18 AWG	GXL	HV176 (1)
11	WHT	9-4 RFRNT STRR	18 AWG	GXL	HV170 (1)
13	WHT	55-14 BRAKE	18 AWG	GXL	HV179 (1)
14	BLK	00-1	18 AWG	GXL	S181 (1)
16	WHT	38-3 FAXS RET	18 AWG	GXL	HV162 (1)
17	BLK	00-3	18 AWG	GXL	S205 (1)
18	BLK	00-5	18 AWG	GXL	S203 (1)
19	WHT	9-6 RREAR STRL	18 AWG	GXL	HV175 (1)
20	WHT	9-8 LREAR STRL	18 AWG	GXL	HV177 (1)
22	WHT	9-1 RFRNT STRL	18 AWG	GXL	HV171 (1)
25	WHT	38-5 FAXS RHT	18 AWG	GXL	X442A (2)
28	BLK	00-4	18 AWG	GXL	S202 (1)
30	BLK	00-6	18 AWG	GXL	S204 (1)
34	WHT	9-3 LFRNT STRL	18 AWG	GXL	HV173 (1)
35	WHT	9-2 LFRNT STRR	18 AWG	GXL	HV172 (1)

CO03-J1					
CONN POS	WIRE COLOR	WIRE LABEL	GAUGE	JACKET	TO
8	BLK	00-9	18 AWG	GXL	SN243 (E)
9	BLK	00-8	18 AWG	GXL	S195 (1)
14	WHT	38-10 FAXS LFT	18 AWG	GXL	X449B (2)
15	WHT	38-9 RAXS RHT	18 AWG	GXL	X448B (2)
16	WHT	55-15 TTABLE ANG	18 AWG	GXL	SN243 (D)
18	BLK	00-14	18 AWG	GXL	SN243 (A)
28	WHT	49-40 A-PWR	18 AWG	GXL	X160 (1)
29	WHT	49-39 A-RX	18 AWG	GXL	X160 (2)
30	WHT	49-38 A-TX	18 AWG	GXL	X160 (3)
31	BLK	00-7	18 AWG	GXL	X160 (4)

Figure 7-172. Chassis Harness - Sheet 3 of 10

SECTION 7 - BASIC ELECTRICAL INFORMATION & ELECTRICAL SCHEMATICS

CO03-J7					
CONN POS	WIRE COLOR	WIRE LABEL	GAUGE	JACKET	TO
3	WHT	49-100 ENABLE	18 AWG	GXL	CO03-J7 (34)
4	BLU	RHT FRNT STR	18 AWG	CABLE	X340A (3)
5	RED	LFT REAR STR	18 AWG	CABLE	X339A (2)
6	WHT	120 OHM	18 AWG	GXL	CO03-J7 (17)
7	BLU	LFT FRONT STR	18 AWG	CABLE	X337A (3)
8	BLU	LFT REAR STR	18 AWG	CABLE	X339A (3)
9	BLK	RHT FRNT STR	18 AWG	CABLE	X340A (1)
10	BLK	LFT FRNT STR	18 AWG	CABLE	X337A (1)
11	WHT	55-17 DOS	18 AWG	GXL	X147B (11)
12	WHT	49-70 HYD. OC	18 AWG	GXL	SN423 (2)
13	YEL	CAN HI	18 AWG	J1939 CABLE	X147B (1)
15	WHT	55-14 BRAKE	18 AWG	GXL	X147B (7)
16	RED	RHT FRNT STR	18 AWG	CABLE	X340A (2)
17	WHT	120 OHM	18 AWG	GXL	CO03-J7 (6)
18	SHLD	CAN SHLD	18 AWG	J1939 CABLE	X147B (7)
20	BLU	RHT REAR STR	18 AWG	CABLE	X338A (3)
24	GRN	CAN LOW	18 AWG	J1939 CABLE	X147B (2)
25	BLK	RHT REAR STR	18 AWG	CABLE	X338A (1)
26	RED	LFT FRNT STR	18 AWG	CABLE	X337A (2)
27	RED	RHT REAR STR	18 AWG	CABLE	X338A (2)
28	BLK	LFT REAR STR	18 AWG	CABLE	X339A (1)
29	YEL	02-4	18 AWG	GXL	X147B (12)
32	WHT	49-71 HYD. OC RTN	18 AWG	GXL	SN423 (1)
34	WHT	49-100 ENABLE	18 AWG	GXL	CO03-J7 (3)

X425					
CONN POS	WIRE COLOR	WIRE LABEL	GAUGE	JACKET	TO
1	BLK	00-12	16 AWG	GXL	S424 (1)

X147B					
CONN POS	WIRE COLOR	WIRE LABEL	GAUGE	JACKET	TO
1	YEL	CAN HI	18 AWG	J1939 CABLE	CO03-J7 (13)
2	GRN	CAN LOW	18 AWG	J1939 CABLE	CO03-J7 (24)
3	SHLD	CAN SHLD	18 AWG	J1939 CABLE	CO03-J7 (18)
7	WHT	55-14 BRAKE	18 AWG	GXL	CO03-J7 (15)
11	WHT	55-17 DOS	18 AWG	GXL	CO03-J7 (11)
12	YEL	02-4	18 AWG	GXL	CO03-J7 (29)

S424					
CONN POS	WIRE COLOR	WIRE LABEL	GAUGE	JACKET	TO
1	BLK	00-12	16 AWG	GXL	X425 (1)
2	SHIELD	SHLD	18 AWG	SHLD	X337A (4)
2	SHIELD	SHLD	18 AWG	SHLD	X338A (4)
2	SHIELD	SHLD	18 AWG	SHLD	X339A (4)
2	SHIELD	SHLD	18 AWG	SHLD	X340A (4)

S195					
CONN POS	WIRE COLOR	WIRE LABEL	GAUGE	JACKET	TO
1	BLK	00-8	18 AWG	GXL	CO03-J1 (9)
2	BLK	00-8-1	18 AWG	GXL	X448B (3)
2	BLK	00-8-2	18 AWG	GXL	X449B (3)

MS244					
CONN POS	WIRE COLOR	WIRE LABEL	GAUGE	JACKET	TO
1	WHT	61-1-6 5V	18 AWG	GXL	SN243 (B)
2	WHT	61-1-5 5V	18 AWG	GXL	SN243 (F)
3	WHT	61-1-4 5V	18 AWG	GXL	X449B (1)
4	WHT	61-1-3 5V	18 AWG	GXL	X448B (1)
6	WHT	61-1 5V	16 AWG	GXL	CO03-J3 (12)
7	WHT	61-1-1 5V	18 AWG	GXL	X442A (1)
8	WHT	61-1-2 5V	18 AWG	GXL	X445A (1)

Figure 7-173. Chassis Harness - Sheet 4 of 10

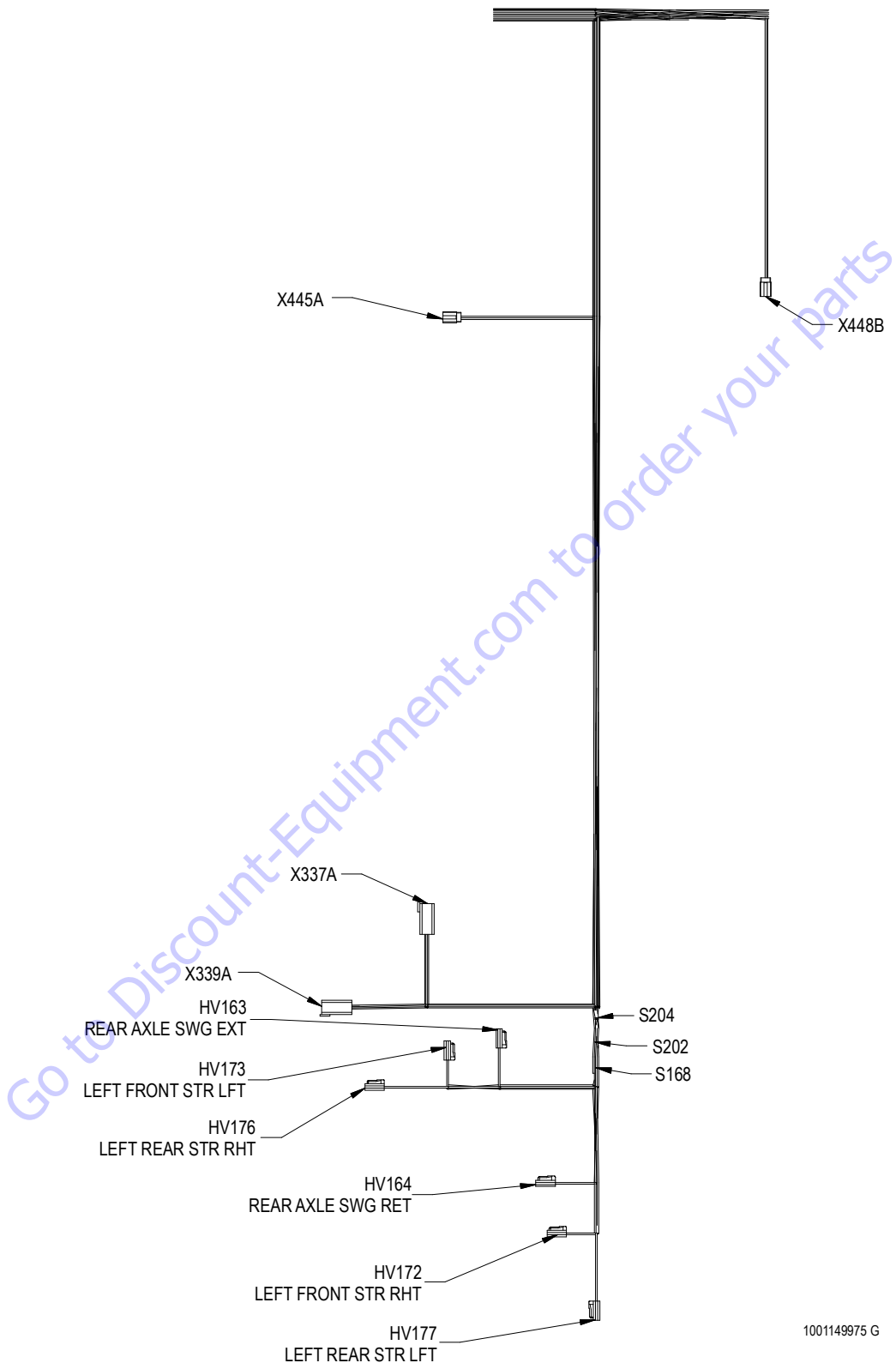


Figure 7-174. Chassis Harness - Sheet 5 of 10

SECTION 7 - BASIC ELECTRICAL INFORMATION & ELECTRICAL SCHEMATICS

X445A					
CONN POS	WIRE COLOR	WIRE LABEL	GAUGE	JACKET	TO
1	WHT	61-1-2 5V	18 AWG	GXL	MS244 (8)
2	WHT	38-1 RLFT ASWG	18 AWG	GXL	CO03-J3 (13)
3	BLK	00-15	18 AWG	GXL	CO03-J3 (3)

X448B					
CONN POS	WIRE COLOR	WIRE LABEL	GAUGE	JACKET	TO
1	WHT	61-1-3 5V	18 AWG	GXL	MS244 (4)
2	WHT	38-9 RAXS RHT	18 AWG	GXL	CO03-J1 (15)
3	BLK	00-8-1	18 AWG	GXL	S195 (2)

X337A					
CONN POS	WIRE COLOR	WIRE LABEL	GAUGE	JACKET	TO
1	BLK	LFT FRNT STR	18 AWG	CABLE	CO03-J7 (10)
2	RED	LFT FRNT STR	18 AWG	CABLE	CO03-J7 (26)
3	BLU	LFT FRONT STR	18 AWG	CABLE	CO03-J7 (7)
4	SHIELD	SHLD	18 AWG	SHLD	S424 (2)

X339A					
CONN POS	WIRE COLOR	WIRE LABEL	GAUGE	JACKET	TO
1	BLK	LFT REAR STR	18 AWG	CABLE	CO03-J7 (28)
2	RED	LFT REAR STR	18 AWG	CABLE	CO03-J7 (5)
3	BLU	LFT REAR STR	18 AWG	CABLE	CO03-J7 (8)
4	SHIELD	SHLD	18 AWG	SHLD	S424 (2)

HV163 (REAR AXLE SWG EXT)					
CONN POS	WIRE COLOR	WIRE LABEL	GAUGE	JACKET	TO
1	WHT	38-4 RAXS EXT	18 AWG	GXL	CO03-J2 (5)
2	WHT	60-5-1 RAXS RTN	18 AWG	GXL	S168 (2)

HV173 (LEFT FRONT STR LFT)					
CONN POS	WIRE COLOR	WIRE LABEL	GAUGE	JACKET	TO
1	WHT	9-3 LFRNT STRL	18 AWG	GXL	CO03-J2 (34)
2	BLK	00-4-2	18 AWG	GXL	S202 (2)

HV176 (LEFT REAR STR RHT)					
CONN POS	WIRE COLOR	WIRE LABEL	GAUGE	JACKET	TO
1	WHT	9-7 LREAR STRR	18 AWG	GXL	CO03-J2 (9)
2	BLK	00-6-1	18 AWG	GXL	S204 (2)

HV164 (REAR AXLE SWG RET)					
CONN POS	WIRE COLOR	WIRE LABEL	GAUGE	JACKET	TO
1	WHT	38-6 RAXS RET	18 AWG	GXL	CO03-J2 (7)
2	WHT	60-5-2 RAXS RTN	18 AWG	GXL	S168 (2)

HV172 (LEFT FRONT STR RHT)					
CONN POS	WIRE COLOR	WIRE LABEL	GAUGE	JACKET	TO
1	WHT	9-2 LFRNT STRR	18 AWG	GXL	CO03-J2 (35)
2	BLK	00-4-1	18 AWG	GXL	S202 (2)

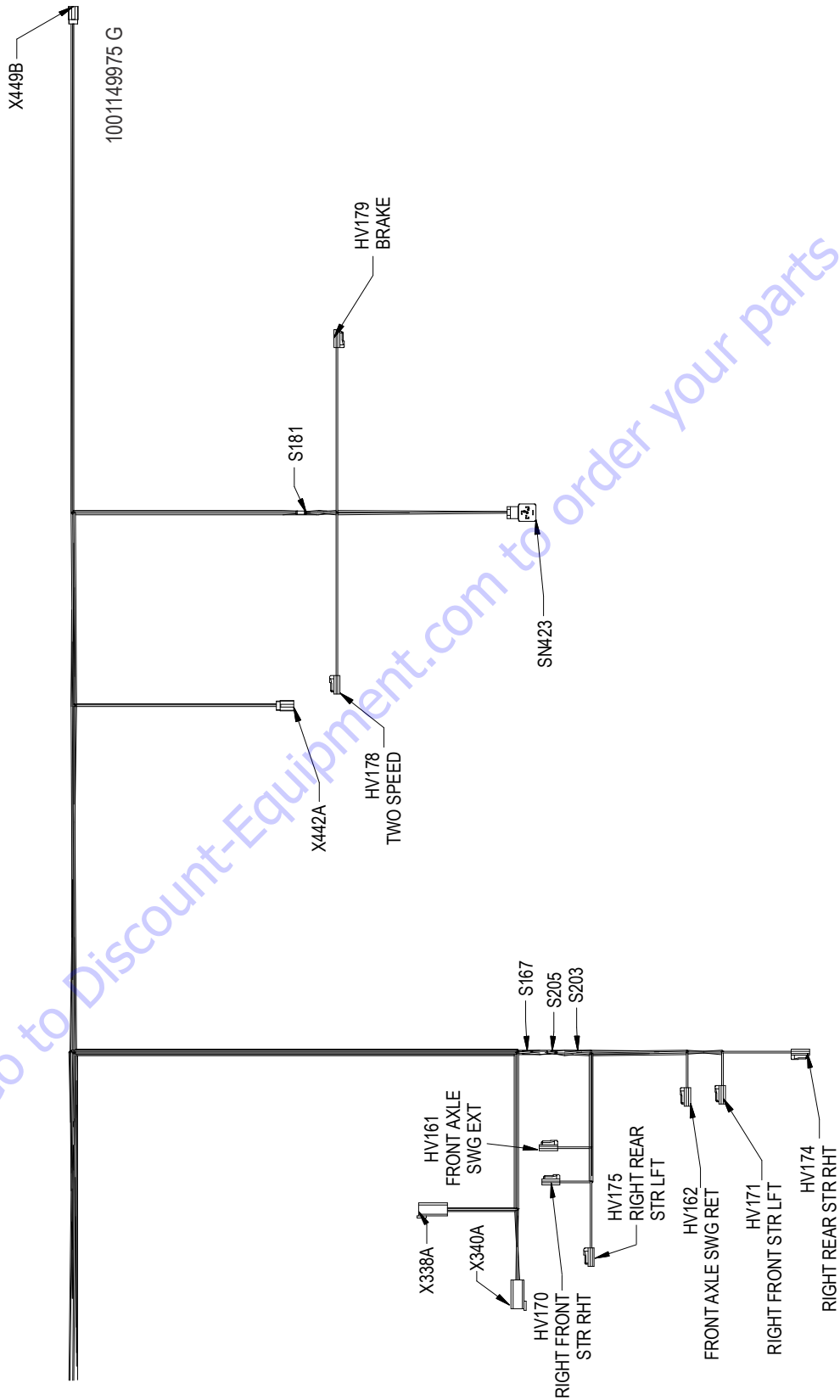
HV177 (LEFT REAR STR LFT)					
CONN POS	WIRE COLOR	WIRE LABEL	GAUGE	JACKET	TO
1	WHT	9-8 LREAR STRL	18 AWG	GXL	CO03-J2 (20)
2	BLK	00-6-2	18 AWG	GXL	S204 (2)

S168					
CONN POS	WIRE COLOR	WIRE LABEL	GAUGE	JACKET	TO
1	WHT	60-5 RAXS RTN	18 AWG	GXL	CO03-J3 (2)
2	WHT	60-5-1 RAXS RTN	18 AWG	GXL	HV163 (2)
2	WHT	60-5-2 RAXS RTN	18 AWG	GXL	HV164 (2)

S202					
CONN POS	WIRE COLOR	WIRE LABEL	GAUGE	JACKET	TO
1	BLK	00-4	18 AWG	GXL	CO03-J2 (28)
2	BLK	00-4-1	18 AWG	GXL	HV172 (2)
2	BLK	00-4-2	18 AWG	GXL	HV173 (2)

S204					
CONN POS	WIRE COLOR	WIRE LABEL	GAUGE	JACKET	TO
1	BLK	00-6	18 AWG	GXL	CO03-J2 (30)
1	WHT	60-4 FAXS RTN	18 AWG	GXL	-
2	BLK	00-6-1	18 AWG	GXL	HV176 (2)
2	BLK	00-6-2	18 AWG	GXL	HV177 (2)

Figure 7-175. Chassis Harness - Sheet 6 of 10



Go to Discount-Equipment.com to order your parts

Figure 7-176. Chassis Harness - Sheet 7 of 10

SECTION 7 - BASIC ELECTRICAL INFORMATION & ELECTRICAL SCHEMATICS

X338A					
CONN POS	WIRE COLOR	WIRE LABEL	GAUGE	JACKET	TO
1	BLK	RHT REAR STR	18 AWG	CABLE	CO03-J7 (25)
2	RED	RHT REAR STR	18 AWG	CABLE	CO03-J7 (27)
3	BLU	RHT REAR STR	18 AWG	CABLE	CO03-J7 (20)
4	SHIELD	SHLD	18 AWG	SHLD	S424 (2)

X340A					
CONN POS	WIRE COLOR	WIRE LABEL	GAUGE	JACKET	TO
1	BLK	RHT FRNT STR	18 AWG	CABLE	CO03-J7 (9)
2	RED	RHT FRNT STR	18 AWG	CABLE	CO03-J7 (16)
3	BLU	RHT FRNT STR	18 AWG	CABLE	CO03-J7 (4)
4	SHIELD	SHLD	18 AWG	SHLD	S424 (2)

HV175 (RIGHT REAR STR LFT)					
CONN POS	WIRE COLOR	WIRE LABEL	GAUGE	JACKET	TO
1	WHT	9-6 RREAR STRL	18 AWG	GXL	CO03-J2 (19)
2	BLK	00-5-2	18 AWG	GXL	S203 (2)

HV170 (RIGHT FRONT STR RHT)					
CONN POS	WIRE COLOR	WIRE LABEL	GAUGE	JACKET	TO
1	WHT	9-4 RFRNT STRR	18 AWG	GXL	CO03-J2 (11)
2	BLK	00-3-1	18 AWG	GXL	S205 (2)

HV161 (FRONT AXLE SWG EXT)					
CONN POS	WIRE COLOR	WIRE LABEL	GAUGE	JACKET	TO
1	WHT	38-2 FAXS EXT	18 AWG	GXL	CO03-J2 (4)
2	WHT	60-4-1 FAXS RTN	18 AWG	GXL	S167 (2)

HV162 (FRONT AXLE SWG RET)					
CONN POS	WIRE COLOR	WIRE LABEL	GAUGE	JACKET	TO
1	WHT	38-3 FAXS RET	18 AWG	GXL	CO03-J2 (16)
2	WHT	60-4-2 FAXS RET	18 AWG	GXL	S167 (2)

HV171 (RIGHT FRONT STR LFT)					
CONN POS	WIRE COLOR	WIRE LABEL	GAUGE	JACKET	TO
1	WHT	9-1 RFRNT STRL	18 AWG	GXL	CO03-J2 (22)
2	BLK	00-3-2	18 AWG	GXL	S205 (2)

HV174 (RIGHT REAR STR RHT)					
CONN POS	WIRE COLOR	WIRE LABEL	GAUGE	JACKET	TO
1	WHT	9-5 RREAR STRR	18 AWG	GXL	CO03-J2 (8)
2	BLK	00-5-1	18 AWG	GXL	S203 (2)

S203					
CONN POS	WIRE COLOR	WIRE LABEL	GAUGE	JACKET	TO
1	BLK	00-5	18 AWG	GXL	CO03-J2 (18)
2	BLK	00-5-1	18 AWG	GXL	HV174 (2)
2	BLK	00-5-2	18 AWG	GXL	HV175 (2)

S205					
CONN POS	WIRE COLOR	WIRE LABEL	GAUGE	JACKET	TO
1	BLK	00-3	18 AWG	GXL	CO03-J2 (17)
2	BLK	00-3-1	18 AWG	GXL	HV170 (2)
2	BLK	00-3-2	18 AWG	GXL	HV171 (2)

Figure 7-177. Chassis Harness - Sheet 8 of 10

SECTION 7 - BASIC ELECTRICAL INFORMATION & ELECTRICAL SCHEMATICS

S167					
CONN POS	WIRE COLOR	WIRE LABEL	GAUGE	JACKET	TO
1	WHT	60-4 FAXS RTN	18 AWG	GXL	CO03-J3 (1)
2	WHT	60-4-1 FAXS RTN	18 AWG	GXL	HV161 (2)
2	WHT	60-4-2 FAXS RTN	18 AWG	GXL	HV162 (2)

X442A					
CONN POS	WIRE COLOR	WIRE LABEL	GAUGE	JACKET	TO
1	WHT	61-1-1 5V	18 AWG	GXL	MS244 (7)
2	WHT	38-5 FAXS RHT	18 AWG	GXL	CO03-J2 (25)
3	BLK	00-2	18 AWG	GXL	CO03-J2 (6)

HV178 (TWO SPEED)					
CONN POS	WIRE COLOR	WIRE LABEL	GAUGE	JACKET	TO
1	WHT	55-13 2 SPD	18 AWG	GXL	CO03-J2 (1)
2	BLK	00-1-1	18 AWG	GXL	S181 (2)

SN423					
CONN POS	WIRE COLOR	WIRE LABEL	GAUGE	JACKET	TO
1	WHT	49-71 HYD OC RTN	18 AWG	GXL	CO03-J7 (32)
2	WHT	49-70 HYD OC	18 AWG	GXL	CO03-J7 (12)

S181					
CONN POS	WIRE COLOR	WIRE LABEL	GAUGE	JACKET	TO
1	BLK	00-1	18 AWG	GXL	CO03-J2 (14)
2	BLK	00-1-1	18 AWG	GXL	HV178 (2)
2	BLK	00-1-2	18 AWG	GXL	HV179 (2)

HV179 (BRAKE)					
CONN POS	WIRE COLOR	WIRE LABEL	GAUGE	JACKET	TO
1	WHT	55-14 BRAKE	18 AWG	GXL	CO03-J2 (13)
2	BLK	00-1-2	18 AWG	GXL	S181 (2)

X449B					
CONN POS	WIRE COLOR	WIRE LABEL	GAUGE	JACKET	TO
1	WHT	61-1-4 5V	18 AWG	GXL	MS244 (3)
2	WHT	38-10 FAXS LFT	18 AWG	GXL	CO03-J1 (14)
3	BLK	00-8-2	18 AWG	GXL	S195 (2)

Figure 7-178. Chassis Harness - Sheet 9 of 10

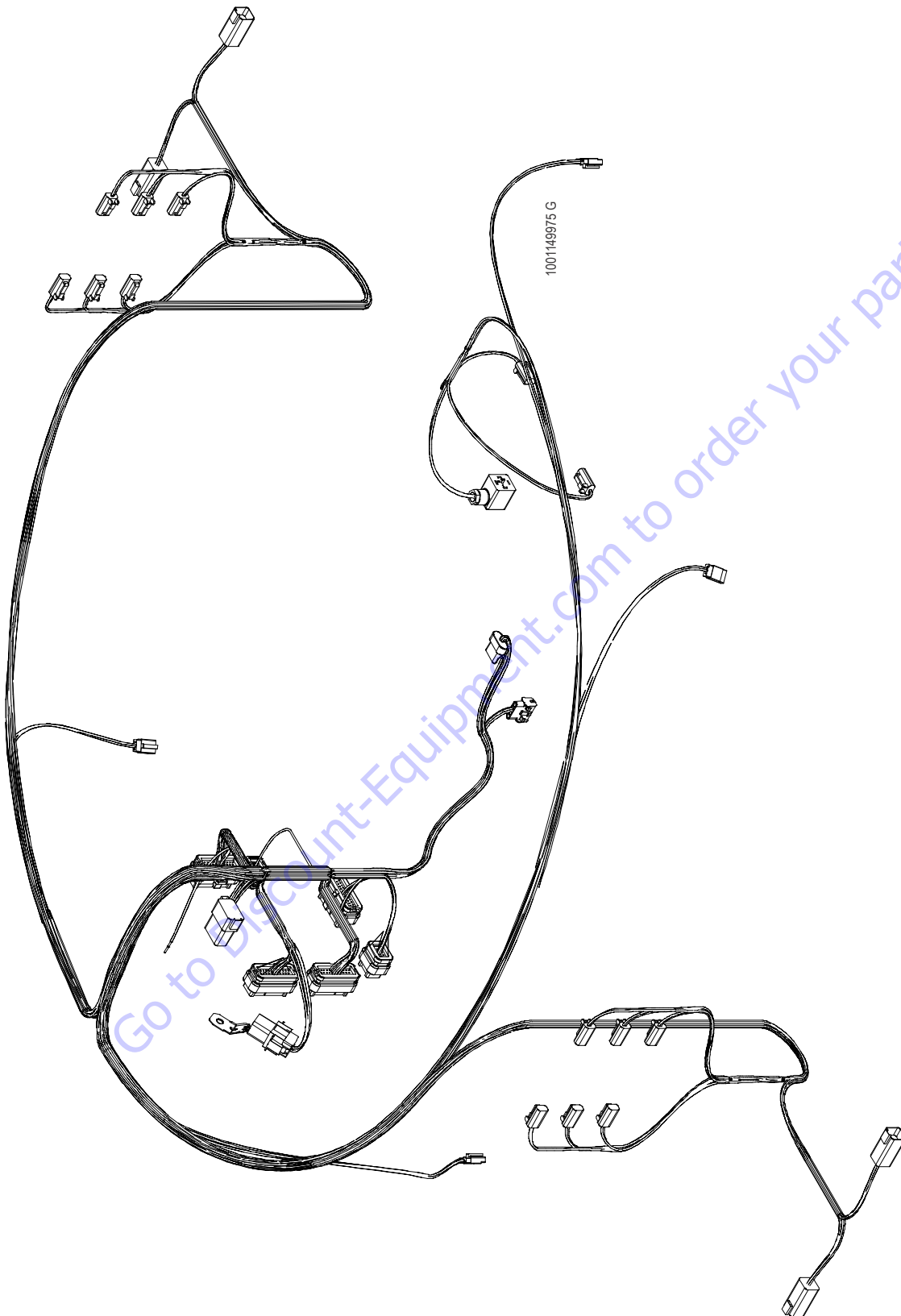


Figure 7-179. Chassis Harness - Sheet 10 of 10

X - CHASSIS SIDE						SN - SENSOR SIDE					
CONN POS	WIRE COLOR	WIRE LABEL	GAUGE	JACKET	TO	CONN POS	WIRE COLOR	WIRE LABEL	GAUGE	JACKET	TO
1	BLK	STR GND	18AWG	CABLE	SN - SENSOR SIDE (1)	1	BLK	STR GND	18AWG	CABLE	X - CHASSIS SIDE (1)
2	RED	STR PWR	18AWG	CABLE	SN - SENSOR SIDE (2)	2	RED	STR PWR	18AWG	CABLE	X - CHASSIS SIDE (2)
3	BLU	STR SIG	18AWG	CABLE	SN - SENSOR SIDE (3)	3	BLU	STR SIG	18AWG	CABLE	X - CHASSIS SIDE (3)
4	SHIELD	SHLD	18AWG	SHLD	SN - SENSOR SIDE (NC)	NC	SHIELD	SHLD	18AWG	SHLD	X - CHASSIS SIDE (4)

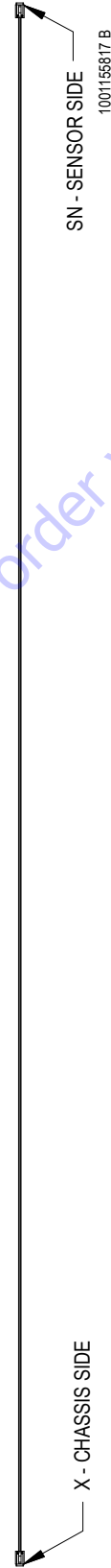


Figure 7-180. Steer Cable

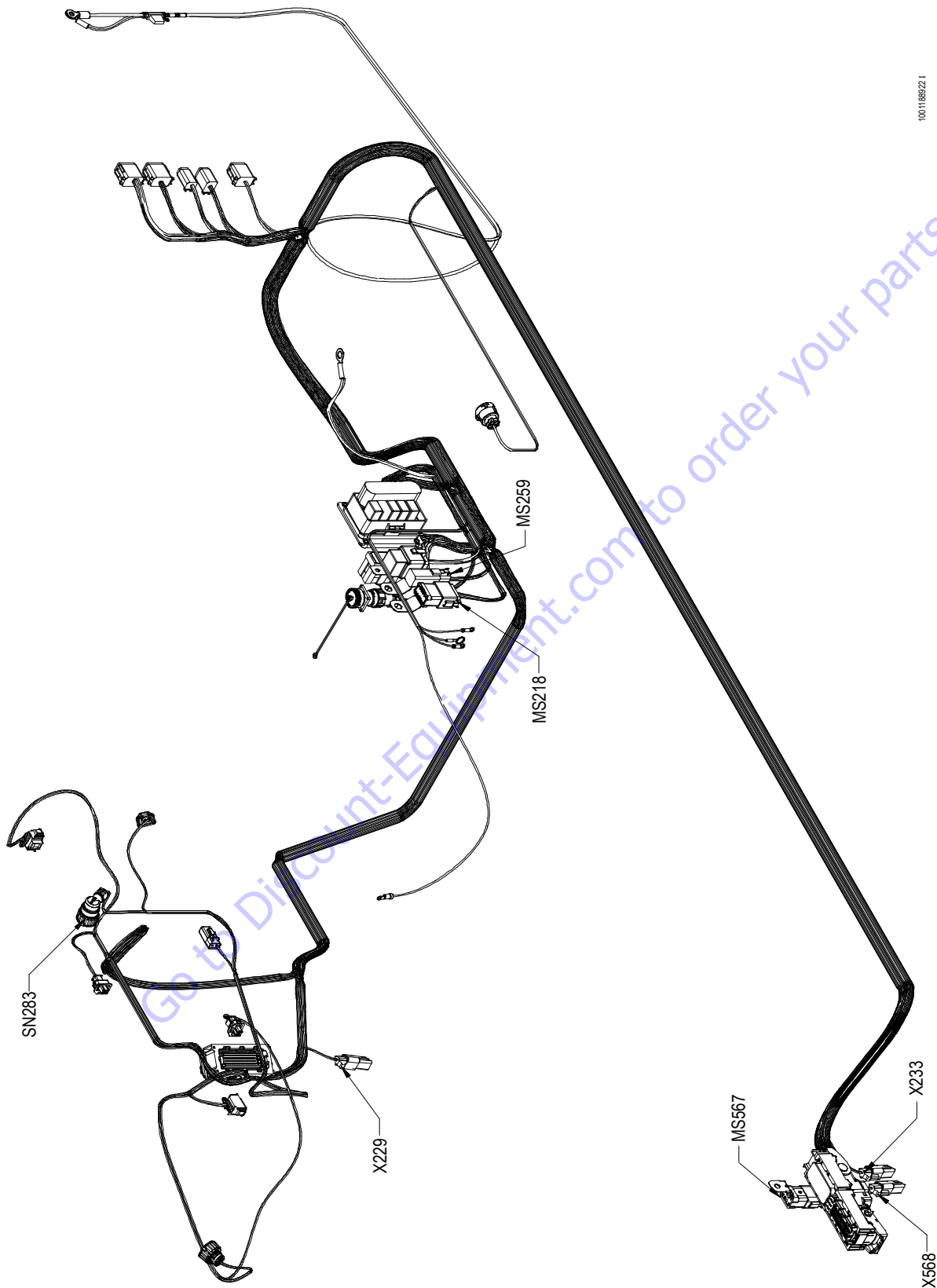


Figure 7-181. Engine T4F Harness - Sheet 1 of 15

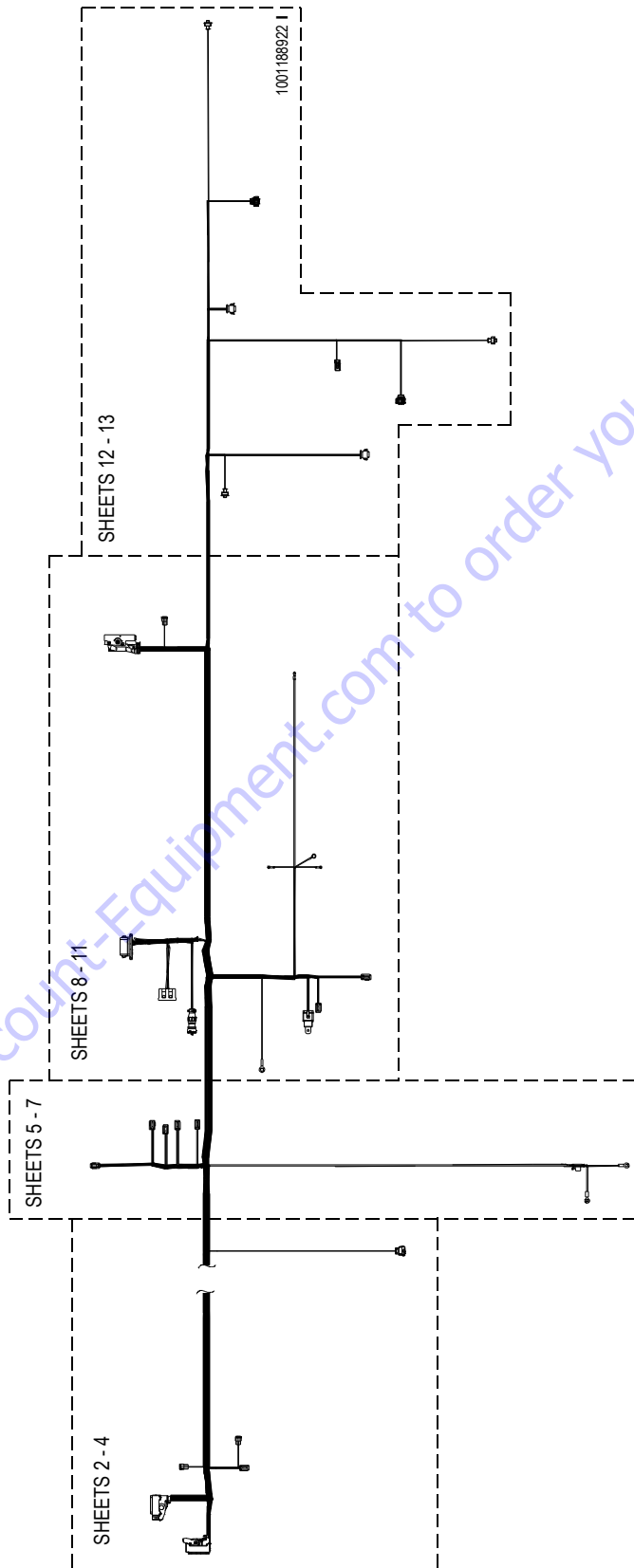


Figure 7-182. Engine T4F Harness - Sheet 2 of 15



Go to Discount-Equipment.com to order your parts

Figure 7-183. Engine T4F Harness - Sheet 3 of 15

SECTION 7 - BASIC ELECTRICAL INFORMATION & ELECTRICAL SCHEMATICS

X212 (DEUTZ D2.2)					
CONN POS	WIRE COLOR	WIRE LABEL	GAUGE	JACKET	TO
1	RED	1-20-1	2.5mm ²	FLRYW	S280 (2)
2	BLK	0-60-10-1	2.5mm ²	FLRYW	S278 (2)
3	RED	1-20-2	2.5mm ²	FLRYW	S280 (2)
4	BLK	0-60-10-2	2.5mm ²	FLRYW	S278 (2)
5	RED	1-20-3	2.5mm ²	FLRYW	S280 (2)
6	BLK	0-60-10-3	2.5mm ²	FLRYW	S278 (2)
10	WHT	73-2 A TEMP SNSR	0.75mm ²	FLRYW	SN239 (1)
13	WHT	77-3 DPF PRS SIG	0.75mm ²	FLRYW	SN283 (3)
18	WHT	77-1 DPF PRS SIG	0.75mm ²	FLRYW	SN283 (1)
23	WHT	48-95 FUL RLY 86	0.75mm ²	FLRYW	RL261 (5)
26	WHT	148-57 WTR/FUL RTN	0.75mm ²	FLRYW	X942A (2)
31	WHT	77-2 DPF PRS RTN	0.75mm ²	FLRYW	SN283 (2)
43	WHT	148-15 CLUTCH SW	0.75mm ²	FLRYW	X212 (91)
50	WHT	73-1 A TEMP SNSR	0.75mm ²	FLRYW	SN239 (2)
57	WHT	72-1 COOL LVL PWR	0.75mm ²	FLRYW	SN240 (1)
62	WHT	72-2 COOL LVL SIG	0.75mm ²	FLRYW	SN240 (3)
64	WHT	148-35-3 STRT REQ	0.75mm ²	FLRYW	S285 (1)
67	YEL	2-99-2	1mm ²	FLRYW	S272 (1)
70	WHT	148-64 WTR/FUL SW	0.75mm ²	FLRYW	X942A (1)
74	WHT	48-94 FUL RLY 85	0.75mm ²	FLRYW	RL261 (2)
81	WHT	72-3 COOL LVL GND	0.75mm ²	FLRYW	SN240 (2)
82	GRN	CN L CH 2	0.75mm ²	FLRYW	X241 (H)
83	YEL	CN H CH 2	0.75mm ²	FLRYW	X241 (G)
85	YEL	CN H CH 2	0.75mm ²	FLRYW	MS567 (1)
86	GRN	CN L CH 2	0.75mm ²	FLRYW	MS567 (3)
91	WHT	148-15 CLUTCH SW	0.75mm ²	FLRYW	X212 (43)

S278					
CONN POS	WIRE COLOR	WIRE LABEL	GAUGE	JACKET	TO
1	BLK	0-60-10	6mm ²	FLRYW	MS276 (10)
2	BLK	0-60-10-1	2.5mm ²	FLRYW	X212 (2)
2	BLK	0-60-10-2	2.5mm ²	FLRYW	X212 (4)
2	BLK	0-60-10-3	2.5mm ²	FLRYW	X212 (6)

S280					
CONN POS	WIRE COLOR	WIRE LABEL	GAUGE	JACKET	TO
1	RED	1-20	6mm ²	FLRYW	IP481 (1)
2	RED	1-20-1	2.5mm ²	FLRYW	X212 (1)
2	RED	1-20-2	2.5mm ²	FLRYW	X212 (3)
2	RED	1-20-3	2.5mm ²	FLRYW	X212 (5)

MS567					
CONN POS	WIRE COLOR	WIRE LABEL	GAUGE	JACKET	TO
1	YEL	CN H CH 2	0.75mm ²	FLRYW	X212 (85)
2	YEL	CN H CH 2	0.75mm ²	FLRYW	X568 (A)
3	GRN	CN L CH 2	0.75mm ²	FLRYW	X212 (86)
4	GRN	CN L CH 2	0.75mm ²	FLRYW	X568 (B)
5	GRN	CN L CH 2	0.75mm ²	FLRYW	X241 (F)
6	GRN	CN L CH 2	0.75mm ²	FLRYW	X218B (4)
7	YEL	CN H CH 2	0.75mm ²	FLRYW	X241 (M)
8	YEL	CN H CH 2	0.75mm ²	FLRYW	X218B (3)

X568					
CONN POS	WIRE COLOR	WIRE LABEL	GAUGE	JACKET	TO
A	YEL	CN H CH 2	0.75mm ²	FLRYW	MS567 (2)
B	GRN	CN L CH 2	0.75mm ²	FLRYW	MS567 (4)

V267 (UREA TANK HTR VLV)					
CONN POS	WIRE COLOR	WIRE LABEL	GAUGE	JACKET	TO
1	WHT	92-X267 UREA HEAT VLV	0.75mm ²	FLRYW	X211 (92)
4	YEL	2-60-2	0.75mm ²	FLRYW	S271 (1)

X233					
CONN POS	WIRE COLOR	WIRE LABEL	GAUGE	JACKET	TO
A	YEL	CN H (DEUTZ)	0.75mm ²	FLRYW	MS218 (5)
B	GRN	CN L (DEUTZ)	0.75mm ²	FLRYW	MS218 (3)

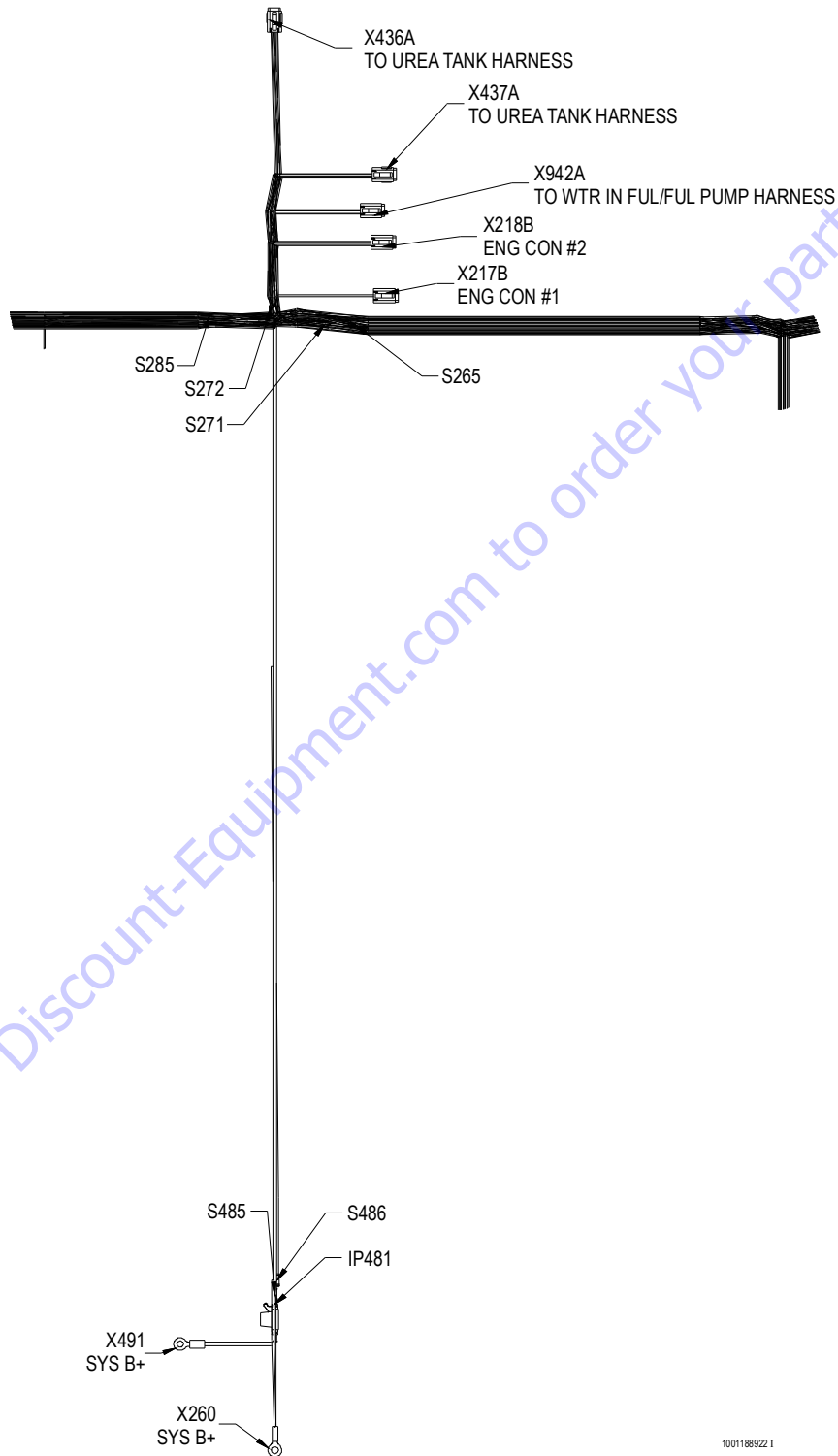
Figure 7-184. Engine T4F Harness - Sheet 4 of 15

SECTION 7 - BASIC ELECTRICAL INFORMATION & ELECTRICAL SCHEMATICS

X211 (DEUTZ D2.1)					
CONN POS	WIRE COLOR	WIRE LABEL	GAUGE	JACKET	TO
2	WHT	2-47 EXH GAS REC	1.5mm ²	FLRYW	X213 (47)
3	WHT	3-S265 CNTRL PWR	1.5mm ²	FLRYW	S265 (1)
4	WHT	259 RLY PWR	0.75mm ²	FLRYW	MS259 (5)
5	WHT	5-X253 PURG VLV	0.75mm ²	FLRYW	X437A (11)
7	WHT	7-52 INTAKE THRLE	0.75mm ²	FLRYW	X213 (52)
8	WHT	8-7 EGR TEMP	0.75mm ²	FLRYW	X213 (7)
9	WHT	9-SN216 EXH GAS TEMP	0.75mm ²	FLRYW	SN216 (2)
11	WHT	11-29 BST PRS TEMP	0.75mm ²	FLRYW	X213 (29)
13	WHT	13-24 COOL TEMP	0.75mm ²	FLRYW	X213 (24)
15	WHT	15-SN215 EXH TEMP	0.75mm ²	FLRYW	SN215 (2)
17	WHT	17-32 RAIL PRS FUL	0.75mm ²	FLRYW	X213 (32)
18	WHT	18-50 5V	0.75mm ²	FLRYW	X213 (50)
19	WHT	19-X253 UREA PRS	0.75mm ²	FLRYW	X437A (5)
21	WHT	21-22 PRS RTN	0.75mm ²	FLRYW	X213 (22)
23	WHT	23-61 INJCTR RTN	1.5mm ²	FLRYW	X213 (61)
24	WHT	24-41 INJCTR RTN	1.5mm ²	FLRYW	X213 (41)
25	WHT	25-20 MPROP	1.5mm ²	FLRYW	X213 (20)
26	WHT	26-X254 DOSE VLV	0.75mm ²	FLRYW	V254 (1)
27	WHT	27-SN216 EXH GAS TEMP	0.75mm ²	FLRYW	SN216 (1)
35	WHT	35-27 TEMP/PRS RTN	0.75mm ²	FLRYW	X213 (27)
36	WHT	36-31 RAIL PRS FUL	0.75mm ²	FLRYW	X213 (31)
37	WHT	103-2 THRLE HTR	0.75mm ²	FLRYW	FC248 (B6)
38	WHT	38-49 INTAKE THRLE	0.75mm ²	FLRYW	X213 (49)
41	WHT	41-FC248 RLY GND	0.75mm ²	FLRYW	FC248 (D9)
44	WHT	44-38 INJCTR	1.5mm ²	FLRYW	X213 (38)
45	WHT	45-40 INJCTR	1.5mm ²	FLRYW	X213 (40)
46	WHT	46-19 MPROP RTN	1.5mm ²	FLRYW	X213 (19)
47	WHT	47-X254 DOSE VLV	0.75mm ²	FLRYW	V254 (2)
48	WHT	48-SN215 EXH TEMP	0.75mm ²	FLRYW	SN21

X211 (DEUTZ D2.1) CONT'D.					
CONN POS	WIRE COLOR	WIRE LABEL	GAUGE	JACKET	TO
51	WHT	51-6 DELTA VNTRI	0.75mm ²	FLRYW	X213 (6)
54	WHT	54-17 FUL LOW PRS	0.75mm ²	FLRYW	X213 (17)
55	WHT	55-46 E GAS REC SIG	0.75mm ²	FLRYW	X213 (46)
57	WHT	57-X253 UREA PRS	0.75mm ²	FLRYW	X437A (6)
58	WHT	58-RL217 GLOW RLY SIG	0.75mm ²	FLRYW	RL217-87 (1)
59	WHT	59-X253 UREA PUMP	0.75mm ²	FLRYW	X437A (10)
61	WHT	104-1 PRS HTR	0.75mm ²	FLRYW	FC248 (B8)
62	WHT	101-2 SUP MOD	0.75mm ²	FLRYW	FC248 (B2)
63	WHT	63-RL217 GLOW RLY	0.75mm ²	FLRYW	RL217-85 (1)
64	WHT	64-35 INJCTR RTN	1.5mm ²	FLRYW	X213 (35)
66	WHT	66-37 INJCTR RTN	1.5mm ²	FLRYW	X213 (37)
67	WHT	67-48 EXH GAS REC	1.5mm ²	FLRYW	X213 (48)
70	WHT	70-X253 UREA PRS	0.75mm ²	FLRYW	X437A (7)
72	WHT	72-26 OIL PRS	0.75mm ²	FLRYW	X213 (26)
73	WHT	73-23 BST PRS TEMP	0.75mm ²	FLRYW	X213 (23)
74	WHT	74-28 BST PRS TEMP	0.75mm ²	FLRYW	X213 (28)
75	WHT	75-S214 SHLD RTN	0.75mm ²	FLRYW	S214 (1)
76	WHT	76-51 GND RTN	0.75mm ²	FLRYW	X213 (51)
77	YEL	CN H (DEUTZ)	0.75mm ²	FLRYW	MS218 (6)
78	WHT	78-25 RAIL PRS FUL	0.75mm ²	FLRYW	X213 (25)
80	WHT	102-1 STION HTR	0.75mm ²	FLRYW	FC248 (B4)
82	WHT	82-X253 PURG VLV	0.75mm ²	FLRYW	X437A (12)
85	WHT	85-62 INJCTR	1.5mm ²	FLRYW	X213 (62)
87	WHT	87-42 INJCTR	1.5mm ²	FLRYW	X213 (42)
88	WHT	88-RL217 GLOW RLY RTN	0.75mm ²	FLRYW	RL217-86 (1)
89	WHT	89-X253 UREA PUMP	0.75mm ²	FLRYW	X437A (9)
92	WHT	92-X267 UREA HEAT VLV	0.75mm ²	FLRYW	V267 (1)
94	WHT	94-3 STRT RTN	0.75mm ²	FLRYW	X213 (3)
95	WHT	95-2 STRT SIG	0.75mm ²	FLRYW	X213 (2)
98	GRN	CN L (DEUTZ)	0.75mm ²	FLRYW	MS218 (10)
99	BLK	99-13 CAM ENG SPD	0.75mm ²	FLRYW	X213 (13)
100	WHT	100-14 CAM ENG SPD	0.75mm ²	FLRYW	X213 (14)
101	BLK	101-21 CRK ENG SPD	0.75mm ²	FLRYW	X213 (21)
102	WHT	102-15 CRK ENG SPD	0.75mm ²	FLRYW	X213 (15)

Figure 7-185. Engine T4F Harness - Sheet 5 of 15



Go to Discount-Equipment.com to order your parts

100188922.1

Figure 7-186. Engine T4F Harness - Sheet 6 of 15

SECTION 7 - BASIC ELECTRICAL INFORMATION & ELECTRICAL SCHEMATICS

X436A (TO UREA TANK HARNESS)					
CONN POS	WIRE COLOR	WIRE LABEL	GAUGE	JACKET	TO
3	WHT	104-2 PRS HTR	2.5mm ²	FLRYW	FC248 (D8)
4	YEL	2-60-5	2.5mm ²	FLRYW	S271 (2)
5	WHT	103-1 THRLE HTR	2.5mm ²	FLRYW	FC248 (D6)
6	YEL	2-60-4	2.5mm ²	FLRYW	S271 (2)
7	WHT	102-2 STION HTR	2.5mm ²	FLRYW	FC248 (D4)
8	YEL	2-60-3	2.5mm ²	FLRYW	S271 (1)
9	YEL	2-100-1	1mm ²	FLRYW	FC248 (A3)
10	BLK	0-60-9-1	1mm ²	FLRYW	S284 (1)
11	YEL	CN H (DEUTZ)	0.75mm ²	FLRYW	MS218 (9)
12	GRN	CN L (DEUTZ)	0.75mm ²	FLRYW	MS218 (12)

X218B (ENG CON #2)					
CONN POS	WIRE COLOR	WIRE LABEL	GAUGE	JACKET	TO
1	YEL	2-100	2mm ²	FLRYW	S273 (2)
2	WHT	148-35-2 STRT REQ	0.75mm ²	FLRYW	S285 (2)
3	YEL	CN H CH 2	0.75mm ²	FLRYW	MS567 (8)
4	GRN	CN L CH 2	0.75mm ²	FLRYW	MS567 (6)
5	WHT	47-6-1 ALT EXC	1mm ²	FLRYW	EC246-D+ (1)

X217B (ENG CON #1)					
CONN POS	WIRE COLOR	WIRE LABEL	GAUGE	JACKET	TO
1	YEL	2-99-1	1mm ²	FLRYW	S272 (2)
8	YEL	2-100-4	2mm ²	FLRYW	S273 (2)

X437A (TO UREA TANK HARNESS)					
CONN POS	WIRE COLOR	WIRE LABEL	GAUGE	JACKET	TO
1	WHT	105-1 CNTRL PWR	1.5mm ²	FLRYW	S265 (1)
3	WHT	101-1 HTRI	0.75mm ²	FLRYW	FC248 (D2)
5	WHT	19-X253 UREA PRS	0.75mm ²	FLRYW	X211 (19)
6	WHT	57-X253 UREA PRS	0.75mm ²	FLRYW	X211 (57)
7	WHT	70-X253 UREA PRS	0.75mm ²	FLRYW	X211 (70)
8	YEL	2-60-1	1.5mm ²	FLRYW	S271 (1)
9	WHT	89-X253 UREA PUMP	0.75mm ²	FLRYW	X211 (89)
10	WHT	59-X253 UREA PUMP	0.75mm ²	FLRYW	X211 (59)
11	WHT	5-X253 UREA PURG VLV	0.75mm ²	FLRYW	X211 (5)
12	WHT	82-X253 PURG VLV	0.75mm ²	FLRYW	X211 (82)

S265					
CONN POS	WIRE COLOR	WIRE LABEL	GAUGE	JACKET	TO
1	WHT	3-S265 CNTRL PWR	1.5mm ²	FLRYW	X211 (3)
1	WHT	105-1 CNTRL PWR	1.5mm ²	FLRYW	X437A (1)
2	WHT	105-2 CNTRL PWR	1.5mm ²	FLRYW	FC248 (B10)

S271					
CONN POS	WIRE COLOR	WIRE LABEL	GAUGE	JACKET	TO
1	YEL	2-60-1	1.5mm ²	FLRYW	X437A (8)
1	YEL	2-60-2	0.75mm ²	FLRYW	V267 (4)
1	YEL	2-60-3	2.5mm ²	FLRYW	X436A (8)
2	YEL	2-60	3.0mm ²	FLRYW	FC248 (D10)
2	YEL	2-60-4	2.5mm ²	FLRYW	X436A (6)
2	YEL	2-60-5	2.5mm ²	FLRYW	X436A (4)

X942A					
CONN POS	WIRE COLOR	WIRE LABEL	GAUGE	JACKET	TO
1	WHT	148-64 WTR/FUL SW	0.75mm ²	FLRYW	X212 (70)
2	WHT	148-57 WTR/FUL RTN	0.75mm ²	FLRYW	X212 (26)
3	WHT	48-96 FUEL PUMP	3mm ²	FLRYW	RL261 (4)
4	BLK	0-60-7-2	2.5mm ²	FLRYW	S281 (2)

Figure 7-187. Engine T4F Harness - Sheet 7 of 15

SECTION 7 - BASIC ELECTRICAL INFORMATION & ELECTRICAL SCHEMATICS

S272					
CONN POS	WIRE COLOR	WIRE LABEL	GAUGE	JACKET	TO
1	YEL	2-99-2	1mm ²	FLRYW	X212 (67)
1	YEL	2-99-3	0.75mm ²	FLRYW	X241 (A)
2	YEL	2-99-1	1mm ²	FLRYW	X217B (1)

S285					
CONN POS	WIRE COLOR	WIRE LABEL	GAUGE	JACKET	TO
1	WHT	148-35-3 STRT REQ	0.75mm ²	FLRYW	X212 (64)
2	WHT	148-35-2 STRT REQ	0.75mm ²	FLRYW	X218B (2)
2	WHT	148-35-4 STRT REQ	0.75mm ²	FLRYW	FC248 (AA10)

S485					
CONN POS	WIRE COLOR	WIRE LABEL	GAUGE	JACKET	TO
1	RED	1-30-1	3.0mm ²	FLRYW	FC248 (A1)

S486					
CONN POS	WIRE COLOR	WIRE LABEL	GAUGE	JACKET	TO
1	RED	1-31-1	3.0mm ²	FLRYW	FC248 (A2)

X260 (SYS B+)					
CONN POS	WIRE COLOR	WIRE LABEL	GAUGE	JACKET	TO
1	--	--	16 AWG	FUSIBLE LINK	S486 (2)
1	--	--	16 AWG	FUSIBLE LINK	S485 (2)

IP481 (30AATO)					
CONN POS	WIRE COLOR	WIRE LABEL	GAUGE	JACKET	TO
1	RED	1-20	6mm ²	FLRYW	S280 (1)
2	RED	1-20	6mm ²	FLRYW	X491 (1)

X491 (SYS B+)					
CONN POS	WIRE COLOR	WIRE LABEL	GAUGE	JACKET	TO
1	RED	1-20	6mm ²	FLRYW	IP481 (2)

Figure 7-188. Engine T4F Harness - Sheet 8 of 15

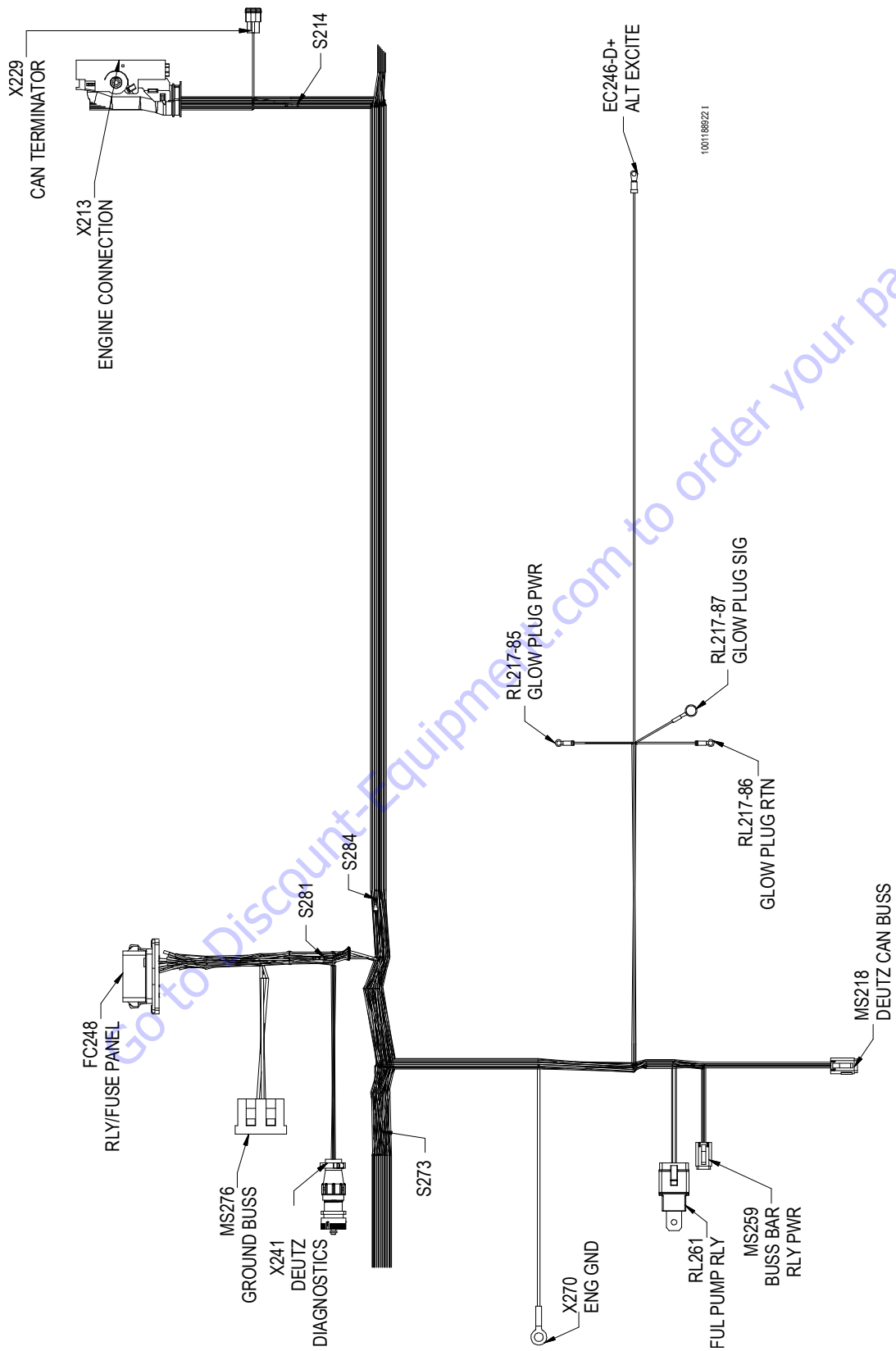


Figure 7-189. Engine T4F Harness - Sheet 9 of 15

SECTION 7 - BASIC ELECTRICAL INFORMATION & ELECTRICAL SCHEMATICS

X241 (DEUTZ DIAGNOSTICS)					
CONN POS	WIRE COLOR	WIRE LABEL	GAUGE	JACKET	TO
A	YEL	2-99-3	0.75mm ²	FLRYW	S272 (1)
B	BLK	0-60-7-3	0.75mm ²	FLRYW	S281 (2)
F	GRN	CN L CH 2	0.75mm ²	FLRYW	MS567 (5)
G	YEL	CN H CH 2	0.75mm ²	FLRYW	X212 (83)
H	GRN	CN L CH 2	0.75mm ²	FLRYW	X212 (82)
M	YEL	CN H CH 2	0.75mm ²	FLRYW	MS567 (7)

MS276 (GROUND BUSS)					
CONN POS	WIRE COLOR	WIRE LABEL	GAUGE	JACKET	TO
1	BLK	0-60-1	3.0mm ²	FLRYW	X270 (1)
2	BLK	0-60-2	3.0mm ²	FLRYW	X270 (1)
3	BLK	0-60-3	2.5mm ²	FLRYW	FC248 (B7)
4	BLK	0-60-4	2.5mm ²	FLRYW	FC248 (B5)
5	BLK	0-60-5	2.5mm ²	FLRYW	FC248 (B3)
6	BLK	0-60-6	2.5mm ²	FLRYW	FC248 (B1)
7	BLK	0-60-7	3.0mm ²	FLRYW	S281 (1)
8	BLK	0-60-8	2.5mm ²	FLRYW	S269 (2)
9	BLK	0-60-9	2.5mm ²	FLRYW	S284 (1)
10	BLK	0-60-10	6mm ²	FLRYW	S278 (1)

S281					
CONN POS	WIRE COLOR	WIRE LABEL	GAUGE	JACKET	TO
1	BLK	0-60-7	3.0mm ²	FLRYW	MS276 (7)
1	BLK	0-60-7-1	0.75mm ²	FLRYW	FC248 (A10)
2	BLK	0-60-7-2	2.5mm ²	FLRYW	X942A (4)
2	BLK	0-60-7-3	0.75mm ²	FLRYW	X241 (B)

S284					
CONN POS	WIRE COLOR	WIRE LABEL	GAUGE	JACKET	TO
1	BLK	0-60-9	2.5mm ²	FLRYW	MS276 (9)
1	BLK	0-60-9-1	1mm ²	FLRYW	X436A (10)
2	BLK	0-60-9-2	1mm ²	FLRYW	X213 (60)

FC248 (RLY/FUSE PANEL)					
CONN POS	WIRE COLOR	WIRE LABEL	GAUGE	JACKET	TO
A1	RED	1-30	3.0mm ²	FLRYW	FC248 (B)
A10	BLK	0-60-7-1	0.75mm ²	FLRYW	S281 (1)
A2	RED	1-31-1	3.0mm ²	FLRYW	S486 (1)
A3	YEL	2-100-1	1mm ²	FLRYW	X436A (9)
A4	YEL	2-100-2	1mm ²	FLRYW	S268 (2)
A5	YEL	2-100-3	1mm ²	FLRYW	X213 (59)
AA1	RED	1-30-1	3.0mm ²	FLRYW	S485 (1)
AA10	WHT	148-35-4 STRT REQ	0.75mm ²	FLRYW	S285 (2)
AA2	RED	1-31	3.0mm ²	FLRYW	RL261 (1)
AA3	YEL	2-100-1	1mm ²	FLRYW	S273 (1)
AA4	YEL	2-100-2	1mm ²	FLRYW	S273 (1)
AA5	YEL	2-100-3	1mm ²	FLRYW	S273 (1)
B1	BLK	0-60-6	2.5mm ²	FLRYW	MS276 (6)
B10	WHT	105-2 CNTRL PWR	1.5mm ²	FLRYW	S265 (2)
B2	WHT	101-2 SUP MOD	0.75mm ²	FLRYW	X211 (62)
B3	BLK	0-60-5	2.5mm ²	FLRYW	MS276 (5)
B4	WHT	102-1 STION HTR	0.75mm ²	FLRYW	X211 (80)
B5	BLK	0-60-4	2.5mm ²	FLRYW	MS276 (4)
B6	WHT	103-2 THRLE HTR	0.75mm ²	FLRYW	X211 (37)
B7	BLK	0-60-3	2.5mm ²	FLRYW	MS276 (3)
B8	WHT	104-1 PRS HTR	0.75mm ²	FLRYW	X211 (61)
B9	RED	1-30	3.0mm ²	FLRYW	FC248 (A1)
D1	WHT	259-1 RLY PWR	0.75mm ²	FLRYW	MS259 (4)
D10	YEL	2-60	3.0mm ²	FLRYW	S271 (2)
D2	WHT	101-1 HTR1	0.75mm ²	FLRYW	X437A (3)
D3	WHT	259-2 RLY PWR	0.75mm ²	FLRYW	MS259 (3)
D4	WHT	102-2 STION HTR	2.5mm ²	FLRYW	X436A (7)
D5	WHT	259-3 RLY PWR	0.75mm ²	FLRYW	MS259 (2)
D6	WHT	103-1 THRLE HTR	2.5mm ²	FLRYW	X436A (5)
D7	WHT	259-4 RLY PWR	0.75mm ²	FLRYW	MS259 (1)
D8	WHT	104-2 PRS HTR	2.5mm ²	FLRYW	X436A (3)
D9	WHT	41-FC248 RLY GND	0.75mm ²	FLRYW	X211 (41)

Figure 7-190. Engine T4F Harness - Sheet 10 of 15

SECTION 7 - BASIC ELECTRICAL INFORMATION & ELECTRICAL SCHEMATICS

X213 (ENGINE CONNECTION)					
CONN POS	WIRE COLOR	WIRE LABEL	GAUGE	JACKET	TO
1	SHLD	S214-1	0.75mm ²	SHLD	S214 (2)
2	WHT	95-2 STRT SIG	0.75mm ²	FLRYW	X211 (95)
3	WHT	94-3 STRT RTN	0.75mm ²	FLRYW	X211 (94)
4	GRN	CN L (DEUTZ)	0.75mm ²	FLRYW	MS218 (1)
5	YEL	CN H (DEUTZ)	0.75mm ²	FLRYW	MS218 (4)
6	WHT	51-6 DELTA VNTRI	0.75mm ²	FLRYW	X211 (51)
7	WHT	8-7 EGR TEMP	0.75mm ²	FLRYW	X211 (8)
9	SHLD	S214-9	0.75mm ²	SHLD	S214 (2)
10	YEL	CN H (DEUTZ)	0.75mm ²	FLRYW	X229 (A)
11	GRN	CN L (DEUTZ)	0.75mm ²	FLRYW	X229 (B)
13	BLK	99-13 CAM ENG SPD	0.75mm ²	FLRYW	X211 (99)
14	WHT	100-14 CAM ENG SPD	0.75mm ²	FLRYW	X211 (100)
15	WHT	102-15 CRK ENG SPD	0.75mm ²	FLRYW	X211 (102)
17	WHT	54-17 FUL LOW PRS	0.75mm ²	FLRYW	X211 (54)
19	WHT	46-19 MPROP RTN	1.5mm ²	FLRYW	X211 (46)
20	WHT	25-20 MPROP	1.5mm ²	FLRYW	X211 (25)
21	BLK	101-21 CRK ENG SPD	0.75mm ²	FLRYW	X211 (101)
22	WHT	21-22 PRS RTN	0.75mm ²	FLRYW	X211 (21)
23	WHT	73-23 BST PRS TEMP	0.75mm ²	FLRYW	X211 (73)
24	WHT	13-24 COOL TEMP	0.75mm ²	FLRYW	X211 (13)
25	WHT	78-25 RAIL PRS FUL	0.75mm ²	FLRYW	X211 (78)
26	WHT	72-26 OIL PRS	0.75mm ²	FLRYW	X211 (72)

X213 (ENGINE CONNECTION) CONT'D.					
CONN POS	WIRE COLOR	WIRE LABEL	GAUGE	JACKET	TO
27	WHT	35-27 TEMP/PRS RTN	0.75mm ²	FLRYW	X211 (35)
28	WHT	74-28 BST PRS TEMP	0.75mm ²	FLRYW	X211 (74)
29	WHT	11-29 BST PRS TEMP	0.75mm ²	FLRYW	X211 (11)
31	WHT	36-31 RAIL PRS FUL	0.75mm ²	FLRYW	X211 (36)
32	WHT	17-32 RAIL PRS FUL	0.75mm ²	FLRYW	X211 (17)
35	WHT	34-35 INJCTR RTN	1.5mm ²	FLRYW	X211 (64)
37	WHT	66-37 INJCTR RTN	1.5mm ²	FLRYW	X211 (66)
38	WHT	44-38 INJCTR	1.5mm ²	FLRYW	X211 (44)
40	WHT	45-40 INJCTR	1.5mm ²	FLRYW	X211 (45)
41	WHT	24-41 INJCTR RTN	1.5mm ²	FLRYW	X211 (24)
42	WHT	87-42 INJCTR	1.5mm ²	FLRYW	X211 (87)
46	WHT	55-46 E GAS REC SIG	0.75mm ²	FLRYW	X211 (55)
47	WHT	2-47 EXH GAS REC	1.5mm ²	FLRYW	X211 (2)
48	WHT	67-48 EXH GAS REC	1.5mm ²	FLRYW	X211 (67)
49	WHT	38-49 INTAKE THRITLE	0.75mm ²	FLRYW	X211 (38)
50	WHT	18-50 5V	0.75mm ²	FLRYW	X211 (18)
51	WHT	76-51 GND RTN	0.75mm ²	FLRYW	X211 (76)
52	WHT	7-52 INTAKE THRITLE	0.75mm ²	FLRYW	X211 (7)
59	YEL	2-100-3	1mm ²	FLRYW	FC248 (A5)
60	BLK	0-60-2-2	1mm ²	FLRYW	S284 (2)
61	WHT	23-61 INJCTR RTN	1.5mm ²	FLRYW	X211 (23)
62	WHT	85-62 INJCTR	1.5mm ²	FLRYW	X211 (85)

Figure 7-191. Engine T4F Harness - Sheet 11 of 15

SECTION 7 - BASIC ELECTRICAL INFORMATION & ELECTRICAL SCHEMATICS

X229 (CAN TERMINATOR)					
CONN POS	WIRE COLOR	WIRE LABEL	GAUGE	JACKET	TO
A	YEL	CN H (DEUTZ)	0.75mm ²	FLRYW	X213 (10)
B	GRN	CN L (DEUTZ)	0.75mm ²	FLRYW	X213 (11)

S214					
CONN POS	WIRE COLOR	WIRE LABEL	GAUGE	JACKET	TO
1	WHT	75-S214 SHLD RTN	0.75mm ²	FLRYW	X211 (75)
2	SHLD	S214-1	0.75mm ²	SHLD	X213 (1)
2	SHLD	S214-9	0.75mm ²	SHLD	X213 (9)

S273					
CONN POS	WIRE COLOR	WIRE LABEL	GAUGE	JACKET	TO
1	YEL	2-100-1	1mm ²	FLRYW	FC248 (AA3)
1	YEL	2-100-2	1mm ²	FLRYW	FC248 (AA4)
1	YEL	2-100-3	1mm ²	FLRYW	FC248 (AA5)
2	YEL	2-100	2mm ²	FLRYW	X218B (1)
2	YEL	2-100-4	2mm ²	FLRYW	X217B (8)

X270 (ENG GND)					
CONN POS	WIRE COLOR	WIRE LABEL	GAUGE	JACKET	TO
1	BLK	0-60-1	3.0mm ²	FLRYW	MS276 (1)
1	BLK	0-60-2	3.0mm ²	FLRYW	MS276 (2)

RL261 (FUL PUMP RLY)					
CONN POS	WIRE COLOR	WIRE LABEL	GAUGE	JACKET	TO
1	RED	1-31	3.0mm ²	FLRYW	FC248 (AA2)
2	WHT	48-94 FUL RLY85	0.75mm ²	FLRYW	X212 (74)
4	WHT	48-96 FUEL PUMP	3mm ²	FLRYW	X942A (3)
5	WHT	48-95 FUL RLY 86	0.75mm ²	FLRYW	X212 (23)

MS259 (BUSS BAR RLY PWR)					
CONN POS	WIRE COLOR	WIRE LABEL	GAUGE	JACKET	TO
1	WHT	259-4 RLY PWR	0.75mm ²	FLRYW	FC248 (D7)
2	WHT	259-3 RLY PWR	0.75mm ²	FLRYW	FC248 (D5)
3	WHT	259-2 RLY PWR	0.75mm ²	FLRYW	FC248 (D3)
4	WHT	259-1 RLY PWR	0.75mm ²	FLRYW	FC248 (D1)
5	WHT	259 RLY PWR	0.75mm ²	FLRYW	X211 (4)

MS218 (DEUTZ CAN BUSS)					
CONN POS	WIRE COLOR	WIRE LABEL	GAUGE	JACKET	TO
1	GRN	CN L (DEUTZ)	0.75mm ²	FLRYW	X213 (4)
2	GRN	CN L (DEUTZ)	0.75mm ²	FLRYW	SN236 (2)
3	GRN	CN L (DEUTZ)	0.75mm ²	FLRYW	X233 (B)
4	YEL	CN H (DEUTZ)	0.75mm ²	FLRYW	X213 (5)
5	YEL	CN H (DEUTZ)	0.75mm ²	FLRYW	X233 (A)
6	YEL	CN H (DEUTZ)	0.75mm ²	FLRYW	X211 (77)
7	YEL	CN H (DEUTZ)	0.75mm ²	FLRYW	SN236 (1)
8	YEL	CN H (DEUTZ)	0.75mm ²	FLRYW	SN237 (1)
9	YEL	CN H (DEUTZ)	0.75mm ²	FLRYW	X436A (11)
10	GRN	CN L (DEUTZ)	0.75mm ²	FLRYW	X211 (98)
11	GRN	CN L (DEUTZ)	0.75mm ²	FLRYW	SN237 (2)
12	GRN	CN L (DEUTZ)	0.75mm ²	FLRYW	X436 (12)

RL217-86 (GLOW PLUG RTN)					
CONN POS	WIRE COLOR	WIRE LABEL	GAUGE	JACKET	TO
1	WHT	88-RL217 GLOW RLY RTN	0.75mm ²	FLRYW	X211 (88)

RL217-87 (GLOW PLUG SIG)					
CONN POS	WIRE COLOR	WIRE LABEL	GAUGE	JACKET	TO
1	WHT	58-RL217 GLOW RLY SIG	0.75mm ²	FLRYW	X211 (58)

RL217-85 (GLOW PLUG PWR)					
CONN POS	WIRE COLOR	WIRE LABEL	GAUGE	JACKET	TO
1	WHT	63-RL217 GLOW RLY	0.75mm ²	FLRYW	X211 (63)

EC246-D+ (ALT EXCITE)					
CONN POS	WIRE COLOR	WIRE LABEL	GAUGE	JACKET	TO
1	WHT	47-6-1 ALT EXC	1mm ²	FLRYW	X218B (5)

Figure 7-192. Engine T4F Harness - Sheet 12 of 15

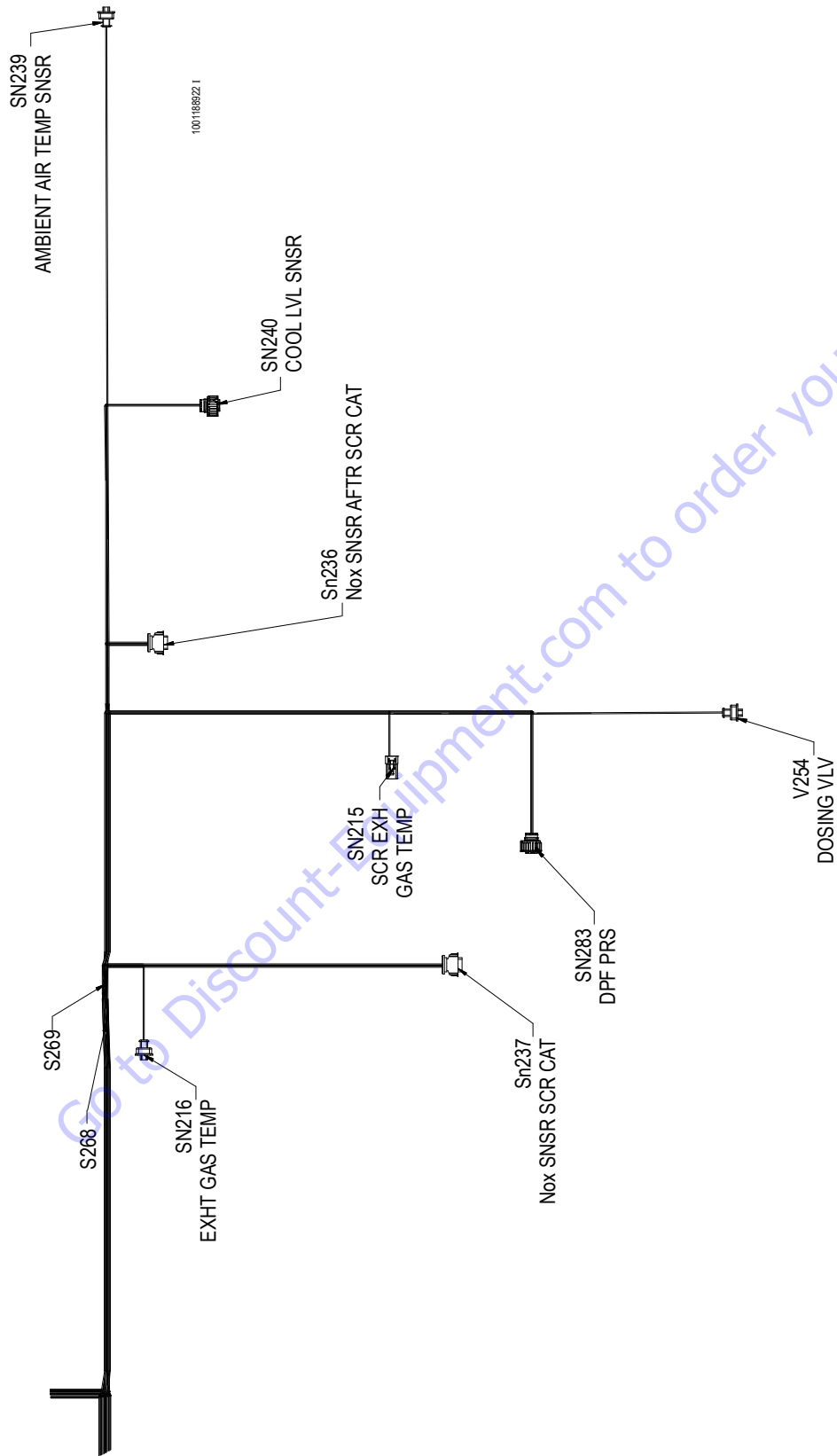


Figure 7-193. Engine T4F Harness - Sheet 13 of 15

SECTION 7 - BASIC ELECTRICAL INFORMATION & ELECTRICAL SCHEMATICS

SN216 (EXHT GAS TEMP)					
CONN POS	WIRE COLOR	WIRE LABEL	GAUGE	JACKET	TO
1	WHT	27-SN216 EXH GAS TEMP	0.75mm ²	FLRYW	X211 (27)
2	WHT	9-SN216 EXH GAS TEMP	0.75mm ²	FLRYW	X211 (9)

SN237 (NOX SNSR SCR CAT)					
CONN POS	WIRE COLOR	WIRE LABEL	GAUGE	JACKET	TO
1	YEL	CN H (DEUTZ)	0.75mm ²	FLRYW	MS218 (8)
2	GRN	CN L (DEUTZ)	0.75mm ²	FLRYW	MS218 (11)
3	BLK	0-60-6-1	1mm ²	FLRYW	S269 (1)
4	YEL	2-100-2-1	1mm ²	FLRYW	S268 (1)

SN215 (SCR EXH GAS TEMP)					
CONN POS	WIRE COLOR	WIRE LABEL	GAUGE	JACKET	TO
1	WHT	48-SN215 EXH TEMP	0.75mm ²	FLRYW	X211 (48)
2	WHT	15-SN215 EXH TEMP	0.75mm ²	FLRYW	X211 (15)

SN283 (DPF PRS)					
CONN POS	WIRE COLOR	WIRE LABEL	GAUGE	JACKET	TO
1	WHT	77-1 DPF PRS SIG	0.75mm ²	FLRYW	X212 (18)
2	WHT	77-2 DPF PRS RTN	0.75mm ²	FLRYW	X212 (31)
3	WHT	77-3 DPF PRS RTN	0.75mm ²	FLRYW	X212 (13)

V254 (DOSING VLV)					
CONN POS	WIRE COLOR	WIRE LABEL	GAUGE	JACKET	TO
1	WHT	26-X254 DOSE VLV	0.75mm ²	FLRYW	X211 (26)
2	WHT	47-X254 DOSE VLV	0.75mm ²	FLRYW	X211 (47)

SN236 (NOX SNSR AFTR SCR CAT)					
CONN POS	WIRE COLOR	WIRE LABEL	GAUGE	JACKET	TO
1	YEL	CN H (DEUTZ)	0.75mm ²	FLRYW	MS218 (7)
2	GRN	CN L (DEUTZ)	0.75mm ²	FLRYW	MS218 (2)
3	BLK	0-60-6-2	1mm ²	FLRYW	S269 (1)
4	YEL	2-100-2-2	1mm ²	FLRYW	S268 (1)

SN240 (COOL LVL SNSR)					
CONN POS	WIRE COLOR	WIRE LABEL	GAUGE	JACKET	TO
1	WHT	72-1 COOL LVL PWR	0.75mm ²	FLRYW	X212 (57)
2	WHT	72-3 COOL LVL GND	0.75mm ²	FLRYW	X212 (81)
3	WHT	72-2 COOL LVL SIG	0.75mm ²	FLRYW	X212 (62)

SN239 (AMBIENT AIR TEMP SNSR)					
CONN POS	WIRE COLOR	WIRE LABEL	GAUGE	JACKET	TO
1	WHT	73-2 A TEMP SNSR	0.75mm ²	FLRYW	X212 (10)
2	WHT	73-1 A TEMP SNSR	0.75mm ²	FLRYW	X212 (50)

S269					
CONN POS	WIRE COLOR	WIRE LABEL	GAUGE	JACKET	TO
1	BLK	0-60-6-1	1mm ²	FLRYW	SN237 (3)
1	BLK	0-60-6-2	1mm ²	FLRYW	SN236 (3)
2	BLK	0-60-8	2.5mm ²	FLRYW	MS276 (8)

S268					
CONN POS	WIRE COLOR	WIRE LABEL	GAUGE	JACKET	TO
1	YEL	2-100-2-1	1mm ²	FLRYW	SN237 (4)
1	YEL	2-100-2-2	1mm ²	FLRYW	SN236 (4)
2	YEL	2-100-2	1mm ²	FLRYW	FC248 (A4)

Figure 7-194. Engine T4F Harness - Sheet 14 of 15

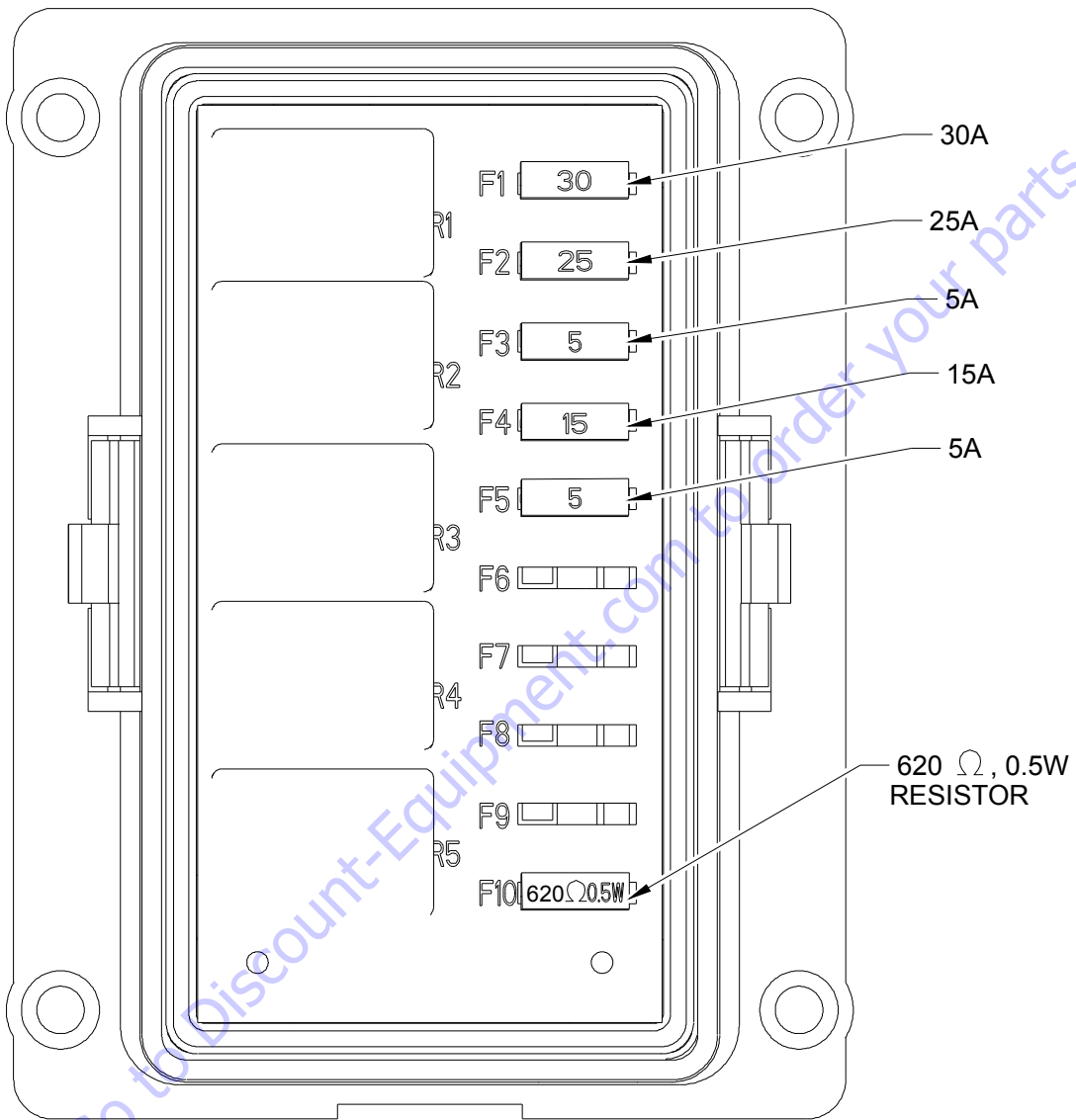


Figure 7-195. Engine T4F Harness - Sheet 15 of 15

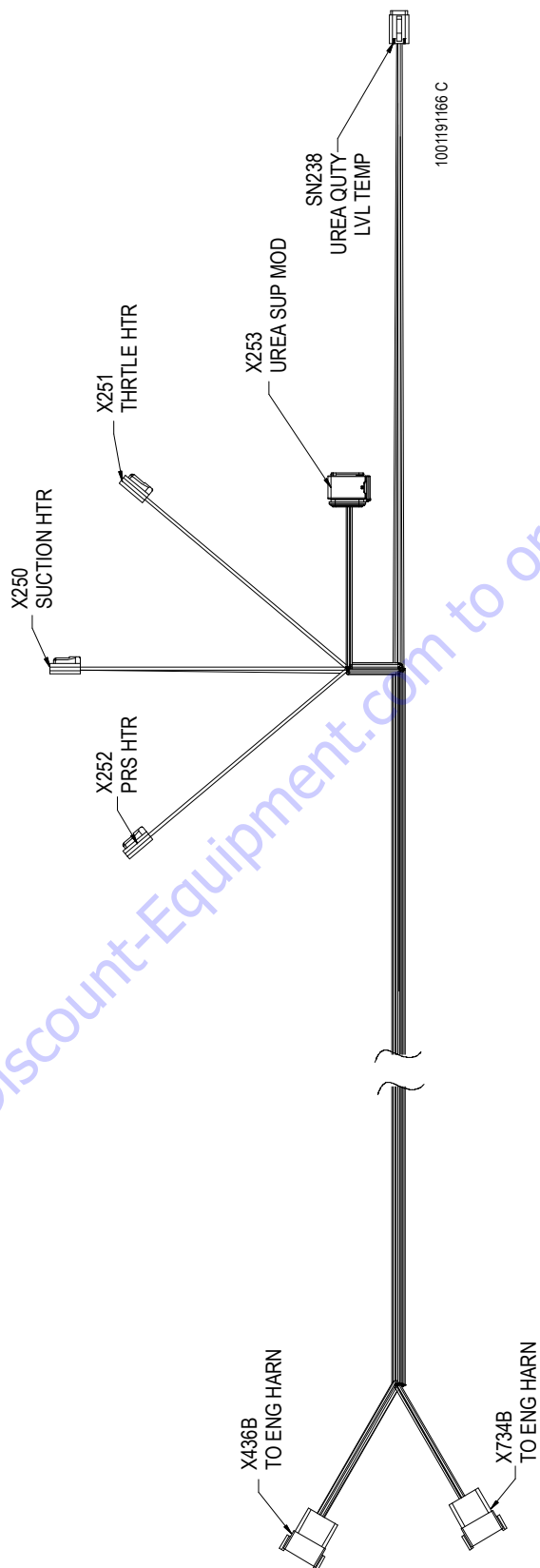


Figure 7-196. Urea Tank Harness - Sheet 1 of 2

SECTION 7 - BASIC ELECTRICAL INFORMATION & ELECTRICAL SCHEMATICS

X436B (TO ENG HARN)					
CONN POS	WIRE COLOR	WIRE LABEL	GAUGE	JACKET	TO
3	WHT	104-2 PRS HTR	2.5mm ²	FLRYW	X252 (2)
4	YEL	2-60-5	2.5mm ²	FLRYW	X252 (1)
5	WHT	103-1 THRLE HTR	2.5mm ²	FLRYW	X251 (2)
6	YEL	2-60-4	2.5mm ²	FLRYW	X251 (2)
7	WHT	102-2 STION HTR	2.5mm ²	FLRYW	X250 (2)
8	YEL	2-60-3	2.5mm ²	FLRYW	X250 (1)
9	YEL	2-100-1	1mm ²	FLRYW	SN238 (4)
10	BLK	0-60-9-1	1mm ²	FLRYW	SN238 (3)
11	YEL	CN H (DEUTZ)	0.75mm ²	FLRYW	SN238 (2)
12	GRN	CN L (DEUTZ)	0.75mm ²	FLRYW	SN238 (1)

X250 (SUCTION HTR)					
CONN POS	WIRE COLOR	WIRE LABEL	GAUGE	JACKET	TO
1	YEL	2-60-3	2.5mm ²	FLRYW	X436B (8)
2	WHT	102-2 STION HTR	2.5mm ²	FLRYW	X436B (7)

X251 (THRLE HTR)					
CONN POS	WIRE COLOR	WIRE LABEL	GAUGE	JACKET	TO
1	YEL	2-60-4	2.5mm ²	FLRYW	X436B (6)
2	WHT	103-1 THRLE HTR	2.5mm ²	FLRYW	X436B (5)

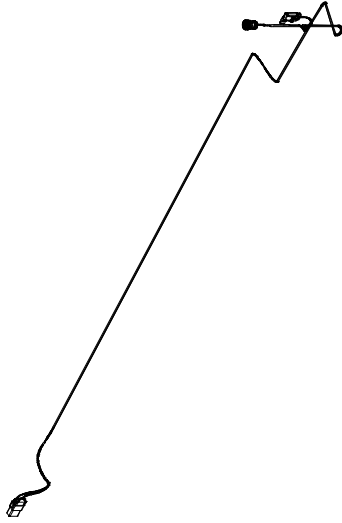
X253 (UREA SUP MOD)					
CONN POS	WIRE COLOR	WIRE LABEL	GAUGE	JACKET	TO
2	WHT	19-X253 UREA PRS	0.75mm ²	FLRYW	X734B (5)
3	WHT	57-X253 UREA PRS	0.75mm ²	FLRYW	X734B (6)
4	WHT	70-X253 UREA PRS	0.75mm ²	FLRYW	X734B (7)
5	YEL	2-60-1	1.5mm ²	FLRYW	X734B (8)
6	WHT	101-1 HTR1	0.75mm ²	FLRYW	X734B (3)
8	WHT	89-X253 UREA PUMP	0.75mm ²	FLRYW	X734B (9)
9	WHT	105-1 CNTRL PWR	1.5mm ²	FLRYW	X734B (1)
10	WHT	59-X253 UREA PUMP	0.75mm ²	FLRYW	X734B (10)
11	WHT	5-X253 PURG VLV	0.75mm ²	FLRYW	X734B (11)
12	WHT	82-X253 PURG VLV	0.75mm ²	FLRYW	X734B (12)

X734B (TO ENG HARN)					
CONN POS	WIRE COLOR	WIRE LABEL	GAUGE	JACKET	TO
1	WHT	105-1 CNTRL PWR	1.5mm ²	FLRYW	X253 (9)
3	WHT	101-1 HTR1	0.75mm ²	FLRYW	X253 (6)
5	WHT	19-X253 UREA PRS	0.75mm ²	FLRYW	X253 (2)
6	WHT	57-X253 UREA PRS	0.75mm ²	FLRYW	X253 (3)
7	WHT	70-X253 UREA PRS	0.75mm ²	FLRYW	X253 (4)
8	YEL	2-60-1	1.5mm ²	FLRYW	X253 (5)
9	WHT	89-X253 UREA PUMP	0.75mm ²	FLRYW	X253 (8)
10	WHT	59-X253 UREA PUMP	0.75mm ²	FLRYW	X253 (10)
11	WHT	5-X253 PURG VLV	0.75mm ²	FLRYW	X253 (11)
12	WHT	82-X253 PURG VLV	0.75mm ²	FLRYW	X253 (12)

SN238 (UREA QTY LVL TEMP)					
CONN POS	WIRE COLOR	WIRE LABEL	GAUGE	JACKET	TO
1	GRN	CN L (DEUTZ)	0.75mm ²	FLRYW	X436B (12)
2	YEL	CN H (DEUTZ)	0.75mm ²	FLRYW	X436B (11)
3	BLK	0-60-9-1	1mm ²	FLRYW	X436B (10)
4	YEL	2-100-1	1mm ²	FLRYW	X436B (9)

X252 (PRS HTR)					
CONN POS	WIRE COLOR	WIRE LABEL	GAUGE	JACKET	TO
1	YEL	2-60-5	2.5mm ²	FLRYW	X436B (4)
2	WHT	104-2 PRS HTR	2.5mm ²	FLRYW	X436B (3)

Figure 7-197. Urea Tank Harness - Sheet 2 of 2



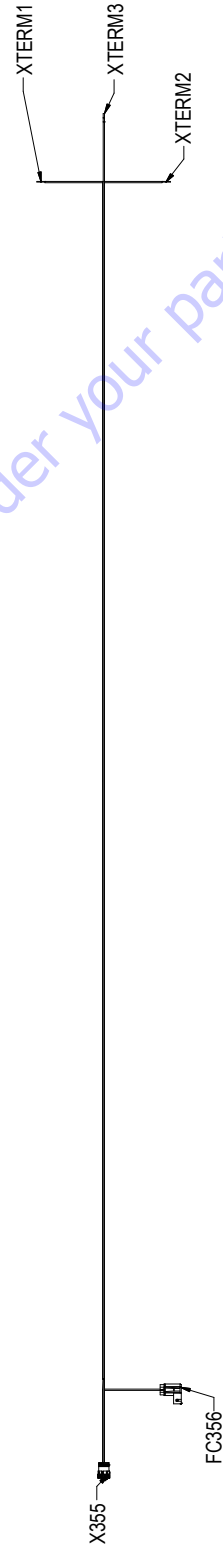
XTERM2				
CONN POS	WIRE COLOR	WIRE LABEL	GAUGE	TO
1	WHT	52-9 GEN	18 AWG	GXL

XTERM3				
CONN POS	WIRE COLOR	WIRE LABEL	GAUGE	TO
1	BLK	0-18	18 AWG	X355 (3)

XTERM1				
CONN POS	WIRE COLOR	WIRE LABEL	GAUGE	TO
1	YEL	2-13	18 AWG	FC356 (1)

X355					
CONN POS	WIRE COLOR	WIRE LABEL	GAUGE	JACKET	TO
1	YEL	2-13	18 AWG	GXL	FC356 (2)
2	WHT	52-9 GEN	18 AWG	GXL	XTERM2 (1)
3	BLK	0-18	18 AWG	GXL	XTERM3 (1)

FC356					
CONN POS	WIRE COLOR	WIRE LABEL	GAUGE	JACKET	TO
1	YEL	2-13	18 AWG	GXL	XTERM1 (1)
2	YEL	2-13	18 AWG	GXL	X355 (1)



1001156030 B

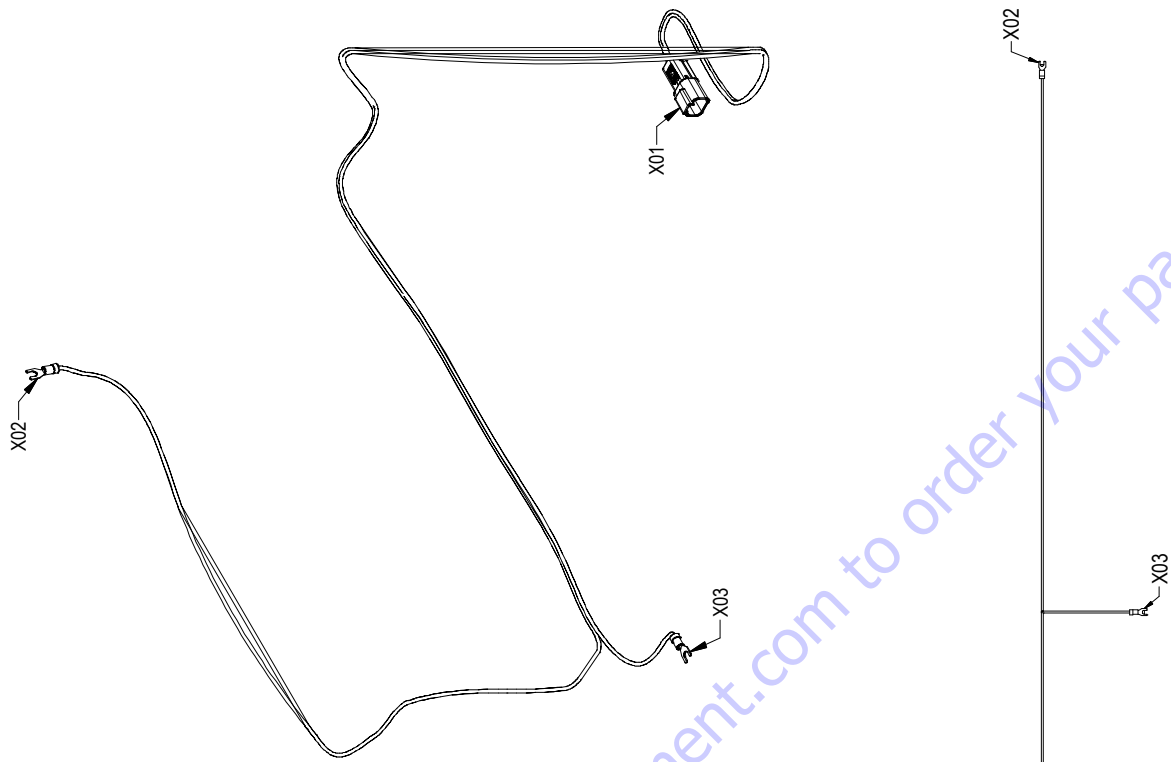
Figure 7-198. Generator Enable Harness

SECTION 7 - BASIC ELECTRICAL INFORMATION & ELECTRICAL SCHEMATICS



Figure 7-199. Platform Floodlights Harness

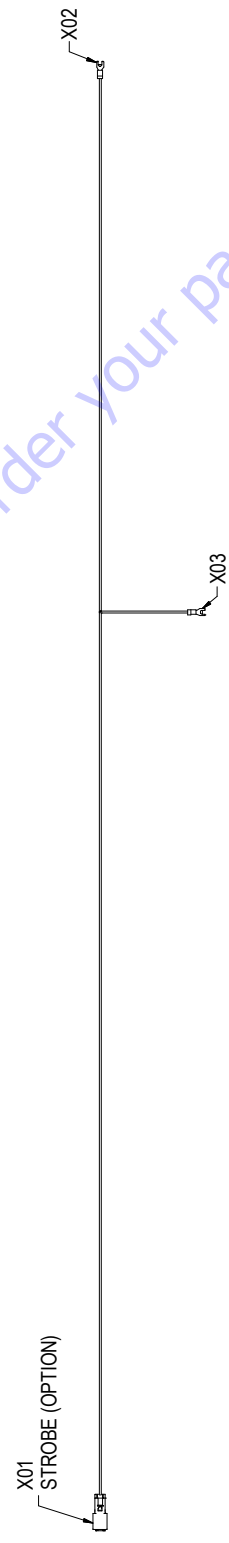
1001126502 B



X01 STROBE (OPTION)					
CONN POS	WIRE COLOR	WIRE LABEL	GAUGE	JACKET	TO
1	BLU/ORN	P1 PWR	18 AWG	TFFN	X02 (1)
2	BLK	P2 GND	18 AWG	TFFN	X03 (1)

X02					
CONN POS	WIRE COLOR	WIRE LABEL	GAUGE	JACKET	TO
1	BLU/ORN	P1 PWR	18 AWG	TFFN	X01 (1)

X03					
CONN POS	WIRE COLOR	WIRE LABEL	GAUGE	JACKET	TO
1	BLK	P2 GND	18 AWG	TFFN	X01 (2)



100153344 B

Figure 7-200. Platform Beacon Harness

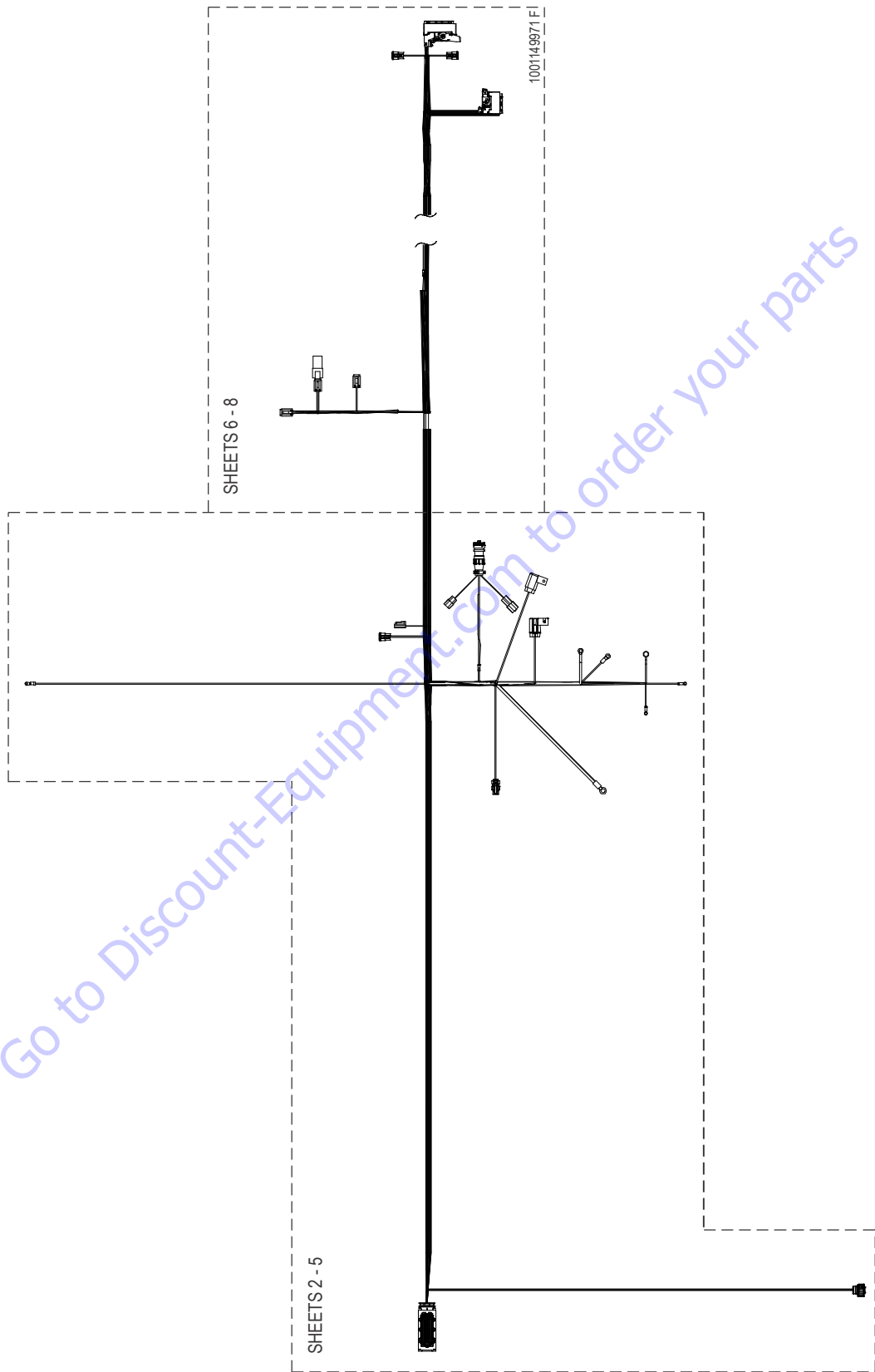


Figure 7-201. Engine T4J Harness - Sheet 1 of 9

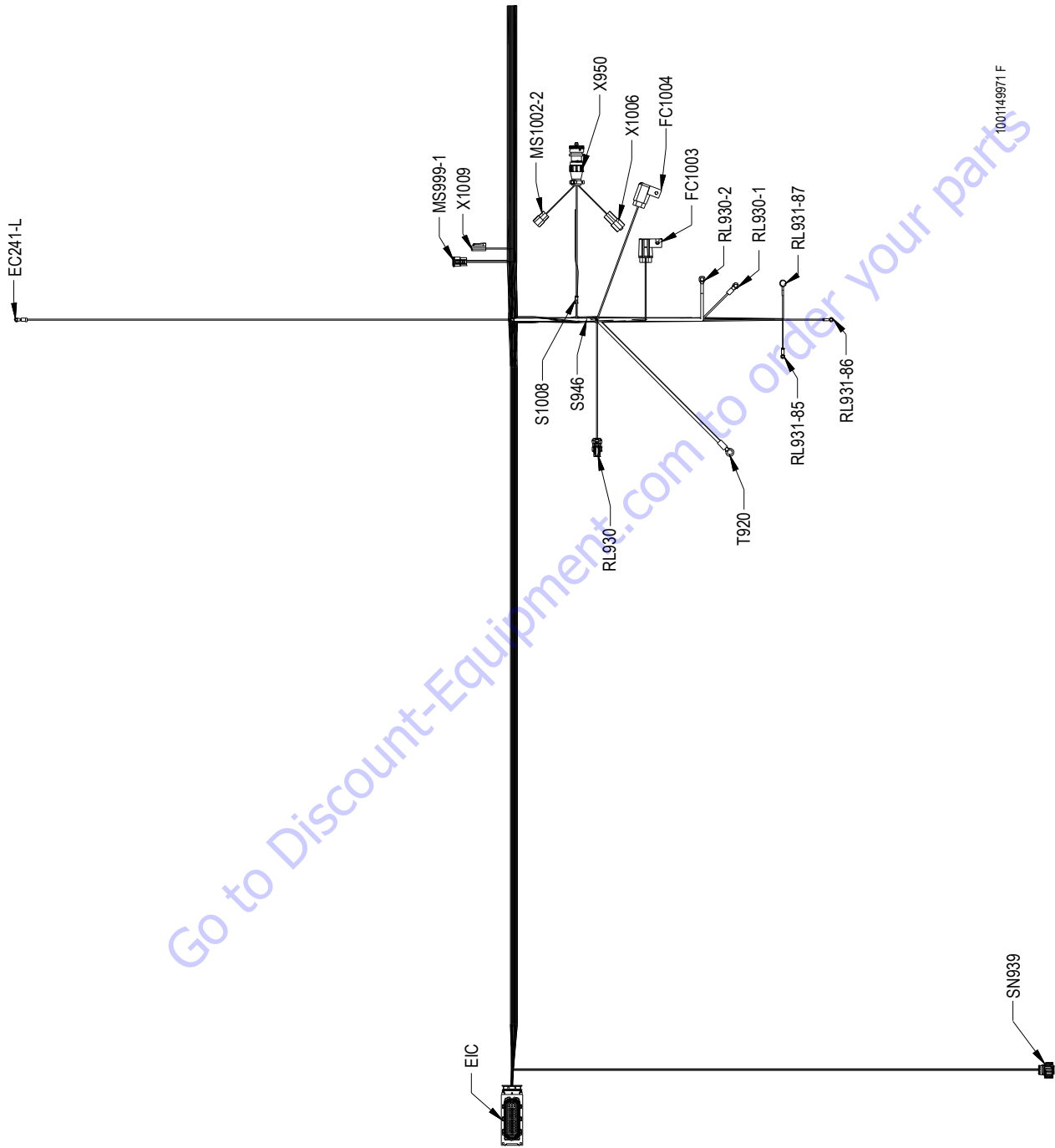


Figure 7-202. Engine T4I Harness - Sheet 2 of 9

SECTION 7 - BASIC ELECTRICAL INFORMATION & ELECTRICAL SCHEMATICS

X212 (DEUTZ D2.2)					
CONN POS	WIRE COLOR	WIRE LABEL	GAUGE	JACKET	TO
1	RED	1-20-1	2.5mm ²	FLRYW	S280 (2)
2	BLK	0-60-10-1	2.5mm ²	FLRYW	S278 (2)
3	RED	1-20-2	2.5mm ²	FLRYW	S280 (2)
4	BLK	0-60-10-2	2.5mm ²	FLRYW	S278 (2)
5	RED	1-20-3	2.5mm ²	FLRYW	S280 (2)
6	BLK	0-60-10-3	2.5mm ²	FLRYW	S278 (2)
10	WHT	73-2 A TEMP SNSR	0.75mm ²	FLRYW	SN239 (1)
13	WHT	77-3 DPF PRS SIG	0.75mm ²	FLRYW	SN283 (3)
18	WHT	77-1 DPF PRS SIG	0.75mm ²	FLRYW	SN283 (1)
23	WHT	48-95 FUL RLY 86	0.75mm ²	FLRYW	RL261 (5)
26	WHT	148-57 WTR/FUL RTN	0.75mm ²	FLRYW	X942A (2)
31	WHT	77-2 DPF PRS RTN	0.75mm ²	FLRYW	SN283 (2)
43	WHT	148-15 CLUTCH SW	0.75mm ²	FLRYW	X212 (91)
50	WHT	73-1 A TEMP SNSR	0.75mm ²	FLRYW	SN239 (2)
57	WHT	72-1 COOL LVL PWR	0.75mm ²	FLRYW	SN240 (1)
62	WHT	72-2 COOL LVL SIG	0.75mm ²	FLRYW	SN240 (3)
64	WHT	148-35-3 STRT REQ	0.75mm ²	FLRYW	S285 (1)
67	YEL	2-99-2	1mm ²	FLRYW	S272 (1)
70	WHT	148-64 WTR/FUL SW	0.75mm ²	FLRYW	X942A (1)
74	WHT	48-94 FUL RLY 85	0.75mm ²	FLRYW	RL261 (2)
81	WHT	72-3 COOL LVL GND	0.75mm ²	FLRYW	SN240 (2)
82	GRN	CN L CH 2	0.75mm ²	FLRYW	X241 (H)
83	YEL	CN H CH 2	0.75mm ²	FLRYW	X241 (G)
85	YEL	CN H CH 2	0.75mm ²	FLRYW	MS567 (1)
86	GRN	CN L CH 2	0.75mm ²	FLRYW	MS567 (3)
91	WHT	148-15 CLUTCH SW	0.75mm ²	FLRYW	X212 (43)

S278					
CONN POS	WIRE COLOR	WIRE LABEL	GAUGE	JACKET	TO
1	BLK	0-60-10	6mm ²	FLRYW	MS276 (10)
2	BLK	0-60-10-1	2.5mm ²	FLRYW	X212 (2)
2	BLK	0-60-10-2	2.5mm ²	FLRYW	X212 (4)
2	BLK	0-60-10-3	2.5mm ²	FLRYW	X212 (6)

S280					
CONN POS	WIRE COLOR	WIRE LABEL	GAUGE	JACKET	TO
1	RED	1-20	6mm ²	FLRYW	IP481 (1)
2	RED	1-20-1	2.5mm ²	FLRYW	X212 (1)
2	RED	1-20-2	2.5mm ²	FLRYW	X212 (3)
2	RED	1-20-3	2.5mm ²	FLRYW	X212 (5)

MS567					
CONN POS	WIRE COLOR	WIRE LABEL	GAUGE	JACKET	TO
1	YEL	CN H CH 2	0.75mm ²	FLRYW	X212 (85)
2	YEL	CN H CH 2	0.75mm ²	FLRYW	X568 (A)
3	GRN	CN L CH 2	0.75mm ²	FLRYW	X212 (86)
4	GRN	CN L CH 2	0.75mm ²	FLRYW	X568 (B)
5	GRN	CN L CH 2	0.75mm ²	FLRYW	X241 (F)
6	GRN	CN L CH 2	0.75mm ²	FLRYW	X218B (4)
7	YEL	CN H CH 2	0.75mm ²	FLRYW	X241 (M)
8	YEL	CN H CH 2	0.75mm ²	FLRYW	X218B (3)

X568					
CONN POS	WIRE COLOR	WIRE LABEL	GAUGE	JACKET	TO
A	YEL	CN H CH 2	0.75mm ²	FLRYW	MS567 (2)
B	GRN	CN L CH 2	0.75mm ²	FLRYW	MS567 (4)

V267 (UREA TANK HTR VLV)					
CONN POS	WIRE COLOR	WIRE LABEL	GAUGE	JACKET	TO
1	WHT	92-X267 UREA HEAT VLV	0.75mm ²	FLRYW	X211 (92)
4	YEL	2-60-2	0.75mm ²	FLRYW	S271 (1)

X233					
CONN POS	WIRE COLOR	WIRE LABEL	GAUGE	JACKET	TO
A	YEL	CN H (DEUTZ)	0.75mm ²	FLRYW	MS218 (5)
B	GRN	CN L (DEUTZ)	0.75mm ²	FLRYW	MS218 (3)

Figure 7-203. Engine T4I Harness - Sheet 3 of 9

SECTION 7 - BASIC ELECTRICAL INFORMATION & ELECTRICAL SCHEMATICS

SN939					
CONN POS	WIRE COLOR	WIRE LABEL	GAUGE	JACKET	TO
1	BLK	148-29 COOLANT LVL PWR	0.75mm ²	FLRYW	ECM-J1 (29)
2	BLK	148-87 COOLANT LVL GND	0.75mm ²	FLRYW	ECM-J1 (87)
3	BLK	148-13 COOLANT LVL SIG	0.75mm ²	FLRYW	ECM-J1 (13)

EC241-L					
CONN POS	WIRE COLOR	WIRE LABEL	GAUGE	JACKET	TO
1	WHT	47-6-2 ALT EXC	18 AWG	GXL	X218B (5)

MS999-1					
CONN POS	WIRE COLOR	WIRE LABEL	GAUGE	JACKET	TO
A	YEL	CAN HIGH	20 AWG	J1939 CABLE	X218B (3)
B	GRN	CAN LOW	20 AWG	J1939 CABLE	X218B (4)
C	SHLD	SHIELD	20 AWG	J1939 CABLE	X218B (6)

X1009					
CONN POS	WIRE COLOR	WIRE LABEL	GAUGE	JACKET	TO
1	BLK	000-148-2	0.75mm ²	FLRYW	T920 (1)
2	BLK	148-35-4 STRT REQ	0.75mm ²	FLRYW	S1011 (2)

S1008					
CONN POS	WIRE COLOR	WIRE LABEL	GAUGE	JACKET	TO
1	BLK	000-48-3 ENG GND	18 AWG	GXL	T920 (1)
2	BLK	000-48-3 ENG GND	18 AWG	GXL	X950 (B)
2	BLK	000-48-4 SHLD	18 AWG	GXL	X1006 (3)

S946					
CONN POS	WIRE COLOR	WIRE LABEL	GAUGE	JACKET	TO
1	YEL	2-48-3 IGNITION	18 AWG	GXL	RL931-86 (1)
1	YEL	2-48-4 IGNITION	18 AWG	GXL	RL930 (1)
2	YEL	2-48-1 IGNITION	16 AWG	GXL	FC1004 (2)
2	YEL	2-48-2 IGNITION	18 AWG	GXL	X950 (A)
2	BLK	148-88 IGNITION	0.75mm ²	FLRYW	ECM-J1 (88)

MS1002-2					
CONN POS	WIRE COLOR	WIRE LABEL	GAUGE	JACKET	TO
A	YEL	CAN HIGH	0.75mm ²	FLRYW	X950 (H)
B	GRN	CAN LOW	0.75mm ²	FLRYW	X950 (G)

X1006					
CONN POS	WIRE COLOR	WIRE LABEL	GAUGE	JACKET	TO
1	YEL	CAN HIGH	0.75mm ²	FLRYW	X950 (M)
2	GRN	CAN LOW	0.75mm ²	FLRYW	X950 (F)
3	BLK	000-48-4 SHLD	18 AWG	GXL	S1008 (2)

X950					
CONN POS	WIRE COLOR	WIRE LABEL	GAUGE	JACKET	TO
A	YEL	2-48-2 IGNITION	18 AWG	GXL	S946 (2)
B	BLK	000-48-2 ENG GND	18 AWG	GXL	S1008 (2)
F	GRN	CAN LOW	0.75mm ²	FLRYW	X1006 (2)
G	GRN	CAN LOW	0.75mm ²	FLRYW	MS1002-2 (B)
H	YEL	CAN HIGH	0.75mm ²	FLRYW	MS1002-2 (A)
M	YEL	CAN HIGH	0.75mm ²	FLRYW	X1006 (1)

RL930					
CONN POS	WIRE COLOR	WIRE LABEL	GAUGE	JACKET	TO
1	YEL	2-48-4 IGNITION	18 AWG	GXL	S946 (1)
2	BLK	148-26 FUL PUMP RLY CNTRL GND	0.75mm ²	FLRYW	ECM-J1 (26)

FC1004					
CONN POS	WIRE COLOR	WIRE LABEL	GAUGE	JACKET	TO
1	YEL	2-1-99 IGNITION	18 AWG	GXL	X217B (1)
2	YEL	2-48-1 IGNITION	16 AWG	GXL	S946 (2)

Figure 7-204. Engine T4I Harness - Sheet 4 of 9

SECTION 7 - BASIC ELECTRICAL INFORMATION & ELECTRICAL SCHEMATICS

FC1003					
CONN POS	WIRE COLOR	WIRE LABEL	GAUGE	JACKET	TO
1	BLK	248-23 GLOW SENSE	0.75mm ²	FLRYW	ECM-J2 (23)
2	ORG	248-23-1 GLOW SENSE	18 AWG	GXL	RL931-87 (1)

T920					
CONN POS	WIRE COLOR	WIRE LABEL	GAUGE	JACKET	TO
1	BLK	000-148-2	0.75mm ²	FLRYW	X1009 (1)
1	BLK	000-148-246 ECM GND	8 AWG	GXL	S945 (1)
1	BLK	000-48-1 ENG GND	14 AWG	GXL	X941 (4)
1	BLK	000-48-3 ENG GND	18 AWG	GXL	S1008 (1)

RL930-2					
CONN POS	WIRE COLOR	WIRE LABEL	GAUGE	JACKET	TO
1	RED	1-148-135 ECM PWR	8 AWG	GXL	S944 (1)

RL930-1					
CONN POS	WIRE COLOR	WIRE LABEL	GAUGE	JACKET	TO
1	WHT	48-96 FUEL PUMP	14 AWG	GXL	X941 (3)

RL931-85					
CONN POS	WIRE COLOR	WIRE LABEL	GAUGE	JACKET	TO
1	BLK	248-35 GLOW RLY CNTRL GND	0.75mm ²	FLRYW	ECM-J2 (35)

RL931-86					
CONN POS	WIRE COLOR	WIRE LABEL	GAUGE	JACKET	TO
1	YEL	2-48-3 IGNITION	18 AWG	GXL	S946 (1)

RL931-87					
CONN POS	WIRE COLOR	WIRE LABEL	GAUGE	JACKET	TO
1	ORG	248-23-1 GLOW SENSE	18 AWG	GXL	FC1003 (2)

Figure 7-205. Engine T4I Harness - Sheet 5 of 9

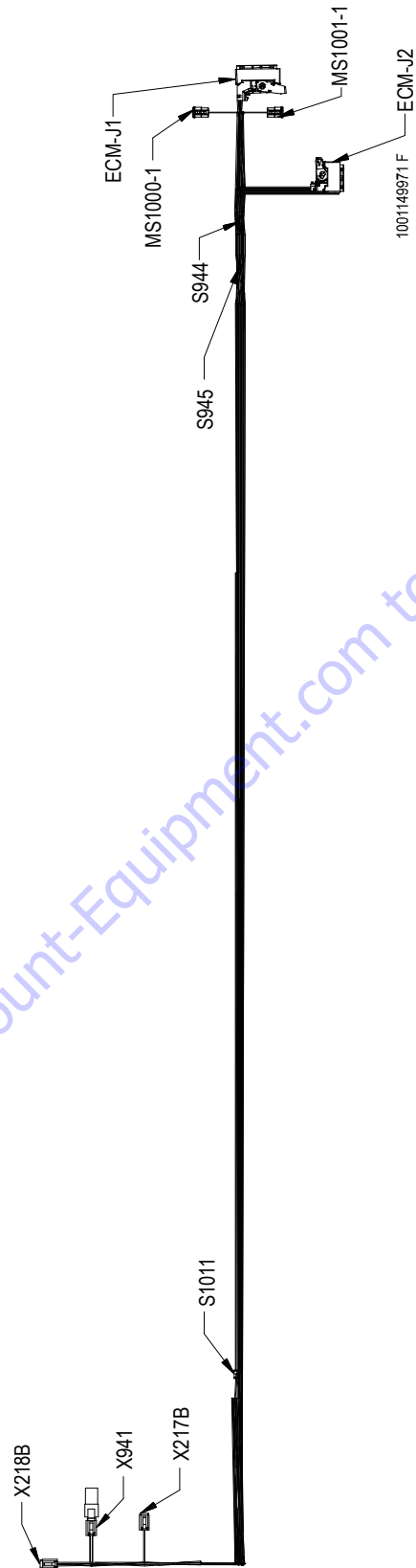


Figure 7-206. Engine T4I Harness - Sheet 6 of 9

Go to Discount-Equipment.com to order your parts

SECTION 7 - BASIC ELECTRICAL INFORMATION & ELECTRICAL SCHEMATICS

X218B					
CONN POS	WIRE COLOR	WIRE LABEL	GAUGE	JACKET	TO
2	BLK	148-35-2 STRT REQ	0.75mm ²	FLRYW	S1011 (2)
3	YEL	CAN HIGH	20 AWG	J1939 CABLE	MS999-1 (A)
4	GRN	CAN LOW	20 AWG	J1939 CABLE	MS999-1 (B)
5	WHT	47-6-2 ALT EXC	18 AWG	GXL	EC241-L (1)
6	SHLD	SHIELD	20 AWG	J1939 CABLE	MS999-1 (C)

S945					
CONN POS	WIRE COLOR	WIRE LABEL	GAUGE	JACKET	TO
1	BLK	00-148-246 ECM GND	8 AWG	GXL	T920 (1)
2	BLK	148-2 ECM GND	2.5mm ²	FLRYW	ECM-J1 (2)
2	BLK	148-4 ECM GND	2.5mm ²	FLRYW	ECM-J1 (4)
2	BLK	148-6 ECM GND	2.5mm ²	FLRYW	ECM-J1 (6)

X941					
CONN POS	WIRE COLOR	WIRE LABEL	GAUGE	JACKET	TO
1	BLK	148-64 WATER IN FUEL SW	0.75mm ²	FLRYW	ECM-J1 (64)
2	BLK	148-57 WATER IN FUEL SW RTN	0.75mm ²	FLRYW	ECM-J1 (57)
3	WHT	48-96 FUEL PUMP	14 AWG	GXL	RL930-1 (1)
4	BLK	000-48-1 ENG GND	14 AWG	GXL	T920 (1)

S944					
CONN POS	WIRE COLOR	WIRE LABEL	GAUGE	JACKET	TO
1	RED	1-148-135 ECM PWR	8 AWG	GXL	RL930-2 (1)
2	RED	148-1 ECM PWR	2.5mm ²	FLRYW	ECM-J1 (1)
2	RED	148-3 ECM PWR	2.5mm ²	FLRYW	ECM-J1 (3)
2	RED	148-5 ECM PWR	2.5mm ²	FLRYW	ECM-J1 (5)

X217B					
CONN POS	WIRE COLOR	WIRE LABEL	GAUGE	JACKET	TO
1	YEL	2-1-99 IGNITION	18 AWG	GXL	FC1004 (1)

MS1001-1					
CONN POS	WIRE COLOR	WIRE LABEL	GAUGE	JACKET	TO
A	YEL	CAN HIGH	0.75mm ²	FLRYW	ECM-J1 (54)
B	GRN	CAN LOW	0.75mm ²	FLRYW	ECM-J1 (76)

S1011					
CONN POS	WIRE COLOR	WIRE LABEL	GAUGE	JACKET	TO
1	BLK	148-35-3 STRT REQ	0.75mm ²	FLRYW	ECM-J1 (35)
2	BLK	148-35-2 STRT REQ	0.75mm ²	FLRYW	X218B (2)
2	BLK	148-35-4 STRT REQ	0.75mm ²	FLRYW	X1009 (2)

MS1001-1					
CONN POS	WIRE COLOR	WIRE LABEL	GAUGE	JACKET	TO
A	YEL	CAN HIGH	0.75mm ²	FLRYW	ECM-J1 (75)
B	GRN	CAN LOW	0.75mm ²	FLRYW	ECM-J1 (53)

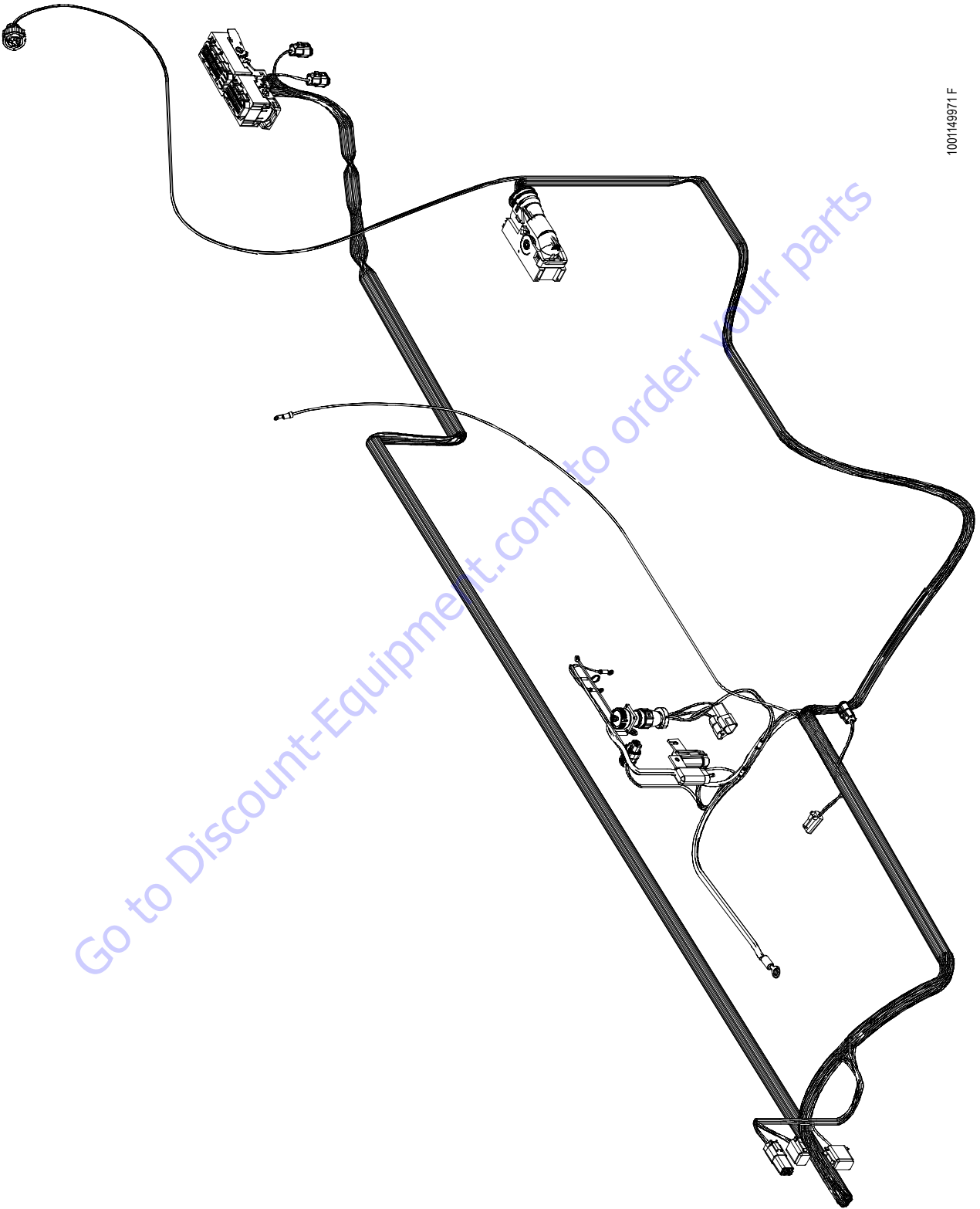
Figure 7-207. Engine T4I Harness - Sheet 7 of 9

SECTION 7 - BASIC ELECTRICAL INFORMATION & ELECTRICAL SCHEMATICS

ECM-J2					
CONN POS	WIRE COLOR	WIRE LABEL	GAUGE	JACKET	TO
2	BLK	248-2 INJECTOR 3	1.5mm ²	FLRYW	EIC (61)
3	BLK	248-3 INJECTOR 2	1.5mm ²	FLRYW	EIC (41)
4	BLK	248-4 MPROP ACTUATOR	1.5mm ²	FLRYW	EIC (19)
5	BLK	248-5 MPROP ACTUATOR	1.5mm ²	FLRYW	EIC (20)
7	BLK	248-7 RAIL PRESSURE FUEL	0.75mm ²	FLRYW	EIC (32)
16	BLK	248-16 INJECTOR 1	1.5mm ²	FLRYW	EIC (35)
18	BLK	248-18 INJECTOR 4	1.5mm ²	FLRYW	EIC (37)
19	BLK	248-19 EXH GAS RECIRCULATION	1.5mm ²	FLRYW	EIC (47)
20	BLK	248-20 EXH GAS RECIRCULATION	1.5mm ²	FLRYW	EIC (48)
23	BLK	248-23 GLOW SENSE	0.75mm ²	FLRYW	FC1003 (1)
24	BLK	248-24 BOOST PRS/TEMP	0.75mm ²	FLRYW	EIC (22)
25	BLK	248-25 RAIL PRS FUEL	0.75mm ²	FLRYW	EIC (31)
26	BLK	248-26 RAIL PRS FUEL	0.75mm ²	FLRYW	EIC (25)
27	BLK	248-27 BOOST PRS/TEMP	0.75mm ²	FLRYW	EIC (29)
28	BLK	248-28 COOLING TEMP	0.75mm ²	FLRYW	EIC (24)
29	BLK	248-29 OIL PRESSURE	0.75mm ²	FLRYW	EIC (27)
32	BLK	248-32 INJECTOR 3	1.5mm ²	FLRYW	EIC (38)
33	BLK	248-33 INJECTOR 1	1.5mm ²	FLRYW	EIC (62)
35	BLK	248-35 GLOW RLY CNTRL GND	0.75mm ²	FLRYW	RL931-85 (1)
37	BLK	248-37 ENG SPD CAMSHAFT	0.75mm ²	FLRYW	EIC (14)
38	SHLD	248-38 ENG SPD CRANKSHAFT	0.75mm ²	SHLD	EIC (1)
39	BLK	248-39 ENG SPD CRANKSHAFT	0.75mm ²	FLRYW	EIC (15)
40	BLK	248-40 AIR INLET TEMP	0.75mm ²	FLRYW	EIC (28)
43	BLK	248-43 OIL PRESSURE	0.75mm ²	FLRYW	EIC (23)
44	BLK	248-46 INJECTOR 2	0.75mm ²	FLRYW	EIC (26)
46	BLK	248-46 INJECTOR 2	1.5mm ²	FLRYW	EIC (40)
48	BLK	248-48 INJECTOR 4	1.5mm ²	FLRYW	EIC (42)
52	BLK	248-52 ENG SPD CAMSHAFT	0.75mm ²	FLRYW	EIC (13)
53	SHLD	248-53 ENG SPD CAMSHAFT	0.75mm ²	SHLD	EIC (9)
54	BLK	248-54 ENG SPD CRANKSHAFT	0.75mm ²	FLRYW	EIC (21)

ECM-J1					
CONN POS	WIRE COLOR	WIRE LABEL	GAUGE	JACKET	TO
1	RED	148-1 ECM PWR	2.5mm ²	FLRYW	S944 (2)
2	BLK	148-2 ECM GND	2.5mm ²	FLRYW	S945 (2)
3	RED	148-3 ECM PWR	2.5mm ²	FLRYW	S944 (2)
4	BLK	148-4 ECM GND	2.5mm ²	FLRYW	S945 (2)
5	RED	148-5 ECM PWR	2.5mm ²	FLRYW	S944 (2)
6	BLK	148-6 ECM GND	2.5mm ²	FLRYW	S945 (2)
13	BLK	148-13 COOLANT LVL SIG	0.75mm ²	FLRYW	SN939 (3)
15	BLK	148-15-68 CLUTCH SWITCH	0.75mm ²	FLRYW	ECM-J1 (68)
26	BLK	148-26 FUL PMP RLY CNTRL GND	0.75mm ²	FLRYW	RL930 (2)
28	BLK	148-70 STRT GND	0.75mm ²	FLRYW	EIC (2)
29	BLK	148-29 COOLANT LVL PWR	0.75mm ²	FLRYW	SN929 (1)
35	BLK	148-35-3 STRT REQ	0.75mm ²	FLRYW	S1011 (1)
38	BLK	148-38 THROTTLE FLAP 4	0.75mm ²	FLRYW	EIC (52)
44	BLK	148-44 EXH GAS RECIRCULATION	0.75mm ²	FLRYW	EIC (50)
53	GRN	CAN LOW	0.75mm ²	FLRYW	MS1001-1 (B)
54	YEL	CAN HIGH	0.75mm ²	FLRYW	MS1001-1 (A)
56	BLK	148-56 AIR INLET TEMP	0.75mm ²	FLRYW	EIC (34)
57	BLK	148-57 WTR IN FUL SW RTN	0.75mm ²	FLRYW	X941 (2)
61	BLK	148-61 FUL LOW PRESSURE	0.75mm ²	FLRYW	EIC (17)
64	BLK	148-64 WATER IN FUEL SW	0.75mm ²	FLRYW	X941 (1)
68	BLK	148-15-68 CLUTCH SWITCH	0.75mm ²	FLRYW	ECM-J1 (15)
72	BLK	148-72 THROTTLE FLAP 3	0.75mm ²	FLRYW	EIC (49)
73	BLK	148-71 STRT SIG	0.75mm ²	FLRYW	EIC (3)
75	YEL	CAN HIGH	0.75mm ²	FLRYW	MS1001-1 (A)
76	GRN	CAN LOW	0.75mm ²	FLRYW	MS1001-1 (B)
82	BLK	148-82 EXH GAS RECIRCULATION	0.75mm ²	FLRYW	EIC (51)
85	BLK	148-82 EXH GAS RECIRCULATION	0.75mm ²	FLRYW	EIC (46)
87	BLK	148-87 COOLANT LVL GND	0.75mm ²	FLRYW	SN939 (2)
88	BLK	148-88 IGNITION	0.75mm ²	FLRYW	S946 (2)

Figure 7-208. Engine T4I Harness - Sheet 8 of 9



1001149971 F

Go to Discount-Equipment.com to order your parts

Figure 7-209. Engine T4I Harness - Sheet 9 of 9

7.8 ELECTRICAL SCHEMATICS

SHEET 2 : PLATFORM BOX
ELEC ASSY, PLATFORM CONSOLE (SKYGUARD)
HARNESS, PLATFORM (SKYGUARD)

SHEET 3 : MAIN BOOM TO PLATFORM COMPONENTS
HARNESS, PLATFORM VLV/SNSR
HARNESS, AJP BOOM LIFT VLV/SNSR
HARNESS, ULTRA BOOM CONTROL BOX
CABLE, MAIN BOOM SNSR
CABLE, SECONDARY MAIN CONTROL
HARNESS, JIB LIMIT SWITCHES
HARNESS, PLATFORM LEVEL SENSORS

SHEET 4 : BLAM
HARNESS, BLAM

SHEET 5 : UGM - TURNTABLE
HARNESS, TURNTABLE
HARNESS, GROUND CONTROL
CABLE, BATTERY NEGATIVE
CABLE, BATTERY POSTIVE
WIRE, RELAY GROUNDING

SHEET 6 : TURNTABLE HYDRAULICS
HARNESS, TURNTABLE VALVE 1500AJP
HARNESS, DRV PUMP

SHEET 7 : CHASSIS
HARNESS, CHASSIS
CABLE, STEER
CABLE, M12 MTS CONNECTION

SHEET 8 : ENGINE
HARNESS, ENGINE T4F BOOM
CABLE, ENGINE NEGATIVE
CABLE, ENGINE POSITIVE
CABLE, ALTERNATOR
CABLE, AUXILIARY POWER
CABLE, AUXILIARY NEGATIVE
CABLE, BAT TO AUX RLY
HARNESS, FUEL PUMP & WIF

SHEET 9 : UREA TANK/ SUPPLY MODULE/ OPTIONS
HARNESS, UREA TANK
HARNESS, GENERATOR ENABLE
HARNESS, HEAD & TAIL LT
HARNESS, PLATFORM FLOOD LIGHTS
INSTALL, PLATF WORK LIGHTS
HARNESS, STROBE
INSTALL, PLATFORM BEACON
HARNESS, PLATFORM BEACON

SHEET 10 : TIER 4I ENGINE
HARNESS, ENGINE T4I

SHEET-1

1001194252-F
MAE35230F

Figure 7-210. Electrical Schematics - Sheet 1 of 19

SECTION 7 - BASIC ELECTRICAL INFORMATION & ELECTRICAL SCHEMATICS

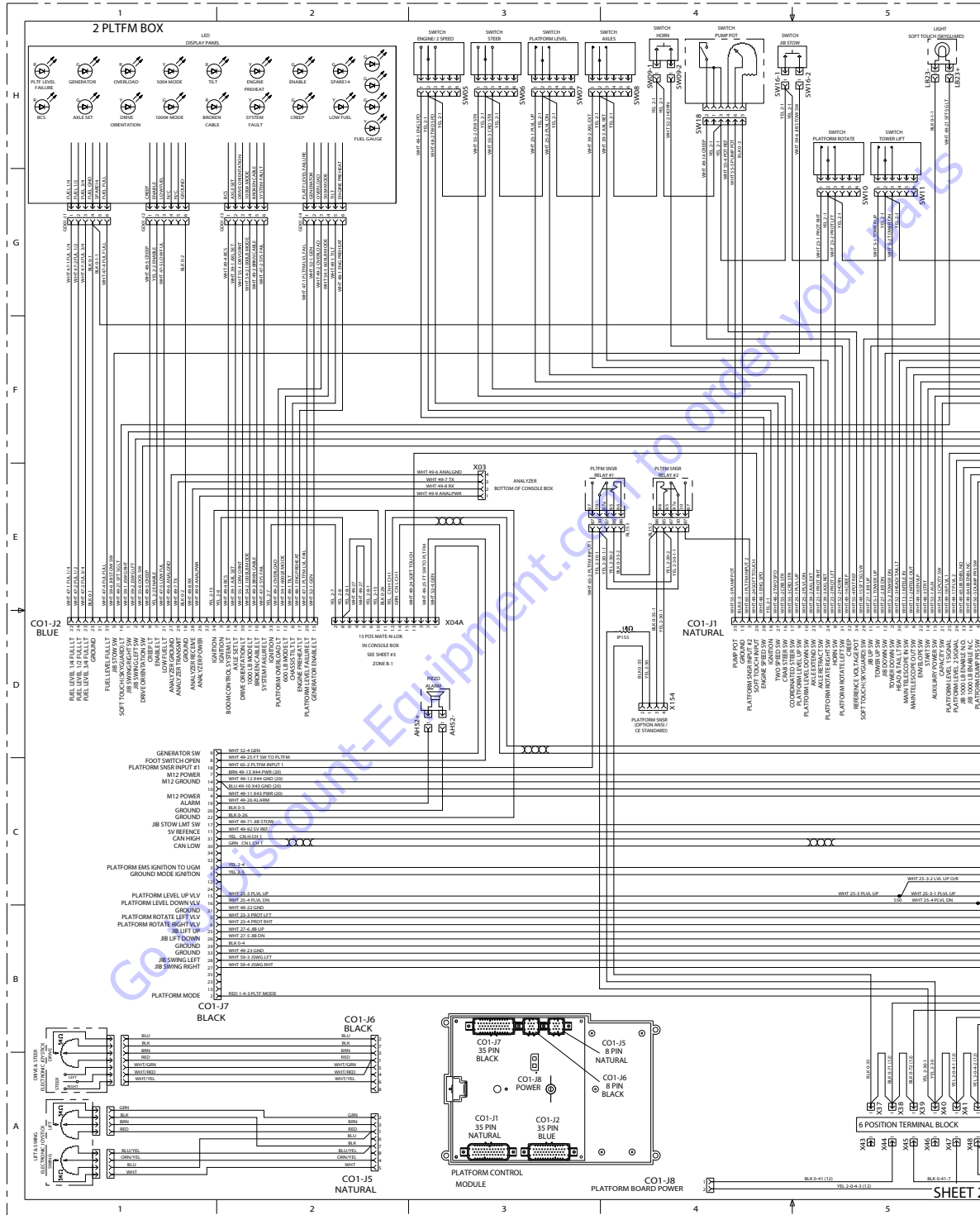


Figure 7-211. Electrical Schematics - Sheet 2 of 19

SECTION 7 - BASIC ELECTRICAL INFORMATION & ELECTRICAL SCHEMATICS

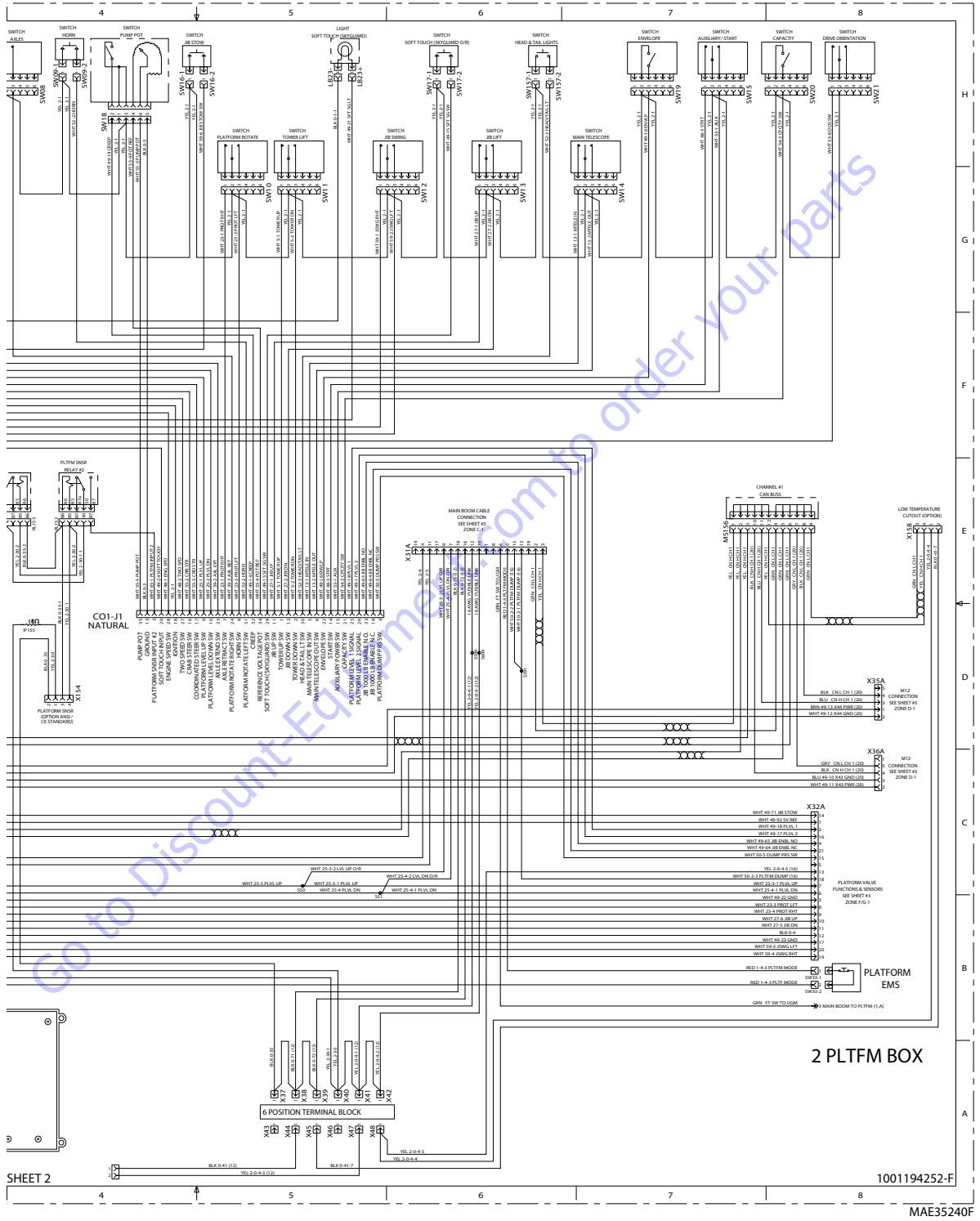


Figure 7-212. Electrical Schematics - Sheet 3 of 19

SECTION 7 - BASIC ELECTRICAL INFORMATION & ELECTRICAL SCHEMATICS

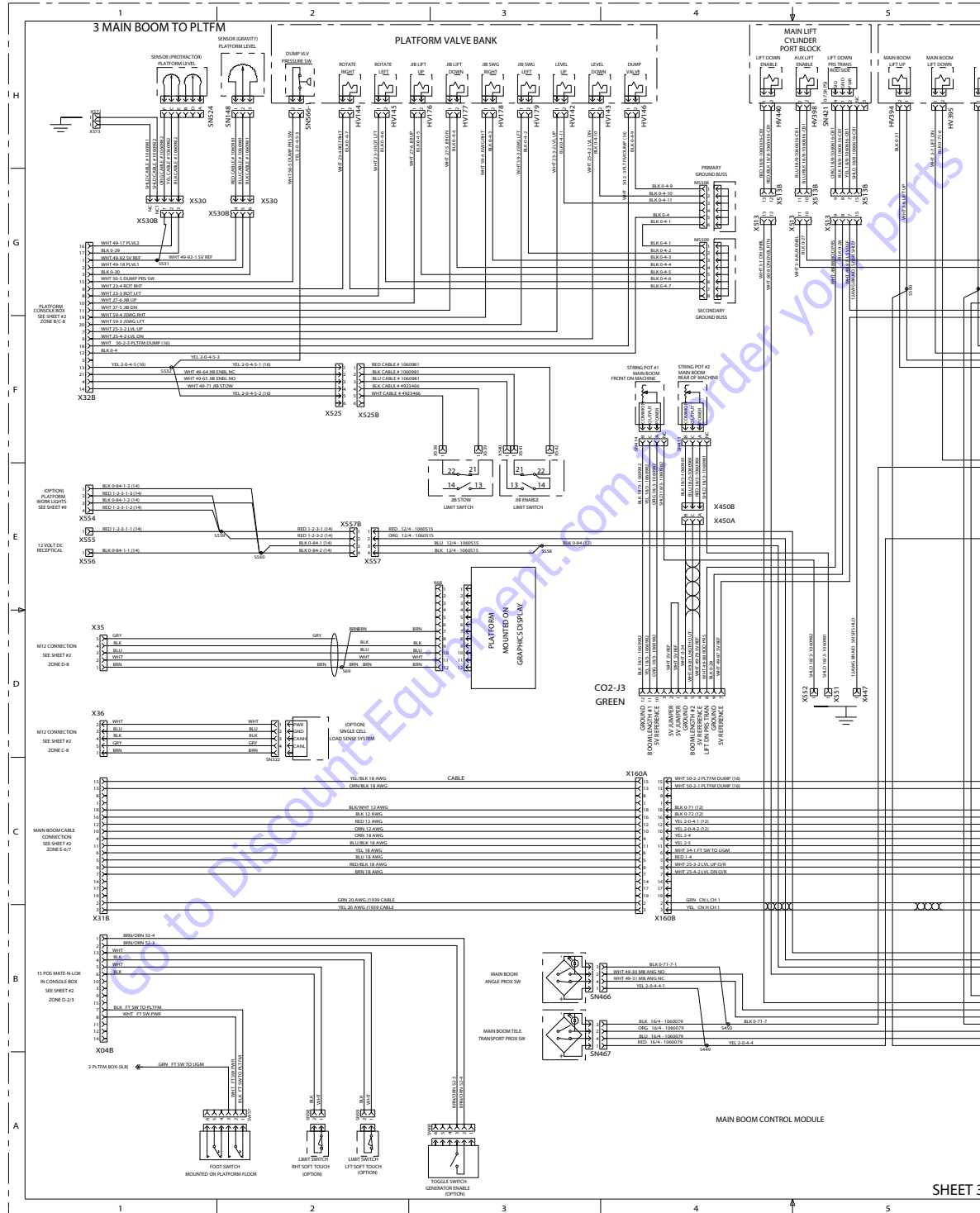


Figure 7-213. Electrical Schematics - Sheet 4 of 19

SECTION 7 - BASIC ELECTRICAL INFORMATION & ELECTRICAL SCHEMATICS

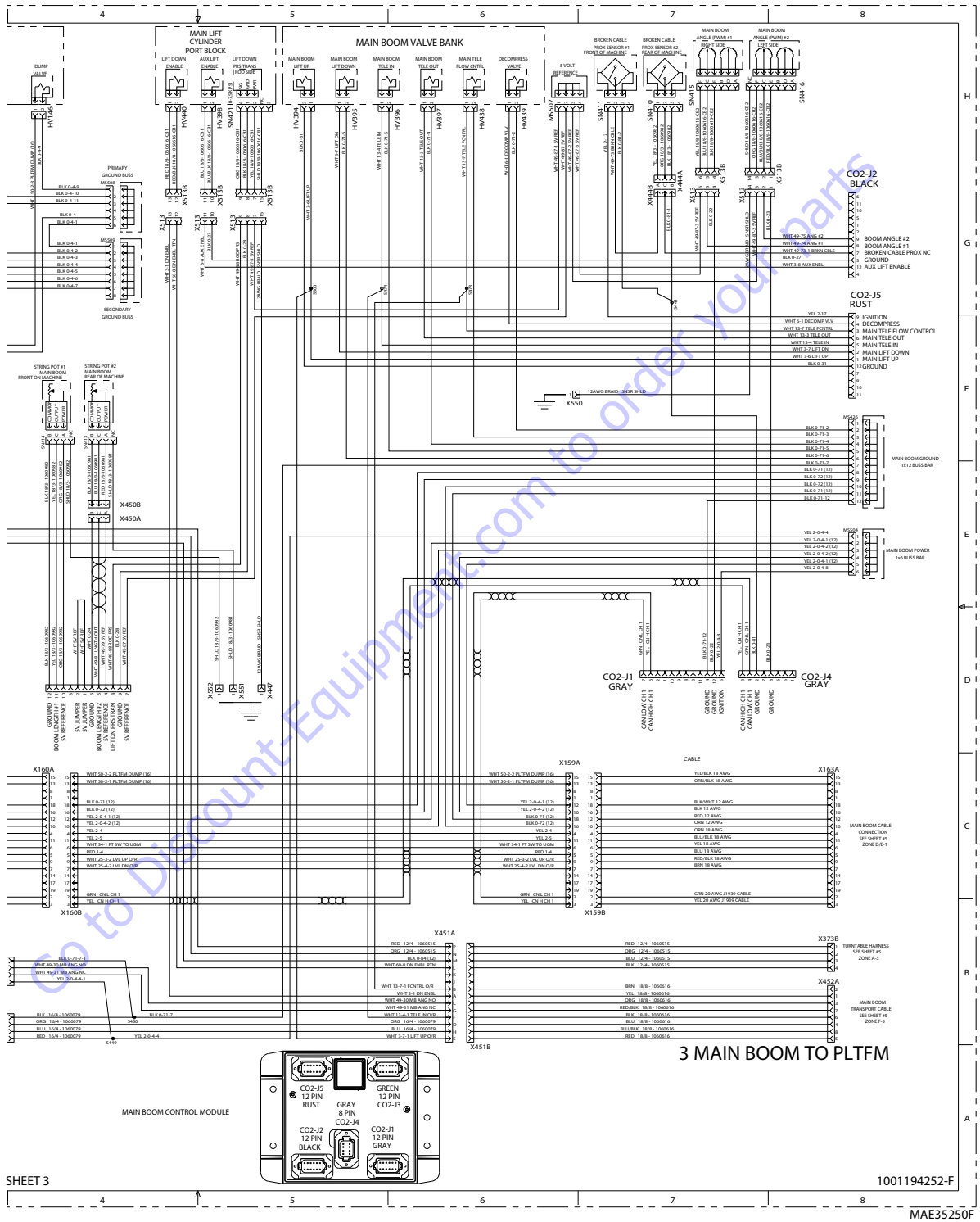


Figure 7-214. Electrical Schematics - Sheet 5 of 19

SECTION 7 - BASIC ELECTRICAL INFORMATION & ELECTRICAL SCHEMATICS

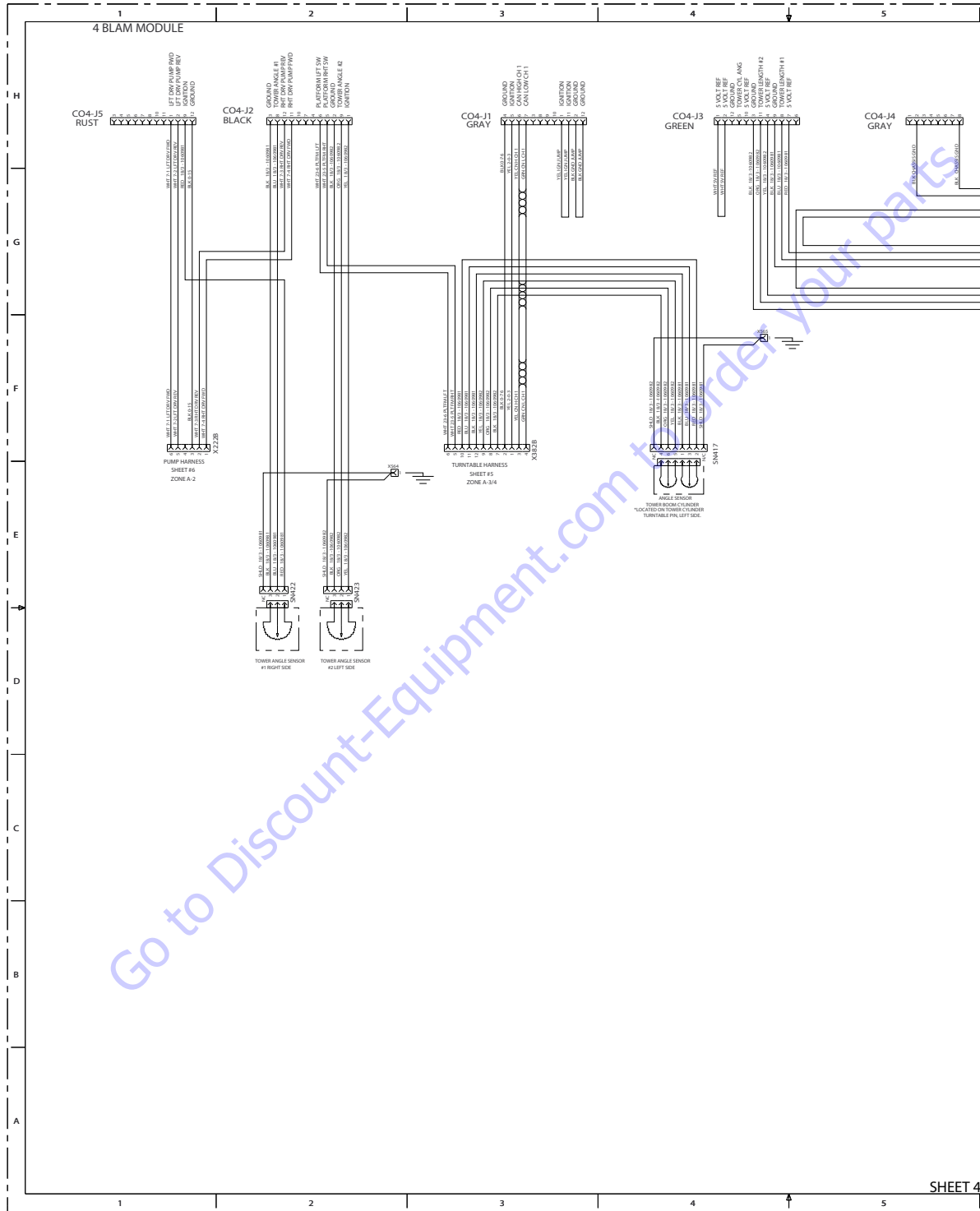


Figure 7-215. Electrical Schematics - Sheet 6 of 19

SECTION 7 - BASIC ELECTRICAL INFORMATION & ELECTRICAL SCHEMATICS

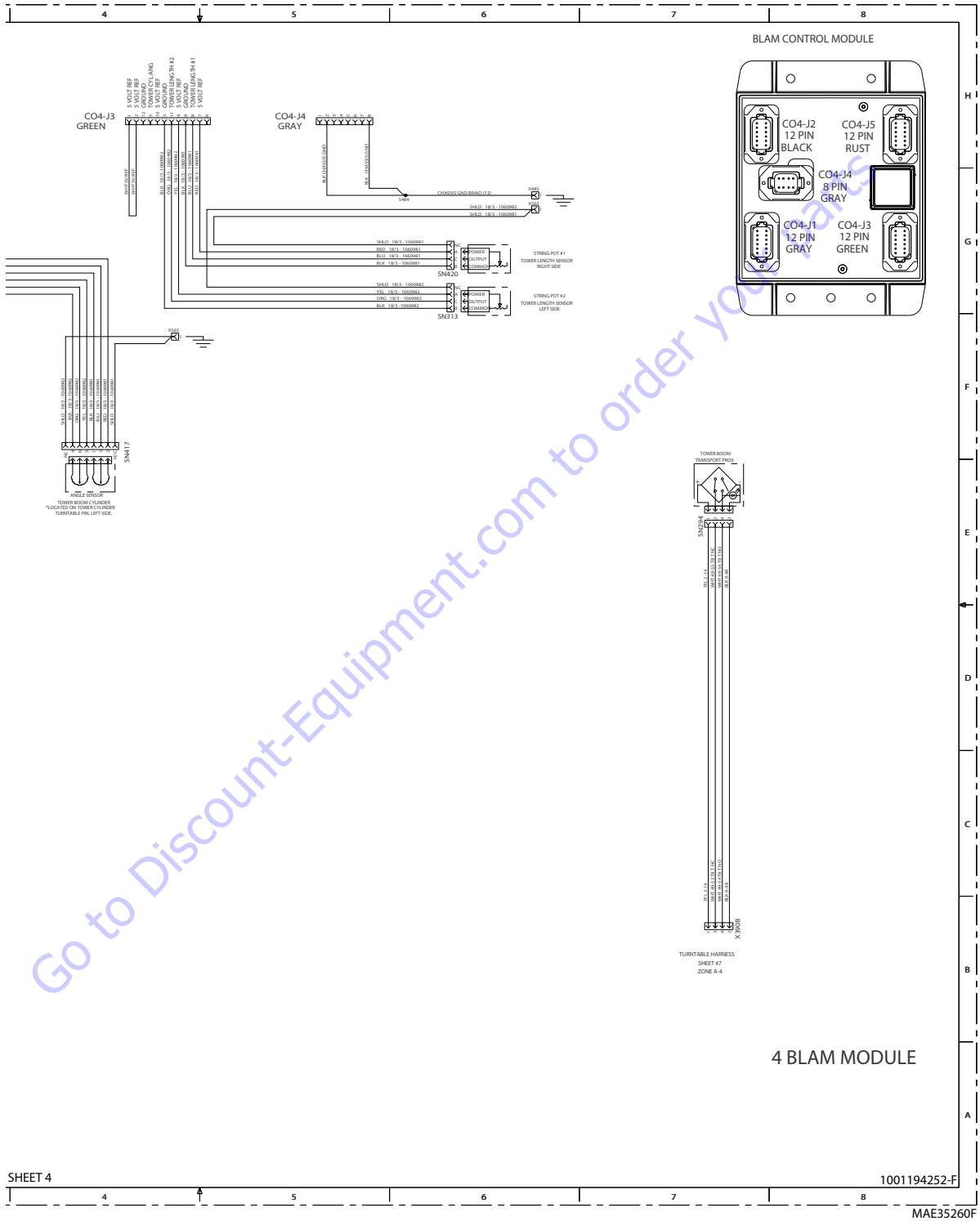


Figure 7-216. Electrical Schematics - Sheet 7 of 19

SECTION 7 - BASIC ELECTRICAL INFORMATION & ELECTRICAL SCHEMATICS

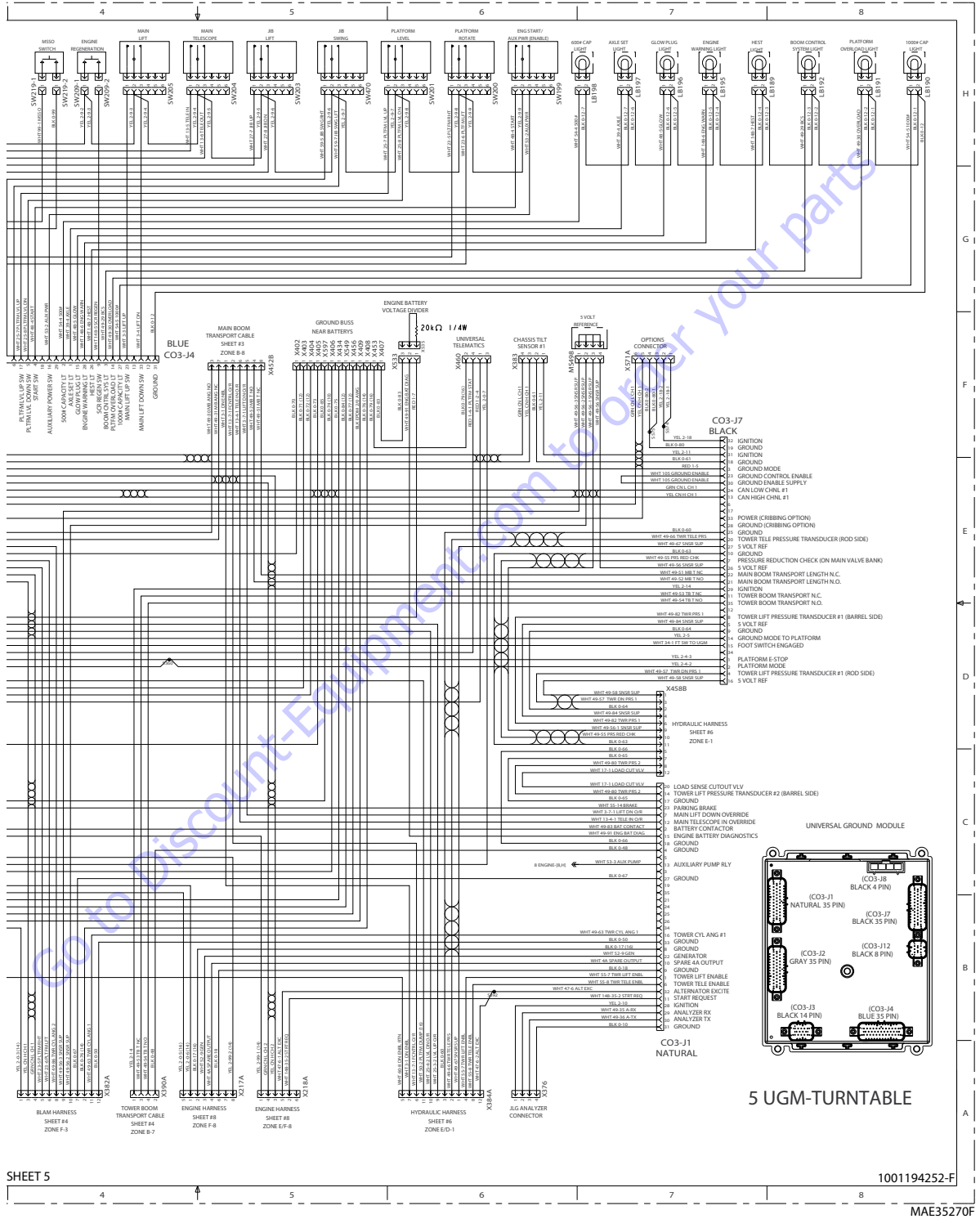


Figure 7-218. Electrical Schematics - Sheet 9 of 19

SECTION 7 - BASIC ELECTRICAL INFORMATION & ELECTRICAL SCHEMATICS

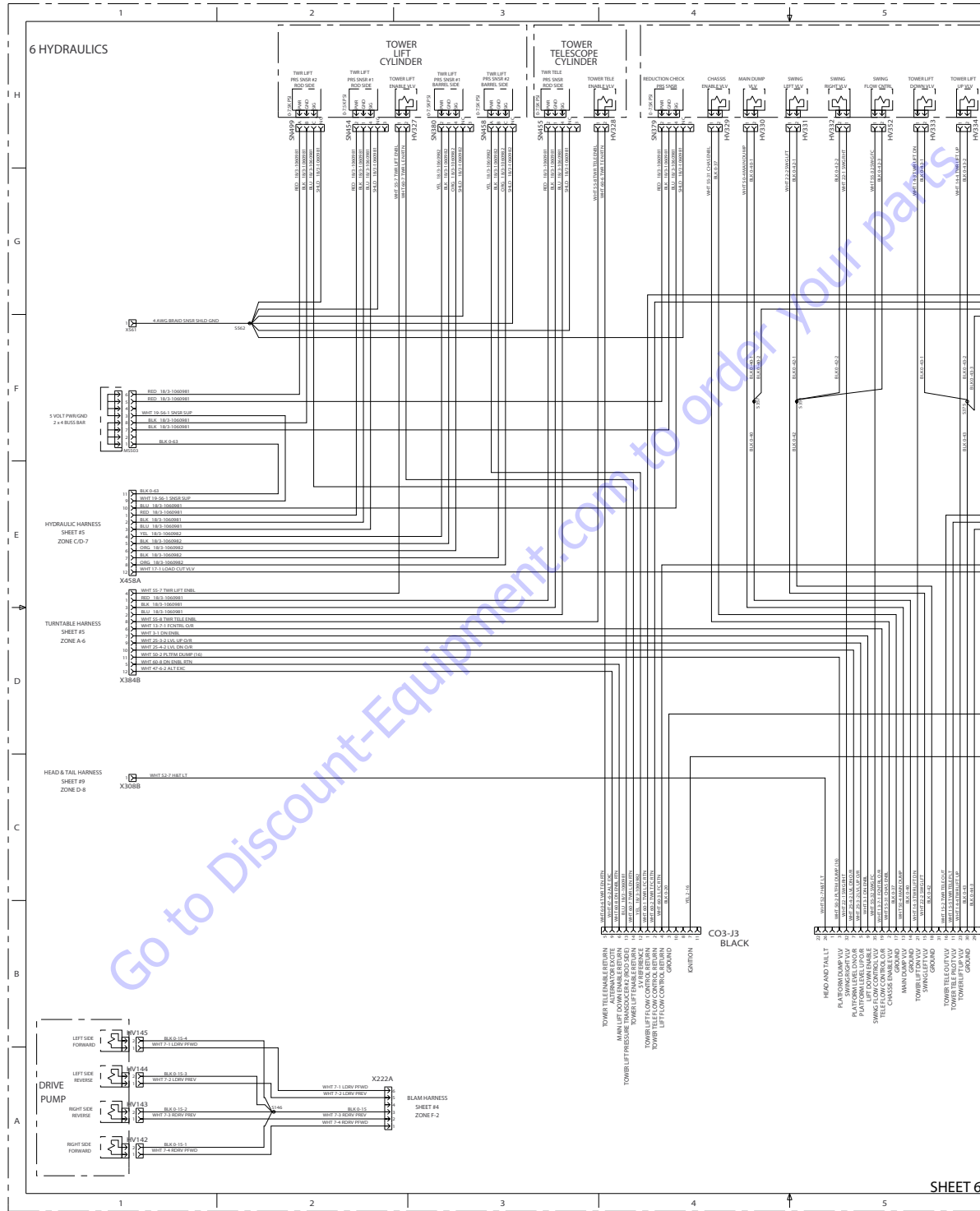


Figure 7-219. Electrical Schematics - Sheet 10 of 19

SECTION 7 - BASIC ELECTRICAL INFORMATION & ELECTRICAL SCHEMATICS

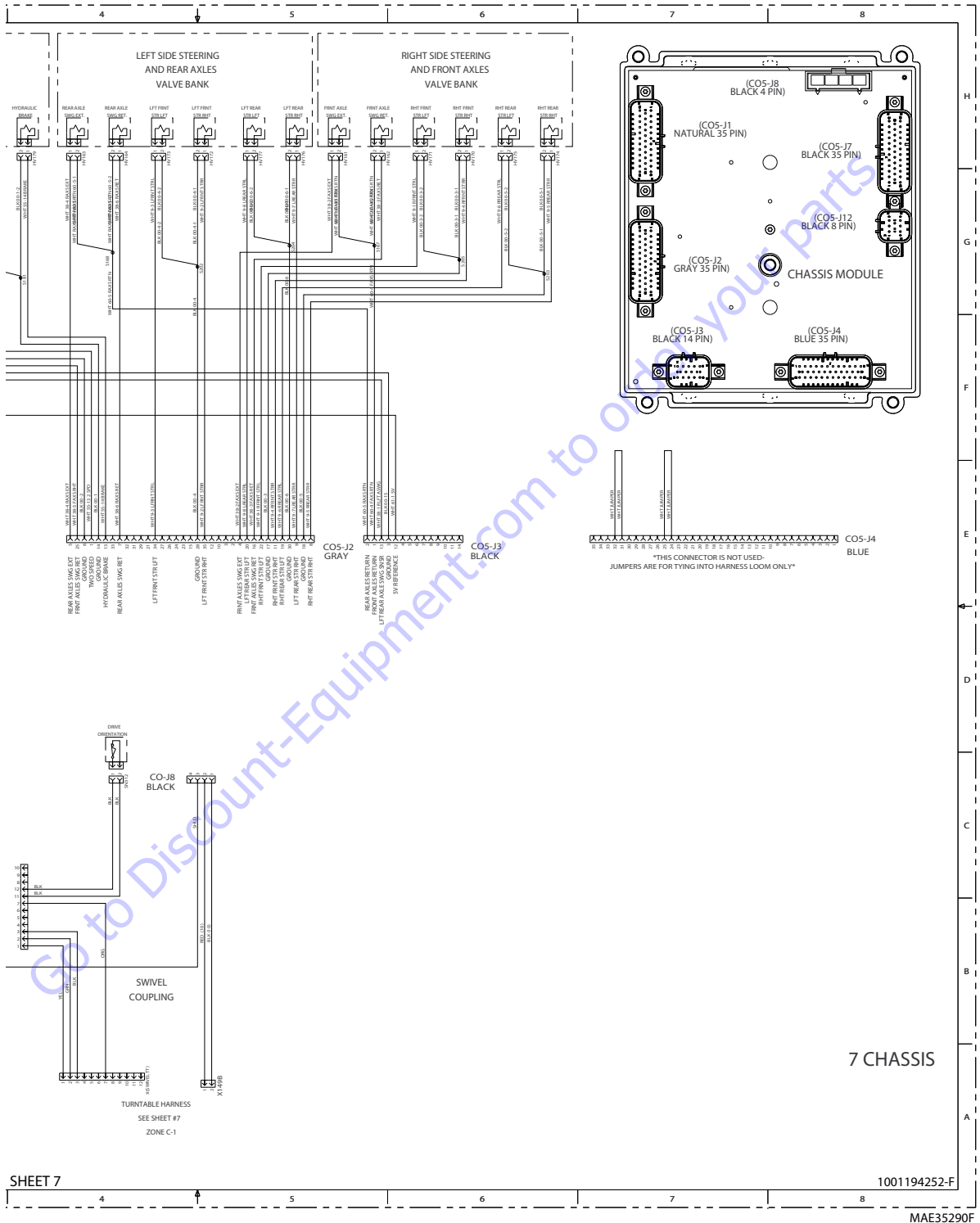


Figure 7-222. Electrical Schematics - Sheet 13 of 19

SECTION 7 - BASIC ELECTRICAL INFORMATION & ELECTRICAL SCHEMATICS

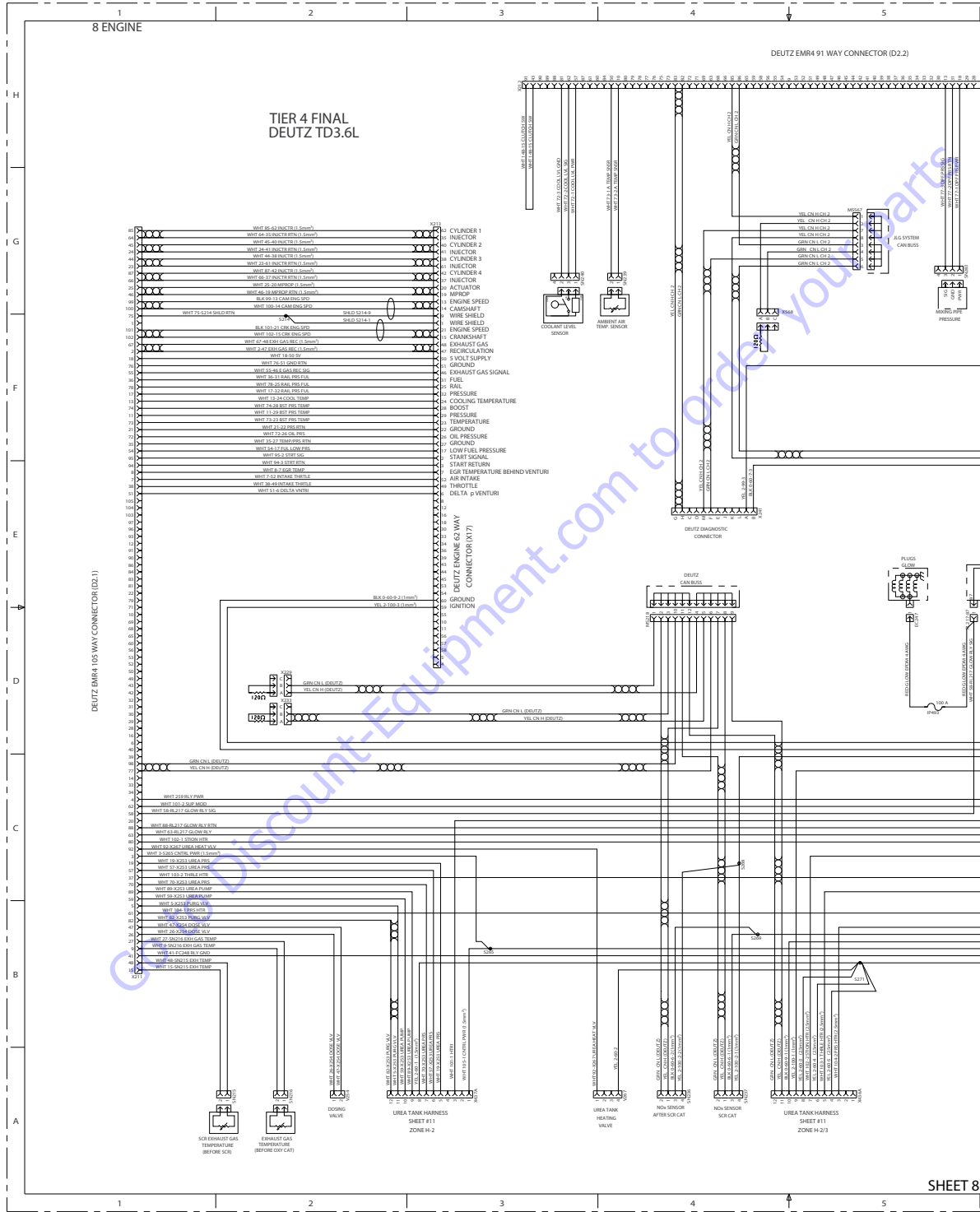


Figure 7-223. Electrical Schematics - Sheet 14 of 19

SECTION 7 - BASIC ELECTRICAL INFORMATION & ELECTRICAL SCHEMATICS

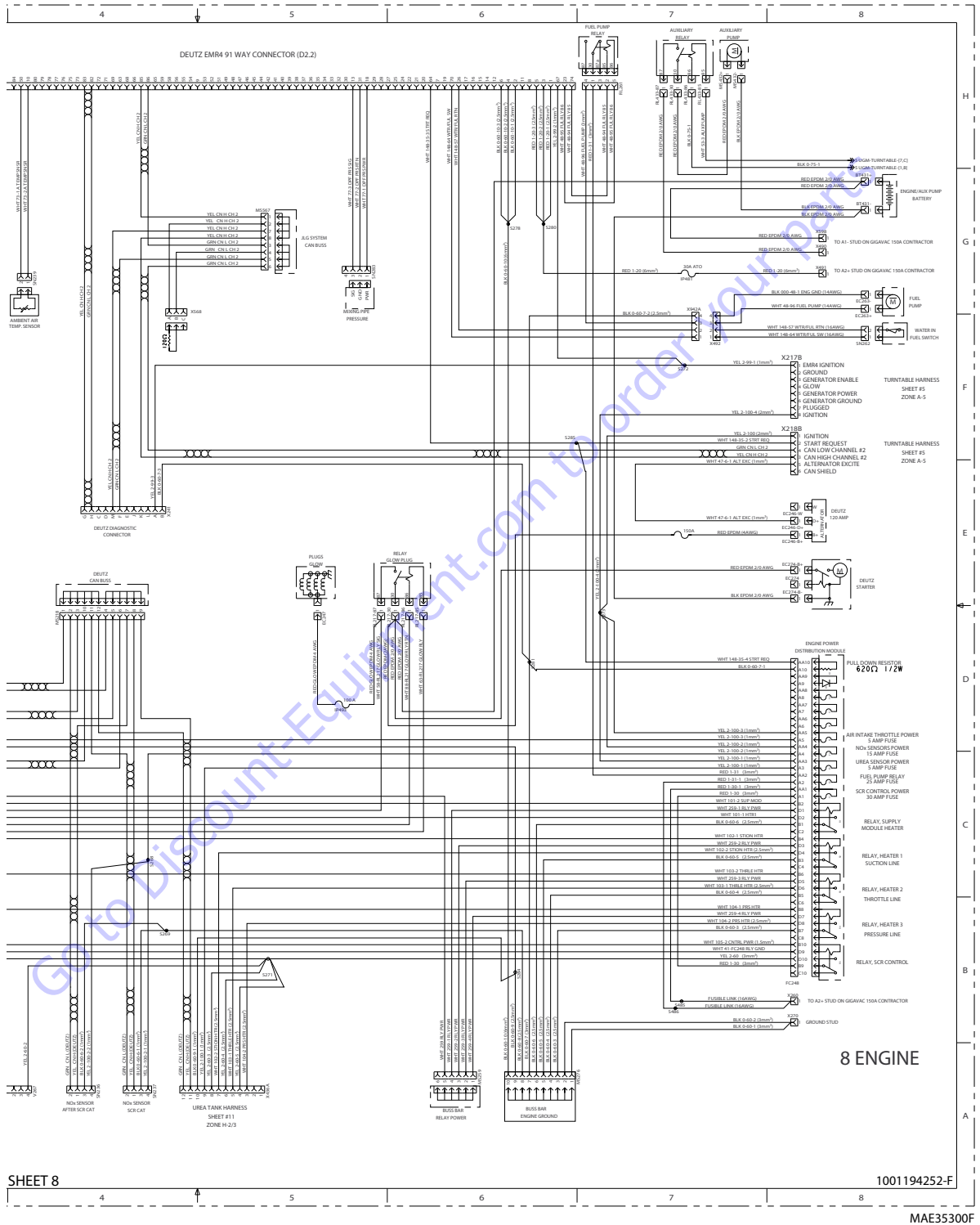


Figure 7-224. Electrical Schematics - Sheet 15 of 19

SECTION 7 - BASIC ELECTRICAL INFORMATION & ELECTRICAL SCHEMATICS

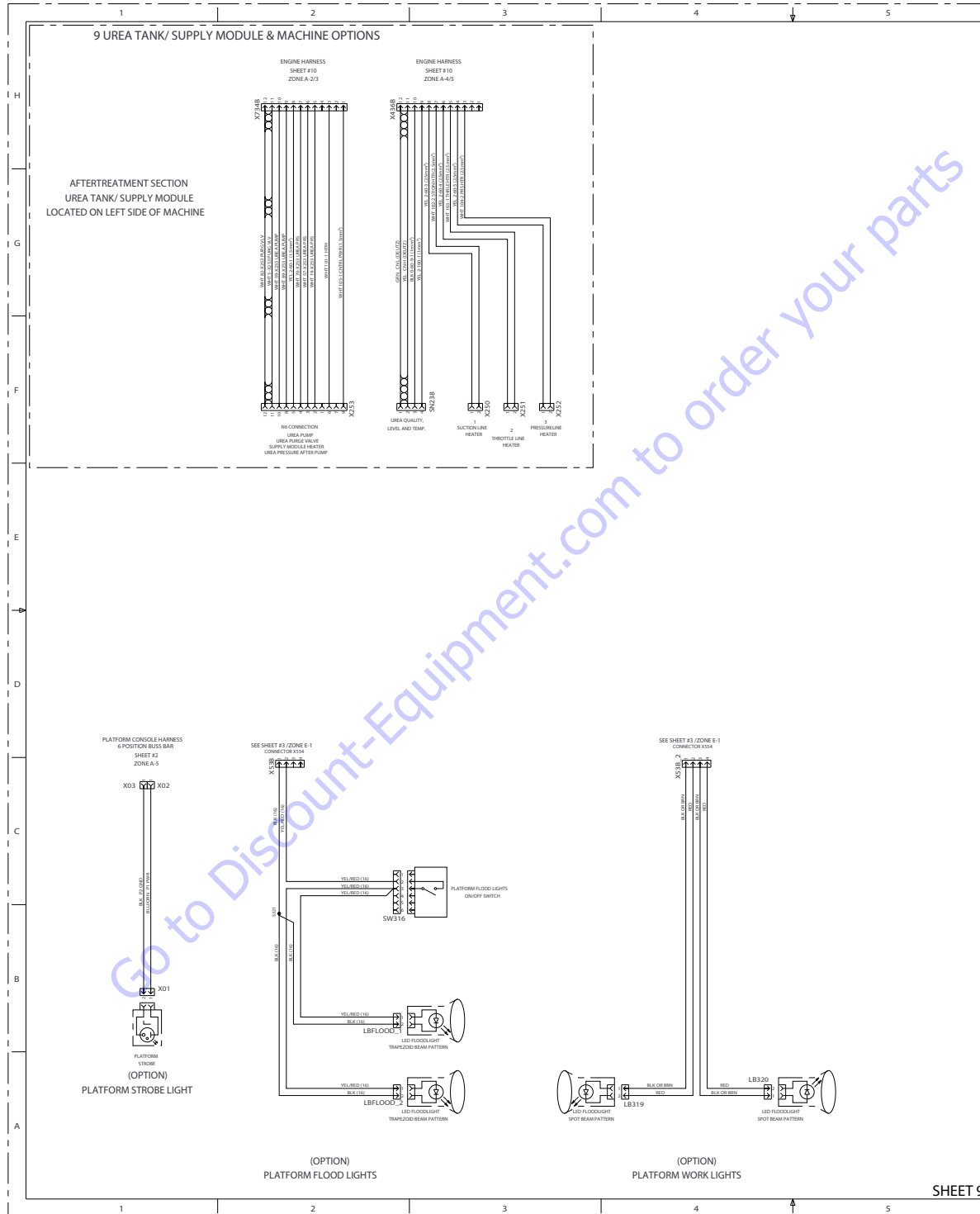


Figure 7-225. Electrical Schematics - Sheet 16 of 19

SECTION 7 - BASIC ELECTRICAL INFORMATION & ELECTRICAL SCHEMATICS

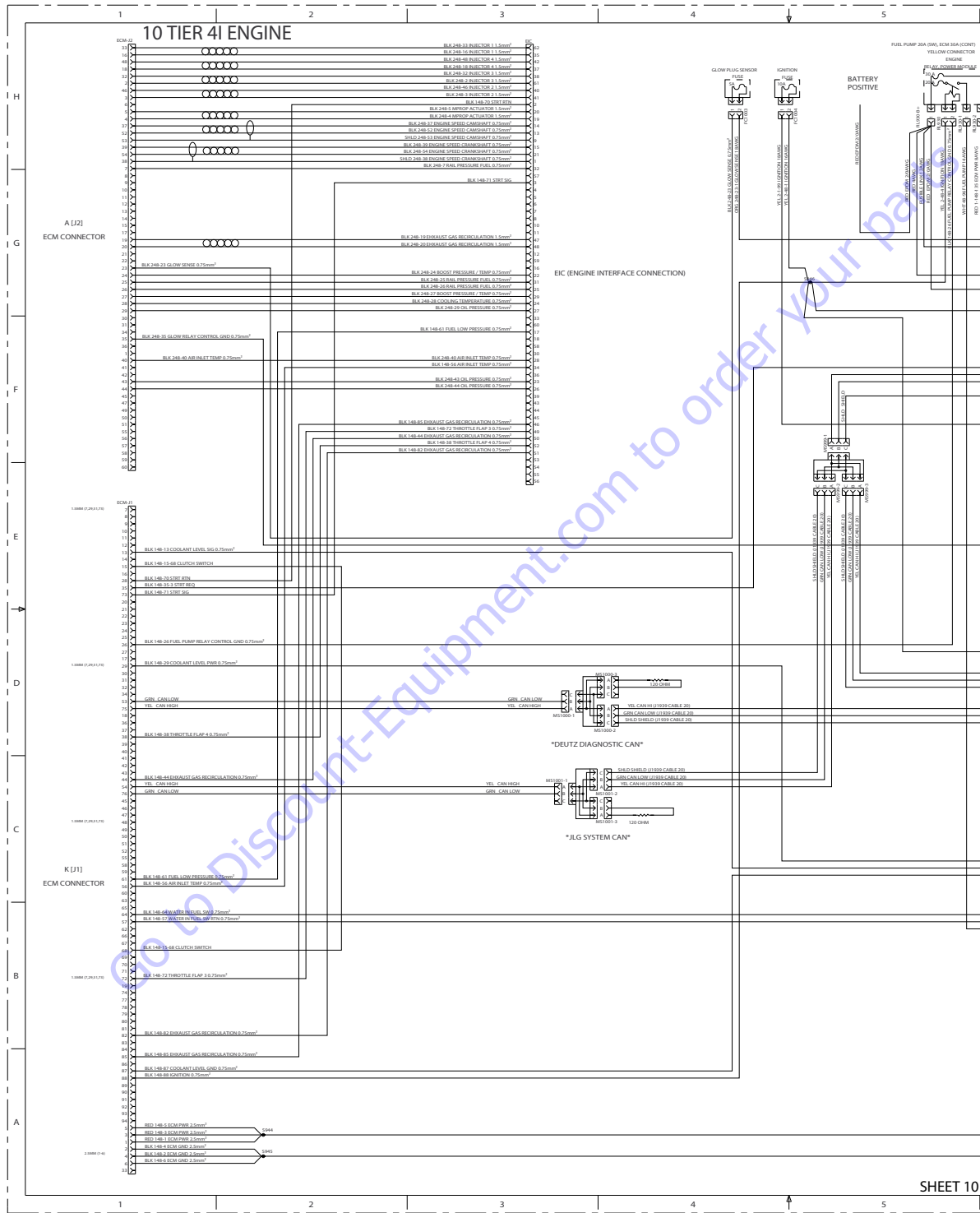


Figure 7-227. Electrical Schematics - Sheet 18 of 19

SECTION 7 - BASIC ELECTRICAL INFORMATION & ELECTRICAL SCHEMATICS

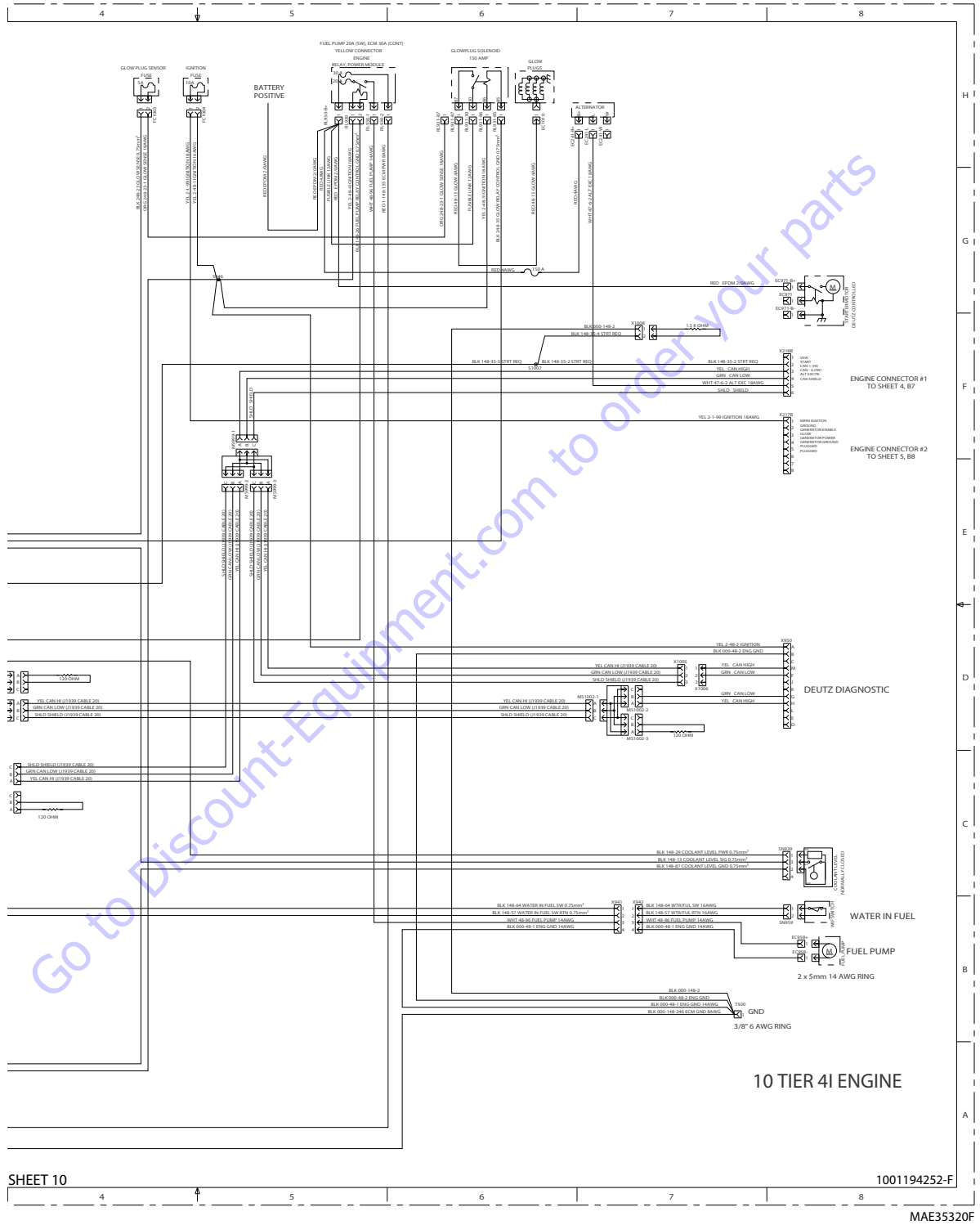


Figure 7-228. Electrical Schematics - Sheet 19 of 19

JLG[®]

An Oshkosh Corporation Company

**Discount
Equipment**

www.Discount-Equipment.com

Go to Discount-Equipment.com to order your parts