



Parts Manual

Serial Number Range

Superlift
Advantage

from SN 5594-101 to 5501-15094
and from SLA02-15095 to
SLA04-25258

Part No. 32283

Rev B27

November 2018

Go to Discount-Equipment.com to order your parts

PARTS FINDER

**Search Website
by Part Number**



**Search Manual
Library For Parts
Manual & Lookup Part
Numbers – Purchase
or Request Quote**

Search Manuals

Enter your information to help us find the right parts manual for your machine.

* Brand:

* Model:

* Serial:

* Part Number:

SEARCH

**Can't Find Part or
Manual? Request Help
by Manufacturer,
Model & Description**

Parts Order Form

Please fill in the following information to help us find the right part for your machine.

Manufacturer:	<input type="text"/>
Model:	<input type="text"/>
Description:	<input type="text"/>
Part Number:	<input type="text"/>
Quantity:	<input type="text"/>
Notes:	<input type="text"/>

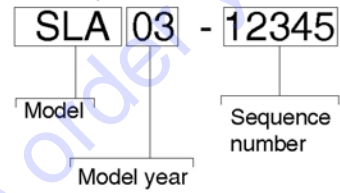
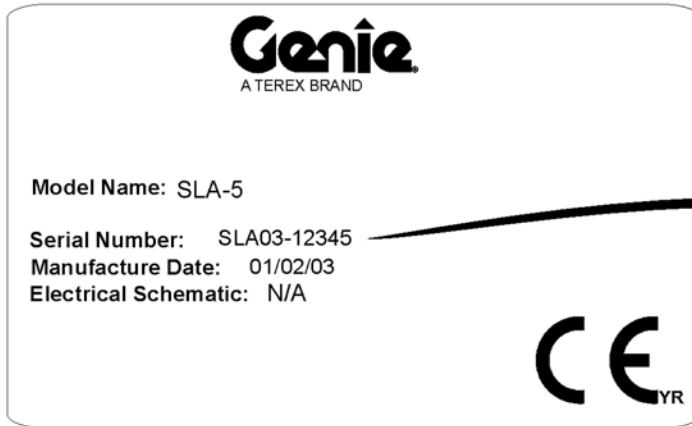
Discount-Equipment.com is your online resource for quality parts & equipment.

Florida: **561-964-4949** Outside Florida TOLL FREE: **877-690-3101**

Need parts?

Click on this link: <http://www.discount-equipment.com/category/5443-parts/> and choose one of the options to help get the right parts and equipment you are looking for. Please have the machine model and serial number available in order to help us get you the correct parts. If you don't find the part on the website or on one of the online manuals, please fill out the request form and one of our experienced staff members will get back to you with a quote for the right part that your machine needs.

We sell worldwide for the brands: Genie, Terex, JLG, MultiQuip, Mikasa, Essick, Whiteman, Mayco, Toro Stone, Diamond Products, Generac Magnum, Airman, Haulotte, Barreto, Power Blanket, Nifty Lift, Atlas Copco, Chicago Pneumatic, Allmand, Miller Curber, Skyjack, Lull, Skytrak, Tsurumi, Husquvarna Target, Stow, Wacker, Sakai, Mi-T-M, Sullair, Basic, Dynapac, MBW, Weber, Bartell, Bennar Newman, Haulotte, Ditch Runner, Menegotti, Morrison, Contec, Buddy, Crown, Edco, Wyco, Bomag, Laymor, EZ Trench, Bil-Jax, F.S. Curtis, Gehl Pavers, Heli, Honda, ICS/PowerGrit, IHI, Partner, Imer, Clipper, MMD, Koshin, Rice, CH&E, General Equipment, Amida, Coleman, NAC, Gradall, Square Shooter, Kent, Stanley, Tamco, Toku, Hatz, Kohler, Robin, Wisconsin, Northrock, Oztec, Toker TK, Rol-Air, APT, Wylie, Ingersoll Rand / Doosan, Innovatech, Con X, Ammann, Mecalac, Makinex, Smith Surface Prep, Small Line, Wanco, Yanmar



Serial label

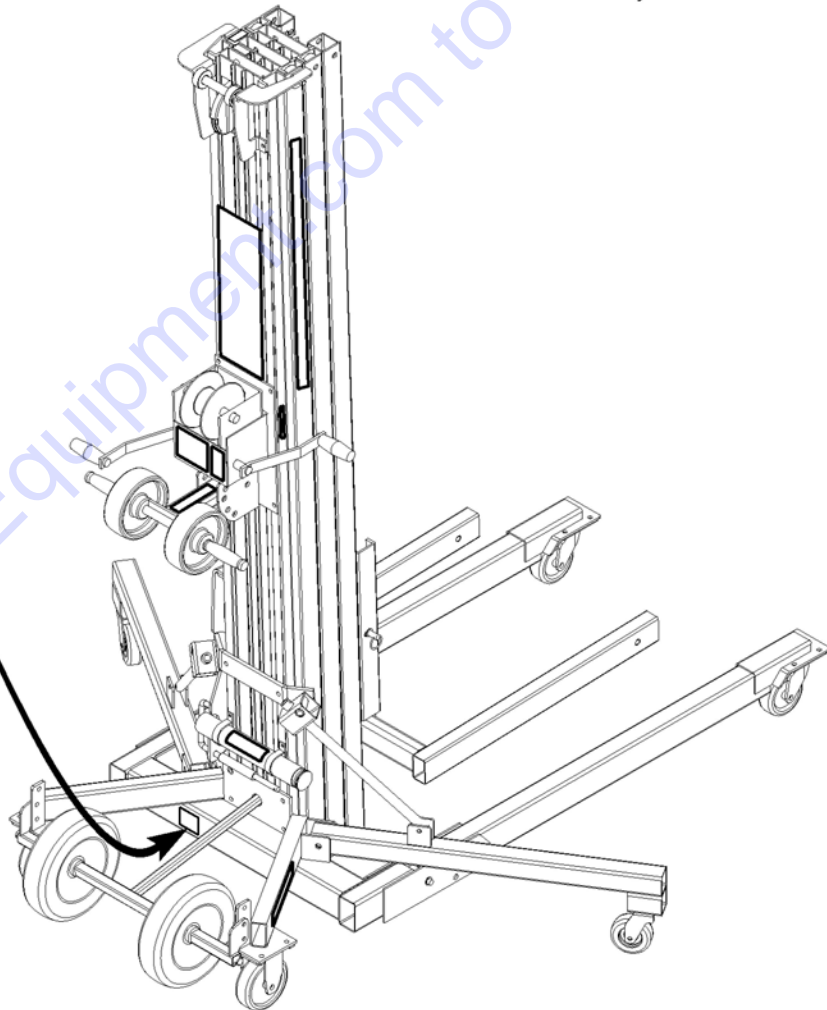


Table of Contents

This manual is updated frequently. For the most up-to-date parts information, visit www.discount-equipment.com

How to Read Your Serial Number.....	3
Parts Stocking List.....	7

Electronic Version

Click on any page number to view the figure.

100 Decals

101.1 Decals and Paint - View 1.....	10
102.1 Decals and Paint - View 2.....	12

200 Base Components

201.1 Standard Base Components.....	14
202.1 Straddle Base Components.....	16

300 Mast and Winch Components

301.1 Number 1 Mast Attached Parts.....	18
302.1 Mast Components - View 1.....	20
303.1 Mast Components - View 2.....	22
304.1 Mast Components - Pulleys and Cable.....	24
305.1 Single Speed Winch.....	28
306.1 Two Speed Winch.....	30

400 Accessories

401.1 Load Handling Attachments - Forks.....	32
402.1 Load Handling Attachments - Boom, Pipe Cradle and Load Platform.....	34
403.1 Load Handling Attachment - Vertical Barrel Stacker...	36
404.1 Load Handling Attachment - Rotating Barrel Handler.....	38

Indices

Part Number Index.....	40
Part Description Index.....	41

Cross References

Required Parts

The following parts are required to perform maintenance procedures as outlined in the Genie Superlift Advantage Service Manual.

Description	Part No.
White Lithium Grease	91670
Cable Replacement Coupler	12402
Disc Brake (One-Speed Winch)	7571
Disc Brake (Two-Speed Winch).....	37061

Recommended Parts

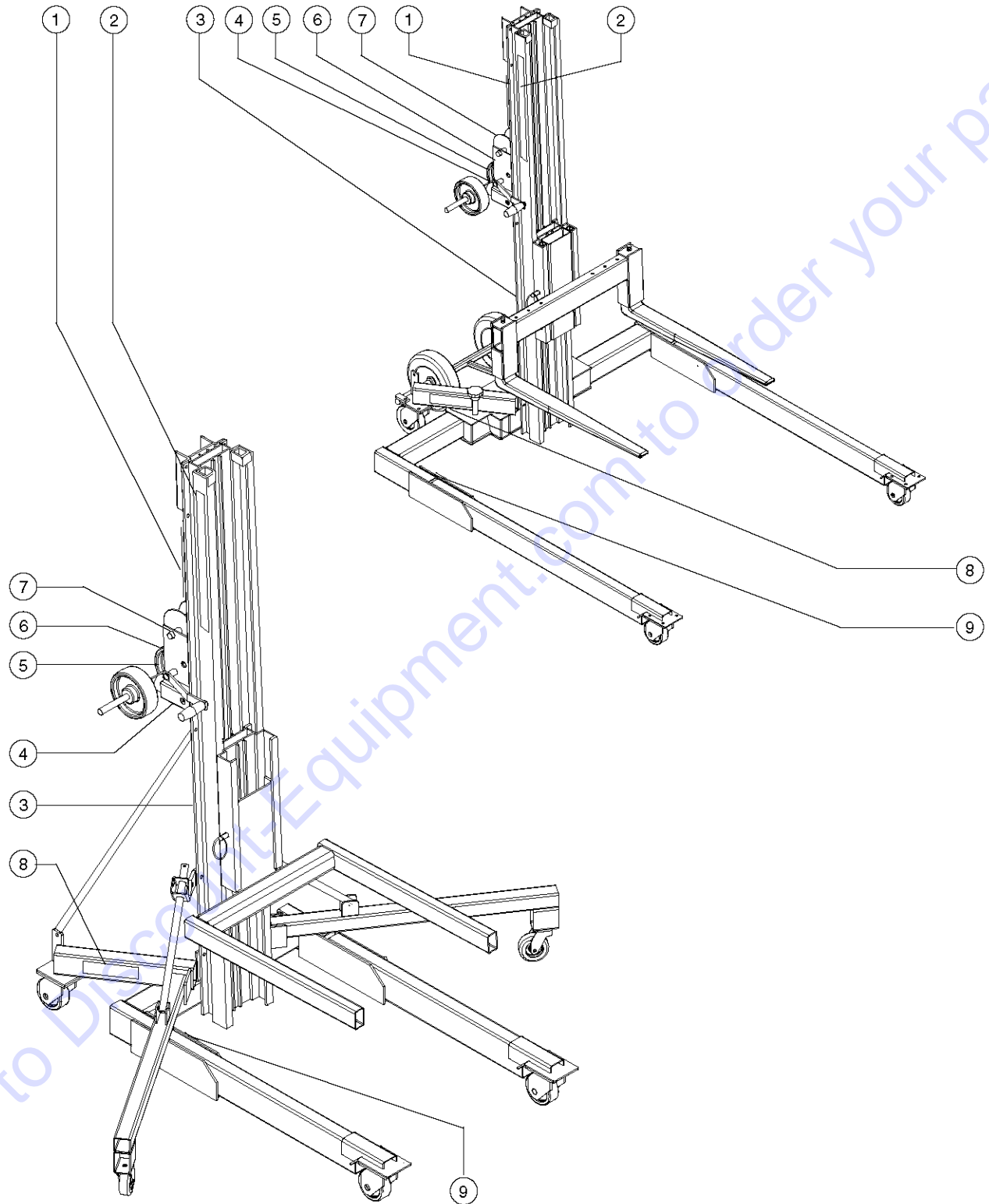
Description	Part No.
Genie Blue Paint, 1 Gallon (3.78 liters)	32150
Genie Blue Paint, 12 Ounce Aerosol (355 ml).....	1484
Genie Gray Paint, 1 Gallon (3.78 liters).....	32151
Genie Gray Paint, 12 Ounce Aerosol (355 ml).....	1268
Pinion Plate (One-Speed Winch).....	7591
Pinion Plate (Two-Speed Winch).....	40122
Ratchet Gear (One-Speed Winch)	6777
Ratchet Gear (Two-Speed Winch).....	40121
Pinion Gear (One-Speed Winch).....	7590
Pinion Gear (Two-Speed Winch)	80157
Pinion Shaft (One-Speed Winch)	32891
Ratchet Pawl Kit (One-Speed Winch)	40458
Ratchet Pawl Kit (Two-Speed Winch).....	40117
Cable Keeper Kit (One-Speed Winch).....	6190
Primary Shaft Assembly	72264
Cable Assembly (SLA-5 models).....	6443
Cable Assembly (SLA-10 models).....	6444
Cable Assembly (SLA-15 models).....	32903
Cable Assembly (SLA-20 models).....	32904
Cable Assembly (SLA-25 models).....	32905
Pin Assembly with Lanyard	32940
Roller Bolt, 1/2-13 x 1.84 inches.....	32475
Nylatron Roller, 1.75 x 0.72 inch.....	32473
Safety Brake Assembly	35101
Safety Brake Tool Assembly.....	33875
Loctite Thread Lock	65764
Genie Superlift Cabling Procedure Video.....	52701

Manuals

Genie Industries offers the following support documents for these models:

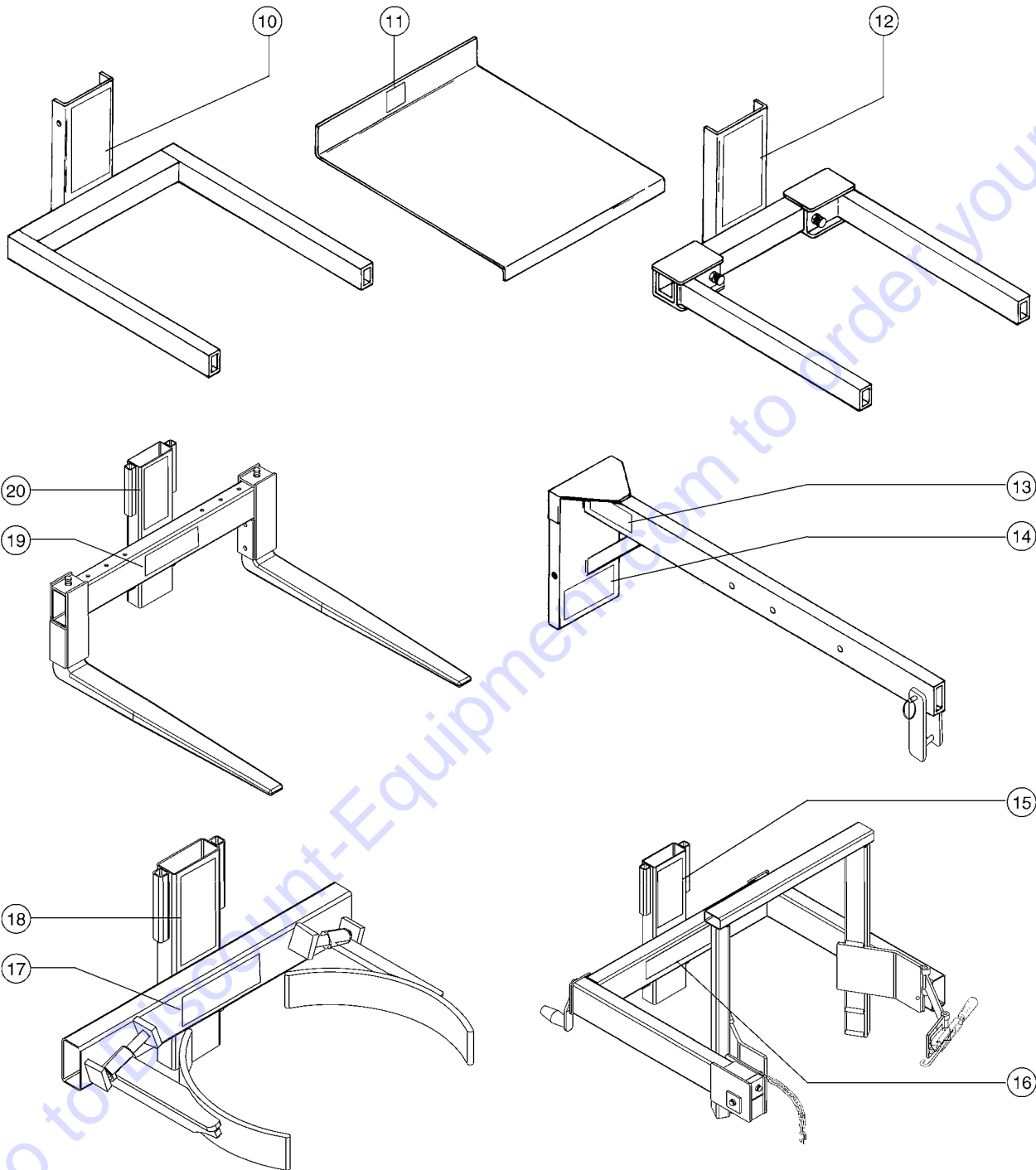
Title	Part No.
EMI Safety Manual	27581
Manual of Responsibilities	
ANSI A92.5	31587

101.1 Decals and Paint - View 1



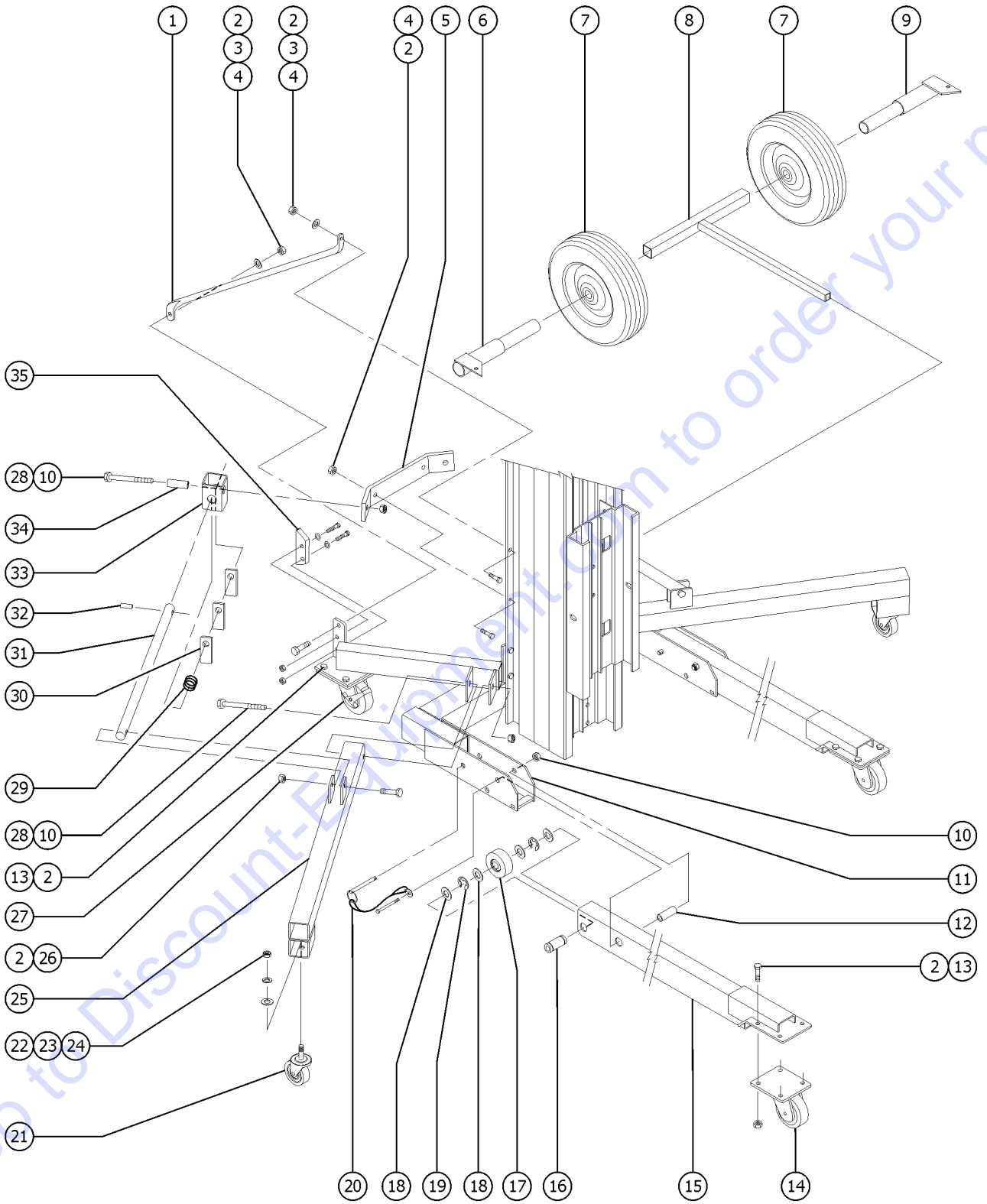
Item	Part No.	Description	Qty.
--	1484GT	PAINT,AEROSOL,BRIGHT BLUE***	
--	32150GT	PAINT,WET,GENIE BLUE (1 GL)**	
1	32686GT	DECAL,OPERATING INSTRUCT. SLA....1	
2	32688GT	DECAL,COSMETIC,"SUPERLIFT".....2	
3	31072GT	DECAL,LABEL,OPER.MAN.STORAGE..1	
4	32939GT	DECAL,CRUSHING HAZ/BRAKE LOCK.....1	
5	32770GT	DECAL,2 SPD.WINCH**.....1	
6	32938GT	DECAL,LABEL,WINCH ONLY.....1	
7	32885GT	DECAL,SILENT WINCH.....1	
8	32689GT	DECAL,MODEL HEIGHT SL5.....2 <i>Model Height, SL-5</i>	
8	32690GT	DECAL,MODEL HEIGHT SL10.....2 <i>Model Height, SL-10</i>	
8	32691GT	DECAL,MODEL HEIGHT SL15.....2 <i>Model Height, SL-15</i>	
8	32692GT	DECAL,MODEL HEIGHT SL20.....2 <i>Model Height, SL-20</i>	
8	32693GT	DECAL,MODEL HEIGHT SL25.....2 <i>Model Height, SL-25</i>	
9	33523GT	SERIAL NUMBER PLATE,SLA.....1 <i>Serial numbers from 3264 to 999999</i>	
9	6724GT	DECAL,SERIAL# & MODEL# ***.....1 <i>Serial numbers from 101 to 3263</i>	
9	80939GT	SERIAL # LABEL,MAT LIFT & SS**.....1 <i>Serial numbers from SLA03-20338</i>	

102.1 Decals and Paint - View 2



Item	Part No.	Description	Qty.
10	32687GT	DECAL,WARNING STD.FORK SAFETY.....	1
11	32775GT	DECAL,WARNING,FALL HAZARD.....	1
12	32714GT	DECAL,WARNING ADJ FORK SETUP...1	
13	32716GT	DECAL,NOTICE BOOM SETUP.....	2
14	32717GT	DECAL,WARNING BOOM SAFETY.....	1
15	32773GT	DECAL,WARNING TILT/ROTATE SAFE.....	1
16	32774GT	DECAL,NOTICE ROT.BARREL SETUP.....	1
17	32772GT	DECAL,NOTICE VBS SETUP.....	1
18	32771GT	DECAL,VERT BARREL STKR SAFETY.....	1
19	32715GT	DECAL,NOTICE FLAT FORK SETUP.....	1
19A	32715GRGT	DECAL,NOTICE FLAT FORK SETUP (GERMAN)	
19B	32715SPGT	DECAL,NOTICE FLAT FORK SETUP (SPANISH)	
20	32718GT	DECAL,WARNING FLAT FORK SAFETY.....	1

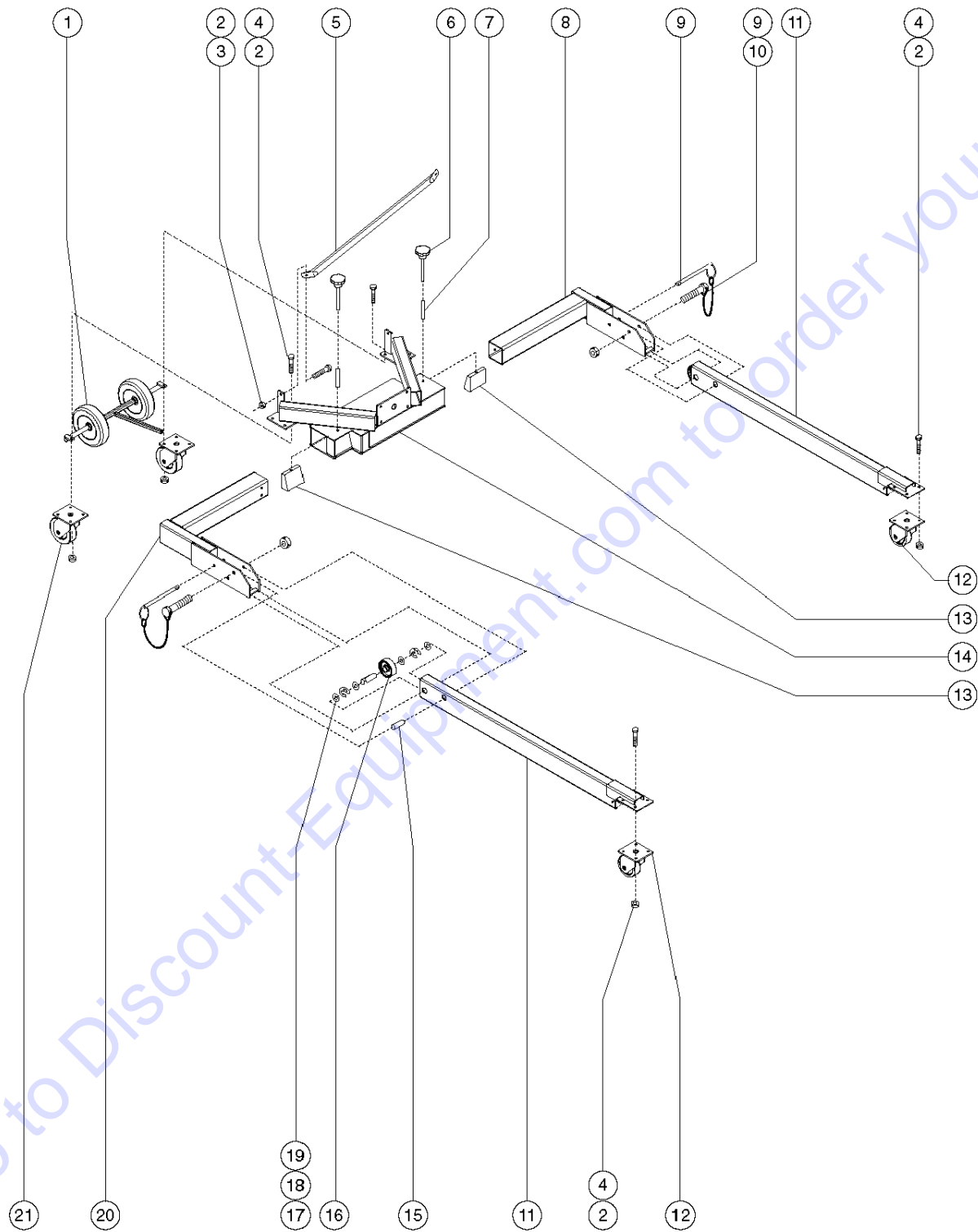
201.1 Standard Base Components



201.1 Standard Base Components

Item	Part No.	Description	Qty.	Item	Part No.	Description	Qty.
--	80171-SGT	BASE ASSY W/DECALS,STD, SLA-5		27	57740GT	CASTER,PL,SW LOCK, SB, 5 X 2.....	2
--	80172-SGT	BASE ASSY W/DECALS,STD, SLA-10		28	10598GT	SCREW,HHC,1/2-13 X 3.....	6
--	80173-SGT	BASE ASSY W/DECALS, STD,SLA-15		29	32519GT	SPRING,STABILIZER LATCH SL2.....	2
--	80174-SGT	BASE ASSY W/DECALS, STS,SLA-20		30	32897GT	KIT,LATCH PLATE.....	2
--	80175-SGT	BASE ASSY W/DECALS, STD,SLA-25				<i>includes 1 each index number 31</i>	
1	32883GT	STRUT,LH,SL2.....	1	31	58094GT	STABILIZER STRUT,ASSY.....	2
2	4828GT	NUT,NYLOCK,3/8-16.....	24	32	11337GT	PIN,ROLL,.25 X 1.25.....	2
3	6097GT	WASHER,FLAT,USS,3/8",Y.....	4	33	32578GT	CLAMP TUBE,STABILIZER-"BLUE".....	2
4	8516GT	SCREW, HCC, 3/8-16 X 1.50.....	10	34	32576GT	PIVOT TUBE,STABILIZER.....	2
5	32502PGT	BRACKET, STAB.MOUNT,"BLUE".....	1	35	33670GT	SKID PAD.....	2
6	32486GT	AXLE WELDMENT R.H.....	1				
7	35064GT	WHEEL,SOLID RUBBER,10X.75X2.75..	2				
8	32562GT	SL REAR WHEEL ASSY					
9	32884GT	STRUT,RH,SL2.....	1				
		<i>shown</i>					
9	33047GT	AXLE WELDMENT L.H.....	1				
10	6086GT	NUT,LP NYLOCK,1/2-13.....	6				
11	32489-SGT	WELDMENT,STD,BASE SLA.....	1				
12A	35848GT	SL REAR TRANSPORT ASSY*****	1				
12B	32509GT	PIVOT TUBE SL2 LEG.....	2				
13	6175GT	SCREW,HHC,3/8-16 X 1.....	8				
14	57736GT	CASTER,PL,SW, 4 X 2.....	2				
15A	32879GT	WELDMENT,LEG,SL5/10.....	2				
		<i>SL-5 and SL-10 models</i>					
15B	32880GT	WELDMENT,LEG,SL15.....	2				
		<i>SL-15 models</i>					
15C	32881GT	WELDMENT,LEG,SL20/25.....	2				
		<i>SL-20 and SL-25 models</i>					
16	32524GT	AXLE TUBE, SL2 LEG.....	2				
17	32495GT	WHEEL, 3.5 IN. SL2 LEG.....	2				
		<i>axle tube, shim washers and eclips not included; order spearately</i>					
18	30748GT	WASHER,SHIM,1.01 X 1.63 X.062.....	8				
19	32499GT	E CLIP,.875 IN.SL LEG.....	4				
20A	100309GT	ASSY,PIN & LANYARD***.....	2				
--	2163GT	CABLE,1/16INCH,7X7 STRANDS.....	2				
--	2238GT	CABLE OVAL SLEEVE, 1/16.....	2				
--	80679GT	PIN,BALL RET.-.5 X 2.7.....	2				
20B	33298GT	BOLT,LEG PIVOT 1/2-13 X 3.0.....	2				
21	57747GT	CASTER,POST,SW3.5X1.25M12X1.75..	2				
22	23270GT	NUT,HEX,M12,LP,PLATED.....	2				
23	6033GT	WASHER,LOCK,0.5".....	2				
24	6035GT	WASHER,FLAT,USS,5/8",Y.....	2				
25	32882GT	WELD.,STABILIZER LEG SL2 BLUE.....	2				
26	5224GT	SCREW,HHC,3/8-16 X 2.....	2				

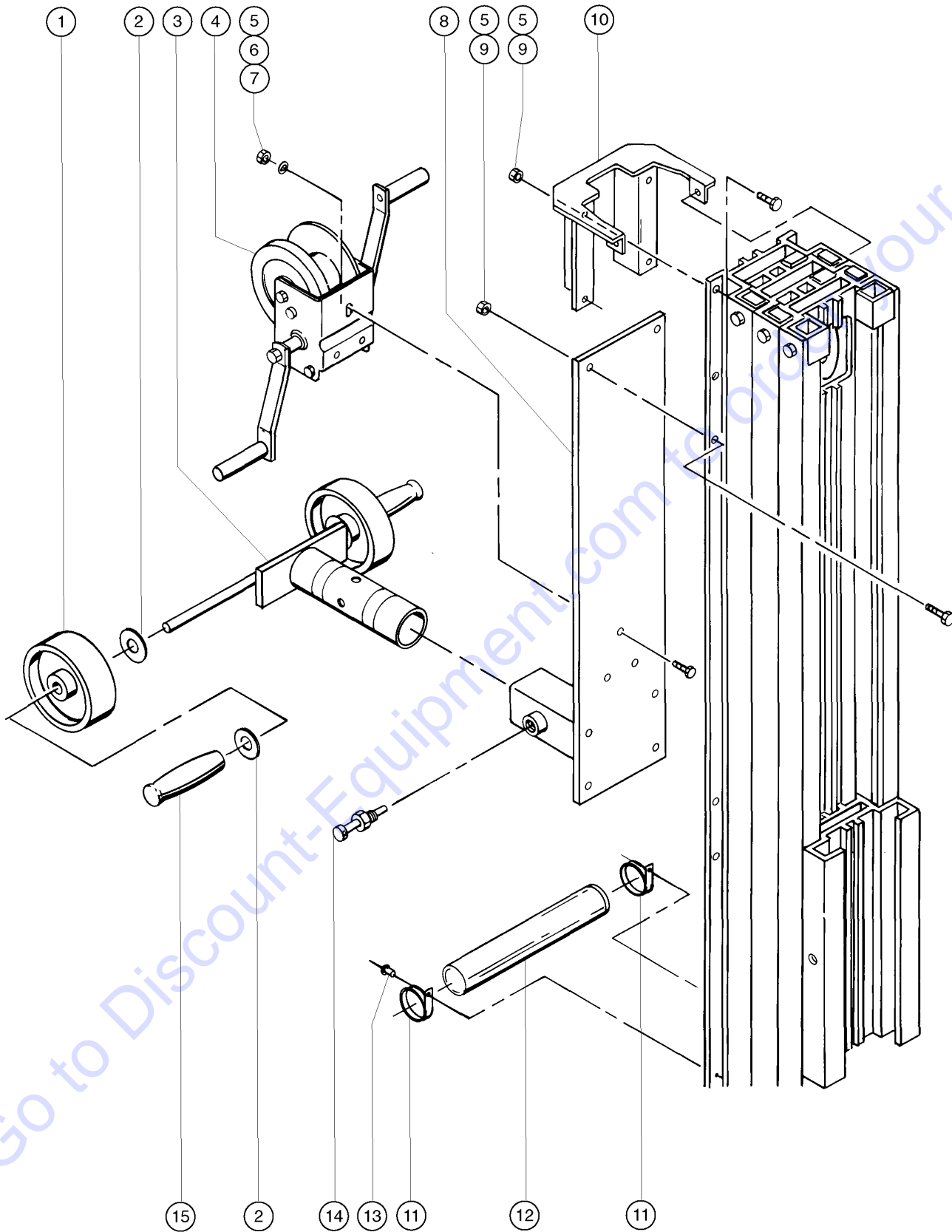
202.1 Straddle Base Components



202.1 Straddle Base Components

Item	Part No.	Description	Qty.
1	32486GT	AXLE WELDMENT R.H.....	1
1	32529GT	WELDMENT,TRANSPORT WHEELS....	1
1	32562GT	SL REAR WHEEL ASSY	
1	33047GT	AXLE WELDMENT L.H.....	1
1	35064GT	WHEEL,SOLID RUBBER,10X.75X2.75...	1
1	35848GT	SL REAR TRANSPORT ASSY*****	1
2	4828GT	NUT,NYLOCK,3/8-16.....	20
3	6175GT	SCREW,HHC,3/8-16 X 1.....	8
4	6019GT	SCREW,HHC,3/8-16 X 1.25 GRD 5.....	12
5	32883GT	STRUT,LH,SL2.....	1
5	32884GT	STRUT,RH,SL2..... <i>shown</i>	1
6	33148GT	KNOB,STRADDLE BASE SL2.....	2
7	33251GT	SPACER-STRADDLE BASE-3".....	2
8	32532GT	WELDMENT,ARM STRADDLE LEFT....	1
9	100309GT	ASSY,PIN & LANYARD***.....	2
9	2163GT	CABLE,1/16INCH,7X7 STRANDS.....	2
9	2238GT	CABLE OVAL SLEEVE, 1/16.....	2
9	33298GT	BOLT,LEG PIVOT 1/2-13 X 3.0.....	2
9	80679GT	PIN,BALL RET-.5 X 2.7.....	2
10	6086GT	NUT,LP NYLOCK,1/2-13.....	2
11	32879GT	WELDMENT,LEG,SL5/10..... <i>SL-5 and SL-10 models</i>	2
11	32880GT	WELDMENT,LEG,SL15	
11	32881GT	WELDMENT,LEG,SL20/25..... <i>SL-20 and SL-25 models</i>	2
12	57736GT	CASTER,PL,SW, 4 X 2.....	2
13	40255GT	WEDGE, MACHINED.....	2
14	32527GT	WELDMENT,STRADDLE BASE.....	1
15	32509GT	PIVOT TUBE SL2 LEG.....	2
16	32495GT	WHEEL, 3.5 IN. SL2 LEG.....	2
17	32499GT	E CLIP,.875 IN.SL LEG.....	4
18	30748GT	WASHER,SHIM,1.01 X 1.63 X.062.....	8
19	32524GT	AXLE TUBE, SL2 LEG.....	2
20	32531GT	WELDMENT,ARM STRADDLE RIGHT...1	
21	57740GT	CASTER,PL,SW LOCK, SB, 5 X 2.....	2

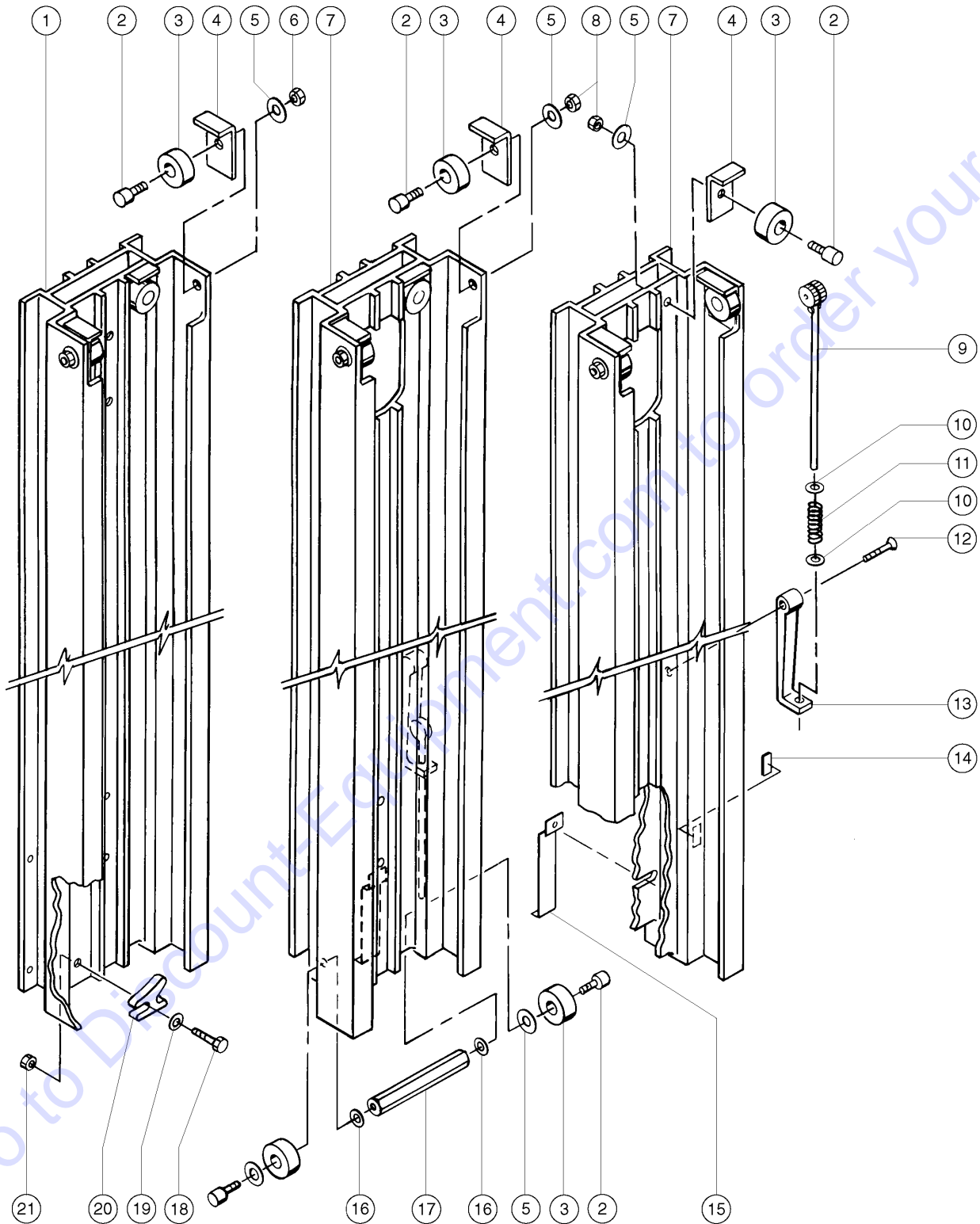
301.1 Number 1 Mast Attached Parts



301.1 Number 1 Mast Attached Parts

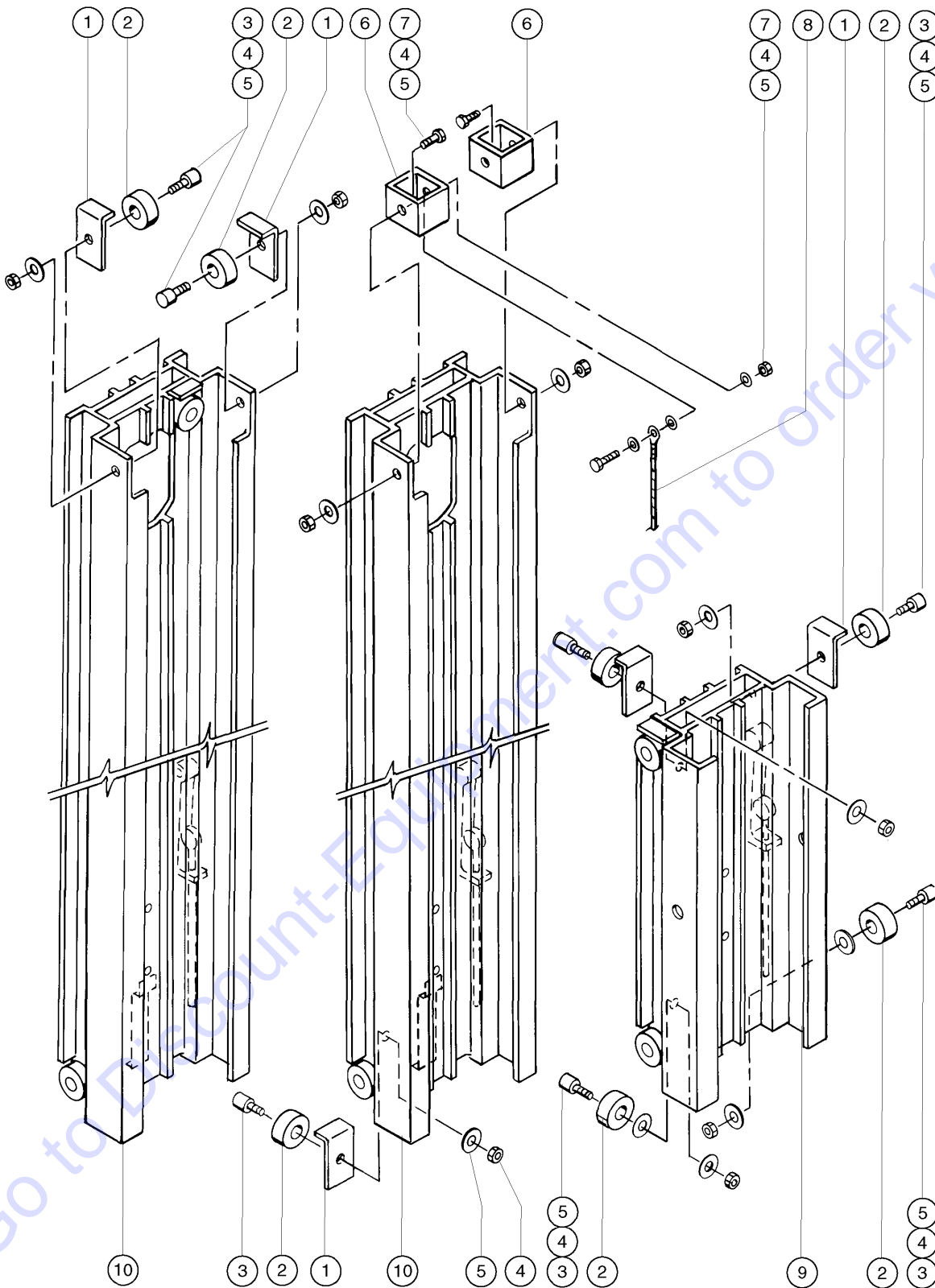
Item	Part No.	Description	Qty.
1	37202GT	BUSHING,3/4ODX2.44LGX.5ID	
1	57788GT	WHEEL,POLY,6X2, 3/4**.....2	
2	6564GT	WASHER, SHIM,.765 X 1.312 X .093.....4	
3	32302GT	TAPE,UHMW .75 X .010 BULK.....24-inches	
3	32935GT	LOADING WHEEL WELDM.W/TAPE.....1 <i>wheels not included</i>	
3	35819GT	LOADING WHEEL WELD.W/DECAL SL2 <i>Serial numbers from 3794 to 999999 (includes decal)</i>	
4		Ref. Winch Assembly <i>(refer to 305.1 or 306.1)</i>	
5	4828GT	NUT,NYLOCK,3/8-16.....7	
6	6638GT	WASHER,FLAT,USS,1/4"Y.....3	
7	6175GT	SCREW,HHC,3/8-16 X 1.....3	
8	32888GT	WINCH PLATE W/DECALS,SL2**OLD....1 <i>includes decal</i>	
8	33539GT	WINCH PLATE W/DECAL ST.....1 <i>Serial numbers from 3794 to 999999 (includes decal)</i>	
8	80162GT	WINCH MOUNT W/DECAL (SLA).....1 <i>(includes decal)</i>	
9	6019GT	SCREW,HHC,3/8-16 X 1.25 GRD 5.....4	
10	32482GT	WELDMNT PULLEY-SEE SER#BREAK.....1	
11	6653GT	CLAMP,1.88,#30 X 1/4,RUB CUSH.....2	
12	33499GT	MANUAL,OPER,SUPERLIFT,ADVANTGE.1	
12	6600GT	INSTRUCT.TUBE W/CAPS-1.75 X 12....1	
13	7265GT	RIVET,STEEL,P, .25 X .375.....2	
14	32375GT	PIN,LOCK,LONG***.....1	
15	235184GT	GRIP,HANDLE.....2	

302.1 Mast Components - View 1



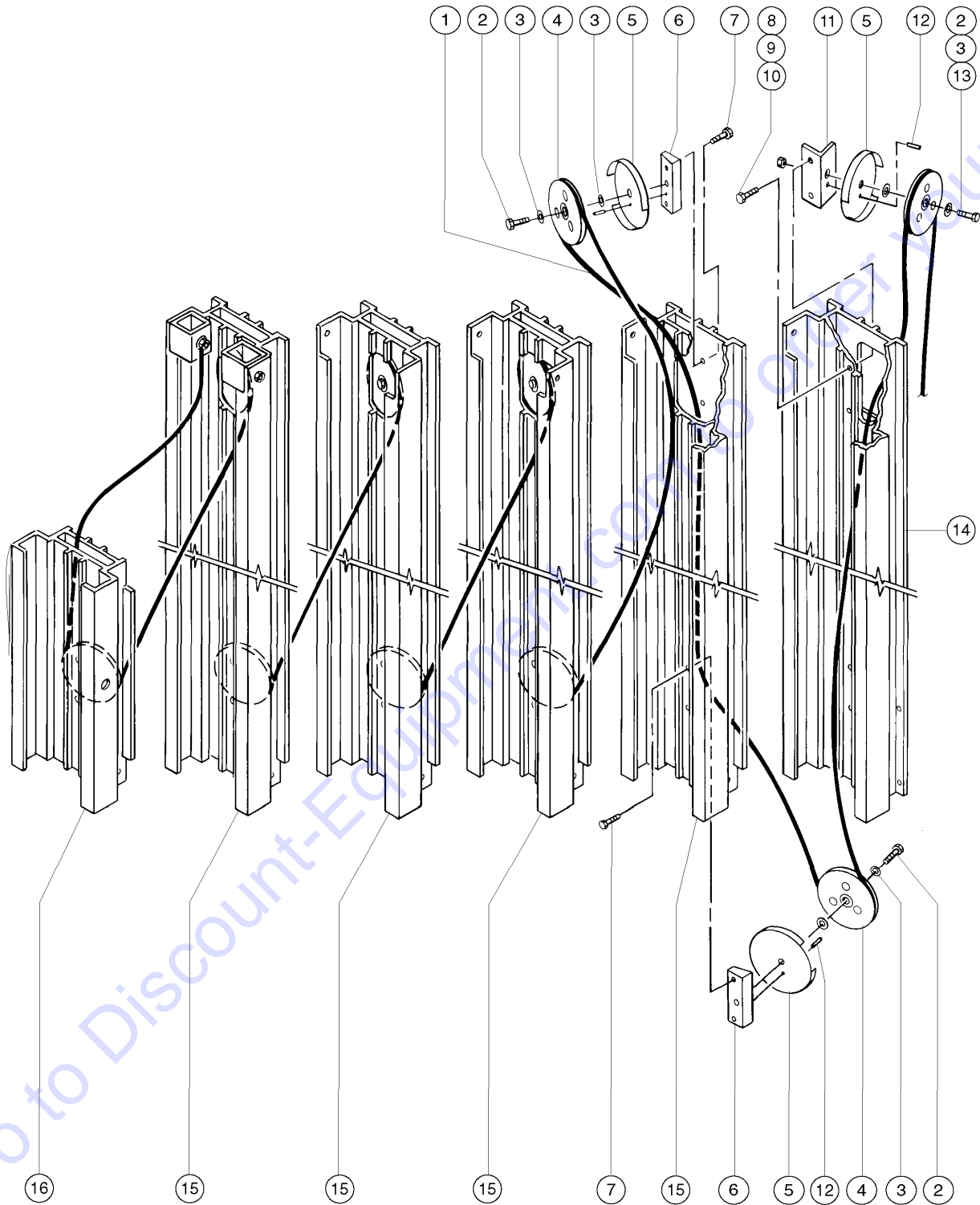
Item	Part No.	Description	Qty.
--	90337GT	BOE LUBE.....1 <i>aluminum dry lubricant</i>	
1		Ref., COLUMN #1 <i>(refer to 304.1)</i>	
1	32670GT	COLUMN,#1,SL2-OBSOLETE.....1	
2	32475GT	BOLT-ROLLER,1/2-13X1.84 ZINC.....15	
3	32473GT	WHEEL,ROLLER,NYLATRON,1.75.....15	
4	32474GT	GUARD,ROLLER, SL2.....11	
5	6095GT	WASHER,FLAT,USS,1/2",Y.....15	
6	6086GT	NUT,LP NYLOCK,1/2-13.....2	
7		Ref., COLUMN ASSY #2 THRU #5 <i>(refer to 304.1)</i>	
8	6198GT	NUT,NYLOCK,1/2-13.....13	
9	35100GT	SAFETY BRAKE ASSY-SLII (OLD)**.....2	
9	35101GT	SAFETY BRAKE ASSY(SQ.NUT)SL2**.....2	
10	6638GT	WASHER,FLAT,USS,1/4"Y.....4	
11	32481GT	SPRING,SAFETY BRAKE**.....2	
12	17712GT	SCREW,FHS,3/8-16 X 1.75.....2	
13	35101GT	SAFETY BRAKE ASSY(SQ.NUT)SL2**.....2	
13A	35100GT	SAFETY BRAKE ASSY-SLII (OLD)**.....2 <i>(to SN 5595-357)</i>	
13B	35101GT	SAFETY BRAKE ASSY(SQ.NUT)SL2**.....2 <i>(from SN 5595-358)</i>	
14	33252GT	TAPE,UHMW .75 X .060 BULK...3-inches	
15	33744GT	HOLD DOWN UPDATE KIT-SLA SLC.....2 <i>SL-20 and SL-25 models</i>	
15	33771GT	HOLD DOWN UPDATE KIT,SL5,10,15...2 <i>SL-5, SL-10, SL-15</i>	
15	58095GT	HOLD DOWN KIT W/DECAL SL LONG.....2 <i>SL-20 and SL-25</i>	
15	58750GT	HOLD DOWN KIT W/DECAL SL SHORT.....2 <i>SL-5, SL-10, SL-15</i>	
16	6052GT	WASHER,SHIM,.5 X .875 X .063.....2	
17	33811GT	COUPLER BAR ASSEMBLY,SLA&C,ST2.....1 <i>SL-20 and SL-25 models only</i>	
18	6019GT	SCREW,HHC,3/8-16 X 1.25 GRD 5.....3	
19	12013GT	SHIM,.375 X .063.....3	
20	32522GT	DOWN STOP.....3	
21	4828GT	NUT,NYLOCK,3/8-16.....3	

303.1 Mast Components - View 2



Item	Part No.	Description	Qty.
--			
1	32474GT	GUARD,ROLLER, SL2,.....	8
2	32473GT	WHEEL,ROLLER,NYLATRON,1.75.....	15
3	32475GT	BOLT-ROLLER,1/2-13X1.84 ZINC.....	15
4	6095GT	WASHER,FLAT,USS,1/2",Y.....	16
5	6198GT	NUT,NYLOCK,1/2-13.....	18
6	80987GT	KIT, CABLE ANCHOR BRK, SLC/ST*	1
7	10587GT	SCREW,HHC,1/2-13 X.75.....	3
8	32903GT	CABLE ASSY SL15 507" 7/32" ***	1
		<i>SLA-15; Does Not Include Cable Replacement Coupler</i>	
8	32904GT	CABLE ASSY,SL/ST20 669" 7/32"	1
		<i>SLA-20; Does Not Include Cable Replacement Coupler</i>	
8	32905GT	CABLE ASSY,SL/ST25 813" 7/32"*.....	1
		<i>SLA-25; Does Not Include Cable Replacement Coupler</i>	
8	6443GT	CABLE ASSEMBLY-M.5**	1
		<i>SLA-5; Does Not Include Cable Replacement Coupler</i>	
8	6444GT	CABLE ASSY SLA/MNM 7/32" 360".....	1
		<i>SLA-10; Does Not Include Cable Replacement Coupler</i>	
8A	12402GT	CABLE REPLACEMENT COUPLER <i>Sold Separately</i>	
8A	52701GT	VIDEO,NTSC,SLA,CABLING PROCDR <i>Sold Separately</i>	
8B	52701GT	VIDEO,NTSC,SLA,CABLING PROCDR <i>Sold Separately</i>	
9		Ref., CARRIAGE ASSY <i>(refer to 304.1)</i>	
10		Ref., COLUMN ASSY #2 THRU #5 <i>(refer to 304.1)</i>	

304.1 Mast Components - Pulleys and Cable



PARTS FINDER

**Search Website
by Part Number**



**Search Manual
Library For Parts
Manual & Lookup Part
Numbers – Purchase
or Request Quote**

Search Manuals

Enter your information to help us find the right parts manual for your machine.

* Brand:

* Model:

* Serial:

* Part Number:

SEARCH

**Can't Find Part or
Manual? Request Help
by Manufacturer,
Model & Description**

Parts Order Form

Please fill in the following information to help us find the right part for your machine.

Manufacturer:	<input type="text"/>
Model:	<input type="text"/>
Description:	<input type="text"/>
Part Number:	<input type="text"/>
Quantity:	<input type="text"/>
Notes:	<input type="text"/>

Submit

Discount-Equipment.com is your online resource for quality parts & equipment.

Florida: **561-964-4949** Outside Florida TOLL FREE: **877-690-3101**

Need parts?

Click on this link: <http://www.discount-equipment.com/category/5443-parts/> and choose one of the options to help get the right parts and equipment you are looking for. Please have the machine model and serial number available in order to help us get you the correct parts. If you don't find the part on the website or on one of the online manuals, please fill out the request form and one of our experienced staff members will get back to you with a quote for the right part that your machine needs.

We sell worldwide for the brands: Genie, Terex, JLG, MultiQuip, Mikasa, Essick, Whiteman, Mayco, Toro Stone, Diamond Products, Generac Magnum, Airman, Haulotte, Barreto, Power Blanket, Nifty Lift, Atlas Copco, Chicago Pneumatic, Allmand, Miller Curber, Skyjack, Lull, Skytrak, Tsurumi, Husquvarna Target, Stow, Wacker, Sakai, Mi-T-M, Sullair, Basic, Dynapac, MBW, Weber, Bartell, Bennar Newman, Haulotte, Ditch Runner, Menegotti, Morrison, Contec, Buddy, Crown, Edco, Wyco, Bomag, Laymor, EZ Trench, Bil-Jax, F.S. Curtis, Gehl Pavers, Heli, Honda, ICS/PowerGrit, IHI, Partner, Imer, Clipper, MMD, Koshin, Rice, CH&E, General Equipment, Amida, Coleman, NAC, Gradall, Square Shooter, Kent, Stanley, Tamco, Toku, Hatz, Kohler, Robin, Wisconsin, Northrock, Oztec, Toker TK, Rol-Air, APT, Wylie, Ingersoll Rand / Doosan, Innovatech, Con X, Ammann, Mecalac, Makinex, Smith Surface Prep, Small Line, Wanco, Yanmar

304.1 Mast Components - Pulleys and Cable

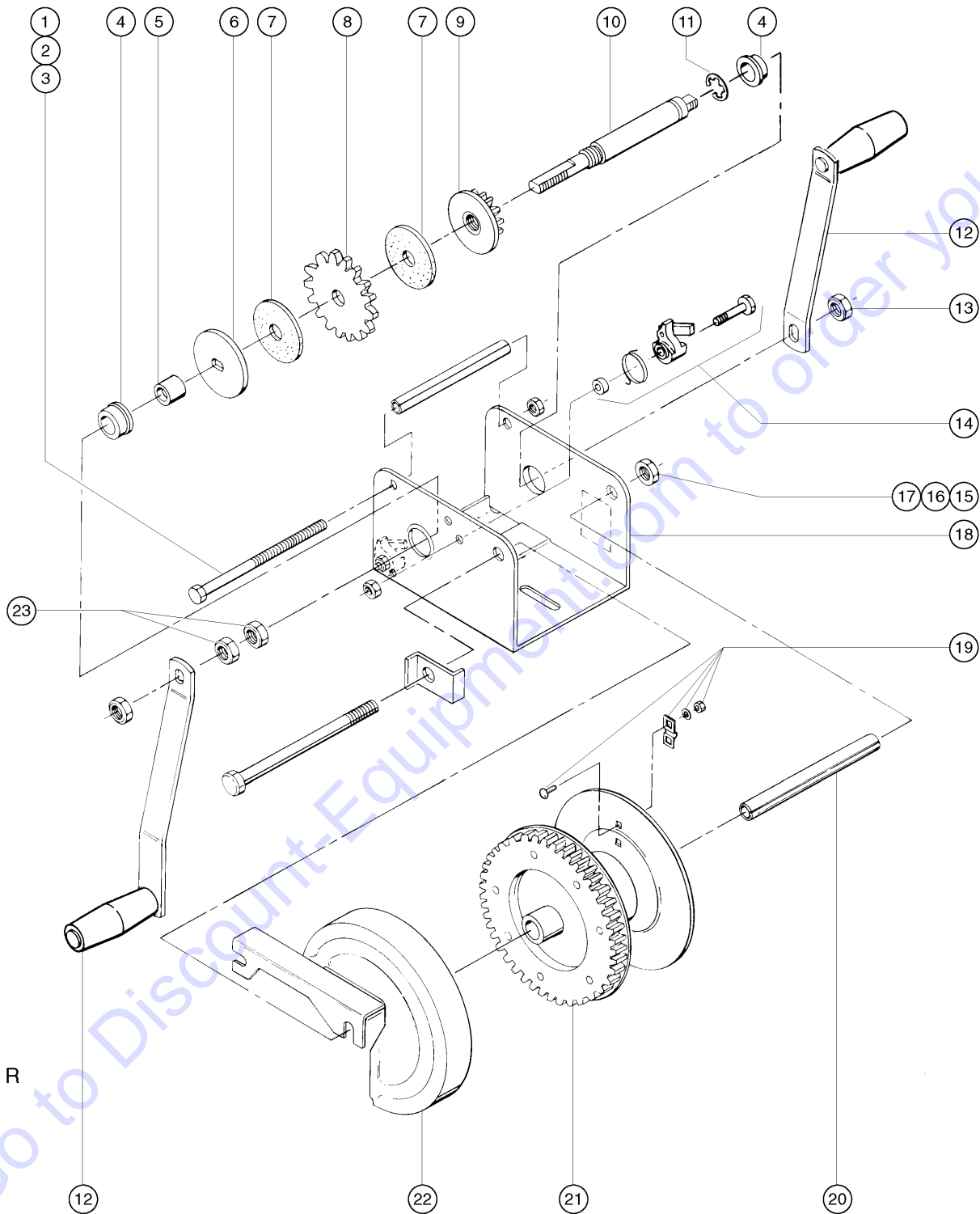
Item	Part No.	Description	Qty.	Item	Part No.	Description	Qty.
1	32903GT	CABLE ASSY SL15 507" 7/32" ***1 SLA-15; Does Not Include Cable Replacement Coupler		14I	57032-SGT	COLUMN#1,SL ADVANTAGE SERV.....1 SL-15 from SN 5599-3362	
1	32904GT	CABLE ASSY,SL/ST20 669" 7/32"1 SLA-20; Does Not Include Cable Replacement Coupler		14J	57032-SGT	COLUMN#1,SL ADVANTAGE SERV.....1 SL-20 from SN 5599-3405	
1	32905GT	CABLE ASSY,SL/ST25 813" 7/32"1 SLA-25; Does Not Include Cable Replacement Coupler		14K	57032-SGT	COLUMN#1,SL ADVANTAGE SERV.....1 SL-25 from SN 5599-3828	
1	6443GT	CABLE ASSEMBLY-M.5**1 SLA-5; Does Not Include Cable Replacement Coupler		15A	32894GT	COLUMN ASSY.,#2 THRU #5,SL2**4 SL-5 from SN 5594-101 to 5594-4447	
1	6444GT	CABLE ASSY SLA/MNM 7/32" 360"1 SLA-10; Does Not Include Cable Replacement Coupler		15B	32894GT	COLUMN ASSY.,#2 THRU #5,SL2**4 SL-10 from SN 5594-101 to 5594-4302	
1A	12402GT	CABLE REPLACEMENT COUPLER Sold Separately		15C	32894GT	COLUMN ASSY.,#2 THRU #5,SL2**4 SL-15 from SN 5594-101 to 5594-4293	
1B	52701GT	VIDEO,NTSC,SLA,CABLING PROCDR Sold Separately		15D	32894GT	COLUMN ASSY.,#2 THRU #5,SL2**4 SL-20 from SN 5594-101 to 5594-4286	
2	10597GT	SCREW,HHC,1/2-13 X 1.25 GR510		15E	32894GT	COLUMN ASSY.,#2 THRU #5,SL2**4 SL-25 from SN 5594-101 to 5594-4350	
3	6052GT	WASHER,SHIM,.5 X .875 X .06320		15F	35482GT	COLUMN ASSY.,#2-#5 SLA**4 SL-5 from SN 5594-4448 to 5599-3360	
4	32469GT	PULLEY W/BEARING,ALUMINUM***10		15G	35482GT	COLUMN ASSY.,#2-#5 SLA**4 SL-10 from SN 5594-3360 to 5599-3360	
5	32476GT	GUARD,CABLE***10		15H	35482GT	COLUMN ASSY.,#2-#5 SLA**4 SL-15 from SN 5594-4294 to 5599-3361	
5	80680GT	GUARD, CABLE Serial numbers from 18072 to 25258		15I	35482GT	COLUMN ASSY.,#2-#5 SLA**4 SL-20 from SN 5594-4287 to 5599-3404	
6	32470GT	PULLEY MOUNT , SL-29		15J	35482GT	COLUMN ASSY.,#2-#5 SLA**4 SL-25 from SN 5594-4351 to 5599-3827	
7	8255GT	SCREW,HHC,3/8-16 X .7518		15K	57033-SGT	COLUMN#2,SL ADVANTAGE SERV.....4 SL-5 from SN 5599-3361	
8	6019GT	SCREW,HHC,3/8-16 X 1.25 GRD 52		15L	57033-SGT	COLUMN#2,SL ADVANTAGE SERV.....4 SL-10 from SN 5599-3361	
9	6097GT	WASHER,FLAT,USS,3/8",Y2		15M	57033-SGT	COLUMN#2,SL ADVANTAGE SERV.....4 SL-15 from SN 5599-3362	
10	4828GT	NUT,NYLOCK,3/8-162		15N	57033-SGT	COLUMN#2,SL ADVANTAGE SERV.....4 SL-20 from SN 5599-3405	
11	32471PGT	PULLEY MOUNT, SL2, #1 "BLUE"1		15O	57033-SGT	COLUMN#2,SL ADVANTAGE SERV.....4 SL-25 from SN 5599-3828	
12	32483GT	PIN,ROLL,.25 X .5010		16A	32895GT	CARRIAGE ASSY,SL5,10,151 SL-5 from SN 101 to 4447	
13	6086GT	NUT,LP NYLOCK,1/2-131		16B	32895GT	CARRIAGE ASSY,SL5,10,151 SL-10 from SN 101 to 4302	
14A	35475GT	COLUMN #1,OLD SLA-SERV.ONLY1 from SN 5594-101 to 5594-3941		16C	32895GT	CARRIAGE ASSY,SL5,10,151 SL-15 from SN 101 to 4293	
14B	33777GT	COLUMN,#1,SLA**1 SL-5 from SN 5594-3942 to 5599-3745		16D	35488GT	CARRIAGE ASSY,SL5,10,15**1 SL-5 from SN 4448	
14C	33777GT	COLUMN,#1,SLA**1 SL-10 from SN 5594-3942 to 5599-3360		16E	35488GT	CARRIAGE ASSY,SL5,10,15**1 SL-10 from SN 4303 to 999999	
14D	33777GT	COLUMN,#1,SLA**1 SL-15 from SN 5594-3942 to 5599-3361		16F	35488GT	CARRIAGE ASSY,SL5,10,15**1 SL-15 from SN 4294 to 999999	
14E	33777GT	COLUMN,#1,SLA**1 SL-20 from SN 5594-3942 to 5599-3404		16G	32896GT	CARRIAGE ASSY,SL20,251 SL-20 from SN 101 to 4286	
14F	33777GT	COLUMN,#1,SLA**1 SL-25 from SN 5594-3942 to 5599-3827		16H	32896GT	CARRIAGE ASSY,SL20,251 SL-25 from SN 101 to 4350	
14G	57032-SGT	COLUMN#1,SL ADVANTAGE SERV.....1 SL-5 from SN 5599-3746					
14H	57032-SGT	COLUMN#1,SL ADVANTAGE SERV.....1 SL-10 from SN 5599-3361					

304.1 Mast Components - Pulleys and Cable
(continued)

Item	Part No.	Description	Qty.
16I	35486GT	CARRIAGE ASSY,SL20,SL25**.....1 <i>SL-20 from SN 4287 to 999999</i>	1
16J	35486GT	CARRIAGE ASSY,SL20,SL25**.....1 <i>SL-25 from SN 4351 to 999999</i>	1
16K	57034GT	CARRIAGE,SL ADVANTAGE(5,10,15)....1 <i>SL-5 from SN 5599-3745</i>	1
16L	57034GT	CARRIAGE,SL ADVANTAGE(5,10,15)....1 <i>SL-10 from SN 5599-3360</i>	1
16M	57034GT	CARRIAGE,SL ADVANTAGE(5,10,15)....1 <i>SL-15 from SN 5599-3361</i>	1
16N	57035GT	CARRIAGE,SL ADVANTAGE(20,25).....1 <i>SL-20 from SN 5599-3405</i>	1
16O	57035GT	CARRIAGE,SL ADVANTAGE(20,25).....1 <i>SL-25 from SN 5599-3828</i>	1

Go to Discount-Equipment.com to order your parts

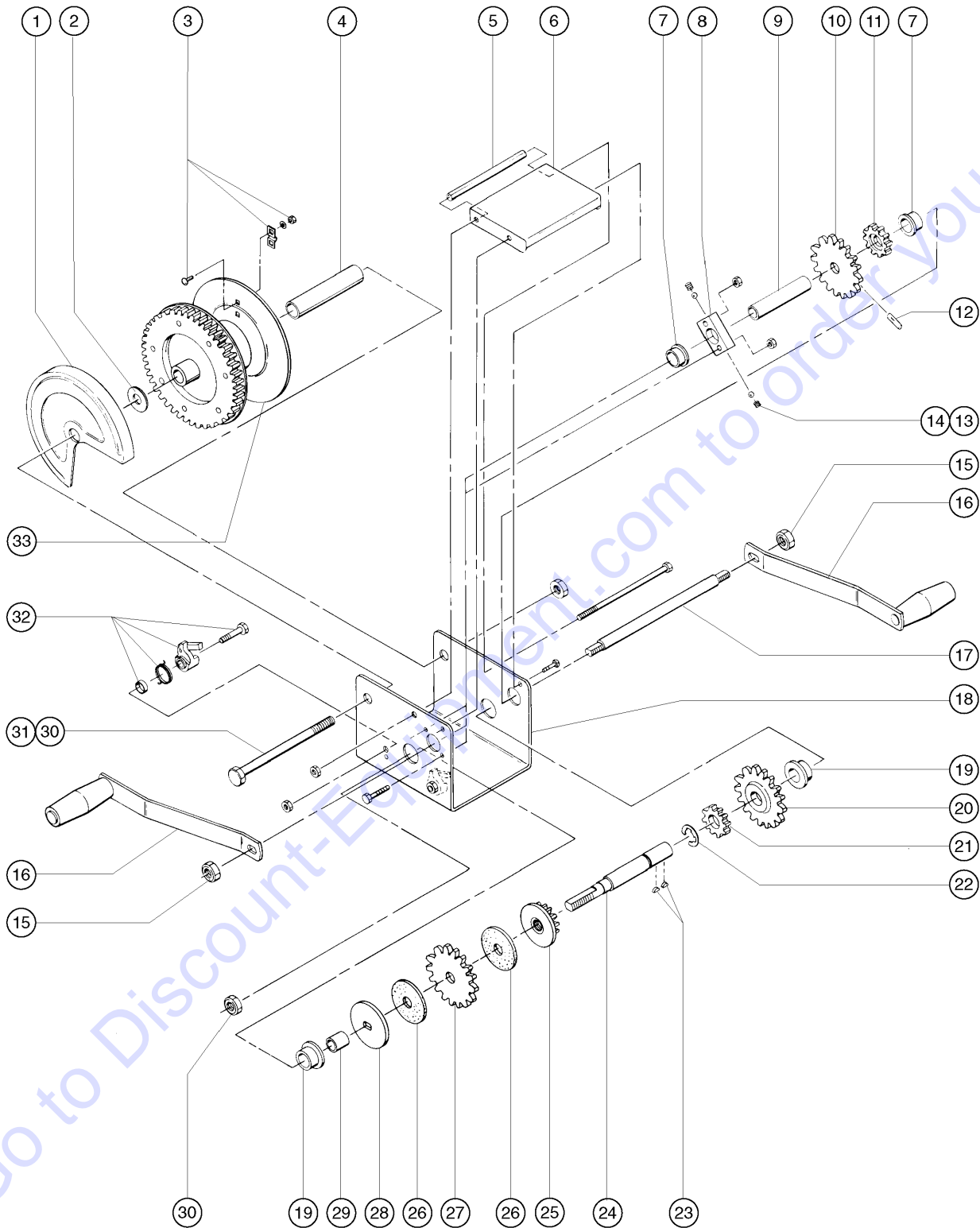
305.1 Single Speed Winch



305.1 Single Speed Winch

Item	Part No.	Description	Qty.
--		SERVICE KIT,PINION SHAFT-K1550 (1256081) <i>(component no longer available)</i>	
--	1256083GT	SVC KIT, FRICTION DISC K/KX <i>includes qty 2 of item 7</i>	
--	32945GT	WINCH,W/DECAL 1SPEED SL/ST <i>handles not included</i>	
1	7256GT	SCREW,HHC,5/16-18 X 6 GRD.2.....	1
2		FRAME SPACER,K-1550 (7584)..... <i>(not sold separately)</i>	1
3	12012GT	NUT,LOCK,3/8-16.....	1
4		BUSHING, SMALL PINION, FULTON (6199)..... <i>(component not available separately)</i>	2
5		SPACER,PINION SHAFT (32890)..... <i>(component not available separately)</i>	1
6		WINCH PINION PLATE, K-1550 (7591)..... <i>(component not available separately)</i>	1
7		BRAKE DISK,.5 BORE,K-1550 (7571).... <i>(component not available separately)</i>	2
8		RATCHET GEAR,K-1550 1/2" I.D. (6777)..... <i>(component not available separately)</i>	1
9		PINION GEAR AND DISC K-1550 (7590)..... <i>(component not available separately)</i>	1
10		SHAFT,PINION (32891)..... <i>(component not available separately)</i>	1
11		RETAINING RING (6200)..... <i>(component not available separately)</i>	1
12	33143GT	WINCH HANDLE 6" STD..... <i>SL-5 models</i>	2
12	33144GT	WINCH HANDLE 8" STD.**..... <i>SL-10, 15, 20 and 25 models</i>	2
13	6086GT	NUT,LP NYLOCK,1/2-13.....	2
14	40458GT	RATCHET PAWL KIT.....	1
15	6086GT	NUT,LP NYLOCK,1/2-13.....	1
16	6184GT	SPACER, DRUM BOLT, K-1550.....	1
17	6185GT	BOLT, DRUM SPACER.....	1
18		FRAME & DRUM SUPPORT..... <i>(component not available separately)</i>	1
19	6190GT	CABLE KEEP.KIT (BRACKET TYPE)*.....	1
20	6184GT	SPACER, DRUM BOLT, K-1550.....	1
21		Ref. Drum Assembly.....	1
22	6770GT	WINCH GEAR COVERS, K-1500.....	1
23	6034GT	NUT,HEX,JAM,1/2-13.....	2

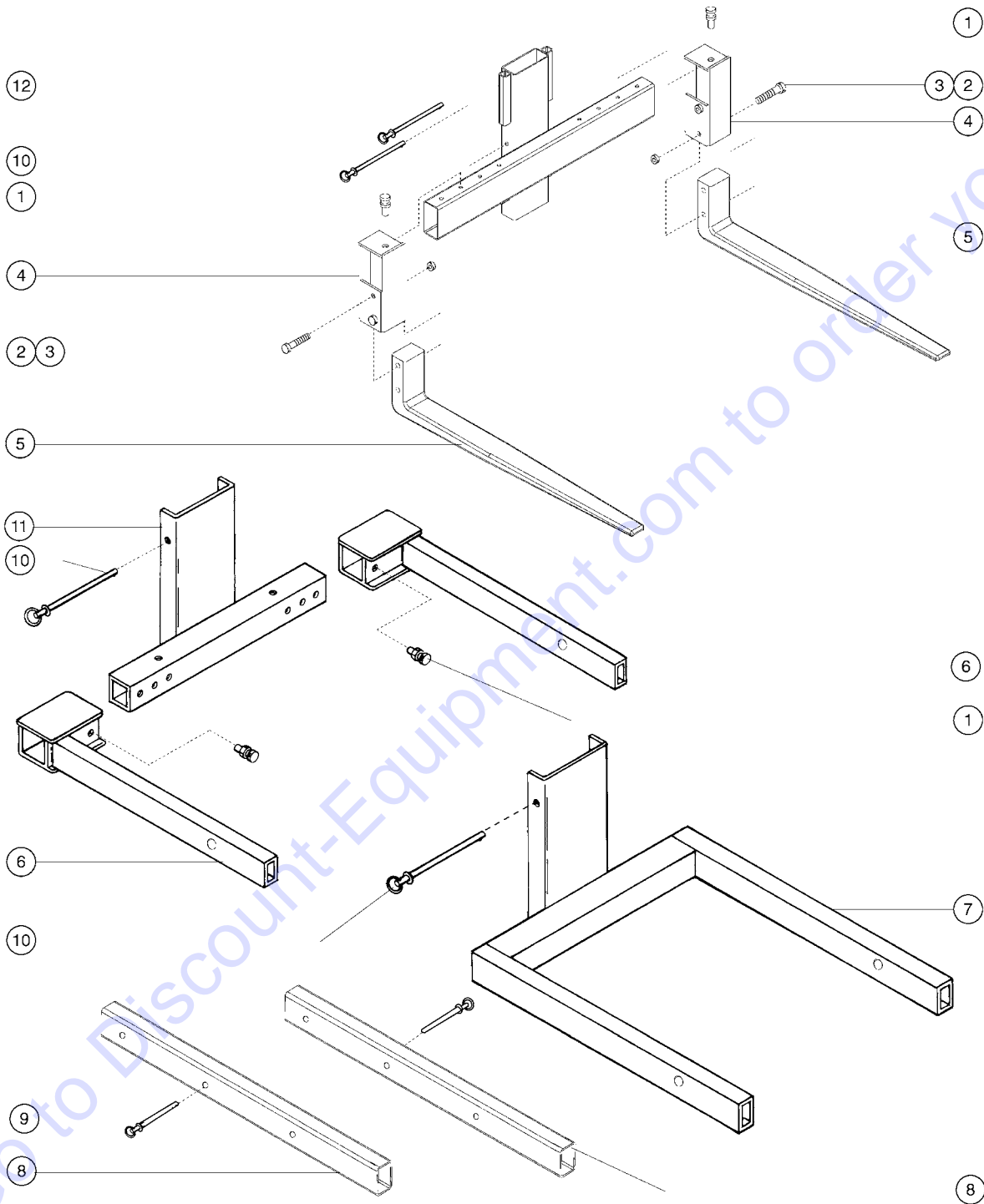
306.1 Two Speed Winch



306.1 Two Speed Winch

Item	Part No.	Description	Qty.	Item	Part No.	Description	Qty.
--	32946GT	WINCH W/DECAL,2 SPEED***		25		PINION GEAR AND DISC K-1550 (7590).....1 <i>(not sold separately)</i>	1
--	32888GT	WINCH PLATE W/DECALS,SL2**OLD <i>(to S/N 5595-3793)</i>		26	1256083GT	SVC KIT, FRICTION DISC K/KX.....2	2
--	35807GT	WINCH PLATE W/DECALS, SL2** <i>(from S/N 5595-3794)</i>		27	1256081GT	SERVICE KIT,PINION SHAFT-K1550.....1	1
1	32776GT	COVER,GEAR,51 TOOTH.....1	1	28	1256081GT	SERVICE KIT,PINION SHAFT-K1550.....1	1
2	32777GT	WASHER.....1	1	29	7598GT	WINCH, PINION SPACER,SM,KX1550...1	1
3	6190GT	CABLE KEEP.KIT (BRACKET TYPE)*1	1	30	6086GT	NUT,LP NYLOCK,1/2-13.....2	2
4		SPACER,DRUM.....1 <i>(component no longer available)</i>	1	31	12460GT	SCREW,HHC,1/2-13 X 6.5.....1	1
5	32779GT	SPACER,FRAME.....1	1	32	40117GT	RATCHET PAWL KIT, (33090).....1	1
6	32780GT	COVER,INPUT SHAFT.....1	1	33		Ref. Winch Drum (not available as service part).....1	1
7		KIT,WINCH BUSHING/SHAFT REPAIR <i>(component no longer available)</i>					
7	32859GT	BUSHING,0.63 INCH ID.....2	2				
8		HOUSING,SPRING & BALL DETENT.....1 <i>(component no longer available)</i>	1				
8	32860GT	HOUSING,SPRING & BALL DETENT.....1	1				
9		SPACER,INPUT SHAFT.....1 <i>(component no longer available)</i>	1				
10		GEAR,INPUT SHAFT,24 TOOTH.....1 <i>(component no longer available)</i>	1				
11		GEAR,INPUT SHAFT,12 TOOTH.....1 <i>(component no longer available)</i>	1				
12		PIN,DRIVE,0.187.....1 <i>(component no longer available)</i>	1				
13	32865GT	SPRING,DETENT.....2	2				
14	32866GT	BALL,DETENT,0.25 INCH.....2	2				
15	6086GT	NUT,LP NYLOCK,1/2-13.....2	2				
16	33143GT	WINCH HANDLE 6" STD.....2 <i>SL-5 models</i>	2				
16A	33144GT	WINCH HANDLE 8" STD.**.....2 <i>SL-10, 15, 20 and 25 models</i>	2				
17	32873GT	INPUT SHAFT.....1	1				
18		FRAME AND DRUM SUPPORT.....1 <i>(component no longer available)</i>	1				
18	32946GT	WINCH W/DECAL,2 SPEED***.....1 <i>(replacement of p/n 32867)</i>	1				
19	1256081GT	SERVICE KIT,PINION SHAFT-K1550.....2	2				
20		GEAR,PINION SHAFT,24 TOOTH.....1 <i>(component no longer available)</i>	1				
21		GEAR,PINION SHAFT,12 TOOTH.....1 <i>(component no longer available)</i>	1				
22		RETAINING RING (6200).....1 <i>(not sold separately)</i>	1				
23		KEY,WOODRUFF,NO. 403.....2 <i>(component no longer available)</i>	2				
24	32872GT	PINION SHAFT.....1	1				

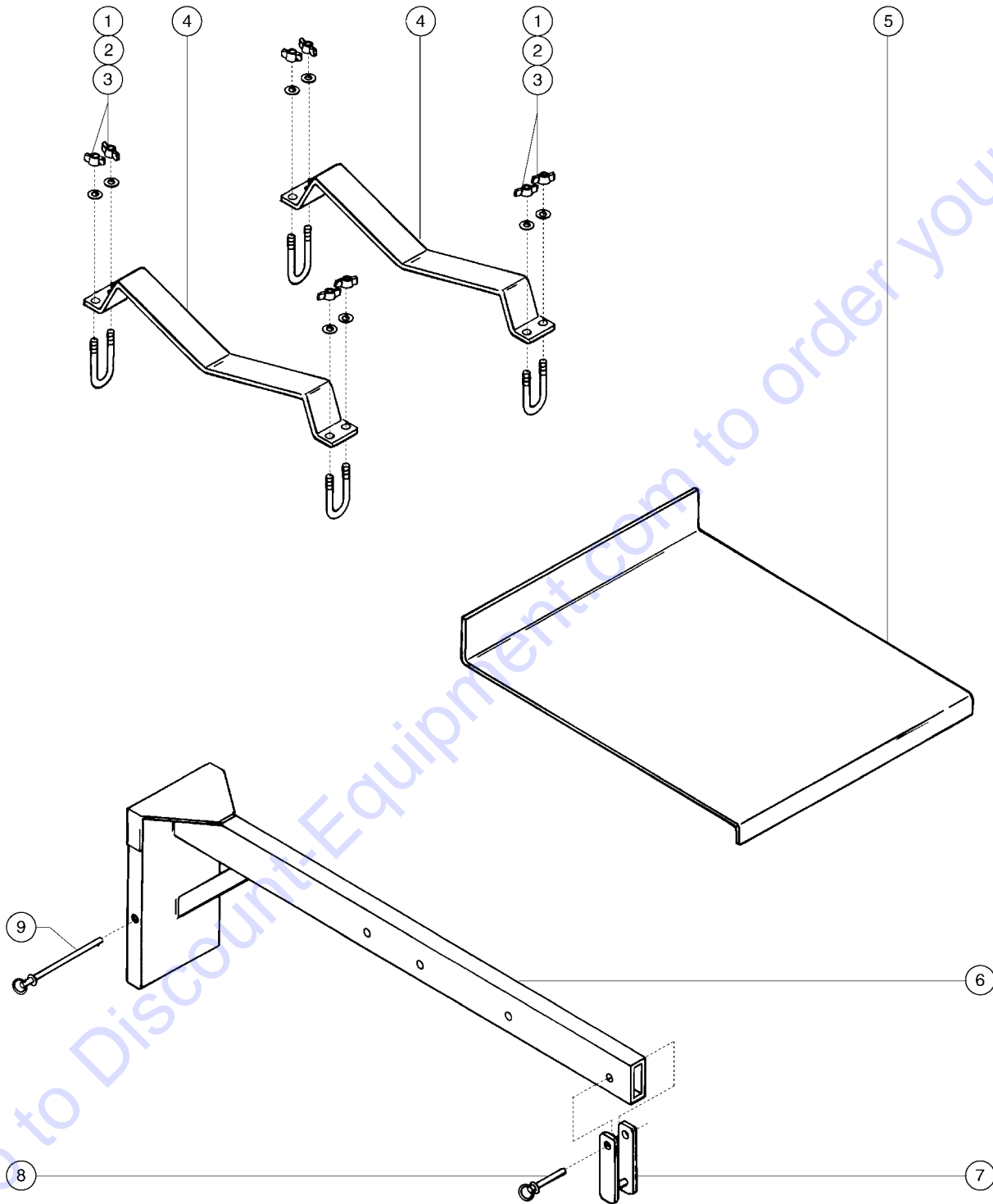
401.1 Load Handling Attachments - Forks



401.1 Load Handling Attachments - Forks

Item	Part No.	Description	Qty.
--	32564-SGT	SL ADJUSTABLE FORK ASSEMBLY <i>includes index numbers 1B, 6, 10 and 11</i>	
--	32566-SGT	5'10"15 FLAT FORK ASSY <i>includes index numbers 1A, 2-5, 10 and 12; SL-5, 10 and 15 models only</i>	
1A	32375GT	PIN,LOCK,LONG***2 <i>2.25 inches</i>	
1B	33674GT	PIN,LOCK,SHORT***2 <i>1.35 inches</i>	
2	8220GT	SCREW,HHC,1/2-13 X 4.....4	
3	6086GT	NUT,LP NYLOCK,1/2-13.....2	
4	32541GT	WELDMENT,FLATFORK SOCKET.....2 <i>SL-5, 10 and 15 models only</i>	
5	32539GT	CASTING,FLAT FORK SUPERLIFT 2....2 <i>SL-5, 10 and 15 models only</i>	
6	32548-SGT	WELDMENT,ARM ADJ. FORK-"BLUE"....2	
7	32906GT	FORK,STANDARD,W/DECAL,SLA2.....1 <i>includes decal</i>	
8	33366-SGT	FORK EXTENSION, SINGLE***2 <i>suggest ordering 80679 pin with each extension</i>	
9	80679GT	PIN,BALL RET.-.5 X 2.7.....2	
10	48301GT	PIN,TOGGLE,.50 X 8.13***3	
11	32908GT	CARRIER,FORK,ADJ.W/DECAL,SL2.....1 <i>includes decals</i>	
12	32907GT	CARRIER,FORK,FLAT W/DECAL,SL2....1 <i>includes decals; SL-5, 10 and 15 models only</i>	

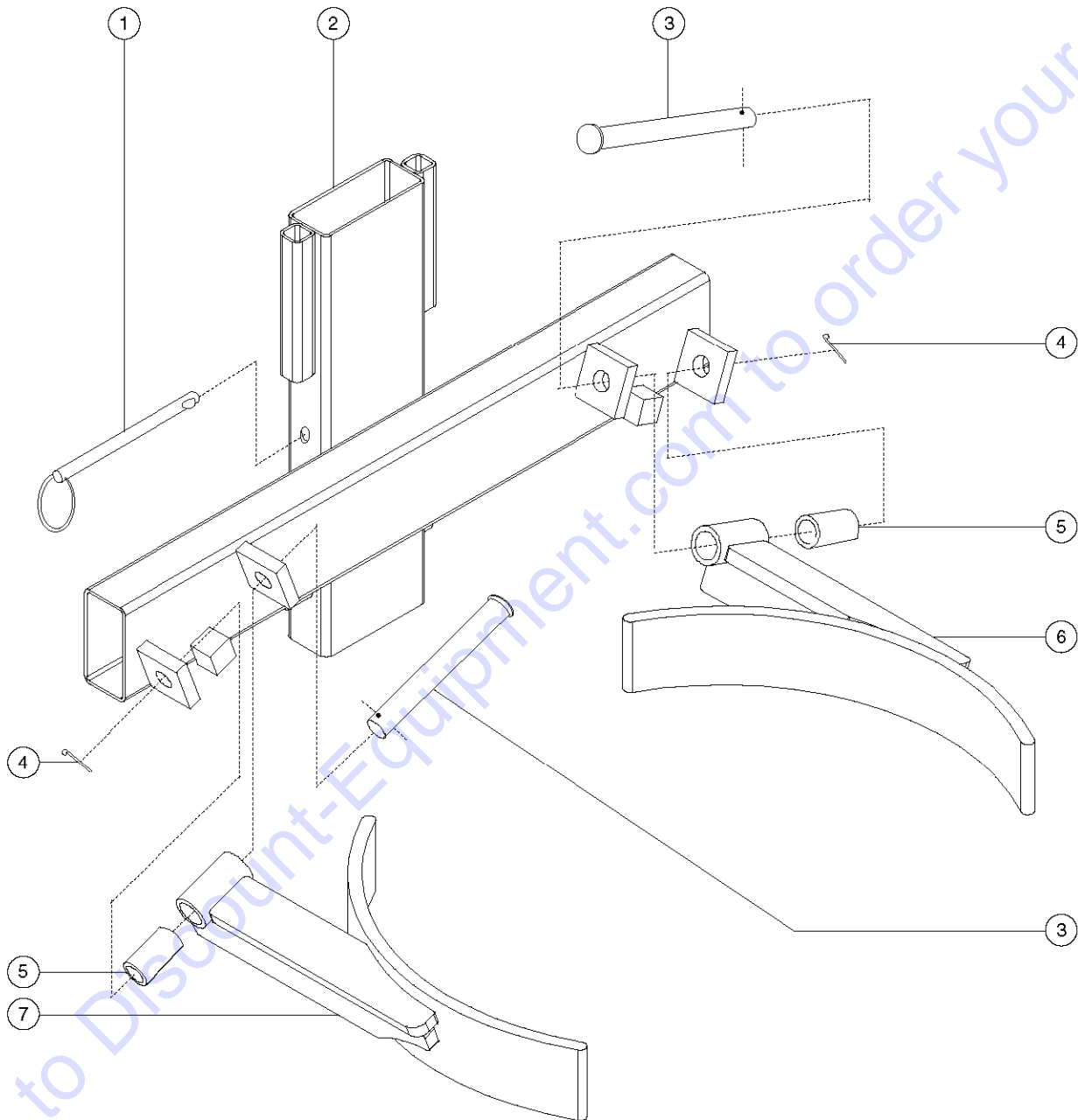
402.1 Load Handling Attachments - Boom, Pipe Cradle and Load Platform



402.1 Load Handling Attachments - Boom, Pipe Cradle and Load Platform

Item	Part No.	Description	Qty.
--	32567-SGT	SLA/SLC STD.BOOM ASSY/SERVICE <i>includes index number 5</i>	
--	32568GT	SLA, LOAD PLATFORM ACCESSORY <i>includes index number 5</i>	
--	32569-SGT	SL/SLC PIPE HOLDER ACCESSORY <i>includes index numbers 1 through 4</i>	
1	8170GT	NUT,WING,1/4-20.....	8
2	6638GT	WASHER,FLAT,USS,1/4"Y.....	8
3	33045GT	U-BOLT,1/4-20 SL2 PIPE CRADLE.....	4
4	80597GT	PIPE CRADLE, BLUE.....	2
5	32937GT	LOAD PLATFORM W/DECAL,SLA..... <i>includes decals</i>	1
6	32567-SGT	SLA/SLC STD.BOOM ASSY/SERVICE... <i>includes decals</i>	1
7	32579GT	WELDMENT,CLEVIS STD. BOOM.....	1
8	80679GT	PIN,BALL RET.-.5 X 2.7.....	1
9	48301GT	PIN,TOGGLE,.50 X 8.13***.....	1

403.1 Load Handling Attachment - Vertical Barrel Stacker



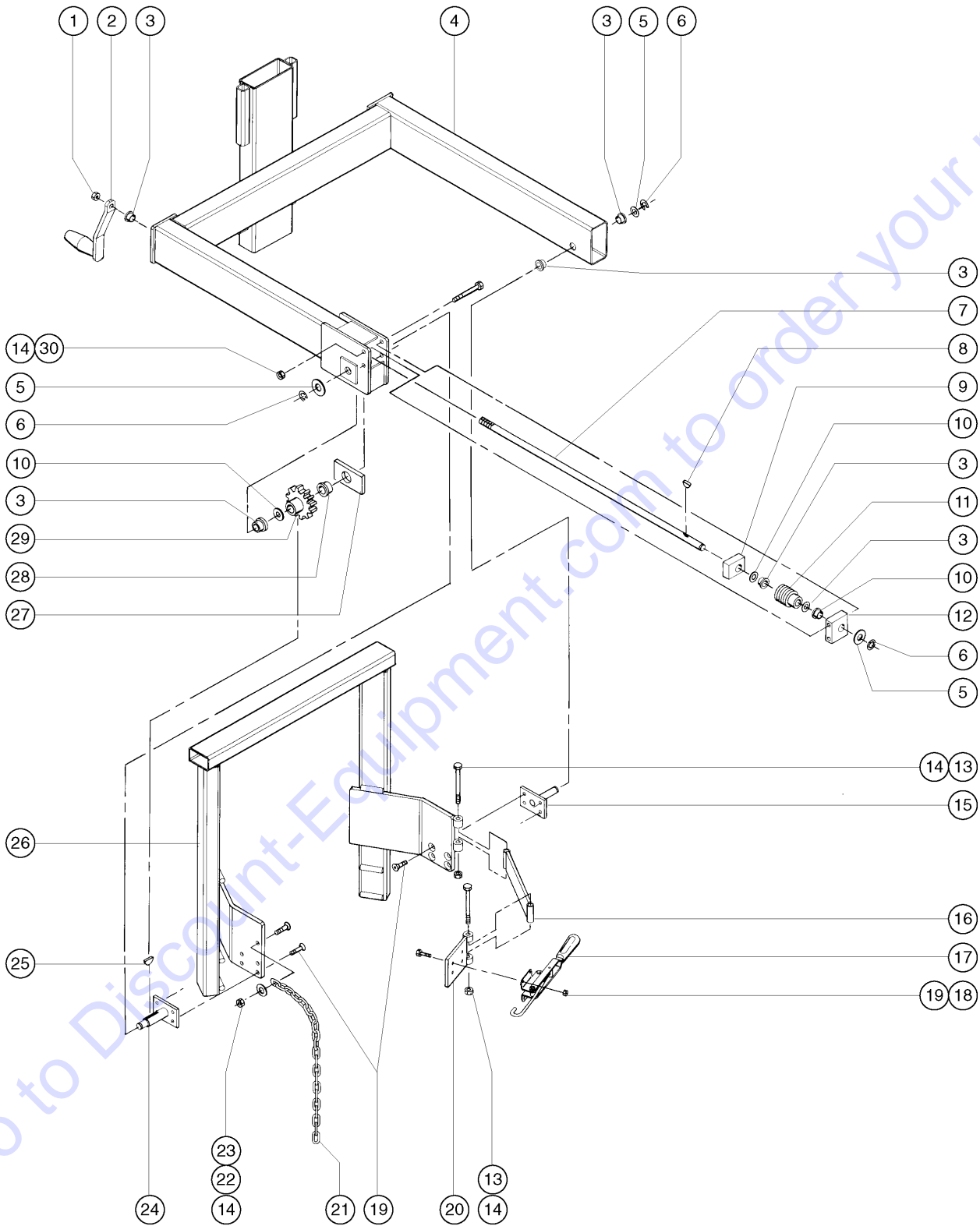
Go to Discount-Equipment.com to order your parts

403.1 Load Handling Attachment - Vertical Barrel Stacker

Item	Part No.	Description	Qty.
--	32570GT	SL 5,10,15 BARREL STACKER <i>SL-5, 10 and 15 models only</i>	
1	48301GT	PIN,TOGGLE,.50 X 8.13***.....	1
2	32909GT	DECAL,OPERATING INSTRUCT,ST2..... <i>includes decals; SL-5, 10 and 15 models only</i>	1
3	33126GT	PIN,CLEVIS,1 X 6 LG.....	2
4	33247GT	PIN,COTTER,.188 X 1.75 LONG.....	4
5	33217GT	BUSHING,SLEEVE,1.0 X 1.25 X2.5.....	2
6	32911GT	ARM,LIFT,BAR.STKR,LH,SL2..... <i>includes 1 each index number 5; SL-5, 10 and 15 models only</i>	1
7	32910GT	ARM,LIFTING,BAR.STKR,RH,SL2..... <i>includes 1 each index number 5; SL-5, 10 and 15 models only</i>	1

Go to Discount-Equipment.com to order your parts

404.1 Load Handling Attachment - Rotating Barrel Handler



404.1 Load Handling Attachment - Rotating Barrel Handler

Item	Part No.	Description	Qty.
--	32571GT	SL 5,10,15 BARREL HANDLER <i>SL-5, 10 and 15 models only</i>	
1	6198GT	NUT,NYLOCK,1/2-13.....	1
2	33143GT	WINCH HANDLE 6" STD.....	1
3	33187GT	BUSHING,SLEEVE,.675 X .75 X .5.....	6
4	33814GT	WELDMENT,BARREL HANDLER **.....	1
5	6898GT	WASHER,SHIM,.625 X 1.188X.064.....	3
6	33222GT	RING,RETAINER,EXT,.625 SHAFT.....	3
7	33096GT	SHAFT,CRANK BARREL HANDLER.....	1
8	33223GT	KEY,WOODRUFF 3/16 X 3/4.....	1
9		BLOCK, CRANK SHAFT..... <i>(component no longer available)</i>	1
10	6563GT	WASHER,SHIM,.75 X 1.125 X.030.....	3
		1	
11	33221GT	WORM,10 PITCH SL2%%.....	1
12		BLOCK MOUNTING CRANK SHAFT..... <i>(component no longer available)</i>	1
12	33113GT	BLOCK MOUNTING CRANK SHAFT..... <i>(component no longer available)</i>	1
13	6605GT	SCREW,HHC,3/8-16 X 3.5,GR5.....	2
14	7713GT	NUT, LP NYLOCK, 3/8-16.....	5
15	33118GT	WELDMENT,PIVOT BARREL BRKT.....	1
16	35058GT	STRAP ASSY BARREL HANDLER.....	1
17	35058GT	STRAP ASSY BARREL HANDLER.....	1
18	6002GT	NUT,LP NYLOCK,5/16-18.....	4
19	33250GT	SCREW,FHS,5/16-18 X.75.....	12
20	35058GT	STRAP ASSY BARREL HANDLER.....	1
21	35058GT	STRAP ASSY BARREL HANDLER.....	1
22	6097GT	WASHER,FLAT,USS,3/8",Y.....	1
23	16439GT	SCREW,FHS,3/8-16 X 1.....	1
24	33117GT	WELDMENT,DRIVE SHAFT BRACKET.....	1
25	28986-125GT	KEYSTOCK,STL .188.....	1
26	33116GT	WELDMENT,BARREL CRADEL.....	1
27		PLATE,SUPPORT DRIVE GEAR..... <i>(component no longer available)</i>	1
27	33120GT	PLATE,SUPPORT DRIVE GEAR..... <i>(component no longer available)</i>	1
28	33218GT	BUSHING,FLANGE,BRONZE.875 X 1....	1
29	33220GT	WORM GEAR 10 PITCH SL2.....	1
30	6326GT	SCREW,HHC,3/8-16 X 3.....	2

Footnotes

1: Quantity listed for this item is approximate.
Actual quantity may vary, to ensure proper fit.

Part Number Index

The Part Number Index is a numeric index of all part numbers included in this manual. The index shows what page(s) the part is used on.

Part Number	Page	Part Number	Page	Part Number	Page	Part Number	Page
100309GT	15, 17	32717GT	13	33744GT	21	80680GT	25-26
10587GT	23	32718GT	13	33771GT	21	80939GT	11
10597GT	25-26	32770GT	11	33777GT	25-26	80987GT	23
10598GT	15	32771GT	13	33811GT	21	8170GT	35
11337GT	15	32772GT	13	33814GT	39	8220GT	33
12012GT	29	32773GT	13	35058GT	39	8255GT	25-26
12013GT	21	32774GT	13	35064GT	15, 17	8516GT	15
12402GT	23, 25-26	32775GT	13	35100GT	21	90337GT	21
12460GT	31	32776GT	31	35101GT	21		
1256081GT	31	32777GT	31	35475GT	25-26		
1256083GT	29, 31	32779GT	31	35482GT	25-26		
1484GT	11	32780GT	31	35486GT	26		
16439GT	39	32859GT	31	35488GT	25-26		
17712GT	21	32860GT	31	35807GT	31		
2163GT	15, 17	32865GT	31	35819GT	19		
2238GT	15, 17	32866GT	31	35848GT	15, 17		
23270GT	15	32872GT	31	37202GT	19		
235184GT	19	32873GT	31	40117GT	31		
28986-125GT	39	32879GT	15, 17	40255GT	17		
30748GT	15, 17	32880GT	15, 17	40458GT	29		
31072GT	11	32881GT	15, 17	4828GT	15, 17, 19, 21, 25-26		
32150GT	11	32882GT	15	48301GT	33, 35, 37		
32302GT	19	32883GT	15, 17	5224GT	15		
32375GT	19, 33	32884GT	15, 17	52701GT	23, 25-26		
32469GT	25-26	32885GT	11	57032-SGT	25-26		
32470GT	25-26	32888GT	19, 31	57033-SGT	25-26		
32471PGT	25-26	32894GT	25-26	57034GT	26		
32473GT	21, 23	32895GT	25-26	57035GT	26		
32474GT	21, 23	32896GT	25-26	57736GT	15, 17		
32475GT	21, 23	32897GT	15	57740GT	15, 17		
32476GT	25-26	32903GT	23, 25-26	57747GT	15		
32481GT	21	32904GT	23, 25-26	57788GT	19		
32482GT	19	32905GT	23, 25-26	58094GT	15		
32483GT	25-26	32906GT	33	58095GT	21		
32486GT	15, 17	32907GT	33	58750GT	21		
32489-SGT	15	32908GT	33	6002GT	39		
32495GT	15, 17	32909GT	37	6019GT	17, 19, 21, 25-26		
32499GT	15, 17	32910GT	37	6033GT	15		
32502PGT	15	32911GT	37	6034GT	29		
32509GT	15, 17	32935GT	19	6035GT	15		
32519GT	15	32937GT	35	6052GT	21, 25-26		
32522GT	21	32938GT	11	6086GT	15, 17, 21, 25-26, 29, 31, 33		
32524GT	15, 17	32939GT	11	6095GT	21, 23		
32527GT	17	32945GT	29	6097GT	15, 25-26, 39		
32529GT	17	32946GT	31	6175GT	15, 17, 19		
32531GT	17	33045GT	35	6184GT	29		
32532GT	17	33047GT	15, 17	6185GT	29		
32539GT	33	33096GT	39	6190GT	29, 31		
32541GT	33	33113GT	39	6198GT	21, 23, 39		
32548-SGT	33	33116GT	39	6326GT	39		
32562GT	15, 17	33117GT	39	6443GT	23, 25-26		
32564-SGT	33	33118GT	39	6444GT	23, 25-26		
32566-SGT	33	33120GT	39	6563GT	39		
32567-SGT	35	33126GT	37	6564GT	19		
32568GT	35	33143GT	29, 31, 39	6600GT	19		
32569-SGT	35	33144GT	29, 31	6605GT	39		
32570GT	37	33148GT	17	6638GT	19, 21, 35		
32571GT	39	33187GT	39	6653GT	19		
32576GT	15	33217GT	37	6724GT	11		
32578GT	15	33218GT	39	6770GT	29		
32579GT	35	33220GT	39	6898GT	39		
32670GT	21	33221GT	39	7256GT	29		
32686GT	11	33222GT	39	7265GT	19		
32687GT	13	33223GT	39	7598GT	31		
32688GT	11	33247GT	37	7713GT	39		
32689GT	11	33250GT	39	80162GT	19		
32690GT	11	33251GT	17	80171-SGT	15		
32691GT	11	33252GT	21	80172-SGT	15		
32692GT	11	33298GT	15, 17	80173-SGT	15		
32693GT	11	33366-SGT	33	80174-SGT	15		
32714GT	13	33499GT	19	80175-SGT	15		
32715GRGT	13	33523GT	11	80597GT	35		
32715GT	13	33539GT	19	80679GT	15, 17, 33, 35		
32715SPGT	13	33670GT	15				
32716GT	13	33674GT	33				

The Part Description Index is an alphabetical index of all part descriptions included in this manual. The index shows what page(s) the part is used on.

5
5'10"15 FLAT FORK ASSY.....33

A
ARM,LIFT,BAR,STKR,LH,SL2.....37
ARM,LIFTING,BAR,STKR,RH,SL2.....37
ASSY,PIN & LANYARD***.....15, 17
AXLE TUBE, SL2 LEG.....15, 17
AXLE WELDMENT L.H.....15, 17
AXLE WELDMENT R.H.....15, 17

B
BALL,DETENT,0.25 INCH.....31
BASE ASSY W/DECALS, STD,SLA-15.....15
BASE ASSY W/DECALS, STD,SLA-25.....15
BASE ASSY W/DECALS, STS,SLA-20.....15
BASE ASSY W/DECALS,STD, SLA-10.....15
BASE ASSY W/DECALS,STD, SLA-5.....15
BLOCK MOUNTING CRANK SHAFT.....39
BLOCK, CRANK SHAFT.....39
BOE LUBE.....21
BOLT, DRUM SPACER.....29
BOLT,LEG PIVOT 1/2-13 X 3.0.....15, 17
BOLT-ROLLER,1/2-13X1.84 ZINC.....21, 23
BRACKET, STAB.MOUNT,"BLUE".....15
BRAKE DISK,.5 BORE,K-1550 (7571).....29
BUSHING, SMALL PINION, FULTON (6199).....29
BUSHING,0.63 INCH ID.....31
BUSHING,3/4ODX2.44LGX.5ID.....19
BUSHING,FLANGE,BRONZE.875 X 1.....39
BUSHING,SLEEVE,.675 X .75 X .5.....39
BUSHING,SLEEVE,1.0 X 1.25 X2.5.....37

C
CABLE ASSEMBLY-M.5**.....23, 25-26
CABLE ASSY SL15 507" 7/32" ***.....23, 25-26
CABLE ASSY SLA/MNM 7/32" 360".....23, 25-26
CABLE ASSY,SL/ST20 669" 7/32".....23, 25-26
CABLE ASSY,SL/ST25 813" 7/32".....23, 25-26
CABLE KEEP,KIT (BRACKET TYPE)*.....29, 31
CABLE OVAL SLEEVE, 1/16.....15, 17
CABLE REPLACEMENT COUPLER.....23, 25-26
CABLE,1/16INCH,7X7 STRANDS.....15, 17
CARRIAGE ASSY,SL20,25.....25-26
CARRIAGE ASSY,SL20,SL25**.....26
CARRIAGE ASSY,SL5,10,15.....25-26
CARRIAGE ASSY,SL5,10,15**.....25-26
CARRIAGE,SL ADVANTAGE(20,25).....26
CARRIAGE,SL ADVANTAGE(5,10,15).....26
CARRIER,FORK,ADJ.W/DECAL,SL2.....33
CARRIER,FORK,FLAT W/DECAL,SL2.....33
CASTER,PL,SW,LOCK, SB, 5 X 2.....15, 17
CASTER,PL,SW, 4 X 2.....15, 17
CASTER,POST,SW3.5X1.25M12X1.75.....15
CASTING,FLAT FORK SUPERLIFT 2.....33
CLAMP TUBE,STABILIZER-"BLUE".....15
CLAMP,1.88,#30 X 1/4,RUB CUSH.....19
COLUMN #1,OLD SLA-SERV.ONLY.....25-26
COLUMN ASSY,#2 THRU #5,SL2**.....25-26
COLUMN ASSY,#2-#5 SLA**.....25-26

COLUMN#1,SL ADVANTAGE SERV.....25-26
COLUMN#2,SL ADVANTAGE SERV.....25-26
COLUMN,#1,SL2-OBSOLETE.....21
COLUMN,#1,SLA**.....25-26
COUPLER BAR ASSEMBLY,SLA&C,ST2.....21
COVER,GEAR,51 TOOTH.....31
COVER,INPUT SHAFT.....31

D
DECAL,2 SPD.WINCH**.....11
DECAL,COSMETIC,"SUPERLIFT".....11
DECAL,CRUSHING HAZ/BRAKE LOCK.....11
DECAL,LABEL,OPER.MAN.STORAGE.....11
DECAL,LABEL,WINCH ONLY.....11
DECAL,MODEL HEIGHT SL10.....11
DECAL,MODEL HEIGHT SL15.....11
DECAL,MODEL HEIGHT SL20.....11
DECAL,MODEL HEIGHT SL25.....11
DECAL,MODEL HEIGHT SL5.....11
DECAL,NOTICE BOOM SETUP.....13
DECAL,NOTICE FLAT FORK SETUP.....13
DECAL,NOTICE ROT.BARREL SETUP.....13
DECAL,NOTICE VBS SETUP.....13
DECAL,OPERATING INSTRUCT,ST2.....37
DECAL,OPERATING INSTRUCT,SLA.....11
DECAL,SERIAL# & MODEL# ***.....11
DECAL,SILENT WINCH.....11
DECAL,VERT BARREL STKR SAFETY.....13
DECAL,WARNING ADJ FORK SETUP.....13
DECAL,WARNING BOOM SAFETY.....13
DECAL,WARNING FLAT FORK SAFETY.....13
DECAL,WARNING STD.FORK SAFETY.....13
DECAL,WARNING TILT/ROTATE SAFE.....13
DECAL,WARNING,FALL HAZARD.....13
DOWN STOP.....21

E
E CLIP,.875 IN.SL LEG.....15, 17

F
FORK EXTENSION, SINGLE***.....33
FORK,STANDARD,W/DECAL,SLA2.....33
FRAME & DRUM SUPPORT.....29
FRAME AND DRUM SUPPORT.....31
FRAME SPACER,K-1550 (7584).....29

G
GEAR,INPUT SHAFT,12 TOOTH.....31
GEAR,INPUT SHAFT,24 TOOTH.....31
GEAR,PINION SHAFT,12 TOOTH.....31
GEAR,PINION SHAFT,24 TOOTH.....31
GRIP,HANDLE.....19
GUARD, CABLE.....25-26
GUARD,CABLE***.....25-26
GUARD,ROLLER, SL2,.....21, 23

H
HOLD DOWN KIT W/DECAL SL LONG.....21
HOLD DOWN KIT W/DECAL SL SHORT.....21
HOLD DOWN UPDATE KIT,SL5,10,15.....21
HOLD DOWN UPDATE KIT-SLA SLC.....21
HOUSING,SPRING & BALL DETENT.....31

I
INPUT SHAFT.....31
INSTRUCT.TUBE W/CAPS-1.75 X 12.....19

K
KEY,WOODRUFF 3/16 X 3/4.....39
KEY,WOODRUFF,NO. 403.....31
KEYSTOCK,STL .188.....39
KIT, CABLE ANCHOR BRK, SLC/ST*.....23
KIT,LATCH PLATE.....15
KIT,WINCH BUSHING/SHAFT REPAIR.....31
KNOB,STRADDLE BASE SL2.....17

L
LOAD PLATFORM W/DECAL,SLA.....35
LOADING WHEEL WELD.W/DECAL SL2.....19
LOADING WHEEL WELDM.W/TAPE.....19

M
MANUAL,OPER,SUPERLIFT,ADVANTGE.....19

N
NUT, LP NYLOCK, 3/8-16.....39
NUT,HEX,JAM,1/2-13.....29
NUT,HEX,M12,LP,PLATED.....15
NUT,LOCK,3/8-16.....29
NUT,LP NYLOCK,1/2-13.....15, 17, 21, 25-26, 29, 31, 33
NUT,LP NYLOCK,5/16-18.....39
NUT,NYLOCK,1/2-13.....21, 23, 39
NUT,NYLOCK,3/8-16.....15, 17, 19, 21, 25-26
NUT,WING,1/4-20.....35

P
PAINT,AEROSOL,BRIGHT BLUE***.....11
PAINT,WET,GENIE BLUE (1 GL)**.....11
PIN,BALL RET.-.5 X 2.7.....15, 17, 33, 35
PIN,CLEVIS,1 X 6 LG.....37
PIN,COTTER,.188 X 1.75 LONG.....37
PIN,DRIVE,0.187.....31
PIN,LOCK,LONG***.....19, 33
PIN,LOCK,SHORT***.....33
PIN,ROLL,.25 X .50.....25-26
PIN,ROLL,.25 X 1.25.....15
PIN,TOGGLE,.50 X 8.13***.....33, 35, 37
PINION GEAR AND DISC K-1550 (7590).....29, 31
PINION SHAFT.....31
PIPE CRADLE, BLUE.....35
PIVOT TUBE SL2 LEG.....15, 17
PIVOT TUBE,STABILIZER.....15
PLATE,SUPPORT DRIVE GEAR.....39
PULLEY MOUNT, SL-2.....25-26
PULLEY MOUNT, SL2, #1 "BLUE".....25-26
PULLEY W/BEARING,ALUMINUM***.....25-26

R
RATCHET GEAR,K-1550 1/2" I.D. (6777).....29
RATCHET PAWL KIT.....29
RATCHET PAWL KIT, (33090).....31
RETAINING RING (6200).....29, 31
RING,RETAINER,EXT. 625 SHAFT.....39

Part Description Index (continued)

RIVET,STEEL,P .25 X .375.....19

S

SAFETY BRAKE ASSY(SQ.NUT)SL2**21

SAFETY BRAKE ASSY-SLII (OLD)**.....21

SCREW, HCC, 3/8-16 X 1.50.....15

SCREW,FHS,3/8-16 X 1.....39

SCREW,FHS,3/8-16 X 1.75.....21

SCREW,FHS,5/16-18 X.75.....39

SCREW,HHC,1/2-13 X 1.25 GR5.....25-26

SCREW,HHC,1/2-13 X 3.....15

SCREW,HHC,1/2-13 X 4.....33

SCREW,HHC,1/2-13 X 6.5.....31

SCREW,HHC,1/2-13 X.75.....23

SCREW,HHC,3/8-16 X .75.....25-26

SCREW,HHC,3/8-16 X 1.....15, 17, 19

SCREW,HHC,3/8-16 X 1.25 GRD 5.....17, 19,
21, 25-26

SCREW,HHC,3/8-16 X 2.....15

SCREW,HHC,3/8-16 X 3.....39

SCREW,HHC,3/8-16 X 3.5,GR5.....39

SCREW,HHC,5/16-18 X 6 GRD.2.....29

SERIAL # LABEL,MAT LIFT & SS**.....11

SERIAL NUMBER PLATE,SLA.....11

SERVICE KIT,PINION SHAFT-K1550.....31

SERVICE KIT,PINION SHAFT-K1550
(1256081).....29

SHAFT,CRANK BARREL HANDLER.....39

SHAFT,PINION (32891).....29

SHIM,.375 X .063.....21

SKID PAD.....15

SL 5,10,15 BARREL HANDLER.....39

SL 5,10,15 BARREL STACKER.....37

SL ADJUSTABLE FORK ASSEMBLY.....33

SL REAR TRANSPORT ASSY*****.....15, 17

SL REAR WHEEL ASSY.....15, 17

SL/SLC PIPE HOLDER ACCESSORY.....35

SLA, LOAD PLATFORM ACCESSORY.....35

SLA/SLC STD.BOOM ASSY/SERVICE.....35

SPACER, DRUM BOLT, K-1550.....29

SPACER,DRUM.....31

SPACER,FRAME.....31

SPACER,INPUT SHAFT.....31

SPACER,PINION SHAFT (32890).....29

SPACER-STRADDLE BASE-3".....17

SPRING,DETENT.....31

SPRING,SAFETY BRAKE**.....21

SPRING,STABILIZER LATCH SL2.....15

STABILIZER STRUT,ASSY.....15

STRAP ASSY BARREL HANDLER.....39

STRUT,LH,SL2.....15, 17

STRUT,RH,SL2.....15, 17

SVC KIT, FRICTION DISC K/KX.....29, 31

T

TAPE,UHMW .75 X .010 BULK.....19

TAPE,UHMW .75 X .060 BULK.....21

U

U-BOLT,1/4-20 SL2 PIPE CRADLE.....35

VVIDEO,NTSC,SLA,CABLING PROCDR.....23,
25-26**W**

WASHER.....31

WASHER, SHIM,.765 X 1.312 X .093.....19

WASHER,FLAT,USS,1/2",Y.....21, 23

WASHER,FLAT,USS,1/4"Y.....19, 21, 35

WASHER,FLAT,USS,3/8",Y.....15, 25-26, 39

WASHER,FLAT,USS,5/8",Y.....15

WASHER,LOCK,0.5".....15

WASHER,SHIM,.5 X .875 X .063.....21, 25-26

WASHER,SHIM,.625 X 1.188X.064.....39

WASHER,SHIM,.75 X 1.125 X.030.....39

WASHER,SHIM,1.01 X 1.63 X.062.....15, 17

WEDGE, MACHINED.....17

WELD.,STABILIZER LEG SL2 BLUE.....15

WELDMENT,PULLEY-SEE SER#BREAK.....19

WELDMENT,ARM ADJ. FORK-"BLUE".....33

WELDMENT,ARM STRADDLE LEFT.....17

WELDMENT,ARM STRADDLE RIGHT.....17

WELDMENT,BARREL CRADEL.....39

WELDMENT,BARREL HANDLER **.....39

WELDMENT,CLEVIS STD. BOOM.....35

WELDMENT,DRIVE SHAFT BRACKET.....39

WELDMENT,FLATFORK SOCKET.....33

WELDMENT,LEG,SL15.....15, 17

WELDMENT,LEG,SL20/25.....15, 17

WELDMENT,LEG,SL5/10.....15, 17

WELDMENT,PIVOT BARREL BRKT.....39

WELDMENT,STD,BASE SLA.....15

WELDMENT,STRADDLE BASE.....17

WELDMENT,TRANSPORT WHEELS.....17

WHEEL, 3.5 IN. SL2 LEG.....15, 17

WHEEL,POLY,6X2, 3/4**.....19

WHEEL,ROLLER,NYLATRON,1.75.....21, 23

WHEEL,SOLID RUBBER,10X.75X2.75.....15,
17

WINCH GEAR COVERS, K-1500.....29

WINCH HANDLE 6" STD.....29, 31, 39

WINCH HANDLE 8" STD.**.....29, 31

WINCH MOUNT W/DECAL (SLA).....19

WINCH PINION PLATE, K-1550 (7591).....29

WINCH PLATE W/DECAL ST.....19

WINCH PLATE W/DECALS, SL2**.....31

WINCH PLATE W/DECALS,SL2**OLD.....19,
31

WINCH W/DECAL,2 SPEED***.....31

WINCH, PINION SPACER,SM,KX1550.....31

WINCH,W/DECAL 1SPEED SL/ST.....29

WORM GEAR 10 PITCH SL2.....39

WORM,10 PITCH SL2%%.....39

California Proposition 65



WARNING

Operating, servicing and maintaining this equipment can expose you to chemicals including engine exhaust, carbon monoxide, phthalates, and lead, which are known to the State of California to cause cancer and birth defects or other reproductive harm. These chemicals can be emitted from or contained in other various parts and systems, fluids and some component wear by-products. To minimize exposure, avoid breathing exhaust, do not idle the engine except as necessary, service your equipment and vehicle in a well-ventilated area and wear gloves or wash your hands frequently when servicing your equipment or vehicle and after operation. For more information go to www.P65Warnings.ca.gov/passenger-vehicle.

Distributed By:

Go to Discount-Equipment.com to order your parts

PARTS FINDER

**Search Website
by Part Number**



**Search Manual
Library For Parts
Manual & Lookup Part
Numbers – Purchase
or Request Quote**

Search Manuals

Enter your information to help us find the right parts manual for your machine.

* Brand:

* Model:

* Serial:

* Part Number:

SEARCH

**Can't Find Part or
Manual? Request Help
by Manufacturer,
Model & Description**

Parts Order Form

Please fill in the following information to help us find the right part for your machine.

Manufacturer:	<input type="text"/>
Model:	<input type="text"/>
Description:	<input type="text"/>
Part Number:	<input type="text"/>
Quantity:	<input type="text"/>
Notes:	<input type="text"/>

Submit

Discount-Equipment.com is your online resource for quality parts & equipment.

Florida: **561-964-4949** Outside Florida TOLL FREE: **877-690-3101**

Need parts?

Click on this link: <http://www.discount-equipment.com/category/5443-parts/> and choose one of the options to help get the right parts and equipment you are looking for. Please have the machine model and serial number available in order to help us get you the correct parts. If you don't find the part on the website or on one of the online manuals, please fill out the request form and one of our experienced staff members will get back to you with a quote for the right part that your machine needs.

We sell worldwide for the brands: Genie, Terex, JLG, MultiQuip, Mikasa, Essick, Whiteman, Mayco, Toro Stone, Diamond Products, Generac Magnum, Airman, Haulotte, Barreto, Power Blanket, Nifty Lift, Atlas Copco, Chicago Pneumatic, Allmand, Miller Curber, Skyjack, Lull, Skytrak, Tsurumi, Husquvarna Target, Stow, Wacker, Sakai, Mi-T-M, Sullair, Basic, Dynapac, MBW, Weber, Bartell, Bennar Newman, Haulotte, Ditch Runner, Menegotti, Morrison, Contec, Buddy, Crown, Edco, Wyco, Bomag, Laymor, EZ Trench, Bil-Jax, F.S. Curtis, Gehl Pavers, Heli, Honda, ICS/PowerGrit, IHI, Partner, Imer, Clipper, MMD, Koshin, Rice, CH&E, General Equipment, Amida, Coleman, NAC, Gradall, Square Shooter, Kent, Stanley, Tamco, Toku, Hatz, Kohler, Robin, Wisconsin, Northrock, Oztec, Toker TK, Rol-Air, APT, Wylie, Ingersoll Rand / Doosan, Innovatech, Con X, Ammann, Mecalac, Makinex, Smith Surface Prep, Small Line, Wanco, Yanmar