

**YANMAR**

**PARTS CATALOG**



[www.discount-equipment.com](http://www.discount-equipment.com)

0CS10-M54501EN

Last update      Dec., 2019

Go to [Discount-Equipment.com](http://Discount-Equipment.com) to order your parts

# PARTS FINDER

**Search Website  
by Part Number**



**Search Manual  
Library For Parts  
Manual & Lookup Part  
Numbers – Purchase  
or Request Quote**

**Search Manuals**

Enter your information to search for a manual or to purchase a manual or parts.

\* Brand:

\* Model:

\* Serial:

\* Part Number:

SEARCH

**Can't Find Part or  
Manual? Request Help  
by Manufacturer,  
Model & Description**

**Parts Order Form**

Please fill in the information below to request help finding a part or manual.

Manufacturer:

Model:

Description:

Quantity:

Part Number:

Part Name:

Part Description:

Part Category:

Part Location:

Part Status:

Part Condition:

Part Material:

Part Color:

Part Weight:

Part Dimensions:

Part Price:

Part Availability:

Part Lead Time:

Part Notes:

Submit

Discount-Equipment.com is your online resource for quality parts & equipment.

Florida: **561-964-4949** Outside Florida TOLL FREE: **877-690-3101**

**Need parts?**

Click on this link: <http://www.discount-equipment.com/category/5443-parts/> and choose one of the options to help get the right parts and equipment you are looking for. Please have the machine model and serial number available in order to help us get you the correct parts. If you don't find the part on the website or on one of the online manuals, please fill out the request form and one of our experienced staff members will get back to you with a quote for the right part that your machine needs.

We sell worldwide for the brands: Genie, Terex, JLG, MultiQuip, Mikasa, Essick, Whiteman, Mayco, Toro Stone, Diamond Products, Generac Magnum, Airman, Haulotte, Barreto, Power Blanket, Nifty Lift, Atlas Copco, Chicago Pneumatic, Allmand, Miller Curber, Skyjack, Lull, Skytrak, Tsurumi, Husquvarna Target, Stow, Wacker, Sakai, Mi-T-M, Sullair, Basic, Dynapac, MBW, Weber, Bartell, Bennar Newman, Haulotte, Ditch Runner, Menegotti, Morrison, Contec, Buddy, Crown, Edco, Wyco, Bomag, Laymor, EZ Trench, Bil-Jax, F.S. Curtis, Gehl Pavers, Heli, Honda, ICS/PowerGrit, IHI, Partner, Imer, Clipper, MMD, Koshin, Rice, CH&E, General Equipment, Amida, Coleman, NAC, Gradall, Square Shooter, Kent, Stanley, Tamco, Toku, Hatz, Kohler, Robin, Wisconsin, Northrock, Oztec, Toker TK, Rol-Air, APT, Wylie, Ingersoll Rand / Doosan, Innovatech, Con X, Ammann, Mecalac, Makinex, Smith Surface Prep, Small Line, Wanco, Yanmar

# P R E F A C E

1 . This Parts Catalog carries Yanmar excavator (crawler back-hoe) SV100-1 for U.S.A., Australia, New Zealand.

(M/# 10501 ~ )

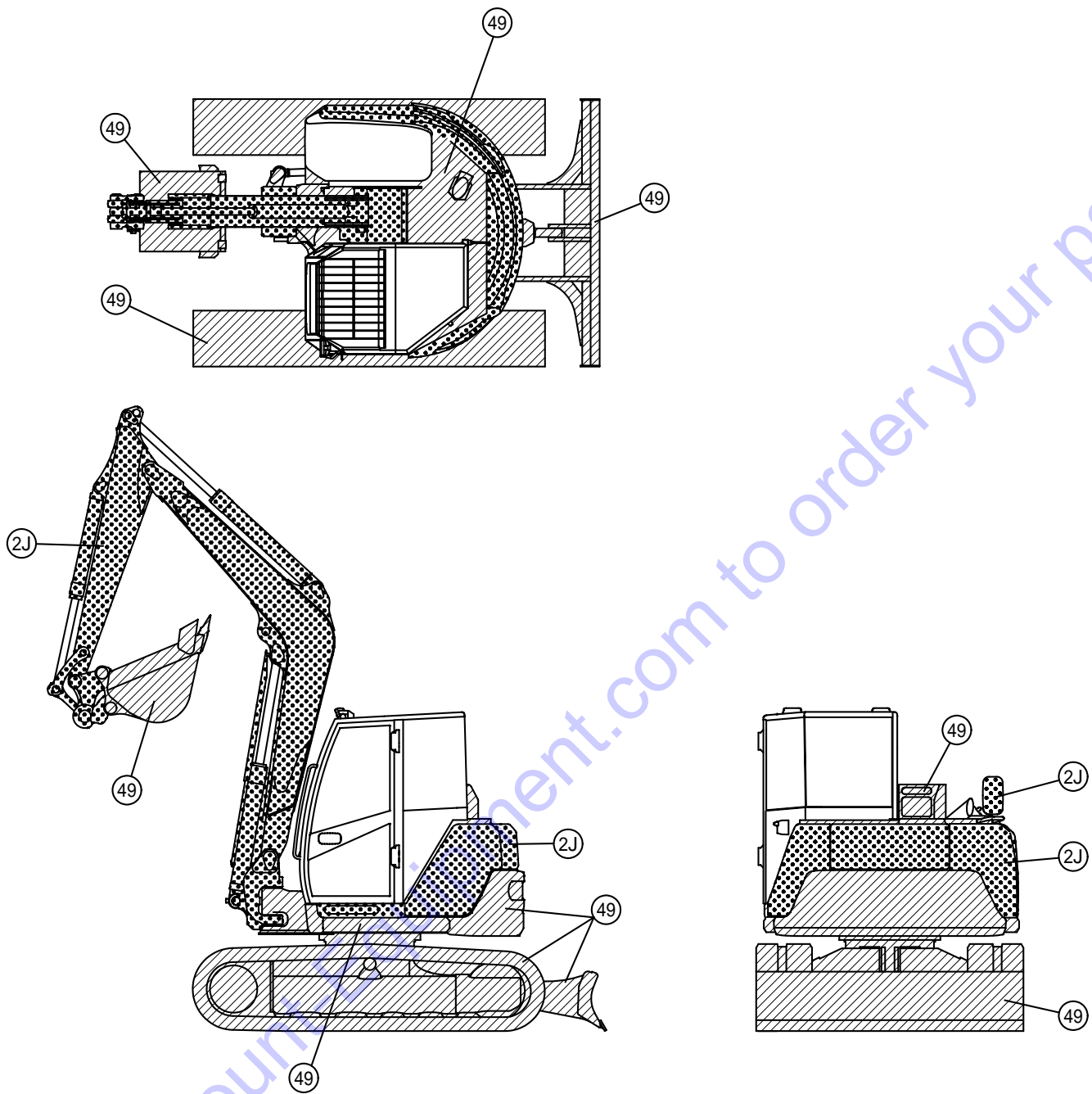
2 . Parts catalog history



		Model	Published	Remarks
1st edition	Vehicle	SV100-1(US,AS,NZ)	Nov.,2008	Disuse old edition
	Engine	4TNV98T-ZSBV1		
1st revised	Vehicle	SV100-1(US,AS,NZ)	Feb.,2014	
	Engine	4TNV98T-ZSBV1		

3 . Your understanding is asking that this parts catalog is not a technical data manual setting forth as servicing procedures, This parts catalog is using simplified illustration.

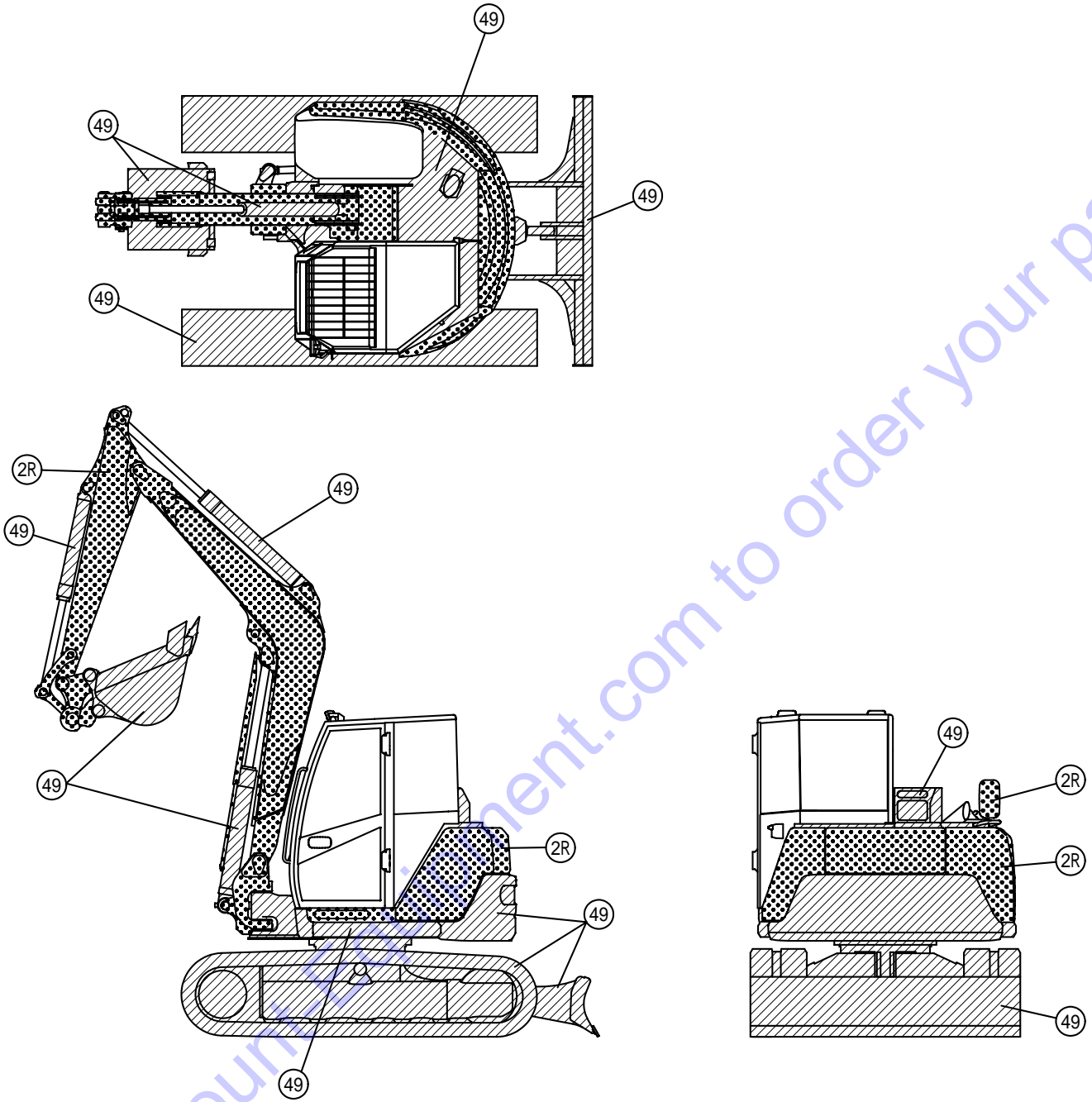
Be sure to use Yanmar Genuine Parts in your maintenance servicing of Yanmar products. Be careful not to use the simple parts available in the market, otherwise their use in repairing causes such as an early breakage, for instance.



# VEHICLE PAINTED COLOR(TO M11500)



Color Code	Description	Painted Color	Paint Part No.		
			16L Can	4L Can	SPRAY
2J		YANMAR New Permanent Yellow 2	981101-09520	977620-40871	977620-30872
49		YANMAR Navy Gray	-----	TOR-91390000	TOR-94800490

# VEHICLE PAINTED COLOR(FROM M11501)



Color Code	Description	Painted Color	Paint Part No.		
			16L Can	4L Can	SPRAY
2R		YANMAR Turmeric Yellow	-----	977620-41001	977620-41002
49		YANMAR Navy Gray	-----	TOR-91390000	TOR-94800490

# PICTURESQUE INDEX (1) ■ ■ ■ MAIN PARTS

**1. LABEL & ACCESSORY**

Fig. 1, 2

**15. OPTIONAL & KIT**

Fig. 115, 117, 121

**13. HYDRAULIC OIL PIPING**

Fig. 88 to 107

**3. ELECTRICAL PARTS**

Fig. 12 to 21, 118

**4. AIR CONDITIONER & HEATER**

Fig. 22 to 25, 116

**6. CONTROL EQUIPMENT**

Fig. 29 to 33

**9. AROUND SEAT**

Fig. 38, 41, 42, 119

**11. CABIN**

Fig. 47 to 56

**2. ENGINE RELATED**

Fig. 3 to 11

**10. BONNET**

Fig. 43 to 46

**14. IMPLEMENT**

Fig. 108 to 114

**7. FRAME**

Fig. 34, 35

**8. COVER**

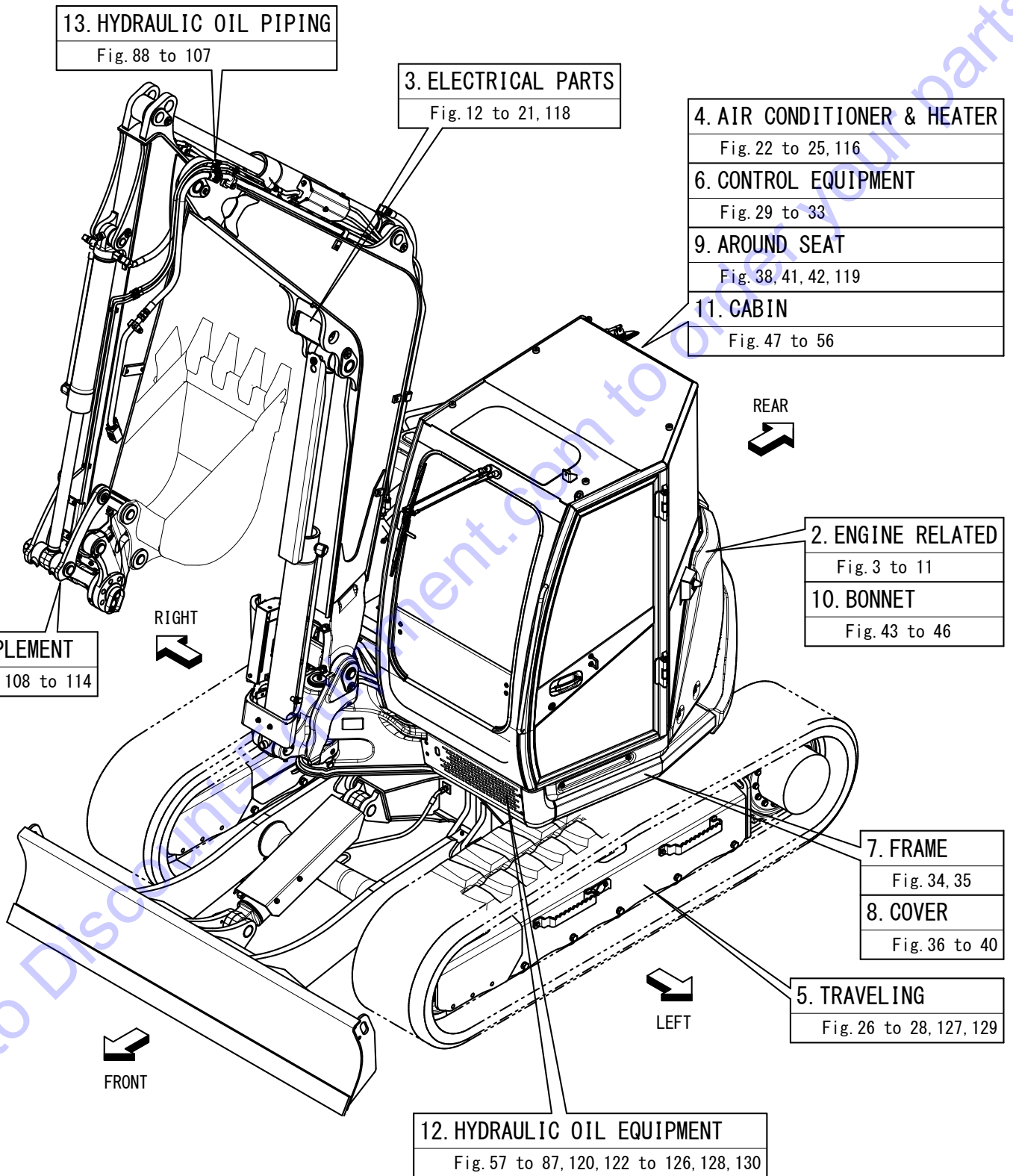
Fig. 36 to 40

**5. TRAVELING**

Fig. 26 to 28, 127, 129

**12. HYDRAULIC OIL EQUIPMENT**

Fig. 57 to 87, 120, 122 to 126, 128, 130



# PICTURESQUE INDEX (2) · · · HYDRAULIC SECTION

HYD. OIL PIPING Fig. 90 to 101  
CONTROL PIPING Fig. 102 to 106

BUCKET CYLINDER Fig. 61

ARM CYLINDER Fig. 60

HOLD VALVE (ARM) Fig. 89

HYD. OIL TANK Fig. 87

OIL COOLER Fig. 86

TURNING MOTOR Fig. 66

REMOTE CONTROL VALVE (OPERATION) Fig. 83

BLADE VALVE Fig. 79

HYD. OIL PUMP & JOINT  
Fig. 57

REAR  
➔

HITCH CYLINDER Fig. 64

HOLD VALVE (BOOM) Fig. 88

BOOM CYLINDER Fig. 59

LINE FILTER Fig. 68

RIGHT  
➔

FRONT  
➔

LEFT  
➔

SWING CYLINDER Fig. 62, 125, 130

TRAVEL MOTOR Fig. 65

SOLENOID VALVE (PILOT)  
Fig. 81

BLADE CYLINDER Fig. 63, 126, 128

2-WAY VALVE Fig. 78

ACCUMULATOR Fig. 67

REMOTE CONTROL VALVE (SWING) Fig. 85

SOLENOID VALVE (QUICK COUPLER)  
Fig. 82

SWIVEL JOINT Fig. 69

REMOTE CONTROL VALVE (TRAVEL) Fig. 84

SOLENOID VALVE (P. T. O.) Fig. 80

CONTROL VALVE Fig. 70 to 77

# Contents

OCS10-M54501

Fig. No. Fig. Name

## LABEL & ACCESSORY

1. LABEL
2. SAFETY LABEL

## ENGINE RELATED

3. MUFFLER
4. AIR CLEANER
5. ACCELERATOR
6. ENGINE MOUNT
7. RADIATOR
8. RADIATOR MOUNT
9. SUB-TANK
10. FUEL TANK
11. FUEL LINE

## ELECTRICAL PARTS

12. ELECTRIC PART(ENGINE)
13. ELECTRIC PART(CONTROL VALVE PLATE)
14. ELECTRIC PART(BATTERY)
15. ELECTRIC PART(STARTING SWITCH)
16. ELECTRIC PART(AIR CONDITIONER)
17. ELECTRIC PART(SWITCH BOX : QUICK COUPLER)
18. ELECTRIC PART(SEAT MOUNT)
19. ELECTRIC PART(WORK LAMP)
20. ELECTRIC PART(INDICATOR BOX)

Fig. No. Fig. Name

118. (20A)ELECTRIC PART(COVER)

21. TRAVEL ALARM

## AIR CONDITIONER & HEATER

22. AIR CONDITIONER(CABIN RELATED)
23. AIR CONDITIONER(PIPING)
24. AIR CONDITIONER(ENGINE RELATED)
25. AIR CONDITIONER(CONDENSER RELATED)
116. AIR CONDITIONER(UNIT, CONDENSER : INNER PARTS)

## TRAVELING

26. SPROCKET & ROLLER
127. (26A)TRACK ROLLER(K SPEC.)
27. IDLER & ADJUST
129. (27A)CRAWLER ADJUST(S SPEC.)
28. CRAWLER

## CONTROL EQUIPMENT

29. CONTROL EQUIPMENT(LOCK LEVER & STAND)
30. CONTROL EQUIPMENT(TRAVEL)
31. CONTROL EQUIPMENT(BLADE)
32. CONTROL EQUIPMENT(SWING)
33. ARM REST



# Contents

OCS10-M54501

Fig. No. Fig. Name

## FRAME

- 34. TRAVEL FRAME
- 35. TURNING FRAME & TURNING BEARING

## COVER

- 36. COVER(FUEL TANK SIDE)
- 37. COVER(CENTER)
- 39. COVER(TURNING FRAME)
- 40. COVER(TRAVEL FRAME)

## AROUND SEAT

- 38. COVER(SEAT MOUNT)(A)
- 119. (38A)COVER(SEAT MOUNT)(B)
- 41. FLOOR MAT & INSTRUMENT PANEL
- 42. SEAT & SEAT MOUNT

## BONNET

- 43. BONNET(BODY)
- 44. BONNET(REAR)
- 45. BONNET(SIDE:LEFT)
- 46. BONNET(SIDE:RIGHT)

## CABIN

- 47. CABIN MOUNT
- 48. CABIN(BODY)

Fig. No. Fig. Name

- 49. CABIN(DOOR)
- 50. CABIN(FRONT WINDOW : 1)
- 51. CABIN(FRONT WINDOW : 2)
- 52. CABIN(WINDOW SASH & LOWER GLASS)
- 53. CABIN(ELECTRIC)
- 54. CABIN(WASHER TANK)
- 55. REAVIEW MIRROR & CABIN ACCESSORY)
- 56. SIDE MIRROR

## HYDRAULIC OIL EQUIPMENT

- 57. HYD.OIL PUMP & JOINT(TO M11513)
- 122. (57A)HYDRAULIC PUMP & JOINT (FROM M11514)
- 58. CONTROL VALVE PLATE
- 59. BOOM CYLINDER
- 60. ARM CYLINDER
- 61. BUCKET CYLINDER
- 62. SWING CYLINDER(Y SPEC.)
- 125. (62A)SWING CYLINDER(K SPEC.)
- 130. (62B)SWING CYLINDER(H SPEC.)
- 63. BLADE CYLINDER(Y SPEC.)
- 126. (63A)BLADE CYLINDER(K SPEC.)
- 128. (63B)BLADE CYLINDER(J SPEC.)
- 64. HITCH CYLINDER
- 65. TRAVEL MOTOR
- 66. TURNING MOTOR(K SPEC..)(TO M11060)

# Contents

OCS10-M54501

Fig. No. Fig. Name

- 120. (66A)TURNING MOTOR(N SPEC.)(FROM M11061)
- 67. ACCUMULATOR
- 68. LINE FILTER
- 69. SWIVEL JOINT(Y SPEC.)(TO M12062)
- 123. (69A)SWIVEL JOINT(N SPEC.)(FROM M12063)
- 124. (69B)SWIVEL JOINT KIT(N SPEC.)(FROM M12063)
- 70. CONTROL VALVE(1/8)
- 71. CONTROL VALVE(2/8)
- 72. CONTROL VALVE(3/8)
- 73. CONTROL VALVE(4/8)
- 74. CONTROL VALVE(5/8)
- 75. CONTROL VALVE(6/8)
- 76. CONTROL VALVE(7/8)
- 77. CONTROL VALVE(8/8)
- 78. 2-WAY VALVE
- 79. BLADE VALVE
- 80. SOLENOID VALVE(P.T.O.)
- 81. SOLENOID VALVE(PILOT)
- 82. SOLENOID VALVE(QUICK COUPLER)
- 83. REMOTE CONTROL VALVE(OPERATION)
- 84. REMOTE CONTROL VALVE(TRAVEL)
- 85. REMOTE CONTROL VALVE(SWING)
- 86. OIL COOLER
- 87. HYD.OIL TANK

Fig. No. Fig. Name

## HYDRAULIC OIL PIPING

- 88. HOLD VALVE(BOOM)
- 89. HOLD VALVE(ARM)
- 90. HYD.OIL PIPING(PUMP-CONTROL VALVE - OIL COOLER)
- 91. HYD.OIL PIPING(TANK-PUMP, SWING CYLINDER)
- 92. HYD.OIL PIPING(CONTROL VALVE - TURNING MOTOR)
- 93. HYD.OIL PIPING(CONTROL VALVE : FITTING)
- 94. HYD.OIL PIPING(CONTROL VALVE - BOOM, TURNING MOTOR, TANK)
- 95. HYD.OIL PIPING(CONTROL VALVE - SWIVEL JOINT)
- 96. HYD.OIL PIPING(TRACK FRAME)
- 97. HYD.OIL PIPING(BOOM)
- 98. HYD.OIL.PIPING(P.T.O. : FRAME END)
- 99. HYD.OIL PIPING(P.T.O. : ARM END)
- 100. HYD.OIL PIPING(QUICK COUPLER)
- 101. HYD.OIL PIPING(HOLD VALVE)
- 102. CONTROL PIPING(CONTROL VALVE - SOLENOID VALVE)
- 103. CONTROL PIPING(CONTROL VALVE - 2-WAY VALVE)
- 104. CONTROL PIPING(2-WAY VALVE - REMOTE CONTROL VALVE)
- 105. CONTROL PIPING(TRAVEL, SWING PEDAL)
- 106. CONTROL PIPING(P.T.O.)
- 107. GREASING

## IMPLEMENT

- 108. BOOM BRACKET
- 109. BOOM

# Contents

OCS10-M54501

Fig. No. Fig. Name

- 110. ARM
- 111. BUCKET ARM & LINK
- 112. QUICK CUPLER
- 113. BUCKET PIN
- 114. BLADE

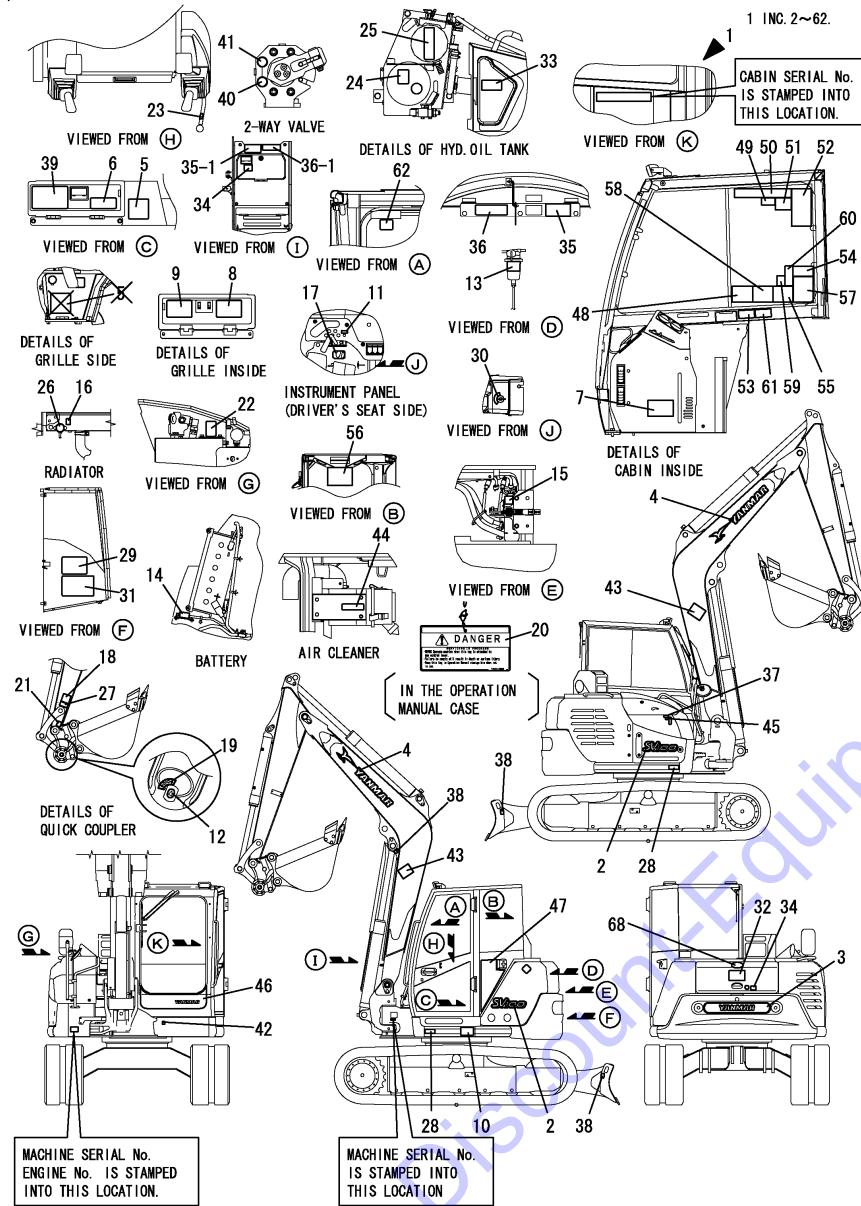
## OPTIONAL & KIT

- 115. CA LABEL KIT(OPTIONAL)
- 117. ADDITIONAL WEIGHT(OPTIONAL)
- 121. HOLD VALVE(OPTIONAL)

Fig. No. Fig. Name

Go to [Discount-Equipment.com](http://Discount-Equipment.com) to order your parts

Fig.1. LABEL



(A)=SV100-1(US)  
 (B)=SV100-1(AS)  
 (C)=SV100-1(NZ)

(D)=  
 (E)=  
 (F)=

No.	Lev.	Parts No.	Description	Q'ty						I	R
				(A)	(B)	(C)	(D)	(E)	(F)		
1	1	172A69-03010	LABEL KIT,SV100-1	1	1	1					
1-1	1	172A69-03011	LABEL KIT,SV100-1 (A=M11501) (B=M11501) (C=M11501)	1	1	1					S
2	2	172A69-03140	LABEL, MODEL NAME	2	2	2					
3	2	172A69-03160	LABEL, REAR EMBLEM	1	1	1					
4	2	172A21-03220	LABEL, BRAND	2	2	2					
4-1	2	172A65-03230	LABEL, YANMAR 627 (A=M11501) (B=M11501) (C=M11501)	2	2	2					S
5	2	172499-03280	LABEL, ADJUST CRAWLER	1	1	1					1
6	2	172A69-03100	LABEL, SPEC US	1	1	1					
7	2	172A69-03110	LABEL, OIL & WATER US	1	1	1					
8	2	172A69-03120	LABEL, FUSE US	1	1	1					
9	2	172A69-03130	LABEL, GREASING US	1	1	1					
10	2	172472-03141	LABEL, SUPPORT	1	1	1					
11	2	172A65-03150	LABEL, WARNING	1	1	1					
12	2	172958-03160	LABEL	1	1	1					
13	2	172A07-03160	LABEL	1	1	1					
14	2	172A69-03170	LABEL, FL, US	1	1	1					
15	2	172A38-03201	LABEL, SUB TANK	1	1	1					
16	2	172A38-03211	LABEL, ANTI-FREEZING	1	1	1					
17	2	172A69-03220	LABEL, ACCELERATOR	1	1	1					
18	2	172472-03230	LABEL, OPERATION	1	1	1					
19	2	172458-03240	LABEL, LOCK	1	1	1					
20	2	172437-03252	TAG ASSY, CAUTION	1	1	1					
21	2	172472-03261	LABEL, FINGER	1	1	1					
22	2	172A69-03270	LABEL, PTO SELECT	1	1	1					
23	2	172183-03280	LABEL, LOCK	1	1	1					
24	2	172463-03290	LABEL, HYD.OIL	1	1	1					
25	2	172437-03322	LABEL, RESEVOIR	1	1	1					
26	2	172462-03320	LABEL, RADIATOR	1	1	1					
27	2	172472-03330	LABEL, LOCK PIN	1	1	1					
28	2	172437-03352	LABEL, CYLINDER	2	2	2					
29	2	172A69-03350	LABEL, BATTERY COVER	1	1	1					
30	2	172A64-03700	LABEL, START SWITCH	1	1	1					
31	2	172437-03361	LABEL, BATTERY	1	1	1					
32	2	172437-03381	LABEL, SWING AREA	1	1	1					
33	2	172437-03391	LABEL, RADIATOR	1	1	1					
34	2	172437-03402	LABEL, ENGINE COVER	2	2	2					
35	2	172A36-03411	LABEL, ENGINE ROOM	1	1	1					
35-1	2	172A36-03411 (A=M10547) (B=M10547) (C=M10547)	LABEL, ENGINE ROOM	2	2	2					K
36	2	172437-03422	LABEL, MUFFLER	1	1	1					
36-1	2	172437-03422 (A=M10547) (B=M10547) (C=M10547)	LABEL, MUFFLER	2	2	2					K
37	2	172437-03501	LABEL, FUEL	1	1	1					
38	2	172437-03511	LABEL, HOOK	3	3	3					
39	2	172437-03601	LABEL, 2-WAY US	1	1	1					
40	2	172437-03610	LABEL	1	1	1					
41	2	172437-03620	LABEL	1	1	1					
42	2	172156-03740	LABEL, GREASE	1	1	1					
43	2	172187-03941	LABEL, BOOM US	2	2	2					

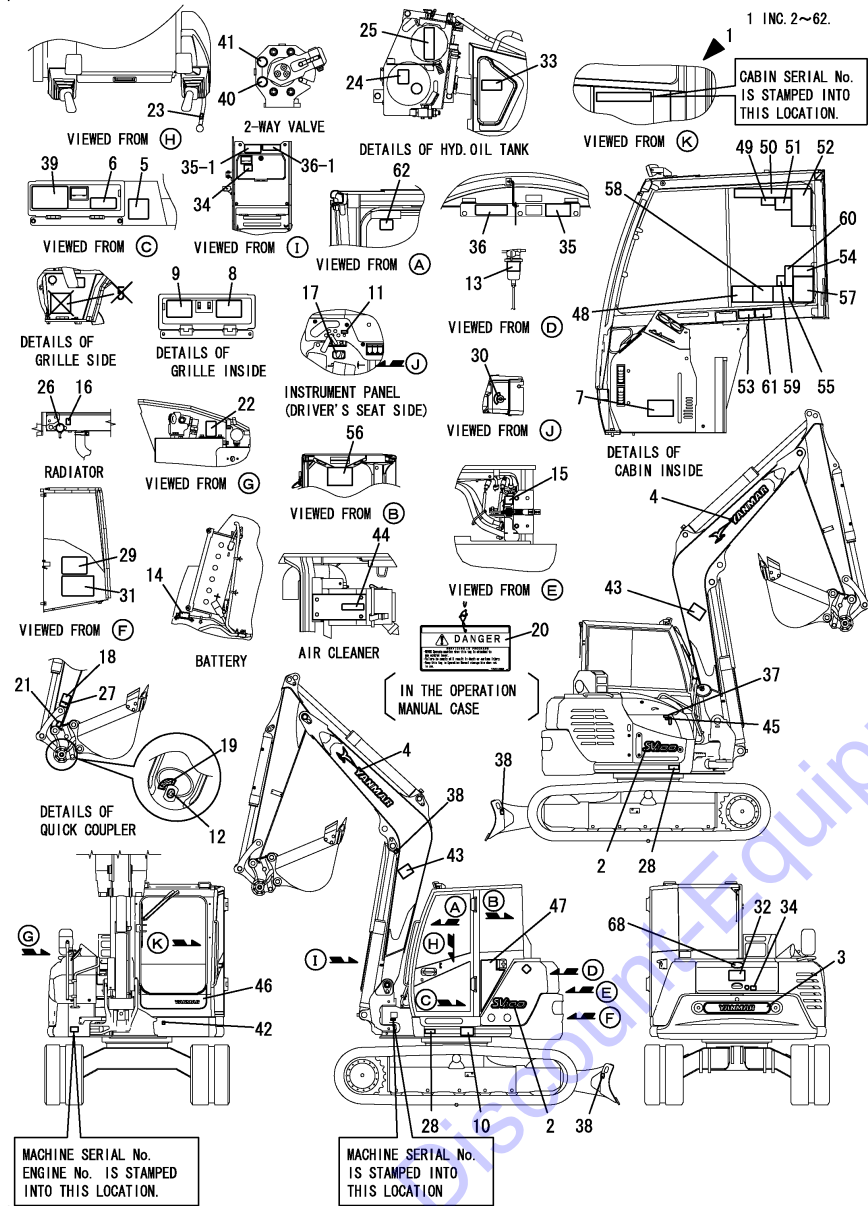
Remarks

\* PLEASE REFER TO FIG.NO.115 FOR THE FRENCH LABEL KIT FOR CANADA.

(1) RUBBER CRAWLER SPEC.

Installation position change.

Fig.1. LABEL



(A)=SV100-1(US)  
(B)=SV100-1(AS)  
(C)=SV100-1(NZ)

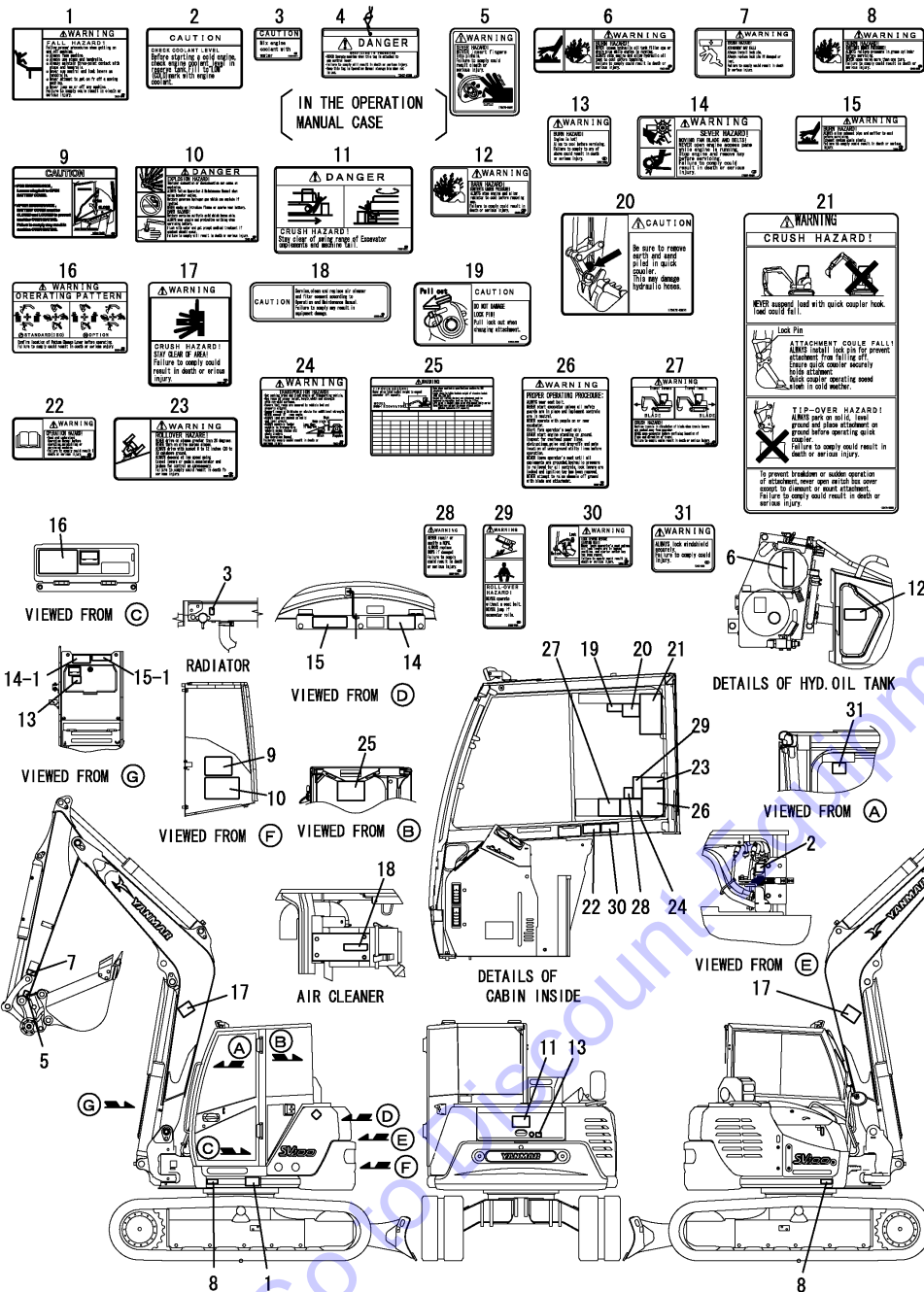
(D)=  
(E)=  
(F)=

No.	Lev.	Parts No.	Description	Q'ty						I	R
				(A)	(B)	(C)	(D)	(E)	(F)		
44	2	172125-03951	LABEL, AIR CLEANER	1	1	1					
45	2	114110-07760	LABEL, FUEL CAUTION	1	1	1					
45-1	1	114110-07761	LABEL, FUEL OIL CAUT	1	1	1					S
				(A=M10708) (B=M10708) (C=M10708)							
46	2	172A69-03300	LABEL, CABIN FRONT	1	1	1					
47	2	172A69-03310	LABEL, CABIN SIDE	1	1	1					
48	2	172A69-03200	LABEL, OPERATION	1	1	1					
49	2	172472-03241	LABEL, PINUS	1	1	1					
50	2	172472-03250	LABEL, OPERATION	1	1	1					
51	2	172472-03271	LABEL, SANDUS	1	1	1					
52	2	172472-03281	LABEL, WARNING HITCH	1	1	1					
53	2	172437-03302	LABEL, MANUAL	1	1	1					
54	2	172437-03312	LABEL, SLOPE	1	1	1					
55	2	172437-03343	LABEL, TRANSPORT	1	1	1					
56	2	172A69-03360	LABEL, LIFT Q	1	1	1					
56-1	1	172A69-03361	LABEL, LIFT Q	1	1	1					N
				(A=*2013.12) (B=*2013.12) (C=*2013.12)							
56-2	2	172B12-03381	LABEL, LIFT US	1	1	1					N
				(A=*2016.10.) (B=*2016.10.) (C=*2016.10.)							
57	2	172437-03372	LABEL, NEUTRAL	1	1	1					
58	2	172437-03432	LABEL, STEERING	1	1	1					
59	2	172437-03441	LABEL, ROPS	1	1	1					
60	2	172437-03451	LABEL, SEAT BELT	1	1	1					
61	2	172437-03471	LABEL, LEVER LOCK	1	1	1					
62	2	172437-03551	LABEL, WINDOW US	1	1	1					
68	1	172A89-03500	EMBLEM ASSY	1	1	1					W
				(A=M11501) (B=M11501) (C=M11501)							

Remarks

\* PLEASE REFER TO FIG.NO.115 FOR THE FRENCH LABEL KIT FOR CANADA.  
(1) RUBBER CRAWLER SPEC.  
Installation position change.

Fig.2. SAFETY LABEL



(A)=SV100-1(US)  
 (B)=SV100-1(AS)  
 (C)=SV100-1(NZ)

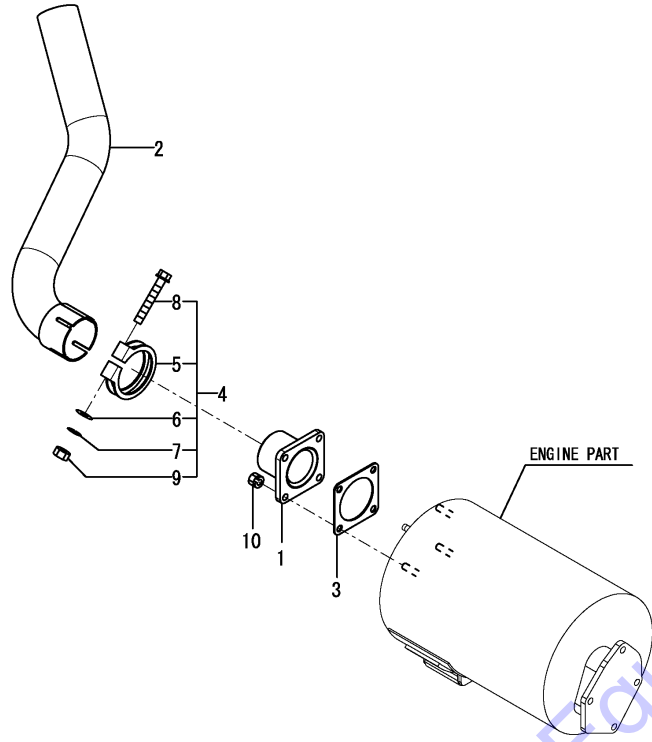
(D)=  
 (E)=  
 (F)=

No.	Lev.	Parts No.	Description	Q'ty						I	R
				(A)	(B)	(C)	(D)	(E)	(F)		
1	1	172472-03141	LABEL, SUPPORT	1	1	1					
2	1	172A38-03201	LABEL, SUB TANK	1	1	1					
3	1	172A38-03211	LABEL, ANTI-FREEZING	1	1	1					
4	1	172437-03252	TAG ASSY, CAUTION	1	1	1					
5	1	172472-03261	LABEL, FINGER	1	1	1					
6	1	172437-03322	LABEL, RESEVOIR	1	1	1					
7	1	172472-03330	LABEL, LOCK PIN	1	1	1					
8	1	172437-03352	LABEL, CYLINDER	2	2	2					
9	1	172A69-03350	LABEL, BATTERY COVER	1	1	1					
10	1	172437-03361	LABEL, BATTERY	1	1	1					
11	1	172437-03381	LABEL, SWING AREA	1	1	1					
12	1	172437-03391	LABEL, RADIATOR	1	1	1					
13	1	172437-03402	LABEL, ENGINE COVER	2	2	2					
14	1	172A36-03411	LABEL, ENGINE ROOM	1	1	1					
14-1	2	172A36-03411	LABEL, ENGINE ROOM	2	2	2					K
15	1	172437-03422	LABEL, MUFFLER	1	1	1					
15-1	2	172437-03422	LABEL, MUFFLER	2	2	2					K
16	1	172437-03601	LABEL, 2-WAY US	1	1	1					
17	1	172187-03941	LABEL, BOOM US	2	2	2					
18	1	172125-03951	LABEL, AIR CLEANER	1	1	1					
19	1	172472-03241	LABEL, PINUS	1	1	1					
20	1	172472-03271	LABEL, SANDUS	1	1	1					
21	1	172472-03281	LABEL, WARNING HITCH	1	1	1					
22	1	172437-03302	LABEL, MANUAL	1	1	1					
23	1	172437-03312	LABEL, SLOPE	1	1	1					
24	1	172437-03343	LABEL, TRANSPORT	1	1	1					
25	1	172A69-03360	LABEL, LIFT Q	1	1	1					
25-1	1	172A69-03361	LABEL, LIFT Q	1	1	1					N
25-2	2	172B12-03381	LABEL, LIFT US	1	1	1					N
26	1	172437-03372	LABEL, NEUTRAL	1	1	1					
27	1	172437-03432	LABEL, STEERING	1	1	1					
28	1	172437-03441	LABEL, ROPS	1	1	1					
29	1	172437-03451	LABEL, SEAT BELT	1	1	1					
30	1	172437-03471	LABEL, LEVER LOCK	1	1	1					
31	1	172437-03551	LABEL, WINDOW US	1	1	1					

Fig.3. MUFFLER

(A)=SV100-1(US)  
 (B)=SV100-1(AS)  
 (C)=SV100-1(NZ)

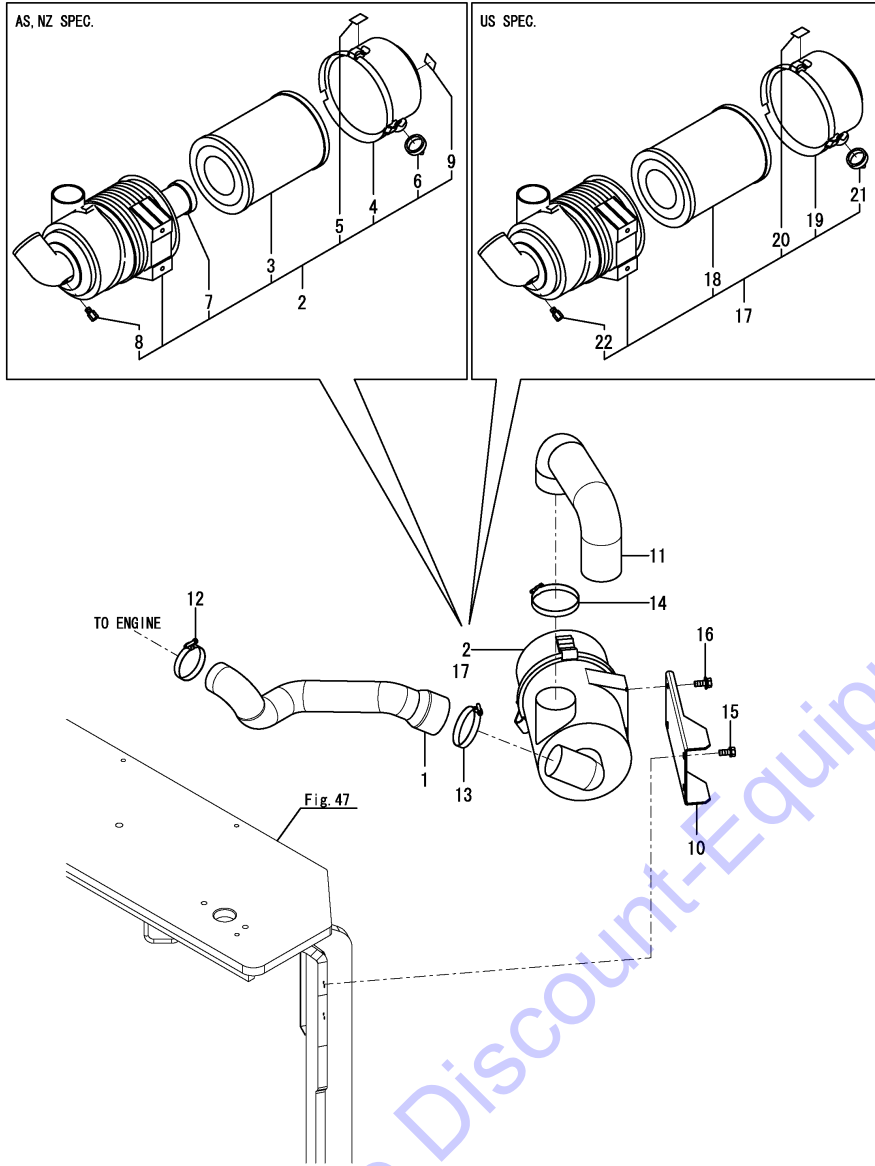
(D)=  
 (E)=  
 (F)=



No.	Lev.	Parts No.	Description	Q'ty						I	R
				(A)	(B)	(C)	(D)	(E)	(F)		
1	1	172A69-11310	FLANGE ASSY, MUFFLER	1	1	1					
2	1	172A69-11350	PIPE ASSY, EXHAUST	1	1	1					
3	1	129400-13201	GASKET, SILENCER	1	1	1					
4	1	129640-13590	CLAMP ASSY	1	1	1					
5	2	129640-13580	CLAMP	1	1	1					
6	2	22117-100000	WASHER, 10	1	1	1					
7	2	22217-100000	WASHER, SPRING 10	1	1	1					
8	2	26106-100652	BOLT, M10X 65 PLATED	1	1	1					
9	2	26706-100002	NUT, M10	1	1	1					
10	1	26051-080002	NUT, M8	4	4	4					

Go to Discount-Equipment.com to order your parts

Fig.4. AIR CLEANER



(A)=SV100-1(US)  
 (B)=SV100-1(AS)  
 (C)=SV100-1(NZ)

(D)=  
 (E)=  
 (F)=

No.	Lev.	Parts No.	Description	Q'ty						I	R
				(A)	(B)	(C)	(D)	(E)	(F)		
1	1	172A69-11500	HOSE, AIR INTAKE	1	1	1					
2	1	172499-11510	CLEANER ASSY, AIR		1	1					
3	2	129935-12520	ELEMENT		1	1					
3-1	2	119160-12560 (B=M11715)	ELEMENT, OUTER (C=M11715)		1	1					N
4	2	119160-12530	COVER ASSY		1	1					
5	2	129418-12530	LABEL, MARK		1	1					
6	2	119160-12540	VALVE		1	1					
7	2	119160-12570	ELEMENT		1	1					
8	2	121820-12590	NIPPLE		1	1					
9	2	129612-12650	LABEL, MARKING		1	1					
10	1	172A69-11530	BRACKET, CLEANER	1	1	1					1
11	1	172499-11560	HOSE, AIR INTAKE	1	1	1					
12	1	23000-070000	CLAMP, 70	1	1	1					
13	1	23000-080000	CLAMP, 80	1	1	1					
14	1	23000-090000	CLAMP, 90	1	1	1					
15	1	26013-100202	BOLT, M10X 20	2	2	2					
16	1	26014-080202	BOLT, M8X 20	2	2	2					
17	1	172499-11500	CLEANER ASSY, AIR	1							
18	2	129935-12520	ELEMENT	1							
18-1	2	119160-12560 (A=M11715)	ELEMENT, OUTER	1							N
19	2	119160-12530	COVER ASSY	1							
20	2	129418-12530	LABEL, MARK	1							
21	2	119160-12540	VALVE	1							
22	2	121820-12590	NIPPLE	1							
23A	1	172125-03951	LABEL, AIR CLEANER	1	1	1					2

Remarks

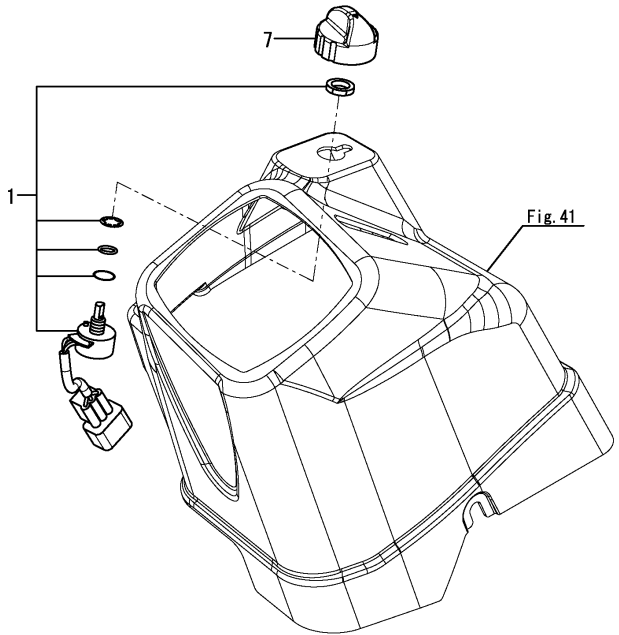
- (1) Attach the No.23A label to this part.
- (2) Not illustrated.



Fig.5. ACCELERATOR

(A)=SV100-1(US)  
 (B)=SV100-1(AS)  
 (C)=SV100-1(NZ)

(D)=  
 (E)=  
 (F)=



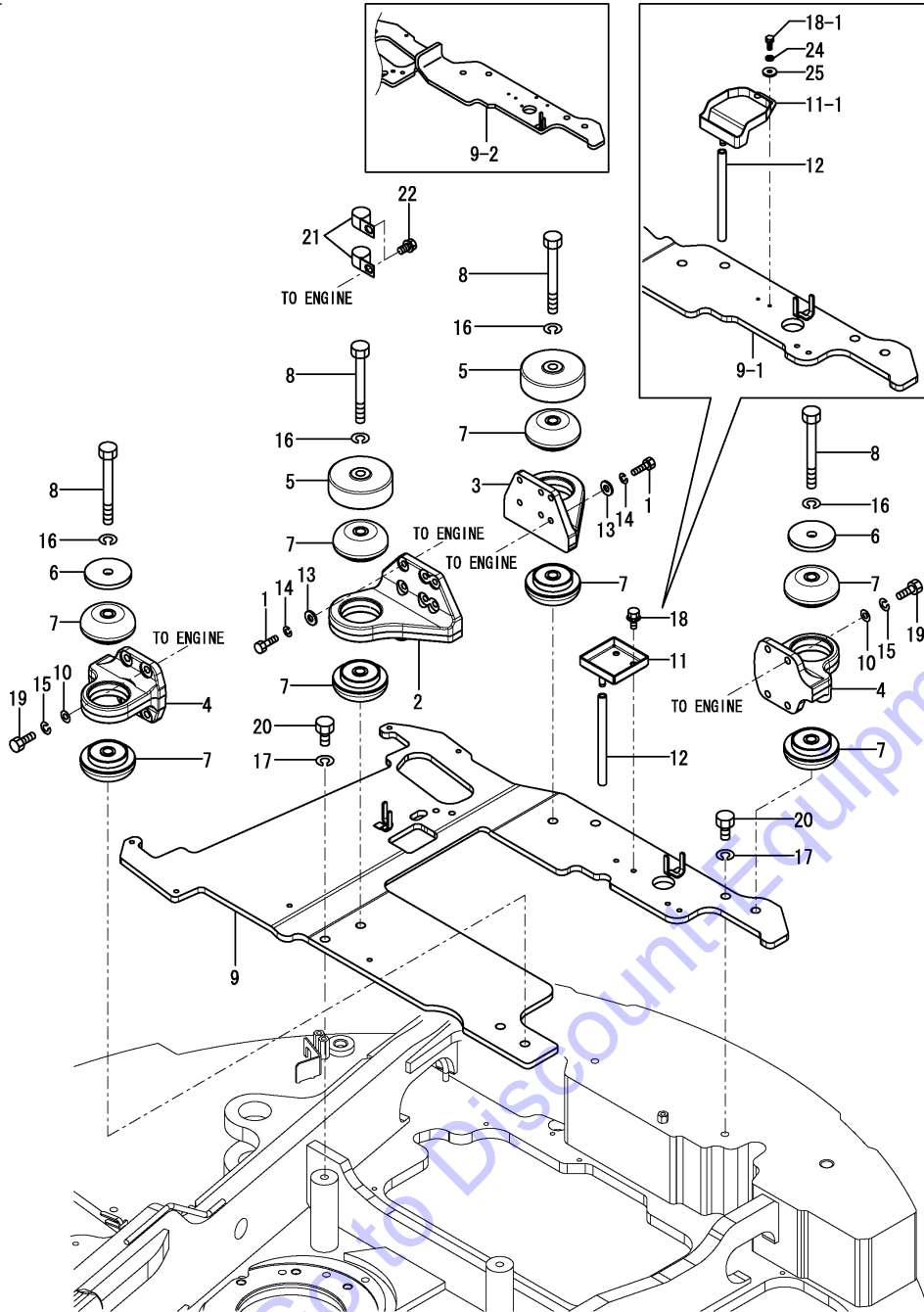
No.	Lev.	Parts No.	Description	Q'ty						I	R
				(A)	(B)	(C)	(D)	(E)	(F)		
1	1	172A69-12100	VOLUME, ACCEL ASSY	1	1	1					
7	1	172A69-12120	KNOB ASSY	1	1	1					

Go to Discount-Equipment.com to order your parts

Fig.6. ENGINE MOUNT

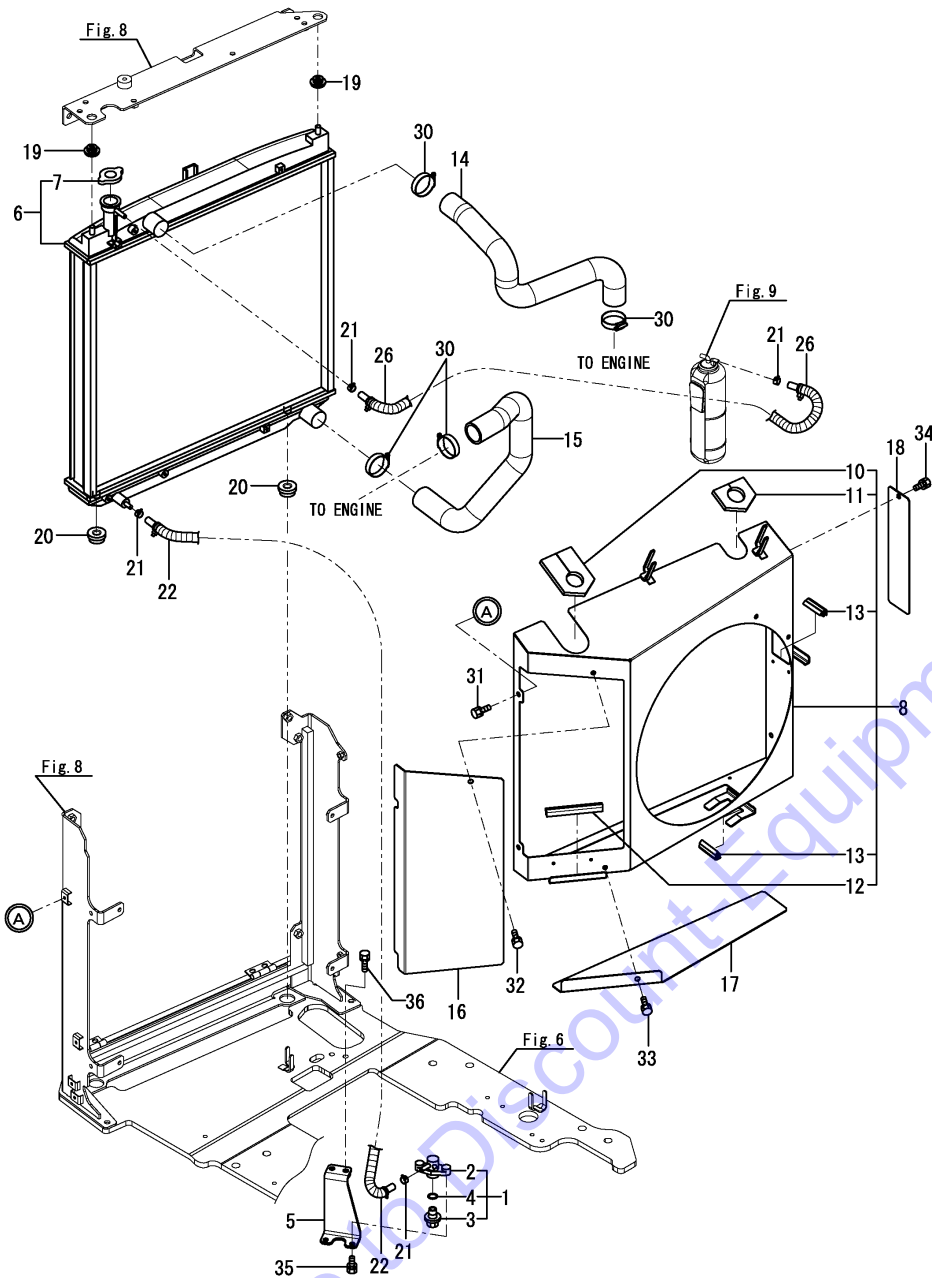
(A)=SV100-1(US)  
 (B)=SV100-1(AS)  
 (C)=SV100-1(NZ)

(D)=  
 (E)=  
 (F)=



No.	Lev.	Parts No.	Description	Q'ty						I	R
				(A)	(B)	(C)	(D)	(E)	(F)		
1	1	172A21-13100	BOLT	12	12	12					
2	1	172A69-13100	BRACKET	1	1	1					
3	1	172A69-13110	BRACKET	1	1	1					
4	1	172A69-13120	BRACKET	2	2	2					
5	1	172A69-13150	STOPPER	2	2	2					
6	1	172162-13170	WASHER	2	2	2					
7	1	172162-13180	MOUNT, ENGINE	8	8	8					
8	1	172162-13190	BOLT	4	4	4					
9	1	172A69-13200	PLATE ASSY, BASE	1	1	1					
9-1	1	172A69-13201	PLATE ASSY, BASE	1	1	1					S
		(A=M10661) (B=M10661) (C=M10661)									
9-2	1	172A69-13202	PLATE ASSY, BASE	1	1	1					S
		(A=M11514) (B=M11514) (C=M11514)									
10	1	172165-13220	WASHER	8	8	8					
11	1	172A69-13250	TRAY ASSY	1	1	1					
11-1	1	172A89-13150	SUMP, OIL	1	1	1					S
		(A=M10661) (B=M10661) (C=M10661)									
12	1	172137-14282	HOSE, FUEL GAUGE	1	1	1					
13	1	172137-46042	SEAT, SPRING	12	12	12					
14	1	22217-100000	WASHER, SPRING 10	12	12	12					
15	1	22217-120000	WASHER, SPRING 12	8	8	8					
16	1	22217-160000	WASHER, SPRING 16	4	4	4					
17	1	22217-160000	WASHER, SPRING 16	4	4	4					
18	1	26014-100162	BOLT, M10X 16	2	2	2					
18-1	1	26013-060162	BOLT, M6X 16	2	2	2					S
		(A=M10661) (B=M10661) (C=M10661)									
19	1	26076-120352	BOLT, 10.912X 35	8	8	8					
20	1	26116-160352	BOLT, M16X 35 PLATED	4	4	4					
21	1	172183-14650	CLAMP, 26	2	2	2					
22	1	26013-100162	BOLT, M10X 16	2	2	2					
24	1	22117-060000	WASHER, 6	2	2	2					W
		(A=M10661) (B=M10661) (C=M10661)									
25	1	22157-060000	WASHER, 6	2	2	2					W
		(A=M10661) (B=M10661) (C=M10661)									

Fig.7. RADIATOR



(A)=SV100-1(US)  
 (B)=SV100-1(AS)  
 (C)=SV100-1(NZ)

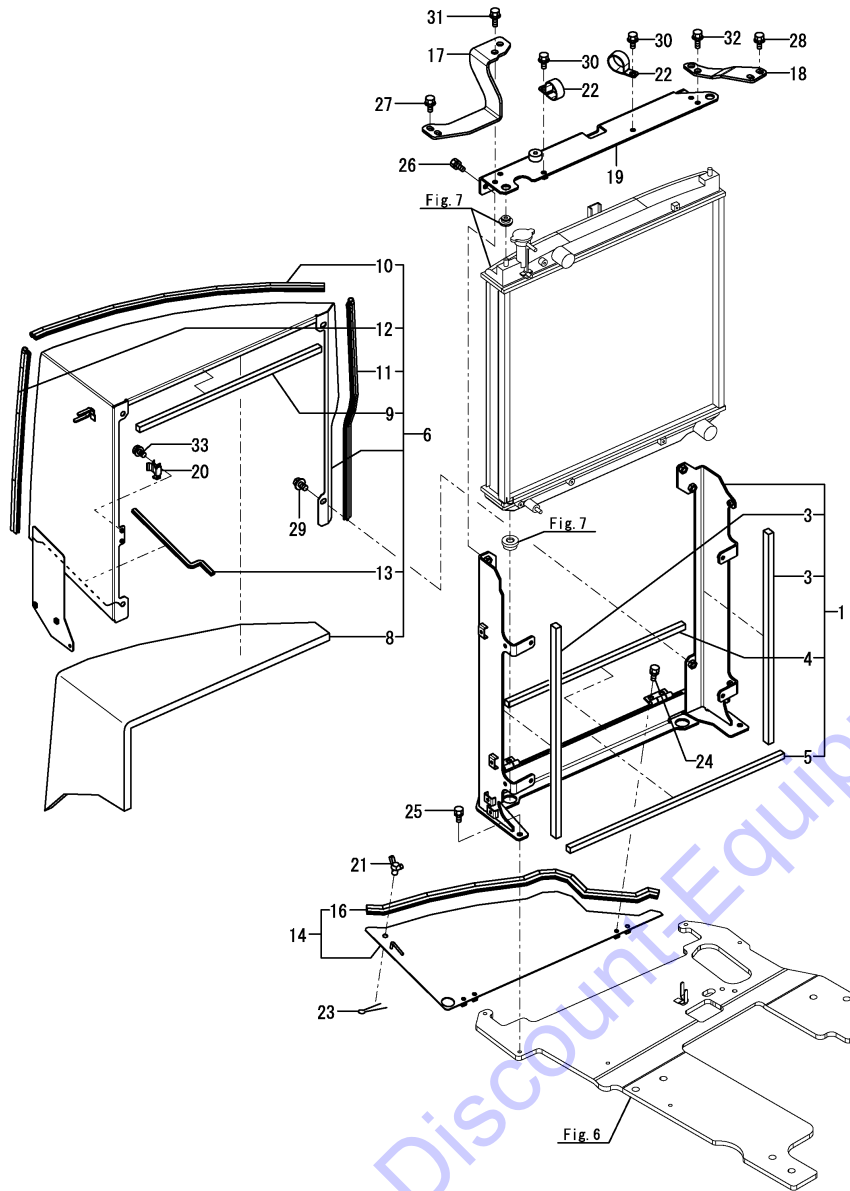
(D)=  
 (E)=  
 (F)=

No.	Lev.	Parts No.	Description	Qty						I	R
				(A)	(B)	(C)	(D)	(E)	(F)		
1	1	172444-13210	COCK ASSY, 2-WAY	1	1	1					
2	2	172444-13220	BODY	1	1	1					
3	2	121250-49121	PLUG, DRAIN	1	1	1					
4	2	24311-000160	O-RING, 1AP16.0	1	1	1					
5	1	172A69-13230	PLATE ASSY, COCK	1	1	1					
6	1	172A69-13300	RADIATOR ASSY	1	1	1					
7	2	129107-44590	CAP, RADIATOR	1	1	1					
8	1	172A69-13450	SHROUD ASSY	1	1	1					
10	2	172A69-13510	SPONGE	1	1	1					
11	2	172A69-13520	SPONGE	1	1	1					
12	2	172458-61500	RUBBER, SEAL	1	1	1					
13	2	172458-61510	RUBBER, SEAL	2	2	2					
14	1	172A69-13550	PIPE, WATER	1	1	1					
15	1	172A69-13560	PIPE, WATER	1	1	1					
16	1	172A69-13760	COVER, SHROUD	1	1	1					
17	1	172A69-13770	COVER, SHROUD	1	1	1					
18	1	172A69-13780	COVER, SHROUD	1	1	1					
19	1	184016-44700	ABSORBER, SHOCK	2	2	2					
20	1	184016-44710	ABSORBER, SHOCK	2	2	2					
21	1	124766-59050	CLIP, HOSE 11.5	4	4	4					
22	1	184015-59130	HOSE	1	1	1					
26	1	184015-59190	HOSE ASSY, FUEL	1	1	1					
30	1	23001-048000	CLAMP, HOSE 48	4	4	4					
31	1	26013-080162	BOLT, M8X 16	4	4	4					
32	1	26013-080162	BOLT, M8X 16	1	1	1					
33	1	26013-080162	BOLT, M8X 16	1	1	1					
34	1	26013-080162	BOLT, M8X 16	1	1	1					
34-1	1	26014-080162	BOLT, M8X 16	1	1	1					N
		(A=*2013.03) (B=*2013.03) (C=*2013.03)									
35	1	26013-080162	BOLT, M8X 16	2	2	2					
36	1	26013-100302	BOLT, M10X 30	2	2	2					

Fig.8. RADIATOR MOUNT

(A)=SV100-1(US)  
(B)=SV100-1(AS)  
(C)=SV100-1(NZ)

(D)=  
(E)=  
(F)=

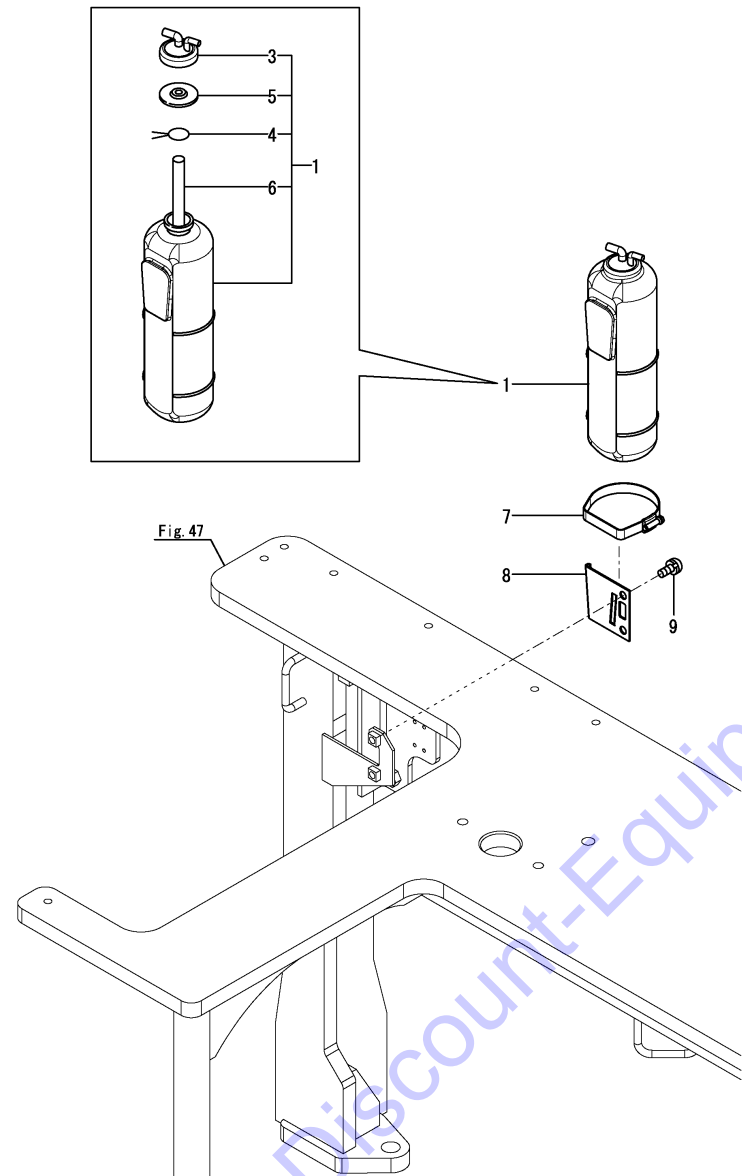


No.	Lev.	Parts No.	Description	Q'ty						I	R
				(A)	(B)	(C)	(D)	(E)	(F)		
1	1	172A69-13350	BRACKET ASSY	1	1	1					
3	2	172A69-13440	SEAL	2	2	2					
4	2	172499-13750	SEAL, DUCT	1	1	1					
5	2	172499-13760	SEAL, DUCT	1	1	1					
6	1	172A69-13600	DUCT ASSY, RADIATOR	1	1	1					1
8	2	172A69-13650	SPONGE	1	1	1					
9	2	172A69-13660	SEAL, DUCT	1	1	1					
10	2	172A69-13670	SEAL	1	1	1					
11	2	172A69-13680	SEAL	1	1	1					
12	2	172A69-13690	SEAL	1	1	1					
13	2	172487-68450	TRIM	1	1	1					
14	1	172A69-13700	COVER ASSY, DUCT	1	1	1					
16	2	172A69-13750	SEAL	1	1	1					
17	1	172A69-13800	STAY, RADIATOR	1	1	1					
17-1	1	172A69-13801	STAY, RADIATOR	1	1	1					N
		(A=M10547) (B=M10547) (C=M10547)									
18	1	172A69-13810	STAY, RADIATOR	1	1	1					
19	1	172A69-13850	BRACKET ASSY	1	1	1					2
20	1	198220-61480	HOLDER, ROD	1	1	1					
21	1	172142-62301	BOLT, WING	1	1	1					
22	1	172146-78150	PLATE, CLAMP	2	2	2					
23	1	22417-320200	PIN, COTTER 3.2X20	1	1	1					
24	1	26013-080162	BOLT, M8X 16	4	4	4					
24-1	1	26014-080162	BOLT, M8X 16	4	4	4					N
		(A=*2013.06) (B=*2013.06) (C=*2013.06)									
25	1	26013-100202	BOLT, M10X 20	4	4	4					
26	1	26013-100202	BOLT, M10X 20	2	2	2					
27	1	26014-100202	BOLT, M10X 20	2	2	2					
28	1	26014-100202	BOLT, M10X 20	2	2	2					
29	1	26014-100202	BOLT, M10X 20	4	4	4					
30	1	26014-100202	BOLT, M10X 20	2	2	2					
31	1	26014-100252	BOLT, M10X 25	2	2	2					
32	1	26014-100252	BOLT, M10X 25	2	2	2					
33	1	26023-050102	SCREW, M5X10	2	2	2					
34A	1	172A69-03350	LABEL, BATTERY COVER	1	1	1					3
34B	1	172437-03361	LABEL, BATTERY	1	1	1					3
35A	1	172A38-03211	LABEL, ANTI-FREEZING	1	1	1					3

Remarks

- (1) Attach the No.34A,34B label to this part.
- (2) Attach the No.35A label to this part.
- (3) Not illustrated.

Fig.9. SUB-TANK



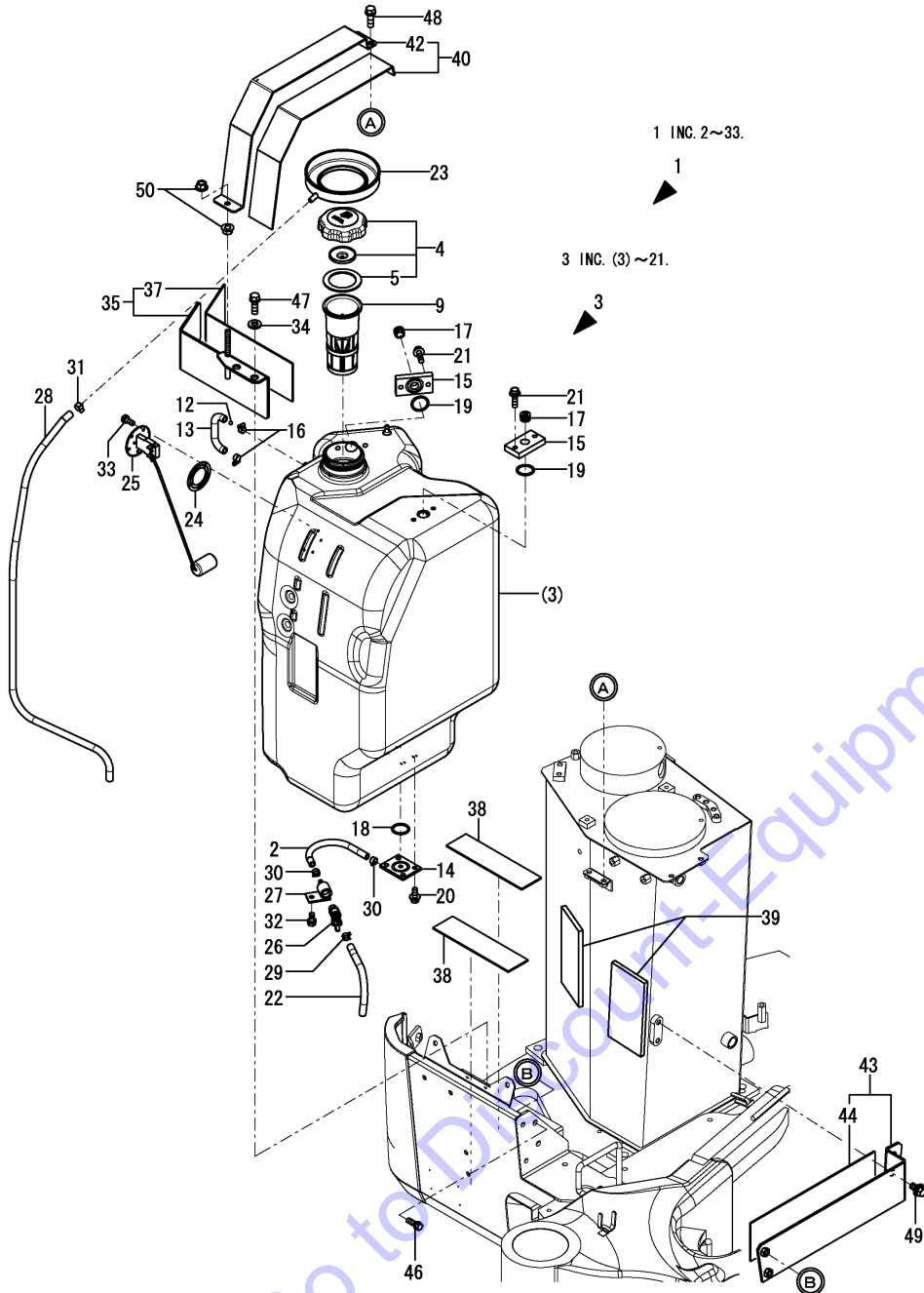
(A)=SV100-1(US)  
 (B)=SV100-1(AS)  
 (C)=SV100-1(NZ)

(D)=  
 (E)=  
 (F)=

No.	Lev.	Parts No.	Description	Q'ty						I	R
				(A)	(B)	(C)	(D)	(E)	(F)		
1	1	171064-44510	TANK ASSY, SUB	1	1	1					1
3	2	121450-44531	CAP	1	1	1					
4	2	124450-44560	RETAINER	1	1	1					
5	2	121470-44581	GASKET	1	1	1					
6	2	23065-070225	HOSE 7X 225	1	1	1					
7	1	124450-44550	BAND	1	1	1					
8	1	121256-44600	BRACKET, SUB TANK	1	1	1					
9	1	26022-080162	SCREW, M8X16	2	2	2					
10A	1	172A38-03201	LABEL, SUB TANK	1	1	1					2

Remarks  
 (1)Attach the No.10A label to this part.  
 (2)Not illustrated.

Fig.10. FUEL TANK

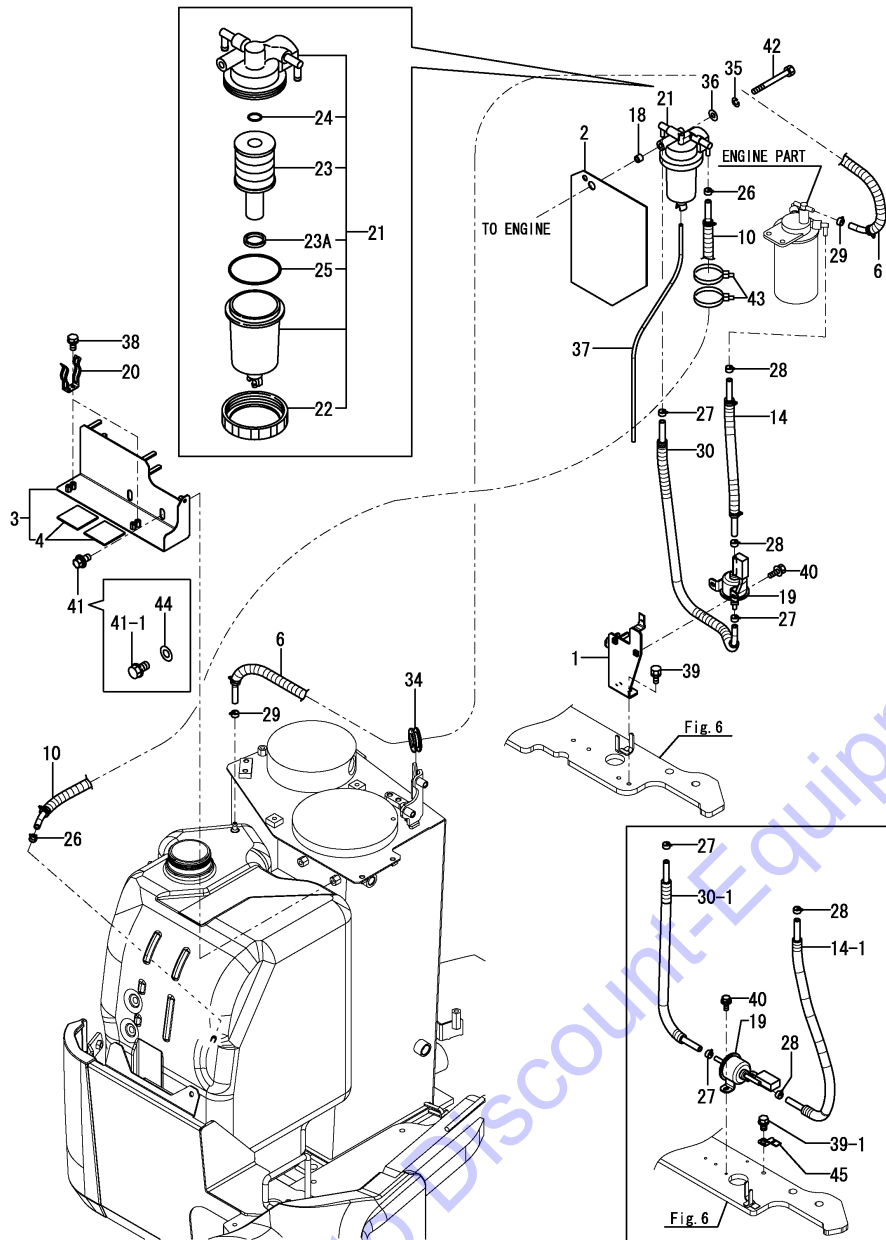


(A)=SV100-1(US)  
 (B)=SV100-1(AS)  
 (C)=SV100-1(NZ)

(D)=  
 (E)=  
 (F)=

No.	Lev.	Parts No.	Description	Q'ty						I	R
				(A)	(B)	(C)	(D)	(E)	(F)		
1	1	772A69-14100	TANK ASSY, FUEL	1	1	1					
2	2	172137-13400	PIPE, DRAIN	1	1	1					
3	2	172A69-14110	TANK ASSY, FUEL	1	1	1					
4	3	198200-04030	CAP ASSY, FILLER	1	1	1					
4-1	3	198200-04031	CAP ASSY, FILLER	1	1	1					R
		(A=M10534) (B=M10534) (C=M10534)									
5	4	198200-04040	GASKET, FUEL CAP	1	1	1					
9	3	172A69-14130	NET ASSY, FUEL	1	1	1					
12	3	172447-14160	FLOAT	1	1	1					
13	3	172458-14203	HOSE, FUEL GAUGE	1	1	1					
14	3	172A69-14211	BLOCK ASSY, DRAIN	1	1	1					
15	3	172A69-14240	PLATE	2	2	2					
16	3	23000-013000	CLAMP, 13	2	2	2					
17	3	23876-040000	PLUG, R04	2	2	2					
18	3	24311-000320	O-RING, 1AP32.0	1	1	1					
18-1	3	172A69-14550	PACKING	1	1	1					N
		(A=*2016.01.) (B=*2016.01.) (C=*2016.01.)									
19	3	24311-000320	O-RING, 1AP32.0	2	2	2					
20	3	26013-080202	BOLT, SPRING M8X 20	4	4	4					
21	3	26013-080302	BOLT, SPRING M8X 30	4	4	4					
22	2	172186-14150	HOSE, FUEL GAUGE	1	1	1					
23	2	172A69-14170	SUMP, FUEL	1	1	1					
24	2	172162-14200	GASKET	1	1	1					
25	2	172A78-14220	GAUGE, FUEL	1	1	1					
26	2	172A69-14230	VALVE, FUEL DRAIN	1	1	1					
27	2	172444-14270	JOINT, DRAIN	1	1	1					
28	2	172187-14510	HOSE	1	1	1					
29	2	106990-44660	CLAMP, HOSE 12.5	1	1	1					
30	2	124766-59050	CLAMP, HOSE 11.5	2	2	2					
31	2	23080-013000	CLAMP, 13	1	1	1					
32	2	26013-080162	BOLT, SPRING M8X 16	1	1	1					
33	2	26022-050122	SCREW, M5X12	5	5	5					
34	1	194145-04810	WASHER, 10	2	2	2					
35	1	172A69-14310	BRACKET ASSY	1	1	1					
37	2	172A69-14350	PLATE, RUBBER	1	1	1					
38	1	172A69-14370	PLATE, RUBBER	2	2	2					
39	1	172A69-14380	PLATE, RUBBER	2	2	2					
39-1	1	172A89-14380	SPONGE, RUBBER	2	2	2					N
		(A=M10547) (B=M10547) (C=M10547)									
40	1	172A69-14410	BRACKET ASSY	1	1	1					
42	2	172A69-14430	PLATE, RUBBER	1	1	1					
43	1	172A69-14450	BRACKET ASSY	1	1	1					
44	2	172A69-14350	PLATE, RUBBER	1	1	1					
46	1	26013-100302	BOLT, SPRING M10X 30	2	2	2					
47	1	26013-100302	BOLT, SPRING M10X 30	2	2	2					
48	1	26013-100302	BOLT, SPRING M10X 30	2	2	2					
49	1	26014-100202	BOLT, M10X 20	2	2	2					
50	1	26367-100002	NUT, M10	2	2	2					

Fig.11. FUEL LINE



(A)=SV100-1(US)  
(B)=SV100-1(AS)  
(C)=SV100-1(NZ)

(D)=  
(E)=  
(F)=

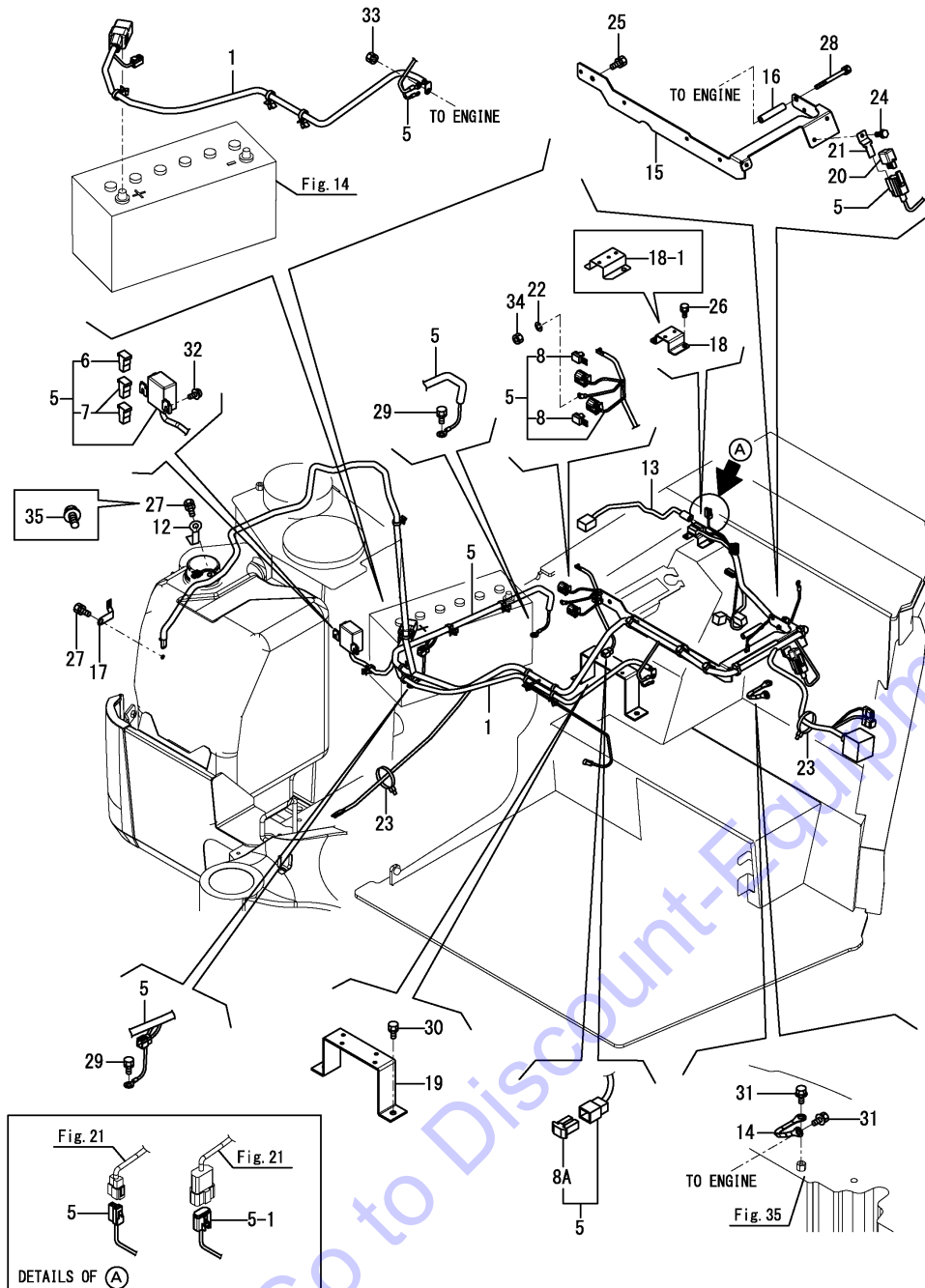
No.	Lev.	Parts No.	Description	Q'ty						I	R
				(A)	(B)	(C)	(D)	(E)	(F)		
1	1	172A69-14260 (A=M11514)	BRACKET ASSY (B=M11514) (C=M11514)	1	1	1					Z
2	1	172A69-14290	RUBBER PLATE	1	1	1					
3	1	172A69-14510	BRACKET ASSY	1	1	1					
3-1	1	172B11-14510 (A=M11757)	BRACKET ASSY, GREASE (B=M11757) (C=M11757)	1	1	1					N
4	2	172446-14250	PLATE, RUBBER	2	2	2					
6	1	172A69-14610	HOSE ASSY	1	1	1					
10	1	172A69-14640	HOSE ASSY	1	1	1					
14	1	172A69-14670	HOSE ASSY(360)	1	1	1					
14-1	1	172A89-14630 (A=M11514)	HOSE ASSY,550 (B=M11514) (C=M11514)	1	1	1					S
18	1	194630-15520	COLLAR, 9.2X13.8X11	1	1	1					
19	1	129612-52100	PUMP ASSY, FUEL FEED	1	1	1					
20	1	172122-55061	BRACKET, PUMP	2	2	2					
21	1	184016-55700	SEPARATOR ASSY, WATER	1	1	1					
21-1	1	184016-55701 (A=M10632)	SEPARATOR ASSY (B=M10632) (C=M10632)	1	1	1					N
22	2	129100-55690	RING, RETAINING	1	1	1					
23	2	119802-55710	ELEMENT	1	1	1					
23A	2	184016-55710 (A=M10981)	FLOAT (B=M10981) (C=M10981)	1	1	1					W
24	2	24311-000160	O-RING, 1AP16.0	1	1	1					
25	2	24321-000650	O-RING, 1AG65.0	1	1	1					
26	1	124766-59050	CLIP, HOSE 11.5	2	2	2					
27	1	124766-59050	CLIP, HOSE 11.5	2	2	2					
28	1	124766-59050	CLIP, HOSE 11.5	2	2	2					
29	1	124766-59050	CLIP, HOSE 11.5	2	2	2					
30	1	184015-59250	HOSE	1	1	1					
30-1	1	172186-13810 (A=M11514)	HOSE ASSY (B=M11514) (C=M11514)	1	1	1					S
34	1	172422-78760 (A=M10501)	GROMMET (B=M10501) (C=M10501)	1	1	1					Z 1
35	1	22137-080000	WASHER, 8	1	1	1					
36	1	22217-080000	WASHER, SPRING 8	1	1	1					
37	1	23061-050500	PIPE, 5X 500	1	1	1					
38	1	26013-060122	BOLT, M6X 12	4	4	4					
39	1	26013-100162	BOLT, M10X 16	2	2	2					
39-1	1	26013-100162	BOLT, M10X 16	1	1	1					K
40	1	26014-060162 (A=M11514)	BOLT, M6X 16 (B=M11514) (C=M11514)	2	2	2					
41	1	26014-100162	BOLT, M10X 16	2	2	2					
41-1	1	26013-100162	BOLT, M10X 16	2	2	2					N
42	1	26116-080802 (A=M10654)	BOLT, M8X 80 PLATED (B=M10654) (C=M10654)	1	1	1					
43	1	194202-56460	BAND, 200	2	2	2					
44	1	22137-100000 (A=M10654)	WASHER, 10 (B=M10654) (C=M10654)	2	2	2					W
45	1	172460-16700 (A=M11514)	STAY (B=M11514) (C=M11514)	1	1	1					W

Remarks

(1) Refer to Fig.98.

N:Old  $\frac{Yes}{No}$  New, Q:Old  $\frac{No}{Yes}$  New, R:Old  $\frac{Yes}{Yes}$  New, S:Old  $\frac{No}{No}$  New, W:Add, Z:Discontinued, F:Interchangeable by set, K:Q'ty Change

Fig.12. ELECTRIC PART(ENGINE)



(A)=SV100-1(US)  
(B)=SV100-1(AS)  
(C)=SV100-1(NZ)

(D)=  
(E)=  
(F)=

No.	Lev.	Parts No.	Description	Q'ty						I	R
				(A)	(B)	(C)	(D)	(E)	(F)		
1	1	172A69-16100	CORD ASSY, BATTERY	1	1	1					
5	1	172A69-16500	HARNESS,A ASSY	1	1	1					
5-1	1	172A69-16501	HARNESS,A ASSY	1	1	1					S
		(A=M10772) (B=M10772) (C=M10772)									
5-2	1	172A69-16502	HARNESS,A ASSY	1	1	1					N
		(A=M11514) (B=M11514) (C=M11514)									
6	2	172A65-16550	FUSE, SLOWBLOW	1	1	1					
7	2	172A69-16710	FUSE, SLOWBLOW	2	2	2					
8	2	172648-16600	DIODE, 1.5-2P	2	2	2					
8A	2	198153-51700	FUSE, SLOW BLOW 80A	1	1	1					W
		(A=*2014.11.) (B=*2014.11.) (C=*2014.11.)									
12	1	172126-16540	CLAMP	1	1	1					
13	1	172A65-16540	HARNESS C	1	1	1					
14	1	172187-16600	CORD, ENGINE EARTH	1	1	1					
15	1	172A69-16660	SUPPORT ASSY	1	1	1					
16	1	172A69-16680	COLLAR	1	1	1					
17	1	172A69-16700	BRACKET	1	1	1					
18	1	172A65-16750	CLAMP, HARNESS	1	1	1					
18-1	1	172A89-16770	CLAMP, HARNESS	1	1	1					S
		(A=M10772) (B=M10772) (C=M10772)									
19	1	172A69-16800	SUPPORT, HARNESS	1	1	1					
19-1	1	172A69-16801	SUPPORT, HARNESS	1	1	1					N
		(A=M11514) (B=M11514) (C=M11514)									
20	1	129927-77900	RELAY	1	1	1					
21	1	129927-77910	BRACKET, CONNECTOR	1	1	1					
22	1	22217-060000	WASHER, SPRING 6	1	1	1					
23	1	194202-56460	BAND, 200	2	2	2					
24	1	26013-060162	BOLT, M6X 16	1	1	1					
25	1	26013-080162	BOLT, M8X 16	1	1	1					
26	1	26013-080162	BOLT, M8X 16	2	2	2					
27	1	26013-080162	BOLT, M8X 16	2	2	2					
27-1	1	26013-080162	BOLT, M8X 16	1	1	1					K
		(A=M10501) (B=M10501) (C=M10501)									
28	1	26013-080852	BOLT, M8X 85	1	1	1					
29	1	26013-100162	BOLT, M10X 16	2	2	2					
30	1	26013-100202	BOLT, M10X 20	2	2	2					
31	1	26014-100162	BOLT, M10X 16	2	2	2					
32	1	26023-060162	SCREW, M6X16	2	2	2					
33	1	26051-080002	NUT, M8	1	1	1					
34	1	26716-060002	NUT, M6	1	1	1					
35	1	26014-080162	BOLT, M8X 16	1	1	1					W
		(A=M10501) (B=M10501) (C=M10501)									

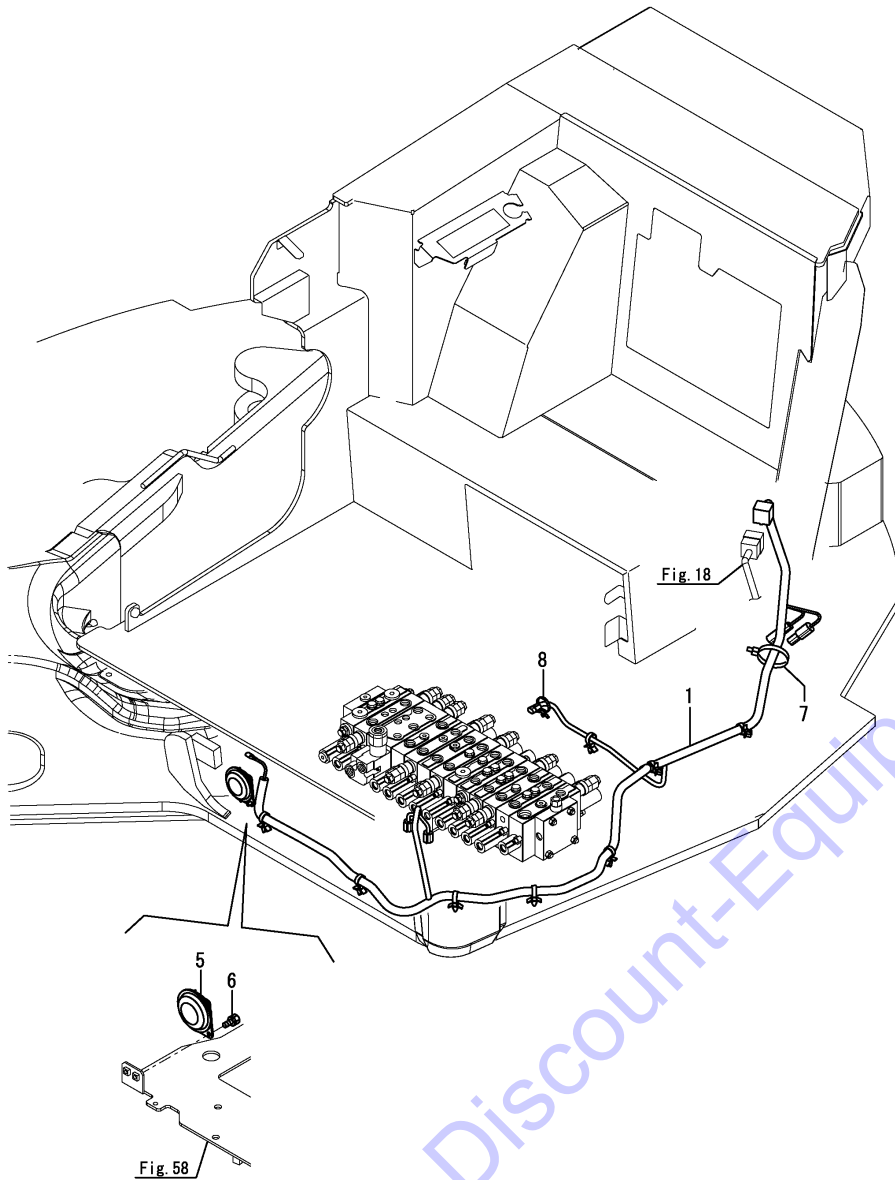


Fig.13. ELECTRIC PART(CONTROL VALVE PLATE)

(A)=SV100-1(US)  
 (B)=SV100-1(AS)  
 (C)=SV100-1(NZ)

(D)=  
 (E)=  
 (F)=

No.	Lev.	Parts No.	Description	Q'ty						I	R
				(A)	(B)	(C)	(D)	(E)	(F)		
1	1	172A69-16550	HARNESS ASSY, WIRE	1	1	1					
1-1	1	172A69-16551	HARNESS ASSY, WIRE	1	1	1					N
		(A=M10557) (B=M10557) (C=M10557)									
5	1	194151-57100	HORN	1	1	1					
6	1	26013-060122	BOLT, M6X 12	2	2	2					
7	1	194202-56460	BAND, 200	1	1	1					Z
		(A=M10501) (B=M10501) (C=M10501)									
8	1	1E8775-84120	CLAMP, BAND	1	1	1					W
		(A=M10557) (B=M10557) (C=M10557)									

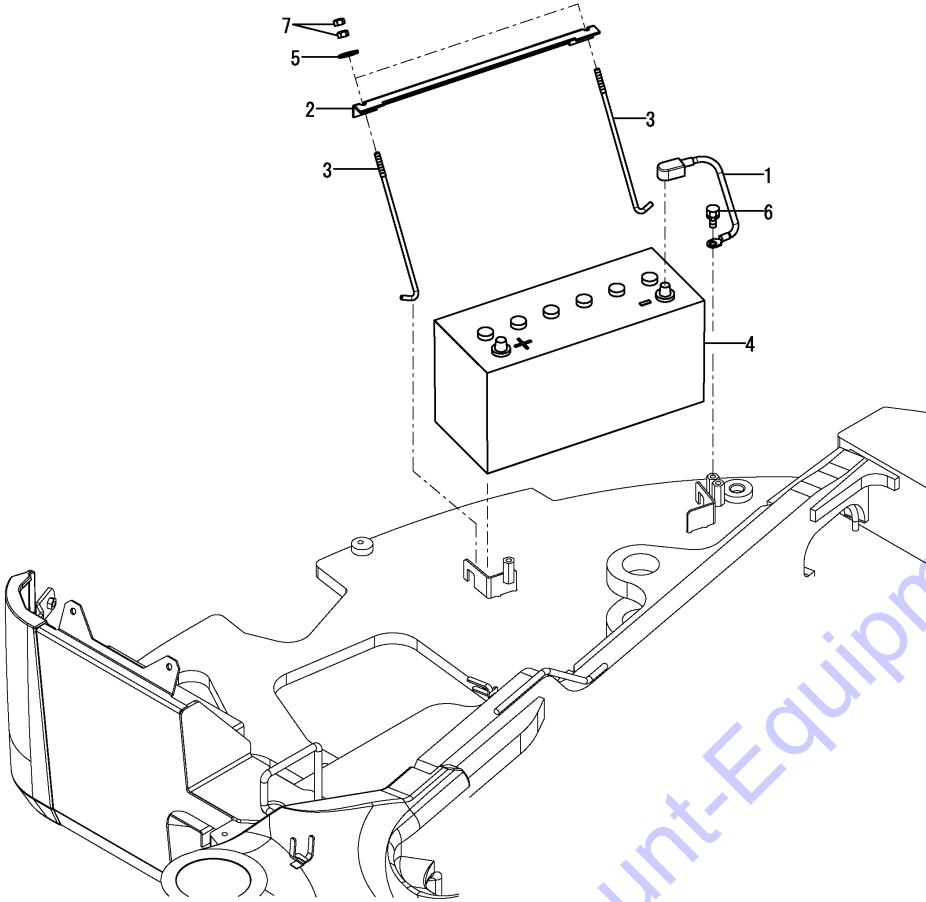


Go to Discount-Equipment.com to order your parts

Fig.14. ELECTRIC PART(BATTERY)

(A)=SV100-1(US)  
 (B)=SV100-1(AS)  
 (C)=SV100-1(NZ)

(D)=  
 (E)=  
 (F)=



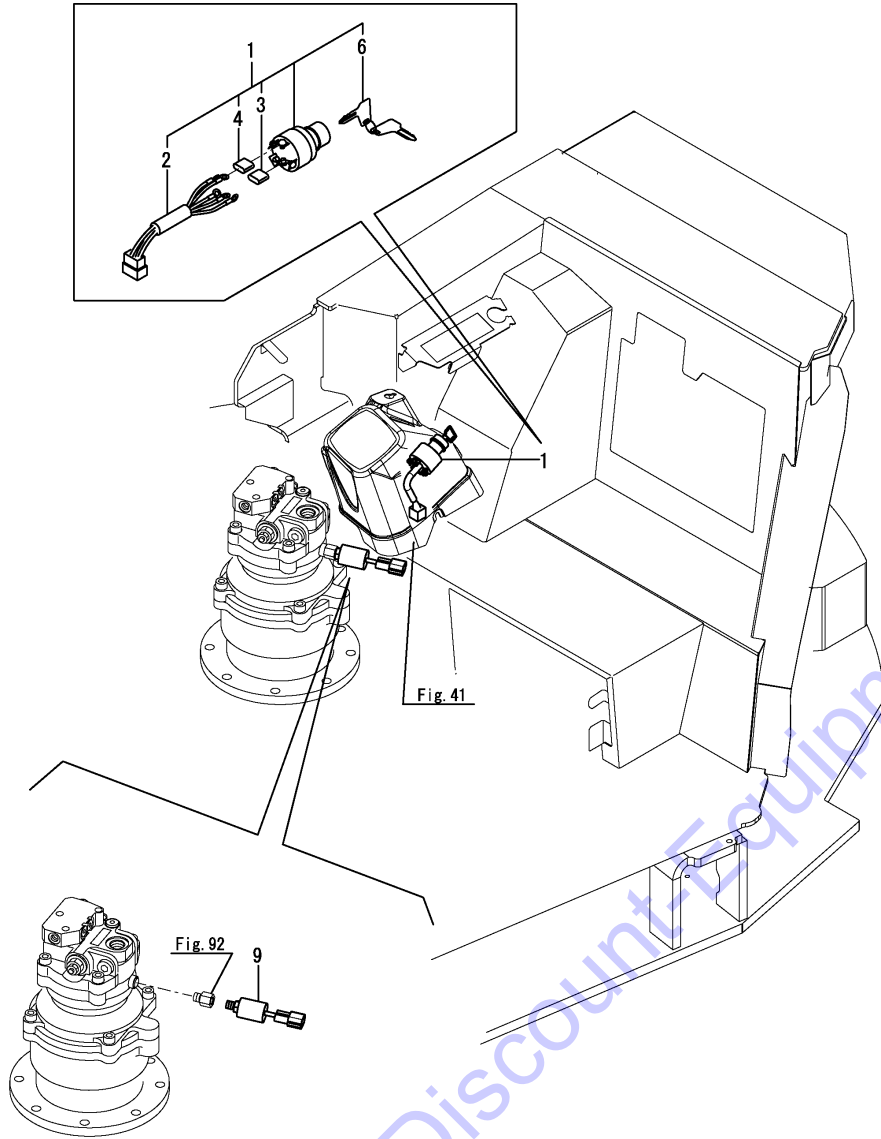
No.	Lev.	Parts No.	Description	Q'ty						I	R
				(A)	(B)	(C)	(D)	(E)	(F)		
1	1	172187-16110	CORD, BATTERY	1	1	1					
2	1	172112-16201	RETAINER, BATTERY	1	1	1					
3	1	172164-16370	ROD	2	2	2					
4	1	1E8080-83320	BATTERY	1	1	1					
4-1	1	1E8080-83321	BATTERY, 130E41R	1	1	1					N
		(A=*2012.12) (B=*2012.12) (C=*2012.12)									
5	1	22157-080000	WASHER, 8	2	2	2					
6	1	26013-100162	BOLT, M10X 16	1	1	1					
7	1	26716-080002	NUT, M8	4	4	4					

Go to Discount-Equipment.com to order your parts

Fig.15. ELECTRIC PART(STARTING SWITCH)

(A)=SV100-1(US)  
 (B)=SV100-1(AS)  
 (C)=SV100-1(NZ)

(D)=  
 (E)=  
 (F)=



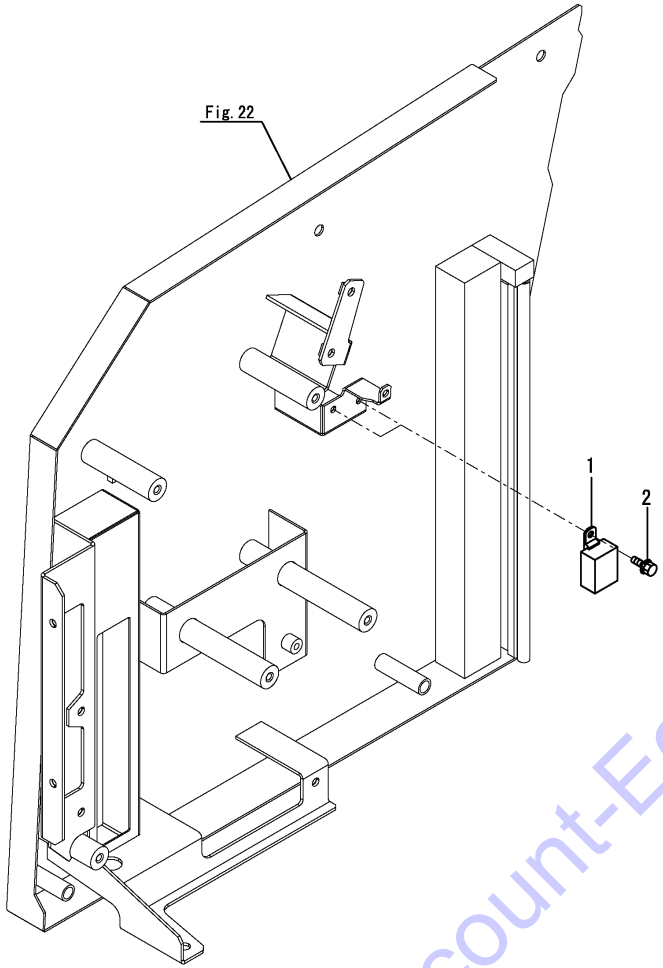
No.	Lev.	Parts No.	Description	Q'ty						I	R
				(A)	(B)	(C)	(D)	(E)	(F)		
1	1	172187-17100	SWITCH ASSY, STARTER	1	1	1					
1-1	1	172187-17101	SWITCH ASSY, STARTER	1	1	1					N
		(A=M11637) (B=M11637) (C=M11637)									
2	2	172187-17070	CORD ASSY	1	1	1					
3	2	172187-17080	COVER	3	3	3					
4	2	172187-17090	COVER	2	2	2					
6	2	933110-00301	KEY ASSY	1	1	1					
9	1	172478-17200	SWITCH, PRESSURE	1	1	1					
9-1	1	172478-17201	PRESSER SWITCH,ASSY	1	1	1					R
		(A=M10516) (B=M10516) (C=M10516)									

Fig.16. ELECTRIC PART(AIR CONDITIONER)

(A)=SV100-1(US)  
 (B)=SV100-1(AS)  
 (C)=SV100-1(NZ)

(D)=  
 (E)=  
 (F)=

No.	Lev.	Parts No.	Description	Q'ty						I	R
				(A)	(B)	(C)	(D)	(E)	(F)		
1	1	198461-52950	RELAY, CA TYPE C	2	2	2					
2	1	26014-060162	BOLT, M6X 16	2	2	2					



Go to Discount-Equipment.com to order your parts

Fig.17. ELECTRIC PART(SWITCH BOX : QUICK COUPLER)

(A)=SV100-1(US)  
 (B)=SV100-1(AS)  
 (C)=SV100-1(NZ)

(D)=  
 (E)=  
 (F)=

No.	Lev.	Parts No.	Description	Q'ty						I	R
				(A)	(B)	(C)	(D)	(E)	(F)		
1	1	172958-17110	BOX, SWITCH	1	1	1					
1-1	1	172958-17111	BOX, SWITCH EX	1	1	1					N
		(A=*2013.05) (B=*2013.05) (C=*2013.05)									
2	2	172472-03290	LABEL, SWITCH	1	1	1					
3	2	172472-03300	LABEL, COVER	1	1	1					
7	3	172958-17140	SWITCH ASSY	1	1	1					
8	3	172958-17150	SWITCH ASSY	1	1	1					
9	3	172958-17160	LAMP, INDICATOR	1	1	1					
10	3	172958-17170	SCREW, TAPPING	6	6	6					
11	3	172958-17180	SCREW, TAPPING	2	2	2					
12	3	172958-17190	PACKING	1	1	1					
13	3	172958-17200	BRACKET	1	1	1					
14	3	172958-17210	CASE	1	1	1					
15	3	172958-17220	CORD	1	1	1					
16	3	22351-030028	PIN, SPRING 3.0X28	1	1	1					
17	1	172A69-17150	QH BRACKET ASSY (49)	1	1	1					
18	1	172137-46210	SCREW	2	2	2					
19	1	172187-64900	PLUG	1	1	1					
20	1	26013-100202	BOLT, M10X 20	2	2	2					

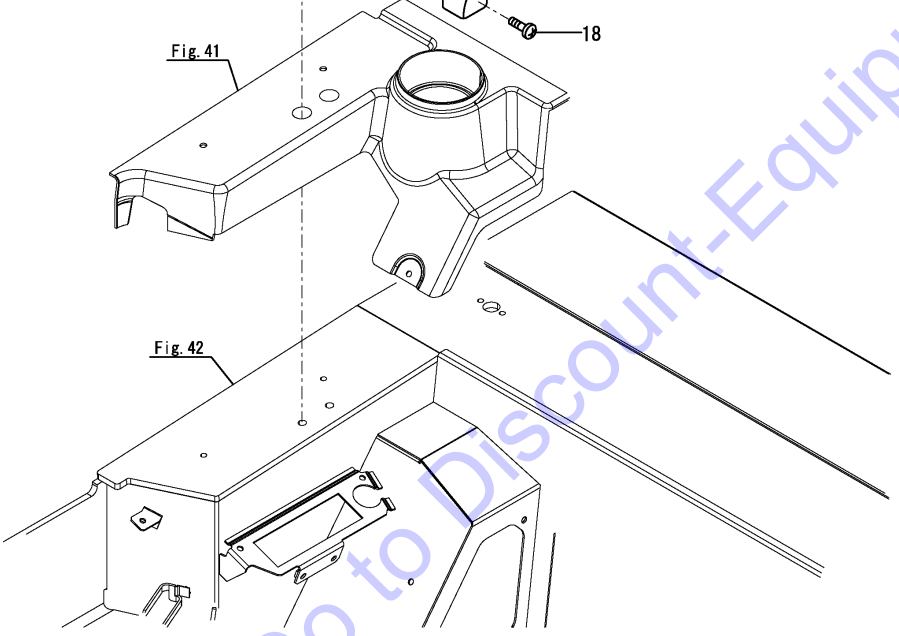
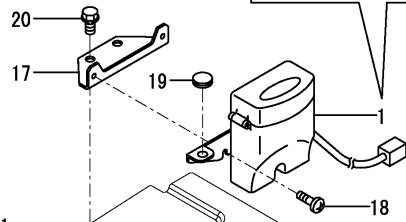
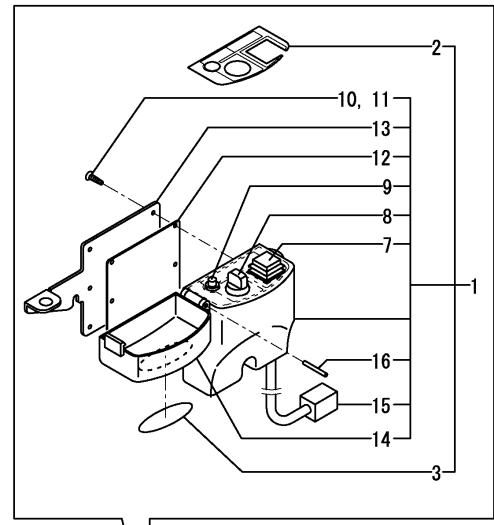
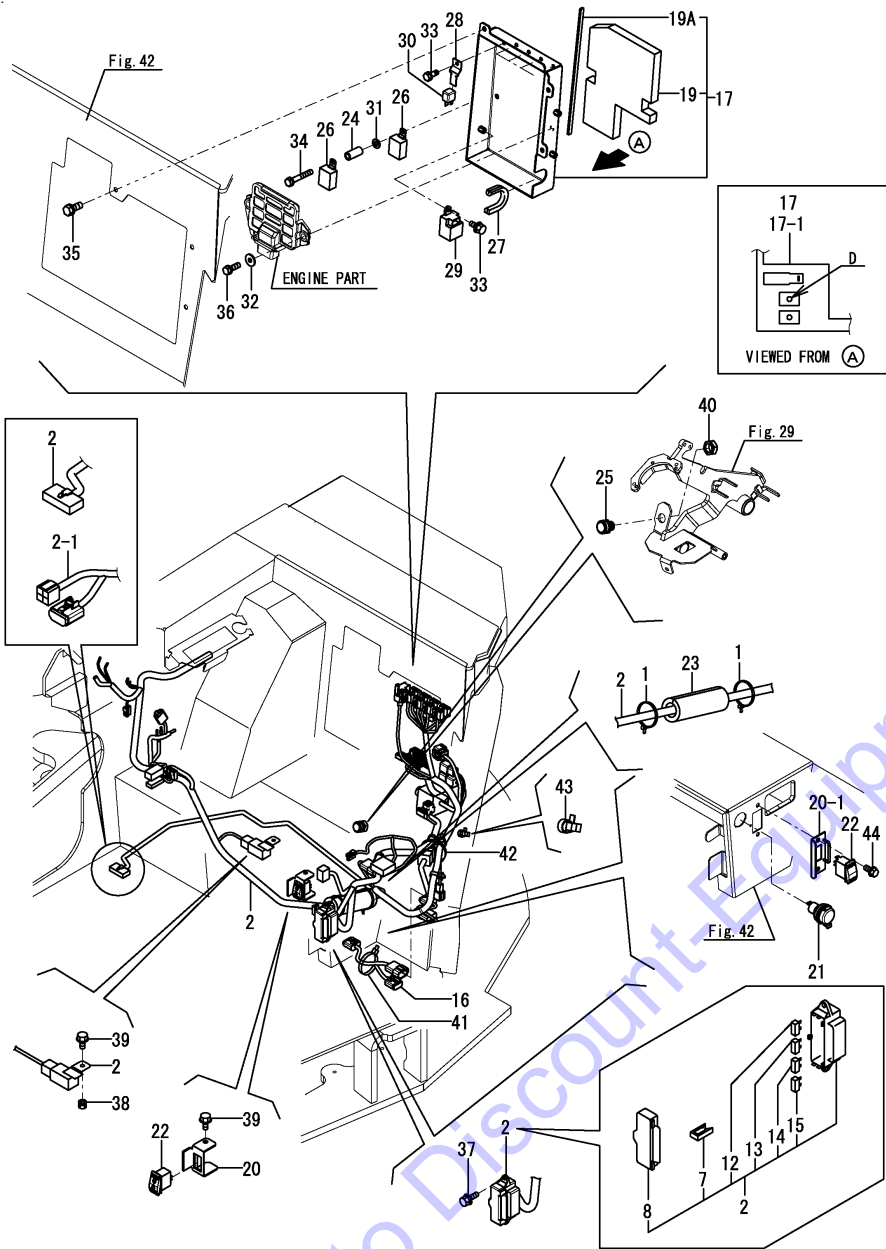


Fig.18. ELECTRIC PART(SEAT MOUNT)



(A)=SV100-1(US)  
 (B)=SV100-1(AS)  
 (C)=SV100-1(NZ)

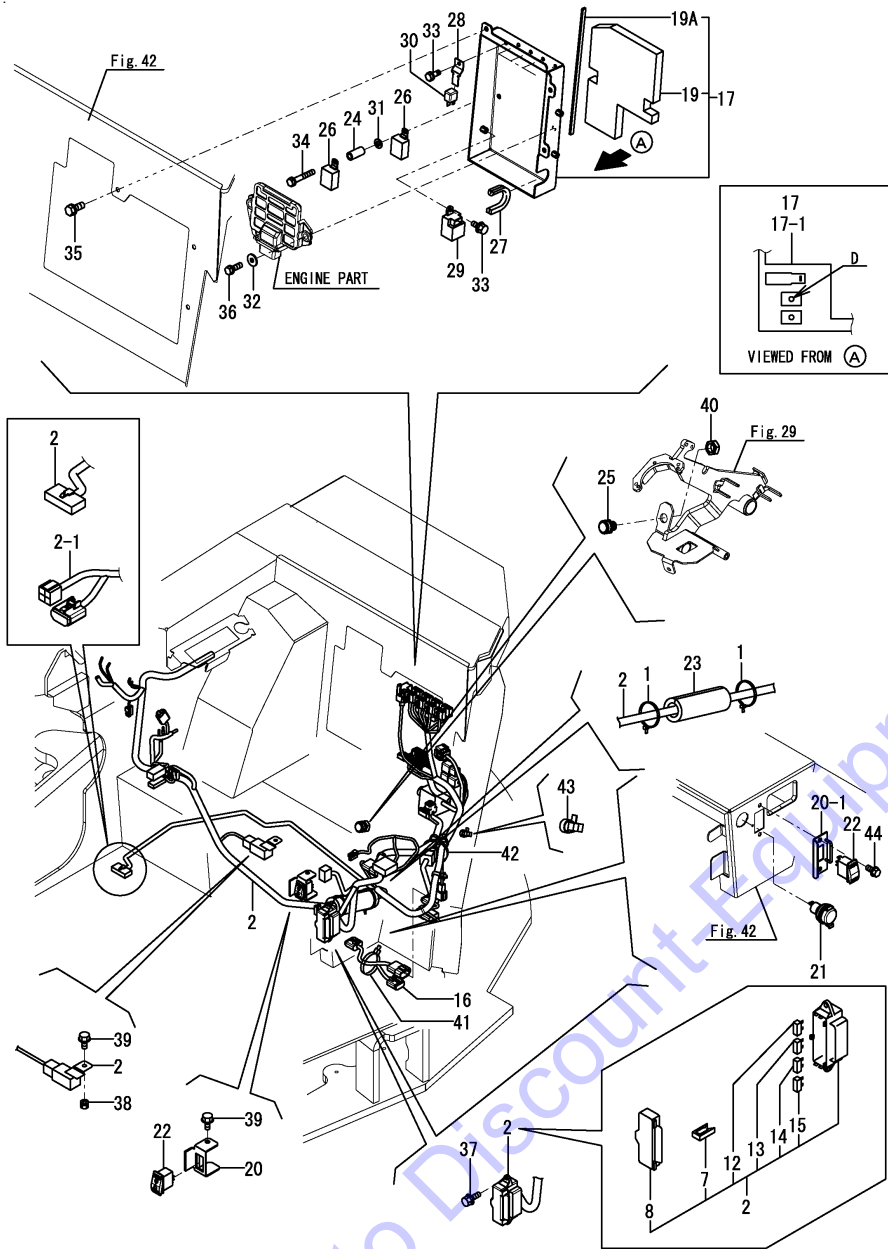
(D)=  
 (E)=  
 (F)=

No.	Lev.	Parts No.	Description	Q'ty						I	R
				(A)	(B)	(C)	(D)	(E)	(F)		
1	1	172126-11510	BAND	2	2	2					
2	1	172A69-16400	HARNESS B ASSY,KIT	1	1	1					
2-1	1	172A69-16401	HARNESS B ASSY,KIT	1	1	1					S
		(A=*2013.07) (B=*2013.07) (C=*2013.07)									
7	3	172175-17120	PULLER	1	1	1					
8	3	172187-17220	COVER	1	1	1					
12	3	29420-050000	FUSE, B 5A	1	1	1					
13	3	29420-100000	FUSE, B 10A	1	1	1					
14	3	29420-150000	FUSE, B 15A	6	6	6					
15	3	29420-300000	FUSE, B 30A	2	2	2					
16	1	172A69-16540	HARNESS,C	1	1	1					
17	1	172A69-17090	BOX A ASSY,CONTROLLER	1	1	1					
17-1	1	172A89-17090	BOX A ASSY,CONTROLLER	1	1	1					S 1
		(A=M10772) (B=M10772) (C=M10772)									
19	2	172A69-17140	SPONGE	1	1	1					
19A	2	172487-61460	SEAL, MULTI COVER	1	1	1					W
		(A=M10661) (B=M10661) (C=M10661)									
20	1	172A69-17180	BRACKET ASSY.SWITCH	1	1	1					
20-1	1	172A89-17180	PLATE ASSY,SWITCH	1	1	1					S
		(A=M11514) (B=M11514) (C=M11514)									
21	1	172A64-17250	SOCKET ASSY	1	1	1					
22	1	172A69-17260	SWITCH, ENGINE STOP	1	1	1					
23	1	172A69-17350	SPONGE, HOSE	1	1	1					
23-1	1	172445-68650	SPONGE, HOSE	1	1	1					N
		(A=M11514) (B=M11514) (C=M11514)									
24	1	172A65-17480	COLLAR	4	4	4					
25	1	194464-52190	SWITCH, SAFETY START	1	1	1					
26	1	198461-52950	RELAY, CA TYPE C	8	8	8					
27	1	172456-13470	RUBBER 100	1	1	1					
28	1	129927-77910	BRACKET, CONNECTOR	1	1	1					
29	1	124970-77920	TIMER	1	1	1					
30	1	129927-77920	RELAY	1	1	1					
31	1	22137-060000	WASHER, 6	4	4	4					
32	1	22157-080000	WASHER, 8	2	2	2					
33	1	26014-060162	BOLT, M6X 16	2	2	2					
34	1	26013-060402	BOLT, M6X 40	4	4	4					
34-1	1	26014-060402	BOLT, 6 X 40	4	4	4					N
		(A=*2010.11) (B=*2010.11) (C=*2010.11)									
35	1	26013-080162	BOLT, M8X 16	3	3	3					
36	1	26013-080252	BOLT, M8X 25	2	2	2					
37	1	26014-060202	BOLT, M6X 20	2	2	2					
37-1	1	26014-060162	BOLT, M6X 16	2	2	2					N
		(A=M10501) (B=M10501) (C=M10501)									
38	1	26051-080002	NUT, M8	1	1	1					
39	1	26106-080162	BOLT, M8X 16 PLATED	2	2	2					
39-1	1	26106-080162	BOLT, M8X 16 PLATED	1	1	1					K
		(A=M11514) (B=M11514) (C=M11514)									
40	1	26776-180002	NUT, LOCK M18	1	1	1					
41	1	194202-56460	BAND, 200	1	1	1					
42	1	172126-11510	BAND	1	1	1					W
		(A=M10501) (B=M10501) (C=M10501)									

Remarks

(1)D=REF.NO.17 5.5MM, REF.NO.17-1 7MM.

Fig.18. ELECTRIC PART(SEAT MOUNT)



(A)=SV100-1(US)  
 (B)=SV100-1(AS)  
 (C)=SV100-1(NZ)

(D)=  
 (E)=  
 (F)=

No.	Lev.	Parts No.	Description	Q'ty						I	R
				(A)	(B)	(C)	(D)	(E)	(F)		
43	1	1E8775-84120	CLAMP, BAND	1	1	1					W
		(A=M10501) (B=M10501) (C=M10501)									
44	1	26106-080162	BOLT, M8X 16 PLATED	2	2	2					W
		(A=M11514) (B=M11514) (C=M11514)									

Remarks

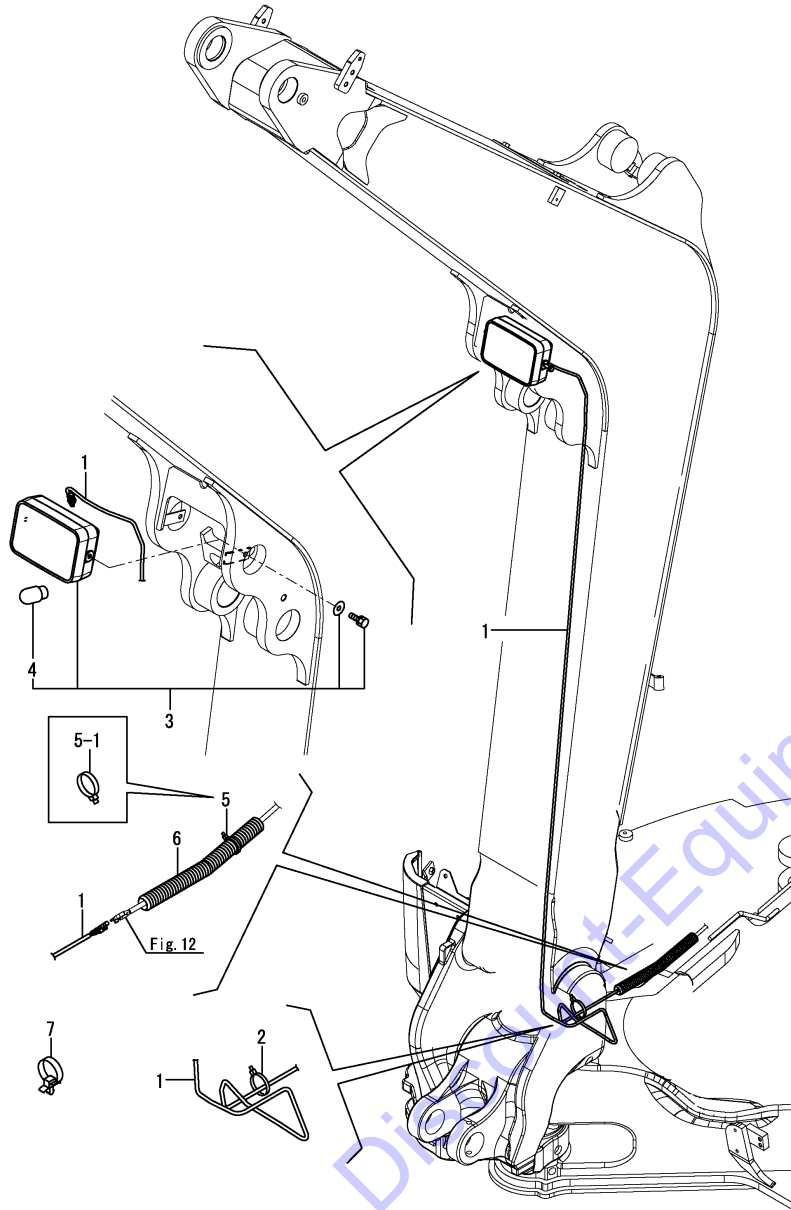
(1)D=REF.NO.17 5.5MM, REF.NO.17-1 7MM.

N:Old  $\xrightarrow{\text{Yes}}$  New, Q:Old  $\xrightarrow{\text{No}}$  New, R:Old  $\xrightarrow{\text{Yes}}$  New, S:Old  $\xrightarrow{\text{No}}$  New, W:Add, Z:Discontinued, F:Interchangeable by set, K:Q'ty Change

Fig.19. ELECTRIC PART(WORK LAMP)

(A)=SV100-1(US)  
 (B)=SV100-1(AS)  
 (C)=SV100-1(NZ)

(D)=  
 (E)=  
 (F)=



No.	Lev.	Parts No.	Description	Q'ty						I	R
				(A)	(B)	(C)	(D)	(E)	(F)		
1	1	172187-16530	HARNES, WIRE	1	1	1					
1-1	1	172A89-16440	HARNES, WIRE	1	1	1					S 1
		(A=M10772) (B=M10772) (C=M10772)									
2	1	172137-16560	BAND	1	1	1					
3	1	172162-17400	LAMP ASSY, WORK	1	1	1					
4	2	172141-17211	BULB	1	1	1					
5	1	172126-11510	BAND	1	1	1					Z
		(A=*2010.05) (B=*2010.05) (C=*2010.05)									
5-1	1	194202-56460	BAND, 200	1	1	1					W
		(A=M10501) (B=M10501) (C=M10501)									
6	1	172A69-16720	TUBE, CORRUGATED	1	1	1					Z
		(A=M10772) (B=M10772) (C=M10772)									
7	1	1E8490-84130	CLAMP, BAND	1	1	1					W
		(A=M10772) (B=M10772) (C=M10772)									

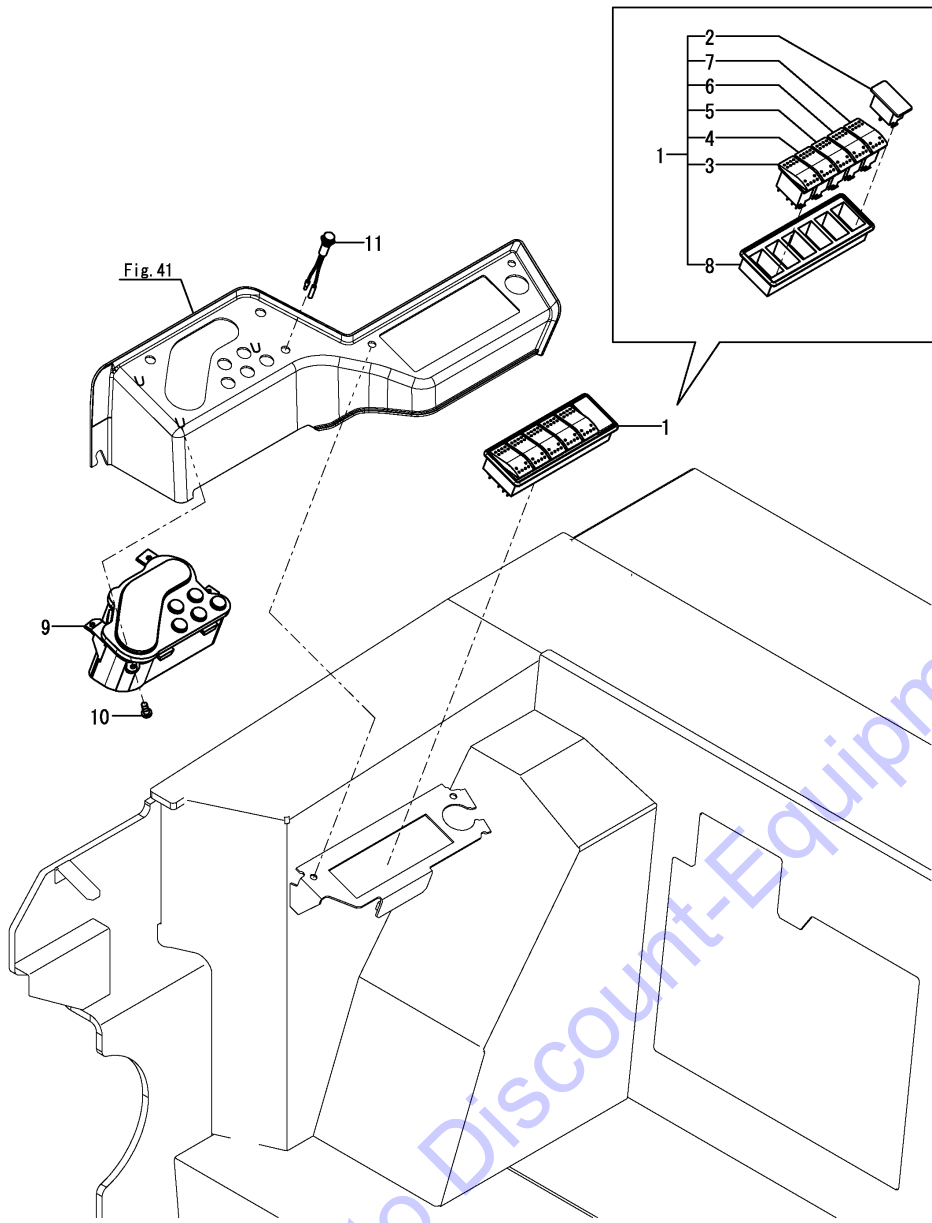
Remarks  
 (1)FULL LENGTH = REF.NO.1 2940MM, REF.NO.1-1 3240MM.



Fig.20. ELECTRIC PART(INDICATOR BOX)

(A)=SV100-1(US)  
 (B)=SV100-1(AS)  
 (C)=SV100-1(NZ)

(D)=  
 (E)=  
 (F)=



No.	Lev.	Parts No.	Description	Q'ty						I	R
				(A)	(B)	(C)	(D)	(E)	(F)		
1	1	172A69-17200	SWITCH ASSY	1	1	1					
1-1	1	172A69-17201	SWITCH ASSY	1	1	1					N
		(A=M10680) (B=M10680) (C=M10680)									
2	2	172538-17100	PLUG, PANEL	1	1	1					
3	2	172A69-17210	SWITCH, TRAVLE	1	1	1					
3-1	2	172A69-17211	SWITCH, TRAVLE	1	1	1					N
		(A=M10680) (B=M10680) (C=M10680)									
4	2	172A69-17220	SWITCH, WIPER	1	1	1					
4-1	2	172A69-17221	SWITCH, WIPER	1	1	1					N
		(A=M10680) (B=M10680) (C=M10680)									
5	2	172A69-17230	SWITCH, LIGHT	1	1	1					
5-1	2	172A69-17231	SWITCH, LIGHT	1	1	1					N
		(A=M10680) (B=M10680) (C=M10680)									
6	2	172A69-17240	SWITCH, AUTO DECEL	1	1	1					
6-1	2	172A69-17241	SWITCH, AUTO DECEL	1	1	1					N
		(A=M11757) (B=M11757) (C=M11757)									
7	2	172A69-17250	SWITCH, ECO	1	1	1					
7-1	2	172A69-17251	SWITCH, ECO	1	1	1					N
		(A=M11757) (B=M11757) (C=M11757)									
8	2	172A69-17270	PANEL	1	1	1					
9	1	172A77-17250	MONITOR ASSY	1	1	1					
10	1	22857-500121	SCREW 5X12	4	4	4					
10-1	1	22857-500121	SCREW 5X12	3	3	3					K
		(A=*2010.05) (B=*2010.05) (C=*2010.05)									
11	1	172A65-17150	LAMP ASSY ASSY	1	1	1					

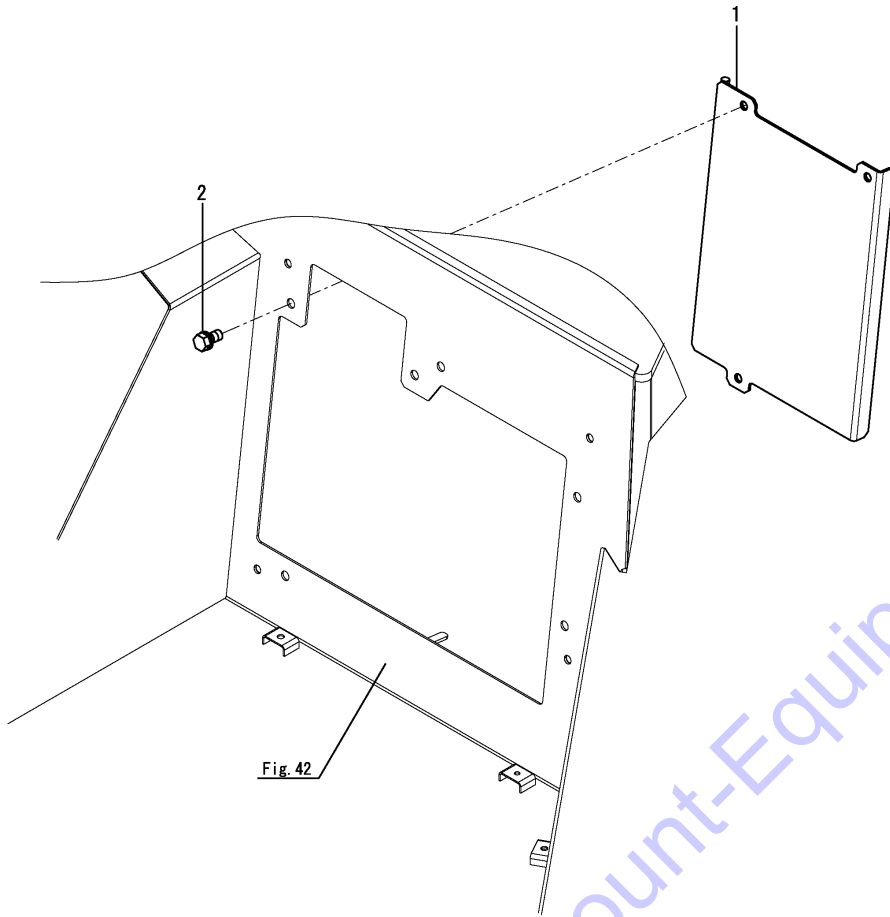
Go to Discount-Equipment.com

Fig.118. (20A)ELECTRIC PART(COVER)

(A)=SV100-1(US)  
 (B)=SV100-1(AS)  
 (C)=SV100-1(NZ)

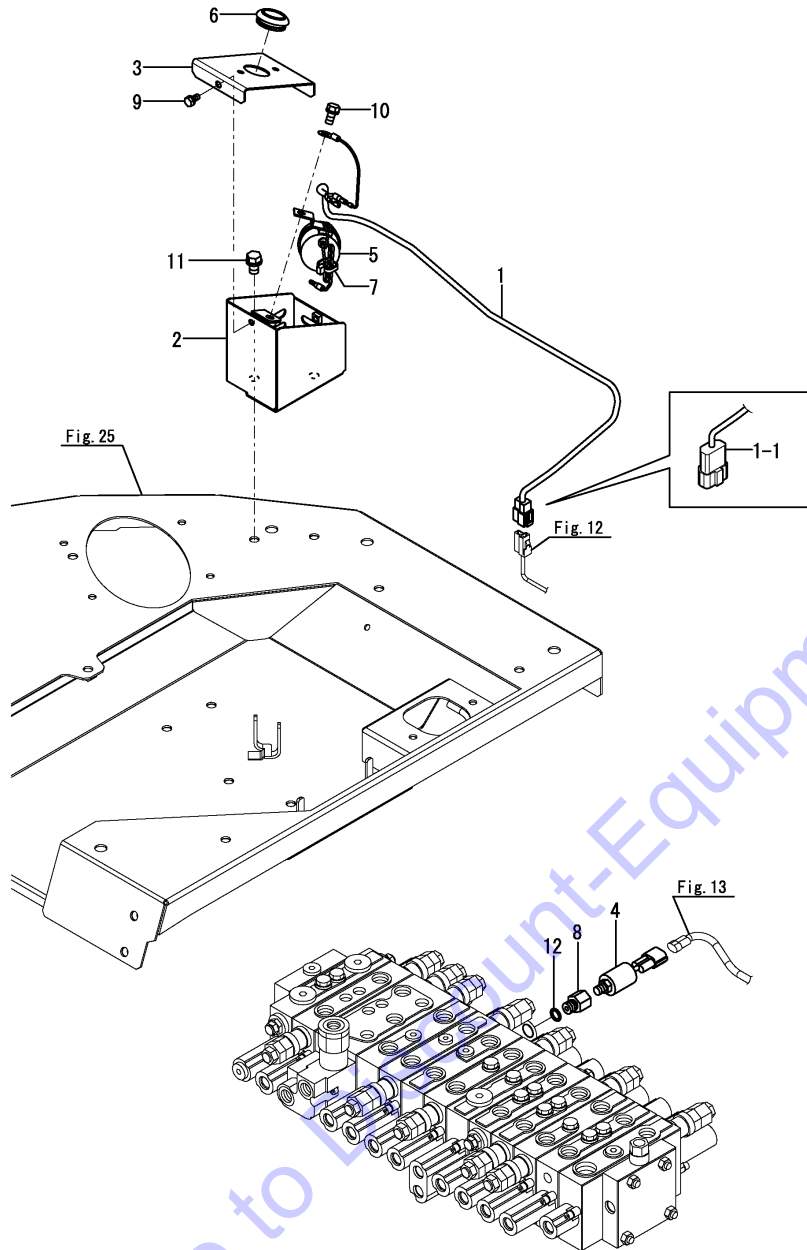
(D)=  
 (E)=  
 (F)=

No.	Lev.	Parts No.	Description	Q'ty						I	R
				(A)	(B)	(C)	(D)	(E)	(F)		
1	1	172A89-17510	COVER ASSY, BOX	1	1	1					
2	1	26013-080162	BOLT, M8X 16	3	3	3					



Go to Discount-Equipment.com to order your parts

Fig.21. TRAVEL ALARM

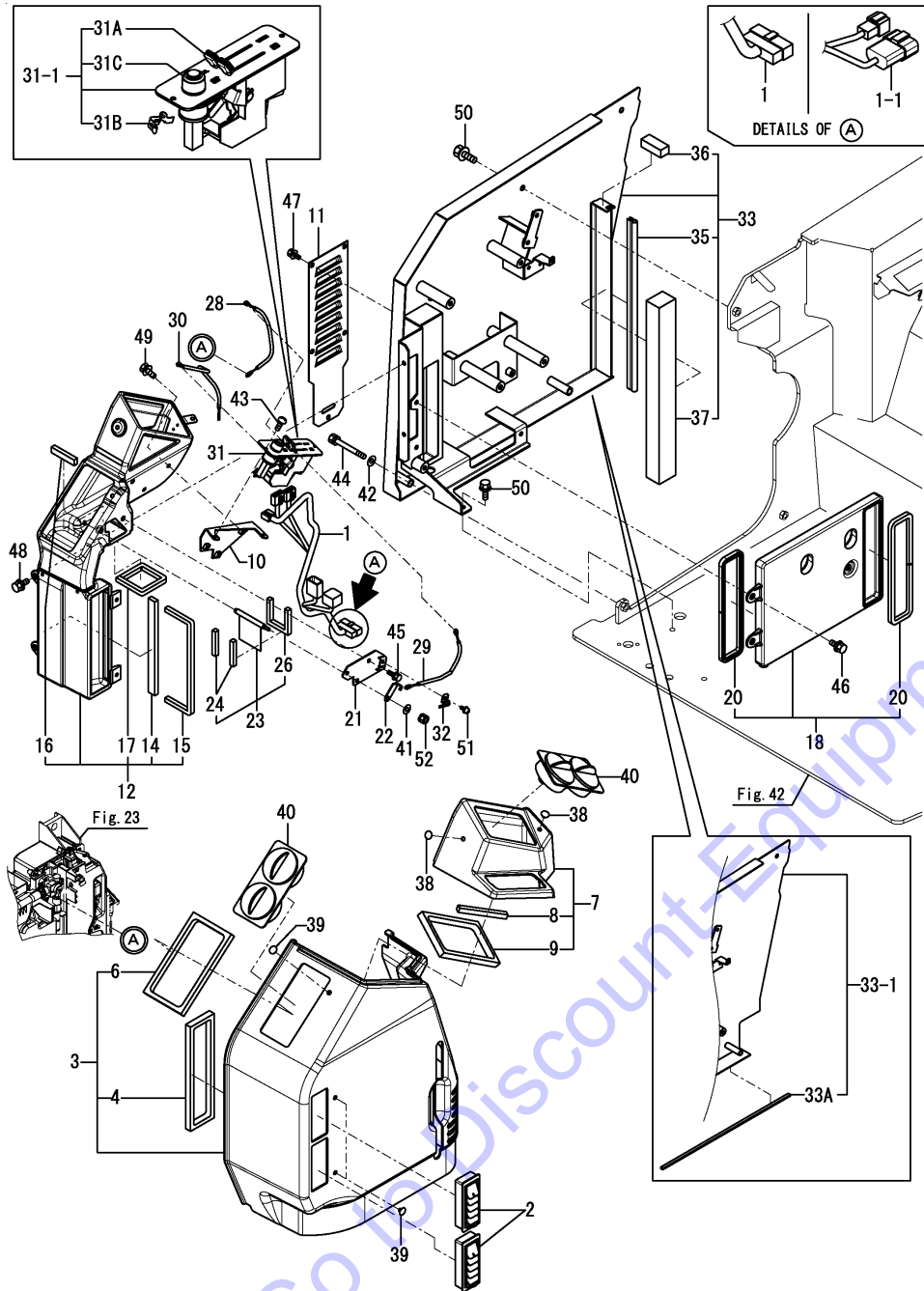


(A)=SV100-1(US)  
 (B)=SV100-1(AS)  
 (C)=SV100-1(NZ)

(D)=  
 (E)=  
 (F)=

No.	Lev.	Parts No.	Description	Q'ty						I	R
				(A)	(B)	(C)	(D)	(E)	(F)		
1	1	172A47-16650	HARNESSES, TRAVEL	1	1	1					
1-1	1	172A89-16420	HARNESSES, TRAVEL	1	1	1					S
		(A=M10772) (B=M10772) (C=M10772)									
2	1	172A69-16810	COVER, BUZZER	1	1	1					
3	1	172A47-16860-1	COVER, FLASHER	1	1	1					
4	1	172478-17200	SWITCH, PRESSURE	1	1	1					
4-1	1	172478-17201	PRESSER SWITCH, ASSY	1	1	1					R
		(A=M10516) (B=M10516) (C=M10516)									
5	1	172511-17351	BUZZER, BACK	1	1	1					
6	1	172456-53700	GROMMET	1	1	1					
7	1	194202-56460	BAND, 200	1	1	1					
8	1	172156-76110	CONNECTOR, PF1/4PT1/8	1	1	1					
9	1	26013-060122	BOLT, M6X 12	2	2	2					
10	1	26013-080162	BOLT, M8X 16	1	1	1					
11	1	26013-100162	BOLT, M10X 16	2	2	2					
12	1	41851-000110	O-RING	1	1	1					

Fig.22. AIR CONDITIONER(CABIN RELATED)

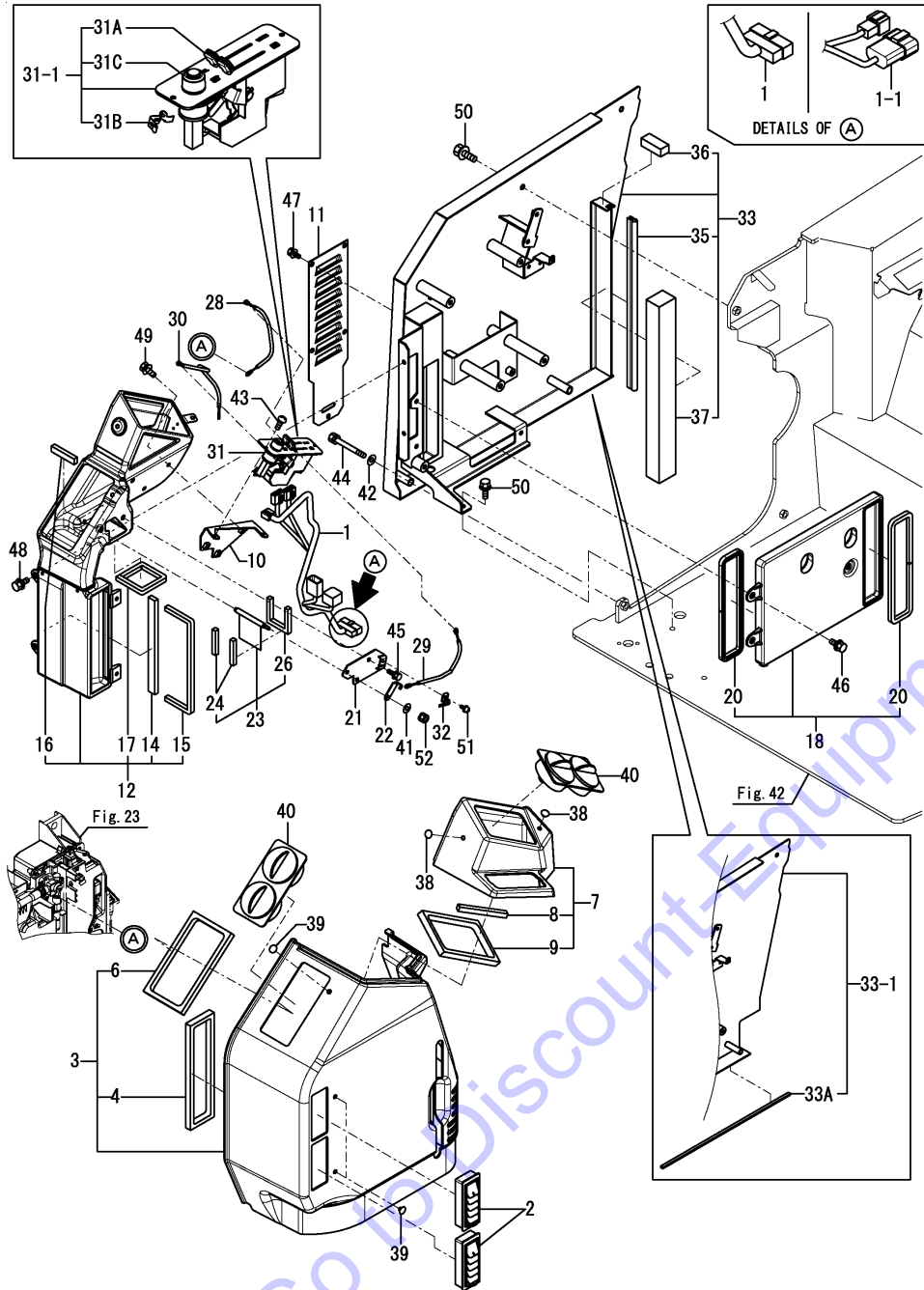


(A)=SV100-1(US)  
 (B)=SV100-1(AS)  
 (C)=SV100-1(NZ)

(D)=  
 (E)=  
 (F)=

No.	Lev.	Parts No.	Description	Q'ty						I	R
				(A)	(B)	(C)	(D)	(E)	(F)		
1	1	172A69-16600	HARNES, WIRE	1	1	1					
1-1	1	172A89-16600	HARNES, WIRE	1	1	1					S
		(A=M10772) (B=M10772) (C=M10772)									
1-2	1	172A89-16601	HARNES B,AIR	1	1	1					N
		(A=M10774) (B=M10774) (C=M10774)									
2	1	172458-17700	GRILLE	2	2	2					
3	1	172A69-18200	COVER ASSY	1	1	1					
4	2	172A69-18210	SEAL, DUCT	1	1	1					
6	2	1A7470-87320	SEAL, DUCT SIDE	1	1	1					
7	1	172A69-18230	COVER ASSY	1	1	1					
8	2	172446-49280	SEAL	1	1	1					
9	2	1A7470-87320	SEAL, DUCT SIDE	1	1	1					
10	1	172A69-18650	BRACKET ASSY	1	1	1					
11	1	172A69-18680	PLATE, INTAKE	1	1	1					
12	1	172A69-18700	DUCT ASSY	1	1	1					
14	2	172A69-18760	SEAL, DUCT	1	1	1					
15	2	172A69-18770	SEAL, DUCT	1	1	1					
16	2	172A69-18780	SPONGE	1	1	1					
17	2	172A69-18790	SEAL, DUCT	1	1	1					
18	1	172A69-18730	DUCT ASSY	1	1	1					
20	2	172A69-18750	SEAL, DUCT	2	2	2					
21	1	172A69-18820	COVER ASSY, DUCT	1	1	1					
22	1	172A69-18860	LEVER, DUMPER	1	1	1					
23	1	172A69-18940	DAMPER ASSY	1	1	1					
24	2	172A69-18800	SEAL	2	2	2					
26	2	172A69-18990	SPONGE	1	1	1					
28	1	172A69-19700	CABLE, HEATER	1	1	1					
29	1	172A69-19710	CABLE, DAMPER	1	1	1					
29-1	1	172A89-19710	CABLE,AC DAMPER	1	1	1					N
		(A=M10577) (B=M10577) (C=M10577)									
30	1	172A69-19720	CABLE, DOOR	1	1	1					
31	1	172A69-19730	CONTROL ASSY	1	1	1					
31-1	1	172A69-19731	CONTROL ASSY	1	1	1					N
		(A=*2014.11.)									
31A	2	1E8545-80080	KNOB, CONTROL	2	2	2					W
		(A=*2014.11.)									
31B	2	1A7030-87790	CLAMP, CABLE	3	3	3					W
		(A=*2014.11.)									
31C	2	1A7030-88211	SWITCH ASSY, AIR CON	1	1	1					W
		(A=*2014.11.)									
32	1	172A69-19890	CLAMP, CABLE	1	1	1					
33	1	172A69-19100	BRACKET ASSY	1	1	1					
33-1	1	172A89-19100	BRACKET ASSY,ACU(49)	1	1	1					S
		(A=M11514) (B=M11514) (C=M11514)									
33A	2	172458-64140	SEAL	1	1	1					W
		(A=M11514) (B=M11514) (C=M11514)									
35	2	172A69-19270	RUBBER, SEAL	1	1	1					Z
		(A=M11514) (B=M11514) (C=M11514)									
36	2	172A69-19280	SEAL	1	1	1					Z
		(A=M11514) (B=M11514) (C=M11514)									
37	2	172A69-19290	SPONGE	1	1	1					Z

Fig.22. AIR CONDITIONER(CABIN RELATED)

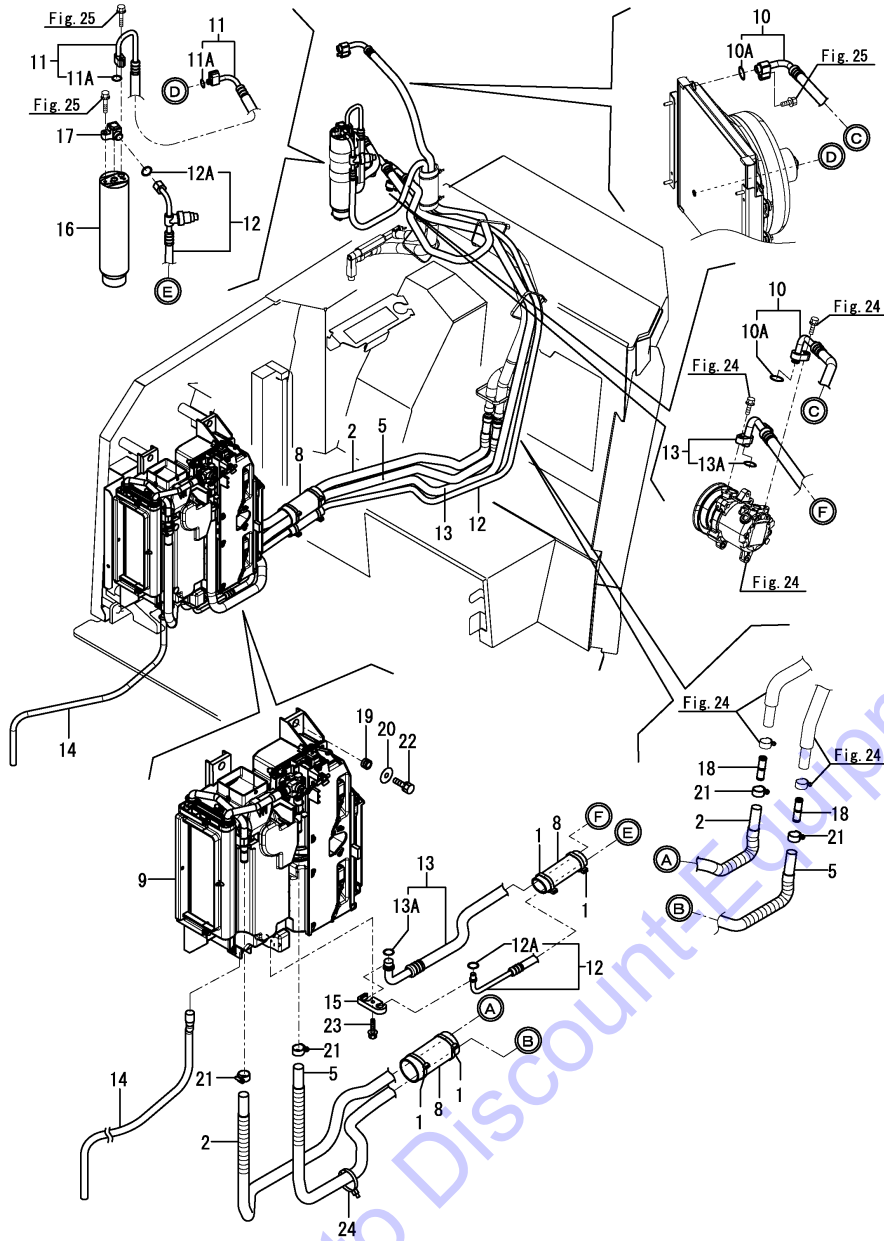


(A)=SV100-1(US)  
 (B)=SV100-1(AS)  
 (C)=SV100-1(NZ)

(D)=  
 (E)=  
 (F)=

No.	Lev.	Parts No.	Description	Q'ty						I	R	
				(A)	(B)	(C)	(D)	(E)	(F)			
		(A=M11514)	(B=M11514)	(C=M11514)								
38	1	172187-63160	CLIP		2	2	2					
39	1	1A6260-64200	CLIP		4	4	4					
40	1	1A7030-87411	GRILLE ASSY, FRONT		2	2	2					
41	1	22137-060000	WASHER, 6		1	1	1					
42	1	22137-100000	WASHER, 10		2	2	2					
43	1	26587-040122	SCREW, M4X12		2	2	2					
44	1	26013-100852	BOLT, SPRING M10X 85		2	2	2					
45	1	26014-060162	BOLT, M6X 16		2	2	2					
45-1	1	26013-060102	BOLT, SPRING M6X 10		2	2	2					N
		(A=*2010.05.)	(B=*2010.05.)	(C=*2010.05.)								
46	1	26014-080162	BOLT, M8X 16		3	3	3					
47	1	26014-080162	BOLT, M8X 16		5	5	5					
48	1	26014-080162	BOLT, M8X 16		4	4	4					
49	1	26014-080162	BOLT, M8X 16		3	3	3					
50	1	26014-100252	BOLT, M10X 25		3	3	3					
51	1	26023-040102	SCREW, M4X10		1	1	1					
52	1	26051-060002	NUT, M6		1	1	1					

Fig.23. AIR CONDITIONER(PIPING)



(A)=SV100-1(US)  
 (B)=SV100-1(AS)  
 (C)=SV100-1(NZ)

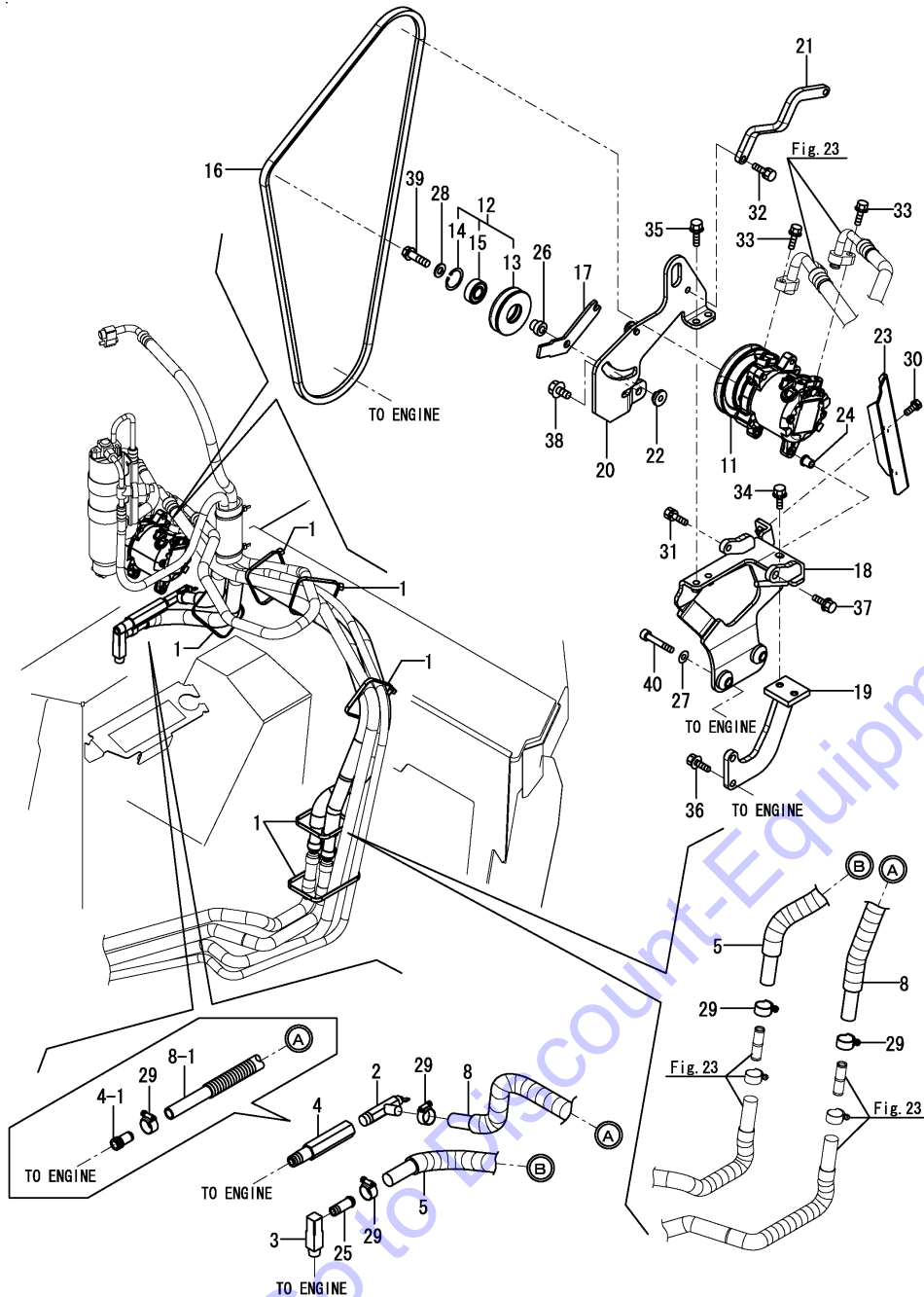
(D)=  
 (E)=  
 (F)=

No.	Lev.	Parts No.	Description	Q'ty						I	R
				(A)	(B)	(C)	(D)	(E)	(F)		
1	1	172126-11510	BAND	4	4	4					
2	1	172A69-17870	HOSE ASSY, HEATER	1	1	1					
5	1	172A69-17890	HOSE ASSY, HEATER	1	1	1					
8	1	172A69-18900	SPONGE, HOSE	2	2	2					
9	1	172A69-19010	CONDITIONER ASSY,AIR	1	1	1					1
10	1	172A69-19800	HOSE	1	1	1					
10A	2	1A7030-88820	O-RING	2	2	2					W
		(A=*2015.11.) (B=*2015.11.) (C=*2015.11.)									
11	1	172A69-19810	HOSE	1	1	1					
11A	2	1A7030-88760	O-RING	2	2	2					W
		(A=*2015.11.) (B=*2015.11.) (C=*2015.11.)									
12	1	172A69-19820	HOSE	1	1	1					
12A	2	1A7030-88760	O-RING	2	2	2					W
		(A=*2015.11.) (B=*2015.11.) (C=*2015.11.)									
13	1	172A69-19830	HOSE	1	1	1					
13A	2	1A7030-88840	O-RING	2	2	2					W
		(A=*2015.11.) (B=*2015.11.) (C=*2015.11.)									
14	1	172A69-19860	HOSE, DRAIN	1	1	1					
15	1	172A69-19880	CONNECTOR	1	1	1					
16	1	1E8545-80210	DRYER, RECEIVER	1	1	1					
17	1	1E8545-80250	JOINT, RECEIVER	1	1	1					
18	1	1A7030-88660	PIPE, JOINT	2	2	2					
19	1	172491-61490	SPACER	6	6	6					
20	1	22157-080000	WASHER, 8	6	6	6					
21	1	23001-022000	CLAMP, HOSE 22	4	4	4					
21-1	1	23080-018000	CLAMP, 18	4	4	4					R
		(A=M10577) (B=M10577) (C=M10577)									
22	1	26013-080252	BOLT, SPRING M8X 25	6	6	6					
23	1	26014-060252	BOLT, M6X 25	1	1	1					
24	1	172126-11510	BAND	1	1	1					

Remarks

(1) Inner parts are shown in Fig.116.

Fig.24. AIR CONDITIONER(ENGINE RELATED)

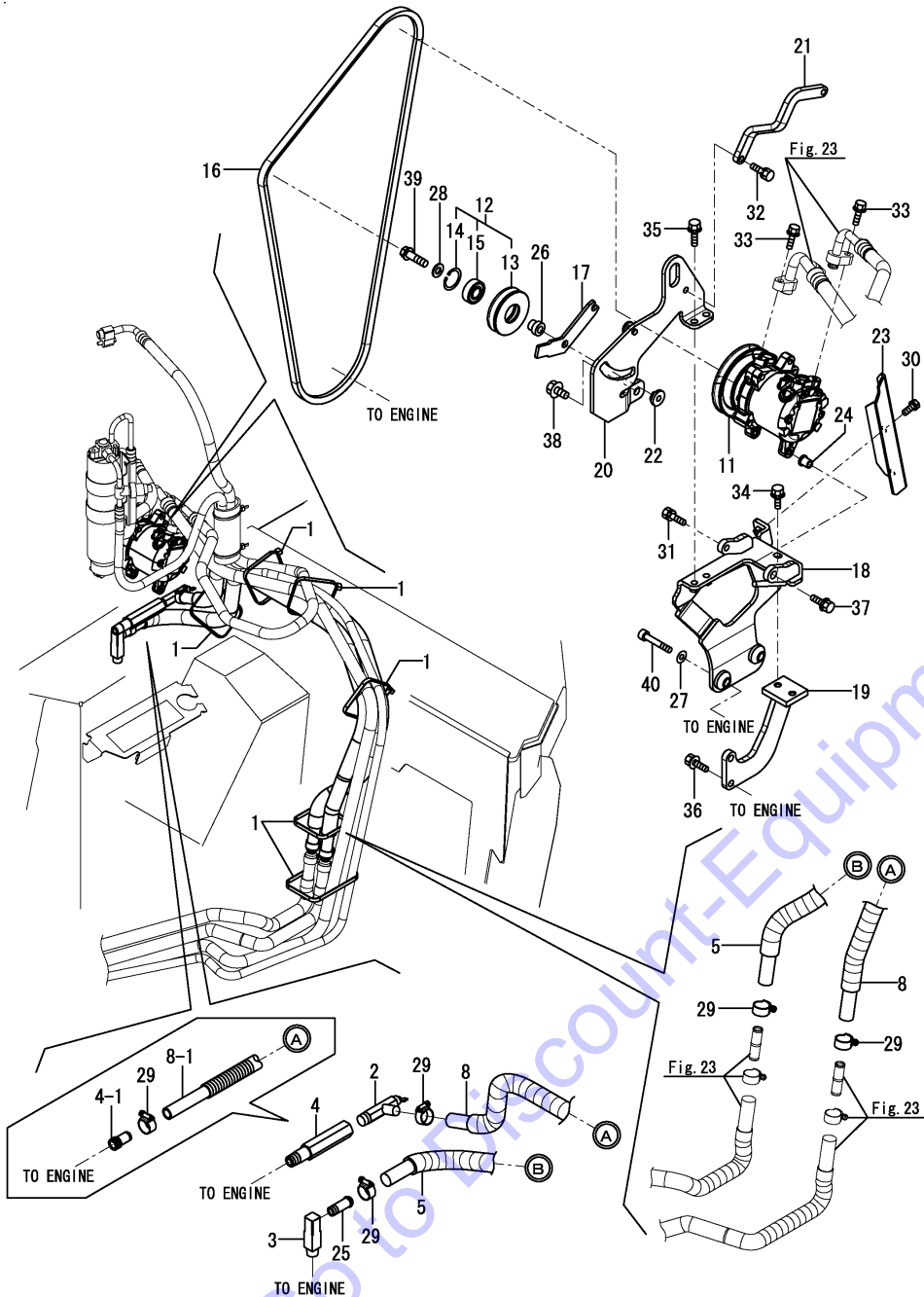


(A)=SV100-1(US)  
(B)=SV100-1(AS)  
(C)=SV100-1(NZ)

(D)=  
(E)=  
(F)=

No.	Lev.	Parts No.	Description	Q'ty						I	R
				(A)	(B)	(C)	(D)	(E)	(F)		
1	1	172126-11510	BAND	6	6	6					
1-1	1	172126-11510	BAND, 300	7	7	7					K
		(A=M10501) (B=M10501) (C=M10501)									
2	1	172425-17630	VALVE ASSY, HEATER	1	1	1					Z
		(A=M11514) (B=M11514) (C=M11514)									
3	1	172499-17650	ELBOW	1	1	1					
4	1	172A65-17650	CONNECTOR	1	1	1					
4-1	1	172124-17640	JOINT, PIPE	1	1	1					S
		(A=M11514) (B=M11514) (C=M11514)									
5	1	172A69-17810	HOSE ASSY, HEATER	1	1	1					
8	1	172A69-17840	HOSE ASSY, HEATER	1	1	1					
8-1	1	172A69-17940	HOSE ASSY, HEATER 1200	1	1	1					S
		(A=M11514) (B=M11514) (C=M11514)									
11	1	172A69-18100	COMPRESSOR ASSY	1	1	1					
12	1	172A69-18150	PULLEY ASSY, TENSION	1	1	1					
13	2	172A69-18160	PULLEY, TENSION	1	1	1					
14	2	22252-000350	RING, 35	1	1	1					
15	2	24104-062020	BEARING, 6202UUC3	1	1	1					
16	1	172A69-18190	V-BELT	1	1	1					
17	1	172A69-18290	BAR, ADJUST	1	1	1					
18	1	172A69-18300	BRACKET ASSY	1	1	1					
18-1	1	172A89-18110	BRACKET A ASSY	1	1	1					N
		(A=M10577) (B=M10577) (C=M10577)									
19	1	172A69-18350	BRACKET ASSY	1	1	1					
20	1	172A69-18370	BRACKET, BOOM	1	1	1					
20-1	1	172A69-18371	BRACKET(PULLY ASSY	1	1	1					N
		(A=M11823) (B=M11823) (C=M11823)									
21	1	172A69-18400	PLATE	1	1	1					
21-1	1	172A69-18401	PLATE	1	1	1					N
		(A=M10544) (B=M10544) (C=M10544)									
22	1	172187-18410	NUT, PULLEY	1	1	1					
23	1	172A69-18410	GUARD, BELT	1	1	1					
23-1	1	172A89-18150	GUARD, BELT	1	1	1					N
		(A=M10577) (B=M10577) (C=M10577)									
24	1	172A69-18430	COLLAR, COMPRESSOR	1	1	1					
25	1	129122-44480	JOINT	1	1	1					
26	1	129466-96240	SPACER	1	1	1					
27	1	22137-080000	WASHER, 8	2	2	2					
28	1	22137-100000	WASHER, 10	1	1	1					
29	1	23001-022000	CLAMP, HOSE 22	4	4	4					
29-1	1	23080-018000	CLAMP, 18	4	4	4					R
		(A=M10577) (B=M10577) (C=M10577)									
30	1	26013-080202	BOLT, M8X 20	2	2	2					
31	1	26013-080252	BOLT, M8X 25	1	1	1					
32	1	26013-080252	BOLT, M8X 25	2	2	2					
33	1	26014-060252	BOLT, M6X 25	2	2	2					
34	1	26014-080202	BOLT, M8X 20	2	2	2					
35	1	26014-080252	BOLT, M8X 25	2	2	2					
36	1	26014-080252	BOLT, M8X 25	2	2	2					
37	1	26014-080352	BOLT, M8X 35	1	1	1					
38	1	26106-100202	BOLT, M10X 20 PLATED	1	1	1					

Fig.24. AIR CONDITIONER(ENGINE RELATED)



(A)=SV100-1(US)  
 (B)=SV100-1(AS)  
 (C)=SV100-1(NZ)

(D)=  
 (E)=  
 (F)=

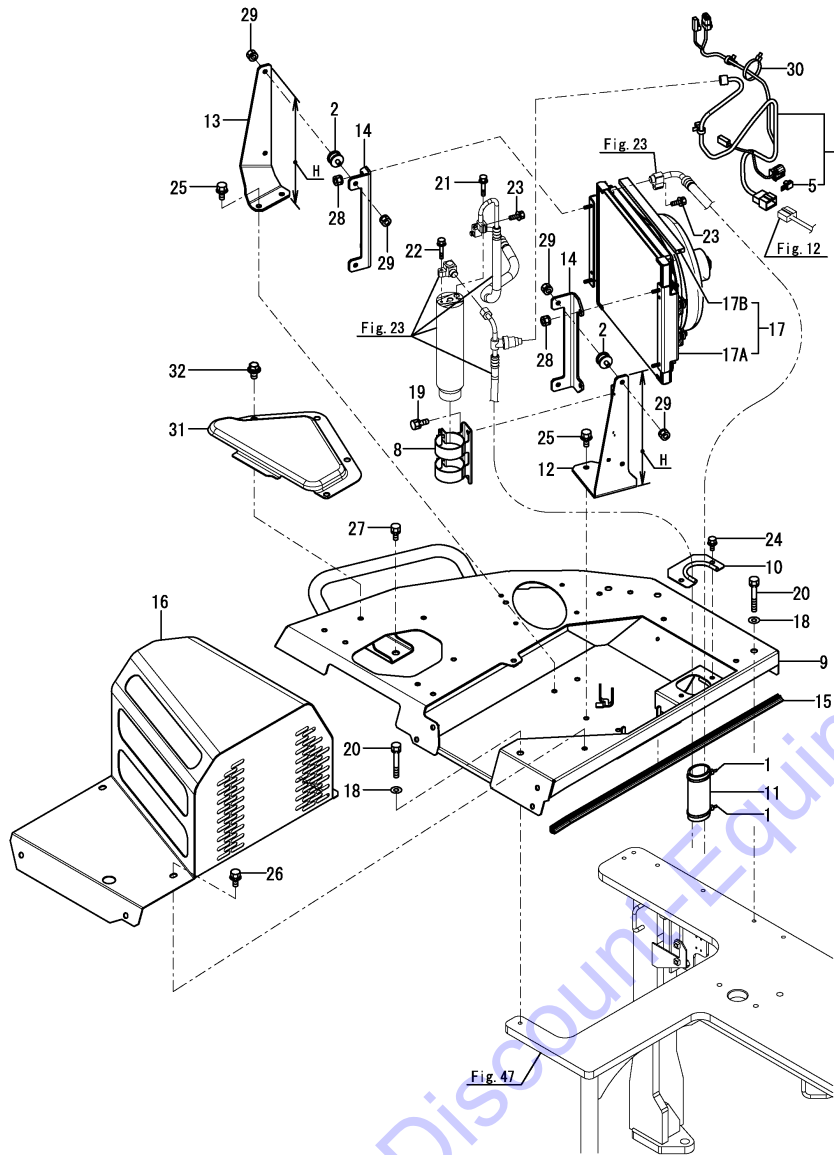
No.	Lev.	Parts No.	Description	Q'ty						I	R
				(A)	(B)	(C)	(D)	(E)	(F)		
39	1	26106-100352	BOLT, M10X 35 PLATED	1	1	1					
40	1	26450-080502	BOLT, M8X 50	2	2	2					



Fig.25. AIR CONDITIONER(CONDENSER RELATED)

(A)=SV100-1(US)  
 (B)=SV100-1(AS)  
 (C)=SV100-1(NZ)

(D)=  
 (E)=  
 (F)=



No.	Lev.	Parts No.	Description	Q'ty						I	R
				(A)	(B)	(C)	(D)	(E)	(F)		
1	1	172126-11510	BAND	2	2	2					
2	1	172447-13550	MOUNT, PAD	4	4	4					
3	1	172A69-16570	HARNES ASSY, WIRE	1	1	1					
5	2	172648-16600	DIODE	1	1	1					
8	1	172162-18040	BRACKET, RADIATOR	1	1	1					
9	1	172A69-18450	COVER	1	1	1					
10	1	172A69-18580	COVER	1	1	1					
11	1	172A69-18900	SPONGE, HOSE	1	1	1					
12	1	172A69-19540	STAY	1	1	1					
12-1	1	172A69-19541	STAY L ASSY,AC COND	1	1	1					S 2
		(A=M10544) (B=M10544) (C=M10544)									
13	1	172A69-19580	STAY	1	1	1					
13-1	1	172A69-19581	STAY R,AC COND	1	1	1					S 2
		(A=M10544) (B=M10544) (C=M10544)									
14	1	172A69-19590	BRACKET	2	2	2					
15	1	172A69-19600	RUBBER, SEAL	1	1	1					
16	1	172A69-19610	COVER	1	1	1					
17	1	172A69-19680	CONDENSER ASSY	1	1	1					1
17-1	1	172A89-19670	CONDENSER ASSY	1	1	1					N 1
		(A=M10544) (B=M10544) (C=M10544)									
17A	2	172A69-19680	CONDENSER ASSY	1	1	1					1
17B	2	172A89-19680	SEAL ,CONDENCER	1	1	1					
18	1	22137-100000	WASHER, 10	3	3	3					
19	1	26013-080162	BOLT, M8X 16	2	2	2					
20	1	26013-100702	BOLT, M10X 70	3	3	3					
21	1	26014-060252	BOLT, M6X 25	1	1	1					
22	1	26014-060252	BOLT, M6X 25	1	1	1					
23	1	26014-060302	BOLT, M6X 30	2	2	2					
24	1	26014-080162	BOLT, M8X 16	2	2	2					
25	1	26014-100202	BOLT, M10X 20	4	4	4					
26	1	26014-100202	BOLT, M10X 20	6	6	6					
27	1	26014-100202	BOLT, M10X 20	1	1	1					
28	1	26051-060002	NUT, M6	4	4	4					
29	1	26051-080002	NUT, M8	8	8	8					
30	1	172126-11510	BAND	1	1	1					
31	1	172A69-62130	COVER,UPPER	1	1	1					W 3
		(A=M10501) (B=M10501) (C=M10501)									
32	1	26014-100202	BOLT, 10 X 20	4	4	4					W
		(A=M10501) (B=M10501) (C=M10501)									
33A	1	172437-03391	LABEL, RADIATOR	1	1	1					4

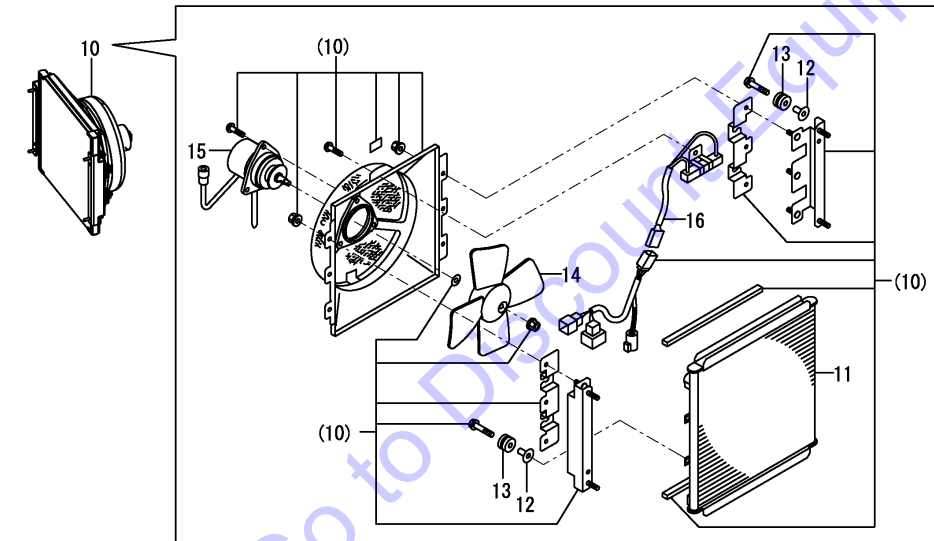
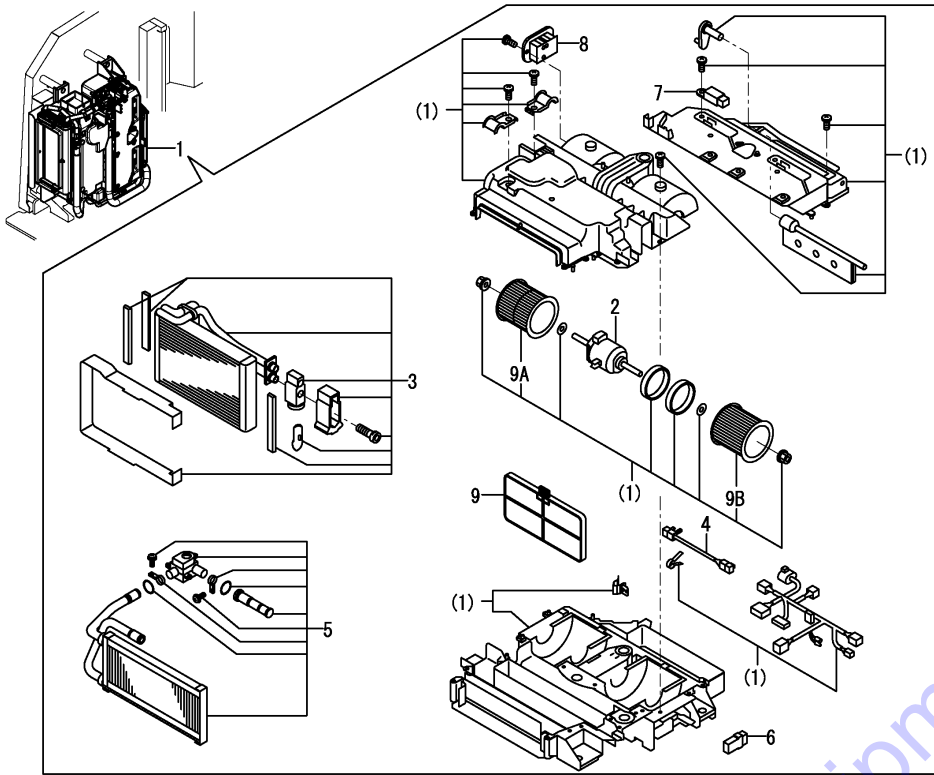
Remarks

- (1)Please refer to Fig.No.116 for the inner part.
- (2)H1=No.12,13:311mm,No.12-1,13-1:316mm.
- (3)Attach the No.33A label to this part.
- (4)Not illustrated.

Fig.116. AIR CONDITIONER(UNIT, CONDENSER : INNER PARTS)

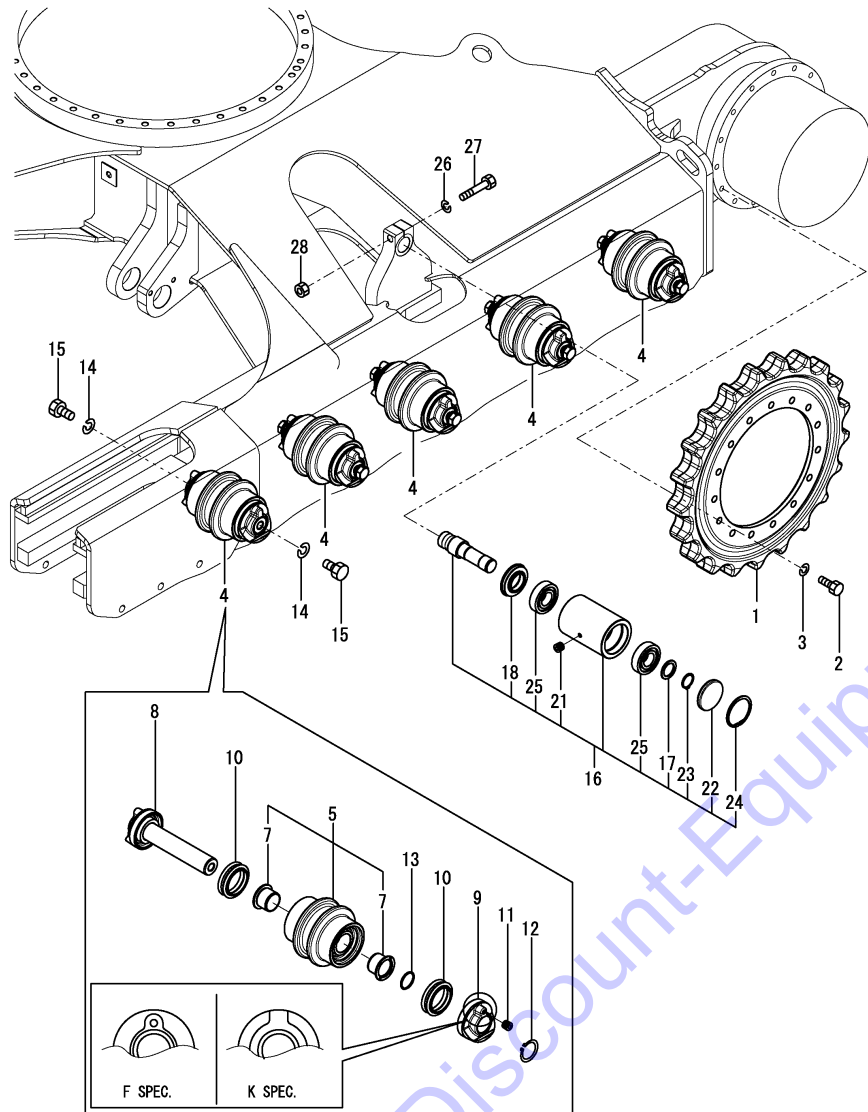
(A)=SV100-1(US)  
 (B)=SV100-1(AS)  
 (C)=SV100-1(NZ)

(D)=  
 (E)=  
 (F)=



No.	Lev.	Parts No.	Description	Q'ty						I	R
				(A)	(B)	(C)	(D)	(E)	(F)		
1	1	172A69-19010	CONDITIONER ASSY,AIR	1	1	1					
2	2	172A69-19310	MOTOR,BLOWER ASSY	1	1	1					
3	2	172A69-19320	EVAPORATOR ASSY	1	1	1					
4	2	172A69-19330	THERMISTOR ASSY	1	1	1					
5	2	172A69-19340	CORE ASSY, HEATER	1	1	1					
6	2	172A69-19350	AMPLIFIER	1	1	1					
7	2	172A69-19360	RELAY	1	1	1					
8	2	172A69-19370	RESISTOR	1	1	1					
9	2	172A69-19380	FILTER ASSY	1	1	1					
9A	2	172A69-19390	FAN, BLOWER L	1	1	1					W
		(A=*2014.09) (B=*2014.09) (C=*2014.09)									
9B	2	172A69-19400	FAN, BLOWER R	1	1	1					W
		(A=*2014.09) (B=*2014.09) (C=*2014.09)									
10	1	172A69-19680	CONDENSER ASSY	1	1	1					
11	2	172A69-19410	CORE, CONDENSER	1	1	1					
12	2	172A69-19420	BUSH	1	1	1					
13	2	172A69-19430	GROMMET	1	1	1					
14	2	172A69-19440	FAN ASSY	1	1	1					
15	2	172A69-19450	MOTOR ASSY, FAN	1	1	1					
16	2	172A69-19460	RESISTER,BLOWER	1	1	1					

Fig.26. SPROCKET & ROLLER



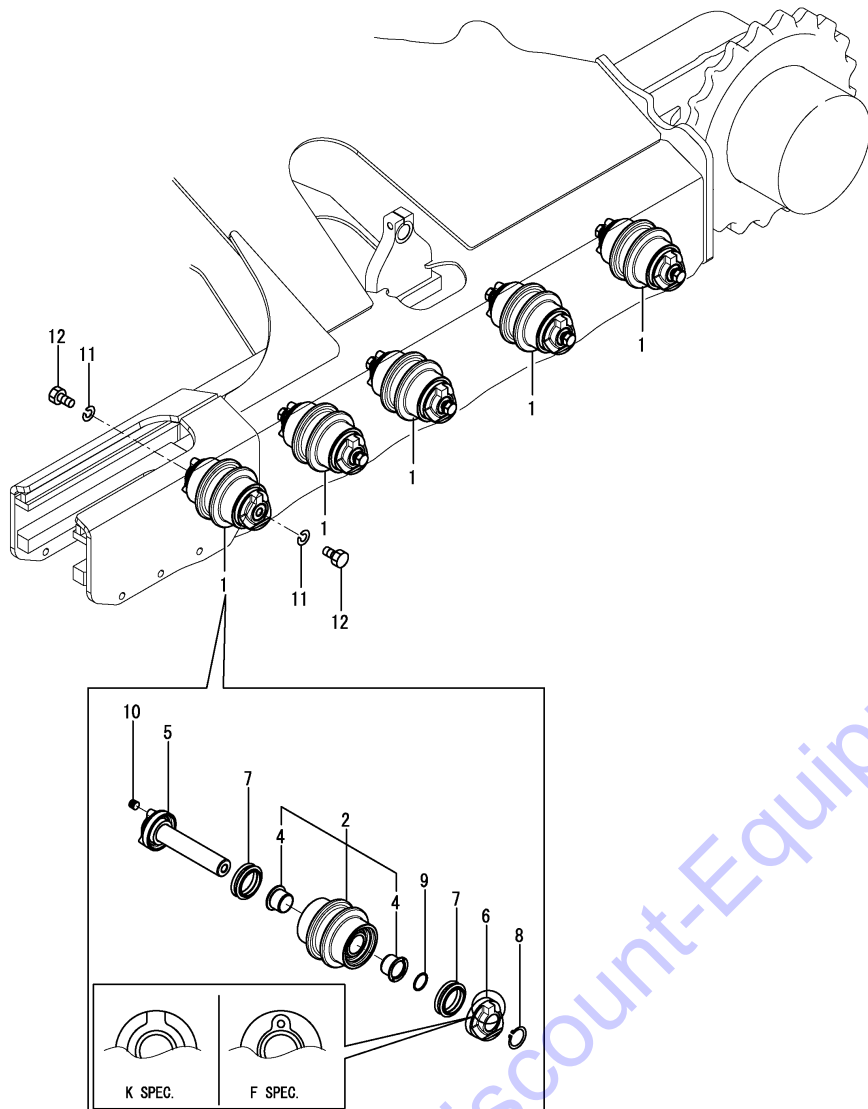
(A)=SV100-1(US)  
 (B)=SV100-1(AS)  
 (C)=SV100-1(NZ)

(D)=  
 (E)=  
 (F)=

No.	Lev.	Parts No.	Description	Q'ty						I	R
				(A)	(B)	(C)	(D)	(E)	(F)		
1	1	172499-29100-1	SPROCKET, 21	2	2	2					
2	1	172460-73320	BOLT	30	30	30					
3	1	22217-160000	WASHER, SPRING 16	30	30	30					
4	1	172499-37301	ROLLER ASSY	10	10	10					Z 1
		(A=*2014.09) (B=*2014.09) (C=*2014.09)									
5	2	172499-37310	ROLLER ASSY	10	10	10					
7	3	172499-37360	BUSH	20	20	20					
8	2	172499-37331-1	SHAFT,ROLLER	10	10	10					
9	2	172499-37371	COVER, SEAL	10	10	10					
10	2	172499-37380	SEAL, FLOATING	20	20	20					
11	2	194630-42120	PLUG, PT1/8	10	10	10					
12	2	22242-000450	RING, 45	10	10	10					
13	2	24321-000400	O-RING, 1AG40.0	10	10	10					
14	1	22217-200000	WASHER, SPRING 20	20	20	20					
15	1	26076-200409	BOLT, 10.920X 40	20	20	20					
16	1	172499-37500-1	ROLLER ASSY, CARRIER	2	2	2					
17	2	172730-31630	COLLAR	2	2	2					
18	2	172164-37120	SEAL, OIL	2	2	2					
21	2	194630-42120	PLUG, PT1/8	2	2	2					
22	2	1T3681-86450	PLUG	2	2	2					
23	2	22242-000350	RING, 35	2	2	2					
24	2	22252-000800	RING, 80	2	2	2					
25	2	24101-063074	BEARING, BALL 6307	4	4	4					
26	1	22217-160000	WASHER, SPRING 16	2	2	2					
27	1	26116-160852	BOLT, M16X 85 PLATED	2	2	2					
28	1	26716-160002	NUT, M16	2	2	2					

Remarks  
 (1)Replacement with Fig.127(26A) No.1.  
 The inner parts are not compatible.

Fig.127. (26A)TRACK ROLLER(K SPEC.)



(A)=SV100-1(US)  
 (B)=SV100-1(AS)  
 (C)=SV100-1(NZ)

(D)=  
 (E)=  
 (F)=

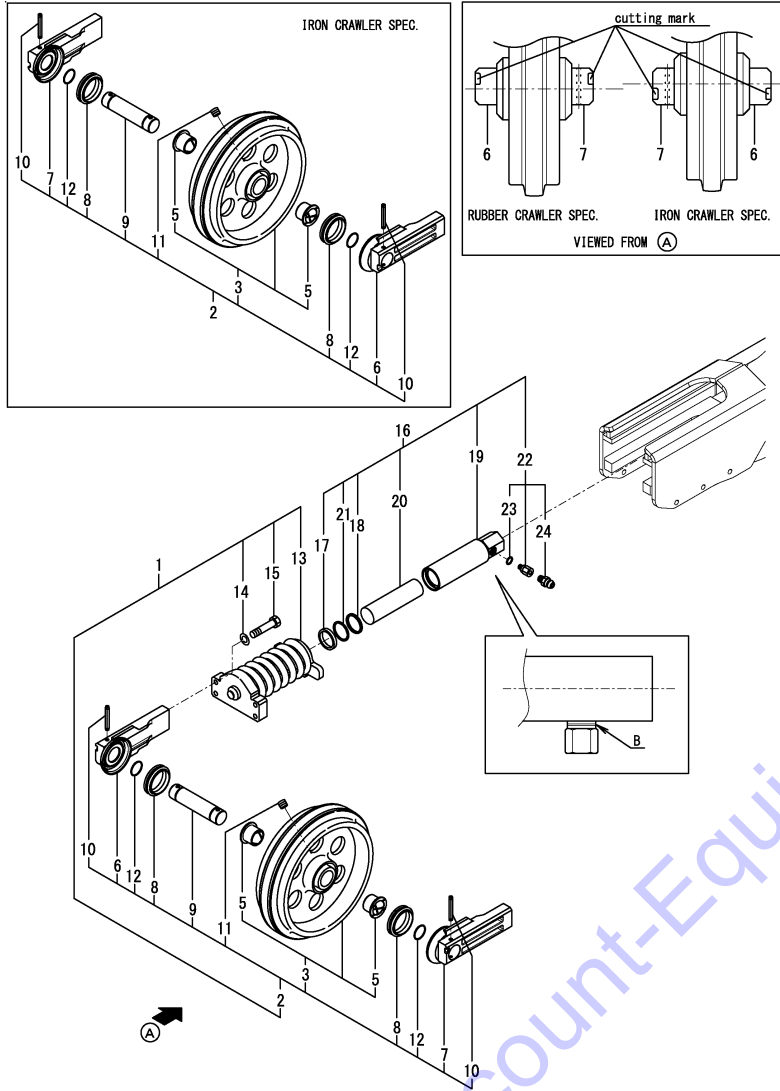
No.	Lev.	Parts No.	Description	Q'ty						I	R	
				(A)	(B)	(C)	(D)	(E)	(F)			
1	1	172B12-37300 (A=*2014.09)	ROLLER ASSY, LOWER (B=*2014.09) (C=*2014.09)	10	10	10					W	1
2	2	172B12-37310	ROLLER ASSY, LOWER	10	10	10						
4	3	172B12-37330	BUSH	20	20	20						
5	2	172B12-37340	SHAFT ASSY	10	10	10						
6	2	172B12-37370	COVER, SEAL R	10	10	10						
7	2	172B12-37380	SEAL, FLOATING	20	20	20						
8	2	22242-000450	RING, 45	10	10	10						
9	2	24321-000400	O-RING, 1AG40.0	10	10	10						
10	2	933171-13691	PLUG	10	10	10						
11	1	22217-200000	WASHER, SPRING 20	20	20	20						
12	1	26076-200409	BOLT, 10.920X 40	20	20	20						

Remarks  
 (1)Track roller(F spec.) are shown in Fig.26.  
 The inner parts are not compatible.

Fig.27. IDLER & ADJUST

(A)=SV100-1(US)  
 (B)=SV100-1(AS)  
 (C)=SV100-1(NZ)

(D)=  
 (E)=  
 (F)=



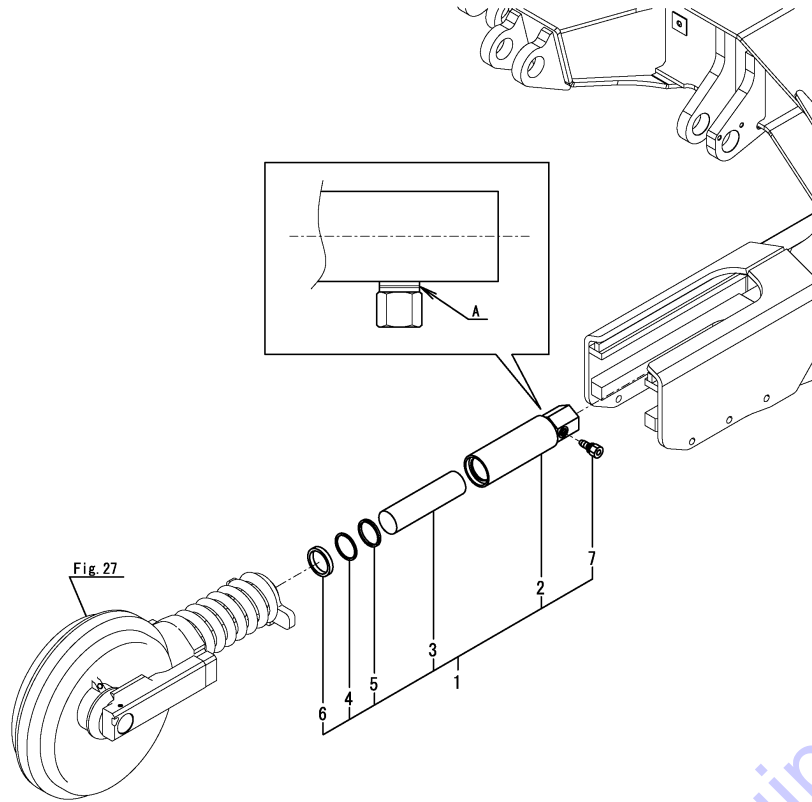
No.	Lev.	Parts No.	Description	Q'ty						I	R
				(A)	(B)	(C)	(D)	(E)	(F)		
1	1	772499-37100	IDLER ASSY	2	2	2					
2	2	172499-37101-1	IDLER ASSY	2	2	2					1
3	3	172499-37111	IDLER, 450	2	2	2					
5	4	172499-37131	BUSH	4	4	4					
6	3	172499-37142	COVER, IDLER SEAL	2	2	2					
7	3	172499-37152	COVER, IDLER SEAL	2	2	2					
8	3	172499-37161	SEAL, FLOATING	4	4	4					
9	3	172499-37172	SHAFT, IDLER	2	2	2					
10	3	172499-37180	PIN, SPRING	4	4	4					
11	3	23876-020000	PLUG, R02	2	2	2					
12	3	24311-000490	O-RING, 1AP49.0	4	4	4					
13	2	172499-37700-1	ADJUSTER ASSY	2	2	2					
14	2	22217-160000	WASHER, SPRING 16	8	8	8					
15	2	26116-160702	BOLT M16X 70 PLATED	8	8	8					
16	1	172499-37750-1	CYLINDER ASSY	2	2	2					Z 2
		(A=*2016.05)	(B=*2016.05)	(C=*2016.05)							
17	2	172020-10390	SEAL, DUST	2	2	2					
18	2	172020-10401	SEAL	2	2	2					
19	2	172499-37760	TUBE ASSY, ADJUST	2	2	2					
20	2	172499-37790	PISTON	2	2	2					
21	2	172499-37800	RING, BUCK UP	2	2	2					
22	2	172122-37844	VALVE ASSY, NIPPLE	2	2	2					
23	3	24315-000140	O-RING, 1BP14.0	2	2	2					
24	3	24761-020000	NIPPLE, GREASE PT1/8	2	2	2					

Remarks

\* B : Y specifications have a slit for the identification.  
 S specifications do not have a slit for the identification.  
 S specifications are shown in Fig.129(27A).

- (1) This part is used both rubber crawler & iron crawler.  
 When constructing Idler Assy, The direction of cutting mark of idler seal cover A & B is the opposite side concerning rubber crawler & iron crawler.
- (2) Interchangeable by Fig.129(27A) No.1.  
 The inner parts are not compatible.

Fig.129. (27A)CRAWLER ADJUST(S SPEC.)



(A)=SV100-1(US)  
 (B)=SV100-1(AS)  
 (C)=SV100-1(NZ)

(D)=  
 (E)=  
 (F)=

No.	Lev.	Parts No.	Description	Q'ty						I	R
				(A)	(B)	(C)	(D)	(E)	(F)		
1	1	172B12-37750 (A=*2016.05) (B=*2016.05) (C=*2016.05)	CYLINDER ASSY, ADJUS	2	2	2					W
2	2	172B12-37760	TUBE ASSY,ADJUST	2	2	2					
3	2	172B12-37790	PISTON	2	2	2					
4	2	172B12-37800	RING, BACK UP	2	2	2					
5	2	172B12-37810	SEAL, ISI 65X75X6	2	2	2					
6	2	172B12-37820	SEAL, DUST65X75X11	2	2	2					
7	2	172B06-37951	NIPPLE, VALVE	2	2	2					

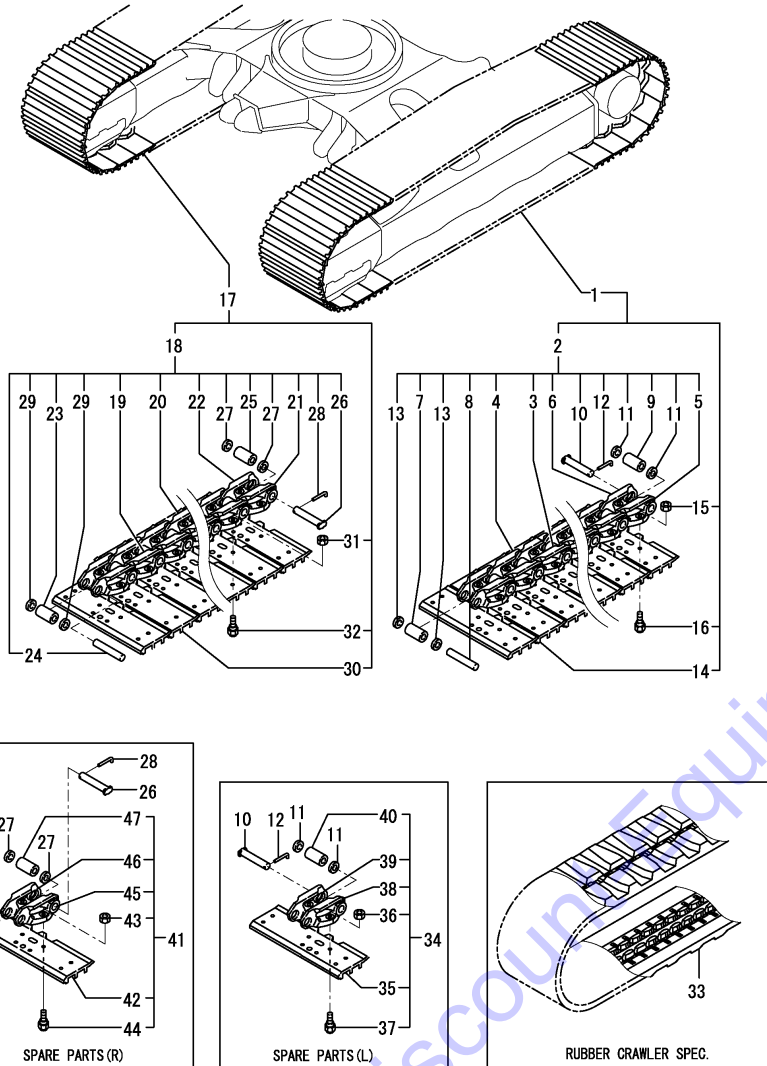
Remarks

\* A : Y specifications have a slit for the identification.  
 S specifications do not have a slit for the identification.  
 Y specifications are shown in Fig.27.  
 The inner parts are not compatible.

Fig.28. CRAWLER

(A)=SV100-1(US)  
 (B)=SV100-1(AS)  
 (C)=SV100-1(NZ)

(D)=  
 (E)=  
 (F)=



No.	Lev.	Parts No.	Description	Q'ty						I	R
				(A)	(B)	(C)	(D)	(E)	(F)		
1	1	172499-38100-1	SHOE ASSY, TRACK 475	1	1	1					1
2	2	172499-38120	LINK ASSY	1	1	1					
3	3	172499-38180	LINK, TRUCK	37	37	37					
4	3	172499-38190	LINK, TRUCK	37	37	37					
5	3	172499-38200	LINK, MASTER	1	1	1					
6	3	172499-38210	LINK, MASTER	1	1	1					
7	3	172499-38220	BUSH, TRUCK	37	37	37					
8	3	172499-38230	PIN, TRUCK	37	37	37					
9	3	172499-38240	BUSH, MASTER	1	1	1					
10	3	172499-38250	PIN, MASTER	1	1	1					
11	3	172499-38260	COLLAR	2	2	2					
12	3	172499-38270	PIN, STOP	1	1	1					
13	3	172499-38280	SEAL	74	74	74					
14	2	172499-38130-1	PLATE, SHOE	38	38	38					
15	2	172499-38160	NUT, SHOE	152	152	152					
16	2	172499-38170	BOLT, SHOE	152	152	152					
17	1	172499-38110-1	SHOE ASSY, TRACK 475	1	1	1					1
18	2	172499-38120	LINK ASSY	1	1	1					
19	3	172499-38180	LINK, TRUCK	37	37	37					
20	3	172499-38190	LINK, TRUCK	37	37	37					
21	3	172499-38200	LINK, MASTER	1	1	1					
22	3	172499-38210	LINK, MASTER	1	1	1					
23	3	172499-38220	BUSH, TRUCK	37	37	37					
24	3	172499-38230	PIN, TRUCK	37	37	37					
25	3	172499-38240	BUSH, MASTER	1	1	1					
26	3	172499-38250	PIN, MASTER	1	1	1					
27	3	172499-38260	COLLAR	2	2	2					
28	3	172499-38270	PIN, STOP	1	1	1					
29	3	172499-38280	SEAL	74	74	74					
30	2	172499-38140-1	PLATE, SHOE	38	38	38					
31	2	172499-38160	NUT, SHOE	152	152	152					
32	2	172499-38170	BOLT, SHOE	152	152	152					
33	1	172499-38600	CRAWLER, RUBBER 485	2	2	2					2
34	1	172499-38300-1	TRACK ASSY, MASTER	1	1	1					3
35	2	172499-38130-1	PLATE, SHOE	1	1	1					
36	2	172499-38160	NUT, SHOE	4	4	4					
37	2	172499-38170	BOLT, SHOE	4	4	4					
38	2	172499-38200	LINK, MASTER	1	1	1					
39	2	172499-38210	LINK, MASTER	1	1	1					
40	2	172499-38240	BUSH, MASTER	1	1	1					
41	1	172499-38310-1	TRACK ASSY, MASTER	1	1	1					3
42	2	172499-38140-1	PLATE, SHOE	1	1	1					
43	2	172499-38160	NUT, SHOE	4	4	4					
44	2	172499-38170	BOLT, SHOE	4	4	4					
45	2	172499-38200	LINK, MASTER	1	1	1					
46	2	172499-38210	LINK, MASTER	1	1	1					
47	2	172499-38240	BUSH, MASTER	1	1	1					

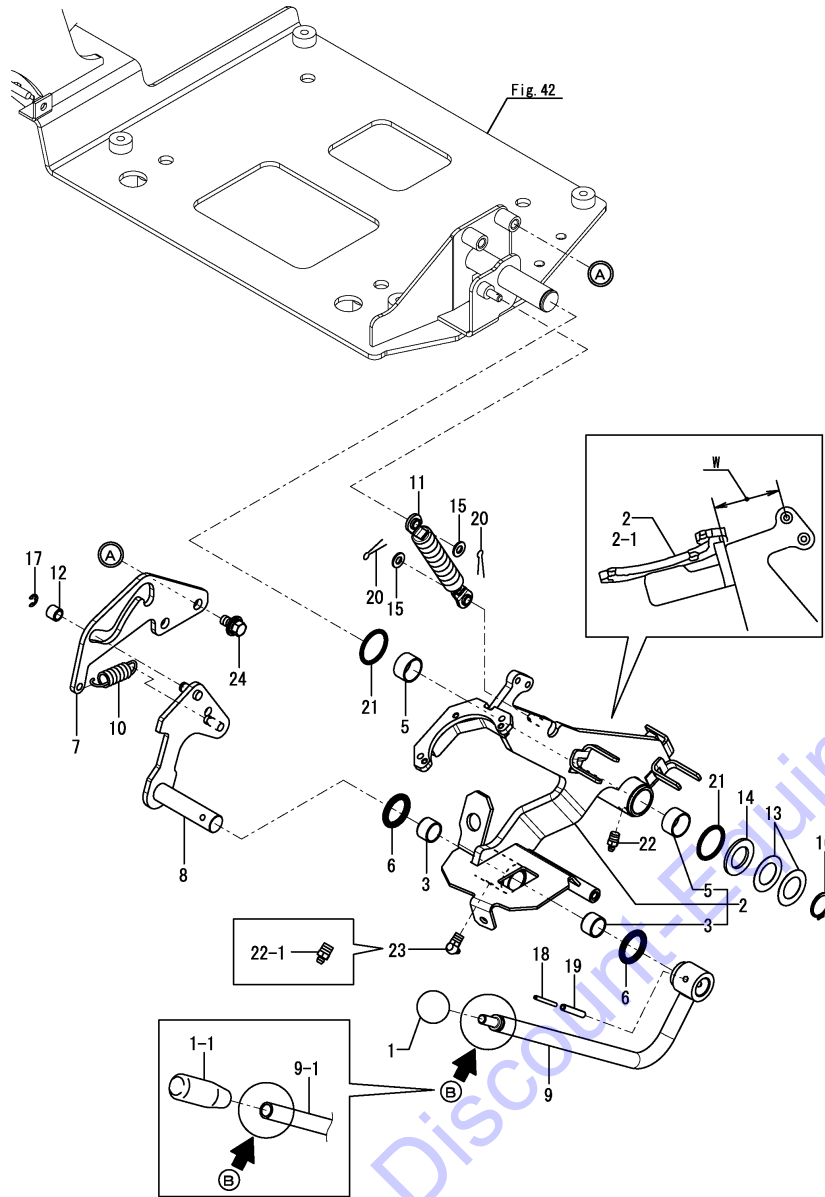
Remarks

- (1)IRON CRAWLER SPEC.
- (2)RUBBER CRAWLER SPEC.
- (3)REPAIR PARTS.

Fig.29. CONTROL EQUIPMENT(LOCK LEVER & STAND)

(A)=SV100-1(US)  
 (B)=SV100-1(AS)  
 (C)=SV100-1(NZ)

(D)=  
 (E)=  
 (F)=



No.	Lev.	Parts No.	Description	Q'ty						I	R
				(A)	(B)	(C)	(D)	(E)	(F)		
1	1	1D4070-23580	GRIP	1	1	1					
1-1	1	172A77-46050	GRIP	1	1	1					S
		(A=M10544) (B=M10544) (C=M10544)									
2	1	172A69-46100	STAND ASSY, LEVER	1	1	1					
2-1	1	172A69-46101	STAND ASSY, LEVER	1	1	1					S 2
		(A=M10540) (B=M10540) (C=M10540)									
3	2	172141-41370	BUSH	2	2	2					
5	2	24550-025150	BUSH, 25X15	2	2	2					
6	1	172124-46200	O-RING	2	2	2					
7	1	172A69-46210	GUIDE, LOCK	1	1	1					
8	1	172A69-46220	ROD ASSY, SPRING	1	1	1					
9	1	172A69-46250	LEVER ASSY, LOCK	1	1	1					
9-1	1	172A69-46251	LEVER ASSY, LOCK	1	1	1					F 1
		(A=M10544) (B=M10544) (C=M10544)									
10	1	172A69-46270	SPRING	1	1	1					
11	1	172455-46890	SPRING, GAS	1	1	1					
12	1	172165-47550	BUSH	1	1	1					
13	1	172165-47980	SHIM	2	2	2					
14	1	172165-47990	WASHER	1	1	1					
15	1	22137-080000	WASHER, 8	2	2	2					
16	1	22242-000250	RING, 25	1	1	1					
17	1	22272-000070	RING, E-7	1	1	1					
18	1	22351-035040	PIN, SPRING 3.5X40	1	1	1					
19	1	22351-060040	PIN, SPRING 6.0X40	1	1	1					
20	1	22417-200200	PIN, COTTER 2.0X20	2	2	2					
21	1	24311-000340	O-RING, 1AP34.0	2	2	2					
22	1	24761-020000	NIPPLE, GREASE PT1/8	1	1	1					
22-1	1	24761-020000	NIPPLE, GREASE PT1/8	2	2	2					K
		(A=M10501) (B=M10501) (C=M10501)									
23	1	24761-050000	NIPPLE, GREASE C	1	1	1					Z
		(A=M10501) (B=M10501) (C=M10501)									
24	1	26014-100202	BOLT, M10X 20	2	2	2					

Remarks

- (1)B=REF.NO.9 M10 SCREW, NO.9-1 NO SCREW.  
 INTERCHANGEABLE BY SIMULTANEOUS REPLACEMENT WITH RE.NO.1-1.
- (2)REF.NO.2 W=48MM,REF.NO.2-1 W=45MM.

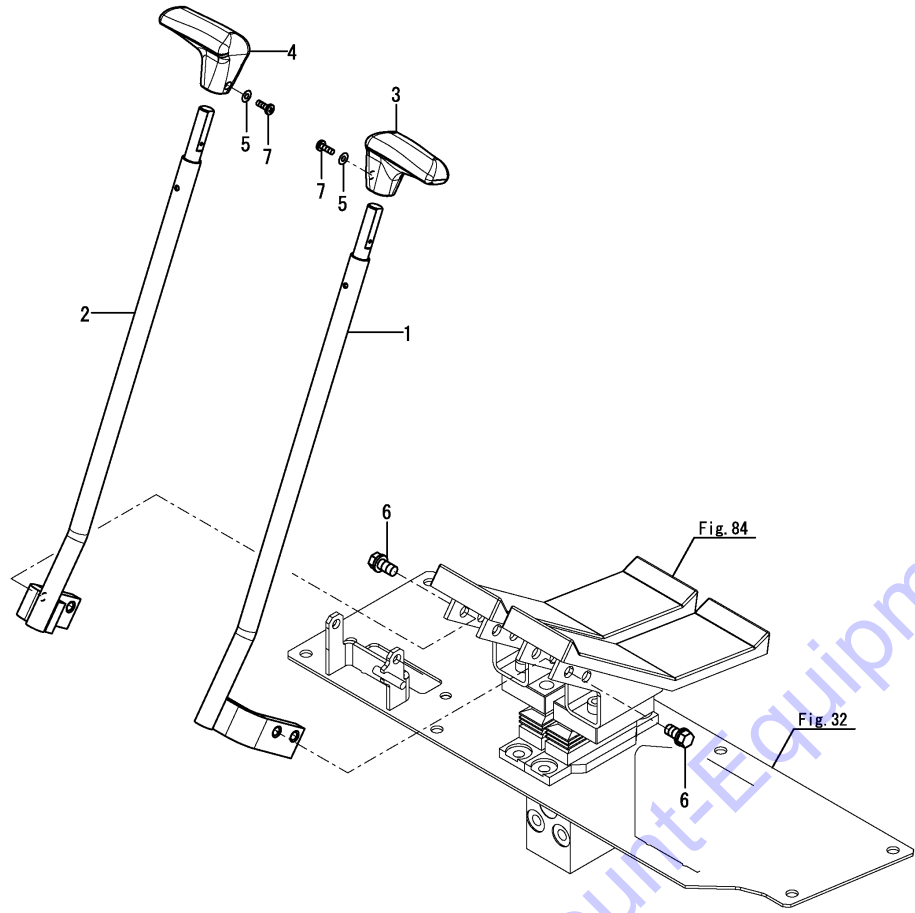


Fig.30. CONTROL EQUIPMENT(TRAVEL)

(A)=SV100-1(US)  
 (B)=SV100-1(AS)  
 (C)=SV100-1(NZ)

(D)=  
 (E)=  
 (F)=

No.	Lev.	Parts No.	Description	Q'ty						I	R
				(A)	(B)	(C)	(D)	(E)	(F)		
1	1	172A69-45210	LEVER ASSY, TRUCK	1	1	1					
1-1	1	172A69-45211	LEVER L ASSY,TRACK	1	1	1					N
		(A=M10577) (B=M10577) (C=M10577)									
2	1	172A69-45250	LEVER ASSY, TRUCK	1	1	1					
2-1	1	172A69-45251	LEVER R ASSY,TRACK	1	1	1					N
		(A=M10577) (B=M10577) (C=M10577)									
3	1	172187-45870	GRIP, DRIVE	1	1	1					
4	1	172187-45880	GRIP, DRIVE	1	1	1					
5	1	22117-040000	WASHER, 4	2	2	2					
6	1	26013-100202	BOLT, M10X 20	4	4	4					
7	1	26587-040122	SCREW, M4X12	2	2	2					



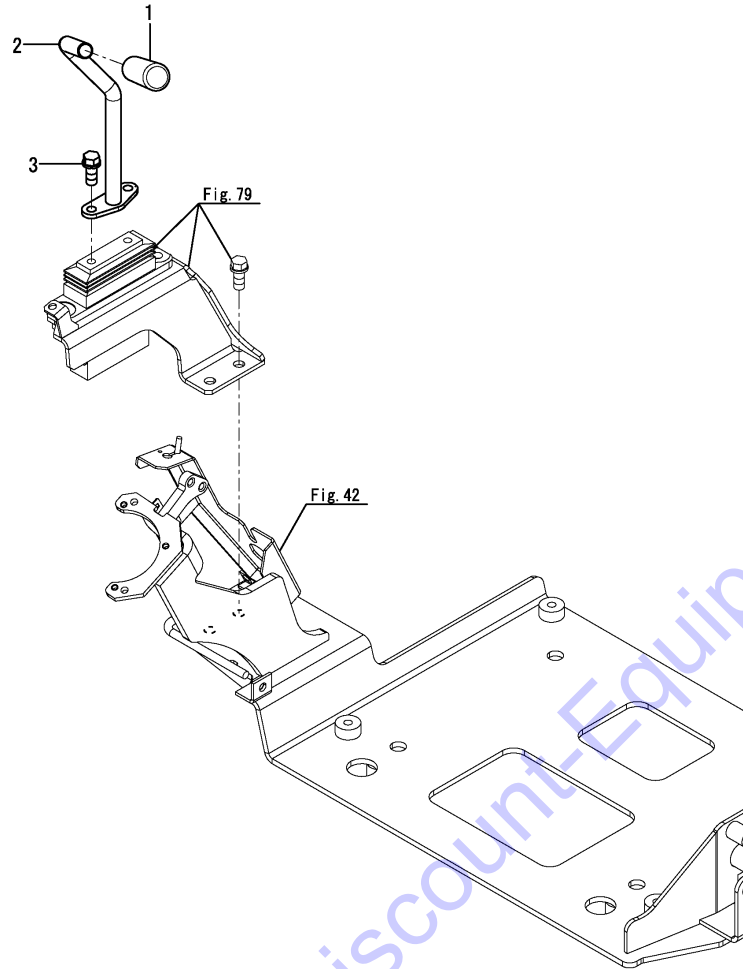
Go to Discount-Equipment.com to order your parts

Fig.31. CONTROL EQUIPMENT(BLADE)

(A)=SV100-1(US)  
 (B)=SV100-1(AS)  
 (C)=SV100-1(NZ)

(D)=  
 (E)=  
 (F)=

No.	Lev.	Parts No.	Description	Q'ty						I	R
				(A)	(B)	(C)	(D)	(E)	(F)		
1	1	172964-12140	GRIP	1	1	1					
2	1	172A69-45850	LEVER ASSY, BLADE	1	1	1					
2-1	1	172A69-45851	LEVER ASSY, BLADE	1	1	1					N
3	1	26013-080162	BOLT, M8X 16	2	2	2					

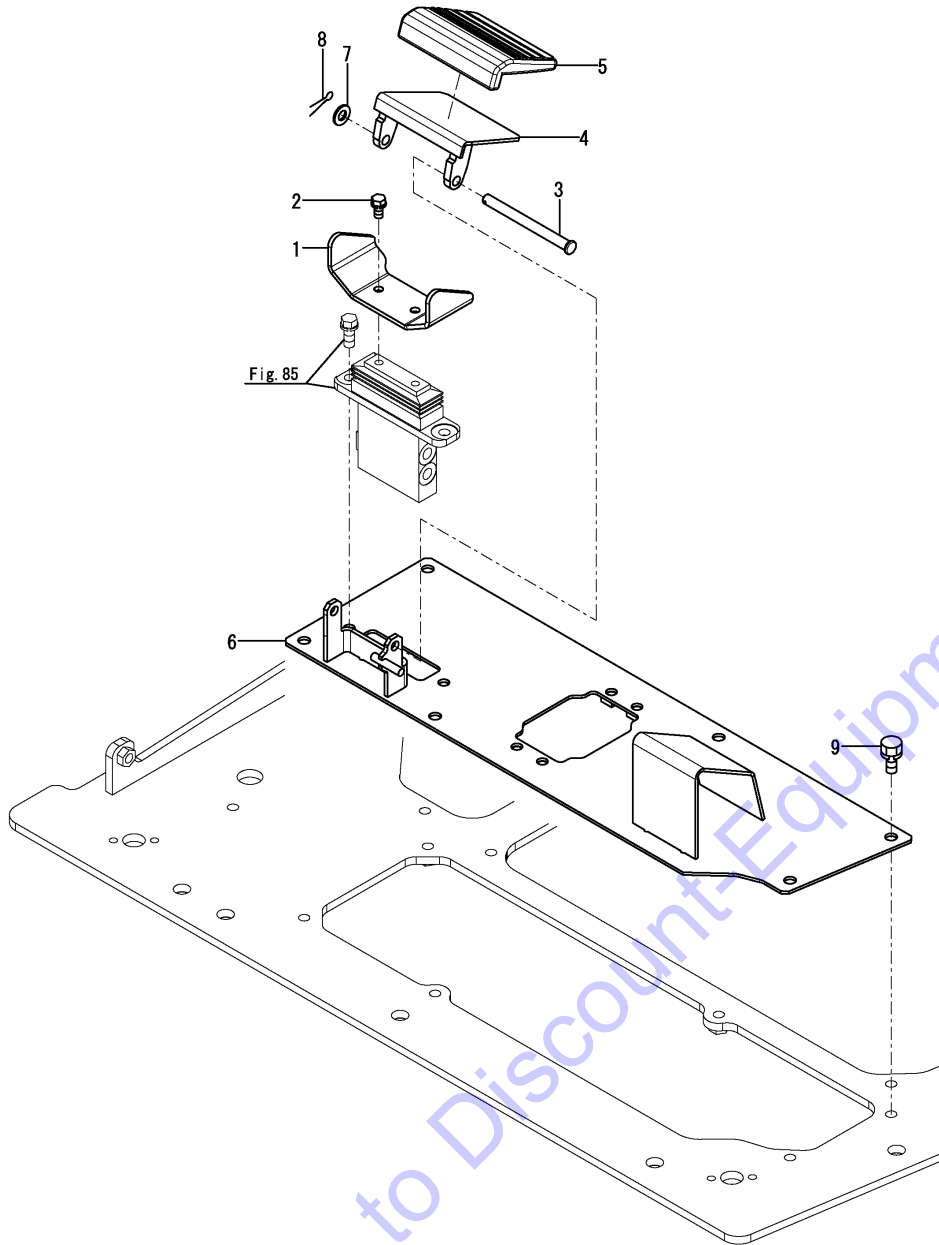


Go to DiscountEquipment.com to order your parts

Fig.32. CONTROL EQUIPMENT(SWING)

(A)=SV100-1(US)  
 (B)=SV100-1(AS)  
 (C)=SV100-1(NZ)

(D)=  
 (E)=  
 (F)=

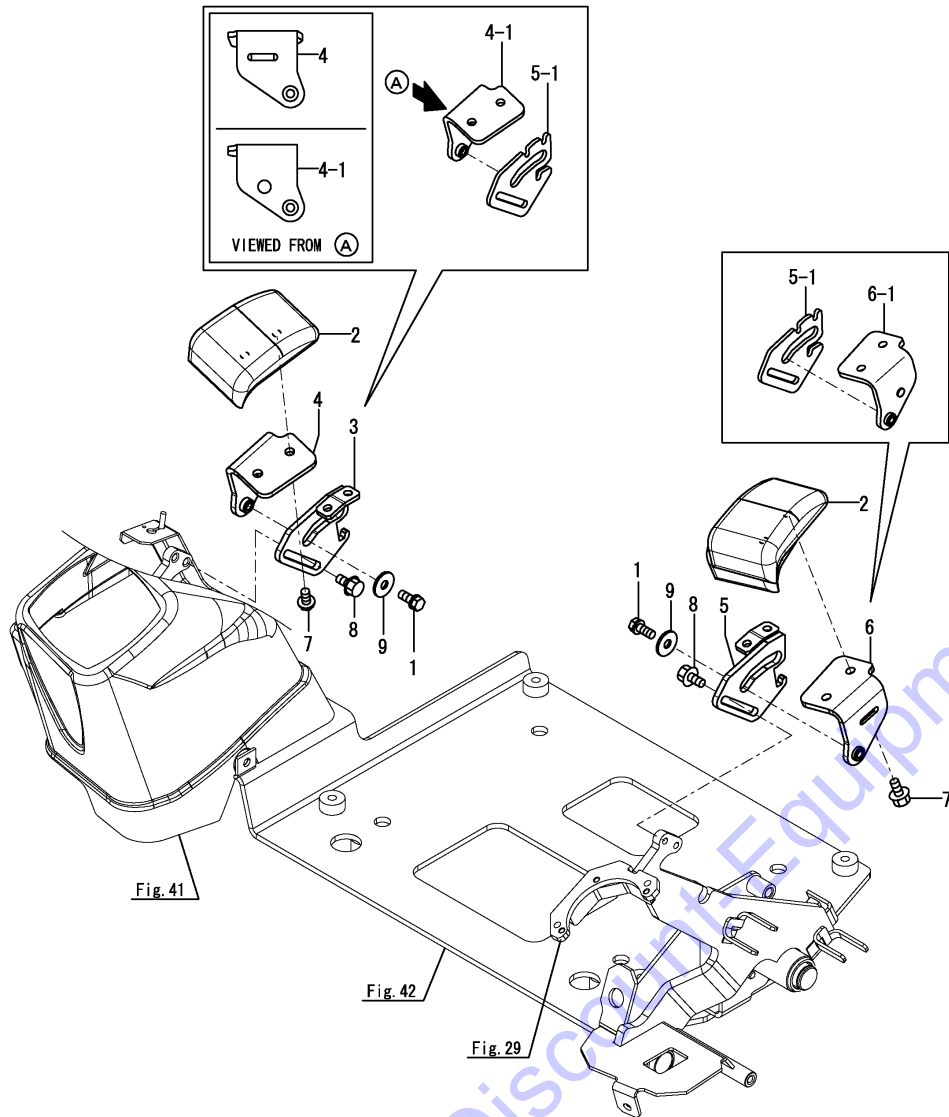


No.	Lev.	Parts No.	Description	Q'ty						I	R
				(A)	(B)	(C)	(D)	(E)	(F)		
1	1	172A69-45350	PEDAL, SWING	1	1	1					
2	1	26013-080162	BOLT, M8X 16	2	2	2					
3	1	172187-45651	SHAFT	1	1	1					
4	1	172187-45720-2	COVER, PEDAL	1	1	1					
5	1	172187-45760	PAD	1	1	1					
6	1	172A69-45800	PLATE, PEDAL	1	1	1					
7	1	22137-100000	WASHER, 10	1	1	1					
8	1	22417-250200	PIN, COTTER 2.5X20	1	1	1					
9	1	26013-100252	BOLT, M10X 25	6	6	6					

Fig.33. ARM REST

(A)=SV100-1(US)  
 (B)=SV100-1(AS)  
 (C)=SV100-1(NZ)

(D)=  
 (E)=  
 (F)=



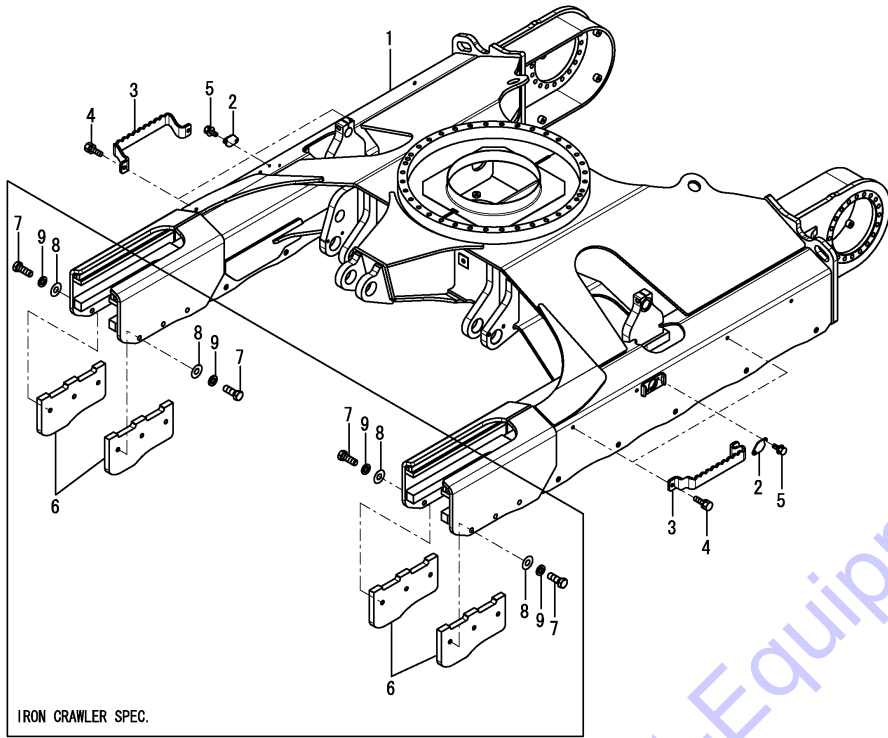
No.	Lev.	Parts No.	Description	Q'ty						I	R
				(A)	(B)	(C)	(D)	(E)	(F)		
1	1	26013-080202	BOLT, M8X 20	2	2	2					
2	1	172441-44320	ARMREST	2	2	2					
3	1	172A46-46602	PLATE, ARMREST	1	1	1					Z
		(A=M10542)	(B=M10542)	(C=M10542)							
4	1	172A46-46631	PLATE, GUIDE	1	1	1					
4-1	1	172A46-46632	PLATE, GUIDE R ASSY	1	1	1					S
		(A=M10542)	(B=M10542)	(C=M10542)							
5	1	172A46-46702	PLATE, ARMREST	1	1	1					
5-1	1	172A46-46703	PLATE, ARMREST L/R	2	2	2					S
		(A=M10542)	(B=M10542)	(C=M10542)							
6	1	172A46-46731	PLATE, GUIDE	1	1	1					
6-1	1	172A46-46732	PLATE, GUIDE L ASSY	1	1	1					S
		(A=M10542)	(B=M10542)	(C=M10542)							
7	1	172519-63240	BOLT	4	4	4					
7-1	1	26014-080162	BOLT, M8X 16	4	4	4					S
		(A=M10542)	(B=M10542)	(C=M10542)							
8	1	172519-63240	BOLT	4	4	4					
9	1	22157-080000	WASHER, 8	2	2	2					

Fig.34. TRAVEL FRAME

(A)=SV100-1(US)  
 (B)=SV100-1(AS)  
 (C)=SV100-1(NZ)

(D)=  
 (E)=  
 (F)=

No.	Lev.	Parts No.	Description	Q'ty						I	R
				(A)	(B)	(C)	(D)	(E)	(F)		
1	1	172A69-50100	FRAME ASSY	1	1	1					
1-1	1	172A69-50101	FRAME ASSY	1	1	1					N
		(A=M10546) (B=M10546) (C=M10546)									
2	1	172458-50480-2	COVER, FRAME	2	2	2					
3	1	172A69-50670	STEP	4	4	4					
4	1	26013-120352	BOLT, M12X 35	8	8	8					
5	1	26106-100122	BOLT, M10X 12 PLATED	4	4	4					
6	1	172499-50800-1	GUARD, CRAWLER	4	4	4					1
7	1	172460-73320	BOLT	12	12	12					1
8	1	22137-160000	WASHER, 16	12	12	12					1
9	1	22217-160000	WASHER, SPRING 16	12	12	12					1

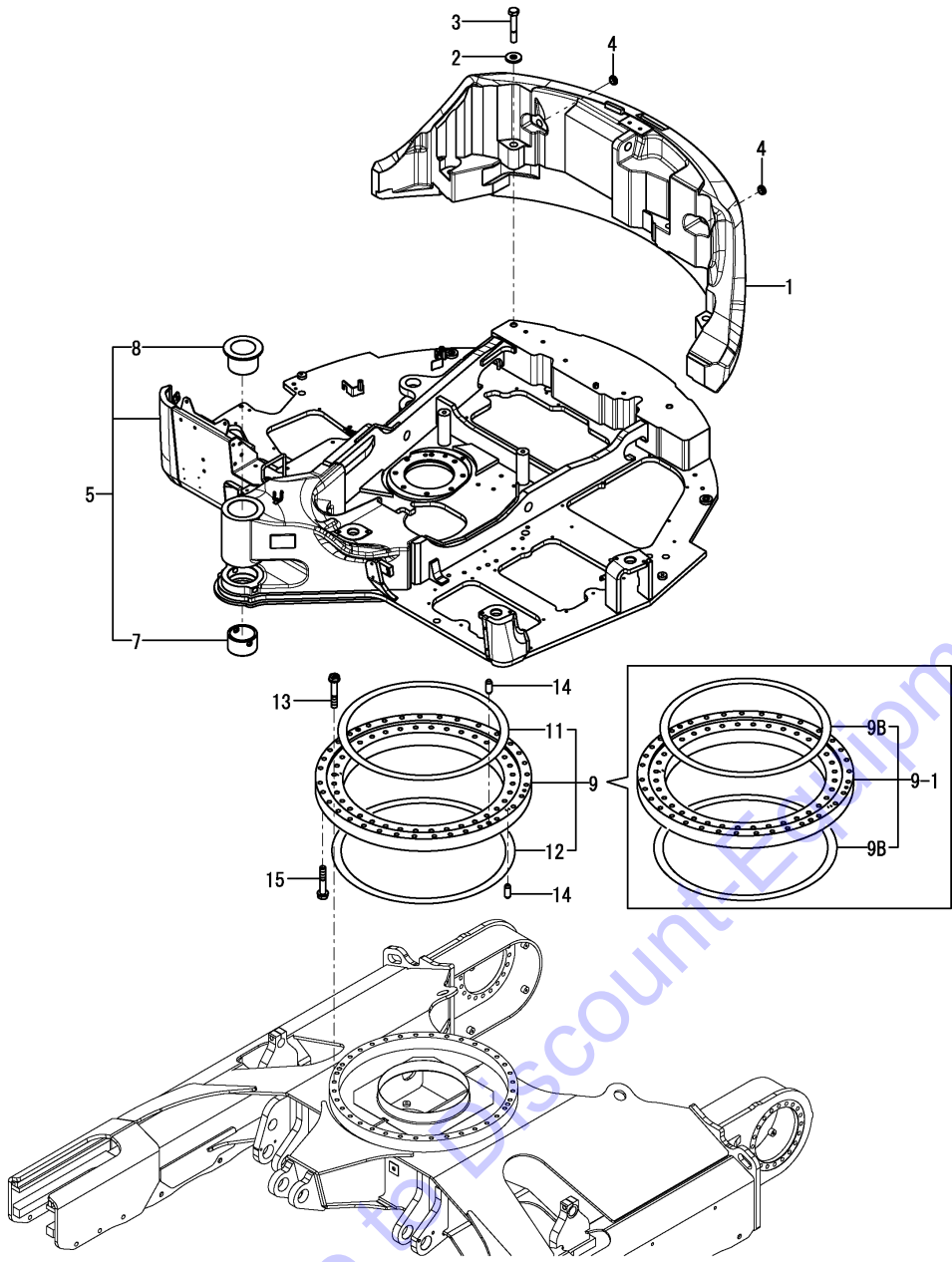


Remarks  
 (1)IRON CRAWLER SPEC.

Fig.35. TURNING FRAME & TURNING BEARING

(A)=SV100-1(US)  
 (B)=SV100-1(AS)  
 (C)=SV100-1(NZ)

(D)=  
 (E)=  
 (F)=

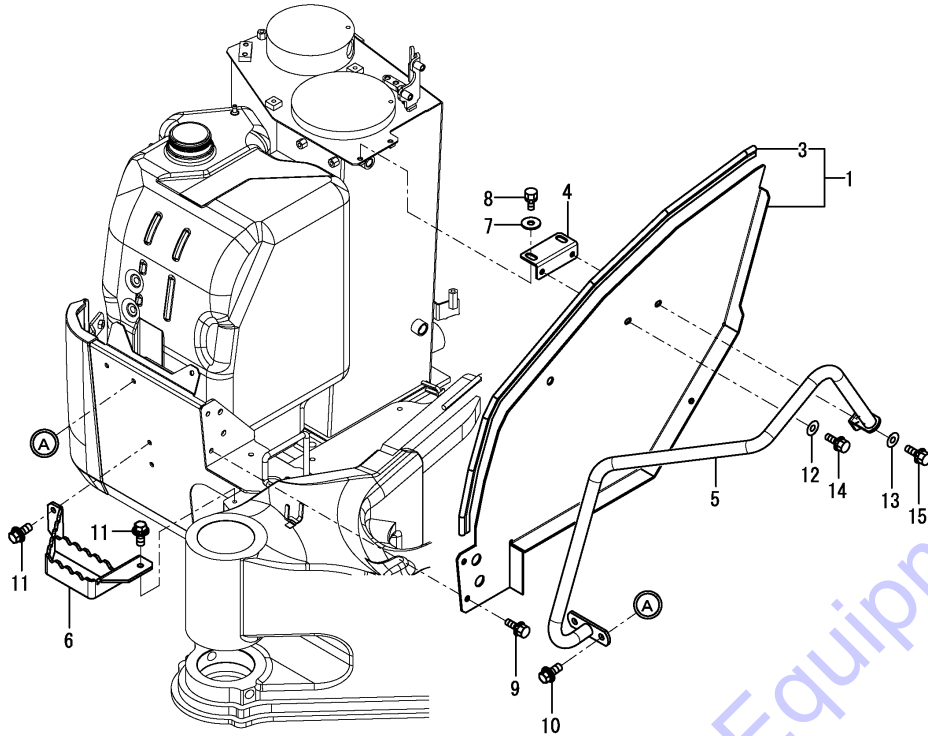


No.	Lev.	Parts No.	Description	Q'ty						I	R
				(A)	(B)	(C)	(D)	(E)	(F)		
1	1	172A69-53310	WEIGHT, COUNTER	1	1	1					
2	1	172187-53321	WASHER	4	4	4					
3	1	172455-53331	BOLT	4	4	4					
4	1	172456-53700	GROMMET	2	2	2					
5	1	172A69-54100	FRAME ASSY, TURNING	1	1	1					
7	2	172A69-54700	BUSH	1	1	1					
8	2	172A69-54710	BUSH	1	1	1					
9	1	172499-57600	BEARING ASSY	1	1	1					
9-1	1	172A69-57600	BEARING ASSY	1	1	1					R
9B	1	172A69-57620	SEAL	2	2	2					W
11	2	172499-57620	SEAL	1	1	1					Z
12	2	172499-57630	SEAL	1	1	1					Z
13	1	172A69-57650	BOLT	36	36	36					
14	1	172162-57660	PIN, PARALLEL	4	4	4					
15	1	172A69-57660	BOLT	34	34	34					

Fig.36. COVER(FUEL TANK SIDE)

(A)=SV100-1(US)  
 (B)=SV100-1(AS)  
 (C)=SV100-1(NZ)

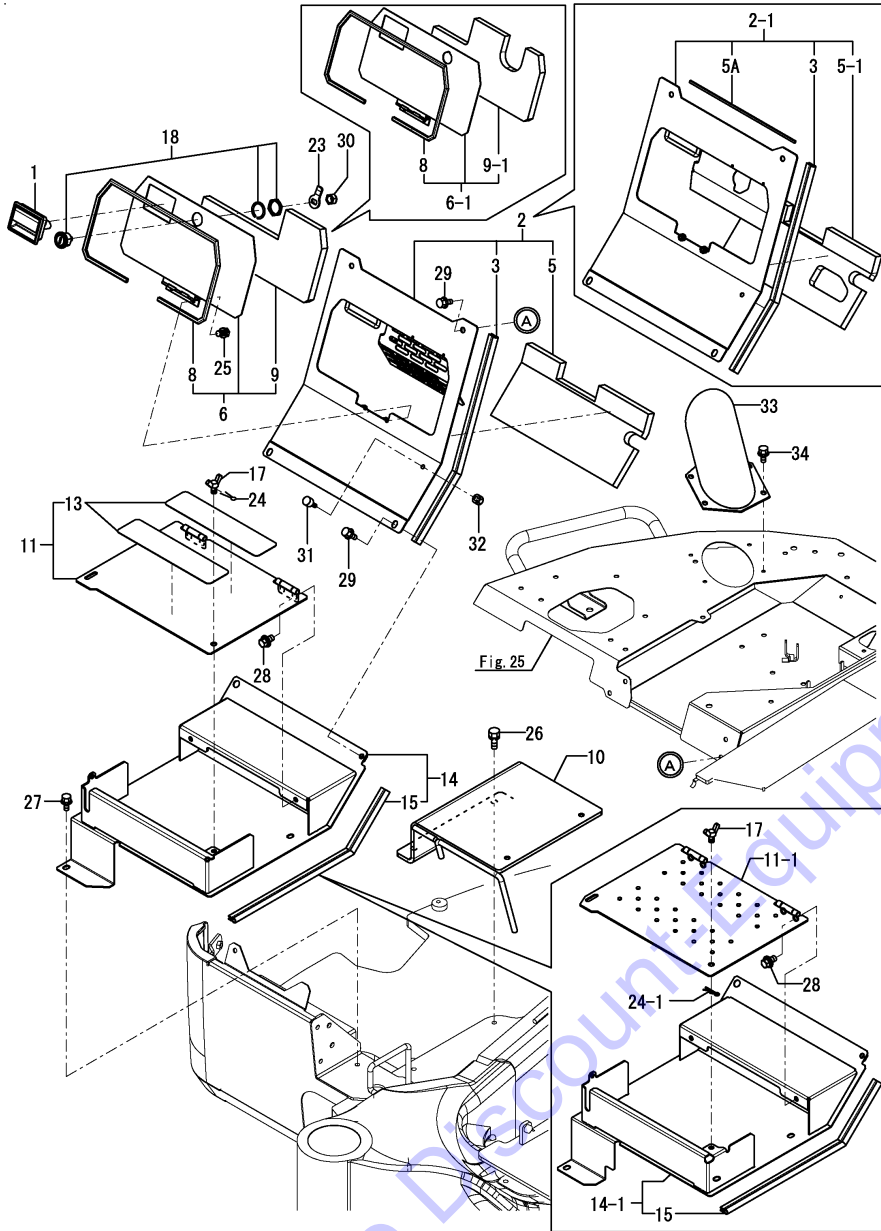
(D)=  
 (E)=  
 (F)=



No.	Lev.	Parts No.	Description	Q'ty						I	R
				(A)	(B)	(C)	(D)	(E)	(F)		
1	1	172A69-61600	COVER ASSY, FUEL	1	1	1					
1-1	1	172A69-61600-Y (A=M11501) (B=M11501) (C=M11501)	COVER ASSY, FUEL	1	1	1					S
1-2	1	172A89-61600-Y (A=M10577) (B=M10577) (C=M10577)	COVER ASSY, FUEL	1	1	1					N
3	2	172A69-61650	SEAL	1	1	1					
4	1	172A69-61660	STAY ASSY	1	1	1					
4-1	1	172B11-61660 (A=*2013.03) (B=*2013.03) (C=*2013.03)	STAY ASSY,COVER	1	1	1					N
5	1	172A69-61830	GRIP ASSY	1	1	1					
5-1	1	172A69-61830-Y (A=M11051) (B=M11501) (C=M11501)	GRIP ASSY	1	1	1					S
6	1	172A69-62050	STEP ASSY	1	1	1					
7	1	22157-100000	WASHER, 10	2	2	2					
8	1	26013-100252	BOLT, M10X 25	2	2	2					
9	1	26014-100252	BOLT, M10X 25	3	3	3					
9-1	1	26014-100252 (A=*2010.06) (B=*2010.06) (C=*2010.06)	BOLT, 10 X 25	2	2	2					K
10	1	26014-100252	BOLT, M10X 25	3	3	3					
10-1	1	26014-100252 (A=*2013.03) (B=*2013.03) (C=*2013.03)	BOLT, 10 X 25	2	2	2					K
11	1	26014-100252	BOLT, M10X 25	3	3	3					
12	1	22157-100000 (A=*2010.06) (B=*2010.06) (C=*2010.06)	WASHER, 10	1	1	1					W
13	1	22157-100000 (A=*2013.03) (B=*2013.03) (C=*2013.03)	WASHER, 10	1	1	1					W
14	1	26013-100252 (A=*2010.06) (B=*2010.06) (C=*2010.06)	BOLT, 10 X 25	1	1	1					W
15	1	26013-100252 (A=*2013.03) (B=*2013.03) (C=*2013.03)	BOLT, 10 X 25	1	1	1					W

Go to Discount-Equipment.com

Fig.37. COVER(CENTER)



(A)=SV100-1(US)  
 (B)=SV100-1(AS)  
 (C)=SV100-1(NZ)

(D)=  
 (E)=  
 (F)=

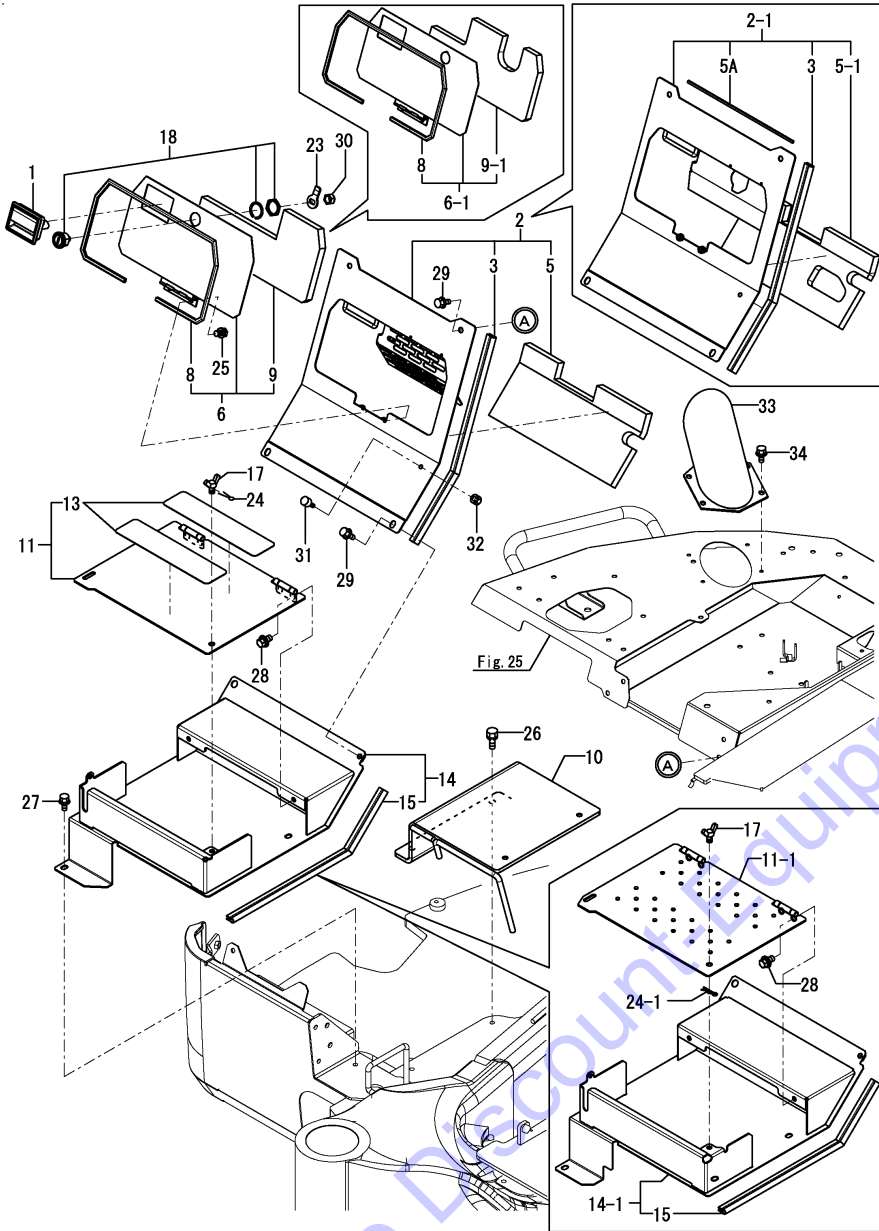
No.	Lev.	Parts No.	Description	Q'ty						I	R
				(A)	(B)	(C)	(D)	(E)	(F)		
1	1	172187-61421	HANDLE, LOCK	1	1	1					
2	1	172A69-61680	COVER ASSY	1	1	1					
2-1	1	172A89-61680	COVER ASSY	1	1	1					S
		(A=M10577) (B=M10577) (C=M10577)									
2-2	1	172A89-61680-Y	COVER ASSY	1	1	1					S
		(A=M11501) (B=M11501) (C=M11501)									
3	2	172A69-13690	SEAL	1	1	1					
5	2	172A69-61720	SPONGE	1	1	1					
5-1	2	172A89-61720	SPONGE	1	1	1					S
		(A=M10577) (B=M10577) (C=M10577)									
5A	2	172A89-61730	SEAL, 340	1	1	1					W
		(A=M10577) (B=M10577) (C=M10577)									
6	1	172A69-61740	COVER ASSY, ENGINE	1	1	1					1
6-1	1	172A89-61740	COVER ASSY, ENGINE	1	1	1					S 1
		(A=M10577) (B=M10577) (C=M10577)									
6-2	1	172A89-61740-Y	COVER ASSY, ENGINE	1	1	1					S 1
		(A=M11501) (B=M11501) (C=M11501)									
8	2	172A69-61780	SEAL	1	1	1					
9	2	172A69-61790	SPONGE	1	1	1					
9-1	2	172A89-61791	EV A,COVER	1	1	1					N
		(A=M10577) (B=M10577) (C=M10577)									
10	1	172A69-61800	BRACKET ASSY	1	1	1					
10-1	1	172A69-61801	BRACKET ASSY,COVER	1	1	1					N
		(A=M11687) (B=M11687) (C=M11687)									
11	1	172A69-61870	COVER ASSY, TOOL BOX	1	1	1					
11-1	1	172A89-61880	COVER ASSY, TOOL BOX	1	1	1					S
		(A=M10577) (B=M10577) (C=M10577)									
13	2	172433-62200	SEAT	2	2	2					Z
		(A=M10577) (B=M10577) (C=M10577)									
14	1	172A69-61900	BASE ASSY, TOOL BOX	1	1	1					
14-1	1	172A69-61901	BASE ASSY,TOOL BOX	1	1	1					S
		(A=M10577) (B=M10577) (C=M10577)									
15	2	172A69-13690	SEAL	1	1	1					
17	1	172142-62301	BOLT, WING	1	1	1					
18	1	172164-66170	KEY ASSY, CYLINDER	1	1	1					
23	1	172162-69470	PLATE, LOCK	1	1	1					
24	1	22417-320200	PIN, COTTER 3.2X20	1	1	1					
24-1	1	22372-100000	PIN, SNAP 10	1	1	1					N
		(A=*2009.03) (B=*2009.03) (C=*2009.03)									
25	1	26013-080122	BOLT, M8X 12	2	2	2					
26	1	26013-120302	BOLT, M12X 30	2	2	2					
27	1	26014-100202	BOLT, M10X 20	3	3	3					
28	1	26014-100202	BOLT, M10X 20	2	2	2					
29	1	26014-100202	BOLT, M10X 20	4	4	4					
30	1	26347-100002	NUT, M10	1	1	1					
31	1	172176-67150	RUBBER, STOPPER	1	1	1					
32	1	26051-080002	NUT, M8	1	1	1					
33	1	172455-65700	COVER ASSY	1	1	1					
33-1	1	172455-65701	COVER ASSY	1	1	1					N
		(A=M10546) (B=M10546) (C=M10546)									
34	1	26014-080162	BOLT, M8X 16	4	4	4					

Remarks

- (1) Attach the No.35A label to this part.
- (2) Not illustrated.



Fig.37. COVER(CENTER)



(A)=SV100-1(US)  
 (B)=SV100-1(AS)  
 (C)=SV100-1(NZ)

(D)=  
 (E)=  
 (F)=

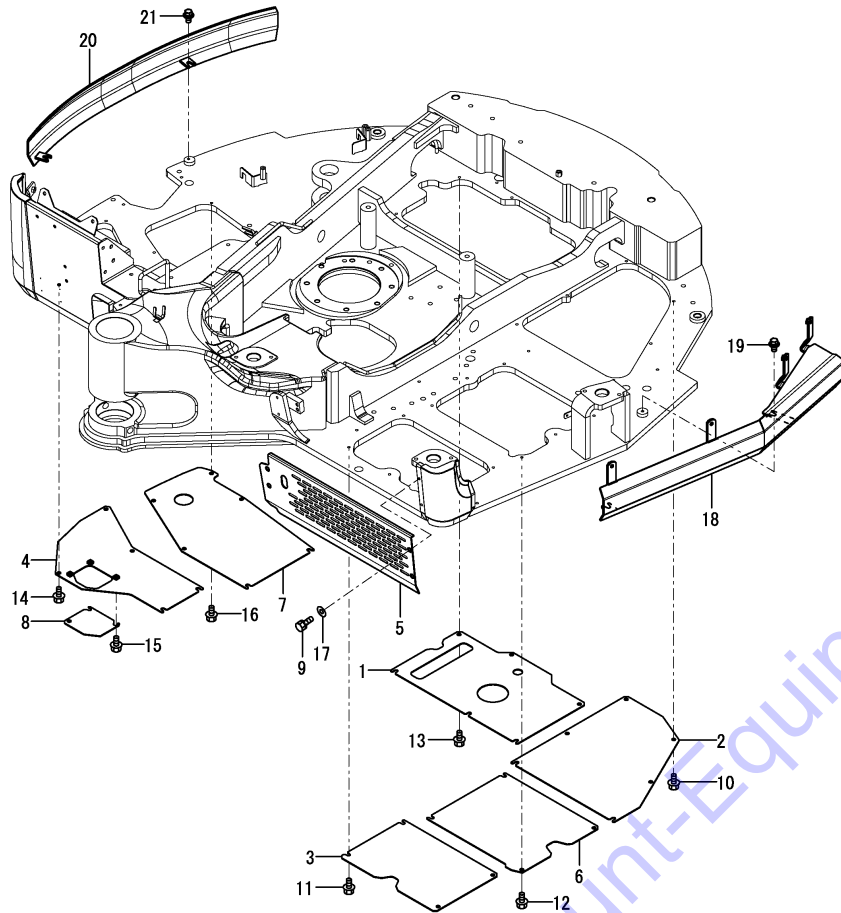
No.	Lev.	Parts No.	Description	Q'ty						I	R
				(A)	(B)	(C)	(D)	(E)	(F)		
35A	1	172437-03402	LABEL, ENGINE COVER	1	1	1					2

Remarks  
 (1)Attach the No.35A label to this part.  
 (2)Not illustrated.

Fig.39. COVER(TURNING FRAME)

(A)=SV100-1(US)  
 (B)=SV100-1(AS)  
 (C)=SV100-1(NZ)

(D)=  
 (E)=  
 (F)=



No.	Lev.	Parts No.	Description	Q'ty						I	R
				(A)	(B)	(C)	(D)	(E)	(F)		
1	1	172A69-61500	COVER, OIL SUMP	1	1	1					
2	1	172A69-61510	COVER, PUMP	1	1	1					
3	1	172A69-61520	COVER	1	1	1					
4	1	172A69-61530	COVER ASSY, FUEL	1	1	1					
5	1	172A69-61550	COVER, FRAME	1	1	1					
6	1	172A69-61560	COVER	1	1	1					
7	1	172A69-61570	COVER, RESERVOIR	1	1	1					
8	1	172A69-61580	COVER, DRAIN	1	1	1					
9	1	26013-100162	BOLT, M10X 16	4	4	4					
10	1	26106-100162	BOLT, M10X 16 PLATED	6	6	6					
11	1	26106-100162	BOLT, M10X 16 PLATED	4	4	4					
12	1	26106-100162	BOLT, M10X 16 PLATED	4	4	4					
13	1	26106-100162	BOLT, M10X 16 PLATED	6	6	6					
14	1	26106-100162	BOLT, M10X 16 PLATED	5	5	5					
15	1	26106-100162	BOLT, M10X 16 PLATED	3	3	3					
16	1	26106-100162	BOLT, M10X 16 PLATED	6	6	6					
17	1	22137-100000	WASHER, 10	4	4	4					
18	1	172A69-61350	FRAME, GUARD	1	1	1					1
19	1	26014-100252	BOLT, M10X 25	2	2	2					
20	1	172A69-61450	FRAME, GUARD	1	1	1					2
21	1	26014-100252	BOLT, M10X 25	2	2	2					
22A	1	172472-03141	LABEL, SUPPORT	1	1	1					3
22B	1	172437-03352	LABEL, CYLINDER	1	1	1					3
23A	1	172437-03352	LABEL, CYLINDER	1	1	1					3

Remarks

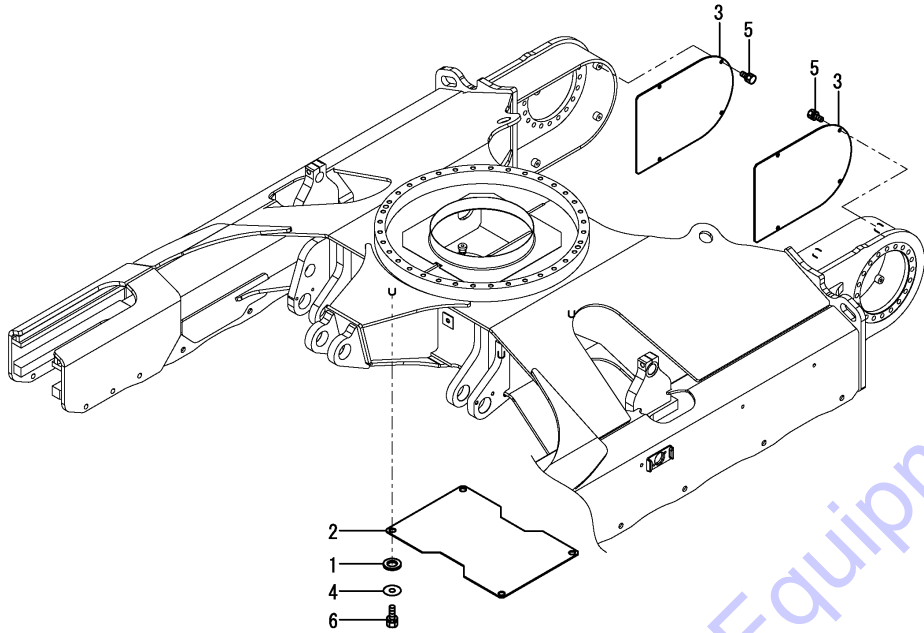
- (1) Attach the No.22A,22B label to this part.
- (2) Attach the No.23A label to this part.
- (3) Not illustrated.

Fig.40. COVER(TRAVEL FRAME)

(A)=SV100-1(US)  
 (B)=SV100-1(AS)  
 (C)=SV100-1(NZ)

(D)=  
 (E)=  
 (F)=

No.	Lev.	Parts No.	Description	Q'ty						I	R
				(A)	(B)	(C)	(D)	(E)	(F)		
1	1	172162-61500	TRIM	4	4	4					
2	1	172187-61500-3	COVER	1	1	1					
3	1	172A69-61590	COVER, TRAVEL	2	2	2					
4	1	22157-120000	WASHER, 12	4	4	4					
5	1	26013-100202	BOLT, M10X 20	8	8	8					
6	1	26013-120302	BOLT, M12X 30	4	4	4					

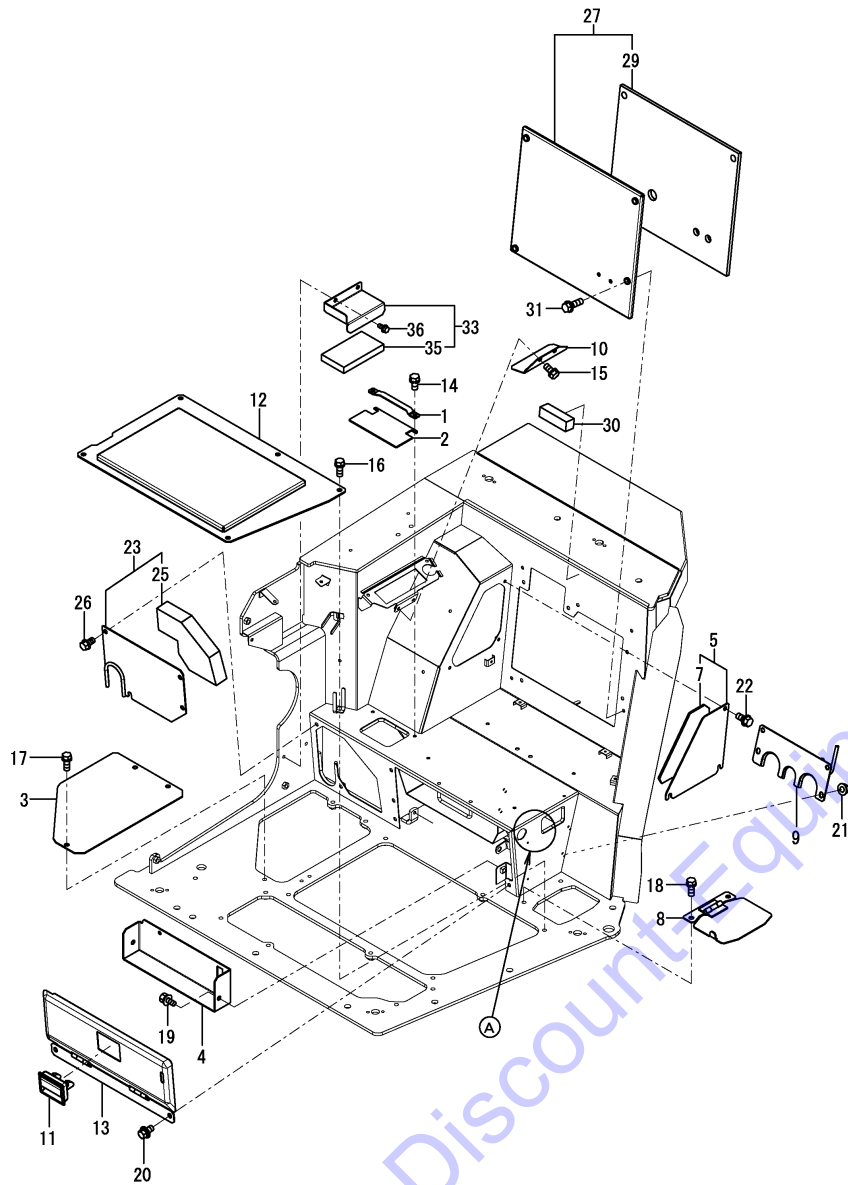


Go to Discount-Equipment.com to order your parts

Fig.38. COVER(SEAT MOUNT)(A)

(A)=SV100-1(US)  
 (B)=SV100-1(AS)  
 (C)=SV100-1(NZ)

(D)=  
 (E)=  
 (F)=



No.	Lev.	Parts No.	Description	Q'ty						I	R
				(A)	(B)	(C)	(D)	(E)	(F)		
1	1	172A69-61010	BRACKET, PLATE	1	1	1					
2	1	172A69-61020	PLATE, RUBBER	1	1	1					
3	1	172A69-61030	PLATE	1	1	1					
4	1	172A69-61060	COVER, TRAY	1	1	1					
4-1	1	172A89-61060	COVER, TRAY	1	1	1					N
		(A=M10577) (B=M10577) (C=M10577)									
5	1	172A69-61130	COVER, SEAT MOUNT	1	1	1					
7	2	172A69-61150	WOOL, GLASS	1	1	1					
8	1	172A69-61160	COVER ASSY, MULTI	1	1	1					
9	1	172A69-61190	COVER ASSY, HOSE	1	1	1					
10	1	172A69-61330	COVER, HARNESS	1	1	1					
11	1	172187-61421	HANDLE, LOCK	1	1	1					
12	1	172A69-62210	STEP ASSY	1	1	1					
13	1	172A69-64760	COVER ASSY	1	1	1					1
14	1	26013-080162	BOLT, M8X 16	2	2	2					
15	1	26013-080162	BOLT, M8X 16	2	2	2					
16	1	26013-100252	BOLT, M10X 25	5	5	5					
17	1	26013-100252	BOLT, M10X 25	3	3	3					
18	1	26013-100252	BOLT, M10X 25	2	2	2					
19	1	26014-100202	BOLT, M10X 20	2	2	2					
20	1	26014-100202	BOLT, M10X 20	2	2	2					
21	1	26366-100002	NUT, M10	4	4	4					
22	1	26106-080162	BOLT, M8X 16 PLATED	3	3	3					
23	1	172A69-61240	COVER ASSY, HOSE	1	1	1					
25	2	172A69-61280	SPONGE	1	1	1					
26	1	26106-100162	BOLT, M10X 16 PLATED	4	4	4					
27	1	172A69-61080	COVER ASSY, SEAT	1	1	1					
29	2	172A69-61120	SPONGE	1	1	1					
30	1	172A69-64990	CUSHION, SEAT	1	1	1					
31	1	26106-080252	BOLT, M8X 25 PLATED	4	4	4					
32A	1	172437-03601	LABEL, 2-WAY US	1	1	1					2
33	1	172A89-61420	COVER ASSY	1	1	1					W
		(A=M10666) (B=M10666) (C=M10666)									
35	2	172A89-61440	SPONGE	1	1	1					
36	1	26106-080162	BOLT, M8X 16 PLATED	2	2	2					W
		(A=M10666) (B=M10666) (C=M10666)									

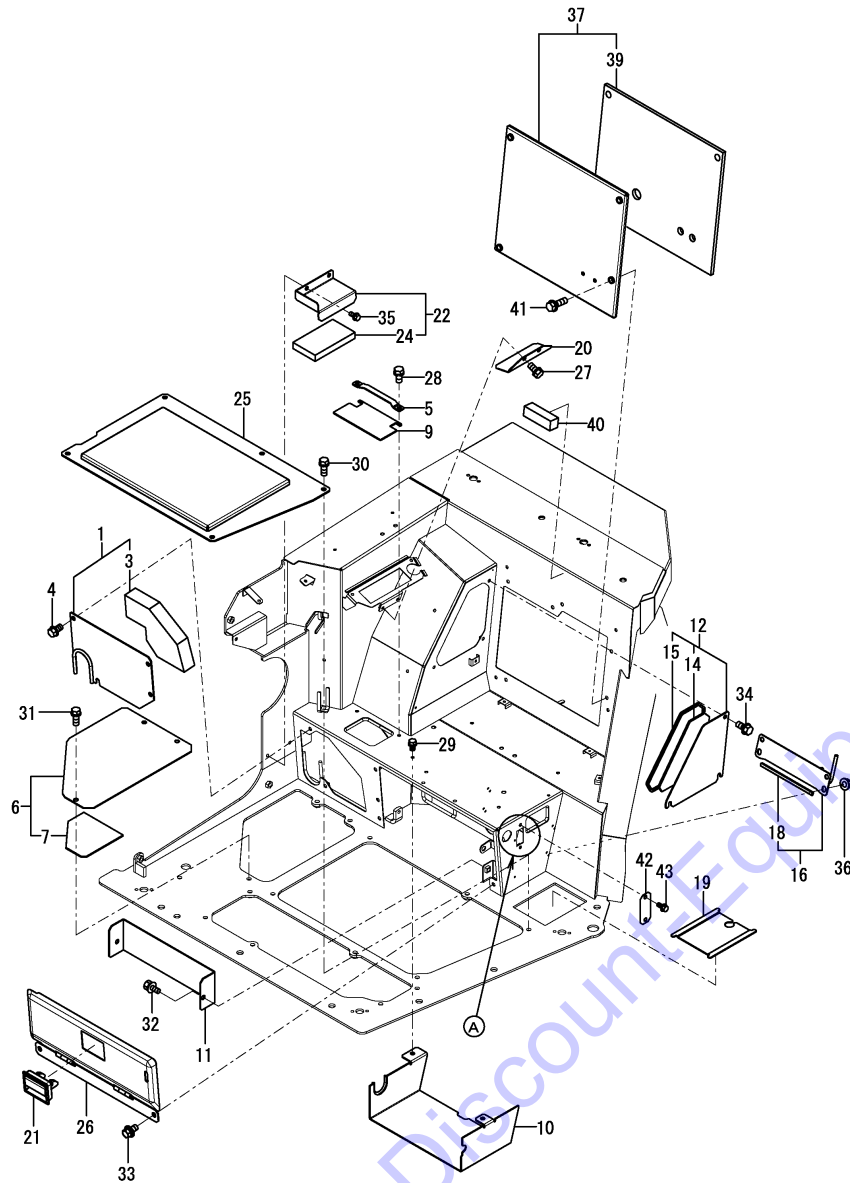
Remarks

- \* An part is different from Fig.119(38A).
- (1)Attach the No.32A label to this part.
- (2)Not illustrated.

Fig.119. (38A)COVER(SEAT MOUNT)(B)

(A)=SV100-1(US)  
(B)=SV100-1(AS)  
(C)=SV100-1(NZ)

(D)=  
(E)=  
(F)=



No.	Lev.	Parts No.	Description	Q'ty						I	R
				(A)	(B)	(C)	(D)	(E)	(F)		
1	1	172A69-61240	COVER ASSY, HOSE	1	1	1					
3	2	172A69-61280	SPONGE	1	1	1					
4	1	26106-100162	BOLT, M10X 16 PLATED	4	4	4					
5	1	172A69-61010	BRACKET, PLATE	1	1	1					
6	1	172A89-61010	PLATE A ASSY	1	1	1					
7	2	172A89-61020	RUBBER, PLATE A	1	1	1					
9	1	172A69-61020	PLATE, RUBBER	1	1	1					
10	1	172A89-61030	PLATE ASSY, MANUAL	1	1	1					
11	1	172A89-61060	COVER, TRAY	1	1	1					
12	1	172A89-61130	COVER ASSY, MOUNT	1	1	1					
14	2	172A69-61150	WOOL, GLASS	1	1	1					
15	2	172A89-61220	SEAL, COVER	1	1	1					
16	1	172A89-61150	COVER ASSY, HOSE	1	1	1					
16-1	1	172B11-61150	COVER ASSY,P HOSE	1	1	1					N
		(A=M11789) (B=M11789) (C=M11789)									
18	2	172434-61180	TRIM	1	1	1					Z
		(A=M11789) (B=M11789) (C=M11789)									
18-1	2	172A65-64840	SEAL 190	1	1	1					W
		(A=M11789) (B=M11789) (C=M11789)									
19	1	172A89-61180	COVER, MULTI	1	1	1					
20	1	172A69-61330	COVER, HARNESS	1	1	1					
21	1	172187-61421	HANDLE, LOCK	1	1	1					
22	1	172A89-61420	COVER ASSY	1	1	1					
24	2	172A89-61440	SPONGE	1	1	1					
25	1	172A69-62210	STEP ASSY	1	1	1					
26	1	172A69-64760	COVER ASSY	1	1	1					1
26A	1	172437-03601	LABEL, 2-WAY US	1	1	1					2
27	1	26013-080162	BOLT, M8X 16	2	2	2					
28	1	26013-080162	BOLT, M8X 16	2	2	2					
29	1	26013-100162	BOLT, M10X 16	2	2	2					
30	1	26013-100252	BOLT, M10X 25	5	5	5					
31	1	26013-100252	BOLT, M10X 25	3	3	3					
32	1	26014-100202	BOLT, M10X 20	2	2	2					
33	1	26014-100202	BOLT, M10X 20	2	2	2					
34	1	26106-080162	BOLT, M8X 16 PLATED	3	3	3					
35	1	26106-080162	BOLT, M8X 16 PLATED	2	2	2					
36	1	26366-100002	NUT, M10	4	4	4					
37	1	172A89-61080	COVER ASSY, SEAT	1	1	1					
39	2	172A69-61120	SPONGE	1	1	1					
40	1	172A69-64990	CUSHION, SEAT	1	1	1					
41	1	26106-080252	BOLT, M8X 25 PLATED	4	4	4					
42	1	172A69-61980	COVER	1	1	1					
43	1	26106-080162	BOLT, M8X 16 PLATED	2	2	2					

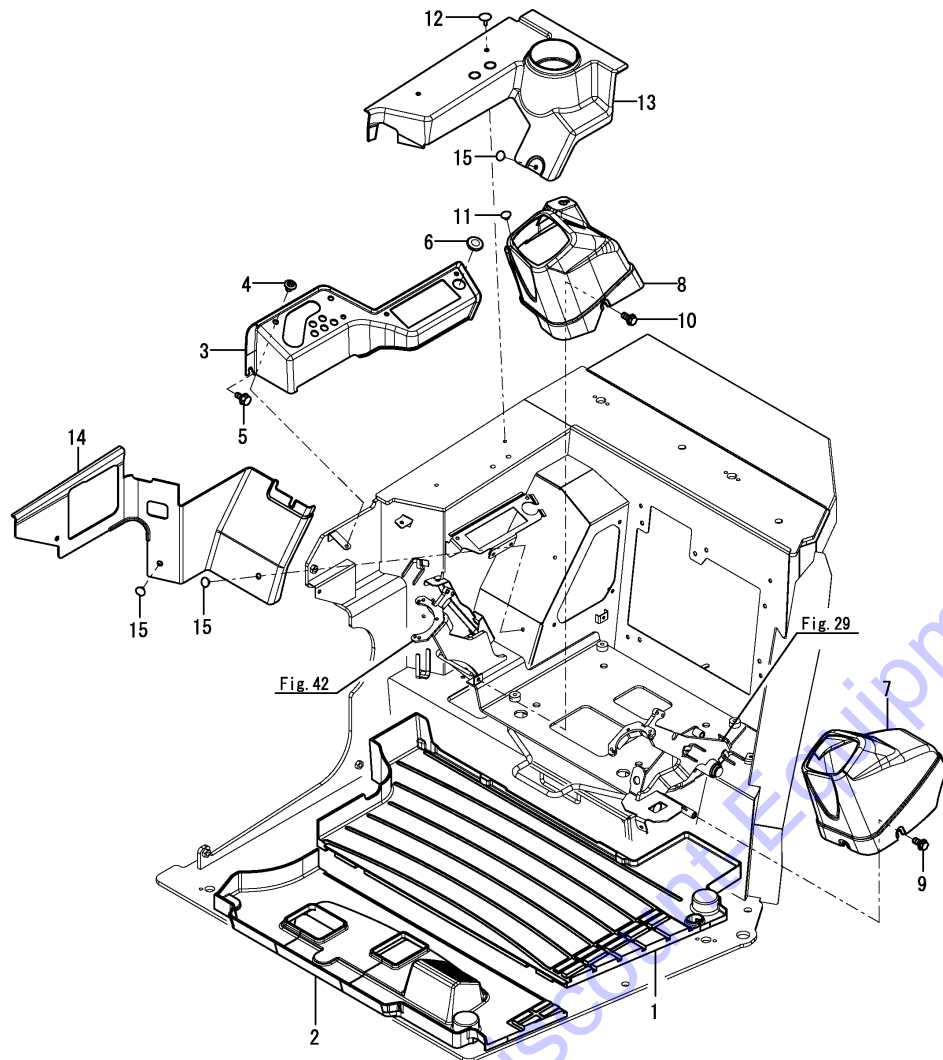
Remarks

- \* An part is different from Fig.38.
- (1) Attach the No.26A label to this part.
- (2) Not illustrated.

Fig.41. FLOOR MAT & INSTRUMENT PANEL

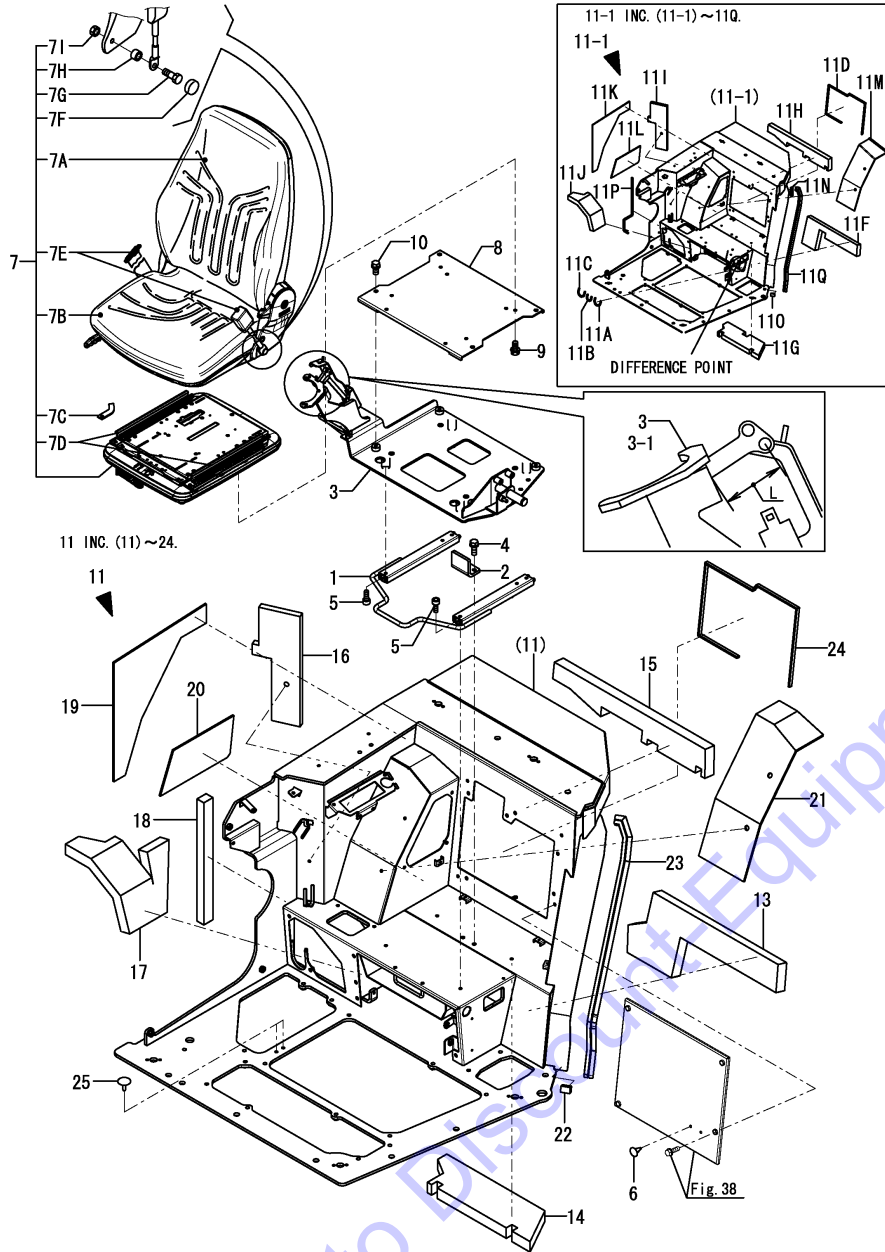
(A)=SV100-1(US)  
 (B)=SV100-1(AS)  
 (C)=SV100-1(NZ)

(D)=  
 (E)=  
 (F)=



No.	Lev.	Parts No.	Description	Q'ty						I	R
				(A)	(B)	(C)	(D)	(E)	(F)		
1	1	172A69-62150	FLOOR MAT A	1	1	1					
2	1	172A69-62160	MAT, FLOOR	1	1	1					
3	1	172A67-63140	PANEL, INSTRUMENT	1	1	1					
4	1	172187-63160	CLIP	4	4	4					
5	1	172519-63240	BOLT	1	1	1					
6	1	172958-64500	PLUG	1	1	1					
7	1	172A67-63110	LEVER, BOX	1	1	1					
8	1	172A67-63120	LEVER, BOX	1	1	1					
9	1	172519-63240	BOLT	3	3	3					
10	1	172519-63240	BOLT	2	2	2					
11	1	172187-63160	CLIP	1	1	1					
12	1	172122-17190	CLIP, TREE	2	2	2					
13	1	172A67-63160	COVER	1	1	1					
14	1	172A67-63170	COVER	1	1	1					
15	1	1A6260-64200	CLIP	3	3	3					

Fig.42. SEAT & SEAT MOUNT



(A)=SV100-1(US)  
(B)=SV100-1(AS)  
(C)=SV100-1(NZ)

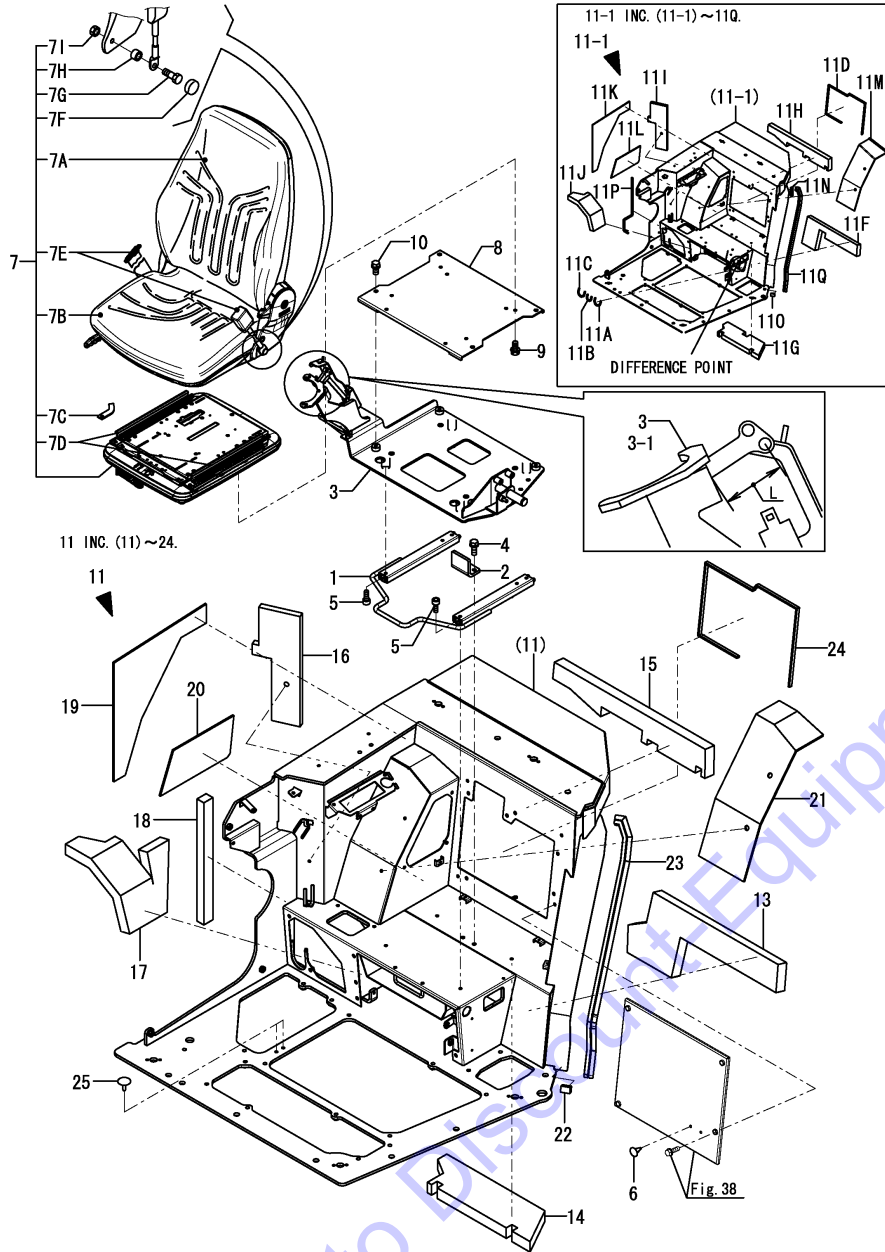
(D)=  
(E)=  
(F)=

No.	Lev.	Parts No.	Description	Q'ty						I	R
				(A)	(B)	(C)	(D)	(E)	(F)		
1	1	172A69-64100	SLIDE ASSY, SEAT	1	1	1					
2	1	172A69-64740	PLATE, STOPPER	1	1	1					
3	1	172A69-64810	FRAME ASSY, SLIDE	1	1	1					
3-1	1	172A69-64811 (A=M10540) (B=M10540) (C=M10540)	FRAME ASSY, SLIDE	1	1	1					S 1
3-2	1	172B11-64950 (A=M11757) (B=M11757) (C=M11757)	FRAME ASSY, SLIDE	1	1	1					N
4	1	26013-100252	BOLT, M10X 25	2	2	2					
5	1	26450-080162	BOLT, M8X 16	8	8	8					
6	1	172444-17660	CLIP, TREE	2	2	2					
7	1	172467-64101	SEAT, OPERATOR	1	1	1					
7A	2	172467-64110 (A=M10539) (B=M10539) (C=M10539)	CUSHION, BACKREST	1	1	1					W
7B	2	172467-64120 (A=M10539) (B=M10539) (C=M10539)	CUSHION, SEAT	1	1	1					W
7C	2	172467-64130 (A=M10539) (B=M10539) (C=M10539)	STOPPER	1	1	1					W
7D	2	172467-64140	RAIL SET	1	1	1					W
7E	2	172467-64150 (A=M10539) (B=M10539) (C=M10539)	BELT, SEAT	1	1	1					W
7F	2	172467-64160 (A=M10539) (B=M10539) (C=M10539)	COVER, CAP	2	2	2					W
7G	2	172467-64170 (A=M10539) (B=M10539) (C=M10539)	BOLT	2	2	2					W
7H	2	172467-64180 (A=M10539) (B=M10539) (C=M10539)	TUBE	2	2	2					W
7I	2	172467-64190 (A=V) (B=M10539) (C=M10539)	NUT	2	2	2					W
8	1	172A69-64130	PLATE, SEAT	1	1	1					
8-1	1	172B11-64130 (A=M11757) (B=M11757) (C=M11757)	PLATE, SEAT EX	1	1	1					N
8-2	1	172A69-64120 (A=M11885)	PLATE ASSY	1							N
9	1	26013-080162	BOLT, M8X 16	4	4	4					
10	1	26013-100162	BOLT, M10X 16	4	4	4					
11	1	172A69-64200	MOUNT ASSY, SEAT	1	1	1					
11-1	1	172A69-64201 (A=M11514) (B=M11514) (C=M11514)	MOUNT ASSY,SEAT	1	1	1					S
11A	2	172444-17620	SEAL	1	1	1					
11B	2	172458-18850	TRIM	1	1	1					
11C	2	172538-19700	SEAL, 135	1	1	1					
11D	2	172458-46790	SEAL, STAND	1	1	1					
11F	2	172A89-64610	SPONGE	1	1	1					
11G	2	172A89-64620	SPONGE	1	1	1					
11H	2	172A69-64630	SPONGE	1	1	1					
11I	2	172A69-64640	SPONGE	1	1	1					
11J	2	172A89-64650	SPONGE	1	1	1					
11K	2	172A69-64680	WOOL, GLASS	1	1	1					
11L	2	172A69-64690	WOOL, GLASS	1	1	1					
11M	2	172A89-64700	WOOL, GLASS	1	1	1					

Remarks

(1)REF.NO.3 L=52MM, REF.NO.3-1 L=55MM.

Fig.42. SEAT & SEAT MOUNT



(A)=SV100-1(US)  
 (B)=SV100-1(AS)  
 (C)=SV100-1(NZ)

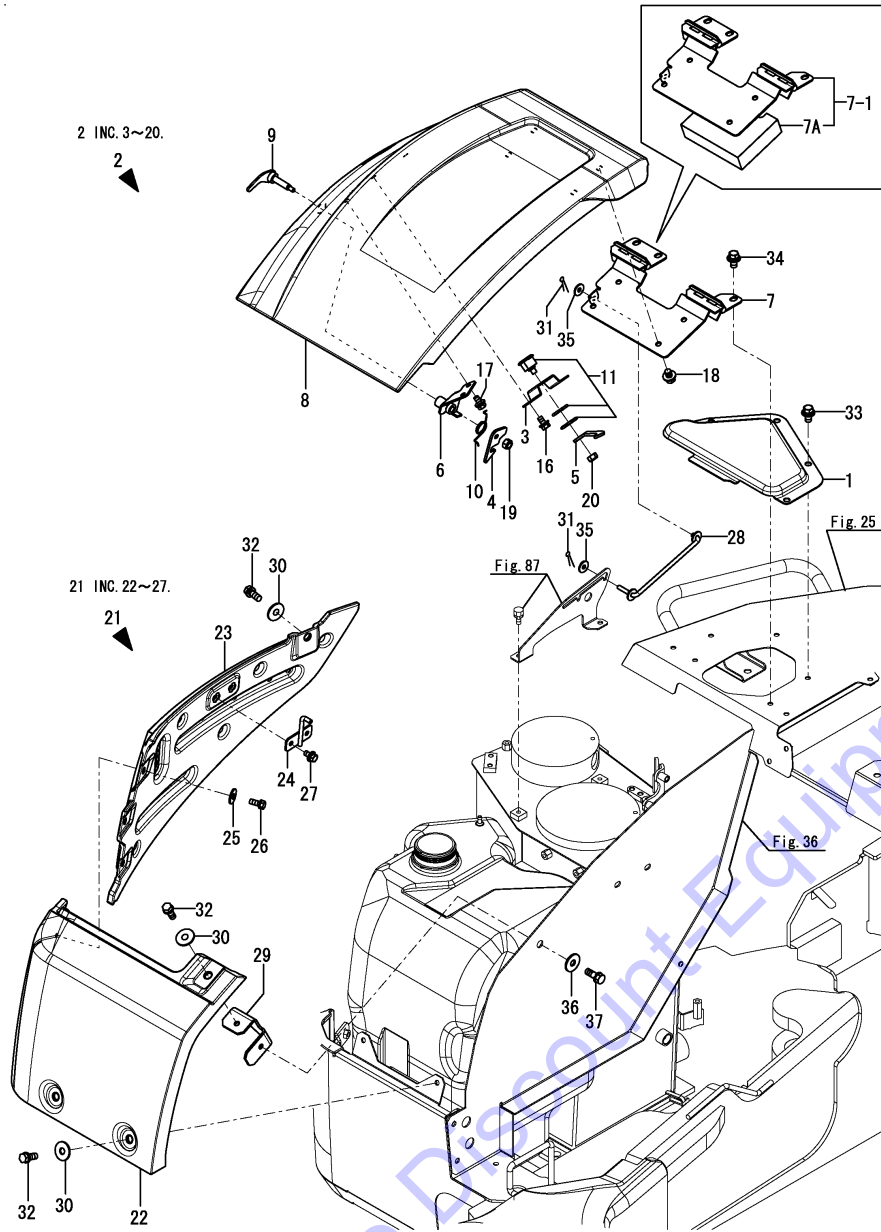
(D)=  
 (E)=  
 (F)=

No.	Lev.	Parts No.	Description	Q'ty						I	R
				(A)	(B)	(C)	(D)	(E)	(F)		
11N	2	172A69-64710	SEAL, SEAT MOUNT	1	1	1					
11O	2	172A69-64720	SEAL, SEAT MOUNT	1	1	1					
11O-1	2	172B11-64860	SEAL, SEAT MT	1	1	1					N
				(A)*2013.07)	(B)*2013.07)	(C)*2013.07)					
11P	2	172187-66140	RUBBER 580	1	1	1					
11Q	2	172165-66210	RUBBER, SEAL	1	1	1					
13	2	172A69-64610	SPONGE	1	1	1					
14	2	172A69-64620	SPONGE	1	1	1					
15	2	172A69-64630	SPONGE	1	1	1					
16	2	172A69-64640	SPONGE	1	1	1					
17	2	172A69-64650	SPONGE	1	1	1					
18	2	172A69-64660	SPONGE	1	1	1					
19	2	172A69-64680	WOOL, GLASS	1	1	1					
20	2	172A69-64690	WOOL, GLASS	1	1	1					
21	2	172A69-64700	WOOL, GLASS	1	1	1					
22	2	172A69-64720	SEAL, SEAT MOUNT	1	1	1					
23	2	172165-66210	RUBBER, SEAL	1	1	1					
24	2	172458-46790	SEAL, STAND	1	1	1					W
				(A=M10661)	(B=M10661)	(C=M10661)					
25	1	172183-81160	CLIP, TREE	2	2	2					W
				(A=M10653)	(B=M10653)	(C=M10653)					

Remarks  
 (1)REF.NO.3 L=52MM, REF.NO.3-1 L=55MM.



Fig.43. BONNET(BODY)



(A)=SV100-1(US)  
 (B)=SV100-1(AS)  
 (C)=SV100-1(NZ)

(D)=  
 (E)=  
 (F)=

No.	Lev.	Parts No.	Description	Q'ty						I	R
				(A)	(B)	(C)	(D)	(E)	(F)		
1	1	172A69-62130	COVER	1	1	1					1
2	1	172A69-62410	BONNET ASSY	1	1	1					
3	2	172A46-61960	PLATE, LOCK	1	1	1					
4	2	172A69-62280	PLATE, LOCK	1	1	1					
5	2	172A69-62290	STAY, KEY	1	1	1					
5-1	2	172A69-62291	STAY,KEY	1	1	1					N
		(A=M10501) (B=M10501) (C=M10501)									
6	2	172A69-62310	HOOK ASSY	1	1	1					
7	2	172A69-62340	PLATE ASSY, HINGE	1	1	1					
7-1	2	172B11-62300	PLATE ASSY, HINGE	1	1	1					N
		(A=M11687) (B=M11687) (C=M11687)									
7A	3	172B11-62900	SPONGE, BONNET B	1	1	1					
8	2	172A69-62420	BONNET	1	1	1					
9	2	172A69-62510	LEVER ASSY	1	1	1					
10	2	172156-65690	SPRING, STOPPER	1	1	1					
11	2	172164-66170	KEY ASSY, CYLINDER	1	1	1					
16	2	26014-080162	BOLT, M8X 16	2	2	2					
17	2	26014-080162	BOLT, M8X 16	2	2	2					
18	2	26014-100162	BOLT, M10X 16	4	4	4					
19	2	26347-080002	NUT, M8	1	1	1					
20	2	26347-100002	NUT, M10	1	1	1					
21	1	172A69-62430	BONNET ASSY	1	1	1					
22	2	172A69-62440	BONNET	1	1	1					
23	2	172A69-62450	BONNET	1	1	1					
24	2	172A69-62470	BAR ASSY, CATCH	1	1	1					
25	2	22157-080000	WASHER, 8	3	3	3					
26	2	26013-080202	BOLT, M8X 20	3	3	3					
27	2	26014-080162	BOLT, M8X 16	2	2	2					
28	1	172A69-62650	ROD ASSY, STOPPER	1	1	1					
29	1	172A69-65530	STAY ASSY, BONNET	1	1	1					
30	1	22157-100000	WASHER, 10	4	4	4					
31	1	22417-200200	PIN, COTTER 2.0X20	2	2	2					
32	1	26013-100252	BOLT, M10X 25	4	4	4					
33	1	26014-100202	BOLT, M10X 20	4	4	4					
34	1	26014-100202	BOLT, M10X 20	3	3	3					
35	1	22157-080000	WASHER, 8	2	2	2					
36	1	22157-100000	WASHER, 10	1	1	1					W
		(A=*2010.06) (B=*2010.06) (C=*2010.06)									
37	1	26013-100252	BOLT, 10 X 25	1	1	1					W
		(A=*2010.06) (B=*2010.06) (C=*2010.06)									
38A	1	172437-03391	LABEL, RADIATOR	1	1	1					2

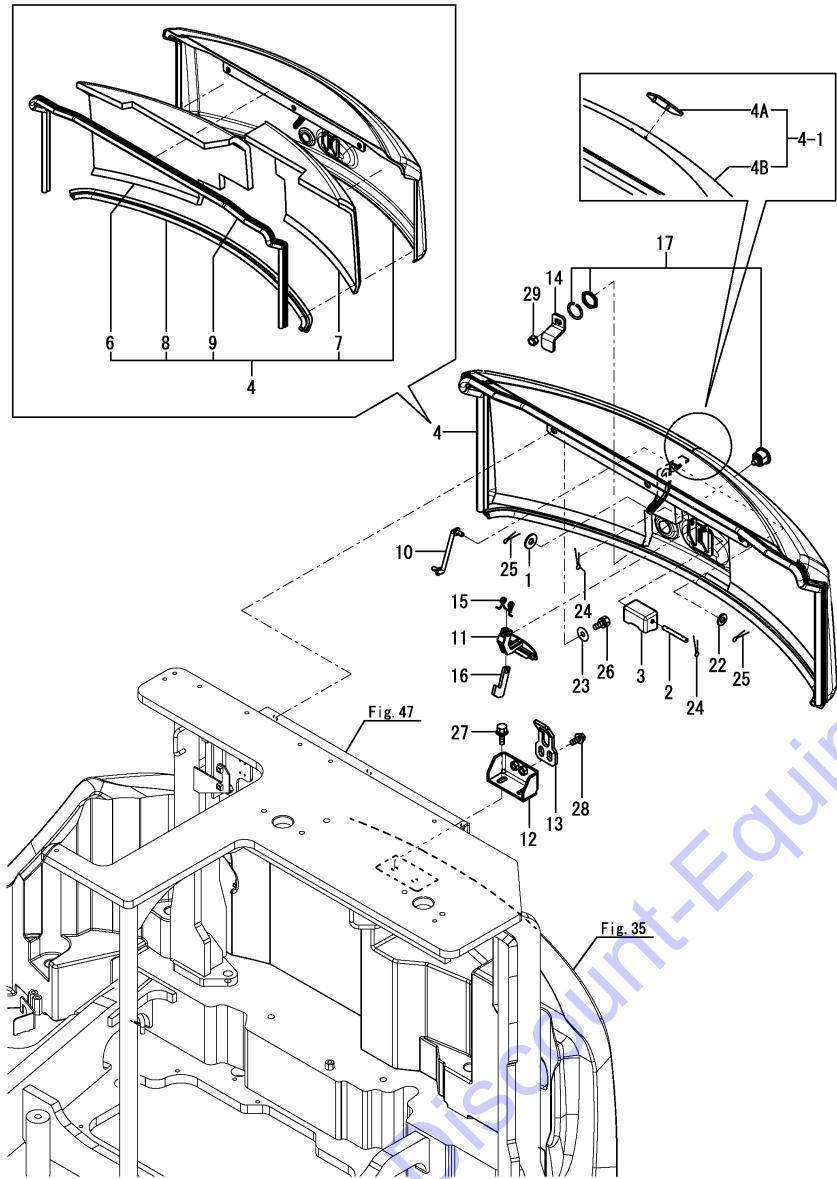
Remarks

- (1) Attach the No.38A label to this part. Shifted to Fig.25.
- (2) Not illustrated.

Fig.44. BONNET(REAR)

(A)=SV100-1(US)  
 (B)=SV100-1(AS)  
 (C)=SV100-1(NZ)

(D)=  
 (E)=  
 (F)=

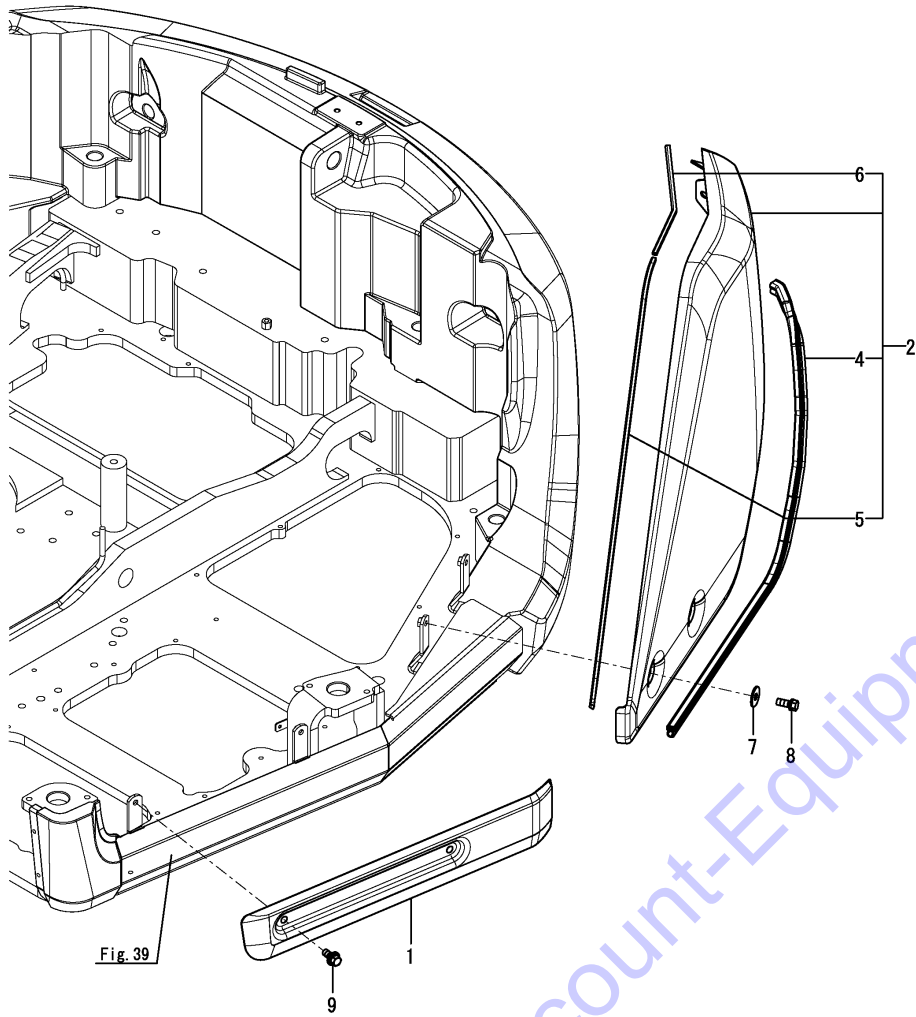


No.	Lev.	Parts No.	Description	Q'ty						I	R
				(A)	(B)	(C)	(D)	(E)	(F)		
1	1	1A1380-62160	WASHER	1	1	1					
2	1	172458-65050	SHAFT	1	1	1					
3	1	172458-65060	COVER, LOCK	1	1	1					
4	1	172A69-65100	BONNET ASSY	1	1	1					1
4-1	1	172A69-08400	BONNET KIT, Y	1	1	1					S 1
		(A=M11501) (B=M11501) (C=M11501)									
4A	2	172A89-03500	EMBLEM ASSY	1	1	1					W
		(A=M11501) (B=M11501) (C=M11501)									
4B	2	172A69-65400	BONNET ASSY	1	1	1					W
		(A=M11501) (B=M11501) (C=M11501)									
6	3	172A89-65160	SPONGE	1	1	1					
7	3	172A89-65170	SPONGE	1	1	1					
8	3	172A69-65180	RUBBER, SEAL	1	1	1					
9	3	172A69-65190	RUBBER, SEAL	1	1	1					
10	1	172444-65190	ROD ASSY, STOPPER	1	1	1					
11	1	172187-65210	LEVER ASSY, LOCK	1	1	1					
12	1	172A69-65230	BRACKET ASSY, LOCK	1	1	1					
12-1	1	172A89-65230	BRACKET ASSY, LOCK	1	1	1					N
		(A=M10507) (B=M10507) (C=M10507)									
12-2	1	172B11-65220	BRACKET ASSY, LOCK	1	1	1					N
		(A=*2013.03) (B=*2013.03) (C=*2013.03)									
13	1	172187-65270	PLATE, CATCH	1	1	1					
14	1	172458-65271	PLATE, LOCK	1	1	1					
15	1	172734-65270	SPRING, CATCH	1	1	1					
16	1	172124-65480	CATCHER	1	1	1					
17	1	172164-66170	KEY ASSY, CYLINDER	1	1	1					
22	1	22137-080000	WASHER, 8	1	1	1					
23	1	22157-100000	WASHER, 10	3	3	3					
24	1	22417-200200	PIN, COTTER 2.0X20	2	2	2					
25	1	22417-200200	PIN, COTTER 2.0X20	2	2	2					
26	1	26013-100252	BOLT, M10X 25	3	3	3					
27	1	26014-100252	BOLT, M10X 25	2	2	2					
28	1	26014-100252	BOLT, M10X 25	2	2	2					
29	1	26347-100002	NUT, M10	1	1	1					
30A	1	172437-03381	LABEL, SWING AREA	1	1	1					2
30B	1	172437-03402	LABEL, ENGINE COVER	1	1	1					2
30C	1	172A36-03411	LABEL, ENGINE ROOM	1	1	1					2
30D	1	172437-03422	LABEL, MUFFLER	1	1	1					2

Remarks

- (1) Attach the No.30A,30B,30C,30D label to this part.
- (2) Not illustrated.

Fig.45. BONNET(SIDE:LEFT)



(A)=SV100-1(US)  
 (B)=SV100-1(AS)  
 (C)=SV100-1(NZ)

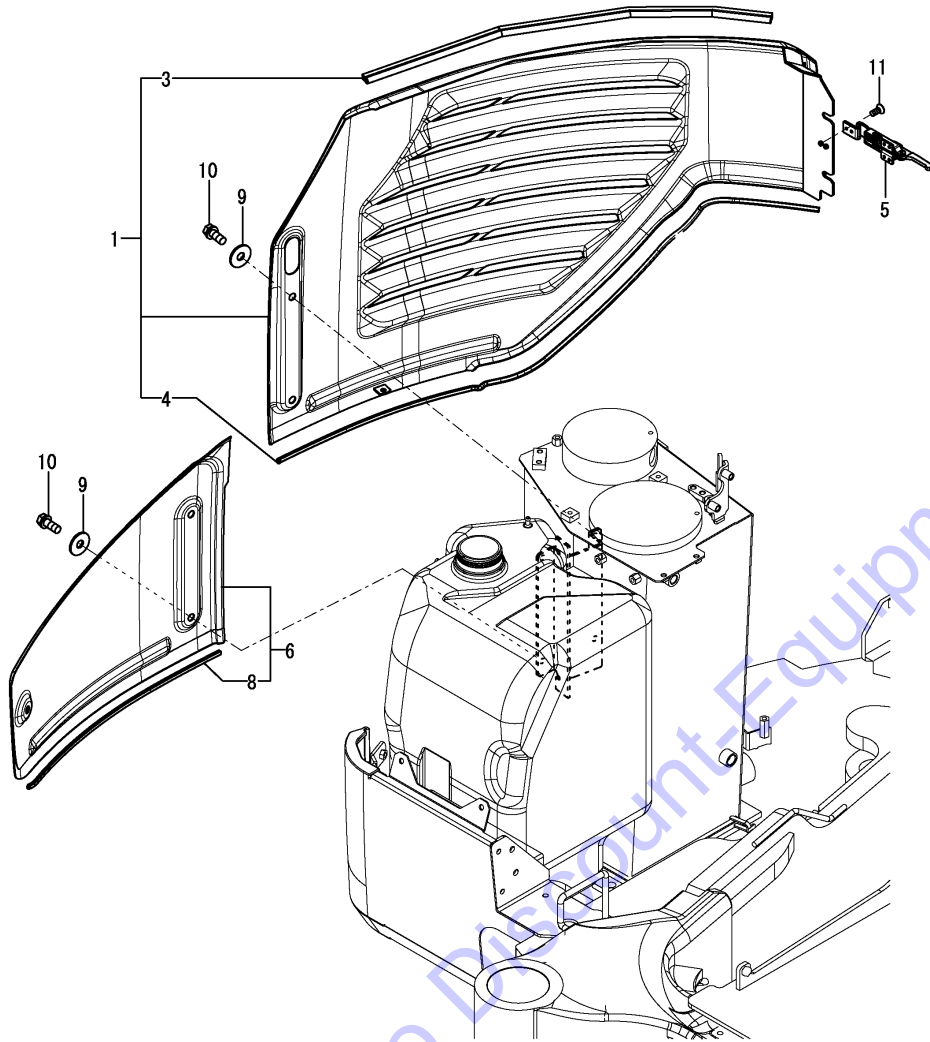
(D)=  
 (E)=  
 (F)=

No.	Lev.	Parts No.	Description	Q'ty						I	R
				(A)	(B)	(C)	(D)	(E)	(F)		
1	1	172A69-61490	COVER, FRAME	1	1	1					
1-1	1	172A69-61490-Y	COVER, FRAME	1	1	1					S
		(A=M11501) (B=M11501) (C=M11501)									
2	1	172A69-65600	BONNET ASSY	1	1	1					
2-1	1	172A69-65600-Y	BONNET ASSY	1	1	1					S
		(A=M11501) (B=M11501) (C=M11501)									
4	2	172A69-65640	RUBBER, SEAL	1	1	1					
5	2	172A69-65670	TRIM	1	1	1					
6	2	172164-66640	RUBBER, SEAL	1	1	1					
7	1	22157-100000	WASHER, 10	3	3	3					
8	1	26013-100252	BOLT, M10X 25	3	3	3					
9	1	26014-100252	BOLT, M10X 25	2	2	2					

Fig.46. BONNET(SIDE:RIGHT)

(A)=SV100-1(US)  
 (B)=SV100-1(AS)  
 (C)=SV100-1(NZ)

(D)=  
 (E)=  
 (F)=

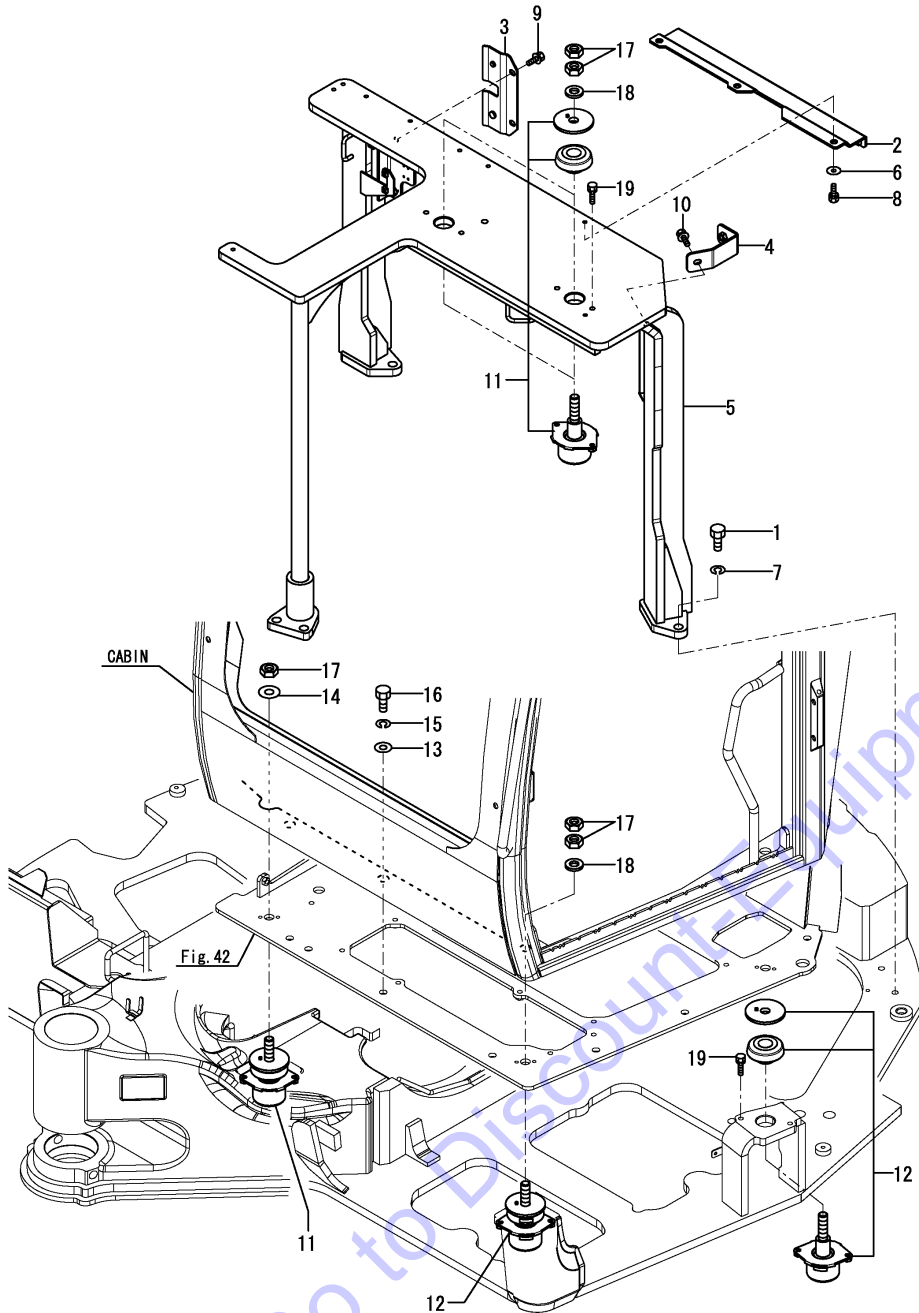


No.	Lev.	Parts No.	Description	Q'ty						I	R
				(A)	(B)	(C)	(D)	(E)	(F)		
1	1	172A69-65800	BONNET ASSY	1	1	1					
1-1	1	172A69-65800-Y	BONNET ASSY	1	1	1					S
		(A=M11501) (B=M11501) (C=M11501)									
3	2	172A69-65850	RUBBER, SEAL	1	1	1					
4	2	172A69-65860	TRIM	1	1	1					
5	1	172A69-65870	GRIP, BONNET LOCK	1	1	1					
5-2	1	172A69-65872	HANDLE, BONNET LOCK	1	1	1					N
		(A=M11526) (B=M11526) (C=M11526)									
6	1	172A69-65900	BONNET ASSY	1	1	1					
6-1	1	172A69-65900-Y	BONNET ASSY	1	1	1					S
		(A=M11501) (B=M11501) (C=M11501)									
8	2	172A69-65920	TRIM	1	1	1					
9	1	22157-100000	WASHER, 10	5	5	5					
10	1	26013-100252	BOLT, M10X 25	5	5	5					
11	1	26577-050122	SCREW, M5X12	6	6	6					

Fig.47. CABIN MOUNT

(A)=SV100-1(US)  
 (B)=SV100-1(AS)  
 (C)=SV100-1(NZ)

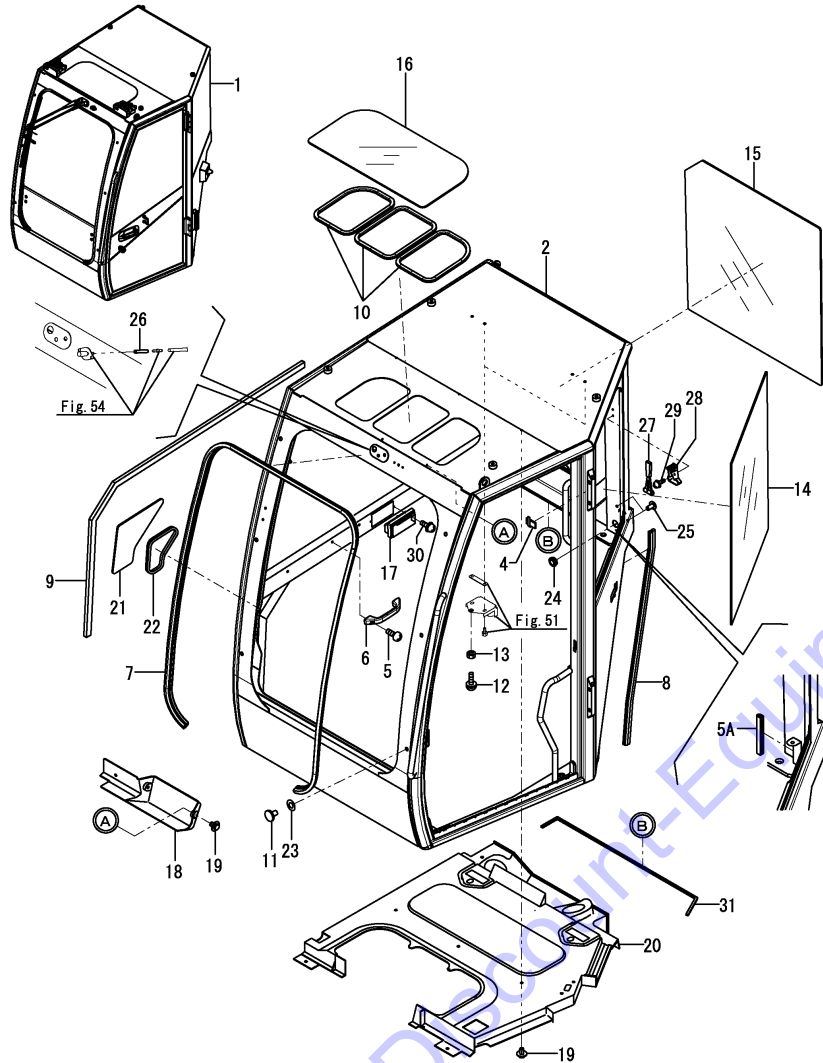
(D)=  
 (E)=  
 (F)=



No.	Lev.	Parts No.	Description	Q'ty						I	R
				(A)	(B)	(C)	(D)	(E)	(F)		
1	1	172165-53490	BOLT	6	6	6					
1-1	1	26076-160402	BOLT, 16 X 40	6	6	6					N
		(A=*2011.11)	(B=*2011.11)	(C=*2011.11)							
2	1	172A69-65210	BRACKET ASSY, BONNET	1	1	1					
3	1	172A69-65950	BRACKET ASSY	1	1	1					
4	1	172A69-65970	STAY ASSY, BONNET	1	1	1					
5	1	172A69-66510	BRACKET ASSY	1	1	1					
6	1	22157-100000	WASHER, 10	3	3	3					
7	1	22217-160000	WASHER, SPRING 16	6	6	6					
8	1	26013-100252	BOLT, M10X 25	3	3	3					
9	1	26014-100252	BOLT, M10X 25	2	2	2					
10	1	26014-100252	BOLT, M10X 25	1	1	1					
11	1	172A69-64160	MOUNT ASSY, 60HS	3	3	3					
12	1	172A69-64170	MOUNT ASSY, 70HS	2	2	2					
13	1	22137-160000	WASHER, 16	6	6	6					
14	1	22137-200000	WASHER, 20	1	1	1					
15	1	22217-160000	WASHER, SPRING 16	6	6	6					
16	1	26076-160402	BOLT, 10.916X 40	6	6	6					
17	1	26716-200002	NUT, M20	9	9	9					
18	1	933172-14120	WASHER	4	4	4					
19	1	26013-100352	BOLT, M10X 35	10	10	10					

Fig.48. CABIN(BODY)

CABIN ASSY  
Fig. 48 Ref. No. 1  
INC. Fig. 48 Ref. No. 2~31.  
Fig. 49~54.



(A)=SV100-1(US)  
(B)=SV100-1(AS)  
(C)=SV100-1(NZ)

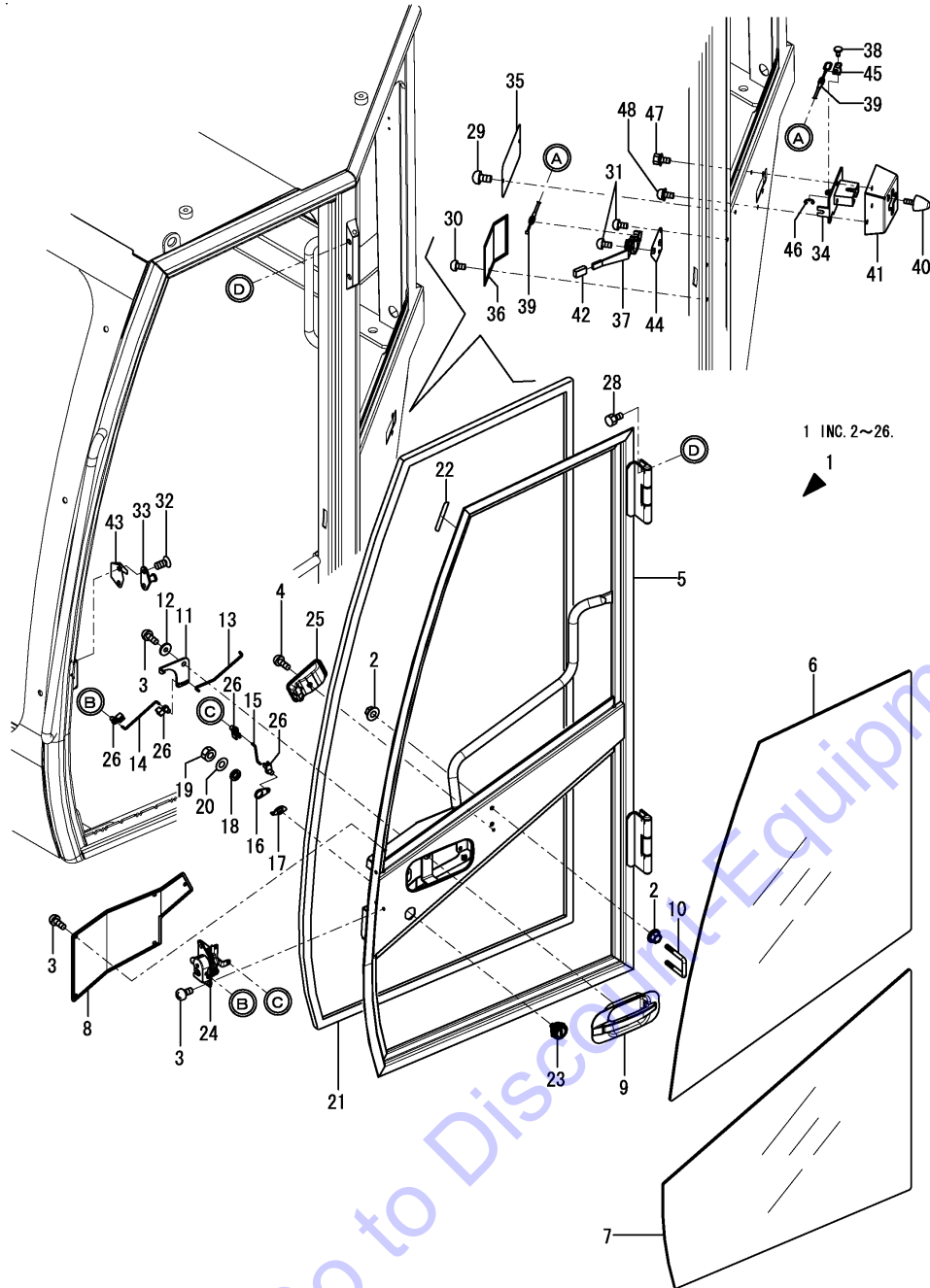
(D)=  
(E)=  
(F)=

No.	Lev.	Parts No.	Description	Q'ty						I	R
				(A)	(B)	(C)	(D)	(E)	(F)		
1	1	172A69-68000	CABIN ASSY	1	1	1					
2	2	172A69-68010	FRAME ASSY,CAB	1	1	1					1
4	2	172538-67250	CLIP	1	1	1					
4-1	2	172538-67250	CLIP	8	8	8					K
		(A=M10506) (B=M10506) (C=M10506)									
5	2	172538-67720	SCREW	2	2	2					
5A	2	172A69-68510	GRNISHOO	1	1	1					W
		(A=M10506) (B=M10506) (C=M10506)									
6	2	172538-68910	GRIP	1	1	1					
7	2	172A69-69560	RUBBER, TRIM	1	1	1					
8	2	172A69-69570	RUBBER	1	1	1					
9	2	172A69-69580	SEAL, PACKING	1	1	1					
10	2	172A69-69590	RUBBER, TRIM	1	1	1					
11	2	172A69-69600	CLIP	10	10	10					
12	2	172A69-69610	RUBBER, STOPPER	2	2	2					
13	2	172A69-69620	NUT	2	2	2					
14	2	172A69-69630	GLASS, DOOR	1	1	1					
15	2	172A69-69640	GLASS	1	1	1					2
16	2	172A69-69650	POLYCARBONATE	1	1	1					
17	2	172A69-69660	ASHTRAY	1	1	1					
18	2	172A69-69680	COVER	1	1	1					
19	2	172A69-69690	FASTENER	11	11	11					
20	2	172A69-69720	ROOF ASSY, INNER	1	1	1					
20-1	2	172A69-69721	ROOF ASSY, INNER	1	1	1					N
		(A=M10662) (B=M10662) (C=M10662)									
21	2	172A69-69730	GLASS	1	1	1					
22	2	172A69-69740	TRIM	1	1	1					
23	2	172A69-69750	PACKING, RUBBER	10	10	10					
24	2	172A69-69760	GROMMET	1	1	1					
25	2	172A69-69770	BOLT, CAP	2	2	2					
26	2	172A69-69780	HOSE	1	1	1					
27	2	172A69-69790	HAMMER	1	1	1					
28	2	172A69-69800	BRACKET, HAMMER	1	1	1					
29	2	26023-050162	SCREW, M5X16	2	2	2					
30	2	26023-050162	SCREW, M5X16	2	2	2					
31	2	172A69-69670	SEAL, PACKING	1	1	1					W
		(A=M10708) (B=M10708) (C=M10708)									
32A	1	172437-03302	LABEL, MANUAL	1	1	1					3
32B	1	172437-03471	LABEL, LEVER LOCK	1	1	1					3
33A	1	172A69-03360	LABEL, LIFT Q	1	1	1					3

Remarks

- (1) Attach the No.32A,32B label to this part.
- (2) Attach the No.33A label to this part.
- (3) Not illustrated.

Fig.49. CABIN(DOOR)



(A)=SV100-1(US)  
 (B)=SV100-1(AS)  
 (C)=SV100-1(NZ)

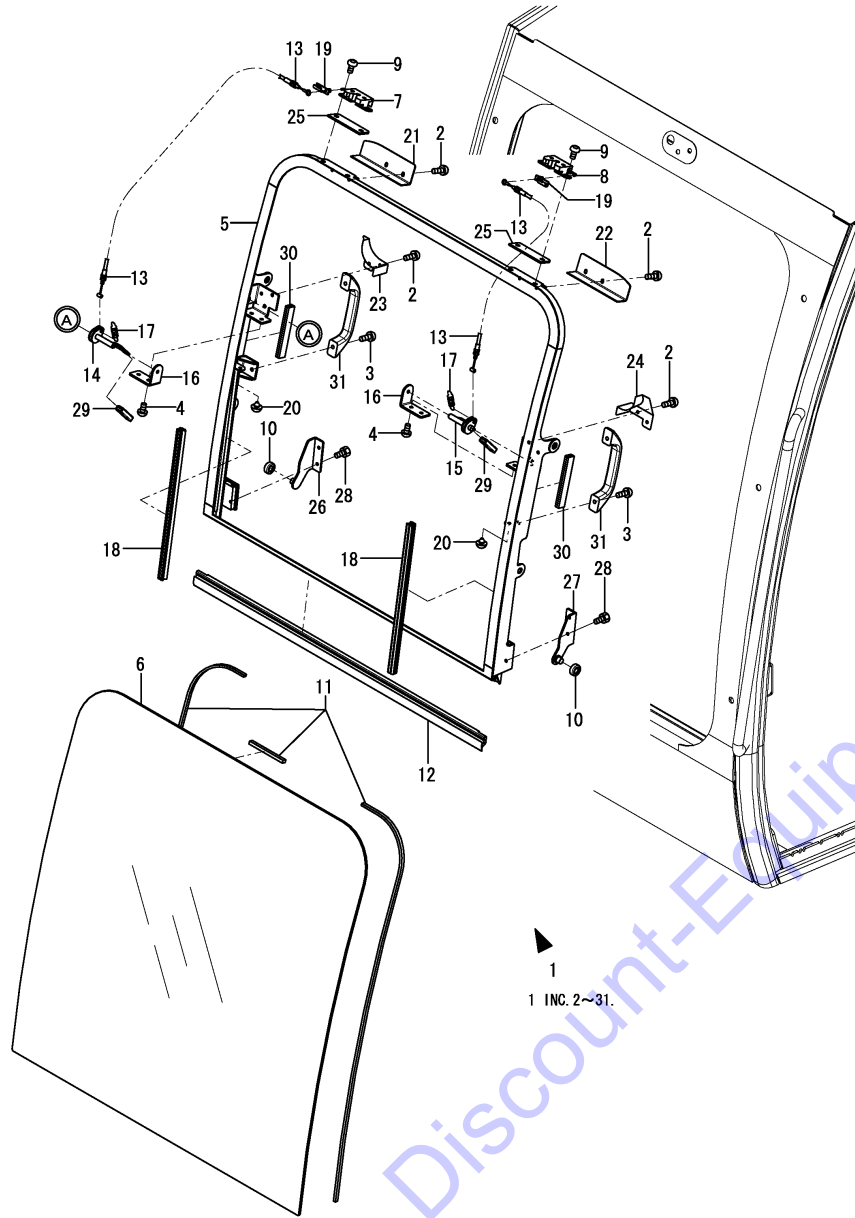
(D)=  
 (E)=  
 (F)=

No.	Lev.	Parts No.	Description	Q'ty						I	R
				(A)	(B)	(C)	(D)	(E)	(F)		
1	2	172A69-68050	DOOR ASSY	1	1	1					
2	3	172538-67680	NUT, FLANGE	4	4	4					
3	3	172538-67720	SCREW	11	11	11					
4	3	172538-67780	SCREW	1	1	1					
5	3	172A69-68060	FRAME, DOOR	1	1	1					
6	3	172A69-68070	GLASS, DOOR	1	1	1					
7	3	172A69-68080	GLASS, DOOR	1	1	1					
8	3	172A69-68090	COVER	1	1	1					
9	3	172A69-68100	HANDLE ASSY	1	1	1					
10	3	172A69-68110	BOLT	1	1	1					
11	3	172A69-68120	PLATE	1	1	1					
12	3	172A69-68130	WASHER	1	1	1					
13	3	172A69-68140	LINK	1	1	1					
14	3	172A69-68150	LINK	1	1	1					
15	3	172A69-68160	LINK	1	1	1					
16	3	172A69-68170	PLATE	1	1	1					
17	3	172A69-68180	PLATE	1	1	1					
18	3	172A69-68190	SPACER	1	1	1					
19	3	172A69-68200	NUT	1	1	1					
20	3	172A69-68210	WASHER, PLATE	1	1	1					
21	3	172A69-68220	RUBBER	1	1	1					
22	3	172A69-68230	RUBBER	2	2	2					
23	3	172538-68730	CYLINDER ASSY, KEY	1	1	1					
24	3	172538-68780	LOCK ASSY	1	1	1					
24-1	3	172538-68781	LOCK ASSY, DOOR L	1	1	1					N
		(A=*2013.11) (B=*2013.11) (C=*2013.11)									
25	3	172538-68890	HANDLE, INNER	1	1	1					
26	3	172538-68960	HOLDER, LINK	4	4	4					
28	2	172538-67630	BOLT	4	4	4					
29	2	172538-67660	SCREW	2	2	2					
30	2	172538-67660	SCREW	2	2	2					
31	2	172538-67660	SCREW	4	4	4					
32	2	172A69-69060	SCREW	2	2	2					
33	2	172A69-69260	STRIKER	1	1	1					
34	2	172A69-69270	CATCH ASSY	1	1	1					
35	2	172A69-69290	COVER	1	1	1					
36	2	172A69-69300	COVER	1	1	1					
37	2	172A69-69310	LEVER, ASSY	1	1	1					
38	2	172A69-69330	PIN	1	1	1					
39	2	172A69-69340	WIRE	1	1	1					
40	2	172A69-69350	RUBBER, STOPPER	1	1	1					
41	2	172A69-69360	COVER	1	1	1					
42	2	172A69-69370	COVER, LEVER	1	1	1					
43	2	172A69-69380	COVER	1	1	1					
44	2	172A69-69390	BRACKET	1	1	1					
45	2	172A69-69400	PLATE	1	1	1					
46	2	22272-000040	RING, E-4	1	1	1					
47	2	26014-080202	BOLT, M8X 20	2	2	2					
48	2	26023-060162	SCREW, M6X16	1	1	1					

Fig.50. CABIN(FRONT WINDOW : 1)

(A)=SV100-1(US)  
 (B)=SV100-1(AS)  
 (C)=SV100-1(NZ)

(D)=  
 (E)=  
 (F)=



No.	Lev.	Parts No.	Description	Qty						I	R
				(A)	(B)	(C)	(D)	(E)	(F)		
1	2	172A69-68250	WINDOW ASSY	1	1	1					
2	3	172538-67650	SCREW	8	8	8					
3	3	172538-67720	SCREW	2	2	2					
4	3	172538-67720	SCREW	4	4	4					
5	3	172A69-68260	WINDOW, SLIDE	1	1	1					
6	3	172A69-68270	GLASS	1	1	1					1
7	3	172A69-68280	LOCK, SNATCH	1	1	1					
8	3	172A69-68290	LOCK, SNATCH	1	1	1					
9	3	172A69-68300	BOLT	4	4	4					
10	3	172A69-68310	ROLLER	2	2	2					
11	3	172A69-68320	RUBBER, DAM	1	1	1					
12	3	172A69-68330	RUBBER, SEAL	1	1	1					
13	3	172A69-68340	WIRE	2	2	2					
14	3	172A69-68350	LEVER	1	1	1					
15	3	172A69-68360	LEVER	1	1	1					
16	3	172A69-68370	BRACKET, LEVER	2	2	2					
17	3	172A69-68380	SPRING, COIL	2	2	2					
18	3	172A69-68390	TRIM	2	2	2					
19	3	172A69-68400	HOLDER, LINK	2	2	2					
20	3	172A69-68410	RUBBER, STOPPER	2	2	2					
21	3	172A69-68420	COVER, LATCH	1	1	1					
22	3	172A69-68430	COVER, LATCH	1	1	1					
23	3	172A69-68440	COVER	1	1	1					
24	3	172A69-68450	COVER	1	1	1					
25	3	172A69-68460	PLATE, LATCH	2	2	2					
26	3	172A69-68470	BRACKET, ROLLER	1	1	1					
27	3	172A69-68480	BRACKET, ROLLER	1	1	1					
28	3	172A69-68490	BOLT	4	4	4					
29	3	172A69-68500	COVER, LEVER	2	2	2					
30	3	172A69-68510	TRIM	2	2	2					
31	3	172538-68910	GRIP	2	2	2					
32A	1	172437-03551	LABEL, WINDOW US	1	1	1					2

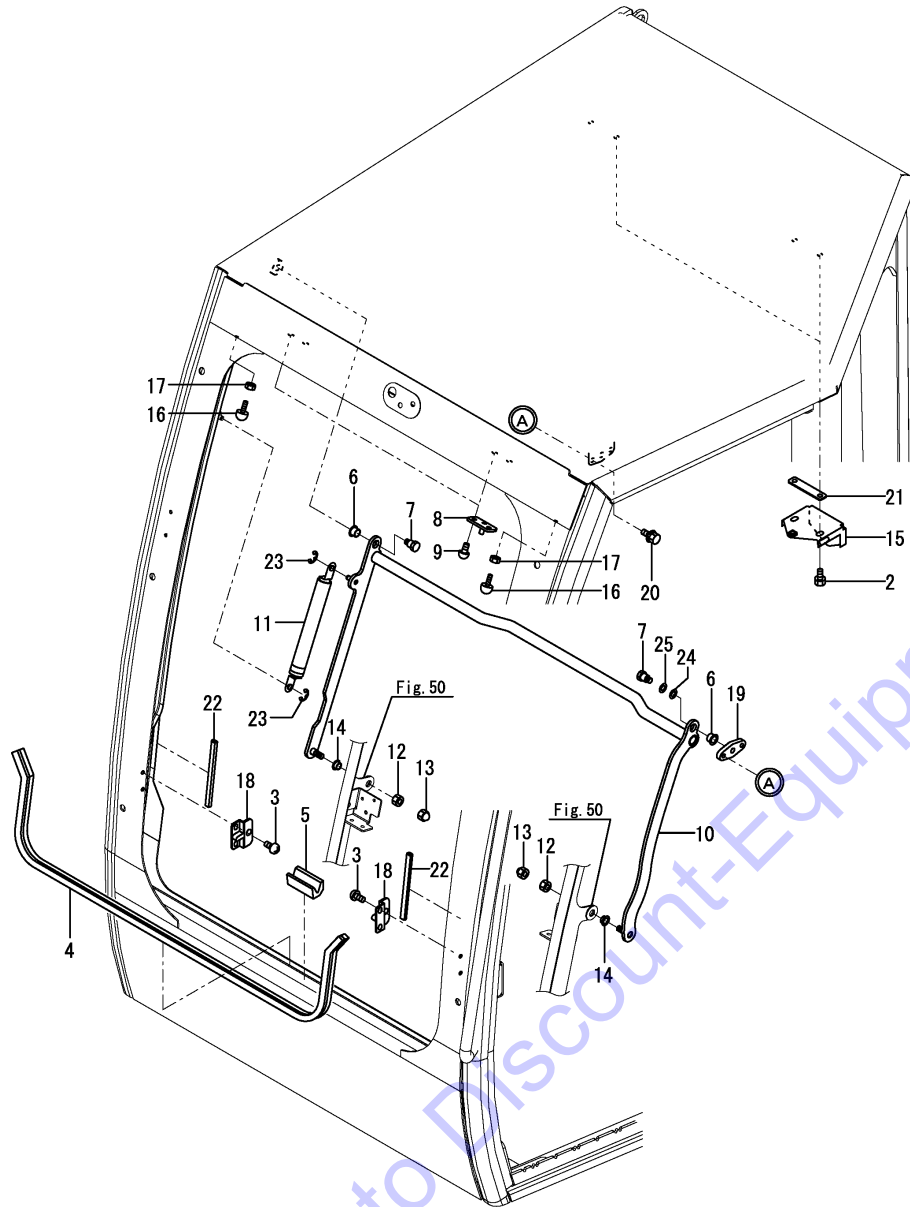
Remarks  
 (1) Attach the No.32A label to this part.  
 (2) Not illustrated.



Fig.51. CABIN(FRONT WINDOW : 2)

(A)=SV100-1(US)  
 (B)=SV100-1(AS)  
 (C)=SV100-1(NZ)

(D)=  
 (E)=  
 (F)=

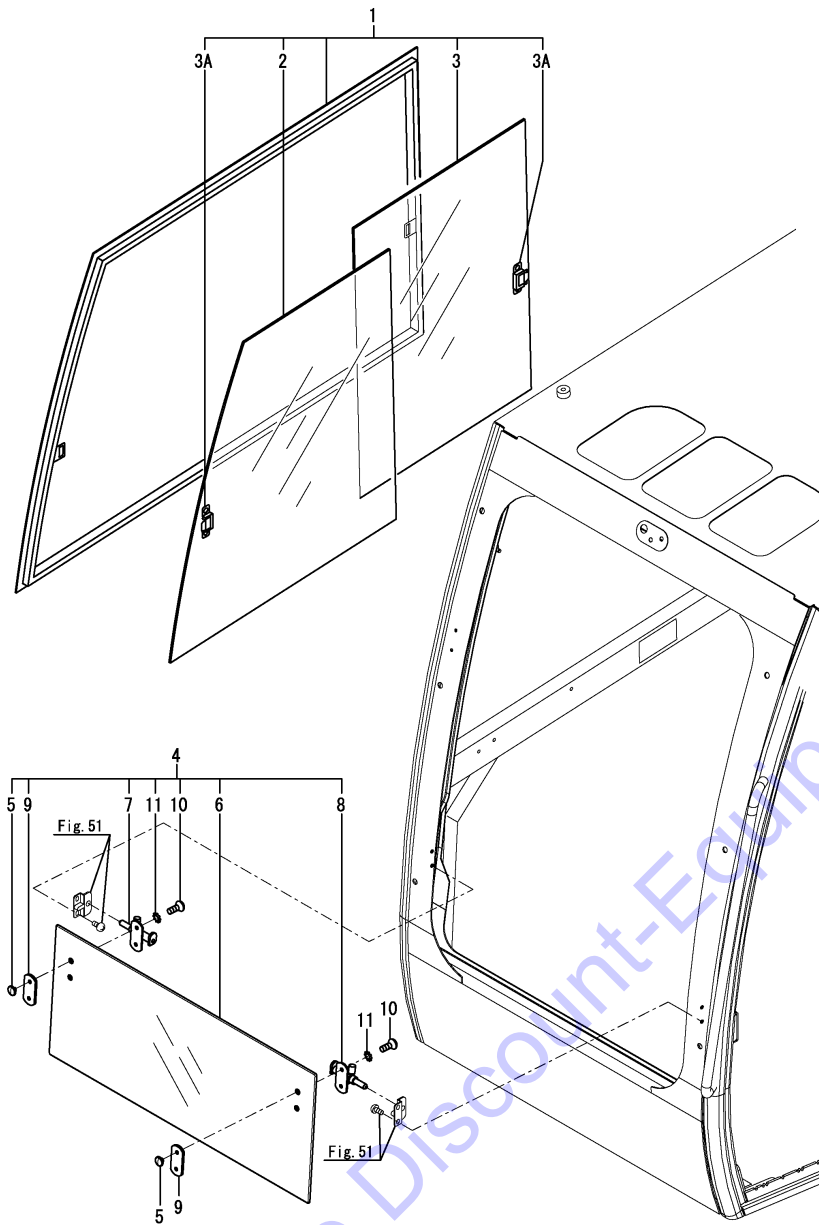


No.	Lev.	Parts No.	Description	Q'ty						I	R
				(A)	(B)	(C)	(D)	(E)	(F)		
2	3	172538-66380	BOLT	4	4	4					
3	3	172538-67720	SCREW	4	4	4					
4	3	172A69-69010	RUBBER, TRIM	1	1	1					
5	3	172A69-69020	RUBBER, STOPPER	2	2	2					
6	3	172A69-69030	BEARING	2	2	2					
7	3	172A69-69040	BOLT, LINK	2	2	2					
8	3	172A69-69050	STRIKER	2	2	2					
9	3	172A69-69060	SCREW	4	4	4					
10	3	172A69-69070	LINK ASSY	1	1	1					
11	3	172A69-69080	SPRING, GAS	1	1	1					
12	3	172A69-69090	NUT	2	2	2					
13	3	172A69-69100	NUT, CAP	2	2	2					
14	3	172A69-69110	BEARING	2	2	2					
15	3	172A69-69130	STRIKER	2	2	2					
16	3	172A69-69140	RUBBER, STOPPER	2	2	2					
17	3	172A69-69150	NUT	2	2	2					
18	3	172A69-69160	PLATE,LATCH	2	2	2					
19	3	172A69-69170	NUT	1	1	1					
20	3	172A69-69180	BOLT	2	2	2					
21	3	172A69-69190	SPACER	2	2	2					
22	3	172A69-69200	TRIM	2	2	2					
23	3	22272-000070	RING, E- 7	2	2	2					
24	3	172A69-69210	PLATE,RING 2.3	1	1	1					W
		(A=M10506) (B=M10506) (C=M10506)									
25	3	172A69-69220	PLATE,RING 3.2	1	1	1					W
		(A=M10506) (B=M10506) (C=M10506)									

Fig.52. CABIN(WINDOW SASH & LOWER GLASS)

(A)=SV100-1(US)  
 (B)=SV100-1(AS)  
 (C)=SV100-1(NZ)

(D)=  
 (E)=  
 (F)=



No.	Lev.	Parts No.	Description	Q'ty						I	R
				(A)	(B)	(C)	(D)	(E)	(F)		
1	2	172A69-68550	SASH ASSY	1	1	1					
2	3	172A69-68560	GLASS, SASH	1	1	1					
3	3	172A69-68570	GLASS, SASH	1	1	1					1
3A	3	172A69-68580 (A=M10501) (B=M10501) (C=M10501)	LOCK,ASSY	2	2	2					W
4	2	172A69-68600	GLASS ASSY	1	1	1					
5	3	172538-67550	RETAINER	4	4	4					
6	3	172A69-68610	GLASS	1	1	1					
7	3	172A69-68620	LATCH	1	1	1					
8	3	172A69-68630	LATCH	1	1	1					
9	3	172A69-68640	PACKING	2	2	2					
10	3	172A69-68650	SCREW	4	4	4					
11	3	172A69-68660	WASHER, LOCK	4	4	4					
12A	1	172472-03241	LABEL, PINUS	1	1	1					2
12B	1	172472-03271	LABEL, SANDUS	1	1	1					2
12C	1	172472-03281	LABEL, WARNING HITCH	1	1	1					2
12D	1	172437-03312	LABEL, SLOPE	1	1	1					2
12E	1	172437-03343	LABEL, TRANSPORT	1	1	1					2
12F	1	172437-03372	LABEL, NEUTRAL	1	1	1					2
12G	1	172437-03432	LABEL, STEERING	1	1	1					2
12H	1	172437-03441	LABEL, ROPS	1	1	1					2
12I	1	172437-03451	LABEL, SEAT BELT	1	1	1					2

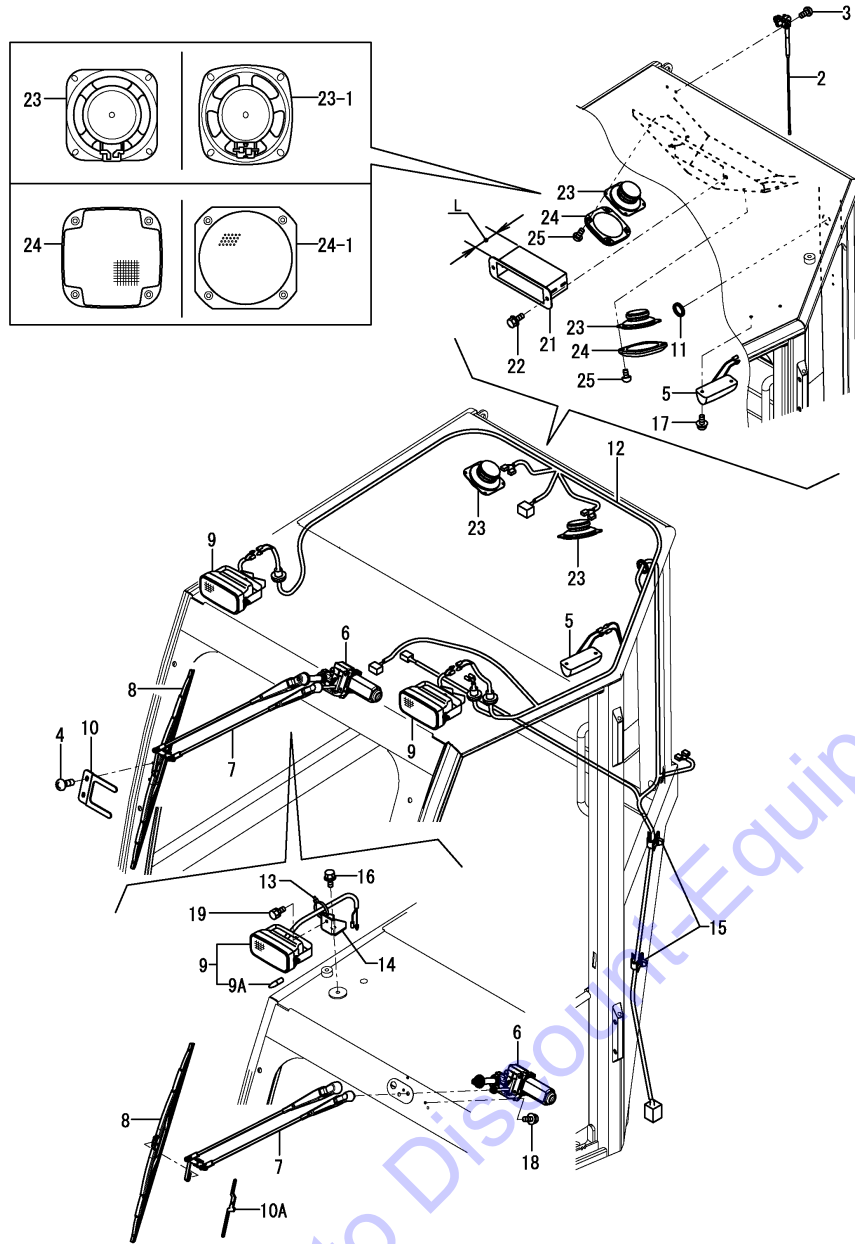
Remarks

- (1) Attach the No. 12A, 12B, 12C, 12D, 12E, 12F, 12G, 12H, 12I label to this part.
- (2) Not illustrated.

Fig.53. CABIN(ELECTRIC)

(A)=SV100-1(US)  
 (B)=SV100-1(AS)  
 (C)=SV100-1(NZ)

(D)=  
 (E)=  
 (F)=



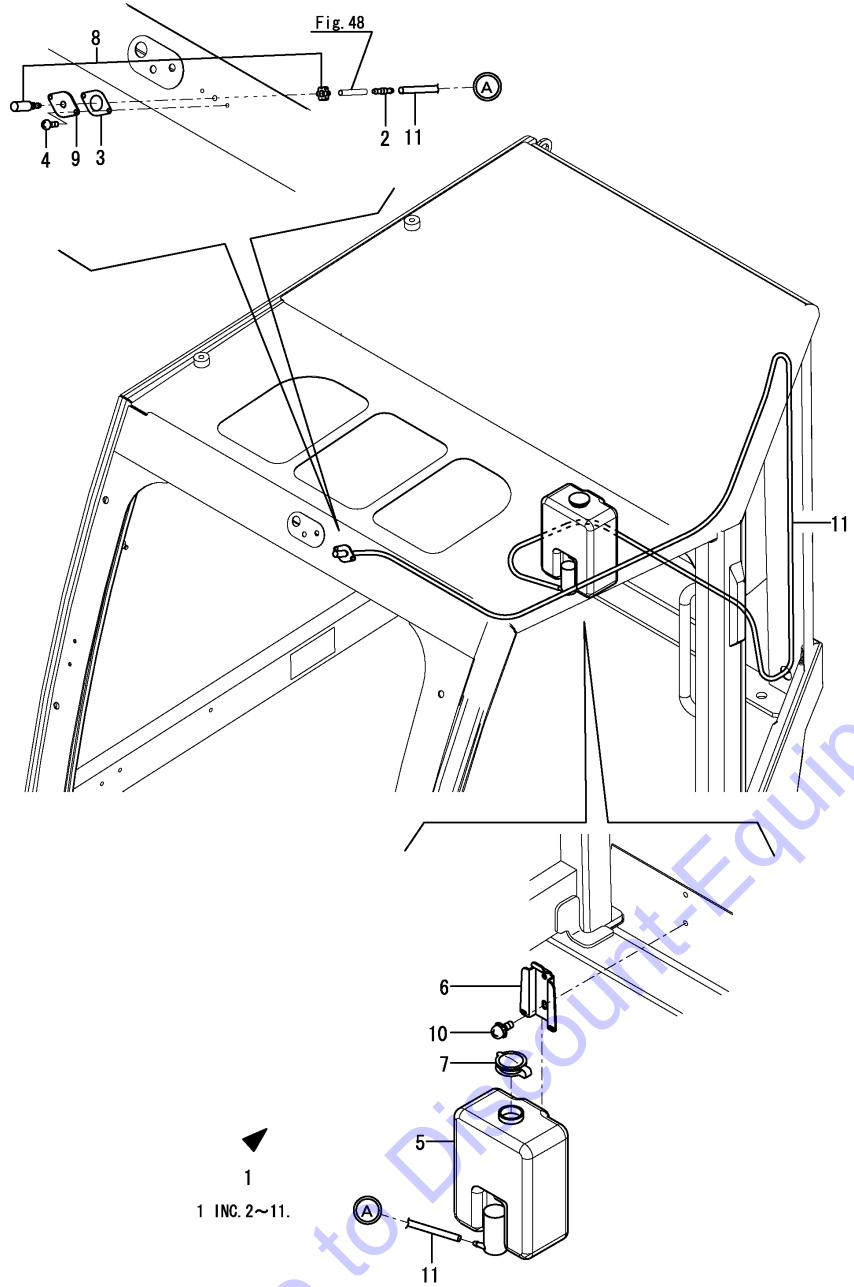
No.	Lev.	Parts No.	Description	Q'ty						I	R
				(A)	(B)	(C)	(D)	(E)	(F)		
2	2	172538-66640	ROD ASSY, ANTENNA	1	1	1					
3	2	172538-67660	SCREW	2	2	2					
4	2	172538-67720	SCREW	2	2	2					
5	2	172538-68540	LAMP ASSY, ROOM	1	1	1					
6	2	172A69-68710	MOTOR, WIPER	1	1	1					
7	2	172A69-68720	ARM, WIPER	1	1	1					
8	2	172A69-68730	BLADE, WIPER	1	1	1					
9	2	172A69-68740	LAMP, WORK	2	2	2					
9A	3	172458-17420	BULB	2	2	2					
10	2	172A69-68750	BRACKET, WIPER	1	1	1					
10A	2	172A69-68760	PLATE, WIPER ARM	1	1	1					W
		(A=M11530) (B=M11530) (C=M11530)									
11	2	172A69-68770	GROMMET	1	1	1					
12	2	172A69-68780	HARNES, MAIN	1	1	1					
12-1	2	172A89-68780	HARNES, MAIN	1	1	1					N
		(A=M10662) (B=M10662) (C=M10662)									
13	2	172A69-68790	CLAMP	2	2	2					
14	2	172A69-68800	BRACKET	2	2	2					
15	2	172A69-68820	CLIP	2	2	2					
16	2	26014-100202	BOLT, M10X 20	2	2	2					
17	2	26023-050162	SCREW, M5X16	2	2	2					
18	2	26023-060162	SCREW, M6X16	3	3	3					
19	2	172A69-69470	BOLT	2	2	2					
21	2	172A69-69460	RADIO,BRACKET	1	1	1					1
21-1	2	172A69-69461	RADIO,BRACKET	1	1	1					S 1
		(A=M10662) (B=M10662) (C=M10662)									
22	2	172A69-69470	BOLT	2	2	2					
23	2	172A69-69480	SPEAKER	2	2	2					
23-1	2	172A69-69481	SPEAKER	2	2	2					S
		(A=M10662) (B=M10662) (C=M10662)									
24	2	172A69-69490	SPEAKER	2	2	2					
24-1	2	172A69-69491	GRILLE, SPEAKER	2	2	2					S
		(A=M10662) (B=M10662) (C=M10662)									
25	2	172A69-69500	SCREW	8	8	8					

Remarks

(1)Ref.No.21 L=91mm, No.21-1 L=96mm.

N:Old  $\xrightarrow{\text{Yes}}$  New, Q:Old  $\xrightarrow{\text{No}}$  New, R:Old  $\xrightarrow{\text{Yes}}$  New, S:Old  $\xrightarrow{\text{No}}$  New, W:Add, Z:Discontinued, F:Interchangeable by set, K:Q'ty Change

Fig.54. CABIN(WASHER TANK)

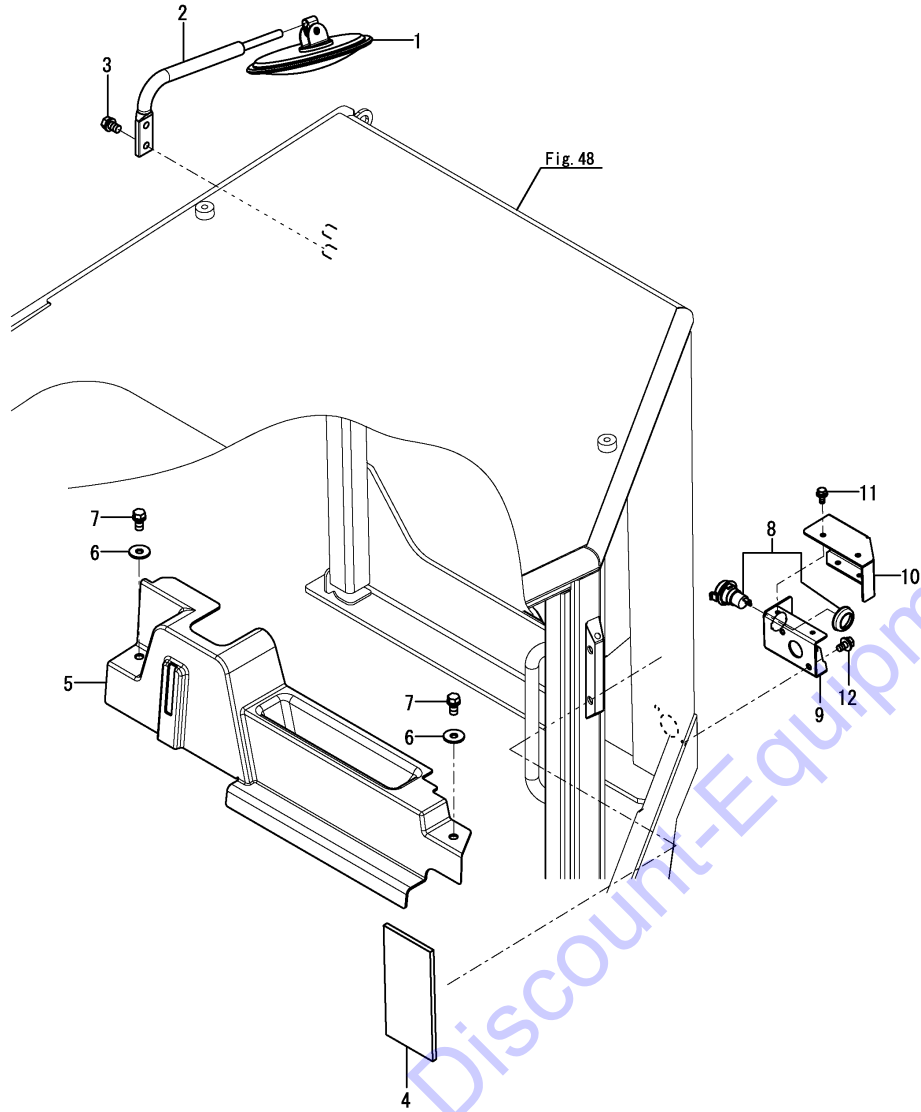


(A)=SV100-1(US)  
 (B)=SV100-1(AS)  
 (C)=SV100-1(NZ)

(D)=  
 (E)=  
 (F)=

No.	Lev.	Parts No.	Description	Q'ty						I	R
				(A)	(B)	(C)	(D)	(E)	(F)		
1	2	172A69-68900	TANK ASSY, WASHER	1	1	1					
2	3	172538-66480	VALVE ASSY, CHECK	1	1	1					
3	3	172538-66530	PACKING	1	1	1					
4	3	172538-67640	SCREW	2	2	2					
5	3	172A69-68910	TANK, WASHER	1	1	1					
6	3	172A69-68920	BRACKET, WASHER	1	1	1					
7	3	172A69-68930	CAP	1	1	1					
8	3	172A69-68940	NOZZLE, WASHER	1	1	1					
9	3	172A69-68960	PLATE	1	1	1					
10	3	26023-060162	SCREW, M6X16	2	2	2					
11	3	172A69-68970	HOSE	1	1	1					W
(A=M10506) (B=M10506) (C=M10506)											

Fig.55. REARVIEW MIRROR & CABIN ACCESSORY)



(A)=SV100-1(US)  
 (B)=SV100-1(AS)  
 (C)=SV100-1(NZ)

(D)=  
 (E)=  
 (F)=

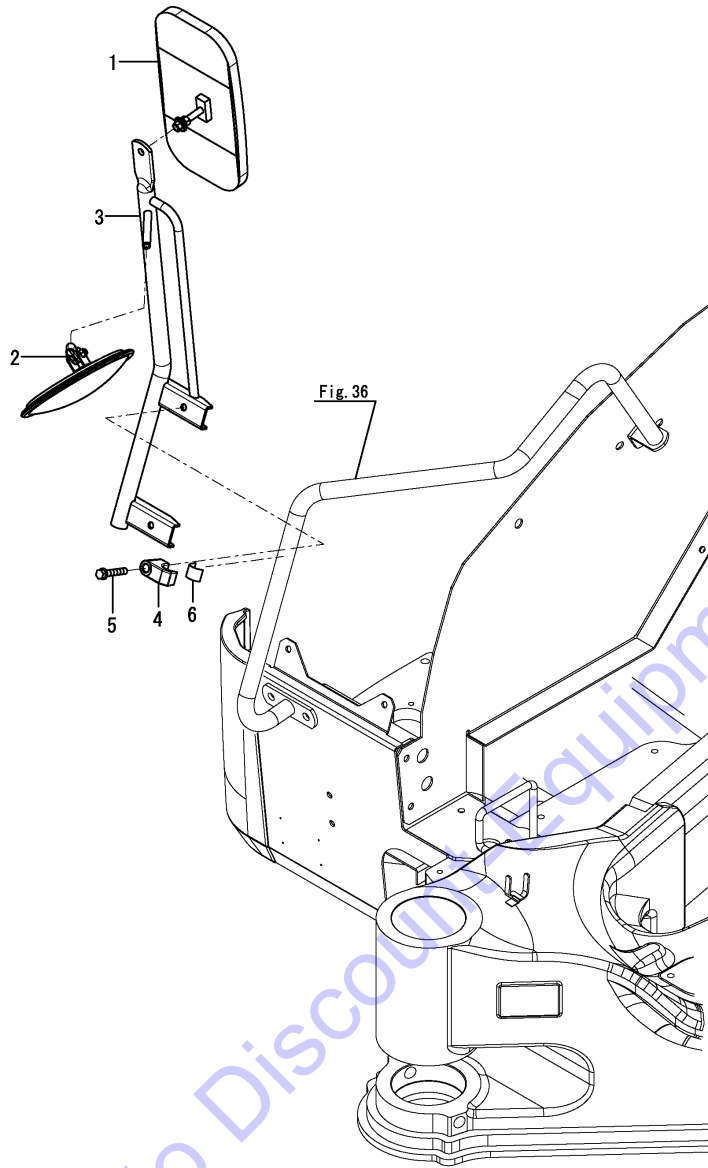
No.	Lev.	Parts No.	Description	Q'ty						I	R
				(A)	(B)	(C)	(D)	(E)	(F)		
1	1	172A25-68500	MIRROR, REARVIEW	1	1	1					
2	1	172A69-68850	BRACKET ASSY, MIRROR	1	1	1					
3	1	26013-100162	BOLT, M10X 16	2	2	2					
3-1	1	26013-100252	BOLT, M10X 25	2	2	2					N
		(A=*2009.01)	(B=*2009.01)	(C=*2009.01)							
4	1	172446-62910	PLATE, RUBBER	1	1	1					
5	1	172A69-68950	COVER, TANK	1	1	1					
6	1	22157-080000	WASHER, 8	2	2	2					
7	1	26013-080162	BOLT, M8X 16	2	2	2					
8	1	172A64-17250	SOCKET ASSY			1	1				
9	1	172A69-69910	CIGA BOX ASSY (49)			1	1				
10	1	172A69-69930	COVER, BOX			1	1				
11	1	26014-060122	BOLT, M6X 12			4	4				
12	1	26014-080162	BOLT, M8X 16			2	2				

Go to Discount-Equipment.com to buy your parts

Fig.56. SIDE MIRROR

(A)=SV100-1(US)  
 (B)=SV100-1(AS)  
 (C)=SV100-1(NZ)

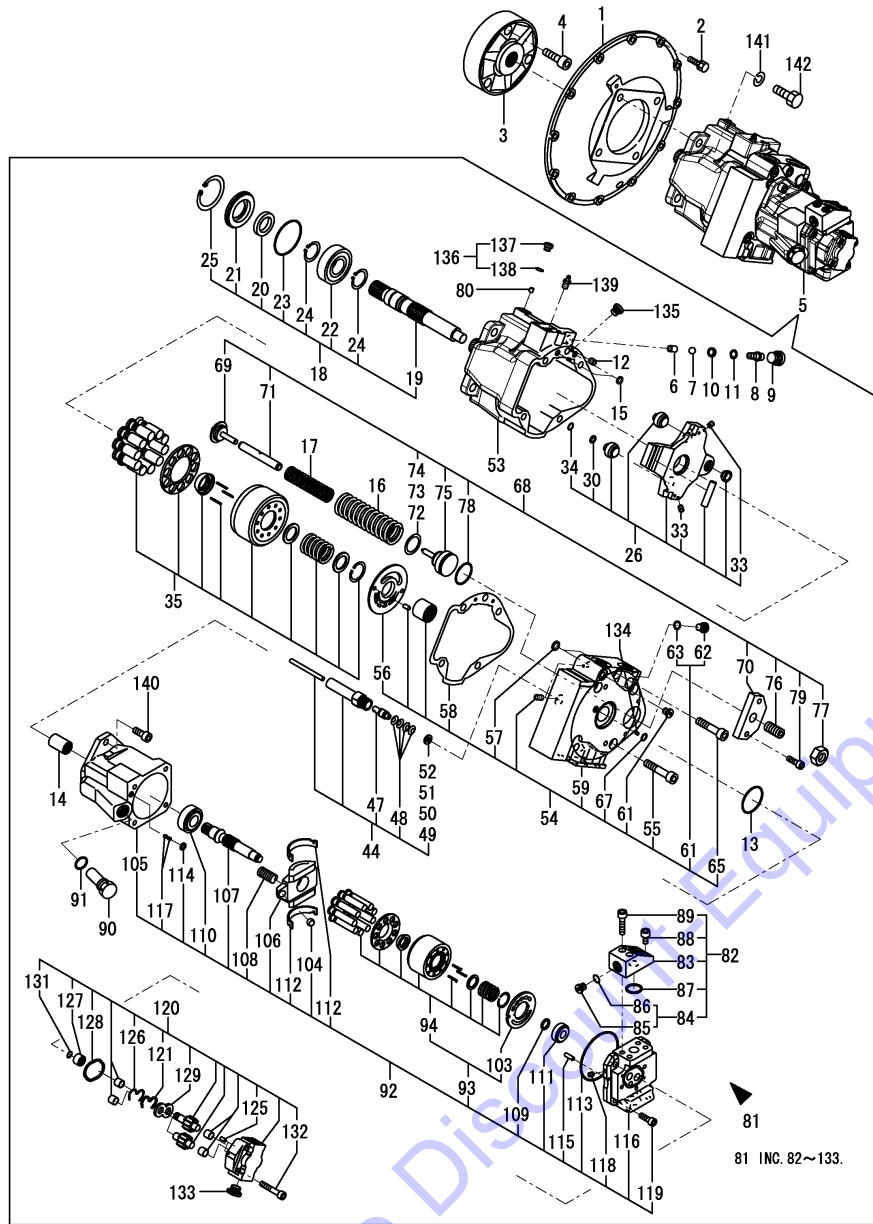
(D)=  
 (E)=  
 (F)=



No.	Lev.	Parts No.	Description	Q'ty						I	R
				(A)	(B)	(C)	(D)	(E)	(F)		
1	1	1W3855-50160	MIRROR ASSY, BACK	1	1	1					
2	1	172A25-68500	MIRROR, REARVIEW	1	1	1					
3	1	172A69-69810	MIRROR ASSY, SIDE	1	1	1					
3-1	1	172A69-69810-Y	MIRROR ASSY, SIDE	1	1	1					S
		(A=M11501) (B=M11501) (C=M11501)									
4	1	172142-76940-2	CLAMP	2	2	2					
4-1	1	172142-76940-Y	CLAMP	2	2	2					S
		(A=M11501) (B=M11501) (C=M11501)									
5	1	26013-100552	BOLT, M10X 55	2	2	2					
6	1	172A69-69880	RUBBER, CLAMP	2	2	2					W
		(A=M10545) (B=M10545) (C=M10545)									
6-1	1	172A69-69881	SHEET	2	2	2					N
		(A=M10509) (B=M10509) (C=M10509)									

Go to [DiscountEquipment.com](http://DiscountEquipment.com) to [DiscountEquipment.com](http://DiscountEquipment.com)

Fig.57. HYD.OIL PUMP & JOINT(TO M11513)



(A)=SV100-1(US)  
(B)=SV100-1(AS)  
(C)=SV100-1(NZ)

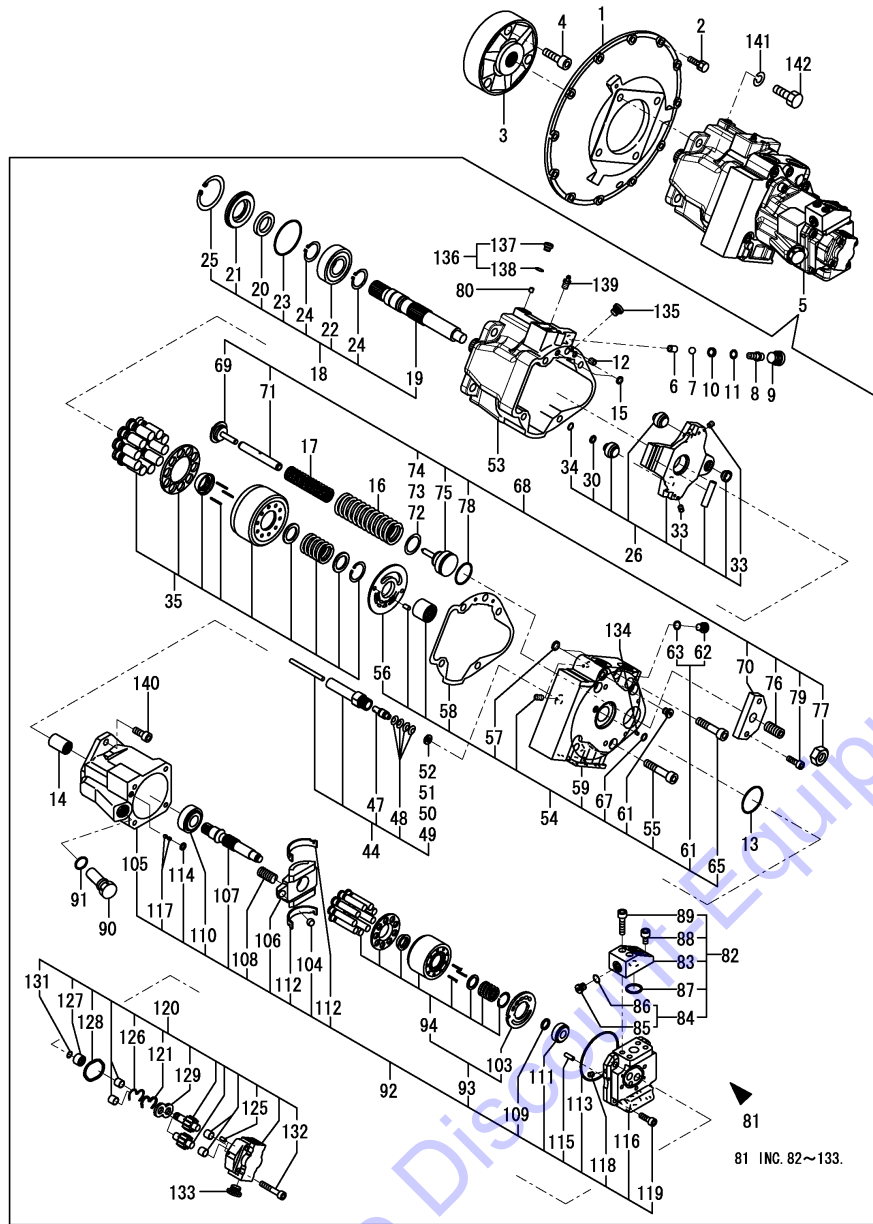
(D)=  
(E)=  
(F)=

No.	Lev.	Parts No.	Description	Q'ty						I	R
				(A)	(B)	(C)	(D)	(E)	(F)		
1	1	172187-71100	COVER, FLYWHEEL	1	1	1					
2	1	26013-100302	BOLT, SPRING M10X 30	12	12	12					
3	1	172499-71200	COUPLING	1	1	1					
4	1	172187-71210	BOLT	3	3	3					
5	1	172A69-73100	PUMP ASSY	1	1	1					1
6	2	172499-70600	BUSH	1	1	1					
7	2	172499-70610	BALL	1	1	1					
8	2	172499-70620	PLUG	1	1	1					
9	2	172499-70630	PLUG	1	1	1					
10	2	172499-70640	PACKING	1	1	1					
11	2	172499-70650	SHIM	1	1	1					
12	2	172499-70660	PLUG	1	1	1					
13	2	172499-70670	O-RING	1	1	1					
14	2	172499-70680	COUPLING	1	1	1					
15	2	172499-70690	RING	2	2	2					
16	2	172499-70701	SPRING	1	1	1					
17	2	172499-70711	SPRING	1	1	1					
18	2	172499-71300	SHAFT ASSY	1	1	1					
19	3	172499-71450	SHAFT	1	1	1					
20	3	172187-73240	SEAL, OIL	1	1	1					
21	3	172187-73220	CASE, SEAL	1	1	1					
22	3	172187-73230	BEARING	1	1	1					
23	3	172187-73250	O-RING	1	1	1					
24	3	22242-000350	RING, 35	2	2	2					
25	3	22252-000800	RING, 80	1	1	1					
26	2	172499-71310	PLATE ASSY, SWASH	1	1	1					
30	3	172499-71500	RING	1	1	1					
33	3	172141-74720	PLUG	2	2	2					
34	3	24315-000110	O-RING, 1BP11.0	1	1	1					
35	2	172499-71320	ROTARY GROUP	1	1	1					
44	2	172499-71350	PISTON, CONTROL	1	1	1					
47	3	172499-71690	PISTON	1	1	1					
48	3	172499-71700	SPRING	4	4	4					
49	3	172499-71710	PIECE, DISTANCE	1	1	1					
50	3	172499-71720	PIECE, DISTANCE	1	1	1					
51	3	172499-71730	PIECE, DISTANCE	1	1	1					
52	3	172499-71740	PIECE, DISTANCE	1	1	1					
53	2	172499-71370	HOUSING	1	1	1					
54	2	172A69-73110	COVER ASSY	1	1	1					
55	3	172499-71490	BOLT, 14X70HEX SOCKET	4	4	4					
56	3	172499-71570	PLATE, CONTROL	1	1	1					
57	3	172499-71580	RING	2	2	2					
58	3	172499-71590	PACKING	1	1	1					
59	3	172A69-73120	COVER	1	1	1					
61	3	172142-74600	PLUG	2	2	2					
62	4	172142-74660	PLUG	2	2	2					
63	4	24315-000110	O-RING, 1BP11.0	2	2	2					
65	3	172187-75630	BOLT	1	1	1					
67	3	24315-000100	O-RING, 1BP10.0	2	2	2					
68	2	172A69-73130	SEAT ASSY, SPRING	1	1	1					
69	3	172499-71600	SEAT, SPRING	1	1	1					

Remarks

(1) Interchangeable by simultaneous replacement with Fig.77 No.14-1 & Fig.90 No.32-1, 33-1, 41, 42, when changing to Fig.112(57A) No.7.

Fig.57. HYD.OIL PUMP & JOINT(TO M11513)



(A)=SV100-1(US)  
(B)=SV100-1(AS)  
(C)=SV100-1(NZ)

(D)=  
(E)=  
(F)=

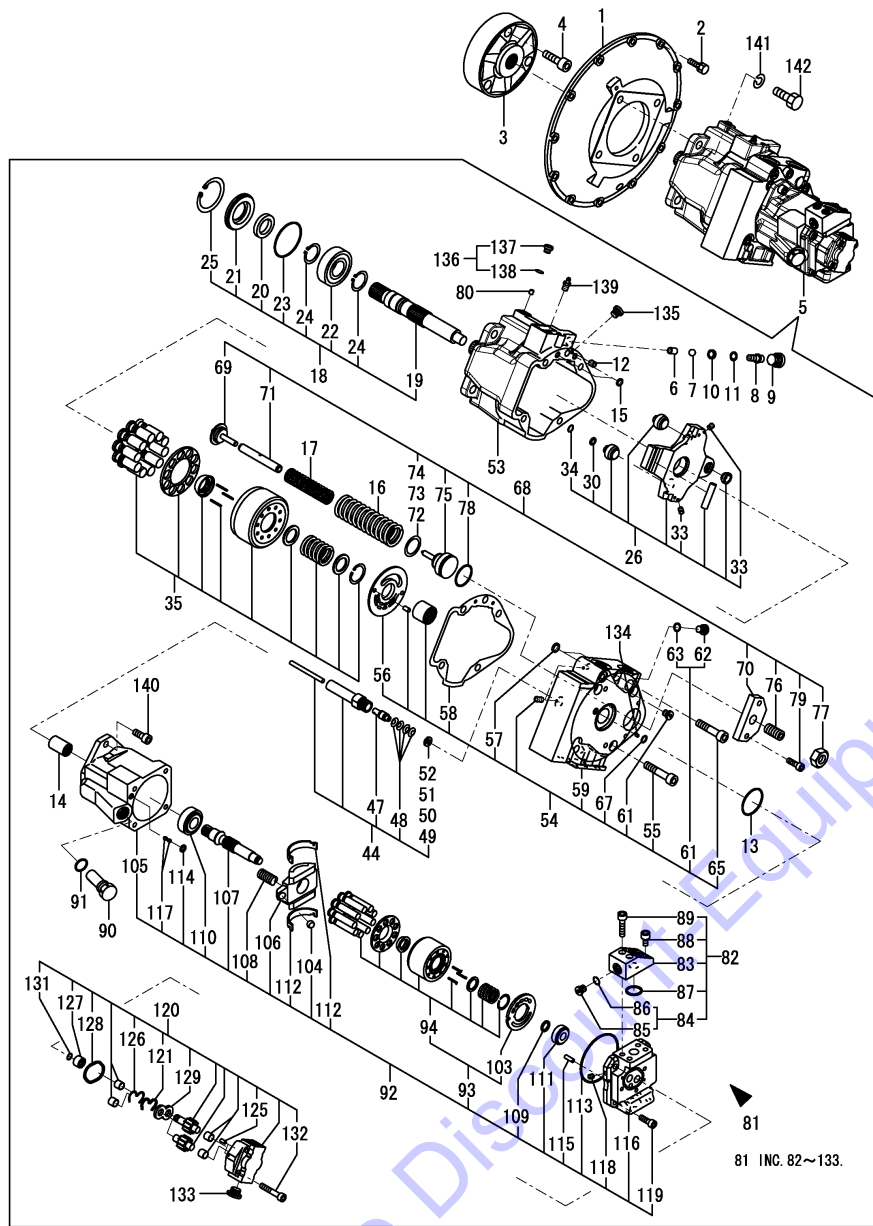
No.	Lev.	Parts No.	Description	Q'ty						I	R
				(A)	(B)	(C)	(D)	(E)	(F)		
70	3	172499-71620	COVER	1	1	1					
71	3	172499-71630	GUIDE	1	1	1					
72	3	172499-71640	SHIM	1	1	1					
73	3	172499-71650	SHIM	1	1	1					
74	3	172499-71660	SHIM	1	1	1					
75	3	172A69-73140	SEAT, SPRING	1	1	1					
76	3	172187-75720	SCREW, ADJUST	1	1	1					
77	3	172187-75750	NUT	1	1	1					
78	3	24311-000440	O-RING, 1AP44.0	1	1	1					
79	3	26450-100302	BOLT, M10X 30	2	2	2					
80	2	172147-73150	ORIFICE	1	1	1					
81	2	172A69-73150	PUMP, PISTON	1	1	1					
82	3	172499-71430	FLANGE ASSY	1	1	1					
83	4	172499-70550	FLANGE	1	1	1					
84	4	172142-74600	PLUG	1	1	1					
85	5	172142-74660	PLUG	1	1	1					
86	5	24315-000110	O-RING, 1BP11.0	1	1	1					
87	4	24325-000300	O-RING, 1BG30.0	1	1	1					
88	4	26450-100202	BOLT, M10X 20	2	2	2					
89	4	26450-100452	BOLT, M10X 45	2	2	2					
90	3	172499-71750	PLUG	1	1	1					
91	3	172499-71760	O-RING	1	1	1					
92	3	172A69-73160	PUMP, PISTON	1	1	1					
93	4	172499-71390	ROTARY GROUP	1	1	1					
94	5	172499-71400	ROTARY GROUP	1	1	1					
103	5	172499-71910	PLATE, CONTROL	1	1	1					
104	4	172499-71770	BALL, STOP	1	1	1					
105	4	172499-71781	HOUSING, PUMP	1	1	1					
106	4	172499-71800	PLATE, SWASH	1	1	1					
107	4	172499-71810	SHAFT, DRIVE	1	1	1					
108	4	172499-71820	SPRING	1	1	1					
109	4	172499-71830	SHIM, ADJUSTING	1	1	1					
110	4	172499-71840	BEARING, ROLLER	1	1	1					
111	4	172499-71850	BEARING, ROLLER	1	1	1					
112	4	172499-71860	SHELL	2	2	2					
113	4	172499-71870	O-RING	1	1	1					
114	4	172499-71880	RING	1	1	1					
115	4	172499-71900	PIN, PARALLEL	1	1	1					
116	4	172A69-73170	PLATE	1	1	1					
117	4	172147-73530	ORIFICE	2	2	2					
118	4	172164-73650	PLUG	2	2	2					
119	4	26450-100302	BOLT, M10X 30	4	4	4					
120	3	172A69-73180	PUMP, GEAR	1	1	1					
121	4	172649-72750	RING	1	1	1					
125	4	172141-73240	PIN, PARALLEL	2	2	2					
126	4	172165-73850	RING, BUCK UP	1	1	1					
127	4	172164-73870	COUPLING	1	1	1					
128	4	172165-73870	O-RING	1	1	1					
129	4	172164-73950	PLATE	1	1	1					
131	4	22252-000120	RING, 12	1	1	1					
132	4	26450-080552	BOLT 8X55	4	4	4					

Remarks

(1) Interchangeable by simultaneous replacement with Fig.77 No.14-1 & Fig.90 No.32-1, 33-1, 41, 42, when changing to Fig.112(57A) No.7.



Fig.57. HYD.OIL PUMP & JOINT(TO M11513)



(A)=SV100-1(US)  
 (B)=SV100-1(AS)  
 (C)=SV100-1(NZ)

(D)=  
 (E)=  
 (F)=

No.	Lev.	Parts No.	Description	Q'ty						I	R
				(A)	(B)	(C)	(D)	(E)	(F)		
133	3	172A69-73190	PLUG	1	1	1					
134	2	172147-73530	ORIFICE	1	1	1					
135	2	172649-73680	PLUG	1	1	1					
136	2	172142-74590	PLUG	1	1	1					
137	3	172142-74650	PLUG	1	1	1					
138	3	24315-000080	O-RING, 1BP8.0	1	1	1					
139	2	172456-75430	PLUG	1	1	1					
140	2	26450-120302	BOLT, M12X 30	2	2	2					
141	1	22217-160000	WASHER, SPRING 16	4	4	4					
142	1	26116-160452	BOLT, M16X 45 PLATED	4	4	4					

Remarks

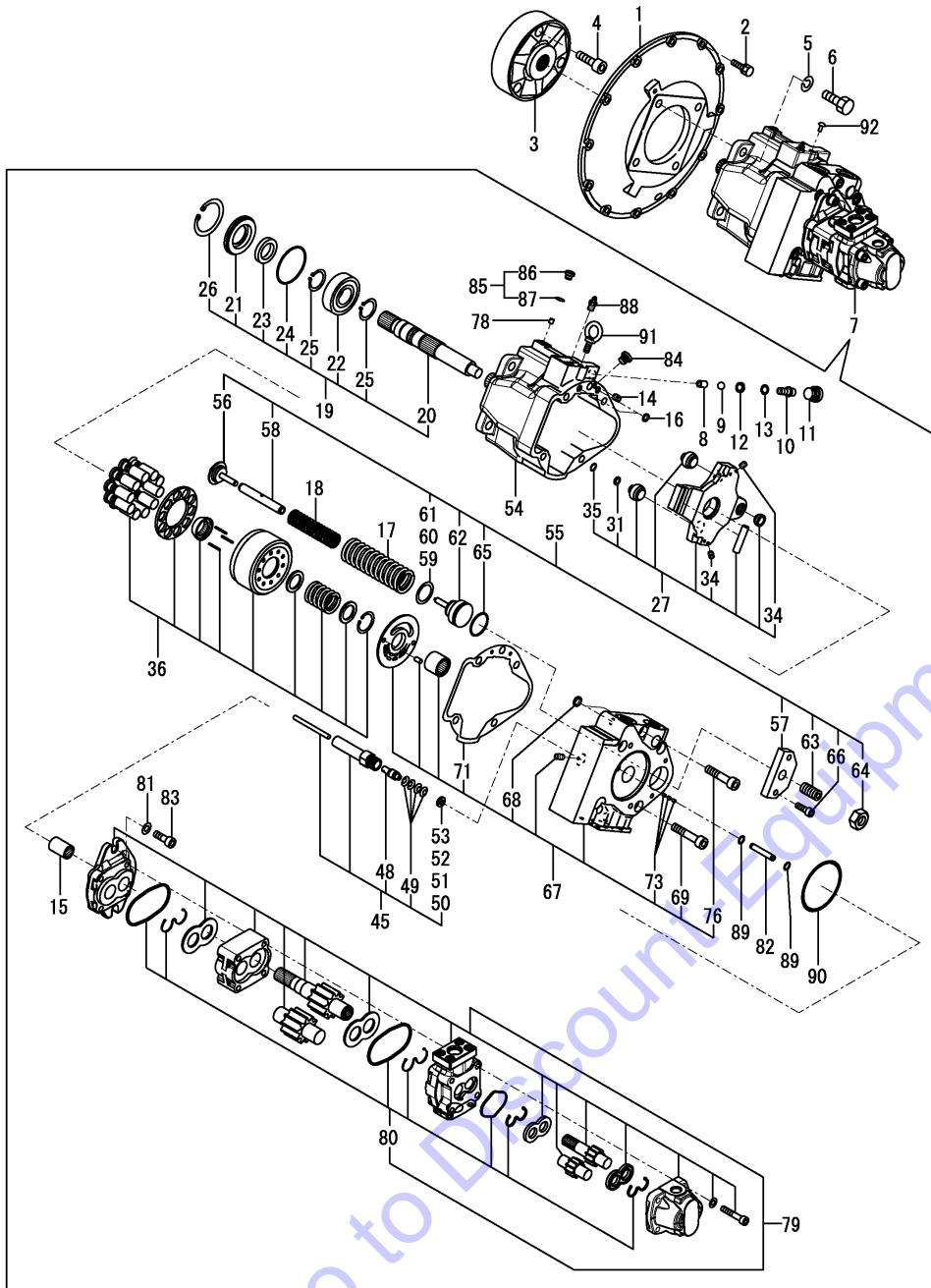
(1)Interchangeable by simultaneous replacement with Fig.77 No.14-1 & Fig.90 No.32-1, 33-1, 41, 42, when changing to Fig.112(57A) No.7.

N:Old  $\xrightarrow{\text{Yes}}$  New, Q:Old  $\xrightarrow{\text{No}}$  New, R:Old  $\xrightarrow{\text{Yes}}$  New, S:Old  $\xrightarrow{\text{No}}$  New, W:Add, Z:Discontinued, F:Interchangeable by set, K:Q'ty Change

Fig.122. (57A)HYDRAULIC PUMP & JOINT (FROM M11514)

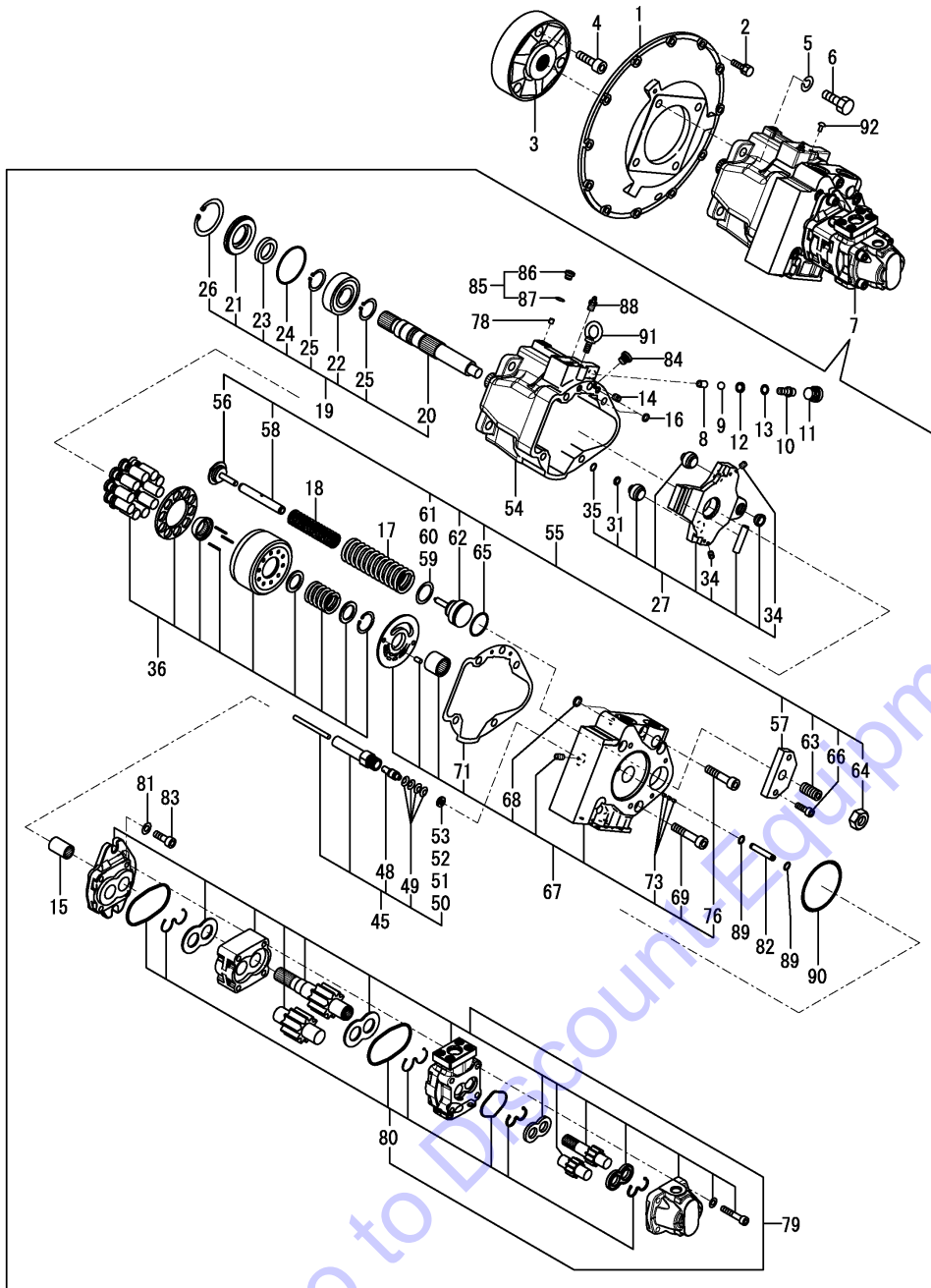
(A)=SV100-1(US)  
 (B)=SV100-1(AS)  
 (C)=SV100-1(NZ)

(D)=  
 (E)=  
 (F)=



No.	Lev.	Parts No.	Description	Q'ty						I	R
				(A)	(B)	(C)	(D)	(E)	(F)		
1	1	172187-71100	COVER, FLYWHEEL	1	1	1					
2	1	26013-100302	BOLT, SPRING M10X 30	12	12	12					
3	1	172499-71200	COUPLING	1	1	1					
4	1	172187-71210	BOLT	3	3	3					
5	1	22217-160000	WASHER, SPRING 16	4	4	4					
6	1	26116-160452	BOLT, M16X 45 PLATED	4	4	4					
7	1	172A69-73101	PUMP ASSY	1	1	1					W
		(A=M11514) (B=M11514) (C=M11514)									
8	2	172499-70600	BUSH	1	1	1					
9	2	172499-70610	BALL, STEEL	1	1	1					
10	2	172499-70620	PLUG	1	1	1					
11	2	172499-70630	PLUG	1	1	1					
12	2	172499-70640	PACKING	1	1	1					
13	2	172499-70650	SHIM	1	1	1					
14	2	172499-70660	PLUG	1	1	1					
15	2	172499-70680	COUPLING	1	1	1					
16	2	172499-70690	RING	2	2	2					
17	2	172499-70701	SPRING	1	1	1					
18	2	172499-70711	SPRING	1	1	1					
19	2	172499-71300	SHAFT ASSY	1	1	1					
20	3	172499-71450	SHAFT	1	1	1					
21	3	172187-73220	CASE, SEAL	1	1	1					
22	3	172187-73230	BEARING	1	1	1					
23	3	172187-73240	SEAL, OIL	1	1	1					
24	3	172187-73250	O-RING, 151	1	1	1					
25	3	22242-000350	RING, 35	2	2	2					
26	3	22252-000800	RING, 80	1	1	1					
27	2	172499-71310	PLATE, SWASH	1	1	1					
31	3	172499-71500	RING	1	1	1					
34	3	172141-74720	PLUG	2	2	2					
35	3	24315-000110	O-RING, 1BP11.0	1	1	1					
36	2	172499-71320	ROTARY SET	1	1	1					
45	2	172499-71350	PISTON ASSY, CONTROL	1	1	1					
48	3	172499-71690	PISTON	1	1	1					
49	3	172499-71700	SPRING	4	4	4					
50	3	172499-71710	PIECE, DISTANCE	1	1	1					
51	3	172499-71720	PIECE, DISTANCE	1	1	1					
52	3	172499-71730	PIECE, DISTANCE	1	1	1					
53	3	172499-71740	PIECE, DISTANCE	1	1	1					
54	2	172499-71370	HOUSING	1	1	1					
55	2	172A69-73130	SEAT ASSY, SPRING	1	1	1					
56	3	172499-71600	SEAT, SPRING	1	1	1					
57	3	172499-71620	COVER	1	1	1					
58	3	172499-71630	GUIDE	1	1	1					
59	3	172499-71640	SHIM	1	1	1					
60	3	172499-71650	SHIM	1	1	1					
61	3	172499-71660	SHIM	1	1	1					
62	3	172A69-73140	SEAT, SPRING	1	1	1					
63	3	172187-75720	SCREW, ADJUSTING	1	1	1					
64	3	172187-75750	NUT, HEXAGON	1	1	1					
65	3	24311-000440	O-RING, 1AP44.0	1	1	1					

Fig.122. (57A)HYDRAULIC PUMP & JOINT (FROM M11514)

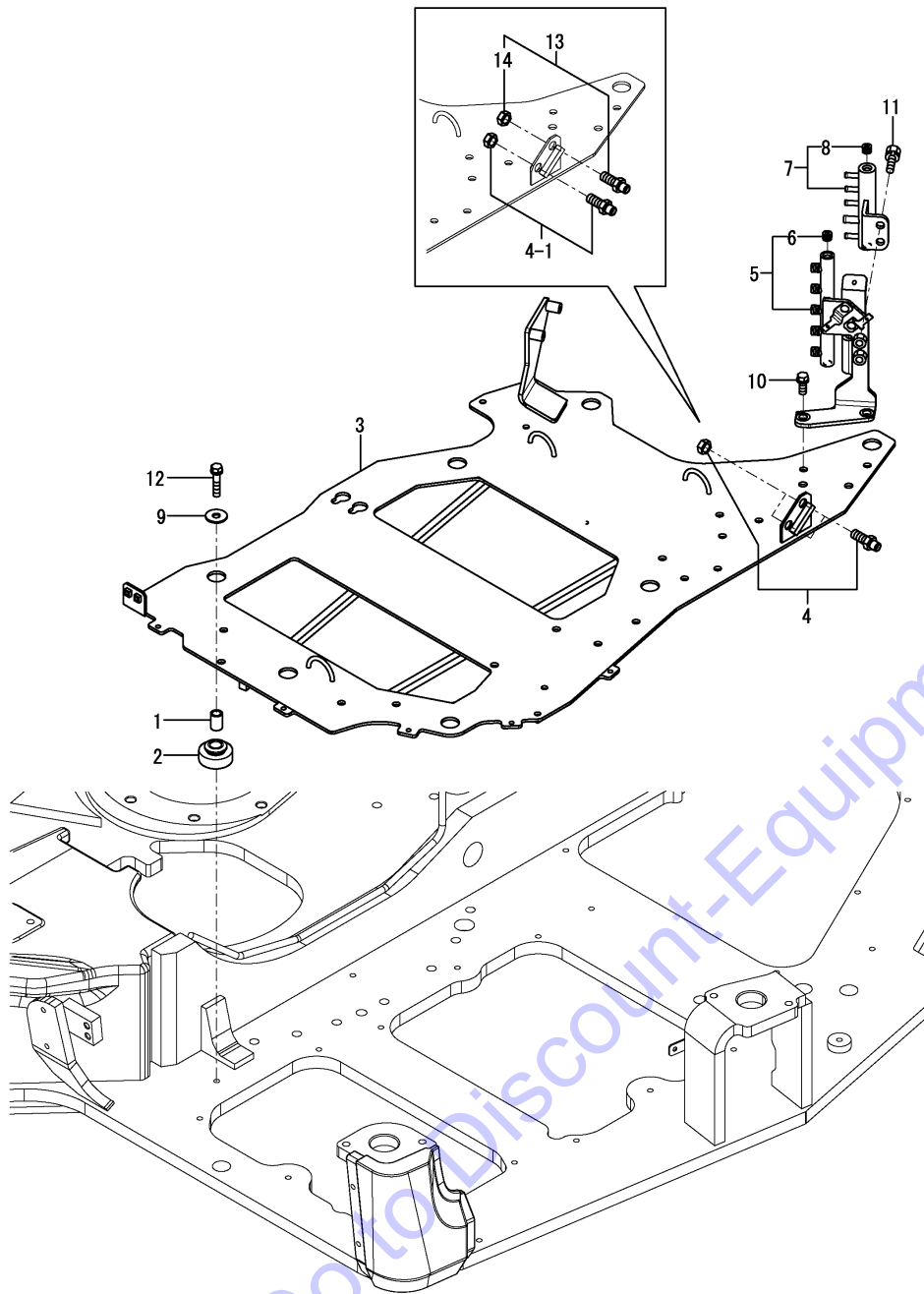


(A)=SV100-1(US)  
 (B)=SV100-1(AS)  
 (C)=SV100-1(NZ)

(D)=  
 (E)=  
 (F)=

No.	Lev.	Parts No.	Description	Q'ty						I	R
				(A)	(B)	(C)	(D)	(E)	(F)		
66	3	26450-100302	BOLT, M10X 30	2	2	2					
67	2	172A89-73130	PLATE ASSY, PORT	1	1	1					
68	3	172499-70690	RING	2	2	2					
69	3	172499-71490	BOLT, M14X70	4	4	4					
71	3	172499-71590	PACKING	1	1	1					
73	3	172147-73530	ORIFICE	3	3	3					
76	3	172187-75630	BOLT, 14X65	1	1	1					
78	2	172147-73150	ORIFICE	1	1	1					
79	2	172A89-73150	PUMP, GEAR	1	1	1					
80	3	172A89-73160	SEAL SET	1	1	1					
81	2	172A89-73170	WASHER, PLAIN 12	2	2	2					
82	2	172A89-73180	SLEEVE	1	1	1					
83	2	172651-73430	SOCKET BOLT M12X 35	2	2	2					
84	2	172649-73680	PLUG	1	1	1					
85	2	172142-74590	PLUG	1	1	1					
86	3	172142-74650	PLUG, 1/8	1	1	1					
87	3	24315-000080	O-RING, 1BP8.0	1	1	1					
88	2	172456-75430	PLUG, AIR VENT	1	1	1					
89	2	24315-000070	O-RING, 1BP7.0	2	2	2					
90	2	24325-001050	O-RING 1B G-105.0	1	1	1					
91	2	26617-100002	BOLT, EYE M10	1	1	1					
92	1	172122-17190	CLIP, TREE	1	1	1					W
				(A=M10787)	(B=M10787)	(C=M10787)					

Fig.58. CONTROL VALVE PLATE

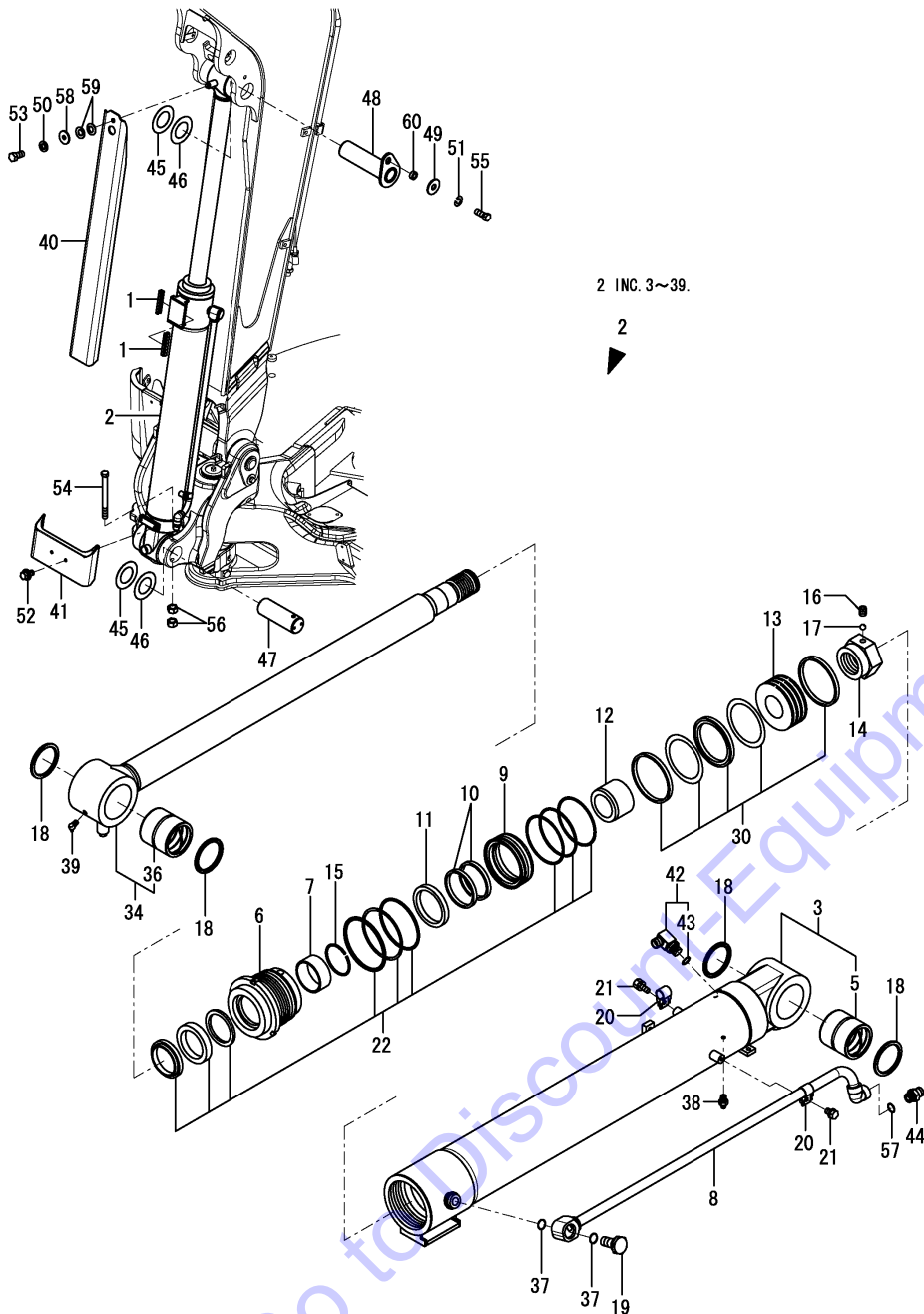


(A)=SV100-1(US)  
 (B)=SV100-1(AS)  
 (C)=SV100-1(NZ)

(D)=  
 (E)=  
 (F)=

No.	Lev.	Parts No.	Description	Q'ty						I	R
				(A)	(B)	(C)	(D)	(E)	(F)		
1	1	172A69-71550	COLLAR	7	7	7					
2	1	172A69-71560	GROMMET	7	7	7					
3	1	172A69-71600	PLATE ASSY, VALVE	1	1	1					
4	1	172151-76050	JOINT	2	2	2					
4-1	1	172151-76050	JOINT	1	1	1					K
		(A=M10544) (B=M10544) (C=M10544)									
5	1	172A69-76680	MOUNT ASSY, BLOCK	1	1	1					
6	2	23871-020000	PLUG, R02	1	1	1					
7	1	172A69-76720	MOUNT ASSY, BLOCK	1	1	1					
7-1	1	172B11-76720	MOUNT ASSY, BLOCK DR	1	1	1					N
		(A=*2013.03) (B=*2013.03) (C=*2013.03)									
8	2	23871-020000	PLUG, R02	1	1	1					
9	1	22157-100000	WASHER, 10	7	7	7					
10	1	26013-100252	BOLT, M10X 25	2	2	2					
11	1	26013-100252	BOLT, M10X 25	2	2	2					
12	1	26013-100452	BOLT, M10X 45	7	7	7					
13	1	172A89-76150	JOINT	1	1	1					W
		(A=M10544) (B=M10544) (C=M10544)									
14	2	172A89-76160	NUT, LOCK	1	1	1					W
		(A=M10544) (B=M10544) (C=M10544)									

Fig.59. BOOM CYLINDER

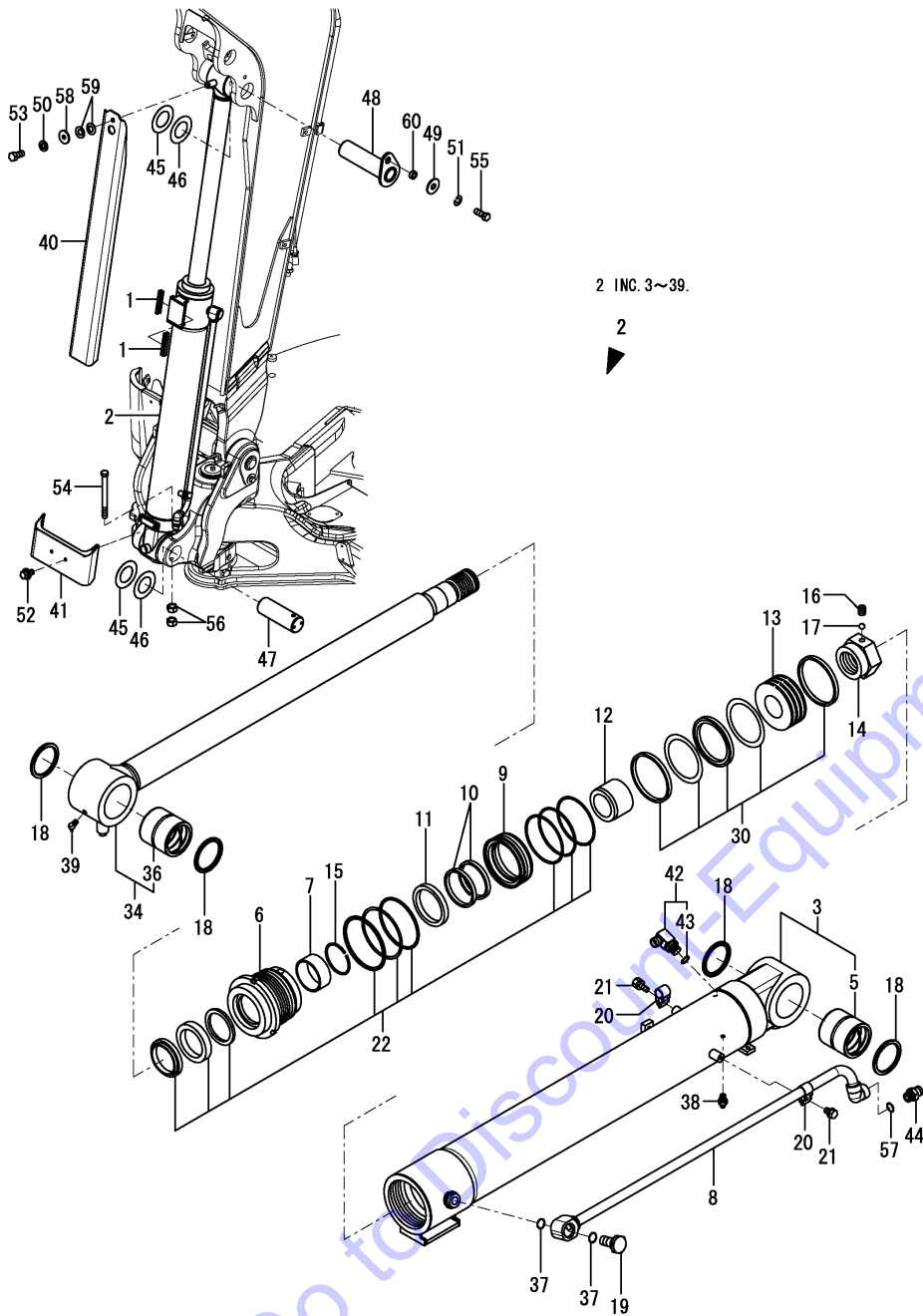


(A)=SV100-1(US)  
(B)=SV100-1(AS)  
(C)=SV100-1(NZ)

(D)=  
(E)=  
(F)=

No.	Lev.	Parts No.	Description	Q'ty						I	R
				(A)	(B)	(C)	(D)	(E)	(F)		
1	1	172162-61770	GUIDE, SLIDE	2	2	2					
2	1	172A69-72100	CYLINDER ASSY, BOOM	1	1	1					
2-1	1	172A69-72100-N	CYLINDER ASSY, BOOM	1	1	1					S
3	2	(A=M11501) 172A69-72110 (B=M11501) (C=M11501)	TUBE KIT, CYLINDER	1	1	1					
3-1	2	172A69-72110-N	TUBE KIT, CYLINDER	1	1	1					S
5	3	(A=M11501) 172A69-72130 (B=M11501) (C=M11501)	BUSH, PIN	1	1	1					
6	2	172499-72130	HEAD, CYLINDER	1	1	1					
7	2	172499-72140	BUSH	1	1	1					
8	2	172A69-72140	PIPE ASSY	1	1	1					
8-1	2	172A69-72140-N	PIPE ASSY	1	1	1					S
9	2	(A=M11501) 172499-72180 (B=M11501) (C=M11501)	HOLDER	1	1	1					
10	2	172499-72190	SEAL, CUSHION	2	2	2					
11	2	172499-72200	COLLAR	1	1	1					
12	2	172499-72220	BEARING, CUSHION	1	1	1					
13	2	172499-72230	PISTON	1	1	1					
14	2	172499-72260	NUT	1	1	1					
15	2	172162-72620	RING, SNAP	1	1	1					
16	2	172162-72680	SCREW, SETTING	1	1	1					
17	2	172162-72690	BALL, STEEL	1	1	1					
18	2	172162-72700	SEAL, DUST	4	4	4					
19	2	172499-72860	PLUG	1	1	1					
20	2	172499-72870	HOLDER, PIPE	2	2	2					
21	2	172499-72880	BOLT	2	2	2					
22	2	172499-72900	SEAL SET, HEAD	1	1	1					
30	2	172499-72910	SEAL SET, PISTON	1	1	1					
34	2	172499-72930	ROD ASSY, BOOM	1	1	1					
36	3	172499-72280	BUSH, PIN	1	1	1					
37	2	24315-000260	O-RING, 1BP26.0	2	2	2					
38	2	24761-020000	NIPPLE, GREASE PT1/8	1	1	1					
39	2	24761-040000	NIPPLE, GREASE B	1	1	1					
40	1	172187-72910-2	COVER, SLIDE	1	1	1					
40-1	1	172187-72910-N	COVER, SLIDE	1	1	1					S
41	1	(A=M11501) 172A69-72950 (B=M11501) (C=M11501)	COVER ASSY, BOOM	1	1	1					
41-1	1	172A69-72950-N	COVER ASSY, BOOM	1	1	1					S
42	1	(A=M11501) 172645-76560 (B=M11501) (C=M11501)	CONNECTOR ASSY	1	1	1					
43	2	24315-000180	O-RING, 1BP18.0	1	1	1					
44	1	172112-77361	CONNECTOR	1	1	1					
45	1	172176-81700	SHIM	2	2	2					
46	1	172176-81710	SHIM	2	2	2					
47	1	172187-81800	PIN	1	1	1					
47-1	1	172187-81801	PIN, 70X200	1	1	1					N
48	1	(A=M10559) 172187-81810 (B=M10559) (C=M10559)	PIN ASSY	1	1	1					
48-1	1	172A89-81810	PIN ASSY	1	1	1					N
49	1	(A=M10572) 22157-140000 (B=M10572) (C=M10572)	WASHER, 14	1	1	1					

Fig.59. BOOM CYLINDER

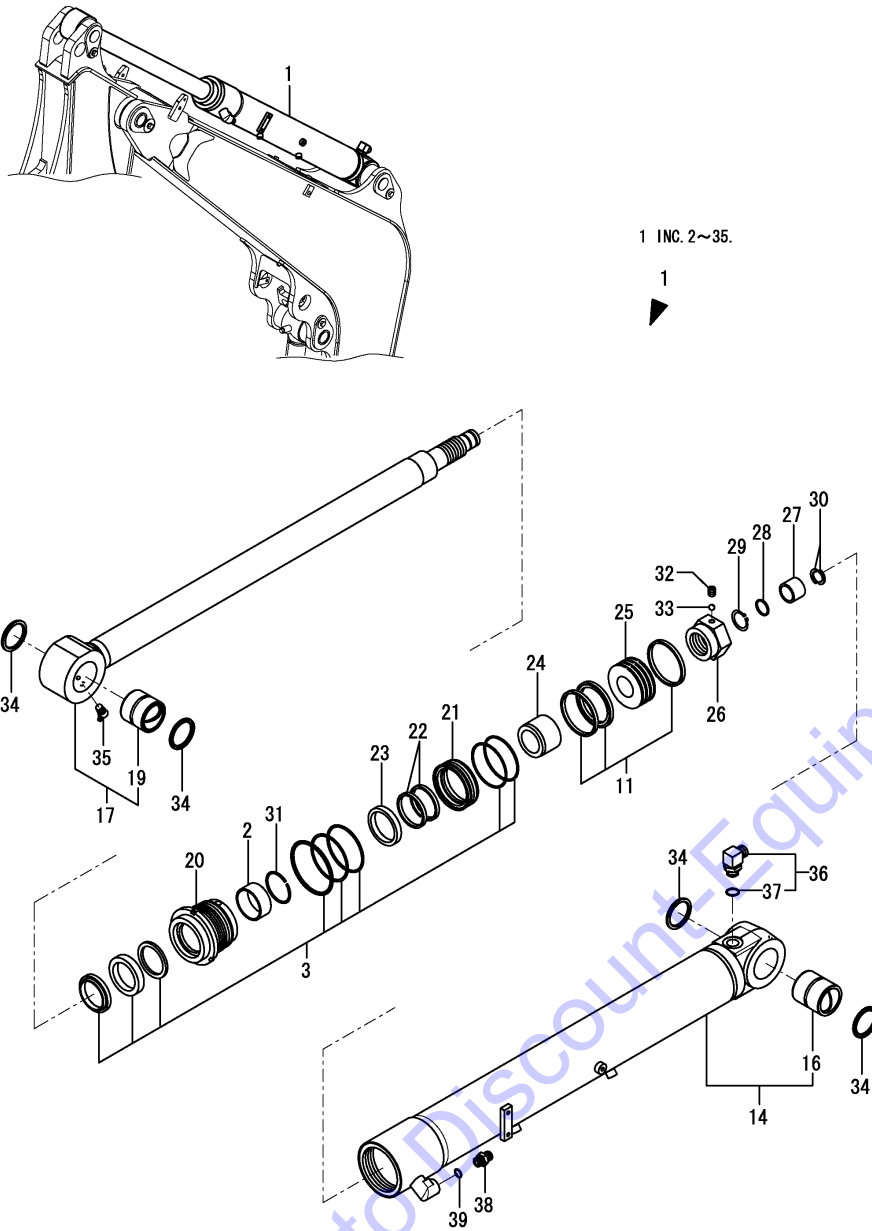


(A)=SV100-1(US)  
 (B)=SV100-1(AS)  
 (C)=SV100-1(NZ)

(D)=  
 (E)=  
 (F)=

No.	Lev.	Parts No.	Description	Q'ty						I	R
				(A)	(B)	(C)	(D)	(E)	(F)		
50	1	22217-100000	WASHER, SPRING 10	1	1	1					
51	1	22217-140000	WASHER, SPRING 14	1	1	1					
52	1	26014-100202	BOLT, M10X 20	2	2	2					
52-1	1	26014-100252	BOLT, M10X 25	1	1	1					N
		(A=M10559)	(B=M10559)	(C=M10559)							
53	1	26116-100202	BOLT, M10X 20 PLATED	1	1	1					
54	1	26116-121402	BOLT, M12X165 PLATED	1	1	1					
55	1	26116-140352	BOLT, M14X 35 PLATED	1	1	1					
56	1	26716-120002	NUT, M12	2	2	2					
57	1	41851-000180	O-RING	1	1	1					
58	1	933147-03400	WASHER, BRAKE ARM	1	1	1					
59	1	933168-14170	SPRING	2	2	2					
60	1	172155-45790	SPACER	1	1	1					

Fig.60. ARM CYLINDER



(A)=SV100-1(US)  
 (B)=SV100-1(AS)  
 (C)=SV100-1(NZ)

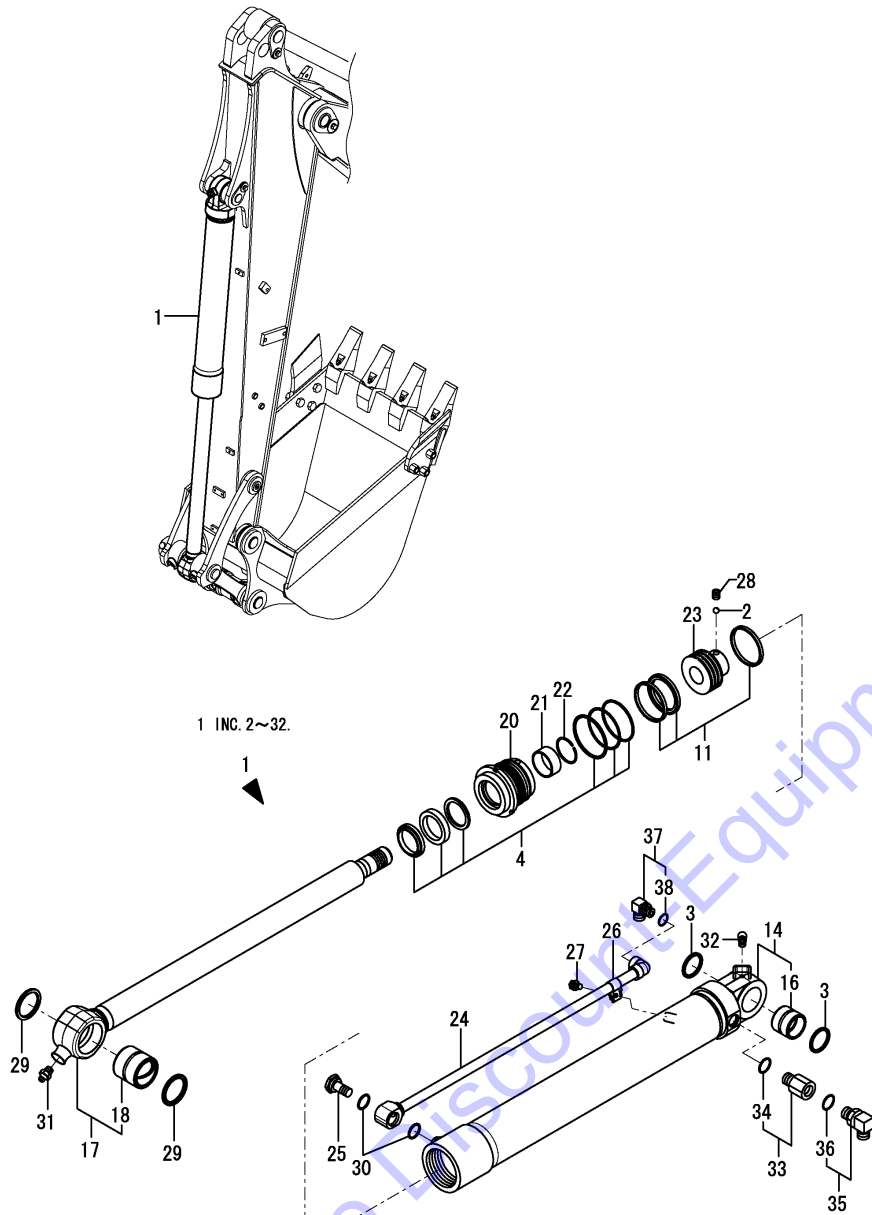
(D)=  
 (E)=  
 (F)=

No.	Lev.	Parts No.	Description	Q'ty						I	R
				(A)	(B)	(C)	(D)	(E)	(F)		
1	1	172A69-72300	CYLINDER ASSY, ARM	1	1	1					
1-1	1	172A69-72300-N	CYLINDER ASSY, ARM	1	1	1					S
		(A=M11501) (B=M11501) (C=M11501)									
2	2	172499-72140	BUSH	1	1	1					
3	2	172A69-72280	REPAIR KIT, CYLINDER	1	1	1					
11	2	172A69-72290	REPAIR KIT, CYLINDER	1	1	1					
14	2	172A69-72310	TUBE KIT, CYLINDER	1	1	1					
14-1	2	172A69-72310-N	TUBE KIT, CYLINDER	1	1	1					S
		(A=M11501) (B=M11501) (C=M11501)									
16	3	172A69-72480	BUSH, PIN	1	1	1					
17	2	172A69-72330	ROD KIT, PISTON	1	1	1					
19	3	172A69-72490	BUSH, PIN	1	1	1					
20	2	172A69-72350	HEAD, CYLINDER	1	1	1					
21	2	172A69-72370	HOLDER	1	1	1					
22	2	172A69-72380	SEAL, CUSHION	2	2	2					
23	2	172A69-72390	COLLAR	1	1	1					
24	2	172A69-72400	BEARING, CUSHION	1	1	1					
25	2	172A69-72410	PISTON	1	1	1					
26	2	172A69-72430	NUT	1	1	1					
27	2	172A69-72440	BEARING, CUSHION	1	1	1					
28	2	172A69-72450	SEAL, CUSHION	1	1	1					
29	2	172A69-72460	RING, SNAP	1	1	1					
30	2	172A69-72470	STOPPER	2	2	2					
31	2	172162-72620	RING, SNAP	1	1	1					
32	2	172162-72680	SCREW, SETTING	1	1	1					
33	2	172162-72690	BALL, STEEL	1	1	1					
34	2	172162-72950	SEAL, DUST	4	4	4					
35	2	24761-050000	NIPPLE, GREASE C	1	1	1					
36	1	172165-76380	CONNECTOR ASSY	1	1	1					
37	2	24315-000240	O-RING, 1BP24.0	1	1	1					
38	1	172112-77361	CONNECTOR	1	1	1					
39	1	41851-000180	O-RING	1	1	1					

Fig.61. BUCKET CYLINDER

(A)=SV100-1(US)  
 (B)=SV100-1(AS)  
 (C)=SV100-1(NZ)

(D)=  
 (E)=  
 (F)=



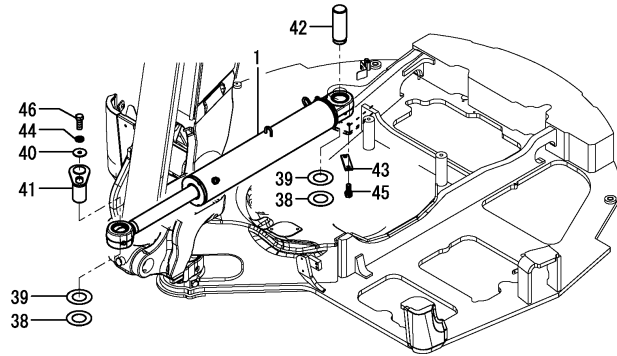
No.	Lev.	Parts No.	Description	Q'ty						I	R
				(A)	(B)	(C)	(D)	(E)	(F)		
1	1	172A69-72500	CYLINDER ASSY	1	1	1					
1-1	1	172A69-72500-N	CYLINDER ASSY	1	1	1					S
		(A=M11501) (B=M11501) (C=M11501)									
2	2	172124-70030	BALL, STEEL	1	1	1					
3	2	172162-72040	SEAL, DUST	2	2	2					
4	2	172A69-72260	REPAIR KIT, CYLINDER	1	1	1					
11	2	172A69-72270	REPAIR KIT, CYLINDER	1	1	1					
14	2	172A69-72510	TUBE KIT, CYLINDER	1	1	1					
14-1	2	172A69-72510-N	TUBE KIT, CYLINDER	1	1	1					S
		(A=M11501) (B=M11501) (C=M11501)									
16	3	172162-72450	BUSH, PIN	1	1	1					
17	2	172A69-72530	ROD KIT, PISTON	1	1	1					
18	3	172A69-72650	BUSH, PIN	1	1	1					
20	2	172A69-72550	HEAD, CYLINDER	1	1	1					
21	2	172A69-72560	BUSH	1	1	1					
22	2	172A69-72570	RING, SNAP	1	1	1					
23	2	172A69-72620	PISTON	1	1	1					
24	2	172A69-72670	PIPE ASSY	1	1	1					
24-1	2	172A69-72670-N	PIPE ASSY	1	1	1					S
		(A=M11501) (B=M11501) (C=M11501)									
25	2	172499-72860	PLUG	1	1	1					
26	2	172499-72870	HOLDER, PIPE	1	1	1					
27	2	172499-72880	BOLT	1	1	1					
28	2	172162-72930	SCREW, SETTING	1	1	1					
29	2	172162-72950	SEAL, DUST	2	2	2					
30	2	24315-000260	O-RING, 1BP26.0	2	2	2					
31	2	24761-020000	NIPPLE, GREASE PT1/8	1	1	1					
32	2	24761-050000	NIPPLE, GREASE C	1	1	1					
33	1	172A69-72660	CONNECTOR	1	1	1					
34	2	41851-000240	O-RING	1	1	1					
35	1	172165-76380	CONNECTOR ASSY	1	1	1					
36	2	24315-000240	O-RING, 1BP24.0	1	1	1					
37	1	172141-76900	CONNECTOR ASSY	1	1	1					
38	2	24315-000180	O-RING, 1BP18.0	1	1	1					



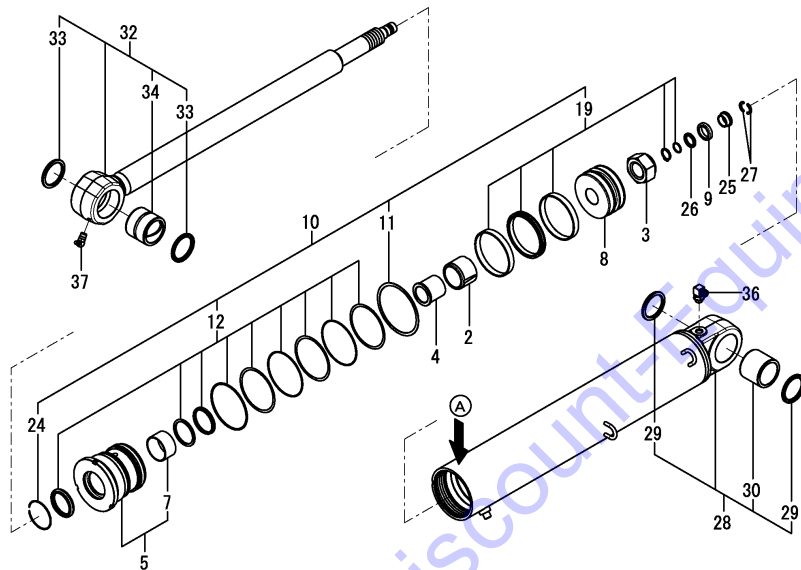
Fig.62. SWING CYLINDER(Y SPEC.)

(A)=SV100-1(US)  
 (B)=SV100-1(AS)  
 (C)=SV100-1(NZ)

(D)=  
 (E)=  
 (F)=



1 INC. 2~37.



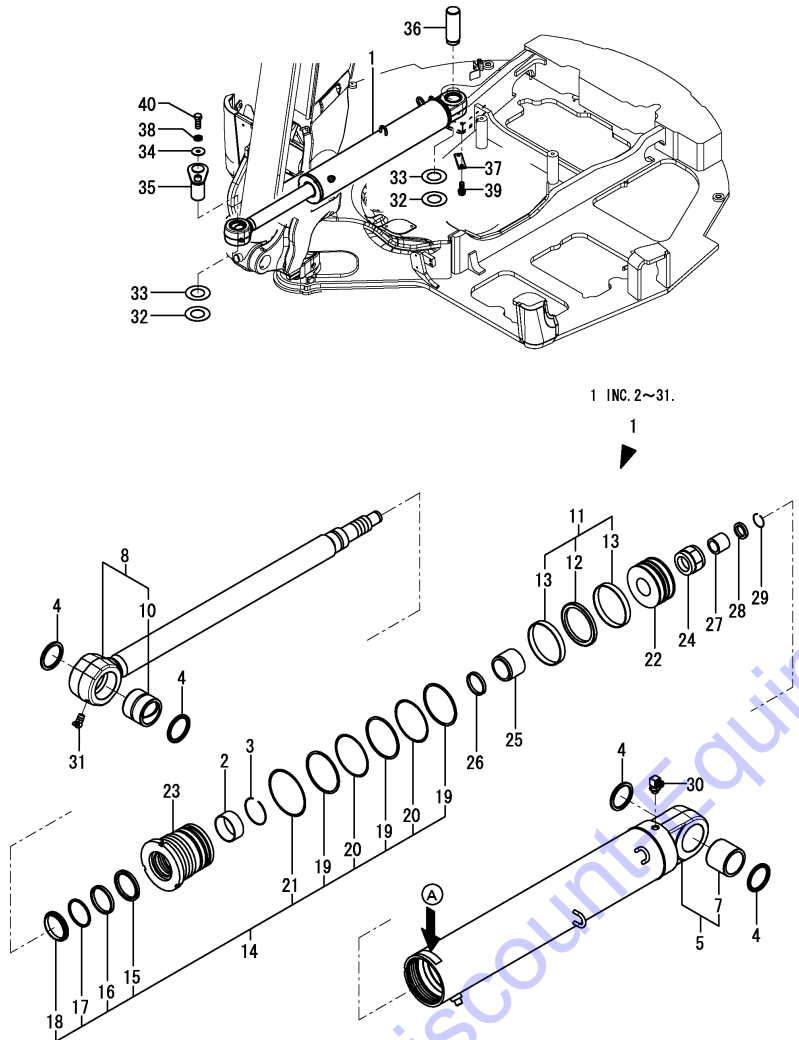
No.	Lev.	Parts No.	Description	Q'ty						I	R	
				(A)	(B)	(C)	(D)	(E)	(F)			
1	1	172A69-72700 (A=M11804) (B=M11804) (C=M11804)	CYLINDER ASSY, SWING	1	1	1					Z	1
2	2	172020-10730	PLUNGER, CUSHION	1	1	1						
3	2	172020-10810	NUT	1	1	1						
4	2	172020-10860	COLLAR, CUSHION	1	1	1						
5	2	172020-11300	HEAD ASSY	1	1	1						
7	3	172445-72480	BUSH, ROD	1	1	1						
8	2	172020-11320	PISTON	1	1	1						
9	2	172020-11340	RING, CUSHION	1	1	1						
10	2	172020-11690	SEAL SET, CYLINDER	1	1	1						
11	3	172020-11350	WASHER, LOCK	1	1	1						
12	3	172020-11700	SEAL SET, HEAD	1	1	1						
19	3	172020-11710	SEAL SET, PISTON	1	1	1						
24	3	172445-72450	RING, SPRING	1	1	1						
25	2	172423-72520	COLLAR, CUSHION	1	1	1						
26	2	172423-72530	SPACER	1	1	1						
27	2	172423-72540	STOPPER	2	2	2						
28	2	172A69-72710	TUBE ASSY, SWING	1	1	1						
29	3	172020-10620	SEAL, DUST	2	2	2						
30	3	172020-11230	BUSH, PIN	1	1	1						
32	2	172A69-72750	ROD ASSY, SWING	1	1	1						
33	3	172020-10620	SEAL, DUST	2	2	2						
34	3	172020-11280	BUSH, PIN	1	1	1						
36	2	172142-76181	JOINT ASSY	1	1	1						
37	2	24761-050000	NIPPLE, GREASE C	1	1	1						
38	1	172175-81700	SHIM	4	4	4						
39	1	172175-81710	SHIM	4	4	4						
40	1	172187-81970	WASHER	1	1	1						
41	1	172187-82370	PIN ASSY	1	1	1						
42	1	172A69-82370	PIN	1	1	1						
43	1	172162-94280-3	PLATE, LOCK	1	1	1						
44	1	22217-140000	WASHER, SPRING 14	1	1	1						
45	1	26013-120302	BOLT, SPRING M12X 30	2	2	2						
46	1	26116-140352	BOLT, M14X 35 PLATED	1	1	1						

Remarks  
 (1)A : no mark  
 Interchangeable with Fig.125(62A) Ref.No.1.

Fig.125. (62A)SWING CYLINDER(K SPEC.)

(A)=SV100-1(US)  
 (B)=SV100-1(AS)  
 (C)=SV100-1(NZ)

(D)=  
 (E)=  
 (F)=



No.	Lev.	Parts No.	Description	Q'ty						I	R
				(A)	(B)	(C)	(D)	(E)	(F)		
1	1	172B11-72700 (A=M11834) (B=M11834) (C=M11834)	CYLINDER ASSY, SWING	1	1	1					W
1-1	1	172B11-72700 (A=M11834) (B=M11834) (C=M11834)	CYLINDER ASSY, SWING	1	1	1					Z 1
2	2	172B11-72530	BEARING, SLEEVE	1	1	1					
3	2	172B11-72540	RING, RETAINING	1	1	1					
4	2	172B11-72550	SEAL, DUST PIN 60	4	4	4					
5	2	172B11-72620	REPAIR KIT, TUBE AS	1	1	1					
7	3	172B11-71520	BUSH, PIN 60	1	1	1					
8	2	172B11-72630	REPAIR KIT, ROD AS	1	1	1					
10	3	172B11-71530	BUSH, PIN 60	1	1	1					
11	2	172B11-72640	SEAL KIT, PISTON	1	1	1					
12	3	172B11-71540	SEAL, PISTON	1	1	1					
13	3	172B11-71550	RING, WEAR	2	2	2					
14	2	172B11-72650	SEAL KIT, HEAD	1	1	1					
15	3	172B11-71360	SEAL, BUFFER	1	1	1					
16	3	172B11-71370	SEAL, ROD	1	1	1					
17	3	172B11-71380	RING, BACK UP	1	1	1					
18	3	172B11-71390	SEAL, DUST ROD	1	1	1					
19	3	172B11-71560	RING, BACK UP	3	3	3					
20	3	24315-001100	O-RING, 1BP110.0	2	2	2					
21	3	24321-001200	O-RING, 1AG120.0	1	1	1					
22	2	172B11-72710	PISTON	1	1	1					
23	2	172B11-72720	HEAD	1	1	1					
24	2	172B11-72730	NUT, LOCK	1	1	1					
25	2	172B11-72740	PLUNGER, CUSHION	1	1	1					
26	2	172B11-72750	SEAL, CUSHION	1	1	1					
27	2	172B11-72760	PLUNGER, CUSHION	1	1	1					
28	2	172B11-72770	RING, PLATE	1	1	1					
29	2	172B11-72780	RING, RETAINING	1	1	1					
30	2	172B11-72790	ELBOW, G3/8	1	1	1					
31	2	24761-050000	NIPPLE, GREASE C	1	1	1					
32	1	172175-81700	SHIM, 60X110X0.8	4	4	4					
33	1	172175-81710	SHIM, 60X110X0.5	4	4	4					
34	1	172187-81970	WASHER, 15X58X3.2	1	1	1					
35	1	172187-82370	PIN ASSY, 60X144	1	1	1					
36	1	172A69-82370	PIN, 60X155	1	1	1					
37	1	172162-94280-3	PLATE, LOCK	1	1	1					
38	1	22217-140000	WASHER, SPRING 14	1	1	1					
39	1	26013-120302	BOLT, M12X 30	2	2	2					
40	1	26116-140352	BOLT, M14X 35 PLATED	1	1	1					

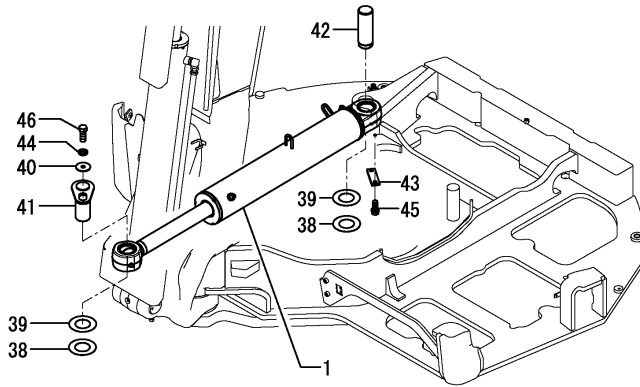
Remarks

\*A : There is serial No..(K449XXX)  
 (1)Interchangeable by Fig.130(62B) No.1.  
 The inner parts are not compatible.

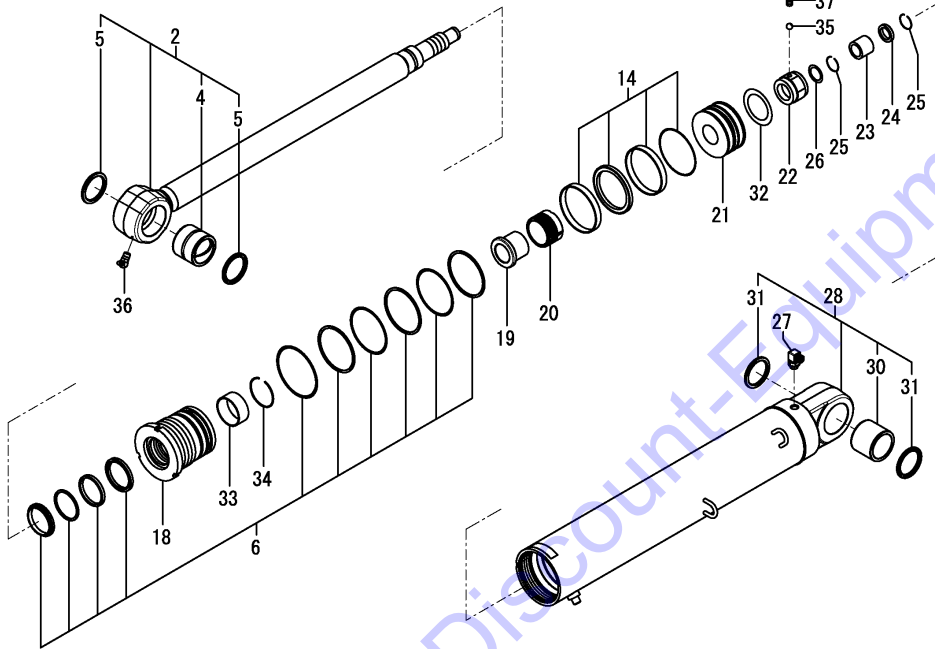
Fig.130. (62B)SWING CYLINDER(H SPEC.)

(A)=SV100-1(US)  
 (B)=SV100-1(AS)  
 (C)=SV100-1(NZ)

(D)=  
 (E)=  
 (F)=

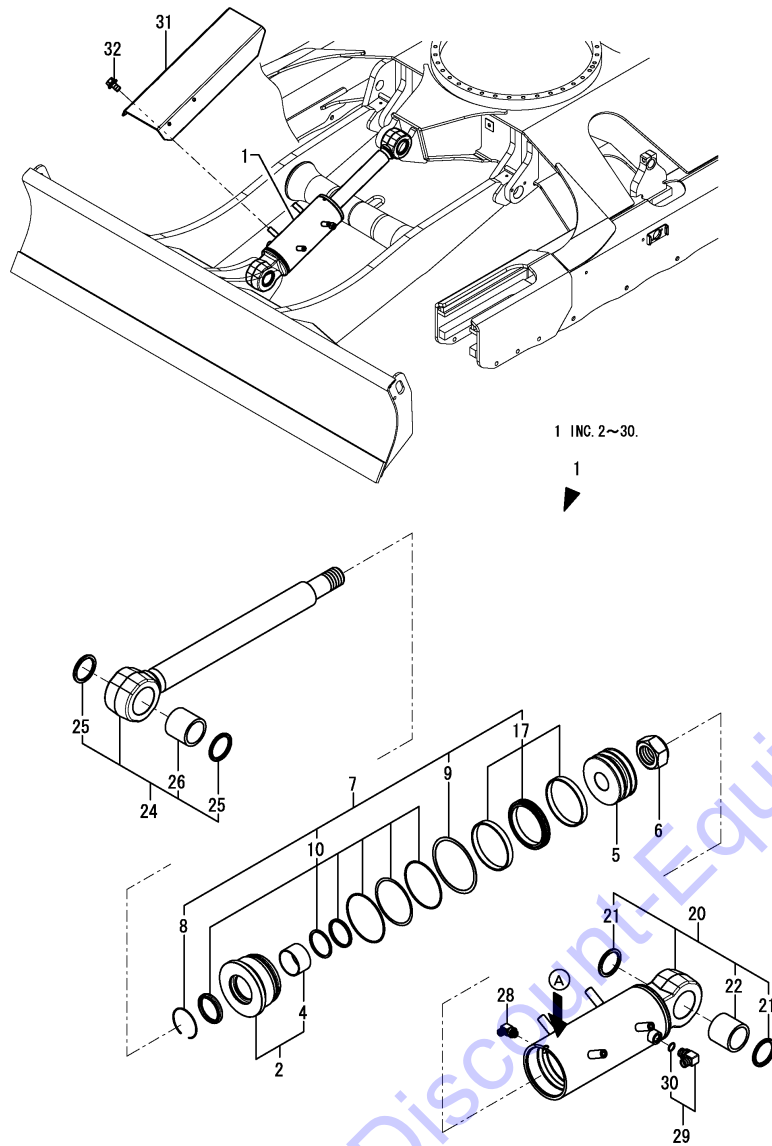


1 inc. 2 to 37.



No.	Lev.	Parts No.	Description	Q'ty						I	R
				(A)	(B)	(C)	(D)	(E)	(F)		
1	1	172B11-72701 (A=M11834) (B=M11834) (C=M11834)	CYLINDER ASSY, SWING	1	1	1					W
2	2	172B11-96400	REPAIR KIT, ROD	1	1	1					
4	3	172B11-96420	BUSH, PIN 60X75X63	1	1	1					
5	3	172B11-97400	SEAL, DUST PIN 60X75	2	2	2					
6	2	172B11-96460	SEAL KIT,HEAD 120 60	1	1	1					
14	2	172B11-96500	SEAL KIT, PISTON 120	1	1	1					
18	2	172B11-96550	HEAD,CYLINDER 120 60	1	1	1					
19	2	172B11-96560	BUSH, FLANGE 60	1	1	1					
20	2	172B11-96570	PLUNGER, CUSHION 78	1	1	1					
21	2	172B11-96580	PISTON, 120	1	1	1					
22	2	172B11-96590	NUT, M45	1	1	1					
23	2	172B11-96600	PLUNGER, CUSHION 32	1	1	1					
24	2	172B11-96610	CLAMP, 40X2.8	1	1	1					
25	2	172B11-96620	RETAINER, LING26X2.7	2	2	2					
26	2	172B11-96630	SEAL, BUFFER 23.5	1	1	1					
27	2	172B11-96640	ELBOW, G3/8	1	1	1					
28	2	172B11-96700	REPAIR KIT, TUBE	1	1	1					
30	3	172B11-96730	BUSH, PIN 60X75X63	1	1	1					
31	3	172B11-97400	SEAL, DUST PIN 60X75	2	2	2					
32	2	172B11-97320	SHIM, 65X45X0.5	1	1	1					
33	2	172B11-97340	BUSH, 60X65X30	1	1	1					
34	2	172B11-97350	RING, RETAINING 60	1	1	1					
35	2	24190-080001	BALL, STEEL 1/4	1	1	1					
36	2	24761-050000	NIPPLE, GREASE C	1	1	1					
37	2	26979-100122	SCREW, M10X12	1	1	1					
38	1	172175-81700	SHIM, 60X110X0.8	4	4	4					
39	1	172175-81710	SHIM, 60X110X0.5	4	4	4					
40	1	172187-81970	WASHER, 15X58X3.2	1	1	1					
41	1	172187-82370	PIN ASSY, 60X144	1	1	1					
42	1	172A69-82371	PIN, 60X155	1	1	1					
43	1	172162-94280-3	PLATE, LOCK	1	1	1					
44	1	22217-140000	WASHER, SPRING 14	1	1	1					
45	1	26013-120302	BOLT, M12X 30	2	2	2					
46	1	26116-140352	BOLT, M14X 35 PLATED	1	1	1					

Fig.63. BLADE CYLINDER(Y SPEC.)



(A)=SV100-1(US)  
 (B)=SV100-1(AS)  
 (C)=SV100-1(NZ)

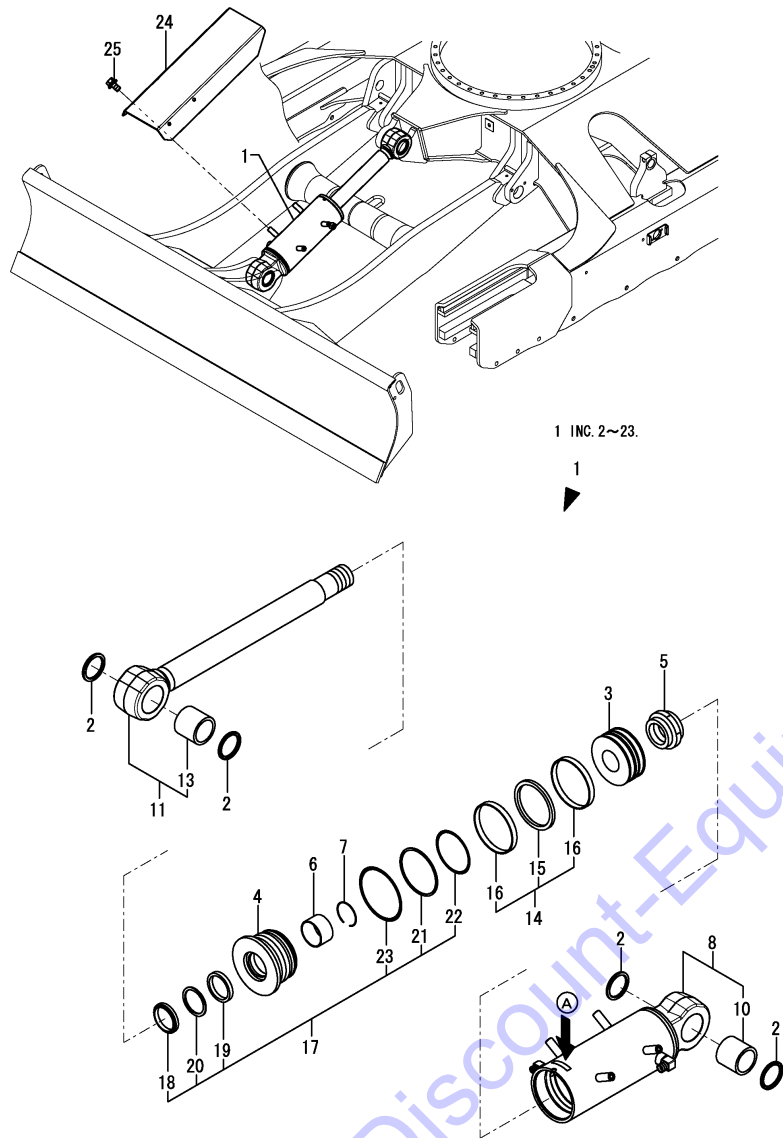
(D)=  
 (E)=  
 (F)=

No.	Lev.	Parts No.	Description	Q'ty						I	R
				(A)	(B)	(C)	(D)	(E)	(F)		
1	1	172A69-72800 (A=M11804) (B=M11804) (C=M11804)	CYLINDER ASSY, BLADE	1	1	1					Z
2	2	172020-11500	HEAD ASSY	1	1	1					
4	3	24550-065400	BUSH, 65X40	1	1	1					
5	2	172020-11520	PISTON	1	1	1					
6	2	172020-11540	NUT	1	1	1					
7	2	172020-11720	SEAL SET, CYLINDER	1	1	1					
8	3	172020-10380	RING, SPRING	1	1	1					
9	3	172020-11530	WASHER, LOCK	1	1	1					
10	3	172020-11730	SEAL SET, HEAD	1	1	1					
17	3	172020-11740	SEAL SET, PISTON	1	1	1					
20	2	172A69-72810	TUBE ASSY, BLADE	1	1	1					
21	3	172020-10620	SEAL, DUST	2	2	2					
22	3	172020-11450	BUSH, PIN	1	1	1					
24	2	172A69-72850	ROD ASSY, BLADE	1	1	1					
25	3	172020-10620	SEAL, DUST	2	2	2					
26	3	172020-11450	BUSH, PIN	1	1	1					
28	2	172142-76181	JOINT ASSY	1	1	1					
29	2	172141-76900	CONNECTOR ASSY	1	1	1					
30	3	24315-000180	O-RING, 1BP18.0	1	1	1					
31	1	172A69-72900	COVER ASSY, BLADE	1	1	1					
32	1	26014-100202	BOLT, M10X 20	4	4	4					

Remarks

\* A : no mark.  
 Interchangeable by Fig.126(63A) & Fig.128(63B).  
 The inner parts are not compatible.

Fig.126. (63A)BLADE CYLINDER(K SPEC.)



(A)=SV100-1(US)  
(B)=SV100-1(AS)  
(C)=SV100-1(NZ)

(D)=  
(E)=  
(F)=

No.	Lev.	Parts No.	Description	Q'ty						I	R
				(A)	(B)	(C)	(D)	(E)	(F)		
1	1	172B11-72800 (A=*2016.03) (B=*2016.03) (C=*2016.03)	CYLINDER ASSY, BLADE	1	1	1					Z
2	2	172B11-72550	SEAL, DUST PIN 60	4	4	4					
3	2	172B11-72810	PISTON	1	1	1					
4	2	172B11-72820	HEAD	1	1	1					
5	2	172B11-72830	NUT, LOCK	1	1	1					
6	2	172B11-72840	BEARING, SLEEVE	1	1	1					
7	2	172B11-72850	RING, RETAINING	1	1	1					
8	2	172B11-72860	REPAIR KIT, TUBE AS	1	1	1					
10	3	172B11-71720	BUSH, PIN 60	1	1	1					
11	2	172B11-72870	REPAIR KIT, ROD AS	1	1	1					
13	3	172B11-71720	BUSH, PIN 60	1	1	1					
14	2	172B11-72880	SEAL KIT, PISTON	1	1	1					
15	3	172B11-71730	SEAL, PISTON	1	1	1					
16	3	172B11-71740	RING, WEAR	2	2	2					
17	2	172B11-72890	SEAL KIT, HEAD	1	1	1					
18	3	172B11-71280	SEAL, DUST ROD	1	1	1					
19	3	172B11-71750	SEAL, ROD	1	1	1					
20	3	172B11-71760	RING, BACK UP	1	1	1					
21	3	172B11-71770	RING, BACK UP	1	1	1					
22	3	24315-001200	O-RING, 1BP120.0	1	1	1					
23	3	24321-001300	O-RING, 1AG130.0	1	1	1					
24	1	172A69-72900	COVER ASSY, BLADE	1	1	1					
25	1	26014-100202	BOLT, M10X 20	4	4	4					

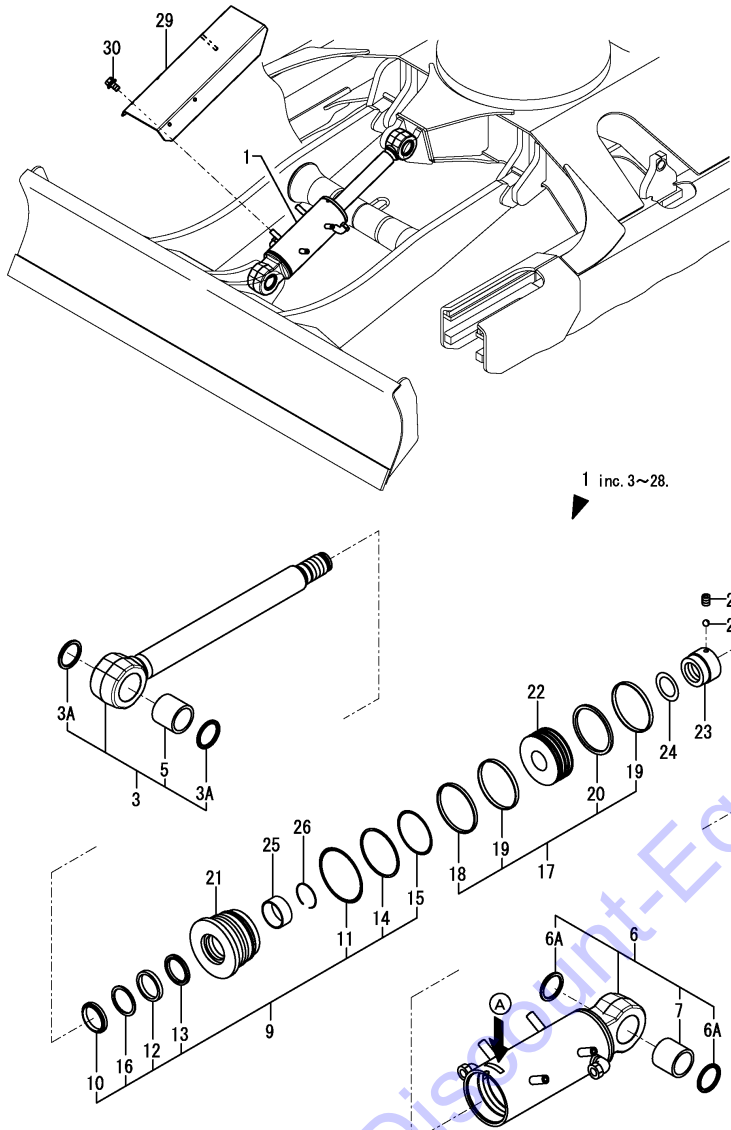
Remarks

\* A : There is parts No. & serial No.(K450XXX)  
Interchangeable by Fig.128(63B).  
The inner parts are not compatible.

Fig.128. (63B)BLADE CYLINDER(J SPEC.)

(A)=SV100-1(US)  
(B)=SV100-1(AS)  
(C)=SV100-1(NZ)

(D)=  
(E)=  
(F)=



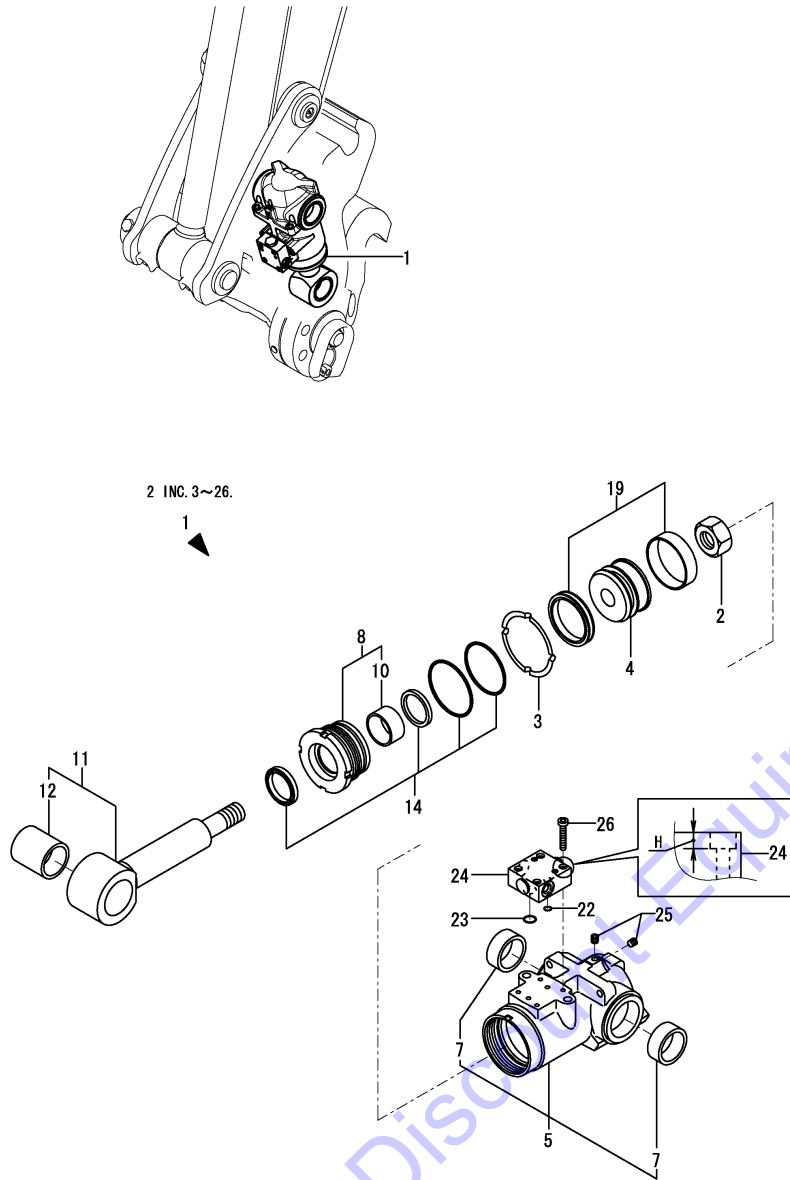
No.	Lev.	Parts No.	Description	Q'ty						I	R
				(A)	(B)	(C)	(D)	(E)	(F)		
1	1	172B11-72801	CYLINDER ASSY, BLADE	1	1	1					W
		(A=*2016.03) (B=*2016.03) (C=*2016.03)									
3	2	172B11-97500	REPAIR KIT, ROD	1	1	1					
3A	3	172B11-97400	SEAL, DUST PIN 60X75	2	2	2					W
		(A=*2017.04.) (B=*2017.04.) (C=*2017.04.)									
5	3	172B11-97520	BUSH, PIN 60X75X68	1	1	1					
6	2	172B11-97530	REPAIR KIT, TUBE	1	1	1					
6A	3	172B11-97400	SEAL, DUST PIN 60X75	2	2	2					W
		(A=*2017.04.) (B=*2017.04.) (C=*2017.04.)									
7	3	172B11-97520	BUSH, PIN 60X75X68	1	1	1					
9	2	172B11-97560	SEAL KIT, HEAD130 65	1	1	1					
10	3	172B11-97570	SEAL, DUST ROD 65	1	1	1					
11	3	172B11-97580	O-RING, NBR HS90	1	1	1					
12	3	172B11-97590	SEAL, ROD 65	1	1	1					
13	3	172B11-97600	SEAL, BUFFER 65	1	1	1					
14	3	172B11-97610	RING, BACK UP	1	1	1					
15	3	172B11-97620	O-RING, NBR HS90	1	1	1					
16	3	172B11-97630	RING, BACK UP 65	1	1	1					
17	2	172B11-97650	SEAL KIT, PISTON 130	1	1	1					
18	3	172B11-97660	RING, WEAR 130	1	1	1					
19	3	172B11-97670	RING, WEAR 130	2	2	2					
20	3	172B11-97680	SEAL, PISTON 130	1	1	1					
21	2	172B11-97690	HEAD, CYLINDER130 65	1	1	1					
22	2	172B11-97700	PISTON, 130	1	1	1					
23	2	172B11-97710	NUT, M52	1	1	1					
24	2	172B11-97720	SHIM, 65X52.5X0.5	1	1	1					
25	2	172B11-97740	BUSH, 65X70X30	1	1	1					
26	2	172B11-97750	RING, RETAINING 65	1	1	1					
27	2	24190-080001	BALL, STEEL 1/4	1	1	1					
28	2	26979-100122	SCREW, M10X12	1	1	1					
29	1	172A69-72900	COVER ASSY, BLADE	1	1	1					
30	1	26014-100202	BOLT, M10X 20	4	4	4					

Remarks  
\* A : There is parts No. & serial No.(172B11-72801HXXX)  
The inner parts are not compatible.

Fig.64. HITCH CYLINDER

(A)=SV100-1(US)  
 (B)=SV100-1(AS)  
 (C)=SV100-1(NZ)

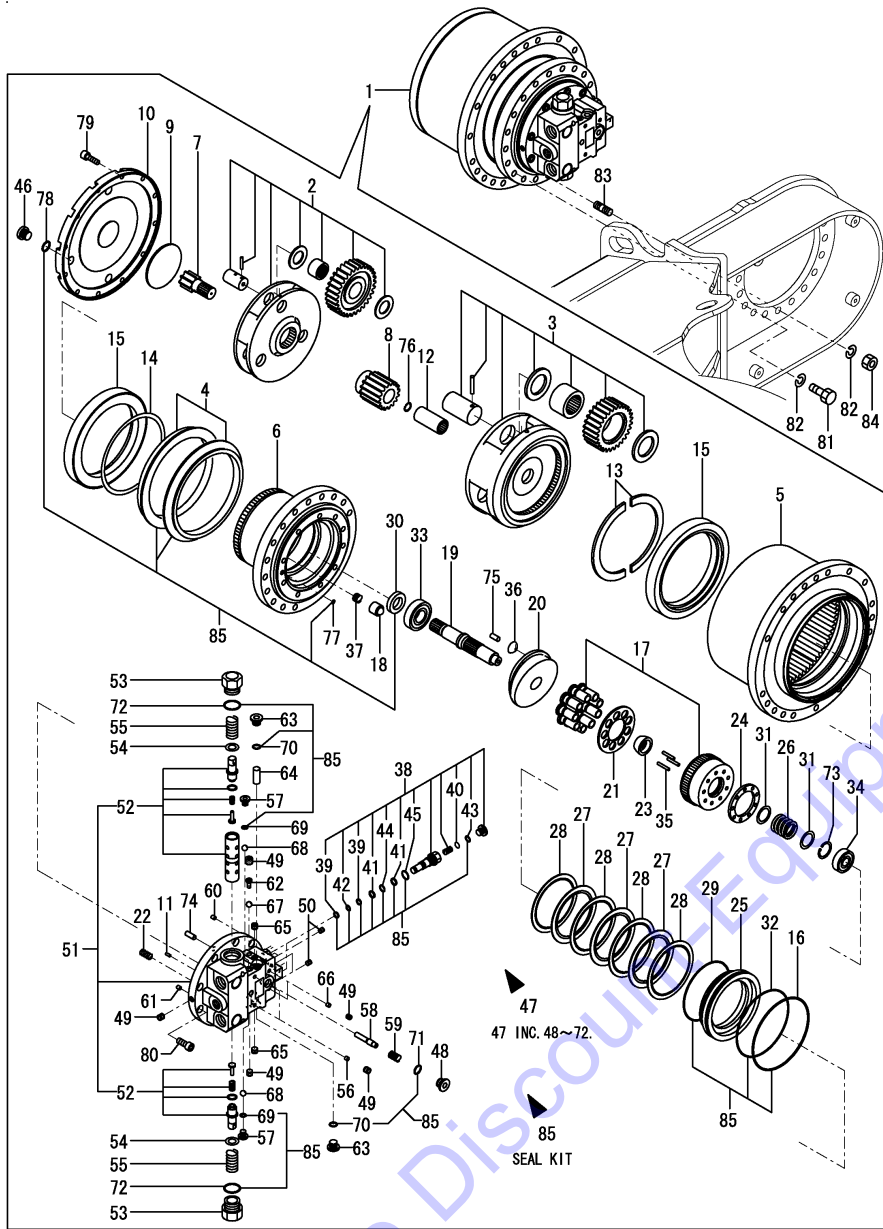
(D)=  
 (E)=  
 (F)=



No.	Lev.	Parts No.	Description	Q'ty						I	R
				(A)	(B)	(C)	(D)	(E)	(F)		
1	1	172978-72800-2	CYLINDER, HITCH	1	1	1					
1-1	1	172978-72800-N	CYLINDER, HITCH	1	1	1					S
		(A=M11501) (B=M11501) (C=M11501)									
2	2	172141-72250	NUT	1	1	1					
3	2	172142-72260	WASHER, LOCK	1	1	1					
4	2	172175-72480	PISTON 80	1	1	1					
5	2	172978-72810-2	TUBE, HITCH	1	1	1					
5-1	2	172978-72810-N	TUBE, HITCH	1	1	1					S
		(A=M11501) (B=M11501) (C=M11501)									
7	3	172978-72890	BUSH 45-55-22	2	2	2					
8	2	172978-72860	HEAD 80 45	1	1	1					
10	3	24550-045250	BUSH, 45X25	1	1	1					
11	2	172978-72880	ROD ASSY,HITCH	1	1	1					
12	3	172151-71630	BUSH 45 60	1	1	1					
14	2	172978-72920	SEAL SET, HEAD 80X45	1	1	1					
19	2	172142-72951	SEAL SET, PISTON	1	1	1					
22	2	172958-72950	O-RING	1	1	1					
23	2	172958-72960	O-RING	1	1	1					
24	2	172958-72982-2	VALVE, CHECK	1	1	1					
24-1	2	172958-72983	VALVE ASSY,OPERATE	1	1	1					F 1
		(A=M10910) (B=M10910) (C=M10910)									
24-2	2	172958-72983-N	VALVE ASSY,OPERATE	1	1	1					S
		(A=M11501) (B=M11501) (C=M11501)									
25	2	23871-005000	PLUG, R005	2	2	2					
26	2	26450-060352	BOLT, M6X 35	4	4	4					
26-1	2	26450-060302	BOLT, M6X 30	4	4	4					S
		(A=M10910) (B=M10910) (C=M10910)									

Remarks  
 (1)H=Ref.No.24 : 4mm,No.24-1 : 8mm.  
 Interchangeable by simultaneous replacement with Ref.No.26-1.

Fig.65. TRAVEL MOTOR



(A)=SV100-1(US)  
 (B)=SV100-1(AS)  
 (C)=SV100-1(NZ)

(D)=  
 (E)=  
 (F)=

No.	Lev.	Parts No.	Description	Q'ty						I	R
				(A)	(B)	(C)	(D)	(E)	(F)		
1	1	172A69-73300	MOTOR ASSY, TRAVEL	2	2	2					
2	2	172A69-73400	CARRIER	2	2	2					
3	2	172A69-73410	CARRIER	2	2	2					
4	2	172A69-73420	SEAL SET, FLOATING	2	2	2					1
5	2	172A69-73430	BODY, MOTOR	2	2	2					
6	2	172A69-73440	SPINDLE	2	2	2					
7	2	172A69-73450	GEAR, SUN	2	2	2					
8	2	172A69-73460	GEAR, SUN	2	2	2					
9	2	172A69-73470	PLATE, THRUST	2	2	2					
10	2	172A69-73480	COVER	2	2	2					
11	2	172499-73490	PIN, PARALLEL	2	2	2					
12	2	172A69-73490	COUPLING	2	2	2					
13	2	172A69-73500	WASHER, LOCK	4	4	4					
14	2	172A69-73510	SHIM	2	2	2					
15	2	172A69-73520	BEARING, BALL	4	4	4					
16	2	172A69-73530	O-RING	2	2	2					
17	2	172A69-73540	CYLINDER KIT	2	2	2					
18	2	172A69-73550	PISTON ASSY	2	2	2					
19	2	172A69-73560	SHAFT	2	2	2					
20	2	172A69-73570	PLATE, SWASH	2	2	2					
21	2	172A69-73580	PLATE, RETAINER	2	2	2					
22	2	172479-73590	SPRING	20	20	20					
23	2	172A69-73590	BALL, THRUST	2	2	2					
24	2	172A69-73600	PLATE, TIMMING	2	2	2					
25	2	172A69-73610	PISTON	2	2	2					
26	2	172A69-73620	SPRING	2	2	2					
27	2	172A69-73630	PLATE, FRICTION	6	6	6					
28	2	172A69-73640	PLATE	8	8	8					
29	2	172479-73650	O-RING	2	2	2					
30	2	172A69-73650	SEAL, OIL	2	2	2					
31	2	172499-73660	WASHER	4	4	4					
32	2	172A69-73660	O-RING	2	2	2					
33	2	172A69-73670	BEARING	2	2	2					
34	2	172A69-73680	BEARING	2	2	2					
35	2	172A69-73690	ROLLER	6	6	6					
36	2	172A69-73700	PIVOT	4	4	4					
37	2	172A69-73710	SPRING	2	2	2					
38	2	172A69-73720	VALVE ASSY,RELIEF	4	4	4					
39	3	172A69-73730	RING, BUCK UP	8	8	8					
40	3	172A69-73740	SHIM	4	4	4					
41	3	172479-73930	RING, BUCK UP	8	8	8					
42	3	24315-000100	O-RING, 1BP10.0	4	4	4					
43	3	24315-000110	O-RING, 1BP11.0	4	4	4					
44	3	24315-000140	O-RING, 1BP14.0	4	4	4					
45	3	24315-000180	O-RING, 1BP18.0	4	4	4					
46	2	172499-73740	PLUG	6	6	6					
47	2	172A69-73750	FLANGE ASSY	2	2	2					
48	3	172499-73740	PLUG	2	2	2					
49	3	172479-73750	PLUG	14	14	14					
50	3	172479-73760	PLUG	10	10	10					
51	3	172A69-73760	FLANGE KIT	2	2	2					

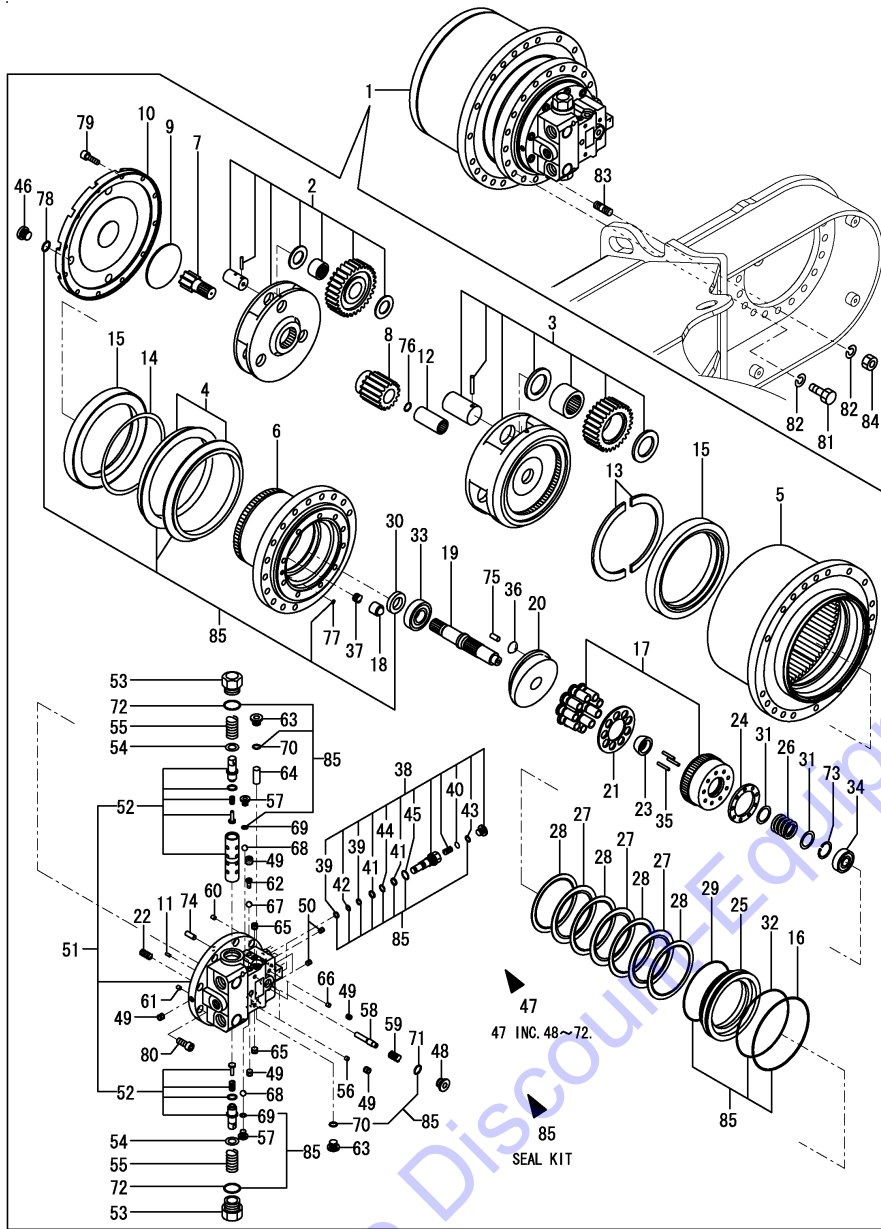
Remarks  
 (1)A package contains 2 floating seals.  
 1 package par 1 travel motor.



Fig.65. TRAVEL MOTOR

(A)=SV100-1(US)  
 (B)=SV100-1(AS)  
 (C)=SV100-1(NZ)

(D)=  
 (E)=  
 (F)=



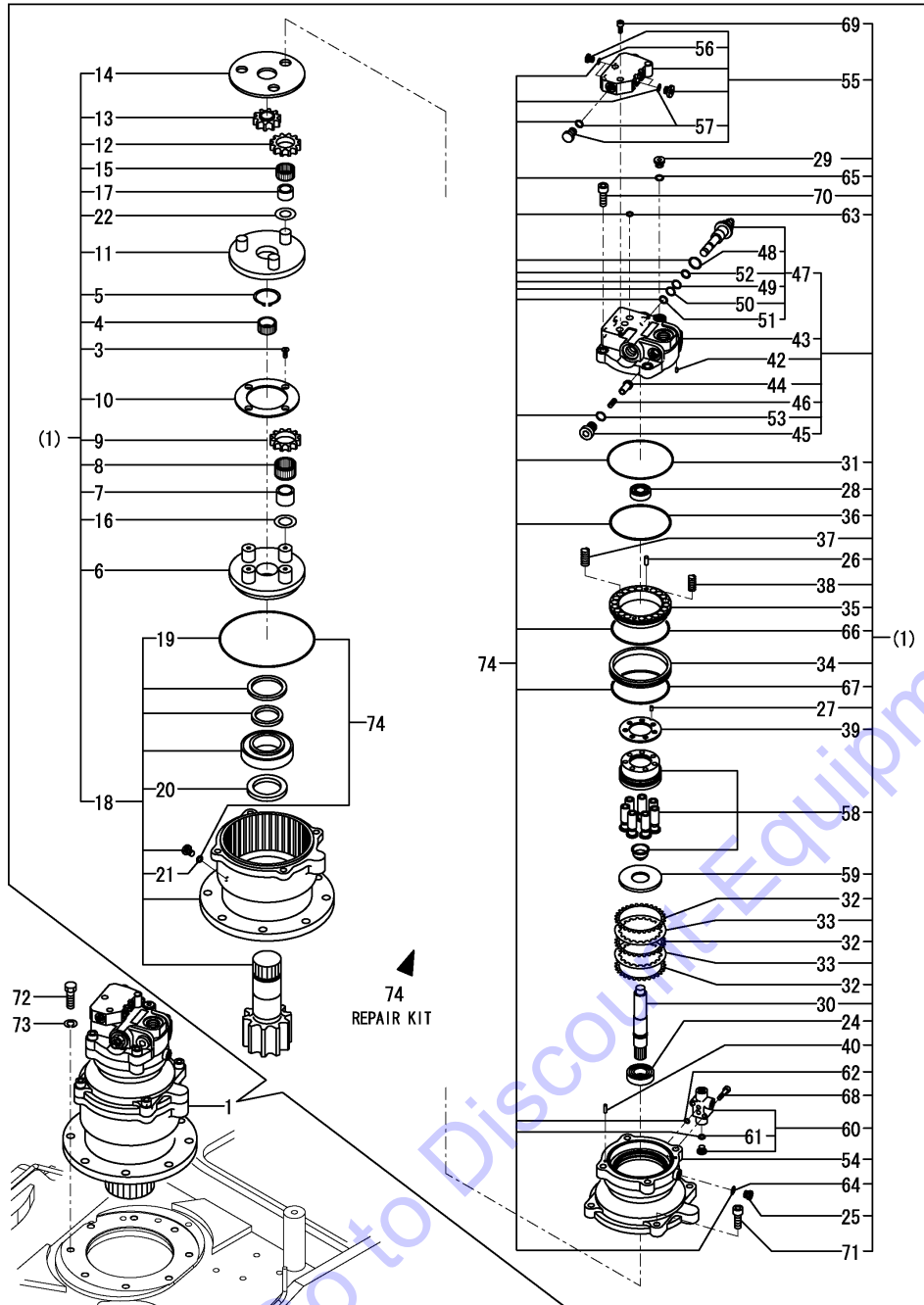
No.	Lev.	Parts No.	Description	Q'ty						I	R
				(A)	(B)	(C)	(D)	(E)	(F)		
52	4	172A69-73770	SPOOL KIT	2	2	2					
53	3	172A69-73780	PLUG	4	4	4					
54	3	172A69-73790	WASHER	4	4	4					
55	3	172A69-73800	SPRING	4	4	4					
56	3	172A69-73810	ORIFICE	4	4	4					
57	3	172A69-73820	PLUG	4	4	4					
58	3	172A69-73830	SPOOL	2	2	2					
59	3	172A69-73840	SPRING	2	2	2					
60	3	172A69-73850	ORIFICE	2	2	2					
61	3	172A69-73860	FILTER	2	2	2					
62	3	172A69-73870	PLUG	2	2	2					
63	3	172A69-73880	PLUG	4	4	4					
64	3	172A69-73890	PISTON	2	2	2					
65	3	172A69-73900	PLUG	4	4	4					
66	3	172499-73950	ORIFICE	4	4	4					
67	3	24190-060001	BALL, STEEL 3/16	2	2	2					
68	3	24190-100001	BALL, STEEL 5/16	4	4	4					
69	3	24315-000080	O-RING, 1BP8.0	4	4	4					
70	3	24315-000140	O-RING, 1BP14.0	4	4	4					
71	3	24315-000180	O-RING, 1BP18.0	2	2	2					
72	3	24315-000320	O-RING, 1BP32.0	4	4	4					
73	2	172499-73780	RING, SNAP	2	2	2					
74	2	172499-73850	PIN, PARALLEL	4	4	4					
75	2	172499-73850	PIN, PARALLEL	4	4	4					
76	2	22252-000220	RING, 22	2	2	2					
77	2	24315-000070	O-RING, 1BP7.0	4	4	4					
78	2	24315-000180	O-RING, 1BP18.0	6	6	6					
79	2	26450-100352	BOLT, M10X 35	24	24	24					
80	2	26450-120302	BOLT, M12X 30	20	20	20					
81	1	172460-73320	BOLT	38	38	38					
82	1	22217-160000	WASHER, SPRING 16	40	40	40					
83	1	26216-160452	STUD, M16X 45	2	2	2					
84	1	26716-160002	NUT, M16	2	2	2					
85	1	172A69-73910	SEAL SET	2	2	2					

Remarks  
 (1)A package contains 2 floating seals.  
 1 package par 1 travel motor.

Fig.66. TURNING MOTOR(K SPEC..)(TO M11060)

(A)=SV100-1(US)  
 (B)=SV100-1(AS)  
 (C)=SV100-1(NZ)

(D)=  
 (E)=  
 (F)=

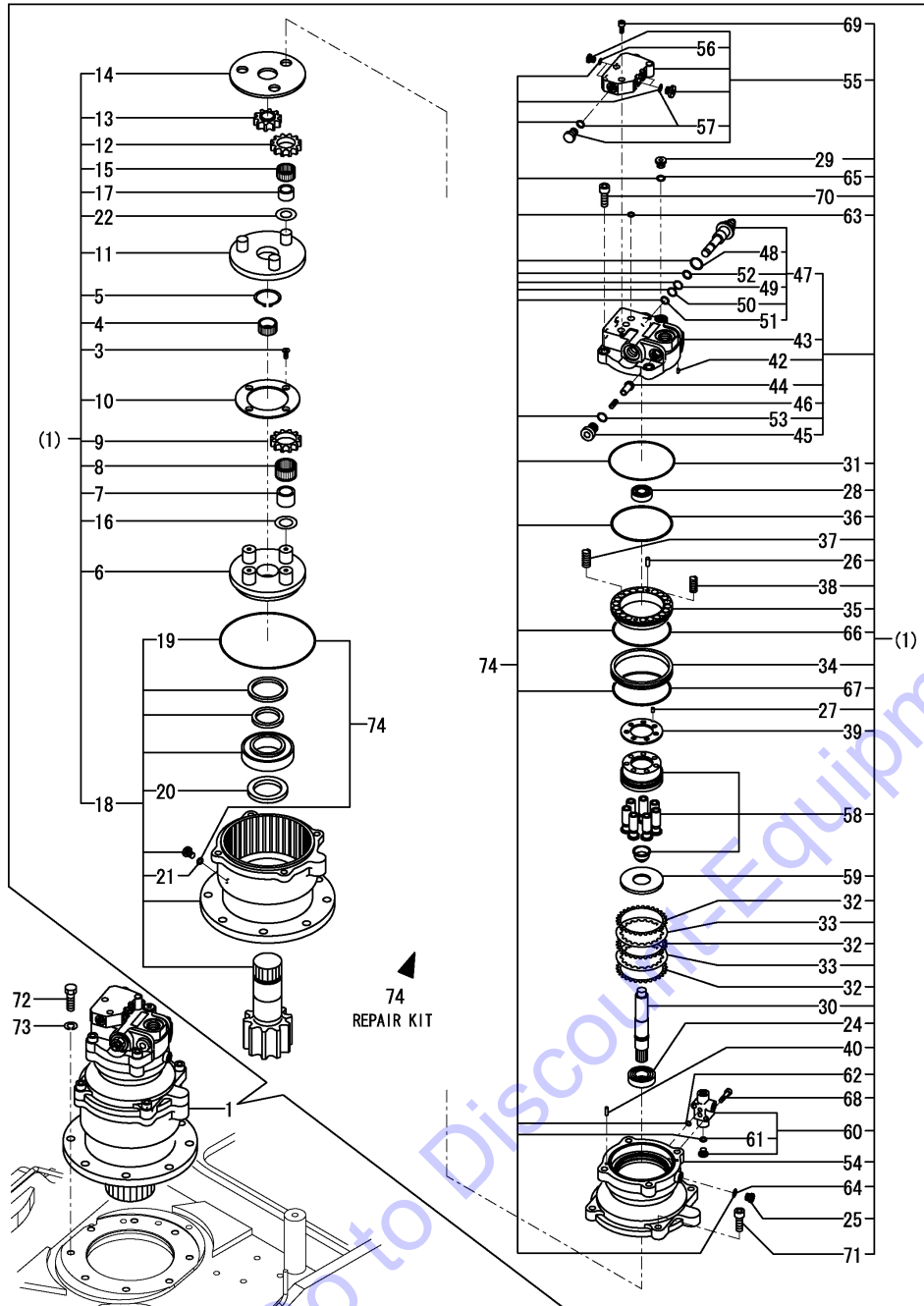


No.	Lev.	Parts No.	Description	Q'ty						I	R
				(A)	(B)	(C)	(D)	(E)	(F)		
1	1	172A69-73310 (A=M11061) (B=M11061) (C=M11061)	MOTOR ASSY, SWING	1	1	1					Z
3	3	172162-70290	SCREW	4	4	4					
4	3	172162-70310	GEAR, SUN	1	1	1					
5	3	172162-70320	RING, SNAP	1	1	1					
6	3	172499-70720	HOLDER	1	1	1					
7	3	172499-70730	RACE, INNER	4	4	4					
8	3	172499-70740	BEARING, NEEDLE	4	4	4					
9	3	172499-70750	GEAR, PLANETARY	4	4	4					
10	3	172499-70760	PLATE, THRUST	1	1	1					
11	3	172499-70770	HOLDER	1	1	1					
12	3	172499-70780	GEAR, PLANETARY	3	3	3					
13	3	172499-70790	GEAR, DRIVE	1	1	1					
14	3	172499-71040	PLATE KIT, THRUST	1	1	1					
15	3	172450-73360	BEARING, NEEDLE	3	3	3					
16	3	172423-73370	WASHER, THRUST	4	4	4					
17	3	172450-73370	RACE, INNER	3	3	3					
18	3	172A69-73370	HOUSING ASSY	1	1	1					
19	4	172162-70150	O-RING	1	1	1					
20	4	172A69-73320	SEAL, OIL	1	1	1					
21	4	24315-00080	O-RING, 1BP8.0	1	1	1					
22	3	172450-73380	WASHER, THRUST	3	3	3					
24	3	172122-70260	BEARING, BALL	1	1	1					
25	3	172148-70301	PLUG	1	1	1					
26	3	172122-70410	PIN	2	2	2					
27	3	172122-70530	PIN	1	1	1					
28	3	172162-70590	BEARING, BALL	1	1	1					
29	3	172147-70500	PLUG	1	1	1					
30	3	172499-70810	SHAFT	1	1	1					
31	3	172162-70820	O-RING	1	1	1					
32	3	172499-70830	DISK	3	3	3					
33	3	172499-70840	PLATE, FRICTION	2	2	2					
34	3	172499-70850	COLLAR	1	1	1					
35	3	172499-70860	PISTON, BRAKE	1	1	1					
36	3	172499-70870	O-RING	1	1	1					
37	3	172499-70880	SPRING	12	12	12					
38	3	172499-70890	SPRING	8	8	8					
39	3	172499-70970	PLATE, VALVE	1	1	1					
40	3	172499-70980	PIN	2	2	2					
42	4	172124-70380	ORIFICE	1	1	1					
43	4	172499-70900	COVER	1	1	1					
44	4	172499-70910	POPPET	2	2	2					
45	4	172499-70920	PLUG	2	2	2					
46	4	172499-70930	SPRING	2	2	2					
47	4	172A69-73340	VALVE ASSY, RELIEF	2	2	2					
48	5	172499-70950	O-RING	2	2	2					
49	5	172499-70960	RING, BUCK UP	2	2	2					
50	5	172312-74780	RING, BUCK UP	2	2	2					
51	5	24315-000150	O-RING, 1BP15.0	2	2	2					
52	5	24315-000160	O-RING, 1BP16.0	2	2	2					
53	4	24315-000210	O-RING, 1BP21.0	2	2	2					

Fig.66. TURNING MOTOR(K SPEC..)(TO M11060)

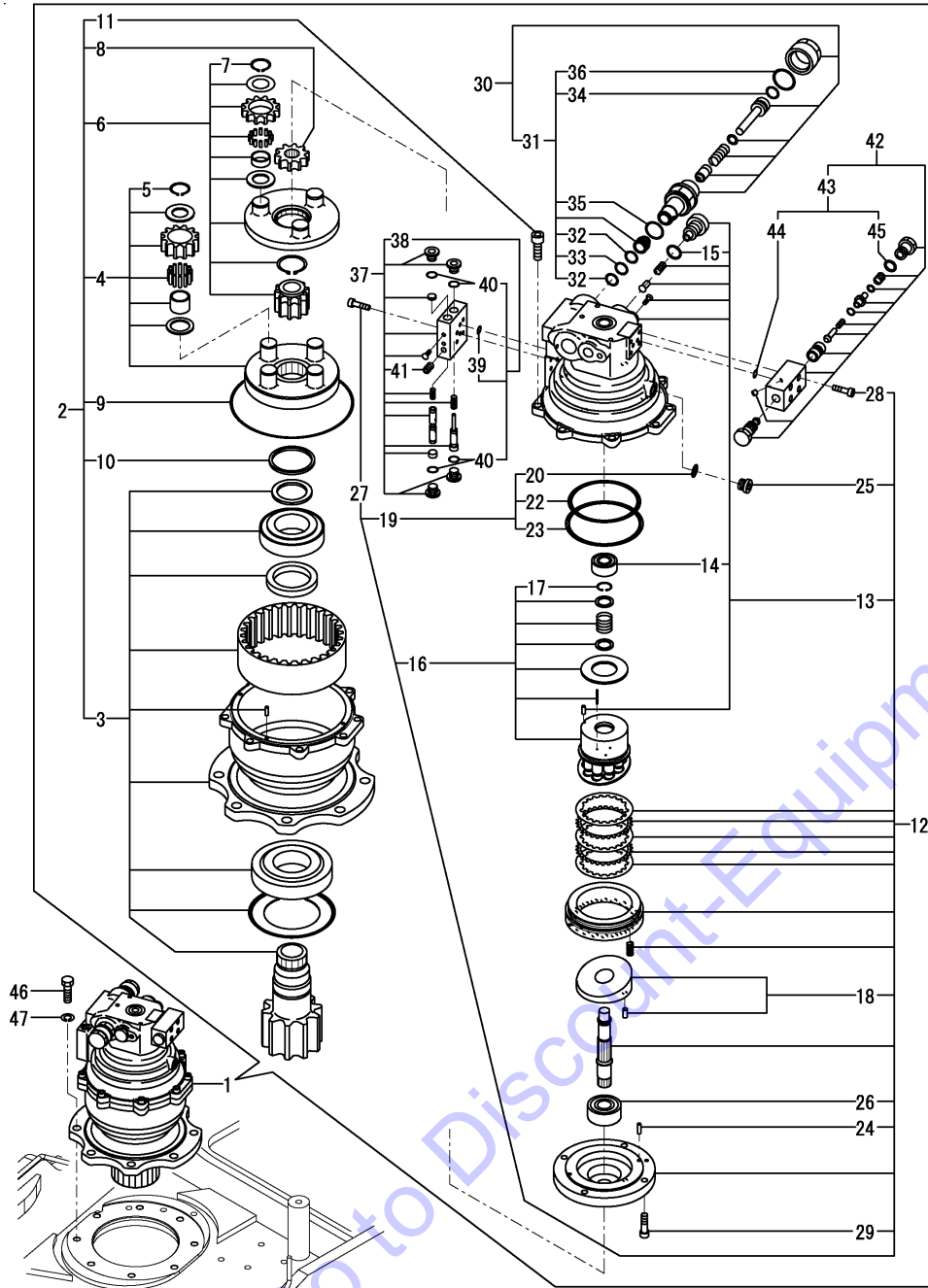
(A)=SV100-1(US)  
 (B)=SV100-1(AS)  
 (C)=SV100-1(NZ)

(D)=  
 (E)=  
 (F)=



No.	Lev.	Parts No.	Description	Q'ty						I	R
				(A)	(B)	(C)	(D)	(E)	(F)		
54	3	172A69-73330	CASE	1	1	1					
55	3	172A69-73350	VALVE ASSY	1	1	1					
56	4	24315-000110	O-RING, 1BP11.0	2	2	2					
57	4	24315-000140	O-RING, 1BP14.0	4	4	4					
58	3	172A69-73360	CYLINDER BLOCK ASSY	1	1	1					
59	3	172A69-73380	PLATE, THRUST	1	1	1					
60	3	172A69-73390	VALVE ASSY	1	1	1					
61	4	24315-000110	O-RING, 1BP11.0	1	1	1					
62	3	24315-000070	O-RING, 1BP7.0	2	2	2					
63	3	24315-000100	O-RING, 1BP10.0	3	3	3					
64	3	24315-000110	O-RING, 1BP11.0	1	1	1					
65	3	24315-000140	O-RING, 1BP14.0	1	1	1					
66	3	24325-001300	O-RING, 1BG130.0	1	1	1					
67	3	24325-001450	O-RING, 1BG145.0	1	1	1					
68	3	26450-060302	BOLT, M6X 30	2	2	2					
69	3	26450-080202	BOLT, M8X 20	3	3	3					
70	3	26450-140402	BOLT, M14X 40	4	4	4					
71	2	26450-140402	BOLT, M14X 40	4	4	4					
72	1	172162-82930	BOLT	8	8	8					
72-1	1	26076-160502	BOLT, 10.916X 50	8	8	8					N
		(A=M10554) (B=M10554) (C=M10554)									
73	1	22217-160000	WASHER, SPRING 16	8	8	8					
74	1	172499-71020	REPAIR KIT	1	1	1					

Fig.120. (66A)TURNING MOTOR(N SPEC.)(FROM M11061)

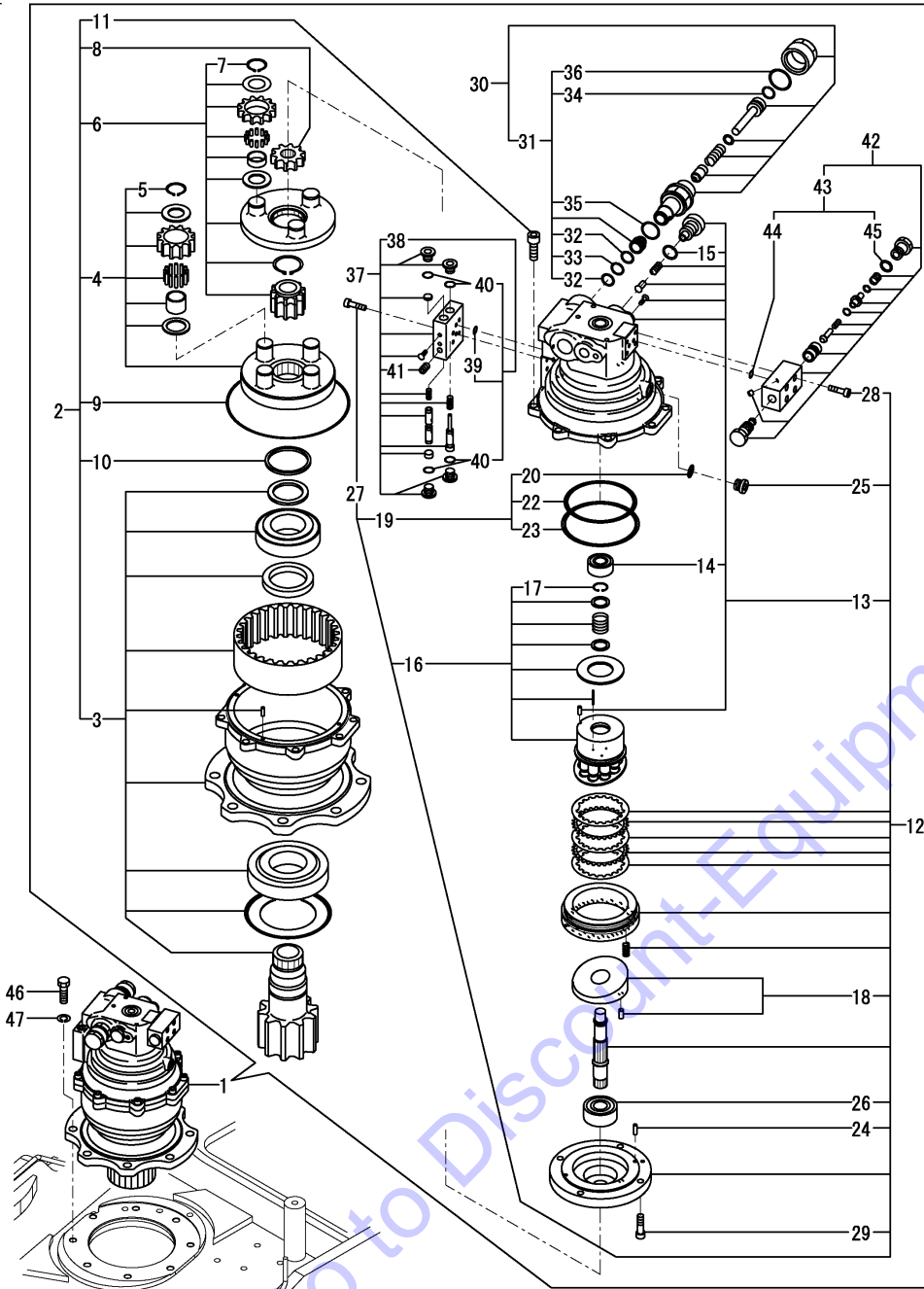


(A)=SV100-1(US)  
 (B)=SV100-1(AS)  
 (C)=SV100-1(NZ)

(D)=  
 (E)=  
 (F)=

No.	Lev.	Parts No.	Description	Q'ty						I	R
				(A)	(B)	(C)	(D)	(E)	(F)		
1	1	172A69-73030 (A=M11061) (B=M11061) (C=M11061)	MOTOR ASSY, SWING	1	1	1					W
1-1	1	172A69-73031 (A=M11757) (B=M11757) (C=M11757)	MOTOR ASSY, SWING	1	1	1					N
2	2	172A69-73040	GEAR ASSY, REDUCTION	1	1	1					
3	3	172A69-70100	PINION KIT	1	1	1					
4	3	172A69-70110	CARRIER KIT	1	1	1					
5	4	172A69-71830	RING, SNAP	4	4	4					
6	3	172A69-70120	CARRIER KIT	1	1	1					
7	4	172A69-71830	RING, SNAP	3	3	3					
8	3	172A69-71800	GEAR	1	1	1					
9	3	172A69-71810	O-RING, 270-90	1	1	1					
10	3	172A69-71820	RING	1	1	1					
11	3	26450-080252	BOLT, M8X 25	8	8	8					
12	2	172A69-73050	MOTOR ASSY	1	1	1					
12-1	2	172A69-73950 (A=M11757) (B=M11757) (C=M11757)	MOTOR ASSY	1	1	1					N
13	3	172A69-70130	BODY KIT,H	1	1	1					
14	4	172A69-71850	BEARING, 5204C3	1	1	1					
15	4	24315-000180	O-RING, 1BP18.0	2	2	2					
16	3	172A69-70140	BARREL KIT,CYLINDER	1	1	1					
16-1	3	172A69-73960 (A=M11757) (B=M11757) (C=M11757)	BARREL KIT,CYLINDER	1	1	1					S
17	4	22252-000350	RING, 35	1	1	1					
18	3	172A69-70150	PLATE, SWASH	1	1	1					
18-1	3	172A69-73970 (A=M11757) (B=M11757) (C=M11757)	PLATE, SWASH	1	1	1					S
19	3	172A69-70160	SEAL SET, MOTOR	1	1	1					
20	4	24315-000110	O-RING, 1BP11.0	1	1	1					
22	4	24325-001300	O-RING, 1BG130.0	1	1	1					
23	4	24325-001400	O-RING, 1BG140.0	1	1	1					
24	3	172A69-71860	PIN, PARALLEL	3	3	3					
25	3	172A69-71870	PLUG, PF1/4	1	1	1					
26	3	24512-053054	BEARING, BALL 5305	1	1	1					
27	3	26450-060162	BOLT, M6X 16	4	4	4					
28	3	26450-060202	BOLT, M6X 20	4	4	4					
29	3	26450-100352	BOLT, M10X 35	14	14	14					
30	2	172A69-73060	VALVE ASSY, RELIEF	2	2	2					
30-1	2	172A69-73980 (A=M11757) (B=M11757) (C=M11757)	VALVE ASSY, RELIEF	2	2	2					N
31	3	172A69-70170	SEAL SET, RELIEF	1	1	1					
32	4	172A69-71880	RING, BACK UP	2	2	2					
33	4	24315-000160	O-RING, 1BP16.0	1	1	1					
34	4	24315-000180	O-RING, 1BP18.0	1	1	1					
35	4	24315-000250	O-RING, 1BP25.0	1	1	1					
36	4	24315-000300	O-RING, 1BP30.0	1	1	1					
37	2	172A69-73070	VALVE ASSY, P/BTIMER	1	1	1					
38	3	172A69-70180	SEAL SET, VALVE	1	1	1					
39	4	24315-000070	O-RING, 1BP7.0	2	2	2					
40	4	24315-000110	O-RING, 1BP11.0	4	4	4					
41	3	23871-010000	PLUG, R01	1	1	1					

Fig.120. (66A)TURNING MOTOR(N SPEC.)(FROM M11061)



(A)=SV100-1(US)  
 (B)=SV100-1(AS)  
 (C)=SV100-1(NZ)

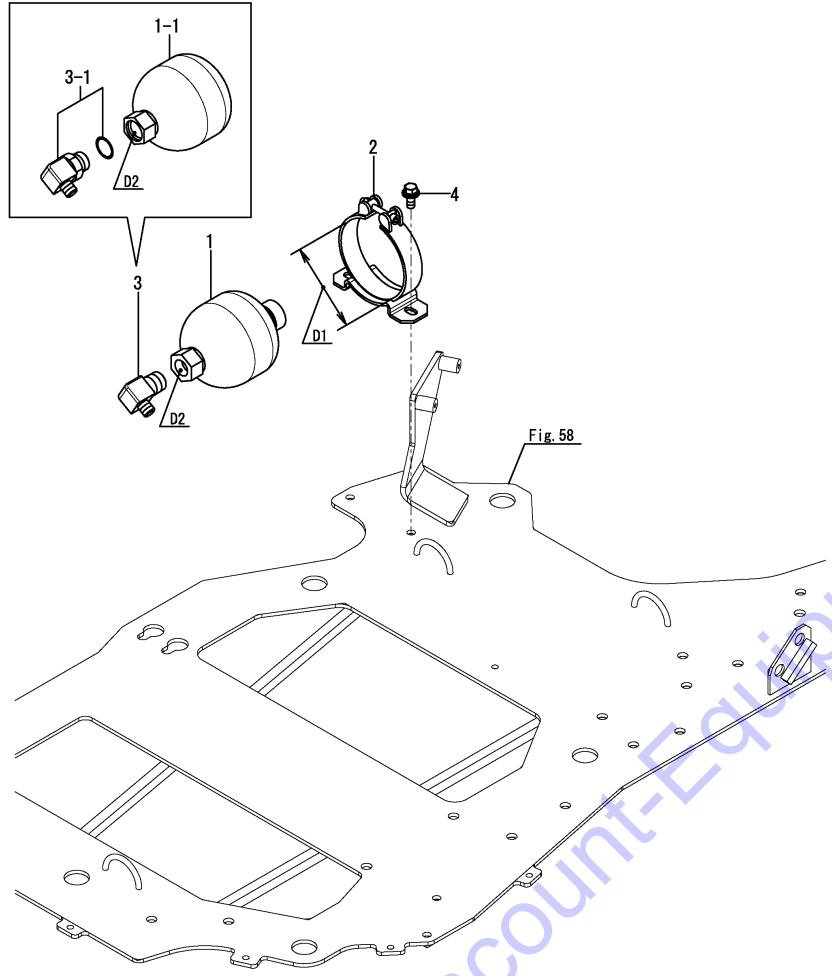
(D)=  
 (E)=  
 (F)=

No.	Lev.	Parts No.	Description	Q'ty						I	R
				(A)	(B)	(C)	(D)	(E)	(F)		
42	2	172A69-73080	VALVE ASSY,	1	1	1					
43	3	172A69-70190	SEAL SET, VALVE	1	1	1					
44	4	24315-000090	O-RING, 1BP9.0	2	2	2					
45	4	24315-000180	O-RING, 1BP18.0	2	2	2					
46	1	22217-160000	WASHER, SPRING 16	8	8	8					
47	1	26076-160502	BOLT, 10.916X 50	8	8	8					

Fig.67. ACCUMULATOR

(A)=SV100-1(US)  
 (B)=SV100-1(AS)  
 (C)=SV100-1(NZ)

(D)=  
 (E)=  
 (F)=



No.	Lev.	Parts No.	Description	Q'ty						I	R
				(A)	(B)	(C)	(D)	(E)	(F)		
1	1	172478-73600	ACCUMULATOR	1	1	1					
1-1	1	172B11-73600	ACCUMULATOR	1	1	1					S 2
		(A=M11777) (B=M11777) (C=M11777)									
2	1	172478-73630	CLAMP	1	1	1					
2-1	1	172B11-73630	CLAMP	1	1	1					S 1
		(A=M11777) (B=M11777) (C=M11777)									
3	1	172478-76200	CONNECTOR	1	1	1					
3-1	1	172531-73550	ELBOW	1	1	1					S
		(A=M11777) (B=M11777) (C=M11777)									
4	1	26014-080202	BOLT, M8X 20	2	2	2					

Remarks  
 (1)D1 : Ref.No.2=92~95mm, No.2-1=89~92mm.  
 (2)D2 : Ref.No.1=Rc(PT)1/2, No.1-1=G(PF)1/2.

Fig.68. LINE FILTER

(A)=SV100-1(US)  
 (B)=SV100-1(AS)  
 (C)=SV100-1(NZ)

(D)=  
 (E)=  
 (F)=

No.	Lev.	Parts No.	Description	Q'ty						I	R
				(A)	(B)	(C)	(D)	(E)	(F)		
1	1	172837-73700	FILTER, LINE	1	1	1					
2	2	172837-73730	ELEMENT, FILTER	1	1	1					
3	2	172837-73740	O-RING	1	1	1					
4	1	172423-76100	CONNECTOR, PF1/2PF3/8	1	1	1					
5	1	172157-76300	ELBOW ASSY	1	1	1					
6	2	24315-000180	O-RING, 1BP18.0	1	1	1					
7	1	22137-060000	WASHER, 6	2	2	2					
8	1	26013-060552	BOLT, M6X 55	2	2	2					
9	1	41851-000180	O-RING	1	1	1					

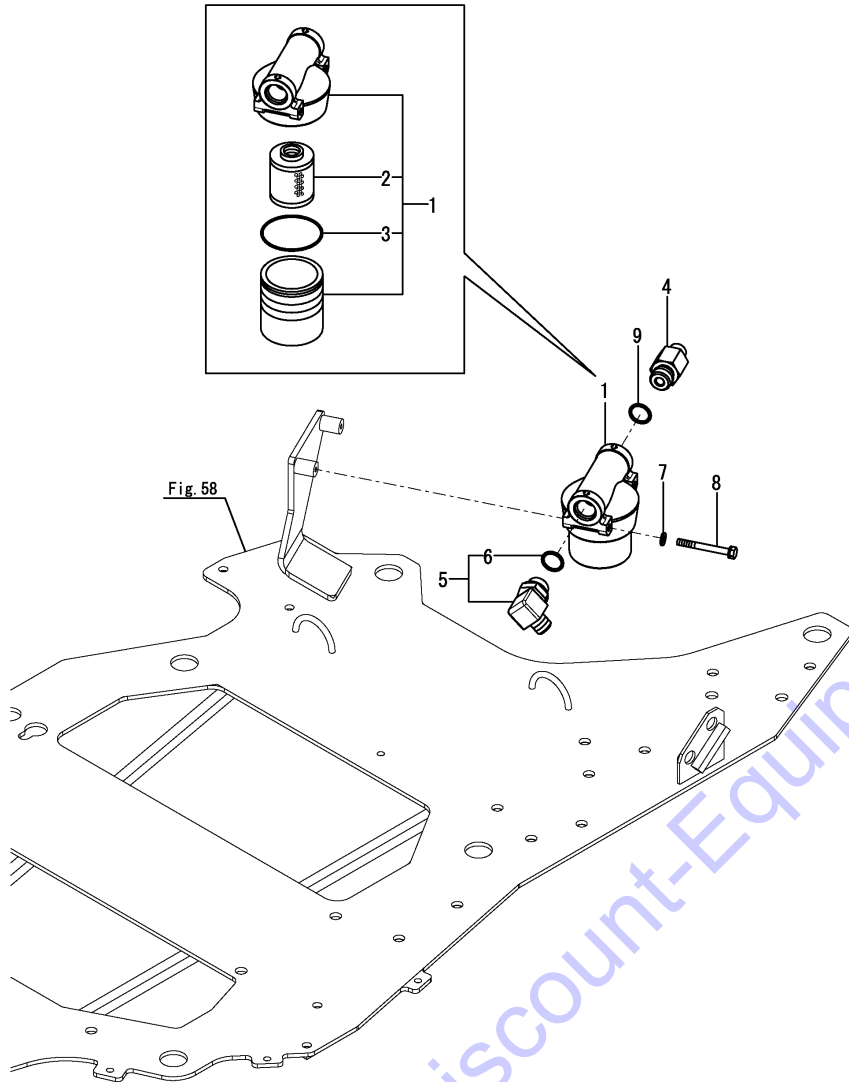


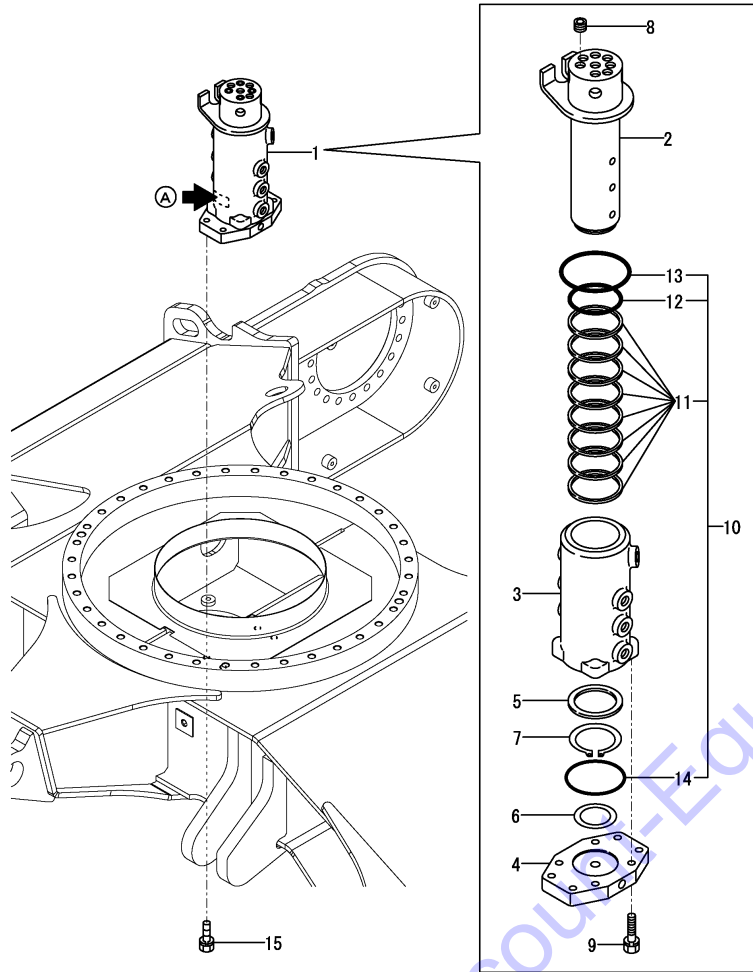
Fig. 58

Go to Discount-Equipment.com to order your parts

Fig.69. SWIVEL JOINT(Y SPEC.)(TO M12062)

(A)=SV100-1(US)  
 (B)=SV100-1(AS)  
 (C)=SV100-1(NZ)

(D)=  
 (E)=  
 (F)=



No.	Lev.	Parts No.	Description	Q'ty						I	R	
				(A)	(B)	(C)	(D)	(E)	(F)			
1	1	172187-73801 (A=M12063) (B=M12063) (C=M12063)	JOINT ASSY, SWIVEL	1	1	1					Z	1
2	2	172147-73810	SHAFT, SWIVEL	1	1	1						
3	2	172147-73830	HUB, SWIVEL	1	1	1						
4	2	172147-73850	PLATE, SWIVEL	1	1	1						
5	2	172122-73860	SPACER, SWIVEL	1	1	1						
6	2	172122-73870	WASHER, THRUST	1	1	1						
7	2	22242-000700	RING, 70	1	1	1						
8	2	23871-030000	PLUG, R03	4	4	4						
9	2	26013-100402	BOLT, SPRING M10X 40	4	4	4						
10	2	172423-73810	SEAL ASSY	1	1	1						
10-1	2	172147-73880	SEAL ASSY	1	1	1						N
		(A=*2008.12.) (B=*2008.12.) (C=*2008.12.)										
11	3	172423-73820	SEAL, SWIVEL	8	8	8						
11-1	3	172122-73890	SEAL, SWIVEL	8	8	8						N
		(A=*2008.12.) (B=*2008.12.) (C=*2008.12.)										
12	3	24311-000800	O-RING, 1AP80.0	1	1	1						
13	3	24311-001000	O-RING, 1AP100.0	1	1	1						
14	3	24321-000950	O-RING, 1AG95.0	1	1	1						
15	1	26013-120402	BOLT, SPRING M12X 40	4	4	4						

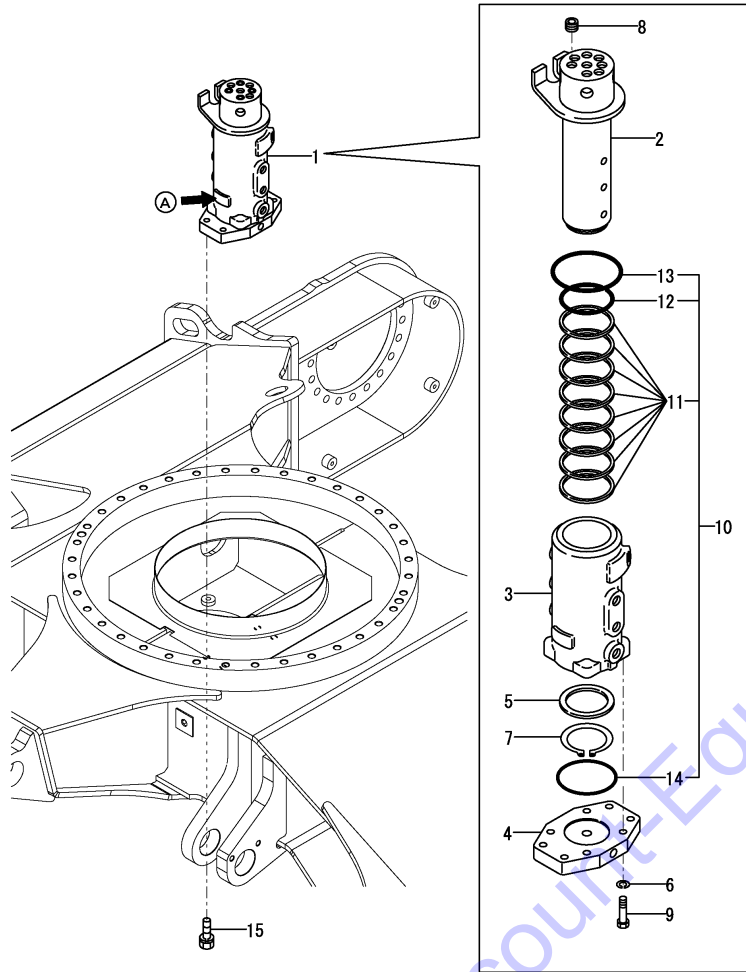
Remarks  
 (1)A : no label.  
 Interchangeable by Fig.124(86B) No.1.  
 The inner parts are not compatible.



Fig.123. (69A)SWIVEL JOINT(N SPEC.)(FROM M12063)

(A)=SV100-1(US)  
 (B)=SV100-1(AS)  
 (C)=SV100-1(NZ)

(D)=  
 (E)=  
 (F)=



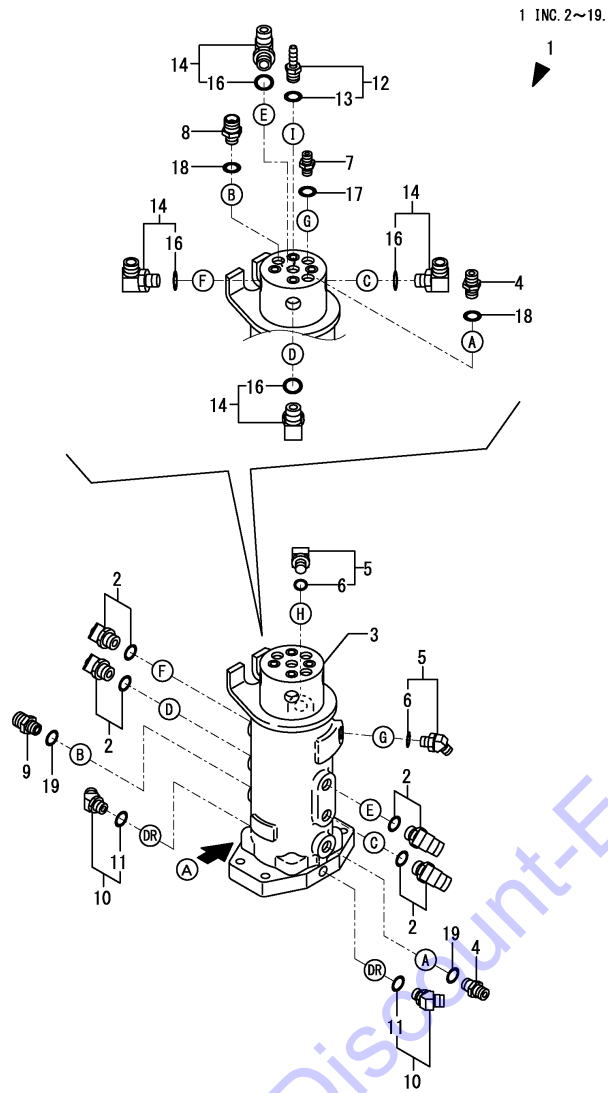
No.	Lev.	Parts No.	Description	Q'ty						I	R	
				(A)	(B)	(C)	(D)	(E)	(F)			
1	1	172A65-73800 (A=M12063) (B=M12063) (C=M12063)	JOINT ASSY, SWIVEL	1	1	1					W	1
2	2	172A65-73810	SHAFT ASSY	1	1	1						
3	2	172A65-73840	ROTOR	1	1	1						
4	2	172A65-73850	FLANGE	1	1	1						
5	2	172A65-73860	SPACER	1	1	1						
6	2	22217-100000	WASHER, SPRING 10	4	4	4						
7	2	22242-000720	RING, 72	1	1	1						
8	2	23871-030000	PLUG, R03	4	4	4						
9	2	26076-100402	BOLT, 10.910X 40	4	4	4						
10	2	172A65-73880	SEAL KIT	1	1	1						
11	3	172A65-73870	SEAL	8	8	8						
12	3	24315-000800	O-RING, 1BP80.0	1	1	1						
13	3	24315-001000	O-RING, 1BP100.0	1	1	1						
14	3	24325-000950	O-RING, 1BG95.0	1	1	1						
15	1	26013-120402	BOLT, SPRING M12X 40	4	4	4						

Remarks  
 (1)A : 'NACHI' label.  
 Interchangeable by Fig.124(69B) No.1.(From Y specification. to N specification.)  
 The inner parts are not compatible.

Fig.124. (69B)SWIVEL JOINT KIT(N SPEC.)(FROM M12063)

(A)=SV100-1(US)  
 (B)=SV100-1(AS)  
 (C)=SV100-1(NZ)

(D)=  
 (E)=  
 (F)=



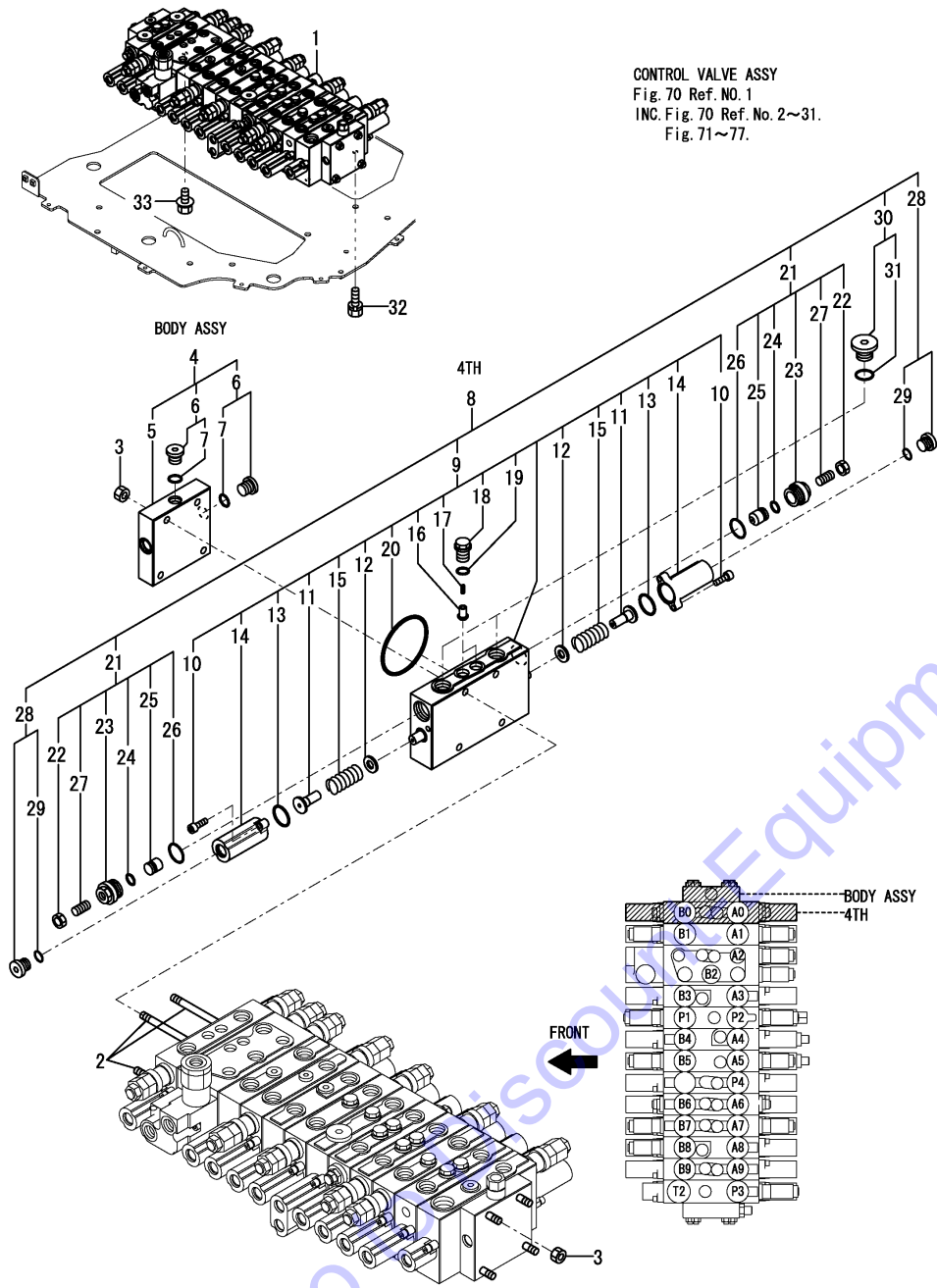
No.	Lev.	Parts No.	Description	Qty						I	R
				(A)	(B)	(C)	(D)	(E)	(F)		
1	1	172A89-73900 (A=M12063) (B=M12063) (C=M12063)	JOINT KIT, SWIVEL	1	1	1					W
2	2	1D4180-22850	ELBOW, 45 PF1/2	4	4	4					
3	2	172A65-73800	JOINT ASSY, SWIVEL	1	1	1					1
4	2	172730-75141	ADAPTER	2	2	2					
5	2	172173-76102	CONNECTOR ASSY	2	2	2					
6	3	41851-000110	O-RING	2	2	2					
7	2	172123-76121	ADAPTER	1	1	1					
8	2	172168-76162	CONNECTOR, PF1/2X3/8	1	1	1					
9	2	172168-76162	CONNECTOR, PF1/2X3/8	1	1	1					
10	2	172644-76161	ELBOW, ADJUST	2	2	2					
11	3	24315-000140	O-RING, 1BP14.0	1	1	1					
12	2	172A65-76700	CONNECTOR, G3/8	1	1	1					
13	3	41851-000140	O-RING	1	1	1					
14	2	172141-76900	CONNECTOR ASSY	4	4	4					
16	3	24315-000180	O-RING, 1BP18.0	4	4	4					
17	2	41851-000110	O-RING	1	1	1					
18	2	41851-000140	O-RING	2	2	2					
19	2	41851-000140	O-RING	2	2	2					

Remarks  
 (1)A : 'NACHI' label.  
 Inner parts are shown in Fig.123(69A).

Fig.70. CONTROL VALVE(1/8)

(A)=SV100-1(US)  
 (B)=SV100-1(AS)  
 (C)=SV100-1(NZ)

(D)=  
 (E)=  
 (F)=

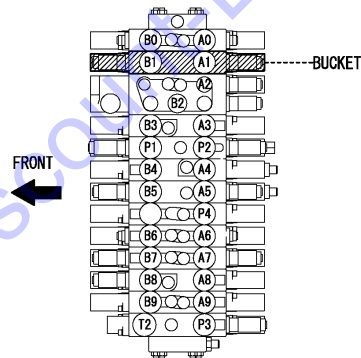
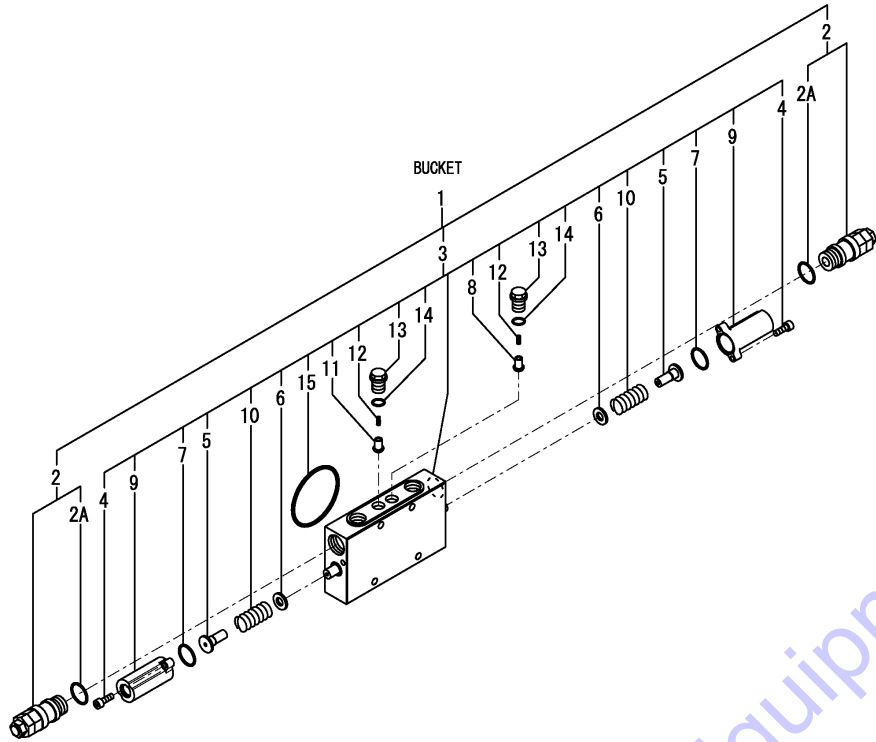


No.	Lev.	Parts No.	Description	Q'ty						I	R
				(A)	(B)	(C)	(D)	(E)	(F)		
1	1	172A69-74100	VALVE ASSY, CONTROL	1	1	1					
1-1	1	172A69-74101	VALVE ASSY, CONTROL	1	1	1					N
		(A=M10931) (B=M10931) (C=M10931)									
1-2	1	172A69-74102	VALVE ASSY, CONTROL	1	1	1					N
		(A=M11514) (B=M11514) (C=M11514)									
1-3	1	172A69-74103	VALVE ASSY, CONTROL	1	1	1					N
		(A=M11530) (B=M11530) (C=M11530)									
2	2	172A69-71260	ROD, TIE	4	4	4					
3	2	172422-74110	NUT	8	8	8					
4	2	172A69-74110	BODY ASSY	1	1	1					
5	3	172478-74360	BODY	1	1	1					
6	3	172187-74530	PLUG ASSY	2	2	2					
7	4	24315-000110	O-RING, 1BP11.0	2	2	2					
8	2	172A69-74170	SECTION ASSY, 4TH	1	1	1					
9	3	172A69-74180	SECTION, 4TH	1	1	1					
10	4	172151-74060	BOLT, SOCKET HEAD	4	4	4					
11	4	172478-74180	SEAT, SPRING	2	2	2					
12	4	172175-74220	SEAT, SPRING	2	2	2					
13	4	172151-74320	O-RING	2	2	2					
14	4	172455-74390	CAP	2	2	2					
15	4	172455-74410	SPRING	2	2	2					
16	4	172455-74420	POPPET	2	2	2					
17	4	172455-74440	SPRING	2	2	2					
18	4	172455-74450	PLUG	2	2	2					
19	4	172455-74460	O-RING	2	2	2					
20	4	24321-000700	O-RING, 1AG70.0	1	1	1					
21	3	172455-74320	VALVE ASSY, SHUT-OFF	2	2	2					
22	4	172455-74010	NUT, SHOE	2	2	2					
23	4	172455-74020	PLUG	2	2	2					
24	4	172455-74030	O-RING	2	2	2					
25	4	172455-74040	POPPET	2	2	2					
26	4	172116-74150	O-RING	2	2	2					
27	4	172455-74990	SCREW, SETTING	2	2	2					
28	3	172187-74530	PLUG ASSY	2	2	2					
29	4	24315-000110	O-RING, 1BP11.0	2	2	2					
30	3	172187-74550	PLUG ASSY	2	2	2					
31	4	24315-000180	O-RING, 1BP18.0	2	2	2					
32	1	26013-100162	BOLT, M10X 16	2	2	2					
33	1	26106-100122	BOLT, M10X 12 PLATED	1	1	1					

Fig.71. CONTROL VALVE(2/8)

(A)=SV100-1(US)  
 (B)=SV100-1(AS)  
 (C)=SV100-1(NZ)

(D)=  
 (E)=  
 (F)=

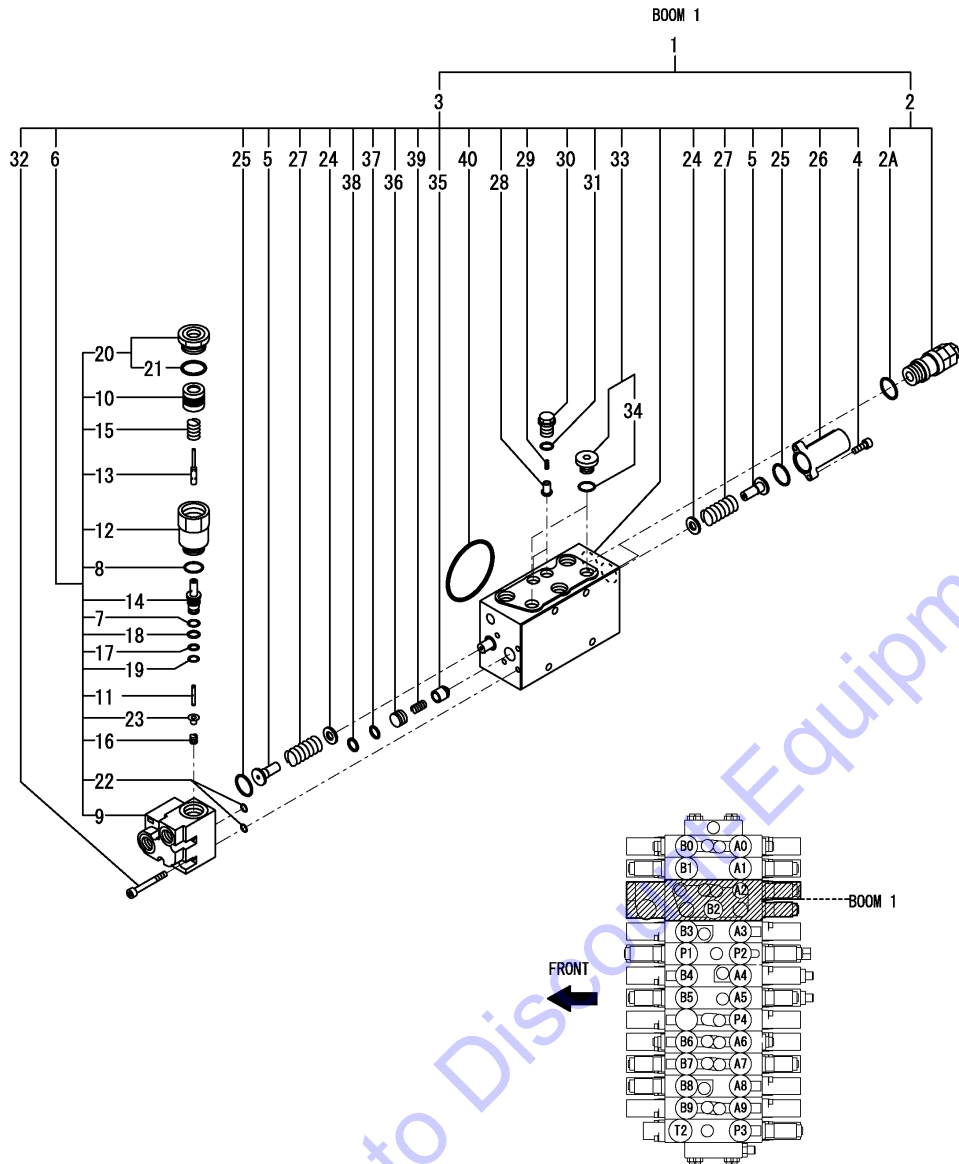


No.	Lev.	Parts No.	Description	Q'ty						I	R
				(A)	(B)	(C)	(D)	(E)	(F)		
1	2	172A69-74190	SECTION ASSY, BUCKET	1	1	1					
1-1	2	172A69-74191	SECTION ASSY, BUCKET	1	1	1					N
		(A=M10992) (B=M10992) (C=M10992)									
2	3	172A69-74200	VALVE, RELIEF	2	2	2					
2A	4	172116-74150	O-RING	2	2	2					W
		(A=M10501) (B=M10501) (C=M10501)									
3	3	172A69-74210	SECTION, BUCKET	1	1	1					
3-1	3	172A89-74161	SECTION, BUCKET	1	1	1					N
		(A=MZZZZZ) (B=MZZZZZ) (C=MZZZZZ)									
4	4	172151-74060	BOLT, SOCKET HEAD	4	4	4					
5	4	172478-74180	SEAT, SPRING	2	2	2					
6	4	172175-74220	SEAT, SPRING	2	2	2					
7	4	172151-74320	O-RING	2	2	2					
8	4	172478-74320	POPPET	1	1	1					
8-1	4	172478-74170	POPPET	1	1	1					N
		(A=M10931) (B=M10931) (C=M10931)									
9	4	172455-74390	CAP	2	2	2					
10	4	172455-74410	SPRING	2	2	2					
11	4	172455-74420	POPPET	1	1	1					
12	4	172455-74440	SPRING	2	2	2					
13	4	172455-74450	PLUG	2	2	2					
14	4	172455-74460	O-RING	2	2	2					
15	4	24321-000700	O-RING, 1AG70.0	1	1	1					

Fig.72. CONTROL VALVE(3/8)

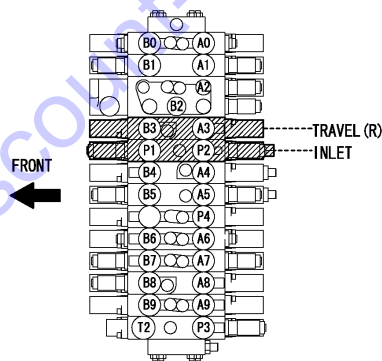
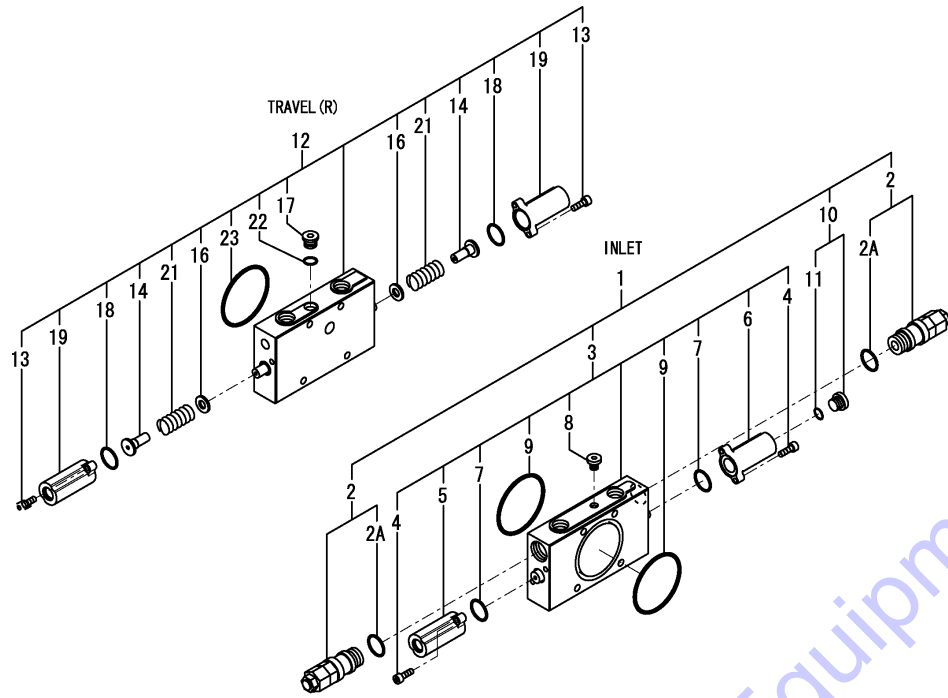
(A)=SV100-1(US)  
 (B)=SV100-1(AS)  
 (C)=SV100-1(NZ)

(D)=  
 (E)=  
 (F)=



No.	Lev.	Parts No.	Description	Q'ty						I	R
				(A)	(B)	(C)	(D)	(E)	(F)		
1	2	172A69-74220	SECTION ASSY, BOOM	1	1	1					
2	3	172A69-74200	VALVE, RELIEF	2	2	2					
2A	4	172116-74150	O-RING	2	2	2					W
		(A=M10501)	(B=M10501)	(C=M10501)							
3	3	172A69-74230	SECTION, BOOM	1	1	1					
4	4	172151-74060	BOLT, SOCKET HEAD	2	2	2					
5	4	172478-74180	SEAT, SPRING	2	2	2					
6	4	172488-74200	VALVE ASSY	1	1	1					
7	5	172638-73650	RING, BUCK UP	1	1	1					
8	5	172116-74150	O-RING	1	1	1					
9	5	172488-74210	BODY	1	1	1					
10	5	172488-74220	PISTON	1	1	1					
11	5	172455-74590	POPPET	1	1	1					
12	5	172455-74600	PLUG	1	1	1					
13	5	172455-74620	SPOOL	1	1	1					
14	5	172455-74630	SLEEVE	1	1	1					
15	5	172455-74640	SPRING	1	1	1					
16	5	172455-74650	SPRING	1	1	1					
17	5	172455-74660	O-RING	1	1	1					
18	5	172455-74670	O-RING	1	1	1					
19	5	172455-74680	RING, BUCK UP	1	1	1					
20	5	172187-74690	PLUG ASSY	1	1	1					
21	6	172312-74770	O-RING	1	1	1					
22	5	24315-000070	O-RING, 1BP7.0	2	2	2					
23	5	172455-74720	SEAT, SPRING	1	1	1					
24	4	172175-74220	SEAT, SPRING	2	2	2					
25	4	172151-74320	O-RING	2	2	2					
26	4	172455-74390	CAP	1	1	1					
27	4	172455-74410	SPRING	2	2	2					
28	4	172455-74420	POPPET	2	2	2					
29	4	172455-74440	SPRING	2	2	2					
30	4	172455-74450	PLUG	2	2	2					
31	4	172455-74460	O-RING	2	2	2					
32	4	172455-74530	BOLT, SOCKET HEAD	5	5	5					
33	4	172187-74540	PLUG ASSY	2	2	2					
34	5	24315-000140	O-RING, 1BP14.0	2	2	2					
35	4	172455-74550	POPPET	1	1	1					
36	4	172455-74560	SPACER	1	1	1					
37	4	172455-74570	O-RING	1	1	1					
38	4	172455-74580	RING, BUCK UP	1	1	1					
39	4	172187-74630	SPRING	1	1	1					
40	4	24321-000700	O-RING, 1AG70.0	1	1	1					

Fig.73. CONTROL VALVE(4/8)

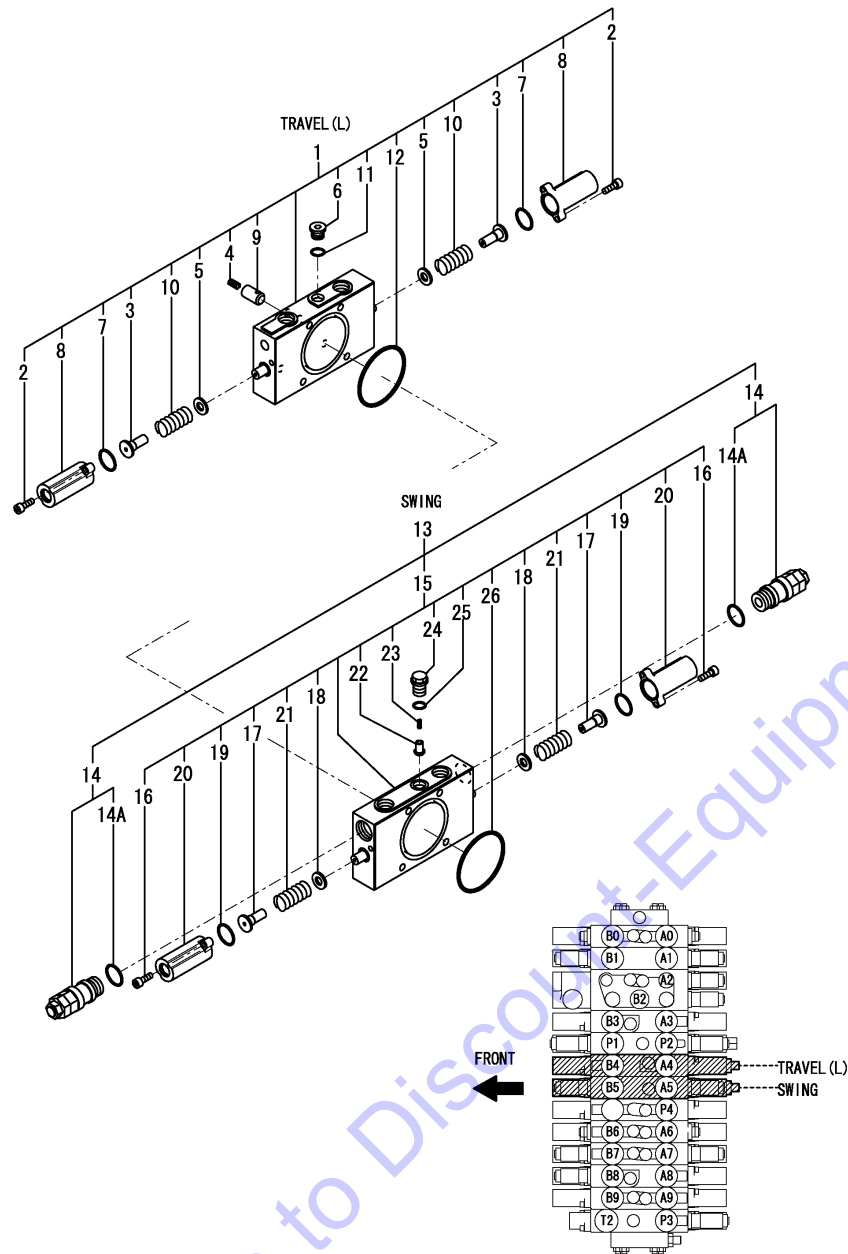


(A)=SV100-1(US)  
 (B)=SV100-1(AS)  
 (C)=SV100-1(NZ)

(D)=  
 (E)=  
 (F)=

No.	Lev.	Parts No.	Description	Q'ty						I	R
				(A)	(B)	(C)	(D)	(E)	(F)		
1	2	172A69-74120	INLET SECTION ASSY	1	1	1					
2	3	172A69-74130	VALVE, RELIEF	2	2	2					
2A	4	172116-74150	O-RING	2	2	2					W
		(A=M10501)	(B=M10501)	(C=M10501)							
3	3	172A69-74140	SECTION, INLET	1	1	1					
4	4	172151-74060	BOLT, SOCKET HEAD	4	4	4					
5	4	172A69-74150	CAP ASSY	1	1	1					
6	4	172A69-74160	CAP	1	1	1					
7	4	172151-74320	O-RING	2	2	2					
8	4	172422-74330	PLUG ASSY	1	1	1					
9	4	24321-000700	O-RING, 1AG70.0	2	2	2					
10	3	172187-74530	PLUG ASSY	1	1	1					
11	4	24315-000110	O-RING, 1BP11.0	1	1	1					
12	2	172A69-74240	SECTION, TRAVEL	1	1	1					
13	3	172151-74060	BOLT, SOCKET HEAD	4	4	4					
14	3	172478-74180	SEAT, SPRING	2	2	2					
16	3	172175-74220	SEAT, SPRING	2	2	2					
17	3	172A69-74250	PLUG	1	1	1					
18	3	172151-74320	O-RING	2	2	2					
19	3	172455-74390	CAP	2	2	2					
21	3	172455-74410	SPRING	2	2	2					
22	3	172455-74460	O-RING	1	1	1					
23	3	24321-000700	O-RING, 1AG70.0	1	1	1					

Fig.74. CONTROL VALVE(5/8)

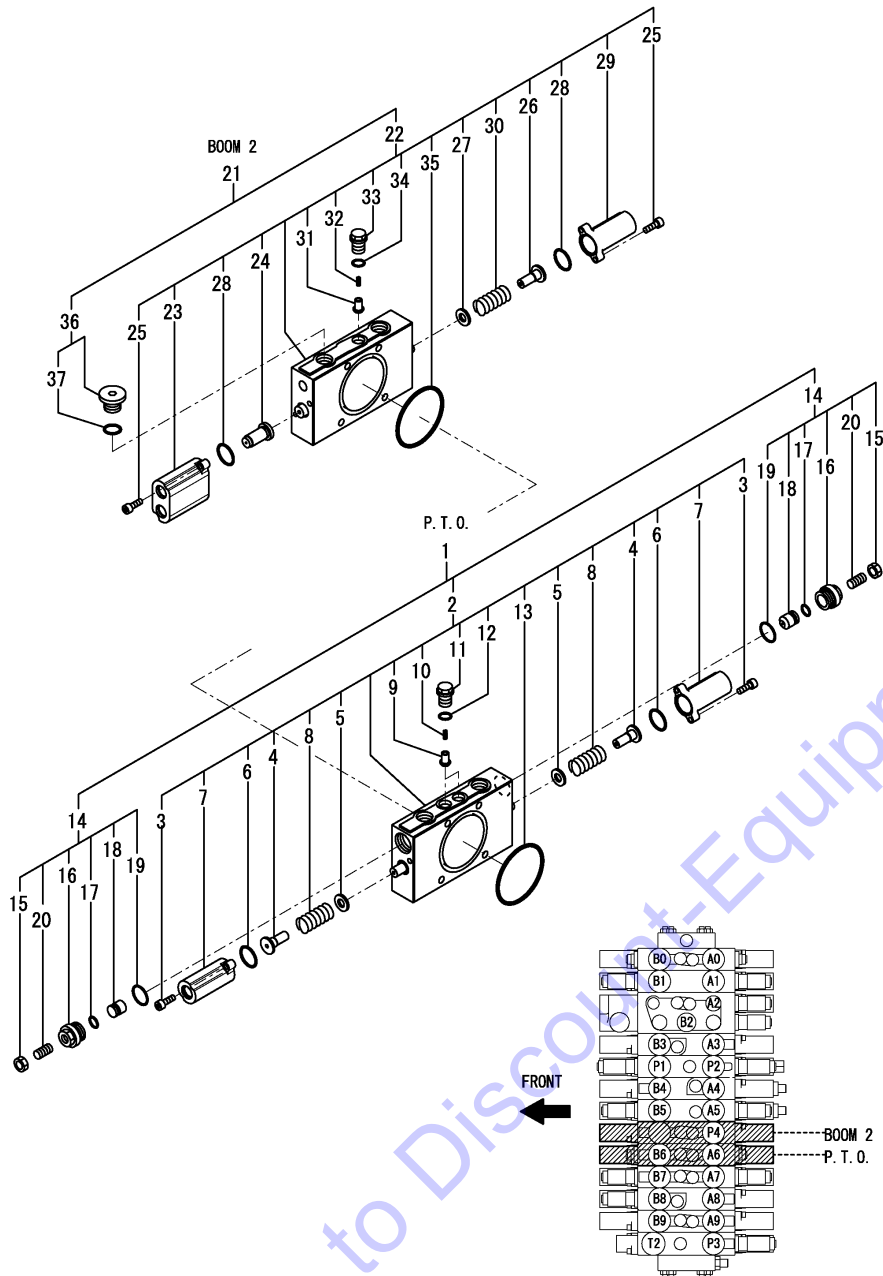


(A)=SV100-1(US)  
 (B)=SV100-1(AS)  
 (C)=SV100-1(NZ)

(D)=  
 (E)=  
 (F)=

No.	Lev.	Parts No.	Description	Q'ty						I	R
				(A)	(B)	(C)	(D)	(E)	(F)		
1	2	172A69-74260	SECTION, TRAVEL	1	1	1					
2	3	172151-74060	BOLT, SOCKET HEAD	4	4	4					
3	3	172478-74180	SEAT, SPRING	2	2	2					
4	3	172113-74190	SPRING	1	1	1					
5	3	172175-74220	SEAT, SPRING	2	2	2					
6	3	172A69-74250	PLUG	1	1	1					
7	3	172151-74320	O-RING	2	2	2					
8	3	172455-74390	CAP	2	2	2					
9	3	172187-74410	POPPET	1	1	1					
10	3	172455-74410	SPRING	2	2	2					
11	3	172455-74460	O-RING	1	1	1					
12	3	24321-000700	O-RING, 1AG70.0	1	1	1					
13	2	172A69-74270	SECTION ASSY, SWING	1	1	1					
14	3	172A69-74200	VALVE, RELIEF	2	2	2					
14A	4	172116-74150	O-RING	2	2	2					W
(A=M10501) (B=M10501) (C=M10501)											
15	3	172A69-74280	SECTION, SWING	1	1	1					
16	4	172151-74060	BOLT, SOCKET HEAD	4	4	4					
17	4	172478-74180	SEAT, SPRING	2	2	2					
18	4	172175-74220	SEAT, SPRING	2	2	2					
19	4	172151-74320	O-RING	2	2	2					
20	4	172455-74390	CAP	2	2	2					
21	4	172455-74410	SPRING	2	2	2					
22	4	172455-74420	POPPET	1	1	1					
23	4	172455-74440	SPRING	1	1	1					
24	4	172455-74450	PLUG	1	1	1					
25	4	172455-74460	O-RING	1	1	1					
26	4	24321-000700	O-RING, 1AG70.0	1	1	1					

Fig.75. CONTROL VALVE(6/8)



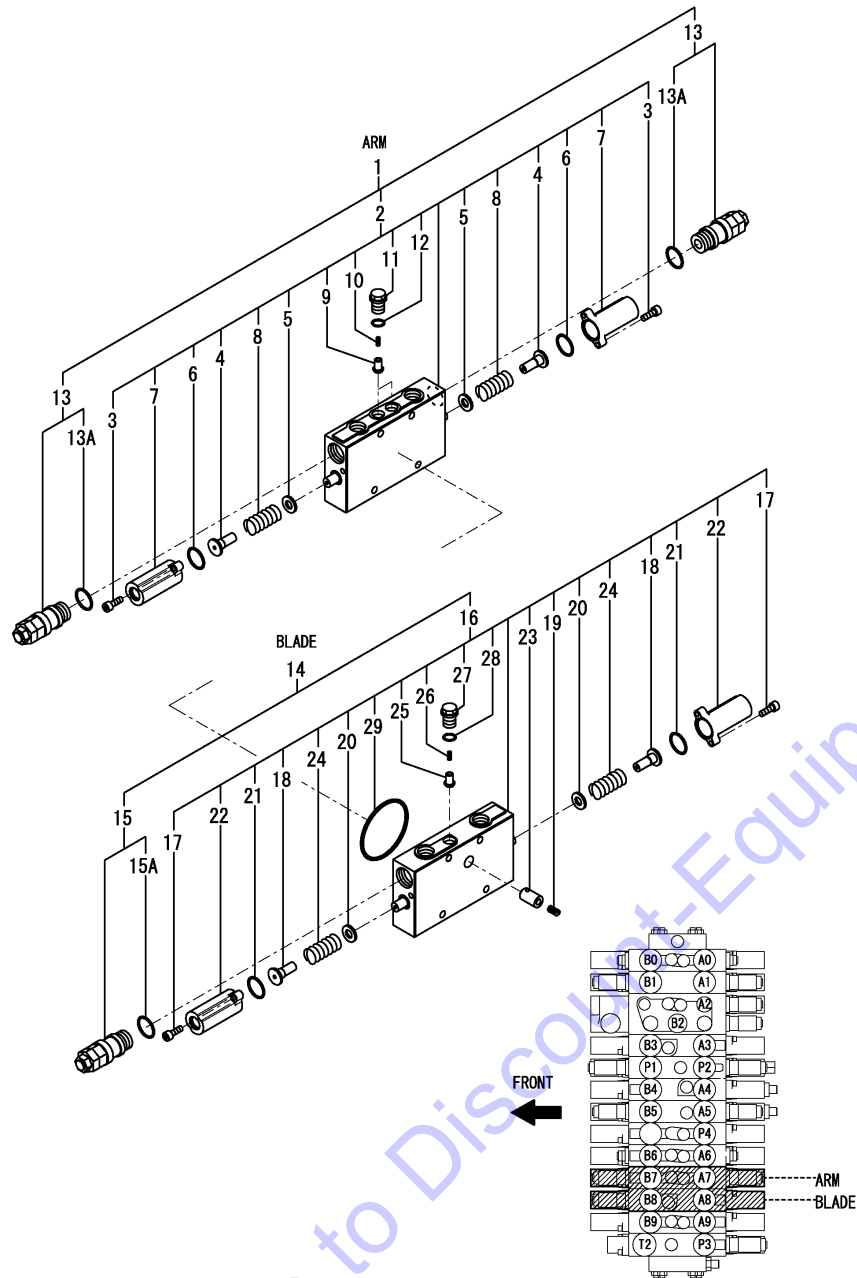
(A)=SV100-1(US)  
 (B)=SV100-1(AS)  
 (C)=SV100-1(NZ)

(D)=  
 (E)=  
 (F)=

No.	Lev.	Parts No.	Description	Q'ty						I	R
				(A)	(B)	(C)	(D)	(E)	(F)		
1	2	172A69-71130	SECTION ASSY, PTO	1	1	1					
2	3	172A69-71140	SECTION, PTO	1	1	1					
3	4	172151-74060	BOLT, SOCKET HEAD	4	4	4					
4	4	172478-74180	SEAT, SPRING	2	2	2					
5	4	172175-74220	SEAT, SPRING	2	2	2					
6	4	172151-74320	O-RING	2	2	2					
7	4	172455-74390	CAP	2	2	2					
8	4	172455-74410	SPRING	2	2	2					
9	4	172455-74420	POPPET	2	2	2					
10	4	172455-74440	SPRING	2	2	2					
11	4	172455-74450	PLUG	2	2	2					
12	4	172455-74460	O-RING	2	2	2					
13	4	24321-000700	O-RING, 1AG70.0	1	1	1					
14	3	172455-74320	VALVE ASSY, SHUT-OFF	2	2	2					
15	4	172455-74010	NUT, SHOE	2	2	2					
16	4	172455-74020	PLUG	2	2	2					
17	4	172455-74030	O-RING	2	2	2					
18	4	172455-74040	POPPET	2	2	2					
19	4	172116-74150	O-RING	2	2	2					
20	4	172455-74990	SCREW, SETTING	2	2	2					
21	2	172A69-74290	SECTION ASSY, BOOM	1	1	1					
21-1	2	172A69-74291	SECTION ASSY, BOOM	1	1	1					N
		(A=M10931) (B=M10931) (C=M10931)									
22	3	172A69-74300	SECTION, BOOM	1	1	1					
22-1	3	172A69-74301	SECTION, BOOM 2	1	1	1					N
		(A=M10931) (B=M10931) (C=M10931)									
23	4	172A69-71110	CAP	1	1	1					
24	4	172A69-71120	PISTON	1	1	1					
25	4	172151-74060	BOLT, SOCKET HEAD	4	4	4					
26	4	172478-74180	SEAT, SPRING	1	1	1					
27	4	172175-74220	SEAT, SPRING	1	1	1					
28	4	172151-74320	O-RING	2	2	2					
29	4	172455-74390	CAP	1	1	1					
30	4	172455-74410	SPRING	1	1	1					
31	4	172455-74420	POPPET	1	1	1					
32	4	172455-74440	SPRING	1	1	1					
33	4	172455-74450	PLUG	1	1	1					
34	4	172455-74460	O-RING	1	1	1					
35	4	24321-000700	O-RING, 1AG70.0	1	1	1					
36	3	172187-74550	PLUG ASSY	1	1	1					
37	4	24315-000180	O-RING, 1BP18.0	1	1	1					



Fig.76. CONTROL VALVE(7/8)

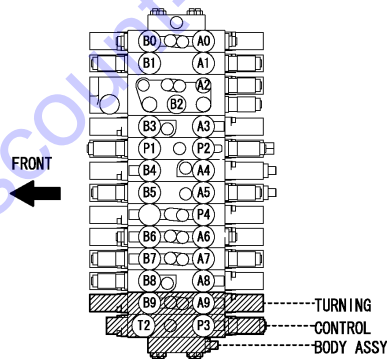
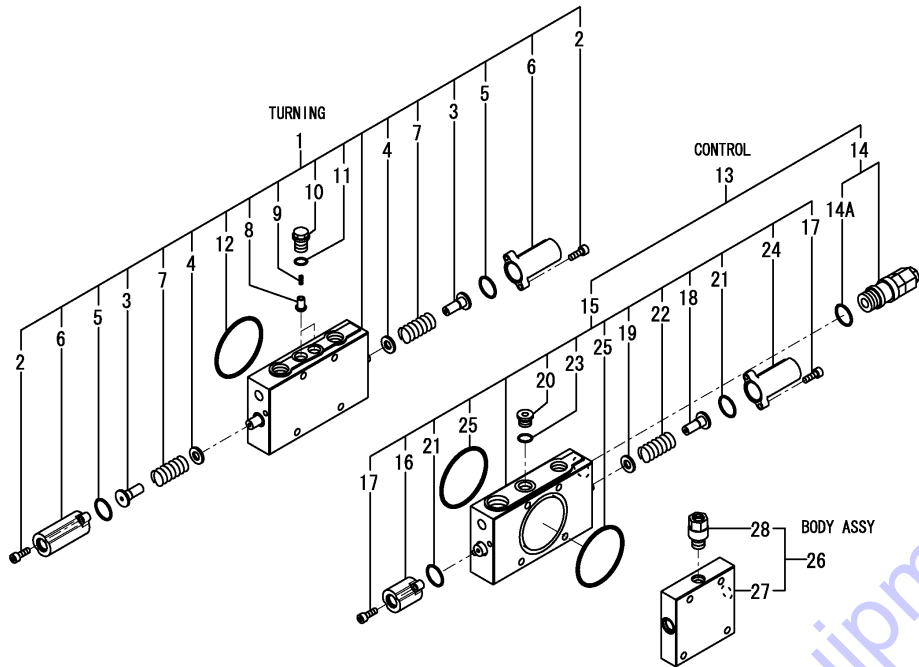


(A)=SV100-1(US)  
 (B)=SV100-1(AS)  
 (C)=SV100-1(NZ)

(D)=  
 (E)=  
 (F)=

No.	Lev.	Parts No.	Description	Q'ty						I	R
				(A)	(B)	(C)	(D)	(E)	(F)		
1	2	172A69-71150	SECTION ASSY, ARM	1	1	1					
2	3	172A69-71160	SECTION, ARM	1	1	1					
3	4	172151-74060	BOLT, SOCKET HEAD	4	4	4					
4	4	172478-74180	SEAT, SPRING	2	2	2					
5	4	172175-74220	SEAT, SPRING	2	2	2					
6	4	172151-74320	O-RING	2	2	2					
7	4	172455-74390	CAP	2	2	2					
8	4	172455-74410	SPRING	2	2	2					
9	4	172455-74420	POPPET	2	2	2					
10	4	172455-74440	SPRING	2	2	2					
11	4	172455-74450	PLUG	2	2	2					
12	4	172455-74460	O-RING	2	2	2					
13	3	172A69-74200	VALVE, RELIEF	2	2	2					
13A	4	172116-74150	O-RING	2	2	2					W
				(A=M10501)	(B=M10501)	(C=M10501)					
14	2	172A69-71170	SECTION ASSY, BLADE	1	1	1					
15	3	172A69-71180	VALVE, RELIEF	1	1	1					
15A	4	172116-74150	O-RING	1	1	1					W
				(A=M10501)	(B=M10501)	(C=M10501)					
16	3	172A69-71190	SECTION, BLADE	1	1	1					
17	4	172151-74060	BOLT, SOCKET HEAD	4	4	4					
18	4	172478-74180	SEAT, SPRING	2	2	2					
19	4	172113-74190	SPRING	1	1	1					
20	4	172175-74220	SEAT, SPRING	2	2	2					
21	4	172151-74320	O-RING	2	2	2					
22	4	172455-74390	CAP	2	2	2					
23	4	172187-74410	POPPET	1	1	1					
24	4	172455-74410	SPRING	2	2	2					
25	4	172455-74420	POPPET	1	1	1					
26	4	172455-74440	SPRING	1	1	1					
27	4	172455-74450	PLUG	1	1	1					
28	4	172455-74460	O-RING	1	1	1					
29	4	24321-000700	O-RING, 1AG70.0	1	1	1					

Fig.77. CONTROL VALVE(8/8)

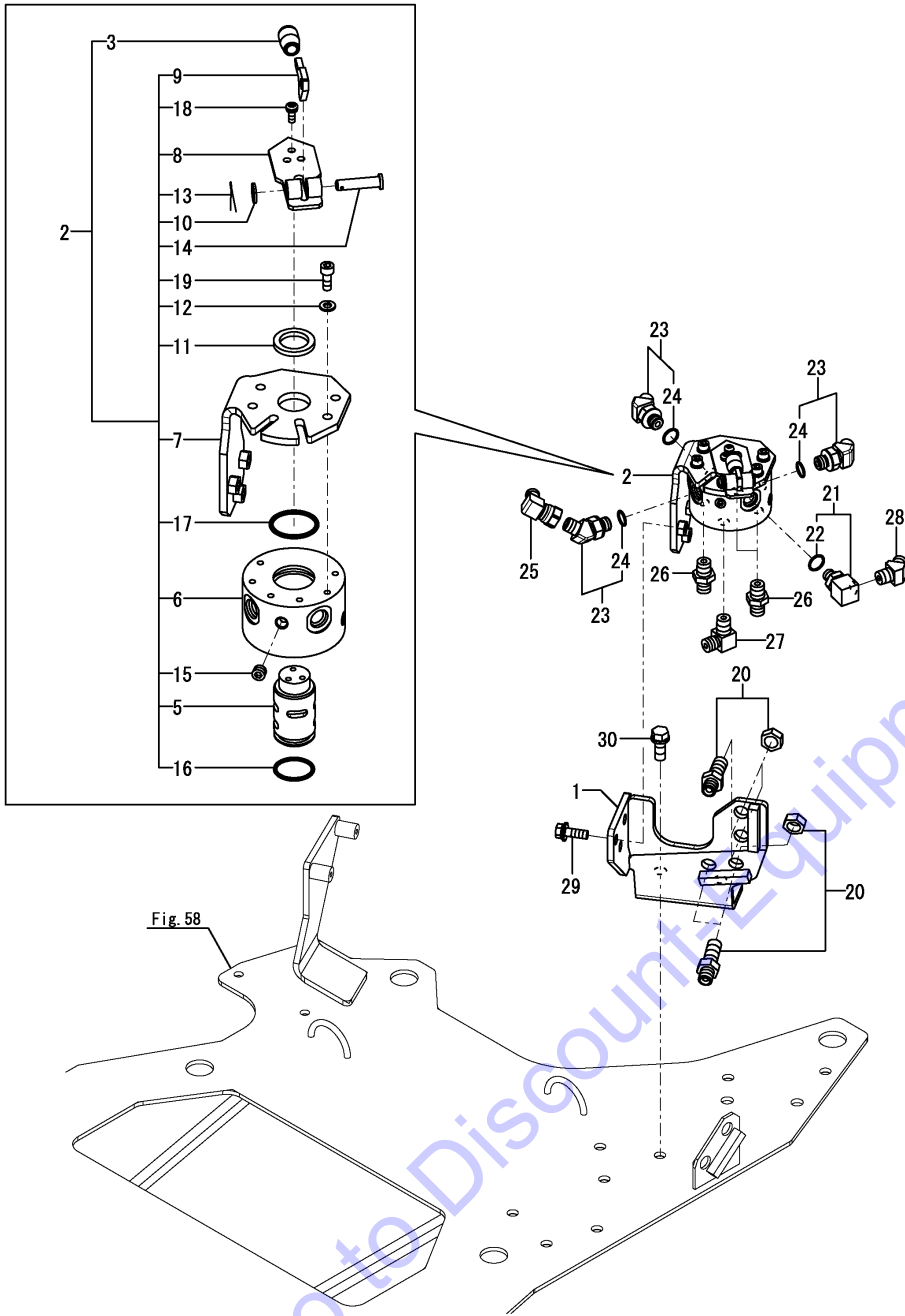


(A)=SV100-1(US)  
 (B)=SV100-1(AS)  
 (C)=SV100-1(NZ)

(D)=  
 (E)=  
 (F)=

No.	Lev.	Parts No.	Description	Q'ty						I	R
				(A)	(B)	(C)	(D)	(E)	(F)		
1	2	172A69-71200	SECTION, SWING	1	1	1					
2	3	172151-74060	BOLT, SOCKET HEAD	4	4	4					
3	3	172478-74180	SEAT, SPRING	2	2	2					
4	3	172175-74220	SEAT, SPRING	2	2	2					
5	3	172151-74320	O-RING	2	2	2					
6	3	172455-74390	CAP	2	2	2					
7	3	172455-74410	SPRING	2	2	2					
8	3	172455-74420	POPPET	2	2	2					
9	3	172455-74440	SPRING	2	2	2					
10	3	172455-74450	PLUG	2	2	2					
11	3	172455-74460	O-RING	2	2	2					
12	3	24321-000700	O-RING, 1AG70.0	1	1	1					
13	2	172A69-71210	SECTION ASSY	1	1	1					
13-1	2	172A69-71211	SECTION ASSY	1	1	1					N
		(A=M11514) (B=M11514) (C=M11514)									
14	3	172A69-71220	VALVE, RELIEF	1	1	1					
14-1	3	172A69-71221	VALVE, RELIEF 24/55	1	1	1					N
		(A=M11514) (B=M11514) (C=M11514)									
14A	4	172116-74150	O-RING	1	1	1					W
		(A=M10501) (B=M10501) (C=M10501)									
15	3	172A69-71230	SECTION, CONTROL	1	1	1					
16	4	172A69-71240	CAP ASSY	1	1	1					
17	4	172151-74060	BOLT, SOCKET HEAD	4	4	4					
18	4	172478-74180	SEAT, SPRING	1	1	1					
19	4	172175-74220	SEAT, SPRING	1	1	1					
20	4	172A69-74250	PLUG	1	1	1					
21	4	172151-74320	O-RING	2	2	2					
22	4	172455-74410	SPRING	1	1	1					
23	4	172455-74460	O-RING	1	1	1					
24	4	172455-74480	CAP	1	1	1					
25	4	24321-000700	O-RING, 1AG70.0	2	2	2					
26	2	172A69-71250	BODY ASSY	1	1	1					
27	3	172478-74360	BODY	1	1	1					
28	3	172478-74370	PLUG ASSY	1	1	1					

Fig.78. 2-WAY VALVE

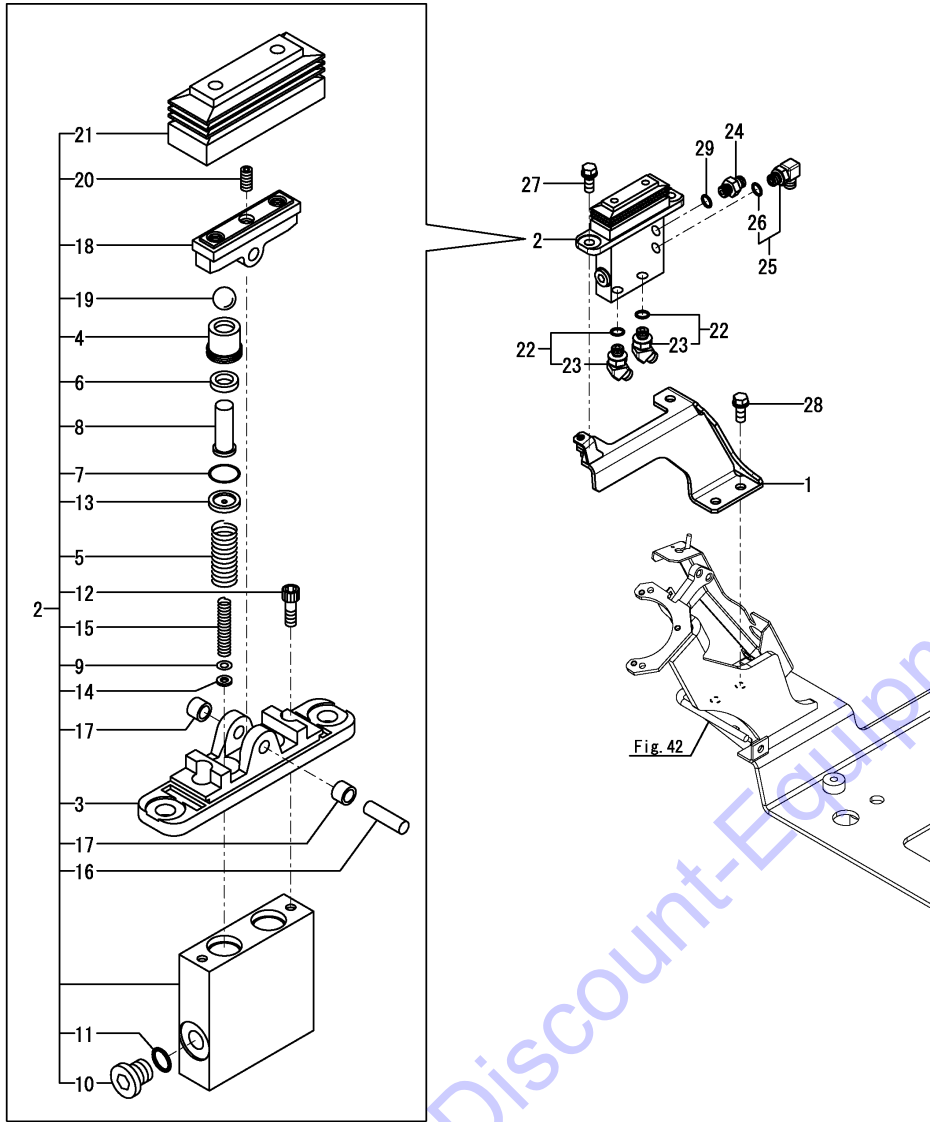


(A)=SV100-1(US)  
 (B)=SV100-1(AS)  
 (C)=SV100-1(NZ)

(D)=  
 (E)=  
 (F)=

No.	Lev.	Parts No.	Description	Q'ty						I	R
				(A)	(B)	(C)	(D)	(E)	(F)		
1	1	172A69-71750	BRACKET ASSY,2WAY	1	1	1					
2	1	172A36-74690	VALVE ASSY, 2-WAY	1	1	1					
3	2	172157-58830	KNOB, 6.5X18X35	1	1	1					
5	3	172437-74711	SHAFT	1	1	1					
6	3	172437-74720	BLOCK,VALVE	1	1	1					
7	3	172437-74732	STAY ASSY	1	1	1					
8	3	172A36-74750	LEVER	1	1	1					
9	3	172A36-74780	PLATE,LOCK	1	1	1					
10	3	22117-080000	WASHER, 8	1	1	1					
11	3	22137-240000	WASHER, 24	1	1	1					
12	3	22217-060000	WASHER, SPRING 6	4	4	4					
13	3	22417-200160	PIN, COTTER 2.0X16	1	1	1					
14	3	22487-080300	PIN, H 8X 30	1	1	1					
15	3	23871-010000	PLUG, R01	4	4	4					
16	3	24311-000250	O-RING, 1AP25.0	1	1	1					
17	3	24311-000320	O-RING, 1AP32.0	1	1	1					
18	3	26022-050122	SCREW, M5X12	3	3	3					
19	3	26450-060162	BOLT, M6X 16	4	4	4					
20	1	172151-76050	JOINT	4	4	4					
21	1	172137-76100	ELBOW	1	1	1					
22	2	24315-000110	O-RING, 1BP11.0	1	1	1					
23	1	172173-76102	CONNECTOR ASSY	3	3	3					
24	2	41851-000110	O-RING	3	3	3					
25	1	172828-76330	CONNECTOR, 1/4X1/4	1	1	1					
26	1	23391-020000	JOINT, RGI-1/4	3	3	3					
27	1	23393-020000	JOINT, 90RGI-1/4	1	1	1					
28	1	23394-020000	JOINT, 45RGI-1/4	1	1	1					
29	1	26013-080252	BOLT, M8X 25	3	3	3					
30	1	26013-100252	BOLT, M10X 25	2	2	2					

Fig.79. BLADE VALVE



(A)=SV100-1(US)  
 (B)=SV100-1(AS)  
 (C)=SV100-1(NZ)

(D)=  
 (E)=  
 (F)=

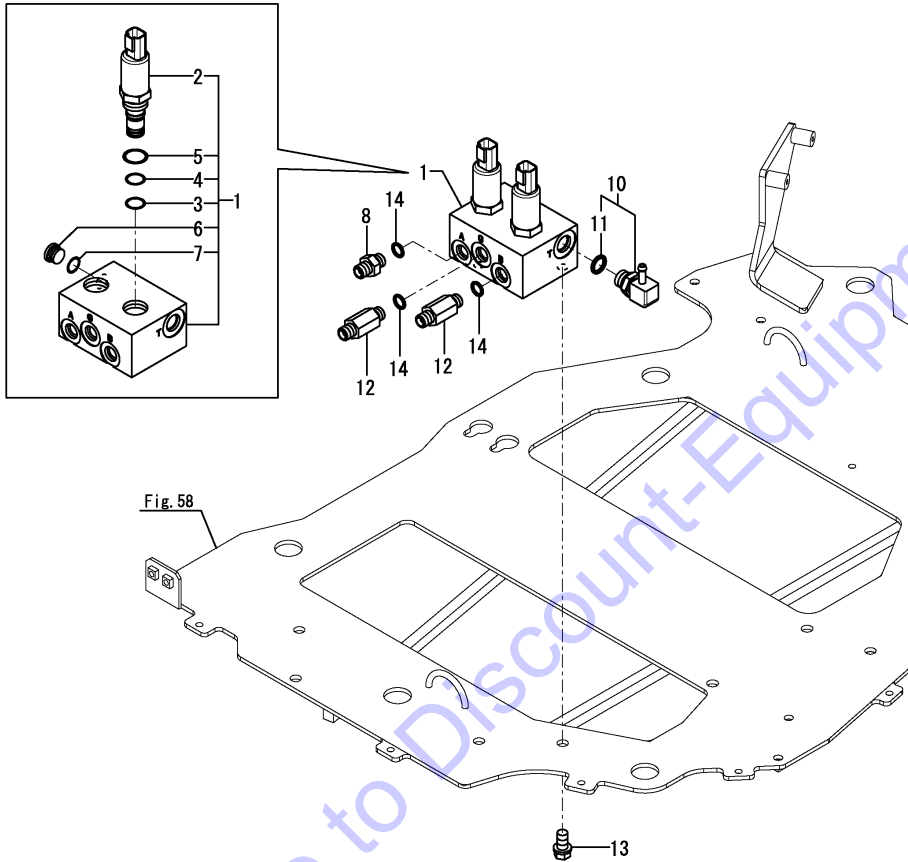
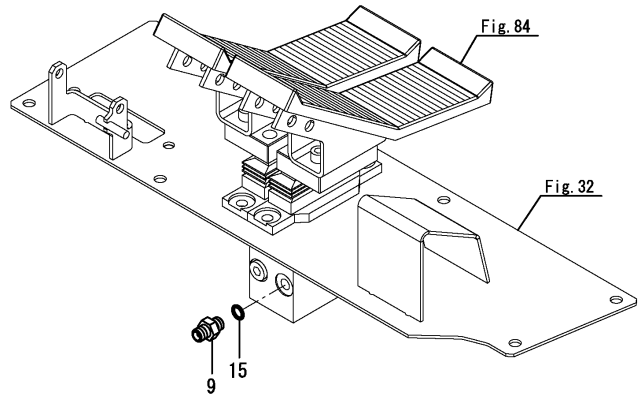
No.	Lev.	Parts No.	Description	Q'ty						I	R
				(A)	(B)	(C)	(D)	(E)	(F)		
1	1	172A69-74310	STAY ASSY, VALVE	1	1	1					
2	1	172A69-74710	VALVE ASSY, CONTROL	1	1	1					
2-1	1	172A69-74670	VALVE ASSY	1	1	1					N
3	2	(A=M10668) 172A47-74710	COVER	1	1	1					
4	2	(B=M10668) 172A47-74720	PLUG	2	2	2					
5	2	(C=M10668) 172A69-74720	SPRING	1	1	1					
5-1	2	(A=M10668) 172A69-74680	SPRING	2	2	2					N
6	2	(B=M10668) 172A47-74730	PACKING	2	2	2					
7	2	(C=M10668) 172A47-74740	O-RING	2	2	2					
8	2	172A47-74750	ROD, PUSH	2	2	2					
9	2	172A47-74760	SHIM	2	2	2					
10	2	172A47-74770	PLUG	1	1	1					
11	2	172A47-74780	O-RING	1	1	1					
12	2	172A47-74790	BOLT	2	2	2					
13	2	172A47-74800	SEAT, SPRING	2	2	2					
14	2	172A47-74810	WASHER	2	2	2					
15	2	172A47-74820	SPRING	2	2	2					
16	2	172A47-74840	SHAFT, CAM	1	1	1					
17	2	172A47-74850	BUSH	2	2	2					
18	2	172A47-74860	CAM	1	1	1					
19	2	172A47-74870	BALL, STEEL	2	2	2					
20	2	172A47-74880	SCREW, SETTING	1	1	1					
21	2	172A47-74890	BELLOWS	1	1	1					
22	1	172173-76102	CONNECTOR ASSY	2	2	2					
23	2	41851-000110	O-RING	2	2	2					
24	1	172123-76121	ADAPTER	1	1	1					
25	1	172141-76181	CONNECTOR ASSY, 02FF	1	1	1					
26	2	41851-000110	O-RING	1	1	1					
27	1	26013-100252	BOLT, M10X 25	2	2	2					
28	1	26013-100252	BOLT, M10X 25	2	2	2					
29	1	41851-000110	O-RING	1	1	1					

Fig.80. SOLENOID VALVE(P.T.O.)

(A)=SV100-1(US)  
 (B)=SV100-1(AS)  
 (C)=SV100-1(NZ)

(D)=  
 (E)=  
 (F)=

No.	Lev.	Parts No.	Description	Q'ty						I	R
				(A)	(B)	(C)	(D)	(E)	(F)		
1	1	172837-74130	VALVE ASSY	1	1	1					
2	2	172837-74140	VALVE ASSY	2	2	2					
3	2	172837-74150	O-RING	2	2	2					
4	2	172837-74160	O-RING	2	2	2					
5	2	172837-74170	O-RING	2	2	2					
6	2	172142-74670	PLUG	1	1	1					
7	2	24315-000140	O-RING, 1BP14.0	1	1	1					
8	1	172123-76121	ADAPTER	1	1	1					
9	1	172123-76121	ADAPTER	1	1	1					
10	1	172A47-76120	NIPPLE, ELBOW	1	1	1					
11	2	24315-000140	O-RING, 1BP14.0	1	1	1					
12	1	172183-76200	CONNECTOR	2	2	2					
13	1	26013-100202	BOLT, M10X 20	2	2	2					
14	1	41851-000110	O-RING	3	3	3					
15	1	41851-000110	O-RING	1	1	1					

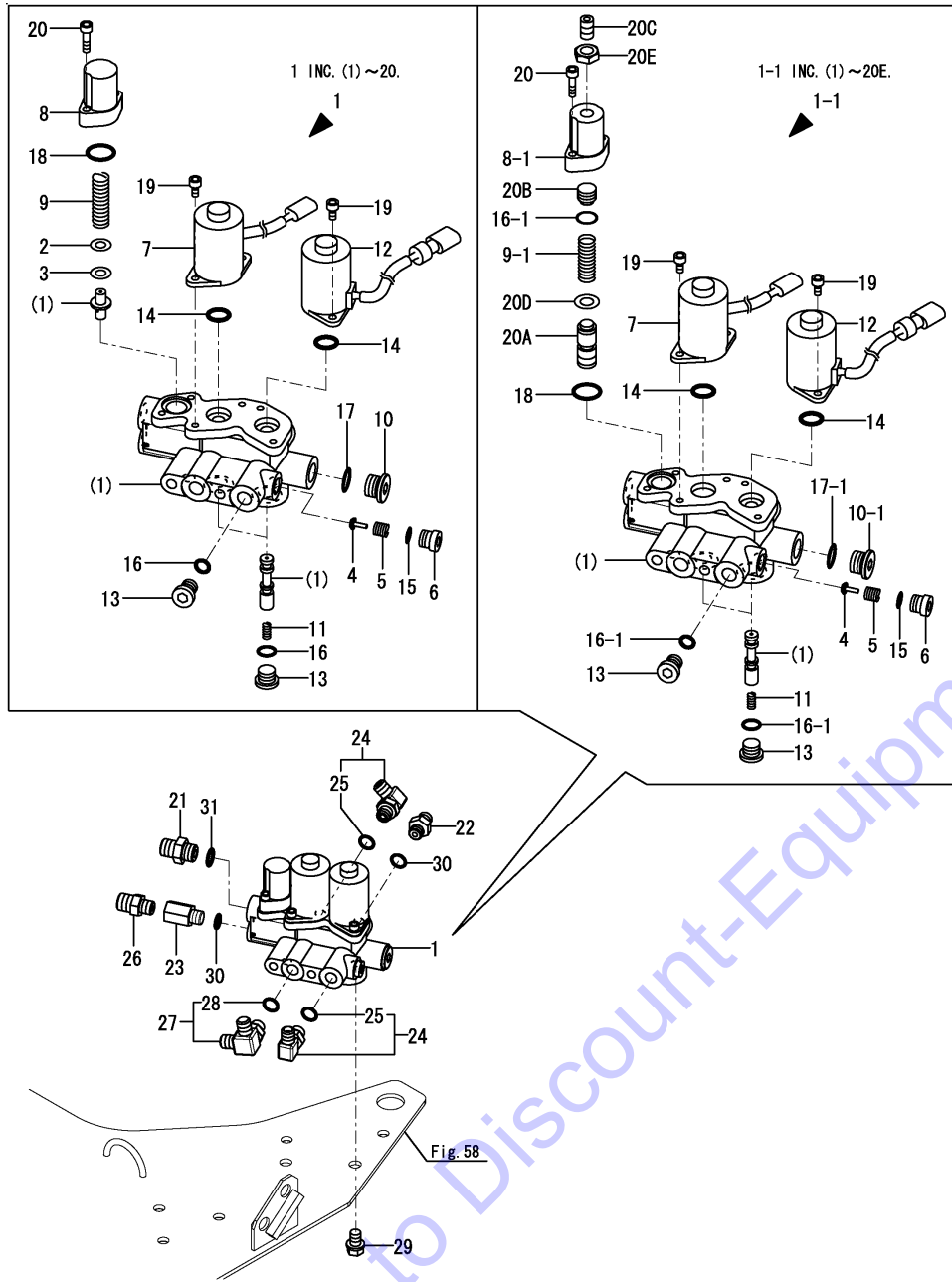


Go to Discount-Equipment.com to buy your parts

Fig.81. SOLENOID VALVE(PILOT)

(A)=SV100-1(US)  
(B)=SV100-1(AS)  
(C)=SV100-1(NZ)

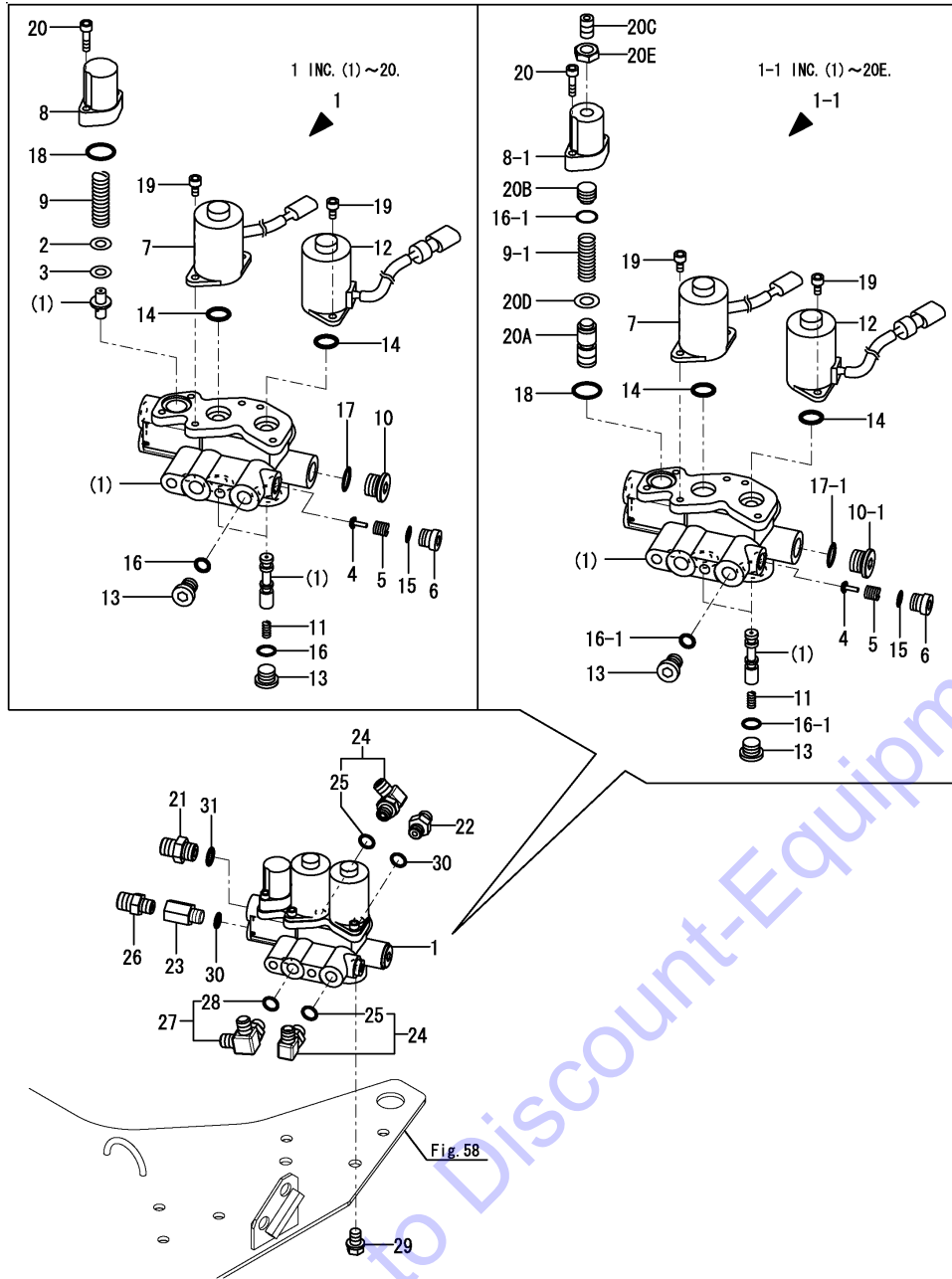
(D)=  
(E)=  
(F)=



No.	Lev.	Parts No.	Description	Q'ty						I	R
				(A)	(B)	(C)	(D)	(E)	(F)		
1	1	172A69-74410	VALVE ASSY	1	1	1					
1-1	1	172A69-74411	VALVE ASSY,SOL	1	1	1					N
		(A=M11687) (B=M11687) (C=M11687)									
2	2	172A69-74420	SHIM	1	1	1					Z
		(A=M11687) (B=M11687) (C=M11687)									
3	2	172A69-74430	SHIM	1	1	1					Z
		(A=M11687) (B=M11687) (C=M11687)									
4	2	172A69-74440	PLUNGER	1	1	1					
5	2	172A69-74450	SPRING	1	1	1					
6	2	172A69-74460	PLUG	1	1	1					
7	2	172A69-74470	VALVE, SOLENOID	1	1	1					
8	2	172A69-74490	COVER	1	1	1					
8-1	2	172A69-74980	COVER	1	1	1					S
		(A=M11687) (B=M11687) (C=M11687)									
9	2	172A69-74500	SPRING	1	1	1					
9-1	2	172A69-74540	SPRING	1	1	1					S
		(A=M11687) (B=M11687) (C=M11687)									
10	2	172A69-74510	PLUG	1	1	1					
10-1	2	172A69-74520	PLUG, PF1/2	1	1	1					S
		(A=M11687) (B=M11687) (C=M11687)									
11	2	172A46-74710	SPRING	2	2	2					
12	2	172A46-74720	VALVE, SOLENOID	1	1	1					
13	2	172A46-74730	PLUG,G1/4	3	3	3					
14	2	24311-000160	O-RING, 1AP16.0	2	2	2					
15	2	24315-000100	O-RING, 1BP10.0	1	1	1					
16	2	24315-000110	O-RING, 1BP11.0	3	3	3					
16-1	2	24315-000110	O-RING, 1BP11.0	4	4	4					K
		(A=M11687) (B=M11687) (C=M11687)									
17	2	24315-000140	O-RING, 1BP14.0	1	1	1					
17-1	2	24315-000180	O-RING, 1BP18.0	1	1	1					S
		(A=M11687) (B=M11687) (C=M11687)									
18	2	24315-000200	O-RING, 1BP20.0	1	1	1					
19	2	26450-050122	BOLT, M5X 12	4	4	4					
20	2	26450-050202	BOLT, M5X 20	2	2	2					
20A	2	172A69-74960	PLUNGER	1	1	1					W
		(A=M11687) (B=M11687) (C=M11687)									
20B	2	172A69-74970	PLUG	1	1	1					W
		(A=M11687) (B=M11687) (C=M11687)									
20C	2	172A69-74990	SCREW, ADJUSTING	1	1	1					W
		(A=M11687) (B=M11687) (C=M11687)									
20D	2	22117-080000	WASHER, 8	1	1	1					W
		(A=M11687) (B=M11687) (C=M11687)									
20E	2	26736-100002	NUT, M10	1	1	1					W
		(A=M11687) (B=M11687) (C=M11687)									
21	1	172730-75141	ADAPTER	1	1	1					
22	1	172123-76121	ADAPTER	1	1	1					
23	1	172422-76140	CONNECTOR	1	1	1					
24	1	172141-76181	CONNECTOR ASSY, 02FF	2	2	2					
25	2	41851-000110	O-RING	2	2	2					
26	1	172638-76190	CONNECTOR,PF1/4PF3/8	1	1	1					
27	1	172491-76330	ELBOW, ADJUSTABLE	1	1	1					

N:Old  $\begin{matrix} \text{Yes} \\ \text{No} \end{matrix}$  New, Q:Old  $\begin{matrix} \text{No} \\ \text{Yes} \end{matrix}$  New, R:Old  $\begin{matrix} \text{Yes} \\ \text{No} \end{matrix}$  New, S:Old  $\begin{matrix} \text{No} \\ \text{Yes} \end{matrix}$  New, W:Add, Z:Discontinued, F:Interchangeable by set, K:Q'ty Change  
++ CONTINUE ++  
Copyright (C) 2014 YANMAR CO., LTD. All Rights Reserved.

Fig.81. SOLENOID VALVE(PILOT)

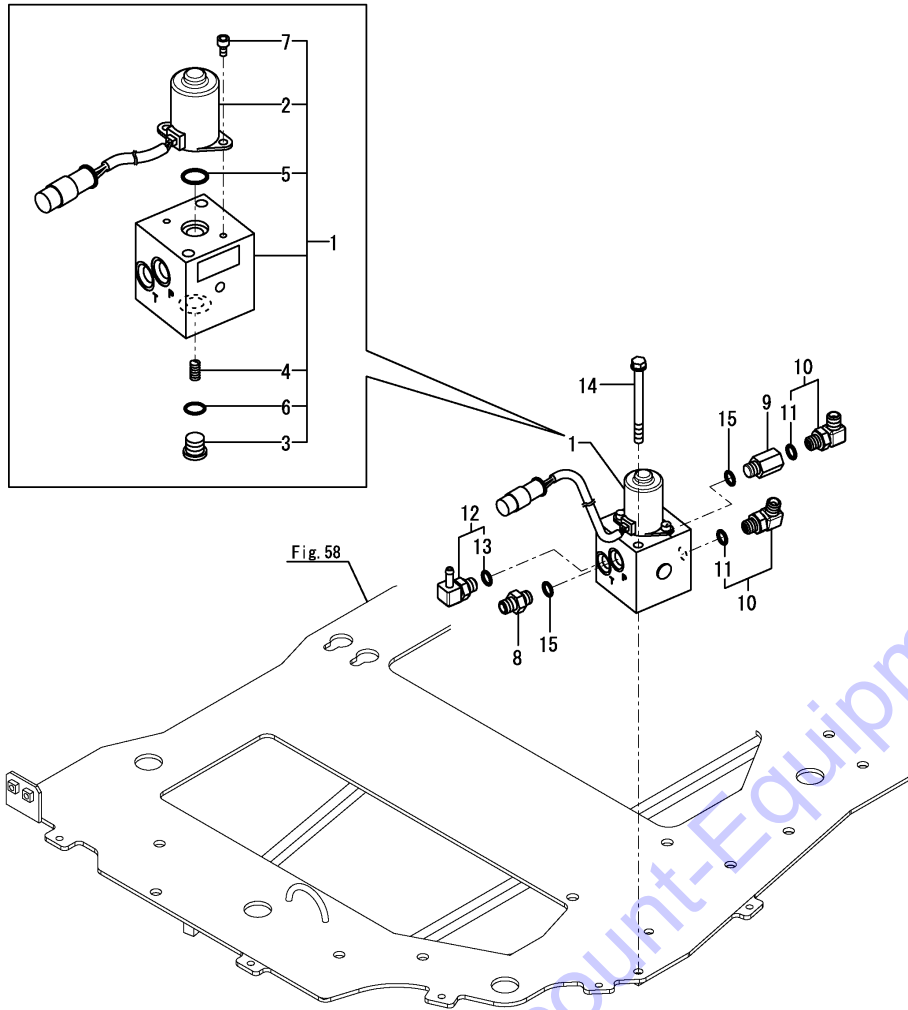


(A)=SV100-1(US)  
 (B)=SV100-1(AS)  
 (C)=SV100-1(NZ)

(D)=  
 (E)=  
 (F)=

No.	Lev.	Parts No.	Description	Q'ty						I	R
				(A)	(B)	(C)	(D)	(E)	(F)		
28	2	24315-000110	O-RING, 1BP11.0	1	1	1					
29	1	26013-100162	BOLT, M10X 16	2	2	2					
30	1	41851-000110	O-RING	2	2	2					
31	1	41851-000140	O-RING	1	1	1					

Fig.82. SOLENOID VALVE(QUICK COUPLER)



(A)=SV100-1(US)  
 (B)=SV100-1(AS)  
 (C)=SV100-1(NZ)

(D)=  
 (E)=  
 (F)=

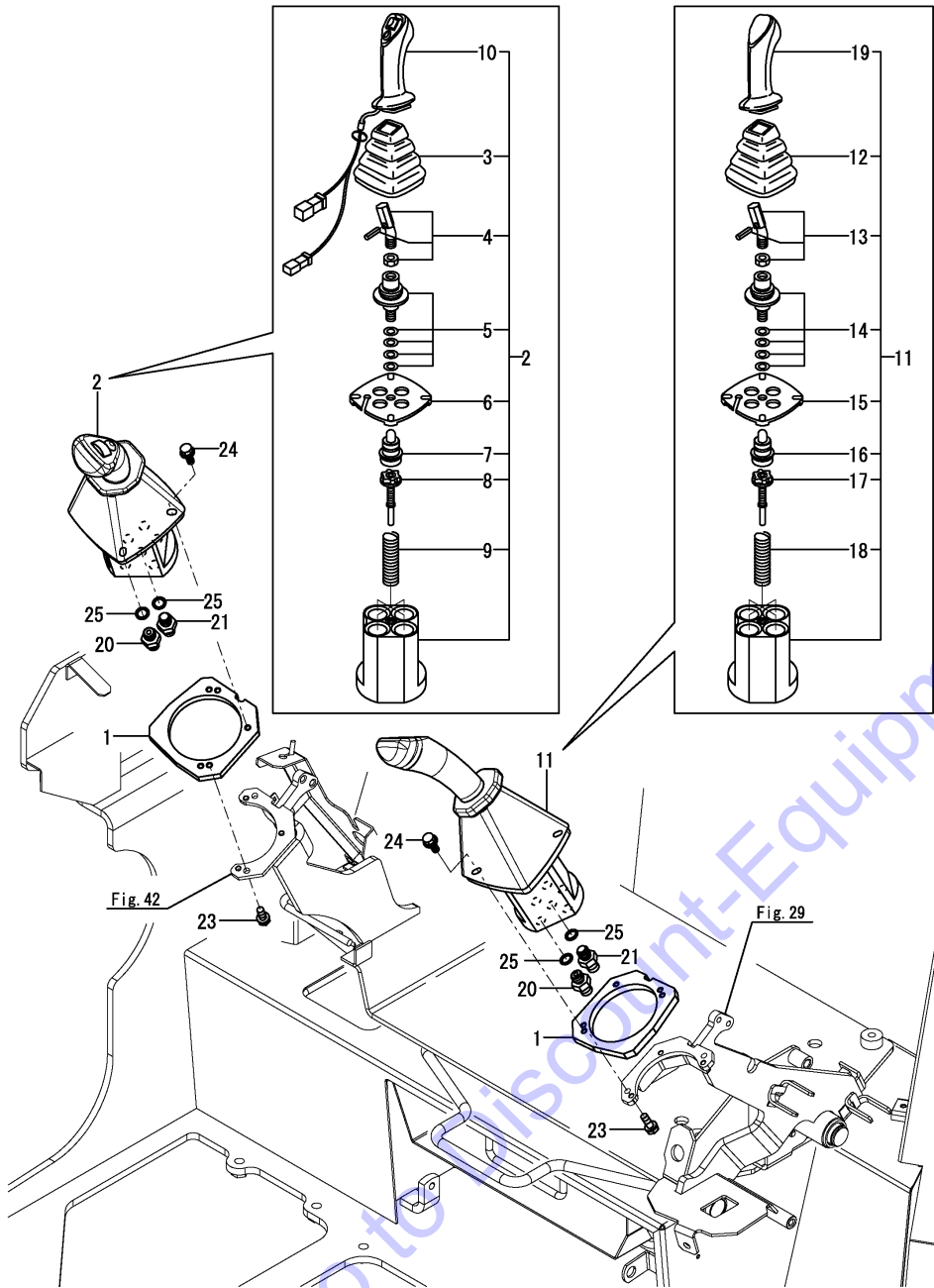
No.	Lev.	Parts No.	Description	Q'ty						I	R
				(A)	(B)	(C)	(D)	(E)	(F)		
1	1	172A69-74550	VALVE ASSY	1	1	1					
2	2	172A69-74560	SOLENOID	1	1	1					
3	2	172A69-74590	PLUG G1/4	1	1	1					
4	2	172A46-74710	SPRING	1	1	1					
5	2	24311-000160	O-RING, 1AP16.0	1	1	1					
6	2	24315-000110	O-RING, 1BP11.0	1	1	1					
7	2	26450-050102	BOLT, M5X 10	2	2	2					
8	1	172123-76121	ADAPTER	1	1	1					
9	1	172422-76140	CONNECTOR	1	1	1					
10	1	172173-76102	CONNECTOR ASSY	2	2	2					
11	2	41851-000110	O-RING	2	2	2					
12	1	172186-76430	NIPPLE, ELBOW	1	1	1					
13	2	24315-000110	O-RING, 1BP11.0	1	1	1					
14	1	26013-080902	BOLT, M8X 90	2	2	2					
15	1	41851-000110	O-RING	2	2	2					



Fig.83. REMOTE CONTROL VALVE(OPERATION)

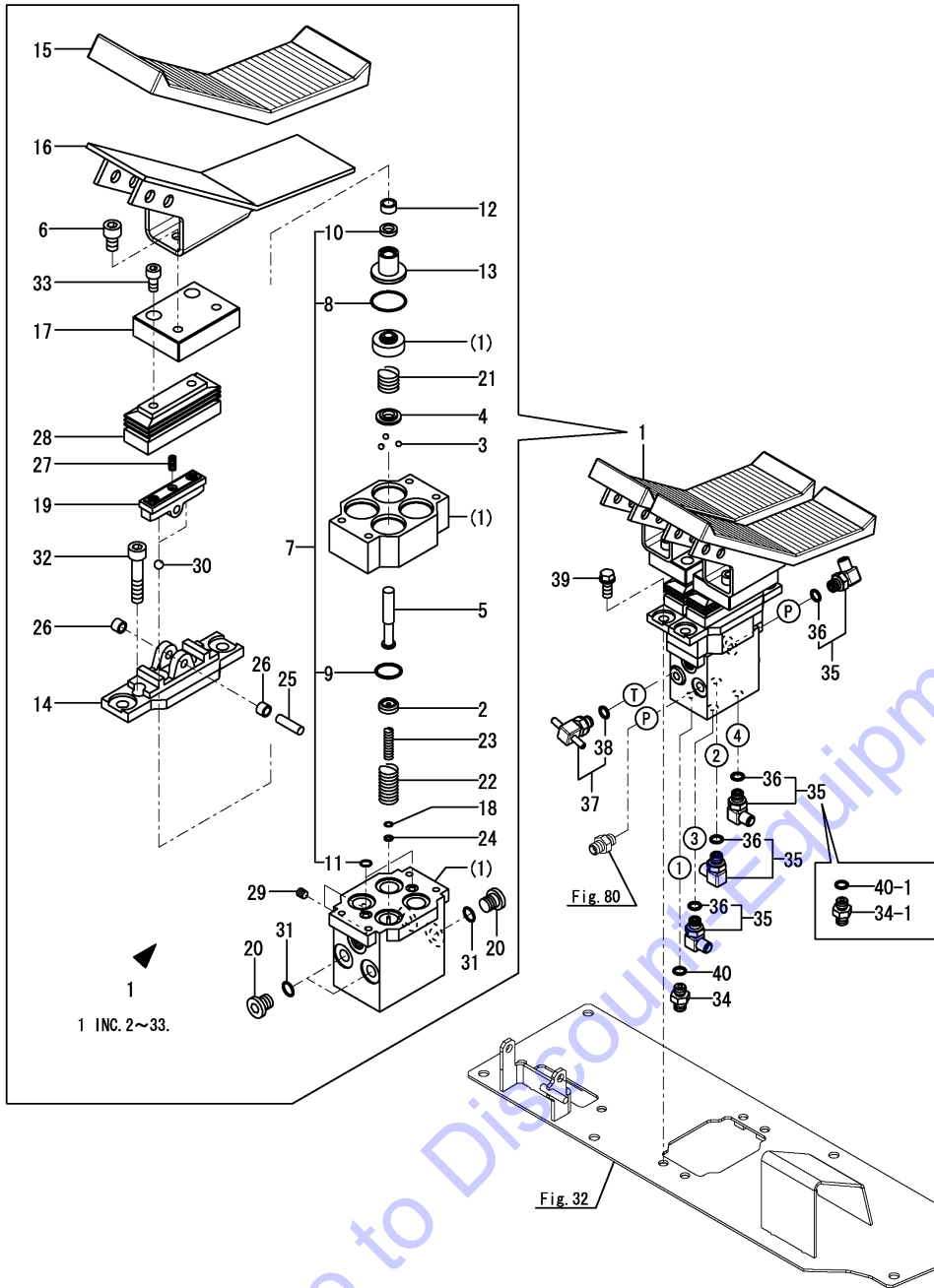
(A)=SV100-1(US)  
 (B)=SV100-1(AS)  
 (C)=SV100-1(NZ)

(D)=  
 (E)=  
 (F)=



No.	Lev.	Parts No.	Description	Q'ty						I	R
				(A)	(B)	(C)	(D)	(E)	(F)		
1	1	172A78-64510	SPACER, VALVE	2	2	2					
2	1	172A69-74850	VALVE ASSY,R	1	1	1					
3	2	172441-74030	BOOT	1	1	1					
4	2	172441-74040	LEVER KIT	1	1	1					
5	2	172463-74530	CARDAN KIT	1	1	1					
6	2	172463-74540	PLATE, RETAINING	1	1	1					
7	2	172463-74551	PLUNGER KIT	1	1	1					
8	2	172463-74561	REGULATION KIT	4	4	4					
9	2	172463-74570	SPRING KIT	1	1	1					
10	2	172A69-74860	HANDLE ASSY	1	1	1					
11	1	172A69-74900	VALVE ASSY,L	1	1	1					
12	2	172441-74030	BOOT	1	1	1					
13	2	172441-74040	LEVER KIT	1	1	1					
14	2	172463-74530	CARDAN KIT	1	1	1					
15	2	172463-74540	PLATE, RETAINING	1	1	1					
16	2	172463-74551	PLUNGER KIT	1	1	1					
17	2	172463-74561	REGULATION KIT	4	4	4					
18	2	172463-74570	SPRING KIT	1	1	1					
19	2	172A69-74910	HANDLE	1	1	1					
20	1	172123-76121	ADAPTER	10	10	10					
21	1	172455-76220	CONNECTOR	2	2	2					
23	1	26014-060162	BOLT, M6X 16	4	4	4					
24	1	26014-060162	BOLT, M6X 16	6	6	6					
25	1	41851-000110	O-RING	12	12	12					

Fig.84. REMOTE CONTROL VALVE(TRAVEL)



(A)=SV100-1(US)  
(B)=SV100-1(AS)  
(C)=SV100-1(NZ)

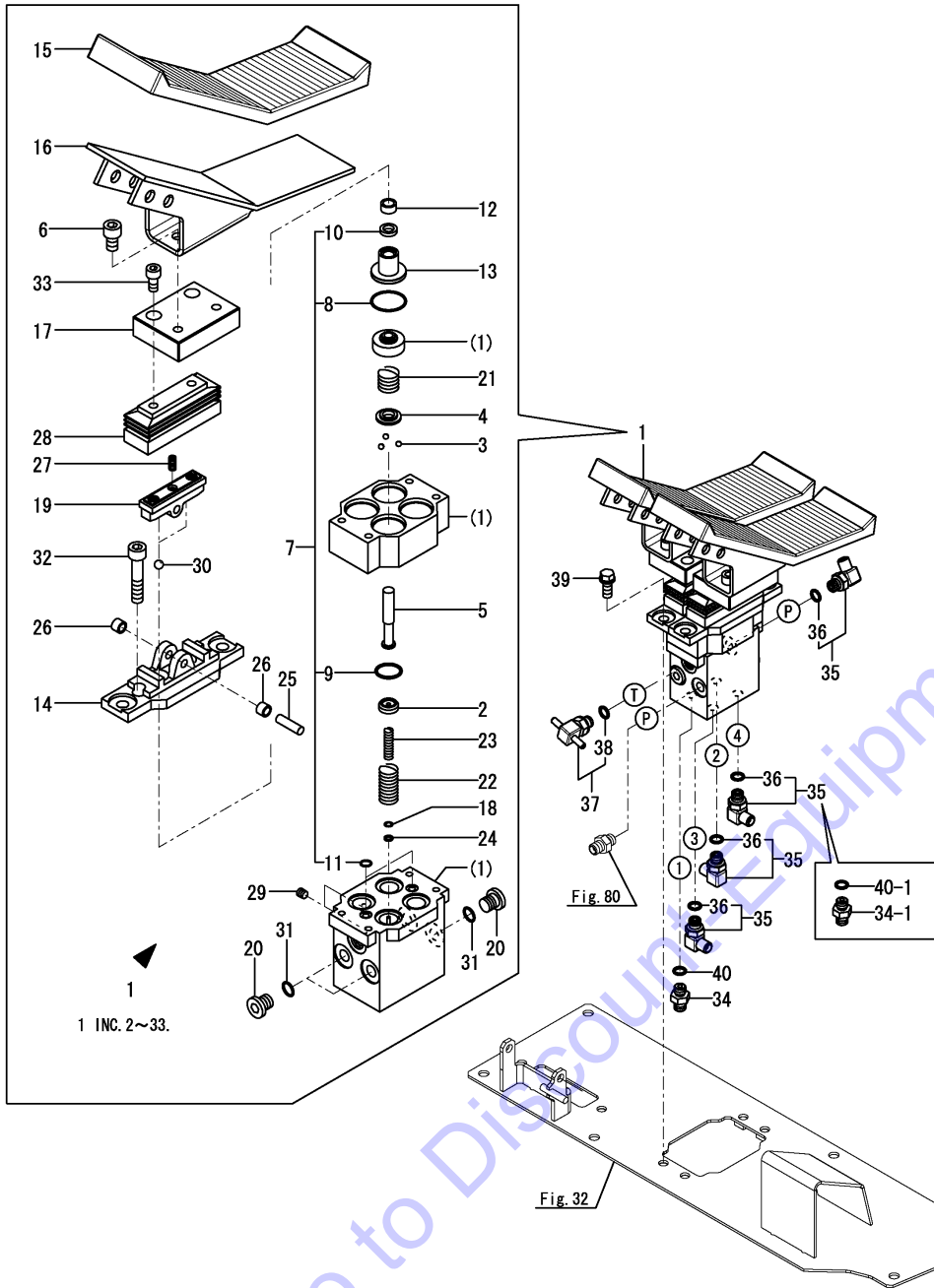
(D)=  
(E)=  
(F)=

No.	Lev.	Parts No.	Description	Q'ty						I	R
				(A)	(B)	(C)	(D)	(E)	(F)		
1	1	172A69-74700	VALVE ASSY, TRAVEL	1	1	1					
1-1	1	172A89-74700	VALVE ASSY,TRAVEL	1	1	1					N
		(A=M10577) (B=M10577) (C=M10577)									
2	2	172A69-71300	SEAT, SPRING	4	4	4					
3	2	172A69-71310	BALL,STEEL	12	12	12					
4	2	172A69-71320	SEAT, SPRING	4	4	4					
5	2	172A69-71330	ROD, PUSH	4	4	4					Z
		(A=M10577) (B=M10577) (C=M10577)									
5-1	2	172A89-74710	ROD,PUSH	4	4	4					W
		(A=M10577) (B=M10577) (C=M10577)									
6	2	172A69-71340	BOLT 10X16	4	4	4					
7	2	172A69-71350	SEAL SET	1	1	1					
8	3	172A69-71360	O-RING	4	4	4					
9	3	172A69-71370	O-RING	4	4	4					
10	3	172A47-74730	PACKING	4	4	4					
11	3	24315-00080	O-RING, 1BP8.0	2	2	2					
12	2	172A69-71380	CUP, GREASE	4	4	4					
13	2	172A69-71390	PLUG	4	4	4					
14	2	172A69-71400	COVER	2	2	2					
15	2	172A69-74730	COVER, PEDAL	2	2	2					
16	2	172A69-74740	PEDAL	2	2	2					
17	2	172A69-74750	BLOCK	2	2	2					
18	2	172A47-74760	SHIM	4	4	4					
19	2	172A69-74760	CAM	2	2	2					Z
		(A=M10577) (B=M10577) (C=M10577)									
19-1	2	172A89-74730	CAM	2	2	2					W
		(A=M10577) (B=M10577) (C=M10577)									
20	2	172A47-74770	PLUG	3	3	3					
21	2	172A69-74770	SPRING	4	4	4					
22	2	172A69-74780	SPRING	4	4	4					
		(A=M10577) (B=M10577) (C=M10577)									
23	2	172A69-74790	SPRING	4	4	4					Z
		(A=M10577) (B=M10577) (C=M10577)									
23-1	2	172A89-74720	SPRING	4	4	4					W
		(A=M10577) (B=M10577) (C=M10577)									
24	2	172A47-74810	WASHER	4	4	4					
25	2	172A47-74840	SHAFT, CAM	2	2	2					
26	2	172A47-74850	BUSH	4	4	4					
27	2	172A47-74880	SCREW, SETTING	2	2	2					
28	2	172A47-74890	BELLOWS	2	2	2					
29	2	172455-77150	PLUG	2	2	2					
30	2	24190-100001	BALL, STEEL 5/16	4	4	4					
31	2	24315-000110	O-RING, 1BP11.0	3	3	3					
32	2	26450-060502	BOLT M 6X 50	4	4	4					
33	2	26450-080162	BOLT, M8X 16	4	4	4					
34	1	172123-76121	ADAPTER	1	1	1					
34-1	1	172123-76121	ADAPTER PF1/2	2	2	2					K
		(A=M10643) (B=M10643) (C=M10643)									
35	1	172141-76181	CONNECTOR ASSY, 02FF	4	4	4					
35-1	1	172141-76181	CONNECTOR ASSY, 02FF	3	3	3					K
		(A=M10643) (B=M10643) (C=M10643)									

Fig.84. REMOTE CONTROL VALVE(TRAVEL)

(A)=SV100-1(US)  
 (B)=SV100-1(AS)  
 (C)=SV100-1(NZ)

(D)=  
 (E)=  
 (F)=

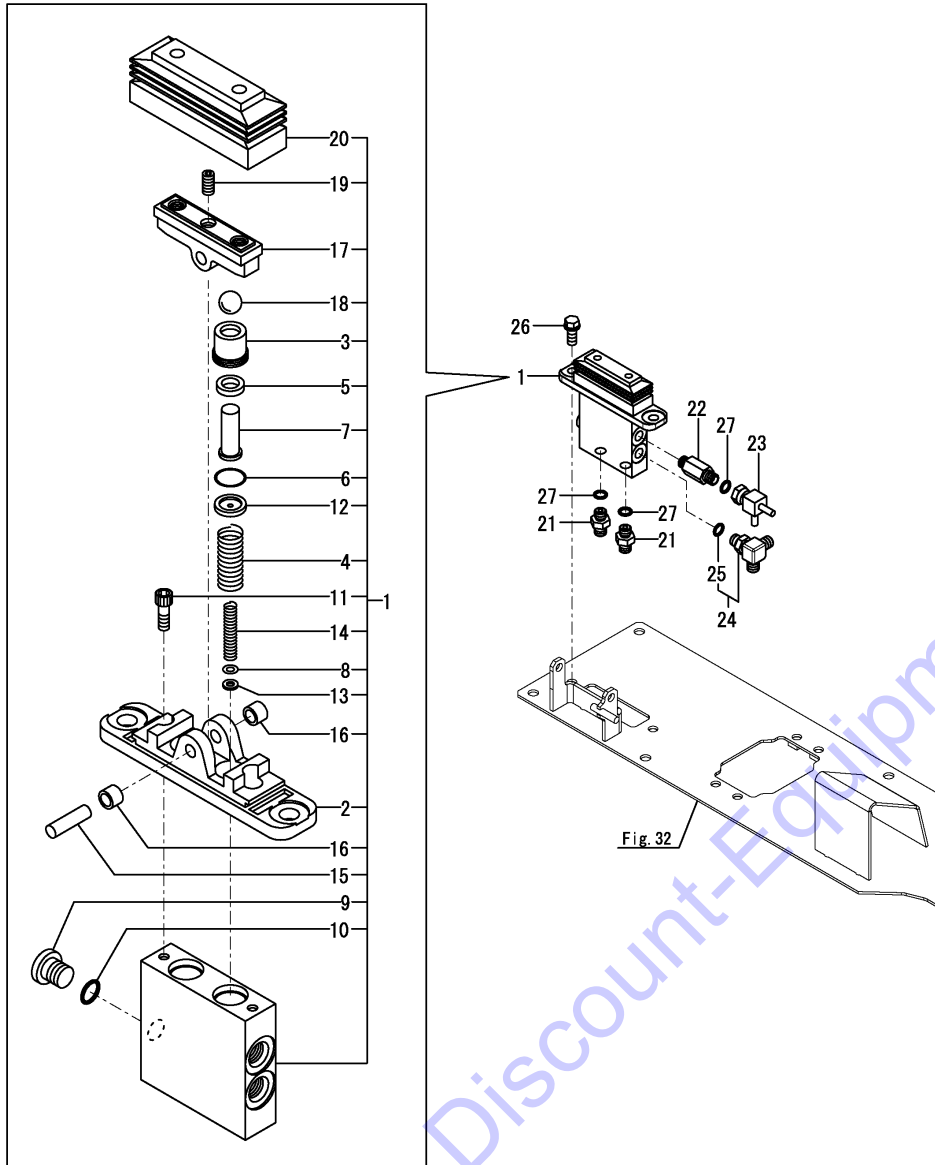


No.	Lev.	Parts No.	Description	Q'ty						I	R
				(A)	(B)	(C)	(D)	(E)	(F)		
36	2	41851-000110	O-RING	4	4	4					
36-1	2	41851-000110	PACKING, 11.0	3	3	3					K
		(A=M10643) (B=M10643) (C=M10643)									
37	1	172A47-76230	NIPPLE, TEE	1	1	1					
38	2	41851-000110	O-RING	1	1	1					
39	1	26013-100252	BOLT, M10X 25	4	4	4					
40	1	41851-000110	O-RING	1	1	1					
40-1	1	41851-000110	PACKING, 11.0	2	2	2					K
		(A=M10643) (B=M10643) (C=M10643)									

Fig.85. REMOTE CONTROL VALVE(SWING)

(A)=SV100-1(US)  
 (B)=SV100-1(AS)  
 (C)=SV100-1(NZ)

(D)=  
 (E)=  
 (F)=

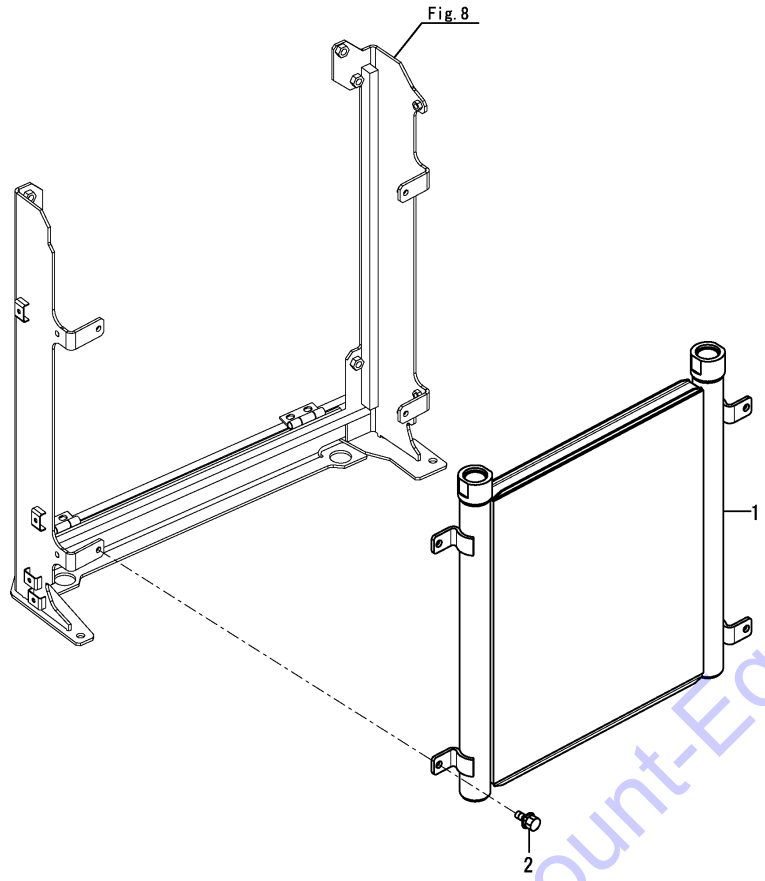


No.	Lev.	Parts No.	Description	Q'ty						I	R
				(A)	(B)	(C)	(D)	(E)	(F)		
1	1	172A69-74710	VALVE ASSY, CONTROL	1	1	1					
1-1	1	172A69-74670	VALVE ASSY	1	1	1					N
		(A=M10668) (B=M10668) (C=M10668)									
2	2	172A47-74710	COVER	1	1	1					
3	2	172A47-74720	PLUG	2	2	2					
4	2	172A69-74720	SPRING	2	2	2					
4-1	2	172A69-74680	SPRING	2	2	2					N
		(A=M10668) (B=M10668) (C=M10668)									
5	2	172A47-74730	PACKING	2	2	2					
6	2	172A47-74740	O-RING	2	2	2					
7	2	172A47-74750	ROD, PUSH	2	2	2					
8	2	172A47-74760	SHIM	2	2	2					
9	2	172A47-74770	PLUG	1	1	1					
10	2	172A47-74780	O-RING	1	1	1					
11	2	172A47-74790	BOLT	2	2	2					
12	2	172A47-74800	SEAT, SPRING	2	2	2					
13	2	172A47-74810	WASHER	2	2	2					
14	2	172A47-74820	SPRING	2	2	2					
15	2	172A47-74840	SHAFT, CAM	1	1	1					
16	2	172A47-74850	BUSH	2	2	2					
17	2	172A47-74860	CAM	1	1	1					
18	2	172A47-74870	BALL, STEEL	2	2	2					
19	2	172A47-74880	SCREW, SETTING	1	1	1					
20	2	172A47-74890	BELLOWS	1	1	1					
21	1	172123-76121	ADAPTER	2	2	2					
22	1	172183-76200	CONNECTOR	1	1	1					
23	1	172A47-76320	NIPPLE	1	1	1					
24	1	172491-76330	ELBOW, ADJUSTABLE	1	1	1					
25	2	24315-000110	O-RING, 1BP11.0	1	1	1					
26	1	26013-100252	BOLT, M10X 25	2	2	2					
27	1	41851-000110	O-RING	3	3	3					

Fig.86. OIL COOLER

(A)=SV100-1(US)  
 (B)=SV100-1(AS)  
 (C)=SV100-1(NZ)

(D)=  
 (E)=  
 (F)=



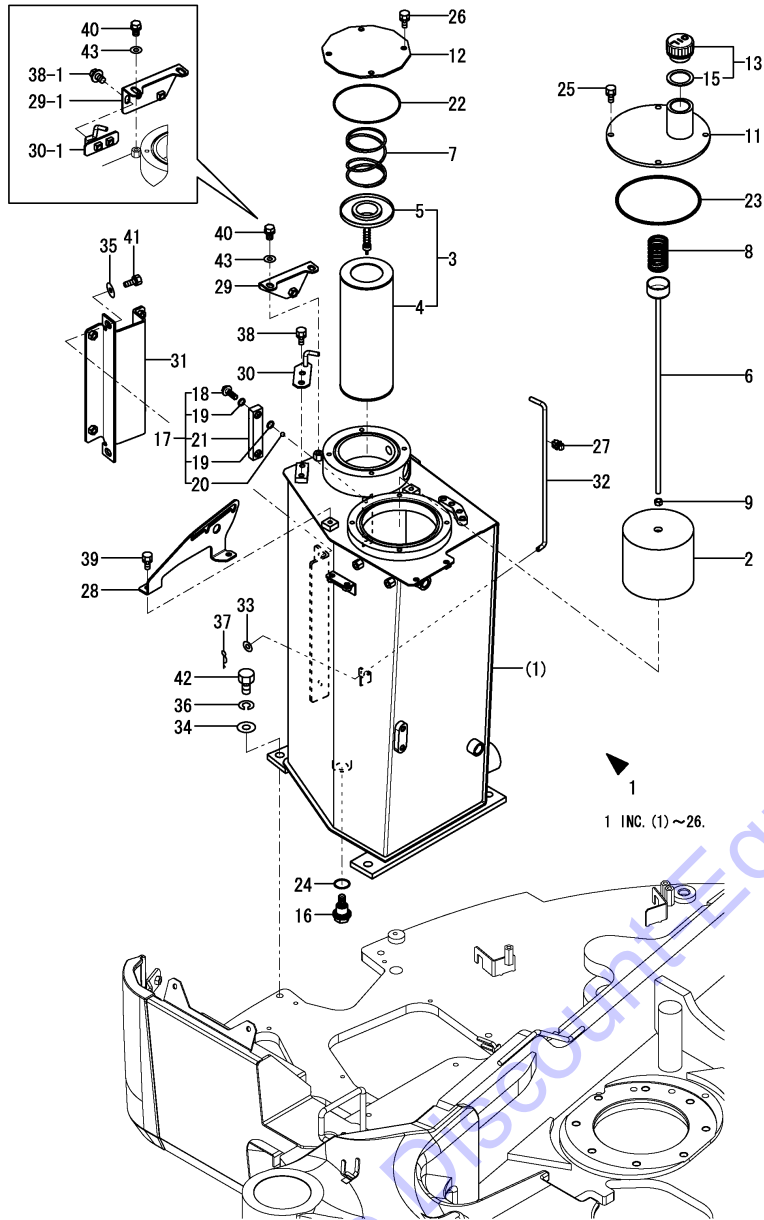
No.	Lev.	Parts No.	Description	Q'ty						I	R
				(A)	(B)	(C)	(D)	(E)	(F)		
1	1	172A69-74800	COOLER ASSY, OIL	1	1	1					
2	1	26014-080202	BOLT, M8X 20	4	4	4					

Go to Discount-Equipment.com to order your parts

Fig.87. HYD.OIL TANK

(A)=SV100-1(US)  
(B)=SV100-1(AS)  
(C)=SV100-1(NZ)

(D)=  
(E)=  
(F)=



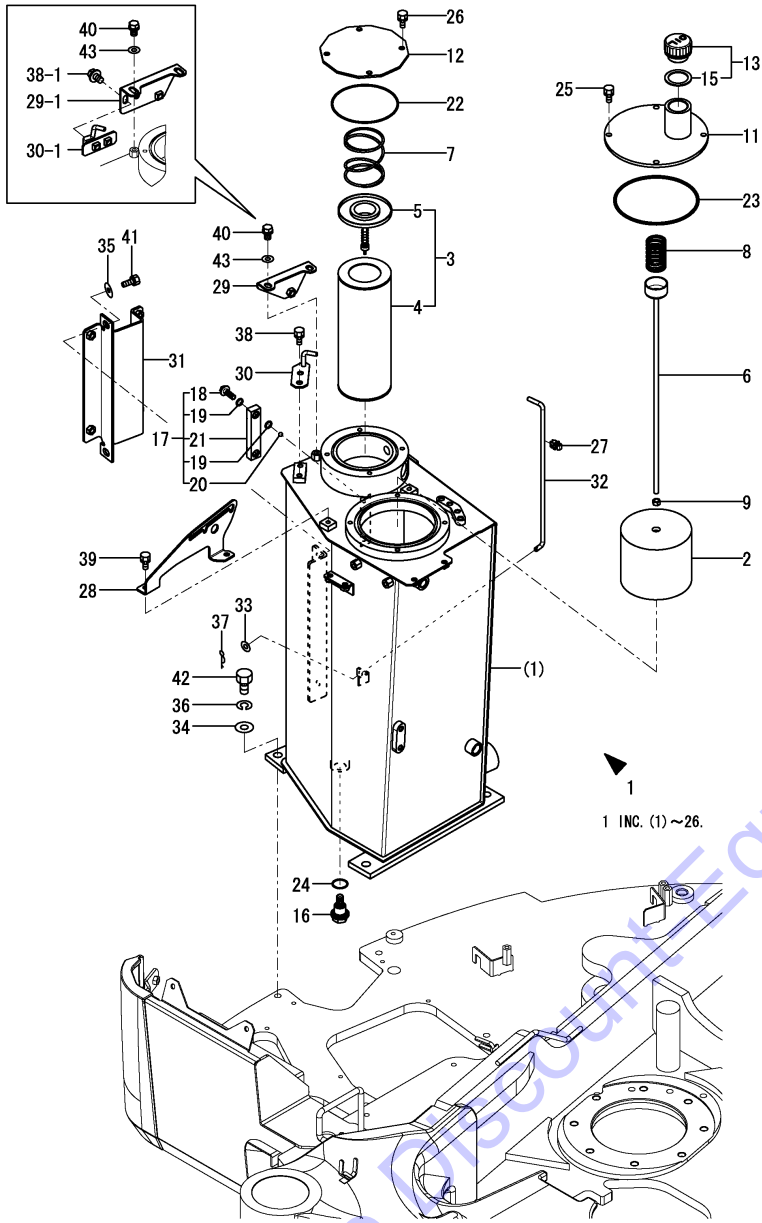
No.	Lev.	Parts No.	Description	Q'ty						I	R
				(A)	(B)	(C)	(D)	(E)	(F)		
1	1	772A69-75100	TANK ASSY, RESERVOIR	1	1	1					
2	2	172162-73700	STRAINER, SUCTION	1	1	1					
3	2	172187-73700	FILTER ASSY, RETURN	1	1	1					
4	3	172187-73730	ELEMENT, FILTER	1	1	1					
5	3	172112-74971	VALVE, BY-PASS	1	1	1					
6	2	172A69-75710	ROD ASSY, FILTER	1	1	1					
7	2	172112-75770	SPRING, FILTER	1	1	1					
8	2	172112-75780	SPRING, FILTER	1	1	1					
9	2	26716-100002	NUT, M10	1	1	1					
11	2	172A69-75240	COVER ASSY	1	1	1					
12	2	172187-75340-2	COVER, TANK	1	1	1					1
13	2	172A69-75450	CAP, RESERVER	1	1	1					
15	3	172A69-75470	PACKING	1	1	1					
16	2	172187-75500	PLUG	1	1	1					
17	2	172A69-75600	GAUGE, OIL LEVEL	1	1	1					
18	3	172455-75290	BOLT	2	2	2					
19	3	172455-75300	O-RING	4	4	4					
20	3	172455-75310	FLOAT	1	1	1					
21	3	172A69-75610	GAUGE, OIL LEVEL	1	1	1					
22	2	24321-001350	O-RING, 1AG135.0	1	1	1					
23	2	24321-001700	O-RING, 1AG170.0	1	1	1					
24	2	24341-000300	O-RING, 1AS30.0	1	1	1					
25	2	26013-100202	BOLT, M10X 20	4	4	4					
25-1	2	26014-100202	BOLT, 10 X 20	4	4	4					R
		(A=*2010.07) (B=*2010.07) (C=*2010.07)									
26	2	26013-100202	BOLT, M10X 20	4	4	4					
26-1	2	26014-100202	BOLT, 10 X 20	4	4	4					R
		(A=*2010.07) (B=*2010.07) (C=*2010.07)									
27	1	1A7400-61250	HOLDER, ROD 8	1	1	1					
28	1	172A69-62550	GUIDE, STOPPER	1	1	1					
28-1	1	172A89-62550	GUIDE, STOPPER	1	1	1					N
		(A=M10547) (B=M10547) (C=M10547)									
29	1	172A69-62570	STAY ASSY	1	1	1					
29-1	1	172A89-62570	STAY ASSY	1	1	1					N
		(A=M10547) (B=M10547) (C=M10547)									
30	1	172A69-62611	CATCH ASSY, LOCK	1	1	1					
30-1	1	172A89-62610	CATCH ASSY, LOCK	1	1	1					S
		(A=M10547) (B=M10547) (C=M10547)									
31	1	172A69-65720	HINGE ASSY	1	1	1					
31-1	1	172A69-65721	HINGE ASSY	1	1	1					N
		(A=M10544) (B=M10544) (C=M10544)									
32	1	172A69-65780	HOOK, BONNET	1	1	1					
33	1	22137-080000	WASHER, 8	1	1	1					
34	1	22137-160000	WASHER, 16	4	4	4					
35	1	22157-100000	WASHER, 10	2	2	2					
36	1	22217-160000	WASHER, SPRING 16	4	4	4					
37	1	22372-080000	PIN, SNAP 8	1	1	1					
38	1	26013-100162	BOLT, M10X 16	2	2	2					
38-1	1	26014-100202	BOLT, M10X 20	2	2	2					S
		(A=M10547) (B=M10547) (C=M10547)									
39	1	26013-100162	BOLT, M10X 16	2	2	2					

Remarks  
(1)Attach the No.44A label to this part.  
(2)Not illustrated.

Fig.87. HYD.OIL TANK

(A)=SV100-1(US)  
 (B)=SV100-1(AS)  
 (C)=SV100-1(NZ)

(D)=  
 (E)=  
 (F)=

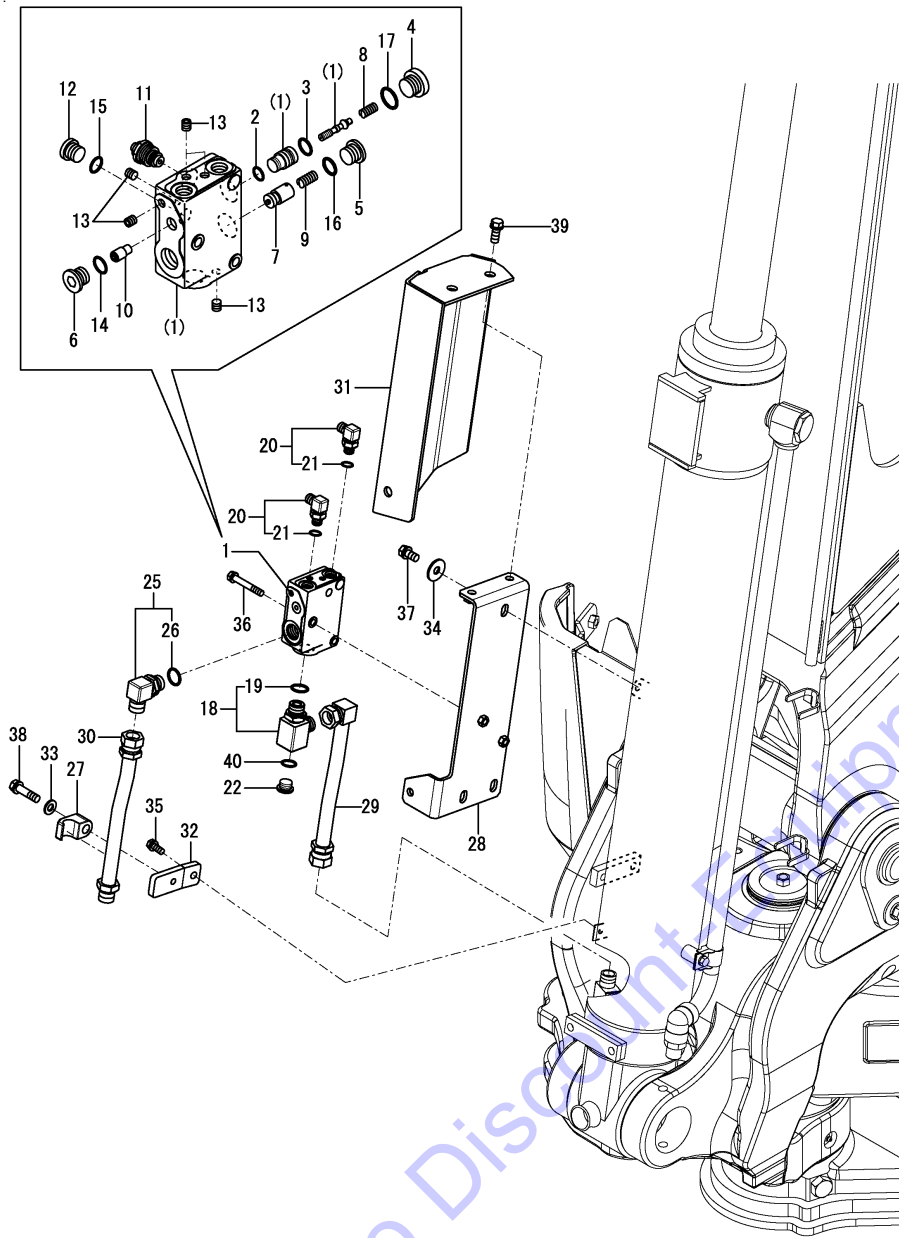


No.	Lev.	Parts No.	Description	Q'ty						I	R
				(A)	(B)	(C)	(D)	(E)	(F)		
40	1	26013-100162	BOLT, M10X 16	2	2	2					
41	1	26013-100252	BOLT, M10X 25	2	2	2					
42	1	26116-160352	BOLT, M16X 35 PLATED	4	4	4					
43	1	22137-100000	WASHER, 10	2	2	2					
44A	1	172437-03322	LABEL, RESEVOIR	1	1	1					2

Remarks

- (1) Attach the No.44A label to this part.
- (2) Not illustrated.

Fig.88. HOLD VALVE(BOOM)



(A)=SV100-1(US)  
 (B)=SV100-1(AS)  
 (C)=SV100-1(NZ)

(D)=  
 (E)=  
 (F)=

No.	Lev.	Parts No.	Description	Q'ty						I	R
				(A)	(B)	(C)	(D)	(E)	(F)		
1	1	172A69-74650	VALVE ASSY,HOLD	1	1	1					
2	2	172A25-74420	O-RING	1	1	1					
3	2	172A25-74430	O-RING	1	1	1					
4	2	172A25-74440	PLUG	1	1	1					
5	2	172A25-74450	PLUG	1	1	1					
6	2	172A25-74460	PLUG	1	1	1					
7	2	172A25-74470	POPPET	1	1	1					
8	2	172A25-74480	SPRING	1	1	1					
9	2	172A25-74490	SPRING	1	1	1					
10	2	172A25-74501	PISTON	1	1	1					
11	2	172A69-74660	VALVE,RELIEF 33	1	1	1					
12	2	172455-77140	PLUG	1	1	1					
13	2	172455-77150	PLUG	5	5	5					
14	2	24315-000100	O-RING, 1BP10.0	1	1	1					
15	2	24315-000110	O-RING, 1BP11.0	1	1	1					
16	2	24315-000140	O-RING, 1BP14.0	1	1	1					
17	2	24315-000160	O-RING, 1BP16.0	1	1	1					
18	1	172A25-76100	TEE, ADJUSTABLE	1	1	1					
19	2	24315-000180	O-RING, 1BP18.0	1	1	1					
20	1	172141-76181	CONNECTOR ASSY, 02FF	2	2	2					
21	2	41851-000110	O-RING	2	2	2					
22	1	172183-76180	PLUG	1	1	1					
25	1	172141-76900	CONNECTOR ASSY	1	1	1					
26	2	24315-000180	O-RING, 1BP18.0	1	1	1					
27	1	172142-76950-6	CLAMP	1	1	1					
27-1	1	172142-76950-N	CLAMP	1	1	1					S
		(A=M11501) (B=M11501) (C=M11501)									
28	1	172A69-77100	BRACKET ,BOOM H (2J)	1	1	1					
28-1	1	172A69-77100-N	BRACKET ,BOOM H	1	1	1					S
		(A=M11501) (B=M11501) (C=M11501)									
29	1	172A69-77150	TUBE ASSY, BOOM	1	1	1					
29-1	1	172A69-77150-N	TUBE ASSY, BOOM	1	1	1					S
		(A=M11501) (B=M11501) (C=M11501)									
30	1	172A69-77180	TUBE ASSY, BOOM	1	1	1					
30-1	1	172A69-77180-N	TUBE ASSY, BOOM	1	1	1					S
		(A=M11501) (B=M11501) (C=M11501)									
31	1	172A69-77200	COVER, BOOM	1	1	1					
31-1	1	172A69-77200-N	COVER, BOOM	1	1	1					S
		(A=M11501) (B=M11501) (C=M11501)									
32	1	172A69-77240	PLATE,CLAMP H	1	1	1					
33	1	22137-100000	WASHER, 10	1	1	1					
34	1	22157-100000	WASHER, 10	3	3	3					
35	1	26013-080202	BOLT, M8X 20	1	1	1					
36	1	26013-080552	BOLT, M8X 55	2	2	2					
37	1	26013-100202	BOLT, M10X 20	3	3	3					
38	1	26013-100402	BOLT, M10X 40	1	1	1					
39	1	26014-100252	BOLT, M10X 25	3	3	3					
40	1	41851-000140	O-RING	1	1	1					

Remarks

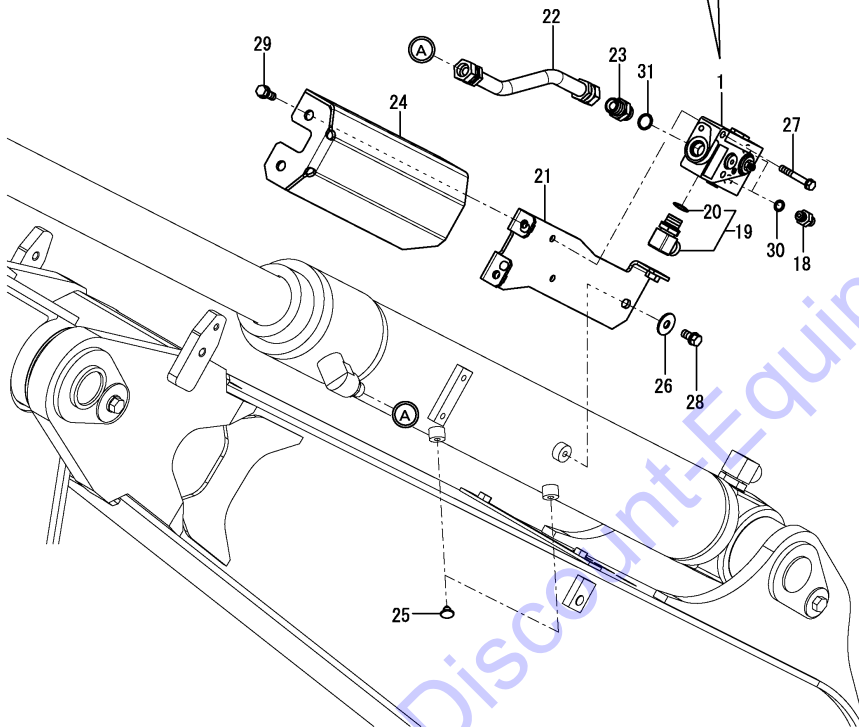
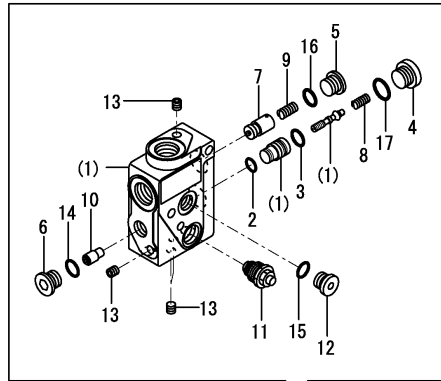
\* Hold valve kit is shown in Fig.121.



Fig.89. HOLD VALVE(ARM)

(A)=SV100-1(US)  
 (B)=SV100-1(AS)  
 (C)=SV100-1(NZ)

(D)=  
 (E)=  
 (F)=

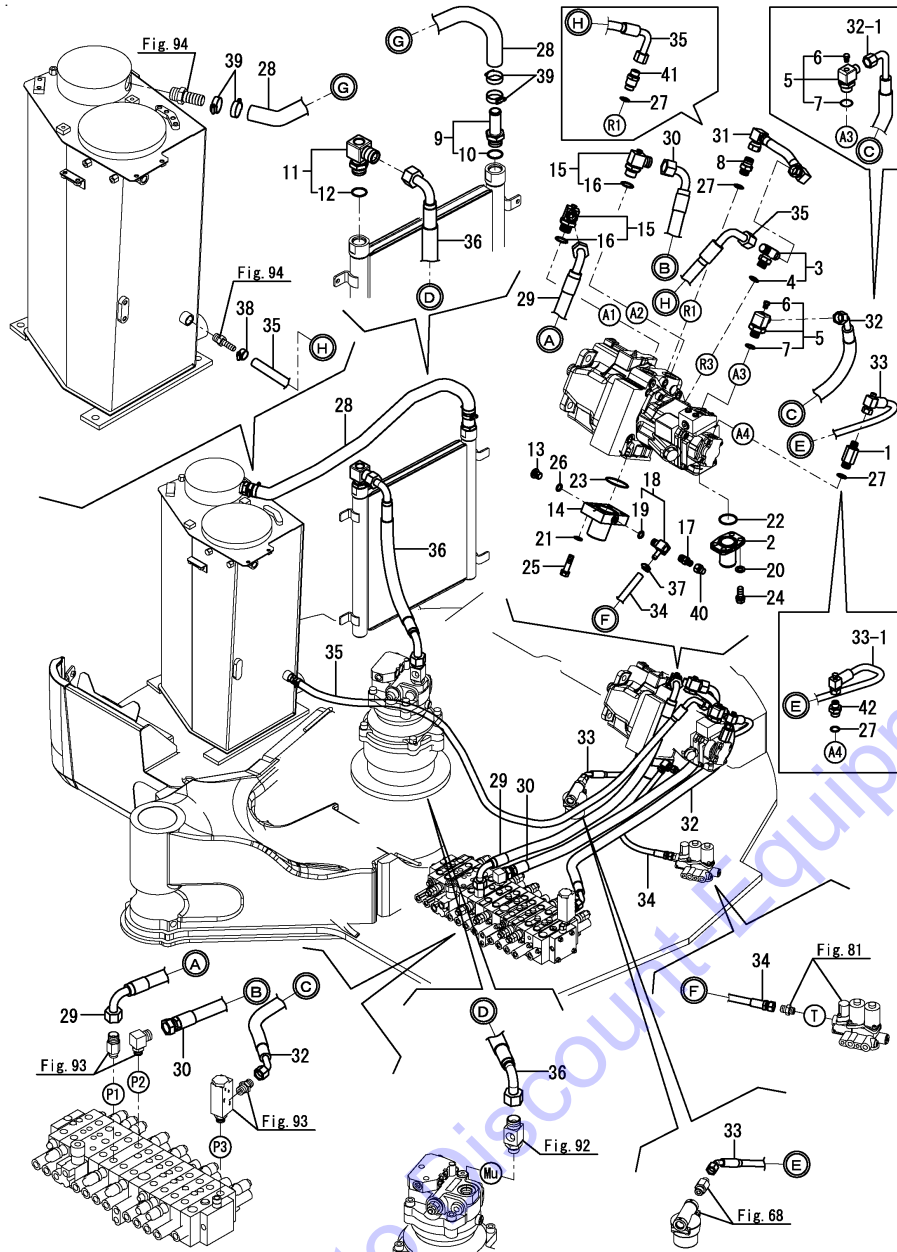


No.	Lev.	Parts No.	Description	Q'ty						I	R
				(A)	(B)	(C)	(D)	(E)	(F)		
1	1	172A69-74650	VALVE ASSY,HOLD	1	1	1					
2	2	172A25-74420	O-RING	1	1	1					
3	2	172A25-74430	O-RING	1	1	1					
4	2	172A25-74440	PLUG	1	1	1					
5	2	172A25-74450	PLUG	1	1	1					
6	2	172A25-74460	PLUG	1	1	1					
7	2	172A25-74470	POPPET	1	1	1					
8	2	172A25-74480	SPRING	1	1	1					
9	2	172A25-74490	SPRING	1	1	1					
10	2	172A25-74501	PISTON	1	1	1					
11	2	172A69-74660	VALVE,RELIEF 33	1	1	1					
12	2	172455-77140	PLUG	1	1	1					
13	2	172455-77150	PLUG	5	5	5					
14	2	24315-000100	O-RING, 1BP10.0	1	1	1					
15	2	24315-000110	O-RING, 1BP11.0	1	1	1					
16	2	24315-000140	O-RING, 1BP14.0	1	1	1					
17	2	24315-000160	O-RING, 1BP16.0	1	1	1					
18	1	172123-76121	ADAPTER	2	2	2					
19	1	172141-76900	CONNECTOR ASSY	1	1	1					
20	2	24315-000180	O-RING, 1BP18.0	1	1	1					
21	1	172A69-77300	BRACKET ,ARM H (2J)	1	1	1					
21-1	1	172A69-77300-N (A=M11501) (B=M11501) (C=M11501)	BRACKET ,ARM H	1	1	1					S
22	1	172A69-77350	TUBE ASSY, ARM	1	1	1					
22-1	1	172A69-77350-N (A=M11501) (B=M11501) (C=M11501)	TUBE ASSY, ARM	1	1	1					S
23	1	172112-77361	CONNECTOR	1	1	1					
24	1	172A69-77400	COVER, ARM	1	1	1					
24-1	1	172A69-77400-N (A=M11501) (B=M11501) (C=M11501)	COVER, ARM	1	1	1					S
25	1	172183-81160	CLIP, TREE	1	1	1					
26	1	22157-100000	WASHER, 10	3	3	3					
27	1	26013-080552	BOLT, M8X 55	2	2	2					
28	1	26013-100202	BOLT, M10X 20	3	3	3					
29	1	26014-100252	BOLT, M10X 25	3	3	3					
30	1	41851-000110	O-RING	2	2	2					
31	1	41851-000180	O-RING	1	1	1					

Remarks

\* Hold valve kit is shown in Fig.121.

Fig.90. HYD.OIL PIPING(PUMP-CONTROL VALVE - OIL COOLER)



(A)=SV100-1(US)  
 (B)=SV100-1(AS)  
 (C)=SV100-1(NZ)

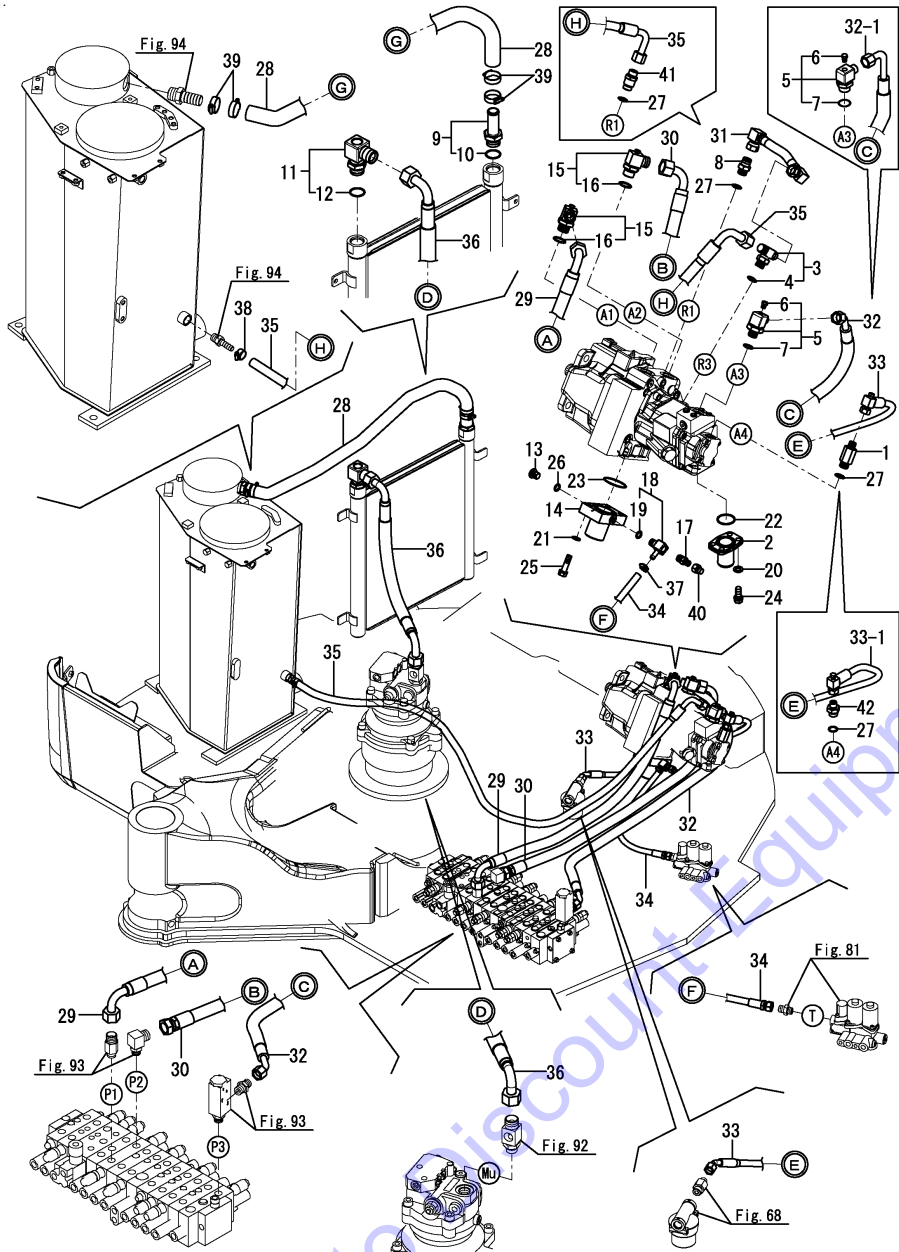
(D)=  
 (E)=  
 (F)=

No.	Lev.	Parts No.	Description	Q'ty						I	R
				(A)	(B)	(C)	(D)	(E)	(F)		
1	1	172110-76020 (A=M11514) (B=M11514) (C=M11514)	CONNECTOR	1	1	1					Z
2	1	172422-76100	FLANGE	1	1	1					
3	1	172422-76110 (A=M11514) (B=M11514) (C=M11514)	JOINT ASSY, PF1/2	1	1	1					Z
4	2	24315-000180	O-RING, 1BP18.0	1	1	1					
5	1	172A69-76110	ELBOW	1	1	1					
5-1	1	172A89-76110 (A=M10544) (B=M10544) (C=M10544)	ELBOW	1	1	1					N
6	2	172460-76570	PLUG, SCREW	1	1	1					
6-1	2	172A89-76120 (A=M10544) (B=M10544) (C=M10544)	PLUG, SCREW PT1/8	1	1	1					N
7	2	41851-000240	O-RING	1	1	1					
8	1	172112-77361 (A=M11514) (B=M11514) (C=M11514)	CONNECTOR	1	1	1					Z
9	1	172A69-76120	NIPPLE	1	1	1					
10	2	172A65-76790	O-RING	1	1	1					
11	1	172A69-76130	ELBOW	1	1	1					
12	2	172A65-76790	O-RING	1	1	1					
13	1	172499-76160	PLUG	1	1	1					
14	1	172A69-76160	FLANGE ASSY	1	1	1					
15	1	172187-76191	ELBOW, ADJUST	2	2	2					
16	2	41851-000240	O-RING	2	2	2					
17	1	172312-76190	NIPPLE	1	1	1					
18	1	172A69-76190	ELBOW	1	1	1					
19	2	41851-000140	O-RING	1	1	1					
20	1	22117-100000	WASHER, 10	4	4	4					
21	1	22117-120000	WASHER, 12	4	4	4					
22	1	24325-000400	O-RING, 1BG40.0	1	1	1					
23	1	24325-000550	O-RING, 1BG55.0	1	1	1					
24	1	26013-100252	BOLT, M10X 25	4	4	4					
24-1	1	26013-100302 (A=M10544) (B=M10544) (C=M10544)	BOLT, M10X 30	4	4	4					N
25	1	26013-120302	BOLT, M12X 30	4	4	4					
26	1	41851-000110	O-RING	1	1	1					
27	1	41851-000180	O-RING	2	2	2					
28	1	172A69-78130	HOSE	1	1	1					
29	1	172A69-78150	HOSE	1	1	1					
30	1	172A69-78160	HOSE	1	1	1					
31	1	172499-78170 (A=M11514) (B=M11514) (C=M11514)	HOSE	1	1	1					Z
32	1	172A69-78170	HOSE	1	1	1					
32-1	1	172A69-78171 (A=M11514) (B=M11514) (C=M11514)	HOSE, H108CE110S	1	1	1					S
33	1	172A69-78180	HOSE	1	1	1					
33-1	1	172A69-78181 (A=M11514) (B=M11514) (C=M11514)	HOSE, H604EZ082	1	1	1					S
34	1	172A69-78200	HOSE	1	1	1					
35	1	172A69-78210	HOSE	1	1	1					
36	1	172A69-78240	HOSE	1	1	1					
36-1	1	172A89-78250	HOSE G616CC060	1	1	1					S

Remarks

\* Fitting(control valve) is shown in Fig.93.

Fig.90. HYD.OIL PIPING(PUMP-CONTROL VALVE - OIL COOLER)



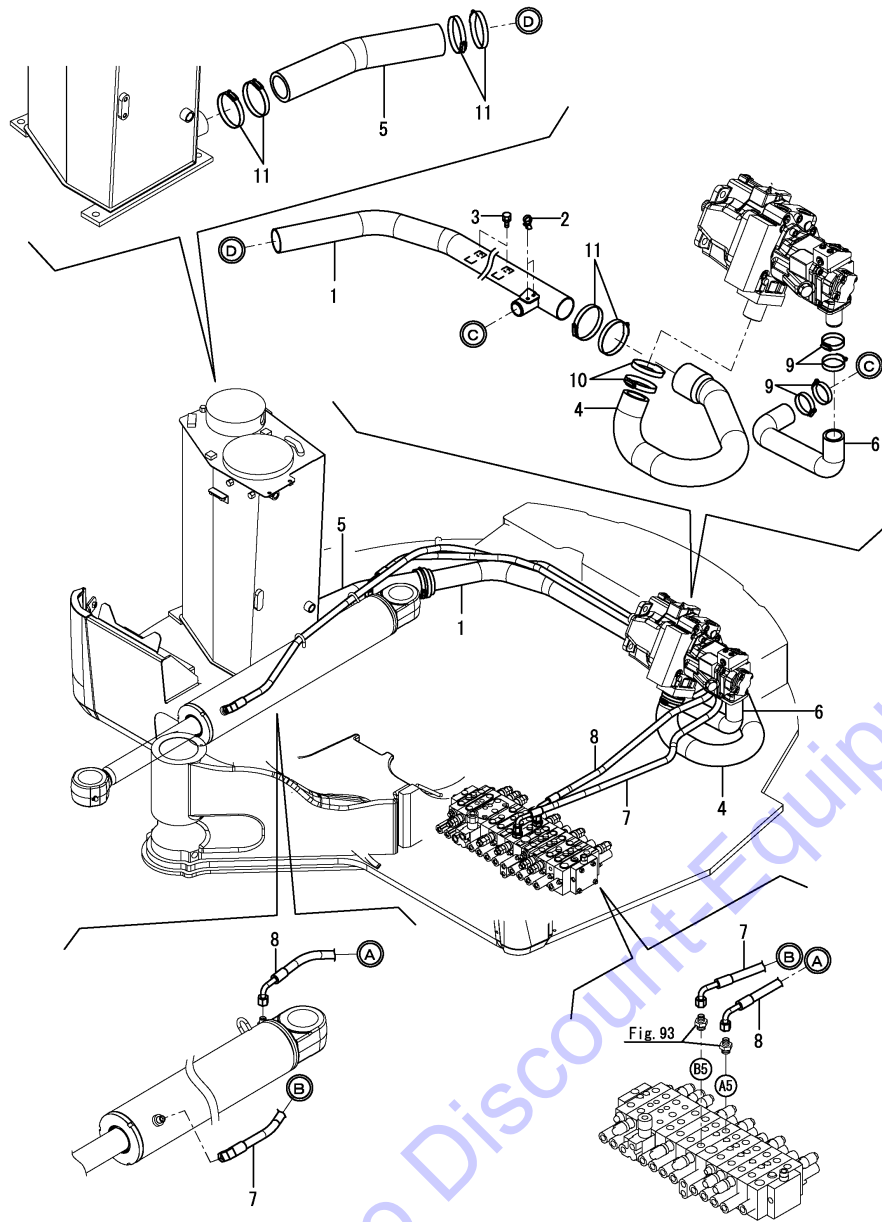
(A)=SV100-1(US)  
 (B)=SV100-1(AS)  
 (C)=SV100-1(NZ)

(D)=  
 (E)=  
 (F)=

No.	Lev.	Parts No.	Description	Q'ty						I	R	
				(A)	(B)	(C)	(D)	(E)	(F)			
		(A=M11061)	(B=M11061)	(C=M11061)								
37	1	23001-016000	CLAMP, HOSE 16	1	1	1						
38	1	23001-022000	CLAMP, HOSE 22	1	1	1						
39	1	23001-041000	CLAMP, HOSE 41	4	4	4						
40	1	1E3030-78370	CAP, SCREW	1								
41	1	172147-76271	CONNECTOR, 1/2X1/2	1	1	1						W
		(A=M11514)	(B=M11514)	(C=M11514)								
42	1	933160-01370	CONNECTOR,PF1/2PF3/8	1	1	1						W
		(A=M11514)	(B=M11514)	(C=M11514)								

Remarks  
 \* Fitting(control valve) is shown in Fig.93.

Fig.91. HYD.OIL PIPING(TANK-PUMP, SWING CYLINDER)



(A)=SV100-1(US)  
 (B)=SV100-1(AS)  
 (C)=SV100-1(NZ)

(D)=  
 (E)=  
 (F)=

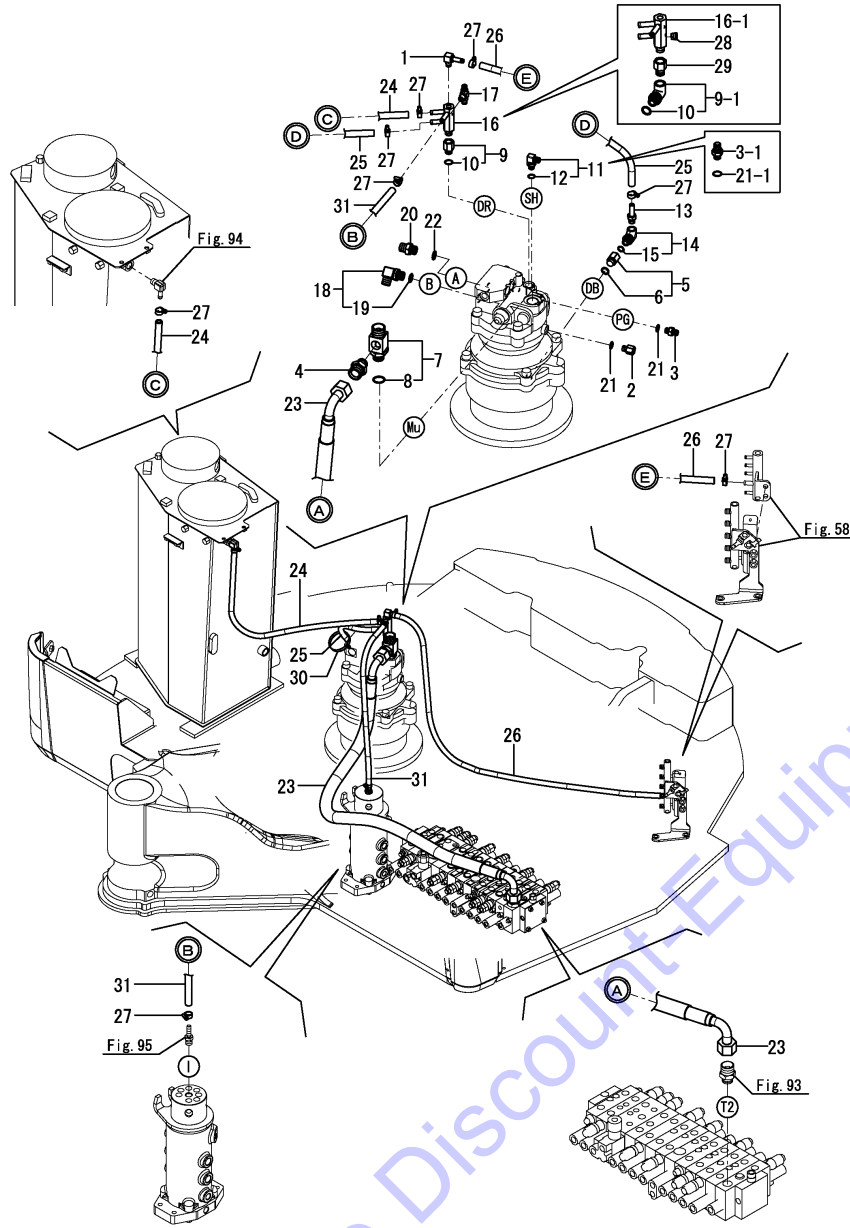
No.	Lev.	Parts No.	Description	Q'ty						I	R
				(A)	(B)	(C)	(D)	(E)	(F)		
1	1	172A69-76470	TUBE ASSY, SUCTION	1	1	1					
2	1	1E8775-84120	CLAMP, BAND	2	2	2					
3	1	26013-100202	BOLT, M10X 20	2	2	2					
4	1	172A69-78080	HOSE ASSY	1	1	1					
4-1	1	172A69-78081	HOSE ASSY,59 A	1	1	1					N
		(A=M10544) (B=M10544) (C=M10544)									
5	1	172A69-78110	HOSE	1	1	1					
6	1	172A69-78120	HOSE	1	1	1					
7	1	172A69-78380	HOSE	1	1	1					
8	1	172A69-78390	HOSE	1	1	1					
9	1	23001-054000	CLAMP, HOSE 54	4	4	4					
10	1	23001-080000	CLAMP, HOSE 80	2	2	2					
10-1	1	23001-070000	CLAMP, HOSE 70	2	2	2					R
		(A=*2009.03) (B=*2009.03) (C=*2009.03)									
11	1	23001-090000	CLAMP, HOSE 90	6	6	6					

Remarks  
 \* Fitting(control valve) is shown in Fig.93.

Fig.92. HYD.OIL PIPING(CONTROL VALVE - TURNING MOTOR)

(A)=SV100-1(US)  
 (B)=SV100-1(AS)  
 (C)=SV100-1(NZ)

(D)=  
 (E)=  
 (F)=



No.	Lev.	Parts No.	Description	Q'ty						I	R
				(A)	(B)	(C)	(D)	(E)	(F)		
1	1	172155-11120	ELBOW	1	1	1					
2	1	172156-76110	CONNECTOR,PF1/4PT1/8	1	1	1					
3	1	172123-76121	ADAPTER	1	1	1					
3-1	1	172123-76121	ADAPTER PF1/2	2	2	2					K
		(A=*2012.02) (B=*2012.02) (C=*2012.02)									
4	1	172187-76131	CONNECTOR, PF3/4	1	1	1					
5	1	172A52-76130	ADAPTER	1	1	1					
6	2	24315-000140	O-RING, 1BP14.0	1	1	1					
7	1	172187-76141	CONNECTOR, PF1XPF3/4	1	1	1					
8	2	24315-000240	O-RING, 1BP24.0	1	1	1					
9	1	172A69-76140	ADAPTER	1	1	1					
9-1	1	172644-76180	ELBOW, ADJUSTING	1	1	1					S
		(A=M11061) (B=M11061) (C=M11061)									
10	2	41851-000140	O-RING	1	1	1					
11	1	172141-76920	CONNECTOR ASSY	1	1	1					
12	2	24315-000140	O-RING, 1BP14.0	1	1	1					
13	1	172165-76270	NIPPLE	1	1	1					
13-1	1	172137-76110	NIPPLE	1	1	1					R
		(A=M10501) (B=M10501) (C=M10501)									
14	1	172499-76300	ELBOW ASSY	1	1	1					
15	2	24315-000140	O-RING, 1BP14.0	1	1	1					
16	1	172499-76310	JOINT	1	1	1					
16-1	1	172499-76311	JOINT	1	1	1					F 1
		(A=M10668) (B=M10668) (C=M10668)									
17	1	172162-76320	CONNECTOR, 3X1/4	1	1	1					
18	1	172141-76900	CONNECTOR ASSY	1	1	1					
19	2	24315-000180	O-RING, 1BP18.0	1	1	1					
20	1	172112-77361	CONNECTOR	1	1	1					
21	1	41851-000110	O-RING	2	2	2					
21-1	1	41851-000110	PACKING, 11.0	3	3	3					K
		(A=*2012.02) (B=*2012.02) (C=*2012.02)									
22	1	41851-000180	O-RING	1	1	1					
23	1	172A69-78230	HOSE	1	1	1					
24	1	172A69-78250	HOSE	1	1	1					
25	1	172A69-78260	HOSE	1	1	1					Z
		(A=M11061) (B=M11061) (C=M11061)									
25-1	1	172A50-78860	HOSE	1	1	1					W
		(A=M11061) (B=M11061) (C=M11061)									
26	1	172A69-78270	HOSE	1	1	1					
27	1	23001-016000	CLAMP, HOSE 16	8	8	8					
28	1	23871-020000	PLUG, R02	1	1	1					W
		(A=M10668) (B=M10668) (C=M10668)									
29	1	172633-76200	ADAPTER	1	1	1					W
		(A=M11061) (B=M11061) (C=M11061)									
30	1	172137-16560	BAND, W	1	1	1					W
		(A=M11061) (B=M11061) (C=M11061)									
31	1	172A69-78261	HOSE G806YY060S	1	1	1					W
		(A=M11061) (B=M11061) (C=M11061)									

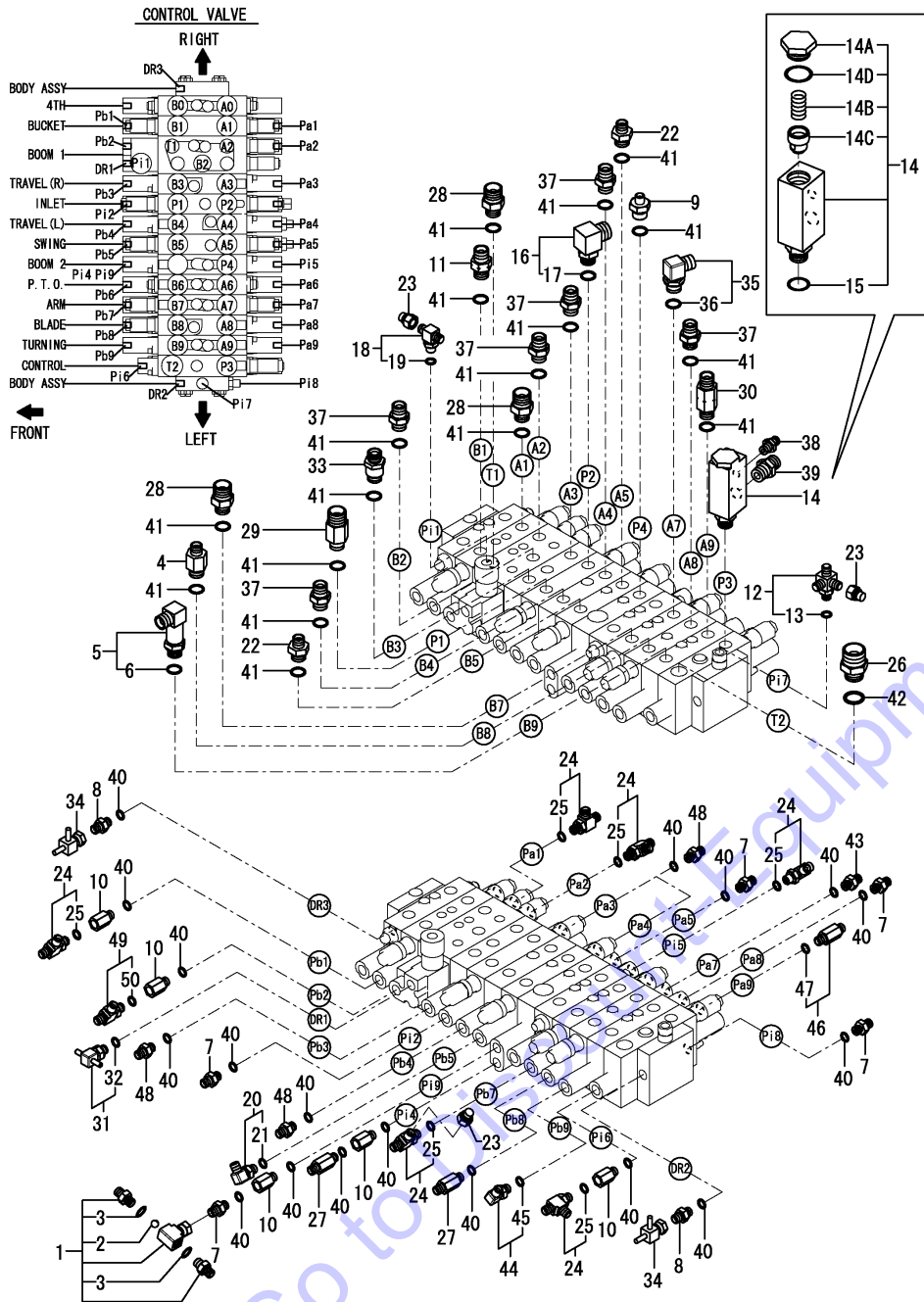
Remarks

\* Fitting(control valve) is shown in Fig.93.

(1)Interchangeable by simultaneous replacement with Ref.No.28.

N:Old  $\begin{matrix} \text{Yes} \\ \text{No} \end{matrix}$  New, Q:Old  $\begin{matrix} \text{No} \\ \text{Yes} \end{matrix}$  New, R:Old  $\begin{matrix} \text{Yes} \\ \text{No} \end{matrix}$  New, S:Old  $\begin{matrix} \text{No} \\ \text{Yes} \end{matrix}$  New, W:Add, Z:Discontinued, F:Interchangeable by set, K:Q'ty Change

Fig.93. HYD.OIL PIPING(CONTROL VALVE : FITTING)



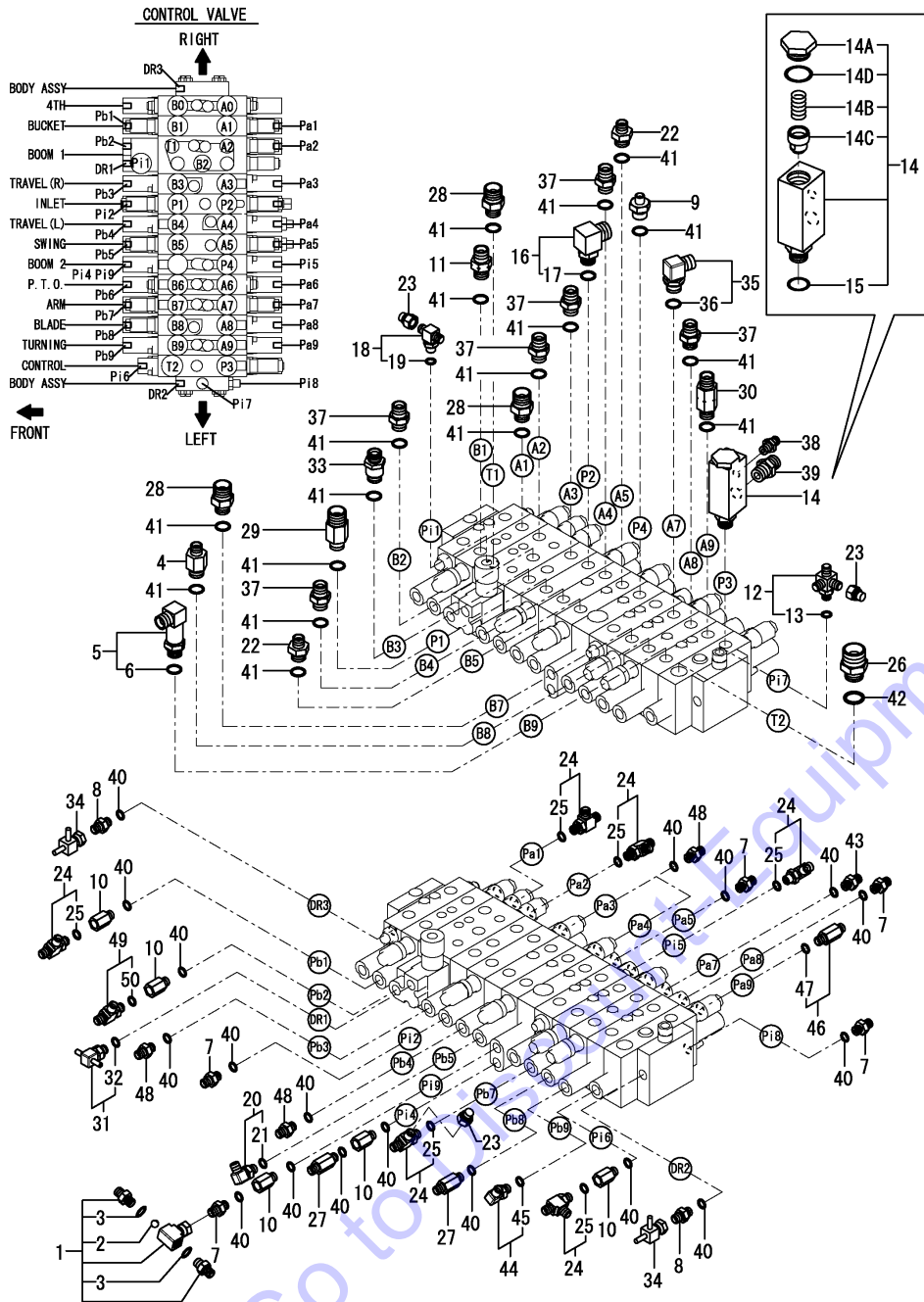
(A)=SV100-1(US)  
 (B)=SV100-1(AS)  
 (C)=SV100-1(NZ)

(D)=  
 (E)=  
 (F)=

No.	Lev.	Parts No.	Description	Q'ty						I	R
				(A)	(B)	(C)	(D)	(E)	(F)		
1	1	172A86-74500	VALVE, SHUTTLE	1	1	1					
2	2	24190-140001	BALL, STEEL 7/16	1	1	1					
3	2	41851-000110	O-RING	2	2	2					
4	1	172423-76100	CONNECTOR,PF1/2PF3/8	1	1	1					
5	1	172524-76110	ELBOW	1	1	1					
6	2	24315-000180	O-RING, 1BP18.0	1	1	1					
7	1	172123-76121	ADAPTER	5	5	5					
8	1	172123-76121	ADAPTER	2	2	2					
9	1	172423-76120	CONNECTOR, PF1/2X1/4	1	1	1					
10	1	172422-76140	CONNECTOR	5	5	5					
11	1	172423-76140	CONNECTOR, 1/2X1/2	1	1	1					
12	1	172491-76140	JOINT	1	1	1					
13	2	24315-000110	O-RING, 1BP11.0	1	1	1					
14	1	172A69-76150	ELBOW	1	1	1					
14A	2	172A69-76050	PLUG	1	1	1					
14B	2	172A69-76060	SPRING	1	1	1					
14C	2	172A69-76070	VALVE, POPPET	1	1	1					
14D	2	24315-000240	O-RING, 1BP24.0	1	1	1					
15	2	41851-000180	O-RING	1	1	1					
16	1	172151-76161	ELBOW ASSY	1	1	1					
17	2	24315-000180	O-RING, 1BP18.0	1	1	1					
18	1	172187-76170	TEE, ADJUSTABLE	1	1	1					
19	2	24315-000110	O-RING, 1BP11.0	1	1	1					
20	1	172141-76181	CONNECTOR ASSY, 02FF	1	1	1					
21	2	41851-000110	O-RING	1	1	1					
22	1	933160-01370	CONNECTOR,PF1/2PF3/8	2	2	2					
23	1	1E3030-78370	CAP. SCREW	3							
24	1	172162-76181	JOINT ASSY	6	6	6					
25	2	41851-000110	O-RING	6	6	6					
26	1	172151-76200	JOINT	1	1	1					
27	1	172183-76200	CONNECTOR	2	2	2					
28	1	172187-76200	ADAPTER, 1/2-3/4	3	3	3					
29	1	172455-76200	CONNECTOR	1	1	1					
30	1	172176-76210	JOINT, PF1/2	1	1	1					
31	1	172A47-76230	NIPPLE, TEE	1	1	1					
32	2	41851-000110	O-RING	1	1	1					
33	1	172147-76271	CONNECTOR, 1/2X1/2	1	1	1					
34	1	172A47-76320	NIPPLE	2	2	2					
35	1	172141-76900	CONNECTOR ASSY	1	1	1					
36	2	24315-000180	O-RING, 1BP18.0	1	1	1					
37	1	172112-77361	CONNECTOR	6	6	6					
38	1	23391-020000	JOINT, RGI-1/4	1	1	1					
39	1	23391-040000	JOINT, RGI-1/2	1	1	1					
40	1	41851-000110	O-RING	19	19	19					
41	1	41851-000180	O-RING	17	17	17					
42	1	41851-000240	O-RING	1	1	1					
43	1	172A47-76171	CONNECTOR, G1/4X0.6	1	1	1					
44	1	172A47-76180	ELBOW	1	1	1					
45	2	41851-000110	O-RING	1	1	1					
46	1	172A47-76290	CONNECTOR	1	1	1					
47	2	41851-000110	O-RING	1	1	1					

N:Old  $\begin{matrix} \text{Yes} \\ \text{No} \end{matrix}$  New, Q:Old  $\begin{matrix} \text{No} \\ \text{Yes} \end{matrix}$  New, R:Old  $\begin{matrix} \text{Yes} \\ \text{No} \end{matrix}$  New, S:Old  $\begin{matrix} \text{No} \\ \text{Yes} \end{matrix}$  New, W:Add, Z:Discontinued, F:Interchangeable by set, K:Q'ty Change  
 ++ CONTINUE ++  
 Copyright (C) 2014 YANMAR CO., LTD. All Rights Reserved.

Fig.93. HYD.OIL PIPING(CONTROL VALVE : FITTING)



(A)=SV100-1(US)  
 (B)=SV100-1(AS)  
 (C)=SV100-1(NZ)

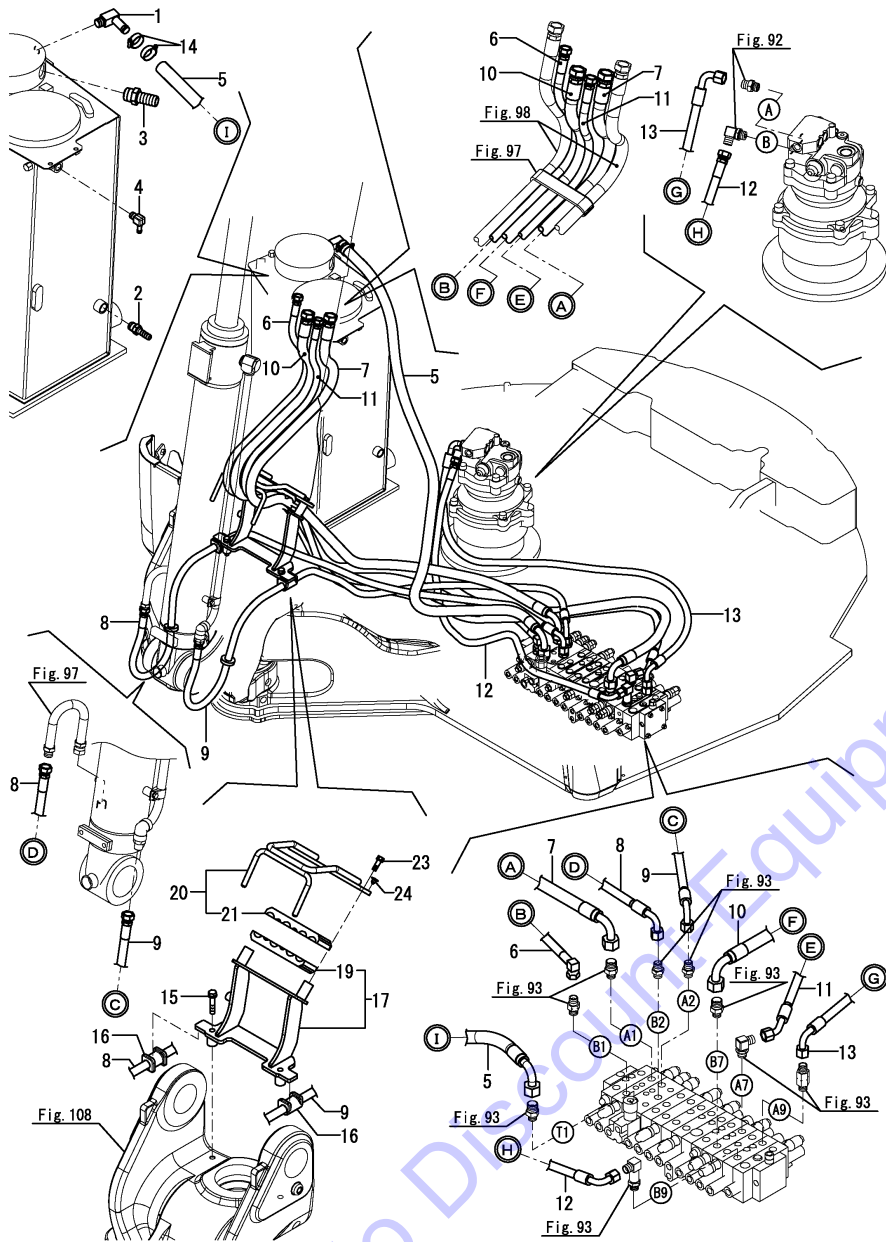
(D)=  
 (E)=  
 (F)=

No.	Lev.	Parts No.	Description	Q'ty						I	R
				(A)	(B)	(C)	(D)	(E)	(F)		
48	1	172164-76330	JOINT, PF1/4-0.7	4	4	4					
49	1	172164-76700	JOINT ASSY	1	1	1					
50	2	24315-000110	O-RING, 1BP11.0	1	1	1					

Fig.94. HYD.OIL PIPING(CONTROL VALVE - BOOM, TURNING MOTOR, TANK)

(A)=SV100-1(US)  
 (B)=SV100-1(AS)  
 (C)=SV100-1(NZ)

(D)=  
 (E)=  
 (F)=



No.	Lev.	Parts No.	Description	Q'ty						I	R
				(A)	(B)	(C)	(D)	(E)	(F)		
1	1	172455-76160	ELBOW	1	1	1					
2	1	172168-76170	CONNECTOR	1	1	1					
3	1	172187-76180	NIPPLE, HOSE	1	1	1					
4	1	172168-76370	ELBOW	1	1	1					
5	1	172A69-78220	HOSE	1	1	1					
6	1	172A69-78300	HOSE	1	1	1					
7	1	172A69-78310	HOSE	1	1	1					
8	1	172A69-78320	HOSE	1	1	1					
9	1	172A69-78330	HOSE	1	1	1					
10	1	172A69-78430	HOSE	1	1	1					
11	1	172A69-78440	HOSE	1	1	1					
12	1	172A69-78470	HOSE	1	1	1					
13	1	172A69-78480	HOSE	1	1	1					
14	1	23001-035000	CLAMP, HOSE 35	2	2	2					
15	1	26013-120602	BOLT, M12X 60	2	2	2					
16	1	172187-78100	RUBBER	2	2	2					
17	1	172A69-79100	CLAMP ASSY, HOSE	1	1	1					
17-1	1	172A69-79100-Y	CLAMP ASSY, HOSE	1	1	1					S
		(A=M11501) (B=M11501) (C=M11501)									
19	2	172A69-79140	SUPPORT, RUBBER	1	1	1					
20	1	172A69-79150	PLATE ASSY, CLAMP	1	1	1					
20-1	1	172A69-79150-Y	PLATE ASSY, CLAMP	1	1	1					S
		(A=M11501) (B=M11501) (C=M11501)									
21	2	172A69-79140	SUPPORT, RUBBER	1	1	1					
23	1	26013-100302	BOLT, M10X 30	2	2	2					
24	1	172183-81160	CLIP, TREE 9.5	4	4	4					W
		(A=M10501) (B=M10501) (C=M10501)									

Remarks

\* Fitting(control valve) is shown in Fig.93.

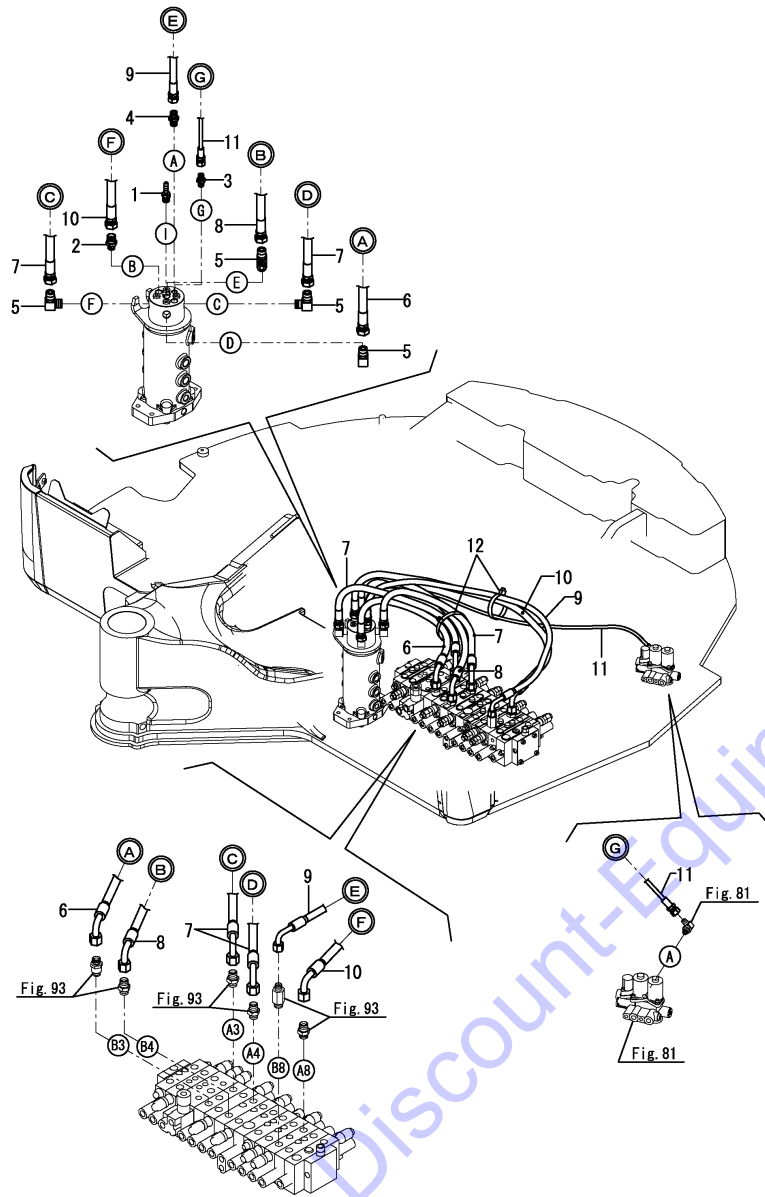
N:Old  $\begin{matrix} \text{Yes} \\ \text{No} \end{matrix}$  New, Q:Old  $\begin{matrix} \text{No} \\ \text{Yes} \end{matrix}$  New, R:Old  $\begin{matrix} \text{Yes} \\ \text{No} \end{matrix}$  New, S:Old  $\begin{matrix} \text{No} \\ \text{Yes} \end{matrix}$  New, W:Add, Z:Discontinued, F:Interchangeable by set, K:Q'ty Change



Fig.95. HYD.OIL PIPING(CONTROL VALVE - SWIVEL JOINT)

(A)=SV100-1(US)  
 (B)=SV100-1(AS)  
 (C)=SV100-1(NZ)

(D)=  
 (E)=  
 (F)=



No.	Lev.	Parts No.	Description	Q'ty						I	R	
				(A)	(B)	(C)	(D)	(E)	(F)			
1	1	172137-76110 (A=M12063) (B=M12063) (C=M12063)	NIPPLE	1	1	1					Z	1
2	1	172141-76940 (A=M12063) (B=M12063) (C=M12063)	ADAPTER	1	1	1					Z	1
3	1	23391-020000 (A=M12063) (B=M12063) (C=M12063)	JOINT, RGI-1/4	1	1	1					Z	1
4	1	23391-030000 (A=M12063) (B=M12063) (C=M12063)	JOINT, RGI-3/8	1	1	1					Z	1
5	1	23393-040000 (A=M12063) (B=M12063) (C=M12063)	JOINT, 90RGI-1/2	4	4	4					Z	1
6	1	172A69-78340	HOSE	1	1	1						
7	1	172A69-78350	HOSE	2	2	2						
8	1	172A69-78360	HOSE	1	1	1						
9	1	172A69-78450	HOSE	1	1	1						
10	1	172A69-78460	HOSE	1	1	1						
11	1	172A69-78900	HOSE	1	1	1						
12	1	172122-79890 (A=M10501) (B=M10501) (C=M10501)	CLIP 350, HOSE	3	3	3						W

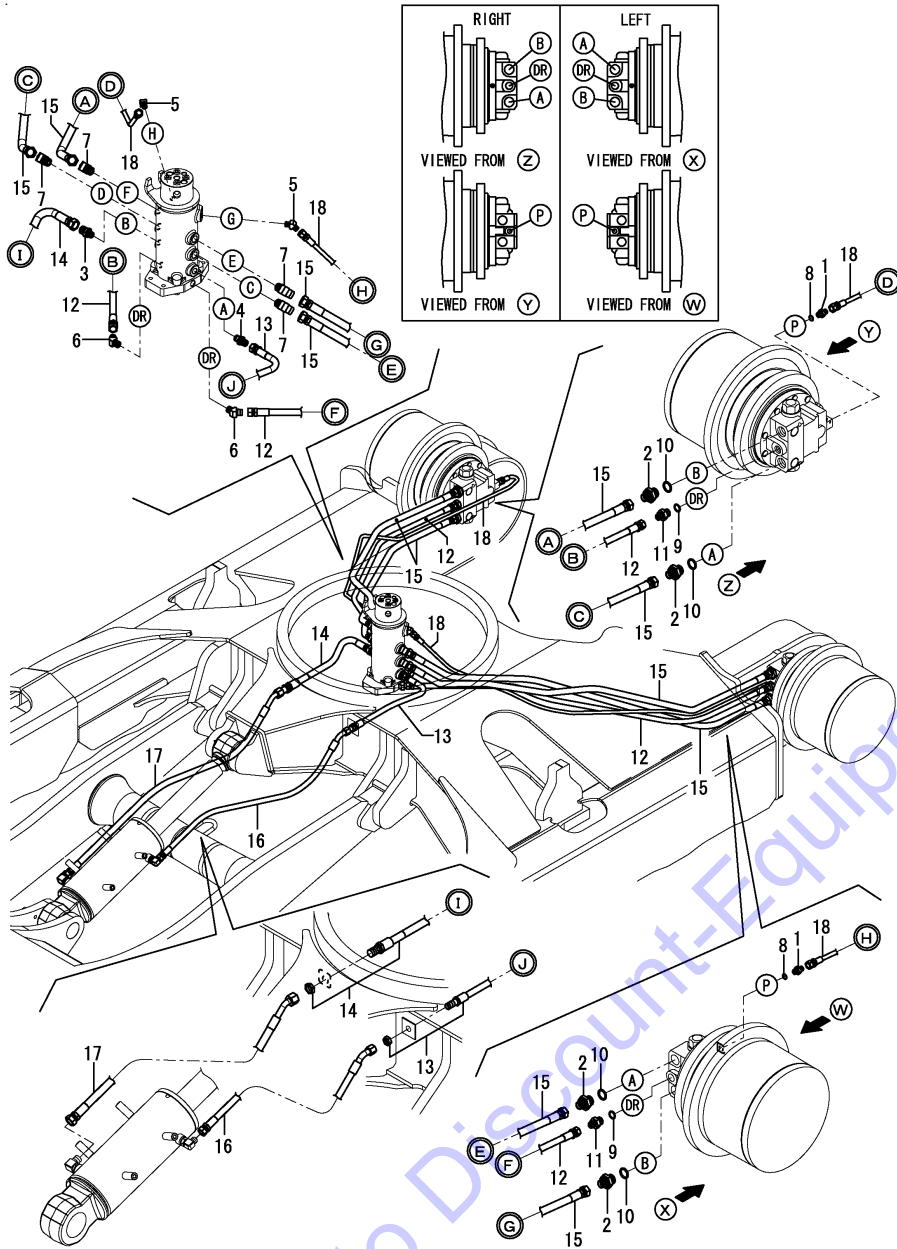
Remarks

\* Fitting(control valve) is shown in Fig.93.

(1)New parts:(N-spec. Swivel joint) are shown in Fig.124(69B).

N:Old  $\xrightarrow{\text{Yes}}$  New, Q:Old  $\xrightarrow{\text{No}}$  New, R:Old  $\xrightarrow{\text{Yes}}$  New, S:Old  $\xrightarrow{\text{No}}$  New, W:Add, Z:Discontinued, F:Interchangeable by set, K:Q'ty Change

Fig.96. HYD.OIL PIPING(TRACK FRAME)



(A)=SV100-1(US)  
 (B)=SV100-1(AS)  
 (C)=SV100-1(NZ)

(D)=  
 (E)=  
 (F)=

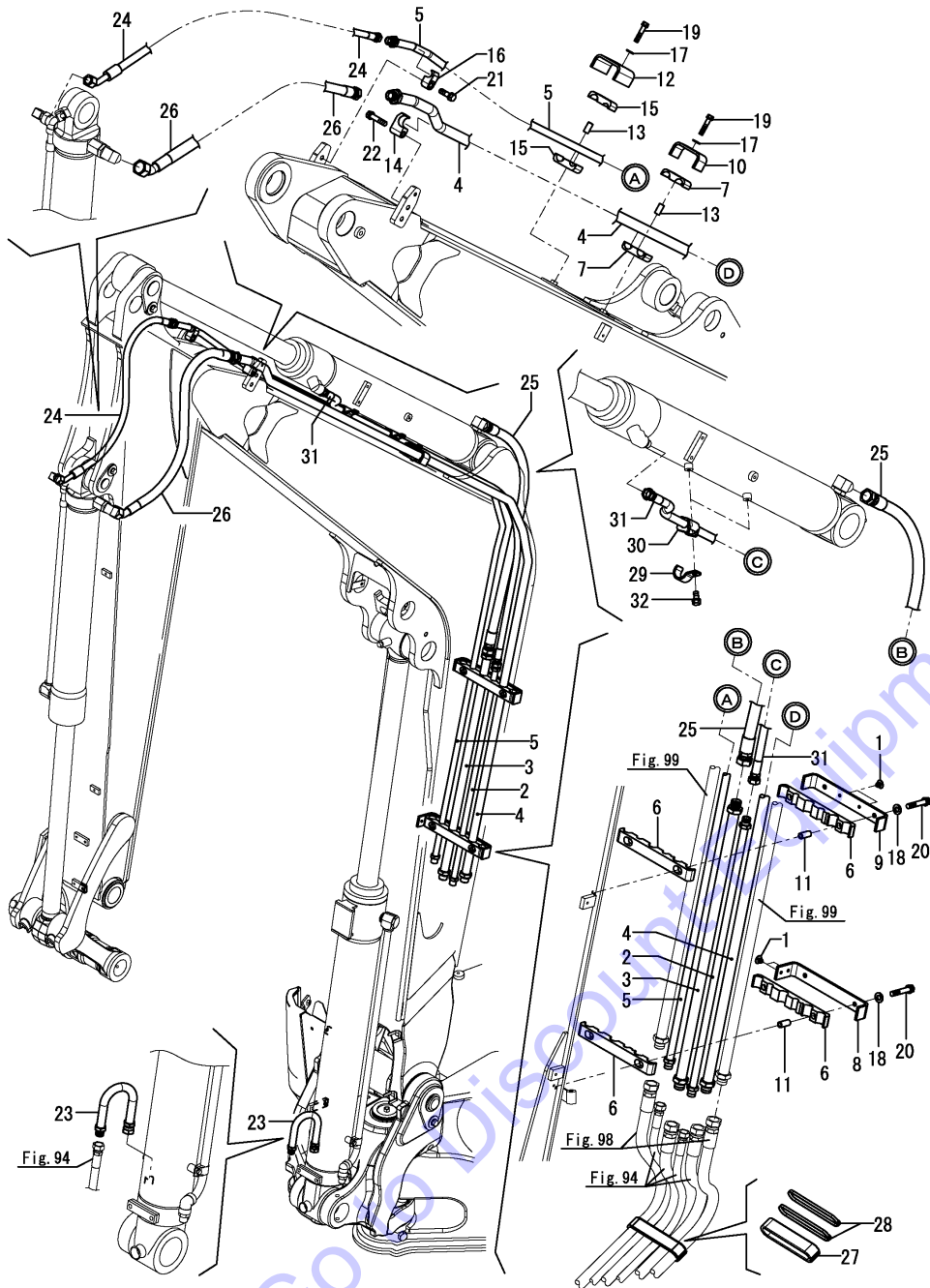
No.	Lev.	Parts No.	Description	Qty						I	R
				(A)	(B)	(C)	(D)	(E)	(F)		
1	1	172123-76121	ADAPTER	2	2	2					
2	1	172499-76200	JOINT	4	4	4					
3	1	172141-76940	ADAPTER	1	1	1					Z 1
4	1	(A=M12063) (B=M12063) (C=M12063) 23391-030000	JOINT, RGI-3/8	1	1	1					Z 1
		(A=M12063) (B=M12063) (C=M12063)									
5	1	23394-020000	JOINT, 45RGI-1/4	2	2	2					Z 1
		(A=M12063) (B=M12063) (C=M12063)									
6	1	23394-030000	JOINT, 45RGI-3/8	2	2	2					Z 1
		(A=M12063) (B=M12063) (C=M12063)									
7	1	23394-040000	JOINT, 45RGI-1/2	4	4	4					Z 1
		(A=M12063) (B=M12063) (C=M12063)									
8	1	41851-000110	O-RING	2	2	2					
9	1	41851-000180	O-RING	2	2	2					
10	1	41851-000240	O-RING	4	4	4					
11	1	933160-01370	CONNECTOR,PF1/2PF3/8	2	2	2					
12	1	172187-78211	HOSE	2	2	2					
13	1	172A69-78510	HOSE	1	1	1					
14	1	172A69-78520	HOSE	1	1	1					
15	1	172499-78530	HOSE	4	4	4					
16	1	172A69-78530	HOSE	1	1	1					
17	1	172A69-78540	HOSE	1	1	1					
18	1	172A69-78560	HOSE	2	2	2					

Remarks

(1)New parts(:N-spec. Swivel joint) are shown in Fig.124(69B).

N:Old  $\begin{matrix} \text{Yes} \\ \text{No} \end{matrix}$  New, Q:Old  $\begin{matrix} \text{No} \\ \text{Yes} \end{matrix}$  New, R:Old  $\begin{matrix} \text{Yes} \\ \text{No} \end{matrix}$  New, S:Old  $\begin{matrix} \text{No} \\ \text{Yes} \end{matrix}$  New, W:Add, Z:Discontinued, F:Interchangeable by set, K:Qty Change

Fig.97. HYD.OIL PIPING(BOOM)

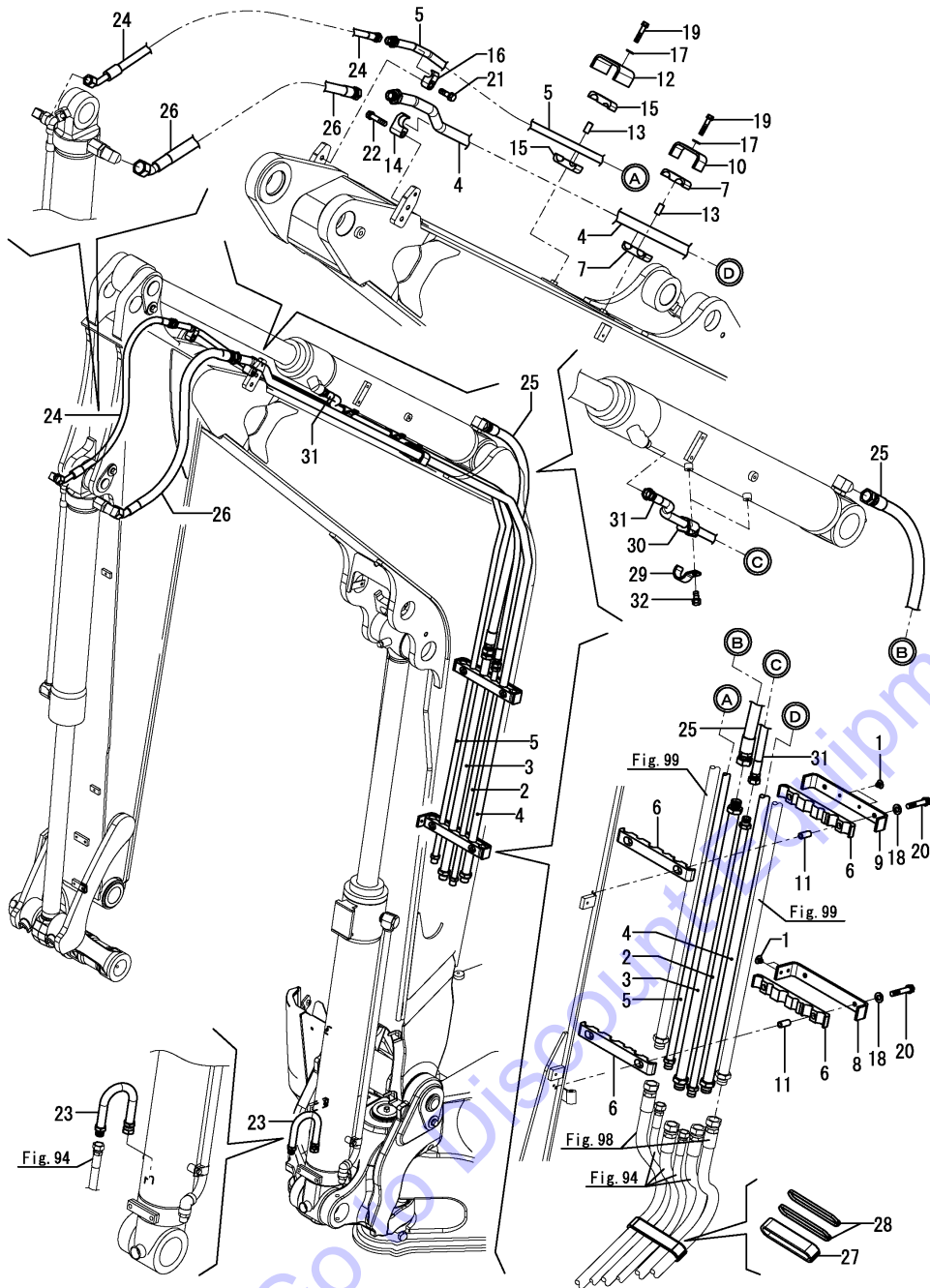


(A)=SV100-1(US)  
(B)=SV100-1(AS)  
(C)=SV100-1(NZ)

(D)=  
(E)=  
(F)=

No.	Lev.	Parts No.	Description	Qty						I	R
				(A)	(B)	(C)	(D)	(E)	(F)		
1	1	172444-17660	CLIP, TREE	6	6	6					
2	1	172A69-76200	TUBE ASSY, ARM	1	1	1					
2-1	1	172A69-76200-Y	TUBE ASSY, ARM	1	1	1					S
		(A=M11501) (B=M11501) (C=M11501)									
3	1	172A69-76220	TUBE ASSY, ARM	1	1	1					
3-1	1	172A69-76220-Y	TUBE ASSY, ARM	1	1	1					S
		(A=M11501) (B=M11501) (C=M11501)									
4	1	172A69-76250	TUBE, BUCKET	1	1	1					
4-1	1	172A69-76250-Y	TUBE, BUCKET	1	1	1					S
		(A=M11501) (B=M11501) (C=M11501)									
4-2	1	172B12-76250	TUBE ASSY, BUCKET L	1	1	1					N
		(A=*2013.12) (B=*2013.12) (C=*2013.12)									
5	1	172A69-76270	TUBE ASSY, BUCKET	1	1	1					
5-1	1	172A69-76270-Y	TUBE ASSY, BUCKET	1	1	1					S
		(A=M11501) (B=M11501) (C=M11501)									
6	1	172A69-76400	CLAMP, RUBBER	4	4	4					
7	1	172A69-76410	CLAMP, RUBBER	2	2	2					
8	1	172A69-76420	CLAMP, TUBE	1	1	1					
8-1	1	172A69-76420-Y	CLAMP, TUBE	1	1	1					S
		(A=M11501) (B=M11501) (C=M11501)									
9	1	172A69-76430	CLAMP, TUBE	1	1	1					
9-1	1	172A69-76430-Y	CLAMP, TUBE	1	1	1					S
		(A=M11501) (B=M11501) (C=M11501)									
10	1	172A69-76440	CLAMP, TUBE	1	1	1					
10-1	1	172A69-76440-Y	CLAMP, TUBE	1	1	1					S
		(A=M11501) (B=M11501) (C=M11501)									
11	1	172A69-76450	COLLAR, CLAMP	4	4	4					
12	1	172A69-76460	CLAMP, TUBE	1	1	1					
12-1	1	172A69-76460-Y	CLAMP, TUBE	1	1	1					S
		(A=M11501) (B=M11501) (C=M11501)									
13	1	172187-76520	COLLAR, CLAMP	2	2	2					
14	1	172142-76940-2	CLAMP	1	1	1					
14-1	1	172142-76940-Y	CLAMP	1	1	1					S
		(A=M11501) (B=M11501) (C=M11501)									
15	1	172187-76940	RUBBER	2	2	2					
16	1	172142-76950-6	CLAMP	1	1	1					
16-1	1	172142-76950-Y	CLAMP, 1/2	1	1	1					S
		(A=M11501) (B=M11501) (C=M11501)									
17	1	22137-100000	WASHER, 10	2	2	2					
18	1	22137-100000	WASHER, 10	4	4	4					
19	1	26013-100502	BOLT, M10X 50	2	2	2					
20	1	26013-100552	BOLT, M10X 55	4	4	4					
21	1	26013-120402	BOLT, M12X 40	1	1	1					
22	1	26013-120552	BOLT, M12X 55	1	1	1					
23	1	172A69-72070	TUBE ASSY, BOOM	1							
23-1	1	172A69-72070-N	TUBE ASSY, BOOM	1							S
		(A=M11501) (B=M11501) (C=M11501)									
24	1	172499-78210	HOSE	1	1	1					
25	1	172A69-78550	HOSE	1	1	1					
26	1	172A69-78570	HOSE	1	1	1					
27	1	172A69-78680	COVER, HOSE	1	1	1					

Fig.97. HYD.OIL PIPING(BOOM)



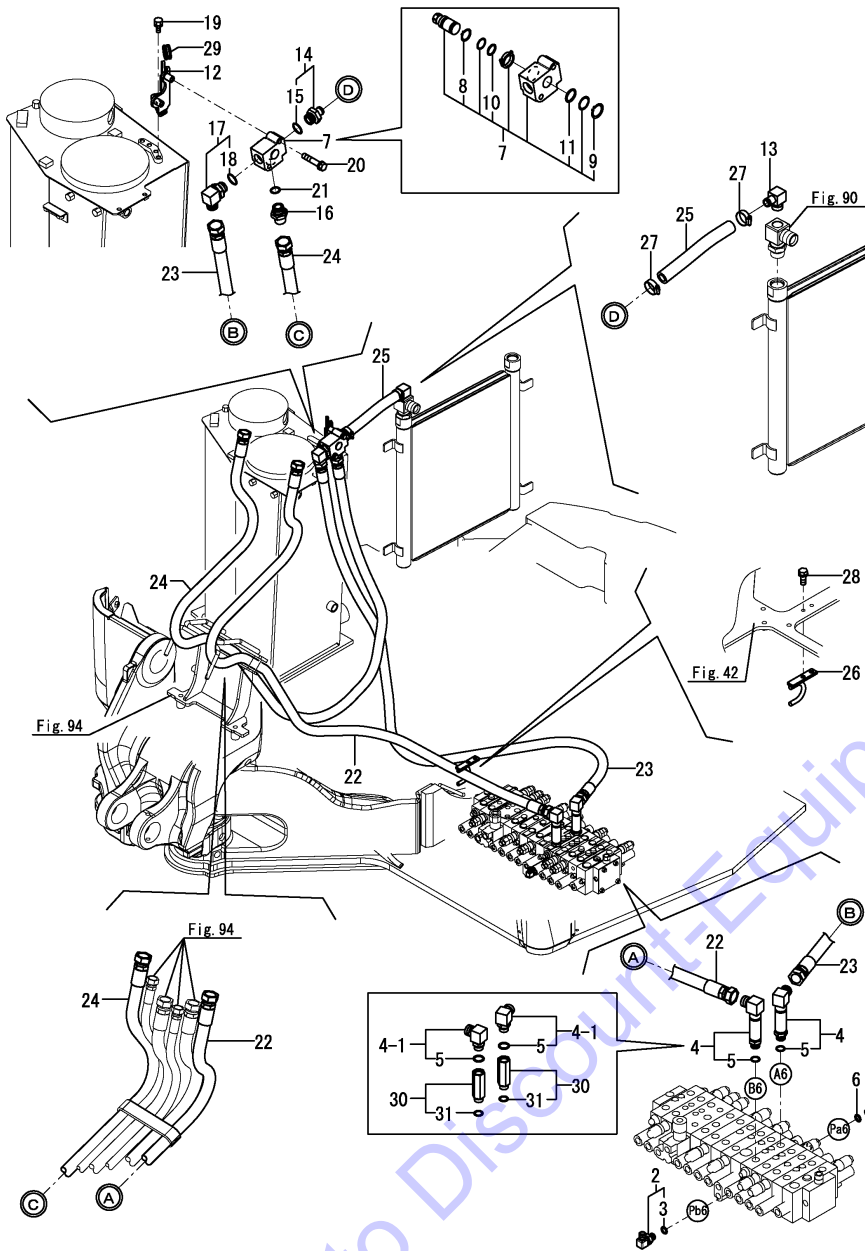
(A)=SV100-1(US)  
 (B)=SV100-1(AS)  
 (C)=SV100-1(NZ)

(D)=  
 (E)=  
 (F)=

No.	Lev.	Parts No.	Description	Q'ty						I	R
				(A)	(B)	(C)	(D)	(E)	(F)		
28	1	172A69-79890	CLIP, HOSE	2	2	2					
29	1	172A69-72680	CLAMP ASSY, HOSE	2							
30	1	172187-78100	RUBBER	2							
31	1	172A69-78280	HOSE	1							
32	1	26013-100202	BOLT, M10X 20	2							
32-1	1	26013-100162	BOLT, M10X 16	2							N

(A=M10559)

Fig.98. HYD.OIL.PIPING(P.T.O. : FRAME END)



(A)=SV100-1(US)  
 (B)=SV100-1(AS)  
 (C)=SV100-1(NZ)

(D)=  
 (E)=  
 (F)=

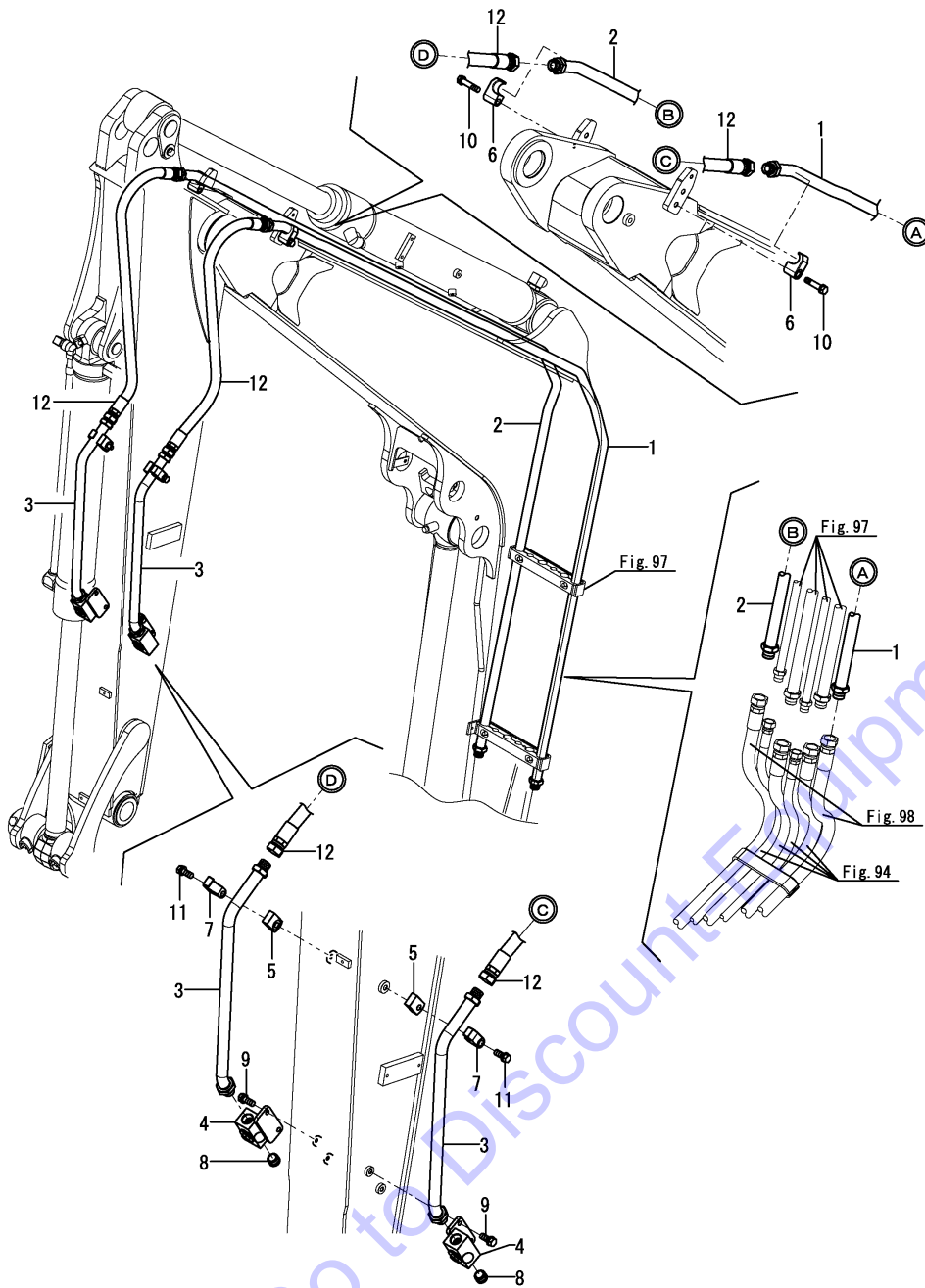
No.	Lev.	Parts No.	Description	Q'ty						I	R
				(A)	(B)	(C)	(D)	(E)	(F)		
1	1	172123-76121	ADAPTER	1	1	1					
2	1	172141-76181	CONNECTOR ASSY, 02FF	1	1	1					
3	2	41851-000110	O-RING	1	1	1					
4	1	172455-76580	ELBOW	2	2	2					
4-1	1	172151-76161	ELBOW ASSY	2	2	2				F	1
		(A=M10534) (B=M10534) (C=M10534)									
5	2	24315-000180	O-RING, 1BP18.0	2	2	2					
6	1	41851-000110	O-RING	1	1	1					
7	1	172A69-74050	VALVE ASSY,SELECOR	1	1	1					
8	2	22242-000210	RING, 21	1	1	1					
9	2	22242-000250	RING, 25	1	1	1					
10	2	24315-000210	O-RING, 1BP21.0	1	1	1					
11	2	24315-000250	O-RING, 1BP25.0	1	1	1					
12	1	172A69-74070	STAY, VALVE	1	1	1					
13	1	172467-76120	ELBOW	1	1	1					
14	1	172524-76210	NIPPLE, HOSE 3/4	1	1	1					
15	2	24315-000240	O-RING, 1BP24.0	1	1	1					
16	1	172142-76240	JOINT	1	1	1					
17	1	172165-76380	CONNECTOR ASSY	1	1	1					
18	2	24315-000240	O-RING, 1BP24.0	1	1	1					
19	1	26013-100162	BOLT, M10X 16	2	2	2					
20	1	26013-100502	BOLT, M10X 50	2	2	2					
21	1	41851-000240	O-RING	1	1	1					
22	1	172A69-78400	HOSE G112BB265K	1	1	1					
22-1	1	172A69-78401	HOSE G112BB265K	1	1	1					N
		(A=M10653) (B=M10653) (C=M10653)									
23	1	172A69-78410	HOSE G112BB195K	1	1	1					
24	1	172A69-78420	HOSE G112BB296K	1	1	1					
25	1	172A69-78490	HOSE G812YY024	1	1	1					
26	1	172A69-79900	GUIDE ASSY, HOSE	1	1	1					Z
		(A=M10653) (B=M10653) (C=M10653)									
27	1	23001-025000	CLAMP, HOSE 25	2	2	2					
28	1	26013-080202	BOLT, M8X 20	2	2	2					Z
		(A=M10653) (B=M10653) (C=M10653)									
29	1	172422-78760	GROMMET	1	1	1					W
		(A=M10501) (B=M10501) (C=M10501)									
30	1	172A21-76120	ADAPTER G1/2-1/2	2	2	2					W
		(A=M10534) (B=M10534) (C=M10534)									
31	2	41851-000180	PACKING, 18.0	2	2	2					W

Remarks

(1)Interchangeable by simultaneous replacement with No.30.

N:Old  $\begin{matrix} \leftarrow \text{Yes} \\ \text{No} \end{matrix}$  New, Q:Old  $\begin{matrix} \leftarrow \text{No} \\ \text{Yes} \end{matrix}$  New, R:Old  $\begin{matrix} \leftarrow \text{Yes} \\ \text{Yes} \end{matrix}$  New, S:Old  $\begin{matrix} \leftarrow \text{No} \\ \text{No} \end{matrix}$  New, W:Add, Z:Discontinued, F:Interchangeable by set, K:Q'ty Change

Fig.99. HYD.OIL PIPING(P.T.O. : ARM END)

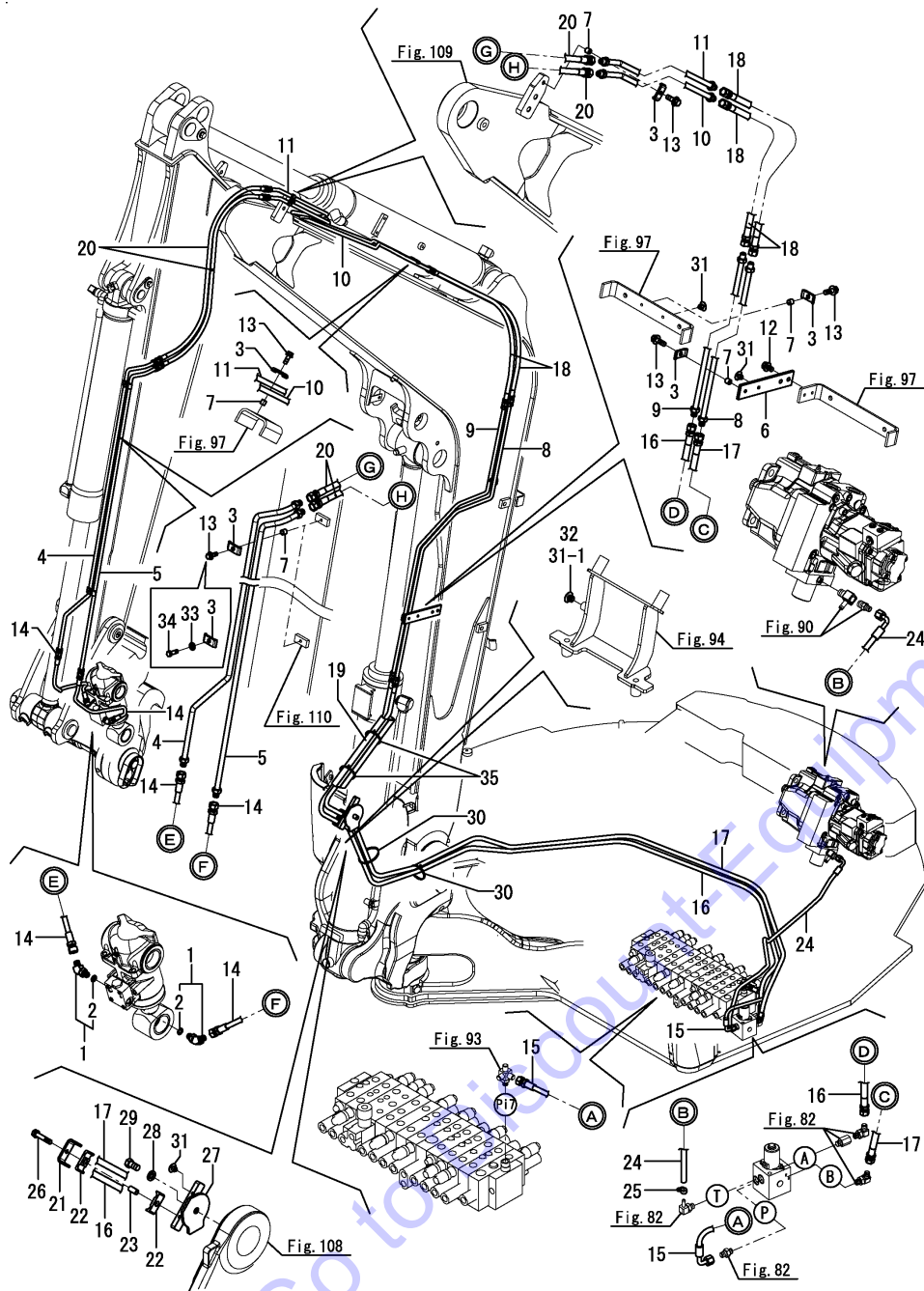


(A)=SV100-1(US)  
 (B)=SV100-1(AS)  
 (C)=SV100-1(NZ)

(D)=  
 (E)=  
 (F)=

No.	Lev.	Parts No.	Description	Q'ty						I	R
				(A)	(B)	(C)	(D)	(E)	(F)		
1	1	172A69-76300	TUBE ASSY, PTO	1	1	1					
1-1	1	172A69-76300-Y	TUBE ASSY, PTO	1	1	1					S
		(A=M11501) (B=M11501) (C=M11501)									
2	1	172A69-76320	TUBE ASSY, PTO	1	1	1					
2-1	1	172A69-76320-Y	TUBE ASSY, PTO	1	1	1					S
		(A=M11501) (B=M11501) (C=M11501)									
3	1	172499-76500-1	TUBE ASSY, ARM	2	2	2					
3-1	1	172499-76500-Y	TUBE ASSY, ARM	2	2	2					S
		(A=M11501) (B=M11501) (C=M11501)									
4	1	172176-76581-5	VALVE ASSY, STOP	2	2	2					
4-1	1	172176-76582-2	VALVE ASSY, STOP	2	2	2					N
		(A=M10597) (B=M10597) (C=M10597)									
4-2	1	172176-76582-Y	VALVE 12 ASSY, STOP	2	2	2					S
		(A=M11501) (B=M11501) (C=M11501)									
5	1	172187-76690-2	PLATE	2	2	2					
5-1	1	172187-76690-Y	PLATE	2	2	2					S
		(A=M11501) (B=M11501) (C=M11501)									
6	1	172142-76940-2	CLAMP	2	2	2					
6-1	1	172142-76940-Y	CLAMP	2	2	2					S
		(A=M11501) (B=M11501) (C=M11501)									
7	1	172142-76940-2	CLAMP	2	2	2					
7-1	1	172142-76940-Y	CLAMP	2	2	2					S
		(A=M11501) (B=M11501) (C=M11501)									
8	1	23871-060000	PLUG, R06	2	2	2					
9	1	26013-100252	BOLT, M10X 25	4	4	4					
10	1	26013-120552	BOLT, M12X 55	2	2	2					
11	1	26013-120702	BOLT, M12X 70	2	2	2					
12	1	172187-79300	HOSE	2	2	2					

Fig.100. HYD.OIL PIPING(QUICK COUPLER)

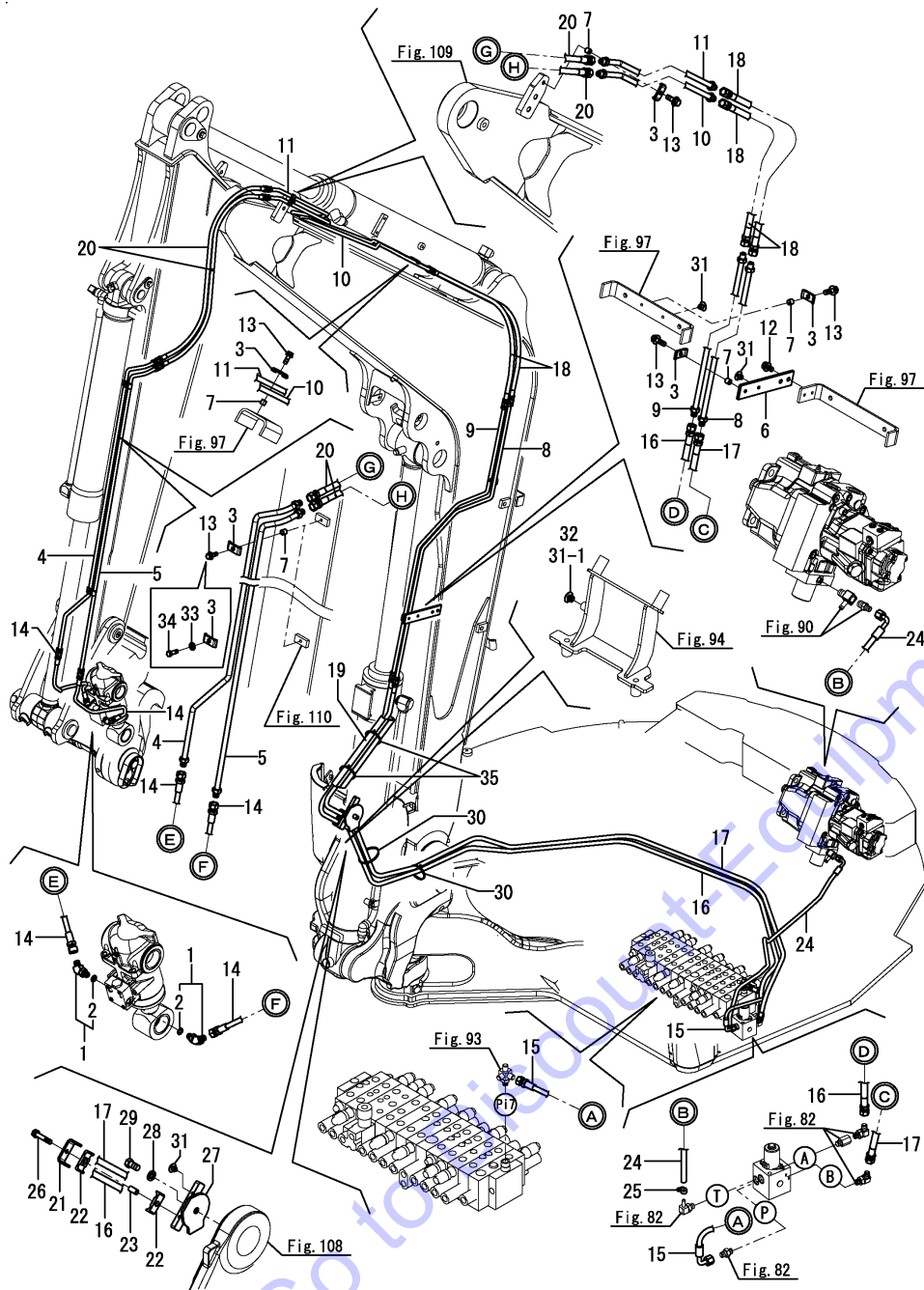


(A)=SV100-1(US)  
(B)=SV100-1(AS)  
(C)=SV100-1(NZ)

(D)=  
(E)=  
(F)=

No.	Lev.	Parts No.	Description	Qty						I	R
				(A)	(B)	(C)	(D)	(E)	(F)		
1	1	172978-76100	ELBOW	2	2	2					
2	2	24315-000110	O-RING, 1BP11.0	2	2	2					
3	1	172110-76170-3	PLATE	6	6	6					
3-1	1	172110-76170	PLATE	6	6	6					R
		(A=*2013.03.) (B=*2013.03.) (C=*2013.03.)									
4	1	172978-76480-2	TUBE ASSY, ARM	1	1	1					
4-1	1	172978-76480-Y	TUBE ASSY, ARM	1	1	1					S
		(A=M11501) (B=M11501) (C=M11501)									
5	1	172978-76500-2	TUBE ASSY, ARM	1	1	1					
5-1	1	172978-76500-Y	TUBE ASSY, ARM	1	1	1					S
		(A=M11501) (B=M11501) (C=M11501)									
6	1	172A69-76510	PLATE,CLAMP Q HV(2J)	1	1	1					
6-1	1	172A69-76510-Y	PLATE,CLAMP Q HV	1	1	1					S
		(A=M11501) (B=M11501) (C=M11501)									
7	1	172137-76580	COLLAR	6	6	6					
8	1	172A69-76600	TUBE ASSY	1	1	1					
8-1	1	172A69-76600-Y	TUBE ASSY	1	1	1					S
		(A=M11501) (B=M11501) (C=M11501)									
9	1	172A69-76620	TUBE ASSY	1	1	1					
9-1	1	172A69-76620-Y	TUBE ASSY	1	1	1					S
		(A=M11501) (B=M11501) (C=M11501)									
10	1	172A69-76640	TUBE ASSY	1	1	1					
10-1	1	172A69-76640-Y	TUBE ASSY	1	1	1					S
		(A=M11501) (B=M11501) (C=M11501)									
11	1	172A69-76660	TUBE ASSY	1	1	1					
11-1	1	172A69-76660-Y	TUBE ASSY	1	1	1					S
		(A=M11501) (B=M11501) (C=M11501)									
12	1	26014-080162	BOLT, M8X 16	2	2	2					
13	1	26014-080252	BOLT, M8X 25	6	6	6					
13-1	1	26014-080252	BOLT, M8X 25	4	4	4					K
		(A=M10674) (B=M10674) (C=M10674)									
14	1	172958-78120	HOSE	2	2	2					
15	1	172A69-78590	HOSE H604BC032	1	1	1					
15-1	1	172A69-78591	HOSE H604CC025	1	1	1					N
		(A=M10643) (B=M10643) (C=M10643)									
16	1	172A69-78600	HOSE H604BB334K	1	1	1					
16-1	1	172A89-78600	HOSE H604BB339K	1	1	1					N
		(A=M10674) (B=M10674) (C=M10674)									
17	1	172A69-78610	HOSE H604BB334K	1	1	1					
17-1	1	172A89-78610	HOSE H604BB339K	1	1	1					N
		(A=M10674) (B=M10674) (C=M10674)									
18	1	172A69-78620	HOSE H604BB093K	2	2	2					
19	1	172A69-78670	COVER, HOSE	1	1	1					
20	1	172499-79120	HOSE	2	2	2					
21	1	172A69-79200	CLAMP, 54X25	1	1	1					
22	1	172A69-79210	SUPPORT, RUBBER	2	2	2					
23	1	172A69-79220	COLLAR, 9X24	1	1	1					
24	1	172A69-79620	HOSE G804CY125	1	1	1					
25	1	23000-013000	CLAMP, 13	1	1	1					
26	1	26013-080402	BOLT, SPRING M8X 40	1	1	1					
27	1	172A69-79250	CLAMP ASSY	1	1	1					

Fig.100. HYD.OIL PIPING(QUICK COUPLER)



(A)=SV100-1(US)  
 (B)=SV100-1(AS)  
 (C)=SV100-1(NZ)

(D)=  
 (E)=  
 (F)=

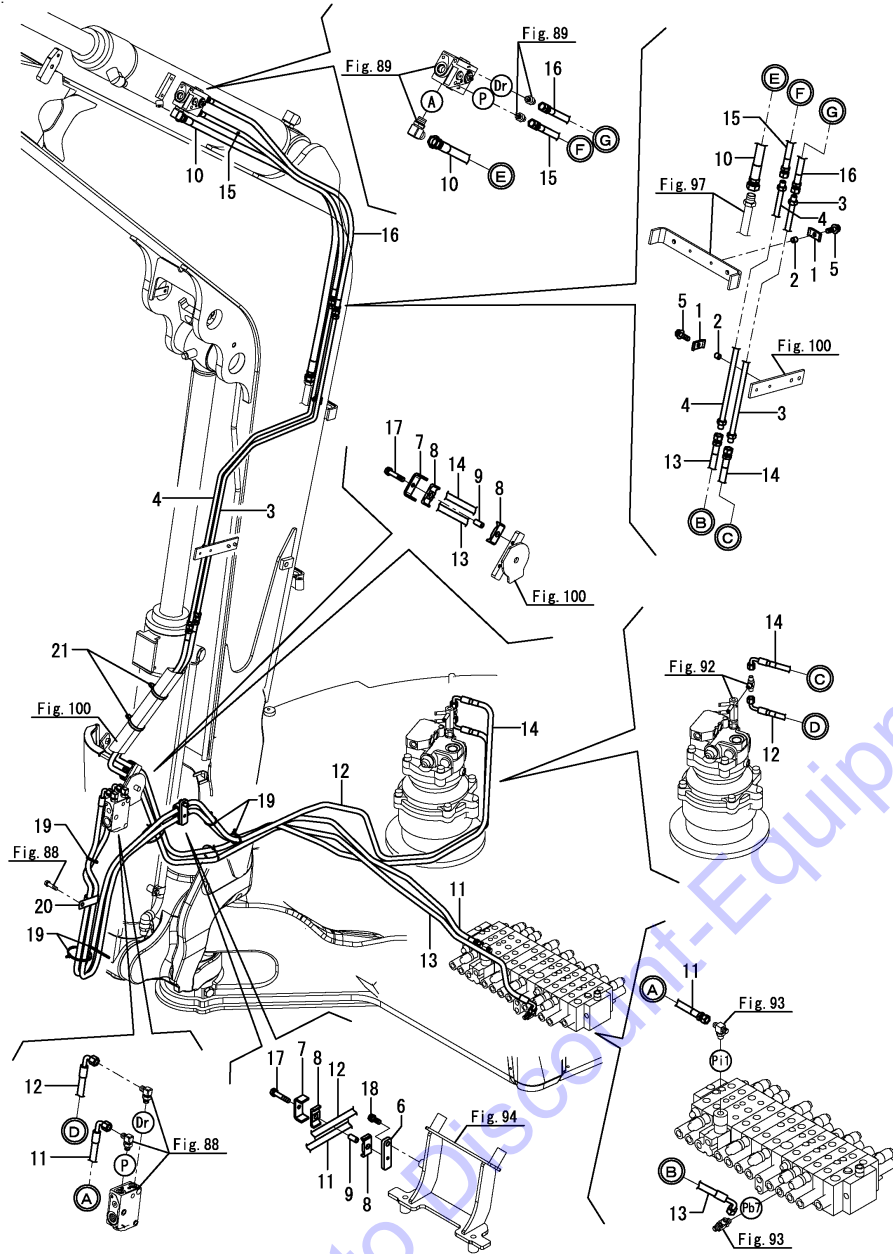
No.	Lev.	Parts No.	Description	Q'ty						I	R
				(A)	(B)	(C)	(D)	(E)	(F)		
27-1	1	172A69-79250-Y (A=M11501)	CLAMP ASSY (B=M11501) (C=M11501)	1	1	1					S
28	1	22217-140000	WASHER, SPRING 14	1	1	1					
29	1	26116-140252	BOLT, M14X 25 PLATED	1	1	1					
30	1	194202-56460	BAND, 200	2	2	2					
31	1	172444-17660	CLIP, TREE	3							
31-1	1	172444-17660 (A=*2010.05.)	CLIP, TREE	4							K
31-2	1	172B11-76900 (A=*2015.07.)	CLIP, TREE 8	4							N
32	1	172183-81160 (A=*2010.05.)	CLIP, TREE	1							Z
33	1	22217-080000 (A=M10674)	WASHER, SPRING 8 (B=M10674) (C=M10674)	2	2	2					W
34	1	26076-080252 (A=M10674)	BOLT, 10.98X 25 (B=M10674) (C=M10674)	2	2	2					W
35	1	172126-11510 (A=M10674)	BAND (B=M10674) (C=M10674)	2	2	2					W



Fig.101. HYD.OIL PIPING(HOLD VALVE)

(A)=SV100-1(US)  
 (B)=SV100-1(AS)  
 (C)=SV100-1(NZ)

(D)=  
 (E)=  
 (F)=



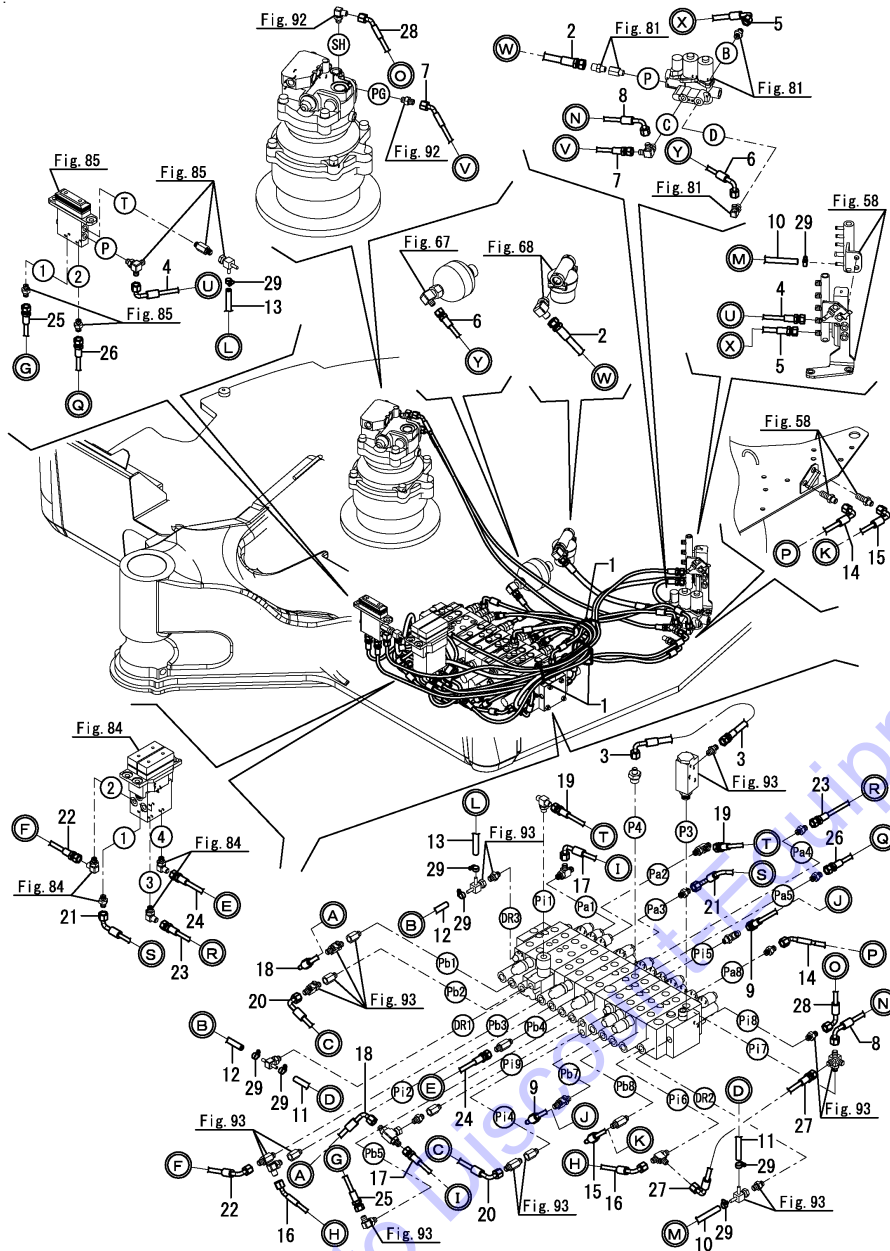
No.	Lev.	Parts No.	Description	Q'ty						I	R
				(A)	(B)	(C)	(D)	(E)	(F)		
1	1	172110-76170-3	PLATE	2	2	2					
1-1	1	172110-76170	PLATE	2	2	2					R
		(A=*2010.03) (B=*2010.03) (C=*2010.03)									
2	1	172137-76580	COLLAR	2	2	2					
3	1	172A69-77480	TUBE ASSY	1	1	1					
3-1	1	172A69-77480-Y	TUBE ASSY	1	1	1					S
		(A=M11501) (B=M11501) (C=M11501)									
4	1	172A69-77500	TUBE ASSY	1	1	1					
4-1	1	172A69-77500-Y	TUBE ASSY	1	1	1					S
		(A=M11501) (B=M11501) (C=M11501)									
5	1	26014-080252	BOLT, M8X 25	2	2	2					
6	1	172A69-79050	PLATE,CLAMP H	1	1	1					
7	1	172A69-79200	CLAMP, 54X25	2	2	2					
8	1	172A69-79210	SUPPORT, RUBBER	4	4	4					
9	1	172A69-79220	COLLAR, 9X24	2	2	2					
10	1	172A69-79690	HOSE H108BB168K	1	1	1					
11	1	172A69-79700	HOSE H604BC268K	1	1	1					
12	1	172A69-79711	HOSE H604CC285K	1	1	1					
13	1	172A69-79720	HOSE H604BC260K	1	1	1					
14	1	172A69-79730	HOSE H604BC264K	1	1	1					
15	1	172A69-79740	HOSE H604BB131K	1	1	1					
16	1	172A69-79750	HOSE H604BB133K	1	1	1					
17	1	26013-080402	BOLT, M8X 40	2	2	2					
18	1	26013-100252	BOLT, M10X 25	1	1	1					
19	1	194202-56460	BAND, 200	9	9	9					
19-1	1	194202-56460	BAND, 200	11	11	11					R
		(A=M10501) (B=M10501) (C=M10501)									
20	1	1E6212-82820	CLIP	1	1	1					W
		(B=M10674) (C=M10674)									
21	1	172126-11510	BAND	2	2	2					

Remarks

\* Hold valve kit is shown in Fig.121.

N:Old  $\begin{matrix} \text{Yes} \\ \text{No} \end{matrix}$  New, Q:Old  $\begin{matrix} \text{No} \\ \text{Yes} \end{matrix}$  New, R:Old  $\begin{matrix} \text{Yes} \\ \text{No} \end{matrix}$  New, S:Old  $\begin{matrix} \text{No} \\ \text{Yes} \end{matrix}$  New, W:Add, Z:Discontinued, F:Interchangeable by set, K:Q'ty Change

Fig.102. CONTROL PIPING(CONTROL VALVE - SOLENOID VALVE)



(A)=SV100-1(US)  
 (B)=SV100-1(AS)  
 (C)=SV100-1(NZ)

(D)=  
 (E)=  
 (F)=

No.	Lev.	Parts No.	Description	Qty						I	R
				(A)	(B)	(C)	(D)	(E)	(F)		
1	1	194202-56460	BAND, 200	4	4	4					
1-1	1	194202-56460	BAND, 200	5	5	5					R
		(A=M10501) (B=M10501) (C=M10501)									
2	1	172A69-78190	HOSE	1	1	1					
3	1	172A69-78370	HOSE	1	1	1					
4	1	172A69-78860	HOSE	1	1	1					
5	1	172A69-78870	HOSE	1	1	1					
6	1	172A69-78880	HOSE	1	1	1					
7	1	172A69-78890	HOSE	1	1	1					
7-1	1	172A69-79950	HOSE, F403BE145S	1	1	1					S
		(A=M11061) (B=M11061) (C=M11061)									
8	1	172A69-78910	HOSE	1	1	1					
9	1	172A69-78920	HOSE	1	1	1					
10	1	172A69-78930	HOSE	1	1	1					
11	1	172A69-78940	HOSE	1	1	1					
12	1	172A69-78950	HOSE	1	1	1					
13	1	172A69-78960	HOSE	1	1	1					
14	1	172A69-78980	HOSE	1	1	1					
15	1	172A69-78990	HOSE	1	1	1					
16	1	172A69-79400	HOSE	1	1	1					
17	1	172A69-79410	HOSE	1	1	1					
18	1	172A69-79420	HOSE	1	1	1					
19	1	172A69-79430	HOSE	1	1	1					
20	1	172A69-79440	HOSE	1	1	1					
21	1	172A69-79450	HOSE	1	1	1					
22	1	172A69-79460	HOSE	1	1	1					
23	1	172A69-79470	HOSE	1	1	1					
24	1	172A69-79480	HOSE	1	1	1					
24-1	1	172A69-79481	HOSE H603BC036	1	1	1					N
		(A=M10643) (B=M10643) (C=M10643)									
25	1	172A69-79500	HOSE	1	1	1					
25-1	1	172A69-79501	HOSE F403BC042	1	1	1					N
		(A=M10643) (B=M10643) (C=M10643)									
26	1	172A69-79510	HOSE	1	1	1					
26-1	1	172A69-79511	HOSE F403BC133	1	1	1					N
		(A=M10643) (B=M10643) (C=M10643)									
27	1	172A69-79520	HOSE	1	1	1					
28	1	172A69-79530	HOSE	1	1	1					
28-1	1	172A69-79960	HOSE, F403CE160S	1	1	1					S
		(A=M11061) (B=M11061) (C=M11061)									
29	1	23000-013000	CLAMP, 13	8	8	8					

Remarks

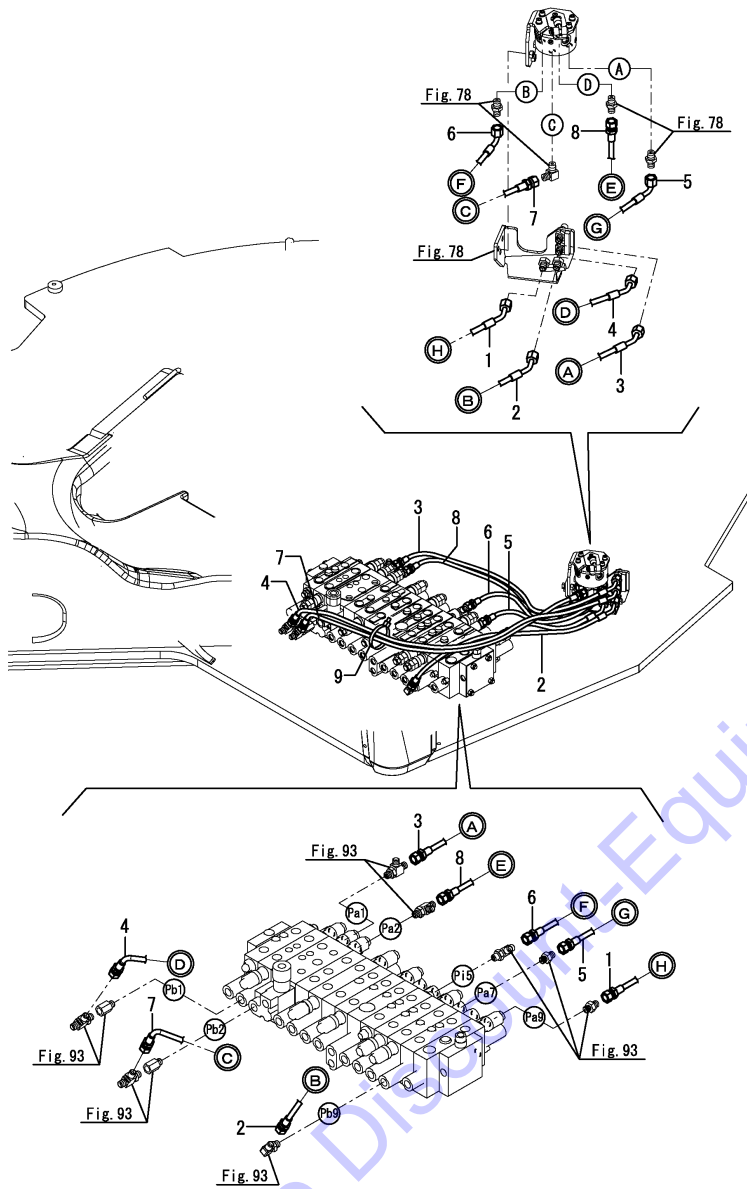
\* Fitting(control valve) is shown in Fig.93.

N:Old  $\begin{matrix} \text{Yes} \\ \text{No} \end{matrix}$  New, Q:Old  $\begin{matrix} \text{No} \\ \text{Yes} \end{matrix}$  New, R:Old  $\begin{matrix} \text{Yes} \\ \text{Yes} \end{matrix}$  New, S:Old  $\begin{matrix} \text{No} \\ \text{No} \end{matrix}$  New, W:Add, Z:Discontinued, F:Interchangeable by set, K:Q'ty Change

Fig.103. CONTROL PIPING(CONTROL VALVE - 2-WAY VALVE)

(A)=SV100-1(US)  
 (B)=SV100-1(AS)  
 (C)=SV100-1(NZ)

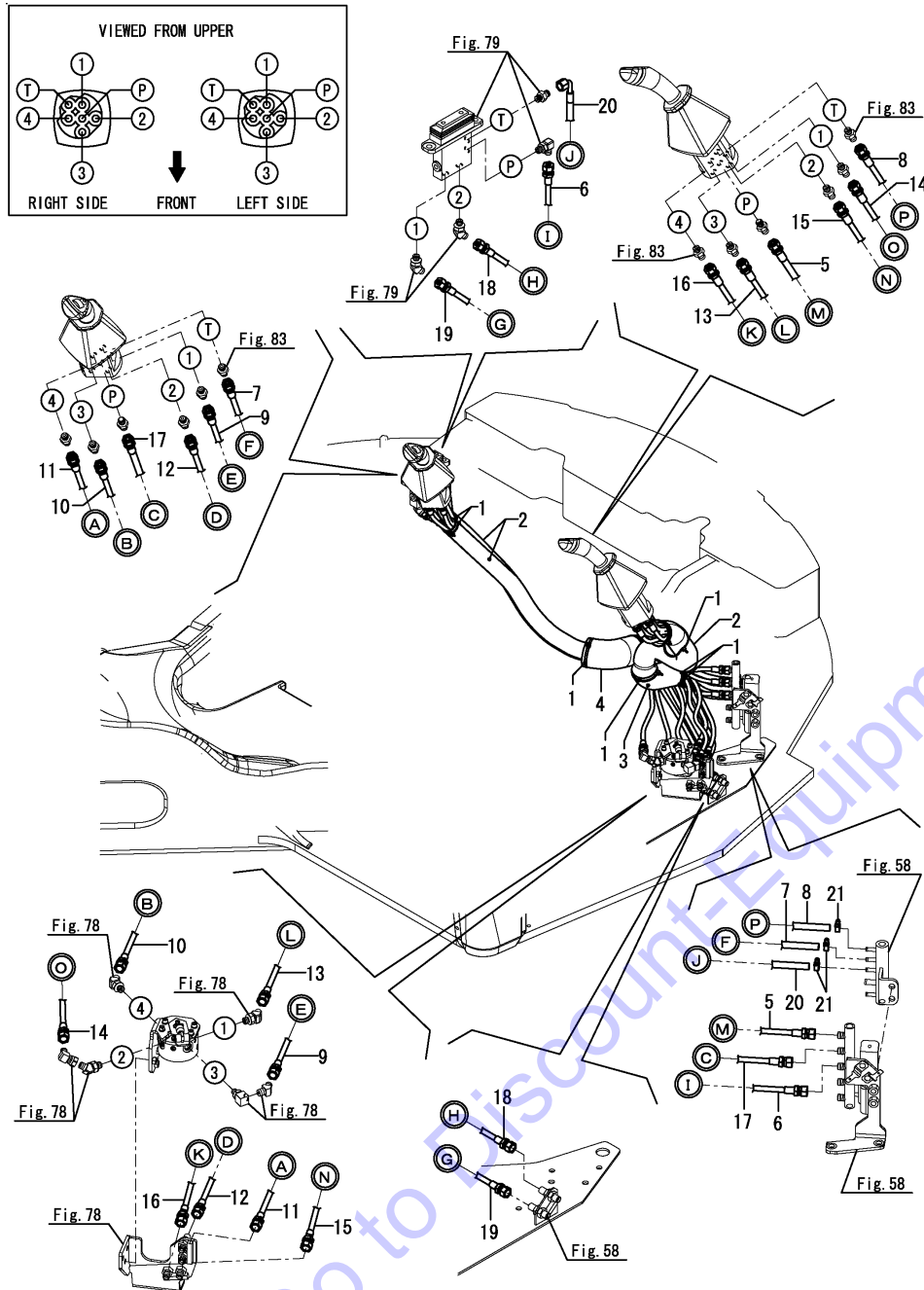
(D)=  
 (E)=  
 (F)=



No.	Lev.	Parts No.	Description	Q'ty						I	R
				(A)	(B)	(C)	(D)	(E)	(F)		
1	1	172A69-79800	HOSE H603BE030	1	1	1					
2	1	172A69-79810	HOSE F403BE075	1	1	1					
3	1	172A69-79820	HOSE F403BE079	1	1	1					
4	1	172A69-79830	HOSE F403BE112	1	1	1					
5	1	172A69-79840	HOSE F403BC040	1	1	1					
6	1	172A69-79850	HOSE F403BC082	1	1	1					
7	1	172A69-79860	HOSE F403BB081	1	1	1					
8	1	172A69-79870	HOSE F403BB071	1	1	1					
9	1	194202-56460	BAND, 200	1	1	1					

Remarks  
 \* Fitting(control valve) is shown in Fig.93.

Fig.104. CONTROL PIPING(2-WAY VALVE - REMOTE CONTROL VALVE)



(A)=SV100-1(US)  
 (B)=SV100-1(AS)  
 (C)=SV100-1(NZ)

(D)=  
 (E)=  
 (F)=

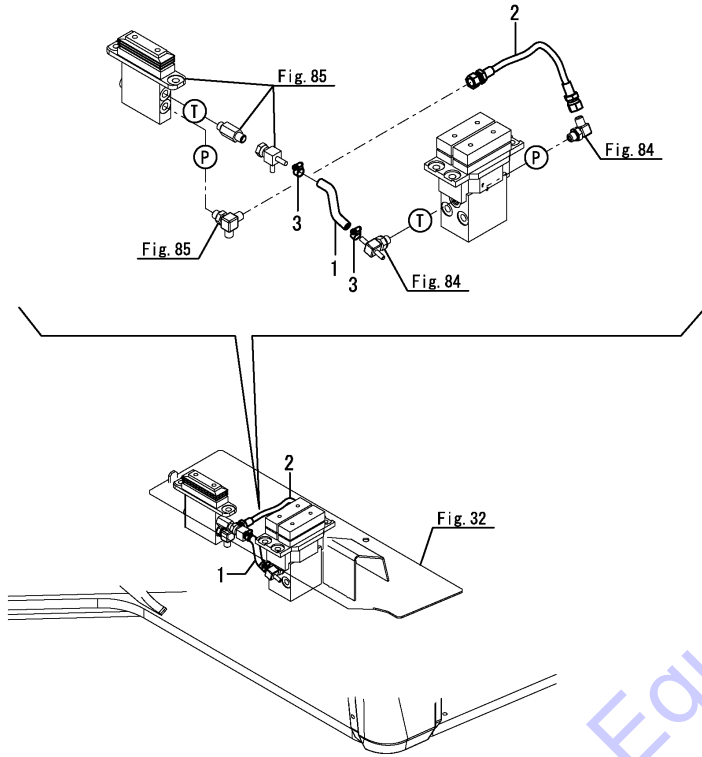
No.	Lev.	Parts No.	Description	Qty						I	R
				(A)	(B)	(C)	(D)	(E)	(F)		
1	1	172126-11510	BAND	10	10	10					
1-1	1	172126-11510	BAND	12	12	12					K
		(A=M10501) (B=M10501) (C=M10501)									
2	1	172A69-78630	COVER, HOSE	3	3	3					
3	1	172A69-78650	SPONGE, HOSE	1	1	1					
4	1	172A69-78660	SPONGE, HOSE	1	1	1					
5	1	172A69-78700	HOSE	1	1	1					
6	1	172A69-78710	HOSE	1	1	1					
6-1	1	172A69-78711	HOSE, H603BB097	1	1	1					N
		(A=*2013.12) (B=*2013.12) (C=*2013.12)									
7	1	172A69-78720	HOSE	1	1	1					
8	1	172A69-78730	HOSE	1	1	1					
8-1	1	172A69-78731	HOSE, G804BY103	1	1	1					N
		(A=*2013.12) (B=*2013.12) (C=*2013.12)									
9	1	172A69-78740	HOSE	1	1	1					
10	1	172A69-78750	HOSE	1	1	1					
11	1	172A69-78760	HOSE	1	1	1					
12	1	172A69-78770	HOSE	1	1	1					
13	1	172A69-78780	HOSE	1	1	1					
13-1	1	172A69-78781	HOSE, H603BB112	1	1	1					N
		(A=*2013.12) (B=*2013.12) (C=*2013.12)									
14	1	172A69-78790	HOSE	1	1	1					
14-1	1	172A69-78791	HOSE, H603BB111	1	1	1					N
		(A=*2013.12) (B=*2013.12) (C=*2013.12)									
15	1	172A69-78800	HOSE	1	1	1					
15-1	1	172A69-78801	HOSE, H603BB111	1	1	1					N
		(A=*2013.12) (B=*2013.12) (C=*2013.12)									
16	1	172A69-78810	HOSE	1	1	1					
16-1	1	172A69-78811	HOSE, H603BB110	1	1	1					N
		(A=*2013.12) (B=*2013.12) (C=*2013.12)									
17	1	172A69-78820	HOSE	1	1	1					
18	1	172A69-78830	HOSE	1	1	1					
19	1	172A69-78840	HOSE	1	1	1					
20	1	172A69-78850	HOSE	1	1	1					
21	1	23000-013000	CLAMP, 13	3	3	3					

Fig.105. CONTROL PIPING(TRAVEL, SWING PEDAL)

(A)=SV100-1(US)  
 (B)=SV100-1(AS)  
 (C)=SV100-1(NZ)

(D)=  
 (E)=  
 (F)=

No.	Lev.	Parts No.	Description	Q'ty						I	R
				(A)	(B)	(C)	(D)	(E)	(F)		
1	1	172A69-78970	HOSE	1	1	1					
2	1	172A69-79490	HOSE	1	1	1					
3	1	23000-013000	CLAMP, 13	2	2	2					

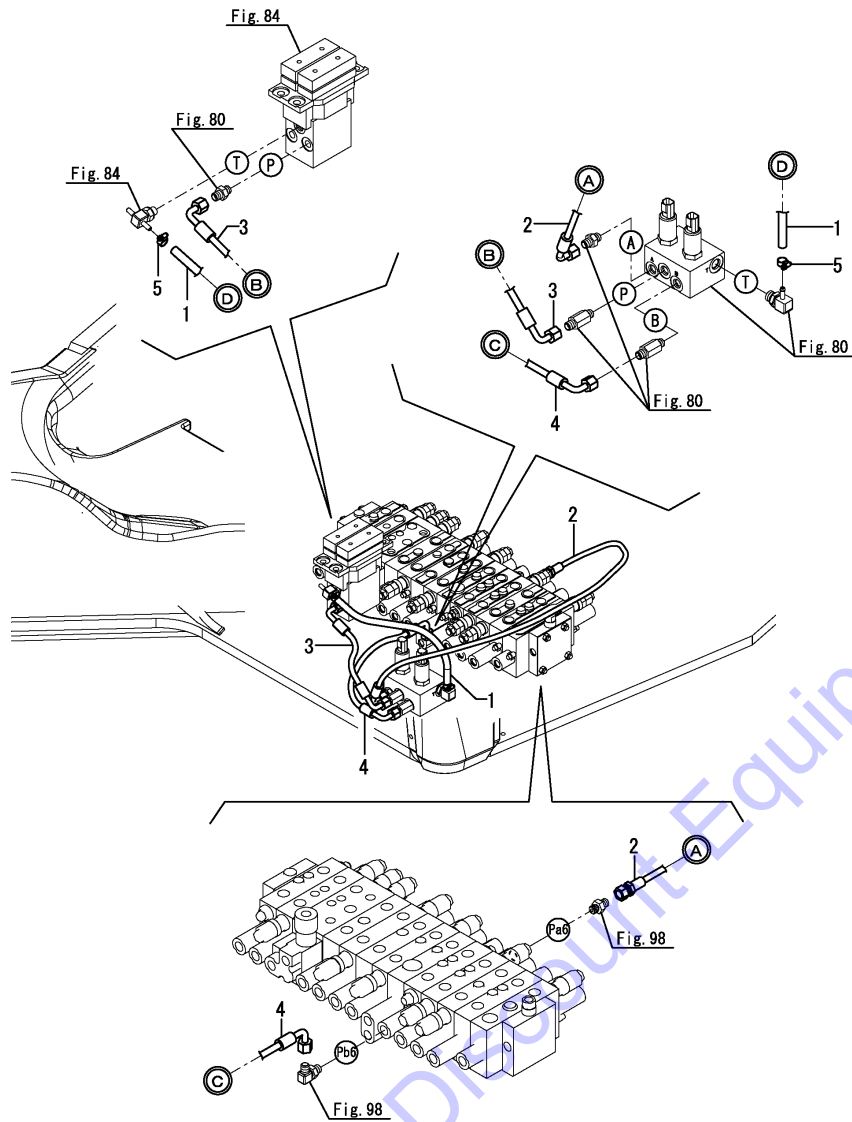


Go to Discount-Equipment.com to order your parts

Fig.106. CONTROL PIPING(P.T.O.)

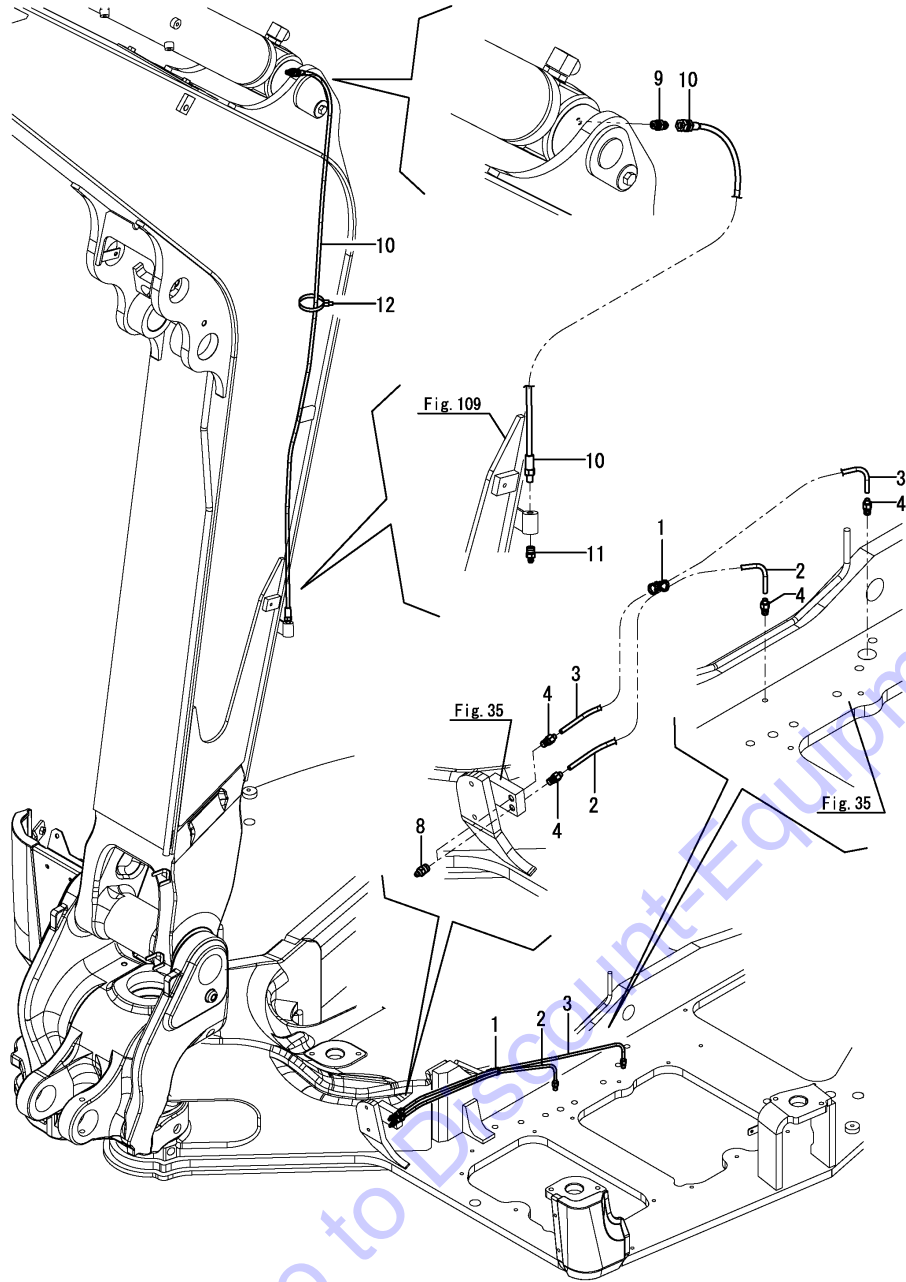
(A)=SV100-1(US)  
 (B)=SV100-1(AS)  
 (C)=SV100-1(NZ)

(D)=  
 (E)=  
 (F)=



No.	Lev.	Parts No.	Description	Q'ty						I	R
				(A)	(B)	(C)	(D)	(E)	(F)		
1	1	172A69-79540	HOSE G804YY036	1	1	1					
2	1	172A69-79550	HOSE F403BC105	1	1	1					
3	1	172A69-79560	HOSE H603CC023	1	1	1					
4	1	172A69-79570	HOSE H603CC030	1	1	1					
5	1	23000-013000	CLAMP, 13	2	2	2					

Fig.107. GREASING



(A)=SV100-1(US)  
 (B)=SV100-1(AS)  
 (C)=SV100-1(NZ)

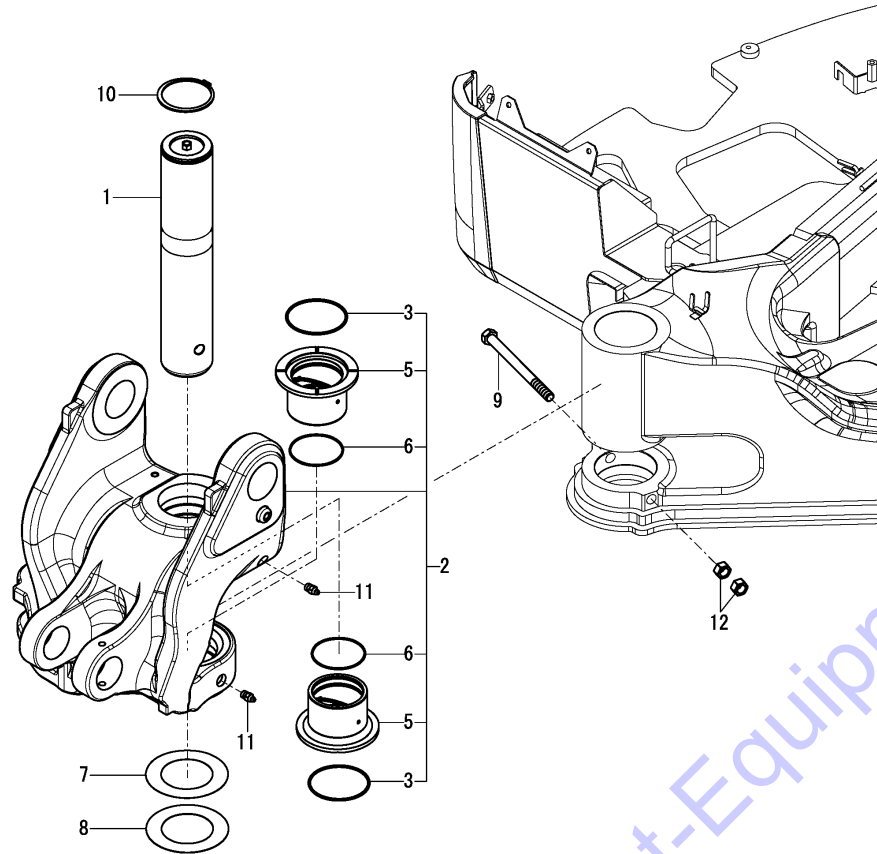
(D)=  
 (E)=  
 (F)=

No.	Lev.	Parts No.	Description	Qty						I	R
				(A)	(B)	(C)	(D)	(E)	(F)		
1	1	172137-16560	BAND	1	1	1					
2	1	172A69-77800	HOSE	1	1	1					
3	1	172A69-77810	HOSE	1	1	1					
4	1	172A47-77820	JOINT, GREASE	4	4	4					
8	1	24761-020000	NIPPLE, GREASE PT1/8	2	2	2					
9	1	172112-77580	JOINT, 1/8	1	1	1					
10	1	172A69-77820	HOSE	1	1	1					
10-1	1	172A89-77820	HOSE P202AF145	1	1	1					S
		(A=M11514) (B=M11514) (C=M11514)									
11	1	24761-020000	NIPPLE, GREASE PT1/8	1	1	1					
12	1	194202-56460	BAND, 200	1	1	1					

Fig.108. BOOM BRACKET

(A)=SV100-1(US)  
 (B)=SV100-1(AS)  
 (C)=SV100-1(NZ)

(D)=  
 (E)=  
 (F)=

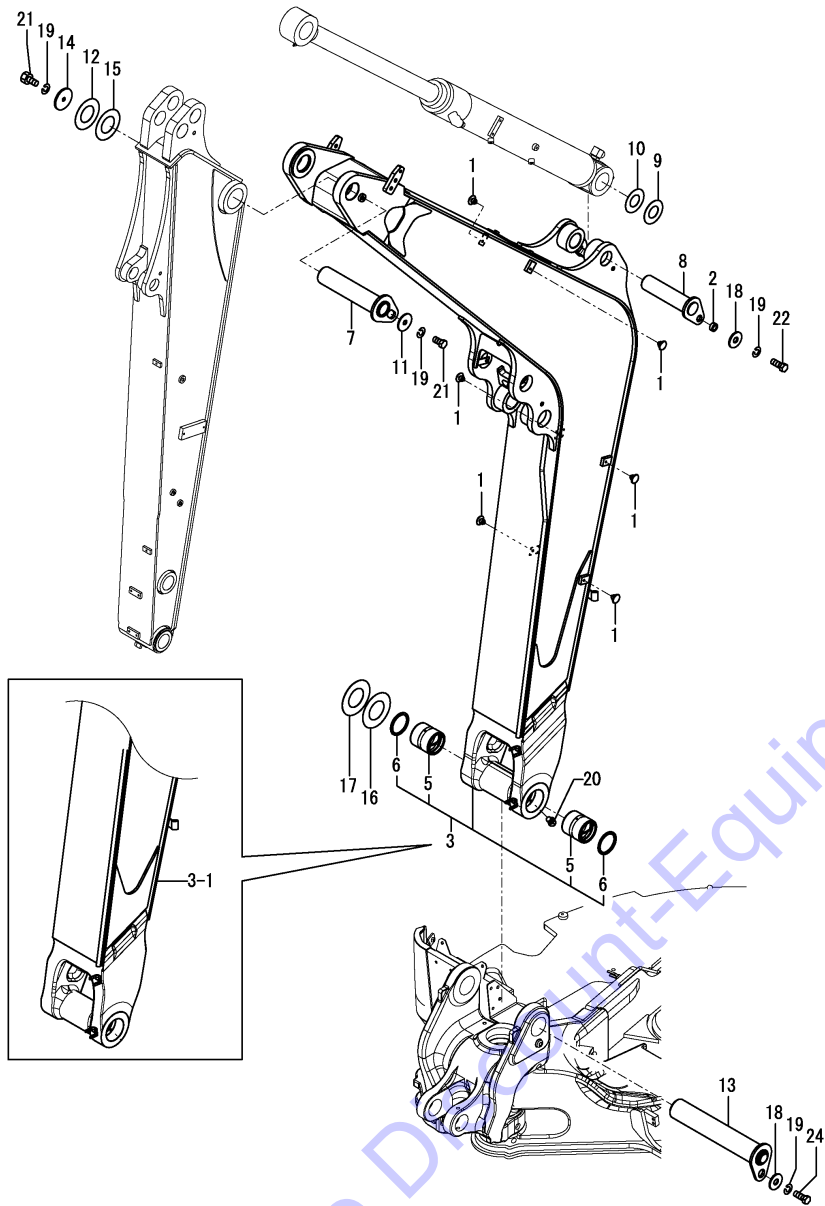


No.	Lev.	Parts No.	Description	Q'ty						I	R
				(A)	(B)	(C)	(D)	(E)	(F)		
1	1	172A69-82100	PIN ASSY	1	1	1					
2	1	172A69-82300	BRACKET ASSY, BOOM	1	1	1					
2-1	1	172A69-82300-Y	BRACKET ASSY, BOOM	1	1	1					S
		(A=M11501)	(B=M11501)	(C=M11501)							
3	2	172162-81680	SEAL, DUST	2	2	2					
5	2	172187-82320	BUSH	2	2	2					
6	2	24321-001000	O-RING, 1AG100.0	2	2	2					
7	1	172187-82400	SHIM	1	1	1					
8	1	172187-82410	SHIM	1	1	1					
9	1	172187-82420	BOLT	1	1	1					
10	1	22242-001000	RING, 100	1	1	1					
11	1	24761-020000	NIPPLE, GREASE PT1/8	2	2	2					
12	1	26716-180002	NUT, M18	2	2	2					

Go to Discount-Equipment.com to Buy Your Parts



Fig.109. BOOM



(A)=SV100-1(US)  
 (B)=SV100-1(AS)  
 (C)=SV100-1(NZ)

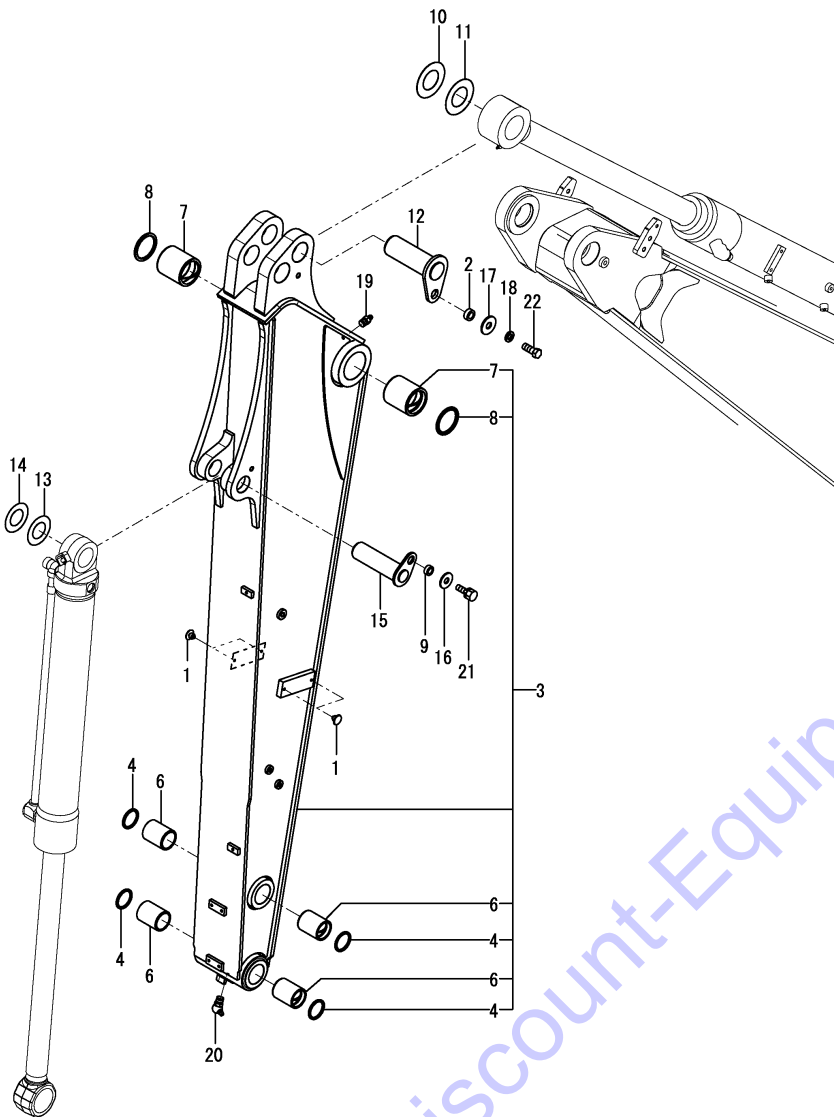
(D)=  
 (E)=  
 (F)=

No.	Lev.	Parts No.	Description	Q'ty						I	R
				(A)	(B)	(C)	(D)	(E)	(F)		
1	1	172444-17660 (A=M11514) (B=M11514) (C=M11514)	CLIP, TREE	6	6	6					Z
2	1	172155-45790	SPACER	1	1	1					
3	1	172A69-81100	BOOM ASSY	1	1	1					1
3-1	1	172A69-81101 (A=M11514) (B=M11514) (C=M11514)	BOOM ASSY	1	1	1					S 1
3-2	1	172A69-81101-Y (A=M11501) (B=M11501) (C=M11501)	BOOM ASSY	1	1	1					S 1
5	2	172A52-81352	BUSH	2	2	2					
6	2	172162-81430	SEAL, DUST	2	2	2					
7	1	172499-81750	PIN ASSY	1	1	1					
7-1	1	172499-81751 (A=M11530) (B=M11530) (C=M11530)	PIN ASSY,70X315	1	1	1					N
8	1	172187-81840	PIN ASSY	1	1	1					
9	1	172499-81850	SHIM	1	1	1					
10	1	172499-81860	SHIM	1	1	1					
11	1	172187-81970	WASHER	1	1	1					
12	1	172445-81990	SHIM	1	1	1					
13	1	172A69-82120	PIN ASSY	1	1	1					
14	1	172187-82430	WASHER	1	1	1					
15	1	172162-83580	SHIM	1	1	1					
16	1	172162-83600	SHIM	1	1	1					
17	1	172162-83610	SHIM	1	1	1					
18	1	22157-140000	WASHER, 14	2	2	2					
19	1	22217-140000	WASHER, SPRING 14	4	4	4					
20	1	24761-040000	NIPPLE, GREASE B	2	2	2					
21	1	26116-140252	BOLT, M14X 25 PLATED	2	2	2					
22	1	26116-140352	BOLT, M14X 35 PLATED	1	1	1					
23A	1	172187-03941	LABEL, BOOM US	2	2	2					2
24	1	26116-140252	BOLT, M14X 25 PLATED	1	1	1					

Remarks

- (1) Attach the No.23A label to this part.
- (2) Not illustrated.

Fig.110. ARM



(A)=SV100-1(US)  
 (B)=SV100-1(AS)  
 (C)=SV100-1(NZ)

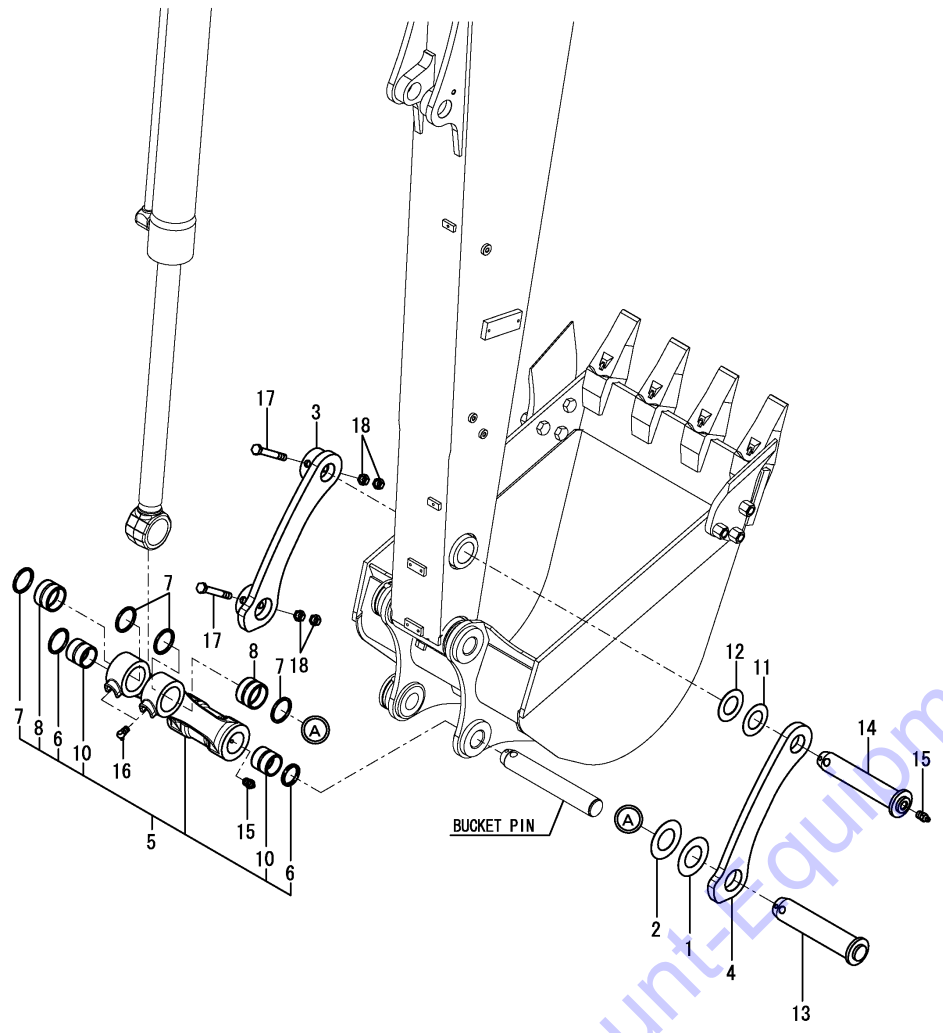
(D)=  
 (E)=  
 (F)=

No.	Lev.	Parts No.	Description	Q'ty						I	R
				(A)	(B)	(C)	(D)	(E)	(F)		
1	1	172444-17660	CLIP, TREE	4	4	4					
2	1	172155-45790	SPACER	1	1	1					
3	1	172A69-81500	ARM ASSY	1	1	1					1
3-1	1	172A69-81500-Y	ARM ASSY	1	1	1					S 1
		(A=M11501) (B=M11501) (C=M11501)									
4	2	172448-54120	SEAL, DUST	4	4	4					
6	2	172187-81710	BUSH	4	4	4					
7	2	172162-82280	BUSH	2	2	2					
8	2	172162-82350	SEAL, DUST	2	2	2					
9	1	172164-81670	SPACER	1	1	1					
10	1	172175-81700	SHIM	1	1	1					
11	1	172175-81710	SHIM	1	1	1					
12	1	172499-81800	PIN	1	1	1					
13	1	172165-82520	SHIM	1	1	1					
14	1	172165-82530	SHIM	1	1	1					
15	1	172455-83300	PIN ASSY	1	1	1					
16	1	22157-120000	WASHER, 12	1	1	1					
17	1	22157-140000	WASHER, 14	1	1	1					
18	1	22217-140000	WASHER, SPRING 14	1	1	1					
19	1	24761-020000	NIPPLE, GREASE PT1/8	1	1	1					
20	1	24761-040000	NIPPLE, GREASE B	1	1	1					
21	1	26013-120302	BOLT, M12X 30	1	1	1					
22	1	26116-140352	BOLT, M14X 35 PLATED	1	1	1					
23A	1	172472-03261	LABEL, FINGER	1	1	1					2
23B	1	172472-03330	LABEL, LOCK PIN	1	1	1					2

Remarks

- (1) Attach the No.23A,23B label to this part.
- (2) Not illustrated.

Fig.111. BUCKET ARM & LINK



(A)=SV100-1(US)  
 (B)=SV100-1(AS)  
 (C)=SV100-1(NZ)

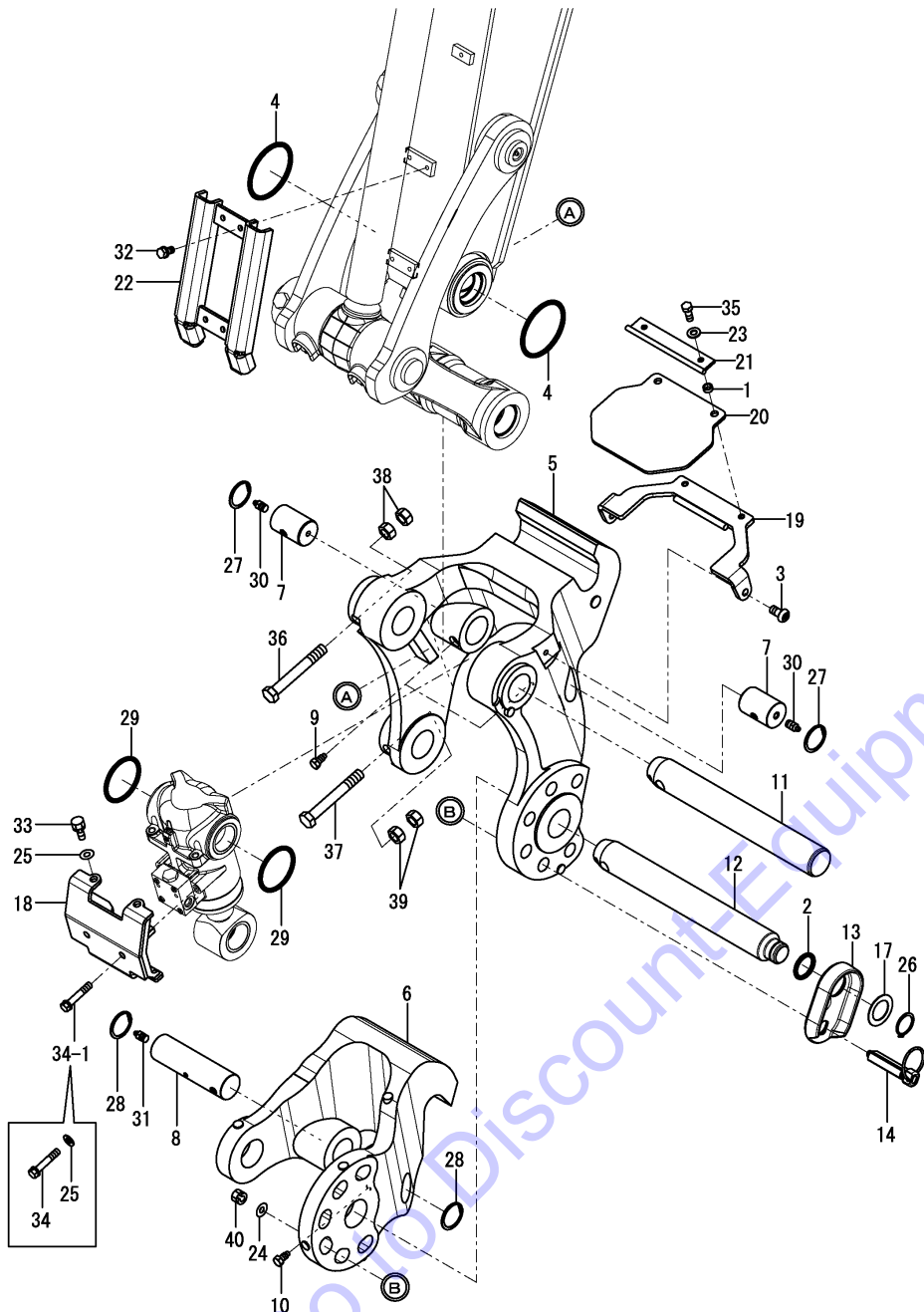
(D)=  
 (E)=  
 (F)=

No.	Lev.	Parts No.	Description	Q'ty						I	R
				(A)	(B)	(C)	(D)	(E)	(F)		
1	1	172175-81700	SHIM	1	1	1					
2	1	172175-81710	SHIM	1	1	1					
3	1	172455-82380-2	ARM, BUCKET	1	1	1					
3-1	1	172455-82380-Y (A=M11501) (B=M11501) (C=M11501)	ARM, BUCKET	1	1	1					S
4	1	172455-82391-2	ARM, BUCKET	1	1	1					
4-1	1	172455-82391-Y (A=M11501) (B=M11501) (C=M11501)	ARM, BUCKET	1	1	1					S
5	1	172499-82400-1	LINK, BUCKET	1	1	1					
5-1	1	172499-82400-Y (A=M11501) (B=M11501) (C=M11501)	LINK, BUCKET	1	1	1					S
6	2	172448-54120	SEAL, DUST	2	2	2					
7	2	172168-54760	SEAL, DUST	4	4	4					
8	2	172455-82360	BUSH	2	2	2					
10	2	172187-83040	BUSH	2	2	2					
11	1	172165-82520	SHIM	1	1	1					
12	1	172165-82530	SHIM	1	1	1					
13	1	172455-83350	PIN ASSY	1	1	1					
14	1	172455-83360	PIN ASSY	1	1	1					
15	1	24761-020000	NIPPLE, GREASE PT1/8	3	3	3					
16	1	24761-050000	NIPPLE, GREASE C	2	2	2					
16-1	1	24761-020000 (A=*2010.08) (B=*2010.08) (C=*2010.08)	FITTING, PT 1/8	2	2	2					N
17	1	26116-161202	BOLT, M16X120 PLATED	2	2	2					
18	1	26716-160002	NUT, M16	4	4	4					

Fig.112. QUICK CUPLER

(A)=SV100-1(US)  
 (B)=SV100-1(AS)  
 (C)=SV100-1(NZ)

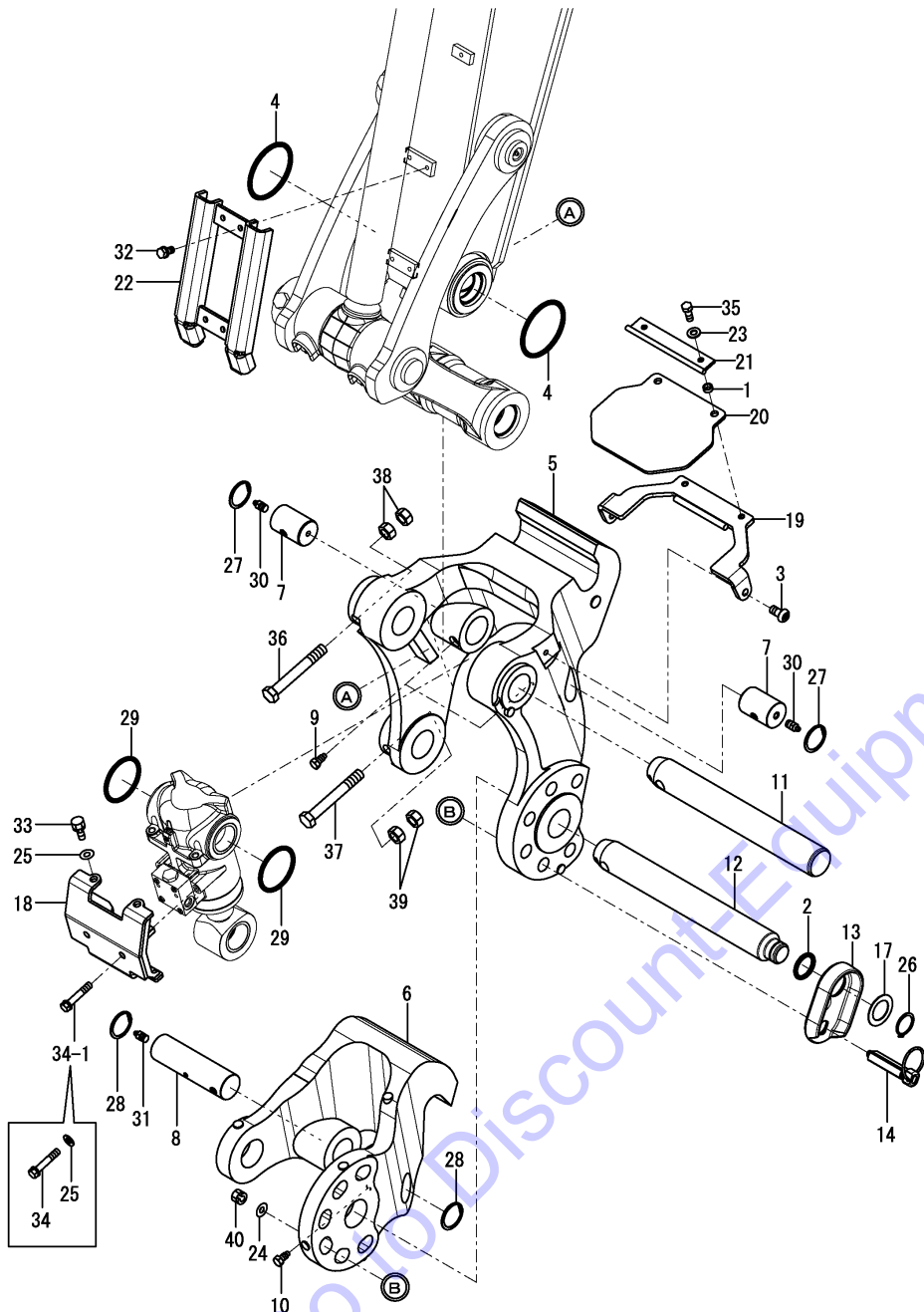
(D)=  
 (E)=  
 (F)=



No.	Lev.	Parts No.	Description	Q'ty						I	R
				(A)	(B)	(C)	(D)	(E)	(F)		
1	1	172958-17121	COLLAR, 9X4	2	2	2					
2	1	172124-46200	O-RING	1	1	1					
3	1	172455-61720	BOLT	2	2	2					
4	1	172162-82360	O-RING	2	2	2					
5	1	172978-83101-2	BRACKET A(YEELow:2J)	1	1	1					
5-1	1	172978-83101-Y	BRACKET A	1	1	1					S
		(A=M11501) (B=M11501) (C=M11501)									
6	1	172978-83111-2	BRACKET B(YELLOW:2J)	1	1	1					
6-1	1	172978-83111-Y	BRACKET B	1	1	1					S
		(A=M11501) (B=M11501) (C=M11501)									
7	1	172978-83120	PIN 45X65	2	2	2					
8	1	172978-83130	PIN 45X161	1	1	1					
9	1	172978-83140	BOLT	2	2	2					
10	1	172978-83140	BOLT	1	1	1					
11	1	172978-83150	PIN 50X345	1	1	1					
12	1	172978-83161	PIN 50X373	1	1	1					
13	1	172978-83170-2	PLATE,LOCK(YELLOW:2J)	1	1	1					
13-1	1	172978-83170-Y	PLATE,LOCK	1	1	1					S
		(A=M11501) (B=M11501) (C=M11501)									
14	1	172978-83191	PIN,LOCK	1	1	1					
17	1	172960-83210	COLLAR	1	1	1					
18	1	172978-83221-2	COVER, HITCH	1	1	1					
18-1	1	172978-83221-Y	COVER, HITCH	1	1	1					S
		(A=M11501) (B=M11501) (C=M11501)									
19	1	172978-83270-2	GUARD ASSY	1	1	1					
19-1	1	172978-83270-Y	GUARD ASSY	1	1	1					S
		(A=M11501) (B=M11501) (C=M11501)									
20	1	172978-83292	PLATE,RUBBER	1	1	1					
21	1	172978-83300-2	PLATE (YELLOW:2J)	1	1	1					
21-1	1	172978-83300-Y	PLATE	1	1	1					S
		(A=M11501) (B=M11501) (C=M11501)									
22	1	172978-83320-2	COVER, ARM	1	1	1					
22-1	1	172978-83320-Y	COVER, ARM	1	1	1					S
		(A=M11501) (B=M11501) (C=M11501)									
23	1	22137-080000	WASHER, 8	2	2	2					
24	1	22137-100000	WASHER, 10	1	1	1					
25	1	22137-100000	WASHER, 10	4	4	4					
25-1	1	22137-100000	WASHER, 10	2	2	2					K
		(A=M10547) (B=M10547) (C=M10547)									
26	1	22242-000350	RING, 35	1	1	1					
27	1	22252-000450	RING, 45	2	2	2					
28	1	22252-000450	RING, 45	2	2	2					
29	1	24311-000700	O-RING, 1AP70.0	2	2	2					
30	1	24761-020000	NIPPLE, GREASE PT1/8	2	2	2					
31	1	24761-020000	NIPPLE, GREASE PT1/8	1	1	1					
32	1	26013-080162	BOLT, M8X 16	4	4	4					
33	1	26013-100252	BOLT, M10X 25	2	2	2					
34	1	26013-100552	BOLT, M10X 55	2	2	2					
34-1	1	26013-100502	BOLT, M10X 50	2	2	2					N
		(A=M10547) (B=M10547) (C=M10547)									
35	1	26116-080202	BOLT, M8X 20 PLATED	2	2	2					

N:Old  $\frac{Yes}{No}$  New, Q:Old  $\frac{No}{Yes}$  New, R:Old  $\frac{Yes}{Yes}$  New, S:Old  $\frac{No}{No}$  New, W:Add, Z:Discontinued, F:Interchangeable by set, K:Q'ty Change  
 ++ CONTINUE ++  
 Copyright (C) 2014 YANMAR CO., LTD. All Rights Reserved.

Fig.112. QUICK CUPLER



(A)=SV100-1(US)  
 (B)=SV100-1(AS)  
 (C)=SV100-1(NZ)

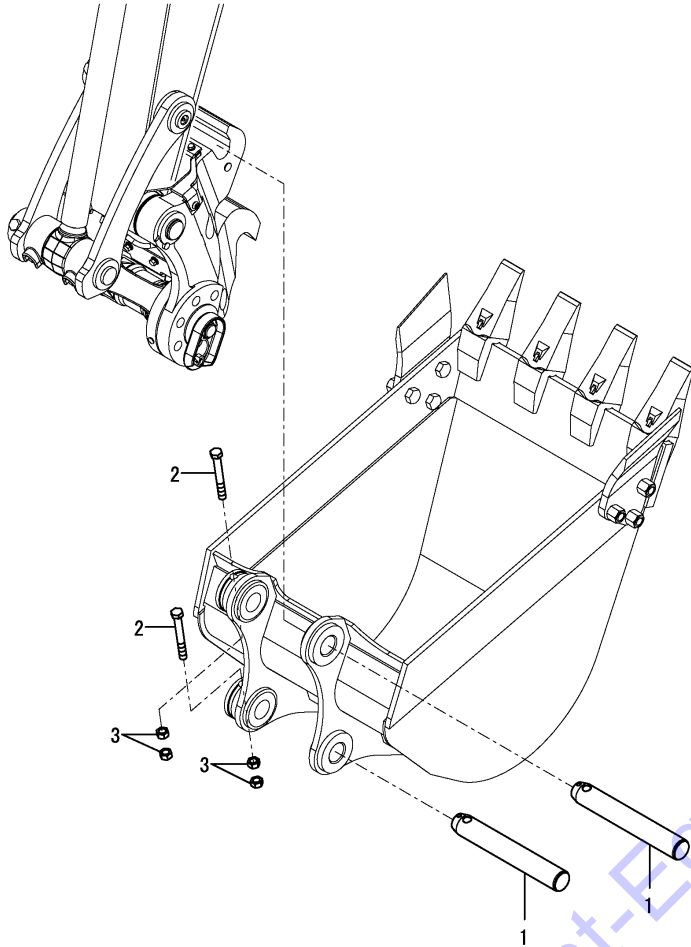
(D)=  
 (E)=  
 (F)=

No.	Lev.	Parts No.	Description	Q'ty						I	R
				(A)	(B)	(C)	(D)	(E)	(F)		
36	1	26116-161202	BOLT, M16X120 PLATED	1	1	1					
37	1	26116-161202	BOLT, M16X120 PLATED	1	1	1					
38	1	26716-160002	NUT, M16	2	2	2					
39	1	26716-160002	NUT, M16	2	2	2					
40	1	26756-100002	NUT, LOCK M10	1	1	1					

Fig.113. BUCKET PIN

(A)=SV100-1(US)  
 (B)=SV100-1(AS)  
 (C)=SV100-1(NZ)

(D)=  
 (E)=  
 (F)=



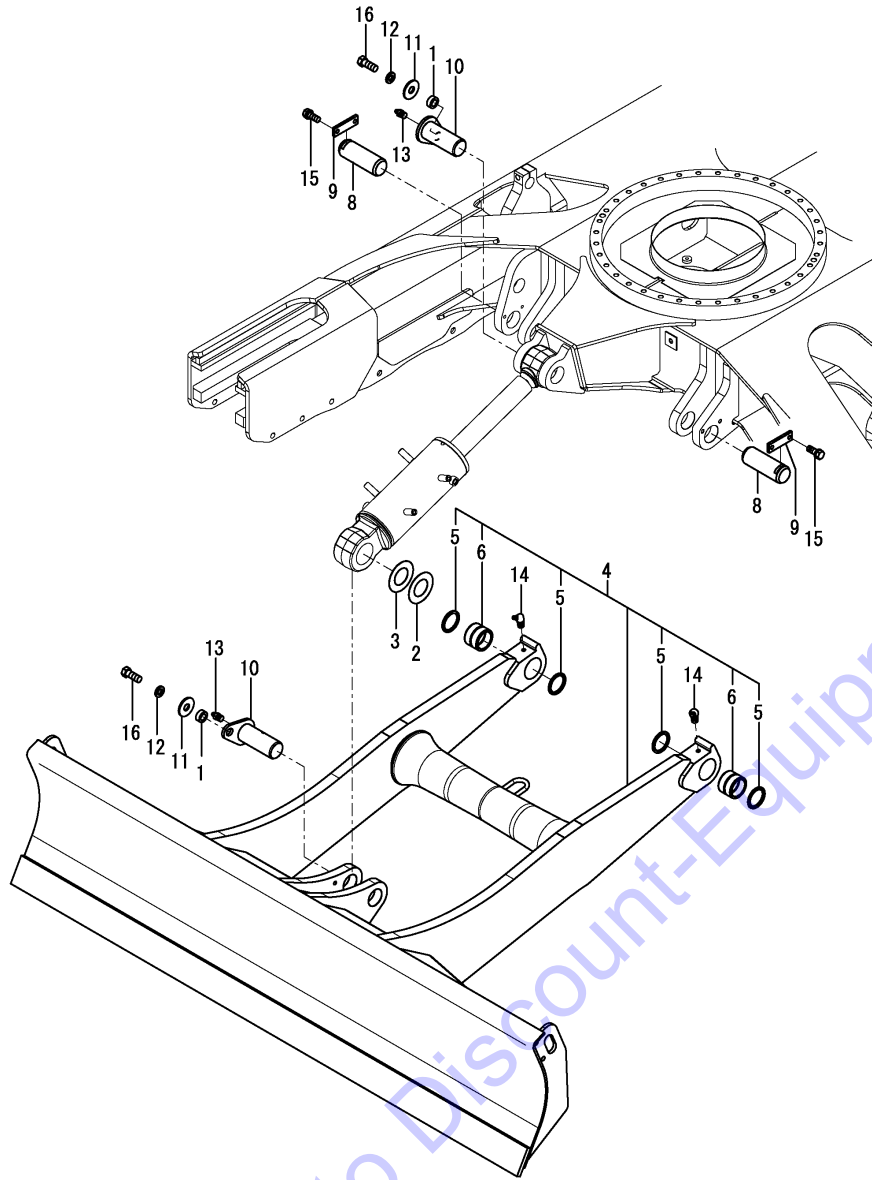
No.	Lev.	Parts No.	Description	Q'ty						I	R
				(A)	(B)	(C)	(D)	(E)	(F)		
1	1	172978-81400	PIN 50X301		2	2					
2	1	26076-161302	BOLT, 10.916X130		2	2					
3	1	26716-160002	NUT, M16		4	4					

Go to Discount-Equipment.com to order your parts

Fig.114. BLADE

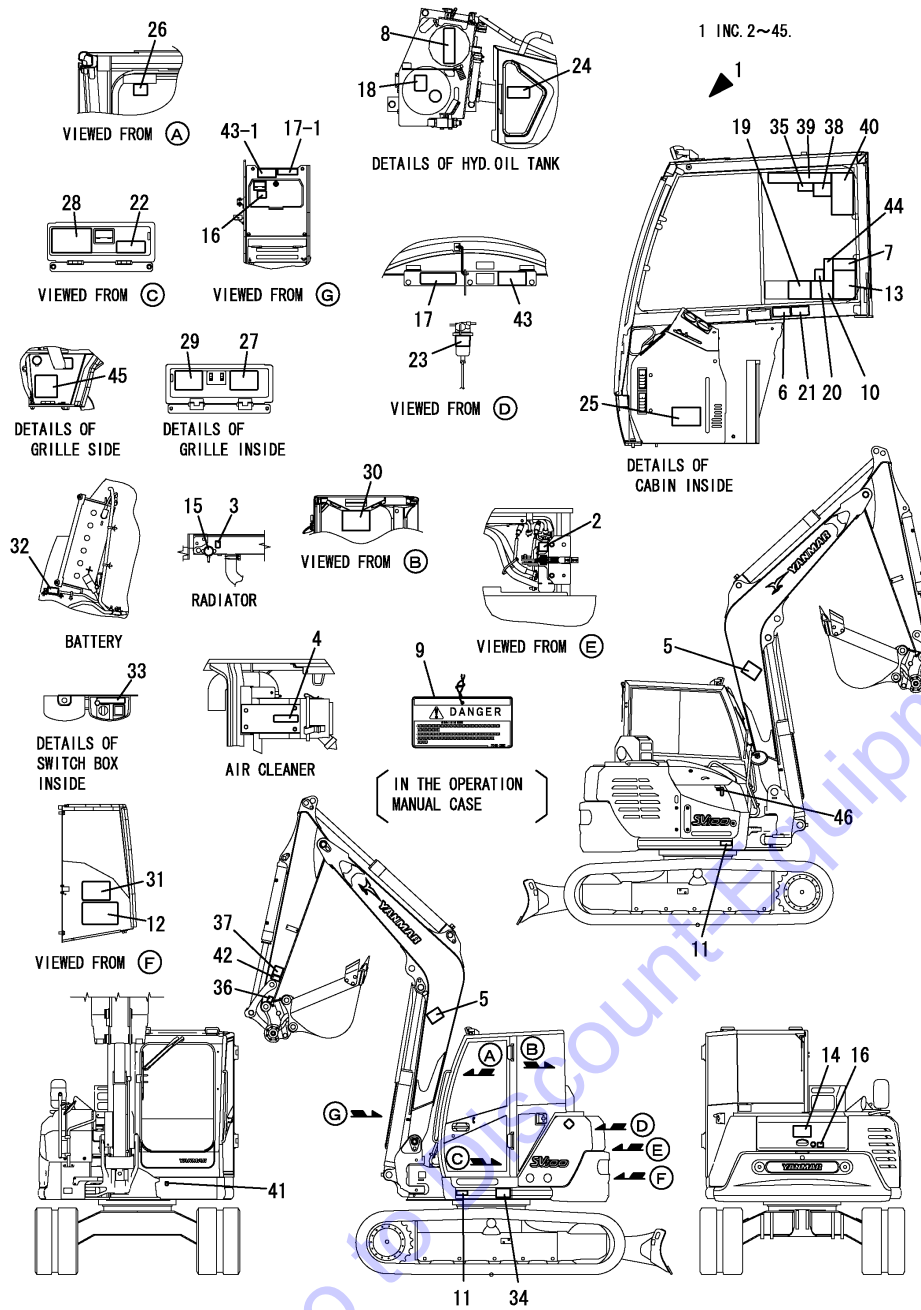
(A)=SV100-1(US)  
 (B)=SV100-1(AS)  
 (C)=SV100-1(NZ)

(D)=  
 (E)=  
 (F)=



No.	Lev.	Parts No.	Description	Q'ty						I	R
				(A)	(B)	(C)	(D)	(E)	(F)		
1	1	172155-45790	SPACER	2	2	2					
2	1	172175-81700	SHIM	1	1	1					
3	1	172175-81710	SHIM	1	1	1					
4	1	172A69-94100	BLADE ASSY	1	1	1					
5	2	172020-10620	SEAL, DUST	4	4	4					
6	2	172162-81060	BUSH	2	2	2					
8	1	172162-94270	PIN	2	2	2					
9	1	172162-94280-3	PLATE, LOCK	2	2	2					
10	1	172187-94300	PIN ASSY	2	2	2					
11	1	22157-140000	WASHER, 14	2	2	2					
12	1	22217-140000	WASHER, SPRING 14	2	2	2					
13	1	24761-020000	NIPPLE, GREASE PT1/8	2	2	2					
14	1	24761-040000	NIPPLE, GREASE B	2	2	2					
15	1	26013-120302	BOLT, M12X 30	4	4	4					
16	1	26116-140352	BOLT, M14X 35 PLATED	2	2	2					

Fig.115. CA LABEL KIT(OPTIONAL)



(A)=SV100-1(US)  
 (B)=SV100-1(AS)  
 (C)=SV100-1(NZ)

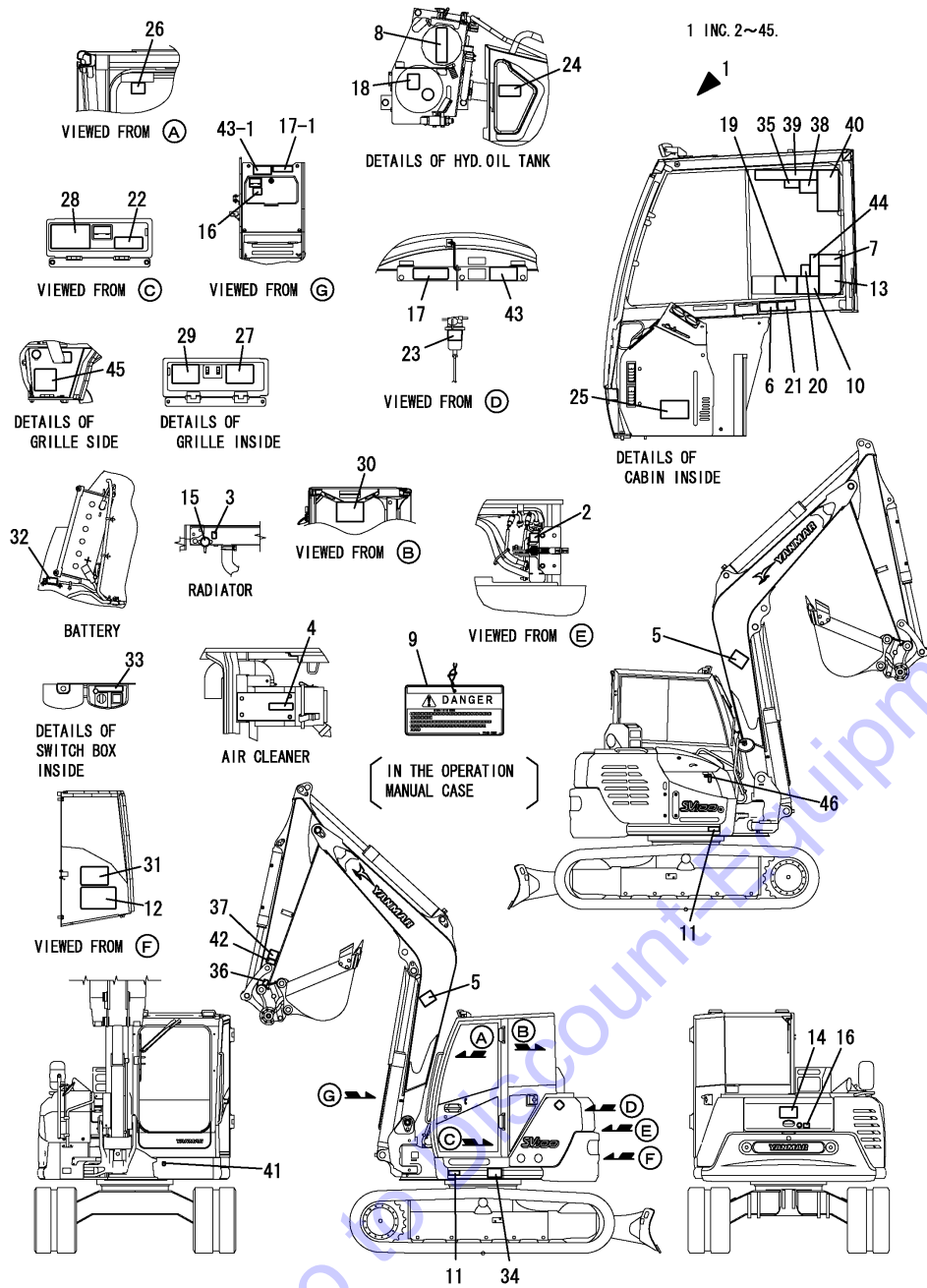
(D)=  
 (E)=  
 (F)=

No.	Lev.	Parts No.	Description	(A)	(B)	(C)	Q'ty	(D)	(E)	(F)	I	R
1	1	172A69-03050	LABEL KIT,SV100-1 CA	1								
2	2	172A37-03150	LABEL,SUB-TANK CA	1								
3	2	172A37-03160	LABEL,ANTI-FREEZE CA	1								
4	2	172A37-03180	LABEL J, AIR CLEANER	1								
5	2	172A37-03200	LABEL,BOOM CA	2								
6	2	172A37-03231	LABEL,MANUAL CA.	1								
7	2	172A37-03241	LABEL,SLOPE CA.	1								
8	2	172A37-03250	LABEL,RESERVOIR CA	1								
9	2	172469-03261	TAG ASSY, SERVICING	1								
10	2	172A37-03271	LABEL,TRANSPORT CA.	1								
11	2	172A37-03280	LABEL,GREASE CYL CA	2								
12	2	172A37-03290	LABEL,BATTERY CA	1								
13	2	172A37-03300	LABEL,NEWTRAL CA	1								
14	2	172A37-03310	LABEL,SWING AREA CA	1								
15	2	172469-03320	LABEL,RADIATOR CAP	1								
16	2	172A37-03330	LABEL,ENGINE COVER	1								
16-1	2	172A37-03330	LABEL,ENGINE COVER	2								K
(A=M10547)												
17	2	172A37-03350	LABEL,SILENCER CA	1								
17-1	2	172A37-03350	LABEL,SILENCER CA	2								K
(A=M10547)												
18	2	172469-03360	LABEL,OIL	1								
19	2	172A37-03360	LABEL,STERRING CA	1								
20	2	172A37-03370	LABEL,ROPS CA	1								
21	2	172A37-03400	LABEL,LEVER LOCK CA	1								
22	2	172A69-03400	LABEL,SPEC CA	1								
23	2	172A07-03410	LABEL,WATER DRAIN	1								
24	2	172A37-03410	LABEL,RADIATOR CA	1								
25	2	172A69-03410	LABEL,OIL & WATER CA	1								
26	2	172A37-03420	LABEL,WINDOW CA	1								
27	2	172A69-03420	LABEL,FUSE CA	1								
28	2	172A37-03430	LABEL,2 WAY CA	1								
29	2	172A69-03430	LABEL,GREASING CA	1								
30	2	172A69-03440	LABEL,LIFT Q CA	1								
30-1	2	172A69-03441	LABEL,LIFT Q CA	1								N
(A=*2013.12)												
30-2	2	172B12-03371	LABEL, LIFT US	1								N
(A=*2016.10.)												
31	2	172A69-03450	LABEL,BATTERY COVER	1								
32	2	172A69-03470	LABAEL FL CA	1								
33	2	172469-03480	LABEL,SWITCH	1								
34	2	172A37-03500	LABEL,SUPPORT CA	1								
35	2	172A37-03520	LABEL,PIN CA	1								
36	2	172A37-03530	LABEL,FINGER CA	1								
37	2	172469-03540	LABEL,OPERATION PIN	1								
38	2	172A37-03540	LABEL,SAND CA	1								
39	2	172469-03550	LABEL,OP HITCH	1								
40	2	172A37-03550	LABEL,WARNING HITCH	1								
41	2	172A47-03610	LABEL, GREASE CA	1								
42	2	172A37-03680	LABEL,LOCK PIN CA	1								
43	2	172A37-03710	LABEL,ENGROOM CA	1								

N:Old  $\begin{matrix} \text{Yes} \\ \text{No} \end{matrix}$  New, Q:Old  $\begin{matrix} \text{No} \\ \text{Yes} \end{matrix}$  New, R:Old  $\begin{matrix} \text{Yes} \\ \text{No} \end{matrix}$  New, S:Old  $\begin{matrix} \text{No} \\ \text{Yes} \end{matrix}$  New, W:Add, Z:Discontinued, F:Interchangeable by set, K:Q'ty Change  
 ++ CONTINUE ++  
 Copyright (C) 2014 YANMAR CO., LTD. All Rights Reserved.



Fig.115. CA LABEL KIT(OPTIONAL)



(A)=SV100-1(US)  
 (B)=SV100-1(AS)  
 (C)=SV100-1(NZ)

(D)=  
 (E)=  
 (F)=

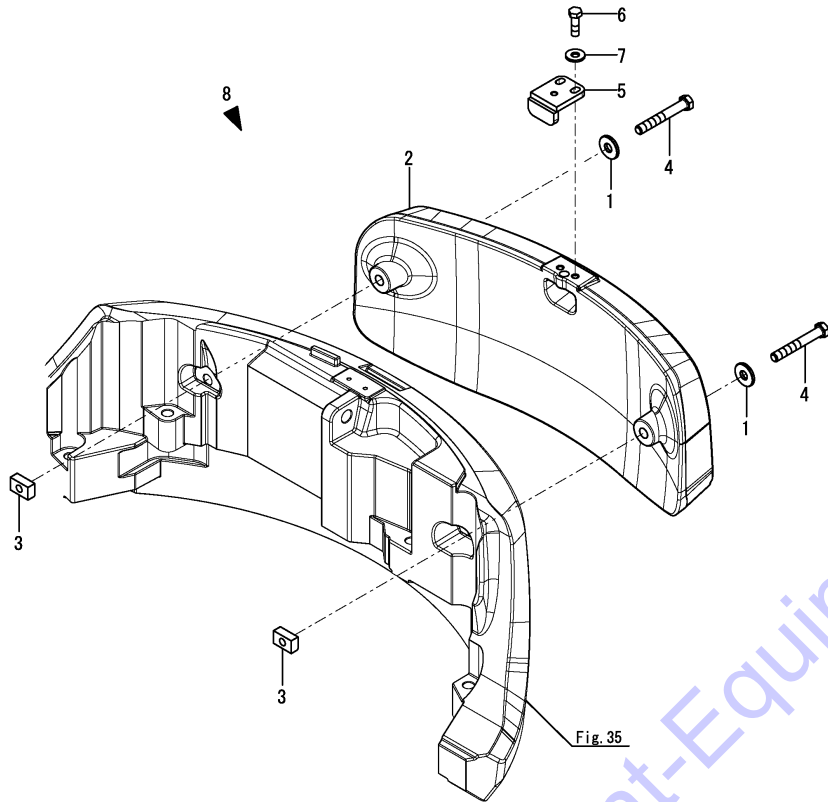
No.	Lev.	Parts No.	Description	Q'ty						I	R
				(A)	(B)	(C)	(D)	(E)	(F)		
43-1	2	172A37-03710 (A=M10547)	LABEL,ENGROOM CA	2							K
44	2	172A37-03720	LABEL,SEAT BELT CA	1							
45	2	172A37-03760	LABEL,ADJUST CRAWLER	1							
46	2	129942-07761 (A=*2008.12)	LABEL, FUEL OIL CAUT	1							W

Fig.117. ADDITIONAL WEIGHT(OPTIONAL)

(A)=SV100-1(US)  
 (B)=SV100-1(AS)  
 (C)=SV100-1(NZ)

(D)=  
 (E)=  
 (F)=

No.	Lev.	Parts No.	Description	Q'ty						I	R
				(A)	(B)	(C)	(D)	(E)	(F)		
1	1	172187-53321	WASHER	2	2	2					
2	1	172A89-53320	WEIGHT, ADD	1	1	1					
3	1	172A46-53360	NUT	2	2	2					
4	1	172A48-53371	BOLT	2	2	2					
5	1	172A48-53380	BRACKET ASSY, WEIGHT	1	1	1					
6	1	26116-160502	BOLT, M16X 50 PLATED	2	2	2					
7	1	933147-08501	WASHER	2	2	2					
8	1	172A89-08900	WEIGHT SET	1	1	1					W 1
(A=*2012.01) (B=*2012.01) (C=*2012.01)											



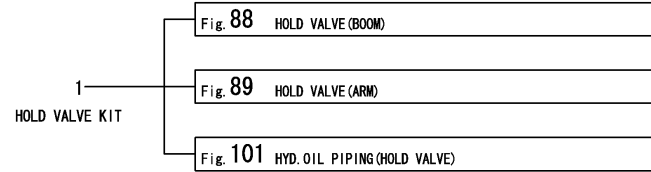
Remarks  
 (1)Refer No.8 includes No.7 from 1.

# Fig.121. HOLD VALVE(OPTIONAL)

(A)=SV100-1(US)  
 (B)=SV100-1(AS)  
 (C)=SV100-1(NZ)

(D)=  
 (E)=  
 (F)=

No.	Lev.	Parts No.	Description	Q'ty						I	R	
				(A)	(B)	(C)	(D)	(E)	(F)			
1	1	172A69-08520	VALVE KIT, HOLD	1	1	1					W	1
		(A=*2012.02) (B=*2012.02) (C=*2012.02)										
1-1	1	172A69-08520-Y	VALVE KIT, HOLD	1	1	1					S	1
		(A=M11501) (B=M11501) (C=M11501)										



Remarks  
 (1) Inner parts are shown in Fig.88, 89 & 101.

## Parts No. Index

Parts No.	Fig. No.	Ref. No.
106990-44660	10	29
114110-07760	1	45
114110-07761	1	45 -1
119160-12530	4	4
		19
119160-12540	4	6
		21
119160-12560	4	3 -1
		18 -1
119160-12570	4	7
119802-55710	11	23
121250-49121	7	3
121256-44600	9	8
121450-44531	9	3
121470-44581	9	5
121820-12590	4	8
		22
124450-44550	9	7
124450-44560	9	4
124766-59050	7	21
	10	30
	11	26
		27
		28
		29
124970-77920	18	29
129100-55690	11	22
129107-44590	7	7
129122-44480	24	25
129400-13201	3	3
129418-12530	4	5
		20
129466-96240	24	26
129612-12650	4	9
129612-52100	11	19
129640-13580	3	5
129640-13590	3	4
129927-77900	12	20
129927-77910	12	21
	18	28
129927-77920	18	30
129935-12520	4	3
		18
129942-07761	115	46
171064-44510	9	1
172020-10380	63	8
172020-10390	27	17
172020-10401	27	18
172020-10620	62	29
		33

Parts No.	Fig. No.	Ref. No.
172020-10620	63	21
		25
	114	5
172020-10730	62	2
172020-10810	62	3
172020-10860	62	4
172020-11230	62	30
172020-11280	62	34
172020-11300	62	5
172020-11320	62	8
172020-11340	62	9
172020-11350	62	11
172020-11450	63	22
		26
172020-11500	63	2
172020-11520	63	5
172020-11530	63	9
172020-11540	63	6
172020-11690	62	10
172020-11700	62	12
172020-11710	62	19
172020-11720	63	7
172020-11730	63	10
172020-11740	63	17
172110-76020	90	1
172110-76170	100	3 -1
	101	1 -1
172110-76170-3	100	3
	101	1
172112-16201	14	2
172112-74971	87	5
172112-75770	87	7
172112-75780	87	8
172112-77361	59	44
	60	38
	89	23
	90	8
	92	20
	93	37
172112-77580	107	9
172113-74190	74	4
	76	19
172116-74150	70	26
	71	2 A
	72	2 A
		8
	73	2 A
	74	14 A
	75	19
	76	13 A

Parts No.	Fig. No.	Ref. No.
172116-74150	76	15 A
	77	14 A
172122-17190	41	12
	122	92
172122-37844	27	22
172122-55061	11	20
172122-70260	66	24
172122-70410	66	26
172122-70530	66	27
172122-73860	69	5
172122-73870	69	6
172122-73890	69	11 -1
172122-79890	95	12
172123-76121	79	24
	80	8
		9
	81	22
	82	8
	83	20
	84	34
		34 -1
	85	21
	89	18
	92	3
		3 -1
	93	7
		8
	96	1
	98	1
	124	7
172124-17640	24	4 -1
172124-46200	29	6
	112	2
172124-65480	44	16
172124-70030	61	2
172124-70380	66	42
172125-03951	1	44
	2	18
	4	23 A
172126-11510	18	1
		42
	19	5
	23	1
		24
	24	1
		1 -1
	25	1
		30
	100	35
	101	21

Parts No.	Fig. No.	Ref. No.
172126-11510	104	1
		1 -1
172126-16540	12	12
172137-13400	10	2
172137-14282	6	12
172137-16560	19	2
	92	30
	107	1
172137-46042	6	13
172137-46210	17	18
172137-76100	78	21
172137-76110	92	13 -1
	95	1
172137-76580	100	7
	101	2
		4
172141-17211	19	4
172141-41370	29	3
172141-72250	64	2
172141-73240	57	125
172141-74720	57	33
	122	34
172141-76181	79	25
	81	24
	84	35
		35 -1
	88	20
	93	20
	98	2
172141-76900	61	37
	63	29
	88	25
	89	19
	92	18
	93	35
	124	14
172141-76920	92	11
172141-76940	95	2
	96	3
172142-62301	8	21
	37	17
172142-72260	64	3
172142-72951	64	19
172142-74590	57	136
	122	85
172142-74600	57	61
		84
172142-74650	57	137
	122	86
172142-74660	57	62
		85

## Parts No. Index

Parts No.	Fig. No.	Ref. No.
172142-74670	80	6
172142-76181	62	36
	63	28
172142-76240	98	16
172142-76940-2	56	4
	97	14
	99	6
		7
172142-76940-Y	56	4 -1
	97	14 -1
	99	6 -1
		7 -1
172142-76950-6	88	27
	97	16
172142-76950-N	88	27 -1
172142-76950-Y	97	16 -1
172146-78150	8	22
172147-70500	66	29
172147-73150	57	80
	122	78
172147-73530	57	117
		134
	122	73
172147-73810	69	2
172147-73830	69	3
172147-73850	69	4
172147-73880	69	10 -1
172147-76271	90	41
	93	33
172148-70301	66	25
172151-71630	64	12
172151-74060	70	10
	71	4
	72	4
	73	4
		13
	74	2
		16
	75	3
		25
	76	3
		17
	77	2
		17
172151-74320	70	13
	71	7
	72	25
	73	7
		18
	74	7

Parts No.	Fig. No.	Ref. No.
172151-74320	74	19
	75	6
		28
	76	6
		21
	77	5
		21
172151-76050	58	4
		4 -1
	78	20
172151-76161	93	16
	98	4 -1
172151-76200	93	26
172155-11120	92	1
172155-45790	59	60
	109	2
	110	2
	114	1
172156-03740	1	42
172156-65690	43	10
172156-76110	21	8
	92	2
172157-58830	78	3
172157-76300	68	5
172162-13170	6	6
172162-13180	6	7
172162-13190	6	8
172162-14200	10	24
172162-17400	19	3
172162-18040	25	8
172162-57660	35	14
172162-61500	40	1
172162-61770	59	1
172162-69470	37	23
172162-70150	66	19
172162-70290	66	3
172162-70310	66	4
172162-70320	66	5
172162-70590	66	28
172162-70820	66	31
172162-72040	61	3
172162-72450	61	16
172162-72620	59	15
	60	31
172162-72680	59	16
	60	32
172162-72690	59	17
	60	33
172162-72700	59	18
172162-72930	61	28

Parts No.	Fig. No.	Ref. No.
172162-72950	60	34
	61	29
172162-73700	87	2
172162-76181	93	24
172162-76320	92	17
172162-81060	114	6
172162-81430	109	6
172162-81680	108	3
172162-82280	110	7
172162-82350	110	8
172162-82360	112	4
172162-82930	66	72
172162-83580	109	15
172162-83600	109	16
172162-83610	109	17
172162-94270	114	8
172162-94280-3	62	43
	114	9
	125	37
	130	43
172164-16370	14	3
172164-37120	26	18
172164-66170	37	18
	43	11
	44	17
172164-66640	45	6
172164-73650	57	118
172164-73870	57	127
172164-73950	57	129
172164-76330	93	48
172164-76700	93	49
172164-81670	110	9
172165-13220	6	10
172165-47550	29	12
172165-47980	29	13
172165-47990	29	14
172165-53490	47	1
172165-66210	42	11 Q
		23
172165-73850	57	126
172165-73870	57	128
172165-76270	92	13
172165-76380	60	36
	61	35
	98	17
172165-82520	110	13
	111	11
172165-82530	110	14
	111	12
172168-54760	111	7

Parts No.	Fig. No.	Ref. No.
172168-76162	124	8
		9
172168-76170	94	2
172168-76370	94	4
172173-76102	78	23
	79	22
	82	10
	124	5
172175-17120	18	7
172175-72480	64	4
172175-74220	70	12
	71	6
	72	24
	73	16
	74	5
		18
	75	5
		27
	76	5
		20
	77	4
		19
172175-81700	62	38
	110	10
	111	1
	114	2
	125	32
	130	38
172175-81710	62	39
	110	11
	111	2
	114	3
	125	33
	130	39
172176-67150	37	31
172176-76210	93	30
172176-76581-5	99	4
172176-76582-2	99	4 -1
172176-76582-Y	99	4 -2
172176-81700	59	45
172176-81710	59	46
172183-03280	1	23
172183-14650	6	21
172183-76180	88	22
172183-76200	80	12
	85	22
	93	27
172183-81160	42	25
	89	25
	94	24

## Parts No. Index

Parts No.	Fig. No.	Ref. No.
172183-81160	100	32
172186-13810	11	30 -1
172186-14150	10	22
172186-76430	82	12
172187-03941	1	43
	2	17
	109	23 A
172187-14510	10	28
172187-16110	14	1
172187-16530	19	1
172187-16600	12	14
172187-17070	15	2
172187-17080	15	3
172187-17090	15	4
172187-17100	15	1
172187-17101	15	1 -1
172187-17220	18	8
172187-18410	24	22
172187-45651	32	3
172187-45720-2	32	4
172187-45760	32	5
172187-45870	30	3
172187-45880	30	4
172187-53321	35	2
	117	1
172187-61421	37	1
	38	11
	119	21
172187-61500-3	40	2
172187-63160	22	38
	41	4
		11
172187-64900	17	19
172187-65210	44	11
172187-65270	44	13
172187-66140	42	11 P
172187-71100	57	1
	122	1
172187-71210	57	4
	122	4
172187-72910-2	59	40
172187-72910-N	59	40 -1
172187-73220	57	21
	122	21
172187-73230	57	22
	122	22
172187-73240	57	20
	122	23
172187-73250	57	23
	122	24

Parts No.	Fig. No.	Ref. No.
172187-73700	87	3
172187-73730	87	4
172187-73801	69	1
172187-74410	74	9
	76	23
172187-74530	70	6
		28
	73	10
172187-74540	72	33
172187-74550	70	30
	75	36
172187-74630	72	39
172187-74690	72	20
172187-75340-2	87	12
172187-75500	87	16
172187-75630	57	65
	122	76
172187-75720	57	76
	122	63
172187-75750	57	77
	122	64
172187-76131	92	4
172187-76141	92	7
172187-76170	93	18
172187-76180	94	3
172187-76191	90	15
172187-76200	93	28
172187-76520	97	13
172187-76690-2	99	5
172187-76690-Y	99	5 -1
172187-76940	97	15
172187-78100	94	16
	97	30
172187-78211	96	12
172187-79300	99	12
172187-81710	110	6
172187-81800	59	47
172187-81801	59	47 -1
172187-81810	59	48
172187-81840	109	8
172187-81970	62	40
	109	11
	125	34
	130	40
172187-82320	108	5
172187-82370	62	41
	125	35
	130	41
172187-82400	108	7
172187-82410	108	8

Parts No.	Fig. No.	Ref. No.
172187-82420	108	9
172187-82430	109	14
172187-83040	111	10
172187-94300	114	10
172312-74770	72	21
172312-74780	66	50
172312-76190	90	17
172422-74110	70	3
172422-74330	73	8
172422-76100	90	2
172422-76110	90	3
172422-76140	81	23
	82	9
	93	10
172422-78760	11	34
	98	29
172423-72520	62	25
172423-72530	62	26
172423-72540	62	27
172423-73370	66	16
172423-73810	69	10
172423-73820	69	11
172423-76100	68	4
	93	4
172423-76120	93	9
172423-76140	93	11
172425-17630	24	2
172433-62200	37	13
172434-61180	119	18
172437-03252	1	20
	2	4
172437-03302	1	53
	2	22
	48	32 A
172437-03312	1	54
	2	23
	52	12 D
172437-03322	1	25
	2	6
	87	44 A
172437-03343	1	55
	2	24
	52	12 E
172437-03352	1	28
	2	8
	39	22 B
		23 A
172437-03361	1	31
	2	10
	8	34 B

Parts No.	Fig. No.	Ref. No.
172437-03372	1	57
	2	26
	52	12 F
172437-03381	1	32
	2	11
	44	30 A
172437-03391	1	33
	2	12
	25	33 A
	43	38 A
172437-03402	1	34
	2	13
	37	35 A
	44	30 B
172437-03422	1	36
		36 -1
	2	15
		15 -1
	44	30 D
172437-03432	1	58
	2	27
	52	12 G
172437-03441	1	59
	2	28
	52	12 H
172437-03451	1	60
	2	29
	52	12 I
172437-03471	1	61
	2	30
	48	32 B
172437-03501	1	37
172437-03511	1	38
172437-03551	1	62
	2	31
	50	32 A
172437-03601	1	39
	2	16
	38	32 A
	119	26 A
172437-03610	1	40
172437-03620	1	41
172437-74711	78	5
172437-74720	78	6
172437-74732	78	7
172441-44320	33	2
172441-74030	83	3
		12
172441-74040	83	4
		13

## Parts No. Index

Parts No.	Fig. No.	Ref. No.
172444-13210	7	1
172444-13220	7	2
172444-14270	10	27
172444-17620	42	11 A
172444-17660	42	6
	97	1
	100	31
		31 -1
	109	1
	110	1
172444-65190	44	10
172445-68650	18	23 -1
172445-72450	62	24
172445-72480	62	7
172445-81990	109	12
172446-14250	11	4
172446-49280	22	8
172446-62910	55	4
172447-13550	25	2
172447-14160	10	12
172448-54120	110	4
	111	6
172450-73360	66	15
172450-73370	66	17
172450-73380	66	22
172455-46890	29	11
172455-53331	35	3
172455-61720	112	3
172455-65700	37	33
172455-65701	37	33 -1
172455-74010	70	22
	75	15
172455-74020	70	23
	75	16
172455-74030	70	24
	75	17
172455-74040	70	25
	75	18
172455-74320	70	21
	75	14
172455-74390	70	14
	71	9
	72	26
	73	19
	74	8
		20
	75	7
		29
	76	7
		22

Parts No.	Fig. No.	Ref. No.
172455-74390	77	6
172455-74410	70	15
	71	10
	72	27
	73	21
	74	10
		21
	75	8
		30
	76	8
		24
	77	7
		22
172455-74420	70	16
	71	11
	72	28
	74	22
	75	9
		31
	76	9
		25
	77	8
172455-74440	70	17
	71	12
	72	29
	74	23
	75	10
		32
	76	10
		26
	77	9
172455-74450	70	18
	71	13
	72	30
	74	24
	75	11
		33
	76	11
		27
	77	10
172455-74460	70	19
	71	14
	72	31
	73	22
	74	11
		25
	75	12
		34
	76	12
		28

Parts No.	Fig. No.	Ref. No.
172455-74460	77	11
		23
172455-74480	77	24
172455-74530	72	32
172455-74550	72	35
172455-74560	72	36
172455-74570	72	37
172455-74580	72	38
172455-74590	72	11
172455-74600	72	12
172455-74620	72	13
172455-74630	72	14
172455-74640	72	15
172455-74650	72	16
172455-74660	72	17
172455-74670	72	18
172455-74680	72	19
172455-74720	72	23
172455-74990	70	27
	75	20
172455-75290	87	18
172455-75300	87	19
172455-75310	87	20
172455-76160	94	1
172455-76200	93	29
172455-76220	83	21
172455-76580	98	4
172455-77140	88	12
	89	12
172455-77150	84	29
	88	13
	89	13
172455-82360	111	8
172455-82380-2	111	3
172455-82380-Y	111	3 -1
172455-82391-2	111	4
172455-82391-Y	111	4 -1
172455-83300	110	15
172455-83350	111	13
172455-83360	111	14
172456-13470	18	27
172456-53700	21	6
	35	4
172456-75430	57	139
	122	88
172458-03240	1	19
172458-14203	10	13
172458-17420	53	9 A
172458-17700	22	2
172458-18850	42	11 B

Parts No.	Fig. No.	Ref. No.
172458-46790	42	11 D
		24
172458-50480-2	34	2
172458-61500	7	12
172458-61510	7	13
172458-64140	22	33 A
172458-65050	44	2
172458-65060	44	3
172458-65271	44	14
172460-16700	11	45
172460-73320	26	2
	34	7
	65	81
172460-76570	90	6
172462-03320	1	26
172463-03290	1	24
172463-74530	83	5
		14
172463-74540	83	6
		15
172463-74551	83	7
		16
172463-74561	83	8
		17
172463-74570	83	9
		18
172467-64101	42	7
172467-64110	42	7 A
172467-64120	42	7 B
172467-64130	42	7 C
172467-64140	42	7 D
172467-64150	42	7 E
172467-64160	42	7 F
172467-64170	42	7 G
172467-64180	42	7 H
172467-64190	42	7 I
172467-76120	98	13
172469-03261	115	9
172469-03320	115	15
172469-03360	115	18
172469-03480	115	33
172469-03540	115	37
172469-03550	115	39
172472-03141	1	10
	2	1
	39	22 A
172472-03230	1	18
172472-03241	1	49
	2	19
	52	12 A

## Parts No. Index

Parts No.	Fig. No.	Ref. No.
172472-03250	1	50
172472-03261	1	21
	2	5
	110	23 A
172472-03271	1	51
	2	20
	52	12 B
172472-03281	1	52
	2	21
	52	12 C
172472-03290	17	2
172472-03300	17	3
172472-03330	1	27
	2	7
	110	23 B
172478-17200	15	9
	21	4
172478-17201	15	9 -1
	21	4 -1
172478-73600	67	1
172478-73630	67	2
172478-74170	71	8 -1
172478-74180	70	11
	71	5
	72	5
	73	14
	74	3
		17
	75	4
		26
	76	4
		18
	77	3
		18
172478-74320	71	8
172478-74360	70	5
	77	27
172478-74370	77	28
172478-76200	67	3
172479-73590	65	22
172479-73650	65	29
172479-73750	65	49
172479-73760	65	50
172479-73930	65	41
172487-61460	18	19 A
172487-68450	8	13
172488-74200	72	6
172488-74210	72	9
172488-74220	72	10
172491-61490	23	19

Parts No.	Fig. No.	Ref. No.
172491-76140	93	12
172491-76330	81	27
	85	24
172499-03280	1	5
172499-11500	4	17
172499-11510	4	2
172499-11560	4	11
172499-13750	8	4
172499-13760	8	5
172499-17650	24	3
172499-29100-1	26	1
172499-37101-1	27	2
172499-37111	27	3
172499-37131	27	5
172499-37142	27	6
172499-37152	27	7
172499-37161	27	8
172499-37172	27	9
172499-37180	27	10
172499-37301	26	4
172499-37310	26	5
172499-37331-1	26	8
172499-37360	26	7
172499-37371	26	9
172499-37380	26	10
172499-37500-1	26	16
172499-37700-1	27	13
172499-37750-1	27	16
172499-37760	27	19
172499-37790	27	20
172499-37800	27	21
172499-38100-1	28	1
172499-38110-1	28	17
172499-38120	28	2
		18
172499-38130-1	28	14
		35
172499-38140-1	28	30
		42
172499-38160	28	15
		31
		36
		43
172499-38170	28	16
		32
		37
		44
172499-38180	28	3
		19
172499-38190	28	4

Parts No.	Fig. No.	Ref. No.
172499-38190	28	20
172499-38200	28	5
		21
		38
		45
172499-38210	28	6
		22
		39
		46
172499-38220	28	7
		23
172499-38230	28	8
		24
172499-38240	28	9
		25
		40
		47
172499-38250	28	10
		26
172499-38260	28	11
		27
172499-38270	28	12
		28
172499-38280	28	13
		29
172499-38300-1	28	34
172499-38310-1	28	41
172499-38600	28	33
172499-50800-1	34	6
172499-57600	35	9
172499-57620	35	11
172499-57630	35	12
172499-70550	57	83
172499-70600	57	6
	122	8
172499-70610	57	7
	122	9
172499-70620	57	8
	122	10
172499-70630	57	9
	122	11
172499-70640	57	10
	122	12
172499-70650	57	11
	122	13
172499-70660	57	12
	122	14
172499-70670	57	13
172499-70680	57	14
	122	15

Parts No.	Fig. No.	Ref. No.
172499-70690	57	15
	122	16
		68
172499-70701	57	16
	122	17
172499-70711	57	17
	122	18
172499-70720	66	6
172499-70730	66	7
172499-70740	66	8
172499-70750	66	9
172499-70760	66	10
172499-70770	66	11
172499-70780	66	12
172499-70790	66	13
172499-70810	66	30
172499-70830	66	32
172499-70840	66	33
172499-70850	66	34
172499-70860	66	35
172499-70870	66	36
172499-70880	66	37
172499-70890	66	38
172499-70900	66	43
172499-70910	66	44
172499-70920	66	45
172499-70930	66	46
172499-70950	66	48
172499-70960	66	49
172499-70970	66	39
172499-70980	66	40
172499-71020	66	74
172499-71040	66	14
172499-71200	57	3
	122	3
172499-71300	57	18
	122	19
172499-71310	57	26
	122	27
172499-71320	57	35
	122	36
172499-71350	57	44
	122	45
172499-71370	57	53
	122	54
172499-71390	57	93
172499-71400	57	94
172499-71430	57	82
172499-71450	57	19
	122	20



## Parts No. Index

Parts No.	Fig. No.	Ref. No.
172499-71490	57	55
	122	69
172499-71500	57	30
	122	31
172499-71570	57	56
172499-71580	57	57
172499-71590	57	58
	122	71
172499-71600	57	69
	122	56
172499-71620	57	70
	122	57
172499-71630	57	71
	122	58
172499-71640	57	72
	122	59
172499-71650	57	73
	122	60
172499-71660	57	74
	122	61
172499-71690	57	47
	122	48
172499-71700	57	48
	122	49
172499-71710	57	49
	122	50
172499-71720	57	50
	122	51
172499-71730	57	51
	122	52
172499-71740	57	52
	122	53
172499-71750	57	90
172499-71760	57	91
172499-71770	57	104
172499-71781	57	105
172499-71800	57	106
172499-71810	57	107
172499-71820	57	108
172499-71830	57	109
172499-71840	57	110
172499-71850	57	111
172499-71860	57	112
172499-71870	57	113
172499-71880	57	114
172499-71900	57	115
172499-71910	57	103
172499-72130	59	6
172499-72140	59	7
	60	2

Parts No.	Fig. No.	Ref. No.
172499-72180	59	9
172499-72190	59	10
172499-72200	59	11
172499-72220	59	12
172499-72230	59	13
172499-72260	59	14
172499-72280	59	36
172499-72860	59	19
	61	25
172499-72870	59	20
	61	26
172499-72880	59	21
	61	27
172499-72900	59	22
172499-72910	59	30
172499-72930	59	34
172499-73490	65	11
172499-73660	65	31
172499-73740	65	46
	48	
172499-73780	65	73
172499-73850	65	74
	75	
172499-73950	65	66
172499-76160	90	13
172499-76200	96	2
172499-76300	92	14
172499-76310	92	16
172499-76311	92	16 -1
172499-76500-1	99	3
172499-76500-Y	99	3 -1
172499-78170	90	31
172499-78210	97	24
172499-78530	96	15
172499-79120	100	20
172499-81750	109	7
172499-81751	109	7 -1
172499-81800	110	12
172499-81850	109	9
172499-81860	109	10
172499-82400-1	111	5
172499-82400-Y	111	5 -1
172511-17351	21	5
172519-63240	33	7
		8
	41	5
		9
		10
172524-76110	93	5
172524-76210	98	14

Parts No.	Fig. No.	Ref. No.
172531-73550	67	3 -1
172538-17100	20	2
172538-19700	42	11 C
172538-66380	51	2
172538-66480	54	2
172538-66530	54	3
172538-66640	53	2
172538-67250	48	4
		4 -1
172538-67550	52	5
172538-67630	49	28
172538-67640	54	4
172538-67650	50	2
172538-67660	49	29
		30
		31
	53	3
172538-67680	49	2
172538-67720	48	5
	49	3
	50	3
		4
	51	3
	53	4
172538-67780	49	4
172538-68540	53	5
172538-68730	49	23
172538-68780	49	24
172538-68781	49	24 -1
172538-68890	49	25
172538-68910	48	6
	50	31
172538-68960	49	26
172633-76200	92	29
172638-73650	72	7
172638-76190	81	26
172644-76161	124	10
172644-76180	92	9 -1
172645-76560	59	42
172648-16600	12	8
	25	5
172649-72750	57	121
172649-73680	57	135
	122	84
172651-73430	122	83
172730-31630	26	17
172730-75141	81	21
	124	4
172734-65270	44	15
172828-76330	78	25

Parts No.	Fig. No.	Ref. No.
172837-73700	68	1
172837-73730	68	2
172837-73740	68	3
172837-74130	80	1
172837-74140	80	2
172837-74150	80	3
172837-74160	80	4
172837-74170	80	5
172958-03160	1	12
172958-17110	17	1
172958-17111	17	1 -1
172958-17121	112	1
172958-17140	17	7
172958-17150	17	8
172958-17160	17	9
172958-17170	17	10
172958-17180	17	11
172958-17190	17	12
172958-17200	17	13
172958-17210	17	14
172958-17220	17	15
172958-64500	41	6
172958-72950	64	22
172958-72960	64	23
172958-72982-2	64	24
172958-72983	64	24 -1
172958-72983-N	64	24 -2
172958-78120	100	14
172960-83210	112	17
172964-12140	31	1
172978-72800-2	64	1
172978-72800-N	64	1 -1
172978-72810-2	64	5
172978-72810-N	64	5 -1
172978-72860	64	8
172978-72880	64	11
172978-72890	64	7
172978-72920	64	14
172978-76100	100	1
172978-76480-2	100	4
172978-76480-Y	100	4 -1
172978-76500-2	100	5
172978-76500-Y	100	5 -1
172978-81400	113	1
172978-83101-2	112	5
172978-83101-Y	112	5 -1
172978-83111-2	112	6
172978-83111-Y	112	6 -1
172978-83120	112	7
172978-83130	112	8

## Parts No. Index

Parts No.	Fig. No.	Ref. No.
172978-83140	112	9
		10
172978-83150	112	11
172978-83161	112	12
172978-83170-2	112	13
172978-83170-Y	112	13 -1
172978-83191	112	14
172978-83221-2	112	18
172978-83221-Y	112	18 -1
172978-83270-2	112	19
172978-83270-Y	112	19 -1
172978-83292	112	20
172978-83300-2	112	21
172978-83300-Y	112	21 -1
172978-83320-2	112	22
172978-83320-Y	112	22 -1
172A07-03160	1	13
172A07-03410	115	23
172A21-03220	1	4
172A21-13100	6	1
172A21-76120	98	30
172A25-68500	55	1
	56	2
172A25-74420	88	2
	89	2
172A25-74430	88	3
	89	3
172A25-74440	88	4
	89	4
172A25-74450	88	5
	89	5
172A25-74460	88	6
	89	6
172A25-74470	88	7
	89	7
172A25-74480	88	8
	89	8
172A25-74490	88	9
	89	9
172A25-74501	88	10
	89	10
172A25-76100	88	18
172A36-03411	1	35
		35 -1
	2	14
		14 -1
	44	30 C
172A36-74690	78	2
172A36-74750	78	8
172A36-74780	78	9

Parts No.	Fig. No.	Ref. No.
172A37-03150	115	2
172A37-03160	115	3
172A37-03180	115	4
172A37-03200	115	5
172A37-03231	115	6
172A37-03241	115	7
172A37-03250	115	8
172A37-03271	115	10
172A37-03280	115	11
172A37-03290	115	12
172A37-03300	115	13
172A37-03310	115	14
172A37-03330	115	16
		16 -1
172A37-03350	115	17
		17 -1
172A37-03360	115	19
172A37-03370	115	20
172A37-03400	115	21
172A37-03410	115	24
172A37-03420	115	26
172A37-03430	115	28
172A37-03500	115	34
172A37-03520	115	35
172A37-03530	115	36
172A37-03540	115	38
172A37-03550	115	40
172A37-03680	115	42
172A37-03710	115	43
		43 -1
172A37-03720	115	44
172A37-03760	115	45
172A38-03201	1	15
	2	2
	9	10 A
172A38-03211	1	16
	2	3
	8	35 A
172A46-46602	33	3
172A46-46631	33	4
172A46-46632	33	4 -1
172A46-46702	33	5
172A46-46703	33	5 -1
172A46-46731	33	6
172A46-46732	33	6 -1
172A46-53360	117	3
172A46-61960	43	3
172A46-74710	81	11
	82	4
172A46-74720	81	12

Parts No.	Fig. No.	Ref. No.
172A46-74730	81	13
172A47-03610	115	41
172A47-16650	21	1
172A47-16860-1	21	3
172A47-74710	79	3
	85	2
172A47-74720	79	4
	85	3
172A47-74730	79	6
	84	10
	85	5
172A47-74740	79	7
	85	6
172A47-74750	79	8
	85	7
172A47-74760	79	9
	84	18
	85	8
172A47-74770	79	10
	84	20
	85	9
172A47-74780	79	11
	85	10
172A47-74790	79	12
	85	11
172A47-74800	79	13
	85	12
172A47-74810	79	14
	84	24
	85	13
172A47-74820	79	15
	85	14
172A47-74840	79	16
	84	25
	85	15
172A47-74850	79	17
	84	26
	85	16
172A47-74860	79	18
	85	17
172A47-74870	79	19
	85	18
172A47-74880	79	20
	84	27
	85	19
172A47-74890	79	21
	84	28
	85	20
172A47-76120	80	10
172A47-76171	93	43

Parts No.	Fig. No.	Ref. No.
172A47-76180	93	44
172A47-76230	84	37
	93	31
172A47-76290	93	46
172A47-76320	85	23
	93	34
172A47-77820	107	4
172A48-53371	117	4
172A48-53380	117	5
172A50-78860	92	25 -1
172A52-76130	92	5
172A52-81352	109	5
172A64-03700	1	30
172A64-17250	18	21
	55	8
172A65-03150	1	11
172A65-03230	1	4 -1
172A65-16540	12	13
172A65-16550	12	6
172A65-16750	12	18
172A65-17150	20	11
172A65-17480	18	24
172A65-17650	24	4
172A65-64840	119	18 -1
172A65-73800	123	1
	124	3
172A65-73810	123	2
172A65-73840	123	3
172A65-73850	123	4
172A65-73860	123	5
172A65-73870	123	11
172A65-73880	123	10
172A65-76700	124	12
172A65-76790	90	10
		12
172A67-63110	41	7
172A67-63120	41	8
172A67-63140	41	3
172A67-63160	41	13
172A67-63170	41	14
172A69-03010	1	1
172A69-03011	1	1 -1
172A69-03050	115	1
172A69-03100	1	6
172A69-03110	1	7
172A69-03120	1	8
172A69-03130	1	9
172A69-03140	1	2
172A69-03160	1	3
172A69-03170	1	14

## Parts No. Index

Parts No.	Fig. No.	Ref. No.
172A69-03200	1	48
172A69-03220	1	17
172A69-03270	1	22
172A69-03300	1	46
172A69-03310	1	47
172A69-03350	1	29
	2	9
	8	34 A
172A69-03360	1	56
	2	25
	48	33 A
172A69-03361	1	56 -1
	2	25 -1
172A69-03400	115	22
172A69-03410	115	25
172A69-03420	115	27
172A69-03430	115	29
172A69-03440	115	30
172A69-03441	115	30 -1
172A69-03450	115	31
172A69-03470	115	32
172A69-08400	44	4 -1
172A69-08520	121	1
172A69-08520-Y	121	1 -1
172A69-11310	3	1
172A69-11350	3	2
172A69-11500	4	1
172A69-11530	4	10
172A69-12100	5	1
172A69-12120	5	7
172A69-13100	6	2
172A69-13110	6	3
172A69-13120	6	4
172A69-13150	6	5
172A69-13200	6	9
172A69-13201	6	9 -1
172A69-13202	6	9 -2
172A69-13230	7	5
172A69-13250	6	11
172A69-13300	7	6
172A69-13350	8	1
172A69-13440	8	3
172A69-13450	7	8
172A69-13510	7	10
172A69-13520	7	11
172A69-13550	7	14
172A69-13560	7	15
172A69-13600	8	6
172A69-13650	8	8
172A69-13660	8	9

Parts No.	Fig. No.	Ref. No.
172A69-13670	8	10
172A69-13680	8	11
172A69-13690	8	12
	37	3
		15
172A69-13700	8	14
172A69-13750	8	16
172A69-13760	7	16
172A69-13770	7	17
172A69-13780	7	18
172A69-13800	8	17
172A69-13801	8	17 -1
172A69-13810	8	18
172A69-13850	8	19
172A69-14110	10	3
172A69-14130	10	9
172A69-14170	10	23
172A69-14211	10	14
172A69-14230	10	26
172A69-14240	10	15
172A69-14260	11	1
172A69-14290	11	2
172A69-14310	10	35
172A69-14350	10	37
		44
172A69-14370	10	38
172A69-14380	10	39
172A69-14410	10	40
172A69-14430	10	42
172A69-14450	10	43
172A69-14510	11	3
172A69-14550	10	18 -1
172A69-14610	11	6
172A69-14640	11	10
172A69-14670	11	14
172A69-16100	12	1
172A69-16400	18	2
172A69-16401	18	2 -1
172A69-16500	12	5
172A69-16501	12	5 -1
172A69-16502	12	5 -2
172A69-16540	18	16
172A69-16550	13	1
172A69-16551	13	1 -1
172A69-16570	25	3
172A69-16600	22	1
172A69-16660	12	15
172A69-16680	12	16
172A69-16700	12	17
172A69-16710	12	7

Parts No.	Fig. No.	Ref. No.
172A69-16720	19	6
172A69-16800	12	19
172A69-16801	12	19 -1
172A69-16810	21	2
172A69-17090	18	17
172A69-17140	18	19
172A69-17150	17	17
172A69-17180	18	20
172A69-17200	20	1
172A69-17201	20	1 -1
172A69-17210	20	3
172A69-17211	20	3 -1
172A69-17220	20	4
172A69-17221	20	4 -1
172A69-17230	20	5
172A69-17231	20	5 -1
172A69-17240	20	6
172A69-17241	20	6 -1
172A69-17250	20	7
172A69-17251	20	7 -1
172A69-17260	18	22
172A69-17270	20	8
172A69-17350	18	23
172A69-17810	24	5
172A69-17840	24	8
172A69-17870	23	2
172A69-17890	23	5
172A69-17940	24	8 -1
172A69-18100	24	11
172A69-18150	24	12
172A69-18160	24	13
172A69-18190	24	16
172A69-18200	22	3
172A69-18210	22	4
172A69-18230	22	7
172A69-18290	24	17
172A69-18300	24	18
172A69-18350	24	19
172A69-18370	24	20
172A69-18371	24	20 -1
172A69-18400	24	21
172A69-18401	24	21 -1
172A69-18410	24	23
172A69-18430	24	24
172A69-18450	25	9
172A69-18580	25	10
172A69-18650	22	10
172A69-18680	22	11
172A69-18700	22	12
172A69-18730	22	18

Parts No.	Fig. No.	Ref. No.
172A69-18750	22	20
172A69-18760	22	14
172A69-18770	22	15
172A69-18780	22	16
172A69-18790	22	17
172A69-18800	22	24
172A69-18820	22	21
172A69-18860	22	22
172A69-18900	23	8
	25	11
172A69-18940	22	23
172A69-18990	22	26
172A69-19010	23	9
	116	1
172A69-19100	22	33
172A69-19270	22	35
172A69-19280	22	36
172A69-19290	22	37
172A69-19310	116	2
172A69-19320	116	3
172A69-19330	116	4
172A69-19340	116	5
172A69-19350	116	6
172A69-19360	116	7
172A69-19370	116	8
172A69-19380	116	9
172A69-19390	116	9 A
172A69-19400	116	9 B
172A69-19410	116	11
172A69-19420	116	12
172A69-19430	116	13
172A69-19440	116	14
172A69-19450	116	15
172A69-19460	116	16
172A69-19540	25	12
172A69-19541	25	12 -1
172A69-19580	25	13
172A69-19581	25	13 -1
172A69-19590	25	14
172A69-19600	25	15
172A69-19610	25	16
172A69-19680	25	17
		17 A
	116	10
172A69-19700	22	28
172A69-19710	22	29
172A69-19720	22	30
172A69-19730	22	31
172A69-19731	22	31 -1
172A69-19800	23	10

## Parts No. Index

Parts No.	Fig. No.	Ref. No.
172A69-19810	23	11
172A69-19820	23	12
172A69-19830	23	13
172A69-19860	23	14
172A69-19880	23	15
172A69-19890	22	32
172A69-45210	30	1
172A69-45211	30	1 -1
172A69-45250	30	2
172A69-45251	30	2 -1
172A69-45350	32	1
172A69-45800	32	6
172A69-45850	31	2
172A69-45851	31	2 -1
172A69-46100	29	2
172A69-46101	29	2 -1
172A69-46210	29	7
172A69-46220	29	8
172A69-46250	29	9
172A69-46251	29	9 -1
172A69-46270	29	10
172A69-50100	34	1
172A69-50101	34	1 -1
172A69-50670	34	3
172A69-53310	35	1
172A69-54100	35	5
172A69-54700	35	7
172A69-54710	35	8
172A69-57600	35	9 -1
172A69-57620	35	9 B
172A69-57650	35	13
172A69-57660	35	15
172A69-61010	38	1
	119	5
172A69-61020	38	2
	119	9
172A69-61030	38	3
172A69-61060	38	4
172A69-61080	38	27
172A69-61120	38	29
	119	39
172A69-61130	38	5
172A69-61150	38	7
	119	14
172A69-61160	38	8
172A69-61190	38	9
172A69-61240	38	23
	119	1
172A69-61280	38	25
	119	3

Parts No.	Fig. No.	Ref. No.
172A69-61330	38	10
	119	20
172A69-61350	39	18
172A69-61450	39	20
172A69-61490	45	1
172A69-61490-Y	45	1 -1
172A69-61500	39	1
172A69-61510	39	2
172A69-61520	39	3
172A69-61530	39	4
172A69-61550	39	5
172A69-61560	39	6
172A69-61570	39	7
172A69-61580	39	8
172A69-61590	40	3
172A69-61600	36	1
172A69-61600-Y	36	1 -1
172A69-61650	36	3
172A69-61660	36	4
172A69-61680	37	2
172A69-61720	37	5
172A69-61740	37	6
172A69-61780	37	8
172A69-61790	37	9
172A69-61800	37	10
172A69-61801	37	10 -1
172A69-61830	36	5
172A69-61830-Y	36	5 -1
172A69-61870	37	11
172A69-61900	37	14
172A69-61901	37	14 -1
172A69-61980	119	42
172A69-62050	36	6
172A69-62130	25	31
	43	1
172A69-62150	41	1
172A69-62160	41	2
172A69-62210	38	12
	119	25
172A69-62280	43	4
172A69-62290	43	5
172A69-62291	43	5 -1
172A69-62310	43	6
172A69-62340	43	7
172A69-62410	43	2
172A69-62420	43	8
172A69-62430	43	21
172A69-62440	43	22
172A69-62450	43	23
172A69-62470	43	24

Parts No.	Fig. No.	Ref. No.
172A69-62510	43	9
172A69-62550	87	28
172A69-62570	87	29
172A69-62611	87	30
172A69-62650	43	28
172A69-64100	42	1
172A69-64120	42	8 -2
172A69-64130	42	8
172A69-64160	47	11
172A69-64170	47	12
172A69-64200	42	11
172A69-64201	42	11 -1
172A69-64610	42	13
172A69-64620	42	14
172A69-64630	42	11 H
		15
172A69-64640	42	11 I
		16
172A69-64650	42	17
172A69-64660	42	18
172A69-64680	42	11 K
		19
172A69-64690	42	11 L
		20
172A69-64700	42	21
172A69-64710	42	11 N
172A69-64720	42	11 O
		22
172A69-64740	42	2
172A69-64760	38	13
	119	26
172A69-64810	42	3
172A69-64811	42	3 -1
172A69-64990	38	30
	119	40
172A69-65100	44	4
172A69-65180	44	8
172A69-65190	44	9
172A69-65210	47	2
172A69-65230	44	12
172A69-65400	44	4 B
172A69-65530	43	29
172A69-65600	45	2
172A69-65600-Y	45	2 -1
172A69-65640	45	4
172A69-65670	45	5
172A69-65720	87	31
172A69-65721	87	31 -1
172A69-65780	87	32
172A69-65800	46	1

Parts No.	Fig. No.	Ref. No.
172A69-65800-Y	46	1 -1
172A69-65850	46	3
172A69-65860	46	4
172A69-65870	46	5
172A69-65872	46	5 -2
172A69-65900	46	6
172A69-65900-Y	46	6 -1
172A69-65920	46	8
172A69-65950	47	3
172A69-65970	47	4
172A69-66510	47	5
172A69-68000	48	1
172A69-68010	48	2
172A69-68050	49	1
172A69-68060	49	5
172A69-68070	49	6
172A69-68080	49	7
172A69-68090	49	8
172A69-68100	49	9
172A69-68110	49	10
172A69-68120	49	11
172A69-68130	49	12
172A69-68140	49	13
172A69-68150	49	14
172A69-68160	49	15
172A69-68170	49	16
172A69-68180	49	17
172A69-68190	49	18
172A69-68200	49	19
172A69-68210	49	20
172A69-68220	49	21
172A69-68230	49	22
172A69-68250	50	1
172A69-68260	50	5
172A69-68270	50	6
172A69-68280	50	7
172A69-68290	50	8
172A69-68300	50	9
172A69-68310	50	10
172A69-68320	50	11
172A69-68330	50	12
172A69-68340	50	13
172A69-68350	50	14
172A69-68360	50	15
172A69-68370	50	16
172A69-68380	50	17
172A69-68390	50	18
172A69-68400	50	19
172A69-68410	50	20
172A69-68420	50	21

## Parts No. Index

Parts No.	Fig. No.	Ref. No.
172A69-68430	50	22
172A69-68440	50	23
172A69-68450	50	24
172A69-68460	50	25
172A69-68470	50	26
172A69-68480	50	27
172A69-68490	50	28
172A69-68500	50	29
172A69-68510	48	5 A
	50	30
172A69-68550	52	1
172A69-68560	52	2
172A69-68570	52	3
172A69-68580	52	3 A
172A69-68600	52	4
172A69-68610	52	6
172A69-68620	52	7
172A69-68630	52	8
172A69-68640	52	9
172A69-68650	52	10
172A69-68660	52	11
172A69-68710	53	6
172A69-68720	53	7
172A69-68730	53	8
172A69-68740	53	9
172A69-68750	53	10
172A69-68760	53	10 A
172A69-68770	53	11
172A69-68780	53	12
172A69-68790	53	13
172A69-68800	53	14
172A69-68820	53	15
172A69-68850	55	2
172A69-68900	54	1
172A69-68910	54	5
172A69-68920	54	6
172A69-68930	54	7
172A69-68940	54	8
172A69-68950	55	5
172A69-68960	54	9
172A69-68970	54	11
172A69-69010	51	4
172A69-69020	51	5
172A69-69030	51	6
172A69-69040	51	7
172A69-69050	51	8
172A69-69060	49	32
	51	9
172A69-69070	51	10
172A69-69080	51	11

Parts No.	Fig. No.	Ref. No.
172A69-69090	51	12
172A69-69100	51	13
172A69-69110	51	14
172A69-69130	51	15
172A69-69140	51	16
172A69-69150	51	17
172A69-69160	51	18
172A69-69170	51	19
172A69-69180	51	20
172A69-69190	51	21
172A69-69200	51	22
172A69-69210	51	24
172A69-69220	51	25
172A69-69260	49	33
172A69-69270	49	34
172A69-69290	49	35
172A69-69300	49	36
172A69-69310	49	37
172A69-69330	49	38
172A69-69340	49	39
172A69-69350	49	40
172A69-69360	49	41
172A69-69370	49	42
172A69-69380	49	43
172A69-69390	49	44
172A69-69400	49	45
172A69-69460	53	21
172A69-69461	53	21 -1
172A69-69470	53	19
		22
172A69-69480	53	23
172A69-69481	53	23 -1
172A69-69490	53	24
172A69-69491	53	24 -1
172A69-69500	53	25
172A69-69560	48	7
172A69-69570	48	8
172A69-69580	48	9
172A69-69590	48	10
172A69-69600	48	11
172A69-69610	48	12
172A69-69620	48	13
172A69-69630	48	14
172A69-69640	48	15
172A69-69650	48	16
172A69-69660	48	17
172A69-69670	48	31
172A69-69680	48	18
172A69-69690	48	19
172A69-69720	48	20

Parts No.	Fig. No.	Ref. No.
172A69-69721	48	20 -1
172A69-69730	48	21
172A69-69740	48	22
172A69-69750	48	23
172A69-69760	48	24
172A69-69770	48	25
172A69-69780	48	26
172A69-69790	48	27
172A69-69800	48	28
172A69-69810	56	3
172A69-69810-Y	56	3 -1
172A69-69880	56	6
172A69-69881	56	6 -1
172A69-69910	55	9
172A69-69930	55	10
172A69-70100	120	3
172A69-70110	120	4
172A69-70120	120	6
172A69-70130	120	13
172A69-70140	120	16
172A69-70150	120	18
172A69-70160	120	19
172A69-70170	120	31
172A69-70180	120	38
172A69-70190	120	43
172A69-71110	75	23
172A69-71120	75	24
172A69-71130	75	1
172A69-71140	75	2
172A69-71150	76	1
172A69-71160	76	2
172A69-71170	76	14
172A69-71180	76	15
172A69-71190	76	16
172A69-71200	77	1
172A69-71210	77	13
172A69-71211	77	13 -1
172A69-71220	77	14
172A69-71221	77	14 -1
172A69-71230	77	15
172A69-71240	77	16
172A69-71250	77	26
172A69-71260	70	2
172A69-71300	84	2
172A69-71310	84	3
172A69-71320	84	4
172A69-71330	84	5
172A69-71340	84	6
172A69-71350	84	7
172A69-71360	84	8

Parts No.	Fig. No.	Ref. No.
172A69-71370	84	9
172A69-71380	84	12
172A69-71390	84	13
172A69-71400	84	14
172A69-71550	58	1
172A69-71560	58	2
172A69-71600	58	3
172A69-71750	78	1
172A69-71800	120	8
172A69-71810	120	9
172A69-71820	120	10
172A69-71830	120	5
		7
172A69-71850	120	14
172A69-71860	120	24
172A69-71870	120	25
172A69-71880	120	32
172A69-72070	97	23
172A69-72070-N	97	23 -1
172A69-72100	59	2
172A69-72100-N	59	2 -1
172A69-72110	59	3
172A69-72110-N	59	3 -1
172A69-72130	59	5
172A69-72140	59	8
172A69-72140-N	59	8 -1
172A69-72260	61	4
172A69-72270	61	11
172A69-72280	60	3
172A69-72290	60	11
172A69-72300	60	1
172A69-72300-N	60	1 -1
172A69-72310	60	14
172A69-72310-N	60	14 -1
172A69-72330	60	17
172A69-72350	60	20
172A69-72370	60	21
172A69-72380	60	22
172A69-72390	60	23
172A69-72400	60	24
172A69-72410	60	25
172A69-72430	60	26
172A69-72440	60	27
172A69-72450	60	28
172A69-72460	60	29
172A69-72470	60	30
172A69-72480	60	16
172A69-72490	60	19
172A69-72500	61	1
172A69-72500-N	61	1 -1

## Parts No. Index

Parts No.	Fig. No.	Ref. No.
172A69-72510	61	14
172A69-72510-N	61	14 -1
172A69-72530	61	17
172A69-72550	61	20
172A69-72560	61	21
172A69-72570	61	22
172A69-72620	61	23
172A69-72650	61	18
172A69-72660	61	33
172A69-72670	61	24
172A69-72670-N	61	24 -1
172A69-72680	97	29
172A69-72700	62	1
172A69-72710	62	28
172A69-72750	62	32
172A69-72800	63	1
172A69-72810	63	20
172A69-72850	63	24
172A69-72900	63	31
	126	24
	128	29
172A69-72950	59	41
172A69-72950-N	59	41 -1
172A69-73030	120	1
172A69-73031	120	1 -1
172A69-73040	120	2
172A69-73050	120	12
172A69-73060	120	30
172A69-73070	120	37
172A69-73080	120	42
172A69-73100	57	5
172A69-73101	122	7
172A69-73110	57	54
172A69-73120	57	59
172A69-73130	57	68
	122	55
172A69-73140	57	75
	122	62
172A69-73150	57	81
172A69-73160	57	92
172A69-73170	57	116
172A69-73180	57	120
172A69-73190	57	133
172A69-73300	65	1
172A69-73310	66	1
172A69-73320	66	20
172A69-73330	66	54
172A69-73340	66	47
172A69-73350	66	55
172A69-73360	66	58

Parts No.	Fig. No.	Ref. No.
172A69-73370	66	18
172A69-73380	66	59
172A69-73390	66	60
172A69-73400	65	2
172A69-73410	65	3
172A69-73420	65	4
172A69-73430	65	5
172A69-73440	65	6
172A69-73450	65	7
172A69-73460	65	8
172A69-73470	65	9
172A69-73480	65	10
172A69-73490	65	12
172A69-73500	65	13
172A69-73510	65	14
172A69-73520	65	15
172A69-73530	65	16
172A69-73540	65	17
172A69-73550	65	18
172A69-73560	65	19
172A69-73570	65	20
172A69-73580	65	21
172A69-73590	65	23
172A69-73600	65	24
172A69-73610	65	25
172A69-73620	65	26
172A69-73630	65	27
172A69-73640	65	28
172A69-73650	65	30
172A69-73660	65	32
172A69-73670	65	33
172A69-73680	65	34
172A69-73690	65	35
172A69-73700	65	36
172A69-73710	65	37
172A69-73720	65	38
172A69-73730	65	39
172A69-73740	65	40
172A69-73750	65	47
172A69-73760	65	51
172A69-73770	65	52
172A69-73780	65	53
172A69-73790	65	54
172A69-73800	65	55
172A69-73810	65	56
172A69-73820	65	57
172A69-73830	65	58
172A69-73840	65	59
172A69-73850	65	60
172A69-73860	65	61

Parts No.	Fig. No.	Ref. No.
172A69-73870	65	62
172A69-73880	65	63
172A69-73890	65	64
172A69-73900	65	65
172A69-73910	65	85
172A69-73950	120	12 -1
172A69-73960	120	16 -1
172A69-73970	120	18 -1
172A69-73980	120	30 -1
172A69-74050	98	7
172A69-74070	98	12
172A69-74100	70	1
172A69-74101	70	1 -1
172A69-74102	70	1 -2
172A69-74103	70	1 -3
172A69-74110	70	4
172A69-74120	73	1
172A69-74130	73	2
172A69-74140	73	3
172A69-74150	73	5
172A69-74160	73	6
172A69-74170	70	8
172A69-74180	70	9
172A69-74190	71	1
172A69-74191	71	1 -1
172A69-74200	71	2
	72	2
	74	14
	76	13
172A69-74210	71	3
172A69-74220	72	1
172A69-74230	72	3
172A69-74240	73	12
172A69-74250	73	17
	74	6
	77	20
172A69-74260	74	1
172A69-74270	74	13
172A69-74280	74	15
172A69-74290	75	21
172A69-74291	75	21 -1
172A69-74300	75	22
172A69-74301	75	22 -1
172A69-74310	79	1
172A69-74410	81	1
172A69-74411	81	1 -1
172A69-74420	81	2
172A69-74430	81	3
172A69-74440	81	4
172A69-74450	81	5

Parts No.	Fig. No.	Ref. No.
172A69-74460	81	6
172A69-74470	81	7
172A69-74490	81	8
172A69-74500	81	9
172A69-74510	81	10
172A69-74520	81	10 -1
172A69-74540	81	9 -1
172A69-74550	82	1
172A69-74560	82	2
172A69-74590	82	3
172A69-74650	88	1
	89	1
172A69-74660	88	11
	89	11
172A69-74670	79	2 -1
	85	1 -1
172A69-74680	79	5 -1
	85	4 -1
172A69-74700	84	1
172A69-74710	79	2
	85	1
172A69-74720	79	5
	85	4
172A69-74730	84	15
172A69-74740	84	16
172A69-74750	84	17
172A69-74760	84	19
172A69-74770	84	21
172A69-74780	84	22
172A69-74790	84	23
172A69-74800	86	1
172A69-74850	83	2
172A69-74860	83	10
172A69-74900	83	11
172A69-74910	83	19
172A69-74960	81	20 A
172A69-74970	81	20 B
172A69-74980	81	8 -1
172A69-74990	81	20 C
172A69-75240	87	11
172A69-75450	87	13
172A69-75470	87	15
172A69-75600	87	17
172A69-75610	87	21
172A69-75710	87	6
172A69-76050	93	14 A
172A69-76060	93	14 B
172A69-76070	93	14 C
172A69-76110	90	5
172A69-76120	90	9

## Parts No. Index

Parts No.	Fig. No.	Ref. No.
172A69-76130	90	11
172A69-76140	92	9
172A69-76150	93	14
172A69-76160	90	14
172A69-76190	90	18
172A69-76200	97	2
172A69-76200-Y	97	2 -1
172A69-76220	97	3
172A69-76220-Y	97	3 -1
172A69-76250	97	4
172A69-76250-Y	97	4 -1
172A69-76270	97	5
172A69-76270-Y	97	5 -1
172A69-76300	99	1
172A69-76300-Y	99	1 -1
172A69-76320	99	2
172A69-76320-Y	99	2 -1
172A69-76400	97	6
172A69-76410	97	7
172A69-76420	97	8
172A69-76420-Y	97	8 -1
172A69-76430	97	9
172A69-76430-Y	97	9 -1
172A69-76440	97	10
172A69-76440-Y	97	10 -1
172A69-76450	97	11
172A69-76460	97	12
172A69-76460-Y	97	12 -1
172A69-76470	91	1
172A69-76510	100	6
172A69-76510-Y	100	6 -1
172A69-76600	100	8
172A69-76600-Y	100	8 -1
172A69-76620	100	9
172A69-76620-Y	100	9 -1
172A69-76640	100	10
172A69-76640-Y	100	10 -1
172A69-76660	100	11
172A69-76660-Y	100	11 -1
172A69-76680	58	5
172A69-76720	58	7
172A69-77100	88	28
172A69-77100-N	88	28 -1
172A69-77150	88	29
172A69-77150-N	88	29 -1
172A69-77180	88	30
172A69-77180-N	88	30 -1
172A69-77200	88	31
172A69-77200-N	88	31 -1
172A69-77240	88	32

Parts No.	Fig. No.	Ref. No.
172A69-77300	89	21
172A69-77300-N	89	21 -1
172A69-77350	89	22
172A69-77350-N	89	22 -1
172A69-77400	89	24
172A69-77400-N	89	24 -1
172A69-77480	101	3
172A69-77480-Y	101	3 -1
172A69-77500	101	4
172A69-77500-Y	101	4 -1
172A69-77800	107	2
172A69-77810	107	3
172A69-77820	107	10
172A69-78080	91	4
172A69-78081	91	4 -1
172A69-78110	91	5
172A69-78120	91	6
172A69-78130	90	28
172A69-78150	90	29
172A69-78160	90	30
172A69-78170	90	32
172A69-78171	90	32 -1
172A69-78180	90	33
172A69-78181	90	33 -1
172A69-78190	102	2
172A69-78200	90	34
172A69-78210	90	35
172A69-78220	94	5
172A69-78230	92	23
172A69-78240	90	36
172A69-78250	92	24
172A69-78260	92	25
172A69-78261	92	31
172A69-78270	92	26
172A69-78280	97	31
172A69-78300	94	6
172A69-78310	94	7
172A69-78320	94	8
172A69-78330	94	9
172A69-78340	95	6
172A69-78350	95	7
172A69-78360	95	8
172A69-78370	102	3
172A69-78380	91	7
172A69-78390	91	8
172A69-78400	98	22
172A69-78401	98	22 -1
172A69-78410	98	23
172A69-78420	98	24
172A69-78430	94	10

Parts No.	Fig. No.	Ref. No.
172A69-78440	94	11
172A69-78450	95	9
172A69-78460	95	10
172A69-78470	94	12
172A69-78480	94	13
172A69-78490	98	25
172A69-78510	96	13
172A69-78520	96	14
172A69-78530	96	16
172A69-78540	96	17
172A69-78550	97	25
172A69-78560	96	18
172A69-78570	97	26
172A69-78590	100	15
172A69-78591	100	15 -1
172A69-78600	100	16
172A69-78610	100	17
172A69-78620	100	18
172A69-78630	104	2
172A69-78650	104	3
172A69-78660	104	4
172A69-78670	100	19
172A69-78680	97	27
172A69-78700	104	5
172A69-78710	104	6
172A69-78711	104	6 -1
172A69-78720	104	7
172A69-78730	104	8
172A69-78731	104	8 -1
172A69-78740	104	9
172A69-78750	104	10
172A69-78760	104	11
172A69-78770	104	12
172A69-78780	104	13
172A69-78781	104	13 -1
172A69-78790	104	14
172A69-78791	104	14 -1
172A69-78800	104	15
172A69-78801	104	15 -1
172A69-78810	104	16
172A69-78811	104	16 -1
172A69-78820	104	17
172A69-78830	104	18
172A69-78840	104	19
172A69-78850	104	20
172A69-78860	102	4
172A69-78870	102	5
172A69-78880	102	6
172A69-78890	102	7
172A69-78900	95	11

Parts No.	Fig. No.	Ref. No.
172A69-78910	102	8
172A69-78920	102	9
172A69-78930	102	10
172A69-78940	102	11
172A69-78950	102	12
172A69-78960	102	13
172A69-78970	105	1
172A69-78980	102	14
172A69-78990	102	15
172A69-79050	101	6
172A69-79100	94	17
172A69-79100-Y	94	17 -1
172A69-79140	94	19
		21
172A69-79150	94	20
172A69-79150-Y	94	20 -1
172A69-79200	100	21
	101	7
172A69-79210	100	22
	101	8
172A69-79220	100	23
	101	9
172A69-79250	100	27
172A69-79250-Y	100	27 -1
172A69-79400	102	16
172A69-79410	102	17
172A69-79420	102	18
172A69-79430	102	19
172A69-79440	102	20
172A69-79450	102	21
172A69-79460	102	22
172A69-79470	102	23
172A69-79480	102	24
172A69-79481	102	24 -1
172A69-79490	105	2
172A69-79500	102	25
172A69-79501	102	25 -1
172A69-79510	102	26
172A69-79511	102	26 -1
172A69-79520	102	27
172A69-79530	102	28
172A69-79540	106	1
172A69-79550	106	2
172A69-79560	106	3
172A69-79570	106	4
172A69-79620	100	24
172A69-79690	101	10
172A69-79700	101	11
172A69-79711	101	12
172A69-79720	101	13

## Parts No. Index

Parts No.	Fig. No.	Ref. No.
172A69-79730	101	14
172A69-79740	101	15
172A69-79750	101	16
172A69-79800	103	1
172A69-79810	103	2
172A69-79820	103	3
172A69-79830	103	4
172A69-79840	103	5
172A69-79850	103	6
172A69-79860	103	7
172A69-79870	103	8
172A69-79890	97	28
172A69-79900	98	26
172A69-79950	102	7 -1
172A69-79960	102	28 -1
172A69-81100	109	3
172A69-81101	109	3 -1
172A69-81101-Y	109	3 -2
172A69-81500	110	3
172A69-81500-Y	110	3 -1
172A69-82100	108	1
172A69-82120	109	13
172A69-82300	108	2
172A69-82300-Y	108	2 -1
172A69-82370	62	42
	125	36
172A69-82371	130	42
172A69-94100	114	4
172A77-17250	20	9
172A77-46050	29	1 -1
172A78-14220	10	25
172A78-64510	83	1
172A86-74500	93	1
172A89-03500	1	68
	44	4 A
172A89-08900	117	8
172A89-13150	6	11 -1
172A89-14380	10	39 -1
172A89-14630	11	14 -1
172A89-16420	21	1 -1
172A89-16440	19	1 -1
172A89-16600	22	1 -1
172A89-16601	22	1 -2
172A89-16770	12	18 -1
172A89-17090	18	17 -1
172A89-17180	18	20 -1
172A89-17510	118	1
172A89-18110	24	18 -1
172A89-18150	24	23 -1
172A89-19100	22	33 -1

Parts No.	Fig. No.	Ref. No.
172A89-19670	25	17 -1
172A89-19680	25	17 B
172A89-19710	22	29 -1
172A89-53320	117	2
172A89-61010	119	6
172A89-61020	119	7
172A89-61030	119	10
172A89-61060	38	4 -1
	119	11
172A89-61080	119	37
172A89-61130	119	12
172A89-61150	119	16
172A89-61180	119	19
172A89-61220	119	15
172A89-61420	38	33
	119	22
172A89-61440	38	35
	119	24
172A89-61600-Y	36	1 -2
172A89-61680	37	2 -1
172A89-61680-Y	37	2 -2
172A89-61720	37	5 -1
172A89-61730	37	5 A
172A89-61740	37	6 -1
172A89-61740-Y	37	6 -2
172A89-61791	37	9 -1
172A89-61880	37	11 -1
172A89-62550	87	28 -1
172A89-62570	87	29 -1
172A89-62610	87	30 -1
172A89-64610	42	11 F
172A89-64620	42	11 G
172A89-64650	42	11 J
172A89-64700	42	11 M
172A89-65160	44	6
172A89-65170	44	7
172A89-65230	44	12 -1
172A89-68780	53	12 -1
172A89-73130	122	67
172A89-73150	122	79
172A89-73160	122	80
172A89-73170	122	81
172A89-73180	122	82
172A89-73900	124	1
172A89-74161	71	3 -1
172A89-74700	84	1 -1
172A89-74710	84	5 -1
172A89-74720	84	23 -1
172A89-74730	84	19 -1
172A89-76110	90	5 -1

Parts No.	Fig. No.	Ref. No.
172A89-76120	90	6 -1
172A89-76150	58	13
172A89-76160	58	14
172A89-77820	107	10 -1
172A89-78250	90	36 -1
172A89-78600	100	16 -1
172A89-78610	100	17 -1
172A89-81810	59	48 -1
172B06-37951	129	7
172B11-14510	11	3 -1
172B11-61150	119	16 -1
172B11-61660	36	4 -1
172B11-62300	43	7 -1
172B11-62900	43	7 A
172B11-64130	42	8 -1
172B11-64860	42	11 O-1
172B11-64950	42	3 -2
172B11-65220	44	12 -2
172B11-71280	126	18
172B11-71360	125	15
172B11-71370	125	16
172B11-71380	125	17
172B11-71390	125	18
172B11-71520	125	7
172B11-71530	125	10
172B11-71540	125	12
172B11-71550	125	13
172B11-71560	125	19
172B11-71720	126	10
		13
172B11-71730	126	15
172B11-71740	126	16
172B11-71750	126	19
172B11-71760	126	20
172B11-71770	126	21
172B11-72530	125	2
172B11-72540	125	3
172B11-72550	125	4
	126	2
172B11-72620	125	5
172B11-72630	125	8
172B11-72640	125	11
172B11-72650	125	14
172B11-72700	125	1
		1 -1
172B11-72701	130	1
172B11-72710	125	22
172B11-72720	125	23
172B11-72730	125	24
172B11-72740	125	25

Parts No.	Fig. No.	Ref. No.
172B11-72750	125	26
172B11-72760	125	27
172B11-72770	125	28
172B11-72780	125	29
172B11-72790	125	30
172B11-72800	126	1
172B11-72801	128	1
172B11-72810	126	3
172B11-72820	126	4
172B11-72830	126	5
172B11-72840	126	6
172B11-72850	126	7
172B11-72860	126	8
172B11-72870	126	11
172B11-72880	126	14
172B11-72890	126	17
172B11-73600	67	1 -1
172B11-73630	67	2 -1
172B11-76720	58	7 -1
172B11-76900	100	31 -2
172B11-96400	130	2
172B11-96420	130	4
172B11-96460	130	6
172B11-96500	130	14
172B11-96550	130	18
172B11-96560	130	19
172B11-96570	130	20
172B11-96580	130	21
172B11-96590	130	22
172B11-96600	130	23
172B11-96610	130	24
172B11-96620	130	25
172B11-96630	130	26
172B11-96640	130	27
172B11-96700	130	28
172B11-96730	130	30
172B11-97320	130	32
172B11-97340	130	33
172B11-97350	130	34
172B11-97400	128	3 A
		6 A
	130	5
		31
172B11-97500	128	3
172B11-97520	128	5
		7
172B11-97530	128	6
172B11-97560	128	9
172B11-97570	128	10
172B11-97580	128	11



## Parts No. Index

Parts No.	Fig. No.	Ref. No.
172B11-97590	128	12
172B11-97600	128	13
172B11-97610	128	14
172B11-97620	128	15
172B11-97630	128	16
172B11-97650	128	17
172B11-97660	128	18
172B11-97670	128	19
172B11-97680	128	20
172B11-97690	128	21
172B11-97700	128	22
172B11-97710	128	23
172B11-97720	128	24
172B11-97740	128	25
172B11-97750	128	26
172B12-03371	115	30 -2
172B12-03381	1	56 -2
	2	25 -2
172B12-37300	127	1
172B12-37310	127	2
172B12-37330	127	4
172B12-37340	127	5
172B12-37370	127	6
172B12-37380	127	7
172B12-37750	129	1
172B12-37760	129	2
172B12-37790	129	3
172B12-37800	129	4
172B12-37810	129	5
172B12-37820	129	6
172B12-76250	97	4 -2
184015-59130	7	22
184015-59190	7	26
184015-59250	11	30
184016-44700	7	19
184016-44710	7	20
184016-55700	11	21
184016-55701	11	21 -1
184016-55710	11	23 A
194145-04810	10	34
194151-57100	13	5
194202-56460	11	43
	12	23
	13	7
	18	41
	19	5 -1
	21	7
	100	30
	101	19
		19 -1

Parts No.	Fig. No.	Ref. No.
194202-56460	102	1
		1 -1
	103	9
	107	12
194464-52190	18	25
194630-15520	11	18
194630-42120	26	11
		21
198153-51700	12	8 A
198200-04030	10	4
198200-04031	10	4 -1
198200-04040	10	5
198220-61480	8	20
198461-52950	16	1
	18	26
1A1380-62160	44	1
1A6260-64200	22	39
	41	15
1A7030-87411	22	40
1A7030-87790	22	31 B
1A7030-88211	22	31 C
1A7030-88660	23	18
1A7030-88760	23	11 A
		12 A
1A7030-88820	23	10 A
1A7030-88840	23	13 A
1A7400-61250	87	27
1A7470-87320	22	6
		9
1D4070-23580	29	1
1D4180-22850	124	2
1E3030-78370	90	40
	93	23
1E6212-82820	101	20
1E8080-83320	14	4
1E8080-83321	14	4 -1
1E8490-84130	19	7
1E8545-80080	22	31 A
1E8545-80210	23	16
1E8545-80250	23	17
1E8775-84120	13	8
	18	43
	91	2
1T3681-86450	26	22
1W3855-50160	56	1
22117-040000	30	5
22117-060000	6	24
22117-080000	78	10
	81	20 D
22117-100000	3	6

Parts No.	Fig. No.	Ref. No.
22117-100000	90	20
22117-120000	90	21
22137-060000	18	31
	22	41
	68	7
22137-080000	11	35
	24	27
	29	15
	44	22
	87	33
	112	23
22137-100000	11	44
	22	42
	24	28
	25	18
	32	7
	39	17
	87	43
	88	33
	97	17
		18
	112	24
		25
		25 -1
22137-160000	34	8
	47	13
	87	34
22137-200000	47	14
22137-240000	78	11
22157-060000	6	25
22157-080000	14	5
	18	32
	23	20
	33	9
	43	25
		35
	55	6
22157-100000	36	7
		12
		13
	43	30
		36
	44	23
	45	7
	46	9
	47	6
	58	9
	87	35
	88	34
	89	26

Parts No.	Fig. No.	Ref. No.
22157-120000	40	4
	110	16
22157-140000	59	49
	109	18
	110	17
	114	11
22217-060000	12	22
	78	12
22217-080000	11	36
	100	33
22217-100000	3	7
	6	14
	59	50
	123	6
22217-120000	6	15
22217-140000	59	51
	62	44
	100	28
	109	19
	110	18
	114	12
	125	38
	130	44
22217-160000	6	16
		17
	26	3
		26
	27	14
	34	9
	47	7
		15
	57	141
	65	82
	66	73
	87	36
	120	46
	122	5
22217-200000	26	14
	127	11
22242-000210	98	8
22242-000250	29	16
	98	9
22242-000350	26	23
	57	24
	112	26
	122	25
22242-000450	26	12
	127	8
22242-000700	69	7
22242-000720	123	7

## Parts No. Index

Parts No.	Fig. No.	Ref. No.
22242-001000	108	10
22252-000120	57	131
22252-000220	65	76
22252-000350	24	14
	120	17
22252-000450	112	27
		28
22252-000800	26	24
	57	25
	122	26
22272-000040	49	46
22272-000070	29	17
	51	23
22351-030028	17	16
22351-035040	29	18
22351-060040	29	19
22372-080000	87	37
22372-100000	37	24 -1
22417-200160	78	13
22417-200200	29	20
	43	31
	44	24
		25
22417-250200	32	8
22417-320200	8	23
	37	24
22487-080300	78	14
22857-500121	20	10
		10 -1
23000-013000	10	16
	100	25
	102	29
	104	21
	105	3
	106	5
23000-070000	4	12
23000-080000	4	13
23000-090000	4	14
23001-016000	90	37
	92	27
23001-022000	23	21
	24	29
	90	38
23001-025000	98	27
23001-035000	94	14
23001-041000	90	39
23001-048000	7	30
23001-054000	91	9
23001-070000	91	10 -1
23001-080000	91	10

Parts No.	Fig. No.	Ref. No.
23001-090000	91	11
23061-050500	11	37
23065-070225	9	6
23080-013000	10	31
23080-018000	23	21 -1
	24	29 -1
23391-020000	78	26
	93	38
	95	3
23391-030000	95	4
	96	4
23391-040000	93	39
23393-020000	78	27
23393-040000	95	5
23394-020000	78	28
	96	5
23394-030000	96	6
23394-040000	96	7
23871-005000	64	25
23871-010000	78	15
	120	41
23871-020000	58	6
		8
	92	28
23871-030000	69	8
	123	8
23871-060000	99	8
23876-020000	27	11
23876-040000	10	17
24101-063074	26	25
24104-062020	24	15
24190-060001	65	67
24190-080001	128	27
	130	35
24190-100001	65	68
	84	30
24190-140001	93	2
24311-000160	7	4
	11	24
	81	14
	82	5
24311-000250	78	16
24311-000320	10	18
		19
	78	17
24311-000340	29	21
24311-000440	57	78
	122	65
24311-000490	27	12
24311-000700	112	29

Parts No.	Fig. No.	Ref. No.
24311-000800	69	12
24311-001000	69	13
24315-000070	65	77
	66	62
	72	22
	120	39
	122	89
24315-000080	57	138
	65	69
	66	21
	84	11
	122	87
24315-000090	120	44
24315-000100	57	67
	65	42
	66	63
	81	15
	88	14
	89	14
24315-000110	57	34
		63
		86
	65	43
	66	56
		61
		64
	70	7
		29
	73	11
	78	22
	81	16
		16 -1
		28
	82	6
		13
	84	31
	85	25
	88	15
	89	15
	93	13
		19
		50
	100	2
	120	20
		40
	122	35
24315-000140	27	23
	65	44
		70
	66	57

Parts No.	Fig. No.	Ref. No.
24315-000140	66	65
	72	34
	80	7
		11
	81	17
	88	16
	89	16
	92	6
		12
		15
	124	11
24315-000150	66	51
24315-000160	66	52
	88	17
	89	17
	120	33
24315-000180	59	43
	61	38
	63	30
	65	45
		71
		78
	68	6
	70	31
	75	37
	81	17 -1
	88	19
		26
	89	20
	90	4
	92	19
	93	6
		17
		36
	98	5
	120	15
		34
		45
	124	16
24315-000200	81	18
24315-000210	66	53
	98	10
24315-000240	60	37
	61	36
	92	8
	93	14 D
	98	15
		18
24315-000250	98	11
	120	35

## Parts No. Index

Parts No.	Fig. No.	Ref. No.
24315-000260	59	37
	61	30
24315-000300	120	36
24315-000320	65	72
24315-000800	123	12
24315-001000	123	13
24315-001100	125	20
24315-001200	126	22
24321-000400	26	13
	127	9
24321-000650	11	25
24321-000700	70	20
	71	15
	72	40
	73	9
		23
	74	12
		26
	75	13
		35
	76	29
	77	12
		25
24321-000950	69	14
24321-001000	108	6
24321-001200	125	21
24321-001300	126	23
24321-001350	87	22
24321-001700	87	23
24325-000300	57	87
24325-000400	90	22
24325-000550	90	23
24325-000950	123	14
24325-001050	122	90
24325-001300	66	66
	120	22
24325-001400	120	23
24325-001450	66	67
24341-000300	87	24
24512-053054	120	26
24550-025150	29	5
24550-045250	64	10
24550-065400	63	4
24761-020000	27	24
	29	22
		22 -1
	59	38
	61	31
	107	8
		11

Parts No.	Fig. No.	Ref. No.
24761-020000	108	11
	110	19
	111	15
		16 -1
	112	30
		31
	114	13
24761-040000	59	39
	109	20
	110	20
	114	14
24761-050000	29	23
	60	35
	61	32
	62	37
	111	16
	125	31
	130	36
26013-060102	22	45 -1
26013-060122	11	38
	13	6
	21	9
26013-060162	6	18 -1
	12	24
26013-060402	18	34
26013-060552	68	8
26013-080122	37	25
26013-080162	7	31
		32
		33
		34
		35
	8	24
	10	32
	12	25
		26
		27
		27 -1
	18	35
	21	10
	25	19
	31	3
	32	2
	38	14
		15
	42	9
	55	7
	112	32
	118	2
	119	27

Parts No.	Fig. No.	Ref. No.
26013-080162	119	28
26013-080202	10	20
	24	30
	33	1
	43	26
	88	35
	98	28
26013-080252	18	36
	23	22
	24	31
		32
	78	29
26013-080302	10	21
26013-080402	100	26
	101	17
26013-080552	88	36
	89	27
26013-080852	12	28
26013-080902	82	14
26013-100162	6	22
	11	39
		39 -1
		41 -1
	12	29
	14	6
	21	11
	39	9
	42	10
	55	3
	70	32
	81	29
	87	38
		39
		40
	97	32 -1
	98	19
	119	29
26013-100202	4	15
	8	25
		26
	12	30
	17	20
	30	6
	40	5
	80	13
	87	25
		26
	88	37
	89	28
	91	3

Parts No.	Fig. No.	Ref. No.
26013-100202	97	32
26013-100252	32	9
	36	8
		14
		15
	38	16
		17
		18
	42	4
	43	32
		37
	44	26
	45	8
	46	10
	47	8
	55	3 -1
	58	10
		11
	78	30
	79	27
		28
		84
		85
		87
		90
		99
		101
		112
		119
		31
26013-100302	7	36
	10	46
		47
		48
		57
		90
		94
	122	2
26013-100352	47	19
26013-100402	69	9
	88	38
26013-100452	58	12
26013-100502	97	19
	98	20
	112	34 -1
26013-100552	56	5
	97	20
	112	34
26013-100702	25	20
26013-100852	22	44

## Parts No. Index

Parts No.	Fig. No.	Ref. No.	
26013-120302	37	26	
	40	6	
	62	45	
	90	25	
	110	21	
	114	15	
	125	39	
	130	45	
	26013-120352	34	4
		69	15
26013-120402	97	21	
	123	15	
26013-120552	97	22	
	99	10	
26013-120602	94	15	
26013-120702	99	11	
26014-060122	55	11	
26014-060162	11	40	
	16	2	
	18	33	
		37 -1	
	22	45	
	83	23	
		24	
	26014-060202	18	37
	26014-060252	23	23
		24	33
25		21	
	22		
26014-060302	25	23	
26014-060402	18	34 -1	
26014-080162	7	34 -1	
	8	24 -1	
	12	35	
	22	46	
		47	
		48	
		49	
	25	24	
	33	7 -1	
	37	34	
43	16		
	17		
	27		
	55	12	
26014-080202	100	12	
	4	16	
	24	34	
	49	47	
	67	4	

Parts No.	Fig. No.	Ref. No.	
26014-080202	86	2	
26014-080252	24	35	
		36	
	100	13	
		13 -1	
	101	5	
26014-080352	24	37	
26014-100162	6	18	
	11	41	
	12	31	
	43	18	
26014-100202	8	27	
		28	
		29	
		30	
		10	49
		25	25
		26	
		27	
		32	
		29	24
	37	27	
		28	
		29	
	38	19	
		20	
	43	33	
		34	
	53	16	
	59	52	
	63	32	
	87	25 -1	
		26 -1	
		38 -1	
	119	32	
		33	
	126	25	
	128	30	
26014-100252	8	31	
		32	
	22	50	
	36	9	
		9 -1	
		10	
		10 -1	
		11	
	39	19	
		21	
	44	27	
		28	

Parts No.	Fig. No.	Ref. No.	
26014-100252	45	9	
	47	9	
		10	
	59	52 -1	
	88	39	
	89	29	
26022-050122	10	33	
	78	18	
26022-080162	9	9	
26023-040102	22	51	
26023-050102	8	33	
26023-050162	48	29	
		30	
	53	17	
26023-060162	12	32	
	49	48	
	53	18	
	54	10	
	22	52	
25	28		
26051-060002	3	10	
26051-080002	12	33	
	18	38	
	25	29	
	37	32	
		37	
	100	34	
	26076-080252	123	9
	26076-100402	6	19
	26076-120352	47	1 -1
			16
26076-160402	66	72 -1	
	120	47	
26076-161302	113	2	
26076-200409	26	15	
	127	12	
26106-080162	18	39	
		39 -1	
		44	
	38	22	
		36	
	119	34	
		35	
		43	
26106-080252	38	31	
	119	41	
26106-100122	34	5	
	70	33	
26106-100162	38	26	
		39	10
			11

Parts No.	Fig. No.	Ref. No.
26106-100162	39	12
		13
		14
		15
		16
	119	4
26106-100202	24	38
26106-100352	24	39
26106-100652	3	8
26116-080202	112	35
26116-080802	11	42
26116-100202	59	53
26116-121402	59	54
26116-140252	100	29
	109	21
		24
26116-140352	59	55
	62	46
	109	22
	110	22
	114	16
	125	40
	130	46
26116-160352	6	20
	87	42
26116-160452	57	142
	122	6
26116-160502	117	6
26116-160702	27	15
26116-160852	26	27
26116-161202	111	17
	112	36
		37
26216-160452	65	83
26347-080002	43	19
26347-100002	37	30
	43	20
	44	29
26366-100002	38	21
	119	36
26367-100002	10	50
26450-050102	82	7
26450-050122	81	19
26450-050202	81	20
26450-060162	78	19
	120	27
26450-060202	120	28
26450-060302	64	26 -1
	66	68
26450-060352	64	26

## Parts No. Index

Parts No.	Fig. No.	Ref. No.
26450-060502	84	32
26450-080162	42	5
	84	33
26450-080202	66	69
26450-080252	120	11
26450-080502	24	40
26450-080552	57	132
26450-100202	57	88
26450-100302	57	79
		119
	122	66
26450-100352	65	79
	120	29
26450-100452	57	89
26450-120302	57	140
	65	80
26450-140402	66	70
		71
26577-050122	46	11
26587-040122	22	43
	30	7
26617-100002	122	91
26706-100002	3	9
26716-060002	12	34
26716-080002	14	7
26716-100002	87	9
26716-120002	59	56
26716-160002	26	28
	65	84
	111	18
	112	38
		39
	113	3
26716-180002	108	12
26716-200002	47	17
26736-100002	81	20 E
26756-100002	112	40
26776-180002	18	40
26979-100122	128	28
	130	37
29420-050000	18	12
29420-100000	18	13
29420-150000	18	14
29420-300000	18	15
41851-000110	21	12
	78	24
	79	23
		26
		29
	80	14

Parts No.	Fig. No.	Ref. No.
41851-000110	80	15
	81	25
		30
	82	11
		15
	83	25
	84	36
		36 -1
		38
		40
		40 -1
	85	27
	88	21
	89	30
	90	26
	92	21
		21 -1
	93	3
		21
		25
		32
		40
		45
		47
	96	8
	98	3
		6
	124	6
		17
41851-000140	81	31
	88	40
	90	19
	92	10
	124	13
		18
		19
41851-000180	59	57
	60	39
	68	9
	89	31
	90	27
	92	22
	93	15
		41
	96	9
	98	31
41851-000240	61	34
	90	7
		16
	93	42

Parts No.	Fig. No.	Ref. No.
41851-000240	96	10
	98	21
772499-37100	27	1
772A69-14100	10	1
772A69-75100	87	1
933110-00301	15	6
933147-03400	59	58
933147-08501	117	7
933160-01370	90	42
	93	22
	96	11
933168-14170	59	59
933171-13691	127	10
933172-14120	47	18

Parts No.	Fig. No.	Ref. No.
-----------	----------	----------

# PARTS FINDER

**Search Website  
by Part Number**



**Search Manual  
Library For Parts  
Manual & Lookup Part  
Numbers – Purchase  
or Request Quote**

**Search Manuals**

Enter your information to help us find the right parts manual for your machine.

\* Brand:

\* Model:

\* Serial:

\* Part Number:

SEARCH

**Can't Find Part or  
Manual? Request Help  
by Manufacturer,  
Model & Description**

**Parts Order Form**

Please fill in the following information to help us find the right part for your machine.

Manufacturer:	<input type="text"/>
Model:	<input type="text"/>
Description:	<input type="text"/>
Part Number:	<input type="text"/>
Quantity:	<input type="text"/>
Notes:	<input type="text"/>

Submit

Discount-Equipment.com is your online resource for quality parts & equipment.

Florida: **561-964-4949** Outside Florida TOLL FREE: **877-690-3101**

**Need parts?**

Click on this link: <http://www.discount-equipment.com/category/5443-parts/> and choose one of the options to help get the right parts and equipment you are looking for. Please have the machine model and serial number available in order to help us get you the correct parts. If you don't find the part on the website or on one of the online manuals, please fill out the request form and one of our experienced staff members will get back to you with a quote for the right part that your machine needs.

We sell worldwide for the brands: Genie, Terex, JLG, MultiQuip, Mikasa, Essick, Whiteman, Mayco, Toro Stone, Diamond Products, Generac Magnum, Airman, Haulotte, Barreto, Power Blanket, Nifty Lift, Atlas Copco, Chicago Pneumatic, Allmand, Miller Curber, Skyjack, Lull, Skytrak, Tsurumi, Husquvarna Target, Stow, Wacker, Sakai, Mi-T-M, Sullair, Basic, Dynapac, MBW, Weber, Bartell, Bennar Newman, Haulotte, Ditch Runner, Menegotti, Morrison, Contec, Buddy, Crown, Edco, Wyco, Bomag, Laymor, EZ Trench, Bil-Jax, F.S. Curtis, Gehl Pavers, Heli, Honda, ICS/PowerGrit, IHI, Partner, Imer, Clipper, MMD, Koshin, Rice, CH&E, General Equipment, Amida, Coleman, NAC, Gradall, Square Shooter, Kent, Stanley, Tamco, Toku, Hatz, Kohler, Robin, Wisconsin, Northrock, Oztec, Toker TK, Rol-Air, APT, Wylie, Ingersoll Rand / Doosan, Innovatech, Con X, Ammann, Mecalac, Makinex, Smith Surface Prep, Small Line, Wanco, Yanmar