



A TEREX BRAND



Parts Manual

Serial Number Range

Load Lifter

from SN LLG-12200 to
LLG-12603

from SN LLP-12604

Part No. 1282628GT

Rev A5

November 2018

Go to Discount-Equipment.com to order your parts

PARTS FINDER

**Search Website
by Part Number**



**Search Manual
Library For Parts
Manual & Lookup Part
Numbers – Purchase
or Request Quote**

Search Manuals

Enter your information to help us find the right part for your machine.

* Brand:

* Model:

* Serial:

* Part Number:

SEARCH

**Can't Find Part or
Manual? Request Help
by Manufacturer,
Model & Description**

Parts Order Form

Please fill in the following information to help us find the right part for your machine.

Manufacturer:	<input type="text"/>
Model:	<input type="text"/>
Description:	<input type="text"/>
Part Number:	<input type="text"/>
Quantity:	<input type="text"/>
Notes:	<input type="text"/>
Submit	<input type="button" value="Submit"/>

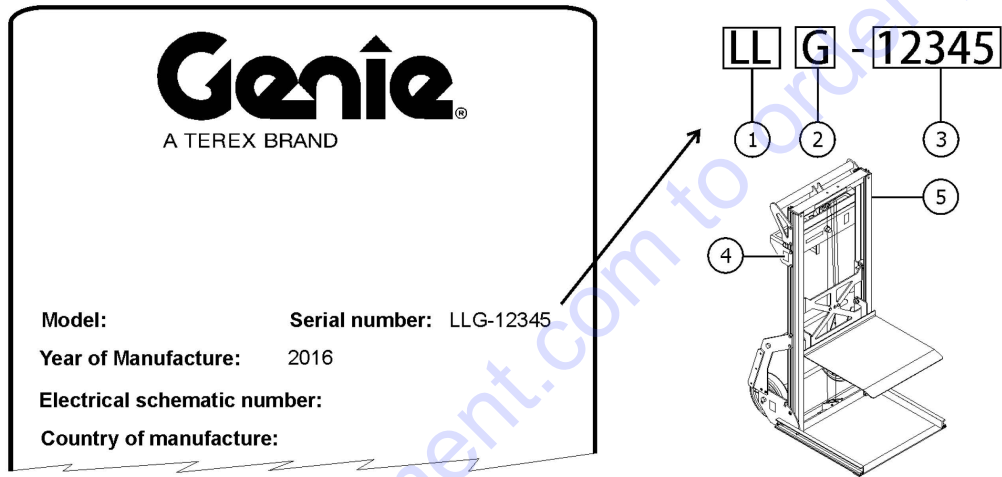
Discount-Equipment.com is your online resource for quality parts & equipment.

Florida: **561-964-4949** Outside Florida TOLL FREE: **877-690-3101**

Need parts?

Click on this link: <http://www.discount-equipment.com/category/5443-parts/> and choose one of the options to help get the right parts and equipment you are looking for. Please have the machine model and serial number available in order to help us get you the correct parts. If you don't find the part on the website or on one of the online manuals, please fill out the request form and one of our experienced staff members will get back to you with a quote for the right part that your machine needs.

We sell worldwide for the brands: Genie, Terex, JLG, MultiQuip, Mikasa, Essick, Whiteman, Mayco, Toro Stone, Diamond Products, Generac Magnum, Airman, Haulotte, Barreto, Power Blanket, Nifty Lift, Atlas Copco, Chicago Pneumatic, Allmand, Miller Curber, Skyjack, Lull, Skytrak, Tsurumi, Husquvarna Target, Stow, Wacker, Sakai, Mi-T-M, Sullair, Basic, Dynapac, MBW, Weber, Bartell, Bennar Newman, Haulotte, Ditch Runner, Menegotti, Morrison, Contec, Buddy, Crown, Edco, Wyco, Bomag, Laymor, EZ Trench, Bil-Jax, F.S. Curtis, Gehl Pavers, Heli, Honda, ICS/PowerGrit, IHI, Partner, Imer, Clipper, MMD, Koshin, Rice, CH&E, General Equipment, Amida, Coleman, NAC, Gradall, Square Shooter, Kent, Stanley, Tamco, Toku, Hatz, Kohler, Robin, Wisconsin, Northrock, Oztec, Toker TK, Rol-Air, APT, Wylie, Ingersoll Rand / Doosan, Innovatech, Con X, Ammann, Mecalac, Makinex, Smith Surface Prep, Small Line, Wanco, Yanmar



- 1 Model
- 2 Facility code
- 3 Sequence number

- 4 Serial label
- 5 Serial number (stamped on winch bracket)

Go to Discount-Equipment.com to order your parts

Table of Contents

This manual is updated frequently. For the most up-to-date parts information, visit www.discount-equipment.com

How to Read Your Serial Number.....	3
Parts Stocking List.....	7

Electronic Version

Click on any page number to view the figure.

001 Parts Stocking List

001.1 Parts Stocking List.....	10
--------------------------------	----

100 Decals

101.1 Decals with Words.....	12
102.1 Decals with Symbols.....	14

200 Base Components

201.1 Folding Legs and Rear Wheels.....	16
---	----

300 Frame and Winch Components

301.1 Outer Frame and Attached Parts.....	18
302.1 Industrial Winch Assembly.....	20
303.1 Load Platform and Inner Frame Assembly.....	22

400 Accessories

401.1 Rear Wheel Brake Option.....	24
------------------------------------	----

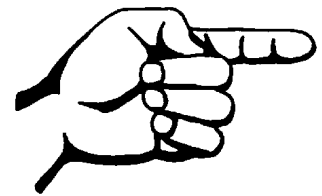
Indices

Part Number Index.....	26
Part Description Index.....	27

Cross References

Fittings Cross Reference.....	30
-------------------------------	----

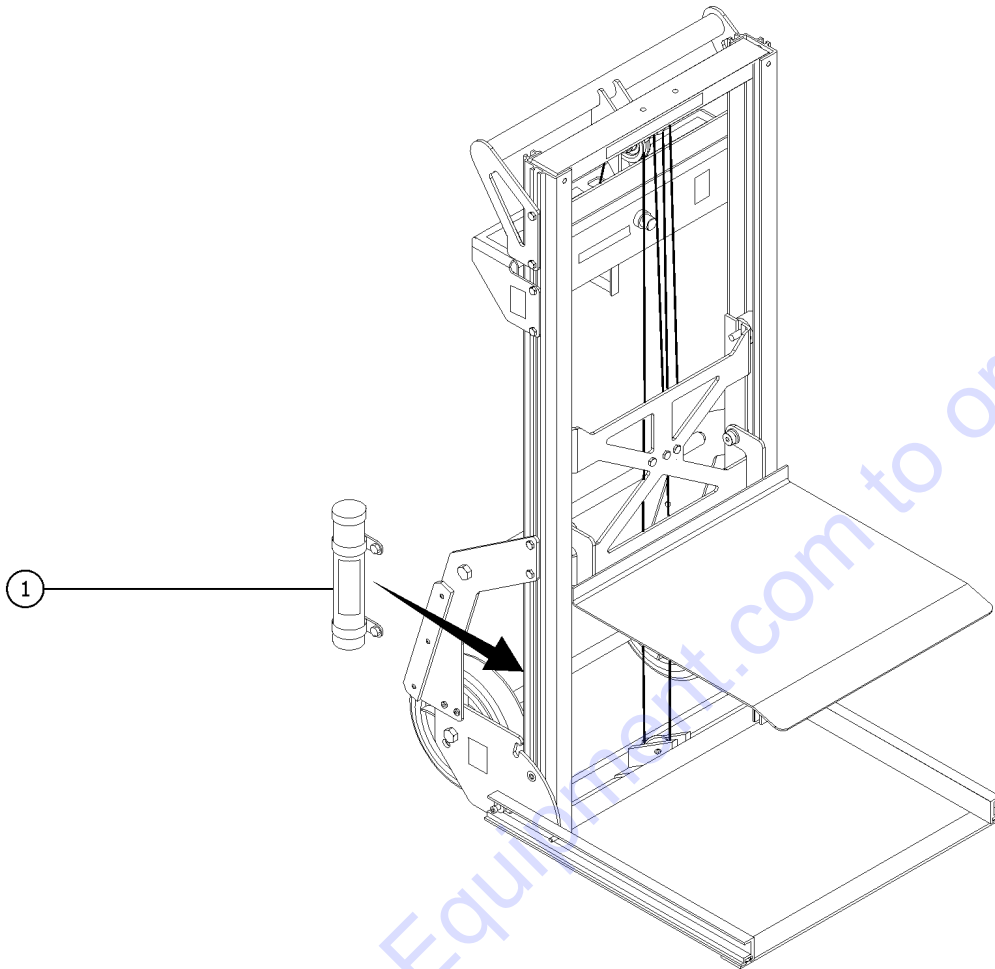
Please refer to section 001 for the Recommended Spare Parts List.



This page intentionally left blank.

Go to Discount-Equipment.com to order your parts

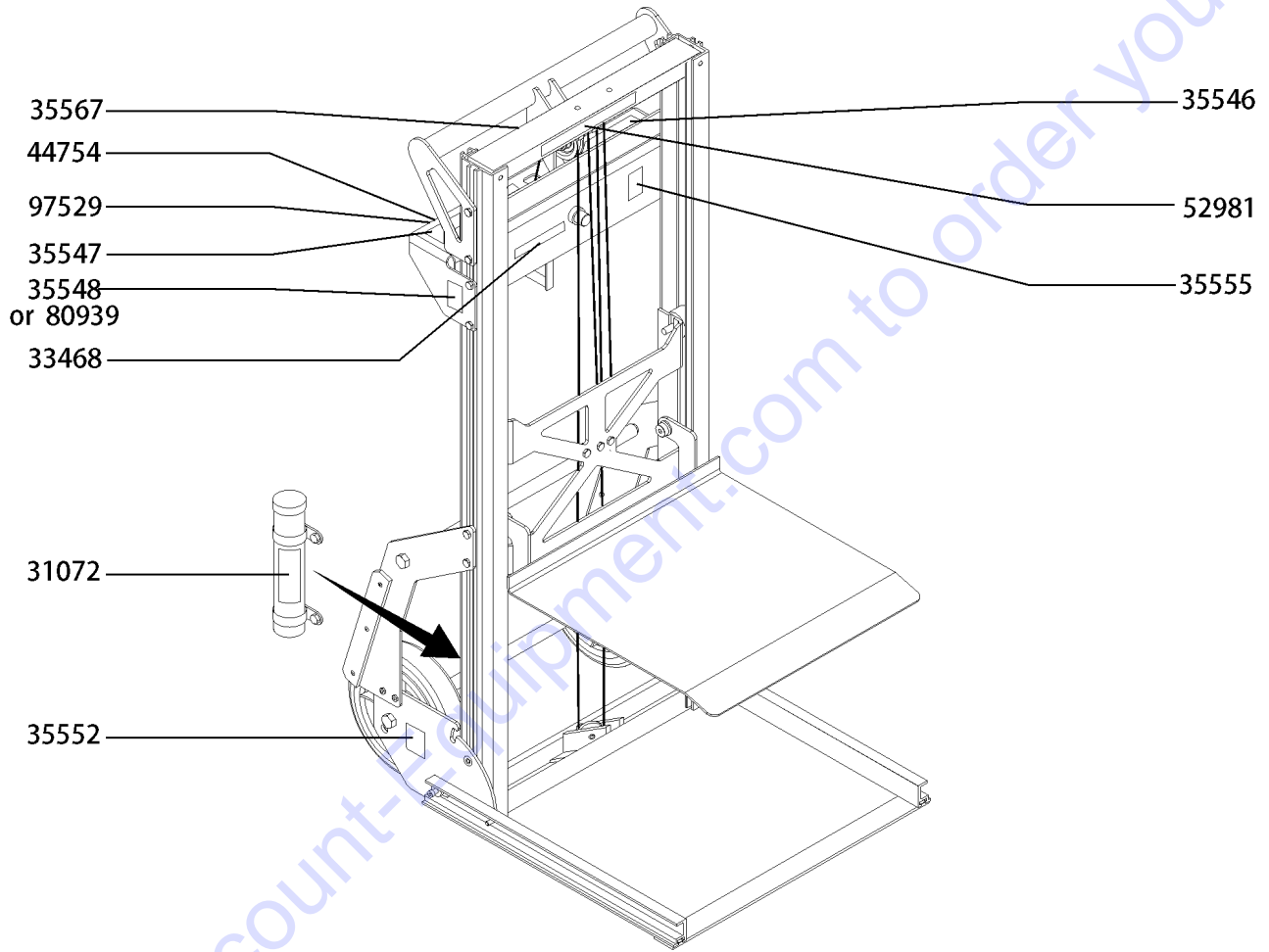
001.1 Parts Stocking List



Go to Discount-Equipment.com to order your parts

Item	Part No.	Description	Qty.
A		—REQUIRED SERVICE PARTS— <i>The following parts are required to perform maintenance procedures as outlined in the Load Lifter Service Manual</i>	
--	35630GT	BRAKE DISK,ULTREX UHMW	
--	90337GT	BOE LUBE	
B		— GENERAL SERVICE PARTS —	
--	11224GT	PULLEY LOAD LIFTER, W/BUSHING	
--	11890GT	GLIDE BUTTON,SIDE, GLL,.100 TK	
--	11906GT	ROLLER-NYLATRON, 1.625" O.D.	
--	1257733GT	PAINT,WET,TRAFFIC BLACK (1 GL)** <i>1-gallon</i>	
--	1258567GT	PAINT, AEROSOL, TRAFFIC BLACK <i>12-ounce spray paint</i>	
--	1268GT	PAINT,AEROSOL,GENIE GRAY*** <i>12-ounce spray paint</i>	
--	1484GT	PAINT,AEROSOL,BRIGHT BLUE*** <i>12-ounce spray paint</i>	
--	21279GT	BUTTON, .800 O.D. X .281	
--	21280GT	BOLT-ROLLER,3/8-24 X 1.69-ZINC	
--	32150GT	PAINT,WET,GENIE BLUE (1 GL)** <i>1-gallon</i>	
--	32151GT	PAINT,WET,GENIE GRAY (1 GL)** <i>1-gallon</i>	
--	35543GT	CABLE ASSEMBLY, GLL-95***	
--	35634GT	RATCHET PAWL,LOAD LIFTER	
--	35914GT	SHEAVE,2.75 LOAD LIFTER**	
--	35989GT	SPRING,RATCHET L.L.	
--	35991GT	NUT,WELD 1/4-20, PLATED L.L.**	
--	35994GT	SPRING,LEG,LOAD LIFTER	
--	7339GT	SCREW,HHC,1/4-20 X .5	
1		— MANUALS —	
--	27581GT	MANUAL,AEM SAFETY	
--	31587GT	MANUAL,RESPON,A92.5 BOOM	

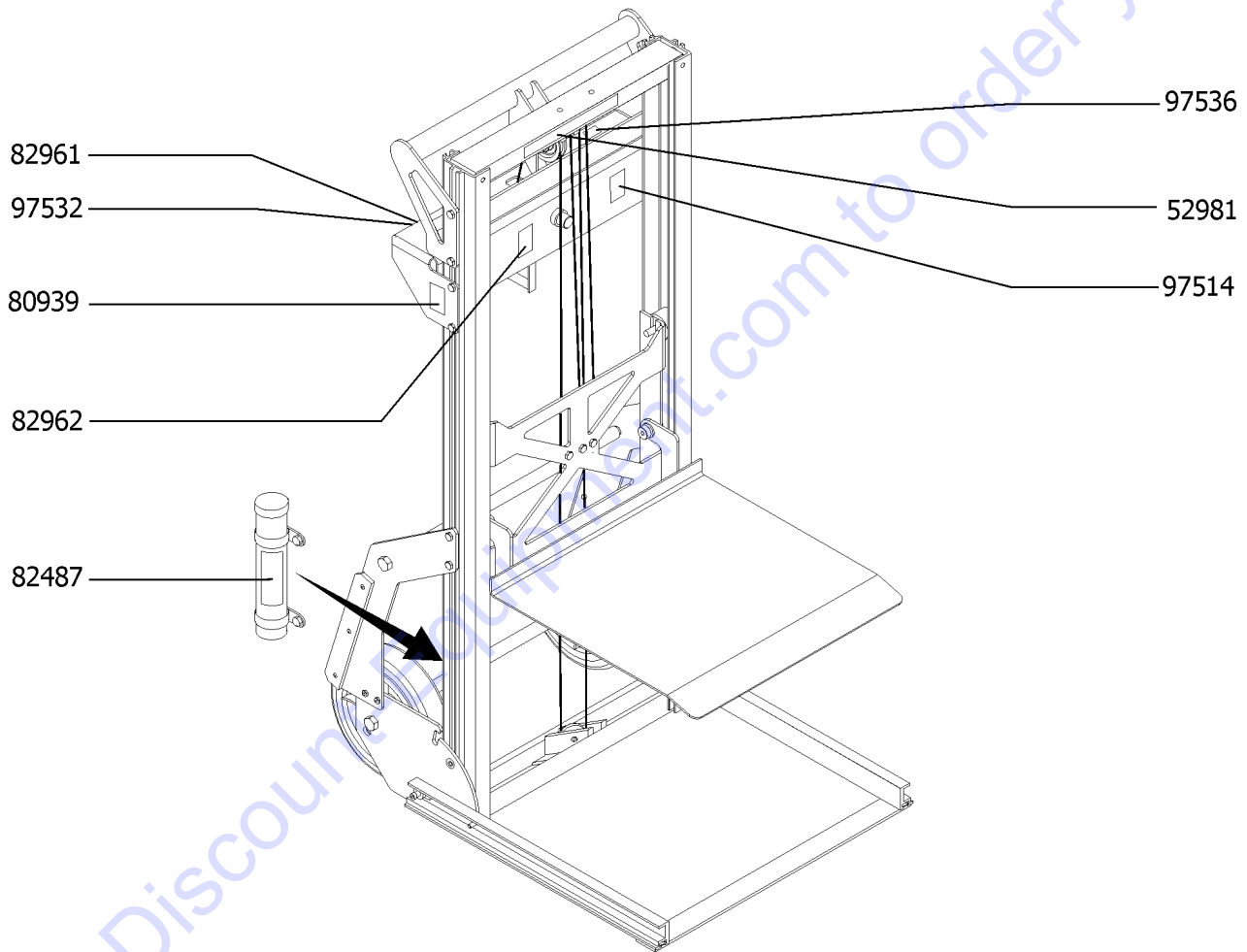
101.1 Decals with Words



Item	Part No.	Description	Qty.
1	31072GT	DECAL,LABEL,OPER.MAN.STORAGE..1	
2	33468GT	DECAL,WARNING,NO RIDERS.....1	
3	35546GT	DECAL,WARNING,MACHINE SAFETY.....2	
4	35547GT	DECAL,NOTICE,MACHINE SETUP.....1	
5	80939GT	SERIAL # LABEL,MAT LIFT & SS*.....1	
6	35552GT	DECAL, WARNING, TIP-OVER,.....2	
7	35555GT	DECAL, NOTICE, MAX CAP 200LBS.....1	
8	35567GT	DECAL, WARNING, INJURY HAZARD...1	
9	44754GT	DECAL, LABEL, RAISE/LOWER.....1	
10	52981GT	DECAL,COSMTC,GENIE LOAD LIFTER.....1	
11	97529GT	DECAL,CAUTION,MOVING PARTS.....1	

Go to Discount-Equipment.com to order your parts

102.1 Decals with Symbols

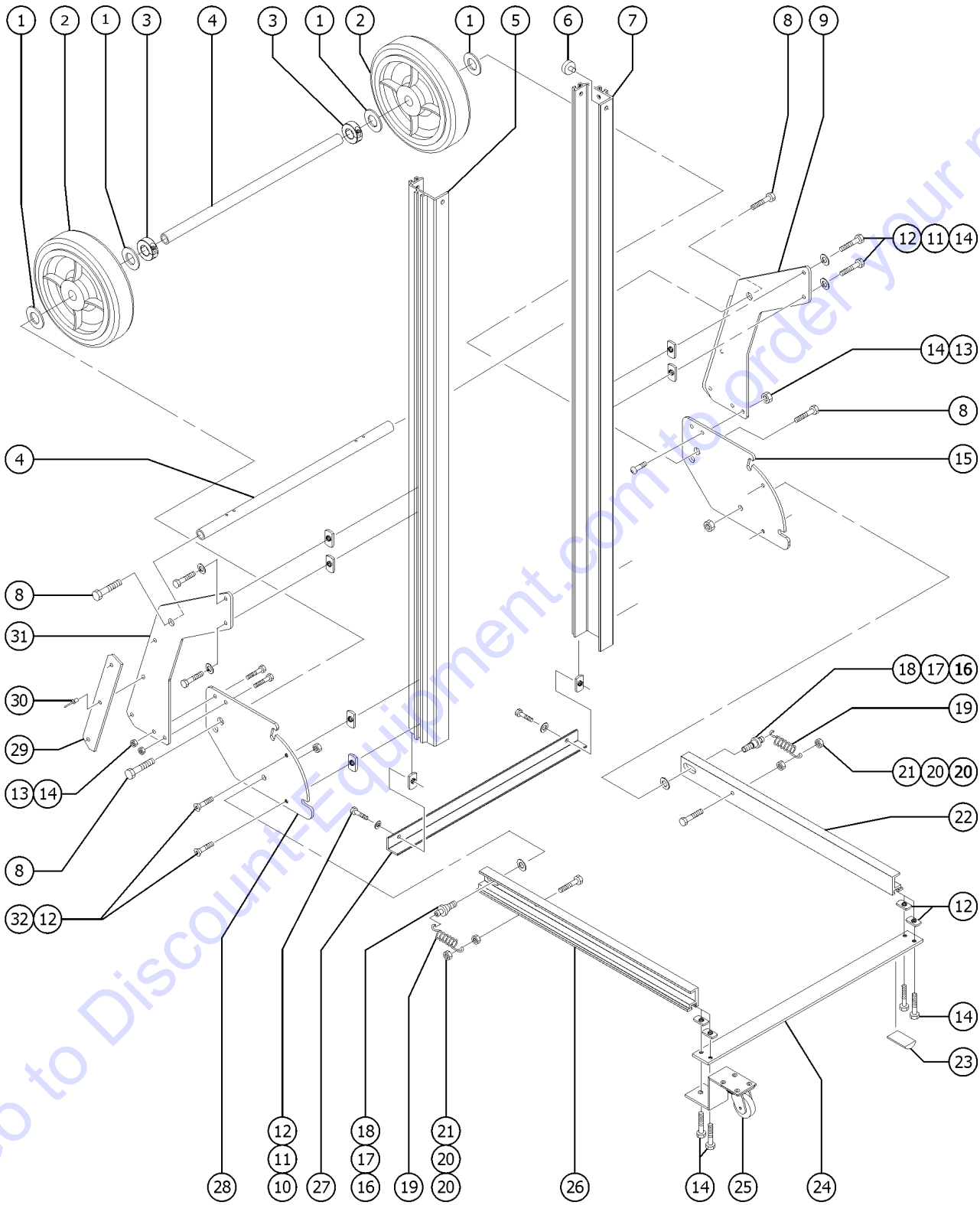


102.1 Decals with Symbols

Item	Part No.	Description	Qty.
1	52981GT	DECAL,COSMTC,GENIE LOAD LIFTER.....	1
2	80939GT	SERIAL # LABEL,MAT LIFT & SS**.....	1
3	82487GT	DECAL, SYMBOL - READ THE MANUAL.....	1
4	82961GT	DECAL, LABEL, RAISE/LOWER SYMB.....	1
5	82962GT	DECAL,WARNING,NO RIDERS SYMBOL.....	1
6	97514GT	DECAL,WARNING, MAX CAP 91KG..... (200 lb)	1
7	97532GT	DECAL,CAUTION,MOVING PARTS SYM.....	1
8	97536GT	DECAL,WARNING,NO REACHING SYMB.....	1

Go to Discount-Equipment.com to order your parts

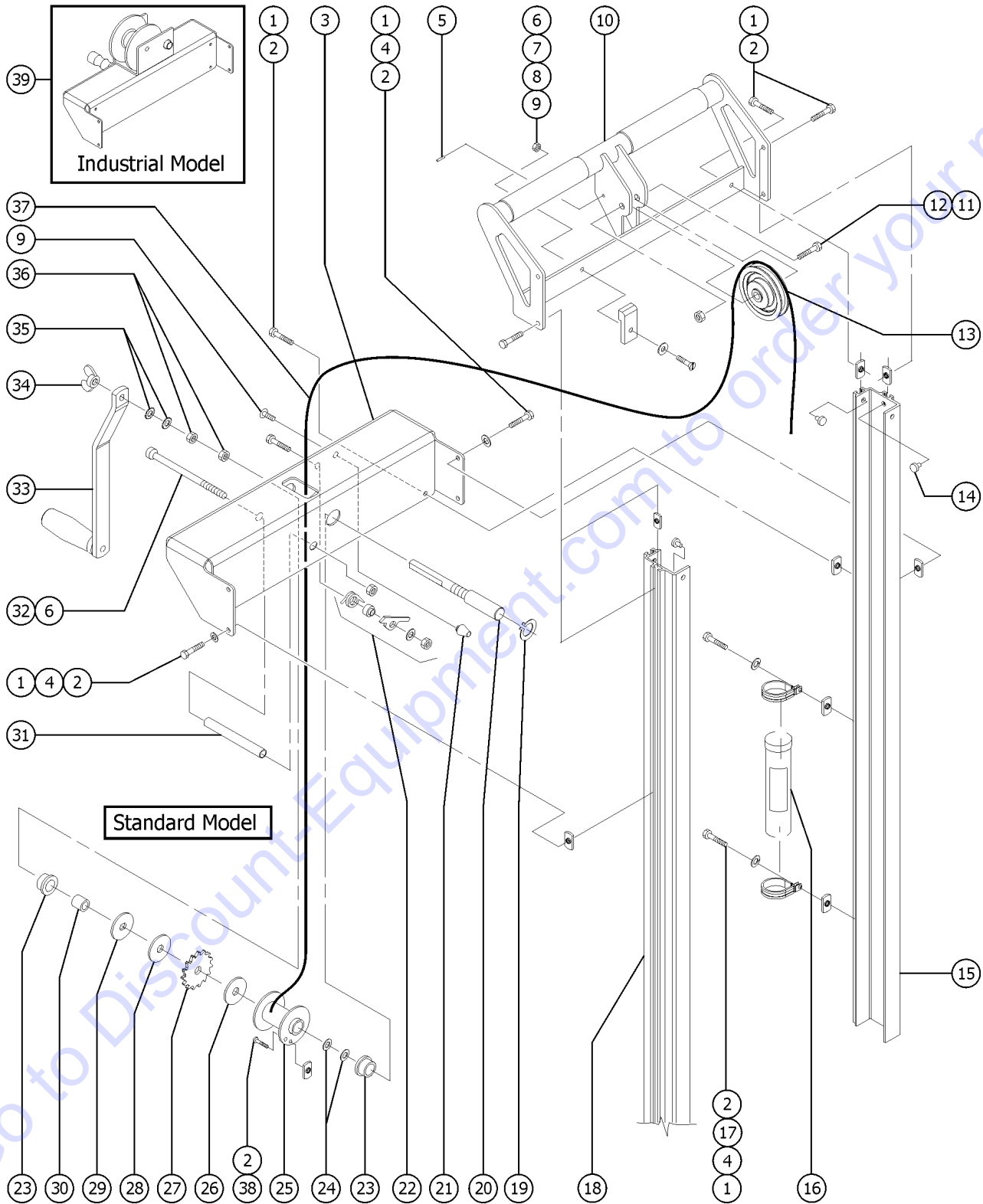
201.1 Folding Legs and Rear Wheels



201.1 Folding Legs and Rear Wheels

Item	Part No.	Description	Qty.	Item	Part No.	Description	Qty.
--	85281GT	FOLDING LEG ASSY (LL) <i>(includes items 10, 12, 15-22, 24, 26 and 28)</i>		32	23903GT	SCREW,FHS,1/4-20 X .5 BLACK	
1	6564GT	WASHER, SHIM,.765 X 1.312 X .093					
2A	57787-SGT	KIT,WHEEL,TPE,8 X 2,3/4,1/2 <i>(shown)</i>					
2B	35909GT	WHEEL,8" PNEUMATIC					
3	160971GT	COLLAR,SHAFT,AL,3/4" BORE.....	2				
4	160816GT	TUBE, AXLE, L.L.....	1				
5	35194GT	OUTER FRAME CHANNEL R.H.-GLL....	1				
6	11890GT	GLIDE BUTTON,SIDE,GLL,.100 TK.....	6				
7	35195GT	OUTER FRAME CHANNEL L.H.-GLL....	1				
8	10587GT	SCREW,HHC,1/2-13 X.75 <i>(GR 5)</i>					
9	124469GT	STAIR GLIDE ASSEMBLY,LH,LL.....	1				
		<i>(includes items 29 and 30)</i>					
10	7339GT	SCREW,HHC,1/4-20 X .5 <i>(GR 5)</i>					
11	6356GT	WASHER,LOCK,.25					
12	35991GT	NUT,WELD 1/4-20, PLATED L.L.**					
13	6091GT	NUT,NYLOCK,1/4-20					
14	6090GT	SCREW,HHC,1/4-20 X .75					
15	35558GT	PLATE,BASE WITH DECAL,LS,LL.....	1				
16	35649GT	SCREW,LEG PIVOT L L.....	2				
17	6052GT	WASHER,SHIM,.5 X .875 X .063					
18	4828GT	NUT,NYLOCK,3/8-16					
19	35994GT	SPRING,LEG,LOAD LIFTER.....	2				
20	6889GT	NUT,LP NYLOCK,1/4-20					
21	22283GT	SCREW,SHC,1/4-20 X .75.....	2				
22	35646GT	LEG,MACHINED L.H.....	1				
23	37258GT	EXTRUSION PLASTIC, 1.5LG.....	2				
		<i>(Quantity listed may not reflect specific model configuration requirements.)</i>					
24	35648GT	LEG STIFFENER L.L.....	1				
25	35571GT	CASTER WITH MOUNTING BRACKET.....	2				
		<i>(from caster option) (Quantity listed may not reflect specific model configuration requirements.)</i>					
--	35550P-SGT	BRACKET,CASTER MNT."GRAY"					
--	35553GT	CASTER,PLT. 2.0 X .75					
26	35645GT	LEG,MACHINED R.H.....	1				
27	35190GT	ANGLE,REINFORCEMENT,BASE L/L....	1				
28	35559GT	PLATE,BASE WITH DECAL,RS,GLL.....	1				
29	35916GT	GLIDE STRIP,L.L.....	2				
30	11974GT	RIVET,MAGNALOK,.192 #7.....	6				
31	124471GT	STAIR GLIDE ASSEMBLY,RH,LL.....	1				
		<i>(includes items 29 and 30)</i>					

301.1 Outer Frame and Attached Parts



301.1 Outer Frame and Attached Parts

Item	Part No.	Description	Qty.	Item	Part No.	Description	Qty.
1	7339GT	SCREW,HHC,1/4-20 X .5		25	35650GT	WINCH DRUM,LOAD LIFTER.....	1
2	35991GT	NUT,WELD 1/4-20, PLATED L.L.**		26	35629GT	BRAKE DISK,DIRECT WINCH.....	1
3A	107224GT	BRACKET,WINCH W/WORD DECALS.LL (standard models with word decal)		27	35625GT	GEAR,RATCHET LOAD LIFTER.....	1
3B	107225GT	BRACKET,WINCH W/SYMBOL DECALS (standard models with symbol decal)		28	35630GT	BRAKE DISK,ULTREX UHMW.....	1
3C	145140GT	FORMING, WINCH MOUNT Industrial models		29	35626GT	PLATE,END CAP.....	1
4	6356GT	WASHER,LOCK,.25		30	35922GT	SPACER,WINCH HANDLE.....	1
5	22547GT	PIN,ROLL,.188 X 1.25**.....	1	31	40703-341GT	TUBE,HYD,SS .375 X .049 WL.....	1
6	6091GT	NUT,NYLOCK,1/4-20		32	11413GT	SCREW,HHC,1/4-20 X 4	
7	124913GT	SHIM,LATCH RELEASE		33	16342GT	WINCH HANDLE-O.A.LENGTH-11".....	1
8	6638GT	WASHER,FLAT,USS,1/4"Y		34	8886GT	NUT,WING,1/2-13	
9	14182GT	SCREW,FHS,1/4-20 X 1		35	8887GT	WASHER,STAR,EXTERNAL,.5	
10	35537GT	HANDLE ASSEMBLY, GLL.....	1	36	6034GT	NUT,HEX,JAM,1/2-13	
--	35983GT	HANDLE GRIP,LL		37A	35543GT	CABLE ASSEMBLY, GLL-95**.....	1
11	5224GT	SCREW,HHC,3/8-16 X 2				Standard model	
12	4828GT	NUT,NYLOCK,3/8-16		37B	40167GT	CABLE ASSEMBLY, LL IND Industrial model	
13	35914GT	SHEAVE,2.75 LOAD LIFTER**.....	1	38	12011GT	SCREW,BHHS,1/4-20 X .5,Y/ZINC.....	1
14	11890GT	GLIDE BUTTON,SIDE,GLL,.100 TK.....	6	39		WINCH, INDUSTRIAL MODELS refer to 302.1	
15	35195GT	OUTER FRAME CHANNEL L.H.-GLL.....	1				
16A	115374GT	INSTRUCTION TUBE ASSY,WORD.....	1				
--	31822GT	CAP,INSTRUCTION TUBE (RED)					
--	6600GT	INSTRUCT.TUBE W/CAPS-1.75 X 12.....	1				
16B	115375GT	INSTRUCTION TUBE ASSY,SYMBOL.....	1				
--	31822GT	CAP,INSTRUCTION TUBE (RED)					
--	6600GT	INSTRUCT.TUBE W/CAPS-1.75 X 12.....	1				
17	6653GT	CLAMP,1.88,#30 X 1/4,RUB CUSH.....	2				
18	35194GT	OUTER FRAME CHANNEL R.H.-GLL.....	1				
19	44891GT	RETAIN RING,EXT.,.7X.078 PLTD.....	2				
20	35623GT	SHAFT,DIRECT WINCH.....	1				
21	124906GT	NUT,WELL 1/4-20.....	1				
22	35557GT	RATCHET KIT, GLL.....	1				
--	29849GT	BUMPER,RUBBER,1"TALL X 3/8DIA					
--	35634GT	RATCHET PAWL,LOAD LIFTER					
--	35918GT	SPACER,RATCHET LOAD LIFTER.					
--	35989GT	SPRING,RATCHET L.L.					
--	4828GT	NUT,NYLOCK,3/8-16					
--	5397GT	WASHER,FLAT,USS,5/16",Y					
--	8516GT	SCREW, HCC, 3/8-16 X 1.50					
23	35920GT	BUSHING,BRONZE,.75 X 1.0 X .62.....	2				
24	6563GT	WASHER,SHIM,.75 X 1.125 X .030					

PARTS FINDER

**Search Website
by Part Number**



**Search Manual
Library For Parts
Manual & Lookup Part
Numbers – Purchase
or Request Quote**

Search Manuals

Enter your information to help us find the right parts manual for your machine.

* Brand:

* Model:

* Serial:

* Part Number:

SEARCH

**Can't Find Part or
Manual? Request Help
by Manufacturer,
Model & Description**

Parts Order Form

Please fill in the following information to help us find the right part for your machine.

Manufacturer:	<input type="text"/>
Model:	<input type="text"/>
Description:	<input type="text"/>
Part Number:	<input type="text"/>
Quantity:	<input type="text"/>
Notes:	<input type="text"/>

Submit

Discount-Equipment.com is your online resource for quality parts & equipment.

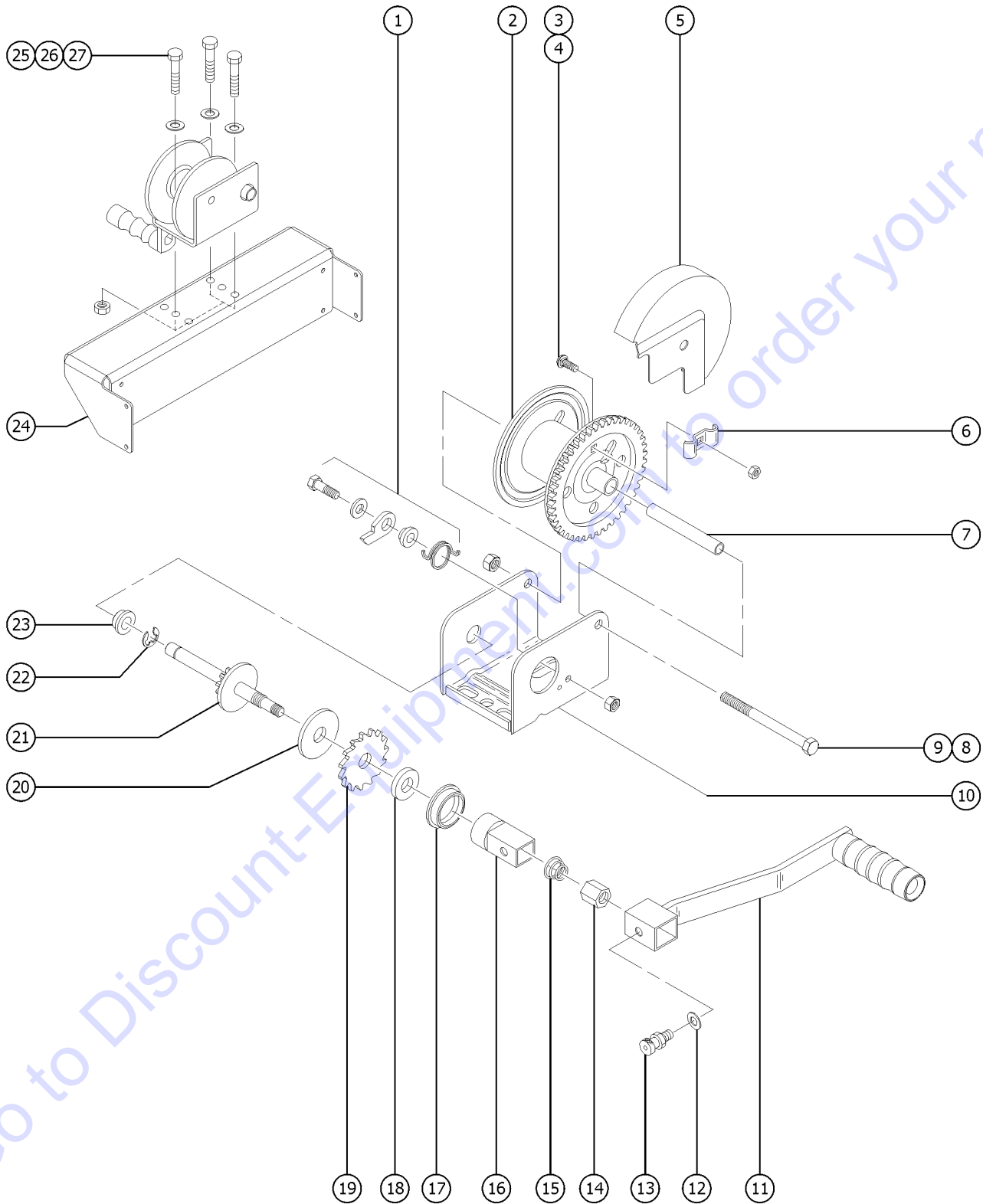
Florida: **561-964-4949** Outside Florida TOLL FREE: **877-690-3101**

Need parts?

Click on this link: <http://www.discount-equipment.com/category/5443-parts/> and choose one of the options to help get the right parts and equipment you are looking for. Please have the machine model and serial number available in order to help us get you the correct parts. If you don't find the part on the website or on one of the online manuals, please fill out the request form and one of our experienced staff members will get back to you with a quote for the right part that your machine needs.

We sell worldwide for the brands: Genie, Terex, JLG, MultiQuip, Mikasa, Essick, Whiteman, Mayco, Toro Stone, Diamond Products, Generac Magnum, Airman, Haulotte, Barreto, Power Blanket, Nifty Lift, Atlas Copco, Chicago Pneumatic, Allmand, Miller Curber, Skyjack, Lull, Skytrak, Tsurumi, Husquvarna Target, Stow, Wacker, Sakai, Mi-T-M, Sullair, Basic, Dynapac, MBW, Weber, Bartell, Bennar Newman, Haulotte, Ditch Runner, Menegotti, Morrison, Contec, Buddy, Crown, Edco, Wyco, Bomag, Laymor, EZ Trench, Bil-Jax, F.S. Curtis, Gehl Pavers, Heli, Honda, ICS/PowerGrit, IHI, Partner, Imer, Clipper, MMD, Koshin, Rice, CH&E, General Equipment, Amida, Coleman, NAC, Gradall, Square Shooter, Kent, Stanley, Tamco, Toku, Hatz, Kohler, Robin, Wisconsin, Northrock, Oztec, Toker TK, Rol-Air, APT, Wylie, Ingersoll Rand / Doosan, Innovatech, Con X, Ammann, Mecalac, Makinex, Smith Surface Prep, Small Line, Wanco, Yanmar

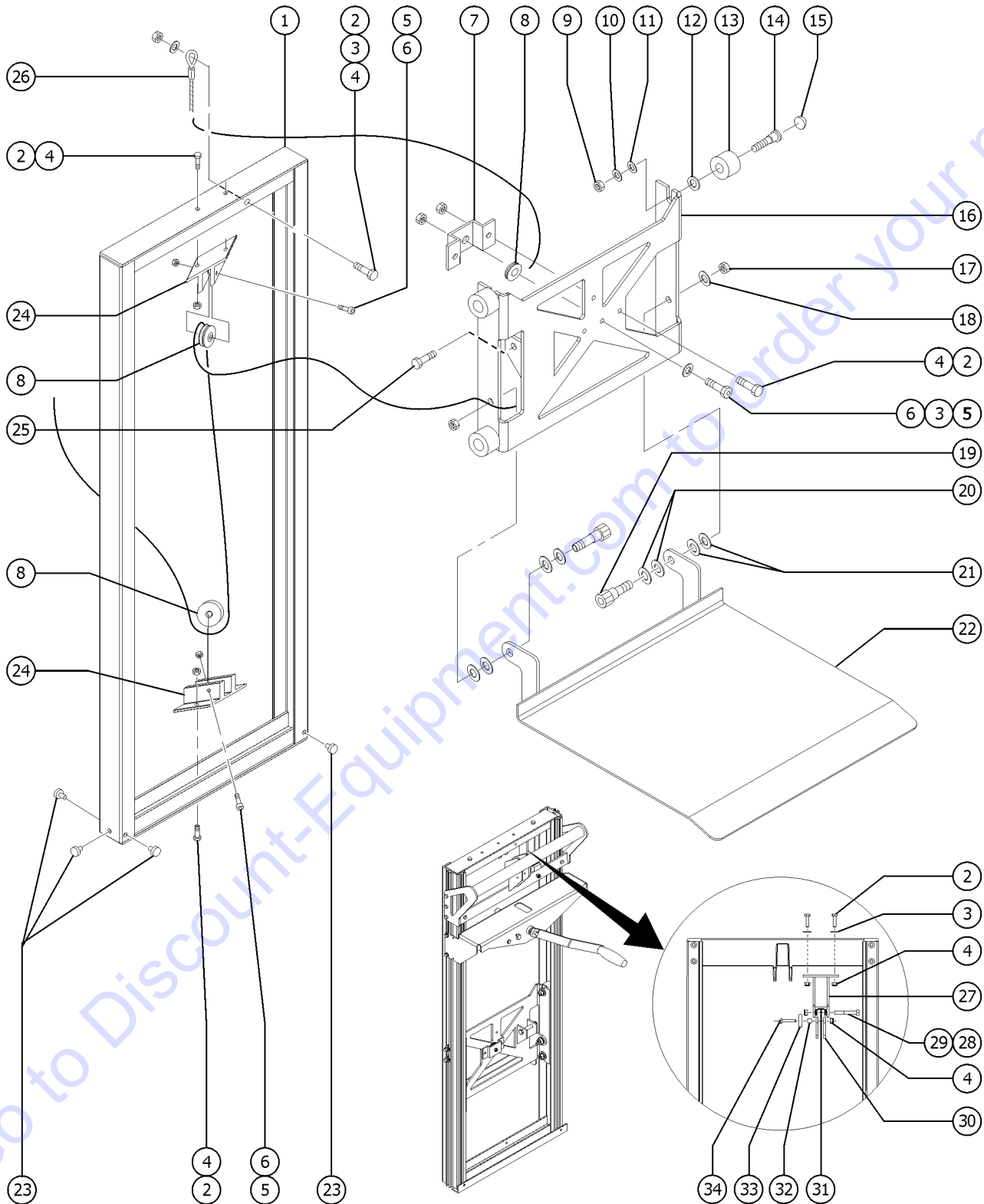
302.1 Industrial Winch Assembly



Go to Discount-Equipment.com to order your parts

Item	Part No.	Description	Qty.
A	37149GT	WINCH ASSY (DLB800)*** <i>complete; includes the handle and fasteners</i>	
B	37023GT	WINCH,GENIE LIFT (DLB800) <i>does not include the handle</i>	
1	37068GT	RATCHET KIT,DLB800.....1 <i>(includes mounting fasteners)</i>	
2	85183GT	CABLE DRUM-DLB800A**	
3	6878GT	BOLT,CARRIAGE,1/4-20 X .75,G2.....1	
4	6357GT	NUT,HEX,1/4-20	
5	37066GT	COVER,GEAR,DLB800.....1	
6	37065GT	CABLE KEEPER, DLB800.....1	
7	37067GT	SPACER,DRUM BOLT,DLB800.....1	
8	12981GT	SCREW,HHC,3/8-16 X 4.5	
9	12012GT	NUT,LOCK,3/8-16	
10	85185GT	WINCH FRAME-DLB800A**	
11	37151GT	WINCH HANDLE ASSY.....1 <i>(includes items 12-13)</i>	
--	1257748GT	ASSEMBLY,WINCH HANDLE, GL/LL.....1	
12	124781GT	WASHER,FLAT,0.625X.875X.031	
13	6825GT	PIN,OUTRIGGER LOCK.....1	
14	85060GT	NUT,HANDLE ADAPTER	
15	37060GT	SPRING, WINCH HANDLE.....1	
16	37069GT	HANDLE ADAPTER WELDMENT.....1	
17	85182GT	SINTERED IRON BEARING,1-1/4**	
18	37063GT	PINION PLATE, DLB800.....1	
19	37062GT	RATCHET GEAR, DLB800.....1	
20	37061GT	BRAKE FACE,DLB800.....1	
21	85184GT	PINION SHAFT-DLB800A*	
22	37058GT	RETAINER RING,0.625.....1	
23	37057GT	BUSHING,PINION SHAFT,SM,DLB800.....1	
24		WINCH MOUNT.....1 <i>refer to 301.1</i>	
25	6175GT	SCREW,HHC,3/8-16 X 1.....3	
26	6097GT	WASHER,FLAT,USS,3/8",Y.....3	
27	4828GT	NUT,NYLOCK,3/8-16.....3	

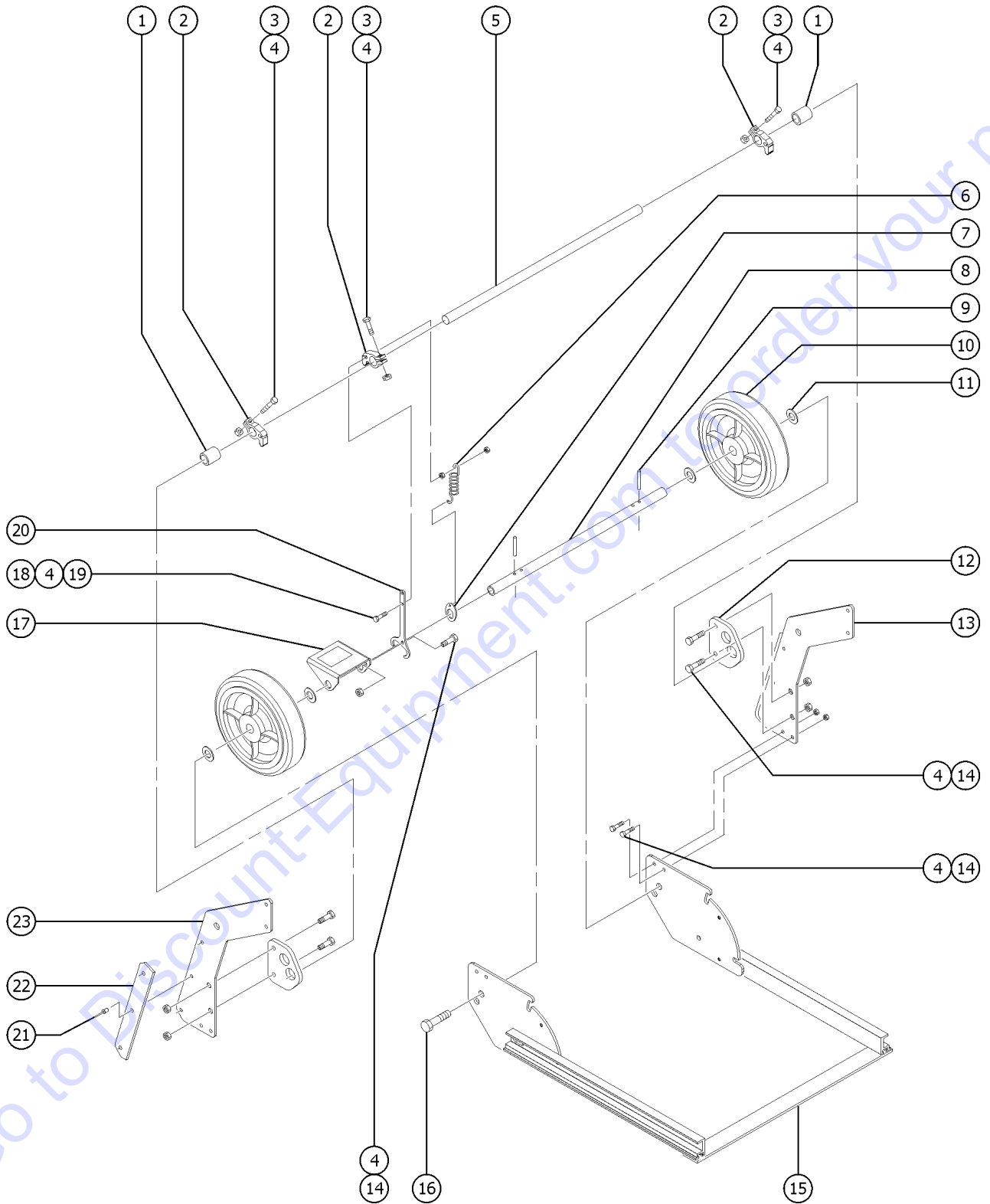
303.1 Load Platform and Inner Frame Assembly



303.1 Load Platform and Inner Frame Assembly

Item	Part No.	Description	Qty.
A	90337GT	BOE LUBE.....1 <i>aluminum dry lubricant</i>	1
1A	35582GT	INNER FRAME W/ DECAL, GLL.....1 <i>Standard model</i>	1
1B	145292GT	INNER FRAME W/DECAL IND LL <i>Industrial model</i>	
2	6090GT	SCREW,HHC,1/4-20 X .75	
3	6638GT	WASHER,FLAT,USS,1/4"Y	
4	6091GT	NUT,NYLOCK,1/4-20	
5	6584GT	SCREW,SHS,10-24 X .625	
6	5365GT	NUT,NYLOCK,10-24	
7	38862GT	GUARD,PULLEY,GLL.....1	1
8	11224GT	PULLEY LOAD LIFTER, W/BUSHING....3	3
9	6054GT	NUT,HEX,3/8-24	
10	6021GT	WASHER,LOCK,.375	
11	6097GT	WASHER,FLAT,USS,3/8",Y	
12A	12013GT	SHIM,.375 X .063 <i>(quantities vary)</i>	
12B	7267GT	WASHER,SHIM,.375 X.625X.016 AL <i>(quantities vary)</i>	
13	11906GT	ROLLER-NYLATRON, 1.625" O.D.....4	4
14	21280GT	BOLT-ROLLER,3/8-24 X 1.69-ZINC.....4	4
15	21279GT	BUTTON, .800 O.D. X .281.....4	4
16	124176GT	WELDMENT,CARRIAGE.....1	1
17	7713GT	NUT, LP NYLOCK, 3/8-16	
18	5397GT	WASHER,FLAT,USS,5/16",Y	
19	11335GT	SCREW,SHS,3/8-16 X .5	
20	11978GT	WASHER,FLAT,NYLON.515X.88X.093	
21	6052GT	WASHER,SHIM,.5 X .875 X .063	
22	35185GT	WELDMENT,PLATFORM L.L.....1	1
23	11890GT	GLIDE BUTTON,SIDE,GLL,.100 TK.....6	6
24	35200GT	BRACKET,PULLEY MOUNT.....2	2
25	6708GT	SCREW,HHC,3/8-16 X 2.25	
--	4828GT	NUT,NYLOCK,3/8-16 <i>(not shown)</i>	
26		Ref. Cable Assembly.....1 <i>(refer to Figure 301.1)</i>	1
27	124903GT	WELDMENT,LATCH BRACKET,LL	
28	6-5205-16GT	SCREW,HHC,5/16-18 X 2.00,GR8	
29	6782GT	NUT,NYLOCK,5/16-18	
30	124904GT	HOOK,CARRIAGE LATCH,LL	
31	124984GT	SPRING,TORSION,45 DEGREE	
32	35732GT	SPACER,TUBE,1/4 X 3/8 **	
33	109949GT	ROLLER,LATCH RELEASE	
34	8915GT	SCREW,HHC,1/4-20 X 1.25	

401.1 Rear Wheel Brake Option



401.1 Rear Wheel Brake Option

Item	Part No.	Description	Qty.
1	46161GT	SPACER,TUBE,PVC,1.00LG.....	2
2	35917-SGT	BRAKE CAM,MACHINED.....	3
3	6888GT	SCREW,HHC,1/4-20 X 1	
4	6091GT	NUT,NYLOCK,1/4-20	
5	35223-1850GT	ROUNDBAR,ALUM .75.....	1
6	37112GT	SPRING,BRAKE LINKAGE, GL.....	1
7	37113GT	WASHER,FLAT,RETAINING,.781	
8	85311GT	KIT,AXLE LL.....	1
9	85312GT	KIT,PIN.....	2
10	57787-SGT	KIT,WHEEL,TPE,8 X 2,3/4,1/2	
11	6564GT	WASHER, SHIM,.765 X 1.312 X .093	
12	40700GT	PLATE,BRAKE PIVOT,LL-5.5.....	2
13	124469GT	STAIR GLIDE ASSEMBLY,LH,LL..... (includes items 21 and 22)	1
14	6090GT	SCREW,HHC,1/4-20 X .75	
15		Ref. Folding Leg Assembly (refer to Figure 201.1)	
16	10587GT	SCREW,HHC,1/2-13 X.75 (GR 5)	
17	37114GT	PEDAL-BRAKE W/ NON SKID TAPE	
--	1259GT	TAPE,NON SKID,2" WIDE (BULK).....	3.5-inches
18	6637GT	SCREW,HHC,1/4-20 X 1.75 (GD 5)	
19	6889GT	NUT,LP NYLOCK,1/4-20	
20	35350-SGT	PLATE,BRAKE LINKAGE STOP.....	1
21	11974GT	RIVET,MAGNALOK,.192 #7.....	6
22	35916GT	GLIDE STRIP,L,L.....	2
23	124471GT	STAIR GLIDE ASSEMBLY,RH,LL..... (includes items 21 and 22)	1

Part Number Index

The Part Number Index is a numeric index of all part numbers included in this manual. The index shows what page(s) the part is used on.

Part Number	Page	Part Number	Page	Part Number	Page
10587GT	17, 25	35629GT	19	7267GT	23
107224GT	19	35630GT	11, 19	7339GT	11, 17, 19
107225GT	19	35634GT	11, 19	7713GT	23
109949GT	23	35645GT	17	80939GT	13, 15
11224GT	11, 23	35646GT	17	82487GT	15
11335GT	23	35648GT	17	82961GT	15
11413GT	19	35649GT	17	82962GT	15
115374GT	19	35650GT	19	85060GT	21
115375GT	19	35732GT	23	8516GT	19
11890GT	11, 17, 19, 23	35909GT	17	85182GT	21
11906GT	11, 23	35914GT	11, 19	85183GT	21
11974GT	17, 25	35916GT	17, 25	85184GT	21
11978GT	23	35917-SGT	25	85185GT	21
12011GT	19	35918GT	19	85281GT	17
12012GT	21	35920GT	19	85311GT	25
12013GT	23	35922GT	19	85312GT	25
124176GT	23	35983GT	19	8886GT	19
124469GT	17, 25	35989GT	11, 19	8887GT	19
124471GT	17, 25	35991GT	11, 17, 19	8915GT	23
124781GT	21	35994GT	11, 17	90337GT	11, 23
124903GT	23	37023GT	21	97514GT	15
124904GT	23	37057GT	21	97529GT	13
124906GT	19	37058GT	21	97532GT	15
124913GT	19	37060GT	21	97536GT	15
124984GT	23	37061GT	21		
1257733GT	11	37062GT	21		
1257748GT	21	37063GT	21		
1258567GT	11	37065GT	21		
1259GT	25	37066GT	21		
1268GT	11	37067GT	21		
12981GT	21	37068GT	21		
14182GT	19	37069GT	21		
145140GT	19	37112GT	25		
145292GT	23	37113GT	25		
1484GT	11	37114GT	25		
160816GT	17	37149GT	21		
160971GT	17	37151GT	21		
16342GT	19	37258GT	17		
21279GT	11, 23	38862GT	23		
21280GT	11, 23	40167GT	19		
22283GT	17	40700GT	25		
22547GT	19	40703-341GT	19		
23903GT	17	44754GT	13		
27581GT	11	44891GT	19		
29849GT	19	46161GT	25		
31072GT	13	4828GT	17, 19, 21, 23		
31587GT	11	5224GT	19		
31822GT	19	52981GT	13, 15		
32150GT	11	5365GT	23		
32151GT	11	5397GT	19, 23		
33468GT	13	57787-SGT	17, 25		
35185GT	23	6-5205-16GT	23		
35190GT	17	6021GT	23		
35194GT	17, 19	6034GT	19		
35195GT	17, 19	6052GT	17, 23		
35200GT	23	6054GT	23		
35223-1850GT	25	6090GT	17, 23, 25		
35350-SGT	25	6091GT	17, 19, 23, 25		
35537GT	19	6097GT	21, 23		
35543GT	11, 19	6175GT	21		
35546GT	13	6356GT	17, 19		
35547GT	13	6357GT	21		
35550P-SGT	17	6563GT	19		
35552GT	13	6564GT	17, 25		
35553GT	17	6584GT	23		
35555GT	13	6600GT	19		
35557GT	19	6637GT	25		
35558GT	17	6638GT	19, 23		
35559GT	17	6653GT	19		
35567GT	13	6708GT	23		
35571GT	17	6782GT	23		
35582GT	23	6825GT	21		
35623GT	19	6878GT	21		
35625GT	19	6888GT	25		
35626GT	19	6889GT	17, 25		

The Part Description Index is an alphabetical index of all part descriptions included in this manual. The index shows what page(s) the part is used on.

A

ANGLE,REINFORCEMENT,BASE L/L.....17
ASSEMBLY,WINCH HANDLE, GL/LL.....21

B

BOE LUBE.....11, 23
BOLT,CARRIAGE,1/4-20 X .75,G2.....21
BOLT-ROLLER,3/8-24 X 1.69-ZINC.....11, 23
BRACKET,CASTER MNT."GRAY".....17
BRACKET,PULLEY MOUNT.....23
BRACKET,WINCH W/SYMBOL DECALS.....19
BRACKET,WINCH W/WORD DECALS.LL.....19
BRAKE CAM,MACHINED.....25
BRAKE DISK,DIRECT WINCH.....19
BRAKE DISK,ULTREX UHMW.....11, 19
BRAKE FACE,DLB800.....21
BUMPER,RUBBER,1" TALL X 3/8DIA.....19
BUSHING,BRONZE,.75 X 1.0 X .62.....19
BUSHING,PINION SHAFT,SM,DLB800.....21
BUTTON, .800 O.D. X .281.....11, 23

C

CABLE ASSEMBLY, GLL-95**.....11, 19
CABLE ASSEMBLY, LL IND.....19
CABLE DRUM-DLB800A**.....21
CABLE KEEPER, DLB800.....21
CAP,INSTRUCTION TUBE (RED).....19
CASTER WITH MOUNTING BRACKET.....17
CASTER,PLT. 2.0 X .75.....17
CLAMP,1.88,#30 X 1/4,RUB CUSH.....19
COLLAR,SHAFT,AL,3/4" BORE.....17
COVER,GEAR,DLB800.....21

D

DECAL, LABEL, RAISE/LOWER.....13
DECAL, LABEL, RAISE/LOWER SYMB.....15
DECAL, NOTICE, MAX CAP 200LBS.....13
DECAL, SYMBOL - READ THE MANUAL.....15
DECAL, WARNING, INJURY HAZARD.....13
DECAL, WARNING, TIP-OVER.....13
DECAL,CAUTION,MOVING PARTS.....13
DECAL,CAUTION,MOVING PARTS SYM.....15
DECAL,COSMTC,GENIE LOAD LIFTER....13,
15
DECAL,LABEL,OPER.MAN.STORAGE.....13
DECAL,NOTICE,MACHINE SETUP.....13
DECAL,WARNING, MAX CAP 91KG.....15
DECAL,WARNING,MACHINE SAFETY.....13
DECAL,WARNING,NO REACHING SYMB...15
DECAL,WARNING,NO RIDERS.....13
DECAL,WARNING,NO RIDERS SYMBOL.....15

E

EXTRUSION PLASTIC, 1.5LG.....17

F

FOLDING LEG ASSY (LL).....17
FORMING, WINCH MOUNT.....19

G

GEAR,RATCHET LOAD LIFTER.....19

GLIDE BUTTON,SIDE,GLL,100 TK.....11, 17,
19, 23
GLIDE STRIP,L.L.....17, 25
GUARD,PULLEY,GLL.....23

H

HANDLE ADAPTER WELDMENT.....21
HANDLE ASSEMBLY, GLL.....19
HANDLE GRIP,LL.....19
HOOK,CARRIAGE LATCH,LL.....23

I

INNER FRAME W/ DECAL, GLL.....23
INNER FRAME W/DECAL IND LL.....23
INSTRUCT.TUBE W/CAPS-1.75 X 12.....19
INSTRUCTION TUBE ASSY,SYMBOL.....19
INSTRUCTION TUBE ASSY,WORD.....19

K

KIT,AXLE LL.....25
KIT,PIN.....25
KIT,WHEEL,TPE,8 X 2,3/4,1/2.....17, 25

L

LEG STIFFENER L.L.....17
LEG,MACHINED L.H.....17
LEG,MACHINED R.H.....17

M

MANUAL,AEM SAFETY.....11
MANUAL,RESPON,A92.5 BOOM.....11

N

NUT, LP NYLOCK, 3/8-16.....23
NUT,HANDLE ADAPTER.....21
NUT,HEX,1/4-20.....23
NUT,HEX,3/8-24.....21
NUT,HEX,JAM,1/2-13.....19
NUT,LOCK,3/8-16.....21
NUT,LP NYLOCK,1/4-20.....17, 25
NUT,NYLOCK,1/4-20.....17, 19, 23, 25
NUT,NYLOCK,10-24.....23
NUT,NYLOCK,3/8-16.....17, 19, 21, 23
NUT,NYLOCK,5/16-18.....23
NUT,WELD 1/4-20, PLATED L.L.**11, 17,
19
NUT,WELL 1/4-20.....19
NUT,WING,1/2-13.....19

O

OUTER FRAME CHANNEL L.H.-GLL.....17, 19
OUTER FRAME CHANNEL R.H.-GLL.....17, 19

P

PAINT, AEROSOL, TRAFFIC BLACK.....11
PAINT,AEROSOL,BRIGHT BLUE***.....11
PAINT,AEROSOL,GENIE GRAY***.....11
PAINT,WET,GENIE BLUE (1 GL)**.....11
PAINT,WET,GENIE GRAY (1 GL)**.....11
PAINT,WET,TRAFFIC BLACK (1 GL)**.....11
PEDAL-BRAKE W/ NON SKID TAPE.....25
PIN,OUTRIGGER LOCK.....21
PIN,ROLL,.188 X 1.25**.....19

PINION PLATE, DLB800.....21
PINION SHAFT-DLB800A*.....21
PLATE,BASE WITH DECAL,LS,LL.....17
PLATE,BASE WITH DECAL,RS,GLL.....17
PLATE,BRAKE LINKAGE STOP.....25
PLATE,BRAKE PIVOT,LL-5.5.....25
PLATE,END CAP.....19
PULLEY LOAD LIFTER, W/BUSHING.....11, 23

R

RATCHET GEAR, DLB800.....21
RATCHET KIT, GLL.....19
RATCHET KIT,DLB800.....21
RATCHET PAWL,LOAD LIFTER.....11, 19
RETAIN RING,EXT.,7X.078 PLTD.....19
RETAINER RING,0.625.....21
RIVET,MAGNALOK,.192 #7.....17, 25
ROLLER,LATCH RELEASE.....23
ROLLER-NYLATRON, 1.625" O.D.....11, 23
ROUNDBAR,ALUM .75.....25

S

SCREW, HCC, 3/8-16 X 1.50.....19
SCREW,BHHS,1/4-20 X .5,Y/ZINC.....19
SCREW,FHS,1/4-20 X .5 BLACK.....17
SCREW,FHS,1/4-20 X 1.....19
SCREW,HHC,1/2-13 X.75.....17, 25
SCREW,HHC,1/4-20 X .5.....11, 17, 19
SCREW,HHC,1/4-20 X .75.....17, 23, 25
SCREW,HHC,1/4-20 X 1.....25
SCREW,HHC,1/4-20 X 1.25.....23
SCREW,HHC,1/4-20 X 1.75.....25
SCREW,HHC,1/4-20 X 4.....19
SCREW,HHC,3/8-16 X 1.....21
SCREW,HHC,3/8-16 X 2.....19
SCREW,HHC,3/8-16 X 2.25.....23
SCREW,HHC,3/8-16 X 4.5.....21
SCREW,HHC,5/16-18 X 2.00,GR8.....23
SCREW,LEG PIVOT L L.....21
SCREW,SHC,1/4-20 X .75.....17
SCREW,SHS,10-24 X .625.....23
SCREW,SHS,3/8-16 X .5.....23
SERIAL # LABEL,MAT LIFT & SS**.....13, 15
SHAFT,DIRECT WINCH.....19
SHEAVE,2.75 LOAD LIFTER**.....11, 19
SHIM,.375 X .063.....23
SHIM,LATCH RELEASE.....19
SINTERED IRON BEARING,1-1/4**.....21
SPACER,DRUM BOLT,DLB800.....21
SPACER,RATCHET LOAD LIFTER.....19
SPACER,TUBE,1/4 X 3/8 **.....23
SPACER,TUBE,PVC,1.00LG.....25
SPACER,WINCH HANDLE.....19
SPRING, WINCH HANDLE.....21
SPRING,BRAKE LINKAGE, GL.....25
SPRING,LEG,LOAD LIFTER.....11, 17
SPRING,RATCHET L.L.....11, 19
SPRING,TORSION,45 DEGREE.....23
STAIR GLIDE ASSEMBLY,LH,LL.....17, 25
STAIR GLIDE ASSEMBLY,RH,LL.....17, 25

T

TAPE,NON SKID,2" WIDE (BULK).....25
TUBE, AXLE, L.L.....17
TUBE,HYD,SS .375 X .049 WL.....19

Part Description Index (continued)

W

WASHER, SHIM,.765 X 1.312 X .093.....17, 25
 WASHER,FLAT,0.625X.875X.031.....21
 WASHER,FLAT,NYLON.515X.88X.093.....23
 WASHER,FLAT,RETAINING,.781.....25
 WASHER,FLAT,USS,1/4"Y.....19, 23
 WASHER,FLAT,USS,3/8",Y.....21, 23
 WASHER,FLAT,USS,5/16",Y.....19, 23
 WASHER,LOCK,.25.....17, 19
 WASHER,LOCK,.375.....23
 WASHER,SHIM,.375 X.625X.016 AL.....23
 WASHER,SHIM,.5 X .875 X .063.....17, 23
 WASHER,SHIM,.75 X 1.125 X.030.....19
 WASHER,STAR,EXTERNAL,.5.....19
 WELDMENT,CARRIAGE.....23
 WELDMENT,LATCH BRACKET,LL.....23
 WELDMENT,PLATFORM L.L.....23
 WHEEL,8" PNEUMATIC.....17
 WINCH ASSY (DLB800)***21
 WINCH DRUM,LOAD LIFTER.....19
 WINCH FRAME-DLB800A**21
 WINCH HANDLE ASSY.....21
 WINCH HANDLE-O.A.LENGTH-11".....19
 WINCH MOUNT.....21
 WINCH, INDUSTRIAL MODELS.....19
 WINCH,GENIE LIFT (DLB800).....21

— GENERAL SERVICE PARTS —.....11
 — MANUALS —.....11
 —REQUIRED SERVICE PARTS—.....11

Fitting Cross References

Genie PN	Parker PN	Description	Genie PN	Parker PN	Description
12342	6-4 F5OX-S	CONNECTOR,STRAIGHT THREAD TO FLARE TUBE	42794	1 CR-S	ELBOW,90°,MALE PIPE
13757	4 R6X-S	RUN TEE,SWIVEL NUT,ORFS	42795	BV-0839	BALL VALVE
19685	12-10 C5OX-S	ELBOW,90°,STRAIGHT THREAD TO FLARE TUBE	42796	BV-0838	BALL VALVE
22664	12-10 C5OX	ELBOW,90°,STRAIGHT THREAD TO FLARE TUBE	42874	6-8 CLO-S	ELBOW,90°,MALE PIPE TO ORFS
27431	8-12 F5OX-S	CONNECTOR,STRAIGHT THREAD TO FLARE TUBE	42912	13943-6-4	HOSE END,90° FEMALE SWIVEL,JIC
28678	AS-B-33	SLEEVE,NYLON,1.81" ID	42920	BV-0840	BALL VALVE,90°
39871	6 WETX-WLN-S	UNION,90° BULKHEAD W/NUT,FLARE TUBE	42932	AS-B-17	SLEEVE,NYLON,1.22" ID
39872	4 R5OX-S	RUN TEE,STRAIGHT THREAD	42936	10243-2-4	HOSE END,FEMALE PIPE
39873	6 C5OX-S	ELBOW,90°,STRAIGHT THREAD TO FLARE TUBE	42953	1/2 DD-S	ELBOW,90°,FEMALE PIPE
39874	8-6 C5OX-S	ELBOW,90°,STRAIGHT THREAD TO FLARE TUBE	42956	6 WELO-WLNL-S	UNION,90° BULKHEAD W/NUT,ORFS
39875	4-6 C5OX-S	ELBOW,90°,STRAIGHT THREAD TO FLARE TUBE	45349	8 V5OX-S	ELBOW,45°,STRAIGHT THREAD TO FLARE TUBE
39876	6-8 C5OX-S	ELBOW,90°,STRAIGHT THREAD TO FLARE TUBE	45351	4 V5OX-S	ELBOW,45°,STRAIGHT THREAD TO FLARE TUBE
39877	4 F5OX-S	CONNECTOR,STRAIGHT THREAD TO FLARE TUBE	47223	10343-6-6	HOSE END,MALE,JIC
39878	6 F5OX-S	CONNECTOR,STRAIGHT THREAD TO FLARE TUBE	47419	PS690503-6-6	SWIVEL,90°,STRAIGHT THREAD TO 37° FLARE
39879	4-8 F5OX-S	CONNECTOR,STRAIGHT THREAD TO FLARE TUBE	48750	421-4	HOSE,1/4 INCH ID
39880	6-10 F5OX-S	CONNECTOR,STRAIGHT THREAD TO FLARE TUBE	48751	481TC-4	HOSE,1/4 INCH ID
39881	4-6 F5OX-S	CONNECTOR,STRAIGHT THREAD TO FLARE TUBE	48752	482TC-4	HOSE,1/4 INCH ID
39882	4-HP5ON-S	PLUG,STRAIGHT THREAD	48753	451TC-6	HOSE,3/8 INCH ID
39883	8-8 FTX-S	CONNECTOR,MALE PIPE TO FLARE TUBE	48754	482TC-6	HOSE,3/8 INCH ID
39885	269HB 12-12	ELBOW,90°,BEADED HOSE BARB TO MALE PIPE	48755	381-6	HOSE,3/8 INCH ID
39886	431-6	HOSE,3/8 INCH ID	48756	451TC-8	HOSE,1/2 INCH ID
39887	540N-2	HOSE,1/8 INCH ID	48757	482TC-8	HOSE,1/2 INCH ID
39888	801-8	HOSE,1/2 INCH ID	48758	381-8	HOSE,1/2 INCH ID
39889	801-12	HOSE,3/4 INCH ID	48759	381-10	HOSE,5/8 INCH ID
39890	10643-6-6	HOSE END,FEMALE SWIVEL,JIC	48760	451TC-10	HOSE,5/8 INCH ID
39891	13943-6-6	HOSE END,90° FEMALE SWIVEL,JIC	48761	482TC-12	HOSE,3/4 INCH ID
39892	13743-6-6	HOSE END,45° FEMALE SWIVEL,JIC	48762	451TC-12	HOSE,3/4 INCH ID
39894	30682-8-8	HOSE END,FEMALE SWIVEL,JIC	48763	772-12	HOSE,3/4 INCH ID
39895	30682-10-12	HOSE END,FEMALE SWIVEL,JIC	48764	881-16	HOSE,1 INCH ID
42286	8-8 CTX-S	ELBOW,90°,MALE PIPE TO FLARE TUBE	48765	772-16	HOSE,1 INCH ID
42756	8-12 CLO-S	ELBOW,90,MALE PIPE TO ORFS	48766	AS-B-15	SLEEVE,NYLON,1.06" ID
42757	8-12 FLO-S	CONNECTOR,MALE PIPE TO ORFS	48767	AS-B-22	SLEEVE,NYLON,1.42" ID
42758	4 JLO-S	UNION TEE,ORFS	48770	881-8	HOSE,1/2 INCH ID
42759	4-4 FLO-S	CONNECTOR,MALE PIPE TO ORFS			
42760	6-8 FLO-S	CONNECTOR,MALE PIPE TO ORFS			
42761	1J143-6-4	HOSE END,90° FEMALE SWIVEL,SEAL LOK			
42762	1J743-6-4	HOSE END,45° FEMALE SWIVEL,SEAL LOK			
42768	1JO43-4-4	HOSE END,MALE,SEAL LOK			
42776	801-8	HOSE,1/2 INCH ID			
42777	1J743-16-16	HOSE END,45° FEMALE SWIVEL,SEAL LOK			
42786	16 CLO-S	ELBOW,90°,MALE PIPE TO ORFS			
42787	16 R8LO-S	RUN TEE,SWIVEL NUT,ORFS			
42788	16-8 TRLO-BL-S	REDUCER,TUBE END TO SWIVEL,ORFS			
42789	6-6 CLO-S	ELBOW,90°,MALE PIPE TO ORFS			
42790	8-10 V5OLO-S	ELBOW,45°,STRAIGHT THREAD TO ORFS			
42791	3/4 CD-S	ELBOW,90°,MALE TO FEMALE PIPE			
42792	3/4 X 1/2 PTR-S	REDUCER,MALE TO FEMALE PIPE			
42793	1/2 CR-S	ELBOW,90°,MALE PIPE			

Fitting Cross References (Continued)

Genie PN	Parker PN	Description	Genie PN	Parker PN	Description
48771	881-10	HOSE,5/8 INCH ID	48847	13943-12-12	HOSE END,90° FEMALE SWIVEL,JIC
48772	381-4	HOSE,1/4 INCH ID	48848	10543-12-12	HOSE END,MALE,STRAIGHT THREAD
48773	AS-B-13	SLEEVE,NYLON,.86" ID	48849	1JC71-12-12	HOSE END,FEMALE SWIVEL,SEAL LOK
48800	1JC43-4-4	HOSE END,FEMALE SWIVEL,SEAL LOK	48850	1JS71-12-12	HOSE END,FEMALE SWIVEL,SEAL LOK
48801	1J743-4-4	HOSE END,45° FEMALE SWIVEL,SEAL LOK	48851	1J171-12-12	HOSE END,90° FEMALE SWIVEL,SEAL LOK
48802	1J943-4-4	HOSE END,90° FEMALE SWIVEL,SEAL LOK	48852	1J771-12-12	HOSE END,45° FEMALE SWIVEL,SEAL LOK
48804	1JM43-4-4	HOSE END,MALE,SEAL LOK, NO O-RING	48853	1J971-12-12	HOSE END,90° FEMALE SWIVEL,SEAL LOK
48805	10643-4-4	HOSE END,FEMALE SWIVEL,JIC	48854	1JC43-16-16	HOSE END,FEMALE SWIVEL,SEAL LOK
48806	13943-4-4	HOSE END,90° FEMALE SWIVEL,JIC	48855	1J943-16-16	HOSE END,90° FEMALE SWIVEL,SEAL LOK
48807	1JS43-4-4	HOSE END,FEMALE SWIVEL,SEAL LOK	48856	1J171-16-16	HOSE END,90° FEMALE SWIVEL,SEAL LOK
48808	3JC82-8-8	HOSE END,FEMALE SWIVEL,SEAL LOK	48857	1J971-16-16	HOSE END,90° FEMALE SWIVEL,SEAL LOK
48809	3JC82-12-12	HOSE END,FEMALE SWIVEL,SEAL LOK	48859	1JS43-8-4	HOSE END,FEMALE SWIVEL,SEAL LOK
48810	1JC43-6-4	HOSE END,FEMALE SWIVEL,SEAL LOK	48867	PD36BTL	DIAGNOSTIC NIPPLE,SEAL-LOK SWIVEL
48811	1J943-6-4	HOSE END,90° FEMALE SWIVEL,SEAL LOK	48873	6 PNLO-S	PLUG,TUBE END,ORFS
48812	1JC43-6-6	HOSE END,FEMALE SWIVEL,SEAL LOK	48874	6 PNTX-S	PLUG,FLARE TUBE
48813	1J143-6-6	HOSE END,90° FEMALE SWIVEL,SEAL LOK	48875	6 R6LO-S	RUN TEE,SWIVEL NUT,ORFS
48814	1J543-6-6	HOSE END,90° FEMALE SWIVEL,SEAL LOK	48877	4 F5OLO-SW/.025	CONNECTOR,STRAIGHT THREAD TO ORFS, W/.025 ORI
48815	1J743-6-6	HOSE END,45° FEMALE SWIVEL,SEAL LOK	48878	16-12 C5OLO-S	ELBOW,90°,STRAIGHT THREAD TO ORFS
48816	1J943-6-6	HOSE END,90° FEMALE SWIVEL,SEAL LOK	48879	8 C8LO-S	ELBOW,90°,SWIVEL NUT ORFS
48817	1JS43-6-8	HOSE END,FEMALE SWIVEL,SEAL LOK	48880	PD6-285	CAP,DIAGNOSTIC NIPPLE
48818	1J943-8-4	HOSE END,90° FEMALE SWIVEL,SEAL LOK	48881	6 HLO-S	UNION,ORFS
48819	1JC43-8-6	HOSE END,FEMALE SWIVEL,SEAL LOK	48883	8 P5ON-S	PLUG,STRAIGHT THREAD
48820	1J743-8-6	HOSE END,45° FEMALE SWIVEL,SEAL LOK	48884	8M18F87OMLO-S	CONNECTOR,METRIC,STRAIGHT THREAD TO ORFS
48821	1J943-8-6	HOSE END,90° FEMALE SWIVEL,SEAL LOK	48885	4 WGTX-WLN-S	CONNECTOR,BULKHEAD,FEMALE PIPE TO FLARE TUBE
48822	1JC43-8-8	HOSE END,FEMALE SWIVEL,SEAL LOK	48886	4 F5OLO-SW/2MM	CONNECTOR,MACHINED STRAIGHT THREAD TO ORFS
48823	1JS43-8-8	HOSE END,FEMALE SWIVEL,SEAL LOK	48887	4 CTX-S	ELBOW,90°,MALE PIPE TO FLARE TUBE
48824	1J143-8-8	HOSE END,90° FEMALE SWIVEL,SEAL LOK	48888	10-12 V5OLO-S	ELBOW,45°,STRAIGHT THREAD TO ORFS
48825	1J543-8-8	HOSE END,90° FEMALE SWIVEL,SEAL LOK	48890	4 S5OLO-S	BRANCH TEE,STRAIGHT THREAD TO ORFS
48826	1J743-8-8	HOSE END,45° FEMALE SWIVEL,SEAL LOK	48891	4 S8LO-S	BRANCH TEE,SWIVEL NUT TO ORFS
48827	1J943-8-8	HOSE END,90° FEMALE SWIVEL,SEAL LOK			
48828	1JC43-10-8	HOSE END,FEMALE SWIVEL,SEAL LOK			
48829	1JS43-10-8	HOSE END,FEMALE SWIVEL,SEAL LOK			
48830	1J743-10-8	HOSE END,45° FEMALE SWIVEL,SEAL LOK			
48831	1J943-10-8	HOSE END,90° FEMALE SWIVEL,SEAL LOK			
48833	1JC43-10-10	HOSE END,FEMALE SWIVEL,SEAL LOK			
48834	1J943-10-10	HOSE END,90° FEMALE SWIVEL,SEAL LOK			
48835	1JS43-10-12	HOSE END,FEMALE SWIVEL,SEAL LOK			
48836	1JC43-12-8	HOSE END,FEMALE SWIVEL,SEAL LOK			
48837	1JS43-12-8	HOSE END,FEMALE SWIVEL,SEAL LOK			
48838	1J743-12-8	HOSE END,45° FEMALE SWIVEL,SEAL LOK			
48839	1J943-12-8	HOSE END,90° FEMALE SWIVEL,SEAL LOK			
48840	1J943-12-10	HOSE END,90° FEMALE SWIVEL,SEAL LOK			
48841	1JC43-12-12	HOSE END,FEMALE SWIVEL,SEAL LOK			
48842	1JO43-12-12	HOSE END,MALE,SEAL LOK			
48843	1J143-12-12	HOSE END,90° FEMALE SWIVEL,SEAL LOK			
48844	1J543-12-12	HOSE END,90° FEMALE SWIVEL,SEAL LOK			
48845	1J743-12-12	HOSE END,45° FEMALE SWIVEL,SEAL LOK			
48846	1J943-12-12	HOSE END,90° FEMALE SWIVEL,SEAL LOK			

Fitting Cross References (Continued)

Genie PN	Parker PN	Description	Genie PN	Parker PN	Description
48892	6 C6LO-S	ELBOW,90°,SWIVEL NUT ORFS	48938	8 R6LO-S	RUN TEE,SWIVEL NUT,ORFS
48893	6 F5OHAO-S	UNION,STRAIGHT THREAD	48939	8 S6LO-S	BRANCH TEE,SWIVEL NUT TO ORFS
48894	8 WLO-WLNL-S	UNION,BULKHEAD,ORFS	48940	8 WJLO-WLNL-S	RUN TEE, BULKHEAD,ORFS
48895	DT-370-MSMO-5	VALVE,CHECK	48941	8-4 TRLO-S	REDUCER,TUBE END TO SWIVEL,ORFS
48896	6 JLO-S	UNION,TEE,ORFS	48942	8-6 C5OLO-S	ELBOW,90°,STRAIGHT THREAD TO ORFS
48897	DT-750-MSMS-5	VALVE,CHECK	48943	8-6 F5OLO-S	CONNECTOR,STRAIGHT THREAD TO ORFS
48898	DT-750-MOMS-5	VALVE,CHECK	48944	8-8 FLO-S	CONNECTOR,MALE PIPE TO ORFS
48899	DT-620-MOMS-5	VALVE,CHECK	48945	8 FTX-S	CONNECTOR,MALE PIPE TO FLARE TUBE
48900	4-6 F5OLO-SW/.035	CONNECTOR,STRAIGHT THREAD TO ORFS, W/.035 ORI	48946	8-10 F5OLO-S	CONNECTOR,STRAIGHT THREAD TO ORFS
48902	16-1 AOE4G-S	ELBOW,90° LONG,FEMALE PIPE TO STRAIGHT THREAD	48947	8-12 C5OLO-S	ELBOW,90°,STRAIGHT THREAD TO ORFS
48903	1 FF-S	NIPPLE,PIPE	48948	8-12 F5OLO-S	CONNECTOR,STRAIGHT THREAD TO ORFS
48904	4 C5OLO-S	ELBOW,90°,STRAIGHT THREAD TO ORFS	48949	8-16 F5OLO-S	CONNECTOR,STRAIGHT THREAD TO ORFS
48905	4 F5OLO-S	CONNECTOR,STRAIGHT THREAD TO ORFS	48950	10 C5OLO-S	ELBOW,90°,STRAIGHT THREAD TO ORFS
48906	4 R5OLO-S	RUN TEE,STRAIGHT THREAD	48951	10 CC5OLO-S	ELBOW,90° LONG,STRAIGHT THREAD TO ORFS
48907	4 V5OLO-S	ELBOW,45°,STRAIGHT THREAD TO ORFS	48952	10 F5OLO-S	CONNECTOR,STRAIGHT THREAD TO ORFS
48908	4 R6LO-S	RUN TEE,SWIVEL NUT,ORFS	48953	10 R5OLO-S	RUN TEE,STRAIGHT THREAD
48909	4 WJLO-WLNL-S	RUN TEE, BULKHEAD,ORFS	48954	10 S5OLO-S	BRANCH TEE,STRAIGHT THREAD TO ORFS
48910	4 GTX-S W/.030	CONNECTOR,FEMALE PIPE TO FLARE TUBE	48955	10 R6LO-S	RUN TEE,SWIVEL NUT,ORFS
48911	4-6 C5OLO-S	ELBOW,90°,STRAIGHT THREAD TO ORFS	48956	10-4 TRLO-BL-S	REDUCER,TUBE END TO SWIVEL,ORFS
48912	4-6 F5OLO-S	CONNECTOR,STRAIGHT THREAD TO ORFS	48957	10-6 TRLO-BL-S	REDUCER,TUBE END TO SWIVEL,ORFS
48913	4-6 F5OLO-SW/.030	CONNECTOR,STRAIGHT THREAD TO ORFS, W/.030 ORI	48958	10-12 F5OLO-S	CONNECTOR,STRAIGHT THREAD TO ORFS
48914	4-8 F5OLO-S	CONNECTOR,STRAIGHT THREAD TO ORFS	48959	12 C5OLO-S	ELBOW,90°,STRAIGHT THREAD TO ORFS
48915	6 C5OLO-S	ELBOW,90°,STRAIGHT THREAD TO ORFS	48960	12 F5OLO-S	CONNECTOR,STRAIGHT THREAD TO ORFS
48916	6 F5OLO-S	CONNECTOR,STRAIGHT THREAD TO ORFS	48961	12 R5OLO-S	RUN TEE,STRAIGHT THREAD
48917	6 FF5OLO-S	CONNECTOR,LONG,STRAIGHT THREAD TO ORFS	48962	12 S5OLO-S	BRANCH TEE,STRAIGHT THREAD TO ORFS
48918	6 R5OLO-S	RUN TEE,STRAIGHT THREAD	48963	12 V5OLO-S	ELBOW,45°,STRAIGHT THREAD TO ORFS
48919	6 S5OLO-S	BRANCH TEE,STRAIGHT THREAD TO ORFS	48964	12 R6LO-S	RUN TEE,SWIVEL NUT,ORFS
48920	6 V5OLO-S	ELBOW,45°,STRAIGHT THREAD TO ORFS	48965	12 CLO-S	ELBOW,90°,MALE PIPE TO ORFS
48921	6 FLO-S	CONNECTOR,MALE PIPE TO ORFS	48966	12 FLO-S	CONNECTOR,MALE PIPE TO ORFS
48922	6-6 FLO-S	CONNECTOR,MALE PIPE TO ORFS	48967	12 JLO-S	UNION TEE,ORFS
48923	6 P5ON-S	PLUG,STRAIGHT THREAD	48968	12 WLO-WLNL-S	UNION,BULKHEAD,ORFS
48925	6 WELO-S	UNION,90° BULKHEAD,ORFS	48969	12 WJLO-WLNL-S	RUN TEE, BULKHEAD,ORFS
48926	6-4 C5OLO-S	ELBOW,90°,STRAIGHT THREAD TO ORFS	48970	12 WELO-WLNL-S	UNION,90° BULKHEAD W/NUT,ORFS
48927	6-4 F5OLO-S	CONNECTOR,STRAIGHT THREAD TO ORFS			
48928	6-4 V5OLO-S	ELBOW,45°,STRAIGHT THREAD TO ORFS			
48929	6-8 C5OLO-S	ELBOW,90°,STRAIGHT THREAD TO ORFS			
48930	6-8 F5OLO-S	CONNECTOR,STRAIGHT THREAD TO ORFS			
48931	6-10 F5OLO-S	CONNECTOR,STRAIGHT THREAD TO ORFS			
48932	8 C5OLO-S	ELBOW,90°,STRAIGHT THREAD TO ORFS			
48933	8 F5OLO-S	CONNECTOR,STRAIGHT THREAD TO ORFS			
48934	8 FF5OLO-S	CONNECTOR,LONG,STRAIGHT THREAD TO ORFS			
48935	8 R5OLO-S	RUN TEE,STRAIGHT THREAD			
48936	8 S5OLO-S	BRANCH TEE,STRAIGHT THREAD TO ORFS			
48937	8 V5OLO-S	ELBOW,45°,STRAIGHT THREAD TO ORFS			

Fitting Cross References (Continued)

Genie PN	Parker PN	Description	Genie PN	Parker PN	Description
48971	12 G5G5JG5-S	TEE,FEMALE STRAIGHT THREAD	49612	PKT02586	O-RING KIT (ORFS FITTINGS)
48972	12 XHL6-S	ADAPTER, 37° MALE TO SWIVEL ORFS	49613	PKT06276	PLUG AND CAP KIT-SERVICE,ORFS
48973	12-1/2 F5OG-S	ADAPTER,FEMALE PIPE TO STRAIGHT THREAD	49728	10143-12-12	HOSE END, MALE PIPE
48974	12-10 C5OLO-S	ELBOW,90°,STRAIGHT THREAD TO ORFS	49729	16-1 F5OG-S	ADAPTER,FEMALE PIPE TO STRAIGHT THREAD
48975	12-10 F5OLO-S	CONNECTOR,STRAIGHT THREAD TO ORFS	49814	12-8 FLO-S	CONNECTOR,MALE PIPE TO ORFS
48976	12-16 C5OLO-S	ELBOW,90°,STRAIGHT THREAD TO ORFS	49829	DT-500-MOMF-5	VALVE,CHECK
48977	12-16 F5OLO-S	CONNECTOR,STRAIGHT THREAD TO ORFS	49831	881-12	HOSE,3/4 INCH ID
48978	12-16 V5OLO-S	ELBOW,45°,STRAIGHT THREAD TO ORFS	49834	16 JLO-S	UNION TEE,ORFS
48980	12-16 FLO-S	CONNECTOR,MALE PIPE TO ORFS	49838	12-8 TRLO-BL-S	REDUCER,TUBE END TO SWIVEL,ORFS
48983	16 C5OLO-S	ELBOW,90°,STRAIGHT THREAD TO ORFS	49840	8 JLO-S	UNION TEE,ORFS
48984	16 F5OLO-S	CONNECTOR,STRAIGHT THREAD TO ORFS	49844	10-8 TRLO-BL-S	REDUCER,TUBE END TO SWIVEL,ORFS
48985	16 V5OLO-S	ELBOW,45°,STRAIGHT THREAD TO ORFS	49854	8 P5ON-S	PLUG,STRAIGHT THREAD
48986	16 FLO-S	CONNECTOR,MALE PIPE TO ORFS	49855	1JC43-16-12	HOSE END,FEMALE SWIVEL,SEAL LOK
48988	16 CD45-S	ELBOW,45°,MALE TO FEMALE PIPE	49859	4 P5ON-S	PLUG,STRAIGHT THREAD
48989	12 CD45-S	ELBOW,45°,MALE TO FEMALE PIPE	49861	4 FF5OLO-S	CONNECTOR, LONG, STRAIGHT THREAD TO ORFS
48990	8 CD45-S	ELBOW,45°,MALE TO FEMALE PIPE	49867	12-3/4 F5OG-S	ADAPTER, FEMALE PIPE TO STRAIGHT THREAD
48991	16-12 FLO-S	CONNECTOR,MALE PIPE TO ORFS	51152	6 R6X-S	RUN TEE,SWIVEL NUT,ORFS
48992	16-12 V5OLO-S	ELBOW,45°,STRAIGHT THREAD TO ORFS	51153	6-4 TRTX-S	REDUCER,TUBE END TO SWIVEL,ORFS
48993	XV501-12	BALL VALVE	51154	4-4 GTX	CONNECTOR,FEMALE PIPE TO FLARE TUBE
48994	XV501-16	BALL VALVE	51264	881-12	HOSE,3/4 INCH ID
48995	XV510P-12	BALL VALVE	51265	8 JLO-S	UNION TEE,ORFS
48996	XV510P-16	BALL VALVE	51508	6 BTX-S	NUT,FLARE TUBE
48997	PD341	DIAGNOSTIC NIPPLE, STRAIGHT THREAD	51580	12-8 TRLO-BL-S	TUBE END REDUCER,ORFS
48998	PD 361	DIAGNOSTIC NIPPLE, STRAIGHT THREAD	51628	6 R6X-S	RUN TEE,SWIVEL NUT,ORFS
48999	DT-500-MOMS-5	VALVE,CHECK	51735	3/8 HHP	PLUG,PIPE THREAD
49201	10 V5OLO-S	ELBOW,45°,STRAIGHT THREAD TO ORFS	51803	1J943-6-8	HOSE END,90° FEMALE SWIVEL,SEAL LOK
49202	1JC43-12-10	HOSE END,FEMALE SWIVEL,SEAL LOK	53023	125HBL-5-4	FITTING,HOSE BARB TO MALE PIPE
49203	10-8 V5OLO-S	ELBOW,45°,STRAIGHT THREAD TO ORFS	53497	PKT02585	O-RING KIT
49205	6 F5OHAO-S	UNION,STRAIGHT THREAD	53499	1JC71-16-16	HOSE END,FEMALE SWIVEL,SEAL LOK
49207	PD34BTL	DIAGNOSTIC NIPPLE,SEAL-LOK SWIVEL	53500	3-904	O-RING,STRAIGHT THREAD,-4
49209	8M18F870MX-S	CONNECTOR,METRIC,STRAIGHT THREAD TO FLARE TUBE	53501	3-906	O-RING,STRAIGHT THREAD,-6
49212	8 WGTX-WLN-S	CONNECTOR,BULKHEAD,FEMALE PIPE TO FLARE TUBE	53502	3-908	O-RING,STRAIGHT THREAD,-8
49213	30682-8-8	HOSE END,FEMALE SWIVEL,JIC	53503	3-910	O-RING,STRAIGHT THREAD,-10
49216	831-8	HOSE,1/2 INCH ID			
49217	33982-8-8	HOSE END,90° FEMALE SWIVEL,JIC			
49219	PS-B-35	SLEEVE,NYLON,2.19" ID			
49418	4-6 V5OLO-S	ELBOW,45°,STRAIGHT THREAD TO ORFS			
49511	DT370-MOMS-5	VALVE,CHECK			
49512	1 DD-S	ELBOW,90°,FEMALE PIPE			
49513	1 FF-S	NIPPLE,PIPE			
49514	10 HP5ON-S	PLUG,STRAIGHT THREAD			
49515	12-16 CLO-S	ELBOW,90°,MALE PIPE TO ORFS			
49517	6 HP5ON-S	PLUG,STRAIGHT THREAD			
49519	16-12 F5OLO-S	CONNECTOR,STRAIGHT THREAD TO ORFS			
49520	4 VTX-S	ELBOW,45°,MALE PIPE TO FLARE TUBE			
49530	16 C6LO-S	ELBOW,90°,SWIVEL NUT ORFS			

Fitting Cross References (Continued)

Genie PN	Parker PN	Description	Genie PN	Parker PN	Description
53535	3-912	O-RING,STRAIGHT THREAD,-12	61083	24 F5OLO-S	CONNECTOR,STRAIGHT THREAD TO ORFS
53536	4-PNLO-S	PLUG,TUBE END,ORFS	61086	20 R5OLO-S	RUN TEE,STRAIGHT THREAD
53537	6 PNLO-S	PLUG,TUBE END,ORFS	61090	24-20 F5OLO-S	CONNECTOR,STRAIGHT THREAD TO ORFS
53538	8 PNLO-S	PLUG,TUBE END,ORFS	61091	1J943 24-24	HOSE END,90° FEMALE SWIVEL,SEAL LOK
53539	10 PNLO-S	PLUG,TUBE END,ORFS	61093	1J978-12-12	HOSE END,90° FEMALE SWIVEL,JIC
53540	12 PNLO-S	PLUG,TUBE END,ORFS	61095	1JS43-20-16	HOSE END,FEMALE SWIVEL,SEAL LOK
53946	129HB-5-4	FITTING,90° HOSE BARB TO MALE PIPE	61100	811-24	HOSE,11/2 INCH ID
53951	8-1/4F5OG-S	ADAPTER,FEMALE PIPE TO STRAIGHT THREAD	61130	1JS43-24-24	HOSE END,FEMALE SWIVEL,SEAL LOK
53980	6 S6LO-S	BRANCH TEE,SWIVEL NUT TO ORFS	61131	1JS78 12-12	HOSE END,FEMALE SWIVEL,SEAL LOK
54132	4 C6LO-S	ELBOW,90°,SWIVEL NUT ORFS	61132	1J778-12-12	HOSE END,45° FEMALE SWIVEL,JIC
54135	11343-16-16	HOSE END,MALE SWIVEL,PIPE	61152	139HB-6-4	ELBOW,45°,BARB TO MALE PIPE
54283	8-10 C5OLO-S	ELBOW,90°,STRAIGHT THREAD TO ORFS	61251	BV-0750	BALL VALVE
54428	8M18C870MLO-S	ELBOW, 90° METRIC, STRAIGHT THREAD TO ORFS	61259	4 CC5OLO-S	ELBOW,90° LONG,STRAIGHT THREAD TO ORFS
54803	FS-F-16-10	SLEEVE,FIRE,.96" ID	61260	20-12 TRLO-BL	REDUCER,TUBE END TO SWIVEL,ORFS
54954	10143-2-4	HOSE END, MALE PIPE	61262	12 C6LO-S	ELBOW,90°,SWIVEL NUT ORFS
55190	3/8 HP-S	PLUG,PIPE THREAD	61263	20 F5OHAO-S	UNION,STRAIGHT THREAD
55448	8 HLO-S	UNION,ORFS	61264	6-10 C5OLO-S	ELBOW,90°,STRAIGHT THREAD TO ORFS
55839	6 F65OX-S	CONNECTOR,STRAIGHT THREAD TO 37° SWIVEL	61265	6 WNLO-WLNL-S	UNION,BULKHEAD 45°,ORFS
55968	10 C5OX-S	ELBOW,90°,STRAIGHT THREAD TO FLARE TUBE	61268	4 WNLO-WLNL-S	UNION,BULKHEAD 45°,ORFS
56003	6 CC5OLO-S	ELBOW,90° LONG,STRAIGHT THREAD TO ORFS	61269	4 WLO-WLNL-S	UNION,BULKHEAD,ORFS
56166	BV-0837	BALL VALVE,90°	61272	12 AOEL6	ELBOW,90°,STRAIGHT THREAD TO ORFS SWIVEL
56188	10143-8-6	HOSE END, MALE PIPE	61316	482TC-16	HOSE,1 INCH ID
56233	2-011	O-RING,ORFS,-4	61321	6 JLO-S	UNION TEE,ORFS
56234	2-012	O-RING,ORFS,-6	61327	782-12	HOSE,3/4 INCH ID
56235	2-014	O-RING,ORFS,-8	61328	881-24	HOSE,11/2 INCH ID
56236	2-016	O-RING,ORFS,-10	61336	11943-20-24	HOSE END,90° FLANGE HEAD
56237	2-018	O-RING,ORFS,-12	61345	12 WJLO-WLNL-S	RUN TEE, BULKHEAD,ORFS
56238	2-021	O-RING,ORFS,-16	61346	8 WNLO-WLNL-S 4	UNION,BULKHEAD 45°,ORFS
56352	6 WLNL-S	LOCKNUT,BULKHEAD	61569	33782-8-8	HOSE END,45° FEMALE SWIVEL,JIC
56353	3J782-12-12	HOSE END,45° FEMALE SWIVEL,SEAL LOK	61610	12 FF5OLO-S	CONNECTOR,LONG,STRAIGHT THREAD TO ORFS
56354	3J982-12-12	HOSE END,90° FEMALE SWIVEL,SEAL LOK	61742	1/8 X 1.5 FFF	NIPPLE,PIPE
56604	10-8 F5OLO-S	CONNECTOR,STRAIGHT THREAD TO ORFS	63426	8 PNTX-S	PLUG,FLARE TUBE
56639	3JC82-10-10	HOSE END,FEMALE SWIVEL,SEAL LOK			
56640	3J982-10-10	HOSE END,90° FEMALE SWIVEL,SEAL LOK			
56655	3JC82-8-10	HOSE END,FEMALE SWIVEL,SEAL LOK			
56676	10-8 C5OLO-S	ELBOW,90°,STRAIGHT THREAD TO ORFS			
56776	471TC-6	HOSE,3/8 INCH ID			
56777	471TC-8	HOSE,1/2 INCH ID			
56789	811-16	HOSE,1 INCH ID			
57884	3/8 FF	NIPPLE,PIPE			
59335	6 FNL-S	CAP, TUBE END			
59342	4 FNL-S	CAP, TUBE END			
59371	8 HP5ON-S	PLUG,STRAIGHT THREAD			
60653	BV-0751	BALL VALVE			
60806	125HB-3-4	FITTING,HOSE BARB TO MALE PIPE			
61064	5-1/4 F5OG-S	ADAPTER,FEMALE PIPE TO STRAIGHT THREAD			
61079	4 WELO-WLNL-S	UNION,90° BULKHEAD W/NUT,ORFS			
61080	6 WLO-WLNL-S	UNION,BULKHEAD,ORFS			

Fitting Cross References (Continued)

Genie PN	Parker PN	Description	Genie PN	Parker PN	Description
64271	4 WLO-WLNL-S	UNION,BULKHEAD,ORFS	75631	801-6	HOSE,3/8 INCH ID
64272	6 WLO-WLNL-S	UNION,BULKHEAD,ORFS	75654	20 F5OLO-S	CONNECTOR,STRAIGHT THREAD TO ORFS
65776	8 F65OL-S	CONNECTOR,STRAIGHT THREAD TO ORFS SWIVEL	75655	1J943-20-20	HOSE END,90° FEMALE SWIVEL,SEAL LOK
65880	6001012	O-RING KIT	75656	881-20	HOSE,1-1/4 INCH ID
66154	6 WTX-WLNS	UNION,BULKHEAD,FLARE TUBE	75971	8 F5OHAO-S	UNION,STRAIGHT THREAD
66155	6 WETX-S	UNION,BULKHEAD 90°,FLARE TUBE	77307	1JB43-8-8	HOSE END,BULKHEAD,SEAL LOK
66156	6 WLNL-S	BULKHEAD LOCKNUT	77309	8 WLNL-S	BULKHEAD LOCKNUT
66389	6-8 F5OX-S	CONNECTOR,STRAIGHT THREAD TO FLARE TUBE	77379	8M18C87OMX-S	ELBOW,90° METRIC,STRAIGHT THREAD TO FLARE TUBE
66392	6 R5OX-S	RUN TEE,STRAIGHT THREAD	77703	3J982-8-8	HOSE END,90° FEMALE SWIVEL,SEAL LOK
66396	811-12	HOSE,3/4 INCH ID	77711	801-10	HOSE,5/8 INCH ID
66829	H3174PP	CLAMP,TUBE	77758	12 WNLO-WLNL-S	UNION,BULKHEAD 45°,ORFS
67217	4 KLO-S	UNION,CROSS,ORFS	78091	6 C6X-S	ELBOW,90°,SWIVEL NUT TO FLARE TUBE
67339	10-6 F5OX-S	CONNECTOR,STRAIGHT THREAD TO FLARE TUBE	78684	30582-8-8B	HOSE END,PUSH LOK,MALE
67357	13943-8-6	HOSE END,90° FEMALE SWIVEL,JIC	78852	549-2	HOSE,1/8 INCH ID
67358	10 HP5ON-S	PLUG,STRAIGHT THREAD	78855	10657-4-2	HOSE END,FEMALE SWIVEL,JIC
67371	12 S6LO-S	BRANCH TEE,SWIVEL NUT TO ORFS	79138	PS-B-37	SLEEVE,NYLON,2.38" ID
67498	4 FNL-S	CAP, TUBE END	79476	1JS43-6-8	HOSE END,FEMALE SWIVEL,SEAL LOK
67906	DC-370-F0F0-5	VALVE,CHECK	79847	12-3/4 A0EG-S	ELBOW,90°,STRAIGHT THREAD TO FEMALE PIPE
69316	8 FLO-S	CONNECTOR,MALE PIPE TO ORFS	80044	8 CLO-S	ELBOW,90°,MALE PIPE TO ORFS
69333	H3174PP	CLAMP,HYDRAULIC HOSE	80502	8 F5OX-S	CONNECTOR,STRAIGHT THREAD TO FLARE TUBE
69503	4 F65OX-S	CONNECTOR,STRAIGHT THREAD TO 37° SWIVEL	80503	8 C5OX-S	ELBOW,90°,STRAIGHT THREAD TO FLARE TUBE
69775	8 FNL-S	CAP, TUBE END	81010	AS-B-27	SLEEVE,NYLON,1.63" ID
71038	1/4X1/4F3HG-S	ADAPTER,CONVERSION	83052	821-6	HOSE,3/8 INCH ID
71196	12-8 F5OLO-S	CONNECTOR,STRAIGHT THREAD TO ORFS	83053	821-8	HOSE,1/2 INCH ID
71383	1/4 CD45-S	ELBOW,45°,MALE TO FEMALE PIPE	83054	821-12	HOSE,3/4 INCH ID
72270	12FNL-S	CAP, TUBE END	83055	30682-6-6	HOSE END,FEMALE SWIVEL,JIC
73436	60C-4	SLEEVE,COMPRESSION	83056	30682-12-12	HOSE END,FEMALE SWIVEL,JIC
73437	61C-4	NUT,COMPRESSION	83057	33782-6-6	HOSE END,45° FEMALE SWIVEL,JIC
73438	33482-4-4B	HOSE END,PUSH LOK,MALE	83058	33982-6-6	HOSE END,90° FEMALE SWIVEL,JIC
73767	1CD-S	ELBOW,90°,MALE TO FEMALE PIPE	83060	33982-12-12	HOSE END,90° FEMALE SWIVEL,JIC
73768	20-16-F5OG5-S	ADAPTER,FEMALE PIPE TO STRAIGHT THREAD	83063	13743-4-4	HOSE END,45° FEMALE SWIVEL,JIC
73769	16-20 F5OLO-S	CONNECTOR,STRAIGHT THREAD TO ORFS			
74660	6-8 F42EDMLO-S	CONNECTOR,MALE BSPP TO ORFS			
74661	8-8 F42EDMLO-S	CONNECTOR,MALE BSPP TO ORFS			
75007	4 FLO-S	CONNECTOR,MALE PIPE TO ORFS			
75008	1/8 HP-S	PLUG,PIPE THREAD			
75014	1/2 HP-S	PLUG,PIPE THREAD			
75042	8 WELO-WLNL-S	UNION,90° BULKHEAD W/NUT,ORFS			
75043	3/4 FF-S	NIPPLE,PIPE			
75254	24 F5OHAO-S	UNION,STRAIGHT THREAD			
75255	12 F5OHAO-S	UNION,STRAIGHT THREAD			
75256	XV506P-24	BALL VALVE			
75574	4 WLNL-S	BULKHEAD LOCKNUT			
75612	8 WJLO-WLNL-S	RUN TEE, BULKHEAD,ORFS			
75613	12-8 F5OG5-S	ADAPTER,FEMALE PIPE TO STRAIGHT THREAD			
75614	8 CC5OLO-S	ELBOW,90° LONG,STRAIGHT THREAD TO ORFS			
75628	1JB43-4-4	HOSE END,BULKHEAD,SEAL LOK			

Fitting Cross References (Continued)

Genie PN	Parker PN	Description	Genie PN	Parker PN	Description
83064	13743-8-8	HOSE END,45° FEMALE SWIVEL,JIC	89449	6 WJLO-WLNL-S	RUN TEE, BULKHEAD,ORFS
83065	13743-12-12	HOSE END,45° FEMALE SWIVEL,JIC	89489	4 WJMLO-S	BRANCH TEE,BULKHEAD,ORFS
83066	13943-8-8	HOSE END,90° FEMALE SWIVEL,JIC	89551	1JB43-6-6	HOSE END,BULKHEAD,SEAL LOK
83067	14143-6-6	HOSE END,90° FEMALE SWIVEL,JIC	89552	1JB43-8-8	HOSE END,BULKHEAD,SEAL LOK
83068	14143-8-8	HOSE END,90° FEMALE SWIVEL,JIC	89593	20 C5OLO-S	ELBOW,90°,STRAIGHT THREAD TO ORFS
83069	14143-12-12	HOSE END,90° FEMALE SWIVEL,JIC	94161	8-8 CLO-S	ELBOW,90°,MALE PIPE TO ORFS
83070	772-8	HOSE,1/2 INCH ID	94358	351TC-12	HOSE,3/4 INCH ID
83071	10671-8-8	HOSE END,FEMALE SWIVEL,JIC	94418	20 FLO-S	CONNECTOR,MALE PIPE TO ORFS
83072	10671-12-12	HOSE END,FEMALE SWIVEL,JIC	96358	12 TX-S	SLEEVE,FLARE TUBE
83073	13771-8-8	HOSE END,45° FEMALE SWIVEL,JIC	96359	12 BTX-S	NUT,FLARE TUBE
83074	13771-12-12	HOSE END,45° FEMALE SWIVEL,JIC	96397	8 F5OX-S	CONNECTOR,STRAIGHT THREAD TO FLARE TUBE
83075	13971-8-8	HOSE END,90° FEMALE SWIVEL,JIC	96398	12-8 F5OX-S	CONNECTOR,STRAIGHT THREAD TO FLARE TUBE
83076	13971-12-12	HOSE END,90° FEMALE SWIVEL,JIC	96402	10343-6-6	HOSE END,MALE,JIC
83077	14171-8-8	HOSE END,90° FEMALE SWIVEL,JIC	96407	30382-6-6B	HOSE END,MALE,JIC
83078	14171-12-12	HOSE END,90° FEMALE SWIVEL,JIC			
83080	13943-16-16	HOSE END,90° FEMALE SWIVEL,JIC			
83103	10671-16-12	HOSE END,FEMALE SWIVEL,JIC			
83104	10671-10-12	HOSE END,FEMALE SWIVEL,JIC			
83112	1JC71-8-8	HOSE END,FEMALE SWIVEL,SEAL LOK			
83113	1JS71-16-12	HOSE END,FEMALE SWIVEL,SEAL LOK			
83114	1JS71-10-12	HOSE END,FEMALE SWIVEL,SEAL LOK			
83115	1J971-8-8	HOSE END,90° FEMALE SWIVEL,SEAL LOK			
83116	1J171-8-8	HOSE END,90° FEMALE SWIVEL,SEAL LOK			
83117	1J771-8-8	HOSE END,45° FEMALE SWIVEL,SEAL LOK			
83127	1J543-6-8	HOSE END,90° FEMALE SWIVEL,JIC			
83128	1JC43-6-8	HOSE END,FEMALE SWIVEL,SEAL LOK			
87033	12-6 TRLO-S	REDUCER,TUBE END TO SWIVEL,ORFS			
87034	3J782-8-8	HOSE END,45° FEMALE SWIVEL,SEAL LOK			
87172	12 HP5ON-S	PLUG,STRAIGHT THREAD			
87185	8 WNLO-WLNL-S	UNION,BULKHEAD 45°,ORFS			
87246	4 C6X-S	ELBOW,90°,SWIVEL NUT TO FLARE TUBE			
87679	6 LHP-S	FLANGE SEAL FITTING, MALE			
87681	6PLS N0702	BONDED SEAL			
88100	SR88100	ADAPTER,OIL DRAIN,GM 3.0L			
88311	1JS43-20-20	HOSE END,FEMALE SWIVEL,SEAL LOK			
88353	20 V5OLO-S	ELBOW,45°,STRAIGHT THREAD TO ORFS			
88474	10081-20	Crimp Shell, 1.25"			
88475	1988-20-24	HOSE END,90° FLANGE HEAD			
88476	JS88-24-24	HOSE END,FEMALE SWIVEL,SEAL LOK			
88477	1JC88-20-20	HOSE END,FEMALE SWIVEL,SEAL LOK			
88478	811-20	HOSE,11/4 INCH ID			
88936	20-16 F5OLO-S	CONNECTOR,STRAIGHT THREAD TO ORFS			
88937	20-16 FLO-S	CONNECTOR,MALE PIPE TO ORFS			
88938	1JC88-16-16	HOSE END,FEMALE SWIVEL,SEAL LOK			
88939	1J988-16-16	HOSE END,90° FEMALE SWIVEL,ORFS			
88940	811-16	HOSE,1 INCH ID			
88944	1J988-20-20	HOSE END,90° FEMALE SWIVEL,ORFS			
89403	16 VLO-S	ELBOW,45°,MALE PIPE TO ORFS			

California Proposition 65



WARNING

Operating, servicing and maintaining this equipment can expose you to chemicals including engine exhaust, carbon monoxide, phthalates, and lead, which are known to the State of California to cause cancer and birth defects or other reproductive harm. These chemicals can be emitted from or contained in other various parts and systems, fluids and some component wear by-products. To minimize exposure, avoid breathing exhaust, do not idle the engine except as necessary, service your equipment and vehicle in a well-ventilated area and wear gloves or wash your hands frequently when servicing your equipment or vehicle and after operation. For more information go to www.P65Warnings.ca.gov/passenger-vehicle.

Distributed By:

Go to Discount-Equipment.com to order your parts

PARTS FINDER

**Search Website
by Part Number**



**Search Manual
Library For Parts
Manual & Lookup Part
Numbers – Purchase
or Request Quote**

Search Manuals

Enter your information to help us find the right parts manual for your machine.

* Brand:

* Model:

* Serial:

* Part Number:

SEARCH

**Can't Find Part or
Manual? Request Help
by Manufacturer,
Model & Description**

Parts Order Form

Please fill in the following information to help us find the right part for your machine.

Manufacturer:

Model:

Description:

Quantity:

Part Number:

Part Name:

Part Description:

Part Category:

Part Location:

Part Status:

Part Color:

Part Material:

Part Weight:

Part Dimensions:

Part Price:

Part Availability:

Part Lead Time:

Part Notes:

Submit

Discount-Equipment.com is your online resource for quality parts & equipment.

Florida: **561-964-4949** Outside Florida TOLL FREE: **877-690-3101**

Need parts?

Click on this link: <http://www.discount-equipment.com/category/5443-parts/> and choose one of the options to help get the right parts and equipment you are looking for. Please have the machine model and serial number available in order to help us get you the correct parts. If you don't find the part on the website or on one of the online manuals, please fill out the request form and one of our experienced staff members will get back to you with a quote for the right part that your machine needs.

We sell worldwide for the brands: Genie, Terex, JLG, MultiQuip, Mikasa, Essick, Whiteman, Mayco, Toro Stone, Diamond Products, Generac Magnum, Airman, Haulotte, Barreto, Power Blanket, Nifty Lift, Atlas Copco, Chicago Pneumatic, Allmand, Miller Curber, Skyjack, Lull, Skytrak, Tsurumi, Husquvarna Target, Stow, Wacker, Sakai, Mi-T-M, Sullair, Basic, Dynapac, MBW, Weber, Bartell, Bennar Newman, Haulotte, Ditch Runner, Menegotti, Morrison, Contec, Buddy, Crown, Edco, Wyco, Bomag, Laymor, EZ Trench, Bil-Jax, F.S. Curtis, Gehl Pavers, Heli, Honda, ICS/PowerGrit, IHI, Partner, Imer, Clipper, MMD, Koshin, Rice, CH&E, General Equipment, Amida, Coleman, NAC, Gradall, Square Shooter, Kent, Stanley, Tamco, Toku, Hatz, Kohler, Robin, Wisconsin, Northrock, Oztec, Toker TK, Rol-Air, APT, Wylie, Ingersoll Rand / Doosan, Innovatech, Con X, Ammann, Mecalac, Makinex, Smith Surface Prep, Small Line, Wanco, Yanmar