



A TEREX BRAND



# Parts Manual

Serial Number Range

## **Genie Load Lifter**

from 2584-102 to 2595-11322

Part No. 20950

Rev A15

November 2018

Go to [Discount-Equipment.com](http://Discount-Equipment.com) to order your parts

# PARTS FINDER

**Search Website  
by Part Number**



**Search Manual  
Library For Parts  
Manual & Lookup Part  
Numbers – Purchase  
or Request Quote**

**Search Manuals**

Enter your information to help us find the right parts manual for your machine.

\* Brand:

\* Model:

\* Serial:

\* Part Number:

SEARCH

**Can't Find Part or  
Manual? Request Help  
by Manufacturer,  
Model & Description**

**Parts Order Form**

Please fill in the following information to help us find the right part for your machine.

Manufacturer:	<input type="text"/>
Model:	<input type="text"/>
Description:	<input type="text"/>
Part Number:	<input type="text"/>
Quantity:	<input type="text"/>
Notes:	<input type="text"/>

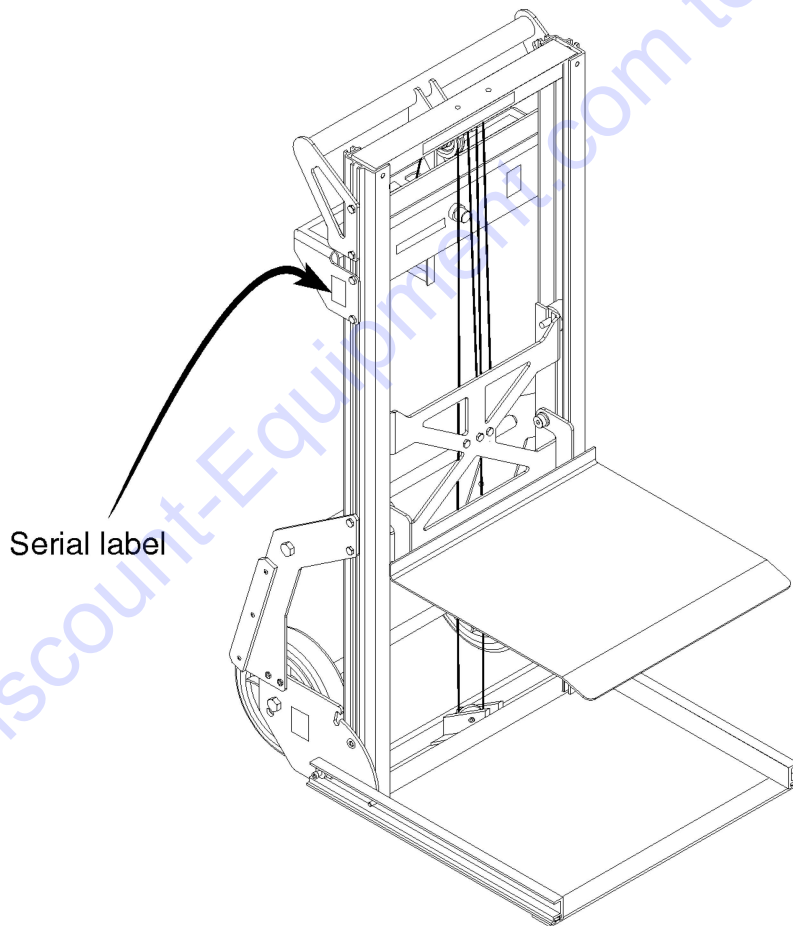
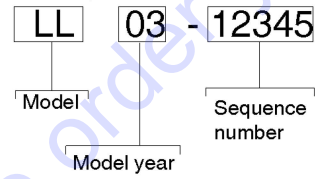
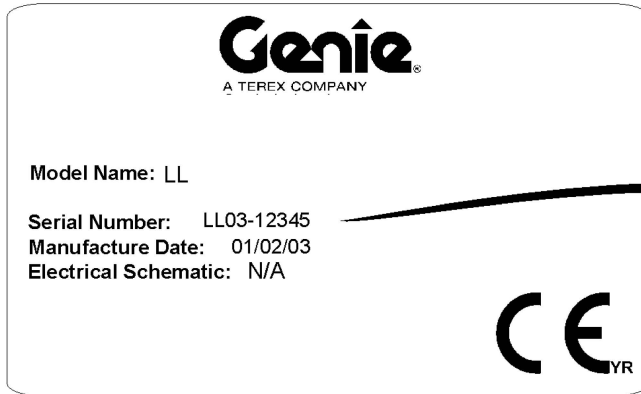
Discount-Equipment.com is your online resource for quality parts & equipment.

Florida: **561-964-4949** Outside Florida TOLL FREE: **877-690-3101**

**Need parts?**

Click on this link: <http://www.discount-equipment.com/category/5443-parts/> and choose one of the options to help get the right parts and equipment you are looking for. Please have the machine model and serial number available in order to help us get you the correct parts. If you don't find the part on the website or on one of the online manuals, please fill out the request form and one of our experienced staff members will get back to you with a quote for the right part that your machine needs.

We sell worldwide for the brands: Genie, Terex, JLG, MultiQuip, Mikasa, Essick, Whiteman, Mayco, Toro Stone, Diamond Products, Generac Magnum, Airman, Haulotte, Barreto, Power Blanket, Nifty Lift, Atlas Copco, Chicago Pneumatic, Allmand, Miller Curber, Skyjack, Lull, Skytrak, Tsurumi, Husquvarna Target, Stow, Wacker, Sakai, Mi-T-M, Sullair, Basic, Dynapac, MBW, Weber, Bartell, Bennar Newman, Haulotte, Ditch Runner, Menegotti, Morrison, Contec, Buddy, Crown, Edco, Wyco, Bomag, Laymor, EZ Trench, Bil-Jax, F.S. Curtis, Gehl Pavers, Heli, Honda, ICS/PowerGrit, IHI, Partner, Imer, Clipper, MMD, Koshin, Rice, CH&E, General Equipment, Amida, Coleman, NAC, Gradall, Square Shooter, Kent, Stanley, Tamco, Toku, Hatz, Kohler, Robin, Wisconsin, Northrock, Oztec, Toker TK, Rol-Air, APT, Wylie, Ingersoll Rand / Doosan, Innovatech, Con X, Ammann, Mecalac, Makinex, Smith Surface Prep, Small Line, Wanco, Yanmar



Go to Discount-Equipment.com to order your parts

Table of Contents

This manual is updated frequently. For the most up-to-date parts information, visit [www.discount-equipment.com](http://www.discount-equipment.com)

How to Read Your Serial Number.....3  
Parts Stocking List.....7

**Electronic Version**  
Click on any page number to view the figure.

**100 Parts Figures**  
101.1 Winch Assembly.....10  
102.1 Inner Frame Assembly.....12  
103.1 Outer Frame Assembly.....14

**Indices**  
Part Number Index.....16  
Part Description Index.....17

**Cross References**

Go to [Discount-Equipment.com](http://Discount-Equipment.com) to order your parts

## Required Parts

The following parts are required to perform maintenance procedures as outlined in the Genie Load Lifter Parts and Service Manual.

Description	Part No.
Boelube .....	90337
Brake Disk, UHMW.....	35630

## Recommended Parts

Description	Part No.
Genie Gray Paint, 12 Ounce Aerosol .....	1268
Genie Blue Paint, 12 Ounce Aerosol.....	1484
Genie Blue Paint, 1 Gallon .....	32150
Genie Gray Paint, 1 Gallon.....	32151
Button - Glide .....	11890
Pulley - Outer Frame, 2.75 x 0.375 inch.....	35914
Button - Nylatron.....	21279
Roller - Nylatron, 1.62 inches .....	11906
Bolt - Roller, 1/4-24 x 1.69 inches.....	21280
Pulley with Bushing.....	11224
Spring - Leg Lock .....	35994
Ratchet Pawl .....	35634
Spring - Ratchet Pawl.....	35989
Cable Assembly.....	35543
Screw - HHC, 1/4-20 x 0.5 inch, GR 5.....	7339
Weld - Nut, 1/4-20.....	35991

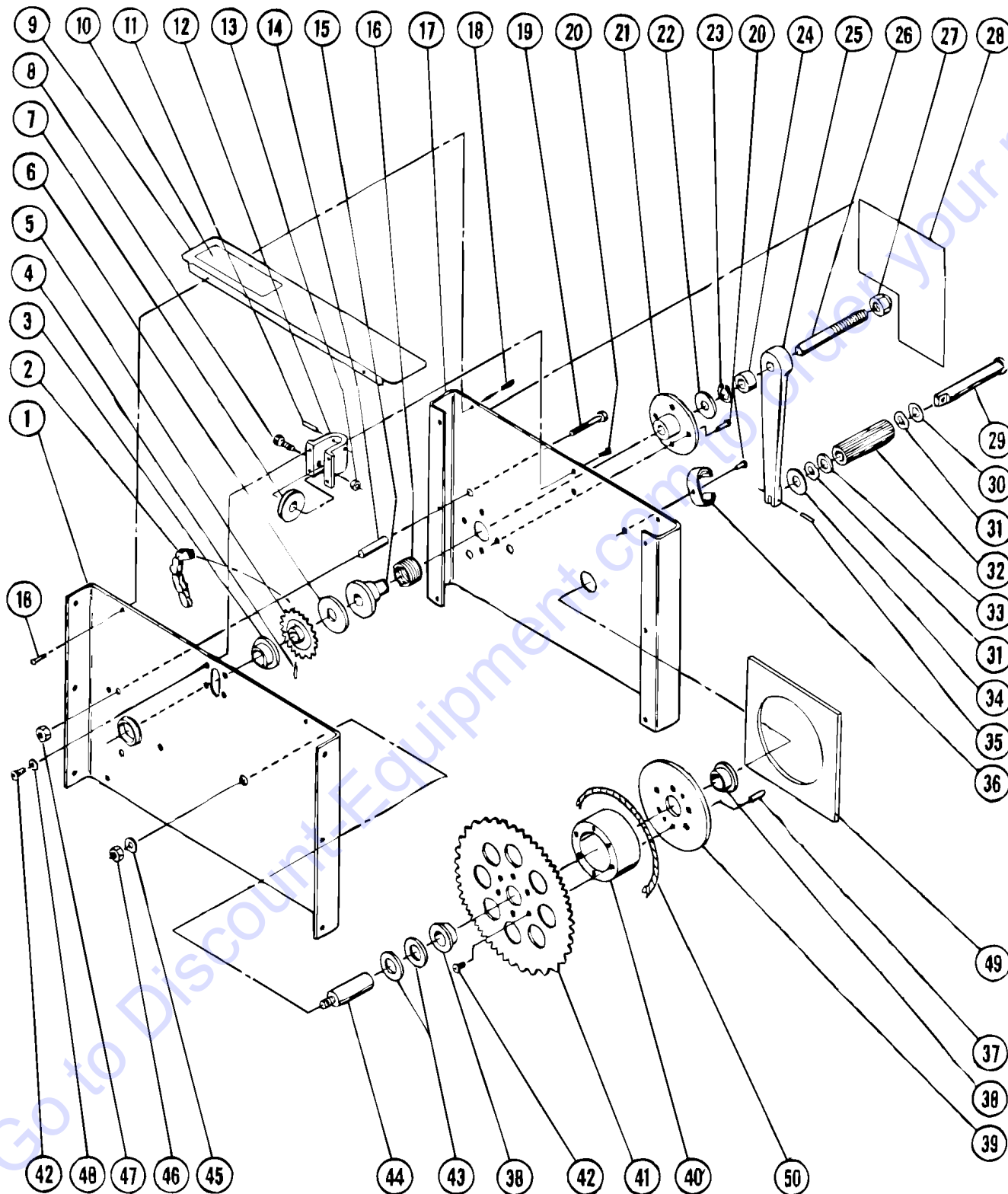
Genie also offers the following support documents:

EMI Safety Manual .....

Manual of Responsibilities ANSI A92.5 .....

Go to Discount-Equipment.com to order your parts

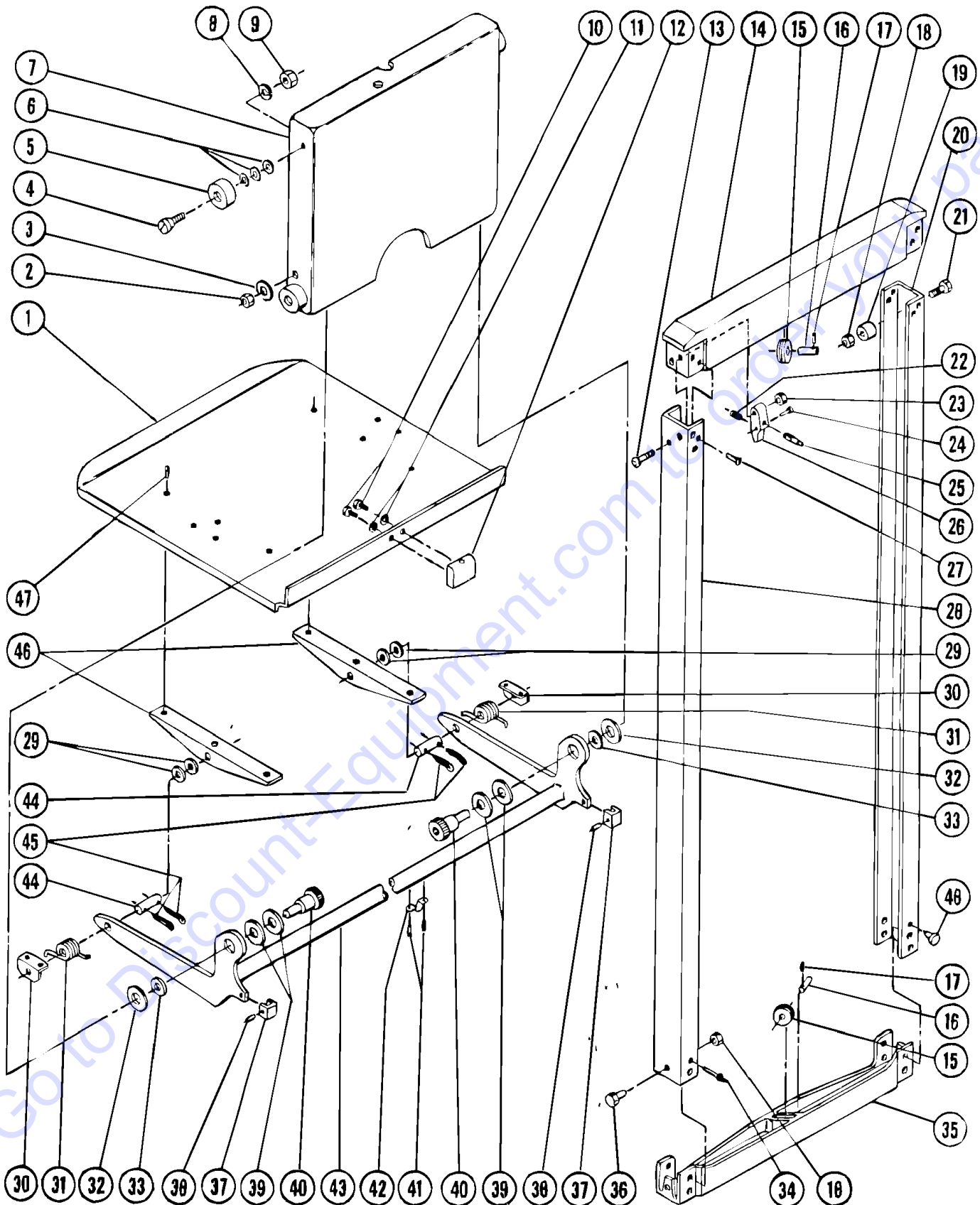
101.1 Winch Assembly



## 101.1 Winch Assembly

Item	Part No.	Description	Qty.	Item	Part No.	Description	Qty.
1	14276GT	WINCH SUPP.PLATE,FRONT-LL(ALL).....	1	41		(included with item 39).....	1
2	11298GT	WINCH CHAIN W/LINK #35,GLL.....	1	42	11897GT	SCREW,BHHS,10-32 X .375.....	10
3	11721GT	DRIVE SPROCKET BUSHING,GLL.....	1	43	6052GT	WASHER,SHIM,.5 X .875 X .063.....	2
4	11237GT	PIN,GROOVED-.156 X .875.....	1	44	11229GT	WINCH DRUM SHAFT,GLL.....	1
5	14559GT	SHAFT & SPRCKT, WINCH, LL/IBM.....	1	45	12013GT	SHIM,.375 X .063.....	1
6	11236GT	WINCH BRAKE FACE,GLL.....	1	46	12012GT	NUT,LOCK,3/8-16.....	1
7	11224GT	PULLEY LOAD LIFTER, W/BUSHING....	1	47	6091GT	NUT,NYLOCK,1/4-20.....	3
8	6584GT	SCREW,SHS,10-24 X .625.....	1	48	6607GT	WASHER,LOCK,#10 PLTD.....	4
9	11240GT	WINCH COVER PLATE,GLL.....	1	49	12303GT	SHEET-CABLE GUARD-6.5 X 6.5.....	1
10	11954GT	DECAL,CAUTION",GLL,YELLOW.....	1	50	11297GT	CABLE ASSY-GLL.....	1
11	6608GT	PIN,ROLL,.188 X .75.....	1				
12	11222GT	WINCH PULLEY BRKT,GLL%%.....	1				
13	5365GT	NUT,NYLOCK,10-24.....	1				
14	11241GT	WINCH HOUSING SPACER,GLL-1.688.....	3				
15	11232GT	CLUTCH DRUM, GLL.....	1				
16	12112GT	SPRING-.963I.D.X1"LG-GLLWINCH.....	1				
17	14275GT	WINCH SUPP.PLATE,BACK--LL(ALL).....	1				
18	12017GT	SCREW,RHM,6-32 X .25.....	12				
19	11918GT	SCREW,BHHS,1/4-20 X 2.25.....	3				
20	11341GT	AXLE,GLL-17.625.....	7				
21	11233GT	WINCH DRIVE BACK.PLATE,ZINC,LL....	1				
22	6563GT	WASHER,SHIM,.75 X 1.125 X.030.....	1				
23	10262GT	SNAP RING,EXTERNAL,.75 DIA.....	1				
24	11945GT	SPACER-GLL WINCH HANDLE--.21".....	1				
25	17884GT	HANDLE CASTING, PLAT. ROTATE.....	1				
26	14281GT	SPRING-WINCH DRIVE SHAFT(ZINC)..	1				
26	14559GT	SHAFT & SPRCKT, WINCH, LL/IBM.....	1				
27	11978GT	WASHER,FLAT,NYLON.515X.88X.093..	1				
27	6086GT	NUT,LP NYLOCK,1/2-13.....	1				
28	11955GT	DECAL,GLL INSTRUCTIONS,YELLOW.....	1				
29	11276GT	HANDLE SWIVEL EXTENSION.....	1				
30	8519GT	WASHER,SHIM,.5 X .875 X .033.....	1				
31	11979GT	WASHER,WAVE SPRG,.865 X.515.....	2				
32	11317GT	WINCH HANDLE GRIP,GLL.....	1				
33	6052GT	WASHER,SHIM,.5 X .875 X .063.....	1				
34	14016GT	WASHER,FLAT,502 X 1.747 X.04.....	1				
35	11420GT	PIN,GROOVED,.156 X .75.....	1				
36	8018GT	CLIP, GIBSON GRIP.....	1				
37	11919GT	PIN,DRIVLOK,TYPE C,.156 X .5.....	1				
38	11230GT	BUSHING,FLNG,BRZ,.5 X.75 X .5.....	2				
39	20034GT	WINCH DRUM ASSEMBLY-IBM/LL.....	1				
40		(included with item 39).....	1				

102.1 Inner Frame Assembly

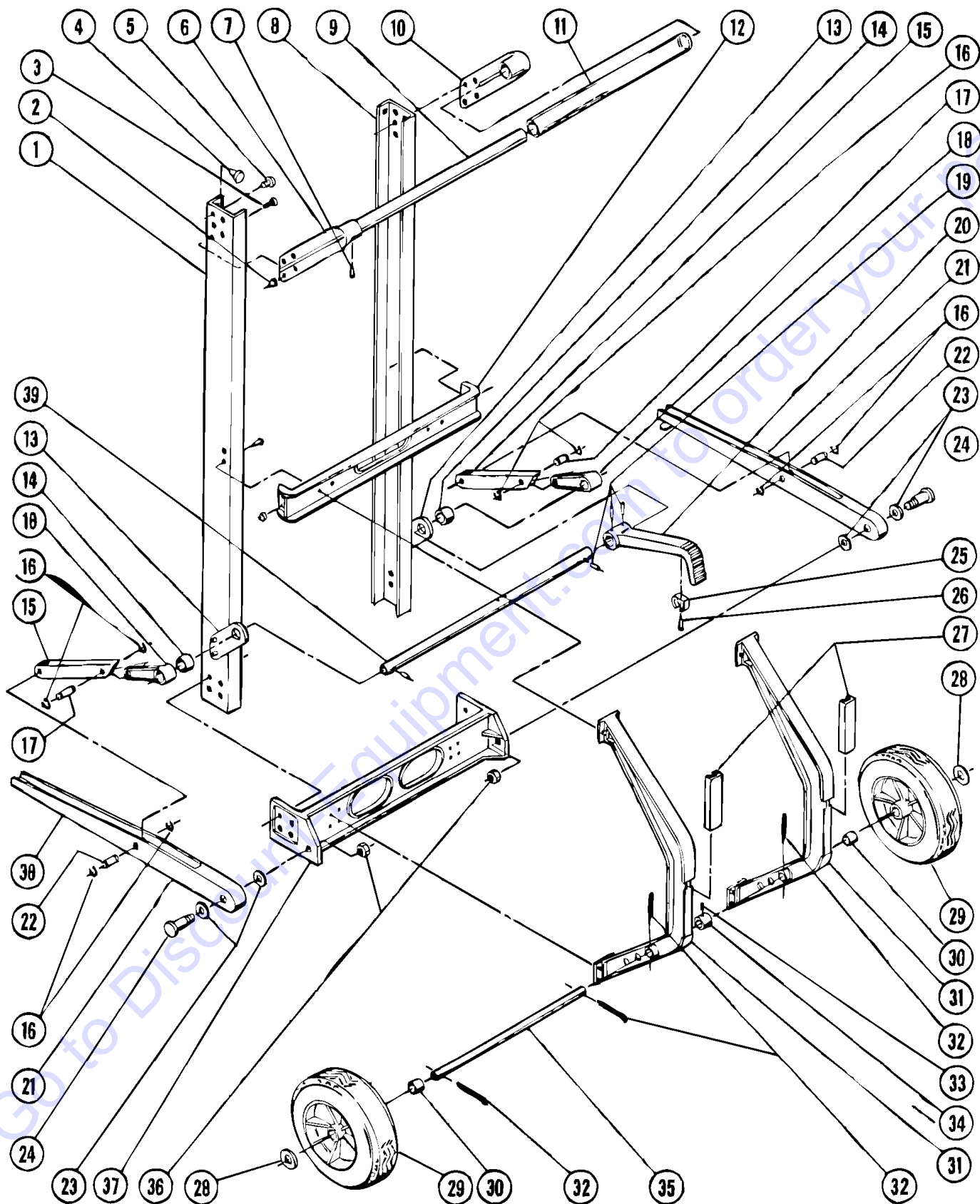




## 102.1 Inner Frame Assembly

Item	Part No.	Description	Qty.	Item	Part No.	Description	Qty.
--	90337GT	BOE LUBE.....1 <i>aluminum dry lubricant</i>	1	41	7264GT	RIVET,STL,STL,P.125 X .5.....2	2
1	11207GT	LOAD PLATFORM,GLL--COUNTERSUNK.....1	1	42	11322GT	CABLE RET.CLAMP .094.....1	1
2	12012GT	NUT,LOCK,3/8-16.....2	2	43	14270GT	PLATFORM SUPPORT WELD-GLL/IBM.....2	2
3	12009GT	WASHER,SHIM,OBS USE 21442.....2	2	44	11975GT	PLAT.PIVOT PIN,GLL-1.875.....4	4
4	21280GT	BOLT-ROLLER,3/8-24 X 1.69-ZINC.....2	2	45	7268GT	WASHER,SHIM,.375 X.625X.033 ST....2	2
5	11906GT	ROLLER-NYLATRON, 1.625" O.D.....2	2	46	11518GT	PLATFORM PIVOT ANGLE,GLL-11".....6	6
6	7268GT	WASHER,SHIM,.375 X.625X.033 ST....6	6	47	10548GT	RIVET,STL,STL,C.125 X .375	
7	15430GT	CARRIAGE STAMPING-IBM.....1	1	48	11890GT	GLIDE BUTTON,SIDE,GLL,.100 TK.....2	2
8	6021GT	WASHER,LOCK,.375.....2	2				
9	6054GT	NUT,HEX,3/8-24.....2	2				
10	12011GT	SCREW,BHHS,1/4-20 X .5,Y/ZINC.....2	2				
11	6356GT	WASHER,LOCK,.25.....2	2				
12	11320GT	BRACKET-CABLE ANCHOR,GLL-.5".....1	1				
13	11966GT	SCREW,BHHS,1/4-20 X 1.5.....4	4				
14	15874GT	INN.FRM.CSTG,UPPER-DRILLED.....1	1				
15	11224GT	PULLEY LOAD LIFTER, W/BUSHING....1	1				
16	11330GT	PULLEY PIN,GLL-.25 X 1.0.....2	2				
17	8009GT	PIN,ROLL,.094 X .5.....2	2				
18	6091GT	NUT,NYLOCK,1/4-20.....2	2				
19	11517GT	SPACER TUBE .5 X .12 X .5" LG.....2	2				
20	21860GT	INNER.FRAME CHANN.SET,GLL-42.34...1	1				
21	11968GT	SCREW,BHHS,1/4-20 X 1.....2	2				
22	8010GT	SPRING.....1	1				
23	6091GT	NUT,NYLOCK,1/4-20.....1	1				
24	12061GT	PIN,ROLL,.156 X .625.....1	1				
24	45645GT	SCREW,RHM,8-32 X .75.....1	1				
25	11915GT	SEQUENCER PIN,GLL.....1	1				
26	11913GT	SEQUENCER CSTG,GLL.....1	1				
27	20129GT	RIVET-MAGNA-LOK-FH,.190 X .305.....8	8				
28	21860GT	INNER.FRAME CHANN.SET,GLL-42.34...1	1				
29	11977GT	WASHER,FLAT,NYLON,.44X.75X.060...4	4				
30	11519GT	ANGLE-PLATFORM PIVOT,GLL-2.5".....2	2				
31	6217GT	SPRING-PLAT.TILT,RH,GLL.....2	2				
32	21442GT	SHIM,.75 X.45 X.032.....2	2				
33	7268GT	WASHER,SHIM,.375 X.625X.033 ST....2	2				
34	11974GT	RIVET,MAGNALOK,.192 #7.....2	2				
35	15875GT	INN.FRM.CSTG,LOWER-DRILLED.....1	1				
36	6090GT	SCREW,HHC,1/4-20 X .75.....2	2				
37	11944GT	BUMPER,1.25",AWP/GLL.....2	2				
38	10586GT	PIN,ROLL,.188 X .5.....2	2				
39	11978GT	WASHER,FLAT,NYLON.515X.88X.093...4	4				
40	11335GT	SCREW,SHS,3/8-16 X .5.....2	2				

103.1 Outer Frame Assembly



## 103.1 Outer Frame Assembly

Item	Part No.	Description	Qty.	Item	Part No.	Description	Qty.
1	11253GT	CHANNEL-LH OUTER FRM, GLL-42.5" ..1		39		TUBE-LINKAGE PIVOT, GLL-19.875" .....1 <i>no longer available</i>	
2	11313GT	MAGNAGRIP COLLAR .188.....8					
3	11312GT	MAGNAGRIP PIN .188.....8					
4	11266GT	GLIDE BUTTON, .170 TK, GLL.....2					
5	11890GT	GLIDE BUTTON, SIDE, GLL, .100 TK.....2					
6	1463GT	HANDLE CSTG, LH, STOCK, GLL% % % %.....1					
7	11314GT	RIVET, MAGNALOK, .192 #4.....2					
8	11254GT	CHANNEL-RH OUTER FRM, GLL-42.5".....1					
9	11963GT	HANDLE BAR, GLL-16.875.....1					
10		HANDLE.....1 <i>(component no longer available)</i>					
11	11964GT	HANDLE BAR COVER, GLL-14"***.....1					
12	1410GT	FRAME SUPPORT CASTG, GLL-DRILLD.....1					
13	11289GT	CROSS BAR PIVOT PLATE, GLL.....2					
14	11337GT	PIN, ROLL, .25 X 1.25.....2					
15	11288GT	LINKAGE HALF, LWR.....2					
16	11339GT	RETAINING RING, EXT .5***.....8 <i>no longer available from supplier</i>					
17	11286GT	LINKAGE PIN, GLL-.910.....2					
18	11287GT	LINKAGE HALF, UPPR.....2					
19	11337GT	PIN, ROLL, .25 X 1.25.....4					
20	11883GT	LEG ACTUATOR CSTG, GLL.....1					
21	11279GT	LEG WLDMT, GLL, RIGHT SIDE.....1					
22		LINKAGE PIN, GLL-1.19.....2 <i>11999GT</i>					
23	11209GT	WASHER, FLAT, USS, 7/16", Y.....4					
24	11282GT	SHOULDER BOLT, LEG, GLL.....2					
25	8018GT	CLIP, GIBSON GRIP.....1					
26	11897GT	SCREW, BHHS, 10-32 X .375.....1					
27	11263GT	CURB GLIDE STRIP, GLL--5".....2					
28	6564GT	WASHER, SHIM, .765 X 1.312 X .093.....2					
29	11273GT	WHEEL, PNEUM, 8.5 X .75 X 3.....2					
30	11910GT	WHEEL SPACER, GLL-.687.....2					
31	1418GT	CURB GLIDE CSTG, STOCK, GLL% %.....2					
32	5361GT	PIN, COTTER, .125 X 1.5.....4					
33	12466GT	PIN, ROLL, .156 X 1.....1					
34		CLIP GRIP, GLL-1.0.....1 <i>11999GT</i>					
35	11341GT	AXLE, GLL-17.625.....1					
36	11210GT	NUT, NYLOCK, 7/16-14.....2					
37	11259GT	BASE CASTING WELDMENT-GLL.....1					
38	11278GT	LEG WLDMT, GLL, LEFT SIDE.....1					

## Part Number Index

The Part Number Index is a numeric index of all part numbers included in this manual. The index shows what page(s) the part is used on.

Part Number	Page	Part Number	Page
10262GT	11	12061GT	13
10548GT	13	12112GT	11
10586GT	13	12303GT	11
11207GT	13	12466GT	15
11209GT	15	14016GT	11
11210GT	15	1410GT	15
11222GT	11	1418GT	15
11224GT	11, 13	14270GT	13
11229GT	11	14275GT	11
11230GT	11	14276GT	11
11232GT	11	14281GT	11
11233GT	11	14559GT	11
11236GT	11	1463GT	15
11237GT	11	15430GT	13
11240GT	11	15874GT	13
11241GT	11	15875GT	13
11253GT	15	17884GT	11
11254GT	15	20034GT	11
11259GT	15	20129GT	13
11263GT	15	21280GT	13
11266GT	15	21442GT	13
11273GT	15	21860GT	13
11276GT	11	45645GT	13
11278GT	15	5361GT	15
11279GT	15	5365GT	11
11282GT	15	6021GT	13
11286GT	15	6052GT	11
11287GT	15	6054GT	13
11288GT	15	6086GT	11
11289GT	15	6090GT	13
11297GT	11	6091GT	11, 13
11298GT	11	6217GT	13
11312GT	15	6356GT	13
11313GT	15	6563GT	11
11314GT	15	6564GT	15
11317GT	11	6584GT	11
11320GT	13	6607GT	11
11322GT	13	6608GT	11
11330GT	13	7264GT	13
11335GT	13	7268GT	13
11337GT	15	8009GT	13
11339GT	15	8010GT	13
11341GT	11, 15	8018GT	11, 15
11420GT	11	8519GT	11
11517GT	13	90337GT	13
11518GT	13		
11519GT	13		
11721GT	11		
11883GT	15		
11890GT	13, 15		
11897GT	11, 15		
11906GT	13		
11910GT	15		
11913GT	13		
11915GT	13		
11918GT	11		
11919GT	11		
11944GT	13		
11945GT	11		
11954GT	11		
11955GT	11		
11963GT	15		
11964GT	15		
11966GT	13		
11968GT	13		
11974GT	13		
11975GT	13		
11977GT	13		
11978GT	11, 13		
11979GT	11		
12009GT	13		
12011GT	13		
12012GT	11, 13		
12013GT	11		
12017GT	11		

The Part Description Index is an alphabetical index of all part descriptions included in this manual. The index shows what page(s) the part is used on.

( (included with item 39).....11	LINKAGE PIN,GLL-1.19.....15 LOAD PLATFORM,GLL--COUNTERSUNK...13	SPRING-PLAT.TILT,RH,GLL.....13 SPRING-WINCH DRIVE SHAFT(ZINC).....11
<b>A</b>	<b>M</b>	<b>T</b>
ANGLE-PLATFORM PIVOT,GLL-2.5".....13 AXLE,GLL-17.625.....11, 15	MAGNAGRIP COLLAR .188.....15 MAGNAGRIP PIN .188.....15	TUBE-LINKAGE PIVOT,GLL-19.875".....15
<b>B</b>	<b>N</b>	<b>W</b>
BASE CASTING WELDMENT-GLL.....15 BOE LUBE.....13 BOLT-ROLLER,3/8-24 X 1.69-ZINC.....13 BRACKET-CABLE ANCHOR,GLL-.5".....13 BUMPER,1.25",AWP/GLL.....13 BUSHING,FLNG,BRZ,,5 X.75 X .5.....11	NUT,HEX,3/8-24.....13 NUT,LOCK,3/8-16.....11, 13 NUT,LP NYLOCK,1/2-13.....11 NUT,NYLOCK,1/4-20.....11, 13 NUT,NYLOCK,10-24.....11 NUT,NYLOCK,7/16-14.....15	WASHER, SHIM,,765 X 1.312 X .093.....15 WASHER,FLAT,502 X 1.747 X.04.....11 WASHER,FLAT,NYLON,,44X.75X.060.....13 WASHER,FLAT,NYLON.515X.88X.093.....11, 13 WASHER,FLAT,USS,7/16",Y.....15 WASHER,LOCK,#10 PLTD.....11 WASHER,LOCK,,25.....13 WASHER,LOCK,,375.....13 WASHER,SHIM,,375 X.625X.033 ST.....13 WASHER,SHIM,,.5 X .875 X .033.....11 WASHER,SHIM,.5 X .875 X .063.....11 WASHER,SHIM,.75 X 1.125 X.030.....11 WASHER,SHIM,OBS USE 21442.....13 WASHER,WAVE SPRG,,865 X.515.....11 WHEEL SPACER,GLL-.687.....15 WHEEL,PNEUM,8.5 X .75 X 3.....15 WINCH BRAKE FACE,GLL.....11 WINCH CHAIN W/LINK #35,GLL.....11 WINCH COVER PLATE,GLL.....11 WINCH DRIVE BACK.PLATE,ZINC,LL.....11 WINCH DRUM ASSEMBLY-IBM/LL.....11 WINCH DRUM SHAFT,GLL.....11 WINCH HANDLE GRIP,GLL.....11 WINCH HOUSING SPACER,GLL-1.688.....11 WINCH PULLEY BRKT,GLL%%.....11 WINCH SUPP.PLATE,BACK-LL(ALL).....11 WINCH SUPP.PLATE,FRONT-LL(ALL).....11
<b>C</b>	<b>P</b>	
CABLE ASSY-GLL.....11 CABLE RET.CLAMP .094.....13 CARRIAGE STAMPING-IBM.....13 CHANNEL-LH OUTER FRM,GLL-42.5".....15 CHANNEL-RH OUTER FRM,GLL-42.5".....15 CLIP GRIP,GLL-1.0.....15 CLIP, GIBSON GRIP.....11, 15 CLUTCH DRUM, GLL.....11 CROSS BAR PIVOT PLATE,GLL.....15 CURB GLIDE CSTG,STOCK,GLL%%.....15 CURB GLIDE STRIP,GLL--5".....15	PIN,COTTER,,.125 X 1.5.....15 PIN,DRIVLOK,TYPE C,,.156 X .5.....11 PIN,GROOVED,,.156 X .75.....11 PIN,GROOVED-.156 X .875.....11 PIN,ROLL,.094 X .5.....13 PIN,ROLL,.156 X .625.....13 PIN,ROLL,.156 X 1.....15 PIN,ROLL,.188 X .5.....13 PIN,ROLL,.188 X .75.....11 PIN,ROLL,.25 X 1.25.....15 PLAT.PIVOT PIN,GLL-1.875.....13 PLATFORM PIVOT ANGLE,GLL-11".....13 PLATFORM SUPPORT WELD-GLL/IBM.....13 PULLEY LOAD LIFTER, W/BUSHING.....11, 13 PULLEY PIN,GLL-.25 X 1.0.....13	
<b>D</b>	<b>R</b>	
DECAL,CAUTION",GLL,YELLOW.....11 DECAL,GLL INSTRUCTIONS,YELLOW.....11 DRIVE SPROCKET BUSHING,GLL.....11	RETAINING RING,EXT .5***.....15 RIVET,MAGNALOK,,192 #4.....15 RIVET,MAGNALOK,,192 #7.....13 RIVET,STL,STL,C,,.125 X .375.....13 RIVET,STL,STL,P,.125 X .5.....13 RIVET-MAGNA-LOK-FH,,190 X .305.....13 ROLLER-NYLATRON, 1.625" O.D.....13	
<b>F</b>	<b>S</b>	
FRAME SUPPORT CASTG,GLL-DRILLD.....15	SCREW,BHHS,1/4-20 X .5,Y/ZINC.....13 SCREW,BHHS,1/4-20 X 1.....13 SCREW,BHHS,1/4-20 X 1.5.....13 SCREW,BHHS,1/4-20 X 2.25.....11 SCREW,BHHS,10-32 X .375.....11, 15 SCREW,HHC,1/4-20 X .75.....13 SCREW,RHM,6-32 X .25.....11 SCREW,RHM,8-32 X .75.....13 SCREW,SHS,10-24 X .625.....11 SCREW,SHS,3/8-16 X .5.....13 SEQUENCER CSTG,GLL.....13 SEQUENCER PIN,GLL.....13 SHAFT & SPRCKT, WINCH, LL/IBM.....11 SHEET-CABLE GUARD-6.5 X 6.5.....11 SHIM,,.375 X .063.....11 SHIM,,.75 X.45 X.032.....13 SHOULDER BOLT,LEG,GLL.....15 SNAP RING,EXTERNAL,,.75 DIA.....11 SPACER TUBE .5 X .12 X .5" LG.....13 SPACER-GLL WINCH HANDLE--.21".....11 SPRING.....13 SPRING-.963I.D.X1"LG-GLLWINCH.....11	
<b>G</b>		
GLIDE BUTTON,,170 TK,GLL.....15 GLIDE BUTTON,SIDE,GLL,,100 TK.....13, 15		
<b>H</b>		
HANDLE.....15 HANDLE BAR COVER,GLL-14"***.....15 HANDLE BAR,GLL-16.875.....15 HANDLE CASTING, PLAT. ROTATE.....11 HANDLE CSTG,LH,STOCK,GLL%%%%.....15 HANDLE SWIVEL EXTENSION.....11		
<b>I</b>		
INN.FR.M.CSTG,LOWER-DRILLED.....13 INN.FR.M.CSTG,UPPER-DRILLED.....13 INNER.FRAME CHANN.SET,GLL-42.34.....13		
<b>L</b>		
LEG ACTUATOR CSTG,GLL.....15 LEG WLDMT, GLL, LEFT SIDE.....15 LEG WLDMT, GLL, RIGHT SIDE.....15 LINKAGE HALF,LWR.....15 LINKAGE HALF,UPPR.....15 LINKAGE PIN,GLL-.910.....15		

California Proposition 65



**WARNING**

Operating, servicing and maintaining this equipment can expose you to chemicals including engine exhaust, carbon monoxide, phthalates, and lead, which are known to the State of California to cause cancer and birth defects or other reproductive harm. These chemicals can be emitted from or contained in other various parts and systems, fluids and some component wear by-products. To minimize exposure, avoid breathing exhaust, do not idle the engine except as necessary, service your equipment and vehicle in a well-ventilated area and wear gloves or wash your hands frequently when servicing your equipment or vehicle and after operation. For more information go to [www.P65Warnings.ca.gov/passenger-vehicle](http://www.P65Warnings.ca.gov/passenger-vehicle).

Distributed By:

Go to [Discount-Equipment.com](http://Discount-Equipment.com) to order your parts



# PARTS FINDER

**Search Website  
by Part Number**



**Search Manual  
Library For Parts  
Manual & Lookup Part  
Numbers – Purchase  
or Request Quote**

**Search Manuals**

Enter your information to help us find the right parts manual for your machine.

\* Brand:

\* Model:

\* Serial:

\* Part Number:

SEARCH

**Can't Find Part or  
Manual? Request Help  
by Manufacturer,  
Model & Description**

**Parts Order Form**

Please fill in the following information to help us find the right part for your machine.

Manufacturer:	<input type="text"/>
Model:	<input type="text"/>
Description:	<input type="text"/>
Part Number:	<input type="text"/>
Quantity:	<input type="text"/>
Notes:	<input type="text"/>

Submit

Discount-Equipment.com is your online resource for quality parts & equipment.

Florida: **561-964-4949** Outside Florida TOLL FREE: **877-690-3101**

**Need parts?**

Click on this link: <http://www.discount-equipment.com/category/5443-parts/> and choose one of the options to help get the right parts and equipment you are looking for. Please have the machine model and serial number available in order to help us get you the correct parts. If you don't find the part on the website or on one of the online manuals, please fill out the request form and one of our experienced staff members will get back to you with a quote for the right part that your machine needs.

We sell worldwide for the brands: Genie, Terex, JLG, MultiQuip, Mikasa, Essick, Whiteman, Mayco, Toro Stone, Diamond Products, Generac Magnum, Airman, Haulotte, Barreto, Power Blanket, Nifty Lift, Atlas Copco, Chicago Pneumatic, Allmand, Miller Curber, Skyjack, Lull, Skytrak, Tsurumi, Husquvarna Target, Stow, Wacker, Sakai, Mi-T-M, Sullair, Basic, Dynapac, MBW, Weber, Bartell, Bennar Newman, Haulotte, Ditch Runner, Menegotti, Morrison, Contec, Buddy, Crown, Edco, Wyco, Bomag, Laymor, EZ Trench, Bil-Jax, F.S. Curtis, Gehl Pavers, Heli, Honda, ICS/PowerGrit, IHI, Partner, Imer, Clipper, MMD, Koshin, Rice, CH&E, General Equipment, Amida, Coleman, NAC, Gradall, Square Shooter, Kent, Stanley, Tamco, Toku, Hatz, Kohler, Robin, Wisconsin, Northrock, Oztec, Toker TK, Rol-Air, APT, Wylie, Ingersoll Rand / Doosan, Innovatech, Con X, Ammann, Mecalac, Makinex, Smith Surface Prep, Small Line, Wanco, Yanmar