



A TEREX BRAND



Parts Manual

Serial Number Range

Load Lifter

from SN 3395-100 to 3301-4263

from SN LL02-4264 to
LL16-10092

from SN LL16G-10093 to
LL16G-12199

Part No. 115416

Rev D5

November 2018

Go to Discount-Equipment.com to order your parts

PARTS FINDER

**Search Website
by Part Number**



**Search Manual
Library For Parts
Manual & Lookup Part
Numbers – Purchase
or Request Quote**

Search Manuals

Enter your information to help us find the right parts manual for your machine.

* Brand:

* Model:

* Serial:

* Part Number:

SEARCH

**Can't Find Part or
Manual? Request Help
by Manufacturer,
Model & Description**

Parts Order Form

Please fill in the following information to help us find the right part for your machine.

Manufacturer:	<input type="text"/>
Model:	<input type="text"/>
Description:	<input type="text"/>
Part Number:	<input type="text"/>
Quantity:	<input type="text"/>
Notes:	<input type="text"/>

Submit

Discount-Equipment.com is your online resource for quality parts & equipment.

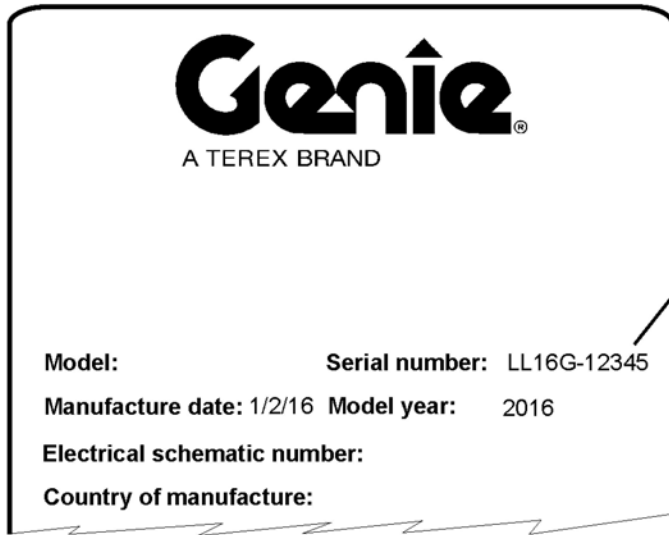
Florida: **561-964-4949** Outside Florida TOLL FREE: **877-690-3101**

Need parts?

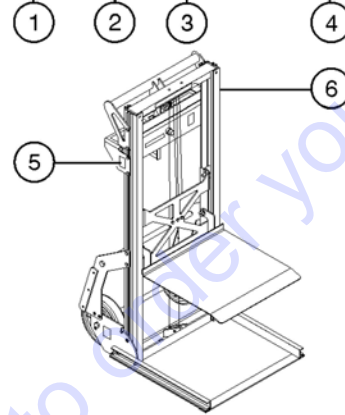
Click on this link: <http://www.discount-equipment.com/category/5443-parts/> and choose one of the options to help get the right parts and equipment you are looking for. Please have the machine model and serial number available in order to help us get you the correct parts. If you don't find the part on the website or on one of the online manuals, please fill out the request form and one of our experienced staff members will get back to you with a quote for the right part that your machine needs.

We sell worldwide for the brands: Genie, Terex, JLG, MultiQuip, Mikasa, Essick, Whiteman, Mayco, Toro Stone, Diamond Products, Generac Magnum, Airman, Haulotte, Barreto, Power Blanket, Nifty Lift, Atlas Copco, Chicago Pneumatic, Allmand, Miller Curber, Skyjack, Lull, Skytrak, Tsurumi, Husquvarna Target, Stow, Wacker, Sakai, Mi-T-M, Sullair, Basic, Dynapac, MBW, Weber, Bartell, Bennar Newman, Haulotte, Ditch Runner, Menegotti, Morrison, Contec, Buddy, Crown, Edco, Wyco, Bomag, Laymor, EZ Trench, Bil-Jax, F.S. Curtis, Gehl Pavers, Heli, Honda, ICS/PowerGrit, IHI, Partner, Imer, Clipper, MMD, Koshin, Rice, CH&E, General Equipment, Amida, Coleman, NAC, Gradall, Square Shooter, Kent, Stanley, Tamco, Toku, Hatz, Kohler, Robin, Wisconsin, Northrock, Oztec, Toker TK, Rol-Air, APT, Wylie, Ingersoll Rand / Doosan, Innovatech, Con X, Ammann, Mecalac, Makinex, Smith Surface Prep, Small Line, Wanco, Yanmar

To August 31, 2016



LL 16 G - 12345



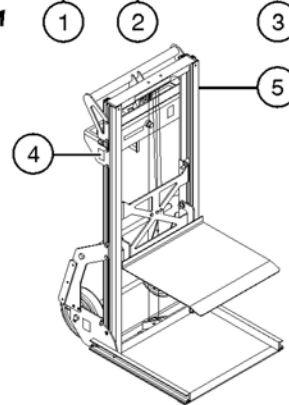
- 1 Model
- 2 Model year
- 3 Facility code

- 4 Sequence number
- 5 Serial label
- 6 Serial number (stamped on winch bracket)

From September 1, 2016



LL G - 12345



- 1 Model
- 2 Facility code
- 3 Sequence number

- 4 Serial label
- 5 Serial number (stamped on winch bracket)

Table of Contents

This manual is updated frequently. For the most up-to-date parts information, visit www.discount-equipment.com

How to Read Your Serial Number.....3
Parts Stocking List.....7

Electronic Version
Click on any page number to view the figure.

100 Parts Figures

101.1 Decals with Words.....10
102.1 Decals with Symbols.....12
201.1 Folding Legs and Rear Wheels.....14
301.1 Outer Frame and Attached Parts.....16
301.2 Industrial Winch Assembly.....18
302.1 Load Platform and Inner Frame Assembly.....20
401.1 Rear Wheel Brake Option.....22

Indices

Part Number Index.....24
Part Description Index.....25

Cross References

Go to Discount-Equipment.com to order your parts

Required Parts

The following parts are required to perform maintenance procedures as outlined in the Genie Load Lifter Parts and Service Manual.

Description	Part No.
Boelube	90337
Brake Disk, UHMW.....	35630

Recommended Parts

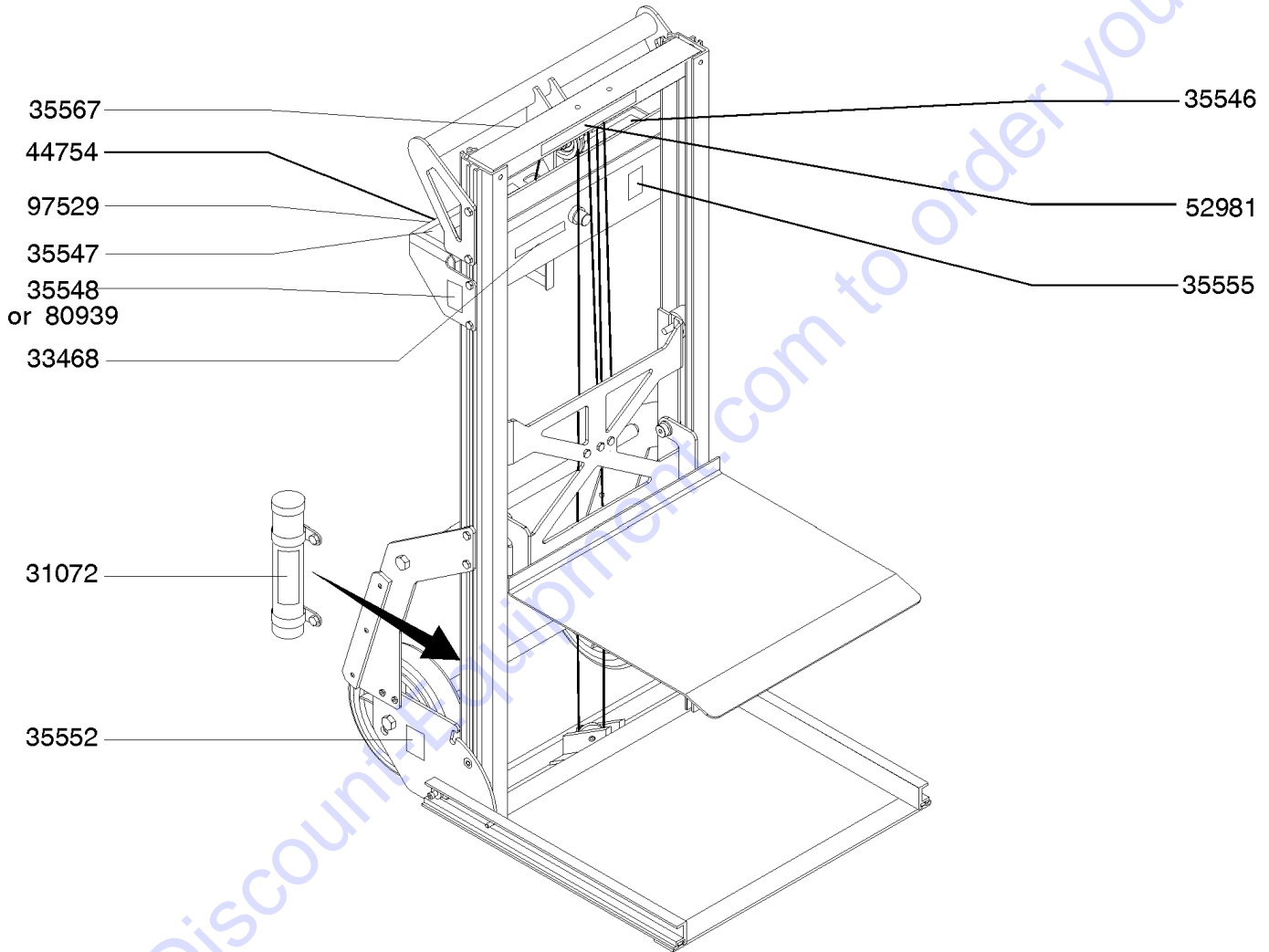
Description	Part No.
Genie Gray Paint, 12 Ounce Aerosol	1268
Genie Blue Paint, 12 Ounce Aerosol.....	1484
Genie Blue Paint, 1 Gallon	32150
Genie Gray Paint, 1 Gallon.....	32151
Button - Glide	11890
Pulley - Outer Frame, 2.75 x 0.375 inch.....	35914
Button - Nylatron.....	21279
Roller - Nylatron, 1.62 inches	11906
Bolt - Roller, 1/4-24 x 1.69 inches.....	21280
Pulley with Bushing.....	11224
Spring - Leg Lock	35994
Ratchet Pawl	35634
Spring - Ratchet Pawl.....	35989
Cable Assembly.....	35543
Screw - HHC, 1/4-20 x 0.5 inch, GR 5.....	7339
Weld - Nut, 1/4-20.....	35991

Manuals

Genie Industries offers the following support documents for these models:

Title	Part No.
EMI Safety Manual.....	27581
Manual of Responsibilities	
ANSI A92.5	31587

101.1 Decals with Words

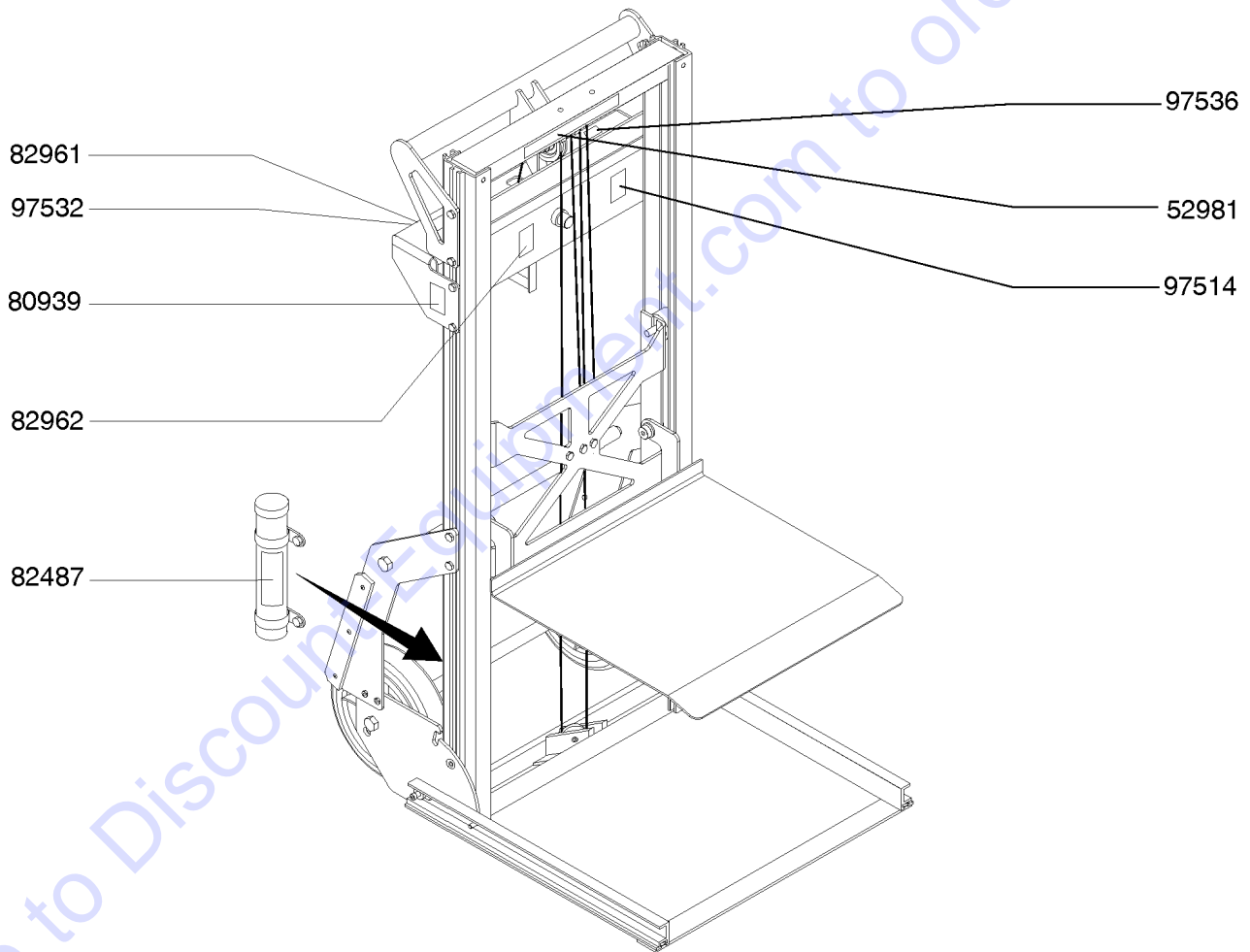


Go to DiscountEquipment.com to order your parts

Item	Part No.	Description	Qty.
1	31072GT	DECAL,LABEL,OPER.MAN.STORAGE..1	
2	33468GT	DECAL,WARNING,NO RIDERS.....1	
3	35546GT	DECAL,WARNING,MACHINE SAFETY.....1	
4	35547GT	DECAL,NOTICE,MACHINE SETUP.....1	
5	35548GT	SERIAL NUM PLATE,LOAD LIFTER.....1 (to SN LL03-5144)	
5A	80939GT	SERIAL # LABEL,MAT LIFT & SS**.....1 (from SN LL03-5145)	
6	35552GT	DECAL, WARNING, TIP-OVER,.....2	
7	35555GT	DECAL, NOTICE, MAX CAP 200LBS.....1	
8	35567GT	DECAL, WARNING, INJURY HAZARD...1	
9	44754GT	DECAL, LABEL, RAISE/LOWER.....1	
10	52981GT	DECAL,COSMTC,GENIE LOAD LIFTER.....1	
11	97529GT	DECAL,CAUTION,MOVING PARTS.....1	

Go to Discount-Equipment.com to order your parts

102.1 Decals with Symbols



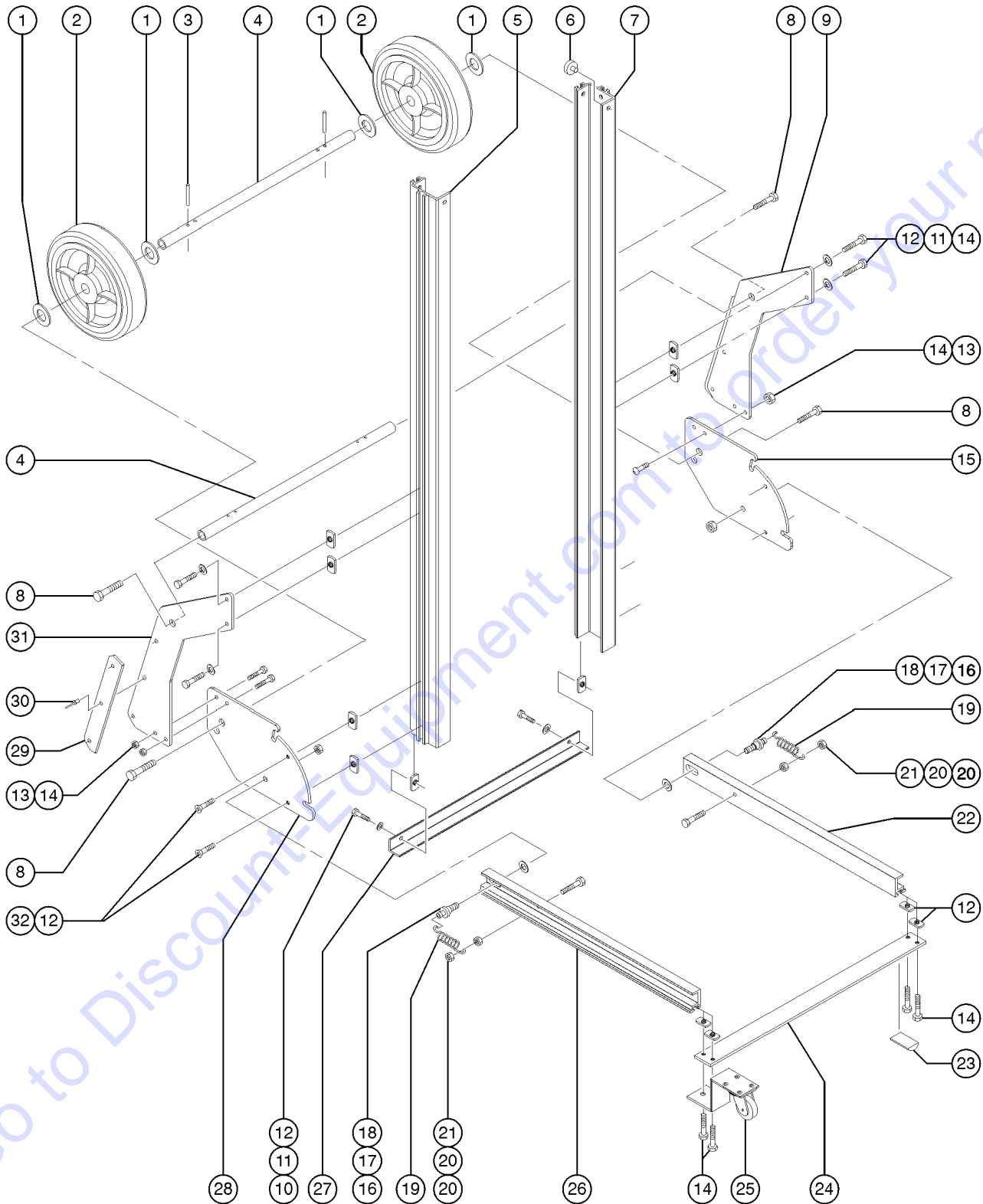
Go to DiscountParts.com to order your parts

102.1 Decals with Symbols

Item	Part No.	Description	Qty.
1	52981GT	DECAL,COSMTC,GENIE LOAD LIFTER.....	1
2	80939GT	SERIAL # LABEL,MAT LIFT & SS**.....	1
3	82487GT	DECAL, SYMBOL - READ THE MANUAL.....	1
4	82961GT	DECAL, LABEL, RAISE/LOWER SYMB.....	1
5	82962GT	DECAL,WARNING,NO RIDERS SYMBOL.....	1
6	97514GT	DECAL,WARNING, MAX CAP 91KG..... (200 lb)	1
7	97532GT	DECAL,CAUTION,MOVING PARTS SYM.....	1
8	97536GT	DECAL,WARNING,NO REACHING SYMB.....	1

Go to Discount-Equipment.com to order your parts

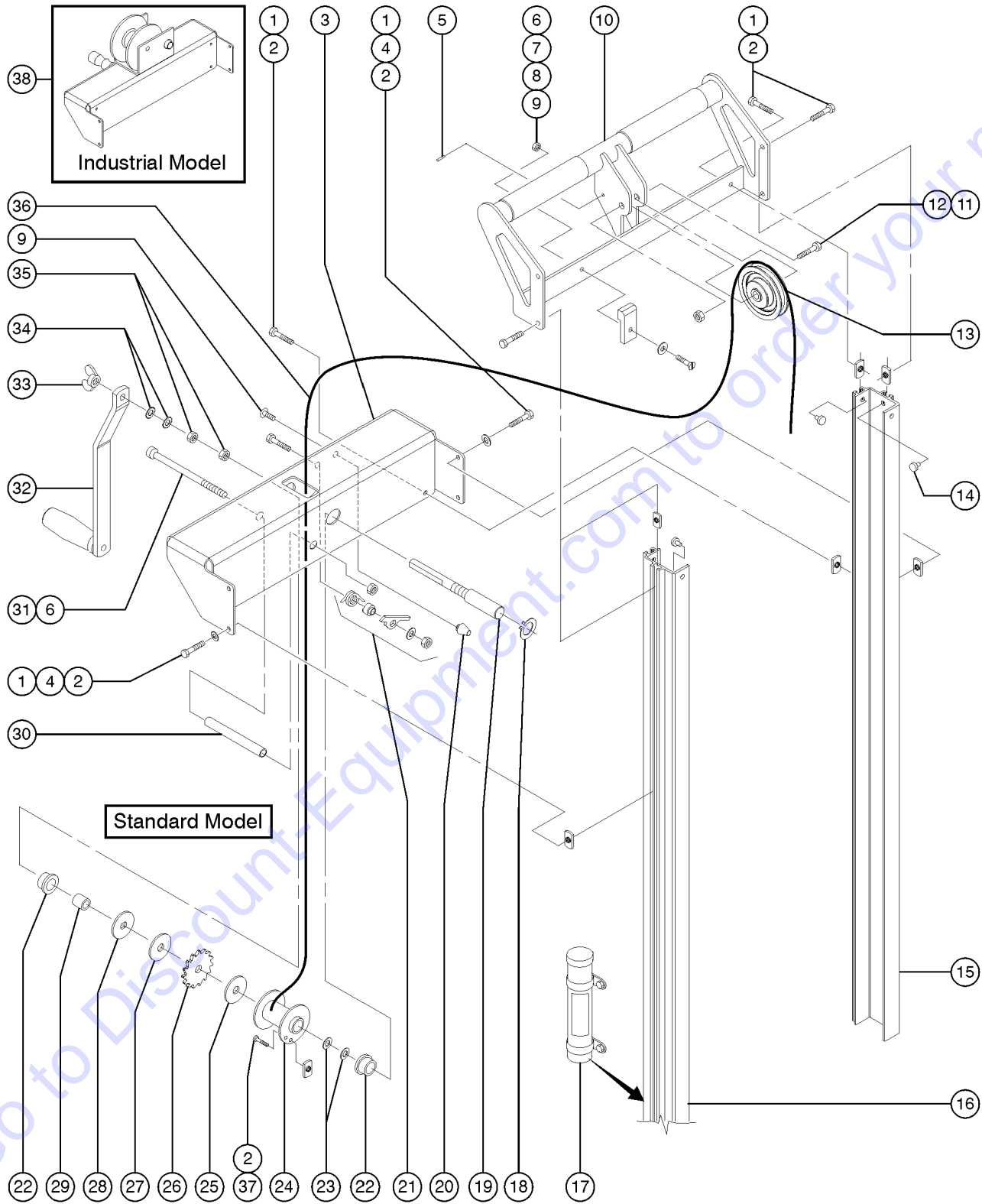
201.1 Folding Legs and Rear Wheels



201.1 Folding Legs and Rear Wheels

Item	Part No.	Description	Qty.	Item	Part No.	Description	Qty.
--	85281GT	FOLDING LEG ASSY (LL) <i>(includes items 10, 12, 15-22, 24, 26 and 28)</i>		25	35571GT	CASTER WITH MOUNTING BRACKET.....2 <i>(front caster option) (Quantity listed may not reflect specific model configuration requirements.)</i>	
1	6564GT	WASHER, SHIM,.765 X 1.312 X .093		--	35550P-SGT	BRACKET,CASTER MNT."GRAY"	
2	32453GT	WHEEL,PERFORMA,8 X 2.....2 <i>(to SN 3300-3245)</i>		--	35553GT	CASTER,PLT. 2.0 X .75	
2A	57787-SGT	KIT,WHEEL,TPE,8 X 2,3/4,1/2 <i>(from SN 3300-3246) (shown)</i>		26	35645GT	LEG,MACHINED R.H.....1	
--	35909GT	WHEEL,8" PNEUMATIC		27	35190GT	ANGLE,REINFORCEMENT,BASE L/L....1	
3	85312GT	KIT,PIN.....2		28	35559GT	PLATE,BASE WITH DECAL,RS,GLL.....1	
4	57198GT	TUBE, AXLE, L.L. **.....2 <i>to SN 8821</i>		29	35916GT	GLIDE STRIP,L.L.....2	
4A	230353GT	AXLE, L.L., 6 HOLE <i>from SN 8822 to 8831</i>		30	11974GT	RIVET,MAGNALOK,.192 #7.....6	
4B	57198GT	TUBE, AXLE, L.L. ** <i>from SN 8832</i>		31	35570GT	STAIR GLIDE ASSEMBLY,RS,GLL.....1 <i>(includes item 29 and 3 item 30)</i>	
5	35194GT	OUTER FRAME CHANNEL R.H.-GLL....1		31A	35570GT	STAIR GLIDE ASSEMBLY,RS,GLL.....1 <i>(to SN LL08-7751) (includes items 29 and 30)</i>	
6	11890GT	GLIDE BUTTON,SIDE,GLL,.100 TK.....6		31B	124471GT	STAIR GLIDE ASSEMBLY,RH,LL <i>(from SN 7752) (includes items 29 and 30)</i>	
7	35195GT	OUTER FRAME CHANNEL L.H.-GLL....1		32	23903GT	SCREW,FHS,1/4-20 X .5 BLACK	
8	10587GT	SCREW,HHC,1/2-13 X.75 <i>(GR 5)</i>					
9	35569GT	STAIR GLIDE ASSEMBLY,LS,GLL.....1 <i>(includes item 29 and 3 item 30)</i>					
9A	35569GT	STAIR GLIDE ASSEMBLY,LS,GLL.....1 <i>(to SN LL08-7751) (includes items 29 and 30)</i>					
9B	124469GT	STAIR GLIDE ASSEMBLY,LH,LL <i>(from SN 7752) (includes items 29 and 30)</i>					
10	7339GT	SCREW,HHC,1/4-20 X .5 <i>(GR 5)</i>					
11	6356GT	WASHER,LOCK,.25					
12	35991GT	NUT,WELD 1/4-20, PLATED L.L.**					
13	6091GT	NUT,NYLOCK,1/4-20					
14	6090GT	SCREW,HHC,1/4-20 X .75					
15	35558GT	PLATE,BASE WITH DECAL,LS,LL.....1					
16	35649GT	SCREW,LEG PIVOT L L.....2					
17	6052GT	WASHER,SHIM,.5 X .875 X .063					
18	4828GT	NUT,NYLOCK,3/8-16					
19	35994GT	SPRING,LEG,LOAD LIFTER.....2					
20	6889GT	NUT,LP NYLOCK,1/4-20					
21	22283GT	SCREW,SHC,1/4-20 X .75.....2					
22	35646GT	LEG,MACHINED L.H.....1					
23	37258GT	EXTRUSION PLASTIC, 1.5LG.....2 <i>(Quantity listed may not reflect specific model configuration requirements.)</i>					
24	35648GT	LEG STIFFENER L.L.....1					

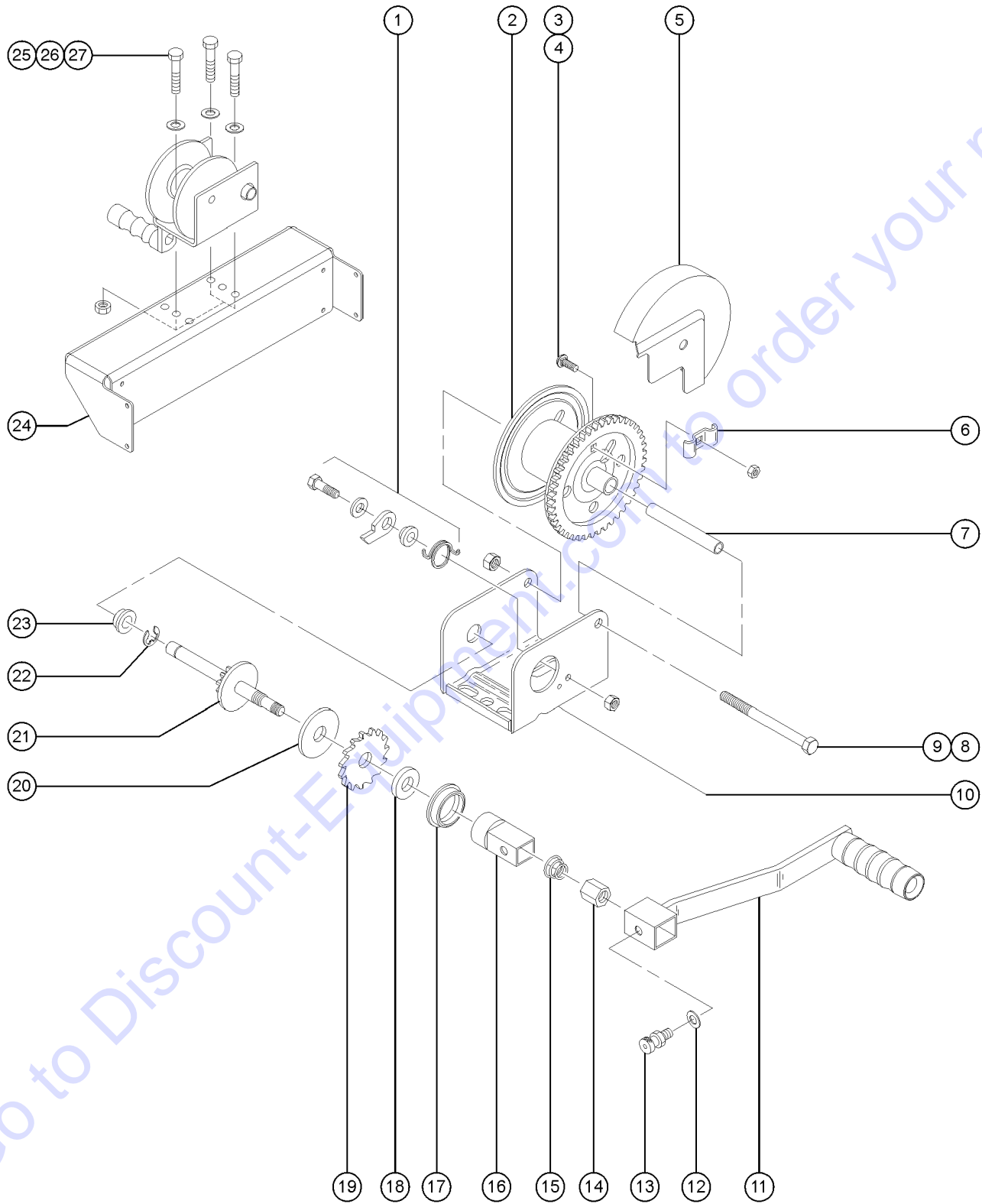
301.1 Outer Frame and Attached Parts



301.1 Outer Frame and Attached Parts

Item	Part No.	Description	Qty.	Item	Part No.	Description	Qty.
1	7339GT	SCREW,HHC,1/4-20 X .5		--	6653GT	CLAMP,1.88,#30 X 1/4,RUB CUSH.....	2
2	35991GT	NUT,WELD 1/4-20, PLATED L.L.**		--	7339GT	SCREW,HHC,1/4-20 X .5.....	2
3	35556GT	BRACKET,WINCH WITH DECALS. GLL.....1 (to SN LL04-6053) (models with word decal)		18	44891GT	RETAIN RING,EXT.,,7X.078 PLTD.....	2
3A	107224GT	BRACKET,WINCH W/WORD DECALS.LL (from SN LL04-6054) (standard models with word decal)		19	35623GT	SHAFT,DIRECT WINCH.....	1
3B	107225GT	BRACKET,WINCH W/SYMBOL DECALS (from SN LL04-6054) (standard models with symbol decal)		20	29849GT	BUMPER,RUBBER,1" TALL X 3/8 DIA..... (to SN LL08-8060)	1
3C	145140GT	FORMING, WINCH MOUNT Industrial models		20A	124906GT	NUT,WELL 1/4-20..... (from SN LL08-8061)	1
4	6356GT	WASHER,LOCK,,.25		21	35557GT	RATCHET KIT, GLL.....	1
5	22547GT	PIN,ROLL,,188 X 1.25**.....	1	--	29849GT	BUMPER,RUBBER,1" TALL X 3/8 DIA	
6	6091GT	NUT,NYLOCK,1/4-20		--	35634GT	RATCHET PAWL,LOAD LIFTER	
7	124914GT	KIT,LATCH SHIM,LL (to SN LL08-8060)		--	35918GT	SPACER,RATCHET LOAD LIFTER.	
7A	124913GT	SHIM,LATCH RELEASE (from SN LL08-8061)		--	35989GT	SPRING,RATCHET L.L.	
8	6638GT	WASHER,FLAT,USS,1/4"Y		--	4828GT	NUT,NYLOCK,3/8-16	
9	14182GT	SCREW,FHS,1/4-20 X 1 (from SN LL08-8061)		--	5397GT	WASHER,FLAT,USS,5/16",Y	
10	35537GT	HANDLE ASSEMBLY, GLL..... (includes item 5)	1	--	8516GT	SCREW, HCC, 3/8-16 X 1.50	
--	35983GT	HANDLE GRIP,LL		22	35920GT	BUSHING,BRONZE,,.75 X 1.0 X .62.....	2
11	5224GT	SCREW,HHC,3/8-16 X 2		23	6563GT	WASHER,SHIM,,.75 X 1.125 X.030	
12	4828GT	NUT,NYLOCK,3/8-16		24	35650GT	WINCH DRUM,LOAD LIFTER.....	1
13	35914GT	SHEAVE,2.75 LOAD LIFTER**.....	1	25	35629GT	BRAKE DISK,DIRECT WINCH.....	1
14	11890GT	GLIDE BUTTON,SIDE,GLL,,100 TK.....	6	26	35625GT	GEAR,RATCHET LOAD LIFTER.....	1
15	35195GT	OUTER FRAME CHANNEL L.H.-GLL.....	1	27	35630GT	BRAKE DISK,ULTREX UHMW.....	1
16	35194GT	OUTER FRAME CHANNEL R.H.-GLL.....	1	28	35626GT	PLATE,END CAP.....	1
17	115374GT	INSTRUCTION TUBE ASSY,WORD..... (includes decal)	1	29	35922GT	SPACER,WINCH HANDLE.....	1
--	31822GT	CAP,INSTRUCTION TUBE (RED)		30	40703-341GT	TUBE,HYD,SS .375 X .049 WL.....	1
--	35991GT	NUT,WELD 1/4-20, PLATED L.L.**.....	2	31	11413GT	SCREW,HHC,1/4-20 X 4	
--	6356GT	WASHER,LOCK,,.25.....	2	32	16342GT	WINCH HANDLE-O.A.LENGTH-11".....	1
--	6600GT	INSTRUCT.TUBE W/CAPS-1.75 X 12.....	1	33	8886GT	NUT,WING,1/2-13	
--	6653GT	CLAMP,1.88,#30 X 1/4,RUB CUSH.....	2	34	8887GT	WASHER,STAR,EXTERNAL,,.5	
--	7339GT	SCREW,HHC,1/4-20 X .5.....	2	35	6034GT	NUT,HEX,JAM,1/2-13	
17A	115375GT	INSTRUCTION TUBE ASSY,SYMBOL.... (includes decal)	1	36	35543GT	CABLE ASSEMBLY, GLL-95**..... Standard model	1
--	31822GT	CAP,INSTRUCTION TUBE (RED)		36A	40167GT	CABLE ASSEMBLY, LL IND Industrial model	
--	35991GT	NUT,WELD 1/4-20, PLATED L.L.**.....	2	37	12011GT	SCREW,BHHS,1/4-20 X .5,Y/ZINC.....	1
--	6356GT	WASHER,LOCK,,.25.....	2	38		WINCH, INDUSTRIAL MODELS refer to 301.2	
--	6600GT	INSTRUCT.TUBE W/CAPS-1.75 X 12.....	1				

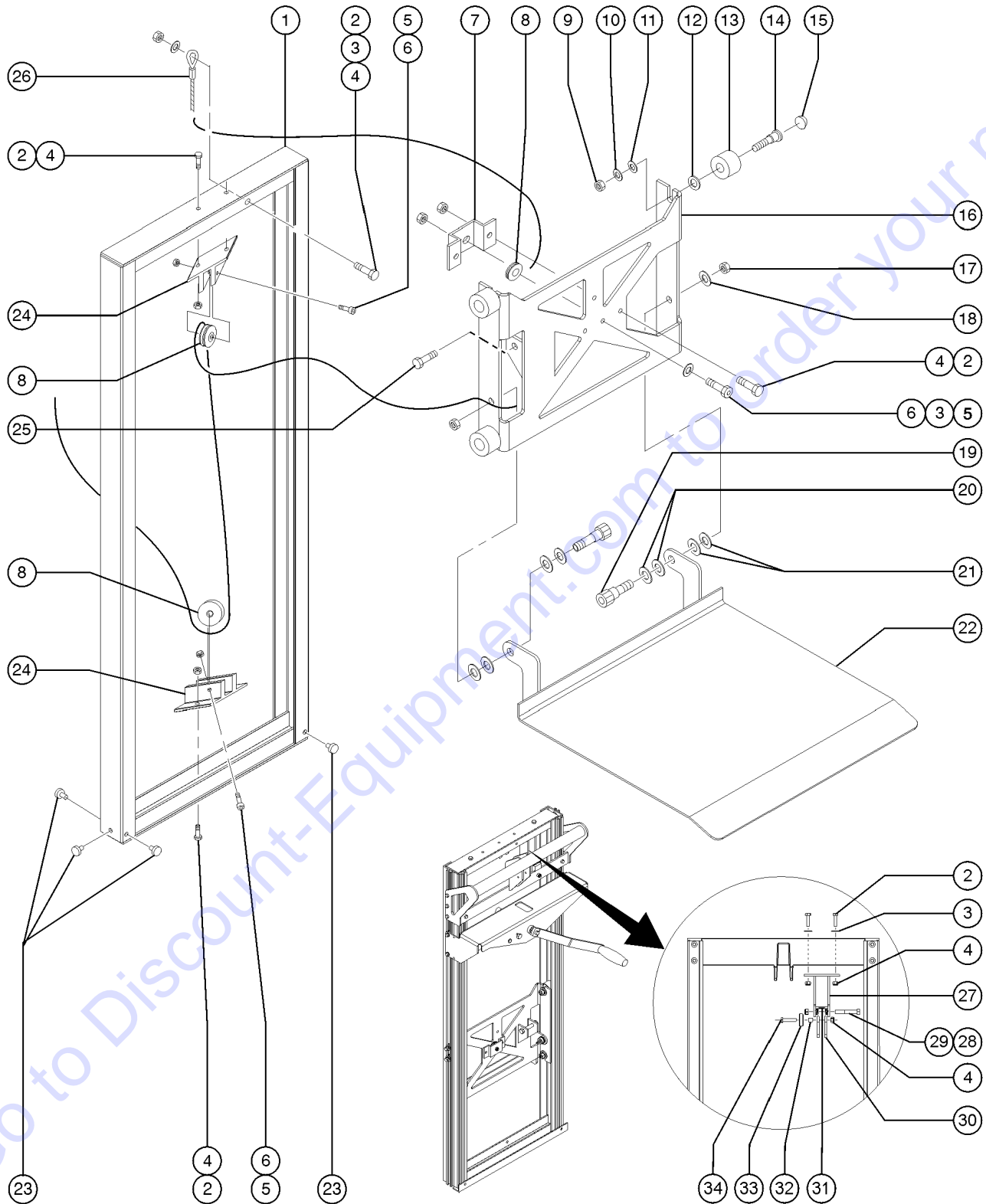
301.2 Industrial Winch Assembly



301.2 Industrial Winch Assembly

Item	Part No.	Description	Qty.
--	37023GT	WINCH,GENIE LIFT (DLB800) <i>does not include the handle</i>	
--	37149GT	WINCH ASSY (DLB800)*** <i>complete; includes the handle and fasteners</i>	
1	37068GT	RATCHET KIT,DLB800.....1 <i>(includes mounting fasteners)</i>	
2	85183GT	CABLE DRUM-DLB800A**	
3	6878GT	BOLT,CARRIAGE,1/4-20 X .75,G2.....1	
4	6357GT	NUT,HEX,1/4-20	
5	37066GT	COVER,GEAR,DLB800.....1	
6	37065GT	CABLE KEEPER, DLB800.....1	
7	37067GT	SPACER,DRUM BOLT,DLB800.....1	
8	12981GT	SCREW,HHC,3/8-16 X 4.5	
9	12012GT	NUT,LOCK,3/8-16	
10	85185GT	WINCH FRAME-DLB800A**	
11	37151GT	WINCH HANDLE ASSY.....1 <i>(includes items 12-13)</i>	
--	1257748GT	ASSEMBLY,WINCH HANDLE, GL/LL.....1 <i>(replaced 37255)</i>	
12	124781GT	WASHER,FLAT,0.625X.875X.031	
13	6825GT	PIN,OUTRIGGER LOCK.....1	
14	85060GT	NUT,HANDLE ADAPTER	
15	37060GT	SPRING, WINCH HANDLE.....1	
16	37069GT	HANDLE ADAPTER WELDMENT.....1	
17	85182GT	SINTERED IRON BEARING,1-1/4**	
18	37063GT	PINION PLATE, DLB800.....1	
19	37062GT	RATCHET GEAR, DLB800.....1	
20	37061GT	BRAKE FACE,DLB800.....1	
21	85184GT	PINION SHAFT-DLB800A*	
22	37058GT	RETAINER RING,0.625.....1	
23	37057GT	BUSHING,PINION SHAFT,SM,DLB800.....1	
24		WINCH MOUNT.....1 <i>refer to 301.1</i>	
25	6175GT	SCREW,HHC,3/8-16 X 1.....3	
26	6097GT	WASHER,FLAT,USS,3/8",Y.....3	
27	4828GT	NUT,NYLOCK,3/8-16.....3	

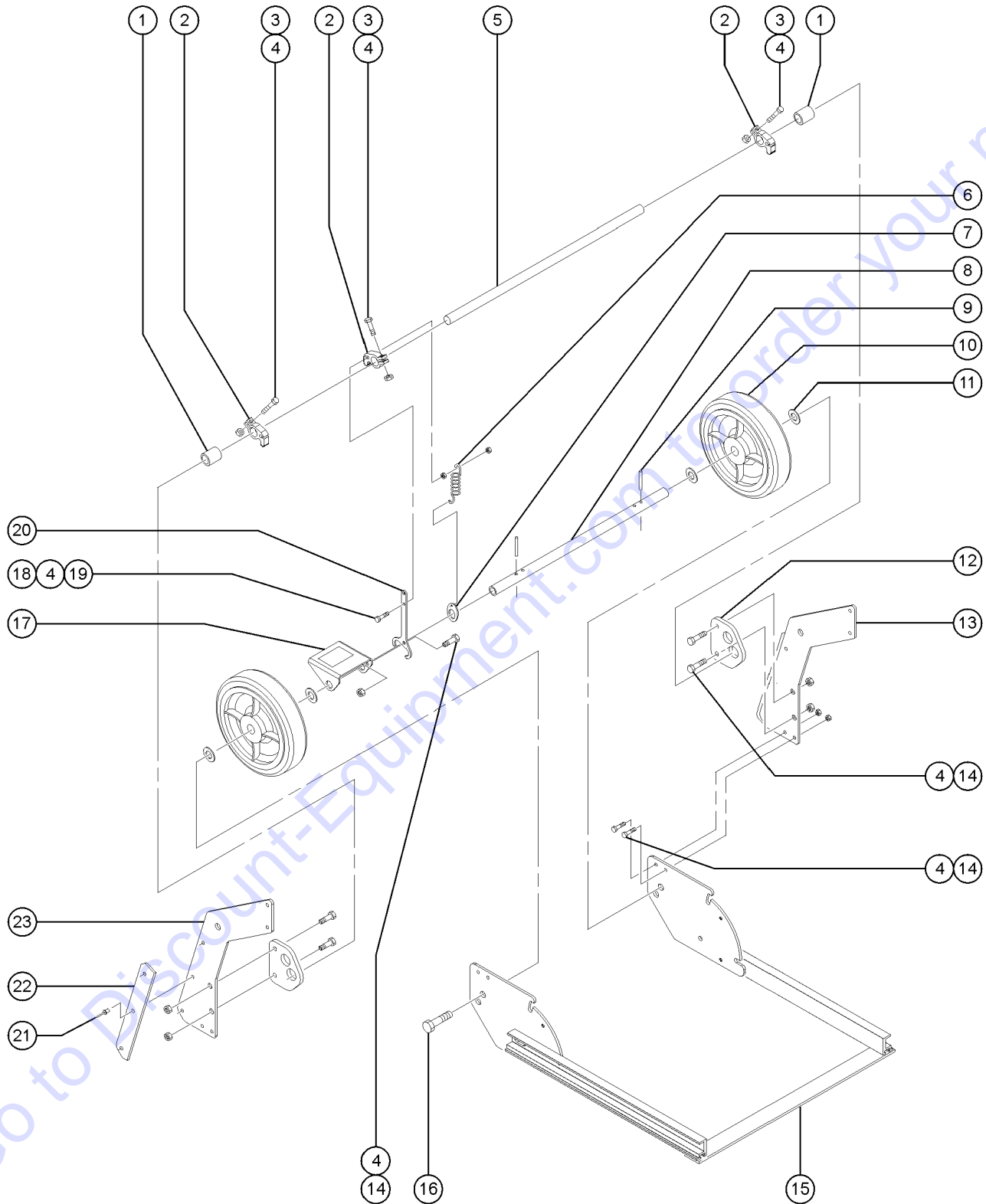
302.1 Load Platform and Inner Frame Assembly



302.1 Load Platform and Inner Frame Assembly

Item	Part No.	Description	Qty.	Item	Part No.	Description	Qty.
--	124501GT	LOADLIFTER LATCH KIT (to SN LL08-7751)		27B	124908GT	KIT,LL LATCH (from SN LL08-7752 to 8046)	
--	124501GT	LOADLIFTER LATCH KIT (to SN LL08-7751)		27C	124903GT	WELDMENT,LATCH BRACKET,LL (from SN LL08-8047)	
--	90337GT	BOE LUBE.....1 aluminum dry lubricant	1	28	6-5205-16GT	SCREW,HHC,5/16-18 X 2.00,GR8 (from SN LL08-7752)	
1	35582GT	INNER FRAME W/ DECAL, GLL.....1 Standard model	1	29	6782GT	NUT,NYLOCK,5/16-18 (from SN LL08-7752)	
1A	145292GT	INNER FRAME W/DECAL IND LL Industrial model		30	124908GT	KIT,LL LATCH (to SN LL08-8046) (replaced 124463)	
2	6090GT	SCREW,HHC,1/4-20 X .75		30A	124904GT	HOOK,CARRIAGE LATCH,LL (from SN LL08-8047)	
3	6638GT	WASHER,FLAT,USS,1/4"Y		31	124984GT	SPRING,TORSION,45 DEGREE (from SN LL08-7752)	
4	6091GT	NUT,NYLOCK,1/4-20		32	35732GT	SPACER,TUBE,1/4 X 3/8 ** (from SN LL08-7752)	
5	6584GT	SCREW,SHS,10-24 X .625		33	109949GT	ROLLER,LATCH RELEASE (from SN LL08-7752)	
6	5365GT	NUT,NYLOCK,10-24		34	8915GT	SCREW,HHC,1/4-20 X 1.25 (from SN LL08-7752)	
7	38862GT	GUARD,PULLEY,GLL.....1	1				
8	11224GT	PULLEY LOAD LIFTER, W/BUSHING....3	3				
9	6054GT	NUT,HEX,3/8-24					
10	6021GT	WASHER,LOCK,.375					
11	6097GT	WASHER,FLAT,USS,3/8",Y					
12	12013GT	SHIM,.375 X .063 (quantities vary)					
12A	7267GT	WASHER,SHIM,.375 X.625X.016 AL (quantities vary)					
13	11906GT	ROLLER-NYLATRON, 1.625" O.D.....4	4				
14	21280GT	BOLT-ROLLER,3/8-24 X 1.69-ZINC.....4	4				
15	21279GT	BUTTON, .800 O.D. X .281.....4	4				
16	35203GT	BRACKET-CARRIAGE.....1 (to SN LL08-7751)	1				
16A	124176GT	WELDMENT,CARRIAGE.....1 (from SN LL08-7752 (shown))	1				
17	7713GT	NUT, LP NYLOCK, 3/8-16					
18	5397GT	WASHER,FLAT,USS,5/16",Y					
19	11335GT	SCREW,SHS,3/8-16 X .5					
20	11978GT	WASHER,FLAT,NYLON.515X.88X.093					
21	6052GT	WASHER,SHIM,.5 X .875 X .063					
22	35185GT	WELDMENT,PLATFORM L.L.....1	1				
23	11890GT	GLIDE BUTTON,SIDE,GLL,.100 TK.....6	6				
24	35200GT	BRACKET,PULLEY MOUNT.....2	2				
25	6708GT	SCREW,HHC,3/8-16 X 2.25					
--	4828GT	NUT,NYLOCK,3/8-16 (not shown)					
26		Ref. Cable Assembly.....1 (refer to Figure 301.1)	1				
27	124908GT	KIT,LL LATCH (to SN LL08-8046) (replaced 124171)					
27A	124501GT	LOADLIFTER LATCH KIT (before SN LL08-7752)					

401.1 Rear Wheel Brake Option



401.1 Rear Wheel Brake Option

Item	Part No.	Description	Qty.
--	40996-sGT	OPTION,BRAKE,LOADLIFTER 5.5	
1	46161GT	SPACER,TUBE,PVC,1.00LG.....	2
2	35917-SGT	BRAKE CAM,MACHINED.....	3
3	6888GT	SCREW,HHC,1/4-20 X 1	
4	6091GT	NUT,NYLOCK,1/4-20	
5	35223-1850GT	ROUNDBAR,ALUM .75.....	1
6	37112GT	SPRING,BRAKE LINKAGE, GL.....	1
7	37113GT	WASHER,FLAT,RETAINING,.781	
8	85311GT	KIT,AXLE LL.....	1
9	85312GT	KIT,PIN.....	2
10	32453GT	WHEEL,PERFORMA,8 X 2..... (to SN 3300-3245)	2
10A	57787-SGT	KIT,WHEEL,TPE,8 X 2,3/4,1/2 (from SN 3300-3246) (shown)	
11	6564GT	WASHER, SHIM,.765 X 1.312 X .093	
12	40700GT	PLATE,BRAKE PIVOT,LL-5.5.....	2
13	35569GT	STAIR GLIDE ASSEMBLY,LS,GLL..... (includes 3 item 21 and item 22)	1
14	6090GT	SCREW,HHC,1/4-20 X .75	
15		Ref. Folding Leg Assembly (refer to Figure 201.1)	
16	10587GT	SCREW,HHC,1/2-13 X.75 (GR 5)	
17	37114GT	PEDAL-BRAKE W/ NON SKID TAPE	
--	1259GT	TAPE,NON SKID,2" WIDE (BULK).....	3.5-inches
18	6637GT	SCREW,HHC,1/4-20 X 1.75 (GD 5)	
19	6889GT	NUT,LP NYLOCK,1/4-20	
20	35350-SGT	PLATE,BRAKE LINKAGE STOP.....	1
21	11974GT	RIVET,MAGNALOK,.192 #7.....	6
22	35916GT	GLIDE STRIP,L.L.....	2
23	35570GT	STAIR GLIDE ASSEMBLY,RS,GLL..... (includes 3 item 21 and item 22)	1

Part Number Index

The Part Number Index is a numeric index of all part numbers included in this manual. The index shows what page(s) the part is used on.

Part Number	Page	Part Number	Page	Part Number	Page
10587GT	15, 23	35629GT	17	6888GT	23
107224GT	17	35630GT	17	6889GT	15, 23
107225GT	17	35634GT	17	7267GT	21
109949GT	21	35645GT	15	7339GT	15, 17
11224GT	21	35646GT	15	7713GT	21
11335GT	21	35648GT	15	80939GT	11, 13
11413GT	17	35649GT	15	82487GT	13
115374GT	17	35650GT	17	82961GT	13
115375GT	17	35732GT	21	82962GT	13
11890GT	15, 17, 21	35909GT	15	85060GT	19
11906GT	21	35914GT	17	8516GT	17
11974GT	15, 23	35916GT	15, 23	85182GT	19
11978GT	21	35917-SGT	23	85183GT	19
12011GT	17	35918GT	17	85184GT	19
12012GT	19	35920GT	17	85185GT	19
12013GT	21	35922GT	17	85281GT	15
124176GT	21	35983GT	17	85311GT	23
124469GT	15	35989GT	17	85312GT	15, 23
124471GT	15	35991GT	15, 17	8886GT	17
124501GT	21	35994GT	15	8887GT	17
124781GT	19	37023GT	19	8915GT	21
124903GT	21	37057GT	19	90337GT	21
124904GT	21	37058GT	19	97514GT	13
124906GT	17	37060GT	19	97529GT	11
124908GT	21	37061GT	19	97532GT	13
124913GT	17	37062GT	19	97536GT	13
124914GT	17	37063GT	19		
124984GT	21	37065GT	19		
1257748GT	19	37066GT	19		
1259GT	23	37067GT	19		
12981GT	19	37068GT	19		
14182GT	17	37069GT	19		
145140GT	17	37112GT	23		
145292GT	21	37113GT	23		
16342GT	17	37114GT	23		
21279GT	21	37149GT	19		
21280GT	21	37151GT	19		
22283GT	15	37258GT	15		
22547GT	17	38862GT	21		
230353GT	15	40167GT	17		
23903GT	15	40700GT	23		
29849GT	17	40703-341GT	17		
31072GT	11	40996-sGT	23		
31822GT	17	44754GT	11		
32453GT	15, 23	44891GT	17		
33468GT	11	46161GT	23		
35185GT	21	4828GT	15, 17, 19, 21		
35190GT	15	5224GT	17		
35194GT	15, 17	52981GT	11, 13		
35195GT	15, 17	5365GT	21		
35200GT	21	5397GT	17, 21		
35203GT	21	57198GT	15		
35223-1850GT	23	57787-SGT	15, 23		
35350-SGT	23	6-5205-16GT	21		
35537GT	17	6021GT	21		
35543GT	17	6034GT	17		
35546GT	11	6052GT	15, 21		
35547GT	11	6054GT	21		
35548GT	11	6090GT	15, 21, 23		
35550P-SGT	15	6091GT	15, 17, 21, 23		
35552GT	11	6097GT	19, 21		
35553GT	15	6175GT	19		
35555GT	11	6356GT	15, 17		
35556GT	17	6357GT	19		
35557GT	17	6563GT	17		
35558GT	15	6564GT	15, 23		
35559GT	15	6584GT	21		
35567GT	11	6600GT	17		
35569GT	15, 23	6637GT	23		
35570GT	15, 23	6638GT	17, 21		
35571GT	15	6653GT	17		
35582GT	21	6708GT	21		
35623GT	17	6782GT	21		
35625GT	17	6825GT	19		
35626GT	17	6878GT	19		

The Part Description Index is an alphabetical index of all part descriptions included in this manual. The index shows what page(s) the part is used on.

- A**
- ANGLE, REINFORCEMENT, BASE L/L.....15
 ASSEMBLY, WINCH HANDLE, GL/LL.....19
 AXLE, L.L., 6 HOLE.....15
- B**
- BOE LUBE.....21
 BOLT, CARRIAGE, 1/4-20 X .75, G2.....19
 BOLT-ROLLER, 3/8-24 X 1.69-ZINC.....21
 BRACKET, CASTER MNT."GRAY".....15
 BRACKET, PULLEY MOUNT.....21
 BRACKET, WINCH W/SYMBOL DECALS.....17
 BRACKET, WINCH W/WORD DECALS.LL.....17
 BRACKET, WINCH WITH DECALS. GLL.....17
 BRACKET-CARRIAGE.....21
 BRAKE CAM, MACHINED.....23
 BRAKE DISK, DIRECT WINCH.....17
 BRAKE DISK, ULTREX UHMW.....17
 BRAKE FACE, DLB800.....19
 BUMPER, RUBBER, 1" TALL X 3/8 DIA.....17
 BUSHING, BRONZE, .75 X 1.0 X .62.....17
 BUSHING, PINION SHAFT, SM, DLB800.....19
 BUTTON, .800 O.D. X .281.....21
- C**
- CABLE ASSEMBLY, GLL-95**.....17
 CABLE ASSEMBLY, LL IND.....17
 CABLE DRUM-DLB800A**.....19
 CABLE KEEPER, DLB800.....19
 CAP, INSTRUCTION TUBE (RED).....17
 CASTER WITH MOUNTING BRACKET.....15
 CASTER, PLT. 2.0 X .75.....15
 CLAMP, 1.88, #30 X 1/4, RUB CUSH.....17
 COVER, GEAR, DLB800.....19
- D**
- DECAL, LABEL, RAISE/LOWER.....11
 DECAL, LABEL, RAISE/LOWER SYMB.....13
 DECAL, NOTICE, MAX CAP 200LBS.....11
 DECAL, SYMBOL - READ THE MANUAL.....13
 DECAL, WARNING, INJURY HAZARD.....11
 DECAL, WARNING, TIP-OVER.....11
 DECAL, CAUTION, MOVING PARTS.....11
 DECAL, CAUTION, MOVING PARTS SYM.....13
 DECAL, COSMTC, GENIE LOAD LIFTER.....11, 13
 DECAL, LABEL, OPER.MAN.STORAGE.....11
 DECAL, NOTICE, MACHINE SETUP.....11
 DECAL, WARNING, MAX CAP 91KG.....13
 DECAL, WARNING, MACHINE SAFETY.....11
 DECAL, WARNING, NO REACHING SYMB...13
 DECAL, WARNING, NO RIDERS.....11
 DECAL, WARNING, NO RIDERS SYMBOL.....13
- E**
- EXTRUSION PLASTIC, 1.5LG.....15
- F**
- FOLDING LEG ASSY (LL).....15
 FORMING, WINCH MOUNT.....17
- G**
- GEAR, RATCHET LOAD LIFTER.....17
 GLIDE BUTTON, SIDE, GLL, 100 TK.....15, 17, 21
 GLIDE STRIP, L.L.....15, 23
 GUARD, PULLEY, GLL.....21
- H**
- HANDLE ADAPTER WELDMENT.....19
 HANDLE ASSEMBLY, GLL.....17
 HANDLE GRIP, LL.....17
 HOOK, CARRIAGE LATCH, LL.....21
- I**
- INNER FRAME W/ DECAL, GLL.....21
 INNER FRAME W/DECAL IND LL.....21
 INSTRUCT.TUBE W/CAPS-1.75 X 12.....17
 INSTRUCTION TUBE ASSY, SYMBOL.....17
 INSTRUCTION TUBE ASSY, WORD.....17
- K**
- KIT, AXLE LL.....23
 KIT, LATCH SHIM, LL.....17
 KIT, LL LATCH.....21
 KIT, PIN.....15, 23
 KIT, WHEEL, TPE, 8 X 2, 3/4, 1/2.....15, 23
- L**
- LEG STIFFENER L.L.....15
 LEG, MACHINED L.H.....15
 LEG, MACHINED R.H.....15
 LOADLIFTER LATCH KIT.....21
- N**
- NUT, LP NYLOCK, 3/8-16.....21
 NUT, HANDLE ADAPTER.....19
 NUT, HEX, 1/4-20.....19
 NUT, HEX, 3/8-24.....21
 NUT, HEX, JAM, 1/2-13.....17
 NUT, LOCK, 3/8-16.....19
 NUT, LP NYLOCK, 1/4-20.....15, 23
 NUT, NYLOCK, 1/4-20.....15, 17, 21, 23
 NUT, NYLOCK, 10-24.....21
 NUT, NYLOCK, 3/8-16.....15, 17, 19, 21
 NUT, NYLOCK, 5/16-18.....21
 NUT, WELD 1/4-20, PLATED L.L.**.....15, 17
 NUT, WELL 1/4-20.....17
 NUT, WING, 1/2-13.....17
- O**
- OPTION, BRAKE, LOADLIFTER 5.5.....23
 OUTER FRAME CHANNEL L.H.-GLL.....15, 17
 OUTER FRAME CHANNEL R.H.-GLL.....15, 17
- P**
- PEDAL-BRAKE W/ NON SKID TAPE.....23
 PIN, OUTRIGGER LOCK.....19
 PIN, ROLL, .188 X 1.25**.....17
 PINION PLATE, DLB800.....19
 PINION SHAFT-DLB800A*.....19
 PLATE, BASE WITH DECAL, LS, LL.....15
 PLATE, BASE WITH DECAL, RS, GLL.....15
- PLATE, BRAKE LINKAGE STOP.....23
 PLATE, BRAKE PIVOT, LL-5.5.....23
 PLATE, END CAP.....17
 PULLEY LOAD LIFTER, W/BUSHING.....21
- R**
- RATCHET GEAR, DLB800.....19
 RATCHET KIT, GLL.....17
 RATCHET KIT, DLB800.....19
 RATCHET PAWL, LOAD LIFTER.....17
 RETAIN RING, EXT., 7X.078 PLTD.....17
 RETAINER RING, 0.625.....19
 RIVET, MAGNALOK, .192 #7.....15, 23
 ROLLER, LATCH RELEASE.....21
 ROLLER-NYLATRON, 1.625" O.D.....21
 ROUND BAR, ALUM .75.....23
- S**
- SCREW, HCC, 3/8-16 X 1.50.....17
 SCREW, BHHS, 1/4-20 X .5, Y/ZINC.....17
 SCREW, FHS, 1/4-20 X .5 BLACK.....15
 SCREW, FHS, 1/4-20 X 1.....17
 SCREW, HHC, 1/2-13 X .75.....15, 23
 SCREW, HHC, 1/4-20 X .5.....15, 17
 SCREW, HHC, 1/4-20 X .75.....15, 21, 23
 SCREW, HHC, 1/4-20 X 1.....23
 SCREW, HHC, 1/4-20 X 1.25.....21
 SCREW, HHC, 1/4-20 X 1.75.....23
 SCREW, HHC, 1/4-20 X 4.....17
 SCREW, HHC, 3/8-16 X 1.....19
 SCREW, HHC, 3/8-16 X 2.....17
 SCREW, HHC, 3/8-16 X 2.25.....21
 SCREW, HHC, 3/8-16 X 4.5.....19
 SCREW, HHC, 5/16-18 X 2.00, GR8.....21
 SCREW, LEG PIVOT L L.....15
 SCREW, SHC, 1/4-20 X .75.....15
 SCREW, SHS, 10-24 X .625.....21
 SCREW, SHS, 3/8-16 X .5.....21
 SERIAL # LABEL, MAT LIFT & SS**.....11, 13
 SERIAL NUM PLATE, LOAD LIFTER.....11
 SHAFT, DIRECT WINCH.....17
 SHEAVE, 2.75 LOAD LIFTER**.....17
 SHIM, .375 X .063.....21
 SHIM, LATCH RELEASE.....17
 SINTERED IRON BEARING, 1-1/4**.....19
 SPACER, DRUM BOLT, DLB800.....19
 SPACER, RATCHET LOAD LIFTER.....17
 SPACER, TUBE, 1/4 X 3/8 **.....21
 SPACER, TUBE, PVC, 1.00LG.....23
 SPACER, WINCH HANDLE.....17
 SPRING, WINCH HANDLE.....19
 SPRING, BRAKE LINKAGE, GL.....23
 SPRING, LEG, LOAD LIFTER.....15
 SPRING, RATCHET L.L.....17
 SPRING, TORSION, 45 DEGREE.....21
 STAIR GLIDE ASSEMBLY, LH, LL.....15
 STAIR GLIDE ASSEMBLY, LS, GLL.....15, 23
 STAIR GLIDE ASSEMBLY, RH, LL.....15
 STAIR GLIDE ASSEMBLY, RS, GLL.....15, 23
- T**
- TAPE, NON SKID, 2" WIDE (BULK).....23
 TUBE, AXLE, L.L. **.....15
 TUBE, HYD, SS .375 X .049 WL.....17

Part Description Index (continued)

W

WASHER, SHIM,.765 X 1.312 X .093.....15, 23
 WASHER,FLAT,0.625X.875X.031.....19
 WASHER,FLAT,NYLON.515X.88X.093.....21
 WASHER,FLAT,RETAINING,.781.....23
 WASHER,FLAT,USS,1/4"Y.....17, 21
 WASHER,FLAT,USS,3/8",Y.....19, 21
 WASHER,FLAT,USS,5/16",Y.....17, 21
 WASHER,LOCK,.25.....15, 17
 WASHER,LOCK,.375.....21
 WASHER,SHIM,.375 X.625X.016 AL.....21
 WASHER,SHIM,.5 X .875 X .063.....15, 21
 WASHER,SHIM,.75 X 1.125 X.030.....17
 WASHER,STAR,EXTERNAL,.5.....17
 WELDMENT,CARRIAGE.....21
 WELDMENT,LATCH BRACKET,LL.....21
 WELDMENT,PLATFORM L.L.....21
 WHEEL,8" PNEUMATIC.....15
 WHEEL,PERFORMA,8 X 2.....15, 23
 WINCH ASSY (DLB800)***.....19
 WINCH DRUM,LOAD LIFTER.....17
 WINCH FRAME-DLB800A**.....19
 WINCH HANDLE ASSY.....19
 WINCH HANDLE-O.A.LENGTH-11".....17
 WINCH MOUNT.....19
 WINCH, INDUSTRIAL MODELS.....17
 WINCH,GENIE LIFT (DLB800).....19

Go to Discount-Equipment.com to order your parts

California Proposition 65



WARNING

Operating, servicing and maintaining this equipment can expose you to chemicals including engine exhaust, carbon monoxide, phthalates, and lead, which are known to the State of California to cause cancer and birth defects or other reproductive harm. These chemicals can be emitted from or contained in other various parts and systems, fluids and some component wear by-products. To minimize exposure, avoid breathing exhaust, do not idle the engine except as necessary, service your equipment and vehicle in a well-ventilated area and wear gloves or wash your hands frequently when servicing your equipment or vehicle and after operation. For more information go to www.P65Warnings.ca.gov/passenger-vehicle.

Distributed By:

Go to Discount-Equipment.com to order your parts

PARTS FINDER

**Search Website
by Part Number**



**Search Manual
Library For Parts
Manual & Lookup Part
Numbers – Purchase
or Request Quote**

Search Manuals

Enter your information to help us find the right parts manual for your machine.

* Brand:

* Model:

* Serial:

* Part Number:

SEARCH

**Can't Find Part or
Manual? Request Help
by Manufacturer,
Model & Description**

Parts Order Form

Please fill in the following information to help us find the right part for your machine.

Manufacturer:	<input type="text"/>
Model:	<input type="text"/>
Description:	<input type="text"/>
Part Number:	<input type="text"/>
Quantity:	<input type="text"/>
Notes:	<input type="text"/>

Submit

Discount-Equipment.com is your online resource for quality parts & equipment.

Florida: **561-964-4949** Outside Florida TOLL FREE: **877-690-3101**

Need parts?

Click on this link: <http://www.discount-equipment.com/category/5443-parts/> and choose one of the options to help get the right parts and equipment you are looking for. Please have the machine model and serial number available in order to help us get you the correct parts. If you don't find the part on the website or on one of the online manuals, please fill out the request form and one of our experienced staff members will get back to you with a quote for the right part that your machine needs.

We sell worldwide for the brands: Genie, Terex, JLG, MultiQuip, Mikasa, Essick, Whiteman, Mayco, Toro Stone, Diamond Products, Generac Magnum, Airman, Haulotte, Barreto, Power Blanket, Nifty Lift, Atlas Copco, Chicago Pneumatic, Allmand, Miller Curber, Skyjack, Lull, Skytrak, Tsurumi, Husquvarna Target, Stow, Wacker, Sakai, Mi-T-M, Sullair, Basic, Dynapac, MBW, Weber, Bartell, Bennar Newman, Haulotte, Ditch Runner, Menegotti, Morrison, Contec, Buddy, Crown, Edco, Wyco, Bomag, Laymor, EZ Trench, Bil-Jax, F.S. Curtis, Gehl Pavers, Heli, Honda, ICS/PowerGrit, IHI, Partner, Imer, Clipper, MMD, Koshin, Rice, CH&E, General Equipment, Amida, Coleman, NAC, Gradall, Square Shooter, Kent, Stanley, Tamco, Toku, Hatz, Kohler, Robin, Wisconsin, Northrock, Oztec, Toker TK, Rol-Air, APT, Wylie, Ingersoll Rand / Doosan, Innovatech, Con X, Ammann, Mecalac, Makinex, Smith Surface Prep, Small Line, Wanco, Yanmar